

Model
2 ARTICULATED BOOM
HB70-HB80

Logbook code
7880765.0
Edition
01/2015



Page	Table code	Q.ty	Table heading		Validity
9	5502000-3.0	1	Plate kit (CRANES)		
10	5501630-1.0	1	Plate kit (Version)		
11	5501541-1.0	1	Plate kit (Version)		
12	5420082-1.0	1	BASE		
13	6240132-1.0	1	Slewing		
14	6240132-3.0	1	Slewing		
15	6240195-1.0	1	Slewing (Retaining ring)		
16	6240132-2.0	1	HYDRAULIC SYSTEM (Slewing Hydraulic jack)		
17	6240153-1.0	1	Holding valve slewing (HYDRAULIC SYSTEM)		
18	5760162-1.0	1	Stabilizer connecting rods		
19	5760162-3.0	1	Hydraulic system (CE)		
20	5760162-2.0	1	Hydraulic system (not CE)		
21	5760161-1.0	1	Stabilizer connecting rods (Extra-extensible)		
23	5760161-3.0	1	HYDRAULIC SYSTEM EXTRA-EXTENSIBLE (CE)		
24	5760161-2.0	1	HYDRAULIC SYSTEM EXTRA-EXTENSIBLE (not CE)		
25	5760164-1.0	1	Stabilizer connecting rods (Revolving)		
26	5760164-3.0	1	Hydraulic system (CE)		
27	5760164-2.0	1	Hydraulic system (not CE)		
28	5760163-1.0	1	Stabilizer connecting rods extra-extensible (Revolving)		
30	5760163-3.0	1	HYDRAULIC SYSTEM EXTRA-EXTENSIBLE (CE)		

Page	Table code	Q.ty	Table heading		Validity
31	5760163-2.0	1	HYDRAULIC SYSTEM EXTRA-EXTENSIBLE (not CE)		
32	5411095-1.0	1	CONTROL DEVICES LOCKING FOR OUTRIGGERS LEGS		
33	5411095-2.0	1	CONTROL DEVICES LOCKING FOR OUTRIGGERS LEGS		
34	6200154-1.0	1	Stabilizer Hydraulic jack (DX)		
35	6200155-1.0	1	Stabilizer Hydraulic jack (SX)		
36	6400154-1.0	1	Stabilizer Hydraulic jack		
37	6200267-1.0	1	Stabilizer Hydraulic jack (ROTATING)		
38	6400213-1.0	1	Stabilizer Hydraulic jack (ROTATING)		
39	5411269-1.0	1	STABILITY CONTROL (EN12999-A3)		
40	7880943-1.0	1	Kit (ROTATION CONTROL)		
42	7880943-1.1	1	Kit (ROTATION CONTROL)		
44	7880943-2.0	1	Kit (ROTATION CONTROL)		
46	5380038-1.0	1	ROD EXTENSION HYDRAULIC CYLINDER EXTRA-EXTENSIBLE		
47	5760222-1.0	1	Stabilizer connecting rods extra-extensible (hydraulic lengthening)		
49	5760223-1.0	1	Stabilizer connecting rods extra-extensible revolving (hydraulic)		
51	5380038-2.0	1	DOUBLE CONTROLS (Stabilizers rods)		
52	5380038-3.0	1	HYDRAULIC SYSTEM (not CE)		
53	5380039-3.0	1	HYDRAULIC SYSTEM (CE)		
54	6200268-1.0	1	HYDRAULIC SYSTEM ROD EXTENSION HYDRAULIC		
55	6400268-1.0	1	Rod extensio hydraulic (Control valve side)		

Page	Table code	Q.ty	Table heading		Validity
56	6200272-1.0	1	HYDRAULIC SYSTEM ROD EXTENSION HYDRAULIC		
57	6400272-1.0	1	ROD EXSTENSION HYDRAULIC CYLINDER (Double controls side)		
58	5400874-1.0	1	DOUBLE CONTROLS		
60	5220817-1.0	1	Control valve (6 section)		
61	5220817-3.0	1	Control valve (6 section)		
62	5220479-1.0	1	Control valve (6 section)		
63	5401573-1.0	1	DOUBLE CONTROLS (CE)		
65	5401598-1.0	1	Control unit (STABILITY CONTROL)		
67	5401573-3.0	1	DOUBLE CONTROLS (CE)		
68	5401573-4.0	1	DOUBLE CONTROLS (CE)		
69	5400879-1.0	1	DOUBLE CONTROLS		
71	5220820-1.0	1	Control valve (5 section)		
72	5430159-1.0	1	Moment limiting device		
74	5430164-1.0	1	Moment limiting device		
76	5430165-1.0	1	Moment limiting device		
78	5210012-1.0	1	1 EXTRA FUNCTION KIT CLOSED CENTRE SPOOL		
79	5210013-1.0	1	1 EXTRA FUNCTION KIT OPEN CENTRE SPOOL		
80	5210109-1.0	1	2 EXTRA FUNCTION KIT CLOSED CENTRE SPOOL		
81	5210041-1.0	1	1 EXTRA FUNCTION KIT CLOSED CENTRE SPOOL		
83	5210042-1.0	1	1 EXTRA FUNCTION KIT OPEN CENTRE SPOOL		

Page	Table code	Q.ty	Table heading		Validity
85	5210040-1.0	1	2 EXTRA FUNCTION KIT CLOSED CENTRE SPOOL		
87	3310543-1.0	1	ELECTRICS CONTROLS		
88	5400047-1.0	1	Hydraulic oil tank		
89	5400048-1.0	1	Oil reservoir		
90	3180195-1.0	1	Oil filter		
91	7888030-1.0	1	Heat exchange unit		
92	5460091-1.0	1	Column		
93	6230181-1.0	1	HYDRAULIC SYSTEM (LIFTING HYDRAULIC CYLINDER)		
94	6430181-1.0	1	LIFTING HYDRAULIC CYLINDER		
95	5470096-1.0	1	1ST BOOM		
96	6230182-1.0	1	HYDRAULIC SYSTEM (ARTICULATION HYDRAULIC JACK)		
97	6430182-1.0	1	Articulation Hydraulic jack		
98	5480105-1.0	1	2nd BOOM		
99	5490097-1.0	1	1st EXTENSION		
100	6210403-1.0	1	HYDRAULIC SYSTEM (1st EXSTENSION HYDRAULIC)		
102	6410414-1.0	1	Extension Hydraulic jack		
103	5490094-1.0	1	1st EXTENSION		
104	6210402-1.0	1	HYDRAULIC SYSTEM (1st EXSTENSION HYDRAULIC)		
106	6410415-1.0	1	1st EXSTENSION HYDRAULIC		
107	5530053-1.0	1	2nd EXTENSION		

Table index

Logbook code

7880765.0

3/6

Page	Table code	Q.ty	Table heading		Validity
108	6210414-1.0	1	HYDRAULIC SYSTEM (2nd EXTENSION HYDRAULIC JACK)		
109	6210415-1.0	1	HYDRAULIC SYSTEM (2nd EXTENSION HYDRAULIC JACK)		
110	5540059-1.0	1	3rd EXTENSION		
111	6210399-1.0	1	HYDRAULIC SYSTEM (3rd extension Hydraulic jack)		
112	6210400-1.0	1	HYDRAULIC SYSTEM (3rd extension Hydraulic jack)		
113	5560048-1.0	1	4th EXTENSION		
114	6210401-1.0	1	HYDRAULIC SYSTEM (4th extension Hydraulic jack)		
115	7800006-1.0	1	Manual extension (1st)		
116	7800007-1.0	1	Manual extension (1st)		
117	7800008-1.0	1	Manual extension (1st)		
118	7800009-1.0	1	Manual extension (1st)		
119	5410987-1.0	1	HOOK KIT		
120	7881824-1.0	1	LOAD INDICATION SYSTEM (LIS/RLC)		
121	5590210-1.0	1	1st ACTIVATION FOR 1S		
123	5590211-1.0	1	1st ACTIVATION FOR 2S		
125	5590212-1.0	1	1st ACTIVATION FOR 3S		
127	5590213-1.0	1	1st ACTIVATION FOR 4S		
129	5600092-1.0	1	2st ACTIVATION FOR 1S		
131	5600093-1.0	1	2nd ADDITIONAL ACTUATION		
132	7882394-1.0	1	KIT QUICK COUPLING		

Page	Table code	Q.ty	Table heading		Validity
133	7900339-1.0	1	SUPPORT FOR WINCH'S PULLEY KIT		
134	7900021-1.0	1	SUPPORT FOR WINCH'S PULLEY KIT		
135	7900022-1.0	1	SUPPORT FOR WINCH'S PULLEY KIT		
136	7880372-2.0	1	Assembly kit		
137			HB70-HB80 SE		
138	5420138-1.0	1	BASE		
139	5760388-1.0	1	STABILIZERS RODS SUPER EXTRA-EXTENSIBLE		
140	5760388-2.0	1	Hydraulic system (not CE)		
141	5760388-3.0	1	Hydraulic system (CE)		
142	5760395-1.0	1	STABILIZERS RODS SUPER EXTRA-EXTENSIBLE (Revolving)		
144	5760395-2.0	1	Hydraulic system (not CE)		
145	5760395-3.0	1	Hydraulic system (CE)		
146	5380051-1.0	1	ROD EXSTENSION HYDRAULIC CYLINDER (SUPER EXTRA-		
147	5380051-2.0	1	HYDRAULIC SYSTEM ROD EXTENSION HYDRAULIC		
148	5380051-3.0	1	HYDRAULIC SYSTEM ROD EXTENSION HYDRAULIC		
150	5380051-4.0	1	HYDRAULIC SYSTEM ROD EXTENSION HYDRAULIC		
151	5380051-5.0	1	HYDRAULIC SYSTEM ROD EXTENSION HYDRAULIC		
153	6200292-1.0	1	HYDRAULIC SYSTEM ROD EXTENSION HYDRAULIC		
154	6400292-1.0	1	ROD EXSTENSION HYDRAULIC CYLINDER (SUPER EXTRA-		
155			HB70 JIB1S - HB80 JIB2S		

Page	Table code	Q.ty	Table heading	Validity
156	5790057-1.0	1	CONNECTION AND CONNECTING ROD	
157	5790057-2.0	1	JIB ARM	
159	5790057-3.0	1	HYDRAULIC SYSTEM CYLINDERS	
160	5411034-1.0	1	Activation hydraulic input jib (CRANES)	
161	W440650400-1.0	1	HYDRAULIC SYSTEM (ARTICULATION HYDRAULIC JACK)	
162	W440650300-1.0	1	ARTICULATION HYDRAULIC JACK	
163	W038308-1.0	1	1st EXTENSION (JIB)	
164	W380350200-1.3	1	HYDRAULIC SYSTEM (1th extension hydraulic cylinder)	
165	W380350100-1.6	1	1st extension hydraulic jack	
166	W038303-1.1	1	2nd EXTENSION	
167	W380351000-1.0	1	HYDRAULIC SYSTEM (2nd EXTENSION)	
168	W370350100-1.6	1	2nd EXTENSION HYDRAULIC JACK	
169	5210014-1.0	1	2 extra function kit open center spool	
171	5430166-1.0	1	Moment limiting device (CE)	
174	5430166-3.0	1	Moment limiting device (CE)	
175	5430166-2.0	1	Moment limiting device (CE)	
177	5210043-1.0	1	2 extra function kit open center spool (JIB)	
179	5401573-5.0	1	DOUBLE CONTROLS (CE)	
180	5401573-6.0	1	DOUBLE CONTROLS (CE)	
181			HB70 F - HB80 F	

Page	Table code	Q.ty	Table heading	Validity
182	5420015-1.0	1	Base	
183	6240057-1.0	1	Slewing	
184	6240212-1.0	1	Slewing (Retaining ring)	
185	6240057-2.0	1	Slewing Hydraulic jack (Hydraulic system)	
186	5401143-1.0	1	CONTROLS	
188	5400310-1.0	1	CONTROLS	
190	5430105-1.0	1	Moment limiting device	
192	5460107-1.0	1	Column	
193	6230181-2.0	1	HYDRAULIC SYSTEM (LIFTING HYDRAULIC CYLINDER)	
194	6230182-2.0	1	HYDRAULIC SYSTEM (ARTICULATION HYDRAULIC JACK)	
195	6210402-3.0	1	HYDRAULIC SYSTEM (1st EXSTENSION HYDRAULIC)	
197			HB70 M	
198	6240059-1.0	1	Slewing	
199	6240199-1.0	1	Slewing (Retaining ring)	
200	6240059-2.0	1	Slewing Hydraulic jack (Hydraulic system)	
201	6230092-3.0	1	LIFTING HYDRAULIC CYLINDER (Hydraulic system)	
202	6430092-1.0	1	LIFTING HYDRAULIC CYLINDER	
203	6230219-1.0	1	HYDRAULIC SYSTEM (ARTICULATION HYDRAULIC JACK)	
204	6430219-1.0	1	Articulation Hydraulic jack	
205	6210423-1.0	1	HYDRAULIC SYSTEM (1st EXSTENSION HYDRAULIC)	

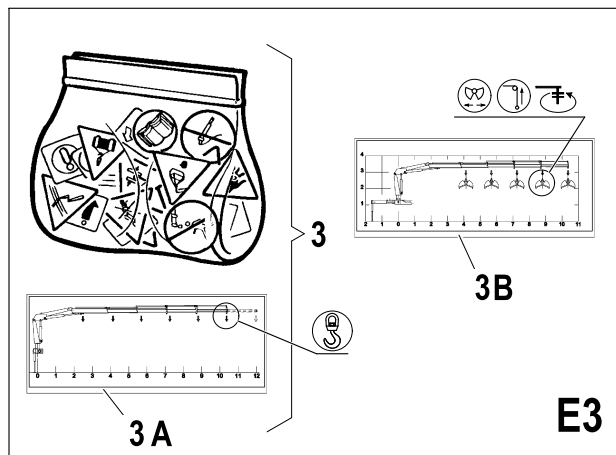
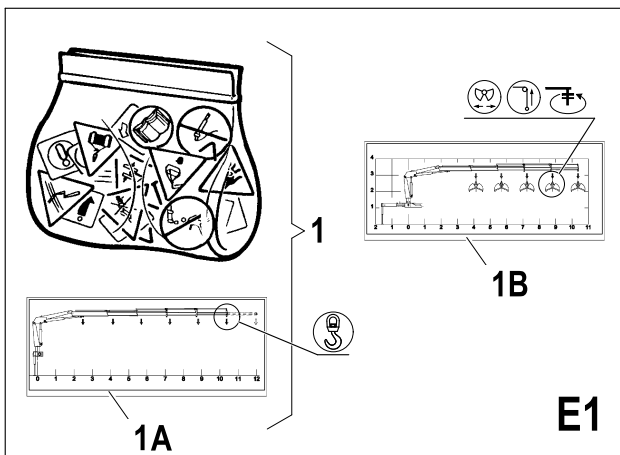
Page	Table code	Q.ty	Table heading		Validity
207	6410422-1.0	1	Extension Hydraulic jack		
208	6210421-1.0	1	HYDRAULIC SYSTEM (1st EXSTENSION HYDRAULIC)		
210	6410421-1.0	1	1st EXSTENSION HYDRAULIC		
211	6210422-1.0	1	HYDRAULIC SYSTEM (2nd EXTENSION HYDRAULIC JACK)		
212	5740231-1.0	1	ACTUATION FOR WINCH		
213	HB80 M				
214	6230220-1.0	1	LIFTING HYDRAULIC CYLINDER (Hydraulic system)		
215	6430220-1.0	1	LIFTING HYDRAULIC CYLINDER		
217	HB70X (LC)				
218	5220424-1.0	1	Control valve (5 section)		
220	5400702-1.0	1	CONTROLS		
222	5402179-1.0	1	CONTROLS (RDC)		
224	5405013-1.0	1	Auxiliary wiring (Limiting device)		
225	5405013-2.0	1	Moment limiting device		
226	3310822-1.0	1	Light column		
227	7892099-2.0	1	Complete wireless control (not CE)		
229	7892500-1.0	1	Complete wireless control (PTO)		
231	5401023-1.0	1	Auxiliary wiring (Limiting device)		
232	5400738-1.0	1	High pressure filter		
233	7881784-1.0	1	LOAD INDICATION SYSTEM (RDC)		

Page	Table code	Q.ty	Table heading		Validity
235	HB70X (LC) EN 12999 - A3				
236	5220424-2.0	1	Control valve (5 section)		
238	5401583-1.0	1	Control unit (RDC)		
240	5402187-1.0	1	Control unit (RDC)		
242	5401581-1.0	1	High pressure filter		
243	7885138-1.0	1	Light column (Horn)		
244	7892099-3.0	1	Kit (Wireless control)		
246	7892500-2.0	1	Complete wireless control (PTO)		
248	5405052-3.0	1	Kit CE (STABILITY CONTROL)		
249	5405052-8.0	1	Kit CE (STABILITY CONTROL)		
250	5405052-2.0	1	Moment limiting device (CE)		
252	5405052-6.0	1	Moment limiting device (EN12999-A3)		
253	HB70-HB80X (HAWE)				
254	5220394-1.0	1	Control valve (6 section)		
256	5401052-1.0	1	DOUBLE CONTROLS (RDC-EBB)		
259	5401052-2.0	1	CONTROLS (RDC-EBB)		
260	5400757-3.0	1	CONTROLS (RDC-EBB)		
261	5400757-4.0	1	CONTROLS (RDC-EBB)		
262	7885015-1.0	1	Pilot lamp		
263	5400757-5.0	1	CONTROLS (RDC-EBB)		

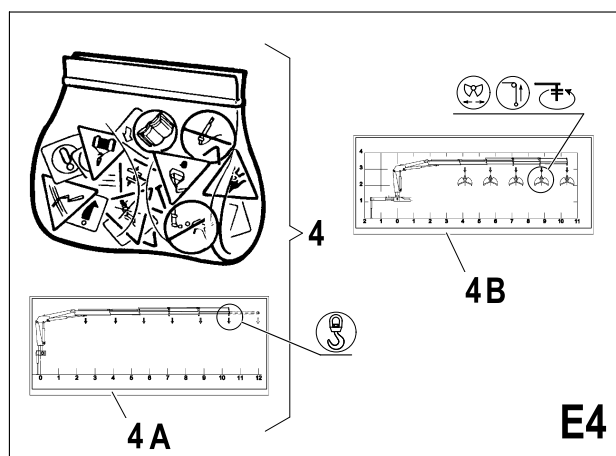
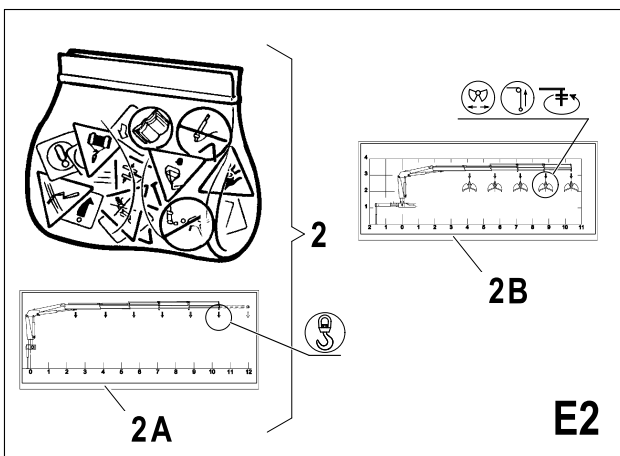
Page	Table code	Q.ty	Table heading	Validity
264	7892042-1.0	1	Wireless control kit (EU.24V)	
265	7892044-1.0	1	Wireless control kit (24V)	
266	7892041-2.0	1	Wireless control kit (USA 12V)	
267	5401006-1.0	1	High pressure filter	
269	HB70-HB80X (HAWE) EN 12999 - A3			
270	5220838-1.0	1	Control valve (6 section)	
273	5220838-2.0	1	Control valve (6 section)	
275	5401659-1.0	1	DOUBLE CONTROLS (RDC-EBB)	
278	5411205-7.0	1	ROTATION CONTROL (EN12999-A3)	
279	5411205-7.1	1	ROTATION CONTROL (EN12999-A3)	
281	5411367-6.0	1	ROTATION CONTROL (EN12999-A3)	
283	5411250-2.0	1	STABILITY CONTROL (EN12999-A3)	
285	5411363-1.0	1	STABILITY CONTROL (EN12999-A3)	
287	5411286-1.0	1	CONTROL DEVICES LOCKING FOR OUTRIGGERS LEGS (RDC-EBB)	
288	5401659-2.0	1	CONTROLS (RDC EBB-X TCU-ECM4)	
289	5401668-3.0	1	CONTROLS (RDC EBB-X TCU-ECM4)	
290	5401652-3.0	1	CONTROLS (RDC EBB-X TCU-ECM4)	
291	5401652-4.0	1	CONTROLS (RDC EBB-X TCU-ECM4)	
292	5401652-5.0	1	CONTROLS (RDC EBB-X TCU-ECM4)	
293	7892222-1.0	1	Wireless control kit (CAN BUS)	

Page	Table code	Q.ty	Table heading	Validity
------	------------	------	---------------	----------

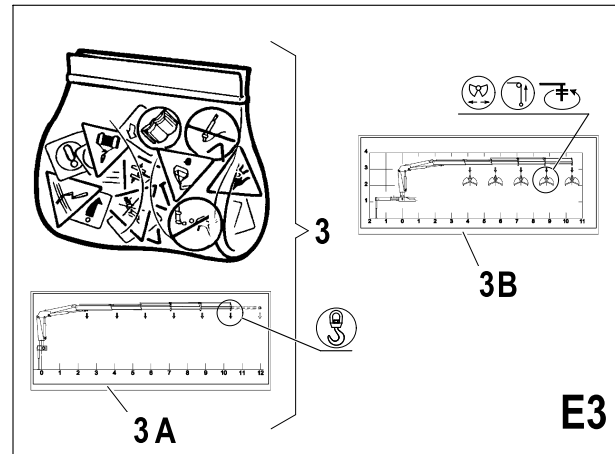
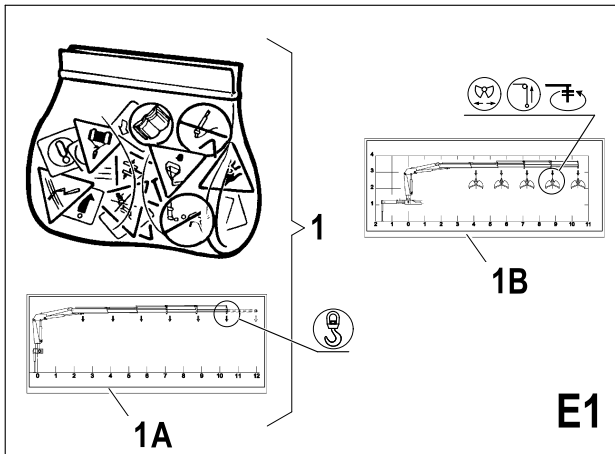
R	Pos.	Code Variant	Q.ty	Description
	1	5501630	1	
	1 A	5813123	2	
	1 B	5813127	2	
	2	5501429	1	
	2 A	5813124	2	
	2 B	5813128	2	
	3	5501628	1	
	3 A	5813125	2	
	3 B	5813129	2	
	4	5501629	1	
	4 A	5813126	2	
	4 B	5813130	2	



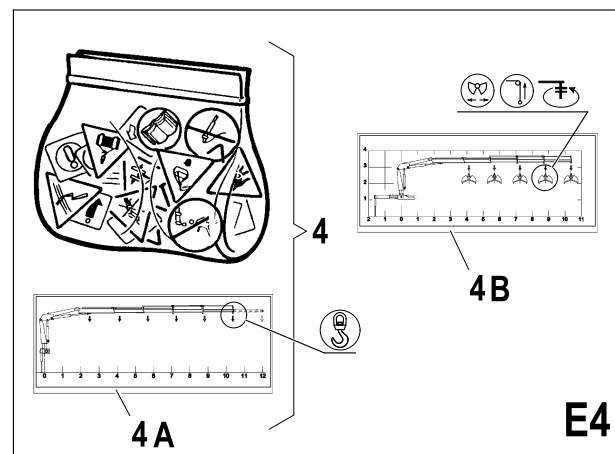
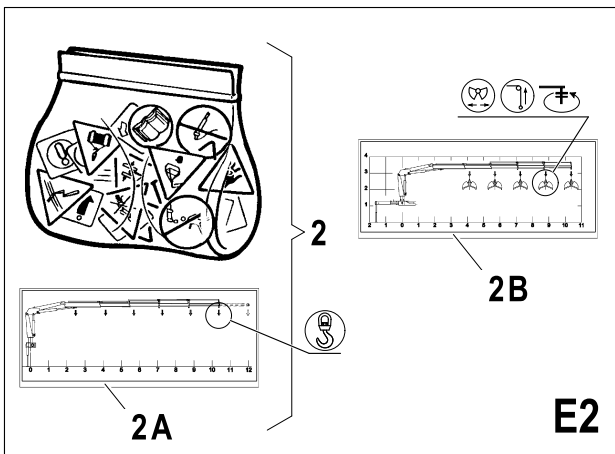
HB70



R	Pos.	Code Variant	Q.ty	Description
	1	5501541	1	
	1 A	5813209	2	
	1 B	5813213	2	
	2	5501521	1	
	2 A	5813210	2	
	2 B	5813214	2	
	3	5501579	1	
	3 A	5813211	2	
	3 B	5813215	2	
	4	5501573	1	
	4 A	5813212	2	
	4 B	5813216	2	



HB80

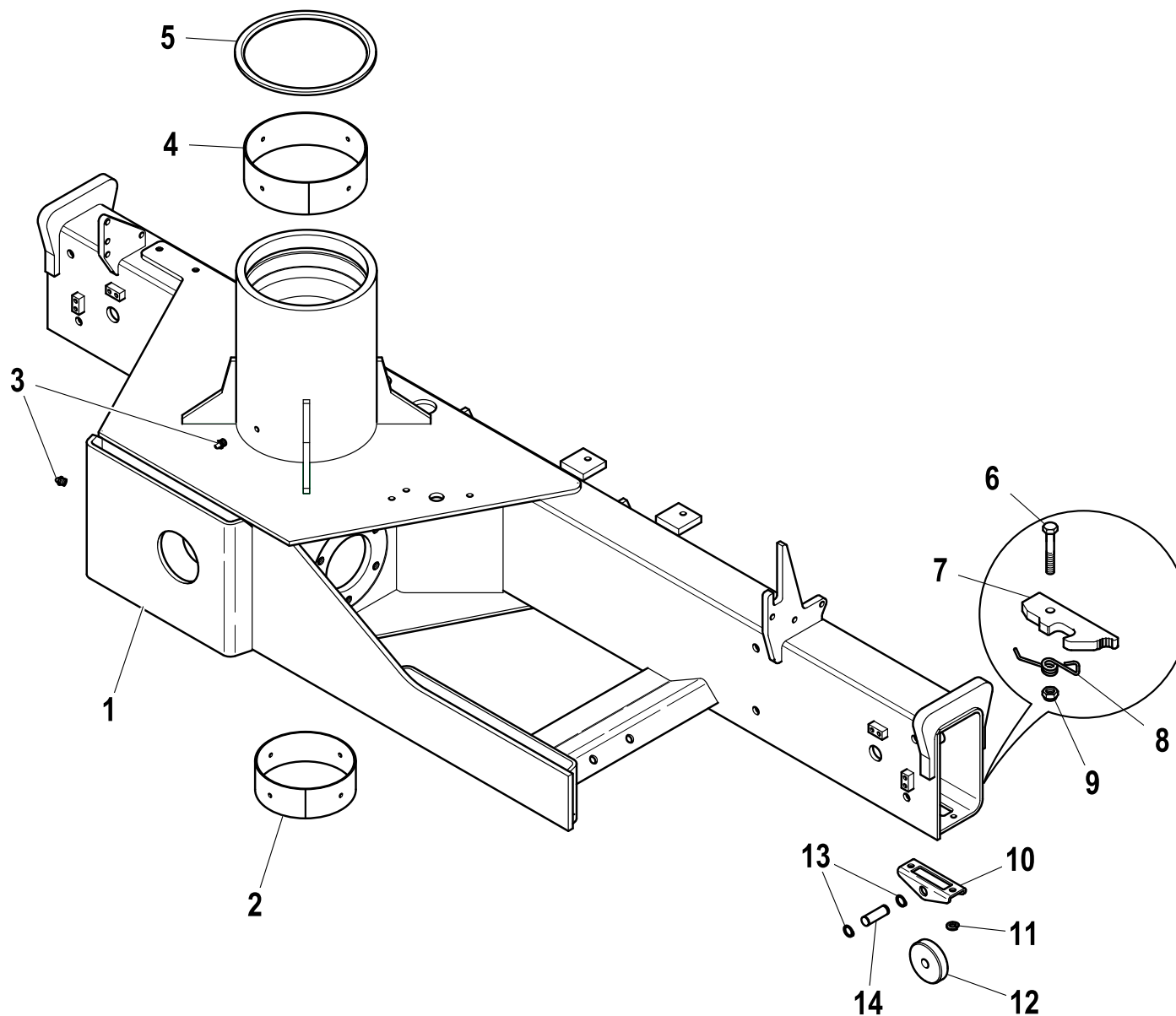


BASE

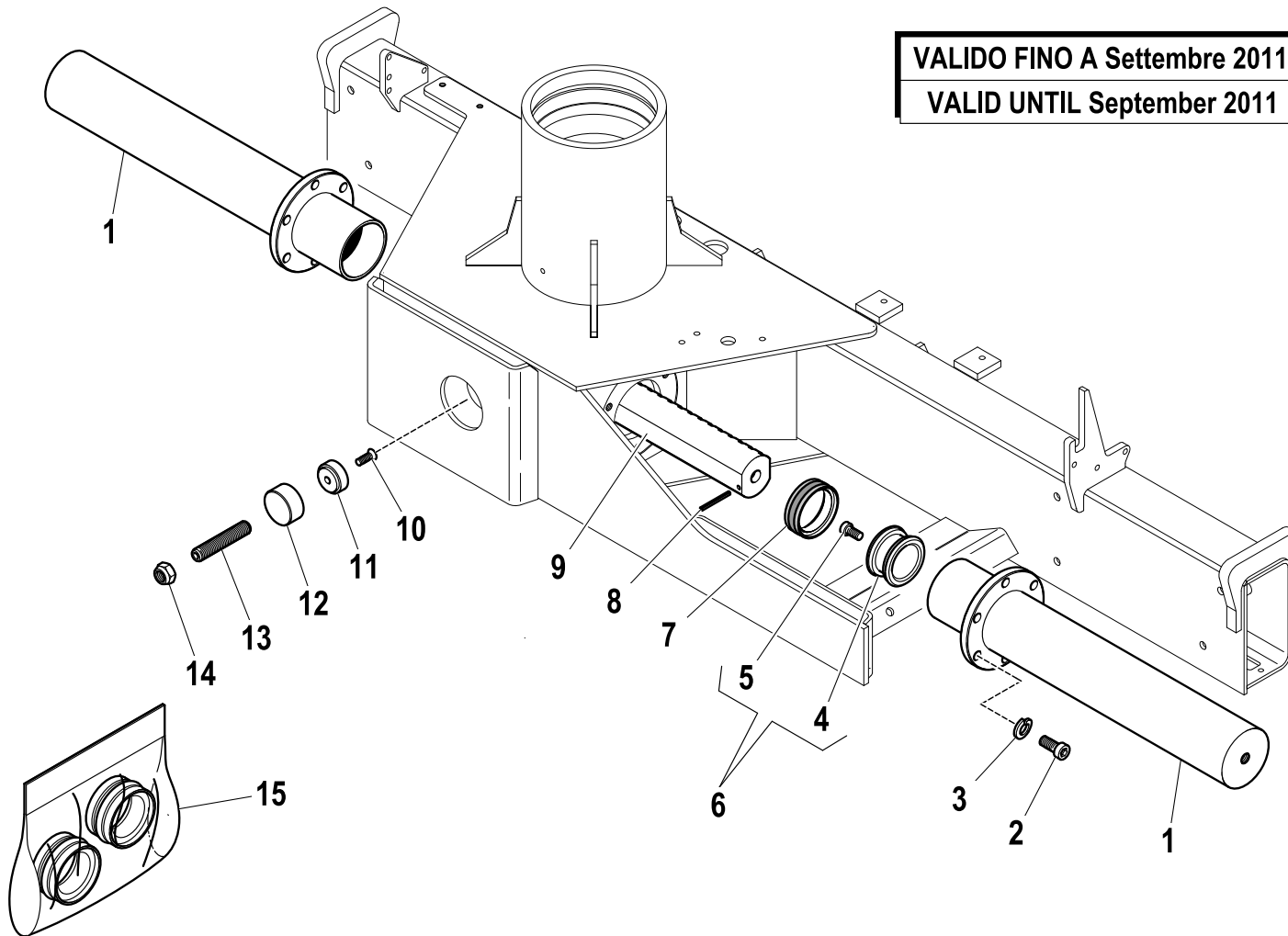
Code

5420082-1.0

1/1



R	Pos.	Code Variant	Q.ty	Description
	1	5060170	1	Base
	2	5140667	1	
	3	3080501	2	Grease nipple
	4	5140668	1	
	5	5140669	1	
	6	3010018	2	Hex screw [M6X40 8.8 ZC UNI 5737]
	7	5001431	2	
	8	3060953	2	
	9	3040372	2	Stopnut
	10	5001432	2	
	11	3060055	4	Split lock washer [D=8.4 C72 ZC]
	12	5140788	2	
	13	3070148	4	Seeger
	14	5150760	2	

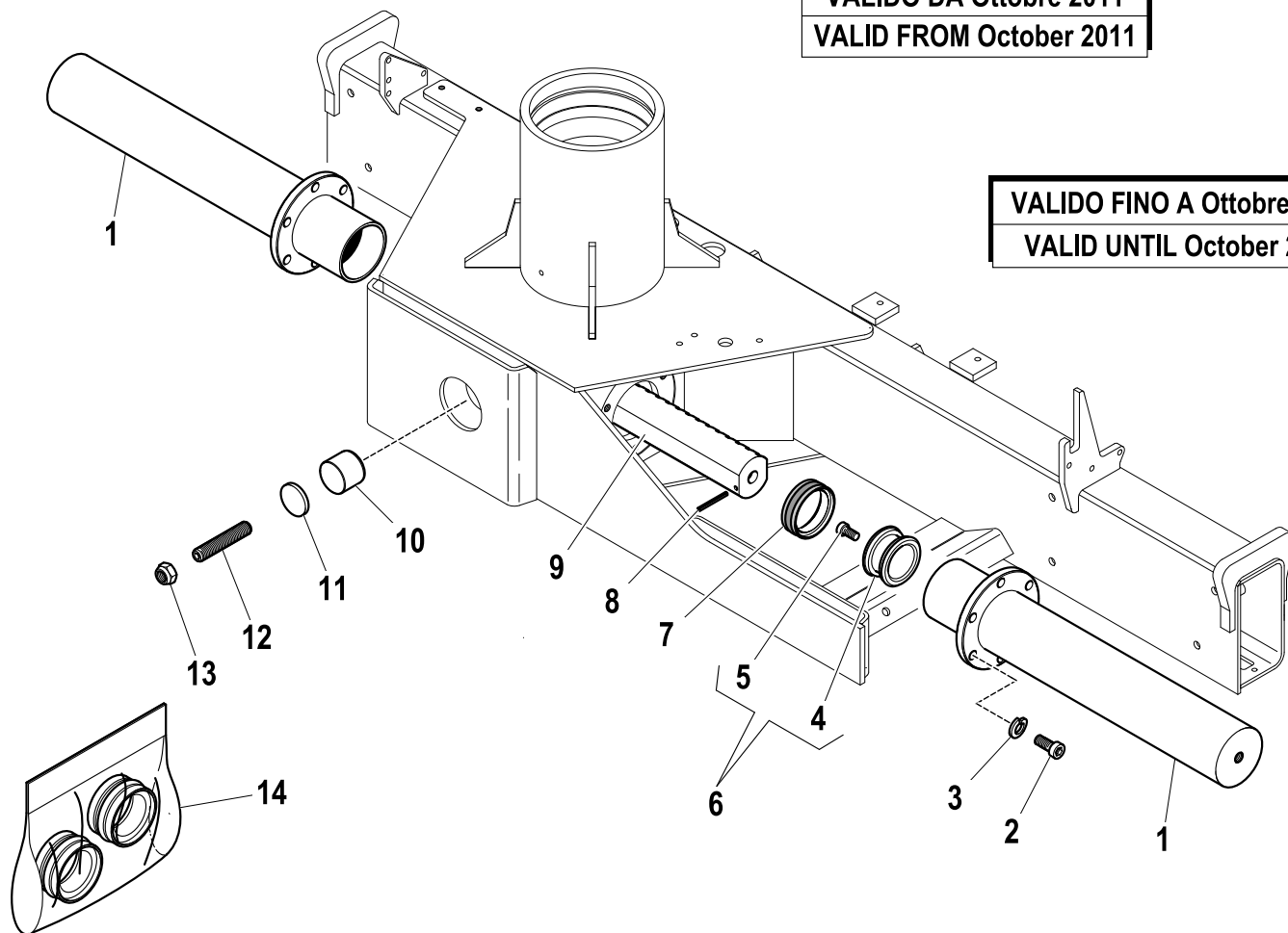


VALIDO FINO A Settembre 2011
VALID UNTIL September 2011

R	Pos.	Code Variant	Q.ty	Description
	1	6070584	2	
	2	3020109	12	Socket head cap screw [M14X35 8.8 ZC UNI 5931]
	3	3060050	12	Split lock washer [D=14 C72 ZC]
	4	6050229	1	Piston (Slewing)
	5	3020075	1	Socket head cap screw [M12X25 12.9 ZC UNI 5931]
	6	6050240	2	
	7	3400514	2	
	8	3060607	2	Spring pin
	9	5050111	1	Toothed rack
	10	3020499	1	TSEI screw [M10X25 10.9 ZC UNI 5933]
	11	5140600	1	
	12	5000229	1	
	13	3060917	1	Grub screw
	14	3040308	1	Stopnut
	15	5550680	1	Seal kit (Slewing)

VALIDO DA Ottobre 2011
VALID FROM October 2011

VALIDO FINO A Ottobre 2013
VALID UNTIL October 2013



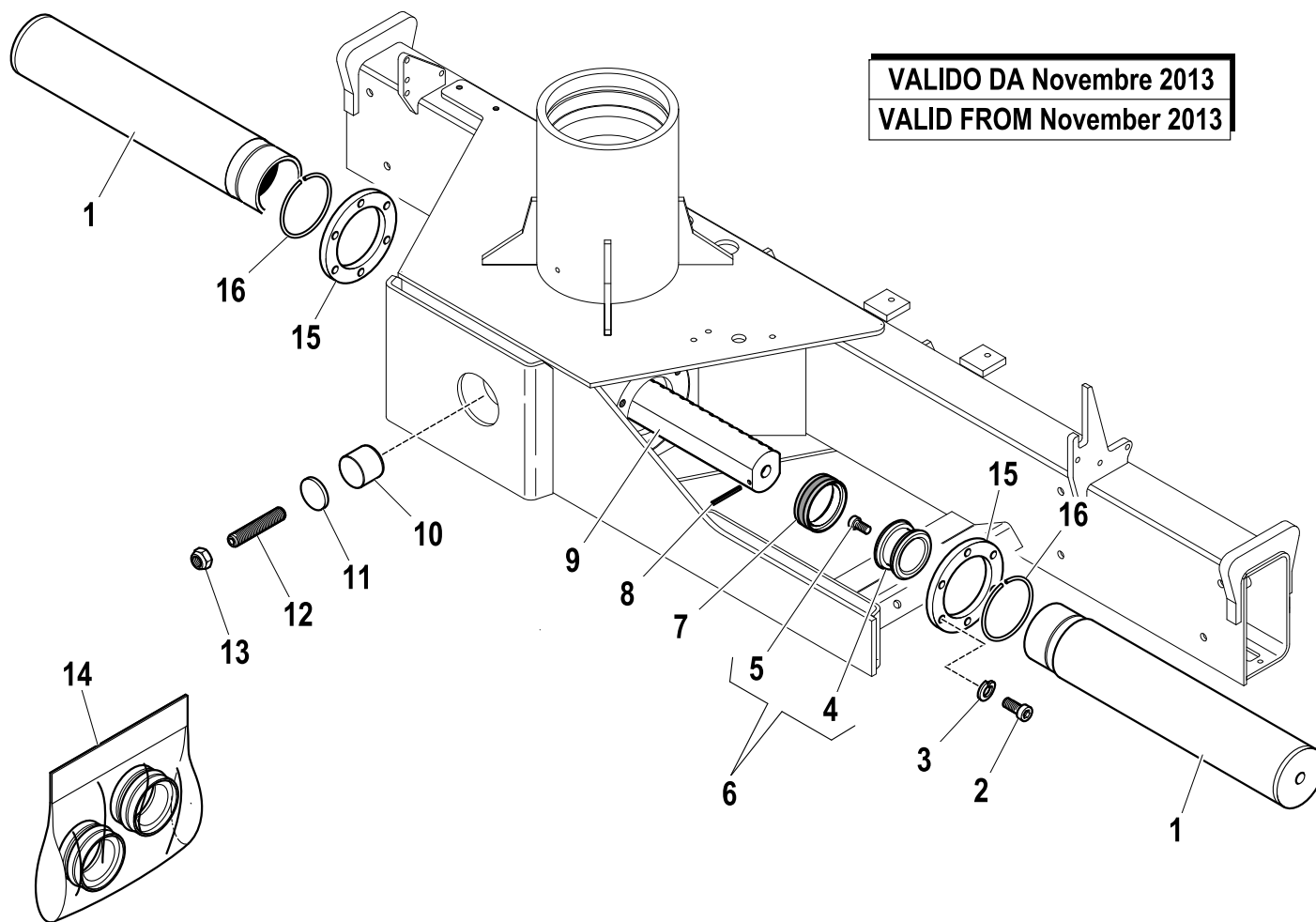
R	Pos.	Code Variant	Q.ty	Description
	1	6070584	2	
	2	3020109	12	Socket head cap screw [M14X35 8.8 ZC UNI 5931]
	3	3060050	12	Split lock washer [D=14 C72 ZC]
	4	6050229	1	Piston (Slewing)
	5	3020075	1	Socket head cap screw [M12X25 12.9 ZC UNI 5931]
	6	6050240	2	
	7	3400514	2	
	8	3060608	2	Spring pin
	9	5050111	1	Toothed rack
	10	5140781	1	
	11	5001570	1	
	12	3060917	1	Grub screw
	13	3040308	1	Stopnut
	14	5550680	1	Seal kit (Slewing)

Slewing (Retaining ring)

Code

6240195-1.0

1/1



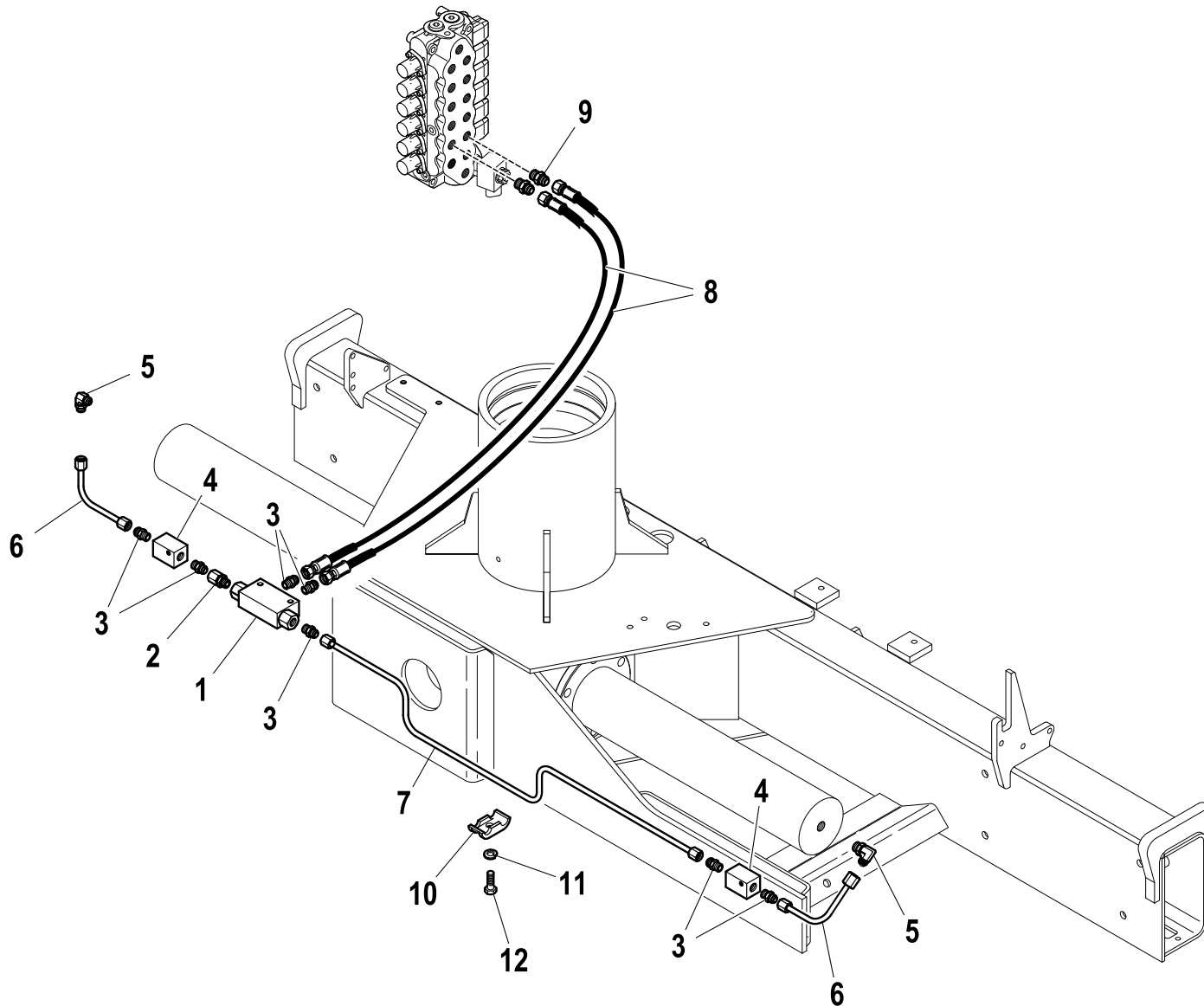
R	Pos.	Code Variant	Q.ty	Description
	1	6070708	2	Liner (Assembly)
	2	3020109	12	Socketed head cap screw [M14X35 8.8 ZC UNI 5931]
	3	3060050	12	Split lock washer [D=14 C72 ZC]
	4	6050229	1	Piston (Slewing)
	5	3020075	1	Socketed head cap screw [M12X25 12.9 ZC UNI 5931]
	6	6050240	2	
	7	3400514	2	
	8	3060608	2	Spring pin
	9	5050111	1	Toothed rack
	10	5140781	1	
	11	5001570	1	
	12	3060917	1	Grub screw
	13	3040308	1	Stopnut
	14	5550680	1	Seal kit (Slewing)
	15	5002438	2	Flange (Slewing)
	16	3070207	2	Snap ring

HYDRAULIC SYSTEM (Slewing Hydraulic jack)

Code

6240132-2.0

1/1



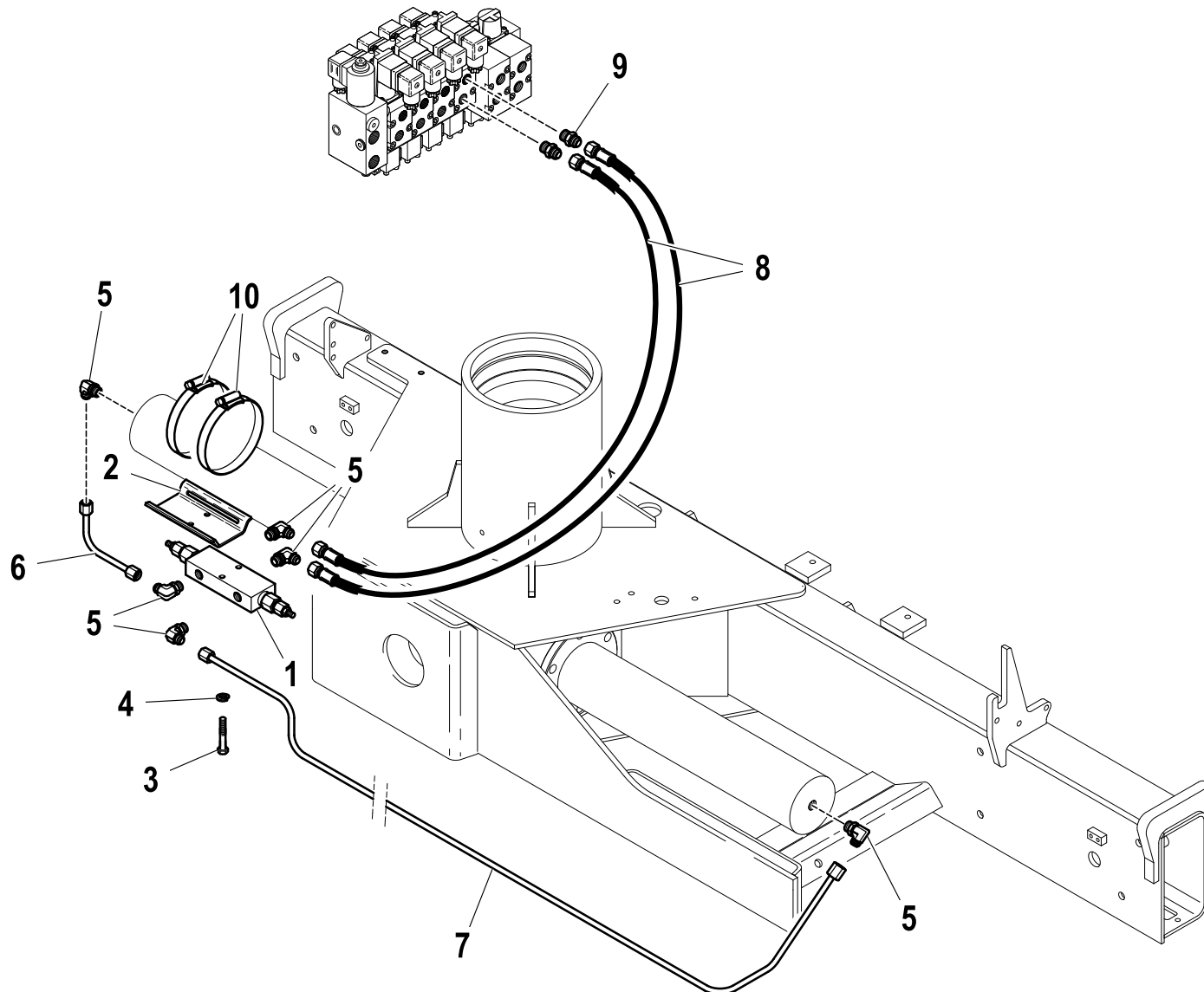
R	Pos.	Code Variant	Q.ty	Description
	1	5220559	1	Holding valve
	2	3120064	1	Straight pipe fitting
	3	3101039	7	Straight pipe fitting
	4	5220093	2	Non-return valve
	5	3101125	2	90° Connection
	6	5391676	2	
	7	5391677	1	
	8	5260674	2	Flexible hose
	9	3101043	2	Straight pipe fitting
	10	5000077	1	Clamp (Rigid Pipe)
	11	3060055	1	Split lock washer [D=8.4 C72 ZC]
	12	3010339	1	Hex screw [M8X25 8.8 ZC IF UNI 5739]

Holding valve slewing (HYDRAULIC SYSTEM)

Code

6240153-1.0

1/1



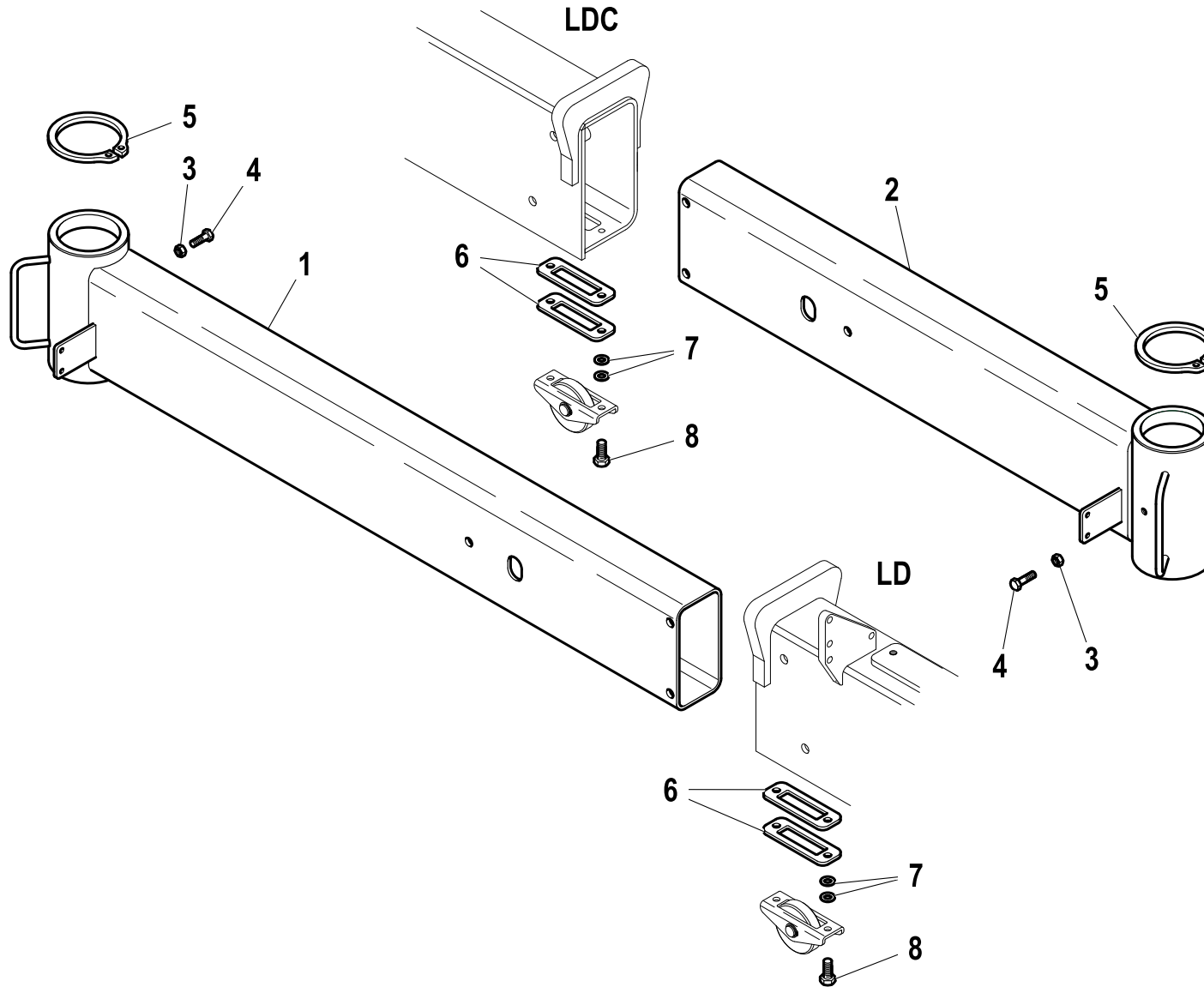
R	Pos.	Code Variant	Q.ty	Description
	1	5220696	1	
	2	5001560	1	
	3	3010031	2	Hex screw [M8X40 8.8 ZC UNI 5737]
	4	3060055	2	Split lock washer [D=8.4 C72 ZC]
	5	3101125	6	90° Connection
	6	5390564	1	
	7	5390565	1	
	8	5260674	2	Flexible hose
	9	3101040	2	Straight pipe fitting
	10	3190021	2	Clamp [104-138 12.2 ABA]

Stabilizer connecting rods

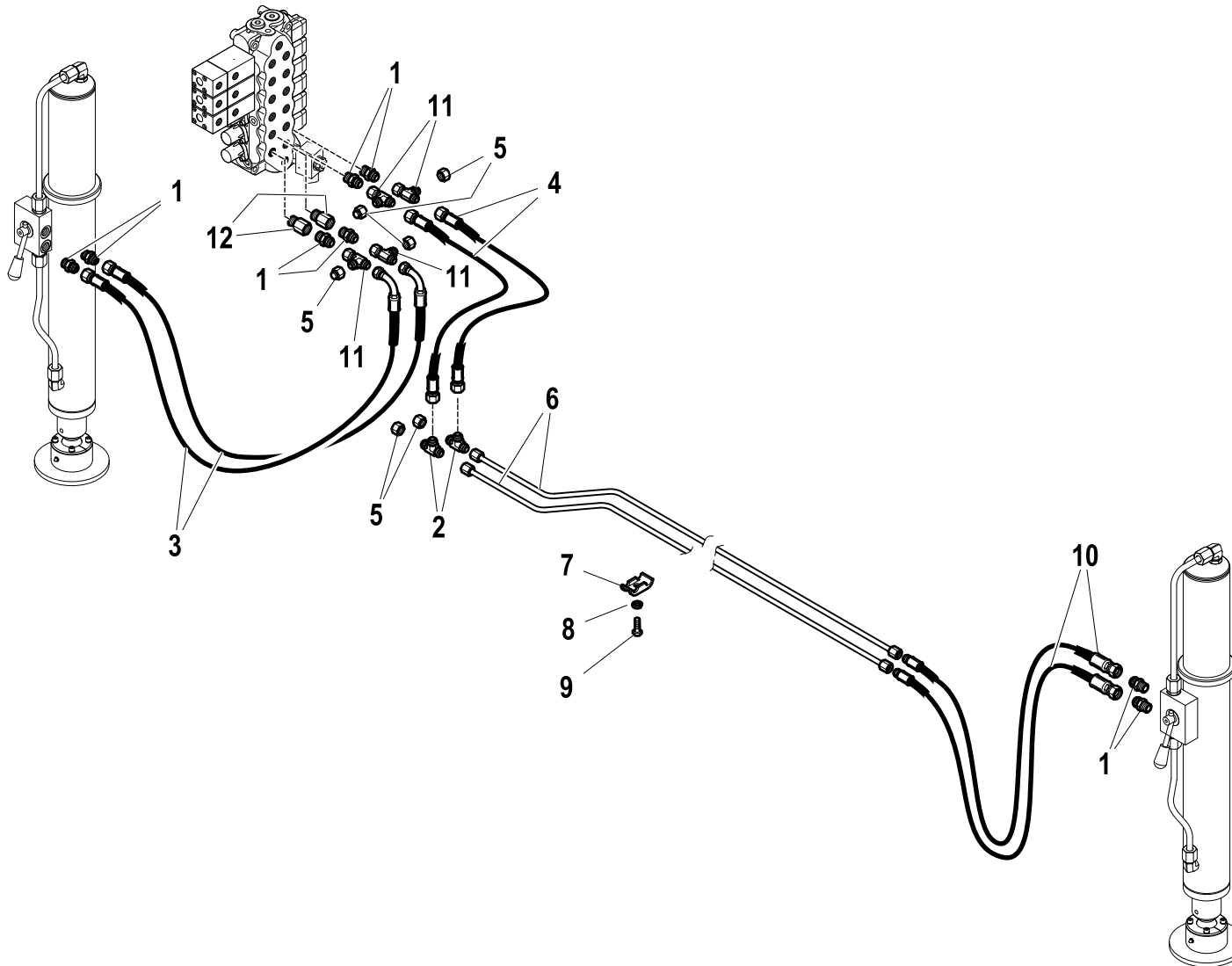
Code

5760162-1.0

1/1



R	Pos.	Code Variant	Q.ty	Description
	1	5070391	1	
	2	5070392	1	
	3	3040045	2	Nut
	4	3020875	2	Socket head cap screw [M8X20 ZC UNI 5931]
	5	3070063	2	Seeger
	6	5001433	4	
	7	3060957	8	Washer
	8	3010339	4	Hex screw [M8X25 8.8 ZC IF UNI 5739]



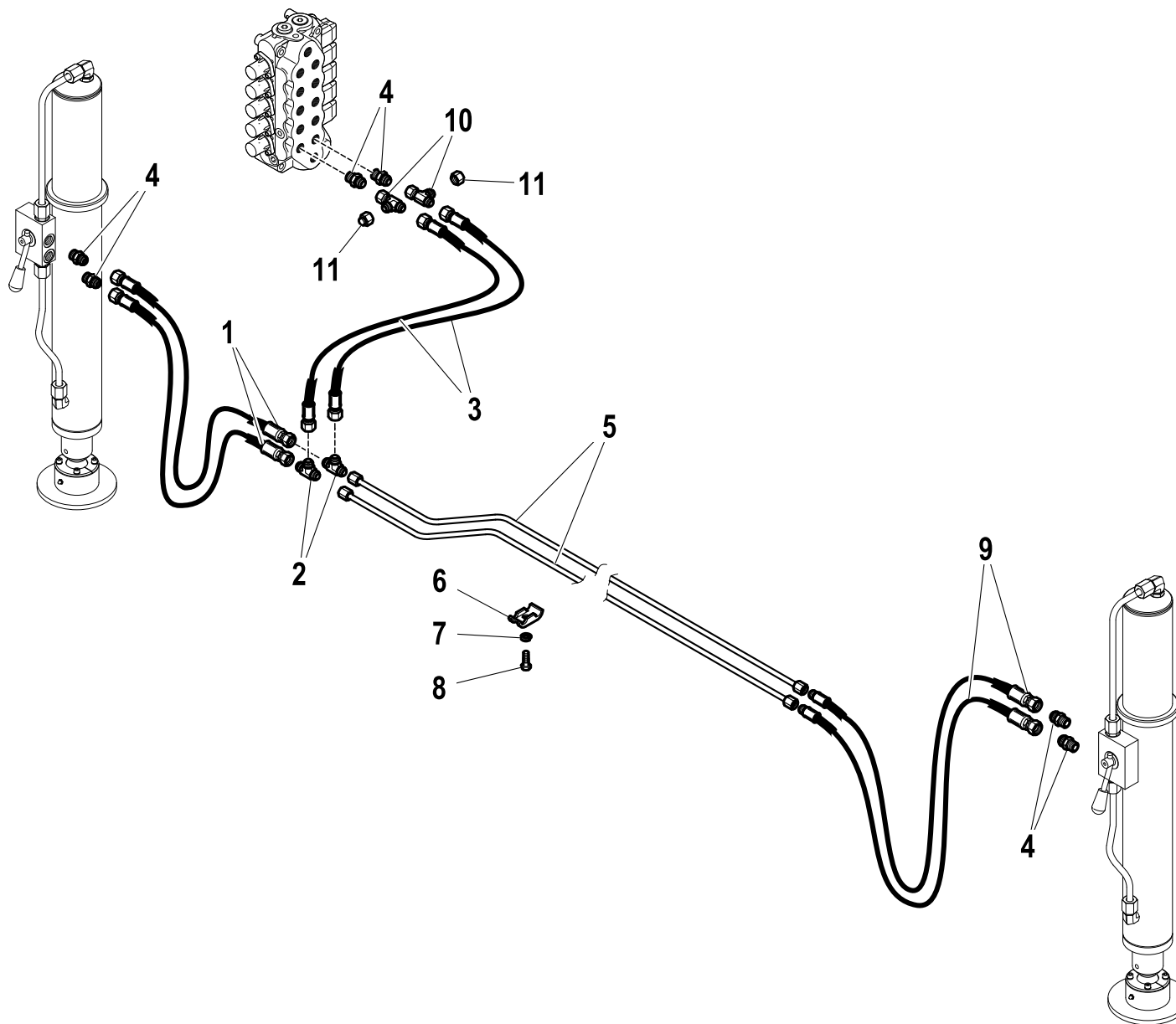
R	Pos.	Code Variant	Q.ty	Description
	1	3101040	8	Straight pipe fitting
	2	3101080	2	Tee fitting
	3	5260962	2	
	4	5261066	2	Flexible hose
	5	3110040	6	Female plug
	6	5391128	2	
	7	5000077	2	Clamp (Rigid Pipe)
	8	3060055	2	Split lock washer [D=8.4 C72 ZC]
	9	3010339	2	Hex screw [M8X25 8.8 ZC IF UNI 5739]
	10	5260963	2	
	11	3120003	4	Tee fitting
	12	3110001	2	Straight pipe fitting

Hydraulic system (not CE)

Code

5760162-2.0

1/1



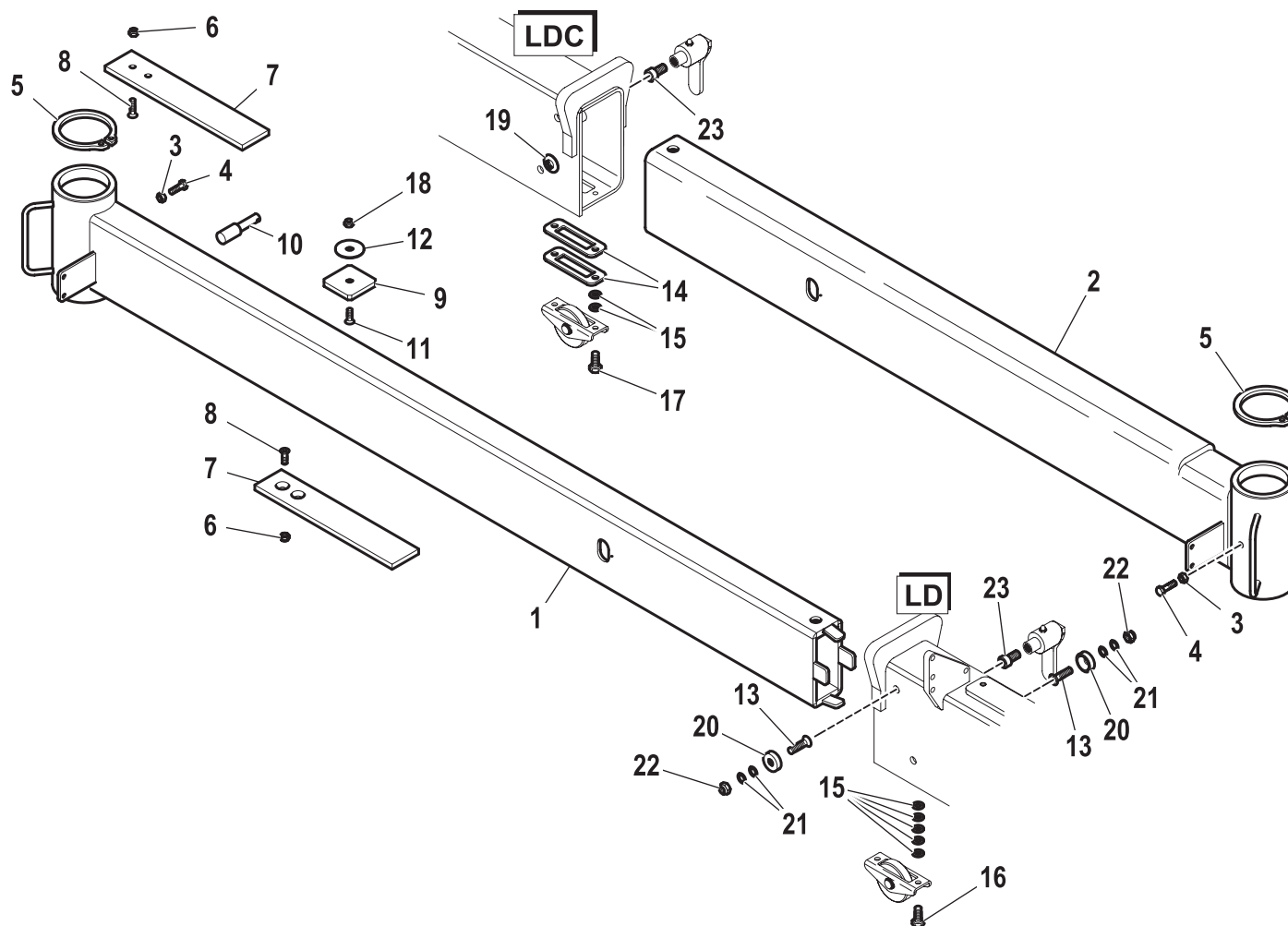
R	Pos.	Code Variant	Q.ty	Description
	1	5260964	2	
	2	3101080	2	Tee fitting
	3	5261066	2	Flexible hose
	4	3101040	6	Straight pipe fitting
	5	5391128	2	
	6	5000077	2	Clamp (Rigid Pipe)
	7	3060055	2	Split lock washer [D=8.4 C72 ZC]
	8	3010339	2	Hex screw [M8X25 8.8 ZC IF UNI 5739]
	9	5260963	2	
	10	3120003	2	Tee fitting
	11	3110040	2	Female plug

Stabilizer connecting rods (Extra-extensible)

Code

5760161-1.0

1/2



R	Pos.	Code Variant	Q.ty	Description
	1	5070390	1	
	2	5070389	1	
	3	3040045	2	Nut
	4	3020875	2	Socket head cap screw [M8X20 ZC UNI 5931]
	5	3070063	2	Seeger
	6	3040303	4	Stopnut
	7	5141050	2	
	8	3020455	4	TSEI screw [M8X25 ZC UNI 5933]
	9	5140019	1	
	10	4160279	1	
	11	3020500	1	TSEI screw [M10X35 8.8 ZC UNI 5933]
	12	3060007	1	Flat washer [D.10X40X2.5 UNI 6593 ZC]
	13	3020921	8	TSEI screw [M12X35 8.8 ZC UNI 5933]
	14	5001433	2	
	15	3060957	14	Washer
	16	3010027	2	Hex screw [M8X20 8.8 ZC IF UNI 5739]
	17	3010339	2	Hex screw [M8X25 8.8 ZC IF UNI 5739]
	18	3040304	1	Stopnut
	19	W370400700	2	Button (Coupling backlash)
	20	5140991	8	

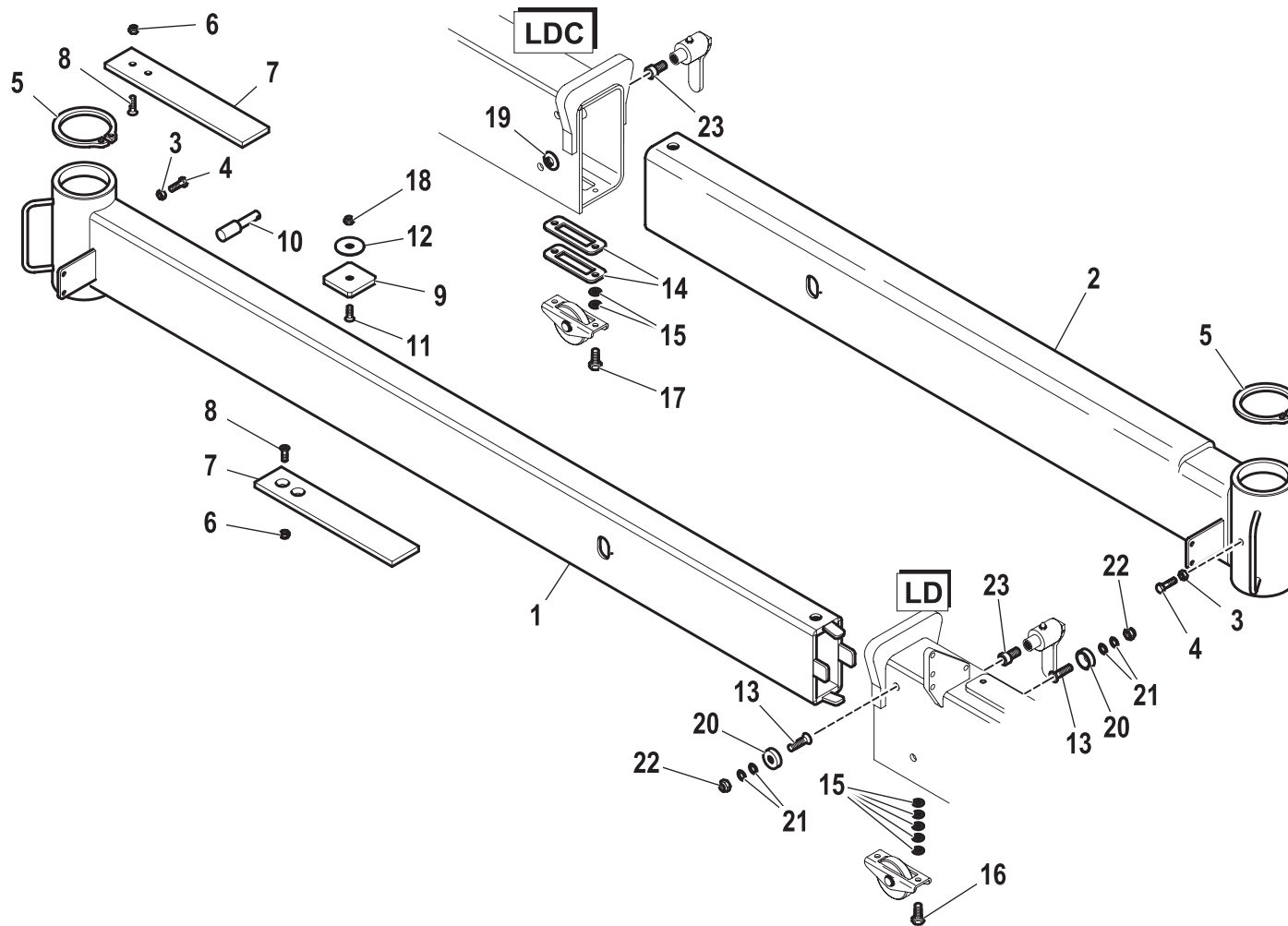
Stabilizer connecting rods (Extra-extensible)

Code

5760161-1.0

2/2

R	Pos.	Code Variant	Q.ty	Description
	21	3060959	8	
	22	3040305	8	Stopnut
	23	3020876	2	Socket head cap screw [M12X16 8.8 ZC UNI 5931]

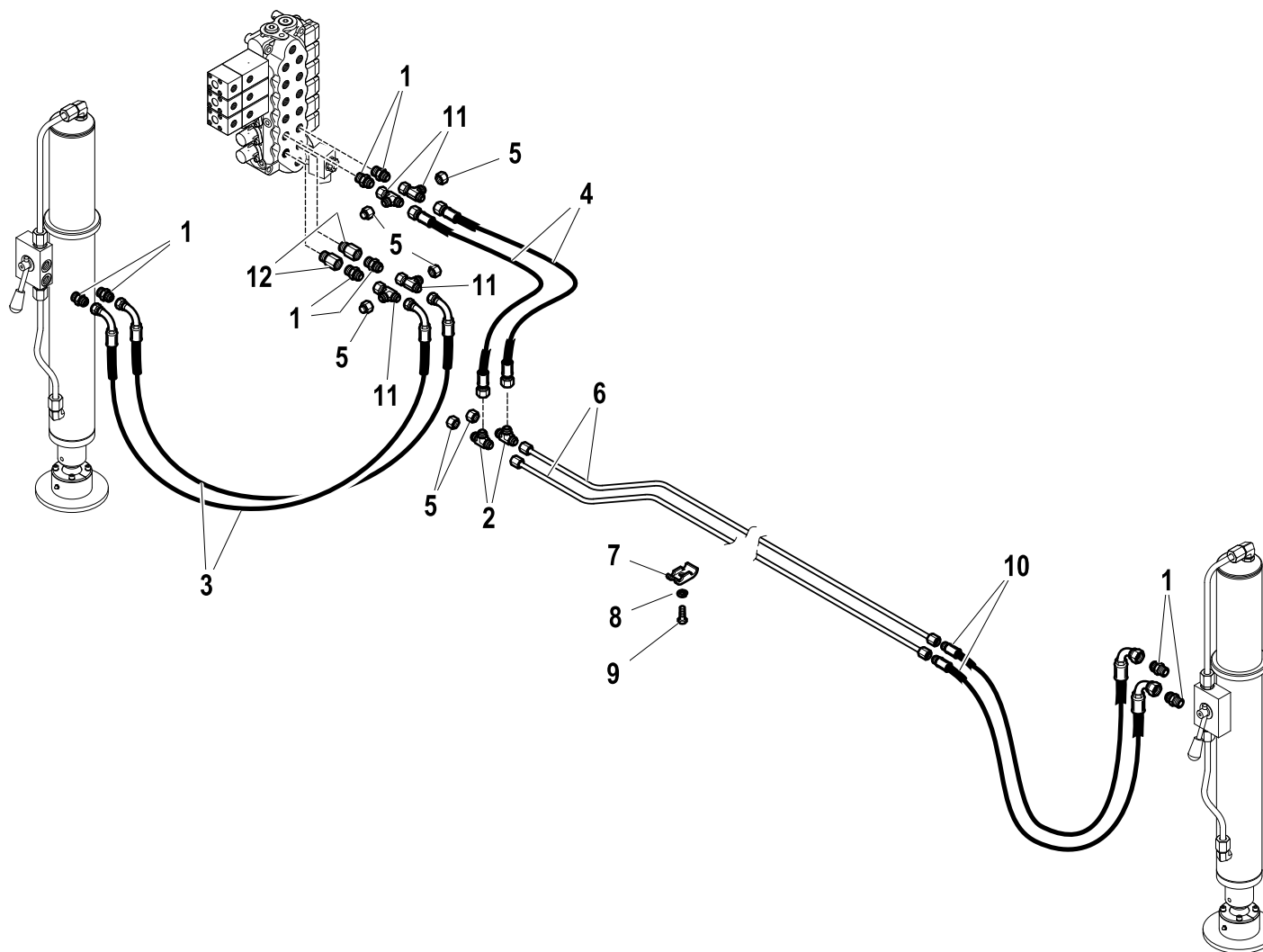


HYDRAULIC SYSTEM EXTRA-EXTENSIBLE (CE)

Code

5760161-3.0

1/1



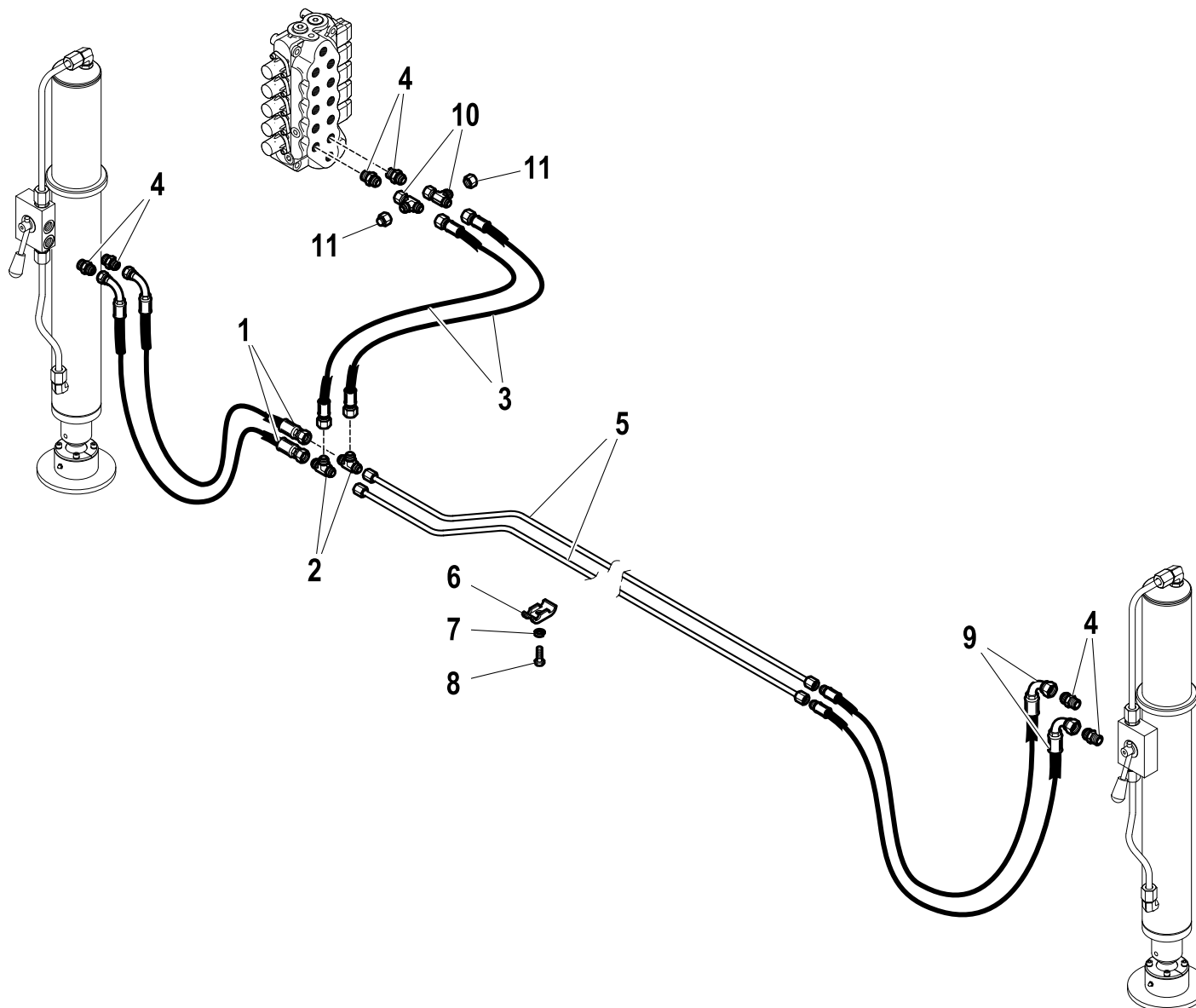
R	Pos.	Code Variant	Q.ty	Description
	1	3101040	8	Straight pipe fitting
	2	3101080	2	Tee fitting
	3	5260965	2	Flexible hose
	4	5261066	2	Flexible hose
	5	3110040	6	Female plug
	6	5391128	2	
	7	5000077	2	Clamp (Rigid Pipe)
	8	3060055	2	Split lock washer [D=8.4 C72 ZC]
	9	3010339	2	Hex screw [M8X25 8.8 ZC IF UNI 5739]
	10	5260966	2	Flexible hose
	11	3120003	4	Tee fitting
	12	3110001	2	Straight pipe fitting

HYDRAULIC SYSTEM EXTRA-EXTENSIBLE (not CE)

Code

5760161-2.0

1/1



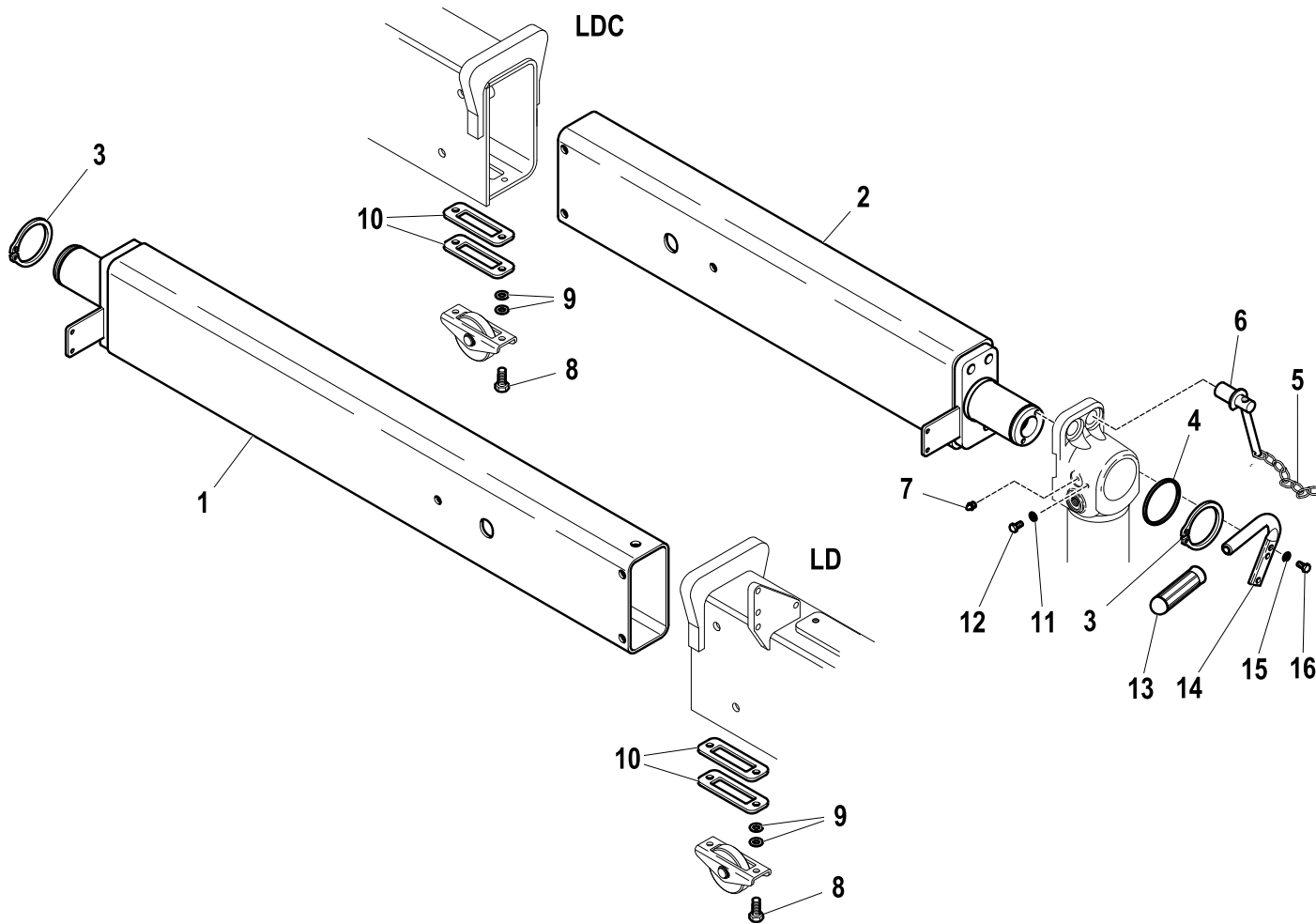
R	Pos.	Code Variant	Q.ty	Description
	1	5260848	2	Flexible hose
	2	3101080	2	Tee fitting
	3	5261066	2	Flexible hose
	4	3101040	6	Straight pipe fitting
	5	5391128	2	
	6	5000077	2	Clamp (Rigid Pipe)
	7	3060055	2	Split lock washer [D=8.4 C72 ZC]
	8	3010339	2	Hex screw [M8X25 8.8 ZC IF UNI 5739]
	9	5260966	2	Flexible hose
	10	3120003	2	Tee fitting
	11	3110040	2	Female plug

Stabilizer connecting rods (Revolving)

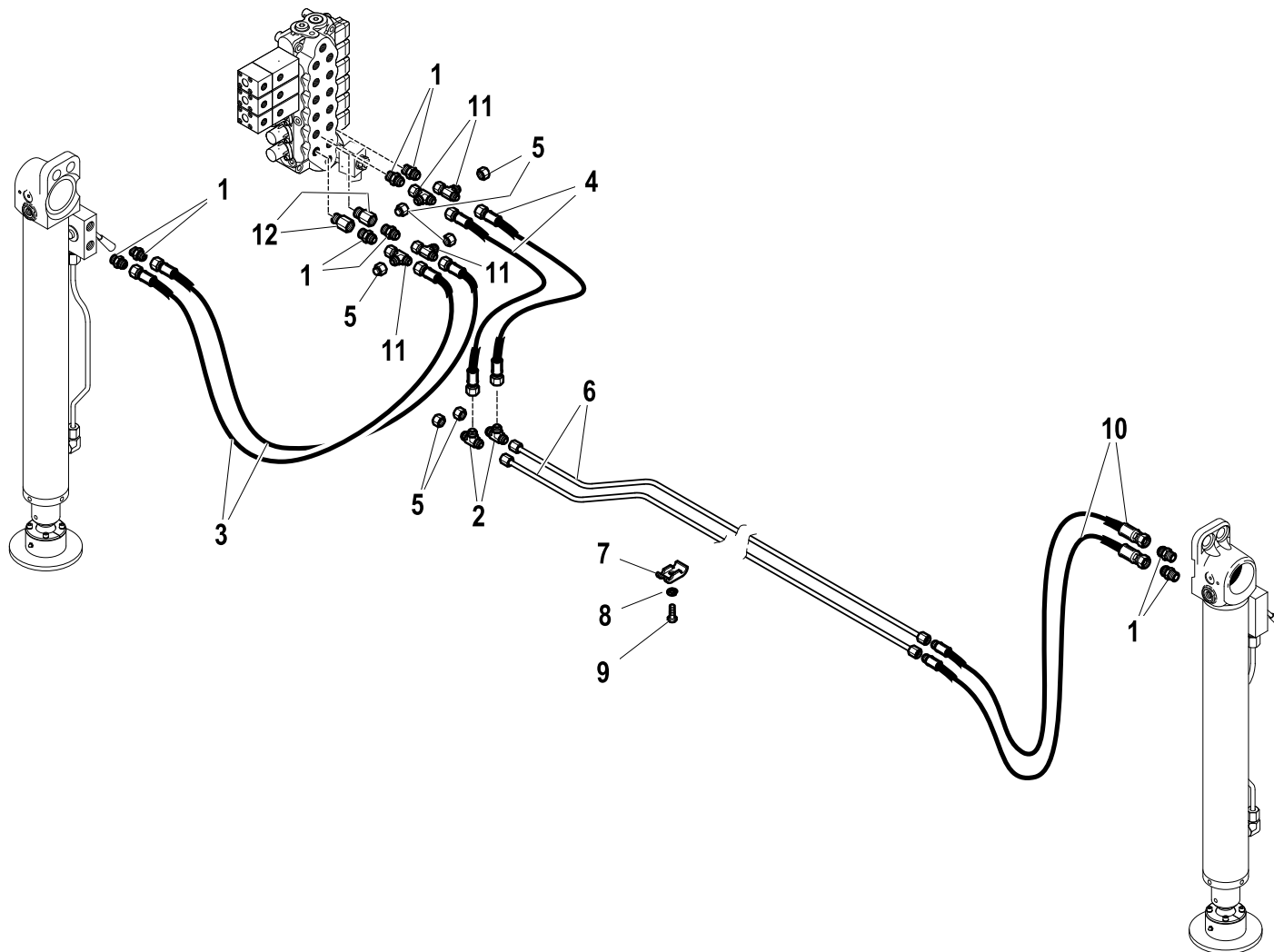
Code

5760164-1.0

1/1



R	Pos.	Code Variant	Q.ty	Description
	1	5070405	1	
	2	5070400	1	
	3	3070052	2	Seeger
	4	5000183	2	
	5	3000007	mt0.7	
	6	W101219	2	
	7	3080501	2	Grease nipple
	8	3010339	4	Hex screw [M8X25 8.8 ZC IF UNI 5739]
	9	3060957	8	Washer
	10	5001433	4	
	11	3060030	2	Flat washer [D.6.6X18 UNI 6593 ZC]
	12	3010323	2	Hex screw [M6X10 8.8 ZC UNI 5739]
	13	W664018	2	
	14	W370401800	2	
	15	3060005	4	Flat washer [D.6.4 UNI 6592 ZC]
	16	3010325	4	Hex screw [M6X16 8.8 ZC UNI 5739]



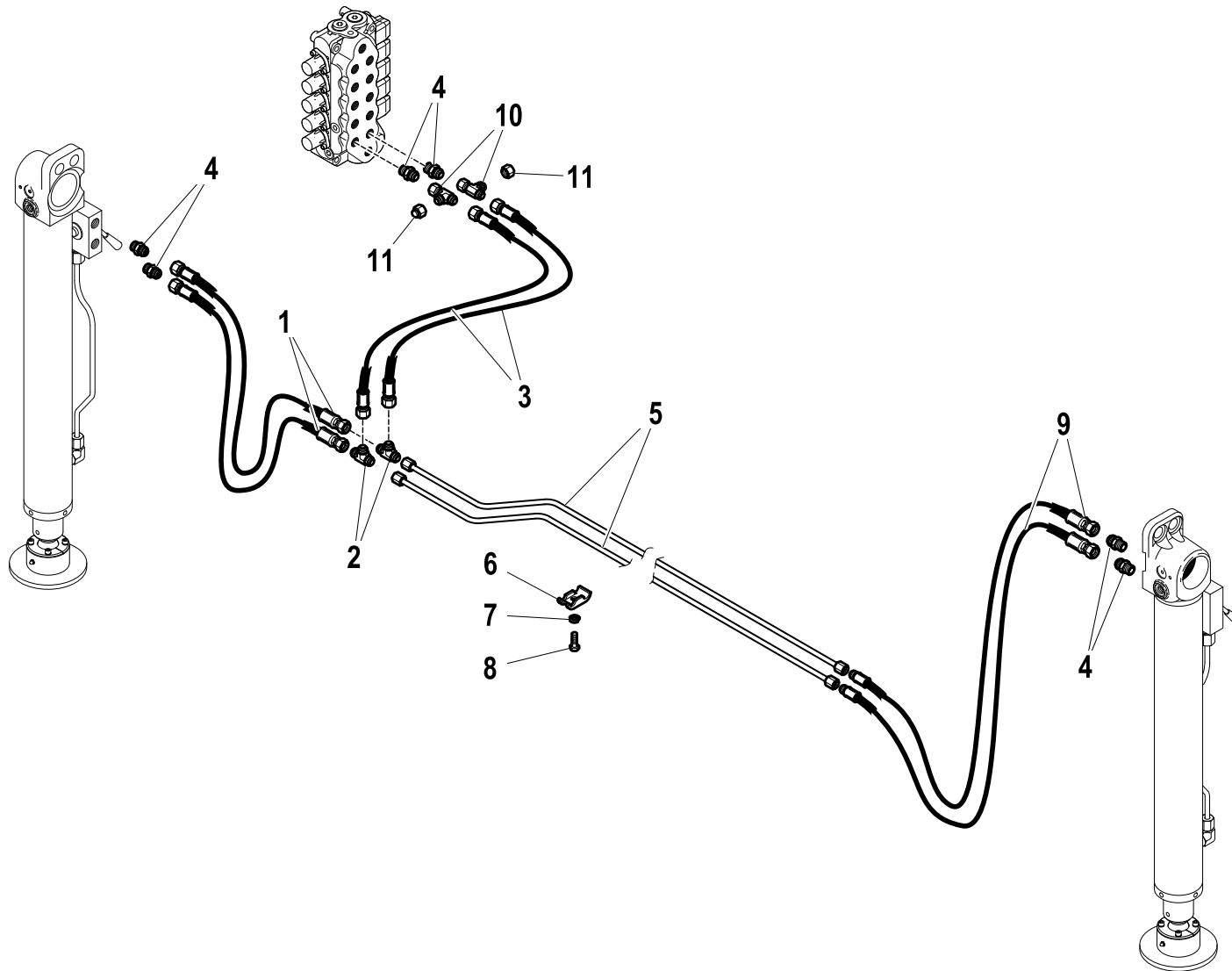
R	Pos.	Code Variant	Q.ty	Description
	1	3101040	8	Straight pipe fitting
	2	3101080	2	Tee fitting
	3	5261110	2	Flexible hose
	4	5261066	2	Flexible hose
	5	3110040	6	Female plug
	6	5391128	2	
	7	5000077	2	Clamp (Rigid Pipe)
	8	3060055	2	Split lock washer [D=8.4 C72 ZC]
	9	3010339	2	Hex screw [M8X25 8.8 ZC IF UNI 5739]
	10	5261111	2	Flexible hose
	11	3120003	4	Tee fitting
	12	3110001	2	Straight pipe fitting

Hydraulic system (not CE)

Code

5760164-2.0

1/1



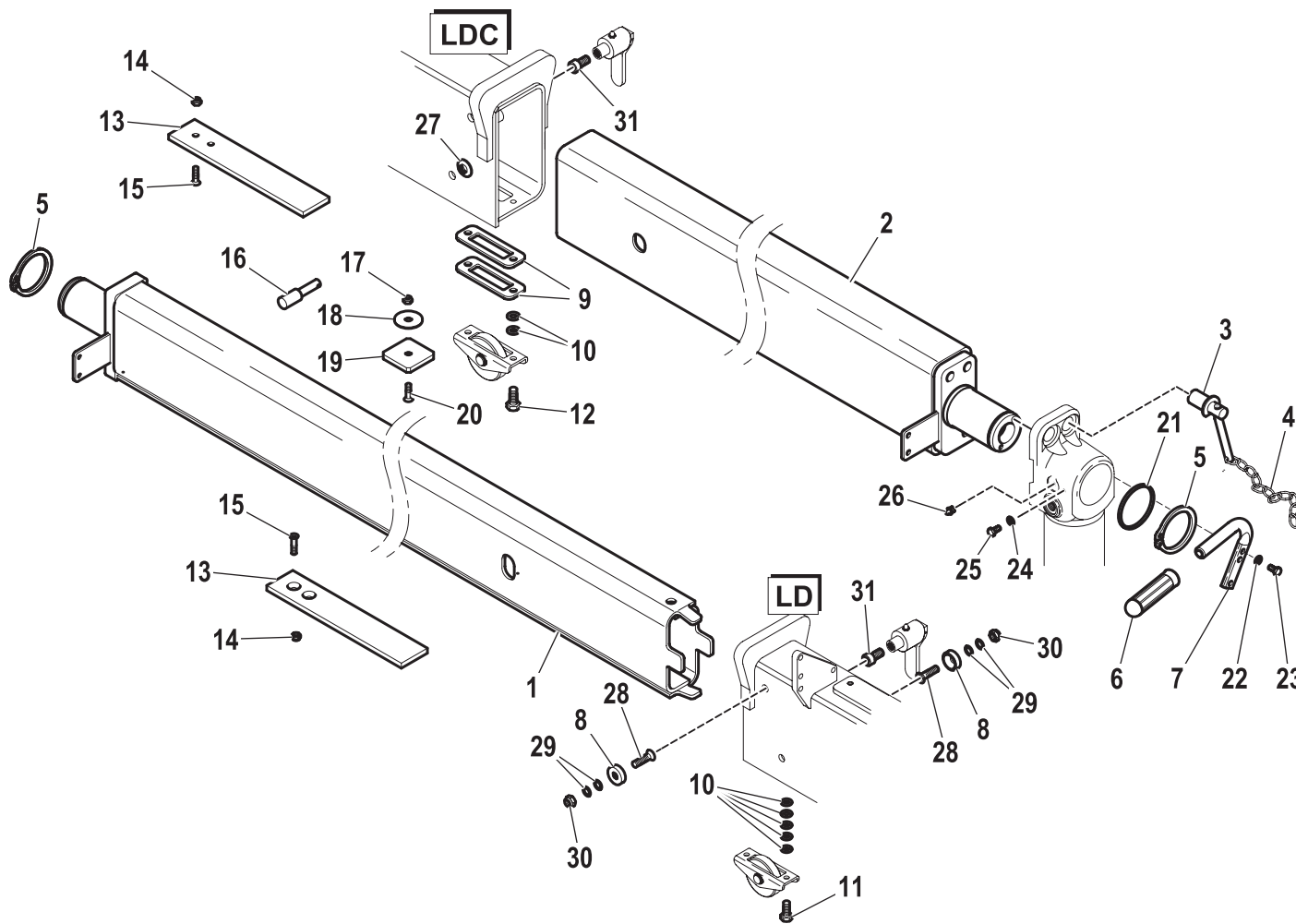
R	Pos.	Code Variant	Q.ty	Description
	1	5261113	2	Flexible hose
	2	3101080	2	Tee fitting
	3	5261066	2	Flexible hose
	4	3101040	6	Straight pipe fitting
	5	5391128	2	
	6	5000077	2	Clamp (Rigid Pipe)
	7	3060055	2	Split lock washer [D=8.4 C72 ZC]
	8	3010339	2	Hex screw [M8X25 8.8 ZC IF UNI 5739]
	9	5261111	2	Flexible hose
	10	3120003	2	Tee fitting
	11	3110040	2	Female plug

Stabilizer connecting rods extra-extensible (Revolving)

Code

5760163-1.0

1/2



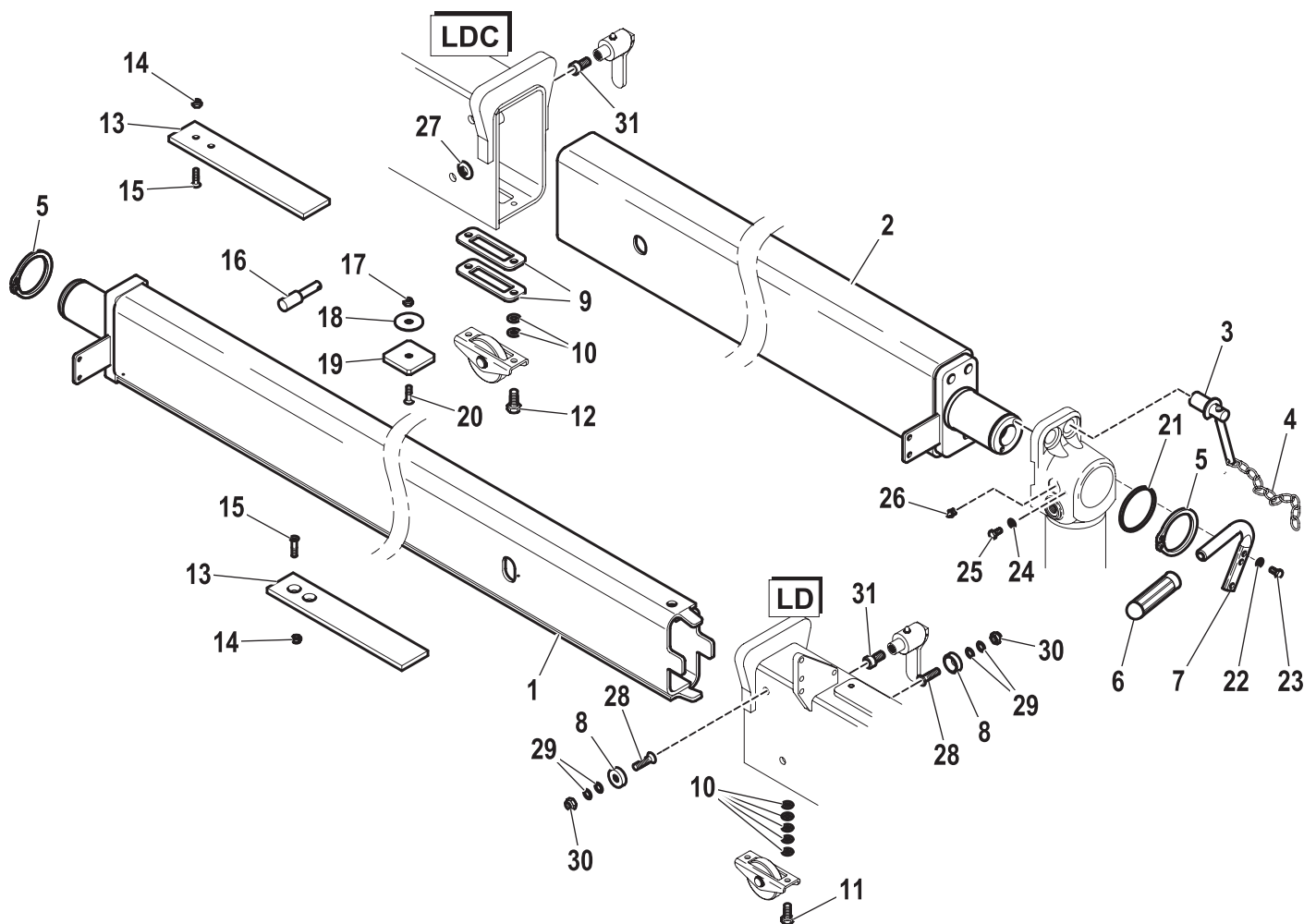
R	Pos.	Code Variant	Q.ty	Description
	1	5070406	1	
	2	5070407	1	
	3	W101219	2	
	4	3000007	mt0.7	
	5	3070052	2	Seeger
	6	W664018	2	
	7	W370401800	2	
	8	5140991	8	
	9	5001433	2	
	10	3060957	14	Washer
	11	3010027	2	Hex screw [M8X20 8.8 ZC IF UNI 5739]
	12	3010339	2	Hex screw [M8X25 8.8 ZC IF UNI 5739]
	13	5141050	2	
	14	3040303	4	Stopnut
	15	3020455	4	TSEI screw [M8X25 ZC UNI 5933]
	16	4160279	1	
	17	3040304	1	Stopnut
	18	3060007	1	Flat washer [D.10X40X2.5 UNI 6593 ZC]
	19	5140019	1	
	20	3020500	1	TSEI screw [M10X35 8.8 ZC UNI 5933]

Stabilizer connecting rods extra-extensible (Revolving)

Code

5760163-1.0

2/2



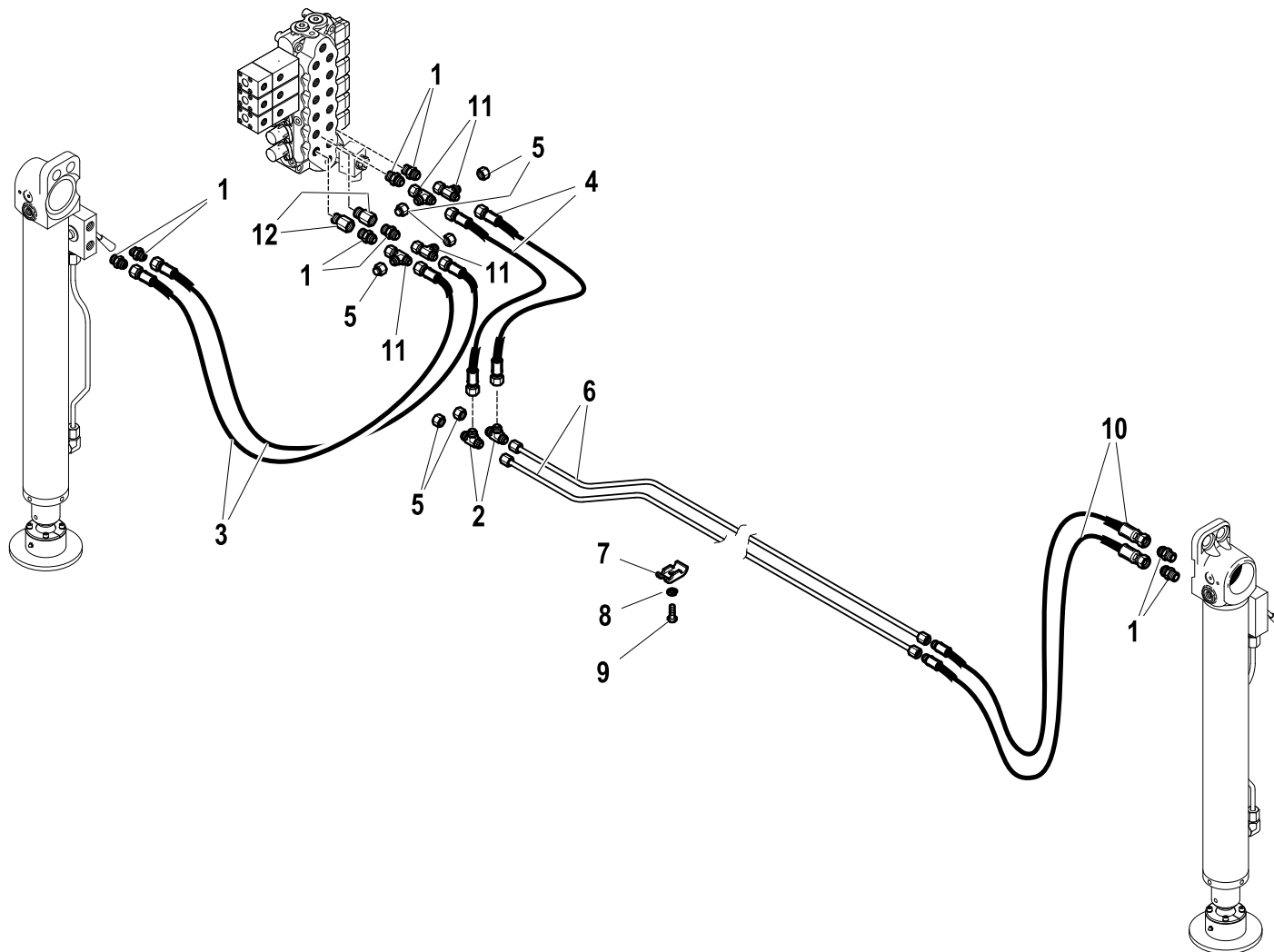
R	Pos.	Code Variant	Q.ty	Description
	21	5000183	2	
	22	3060005	4	Flat washer [D.6.4 UNI 6592 ZC]
	23	3010325	4	Hex screw [M6X16 8.8 ZC UNI 5739]
	24	3060030	2	Flat washer [D.6.6X18 UNI 6593 ZC]
	25	3010323	2	Hex screw [M6X10 8.8 ZC UNI 5739]
	26	3080501	2	Grease nipple
	27	W370400700	2	Button (Coupling backlash)
	28	3020921	8	TSEI screw [M12X35 8.8 ZC UNI 5933]
	29	3060959	8	
	30	3040305	8	Stopnut
	31	3020876	2	Socket head cap screw [M12X16 8.8 ZC UNI 5931]

HYDRAULIC SYSTEM EXTRA-EXTENSIBLE (CE)

Code

5760163-3.0

1/1



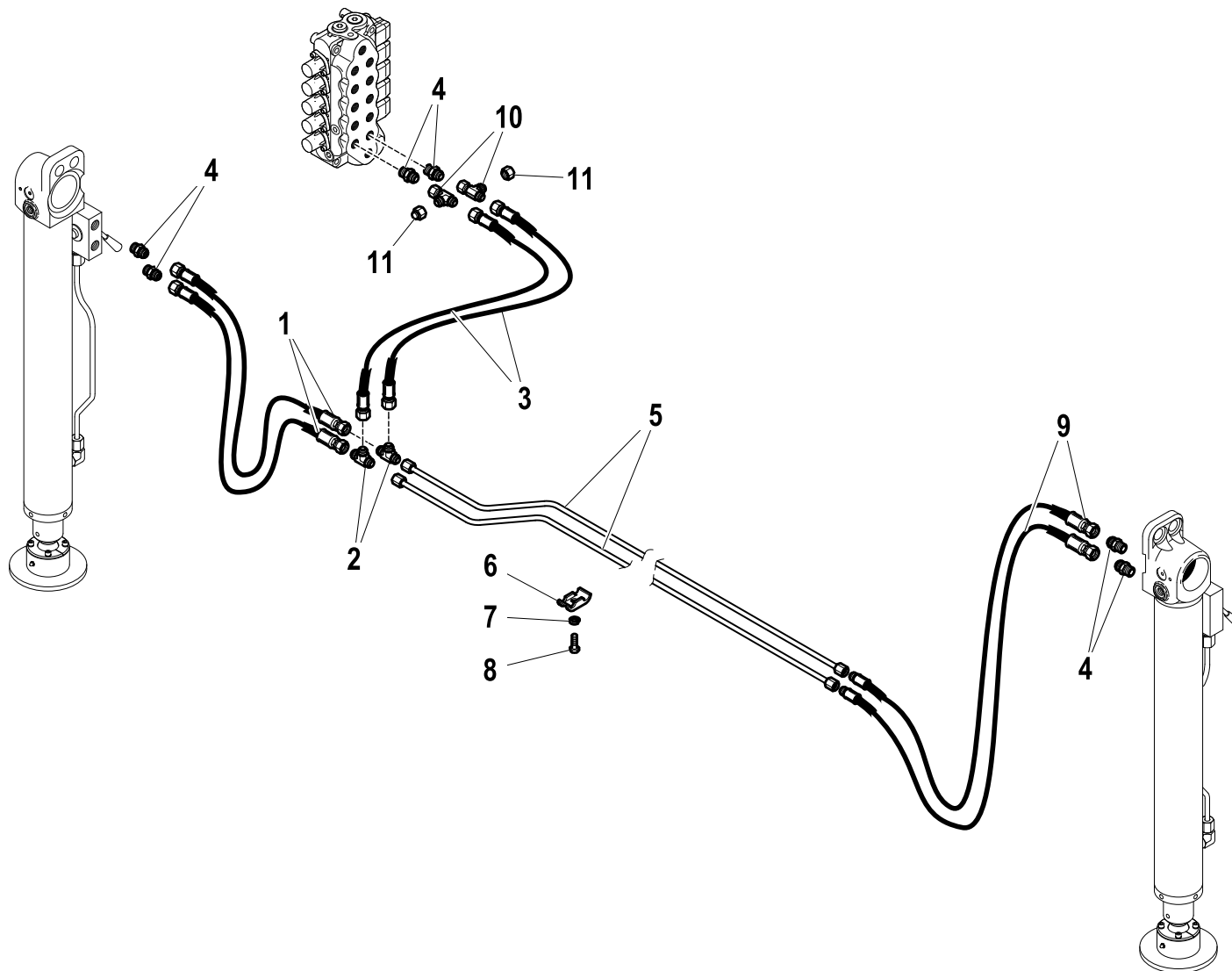
R	Pos.	Code Variant	Q.ty	Description
	1	3101040	8	Straight pipe fitting
	2	3101080	2	Tee fitting
	3	5261281	2	Flexible hose
	4	5261066	2	Flexible hose
	5	3110040	6	Female plug
	6	5391128	2	
	7	5000077	2	Clamp (Rigid Pipe)
	8	3060055	2	Split lock washer [D=8.4 C72 ZC]
	9	3010339	2	Hex screw [M8X25 8.8 ZC IF UNI 5739]
	10	5261280	2	Flexible hose
	11	3120003	4	Tee fitting
	12	3110001	2	Straight pipe fitting

HYDRAULIC SYSTEM EXTRA-EXTENSIBLE (not CE)

Code

5760163-2.0

1/1



R	Pos.	Code Variant	Q.ty	Description
	1	5260983	2	Flexible hose
	2	3101080	2	Tee fitting
	3	5261066	2	Flexible hose
	4	3101040	6	Straight pipe fitting
	5	5391128	2	
	6	5000077	2	Clamp (Rigid Pipe)
	7	3060055	2	Split lock washer [D=8.4 C72 ZC]
	8	3010339	2	Hex screw [M8X25 8.8 ZC IF UNI 5739]
	9	5261280	2	Flexible hose
	10	3120003	2	Tee fitting
	11	3110040	2	Female plug

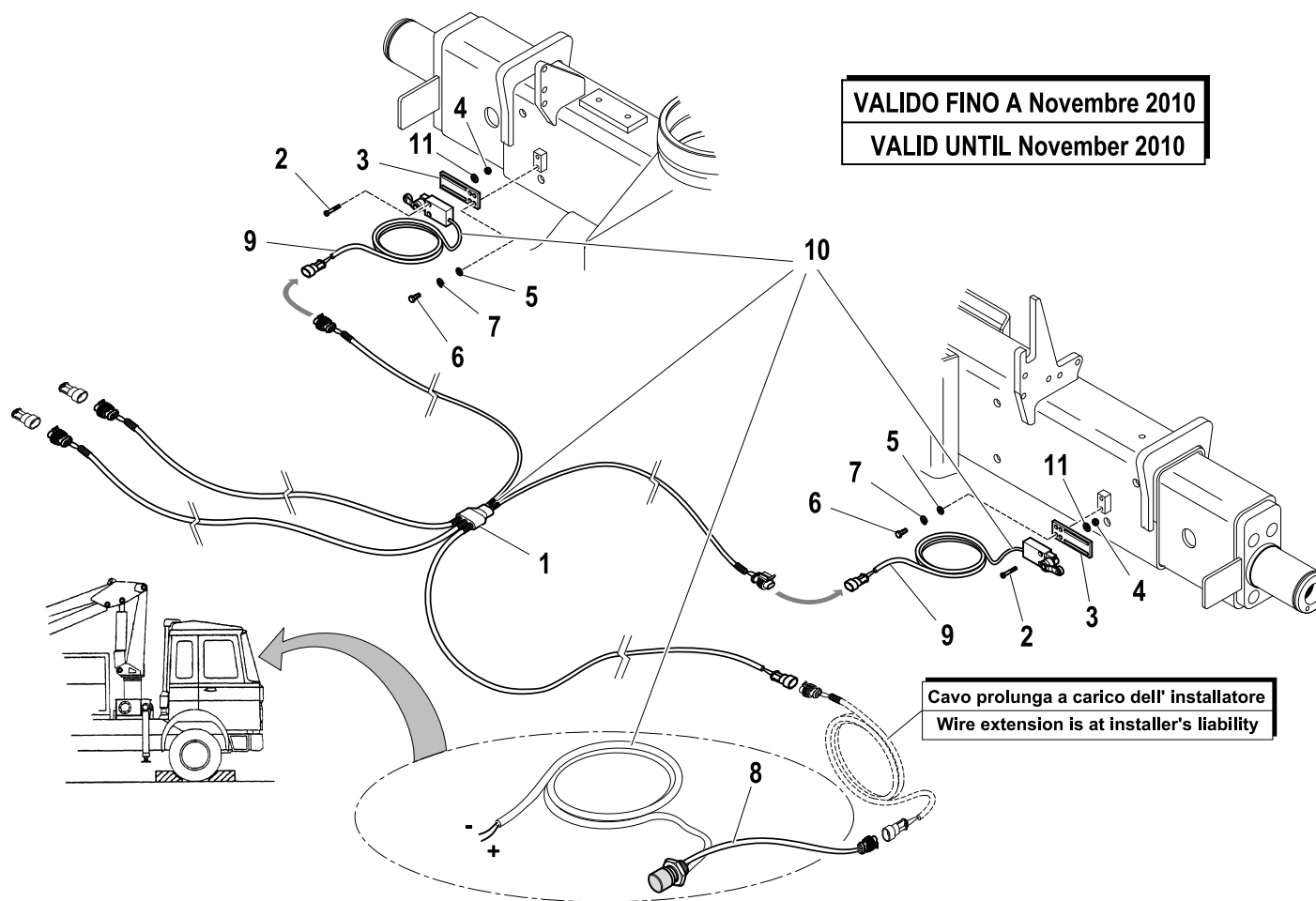
CONTROL DEVICES LOCKING FOR OUTRIGGERS LEGS

Code

5411095-1.0

1/1

R	Pos.	Code Variant	Q.ty	Description
	1	3311129	1	
	2	3020014	4	Socket head cap screw [M4X25X0.7 8.8 ZC UNI 5931]
	3	5000218	2	
	4	3040041	4	Nut
	5	3060030	4	Flat washer [D.6.6X18 UNI 6593 ZC]
	6	3010325	4	Hex screw [M6X16 8.8 ZC UNI 5739]
	7	3060053	4	Split lock washer [D=6.4 C72 ZC]
	8	3311130	1	
	9	3311144	2	
	10	3311132	1	
	11	3060003	4	Flat washer [D.4 UNI 6592 ZC]



VALIDO FINO A Novembre 2010

VALID UNTIL November 2010

Cavo prolunga a carico dell' installatore

Wire extension is at installer's liability

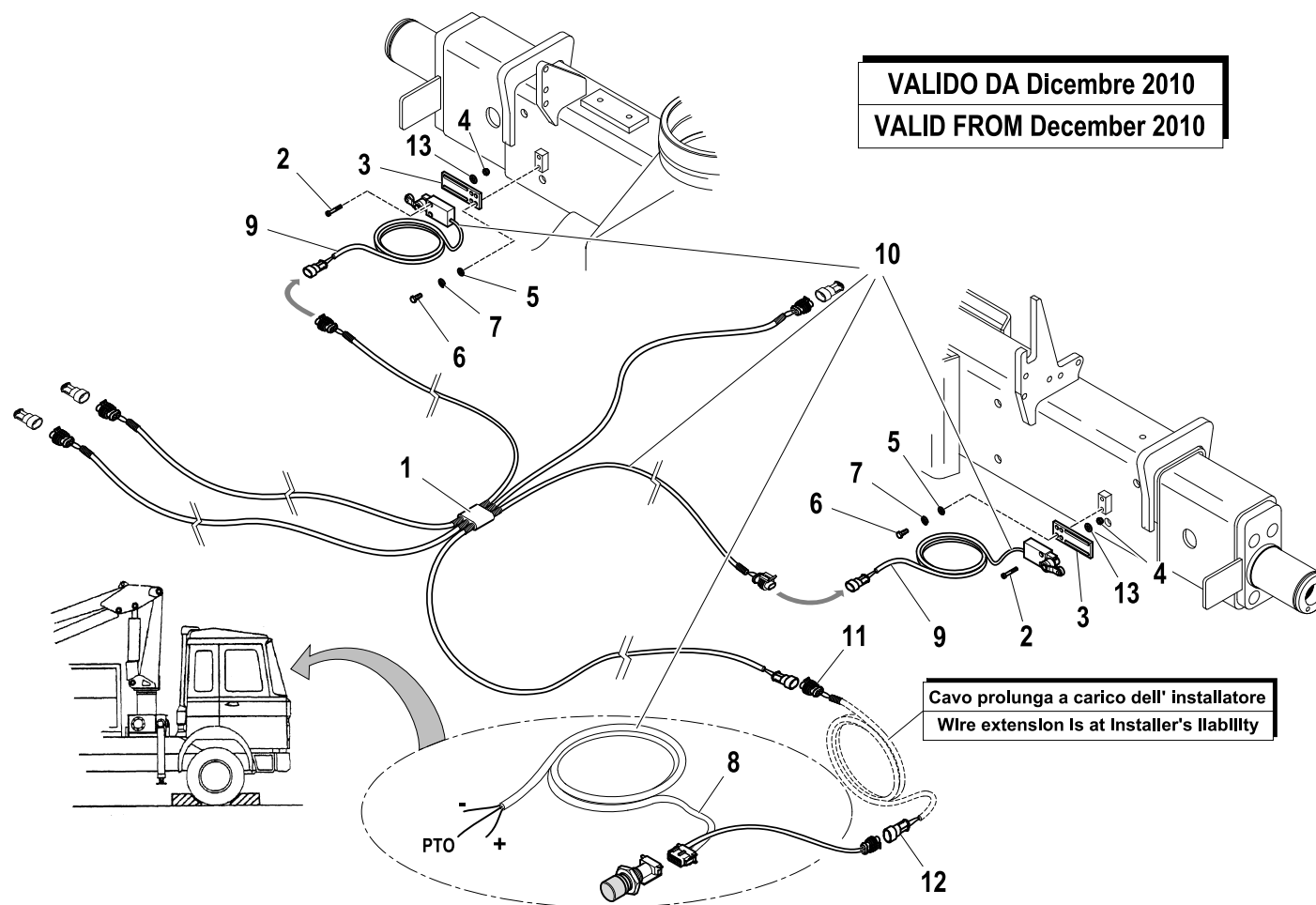
CONTROL DEVICES LOCKING FOR OUTRIGGERS LEGS

Code

5411095-2.0

1/1

R	Pos.	Code Variant	Q.ty	Description
	1	3311353	1	
	2	3020014	4	Socket head cap screw [M4X25X0.7 8.8 ZC UNI 5931]
	3	5000218	2	
	4	3040041	4	Nut
	5	3060030	4	Flat washer [D.6.6X18 UNI 6593 ZC]
	6	3010325	4	Hex screw [M6X16 8.8 ZC UNI 5739]
	7	3060053	4	Split lock washer [D=6.4 C72 ZC]
	8	3311354	1	
	9	3311356	2	
	10	3311352	1	
	11	3310431	1	
	12	3310432	1	
	13	3060003	4	Flat washer [D.4 UNI 6592 ZC]

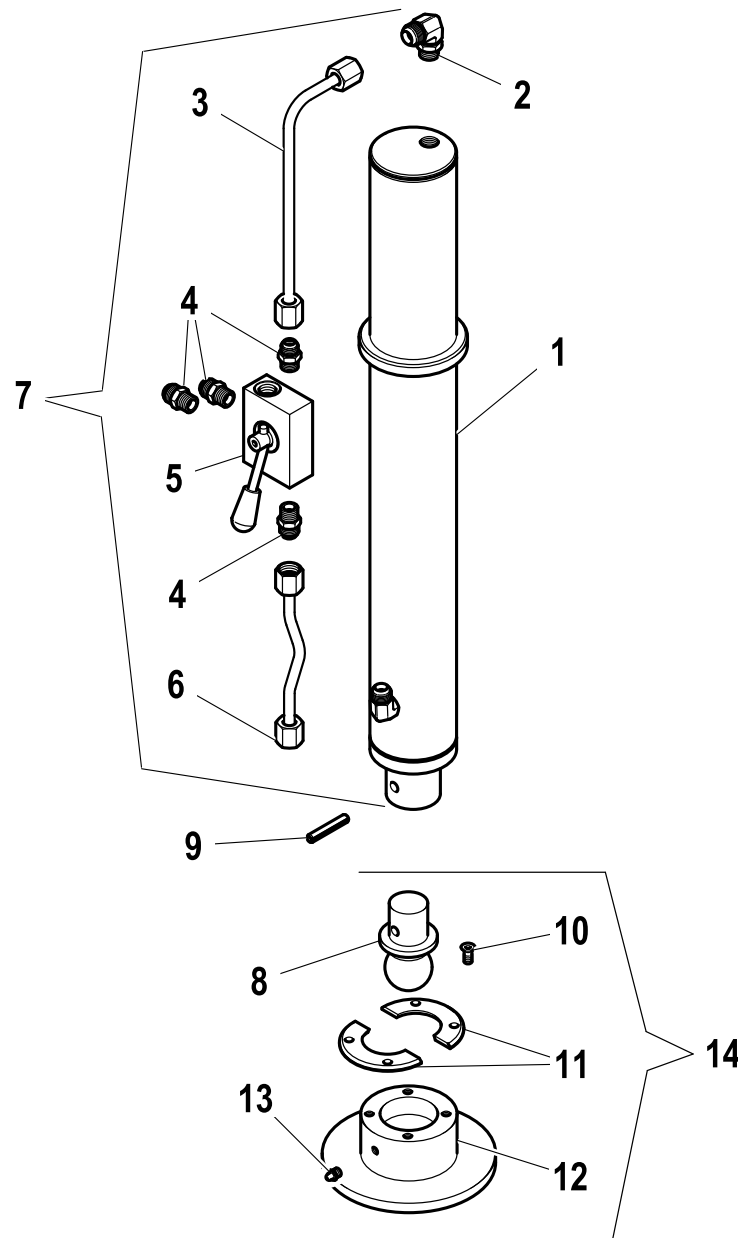


Stabilizer Hydraulic jack (DX)

Code

6200154-1.0

1/1



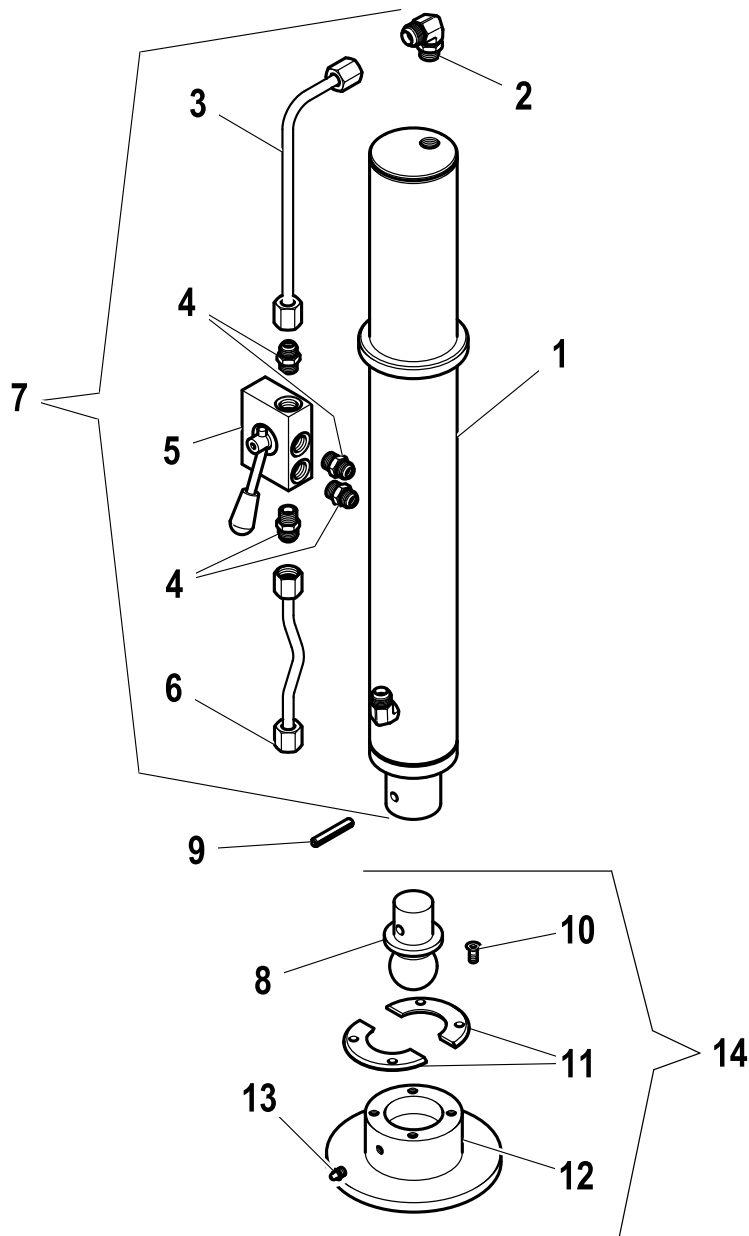
R	Pos.	Code Variant	Q.ty	Description
	1	6400154	1	Stabilizer Hydraulic jack
	2	3101125	1	90° Connection
	3	5391463	1	
	4	3101040	4	Straight pipe fitting
	5	5220047	1	
	6	5391464	1	
	7	6200154	1	Stabilizer Hydraulic jack
	8	4160397	1	
	9	3060632	1	Spring pin
	10	3020452	4	TSEI screw [M8X16 10.9 ZC UNI 5933]
	11	4160398	1	
	12	5090815	1	
	13	3080512	1	Grease nipple
	14	5920002	1	

Stabilizer Hydraulic jack (SX)

Code

6200155-1.0

1/1



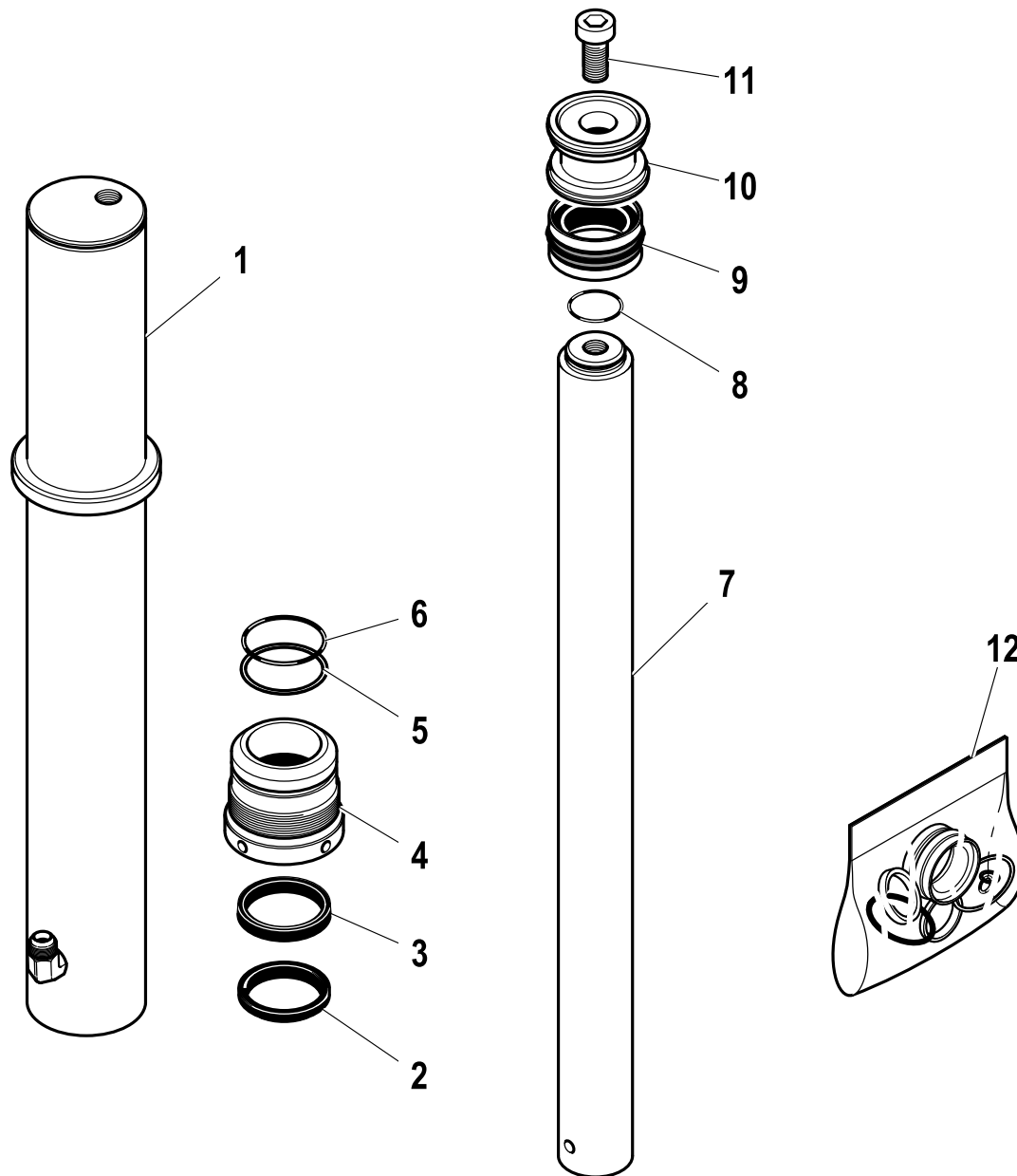
R	Pos.	Code Variant	Q.ty	Description
	1	6400154	1	Stabilizer Hydraulic jack
	2	3101125	1	90° Connection
	3	5391463	1	
	4	3101040	4	Straight pipe fitting
	5	5220048	1	
	6	5391464	1	
	7	6200155	1	Stabilizer Hydraulic jack
	8	4160397	1	
	9	3060632	1	Spring pin
	10	3020452	4	TSEI screw [M8X16 10.9 ZC UNI 5933]
	11	4160398	1	
	12	5090815	1	
	13	3080512	1	Grease nipple
	14	5920002	1	

Stabilizer Hydraulic jack

Code

6400154-1.0

1/1



R	Pos.	Code Variant	Q.ty	Description
	1	6070405	1	
	2	3420026	1	W-ring
	3	3400090	1	
	4	6040252	1	
	5	3460380	1	
	6	3450085	1	
	7	6030338	1	
	8	3450066	1	
	9	3400510	1	
	10	6050230	1	
	11	3020126	1	Socketed head cap screw [M16X35 8.8 ZC UNI 5931]
	12	5550684	1	

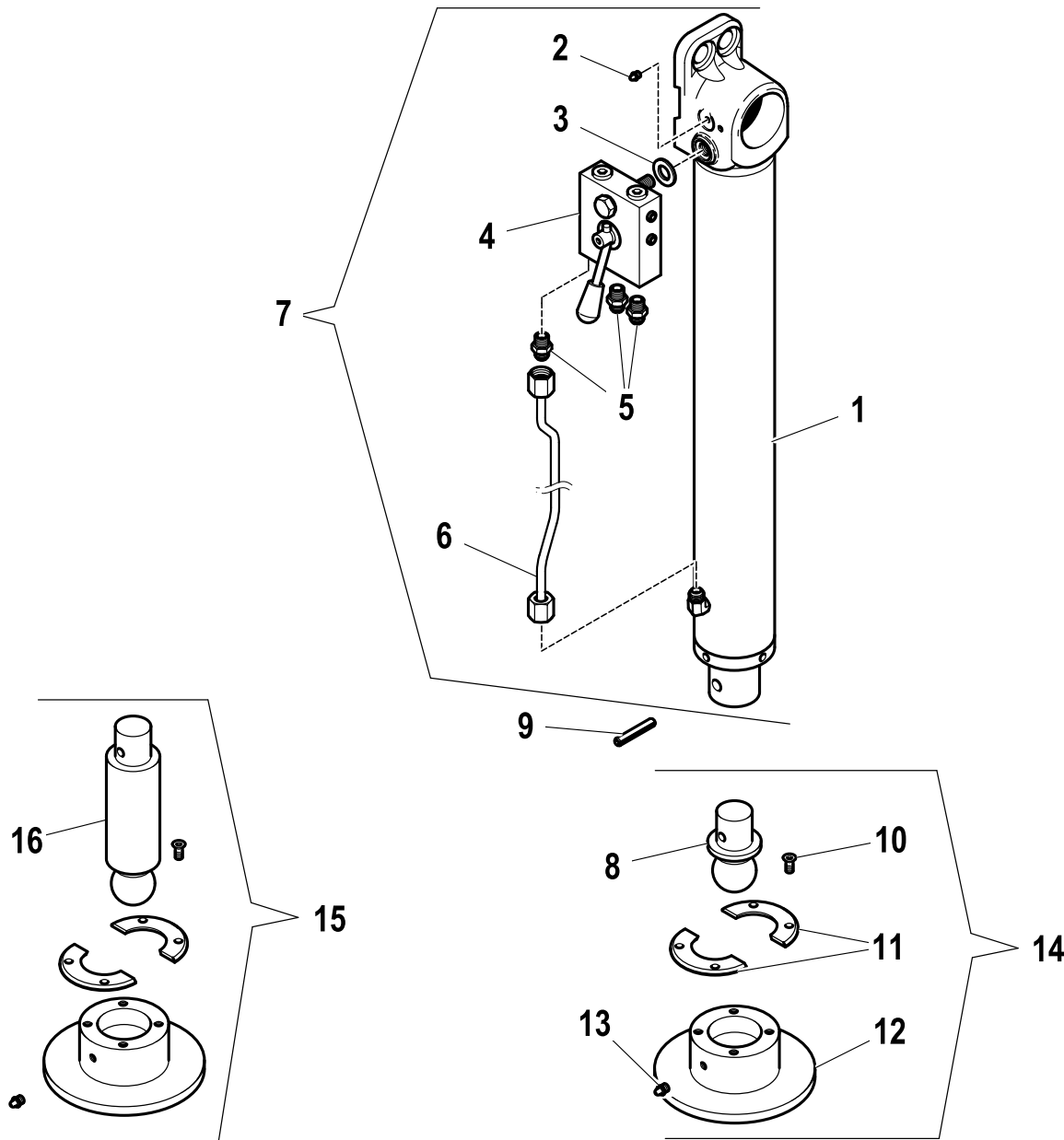
Stabilizer Hydraulic jack (ROTATING)

Code

6200267-1.0

1/1

R	Pos.	Code Variant	Q.ty	Description
	1	6400213	1	Stabilizer Hydraulic jack
	2	3080500	1	Grease nipple
	3	3060143	1	Sealing washer [BSP 1/4"]
	4	W470053	1	Manually operated valve
	5	3101039	3	Straight pipe fitting
	6	5390080	1	
	7	6200267	1	Stabilizer Hydraulic jack
	8	4160397	1	
	9	3060632	1	Spring pin
	10	3020452	4	TSEI screw [M8X16 10.9 ZC UNI 5933]
	11	4160398	1	
	12	5090815	1	
	13	3080501	1	Grease nipple
	14	5920002	1	
	15	5920003	1	
	16	4160497	1	

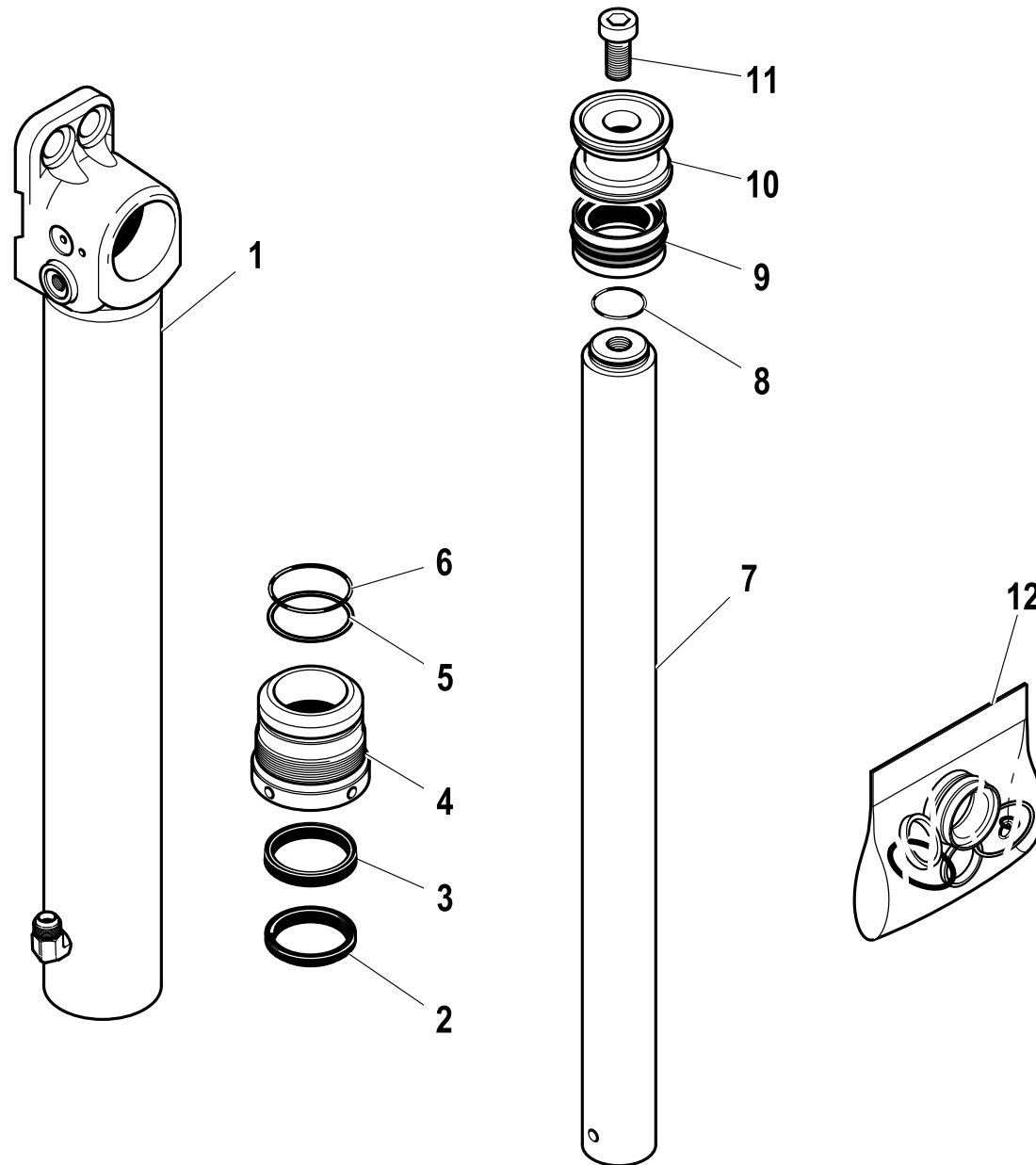


Stabilizer Hydraulic jack (ROTATING)

Code

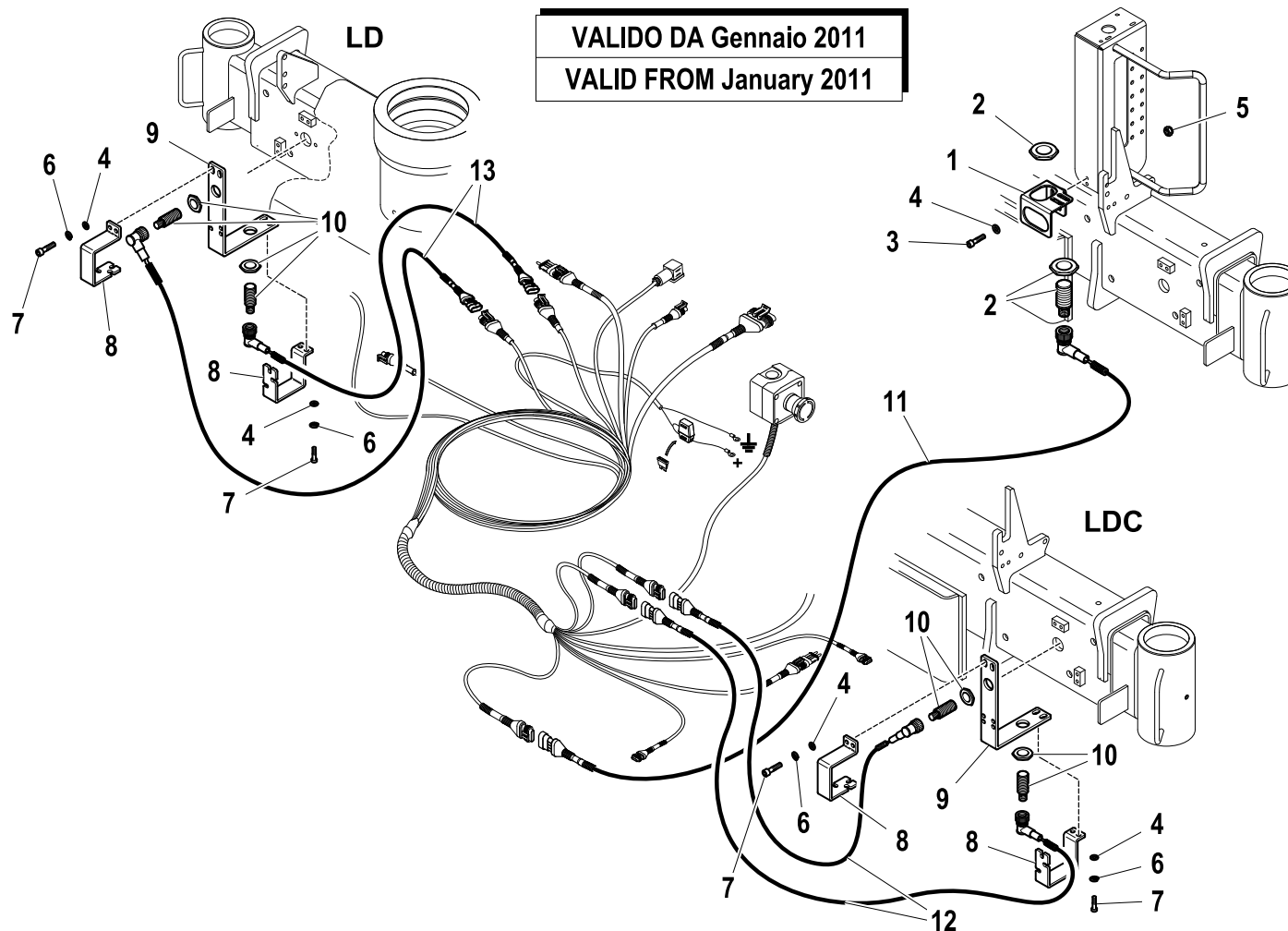
6400213-1.0

1/1



R	Pos.	Code Variant	Q.ty	Description
	1	6070516	1	
	2	3420026	1	W-ring
	3	3400090	1	
	4	6040252	1	
	5	3460380	1	
	6	3450085	1	
	7	6030689	1	
	8	3450066	1	
	9	3400510	1	
	10	6050230	1	
	11	3020126	1	Socket head cap screw [M16X35 8.8 ZC UNI 5931]
	12	5550684	1	

R	Pos.	Code Variant	Q.ty	Description
	1	5002051	1	Support (Proximity switch)
	2	3311312	1	Proximity switch
	3	3020037	2	Socket head cap screw [M6X25 8.8 ZC UNI 5931]
	4	3060030	10	Flat washer [D.6.6X18 UNI 6593 ZC]
	5	3040372	2	Stopnut
	6	3060053	8	Split lock washer [D=6.4 C72 ZC]
	7	3020035	8	Socket head cap screw [M6X20 8.8 ZC UNI 5931]
	8	5002026	4	Guard (Proximity switch)
	9	5002027	2	Support (Proximity switch)
	10	3311311	4	Proximity switch
	11	3311372	1	Electric wiring
	12	3311377	2	
	13	3311332	2	



Kit (ROTATION CONTROL)

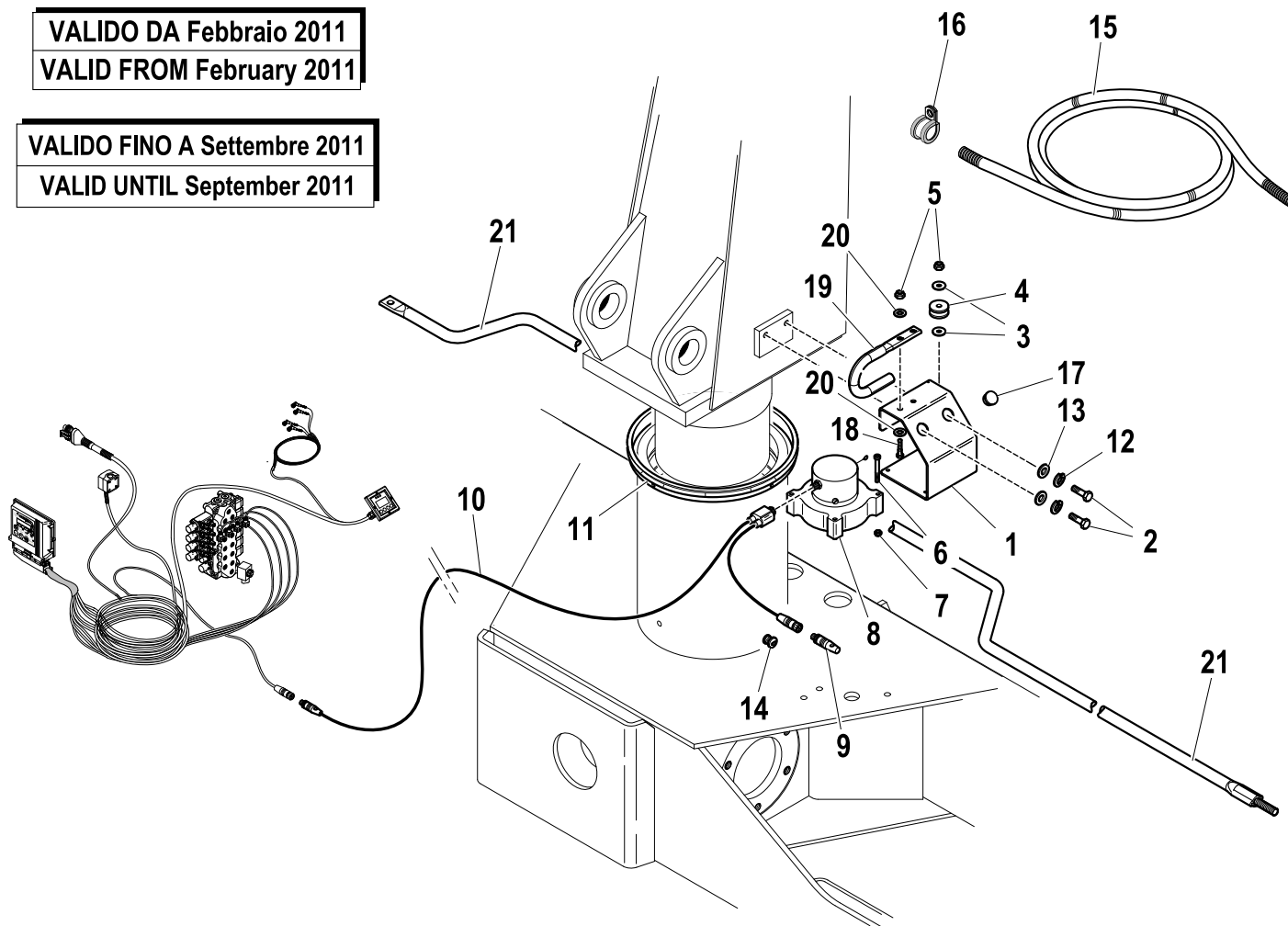
Code

7880943-1.0

1/2

VALIDO DA Febbraio 2011
VALID FROM February 2011

VALIDO FINO A Settembre 2011
VALID UNTIL September 2011



R	Pos.	Code Variant	Q.ty	Description
	1	5091301	1	
	2	3020080	2	Socket head cap screw [M10X16 12.9 ZC UNI 5931]
	3	3060030	2	Flat washer [D.6.6X18 UNI 6593 ZC]
	4	5141080	1	
	5	3040372	3	Stopnut
	6	3020019	3	Socket head cap screw [M4X40 8.8 ZC UNI 5931]
	7	3040518	3	Stopnut
	8	3311313	1	
	9	3311327	1	Connector (Electric)
	10	3311325	1	
	11	5141097	1	
	12	3060056	2	Split lock washer [D=10 C72 ZC]
	13	3060914	2	Flat washer [D.10.5X21X2 UNI 6592 ZC]
	14	3311326	1	
	15	3190295	mt2.5	
	16	3190036	1	
	17	3190301	2	
	18	3010022	2	Hex screw [M6X25 8.8 ZC UNI 5739]
	19	5002124	1	
	20	3060005	4	Flat washer [D.6.4 UNI 6592 ZC]

Kit (ROTATION CONTROL)

Code

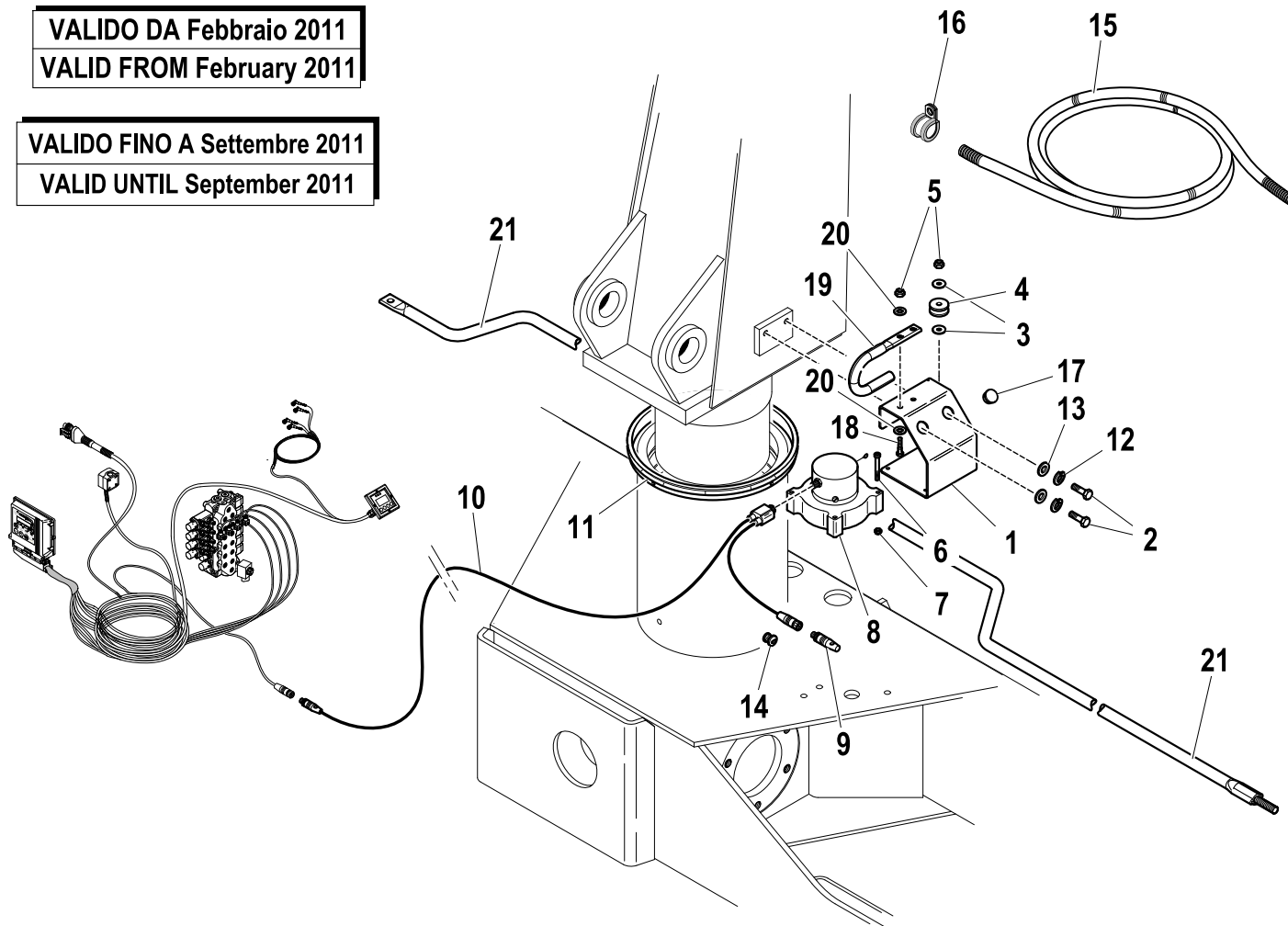
7880943-1.0

2/2

R	Pos.	Code Variant	Q.ty	Description
	21	5091338	1	

VALIDO DA Febbraio 2011
VALID FROM February 2011

VALIDO FINO A Settembre 2011
VALID UNTIL September 2011



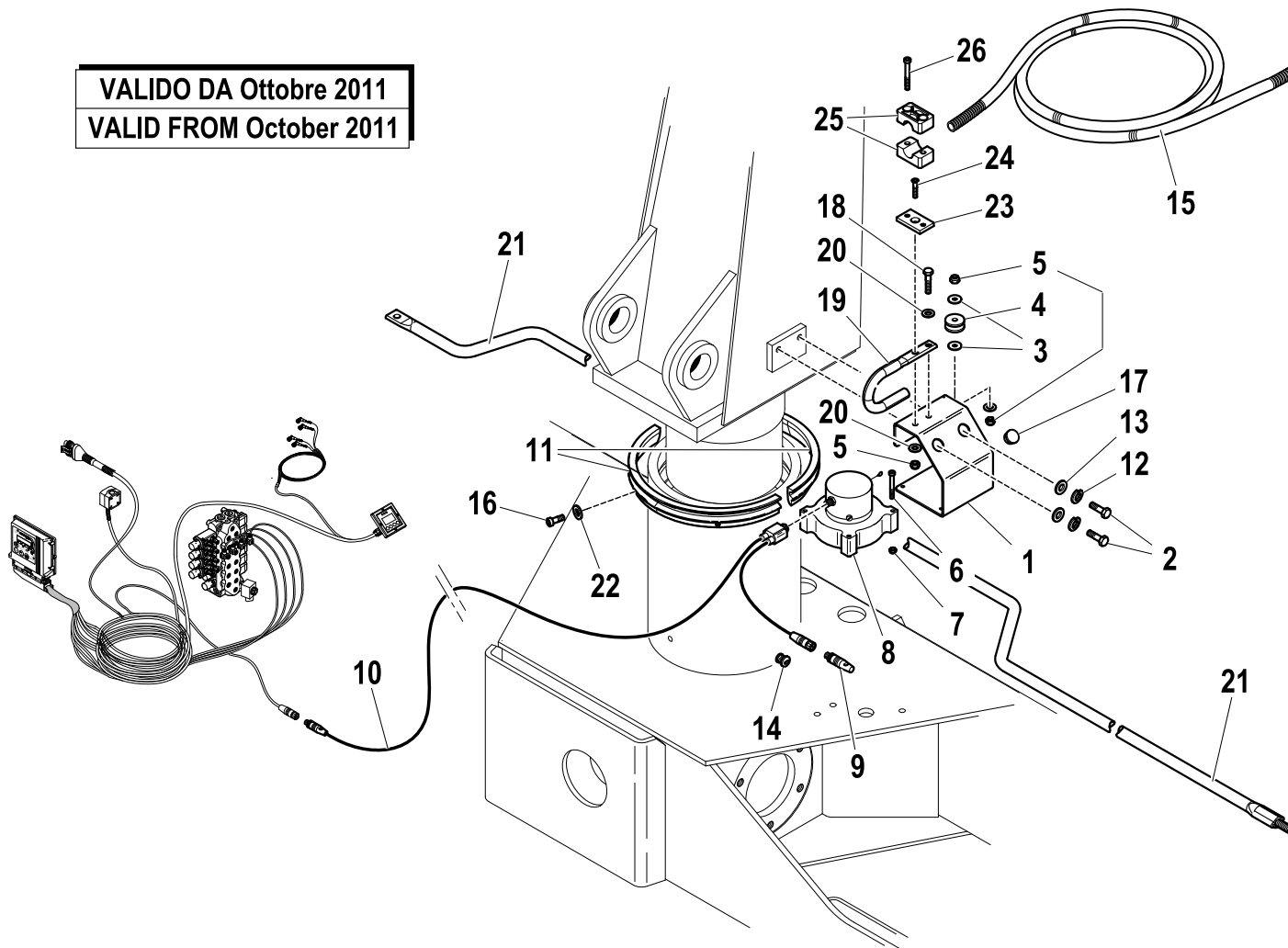
Kit (ROTATION CONTROL)

Code

7880943-1.1

1/2

VALIDO DA Ottobre 2011
VALID FROM October 2011



R	Pos.	Code Variant	Q.ty	Description
	1	5091301	1	
	2	3020080	2	Socket head cap screw [M10X16 12.9 ZC UNI 5931]
	3	3060030	2	Flat washer [D.6.6X18 UNI 6593 ZC]
	4	5141080	1	
	5	3040372	3	Stopnut
	6	3020019	3	Socket head cap screw [M4X40 8.8 ZC UNI 5931]
	7	3040518	3	Stopnut
	8	3311313	1	
	9	3311327	1	Connector (Electric)
	10	3311325	1	
	11	5141117	2	
	12	3060056	2	Split lock washer [D=10 C72 ZC]
	13	3060914	2	Flat washer [D.10.5X21X2 UNI 6592 ZC]
	14	3311326	1	
	15	3190295	mt2.5	
	16	3020021	4	Socket head cap screw [M5X12X0.8 8.8 ZC UNI 5931]
	17	3190301	2	
	18	3010022	1	Hex screw [M6X25 8.8 ZC UNI 5739]
	19	5002124	1	
	20	3060005	3	Flat washer [D.6.4 UNI 6592 ZC]

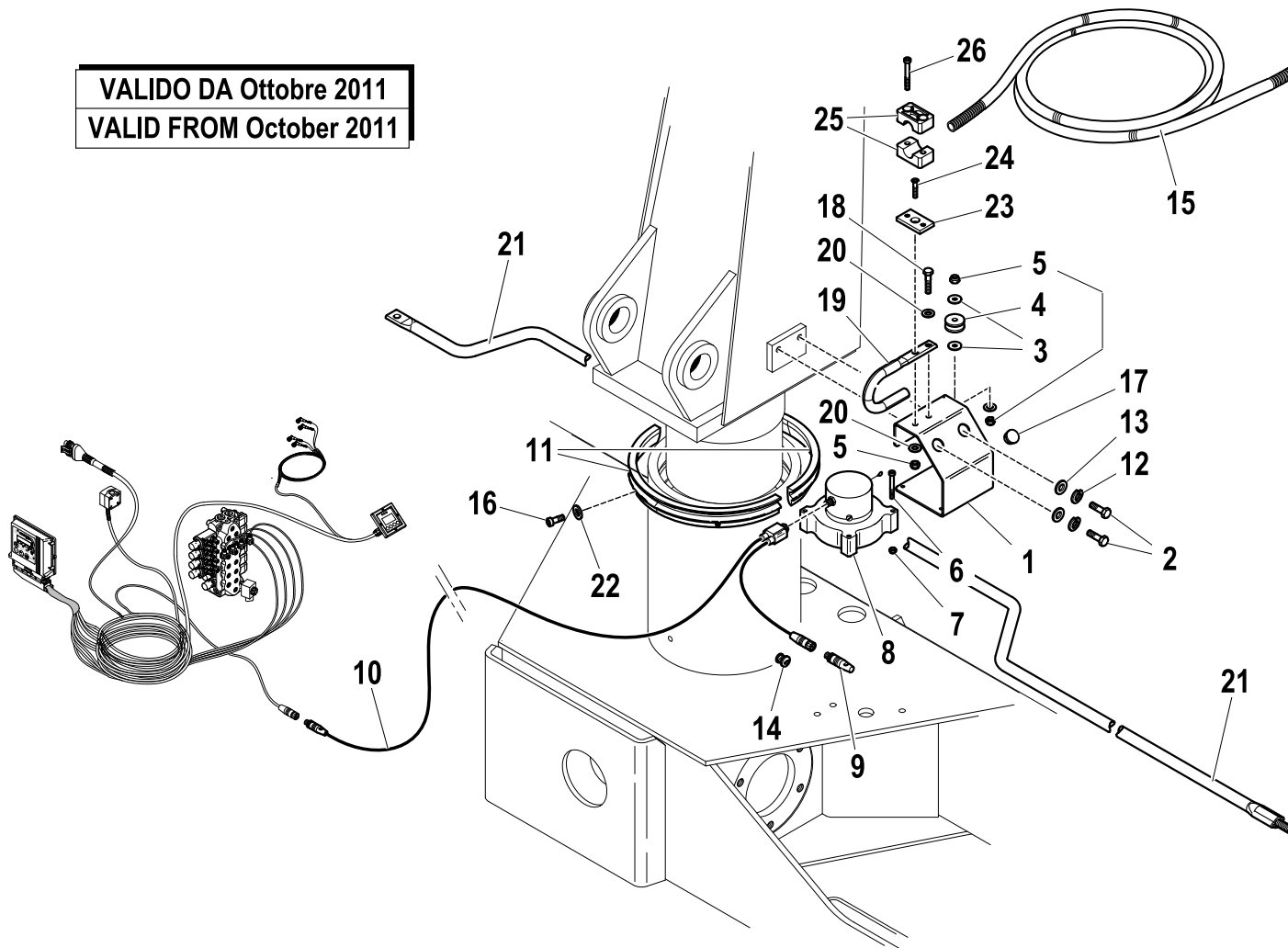
Kit (ROTATION CONTROL)

Code

7880943-1.1

2/2

VALIDO DA Ottobre 2011
VALID FROM October 2011



R	Pos.	Code Variant	Q.ty	Description
	21	5091338	1	
	22	3060004	4	Flat washer [D.5 UNI 6592 ZC]
	23	5000454	1	
	24	3020907	1	TSEI screw [M6X25 10.9 ZC UNI 5933]
	25	3190185	2	
	26	3020039	2	Socket head cap screw [M6X35 8.8 ZC UNI 5931]

Kit (ROTATION CONTROL)

Code

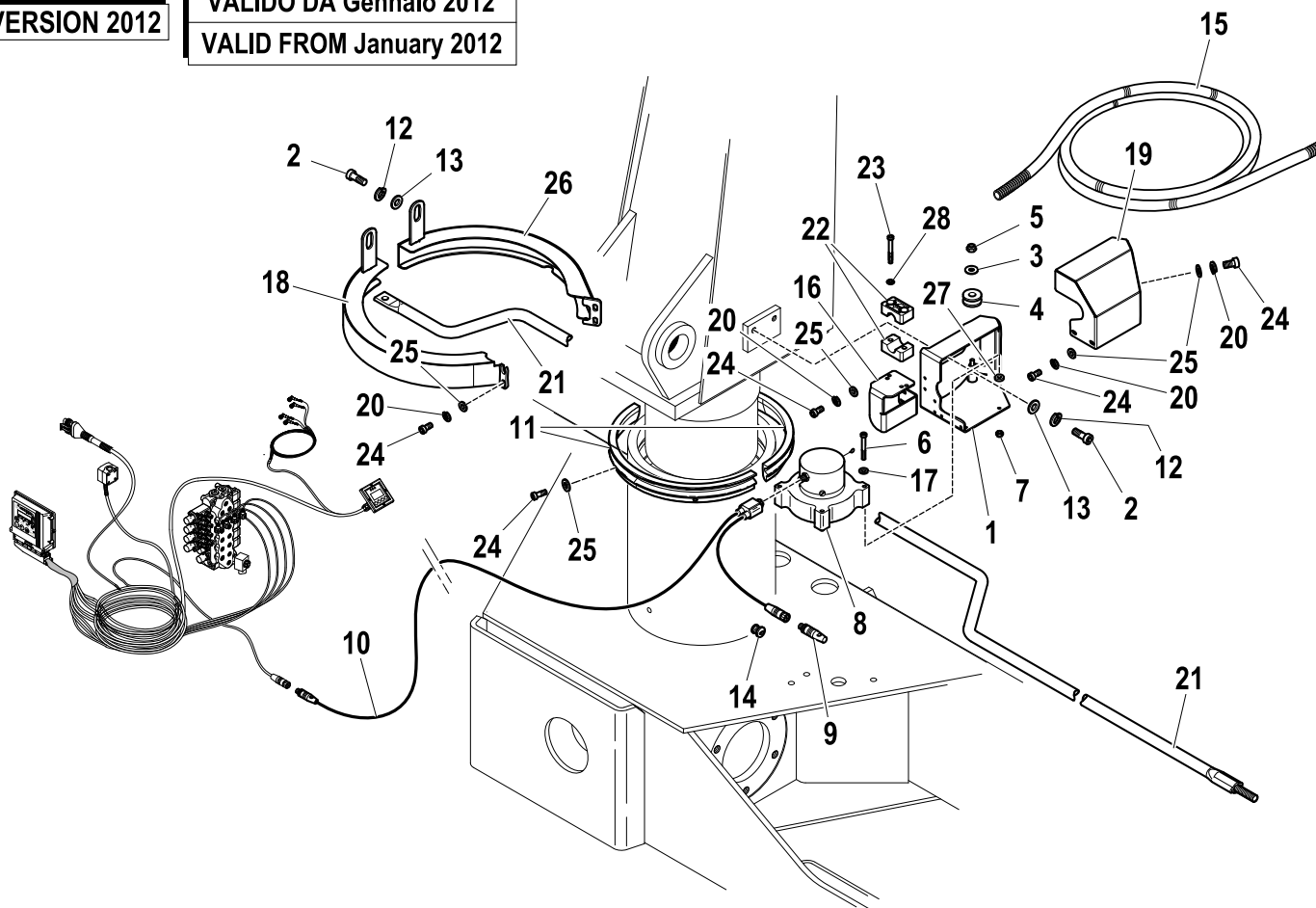
7880943-2.0

1/2

VERSION 2012

VALIDO DA Gennaio 2012

VALID FROM January 2012



R	Pos.	Code Variant	Q.ty	Description
	1	5091398	1	
	2	3020080	4	Socket head cap screw [M10X16 12.9 ZC UNI 5931]
	3	3060030	1	Flat washer [D.6.6X18 UNI 6593 ZC]
	4	5141135	1	
	5	3040372	1	Stopnut
	6	3020019	2	Socket head cap screw [M4X40 8.8 ZC UNI 5931]
	7	3040518	2	Stopnut
	8	3311313	1	
	9	3311327	1	Connector (Electric)
	10	3311325	1	
	11	5141117	2	
	12	3060056	4	Split lock washer [D=10 C72 ZC]
	13	3060914	4	Flat washer [D.10.5X21X2 UNI 6592 ZC]
	14	3311326	1	
	15	3190295	mt2.5	
	16	5002193	1	
	17	3060003	2	Flat washer [D.4 UNI 6592 ZC]
	18	5002230	1	
	19	5002177	1	
	20	3060052	10	Split lock washer [D=5.5 C72 ZC]

Kit (ROTATION CONTROL)

Code

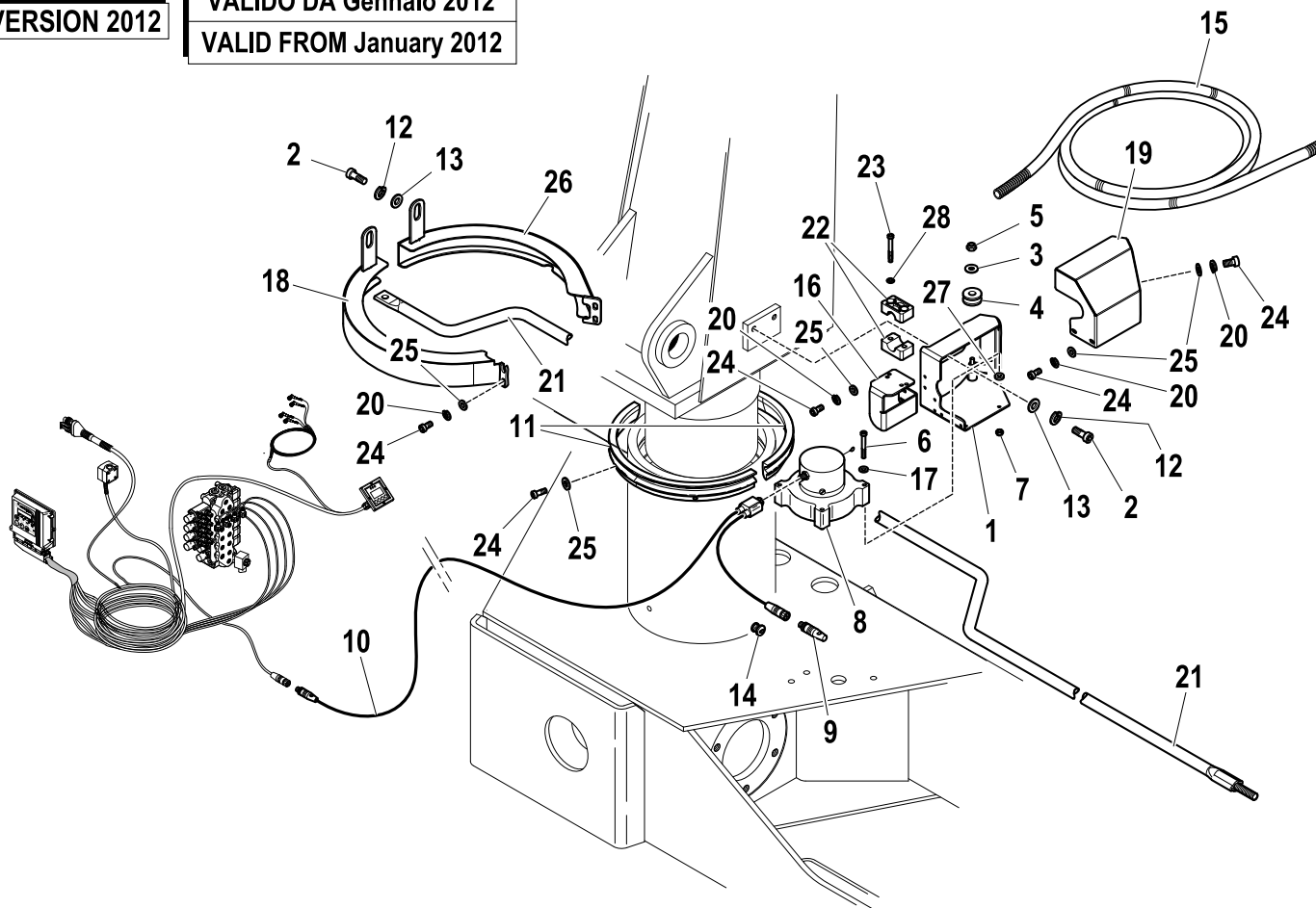
7880943-2.0

2/2

VERSION 2012

VALIDO DA Gennaio 2012

VALID FROM January 2012



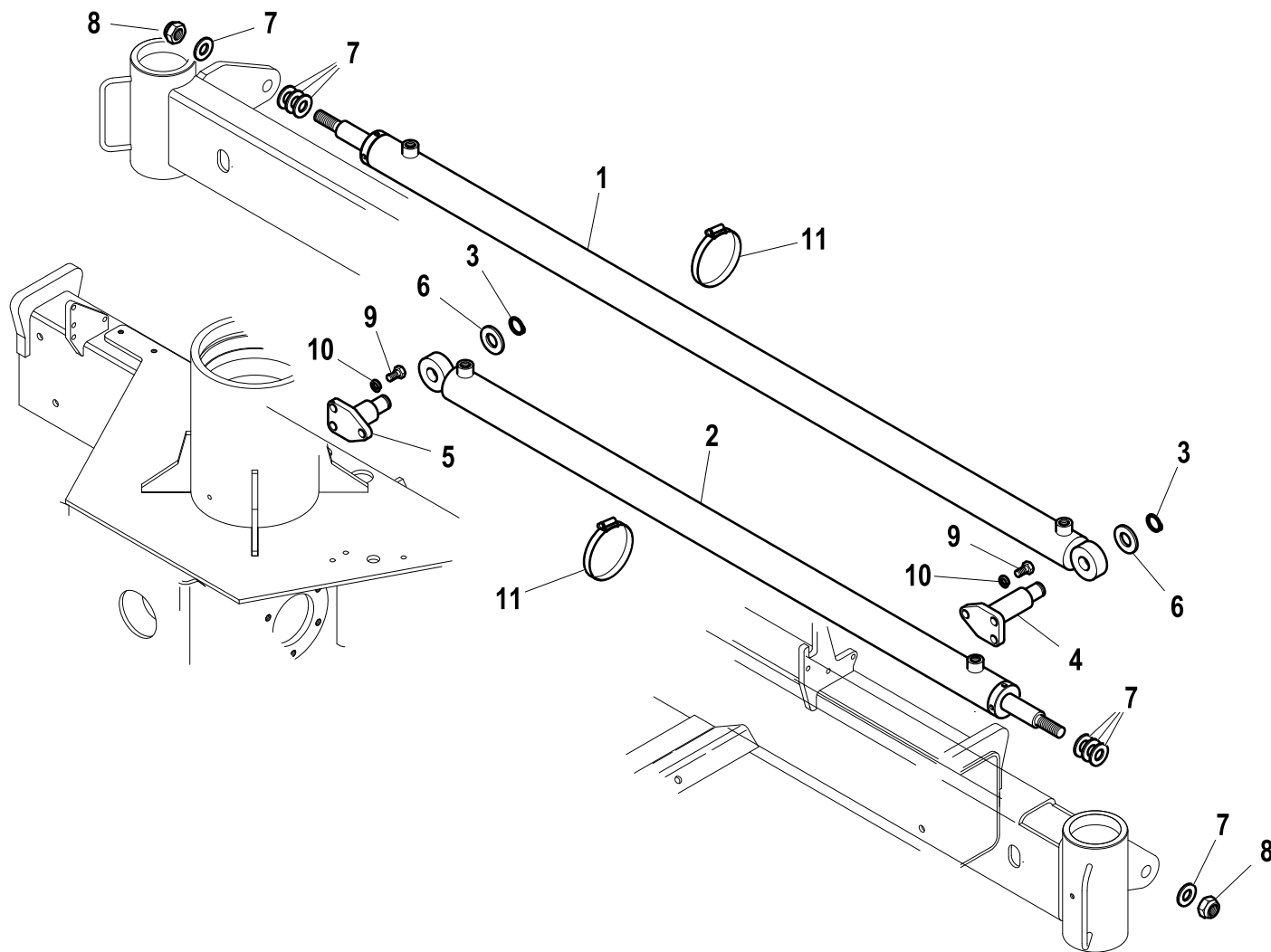
R	Pos.	Code Variant	Q.ty	Description
	21	5091338	1	
	22	3190185	2	
	23	3020039	2	Socket head cap screw [M6X35 8.8 ZC UNI 5931]
	24	3020022	16	Socket head cap screw [M5X10 8.8 ZC UNI 5931]
	25	3060004	16	Flat washer [D.5 UNI 6592 ZC]
	26	5002229	1	
	27	3190039	2	Insulator
	28	3190178	2	

ROD EXTENSION HYDRAULIC CYLINDER EXTRA-EXTENSIBLE

Code

5380038-1.0

1/1



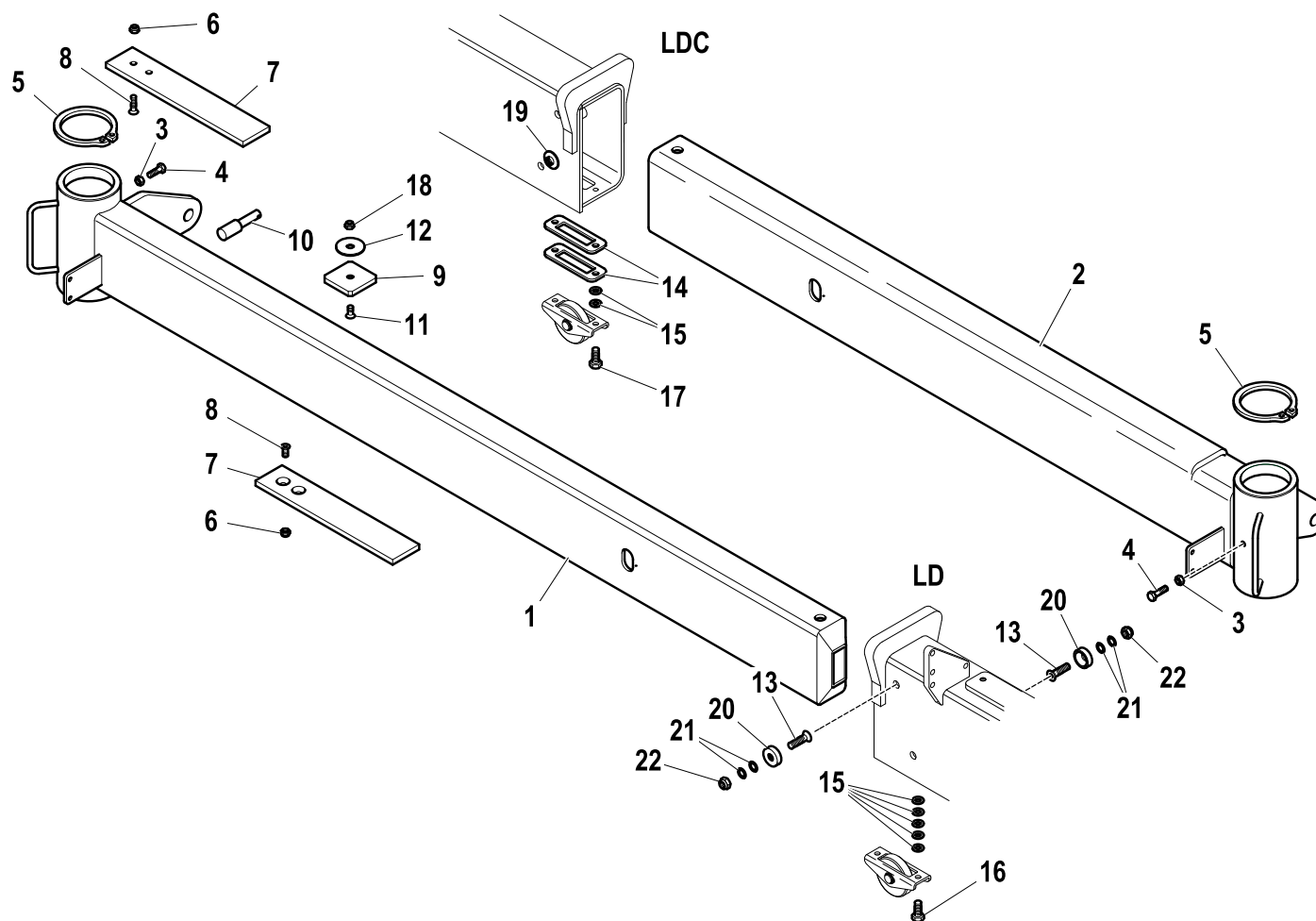
R	Pos.	Code Variant	Q.ty	Description
	1	6400268	1	Extension jacks
	2	6400272	1	Extension jacks
	3	3070017	2	Seeger
	4	5090053	1	
	5	5090054	1	
	6	3060012	2	Flat washer [D.21X37X3 UNI 6592 ZC]
	7	3060010	8	Flat washer [D.17X30X3 UNI 6592 ZC]
	8	3040307	2	Stopnut
	9	3010355	6	Hex screw [M10X25 8.8 ZC IF UNI 5739]
	10	3060056	6	Split lock washer [D=10 C72 ZC]
	11	3190025	4	Clamp

Stabilizer connecting rods extra-extensible (hydraulic lengthening)

Code

5760222-1.0

1/2

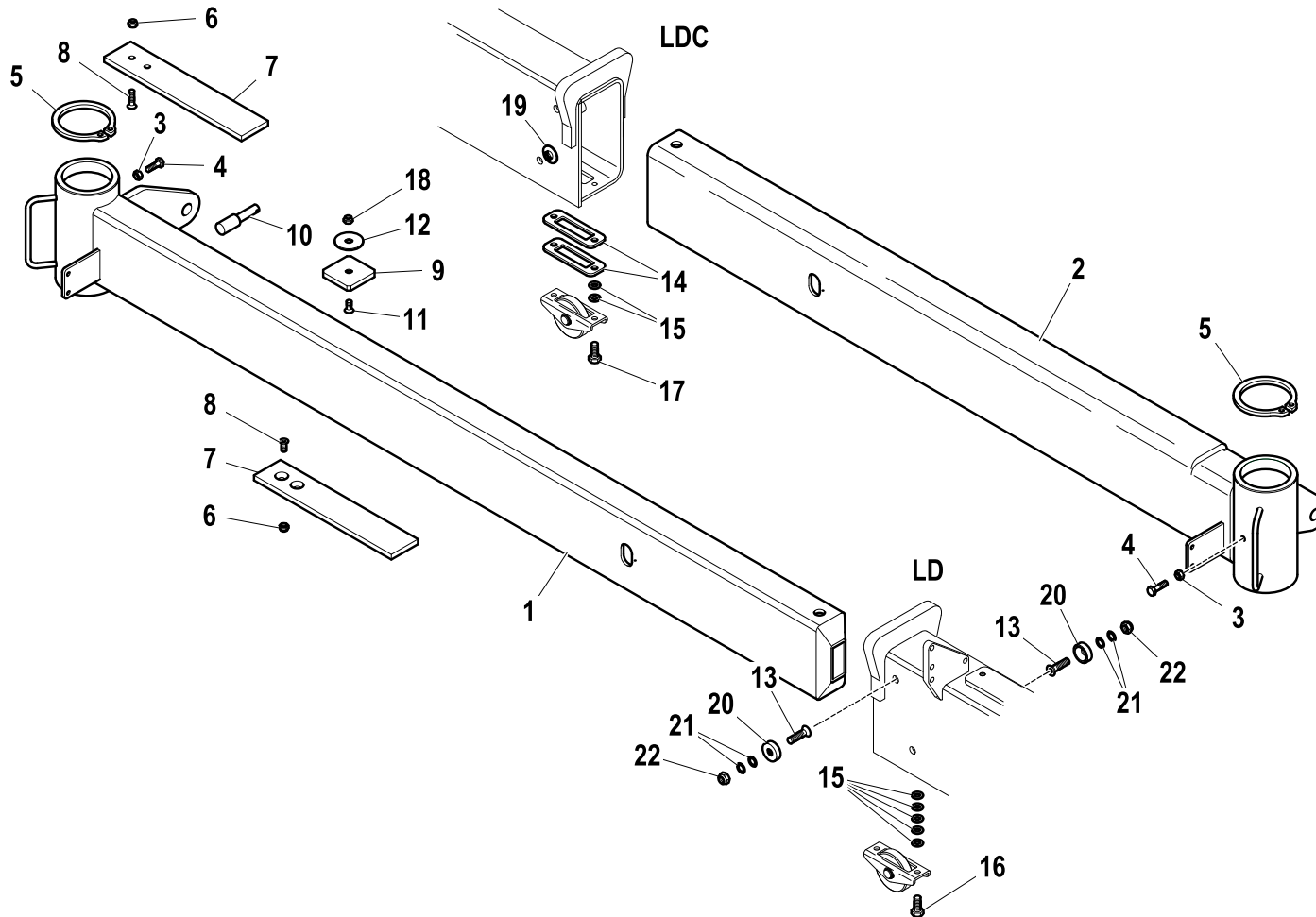


R	Pos.	Code Variant	Q.ty	Description
	1	5070013	1	
	2	5070015	1	
	3	3040045	2	Nut
	4	3020875	2	Socket head cap screw [M8X20 ZC UNI 5931]
	5	3070063	2	Seeger
	6	3040303	4	Stopnut
	7	5141050	2	
	8	3020455	4	TSEI screw [M8X25 ZC UNI 5933]
	9	5140019	1	
	10	4160279	1	
	11	3020500	1	TSEI screw [M10X35 8.8 ZC UNI 5933]
	12	3060007	1	Flat washer [D.10X40X2.5 UNI 6593 ZC]
	13	3020921	8	TSEI screw [M12X35 8.8 ZC UNI 5933]
	14	5001433	2	
	15	3060957	14	Washer
	16	3010027	2	Hex screw [M8X20 8.8 ZC IF UNI 5739]
	17	3010339	2	Hex screw [M8X25 8.8 ZC IF UNI 5739]
	18	3040304	1	Stopnut
	19	W370400700	2	Button (Coupling backlash)
	20	5140991	8	

Stabilizer connecting rods extra-extensible (hydraulic lengthening)

Code		
5760222-1.0		2/2

R	Pos.	Code Variant	Q.ty	Description
	21	3060959	8	
	22	3040305	8	Stopnut

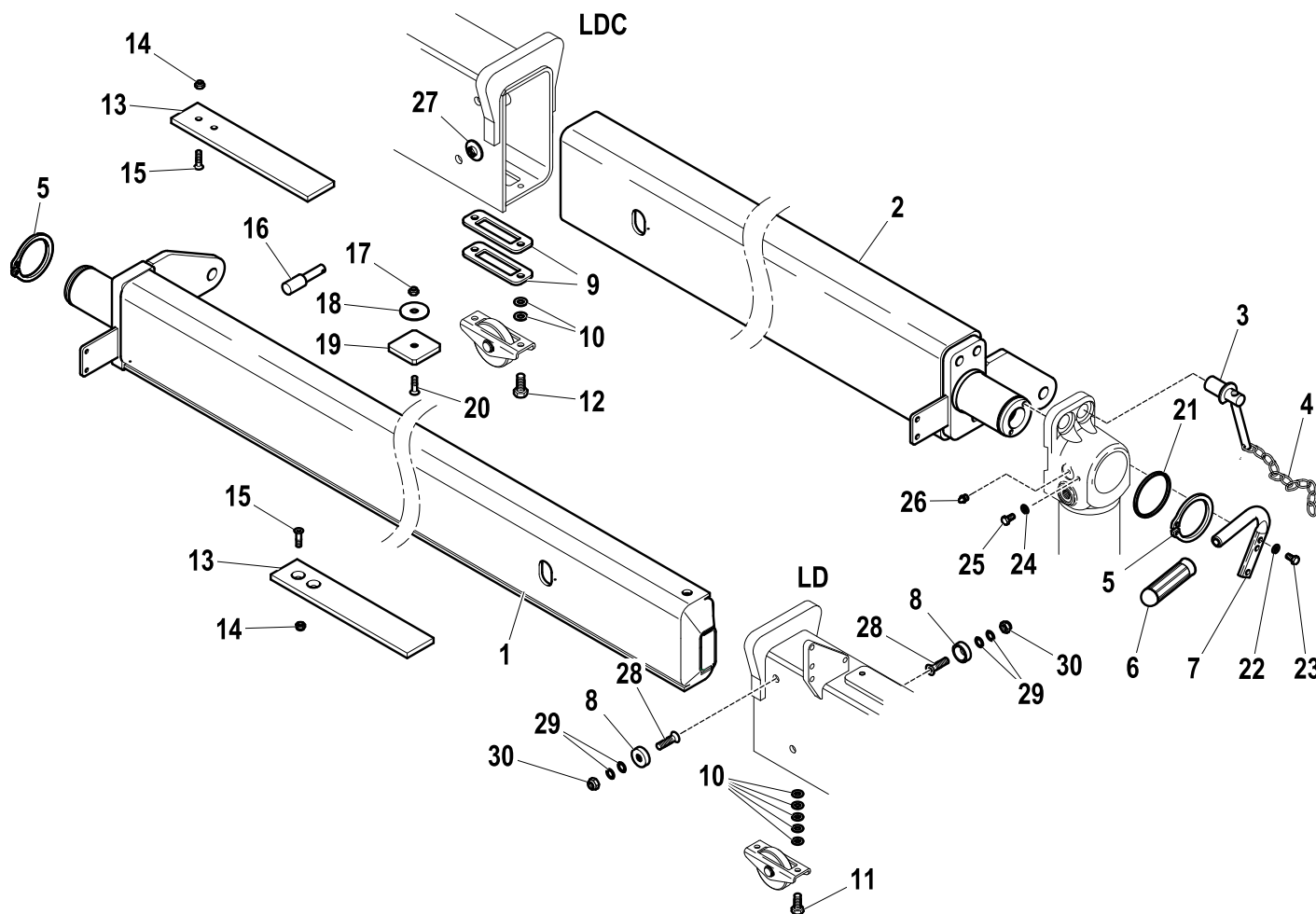


Stabilizer connecting rods extra-extensible revolving (hydraulic lengthening)

Code

5760223-1.0

1/2



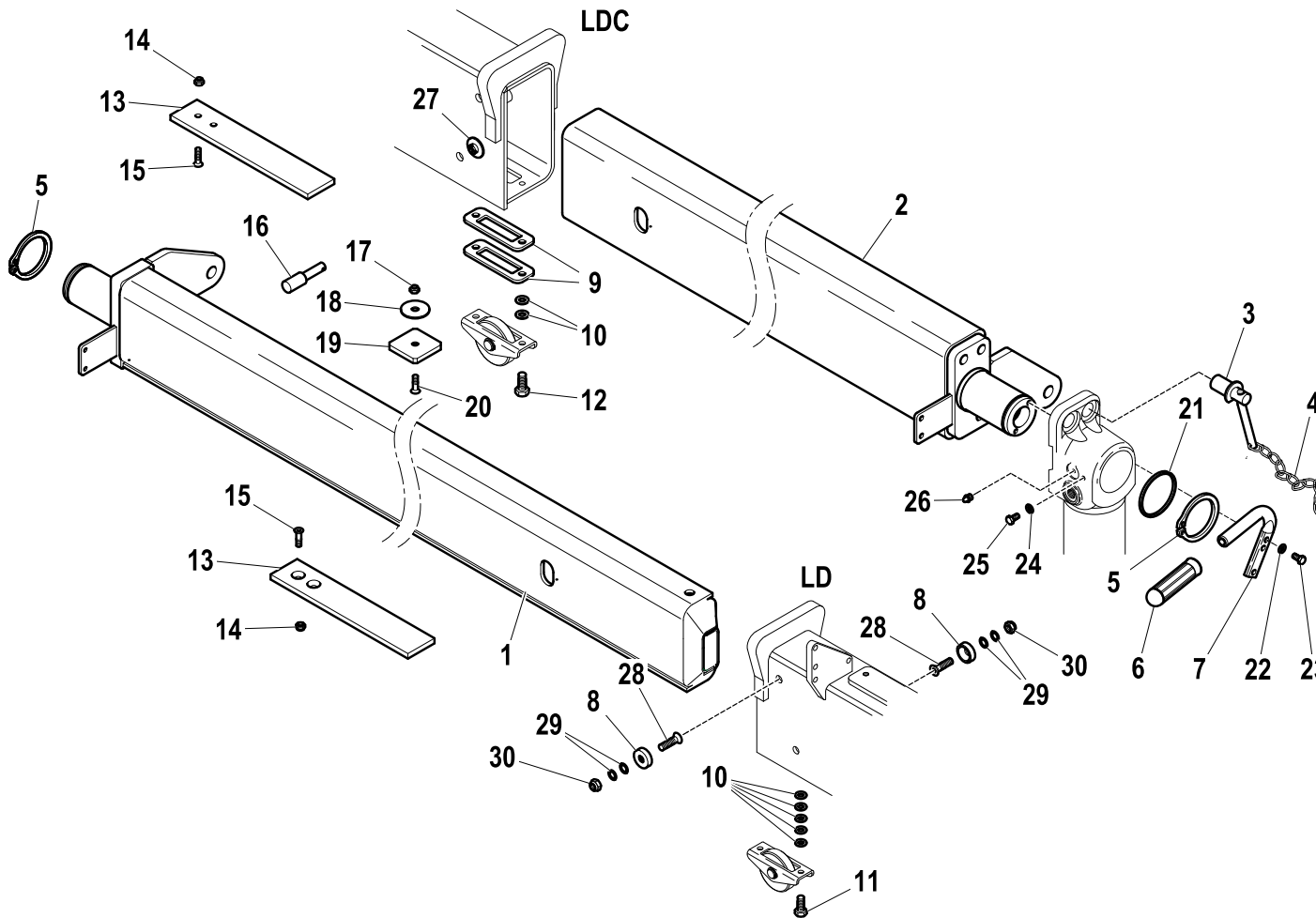
R	Pos.	Code Variant	Q.ty	Description
	1	5070009	1	Stabilizer rod
	2	5070010	1	Stabilizer rod
	3	W101219	2	
	4	3000007	mt0.7	
	5	3070052	2	Seeger
	6	W664018	2	
	7	W370401800	2	
	8	5140991	8	
	9	5001433	2	
	10	3060957	14	Washer
	11	3010027	2	Hex screw [M8X20 8.8 ZC IF UNI 5739]
	12	3010339	2	Hex screw [M8X25 8.8 ZC IF UNI 5739]
	13	5141050	2	
	14	3040303	4	Stopnut
	15	3020455	4	TSEI screw [M8X25 ZC UNI 5933]
	16	4160279	1	
	17	3040304	1	Stopnut
	18	3060007	1	Flat washer [D.10X40X2.5 UNI 6593 ZC]
	19	5140019	1	
	20	3020500	1	TSEI screw [M10X35 8.8 ZC UNI 5933]

Stabilizer connecting rods extra-extensible revolving (hydraulic lengthening)

Code

5760223-1.0

2/2



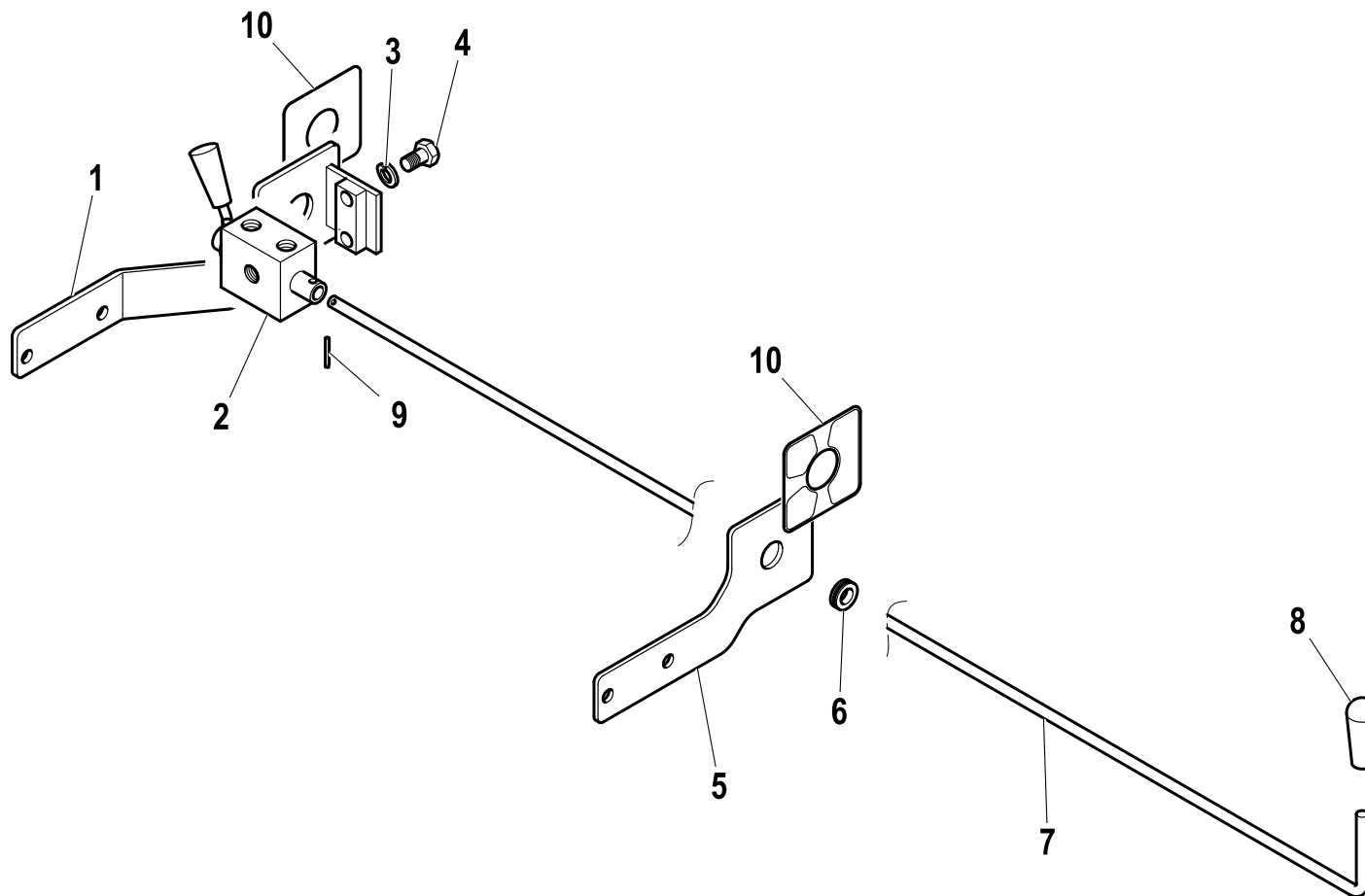
R	Pos.	Code Variant	Q.ty	Description
	21	5000183	2	
	22	3060005	4	Flat washer [D.6.4 UNI 6592 ZC]
	23	3010325	4	Hex screw [M6X16 8.8 ZC UNI 5739]
	24	3060030	2	Flat washer [D.6.6X18 UNI 6593 ZC]
	25	3010323	2	Hex screw [M6X10 8.8 ZC UNI 5739]
	26	3080501	2	Grease nipple
	27	W370400700	2	Button (Coupling backlash)
	28	3020921	8	TSEI screw [M12X35 8.8 ZC UNI 5933]
	29	3060959	8	
	30	3040305	8	Stopnut

DOUBLE CONTROLS (Stabilizers rods)

Code

5380038-2.0

1/1



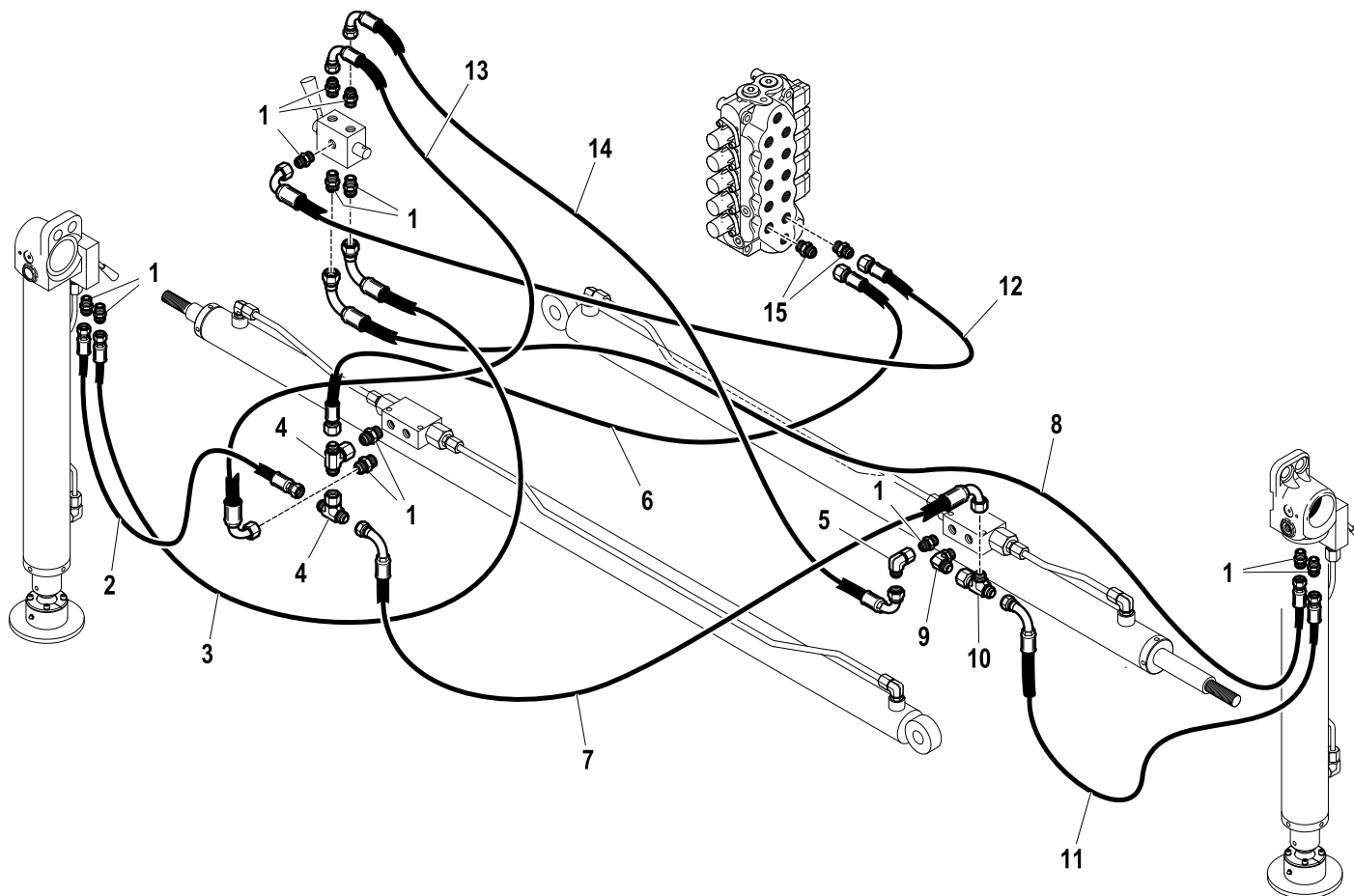
R	Pos.	Code Variant	Q.ty	Description
	1	5090937	1	
	2	5220256	1	
	3	3060056	2	Split lock washer [D=10 C72 ZC]
	4	3010354	2	Hex screw [M10X20 8.8 ZC UNI 5739]
	5	5001494	1	
	6	3190255	1	
	7	5150783	1	
	8	3190010	1	Knob
	9	3060596	1	Spring pin
	10	5812483	2	

HYDRAULIC SYSTEM (not CE)

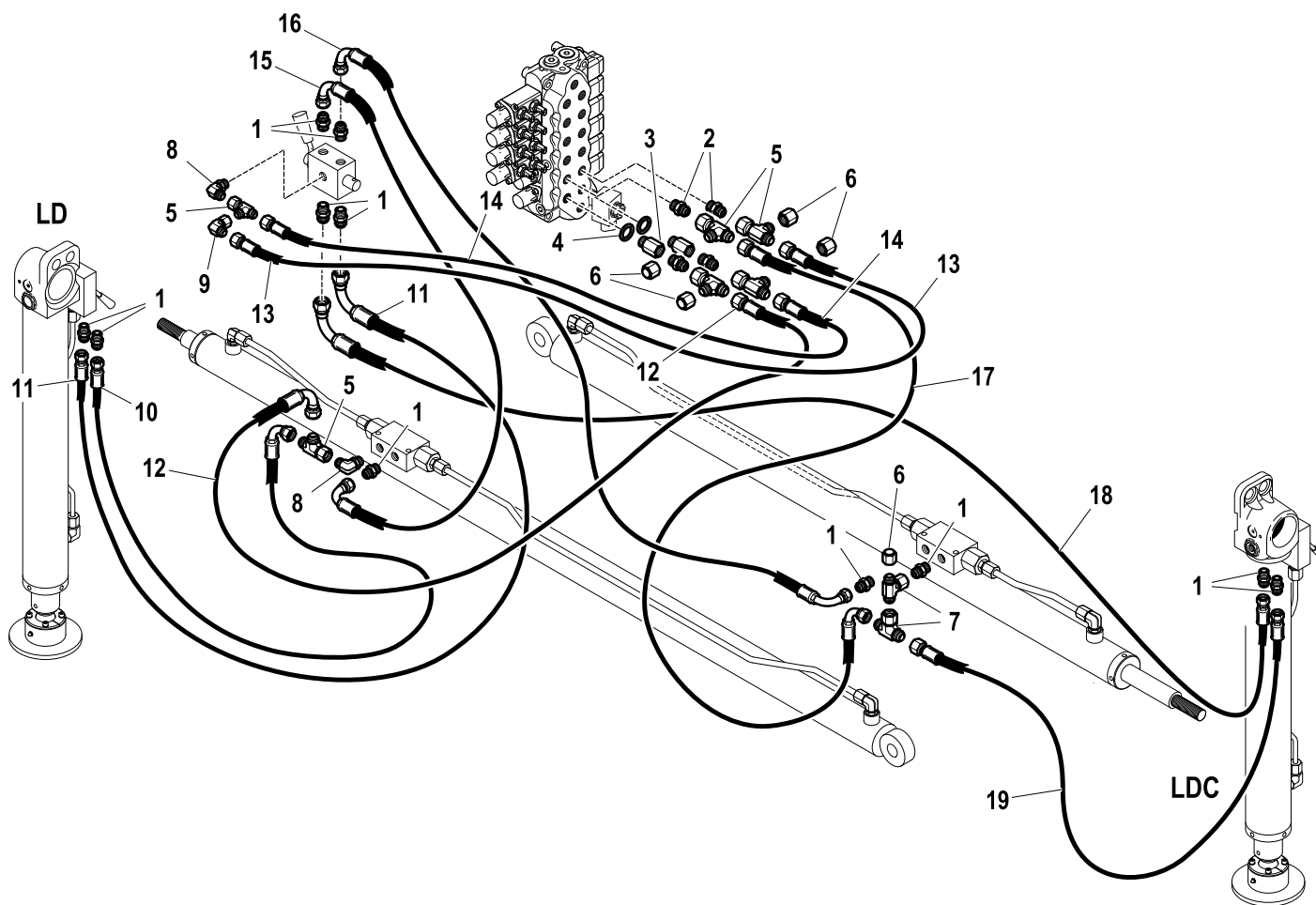
Code

5380038-3.0

1/1



R	Pos.	Code Variant	Q.ty	Description
	1	3101039	12	Straight pipe fitting
	2	5261132	1	Flexible hose
	3	5261127	1	Flexible hose
	4	3120341	2	Tee fitting
	5	3120011	1	90° Connection
	6	5260841	1	Flexible hose
	7	5261131	1	Flexible hose
	8	5261128	1	Flexible hose
	9	3101124	1	90° Connection
	10	3120003	1	Tee fitting
	11	5261130	1	Flexible hose
	12	5261250	1	Flexible hose
	13	5260840	1	Flexible hose
	14	5261129	1	Flexible hose
	15	3101040	2	Straight pipe fitting



R	Pos.	Code Variant	Q.ty	Description
	1	3101039	11	Straight pipe fitting
	2	3101040	4	Straight pipe fitting
	3	3110001	2	Straight pipe fitting
	4	3060144	2	Sealing washer [BSP 3/8"]
	5	3120003	6	Tee fitting
	6	3110040	5	Female plug
	7	3120341	2	Tee fitting
	8	3101124	1	90° Connection
	9	3120011	1	90° Connection
	10	5261130	1	Flexible hose
	11	5261127	1	Flexible hose
	12	5261250	1	Flexible hose
	13	5260849	1	Flexible hose
	14	5260841	1	Flexible hose
	15	5260840	1	Flexible hose
	16	5261131	1	Flexible hose
	17	5261137	1	Flexible hose
	18	5261128	1	Flexible hose
	19	5261132	1	Flexible hose

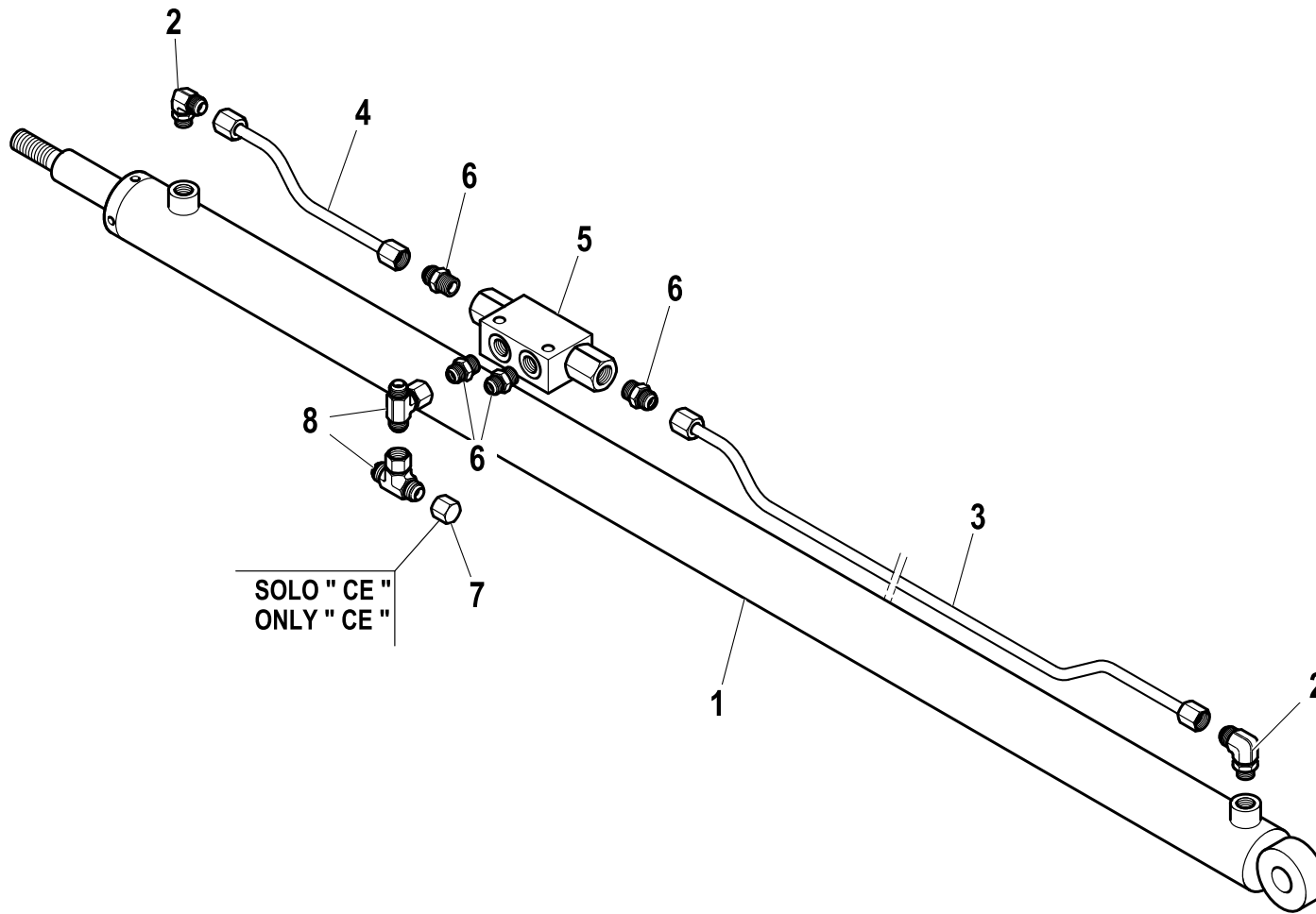
HYDRAULIC SYSTEM ROD EXTENSION HYDRAULIC CYLINDER (Control valve side)

Code

6200268-1.0

1/1

R	Pos.	Code Variant	Q.ty	Description
	1	6400268	1	Extension jacks
	2	3101124	2	90° Connection
	3	5392381	1	
	4	5392236	1	
	5	5220559	1	Holding valve
	6	3101039	4	Straight pipe fitting
	7	3110040	1	Female plug
	8	3120341	2	Tee fitting

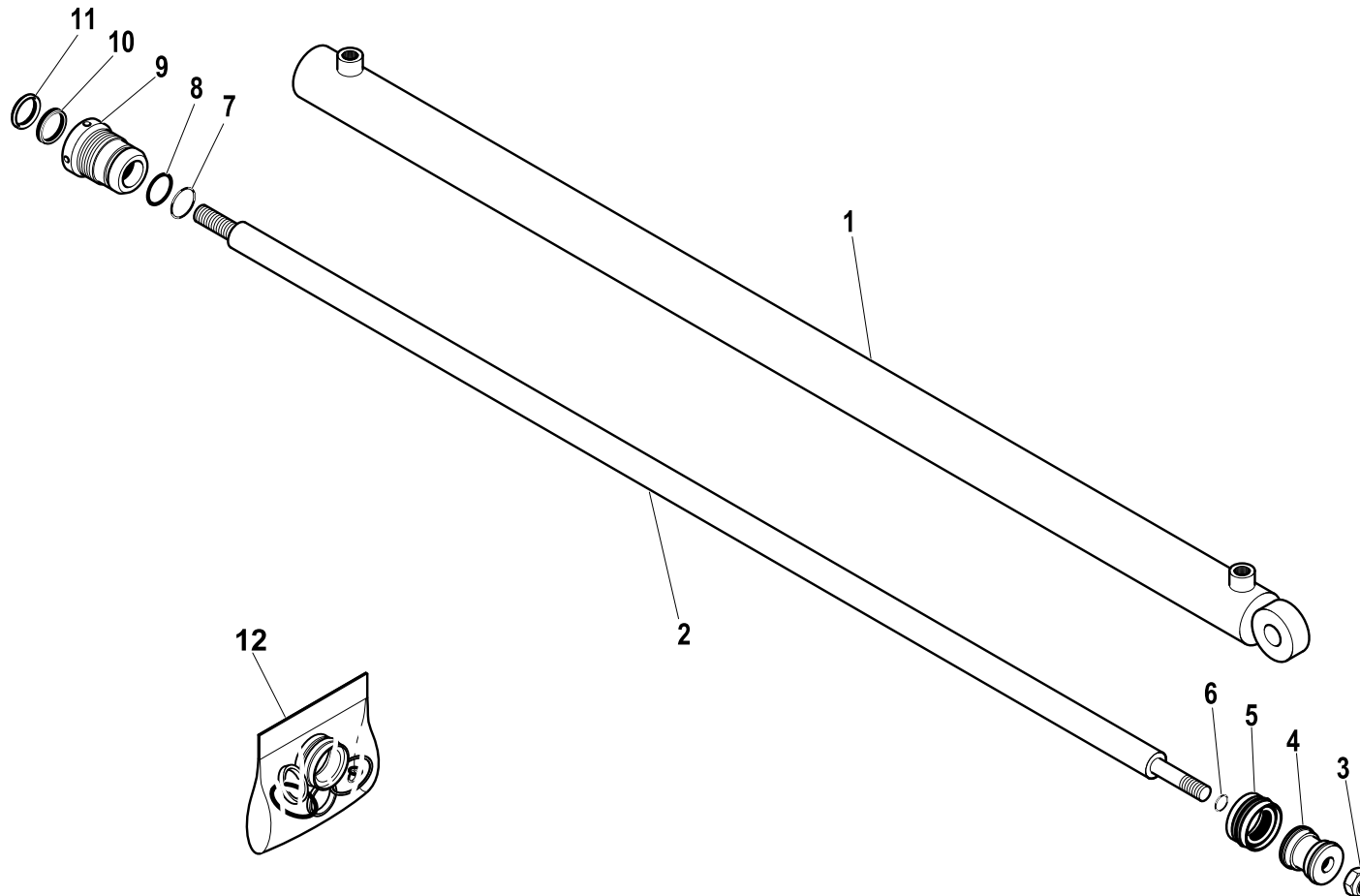


Rod extensio hydraulic (Control valve side)

Code

6400268-1.0

1/1

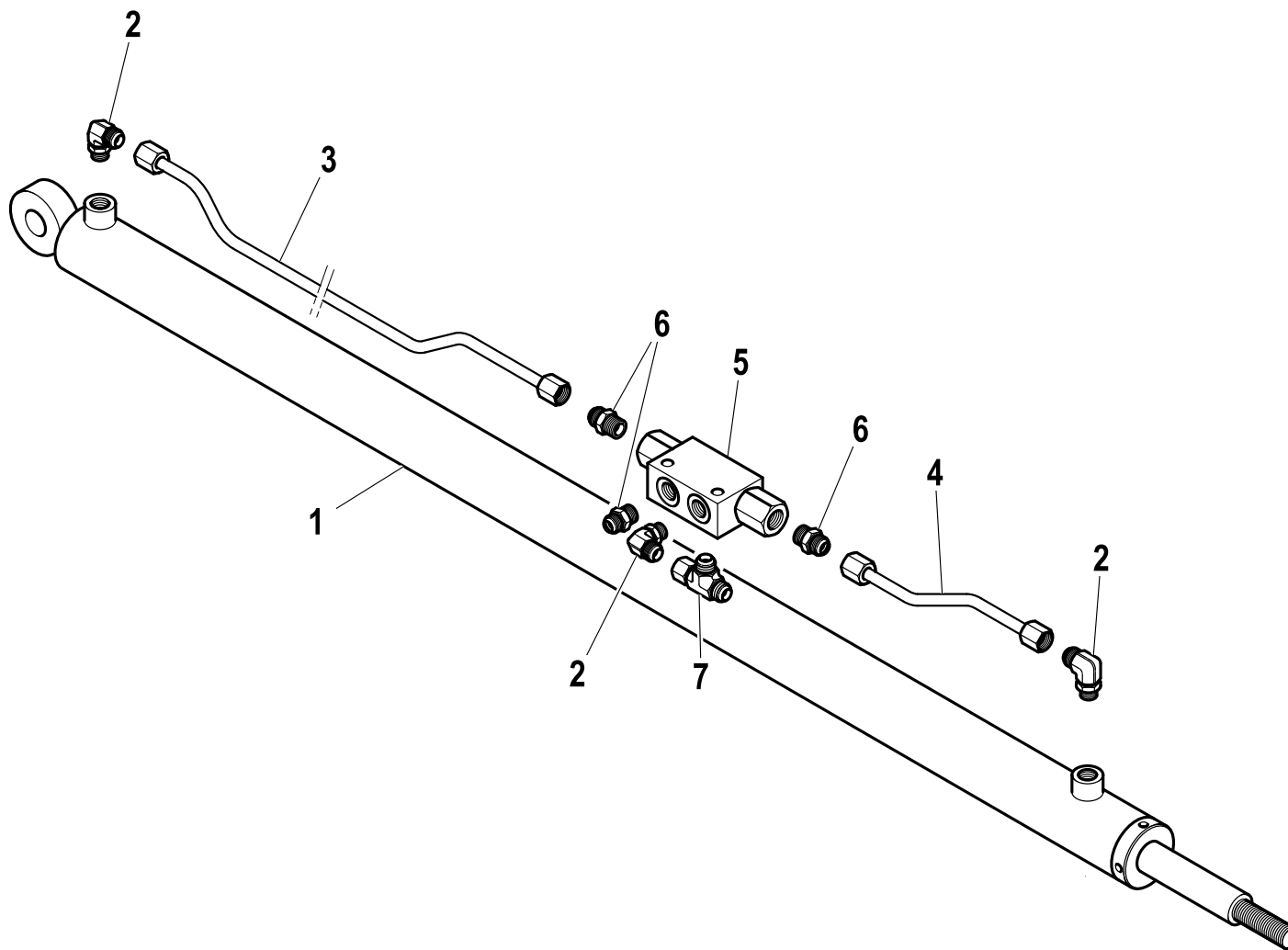


R	Pos.	Code Variant	Q.ty	Description
	1	6070610	1	
	2	6030908	1	
	3	3040306	1	Stopnut
	4	6050142	1	
	5	3400503	1	
	6	3450006	1	
	7	3450067	1	
	8	3460067	1	
	9	6040154	1	
	10	3400029	1	
	11	3420011	1	
	12	5550709	1	

HYDRAULIC SYSTEM ROD EXTENSION HYDRAULIC CYLINDER (Double controls side)

Code		
6200272-1.0		1/1

R	Pos.	Code Variant	Q.ty	Description
	1	6400272	1	Extension jacks
	2	3101124	3	90° Connection
	3	5392382	1	
	4	5392236	1	
	5	5220559	1	Holding valve
	6	3101039	3	Straight pipe fitting
	7	3120003	1	Tee fitting

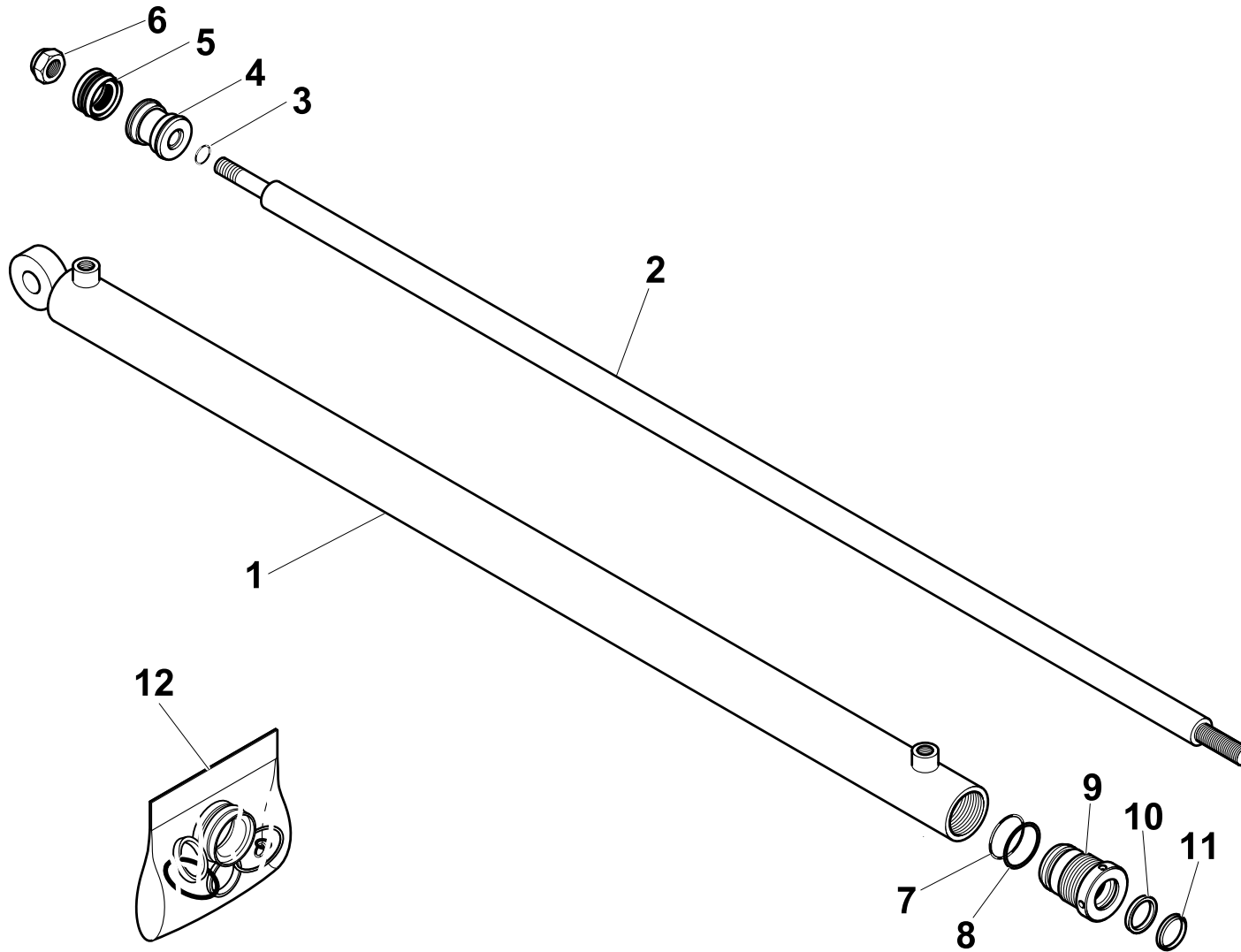


ROD EXTENSION HYDRAULIC CYLINDER (Double controls side)

Code

6400272-1.0

1/1



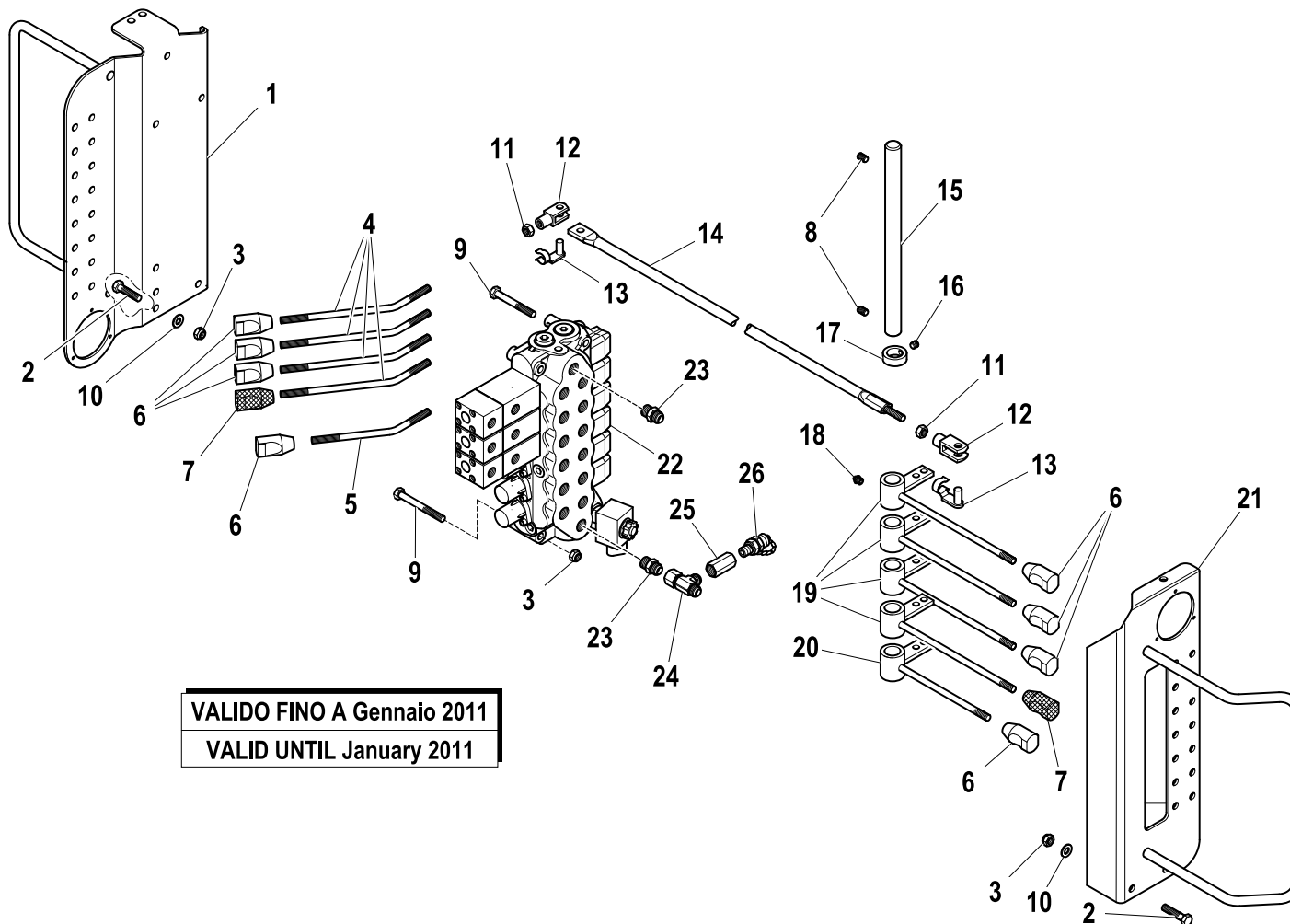
R	Pos.	Code Variant	Q.ty	Description
	1	6070609	1	
	2	6030907	1	
	3	3450006	1	
	4	6050142	1	
	5	3400503	1	
	6	3040306	1	Stopnut
	7	3450067	1	
	8	3460067	1	
	9	6040154	1	
	10	3400029	1	
	11	3420011	1	
	12	5550709	1	

DOUBLE CONTROLS

Code

5400874-1.0

1/2



VALIDO FINO A Gennaio 2011

VALID UNTIL January 2011

R	Pos.	Code Variant	Q.ty	Description
	1	5091007	1	
	2	3010390	4	Hex screw [M8X35 ZC UNI 5739]
	3	3040303	7	Stopnut
	4	5000657	4	Control lever
	5	5000659	1	Control lever
	6	3190197	8	Knob
	7	3190217	2	
	8	3060936	2	Grub screw
	9	3010036	2	Hex screw [M8X65 8.8 ZC UNI 5739]
	10	3060006	10	Flat washer [D.8 UNI 6592 ZC]
	11	3040045	11	Nut
	12	3300431	10	Fork
	13	3300451	10	Fork clip
	14	5090442	5	
	15	5150474	1	
	16	3060232	1	Grub screw [Grano M6X6 UNI 5927 ZC.]
	17	5000670	1	Ring
	18	3080500	6	Grease nipple
	19	5090433	4	Control lever
	20	5090434	1	Control lever

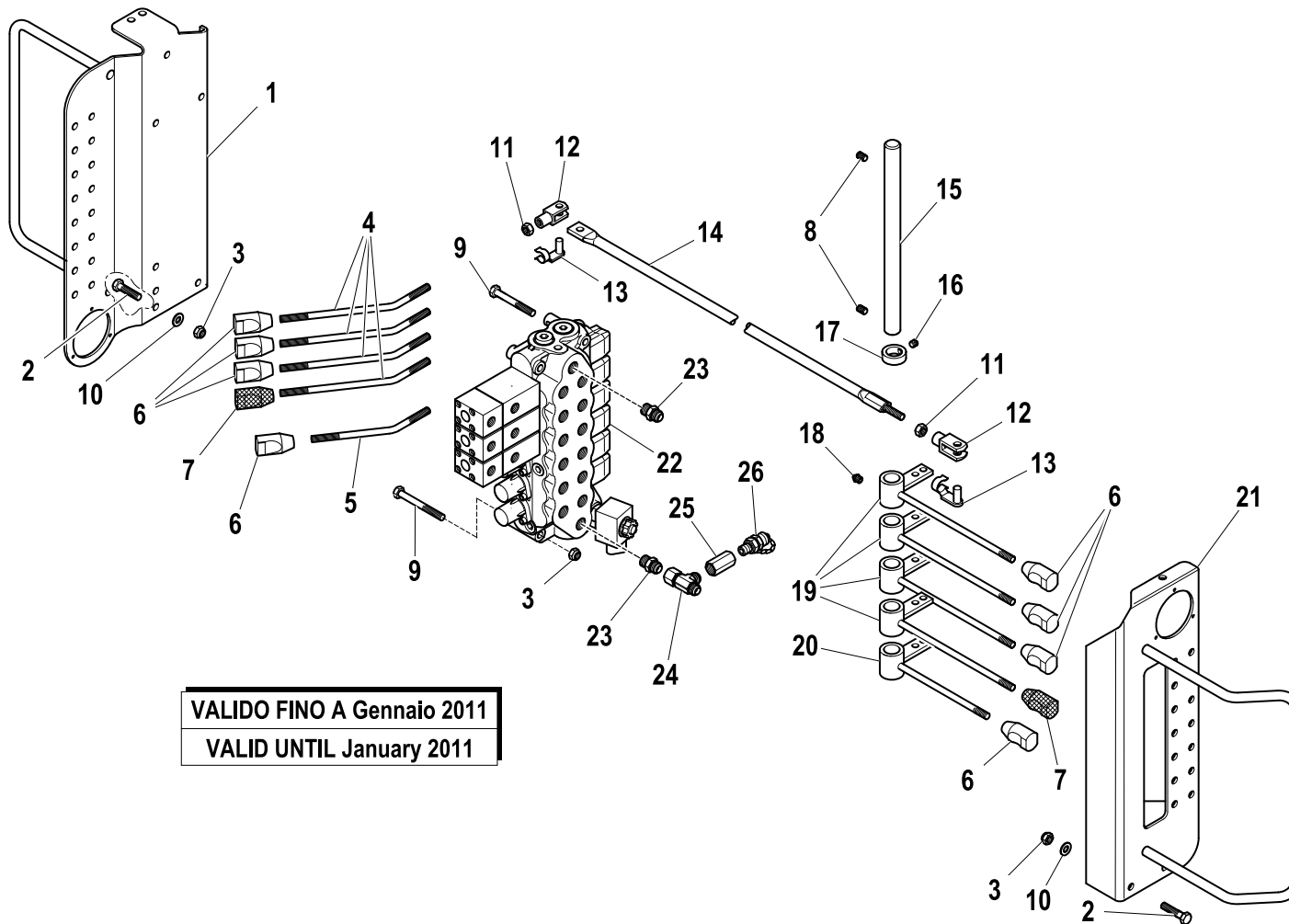
DOUBLE CONTROLS

Code

5400874-1.0

2/2

R	Pos.	Code Variant	Q.ty	Description
	21	5091006	1	
	22	5220817	1	
	23	3101043	2	Straight pipe fitting
	24	3120004	1	Tee fitting
	25	3120356	1	Reducing fitting
	26	3111523	1	Pipe fitting (Tapping point) [RACC. MILITES 16X2-1/4"G]



VALIDO FINO A Gennaio 2011
VALID UNTIL January 2011

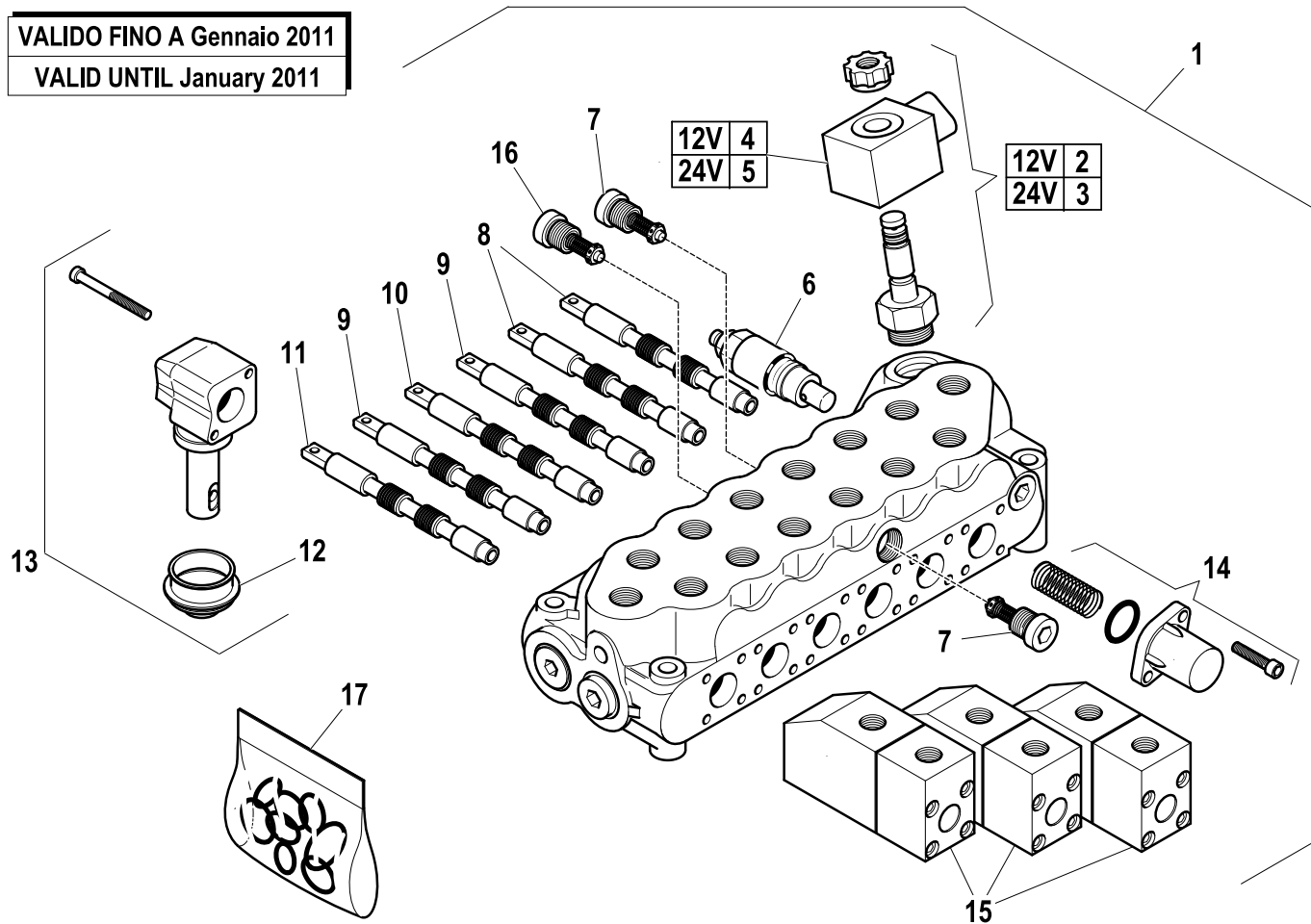
Control valve (6 section)

Code

5220817-1.0

1/1

VALIDO FINO A Gennaio 2011
VALID UNTIL January 2011



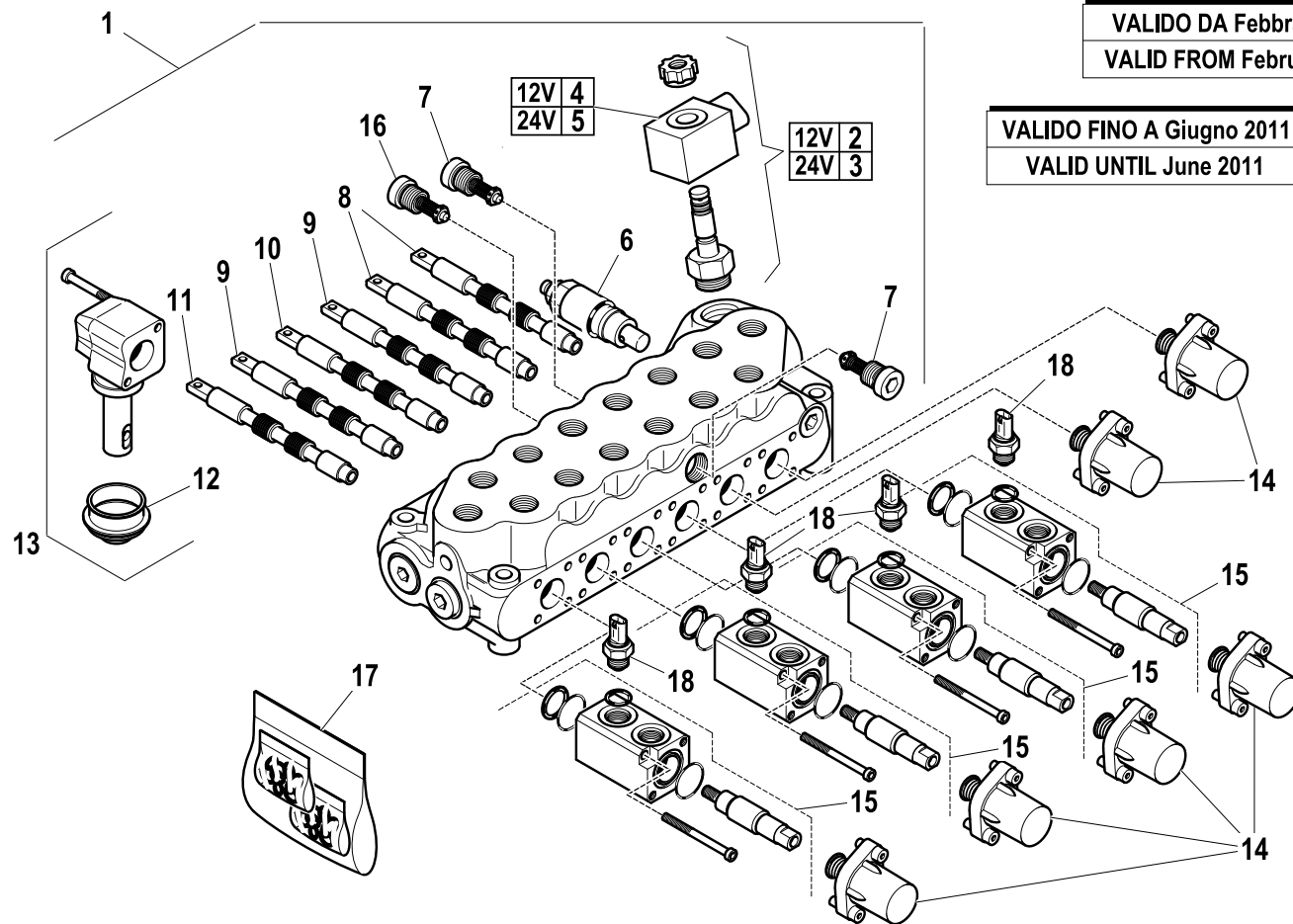
R	Pos.	Code Variant	Q.ty	Description
	1	5220817	1	
	2	5225789	1	
	3	5225788	1	
	4	3310238	1	Solenoid (12V)
	5	3310242	1	Solenoid (24V)
	6	5225705	1	
	7	5225791	2	
	8	5225793	2	
	9	5225794	2	
	10	5225795	1	
	11	5225796	1	
	12	5225022	6	
	13	5225261	6	
	14	5225262	3	
	15	5225059	3	
	16	5225792	1	
	17	5225797	1	

Control valve (6 section)

Code

5220817-3.0

1/1



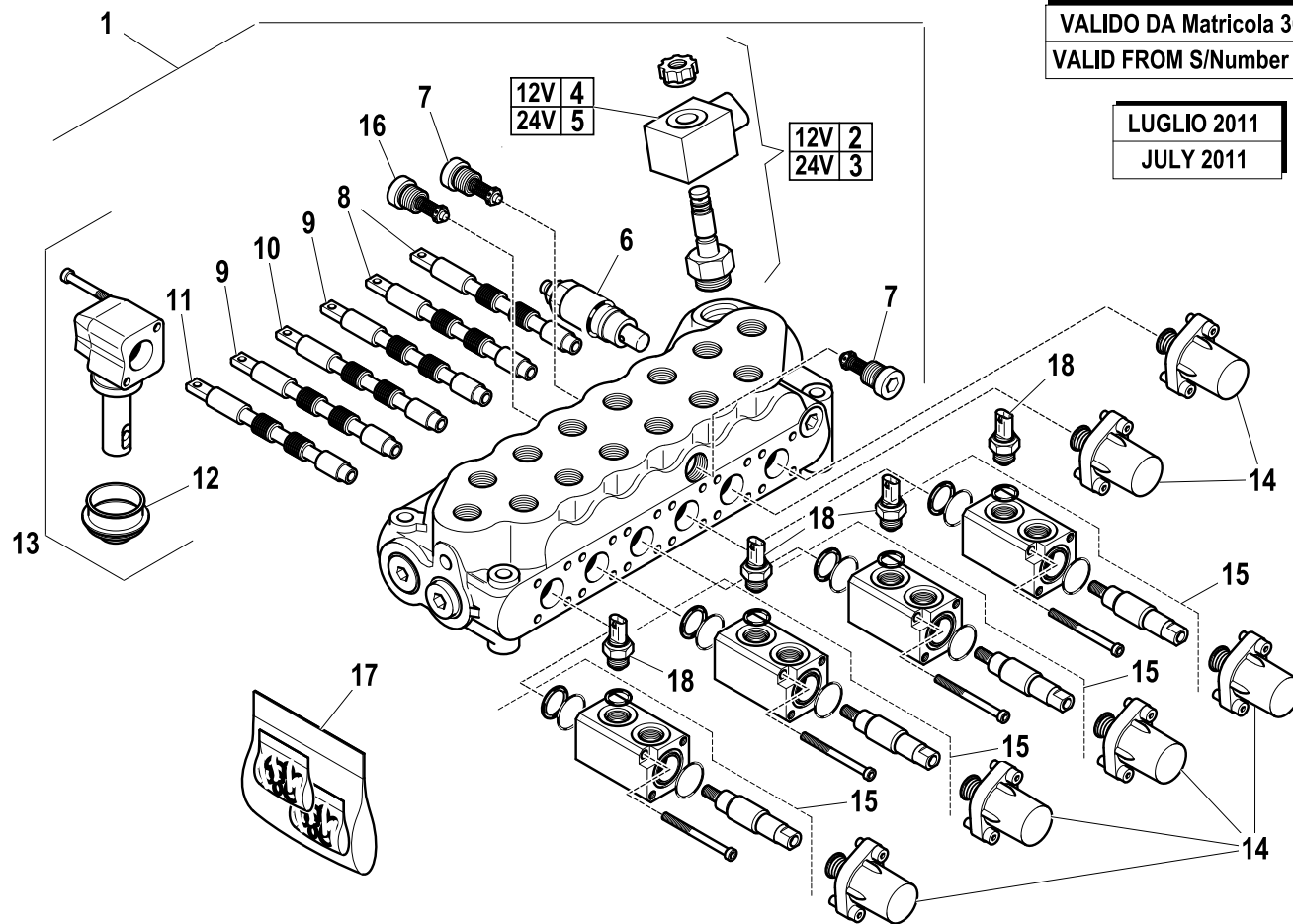
R	Pos.	Code Variant	Q.ty	Description
	1	5220817	1	
	2	5225789	1	
	3	5225788	1	
	4	3310238	1	Solenoid (12V)
	5	3310242	1	Solenoid (24V)
	6	5225705	1	
	7	5225791	2	
	8	5225793	2	
	9	5225794	2	
	10	5225795	1	
	11	5225796	1	
	12	5225022	6	
	13	5225261	6	
	14	5225262	6	
	15	5225848	4	
	16	5225792	1	
	17	5225900	1	
	18	5225832	8	

Control valve (6 section)

Code

5220479-1.0

1/1



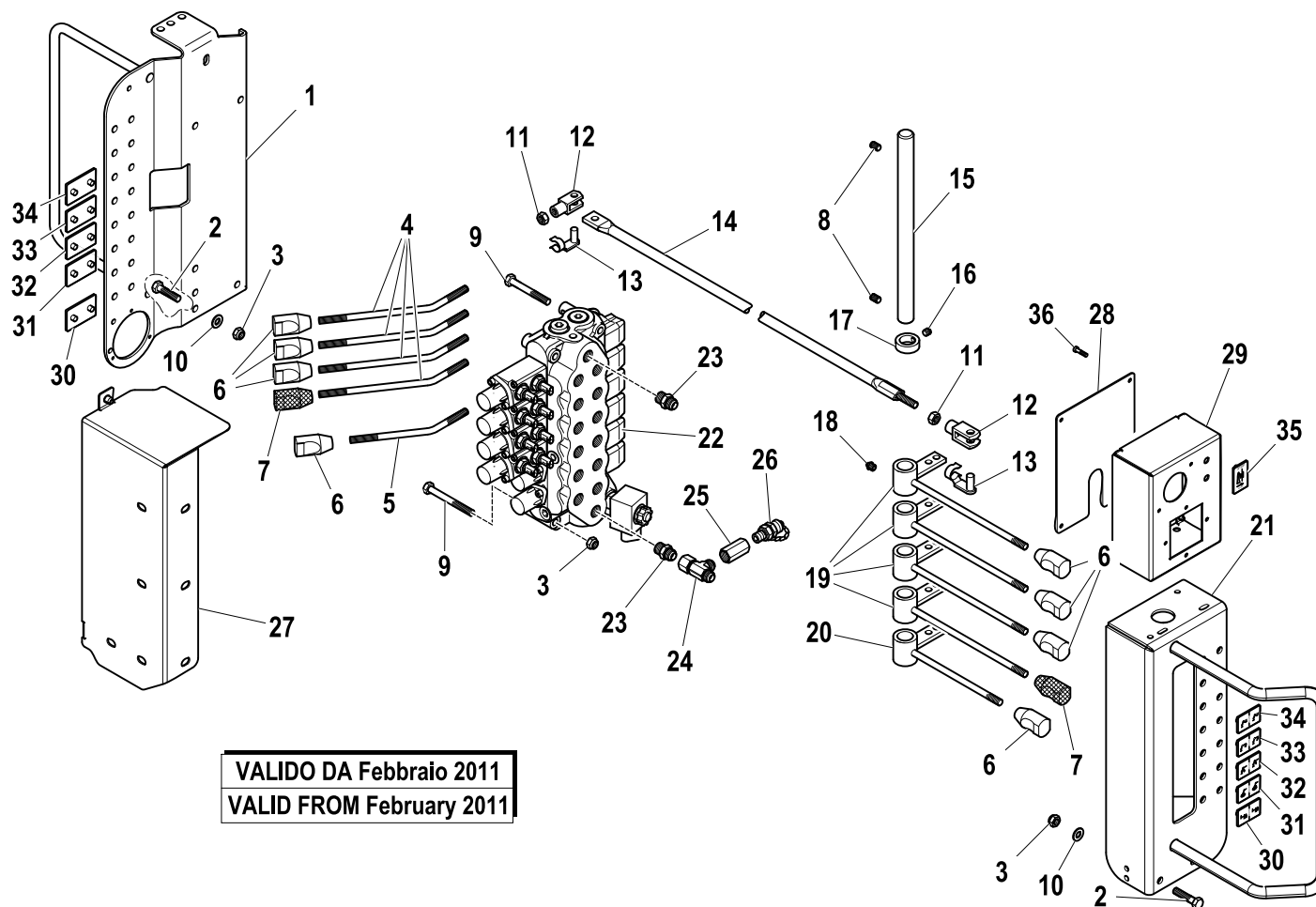
R	Pos.	Code Variant	Q.ty	Description
	1	5220479	1	
	2	5225897	1	
	3	5225896	1	
	4	3311438	1	
	5	3311437	1	
	6	5225705	1	
	7	5225791	2	
	8	5225793	2	
	9	5225794	2	
	10	5225795	1	
	11	5225796	1	
	12	5225022	6	
	13	5225261	6	
	14	5225262	6	
	15	5225848	4	
	16	5225792	1	
	17	5225900	1	
	18	5225832	8	

DOUBLE CONTROLS (CE)

Code

5401573-1.0

1/2



VALIDO DA Febbraio 2011
VALID FROM February 2011

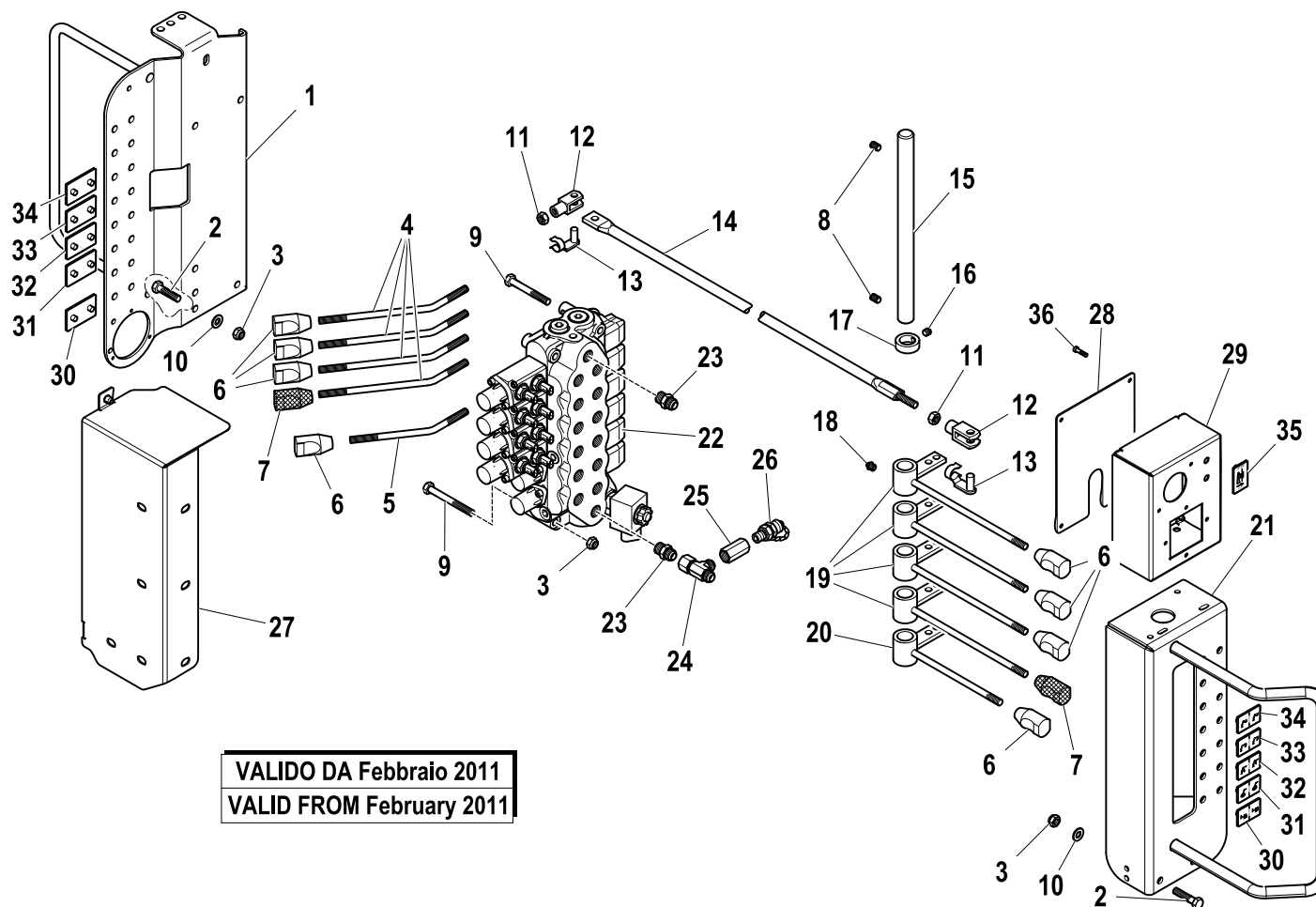
R	Pos.	Code Variant	Q.ty	Description
	1	5091007	1	
	2	3010390	4	Hex screw [M8X35 ZC UNI 5739]
	3	3040303	7	Stopnut
	4	5000657	4	Control lever
	5	5000659	1	Control lever
	6	3190197	8	Knob
	7	3190217	2	
	8	3060936	2	Grub screw
	9	3010036	2	Hex screw [M8X65 8.8 ZC UNI 5739]
	10	3060006	10	Flat washer [D.8 UNI 6592 ZC]
	11	3040045	11	Nut
	12	3300431	10	Fork
	13	3300451	10	Fork clip
	14	5090442	5	
	15	5150474	1	
	16	3060232	1	Grub screw [Grano M6X6 UNI 5927 ZC.]
	17	5000670	1	Ring
	18	3080500	5	Grease nipple
	19	5090433	4	Control lever
	20	5090434	1	Control lever

DOUBLE CONTROLS (CE)

Code

5401573-1.0

2/2



VALIDO DA Febbraio 2011
VALID FROM February 2011

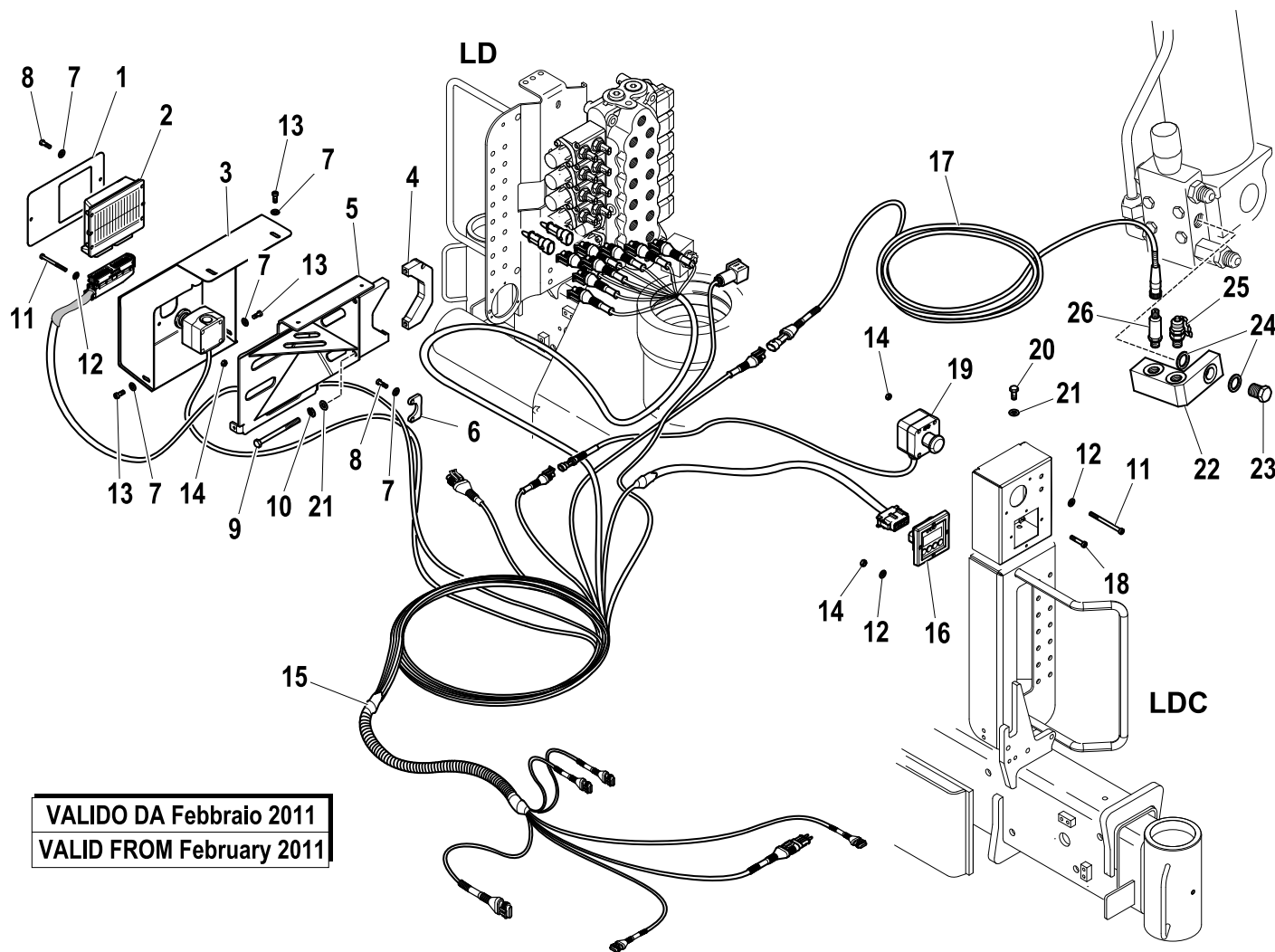
R	Pos.	Code Variant	Q.ty	Description
	21	5091334	1	
	22	5220479	1	
	23	3101043	2	Straight pipe fitting
	24	3120004	1	Tee fitting
	25	3120356	1	Reducing fitting
	26	3111523	1	Pipe fitting (Tapping point) [RACC. MILITES 16X2-1/4"G]
	27	5091340	1	
	28	5002094	1	
	29	5002093	1	
	30	5812795	2	
	31	5812796	2	
	32	5812797	2	
	33	5812799	2	
	34	5812800	2	
	35	5813567	1	
	36	3020895	4	Socketed head cap screw [M4X10 8.8 ZC UNI 5931]

Control unit (STABILITY CONTROL)

Code

5401598-1.0

1/2



VALIDO DA Febbraio 2011
VALID FROM February 2011

R	Pos.	Code Variant	Q.ty	Description
1		5000622	1	
2		3311423	1	Moment limiting device [SUPERATO]
3		5090104	1	
4		5002075	1	
5		5090103	1	
6		5000179	1	
7		3060004	8	Flat washer [D.5 UNI 6592 ZC]
8		3020023	4	Socketed head cap screw [M5X16 8.8 ZC UNI 5931]
9		3010396	2	Hex screw [M8X130 8.8 ZC UNI 5737]
10		3060055	2	Split lock washer [D=8.4 C72 ZC]
11		3020012	4	Socketed head cap screw [M4X70 8.8 ZC UNI 5931]
12		3060003	8	Flat washer [D.4 UNI 6592 ZC]
13		3020021	4	Socketed head cap screw [M5X12X0.8 8.8 ZC UNI 5931]
14		3040518	8	Stopnut
15		5160086	1	
16		3311328	1	DIGITAL INSTRUMENT PANEL (Moment limiting device)
17		5160084	1	Electric wiring
18		3020885	4	Socketed head cap screw [M4X20 8.8 ZC UNI 5931]
19		3311400	1	Electric wiring
20		3010337	2	Hex screw [M8X16 8.8 ZC UNI 5739]

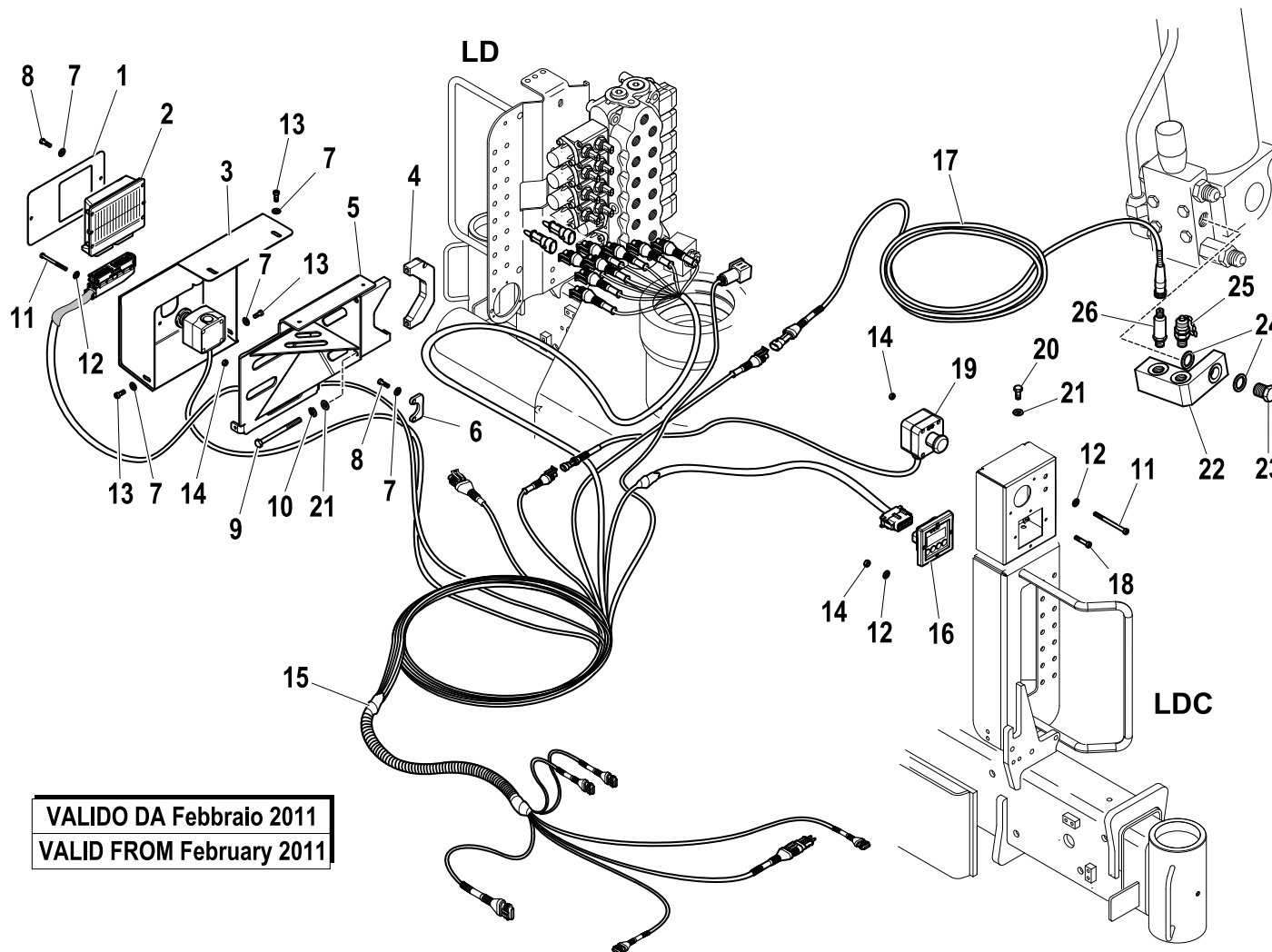
Control unit (STABILITY CONTROL)

Code

5401598-1.0

2/2

R	Pos.	Code Variant	Q.ty	Description
	21	3060006	4	Flat washer [D.8 UNI 6592 ZC]
	22	5002055	1	Manifold (Pick-up)
	23	3110078	1	Bolt (banjo bolt)
	24	3060143	2	Sealing washer [BSP 1/4"]
	25	3111523	1	Pipe fitting (Tapping point) [RACC. MILITES 16X2-1/4"G]
	26	3310612	1	Pressure sensor



VALIDO DA Febbraio 2011
VALID FROM February 2011

DOUBLE CONTROLS (CE)

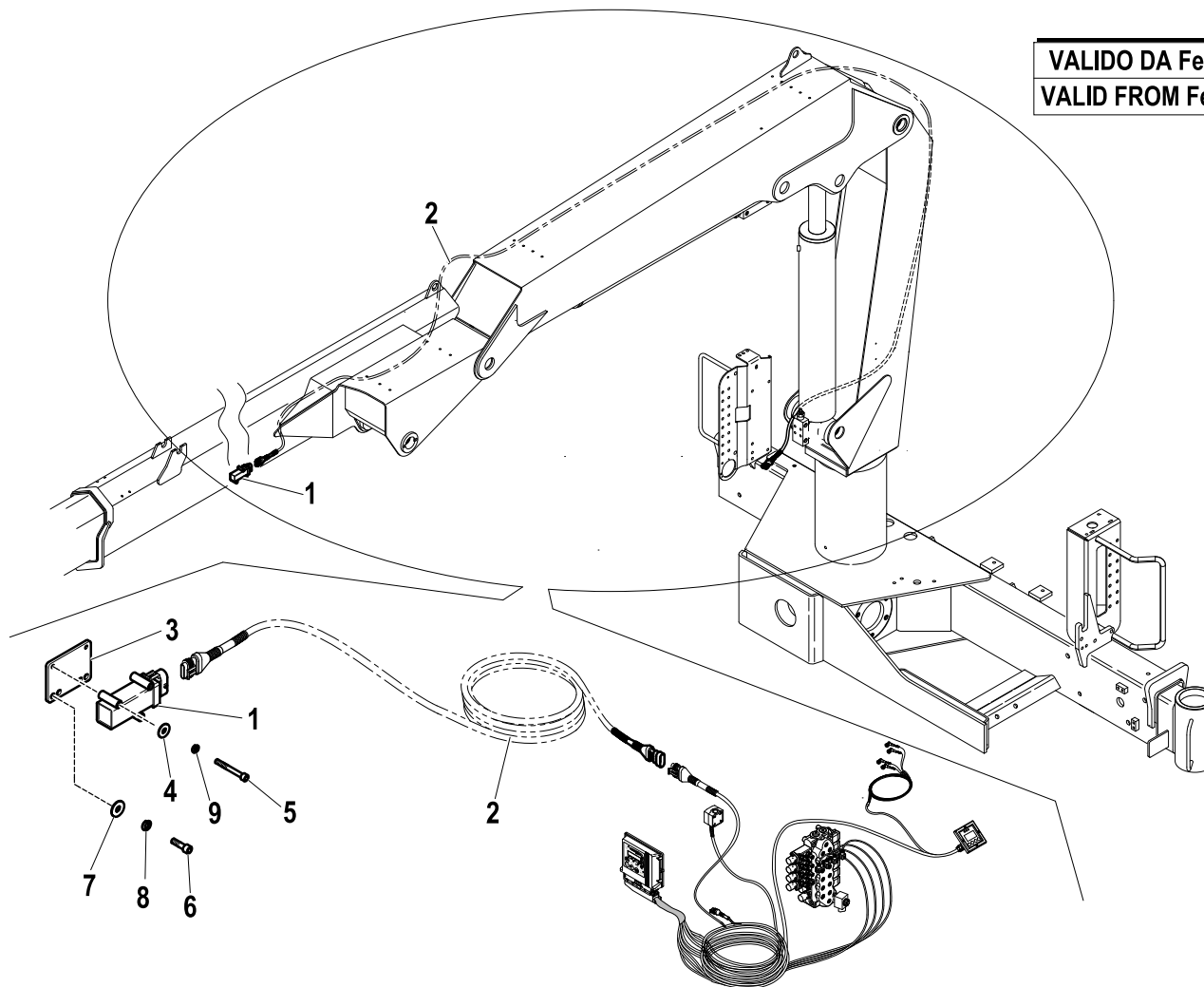
Code

5401573-3.0

1/1

R	Pos.	Code Variant	Q.ty	Description
	1	3311150	1	Tiltmeter
	2	5160076	1	
	3	5002108	1	Support plate (Tiltmeter)
	4	3060003	2	Flat washer [D.4 UNI 6592 ZC]
	5	3020018	2	Socketed head cap screw [M4X30 8.8 ZC UNI 5931]
	6	3020033	2	Socketed head cap screw [M6X10 8.8 ZC UNI 5931]
	7	3060005	2	Flat washer [D.6.4 UNI 6592 ZC]
	8	3060053	2	Split lock washer [D=6.4 C72 ZC]
	9	3060065	2	Split lock washer [D=4.1 C72 ZC]

VALIDO DA Febbraio 2011
VALID FROM February 2011



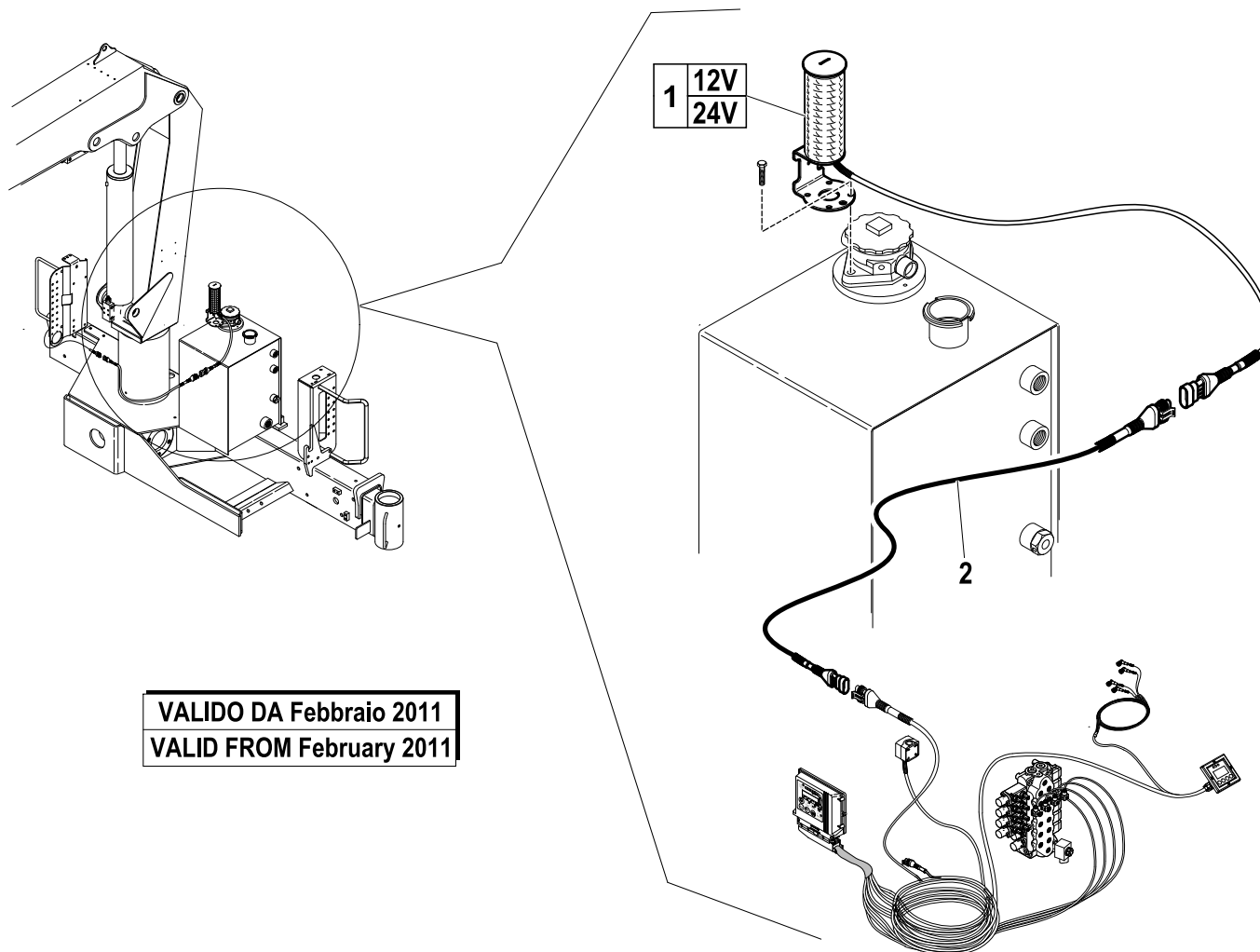
DOUBLE CONTROLS (CE)

Code

5401573-4.0

1/1

R	Pos.	Code Variant	Q.ty	Description
1		3311159	1	Signal Columns
2		5160003	1	Electric wiring



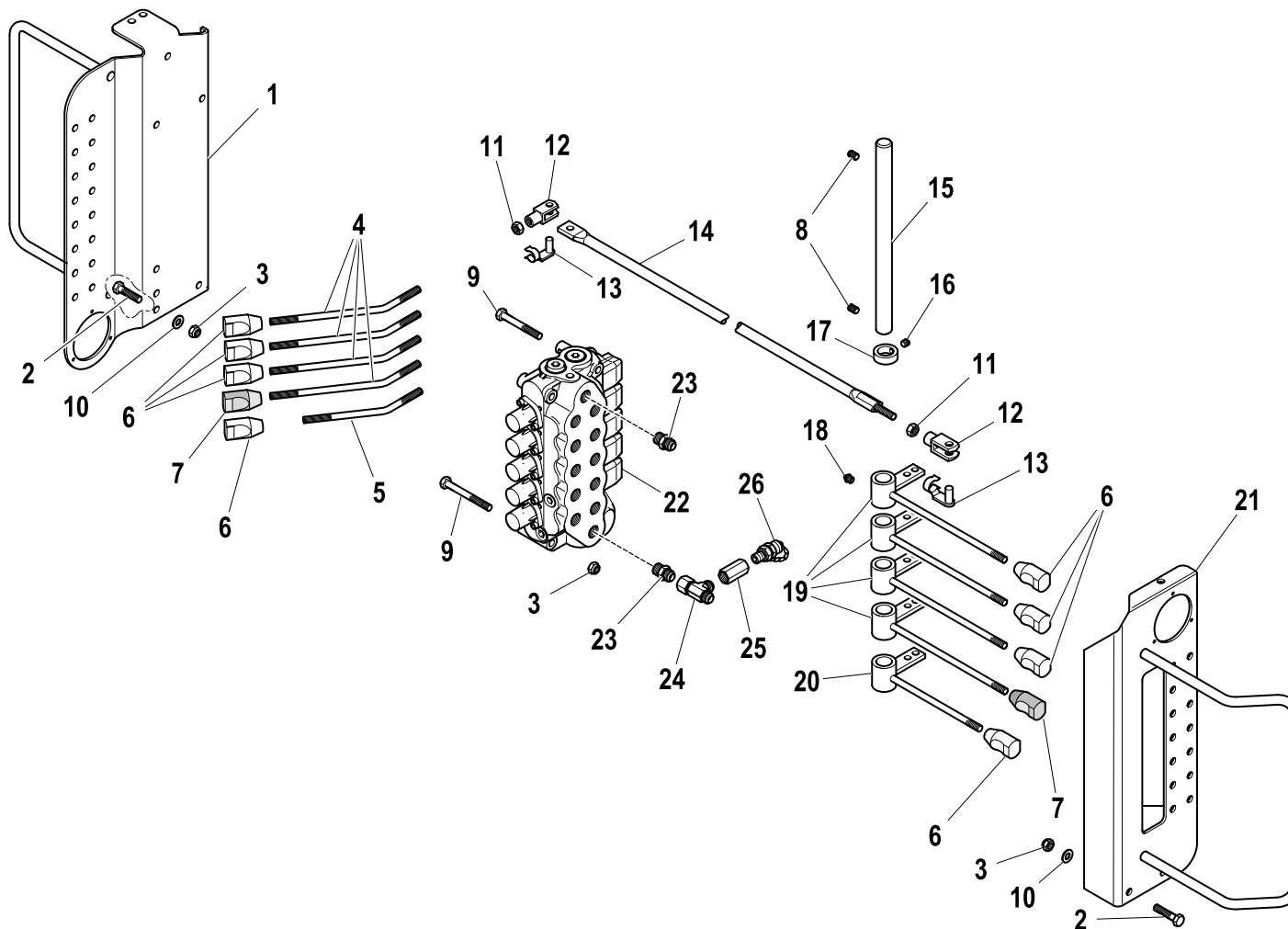
VALIDO DA Febbraio 2011
VALID FROM February 2011

DOUBLE CONTROLS

Code

5400879-1.0

1/2



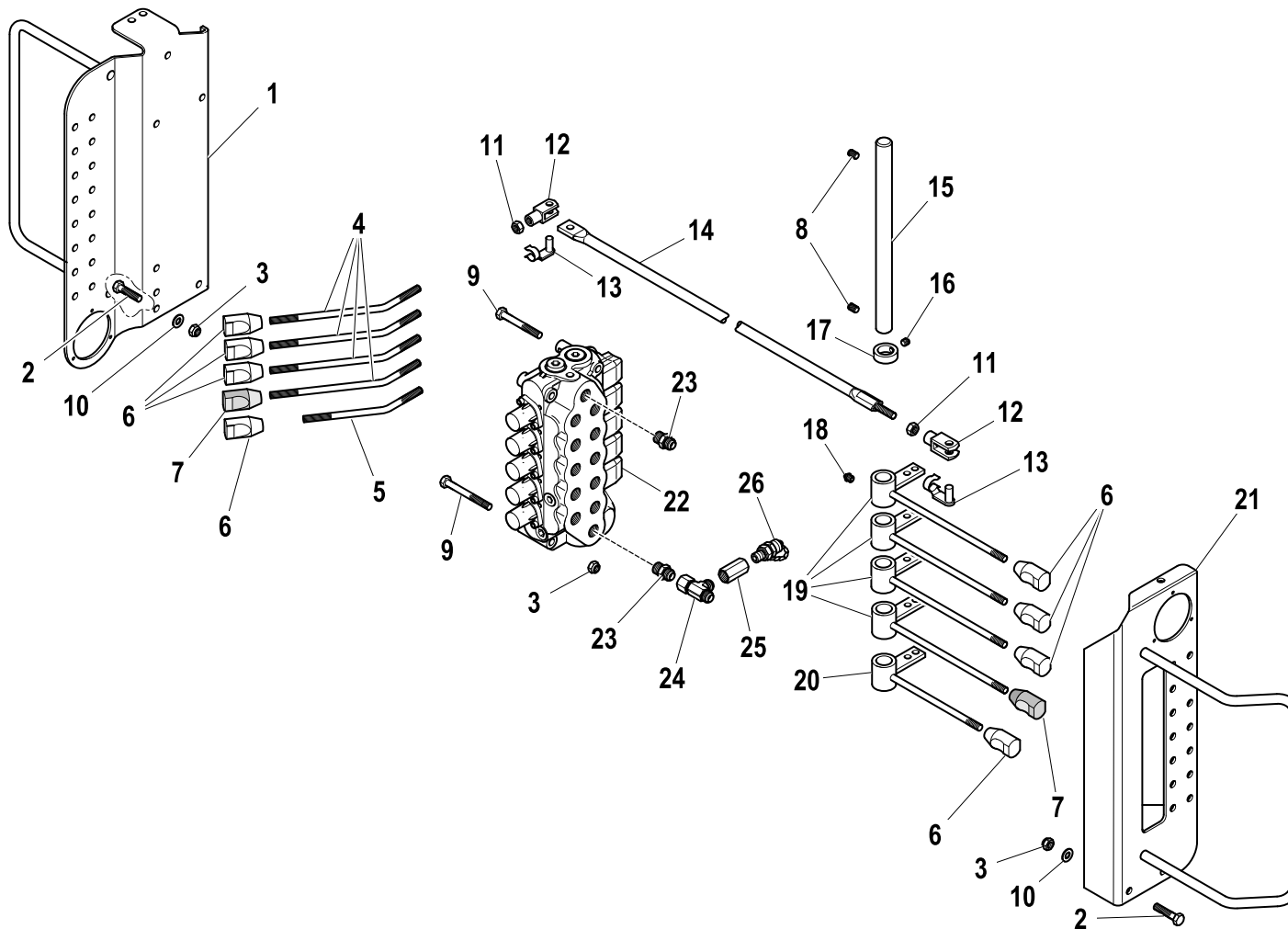
R	Pos.	Code Variant	Q.ty	Description
	1	5091007	1	
	2	3010390	4	Hex screw [M8X35 ZC UNI 5739]
	3	3040303	7	Stopnut
	4	5000657	4	Control lever
	5	5000659	1	Control lever
	6	3190197	8	Knob
	7	3190217	2	
	8	3060936	2	Grub screw
	9	3010073	2	Hex screw [M8X60 8.8 ZC UNI 5739]
	10	3060006	10	Flat washer [D.8 UNI 6592 ZC]
	11	3040045	10	Nut
	12	3300431	10	Fork
	13	3300451	10	Fork clip
	14	5090442	5	
	15	5150474	1	
	16	3060232	1	Grub screw [Grano M6X6 UNI 5927 ZC.]
	17	5000670	1	Ring
	18	3080500	6	Grease nipple
	19	5090433	4	Control lever
	20	5090434	1	Control lever

DOUBLE CONTROLS

Code

5400879-1.0

2/2



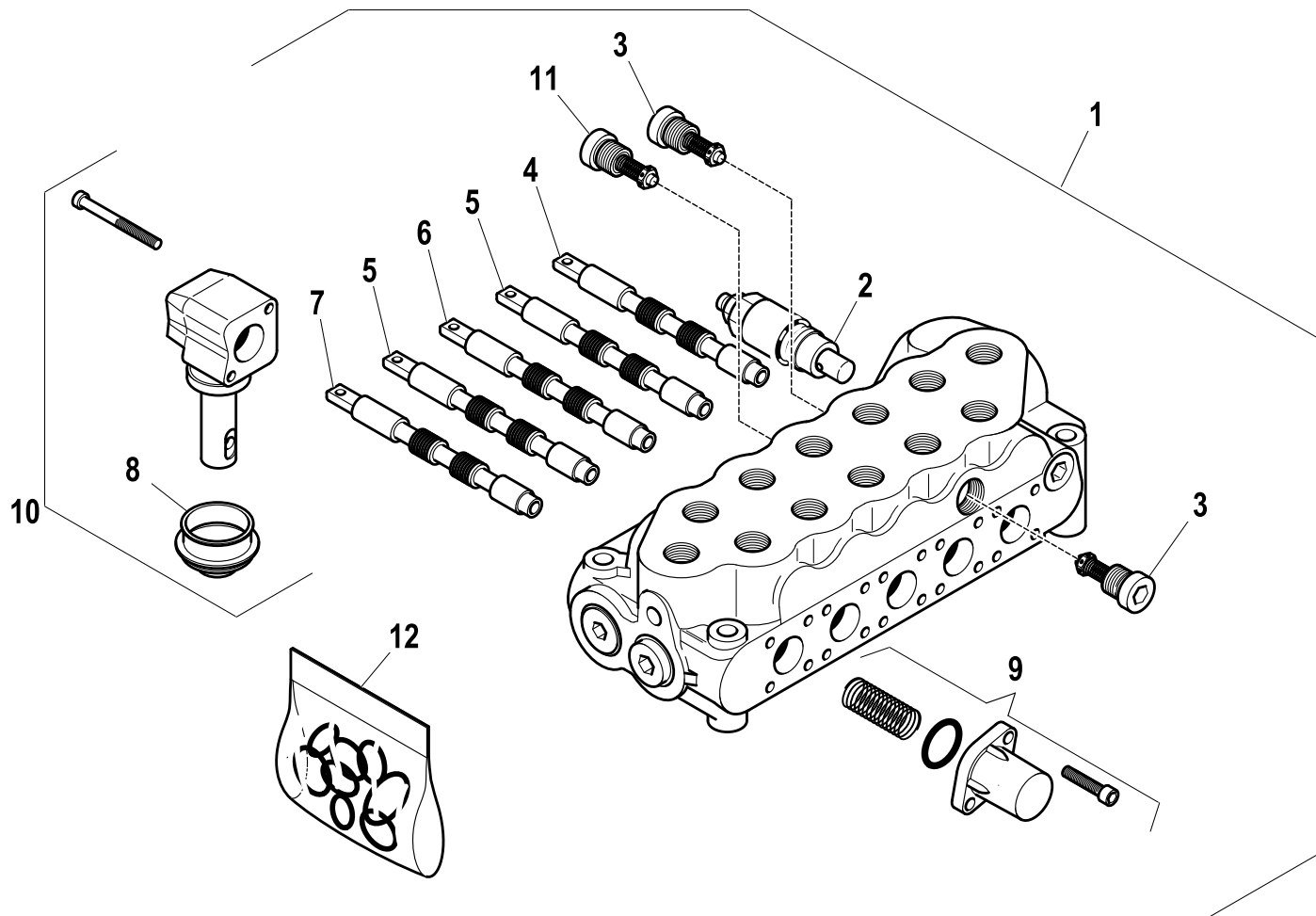
R	Pos.	Code Variant	Q.ty	Description
	21	5091006	1	
	22	5220820	1	
	23	3101043	2	Straight pipe fitting
	24	3120004	1	Tee fitting
	25	3120356	1	Reducing fitting
	26	3111523	1	Pipe fitting (Tapping point) [RACC. MILITES 16X2-1/4"G]

Control valve (5 section)

Code

5220820-1.0

1/1



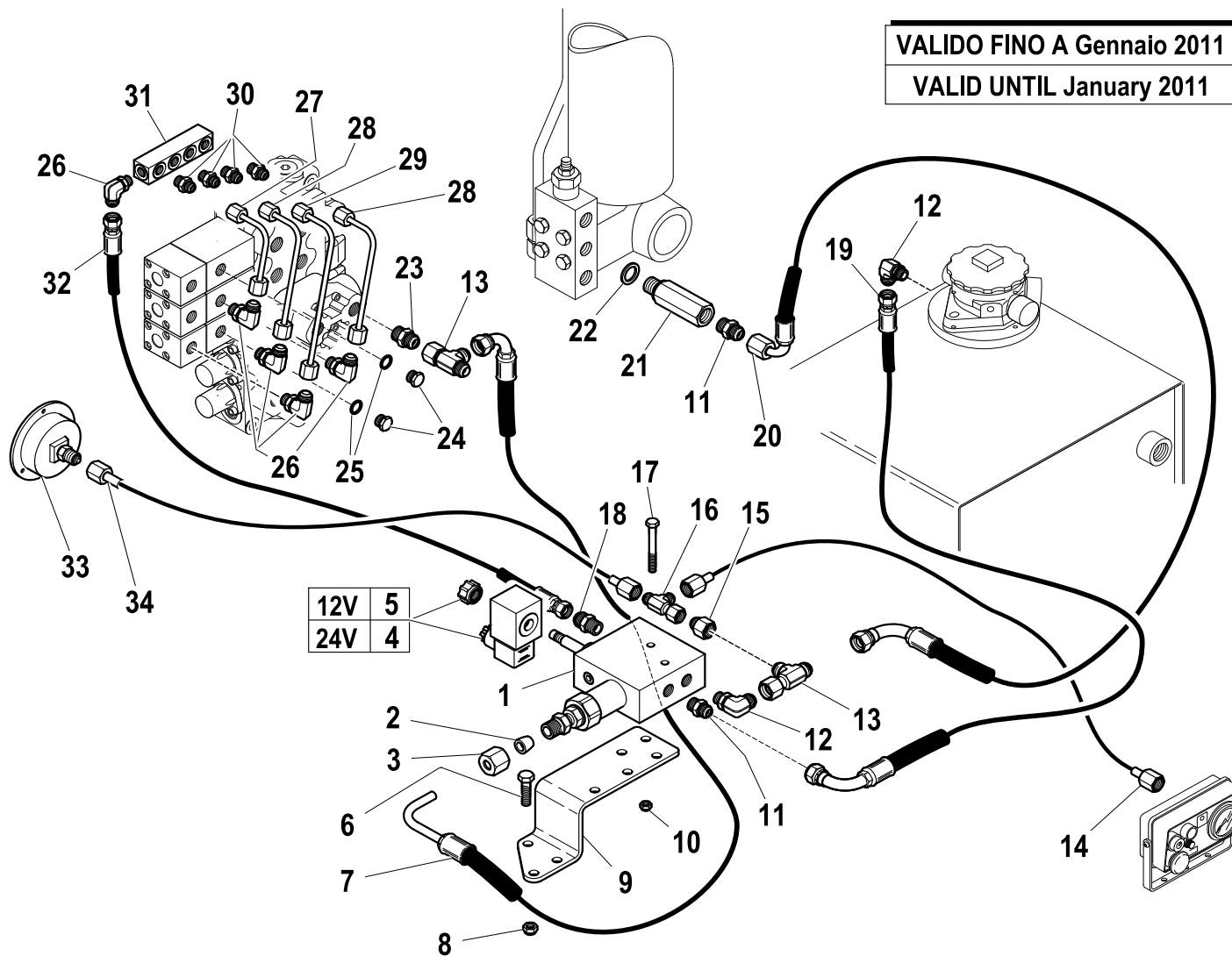
R	Pos.	Code Variant	Q.ty	Description
	1	5220820	1	
	2	5225705	1	
	3	5225791	2	
	4	5225793	1	
	5	5225794	2	
	6	5225795	1	
	7	5225796	1	
	8	5225022	5	
	9	5225262	5	
	10	5225261	5	
	11	5225792	1	
	12	5225798	1	

Moment limiting device

Code

5430159-1.0

1/2



R	Pos.	Code Variant	Q.ty	Description
	1	5220578	1	
	2	3100956	1	Ring (Tightening)
	3	3100952	1	Nut
	4	3310242	1	Solenoid (24V)
	5	3310238	1	Solenoid (12V)
	6	3010029	2	Hex screw [M8X30 8.8 ZC UNI 5737]
	7	5260829	1	Flexible hose
	8	3040303	2	Stopnut
	9	5001580	1	
	10	3040372	2	Stopnut
	11	3101039	2	Straight pipe fitting
	12	3101124	1	90° Connection
	13	3120003	2	Tee fitting
	14	5300085	1	
	15	3120200	1	Reducing fitting
	16	3120001	1	Tee fitting
	17	3010399	1	Hex screw [M6X55 8.8 ZC UNI 5739]
	18	3101034	1	Straight pipe fitting
	19	5260828	1	Flexible hose
	20	5261057	1	Flexible hose

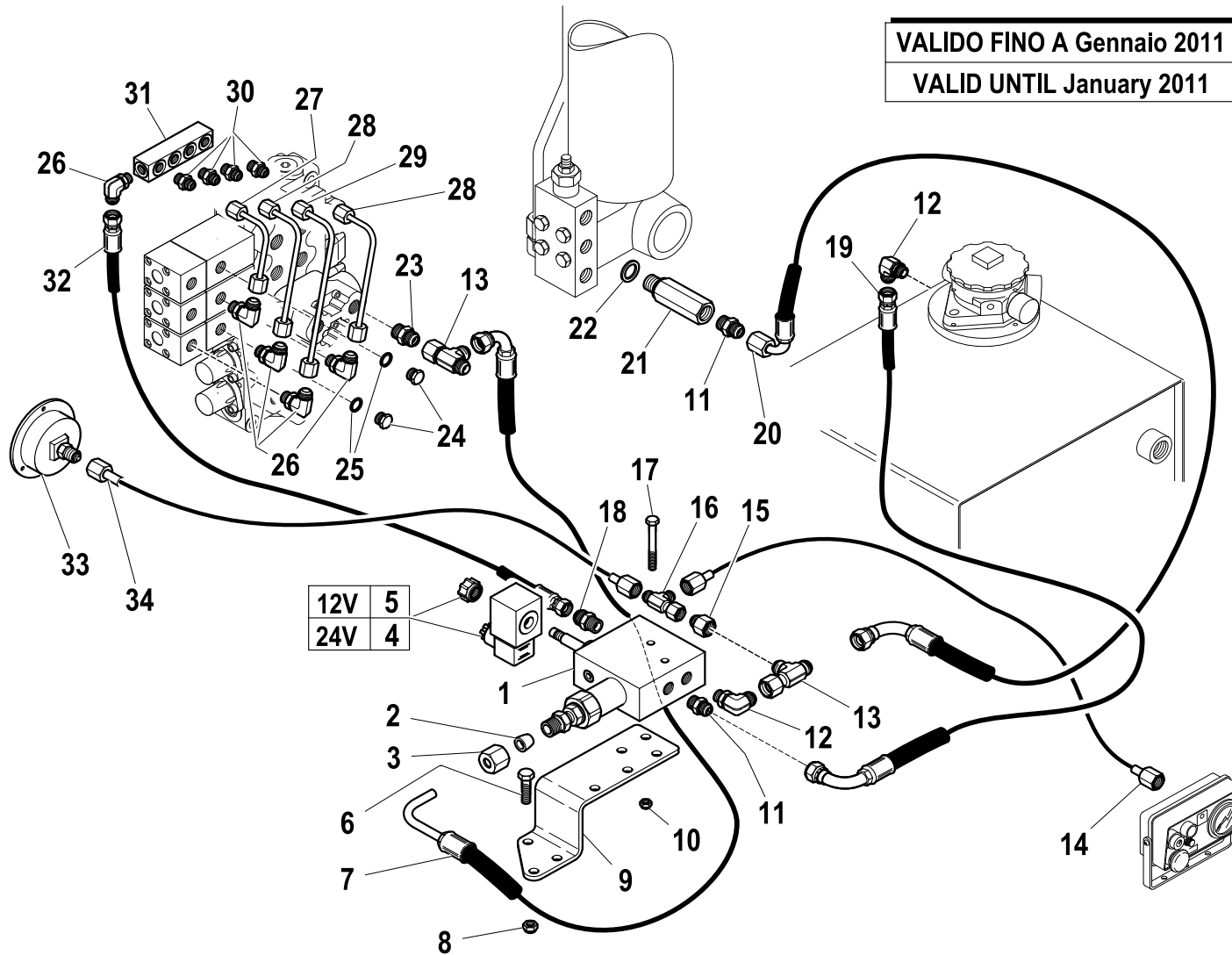
Moment limiting device

Code

5430159-1.0

2/2

R	Pos.	Code Variant	Q.ty	Description
	21	5220300	1	Hose burst valve (Sleeve)
	22	3060143	1	Sealing washer [BSP 1/4"]
	23	3101040	1	Straight pipe fitting
	24	3110066	2	Plug
	25	3060142	2	Sealing washer [BSP 1/8"]
	26	3101195	5	90° Connection
	27	5392099	1	
	28	5392100	2	
	29	5392101	1	
	30	3101033	4	Straight pipe fitting
	31	5001564	1	Manifold
	32	5260827	1	Flexible hose
	33	3180150	1	Pressure gauge
	34	5300082	1	

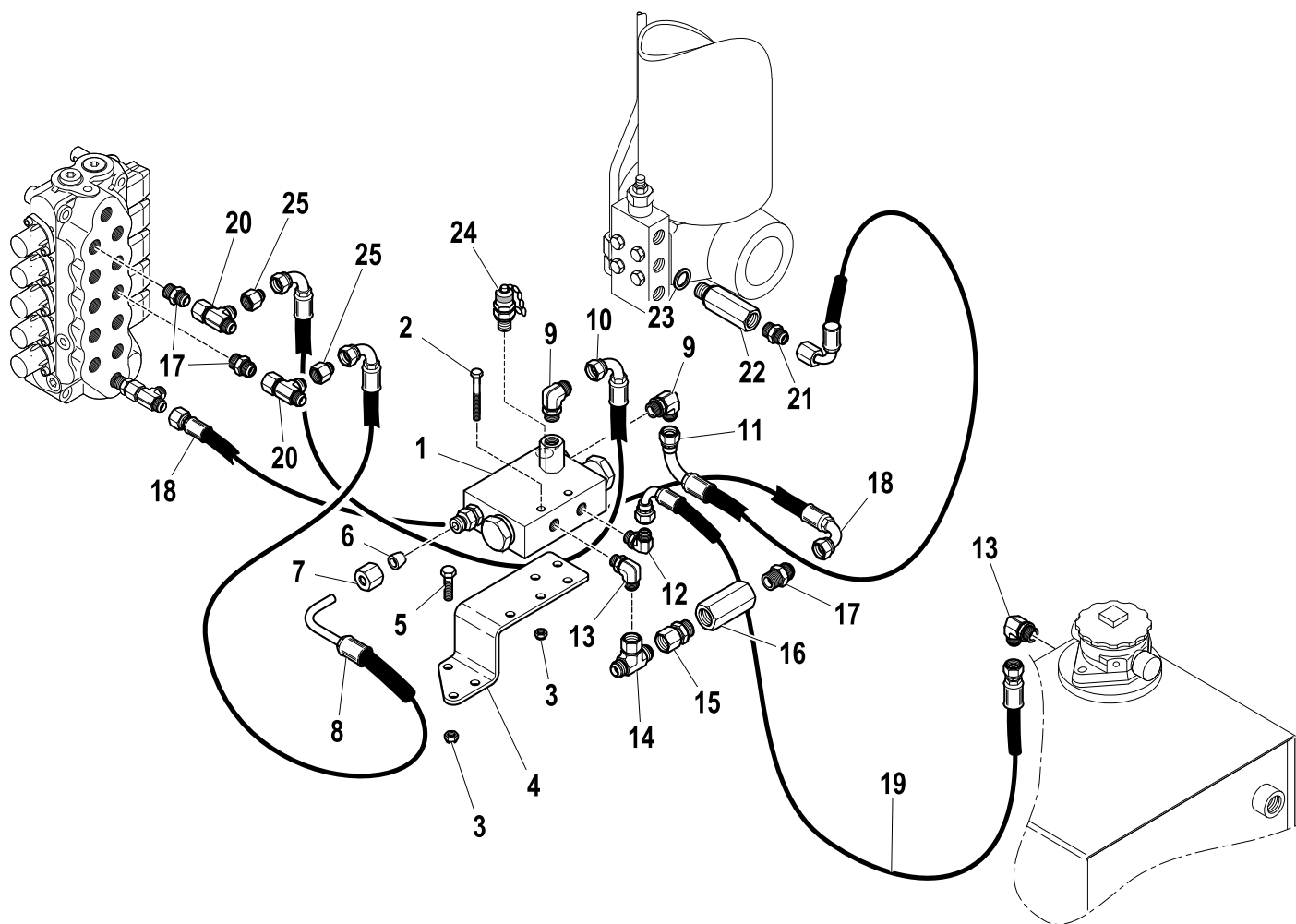


Moment limiting device

Code

5430164-1.0

1/2



R	Pos.	Code Variant	Q.ty	Description
	1	5220135	1	Limiting device (Hydraulic)
	2	3010034	2	Hex screw [M8X55 8.8 UNI 5737 ZC]
	3	3040303	4	Stopnut
	4	5001580	1	
	5	3010029	2	Hex screw [M8X30 8.8 ZC UNI 5737]
	6	3100956	1	Ring (Tightening)
	7	3100952	1	Nut
	8	5260829	1	Flexible hose
	9	3101124	2	90° Connection
	10	5261024	1	Flexible hose
	11	5260826	1	Flexible hose
	12	3101128	1	90° Connection
	13	3101131	1	90° Connection
	14	3120112	1	Tee fitting
	15	3120006	1	Straight pipe fitting
	16	5220634	1	Non-return valve
	17	3101043	3	Straight pipe fitting
	18	5271729	1	Flexible hose
	19	5281137	1	Flexible hose
	20	3120004	2	Tee fitting

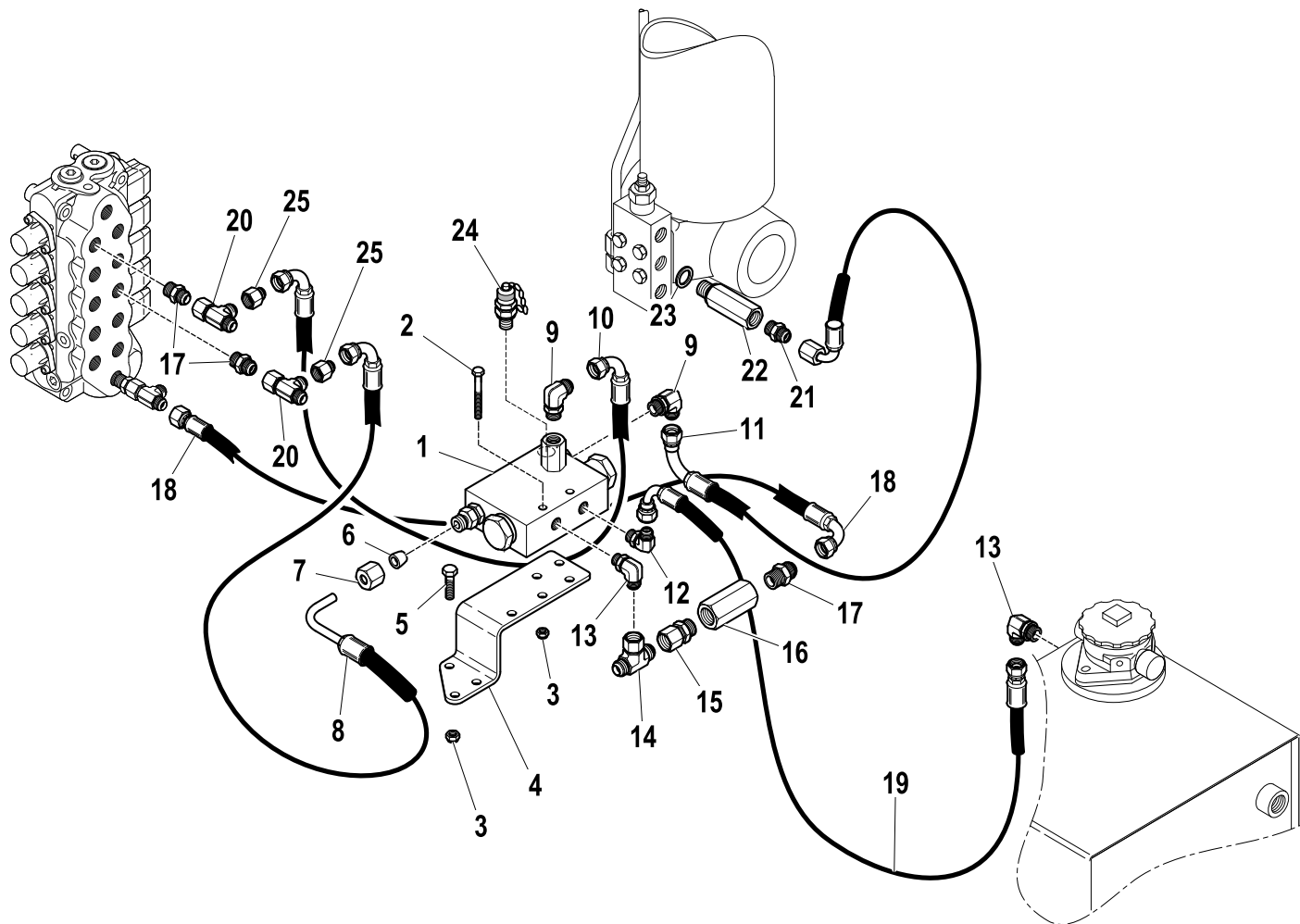
Moment limiting device

Code

5430164-1.0

2/2

R	Pos.	Code Variant	Q.ty	Description
	21	3101039	2	Straight pipe fitting
	22	5220300	1	Hose burst valve (Sleeve)
	23	3060143	1	Sealing washer [BSP 1/4"]
	24	3111583	1	Tapping point
	25	3120204	2	Reducing fitting

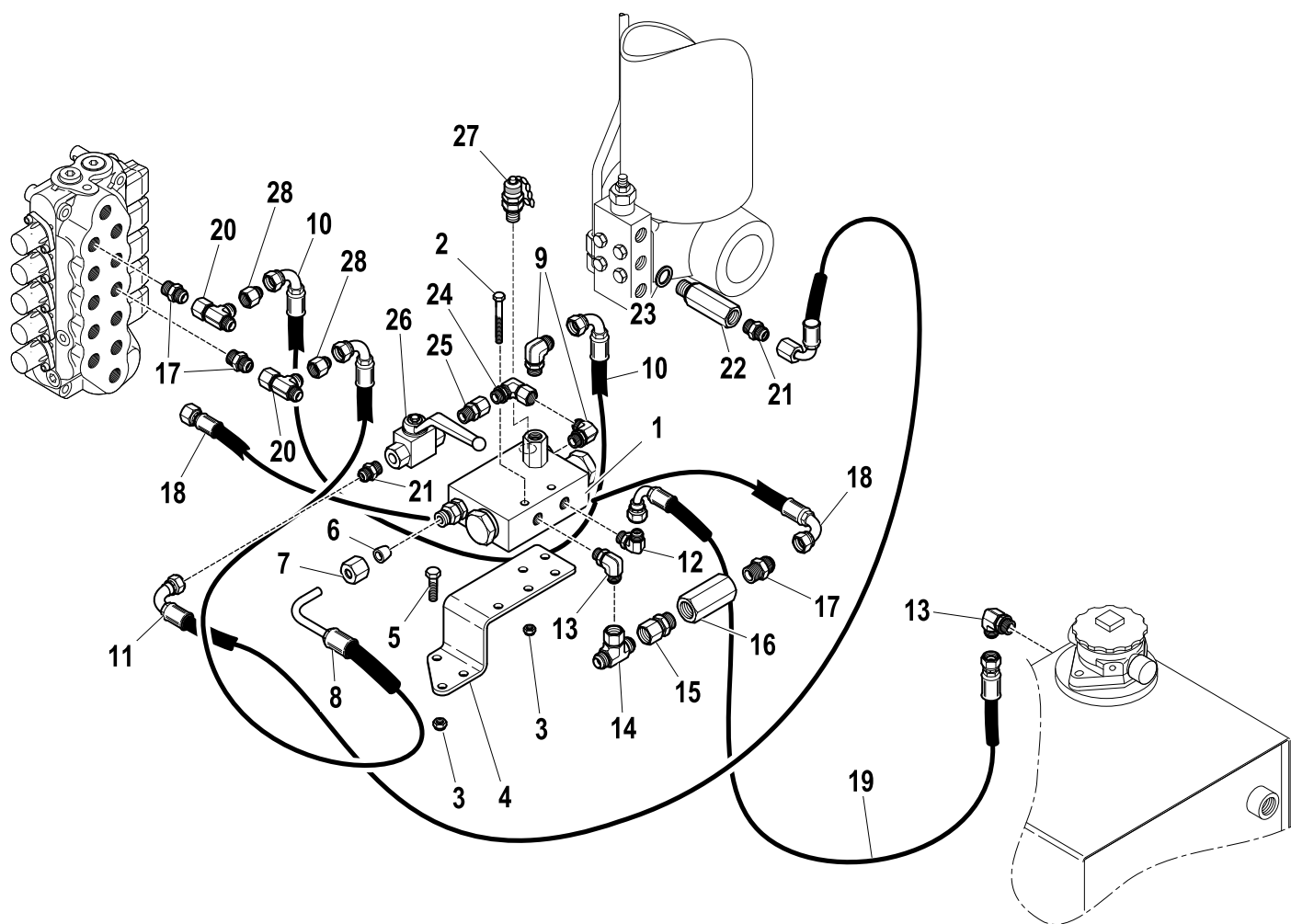


Moment limiting device

Code

5430165-1.0

1/2



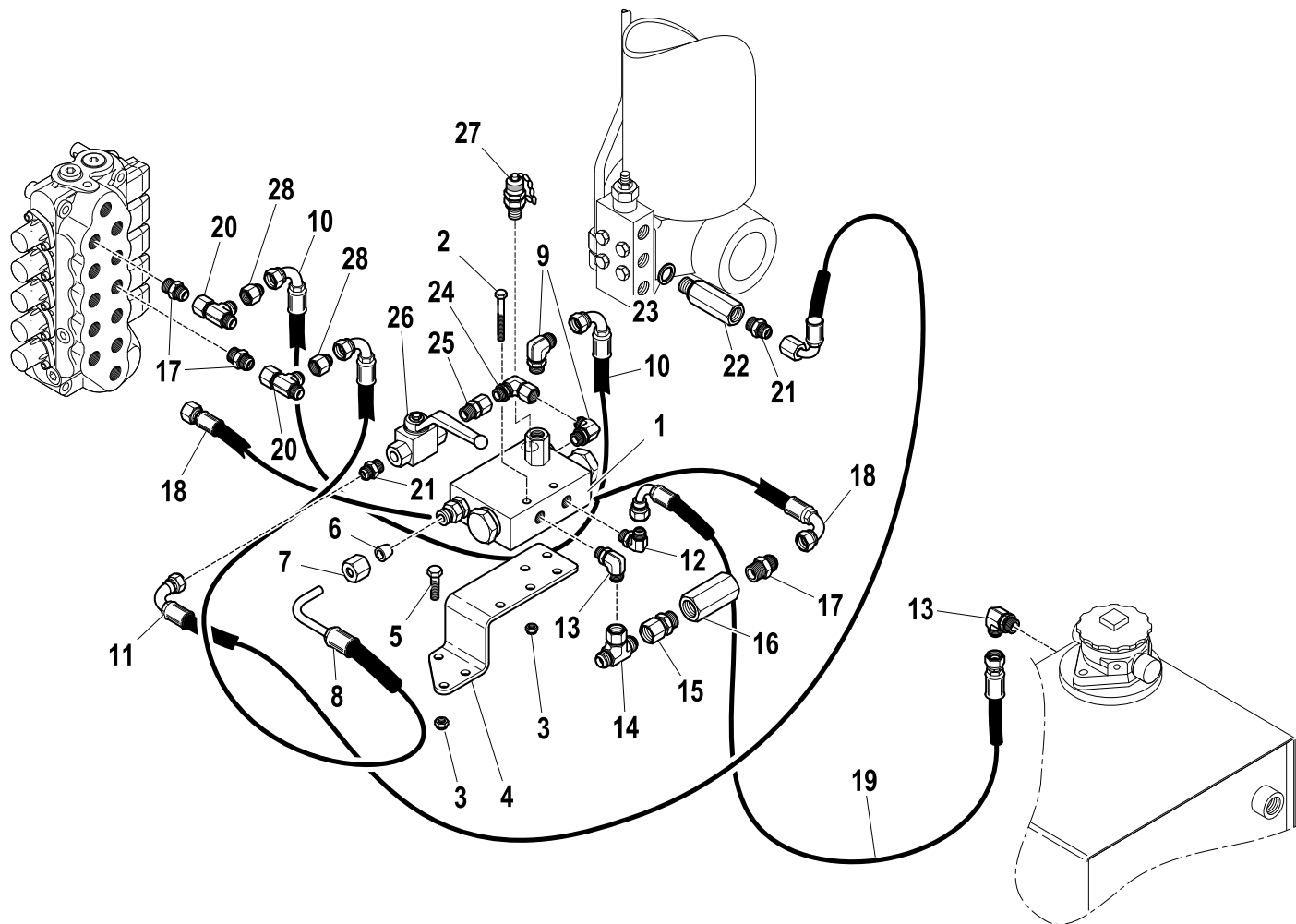
R	Pos.	Code Variant	Q.ty	Description
	1	5220135	1	Limiting device (Hydraulic)
	2	3010034	2	Hex screw [M8X55 8.8 UNI 5737 ZC]
	3	3040303	4	Stopnut
	4	5001580	1	
	5	3010029	2	Hex screw [M8X30 8.8 ZC UNI 5737]
	6	3100956	1	Ring (Tightening)
	7	3100952	1	Nut
	8	5260829	1	Flexible hose
	9	3101124	2	90° Connection
	10	5261024	1	Flexible hose
	11	5260826	1	Flexible hose
	12	3101128	1	90° Connection
	13	3101131	1	90° Connection
	14	3120112	1	Tee fitting
	15	3120066	1	Straight pipe fitting
	16	5220634	1	Non-return valve
	17	3101043	3	Straight pipe fitting
	18	5271729	1	Flexible hose
	19	5281137	1	Flexible hose
	20	3120004	2	Tee fitting

Moment limiting device

Code

5430165-1.0

2/2



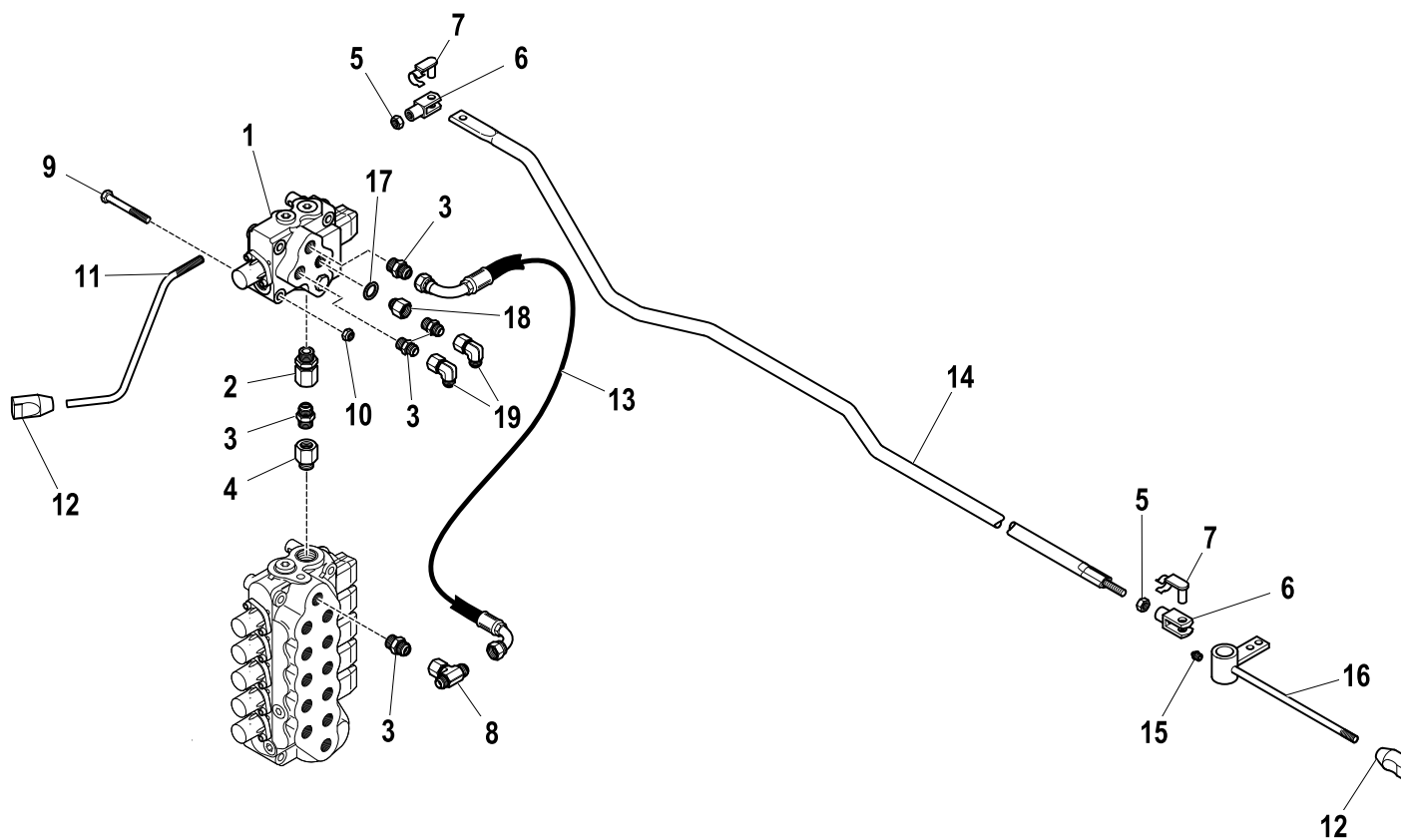
R	Pos.	Code Variant	Q.ty	Description
	21	3101039	2	Straight pipe fitting
	22	5220300	1	Hose burst valve (Sleeve)
	23	3060143	1	Sealing washer [BSP 1/4"]
	24	3120011	1	90° Connection
	25	3120064	1	Straight pipe fitting
	26	5220063	1	
	27	3111583	1	Tapping point
	28	3120204	2	Reducing fitting

1 EXTRA FUNCTION KIT CLOSED CENTRE SPOOL

Code

5210012-1.0

1/1



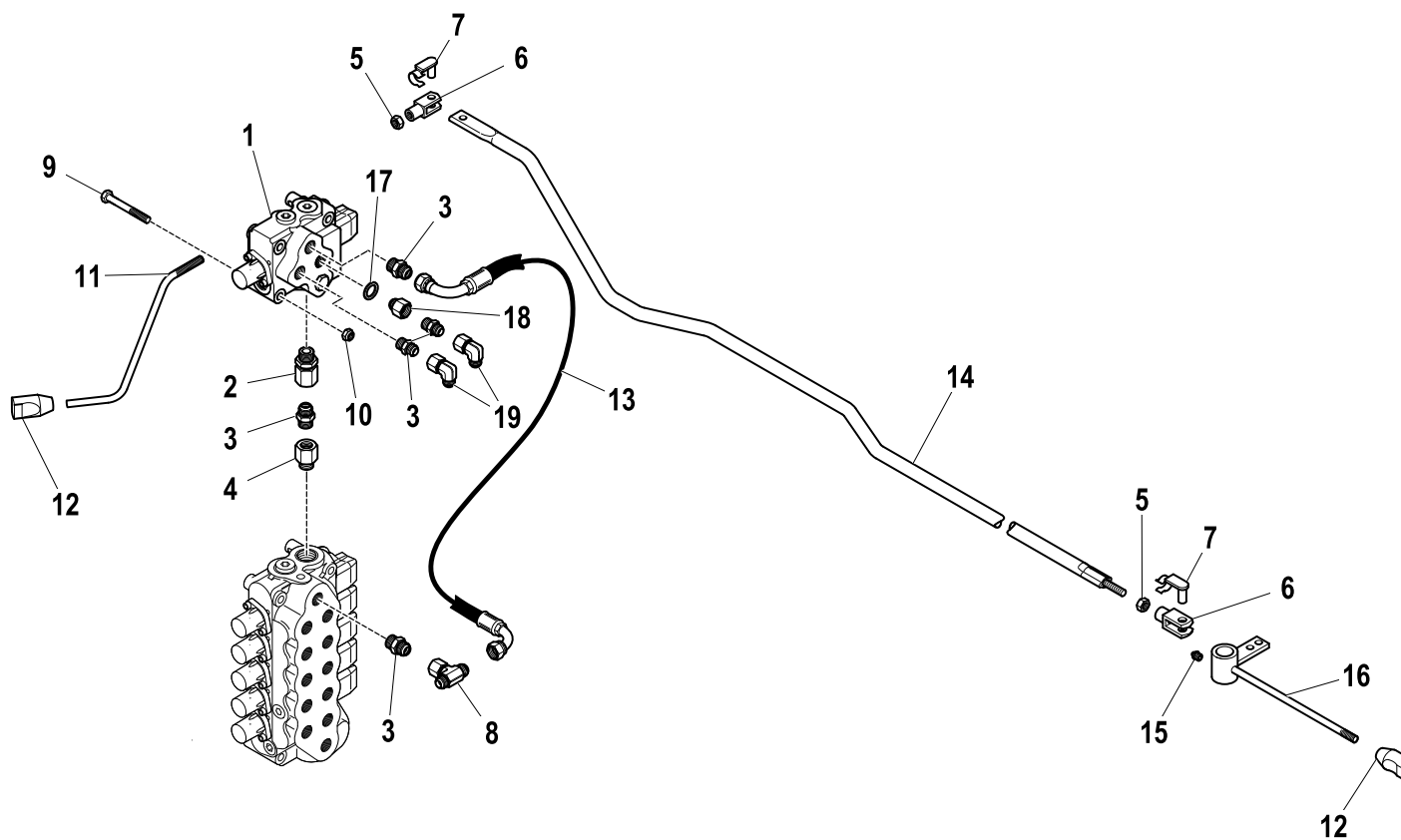
R	Pos.	Code Variant	Q.ty	Description
	1	5220298	1	
	2	3120066	1	Straight pipe fitting
	3	3101043	5	Straight pipe fitting
	4	5225240	1	
	5	3040045	2	Nut
	6	3300431	2	Fork
	7	3300451	2	Fork clip
	8	3120112	1	Tee fitting
	9	3010036	1	Hex screw [M8X65 8.8 ZC UNI 5739]
	10	3040303	1	Stopnut
	11	5001830	1	Control lever
	12	3190197	2	Knob
	13	5271175	1	Flexible hose
	14	5090489	1	
	15	3080500	1	Grease nipple
	16	5090433	1	Control lever
	17	3060144	1	Sealing washer [BSP 3/8"]
	18	3110112	1	Straight pipe fitting
	19	3120031	2	90° Connection

1 EXTRA FUNCTION KIT OPEN CENTRE SPOOL

Code

5210013-1.0

1/1



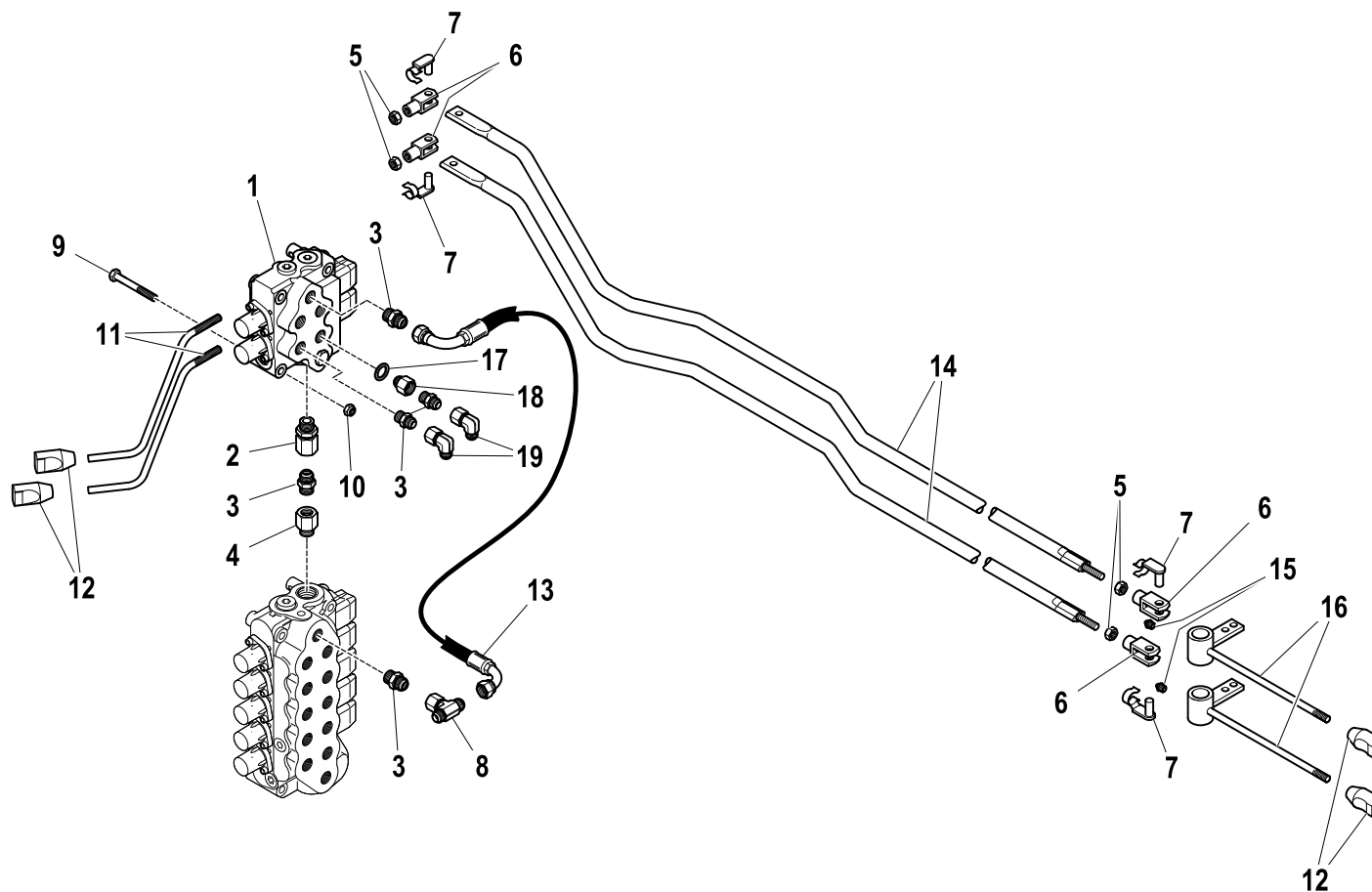
R	Pos.	Code Variant	Q.ty	Description
	1	5220297	1	
	2	3120066	1	Straight pipe fitting
	3	3101043	5	Straight pipe fitting
	4	5225240	1	
	5	3040045	2	Nut
	6	3300431	2	Fork
	7	3300451	2	Fork clip
	8	3120112	1	Tee fitting
	9	3010036	1	Hex screw [M8X65 8.8 ZC UNI 5739]
	10	3040303	1	Stopnut
	11	5001830	1	Control lever
	12	3190197	2	Knob
	13	5271175	1	Flexible hose
	14	5090489	1	
	15	3080500	1	Grease nipple
	16	5090433	1	Control lever
	17	3060144	1	Sealing washer [BSP 3/8"]
	18	3110112	1	Straight pipe fitting
	19	3120031	2	90° Connection

2 EXTRA FUNCTION KIT CLOSED CENTRE SPOOL

Code

5210109-1.0

1/1



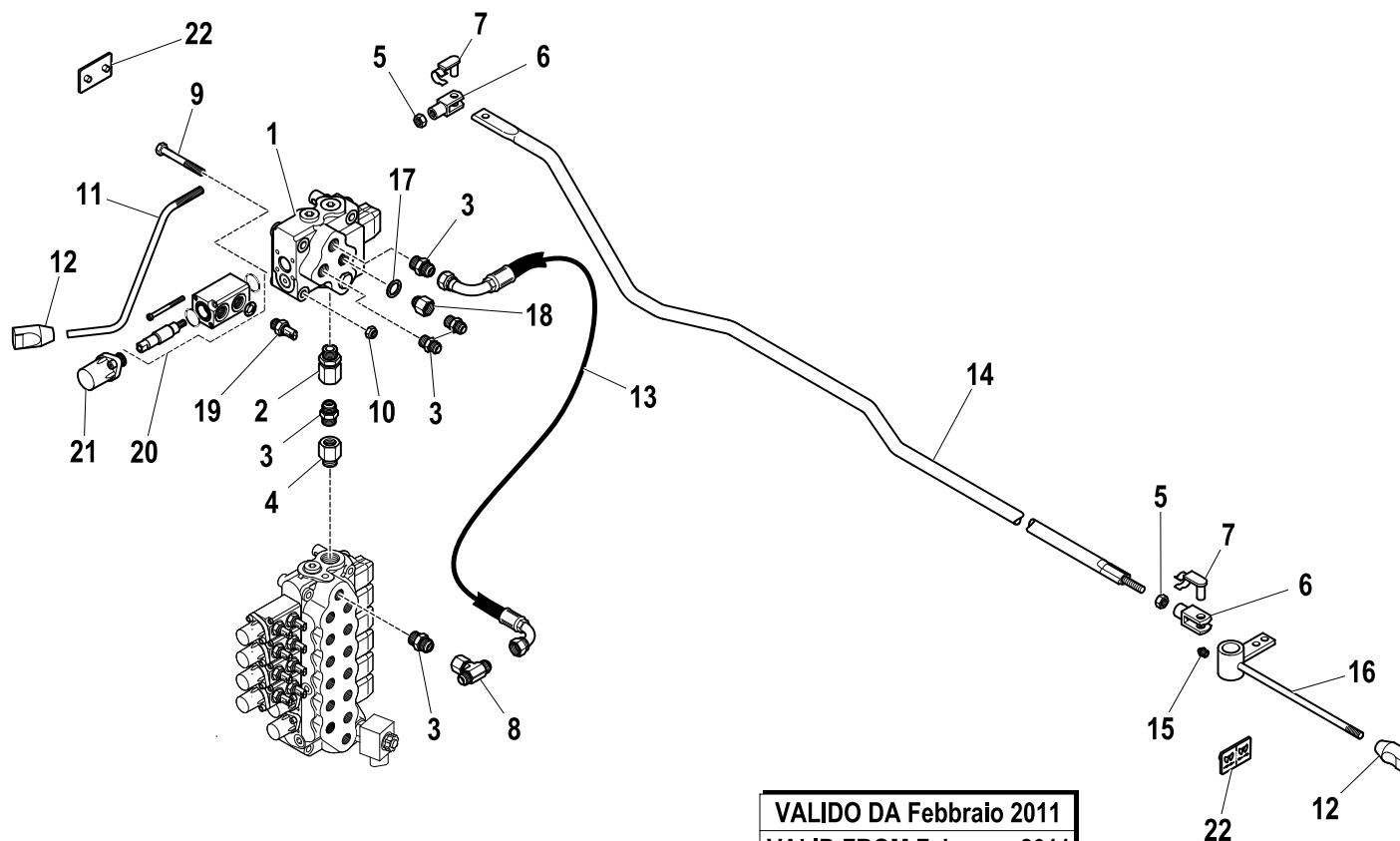
R	Pos.	Code Variant	Q.ty	Description
	1	5220286	1	
	2	3120066	1	Straight pipe fitting
	3	3101043	7	Straight pipe fitting
	4	5225240	1	
	5	3040045	4	Nut
	6	3300431	4	Fork
	7	3300451	4	Fork clip
	8	3120112	1	Tee fitting
	9	3010036	1	Hex screw [M8X65 8.8 ZC UNI 5739]
	10	3040303	1	Stopnut
	11	5001830	2	Control lever
	12	3190197	4	Knob
	13	5271175	1	Flexible hose
	14	5090489	2	
	15	3080500	2	Grease nipple
	16	5090433	2	Control lever
	17	3060144	2	Sealing washer [BSP 3/8"]
	18	3110112	2	Straight pipe fitting
	19	3120031	4	90° Connection

1 EXTRA FUNCTION KIT CLOSED CENTRE SPOOL

Code

5210041-1.0

1/2



VALIDO DA Febbraio 2011
VALID FROM February 2011

R	Pos.	Code Variant	Q.ty	Description
	1	5220298	1	
	2	3120066	1	Straight pipe fitting
	3	3101043	5	Straight pipe fitting
	4	5225240	1	
	5	3040045	2	Nut
	6	3300431	2	Fork
	7	3300451	2	Fork clip
	8	3120112	1	Tee fitting
	9	3010036	1	Hex screw [M8X65 8.8 ZC UNI 5739]
	10	3040303	1	Stopnut
	11	5001830	1	Control lever
	12	3190197	2	Knob
	13	5271175	1	Flexible hose
	14	5090489	1	
	15	3080500	1	Grease nipple
	16	5090433	1	Control lever
	17	3060144	1	Sealing washer [BSP 3/8"]
	18	3110112	1	Straight pipe fitting
	19	5225832	2	
	20	5225847	1	

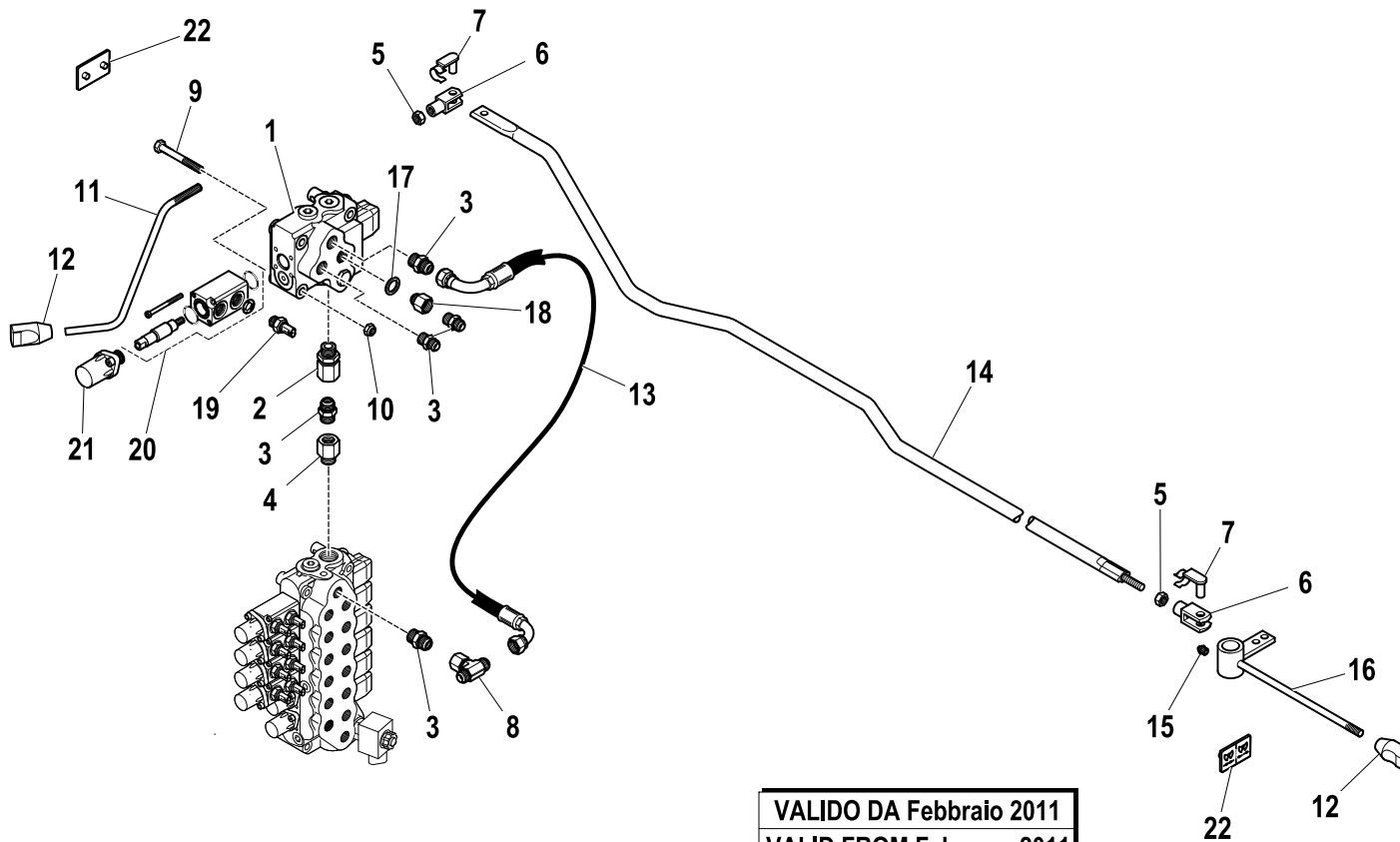
1 EXTRA FUNCTION KIT CLOSED CENTRE SPOOL

Code

5210041-1.0

2/2

R	Pos.	Code Variant	Q.ty	Description
	21	5225262	1	
	22	5812801	2	

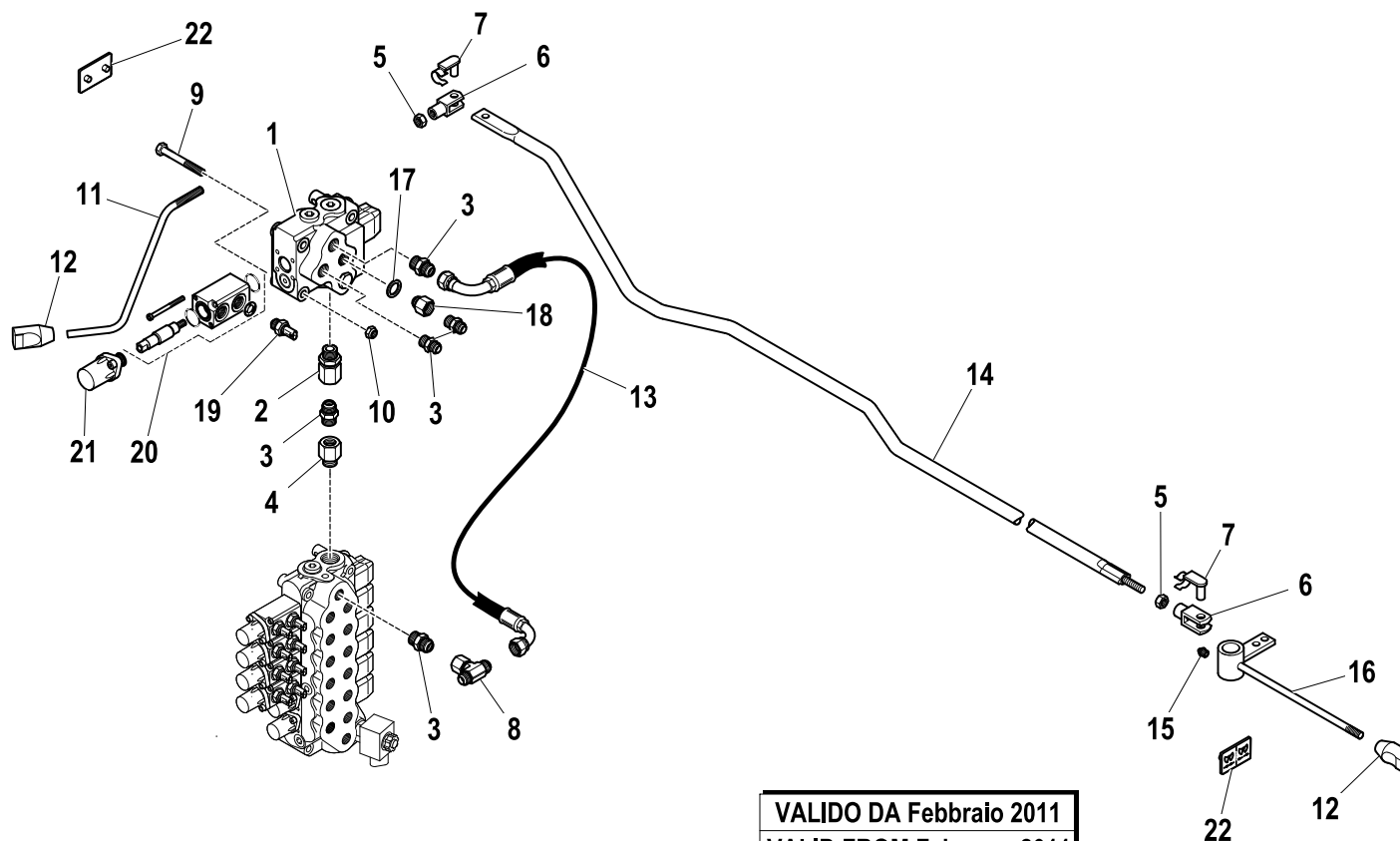


1 EXTRA FUNCTION KIT OPEN CENTRE SPOOL

Code

5210042-1.0

1/2



VALIDO DA Febbraio 2011
VALID FROM February 2011

R	Pos.	Code Variant	Q.ty	Description
	1	5220297	1	
	2	3120066	1	Straight pipe fitting
	3	3101043	5	Straight pipe fitting
	4	5225240	1	
	5	3040045	2	Nut
	6	3300431	2	Fork
	7	3300451	2	Fork clip
	8	3120112	1	Tee fitting
	9	3010036	1	Hex screw [M8X65 8.8 ZC UNI 5739]
	10	3040303	1	Stopnut
	11	5001830	1	Control lever
	12	3190197	2	Knob
	13	5271175	1	Flexible hose
	14	5090489	1	
	15	3080500	1	Grease nipple
	16	5090433	1	Control lever
	17	3060144	1	Sealing washer [BSP 3/8"]
	18	3110112	1	Straight pipe fitting
	19	5225832	2	
	20	5225847	1	

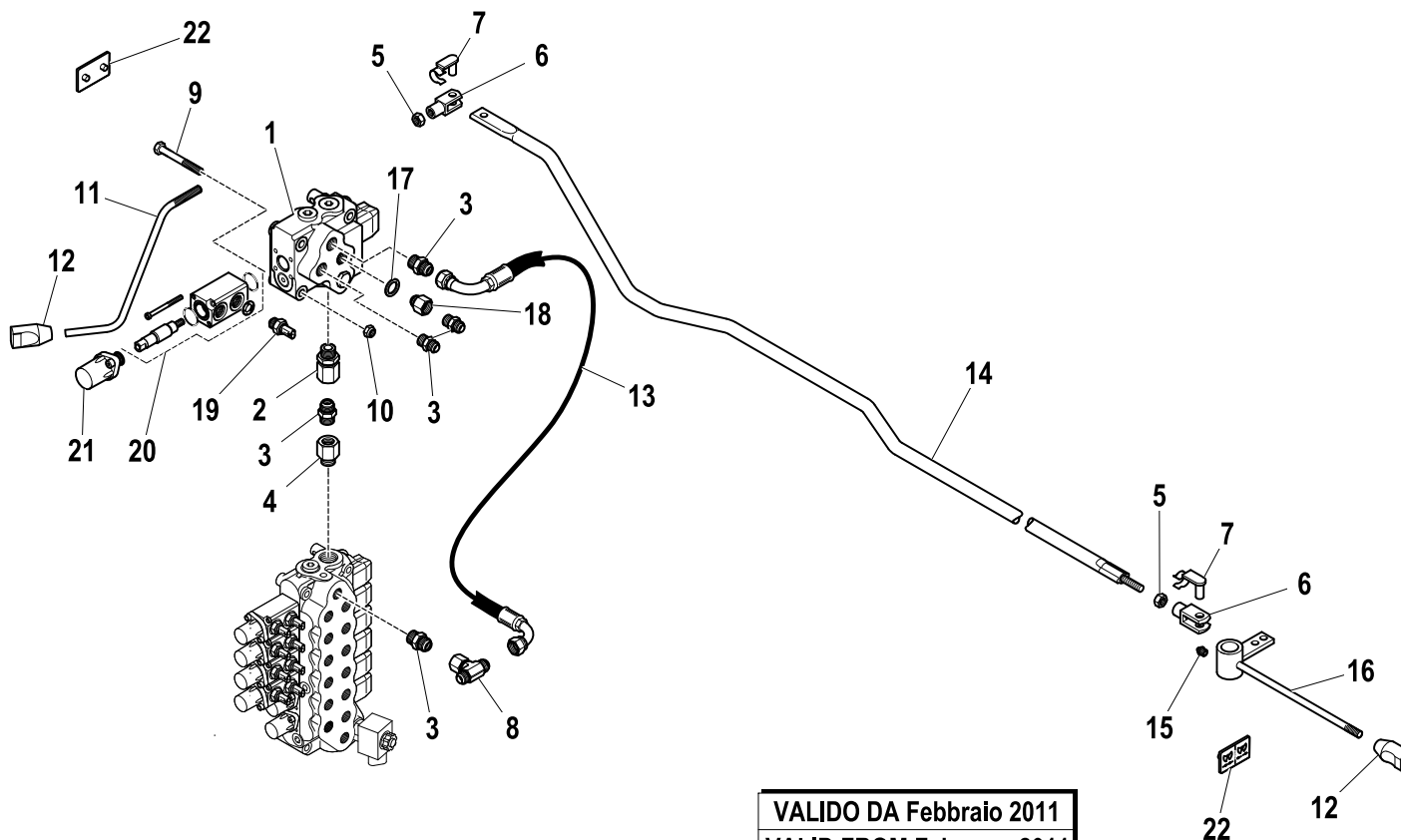
1 EXTRA FUNCTION KIT OPEN CENTRE SPOOL

Code

5210042-1.0

2/2

R	Pos.	Code Variant	Q.ty	Description
	21	5225262	1	
	22	5812803	2	

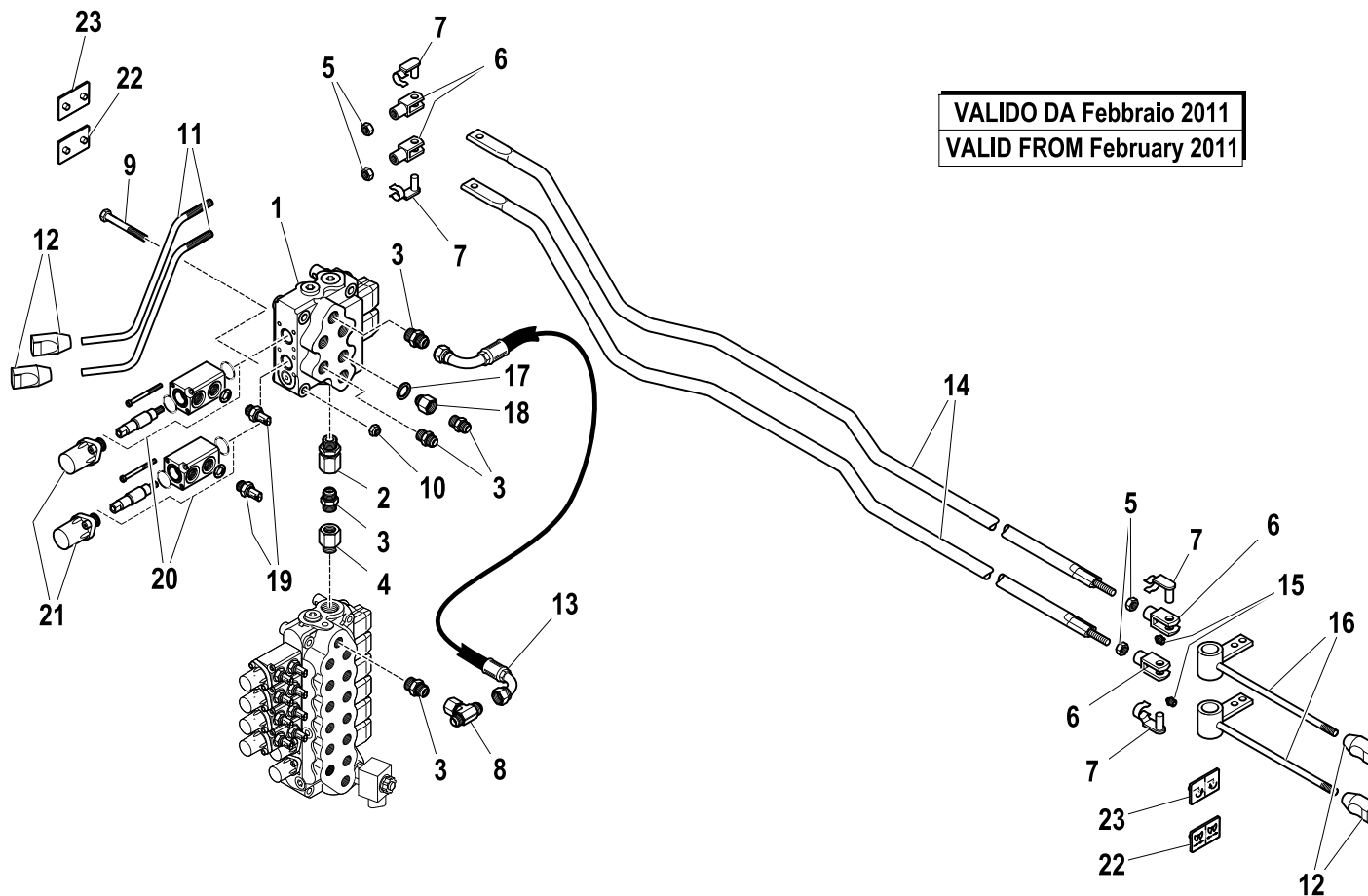


2 EXTRA FUNCTION KIT CLOSED CENTRE SPOOL

Code

5210040-1.0

1/2



VALIDO DA Febbraio 2011
VALID FROM February 2011

R	Pos.	Code Variant	Q.ty	Description
	1	5220286	1	
	2	3120066	1	Straight pipe fitting
	3	3101043	7	Straight pipe fitting
	4	5225240	1	
	5	3040045	4	Nut
	6	3300431	4	Fork
	7	3300451	4	Fork clip
	8	3120112	1	Tee fitting
	9	3010036	1	Hex screw [M8X65 8.8 ZC UNI 5739]
	10	3040303	1	Stopnut
	11	5001830	2	Control lever
	12	3190197	4	Knob
	13	5271175	1	Flexible hose
	14	5090489	2	
	15	3080500	2	Grease nipple
	16	5090433	2	Control lever
	17	3060144	2	Sealing washer [BSP 3/8"]
	18	3110112	2	Straight pipe fitting
	19	5225832	4	
	20	5225847	2	

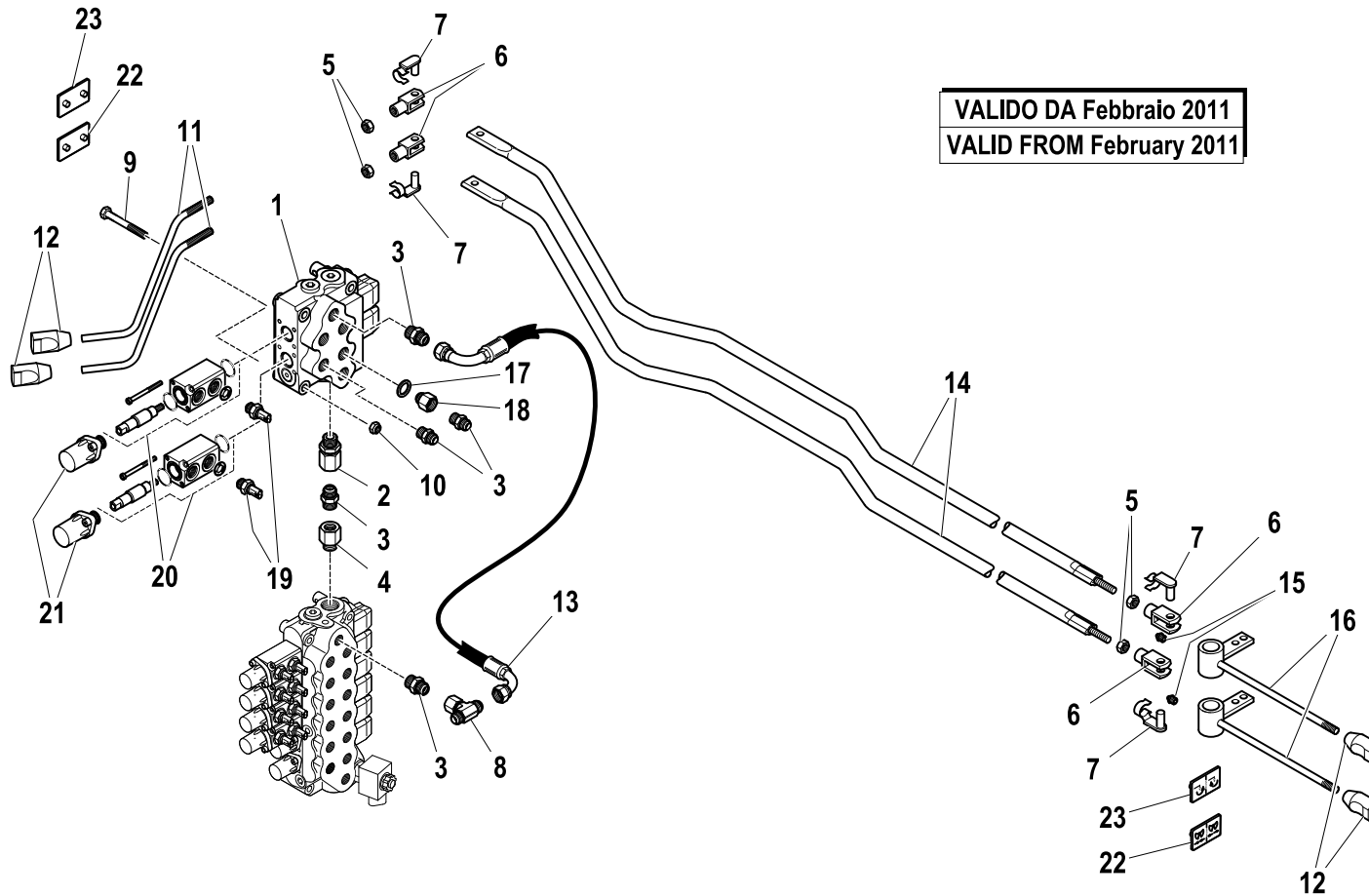
2 EXTRA FUNCTION KIT CLOSED CENTRE SPOOL

Code

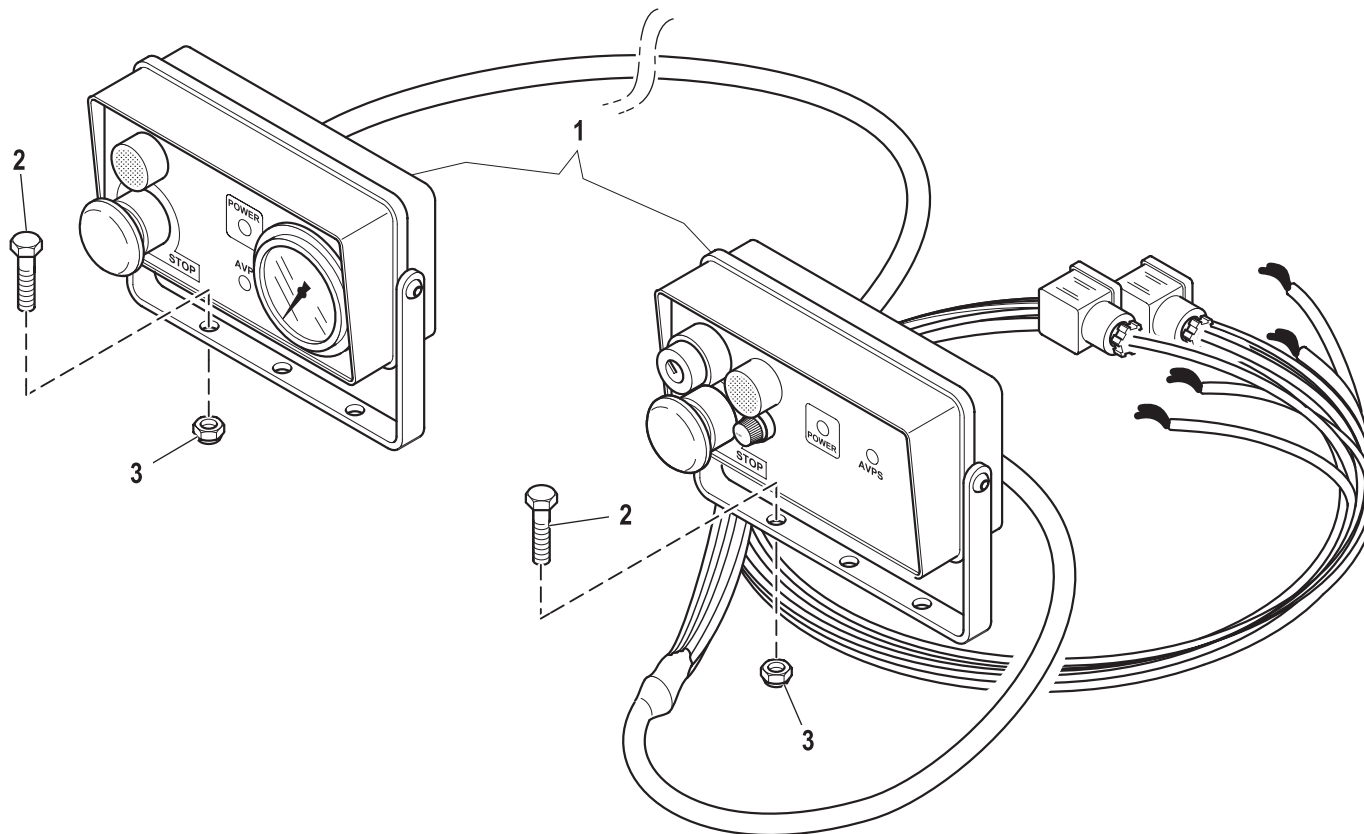
5210040-1.0

2/2

R	Pos.	Code Variant	Q.ty	Description
	21	5225262	2	
	22	5812801	2	
	23	5812802	2	



R	Pos.	Code Variant	Q.ty	Description
	1	3310543	1	Dashboard (Electric)
	2	3010027	4	Hex screw [M8X20 8.8 ZC IF UNI 5739]
	3	3040303	4	Stopnut

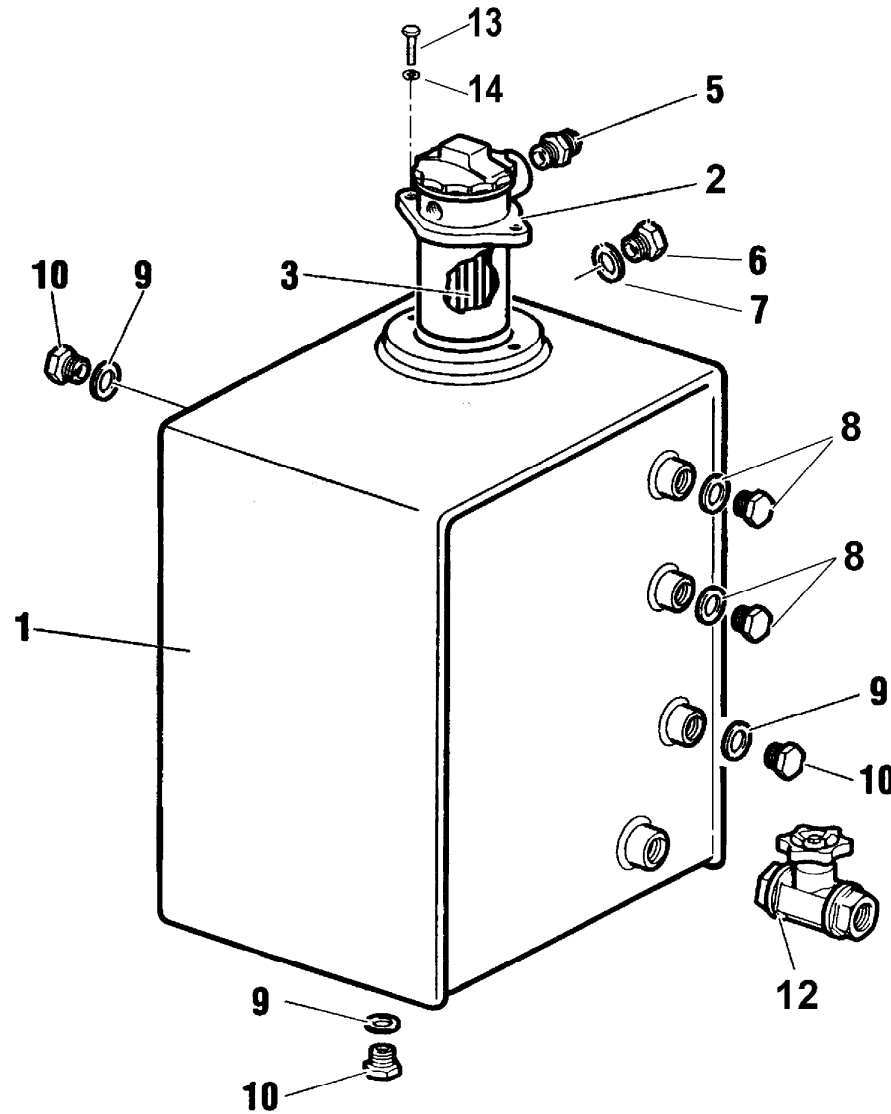


Hydraulic oil tank

Code

5400047-1.0

1/1



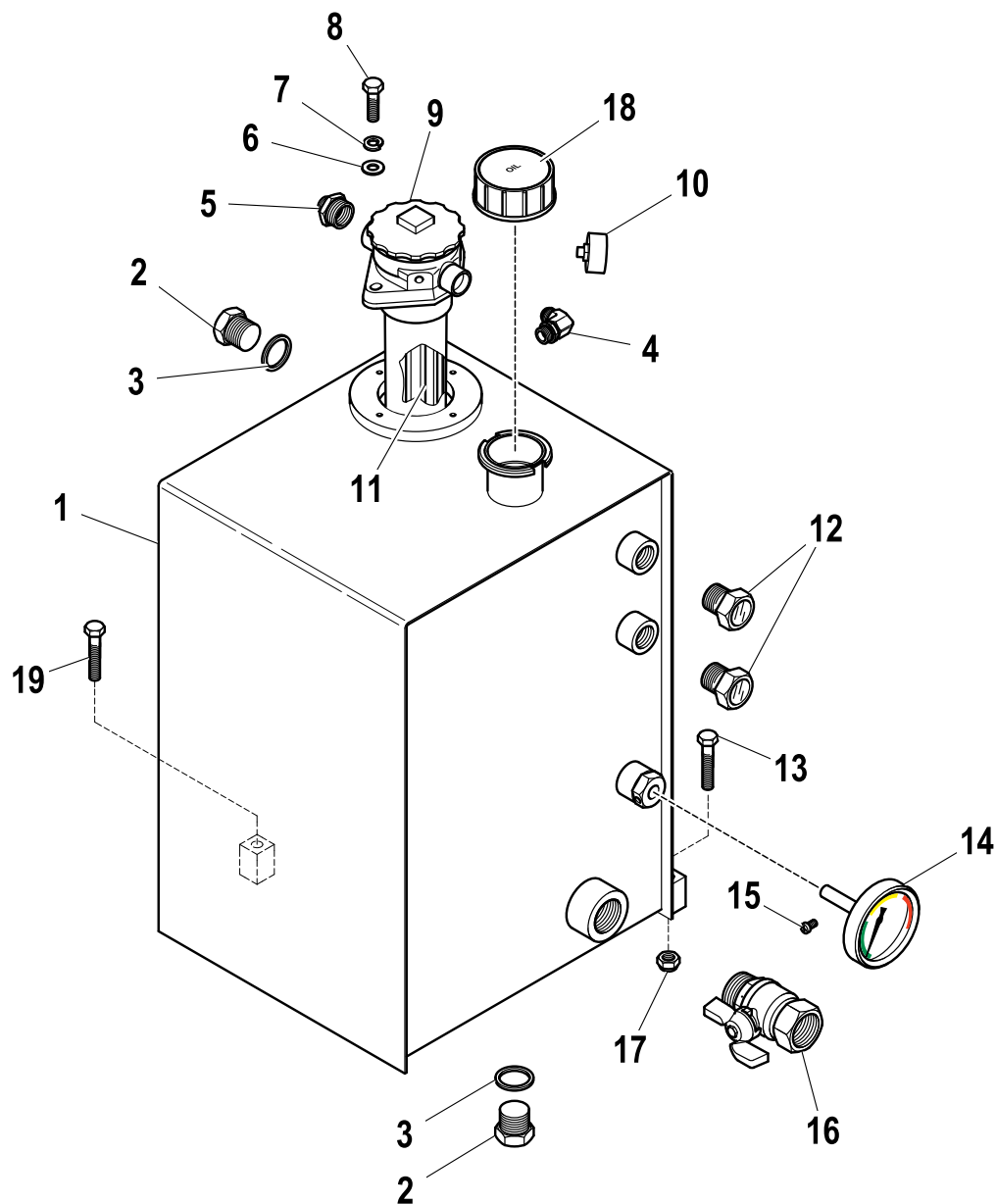
R	Pos.	Code Variant	Q.ty	Description
	1	5090465	1	
	2	3180195	1	Oil filter
	3	3180112	1	Filtering cartridge
	5	3101051	1	Straight pipe fitting
	6	3110062	1	Plug
	7	3060143	1	Sealing washer [BSP 1/4"]
	8	3180099	2	
	9	3060145	3	Sealing washer [BSP 1/2"]
	10	3110065	3	Plug
	12	3140305	1	
	13	3010339	2	Hex screw [M8X25 8.8 ZC IF UNI 5739]
	14	3060055	2	Split lock washer [D=8.4 C72 ZC]

Oil reservoir

Code

5400048-1.0

1/1



R	Pos.	Code Variant	Q.ty	Description
	1	5090465	1	
	2	3110065	2	Plug
	3	3060145	2	Sealing washer [BSP 1/2"]
	4	3101124	1	90° Connection
	5	3101051	1	Straight pipe fitting
	6	3060006	2	Flat washer [D.8 UNI 6592 ZC]
	7	3060055	2	Split lock washer [D=8.4 C72 ZC]
	8	3010339	2	Hex screw [M8X25 8.8 ZC IF UNI 5739]
	9	3180195	1	Oil filter
	10	3180147	1	Pressure gauge (Clogging indicator)
	11	3180112	1	Filtering cartridge
	12	3180099	2	
	13	3010033	2	Hex screw [M8X50 8.8 ZC UNI 5737]
	14	3180221	1	Thermometer
	15	3020881	1	[M3X8 UNI7687 ZC TAGLIO CR.]
	16	3140305	1	
	17	3040303	3	Stopnut
	18	W449009	1	Tank cap (Spill door)
	19	3010032	1	Hex screw [M8X45 8.8 ZC UNI 5737]

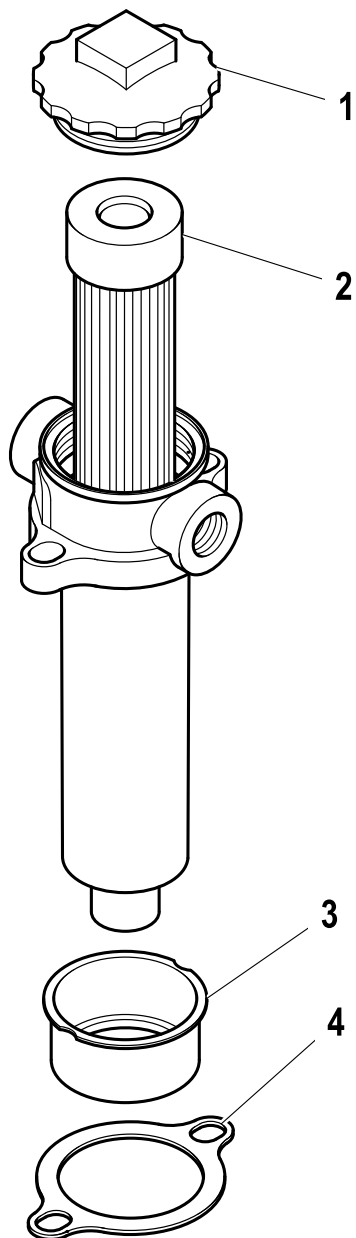
Oil filter

Code

3180195-1.0

1/1

R	Pos.	Code Variant	Q.ty	Description
	1	3180113	1	
	2	3180112	1	Filtering cartridge
	3	3180155	1	
	4	3180120	1	



VALIDO DA Mat. 20593 - 03/07/2006
VALID FROM S/N 20593 - 03/07/2006

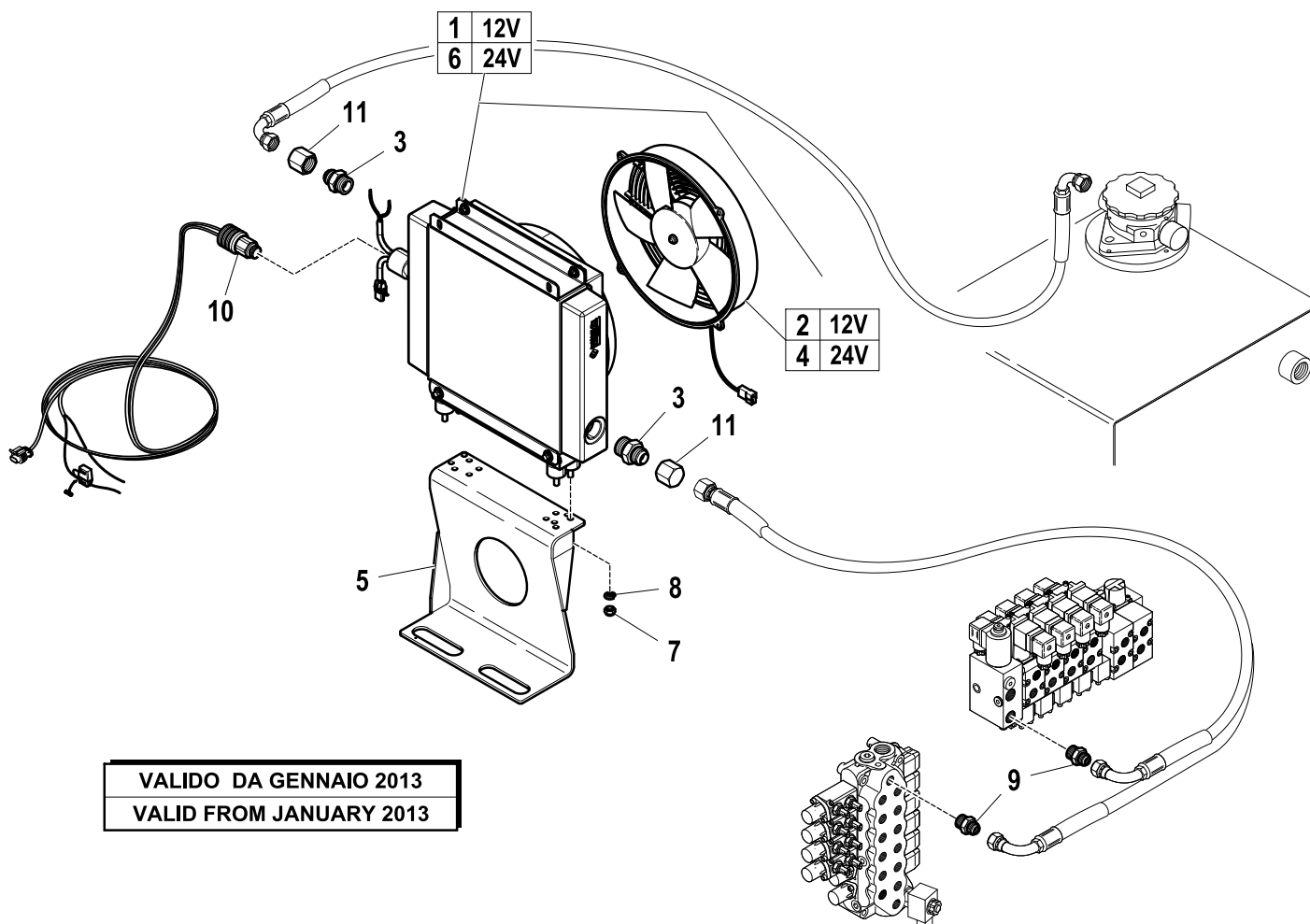
Heat exchange unit

Code

7888030-1.0

1/1

R	Pos.	Code Variant	Q.ty	Description
	1	5710118	1	Heat exchange unit
	2	5710119	1	Electric fan (Heat exchange unit)
	3	3101057	2	Straight pipe fitting
	4	5710117	1	Electric fan
	5	5001229	1	
	6	5710116	1	Heat exchange unit
	7	3040303	4	Stopnut
	8	3060055	4	Split lock washer [D=8.4 C72 ZC]
	9	3101043	1	Straight pipe fitting
	10	3311408	1	Thermostat (Wire assembly)
	11	3110059	2	Plug



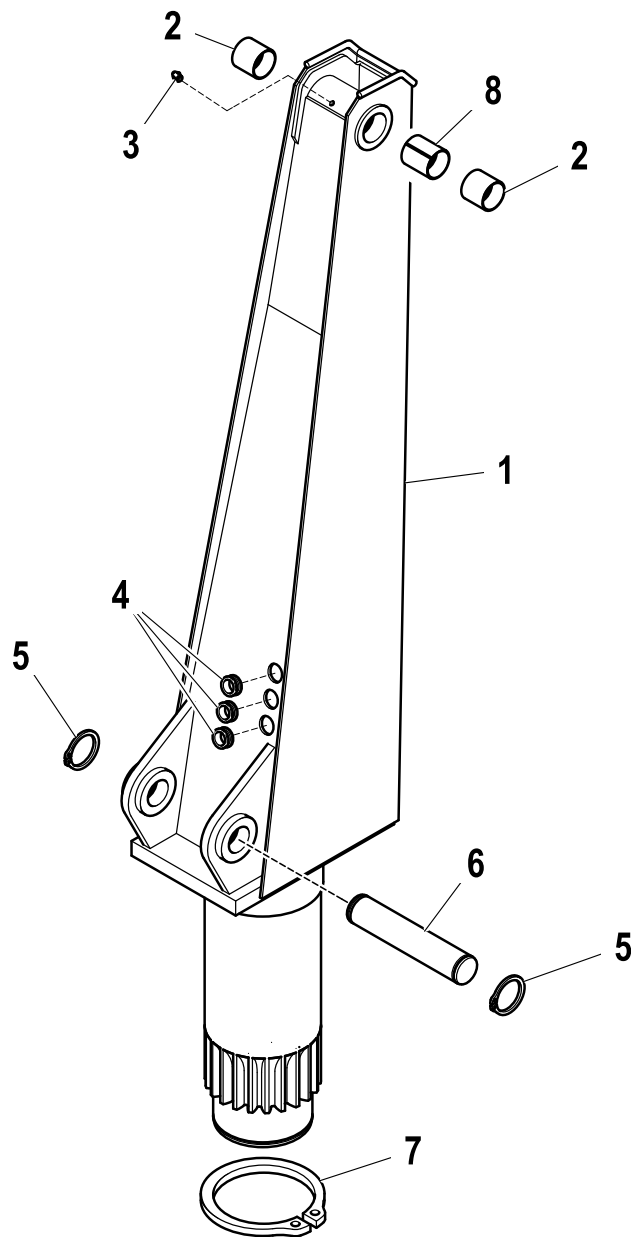
VALIDO DA GENNAIO 2013
VALID FROM JANUARY 2013

Column

Code

5460091-1.0

1/1



R	Pos.	Code Variant	Q.ty	Description
	1	5040118	1	Column
	2	5140124	2	
	3	3080501	1	Grease nipple
	4	W180201000	3	
	5	3070041	2	Seeger
	6	5150488	1	
	7	3070100	1	Seeger
	8	5001116	1	

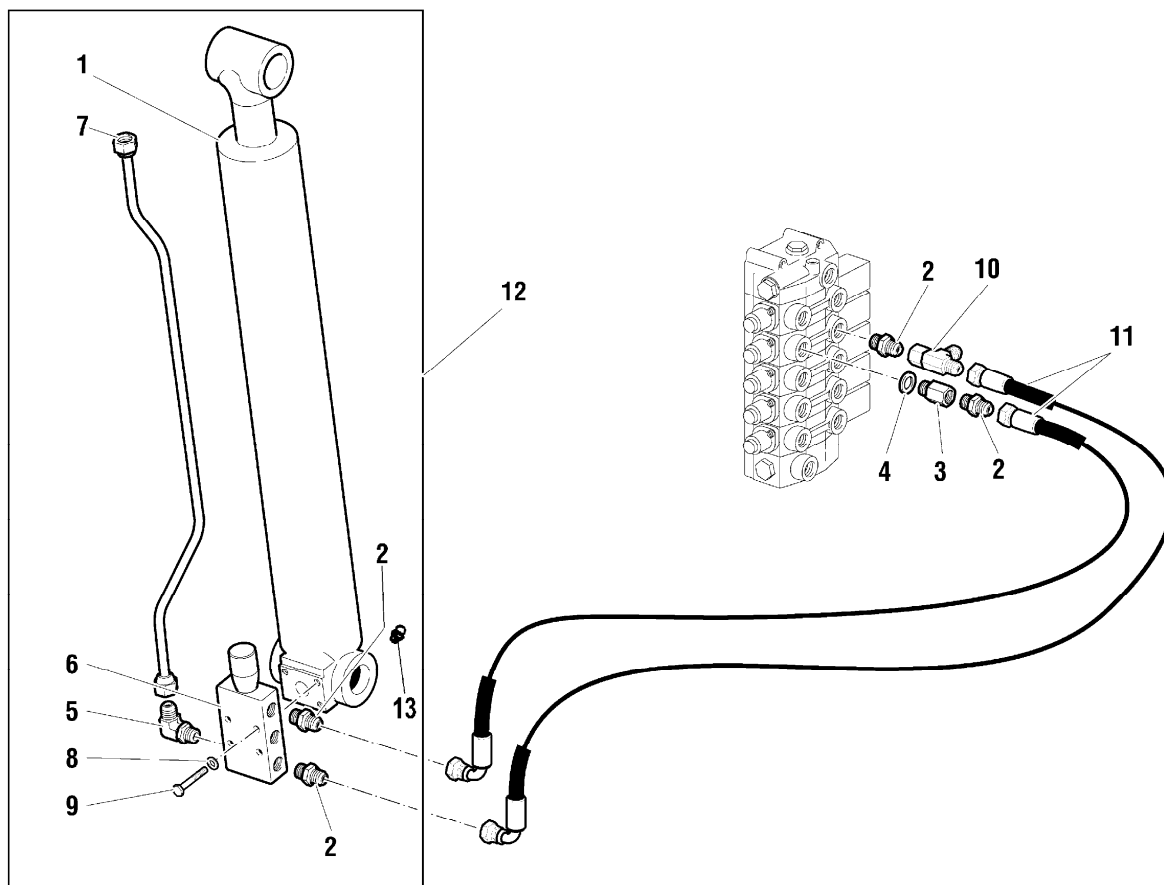
HYDRAULIC SYSTEM (LIFTING HYDRAULIC CYLINDER)

Code

6230181-1.0

1/1

R	Pos.	Code Variant	Q.ty	Description
	1	6430181	1	Lifting jack
	2	3101043	2	Straight pipe fitting
	3	3110112	1	Straight pipe fitting
	4	3060144	1	Sealing washer [BSP 3/8"]
	5	3101127	1	90° Connection
	6	5220547	1	
	7	5392376	1	
	8	3060055	4	Split lock washer [D=8.4 C72 ZC]
	9	3010033	4	Hex screw [M8X50 8.8 ZC UNI 5737]
	10	3120004	1	Tee fitting
	11	5270866	2	Flexible hose
	12	6230181	1	Lifting jack



6.23.0020181.0

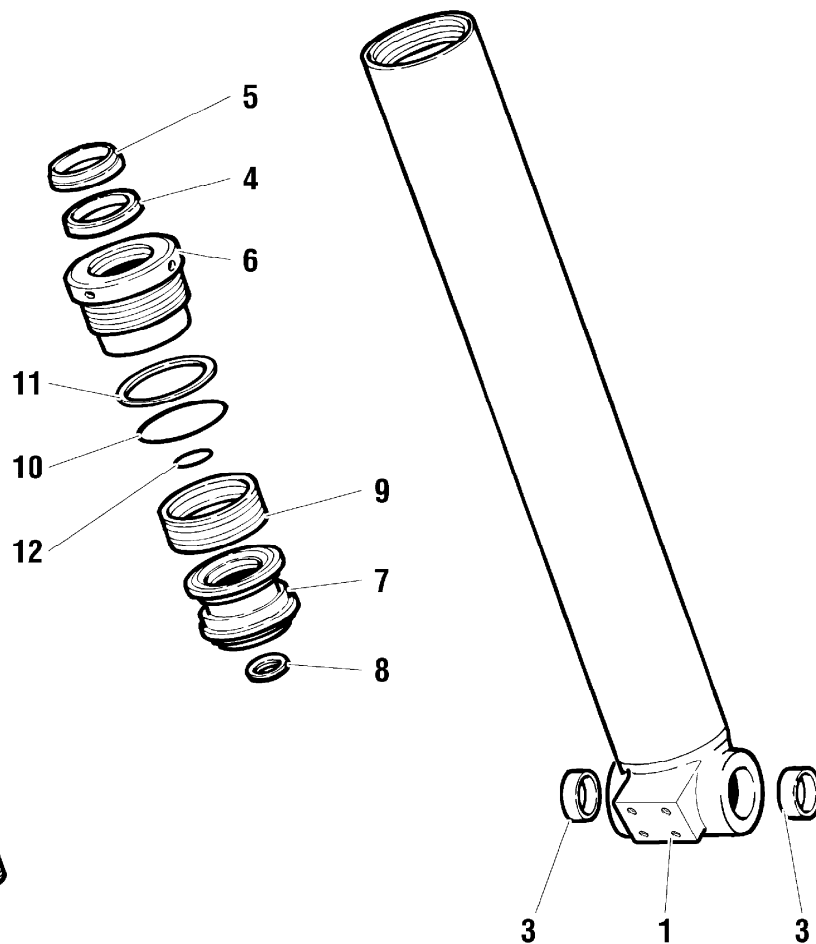
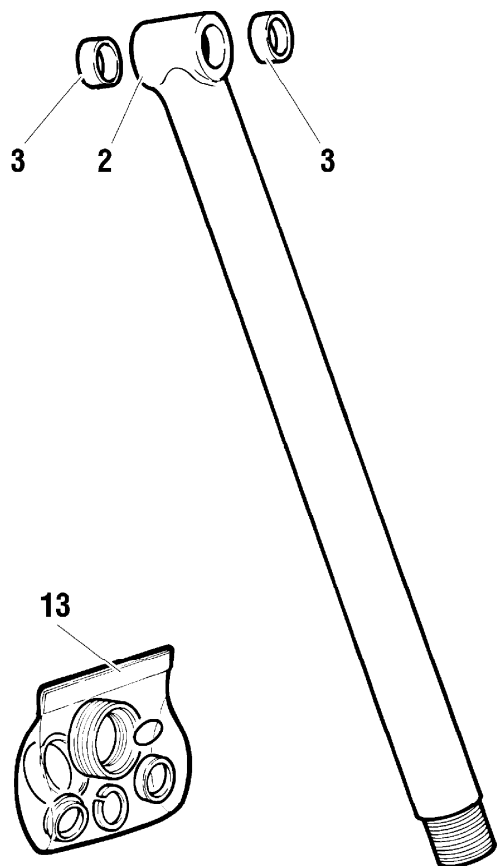
LIFTING HYDRAULIC CYLINDER

Code

6430181-1.0

1/1

R	Pos.	Code Variant	Q.ty	Description
	1	6070352	1	
	2	6030884	1	
	3	5140124	4	
	4	3370144	1	
	5	3420032	1	
	6	6040309	1	
	7	6050237	1	
	8	3040500	1	Self-locking ringnut
	9	3400519	1	
	10	3450224	1	
	11	3460224	1	
	12	3450119	1	
	13	5550797	1	



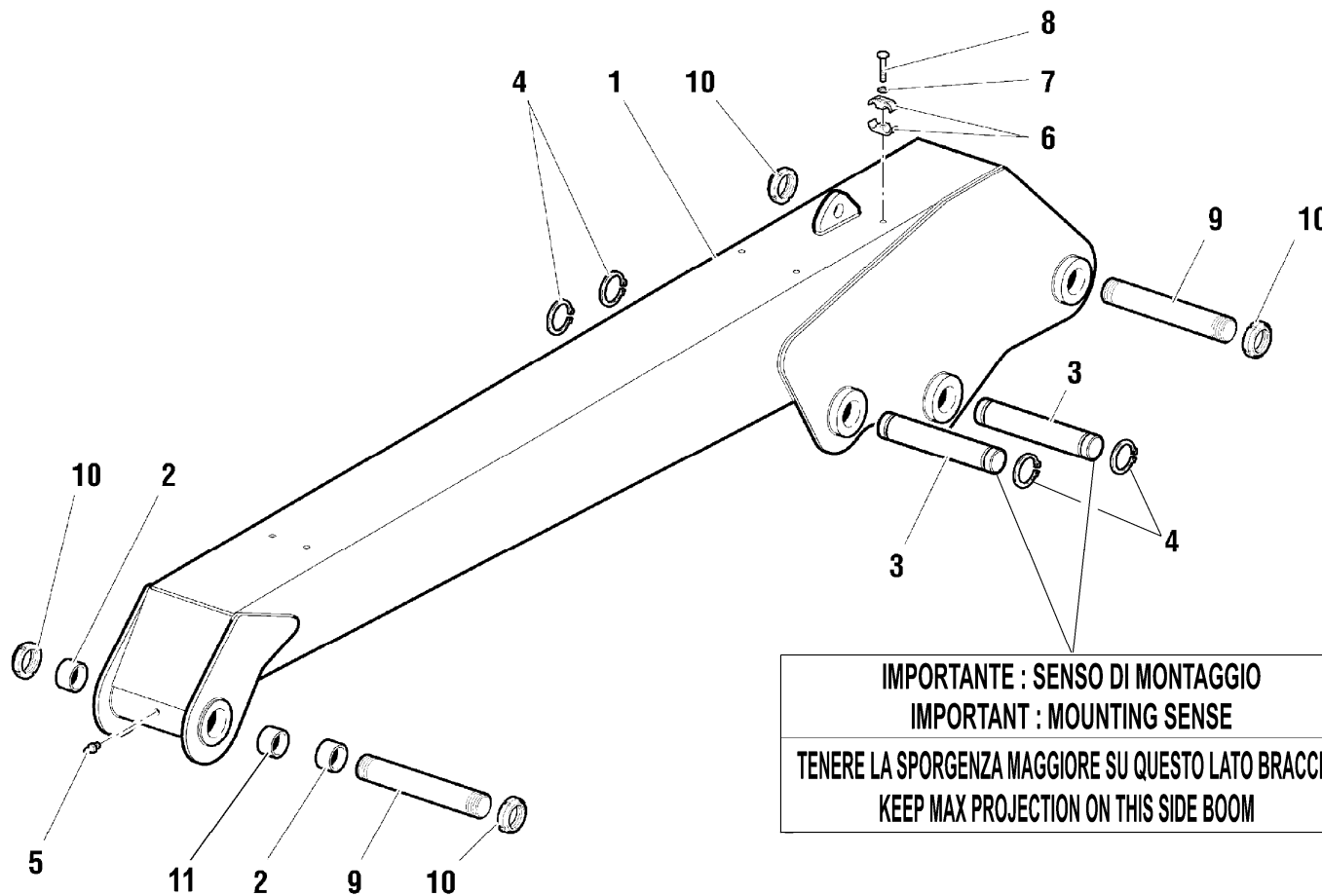
1ST BOOM

Code

5470096-1.0

1/1

R	Pos.	Code Variant	Q.ty	Description
	1	5030294	1	Main boom
	2	5140124	2	
	3	5150488	2	
	4	3070041	4	Seeger
	5	3080501	1	Grease nipple
	6	5000077	8	Clamp (Rigid Pipe)
	7	3060055	4	Split lock washer [D=8.4 C72 ZC]
	8	3010339	4	Hex screw [M8X25 8.8 ZC IF UNI 5739]
	9	5150642	2	
	10	3040500	4	Self-locking ringnut
	11	5001116	1	



IMPORTANTE : SENSO DI MONTAGGIO
IMPORTANT : MOUNTING SENSE

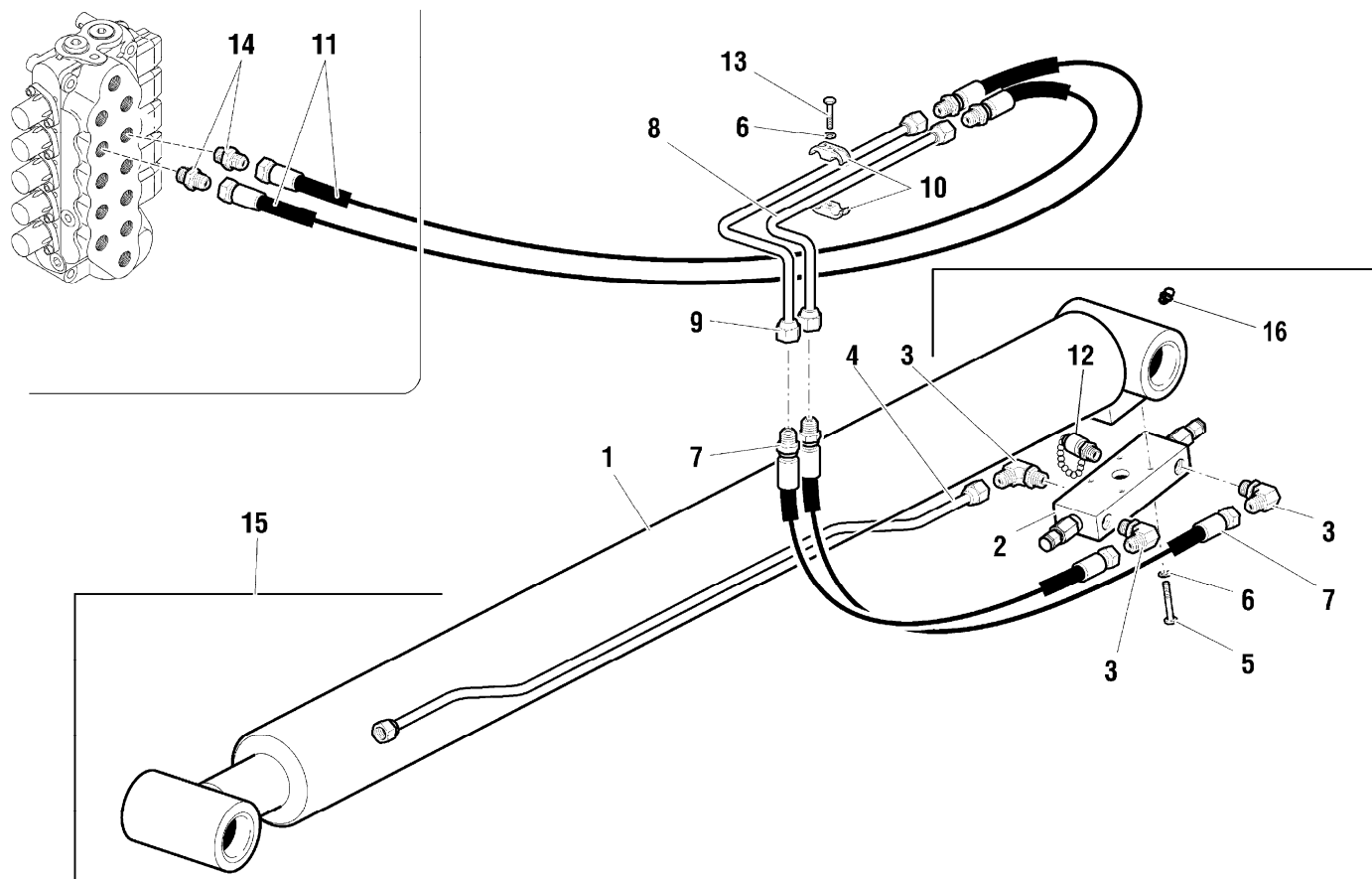
TENERE LA SPORGENZA MAGGIORE SU QUESTO LATO BRACCIO
KEEP MAX PROJECTION ON THIS SIDE BOOM

HYDRAULIC SYSTEM (ARTICULATION HYDRAULIC JACK)

Code

6230182-1.0

1/1



R	Pos.	Code Variant	Q.ty	Description
	1	6430182	1	Articulation Hydraulic jack
	2	5220548	1	Holding valve
	3	3101127	3	90° Connection
	4	5391053	1	
	5	3010033	4	Hex screw [M8X50 8.8 ZC UNI 5737]
	6	3060055	6	Split lock washer [D=8.4 C72 ZC]
	7	5270868	2	Flexible hose
	8	5391132	1	
	9	5391133	1	
	10	5000077	4	Clamp (Rigid Pipe)
	11	5270864	2	Flexible hose
	12	3111523	1	Pipe fitting (Tapping point) [RACC. MILITES 16X2-1/4"G]
	13	3010031	2	Hex screw [M8X40 8.8 ZC UNI 5737]
	14	3101043	2	Straight pipe fitting
	15	6230182	1	Articulation Hydraulic jack

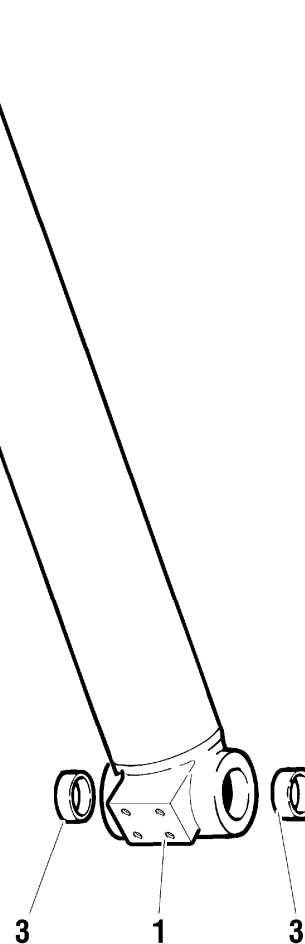
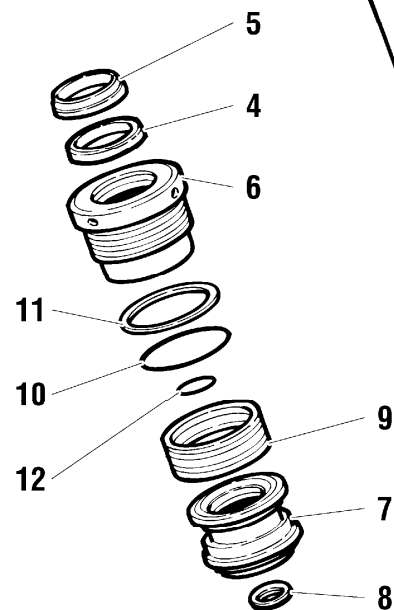
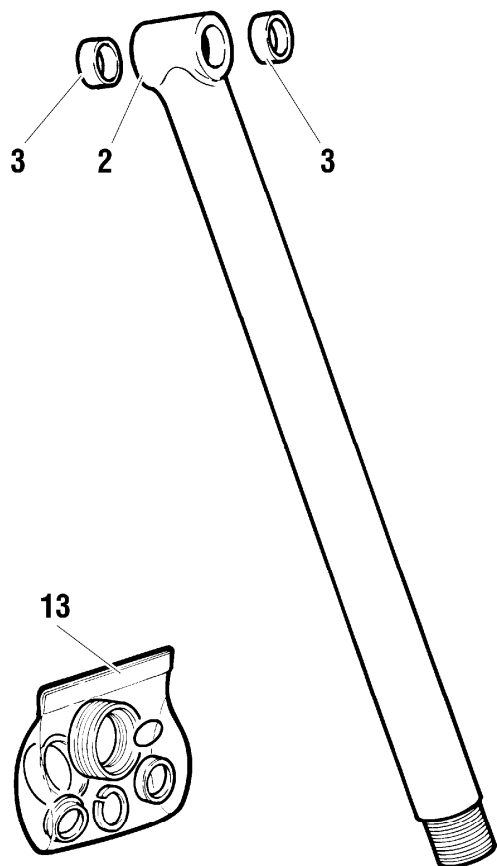
Articulation Hydraulic jack

Code

6430182-1.0

1/1

R	Pos.	Code Variant	Q.ty	Description
	1	6070353	1	
	2	6030866	1	
	3	5140124	4	
	4	3370144	1	
	5	3420032	1	
	6	6040309	1	
	7	6050237	1	
	8	3040500	1	Self-locking ringnut
	9	3400519	1	
	10	3450224	1	
	11	3460224	1	
	12	3450119	1	
	13	5550797	1	

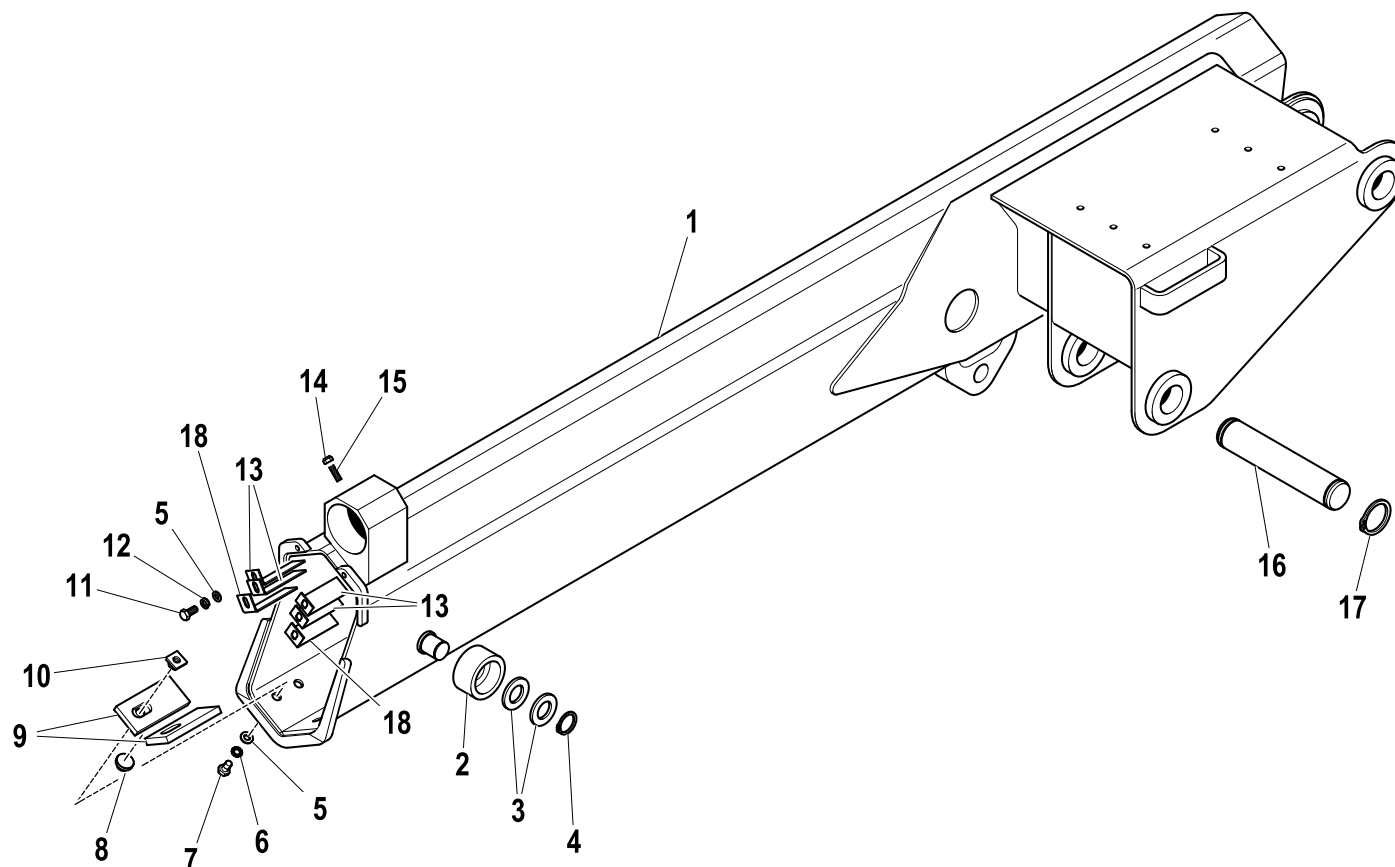


2nd BOOM

Code

5480105-1.0

1/1



R	Pos.	Code Variant	Q.ty	Description
	1	5030295	1	Secondary boom
	2	5001574	1	
	3	3060014	2	Flat washer [D.25X44X4 UNI 6592 ZC]
	4	3070022	1	Seeger
	5	3060006	4	Flat washer [D.8 UNI 6592 ZC]
	6	3060918	2	Tooth lock washer [D.8 TIPO A UNI8842 ZC]
	7	3010336	2	Hex screw [M8X12 8.8 ZC UNI 5739]
	8	5140656	2	Button (Backlash)
	9	5140722	2	Slide shoe
	10	5001087	2	Button (Control board)
	11	3010337	2	Hex screw [M8X16 8.8 ZC UNI 5739]
	12	3060055	2	Split lock washer [D=8.4 C72 ZC]
	13	5000685	4	Plate (Thickness)
	14	3040519	1	Stopnut
	15	3060505	1	Grub screw
	16	5150488	1	
	17	3070041	2	Seeger
	18	5000780	2	Plate (Thickness)

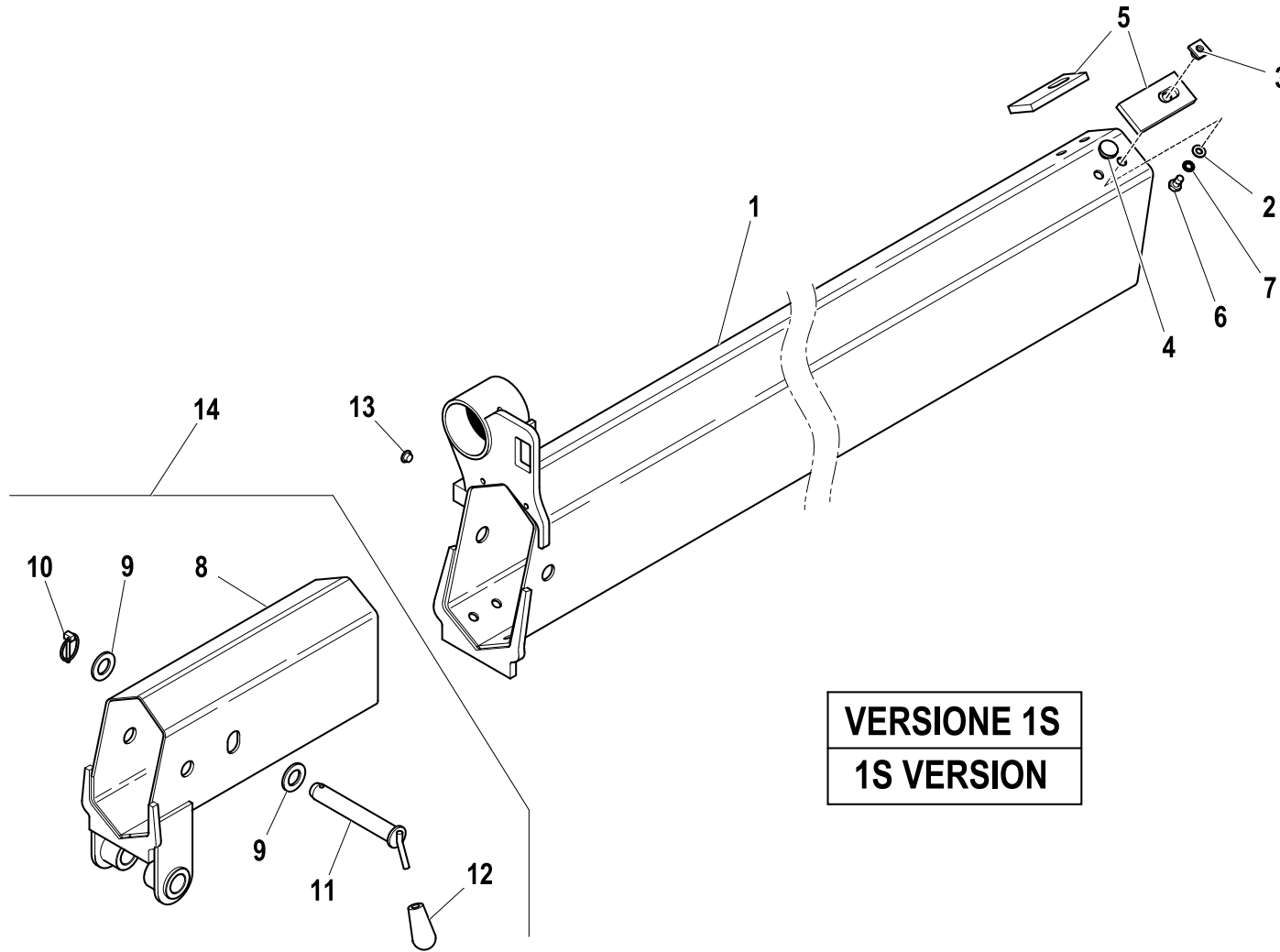
1st EXTENSION

Code

5490097-1.0

1/1

R	Pos.	Code Variant	Q.ty	Description
	1	5020538	1	Extension
	2	3060006	2	Flat washer [D.8 UNI 6592 ZC]
	3	5001087	2	Button (Control board)
	4	5140656	2	Button (Backlash)
	5	5140722	2	Slide shoe
	6	3010336	2	Hex screw [M8X12 8.8 ZC UNI 5739]
	7	3060918	2	Tooth lock washer [D.8 TIPO A UNI8842 ZC]
	8	5010353	1	
	9	3060012	2	Flat washer [D.21X37X3 UNI 6592 ZC]
	10	3060750	1	
	11	5150821	1	
	12	3190010	1	Knob
	13	W734017	4	
	14	5411025	1	



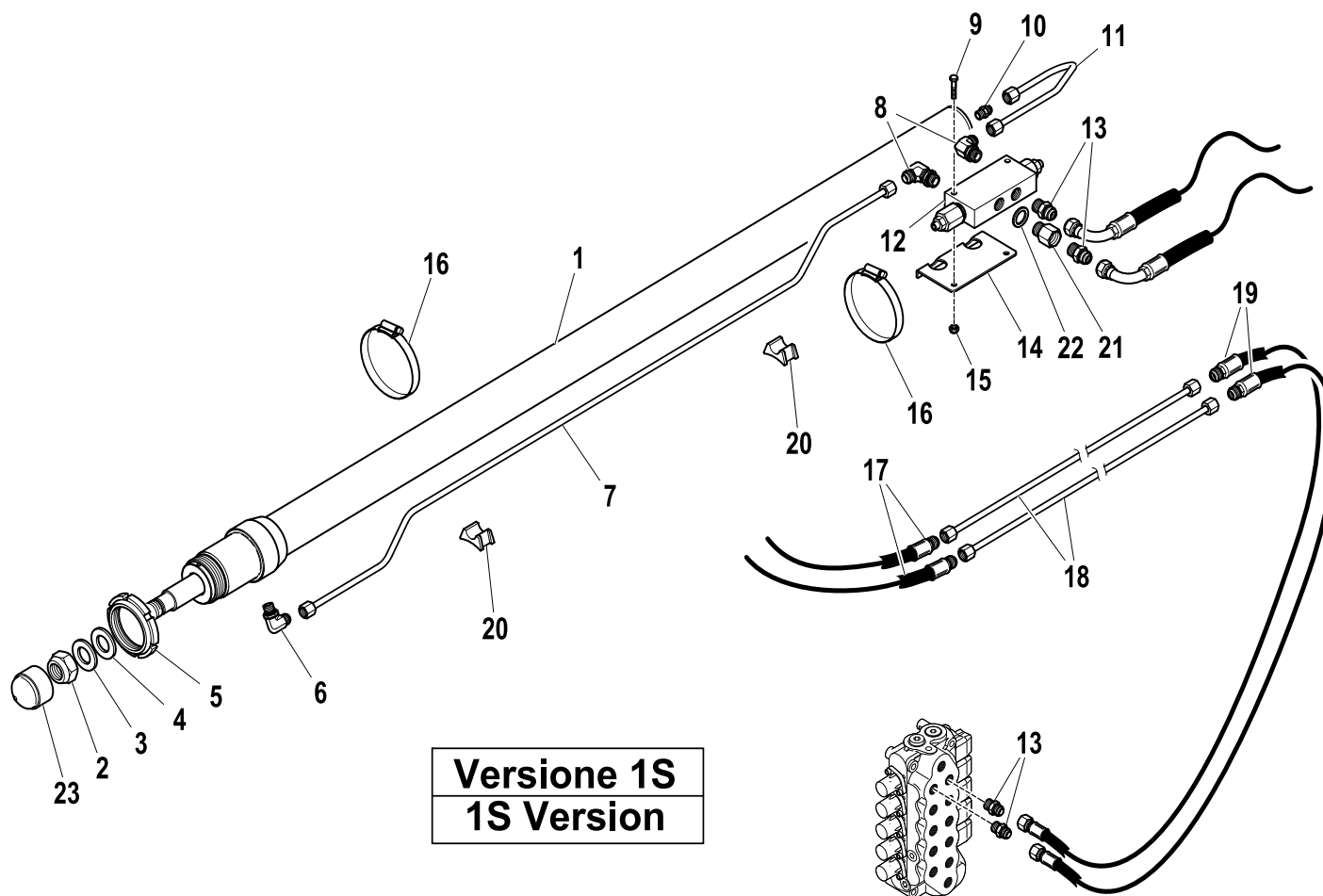
VERSIONE 1S
1S VERSION

HYDRAULIC SYSTEM (1st EXSTENSION HYDRAULIC)

Code

6210403-1.0

1/2



R	Pos.	Code Variant	Q.ty	Description
	1	6410414	1	
	2	3040381	1	Stopnut
	3	3060014	1	Flat washer [D.25X44X4 UNI 6592 ZC]
	4	5001575	1	
	5	3040510	1	Self-locking ringnut
	6	3101124	1	90° Connection
	7	5392237	1	Bonderized tube (Iron)
	8	3101125	2	90° Connection
	9	3010019	2	Hex screw [M6X45 8.8 ZC UNI 5737]
	10	3101039	1	Straight pipe fitting
	11	5392091	1	Bonderized tube (Iron)
	12	5220122	1	Valve
	13	3101043	4	Straight pipe fitting
	14	5001579	1	
	15	3040372	2	Stopnut
	16	3190025	3	Clamp
	17	5271833	2	Flexible hose
	18	5391134	2	Bonderized tube
	19	5270864	2	Flexible hose
	20	5140133	2	Piping mounting

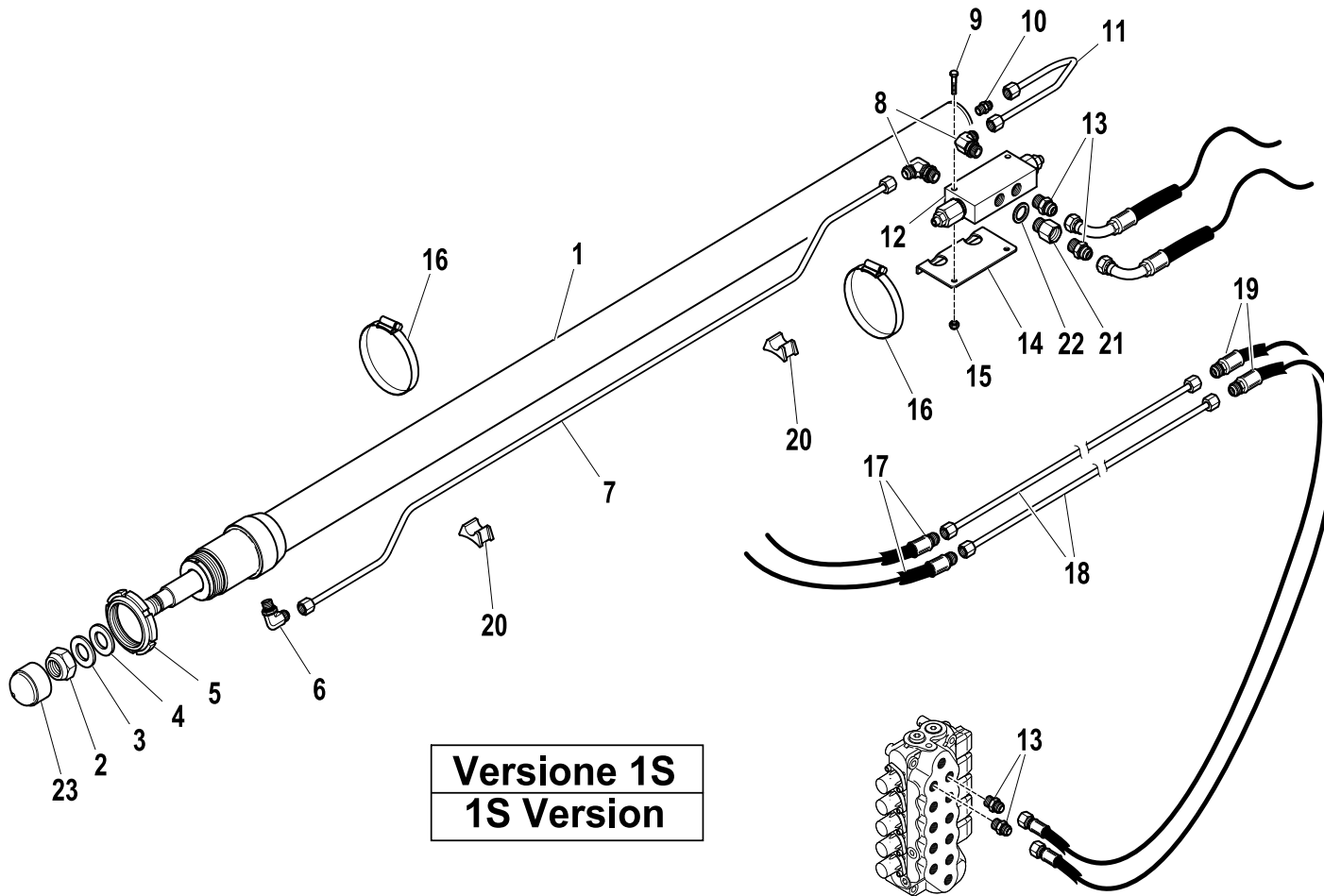
HYDRAULIC SYSTEM (1st EXSTENSION HYDRAULIC)

Code

6210403-1.0

2/2

R	Pos.	Code Variant	Q.ty	Description
	21	3110112	1	Straight pipe fitting
	22	3060144	1	Sealing washer [BSP 3/8"]
	23	3190244	1	Plug (Guard)



Versione 1S
1S Version

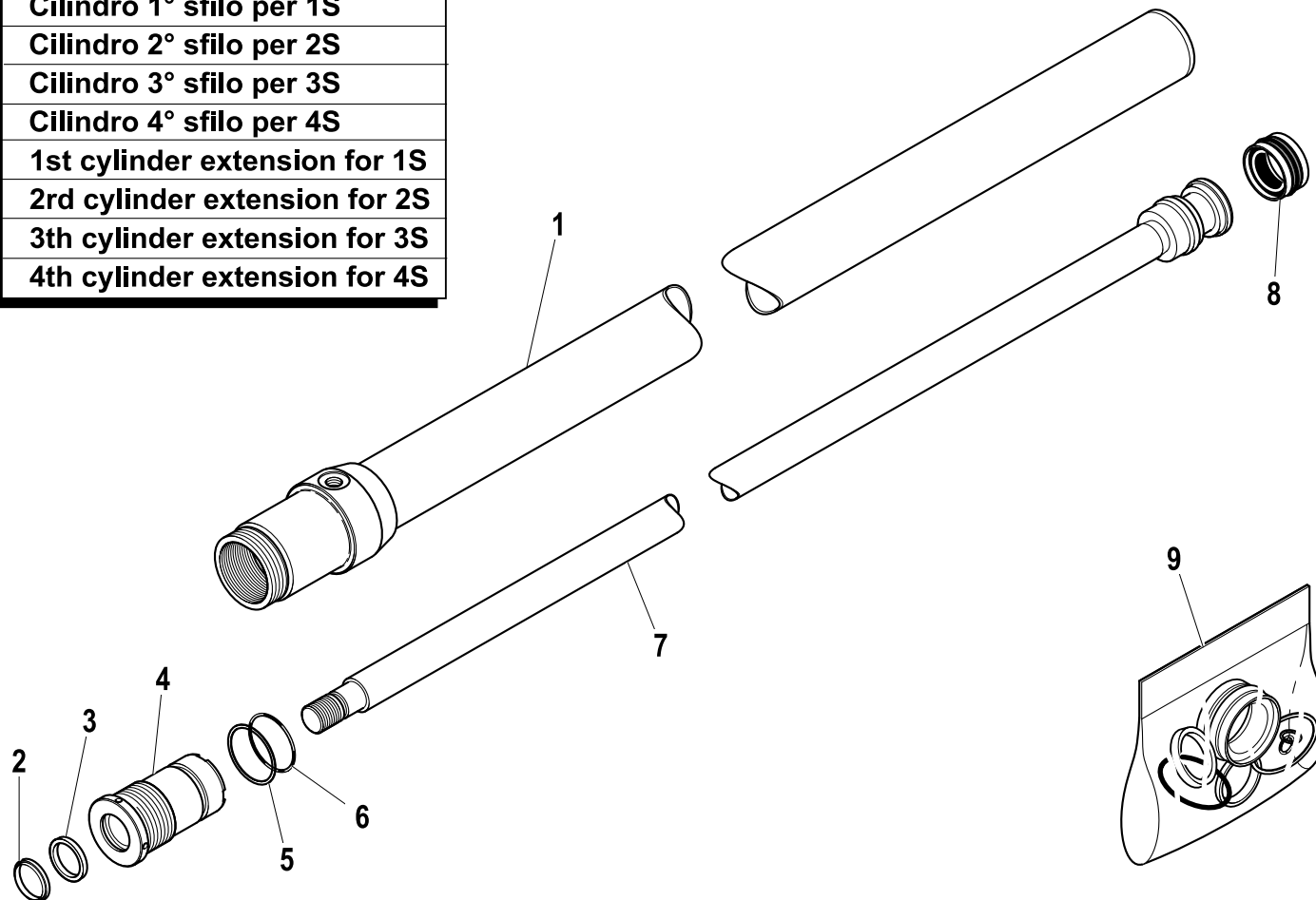
Extension Hydraulic jack

Code

6410414-1.0

1/1

Cilindro 1° sfilo per 1S
Cilindro 2° sfilo per 2S
Cilindro 3° sfilo per 3S
Cilindro 4° sfilo per 4S
1st cylinder extension for 1S
2rd cylinder extension for 2S
3th cylinder extension for 3S
4th cylinder extension for 4S



R	Pos.	Code Variant	Q.ty	Description
	1	6070583	1	
	2	3420015	1	
	3	3400043	1	
	4	6040291	1	
	5	3460119	1	
	6	3450118	1	
	7	6030860	1	
	8	3400505	1	
	9	5550761	1	

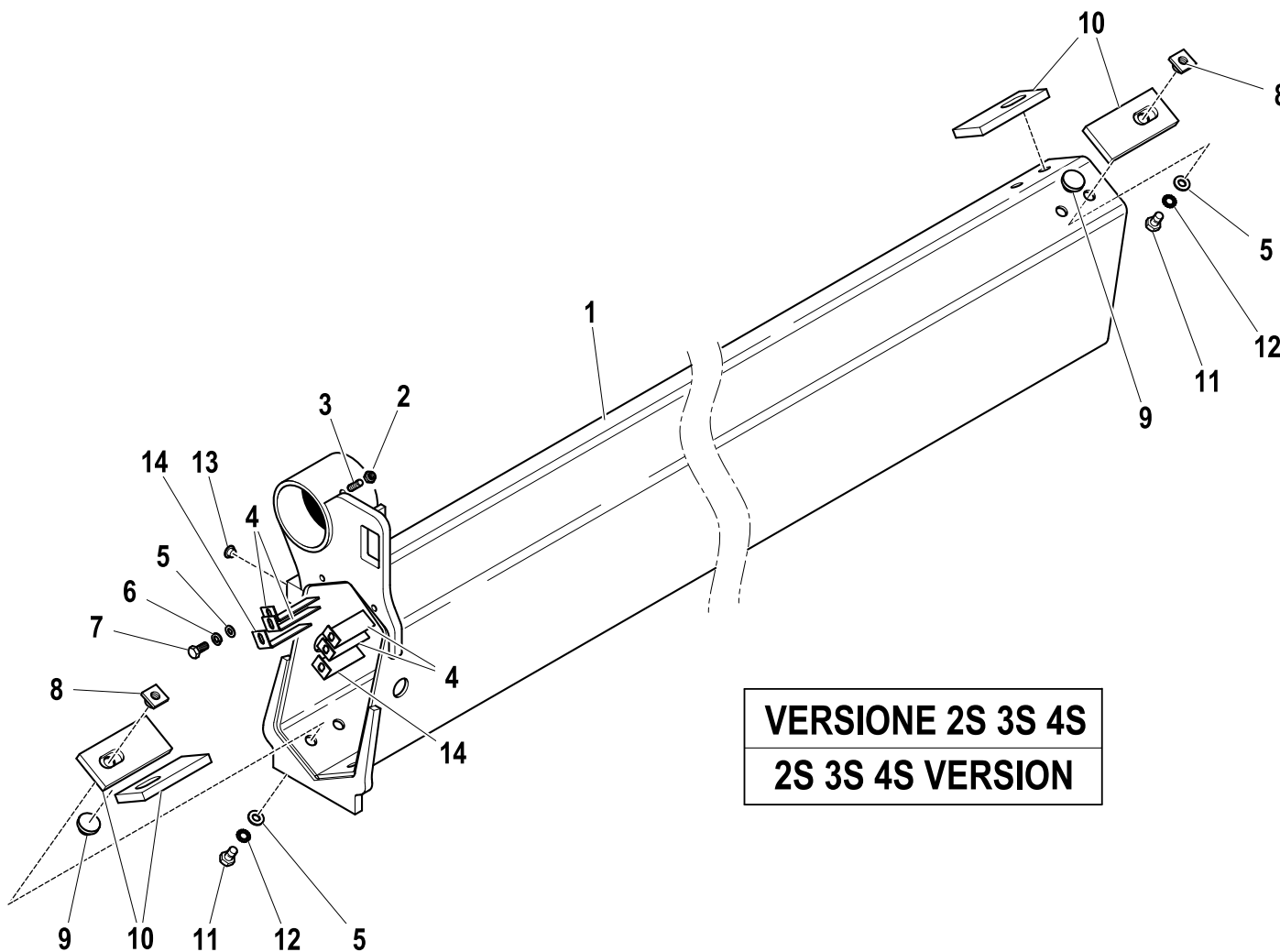
1st EXTENSION

Code

5490094-1.0

1/1

R	Pos.	Code Variant	Q.ty	Description
	1	5020538	1	Extension
	2	3040519	1	Stopnut
	3	3060505	1	Grub screw
	4	5000685	4	Plate (Thickness)
	5	3060006	4	Flat washer [D.8 UNI 6592 ZC]
	6	3060055	2	Split lock washer [D=8.4 C72 ZC]
	7	3010337	2	Hex screw [M8X16 8.8 ZC UNI 5739]
	8	5001087	2	Button (Control board)
	9	5140656	2	Button (Backlash)
	10	5140722	4	Slide shoe
	11	3010336	2	Hex screw [M8X12 8.8 ZC UNI 5739]
	12	3060918	2	Tooth lock washer [D.8 TIPO A UNI8842 ZC]
	13	W734017	4	
	14	5000780	2	Plate (Thickness)

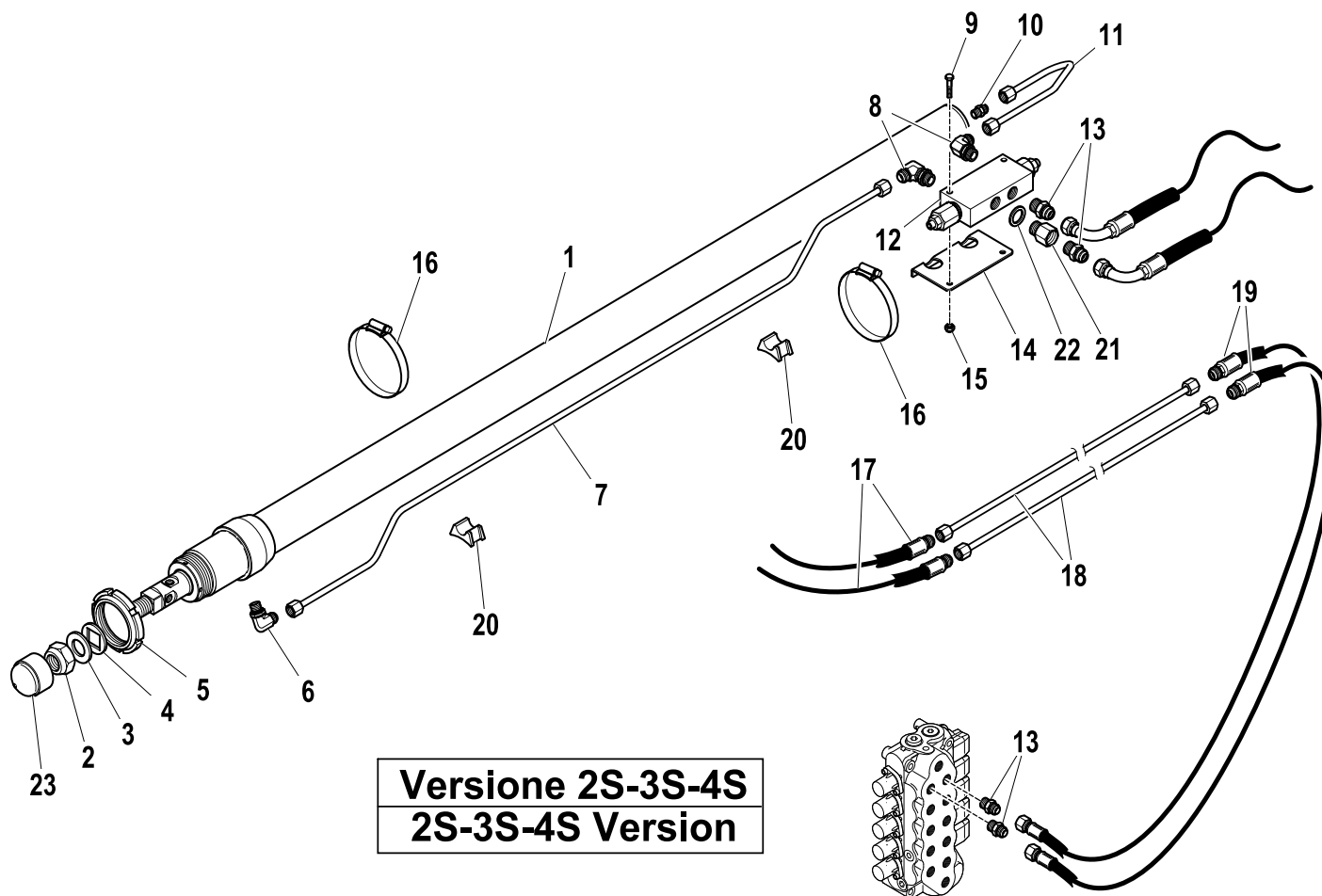


HYDRAULIC SYSTEM (1st EXSTENSION HYDRAULIC)

Code

6210402-1.0

1/2



Versione 2S-3S-4S
2S-3S-4S Version

R	Pos.	Code Variant	Q.ty	Description
	1	6410415	1	Extension jacks
	2	3040390	1	Stopnut
	3	3060014	1	Flat washer [D.25X44X4 UNI 6592 ZC]
	4	5001365	1	Lock washer (Control board)
	5	3040510	1	Self-locking ringnut
	6	3101124	1	90° Connection
	7	5392237	1	Bonderized tube (Iron)
	8	3101125	2	90° Connection
	9	3010019	2	Hex screw [M6X45 8.8 ZC UNI 5737]
	10	3101039	1	Straight pipe fitting
	11	5392091	1	Bonderized tube (Iron)
	12	5220122	1	Valve
	13	3101043	4	Straight pipe fitting
	14	5001579	1	
	15	3040372	2	Stopnut
	16	3190025	3	Clamp
	17	5271833	2	Flexible hose
	18	5391134	2	Bonderized tube
	19	5270864	2	Flexible hose
	20	5140133	2	Piping mounting

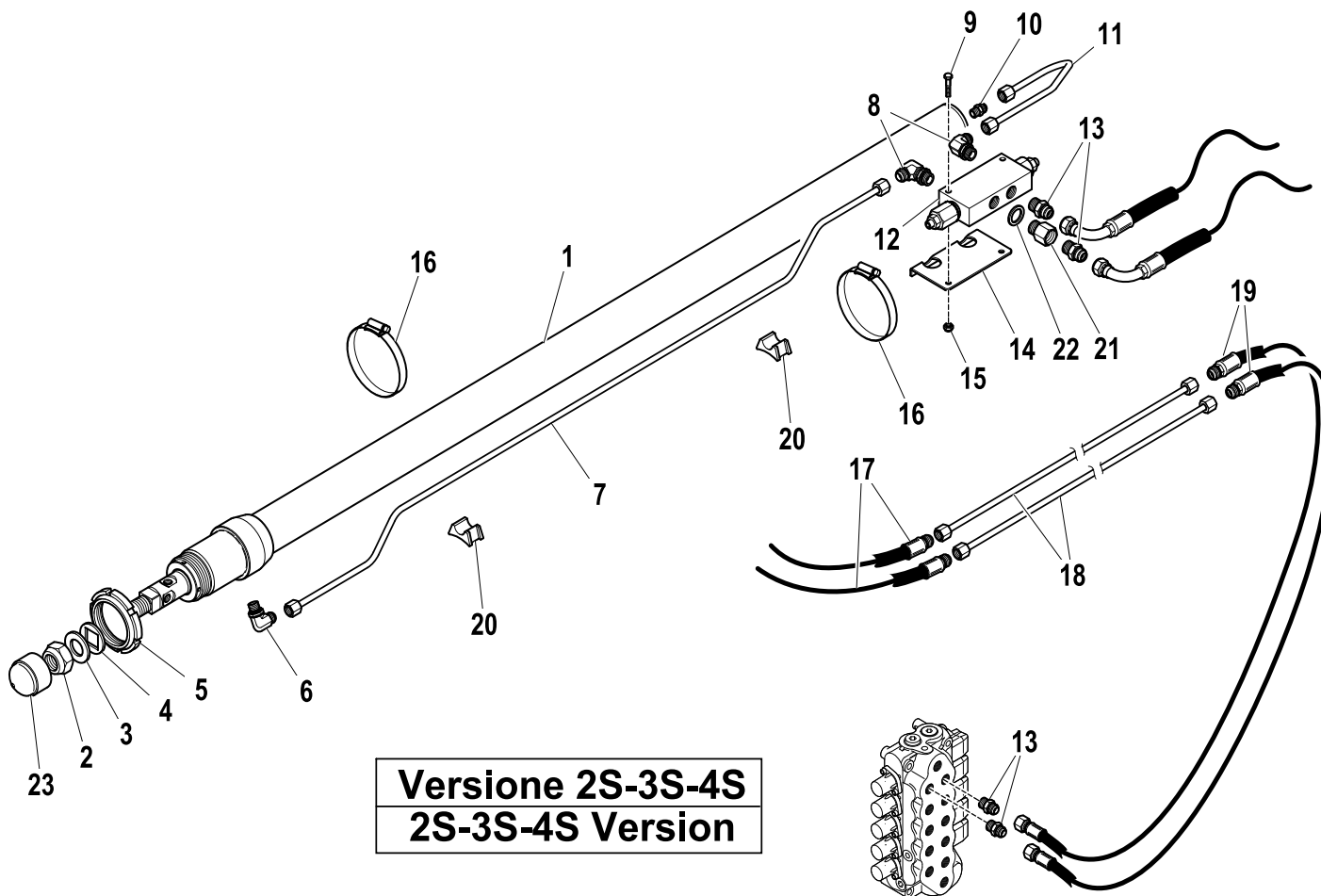
HYDRAULIC SYSTEM (1st EXSTENSION HYDRAULIC)

Code

6210402-1.0

2/2

R	Pos.	Code Variant	Q.ty	Description
	21	3110112	1	Straight pipe fitting
	22	3060144	1	Sealing washer [BSP 3/8"]
	23	3190244	1	Plug (Guard)



Versione 2S-3S-4S
2S-3S-4S Version

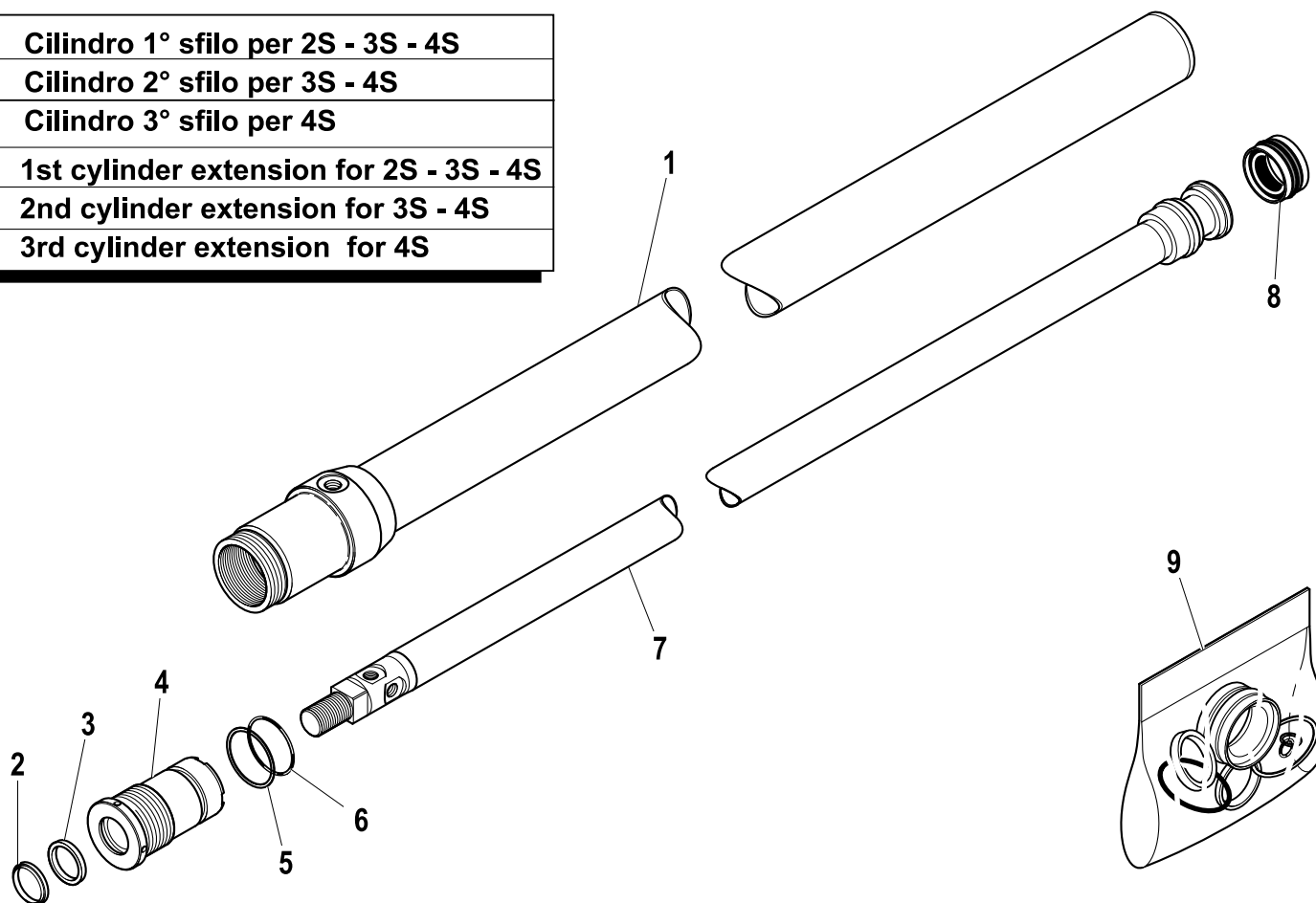
1st EXSTENSION HYDRAULIC

Code

6410415-1.0

1/1

- Cilindro 1° sfilo per 2S - 3S - 4S**
- Cilindro 2° sfilo per 3S - 4S**
- Cilindro 3° sfilo per 4S**
- 1st cylinder extension for 2S - 3S - 4S**
- 2nd cylinder extension for 3S - 4S**
- 3rd cylinder extension for 4S**



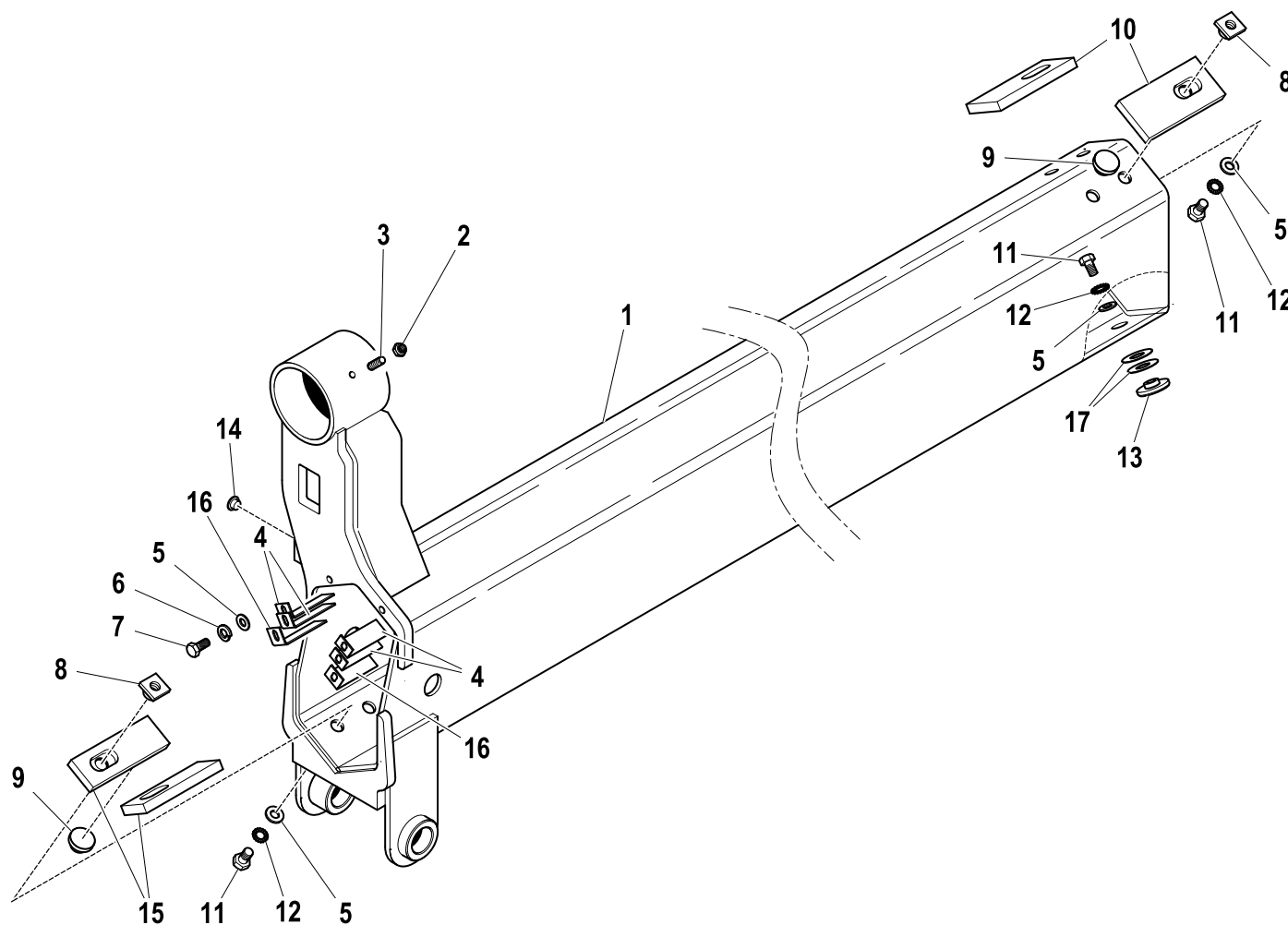
R	Pos.	Code Variant	Q.ty	Description
	1	6070583	1	
	2	3420018	1	
	3	3400055	1	
	4	6040290	1	
	5	3460119	1	
	6	3450118	1	
	7	6030862	1	
	8	3400505	1	
	9	5550760	1	

2nd EXTENSION

Code

5530053-1.0

1/1



R	Pos.	Code Variant	Q.ty	Description
	1	5020539	1	Extension
	2	3040519	1	Stopnut
	3	3060505	1	Grub screw
	4	5000685	4	Plate (Thickness)
	5	3060006	8	Flat washer [D.8 UNI 6592 ZC]
	6	3060055	2	Split lock washer [D=8.4 C72 ZC]
	7	3010337	2	Hex screw [M8X16 8.8 ZC UNI 5739]
	8	5001087	4	Button (Control board)
	9	5140656	4	Button (Backlash)
	10	5140722	2	Slide shoe
	11	3010336	6	Hex screw [M8X12 8.8 ZC UNI 5739]
	12	3060918	6	Tooth lock washer [D.8 TIPO A UNI8842 ZC]
	13	5001462	2	
	14	W734017	4	
	15	5140783	2	
	16	5000780	2	Plate (Thickness)
	17	5002218	4	Washer

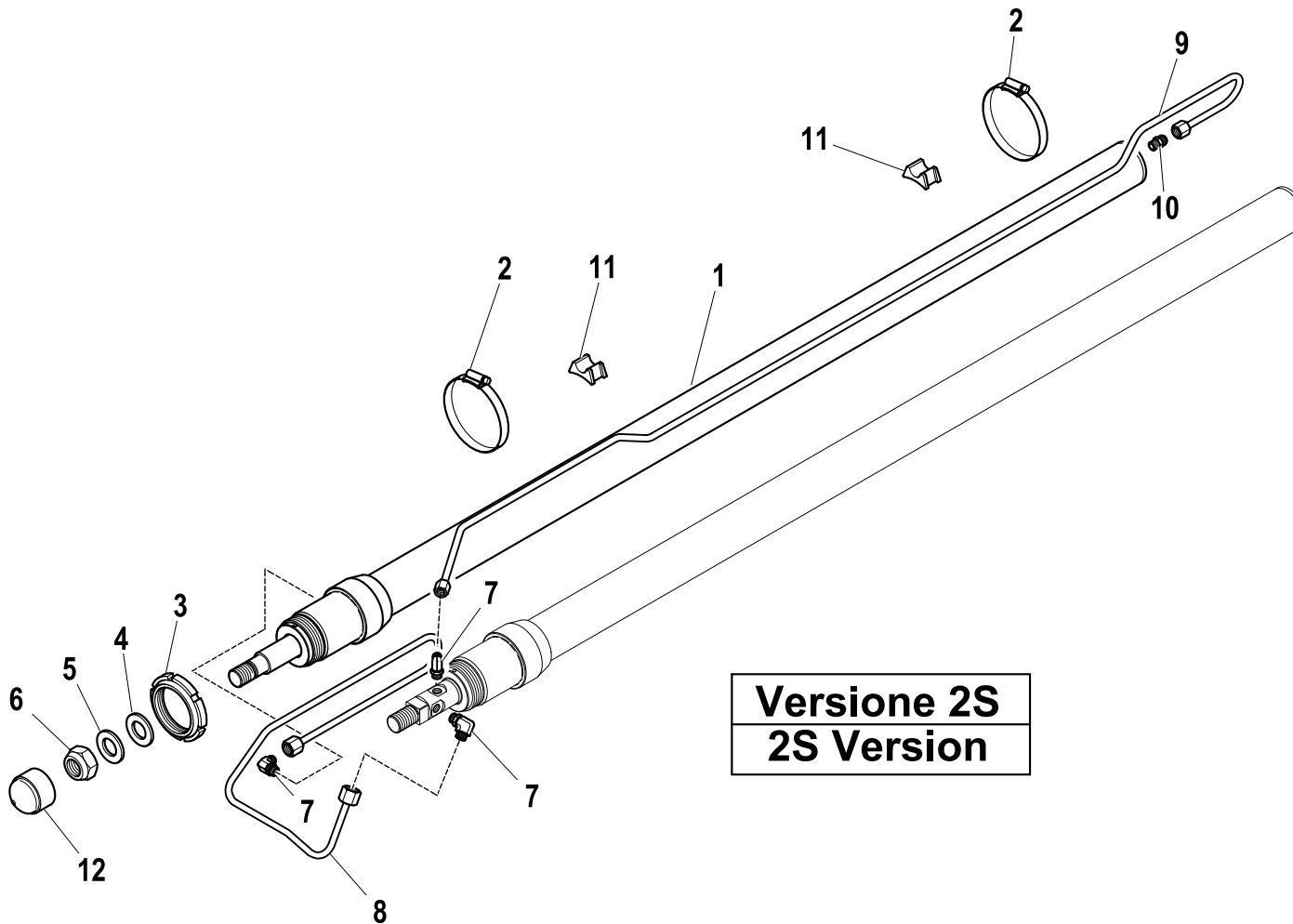
HYDRAULIC SYSTEM (2nd EXTENSION HYDRAULIC JACK)

Code

6210414-1.0

1/1

R	Pos.	Code Variant	Q.ty	Description
	1	6410414	1	
	2	3190025	2	Clamp
	3	3040510	1	Self-locking ringnut
	4	5001575	1	
	5	3060014	1	Flat washer [D.25X44X4 UNI 6592 ZC]
	6	3040390	1	Stopnut
	7	3101124	3	90° Connection
	8	5392094	1	
	9	5392248	1	
	10	3101039	1	Straight pipe fitting
	11	5140133	2	Piping mounting
	12	3190244	1	Plug (Guard)



Versione 2S
2S Version

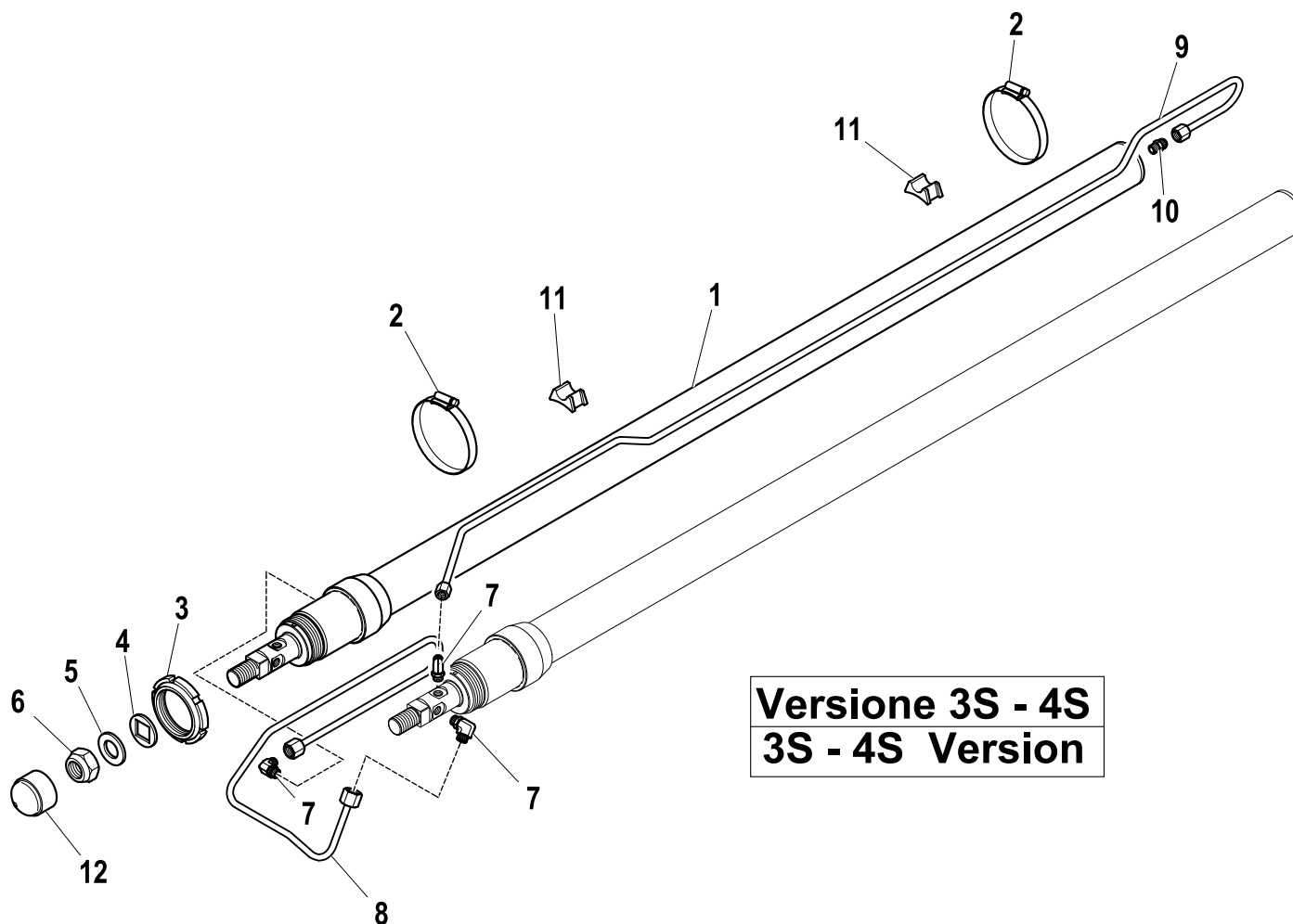
HYDRAULIC SYSTEM (2nd EXTENSION HYDRAULIC JACK)

Code

6210415-1.0

1/1

R	Pos.	Code Variant	Q.ty	Description
	1	6410415	1	Extension jacks
	2	3190025	2	Clamp
	3	3040510	1	Self-locking ringnut
	4	5001365	1	Lock washer (Control board)
	5	3060014	1	Flat washer [D.25X44X4 UNI 6592 ZC]
	6	3040390	1	Stopnut
	7	3101124	3	90° Connection
	8	5392094	1	
	9	5392248	1	
	10	3101039	1	Straight pipe fitting
	11	5140133	2	Piping mounting
	12	3190244	1	Plug (Guard)



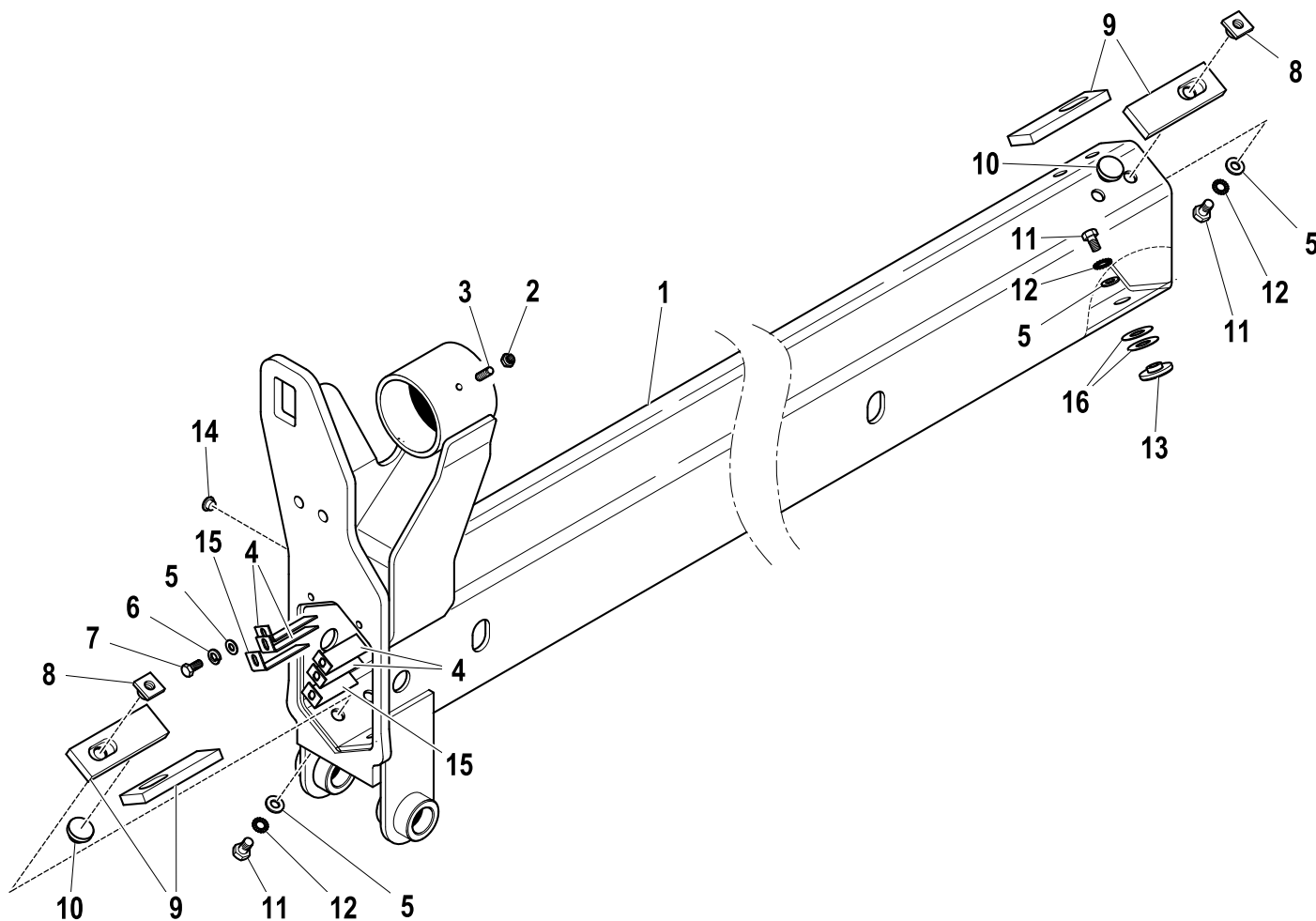
Versione 3S - 4S
3S - 4S Version

3rd EXTENSION

Code

5540059-1.0

1/1



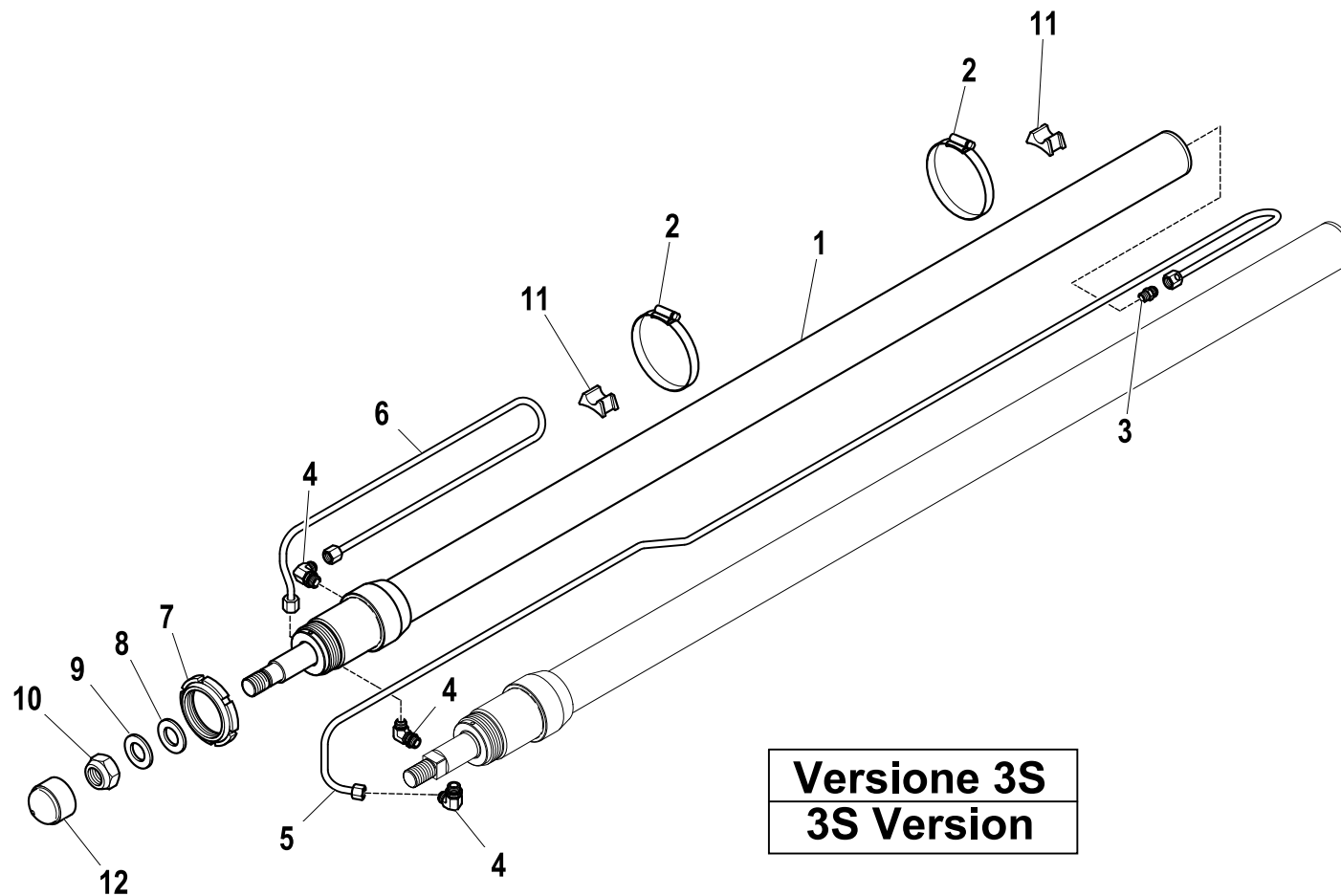
R	Pos.	Code Variant	Q.ty	Description
	1	5020540	1	Extension
	2	3040519	1	Stopnut
	3	3060505	1	Grub screw
	4	5000685	4	Plate (Thickness)
	5	3060006	8	Flat washer [D.8 UNI 6592 ZC]
	6	3060055	2	Split lock washer [D=8.4 C72 ZC]
	7	3010337	2	Hex screw [M8X16 8.8 ZC UNI 5739]
	8	5001087	4	Button (Control board)
	9	5140783	4	
	10	5140656	4	Button (Backlash)
	11	3010336	6	Hex screw [M8X12 8.8 ZC UNI 5739]
	12	3060918	6	Tooth lock washer [D.8 TIPO A UNI8842 ZC]
	13	5001462	2	
	14	W734017	4	
	15	5000780	2	Plate (Thickness)
	16	5002218	4	Washer

HYDRAULIC SYSTEM (3rd extension Hydraulic jack)

Code

6210399-1.0

1/1



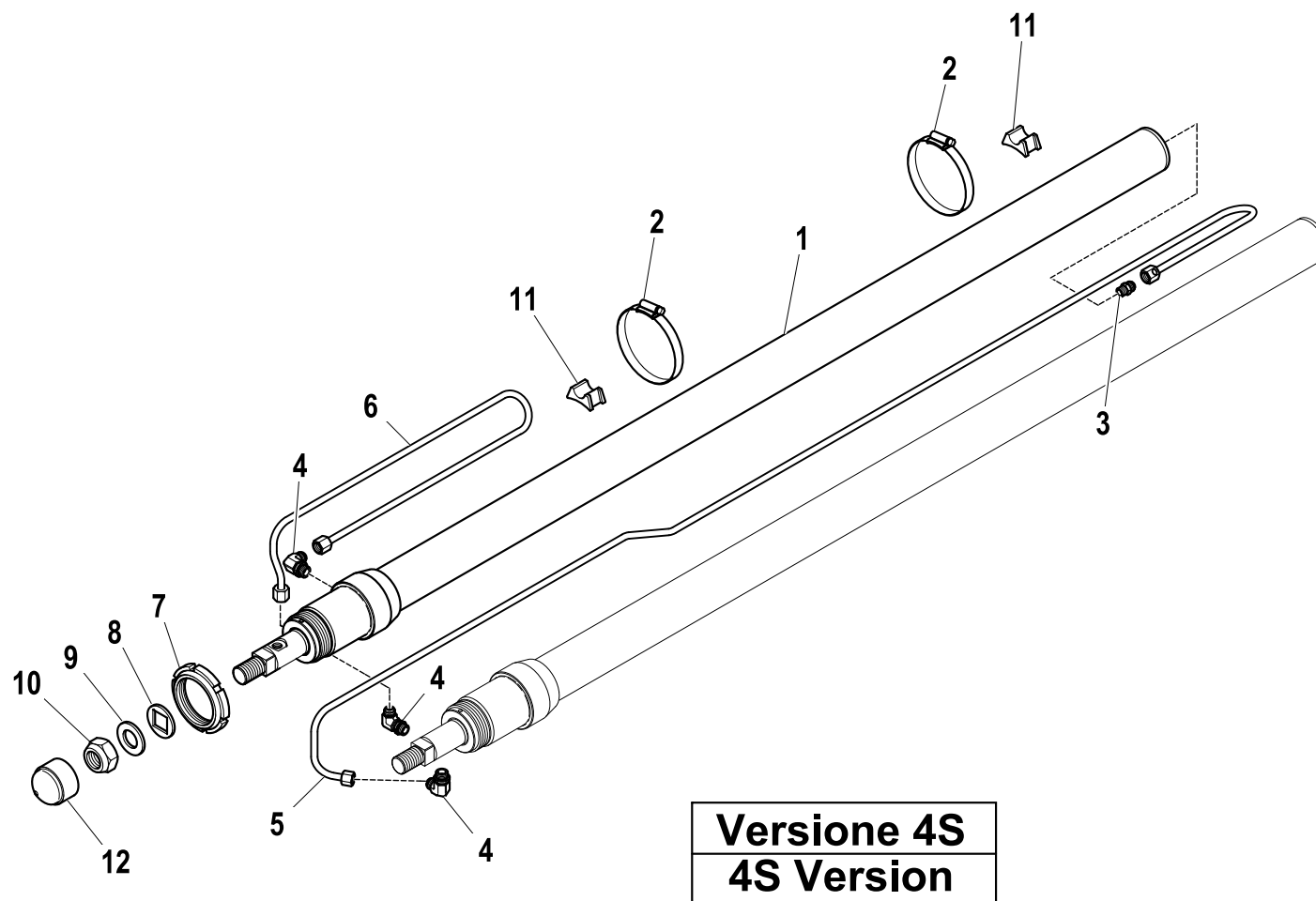
R	Pos.	Code Variant	Q.ty	Description
	1	6410414	1	
	2	3190025	2	Clamp
	3	3101039	1	Straight pipe fitting
	4	3101124	3	90° Connection
	5	5392238	1	
	6	5392096	1	
	7	3040510	1	Self-locking ringnut
	8	5001575	1	
	9	3060014	1	Flat washer [D.25X44X4 UNI 6592 ZC]
	10	3040390	1	Stopnut
	11	5140133	2	Piping mounting
	12	3190244	1	Plug (Guard)

HYDRAULIC SYSTEM (3rd extension Hydraulic jack)

Code

6210400-1.0

1/1



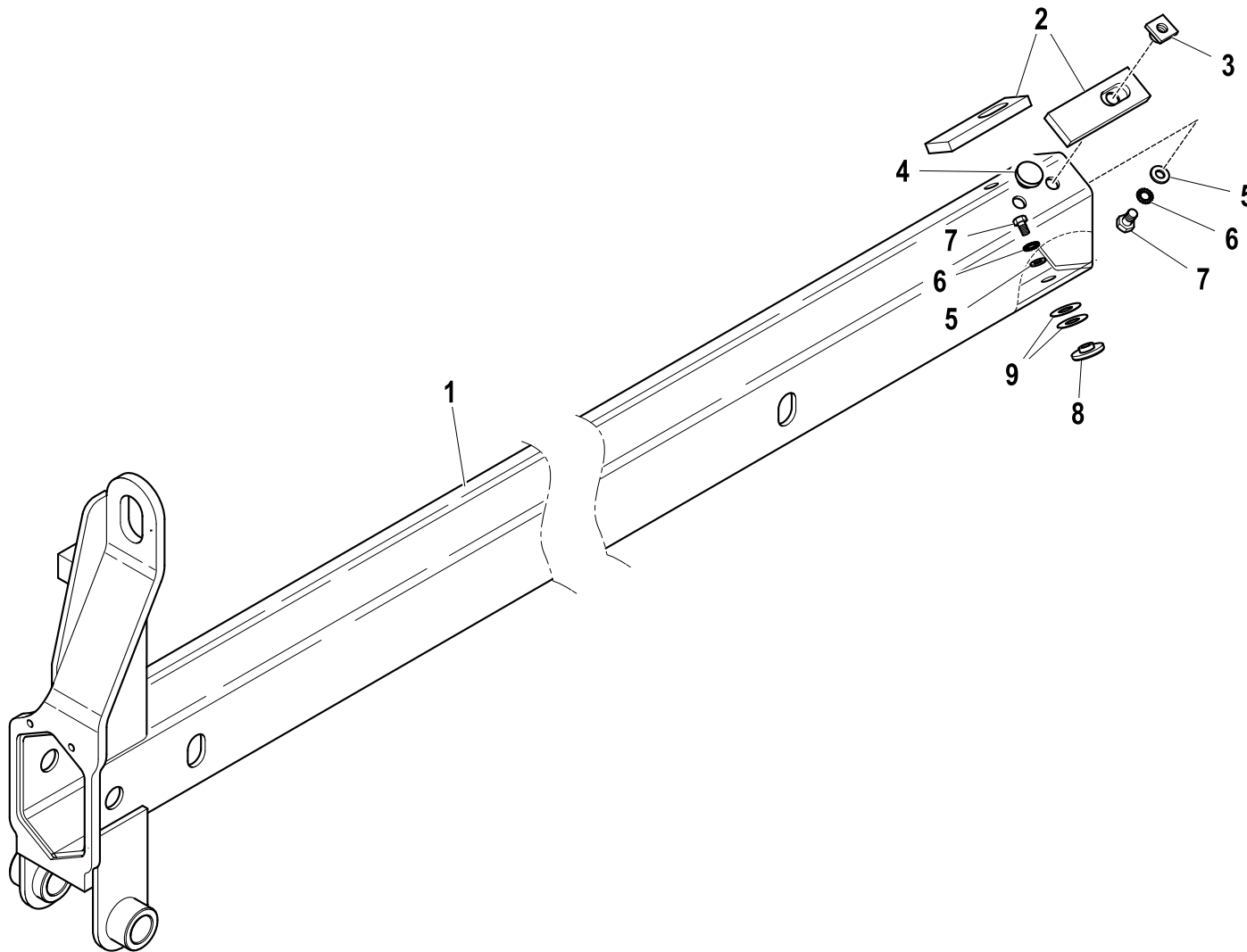
R	Pos.	Code Variant	Q.ty	Description
	1	6410415	1	Extension jacks
	2	3190025	2	Clamp
	3	3101039	1	Straight pipe fitting
	4	3101124	3	90° Connection
	5	5392238	1	
	6	5392096	1	
	7	3040510	1	Self-locking ringnut
	8	5001365	1	Lock washer (Control board)
	9	3060014	1	Flat washer [D.25X44X4 UNI 6592 ZC]
	10	3040390	1	Stopnut
	11	5140133	2	Piping mounting
	12	3190244	1	Plug (Guard)

4th EXTENSION

Code

5560048-1.0

1/1



R	Pos.	Code Variant	Q.ty	Description
	1	5020541	1	Extension
	2	5140978	2	
	3	5001087	2	Button (Control board)
	4	5140656	2	Button (Backlash)
	5	3060006	4	Flat washer [D.8 UNI 6592 ZC]
	6	3060918	4	Tooth lock washer [D.8 TIPO A UNI8842 ZC]
	7	3010336	4	Hex screw [M8X12 8.8 ZC UNI 5739]
	8	5001462	2	
	9	5002218	4	Washer

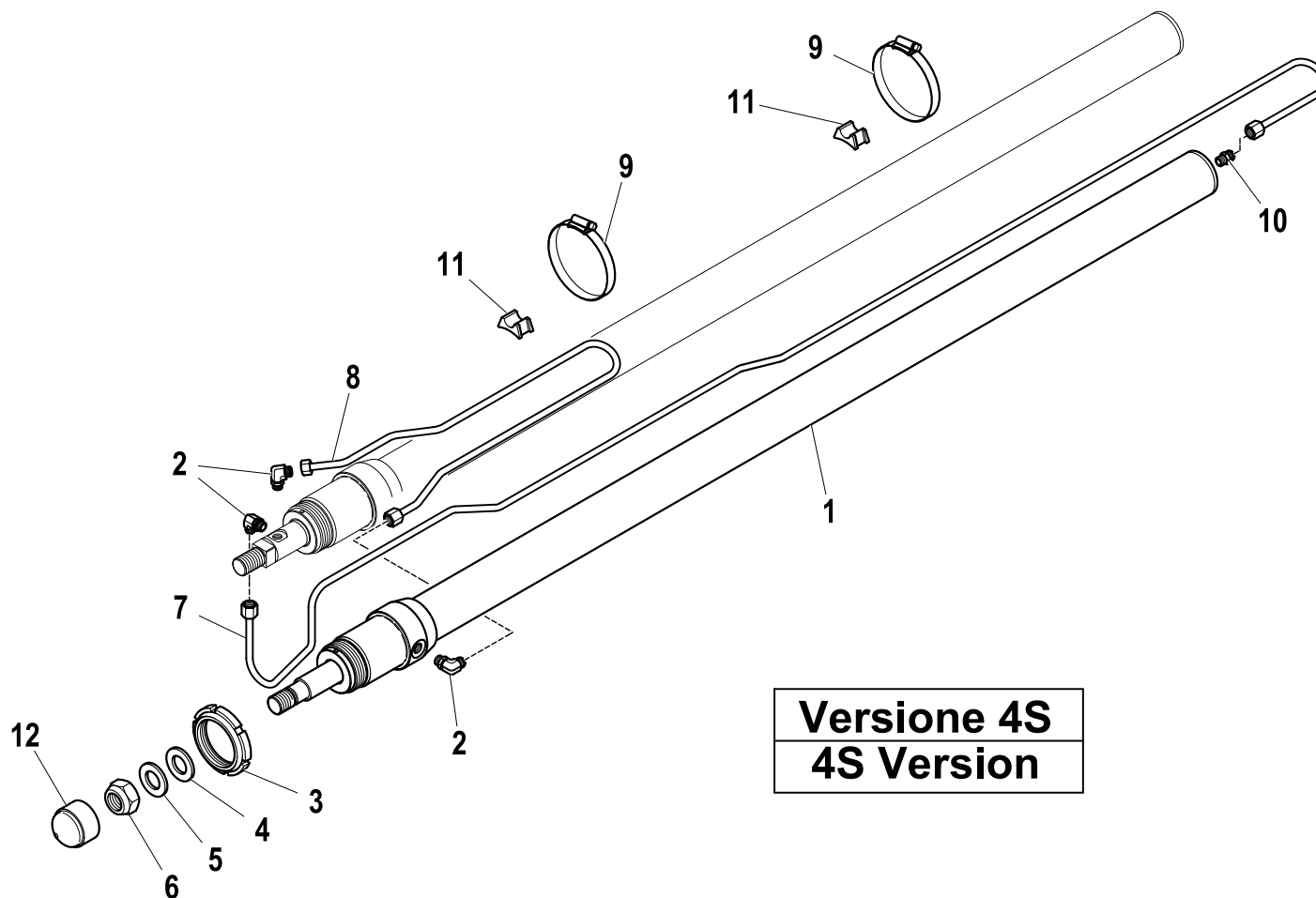
HYDRAULIC SYSTEM (4th extension Hydraulic jack)

Code

6210401-1.0

1/1

R	Pos.	Code Variant	Q.ty	Description
	1	6410414	1	
	2	3101124	3	90° Connection
	3	3040510	1	Self-locking ringnut
	4	5001575	1	
	5	3060014	1	Flat washer [D.25X44X4 UNI 6592 ZC]
	6	3040390	1	Stopnut
	7	5392239	1	
	8	5392098	1	
	9	3190025	2	Clamp
	10	3101039	1	Straight pipe fitting
	11	5140133	2	Piping mounting
	12	3190244	1	Plug (Guard)



Versione 4S
4S Version

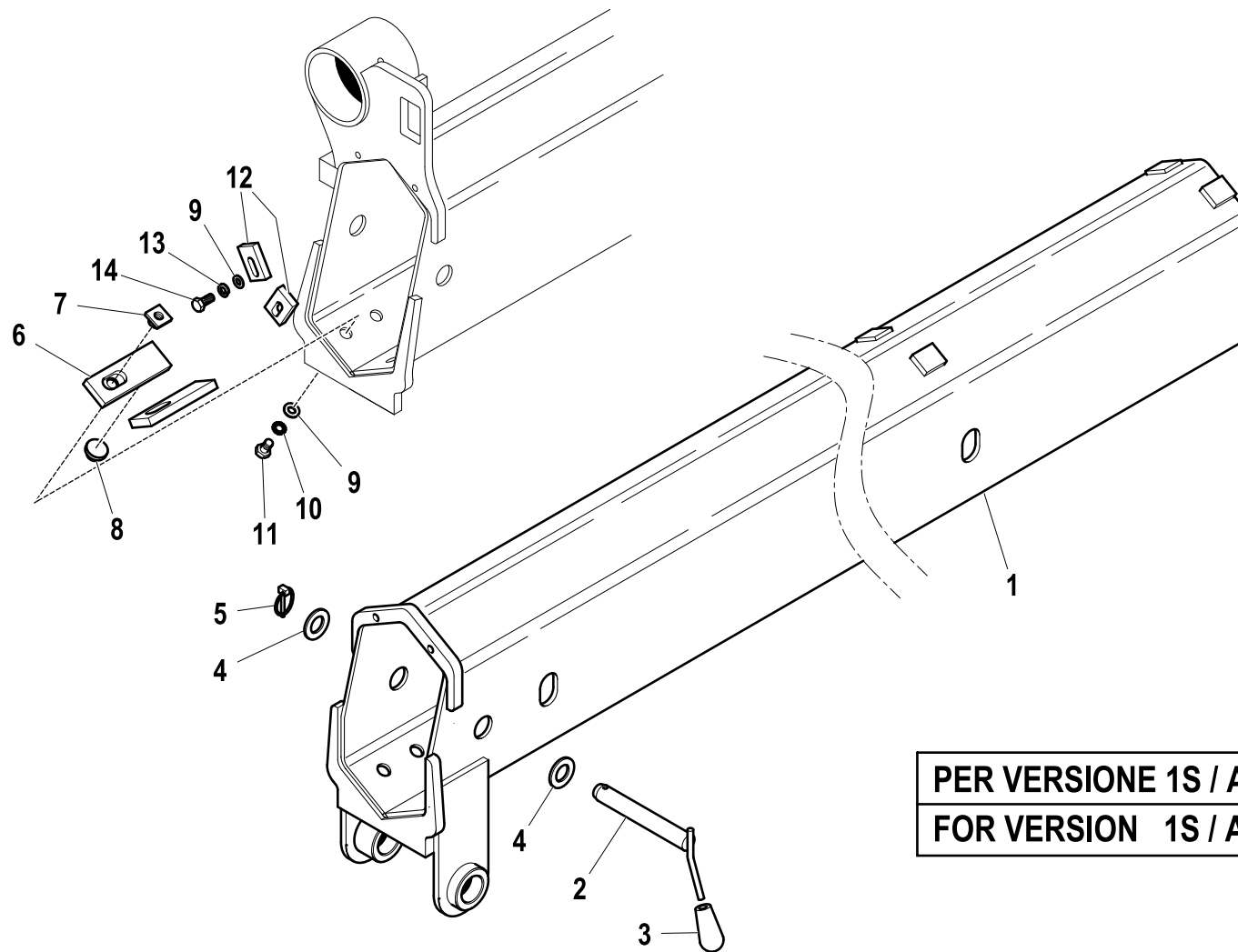
Manual extension (1st)

Code

7800006-1.0

1/1

R	Pos.	Code Variant	Q.ty	Description
	1	5010354	1	Manual extension
	2	5150821	1	
	3	3190010	1	Knob
	4	3060012	2	Flat washer [D.21X37X3 UNI 6592 ZC]
	5	3060753	1	Cotter pin (Locking ring)
	6	5140722	2	Slide shoe
	7	5001087	2	Button (Control board)
	8	5140656	2	Button (Backlash)
	9	3060006	4	Flat washer [D.8 UNI 6592 ZC]
	10	3060918	2	Tooth lock washer [D.8 TIPO A UNI8842 ZC]
	11	3010336	2	Hex screw [M8X12 8.8 ZC UNI 5739]
	12	5000753	2	
	13	3060055	2	Split lock washer [D=8.4 C72 ZC]
	14	3010027	2	Hex screw [M8X20 8.8 ZC IF UNI 5739]

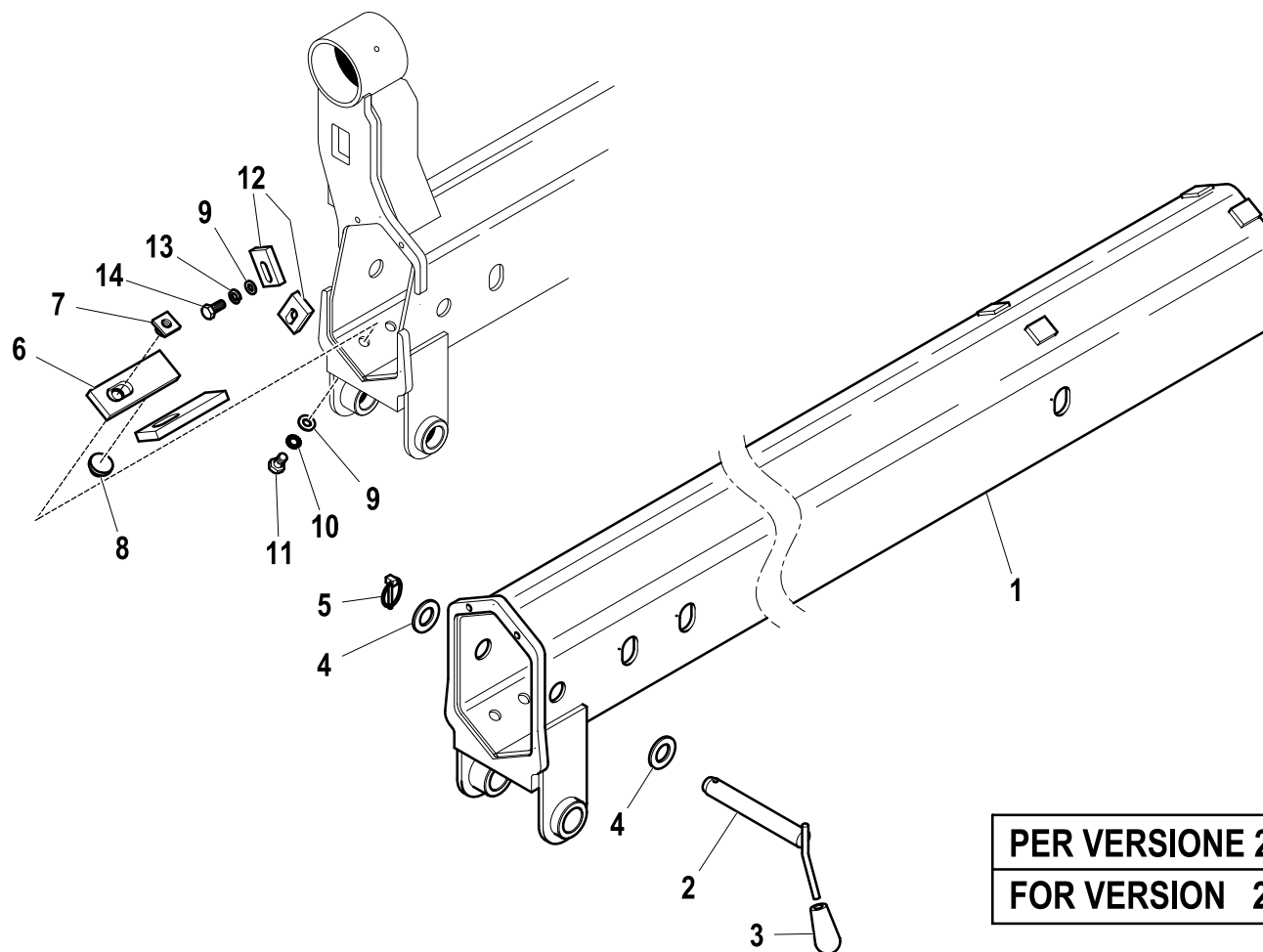


Manual extension (1st)

Code

7800007-1.0

1/1



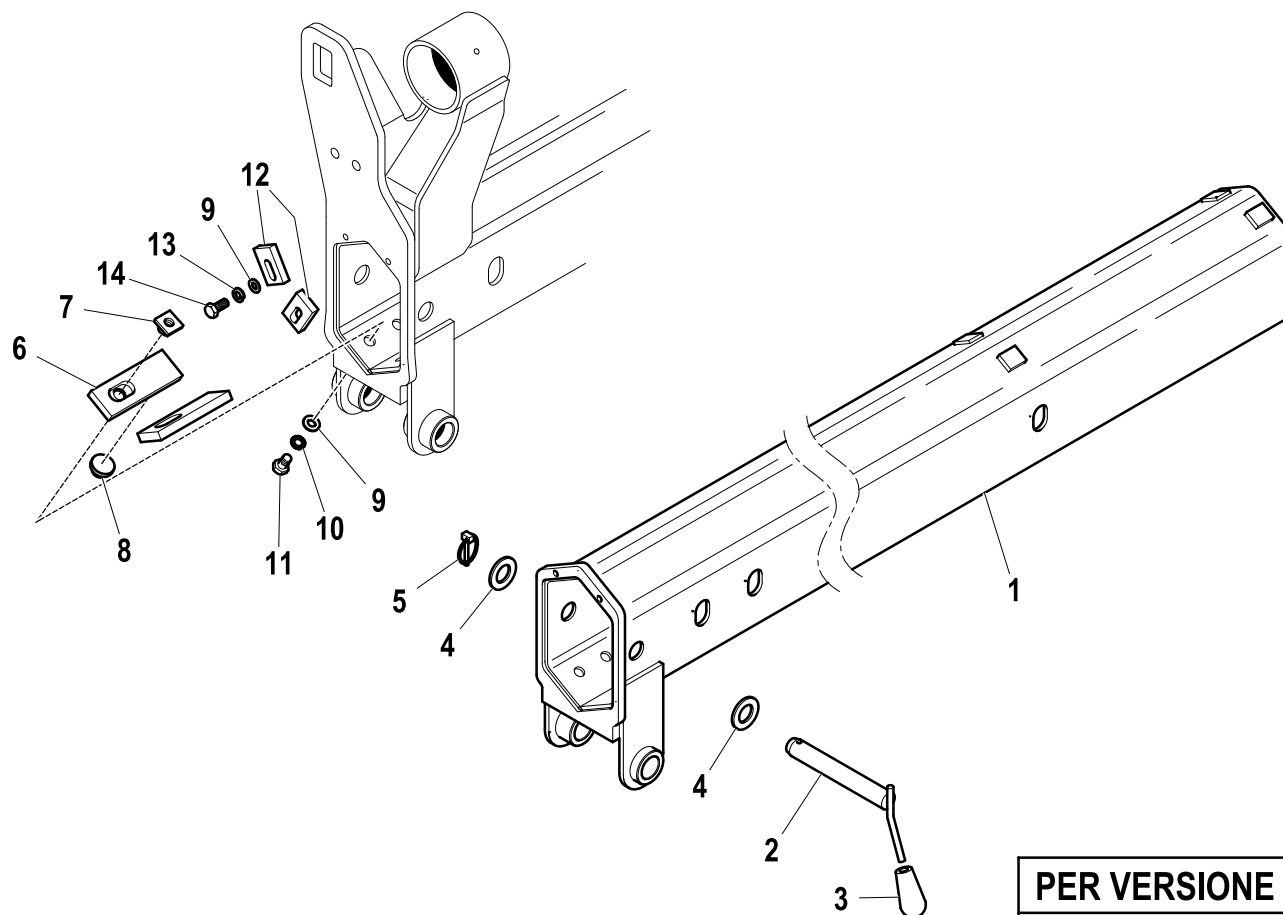
R	Pos.	Code Variant	Q.ty	Description
	1	5010355	1	Manual extension
	2	5150750	1	
	3	3190010	1	Knob
	4	3060012	2	Flat washer [D.21X37X3 UNI 6592 ZC]
	5	3060753	1	Cotter pin (Locking ring)
	6	5140783	2	
	7	5001087	2	Button (Control board)
	8	5140656	2	Button (Backlash)
	9	3060006	4	Flat washer [D.8 UNI 6592 ZC]
	10	3060918	2	Tooth lock washer [D.8 TIPO A UNI8842 ZC]
	11	3010336	2	Hex screw [M8X12 8.8 ZC UNI 5739]
	12	5000753	2	
	13	3060055	2	Split lock washer [D=8.4 C72 ZC]
	14	3010027	2	Hex screw [M8X20 8.8 ZC IF UNI 5739]

Manual extension (1st)

Code

7800008-1.0

1/1



PER VERSIONE 3S / A3
FOR VERSION 3S / A3

R	Pos.	Code Variant	Q.ty	Description
	1	5010356	1	Manual extension
	2	5150750	1	
	3	3190010	1	Knob
	4	3060012	2	Flat washer [D.21X37X3 UNI 6592 ZC]
	5	3060753	1	Cotter pin (Locking ring)
	6	5140783	2	
	7	5001087	2	Button (Control board)
	8	5140656	2	Button (Backlash)
	9	3060006	4	Flat washer [D.8 UNI 6592 ZC]
	10	3060918	2	Tooth lock washer [D.8 TIPO A UNI8842 ZC]
	11	3010336	2	Hex screw [M8X12 8.8 ZC UNI 5739]
	12	5000753	2	
	13	3060055	2	Split lock washer [D=8.4 C72 ZC]
	14	3010027	2	Hex screw [M8X20 8.8 ZC IF UNI 5739]

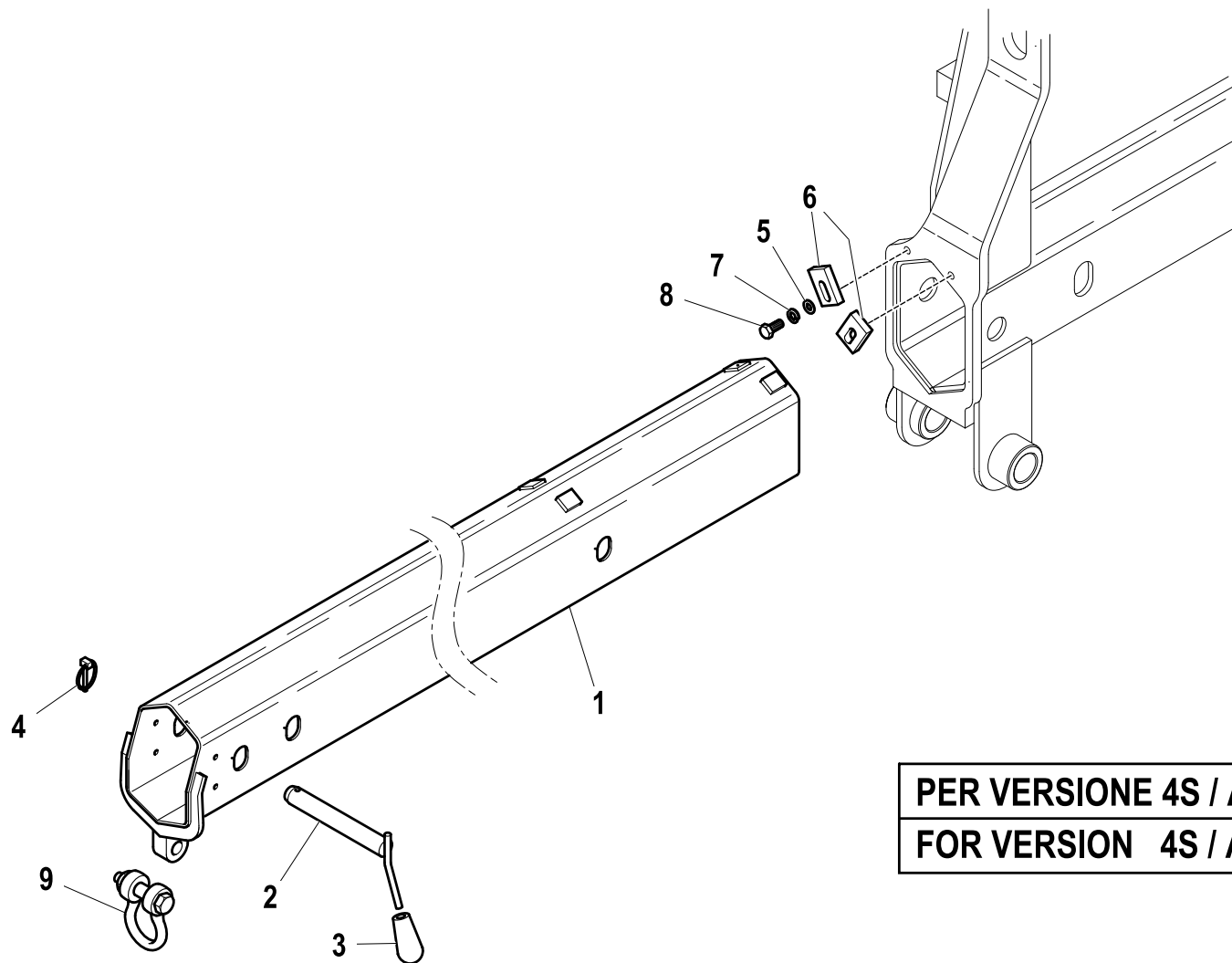
Manual extension (1st)

Code

7800009-1.0

1/1

R	Pos.	Code Variant	Q.ty	Description
	1	5010357	1	Manual extension
	2	5150891	1	
	3	3190010	1	Knob
	4	3060753	1	Cotter pin (Locking ring)
	5	3060006	2	Flat washer [D.8 UNI 6592 ZC]
	6	5000753	2	
	7	3060055	2	Split lock washer [D=8.4 C72 ZC]
	8	3010027	2	Hex screw [M8X20 8.8 ZC IF UNI 5739]
	9	3200050	1	Shackles



PER VERSIONE 4S / A4
FOR VERSION 4S / A4

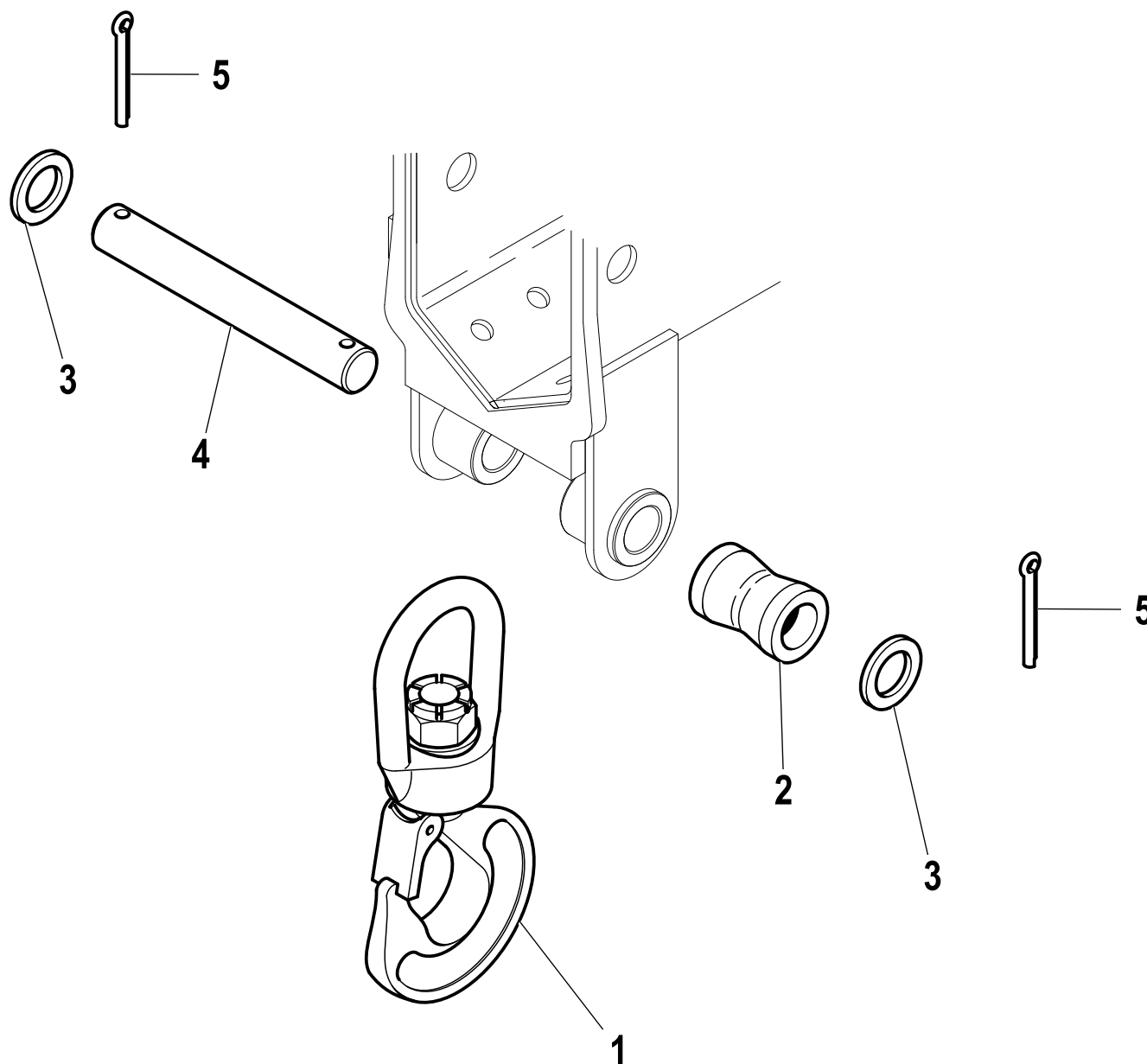
HOOK KIT

Code

5410987-1.0

1/1

R	Pos.	Code Variant	Q.ty	Description
	1	3200006	1	Swivel hook
	2	W390301000	1	
	3	3060938	2	Flat washer [D.25X39X4 UNI 1749 ZC]
	4	5150826	1	
	5	3060902	2	



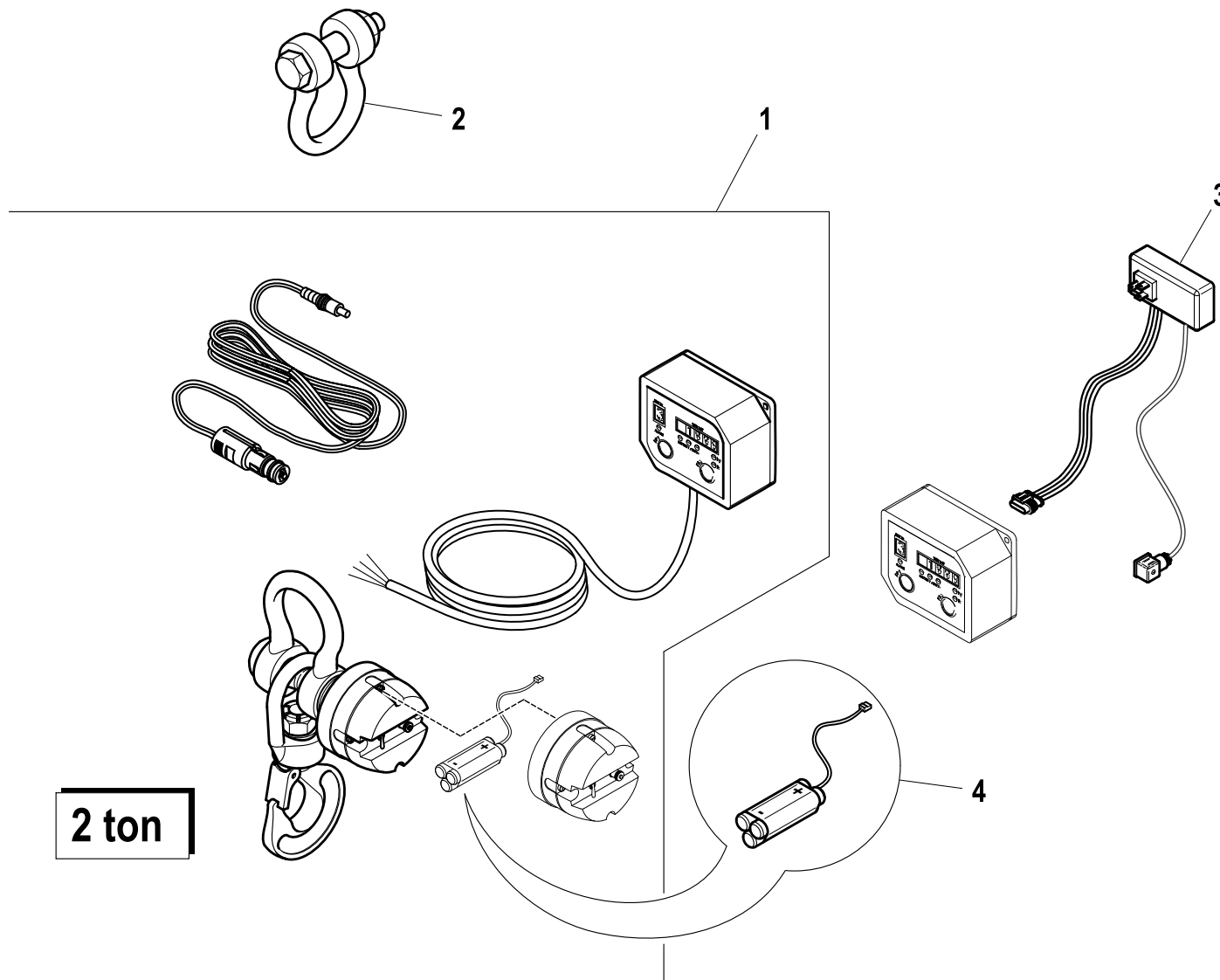
LOAD INDICATION SYSTEM (LIS/RLC)

Code

7881824-1.0

1/1

R	Pos.	Code Variant	Q.ty	Description
	1	5730506	1	
	2	3200050	1	Shackles
	3	W236510	1	
	4	3311542	1	

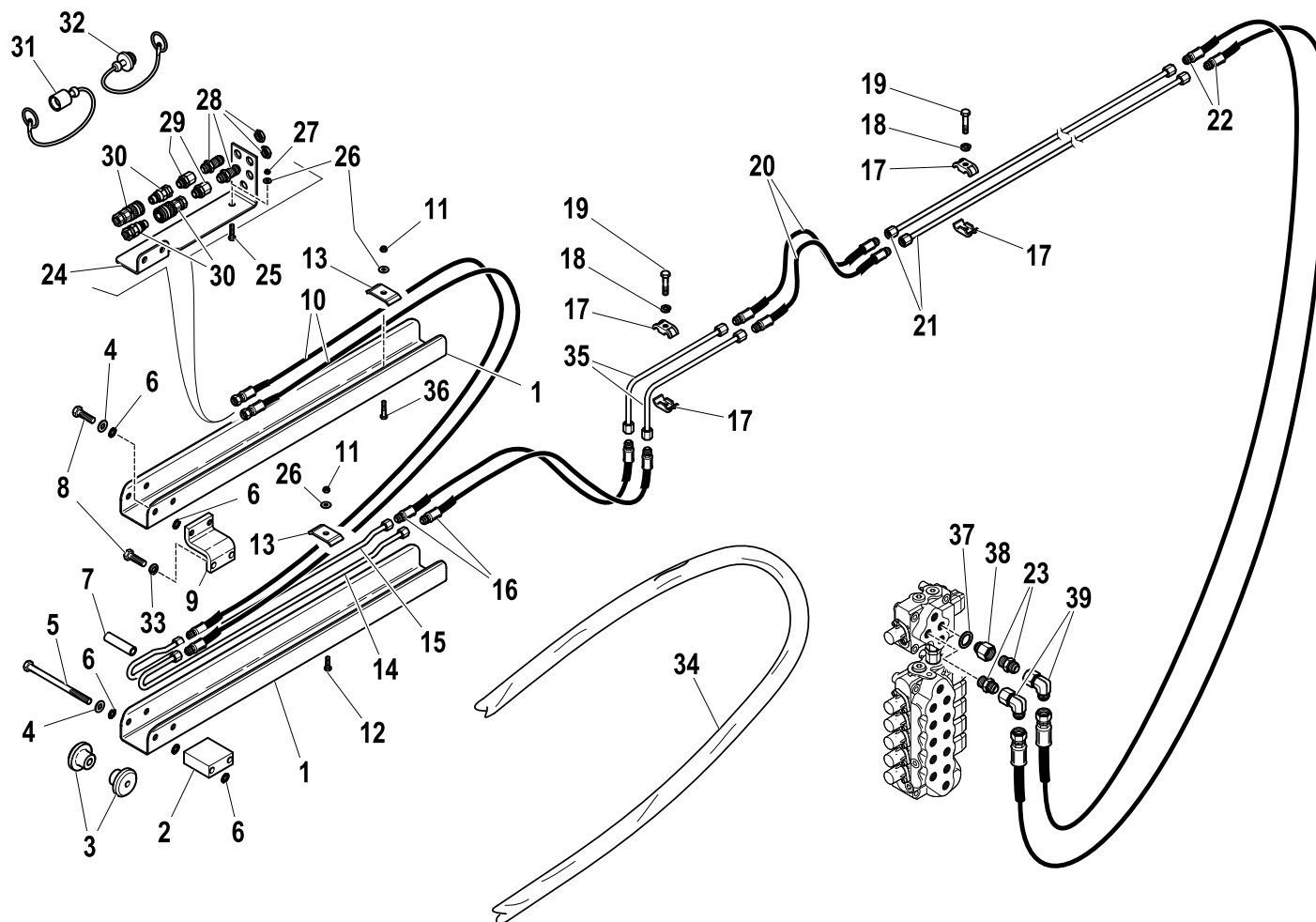


1st ACTIVATION FOR 1S

Code

5590210-1.0

1/2



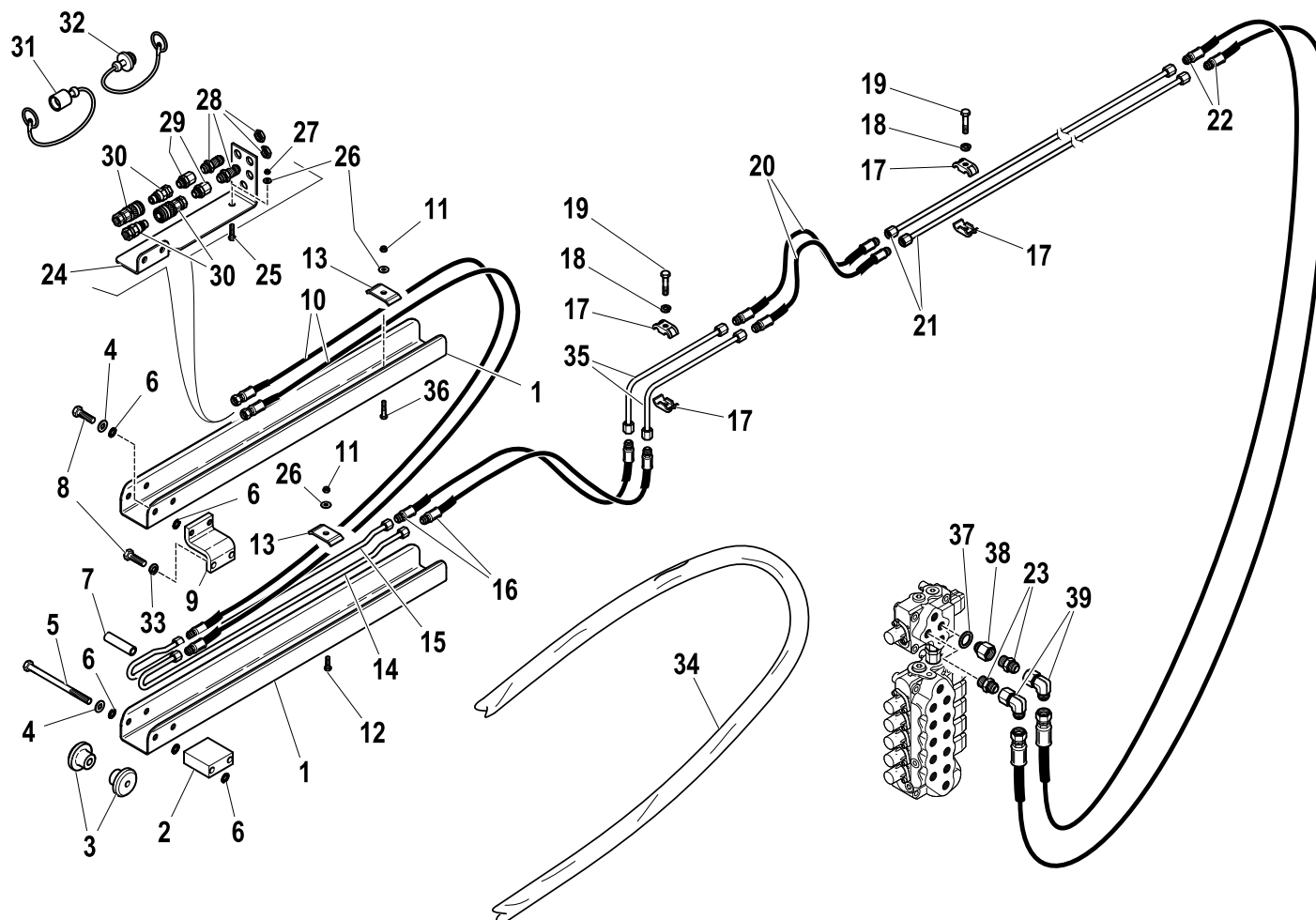
R	Pos.	Code Variant	Q.ty	Description
	1	5001484	2	
	2	5001481	1	
	3	5140976	2	
	4	3060914	6	Flat washer [D.10.5X21X2 UNI 6592 ZC]
	5	3010391	2	Hex screw [M10X150 ZC UNI 5737]
	6	3060920	10	Tooth lock washer [D.10 TIPO A]
	7	5001487	1	
	8	3010355	4	Hex screw [M10X25 8.8 ZC IF UNI 5739]
	9	5001483	1	
	10	5261058	2	Flexible hose
	11	3040519	2	Stopnut
	12	3010022	1	Hex screw [M6X25 8.8 ZC UNI 5739]
	13	5000033	2	
	14	5390207	1	
	15	5392105	1	
	16	5271831	2	Flexible hose
	17	5000077	8	Clamp (Rigid Pipe)
	18	3060055	4	Split lock washer [D=8.4 C72 ZC]
	19	3010034	4	Hex screw [M8X55 8.8 UNI 5737 ZC]
	20	5271830	2	Flexible hose

1st ACTIVATION FOR 1S

Code

5590210-1.0

2/2



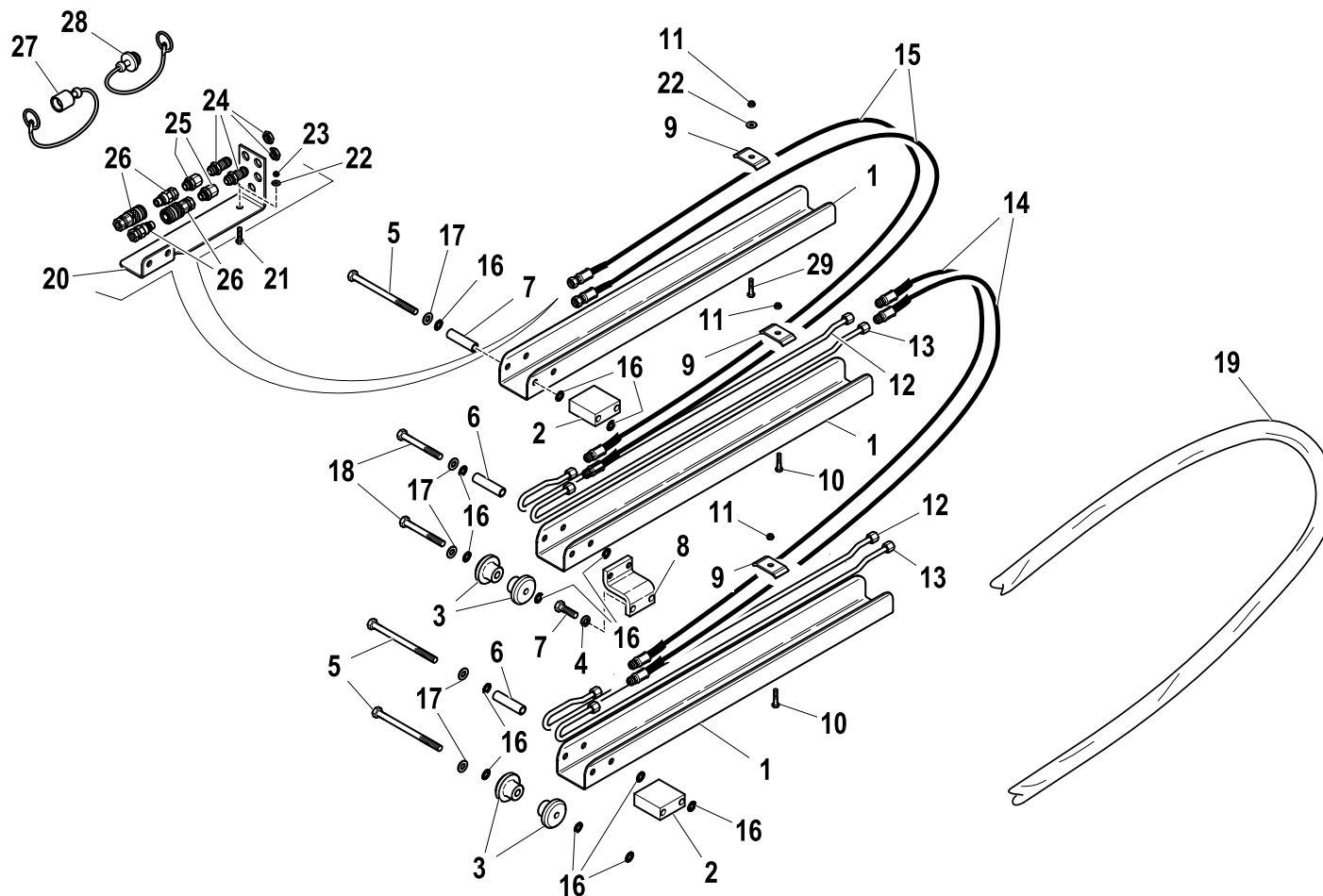
R	Pos.	Code Variant	Q.ty	Description
	21	5391134	2	Bonderized tube
	22	5271829	2	Flexible hose
	23	3101043	2	Straight pipe fitting
	24	5000107	1	
	25	3010027	1	Hex screw [M8X20 8.8 ZC IF UNI 5739]
	26	3060006	3	Flat washer [D.8 UNI 6592 ZC]
	27	3040303	1	Stopnut
	28	3120309	2	Wall-through pipe fitting
	29	3120064	2	Straight pipe fitting
	30	3110542	2	Quick coupling
	31	3110003	1	Female plug
	32	3110002	1	Plug
	33	3060056	2	Split lock washer [D=10 C72 ZC]
	34	3190198	1	Sheath (Flexible hose)
	35	5391143	2	
	36	3020038	1	Socketed head cap screw [M6X30 8.8 ZC UNI 5931]
	37	3060144	1	Sealing washer [BSP 3/8"]
	38	3110112	1	Straight pipe fitting
	39	3120031	2	90° Connection

1st ACTIVATION FOR 2S

Code

5590211-1.0

1/2



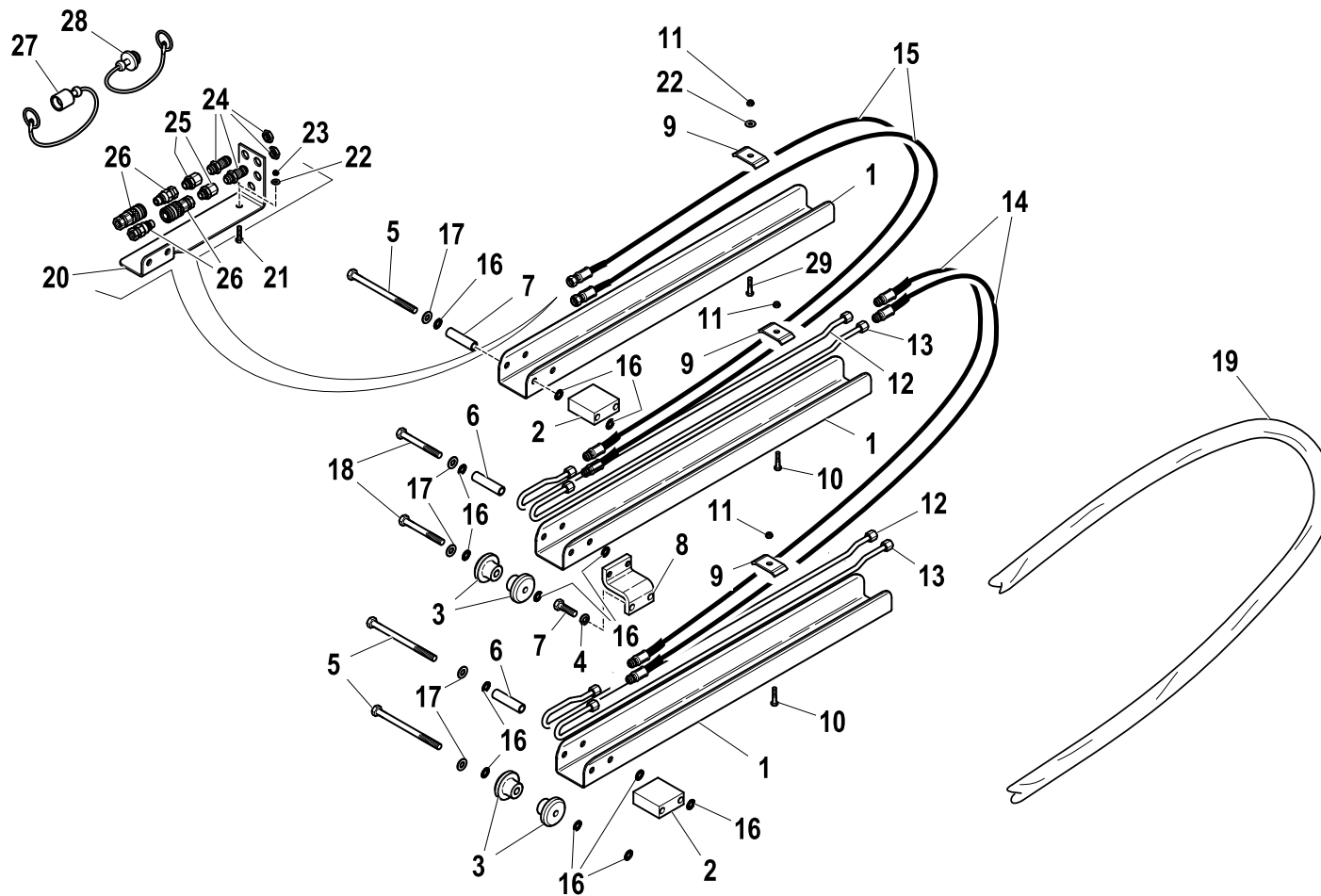
R	Pos.	Code Variant	Q.ty	Description
	1	5001484	3	
	2	5001481	2	
	3	5140976	4	
	4	3060056	2	Split lock washer [D=10 C72 ZC]
	5	3010391	4	Hex screw [M10X150 ZC UNI 5737]
	6	5001487	2	
	7	5001489	2	
	8	5001483	1	
	9	5000033	3	
	10	3010022	2	Hex screw [M6X25 8.8 ZC UNI 5739]
	11	3040519	3	Stopnut
	12	5392105	2	
	13	5390207	2	
	14	5261059	2	Flexible hose
	15	5261058	2	Flexible hose
	16	3060920	16	Tooth lock washer [D.10 TIPO A]
	17	3060914	6	Flat washer [D.10.5X21X2 UNI 6592 ZC]
	18	3010054	2	Hex screw [M10X90 8.8 ZC UNI 5737]
	19	3190198	2	Sheath (Flexible hose)
	20	5000107	1	

1st ACTIVATION FOR 2S

Code

5590211-1.0

2/2



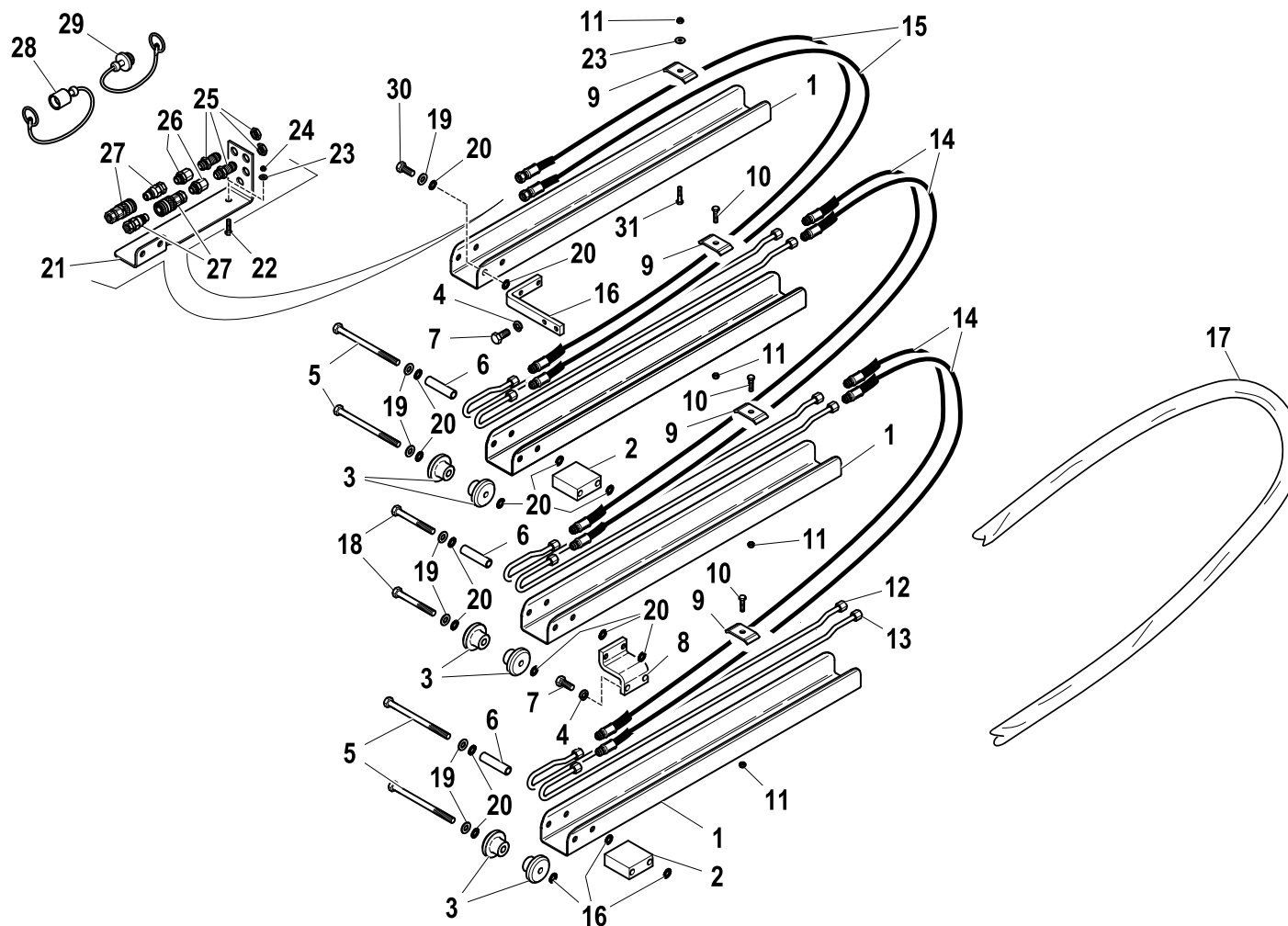
R	Pos.	Code Variant	Q.ty	Description
	21	3010027	1	Hex screw [M8X20 8.8 ZC IF UNI 5739]
	22	3060006	2	Flat washer [D.8 UNI 6592 ZC]
	23	3040303	1	Stopnut
	24	3120309	2	Wall-through pipe fitting
	25	3120064	2	Straight pipe fitting
	26	3110542	2	Quick coupling
	27	3110003	1	Female plug
	28	3110002	1	Plug
	29	3020038	1	Socketed head cap screw [M6X30 8.8 ZC UNI 5931]

1st ACTIVATION FOR 3S

Code

5590212-1.0

1/2



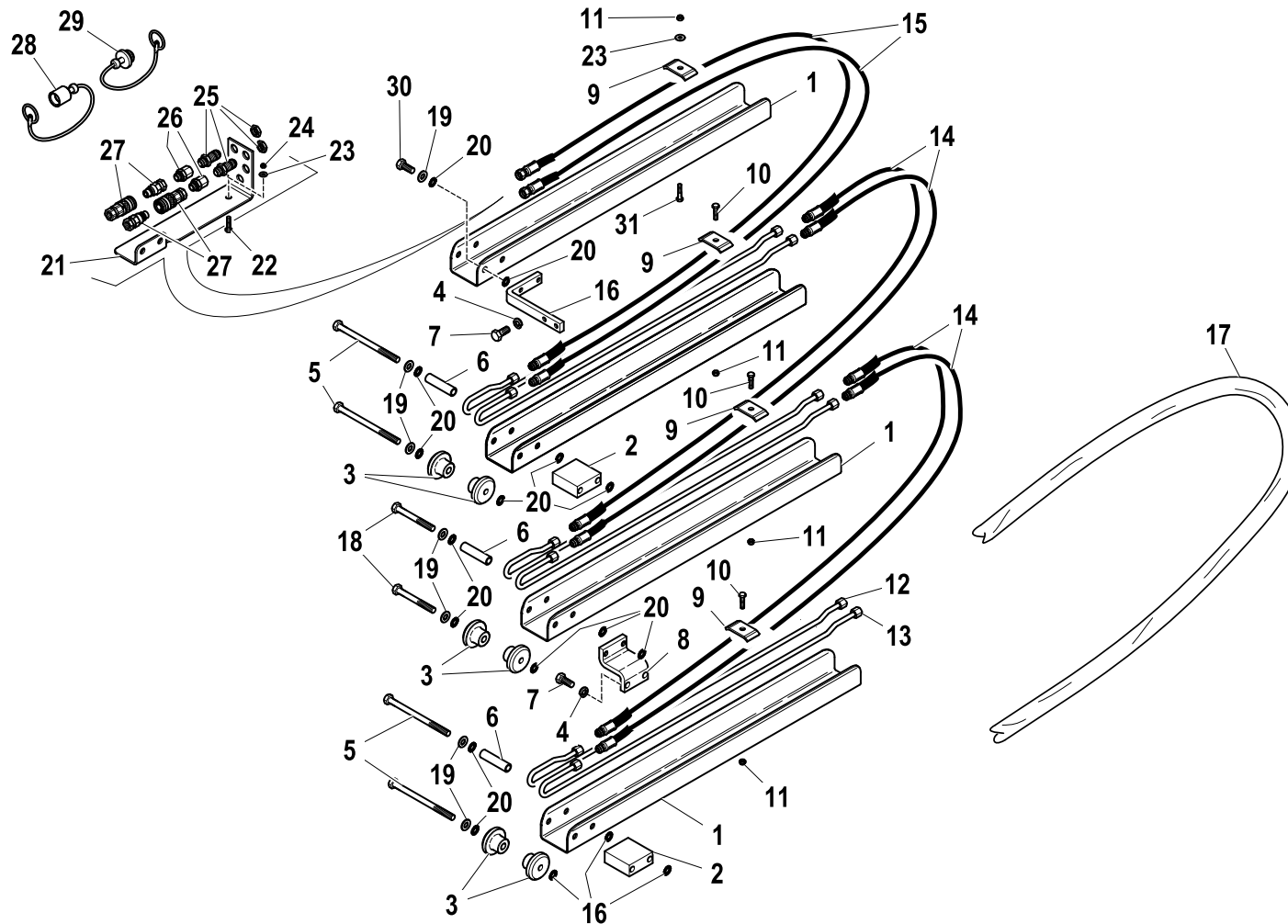
R	Pos.	Code Variant	Q.ty	Description
	1	5001484	4	
	2	5001481	2	
	3	5140976	6	
	4	3060056	6	Split lock washer [D=10 C72 ZC]
	5	3010391	4	Hex screw [M10X150 ZC UNI 5737]
	6	5001487	3	
	7	3010389	4	Hex screw [M10X35 ZC UNI 5739]
	8	5001483	1	
	9	5000033	4	
	10	3010022	3	Hex screw [M6X25 8.8 ZC UNI 5739]
	11	3040519	4	Stopnut
	12	5392105	3	
	13	5390207	3	
	14	5261059	4	Flexible hose
	15	5261058	2	Flexible hose
	16	5001482	1	
	17	3190198	3	Sheath (Flexible hose)
	18	3010054	2	Hex screw [M10X90 8.8 ZC UNI 5737]
	19	3060914	7	Flat washer [D.10.5X21X2 UNI 6592 ZC]
	20	3060920	22	Tooth lock washer [D.10 TIPO A]

1st ACTIVATION FOR 3S

Code

5590212-1.0

2/2



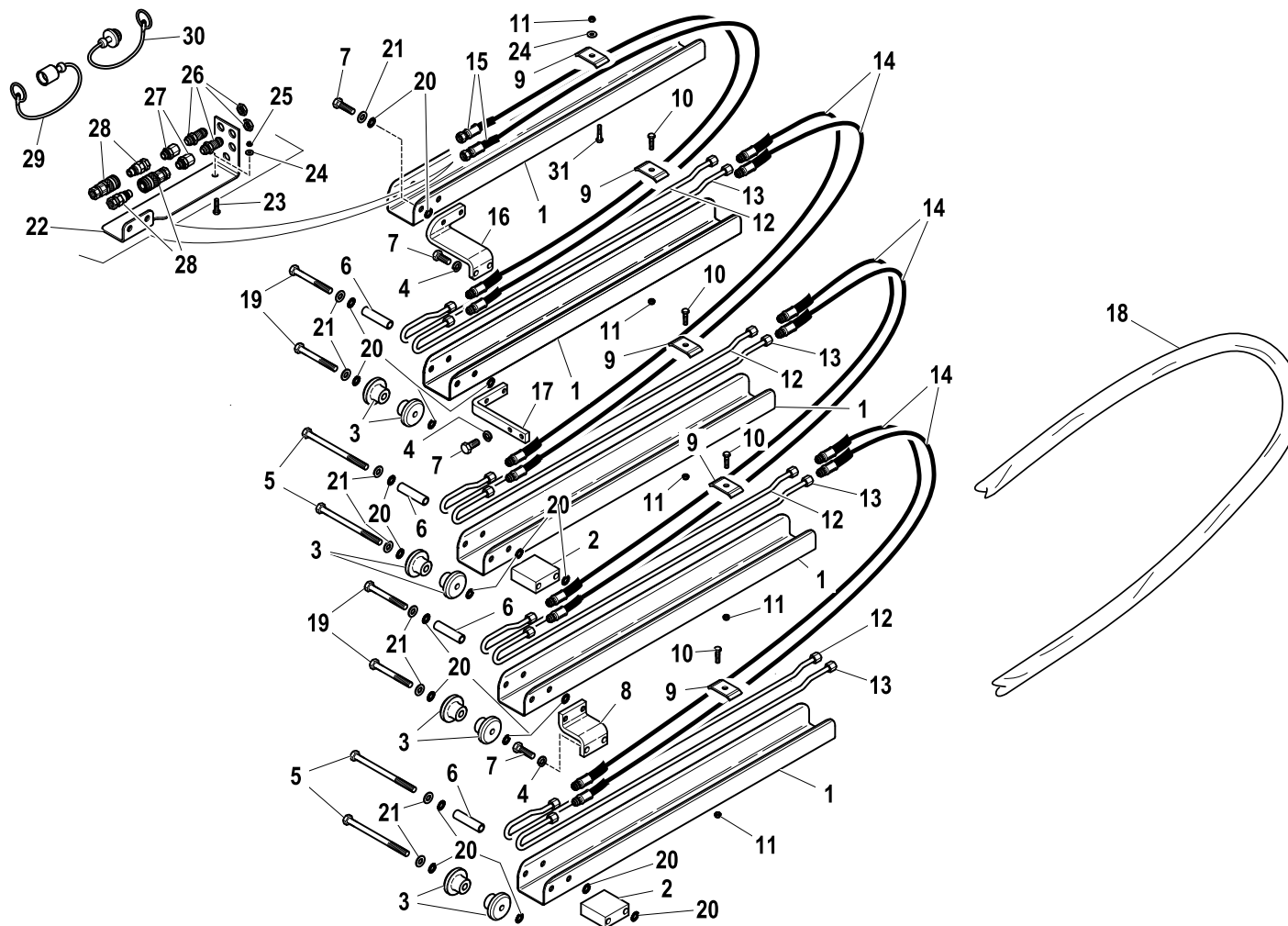
R	Pos.	Code Variant	Q.ty	Description
	21	5000107	1	
	22	3010027	1	Hex screw [M8X20 8.8 ZC IF UNI 5739]
	23	3060006	2	Flat washer [D.8 UNI 6592 ZC]
	24	3040303	1	Stopnut
	25	3120309	2	Wall-through pipe fitting
	26	3120064	2	Straight pipe fitting
	27	3110542	2	Quick coupling
	28	3110003	1	Female plug
	29	3110002	1	Plug
	30	3010355	2	Hex screw [M10X25 8.8 ZC IF UNI 5739]
	31	3020038	1	Socked head cap screw [M6X30 8.8 ZC UNI 5931]

1st ACTIVATION FOR 4S

Code

5590213-1.0

1/2



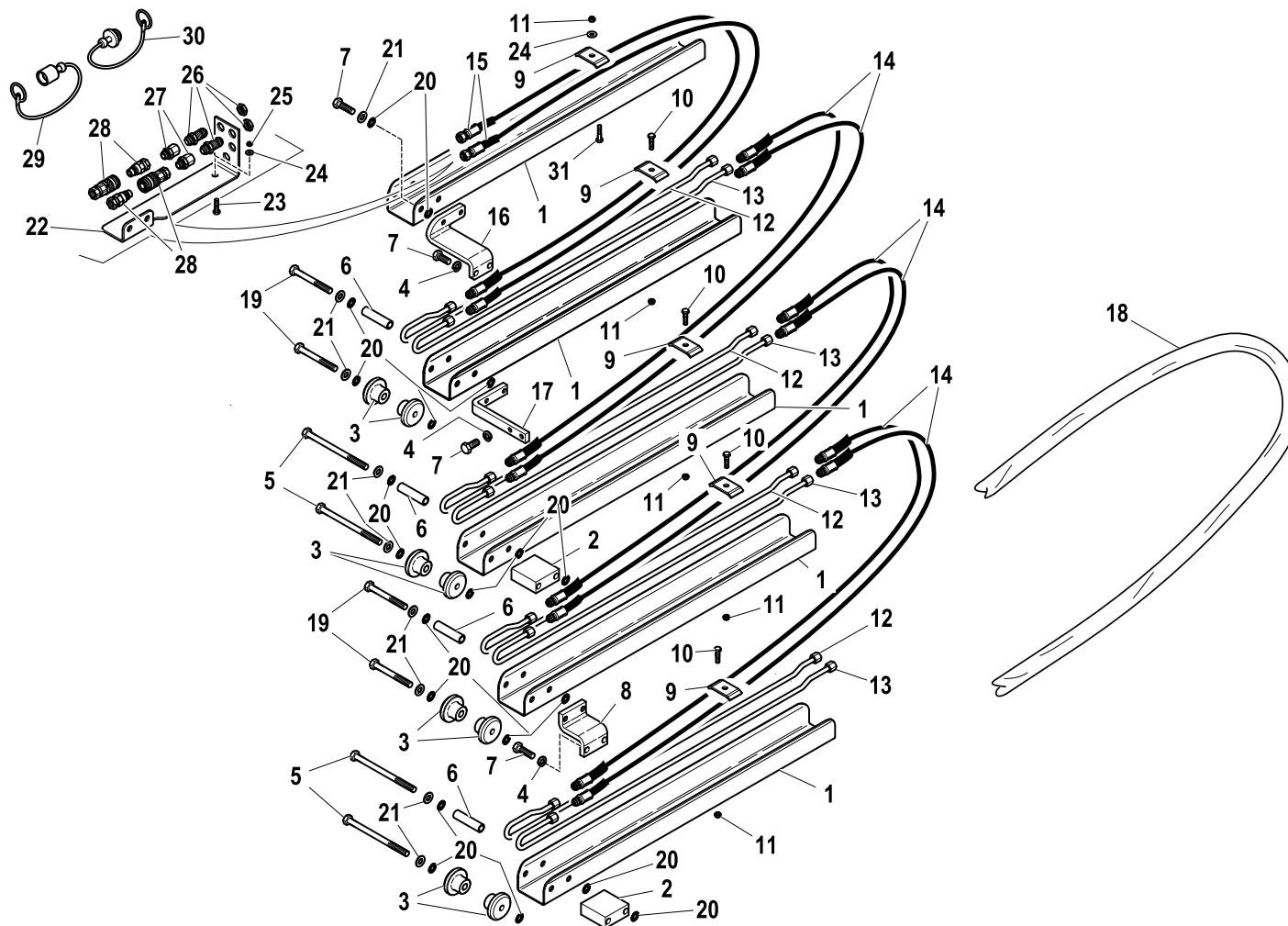
R	Pos.	Code Variant	Q.ty	Description
	1	5001484	5	
	2	5001481	2	
	3	5140976	8	
	4	3060056	8	Split lock washer [D=10 C72 ZC]
	5	3010391	4	Hex screw [M10X150 ZC UNI 5737]
	6	5001487	4	
	7	3010355	8	Hex screw [M10X25 8.8 ZC IF UNI 5739]
	8	5001483	1	
	9	5000033	5	
	10	3010022	3	Hex screw [M6X25 8.8 ZC UNI 5739]
	11	3040519	5	Stopnut
	12	5392105	4	
	13	5390207	4	
	14	5261059	6	Flexible hose
	15	5261058	2	Flexible hose
	16	5001469	1	
	17	5001482	1	
	18	3190198	4	Sheath (Flexible hose)
	19	3010054	4	Hex screw [M10X90 8.8 ZC UNI 5737]
	20	3060920	24	Tooth lock washer [D.10 TIPO A]

1st ACTIVATION FOR 4S

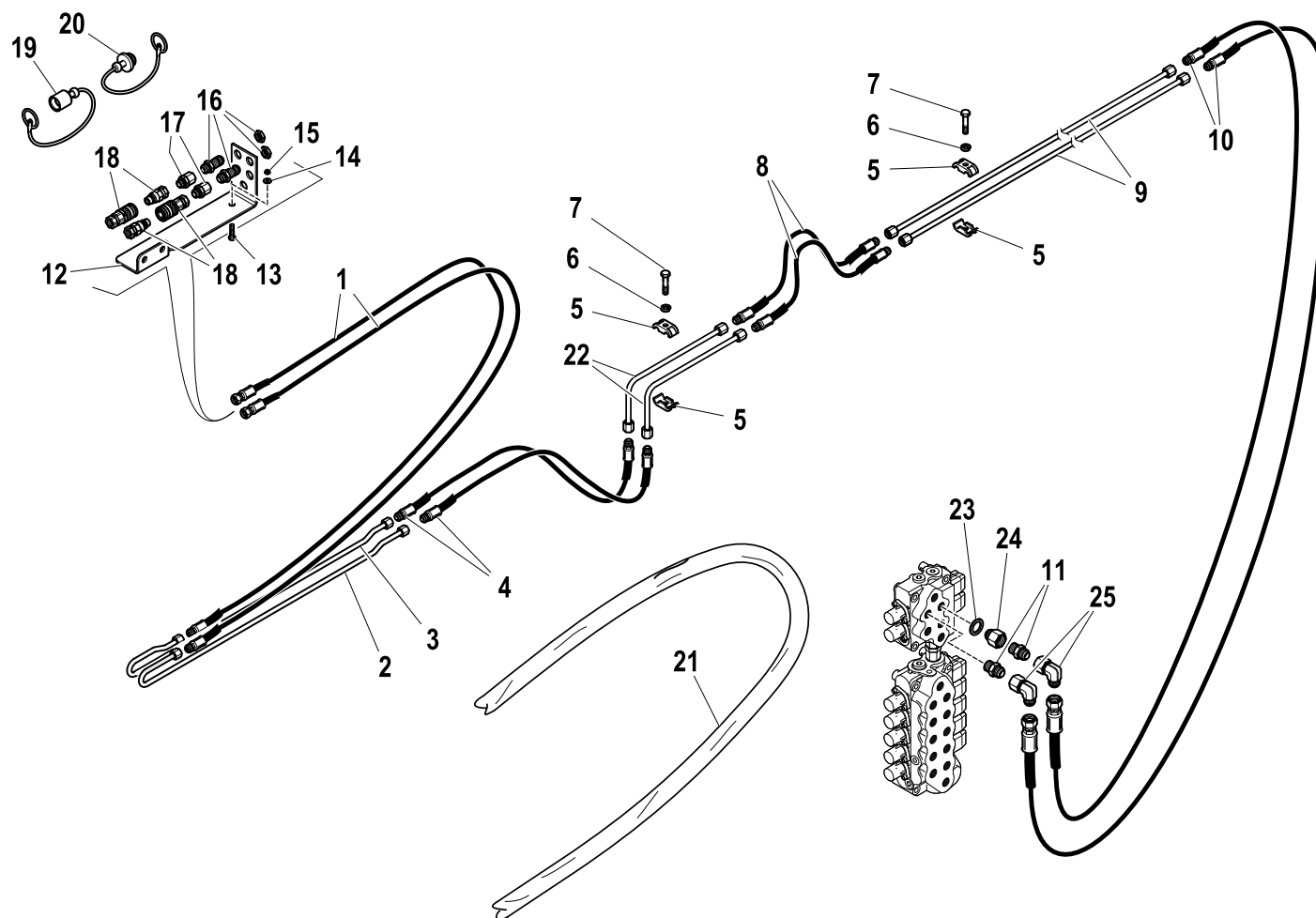
Code

5590213-1.0

2/2



R	Pos.	Code Variant	Q.ty	Description
	21	3060914	9	Flat washer [D.10.5X21X2 UNI 6592 ZC]
	22	5000107	1	
	23	3010027	1	Hex screw [M8X20 8.8 ZC IF UNI 5739]
	24	3060006	2	Flat washer [D.8 UNI 6592 ZC]
	25	3040303	1	Stopnut
	26	3120309	2	Wall-through pipe fitting
	27	3120064	2	Straight pipe fitting
	28	3110542	2	Quick coupling
	29	3110003	1	Female plug
	30	3110002	1	Plug
	31	3020038	1	Socked head cap screw [M6X30 8.8 ZC UNI 5931]



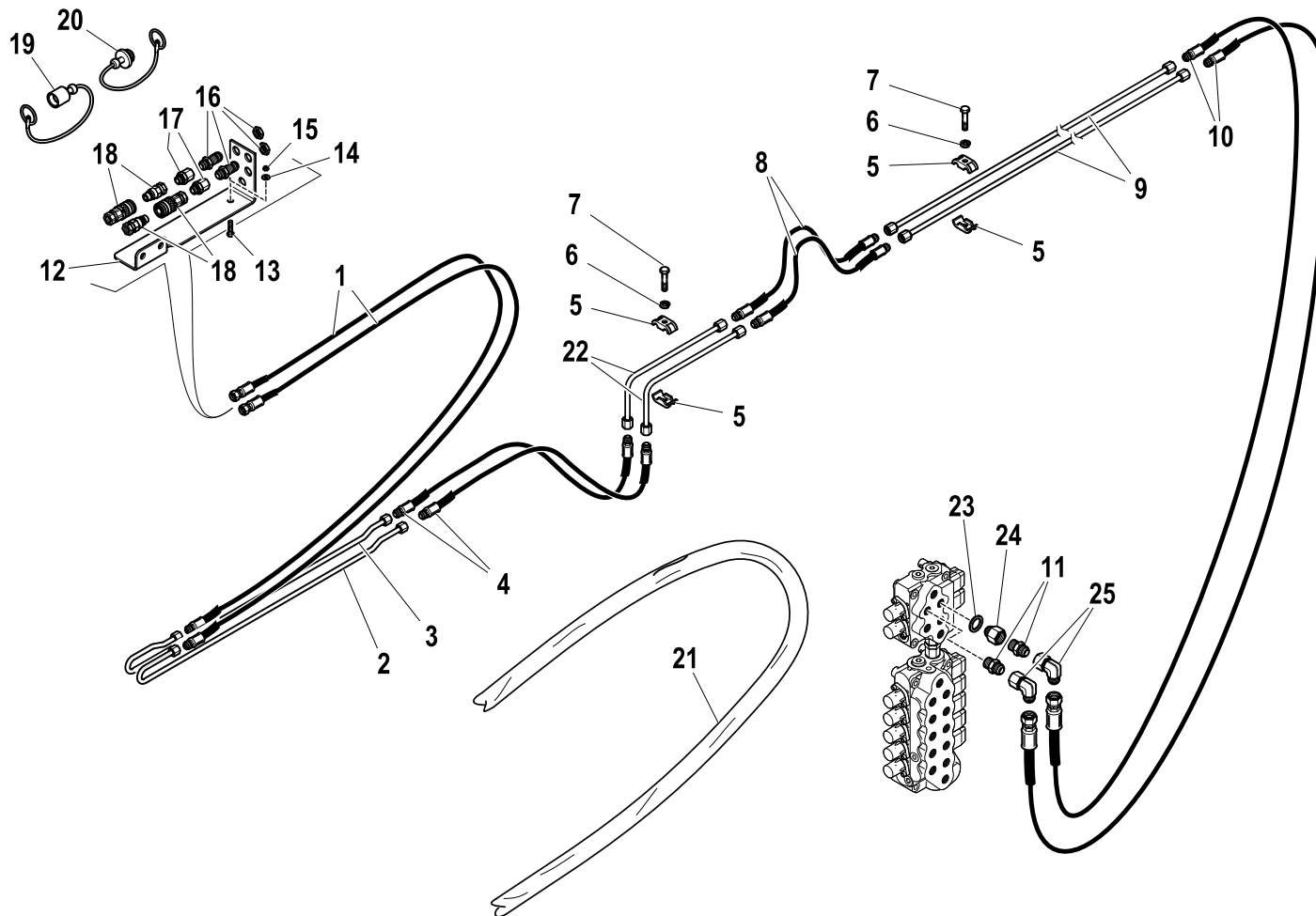
R	Pos.	Code Variant	Q.ty	Description
	1	5261058	2	Flexible hose
	2	5390207	1	
	3	5392105	1	
	4	5271831	2	Flexible hose
	5	5000077	8	Clamp (Rigid Pipe)
	6	3060055	4	Split lock washer [D=8.4 C72 ZC]
	7	3010034	4	Hex screw [M8X55 8.8 UNI 5737 ZC]
	8	5271830	2	Flexible hose
	9	5391134	2	Bonderized tube
	10	5271829	2	Flexible hose
	11	3101043	2	Straight pipe fitting
	12	5000107	1	
	13	3010027	1	Hex screw [M8X20 8.8 ZC IF UNI 5739]
	14	3060006	1	Flat washer [D.8 UNI 6592 ZC]
	15	3040303	1	Stopnut
	16	3120309	2	Wall-through pipe fitting
	17	3120064	2	Straight pipe fitting
	18	3110542	2	Quick coupling
	19	3110084	1	Female plug
	20	3110083	1	Plug

2st ACTIVATION FOR 1S

Code

560092-1.0

2/2



R	Pos.	Code Variant	Q.ty	Description
	21	3190198	1	Sheath (Flexible hose)
	22	5391143	2	
	23	3060144	1	Sealing washer [BSP 3/8"]
	24	3110112	1	Straight pipe fitting
	25	3120031	2	90° Connection

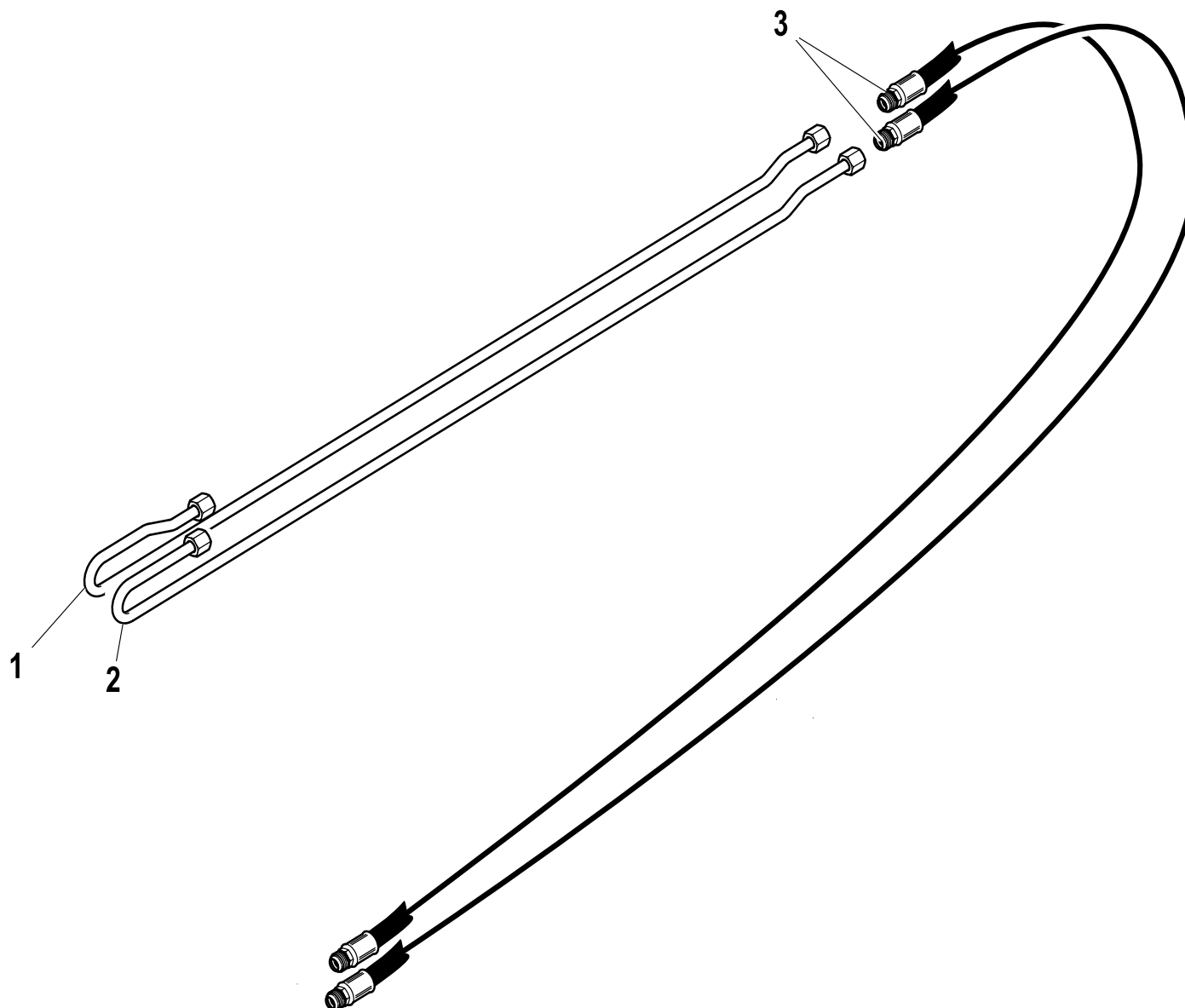
2nd ADDITIONAL ACTUATION

Code

560093-1.0

1/1

R	Pos.	Code Variant	Q.ty	Description
	1	5392105	1	
	2	5390207	1	
	3	5261059	2	Flexible hose

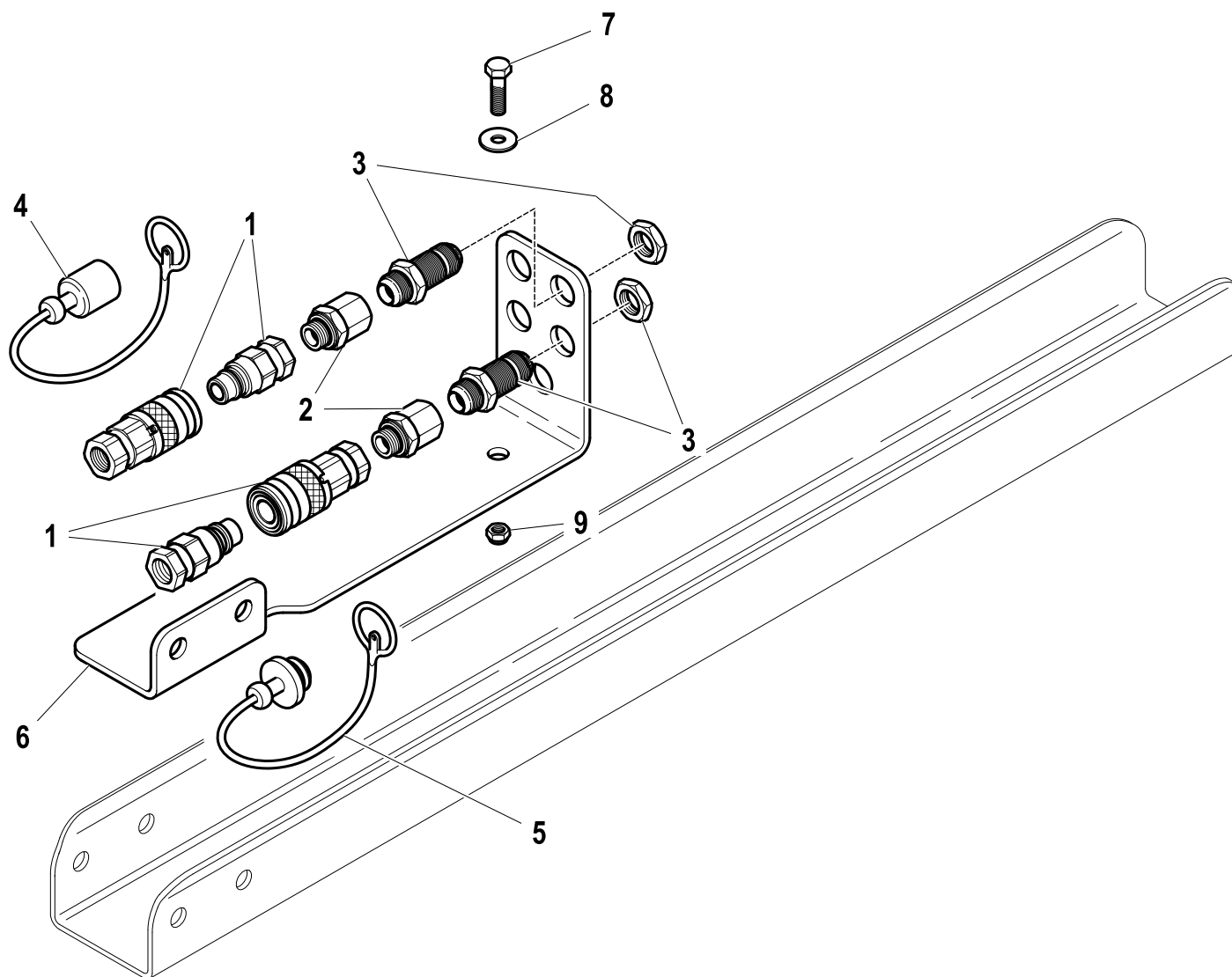


KIT QUICK COUPLING

Code

7882394-1.0

1/1



R	Pos.	Code Variant	Q.ty	Description
	1	3110542	2	Quick coupling
	2	3120064	2	Straight pipe fitting
	3	3120309	2	Wall-through pipe fitting
	4	3110003	1	Female plug
	5	3110002	1	Plug
	6	5000107	1	
	7	3010015	1	Hex screw [M6X20 8.8 ZC UNI 5739]
	8	3060030	1	Flat washer [D.6.6X18 UNI 6593 ZC]
	9	3040372	1	Stopnut

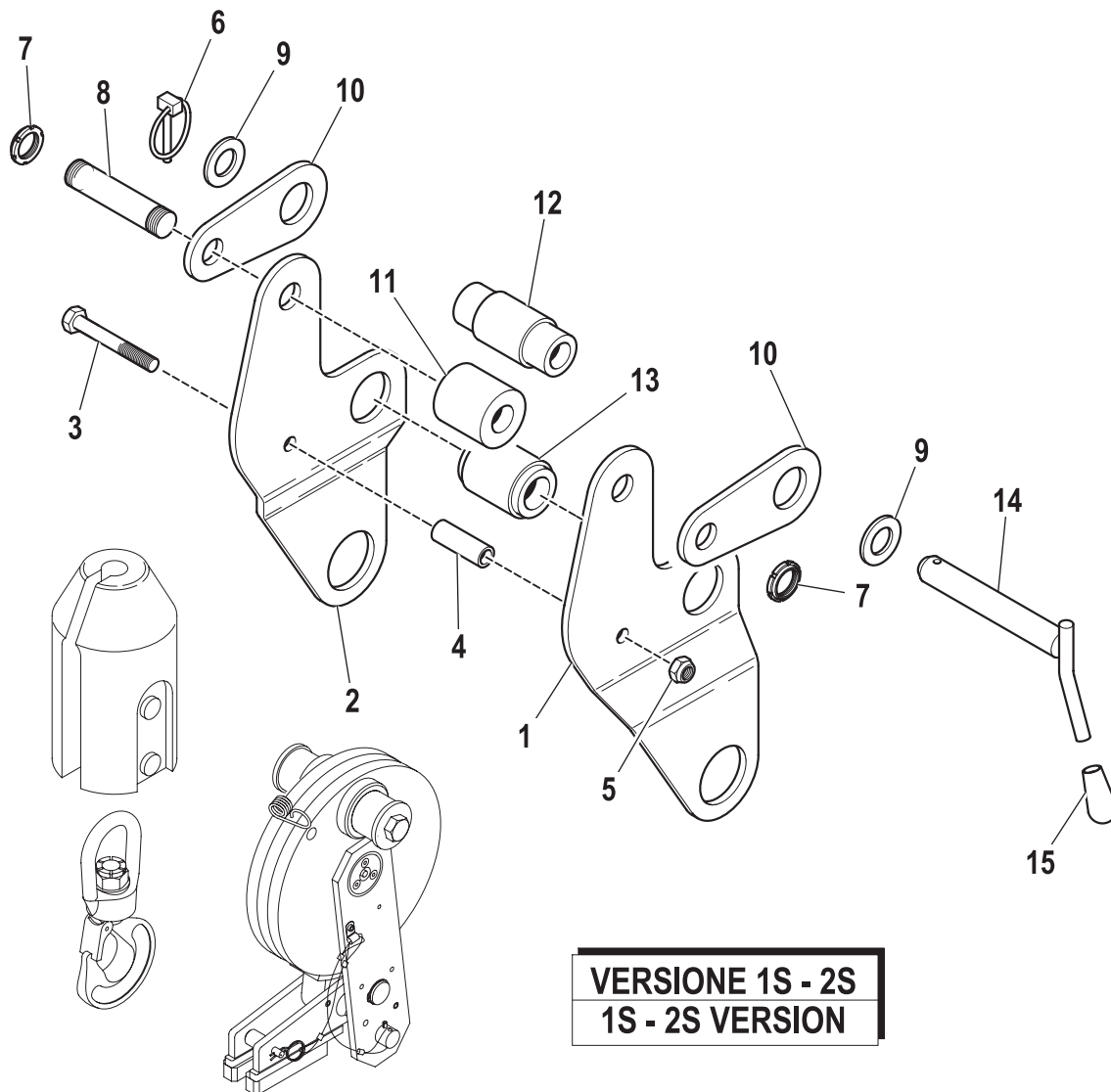
SUPPORT FOR WINCH'S PULLEY KIT

Code

7900339-1.0

1/1

R	Pos.	Code Variant	Q.ty	Description
	1	5001846	1	
	2	5001845	1	
	3	3010052	1	Hex screw [M10X75 8.8 ZC UNI 5737]
	4	5001875	1	
	5	3040304	1	Stopnut
	6	3060750	1	
	7	3040504	2	Self-locking ringnut
	8	5150781	1	
	9	3060012	2	Flat washer [D.21X37X3 UNI 6592 ZC]
	10	5000212	2	
	11	5141055	1	
	12	5001879	1	
	13	5001877	1	
	14	5150750	1	
	15	3190010	1	Knob



VERSIONE 1S - 2S
1S - 2S VERSION

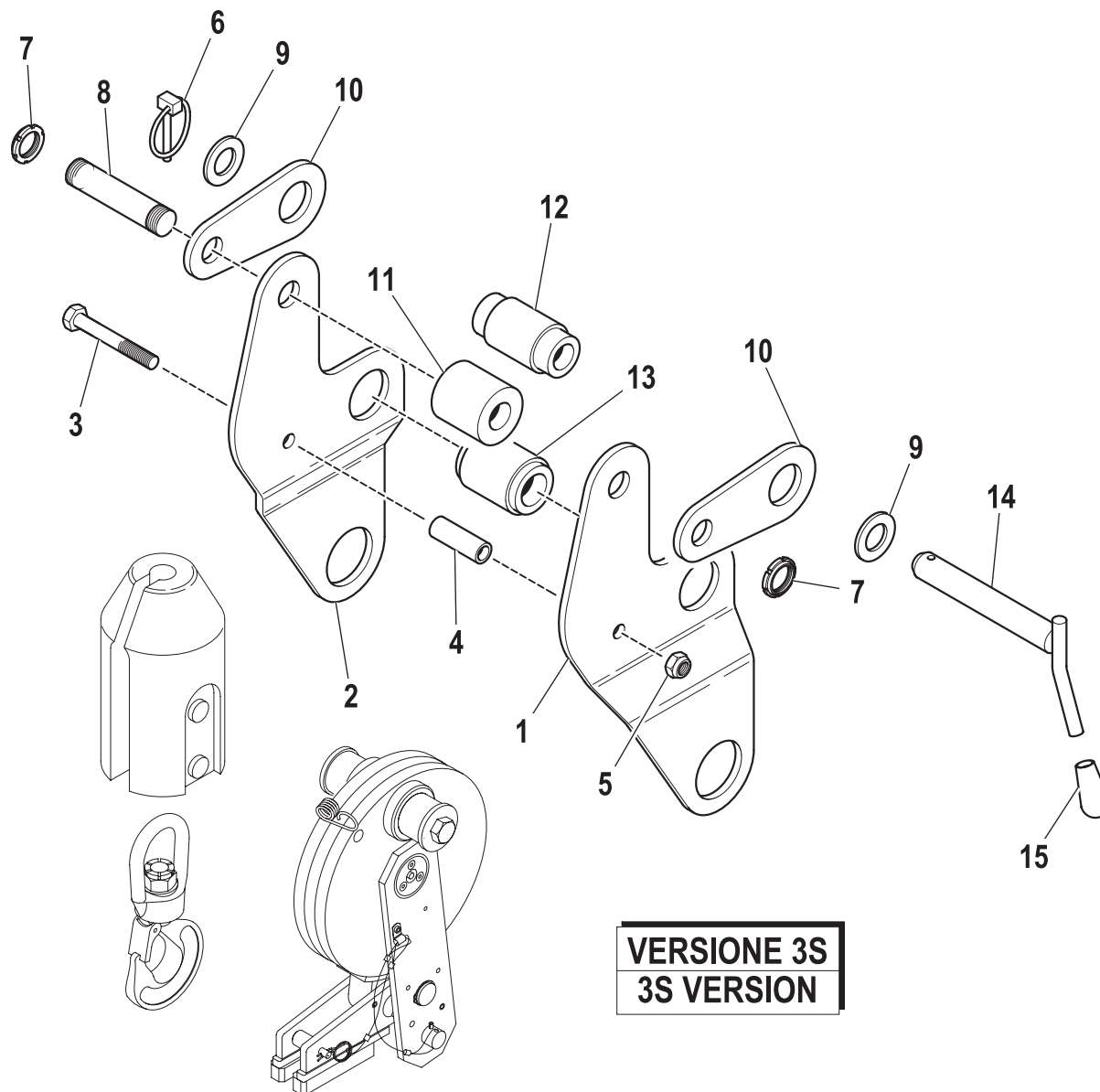
SUPPORT FOR WINCH'S PULLEY KIT

Code

7900021-1.0

1/1

R	Pos.	Code Variant	Q.ty	Description
	1	5001846	1	
	2	5001845	1	
	3	3010052	1	Hex screw [M10X75 8.8 ZC UNI 5737]
	4	5001875	1	
	5	3040304	1	Stopnut
	6	3060750	1	
	7	3040504	2	Self-locking ringnut
	8	5150781	1	
	9	3060012	2	Flat washer [D.21X37X3 UNI 6592 ZC]
	10	5001598	2	
	11	5141055	1	
	12	5001878	1	
	13	5001877	1	
	14	5150750	1	
	15	3190010	1	Knob



VERSIONE 3S
3S VERSION

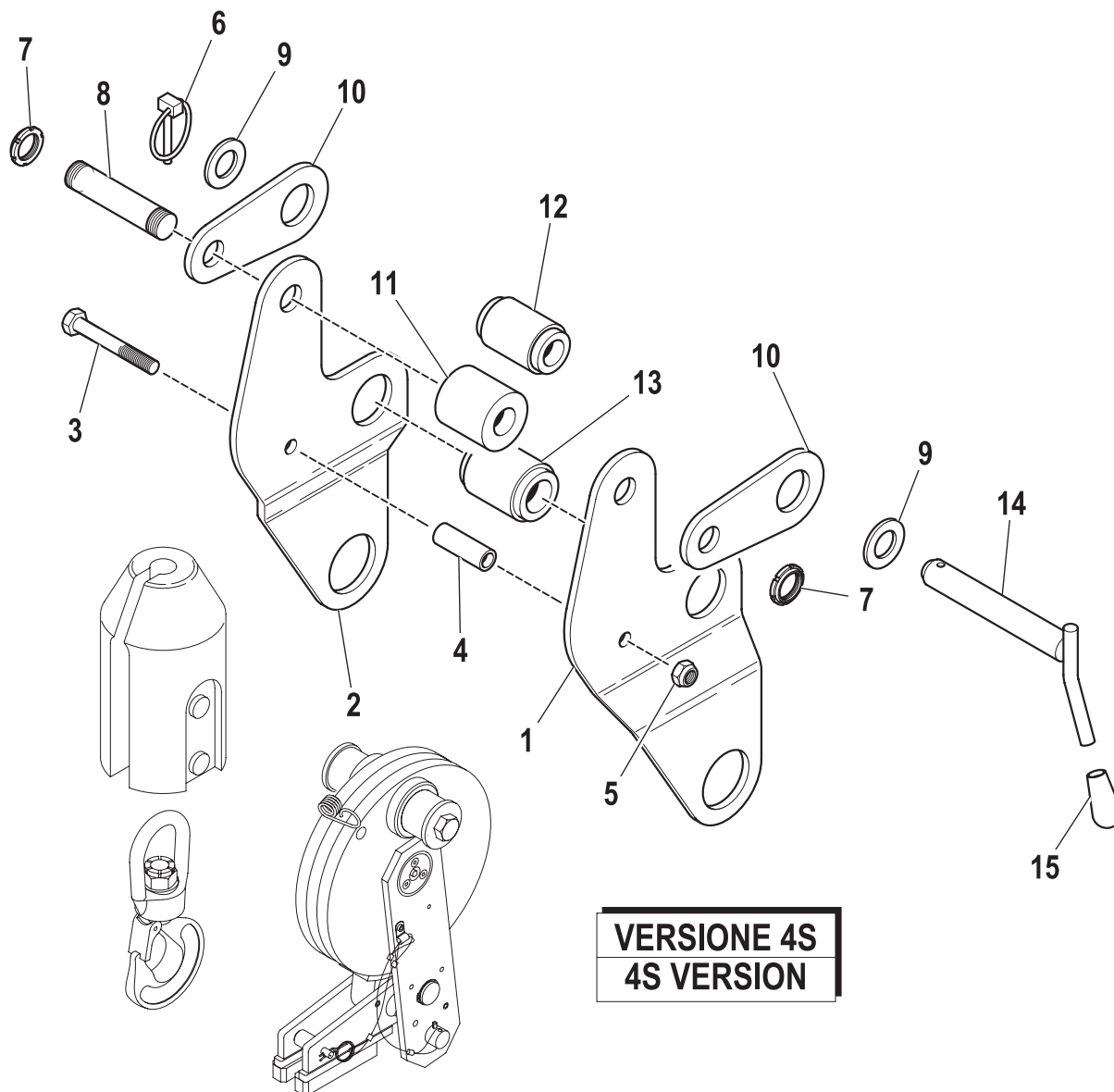
SUPPORT FOR WINCH'S PULLEY KIT

Code

7900022-1.0

1/1

R	Pos.	Code Variant	Q.ty	Description
	1	5001846	1	
	2	5001845	1	
	3	3010052	1	Hex screw [M10X75 8.8 ZC UNI 5737]
	4	5001875	1	
	5	3040304	1	Stopnut
	6	3060750	1	
	7	3040504	2	Self-locking ringnut
	8	5150781	1	
	9	3060012	2	Flat washer [D.21X37X3 UNI 6592 ZC]
	10	5001598	2	
	11	5141055	1	
	12	5001876	1	
	13	5001877	1	
	14	5150750	1	
	15	3190010	1	Knob

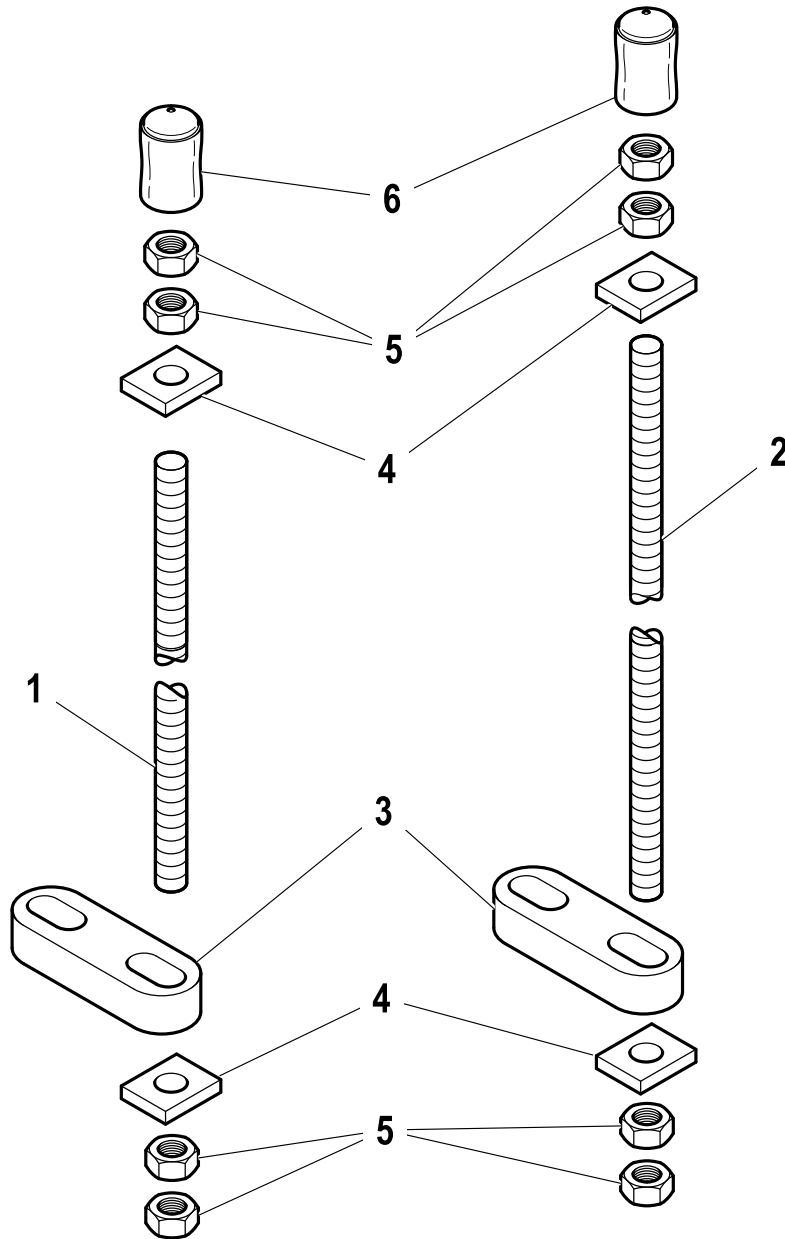


Assembly kit

Code

7880372-2.0

1/1

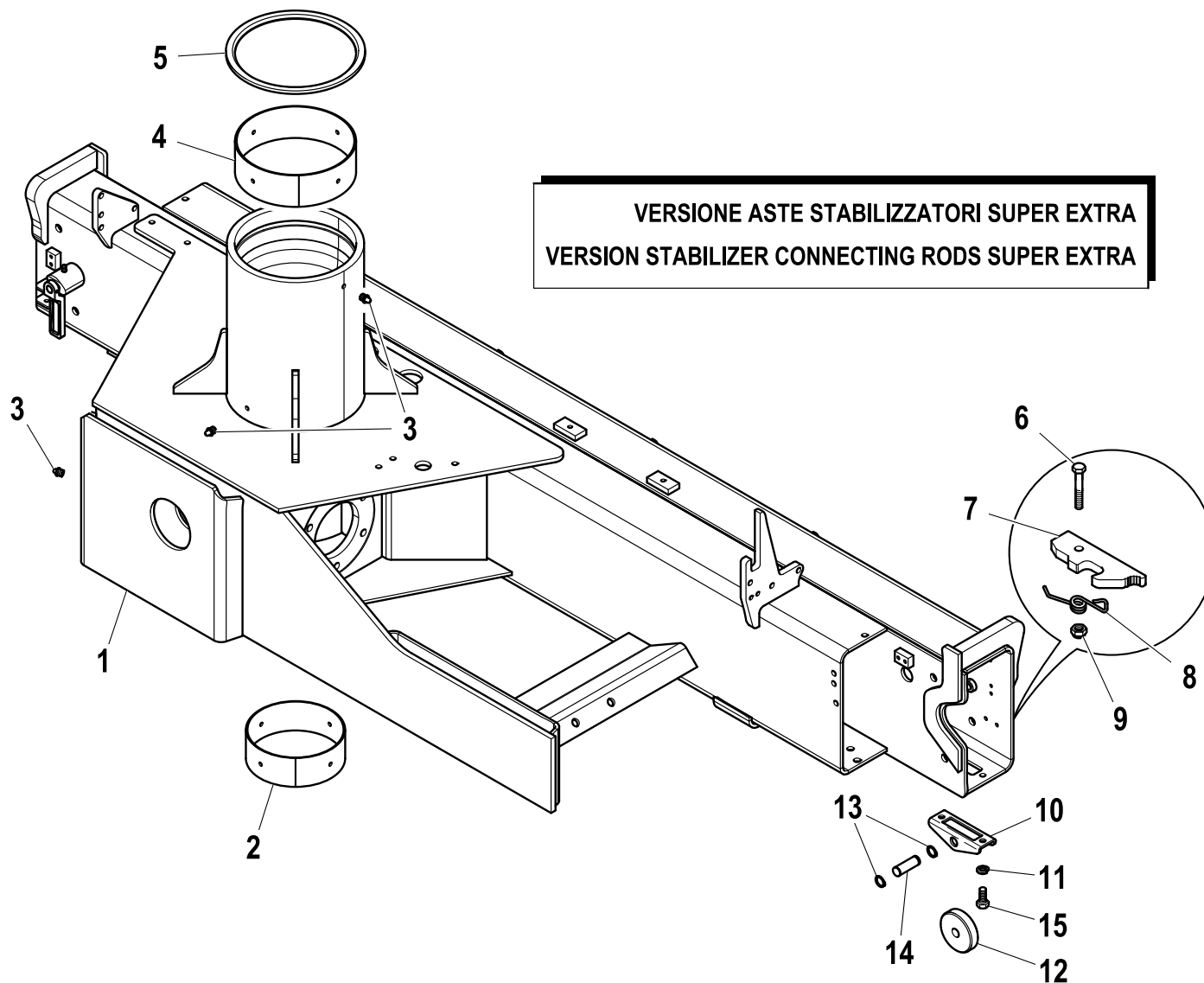


R	Pos.	Code Variant	Q.ty	Description
	1	5150654	6	
	2	5150658	2	
	3	W010000200	4	
	4	5000084	16	
	5	3040186	32	Nut
	6	3190290	8	



HB70-HB80 SE

**VERSIONE ASTE STABILIZZATORI SUPER EXTRA
VERSION STABILIZER CONNECTING RODS SUPER EXTRA**



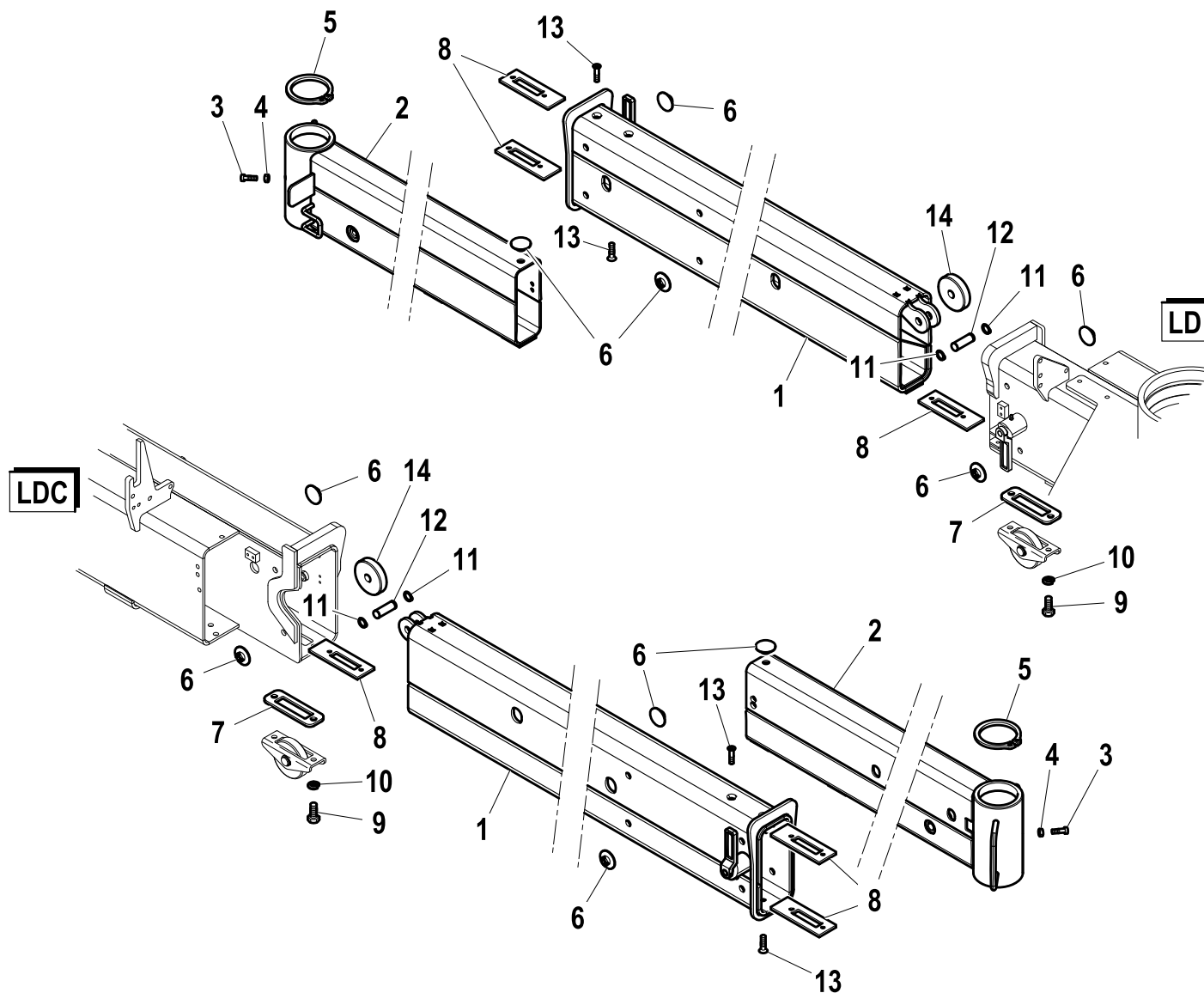
R	Pos.	Code Variant	Q.ty	Description
	1	5060192	1	Base
	2	5140667	1	
	3	3080501	2	Grease nipple
	4	5140668	1	
	5	5140669	1	
	6	3010018	2	Hex screw [M6X40 8.8 ZC UNI 5737]
	7	5001431	2	
	8	3060953	2	
	9	3040372	2	Stopnut
	10	5001432	2	
	11	3060055	4	Split lock washer [D=8.4 C72 ZC]
	12	5140788	2	
	13	3070148	4	Seeger
	14	5150760	2	
	15	3010339	4	Hex screw [M8X25 8.8 ZC IF UNI 5739]

STABILIZERS RODS SUPER EXTRA-EXTENSIBLE

Code

5760388-1.0

1/1



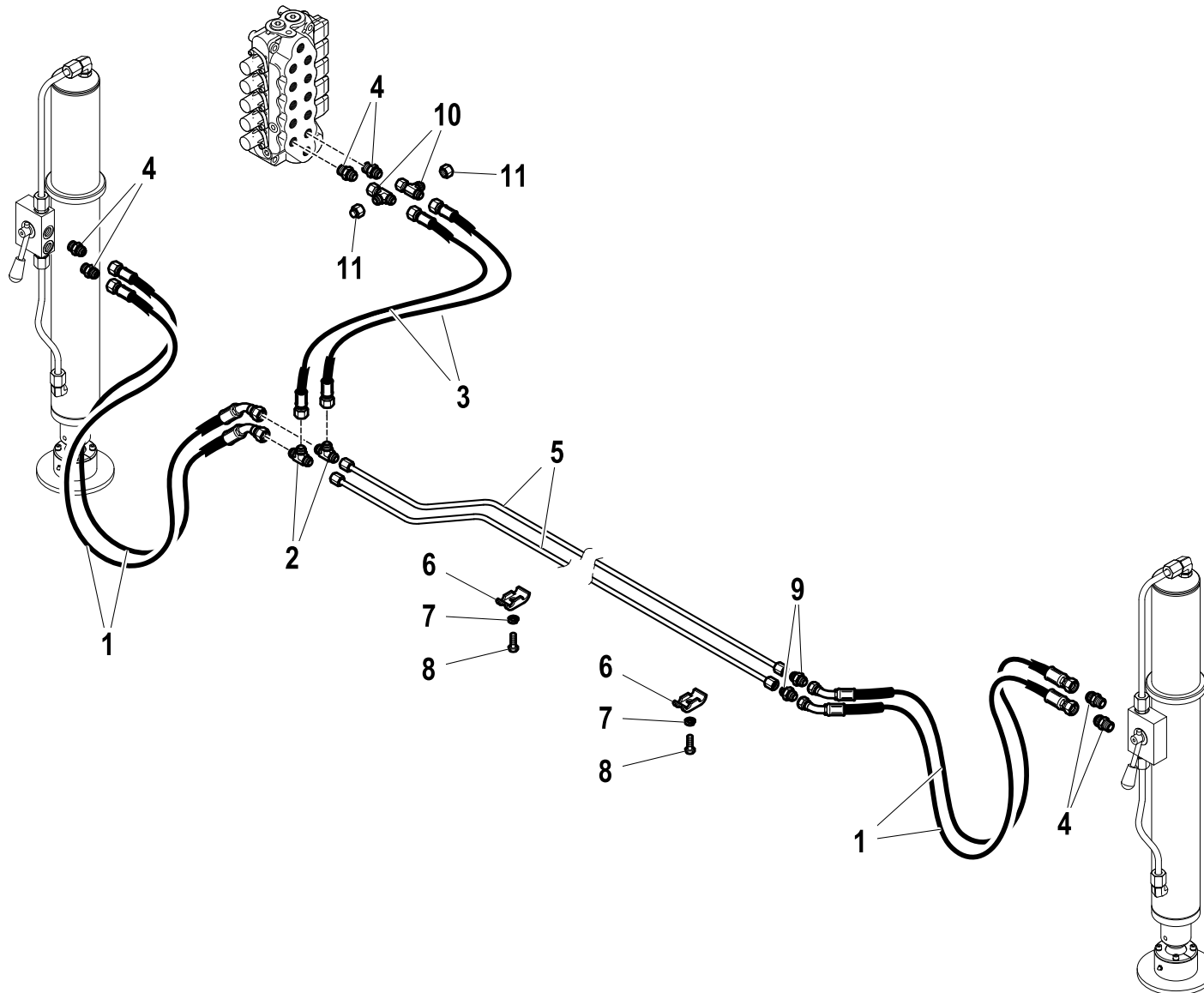
R	Pos.	Code Variant	Q.ty	Description
	1	5070470	2	
	2	5070471	2	
	3	3020875	2	Socket head cap screw [M8X20 ZC UNI 5931]
	4	3040045	2	Nut
	5	3070063	2	Seeger
	6	W370400700	18	Button (Coupling backlash)
	7	5001433	2	
	8	5002254	6	
	9	3010339	4	Hex screw [M8X25 8.8 ZC IF UNI 5739]
	10	3060055	4	Split lock washer [D=8.4 C72 ZC]
	11	3070148	4	Seeger
	12	5150760	2	
	13	3020450	8	TSEI screw [M8X12 10.9 ZC UNI 5933]
	14	5140788	2	

Hydraulic system (not CE)

Code

5760388-2.0

1/1



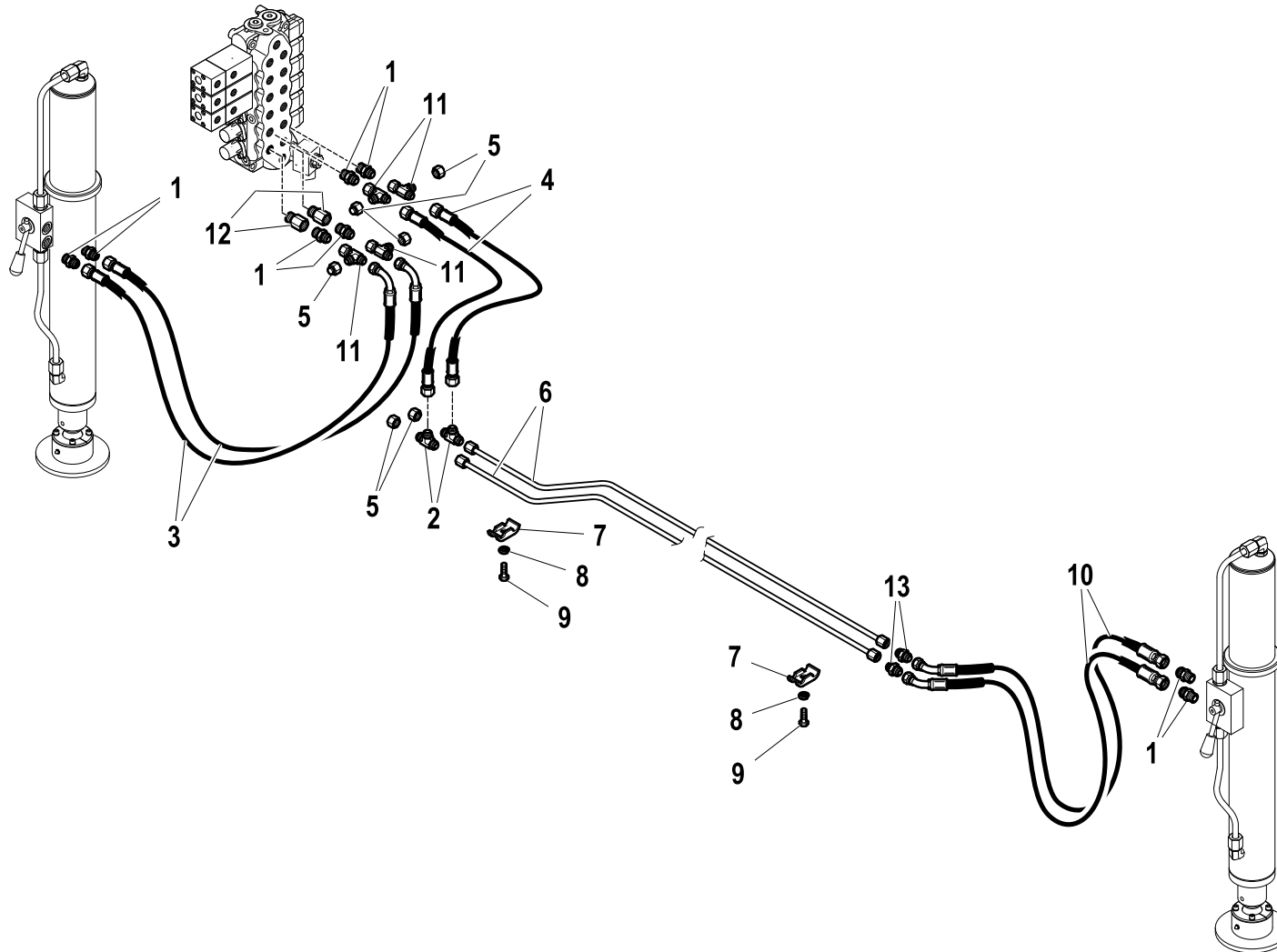
R	Pos.	Code Variant	Q.ty	Description
	1	5261354	4	Flexible hose
	2	3101080	2	Tee fitting
	3	5261066	2	Flexible hose
	4	3101040	6	Straight pipe fitting
	5	5391128	2	
	6	5000077	2	Clamp (Rigid Pipe)
	7	3060055	2	Split lock washer [D=8.4 C72 ZC]
	8	3010339	2	Hex screw [M8X25 8.8 ZC IF UNI 5739]
	9	3120099	2	
	10	3120003	2	Tee fitting
	11	3110040	2	Female plug

Hydraulic system (CE)

Code

5760388-3.0

1/1



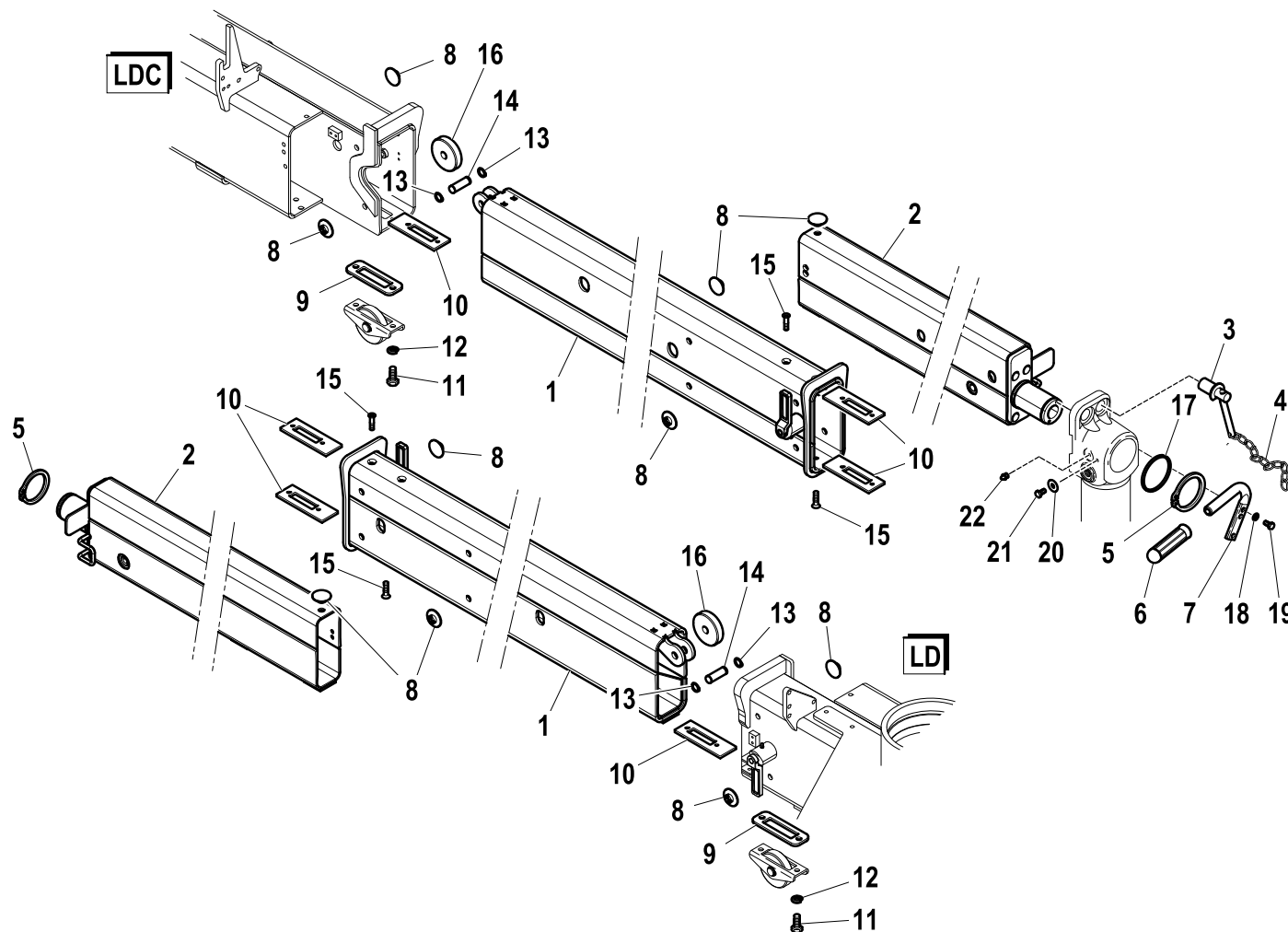
R	Pos.	Code Variant	Q.ty	Description
	1	3101040	8	Straight pipe fitting
	2	3101080	2	Tee fitting
	3	5261364	2	Flexible hose
	4	5261066	2	Flexible hose
	5	3110040	6	Female plug
	6	5391128	2	
	7	5000077	2	Clamp (Rigid Pipe)
	8	3060055	2	Split lock washer [D=8.4 C72 ZC]
	9	3010339	2	Hex screw [M8X25 8.8 ZC IF UNI 5739]
	10	5261354	2	Flexible hose
	11	3120003	4	Tee fitting
	12	3110001	2	Straight pipe fitting
	13	3120099	2	

STABILIZERS RODS SUPER EXTRA-EXTENSIBLE (Revolving)

Code

5760395-1.0

1/2



R	Pos.	Code Variant	Q.ty	Description
	1	5070470	2	
	2	5070478	2	
	3	W101219	2	
	4	3000007	mt0.7	
	5	3070052	2	Seeger
	6	W664018	2	
	7	W370401800	2	
	8	W370400700	18	Button (Coupling backlash)
	9	5001433	2	
	10	5002254	6	
	11	3010339	4	Hex screw [M8X25 8.8 ZC IF UNI 5739]
	12	3060055	4	Split lock washer [D=8.4 C72 ZC]
	13	3070148	4	Seeger
	14	5150760	2	
	15	3020450	8	TSEI screw [M8X12 10.9 ZC UNI 5933]
	16	5140788	2	
	17	5000183	2	
	18	3060005	4	Flat washer [D.6.4 UNI 6592 ZC]
	19	3010325	4	Hex screw [M6X16 8.8 ZC UNI 5739]
	20	3060030	2	Flat washer [D.6.6X18 UNI 6593 ZC]

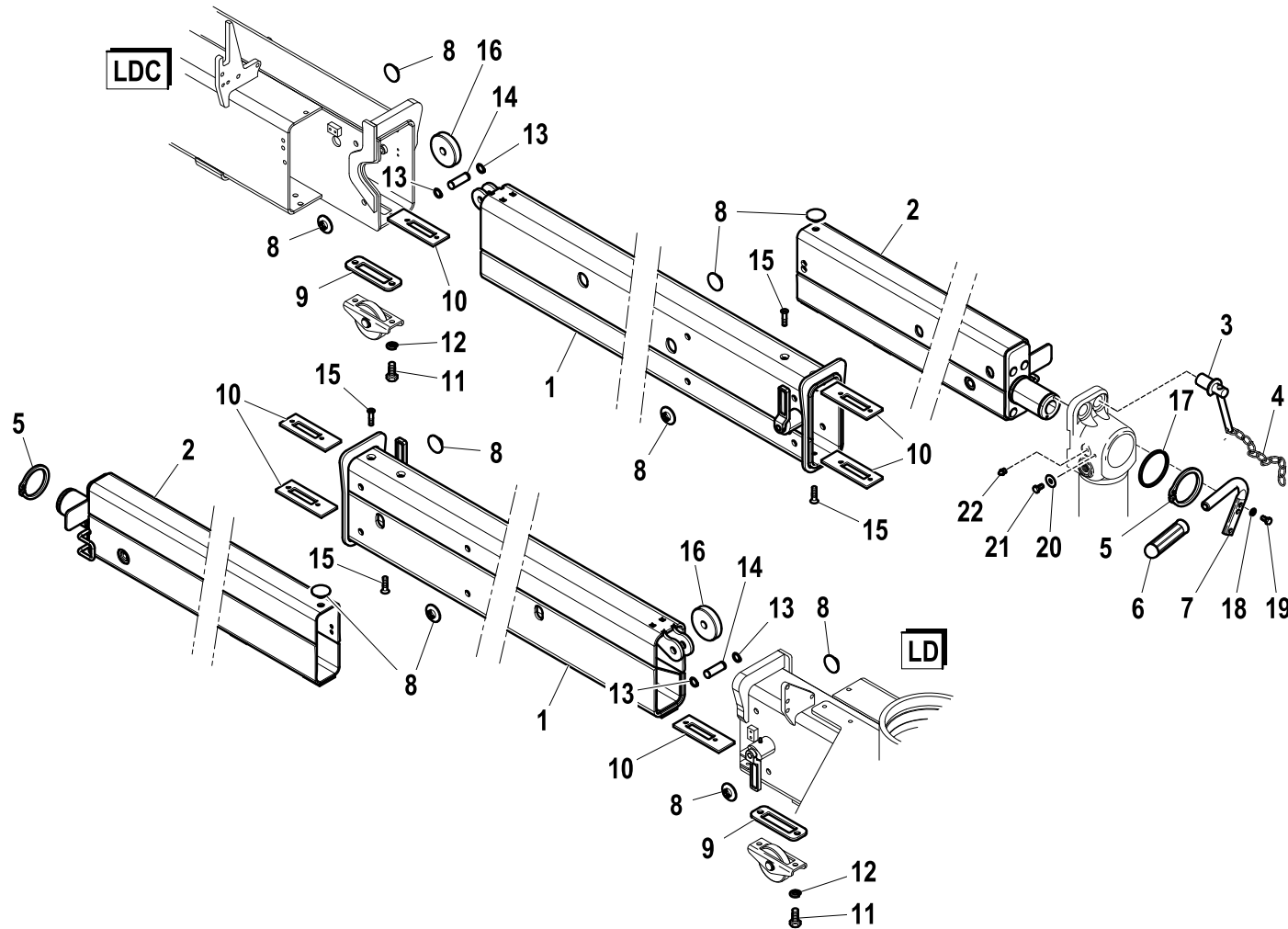
STABILIZERS RODS SUPER EXTRA-EXTENSIBLE (Revolving)

Code

5760395-1.0

2/2

R	Pos.	Code Variant	Q.ty	Description
	21	3010323	2	Hex screw [M6X10 8.8 ZC UNI 5739]
	22	3080501	2	Grease nipple

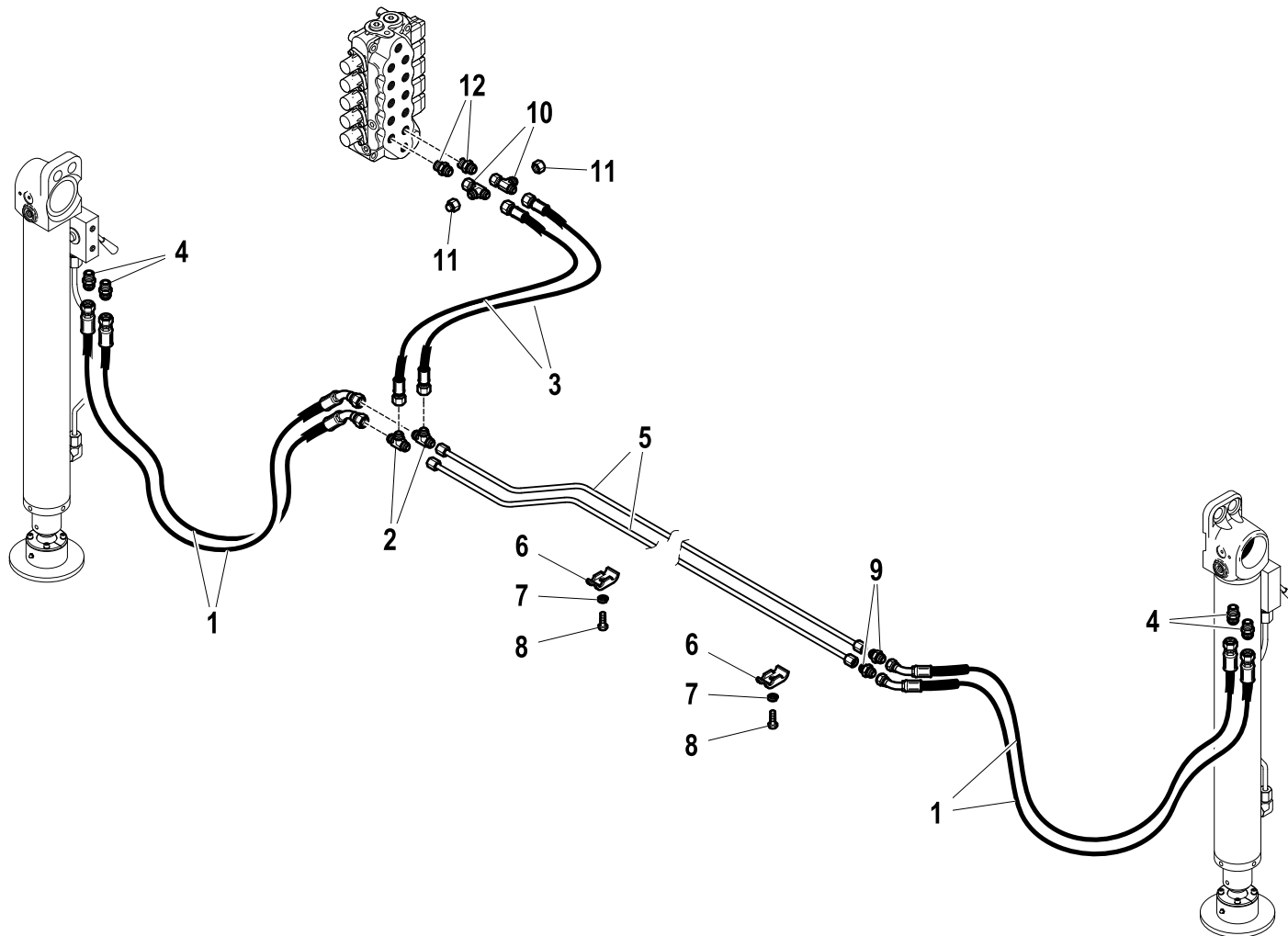


Hydraulic system (not CE)

Code

5760395-2.0

1/1



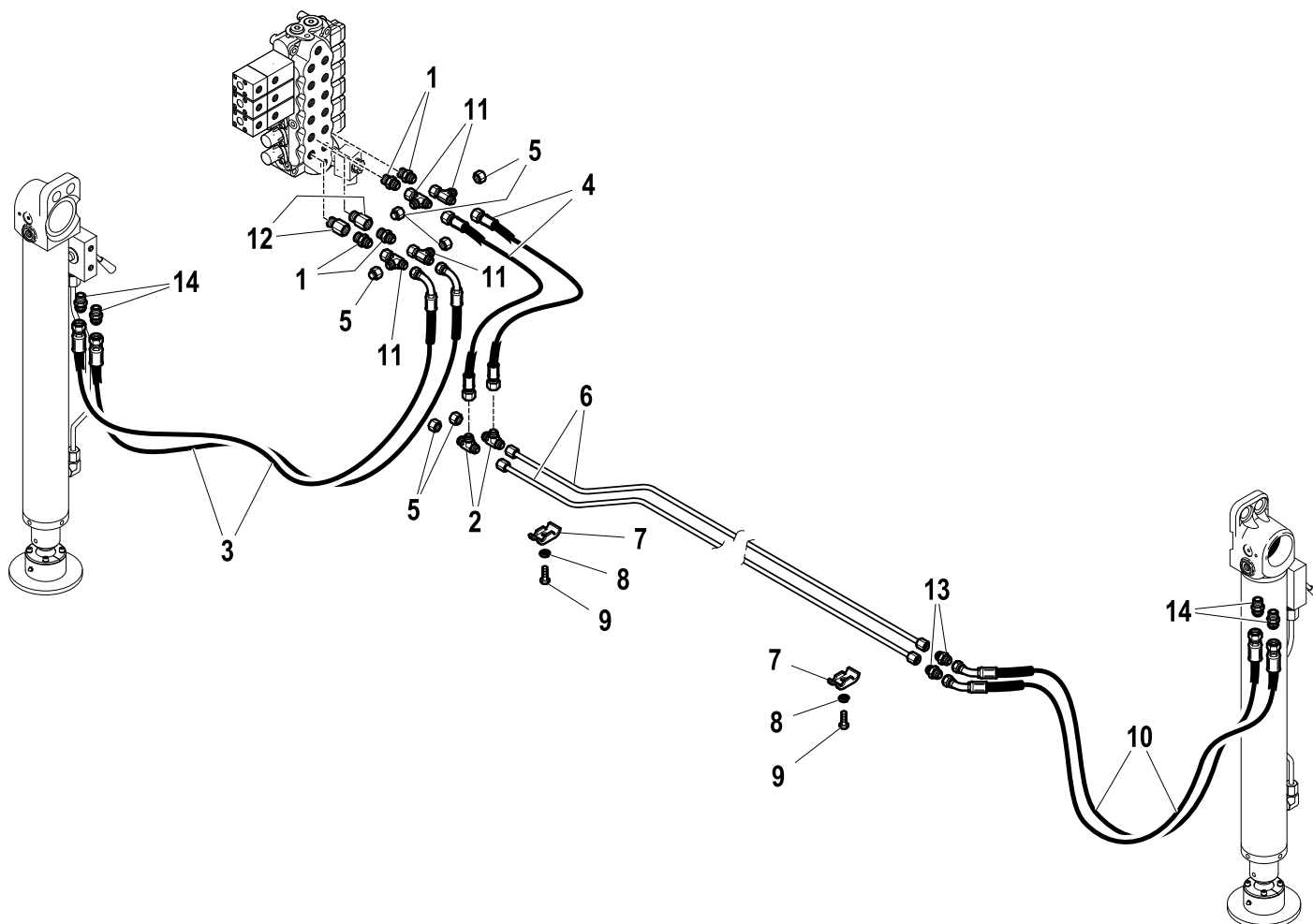
R	Pos.	Code Variant	Q.ty	Description
	1	5261355	4	Flexible hose
	2	3101080	2	Tee fitting
	3	5261066	2	Flexible hose
	4	3101039	4	Straight pipe fitting
	5	5391128	2	
	6	5000077	2	Clamp (Rigid Pipe)
	7	3060055	2	Split lock washer [D=8.4 C72 ZC]
	8	3010339	2	Hex screw [M8X25 8.8 ZC IF UNI 5739]
	9	3120099	2	
	10	3120003	2	Tee fitting
	11	3110040	2	Female plug
	12	3101040	2	Straight pipe fitting

Hydraulic system (CE)

Code

5760395-3.0

1/1



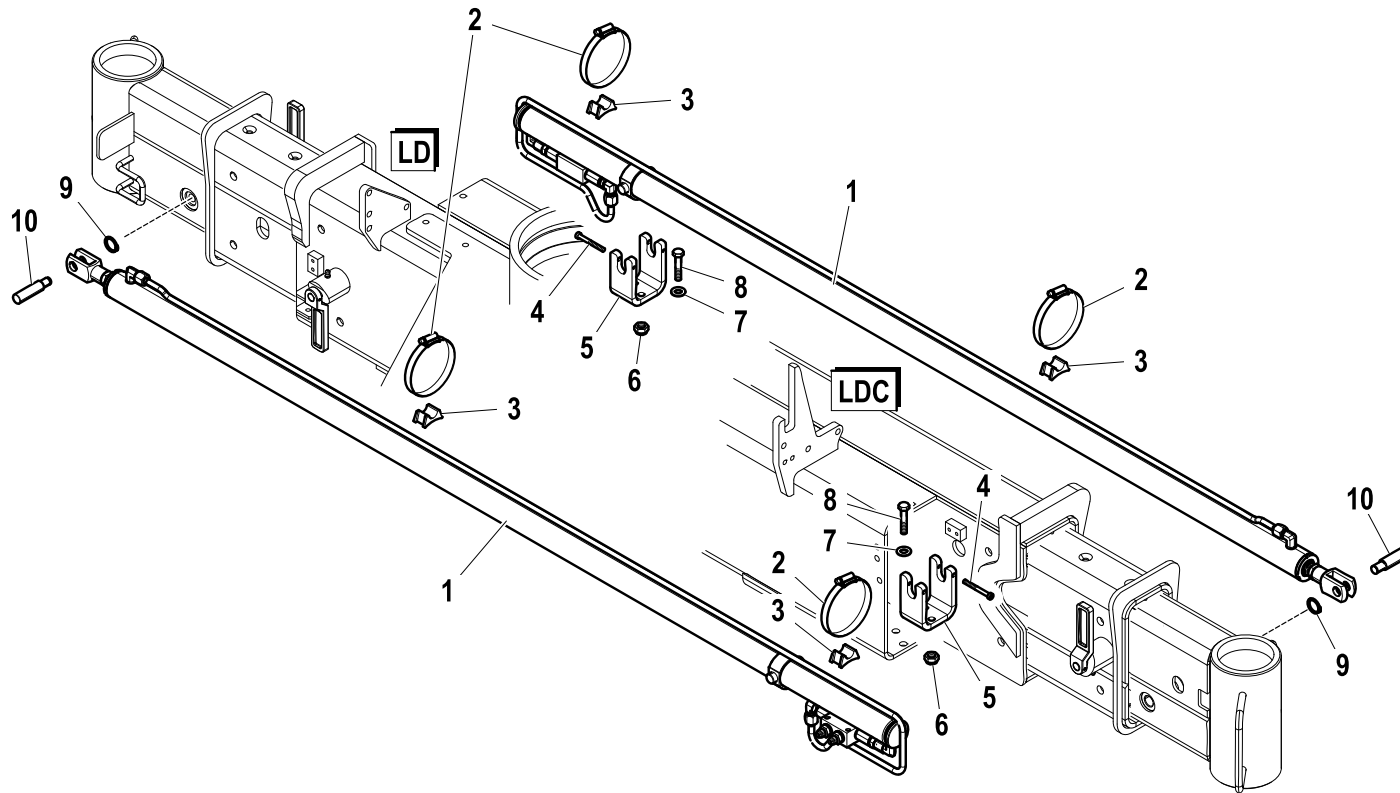
R	Pos.	Code Variant	Q.ty	Description
	1	3101040	4	Straight pipe fitting
	2	3101080	2	Tee fitting
	3	5261360	2	Flexible hose
	4	5261066	2	Flexible hose
	5	3110040	6	Female plug
	6	5391128	2	
	7	5000077	2	Clamp (Rigid Pipe)
	8	3060055	2	Split lock washer [D=8.4 C72 ZC]
	9	3010339	2	Hex screw [M8X25 8.8 ZC IF UNI 5739]
	10	5261355	2	Flexible hose
	11	3120003	4	Tee fitting
	12	3110001	2	Straight pipe fitting
	13	3120099	2	
	14	3101039	4	Straight pipe fitting

ROD EXTENSION HYDRAULIC CYLINDER (SUPER EXTRA-EXTENSIBLE)

Code

5380051-1.0

1/1



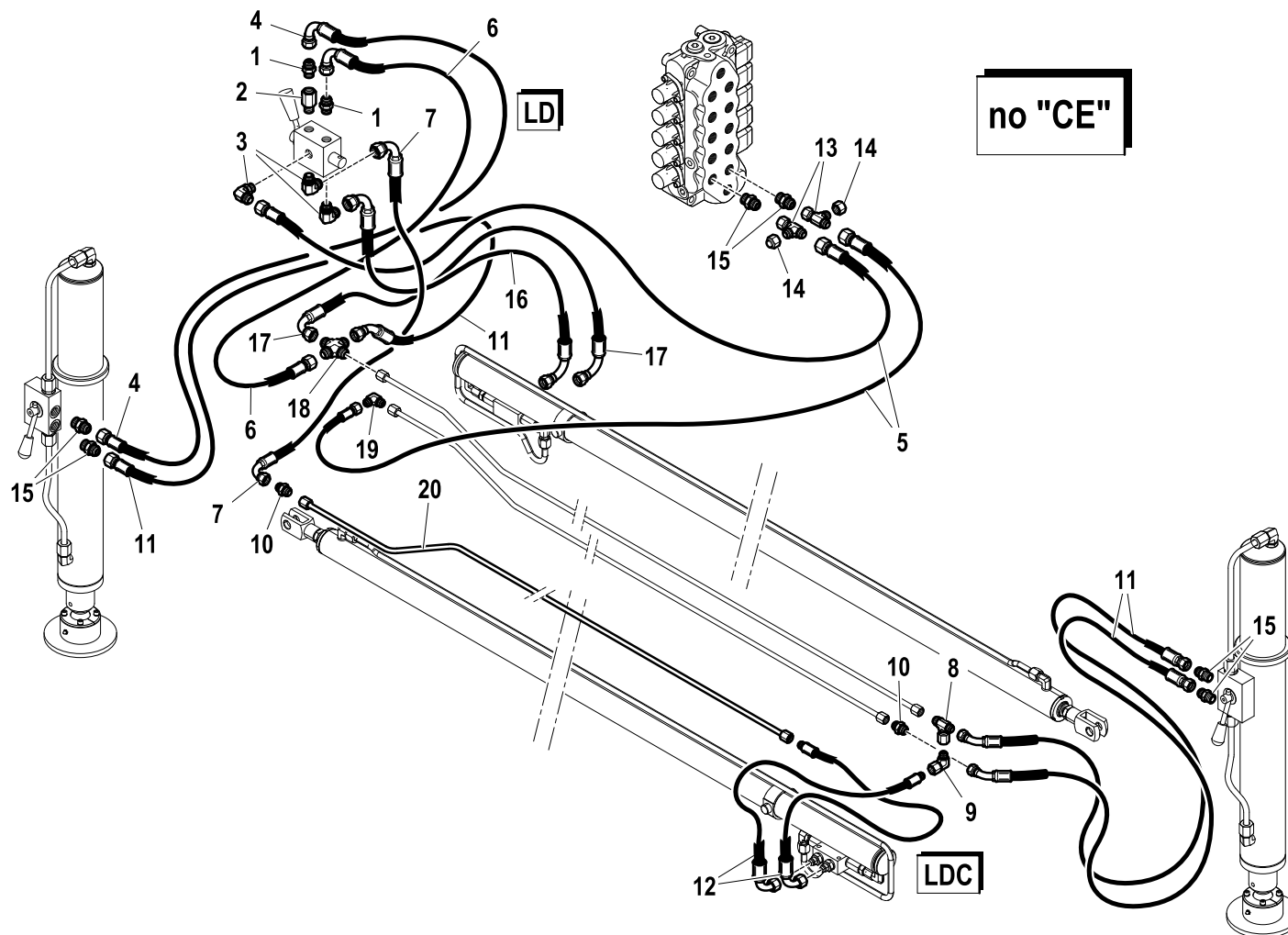
R	Pos.	Code Variant	Q.ty	Description
	1	6200292	2	Extension Hydraulic jack
	2	3190025	4	Clamp
	3	5140133	4	Piping mounting
	4	3020898	2	Socket head cap screw [M6X50 8.8 ZC UNI 5931]
	5	5002257	2	
	6	3040304	4	Stopnut
	7	3060914	4	Flat washer [D.10.5X21X2 UNI 6592 ZC]
	8	3010350	4	Hex screw [M10X40 10.9 ZC UNI 5739]
	9	3070184	2	Seeger
	10	5151004	2	

HYDRAULIC SYSTEM ROD EXTENSION HYDRAULIC CYLINDER (SUPER EXTRA-EXTENSIBLE)

Code

5380051-2.0

1/1



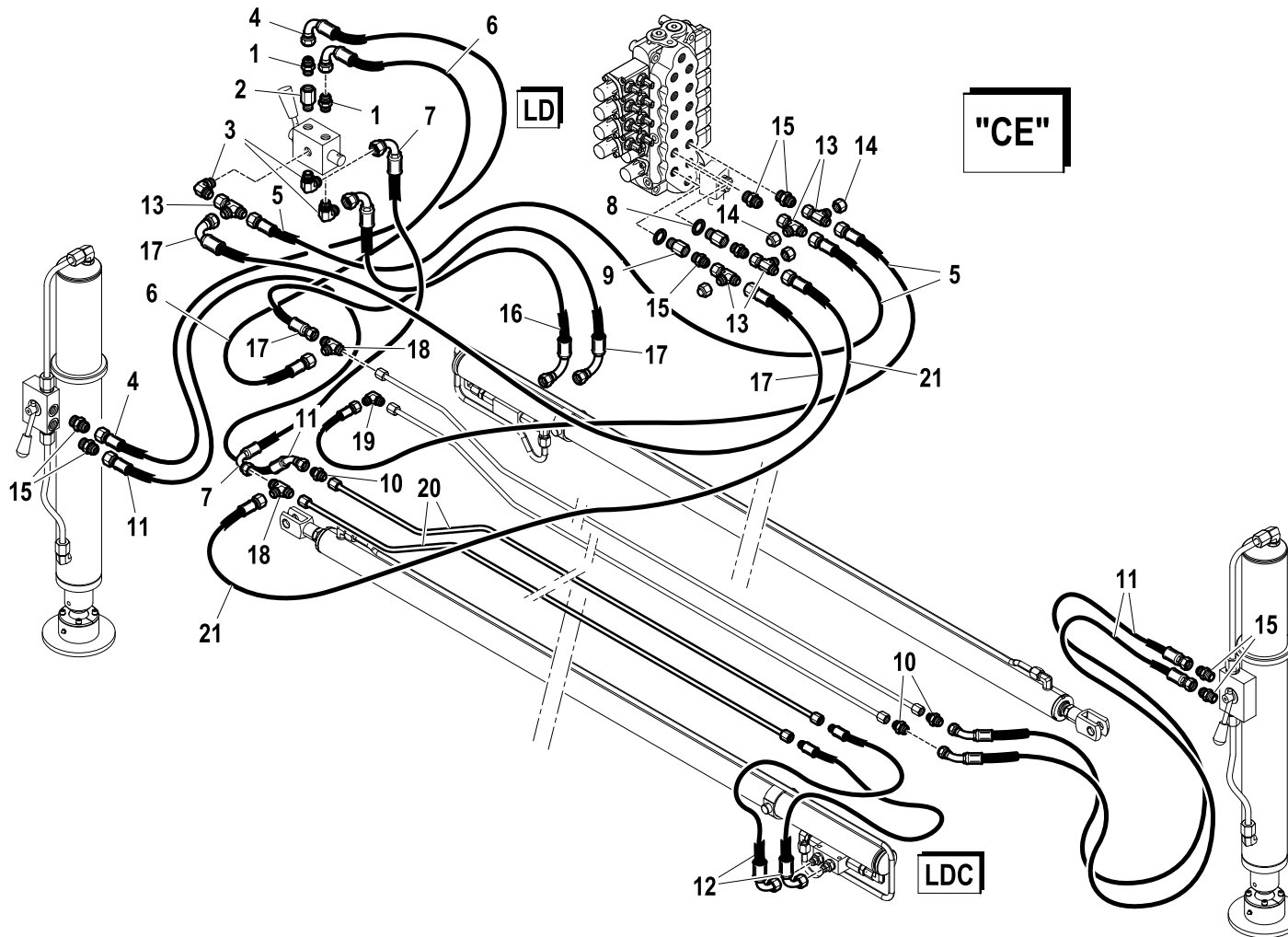
R	Pos.	Code Variant	Q.ty	Description
	1	3101039	2	Straight pipe fitting
	2	3110270	1	Straight pipe fitting
	3	3101124	3	90° Connection
	4	5261364	1	Flexible hose
	5	5261066	2	Flexible hose
	6	5261361	1	Flexible hose
	7	5260840	1	Flexible hose
	8	3120341	1	Tee fitting
	9	3120011	1	90° Connection
	10	3120099	2	
	11	5261354	3	Flexible hose
	12	5261359	2	Flexible hose
	13	3120003	2	Tee fitting
	14	3110040	2	Female plug
	15	3101040	6	Straight pipe fitting
	16	5260818	1	Flexible hose
	17	5261362	1	Flexible hose
	18	3120601	1	
	19	3101067	1	90° Connection
	20	5391128	1	

HYDRAULIC SYSTEM ROD EXTENSION HYDRAULIC CYLINDER (SUPER EXTRA-EXTENSIBLE)

Code

5380051-3.0

1/2

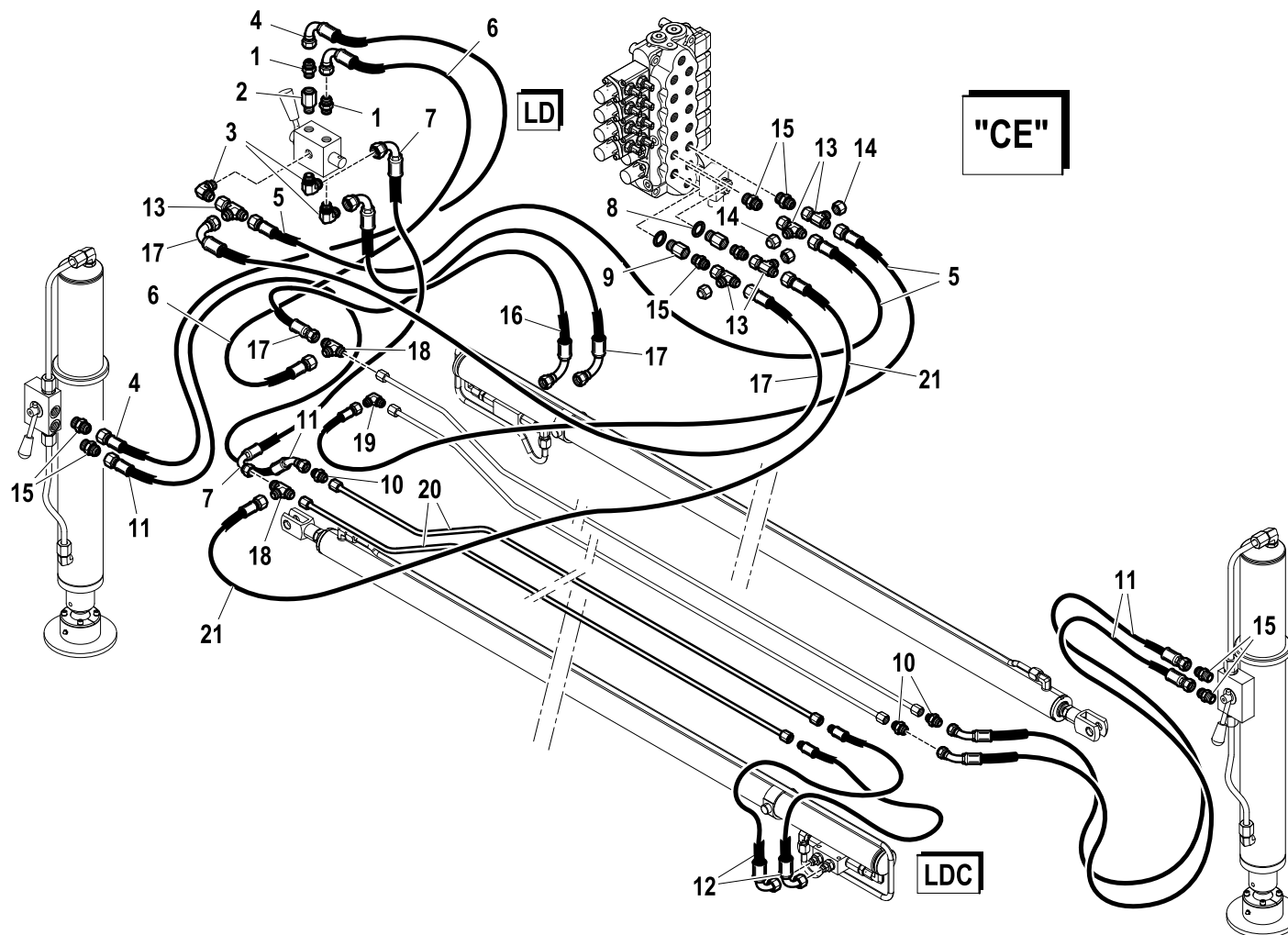


R	Pos.	Code Variant	Q.ty	Description
	1	3101039	2	Straight pipe fitting
	2	3110270	1	Straight pipe fitting
	3	3101124	3	90° Connection
	4	5261364	1	Flexible hose
	5	5261066	2	Flexible hose
	6	5261361	1	Flexible hose
	7	5260840	1	Flexible hose
	8	3060144	2	Sealing washer [BSP 3/8"]
	9	3110001	2	Straight pipe fitting
	10	3120099	3	
	11	5261354	3	Flexible hose
	12	5261359	2	Flexible hose
	13	3120003	5	Tee fitting
	14	3110040	4	Female plug
	15	3101040	8	Straight pipe fitting
	16	5260818	1	Flexible hose
	17	5261362	2	Flexible hose
	18	3101080	2	Tee fitting
	19	3101067	1	90° Connection
	20	5391128	2	

HYDRAULIC SYSTEM ROD EXTENSION HYDRAULIC CYLINDER (SUPER EXTRA-EXTENSIBLE)

Code		
5380051-3.0		2/2

R	Pos.	Code Variant	Q.ty	Description
	21	5261363	1	Flexible hose

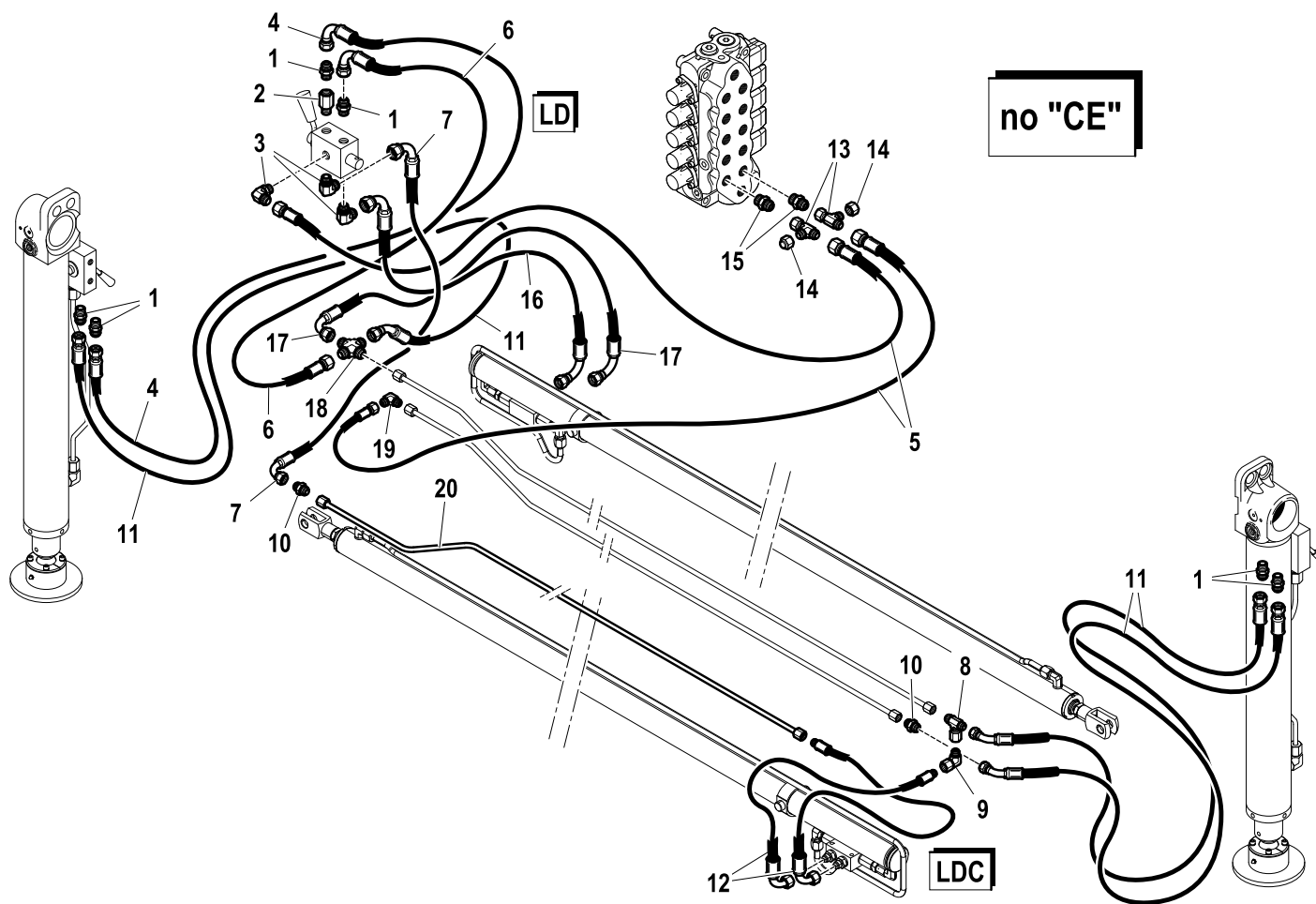


HYDRAULIC SYSTEM ROD EXTENSION HYDRAULIC CYLINDER (SUPER EXTRA-EXTENSIBLE)

Code

5380051-4.0

1/1



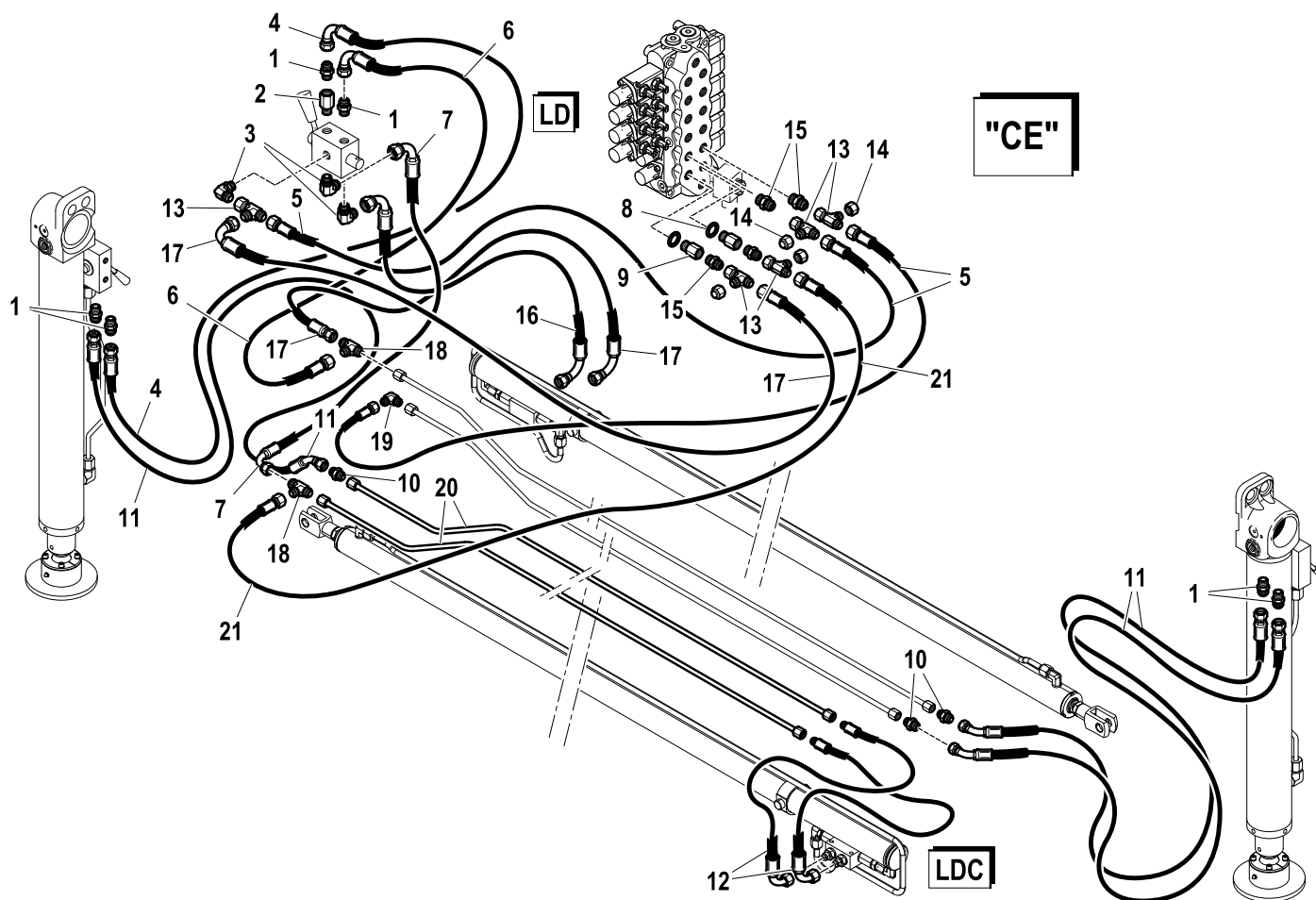
R	Pos.	Code Variant	Q.ty	Description
	1	3101039	6	Straight pipe fitting
	2	3110270	1	Straight pipe fitting
	3	3101124	3	90° Connection
	4	5261360	1	Flexible hose
	5	5261066	2	Flexible hose
	6	5261361	1	Flexible hose
	7	5260840	1	Flexible hose
	8	3120341	1	Tee fitting
	9	3120011	1	90° Connection
	10	3120099	2	
	11	5261355	3	Flexible hose
	12	5261359	2	Flexible hose
	13	3120003	2	Tee fitting
	14	3110040	2	Female plug
	15	3101040	2	Straight pipe fitting
	16	5260818	1	Flexible hose
	17	5261362	1	Flexible hose
	18	3120601	1	
	19	3101067	1	90° Connection
	20	5391128	1	

HYDRAULIC SYSTEM ROD EXTENSION HYDRAULIC CYLINDER (SUPER EXTRA-EXTENSIBLE)

Code

5380051-5.0

1/2

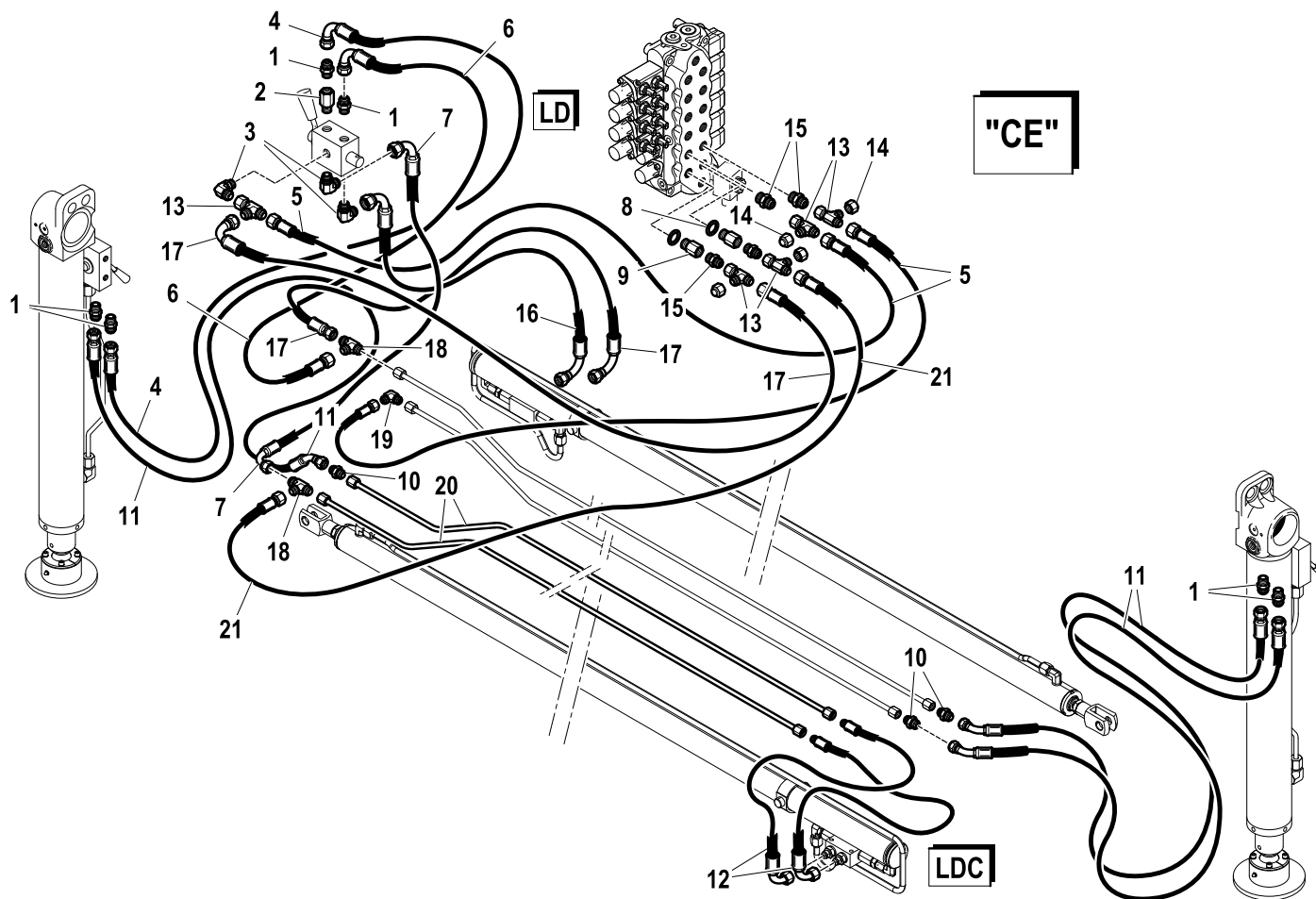


R	Pos.	Code Variant	Q.ty	Description
	1	3101039	6	Straight pipe fitting
	2	3110270	1	Straight pipe fitting
	3	3101124	3	90° Connection
	4	5261360	1	Flexible hose
	5	5261066	2	Flexible hose
	6	5261361	1	Flexible hose
	7	5260840	1	Flexible hose
	8	3060144	2	Sealing washer [BSP 3/8"]
	9	3110001	2	Straight pipe fitting
	10	3120099	3	
	11	5261355	3	Flexible hose
	12	5261359	2	Flexible hose
	13	3120003	5	Tee fitting
	14	3110040	4	Female plug
	15	3101040	4	Straight pipe fitting
	16	5260818	1	Flexible hose
	17	5261362	2	Flexible hose
	18	3101080	2	Tee fitting
	19	3101067	1	90° Connection
	20	5391128	2	

HYDRAULIC SYSTEM ROD EXTENSION HYDRAULIC CYLINDER (SUPER EXTRA-EXTENSIBLE)

Code		
5380051-5.0		2/2

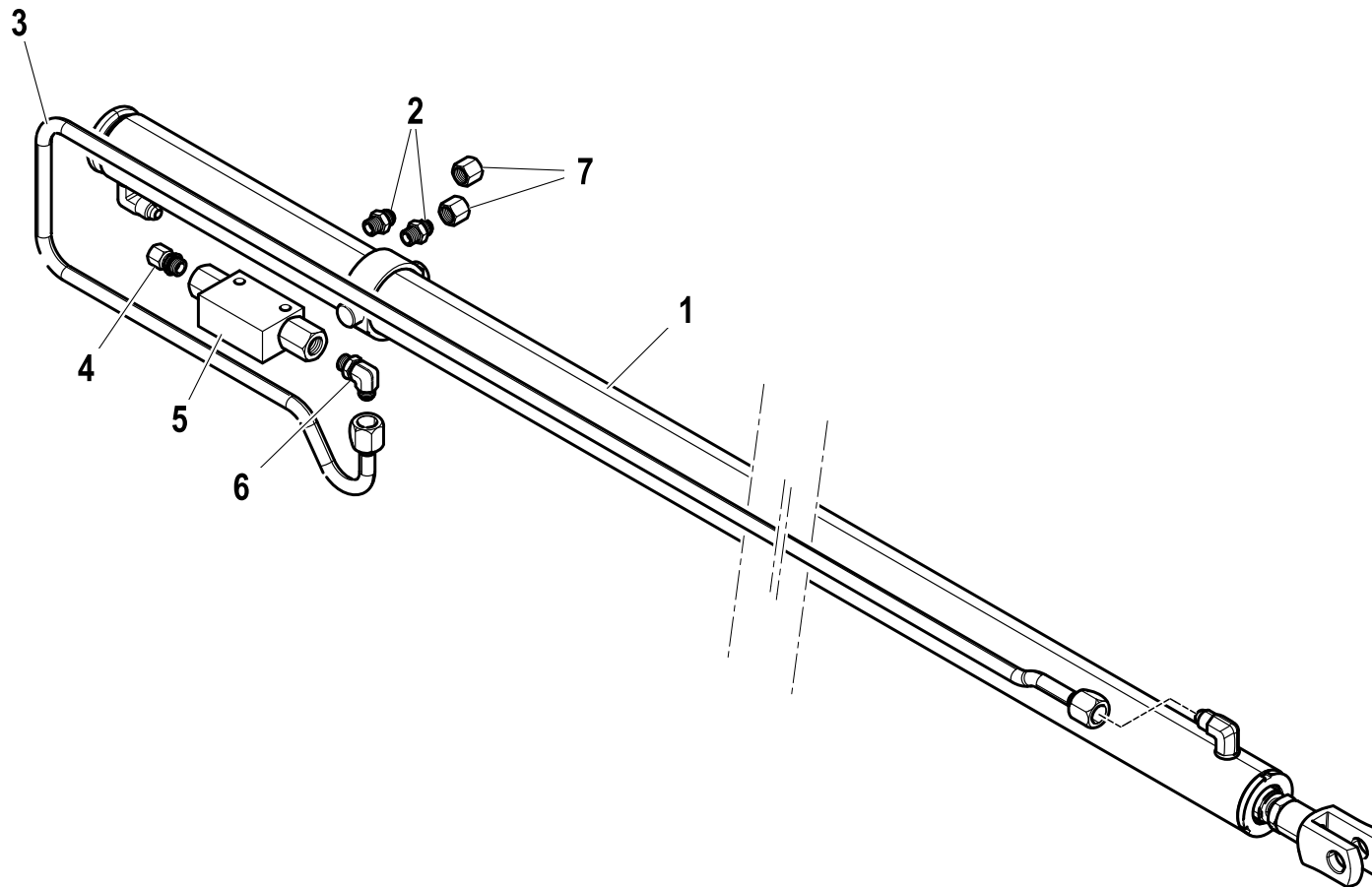
R	Pos.	Code Variant	Q.ty	Description
	21	5261363	1	Flexible hose



HYDRAULIC SYSTEM ROD EXTENSION HYDRAULIC CYLINDER (SUPER EXTRA-EXTENSIBLE)

Code		
6200292-1.0		1/1

R	Pos.	Code Variant	Q.ty	Description
	1	6400292	1	Extension Hydraulic jack
	2	3101039	2	Straight pipe fitting
	3	5392450	1	
	4	3120064	1	Straight pipe fitting
	5	5220559	1	Holding valve
	6	3101124	1	90° Connection

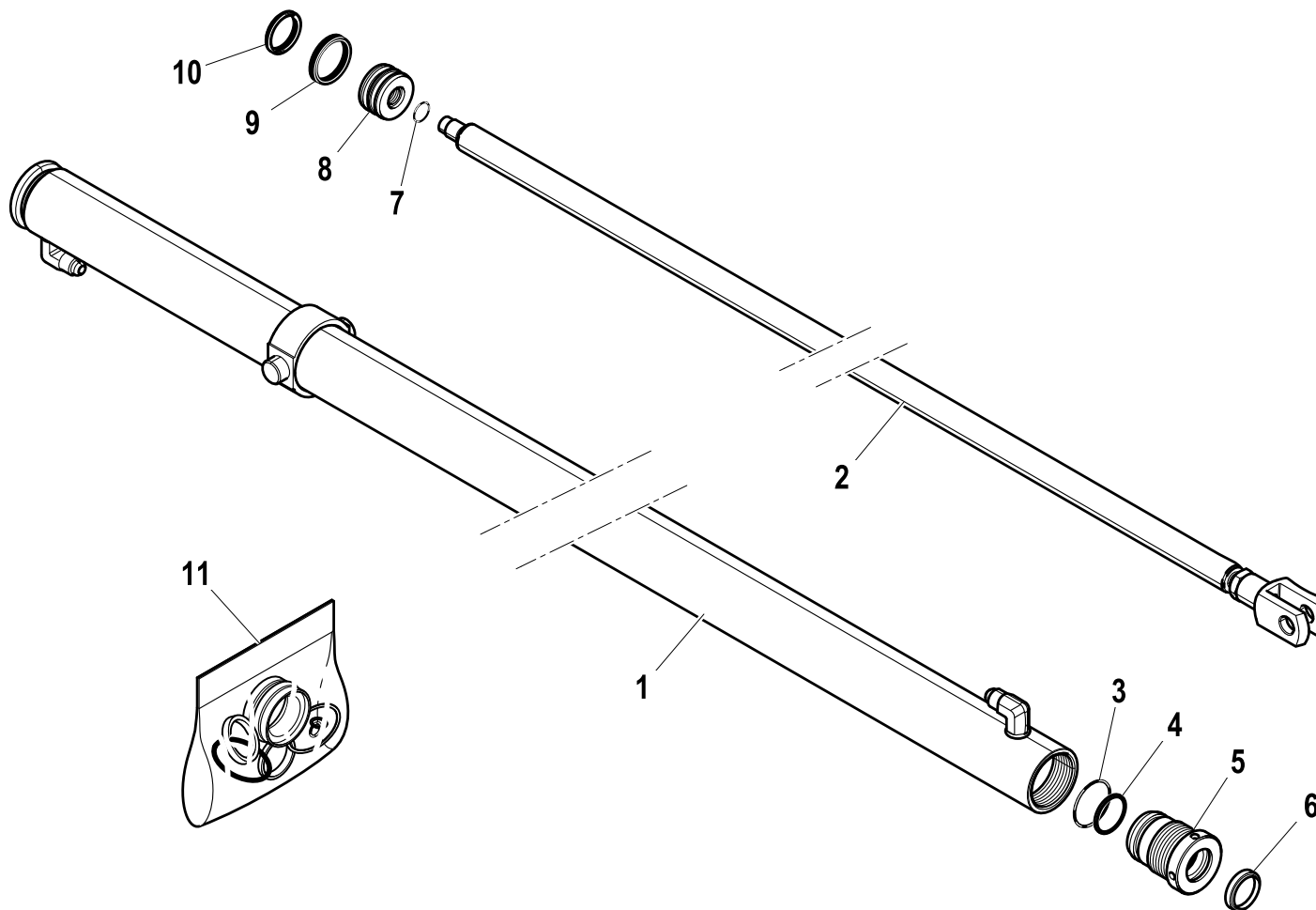


ROD EXTENSION HYDRAULIC CYLINDER (SUPER EXTRA-EXTENSIBLE)

Code

6400292-1.0

1/1



R	Pos.	Code Variant	Q.ty	Description
	1	6070667	1	
	2	6031031	1	
	3	3450110	1	
	4	3370800	1	
	5	6040314	1	
	6	3420400	1	
	7	3450008	1	
	8	6050355	1	
	9	3363003	1	
	10	3380010	1	
	11	5550813	1	



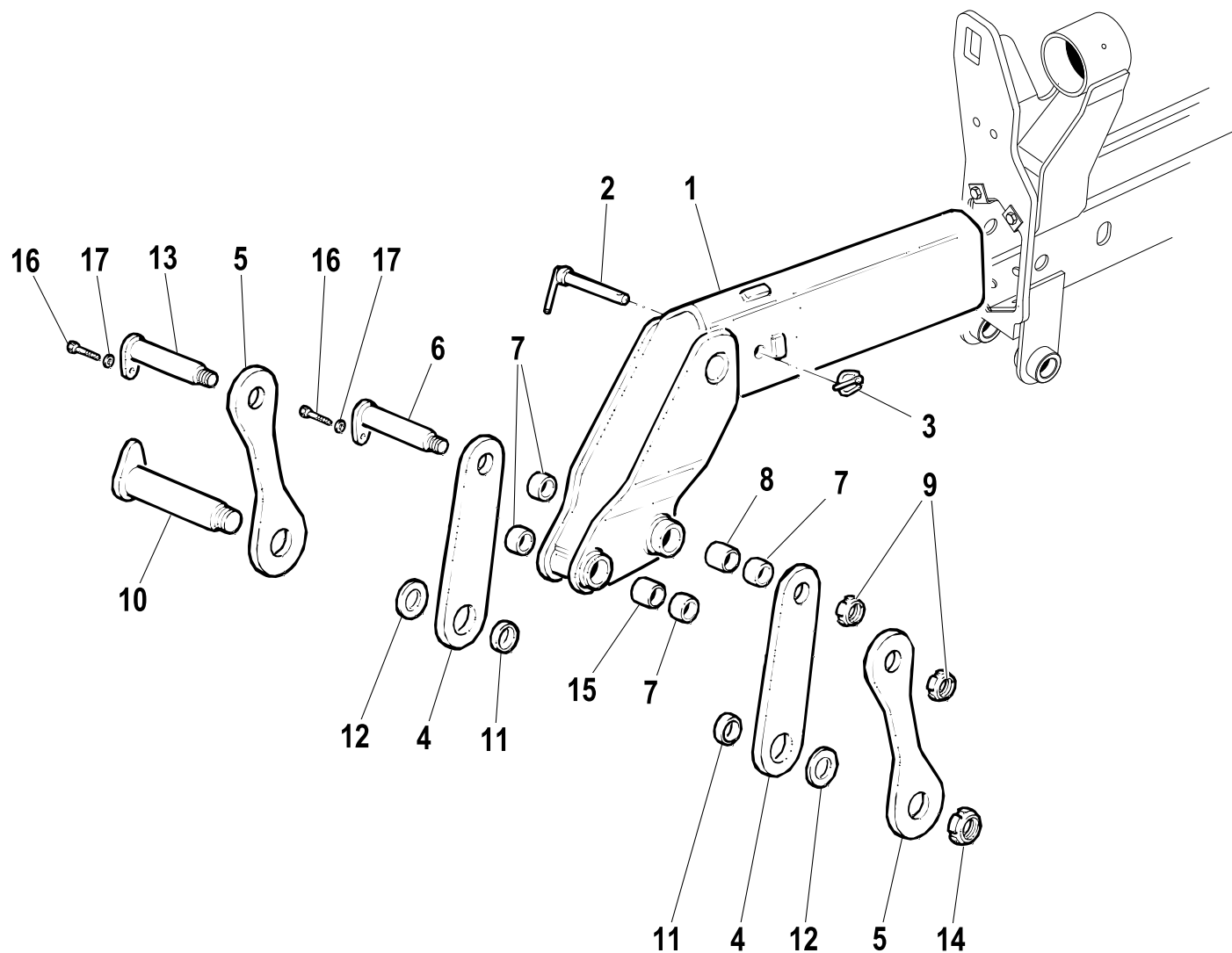
HB70 JIB1S - HB80 JIB2S

CONNECTION AND CONNECTING ROD

Code

5790057-1.0

1/1



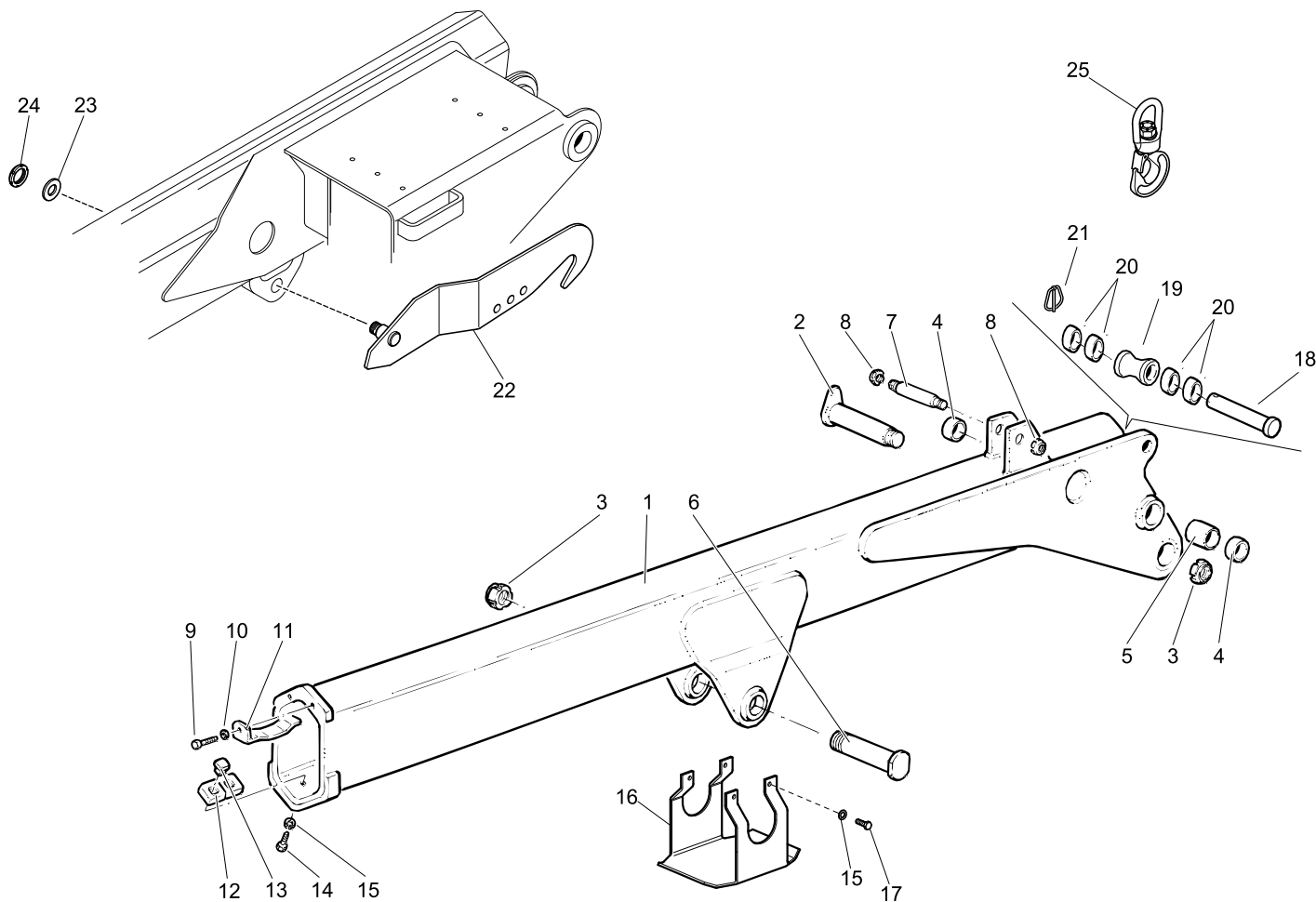
R	Pos.	Code Variant	Q.ty	Description
	1	5091150	1	
	2	5150750	1	
	3	3060753	1	Cotter pin (Locking ring)
	4	W440600200	2	
	5	W440600300	2	
	6	W101279	1	
	7	W102134	4	
	8	W440600800	1	
	9	3040505	2	Self-locking ringnut
	10	W101280	1	
	11	W102136	2	
	12	W440601500	2	
	13	W101277	1	
	14	3040506	1	Self-locking ringnut
	15	W440600900	1	
	16	3010354	2	Hex screw [M10X20 8.8 ZC UNI 5739]
	17	3060056	2	Split lock washer [D=10 C72 ZC]

JIB ARM

Code

5790057-2.0

1/2



R	Pos.	Code Variant	Q.ty	Description
	1	W440600400	1	
	2	W101278	1	
	3	3040505	2	Self-locking ringnut
	4	W102134	2	
	5	W440601000	1	
	6	W101283	1	
	7	W101218	1	
	8	3040498	2	Self-locking ringnut
	9	3010323	2	Hex screw [M6X10 8.8 ZC UNI 5739]
	10	3060005	2	Flat washer [D.6.4 UNI 6592 ZC]
	11	3060683	2	
	12	W380300600	2	
	13	W370300800	4	
	14	3010055	4	Hex screw [M8X10 8.8 ZC UNI 5739]
	15	3060006	8	Flat washer [D.8 UNI 6592 ZC]
	16	W550600300	1	
	17	3010337	4	Hex screw [M8X16 8.8 ZC UNI 5739]
	18	W101084	1	
	19	W390301000	1	
	20	W320301500	4	

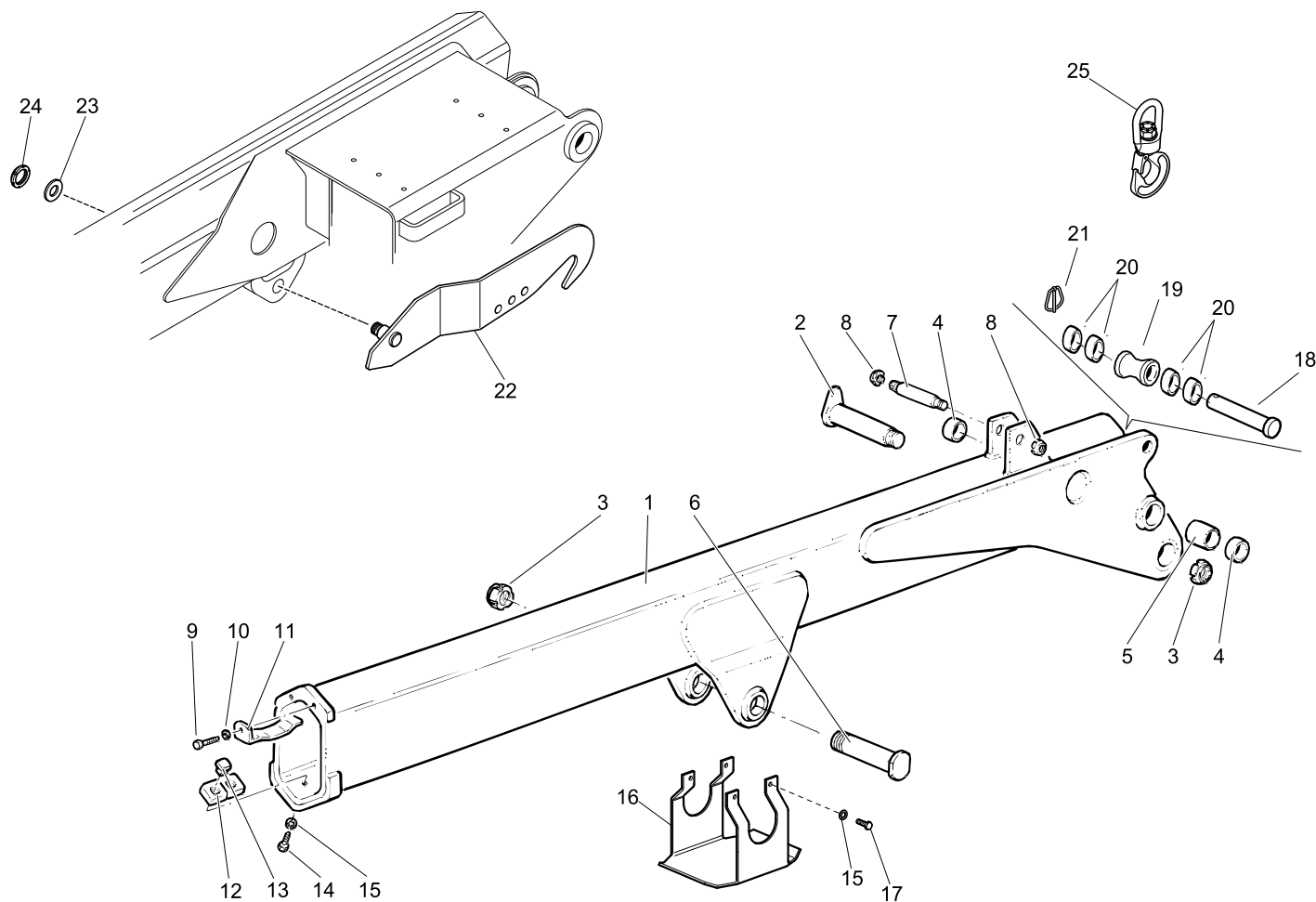
JIB ARM

Code

5790057-2.0

2/2

R	Pos.	Code Variant	Q.ty	Description
	21	3060753	1	Cotter pin (Locking ring)
	22	5000217	1	
	23	3060012	1	Flat washer [D.21X37X3 UNI 6592 ZC]
	24	3040504	1	Self-locking ringnut
	25	W599005	1	

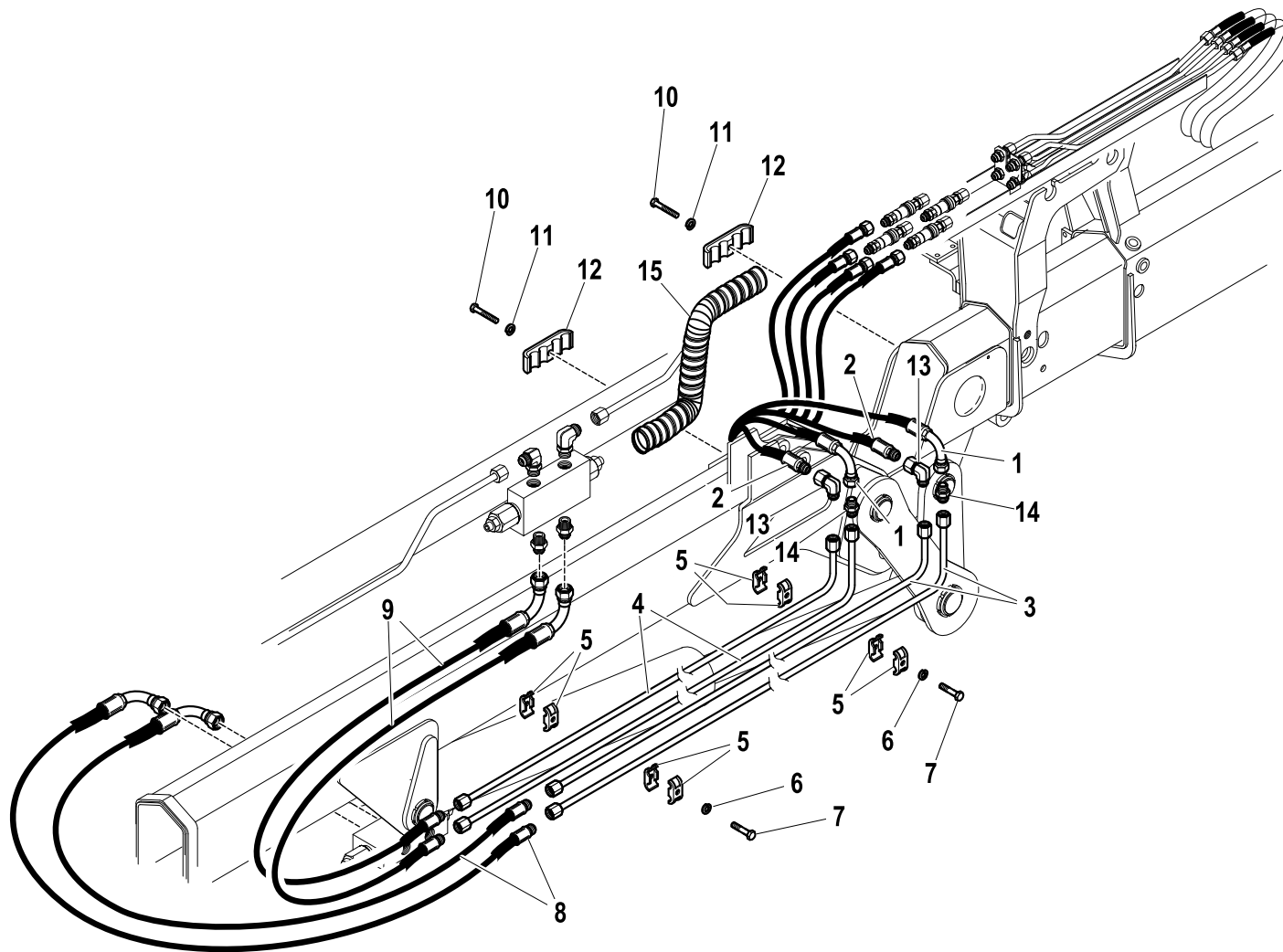


HYDRAULIC SYSTEM CYLINDERS

Code

5790057-3.0

1/1



R	Pos.	Code Variant	Q.ty	Description
	1	5260640	2	Flexible hose
	2	5260513	2	Flexible hose
	3	W440601300	2	
	4	W440601200	2	
	5	5000077	8	Clamp (Rigid Pipe)
	6	3060055	2	Split lock washer [D=8.4 C72 ZC]
	7	3010034	2	Hex screw [M8X55 8.8 UNI 5737 ZC]
	8	W456909	2	
	9	W456 912	2	
	10	3010037	2	Hex screw [M8X70 8.8 UNI 5737 ZC]
	11	3060006	2	Flat washer [D.8 UNI 6592 ZC]
	12	W128030	2	
	13	3120011	2	90° Connection
	14	3120099	2	
	15	3190288	mt0,5	

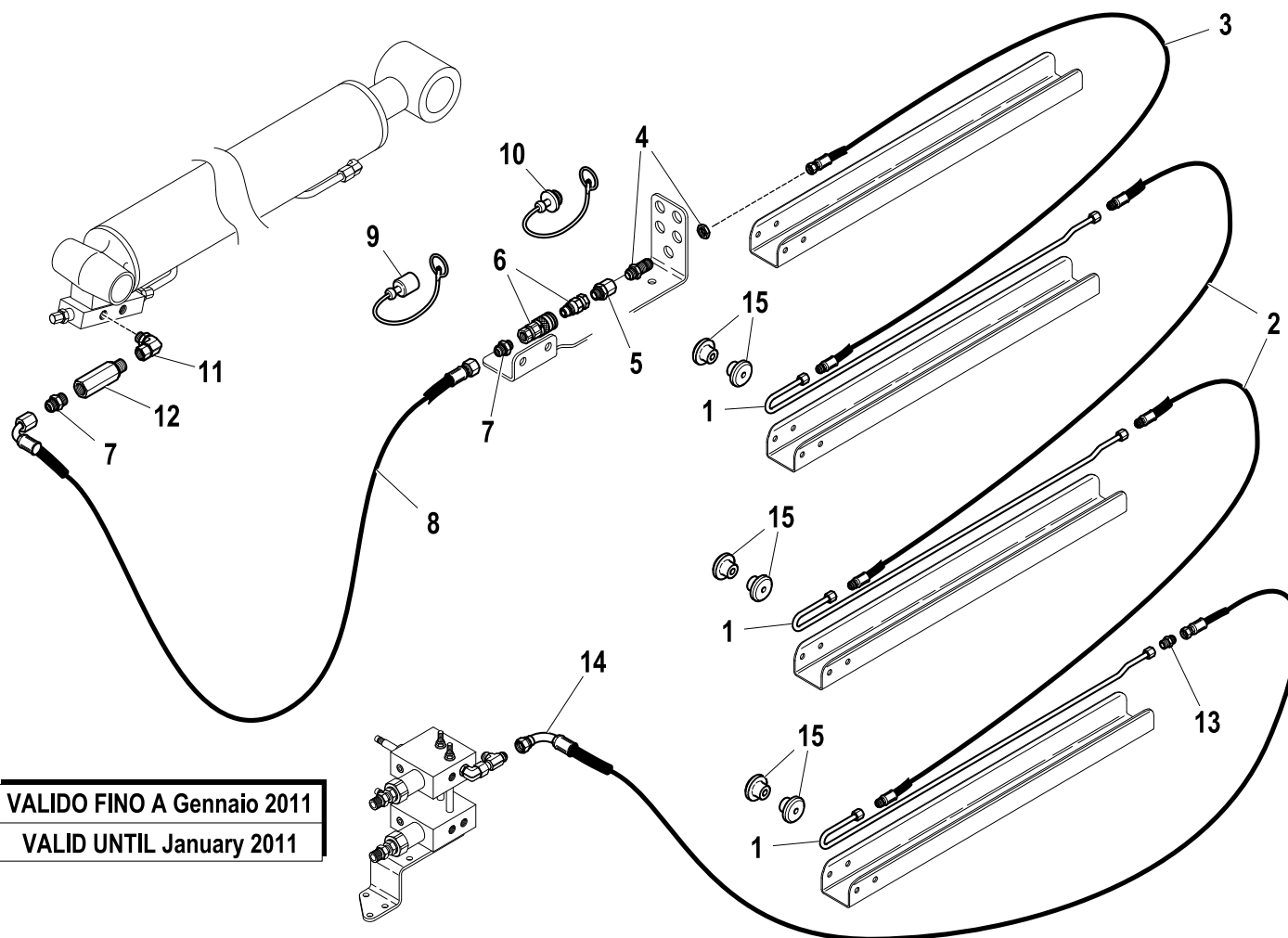
Activation hydraulic input jib (CRANES)

Code

5411034-1.0

1/1

R	Pos.	Code Variant	Q.ty	Description
	1	5392106	3	
	2	5261059	2	Flexible hose
	3	5261058	1	Flexible hose
	4	3120309	1	Wall-through pipe fitting
	5	3120064	1	Straight pipe fitting
	6	3110542	1	Quick coupling
	7	3101039	2	Straight pipe fitting
	8	5260374	1	Flexible hose
	9	3110082	1	Female plug
	10	3110081	1	Plug
	11	3111512	1	90° Connection
	12	5220300	1	Hose burst valve (Sleeve)
	13	3120099	1	
	14	5261136	1	Flexible hose
	15	5141078	6	

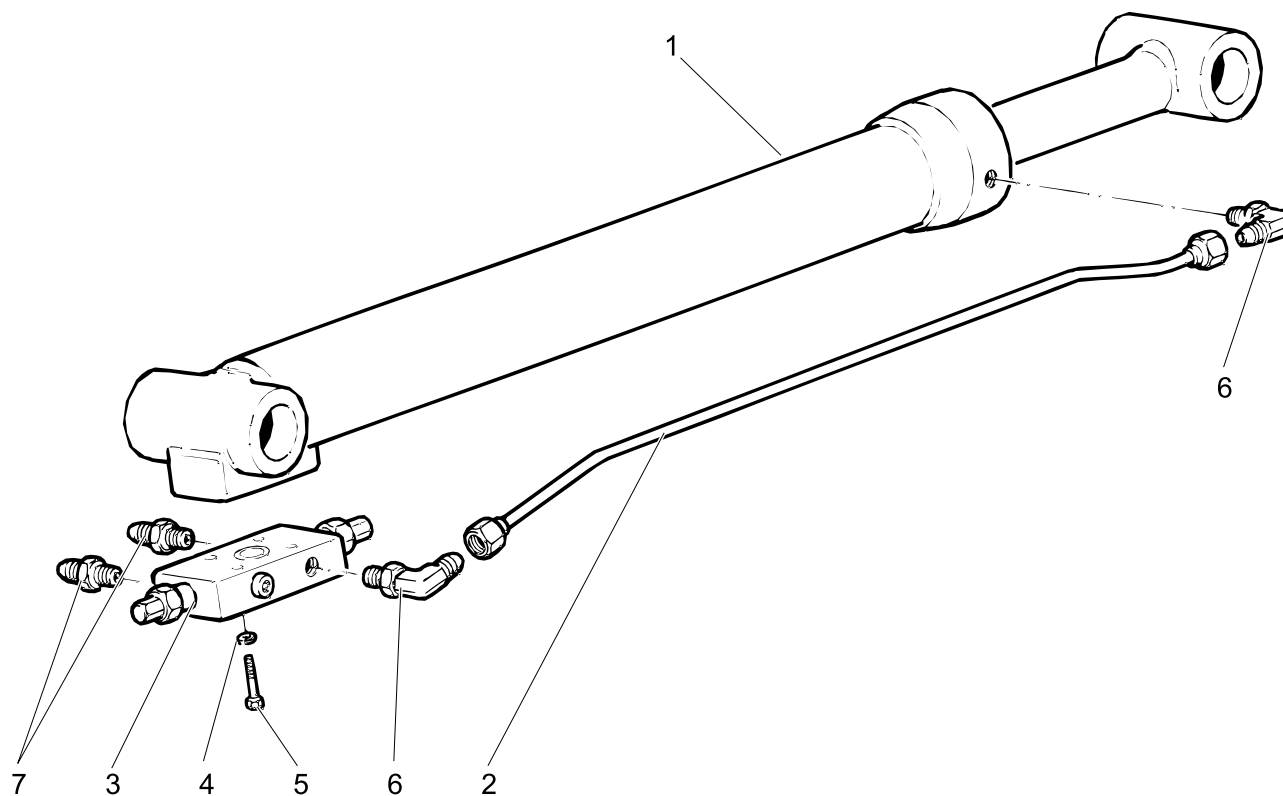


VALIDO FINO A Gennaio 2011
VALID UNTIL January 2011

HYDRAULIC SYSTEM (ARTICULATION HYDRAULIC JACK)

Code		
W440650400-1.0		1/1

R	Pos.	Code Variant	Q.ty	Description
	1	W440650300	1	
	2	W440601100	1	
	3	5220548	1	Holding valve
	4	3060055	4	Split lock washer [D=8.4 C72 ZC]
	5	3010031	4	Hex screw [M8X40 8.8 ZC UNI 5737]
	6	3101127	2	90° Connection
	7	3101043	2	Straight pipe fitting

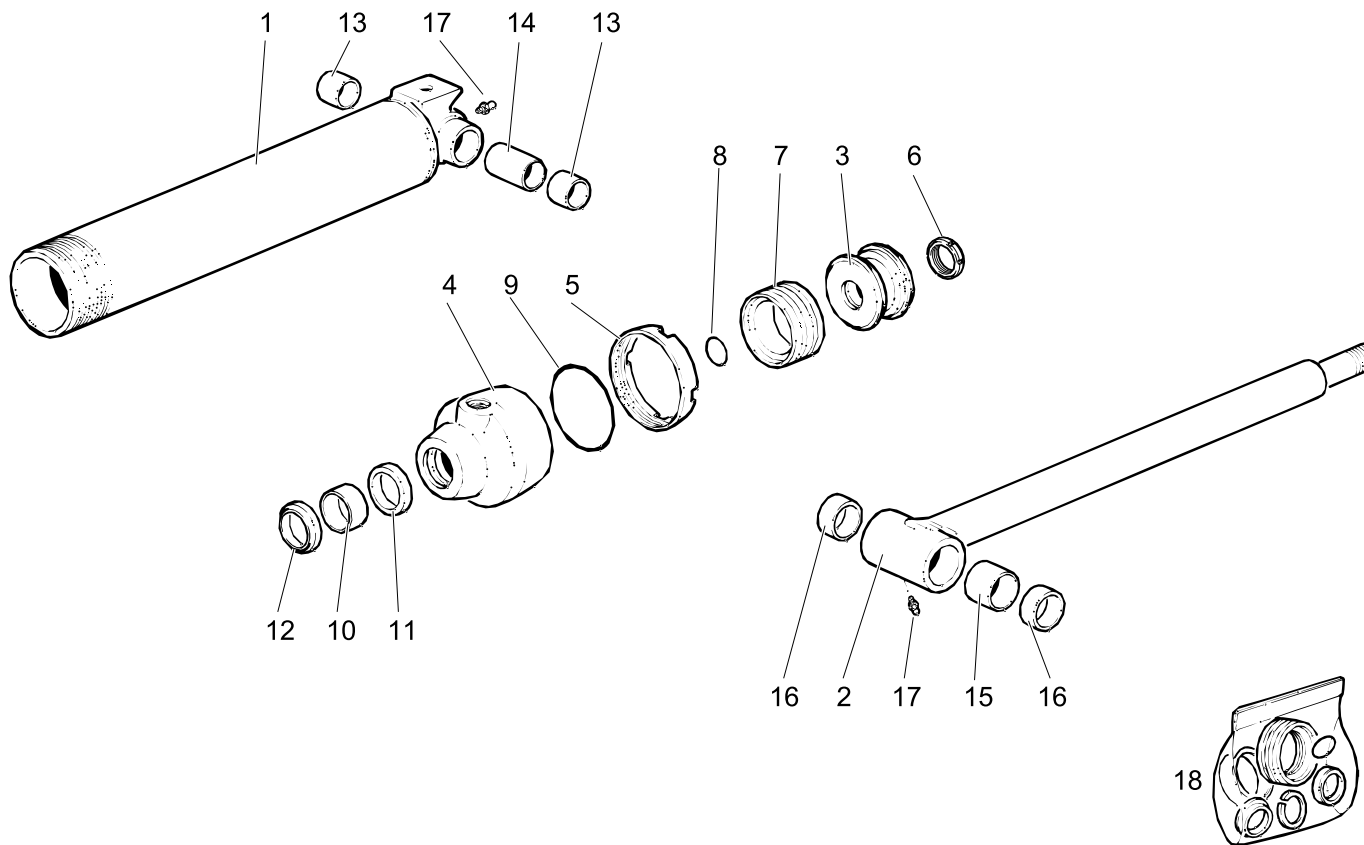


ARTICULATION HYDRAULIC JACK

Code

W440650300-1.0

1/1



R	Pos.	Code Variant	Q.ty	Description
	1	W440600500	1	
	2	W440600600	1	
	3	W105079	1	
	4	W370200500	1	
	5	W370200700	1	
	6	3040505	1	Self-locking ringnut
	7	W359019	1	
	8	W360109	1	
	9	W360044	1	
	10	W102133	1	
	11	W358021	1	
	12	W361014	1	
	13	W102134	2	
	14	W370200800	1	
	15	W440600700	1	
	16	W102136	2	
	17	3080500	2	Grease nipple
	18	W365108	1	

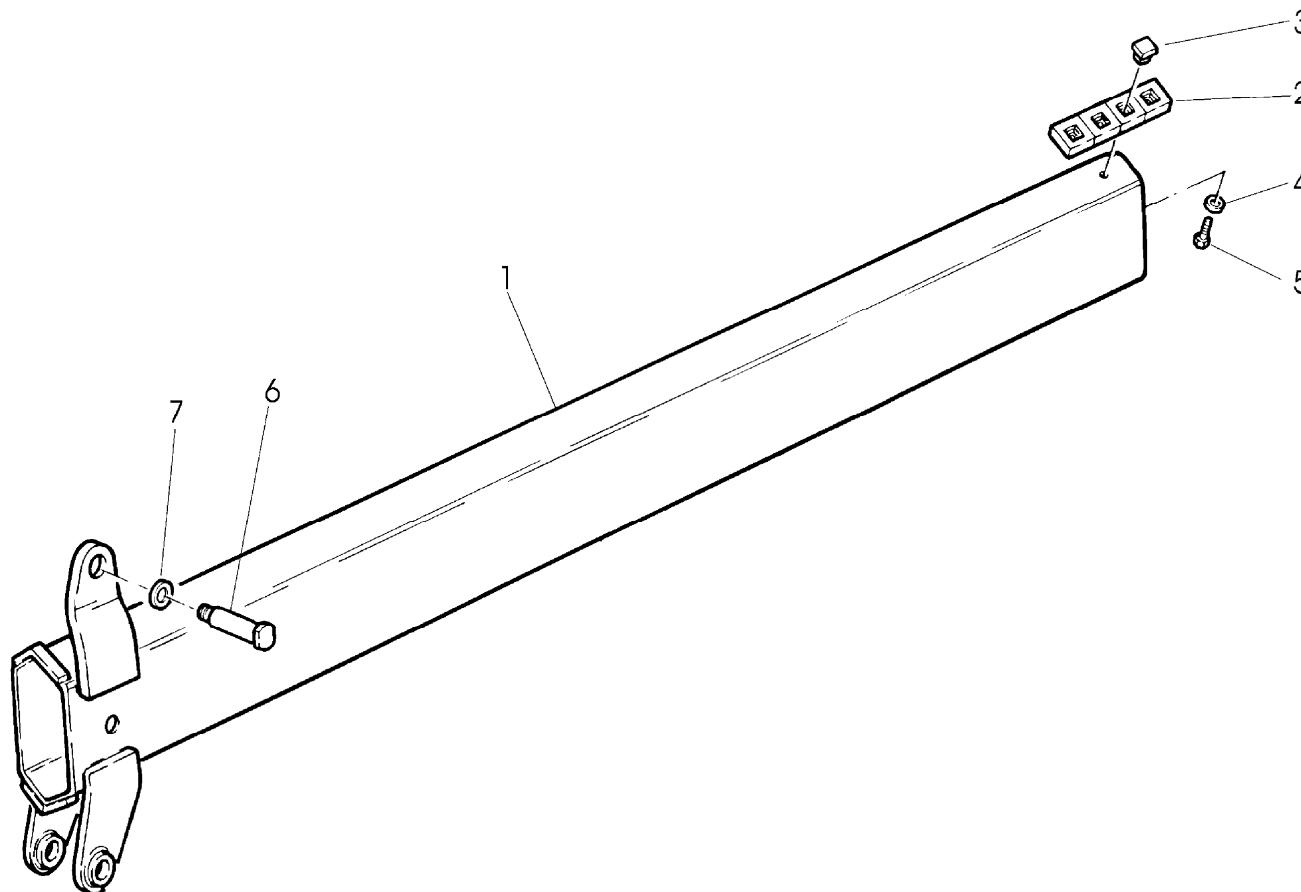
1st EXTENSION (JIB)

Code

W038308-1.0

1/1

R	Pos.	Code Variant	Q.ty	Description
	1	W380302600	1	
	2	W380300700	2	
	3	W370300800	4	
	4	3060006	4	Flat washer [D.8 UNI 6592 ZC]
	5	3010055	4	Hex screw [M8X10 8.8 ZC UNI 5739]
	6	W101213	1	
	7	3060009	1	Flat washer [D.15X28X2.5 UNI 6592 ZC]

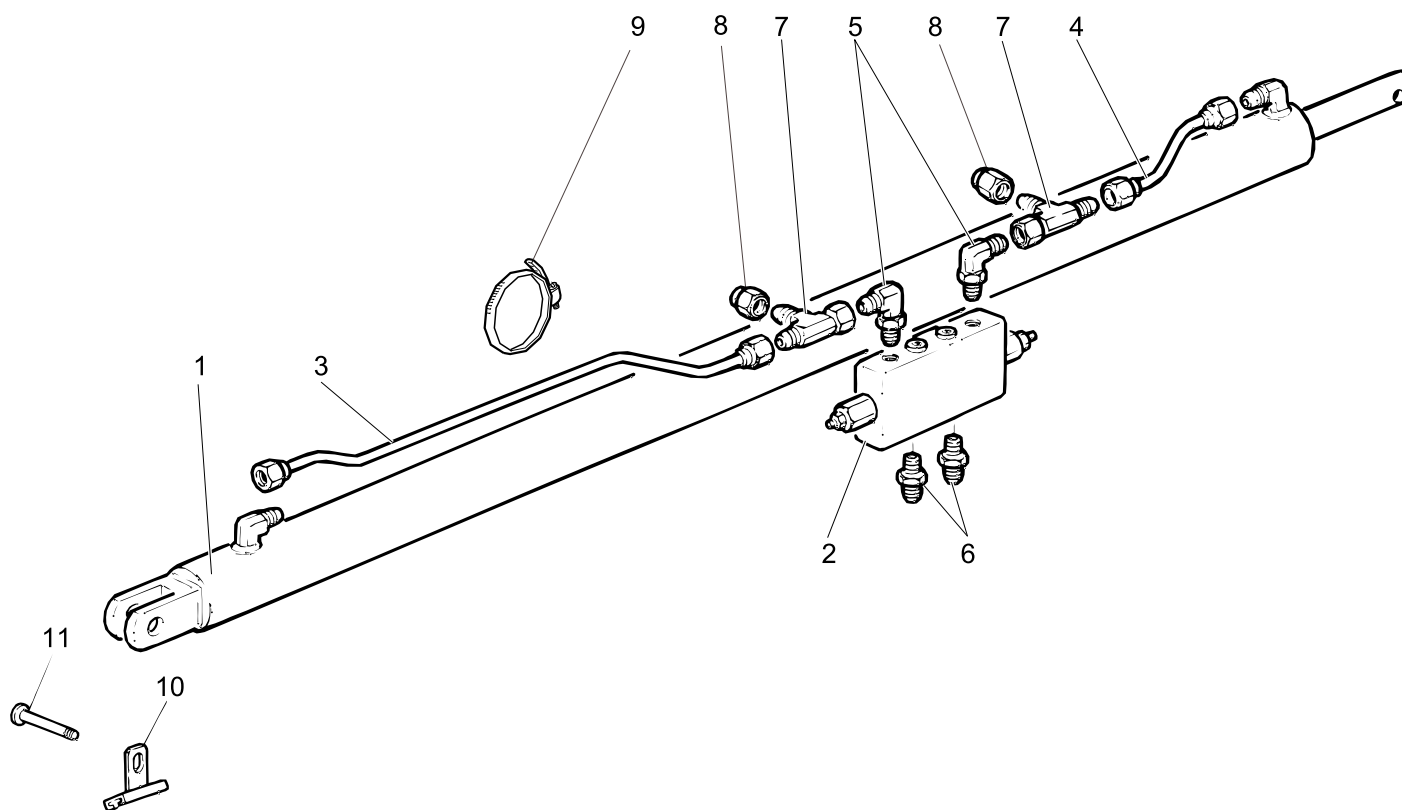


HYDRAULIC SYSTEM (1th extension hydraulic cylinder)

Code

W380350200-1.3

1/1



R	Pos.	Code Variant	Q.ty	Description
	1	W380350100	1	
	2	5220122	1	Valve
	3	W380500300	1	
	4	W380500400	1	
	5	3101125	2	90° Connection
	6	3101040	2	Straight pipe fitting
	7	3120003	2	Tee fitting
	8	3110040	2	Female plug
	9	3190012	1	Clamp
	10	W380300800	1	
	11	W101213	1	

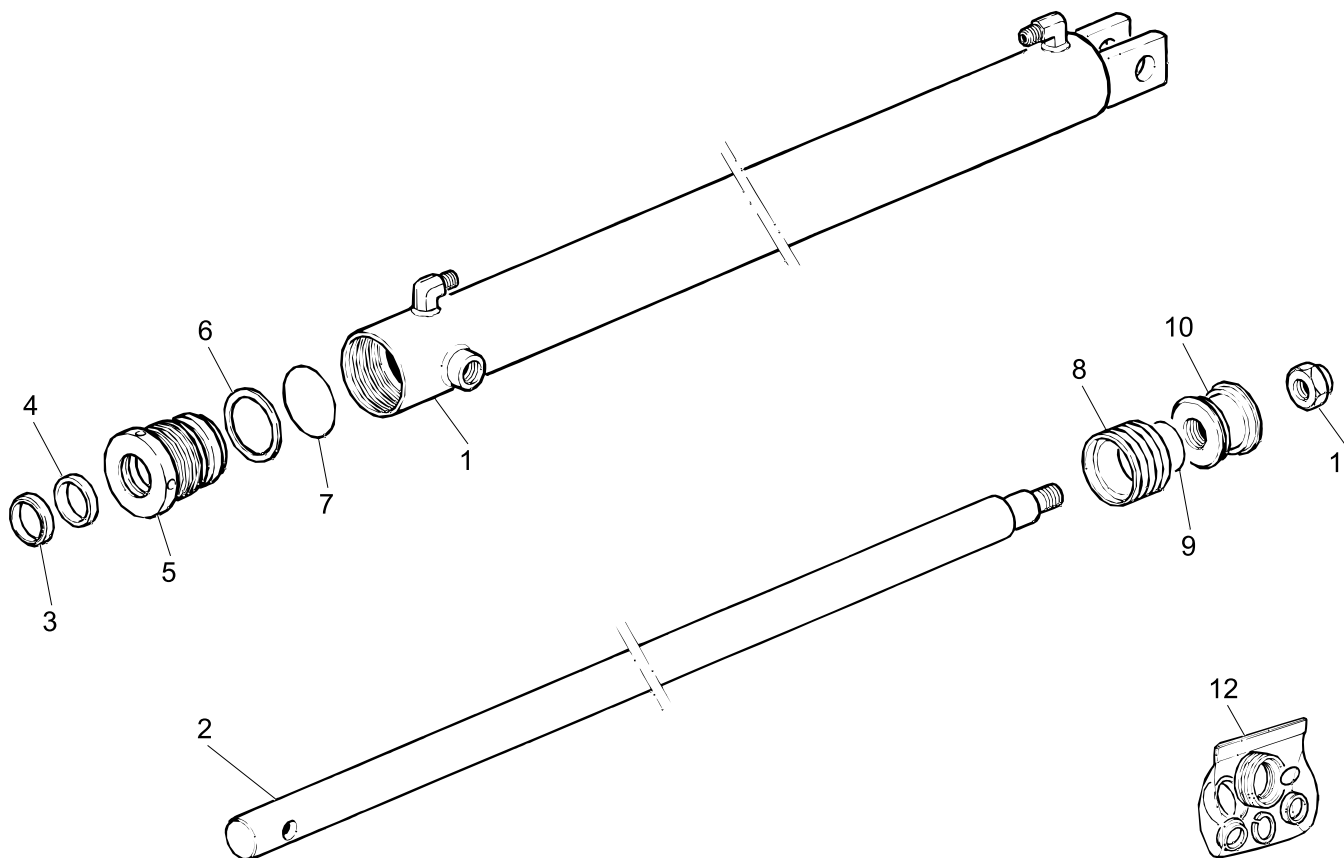
1st extension hydraulic jack

Code

W380350100-1.6

1/1

R	Pos.	Code Variant	Q.ty	Description
	1	W380300400	1	
	2	W380300500	1	
	3	W361012	1	
	4	W358002	1	
	5	W120056	1	
	6	W304018	1.	
	7	W360049	1	
	8	W359010	1	
	9	W360002	1	
	10	W105061	1	
	11	3040377	1	Stopnut
	12	W365060	1	



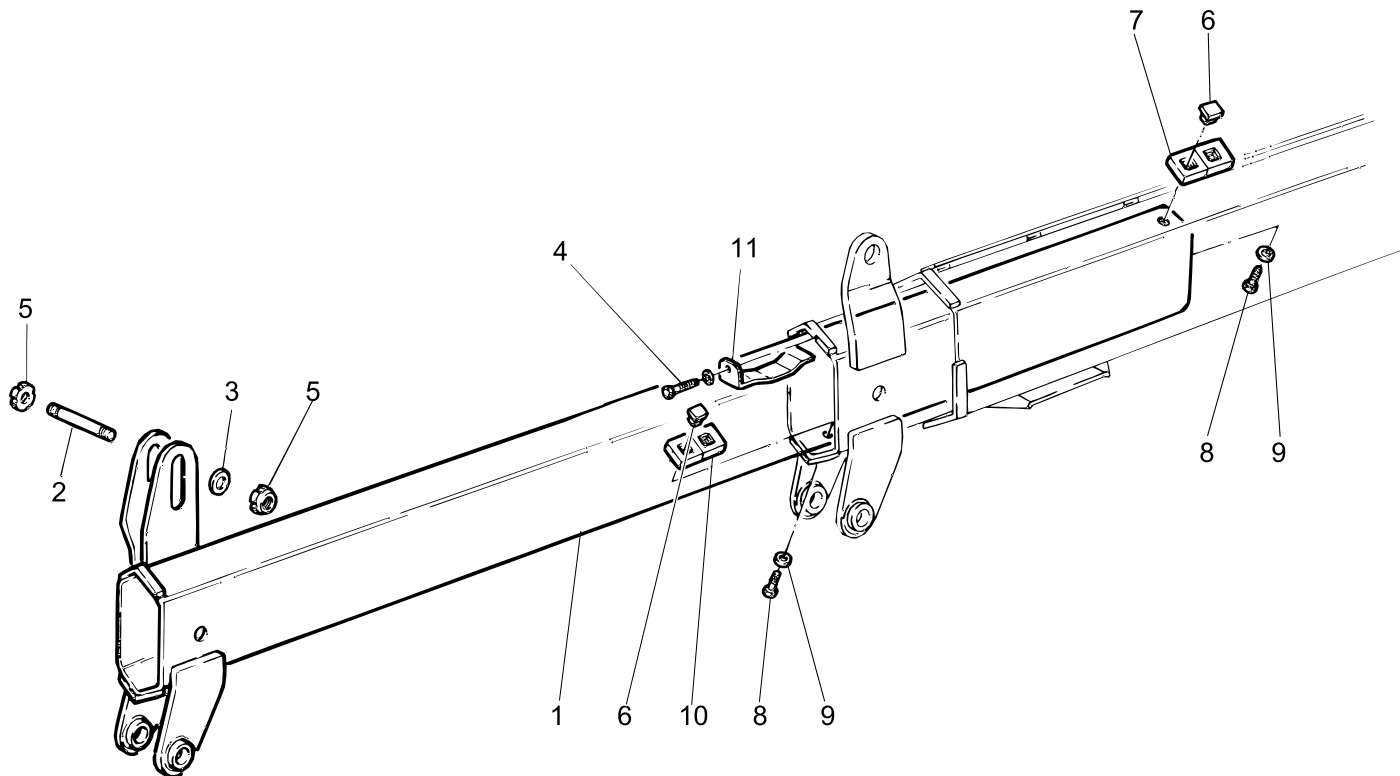
2nd EXTENSION

Code

W038303-1.1

1/1

R	Pos.	Code Variant	Q.ty	Description
	1	W380300300	1	
	2	W101218	1	
	3	3060010	2	Flat washer [D.17X30X3 UNI 6592 ZC]
	4	3010323	2	Hex screw [M6X10 8.8 ZC UNI 5739]
	5	3040498	2	Self-locking ringnut
	6	W370300800	8	
	7	W370301000	2	
	8	3010336	8	Hex screw [M8X12 8.8 ZC UNI 5739]
	9	3060029	8	Flat washer [D.8.5X24 UNI 6593 ZC]
	10	W370300900	2	
	11	3060683	2	



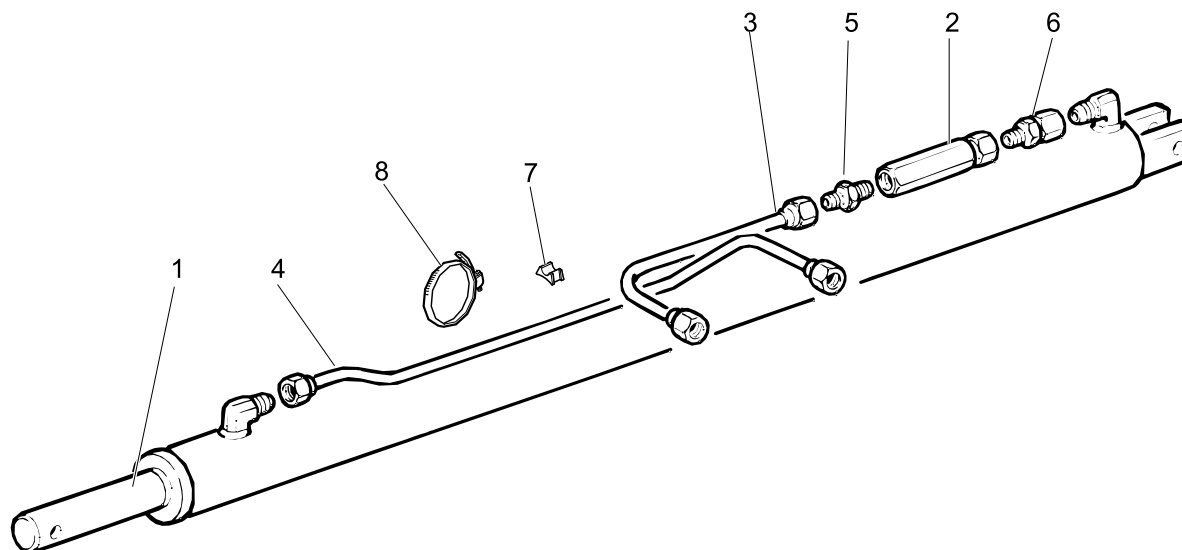
HYDRAULIC SYSTEM (2nd EXTENSION)

Code

W380351000-1.0

1/1

R	Pos.	Code Variant	Q.ty	Description
	1	W370350100	1	
	2	W470853	1	
	3	W380500500	1	
	4	W380500600	1	
	5	3101040	1	Straight pipe fitting
	6	3120065	1	
	7	5140133	1	Piping mounting
	8	3190023	1	Clamp



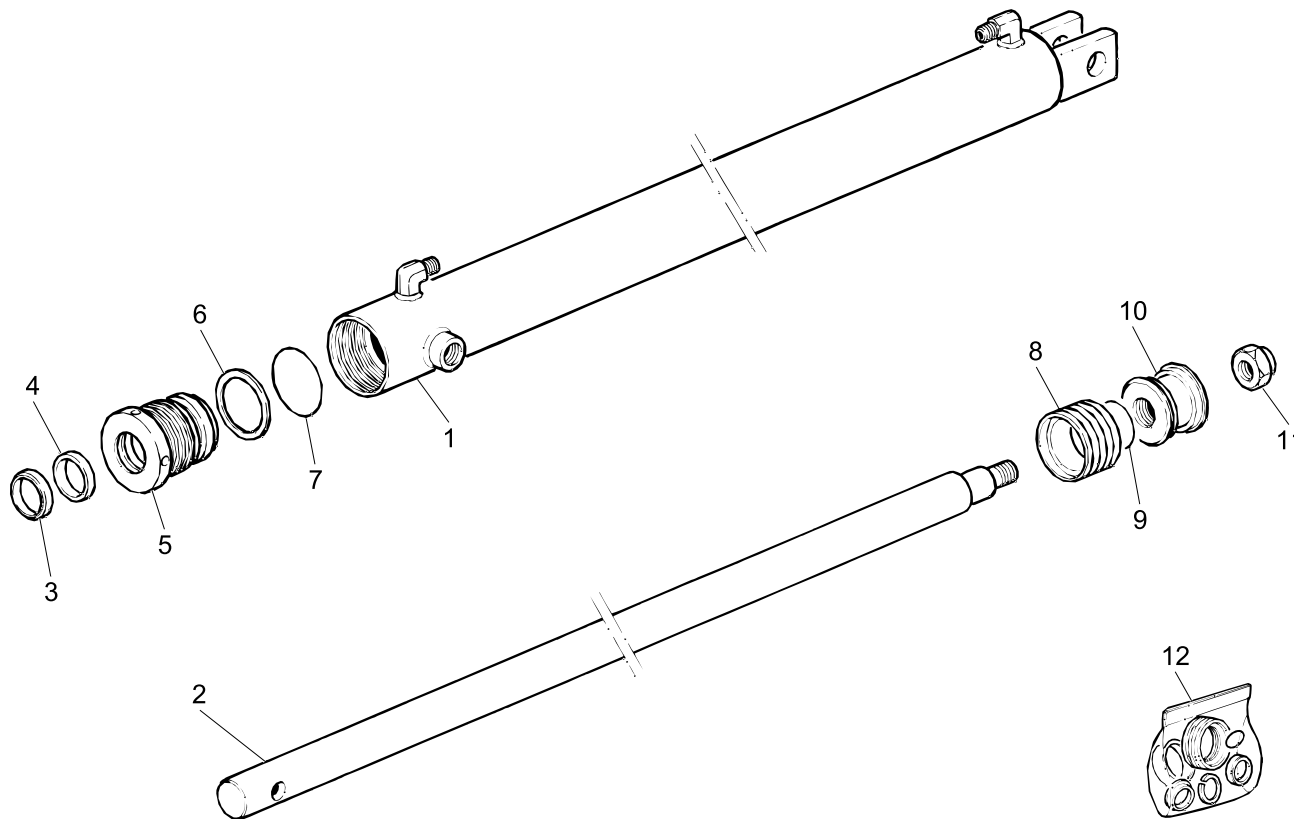
2nd EXTENSION HYDRAULIC JACK

Code

W370350100-1.6

1/1

R	Pos.	Code Variant	Q.ty	Description
	1	W370300400	1	
	2	W370300500	1	
	3	W361011	1	
	4	W358022	1	
	5	W120061	1	
	6	W304004	1	
	7	W360010	1	
	8	W359035	1	
	9	W360070	1	
	10	W105058	1	
	11	3040306	1	Stopnut
	12	W365064	1	



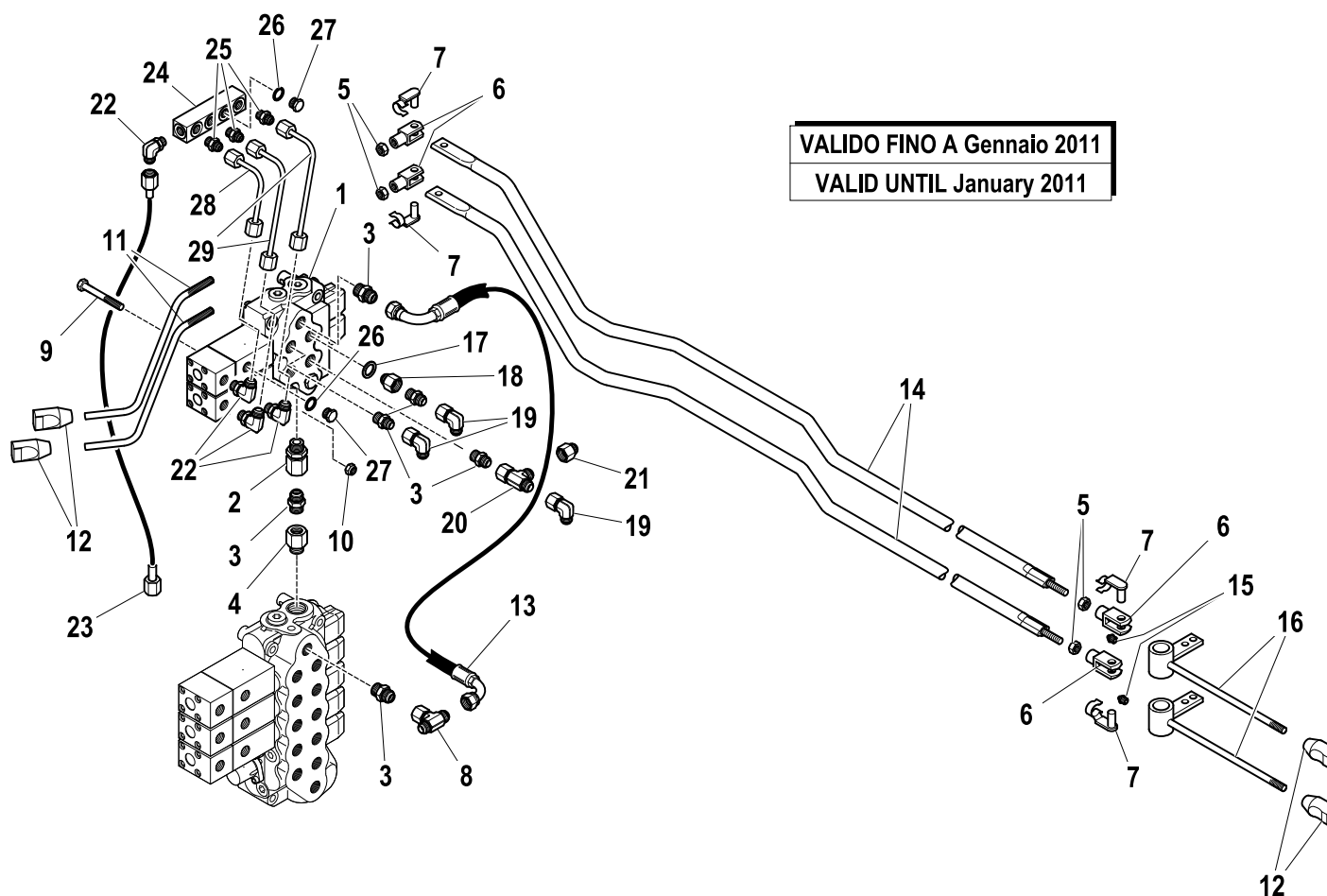
370350100-1.6

2 extra function kit open center spool

Code

5210014-1.0

1/2



VALIDO FINO A Gennaio 2011
VALID UNTIL January 2011

R	Pos.	Code Variant	Q.ty	Description
	1	5220194	1	
	2	3120066	1	Straight pipe fitting
	3	3101043	7	Straight pipe fitting
	4	5225240	1	
	5	3040045	4	Nut
	6	3300431	4	Fork
	7	3300451	4	Fork clip
	8	3120112	1	Tee fitting
	9	3010036	1	Hex screw [M8X65 8.8 ZC UNI 5739]
	10	3040303	1	Stopnut
	11	5001830	2	Control lever
	12	3190197	4	Knob
	13	5271175	1	Flexible hose
	14	5090489	2	
	15	3080500	2	Grease nipple
	16	5090433	2	Control lever
	17	3060144	1	Sealing washer [BSP 3/8"]
	18	3110112	1	Straight pipe fitting
	19	3120031	4	90° Connection
	20	3120004	1	Tee fitting

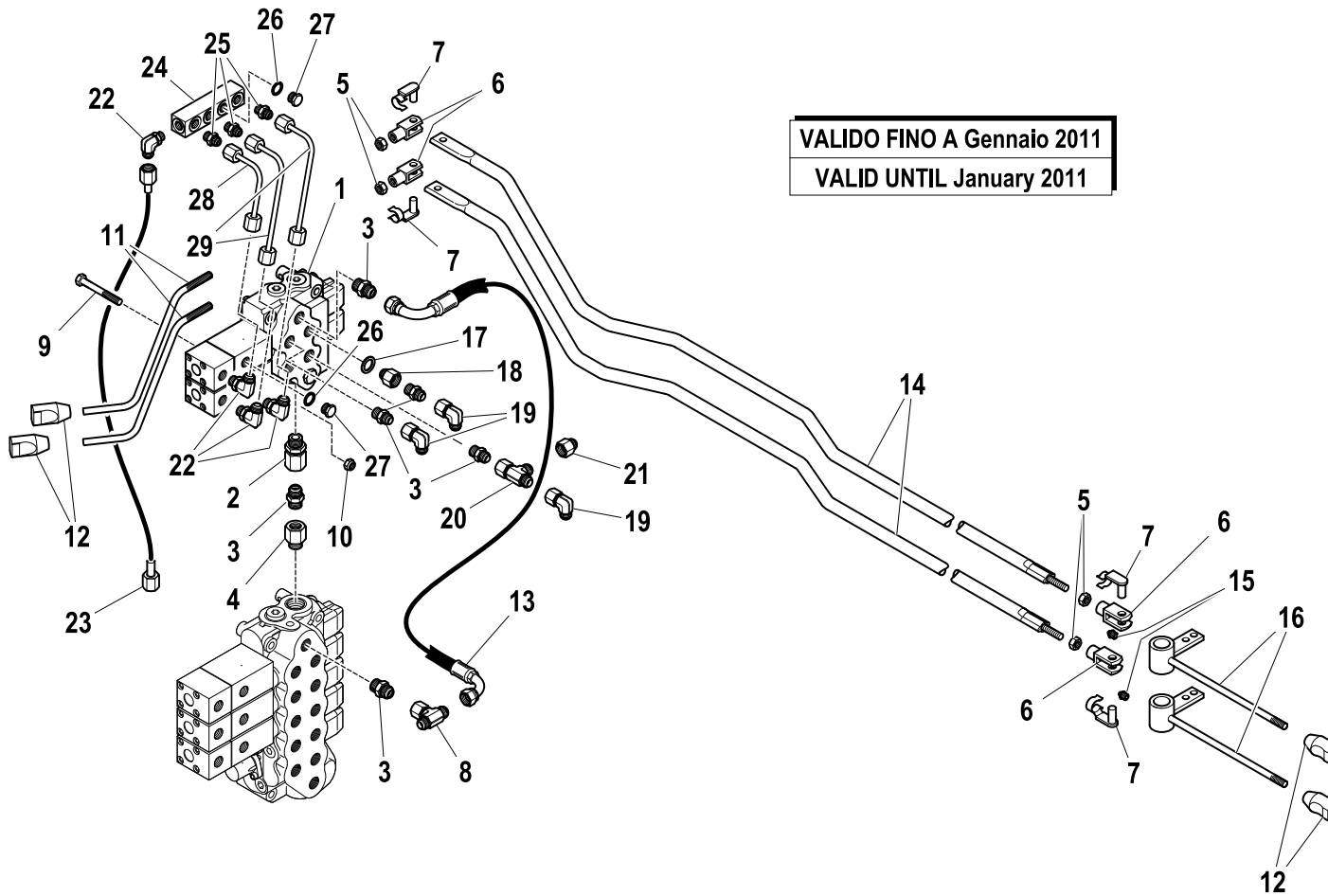
2 extra function kit open center spool

Code

5210014-1.0

2/2

R	Pos.	Code Variant	Q.ty	Description
	21	3120204	1	Reducing fitting
	22	3101195	4	90° Connection
	23	W465101	1	
	24	5001564	1	Manifold
	25	3101033	3	Straight pipe fitting
	26	3060142	2	Sealing washer [BSP 1/8"]
	27	3110066	2	Plug
	28	5392099	1	
	29	5392100	2	

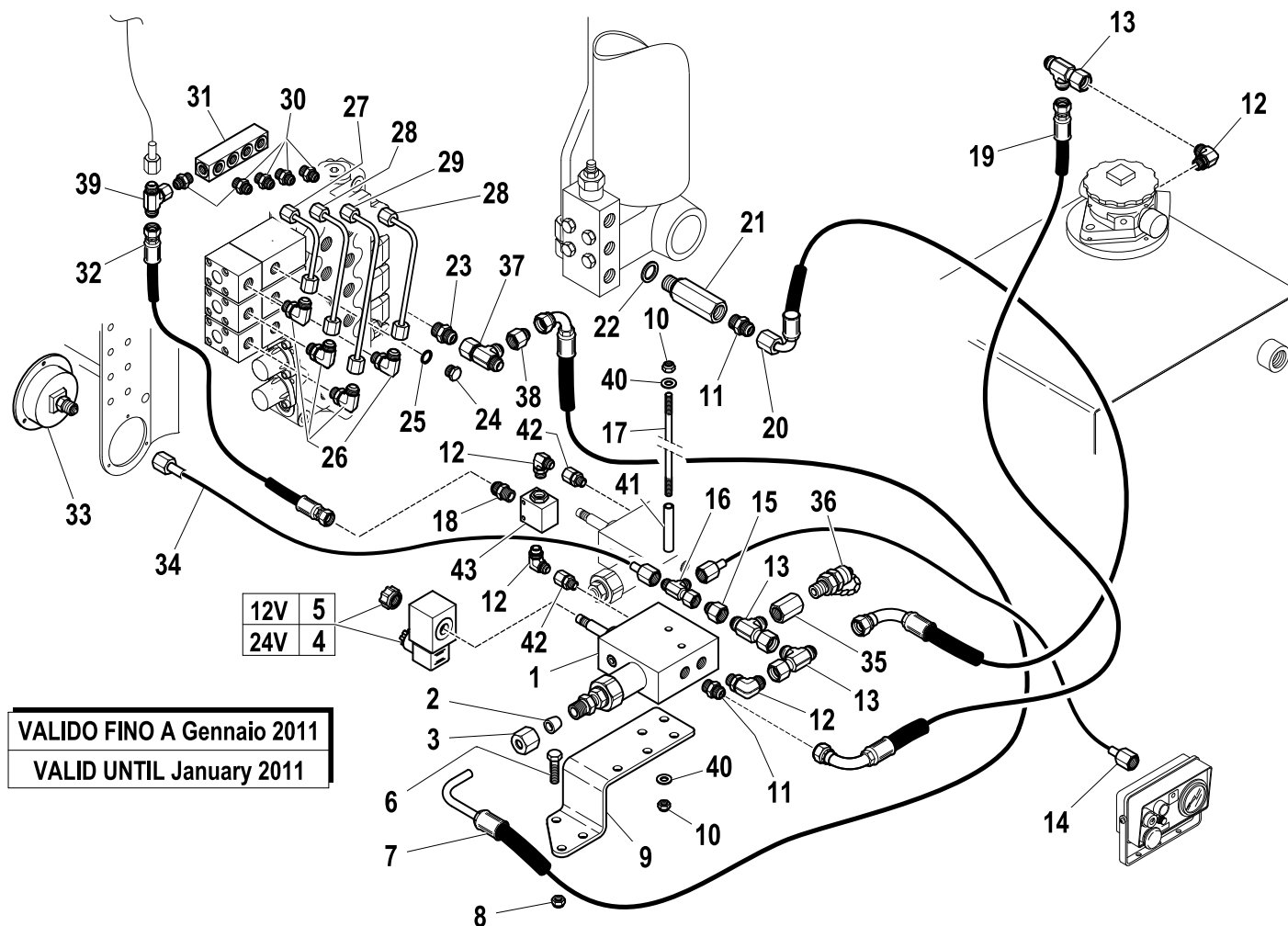


Moment limiting device (CE)

Code

5430166-1.0

1/3



VALIDO FINO A Gennaio 2011

VALID UNTIL January 2011

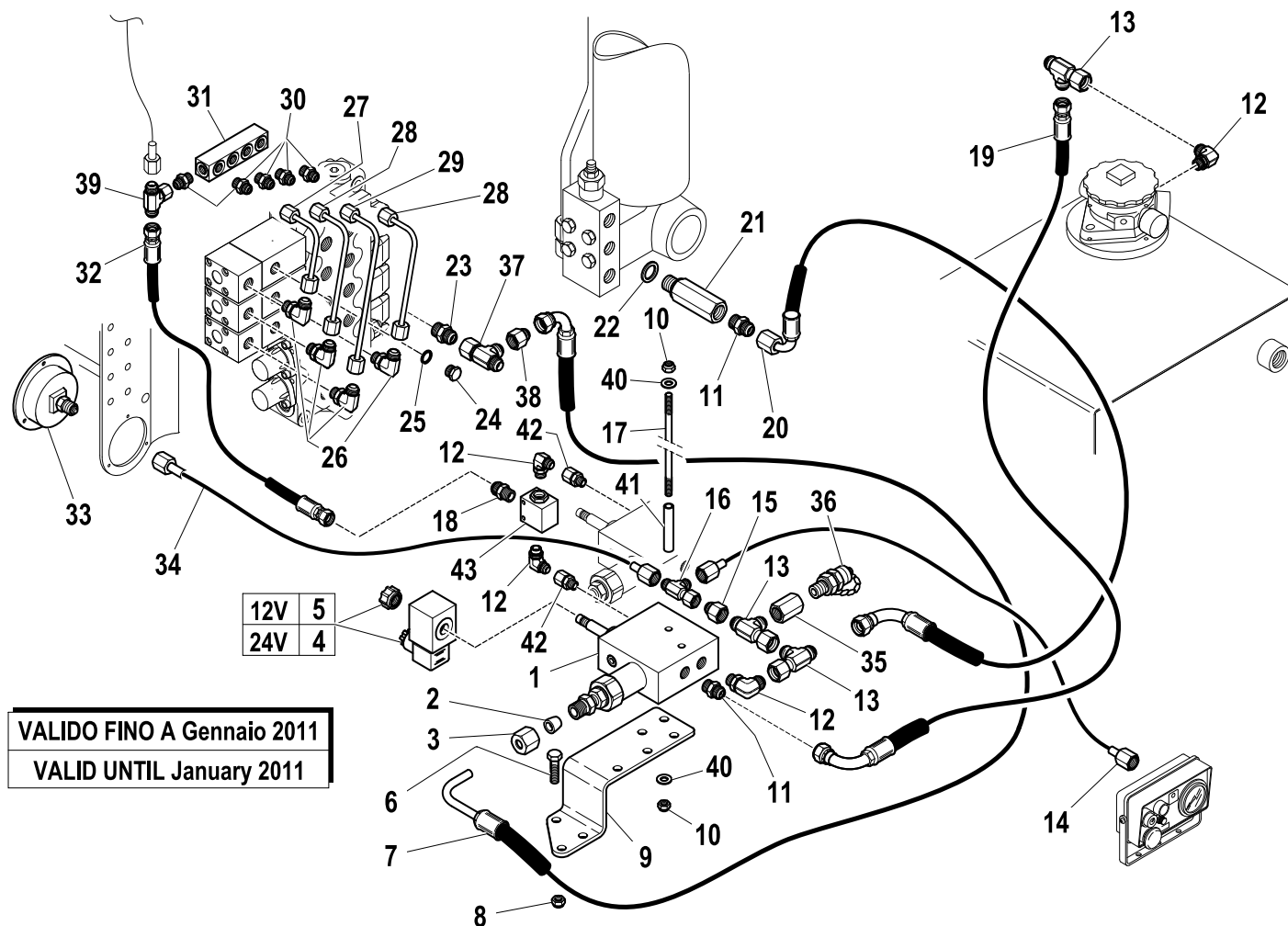
R	Pos.	Code Variant	Q.ty	Description
1		5220578	1	
2		3100956	1	Ring (Tightening)
3		3100952	1	Nut
4		3310242	1	Solenoid (24V)
5		3310238	1	Solenoid (12V)
6		3010029	2	Hex screw [M8X30 8.8 ZC UNI 5737]
7		5260829	1	Flexible hose
8		3040303	2	Stopnut
9		5001580	1	
10		3040372	4	Stopnut
11		3101039	2	Straight pipe fitting
12		3101124	4	90° Connection
13		3120003	3	Tee fitting
14		5300085	1	
15		3120200	1	Reducing fitting
16		3120001	1	Tee fitting
17		2510006	2	
18		3101034	1	Straight pipe fitting
19		5260828	1	Flexible hose
20		5261057	1	Flexible hose

Moment limiting device (CE)

Code

5430166-1.0

2/3



VALIDO FINO A Gennaio 2011

VALID UNTIL January 2011

R	Pos.	Code Variant	Q.ty	Description
	21	5220300	1	Hose burst valve (Sleeve)
	22	3060143	1	Sealing washer [BSP 1/4"]
	23	3101043	1	Straight pipe fitting
	24	3110066	1	Plug
	25	3060142	1	Sealing washer [BSP 1/8"]
	26	3101195	4	90° Connection
	27	5392099	1	
	28	5392100	2	
	29	5392101	1	
	30	3101033	5	Straight pipe fitting
	31	5001564	1	Manifold
	32	5260827	1	Flexible hose
	33	3180150	1	Pressure gauge
	34	5300082	1	
	35	3120385	1	Reducing fitting [RACC. FJ/FGAS 9/16J 1/4"]
	36	3111523	1	Pipe fitting (Tapping point) [RACC. MILITES 16X2-1/4"G]
	37	3120004	1	Tee fitting
	38	3120204	1	Reducing fitting
	39	3120111	1	Tee fitting
	40	3060030	4	Flat washer [D.6.6X18 UNI 6593 ZC]

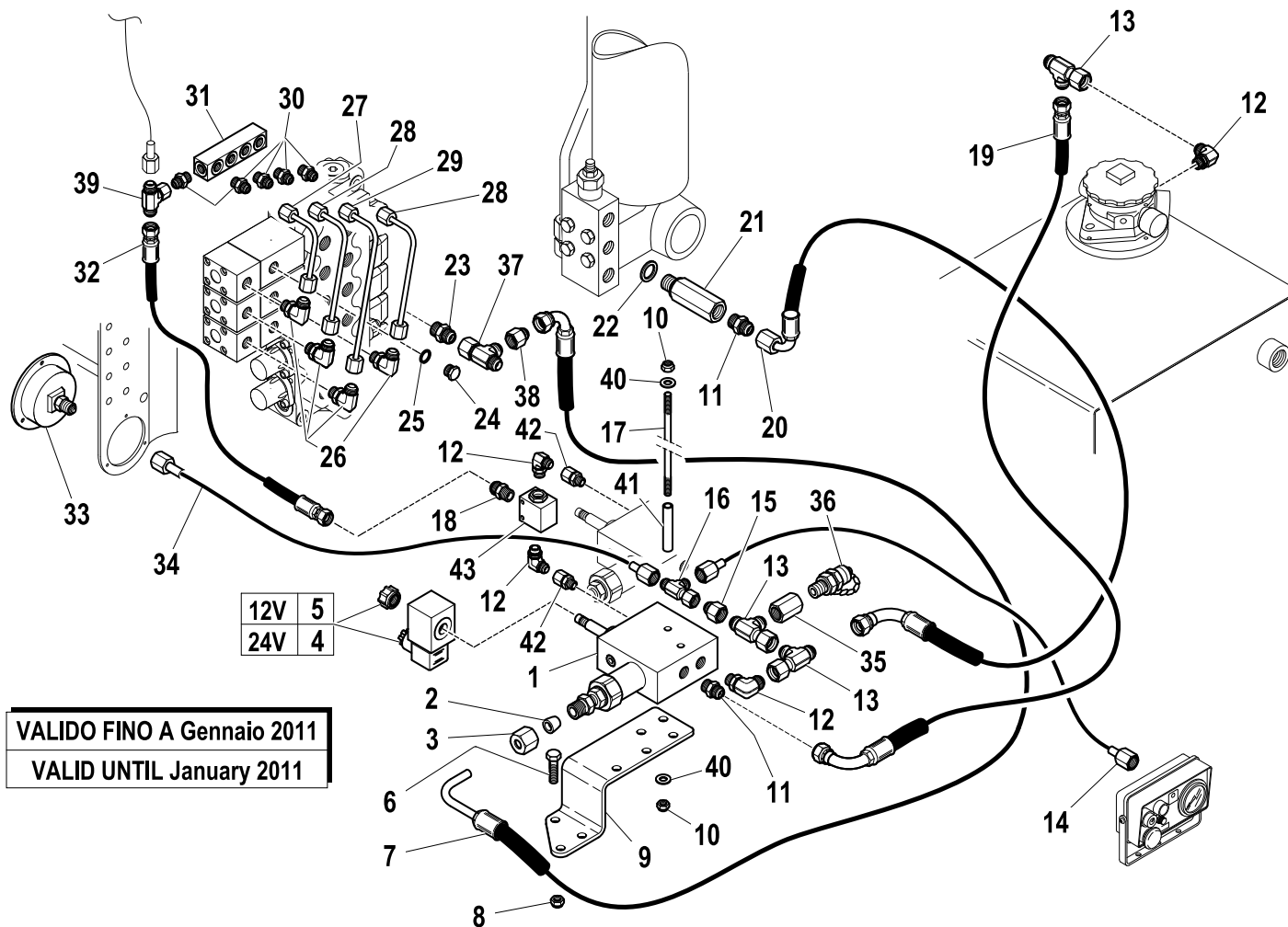
Moment limiting device (CE)

Code

5430166-1.0

3/3

R	Pos.	Code Variant	Q.ty	Description
	41	5000216	2	
	42	3120064	2	Straight pipe fitting
	43	5220542	1	



VALIDO FINO A Gennaio 2011
VALID UNTIL January 2011

Moment limiting device (CE)

Code

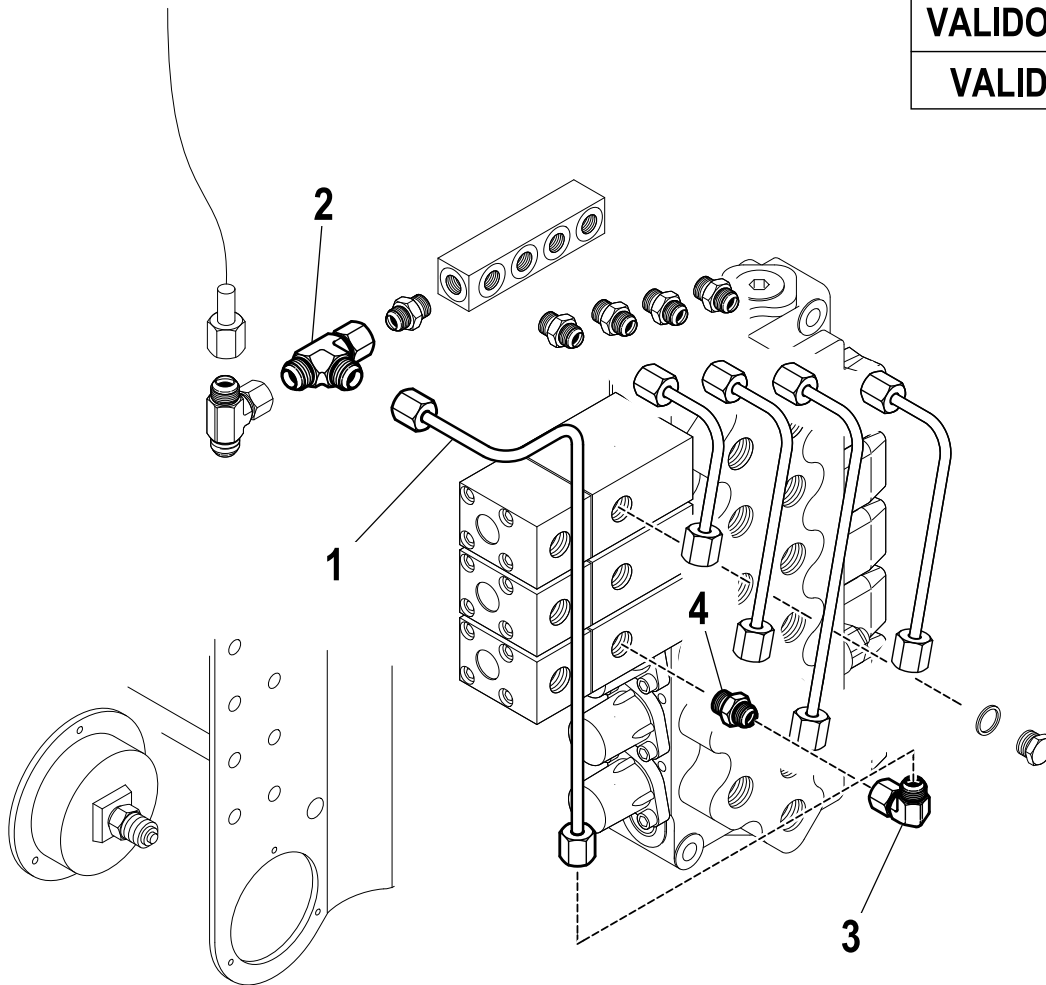
5430166-3.0

1/1

R	Pos.	Code Variant	Q.ty	Description
	1	5392386	1	
	2	3120001	1	Tee fitting
	3	3120076	1	90° Connection
	4	3101033	1	Straight pipe fitting

VALIDO FINO A Gennaio 2011

VALID UNTIL January 2011

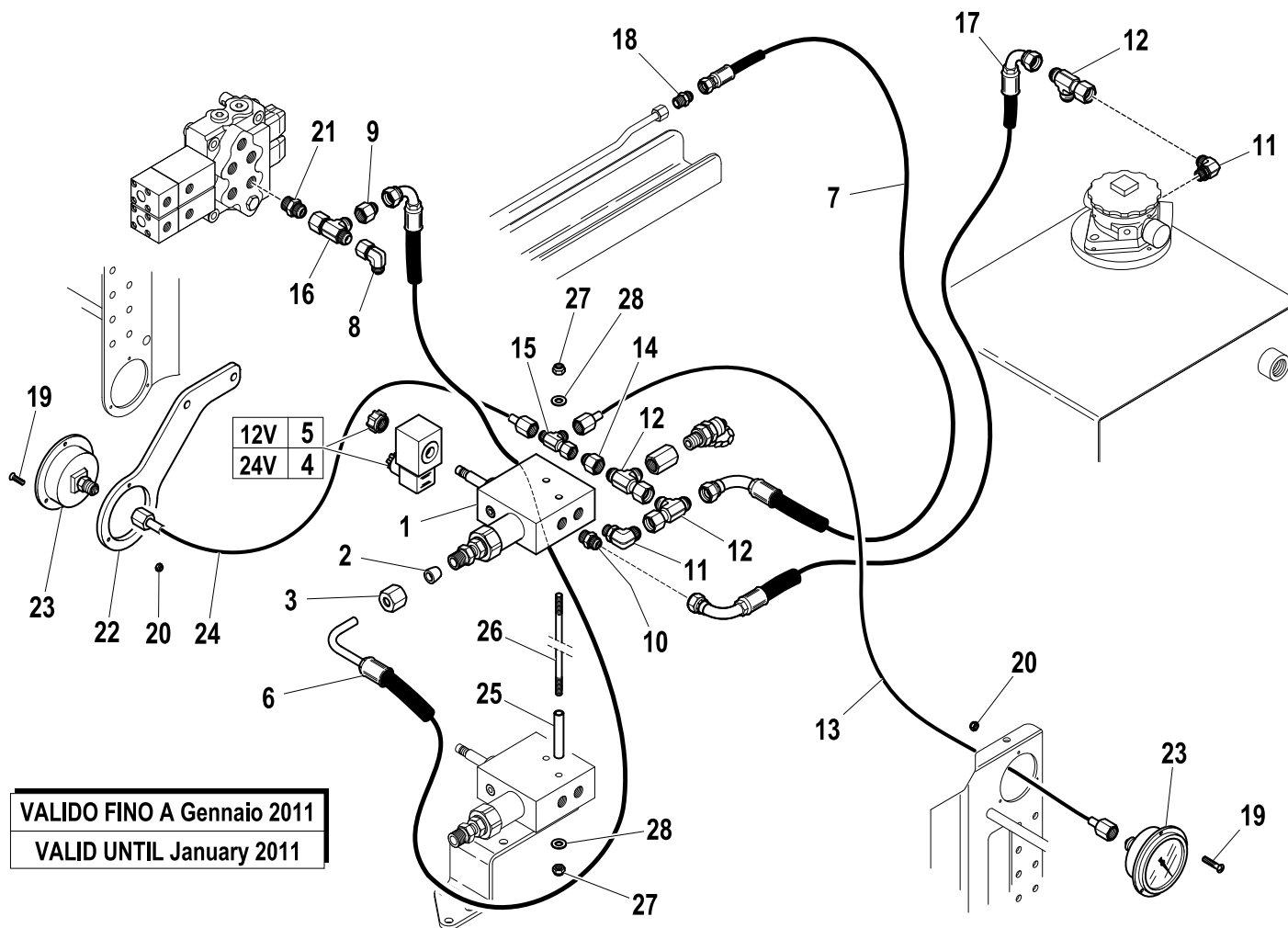


Moment limiting device (CE)

Code

5430166-2.0

1/2



R	Pos.	Code Variant	Q.ty	Description
	1	5220578	1	
	2	3100956	1	Ring (Tightening)
	3	3100952	1	Nut
	4	3310242	1	Solenoid (24V)
	5	3310238	1	Solenoid (12V)
	6	5260993	1	Flexible hose
	7	5261136	1	Flexible hose
	8	3120031	1	90° Connection
	9	3120204	1	Reducing fitting
	10	3101039	1	Straight pipe fitting
	11	3101124	2	90° Connection
	12	3120003	3	Tee fitting
	13	5300085	1	
	14	3120200	1	Reducing fitting
	15	3120001	1	Tee fitting
	16	3120004	1	Tee fitting
	17	5261138	1	Flexible hose
	18	3120099	1	
	19	3020880	6	[M3X15 UNI 7688 ZC TAGLIO CR.]
	20	3040516	6	Stopnut

VALIDO FINO A Gennaio 2011
 VALID UNTIL January 2011

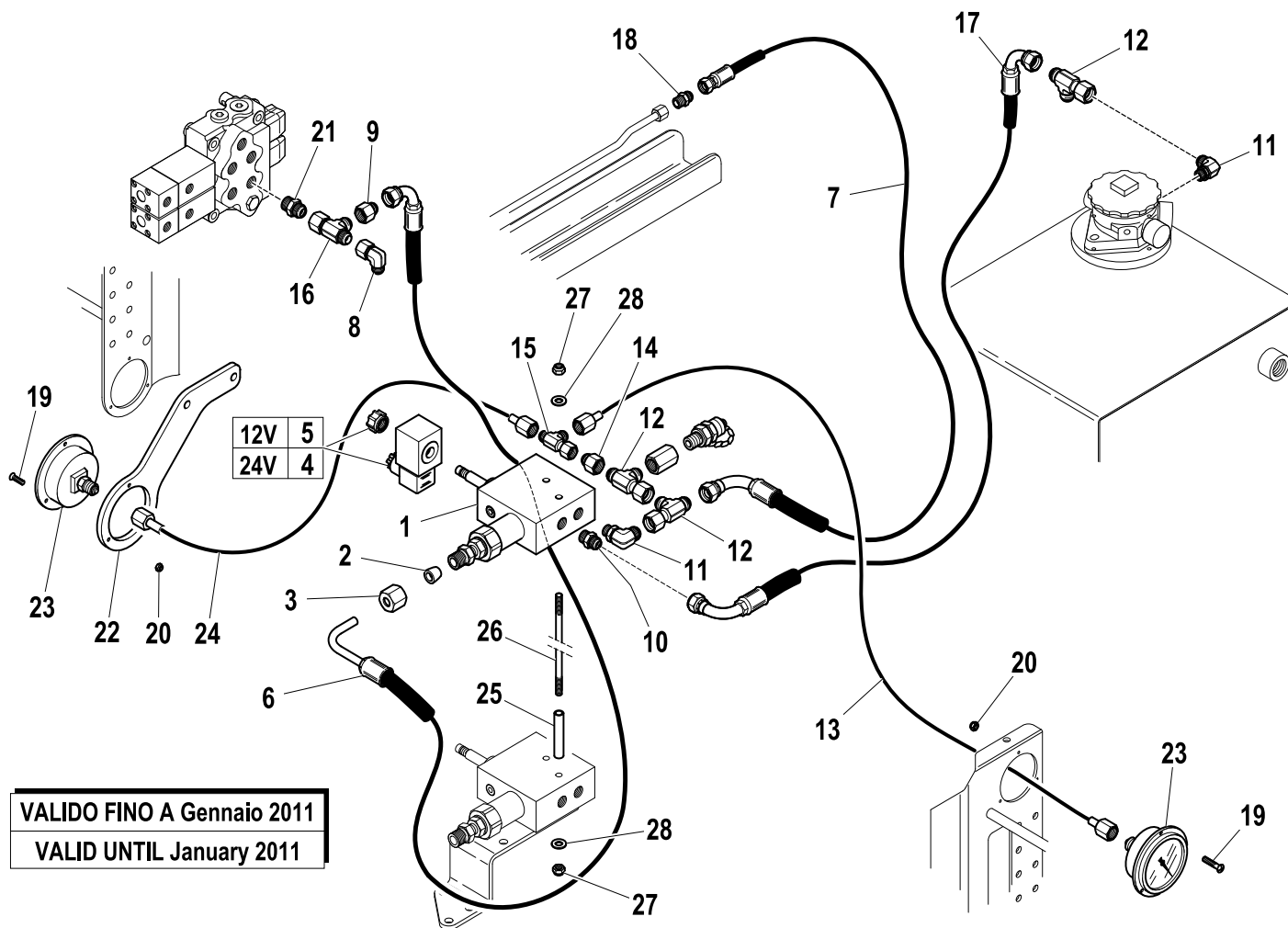
Moment limiting device (CE)

Code

5430166-2.0

2/2

R	Pos.	Code Variant	Q.ty	Description
	21	3101043	1	Straight pipe fitting
	22	5000213	1	
	23	3180150	2	Pressure gauge
	24	5300082	1	
	25	5000216	2	
	26	2510006	2	
	27	3040372	4	Stopnut
	28	3060030	4	Flat washer [D.6.6X18 UNI 6593 ZC]



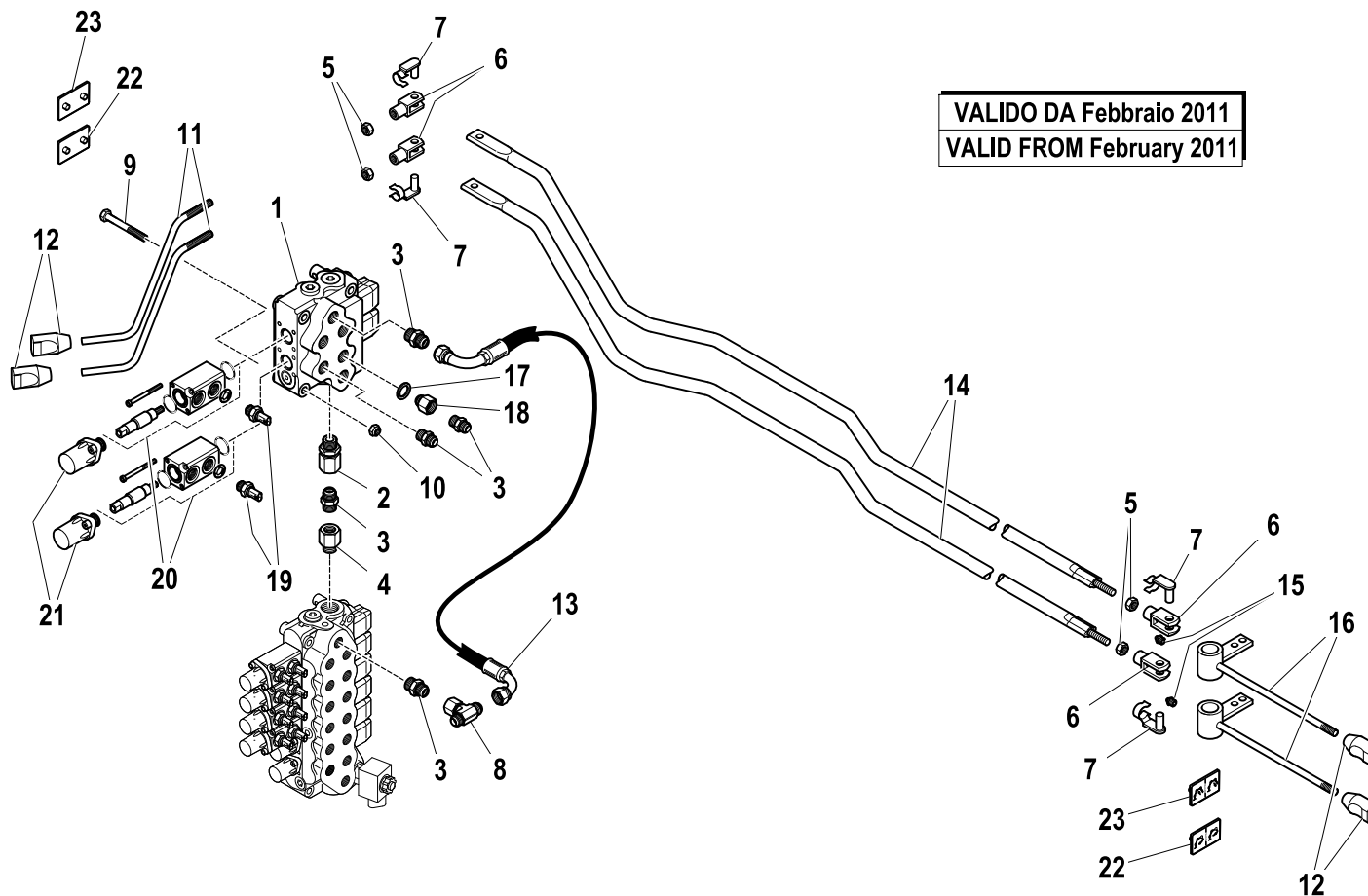
VALIDO FINO A Gennaio 2011
 VALID UNTIL January 2011

2 extra function kit open center spool (JIB)

Code

5210043-1.0

1/2



VALIDO DA Febbraio 2011
VALID FROM February 2011

R	Pos.	Code Variant	Q.ty	Description
	1	5220194	1	
	2	3120066	1	Straight pipe fitting
	3	3101043	7	Straight pipe fitting
	4	5225240	1	
	5	3040045	4	Nut
	6	3300431	4	Fork
	7	3300451	4	Fork clip
	8	3120112	1	Tee fitting
	9	3010036	1	Hex screw [M8X65 8.8 ZC UNI 5739]
	10	3040303	1	Stopnut
	11	5001830	2	Control lever
	12	3190197	4	Knob
	13	5271175	1	Flexible hose
	14	5090489	2	
	15	3080500	2	Grease nipple
	16	5090433	2	Control lever
	17	3060144	2	Sealing washer [BSP 3/8"]
	18	3110112	2	Straight pipe fitting
	19	5225832	4	
	20	5225847	2	

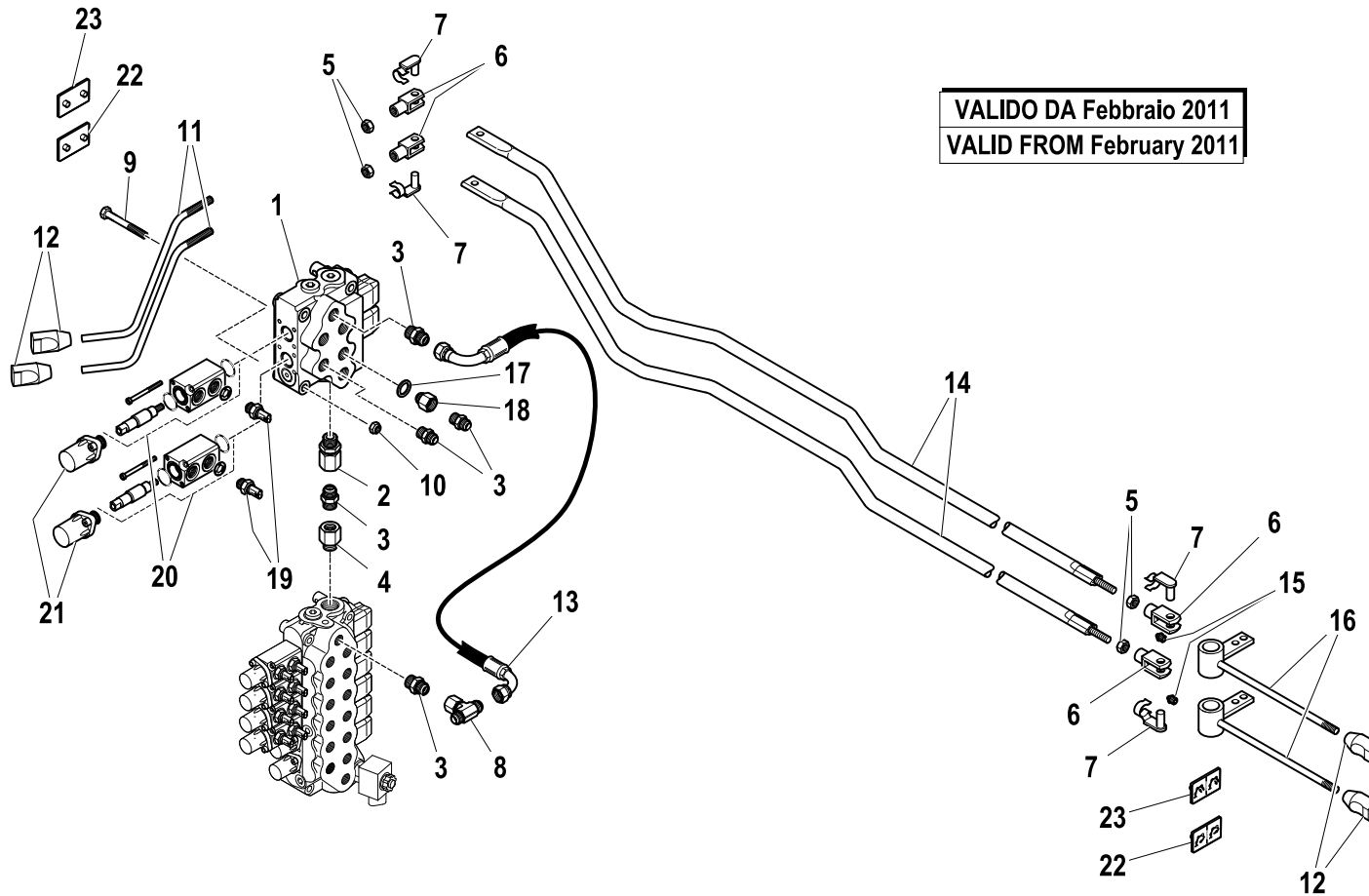
2 extra function kit open center spool (JIB)

Code

5210043-1.0

2/2

R	Pos.	Code Variant	Q.ty	Description
	21	5225262	2	
	22	5813355	2	
	23	5813356	2	



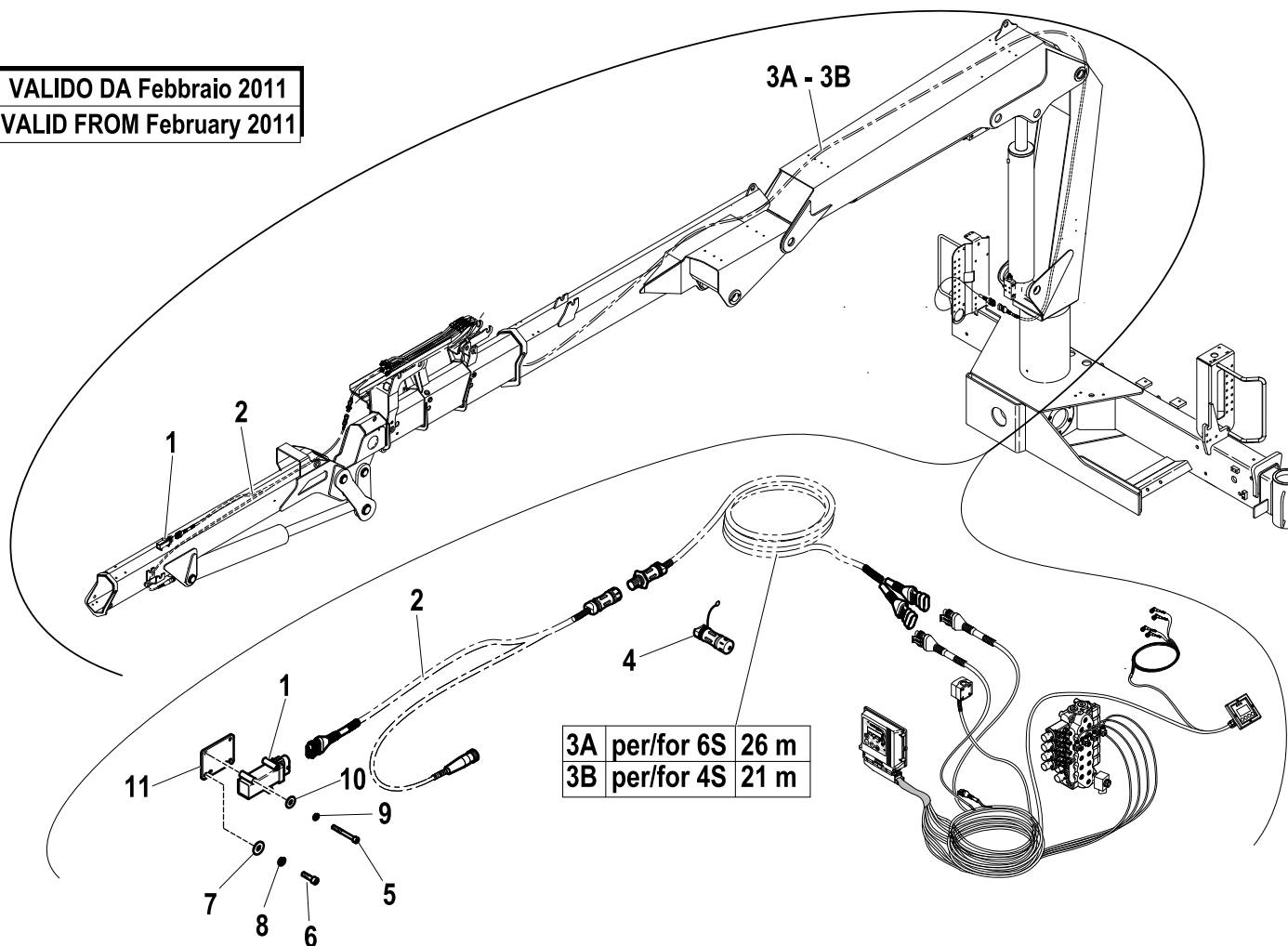
DOUBLE CONTROLS (CE)

Code

5401573-5.0

1/1

VALIDO DA Febbraio 2011
VALID FROM February 2011



R	Pos.	Code Variant	Q.ty	Description
	1	3311150	1	Tiltmeter
	2	5160079	1	Electric wiring
	3 A	5160077	1	
	3 B	5160078	1	
	4	5160080	1	Plug (Electric components)
	5	3020018	2	Socketed head cap screw [M4X30 8.8 ZC UNI 5931]
	6	3020033	2	Socketed head cap screw [M6X10 8.8 ZC UNI 5931]
	7	3060005	2	Flat washer [D.6.4 UNI 6592 ZC]
	8	3060053	2	Split lock washer [D=6.4 C72 ZC]
	9	3060065	2	Split lock washer [D=4.1 C72 ZC]
	10	3060003	2	Flat washer [D.4 UNI 6592 ZC]
	11	5002108	1	Support plate (Tiltmeter)

DOUBLE CONTROLS (CE)

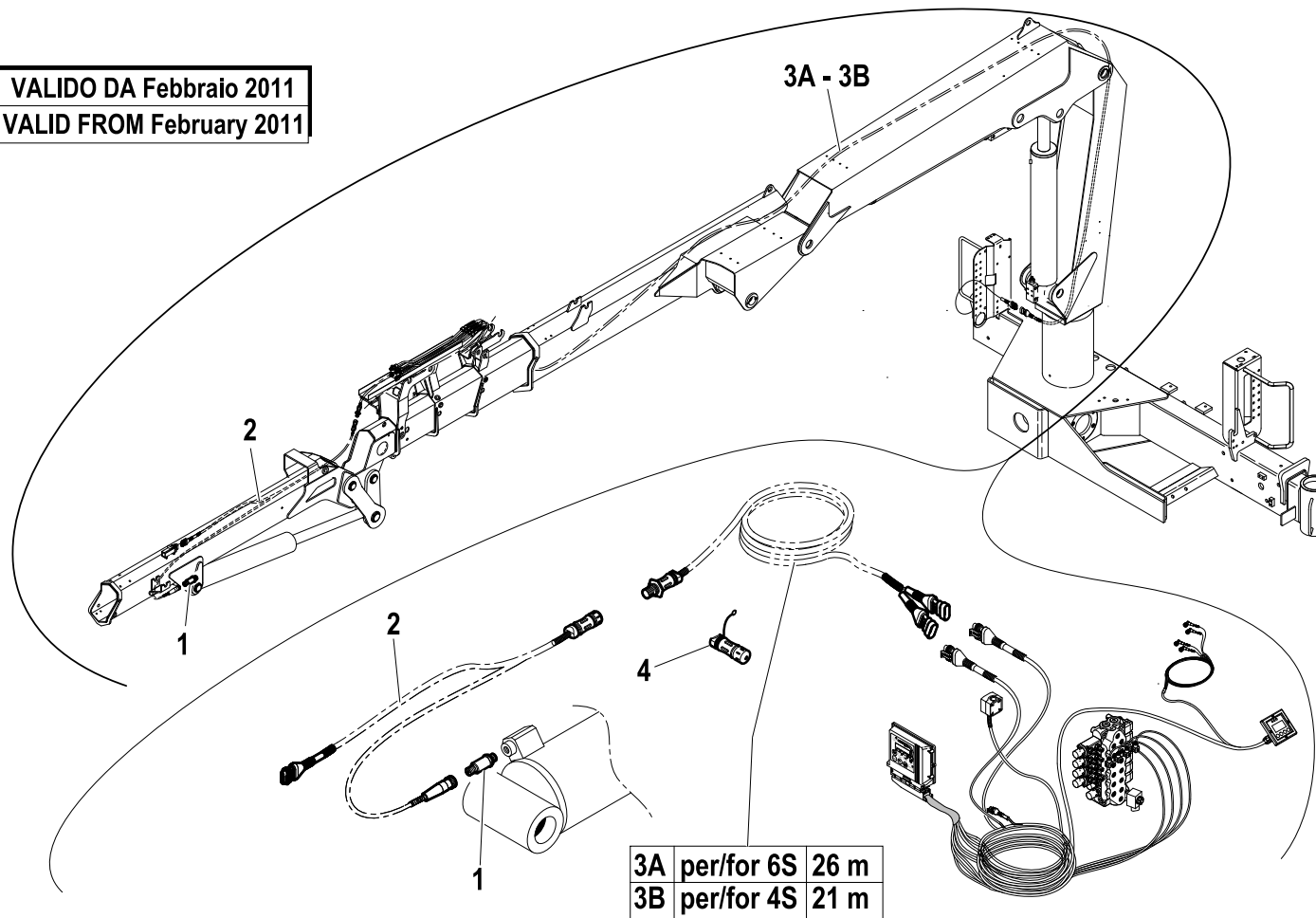
Code

5401573-6.0

1/1

VALIDO DA Febbraio 2011
VALID FROM February 2011

R	Pos.	Code Variant	Q.ty	Description
	1	3310612	1	Pressure sensor
	2	5160079	1	Electric wiring
	3 A	5160077	1	
	3 B	5160078	1	
	4	5160080	1	Plug (Electric components)

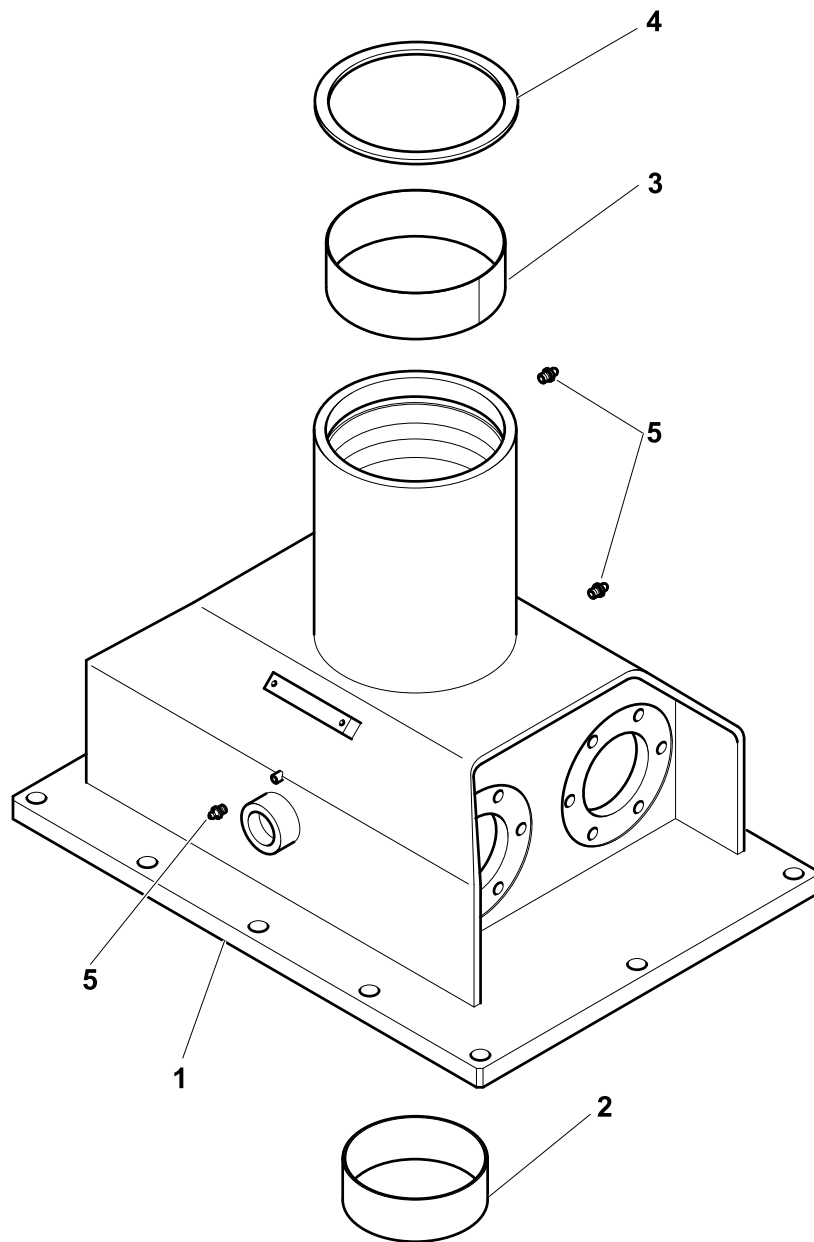


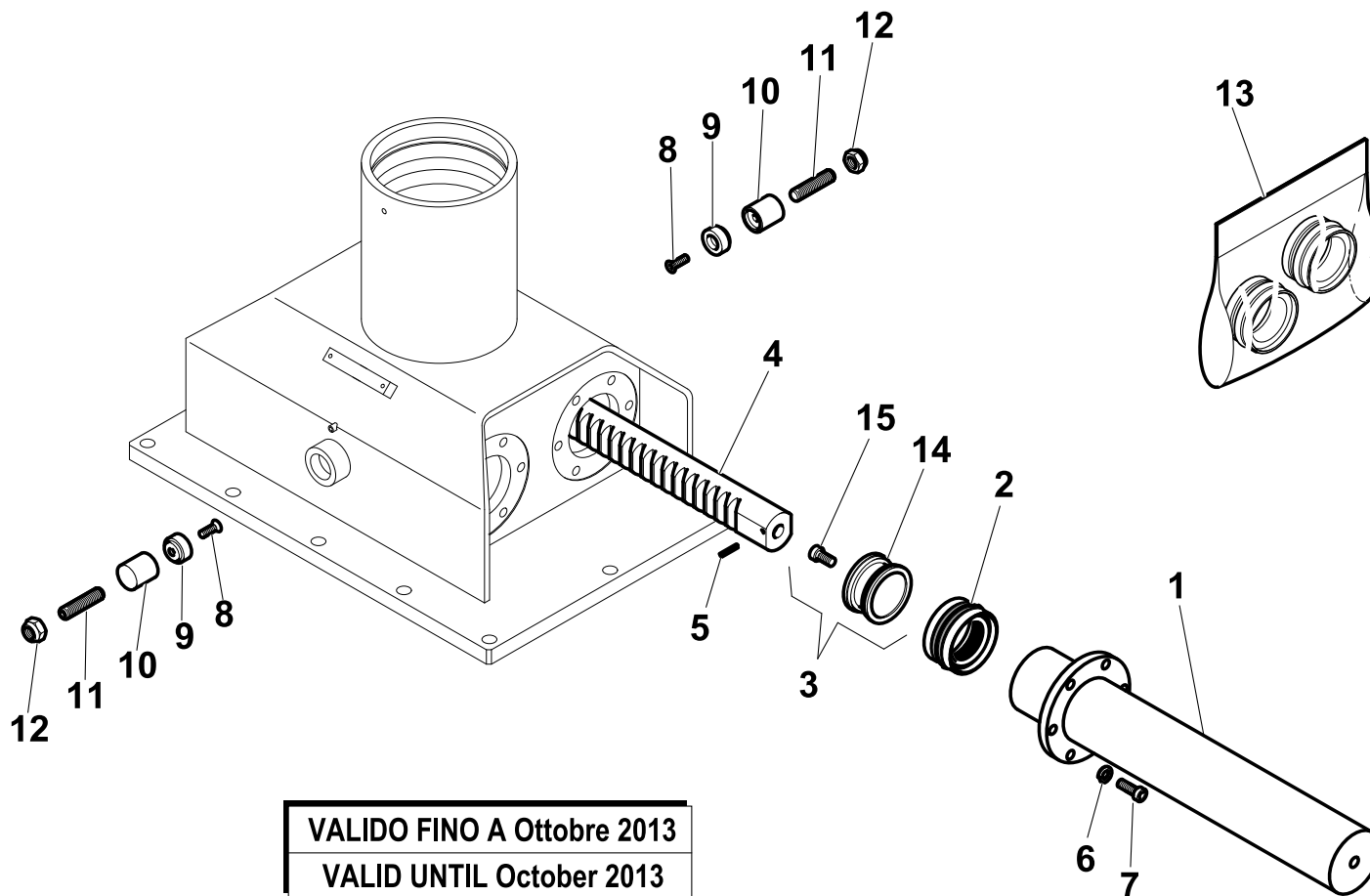


HB70 F - HB80 F

Base	Code	
	5420015-1.0	1/1

R	Pos.	Code Variant	Q.ty	Description
	1	5060121	1	Base
	2	5140667	1	
	3	5140668	1	
	4	5140669	1	
	5	3080501	3	Grease nipple





VALIDO FINO A Ottobre 2013
VALID UNTIL October 2013

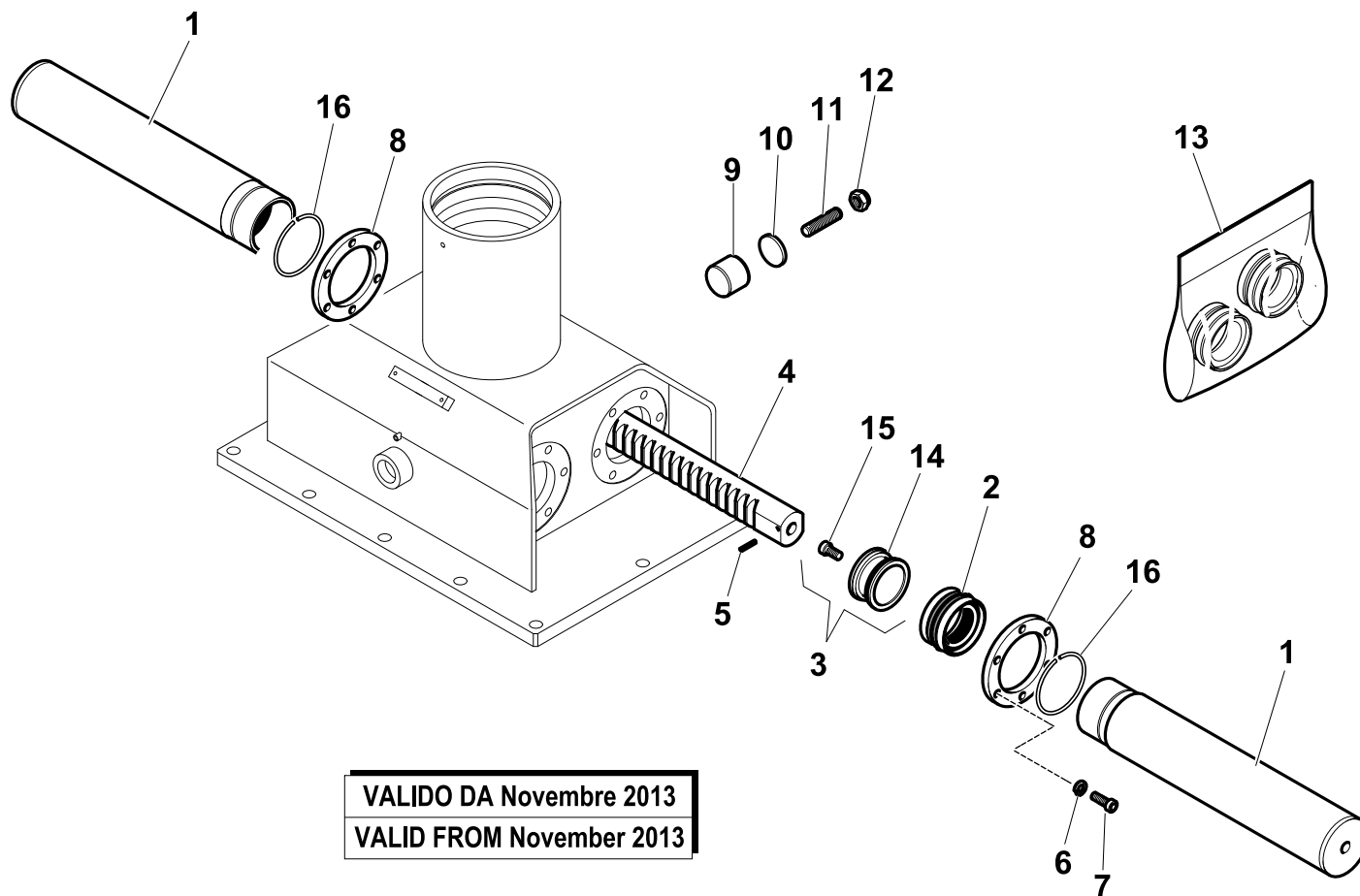
R	Pos.	Code Variant	Q.ty	Description
	1	6070338	4	
	2	3400514	4	
	3	6050240	4	
	4	5050075	2	
	5	3060604	2	Spring pin
	6	3060050	24	Split lock washer [D=14 C72 ZC]
	7	3020109	24	Socketed head cap screw [M14X35 8.8 ZC UNI 5931]
	8	3020499	2	TSEI screw [M10X25 10.9 ZC UNI 5933]
	9	5140600	2	
	10	5000229	2	
	11	3060917	2	Grub screw
	12	3040308	2	Stopnut
	13	5550680	2	Seal kit (Slewing)
	14	6050229	4	Piston (Slewing)
	15	3020075	4	Socketed head cap screw [M12X25 12.9 ZC UNI 5931]

Slewing (Retaining ring)

Code

6240212-1.0

1/1



VALIDO DA Novembre 2013
VALID FROM November 2013

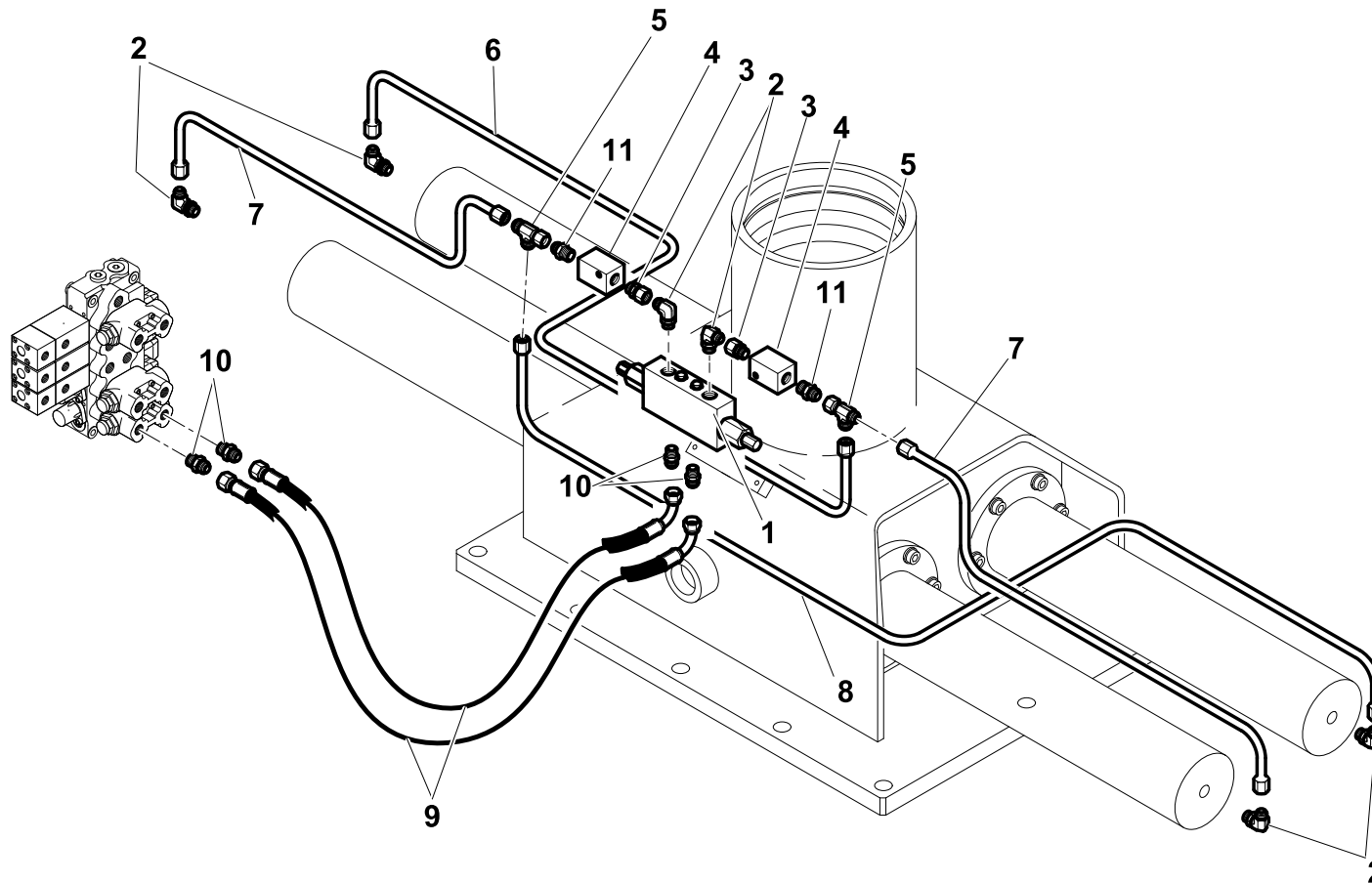
R	Pos.	Code Variant	Q.ty	Description
	1	6070721	4	
	2	3400514	4	
	3	6050240	4	
	4	5050075	2	
	5	3060604	2	Spring pin
	6	3060058	24	Split lock washer [D=14 INOX]
	7	3020109	24	Socket head cap screw [M14X35 8.8 ZC UNI 5931]
	8	5002438	4	Flange (Slewing)
	9	5140781	2	
	10	5001570	2	
	11	3060917	2	Grub screw
	12	3040394	2	Stopnut
	13	5550680	2	Seal kit (Slewing)
	14	6050229	4	Piston (Slewing)
	15	3020075	4	Socket head cap screw [M12X25 12.9 ZC UNI 5931]
	16	3070207	4	Snap ring

Slewing Hydraulic jack (Hydraulic system)

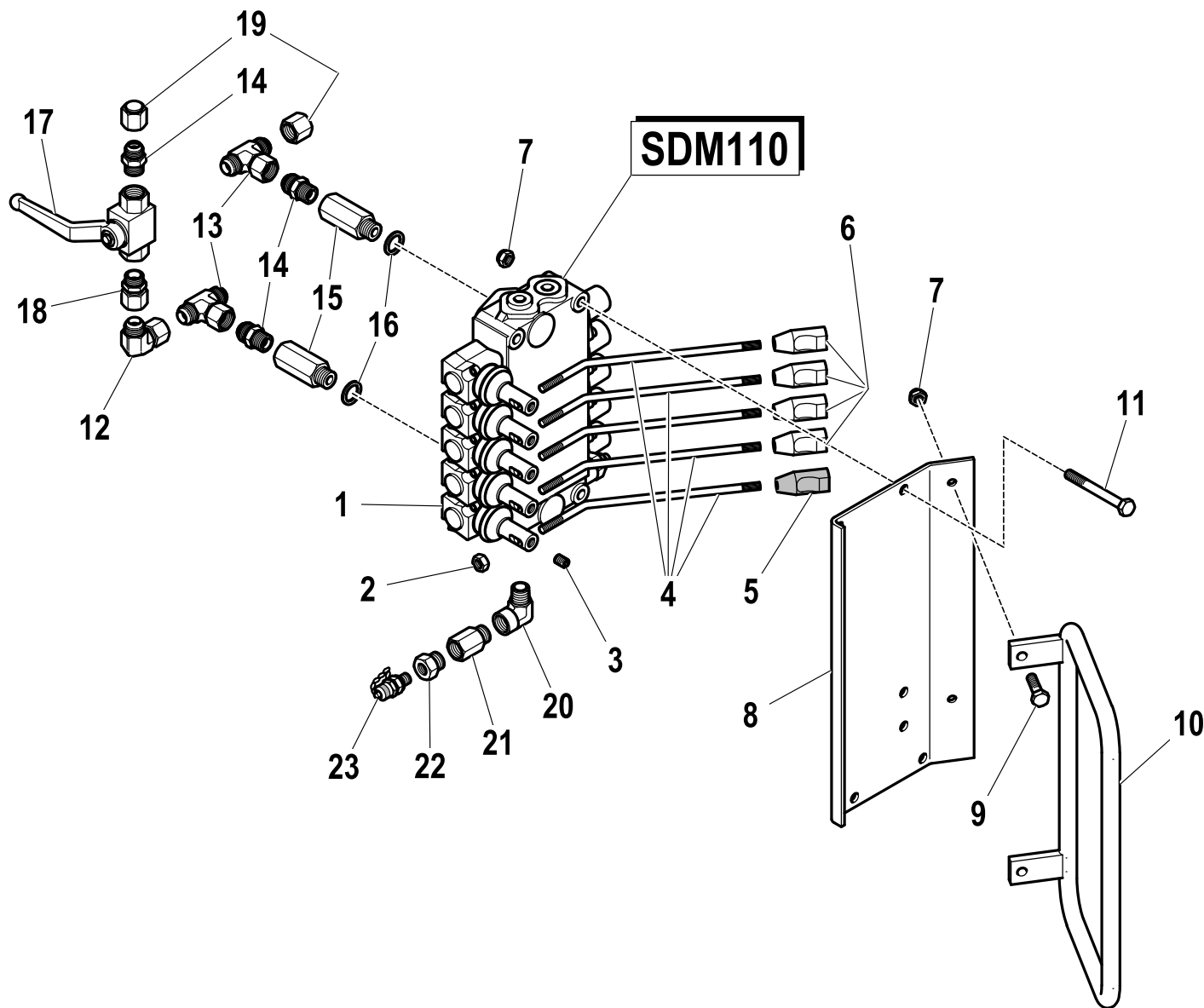
Code

6240057-2.0

1/1



R	Pos.	Code Variant	Q.ty	Description
	1	5220122	1	Valve
	2	3101125	6	90° Connection
	3	3120064	2	Straight pipe fitting
	4	5220093	2	Non-return valve
	5	3120003	2	Tee fitting
	6	5391403	1	
	7	5391406	2	
	8	5391404	1	
	9	5271665	2	Flexible hose
	10	3101043	4	Straight pipe fitting
	11	3101039	2	Straight pipe fitting



R	Pos.	Code Variant	Q.ty	Description
	1	5220817	1	
	2	3040045	5	Nut
	3	3060936	5	Grub screw
	4	5000657	5	Control lever
	5	3190217	1	
	6	3190197	4	Knob
	7	3040303	5	Stopnut
	8	5090437	1	
	9	3010390	2	Hex screw [M8X35 ZC UNI 5739]
	10	5090440	1	
	11	3010036	3	Hex screw [M8X65 8.8 ZC UNI 5739]
	12	3120031	1	90° Connection
	13	3120112	2	Tee fitting
	14	3101043	3	Straight pipe fitting
	15	3110110	2	Straight pipe fitting
	16	3060144	2	Sealing washer [BSP 3/8"]
	17	5220678	1	
	18	3120066	1	Straight pipe fitting
	19	3110041	2	Female plug
	20	3111522	1	90° Connection

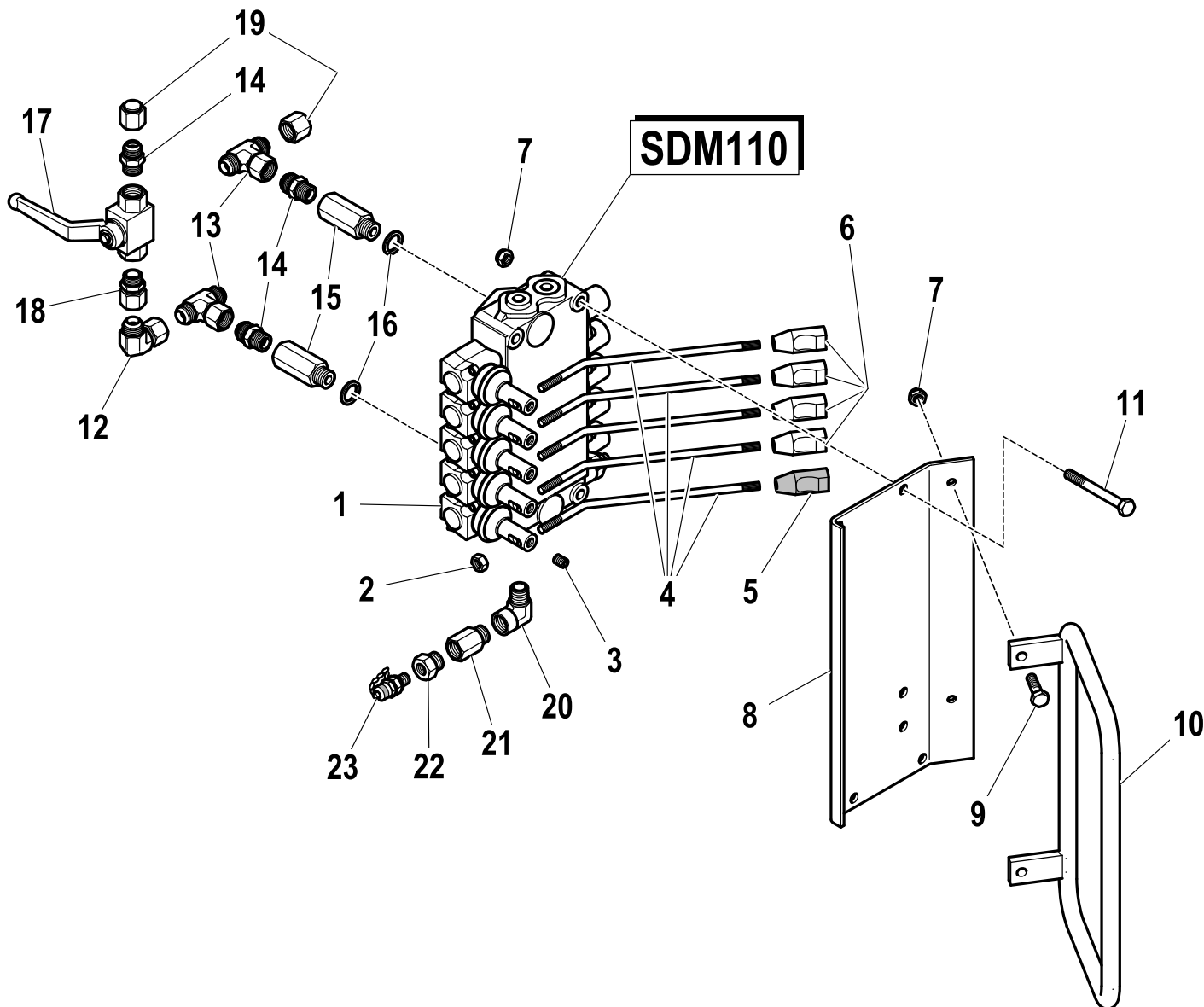
CONTROLS

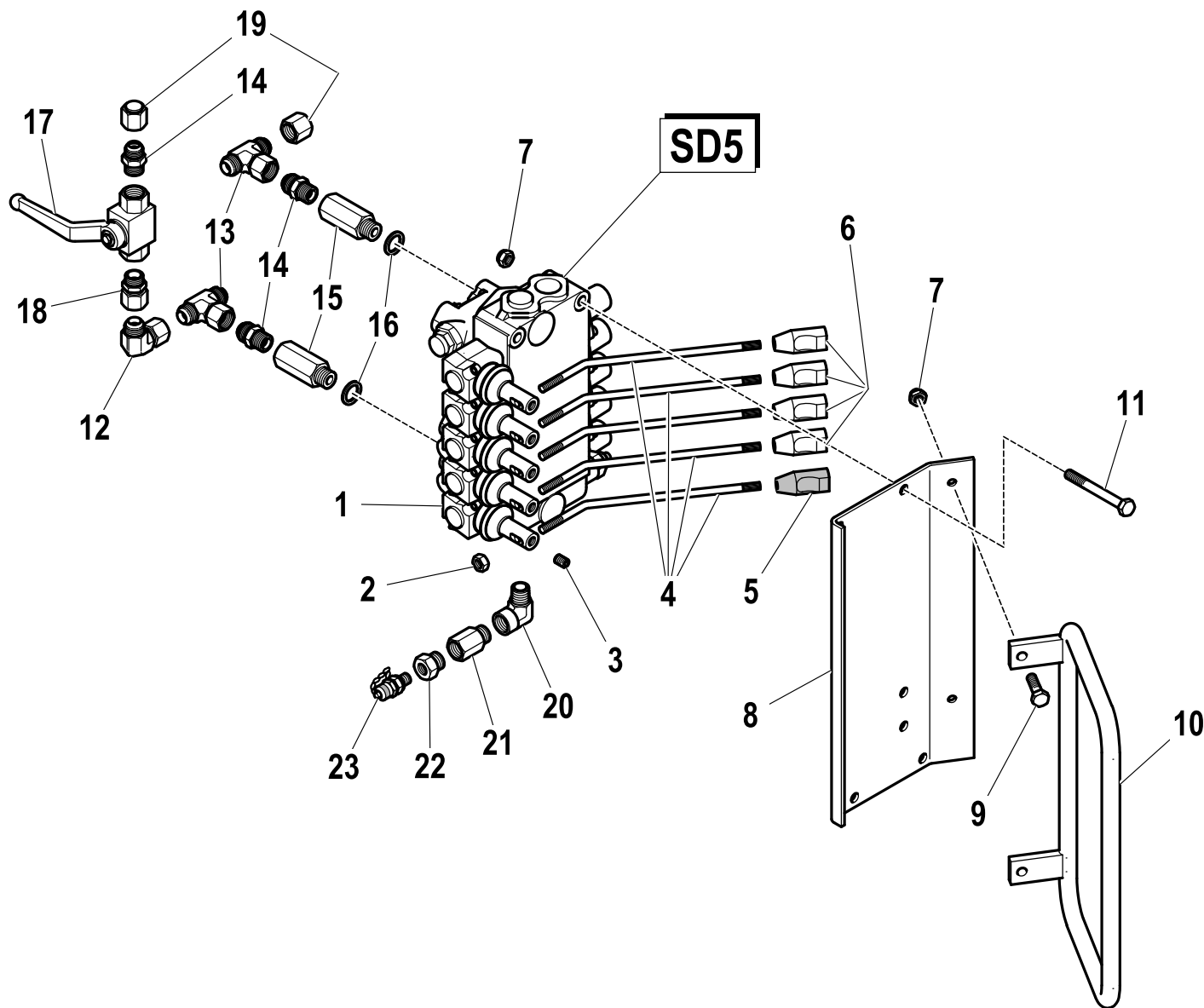
Code

5401143-1.0

2/2

R	Pos.	Code Variant	Q.ty	Description
	21	3110112	1	Straight pipe fitting
	22	3110150	1	Reducing fitting
	23	3111523	1	Pipe fitting (Tapping point) [RACC. MILITES 16X2-1/4"G]





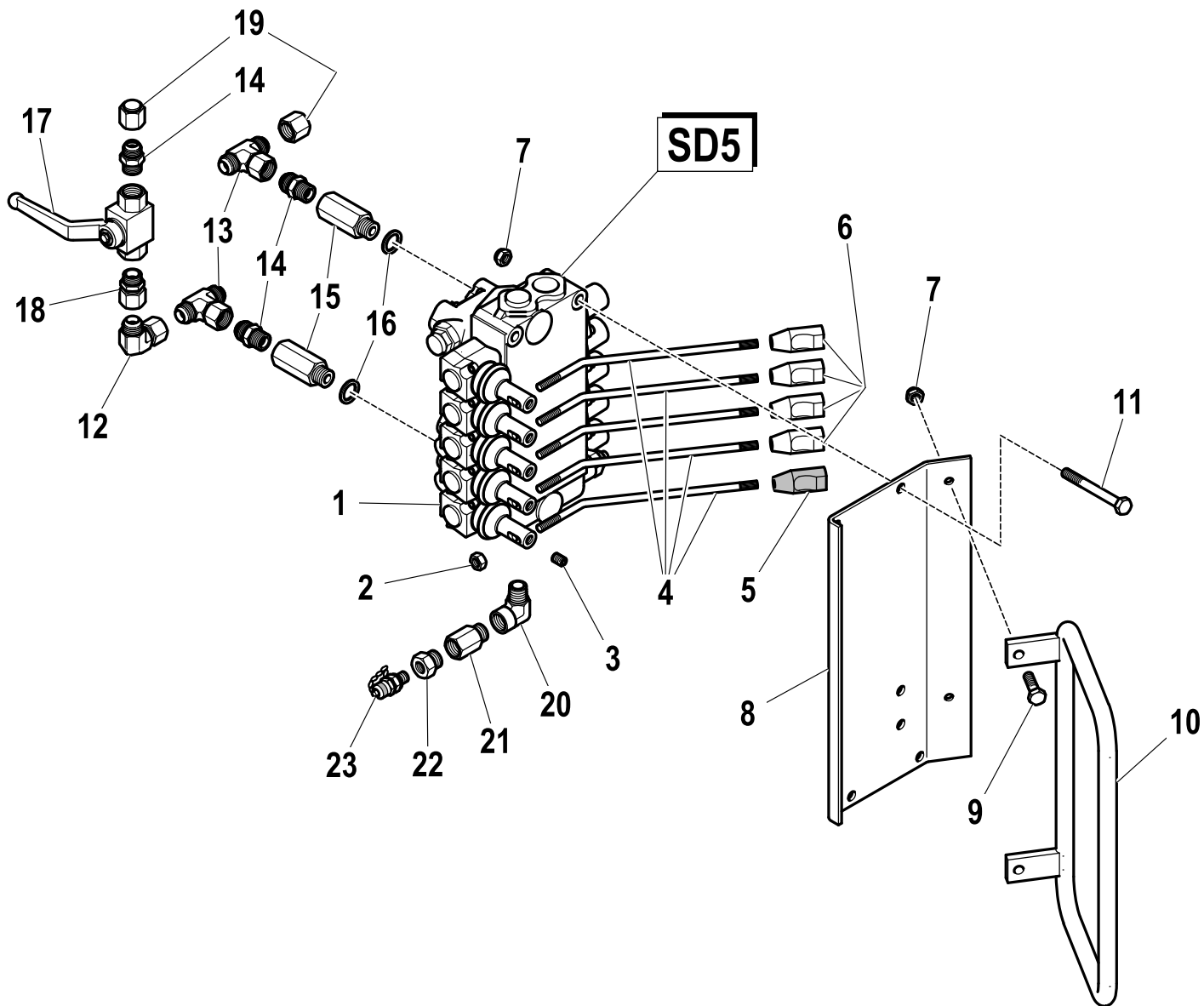
R	Pos.	Code Variant	Q.ty	Description
	1	5220322	1	
	2	3040045	5	Nut
	3	3060936	5	Grub screw
	4	5000657	5	Control lever
	5	3190217	1	
	6	3190197	4	Knob
	7	3040303	5	Stopnut
	8	5090437	1	
	9	3010390	2	Hex screw [M8X35 ZC UNI 5739]
	10	5090440	1	
	11	3010036	3	Hex screw [M8X65 8.8 ZC UNI 5739]
	12	3120031	2	90° Connection
	13	3120112	2	Tee fitting
	14	3101043	3	Straight pipe fitting
	15	3110110	2	Straight pipe fitting
	16	3060144	2	Sealing washer [BSP 3/8"]
	17	5220678	1	
	18	3120066	1	Straight pipe fitting
	19	3110041	2	Female plug
	20	3111522	1	90° Connection

CONTROLS

Code

5400310-1.0

2/2



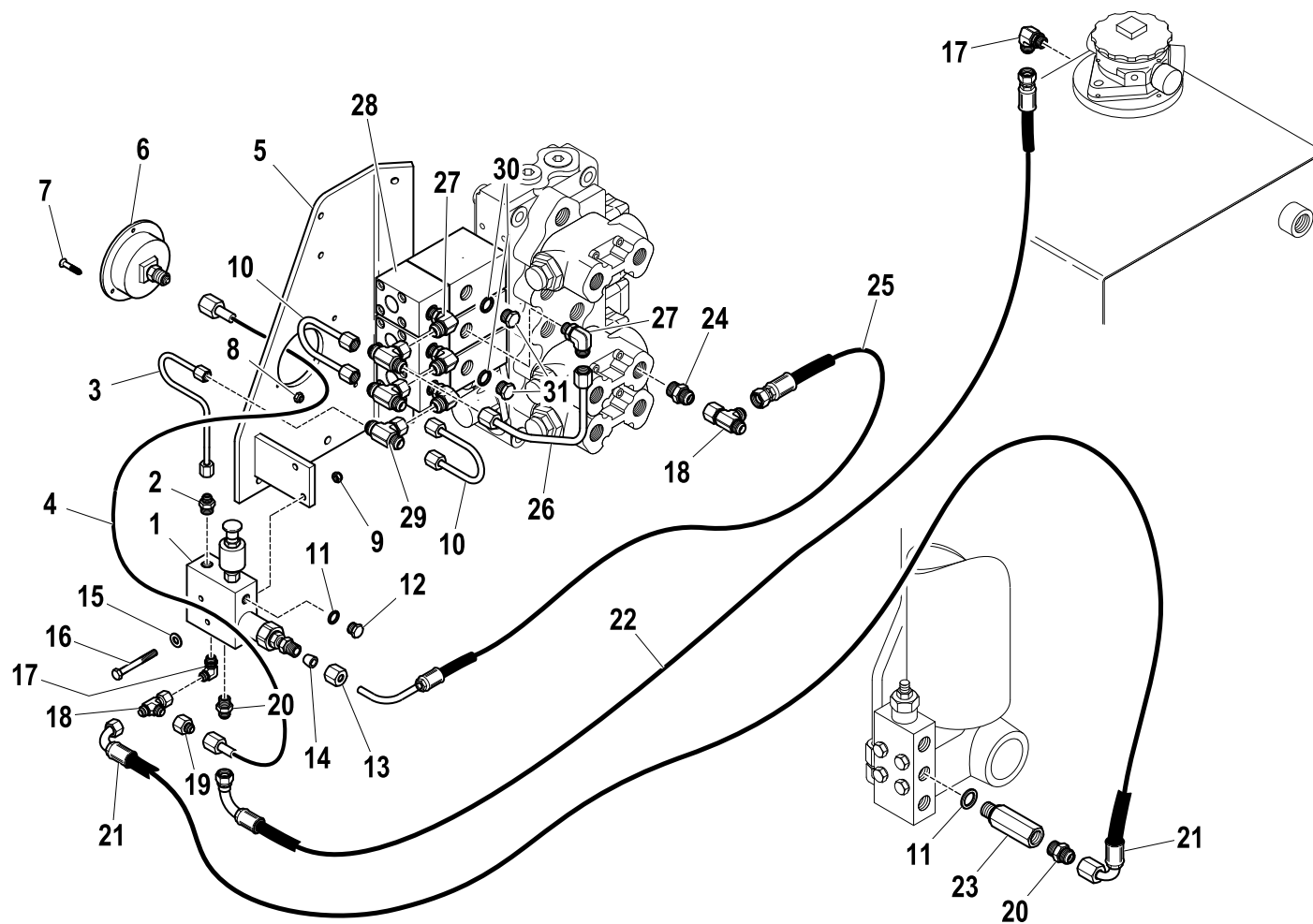
R	Pos.	Code Variant	Q.ty	Description
	21	3110112	1	Straight pipe fitting
	22	3110150	1	Reducing fitting
	23	3111523	1	Pipe fitting (Tapping point) [RACC. MILITES 16X2-1/4"G]

Moment limiting device

Code

5430105-1.0

1/2



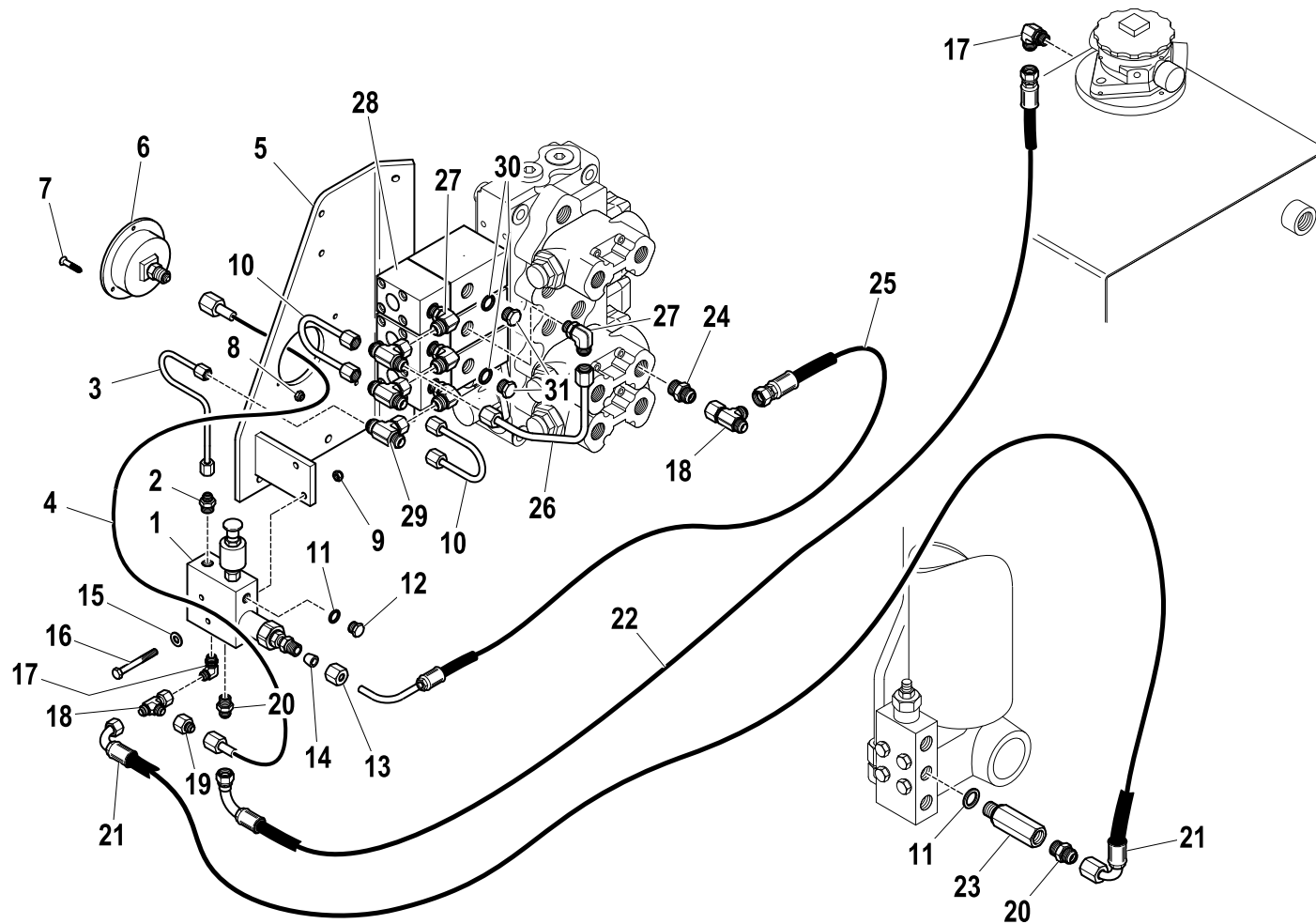
R	Pos.	Code Variant	Q.ty	Description
	1	5220679	1	
	2	3101034	1	Straight pipe fitting
	3	5391421	1	
	4	5300013	1	Pipe (Pressure gauge)
	5	5090825	1	
	6	3180150	1	Pressure gauge
	7	3020880	3	[M3X15 UNI 7688 ZC TAGLIO CR.]
	8	3040516	3	Stopnut
	9	3040372	2	Stopnut
	10	5391420	2	
	11	3060143	2	Sealing washer [BSP 1/4"]
	12	3110062	1	Plug
	13	3100952	1	Nut
	14	3100956	1	Ring (Tightening)
	15	3060005	2	Flat washer [D.6.4 UNI 6592 ZC]
	16	3010388	2	Hex screw [M6X60 ZC UNI 5737]
	17	3101124	2	90° Connection
	18	3120003	2	Tee fitting
	19	3120200	1	Reducing fitting
	20	3101039	2	Straight pipe fitting

Moment limiting device

Code

5430105-1.0

2/2



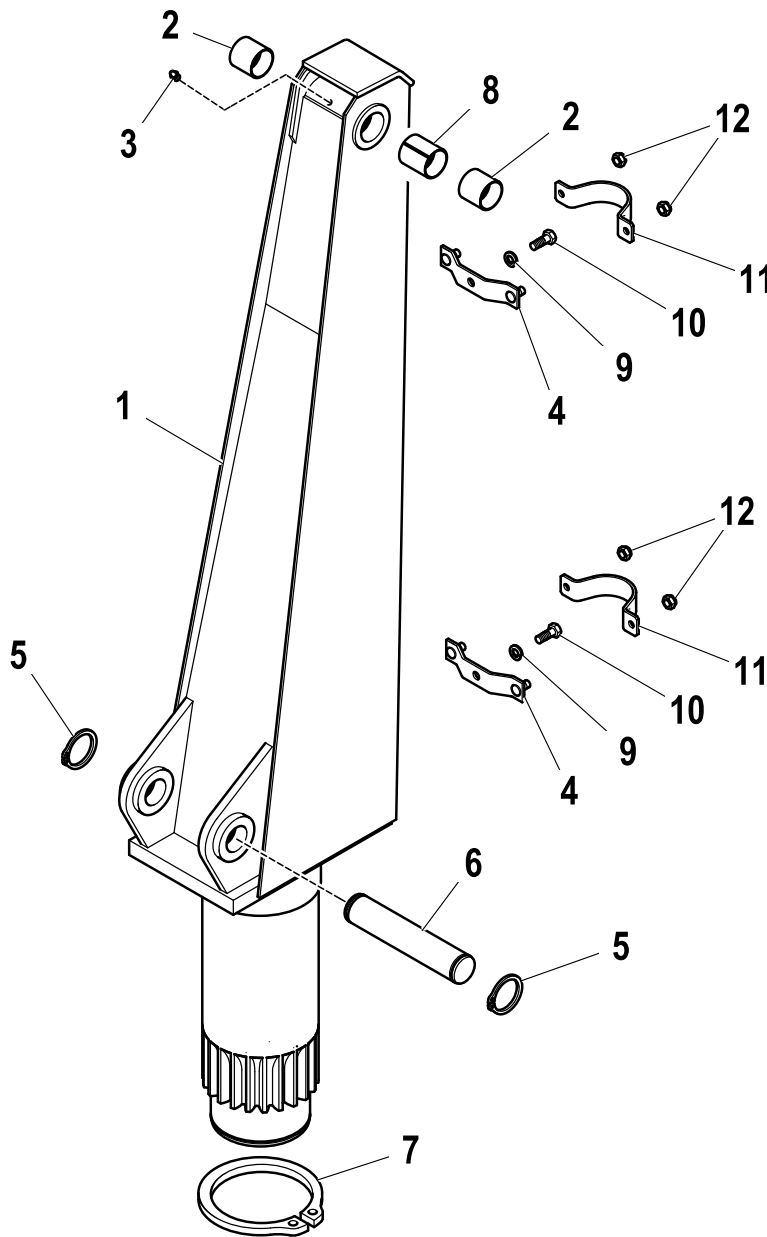
R	Pos.	Code Variant	Q.ty	Description
	21	5261013	1	Flexible hose
	22	5260171	1	Flexible hose
	23	5220300	1	Hose burst valve (Sleeve)
	24	3101040	1	Straight pipe fitting
	25	5260591	1	Flexible hose
	26	5391419	1	
	27	3101195	4	90° Connection
	28	5225059	3	
	29	3120111	3	Tee fitting
	30	3060142	2	Sealing washer [BSP 1/8"]
	31	3110066	2	Plug

Column

Code

5460107-1.0

1/1



R	Pos.	Code Variant	Q.ty	Description
	1	5040539	1	Column
	2	5140124	2	
	3	3080501	1	Grease nipple
	4	5000614	2	Base (Clamp)
	5	3070041	2	Seeger
	6	5150488	1	
	7	3070100	1	Seeger
	8	5001116	1	
	9	3060055	2	Split lock washer [D=8.4 C72 ZC]
	10	3010027	2	Hex screw [M8X20 8.8 ZC IF UNI 5739]
	11	5000036	2	Clamp
	12	3040303	4	Stopnut

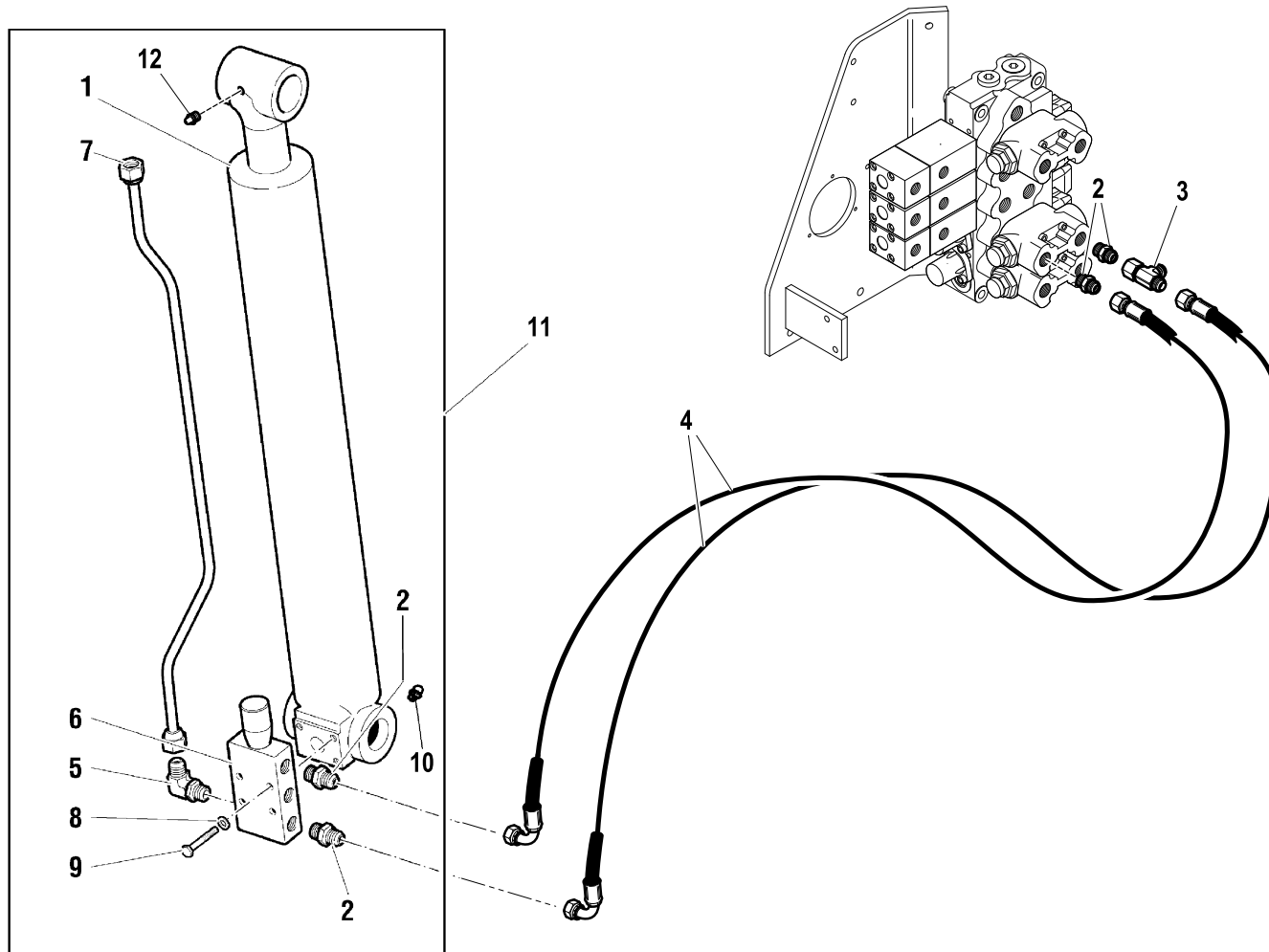
HYDRAULIC SYSTEM (LIFTING HYDRAULIC CYLINDER)

Code

6230181-2.0

1/1

R	Pos.	Code Variant	Q.ty	Description
	1	6430181	1	Lifting jack
	2	3101043	4	Straight pipe fitting
	3	3120004	1	Tee fitting
	4	5271664	2	Flexible hose
	5	3101127	1	90° Connection
	6	5220547	1	
	7	5392376	1	
	8	3060055	4	Split lock washer [D=8.4 C72 ZC]
	9	3010033	4	Hex screw [M8X50 8.8 ZC UNI 5737]
	10	3080512	1	Grease nipple
	11	6230181	1	Lifting jack
	12	3080501	1	Grease nipple



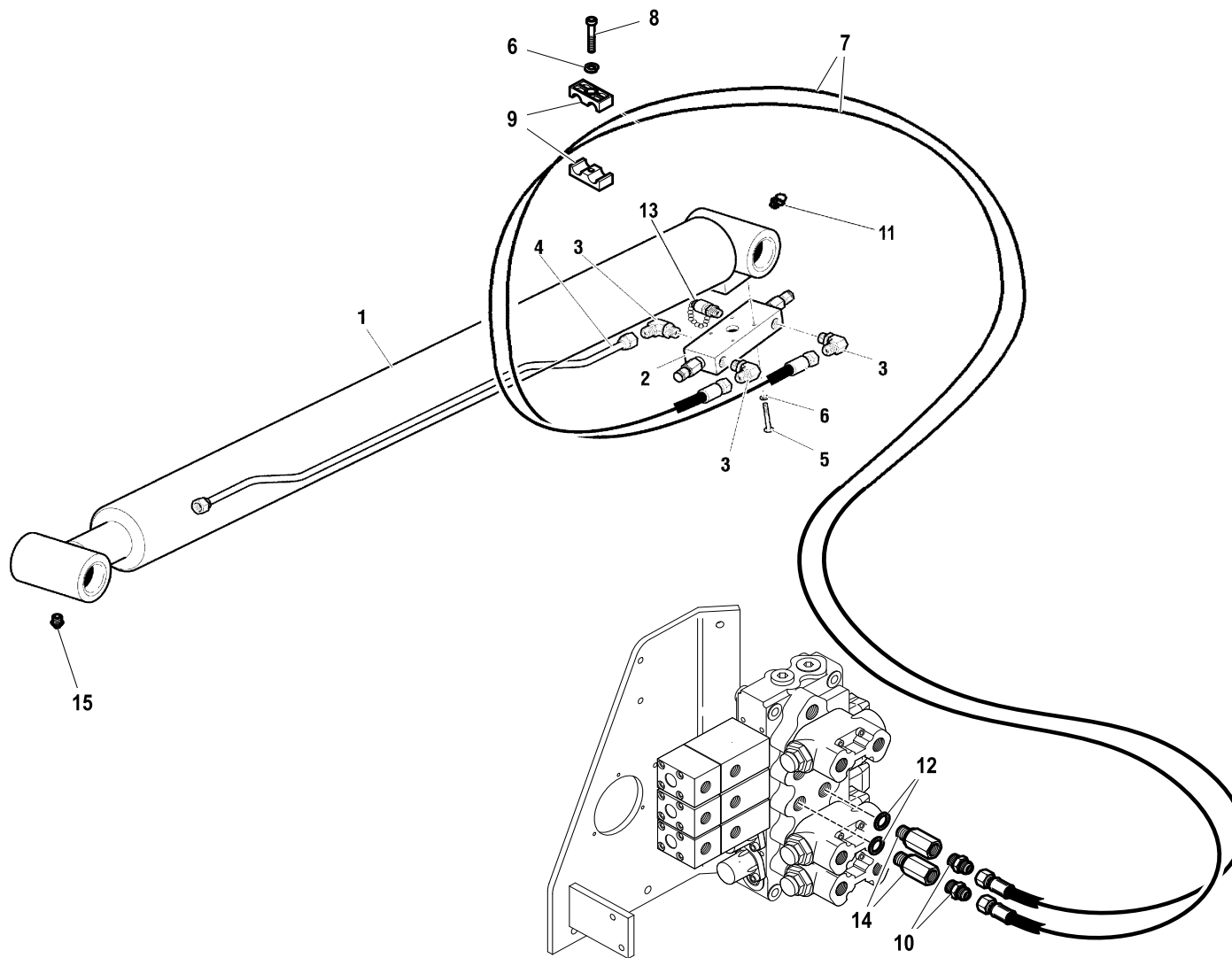
HYDRAULIC SYSTEM (ARTICULATION HYDRAULIC JACK)

Code

6230182-2.0

1/1

R	Pos.	Code Variant	Q.ty	Description
	1	6430182	1	Articulation Hydraulic jack
	2	5220548	1	Holding valve
	3	3101127	3	90° Connection
	4	5391053	1	
	5	3010033	4	Hex screw [M8X50 8.8 ZC UNI 5737]
	6	3060055	6	Split lock washer [D=8.4 C72 ZC]
	7	5271667	2	Flexible hose
	8	3020057	2	Socketed head cap screw [M8X35 ZC UNI 5931]
	9	3190172	4	Clamp (Set of hoses)
	10	3101043	2	Straight pipe fitting
	11	3080512	1	Grease nipple
	12	3060144	2	Sealing washer [BSP 3/8"]
	13	3111523	1	Pipe fitting (Tapping point) [RACC. MILITES 16X2-1/4"G]
	14	3110110	2	Straight pipe fitting
	15	3080501	1	Grease nipple

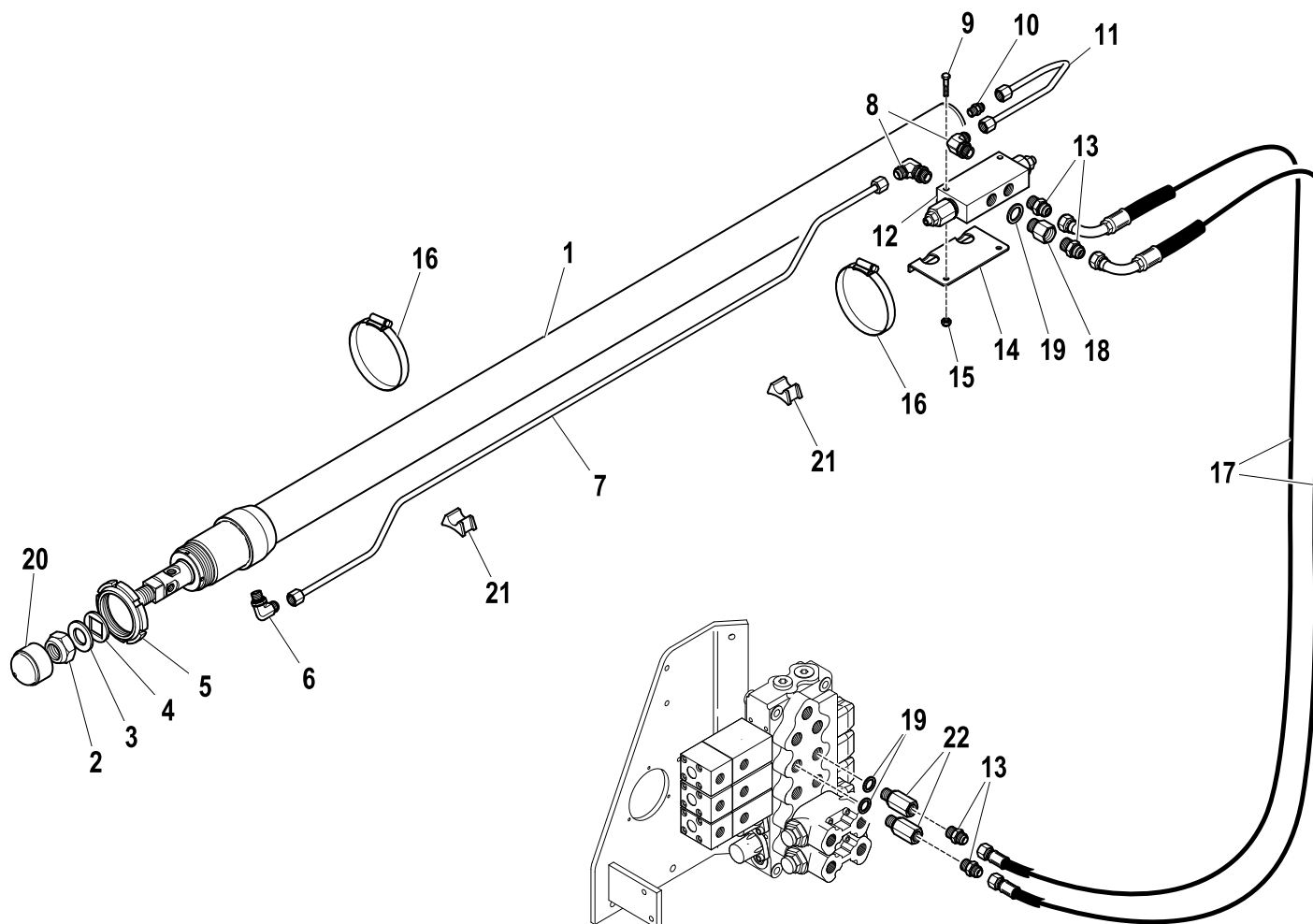


HYDRAULIC SYSTEM (1st EXSTENSION HYDRAULIC)

Code

6210402-3.0

1/2



R	Pos.	Code Variant	Q.ty	Description
	1	6410415	1	Extension jacks
	2	3040390	1	Stopnut
	3	3060014	1	Flat washer [D.25X44X4 UNI 6592 ZC]
	4	5001365	1	Lock washer (Control board)
	5	3040510	1	Self-locking ringnut
	6	3101124	1	90° Connection
	7	5392237	1	Bonderized tube (Iron)
	8	3101125	2	90° Connection
	9	3010019	2	Hex screw [M6X45 8.8 ZC UNI 5737]
	10	3101039	1	Straight pipe fitting
	11	5392091	1	Bonderized tube (Iron)
	12	5220122	1	Valve
	13	3101043	4	Straight pipe fitting
	14	5001579	1	
	15	3040372	2	Stopnut
	16	3190025	3	Clamp
	17	5271856	2	Flexible hose
	18	3110112	1	Straight pipe fitting
	19	3060144	3	Sealing washer [BSP 3/8"]
	20	3190244	1	Plug (Guard)

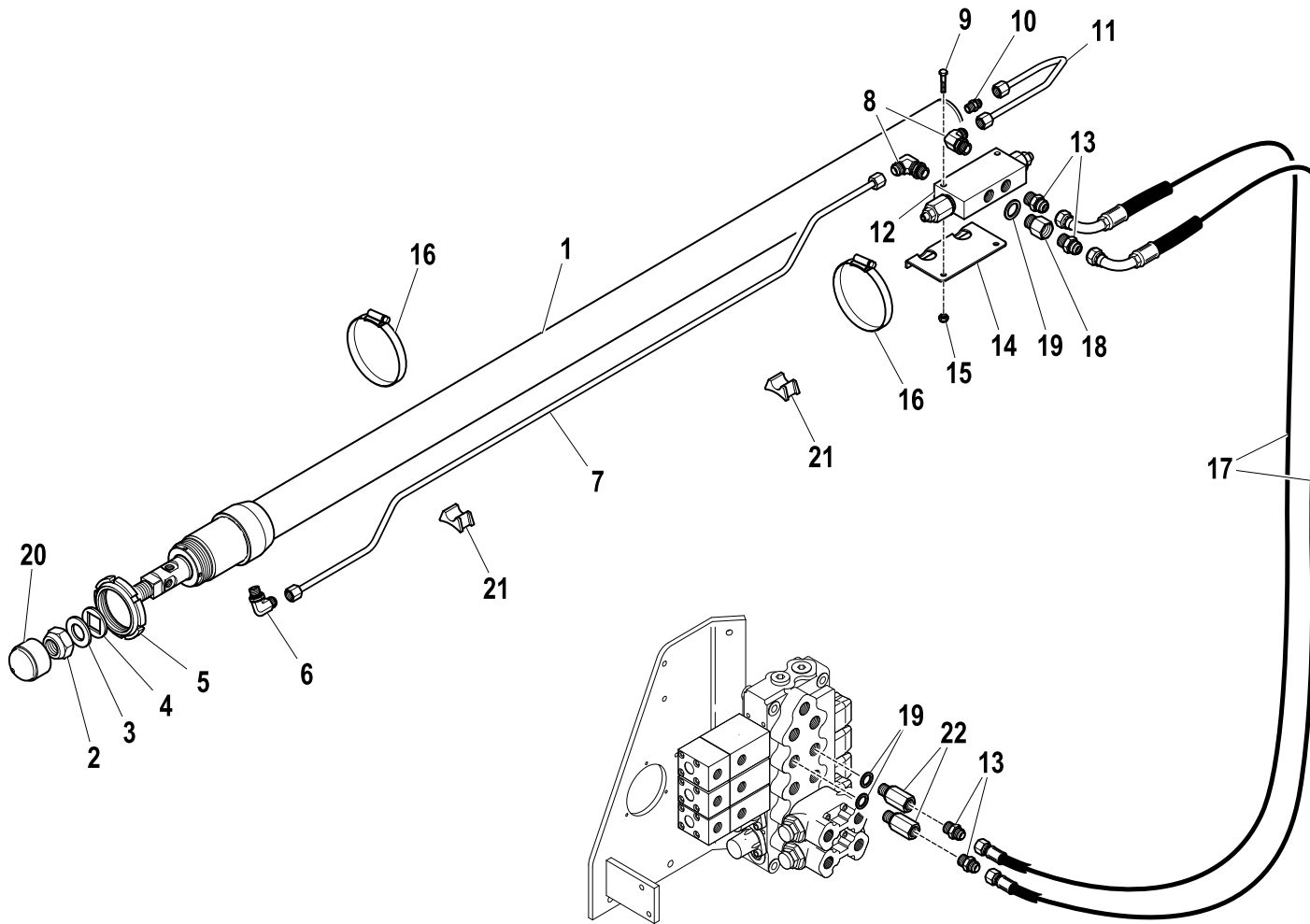
HYDRAULIC SYSTEM (1st EXSTENSION HYDRAULIC)

Code

6210402-3.0

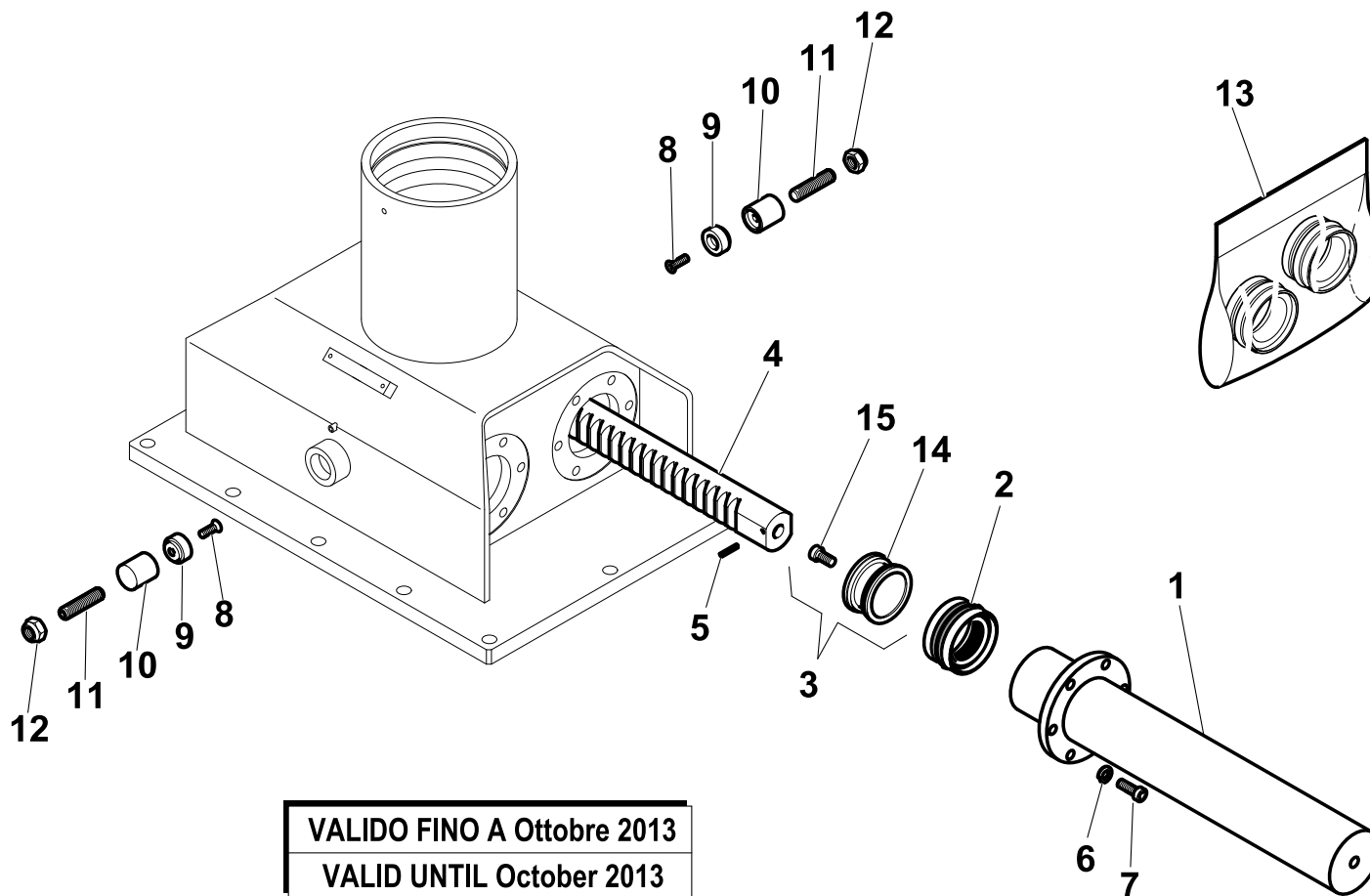
2/2

R	Pos.	Code Variant	Q.ty	Description
	21	5140133	2	Piping mounting
	22	3110110	2	Straight pipe fitting





HB70 M



VALIDO FINO A Ottobre 2013
VALID UNTIL October 2013

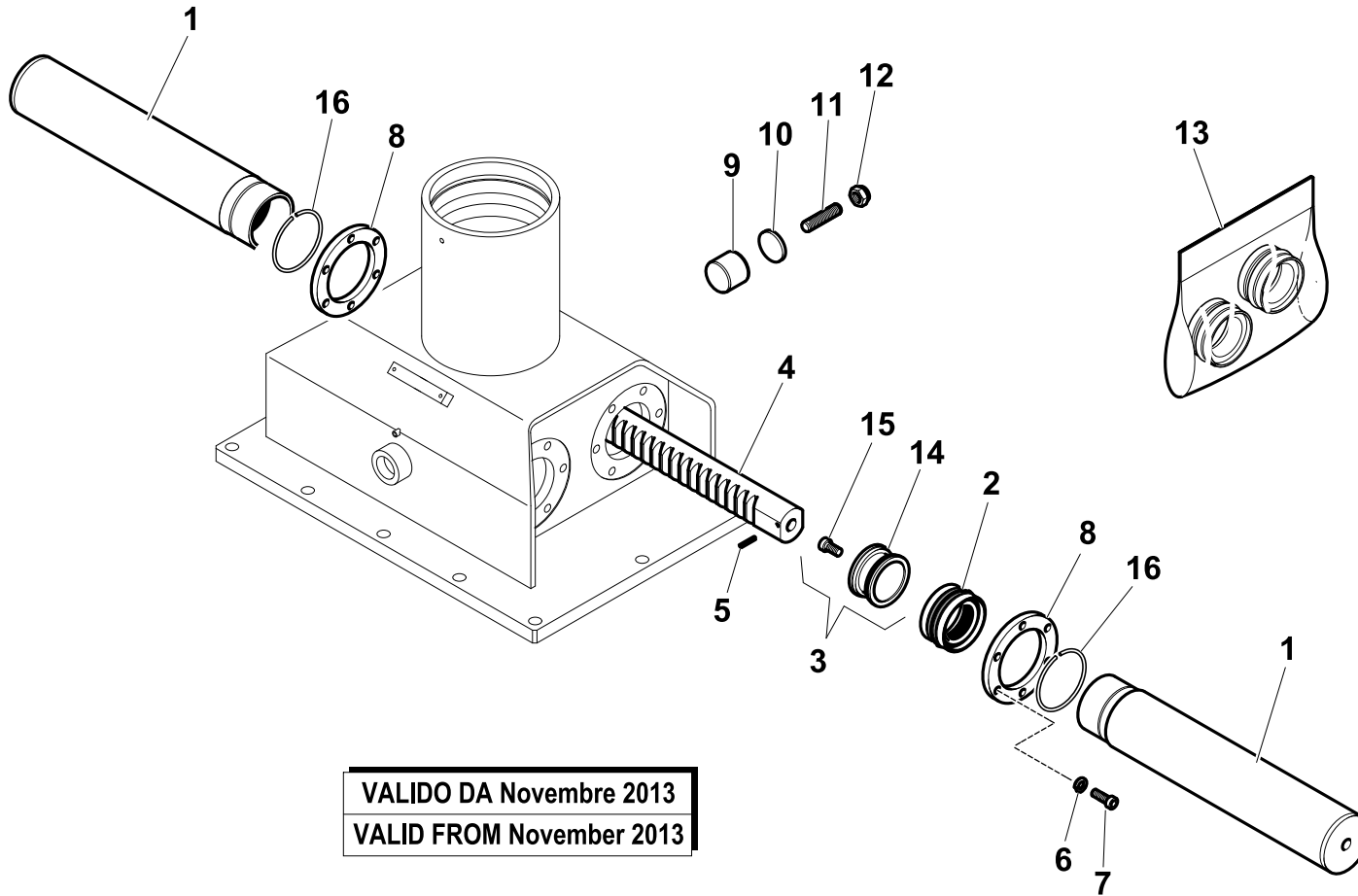
R	Pos.	Code Variant	Q.ty	Description
	1	6070389	4	
	2	3400514	4	
	3	6050240	4	
	4	5050075	2	
	5	3060604	2	Spring pin
	6	3060050	24	Split lock washer [D=14 C72 ZC]
	7	3020109	24	Socketed head cap screw [M14X35 8.8 ZC UNI 5931]
	8	3020499	2	TSEI screw [M10X25 10.9 ZC UNI 5933]
	9	5140600	2	
	10	5000229	2	
	11	3060917	2	Grub screw
	12	3040308	2	Stopnut
	13	5550680	2	Seal kit (Slewing)
	14	6050229	4	Piston (Slewing)
	15	3020075	4	Socketed head cap screw [M12X25 12.9 ZC UNI 5931]

Slewing (Retaining ring)

Code

6240199-1.0

1/1



VALIDO DA Novembre 2013
VALID FROM November 2013

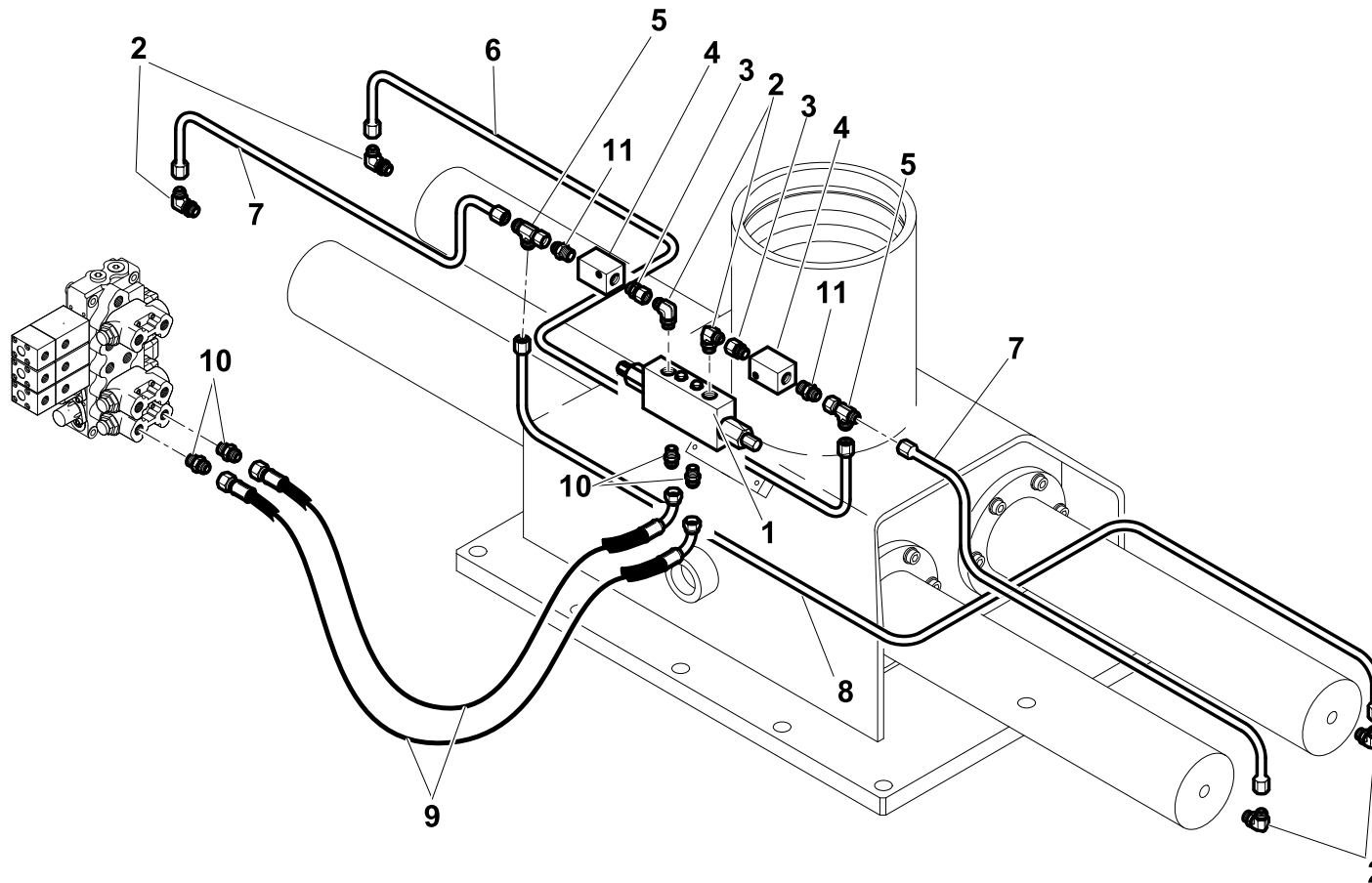
R	Pos.	Code Variant	Q.ty	Description
	1	6070709	4	
	2	3400514	4	
	3	6050240	4	
	4	5050075	2	
	5	3060604	2	Spring pin
	6	3060058	24	Split lock washer [D=14 INOX]
	7	3020109	24	Socket head cap screw [M14X35 8.8 ZC UNI 5931]
	8	5002438	4	Flange (Slewing)
	9	5140781	2	
	10	5001570	2	
	11	3060917	2	Grub screw
	12	3040394	2	Stopnut
	13	5550680	2	Seal kit (Slewing)
	14	6050229	4	Piston (Slewing)
	15	3020075	4	Socket head cap screw [M12X25 12.9 ZC UNI 5931]
	16	3070207	4	Snap ring

Slewing Hydraulic jack (Hydraulic system)

Code

6240059-2.0

1/1



R	Pos.	Code Variant	Q.ty	Description
	1	5220122	1	Valve
	2	3101125	6	90° Connection
	3	3120064	2	Straight pipe fitting
	4	5220093	2	Non-return valve
	5	3120003	2	Tee fitting
	6	5391403	1	
	7	5391406	2	
	8	5391404	1	
	9	5271071	2	Flexible hose
	10	3101043	4	Straight pipe fitting
	11	3101039	4	Straight pipe fitting

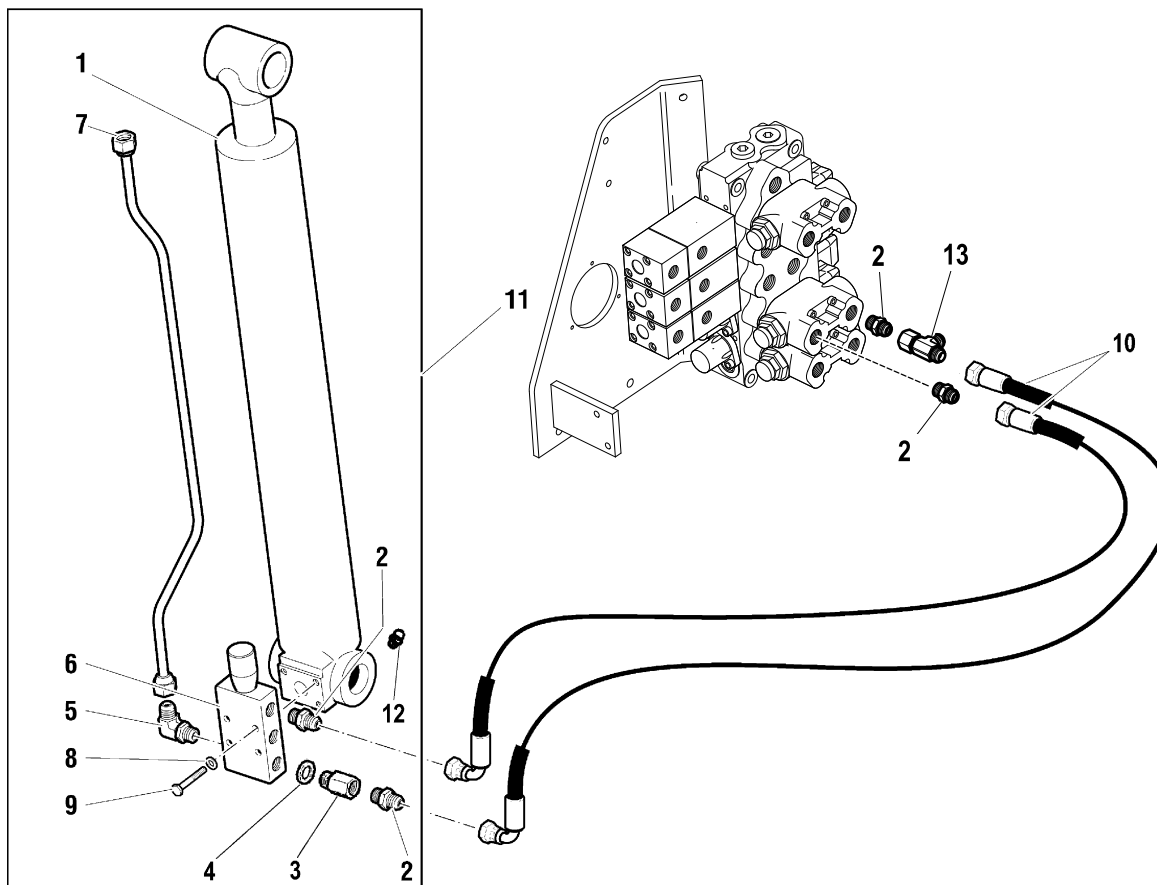
LIFTING HYDRAULIC CYLINDER (Hydraulic system)

Code

6230092-3.0

1/1

R	Pos.	Code Variant	Q.ty	Description
	1	6430092	1	Lifting jack
	2	3101043	4	Straight pipe fitting
	3	3110112	1	Straight pipe fitting
	4	3060144	1	Sealing washer [BSP 3/8"]
	5	3101127	1	90° Connection
	6	5220547	1	
	7	5391052	1	
	8	3060055	4	Split lock washer [D=8.4 C72 ZC]
	9	3010033	4	Hex screw [M8X50 8.8 ZC UNI 5737]
	10	5271069	2	Flexible hose
	11	6230092	1	Lifting jack
	12	3080512	1	Grease nipple
	13	3120004	1	Tee fitting



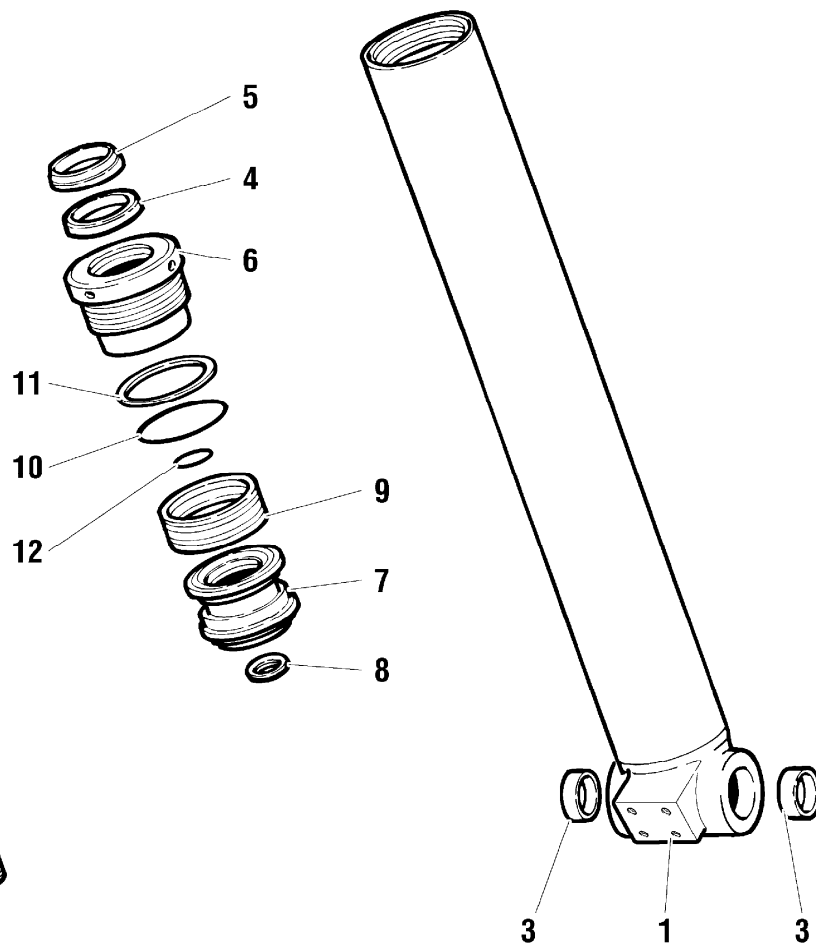
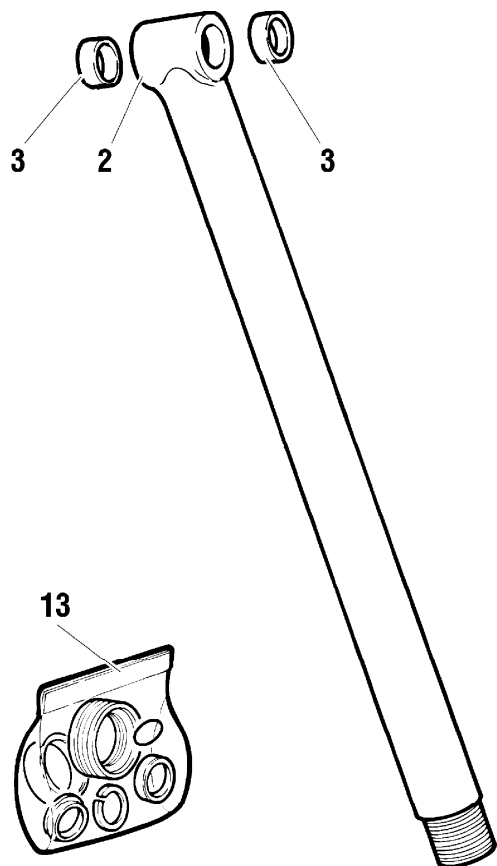
LIFTING HYDRAULIC CYLINDER

Code

6430092-1.0

1/1

R	Pos.	Code Variant	Q.ty	Description
	1	6070352	1	
	2	6030404	1	
	3	5140124	4	
	4	3400111	1	
	5	3420030	1	W-ring
	6	6040106	1	
	7	6050237	1	
	8	3040500	1	Self-locking ringnut
	9	3400519	1	
	10	3450224	1	
	11	3460224	1	
	12	3450119	1	
	13	5550681	1	Seal kit (lifting hydraulic cylinder)



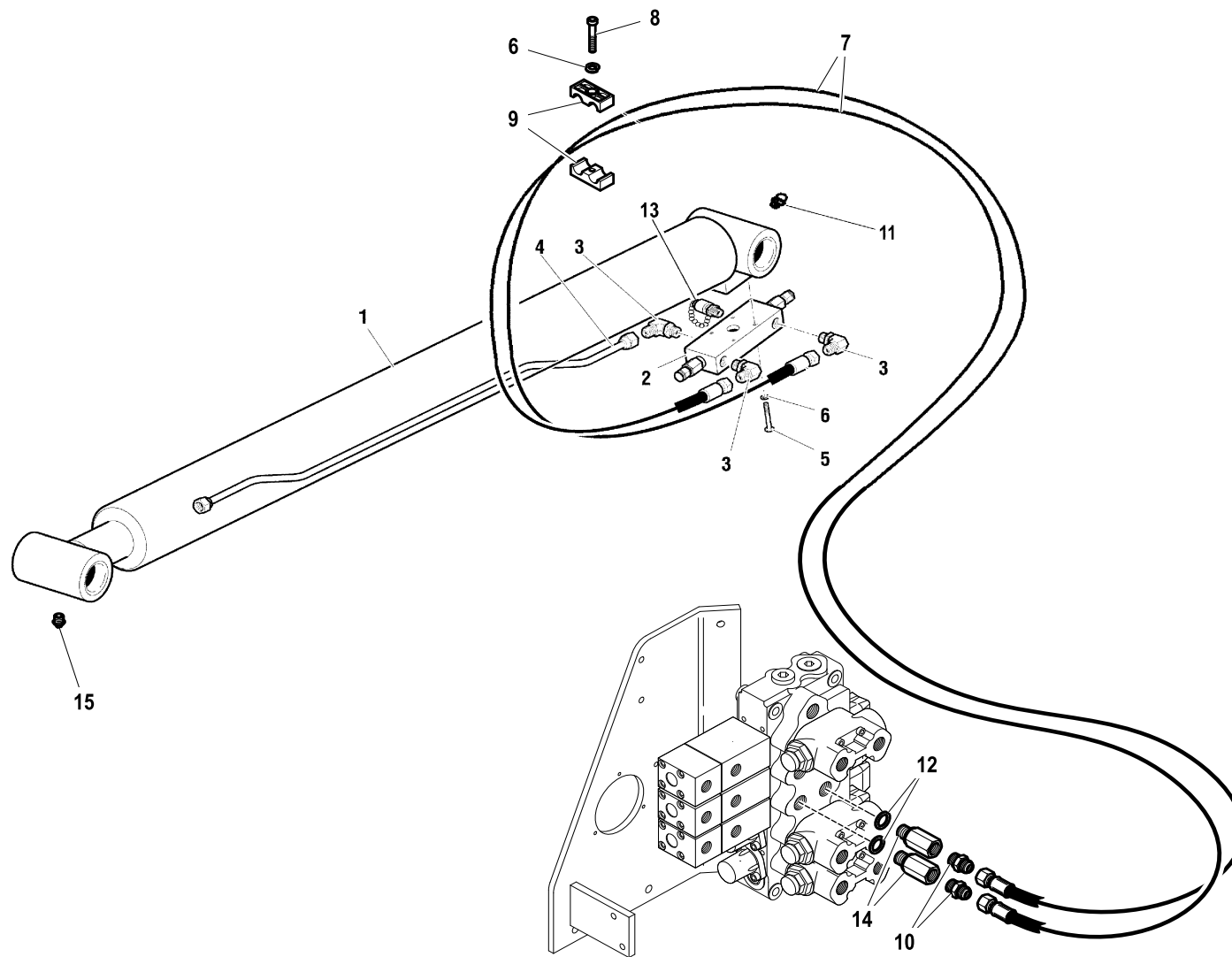
HYDRAULIC SYSTEM (ARTICULATION HYDRAULIC JACK)

Code

6230219-1.0

1/1

R	Pos.	Code Variant	Q.ty	Description
	1	6430219	1	Articulation Hydraulic jack
	2	5220548	1	Holding valve
	3	3101127	3	90° Connection
	4	5391053	1	
	5	3010033	4	Hex screw [M8X50 8.8 ZC UNI 5737]
	6	3060055	6	Split lock washer [D=8.4 C72 ZC]
	7	5271494	2	Flexible hose
	8	3020057	2	Socketed head cap screw [M8X35 ZC UNI 5931]
	9	3190172	4	Clamp (Set of hoses)
	10	3101043	2	Straight pipe fitting
	11	3080512	1	Grease nipple
	12	3060144	2	Sealing washer [BSP 3/8"]
	13	3111523	1	Pipe fitting (Tapping point) [RACC. MILITES 16X2-1/4"G]
	14	3110110	2	Straight pipe fitting



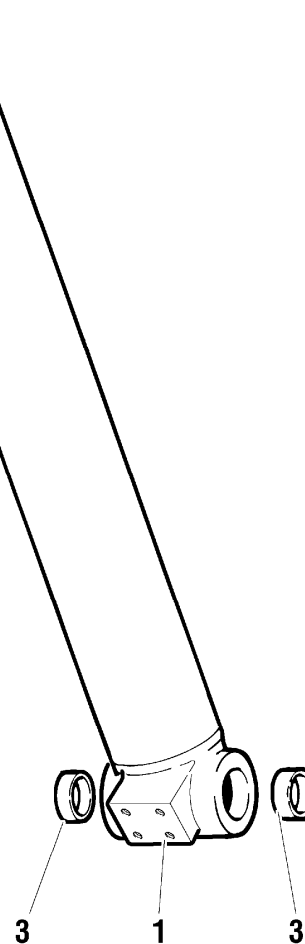
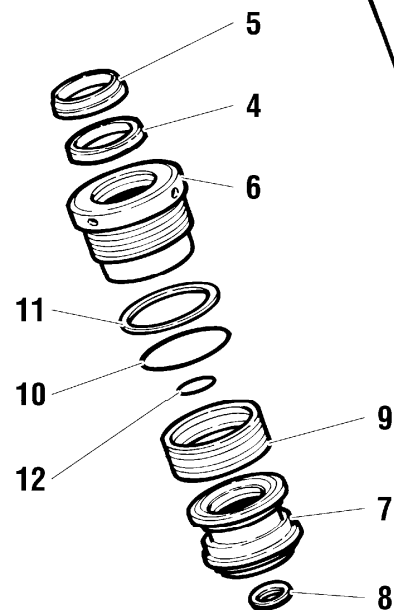
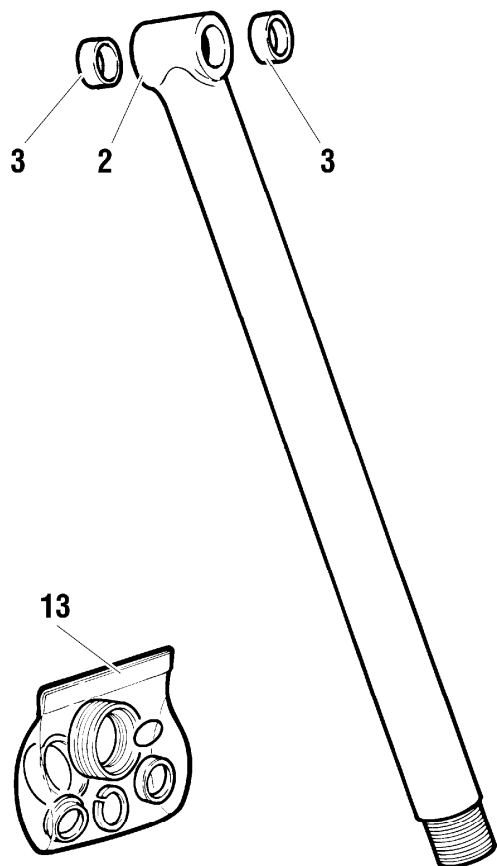
Articulation Hydraulic jack

Code

6430219-1.0

1/1

R	Pos.	Code Variant	Q.ty	Description
	1	6070353	1	
	2	6030136	1	
	3	5140124	4	
	4	3370144	1	
	5	3420032	1	
	6	6040309	1	
	7	6050237	1	
	8	3040500	1	Self-locking ringnut
	9	3400519	1	
	10	3450224	1	
	11	3460224	1	
	12	3450119	1	
	13	5550797	1	



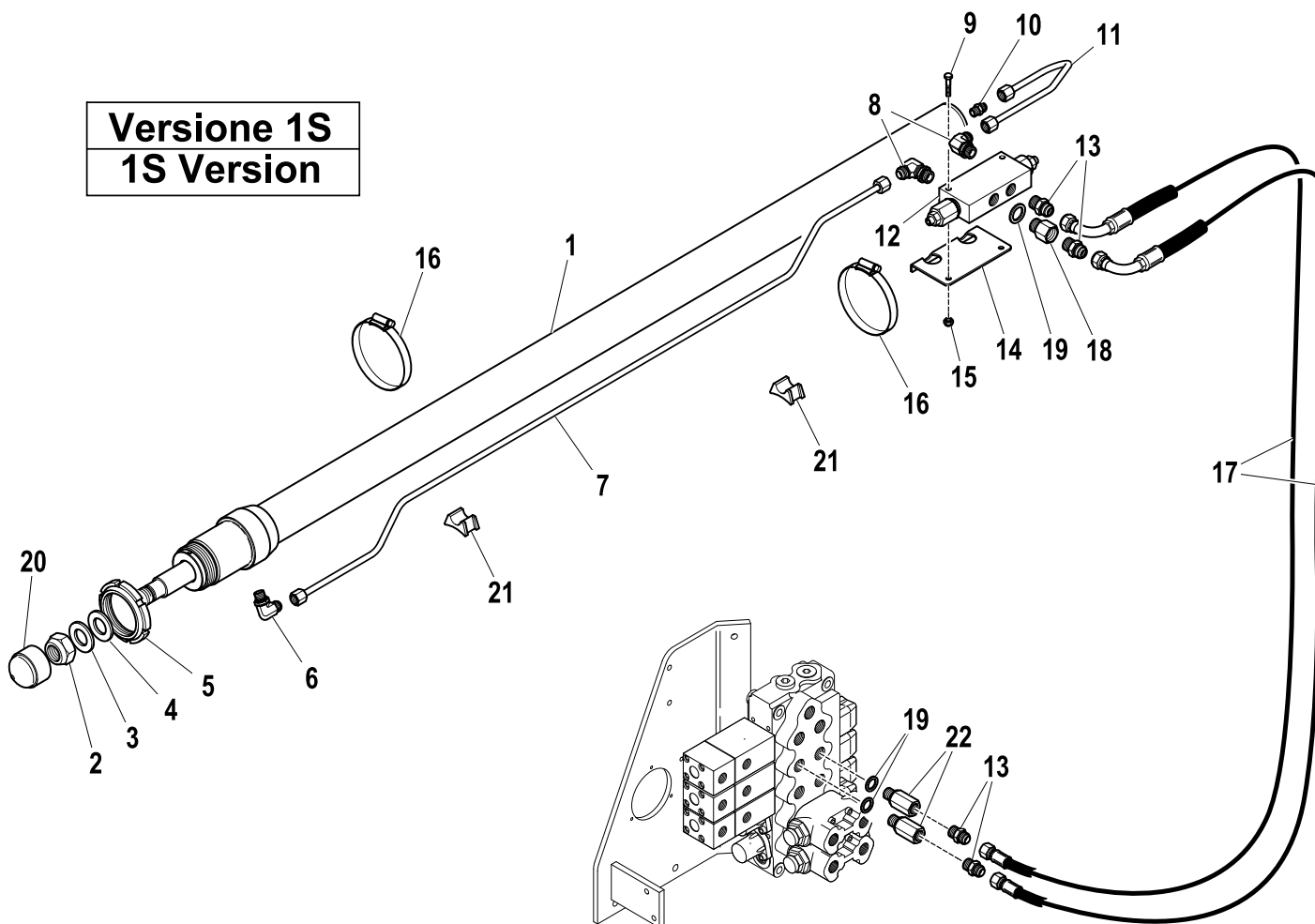
HYDRAULIC SYSTEM (1st EXSTENSION HYDRAULIC)

Code

6210423-1.0

1/2

Versione 1S
1S Version



R	Pos.	Code Variant	Q.ty	Description
	1	6410422	1	
	2	3040390	1	Stopnut
	3	3060014	1	Flat washer [D.25X44X4 UNI 6592 ZC]
	4	5001575	1	
	5	3040510	1	Self-locking ringnut
	6	3101124	1	90° Connection
	7	5392237	1	Bonderized tube (Iron)
	8	3101125	2	90° Connection
	9	3010019	2	Hex screw [M6X45 8.8 ZC UNI 5737]
	10	3101039	1	Straight pipe fitting
	11	5392091	1	Bonderized tube (Iron)
	12	5220122	1	Valve
	13	3101043	4	Straight pipe fitting
	14	5001579	1	
	15	3040372	2	Stopnut
	16	3190025	3	Clamp
	17	5271848	2	Flexible hose
	18	3110112	1	Straight pipe fitting
	19	3060144	3	Sealing washer [BSP 3/8"]
	20	3190244	1	Plug (Guard)

HYDRAULIC SYSTEM (1st EXSTENSION HYDRAULIC)

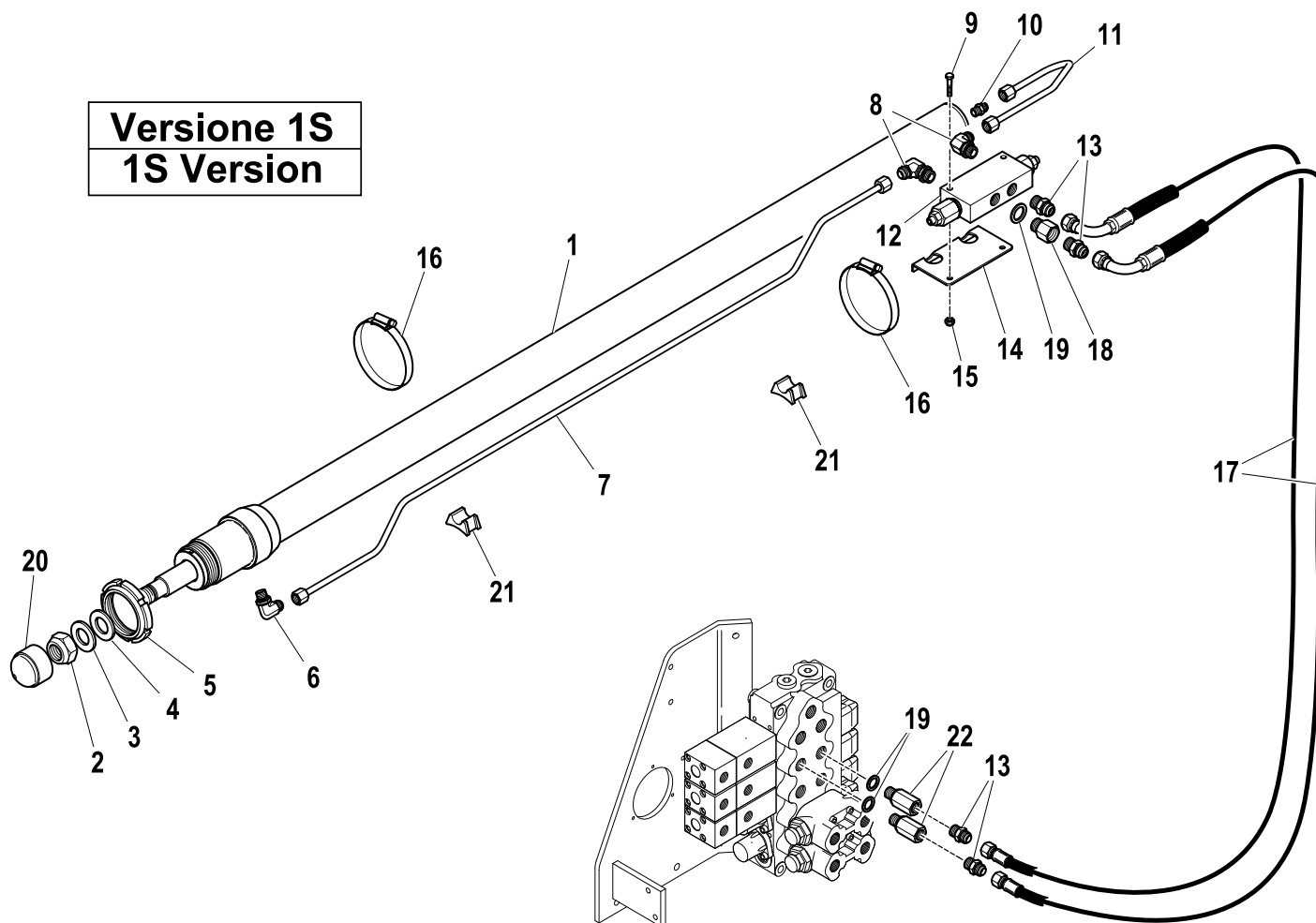
Code

6210423-1.0

2/2

R	Pos.	Code Variant	Q.ty	Description
	21	5140133	2	Piping mounting
	22	3110110	2	Straight pipe fitting

Versione 1S
1S Version



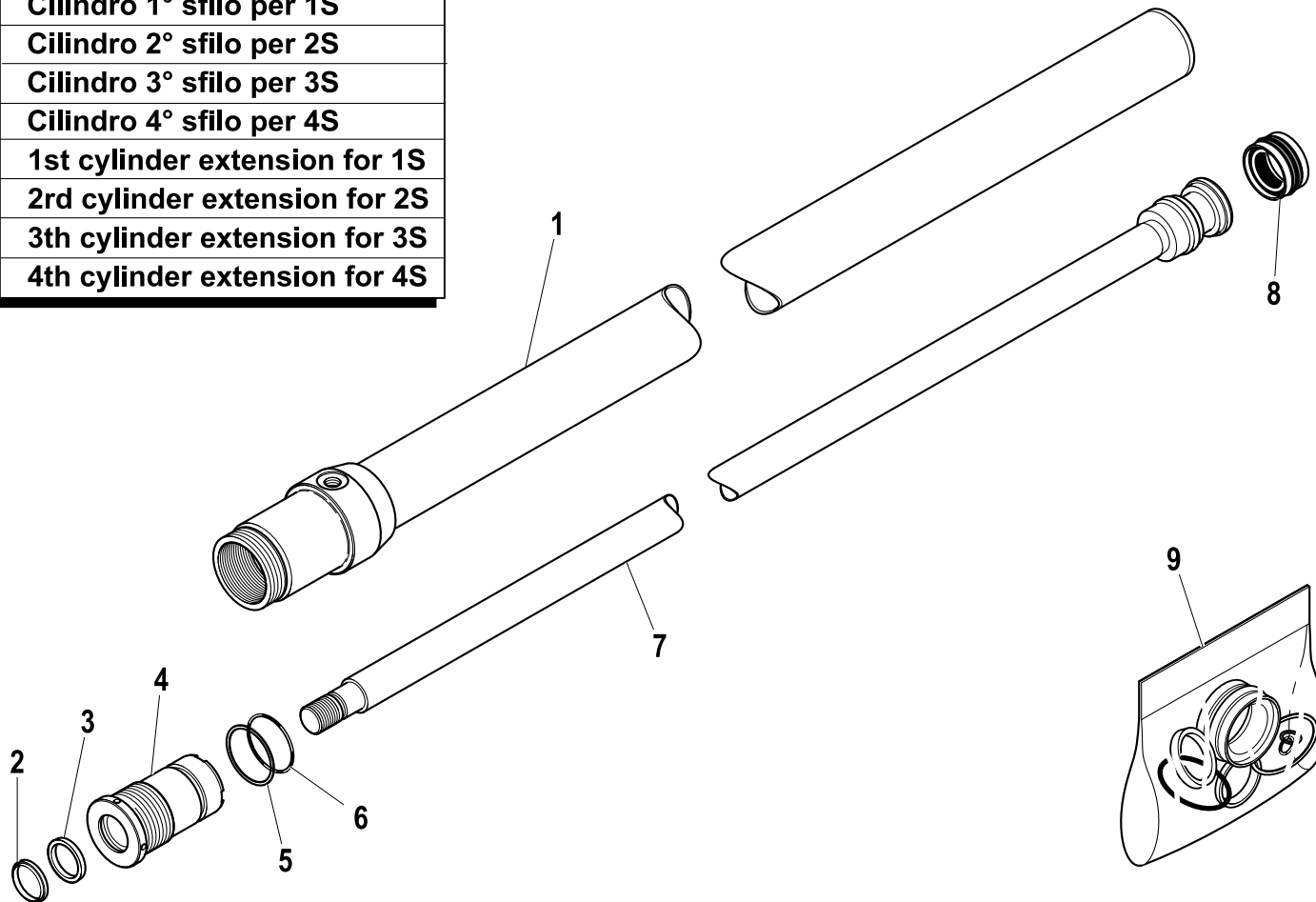
Extension Hydraulic jack

Code

6410422-1.0

1/1

Cilindro 1° sfilo per 1S
Cilindro 2° sfilo per 2S
Cilindro 3° sfilo per 3S
Cilindro 4° sfilo per 4S
1st cylinder extension for 1S
2rd cylinder extension for 2S
3th cylinder extension for 3S
4th cylinder extension for 4S



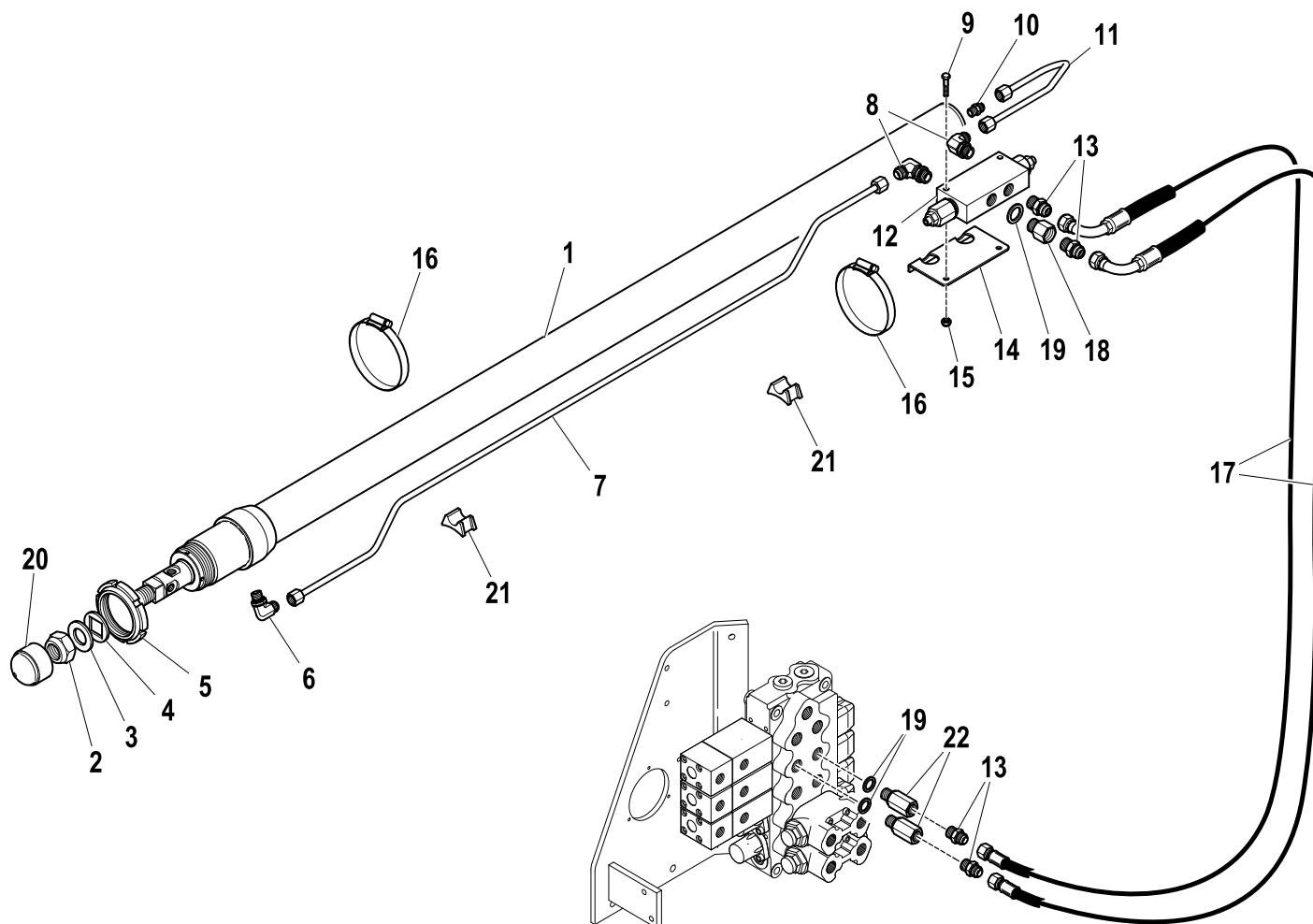
R	Pos.	Code Variant	Q.ty	Description
	1	6070583	1	
	2	3420015	1	
	3	3400043	1	
	4	6040291	1	
	5	3460119	1	
	6	3450118	1	
	7	6030892	1	
	8	3400505	1	
	9	5550761	1	

HYDRAULIC SYSTEM (1st EXSTENSION HYDRAULIC)

Code

6210421-1.0

1/2



R	Pos.	Code Variant	Q.ty	Description
	1	6410421	1	
	2	3040390	1	Stopnut
	3	3060014	1	Flat washer [D.25X44X4 UNI 6592 ZC]
	4	5001365	1	Lock washer (Control board)
	5	3040510	1	Self-locking ringnut
	6	3101124	1	90° Connection
	7	5392237	1	Bonderized tube (Iron)
	8	3101125	2	90° Connection
	9	3010019	2	Hex screw [M6X45 8.8 ZC UNI 5737]
	10	3101039	1	Straight pipe fitting
	11	5392091	1	Bonderized tube (Iron)
	12	5220122	1	Valve
	13	3101043	4	Straight pipe fitting
	14	5001579	1	
	15	3040372	2	Stopnut
	16	3190025	3	Clamp
	17	5271848	2	Flexible hose
	18	3110112	1	Straight pipe fitting
	19	3060144	3	Sealing washer [BSP 3/8"]
	20	3190244	1	Plug (Guard)

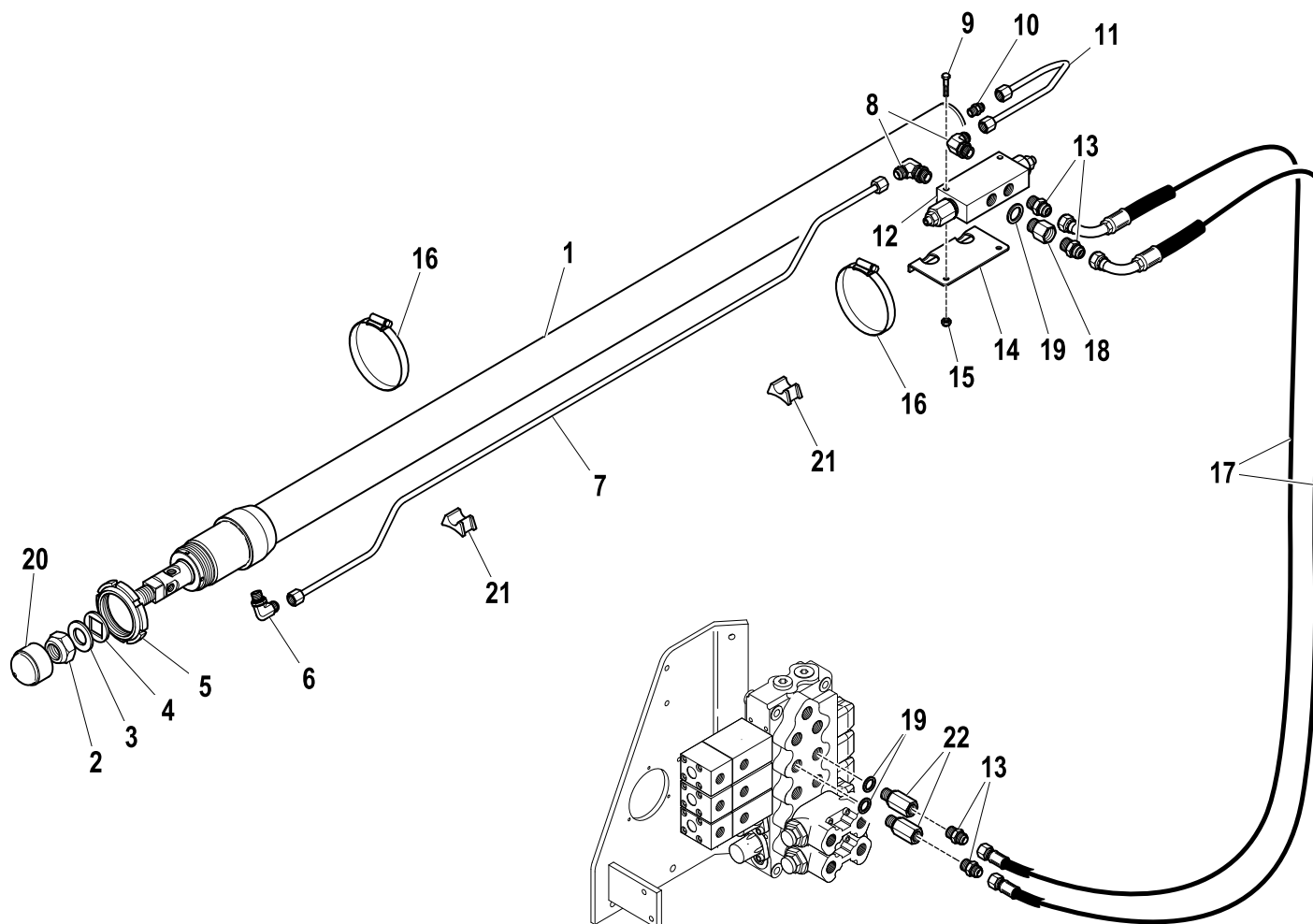
HYDRAULIC SYSTEM (1st EXSTENSION HYDRAULIC)

Code

6210421-1.0

2/2

R	Pos.	Code Variant	Q.ty	Description
	21	5140133	2	Piping mounting
	22	3110110	2	Straight pipe fitting



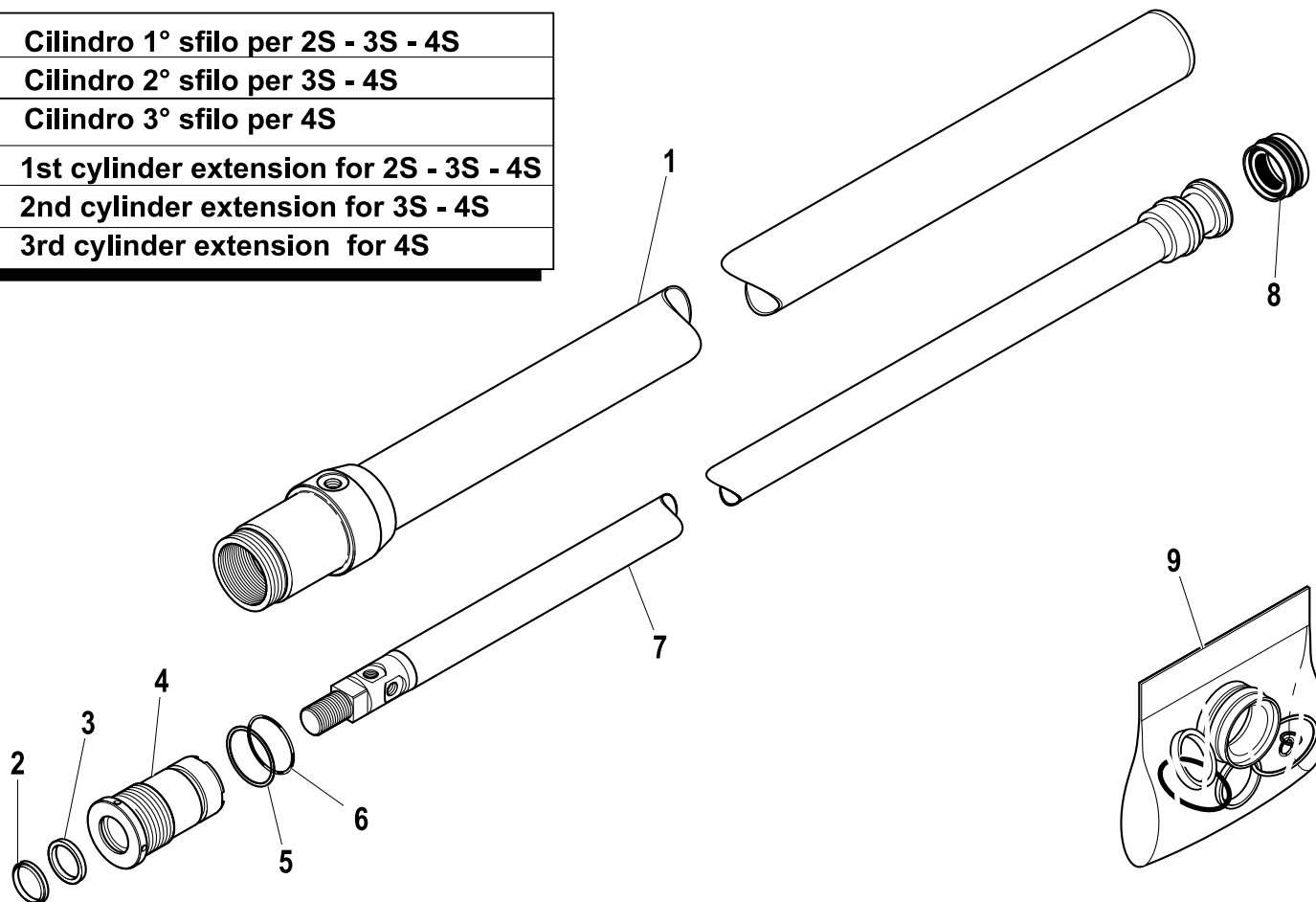
1st EXSTENSION HYDRAULIC

Code

6410421-1.0

1/1

- Cilindro 1° sfilo per 2S - 3S - 4S**
- Cilindro 2° sfilo per 3S - 4S**
- Cilindro 3° sfilo per 4S**
- 1st cylinder extension for 2S - 3S - 4S**
- 2nd cylinder extension for 3S - 4S**
- 3rd cylinder extension for 4S**



R	Pos.	Code Variant	Q.ty	Description
	1	6070583	1	
	2	3420018	1	
	3	3400055	1	
	4	6040290	1	
	5	3460119	1	
	6	3450118	1	
	7	6030890	1	
	8	3400505	1	
	9	5550760	1	

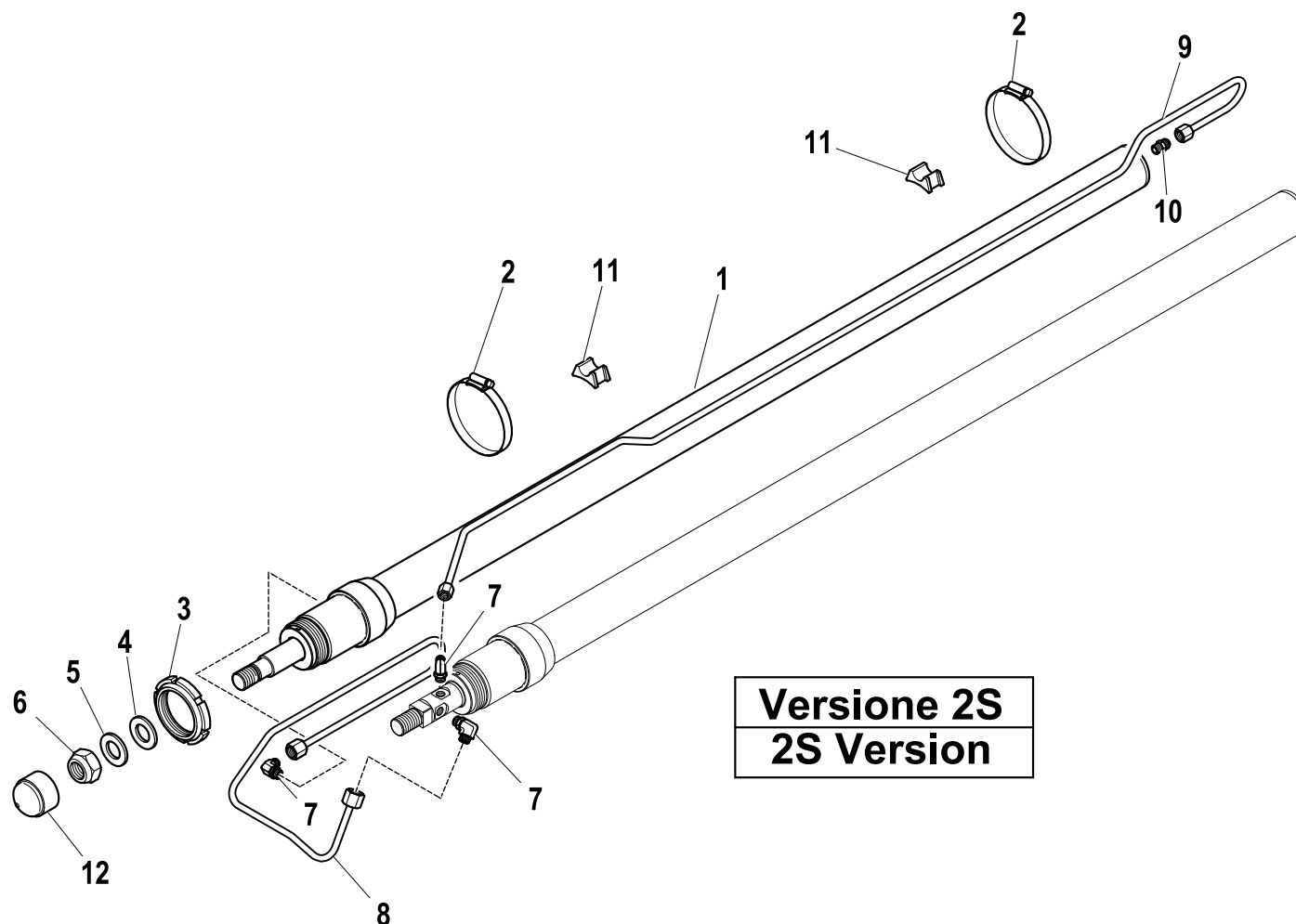
HYDRAULIC SYSTEM (2nd EXTENSION HYDRAULIC JACK)

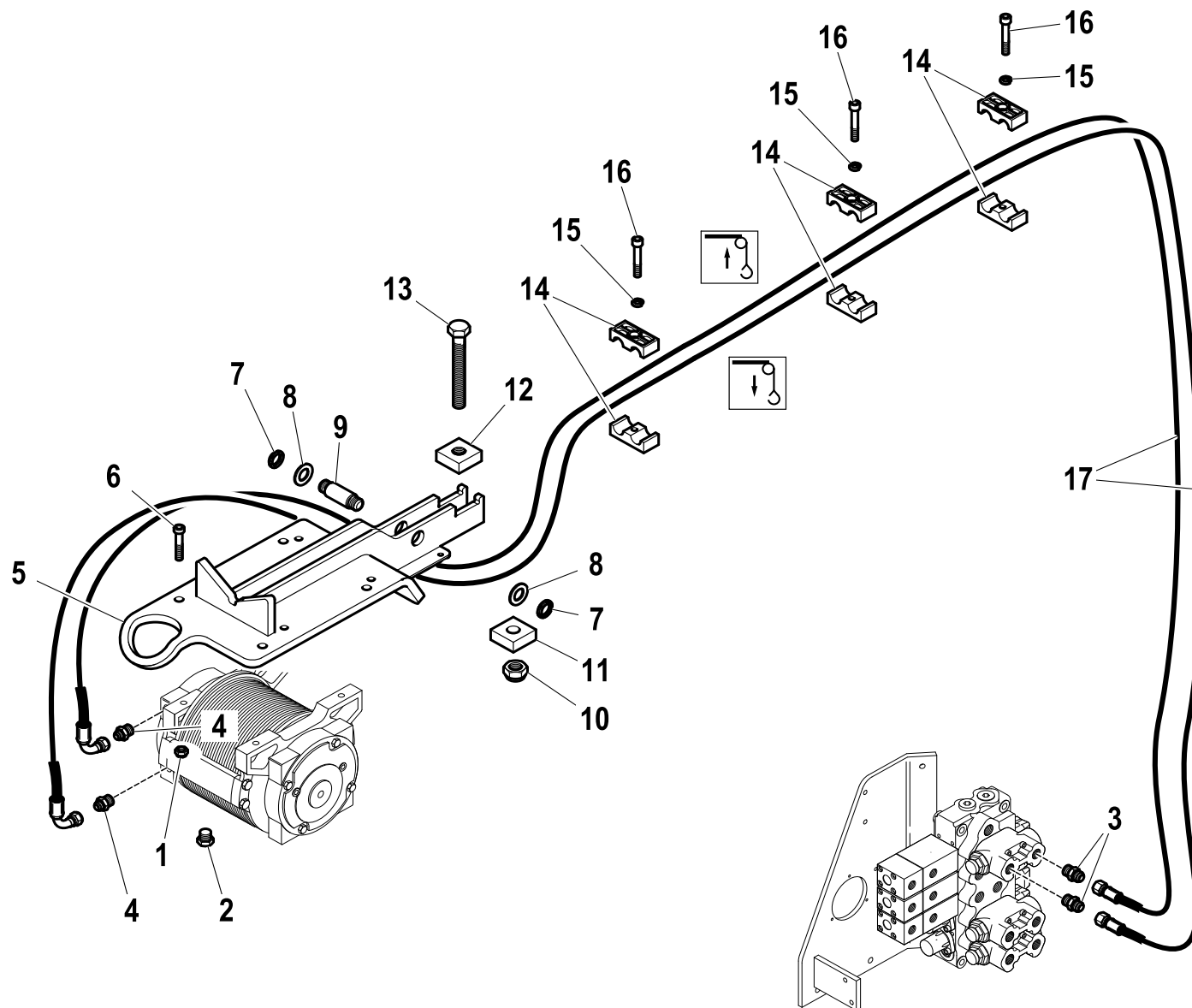
Code

6210422-1.0

1/1

R	Pos.	Code Variant	Q.ty	Description
	1	6410422	1	
	2	3190025	2	Clamp
	3	3040510	1	Self-locking ringnut
	4	5001575	1	
	5	3060014	1	Flat washer [D.25X44X4 UNI 6592 ZC]
	6	3040390	1	Stopnut
	7	3101124	3	90° Connection
	8	5392094	1	
	9	5392248	1	
	10	3101039	1	Straight pipe fitting
	11	5140133	2	Piping mounting
	12	3190244	1	Plug (Guard)





R	Pos.	Code Variant	Q.ty	Description
	1	3040305	4	Stopnut
	2	3110054	1	Plug
	3	3101043	2	Straight pipe fitting
	4	3101044	2	Straight pipe fitting
	5	5091162	1	
	6	3020104	4	Socketed head cap screw [M12X50 8.8 ZC UNI 5931]
	7	3040504	2	Self-locking ringnut
	8	3060012	2	Flat washer [D.21X37X3 UNI 6592 ZC]
	9	5150752	1	
	10	3040309	1	Stopnut
	11	5001608	1	
	12	5001607	1	
	13	3010486	1	Hex screw [M20X150 8.8 ZC UNI 5739]
	14	3190172	6	Clamp (Set of hoses)
	15	3060055	3	Split lock washer [D=8.4 C72 ZC]
	16	3020057	3	Socketed head cap screw [M8X35 ZC UNI 5931]
	17	5271495	2	Flexible hose



HB80 M

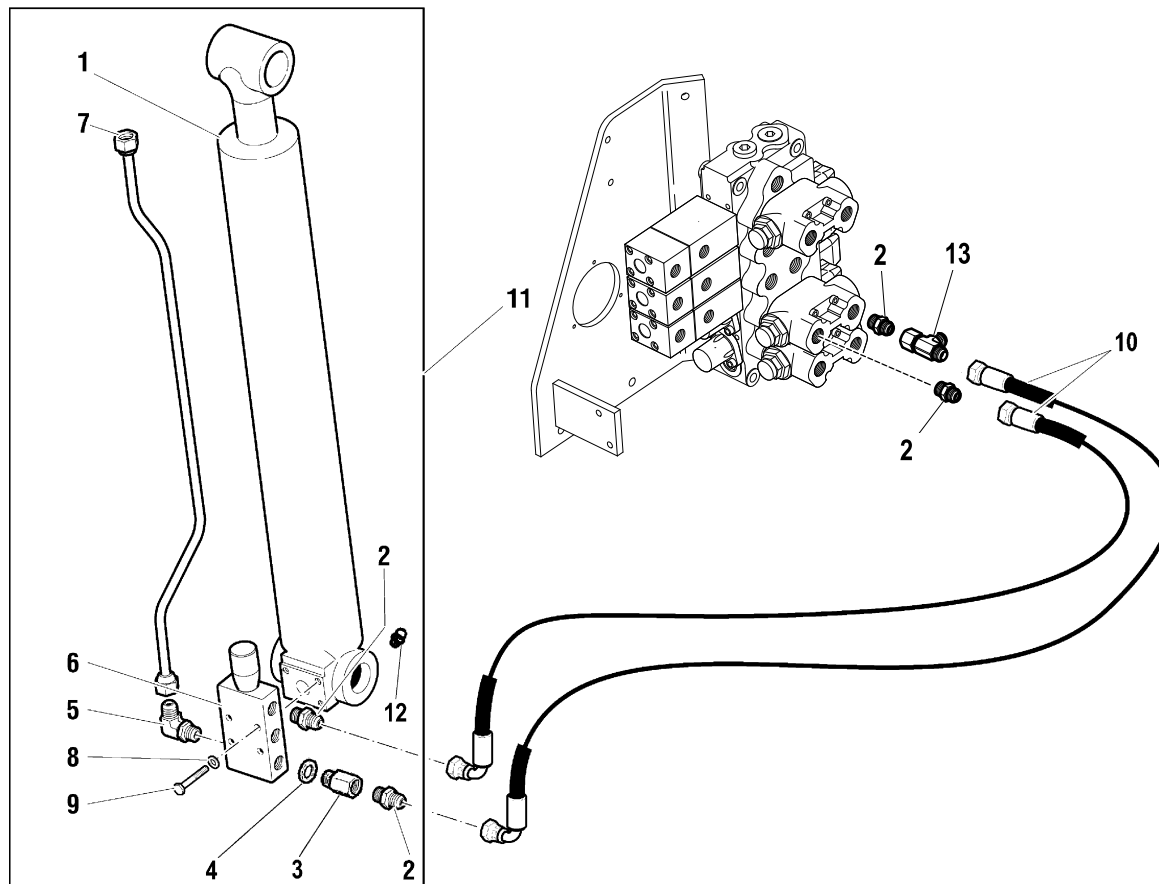
LIFTING HYDRAULIC CYLINDER (Hydraulic system)

Code

6230220-1.0

1/1

R	Pos.	Code Variant	Q.ty	Description
	1	6430220	1	Lifting jack
	2	3101043	4	Straight pipe fitting
	3	3110112	1	Straight pipe fitting
	4	3060144	1	Sealing washer [BSP 3/8"]
	5	3101127	1	90° Connection
	6	5220547	1	
	7	5392376	1	
	8	3060055	4	Split lock washer [D=8.4 C72 ZC]
	9	3010033	4	Hex screw [M8X50 8.8 ZC UNI 5737]
	10	5271069	2	Flexible hose
	11	6230220	1	Lifting jack
	12	3080512	1	Grease nipple
	13	3120004	1	Tee fitting



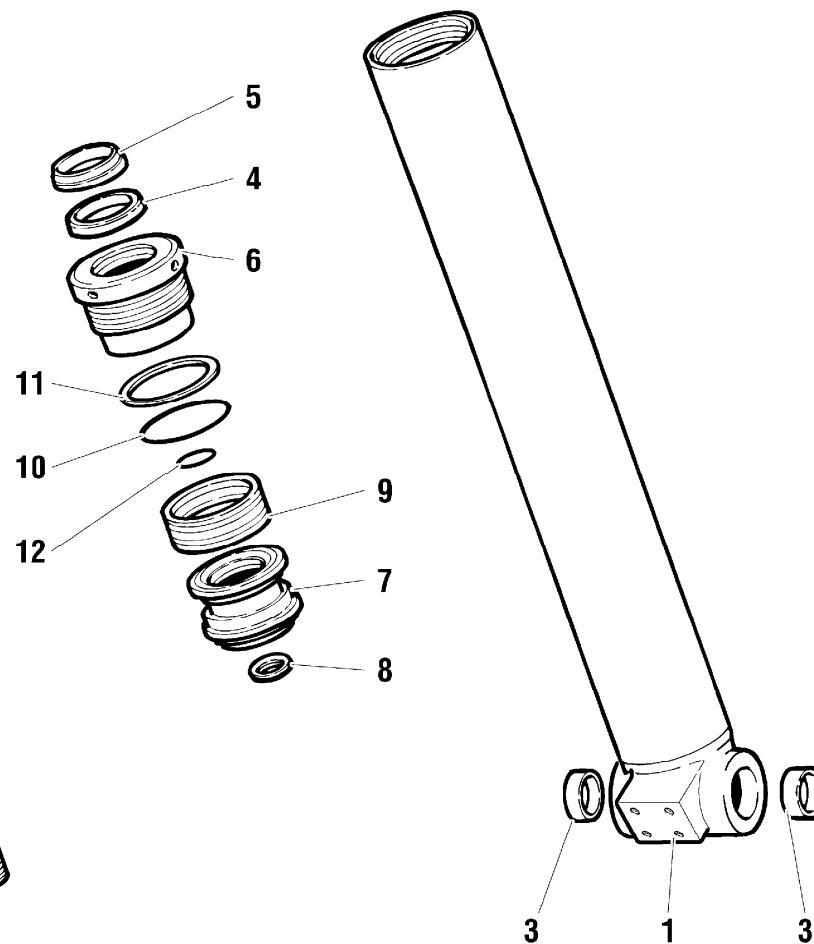
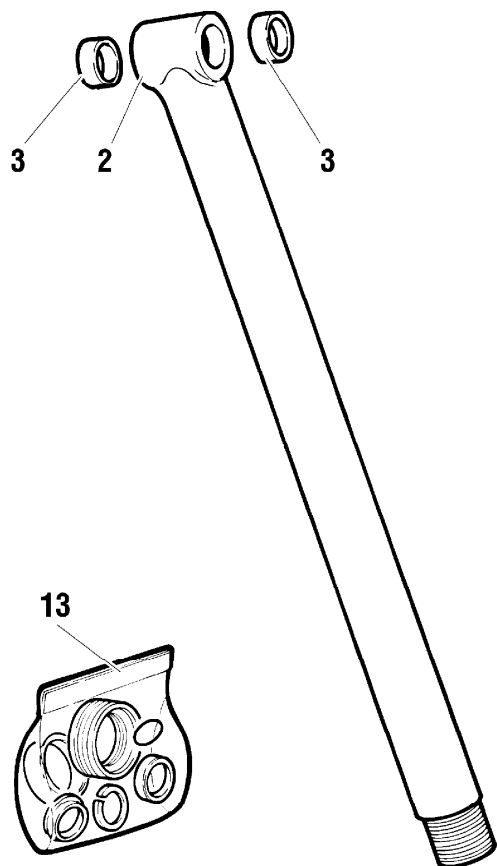
LIFTING HYDRAULIC CYLINDER

Code

6430220-1.0

1/1

R	Pos.	Code Variant	Q.ty	Description
	1	6070352	1	
	2	6030137	1	
	3	5140124	4	
	4	3370144	1	
	5	3420032	1	
	6	6040309	1	
	7	6050237	1	
	8	3040500	1	Self-locking ringnut
	9	3400519	1	
	10	3450224	1	
	11	3460224	1	
	12	3450119	1	
	13	5550797	1	







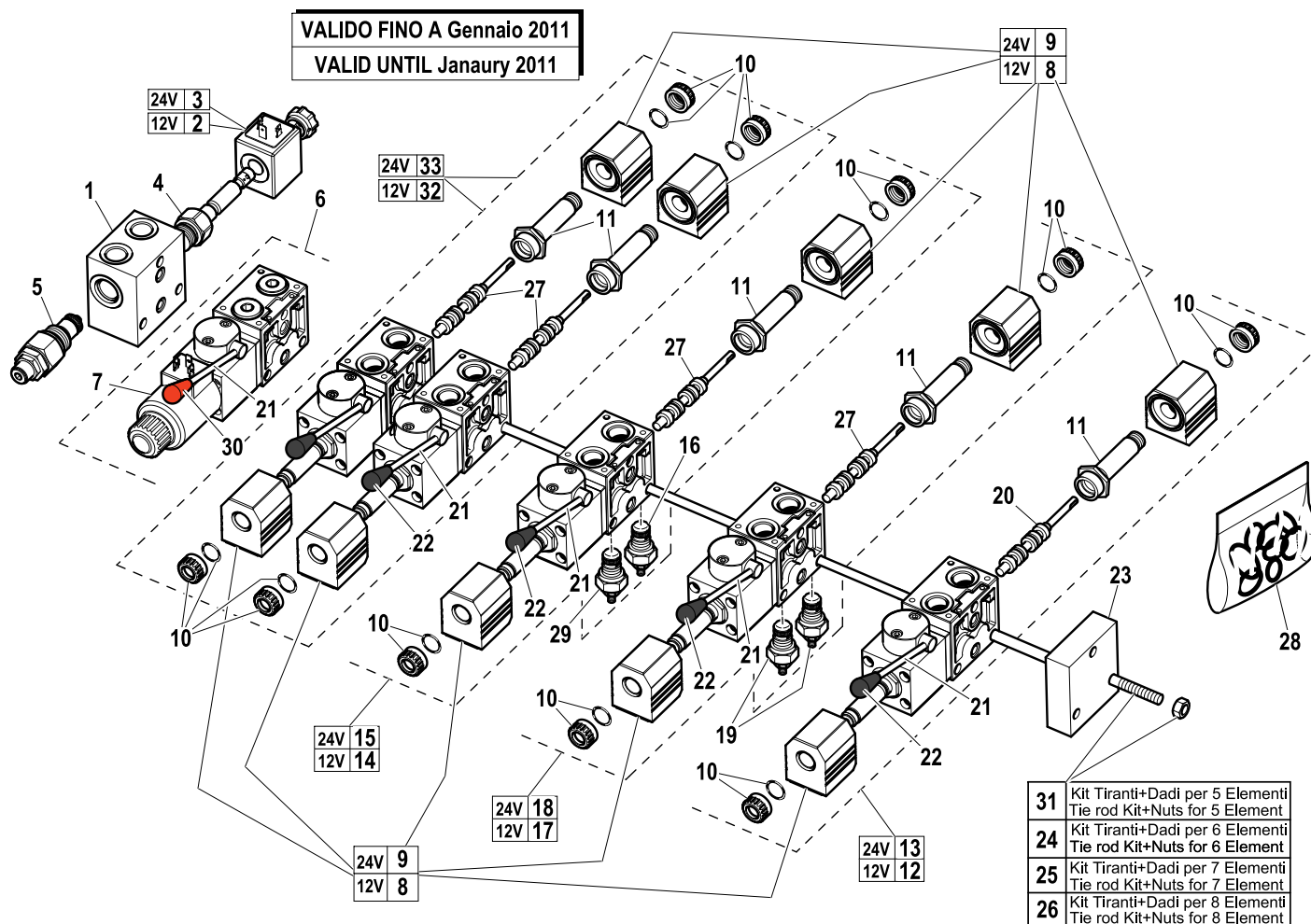
HB70X (LC)

Control valve (5 section)

Code

5220424-1.0

1/2



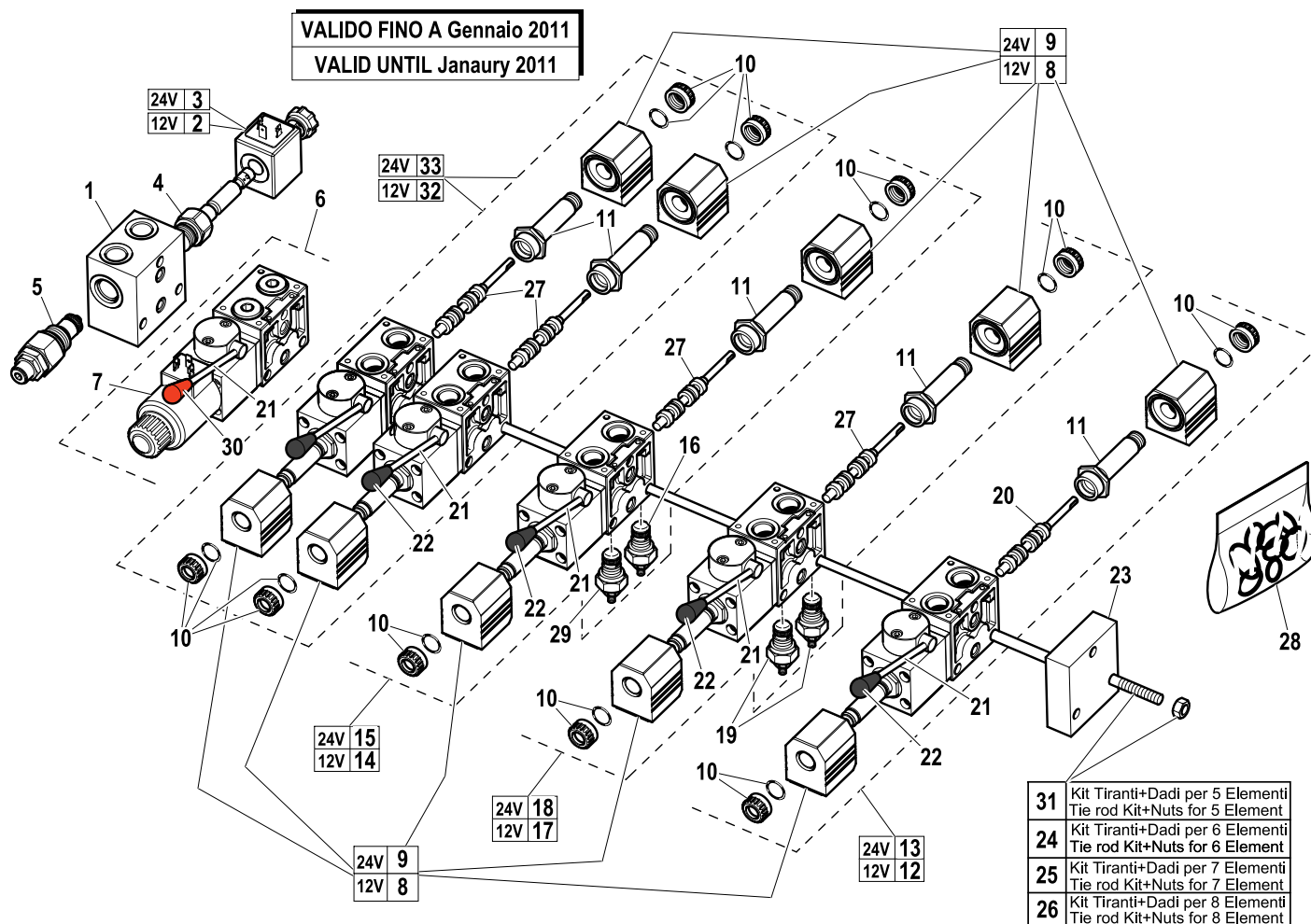
R	Pos.	Code Variant	Q.ty	Description
	1	5225719	1	
	2	3310906	1	
	3	3310904	1	
	4	5220569	1	
	5	5225718	1	
	6	5225720	1	
	7	3310903	1	
	8	3310907	10	
	9	3310905	10	
	10	5225721	10	
	11	5225768	10	
	12	5225755	1	
	13	5225760	1	
	14	5225726	1	
	15	5225759	1	
	16	5225729	1	
	17	5225725	1	
	18	5225758	1	
	19	5225736	2	
	20	5225715	1	

Control valve (5 section)

Code

5220424-1.0

2/2



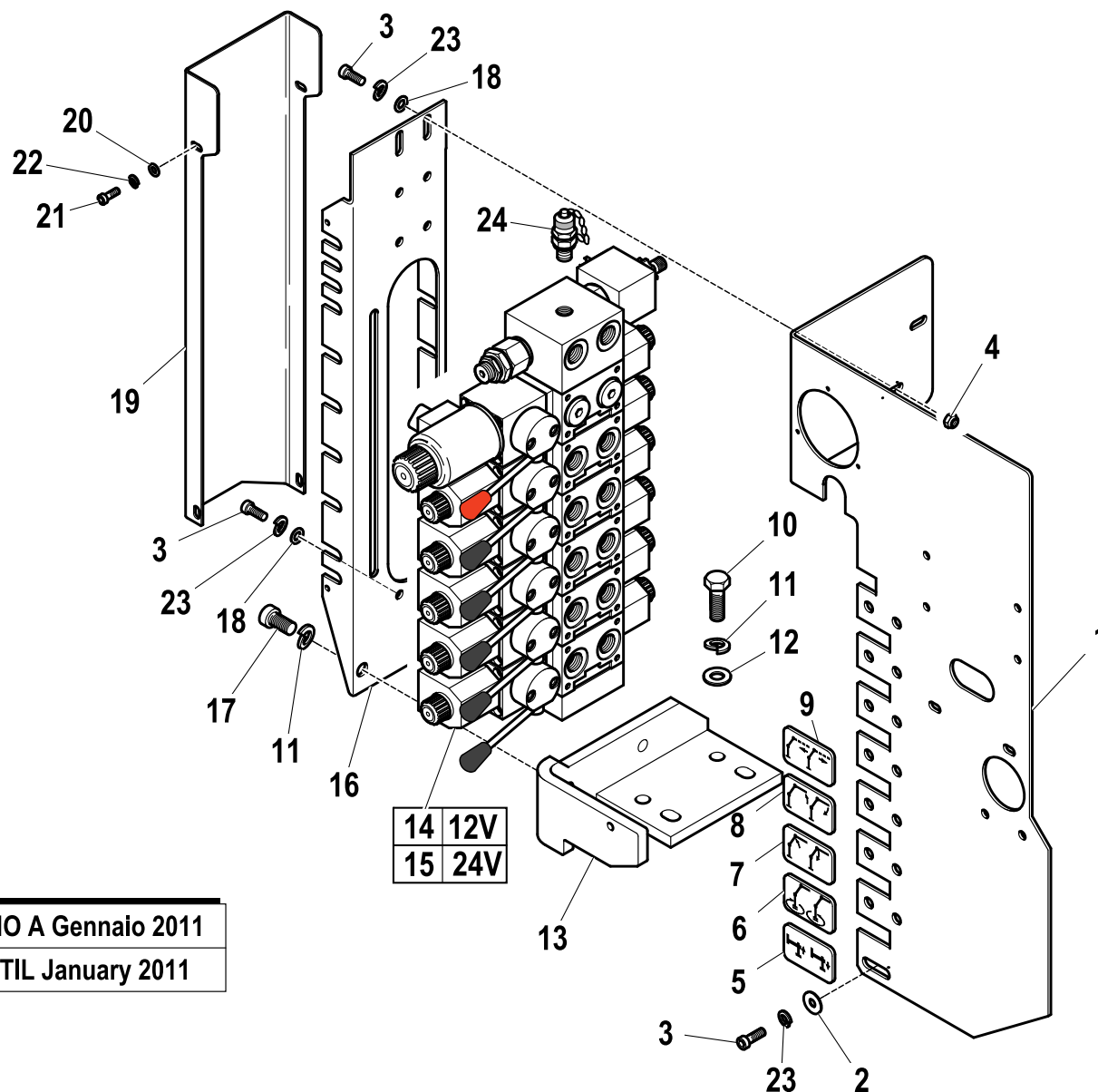
R	Pos.	Code Variant	Q.ty	Description
	21	5225722	6	Control lever
	22	5225723	5	
	23	5225727	1	
	24	5225730	1	
	25	5225731	1	
	26	5225732	1	
	27	5225716	4	
	28	5225733	1	
	29	5225728	1	
	30	5225818	1	
	31	5225843	1	
	32	5225724	2	
	33	5225757	2	

CONTROLS

Code

5400702-1.0

1/2



R	Pos.	Code Variant	Q.ty	Description
	1	W370507600	1	
	2	3060030	1	Flat washer [D.6.6X18 UNI 6593 ZC]
	3	3020034	7	Socketed head cap screw [M6X16 8.8 ZC UNI 5931]
	4	3040372	2	Stopnut
	5	W573278	1	Small plate (CONTROL SYMBOLS)
	6	W573279	1	
	7	W573280	1	
	8	W573282	1	
	9	W573283	1	
	10	3010354	2	Hex screw [M10X20 8.8 ZC UNI 5739]
	11	3060056	2	Split lock washer [D=10 C72 ZC]
	12	3060914	2	Flat washer [D.10.5X21X2 UNI 6592 ZC]
	13	5091056	1	Support (Casing)
	14	5220423	1	Proportional control valve
	15	5220424	1	Proportional control valve
	16	W370507500	1	
	17	3020080	2	Socketed head cap screw [M10X16 12.9 ZC UNI 5931]
	18	3060005	8	Flat washer [D.6.4 UNI 6592 ZC]
	19	W370507900	1	
	20	3060004	4	Flat washer [D.5 UNI 6592 ZC]

VALIDO FINO A Gennaio 2011

VALID UNTIL January 2011

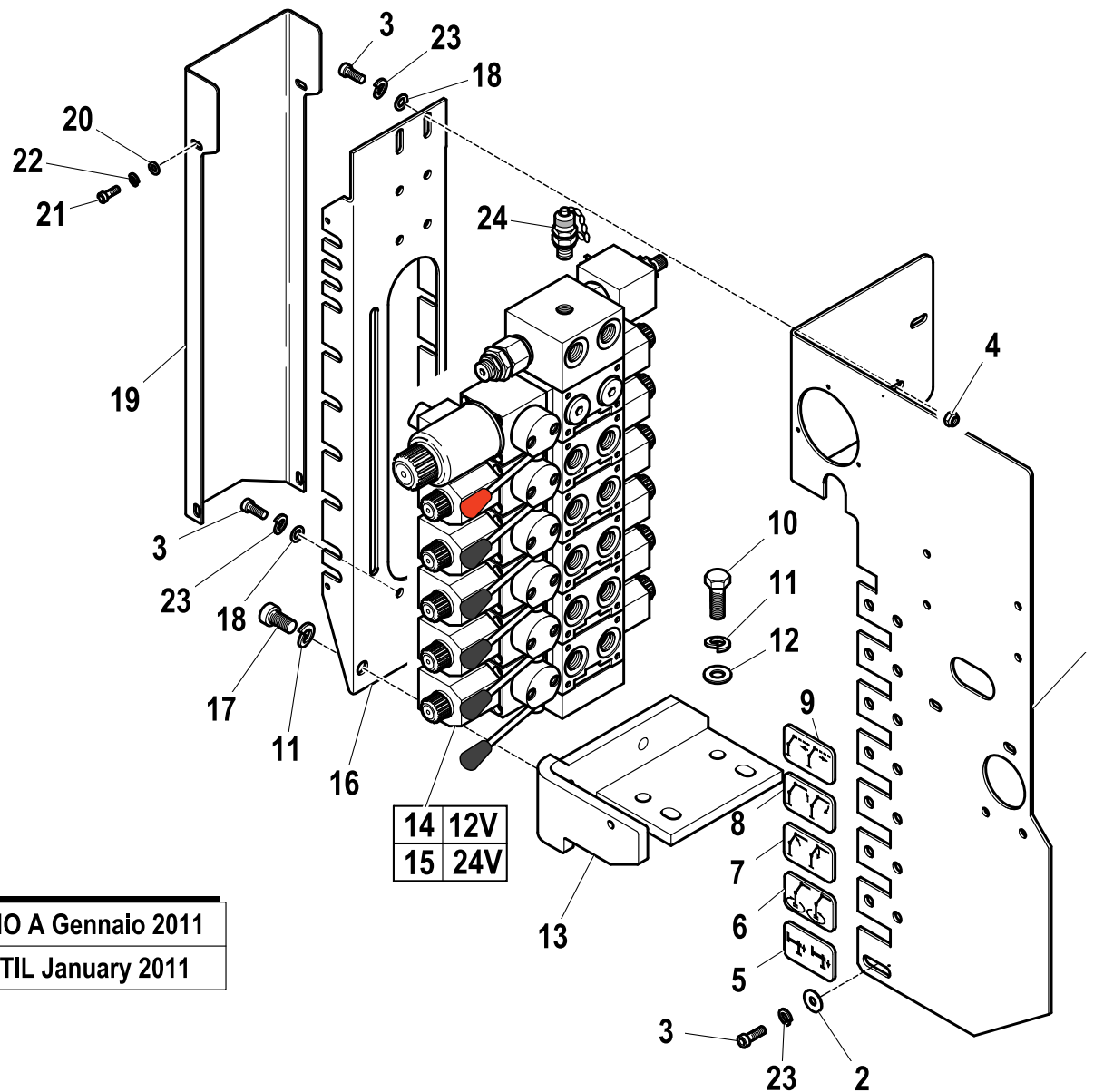
CONTROLS

Code

5400702-1.0

2/2

R	Pos.	Code Variant	Q.ty	Description
	21	3020021	4	Socket head cap screw [M5X12X0.8 8.8 ZC UNI 5931]
	22	3060052	4	Split lock washer [D=5.5 C72 ZC]
	23	3060053	4	Split lock washer [D=6.4 C72 ZC]
	24	3111523	1	Pipe fitting (Tapping point) [RACC. MILITES 16X2-1/4"G]



VALIDO FINO A Gennaio 2011

VALID UNTIL January 2011

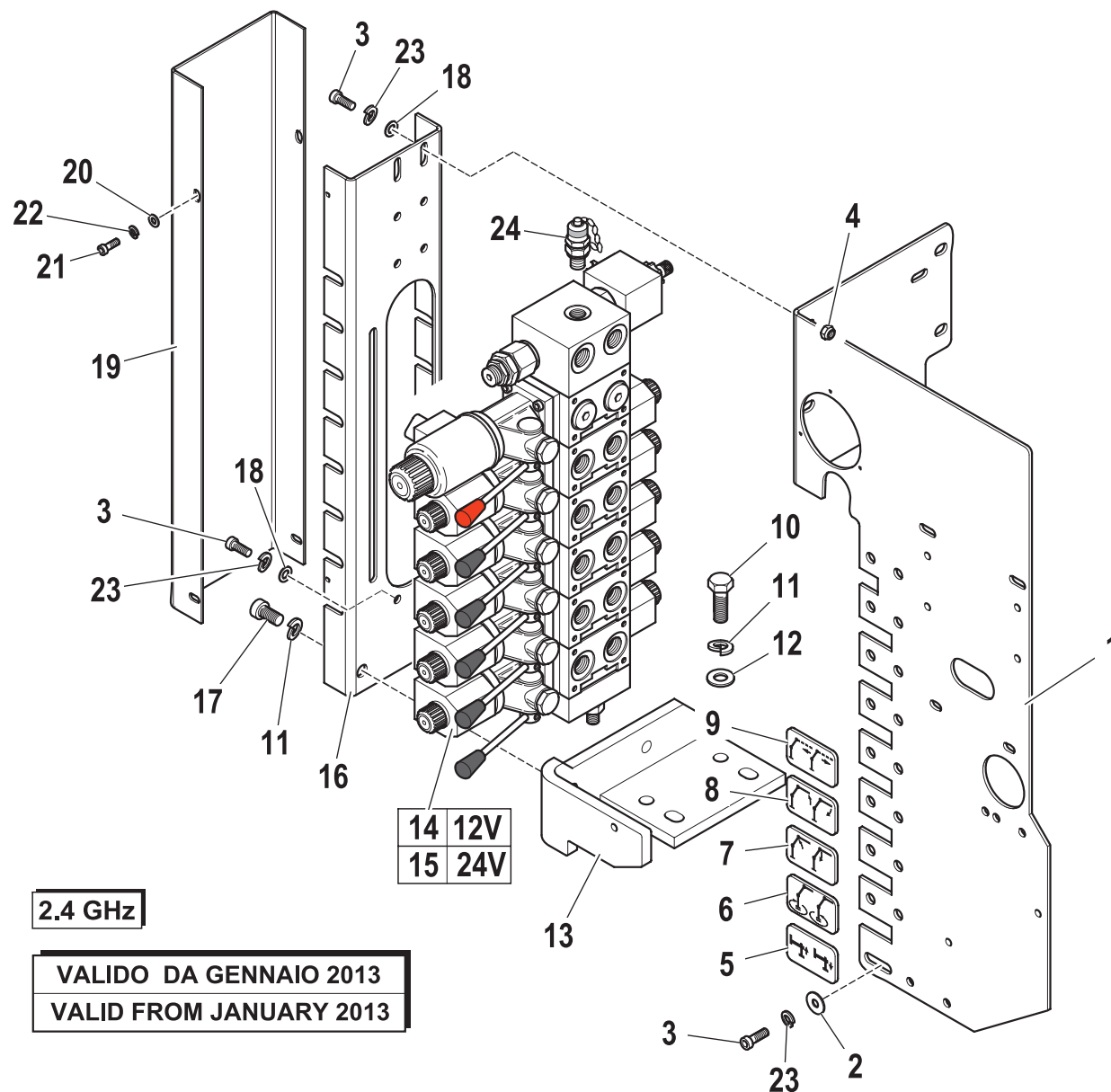
CONTROLS (RDC)

Code

5402179-1.0

1/2

R	Pos.	Code Variant	Q.ty	Description
	1	5091455	1	Guard (Control unit)
	2	3060030	1	Flat washer [D.6.6X18 UNI 6593 ZC]
	3	3020034	7	Socketed head cap screw [M6X16 8.8 ZC UNI 5931]
	4	3040372	2	Stopnut
	5	W573278	1	Small plate (CONTROL SYMBOLS)
	6	W573279	1	
	7	W573280	1	
	8	W573282	1	
	9	W573283	1	
	10	3010355	2	Hex screw [M10X25 8.8 ZC IF UNI 5739]
	11	3060056	2	Split lock washer [D=10 C72 ZC]
	12	3060914	2	Flat washer [D.10.5X21X2 UNI 6592 ZC]
	13	5091056	1	Support (Casing)
	14	5220423	1	Proportional control valve
	15	5220424	1	Proportional control valve
	16	5091459	1	Distributor support
	17	3020080	2	Socketed head cap screw [M10X16 12.9 ZC UNI 5931]
	18	3060005	6	Flat washer [D.6.4 UNI 6592 ZC]
	19	5091451	1	Lateral guards and supports
	20	3060004	4	Flat washer [D.5 UNI 6592 ZC]



2.4 GHz

**VALIDO DA GENNAIO 2013
VALID FROM JANUARY 2013**

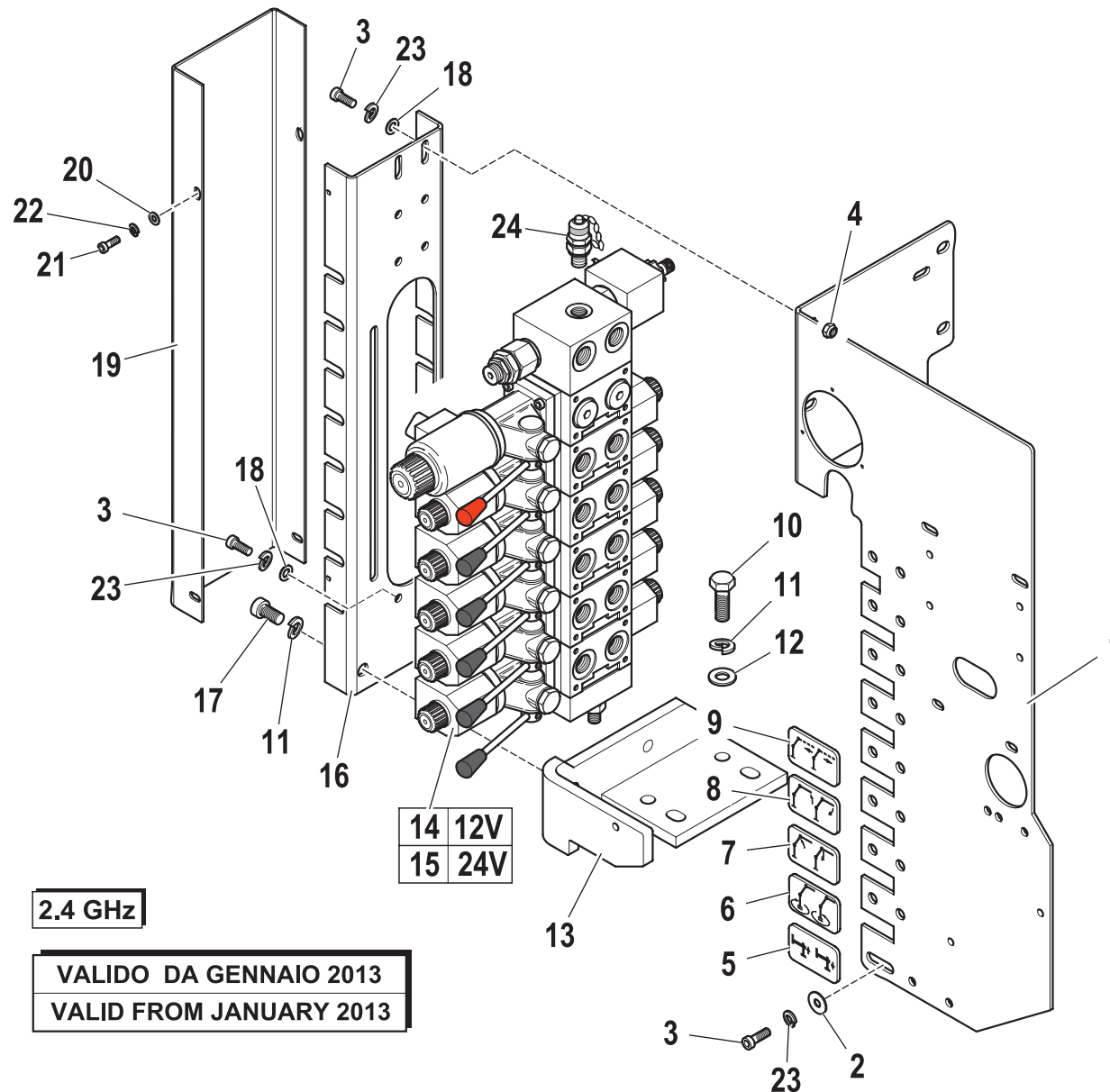
CONTROLS (RDC)

Code

5402179-1.0

2/2

R	Pos.	Code Variant	Q.ty	Description
	21	3020021	4	Socket head cap screw [M5X12X0.8 8.8 ZC UNI 5931]
	22	3060052	4	Split lock washer [D=5.5 C72 ZC]
	23	3060053	4	Split lock washer [D=6.4 C72 ZC]
	24	3111523	1	Pipe fitting (Tapping point) [RACC. MILITES 16X2-1/4"G]



2.4 GHz

**VALIDO DA GENNAIO 2013
VALID FROM JANUARY 2013**

Auxiliary wiring (Limiting device)

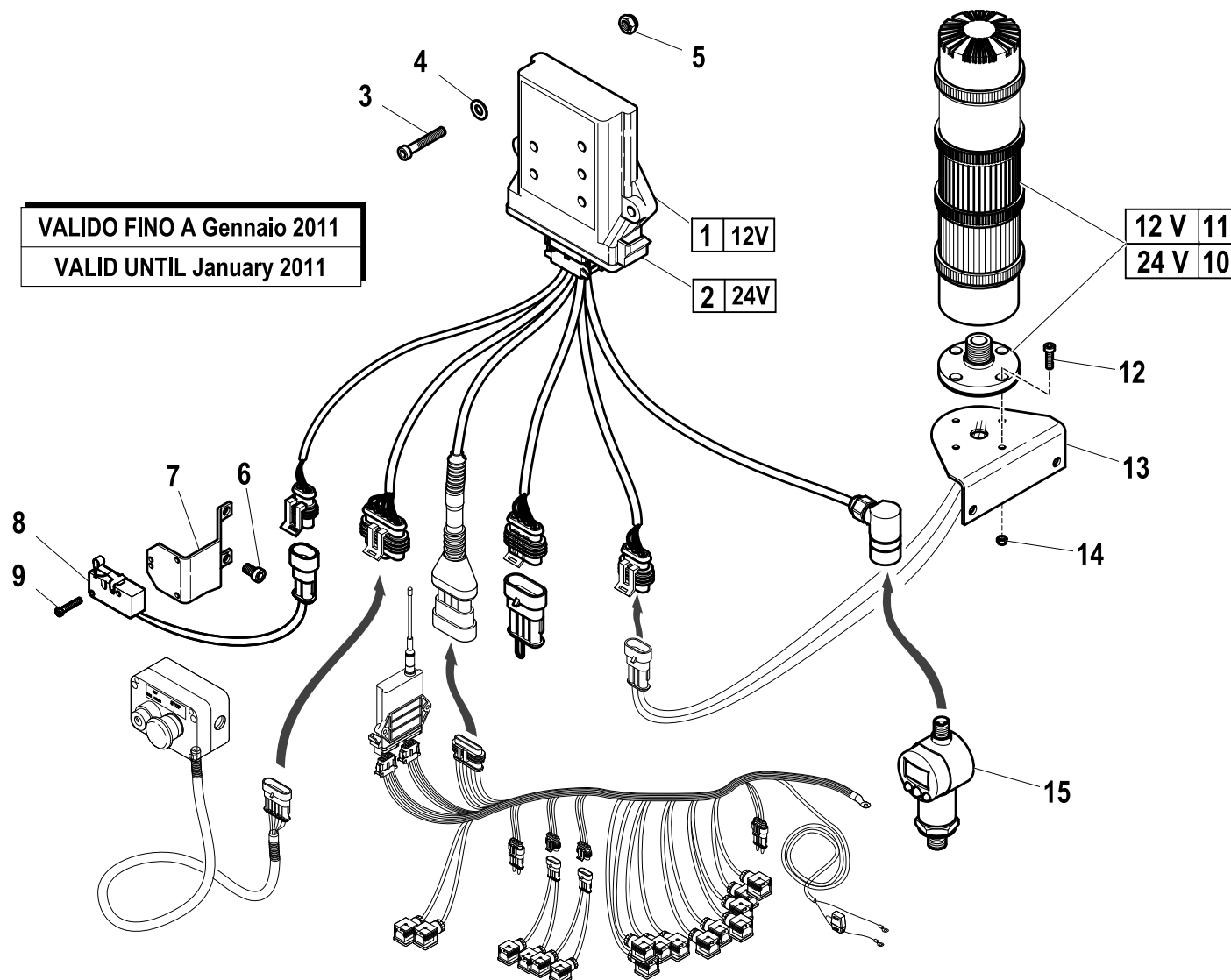
Code

5405013-1.0

1/1

R	Pos.	Code Variant	Q.ty	Description
	1	3310876	1	
	2	3310879	1	
	3	3020038	2	Socket head cap screw [M6X30 8.8 ZC UNI 5931]
	4	3060005	2	Flat washer [D.6.4 UNI 6592 ZC]
	5	3040372	2	Stopnut
	6	3020022	2	Socket head cap screw [M5X10 8.8 ZC UNI 5931]
	7	5001694	1	
	8	3310885	1	Microswitch (Electric)
	9	3020880	2	[M3X15 UNI 7688 ZC TAGLIO CR.]
	10	3310822	1	
	11	3310823	1	
	12	3020023	4	Socket head cap screw [M5X16 8.8 ZC UNI 5931]
	13	W370508000	1	Support (Flashing light)
	14	3040392	4	Stopnut
	15	3310873	1	Pressure monitor

VALIDO FINO A Gennaio 2011
VALID UNTIL January 2011



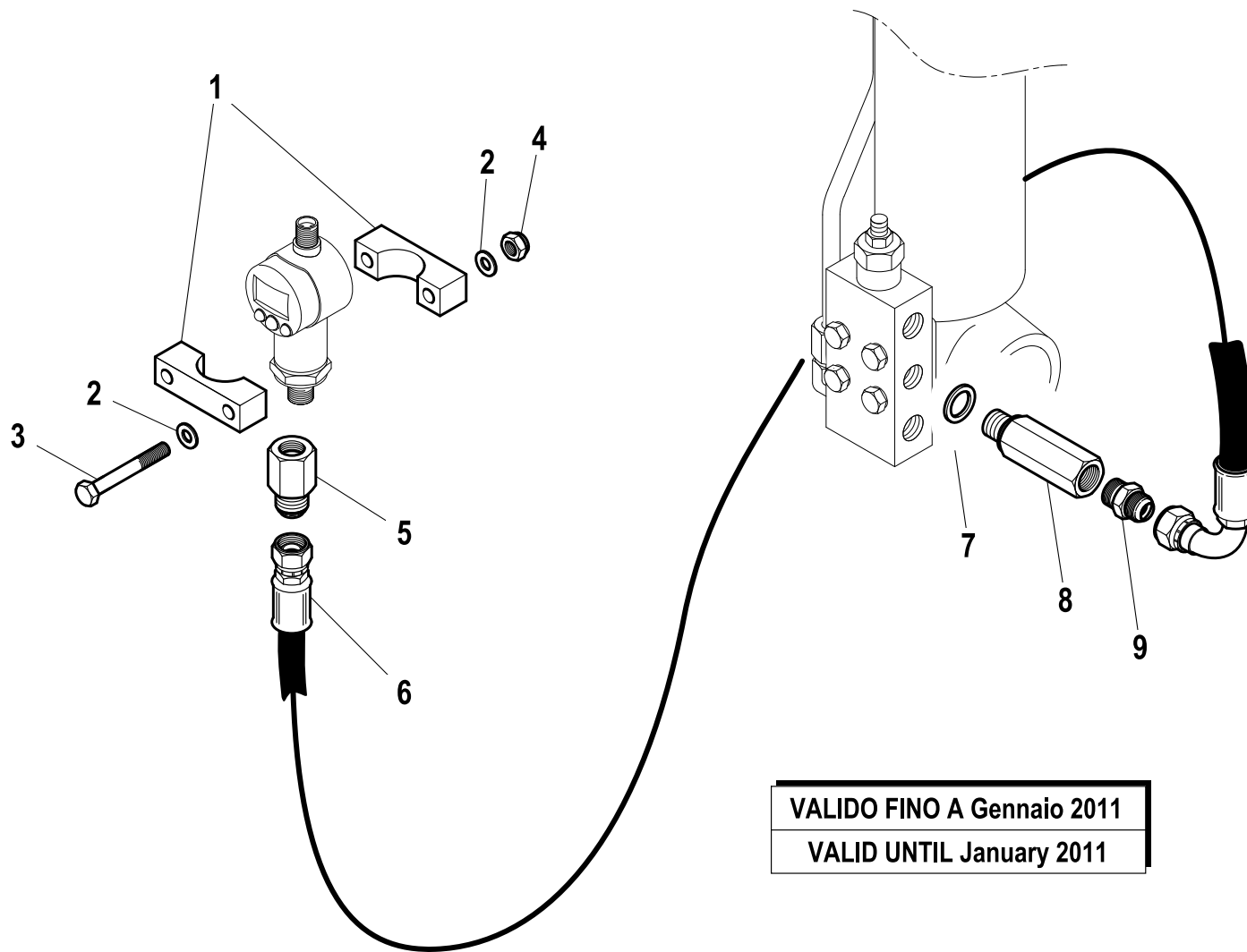
Moment limiting device

Code

5405013-2.0

1/1

R	Pos.	Code Variant	Q.ty	Description
	1	5141020	2	Vehicle (Clamp)
	2	3060005	4	Flat washer [D.6.4 UNI 6592 ZC]
	3	3010019	2	Hex screw [M6X45 8.8 ZC UNI 5737]
	4	3040372	2	Stopnut
	5	3120450	1	Reducing fitting
	6	5260908	1	Flexible hose
	7	3060143	1	Sealing washer [BSP 1/4"]
	8	5220300	1	Hose burst valve (Sleeve)
	9	3101039	1	Straight pipe fitting



VALIDO FINO A Gennaio 2011
VALID UNTIL January 2011

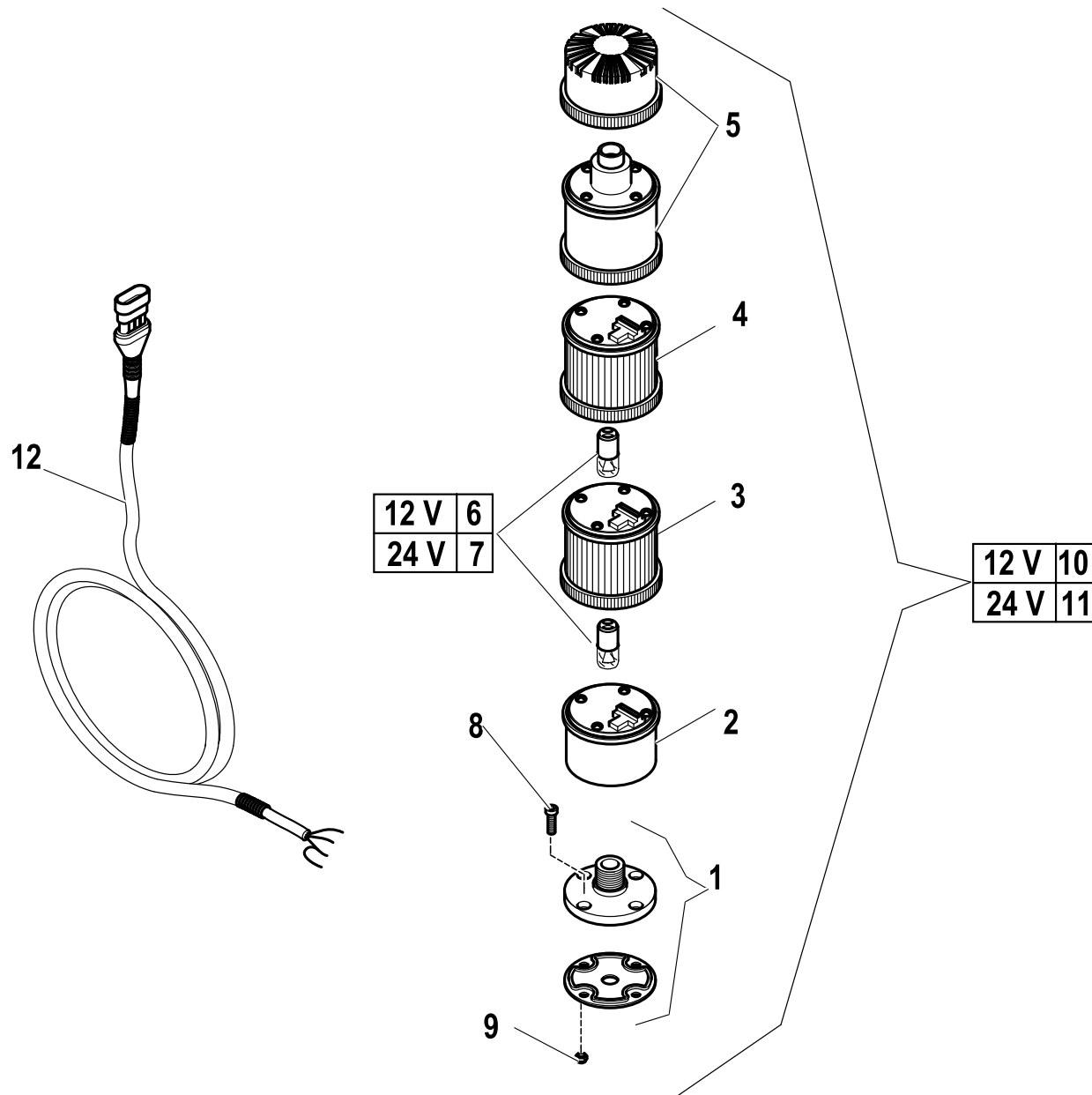
Light column

Code

3310822-1.0

1/1

R	Pos.	Code Variant	Q.ty	Description
	1	3310821	1	
	2	3310595	1	
	3	3310594	1	
	4	3310593	1	
	5	3310597	1	
	6	3310610	2	
	7	3310596	2	
	8	3020023	4	Socket head cap screw [M5X16 8.8 ZC UNI 5931]
	9	3040392	4	Stopnut
	10	3310823	1	
	11	3310822	1	
	12	3311110	1	



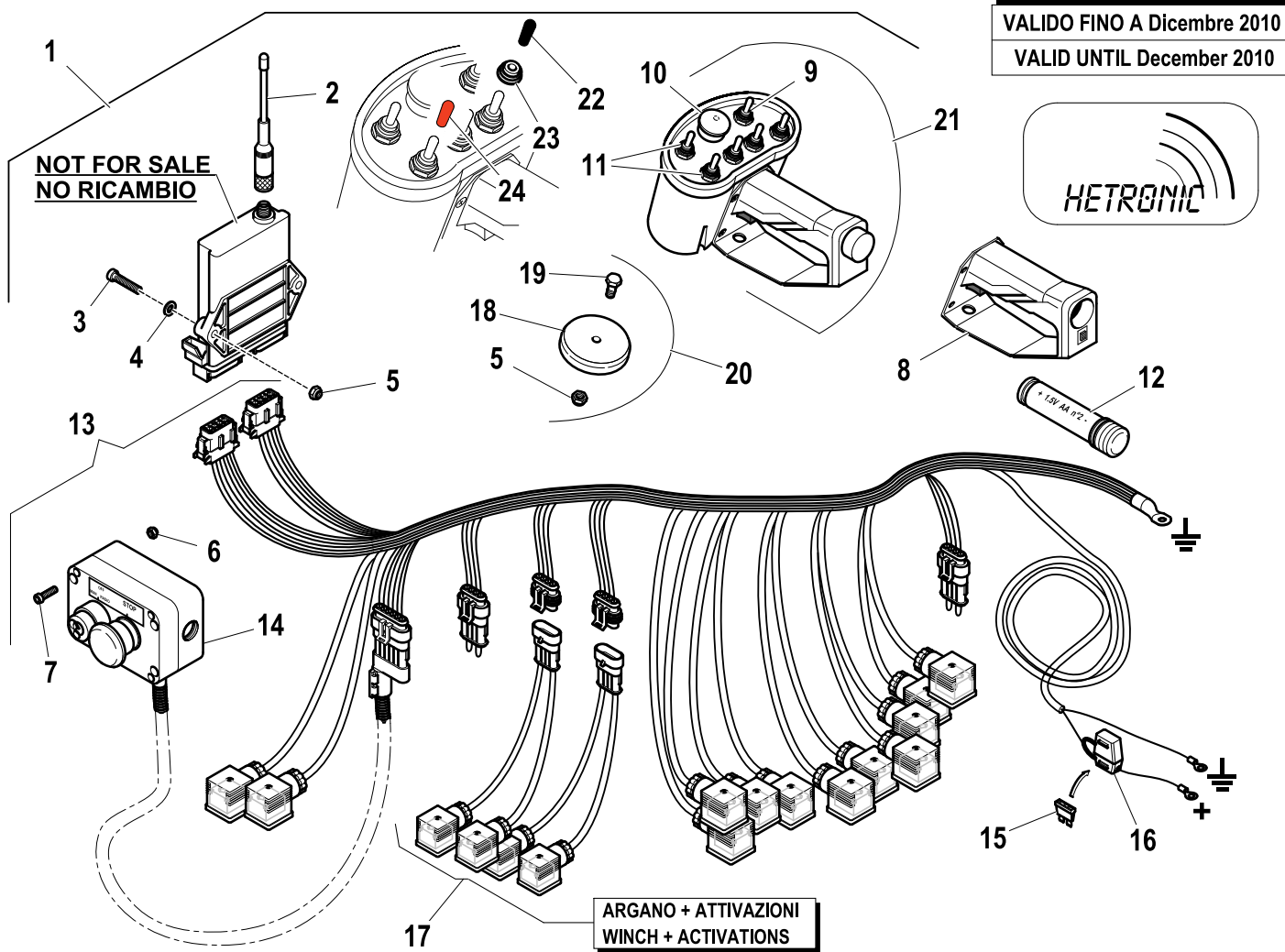
Complete wireless control (not CE)

Code

7892099-2.0

1/2

R	Pos.	Code Variant	Q.ty	Description
	1	5120095	1	
	2	3310861	1	
	3	3020038	2	Socket head cap screw [M6X30 8.8 ZC UNI 5931]
	4	3060005	2	Flat washer [D.6.4 UNI 6592 ZC]
	5	3040372	3	Stopnut
	6	3040392	8	Stopnut
	7	3020023	8	Socket head cap screw [M5X16 8.8 ZC UNI 5931]
	8	3311071	1	Handle
	9	3310891	1	
	10	3310892	1	
	11	3310890	5	
	12	3310893	1	Battery compartment
	13	3310860	1	
	14	3310908	1	
	15	3310688	1	
	16	3310852	1	
	17	3310862	2	
	18	3310064	1	
	19	3010324	1	Hex screw [M6X12 8.8 ZC UNI 5739]
	20	5410965	1	Kit (Magnet)



Complete wireless control (not CE)

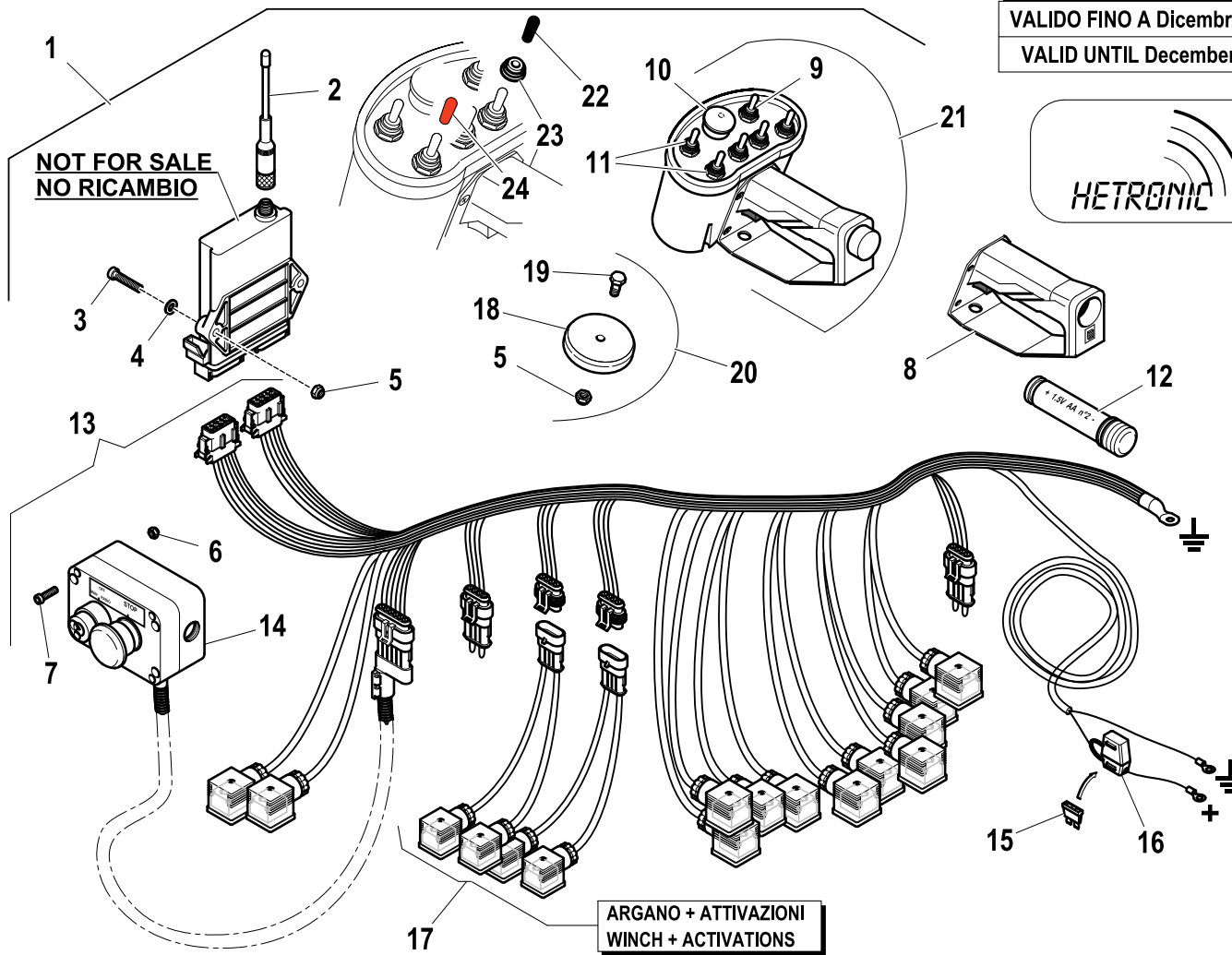
Code

7892099-2.0

2/2

R	Pos.	Code Variant	Q.ty	Description
	21	3310754	1	
	22	3311195	5	
	23	3311197	6	
	24	3311196	1	

VALIDO FINO A Dicembre 2010
VALID UNTIL December 2010

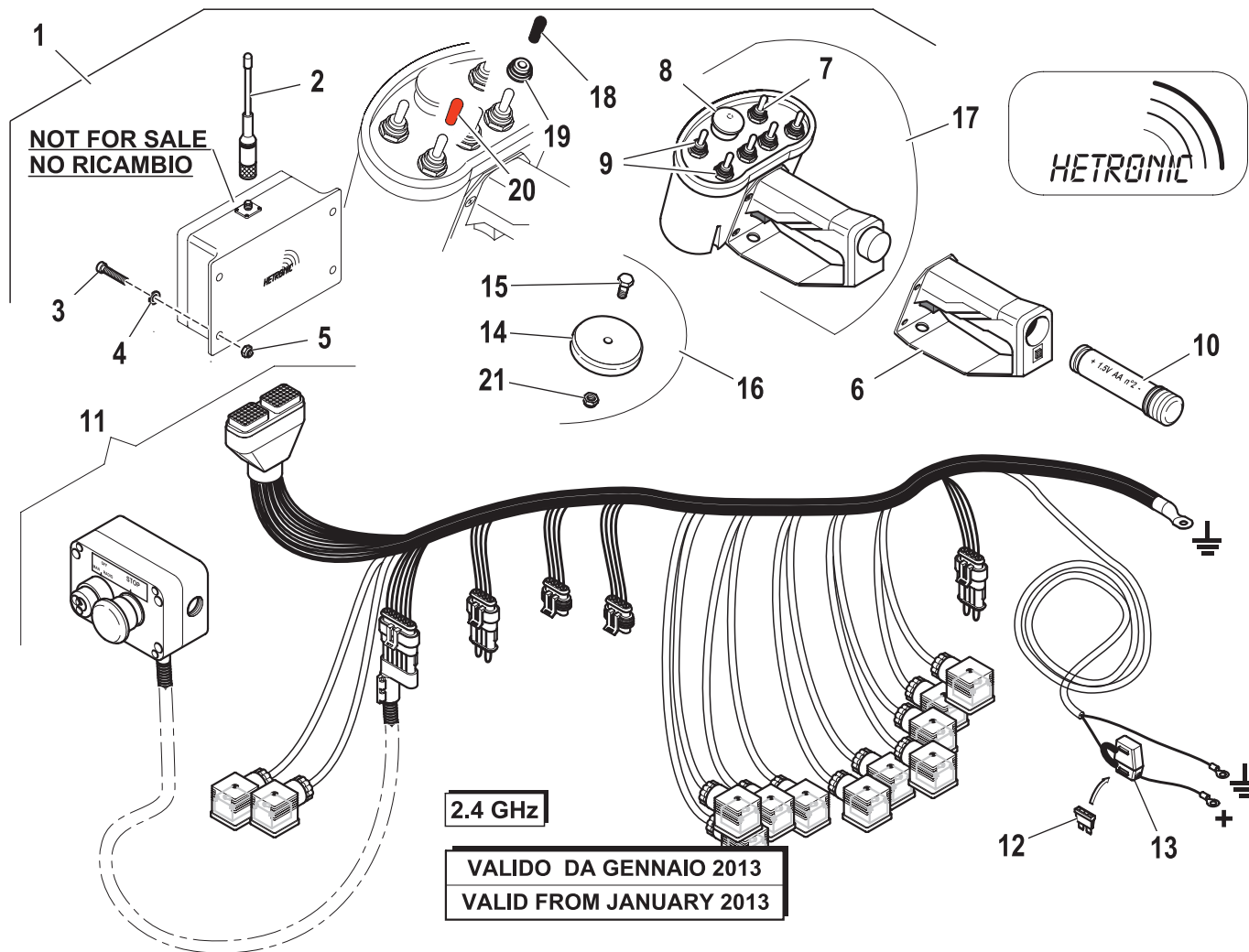


Complete wireless control (PTO)

Code

7892500-1.0

1/2

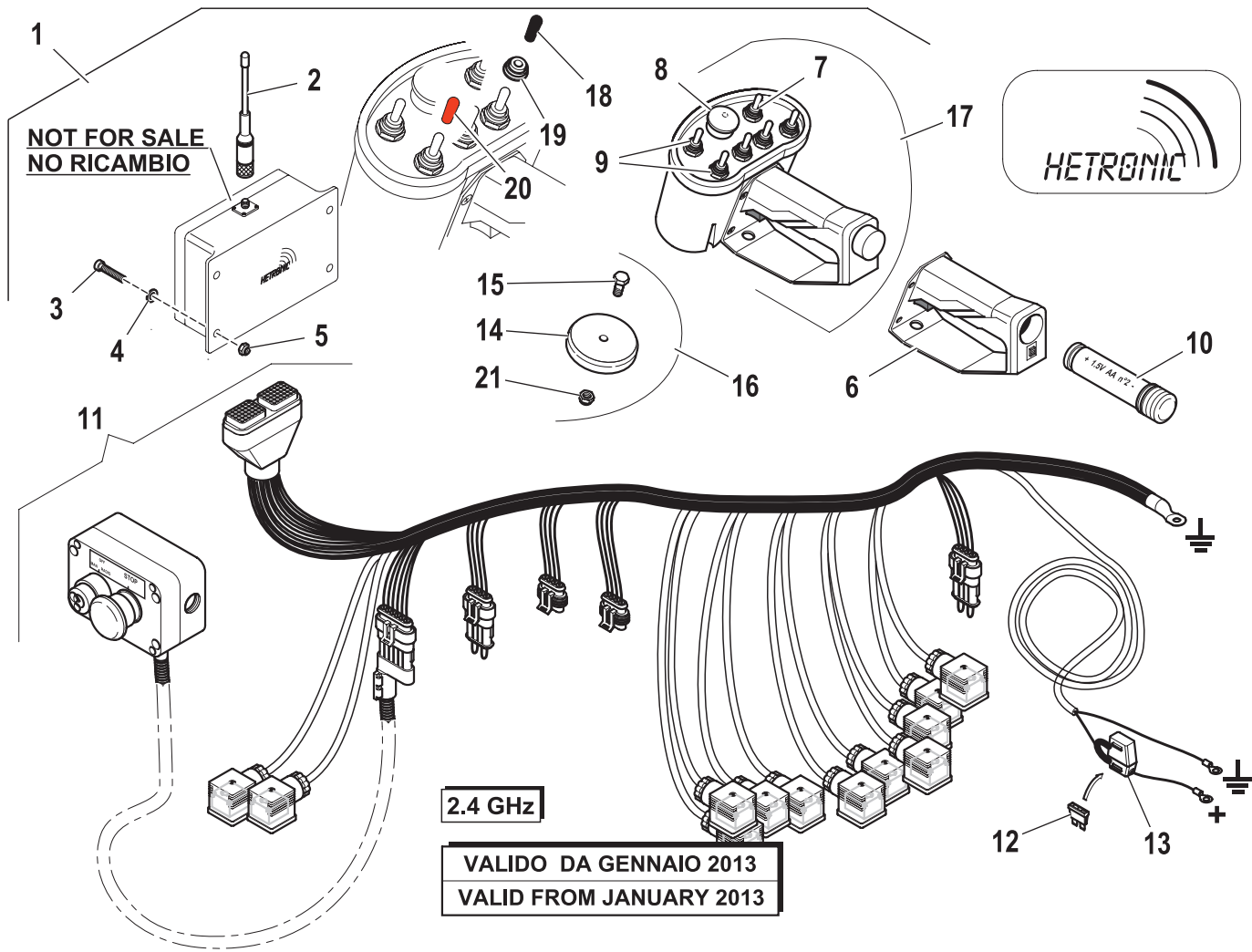


R	Pos.	Code Variant	Q.ty	Description
	1	5120154	1	Complete wireless control
	2	3311501	1	Aerial (Wireless control)
	3	3020028	4	Socketed head cap screw [M5X20 8.8 ZC UNI 5931]
	4	3060004	4	Flat washer [D.5 UNI 6592 ZC]
	5	3040392	4	Stopnut
	6	3311071	1	Handle
	7	3310891	1	
	8	3310892	1	
	9	3310890	5	
	10	3310893	1	Battery compartment
	11	3311509	1	Electric wiring (Wireless control)
	12	3310688	1	
	13	3310852	1	
	14	3310064	1	
	15	3010324	1	Hex screw [M6X12 8.8 ZC UNI 5739]
	16	5410965	1	Kit (Magnet)
	17	3311502	1	Transmitter (Wireless control)
	18	3311195	5	
	19	3311197	6	
	20	3311196	1	

Complete wireless control (PTO)

Code		
7892500-1.0		2/2

R	Pos.	Code Variant	Q.ty	Description
	21	3040372	1	Stopnut



Auxiliary wiring (Limiting device)

Code

5401023-1.0

1/1

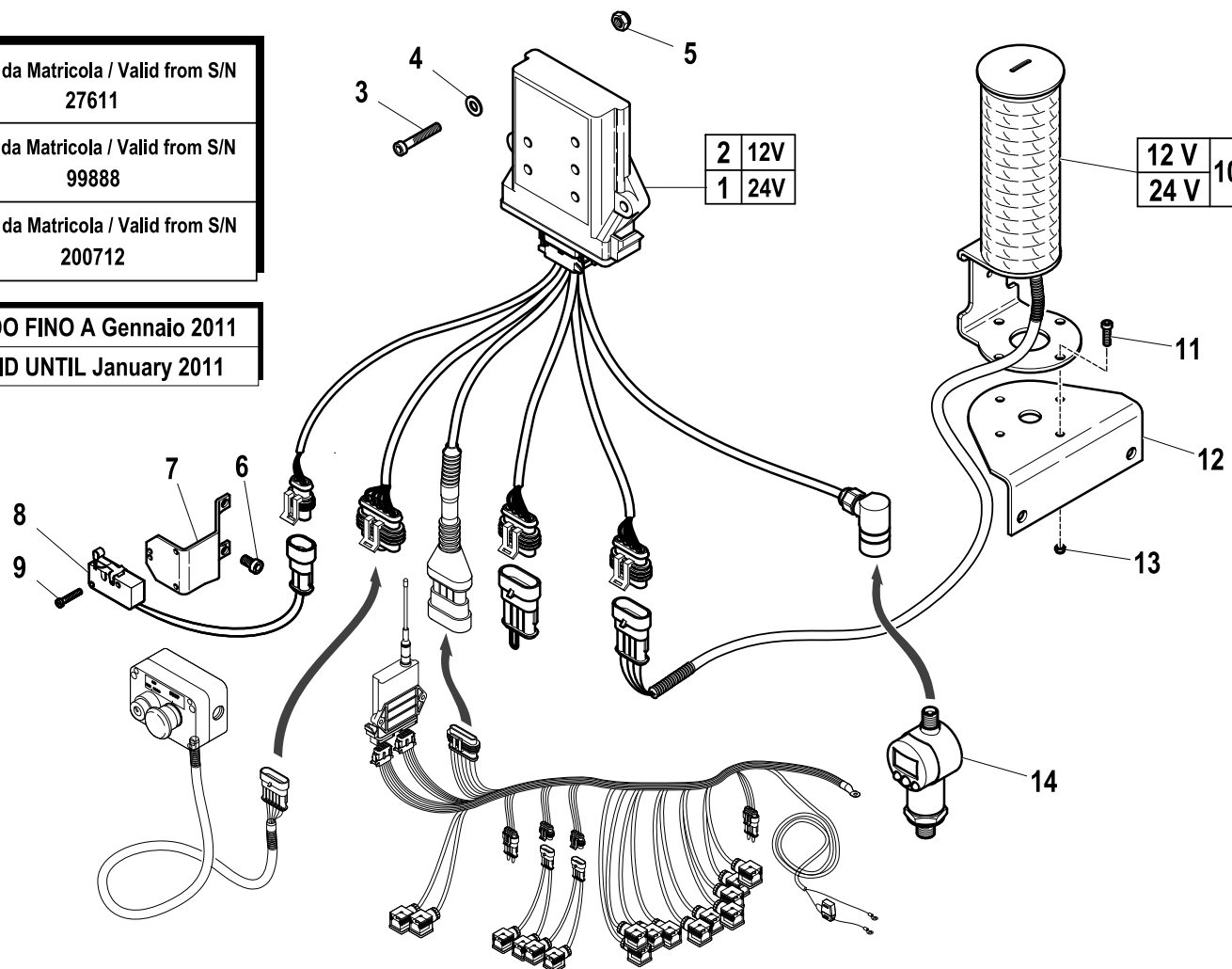
Valido da Matricola / Valid from S/N
27611

Valido da Matricola / Valid from S/N
99888

Valido da Matricola / Valid from S/N
200712

VALIDO FINO A Gennaio 2011

VALID UNTIL January 2011



R	Pos.	Code Variant	Q.ty	Description
	1	3311169	1	
	2	3311168	1	
	3	3020038	2	Socket head cap screw [M6X30 8.8 ZC UNI 5931]
	4	3060005	2	Flat washer [D.6.4 UNI 6592 ZC]
	5	3040372	2	Stopnut
	6	3020022	2	Socket head cap screw [M5X10 8.8 ZC UNI 5931]
	7	5001694	1	
	8	3310885	1	Microswitch (Electric)
	9	3020881	2	[M3X8 UNI7687 ZC TAGLIO CR.]
	10	3311159	1	Signal Columns
	11	3020023	4	Socket head cap screw [M5X16 8.8 ZC UNI 5931]
	12	W370508000	1	Support (Flashing light)
	13	3040392	4	Stopnut
	14	3310873	1	Pressure monitor

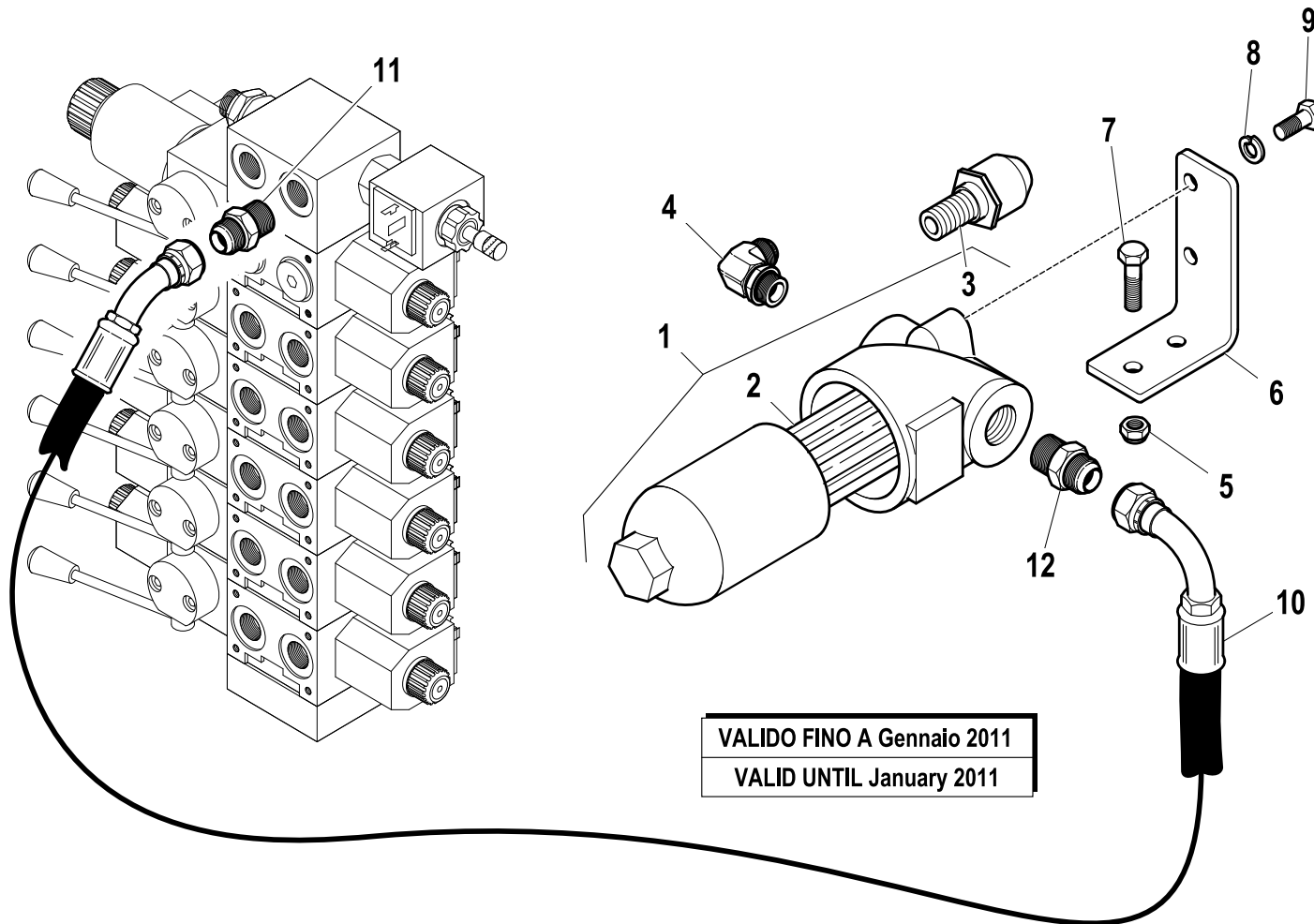
High pressure filter

Code

5400738-1.0

1/1

R	Pos.	Code Variant	Q.ty	Description
	1	3180138	1	Oil filter
	2	3180139	1	Filtering cartridge
	3	3180140	1	
	4	3101128	1	90° Connection
	5	3040303	2	Stopnut
	6	5090670	1	
	7	3010339	2	Hex screw [M8X25 8.8 ZC IF UNI 5739]
	8	3060055	2	Split lock washer [D=8.4 C72 ZC]
	9	3010337	2	Hex screw [M8X16 8.8 ZC UNI 5739]
	10	5271751	1	
	11	3101043	1	Straight pipe fitting
	12	3101044	1	Straight pipe fitting



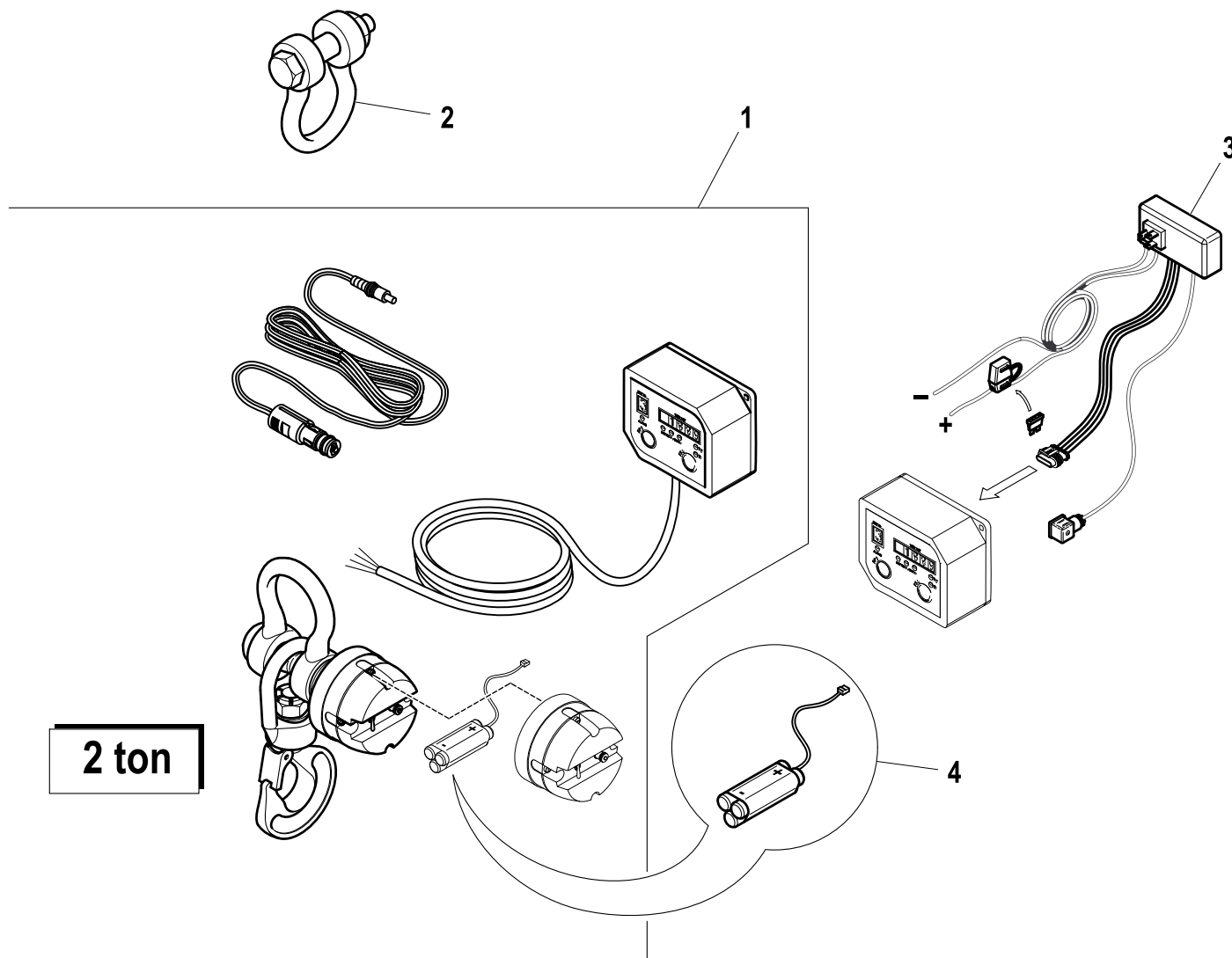
LOAD INDICATION SYSTEM (RDC)

Code

7881784-1.0

1/1

R	Pos.	Code Variant	Q.ty	Description
	1	5730506	1	
	2	3200050	1	Shackles
	3	W236508	1	
	4	3311542	1	







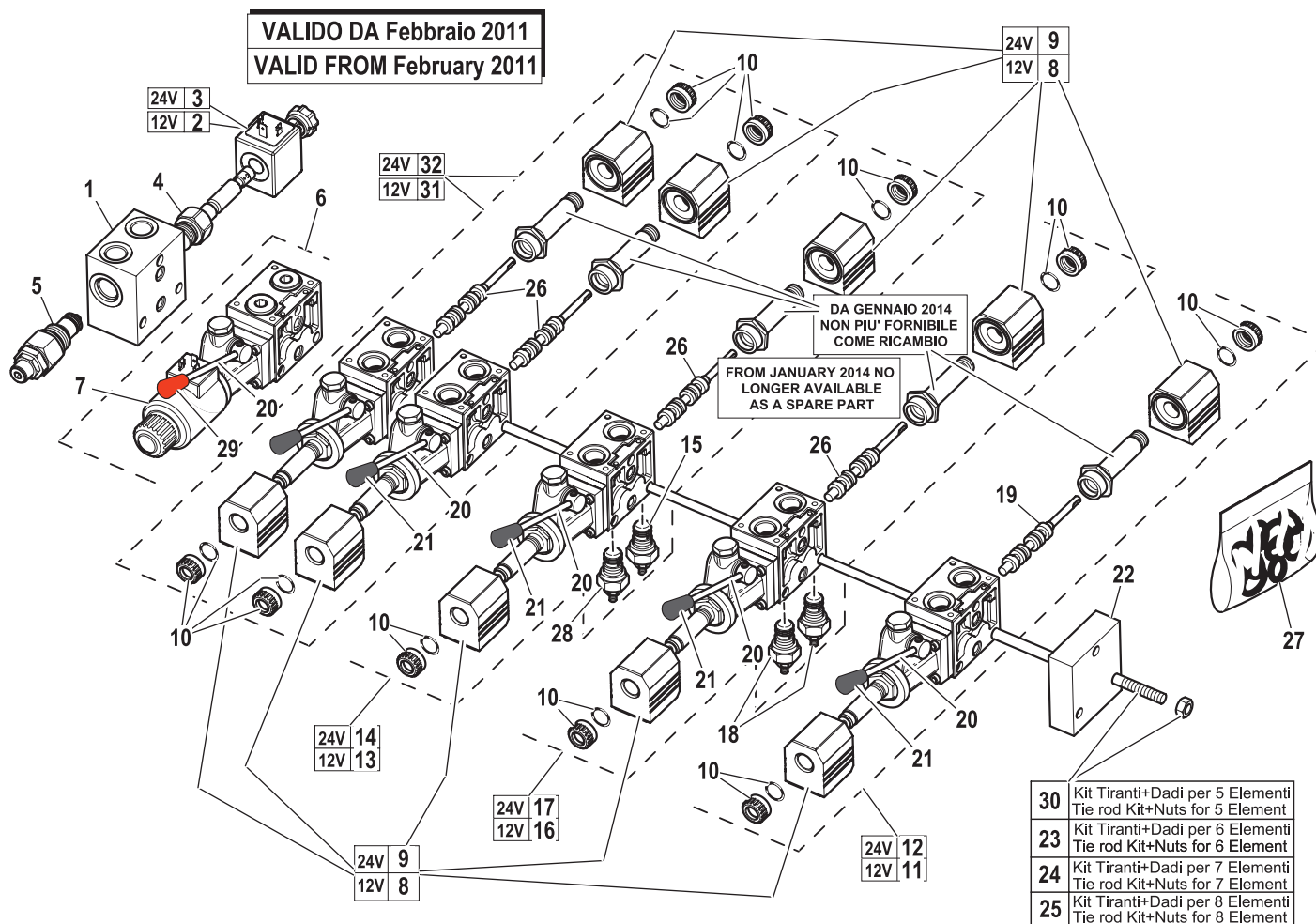
HB70X (LC) EN 12999 - A3

Control valve (5 section)

Code

5220424-2.0

1/2



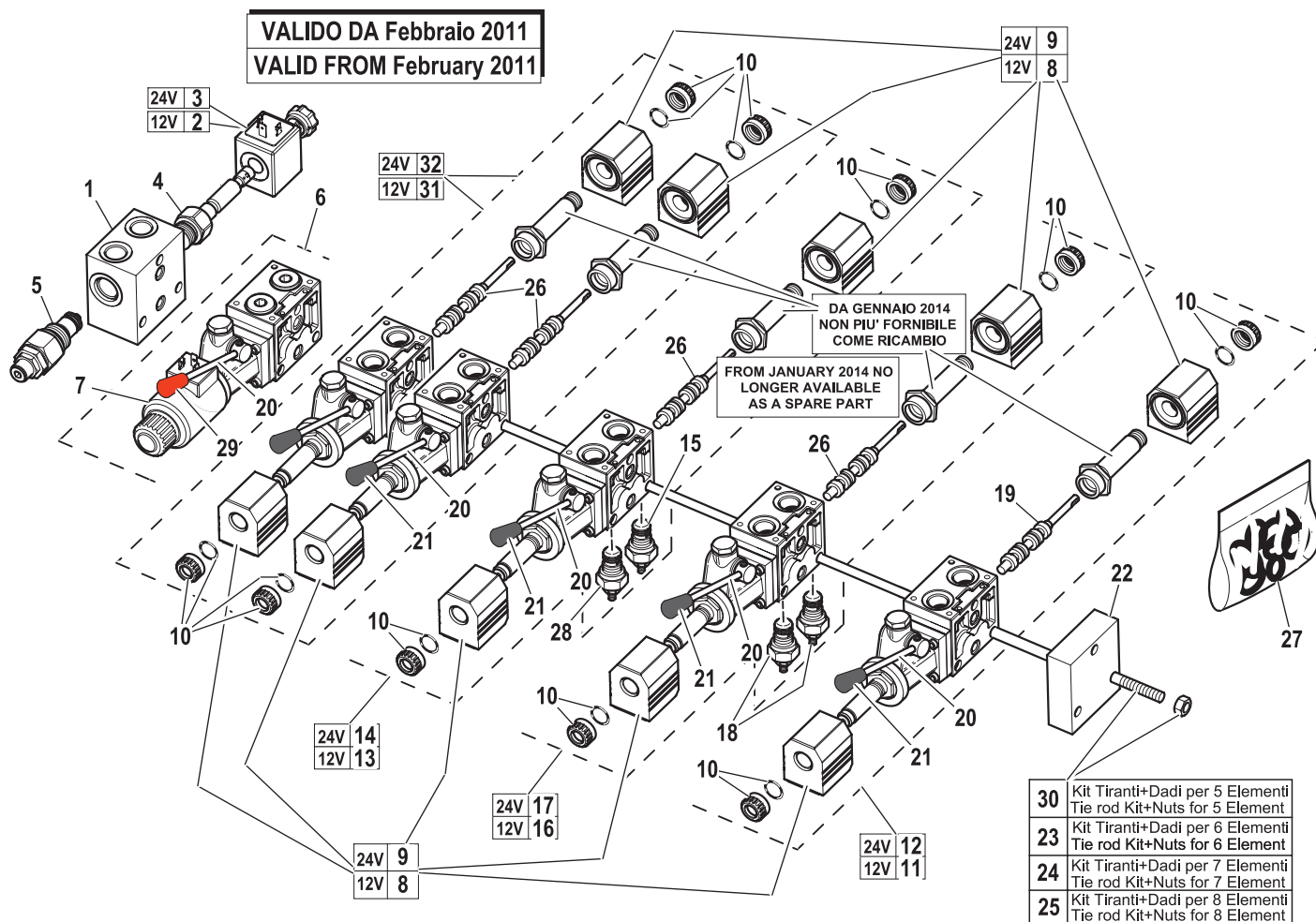
R	Pos.	Code Variant	Q.ty	Description
	1	5225719	1	
	2	3310906	1	
	3	3310904	1	
	4	5220569	1	
	5	5225718	1	
	6	5225876	1	
	7	3310903	1	
	8	3310907	10	
	9	3310905	10	
	10	5225721	10	
	11	5225881	1	
	12	5225886	1	
	13	5225879	1	
	14	5225884	1	
	15	5225729	1	
	16	5225889	1	
	17	5225891	1	
	18	5225736	2	
	19	5225715	1	
	20	5225800	6	Control lever

Control valve (5 section)

Code

5220424-2.0

2/2



R	Pos.	Code Variant	Q.ty	Description
	21	5225801	5	
	22	5225727	1	
	23	5225730	1	
	24	5225731	1	
	25	5225732	1	
	26	5225716	4	
	27	5225733	1	
	28	5225728	1	
	29	5225802	1	
	30	5225843	1	
	31	5225878	2	
	32	5225883	2	

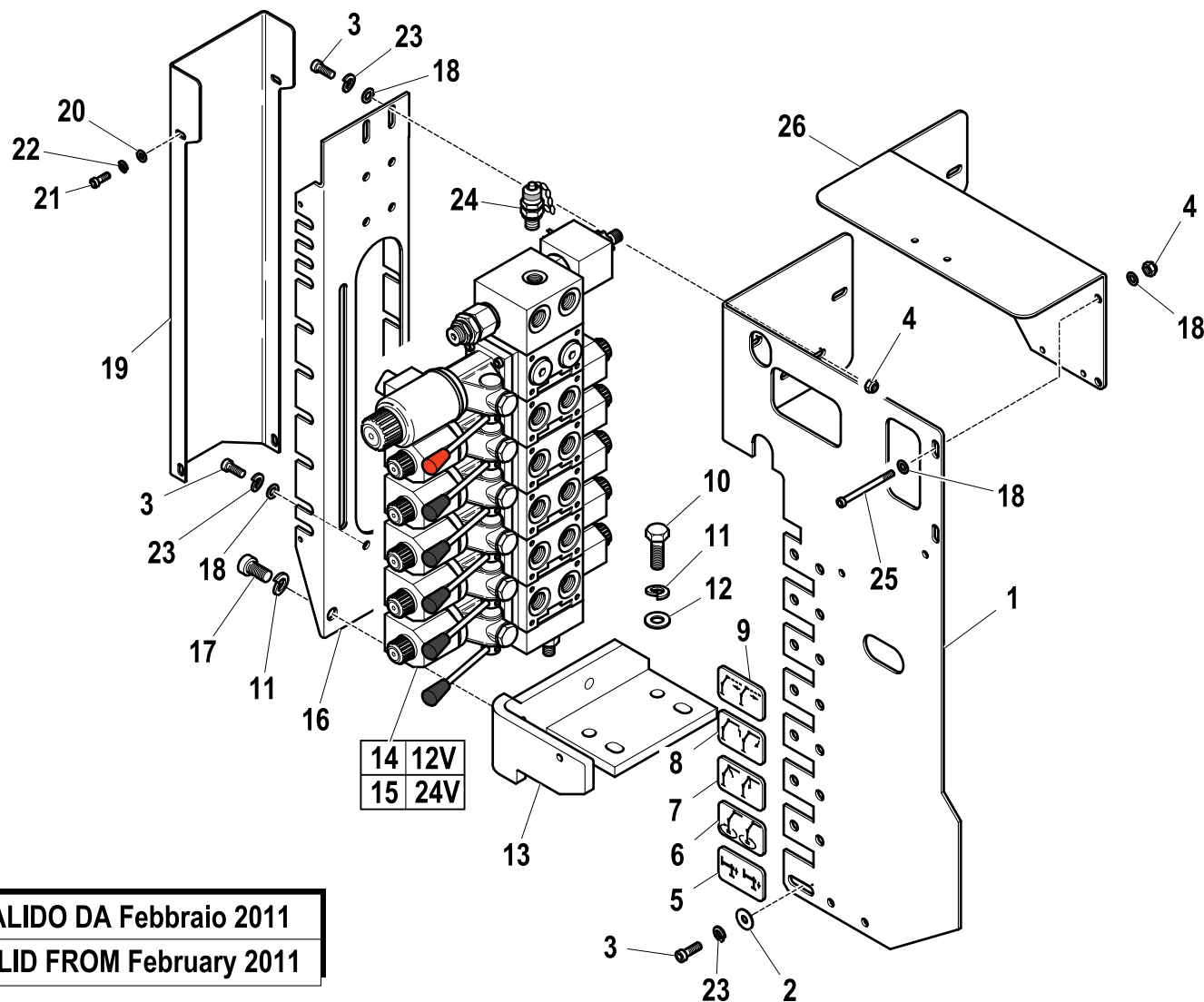
30	Kit Tiranti+Dadi per 5 Elementi Tie rod Kit+Nuts for 5 Element
23	Kit Tiranti+Dadi per 6 Elementi Tie rod Kit+Nuts for 6 Element
24	Kit Tiranti+Dadi per 7 Elementi Tie rod Kit+Nuts for 7 Element
25	Kit Tiranti+Dadi per 8 Elementi Tie rod Kit+Nuts for 8 Element

Control unit (RDC)

Code

5401583-1.0

1/2



14	12V
15	24V

VALIDO DA Febbraio 2011
VALID FROM February 2011

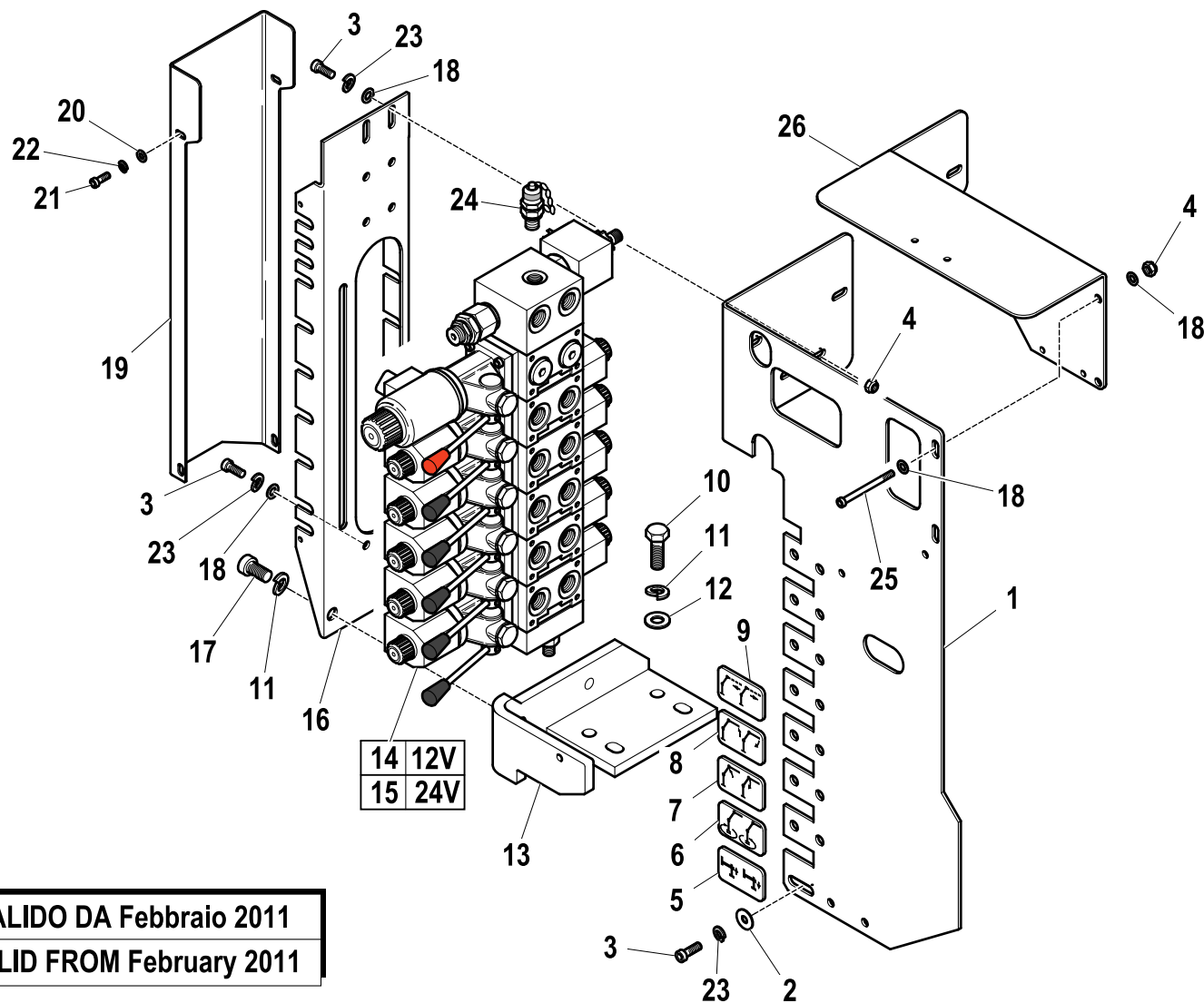
R	Pos.	Code Variant	Q.ty	Description
	1	W370508100	1	
	2	3060030	1	Flat washer [D.6.6X18 UNI 6593 ZC]
	3	3020034	7	Socketed head cap screw [M6X16 8.8 ZC UNI 5931]
	4	3040372	4	Stopnut
	5	W573278	1	Small plate (CONTROL SYMBOLS)
	6	W573279	1	
	7	W573280	1	
	8	W573282	1	
	9	W573283	1	
	10	3010355	2	Hex screw [M10X25 8.8 ZC IF UNI 5739]
	11	3060056	2	Split lock washer [D=10 C72 ZC]
	12	3060914	2	Flat washer [D.10.5X21X2 UNI 6592 ZC]
	13	5091056	1	Support (Casing)
	14	5220423	1	Proportional control valve
	15	5220424	1	Proportional control valve
	16	W370507500	1	
	17	3020080	2	Socketed head cap screw [M10X16 12.9 ZC UNI 5931]
	18	3060005	10	Flat washer [D.6.4 UNI 6592 ZC]
	19	W370507900	1	
	20	3060004	4	Flat washer [D.5 UNI 6592 ZC]

Control unit (RDC)

Code

5401583-1.0

2/2



R	Pos.	Code Variant	Q.ty	Description
	21	3020021	4	Socket head cap screw [M5X12X0.8 8.8 ZC UNI 5931]
	22	3060052	4	Split lock washer [D=5.5 C72 ZC]
	23	3060053	4	Split lock washer [D=6.4 C72 ZC]
	24	3111523	1	Pipe fitting (Tapping point) [RACC. MILITES 16X2-1/4"G]
	25	3020964	2	Socket head cap screw [M6X70 8.8 ZC UNI 5931]
	26	W370508300	1	

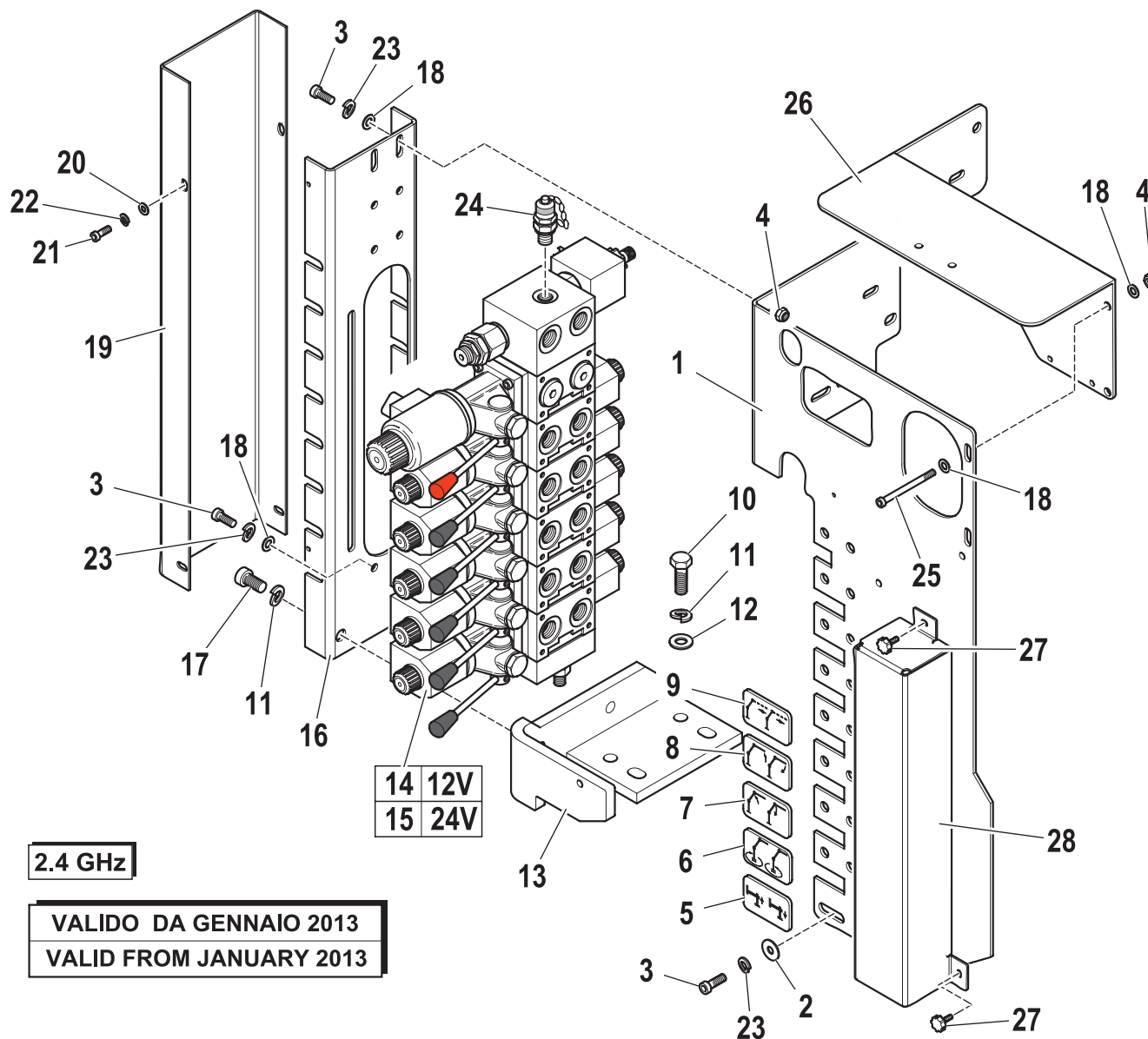
VALIDO DA Febbraio 2011
VALID FROM February 2011

Control unit (RDC)

Code

5402187-1.0

1/2



R	Pos.	Code Variant	Q.ty	Description
	1	5091454	1	Guard (Control unit)
	2	3060030	1	Flat washer [D.6.6X18 UNI 6593 ZC]
	3	3020034	7	Socketed head cap screw [M6X16 8.8 ZC UNI 5931]
	4	3040372	4	Stopnut
	5	W573278	1	Small plate (CONTROL SYMBOLS)
	6	W573279	1	
	7	W573280	1	
	8	W573282	1	
	9	W573283	1	
	10	3010355	2	Hex screw [M10X25 8.8 ZC IF UNI 5739]
	11	3060056	2	Split lock washer [D=10 C72 ZC]
	12	3060914	2	Flat washer [D.10.5X21X2 UNI 6592 ZC]
	13	5091056	1	Support (Casing)
	14	5220423	1	Proportional control valve
	15	5220424	1	Proportional control valve
	16	5091459	1	Distributor support
	17	3020080	2	Socketed head cap screw [M10X16 12.9 ZC UNI 5931]
	18	3060005	10	Flat washer [D.6.4 UNI 6592 ZC]
	19	5091451	1	Lateral guards and supports
	20	3060004	4	Flat washer [D.5 UNI 6592 ZC]

2.4 GHz

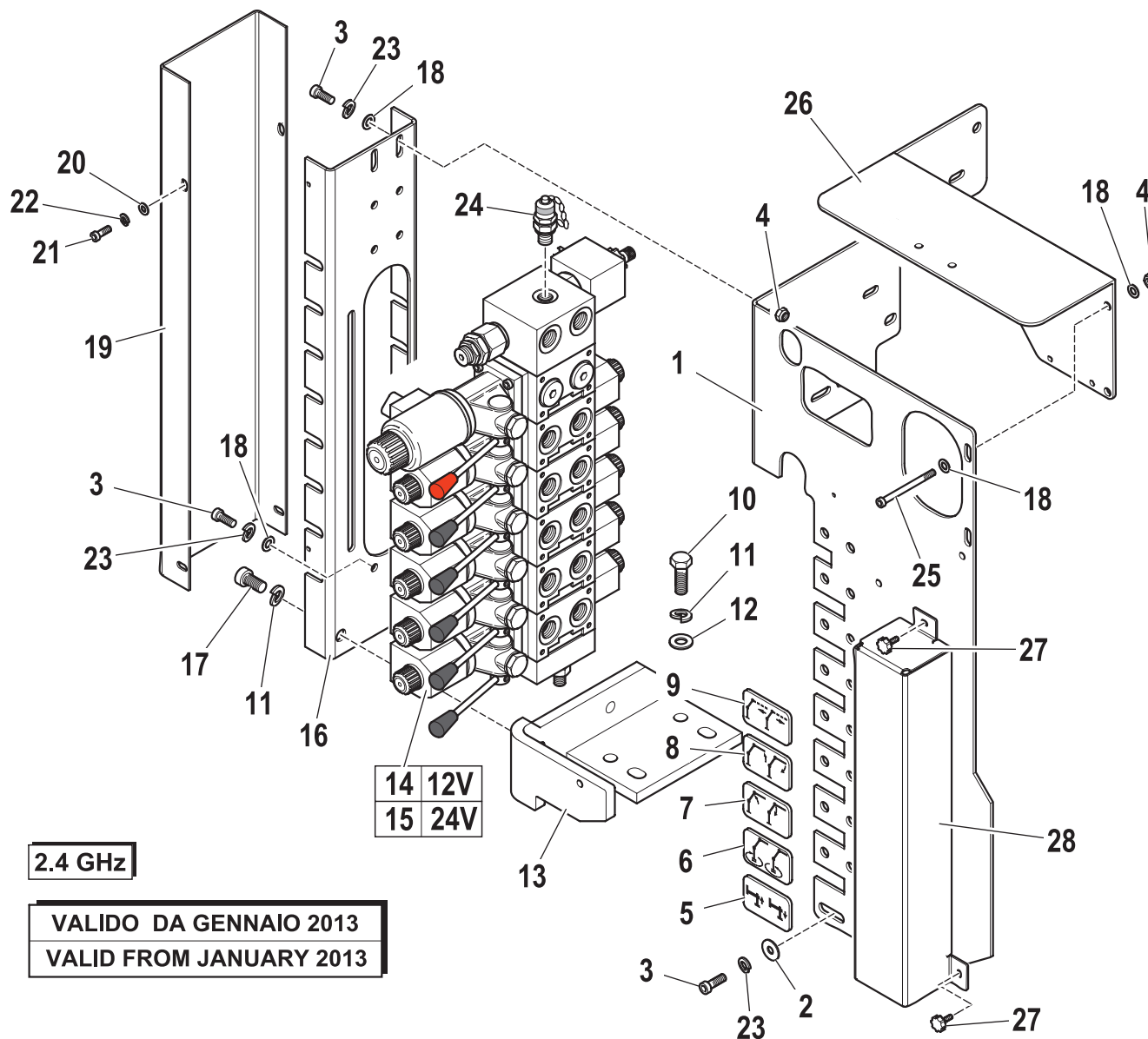
VALIDO DA GENNAIO 2013
VALID FROM JANUARY 2013

Control unit (RDC)

Code

5402187-1.0

2/2



R	Pos.	Code Variant	Q.ty	Description
	21	3020021	4	Socket head cap screw [M5X12X0.8 8.8 ZC UNI 5931]
	22	3060052	4	Split lock washer [D=5.5 C72 ZC]
	23	3060053	4	Split lock washer [D=6.4 C72 ZC]
	24	3111523	1	Pipe fitting (Tapping point) [RACC. MILITES 16X2-1/4"G]
	25	3020964	2	Socket head cap screw [M6X70 8.8 ZC UNI 5931]
	26	5091488	1	Cover (Moment limiting device)
	27	3011000	2	Handwheel
	28	5091491	1	Protective guard (Control levers)

2.4 GHz

VALIDO DA GENNAIO 2013

VALID FROM JANUARY 2013

High pressure filter

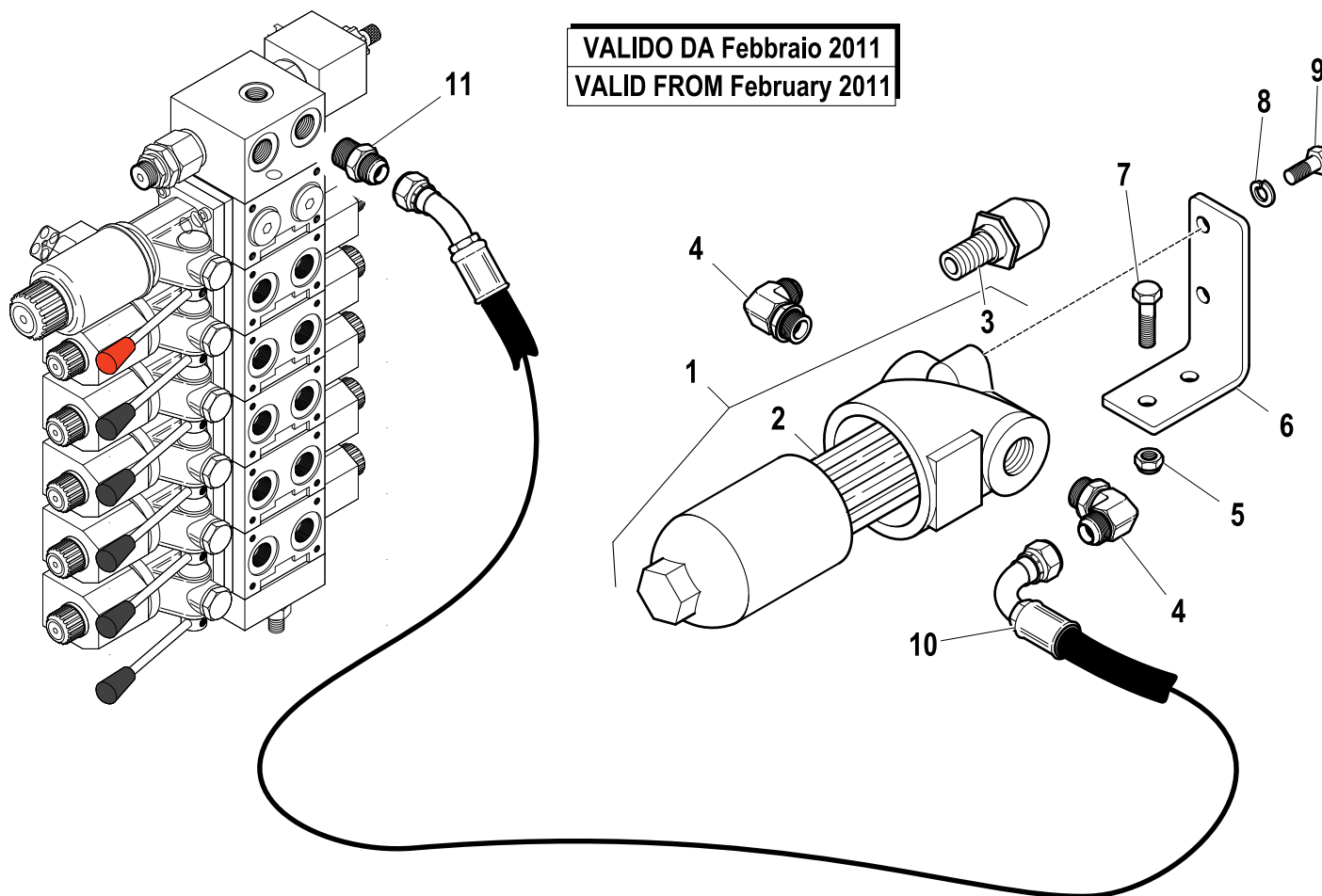
Code

5401581-1.0

1/1

R	Pos.	Code Variant	Q.ty	Description
	1	3180138	1	Oil filter
	2	3180139	1	Filtering cartridge
	3	3180140	1	
	4	3101128	2	90° Connection
	5	3040303	2	Stopnut
	6	5090670	1	
	7	3010339	2	Hex screw [M8X25 8.8 ZC IF UNI 5739]
	8	3060055	2	Split lock washer [D=8.4 C72 ZC]
	9	3010337	2	Hex screw [M8X16 8.8 ZC UNI 5739]
	10	5271751	1	
	11	3101043	1	Straight pipe fitting

VALIDO DA Febbraio 2011
VALID FROM February 2011

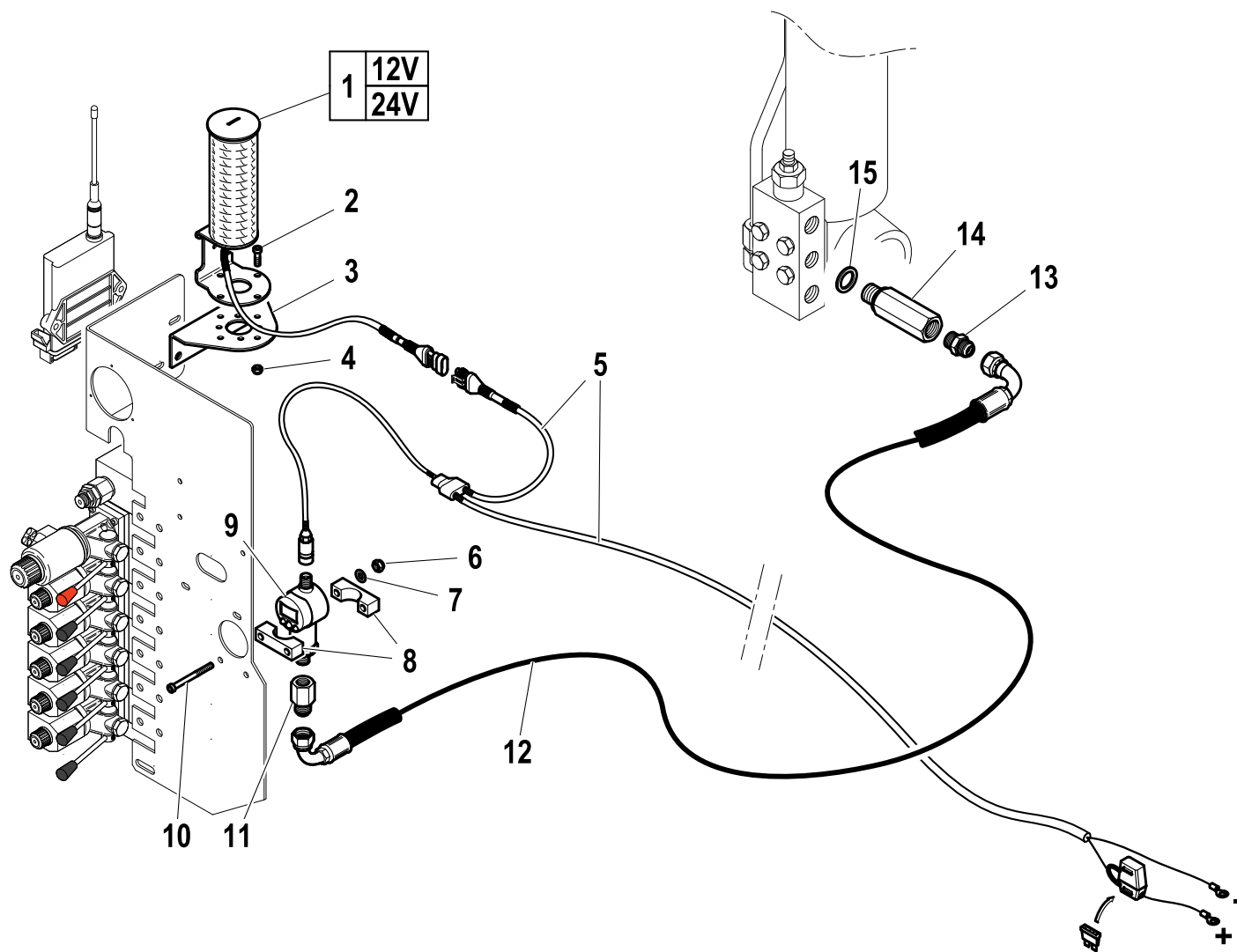


Light column (Horn)

Code

7885138-1.0

1/1



R	Pos.	Code Variant	Q.ty	Description
	1	3311159	1	Signal Columns
	2	3020023	2	Socketed head cap screw [M5X16 8.8 ZC UNI 5931]
	3	W370508000	1	Support (Flashing light)
	4	3040392	2	Stopnut
	5	3311458	1	Electric wiring
	6	3040372	2	Stopnut
	7	3060030	2	Flat washer [D.6.6X18 UNI 6593 ZC]
	8	5141020	2	Vehicle (Clamp)
	9	3310873	1	Pressure monitor
	10	3020898	2	Socketed head cap screw [M6X50 8.8 ZC UNI 5931]
	11	3120385	1	Reducing fitting [RACC. FJ/FGAS 9/16J 1/4"]
	12	5261057	1	Flexible hose
	13	3101039	1	Straight pipe fitting
	14	5220300	1	Hose burst valve (Sleeve)
	15	3060143	1	Sealing washer [BSP 1/4"]

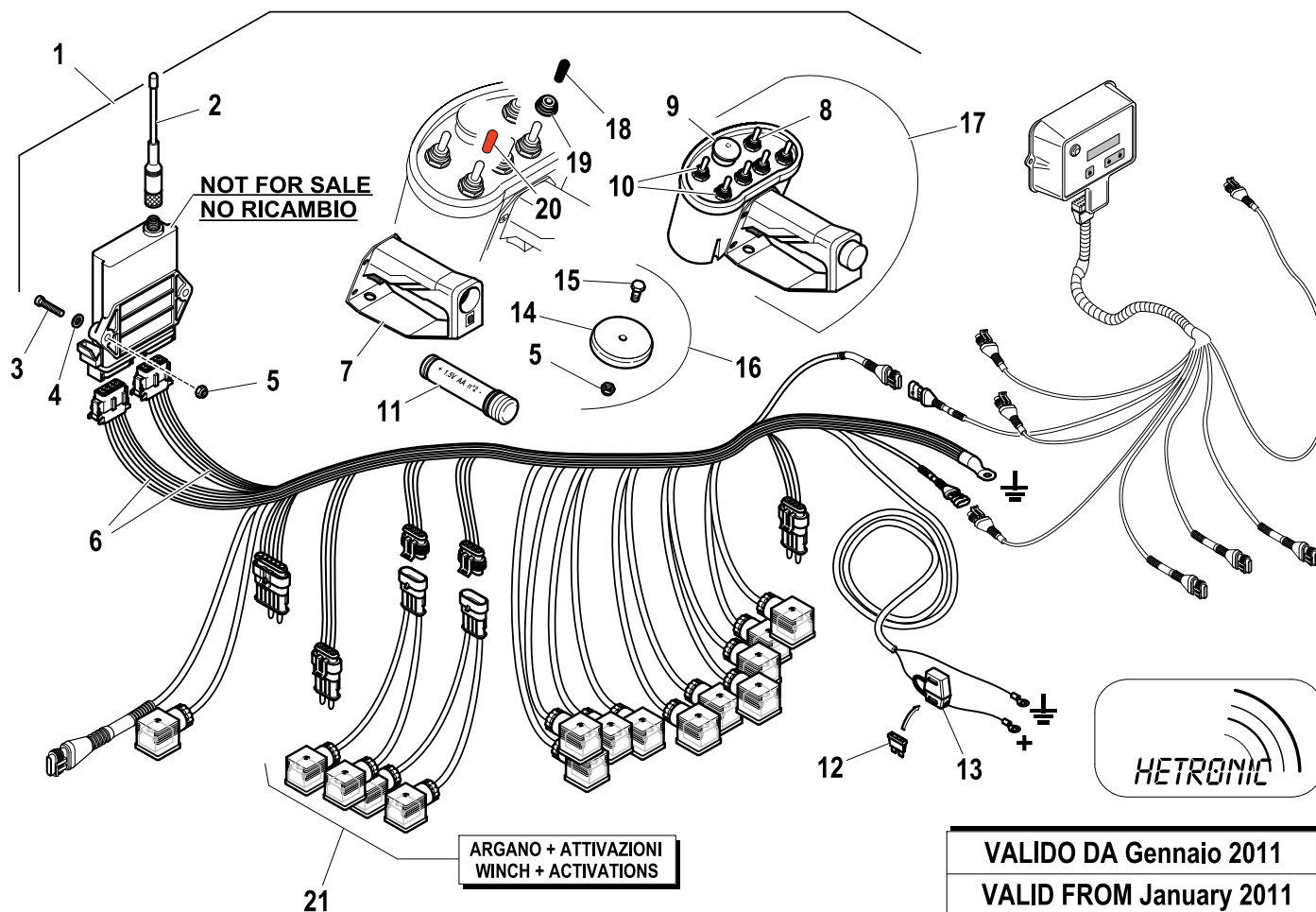
Kit (Wireless control)

Code

7892099-3.0

1/2

R	Pos.	Code Variant	Q.ty	Description
	1	5120095	1	
	2	3310861	1	
	3	3020038	2	Socket head cap screw [M6X30 8.8 ZC UNI 5931]
	4	3060005	2	Flat washer [D.6.4 UNI 6592 ZC]
	5	3040372	3	Stopnut
	6	3311385	1	
	7	3311071	1	Handle
	8	3310891	1	
	9	3310892	1	
	10	3310890	5	
	11	3310893	1	Battery compartment
	12	3310688	1	
	13	3310852	1	
	14	3310064	1	
	15	3010324	1	Hex screw [M6X12 8.8 ZC UNI 5739]
	16	5410965	1	Kit (Magnet)
	17	3310754	1	
	18	3311195	5	
	19	3311197	6	
	20	3311196	1	



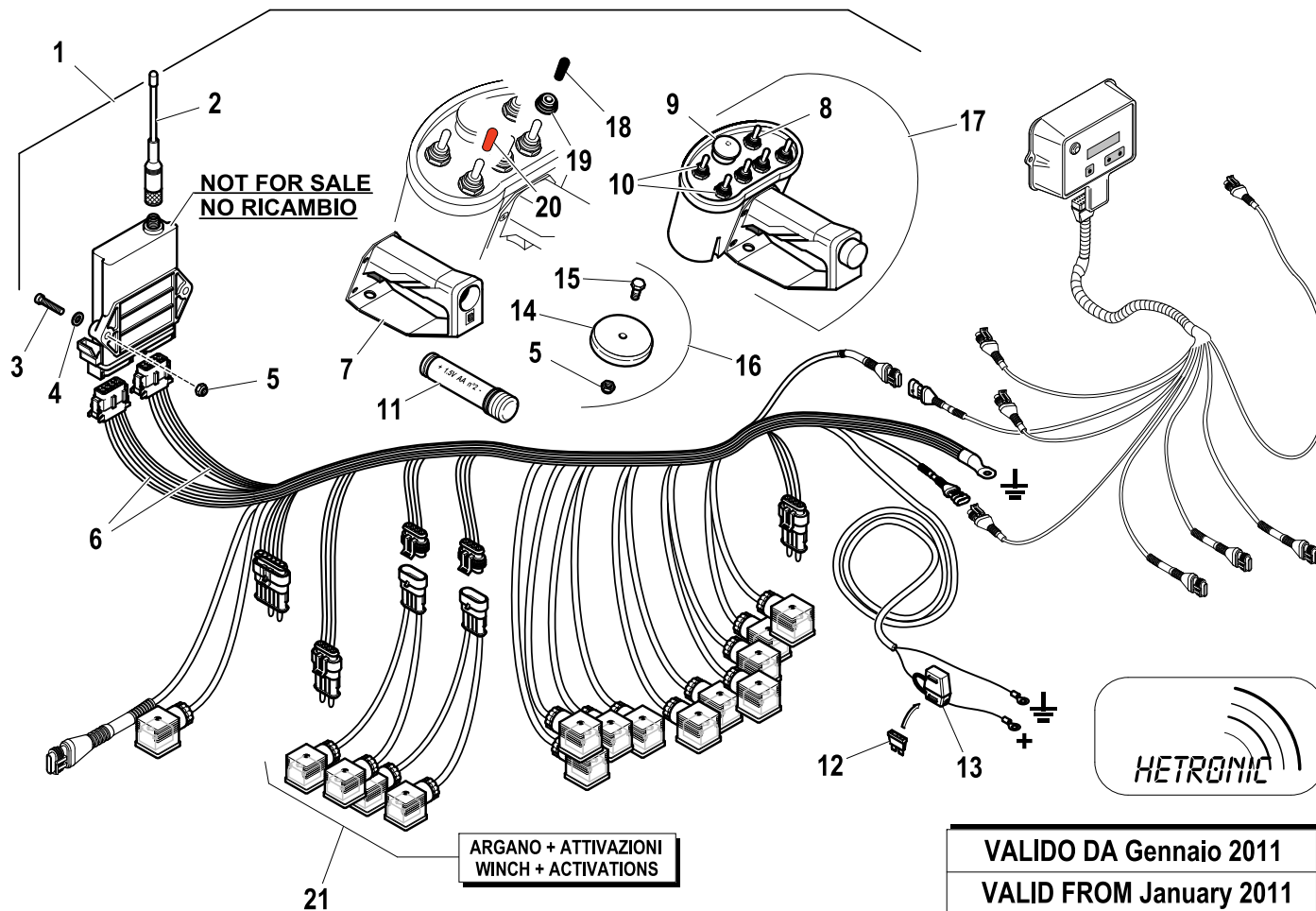
Kit (Wireless control)

Code

7892099-3.0

2/2

R	Pos.	Code Variant	Q.ty	Description
	21	3310862	2	

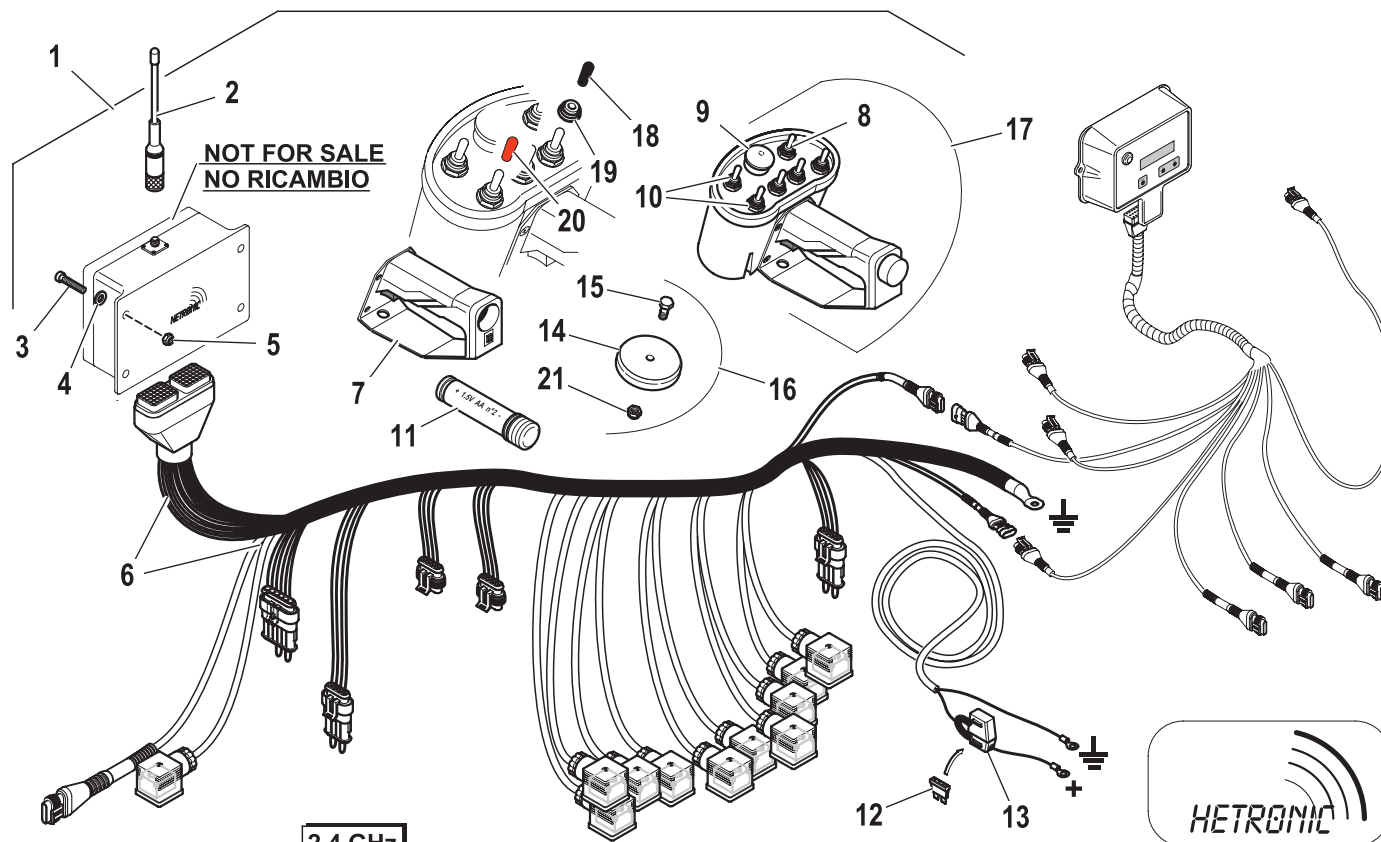


Complete wireless control (PTO)

Code

7892500-2.0

1/2



**NOT FOR SALE
NO RICAMBIO**

2.4 GHz

**VALIDO DA GENNAIO 2013
VALID FROM JANUARY 2013**

R	Pos.	Code Variant	Q.ty	Description
	1	5120154	1	Complete wireless control
	2	3311501	1	Aerial (Wireless control)
	3	3020028	4	Socketed head cap screw [M5X20 8.8 ZC UNI 5931]
	4	3060004	4	Flat washer [D.5 UNI 6592 ZC]
	5	3040392	4	Stopnut
	6	3311633	1	Electric wiring
	7	3311071	1	Handle
	8	3310891	1	
	9	3310892	1	
	10	3310890	5	
	11	3310893	1	Battery compartment
	12	3310688	1	
	13	3310852	1	
	14	3310064	1	
	15	3010324	1	Hex screw [M6X12 8.8 ZC UNI 5739]
	16	5410965	1	Kit (Magnet)
	17	3311502	1	Transmitter (Wireless control)
	18	3311195	5	
	19	3311197	6	
	20	3311196	1	

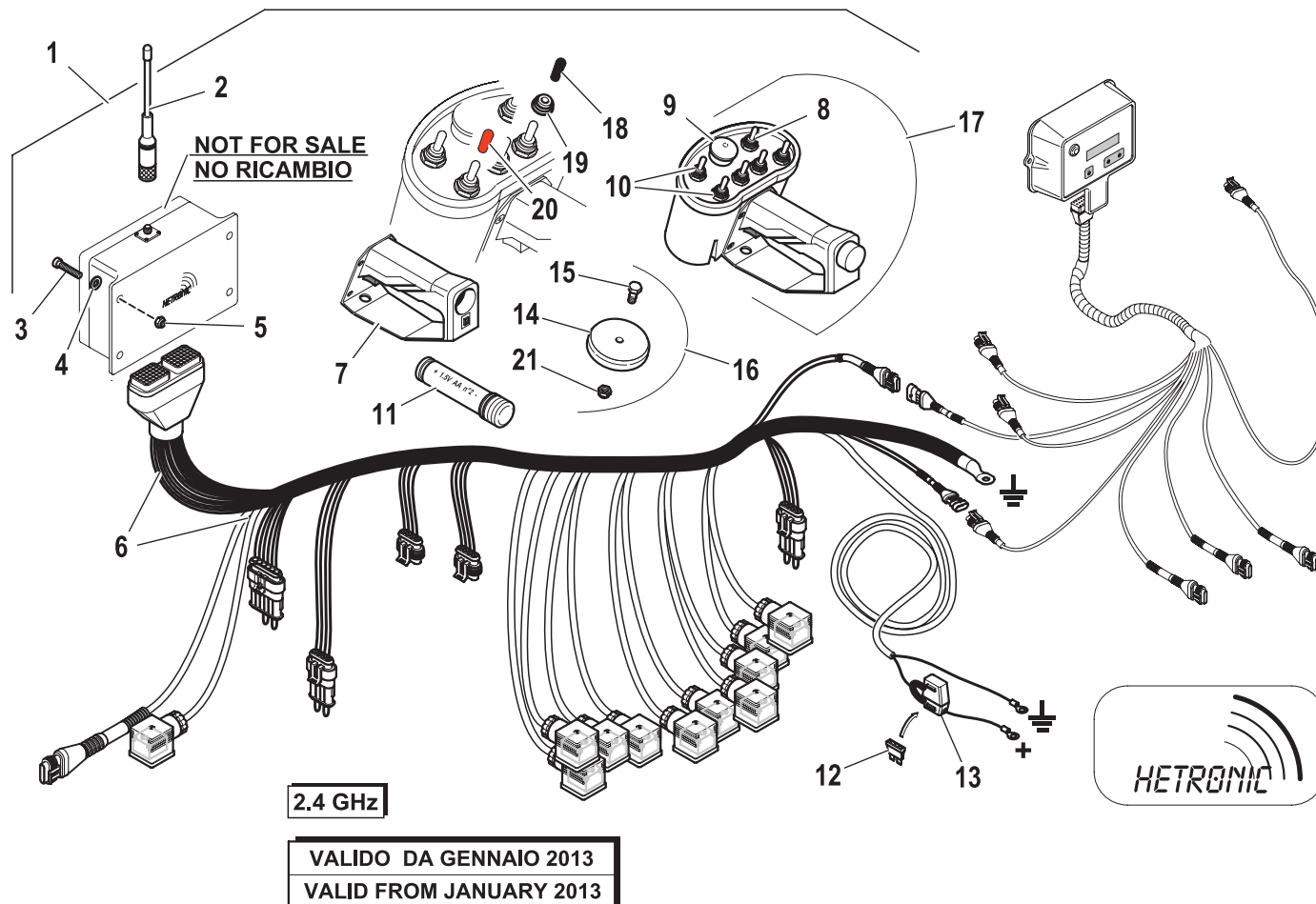
Complete wireless control (PTO)

Code

7892500-2.0

2/2

R	Pos.	Code Variant	Q.ty	Description
	21	3040372	1	Stopnut

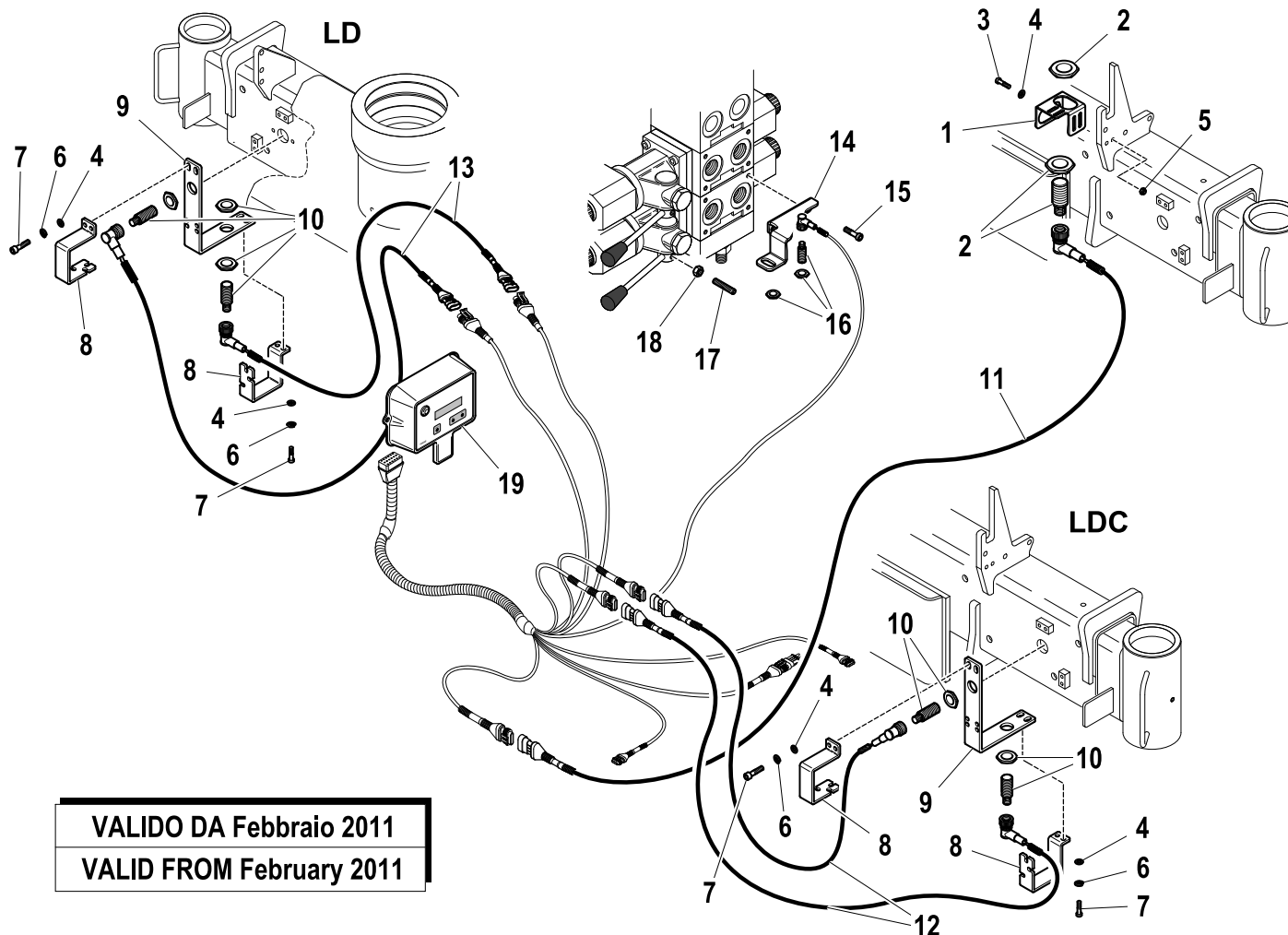


Kit CE (STABILITY CONTROL)

Code

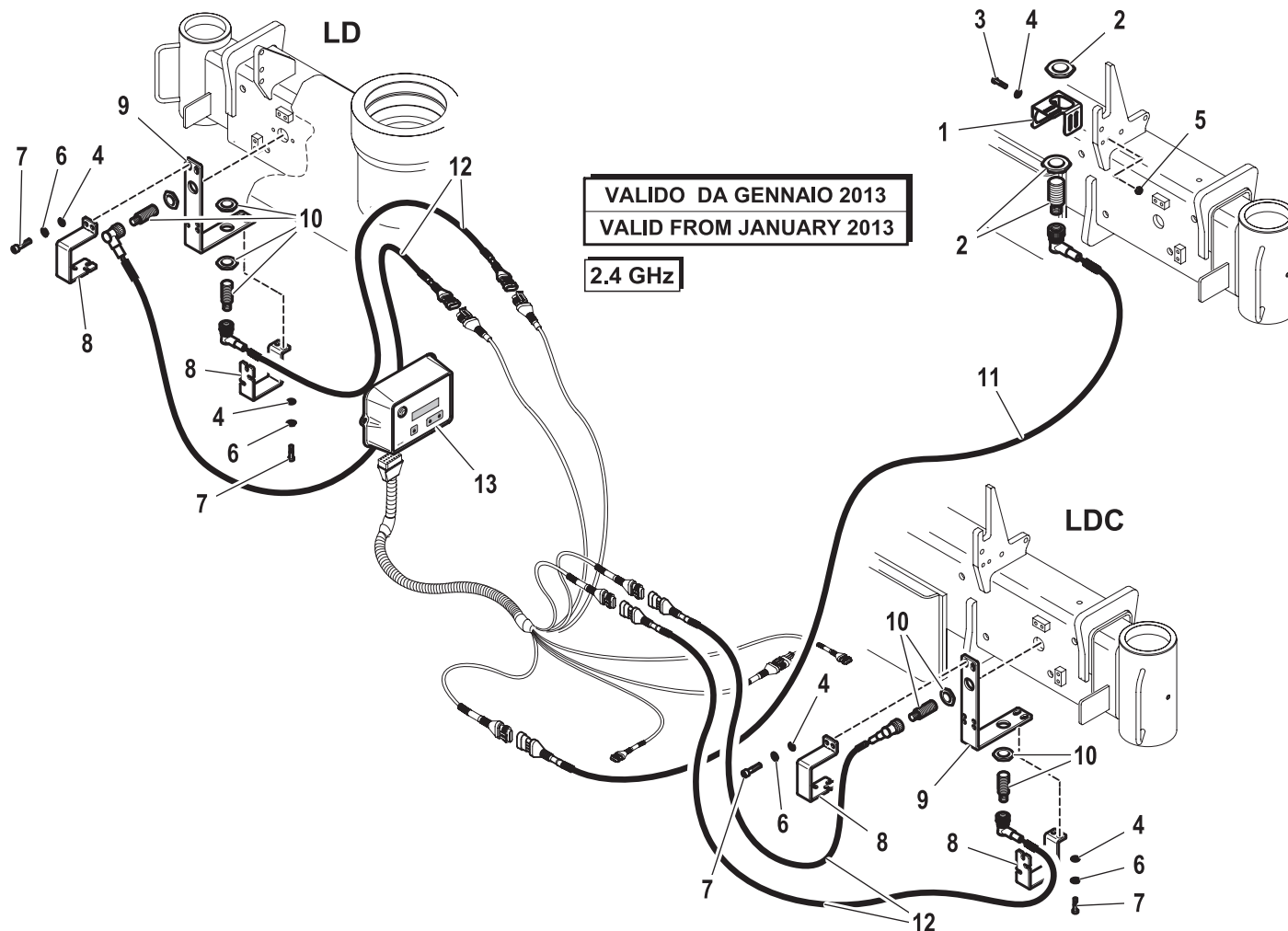
5405052-3.0

1/1



R	Pos.	Code Variant	Q.ty	Description
	1	5002051	1	Support (Proximity switch)
	2	3311312	1	Proximity switch
	3	3020037	2	Socketed head cap screw [M6X25 8.8 ZC UNI 5931]
	4	3060030	10	Flat washer [D.6.6X18 UNI 6593 ZC]
	5	3040372	2	Stopnut
	6	3060053	8	Split lock washer [D=6.4 C72 ZC]
	7	3020035	8	Socketed head cap screw [M6X20 8.8 ZC UNI 5931]
	8	5002026	4	Guard (Proximity switch)
	9	5002027	2	Support (Proximity switch)
	10	3311311	4	Proximity switch
	11	3311372	1	Electric wiring
	12	3311342	2	
	13	3311332	2	
	14	5002103	1	
	15	3020022	2	Socketed head cap screw [M5X10 8.8 ZC UNI 5931]
	16	3311341	1	
	17	3060225	1	Grub screw
	18	3040391	1	Hexagonal nut (Normal)
	19	3311386	1	

VALIDO DA Febbraio 2011
VALID FROM February 2011



R	Pos.	Code Variant	Q.ty	Description
	1	5002051	1	Support (Proximity switch)
	2	3311312	1	Proximity switch
	3	3020037	2	Socket head cap screw [M6X25 8.8 ZC UNI 5931]
	4	3060030	10	Flat washer [D.6.6X18 UNI 6593 ZC]
	5	3040372	2	Stopnut
	6	3060053	8	Split lock washer [D=6.4 C72 ZC]
	7	3020035	8	Socket head cap screw [M6X20 8.8 ZC UNI 5931]
	8	5002026	4	Guard (Proximity switch)
	9	5002027	2	Support (Proximity switch)
	10	3311311	4	Proximity switch
	11	3311372	1	Electric wiring
	12	3311636	4	Electric wiring
	13	3311541	1	Moment limiting device

Moment limiting device (CE)

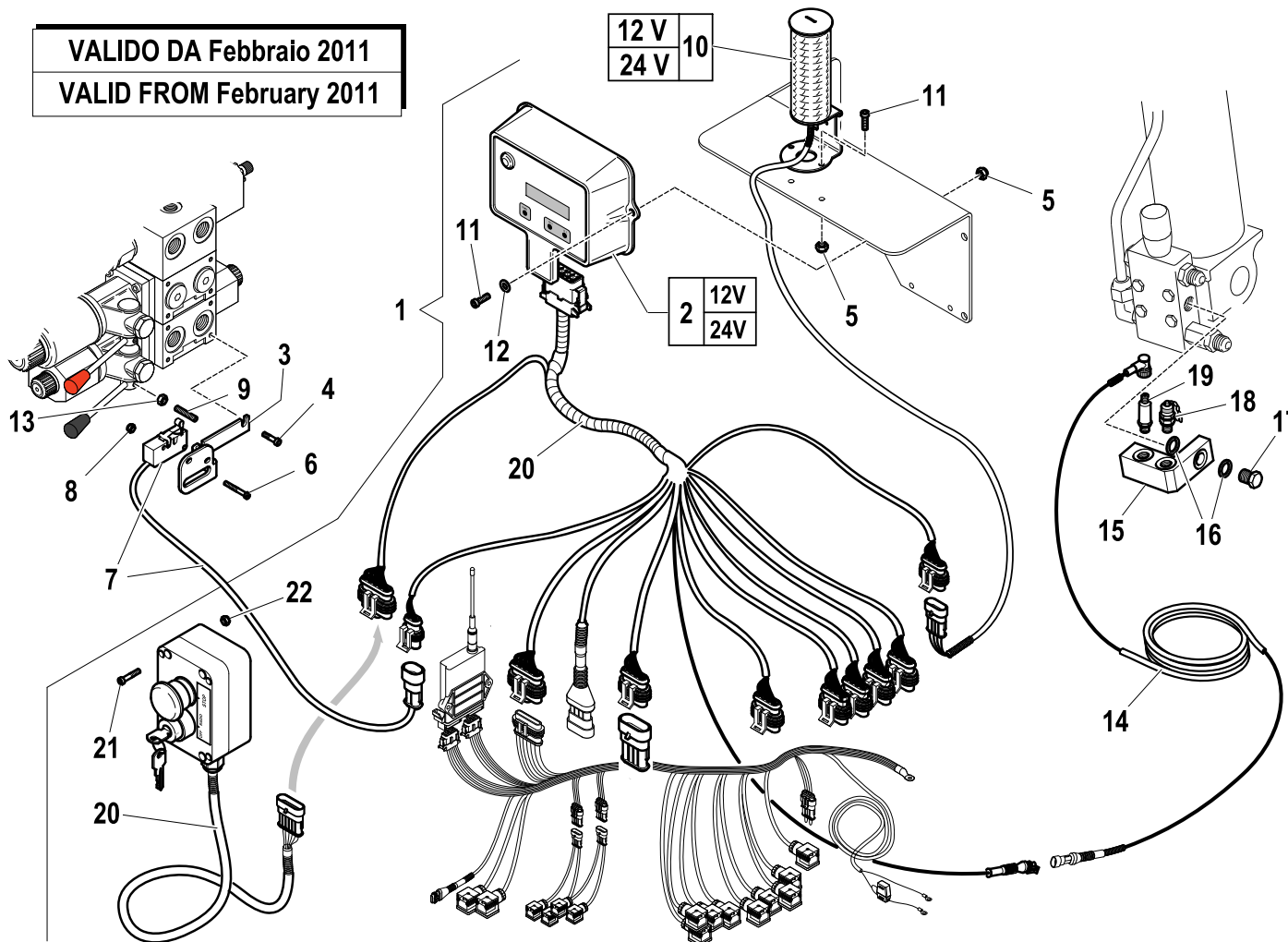
Code

5405052-2.0

1/2

R	Pos.	Code Variant	Q.ty	Description
	1	3311345	1	
	2	3311386	1	
	3	5001842	1	Microswitch support
	4	3020022	2	Socket head cap screw [M5X10 8.8 ZC UNI 5931]
	5	3040392	4	Stopnut
	6	3020879	2	
	7	3310885	1	Microswitch (Electric)
	8	3040516	2	Stopnut
	9	3060223	1	Grub screw
	10	3311159	1	Signal Columns
	11	3020023	4	Socket head cap screw [M5X16 8.8 ZC UNI 5931]
	12	3060004	2	Flat washer [D.5 UNI 6592 ZC]
	13	3040391	1	Hexagonal nut (Normal)
	14	5160001	1	Electric wiring
	15	5002055	1	Manifold (Pick-up)
	16	3060143	2	Sealing washer [BSP 1/4"]
	17	3110078	1	Bolt (banjo bolt)
	18	3111523	1	Pipe fitting (Tapping point) [RACC. MILITES 16X2-1/4"G]
	19	3310612	1	Pressure sensor
	20	3311384	1	

VALIDO DA Febbraio 2011
VALID FROM February 2011



Moment limiting device (CE)

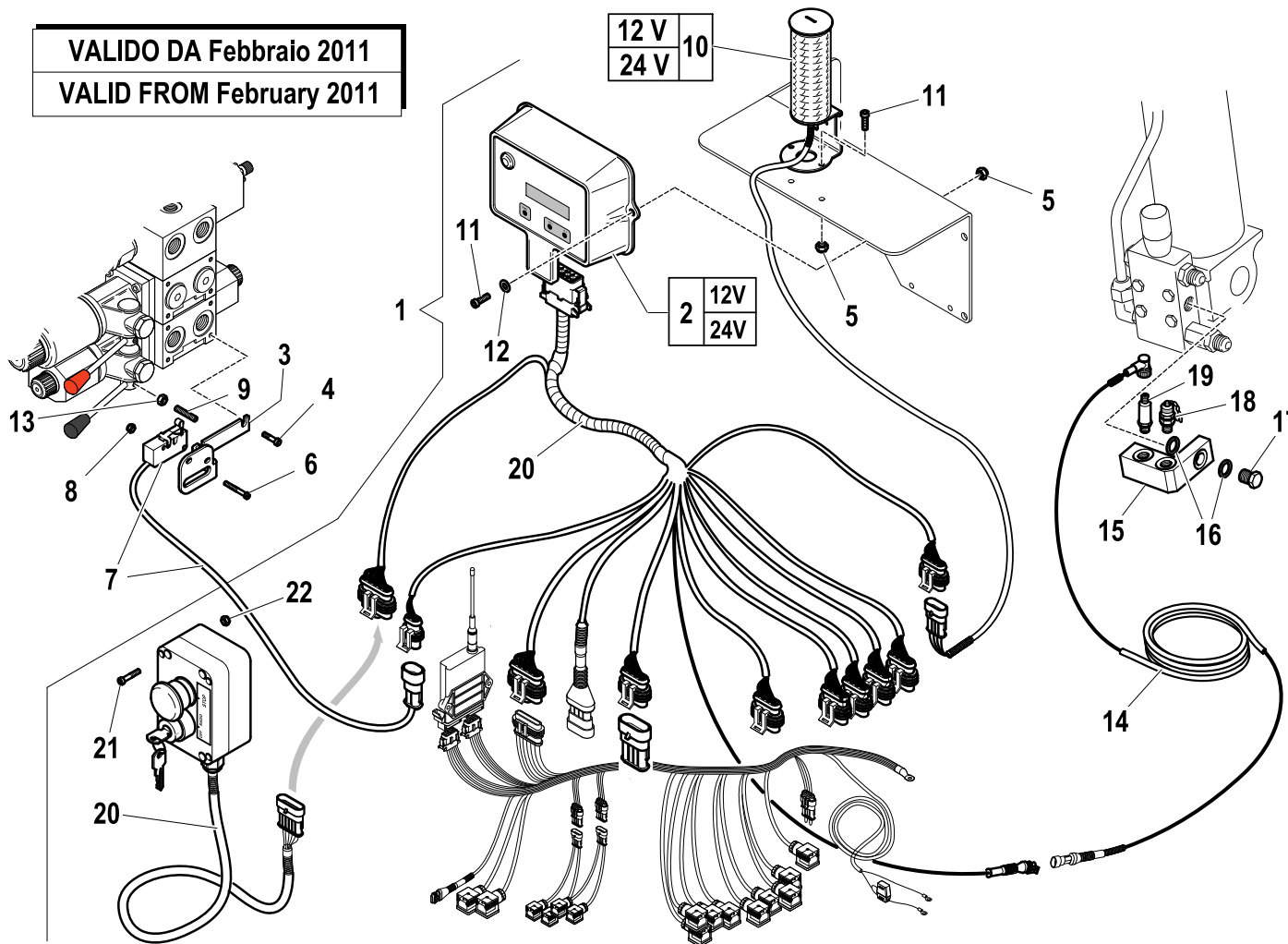
Code

5405052-2.0

2/2

R	Pos.	Code Variant	Q.ty	Description
	21	3020885	2	Socket head cap screw [M4X20 8.8 ZC UNI 5931]
	22	3040518	2	Stopnut

VALIDO DA Febbraio 2011
VALID FROM February 2011



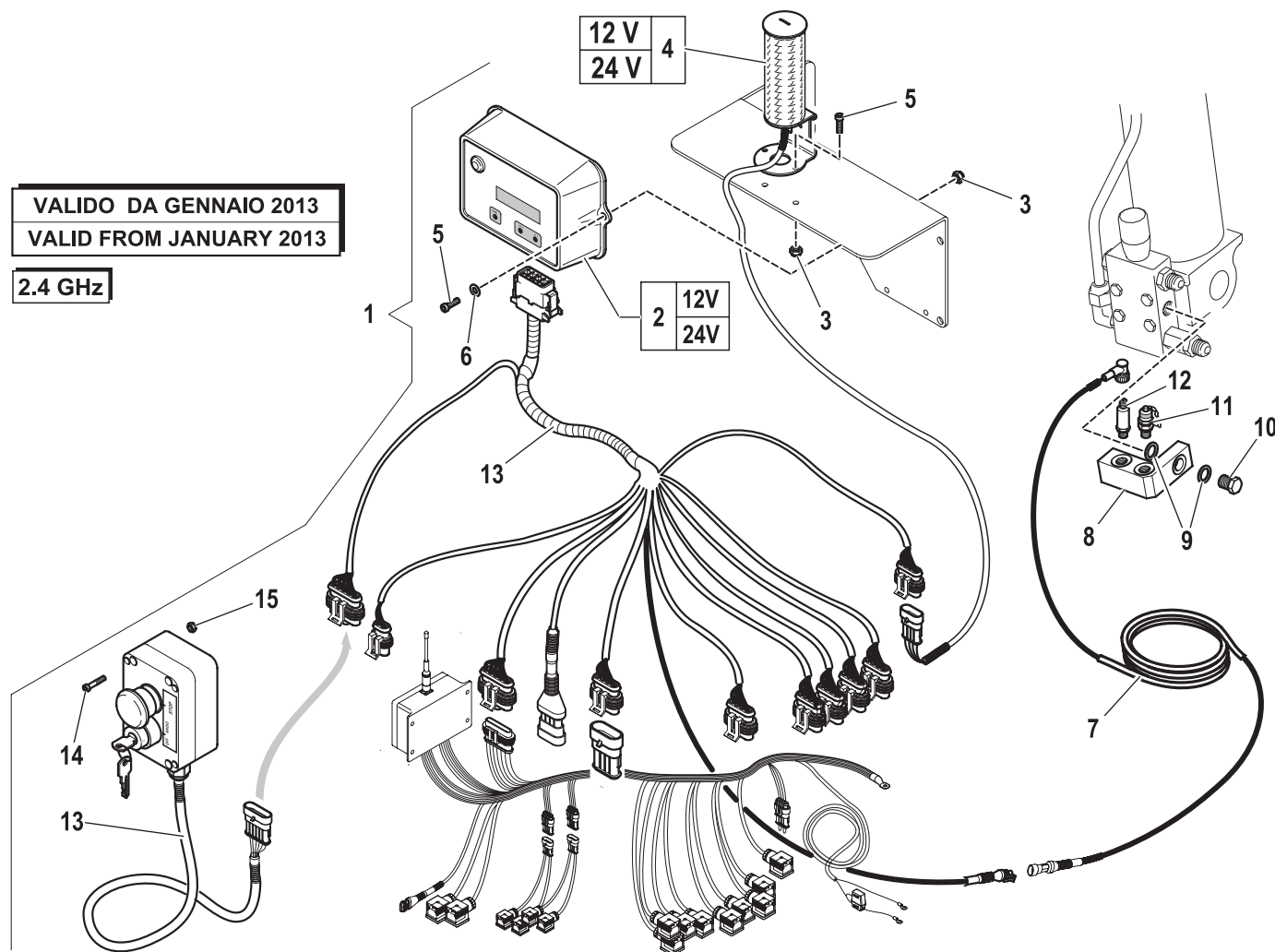
Moment limiting device (EN12999-A3)

Code

5405052-6.0

1/1

VALIDO DA GENNAIO 2013
VALID FROM JANUARY 2013
2.4 GHz



R	Pos.	Code Variant	Q.ty	Description
	1	3311634	1	Electric wiring
	2	3311541	1	Moment limiting device
	3	3040392	4	Stopnut
	4	3311159	1	Signal Columns
	5	3020023	4	Socket head cap screw [M5X16 8.8 ZC UNI 5931]
	6	3060004	2	Flat washer [D.5 UNI 6592 ZC]
	7	5160001	1	Electric wiring
	8	5002055	1	Manifold (Pick-up)
	9	3060143	2	Sealing washer [BSP 1/4"]
	10	3110078	1	Bolt (banjo bolt)
	11	3111523	1	Pipe fitting (Tapping point) [RACC. MILITES 16X2-1/4"G]
	12	3310612	1	Pressure sensor
	13	3311632	1	Electric wiring
	14	3020885	2	Socket head cap screw [M4X20 8.8 ZC UNI 5931]
	15	3040518	2	Stopnut



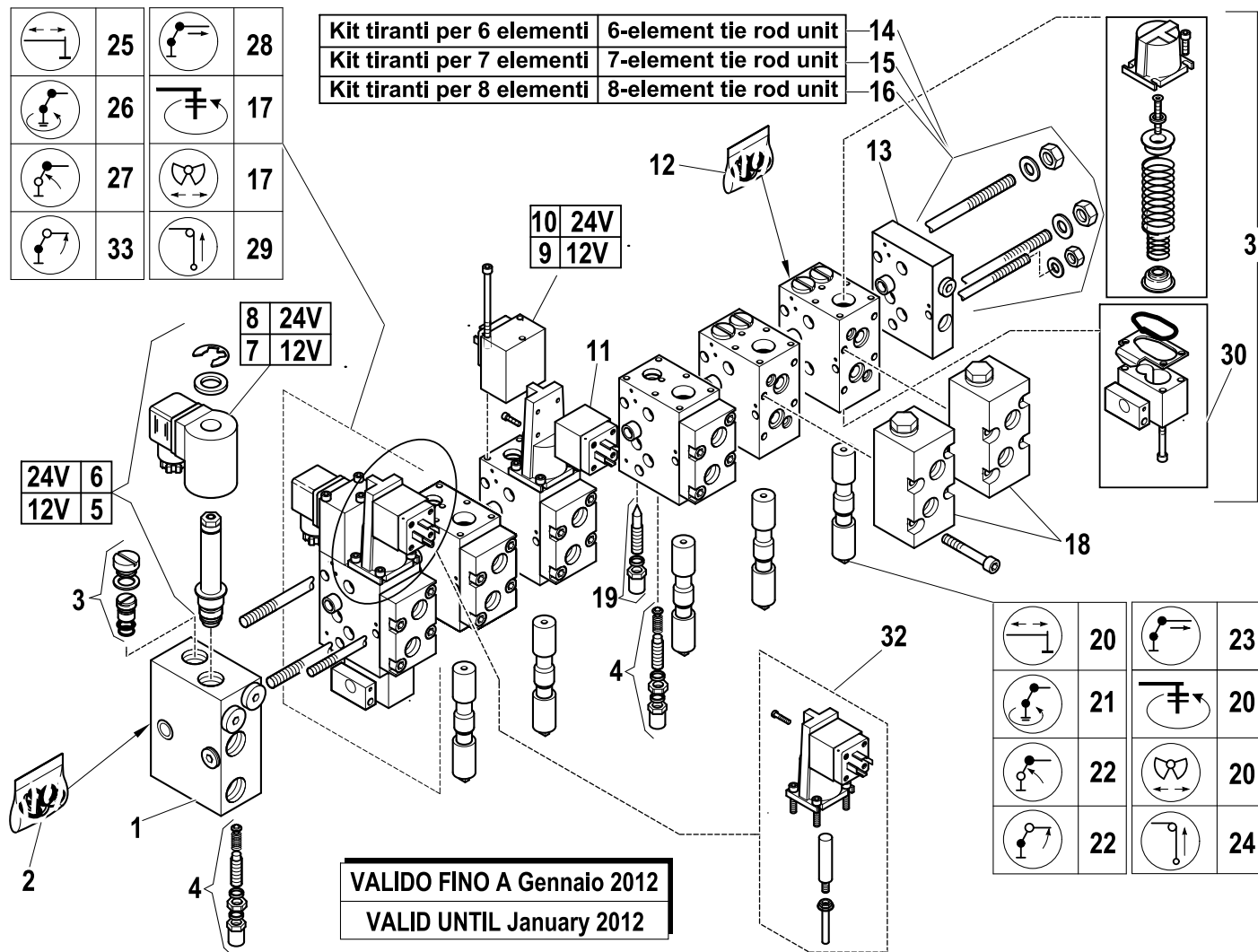
HB70-HB80X (HAWE)

Control valve (6 section)

Code

5220394-1.0

1/2



R	Pos.	Code Variant	Q.ty	Description
	1	5225607	1	
	2	5225608	1	
	3	5225609	1	
	4	5225610	2	
	5	5225611	1	
	6	5225612	1	
	7	5225613	1	
	8	5225614	1	
	9	5225615	1	
	10	5225616	1	
	11	5225617	1	
	12	5225618	1	
	13	5225619	1	
	14	5225620	1	
	15	5225621	1	
	16	5225605	1	
	17	5225602	2	
	18	5225622	2	
	19	5225623	1	
	20	5225624	3	

Control valve (6 section)

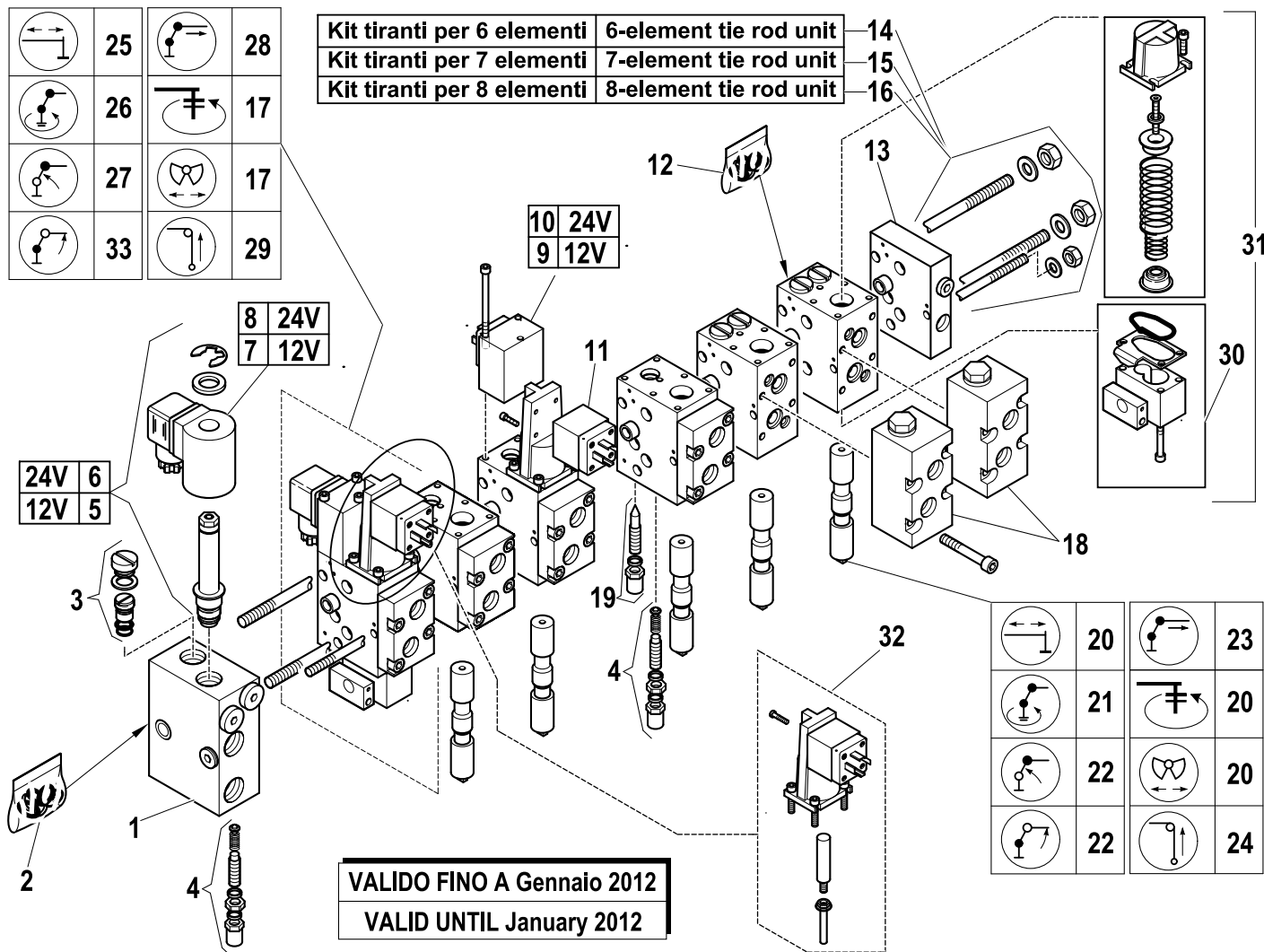
Code

5220394-1.0

2/2

	25		28
	26		17
	27		17
	33		29

Kit tiranti per 6 elementi	6-element tie rod unit	14
Kit tiranti per 7 elementi	7-element tie rod unit	15
Kit tiranti per 8 elementi	8-element tie rod unit	16



VALIDO FINO A Gennaio 2012
VALID UNTIL January 2012

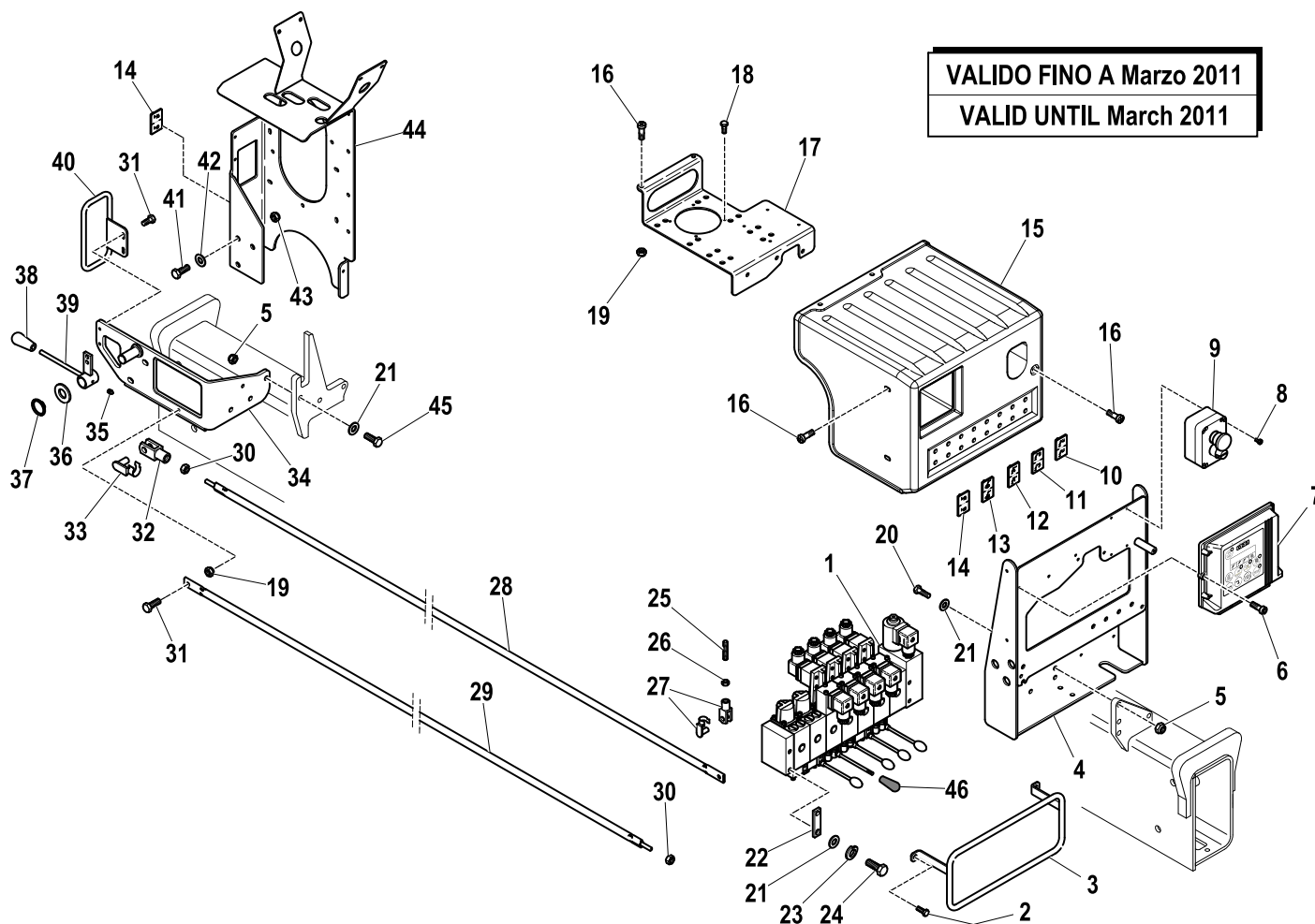
R	Pos.	Code Variant	Q.ty	Description
	21	5225625	1	
	22	5225626	2	
	23	5225627	1	
	24	5225628	1	
	25	5225629	2	
	26	5225630	1	
	27	5225631	1	
	28	5225632	1	
	29	5225633	1	
	30	5225672	2	
	31	5225671	2	
	32	5225073	1	
	33	5225603	1	

DOUBLE CONTROLS (RDC-EBB)

Code

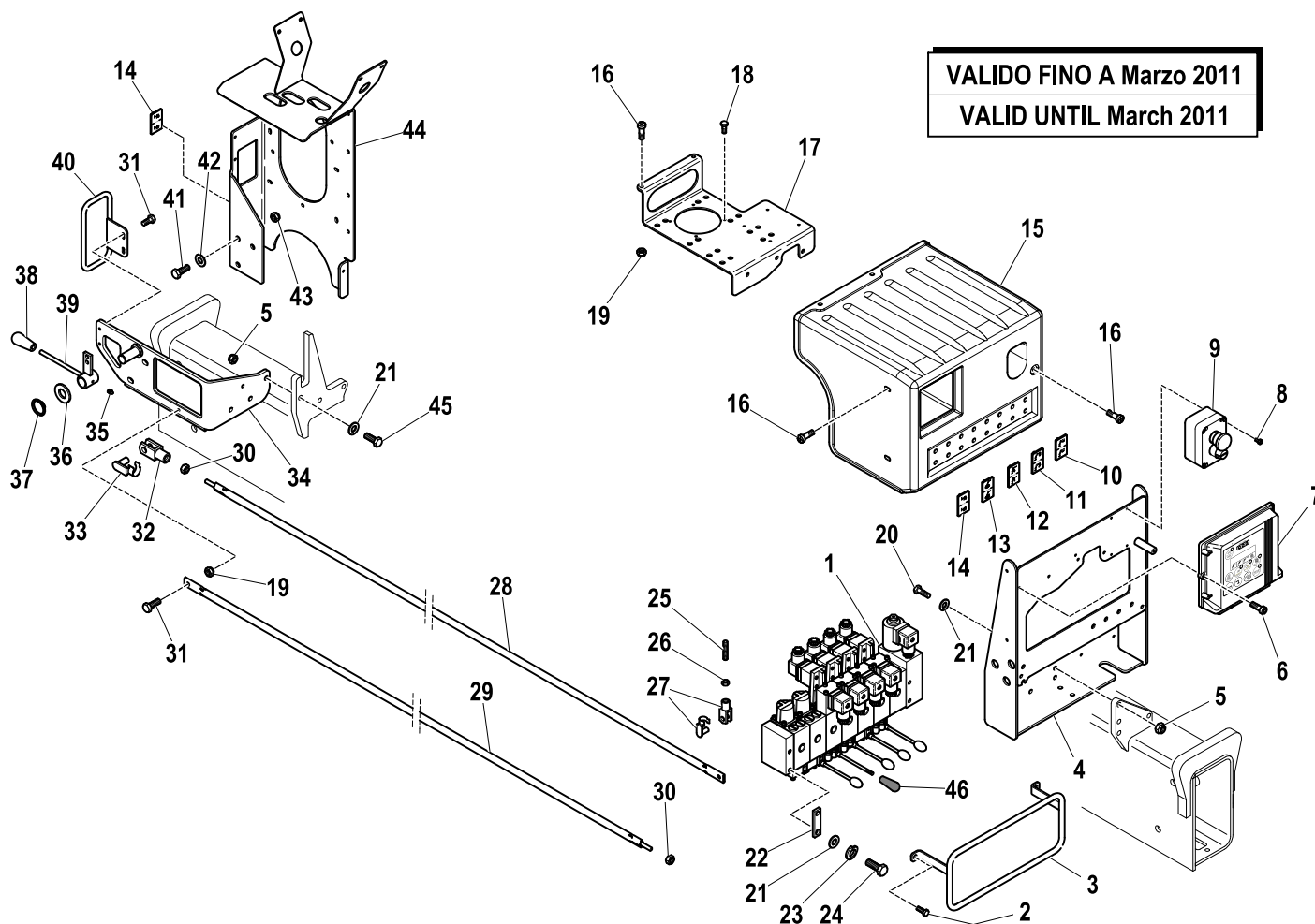
5401052-1.0

1/3



VALIDO FINO A Marzo 2011
VALID UNTIL March 2011

R	Pos.	Code Variant	Q.ty	Description
1		5220394	1	
2		3010336	2	Hex screw [M8X12 8.8 ZC UNI 5739]
3		5091204	1	
4		5091231	1	
5		3040303	6	Stopnut
6		3020021	2	Socket head cap screw [M5X12X0.8 8.8 ZC UNI 5931]
7		3311088	1	
8		3020895	4	Socket head cap screw [M4X10 8.8 ZC UNI 5931]
9		3310869	1	
10		W573270	1	Small plate (CONTROL SYMBOLS)
11		W573269	1	Small plate (CONTROL SYMBOLS)
12		W573267	1	Small plate (CONTROL SYMBOLS)
13		W573266	1	Small plate (CONTROL SYMBOLS)
14		W573265	2	Small plate (CONTROL SYMBOLS)
15		5091202	1	
16		3020960	5	
17		5091201	1	
18		3020022	2	Socket head cap screw [M5X10 8.8 ZC UNI 5931]
19		3040519	2	Stopnut
20		3010029	3	Hex screw [M8X30 8.8 ZC UNI 5737]



R	Pos.	Code Variant	Q.ty	Description
	21	3060006	10	Flat washer [D.8 UNI 6592 ZC]
	22	5001791	2	
	23	3060055	4	Split lock washer [D=8.4 C72 ZC]
	24	3010027	4	Hex screw [M8X20 8.8 ZC IF UNI 5739]
	25	3060941	1	Grub screw
	26	3040081	1	Lock nut
	27	3230009	1	Fork (Fork clip)
	28	5091232	1	
	29	5090435	1	
	30	3040040	2	Lock nut
	31	3010325	2	Hex screw [M6X16 8.8 ZC UNI 5739]
	32	3300433	1	Fork
	33	3300451	1	Fork clip
	34	5091228	1	
	35	3080500	1	Grease nipple
	36	3060012	1	Flat washer [D.21X37X3 UNI 6592 ZC]
	37	3070017	1	Seeger
	38	3190197	1	Knob
	39	5090721	1	Control lever
	40	5091230	1	

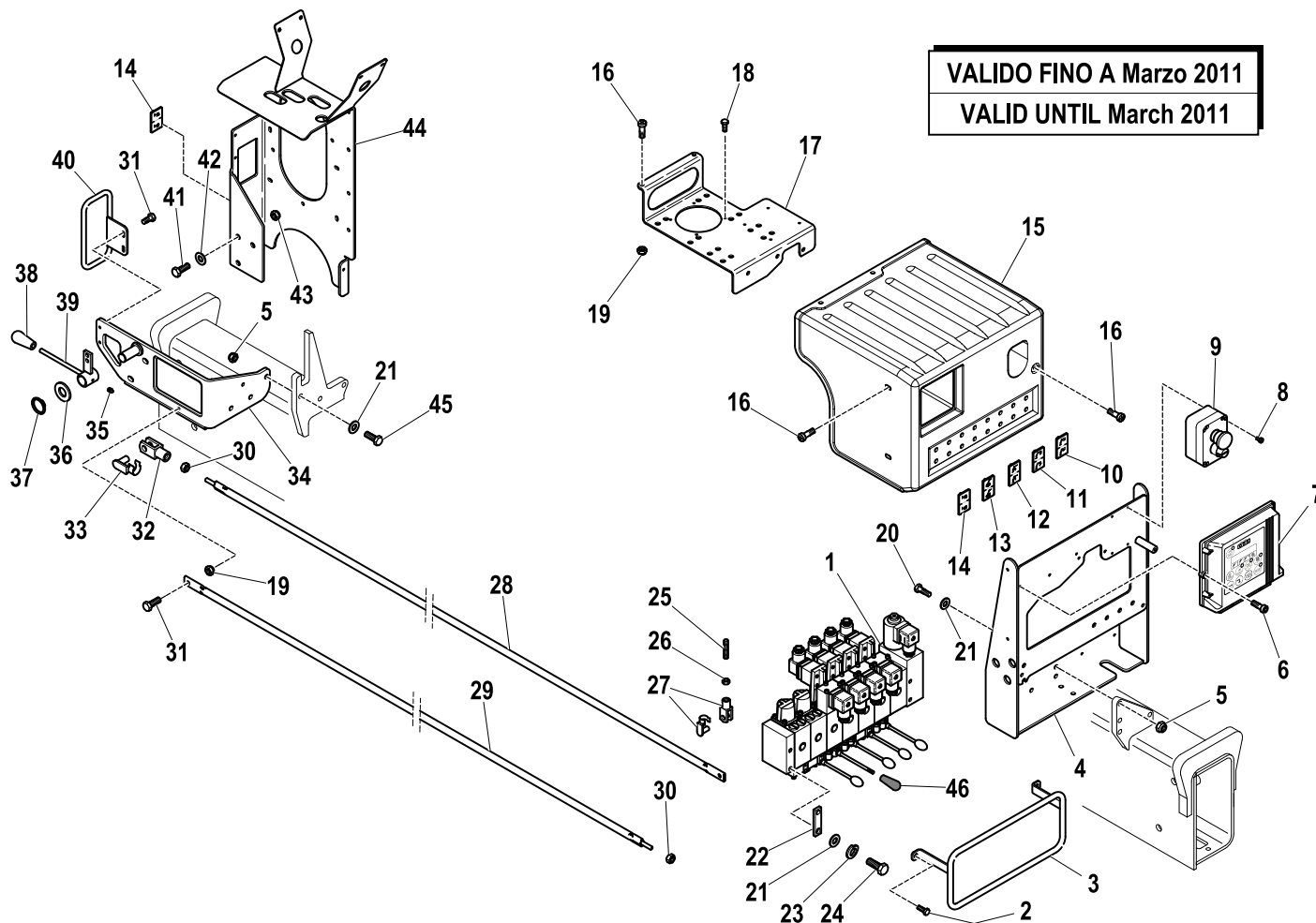
DOUBLE CONTROLS (RDC-EBB)

Code

5401052-1.0

3/3

R	Pos.	Code Variant	Q.ty	Description
	41	3010355	3	Hex screw [M10X25 8.8 ZC IF UNI 5739]
	42	3060914	3	Flat washer [D.10.5X21X2 UNI 6592 ZC]
	43	3040304	3	Stopnut
	44	5091227	1	
	45	3010030	3	Hex screw [M8X35 8.8 ZC UNI 5737]
	46	3190258	1	



CONTROLS (RDC-EBB)

Code

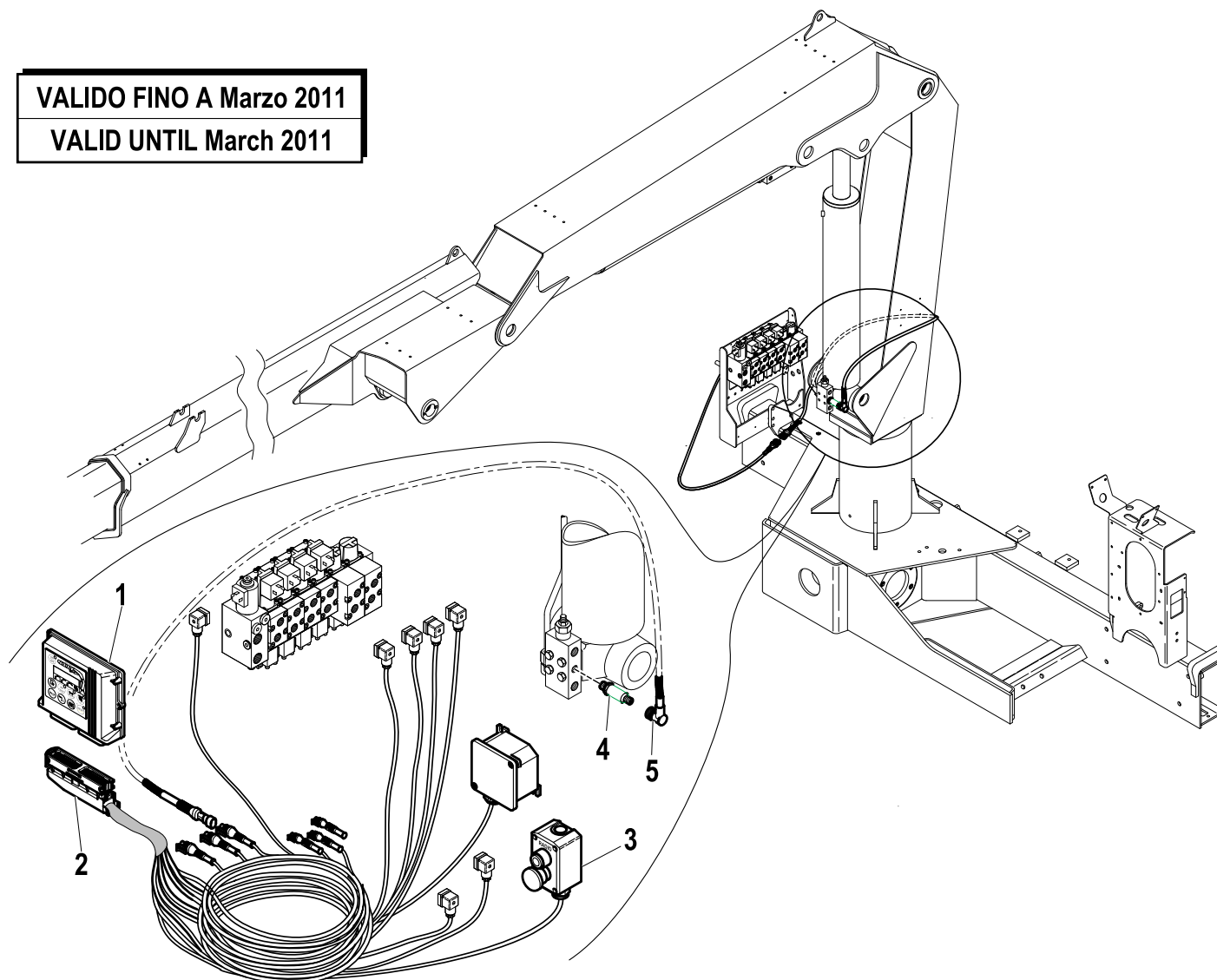
5401052-2.0

1/1

VALIDO FINO A Marzo 2011

VALID UNTIL March 2011

R	Pos.	Code Variant	Q.ty	Description
	1	3311088	1	
	2	5160039	1	
	3	3310869	1	
	4	3310612	1	Pressure sensor
	5	5160001	1	Electric wiring



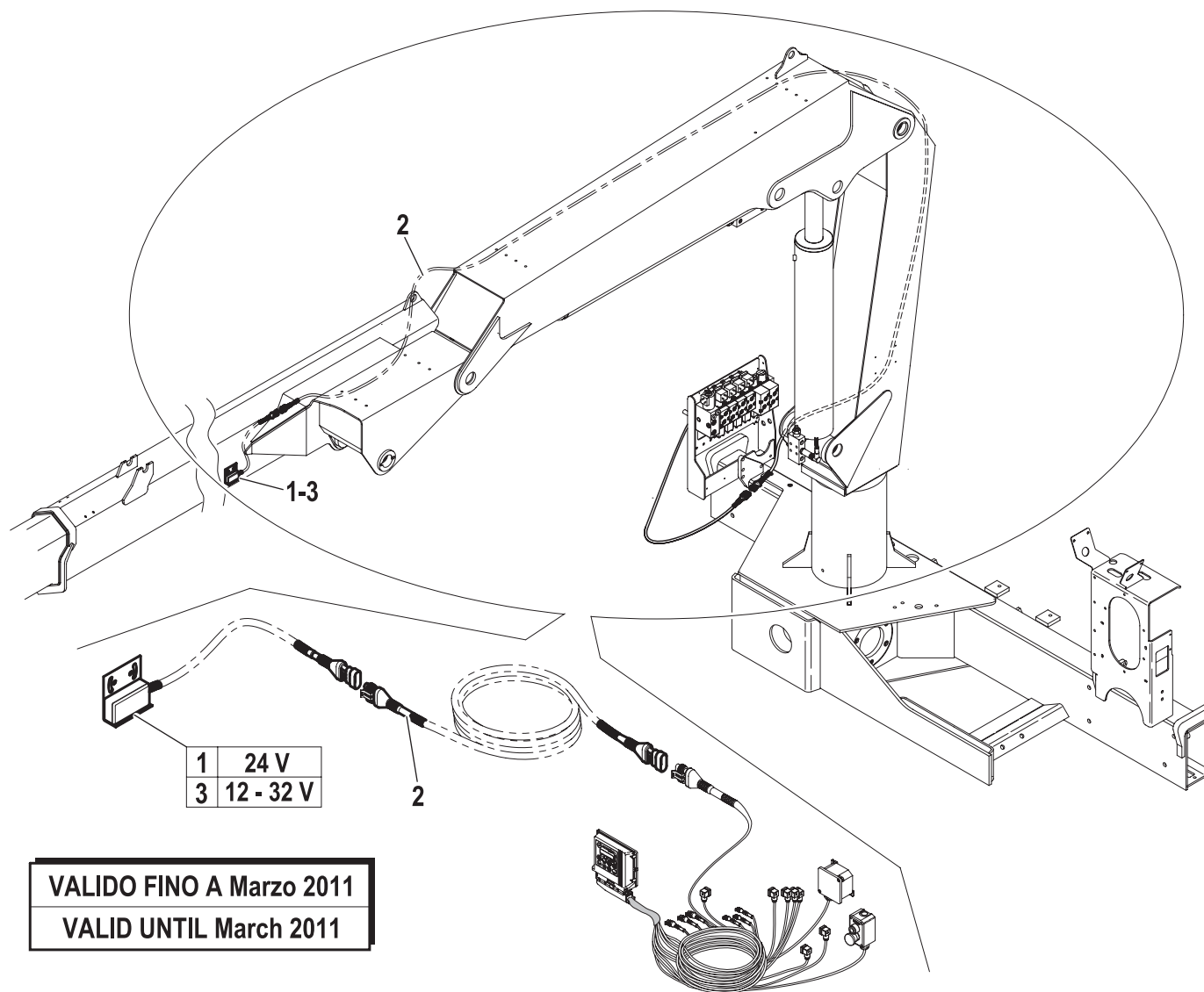
CONTROLS (RDC-EBB)

Code

5400757-3.0

1/1

R	Pos.	Code Variant	Q.ty	Description
	1	3310541	1	Tiltmeter
	2	5160002	1	Electric wiring
	3	3310723	1	Tiltmeter



VALIDO FINO A Marzo 2011
VALID UNTIL March 2011

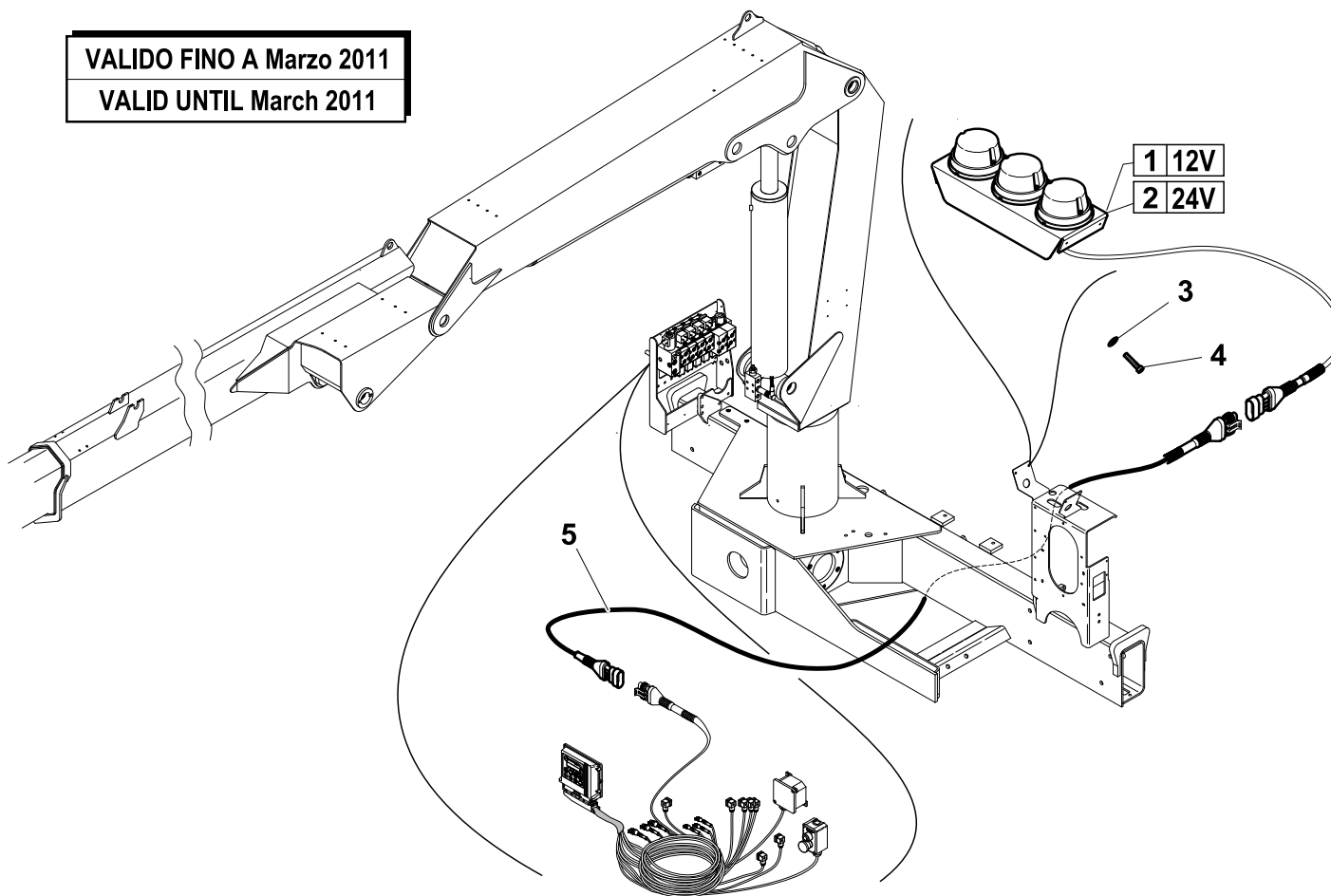
CONTROLS (RDC-EBB)

Code

5400757-4.0

1/1

VALIDO FINO A Marzo 2011
VALID UNTIL March 2011



R	Pos.	Code Variant	Q.ty	Description
	1	3310819	1	
	2	3310809	1	
	3	3060003	4	Flat washer [D.4 UNI 6592 ZC]
	4	3020885	4	Socket head cap screw [M4X20 8.8 ZC UNI 5931]
	5	5160003	1	Electric wiring

CONTROLS (RDC-EBB)

Code

5400757-5.0

1/1

Valido da Matricola / Valid from S/N
27611

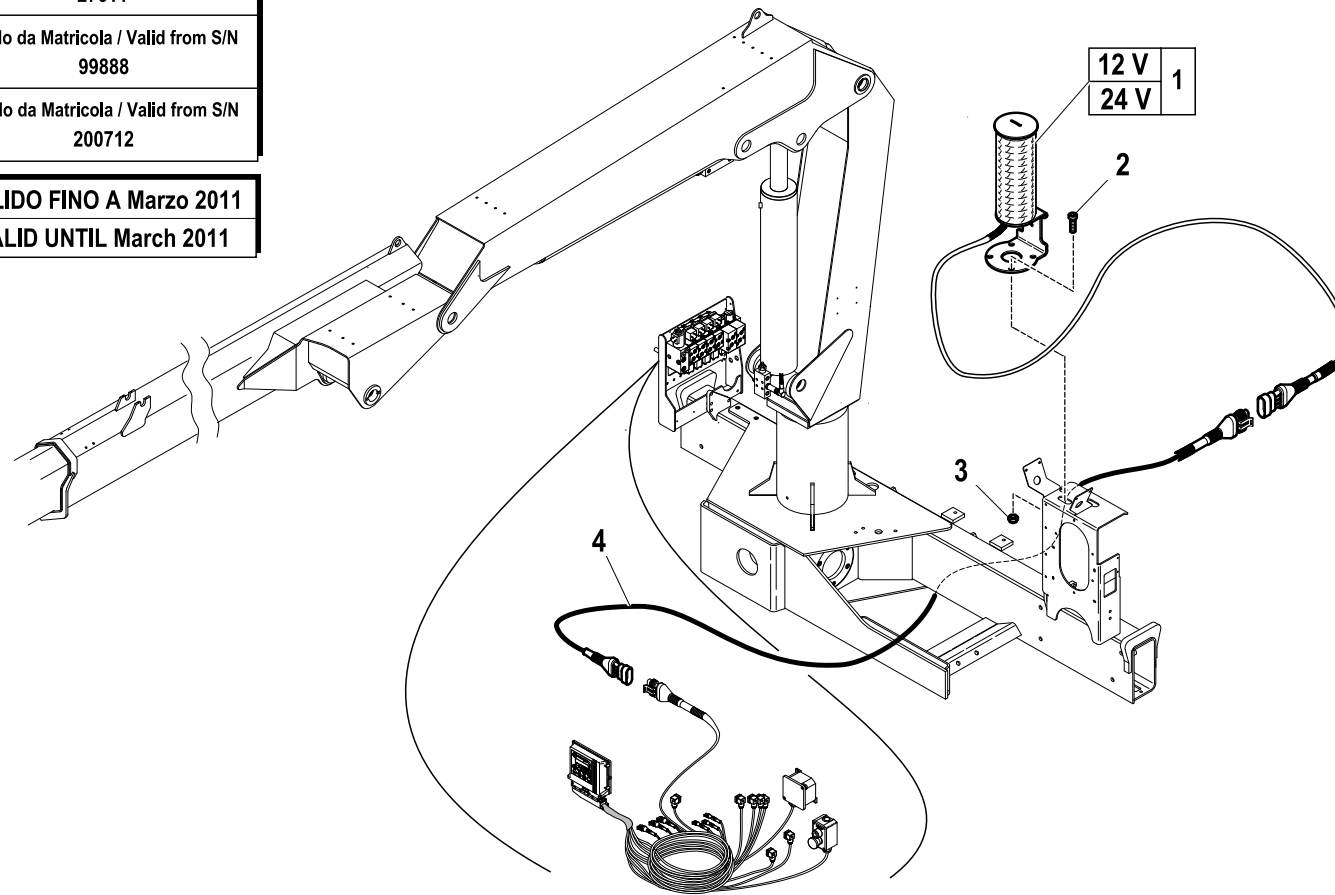
Valido da Matricola / Valid from S/N
99888

Valido da Matricola / Valid from S/N
200712

VALIDO FINO A Marzo 2011

VALID UNTIL March 2011

R	Pos.	Code Variant	Q.ty	Description
1		3311159	1	Signal Columns
2		3020023	4	Socket head cap screw [M5X16 8.8 ZC UNI 5931]
3		3040392	4	Stopnut
4		5160003	1	Electric wiring



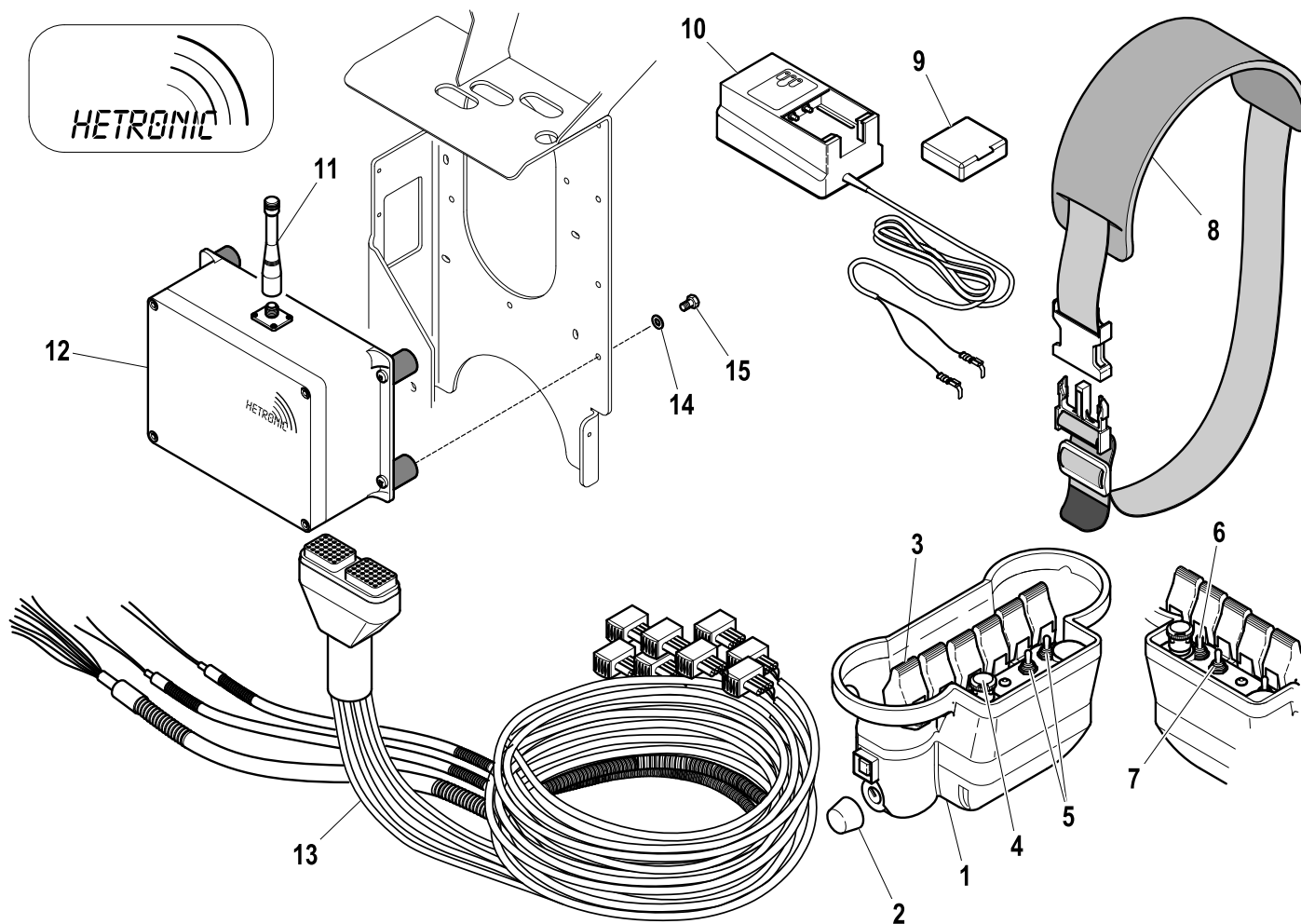
Wireless control kit (EU.24V)

Code

7892042-1.0

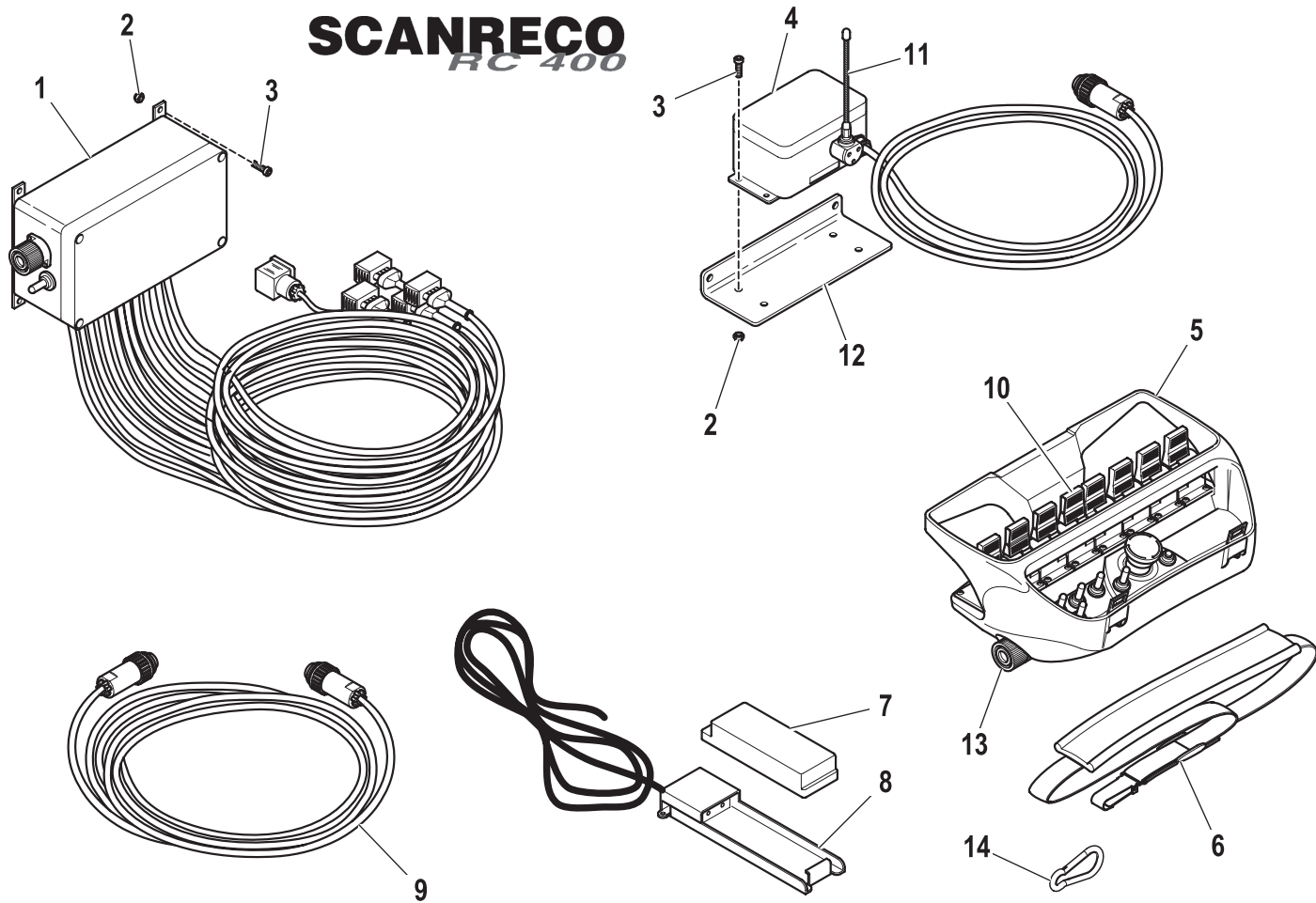
1/1

R	Pos.	Code Variant	Q.ty	Description
	1	3310901	1	
	2	3310795	1	
	3	3310796	6	
	4	3310788	1	
	5	3310786	2	
	6	3310785	1	
	7	3311029	1	
	8	3310799	1	
	9	3310641	2	
	10	3310797	1	
	11	3310775	1	
	12	3310900	1	
	13	3310899	1	
	14	3060030	4	Flat washer [D.6.6X18 UNI 6593 ZC]
	15	3010323	4	Hex screw [M6X10 8.8 ZC UNI 5739]



Wireless control kit (24V)

Code
7892044-1.0 1/1



R	Pos.	Code Variant	Q.ty	Description
	1	3310910	1	
	2	3040392	8	Stopnut
	3	3020028	8	Socket head cap screw [M5X20 8.8 ZC UNI 5931]
	4	3310535	1	
	5	3320026	1	
	6	3190226	1	
	7	3310483	2	
	8	3310471	1	
	9	3310536	1	
	10	3310445	8	Control lever
	11	3310683	1	
	12	5001680	1	
	13	3310850	1	
	14	3190259	1	

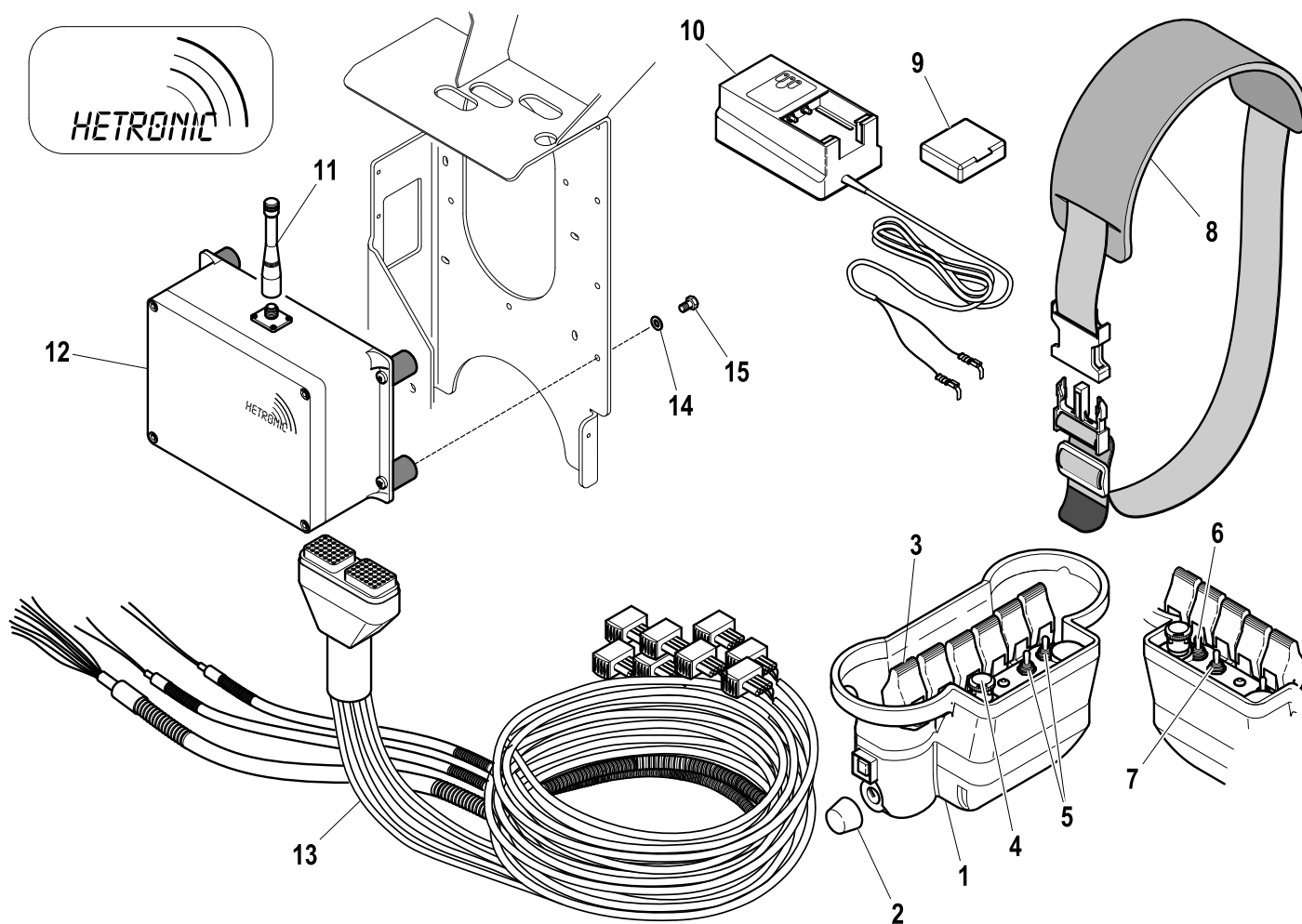
Wireless control kit (USA 12V)

Code

7892041-2.0

1/1

R	Pos.	Code Variant	Q.ty	Description
	1	3310943	1	
	2	3310795	1	
	3	3310796	6	
	4	3310788	1	
	5	3310786	2	
	6	3310785	1	
	7	3311029	1	
	8	3310799	1	
	9	3310641	2	
	10	3310797	1	
	11	3310775	1	
	12	3310942	1	
	13	3310899	1	
	14	3060030	4	Flat washer [D.6.6X18 UNI 6593 ZC]
	15	3010323	4	Hex screw [M6X10 8.8 ZC UNI 5739]



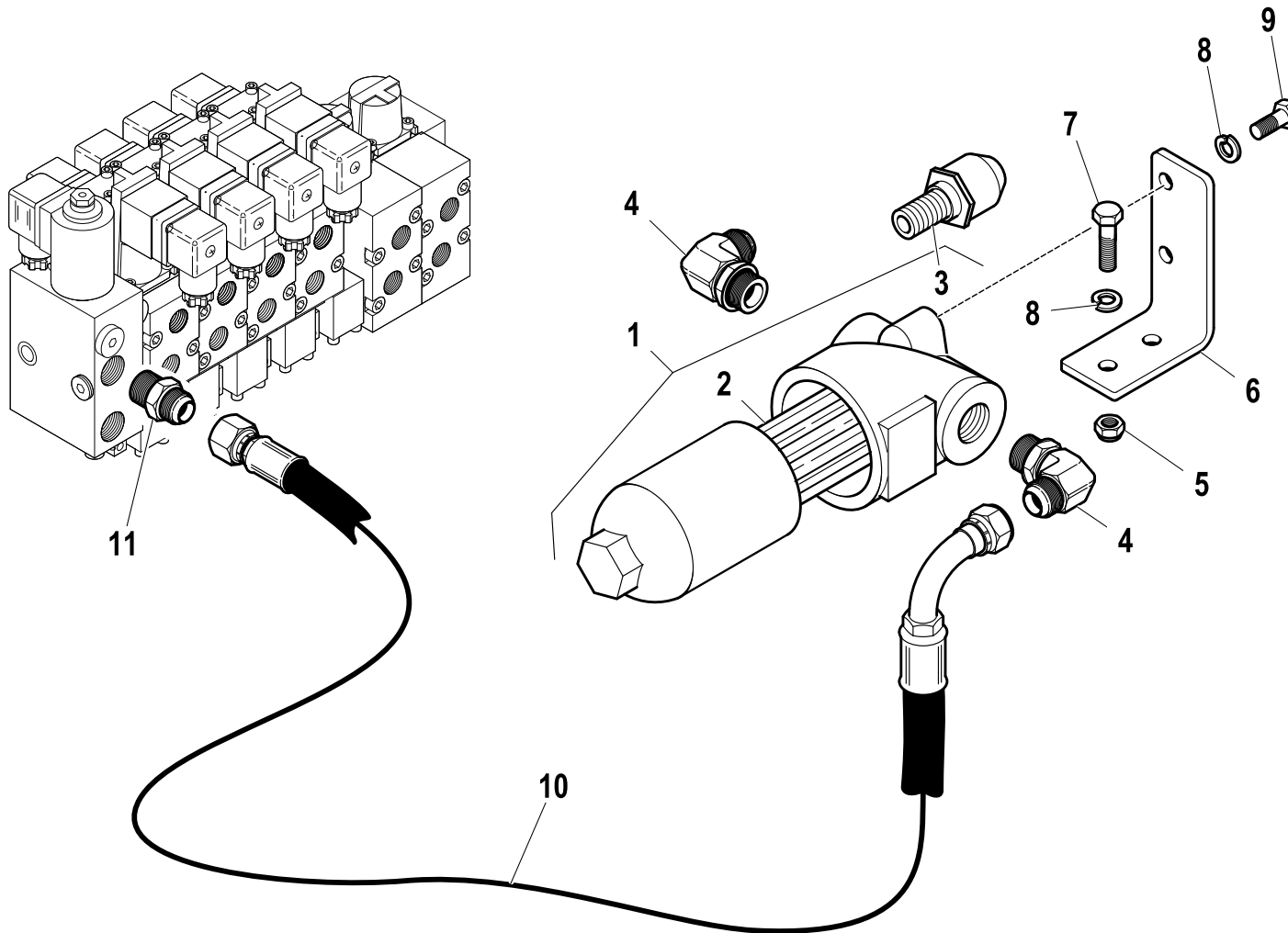
High pressure filter

Code

5401006-1.0

1/1

R	Pos.	Code Variant	Q.ty	Description
	1	3180138	1	Oil filter
	2	3180139	1	Filtering cartridge
	3	3180140	1	
	4	3101128	2	90° Connection
	5	3040303	2	Stopnut
	6	5090670	1	
	7	3010339	2	Hex screw [M8X25 8.8 ZC IF UNI 5739]
	8	3060055	4	Split lock washer [D=8.4 C72 ZC]
	9	3010337	2	Hex screw [M8X16 8.8 ZC UNI 5739]
	10	5271910	1	
	11	3101043	1	Straight pipe fitting







HB70-HB80X (HAWE) EN 12999 - A3

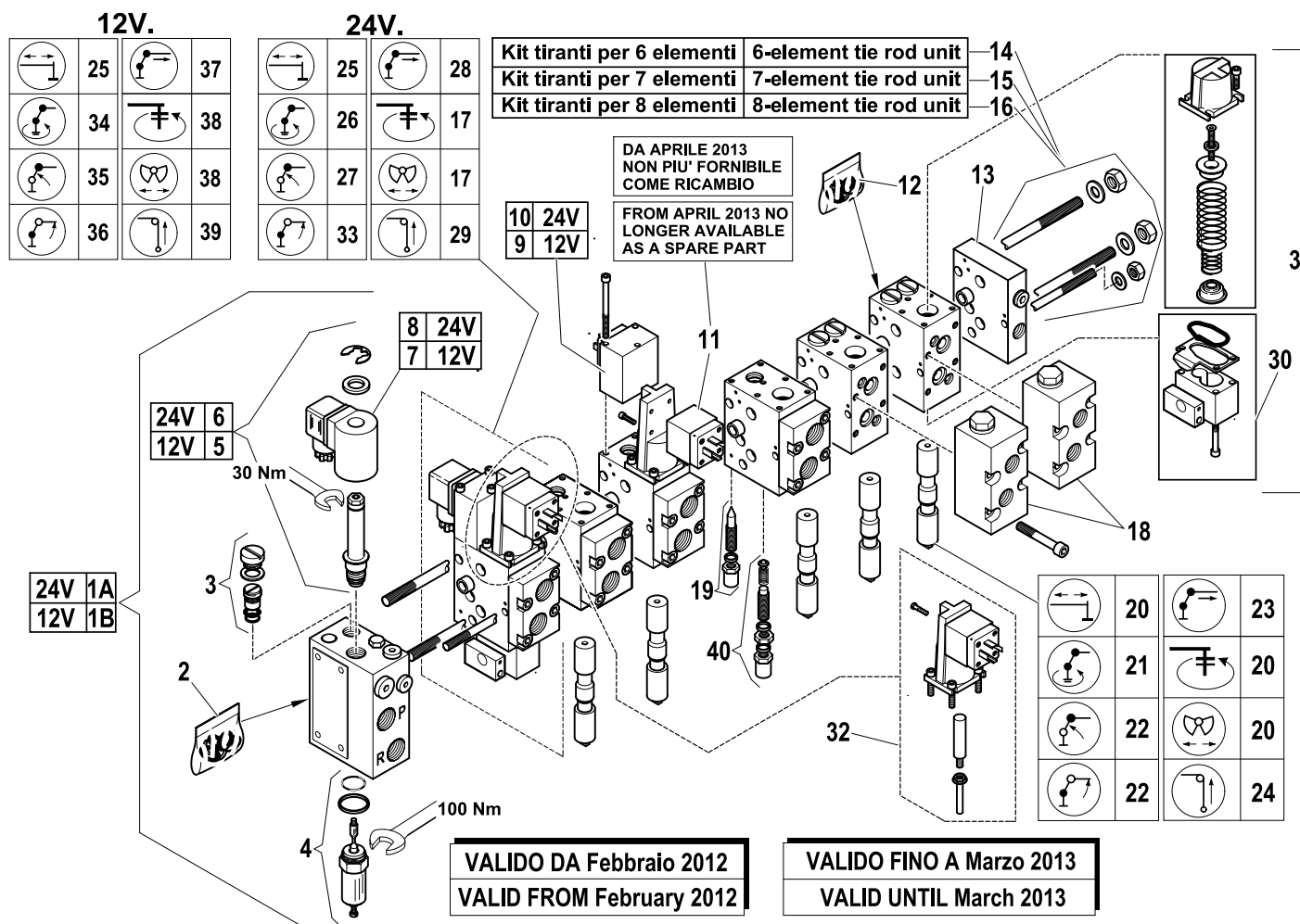
Control valve (6 section)

Code

5220838-1.0

1/3

R	Pos.	Code Variant	Q.ty	Description
	1 A	5225695	1	
	1 B	5225696	1	
	2	5225923	1	
	3	5225609	1	
	4	5225697	1	
	5	5225611	1	
	6	5225612	1	
	7	5225613	1	
	8	5225614	1	
	9	5225615	1	
	10	5225616	1	
	11	5225617	1	
	12	5225618	1	
	13	5225619	1	
	14	5225620	1	
	15	5225621	1	
	16	5225605	1	
	17	5225911	2	
	18	5225622	2	
	19	5225623	1	



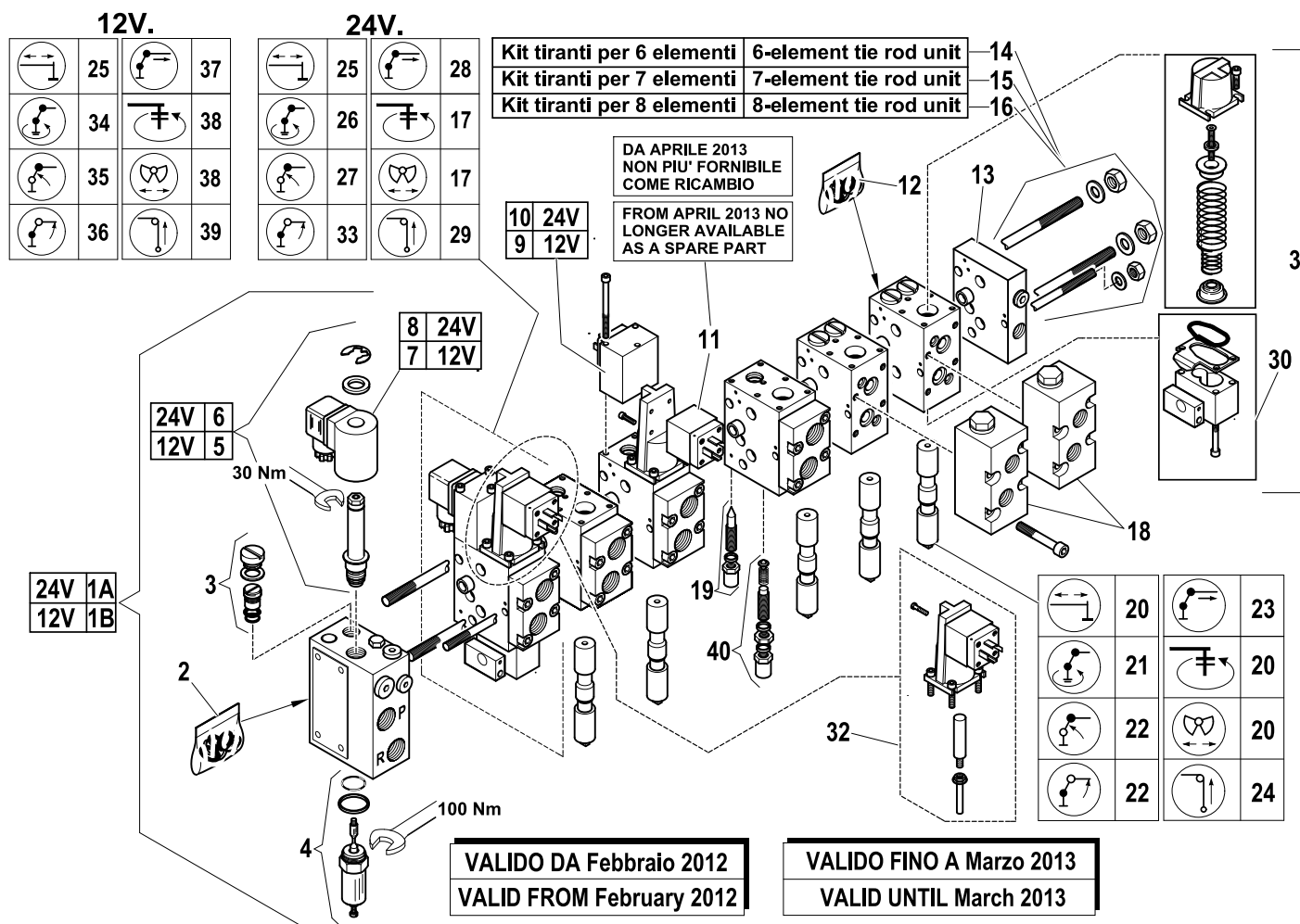
Control valve (6 section)

Code

5220838-1.0

2/3

R	Pos.	Code Variant	Q.ty	Description
	20	5225624	3	
	21	5225625	1	
	22	5225626	2	
	23	5225627	1	
	24	5225628	1	
	25	5225629	2	
	26	5225907	1	
	27	5225908	1	
	28	5225910	1	
	29	5225912	1	
	30	5225672	2	
	31	5225671	2	
	32	5225073	1	
	33	5225909	1	
	34	5225913	1	
	35	5225914	1	
	36	5225915	1	
	37	5225916	1	
	38	5225917	2	
	39	5225918	1	



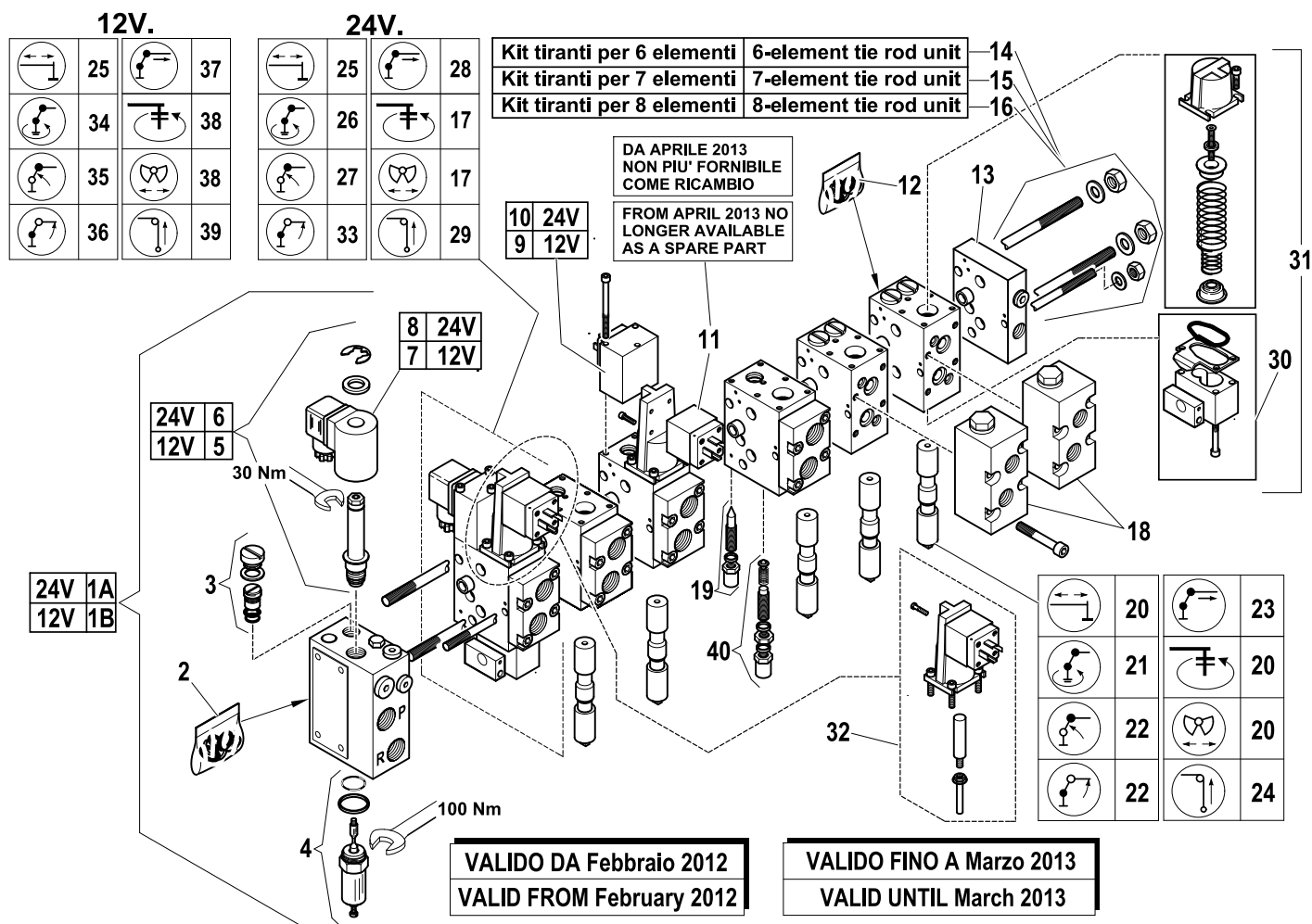
Control valve (6 section)

Code

5220838-1.0

3/3

R	Pos.	Code Variant	Q.ty	Description
	40	5225610	1	

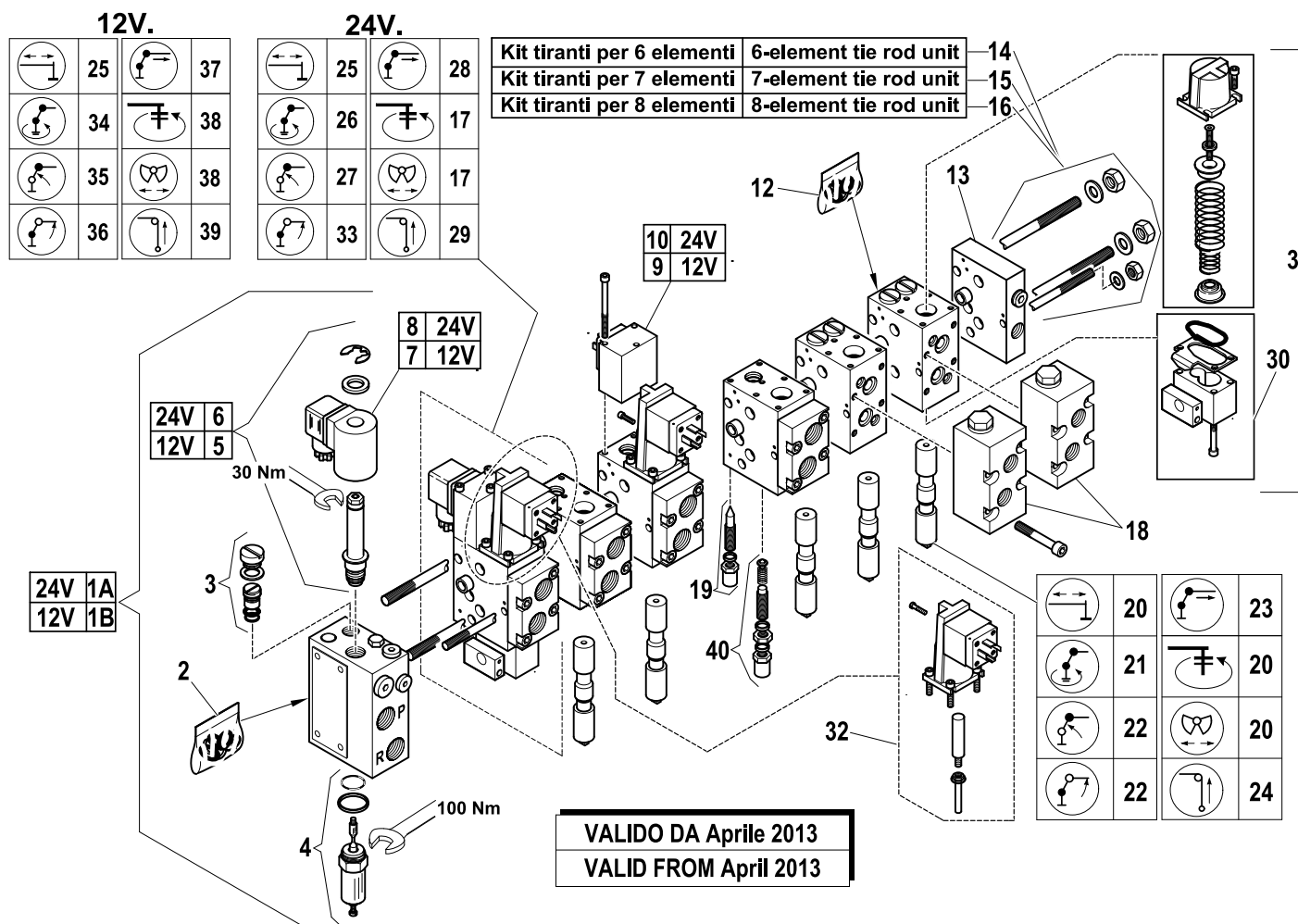


Control valve (6 section)

Code

5220838-2.0

1/2



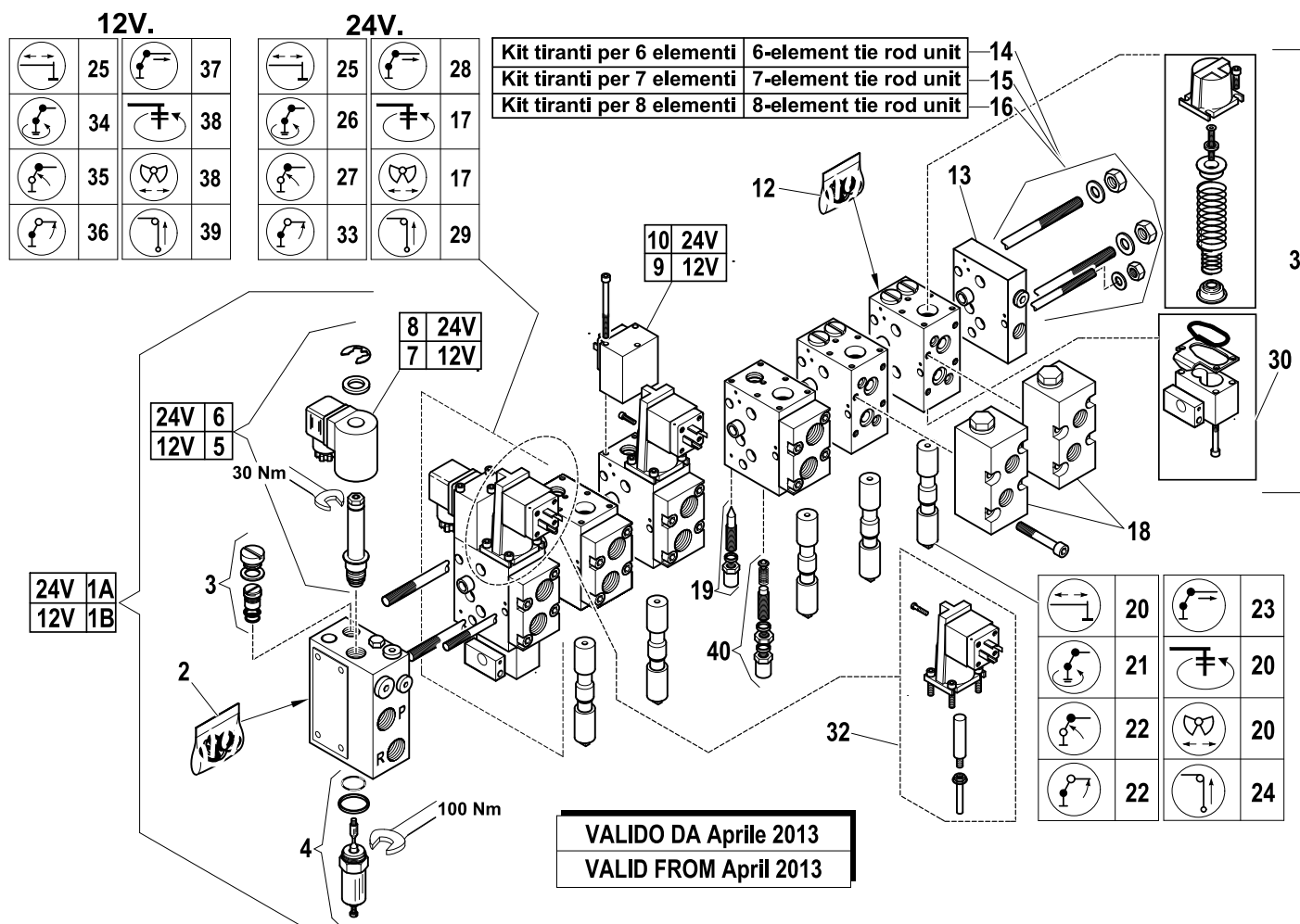
R	Pos.	Code Variant	Q.ty	Description
	1 A	5225695	1	
	1 B	5225696	1	
	2	5225923	1	
	3	5225609	1	
	4	5225697	1	
	5	5225611	1	
	6	5225612	1	
	7	5225613	1	
	8	5225614	1	
	9	5225615	1	
	10	5225616	1	
	12	5225618	1	
	13	5225619	1	
	14	5225620	1	
	15	5225621	1	
	16	5225605	1	
	17	5225911	2	
	18	5225622	2	
	19	5225623	1	
	20	5225624	3	

Control valve (6 section)

Code

5220838-2.0

2/2



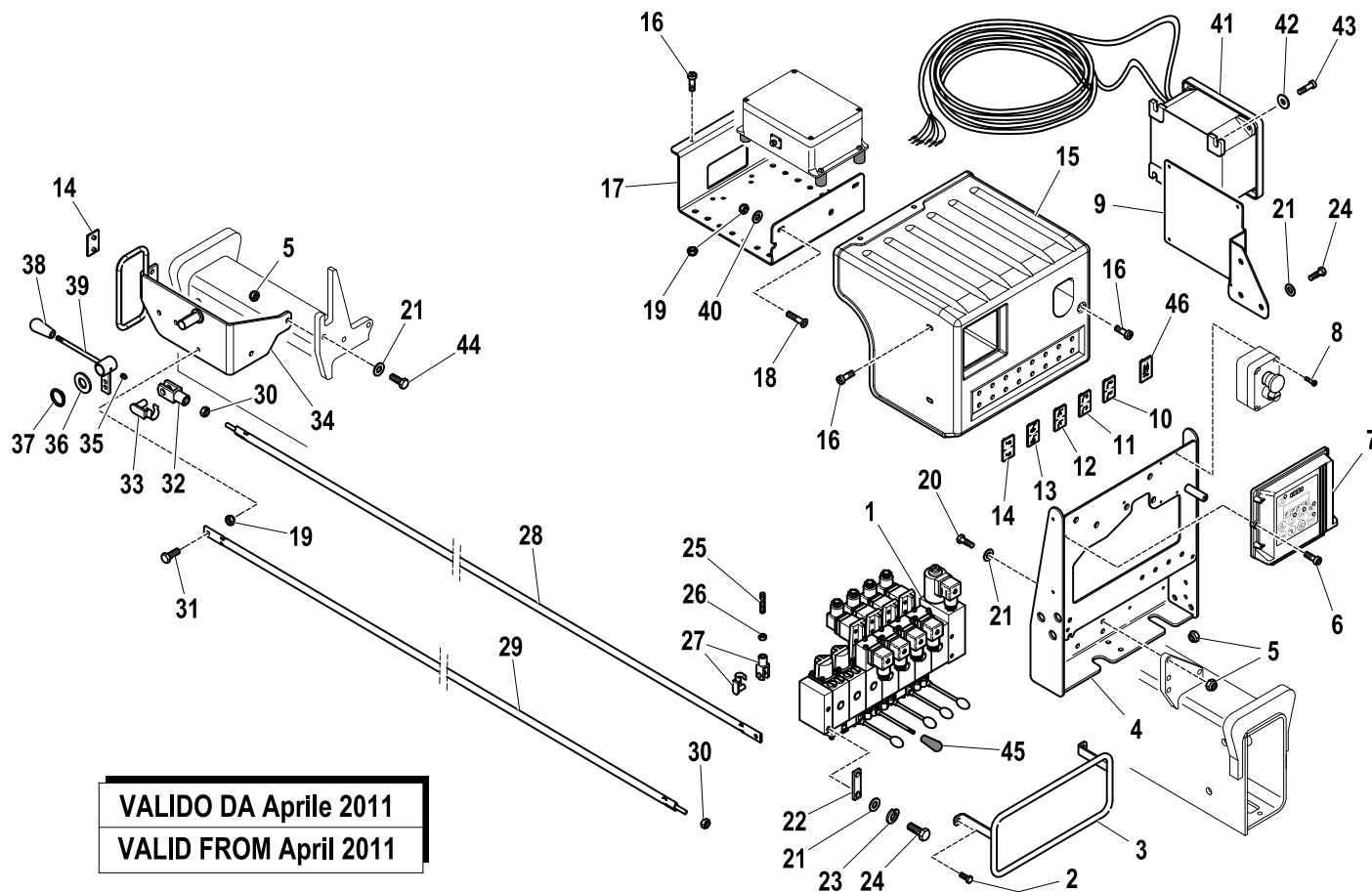
R	Pos.	Code Variant	Q.ty	Description
	21	5225625	1	
	22	5225626	2	
	23	5225627	1	
	24	5225628	1	
	25	5225629	2	
	26	5225907	1	
	27	5225908	1	
	28	5225910	1	
	29	5225912	1	
	30	5225672	2	
	31	5225671	2	
	32	5225073	1	
	33	5225909	1	
	34	5225913	1	
	35	5225914	1	
	36	5225915	1	
	37	5225916	1	
	38	5225917	2	
	39	5225918	1	
	40	5225610	1	

DOUBLE CONTROLS (RDC-EBB)

Code

5401659-1.0

1/3



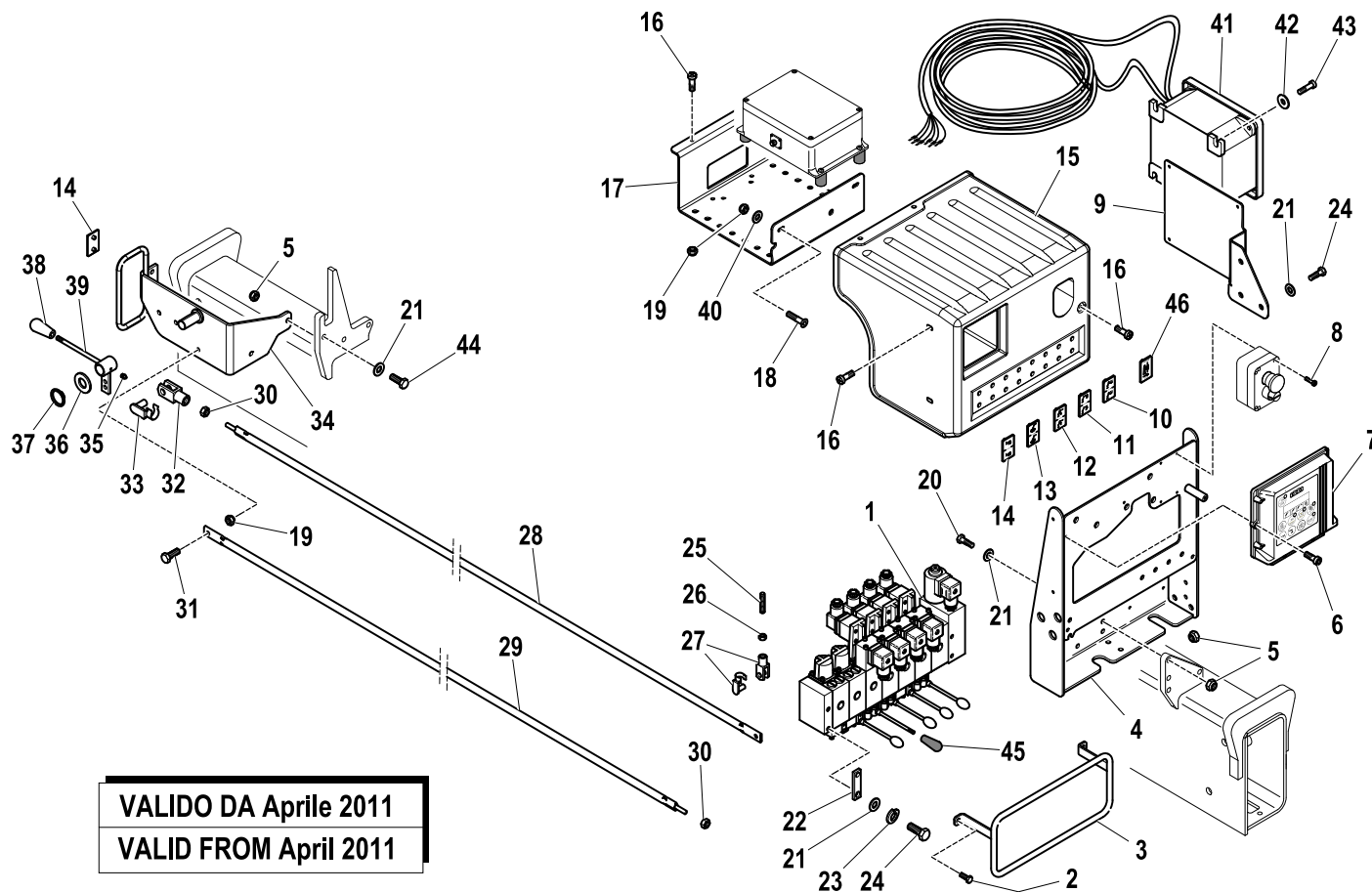
R	Pos.	Code Variant	Q.ty	Description
1		5220394	1	
2		3010336	2	Hex screw [M8X12 8.8 ZC UNI 5739]
3		5091204	1	
4		5091231	1	
5		3040303	9	Stopnut
6		3020021	2	Socket head cap screw [M5X12X0.8 8.8 ZC UNI 5931]
7		3311423	1	Moment limiting device [SUPERATO]
8		3020895	4	Socket head cap screw [M4X10 8.8 ZC UNI 5931]
9		5002110	1	
10		W573270	1	Small plate (CONTROL SYMBOLS)
11		W573269	1	Small plate (CONTROL SYMBOLS)
12		W573267	1	Small plate (CONTROL SYMBOLS)
13		W573266	1	Small plate (CONTROL SYMBOLS)
14		W573265	2	Small plate (CONTROL SYMBOLS)
15		5091202	1	
16		3020960	5	
17		5002109	1	
18		3020439	2	TSEI screw [M6X16 ZC UNI 5933]
19		3040519	4	Stopnut
20		3010029	3	Hex screw [M8X30 8.8 ZC UNI 5737]

DOUBLE CONTROLS (RDC-EBB)

Code

5401659-1.0

2/3



VALIDO DA Aprile 2011
VALID FROM April 2011

R	Pos.	Code Variant	Q.ty	Description
	21	3060006	13	Flat washer [D.8 UNI 6592 ZC]
	22	5001791	2	
	23	3060055	4	Split lock washer [D=8.4 C72 ZC]
	24	3010027	7	Hex screw [M8X20 8.8 ZC IF UNI 5739]
	25	3060941	1	Grub screw
	26	3040081	1	Lock nut
	27	3230009	1	Fork (Fork clip)
	28	5091342	1	
	29	5090435	1	
	30	3040040	2	Lock nut
	31	3010325	1	Hex screw [M6X16 8.8 ZC UNI 5739]
	32	3300433	1	Fork
	33	3300453	1	Fork clip
	34	5091341	1	
	35	3080500	1	Grease nipple
	36	3060012	1	Flat washer [D.21X37X3 UNI 6592 ZC]
	37	3070017	1	Seeger
	38	3190197	1	Knob
	39	5090721	1	Control lever
	40	3060005	2	Flat washer [D.6.4 UNI 6592 ZC]

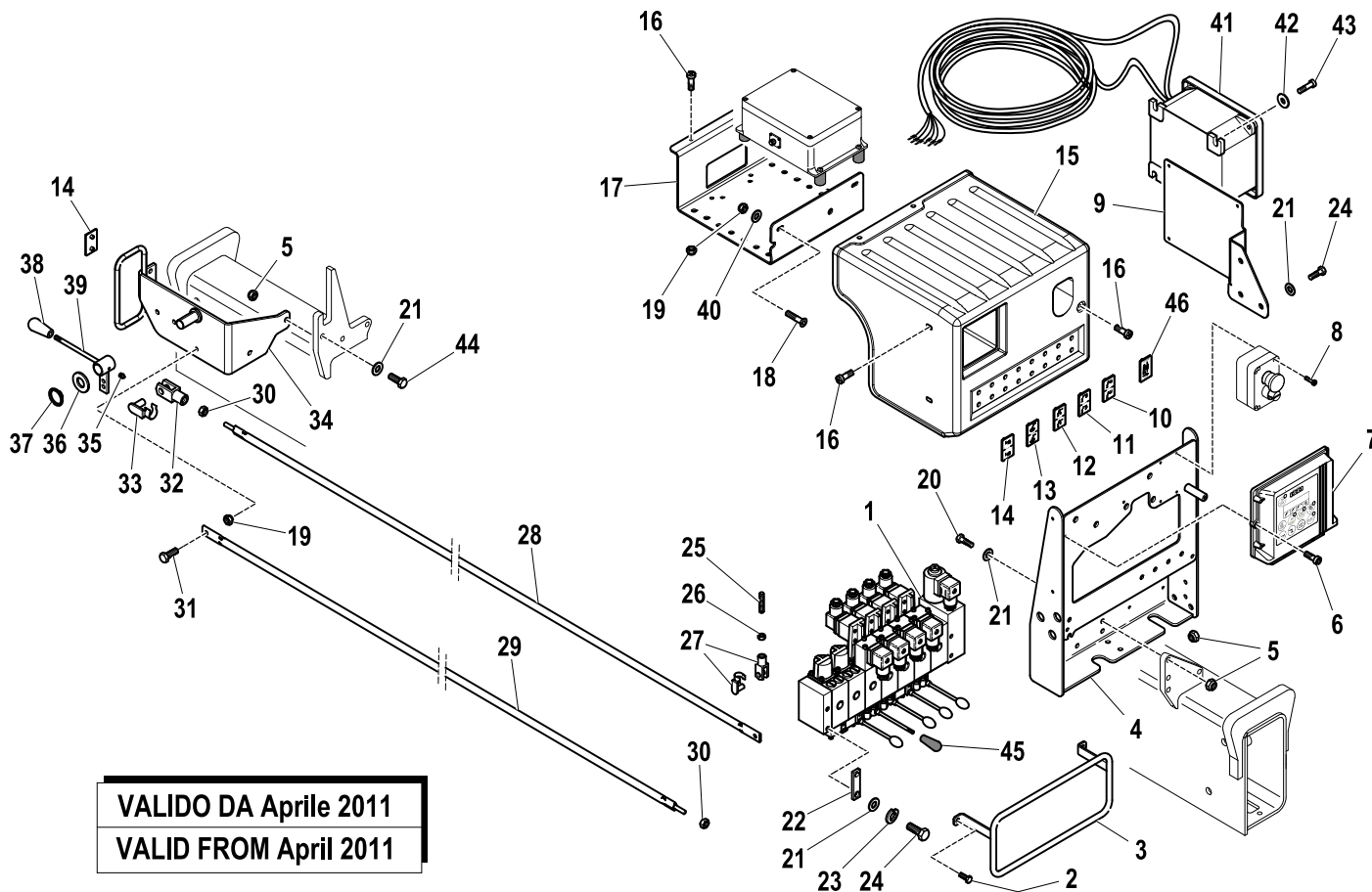
DOUBLE CONTROLS (RDC-EBB)

Code

5401659-1.0

3/3

R	Pos.	Code Variant	Q.ty	Description
	41	3311405	1	
	42	3060004	4	Flat washer [D.5 UNI 6592 ZC]
	43	3020028	4	Socketed head cap screw [M5X20 8.8 ZC UNI 5931]
	44	3010030	3	Hex screw [M8X35 8.8 ZC UNI 5737]
	45	3190258	1	
	46	5813567	1	



VALIDO DA Aprile 2011
VALID FROM April 2011

ROTATION CONTROL (EN12999-A3)

Code

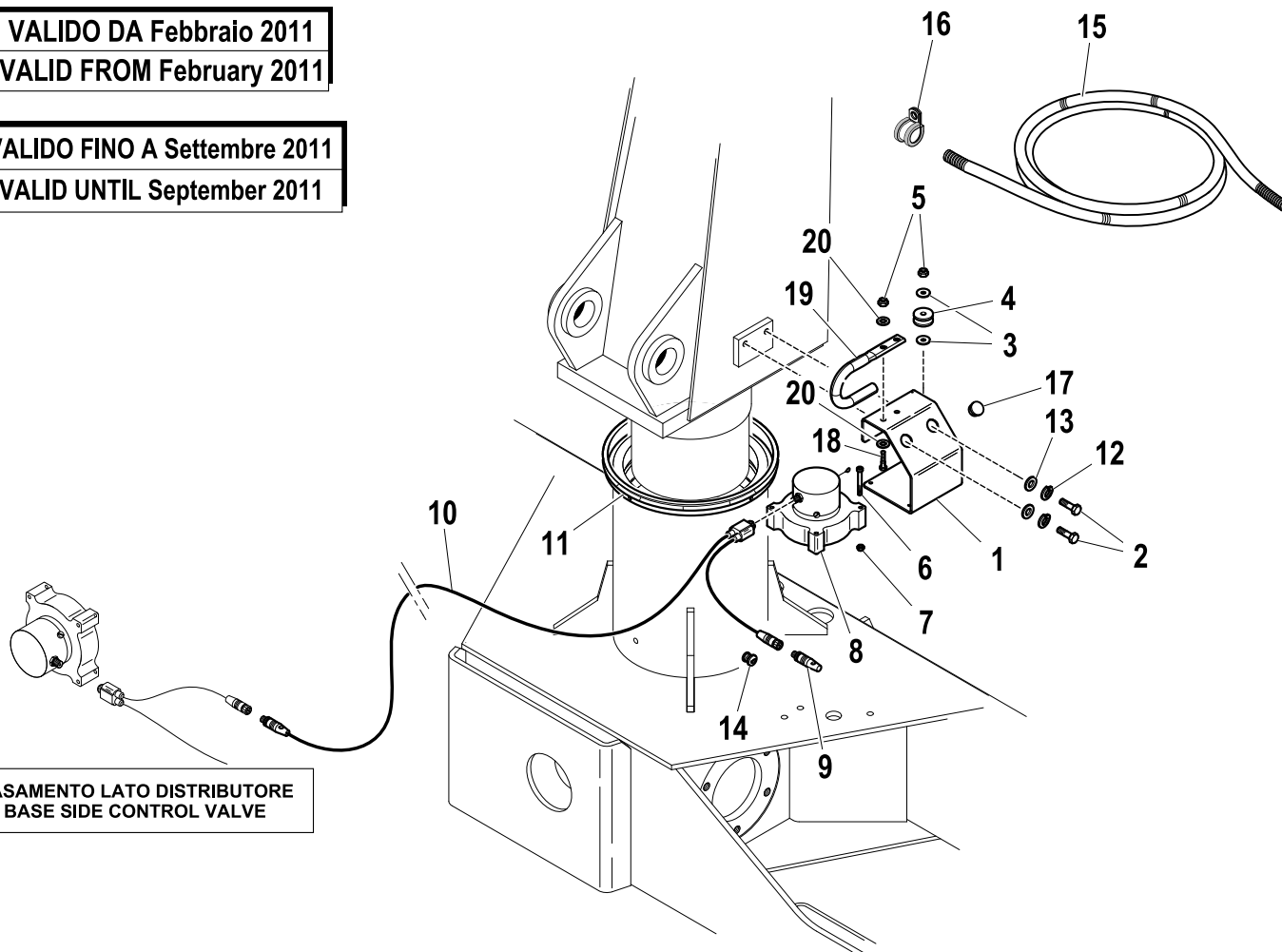
5411205-7.0

1/1

VALIDO DA Febbraio 2011
VALID FROM February 2011

VALIDO FINO A Settembre 2011
VALID UNTIL September 2011

R	Pos.	Code Variant	Q.ty	Description
	1	5091301	1	
	2	3020080	2	Socket head cap screw [M10X16 12.9 ZC UNI 5931]
	3	3060030	2	Flat washer [D.6.6X18 UNI 6593 ZC]
	4	5141080	1	
	5	3040372	3	Stopnut
	6	3020019	3	Socket head cap screw [M4X40 8.8 ZC UNI 5931]
	7	3040518	3	Stopnut
	8	3311313	1	
	9	3311327	1	Connector (Electric)
	10	3311325	1	
	11	5141097	1	
	12	3060056	2	Split lock washer [D=10 C72 ZC]
	13	3060914	2	Flat washer [D.10.5X21X2 UNI 6592 ZC]
	14	3311326	1	
	15	3190295	mt.2.5	
	16	3190036	1	
	17	3190301	2	
	18	3010022	2	Hex screw [M6X25 8.8 ZC UNI 5739]
	19	5002124	1	
	20	3060005	4	Flat washer [D.6.4 UNI 6592 ZC]



BASAMENTO LATO DISTRIBUTORE
BASE SIDE CONTROL VALVE

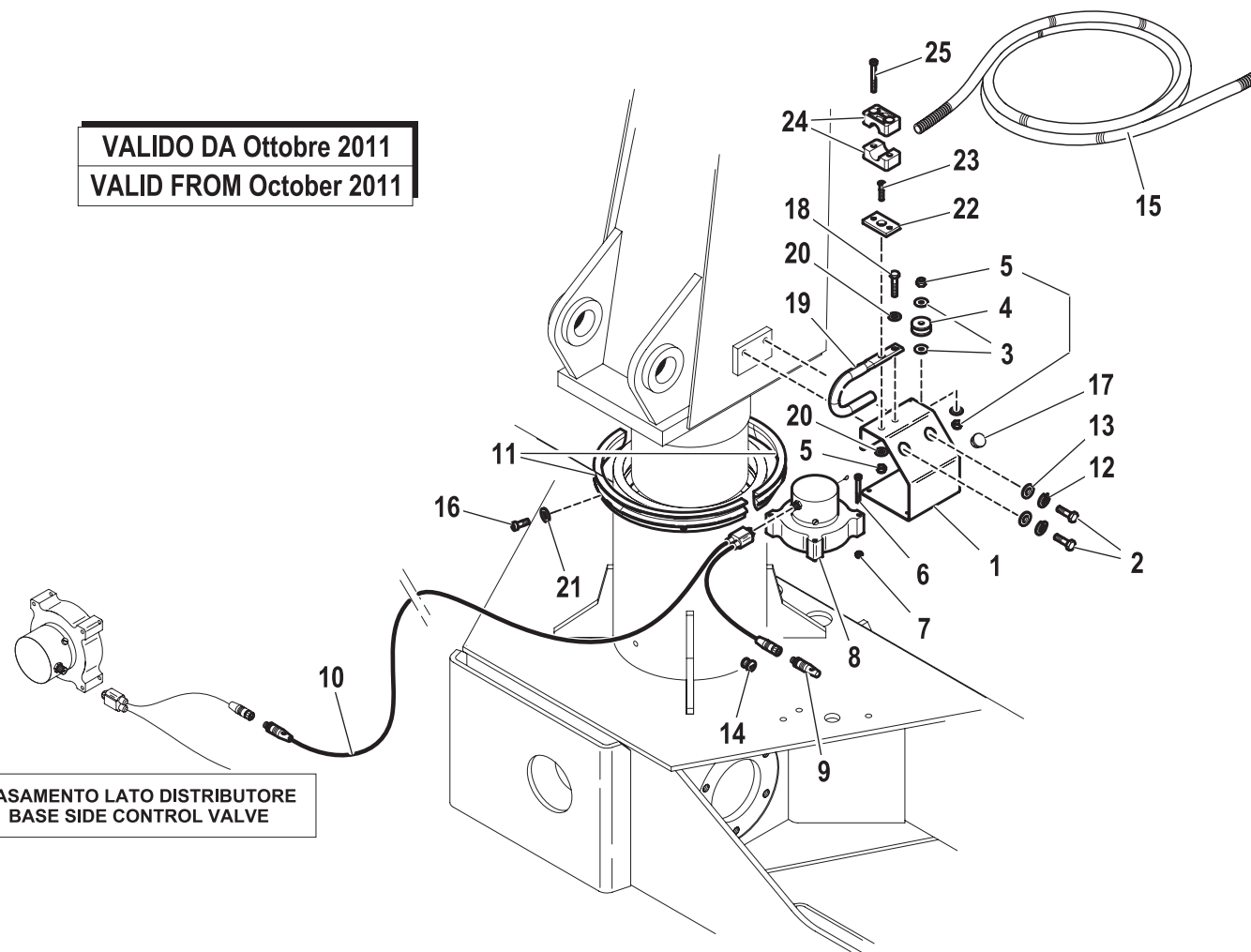
ROTATION CONTROL (EN12999-A3)

Code

5411205-7.1

1/2

VALIDO DA Ottobre 2011
VALID FROM October 2011



BASAMENTO LATO DISTRIBUTORE
BASE SIDE CONTROL VALVE

R	Pos.	Code Variant	Q.ty	Description
	1	5091301	1	
	2	3020080	2	Socket head cap screw [M10X16 12.9 ZC UNI 5931]
	3	3060030	2	Flat washer [D.6.6X18 UNI 6593 ZC]
	4	5141080	1	
	5	3040372	3	Stopnut
	6	3020019	3	Socket head cap screw [M4X40 8.8 ZC UNI 5931]
	7	3040518	3	Stopnut
	8	3311313	1	
	9	3311327	1	Connector (Electric)
	10	3311325	1	
	11	5141117	2	
	12	3060056	2	Split lock washer [D=10 C72 ZC]
	13	3060914	2	Flat washer [D.10.5X21X2 UNI 6592 ZC]
	14	3311326	1	
	15	3190295	mt.2.5	
	16	3020021	4	Socket head cap screw [M5X12X0.8 8.8 ZC UNI 5931]
	17	3190301	2	
	18	3010022	1	Hex screw [M6X25 8.8 ZC UNI 5739]
	19	5002124	1	
	20	3060005	3	Flat washer [D.6.4 UNI 6592 ZC]

ROTATION CONTROL (EN12999-A3)

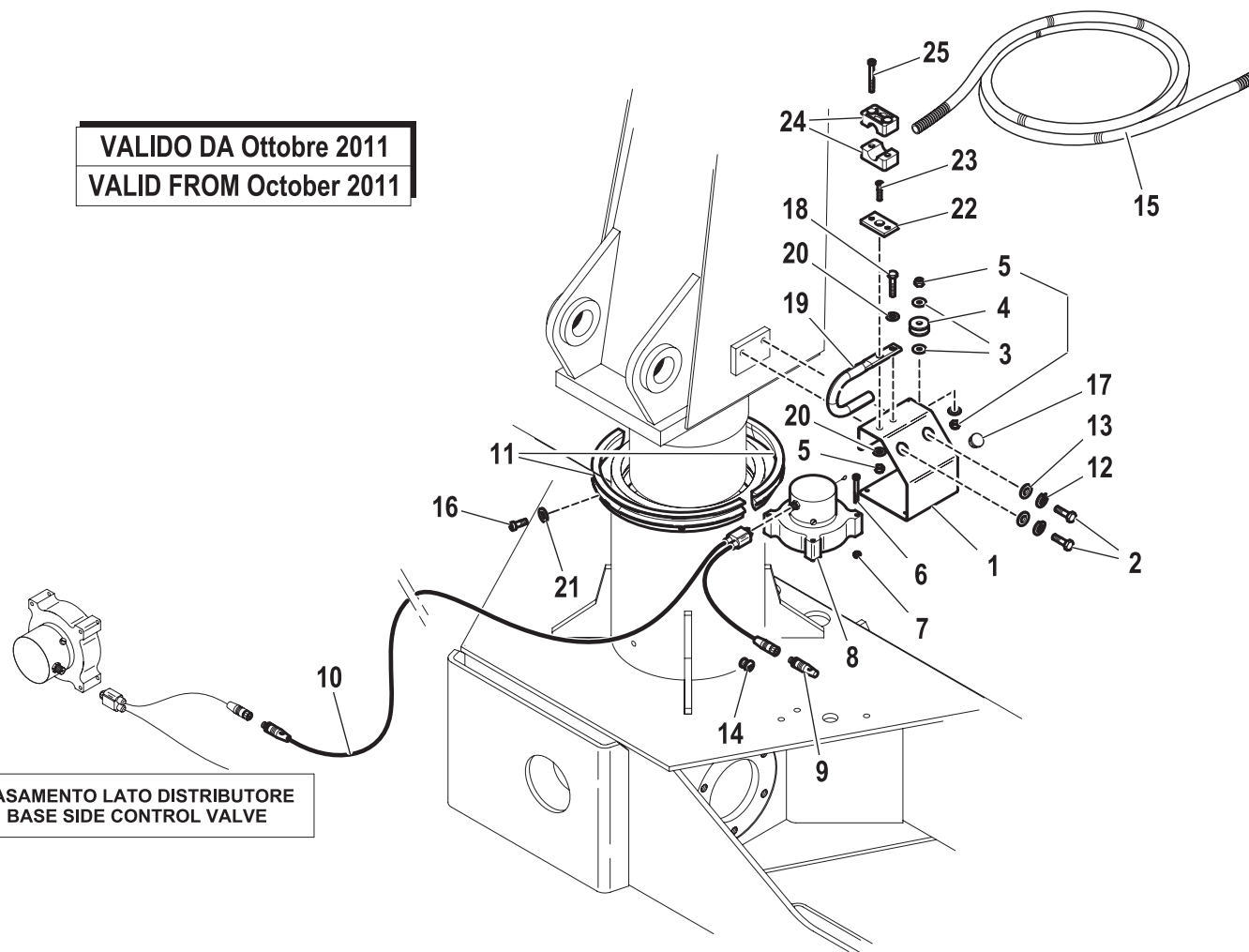
Code

5411205-7.1

2/2

VALIDO DA Ottobre 2011
VALID FROM October 2011

R	Pos.	Code Variant	Q.ty	Description
	21	3060004	4	Flat washer [D.5 UNI 6592 ZC]
	22	5000454	1	
	23	3020907	1	TSEI screw [M6X25 10.9 ZC UNI 5933]
	24	3190185	2	
	25	3020039	2	Socket head cap screw [M6X35 8.8 ZC UNI 5931]



BASAMENTO LATO DISTRIBUTORE
BASE SIDE CONTROL VALVE

ROTATION CONTROL (EN12999-A3)

Code

5411367-6.0

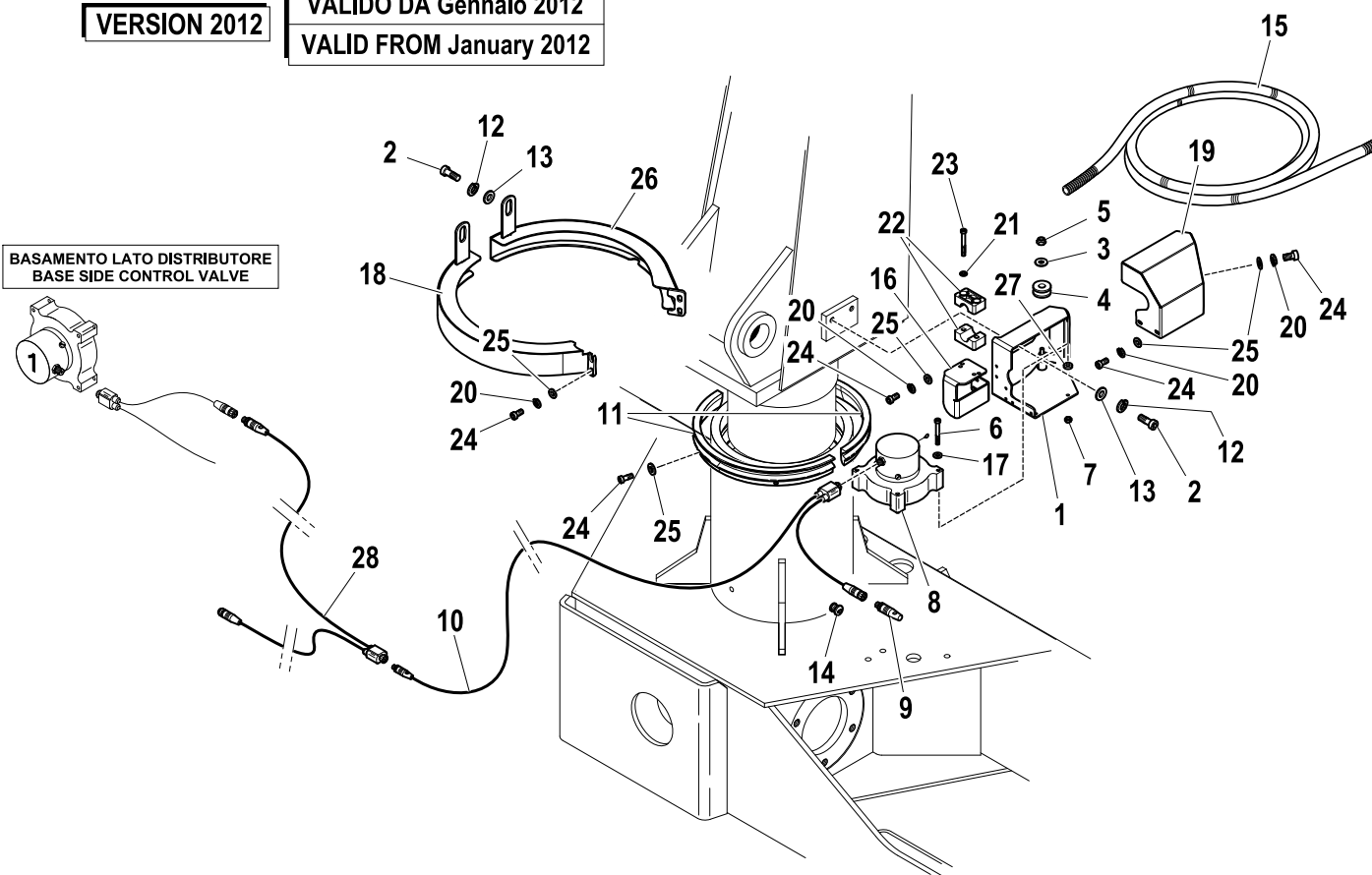
1/2

VERSION 2012

VALIDO DA Gennaio 2012

VALID FROM January 2012

**BASAMENTO LATO DISTRIBUTORE
BASE SIDE CONTROL VALVE**



R	Pos.	Code Variant	Q.ty	Description
	1	5091398	1	
	2	3020080	4	Socket head cap screw [M10X16 12.9 ZC UNI 5931]
	3	3060030	1	Flat washer [D.6.6X18 UNI 6593 ZC]
	4	5141135	1	
	5	3040372	1	Stopnut
	6	3020019	2	Socket head cap screw [M4X40 8.8 ZC UNI 5931]
	7	3040518	2	Stopnut
	8	3311313	1	
	9	3311327	1	Connector (Electric)
	10	3311325	1	
	11	5141117	2	
	12	3060056	4	Split lock washer [D=10 C72 ZC]
	13	3060914	4	Flat washer [D.10.5X21X2 UNI 6592 ZC]
	14	3311326	1	
	15	3190295	mt2.5	
	16	5002193	1	
	17	3060003	2	Flat washer [D.4 UNI 6592 ZC]
	18	5002230	1	
	19	5002177	1	
	20	3060052	10	Split lock washer [D=5.5 C72 ZC]

ROTATION CONTROL (EN12999-A3)

Code

5411367-6.0

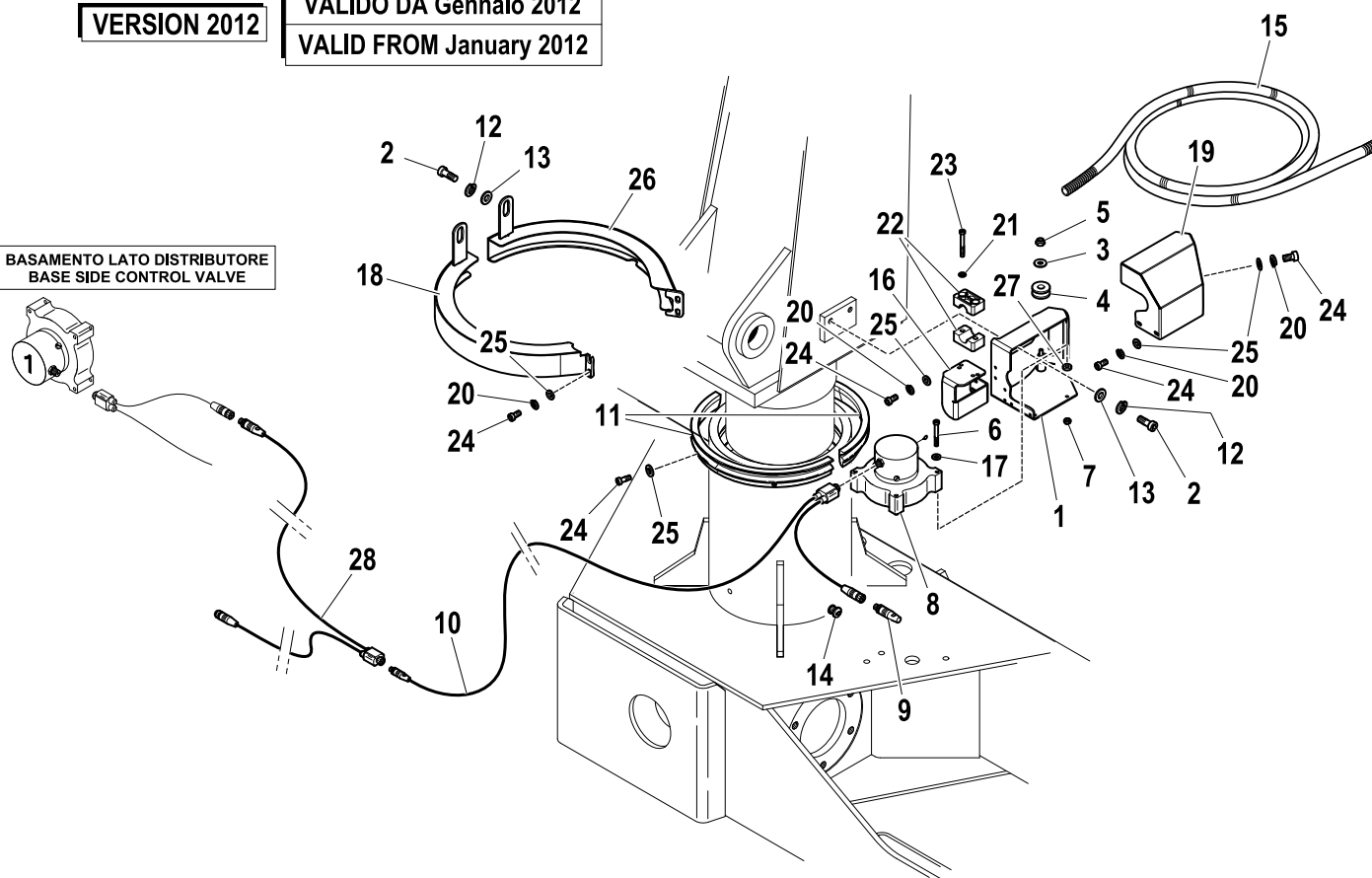
2/2

VERSION 2012

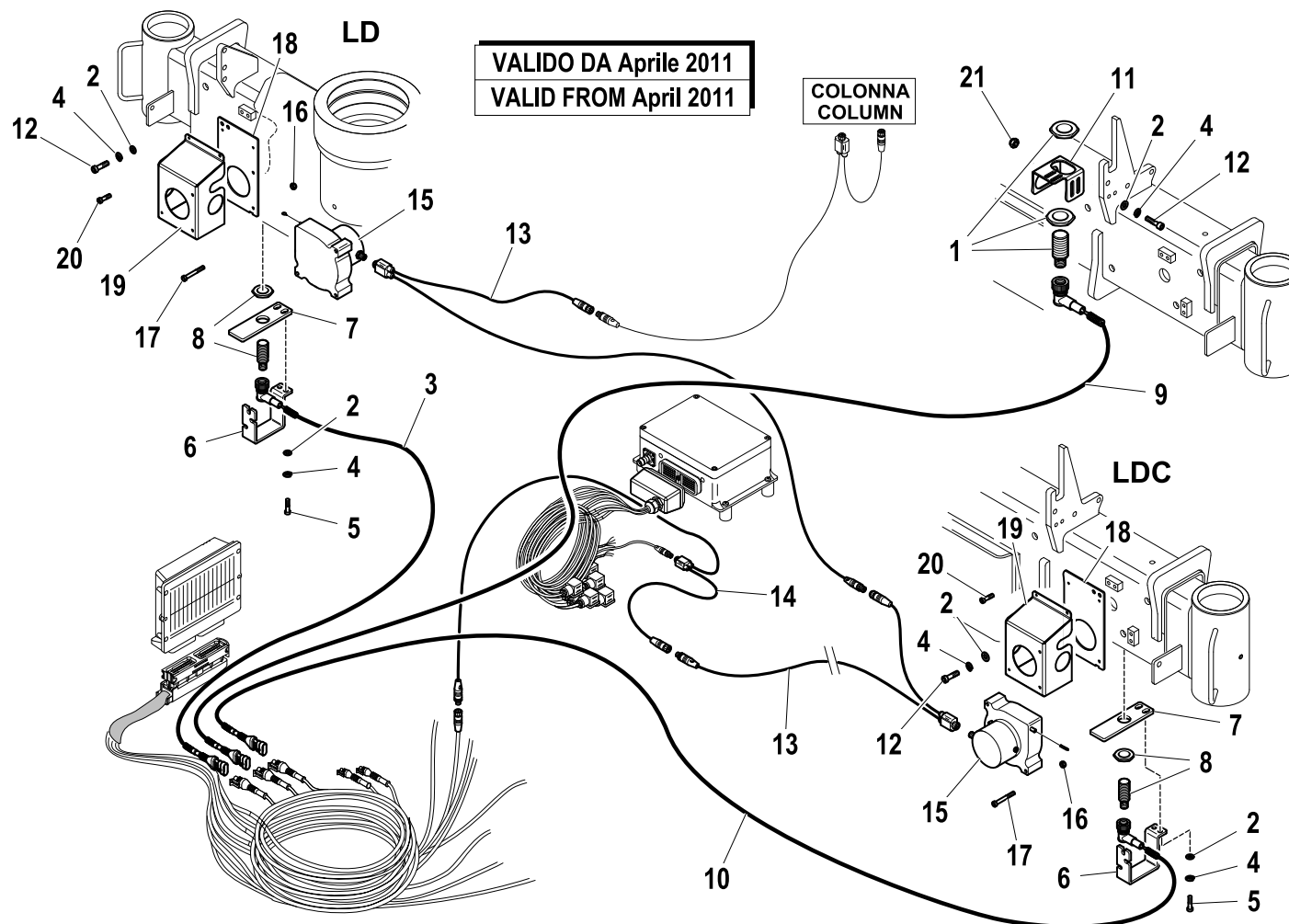
VALIDO DA Gennaio 2012

VALID FROM January 2012

**BASAMENTO LATO DISTRIBUTORE
BASE SIDE CONTROL VALVE**

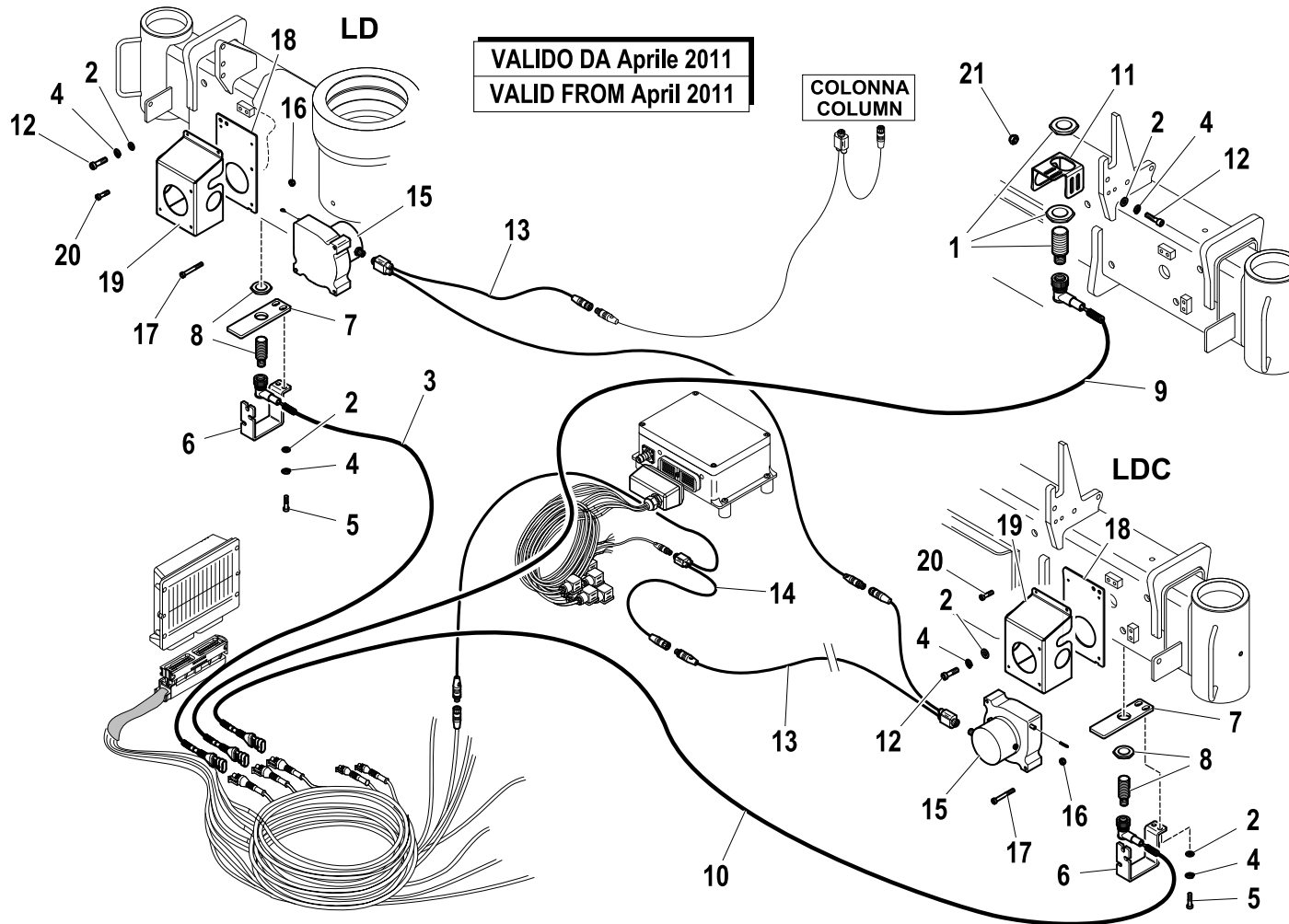


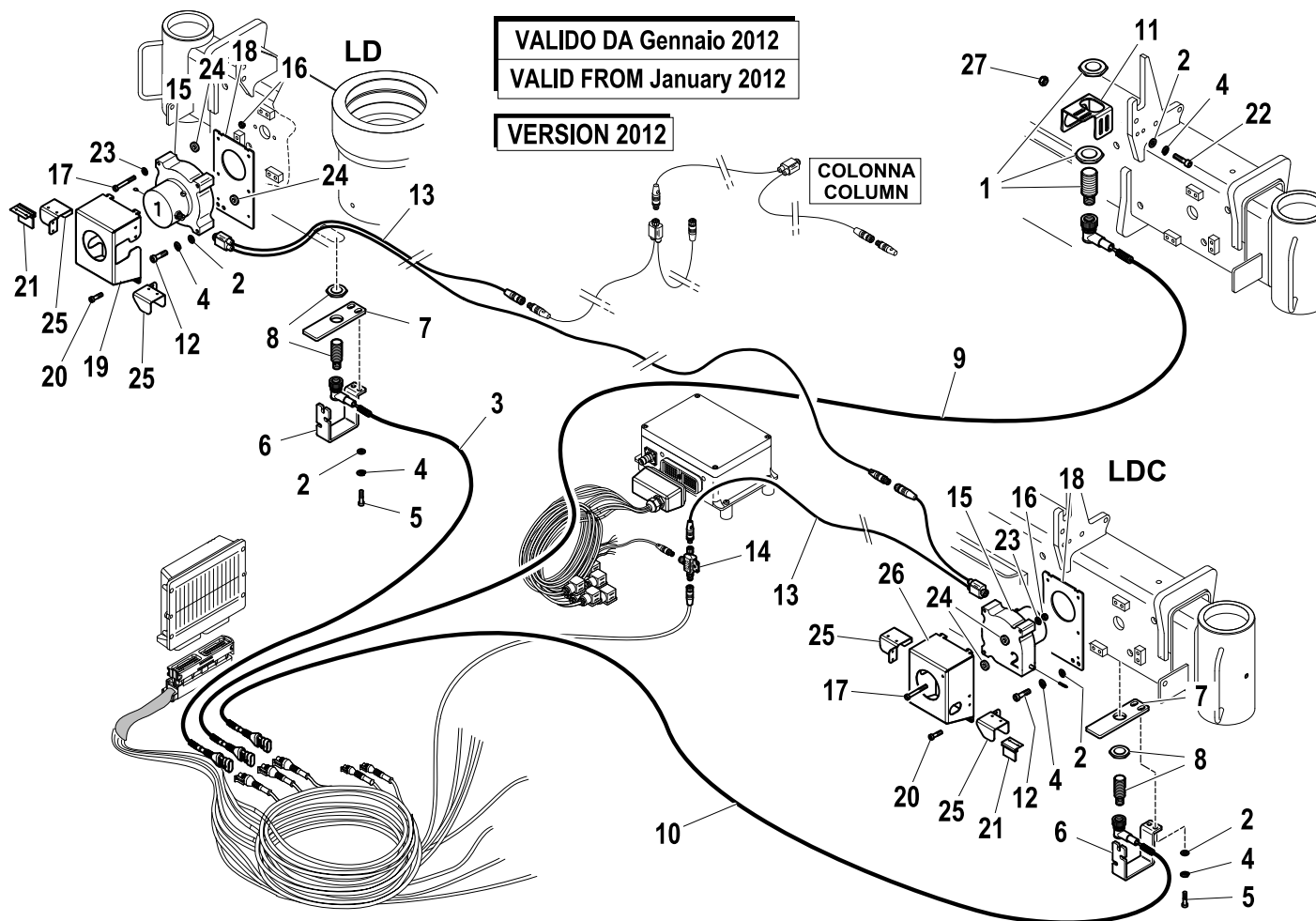
R	Pos.	Code Variant	Q.ty	Description
	21	3190178	2	
	22	3190185	2	
	23	3020039	2	Socket head cap screw [M6X35 8.8 ZC UNI 5931]
	24	3020022	16	Socket head cap screw [M5X10 8.8 ZC UNI 5931]
	25	3060004	16	Flat washer [D.5 UNI 6592 ZC]
	26	5002229	1	
	27	3190039	2	Insulator
	28	3311398	1	



R	Pos.	Code Variant	Q.ty	Description
	1	3311312	1	Proximity switch
	2	3060030	10	Flat washer [D.6.6X18 UNI 6593 ZC]
	3	3311332	1	
	4	3060053	10	Split lock washer [D=6.4 C72 ZC]
	5	3020035	4	Socketed head cap screw [M6X20 8.8 ZC UNI 5931]
	6	5002026	2	Guard (Proximity switch)
	7	5002057	2	
	8	3311311	2	Proximity switch
	9	3311372	1	Electric wiring
	10	3311377	1	
	11	5002051	1	Support (Proximity switch)
	12	3020034	6	Socketed head cap screw [M6X16 8.8 ZC UNI 5931]
	13	3311325	2	
	14	3311398	1	
	15	3311313	2	
	16	3040518	6	Stopnut
	17	3020019	6	Socketed head cap screw [M4X40 8.8 ZC UNI 5931]
	18	5002061	2	
	19	5002062	2	
	20	3020319	4	Socketed head cap screw [M4X16 8.8 ZC UNI 5931]

R	Pos.	Code Variant	Q.ty	Description
	21	3040372	2	Stopnut





VALIDO DA Gennaio 2012
VALID FROM January 2012

VERSION 2012

COLONNA
COLUMN

R	Pos.	Code Variant	Q.ty	Description
	1	3311312	1	Proximity switch
	2	3060030	10	Flat washer [D.6.6X18 UNI 6593 ZC]
	3	3311332	1	
	4	3060053	10	Split lock washer [D=6.4 C72 ZC]
	5	3020035	4	Socketed head cap screw [M6X20 8.8 ZC UNI 5931]
	6	5002026	2	Guard (Proximity switch)
	7	5002057	2	
	8	3311311	2	Proximity switch
	9	3311372	1	Electric wiring
	10	3311377	1	
	11	5002051	1	Support (Proximity switch)
	12	3020034	4	Socketed head cap screw [M6X16 8.8 ZC UNI 5931]
	13	3311325	2	
	14	3311323	1	
	15	3311313	2	
	16	3040518	4	Stopnut
	17	3020019	4	Socketed head cap screw [M4X40 8.8 ZC UNI 5931]
	18	5002182	2	
	19	5091393	1	
	20	3020895	4	Socketed head cap screw [M4X10 8.8 ZC UNI 5931]

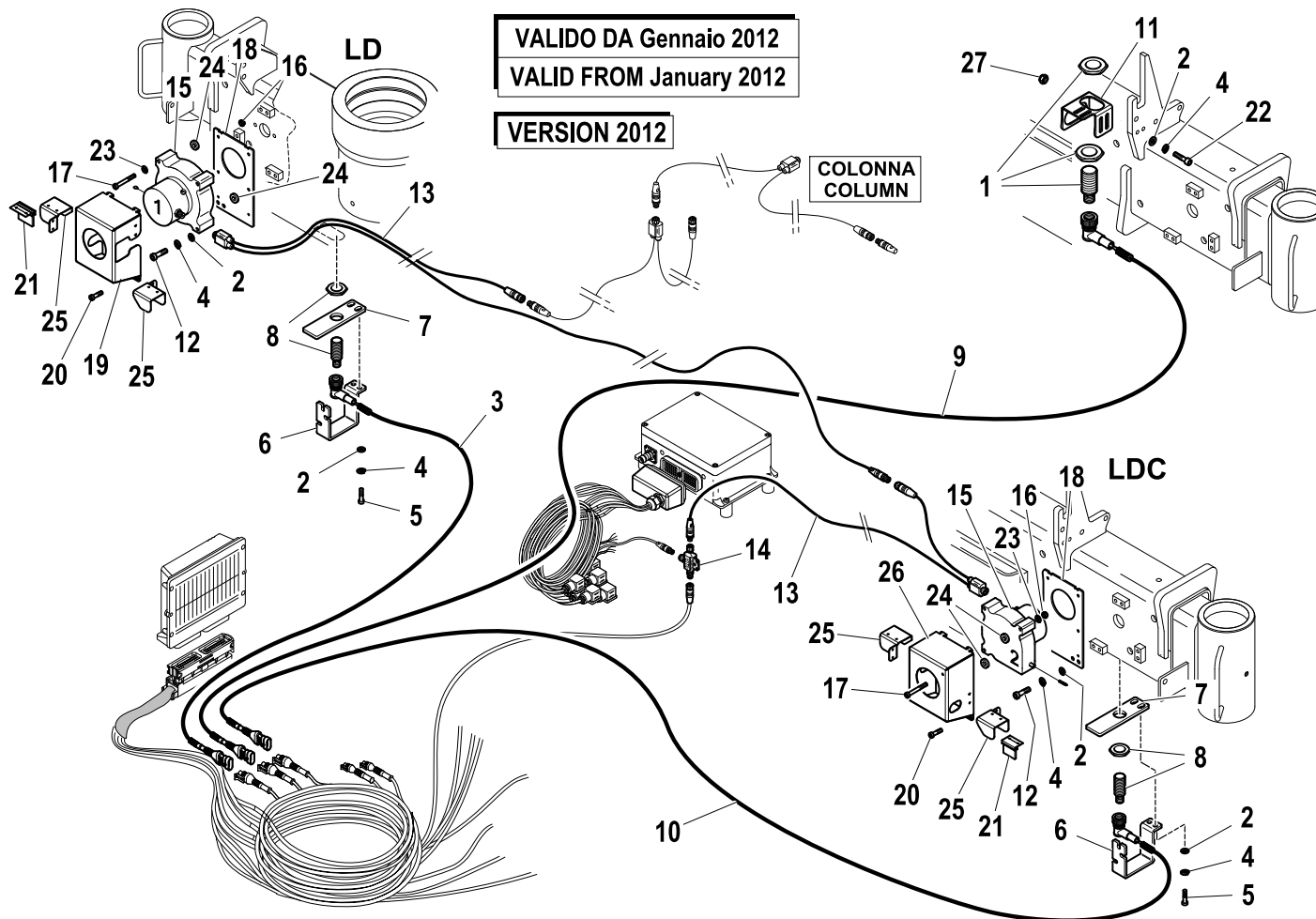
STABILITY CONTROL (EN12999-A3)

Code

5411363-1.0

2/2

R	Pos.	Code Variant	Q.ty	Description
	21	5002175	2	
	22	3020037	2	Socket head cap screw [M6X25 8.8 ZC UNI 5931]
	23	3060003	4	Flat washer [D.4 UNI 6592 ZC]
	24	3190039	4	Insulator
	25	5002181	4	
	26	5091392	1	
	27	3040372	2	Stopnut



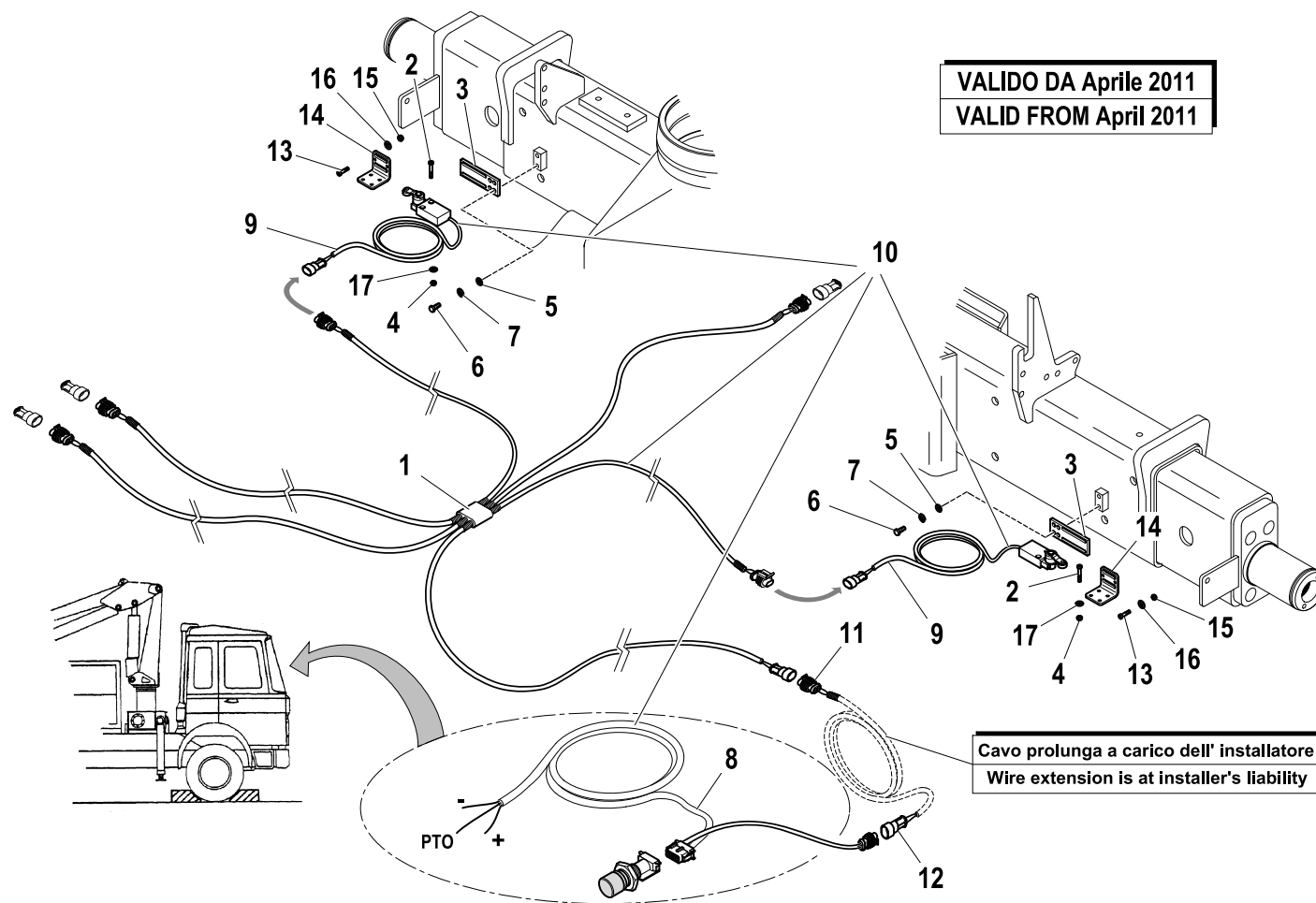
CONTROL DEVICES LOCKING FOR OUTRIGGERS LEGS (RDC-EBB)

Code

5411286-1.0

1/1

R	Pos.	Code Variant	Q.ty	Description
	1	3311353	1	
	2	3020014	4	Socket head cap screw [M4X25X0.7 8.8 ZC UNI 5931]
	3	5000218	2	
	4	3040041	4	Nut
	5	3060030	4	Flat washer [D.6.6X18 UNI 6593 ZC]
	6	3010325	4	Hex screw [M6X16 8.8 ZC UNI 5739]
	7	3060053	4	Split lock washer [D=6.4 C72 ZC]
	8	3311354	1	
	9	3311356	2	
	10	3311352	1	
	11	3310431	1	
	12	3310432	1	
	13	3020023	4	Socket head cap screw [M5X16 8.8 ZC UNI 5931]
	14	5001951	2	
	15	3040392	4	Stopnut
	16	3060004	4	Flat washer [D.5 UNI 6592 ZC]
	17	3060003	4	Flat washer [D.4 UNI 6592 ZC]



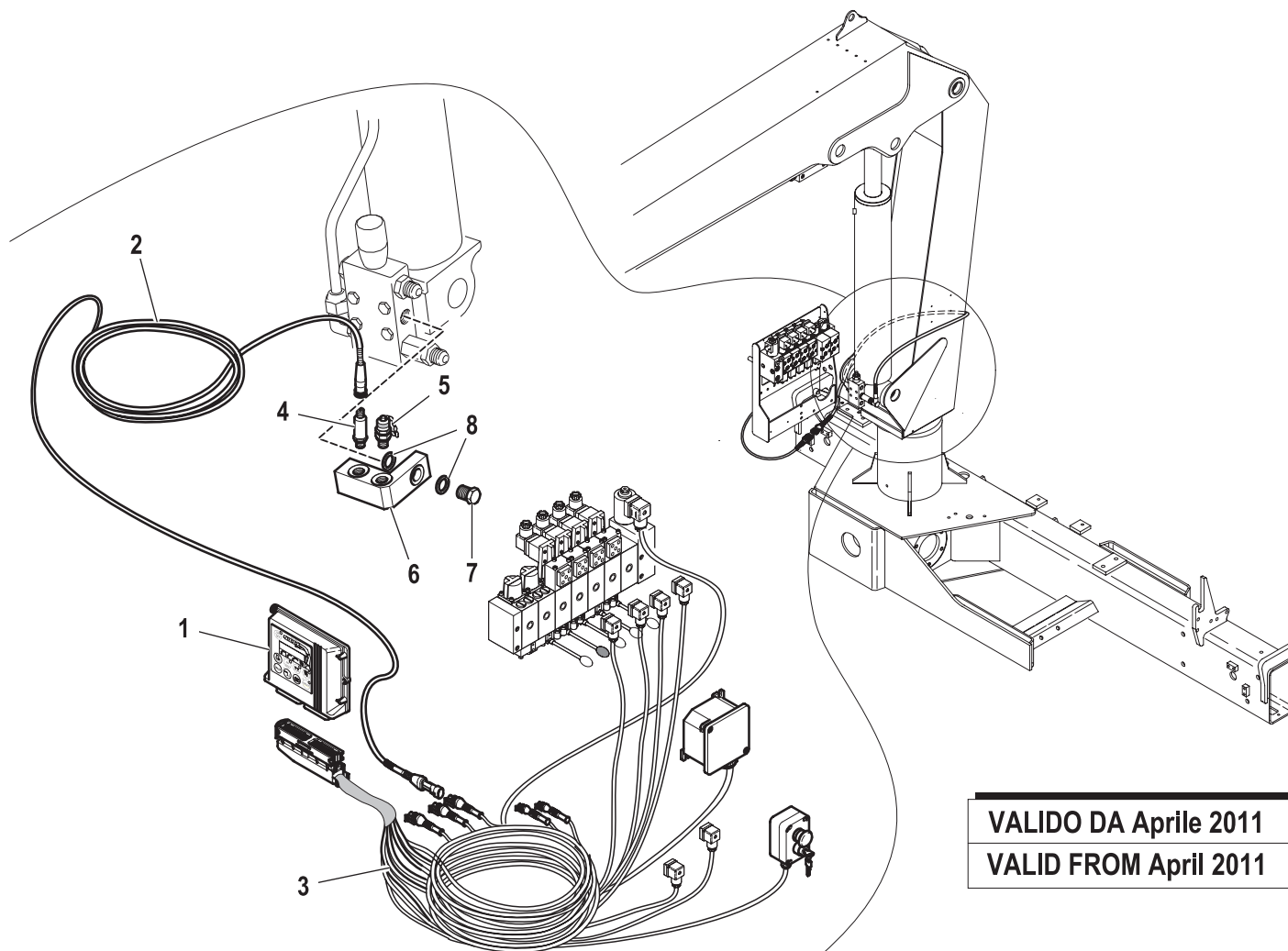
CONTROLS (RDC EBB-X TCU-ECM4)

Code

5401659-2.0

1/1

R	Pos.	Code Variant	Q.ty	Description
	1	3311423	1	Moment limiting device [SUPERATO]
	2	5160084	1	Electric wiring
	3	5160073	1	Electric wiring
	4	3310612	1	Pressure sensor
	5	3111523	1	Pipe fitting (Tapping point) [RACC. MILITES 16X2-1/4"G]
	6	5002055	1	Manifold (Pick-up)
	7	3110078	1	Bolt (banjo bolt)
	8	3060143	2	Sealing washer [BSP 1/4"]



VALIDO DA Aprile 2011
VALID FROM April 2011

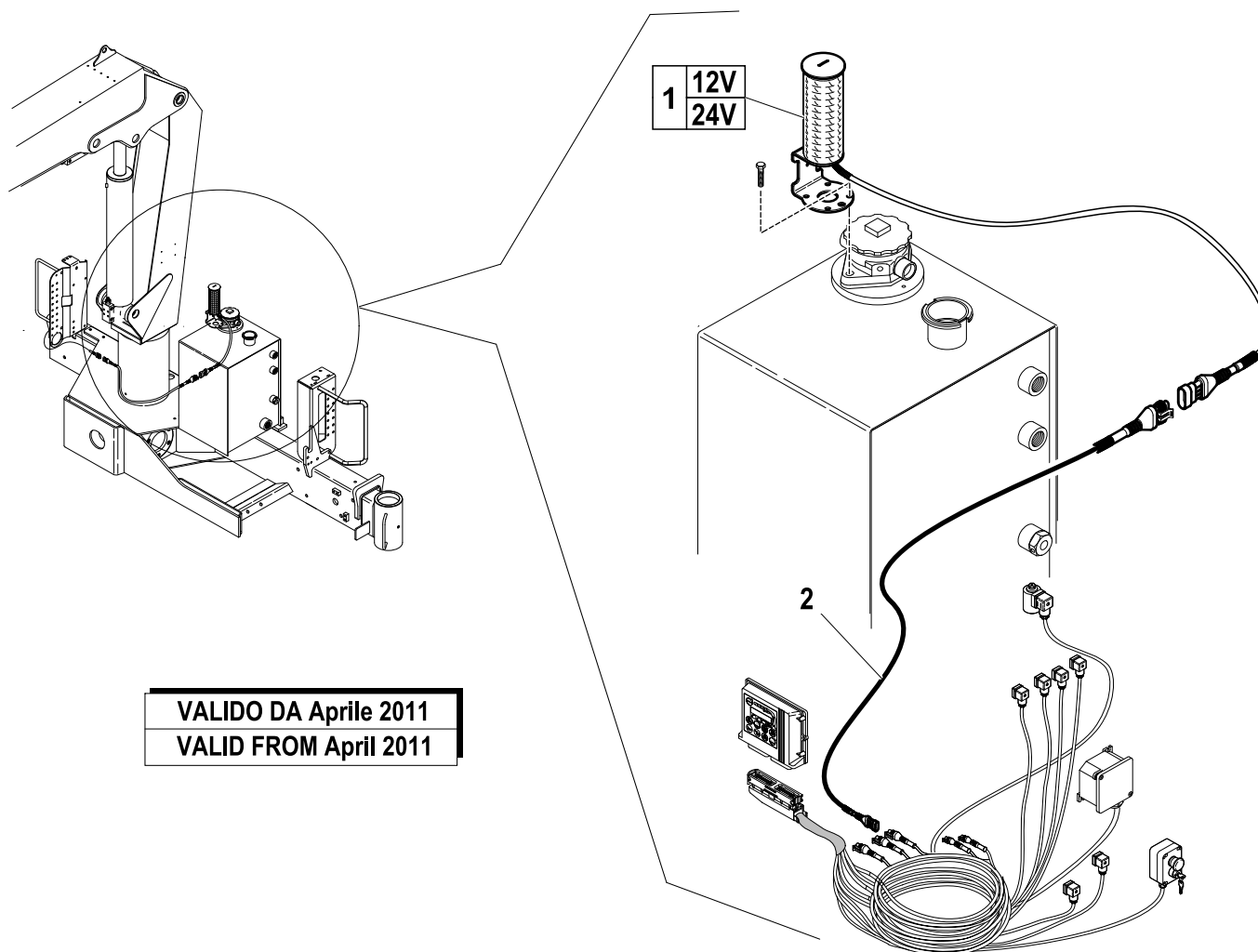
CONTROLS (RDC EBB-X TCU-ECM4)

Code

5401668-3.0

1/1

R	Pos.	Code Variant	Q.ty	Description
1		3311159	1	Signal Columns
2		5160003	1	Electric wiring



VALIDO DA Aprile 2011
VALID FROM April 2011

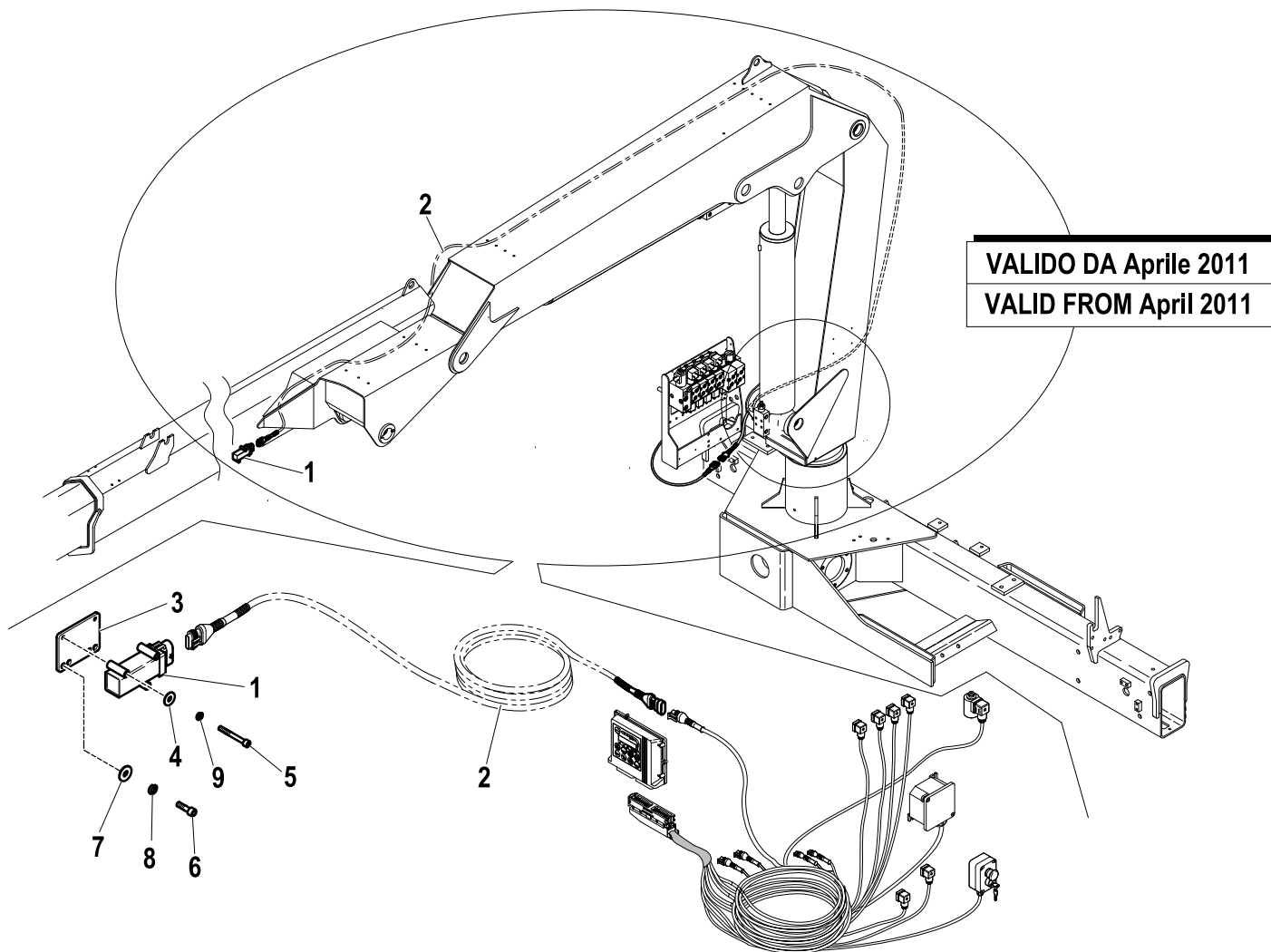
CONTROLS (RDC EBB-X TCU-ECM4)

Code

5401652-3.0

1/1

R	Pos.	Code Variant	Q.ty	Description
	1	3311150	1	Tiltmeter
	2	5160076	1	
	3	5002108	1	Support plate (Tiltmeter)
	4	3060003	2	Flat washer [D.4 UNI 6592 ZC]
	5	3020018	2	Socketed head cap screw [M4X30 8.8 ZC UNI 5931]
	6	3020033	2	Socketed head cap screw [M6X10 8.8 ZC UNI 5931]
	7	3060005	2	Flat washer [D.6.4 UNI 6592 ZC]
	8	3060053	2	Split lock washer [D=6.4 C72 ZC]
	9	3060065	2	Split lock washer [D=4.1 C72 ZC]



CONTROLS (RDC EBB-X TCU-ECM4)

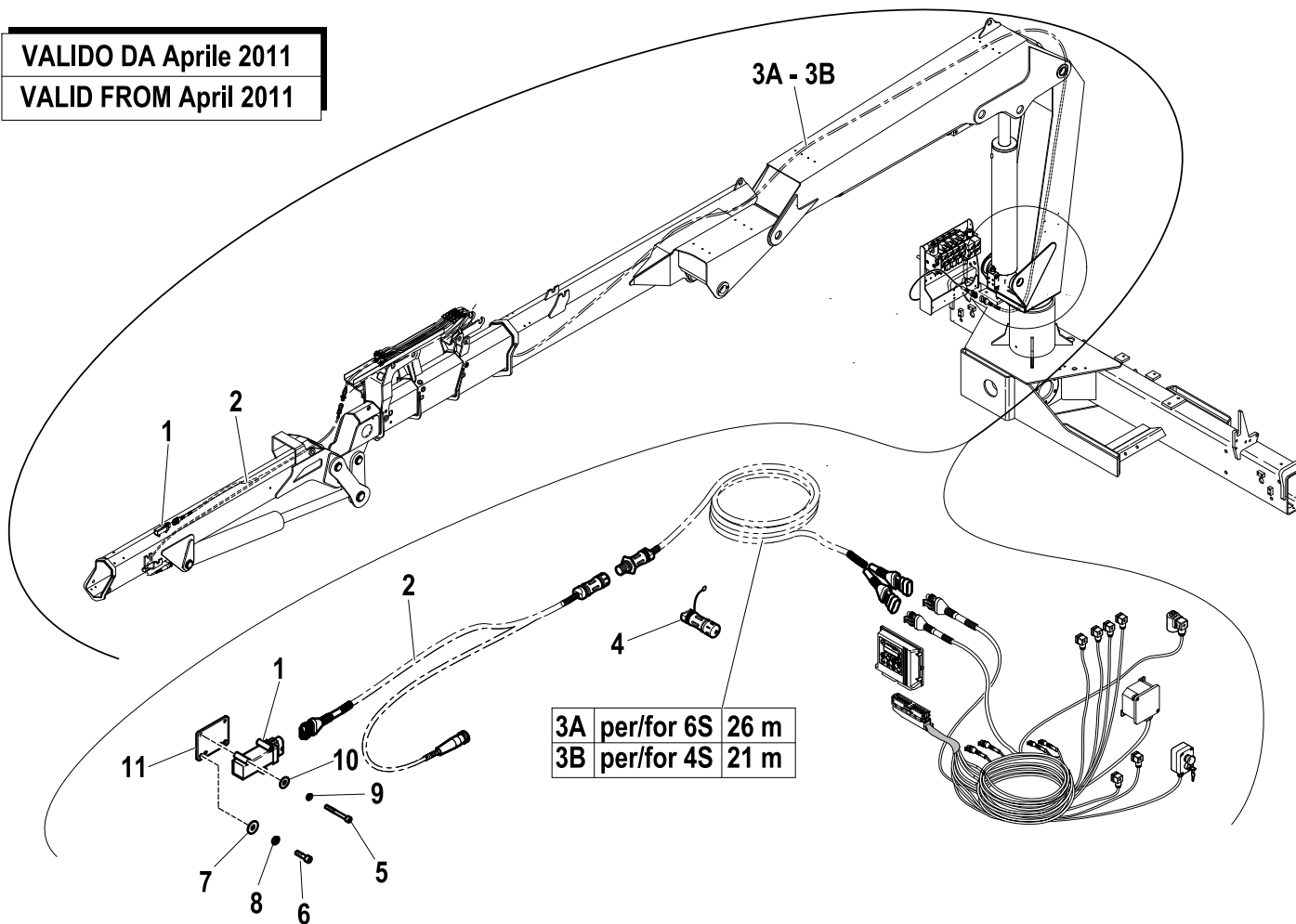
Code

5401652-4.0

1/1

VALIDO DA Aprile 2011

VALID FROM April 2011



R	Pos.	Code Variant	Q.ty	Description
	1	3311150	1	Tiltmeter
	2	5160079	1	Electric wiring
	3 A	5160077	1	
	3 B	5160078	1	
	4	5160080	1	Plug (Electric components)
	5	3020018	2	Socketed head cap screw [M4X30 8.8 ZC UNI 5931]
	6	3020033	2	Socketed head cap screw [M6X10 8.8 ZC UNI 5931]
	7	3060005	2	Flat washer [D.6.4 UNI 6592 ZC]
	8	3060053	2	Split lock washer [D=6.4 C72 ZC]
	9	3060065	2	Split lock washer [D=4.1 C72 ZC]
	10	3060003	2	Flat washer [D.4 UNI 6592 ZC]
	11	5002108	1	Support plate (Tiltmeter)

CONTROLS (RDC EBB-X TCU-ECM4)

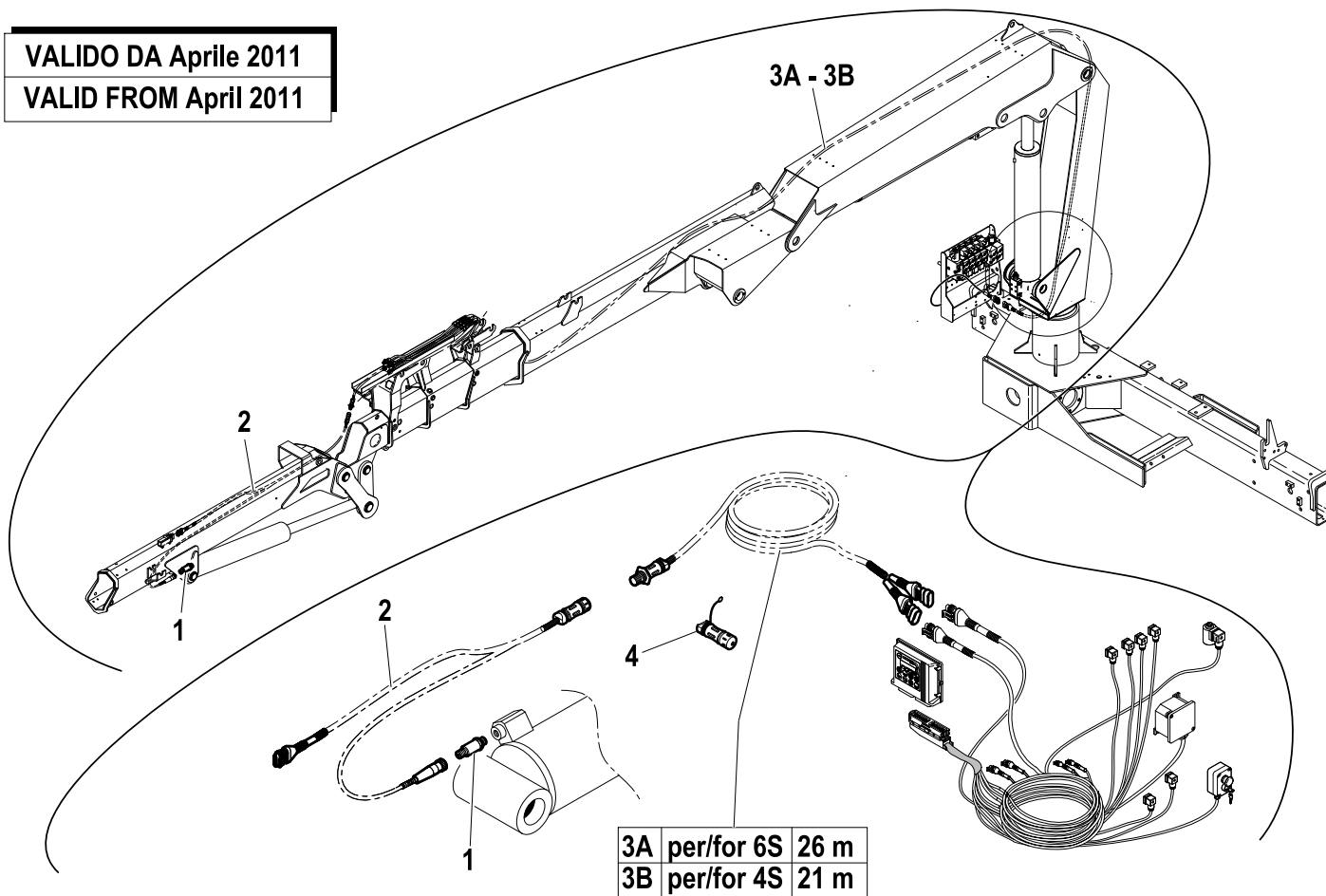
Code

5401652-5.0

1/1

VALIDO DA Aprile 2011
VALID FROM April 2011

R	Pos.	Code Variant	Q.ty	Description
	1	3310612	1	Pressure sensor
	2	5160079	1	Electric wiring
	3 A	5160077	1	
	3 B	5160078	1	
	4	5160080	1	Plug (Electric components)



Wireless control kit (CAN BUS)

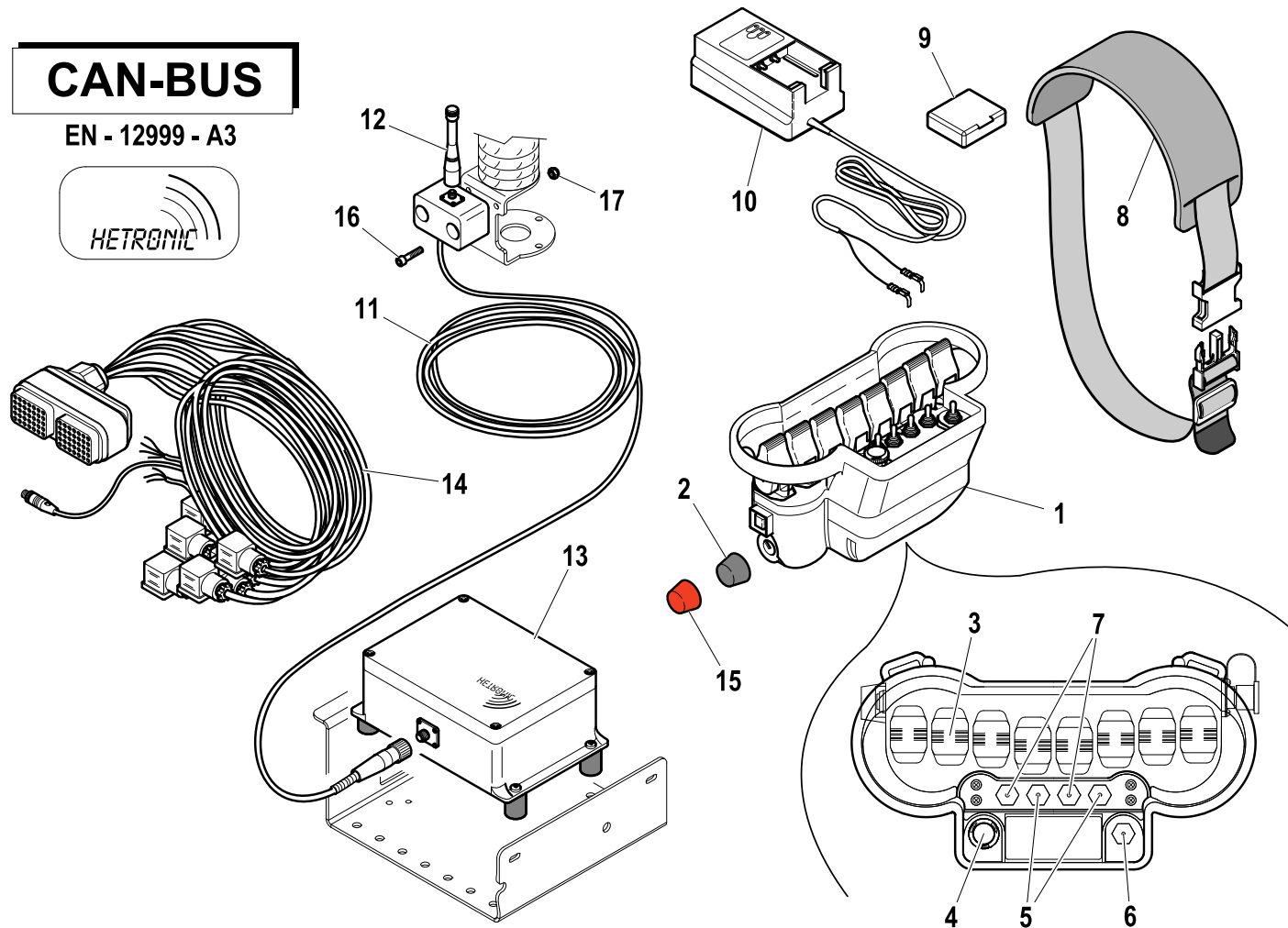
Code

7892222-1.0

1/1

CAN-BUS

EN - 12999 - A3



R	Pos.	Code Variant	Q.ty	Description
	1	3311442	1	
	2	3310795	1	
	3	3310796	8	
	4	3310788	1	
	5	3310786	2	
	6	3310785	1	
	7	3310787	2	
	8	3311031	1	
	9	3310641	2	
	10	3310797	1	
	11	3311131	1	Electric cable
	12	3310861	1	
	13	3311443	1	
	14	3311444	1	
	15	3310924	1	
	16	3020024	2	Socked head cap screw [M5X35 8.8 ZC UNI 5931]
	17	3040392	2	Stopnut

