



GRU - GRUAS - CRANES - GRUES - KRANE

Catalogo parti di ricambio

Catalogue des pieces detachees

HB50

Catalogo de piezas de repuestos

Ersatzteilkatalog

Spare parts book

1 W.040.011-2-0

ACCESSORI E ALLEGATI
FITTINGS AND ENCLOSURES
ACCESSOIRES ET PIÈCES ADJOINTE
ZUBEHÖR UND BEHAGEN
ACCESORIOS Y ANEXOS

2 W.545-01-6

BASAMENTO
BASE
SOLLE
UNTERBAU
BASE

3 5.43.1009-1-0

KIT CONTROLLO CHIUSURA ASTE STAB. MANUALI
CONTROL DEVICES LOCKING FOR OUTRIGGERS LEGS
KIT DE CONTRÔLE DE FERMETURE TIGES STABILISATEURS MANUELS
KIT SCHLUSSKONTROLLE FÜR MANUELLEN ABSTÜTZSTANGEN
KIT CONTROL CIERRE VASTAGO ESTABILIZADORES

4 5.43.1009-2-0

KIT CE (CONTROLLO STABILITÀ) EN12999-A3
KIT CE (STABILITY CONTROL) EN12999-A3
KIT CE (CONTRÔLE DE LA STABILITÉ) EN12999-A3
SATZ CE (STABILITÄTSKONTROLLE) EN12999-A3
KIT CE (CONTROL DE LA ESTABILIDAD) EN12999-A3

5 W.040.102-1-1

BASAMENTO - ASTE STABILIZZATRICI (SUPER ESTENDIBILI)
BASE-STABILIZER CONNECTING RODS (SUPER EXTENSIBLE)
SOLLE-EXTENSION DES STABILISATEURS (SUPER EXTENSIBLE)
GEHÄUSE-STÜTZSTANGEN (SUPER AUSDEHNBARE)
BASE-VARILLAS ESTABILIZADORES (SUPER EXTENSIBLE)

6 5.43.1010-1-0

KIT CONTROLLO CHIUSURA ASTE STAB. MANUALI SE - XXL
CONTROL DEVICES LOCKING FOR OUTRIGGERS LEGS SE - XXL
KIT DE CONTRÔLE DE FERMETURE TIGES STABILISATEURS MANUELS SE - XXL
KIT SCHLUSSKONTROLLE FÜR MANUELLEN ABSTÜTZSTANGEN SE - XXL
KIT CONTROL CIERRE VASTAGO ESTABILIZADORES SE - XXL

7 5.43.1010-2-0

KIT CE (CONTROLLO STABILITÀ) EN12999-A3 SE-XXL
KIT CE (STABILITY CONTROL) EN12999-A3 SE-XXL
KIT CE (CONTRÔLE DE LA STABILITÉ) EN12999-A3 SE-XXL
SATZ CE (STABILITÄTSKONTROLLE) EN12999-A3 SE-XXL
KIT CE (CONTROL DE LA ESTABILIDAD) EN12999-A3 SE-XXL

8 W.545-10-1

IMPIANTO IDRAULICO (MARTINETTO ROTAZIONE)
HYDRAULIC SYSTEM (SLEWING HYDRAULIC JACK)
INSTALLATION HYDRAULIQUE (VERIN ROTATION)
HYDRAULIKANLAGE (DREH SCHUBZYLINDER)
INSTALACION HIDRAULICA (GATO ROTACION)

9 W.535-14-8

ASTE STABILIZZATRICI (STANDARD)
STABILIZER ROD (STANDARD)
TIGES DE STABILISATION (STANDARD)
STÜTZSTANGEN (STANDARD)
BARRAS ESTABILIZADORAS (STANDARD)

10 W.535-20-9

ASTE STABILIZZATRICI (EXTRA ESTENDIBILI)
STABILIZER ROD (EXTRA-EXTENSIBLE)
TIGES DE STABILISATION (EXTRA-EXTENSIBLE)
STÜTZSTANGEN (EXTRA-AUSDEHNBARE)
BARRAS ESTABILIZADORAS (EXTRA-EXTENSIBLE)

11 W.040.402-1-2

ASTE STABILIZZATRICI (SUPER EXTRA ESTENDIBILI)
STABILIZER ROD (SUPER EXTRA-EXTENSIBLE)
TIGES DE STABILISATION (SUPER EXTRA-EXTENSIBLE)
STÜTZSTANGEN (SUPER EXTRA-AUSDEHNBARE)
BARRAS ESTABILIZADORAS (SUPER EXTRA-EXTENSIBLE)

12 W.39.04.504.00-1-1

MARTINETTO STABILIZZATORE
STABILISER RAM
VERIN STABILISATEUR
STABILISATOR SCHUBZYLINDER
GATO ESTABILIZADOR

13 W.39.04.503.00-1-1

MARTINETTO STABILIZZATORE
STABILIZER HYDRAULIC JACK
VERIN STABILISATEUR
STABILISATOR SCHUBZYLINDER
GATO ESTABILIZADOR

14 W.39.04.511.00-1-0

TRAVERSA SUPPLEMENTARE FISSA
SUPPLEMENTARY FIXED CROSS-BAR
TRAVERSE FIXE SUPPLEMENTAIRE
ZUSAETZ. FESTHOLM
TRAVESANO FIJIO ADICIONAL

15 W.39.04.512.00-1-0

TRAVERSA SUPPLEMENTARE ESTENDIBILE
EXTENDED FIXED CROSS-BAR
TRAVERSE FIXE ESTENDIBLES
DEHNBARE FESTHOLM
TRAVESANO FIJO ESTEND

16 W.37.04.503.00-1-6

MARTINETTO STABILIZZATORE
STABILISER RAM
VERIN STABILISATEUR
STABILISATOR SCHUBZYLINDER
GATO ESTABILIZADOR

17 W.37.04.503.00-1-7

MARTINETTO STABILIZZATORE
STABILISER RAM
VERIN STABILISATEUR
STABILISATOR SCHUBZYLINDER
GATO ESTABILIZADOR

18 W.545-15-7

COMANDI BILATERALI NO CE
DOUBLE CONTROLS NO CE
DOUBLE COMMANDES NO CE
DOPPELSTEUERUNG NO CE
MONDOS BILATERALAS NO CE

19 W.040.505-1-1

COMANDI BILATERALI ASTE STABILIZZATRICI (SUPER ESTENDIBILI) NO CE
DOUBLE CONTROLS STABILIZER CONNECTING RODS (SUPER EXTENSIBLE) NO CE
DOUBLE COMMANDES EXTENSION DES STABILISATEURS (SUPER EXTENSIBLE) NO CE
DOPPELSTEUERUNG STÜTZSTANGEN (SUPER EAU/DEHNBARE) NO CE
MONDOS BILATERALAS VARILLAS ESTABILIZADORES (SUPER EXTENSIBLE) NO CE

20 W.545-17-6

DISTRIBUTORE
CONTROL VALVE
DISTRIBUTEUR
STEUERBLOCK
DISTRIBUIDOR

21 W.545-24-11

LIMITATORE DI MOMENTO
MOMENT LIMITING DEVICE
LIMITEUR DE MOMENT
HUB-MOMENTBEGRENZER
LIMITADOR DE MOMENTO

22 W.545-33-9

COMPONENTI ELETTRICI
ELECTRIC COMPONENTS
COMPOSANTES ELECTRIQUES
ELEKTRISCHE BAUSTEINE
COMPONENTES ELECTRICOS

23 5.43.1009-3-0

KIT CE (CONTROLLO STABILITA') EN12999-A3
KIT CE (STABILITY CONTROL) EN12999-A3
KIT CE (CONTRÔLE DE LA STABILITE') EN12999-A3
SATZ CE (STABILITÄTSKONTROLLE) EN12999-A3
KIT CE (CONTROL DE LA ESTABILIDAD) EN12999-A3

24 5.43.1009-4-0

COMANDI BILATERALI (CE) EN12999-A3
DOUBLE CONTROLS (CE) EN12999-A3
DOUBLE COMMANDES (CE) EN12999-A3
DOPPELSTEUERUNG (CE) EN12999-A3
MONDOS BILATERALAS (CE) EN12999-A3

25 W.338.079-1-0

DISTRIBUTORE (5 ELEMENTI) EN 12999-A3
CONTROL VALVE (5 SECTION) EN 12999-A3
DISTRIBUTEUR (5 VOIES) EN 12999-A3
STEUERBLOCK (5 ELEMENTE) EN 12999-A3
DISTRIBUIDOR (5 ELEMENTOS) EN 12999-A3

26 W.545-18-7

COMANDI BILATERALI (6° ELEMENTO)
DOUBLE CONTROLS (6TH ELEMENT)
DOUBLE COMMANDES (6E ELEMENT)
DOPPELSTEUERUNG (6. ELEMENT)
MONDOS BILATERALAS (6° ELEMENTO)

27 5.43.1011-1-0

COMANDI BILATERALI (6° ELEMENTO) EN 12999-A3
DOUBLE CONTROLS (6TH ELEMENT) EN 12999-A3
DOUBLE COMMANDES (6E ELEMENT) EN 12999-A3
DOPPELSTEUERUNG (6. ELEMENT) EN 12999-A3
MONDOS BILATERALAS (6° ELEMENTO) EN 12999-A3

28 W.545-27-6

IMPIANTO IDRAULICO (6° ELEMENTO)
HYDRAULIC SYSTEM (6TH ELEMENT)
INSTALLATION HYDRAULIQUE (6E ELEMENT)
HYDRAULIKANLAGE (6. ELEMENT)
INSTALACION HIDRAULICA (6° ELEMENTO)

29 W.545-29-7

IMPIANTO IDRAULICO (6° ELEMENTO)
HYDRAULIC SYSTEM (6TH ELEMENT)
INSTALLATION HYDRAULIQUE (6E ELEMENT)
HYDRAULIKANLAGE (6. ELEMENT)
INSTALACION HIDRAULICA (6° ELEMENTO)

30 W.40.05.511.00-1-0

COMANDI BILATERALI (6°-7° ELEMENTO)
DOUBLE CONTROLS (6TH-7TH ELEMENT)
DOUBLE COMMANDES (6E-7E ELEMENTS)
DOPPELSTEUERUNG (6.-7. ELEMENT)
MONDOS BILATERALAS (6°-7° ELEMENTO)

31 W.40.05.511.00-2-0

COMANDI BILATERALI (6°-7° ELEMENTO) EN 12999-A3
DOUBLE CONTROLS (6TH-7TH ELEMENT) EN 12999-A3
DOUBLE COMMANDES (6E-7E ELEMENTS) EN 12999-A3
DOPPELSTEUERUNG (6.-7. ELEMENT) EN 12999-A3
MONDOS BILATERALAS (6°-7° ELEMENTO) EN 12999-A3

32 W.545-28-7

IMPIANTO IDRAULICO (6°-7° ELEMENTO)
HYDRAULIC SYSTEM (6TH-7TH ELEMENT)
INSTALLATION HYDRAULIQUE (6E-7E ELEMENTS)
HYDRAULIKANLAGE (6.-7. ELEMENT)
INSTALACION HIDRAULICA (6°-7° ELEMENTO)

33 W.545-30-6

IMPIANTO IDRAULICO (6°-7° ELEMENTO)
HYDRAULIC SYSTEM (6TH-7TH ELEMENT)
INSTALLATION HYDRAULIQUE (6E-7E ELEMENTS)
HYDRAULIKANLAGE (6.-7. ELEMENT)
INSTALACION HIDRAULICA (6°-7° ELEMENTO)

34 W.545-16-9

SERBATOIO OLIO
OIL RESERVOIR
RÉSERVOIR D'HUILE
OELBEHAELTER
DEPOSITO ACEITE

35 W.039.201-1-0

COLONNA
COLUMN
COLONNE
SAEULE
COLUMNA

36 W.40.02.504.00-1-0

IMPIANTO IDRAULICO (MARTINETTO SOLLEVAMENTO)
HYDRAULIC SYSTEM (LIFTING HYDRAULIC CYLINDER)
INSTALLATION HYDRAULIQUE (VERIN DE LEVAGE)
HYDRAULIKANLAGE (HUBZYLINDER)
INSTALACION HIDRAULICA (GATO DE ELEVACION)

37 W.545-11-7

IMPIANTO IDRAULICO (MARTINETTO SOLLEVAMENTO)
HYDRAULIC SYSTEM (LIFTING HYDRAULIC CYLINDER)
INSTALLATION HYDRAULIQUE (VERIN DE LEVAGE)
HYDRAULIKANLAGE (HUBZYLINDER)
INSTALACION HIDRAULICA (GATO DE ELEVACION)

38 W.40.02.503.00-1-1

MARTINETTO SOLLEVAMENTO
LIFTING HYDRAULIC CYLINDER
VERIN DE LEVAGE
HUBZYLINDER
GATO DE ELEVACION

39 W.545-03-6

1° BRACCIO
1ST BOOM
1ERE BRAS
1. ARM
1° BRAZO

40 W.545-12-7

IMPIANTO IDRAULICO (MARTINETTO ARTICOLAZIONE)
HYDRAULIC SYSTEM (ARTICULATION HYDRAULIC JACK)
INSTALLATION HYDRAULIQUE (VERIN D' ARTICULATION)
HYDRAULIKANLAGE (GELENKSHEBEBOCK)
INSTALACION HIDRAULICA (GATO DE ARTICULACION)

41 W.40.03.501.00-1-2

IMPIANTO IDRAULICO (MARTINETTO ARTICOLAZIONE)
HYDRAULIC SYSTEM (ARTICULATION HYDRAULIC JACK)
INSTALLATION HYDRAULIQUE (VERIN D' ARTICULATION)
HYDRAULIKANLAGE (GELENKSHEBEBOCK)
INSTALACION HIDRAULICA (GATO DE ARTICULACION)

42 W.40.03.502.00-1-2

MARTINETTO ARTICOLAZIONE
ARTICULATION HYDRAULIC JACK
VERIN D' ARTICULATION
GELENKSHEBEBOCK
GATO DE ARTICULACION

43 W.550-04-1
 2° BRACCIO E SFILO
 2ND BOOM AND EXTENSION
 2EME BRAS ET ELEMENT TELESCOPIQUE
 2. ARM UND AUSZIEHBAREN ELEMENT
 2° BRAZO Y EXTENSIONE

44 W.545-13-7
 IMPIANTO IDRAULICO (MARTINETTO 1° SFILO)
 HYDRAULIC SYSTEM (1ST EXSTENSION HYDRAULIC)
 INSTALLATION HYDRAULIQUE (VERIN 1ERE RALLONGE)
 HYDRAULIKANLAGE (1. SCHUBZYLINDER)
 INSTALACION HIDRAULICA (GATO 1ª EXTENSIÓN)

45 W.39.03.503.00-1-6
 IMPIANTO IDRAULICO (MARTINETTO 1° SFILO)
 HYDRAULIC SYSTEM (1ST EXSTENSION HYDRAULIC)
 INSTALLATION HYDRAULIQUE (VERIN 1ERE RALLONGE)
 HYDRAULIKANLAGE (1. SCHUBZYLINDER)
 INSTALACION HIDRAULICA (GATO 1ª EXTENSIÓN)

46 W.39.03.506.00-1-1
 MARTINETTO 1° SFILO
 1ST EXSTENSION HYDRAULIC
 VERIN 1ERE RALLONGE
 1. SCHUBZYLINDER
 GATO 1ª EXTENSIÓN

47 W.545-05-8
 2° SFILO
 2ND EXTENSION
 2EME RALLONGE
 2. VERLAENGERUNG
 2° PROLONGACION

48 W.40.03.521.00-1-0
 IMPIANTO IDRAULICO (3° SFILO)
 HYDRAULIC SYSTEM (3RD EXTENSION)
 INSTALLATION HYDRAULIQUE (3EME RALLONGE)
 HYDRAULIKANLAGE (3. VERLAENGERUNG)
 INSTALACION HIDRAULICA (3°PROLONGACION)

49 W.39.03.502.00-1-6
 MARTINETTO 2° E 3° SFILO
 2ND AND 3RD EXTENSION HYDRAULIC CYLINDER
 VERIN 2EME ET 3EME RALLONGE
 2. UNT 3. VERLAENGERUNGSWINDE
 2° Y 3° GATO DE PROLONGACION

50 W.40.03.521.00-2-0
 3° SFILO
 3RD EXTENSION
 3EME RALLONGE
 3. VERLAENGERUNG
 3°PROLONGACION

51 W.40.03.512.00-1-1
 PROLUNGA MANUALE
 MANUAL EXTENSION
 RALLONGE MANUELLE
 MANUAL-VERLÄNGERUNG
 PROLONGACION MANUAL

52 W.40.03.511.00-1-2
 PROLUNGA MANUALE
 MANUAL EXTENSION
 RALLONGE MANUELLE
 MANUAL-VERLÄNGERUNG
 PROLONGACION MANUAL

53 W.39.03.511.00-1-1
 PROLUNGA MANUALE
 MANUAL EXTENSION
 RALLONGE MANUELLE
 MANUAL-VERLÄNGERUNG
 PROLONGACION MANUAL

54 W.39.03.511.00-1-2
 PROLUNGA MANUALE
 MANUAL EXTENSION
 RALLONGE MANUELLE
 MANUAL-VERLÄNGERUNG
 PROLONGACION MANUAL

55 W.39.03.512.00-1-1
 PROLUNGA MANUALE
 MANUAL EXTENSION
 RALLONGE MANUELLE
 MANUAL-VERLÄNGERUNG
 PROLONGACION MANUAL

56 W.39.03.512.00-1-2
 PROLUNGA MANUALE
 MANUAL EXTENSION
 RALLONGE MANUELLE
 MANUAL-VERLÄNGERUNG
 PROLONGACION MANUAL

57 7.88.1824-1-0

KIT CELLA DI CARICO LIS/RLC
 LOAD INDICATION SYSTEM LIS/RLC
 SYSTÈME D'INDICATION DE CHARGE LIS/RLC
 LADEANZEIGE SYSTEM LIS/RLC
 SISTEMA DE INDICACIÓN DE CARGA LIS/RLC

HB50 X

59 5.40.0709-1-0

IMPIANTO IDRAULICO (MARTINETTO ROTAZIONE) - RDC
 HYDRAULIC SYSTEM (SLEWING HYDRAULIC JACK) - RDC
 INSTALLATION HYDRAULIQUE (VERIN ROTATION) - RDC
 HYDRAULIKANLAGE (DREH SCHUBZYLINDER) - RDC
 INSTALACION HIDRAULICA (GATO ROTACION) - RDC

60 W.39.04.504.00-R-0

ASTE STABILIZZATRICI (STANDARD) - RDC
 STABILIZER ROD (STANDARD) - RDC
 TIGES DE STABILISATION (STANDARD) - RDC
 STÜTZSTANGEN (STANDARD) - RDC
 BARRAS ESTABILIZADORAS (STANDARD) - RDC

61 W.39.04.519.00-R-0

ASTE STABILIZZATRICI (EXTRA ESTENDIBILI) - RDC
 STABILIZER ROD (EXTRA-EXTENSIBLE) - RDC
 TIGES DE STABILISATION (EXTRA-EXTENSIBLE) - RDC
 STÜTZSTANGEN (EXTRA-AUSDEHNBARE) - RDC
 BARRAS ESTABILIZADORAS (EXTRA-EXTENSIBLE) - RDC

62 W.040_402-R-0

ASTE STABILIZZATRICI (SUPER EXTRA ESTENDIBILI)
 STABILIZER ROD (SUPER EXTRA-EXTENSIBLE)
 TIGES DE STABILISATION (SUPER EXTRA-EXTENSIBLE)
 STÜTZSTANGEN (SUPER EXTRA-AUSDEHNBARE)
 BARRAS ESTABILIZADORAS (SUPER EXTRA-EXTENSIBLE)

63 5.40.0709-2-0

COMANDI - RDC
 CONTROLS - RDC
 COMMANDES - RDC
 STEUERUGEN - RDC
 MANDOS - RDC

64 5.22.0410-1-0

DISTRIBUTORE (5 ELEMENTI) - RDC
 CONTROL VALVE (5 SECTION) - RDC
 DISTRIBUTEUR (5 VOIES) - RDC
 STEUERBLOCK (5 ELEMENTE) - RDC
 DISTRIBUIDOR (5 ELEMENTOS) - RDC

65 5.40.5000-1-0

IMPIANTO IDRAULICO MANOMETRO (CE) - RDC
 HYDRAULIC SYSTEM GAUGE (CE) - RDC
 CIRCUIT HYDRAULIQUE DE MANOMETRE (CE) - RDC
 HYDRAULIKANLAGE DES MANOMETER (CE) - RDC
 SISTEMA HIDRÁULICO DEL MANÓMETRO (CE) - RDC

66 5.40.5001-2-0

LIMITATORE DI MOMENTO (CE) - RDC
 MOMENT LIMITING DEVICE (CE) - RDC
 LIMITEUR DE MOMENT (CE) - RDC
 HUB-MOMENTBEGRENZER (CE) - RDC
 LIMITADOR DE MOMENTO (CE) - RDC

67 W.39.02.504.00-R-0

IMPIANTO IDRAULICO (MARTINETTO SOLLEVAMENTO) - RDC
 HYDRAULIC SYSTEM (LIFTING HYDRAULIC CYLINDER) - RDC
 INSTALLATION HYDRAULIQUE (VERIN DE LEVAGE) - RDC
 HYDRAULIKANLAGE (HUBZYLINDER) - RDC
 INSTALACION HIDRAULICA (GATO DE ELEVACION) - RDC

68 W.40.03.501.00-R-0

IMPIANTO IDRAULICO (MARTINETTO ARTICOLAZIONE)
 HYDRAULIC SYSTEM (ARTICULATION HYDRAULIC JACK)
 INSTALLATION HYDRAULIQUE (VERIN D' ARTICULATION)
 HYDRAULIKANLAGE (GELENKSHEBEBOCK)
 INSTALACION HIDRAULICA (GATO DE ARTICULACION)

69 5.40.0708-1-0

FILTRO AD ALTA PRESSIONE - RDC
 HIGH PRESSURE FILTER - RDC
 FILTRE HAUTE PRESSION - RDC
 HOCHDRUCKFILTER - RDC
 FILTRO DE ALTA PRESION - RDC

70 W.40.05.521.00-R-0

SERBATOIO OLIO
 OIL RESERVOIR
 RÉSERVOIR D'HUILE
 OELBEHAELTER
 DEPOSITO ACEITE

71 **5.60.0181-1-0**

IMPIANTO IDRAULICO (6° ELEMENTO)
 HYDRAULIC SYSTEM (6TH ELEMENT)
 INSTALLATION HYDRAULIQUE (6E ELEMENT)
 HYDRAULIKANLAGE (6. ELEMENT)
 INSTALACION HIDRAULICA (6° ELEMENTO)

HB50 X EN12999-A3

72 **5.60.0180-1-0**

IMPIANTO IDRAULICO (6°-7° ELEMENTO) - RDC
 HYDRAULIC SYSTEM (6TH-7TH ELEMENT) - RDC
 INSTALLATION HYDRAULIQUE (6E-7E ELEMENTS) - RDC
 HYDRAULIKANLAGE (6.-7. ELEMENT) - RDC
 INSTALACION HIDRAULICA (6°-7° ELEMENTO) - RDC

79 **5.40.1342-1-0**

GRUPPO COMANDI (RDC) EN 12999-A3
 CONTROL UNIT (RDC) EN 12999-A3
 GROUPE DES COMMANDES (RDC) EN 12999-A3
 STEUERGRUPPE (RDC) EN 12999-A3
 GRUPO MANDOS (RDC) EN 12999-A3

73 **7.89.2099-2-0**

KIT (RADIOCOMANDO) - PTO
 KIT (WIRELESS CONTROL) - PTO
 KIT (RADIOTELECOMMANDE) - PTO
 SATZ (FUNKSTEUERUNG) - PTO
 KIT (RADIOMANDO) - PTO

80 **5.22.0410-2-0**

DISTRIBUTORE (5 ELEMENTI) - RDC
 CONTROL VALVE (5 SECTION) - RDC
 DISTRIBUTEUR (5 VOIES) - RDC
 STEUERBLOCK (5 ELEMENTE) - RDC
 DISTRIBUIDOR (5 ELEMENTOS) - RDC

74 **5.40.5003-2-0**

CABLAGGIO AUSILIARIO (LIMITATORE) - CE
 AUXILIARY WIRING (LIMITING DEVICE) - CE
 CÂBLAGE AUXILIAIRE (LIMITEUR) - CE
 ZUSÄTZLICHE VERDRAHTUNG (BEGRENZER) - CE
 CABLEADO AUXILIAR (LIMITADOR) - CE

81 **7.89.2099-3-0**

KIT (RADIOCOMANDO) PTO EN12999-A3
 KIT (WIRELESS CONTROL) PTO EN12999-A3
 KIT (RADIOTELECOMMANDE) PTO EN12999-A3
 SATZ (FUNKSTEUERUNG) PTO EN12999-A3
 KIT (RADIOMANDO) PTO EN12999-A3

75 **3.31.0822-1-0**

COLONNA LUMINOSA TWS
 LIGHT COLUMN TWS
 COLONNE LUMINEUSE TWS
 LICHTSÄULE TWS
 COLUMN DE LUZ TWS

82 **5.40.5044-1-0**

KIT CE (CONTROLLO STABILITA') RDC EN12999-A3
 KIT CE (STABILITY CONTROL) RDC EN12999-A3
 KIT CE (CONTRÔLE DE LA STABILITE') RDC EN12999-A3
 SATZ CE (STABILITÄTSKONTROLLE) RDC EN12999-A3
 KIT CE (CONTROL DE LA ESTABILIDAD) RDC EN12999-A3

76 **5.40.5003-3-0**

CABLAGGIO AUSILIARIO (LIMITATORE) - CE
 AUXILIARY WIRING (LIMITING DEVICE) - CE
 CÂBLAGE AUXILIAIRE (LIMITEUR) - CE
 ZUSÄTZLICHE VERDRAHTUNG (BEGRENZER) - CE
 CABLEADO AUXILIAR (LIMITADOR) - CE

83 **5.40.5044-2-0**

KIT CE (CONTROLLO STABILITA') RDC EN12999-A3 SE-XXL
 KIT CE (STABILITY CONTROL) RDC EN12999-A3 SE-XXL
 KIT CE (CONTRÔLE DE LA STABILITE') RDC EN12999-A3 SE-XXL
 SATZ CE (STABILITÄTSKONTROLLE) RDC EN12999-A3 SE-XXL
 KIT CE (CONTROL DE LA ESTABILIDAD) RDC EN12999-A3 SE-XXL

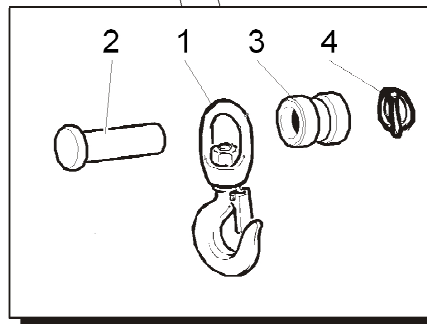
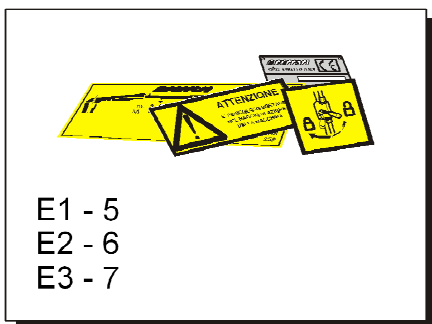
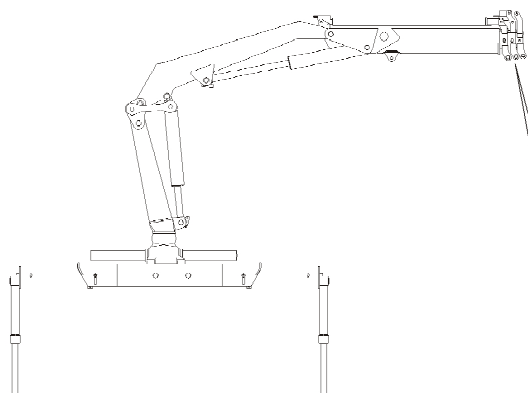
77 **7.88.1784-1-0**

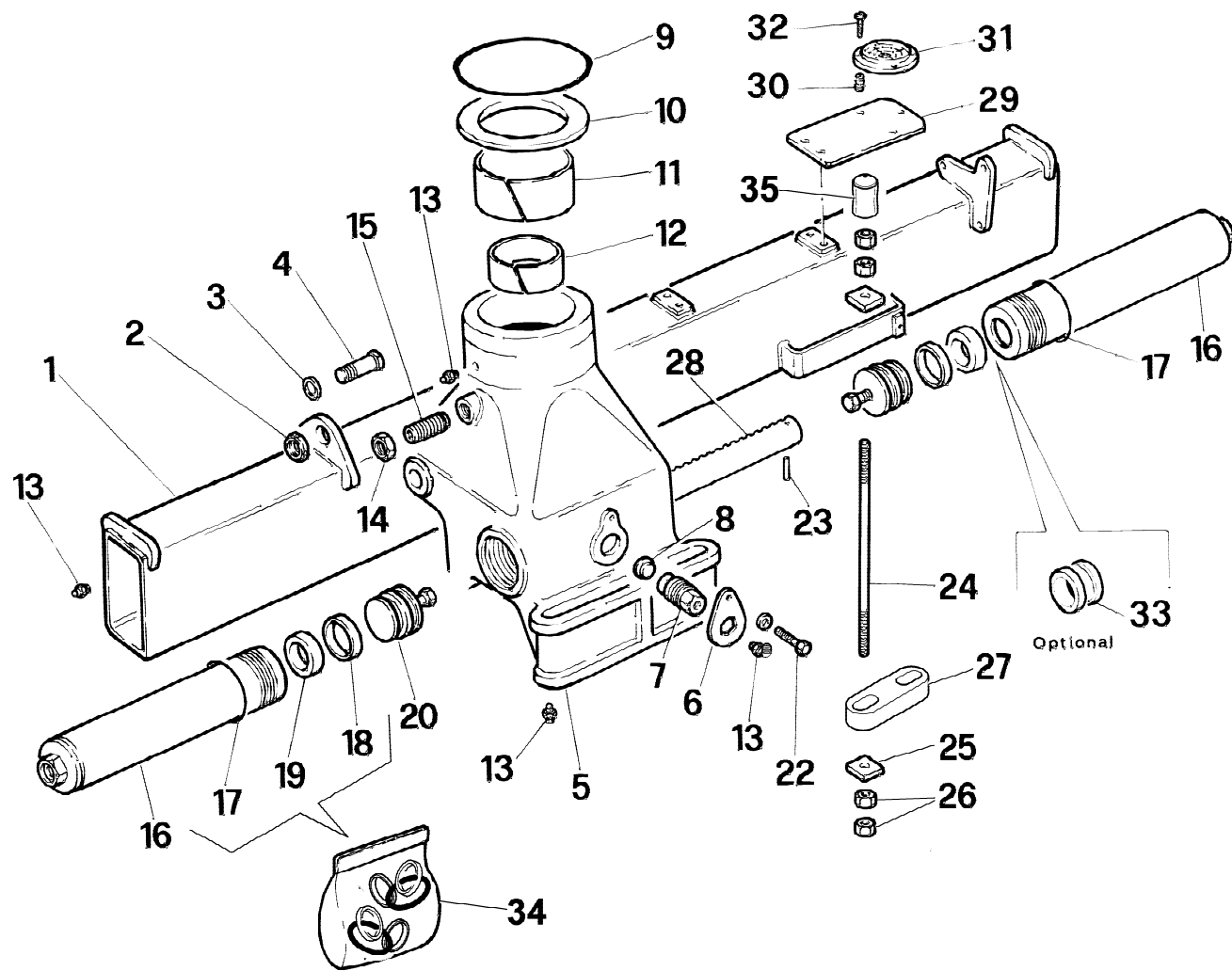
KIT CELLA DI CARICO LIS/RLC (RDC)
 LOAD INDICATION SYSTEM LIS/RLC (RDC)
 SYSTÈME D'INDICATION DE CHARGE LIS/RLC (RDC)
 LADEANZEIGE SYSTEM LIS/RLC (RDC)
 SISTEMA DE INDICACIÓN DE CARGA LIS/RLC (RDC)

84 **5.40.5045-2-0**

LIMITATORE DI MOMENTO (CE) RDC EN12999-A3
 MOMENT LIMITING DEVICE (CE) RDC EN12999-A3
 LIMITEUR DE MOMENT (CE) RDC EN12999-A3
 HUB-MOMENTBEGRENZER (CE) RDC EN12999-A3
 LIMITADOR DE MOMENTO (CE) RDC EN12999-A3

rif.	codice	Q.tà
1	W.599.003	1
2	W.101.084	1
3	W.39.03.010.00	1
4	3.06.0753	1
5	5.50.1338	1
6	5.50.1339	1
7	5.50.1340	1



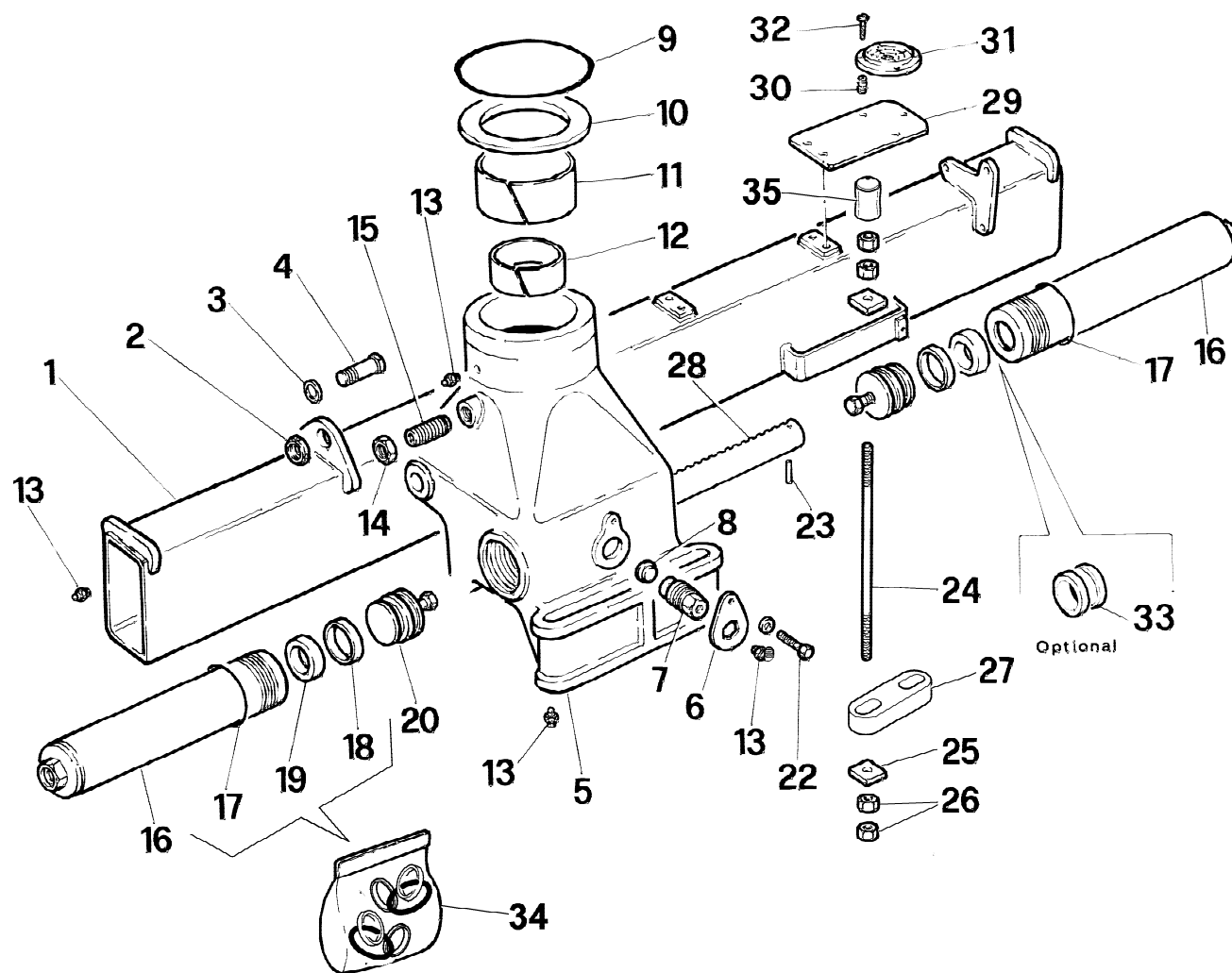


rif.	codice	Q.tà
1	W.40.01.001.00	1
2	3.04.0505	2
3	3.06.0032	2
4	W.101.217	3
5	W.39.01.001.00	1
6	W.37.01.004.00	1
7	W.37.01.009.00	1
8	W.37.01.008.00	1
9	W.360.071	1
10	W.39.01.003.00	1
11	W.39.01.009.00	1
12	W.39.01.010.00	1
13	W.616.001	5
14	3.04.0089	1
15	3.06.0504	1
16	W.39.01.006.00	2
17	W.360.065	2
18	W.305.012	2
19	W.358.505	2
20	W.37.01.003.00	2
21	3.01.0337	1
22	3.06.0607	2
23	W.726.007	2
24	W.738.019	8
25	5.00.0084	16
26	3.04.0186	32
27	W.01.00.002.00	4
28	W.39.01.008.00	1
29	W.37.01.017.00	1
30	W.641.008	3
31	W.626.003	1
1/2		

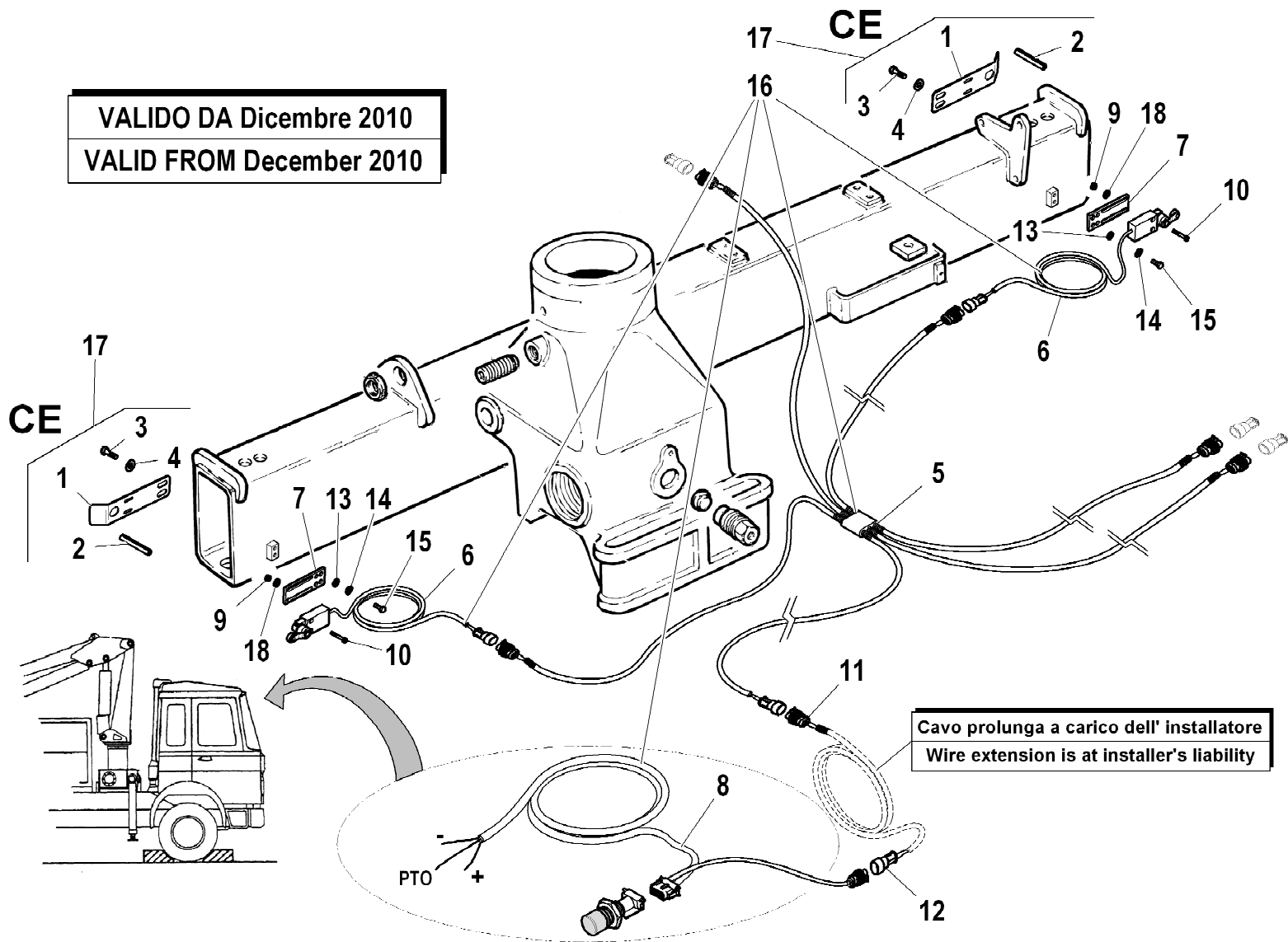
HYVA[®] CRANE
HB50

Tavola
W.545-01-6
 BASAMENTO
 BASE
 SOLLE
 UNTERBAU
 BASE
 Data pag.
 febbraio 2007 2.1

rif.	codice	Q.tà
32	3.02.0959	3
33	W.39.01.011.00	2
34	W.365.142	1
35	3.19.0290	8

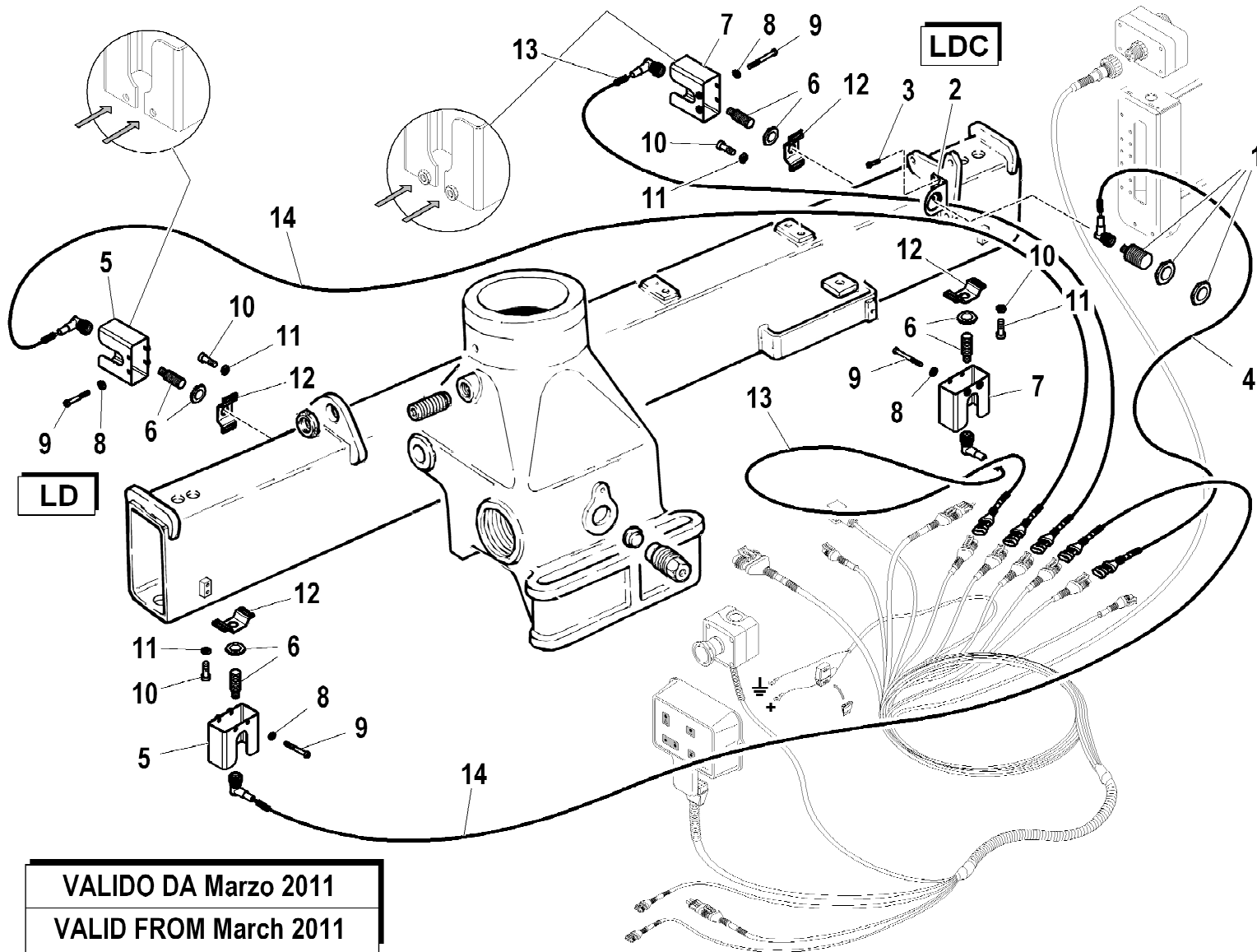


VALIDO DA Dicembre 2010
VALID FROM December 2010



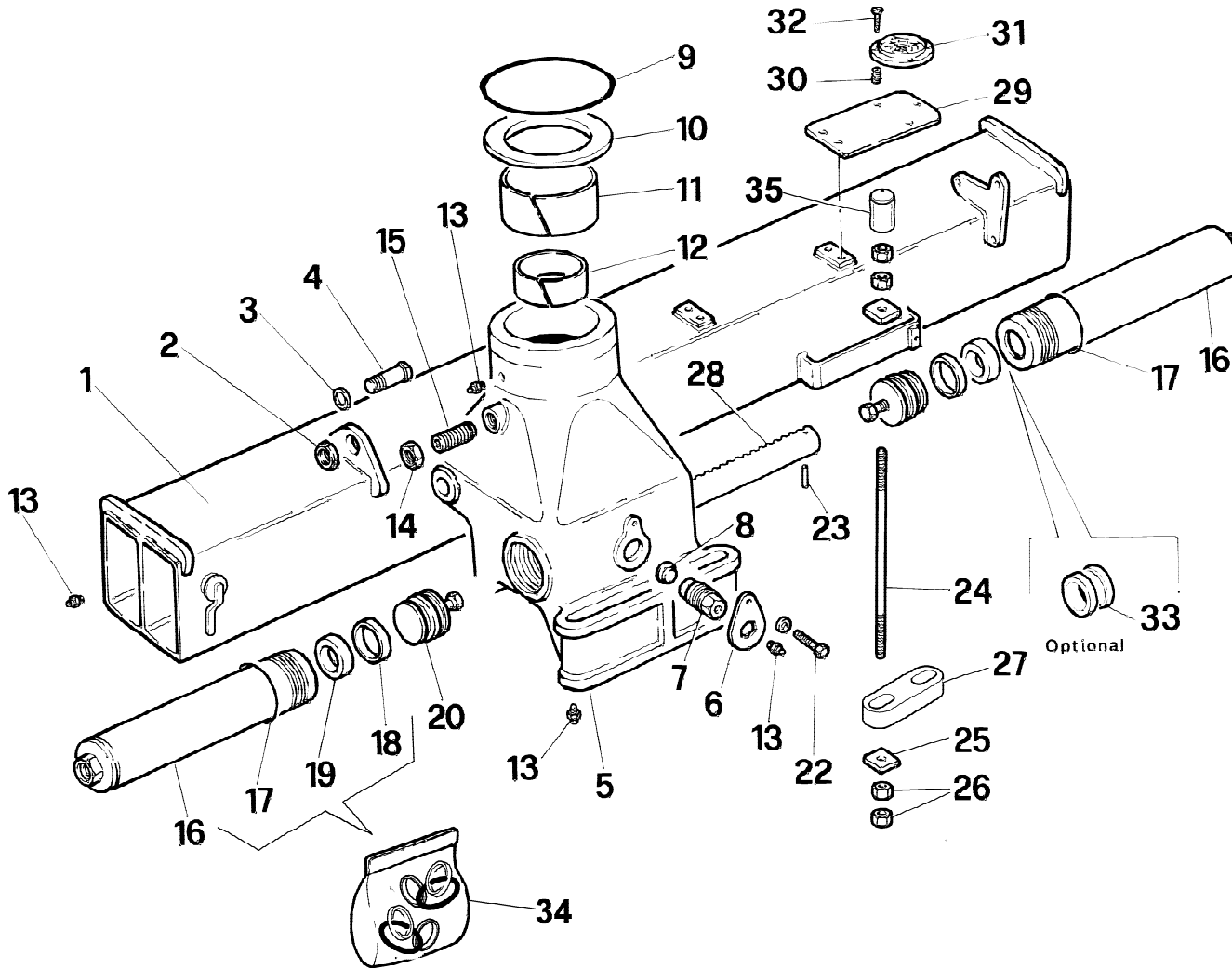
rif.	codice	Q.tà
1	3.06.0685	2
2	3.06.0026	2
3	3.01.0323	4
4	3.06.0005	4
5	3.31.1353	1
6	3.31.1356	2
7	5.00.0218	2
8	3.31.1354	1
9	3.04.0041	4
10	3.02.0014	4
11	3.31.0431	1
12	3.31.0432	1
13	3.06.0030	4
14	3.06.0053	4
15	3.02.0436	4
16	3.31.1352	1
17	W.36.04.512.00	1
18	3.06.0003	4

Cavo prolunga a carico dell' installatore
Wire extension is at installer's liability



VALIDO DA Marzo 2011
 VALID FROM March 2011

rif.	codice	Q.tà
1	3.31.1312	1
2	5.00.0426	1
3	3.02.0895	2
4	3.31.1372	1
5	5.09.1306	2
6	3.31.1311	4
7	5.09.1310	2
8	3.06.0053	8
9	3.02.0045	8
10	3.02.0902	8
11	3.06.0055	8
12	5.00.0420	4
13	3.31.1342	2
14	3.31.1332	2



rif.	codice	Q.tà
1	W.40.01.005.00	1
2	3.04.0505	2
3	3.06.0032	2
4	W.101.217	3
5	W.39.01.001.00	1
6	W.37.01.004.00	1
7	W.37.01.009.00	1
8	W.37.01.008.00	1
9	W.360.071	1
10	W.39.01.003.00	1
11	W.39.01.009.00	1
12	W.39.01.010.00	1
13	W.616.001	5
14	3.04.0089	1
15	3.06.0504	1
16	W.39.01.006.00	2
17	W.360.065	2
18	W.305.012	2
19	W.358.505	2
20	W.37.01.003.00	2
21	3.01.0337	1
22	3.06.0607	2
23	W.726.007	2
24	W.738.019	8
25	5.00.0084	16
26	3.04.0186	32
27	W.01.00.002.00	4
28	W.39.01.008.00	1
29	W.37.01.017.00	1
30	W.641.008	3
31	W.626.003	1

1/2

HYVA[®] CRANE

HB50

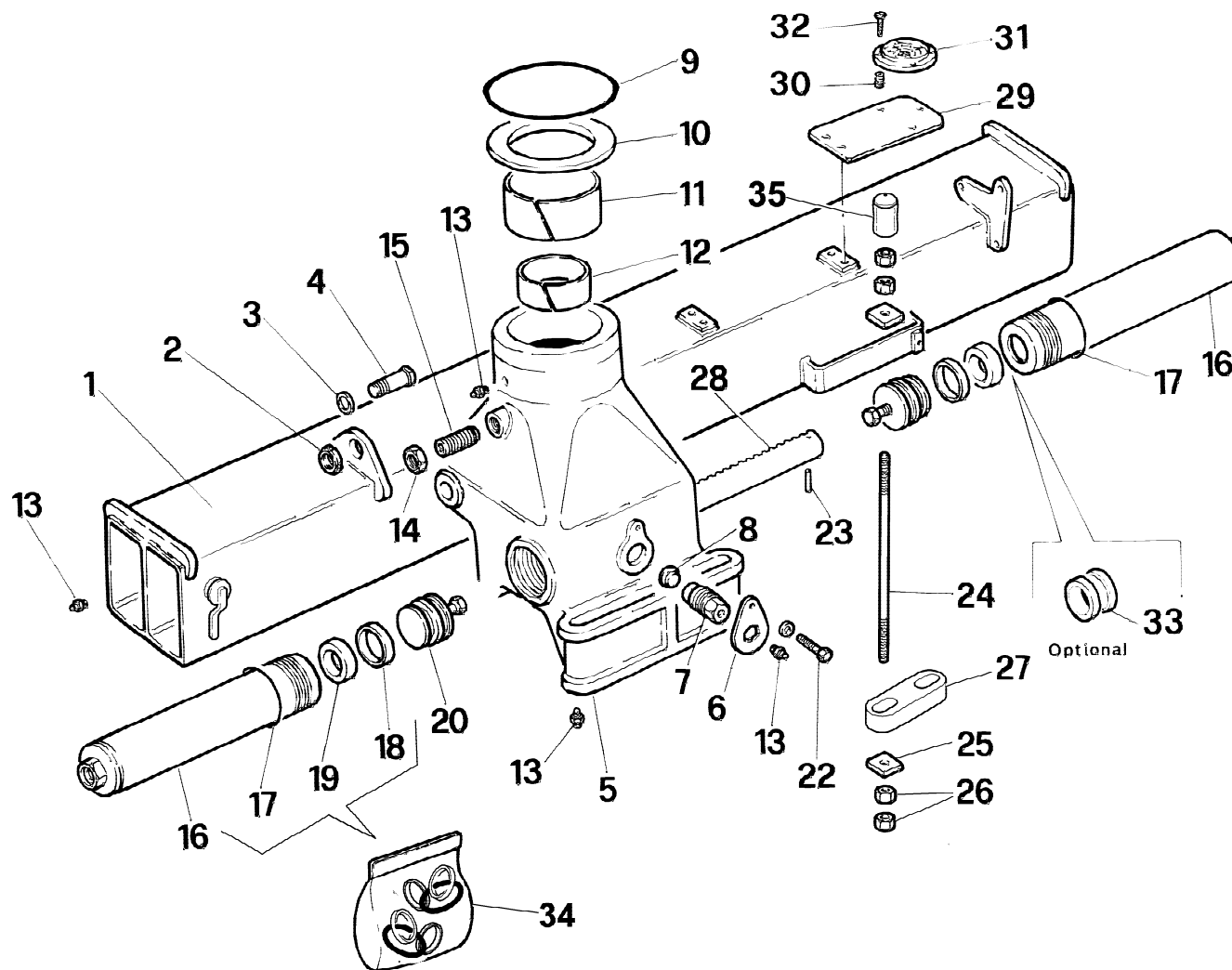
BASAMENTO - ASTE STABILIZZATRICI (SUPER ESTENDIBILI)
 BASE-STABILIZER CONNECTING RODS (SUPER EXTENSIBLE)
 SOLLE-EXTENSION DES STABILISATEURS (SUPER EXTENSIBLE)
 GEHAEUSE-STÜTZSTANGEN (SUPER EAUSDEHNBARE)
 BASE-VARILLAS ESTABILIZADORES (SUPER EXTENSIBLE)

Tavola

W.040.102-1-1

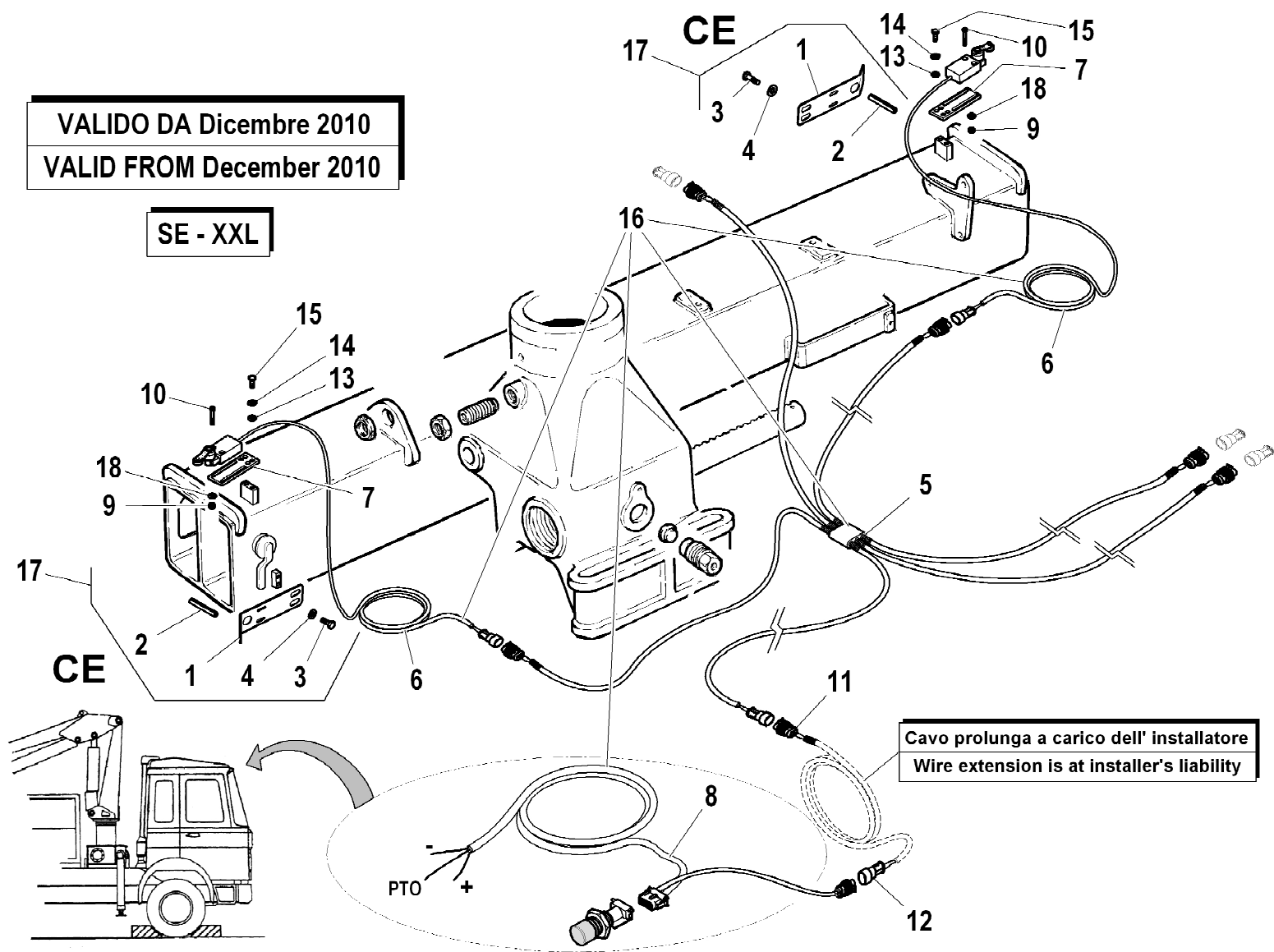
Data pag.
 marzo 2007 5.1

rif.	codice	Q.tà
32	3.02.0959	3
33	W.39.01.011.00	2
34	W.365.142	1
35	3.19.0290	8



VALIDO DA Dicembre 2010
 VALID FROM December 2010

SE - XXL

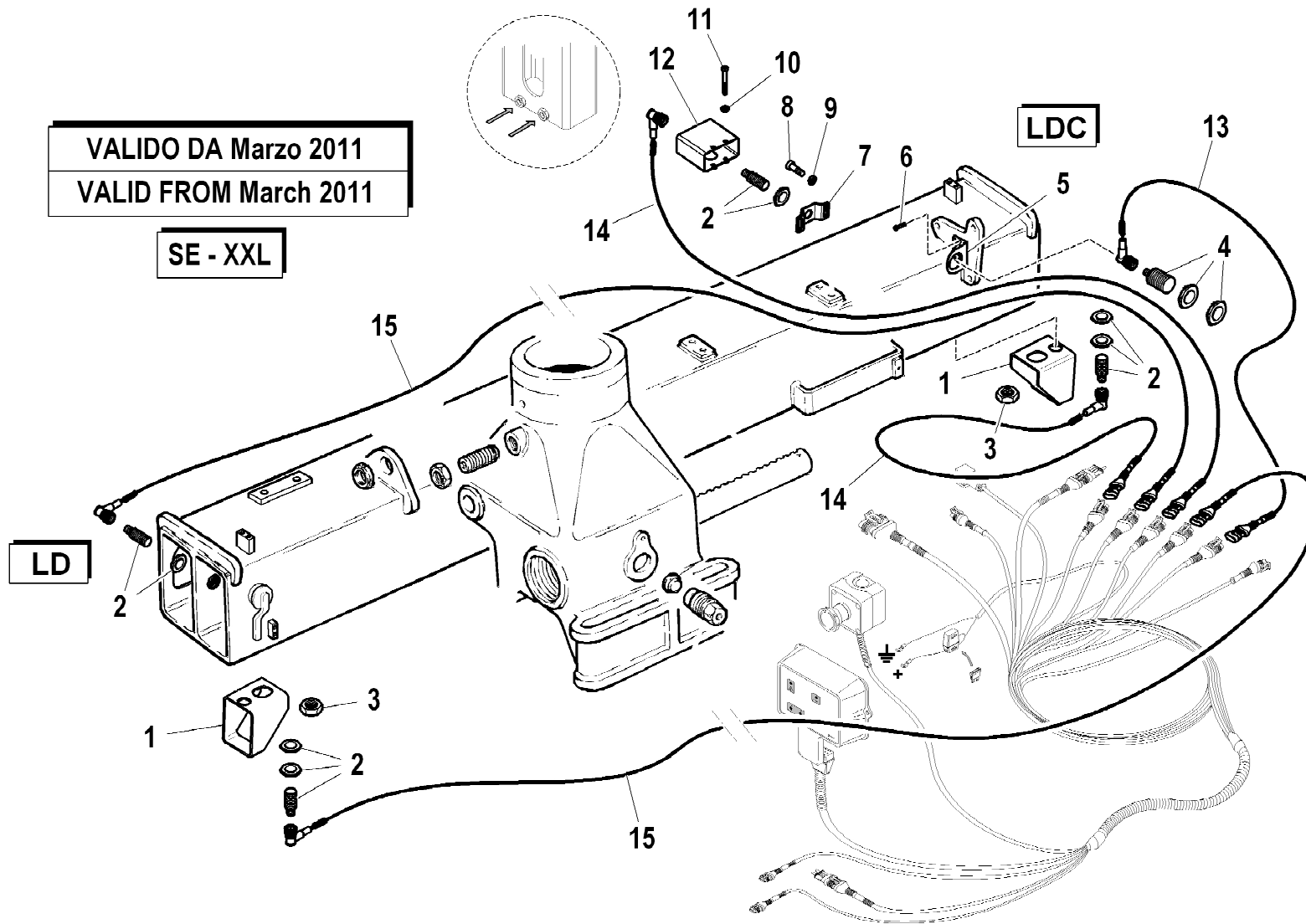


rif.	codice	Q.tà
1	3.06.0685	2
2	3.06.0026	2
3	3.01.0323	4
4	3.06.0005	4
5	3.31.1353	1
6	3.31.1356	2
7	5.00.0218	2
8	3.31.1354	1
9	3.04.0041	4
10	3.02.0014	4
11	3.31.0431	1
12	3.31.0432	1
13	3.06.0030	4
14	3.06.0053	4
15	3.02.0436	4
16	3.31.1352	1
17	W.36.04.512.00	1
18	3.06.0003	4

Cavo prolunga a carico dell' installatore
 Wire extension is at installer's liability

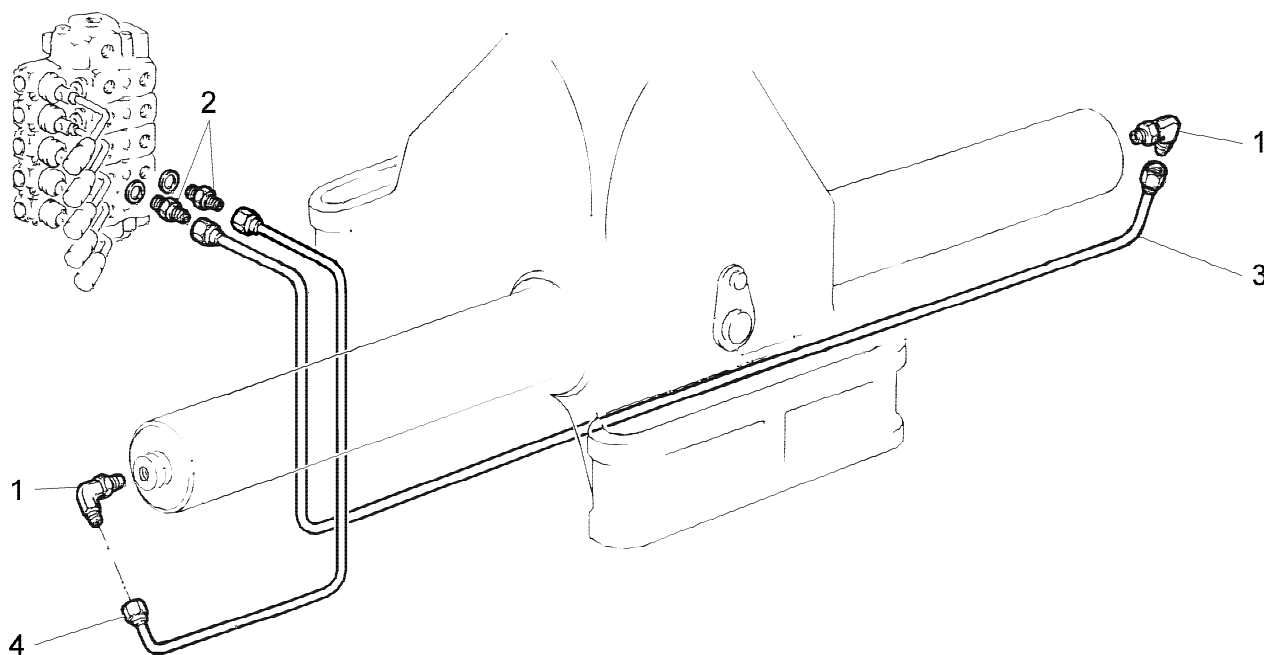
VALIDO DA Marzo 2011
 VALID FROM March 2011

SE - XXL

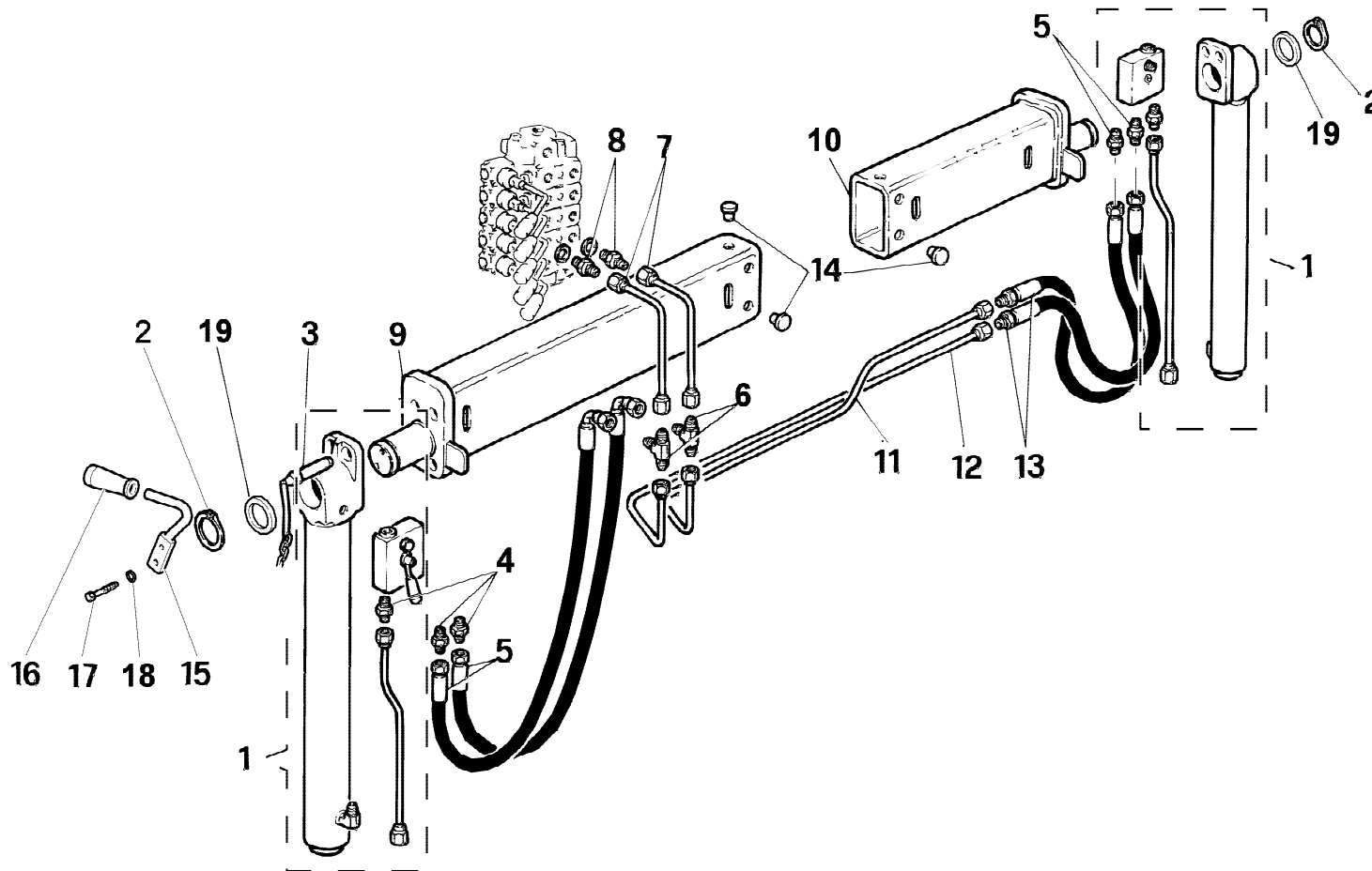


rif.	codice	Q.tà
1	5.00.0422	2
2	3.31.1311	4
3	3.04.0251	2
4	3.31.1312	1
5	5.00.0426	1
6	3.02.0895	2
7	5.00.0420	1
8	3.02.0902	2
9	3.06.0055	2
10	3.06.0053	2
11	3.02.0045	2
12	5.09.1310	1
13	3.31.1372	1
14	3.31.1342	2
15	3.31.1332	2

rif.	codice	Q.tà
1	W.470_420	2
2	3.10.1040	2
3	W.40.01.004.00	1
4	W.37.01.018.00	1



545-10-7



rif.	codice	Q.tà
1	W.39.04.504.00	2
2	3.07.0052	2
3	W.101.219	2
4	3.10.1039	4
5	W.456.064	2
6	3.10.1080	2
7	W.39.05.006.00	2
8	3.10.1040	2
9	W.40.04.001.00	1
10	W.39.04.002.00	1
11	W.39.05.008.00	1
12	W.39.05.009.00	1
13	W.456.0859	2
14	W.37.04.007.00	10
15	W.37.04.018.00	2
16	W.664.018	2
17	3.01.0325	4
18	3.06.0005	1
19	W.37.04.019.00	2

535-14-8

1/1

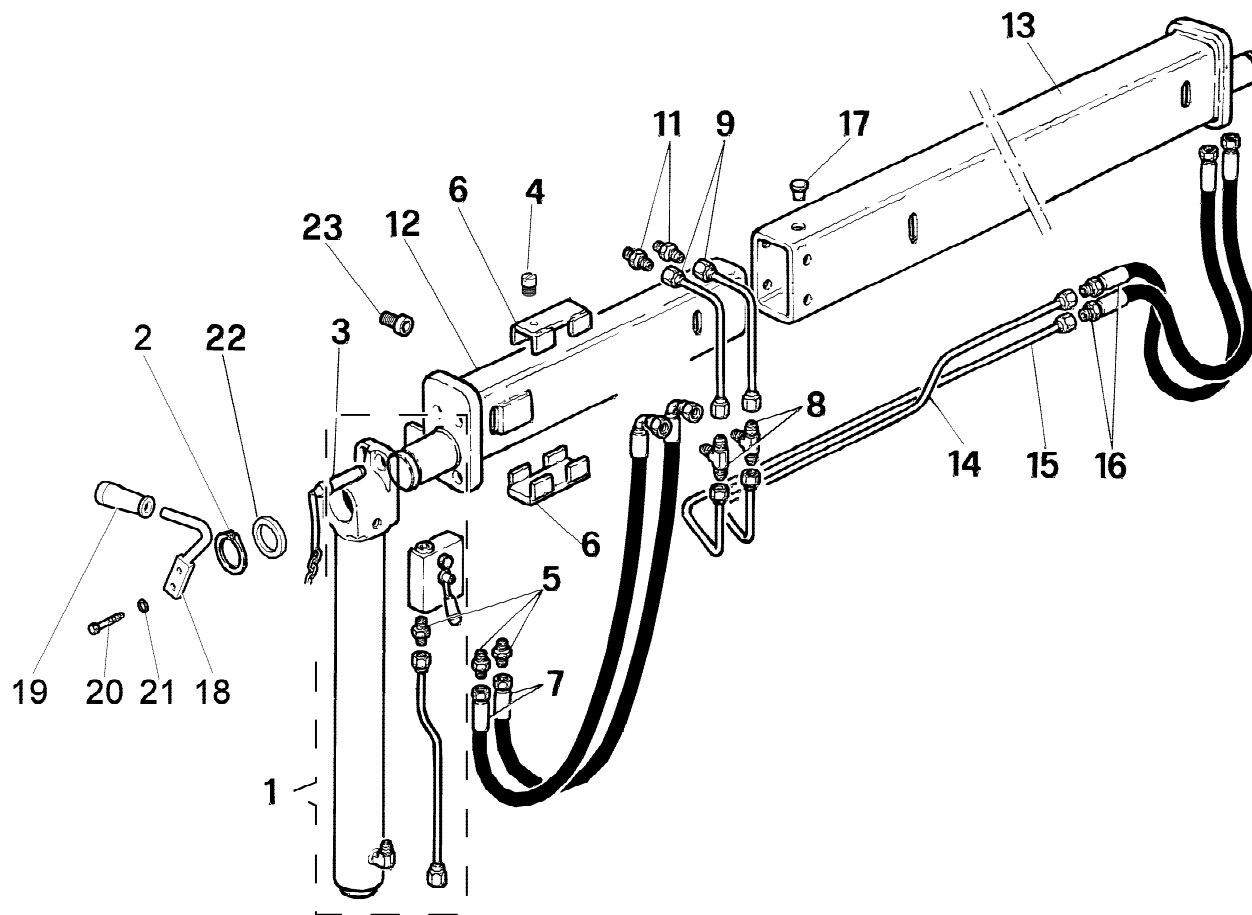
HYVA® CRANE

HB50

ASTE STABILIZZATRICI (STANDARD)
 STABILIZER ROD (STANDARD)
 TIGES DE STABILISATION (STANDARD)
 STÜTZSTANGEN (STANDARD)
 BARRAS ESTABILIZADORAS (STANDARD)

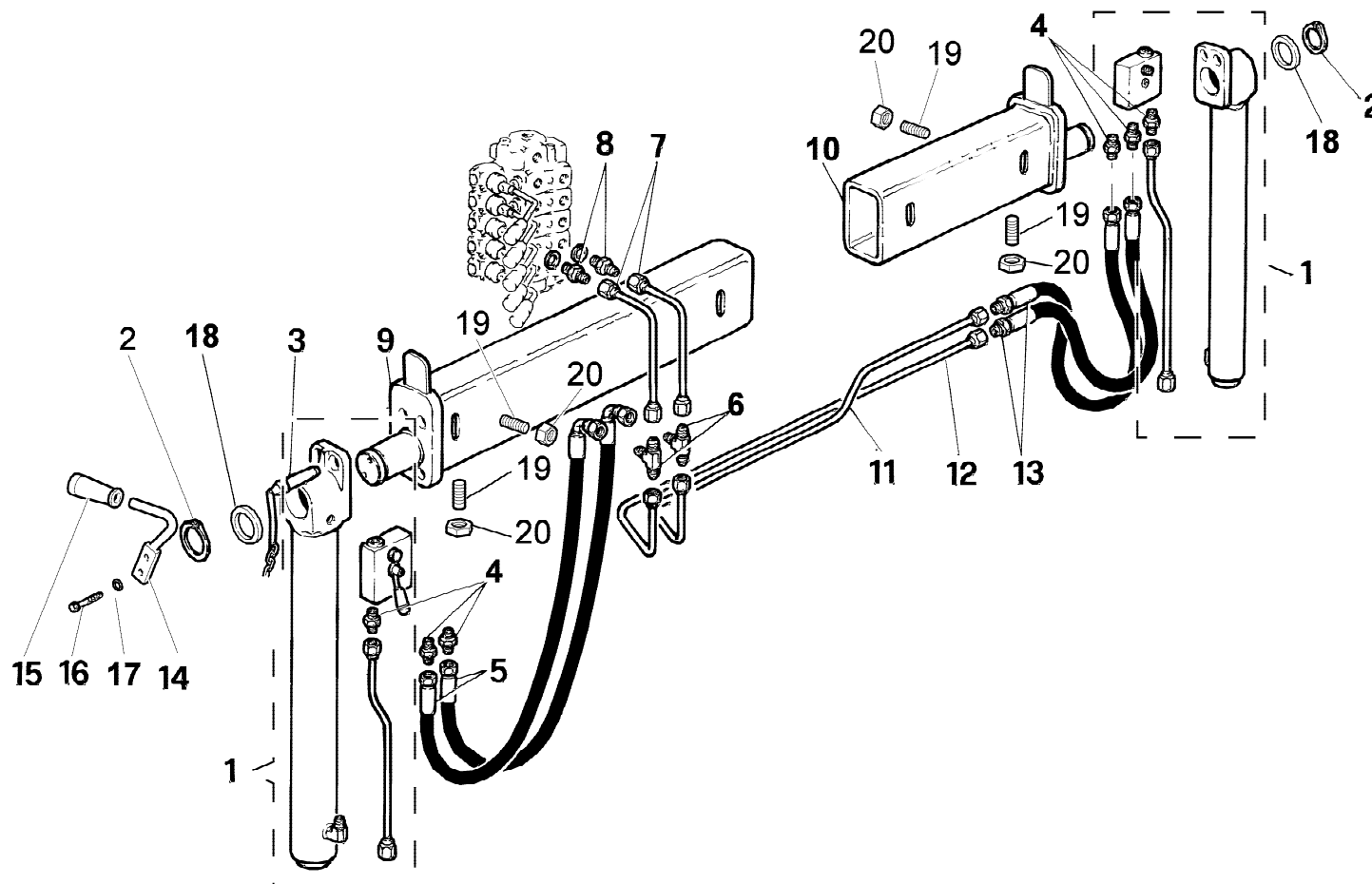
Tavola
W.535-14-8

Data pag.
 marzo 2007 9



rif.	codice	Q.tà
1	W.39.04.504.00	2
2	3.07.0052	2
3	W.101.219	2
4	3.01.0354	2
5	3.10.1039	4
6	W.39.04.010.00	2
7	W.456.872	2
8	3.10.1080	2
9	W.39.05.006.00	2
11	3.10.1040	2
12	W.39.04.009.00	1
13	W.39.04.008.00	1
14	W.39.05.008.00	1
15	W.39.05.009.00	1
16	W.456.052	2
17	W.37.04.007.00	6
18	W.37.04.0180.00	2
19	664.018	2
20	3.01.0325	4
21	3.06.0005	4
22	W.37.04.019.00	2
23	3.02.0033	1

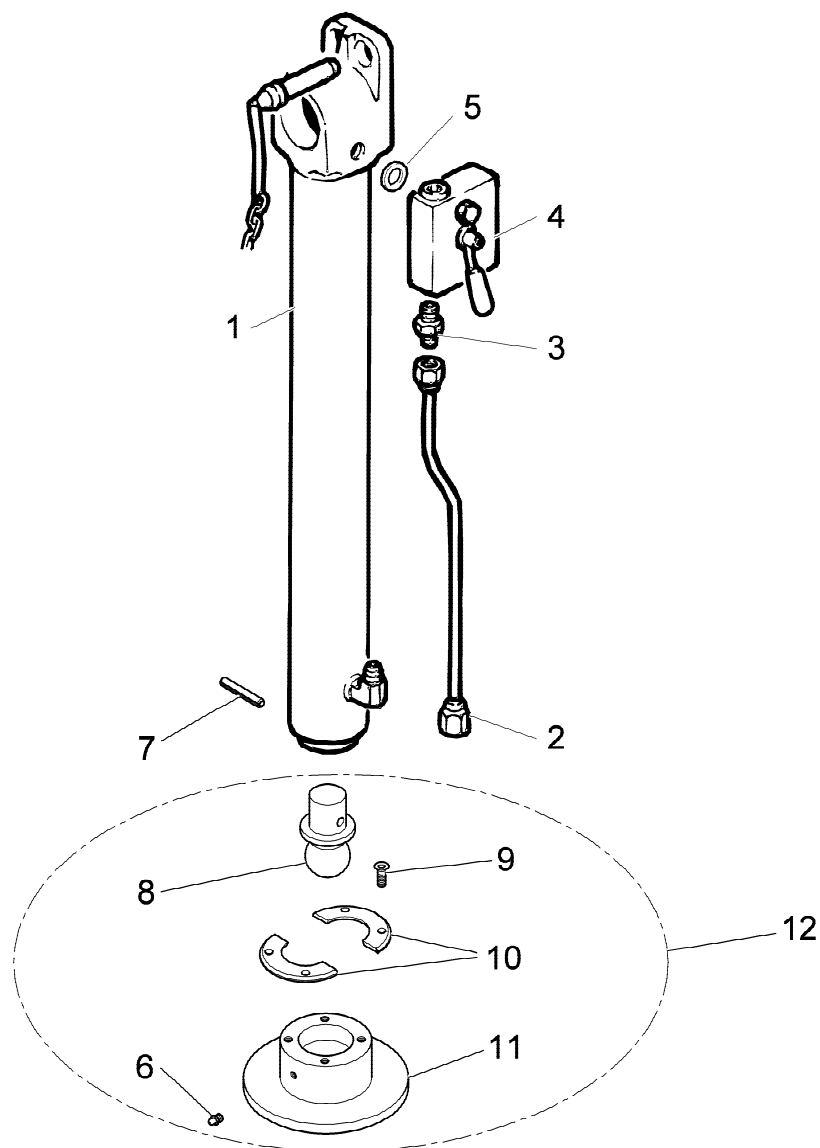
535-20-9



040402-1-3

rif.	codice	Q.tà
1	W.39.04.504.00	2
2	3.07.0052	2
3	W.101.219	2
4	3.10.1039	4
5	W.468.103	2
6	3.10.1080	2
7	W.39.05.006.00	2
8	3.10.1040	2
9	W.40.04.002.00	1
10	W.40.04.003.00	1
11	W.39.05.008.00	1
12	W.39.05.009.00	1
13	W.456.890	2
14	W.37.04.018.00	10
15	W.664.018	2
16	3.01.0325	2
17	3.06.0005	4
18	W.37.04.019.00	1
19	W.061.333	2
20	3.04.0251	6

rif.	codice	Q.tà
1	W.39.04.503.00	1
2	W.39.05.062.00	1
3	3.10.1039	1
4	W.470.053	1
5	3.06.0143	1
6	3.08.0512	1
7	3.06.0632	1
8	4.16.0397	1
9	3.02.0452	4
10	4.16.0398	1
11	5.09.0815	1
12	5.92.0002	1



1/1

HYVA® CRANE

HB50

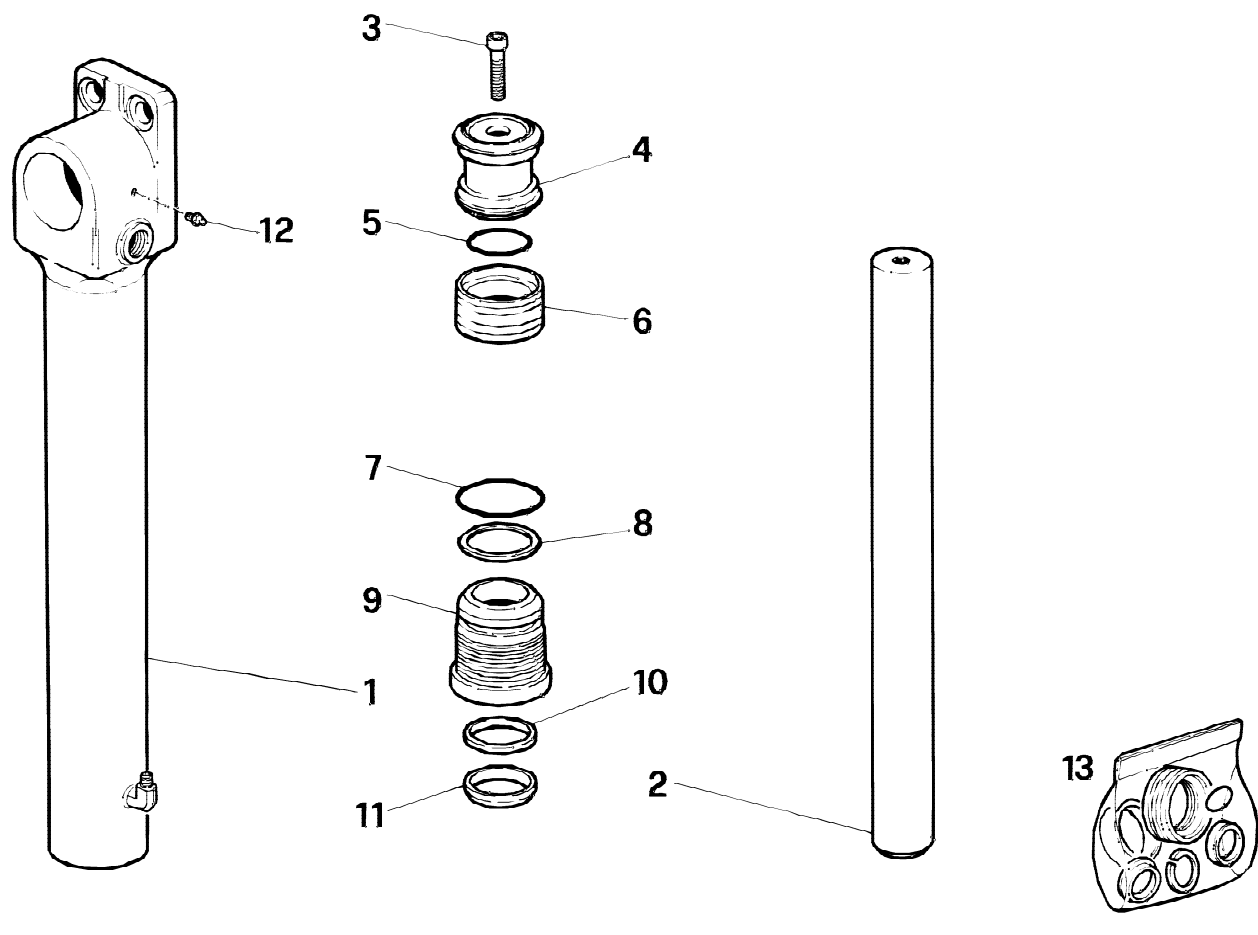
MARTINETTO STABILIZZATORE
 STABILISER RAM
 VERIN STABILISATEUR
 STABILISATOR SCHUBZYLINDER
 GATO ESTABILIZADOR

W.39.04.504.00-1-1

Tavola

Data pag.
 febbraio 2007 12

rif.	codice	Q.tà
1	W.39.04.006.00	1
2	W.39.04.029.00	1
3	3.02.0094	1
4	W.105.057	1
5	W.360.041	1
6	W.359.017	1
7	W.360.012	1
8	W.304.023	1
9	W.120.106	1
10	W.358.010	1
11	W.361.016	1
12	3.08.0500	1
13	W.365.058	1



390450300-1-0

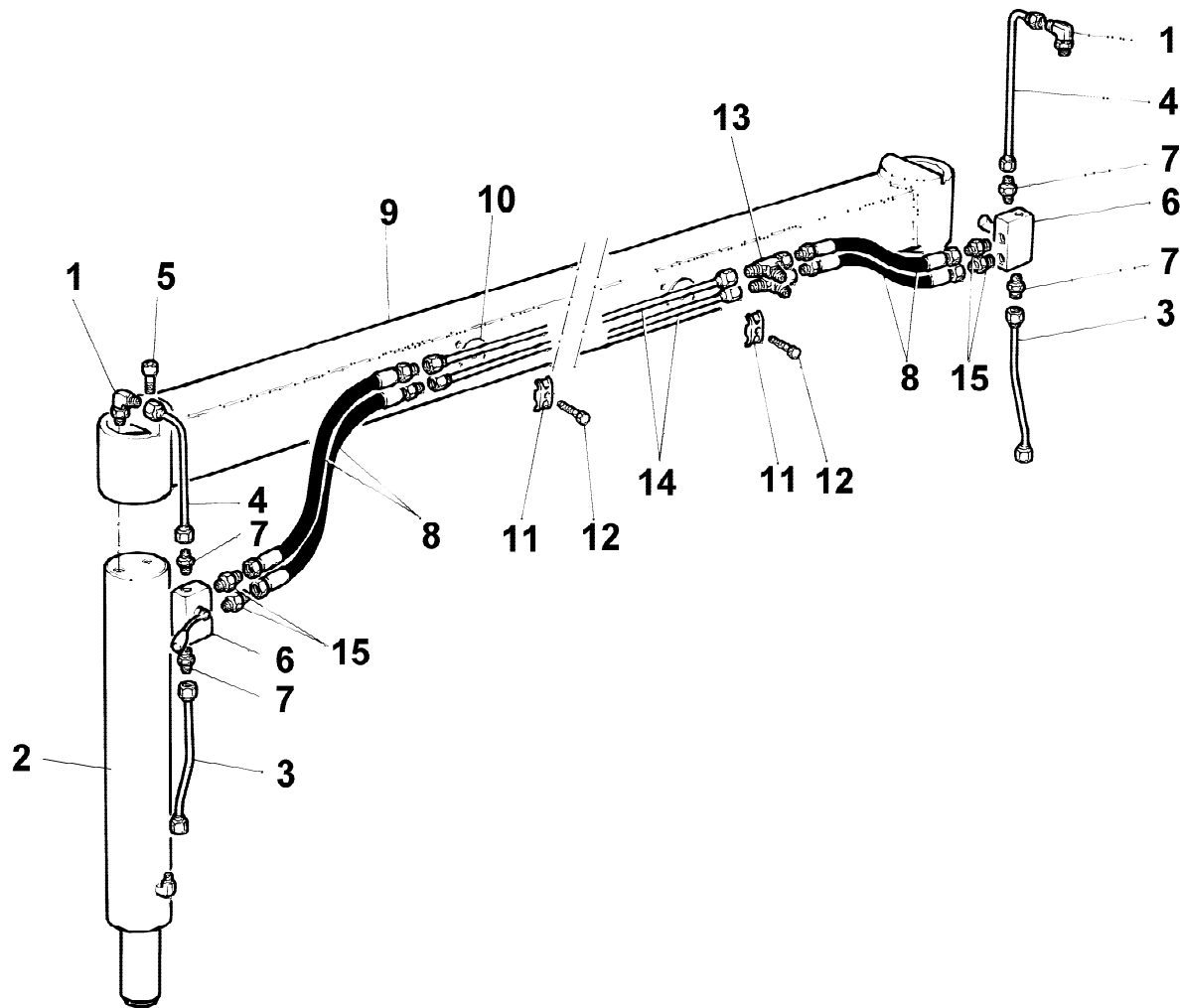
1/1

HYVA® CRANE
HB50

MARTINETTO STABILIZZATORE
STABILIZER HYDRAULIC JACK
VERIN STABILISATEUR
STABILISATOR SCHUBZYLINDER
GATO ESTABILIZADOR

Tavola
W.39.04.503.00-1-1

Data pag.
febbraio 2007 13



rif.	codice	Q.tà
1	3.10.1124	2
2	W.37.04.503.00	2
3	W.37.04.015.00	2
4	W.37.04.014.00	2
5	3.02.0080	2
6	5.22.0048	2
7	3.10.1040	4
8	W.456.873	4
9	W.39.04.011.00	1
10	W.34.05.014.00	2
11	5.00.0077	2
12	3.01.0030	2
14	W.37.04.016.00	2
15	3.12.0065	4

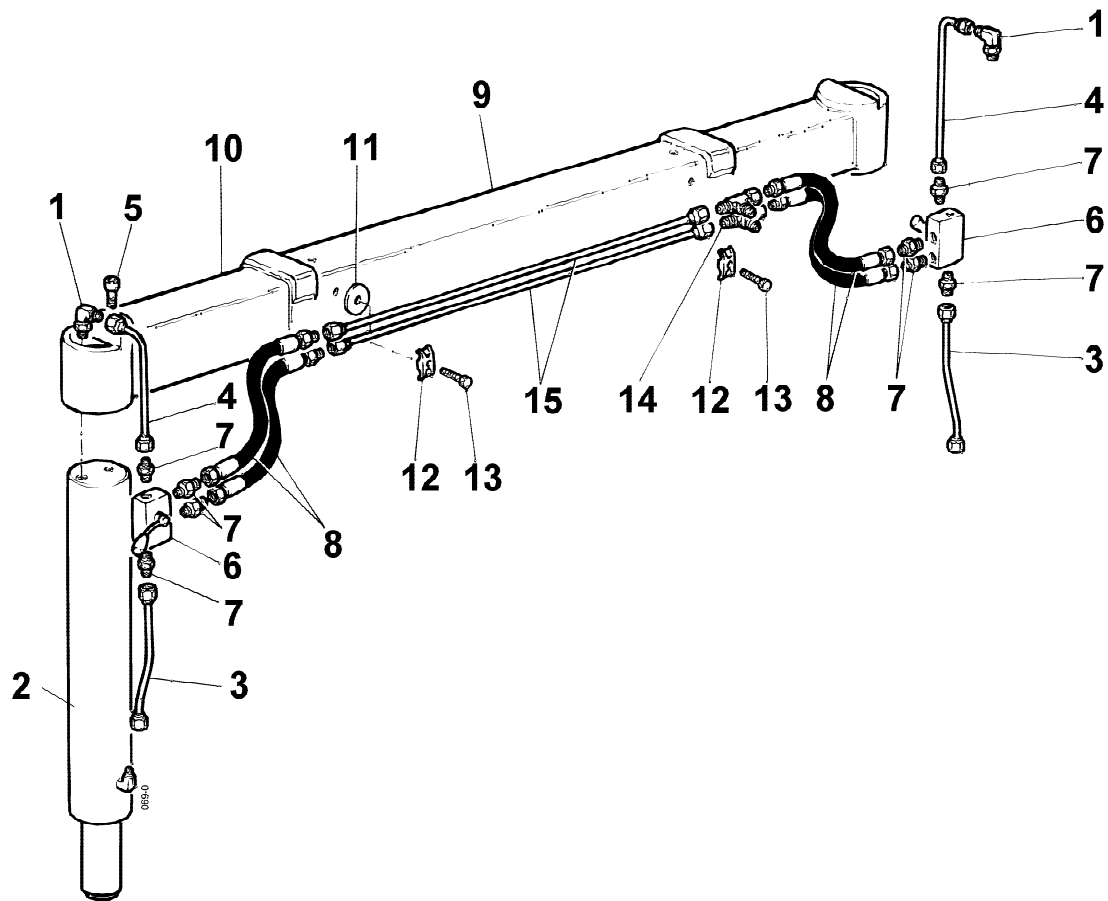
1/1

HYVA[®] CRANE
HB50

TRAVERSA SUPPLEMENTARE FISSA
 SUPPLEMENTARY FIXED CROSS-BAR
 TRAVERSE FIXE SUPPLEMENTAIRE
 ZUSAETZ. FESTHOLM
 TRAVESANO FIJIO ADICIONAL

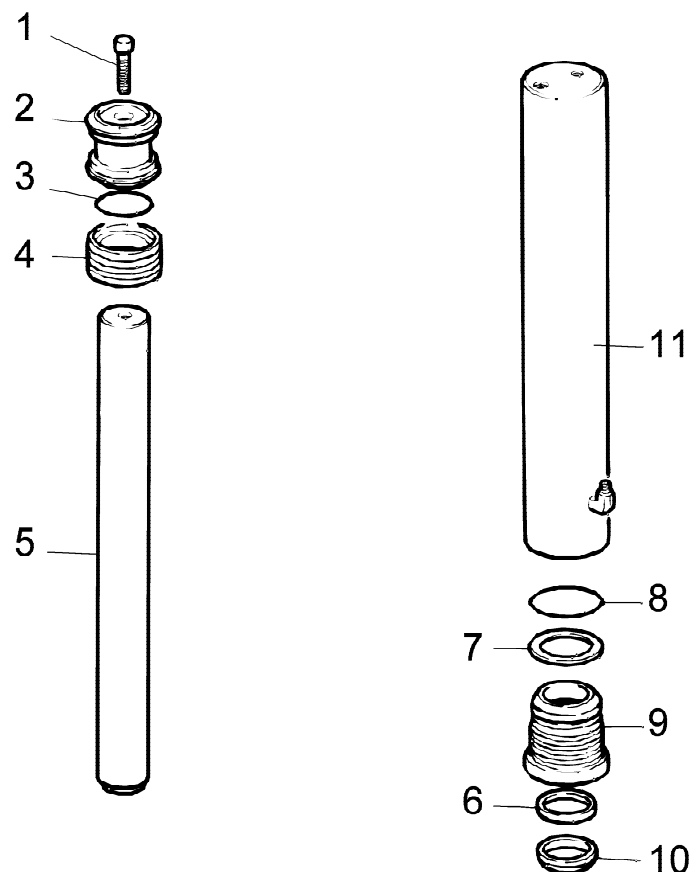
Tavola
W.39.04.511.00-1-0

Data pag.
 febbraio 2007 14

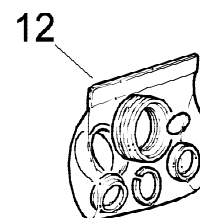


rif.	codice	Q.tà
1	3.10.1124	2
2	W.37.04.503.00	2
3	W.37.04.015.00	2
4	W.37.04.014.00	2
5	3.02.0080	2
6	5.22.0048	2
7	3.10.1040	4
8	W.456.858	4
9	W.39.04.013.00	1
10	W.34.05.012.00	2
11	W.34.05.014.00	2
12	5.00.0077	2
13	3.01.0339	2
14	3.12.0065	4
15	W.37.04.016.00	2

rif.	codice	Q.tà
1	3.02.0094	1
2	W.105.056	1
3	W.360.076	1
4	W.359.015	1
5	W.37.04.004.00	1
6	W.358.015	1
7	W.304.003	1
8	W.360.023	1
9	6.04.0303	1
10	W.361.014	1
11	W.37.04.008.00	1
12	W.365.065	1

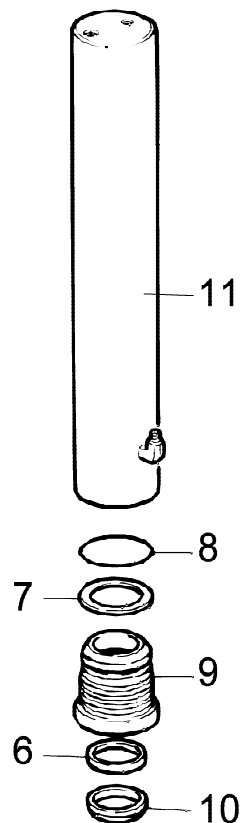
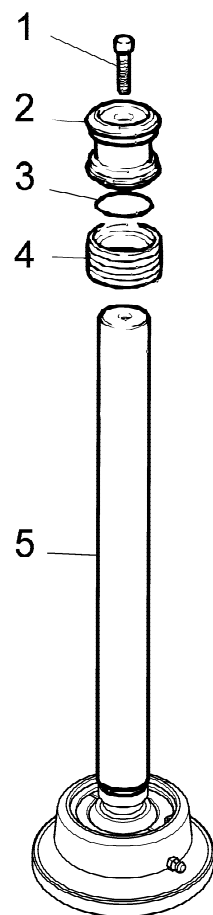


VALIDO FINO a MAGGIO 2010
VALID UNTIL MAY 2010

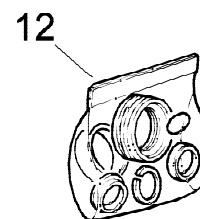


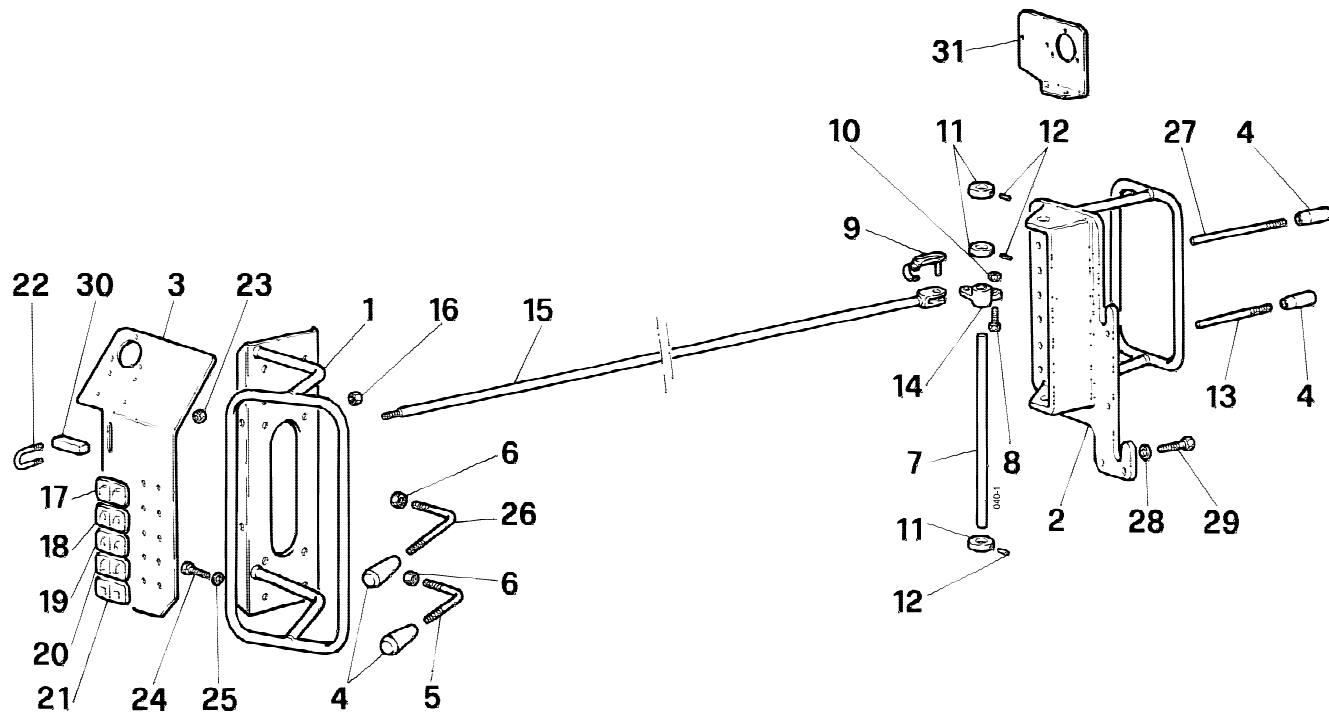
370450300 --1-5

rif.	codice	Q.tà
1	3.02.0094	1
2	W.105.056	1
3	W.360.076	1
4	W.359.015	1
5	W.37.04.024.00	1
6	W.358.015	1
7	W.304.003	1
8	W.360.023	1
9	6.04.0303	1
10	W.361.014	1
11	W.37.04.008.00	1
12	W.365.065	1

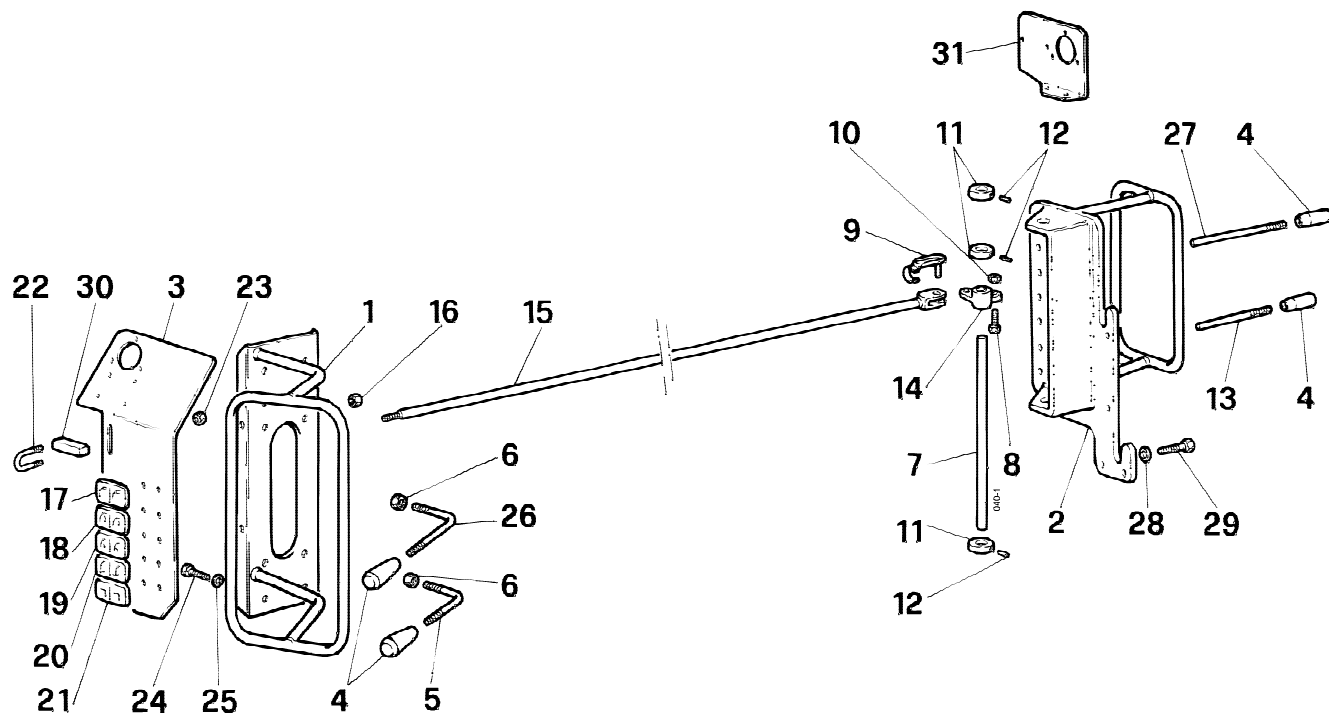


VALIDO da GIUGNO 2010
VALID FROM JUNE 2010





rif.	codice	Q.tà
1	W.39.05.001.00	1
2	W.37.05.001.00	1
3	W.39.05.053.00	1
4	W.664.003	10
5	W.37.05.022.00	4
6	3.04.0524	5
7	W.101.186	1
8	3.01.0325	5
9	W.661.001	5
10	3.04.0081	5
11	W.27.01.027.03	3
12	3.06.0229	3
13	W.338.844	4
14	W.27.05.090.00	5
15	W.39.05.002.00	5
16	3.04.0045	2
17	W.573.283	2
18	W.573.282	2
19	W.573.280	2
20	W.573.279	2
21	W.573.278	2
22	W.599.701	2
23	3.04.0372	2
24	3.06.0914	3
26	W.37.05.021.00	1
27	W.338.843	1
28	3.06.0056	3
29	3.02.0038	3
30	W.39.05.055.00	2
31	W.39.05.054.00	1



rif.	codice	Q.tà
1	W.40.05.018.00	1
2	W.37.05.001.00	1
3	W.39.05.053.00	1
4	W.664.003	10
5	W.37.05.022.00	4
6	3.04.0524	5
7	W.101.186	1
8	3.01.0325	5
9	W.661.001	5
10	3.04.0081	5
11	W.27.01.027.03	3
12	3.06.0229	3
13	W.338.844	4
14	W.27.05.090.00	5
15	W.39.05.002.00	5
16	3.04.0045	2
17	W.573.283	2
18	W.573.282	2
19	W.573.280	2
20	W.573.279	2
21	W.573.278	2
22	W.599.701	2
23	3.04.0372	2
24	3.06.0914	3
26	W.37.05.021.00	1
27	W.338.843	1
28	3.06.0056	3
29	3.02.0038	3
30	W.39.05.055.00	2
31	W.39.05.054.00	1

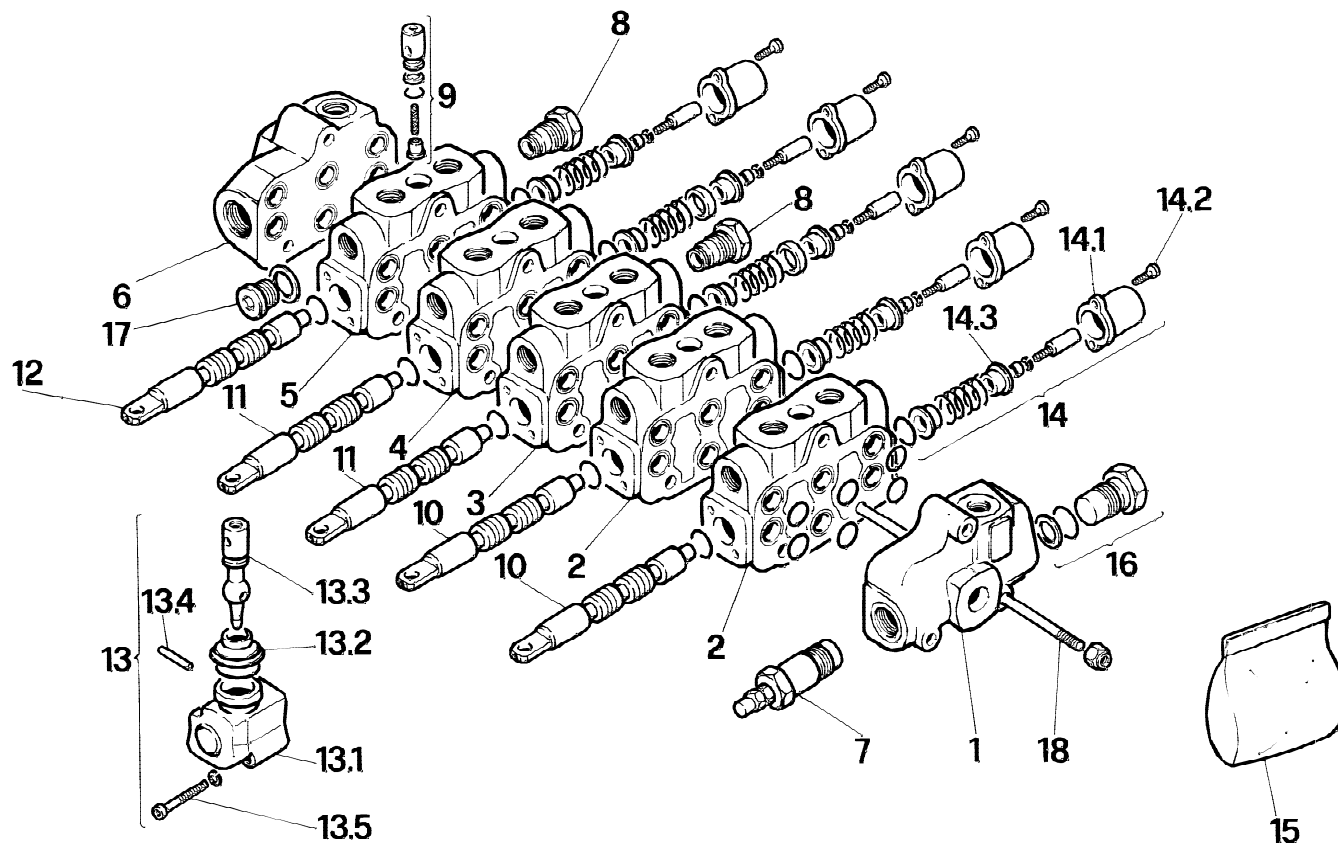
1/1

HYVA[®] CRANE
HB50

COMANDI BILATERALI ASTE STABILIZZATRICI (SUPER ESTENDIBILI) NO CE
 DOUBLE CONTROLS STABILIZER CONNECTING RODS (SUPER EXTENSIBLE) NO CE
 DOUBLE COMMANDES EXTESION DES STABILISATEURS (SUPER EXTENSIBLE) NO CE
 DOPPELSTEUERUNG STÜTZSTANGEN (SUPER EAUSDEHNBARE) NO CE
 MONDOS BILATERALAS VARILLAS ESTABILIZADORES (SUPER EXTENSIBLE) NO CE

Tavola
W.040.505-1-1

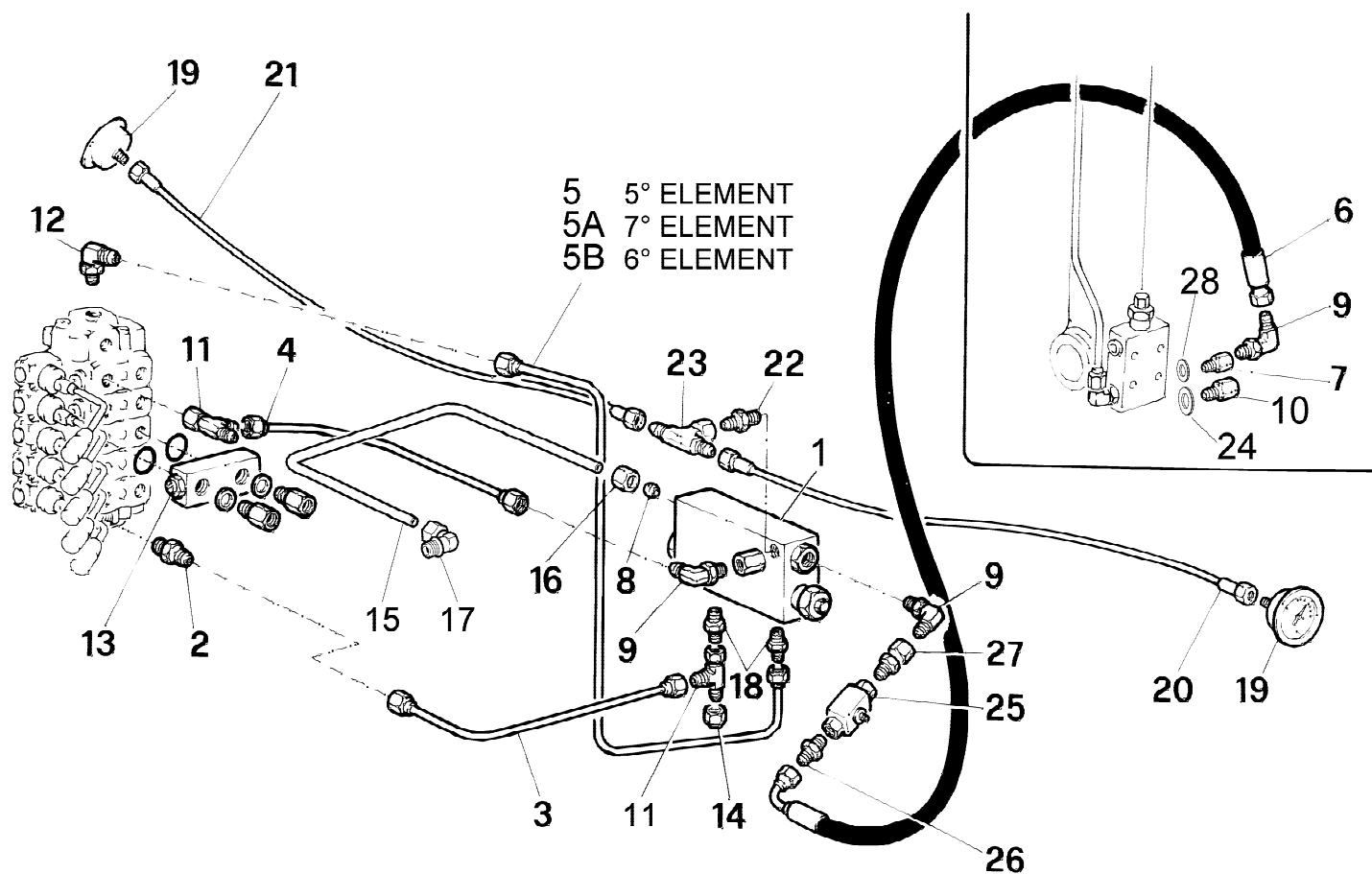
Data pag.
ottobre 2012 19



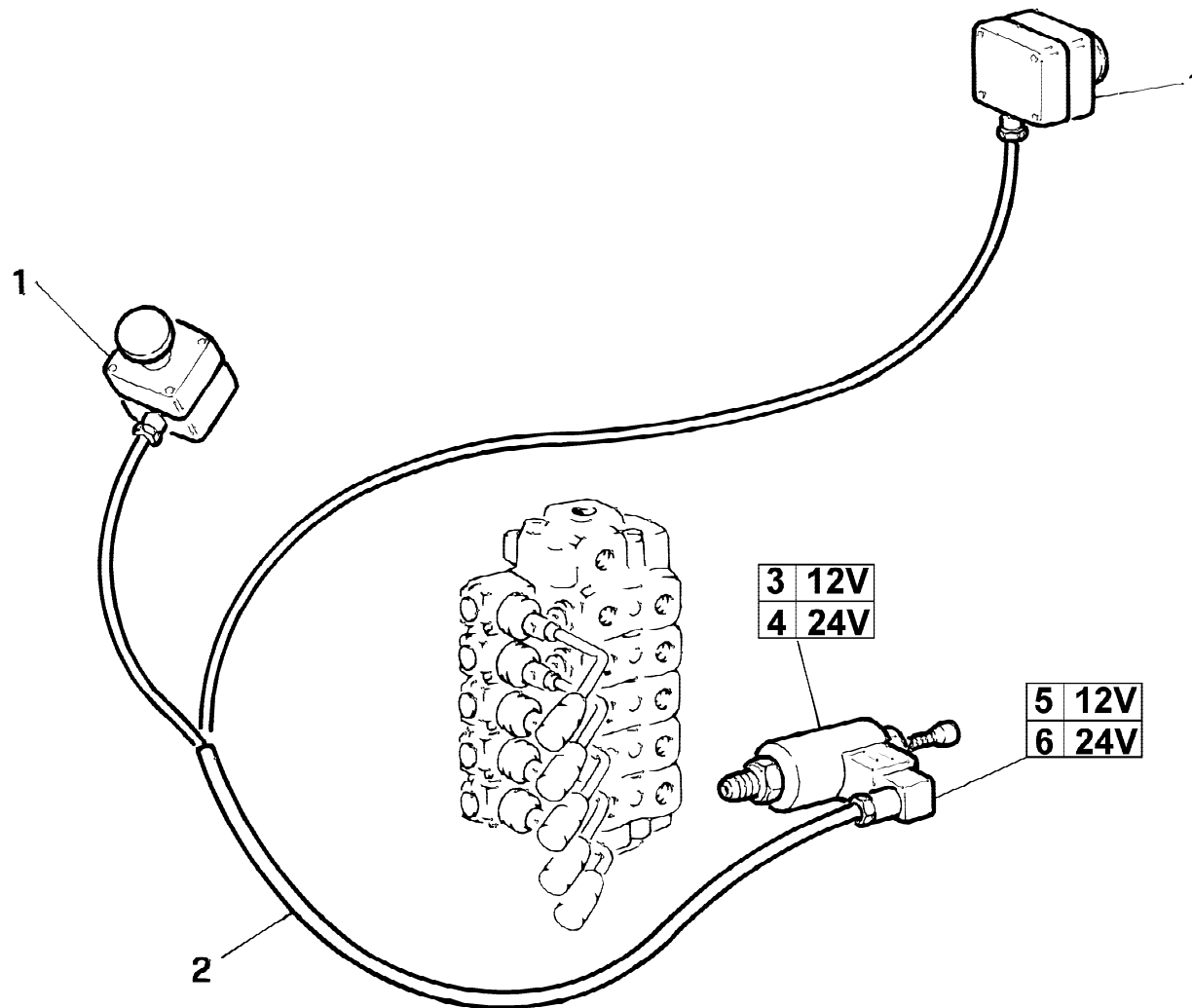
rif.	codice	Q.tà
1	W.VA.0489	1
2	W.VA.0480	2
3	W.VA.0482	1
4	W.VA.0483	1
5	W.VA.0484	1
6	W.VA.0491	1
7	W.VA.0438	1
8	W.VA.0440	2
9	W.VA.0439	5
10	W.VA.0506	2
11	W.VA.0507	2
12	W.VA.0508	1
13	W.VA.0241	5
13/1	W.VA.0302	5
13/2	W.VA.0304	5
13/3	W.VA.0301	5
13/4	W.VA.0303	5
13/5	W.VA.0305	10
14	W.VA.0447	5
14/1	W.VA.0513	5
14/2	W.751.004	10
14/3	W.VA.0519	2
15	W.VA.0473	1
16	W.VA.0431	1
17	W.VA.0432	8
18	W.VA.0462	1

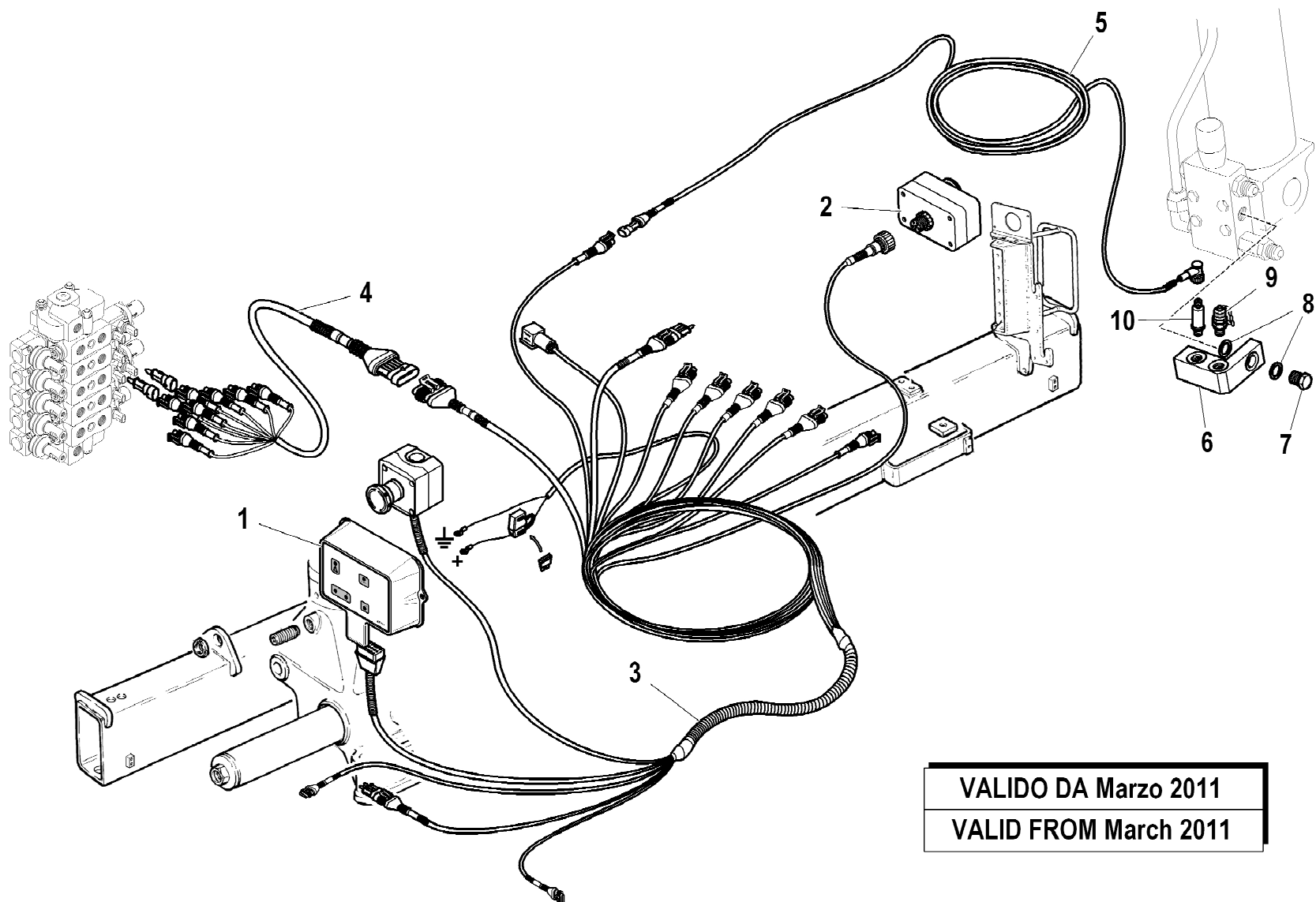
rif.	codice	Q.tà
1	W.471.001	1
2	W.470.414	1
3	W.39.05.028.00	1
4	W.39.05.029.00	1
5	W.39.05.030.00	1
5 A	W.39.05.031.00	1
5 B	W.39.05.032.00	1
6	W.456.052	1
7	5.22.0300	1
8	3.10.0956	1
9	3.10.1124	2
10	3.11.0112	1
11	3.12.0004	2
12	3.10.1128	1
13	W.471.003	1
14	3.11.0041	1
15	W.39.05.050.00	1
16	3.10.0952	1
17	3.10.0089	1
18	3.10.1044	2
19	W.378.005	2
20	W.458.458	1
21	W.458.459	1
22	3.12.0382	1
23	3.12.0111	1
24	3.06.0144	1
25	W.434.006	1
26	3.10.1039	1
27	3.12.0064	1
28	3.06.0143	1
29	W.14.02.008.00	1

1/1



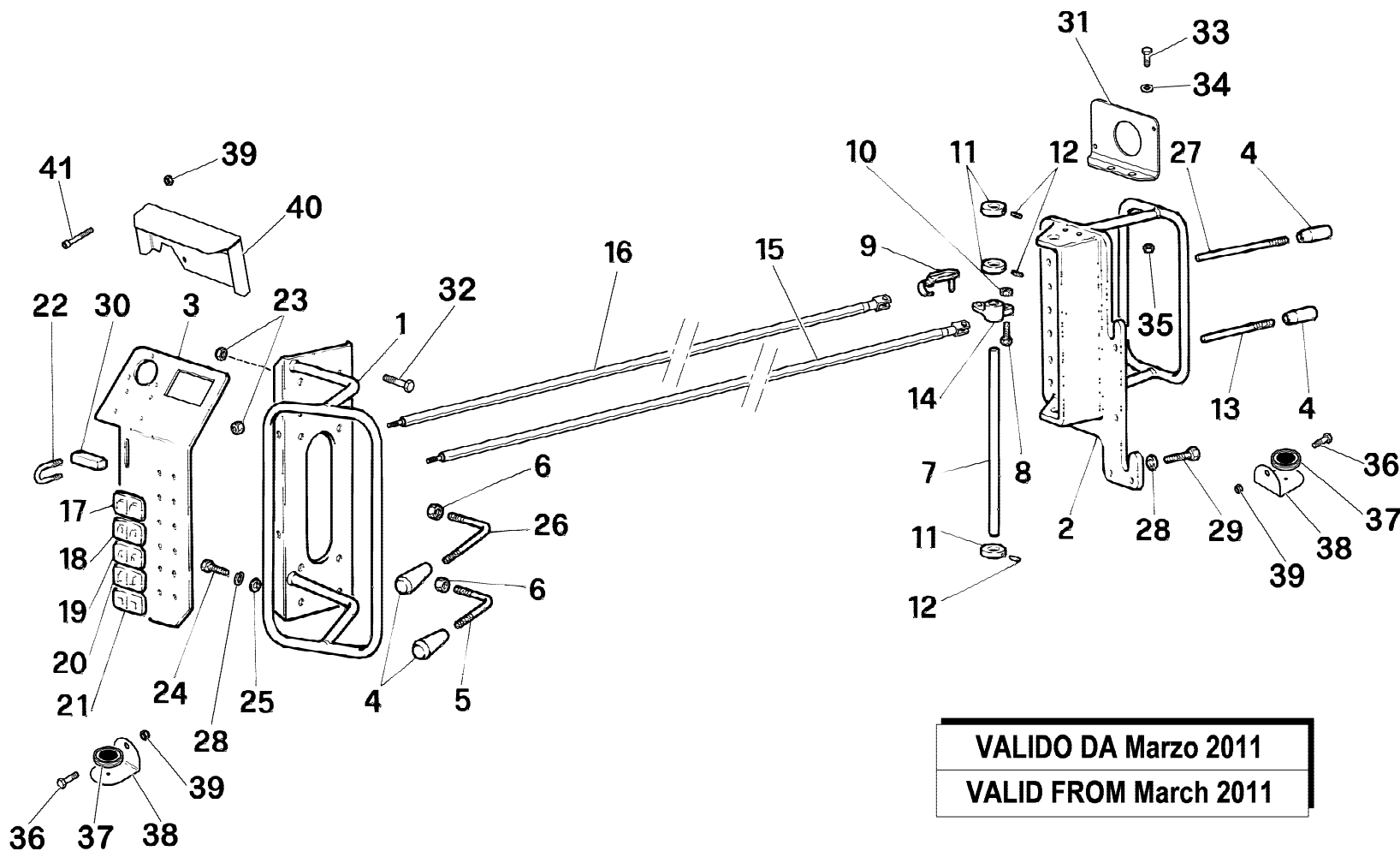
rif.	codice	Q.tà
1	W.264.203	2
2	W.37.05.502.00	1
3	W.222.007	1
4	W.222.008	1
5	W.470.612	1
6	W.470.613	1





rif.	codice	Q.tà
1	3.31.1373	1
2	3.31.1374	1
3	3.31.1375	1
4	3.31.1376	1
5	5.16.0001	1
6	5.00.2055	1
7	3.11.0078	1
8	3.06.0143	2
9	3.11.1523	1
10	3.31.0612	1

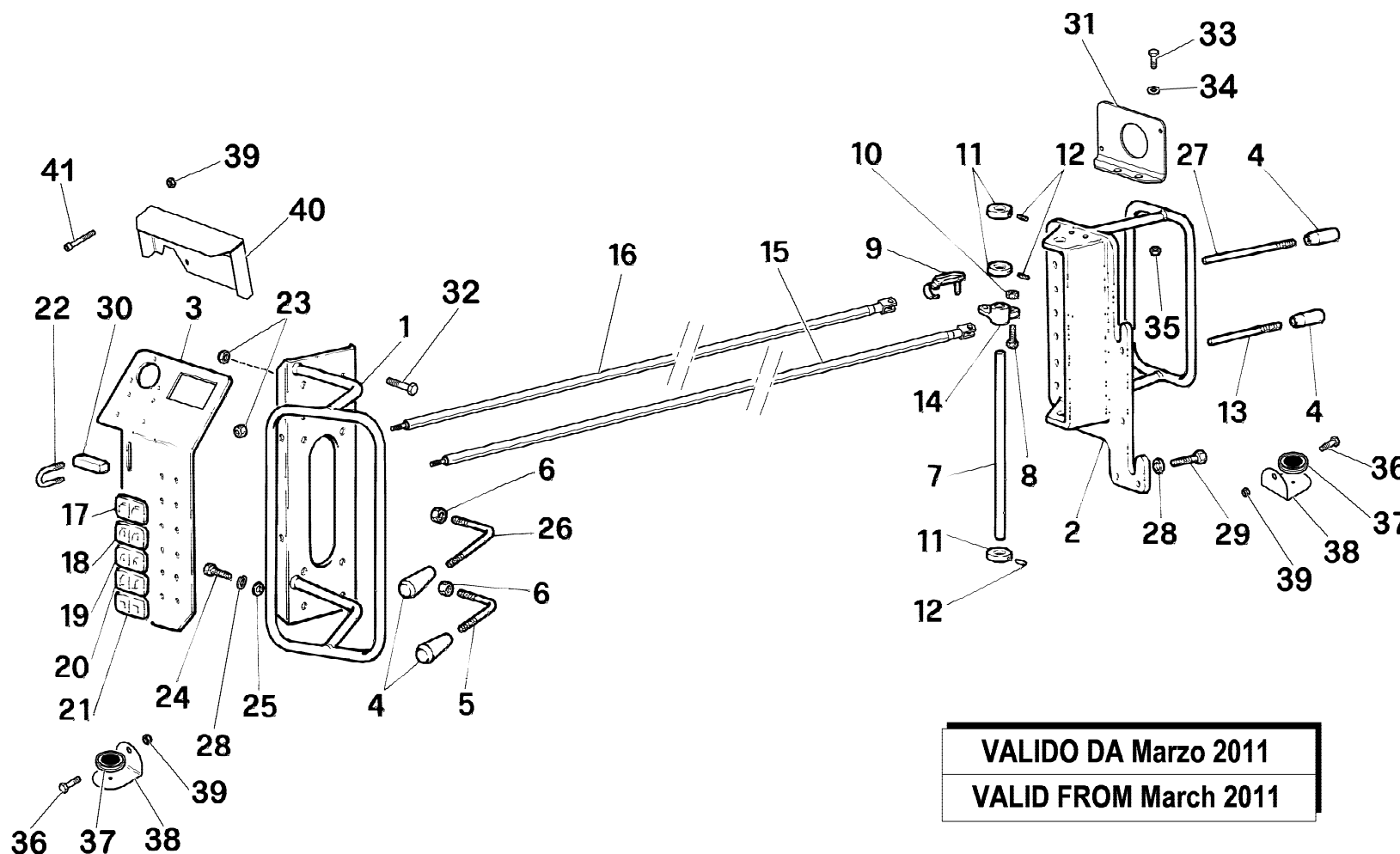
VALIDO DA Marzo 2011
 VALID FROM March 2011



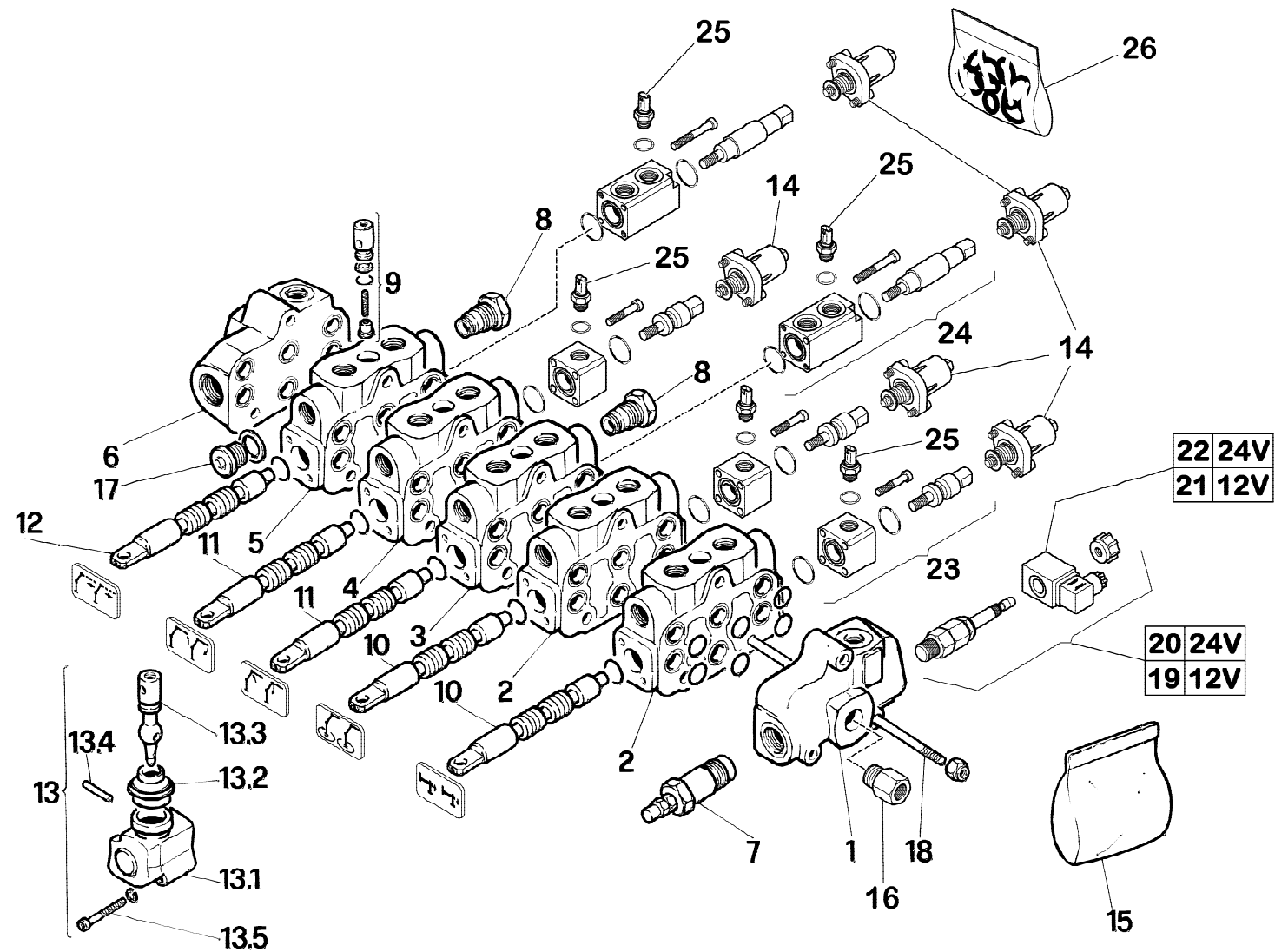
VALIDO DA Marzo 2011
VALID FROM March 2011

rif.	codice	Q.tà
1	W.39.05.001.00	1
2	W.37.05.001.00	1
3	W.39.05.053.00	1
4	W.664.003	10
5	W.37.05.022.00	1
6	3.04.0040	5
7	W.101.186	1
8	3.02.0021	5
9	3.30.0453	5
10	3.04.0393	5
11	W.27.01.027.03	3
12	3.06.0229	3
13	W.338.844	1
14	W.27.05.090.00	5
15	5.09.1312	3
16	5.09.1313	2
17	W.573.283	2
18	W.573.282	2
19	W.573.280	2
20	W.573.279	2
21	W.573.278	2
22	W.599.701	2
23	3.04.0524	6
24	3.01.0044	2
25	3.06.0914	2
26	W.37.05.021.00	4
27	W.338.843	4
28	3.06.0056	4
29	3.01.0354	3
30	W.39.05.055.00	2
31	5.00.2074	1
1/2		

rif.	codice	Q.tà
32	3.01.0035	3
33	3.01.0337	2
34	3.06.0006	2
35	3.04.0303	2
36	3.02.0035	2
37	3.18.0116	2
38	W.57.05.016.00	2
39	3.04.0372	4
40	5.00.0431	1
41	3.02.0964	2

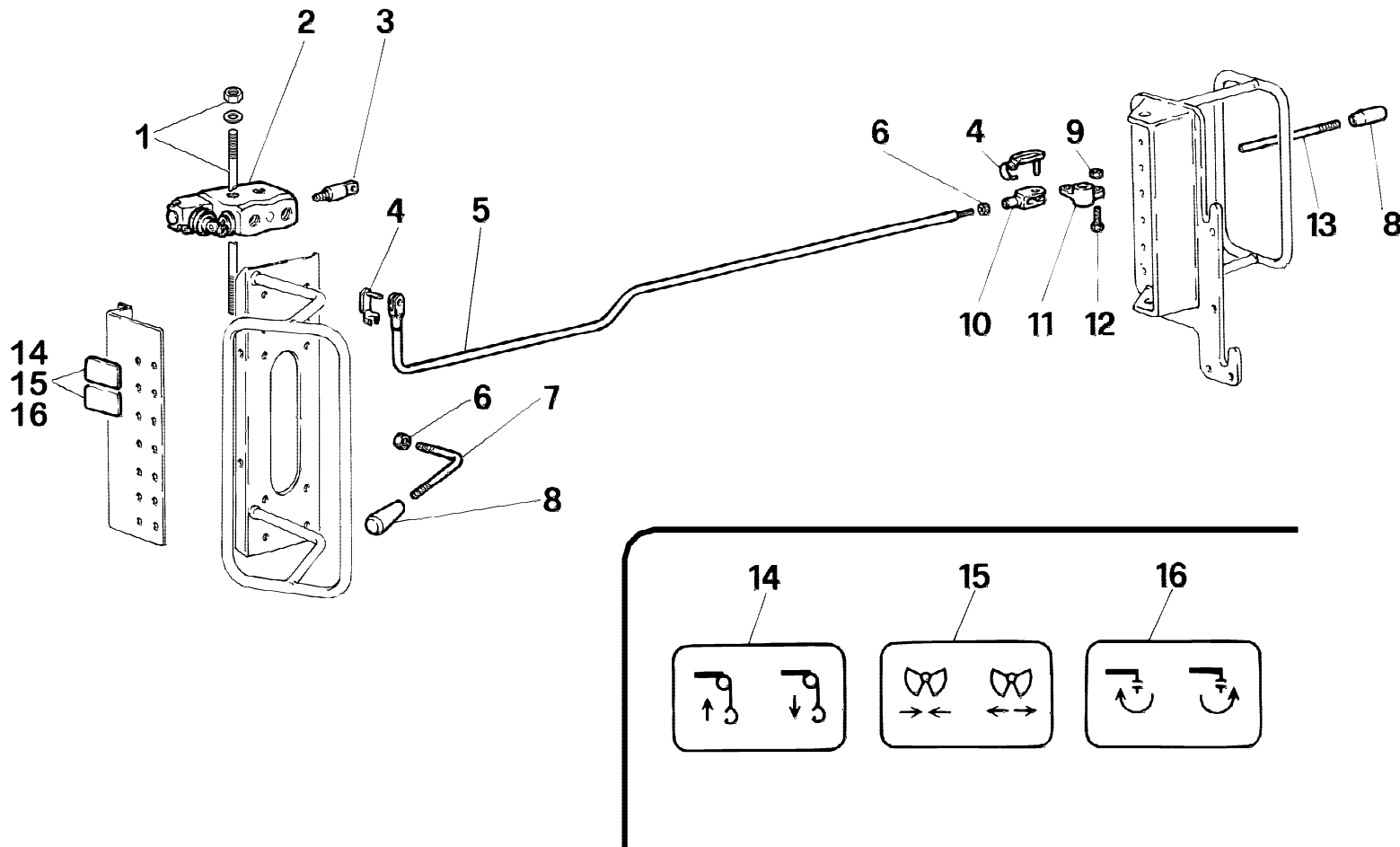


VALIDO DA Marzo 2011
VALID FROM March 2011

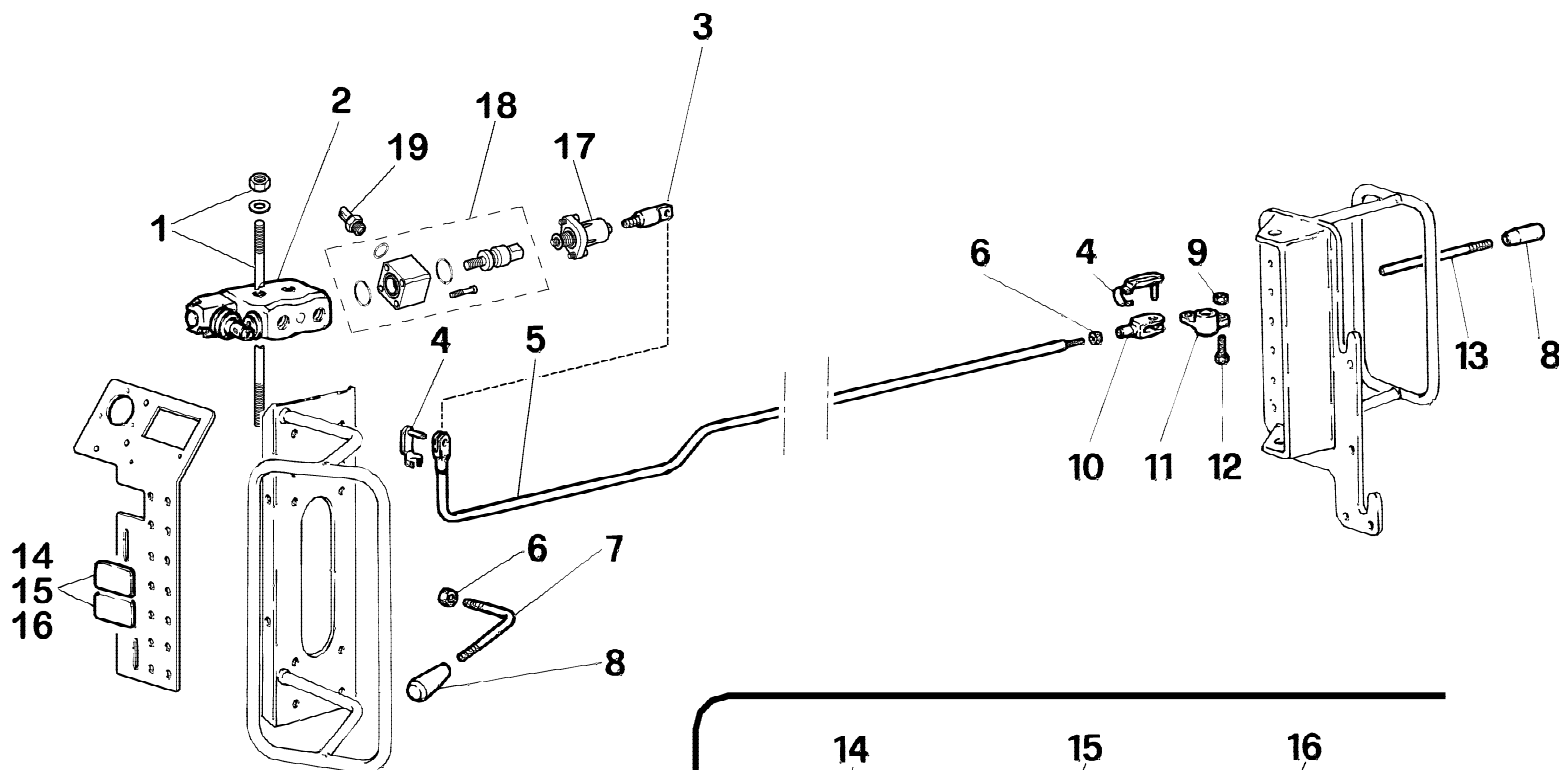


rif.	codice	Q.tà
1	W.VA.0489	1
2	W.VA.0480	2
3	W.VA.0482	1
4	W.VA.0483	1
5	W.VA.0484	1
6	W.VA.0491	1
7	W.VA.0438	1
8	5.22.0075	2
9	W.VA.0439	5
10	5.22.5711	2
11	W.VA.0507	2
12	W.VA.0508	1
13	5.22.5261	5
13/1	W.VA.0302	5
13/2	5.22.5022	5
13/3	W.VA.0301	5
13/4	W.VA.0303	5
13/5	W.VA.0305	10
14	W.VA.0447	5
15	W.VA.0473	1
16	3.10.1237	1
17	W.VA.0432	8
18	5.22.5548	1
19	5.22.5895	1
20	5.22.5894	1
21	3.31.1438	1
22	3.31.1437	1
23	5.22.5830	3
24	5.22.5847	2
25	5.22.5832	7
26	5.22.5874	1

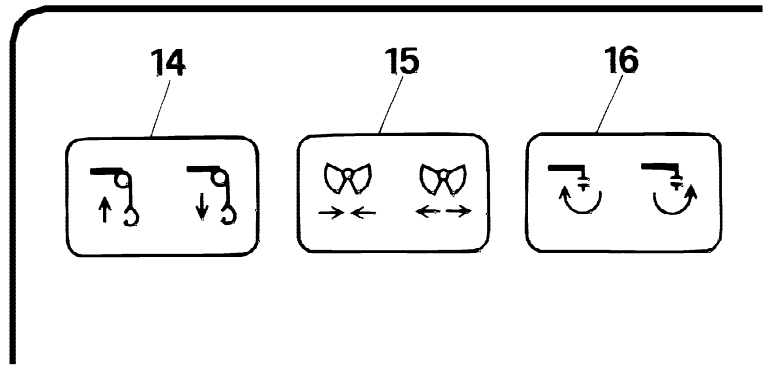
1/1



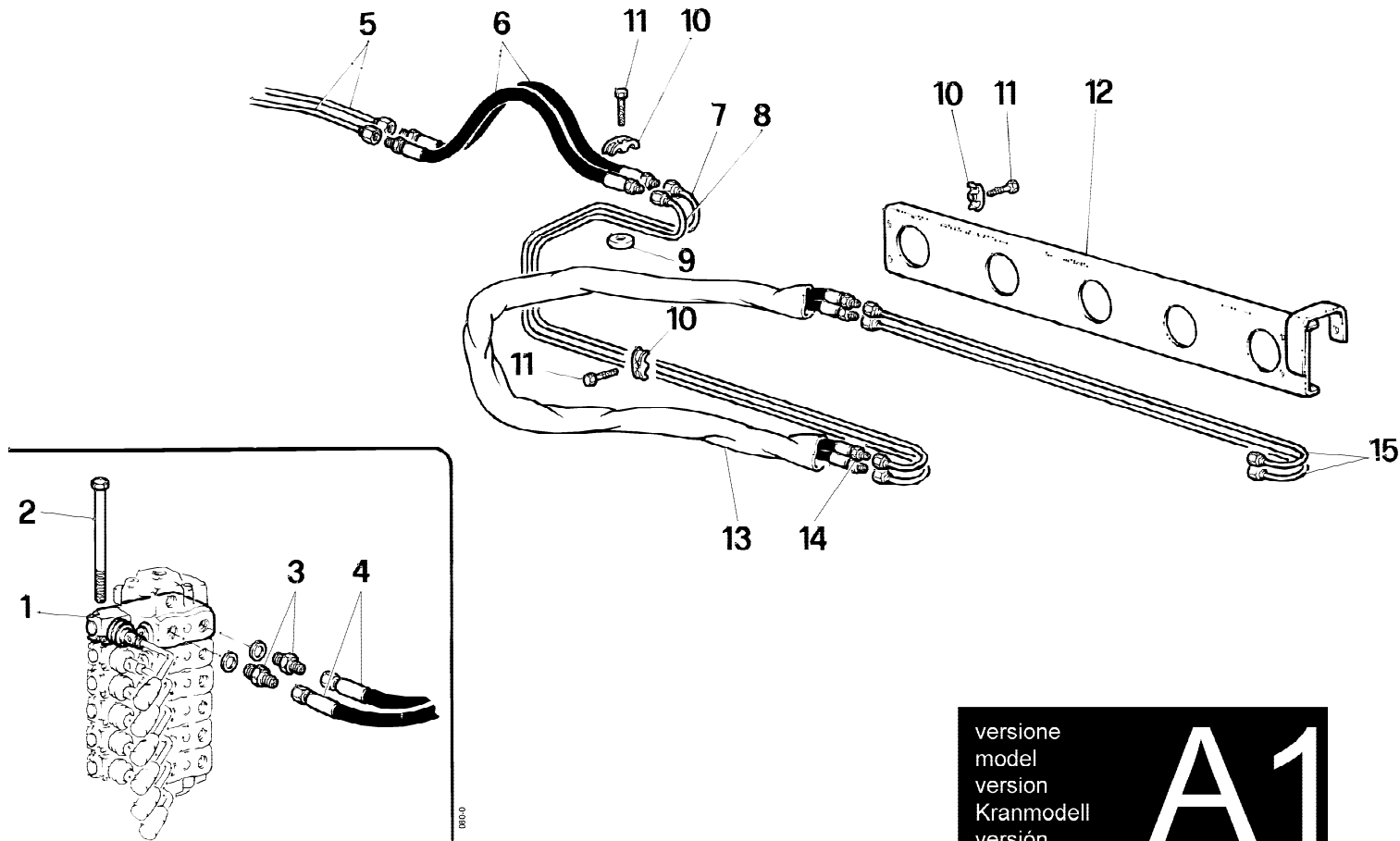
rif.	codice	Q.tà
1	5.22.5549	1
2	W.VA.0481	1
3	W.39.05.035.00	1
4	3.30.0451	2
5	W.39.05.003.00	1
6	3.04.0040	2
7	W.37.05.021.00	1
8	W.664.003	2
9	3.04.0393	1
10	3.30.0431	1
11	W.27.05.090.00	1
12	3.02.0021	1
13	W.338.843	1
14	W.573.286	2
15	W.573.284	2
16	W.273.285	2



VALIDO DA Gennaio 2011
VALID FROM January 2011



rif.	codice	Q.tà
1	5.22.5549	1
2	W.VA.0481	1
3	W.39.05.035.00	1
4	3.30.0451	2
5	5.09.1314	1
6	3.04.0040	2
7	W.37.05.021.00	1
8	W.664.003	2
9	3.04.0393	1
10	3.30.0431	1
11	W.27.05.090.00	1
12	3.02.0021	1
13	W.338.843	1
14	W.573.286	2
15	W.573.284	2
16	W.273.285	2
17	W.VA.0447	1
18	5.22.5830	1
19	5.22.5832	1



versione
 model
 version
 Kranmodell
 versión

A1

rif.	codice	Q.tà
1	W.AV.0481	1
2	W.VA.0463	3
3	3.10.1043	2
4	W.456.799	2
5	W.40.05.004.00	2
6	W.456.600	2
7	W.39.05.024.00	1
8	W.39.05.025.00	1
9	W.34.05.014.00	1
10	5.00.0077	6
11	3.01.0033	6
12	W.39.05.033.00	1
13	W.742.005	1
14	W.456.593	2
15	W.34.05.049.00	2

1/1

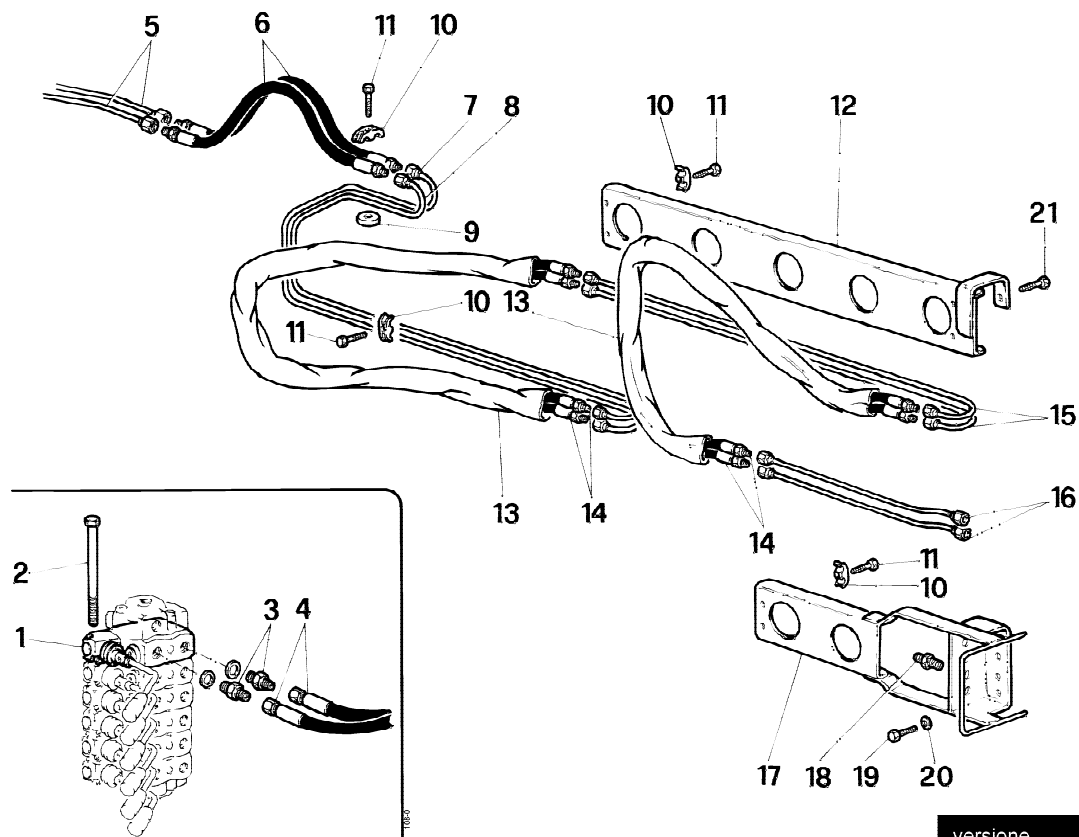
HYVA[®] CRANE
HB50

IMPIANTO IDRAULICO (6° ELEMENTO)
 HYDRAULIC SYSTEM (6TH ELEMENT)
 INSTALLATION HYDRAULIQUE (6E ELEMENT)
 HYDRAULIKANLAGE (6. ELEMENT)
 INSTALACION HIDRAULICA (6° ELEMENTO)

Tavola
W.545-27-6

Data pag.
 febbraio 2007 28

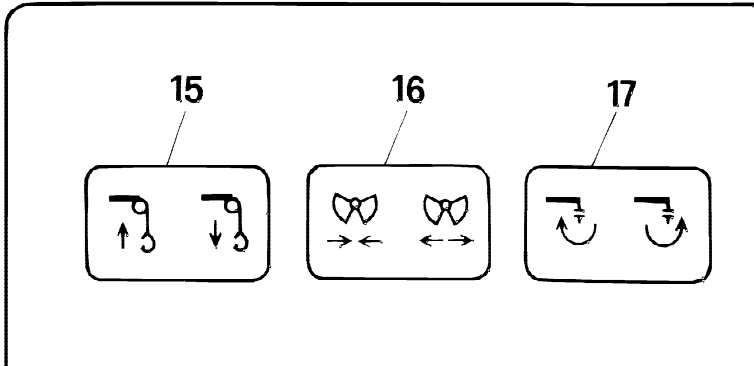
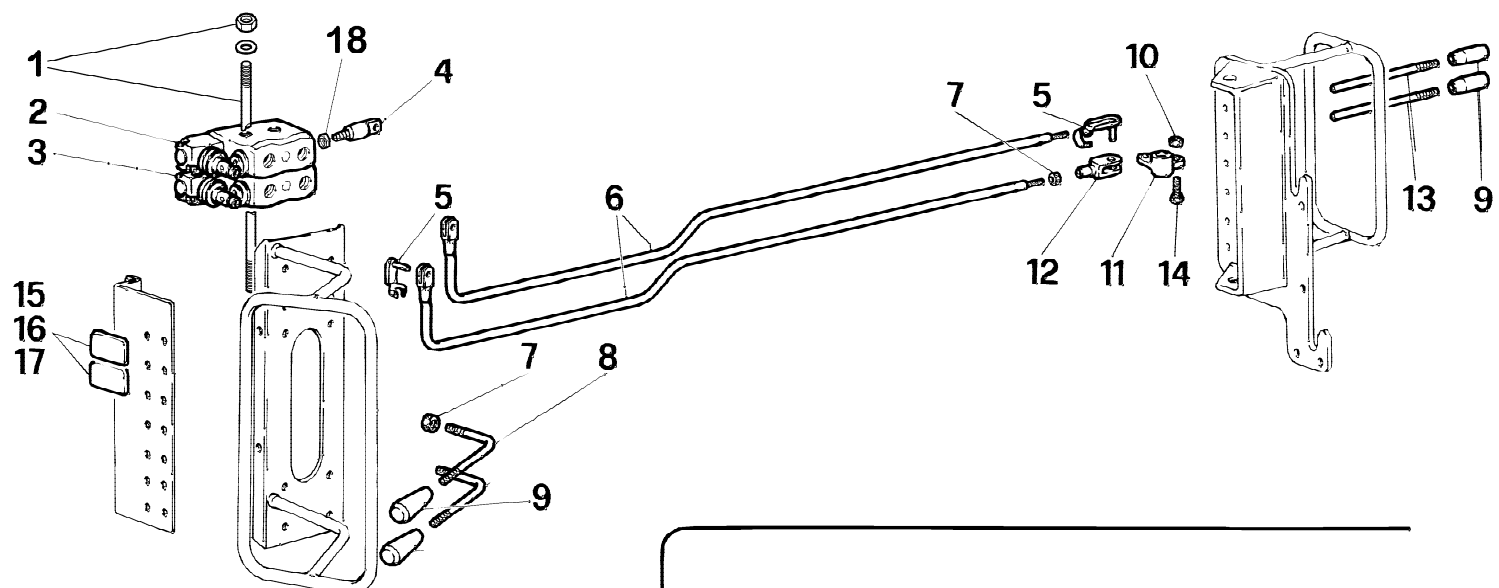
rif.	codice	Q.tà
1	W.VA.0481	1
2	W.VA.0463	3
3	3.10.1043	2
4	W.456.799	2
5	W.40.05.004.00	2
6	W.456.600	2
7	W.39.05.024.00	1
8	W.39.05.025.00	1
9	W.34.05.014.00	1
10	5.00.0077	6
11	3.01.0033	6
12	W.39.05.033.00	1
13	W.742.005	2
14	W.456.593	4
15	W.39.05.049.00	2
16	W.34.05.050.00	2
17	W.34.05.027.00	1
18	3.12.0310	2
19	3.01.0353	2
20	3.06.0914	2
21	3.02.0452	1

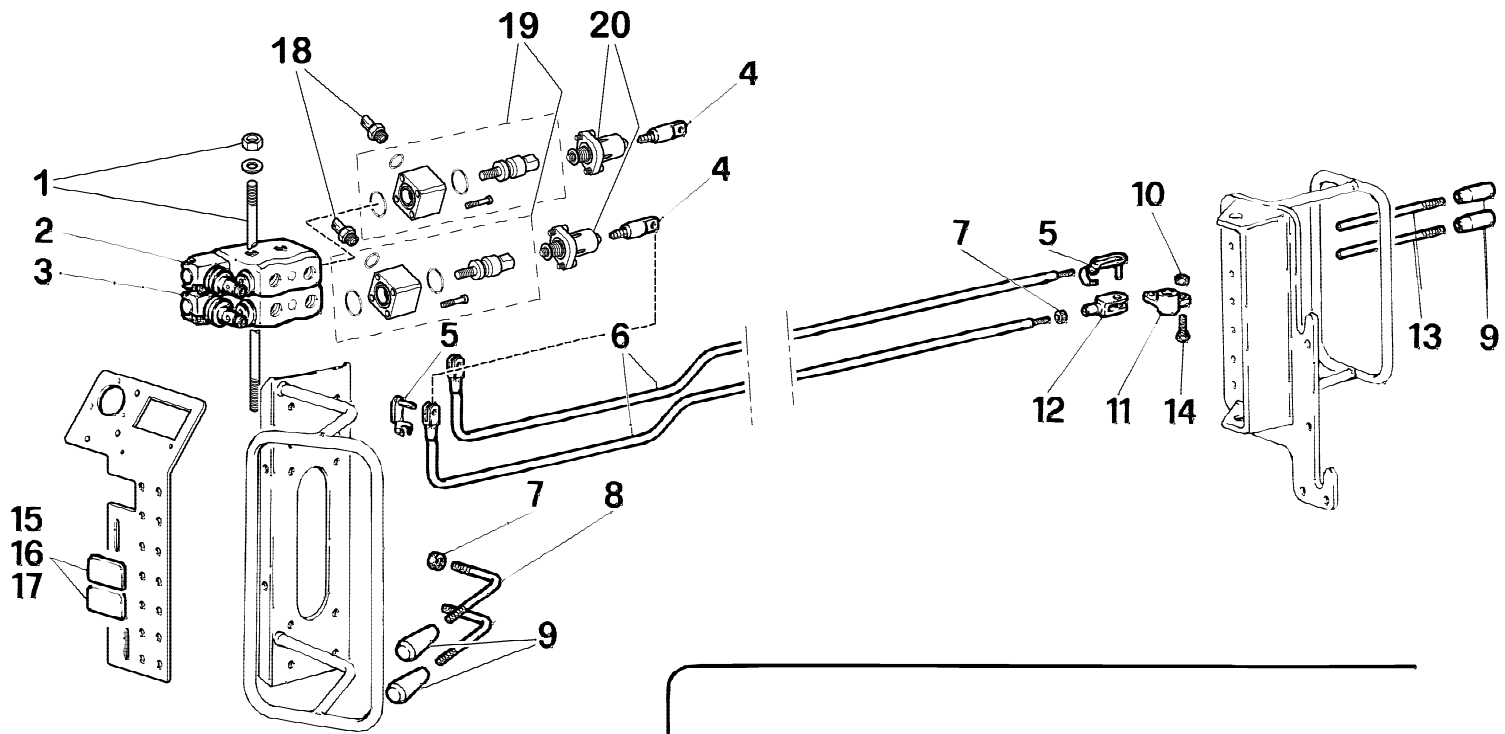


versione
 model
 version
 Kranmodell
 versi—n

A2

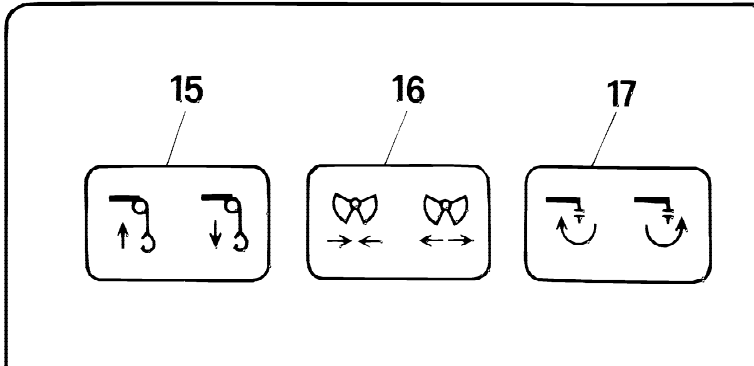
rif.	codice	Q.tà
1	5.22.5550	1
2	W.VA.0481	1
3	W.VA.0480	1
4	W.39.05.035.00	2
5	3.30.0451	4
6	W.39.05.003.00	2
7	3.04.0040	4
8	W.37.05.021.00	2
9	W.664.003	4
10	3.04.0393	2
11	W.27.05.090.00	2
12	3.30.0431	2
13	W.338.843	2
14	3.02.0021	2
15	W.573.286	2
16	W.573.284	2
17	W.273.285	2
18	3.04.0081	2

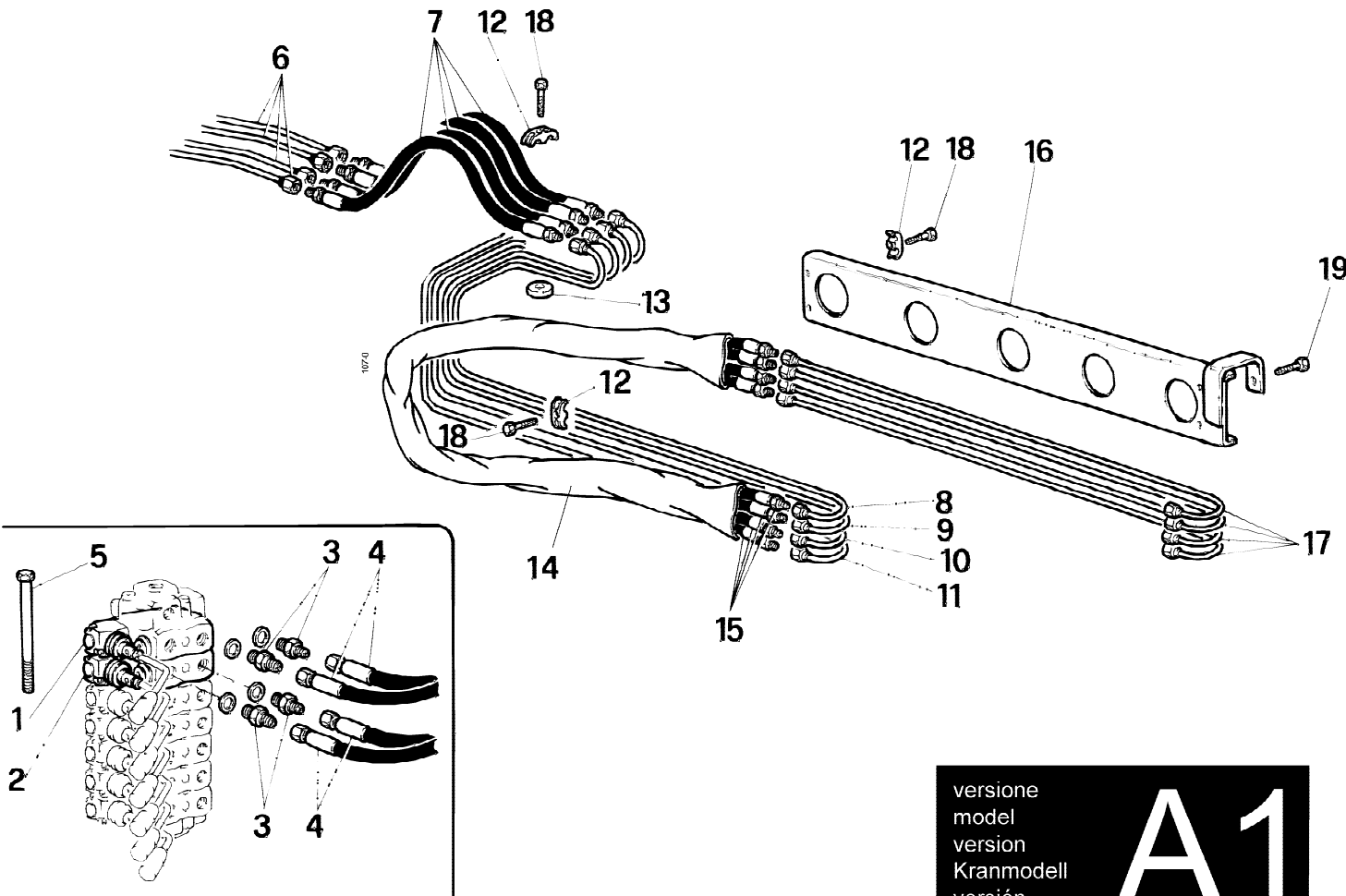




rif.	codice	Q.tà
1	5.22.5550	1
2	W.VA.0481	1
3	W.VA.0480	1
4	W.39.05.035.00	2
5	3.30.0451	4
6	5.09.1314	2
7	3.04.0040	4
8	W.37.05.021.00	2
9	W.664.003	4
10	3.04.0393	2
11	W.27.05.090.00	2
12	3.30.0431	2
13	W.338.843	2
14	3.02.0021	2
15	W.573.286	2
16	W.573.284	2
17	W.273.285	2
18	5.22.5832	2
19	5.22.5830	2
20	W.VA.0447	2

VALIDO DA Gennaio 2011
VALID FROM January 2011

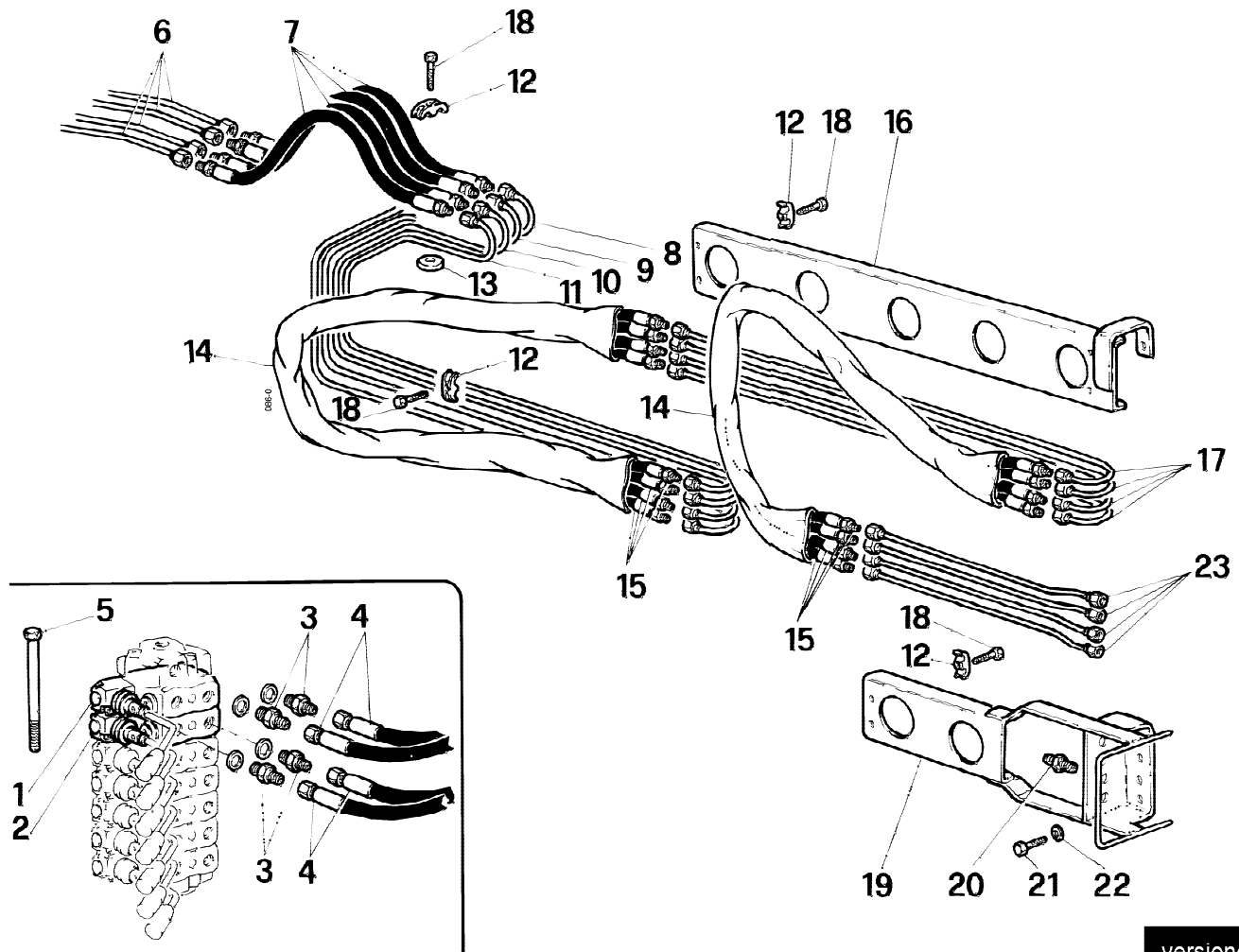




versione
 model
 version
 Kranmodell
 versión

A1

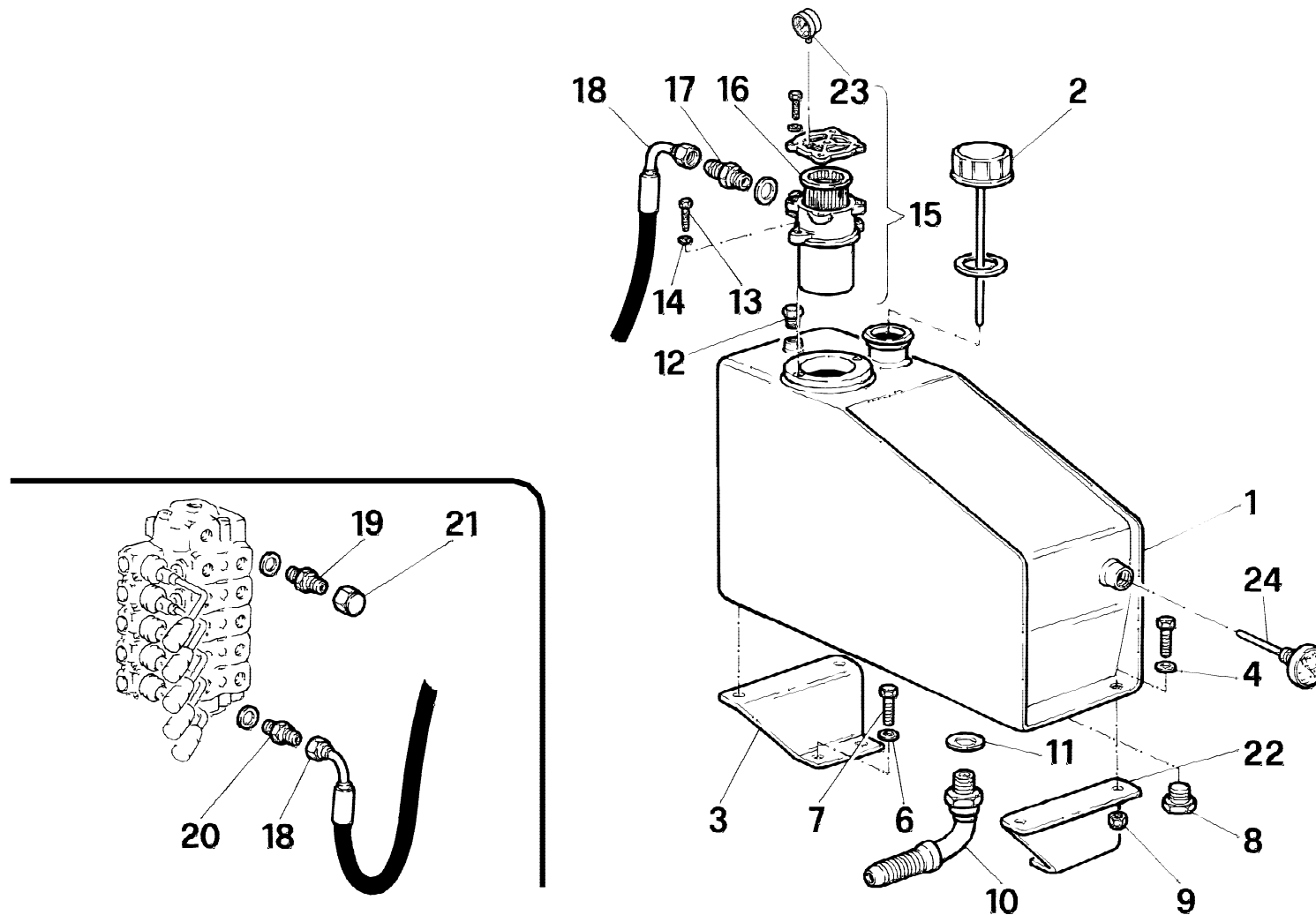
rif.	codice	Q.tà
1	W.VA.0480	1
2	W.AV.0481	1
3	3.10.1043	4
4	W.456.799	4
5	W.VA.0464	3
6	W.40.05.004.00	4
7	W.456.600	4
8	W.39.05.024.00	1
9	W.39.05.025.00	1
10	W.3905.026.00	1
11	W.39.05.027.00	1
12	5.00.0077	9
13	W.34.05.014.00	9
14	W.742.005	1
15	W.456.593	4
16	W.39.05.033.00	1
17	W.34.05.049.00	4
18	3.01.0033	9
19	3.02.0452	1



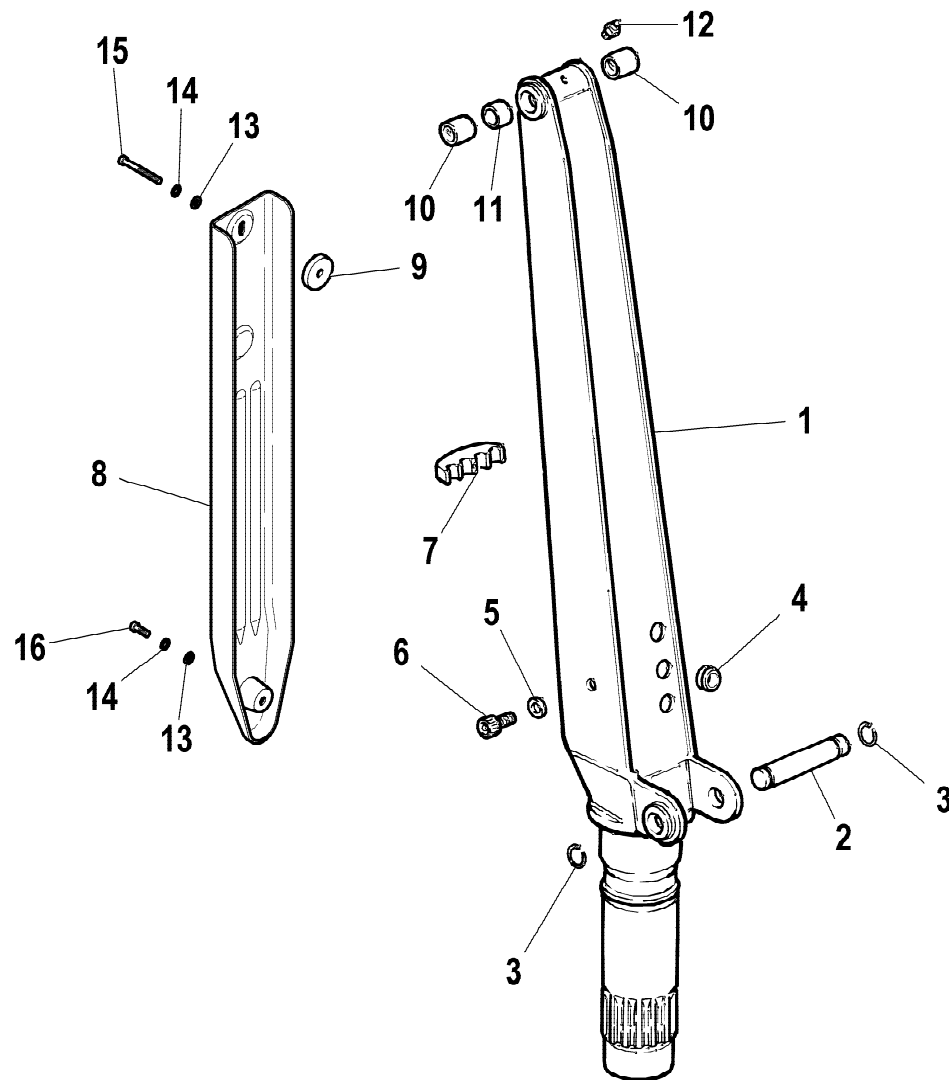
rif.	codice	Q.tà
1	W.VA.0480	1
2	W.VA.0481	1
3	3.10.1043	4
4	W.456.799	4
5	W.VA.0464	3
6	W.40.05.004.00	4
7	W.456.600	4
8	W.39.05.024.00	1
9	W.39.05.025.00	1
10	W.39.05.026.00	1
11	W.39.05.027.00	1
12	5.00.0077	9
13	W.34.05.014.00	9
14	W.742.005	1
15	W.456.593	4
16	W.39.05.033.00	1
17	W.34.05.049.00	4
18	3.01.0033	9
19	W.34.05.027.00	1
20	W.402.008	4
21	3.01.0353	2
22	3.06.0914	2
23	W.34.05.050.00	4

versione
 model
 version
 Kranmodell
 versi—n

A2

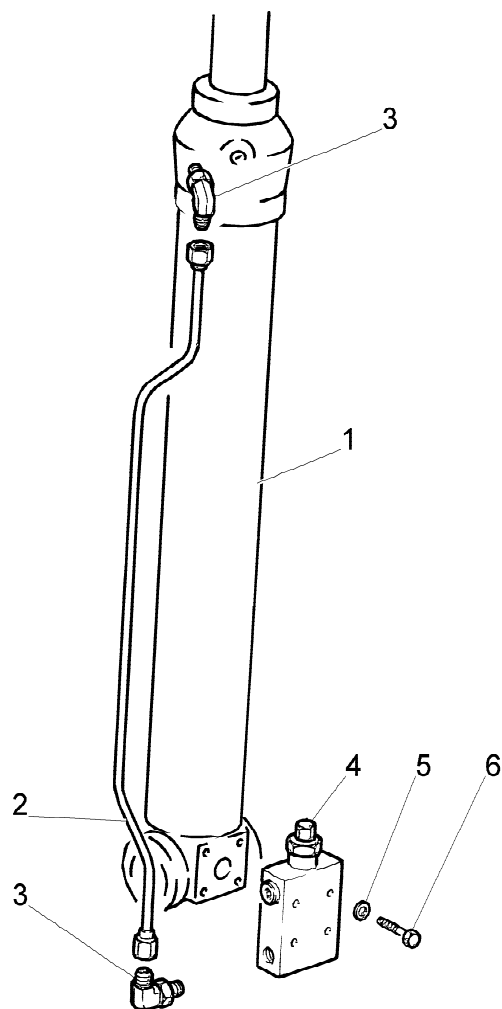


rif.	codice	Q.tà
1	W.40.05.001.00	1
2	W.449.008	1
3	W.40.05.006.00	1
4	3.06.0029	4
5	3.01.0339	4
6	3.06.0914	4
7	3.01.0352	4
8	3.11.0070	1
9	3.04.0524	4
10	3.10.0120	1
11	3.06.0150	1
12	W.449.022	1
13	3.01.0325	6
14	3.06.0005	6
15	3.18.0199	1
16	3.18.0112	1
17	3.10.1044	1
18	W.455.706	1
19	3.10.1043	1
20	3.10.1051	1
21	3.11.0041	1
22	W.40.05.007.00	1
23	3.18.0147	1
24	3.18.0097	1

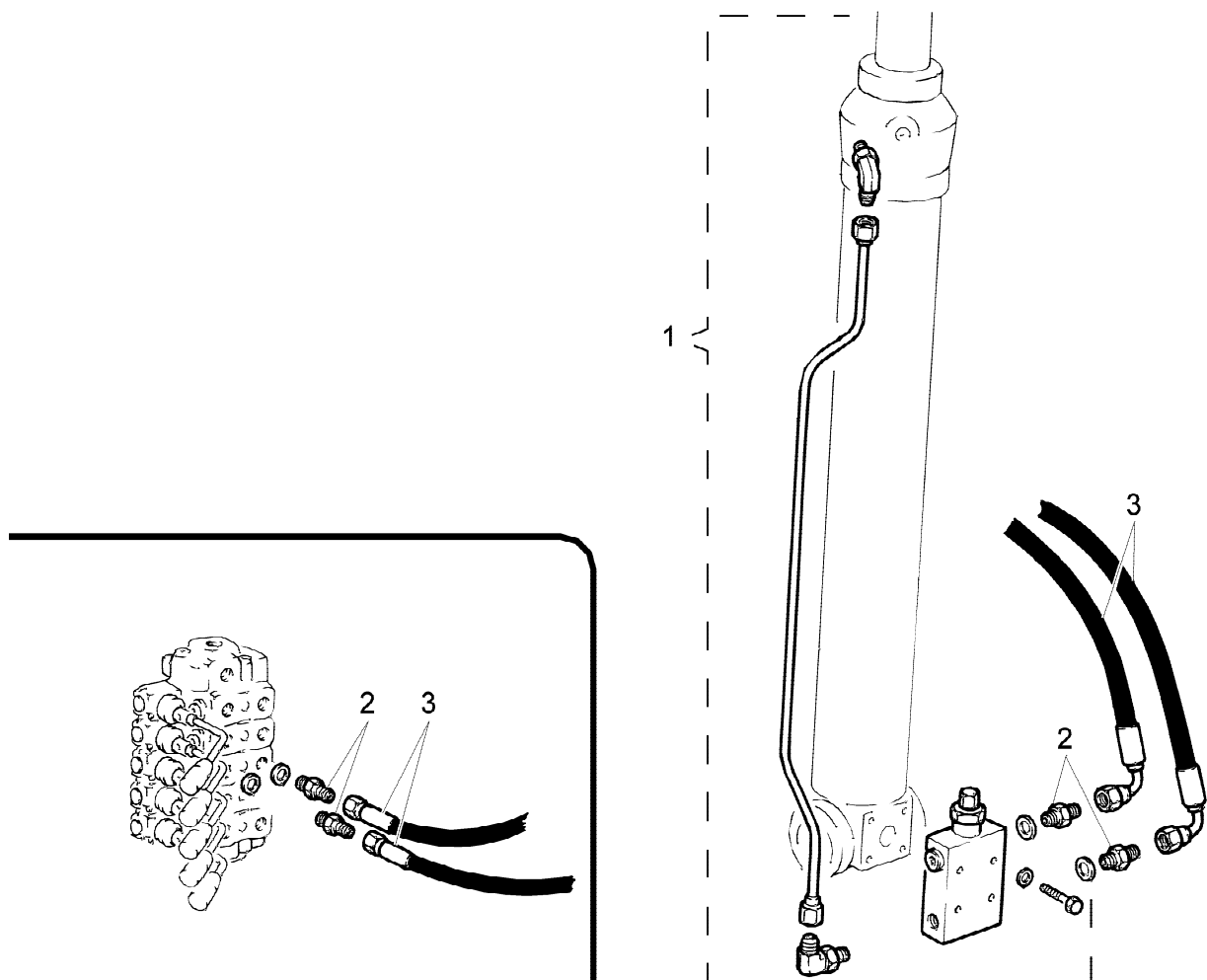


rif.	codice	Q.tà
1	W.39.02.002.00	1
2	W.101.225	1
3	3.07.0210	2
4	W.14.02.008.00	2
5	W.38.03.009.00	1
6	3.02.0126	1
7	W.128.030	1
8	5.09.1160	1
9	W.34.05.014.00	1
10	W.102.135	2
11	W.40.02.008.00	1
12	3.08.0500	1
13	3.06.0029	2
14	3.06.0918	2
15	3.02.0062	1
16	3.02.0051	1

rif.	codice	Q.tà
1	W.40.02.503.00	1
2	W.39.05.017.00	1
3	3.10.1125	2
4	W.470.052	1
5	3.06.0055	4
6	3.01.0031	4



rif.	codice	Q.tà
1	W.40.02.504.00	1
2	3.10.1040	4
3	W.456.052	2



1/1

HYVA[®] CRANE

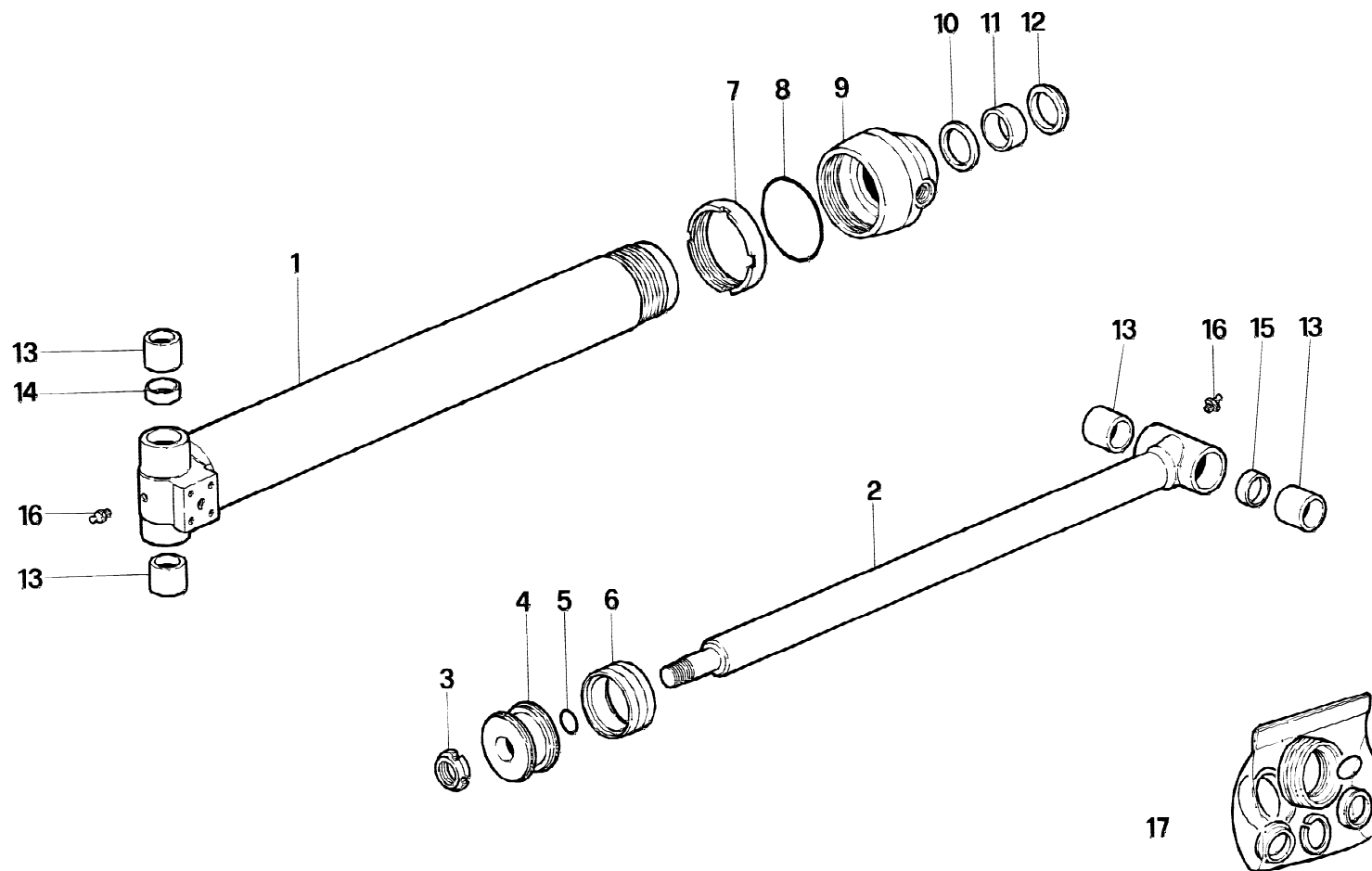
HB50

IMPIANTO IDRAULICO (MARTINETTO SOLLEVAMENTO)
 HYDRAULIC SYSTEM (LIFTING HYDRAULIC CYLINDER)
 INSTALLATION HYDRAULIQUE (VERIN DE LEVAGE)
 HYDRAULIKANLAGE (HUBZYLINDER)
 INSTALACION HIDRAULICA (GATO DE ELEVACION)

Tavola

W.545-11-7

Data pag.
 febbraio 2007 37



rif.	codice	Q.tà
1	W.40.02.014.00	1
2	W.40.02.015.00	1
3	3.04.0505	1
4	W.105.074	1
5	W.360.076	1
6	W.359.021	1
7	W.38.02.004.00	1
8	W.360.078	1
9	W.40.02.016.00	1
10	W.358.038	1
11	W.102.141	1
12	W.361.032	1
13	W.102.135	4
14	W.40.02.007.00	1
15	W.40.02.006.00	1
16	W.616.001	2
17	W.365.145	1

1/1

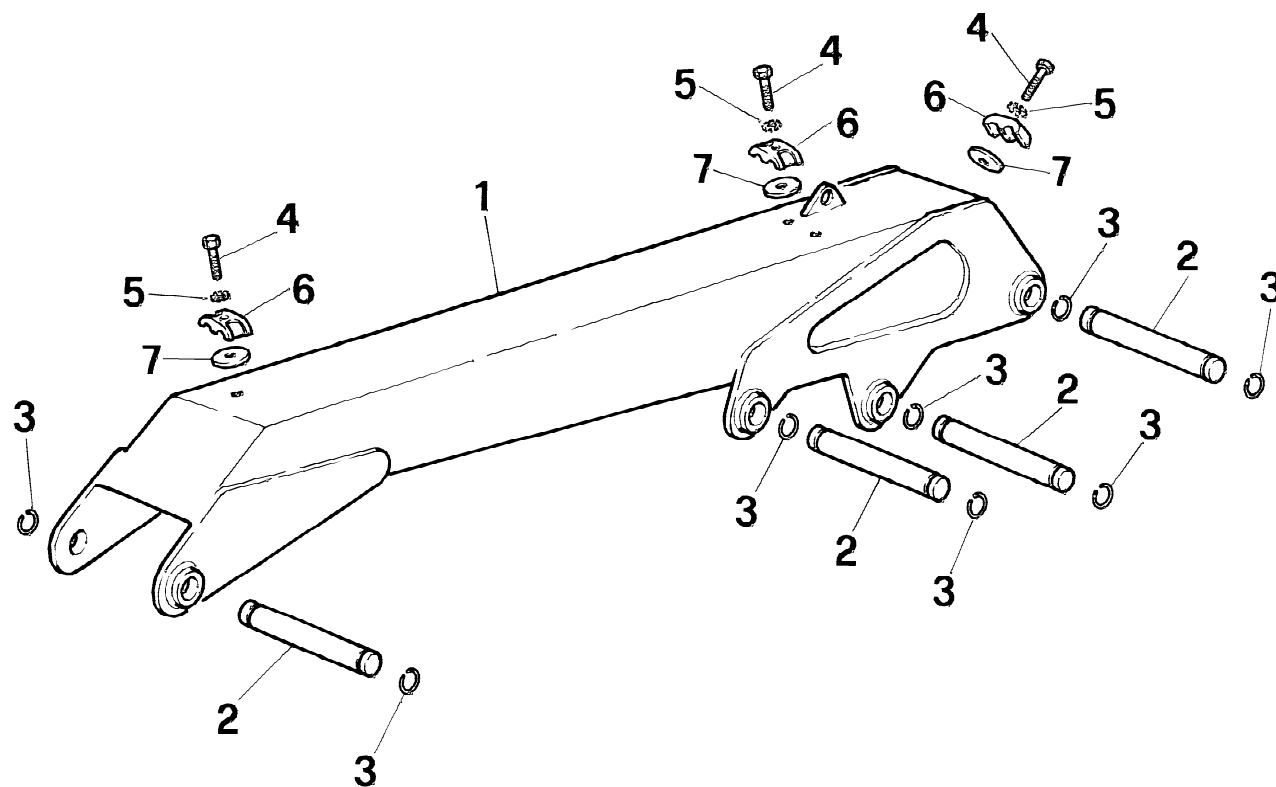
HYVA[®] CRANE
HB50

MARTINETTO SOLLEVAMENTO
 LIFTING HYDRAULIC CYLINDER
 VERIN DE LEVAGE
 HUBZYLINDER
 GATO DE ELEVACION

Tavola
W.40.02.503.00-1-1

Data pag.
 febbraio 2007 38

rif.	codice	Q.tà
1	W.40.02.004.00	1
2	W.101.206	4
3	3.07.0210	8
4	3.01.0031	6
5	3.06.0007	6
6	5.00.0077	6
7	W.34.05.014.00	6



0070

1/1

HYVA[®] CRANE

HB50

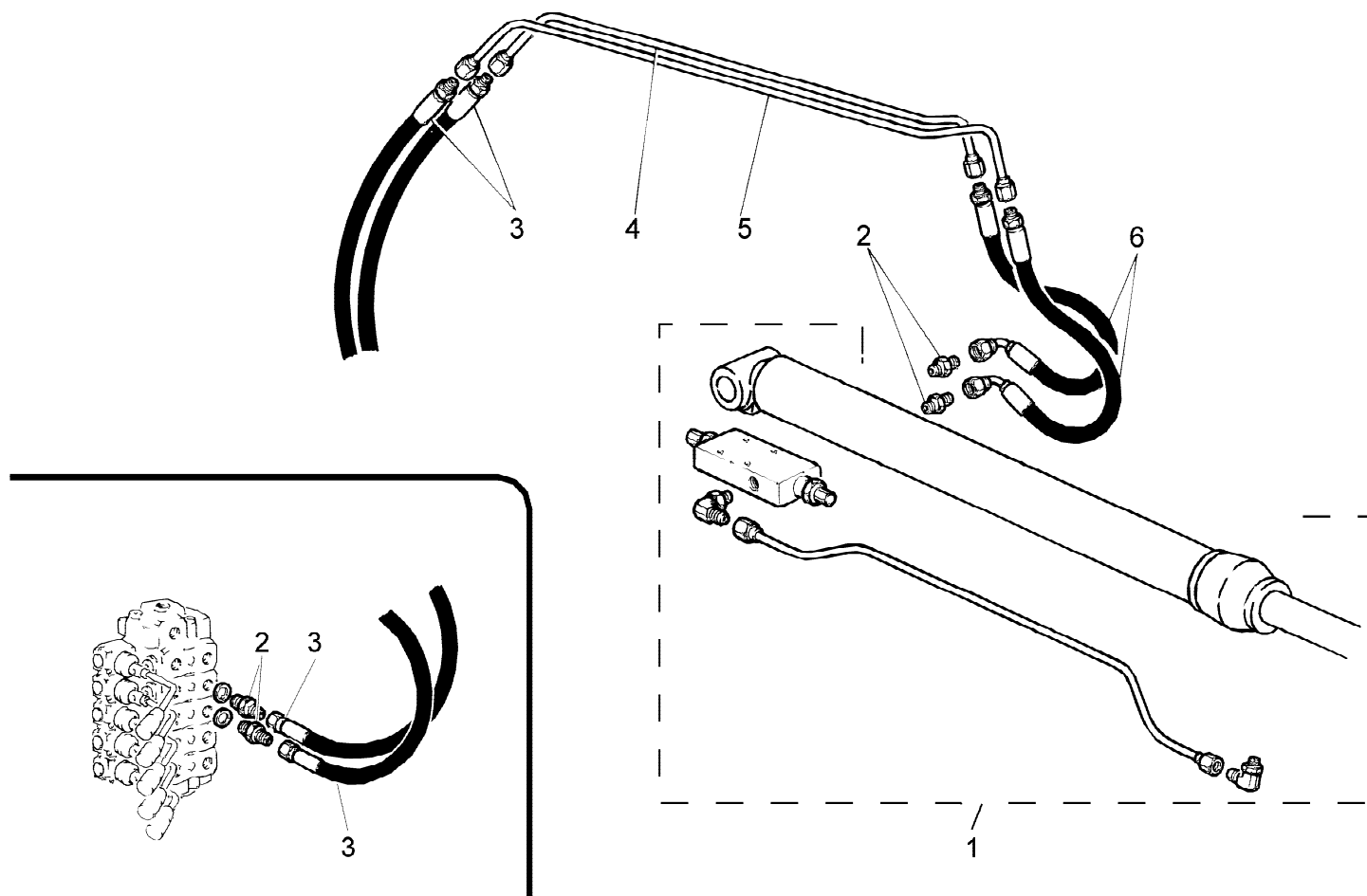
1° BRACCIO
1ST BOOM
1ERE BRAS
1. ARM
1° BRAZO

Tavola

W.545-03-6

Data pag.
febbraio 2007 39

rif.	codice	Q.tà
1	W.40.03.501.00	1
2	3.10.1040	4
3	W.456.896	2
4	W.40.05.002.00	1
5	W.40.05.003.00	1
6	W.456.914	2



50210-6

1/1

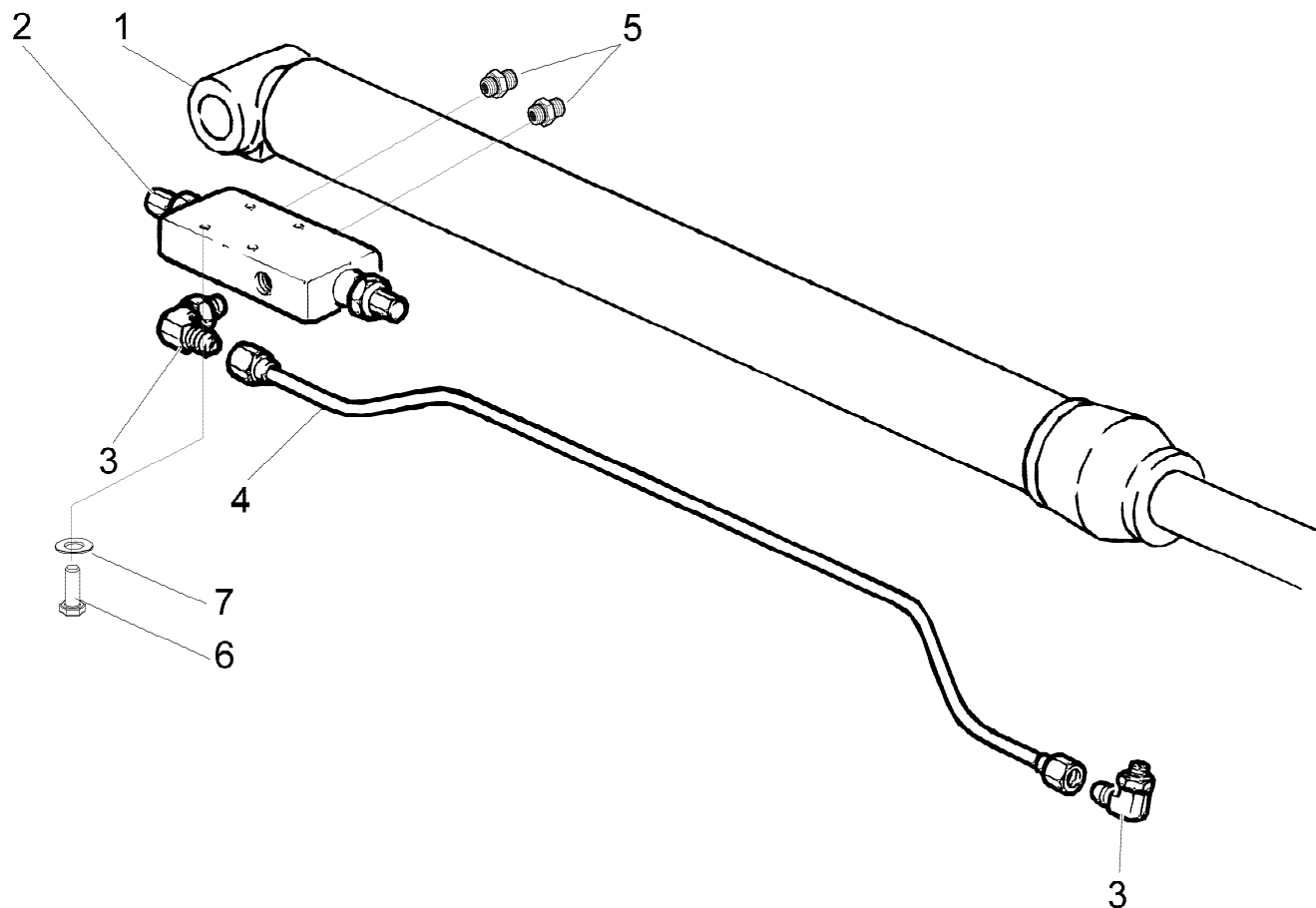
HYVA[®] CRANE
HB50

IMPIANTO IDRAULICO (MARTINETTO ARTICOLAZIONE)
 HYDRAULIC SYSTEM (ARTICULATION HYDRAULIC JACK)
 INSTALLATION HYDRAULIQUE (VERIN D' ARTICULATION)
 HYDRAULIKANLAGE (GELENKSHEBEBOCK)
 INSTALACION HIDRAULICA (GATO DE ARTICULACION)

Tavola
W.545-12-7

Data pag.
 febbraio 2007 40

rif.	codice	Q.tà
1	W.40.03.502.00	1
2	5.22.0548	1
3	3.10.1125	2
4	W.39.05.023.00	1
5	3.10.1040	2
6	3.01.0031	4
7	3.06.0055	4



1/1

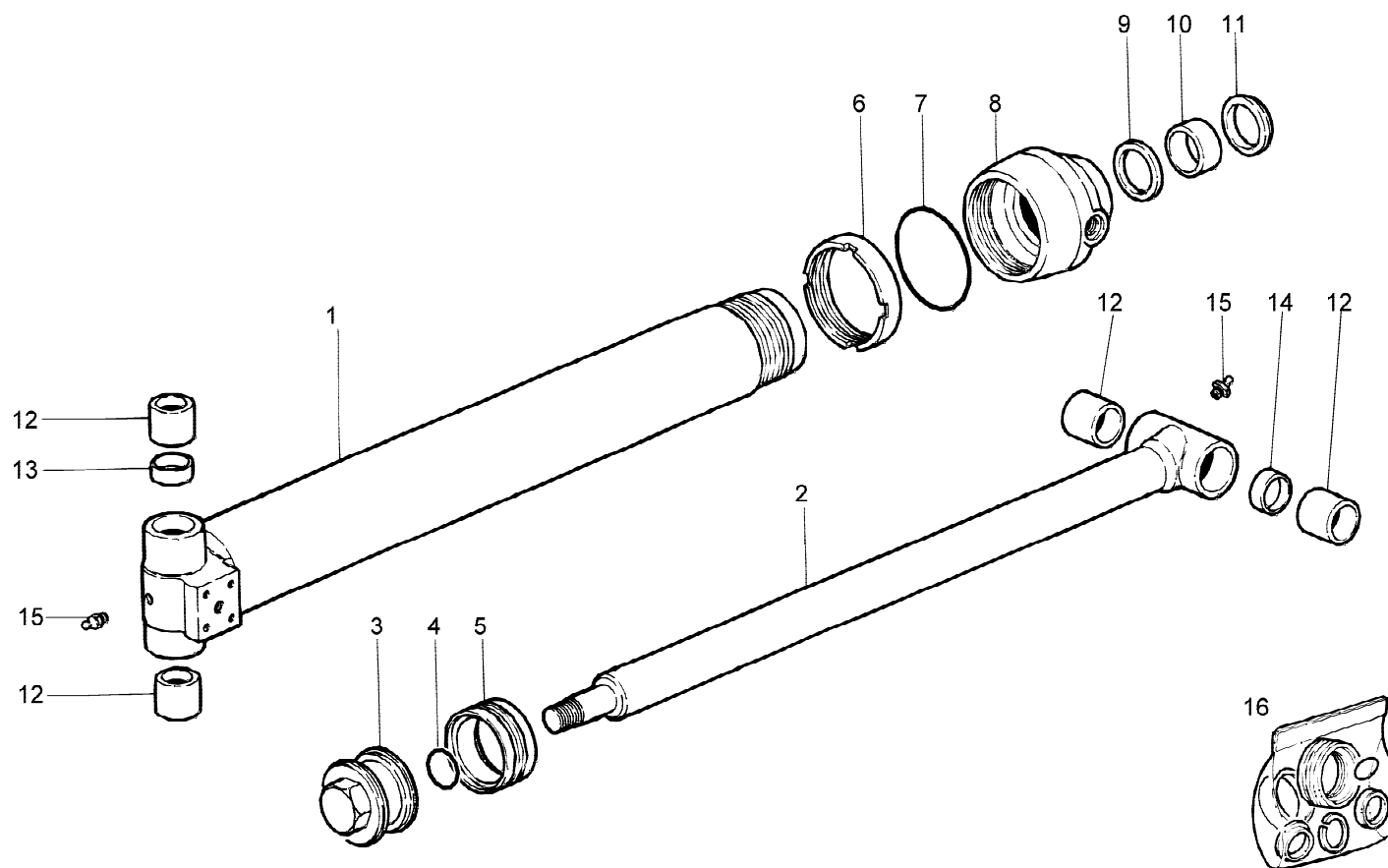
HYVA® CRANE
HB50

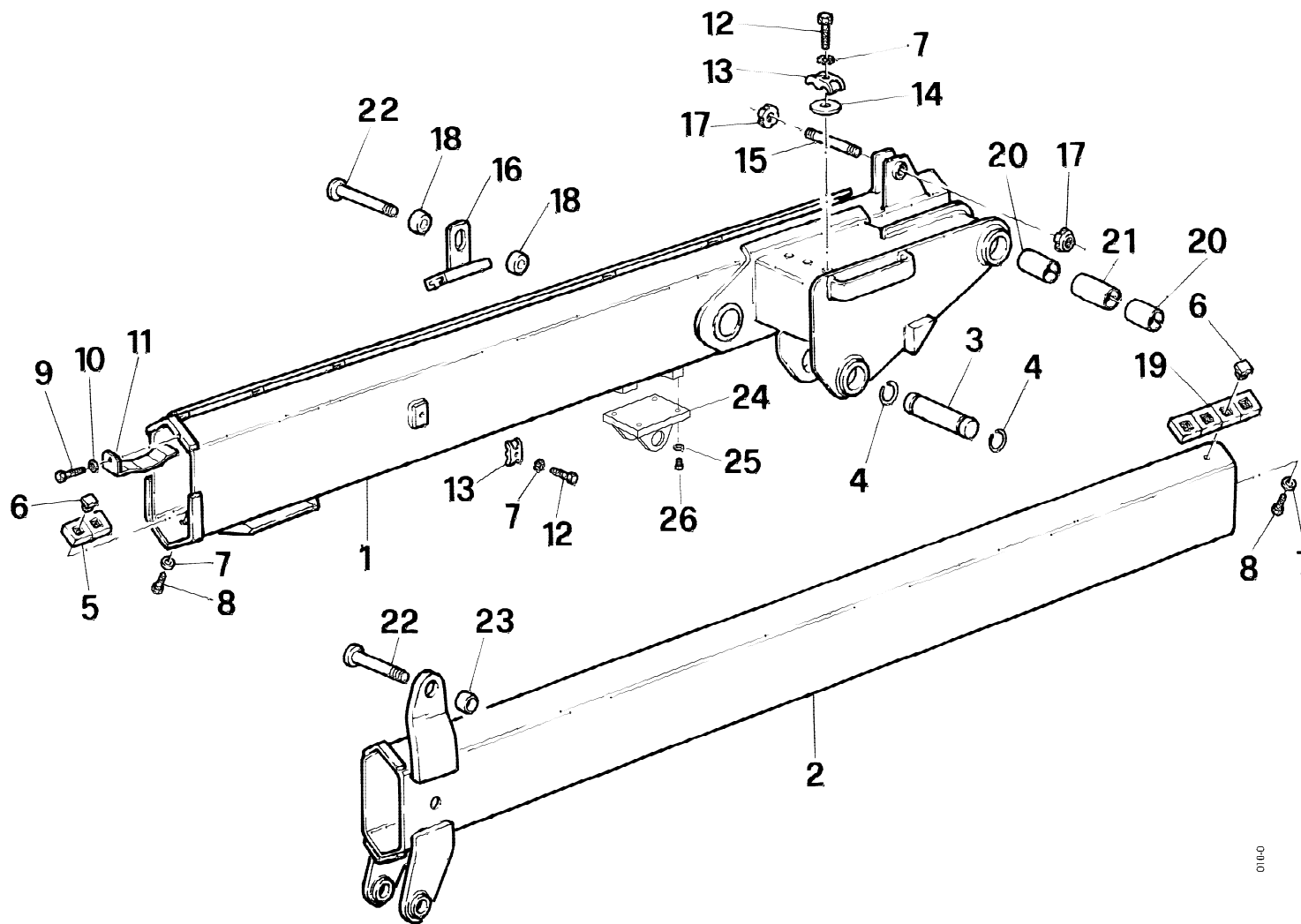
IMPIANTO IDRAULICO (MARTINETTO ARTICOLAZIONE)
HYDRAULIC SYSTEM (ARTICULATION HYDRAULIC JACK)
INSTALLATION HYDRAULIQUE (VERIN D' ARTICULATION)
HYDRAULIKANLAGE (GELENKSHEBEBOCK)
INSTALACION HIDRAULICA (GATO DE ARTICULACION)

Tavola
W.40.03.501.00-1-2

Data pag.
febbraio 2007 41

rif.	codice	Q.tà
1	W.40.02.001.00	1
2	W.40.03.006.00	1
3	W.105.066	1
4	W.360.077	1
5	W.359.023	1
6	W.40.02.005.00	1
7	W.360.069	1
8	W.40.02.003.00	1
9	W.358.023	1
10	W.102.137	1
11	W.361.018	1
12	W.102.135	4
13	W.40.02.007.00	1
14	W.40.02.006.00	1
15	W.616.001	2
16	W.365.069	1





rif.	codice	Q.tà
1	W.40.03.001.00	1
2	W.40.03.002.00	1
3	W.101.207	1
4	3.07.0210	2
5	W.38.03.006.00	2
6	W.37.03.008.00	8
7	3.06.0006	10
8	3.01.0055	8
9	3.01.0323	2
10	3.06.0005	2
11	W.39.03.013.00	2
12	3.01.0031	2
13	5.00.0077	2
14	W.34.05.014.00	1
15	W.101.244	1
16	W.39.03.011.00	1
17	W.601.003	2
18	W.39.03.012.00	2
19	W.38.03.007.00	2
20	W.102.135	2
21	W.40.02.008.00	2
22	W.101.214	2
23	3.04.0214	2
24	W.40.03.013.00	1
25	3.06.0057	4
26	3.02.0099	4

1/1

HYVA® CRANE

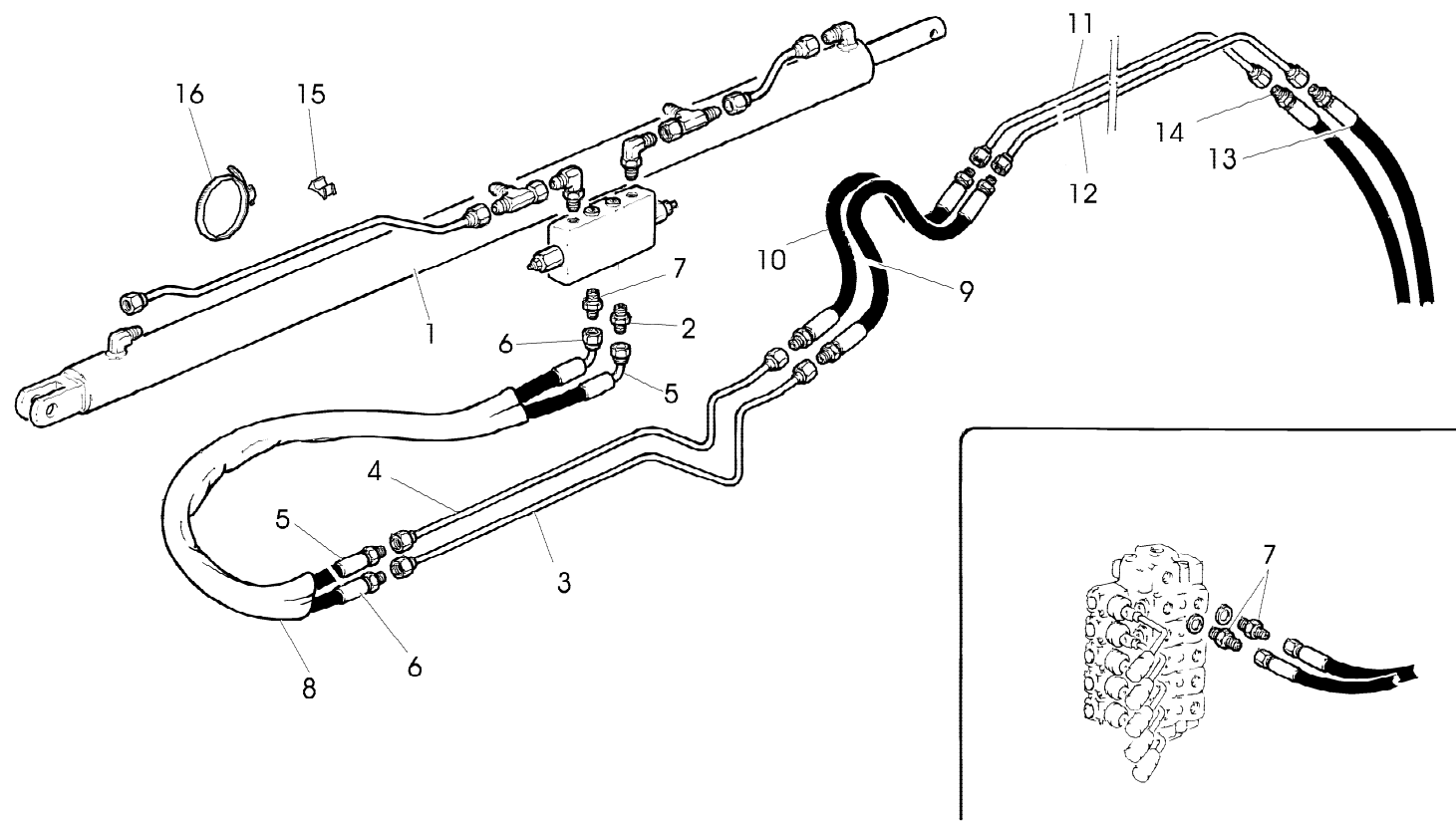
HB50

2° BRACCIO E SFILLO
 2ND BOOM AND EXTENSION
 2EME BRAS ET ELEMENT TELESCOPIQUE
 2. ARM UND AUSZIEHBAREN ELEMENT
 2° BRAZO Y EXTENSIONE

Tavola
W.550-04-1

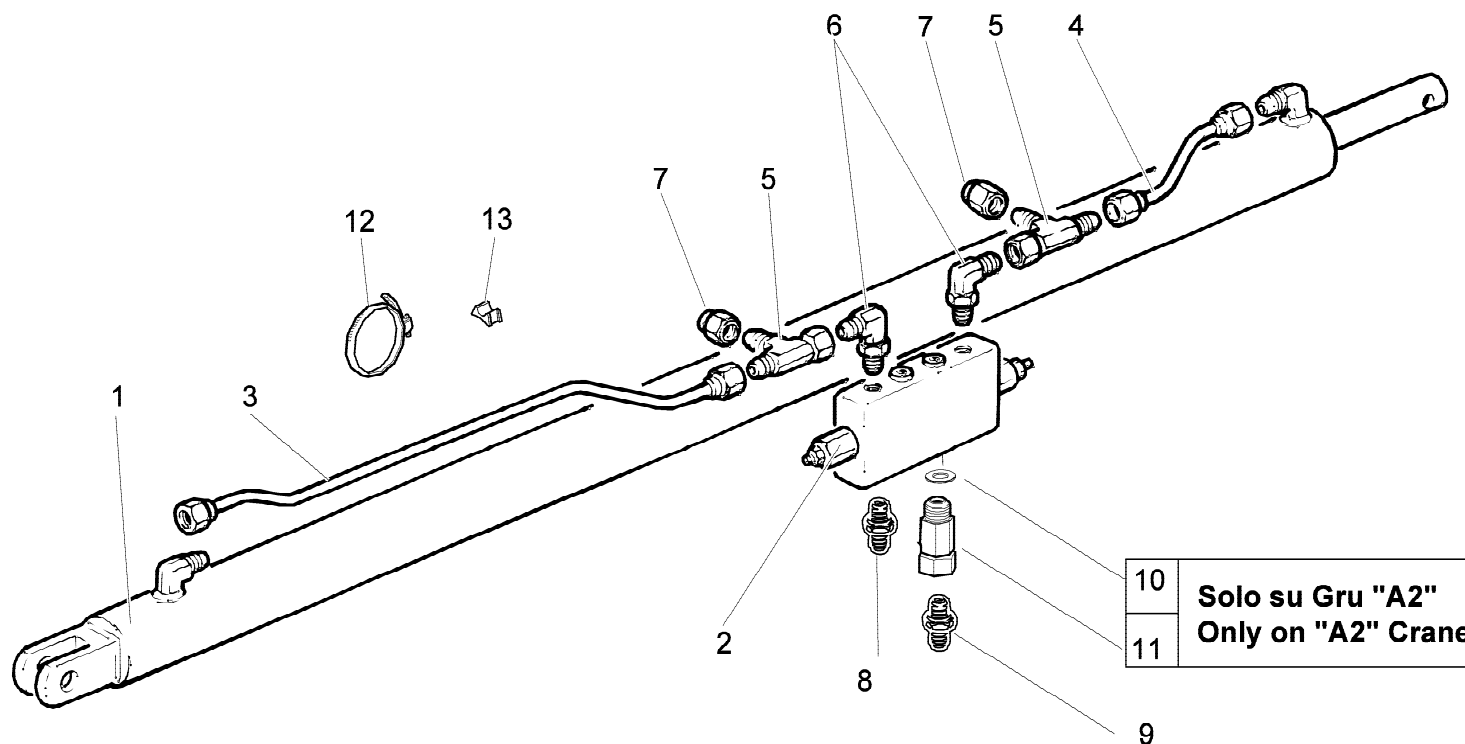
Data pag.
 marzo 2007 43

rif.	codice	Q.tà
1	W.39.03.503.00	1
2	3.10.1040	1
3	W.39.05.013.00	1
4	W.39.05.014.00	1
5	W.456.913	1
6	W.456.423	1
7	3.10.1043	3
8	W.742.005	1
9	W.456.600	1
10	W.456.881	1
11	W.40.05.005.00	1
12	W.40.05.004.00	1
13	W.456.801	1
14	W.456.055	1
15	5.14.0133	1
16	3.19.0023	1



545-13-7

rif.	codice	Q.tà
1	W.39.03.503.00	1
2	5.22.0125	1
3	W.39.05.018.00	1
4	W.39.05.019.00	1
5	3.12.0004	2
6	3.10.1127	2
7	3.11.0041	2
8	3.10.1043	1
9	3.10.1040	1
10	3.06.0144	1
11	3.11.0112	1
12	3.19.0023	1
13	5.14.0133	1



10 Solo su Gru "A2"
11 Only on "A2" Crane

390350300-1-5

1/1

HYVA® CRANE

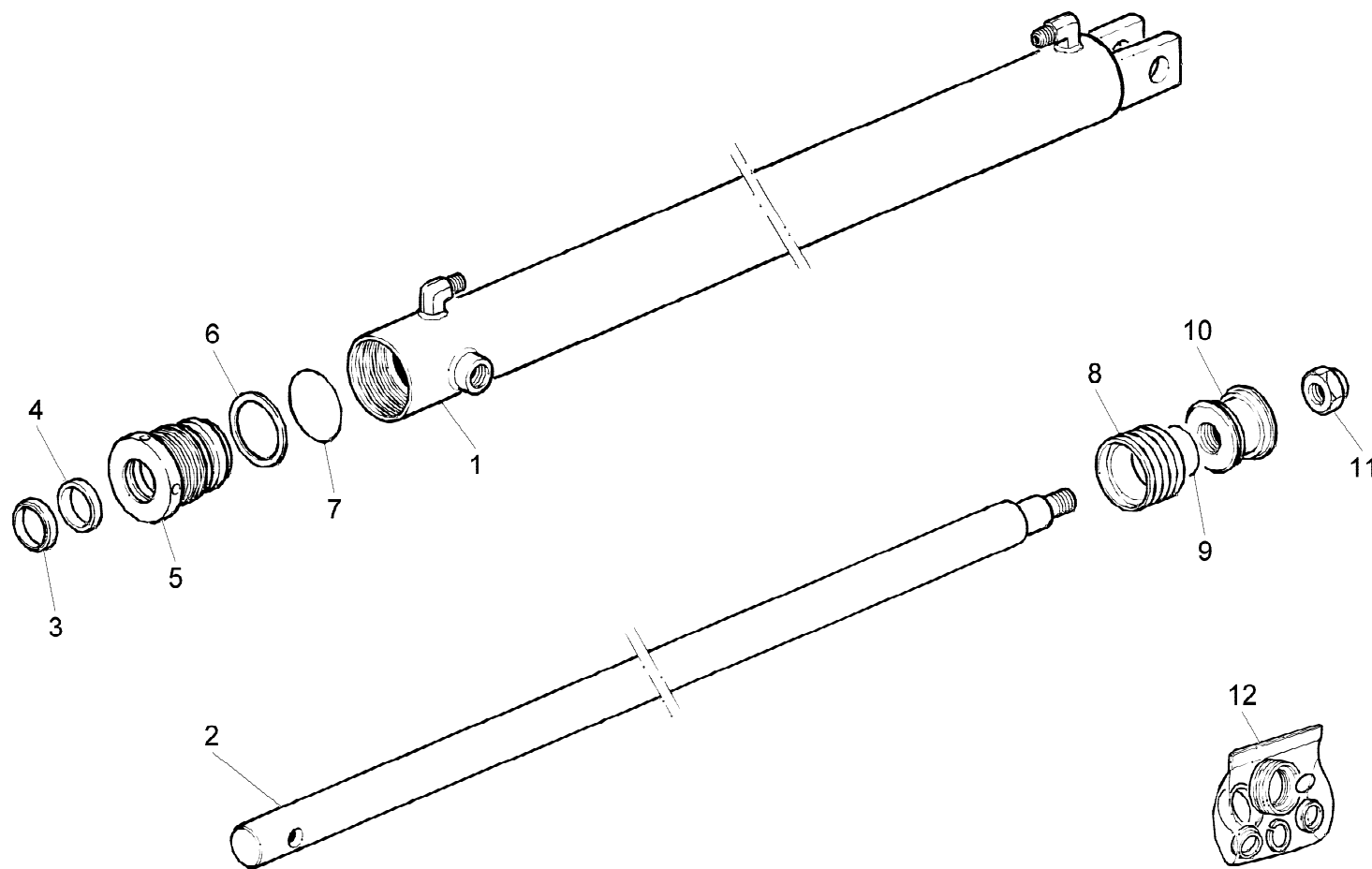
HB50

IMPIANTO IDRAULICO (MARTINETTO 1° SFILO)
HYDRAULIC SYSTEM (1ST EXSTENSION HYDRAULIC)
INSTALLATION HYDRAULIQUE (VÉRIN 1ÈRE RALLONGE)
HYDRAULIKANLAGE (1. SCHUBZYLINDER)
INSTALACION HIDRAULICA (GATO 1ª EXTENSIÓN)

Tavola
W.39.03.503.00-1-6

Data pag.
marzo 2007 45

rif.	codice	Q.tà
1	W.39.03.005.00	1
2	W.39.03.015.00	1
3	W.361.013	1
4	W.358.003	1
5	W.120.054	1
6	W.304.016	1
7	W.360.022	1
8	W.359.013	1
9	W.360.002	1
10	W.105.099	1
11	3.04.0378	1
12	W.365.119	1



390350600-1-D

1/1

HYVA[®] CRANE

HB50

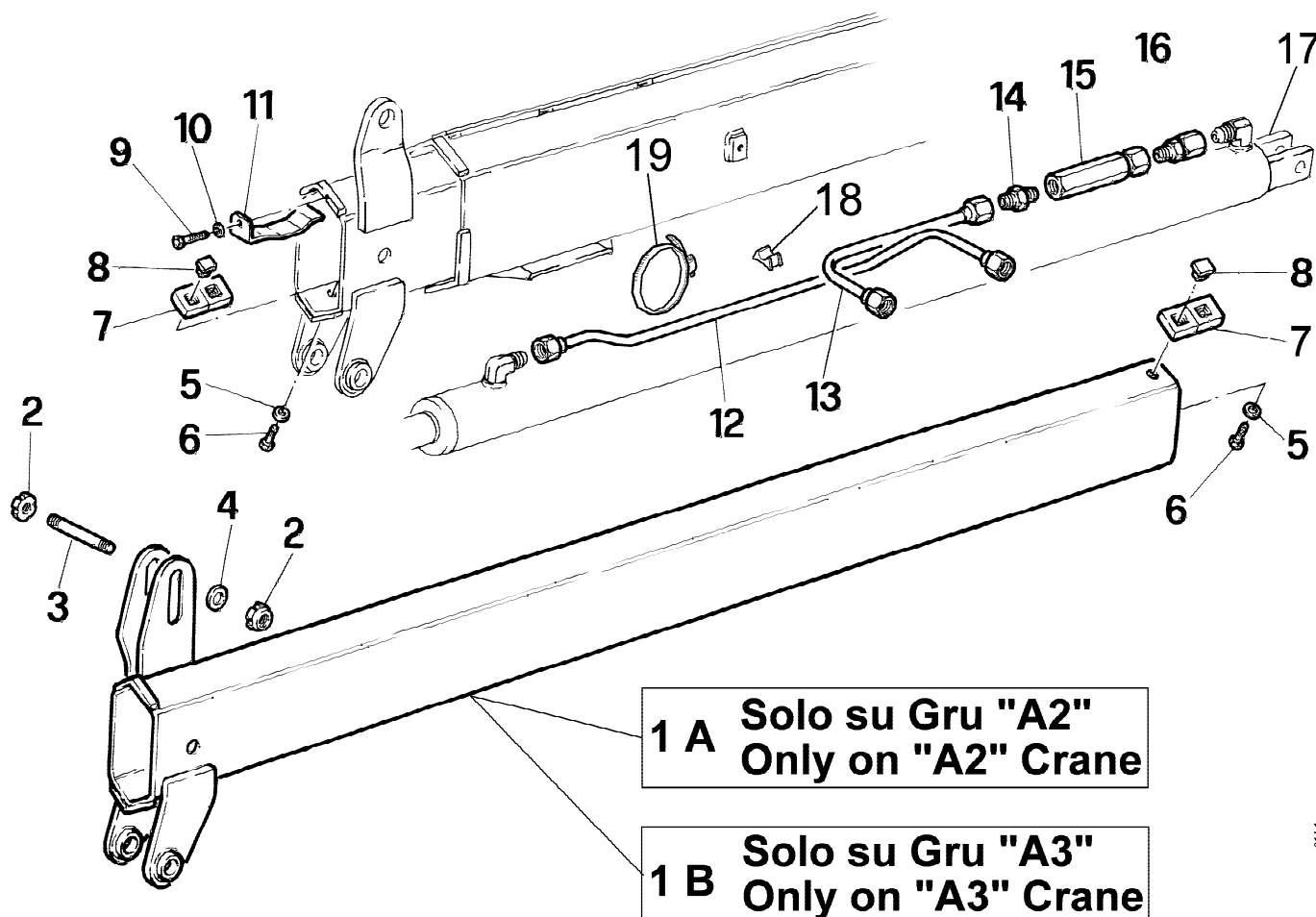
MARTINETTO 1° SFILLO
 1ST EXSTENSION HYDRAULIC
 VÉRIN 1ÈRE RALLONGE
 1. SCHUBZYLINDER
 GATO 1ª EXTENSIÓN

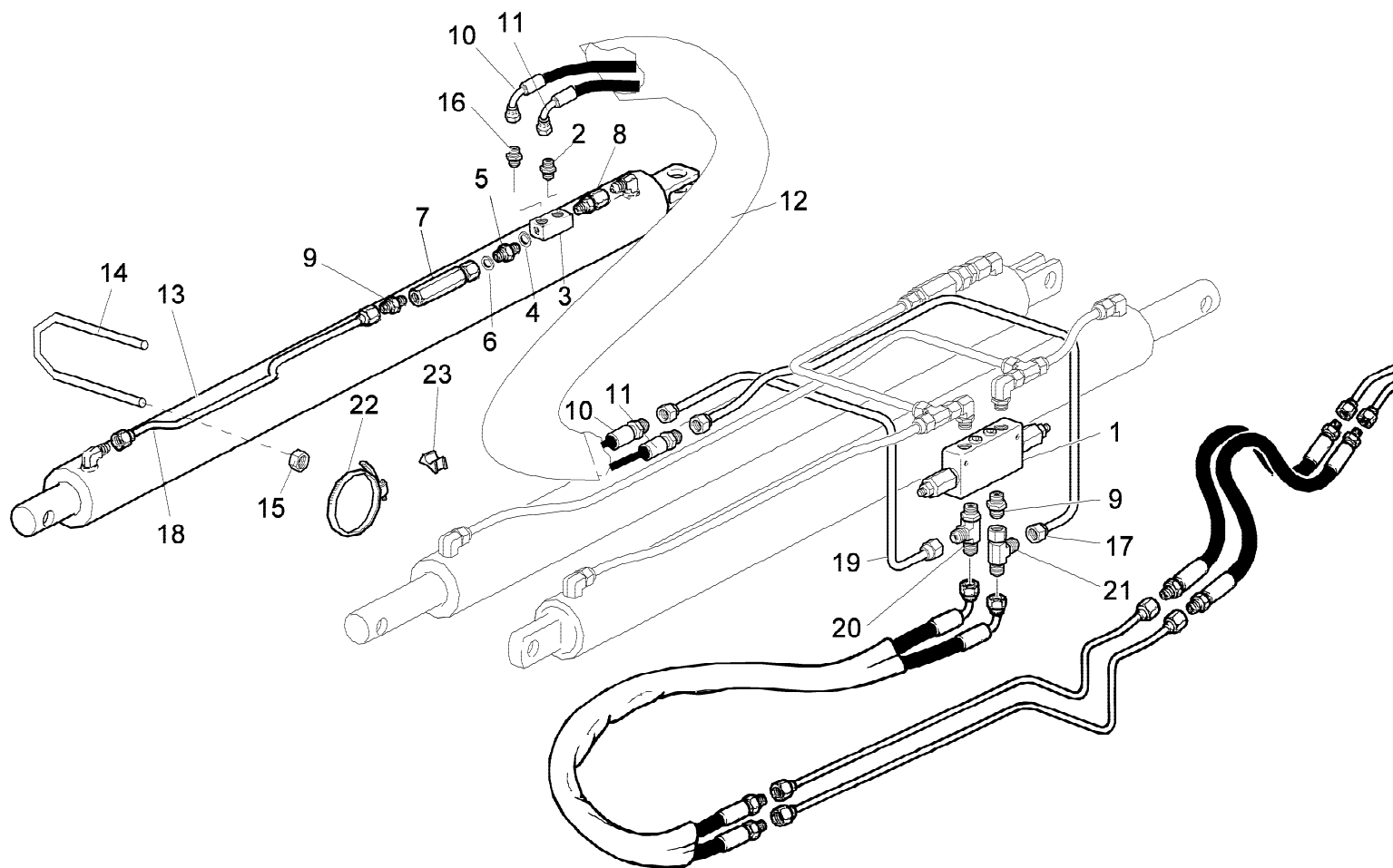
W.39.03.506.00-1-1

Tavola

Data pag.
 marzo 2007 46

rif.	codice	Q.tà
1 A	W.40.03.003.00	1
1 B	W.40.03.018.00	1
2	3.04.0498	2
3	W.101.218	1
4	3.06.0010	2
5	3.06.0006	8
6	3.01.0055	8
7	W.38.03.006.00	4
8	W.37.03.008.00	8
9	3.01.0323	2
10	3.06.0005	2
11	W.39.03.013.00	2
12	W.39.05.016.00	2
13	W.39.05.015.00	1
14	3.10.1043	1
15	W.470.853	1
16	3.12.0066	1
17	W.39.03.502.00	1
18	5.14.0133	1
19	3.19.0023	1





rif.	codice	Q.tà
1	5.22.0125	1
2	3.10.1039	1
3	W.470.017	1
4	3.06.0143	1
5	3.11.0259	1
6	3.06.0144	1
7	W.470.863	1
8	3.12.0074	1
9	3.10.1040	2
10	5.27.1919	1
11	5.26.1005	1
12	3.19.0198	mt1
13	W.39.03.502.00	1
14	W.599.703	1
15	3.04.0046	2
16	3.10.1042	1
17	W.40.05.014.00	1
18	W.40.05.030.00	1
19	W.40.05.015.00	1
20	3.10.1176	1
21	3.12.0003	1
22	3.19.0023	1
23	5.14.0133	1

400351500-2-3

1/1

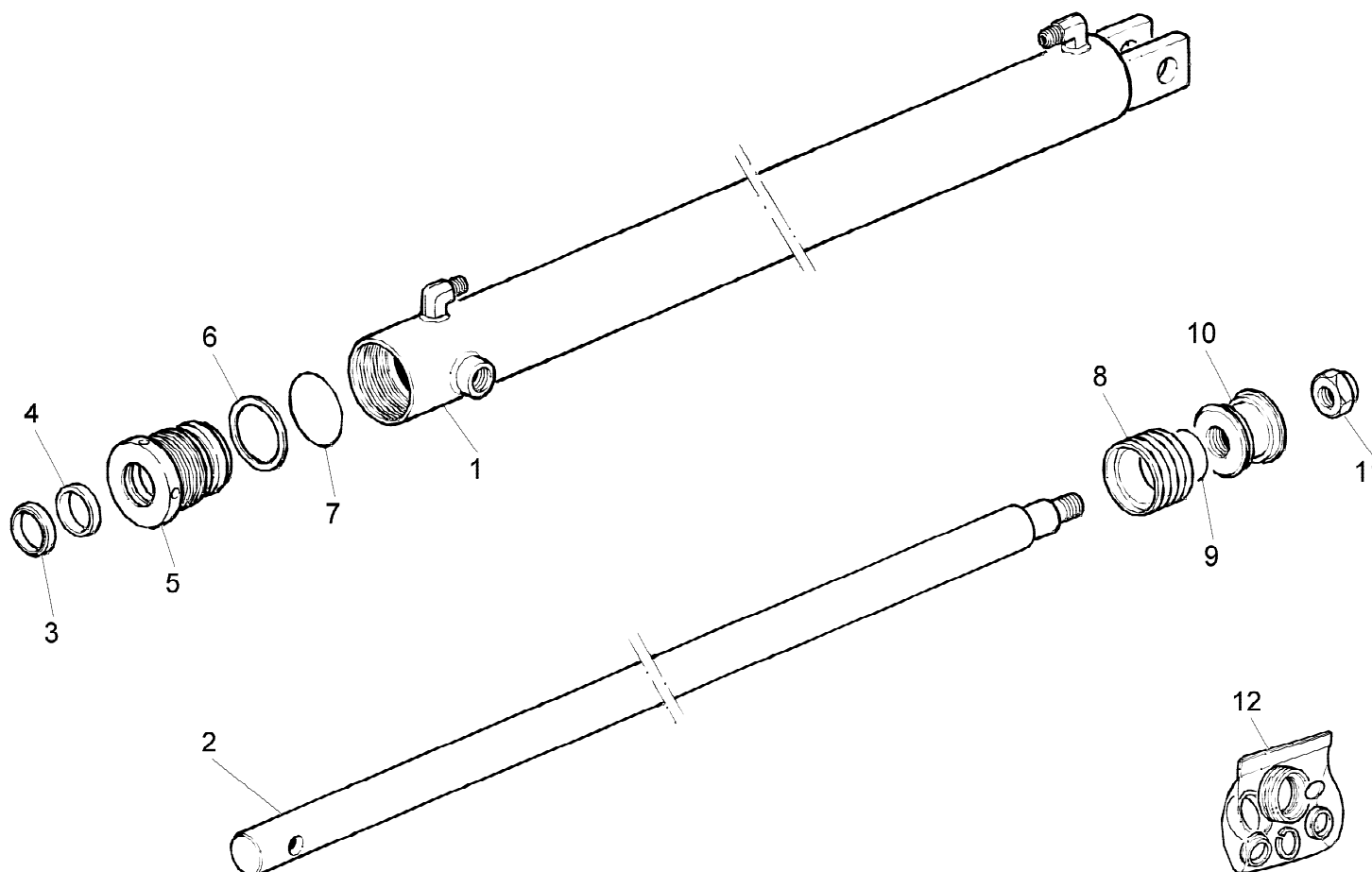
HYVA® CRANE
HB50

IMPIANTO IDRAULICO (3° SFILLO)
HYDRAULIC SYSTEM (3RD EXTENSION)
INSTALLATION HYDRAULIQUE (3EME RALLONGE)
HYDRAULIKANLAGE (3. VERLAENGERUNG)
INSTALACION HIDRAULICA (3°PROLONGACION)

Tavola
W.40.03.521.00-1-0

Data pag.
novembre 2011 48

rif.	codice	Q.tà
1	W.39.03.007.00	1
2	W.39.03.008.00	1
3	W.361.011	1
4	W.358.001	1
5	W.120.058	1
6	W.304.018	1
7	W.360.049	1
8	W.359.010	1
9	W.360.002	1
10	W.105.061	1
11	3.04.0377	1
12	W.365.061	1



1/1

HYVA® CRANE

HB50

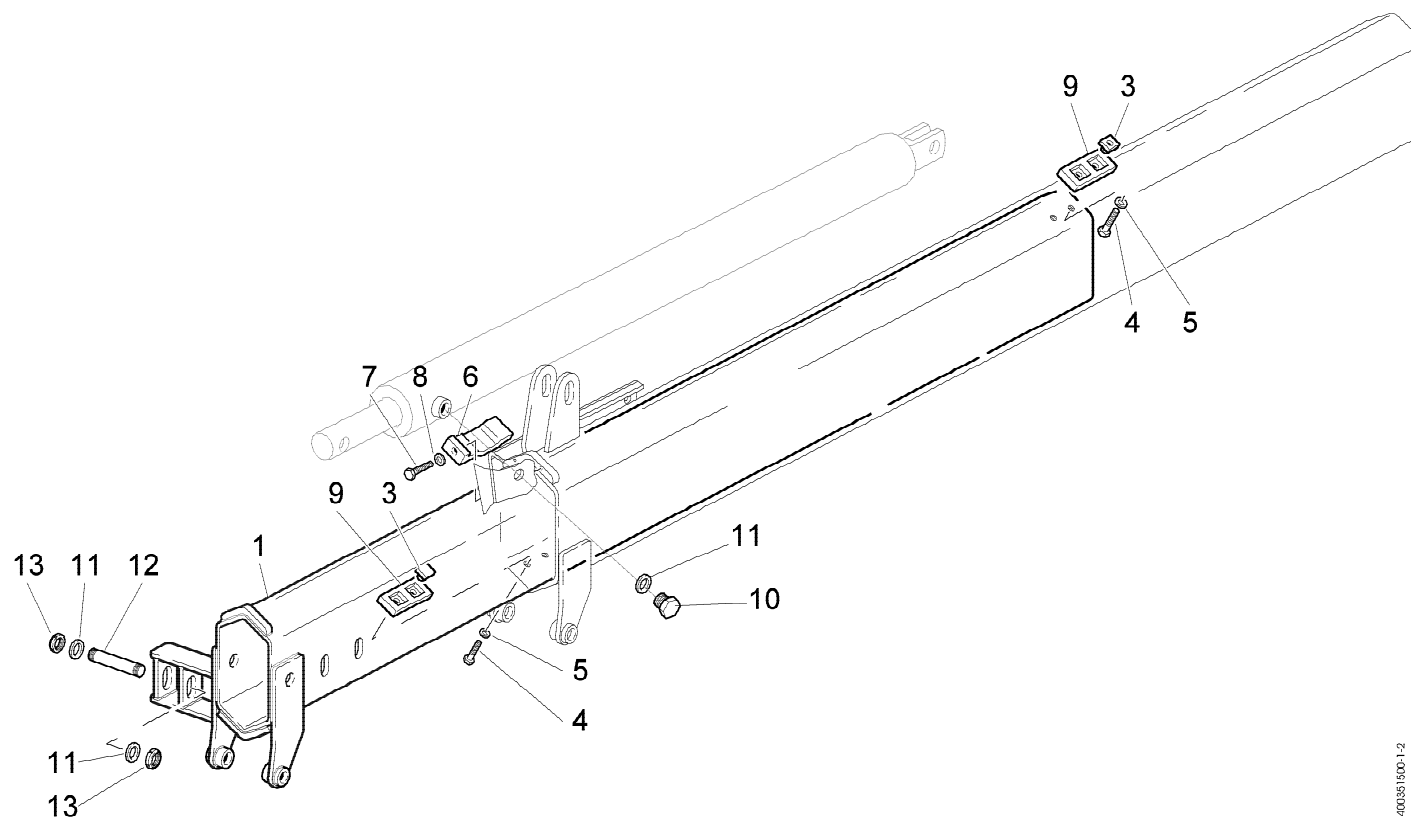
MARTINETTO 2° E 3° SFILLO
 2ND AND 3RD EXTENSION HYDRAULIC CYLINDER
 VERIN 2EME ET 3EME RALLONGE
 2. UNT 3. VERLAENGERUNGSWINDE
 2° Y 3° GATO DE PROLONGACION

W.39.03.502.00-1-6

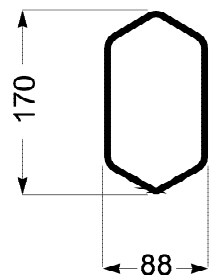
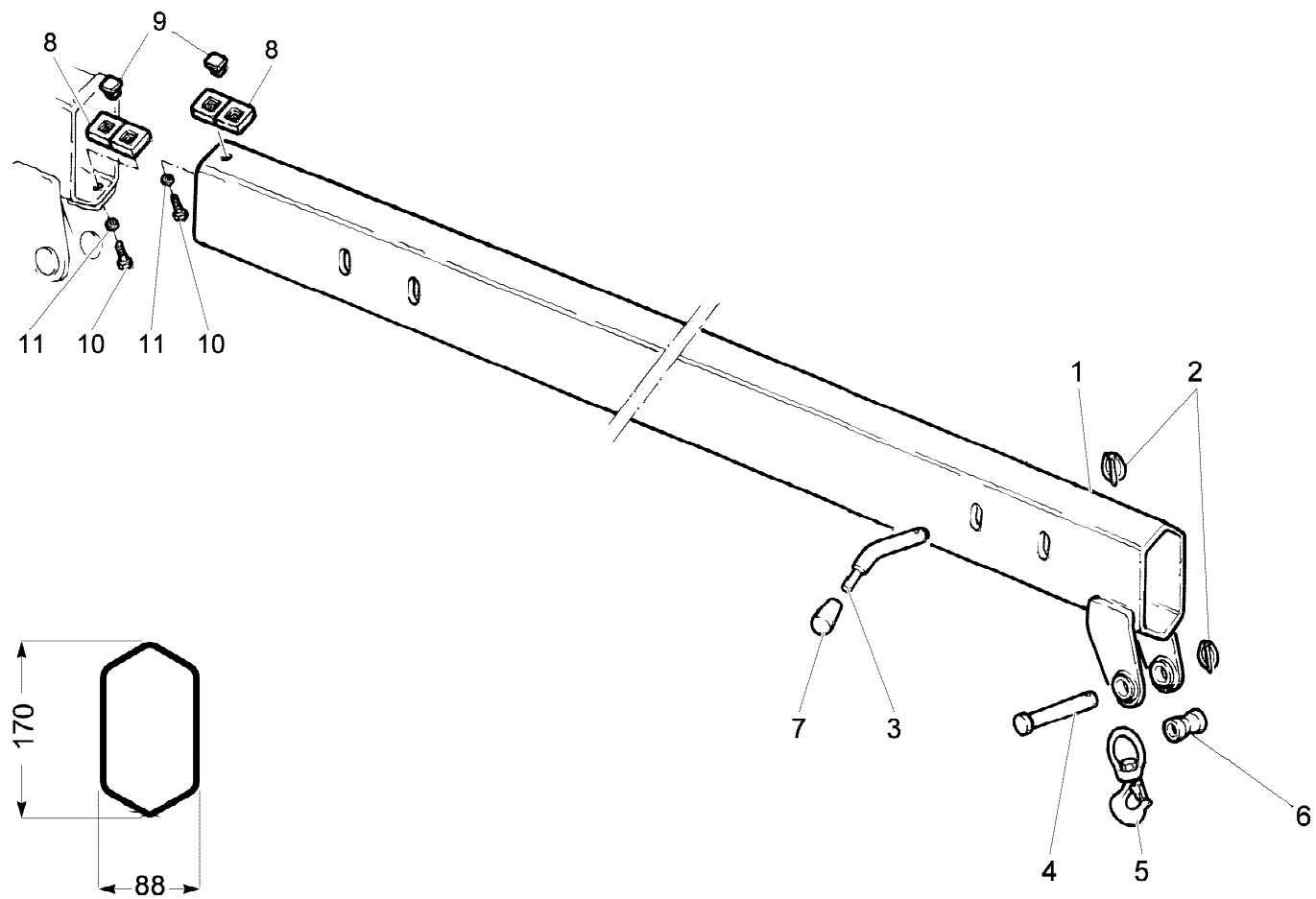
Tavola

Data pag.
 marzo 2007 49

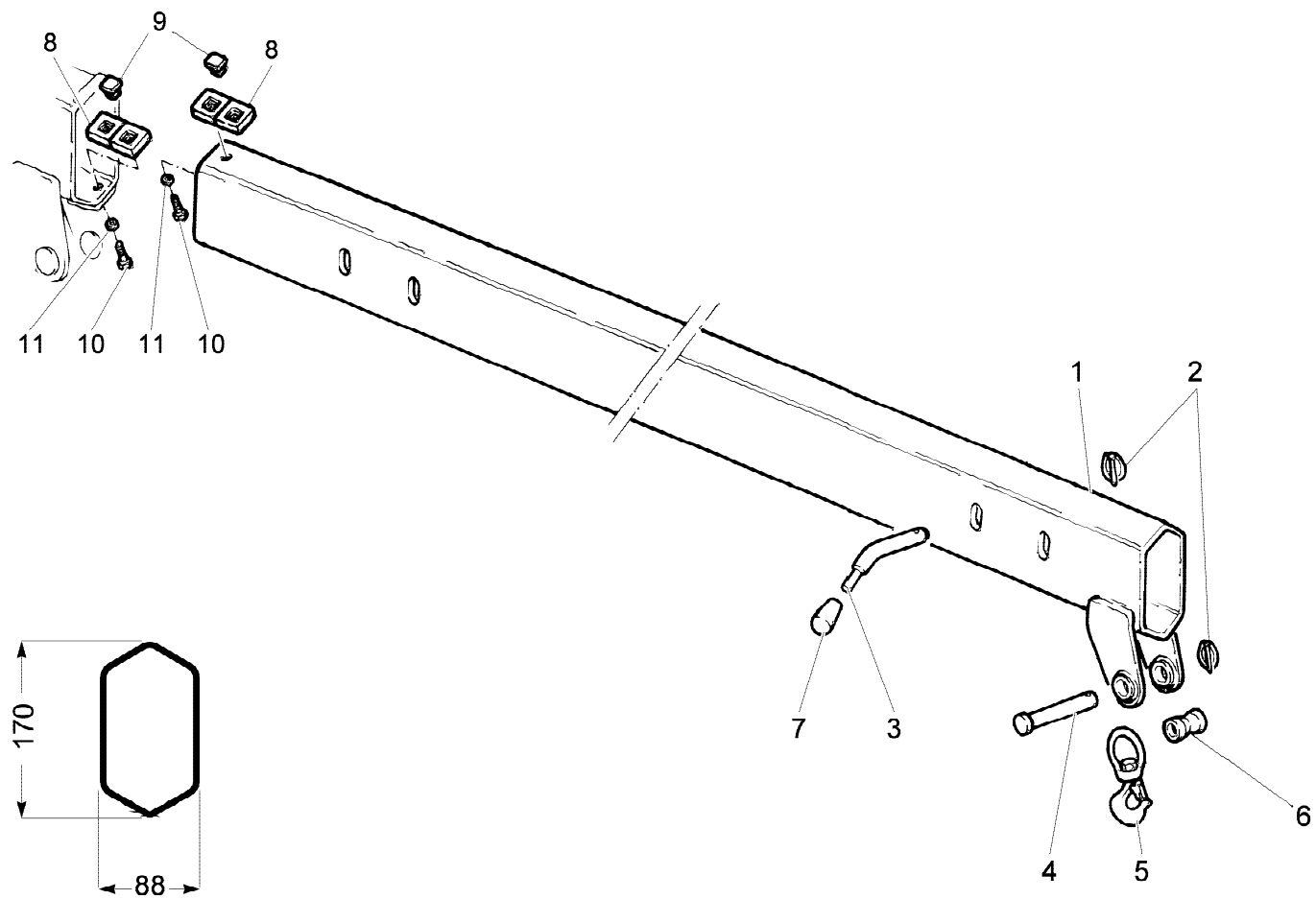
rif.	codice	Q.tà
1	W.40.03.009.00	1
3	W.37.03.008.00	8
4	3.01.0055	8
5	3.06.0006	8
6	3.06.0683	2
7	3.01.0323	2
8	3.06.0005	2
9	W.37.03.009.00	4
10	3.01.0460	1
11	3.06.0010	3
12	W.101.218	1
13	3.04.0498	2



rif.	codice	Q.tà
1	W.40.03.008.00	1
2	3.06.0753	2
3	W.101.046	1
4	W.101.084	1
5	W.599.002	1
6	W.39.03.010.00	1
7	W.664.003	1
8	W.37.03.009.00	4
9	W.37.03.008.00	8
10	3.01.0055	8
11	3.06.0006	8



rif.	codice	Q.tà
1	W.39.03.014.00	1
2	3.06.0753	2
3	5.15.0957	1
4	W.101.084	1
5	W.599.005	1
6	W.39.03.010.00	1
7	W.664.003	1
8	W.37.03.009.00	4
9	W.37.03.008.00	8
10	3.01.0055	8
11	3.06.0006	8



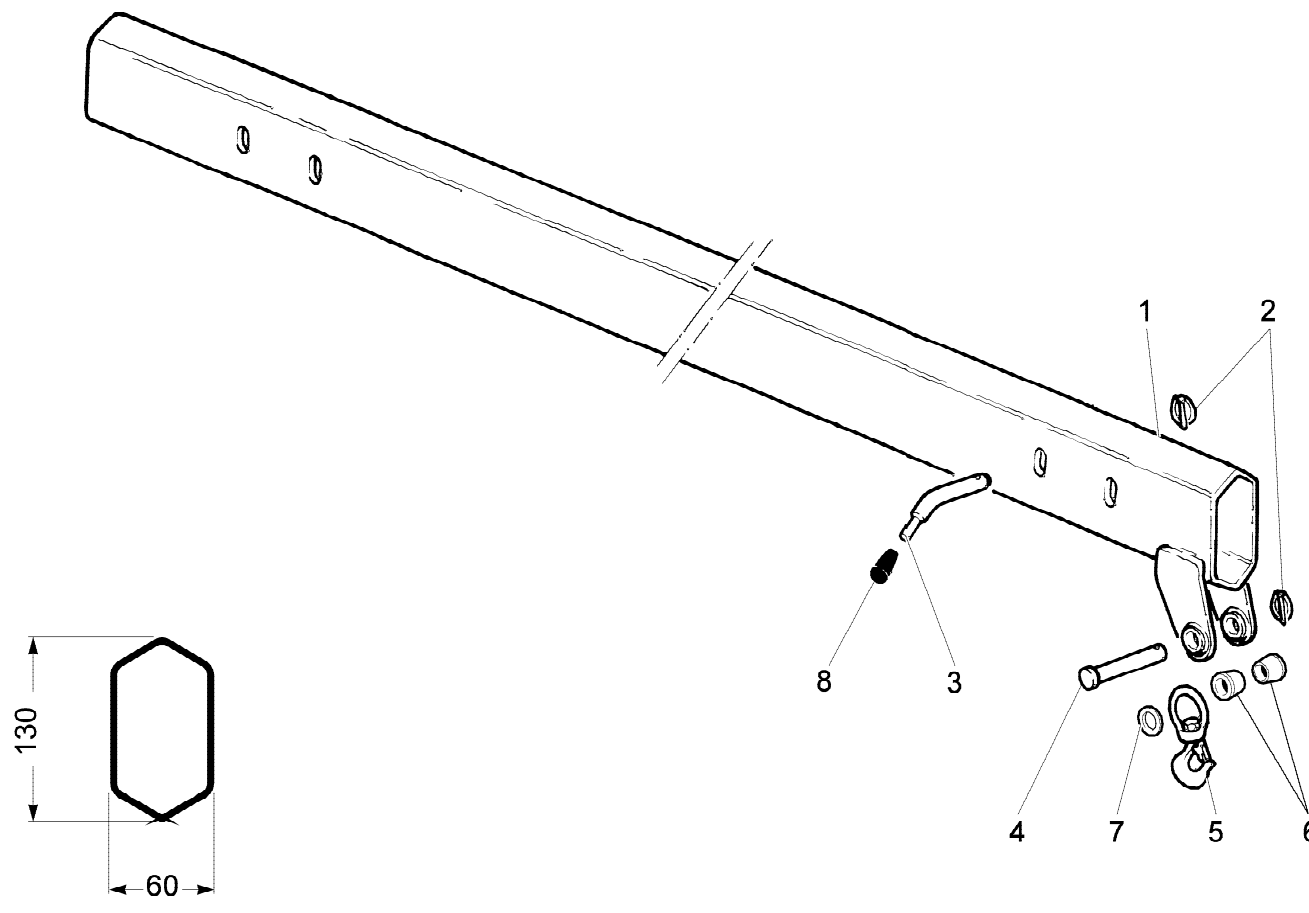
HB50

PROLUNGA MANUALE
 MANUAL EXTENSION
 RALLONGE MANUELLE
 MANUAL-VERLÄNGERUNG
 PROLONGACION MANUAL

Tavola
W.40.03.511.00-1-2

Data pag.
 marzo 2007 52

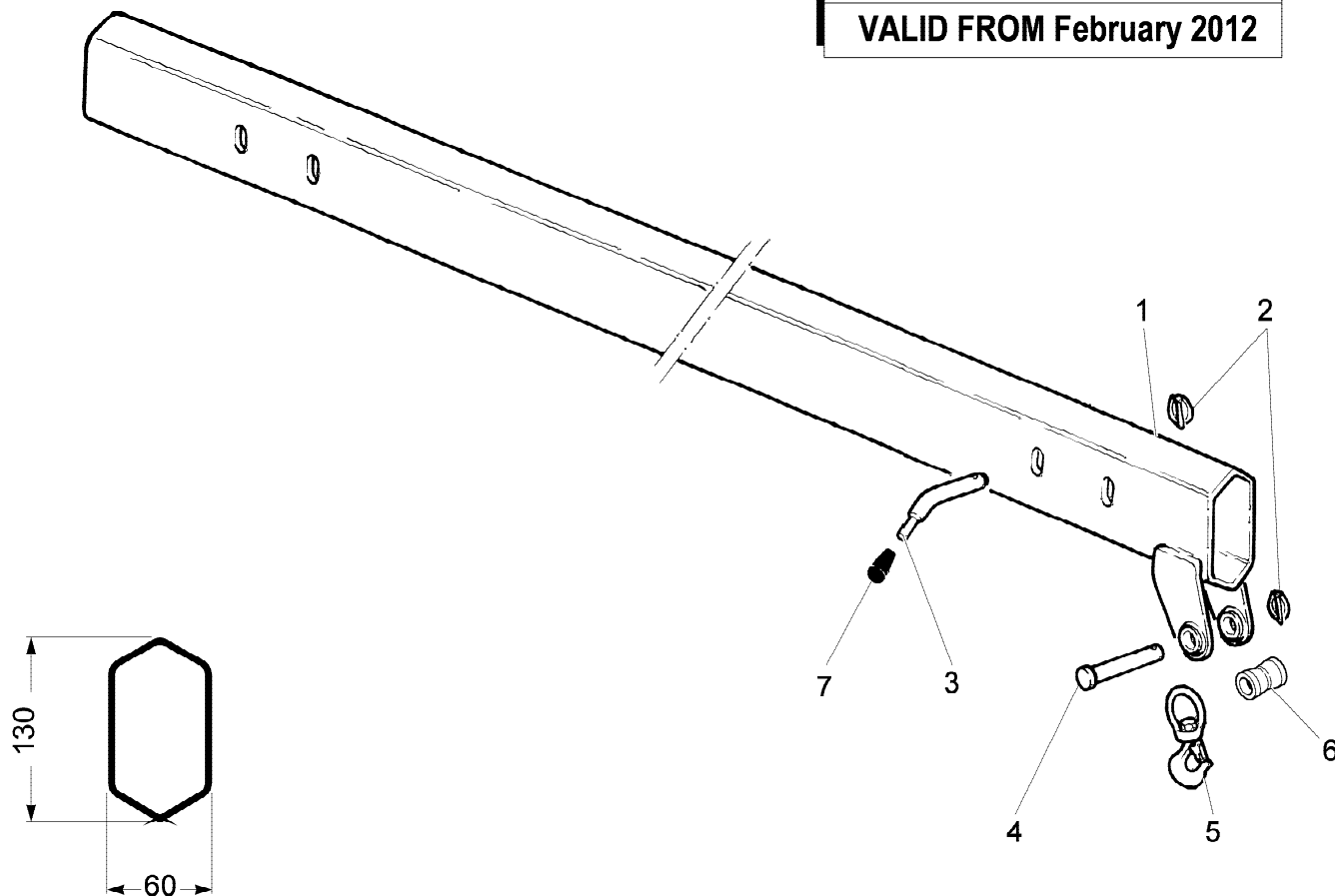
rif.	codice	Q.tà
1	W.39.03.004.00	1
2	3.06.0753	2
3	W.101.350	1
4	W.101.080	1
5	W.599.005	1
6	W.13.03.029.00	2
7	W.32.03.015.00	2
8	W.664.003	1



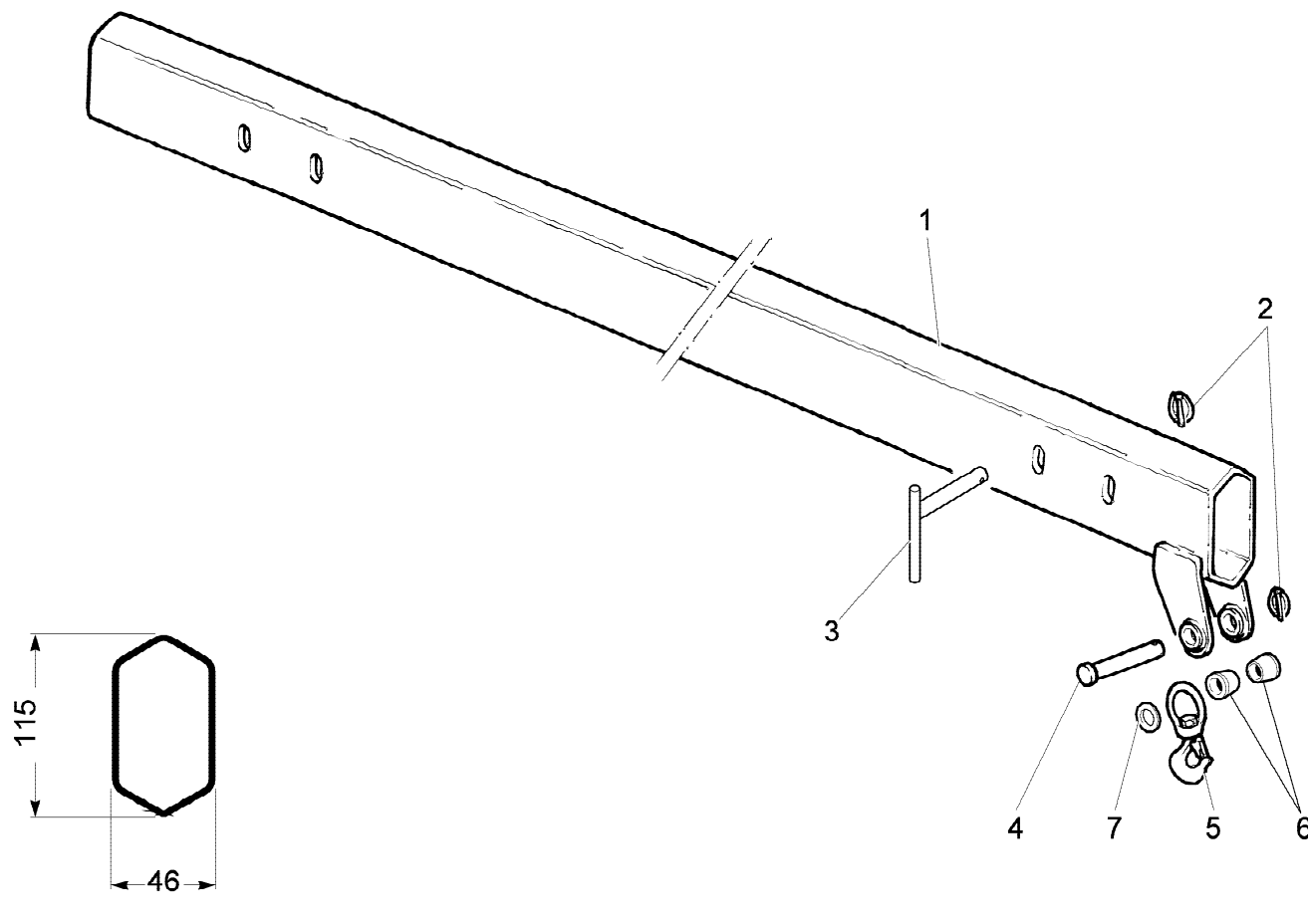
390351100-1-1

rif.	codice	Q.tà
1	W.39.03.004.00	1
2	3.06.0753	2
3	W.101.324	1
4	W.101.080	1
5	W.599.005	1
6	W.39.03.010.00	1
7	W.664.003	1

VALIDO DA Febbraio 2012
VALID FROM February 2012



rif.	codice	Q.tà
1	W.39.03.009.00	1
2	3.06.0753	2
3	W.101.350	1
4	W.101.080	1
5	W.599.005	1
6	W.13.03.029.00	2
7	W.32.03.015.00	2



1/1

HYVA® CRANE

HB50

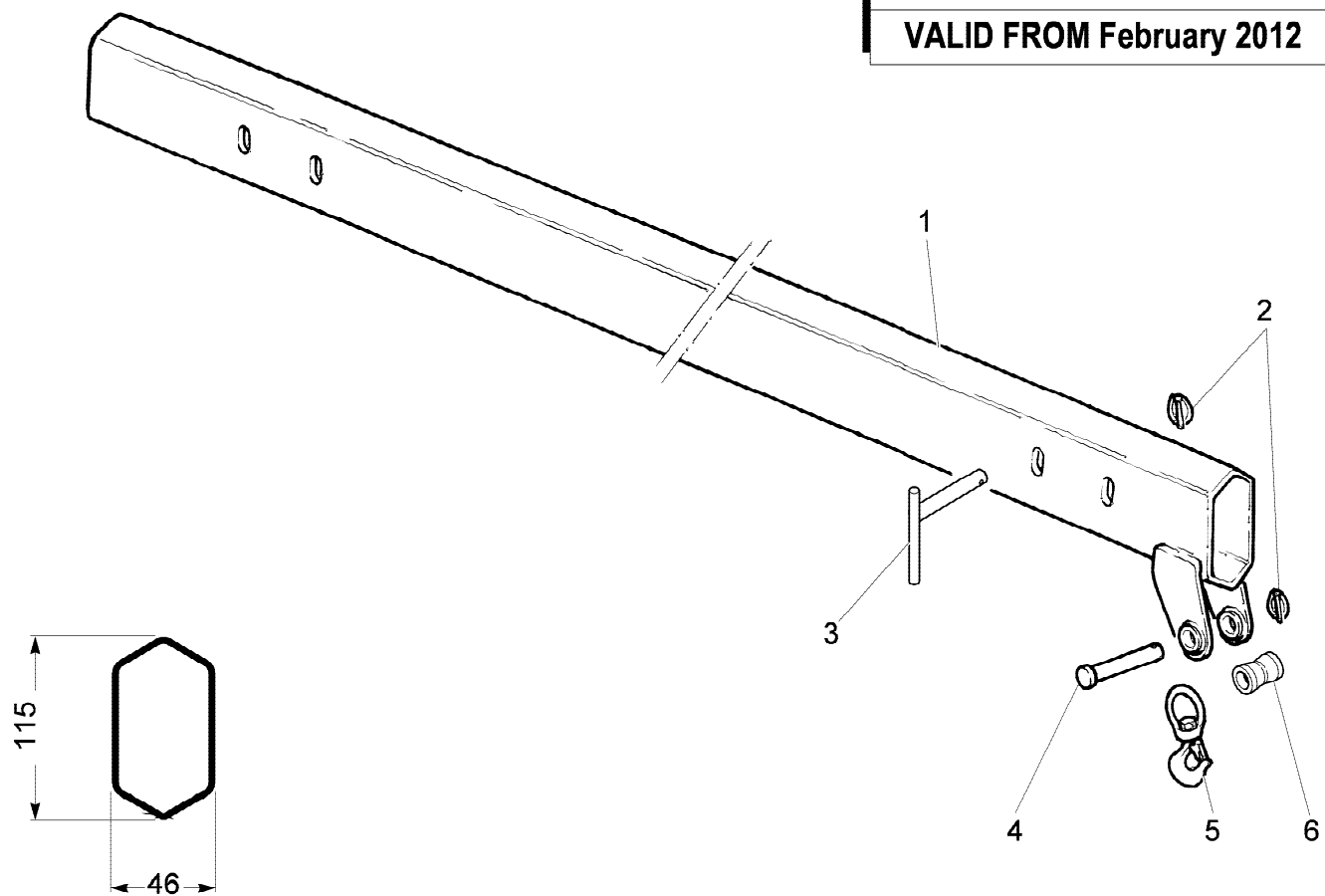
PROLUNGA MANUALE
 MANUAL EXTENSION
 RALLONGE MANUELLE
 MANUAL-VERLÄNGERUNG
 PROLONGACION MANUAL

Tavola
W.39.03.512.00-1-1

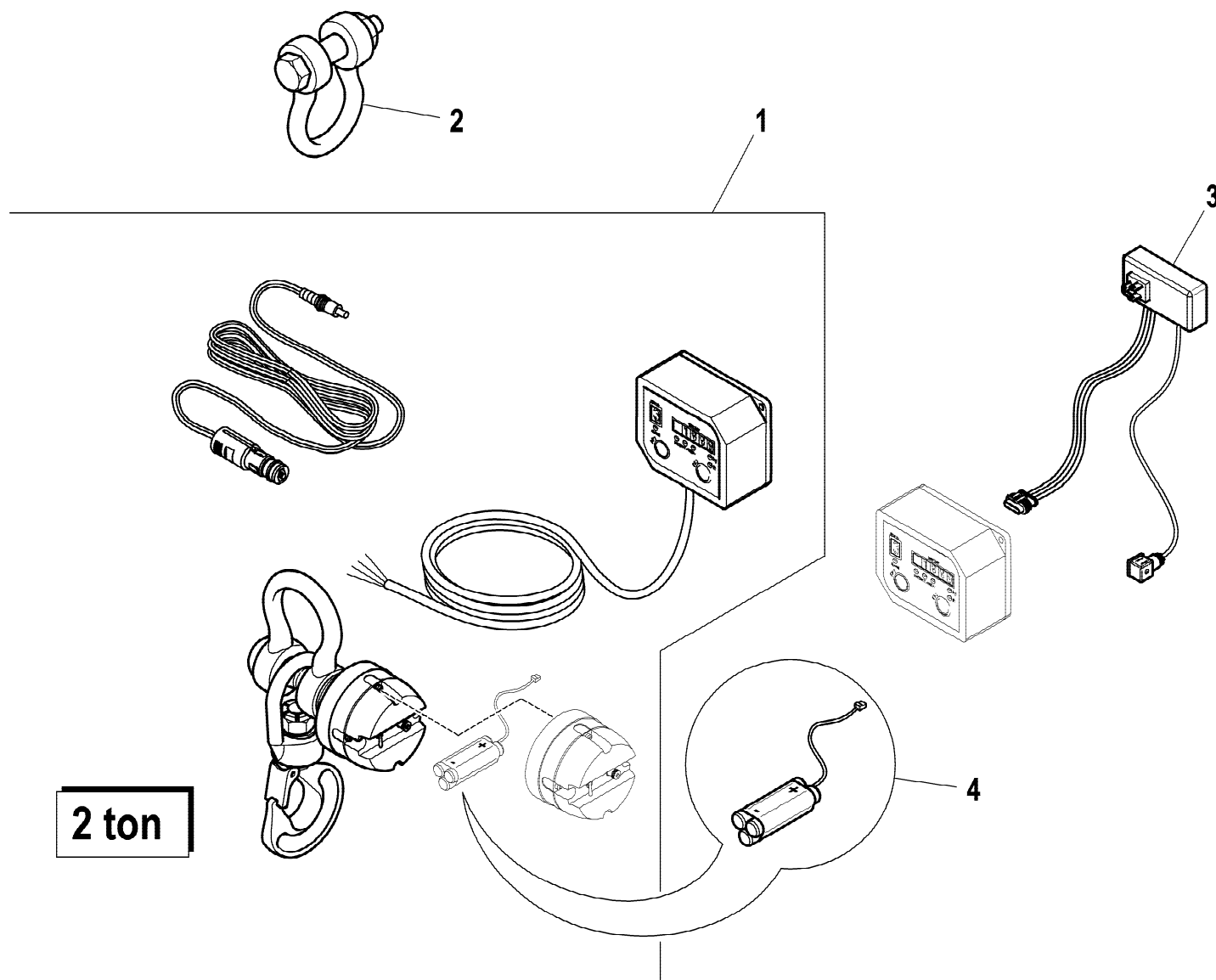
Data pag.
 novembre 2008 55

rif.	codice	Q.tà
1	W.39.03.009.00	1
2	3.06.0753	2
3	W.101.350	1
4	W.101.080	1
5	W.599.005	1
6	W.39.03.010.00	1

VALIDO DA Febbraio 2012
VALID FROM February 2012



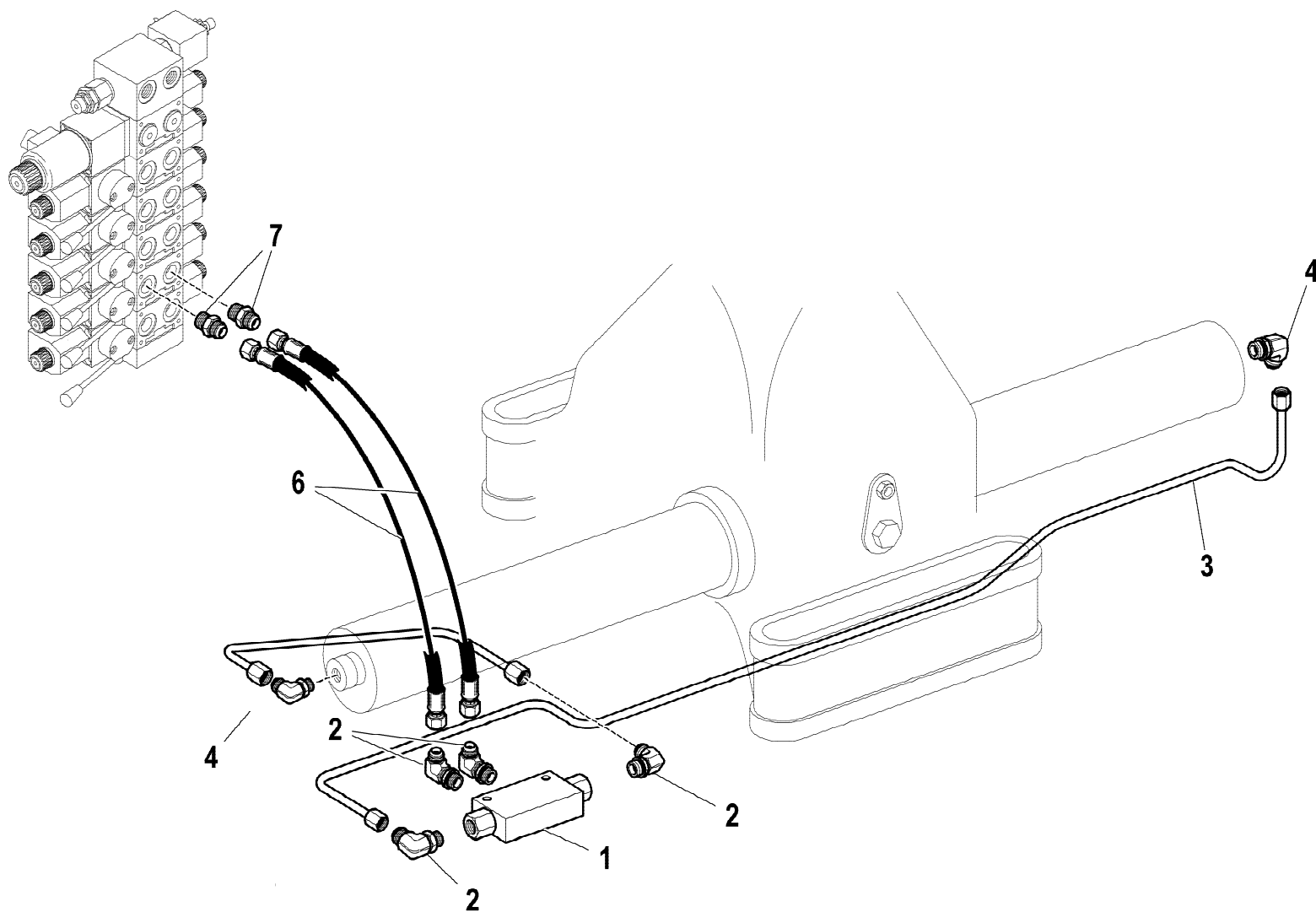
rif.	codice	Q.tà
1	5.73.0506	1
2	3.20.0050	1
3	W.236.510	1
4	3.31.1542	1



2 ton



HB50 X



rif.	codice	Q.tà
1	W.470.017	1
2	3.10.1124	4
3	W.39.05.058.00	1
4	W.470.420	2
5	W.39.05.05700	1
6	5.26.0887	2
7	3.10.1040	2

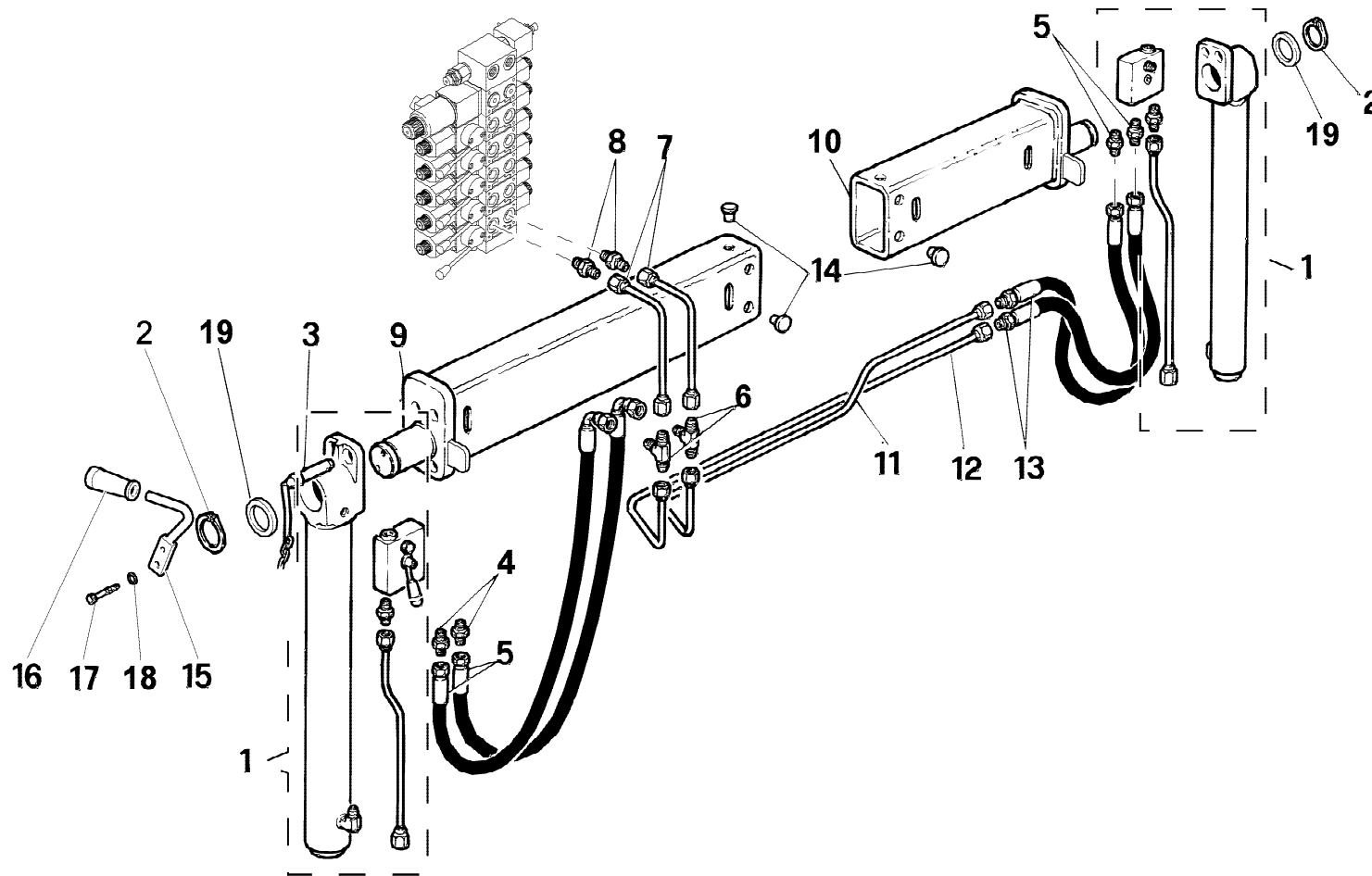
1/1

HYVA[®] CRANE
HB50

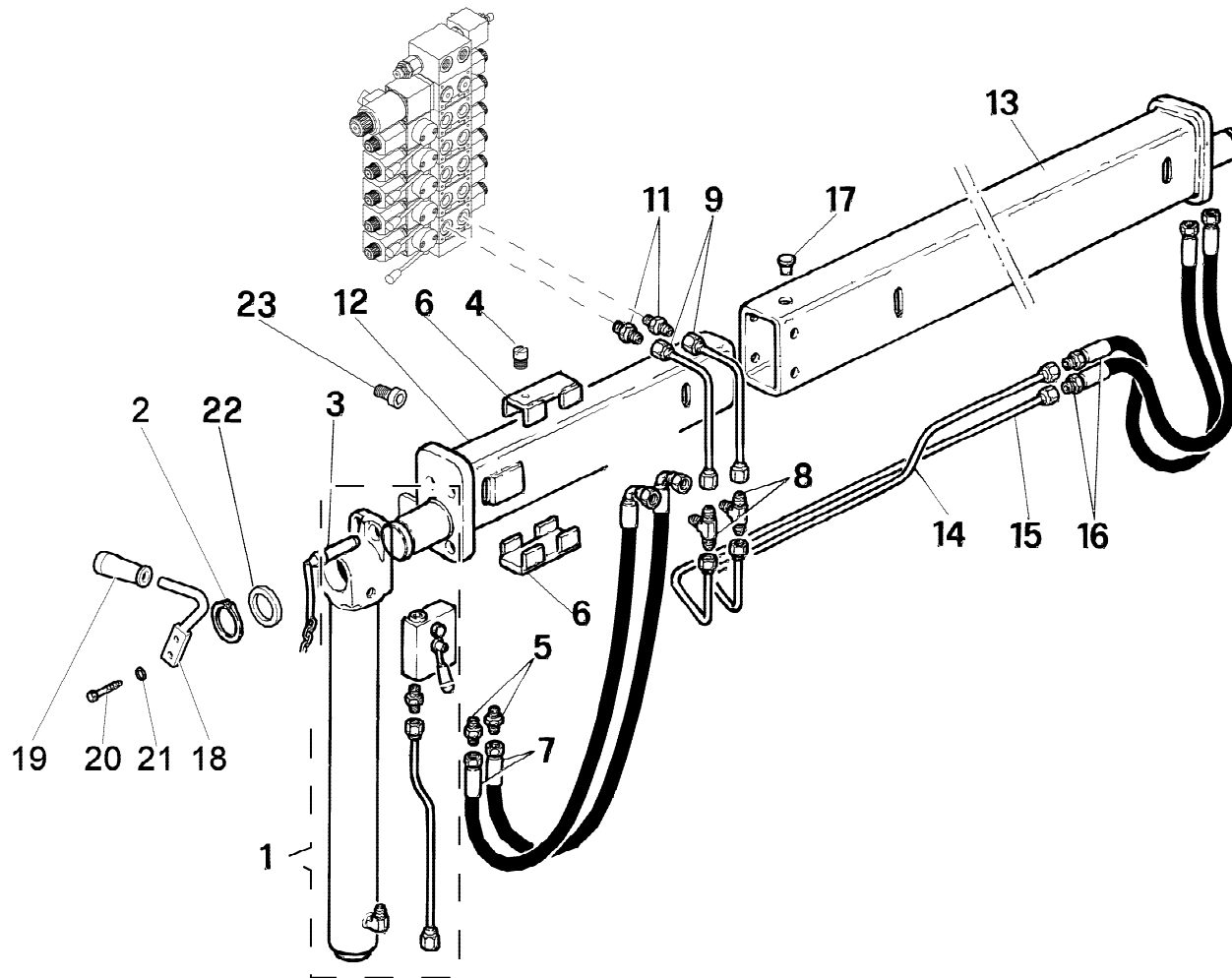
IMPIANTO IDRAULICO (MARTINETTO ROTAZIONE) - RDC
 HYDRAULIC SYSTEM (SLEWING HYDRAULIC JACK) - RDC
 INSTALLATION HYDRAULIQUE (VERIN ROTATION) - RDC
 HYDRAULIKANLAGE (DREH SCHUBZYLINDER) - RDC
 INSTALACION HIDRAULICA (GATO ROTACION) - RDC

Tavola
5.40.0709-1-0

Data pag.
 marzo 2007 59



rif.	codice	Q.tà
1	W.39.04.504.00	2
2	3.07.0052	2
3	W.101.219	2
4	3.10.1039	4
5	W.456.064	2
6	3.10.1080	2
7	W.37.05.009.00	2
8	3.10.1040	2
9	W.40.04.001.00	1
10	W.39.04.002.00	1
11	W.39.05.008.00	1
12	W.39.05.009.00	1
13	W.456.0859	2
14	W.37.04.007.00	10
15	W.37.04.018.00	2
16	W.664.018	2
17	3.01.0325	4
18	3.06.0005	1
19	W.37.04.019.00	2



rif.	codice	Q.tà
1	W.39.04.504.00	2
2	3.07.0052	2
3	W.101.219	2
4	3.01.0354	2
5	3.10.1039	4
6	W.39.04.010.00	2
7	W.456.872	2
8	3.10.1080	2
9	W.37.05.009.00	2
11	3.10.1040	2
12	W.39.04.009.00	1
13	W.39.04.008.00	1
14	W.39.05.008.00	1
15	W.39.05.009.00	1
16	W.456.052	2
17	W.37.04.007.00	6
18	W.37.04.0180.00	2
19	664.018	2
20	3.01.0325	4
21	3.06.0005	4
22	W.37.04.019.00	2
23	3.02.0033	1

1/1

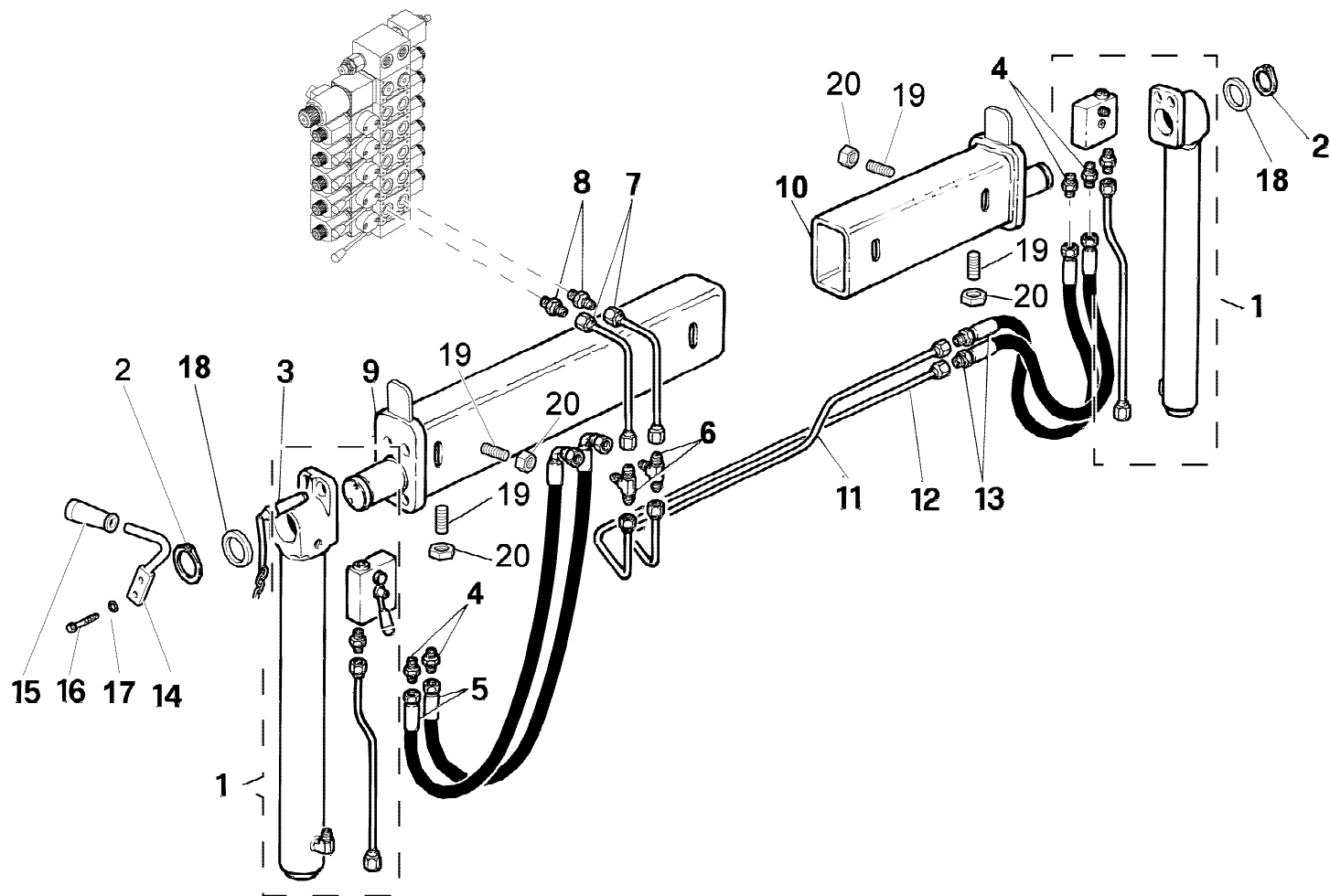
HYVA® CRANE

HB50

ASTE STABILIZZATRICI (EXTRA ESTENDIBILI) - RDC
 STABILIZER ROD (EXTRA-EXTENSIBLE) - RDC
 TIGES DE STABILISATION (EXTRA-EXTENSIBLE) - RDC
 STÜTZSTANGEN (EXTRA-AUSDEHNBARE) - RDC
 BARRAS ESTABILIZADORAS (EXTRA-EXTENSIBLE) - RDC

Tavola
W.39.04.519.00-R-0

Data pag.
 marzo 2007 61



rif.	codice	Q.tà
1	W.39.04.504.00	2
2	3.07.0052	2
3	W.101.219	2
4	3.10.1039	4
5	W.468.103	2
6	3.10.1080	2
7	5.39.2258	2
8	3.10.1040	2
9	W.40.04.002.00	1
10	W.40.04.003.00	1
11	W.39.05.008.00	1
12	W.39.05.009.00	1
13	W.456.890	2
14	W.37.04.018.00	10
15	W.664.018	2
16	3.01.0325	2
17	3.06.0005	4
18	W.37.04.019.00	1
19	W.061.333	2
20	3.04.0251	6

1/1

HYVA® CRANE

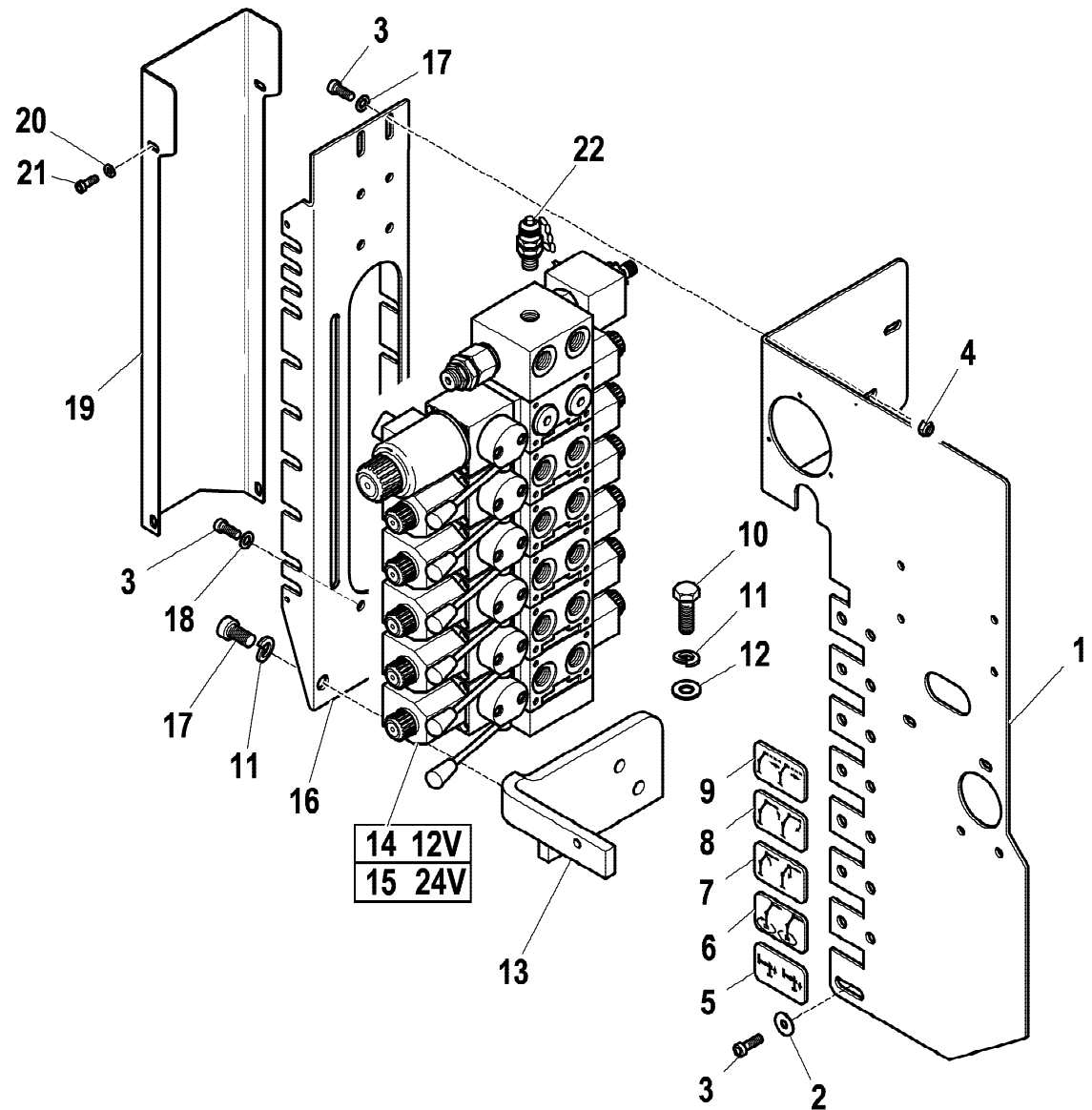
HB50

ASTE STABILIZZATRICI (SUPER EXTRA ESTENDIBILI)
 STABILIZER ROD (SUPER EXTRA-EXTENSIBLE)
 TIGES DE STABILISATION (SUPER EXTRA-EXTENSIBLE)
 STÜTZSTANGEN (SUPER EXTRA-AUSDEHNBARE)
 BARRAS ESTABILIZADORAS (SUPER EXTRA-EXTENSIBLE)

Tavola

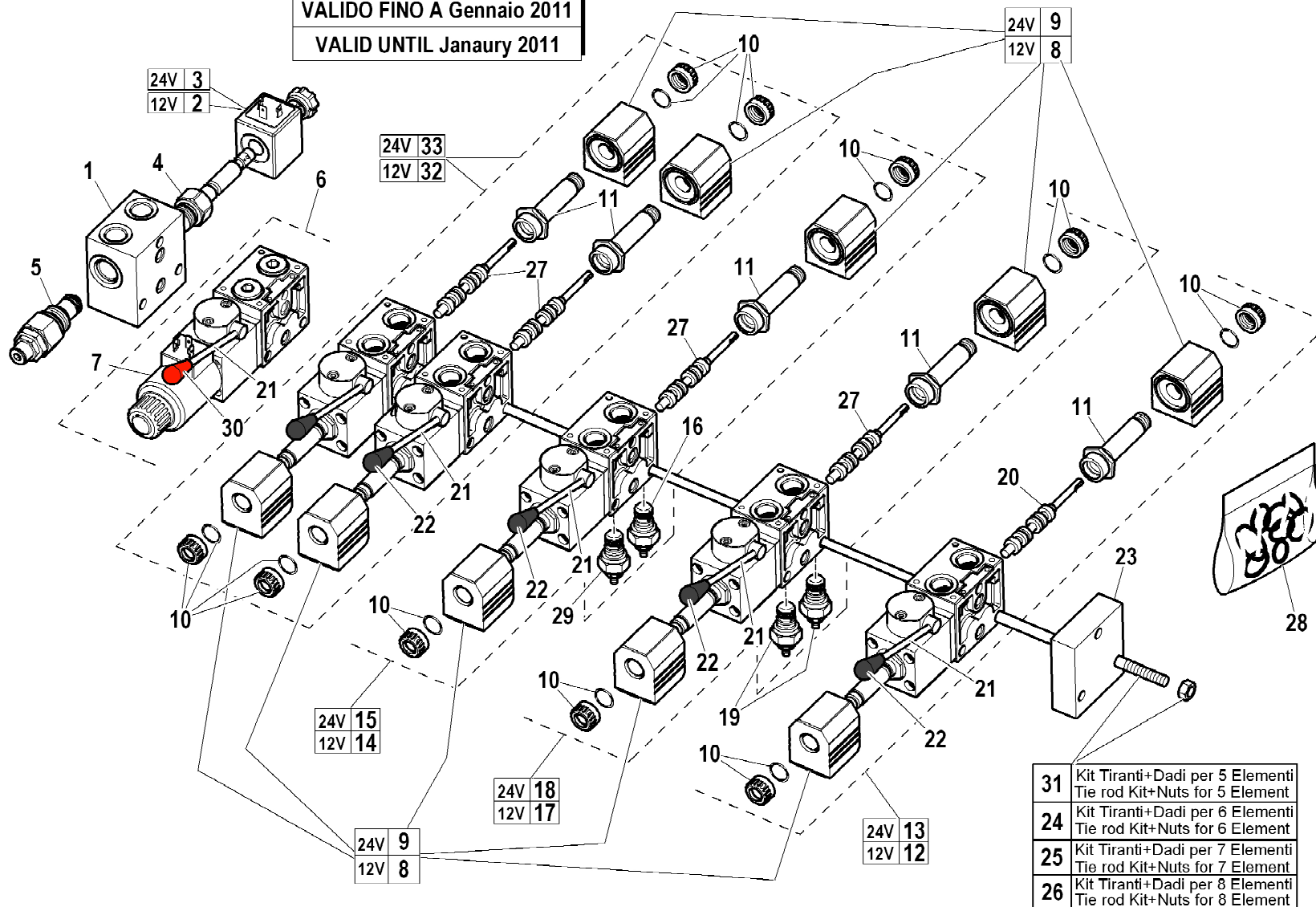
W.040_402-R-0

Data pag.
 marzo 2007 62



rif.	codice	Q.tà
1	W.37.05.076.00	1
2	3.06.0030	1
3	3.02.0034	7
4	3.04.0372	2
5	W.573.278	1
6	W.573.279	1
7	W.573.280	1
8	W.573.282	1
9	W.573.283	1
10	3.01.0355	2
11	3.06.0056	2
12	3.06.0914	2
13	5.00.1703	1
14	5.22.0407	1
15	5.22.0410	1
16	W.37.05.075.00	1
17	3.02.0080	2
18	3.06.0005	6
19	W.37.05.079.00	1
20	3.06.0004	4
21	3.02.0021	4
22	3.11.1523	1

VALIDO FINO A Gennaio 2011
VALID UNTIL January 2011



31	Kit Tiranti+Dadi per 5 Elementi Tie rod Kit+Nuts for 5 Element
24	Kit Tiranti+Dadi per 6 Elementi Tie rod Kit+Nuts for 6 Element
25	Kit Tiranti+Dadi per 7 Elementi Tie rod Kit+Nuts for 7 Element
26	Kit Tiranti+Dadi per 8 Elementi Tie rod Kit+Nuts for 8 Element

rif.	codice	Q.tà
1	5.22.5719	1
2	3.31.0906	1
3	3.31.0904	1
4	5.22.0569	1
5	5.22.5718	1
6	5.22.5720	1
7	3.31.0903	1
8	3.31.0907	10
9	3.31.0905	10
10	5.22.5721	10
11	5.22.5768	10
12	5.22.5755	1
13	5.22.5760	1
14	5.22.5726	1
15	5.22.5759	1
16	5.22.5729	1
17	5.22.5725	1
18	5.22.5758	1
19	5.22.5736	2
20	5.22.5715	1
21	5.22.5800	6
22	5.22.5801	5
23	5.22.5727	1
24	5.22.5730	1
25	5.22.5731	1
26	5.22.5732	1
27	5.22.5716	4
28	5.22.5733	1
29	5.22.5728	1
30	5.22.5818	1
31	5.22.5843	1

1/2

HYVA® CRANE
HB50

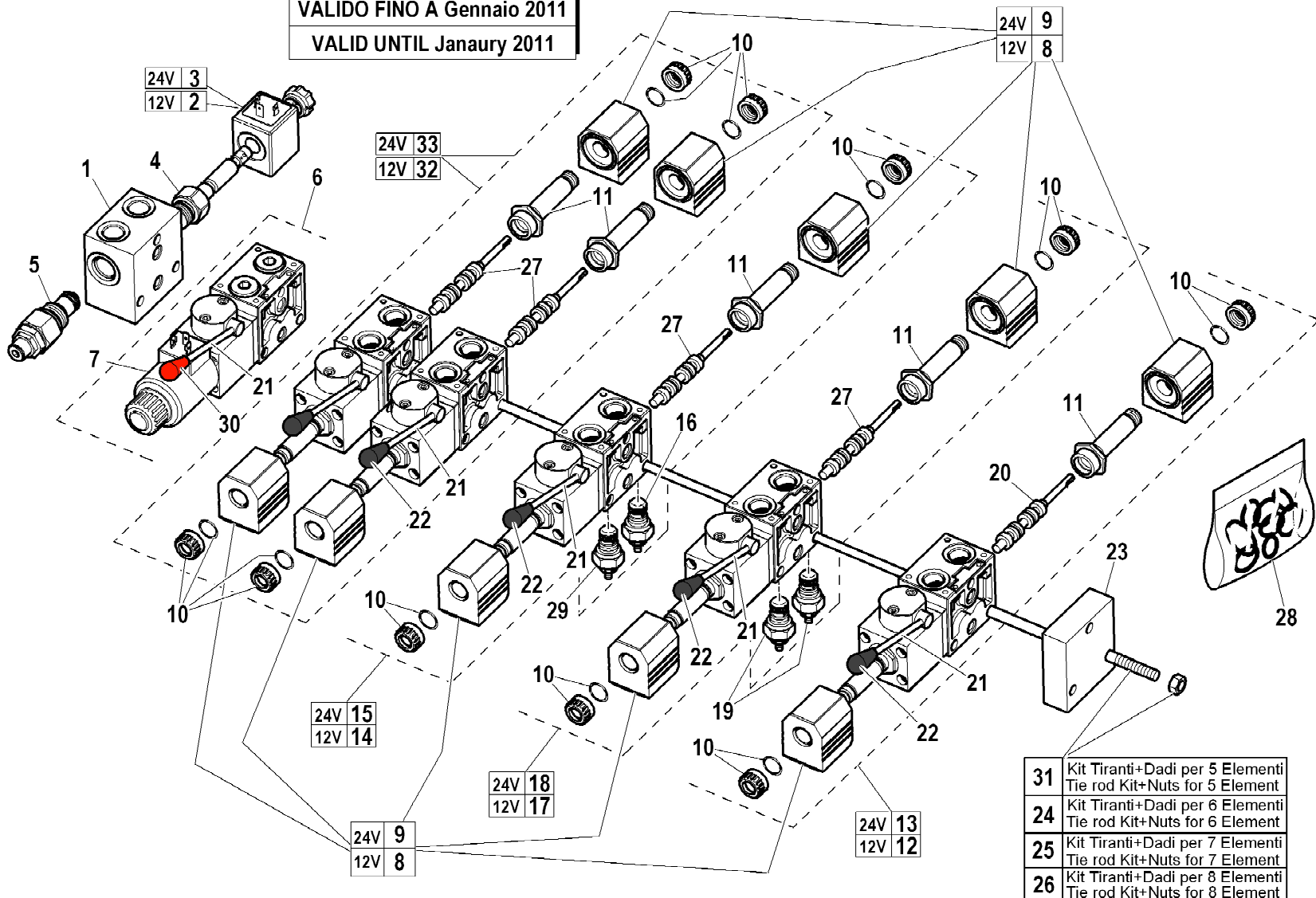
DISTRIBUTORE (5 ELEMENTI) - RDC
CONTROL VALVE (5 SECTION) - RDC
DISTRIBUTEUR (5 VOIES) - RDC
STUEBLOCK (5 ELEMENTE) - RDC
DISTRIBUIDOR (5 ELEMENTOS) - RDC

Tavola
5.22.0410-1-0

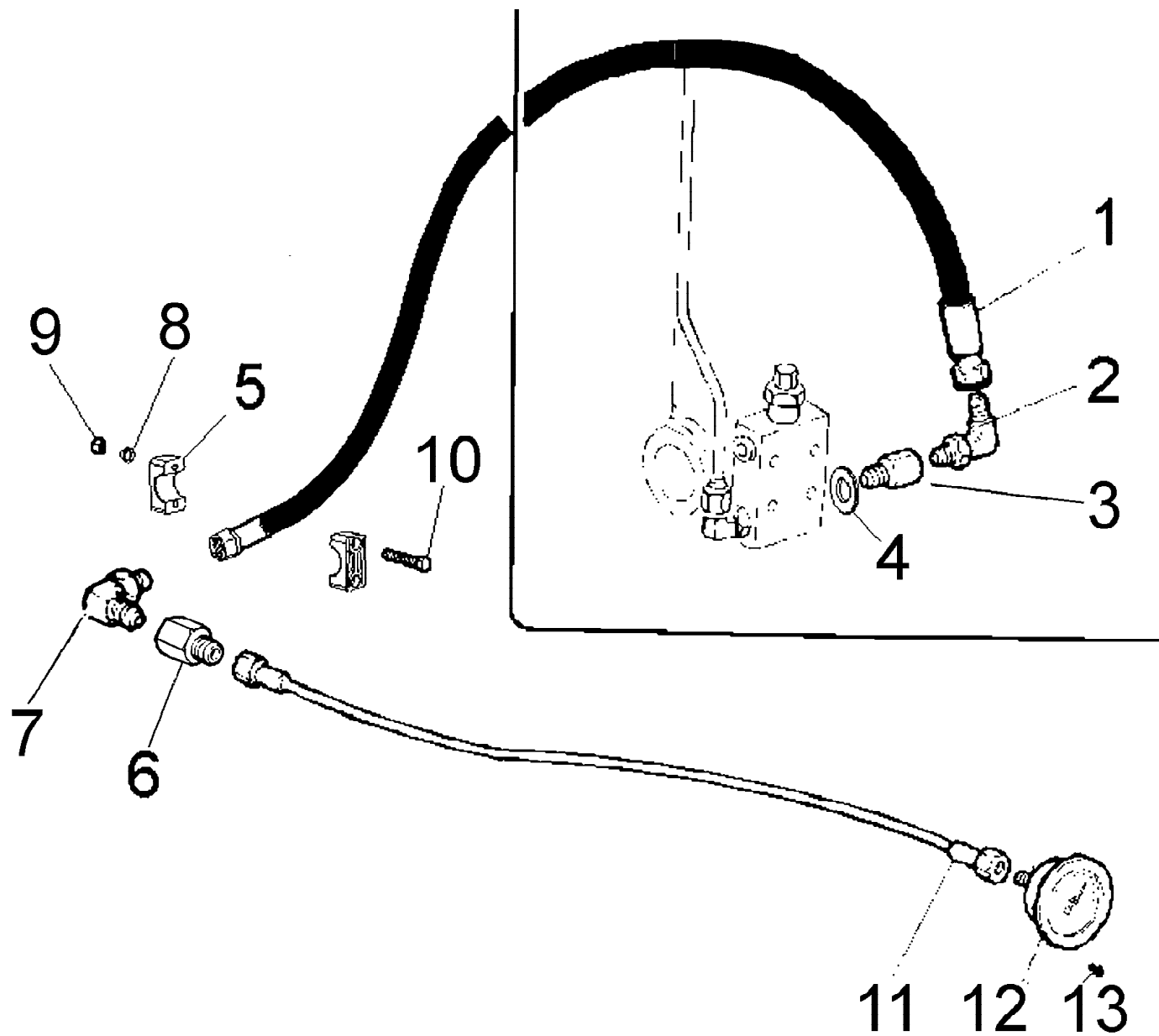
Data pag.
febbraio 2007 64.1

rif.	codice	Q.tà
32	5.22.5724	2
33	5.22.5757	2

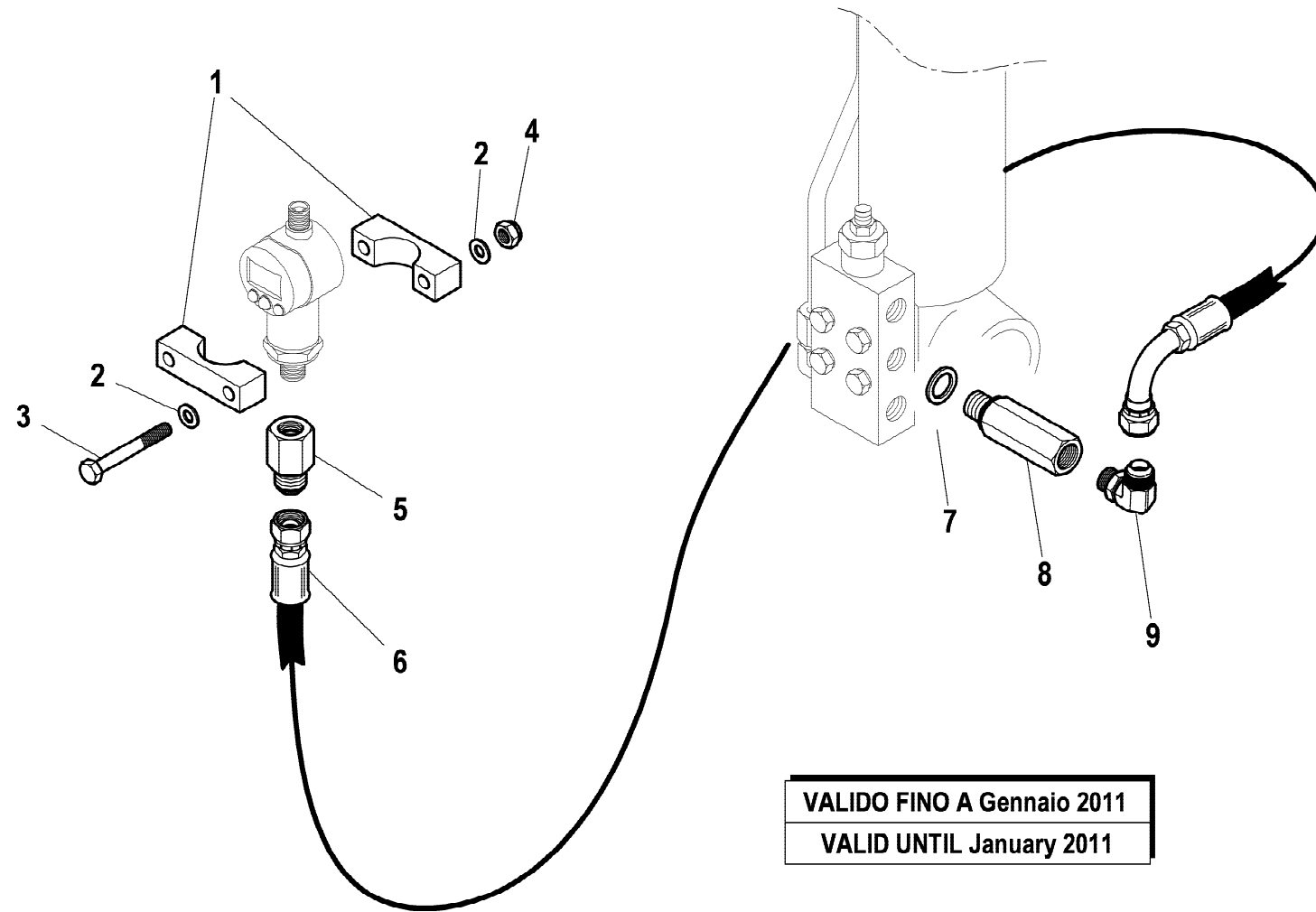
VALIDO FINO A Gennaio 2011
VALID UNTIL January 2011



- | | |
|----|---|
| 31 | Kit Tiranti+Dadi per 5 Elementi
Tie rod Kit+Nuts for 5 Element |
| 24 | Kit Tiranti+Dadi per 6 Elementi
Tie rod Kit+Nuts for 6 Element |
| 25 | Kit Tiranti+Dadi per 7 Elementi
Tie rod Kit+Nuts for 7 Element |
| 26 | Kit Tiranti+Dadi per 8 Elementi
Tie rod Kit+Nuts for 8 Element |



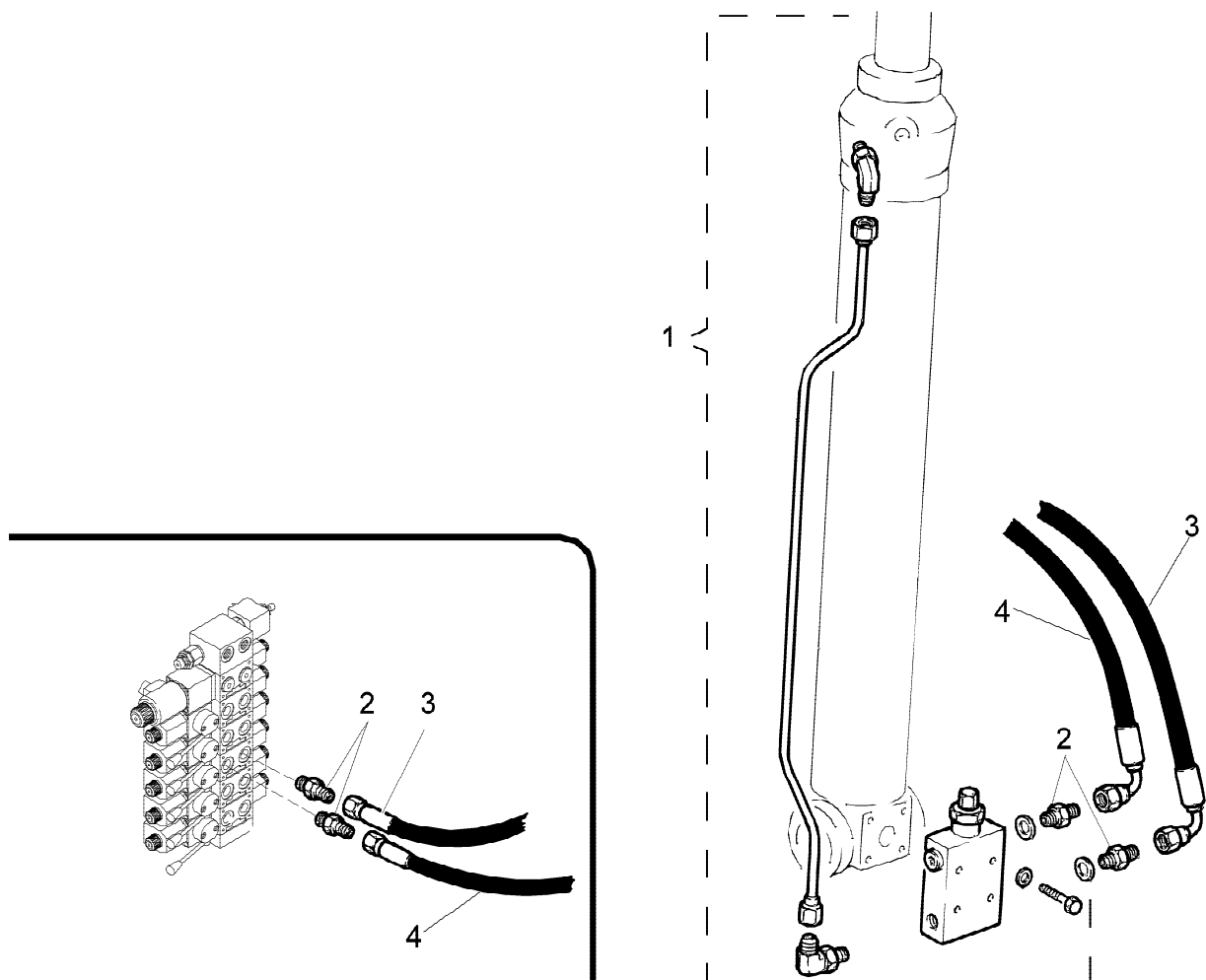
ref.	codice	Q.tà
1	W.456.027	1
2	3.10.1124	1
3	5.22.0300	1
4	3.06.0143	1
5	W.128.034	1
6	3.12.0200	1
7	3.10.1067	1
8	3.06.0005	3
9	3.04.0372	3
10	3.02.0040	2
11	W.458.458	1
12	3.18.0150	1
13	3.02.0950	3



VALIDO FINO A Gennaio 2011
 VALID UNTIL January 2011

rif.	codice	Q.tà
1	5.14.1020	2
2	3.06.0005	4
3	3.01.0019	2
4	3.04.0372	2
5	3.12.0450	1
6	5.26.0868	1
7	3.06.0143	1
8	5.22.0300	1
9	3.10.1124	1

rif.	codice	Q.tà
1	W.40.02.504.00	1
2	3.10.1040	4
3	5.26.0889	1
4	W.456.052	2



1/1

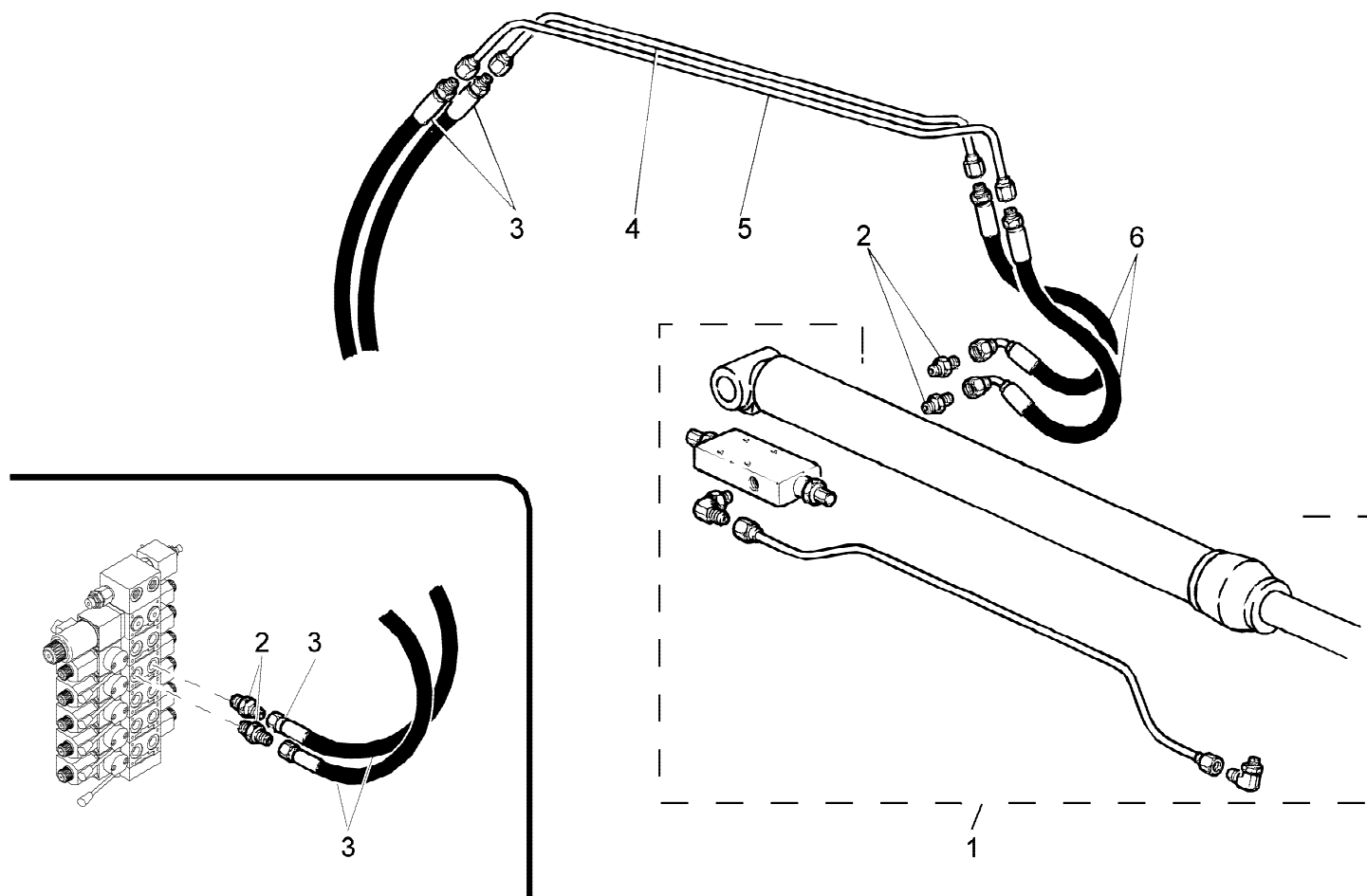
HYVA[®] CRANE
HB50

IMPIANTO IDRAULICO (MARTINETTO SOLLEVAMENTO) - RDC
 HYDRAULIC SYSTEM (LIFTING HYDRAULIC CYLINDER) - RDC
 INSTALLATION HYDRAULIQUE (VERIN DE LEVAGE) - RDC
 HYDRAULIKANLAGE (HUBZYLINDER) - RDC
 INSTALACION HIDRAULICA (GATO DE ELEVACION) - RDC

Tavola
W.39.02.504.00-R-0

Data pag.
 marzo 2007 67

rif.	codice	Q.tà
1	W.40.03.501.00	1
2	3.10.1040	4
3	5.26.0888	2
4	W.40.05.002.00	1
5	W.40.05.003.00	1
6	W.456.914	2



1/1

HYVA[®] CRANE

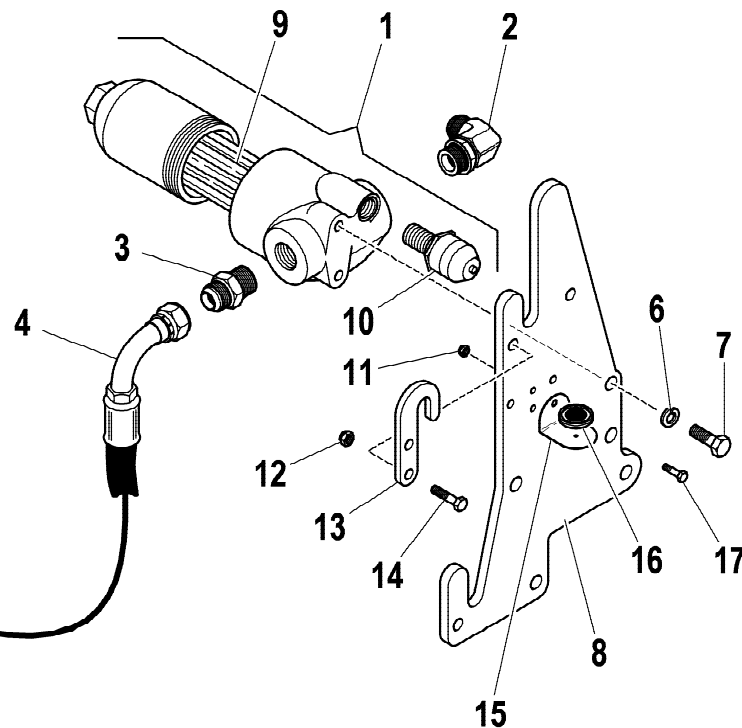
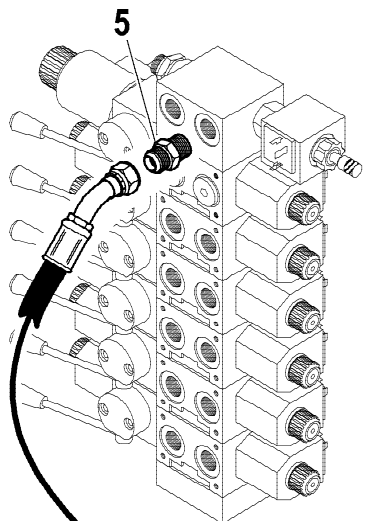
HB50

IMPIANTO IDRAULICO (MARTINETTO ARTICOLAZIONE)
 HYDRAULIC SYSTEM (ARTICULATION HYDRAULIC JACK)
 INSTALLATION HYDRAULIQUE (VERIN D' ARTICULATION)
 HYDRAULIKANLAGE (GELENKSHEBEBOCK)
 INSTALACION HIDRAULICA (GATO DE ARTICULACION)

W.40.03.501.00-R-0

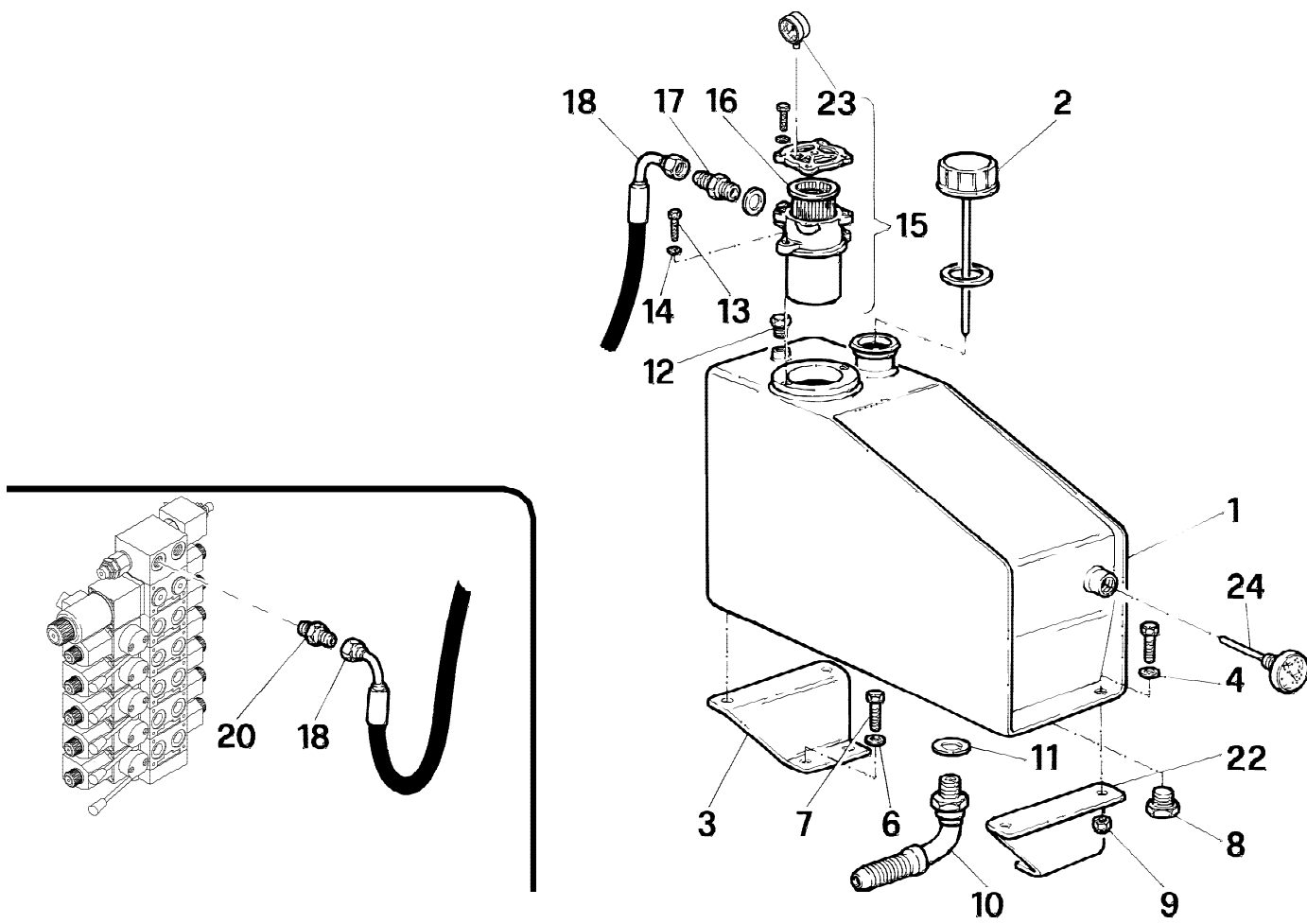
Data pag.
 marzo 2007 68

Tavola

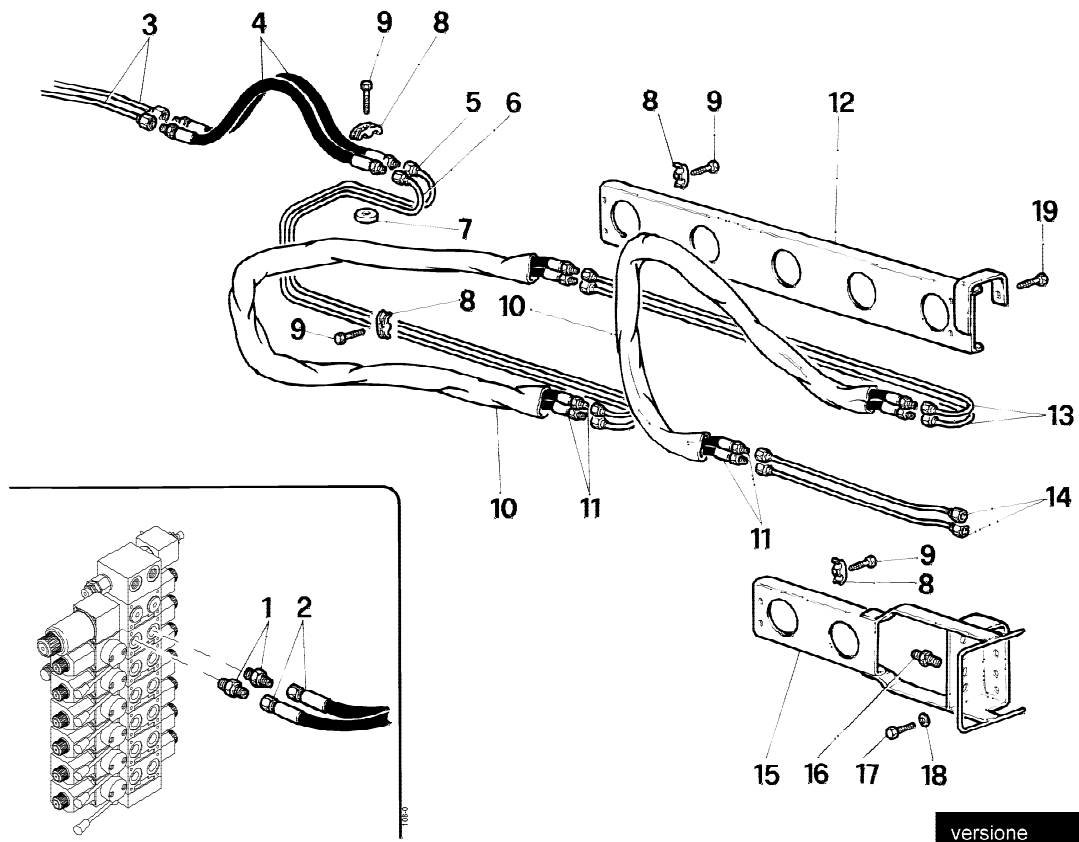


rif.	codice	Q.tà
1	3.18.0138	1
2	3.10.1128	1
3	3.10.1044	1
4	5.27.1751	1
5	3.10.1043	1
6	3.06.0055	2
7	3.01.0336	2
8	W.37.05.029.00	1
9	3.18.0139	1
10	3.18.0140	1
11	3.04.0372	1
12	3.04.0303	1
13	W.37.05.002.00	1
14	3.01.0339	1
15	W.57.05.016.00	1
16	3.18.0116	1
17	3.02.0035	1

rif.	codice	Q.tà
1	W.40.05.001.00	1
2	W.449.008	1
3	W.40.05.006.00	1
4	3.06.0029	4
5	3.01.0339	4
6	3.06.0914	4
7	3.01.0352	4
8	3.11.0070	1
9	3.04.0524	4
10	W.410.017	1
11	3.06.0150	1
12	W.449.022	1
13	3.01.0325	6
14	3.06.0005	6
15	3.18.0199	1
16	3.18.0112	1
17	3.10.1044	1
18	5.28.0780	1
19	3.10.1043	1
20	3.10.1051	1
21	3.11.0041	1
22	W.40.05.007.00	1
23	3.18.0147	1
24	W.295.001	1

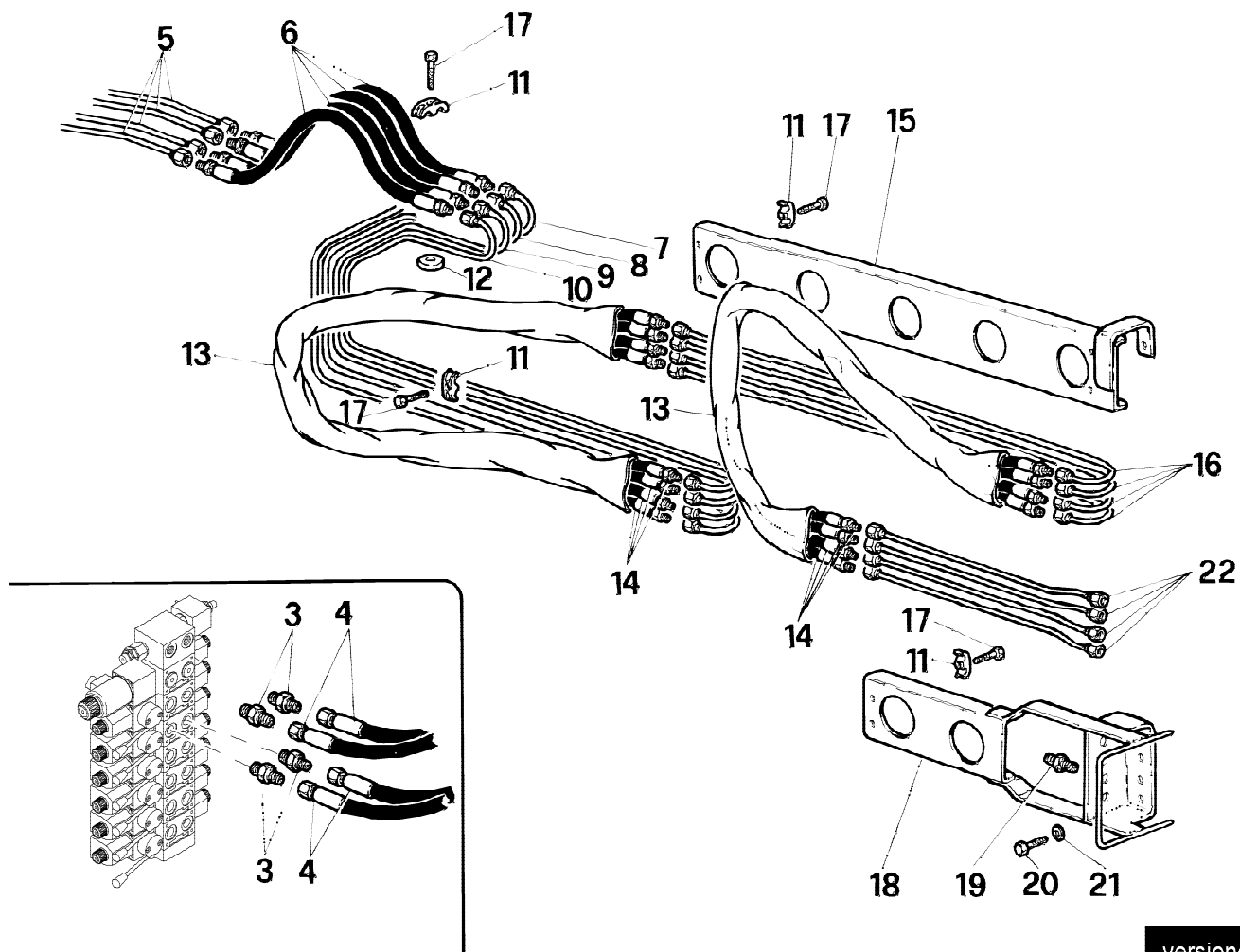


rif.	codice	Q.tà
1	3.10.1043	2
2	5.27.1703	2
3	W.40.05.004.00	2
4	W.456.600	2
5	W.39.05.024.00	1
6	W.39.05.025.00	1
7	W.34.05.014.00	1
8	5.00.0077	6
9	3.01.0033	6
10	W.39.05.033.00	1
11	W.742.005	2
12	W.456.593	4
13	W.39.05.049.00	2
14	W.34.05.050.00	2
15	W.34.05.027.00	1
16	W.3.01.0353	2
17	3.06.0914	2
18	3.02.0452	1



versione
 model
 version
 Kranmodell
 versi—n

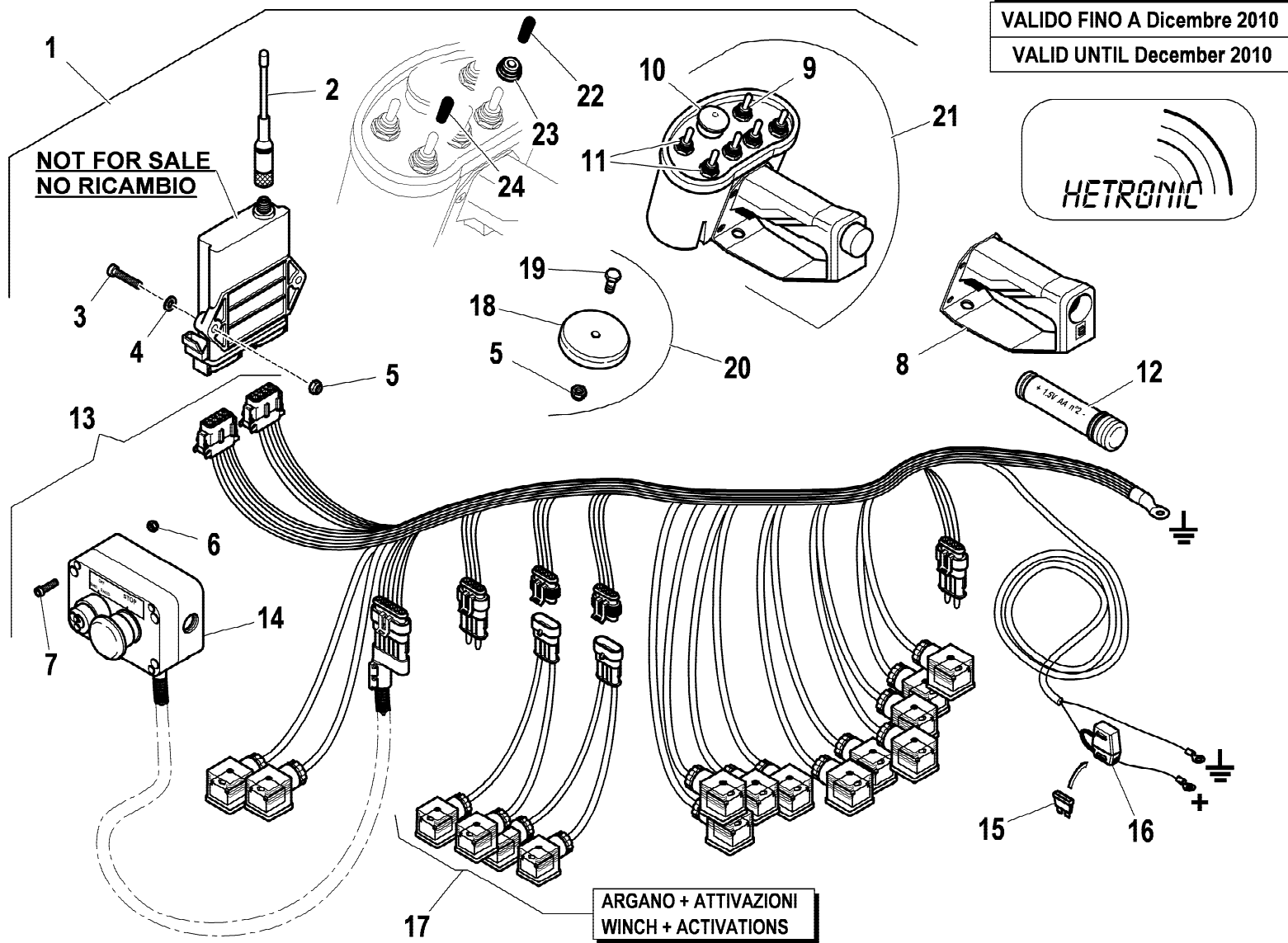
A2



rif.	codice	Q.tà
1	W.VA.0480	1
2	W.VA.0481	1
3	3.10.1043	4
4	5.27.1703	4
5	W.40.05.004.00	4
6	W.456.600	4
7	W.39.05.024.00	1
8	W.39.05.025.00	1
9	W.39.05.026.00	1
10	W.39.05.027.00	1
11	5.00.0077	9
12	W.34.05.014.00	9
13	W.742.005	1
14	W.456.593	4
15	W.39.05.033.00	1
16	W.34.05.049.00	4
17	3.01.0033	9
18	W.34.05.027.00	1
19	W.402.008	4
20	3.01.0353	2
21	3.06.0914	2
22	W.34.05.050.00	4

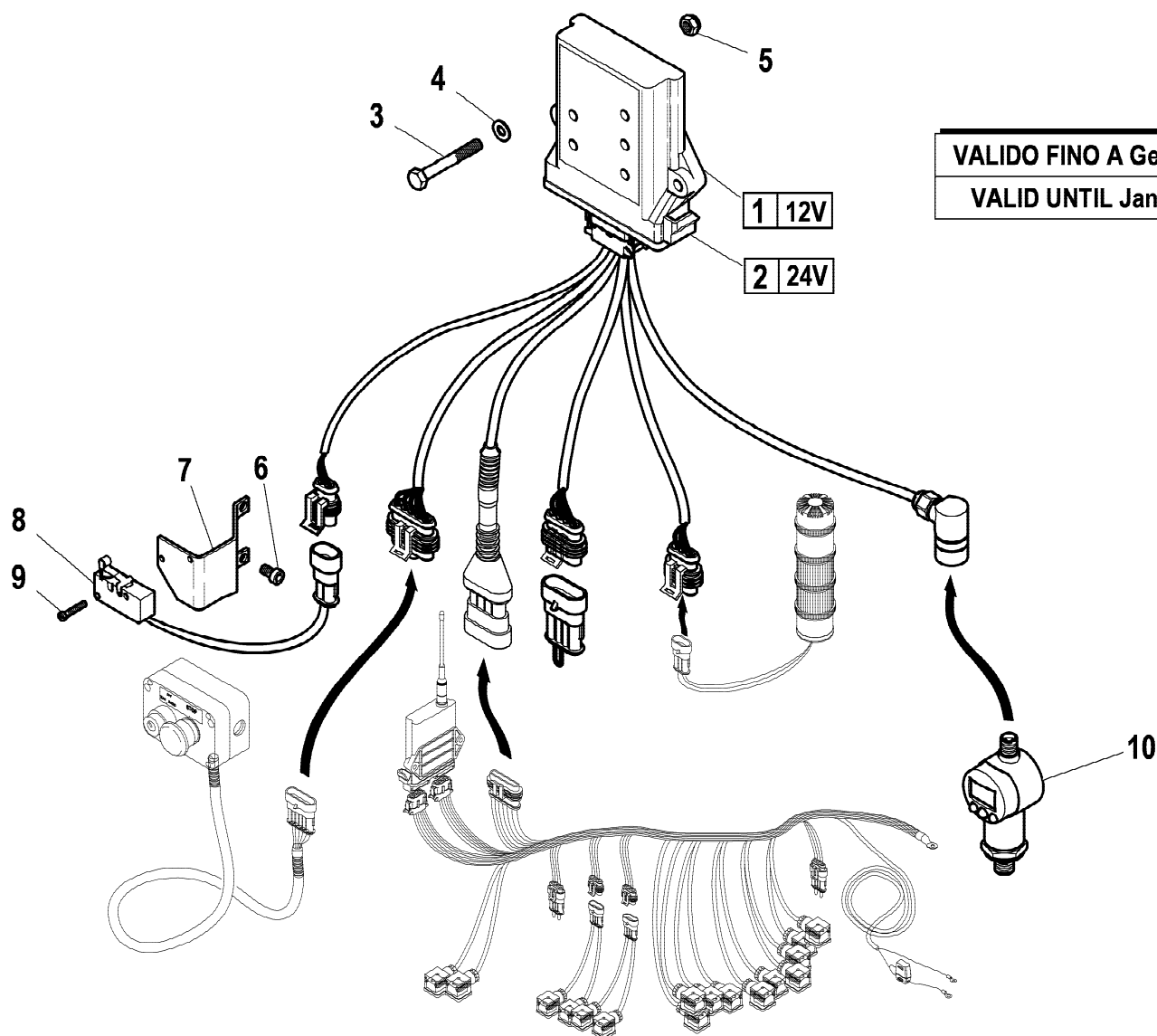
versione
 model
 version
 Kranmodell
 versi—n

A2



rif.	codice	Q.tà
1	5.12.0095	1
2	3.31.0861	1
3	3.02.0038	2
4	3.06.0005	2
5	3.04.0372	3
6	3.04.0392	8
7	3.02.0023	8
8	3.31.1071	1
9	3.31.0891	1
10	3.31.0892	1
11	3.31.0890	5
12	3.31.0893	1
13	3.31.0860	1
14	3.31.0908	1
15	3.31.0688	1
16	3.31.0852	1
17	3.31.0862	2
18	3.31.0064	1
19	3.01.0324	1
20	5.41.0965	1
21	3.31.0754	1
22	3.31.1195	5
23	3.31.1197	6
24	3.31.1196	1

rif.	codice	Q.tà
1	3.31.0876	1
2	3.31.0879	1
3	3.02.0038	2
4	3.06.0005	2
5	3.04.0372	2
6	3.02.0022	2
7	5.00.1694	1
8	3.31.0885	1
9	3.02.0880	2
10	3.31.0873	1



VALIDO FINO A Gennaio 2011

VALID UNTIL January 2011

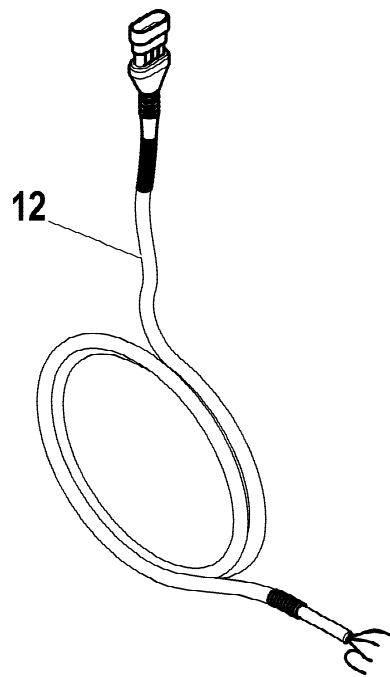
1/1

HYVA® CRANE
HB50

CABLAGGIO AUSILIARIO (LIMITATORE) - CE
 AUXILIARY WIRING (LIMITING DEVICE) - CE
 CÂBLAGE AUXILIAIRE (LIMITEUR) - CE
 ZUSÄTZLICHE VERDRAHTUNG (BEGRENZER) - CE
 CABLEADO AUXILIAR (LIMITADOR) - CE

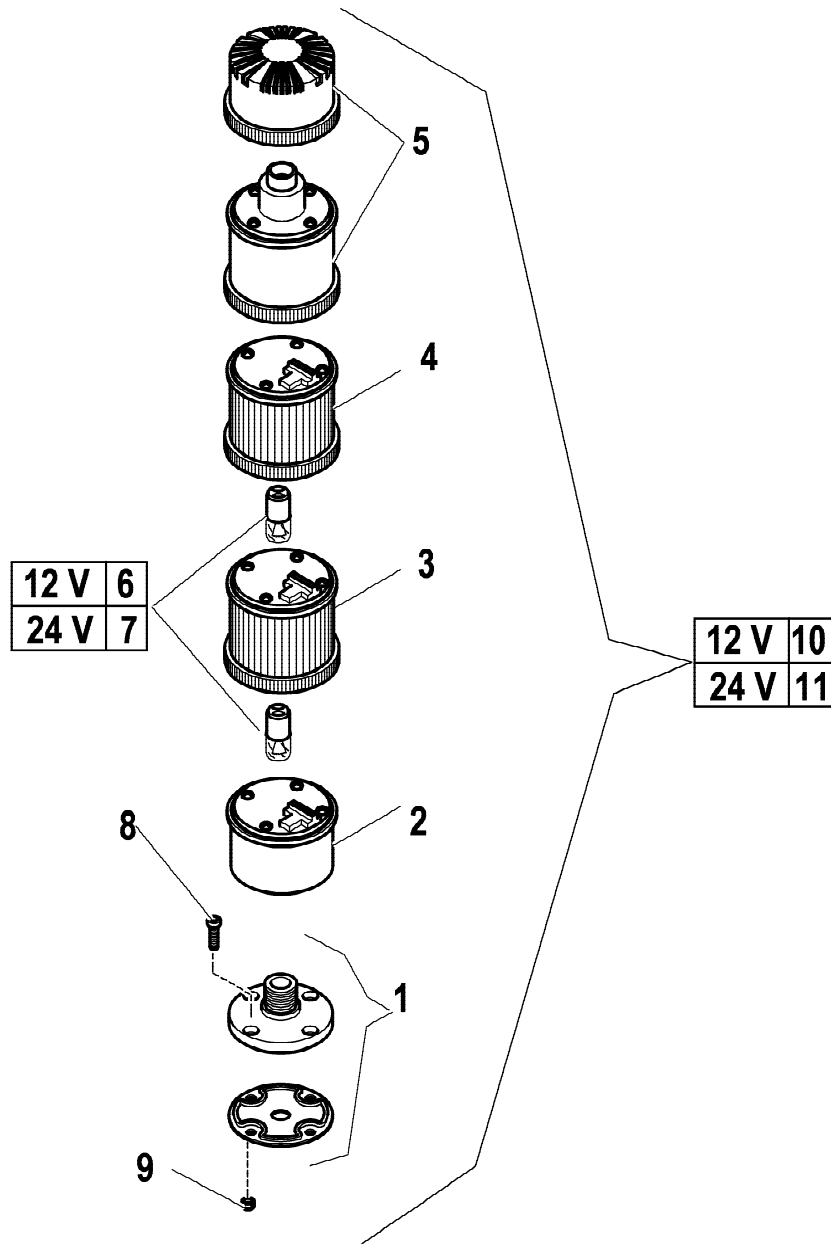
Tavola
5.40.5003-2-0

Data pag.
marzo 2010 74



12 V	6
24 V	7

12 V	10
24 V	11



rif.	codice	Q.tà
1	3.31.0821	1
2	3.31.0595	1
3	3.31.0594	1
4	3.31.0593	1
5	3.31.0597	1
6	3.31.0610	2
7	3.31.0596	2
8	3.02.0023	4
9	3.04.0392	4
10	3.31.0823	1
11	3.31.0822	1
12	3.31.1110	1

1/1

HYVA[®] CRANE

HB50

COLONNA LUMINOSA TWS
 LIGHT COLUMN TWS
 COLONNE LUMINEUSE TWS
 LICHTSÄULE TWS
 COLUMNA DE LUZ TWS

Tavola
3.31.0822-1-0

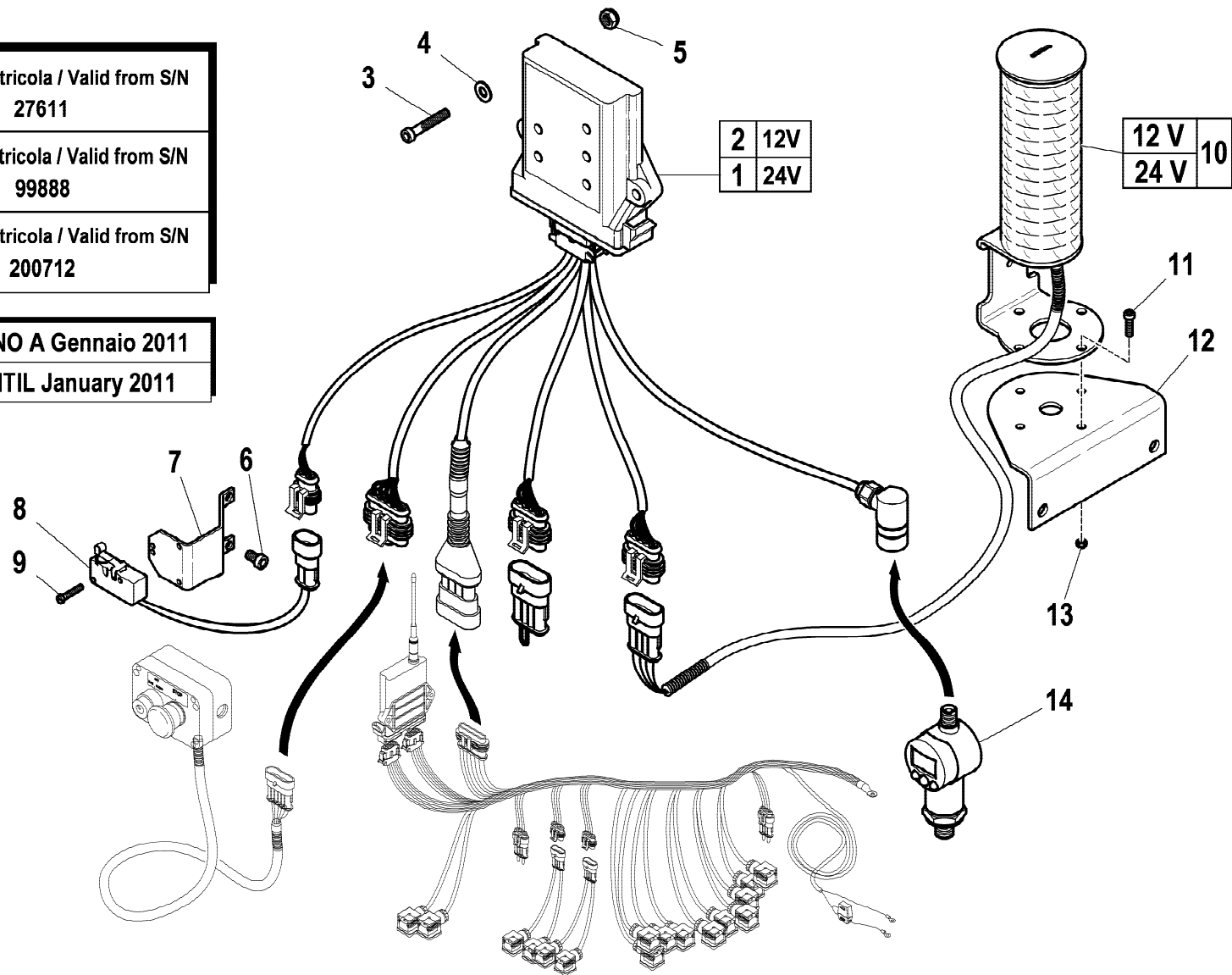
Data pag.
 giugno 2006 75

Valido da Matricola / Valid from S/N
27611

Valido da Matricola / Valid from S/N
99888

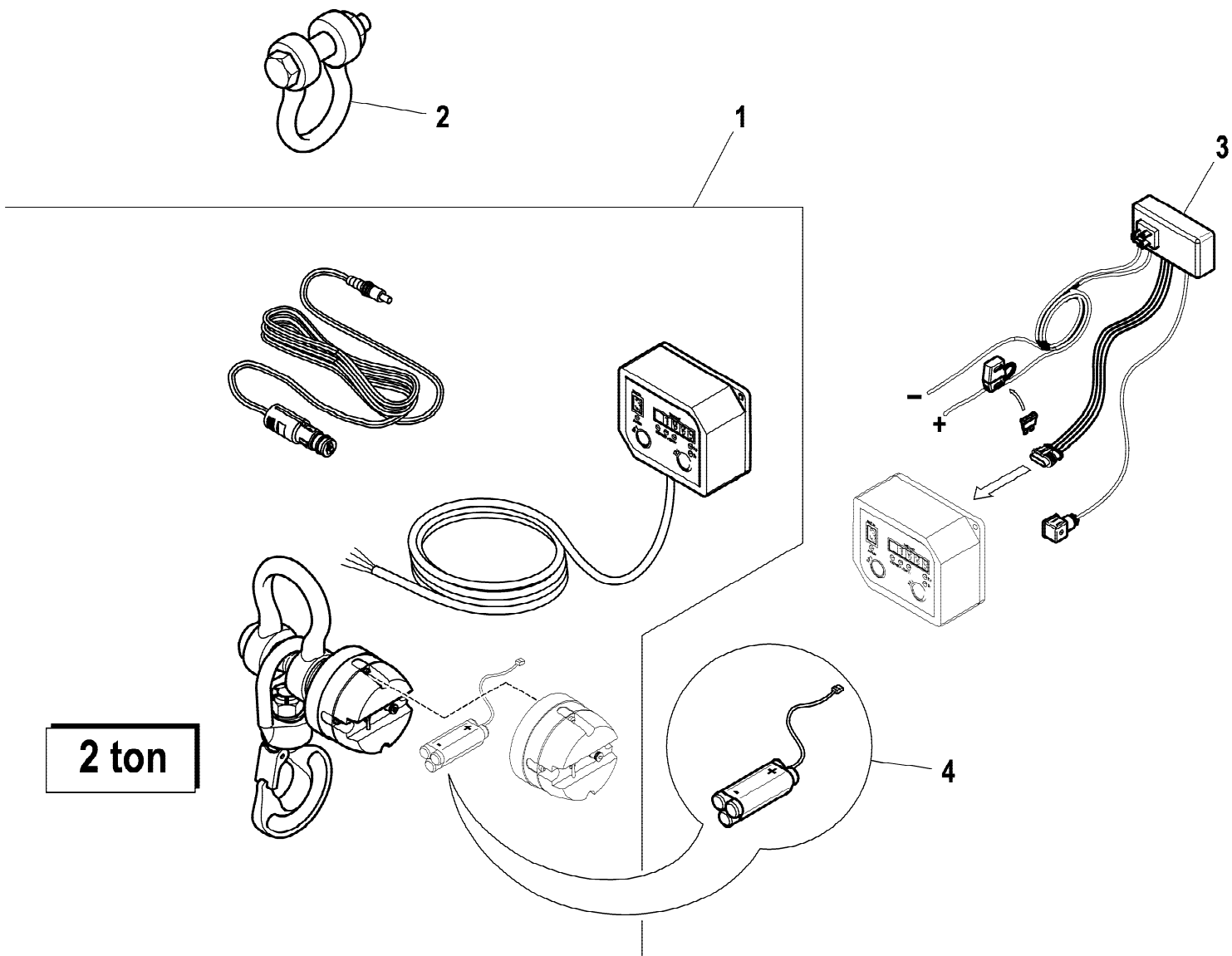
Valido da Matricola / Valid from S/N
200712

VALIDO FINO A Gennaio 2011
VALID UNTIL January 2011



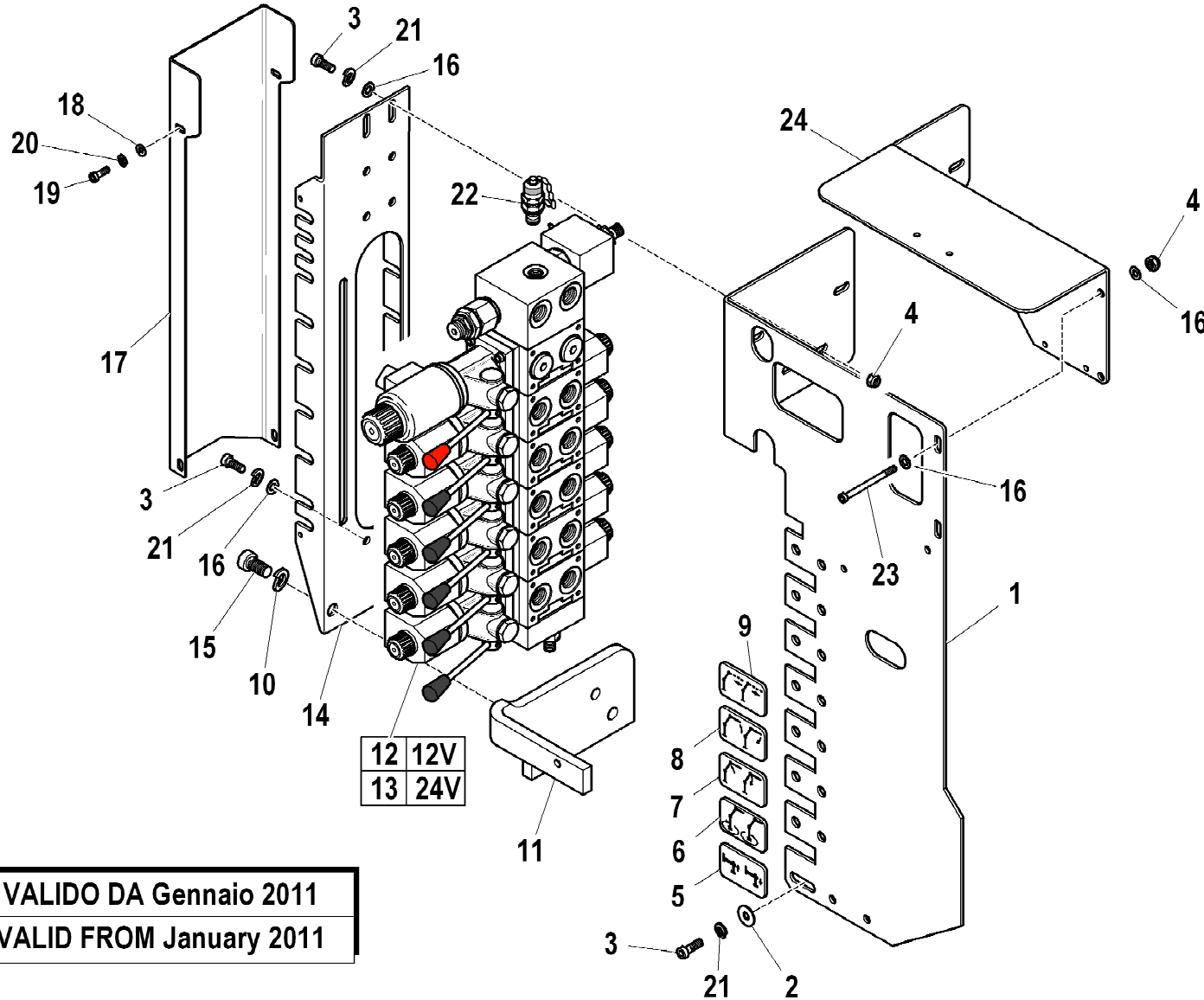
rif.	codice	Q.tà
1	3.31.1169	1
2	3.31.1168	1
3	3.02.0038	2
4	3.06.0005	2
5	3.04.0372	2
6	3.02.0022	2
7	5.00.1694	1
8	3.31.0885	1
9	3.02.0881	2
10	3.31.1159	1
11	3.02.0023	4
12	W.37.05.080.00	1
13	3.04.0392	4
14	3.31.0873	1

rif.	codice	Q.tà
1	5.73.0506	1
2	3.20.0050	1
3	W.236.508	1
4	3.31.1542	1





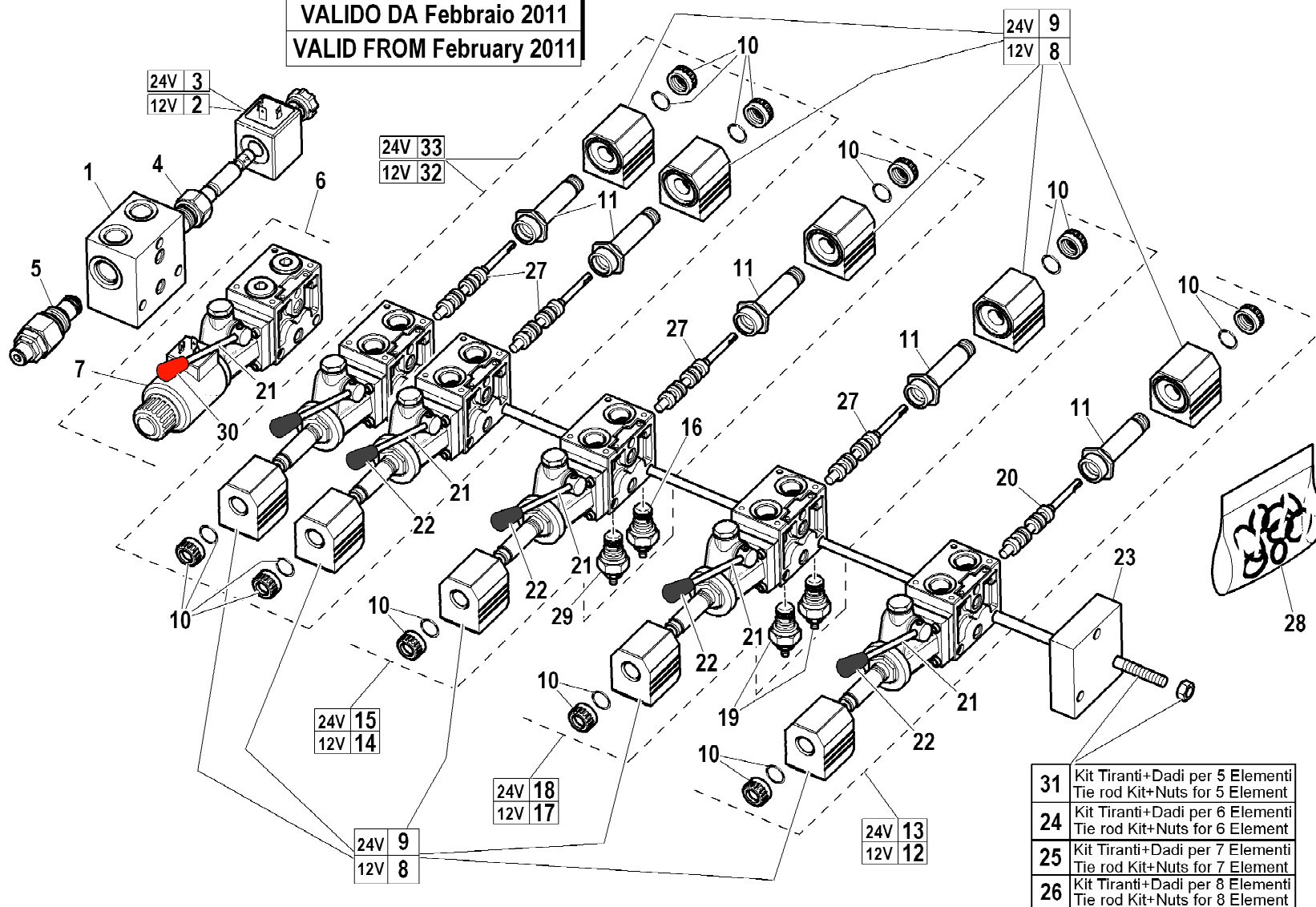
HB50 X EN12999-A3



VALIDO DA Gennaio 2011
VALID FROM January 2011

rif.	codice	Q.tà
1	W.37.05.081.00	1
2	3.06.0030	1
3	3.02.0034	7
4	3.04.0372	4
5	W.573.278	1
6	W.573.279	1
7	W.573.280	1
8	W.573.282	1
9	W.573.283	1
10	3.06.0056	2
11	5.00.1703	1
12	5.22.0407	1
13	5.22.0410	1
14	W.37.05.075.00	1
15	3.02.0080	2
16	3.06.0005	10
17	W.37.05.079.00	1
18	3.06.0004	4
19	3.02.0021	4
20	3.06.0052	4
21	3.06.0053	4
22	3.11.1523	1
23	3.02.0964	2
24	W.37.05.083.00	1

VALIDO DA Febbraio 2011
VALID FROM February 2011



rif.	codice	Q.tà
1	5.22.5719	1
2	3.31.0906	1
3	3.31.0904	1
4	5.22.0569	1
5	5.22.5718	1
6	5.22.5876	1
7	3.31.0903	1
8	3.31.0907	10
9	3.31.0905	10
10	5.22.5721	10
11	5.22.5768	10
12	5.22.5881	1
13	5.22.5886	1
14	5.22.5879	1
15	5.22.5884	1
16	5.22.5729	1
17	5.22.5880	1
18	5.22.5885	1
19	5.22.5736	2
20	5.22.5715	1
21	5.22.5800	6
22	5.22.5801	5
23	5.22.5727	1
24	5.22.5730	1
25	5.22.5731	1
26	5.22.5732	1
27	5.22.5716	4
28	5.22.5733	1
29	5.22.5728	1
30	5.22.5802	1
31	5.22.5843	1

1/2

HYVA® CRANE
HB50

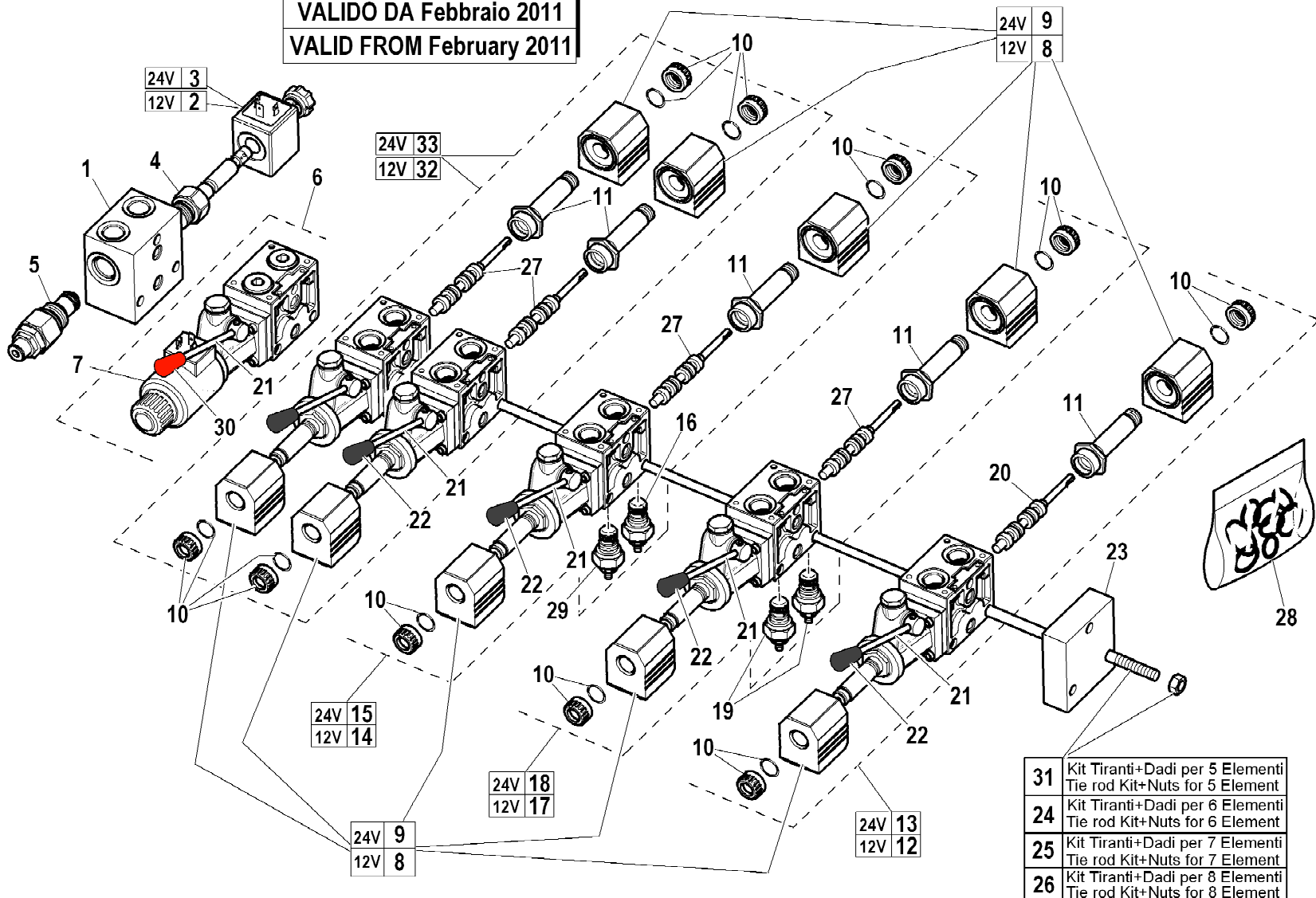
DISTRIBUTORE (5 ELEMENTI) - RDC
CONTROL VALVE (5 SECTION) - RDC
DISTRIBUTEUR (5 VOIES) - RDC
STUEBLOCK (5 ELEMENTE) - RDC
DISTRIBUIDOR (5 ELEMENTOS) - RDC

Tavola
5.22.0410-2-0

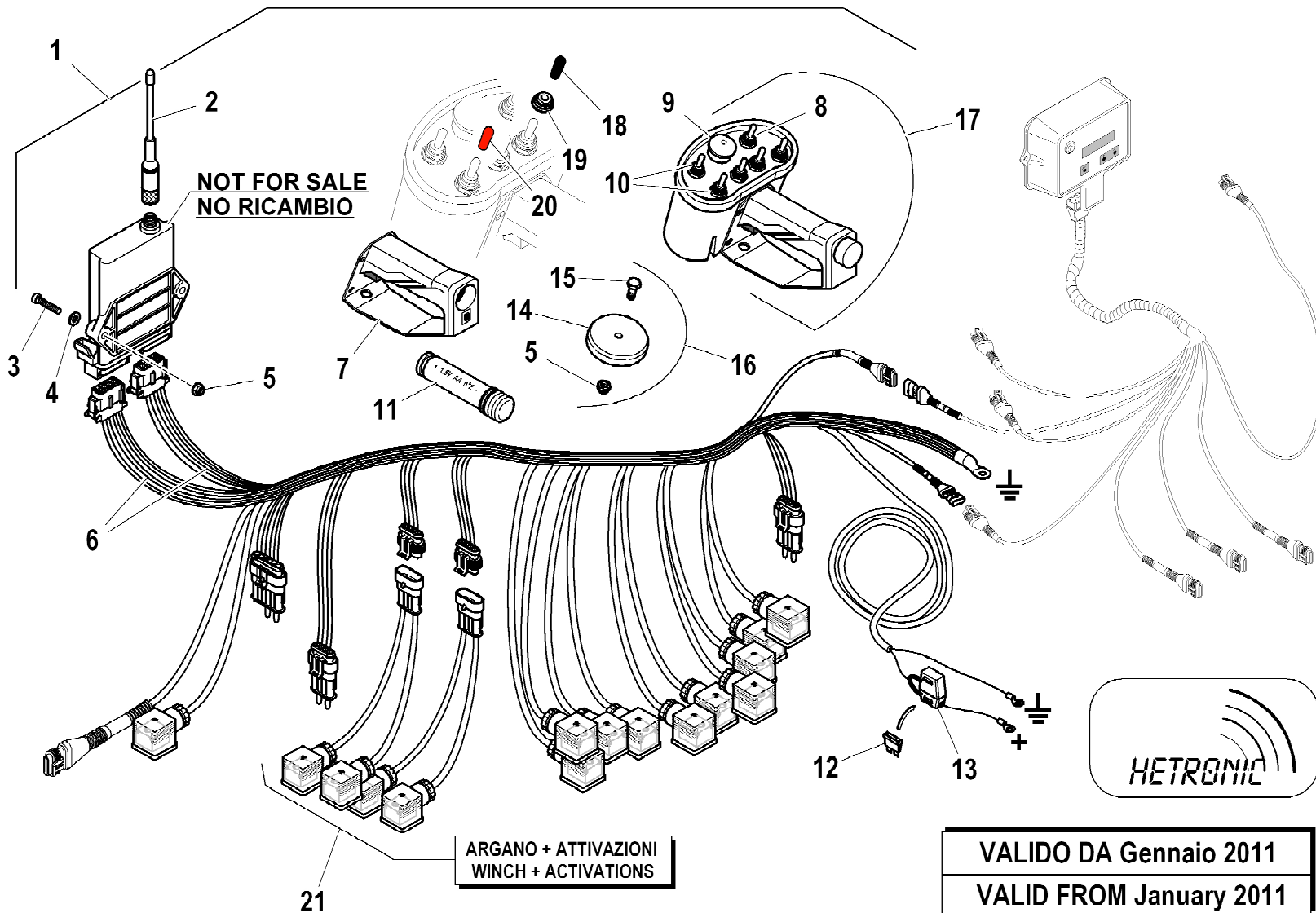
Data pag.
marzo 2011 80.1

rif.	codice	Q.tà
32	5.22.5878	2
33	5.22.5883	2

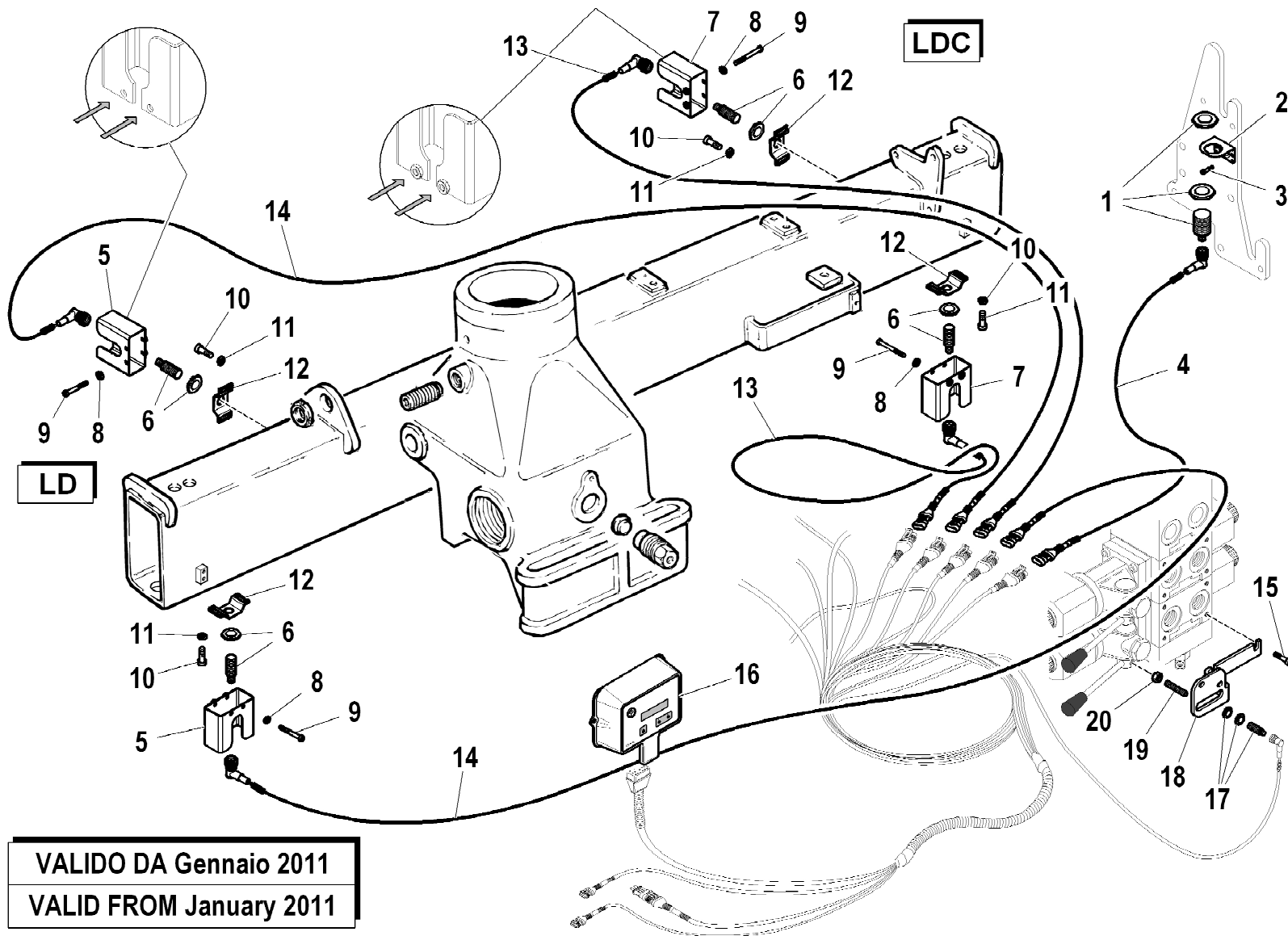
VALIDO DA Febbraio 2011
VALID FROM February 2011



- | | |
|----|---|
| 31 | Kit Tiranti+Dadi per 5 Elementi
Tie rod Kit+Nuts for 5 Element |
| 24 | Kit Tiranti+Dadi per 6 Elementi
Tie rod Kit+Nuts for 6 Element |
| 25 | Kit Tiranti+Dadi per 7 Elementi
Tie rod Kit+Nuts for 7 Element |
| 26 | Kit Tiranti+Dadi per 8 Elementi
Tie rod Kit+Nuts for 8 Element |



rif.	codice	Q.tà
1	5.12.0095	1
2	3.31.0861	1
3	3.02.0038	2
4	3.06.0005	2
5	3.04.0372	3
6	3.31.1385	1
7	3.31.1071	1
8	3.31.0891	1
9	3.31.0892	1
10	3.31.0890	5
11	3.31.0893	1
12	3.31.0688	1
13	3.31.0852	1
14	3.31.0064	1
15	3.01.0324	1
16	5.41.0965	1
17	3.31.0754	1
18	3.31.1195	5
19	3.31.1197	6
20	3.31.1196	1
21	3.31.0862	2

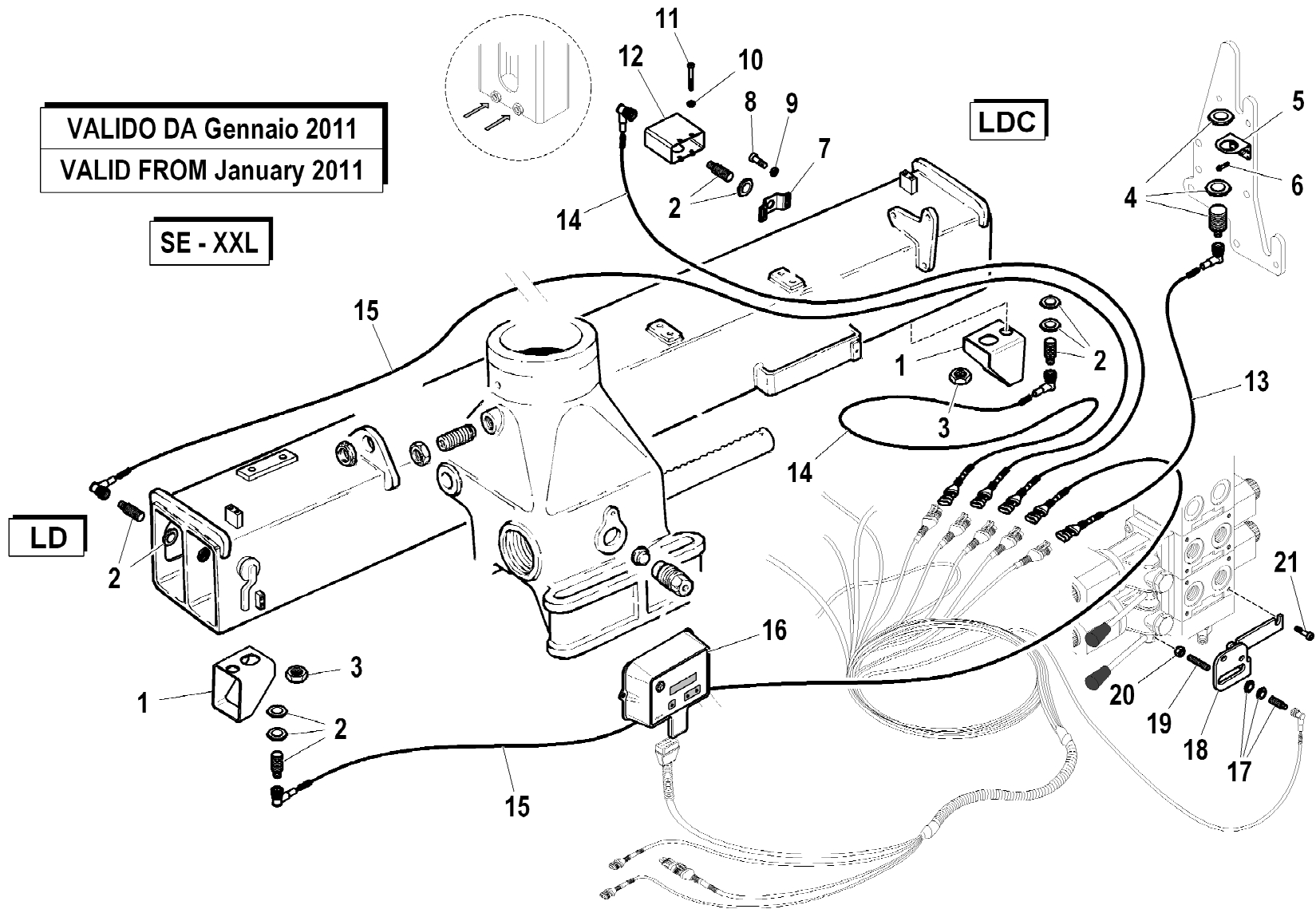


rif.	codice	Q.tà
1	3.31.1312	1
2	5.00.0426	1
3	3.02.0895	2
4	3.31.1372	1
5	5.09.1306	2
6	3.31.1311	4
7	5.09.1310	2
8	3.06.0053	8
9	3.02.0045	8
10	3.02.0902	8
11	3.06.0055	8
12	5.00.0420	4
13	3.31.1342	2
14	3.31.1332	2
15	3.02.0022	2
16	3.31.1386	1
17	3.31.1341	1
18	5.00.1842	1
19	3.06.0223	1
20	3.04.0391	1

VALIDO DA Gennaio 2011
 VALID FROM January 2011

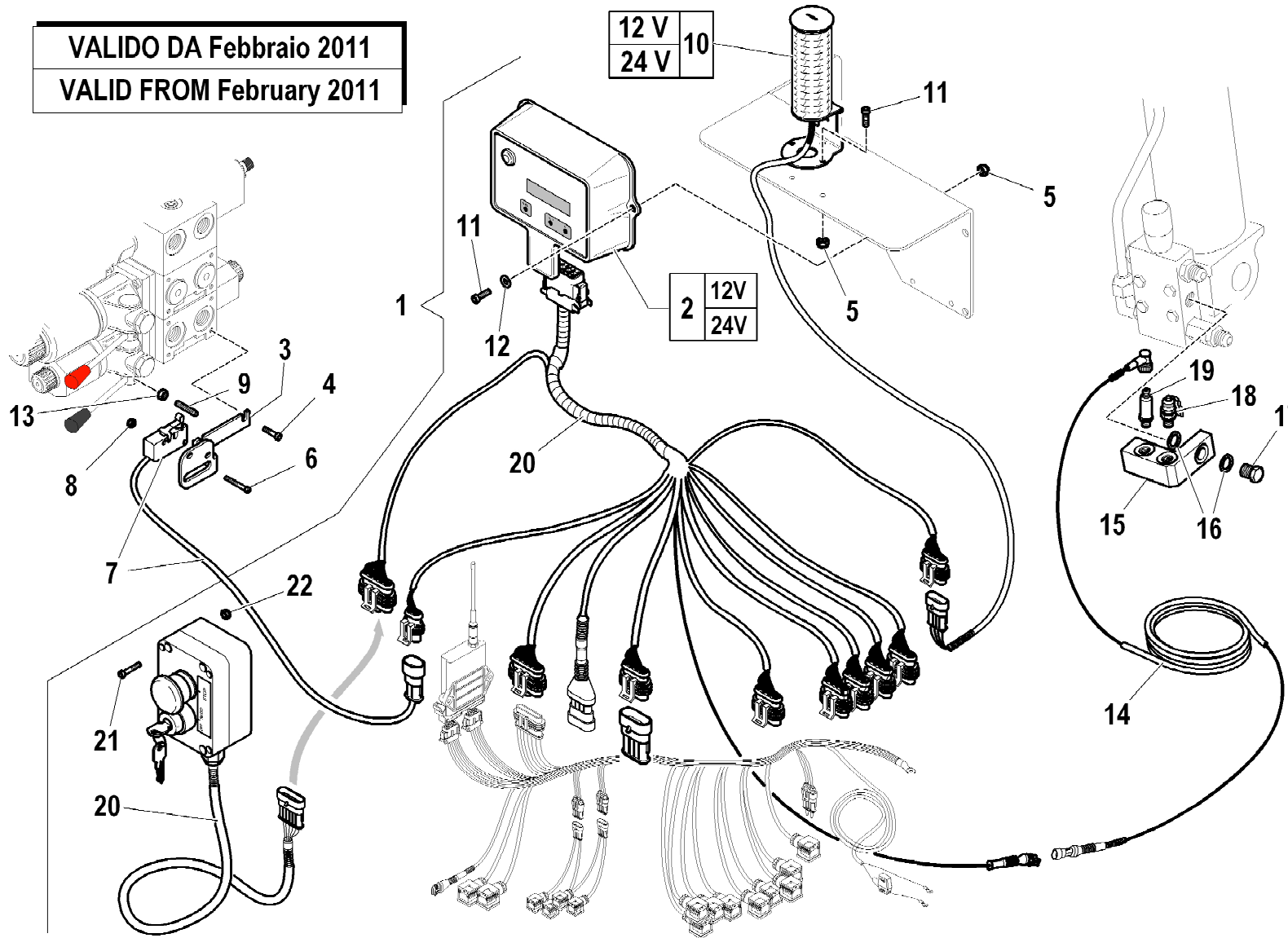
VALIDO DA Gennaio 2011
 VALID FROM January 2011

SE - XXL



rif.	codice	Q.tà
1	5.00.0422	2
2	3.31.1311	4
3	3.04.0251	2
4	3.31.1312	1
5	5.00.0426	1
6	3.02.0895	2
7	5.00.0420	1
8	3.02.0902	2
9	3.06.0055	2
10	3.06.0053	2
11	3.02.0045	2
12	5.09.1310	1
13	3.31.1372	1
14	3.31.1342	2
15	3.31.1332	2
16	3.31.1386	1
17	3.31.1341	1
18	5.00.1842	1
19	3.06.0223	1
20	3.04.0391	1
21	3.02.0022	1

VALIDO DA Febbraio 2011
 VALID FROM February 2011



rif.	codice	Q.tà
1	3.31.1345	1
2	3.31.1386	1
3	5.00.1842	1
4	3.02.0022	2
5	3.04.0392	4
6	3.02.0879	2
7	3.31.0885	1
8	3.04.0516	2
9	3.06.0223	1
10	3.31.1159	1
11	3.02.0023	4
12	3.06.0004	2
13	3.04.0391	1
14	5.16.0001	1
15	5.00.2055	1
16	3.06.0143	2
17	3.11.0078	1
18	3.11.1523	1
19	3.31.0612	1
20	3.31.1384	1
21	3.02.0885	2
22	3.04.0518	2