

Model
HB40

Logbook code
7881869_H.1
Edition
03/2007



Page	Table code	Q.ty	Table heading		Validity
5	W040001-2.0	1	Fittings and enclosures		
6	W545-01.6	1	BASE		
8	5431009-1.0	1	CONTROL DEVICES LOCKING FOR OUTRIGGERS LEGS		
9	5431009-5.0	1	Kit CE (STABILITY CONTROL)		
10	W040102-1.1	1	Base-stabilizer connecting rods (SUPER EXTENSIBLE)		
12	5431010-1.0	1	CONTROL DEVICES LOCKING FOR OUTRIGGERS LEGS		
13	5431010-3.0	1	Kit CE (STABILITY CONTROL)		
14	W545-10.1	1	HYDRAULIC SYSTEM (Slewing Hydraulic jack)		
15	W535-14.8	1	STABILIZER ROD (standard)		
16	W535-20.9	1	STABILIZER ROD (Extra-extensible)		
18	W040402-1.2	1	STABILIZER ROD (SUPER EXTRA- EXTENSIBLE)		
19	W390450400-1.1	1	STABILISER RAM		
20	W390450300-1.1	1	Stabilizer Hydraulic jack		
21	W390451100-1.0	1	SUPPLEMENTARY FIXED CROSS- BAR		
22	W390451200-1.0	1	EXTENDED FIXED CROSS-BAR		
23	W370450300-1.6	1	STABILISER RAM		
24	W370450300-1.7	1	STABILISER RAM		
25	W545-15.7	1	DOUBLE CONTROLS		
27	W040505-1.1	1	DOUBLE CONTROLS STABILIZER CONNECTING RODS (SUPER		
29	W545-17.6	1	Control valve		

Page	Table code	Q.ty	Table heading		Validity
31	W545-24-.1	1	Moment limiting device		
33	W545-33.9	1	Electric components		
34	5431009-6.0	1	Kit CE (STABILITY CONTROL)		
35	5431009-7.0	1	DOUBLE CONTROLS (CE)		
38	W338079-1.0	1	Control valve (EN12999-A3)		
40	W545-18.7	1	DOUBLE CONTROLS (6th element)		
41	5431011-2.0	1	DOUBLE CONTROLS (6th element)		
42	W545-29.7	1	HYDRAULIC SYSTEM (6th element)		
44	W545-27.6	1	HYDRAULIC SYSTEM (6th element)		
45	W400551100-1.0	1	DOUBLE CONTROLS (6th-7th element)		
46	W400551100-3.0	1	DOUBLE CONTROLS (6th-7th element)		
47	W545-28.7	1	HYDRAULIC SYSTEM (6th-7th element)		
48	W545-30.6	1	HYDRAULIC SYSTEM (6th-7th element)		
50	W545-16.9	1	Oil reservoir		
52	W039201-1.0	1	Column		
53	W400250400-1.0	1	HYDRAULIC SYSTEM (LIFTING HYDRAULIC CYLINDER)		
54	W545-11.7	1	HYDRAULIC SYSTEM (LIFTING HYDRAULIC CYLINDER)		
55	W400250300-1.1	1	LIFTING HYDRAULIC CYLINDER		
56	W545-03.6	1	1ST BOOM		
57	W545-12.7	1	HYDRAULIC SYSTEM (ARTICULATION HYDRAULIC JACK)		

Page	Table code	Q.ty	Table heading	Validity
58	W400350100-1.2	1	HYDRAULIC SYSTEM (ARTICULATION HYDRAULIC JACK)	
59	W400350200-1.2	1	ARTICULATION HYDRAULIC JACK	
60	W550-04.1	1	2nd BOOM AND EXTENSION	
62	W545-13.7	1	HYDRAULIC SYSTEM (1st EXSTENSION HYDRAULIC)	
63	W390350300-1.6	1	HYDRAULIC SYSTEM (1st EXSTENSION HYDRAULIC)	
64	W390350600-1.1	1	1st EXSTENSION HYDRAULIC	
65	W545-05.8	1	2nd extension	
66	W400352100-1.0	1	HYDRAULIC SYSTEM (3rd EXTENSION)	
68	W390350200-1.6	1	2nd and 3rd extension hydraulic cylinder	
69	W400352100-2.0	1	3rd EXTENSION	
70	W400351200-1.1	1	Manual extension	
71	W400351100-1.2	1	Manual extension	
72	W390351100-1.1	1	Manual extension	
73	W390351100-1.2	1	Manual extension	
74	W390351200-1.1	1	Manual extension	
75	W390351200-1.2	1	Manual extension	
76	7881824-1.0	1	LOAD INDICATION SYSTEM (LIS/RLC)	
77	HB40 X			
78	5400709-1.0	1	HYDRAULIC SYSTEM (Slewing Hydraulic jack)	
79	W390450400-R.0	1	STABILIZER ROD (standard)	

Page	Table code	Q.ty	Table heading	Validity
80	W390451900-R.0	1	STABILIZER ROD (Extra-extensible)	
82	W040_402-R.0	1	STABILIZER ROD (SUPER EXTRA-EXTENSIBLE)	
83	5400709-2.0	1	CONTROLS (RDC)	
85	5402283-1.0	1	Control unit (RDC / NOCE)	
87	5220410-1.0	1	Control valve (5 section)	
89	5405000-1.0	1	HYDRAULIC SYSTEM GAUGE (CE)	
90	5405001-2.0	1	Moment limiting device (CE)	
91	W390250400-R.0	1	HYDRAULIC SYSTEM (LIFTING HYDRAULIC CYLINDER)	
92	W400350100-R.0	1	HYDRAULIC SYSTEM (ARTICULATION HYDRAULIC JACK)	
93	5400708-1.0	1	High pressure filter	
94	W400552100-R.0	1	Oil reservoir	
96	5600181-1.0	1	HYDRAULIC SYSTEM (6th element)	
97	5600180-1.0	1	HYDRAULIC SYSTEM (6th-7th element)	
99	7892099-2.0	1	Complete wireless control (not CE)	
101	7892500-1.0	1	Complete wireless control (PTO)	
103	5405003-2.0	1	Auxiliary wiring (Limiting device)	
104	7881784-1.0	1	LOAD INDICATION SYSTEM	
105	HB40 X EN12999-A3 (OPTIONAL)			
106	5401643-1.0	1	Control unit (RDC)	
108	5402292-2.0	1	Control unit (RDC / CE)	

Table index

Logbook code

7881869_H.1

3/3

Page	Table code	Q.ty	Table heading	Validity
110	5220410-2.0	1	Control valve (5 section)	
112	7892099-3.0	1	Kit (Wireless control)	
114	7892500-2.0	1	Complete wireless control (PTO)	
116	5405044-3.0	1	Kit CE (STABILITY CONTROL)	
117	5405044-5.0	1	Kit CE (STABILITY CONTROL)	
118	5405044-4.0	1	Kit CE (STABILITY CONTROL)	
120	5405044-6.0	1	Kit CE (STABILITY CONTROL)	
121	5405045-3.0	1	Moment limiting device (CE)	
123	5405045-6.0	1	Moment limiting device (EN12999-A3)	

Page	Table code	Q.ty	Table heading	Validity
------	------------	------	---------------	----------



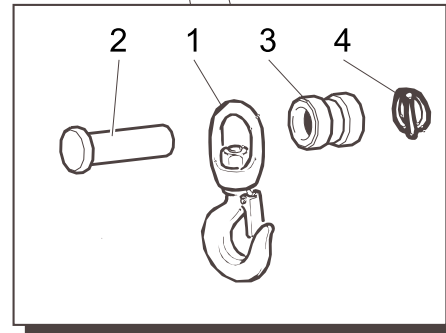
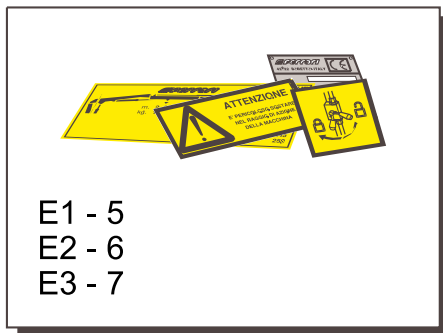
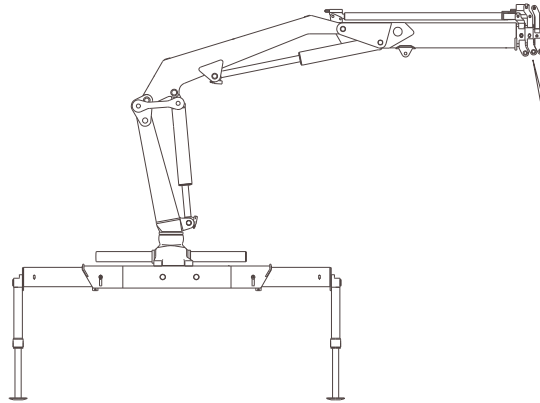
Fittings and enclosures

Code

W040001-2.0

1/1

R	Pos.	Code Variant	Q.ty	Description
	1	W599003	1	
	2	W101084	1	
	3	W390301000	1	
	4	3060753	1	Cotter pin (Locking ring)
	5	5501355	1	
	6	5501326	1	
	7	5501334	1	

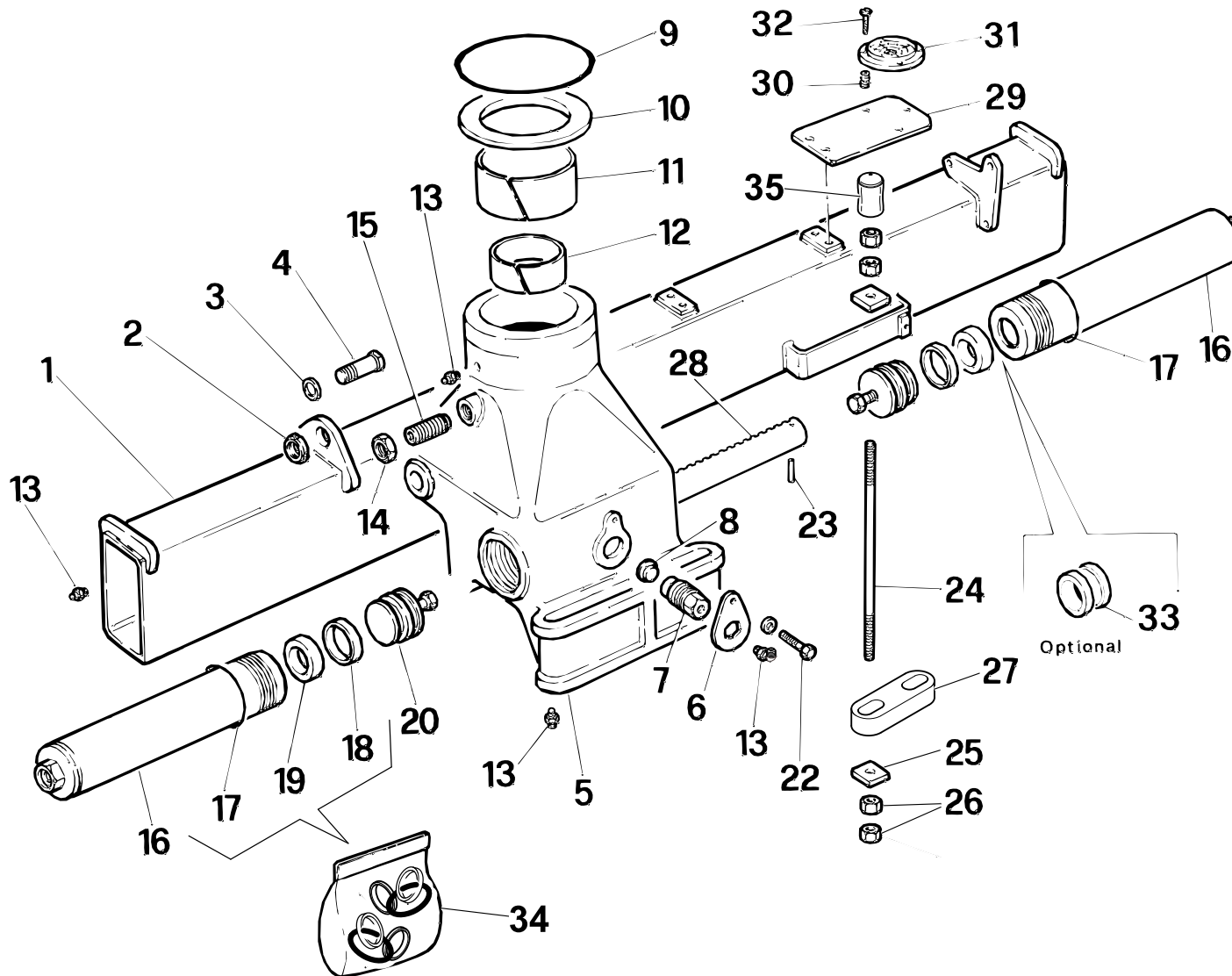


BASE

Code

W545-01.6

1/2



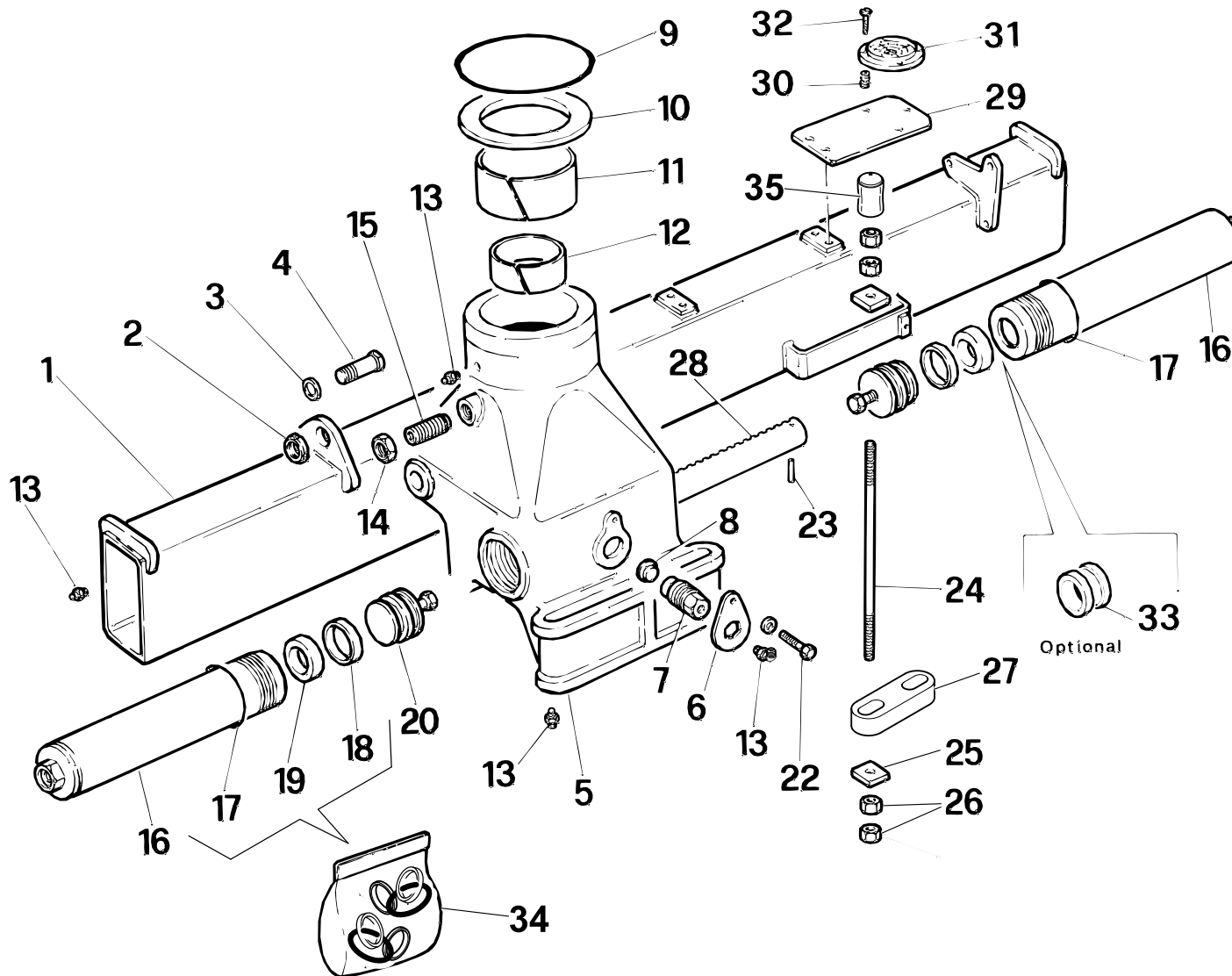
R	Pos.	Code Variant	Q.ty	Description
	1	W400100100	1	
	2	3040505	2	Self-locking ringnut
	3	3060032	2	Flat washer
	4	W101217	3	
	5	W390100100	1	
	6	W370100400	1	Sliding block retainer (Adjuster)
	7	W370100900	1	
	8	W370100800	1	
	9	W360071	1	
	10	W390100300	1	
	11	W390100900	1	
	12	W390101000	1	
	13	W616001	5	
	14	3040089	1	Lock nut
	15	3060504	1	Grub screw
	16	W390100600	2	
	17	W360065	2	
	18	W305012	2	
	19	W358505	2	
	20	W370100300	2	

BASE

Code

W545-01.6

2/2



R	Pos.	Code Variant	Q.ty	Description
	21	3010337	1	Hex screw [M8X16 8.8 ZC UNI 5739]
	22	3060607	2	Spring pin
	23	W726007	2	
	24	W738019	8	
	25	5000084	16	
	26	3040186	32	Nut
	27	W010000200	4	
	28	W390100800	1	
	29	W370101700	1	
	30	W641008	3	
	31	W626003	1	
	32	3020959	3	
	33	W390101100	2	Optional
	34	W365142	1	
	35	3190290	8	

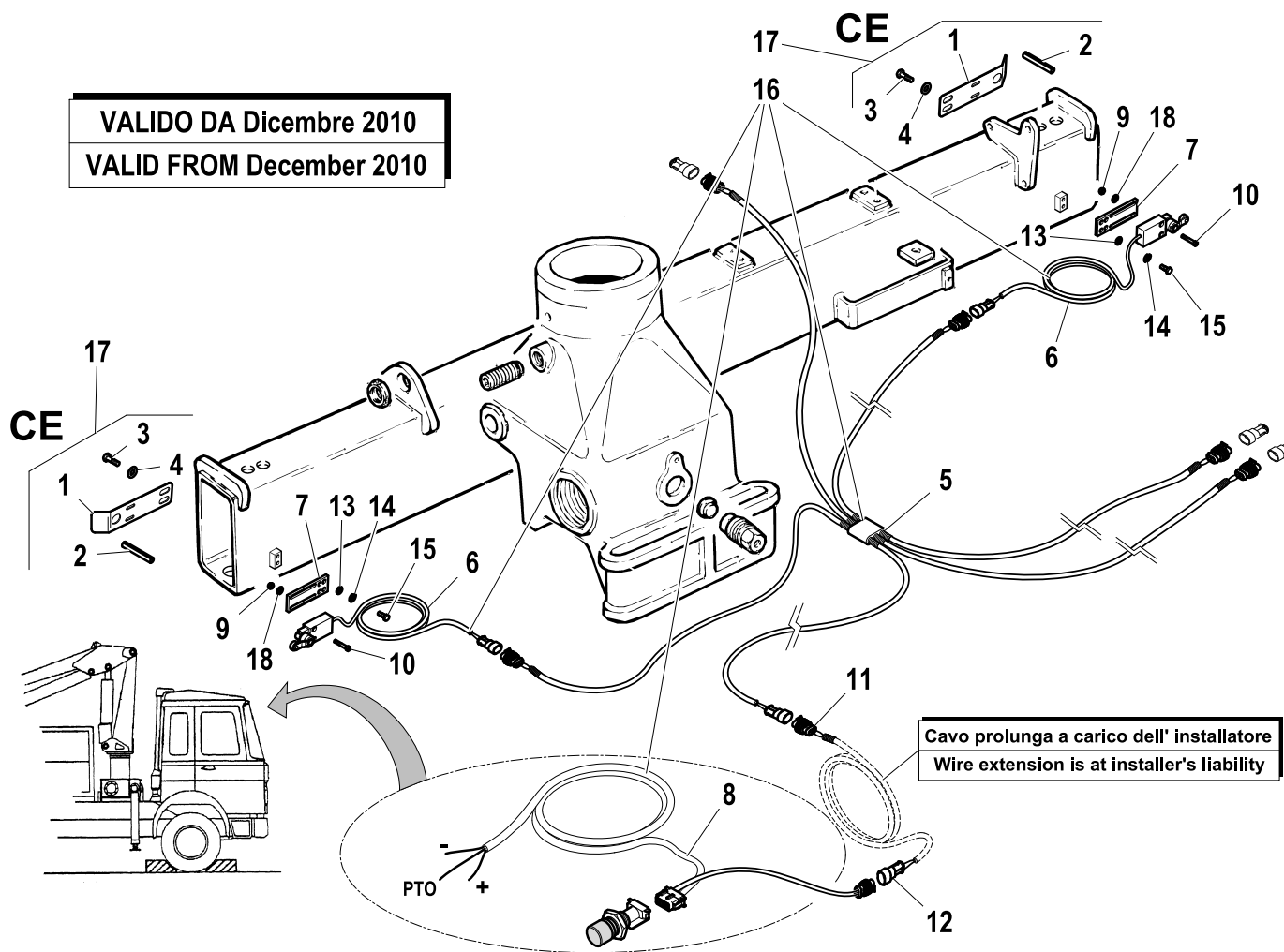
CONTROL DEVICES LOCKING FOR OUTRIGGERS LEGS

Code

5431009-1.0

1/1

VALIDO DA Dicembre 2010
VALID FROM December 2010



R	Pos.	Code Variant	Q.ty	Description
1		3060685	2	
2		3060026	2	
3		3010323	4	Hex screw [M6X10 8.8 ZC UNI 5739]
4		3060005	4	Flat washer [D.6.4 UNI 6592 ZC]
5		3311353	1	
6		3311356	2	
7		5000218	2	
8		3311354	1	
9		3040041	4	Nut
10		3020014	4	Socket head cap screw [M4X25X0.7 8.8 ZC UNI 5931]
11		3310431	1	
12		3310432	1	
13		3060030	4	Flat washer [D.6.6X18 UNI 6593 ZC]
14		3060053	4	Split lock washer [D=6.4 C72 ZC]
15		3020436	4	TSEI screw [M6X10 ZC UNI 5933]
16		3311352	1	
17		W360451200	1	
18		3060003	4	Flat washer [D.4 UNI 6592 ZC]

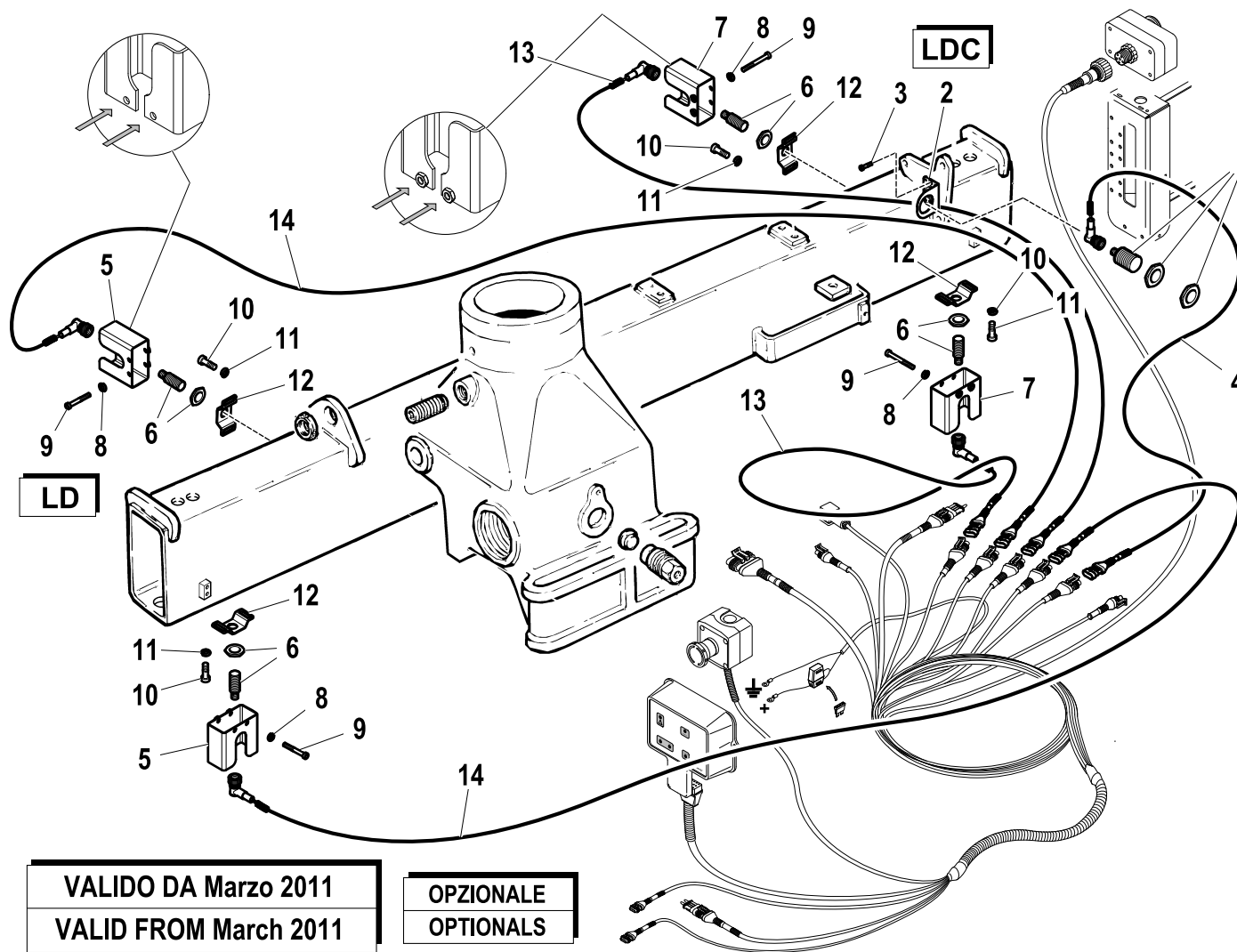
Kit CE (STABILITY CONTROL)

Code

5431009-5.0

1/1

R	Pos.	Code Variant	Q.ty	Description
	1	3311312	1	Proximity switch
	2	5000426	1	Support (Proximity switch)
	3	3020895	2	Socketed head cap screw [M4X10 8.8 ZC UNI 5931]
	4	3311372	1	Electric wiring
	5	5091306	2	Guard (Proximity switch)
	6	3311311	4	Proximity switch
	7	5091310	2	Guard (Proximity switch)
	8	3060053	8	Split lock washer [D=6.4 C72 ZC]
	9	3020045	8	Socketed head cap screw [M6X45 8.8 ZC UNI 5931]
	10	3020902	8	Socketed head cap screw [M8X10 ZC UNI 5931]
	11	3060055	8	Split lock washer [D=8.4 C72 ZC]
	12	5000420	4	Support (Proximity switch)
	13	3311342	2	
	14	3311332	2	

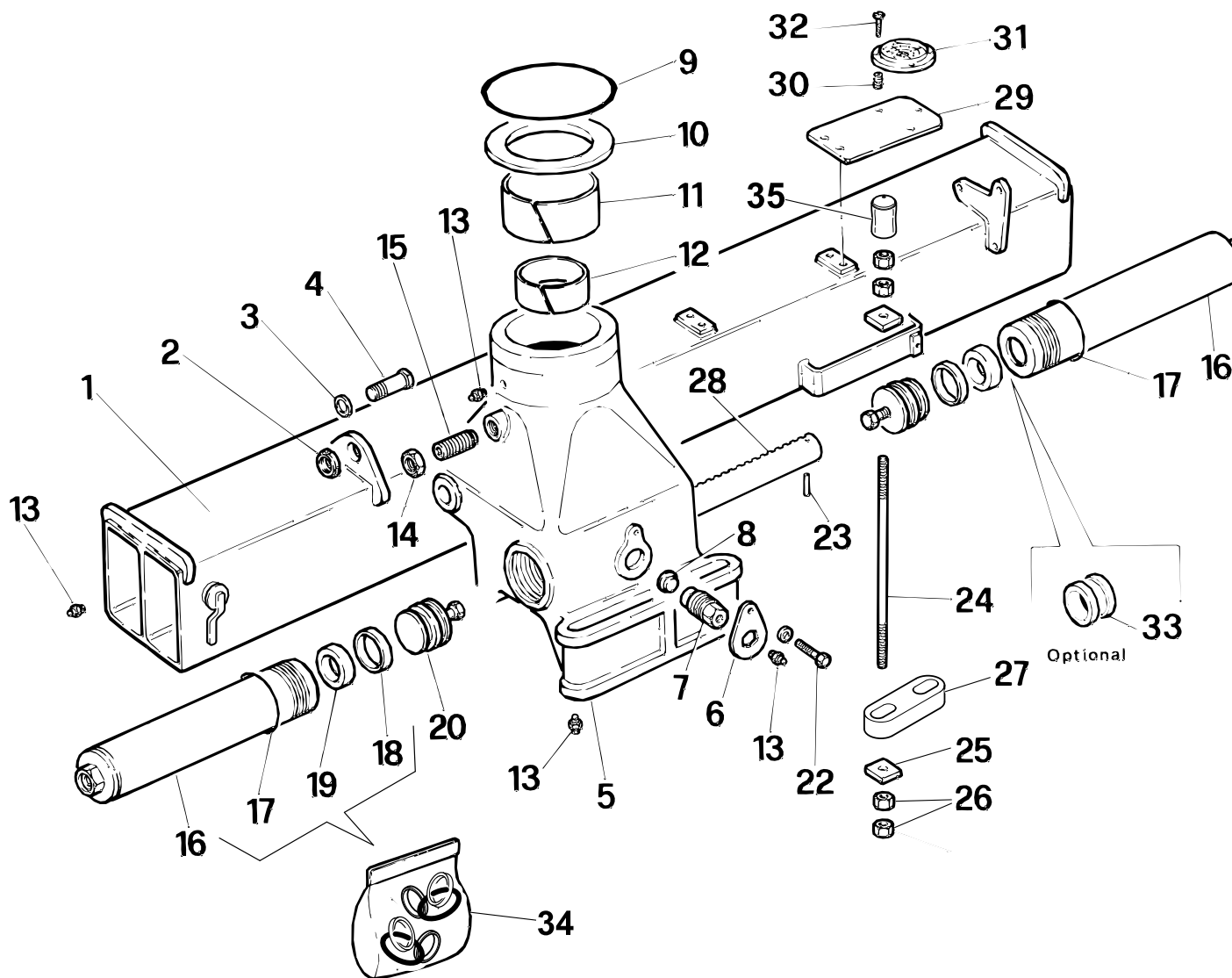


Base-stabilizer connecting rods (SUPER EXTENSIBLE)

Code

W040102-1.1

1/2



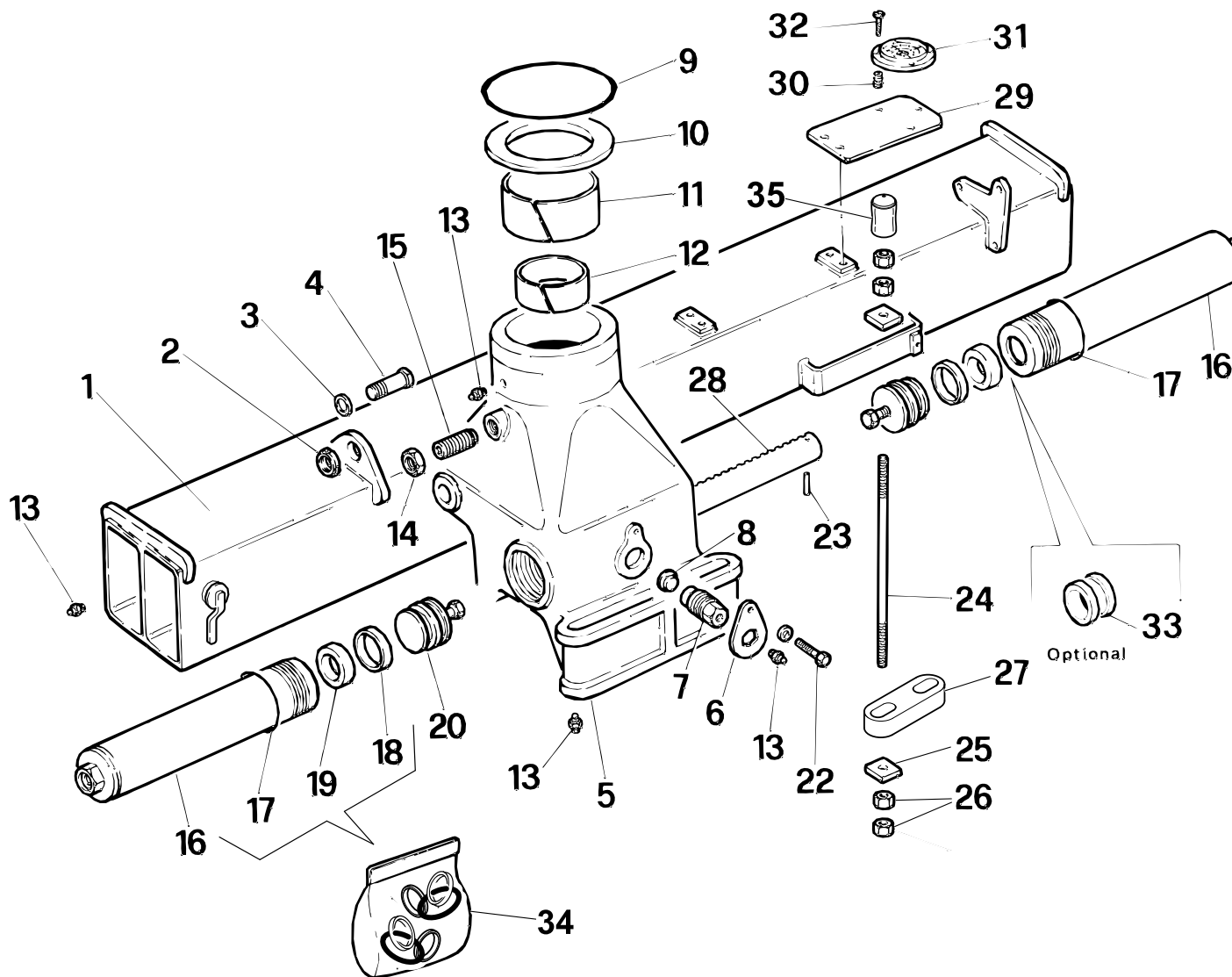
R	Pos.	Code Variant	Q.ty	Description
	1	W400100500	1	
	2	3040505	2	Self-locking ringnut
	3	3060032	2	Flat washer
	4	W101217	3	
	5	W390100100	1	
	6	W370100400	1	Sliding block retainer (Adjuster)
	7	W370100900	1	
	8	W370100800	1	
	9	W360071	1	
	10	W390100300	1	
	11	W390100900	1	
	12	W390101000	1	
	13	W616001	5	
	14	3040089	1	Lock nut
	15	3060504	1	Grub screw
	16	W390100600	2	
	17	W360065	2	
	18	W305012	2	
	19	W358505	2	
	20	W370100300	2	

Base-stabilizer connecting rods (SUPER EXTENSIBLE)

Code

W040102-1.1

2/2



R	Pos.	Code Variant	Q.ty	Description
	21	3010337	1	Hex screw [M8X16 8.8 ZC UNI 5739]
	22	3060607	2	Spring pin
	23	W726007	2	
	24	W738019	8	
	25	5000084	16	
	26	3040186	32	Nut
	27	W010000200	4	
	28	W390100800	1	
	29	W370101700	1	
	30	W641008	3	
	31	W626003	1	
	32	3020959	3	
	33	W390101100	2	Optional
	34	W365142	1	
	35	3190290	8	

CONTROL DEVICES LOCKING FOR OUTRIGGERS LEGS

Code

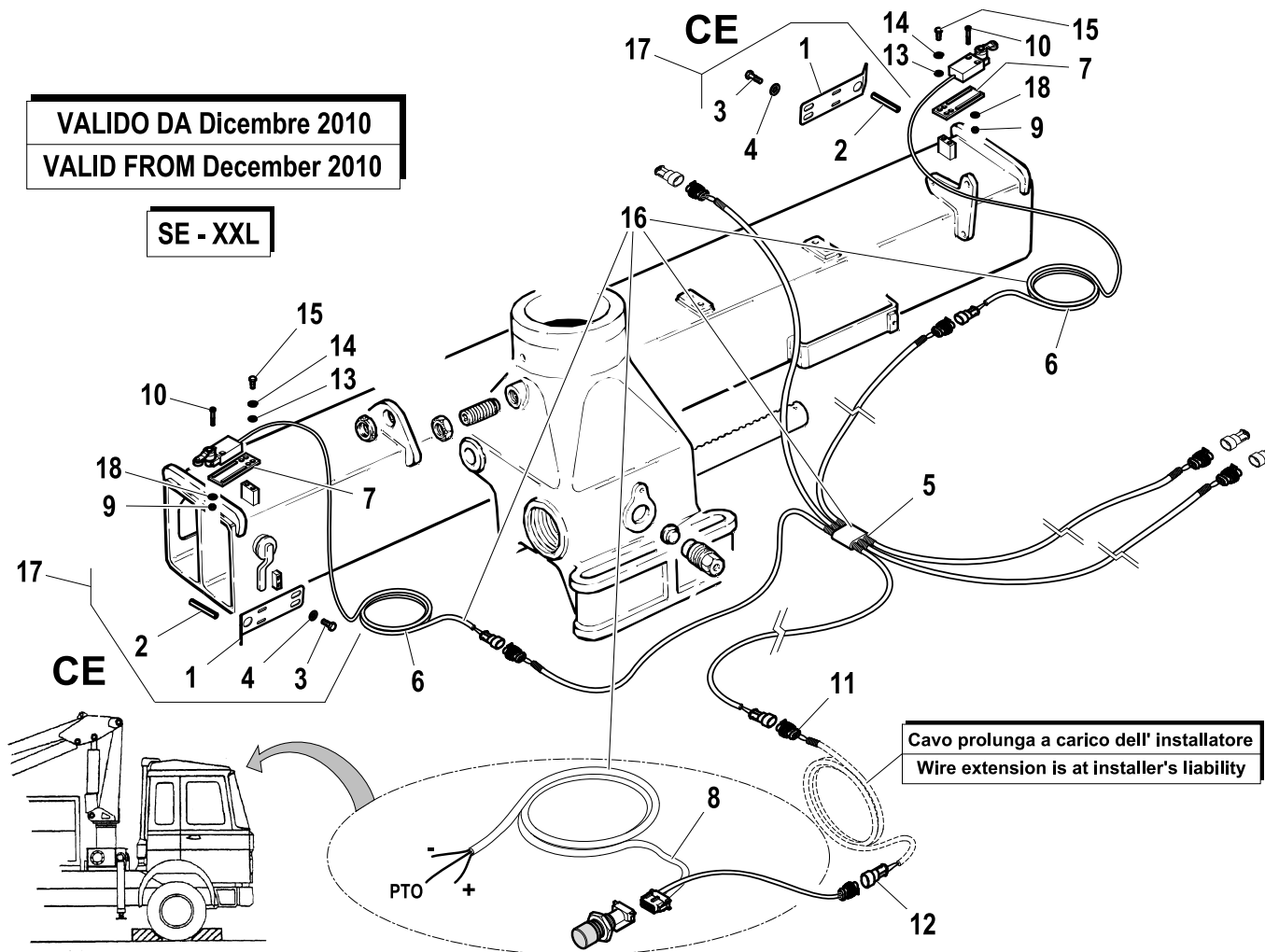
5431010-1.0

1/1

R	Pos.	Code Variant	Q.ty	Description
	1	3060685	2	
	2	3060026	2	
	3	3010323	4	Hex screw [M6X10 8.8 ZC UNI 5739]
	4	3060005	4	Flat washer [D.6.4 UNI 6592 ZC]
	5	3311353	1	
	6	3311356	2	
	7	5000218	2	
	8	3311354	1	
	9	3040041	4	Nut
	10	3020014	4	Socket head cap screw [M4X25X0.7 8.8 ZC UNI 5931]
	11	3310431	1	
	12	3310432	1	
	13	3060030	4	Flat washer [D.6.6X18 UNI 6593 ZC]
	14	3060053	4	Split lock washer [D=6.4 C72 ZC]
	15	3020436	4	TSEI screw [M6X10 ZC UNI 5933]
	16	3311352	1	
	17	W360451200	1	
	18	3060003	4	Flat washer [D.4 UNI 6592 ZC]

VALIDO DA Dicembre 2010
VALID FROM December 2010

SE - XXL



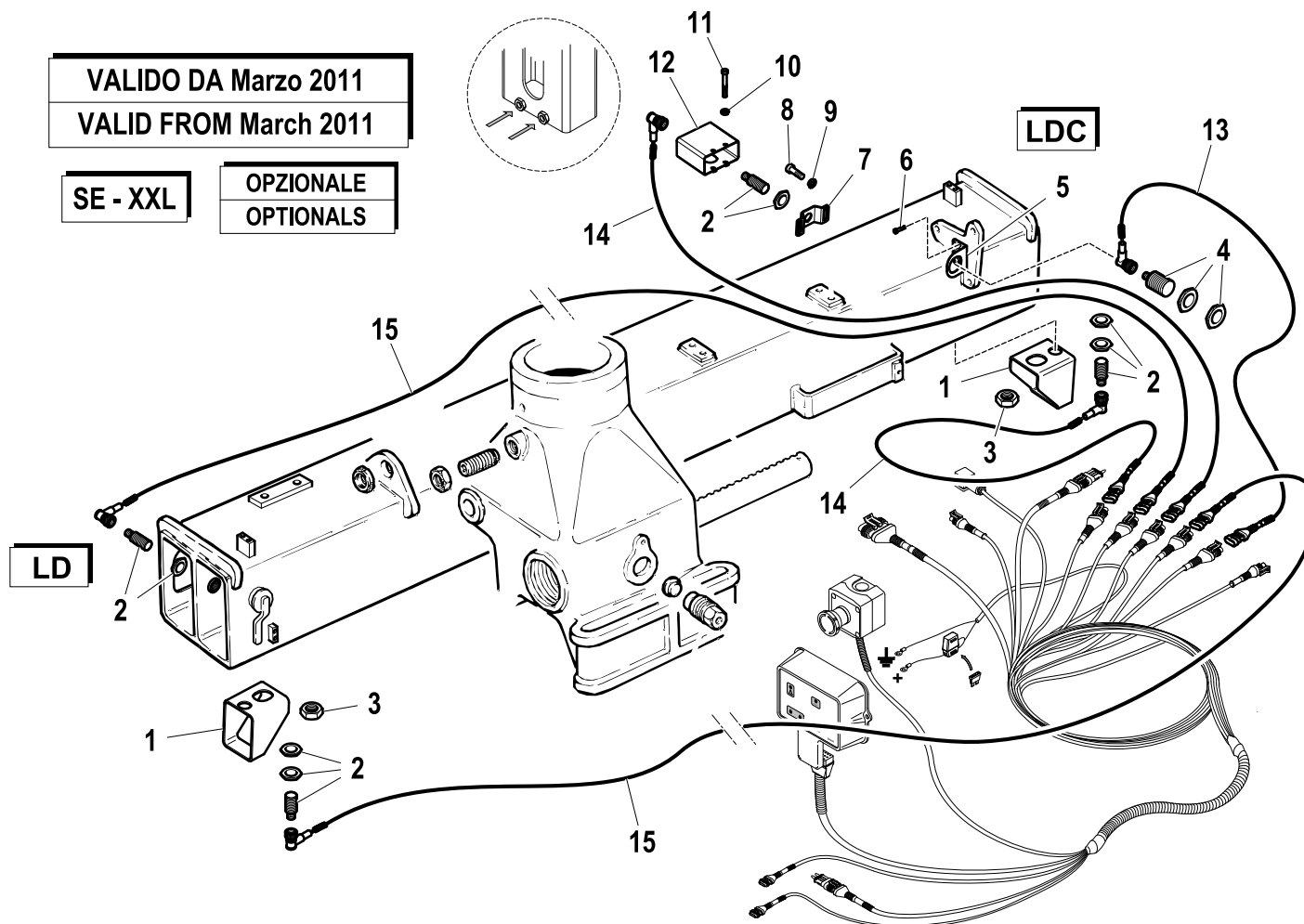
Kit CE (STABILITY CONTROL)

Code

5431010-3.0

1/1

R	Pos.	Code Variant	Q.ty	Description
	1	5000422	2	Support (Proximity switch)
	2	3311311	4	Proximity switch
	3	3040251	2	Lock nut [M24 8.G basso UNI 5589]
	4	3311312	1	Proximity switch
	5	5000426	1	Support (Proximity switch)
	6	3020895	2	Socketed head cap screw [M4X10 8.8 ZC UNI 5931]
	7	5000420	1	Support (Proximity switch)
	8	3020902	2	Socketed head cap screw [M8X10 ZC UNI 5931]
	9	3060055	2	Split lock washer [D=8.4 C72 ZC]
	10	3060053	2	Split lock washer [D=6.4 C72 ZC]
	11	3020045	2	Socketed head cap screw [M6X45 8.8 ZC UNI 5931]
	12	5091310	1	Guard (Proximity switch)
	13	3311372	1	Electric wiring
	14	3311342	2	
	15	3311332	2	



VALIDO DA Marzo 2011
VALID FROM March 2011

SE - XXL

OPZIONALE
OPTIONALS

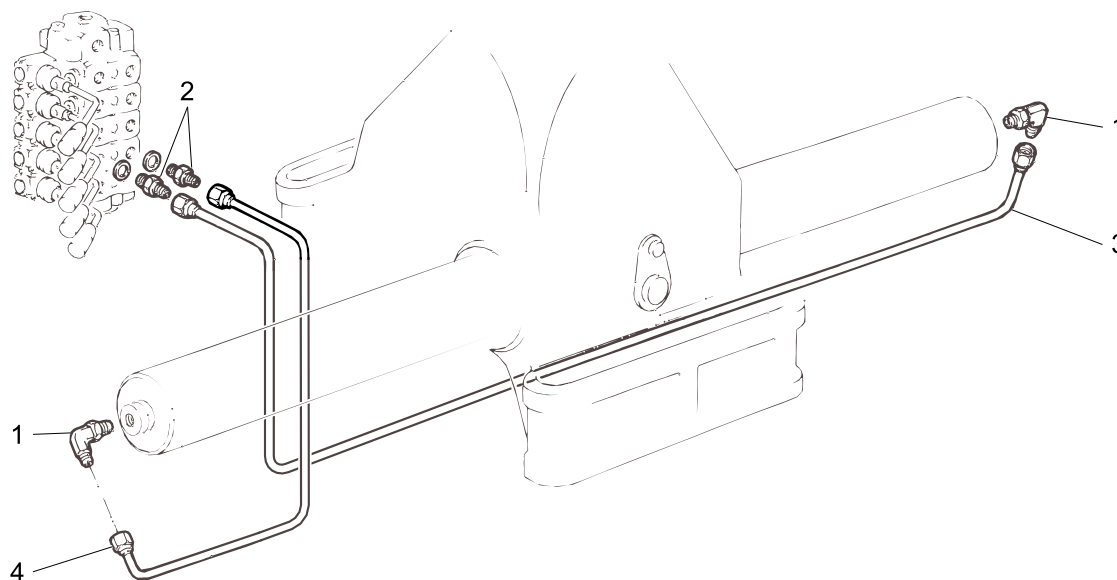
HYDRAULIC SYSTEM (Slewing Hydraulic jack)

Code

W545-10.1

1/1

R	Pos.	Code Variant	Q.ty	Description
	1	W470_420	2	
	2	3101040	2	Straight pipe fitting
	3	W400100400	1	
	4	W370101800	1	



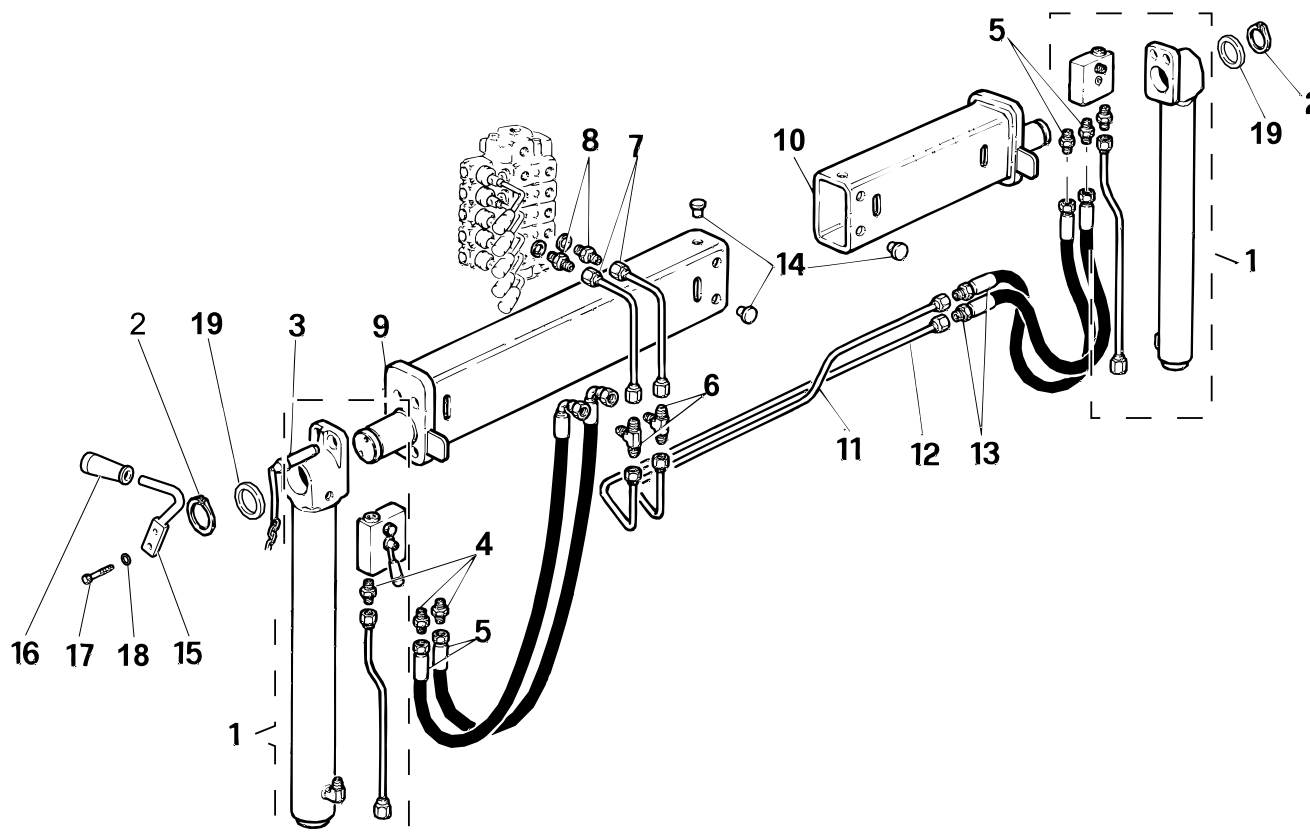
545-10.1

STABILIZER ROD (standard)

Code

W535-14.8

1/1



R	Pos.	Code Variant	Q.ty	Description
	1	W390450400	2	
	2	3070052	2	Seeger
	3	W101219	2	
	4	3101039	4	Straight pipe fitting
	5	W456064	2	
	6	3101080	2	Tee fitting
	7	W390500600	2	
	8	3101040	2	Straight pipe fitting
	9	W400400100	1	
	10	W390400200	1	
	11	W390500800	1	
	12	W390500900	1	
	13	W456859	2	
	14	W370400700	10	Button (Coupling backlash)
	15	W370401800	2	
	16	W664018	2	
	17	3010325	4	Hex screw [M6X16 8.8 ZC UNI 5739]
	18	3060005	1	Flat washer [D.6.4 UNI 6592 ZC]
	19	W370401900	2	

535-14.8

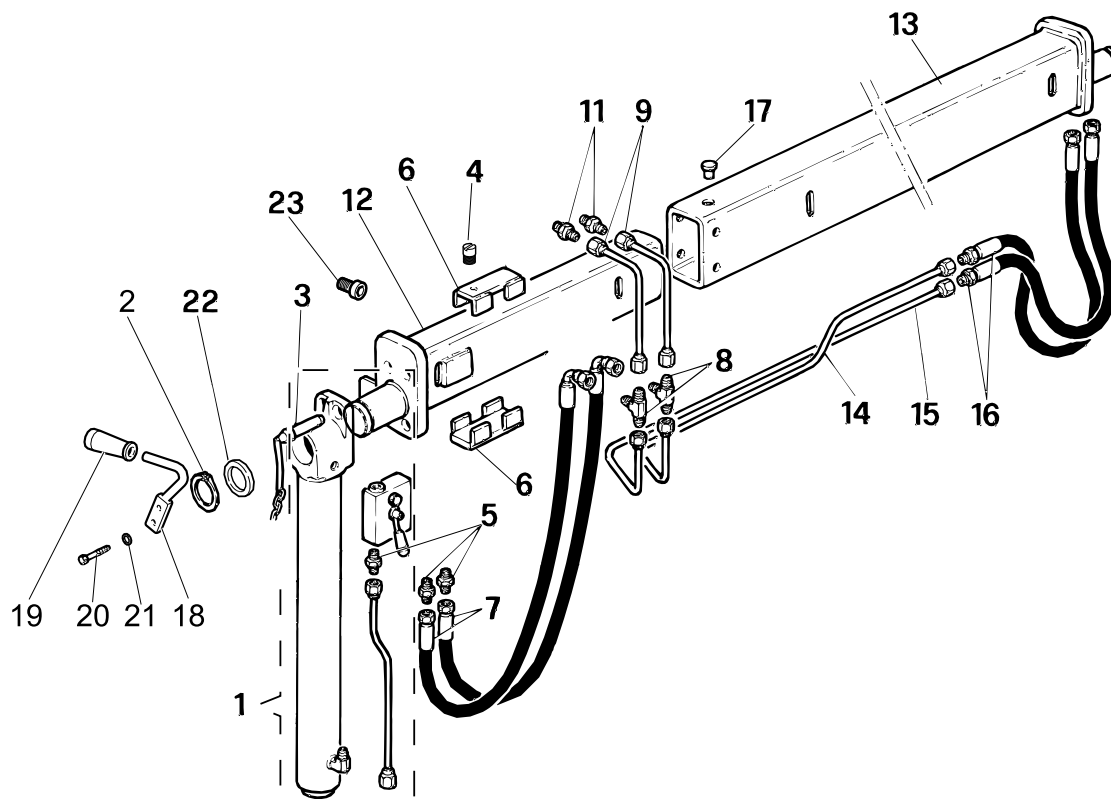
STABILIZER ROD (Extra-extensible)

Code

W535-20.9

1/2

R	Pos.	Code Variant	Q.ty	Description
	1	W390450400	2	
	2	3070052	2	Seeger
	3	W101219	2	
	4	3010354	2	Hex screw [M10X20 8.8 ZC UNI 5739]
	5	3101039	4	Straight pipe fitting
	6	W390401000	2	
	7	W456052	2	
	8	3101080	2	Tee fitting
	9	W390500600	2	
	11	3101040	2	Straight pipe fitting
	12	W390400900	1	
	13	W390400800	1	
	14	W390500800	1	
	15	W390500900	1	
	16	W456872	2	
	17	W370400700	6	Button (Coupling backlash)
	18	W370401800 0	2	
	19	664018	2	
	20	3010325	4	Hex screw [M6X16 8.8 ZC UNI 5739]
	21	3060005	4	Flat washer [D.6.4 UNI 6592 ZC]



E535-20.9

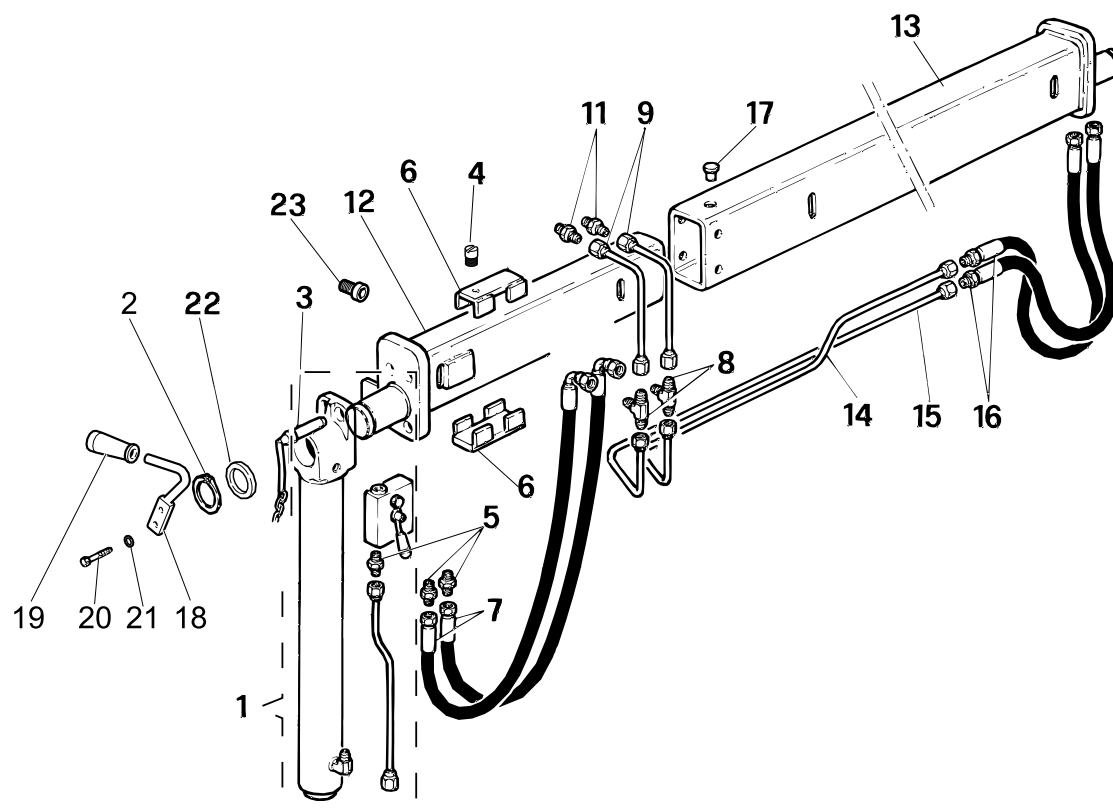
STABILIZER ROD (Extra-extendible)

Code

W535-20.9

2/2

R	Pos.	Code Variant	Q.ty	Description
	22	W370401900	2	
	23	3020033	1	



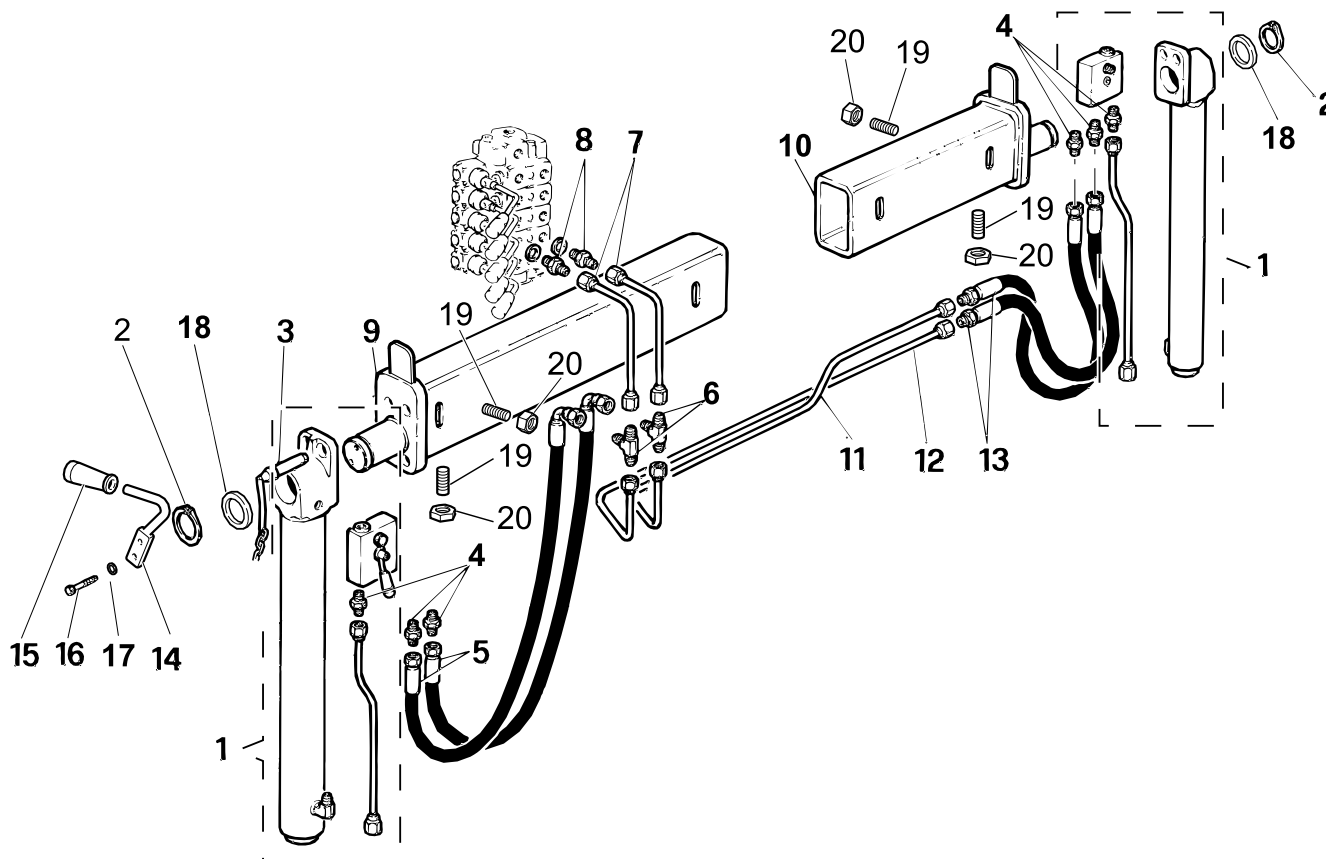
535-20.9

STABILIZER ROD (SUPER EXTRA-EXTENSIBLE)

Code

W040402-1.2

1/1



R	Pos.	Code Variant	Q.ty	Description
	1	W390450400	2	
	2	3070052	2	Seeger
	3	W101219	2	
	4	3101039	4	Straight pipe fitting
	5	W468103	2	
	6	3101080	2	Tee fitting
	7	W390500600	2	
	8	3101040	2	Straight pipe fitting
	9	W400400200	1	
	10	W400400300	1	
	11	W390500800	1	
	12	W390500900	1	
	13	W456890	2	
	14	W370401800	10	
	15	W664018	2	
	16	3010325	2	Hex screw [M6X16 8.8 ZC UNI 5739]
	17	3060005	4	Flat washer [D.6.4 UNI 6592 ZC]
	18	W370401900	1	
	19	W061333	2	
	20	3040251	6	Lock nut [M24 8.G basso UNI 5589]

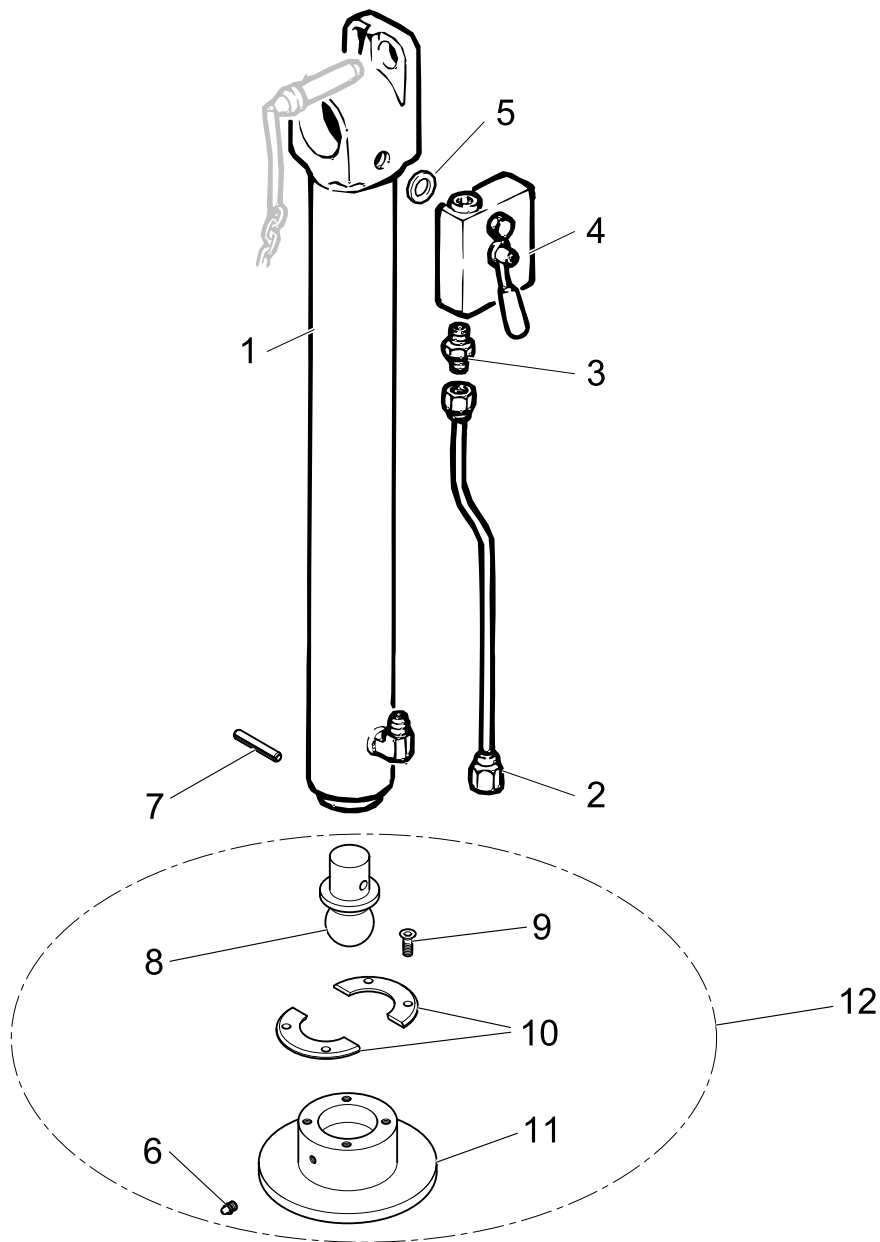
040402-1.3

STABILISER RAM

Code

W390450400-1.1

1/1



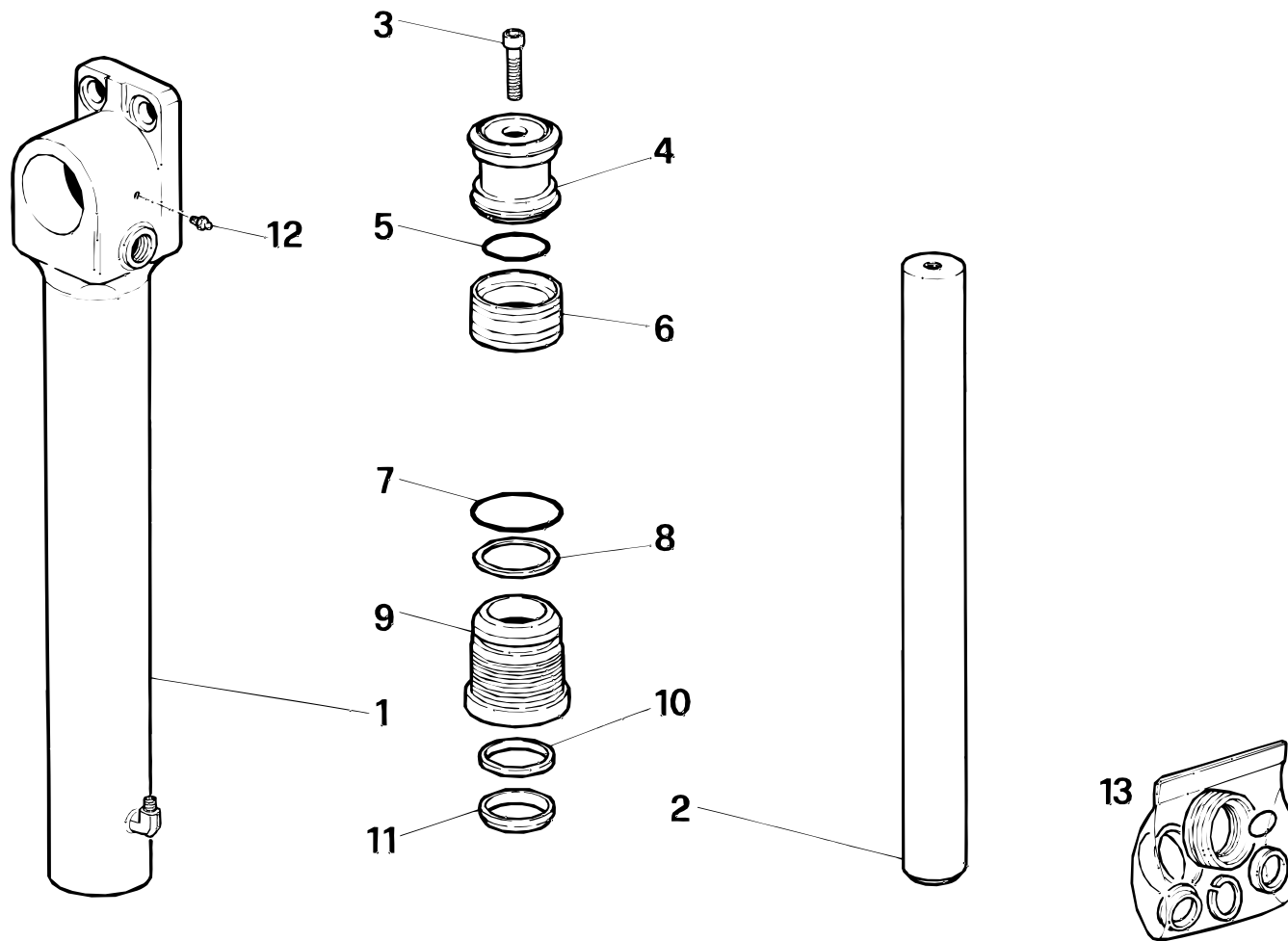
R	Pos.	Code Variant	Q.ty	Description
	1	W390450300	1	
	2	W390506200	1	
	3	3101039	1	Straight pipe fitting
	4	W470053	1	
	5	3060143	1	Sealing washer [BSP 1/4"]
	6	3080512	1	Grease nipple
	7	3060632	1	Spring pin
	8	4160397	1	
	9	3020452	4	TSEI screw [M8X16 10.9 ZC UNI 5933]
	10	4160398	1	
	11	5090815	1	
	12	5920002	1	

Stabilizer Hydraulic jack

Code

W390450300-1.1

1/1



R	Pos.	Code Variant	Q.ty	Description
	1	W390400600	1	
	2	W390402900	1	
	3	3020094	1	Socket head cap screw [M12X40 8.8 ZC UNI 5931]
	4	W105057	1	
	5	W360041	1	
	6	W359017	1	
	7	W360012	1	
	8	W304023	1	
	9	W120106	1	
	10	W358010	1	
	11	W361016	1	
	12	3080500	1	Grease nipple
	13	W365058	1	

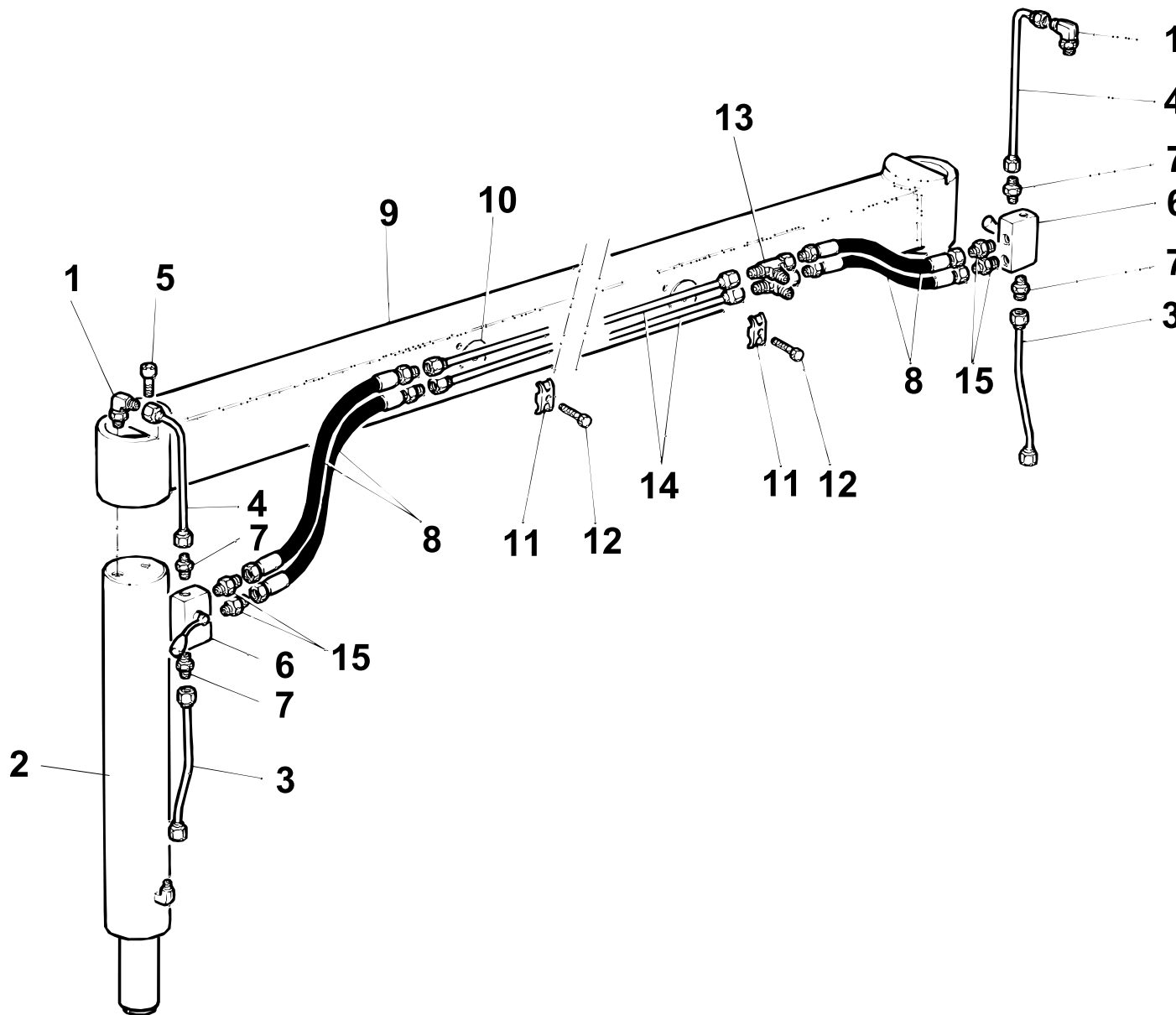
390450300-1-0

SUPPLEMENTARY FIXED CROSS-BAR

Code

W390451100-1.0

1/1



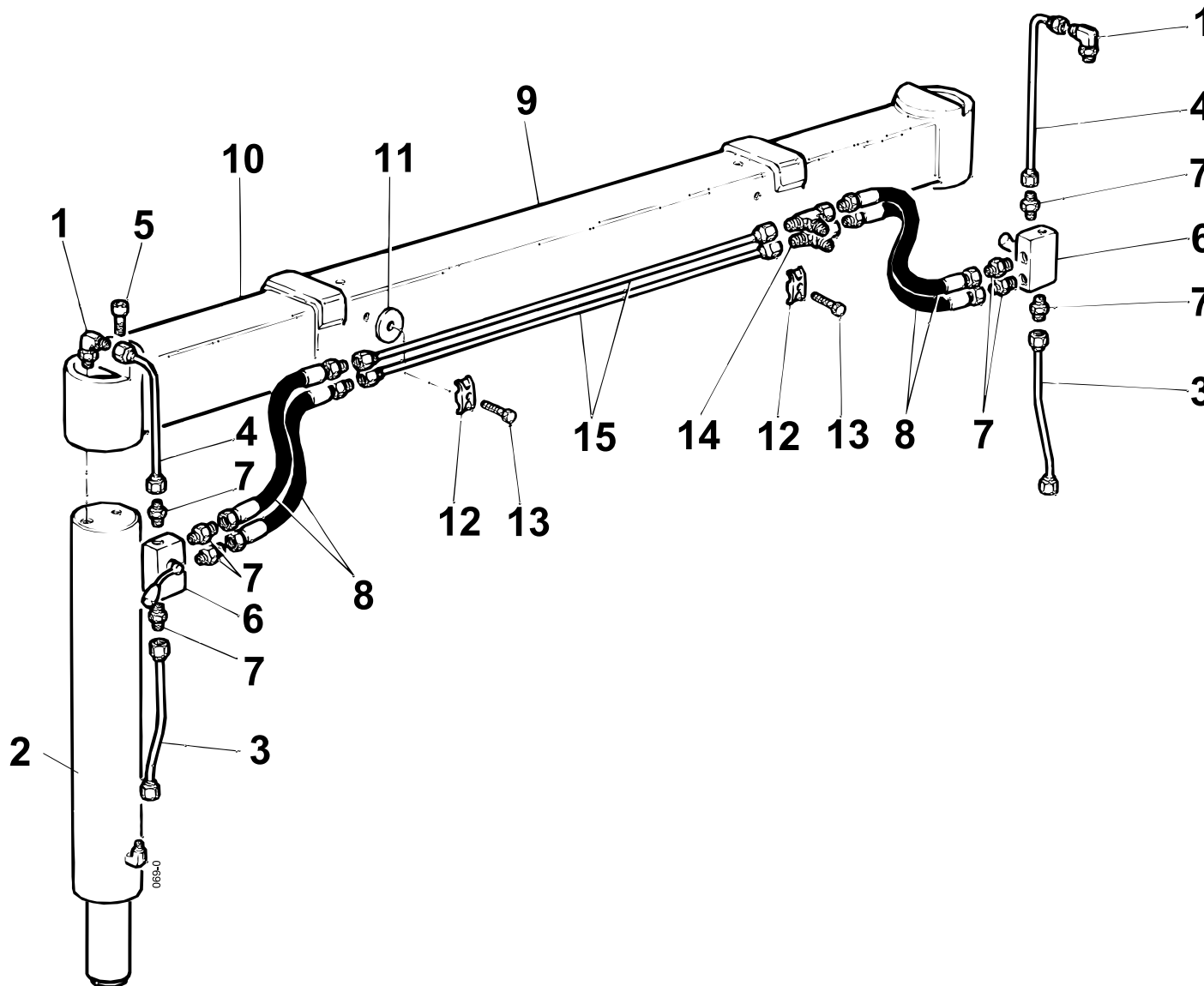
R	Pos.	Code Variant	Q.ty	Description
	1	3101124	2	90° Connection
	2	W370450300	2	
	3	W370401500	2	
	4	W370401400	2	
	5	3020080	2	Socketed head cap screw [M10X16 12.9 ZC UNI 5931]
	6	5220048	2	
	7	3101040	4	Straight pipe fitting
	8	W456873	4	
	9	W390401100	1	
	10	W340501400	2	
	11	5000077	2	
	12	3010030	2	Hex screw [M8X35 8.8 ZC UNI 5737]
	14	W370401600	2	
	15	3120065	4	Straight pipe fitting

EXTENDED FIXED CROSS-BAR

Code

W390451200-1.0

1/1



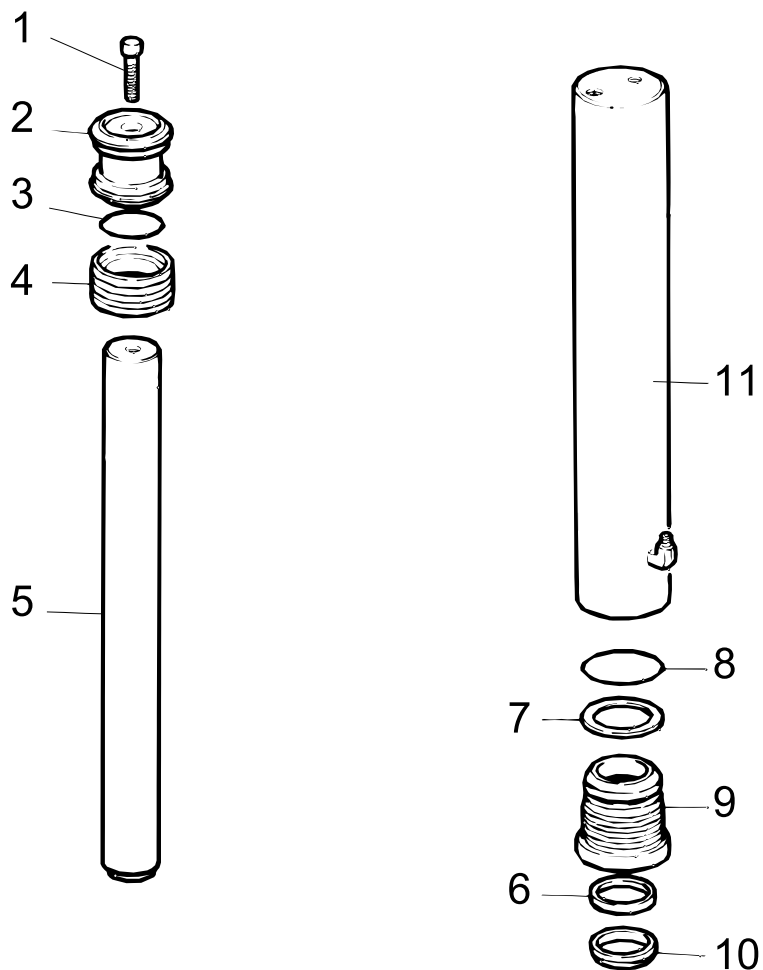
R	Pos.	Code Variant	Q.ty	Description
	1	3101124	2	90° Connection
	2	W370450300	2	
	3	W370401500	2	
	4	W370401400	2	
	5	3020080	2	Socked head cap screw [M10X16 12.9 ZC UNI 5931]
	6	5220048	2	
	7	3101040	4	Straight pipe fitting
	8	W456858	4	
	9	W390401300	1	
	10	W340501200	2	
	11	W340501400	2	
	12	5000077	2	
	13	3010339	2	Hex screw [M8X25 8.8 ZC IF UNI 5739]
	14	3120065	4	Straight pipe fitting
	15	W370401600	2	

STABILISER RAM

Code

W370450300-1.6

1/1



VALIDO FINO a MAGGIO 2010
VALID UNTIL MAY 2010

R	Pos.	Code Variant	Q.ty	Description
	1	3020094	1	Socket head cap screw [M12X40 8.8 ZC UNI 5931]
	2	W105056	1	
	3	W360076	1	
	4	W359015	1	
	5	W370400400	1	
	6	W358015	1	
	7	W304003	1	
	8	W360023	1	
	9	6040303	1	
	10	W361014	1	
	11	W370400800	1	
	12	W365065	1	

370450300 -1-5

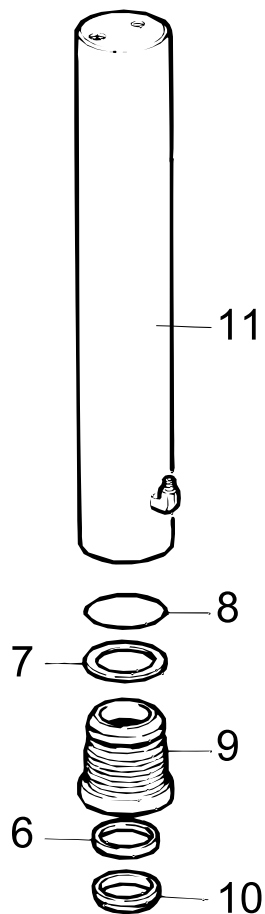
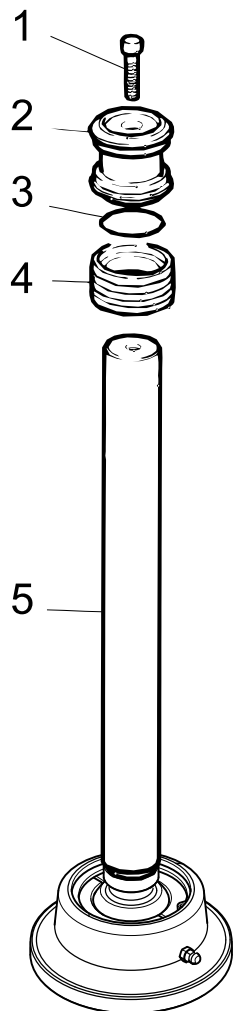
STABILISER RAM

Code

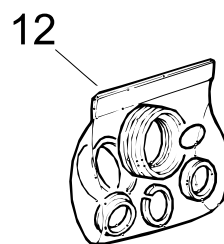
W370450300-1.7

1/1

R	Pos.	Code Variant	Q.ty	Description
	1	3020094	1	Socket head cap screw [M12X40 8.8 ZC UNI 5931]
	2	W105056	1	
	3	W360076	1	
	4	W359015	1	
	5	W370402400	1	
	6	W358015	1	
	7	W304003	1	
	8	W360023	1	
	9	6040303	1	
	10	W361014	1	
	11	W370400800	1	
	12	W365065	1	



VALIDO da GIUGNO 2010
VALID FROM JUNE 2010

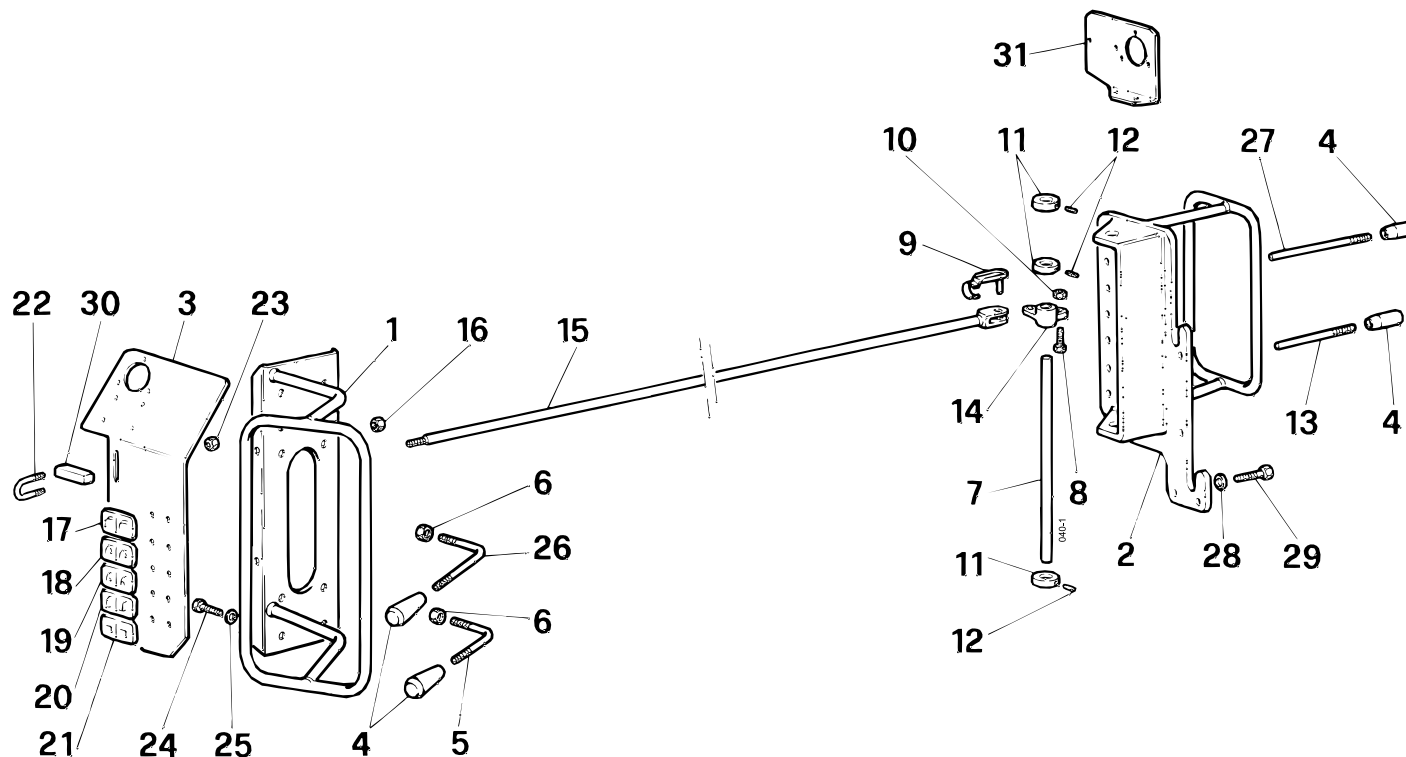


DOUBLE CONTROLS

Code

W545-15.7

1/2



R	Pos.	Code Variant	Q.ty	Description
	1	W390500100	1	
	2	W370500100	1	
	3	W390505300	1	
	4	W664003	10	
	5	W370502200	4	
	6	3040524	5	Stopnut
	7	W101186	1	
	8	3010325	5	Hex screw [M6X16 8.8 ZC UNI 5739]
	9	W661001	5	
	10	3040081	5	Lock nut
	11	W270102703	3	
	12	3060229	3	Grub screw
	13	W338844	4	
	14	W270509000	5	
	15	W390500200	5	
	16	3040045	2	Nut
	17	W573283	2	
	18	W573282	2	
	19	W573280	2	
	20	W573279	2	

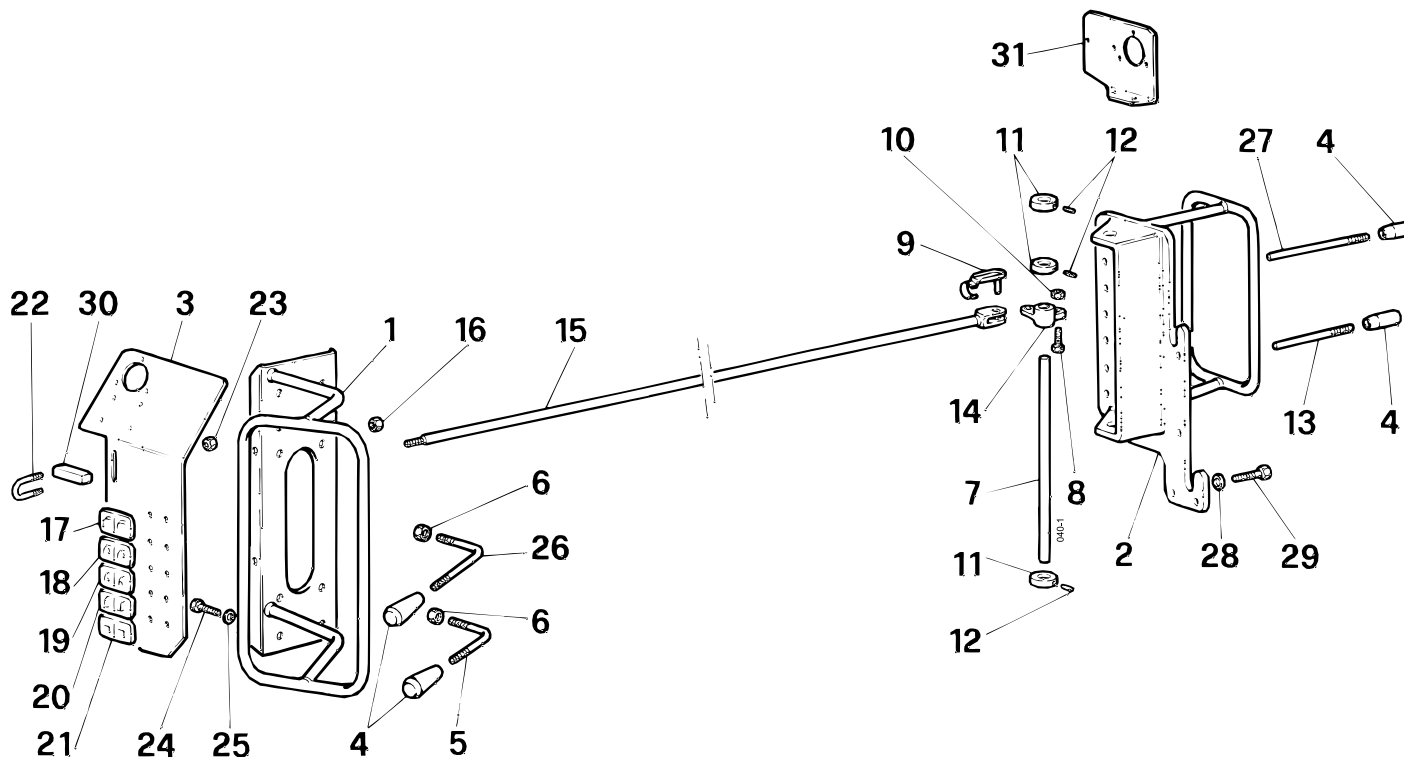
DOUBLE CONTROLS

Code

W545-15.7

2/2

R	Pos.	Code Variant	Q.ty	Description
	21	W573278	2	
	22	W599701	2	
	23	3040372	2	Stopnut
	24	3060914	3	Flat washer [D.10.5X21X2 UNI 6592 ZC]
	26	W370502100	1	
	27	W338843	1	
	28	3060056	3	Split lock washer [D=10 C72 ZC]
	29	3020038	3	Socked head cap screw [M6X30 8.8 ZC UNI 5931]
	30	W390505500	2	Tube thickness (Nylon)
	31	W390505400	1	

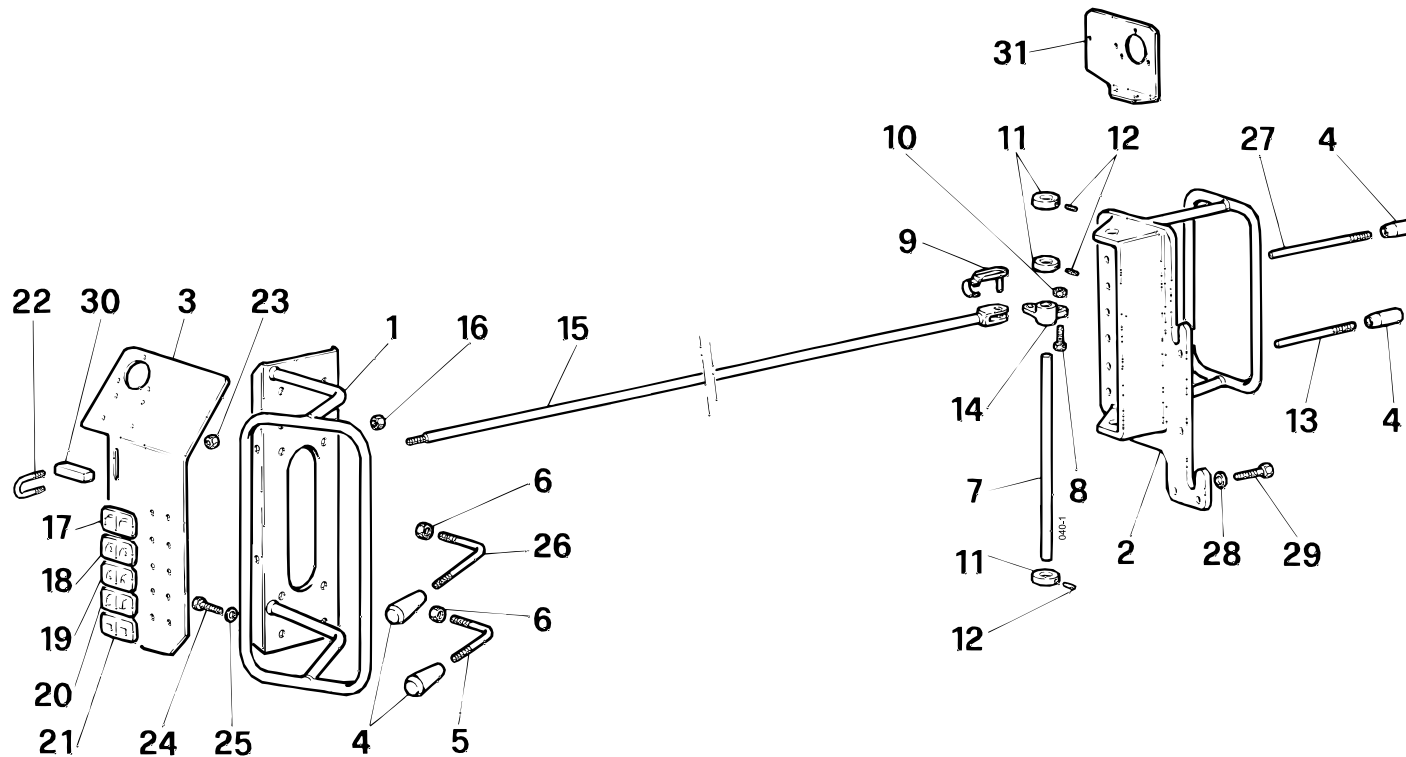


DOUBLE CONTROLS STABILIZER CONNECTING RODS (SUPER EXTENSIBLE)

Code

W040505-1.1

1/2



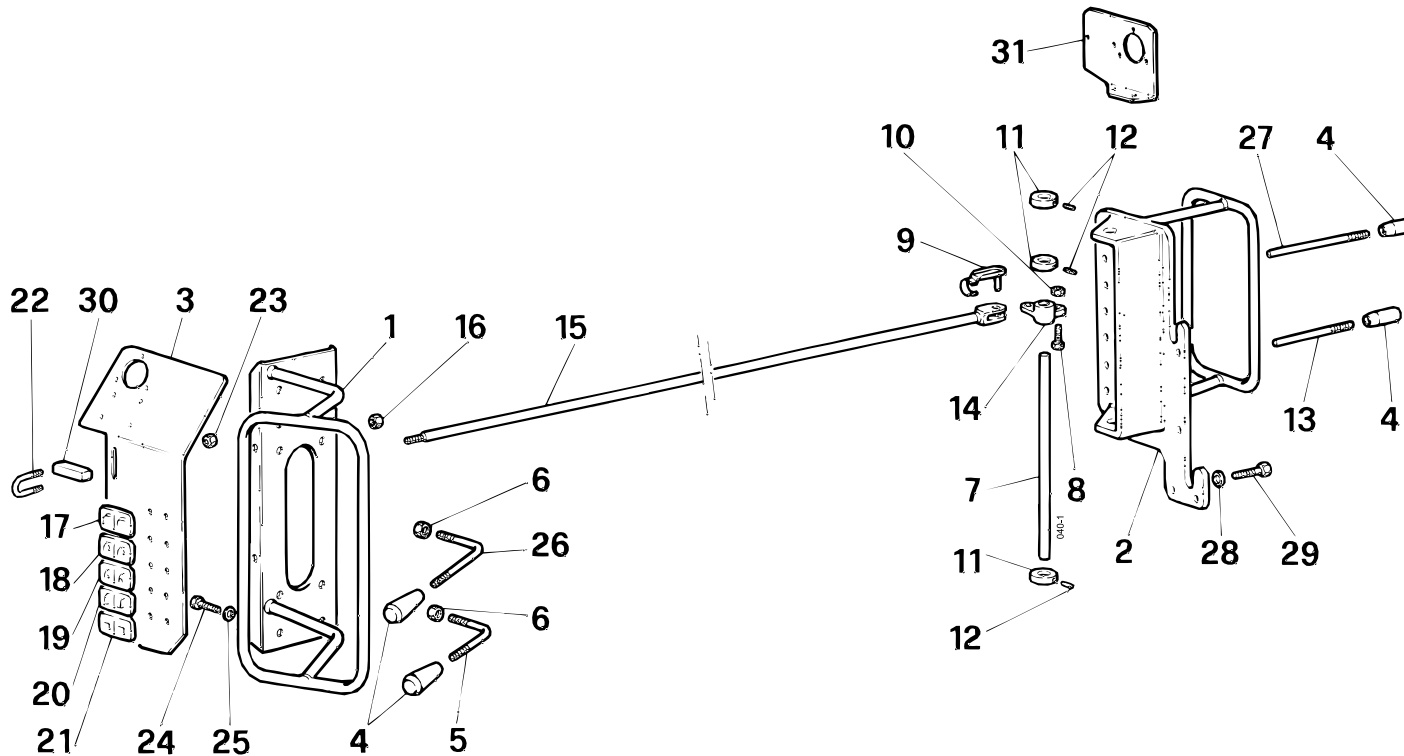
R	Pos.	Code Variant	Q.ty	Description
	1	W400501800	1	
	2	W370500100	1	
	3	W390505300	1	
	4	W664003	10	
	5	W370502200	4	
	6	3040524	5	Stopnut
	7	W101186	1	
	8	3010325	5	Hex screw [M6X16 8.8 ZC UNI 5739]
	9	W661001	5	
	10	3040081	5	Lock nut
	11	W270102703	3	
	12	3060229	3	Grub screw
	13	W338844	4	
	14	W270509000	5	
	15	W390500200	5	
	16	3040045	2	Nut
	17	W573283	2	
	18	W573282	2	
	19	W573280	2	
	20	W573279	2	

DOUBLE CONTROLS STABILIZER CONNECTING RODS (SUPER EXTENSIBLE)

Code

W040505-1.1**2/2**

R	Pos.	Code Variant	Q.ty	Description
	21	W573278	2	
	22	W599701	2	
	23	3040372	2	Stopnut
	24	3060914	3	Flat washer [D.10.5X21X2 UNI 6592 ZC]
	26	W370502100	1	
	27	W338843	1	
	28	3060056	3	Split lock washer [D=10 C72 ZC]
	29	3020038	3	Socked head cap screw [M6X30 8.8 ZC UNI 5931]
	30	W390505500	2	Tube thickness (Nylon)
	31	W390505400	1	

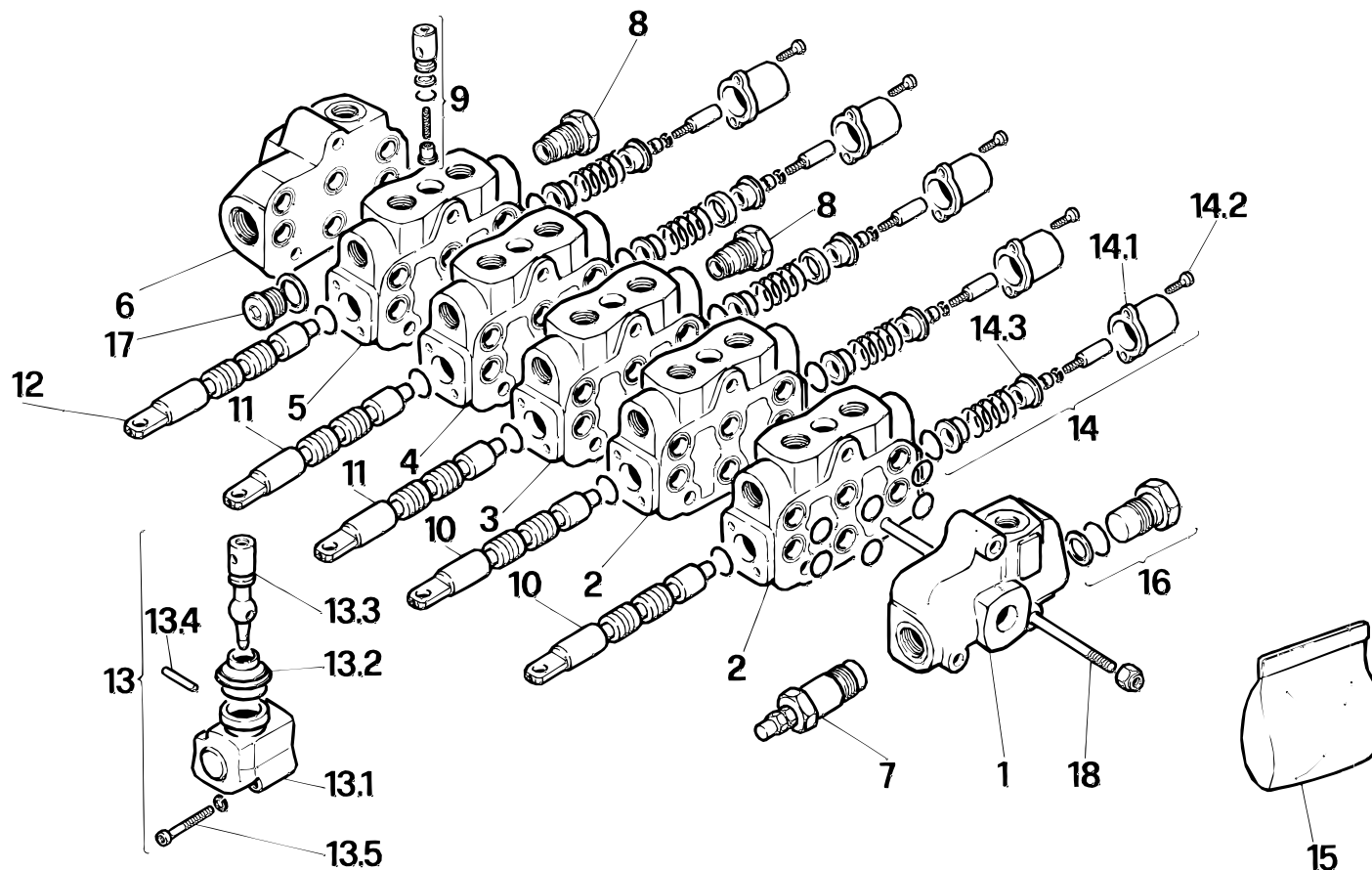


Control valve

Code

W545-17.6

1/2



R	Pos.	Code Variant	Q.ty	Description
	1	WVA0489	1	
	2	WVA0480	2	
	3	WVA0482	1	
	4	WVA0483	1	
	5	WVA0484	1	
	6	WVA0491	1	
	7	WVA0438	1	
	8	WVA0440	2	
	9	WVA0439	5	
	10	WVA0506	2	
	11	WVA0507	2	
	12	WVA0508	1	
	13	WVA0241	5	
	13/1	WVA0302	5	
	13/2	WVA0304	5	
	13/3	WVA0301	5	
	13/4	WVA0303	5	
	13/5	WVA0305	10	
	14	WVA0447	5	
	14/1	WVA0513	5	

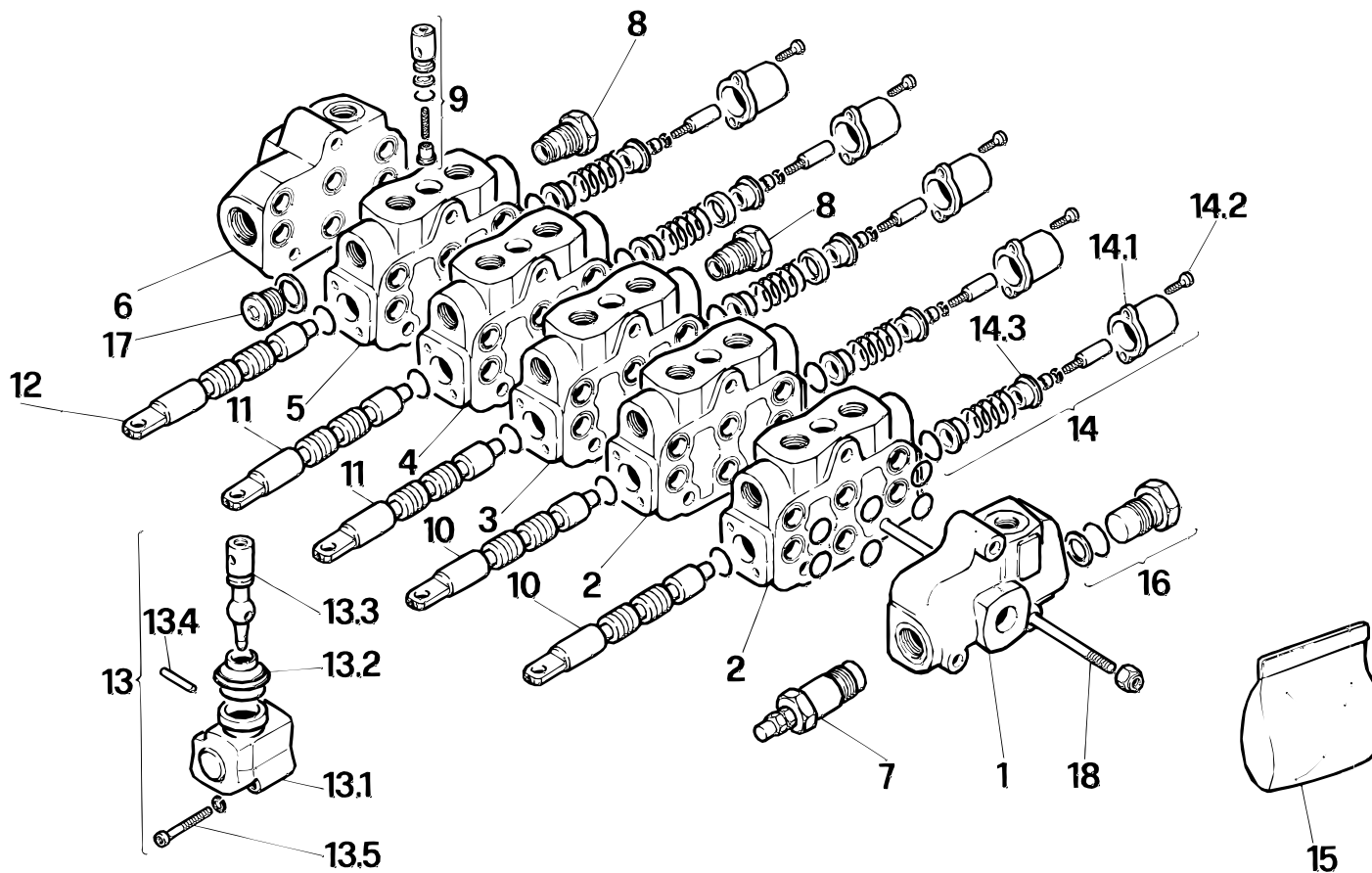
Control valve

Code

W545-17.6

2/2

R	Pos.	Code Variant	Q.ty	Description
	14/2	W751004	10	
	14/3	WVA0519	2	
	15	WVA0473	1	
	16	WVA0431	1	
	17	WVA0432	8	
	18	WVA0462	1	



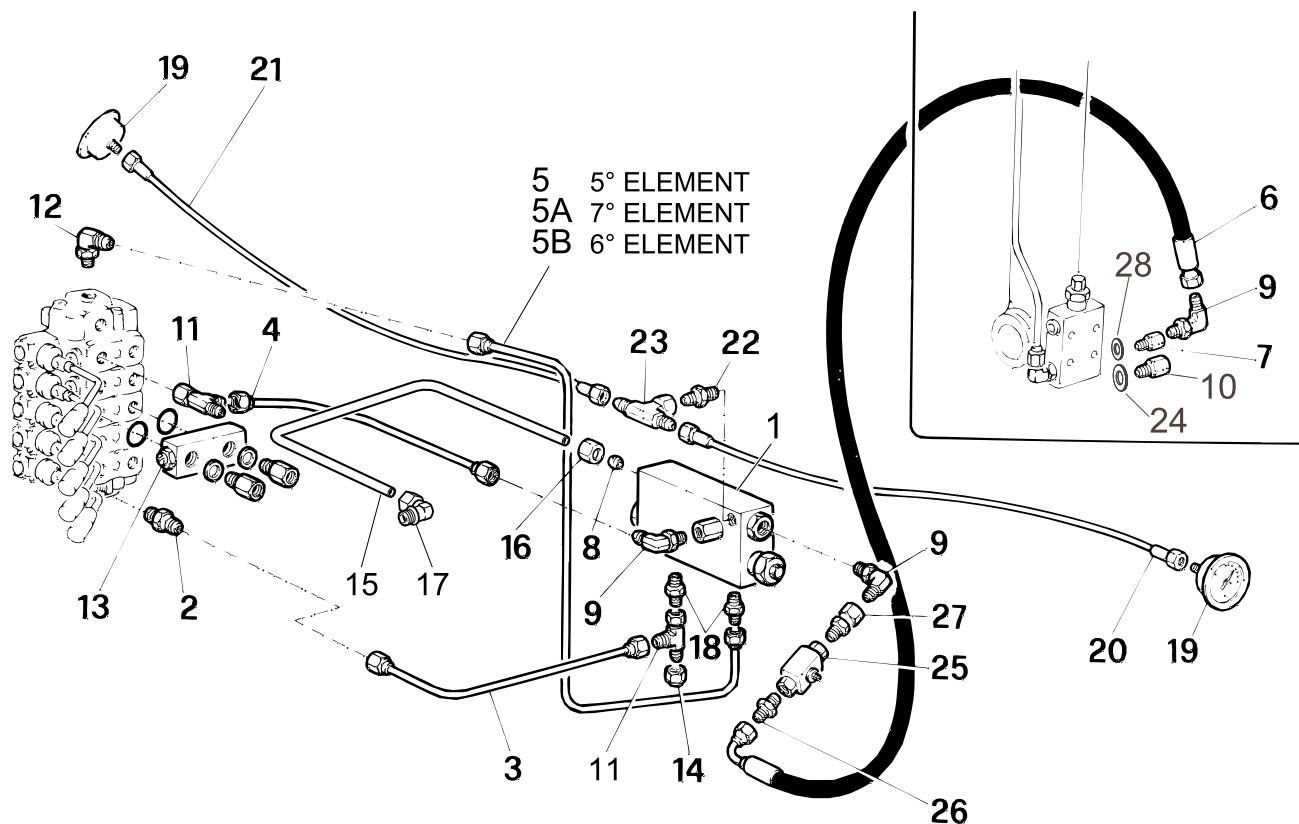
Moment limiting device

Code

W545-24-.1

1/2

R	Pos.	Code Variant	Q.ty	Description
	1	W471001	1	
	2	W470414	1	
	3	W390502800	1	
	4	W390502900	1	
	5	W390503000	1	
	5 A	W390503100	1	
	5 B	W390503200	1	
	6	W456052	1	
	7	5220300	1	Hose burst valve (Sleeve)
	8	3100956	1	
	9	3101124	2	90° Connection
	10	3110112	1	Straight pipe fitting
	11	3120004	2	Tee fitting
	12	3101128	1	
	13	W471003	1	
	14	3110041	1	Female plug
	15	W390505000	1	
	16	3100952	1	Nut
	17	3100089	1	90° Connection
	18	3101044	2	Straight pipe fitting



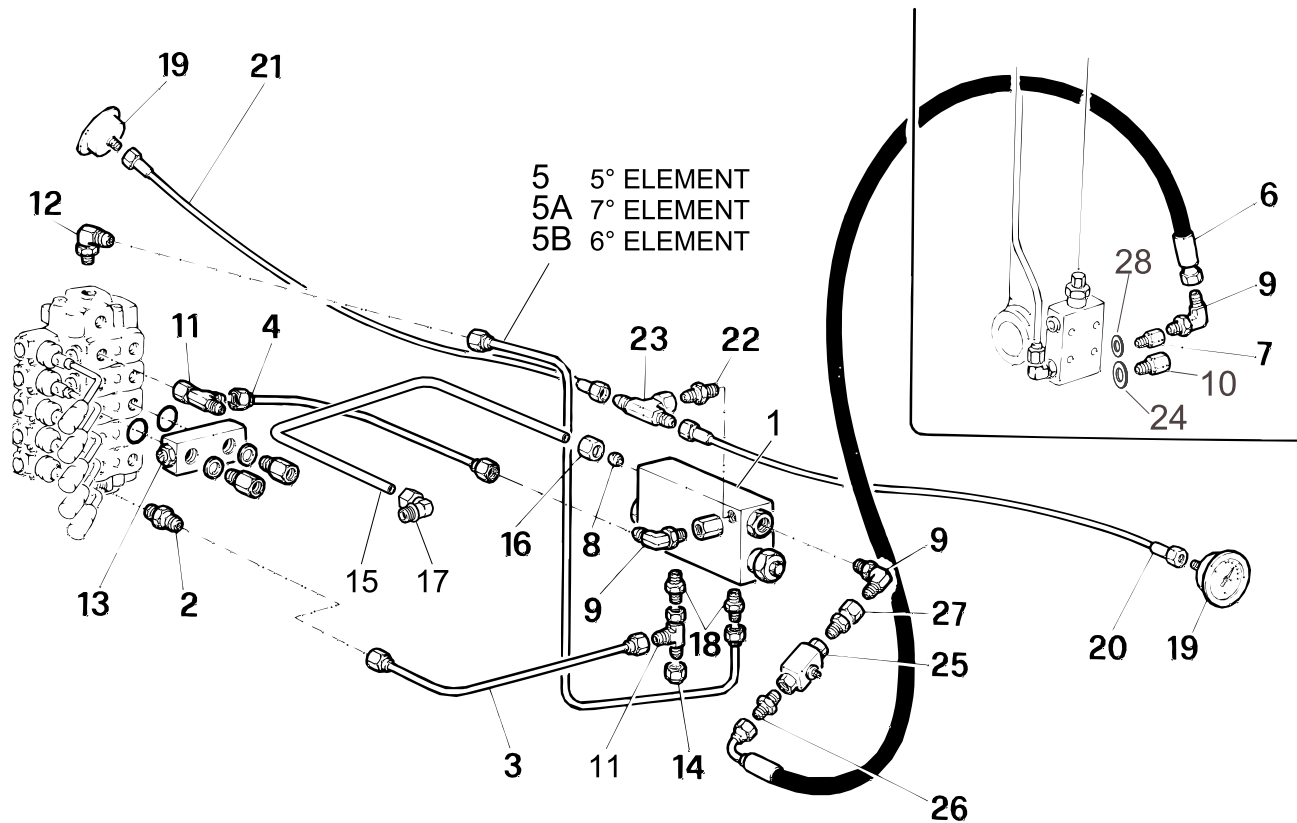
Moment limiting device

Code

W545-24-.1

2/2

R	Pos.	Code Variant	Q.ty	Description
	19	W378005	2	
	20	W458458	1	
	21	W458459	1	
	22	3120382	1	
	23	3120111	1	Tee fitting
	24	3060144	1	Sealing washer [BSP 3/8"]
	25	W434006	1	
	26	3101039	1	Straight pipe fitting
	27	3120064	1	Straight pipe fitting
	28	3060143	1	Sealing washer [BSP 1/4"]
	29	W140200800	1	



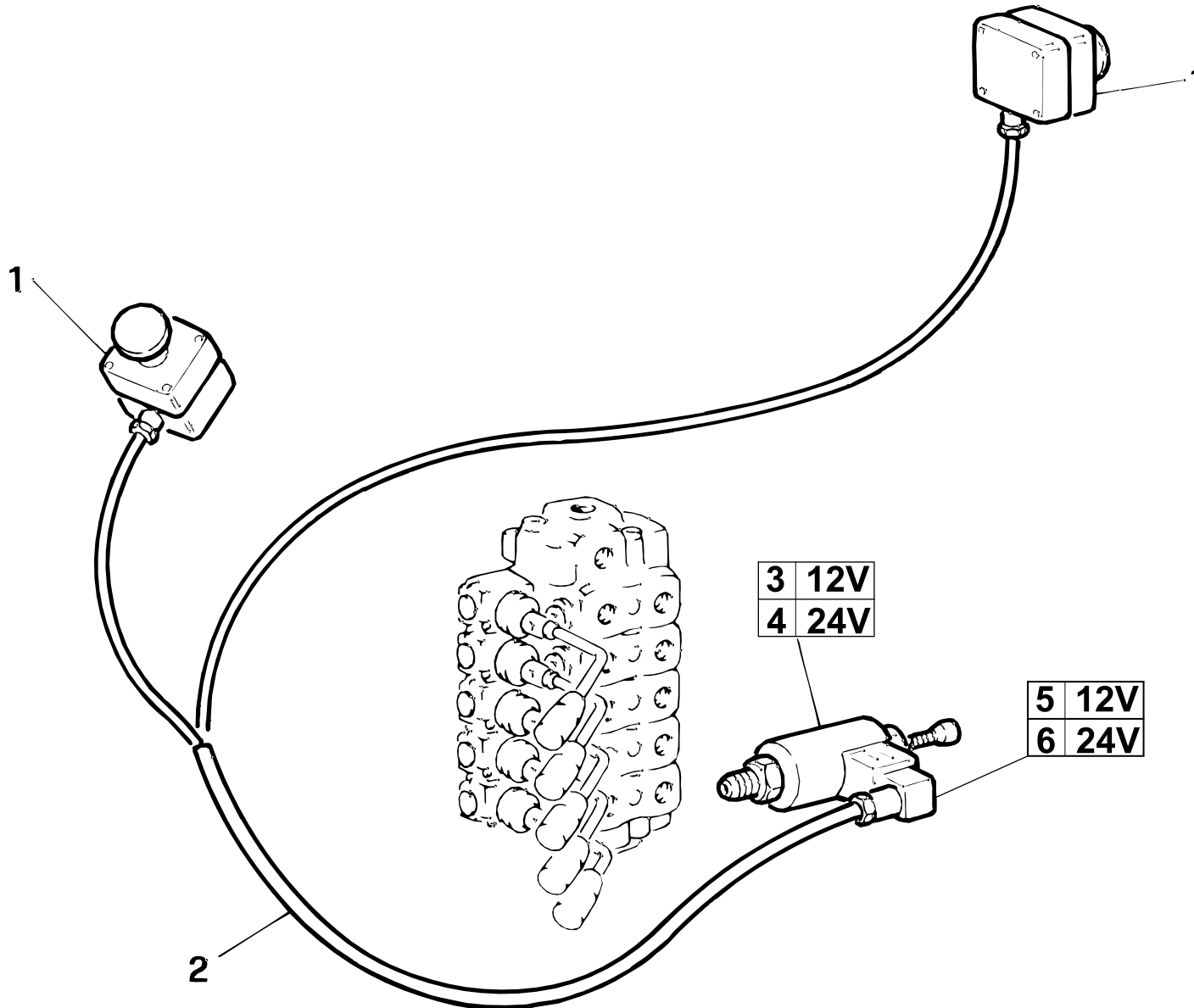
Electric components

Code

W545-33.9

1/1

R	Pos.	Code Variant	Q.ty	Description
1		W264203	2	
2		W370550200	1	
3		W222007	1	
4		W222008	1	
5		W470612	1	
6		W470613	1	



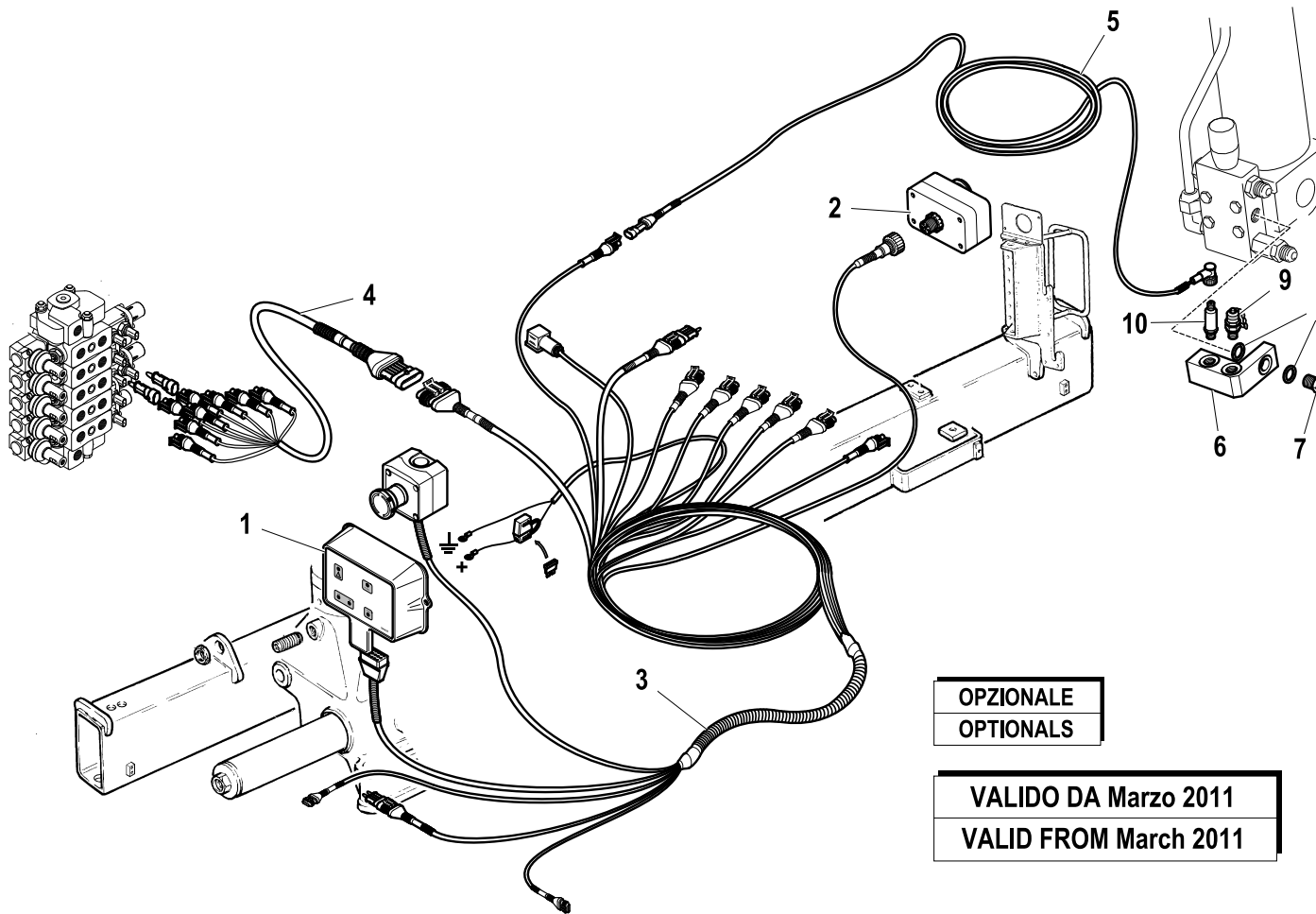
Kit CE (STABILITY CONTROL)

Code

5431009-6.0

1/1

R	Pos.	Code Variant	Q.ty	Description
	1	3311373	1	
	2	3311374	1	
	3	3311375	1	
	4	3311376	1	
	5	5160001	1	Electric wiring
	6	5002055	1	Manifold (Pick-up)
	7	3110078	1	Bolt (banjo bolt)
	8	3060143	2	Sealing washer [BSP 1/4"]
	9	3111523	1	Pipe fitting (Tapping point) [RACC. MILITES 16X2-1/4"G]
	10	3310612	1	Pressure sensor



**OPZIONALE
OPTIONALS**

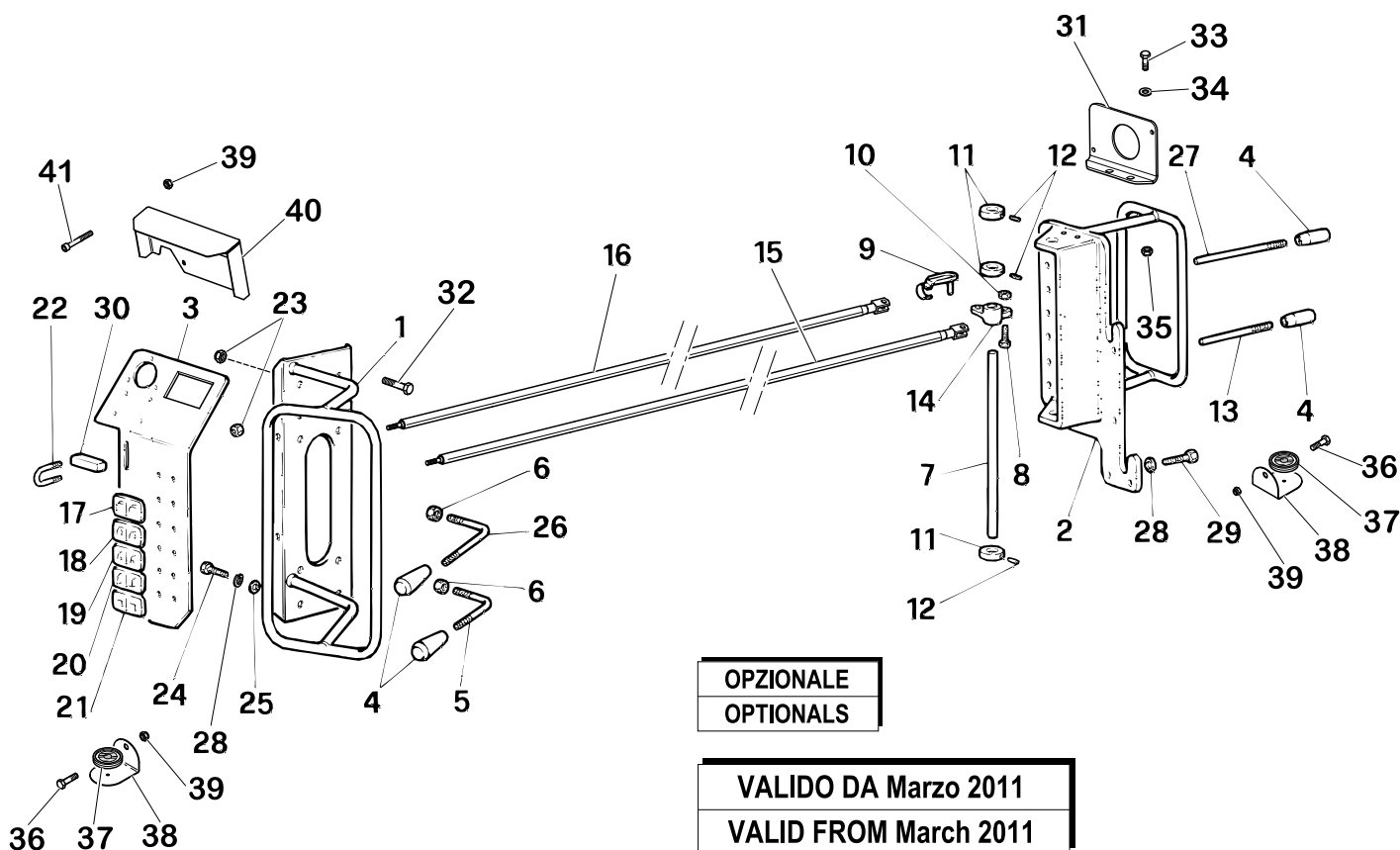
**VALIDO DA Marzo 2011
VALID FROM March 2011**

DOUBLE CONTROLS (CE)

Code

5431009-7.0

1/3



R	Pos.	Code Variant	Q.ty	Description
	1	W390500100	1	
	2	W370500100	1	
	3	W390505300	1	
	4	W664003	10	
	5	W370502200	1	
	6	3040040	5	Lock nut
	7	W101186	1	
	8	3020021	5	Socket head cap screw [M5X12X0.8 8.8 ZC UNI 5931]
	9	3300453	5	
	10	3040393	5	Lock nut
	11	W270102703	3	
	12	3060229	3	Grub screw
	13	W338844	1	
	14	W270509000	5	
	15	5091312	3	
	16	5091313	2	
	17	W573283	2	
	18	W573282	2	
	19	W573280	2	
	20	W573279	2	

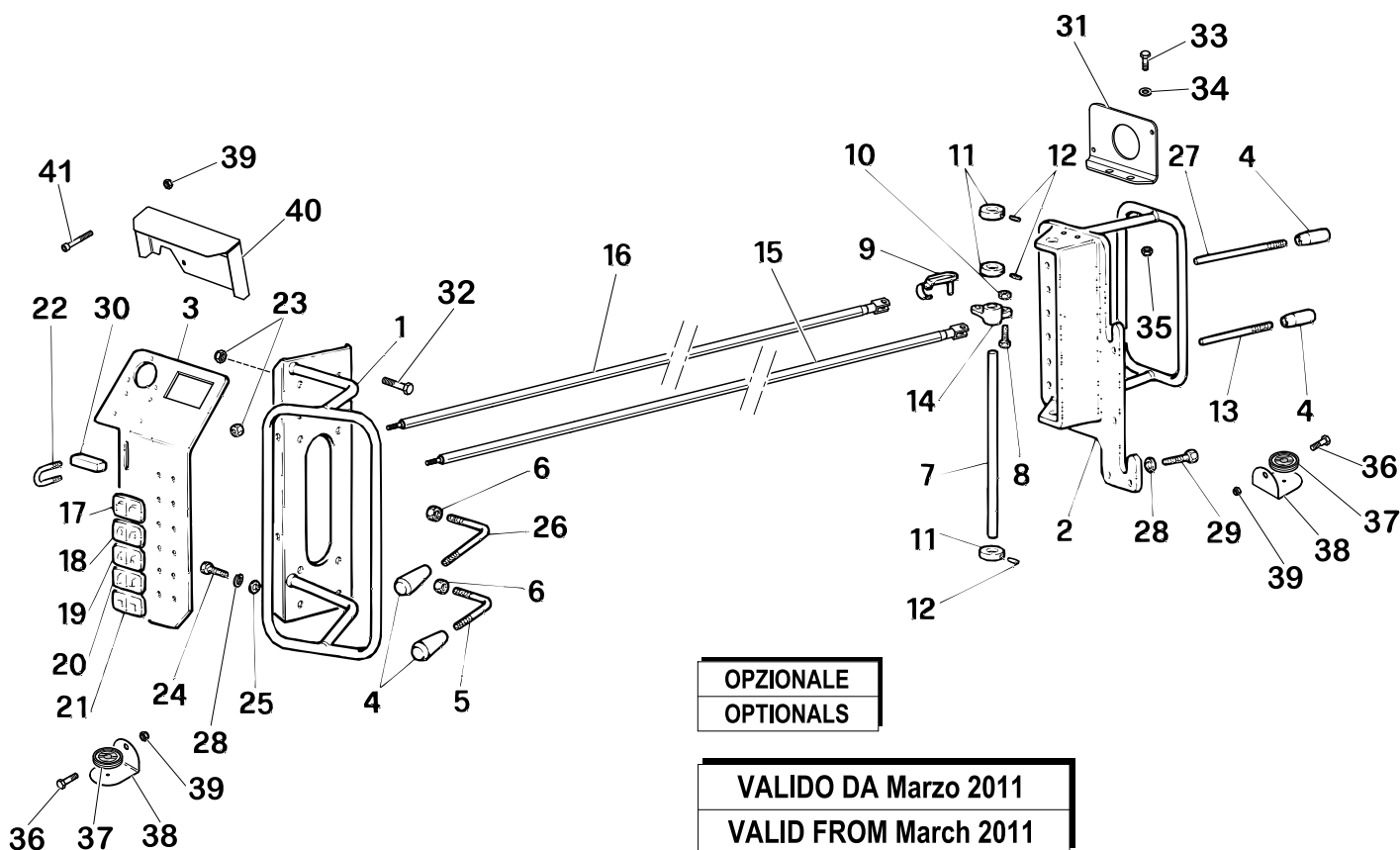
DOUBLE CONTROLS (CE)

Code

5431009-7.0

2/3

R	Pos.	Code Variant	Q.ty	Description
	21	W573278	2	
	22	W599701	2	
	23	3040524	6	Stopnut
	24	3010044	2	Hex screw [M10X35 8.8 ZC UNI 5737]
	25	3060914	2	Flat washer [D.10.5X21X2 UNI 6592 ZC]
	26	W370502100	4	
	27	W338843	4	
	28	3060056	4	Split lock washer [D=10 C72 ZC]
	29	3010354	3	Hex screw [M10X20 8.8 ZC UNI 5739]
	30	W390505500	2	Tube thickness (Nylon)
	31	5002074	1	
	32	3010035	3	Hex screw [M8X60 8.8 ZC UNI 5737]
	33	3010337	2	Hex screw [M8X16 8.8 ZC UNI 5739]
	34	3060006	2	Flat washer [D.8 UNI 6592 ZC]
	35	3040303	2	Stopnut
	36	3020035	2	Socketed head cap screw [M6X20 8.8 ZC UNI 5931]
	37	3180116	2	
	38	W570501600	2	
	39	3040372	4	Stopnut
	40	5000431	1	



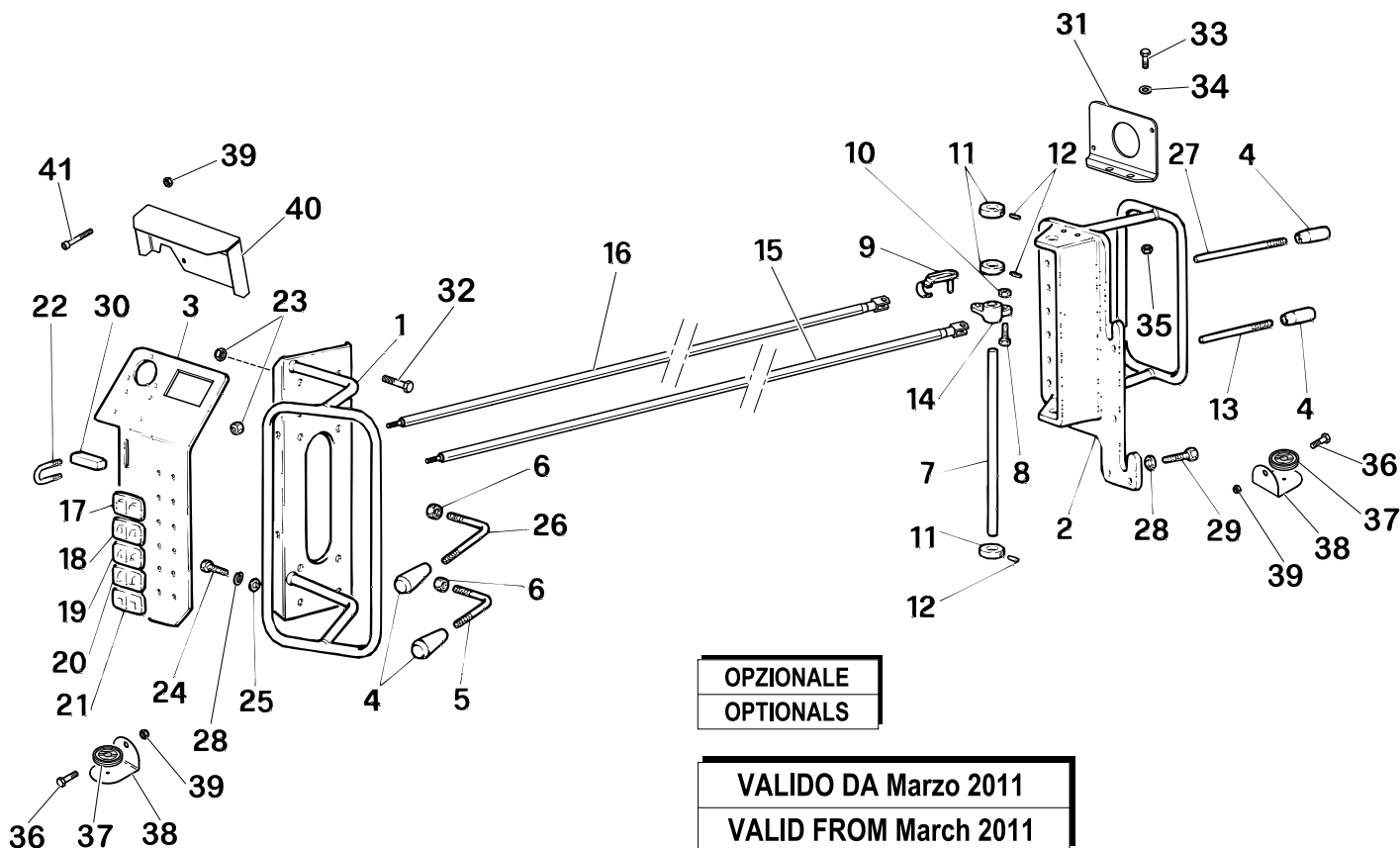
DOUBLE CONTROLS (CE)

Code

5431009-7.0

3/3

R	Pos.	Code Variant	Q.ty	Description
	41	3020964	2	Socket head cap screw [M6X70 8.8 ZC UNI 5931]



OPZIONALE
OPTIONALS

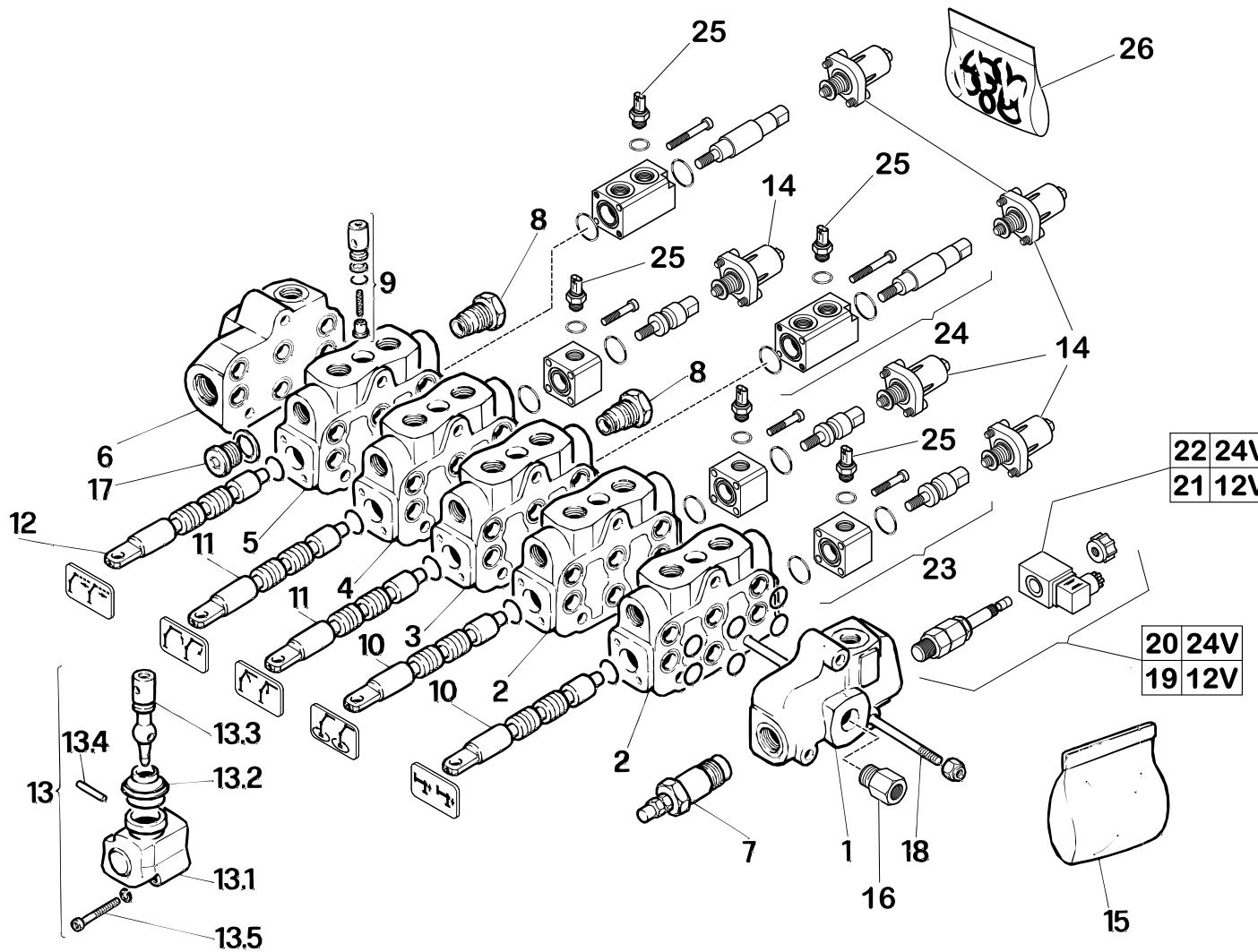
VALIDO DA Marzo 2011
VALID FROM March 2011

Control valve (EN12999-A3)

Code

W338079-1.0

1/2



R	Pos.	Code Variant	Q.ty	Description
	1	WVA0489	1	
	2	WVA0480	2	
	3	WVA0482	1	
	4	WVA0483	1	
	5	WVA0484	1	
	6	WVA0491	1	
	7	WVA0438	1	
	8	5220075	2	
	9	WVA0439	5	
	10	5225711	2	
	11	WVA0507	2	
	12	WVA0508	1	
	13	5225261	5	
	13/1	WVA0302	5	
	13/2	5225022	5	
	13/3	WVA0301	5	
	13/4	WVA0303	5	
	13/5	WVA0305	10	
	14	WVA0447	5	
	15	WVA0473	1	

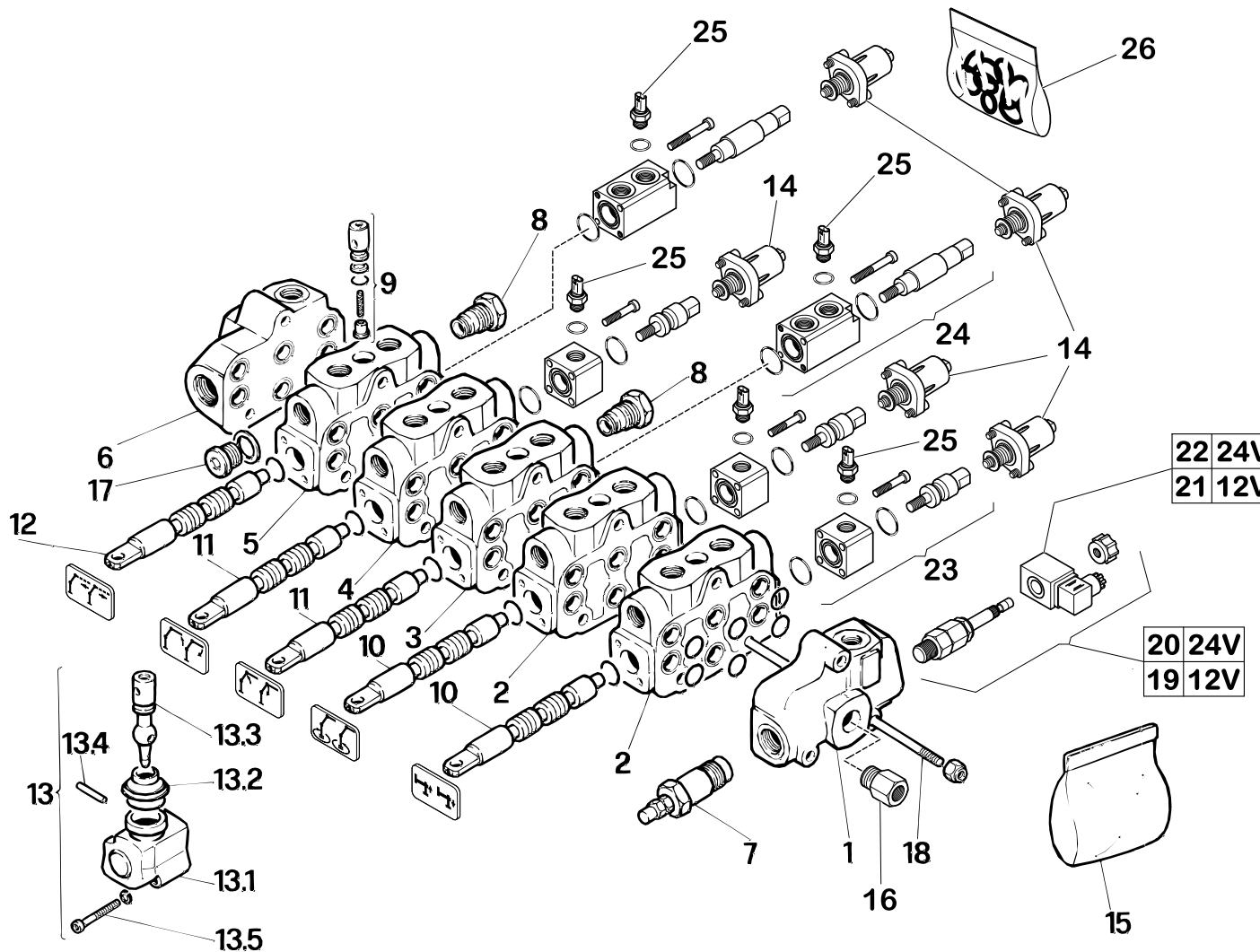
Control valve (EN12999-A3)

Code

W338079-1.0

2/2

R	Pos.	Code Variant	Q.ty	Description
	16	3101237	1	
	17	WVA0432	8	
	18	5225548	1	
	19	5225895	1	
	20	5225894	1	
	21	3311438	1	
	22	3311437	1	
	23	5225830	3	
	24	5225847	2	
	25	5225832	7	
	26	5225874	1	

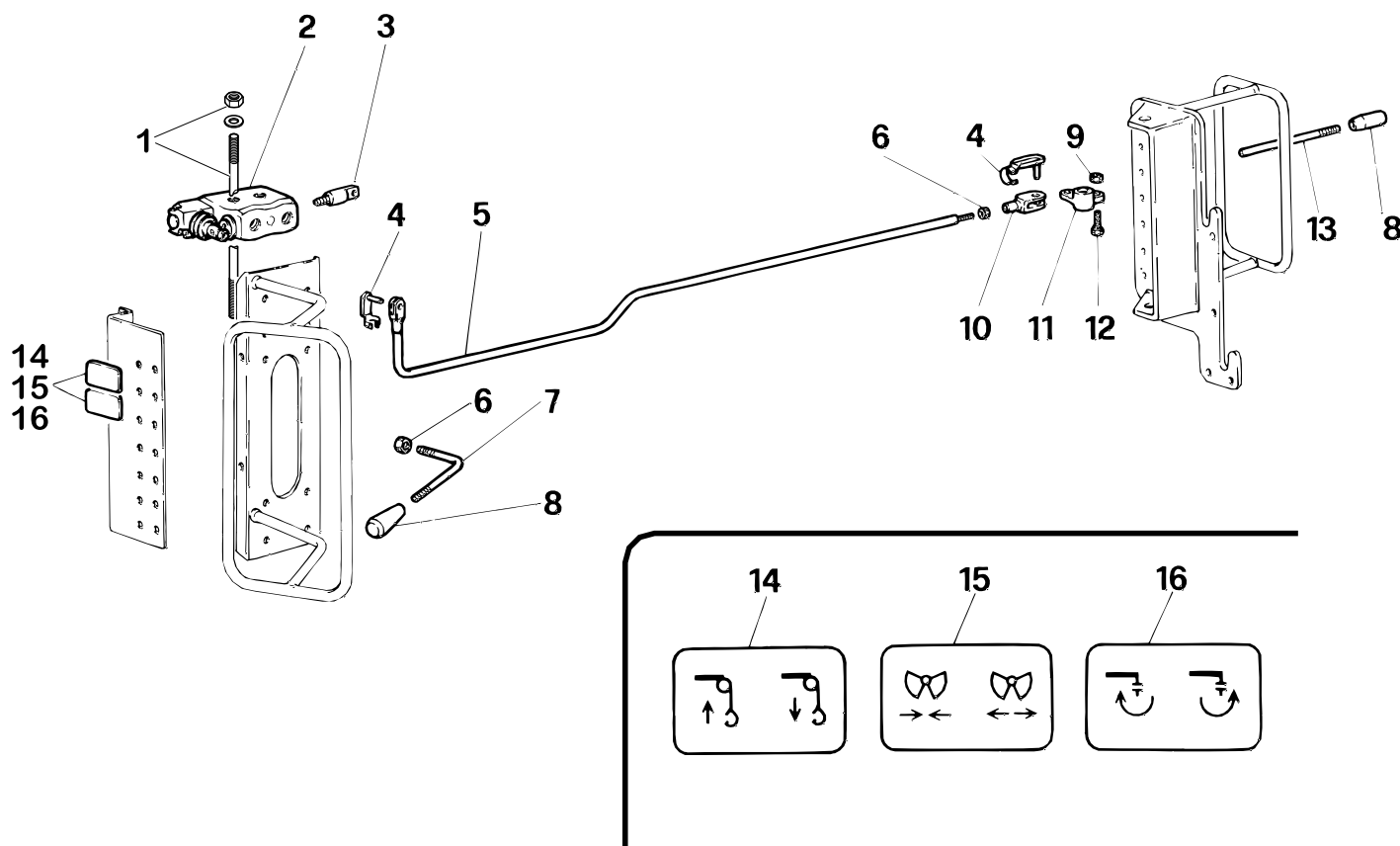


DOUBLE CONTROLS (6th element)

Code

W545-18.7

1/1



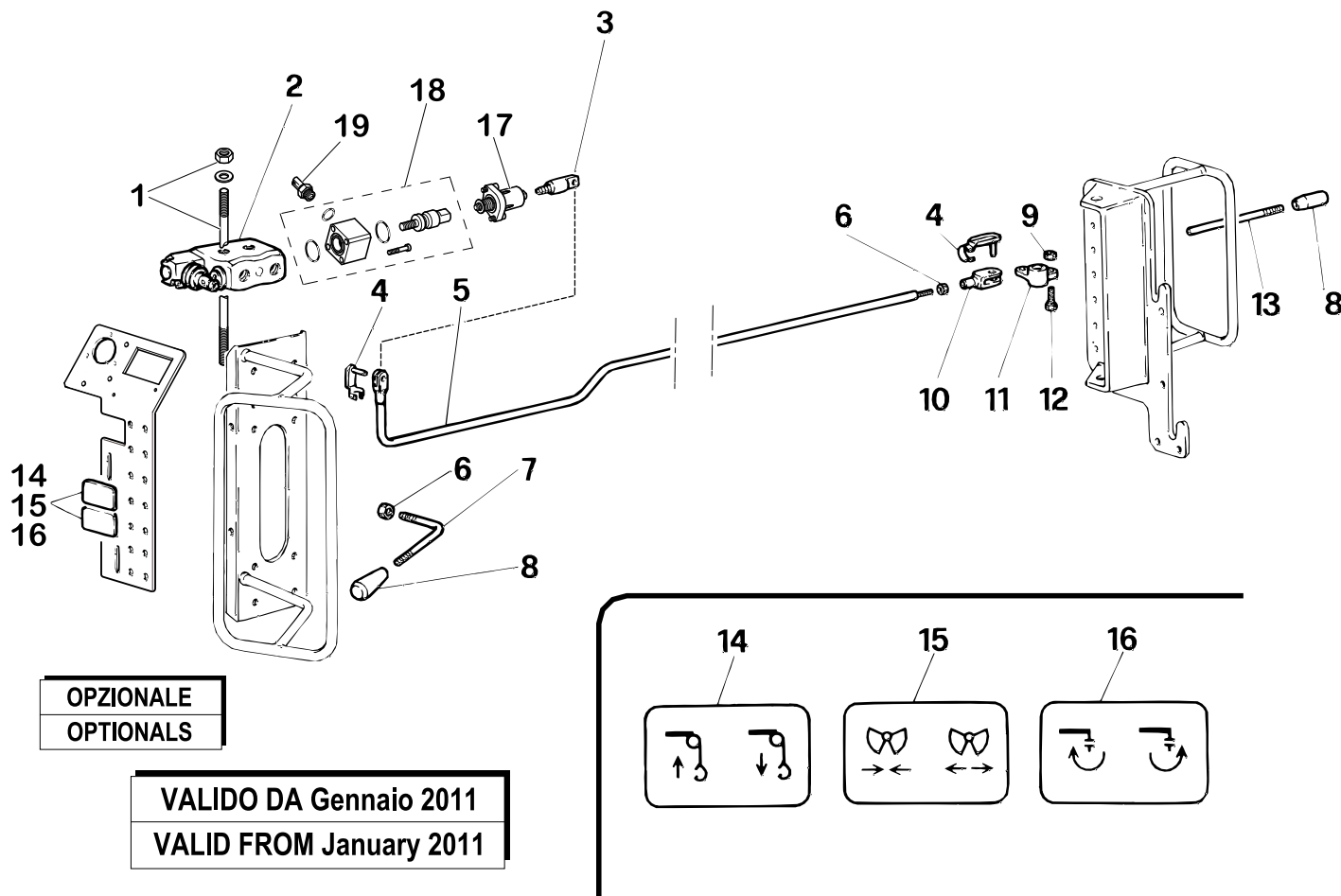
R	Pos.	Code Variant	Q.ty	Description
	1	5225549	1	
	2	WVA0481	1	
	3	W390503500	1	
	4	3300451	2	
	5	W390500300	1	
	6	3040040	2	Lock nut
	7	W370502100	1	
	8	W664003	2	
	9	3040393	1	Lock nut
	10	3300431	1	
	11	W270509000	1	
	12	3020021	1	Socket head cap screw [M5X12X0.8 8.8 ZC UNI 5931]
	13	W338843	1	
	14	W573286	2	
	15	W573284	2	
	16	W273285	2	

DOUBLE CONTROLS (6th element)

Code

5431011-2.0

1/1



**OPZIONALE
OPTIONALS**

**VALIDO DA Gennaio 2011
VALID FROM January 2011**

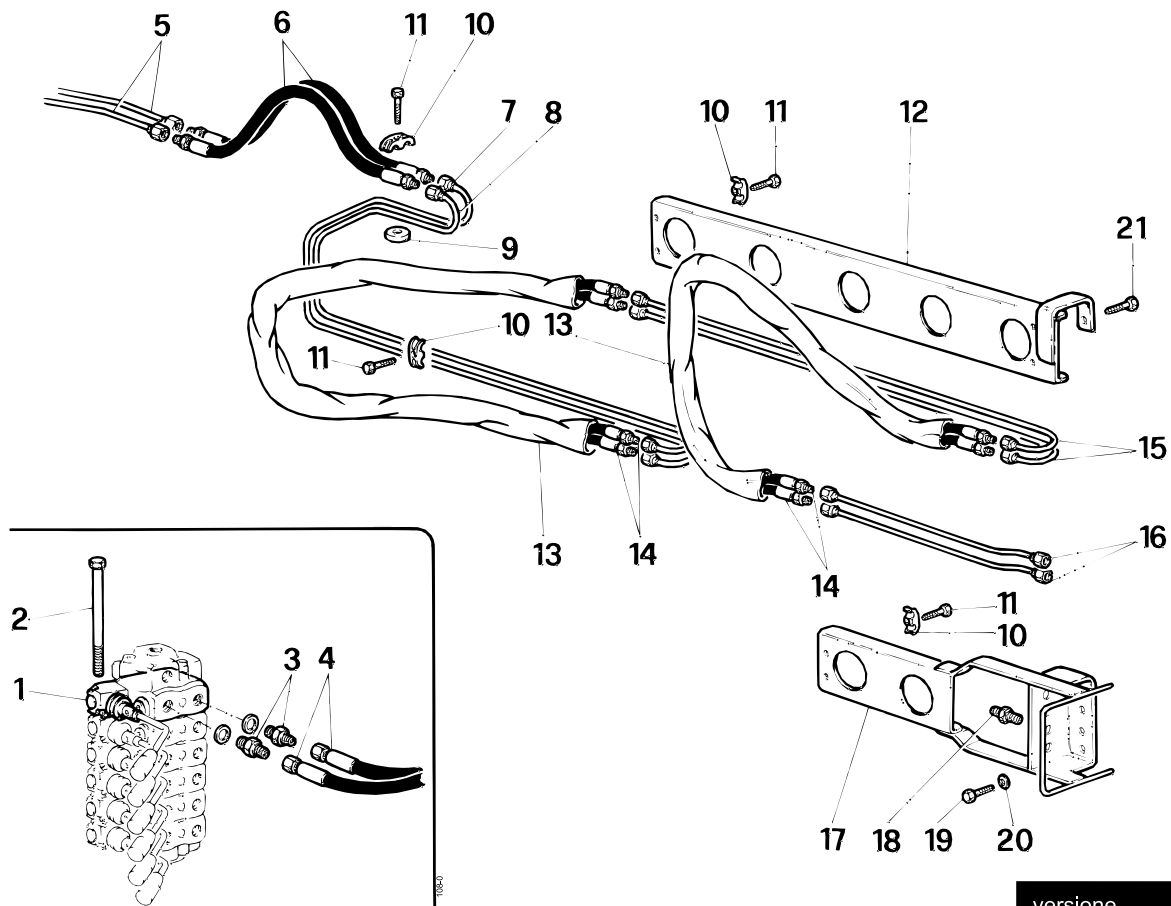
R	Pos.	Code Variant	Q.ty	Description
	1	5225549	1	
	2	WVA0481	1	
	3	W390503500	1	
	4	3300451	2	
	5	5091314	1	
	6	3040040	2	Lock nut
	7	W370502100	1	
	8	W664003	2	
	9	3040393	1	Lock nut
	10	3300431	1	
	11	W270509000	1	
	12	3020021	1	Socket head cap screw [M5X12X0.8 8.8 ZC UNI 5931]
	13	W338843	1	
	14	W573286	2	
	15	W573284	2	
	16	W273285	2	
	17	WVA0447	1	
	18	5225830	1	
	19	5225832	1	

HYDRAULIC SYSTEM (6th element)

Code

W545-29.7

1/2



R	Pos.	Code Variant	Q.ty	Description
	1	WVA0481	1	
	2	WVA0463	3	
	3	3101043	2	Straight pipe fitting
	4	W456799	2	
	5	W400500400	2	
	6	W456600	2	
	7	W390502400	1	
	8	W390502500	1	
	9	W340501400	1	
	10	5000077	6	
	11	3010033	6	Hex screw [M8X50 8.8 ZC UNI 5737]
	12	W390503300	1	
	13	W742005	2	
	14	W456593	4	
	15	W390504900	2	
	16	W340505000	2	
	17	W340502700	1	
	18	3120310	2	Wall-through pipe fitting
	19	3010353	2	Hex screw [M10X16 8.8 ZC UNI 5739]
	20	3060914	2	Flat washer [D.10.5X21X2 UNI 6592 ZC]

versione
model
version
Kranmodell
version

A2

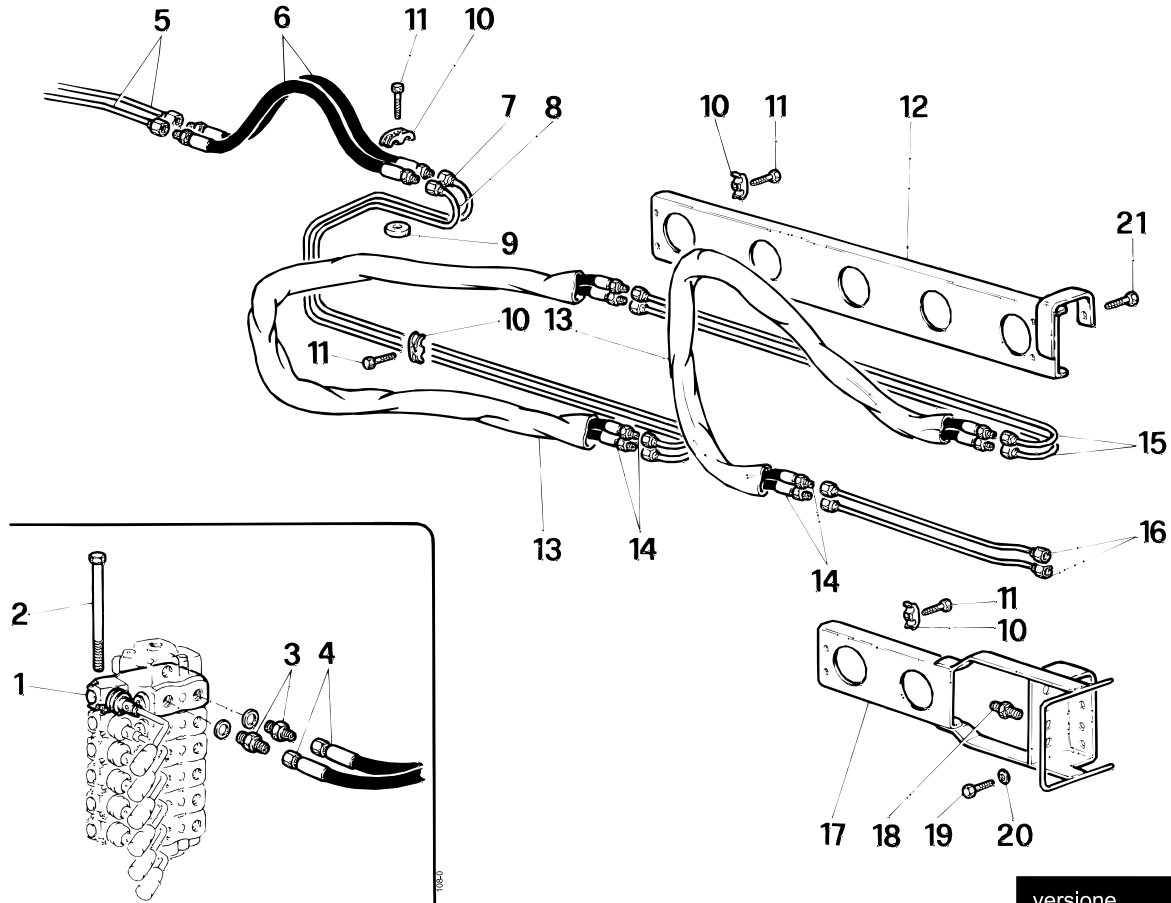
HYDRAULIC SYSTEM (6th element)

Code

W545-29.7

2/2

R	Pos.	Code Variant	Q.ty	Description
	21	3020452	1	TSEI screw [M8X16 10.9 ZC UNI 5933]



versione
 model
 version
 Kranmodell
 versi—n

A2

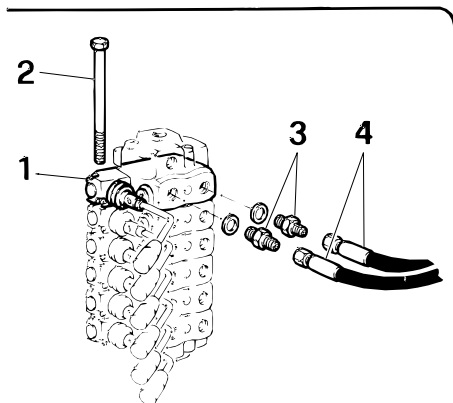
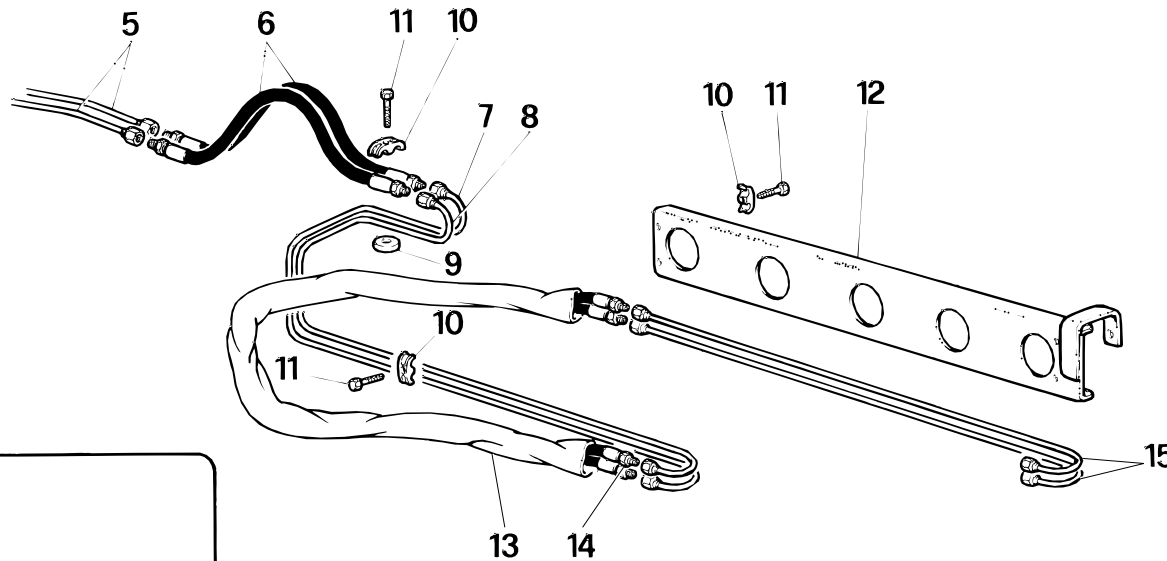
HYDRAULIC SYSTEM (6th element)

Code

W545-27.6

1/1

R	Pos.	Code Variant	Q.ty	Description
	1	WAV0481	1	
	2	WVA0463	3	
	3	3101043	2	Straight pipe fitting
	4	W456799	2	
	5	W400500400	2	
	6	W456600	2	
	7	W390502400	1	
	8	W390502500	1	
	9	W340501400	1	
	10	5000077	6	
	11	3010033	6	Hex screw [M8X50 8.8 ZC UNI 5737]
	12	W390503300	1	
	13	W742005	1	
	14	W456593	2	
	15	W340504900	2	



versione
 model
 version
 Kranmodell
 versión

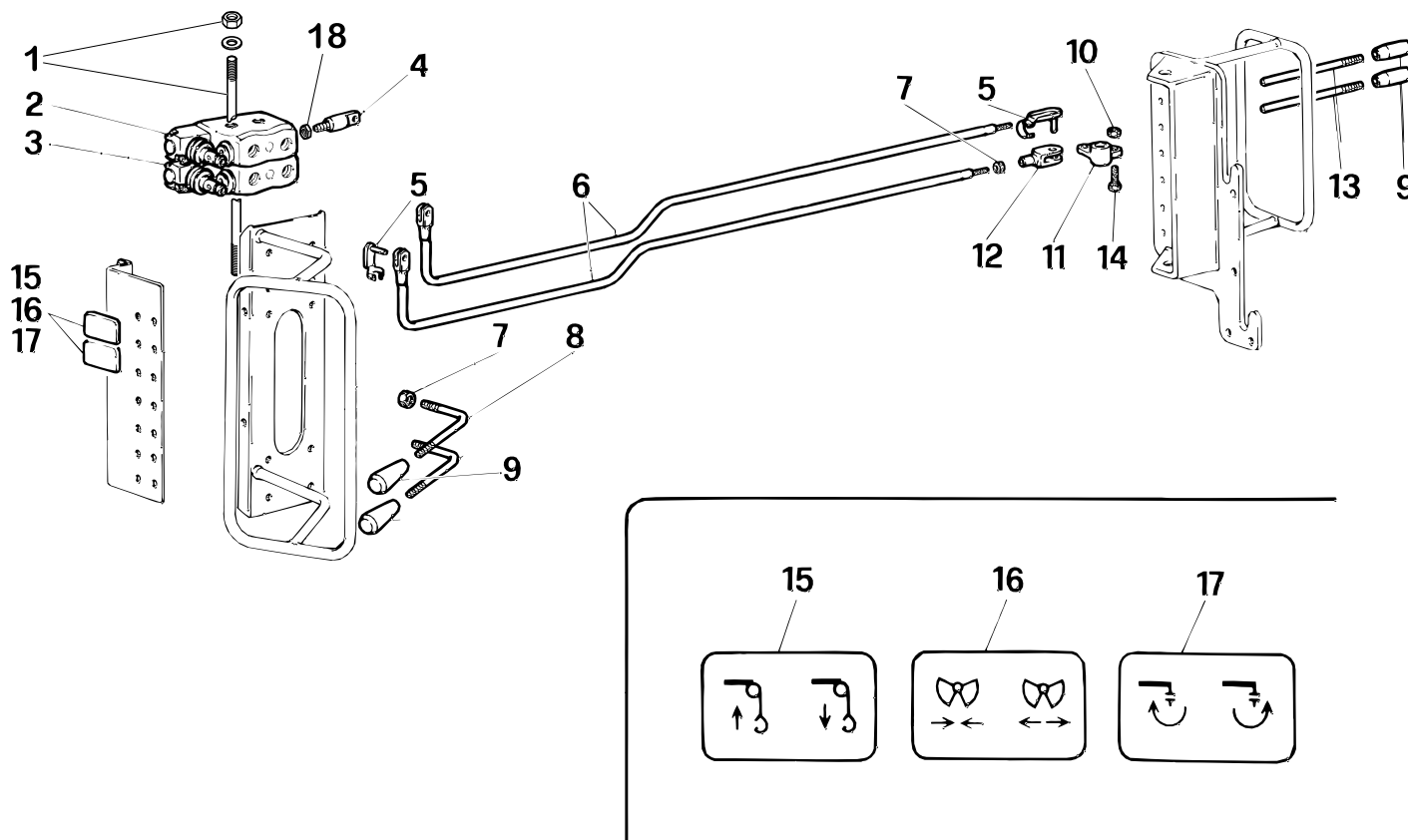
A1

DOUBLE CONTROLS (6th-7th element)

Code

W400551100-1.0

1/1



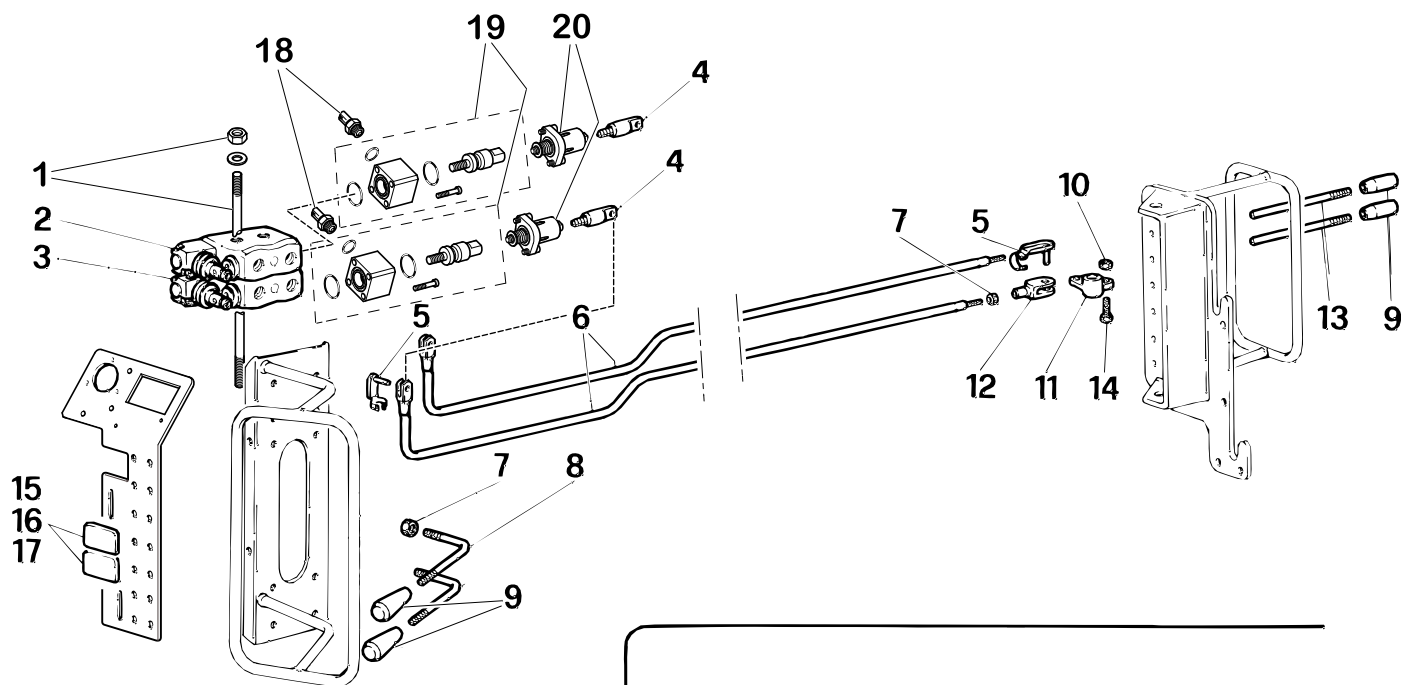
R	Pos.	Code Variant	Q.ty	Description
	1	5225550	1	
	2	WVA0481	1	
	3	WVA0480	1	
	4	W390503500	2	
	5	3300451	4	
	6	W390500300	2	
	7	3040040	4	Lock nut
	8	W370502100	2	
	9	W664003	4	
	10	3040393	2	Lock nut
	11	W270509000	2	
	12	3300431	2	
	13	W338843	2	
	14	3020021	2	Socket head cap screw [M5X12X0.8 8.8 ZC UNI 5931]
	15	W573286	2	
	16	W573284	2	
	17	W273285	2	
	18	3040081	2	Lock nut

DOUBLE CONTROLS (6th-7th element)

Code

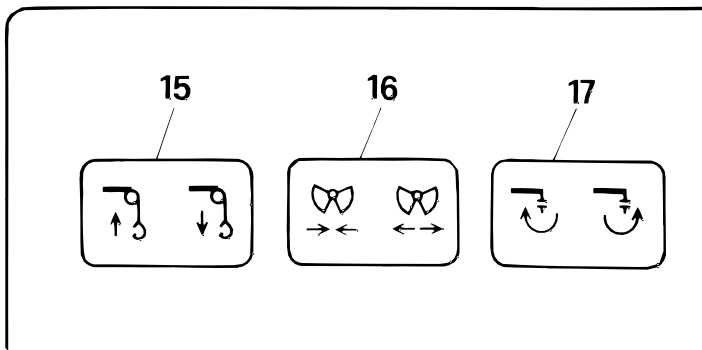
W400551100-3.0

1/1



OPZIONALE
OPTIONALS

VALIDO DA Gennaio 2011
VALID FROM January 2011



R	Pos.	Code Variant	Q.ty	Description
	1	5225550	1	
	2	WVA0481	1	
	3	WVA0480	1	
	4	W390503500	2	
	5	3300451	4	
	6	5091314	2	
	7	3040040	4	Lock nut
	8	W370502100	2	
	9	W664003	4	
	10	3040393	2	Lock nut
	11	W270509000	2	
	12	3300431	2	
	13	W338843	2	
	14	3020021	2	Socket head cap screw [M5X12X0.8 8.8 ZC UNI 5931]
	15	W573286	2	
	16	W573284	2	
	17	W273285	2	
	18	5225832	2	
	19	5225830	2	
	20	WVA0447	2	

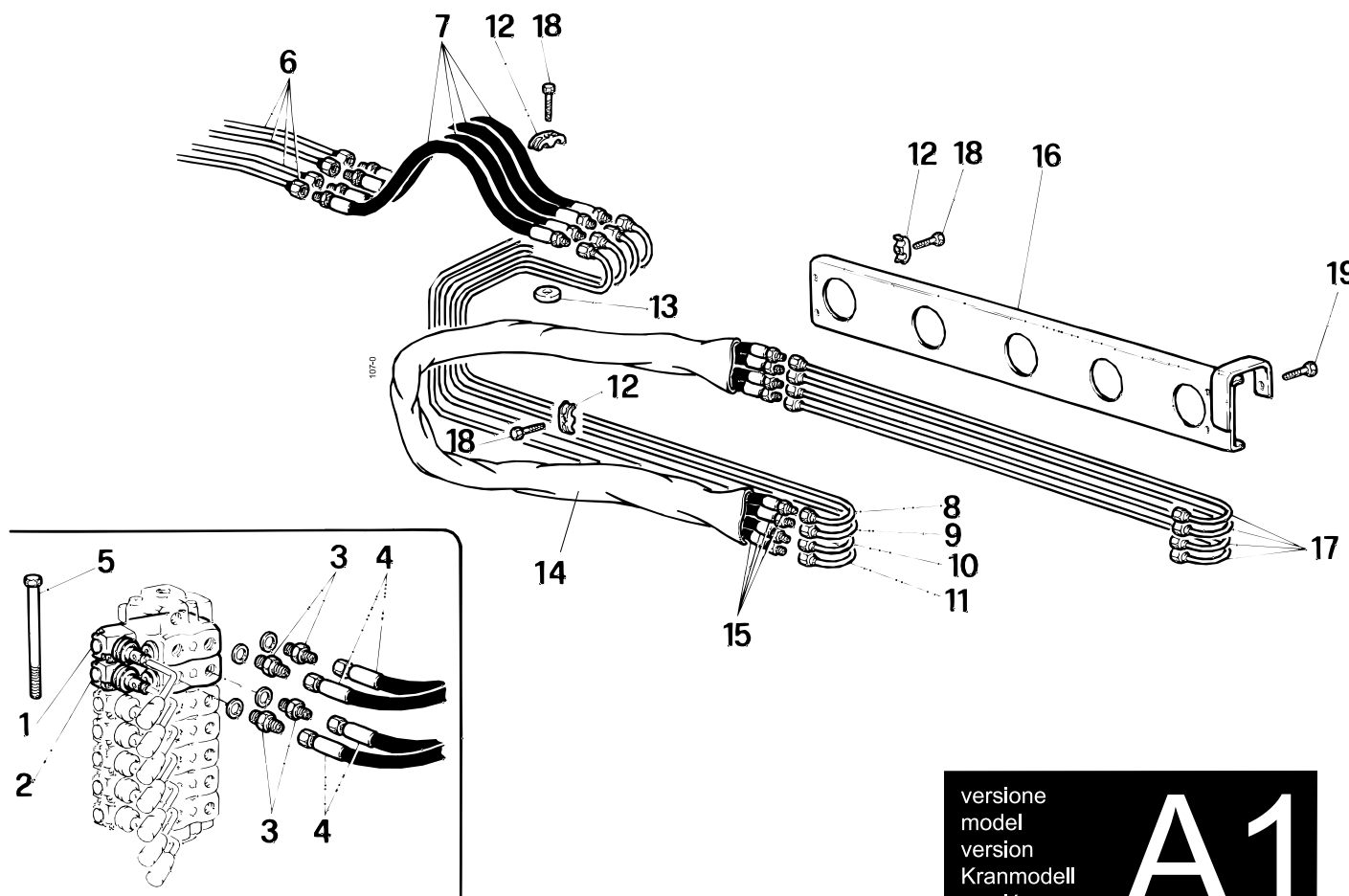
HYDRAULIC SYSTEM (6th-7th element)

Code

W545-28.7

1/1

R	Pos.	Code Variant	Q.ty	Description
	1	WVA0480	1	
	2	WAV0481	1	
	3	3101043	4	Straight pipe fitting
	4	W456799	4	
	5	WVA0464	3	
	6	W400500400	4	
	7	W456600	4	
	8	W390502400	1	
	9	W390502500	1	
	10	W390502600	1	
	11	W390502700	1	
	12	5000077	9	
	13	W340501400	9	
	14	W742005	1	
	15	W456593	4	
	16	W390503300	1	
	17	W340504900	4	
	18	3010033	9	Hex screw [M8X50 8.8 ZC UNI 5737]
	19	3020452	1	TSEI screw [M8X16 10.9 ZC UNI 5933]



versione
 model
 version
 Kranmodell
 versión

A1

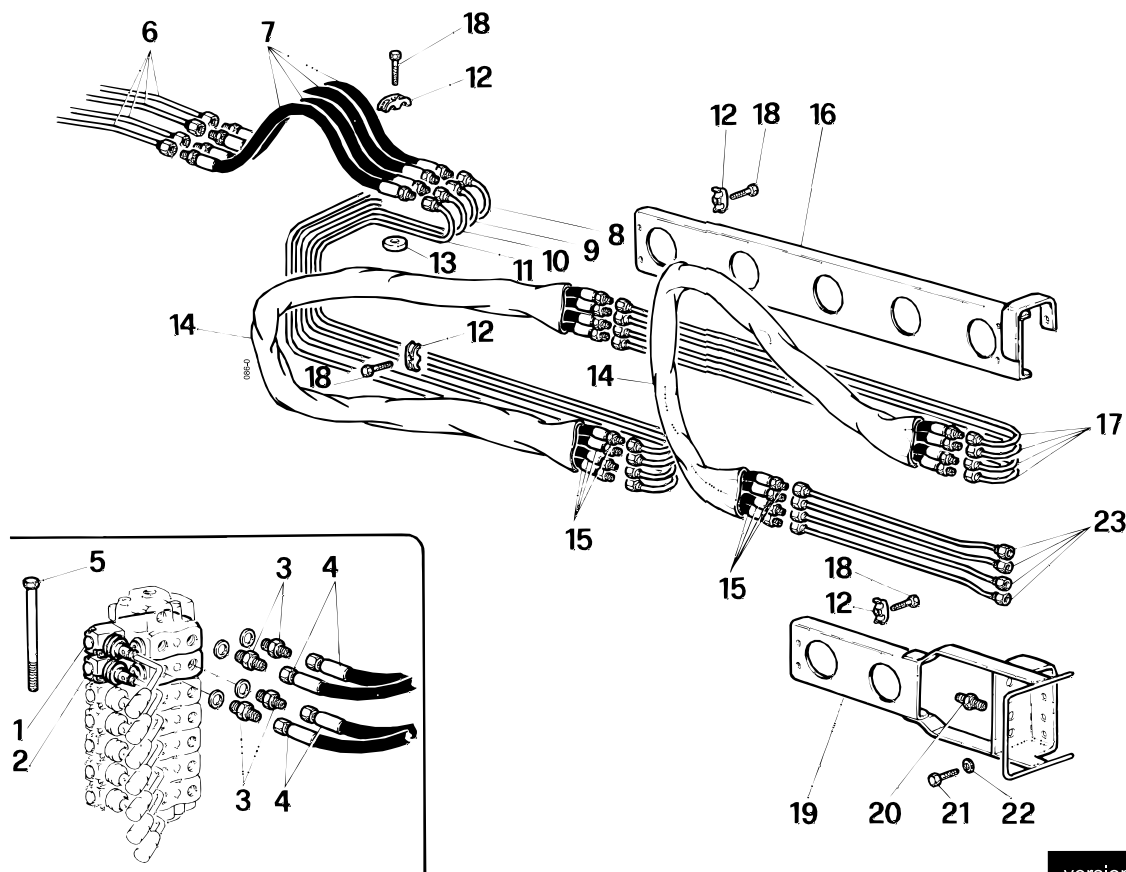
HYDRAULIC SYSTEM (6th-7th element)

Code

W545-30.6

1/2

R	Pos.	Code Variant	Q.ty	Description
	1	WVA0480	1	
	2	WVA0481	1	
	3	3101043	4	Straight pipe fitting
	4	W456799	4	
	5	WVA0464	3	
	6	W400500400	4	
	7	W456600	4	
	8	W390502400	1	
	9	W390502500	1	
	10	W390502600	1	
	11	W390502700	1	
	12	5000077	9	
	13	W340501400	9	
	14	W742005	1	
	15	W456593	4	
	16	W390503300	1	
	17	W340504900	4	
	18	3010033	9	Hex screw [M8X50 8.8 ZC UNI 5737]
	19	W340502700	1	
	20	W402008	4	



versione
model
version
Kranmodell
versi—n

A2

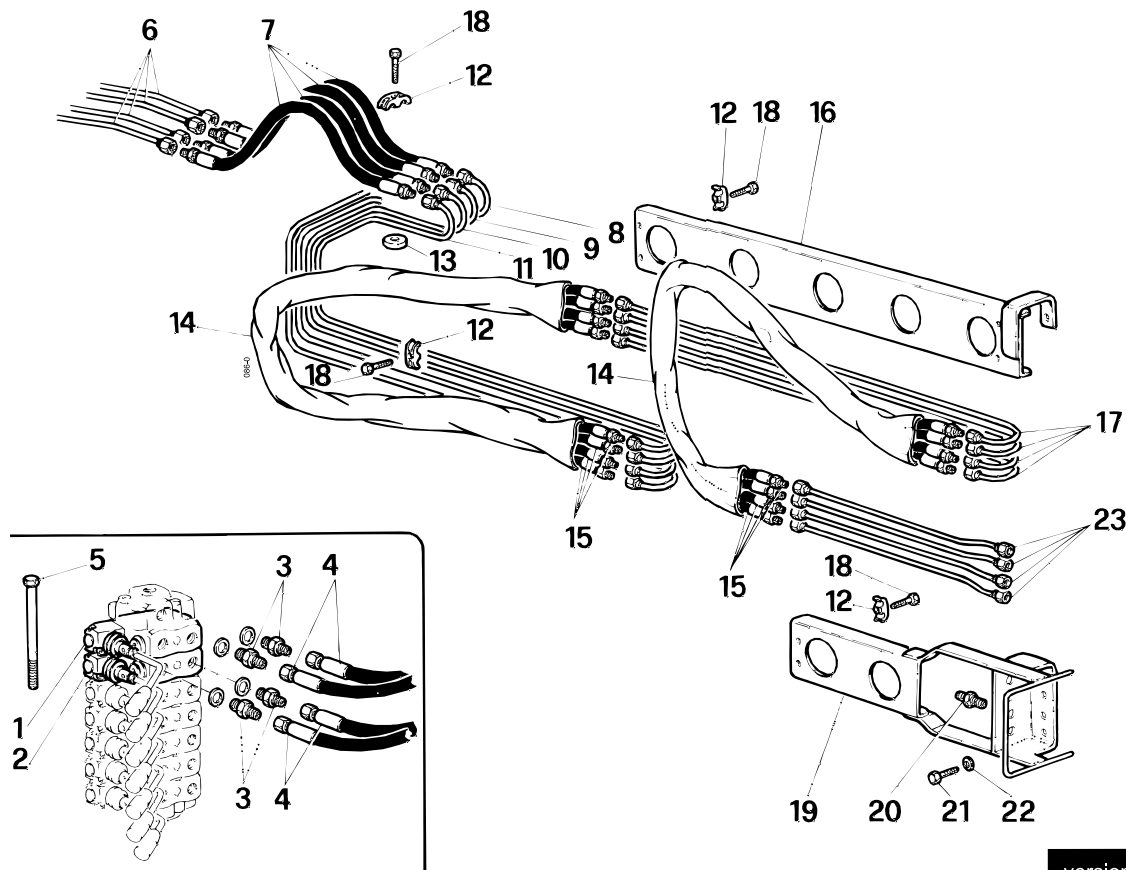
HYDRAULIC SYSTEM (6th-7th element)

Code

W545-30.6

2/2

R	Pos.	Code Variant	Q.ty	Description
	21	3010353	2	Hex screw [M10X16 8.8 ZC UNI 5739]
	22	3060914	2	Flat washer [D.10.5X21X2 UNI 6592 ZC]
	23	W340505000	4	



versione
model
version
Kranmodell
versi—n

A2

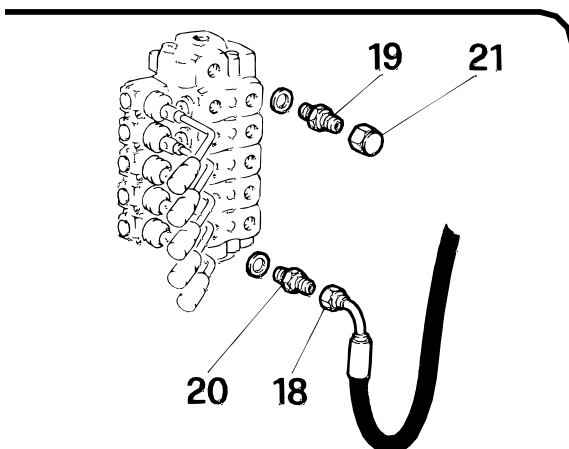
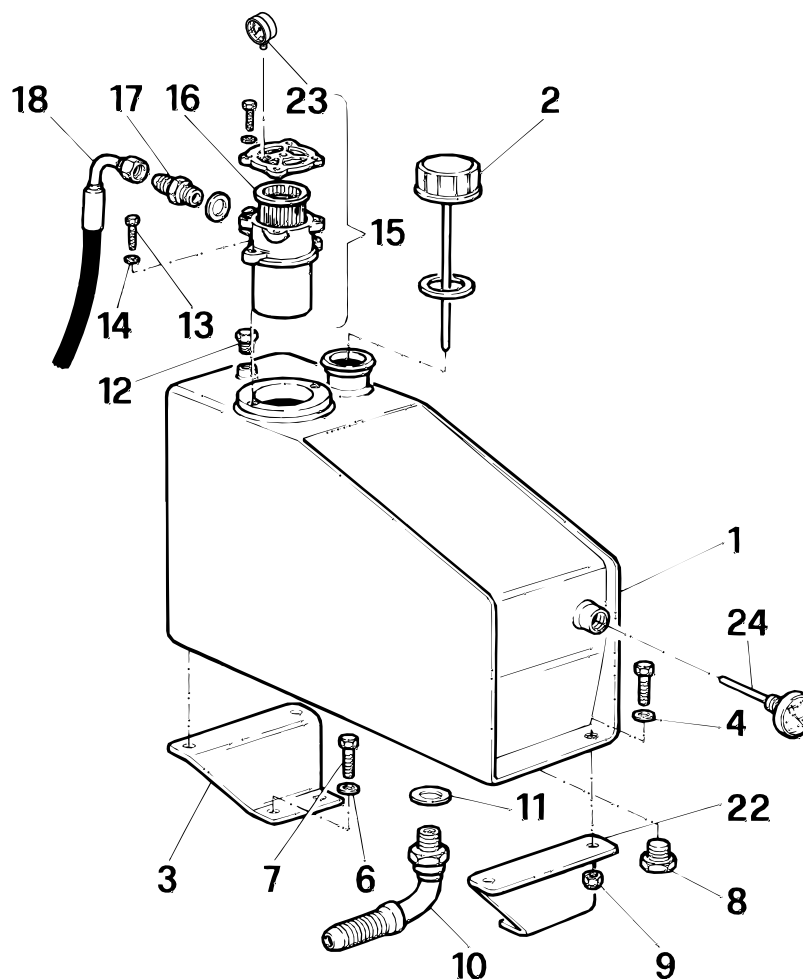
Oil reservoir

Code

W545-16.9

1/2

R	Pos.	Code Variant	Q.ty	Description
	1	W400500100	1	
	2	W449008	1	
	3	W400500600	1	
	4	3060029	4	Flat washer [D.8.5X24 UNI 6593 ZC]
	5	3010339	4	Hex screw [M8X25 8.8 ZC IF UNI 5739]
	6	3060914	4	Flat washer [D.10.5X21X2 UNI 6592 ZC]
	7	3010352	4	Hex screw [M10X12 8.8 ZC UNI 5739]
	8	3110070	1	
	9	3040524	4	Stopnut
	10	3100120	1	
	11	3060150	1	Sealing washer [BSP 1"]
	12	W449022	1	
	13	3010325	6	Hex screw [M6X16 8.8 ZC UNI 5739]
	14	3060005	6	Flat washer [D.6.4 UNI 6592 ZC]
	15	3180199	1	Oil filter
	16	3180112	1	Filtering cartridge
	17	3101044	1	Straight pipe fitting
	18	W455706	1	
	19	3101043	1	Straight pipe fitting
	20	3101051	1	Straight pipe fitting



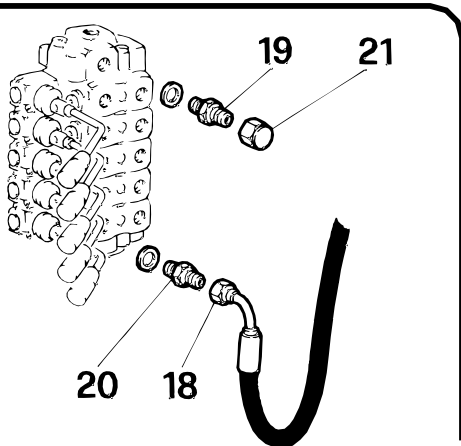
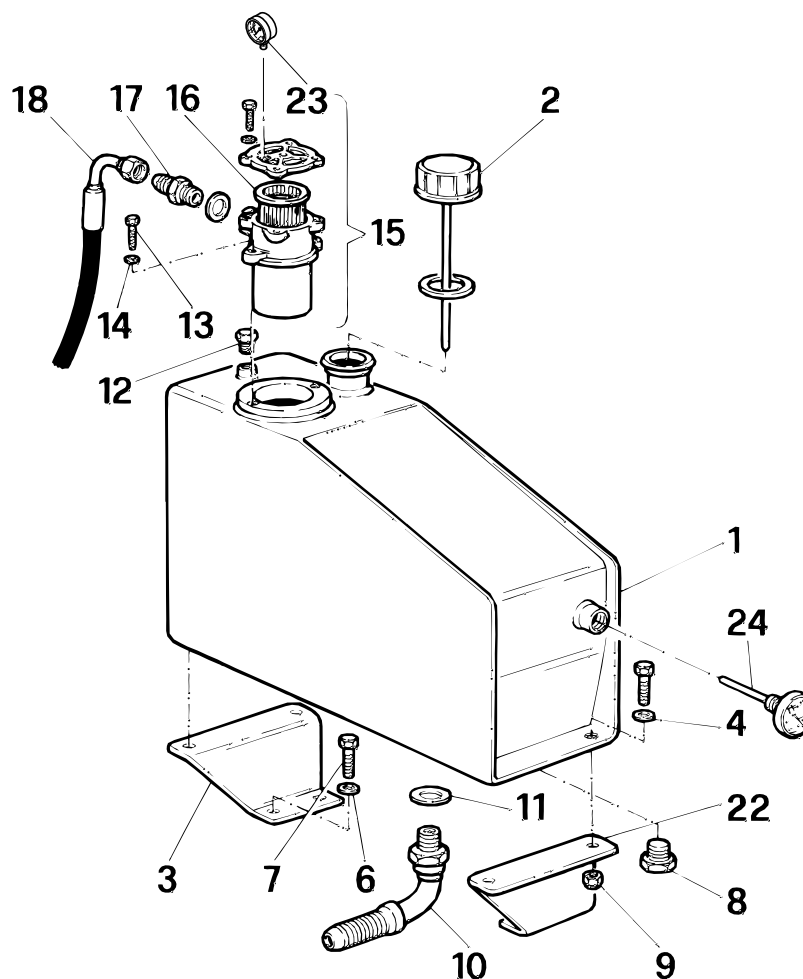
Oil reservoir

Code

W545-16.9

2/2

R	Pos.	Code Variant	Q.ty	Description
	21	3110041	1	Female plug
	22	W400500700	1	
	23	3180147	1	Pressure gauge (Clogging indicator)
	24	3180097	1	

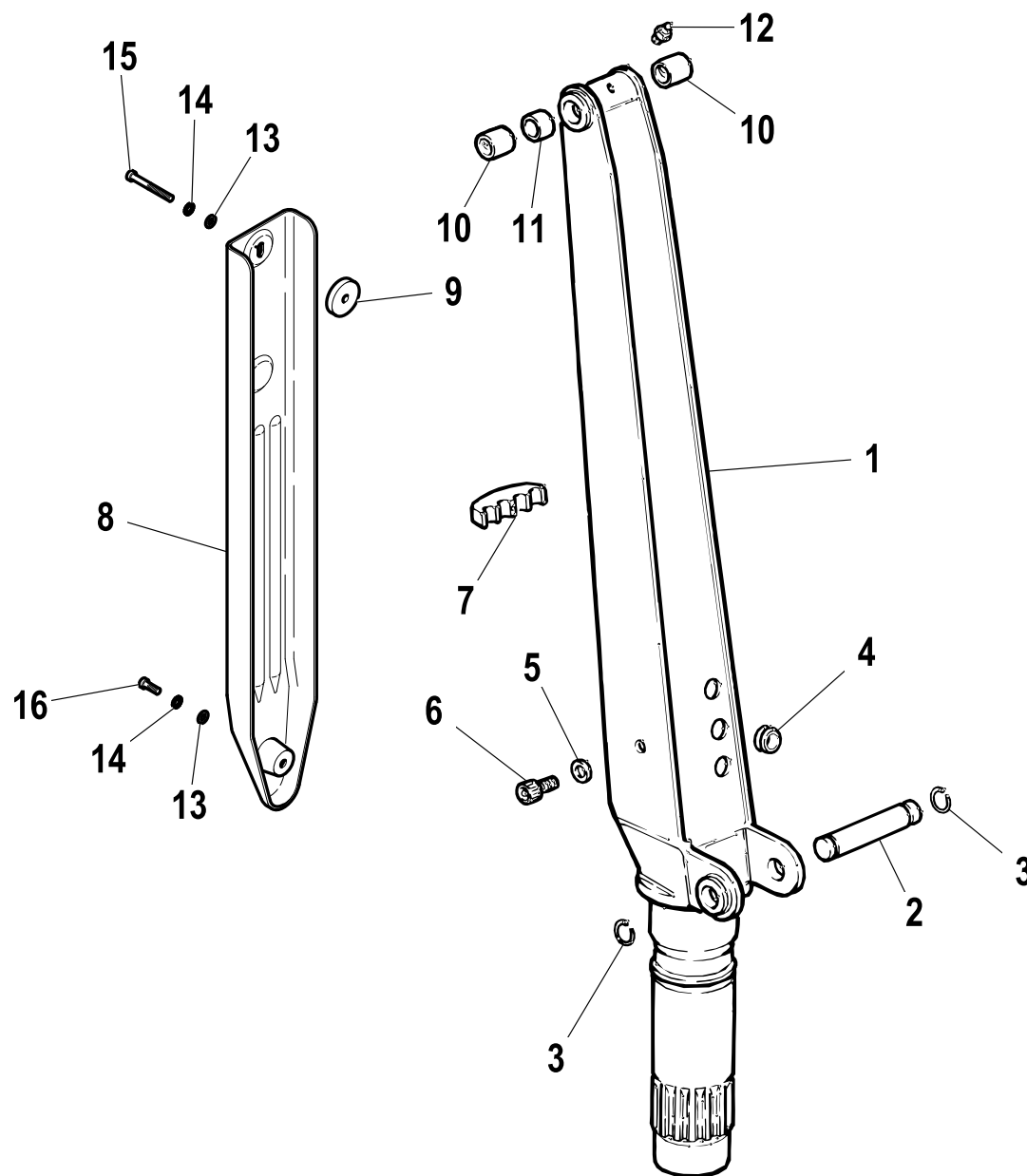


Column

Code

W039201-1.0

1/1



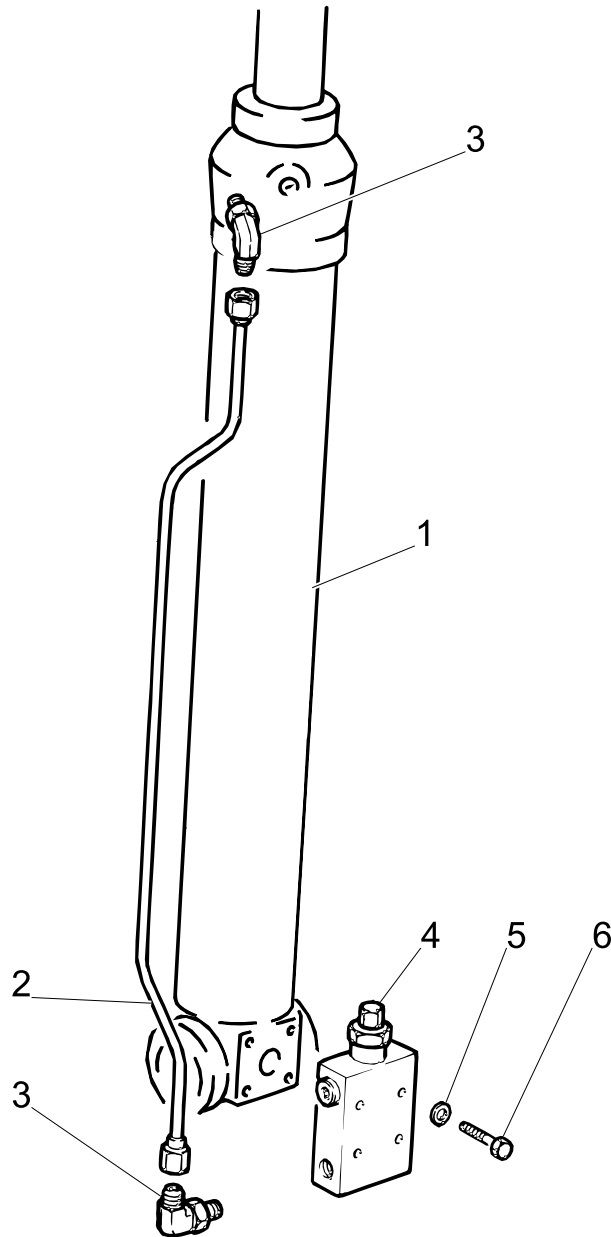
R	Pos.	Code Variant	Q.ty	Description
	1	W390200200	1	
	2	W101225	1	
	3	3070210	2	Snap ring
	4	W140200800	2	
	5	W380300900	1	
	6	3020126	1	Socketed head cap screw [M16X35 8.8 ZC UNI 5931]
	7	W128030	1	
	8	5091160	1	
	9	W340501400	1	
	10	W102135	2	
	11	W400200800	1	
	12	3080500	1	Grease nipple
	13	3060029	2	Flat washer [D.8.5X24 UNI 6593 ZC]
	14	3060918	2	Tooth lock washer [D.8 TIPO A UNI8842 ZC]
	15	3020062	1	Socketed head cap screw [M8X70 ZC UNI 5931]
	16	3020051	1	Socketed head cap screw [M8X12 ZC UNI 5931]

HYDRAULIC SYSTEM (LIFTING HYDRAULIC CYLINDER)

Code

W400250400-1.0

1/1



R	Pos.	Code Variant	Q.ty	Description
	1	W400250300	1	
	2	W390501700	1	
	3	3101125	2	90° Connection
	4	W470052	1	
	5	3060055	4	Split lock washer [D=8.4 C72 ZC]
	6	3010031	4	Hex screw [M8X40 8.8 ZC UNI 5737]

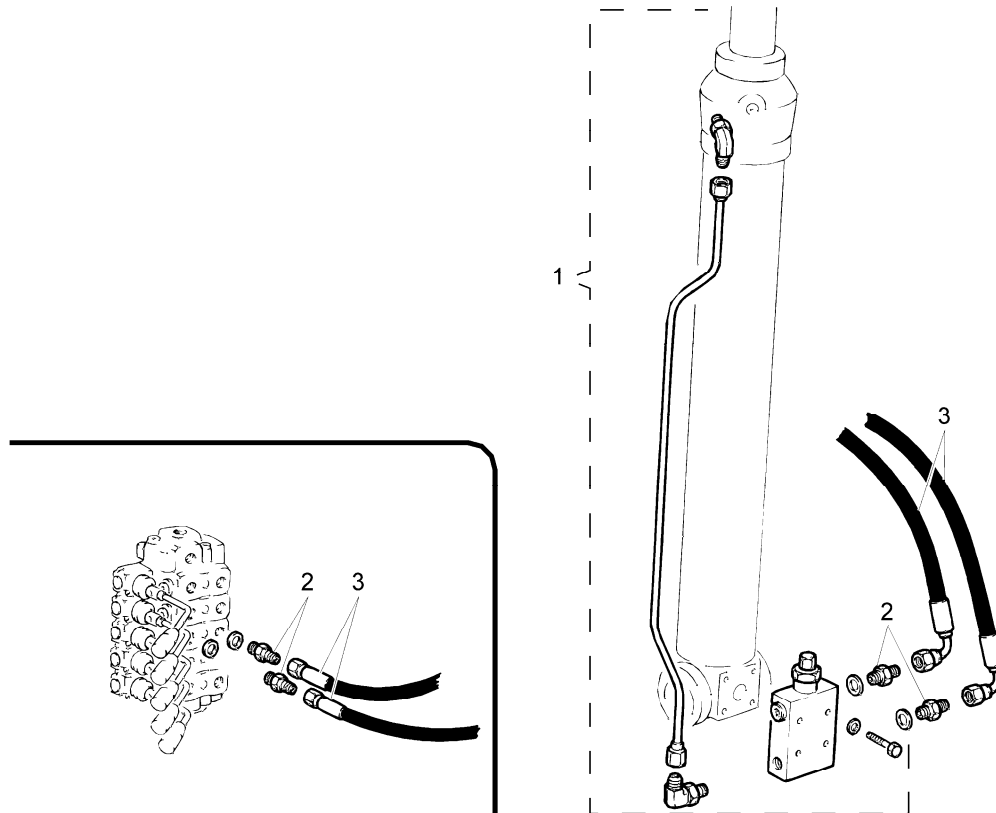
HYDRAULIC SYSTEM (LIFTING HYDRAULIC CYLINDER)

Code

W545-11.7

1/1

R	Pos.	Code Variant	Q.ty	Description
	1	W400250400	1	
	2	3101040	4	Straight pipe fitting
	3	W456052	2	

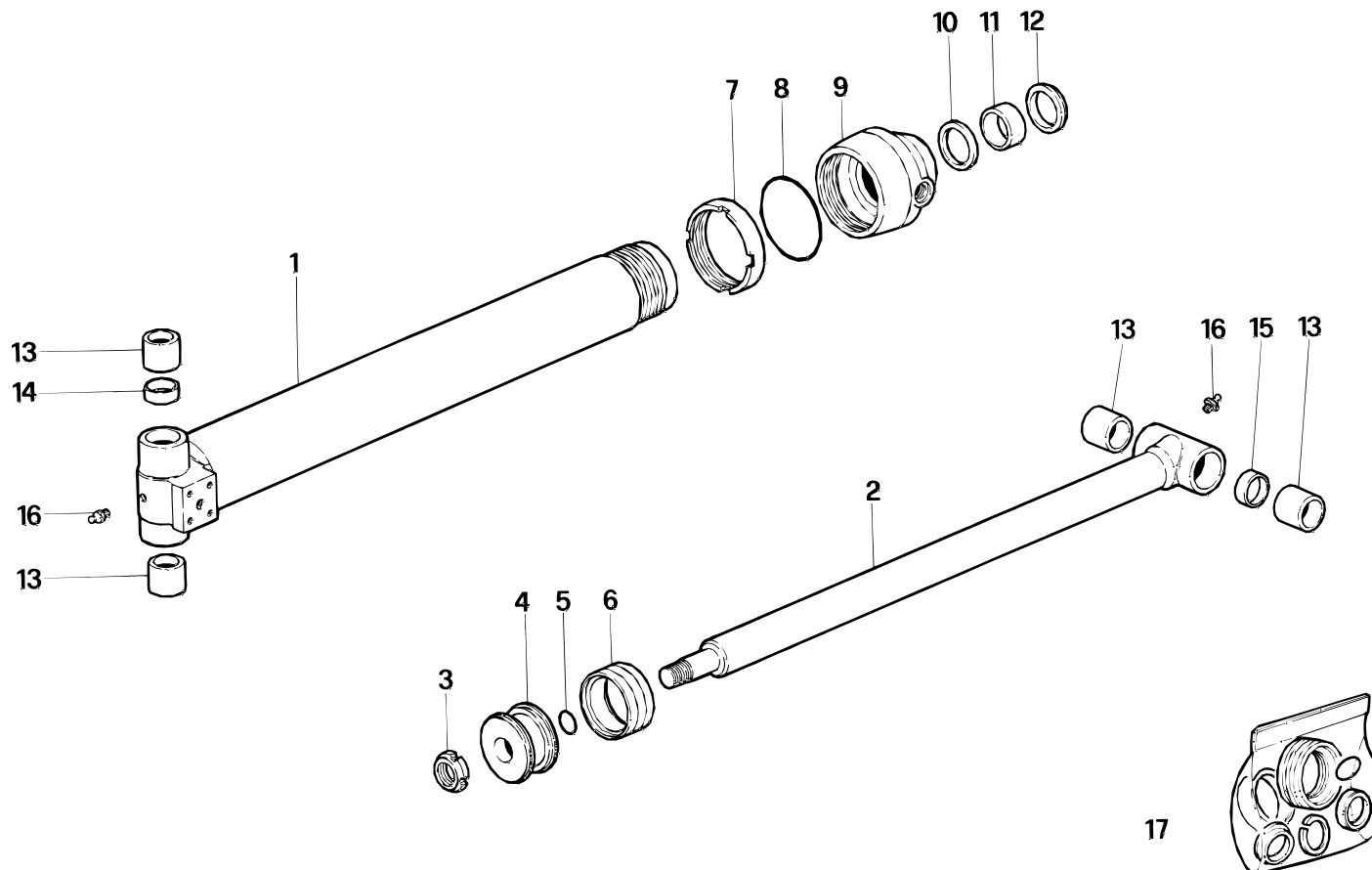


LIFTING HYDRAULIC CYLINDER

Code

W400250300-1.1

1/1



R	Pos.	Code Variant	Q.ty	Description
	1	W400201400	1	
	2	W400201500	1	
	3	3040505	1	Self-locking ringnut
	4	W105074	1	
	5	W360076	1	
	6	W359021	1	
	7	W380200400	1	
	8	W360078	1	
	9	W400201600	1	
	10	W358038	1	
	11	W102141	1	
	12	W361032	1	
	13	W102135	4	
	14	W400200700	1	
	15	W400200600	1	
	16	W616001	2	
	17	W365145	1	

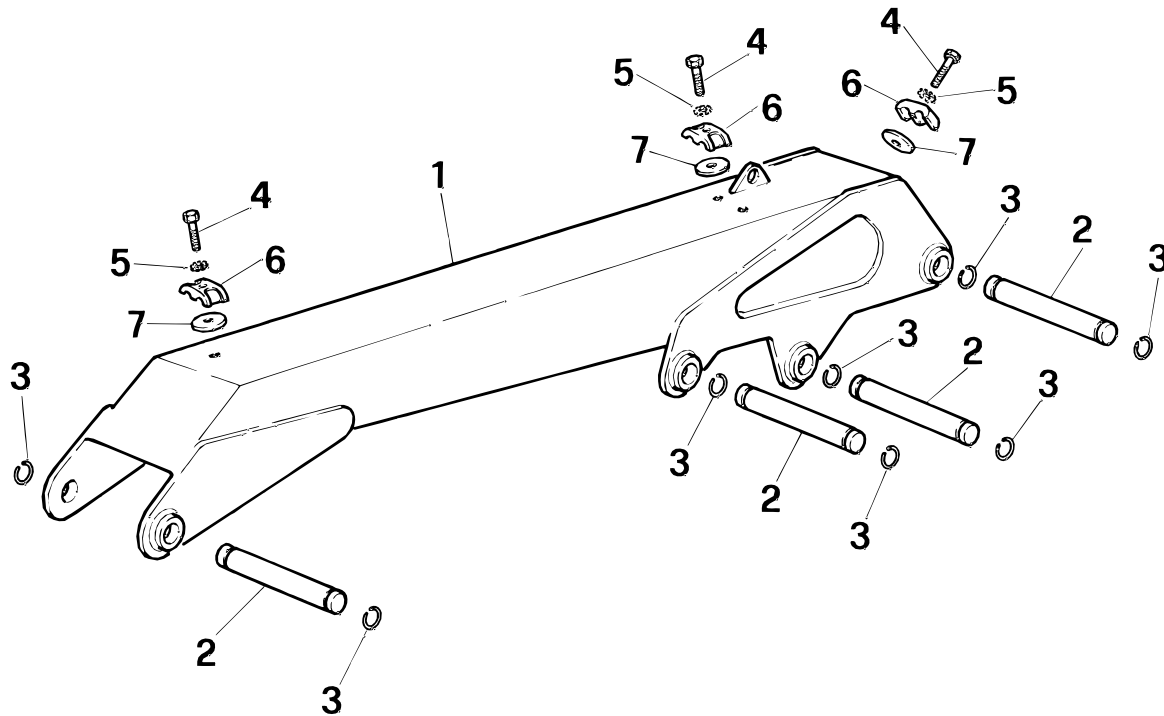
1ST BOOM

Code

W545-03.6

1/1

R	Pos.	Code Variant	Q.ty	Description
	1	W400200400	1	
	2	W101206	4	
	3	3070210	8	Snap ring
	4	3010031	6	Hex screw [M8X40 8.8 ZC UNI 5737]
	5	3060007	6	Flat washer [D.10X40X2.5 UNI 6593 ZC]
	6	5000077	6	
	7	W340501400	6	



007-0

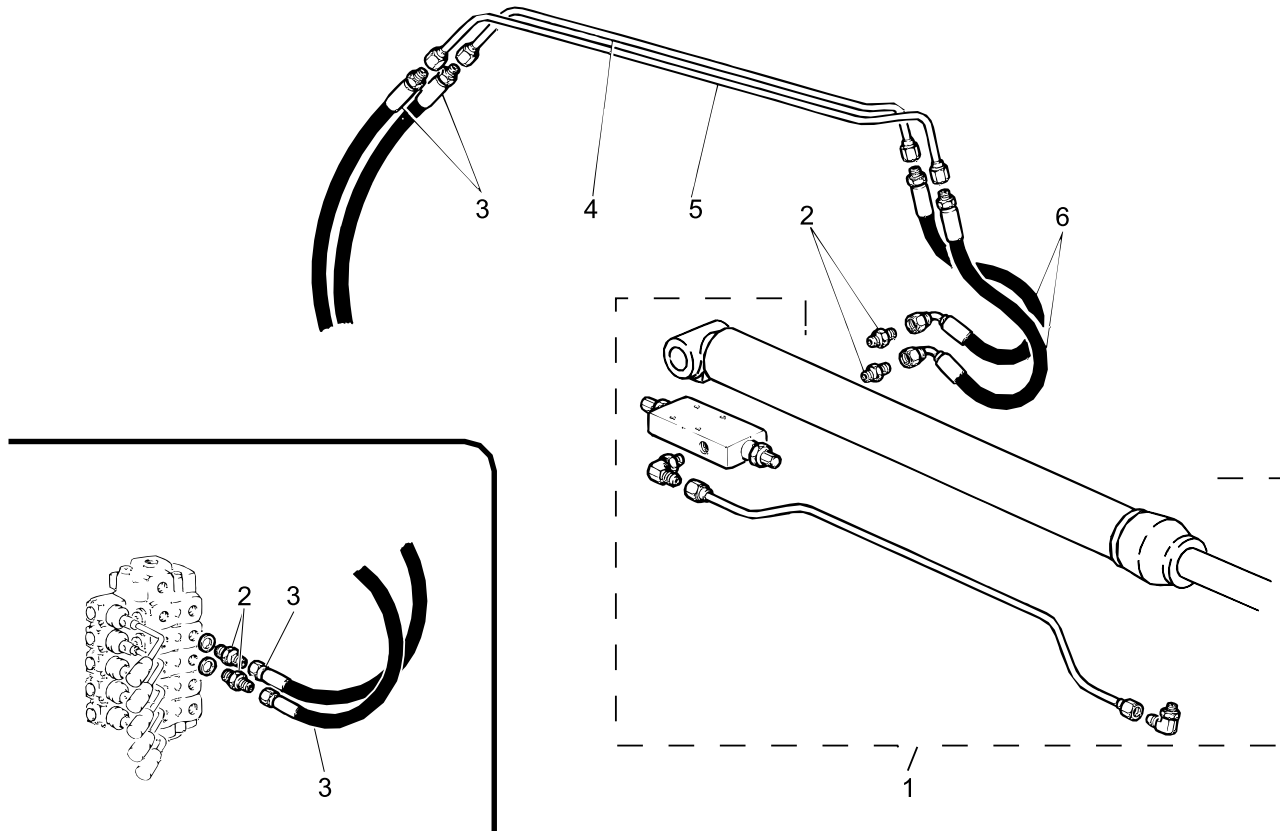
HYDRAULIC SYSTEM (ARTICULATION HYDRAULIC JACK)

Code

W545-12.7

1/1

R	Pos.	Code Variant	Q.ty	Description
	1	W400350100	1	
	2	3101040	4	Straight pipe fitting
	3	W456896	2	
	4	W400500200	1	
	5	W400500300	1	
	6	W456914	2	

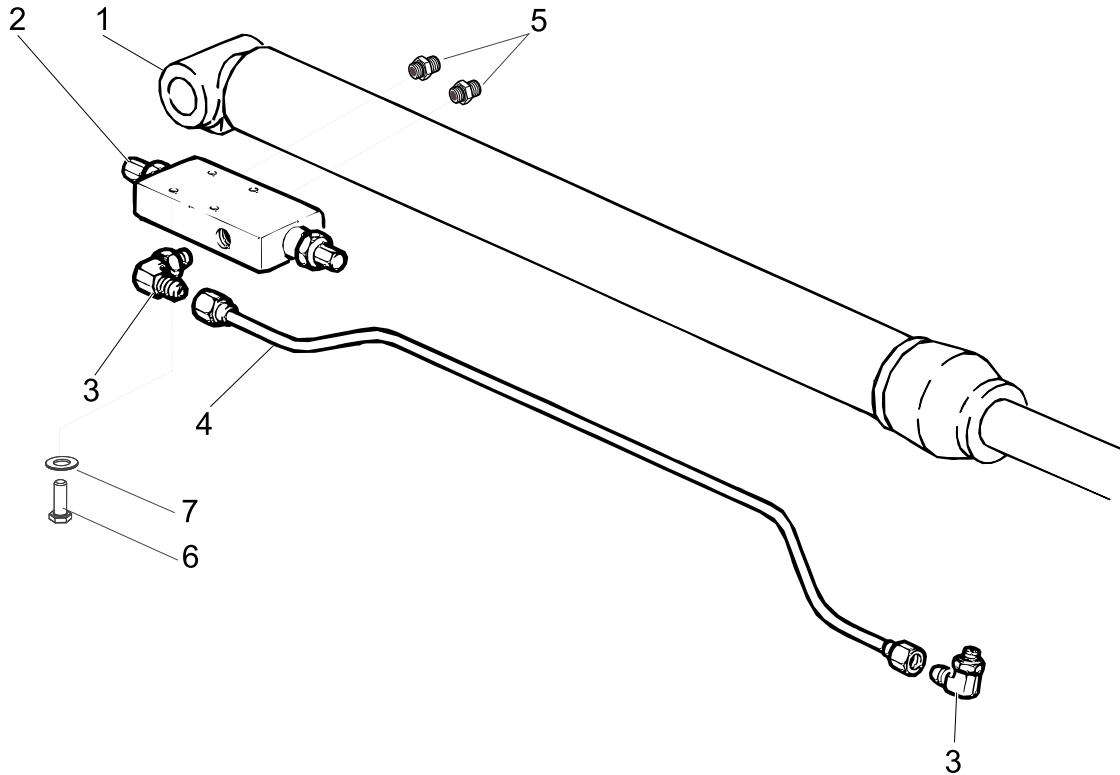


5201-01-6

HYDRAULIC SYSTEM (ARTICULATION HYDRAULIC JACK)

Code		
W400350100-1.2		1/1

R	Pos.	Code Variant	Q.ty	Description
	1	W400350200	1	
	2	5220548	1	
	3	3101125	2	90° Connection
	4	W390502300	1	
	5	3101040	2	Straight pipe fitting
	6	3010031	4	Hex screw [M8X40 8.8 ZC UNI 5737]
	7	3060055	4	Split lock washer [D=8.4 C72 ZC]



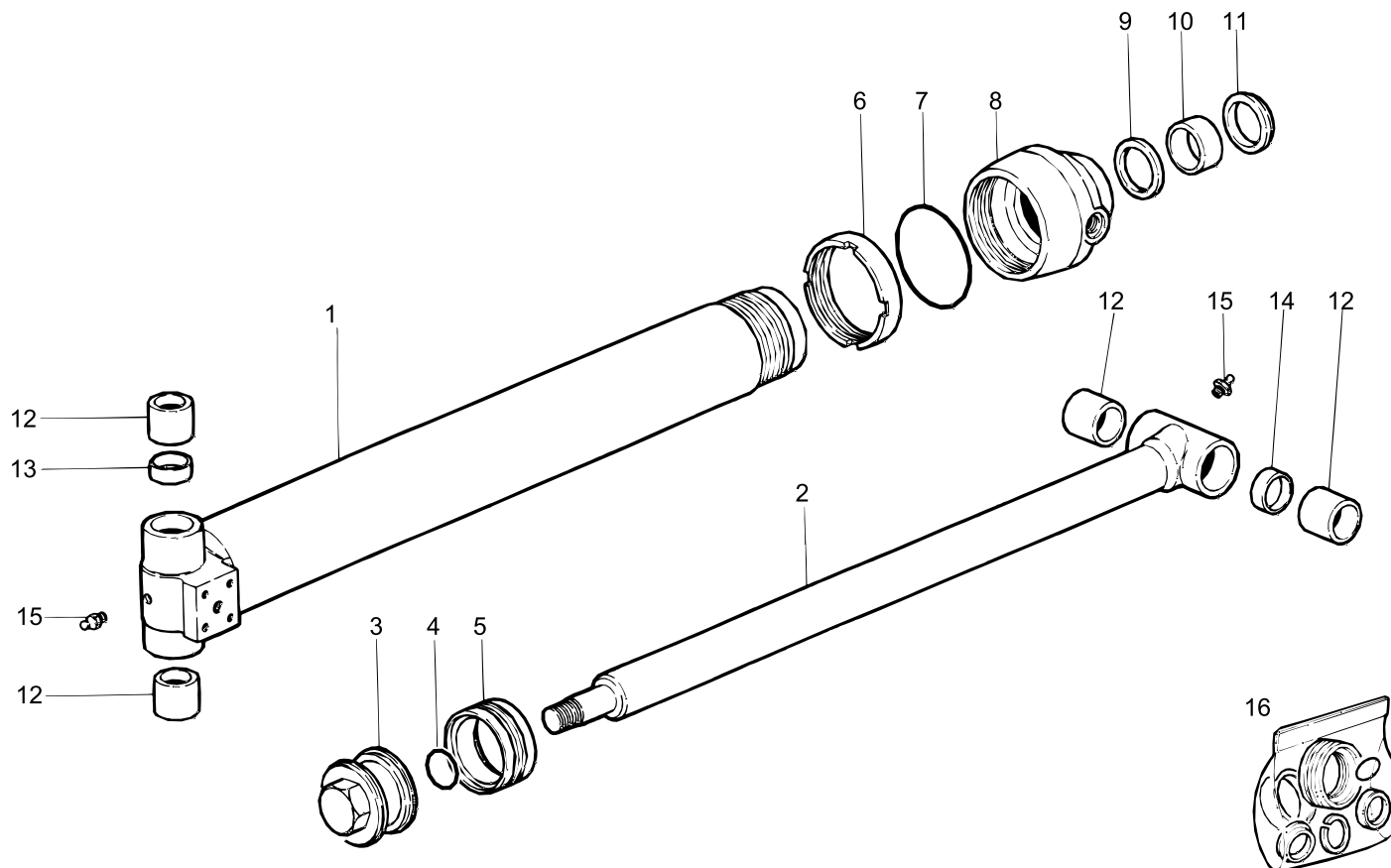
400350100-1-2

ARTICULATION HYDRAULIC JACK

Code

W400350200-1.2

1/1



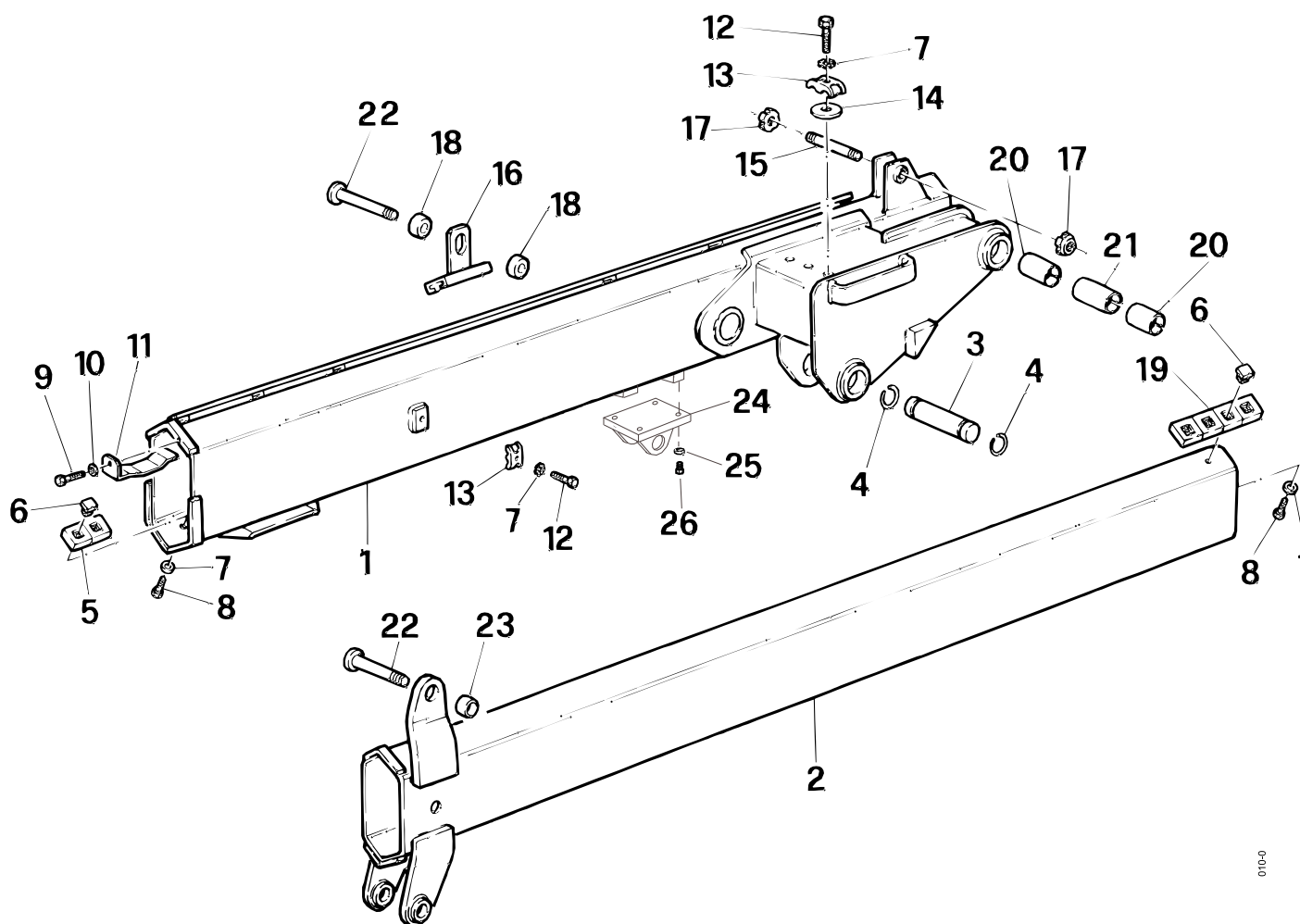
R	Pos.	Code Variant	Q.ty	Description
	1	W400200100	1	
	2	W400300600	1	
	3	W105066	1	
	4	W360077	1	
	5	W359023	1	
	6	W400200500	1	
	7	W360069	1	
	8	W400200300	1	
	9	W358023	1	
	10	W102137	1	
	11	W361018	1	
	12	W102135	4	
	13	W400200700	1	
	14	W400200600	1	
	15	W616001	2	
	16	W365069	1	

2nd BOOM AND EXTENSION

Code

W550-04.1

1/2



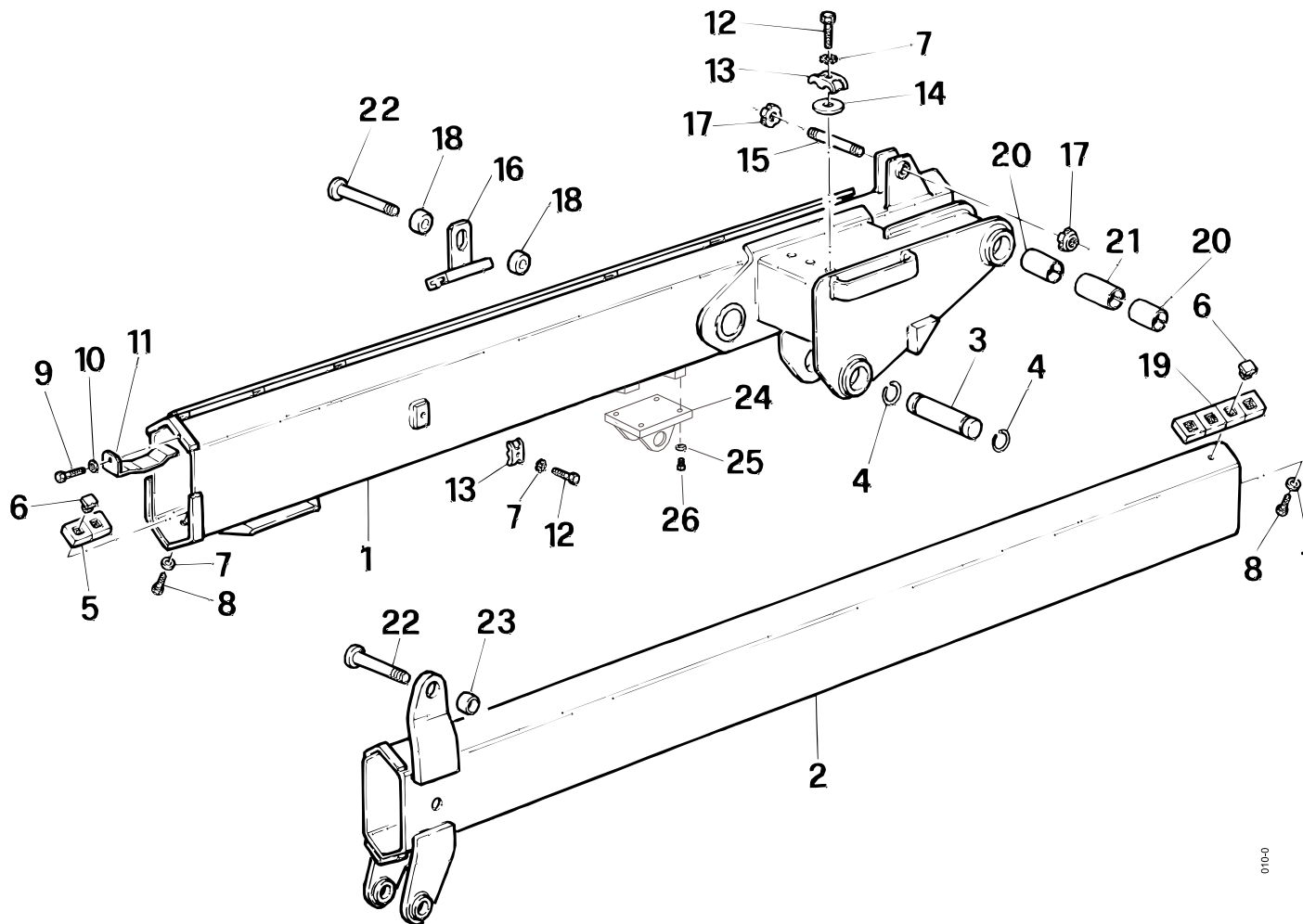
R	Pos.	Code Variant	Q.ty	Description
	1	W400300100	1	
	2	W400300200	1	
	3	W101207	1	
	4	3070210	2	Snap ring
	5	W380300600	2	
	6	W370300800	8	
	7	3060006	10	Flat washer [D.8 UNI 6592 ZC]
	8	3010055	8	Hex screw [M8X10 8.8 ZC UNI 5739]
	9	3010323	2	Hex screw [M6X10 8.8 ZC UNI 5739]
	10	3060005	2	Flat washer [D.6.4 UNI 6592 ZC]
	11	W390301300	2	
	12	3010031	2	Hex screw [M8X40 8.8 ZC UNI 5737]
	13	5000077	2	
	14	W340501400	1	
	15	W101244	1	
	16	W390301100	1	
	17	W601003	2	
	18	W390301200	2	
	19	W380300700	2	
	20	W102135	2	

2nd BOOM AND EXTENSION

Code

W550-04.1

2/2



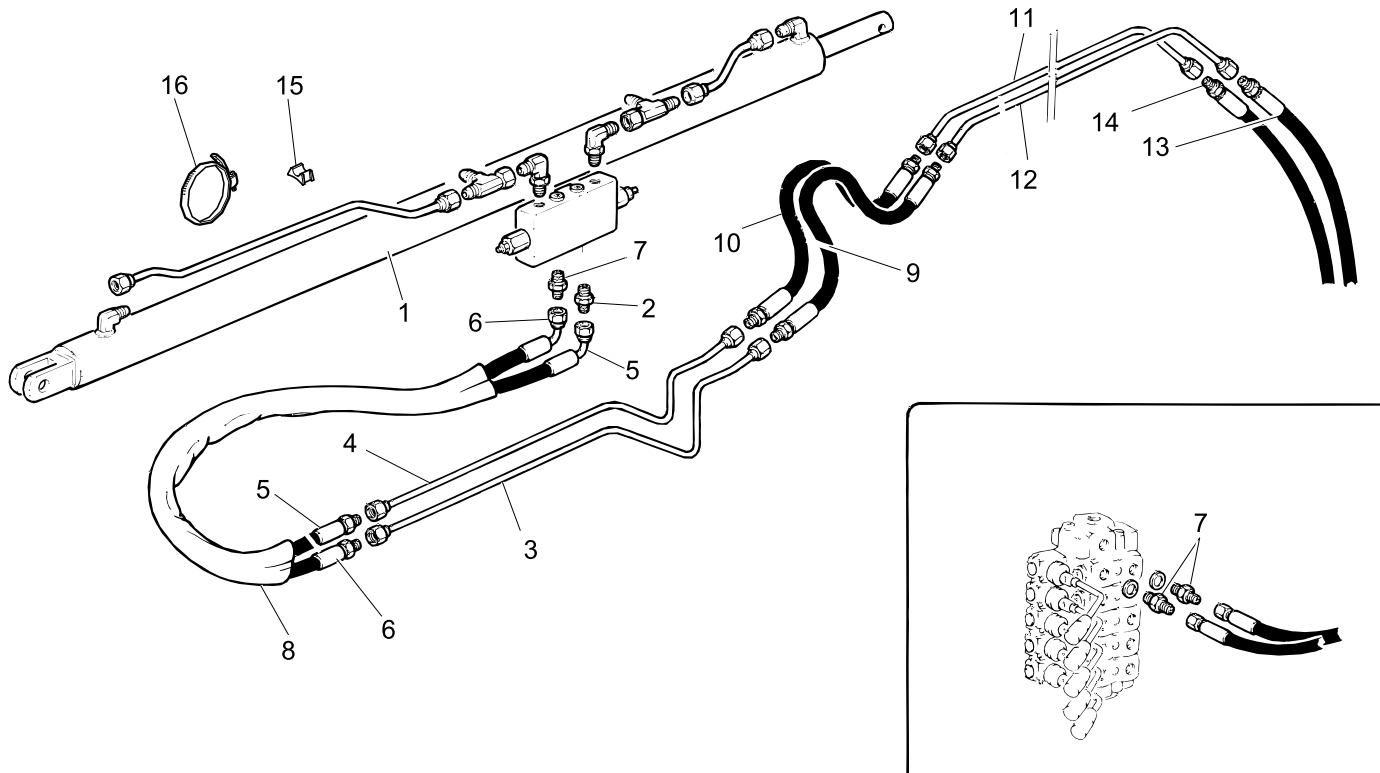
R	Pos.	Code Variant	Q.ty	Description
	21	W400200800	2	
	22	W101214	2	
	23	3040214	2	Lock nut
	24	W400301300	1	
	25	3060057	4	Split lock washer [D=12 C72 ZC]
	26	3020099	4	

HYDRAULIC SYSTEM (1st EXSTENSION HYDRAULIC)

Code

W545-13.7

1/1



R	Pos.	Code Variant	Q.ty	Description
	1	W390350300	1	
	2	3101040	1	Straight pipe fitting
	3	W390501300	1	
	4	W390501400	1	
	5	W456913	1	
	6	W456423	1	
	7	3101043	3	Straight pipe fitting
	8	W742005	1	
	9	W456600	1	
	10	W456881	1	
	11	W400500500	1	
	12	W400500400	1	
	13	W456801	1	
	14	W456055	1	
	15	5140133	1	
	16	3190023	1	Clamp

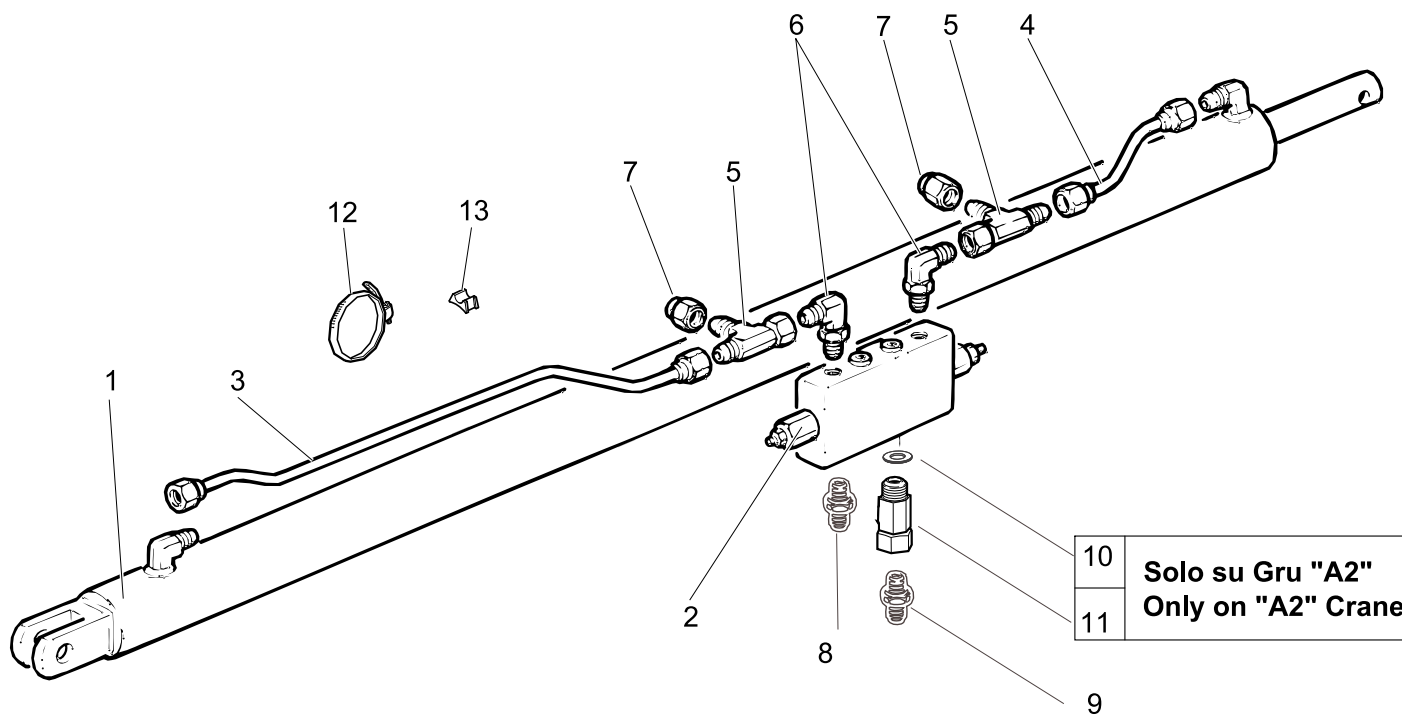
545-13-7

HYDRAULIC SYSTEM (1st EXSTENSION HYDRAULIC)

Code

W390350300-1.6

1/1



R	Pos.	Code Variant	Q.ty	Description
	1	W390350300	1	
	2	5220125	1	
	3	W390501800	1	
	4	W390501900	1	
	5	3120004	2	Tee fitting
	6	3101127	2	90° Connection
	7	3110041	2	Female plug
	8	3101043	1	Straight pipe fitting
	9	3101040	1	Straight pipe fitting
	10	3060144	1	Sealing washer [BSP 3/8"]
	11	3110112	1	Straight pipe fitting
	12	3190023	1	Clamp
	13	5140133	1	

390350300-1-5

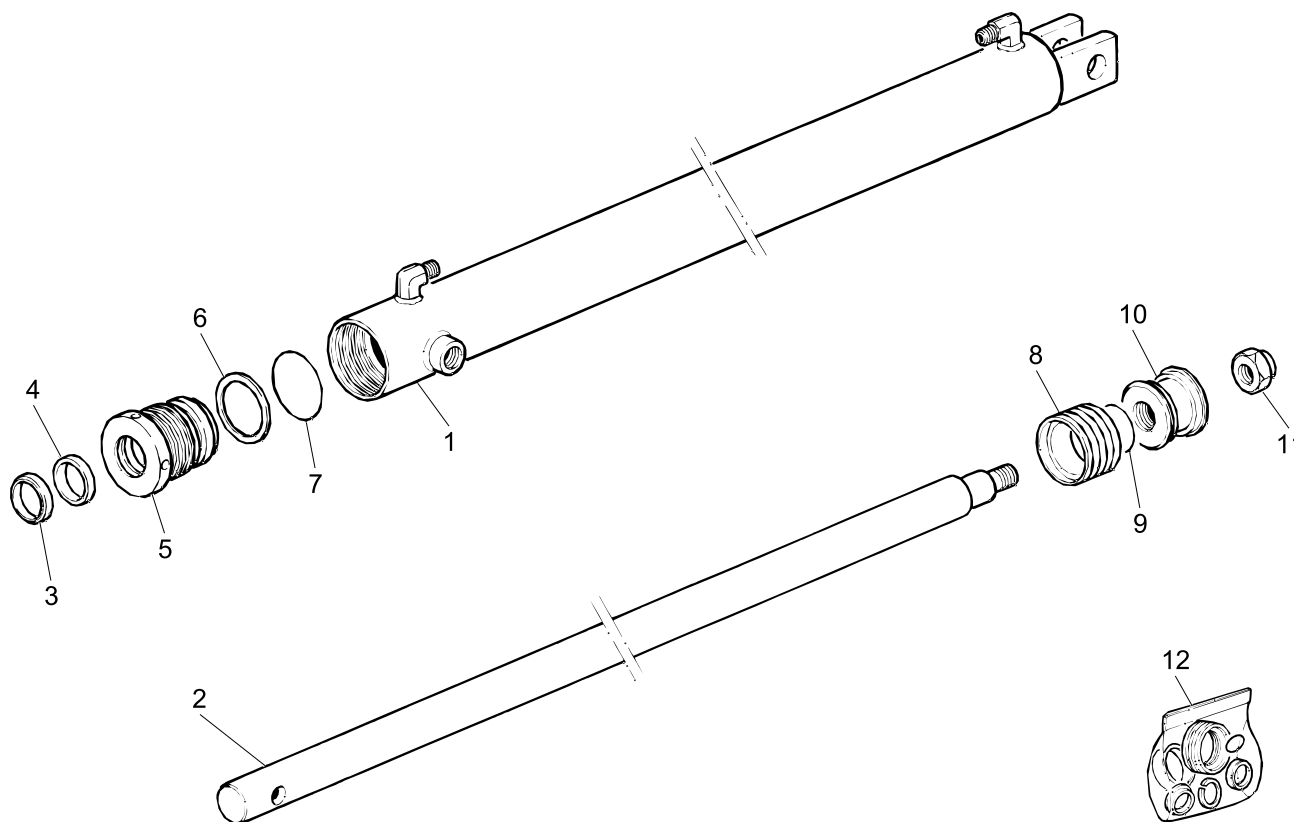
1st EXSTENSION HYDRAULIC

Code

W390350600-1.1

1/1

R	Pos.	Code Variant	Q.ty	Description
	1	W390300500	1	
	2	W390301500	1	
	3	W361013	1	Seal (Oil seal)
	4	W358003	1	
	5	W120054	1	
	6	W304016	1	
	7	W360022	1	
	8	W359013	1	
	9	W360002	1	
	10	W105099	1	
	11	3040378	1	Stopnut
	12	W365119	1	



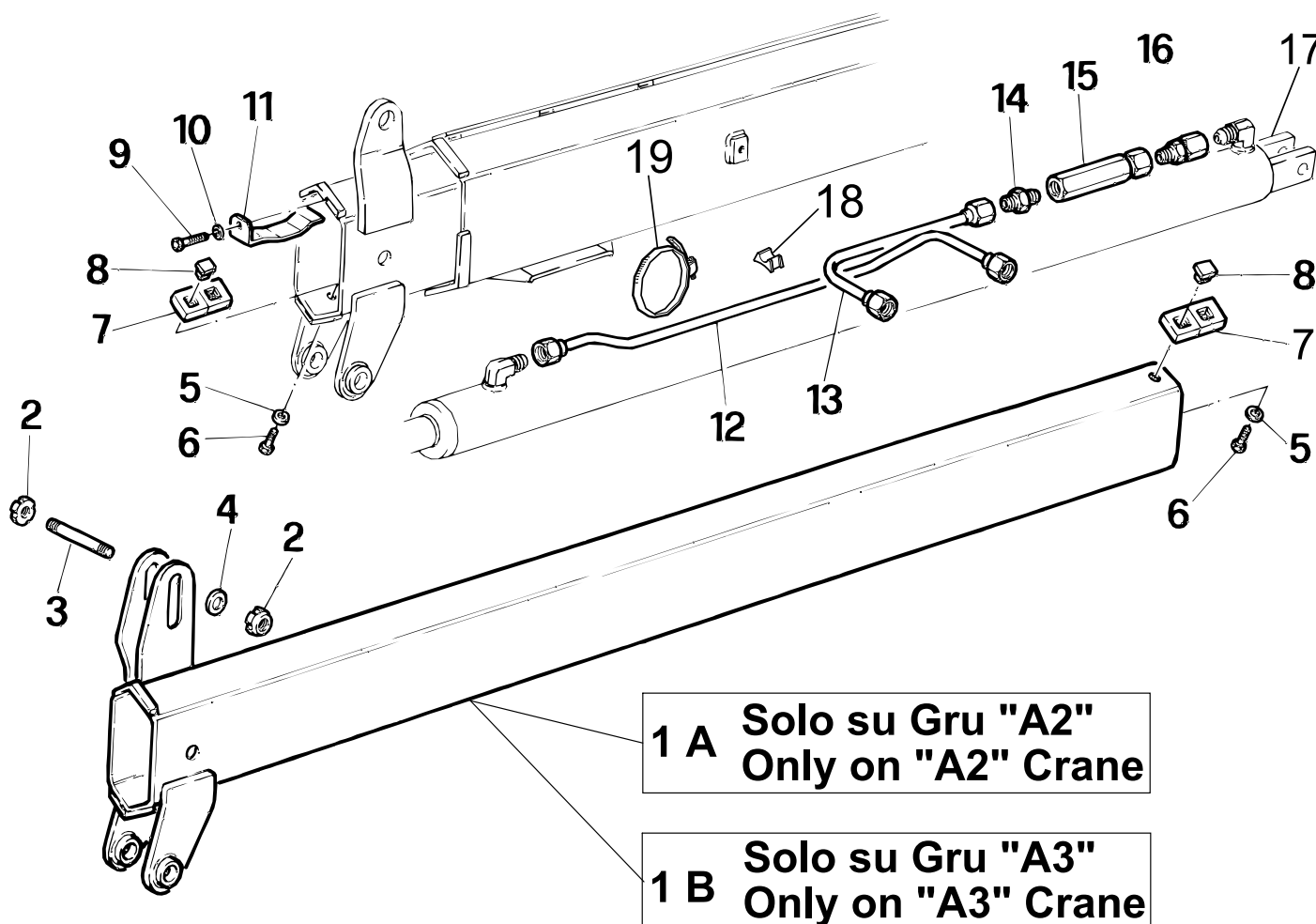
390350600-1.1

2nd extension

Code

W545-05.8

1/1



1 A Solo su Gru "A2"
Only on "A2" Crane

1 B Solo su Gru "A3"
Only on "A3" Crane

R	Pos.	Code Variant	Q.ty	Description
	1 A	W400300300	1	
	1 B	W400301800	1	
	2	3040498	2	Self-locking ringnut
	3	W101218	1	
	4	3060010	2	Flat washer [D.17X30X3 UNI 6592 ZC]
	5	3060006	8	Flat washer [D.8 UNI 6592 ZC]
	6	3010055	8	Hex screw [M8X10 8.8 ZC UNI 5739]
	7	W380300600	4	
	8	W370300800	8	
	9	3010323	2	Hex screw [M6X10 8.8 ZC UNI 5739]
	10	3060005	2	Flat washer [D.6.4 UNI 6592 ZC]
	11	W390301300	2	
	12	W390501600	2	
	13	W390501500	1	
	14	3101043	1	Straight pipe fitting
	15	W470853	1	
	16	3120066	1	Straight pipe fitting
	17	W390350200	1	
	18	5140133	1	
	19	3190023	1	Clamp

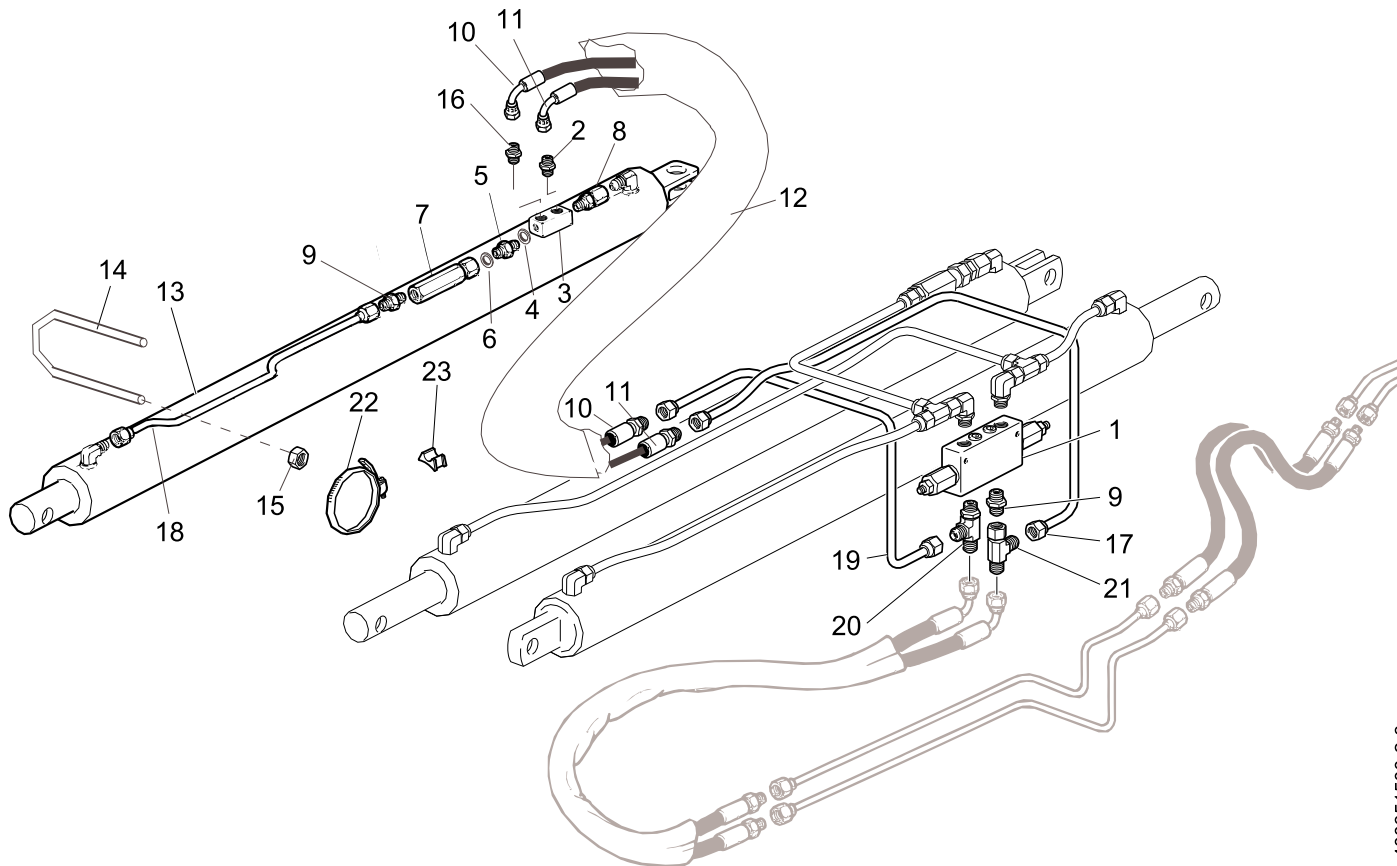
014-1

HYDRAULIC SYSTEM (3rd EXTENSION)

Code

W400352100-1.0

1/2



400351500-2-3

R	Pos.	Code Variant	Q.ty	Description
	1	5220125	1	
	2	3101039	1	Straight pipe fitting
	3	W470017	1	
	4	3060143	1	Sealing washer [BSP 1/4"]
	5	3110259	1	Reducing fitting
	6	3060144	1	Sealing washer [BSP 3/8"]
	7	W470863	1	
	8	3120074	1	Straight pipe fitting
	9	3101040	2	Straight pipe fitting
	10	5271919	1	
	11	5261005	1	
	12	3190198	mt1	
	13	W390350200	1	
	14	W599703	1	
	15	3040046	2	Nut
	16	3101042	1	Straight pipe fitting
	17	W400501400	1	
	18	W400503000	1	
	19	W400501500	1	
	20	3101176	1	Tee fitting

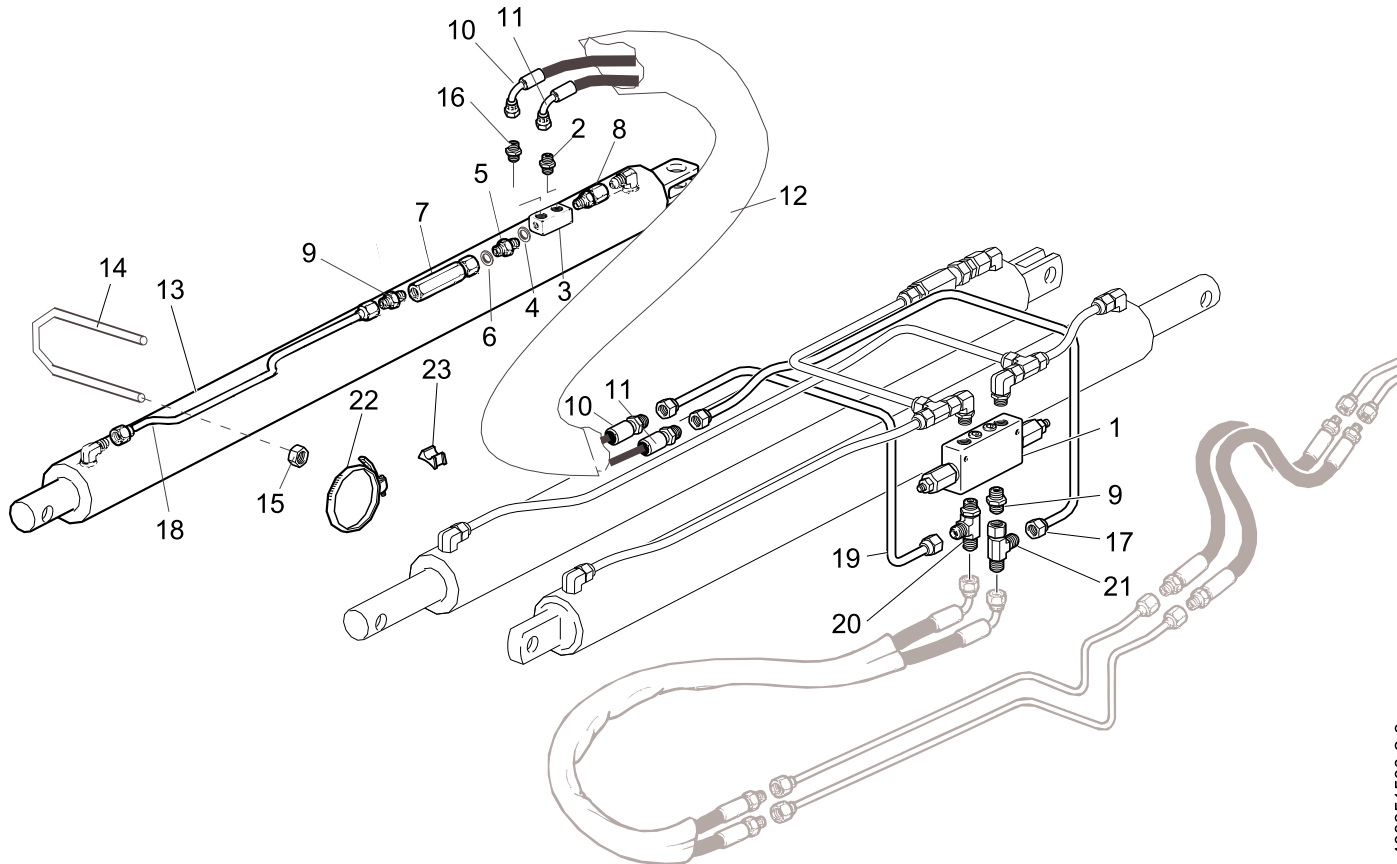
HYDRAULIC SYSTEM (3rd EXTENSION)

Code

W400352100-1.0

2/2

R	Pos.	Code Variant	Q.ty	Description
	21	3120003	1	Tee fitting
	22	3190023	1	Clamp
	23	5140133	1	



400351500-2-3

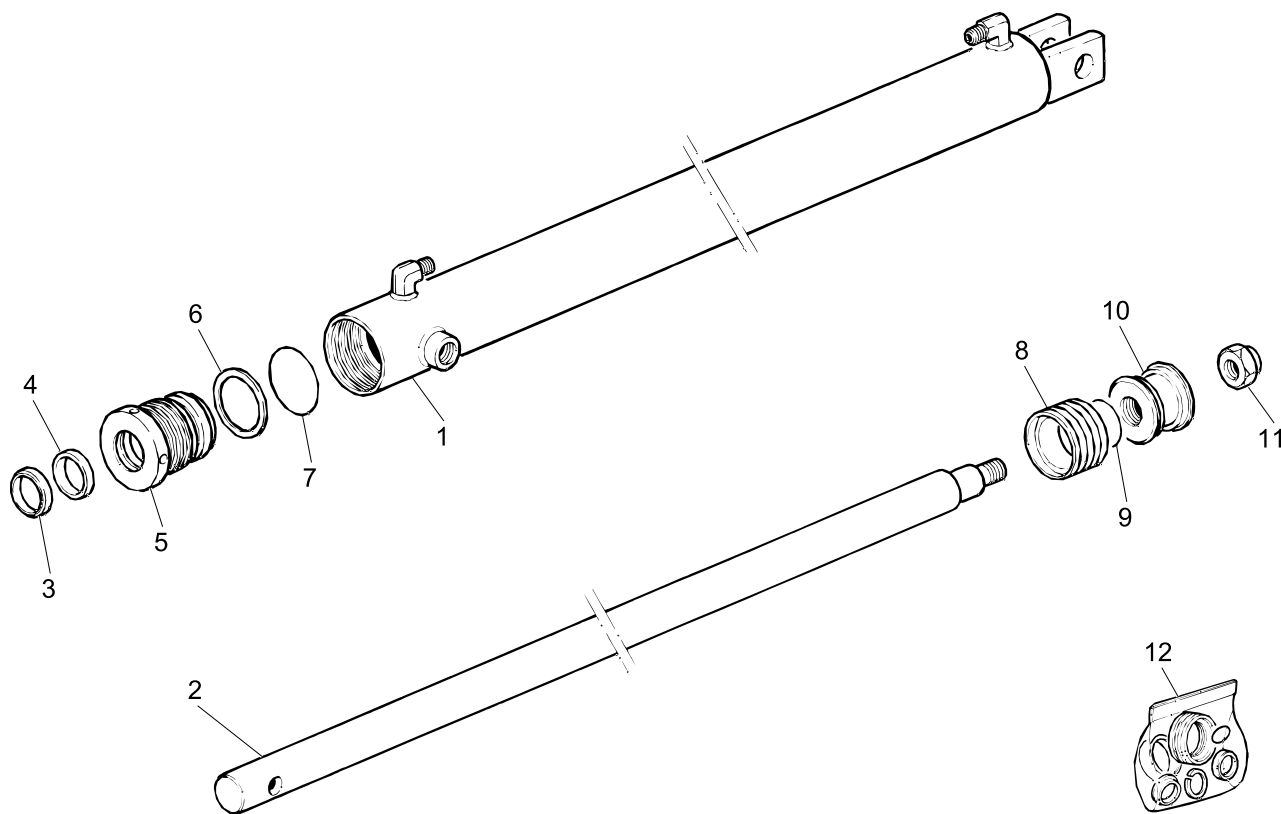
2nd and 3rd extension hydraulic cylinder

Code

W390350200-1.6

1/1

R	Pos.	Code Variant	Q.ty	Description
	1	W390300700	1	
	2	W390300800	1	
	3	W361011	1	
	4	W358001	1	
	5	W120058	1	
	6	W304018	1	
	7	W360049	1	
	8	W359010	1	
	9	W360002	1	
	10	W105061	1	
	11	3040377	1	Stopnut
	12	W365061	1	



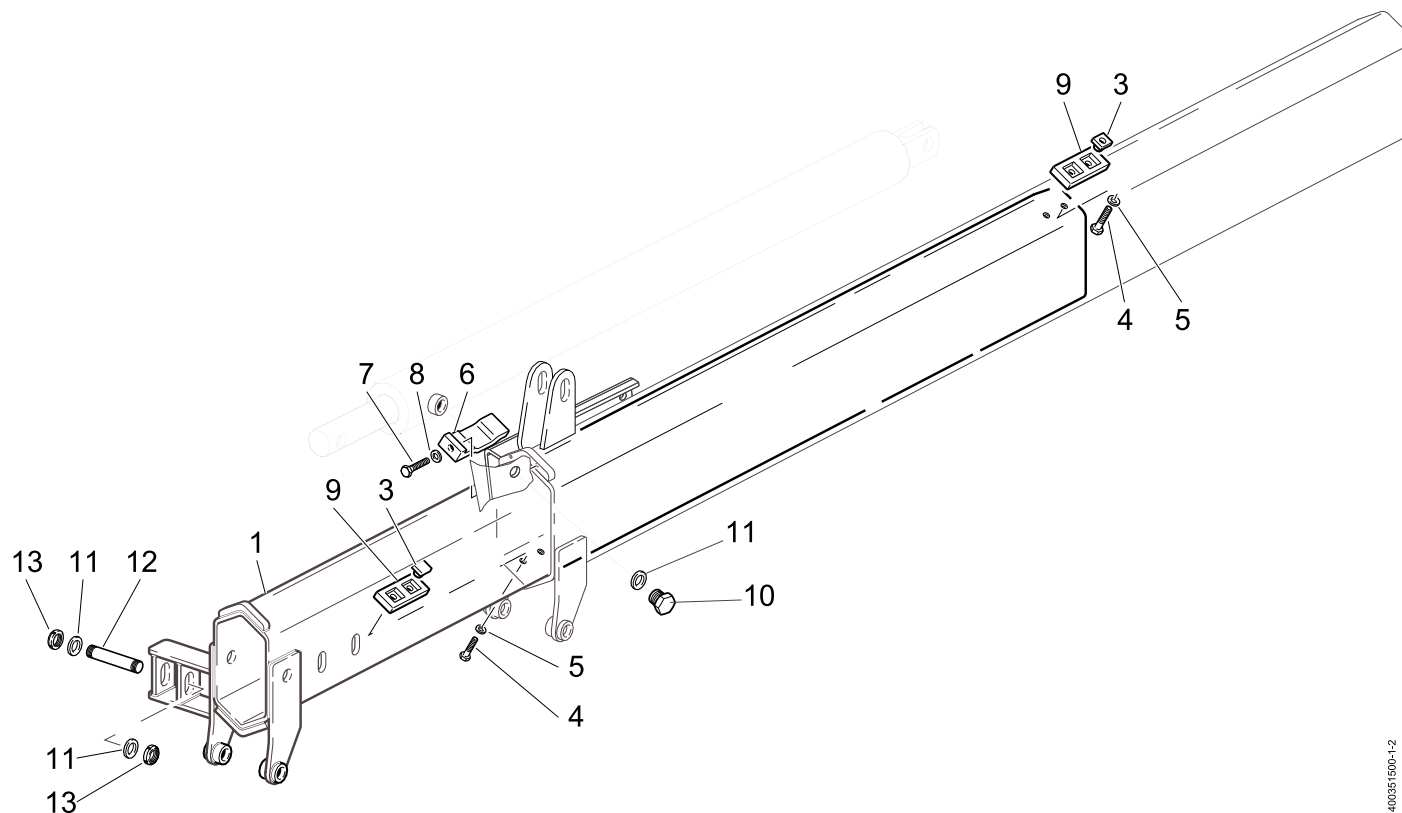
370350100-1-6

3rd EXTENSION

Code

W400352100-2.0

1/1



R	Pos.	Code Variant	Q.ty	Description
	1	W400300900	1	
	3	W370300800	8	
	4	3010055	8	Hex screw [M8X10 8.8 ZC UNI 5739]
	5	3060006	8	Flat washer [D.8 UNI 6592 ZC]
	6	3060683	2	
	7	3010323	2	Hex screw [M6X10 8.8 ZC UNI 5739]
	8	3060005	2	Flat washer [D.6.4 UNI 6592 ZC]
	9	W370300900	4	
	10	3010460	1	Hex screw [M16X20 8.8 ZC UNI 5739]
	11	3060010	3	Flat washer [D.17X30X3 UNI 6592 ZC]
	12	W101218	1	
	13	3040498	2	Self-locking ringnut

400351500-1-2

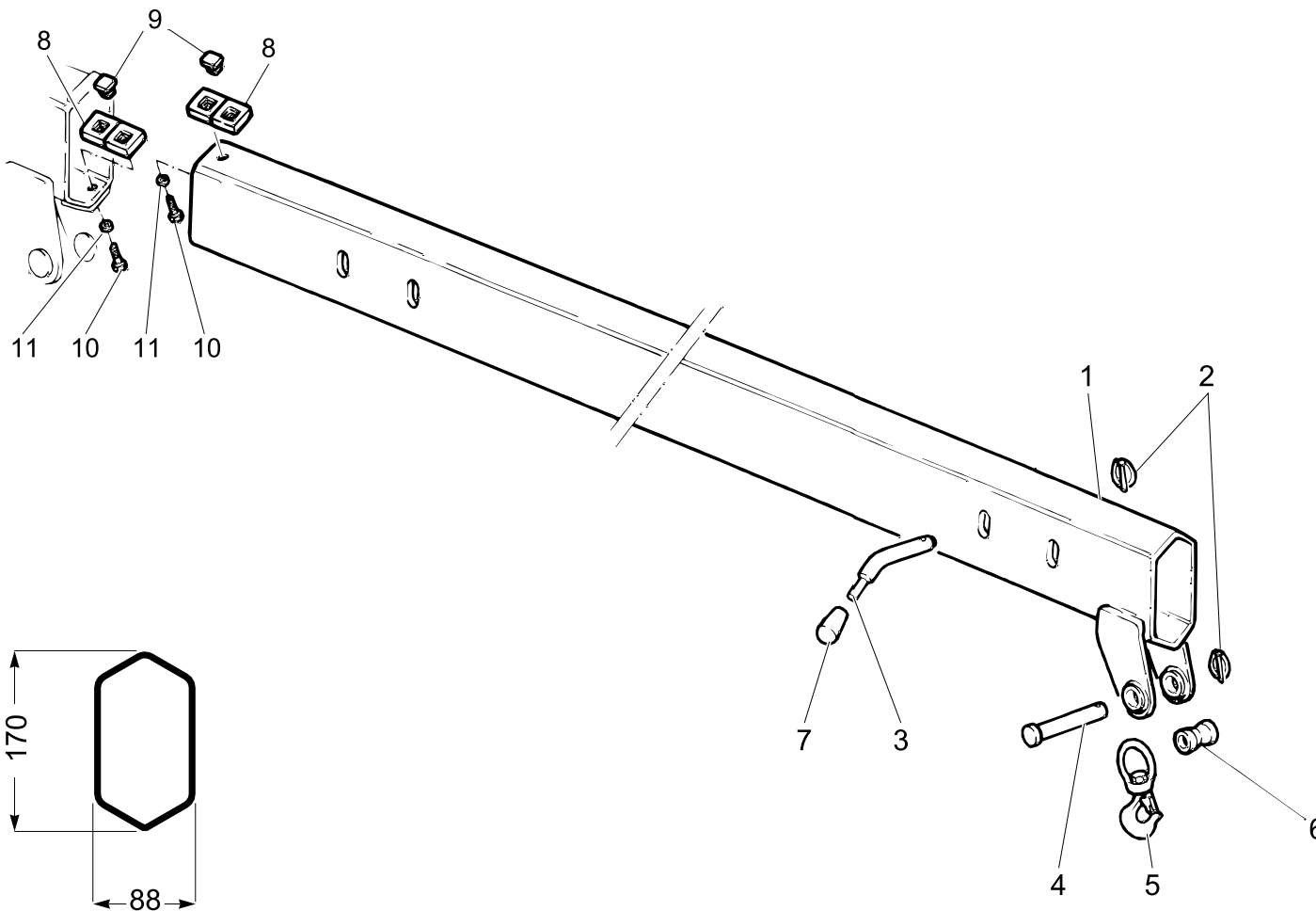
Manual extension

Code

W400351200-1.1

1/1

R	Pos.	Code Variant	Q.ty	Description
	1	W400300800	1	
	2	3060753	2	Cotter pin (Locking ring)
	3	W101046	1	
	4	W101084	1	
	5	W599002	1	
	6	W390301000	1	
	7	W664003	1	
	8	W370300900	4	
	9	W370300800	8	
	10	3010055	8	Hex screw [M8X10 8.8 ZC UNI 5739]
	11	3060006	8	Flat washer [D.8 UNI 6592 ZC]



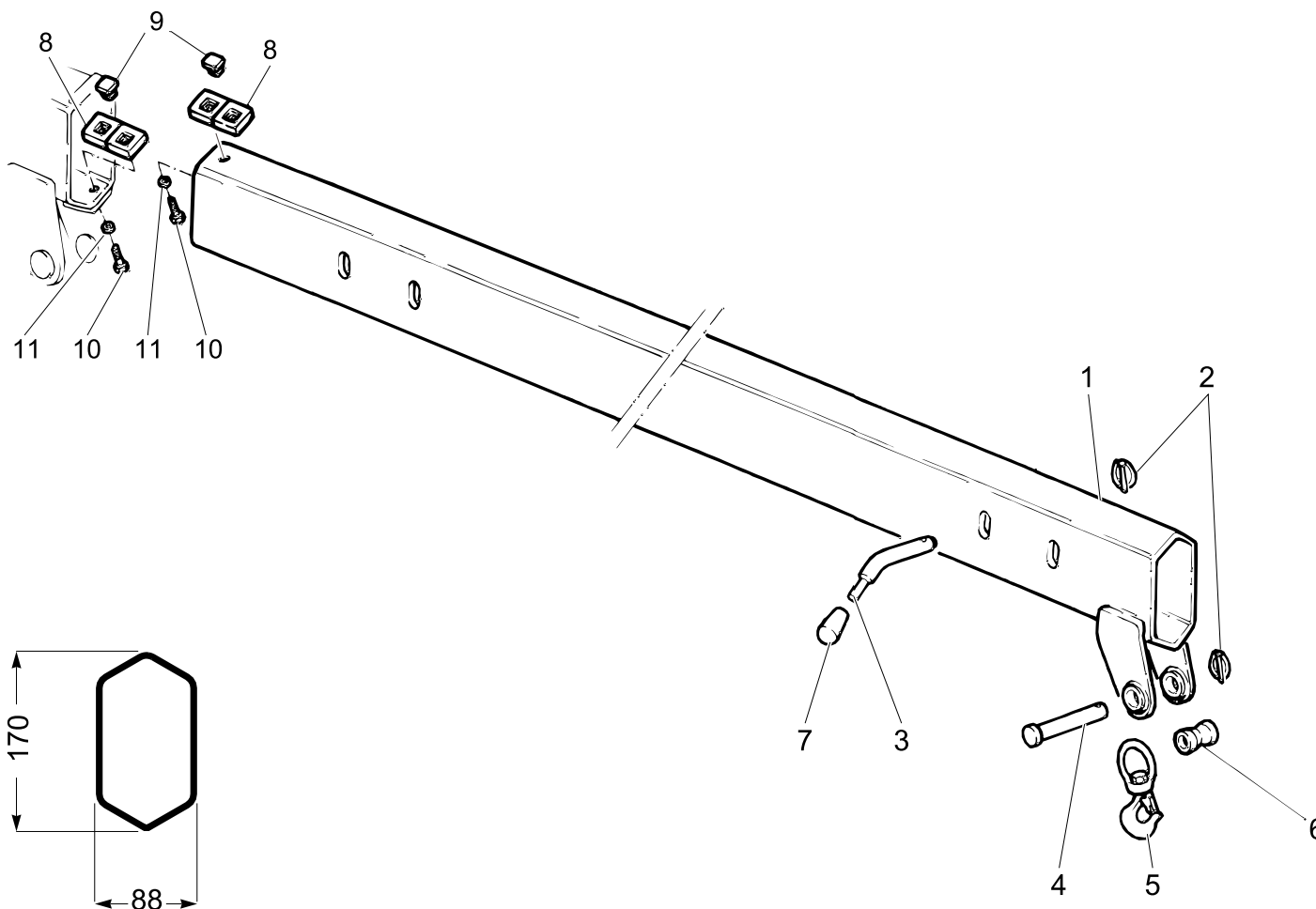
Manual extension

Code

W400351100-1.2

1/1

R	Pos.	Code Variant	Q.ty	Description
	1	W390301400	1	
	2	3060753	2	Cotter pin (Locking ring)
	3	5150957	1	
	4	W101084	1	
	5	W599005	1	
	6	W390301000	1	
	7	W664003	1	
	8	W370300900	4	
	9	W370300800	8	
	10	3010055	8	Hex screw [M8X10 8.8 ZC UNI 5739]
	11	3060006	8	Flat washer [D.8 UNI 6592 ZC]



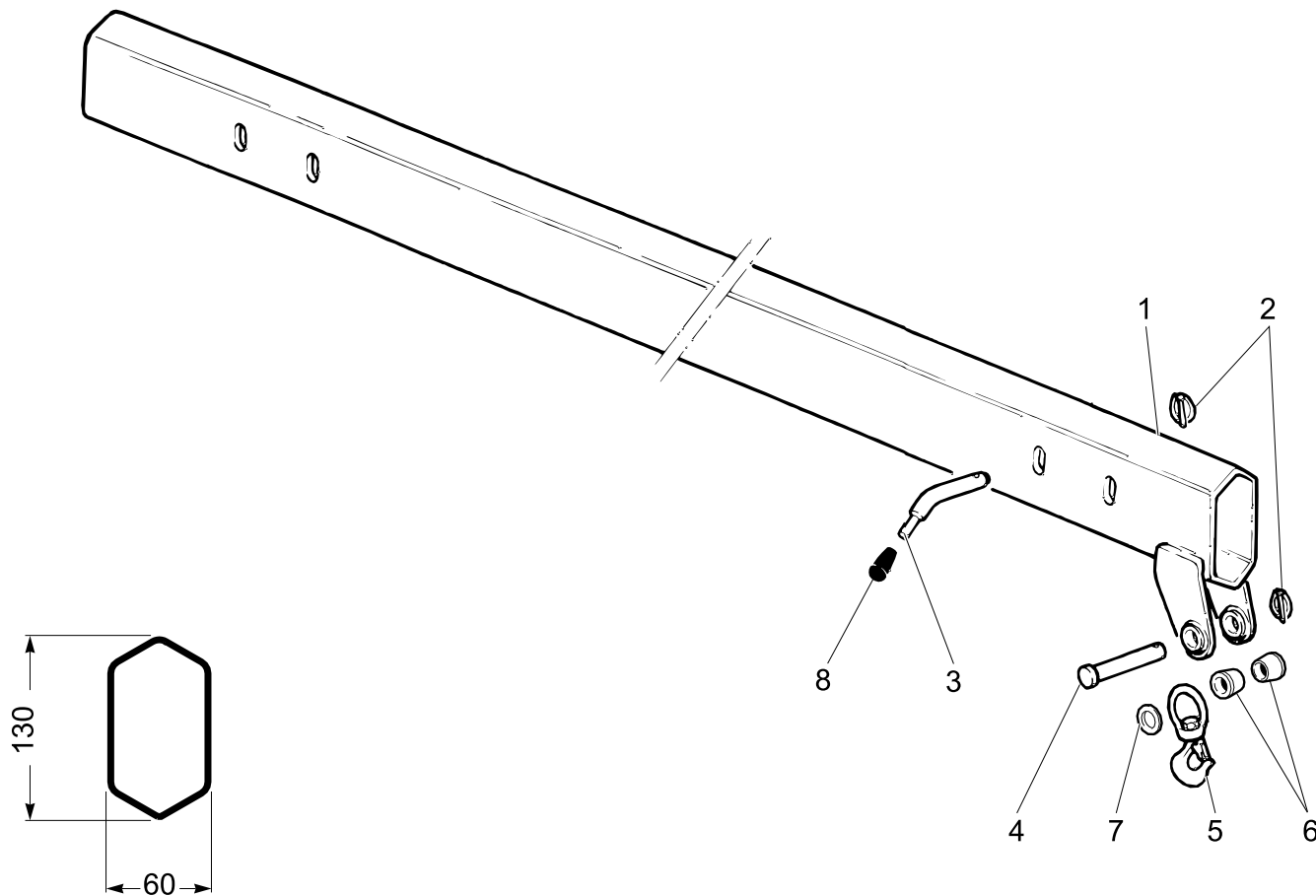
Manual extension

Code

W390351100-1.1

1/1

R	Pos.	Code Variant	Q.ty	Description
	1	W390300400	1	
	2	3060753	2	Cotter pin (Locking ring)
	3	W101350	1	
	4	W101080	1	
	5	W599005	1	
	6	W130302900	2	
	7	W320301500	2	
	8	W664003	1	

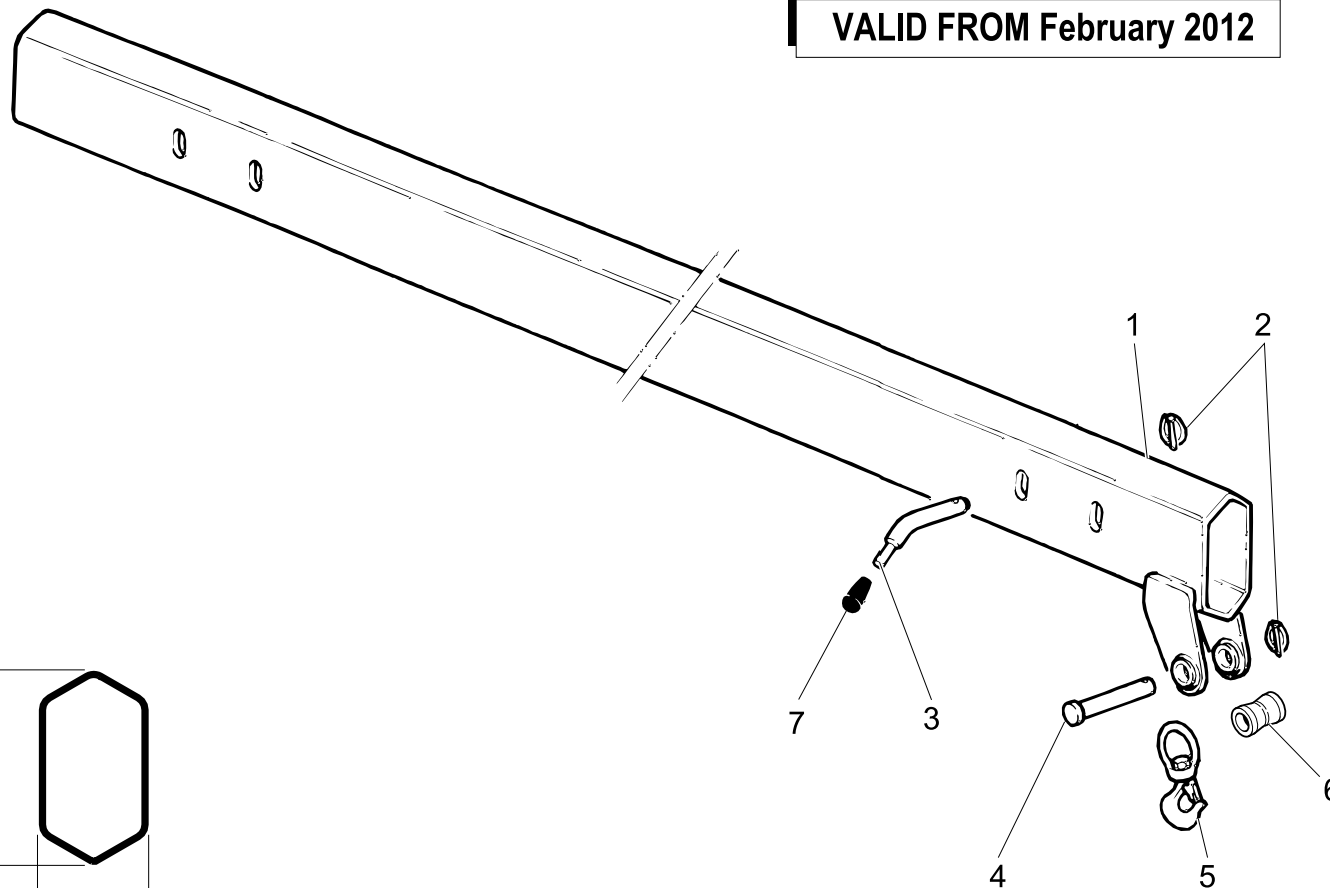
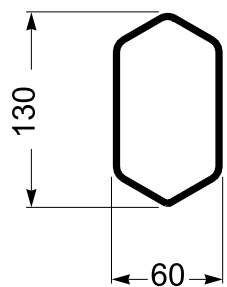


390351100-1.1

VALIDO DA Febbraio 2012

VALID FROM February 2012

R	Pos.	Code Variant	Q.ty	Description
	1	W390300400	1	
	2	3060753	2	Cotter pin (Locking ring)
	3	W101324	1	
	4	W101080	1	
	5	W599005	1	
	6	W390301000	1	
	7	W664003	1	



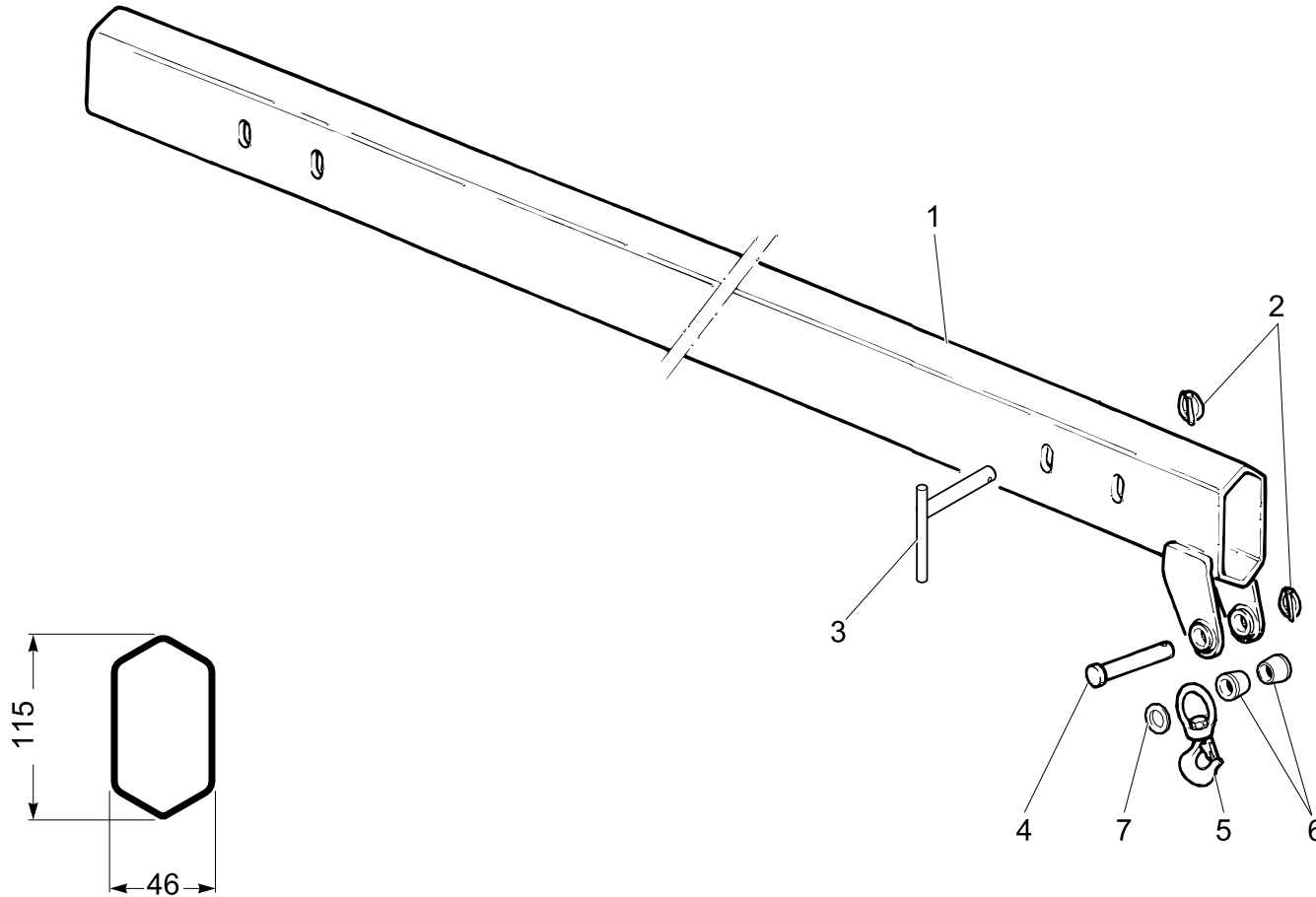
Manual extension

Code

W390351200-1.1

1/1

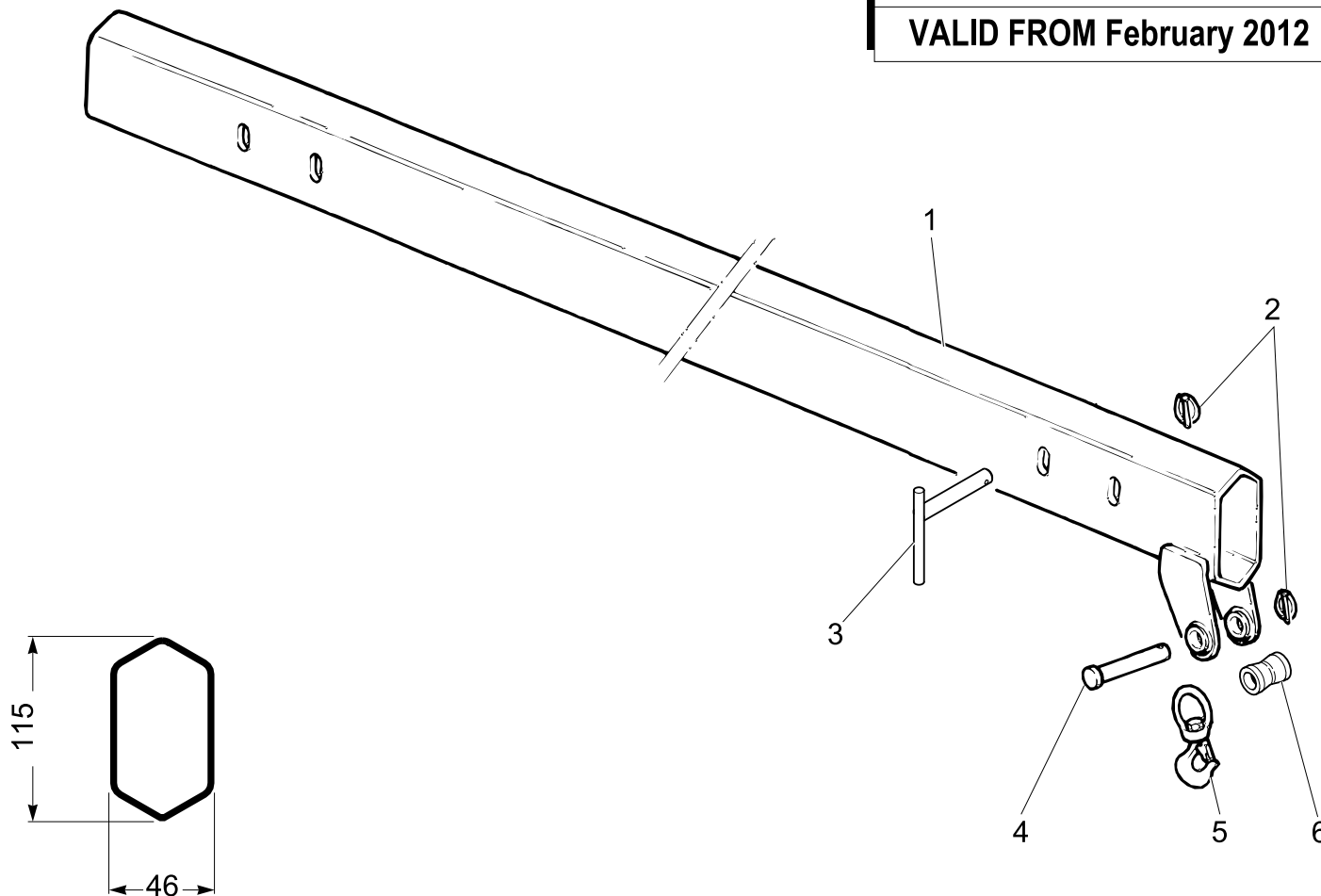
R	Pos.	Code Variant	Q.ty	Description
	1	W390300900	1	
	2	3060753	2	Cotter pin (Locking ring)
	3	W101350	1	
	4	W101080	1	
	5	W599005	1	
	6	W130302900	2	
	7	W320301500	2	



390351200-1.1

VALIDO DA Febbraio 2012
VALID FROM February 2012

R	Pos.	Code Variant	Q.ty	Description
1		W390300900	1	
2		3060753	2	Cotter pin (Locking ring)
3		W101350	1	
4		W101080	1	
5		W599005	1	
6		W390301000	1	



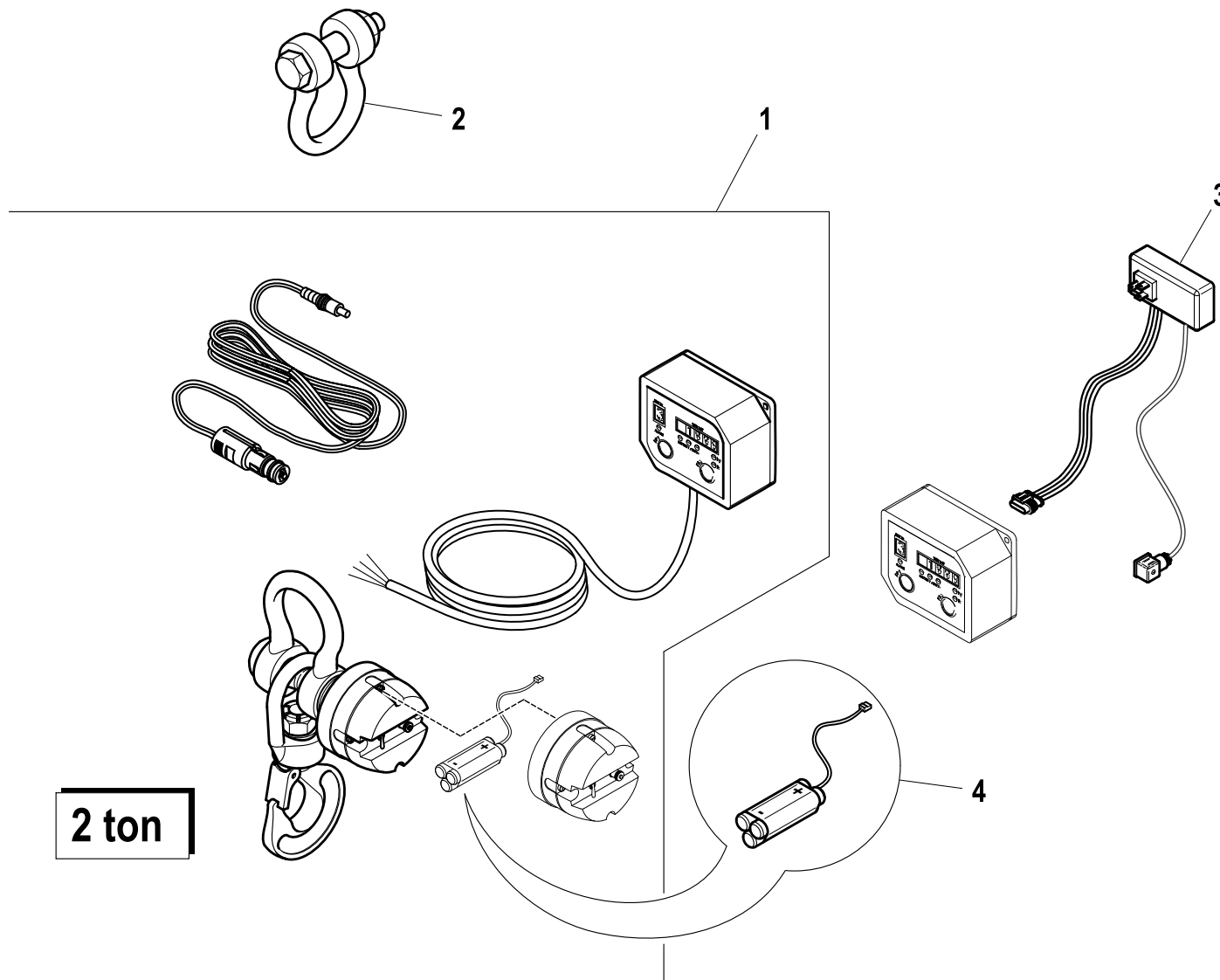
LOAD INDICATION SYSTEM (LIS/RLC)

Code

7881824-1.0

1/1

R	Pos.	Code Variant	Q.ty	Description
	1	5730506	1	
	2	3200050	1	Shackles
	3	W236510	1	
	4	3311542	1	





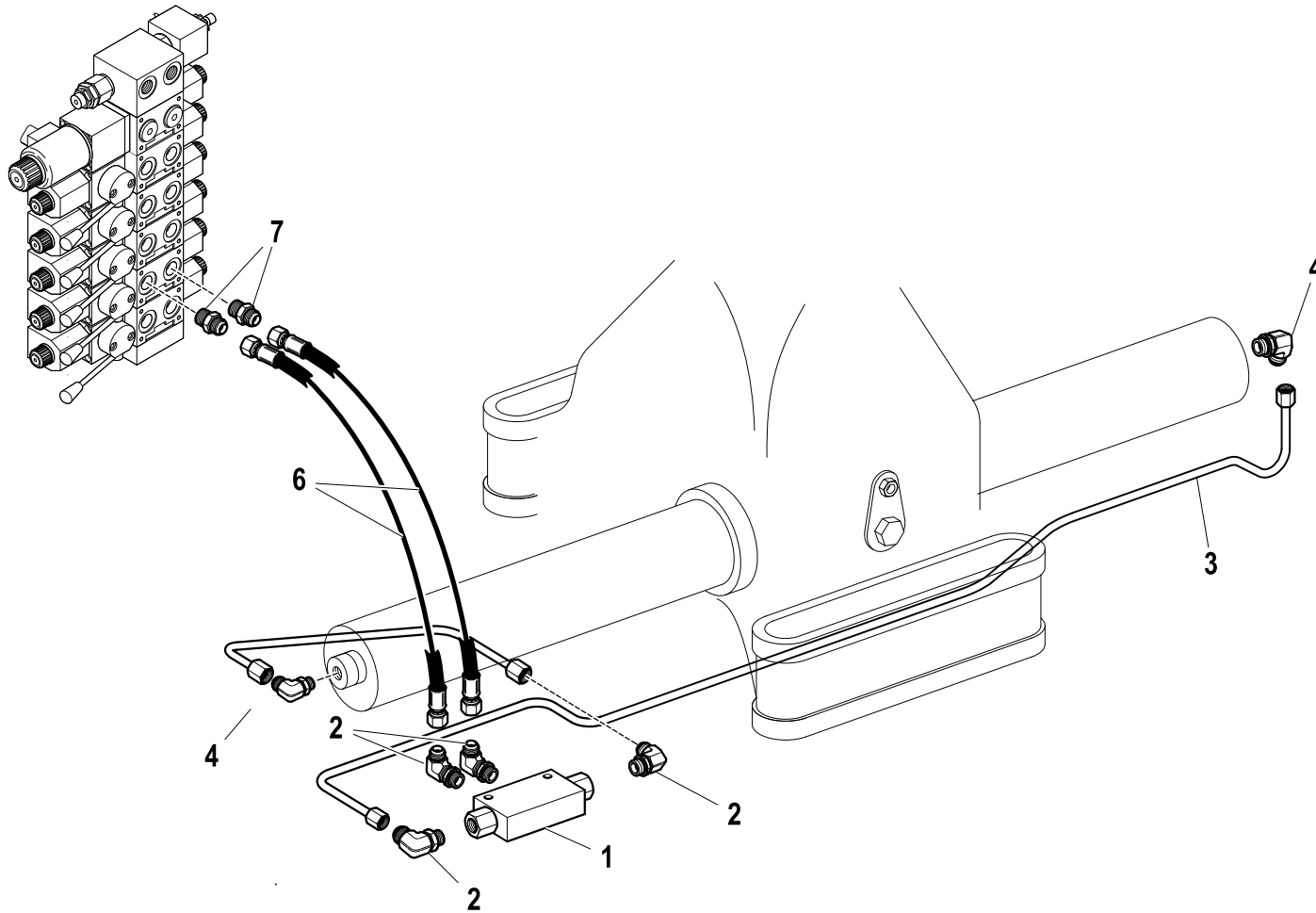
HB40 X

HYDRAULIC SYSTEM (Slewing Hydraulic jack)

Code

5400709-1.0

1/1



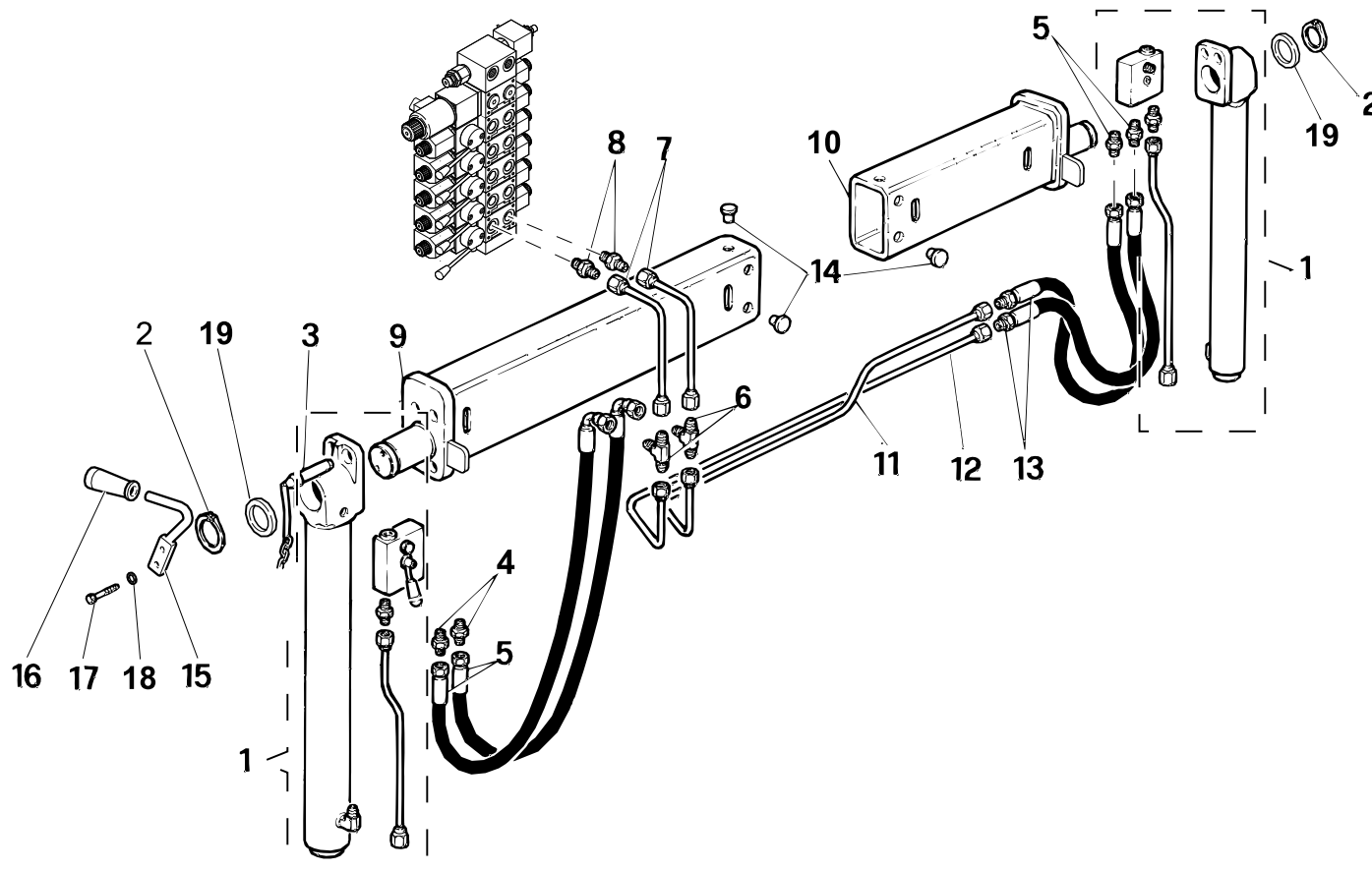
R	Pos.	Code Variant	Q.ty	Description
	1	W470017	1	
	2	3101124	4	90° Connection
	3	W390505800	1	
	4	W470420	2	
	5	W390505700	1	
	6	5260887	2	
	7	3101040	2	Straight pipe fitting

STABILIZER ROD (standard)

Code

W390450400-R.0

1/1



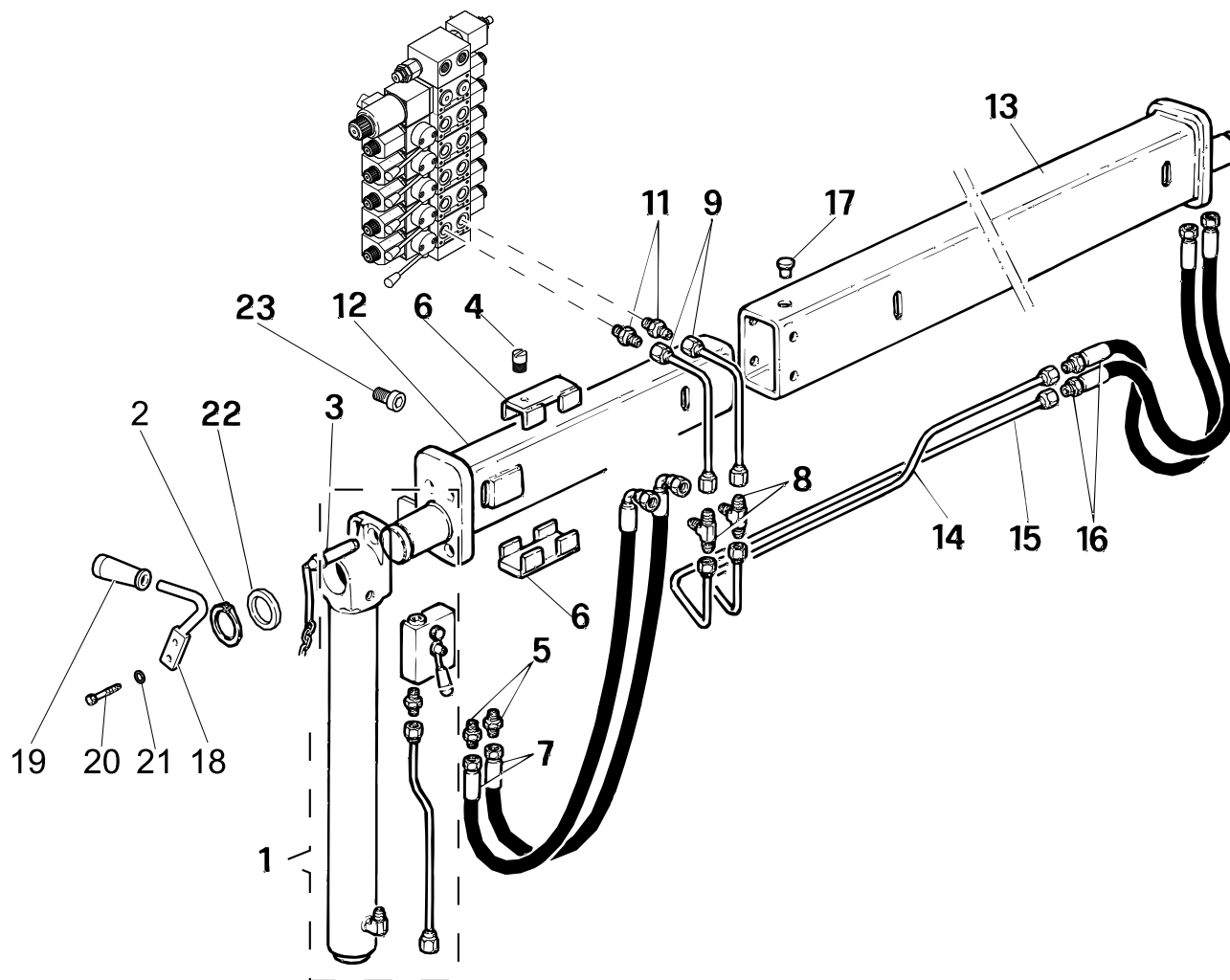
R	Pos.	Code Variant	Q.ty	Description
	1	W390450400	2	
	2	3070052	2	Seeger
	3	W101219	2	
	4	3101039	4	Straight pipe fitting
	5	W456064	2	
	6	3101080	2	Tee fitting
	7	W370500900	2	
	8	3101040	2	Straight pipe fitting
	9	W400400100	1	
	10	W390400200	1	
	11	W390500800	1	
	12	W390500900	1	
	13	W4560859	2	
	14	W370400700	10	Button (Coupling backlash)
	15	W370401800	2	
	16	W664018	2	
	17	3010325	4	Hex screw [M6X16 8.8 ZC UNI 5739]
	18	3060005	1	Flat washer [D.6.4 UNI 6592 ZC]
	19	W370401900	2	

STABILIZER ROD (Extra-extensible)

Code

W390451900-R.0

1/2

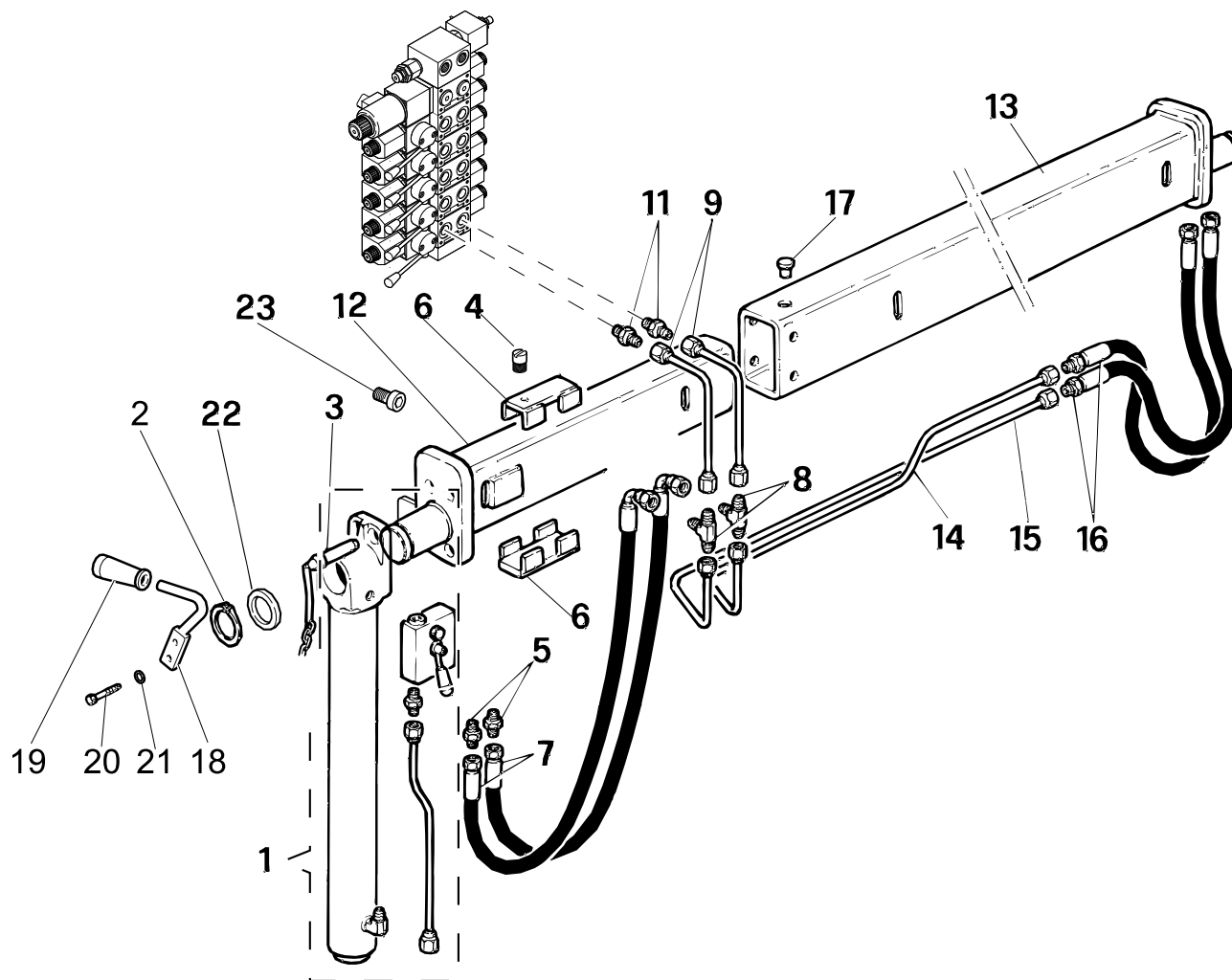


R	Pos.	Code Variant	Q.ty	Description
	1	W390450400	2	
	2	3070052	2	Seeger
	3	W101219	2	
	4	3010354	2	Hex screw [M10X20 8.8 ZC UNI 5739]
	5	3101039	4	Straight pipe fitting
	6	W390401000	2	
	7	W456052	2	
	8	3101080	2	Tee fitting
	9	W370500900	2	
	11	3101040	2	Straight pipe fitting
	12	W390400900	1	
	13	W390400800	1	
	14	W390500800	1	
	15	W390500900	1	
	16	W456872	2	
	17	W370400700	6	Button (Coupling backlash)
	18	W370401800 0	2	
	19	664018	2	
	20	3010325	4	Hex screw [M6X16 8.8 ZC UNI 5739]
	21	3060005	4	Flat washer [D.6.4 UNI 6592 ZC]

STABILIZER ROD (Extra-extensible)

Code		
W390451900-R.0		2/2

R	Pos.	Code Variant	Q.ty	Description
	22	W370401900	2	
	23	3020033	1	

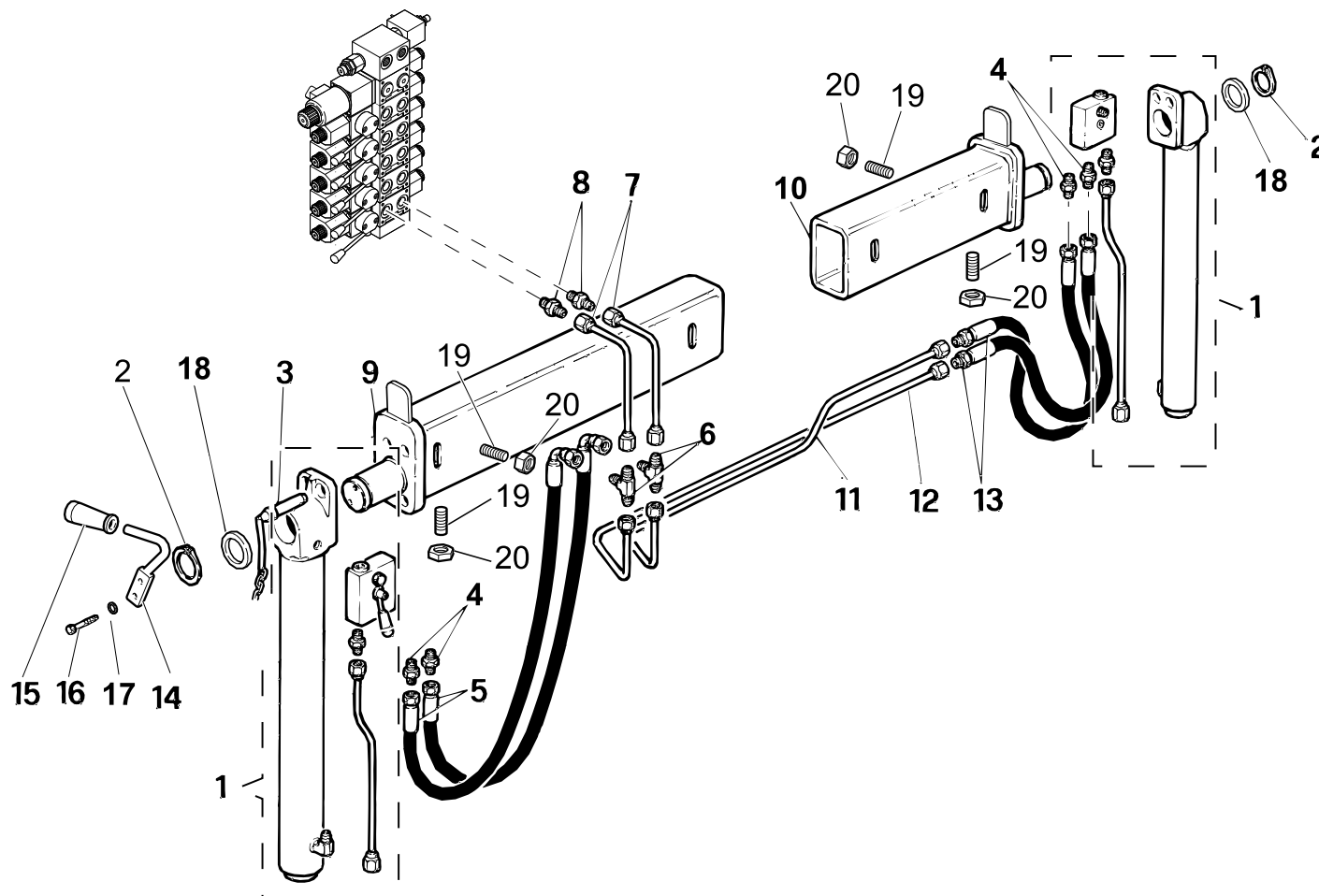


STABILIZER ROD (SUPER EXTRA-EXTENSIBLE)

Code

W040_402-R.0

1/1



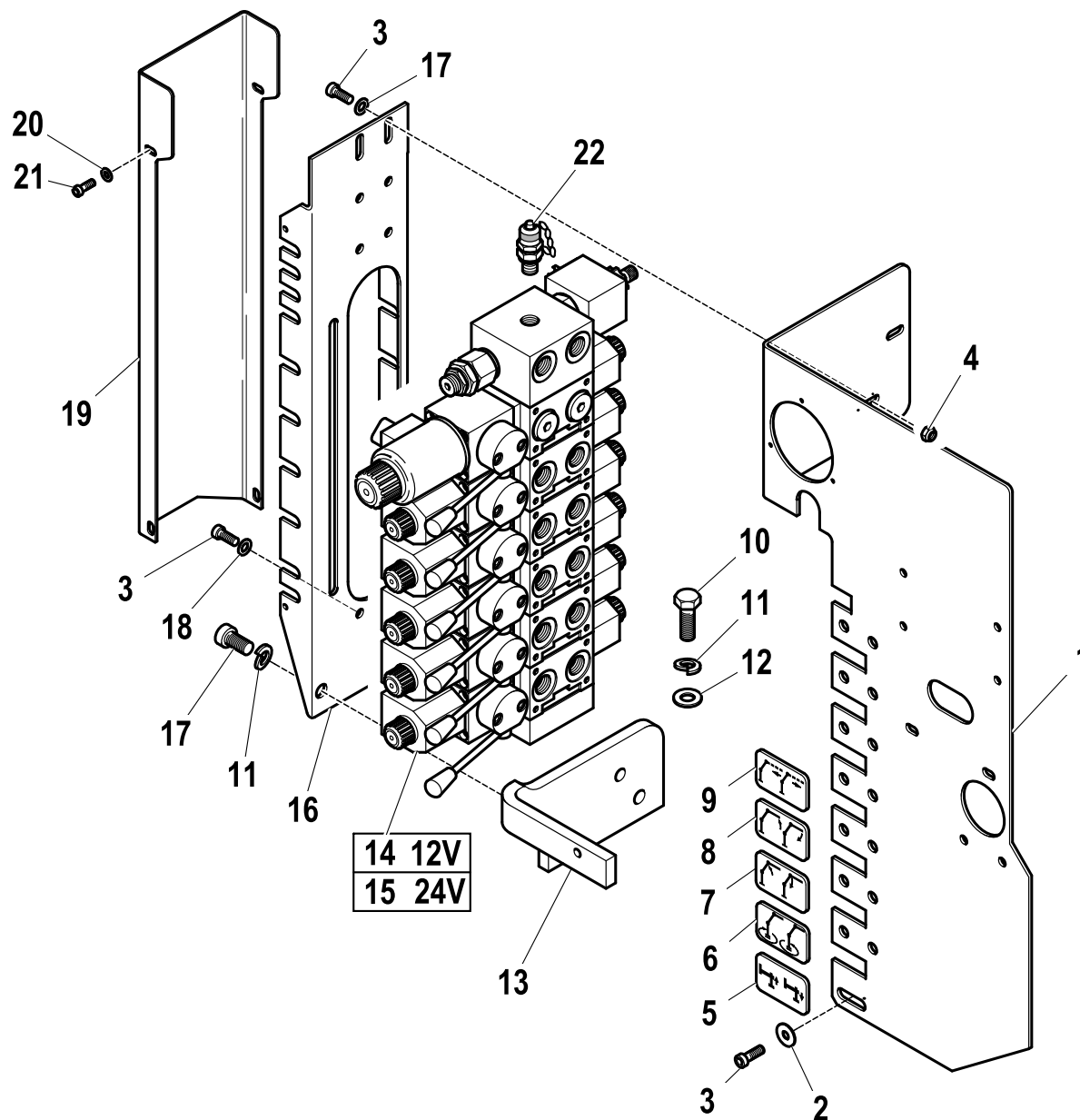
R	Pos.	Code Variant	Q.ty	Description
	1	W390450400	2	
	2	3070052	2	Seeger
	3	W101219	2	
	4	3101039	4	Straight pipe fitting
	5	W468103	2	
	6	3101080	2	Tee fitting
	7	5392258	2	
	8	3101040	2	Straight pipe fitting
	9	W400400200	1	
	10	W400400300	1	
	11	W390500800	1	
	12	W390500900	1	
	13	W456890	2	
	14	W370401800	10	
	15	W664018	2	
	16	3010325	2	Hex screw [M6X16 8.8 ZC UNI 5739]
	17	3060005	4	Flat washer [D.6.4 UNI 6592 ZC]
	18	W370401900	1	
	19	W061333	2	
	20	3040251	6	Lock nut [M24 8.G basso UNI 5589]

CONTROLS (RDC)

Code

5400709-2.0

1/2



R	Pos.	Code Variant	Q.ty	Description
	1	W370507600	1	
	2	3060030	1	Flat washer [D.6.6X18 UNI 6593 ZC]
	3	3020034	7	Socketed head cap screw [M6X16 8.8 ZC UNI 5931]
	4	3040372	2	Stopnut
	5	W573278	1	
	6	W573279	1	
	7	W573280	1	
	8	W573282	1	
	9	W573283	1	
	10	3010355	2	Hex screw [M10X25 8.8 ZC IF UNI 5739]
	11	3060056	2	Split lock washer [D=10 C72 ZC]
	12	3060914	2	Flat washer [D.10.5X21X2 UNI 6592 ZC]
	13	5001703	1	
	14	5220407	1	
	15	5220410	1	
	16	W370507500	1	
	17	3020080	2	Socketed head cap screw [M10X16 12.9 ZC UNI 5931]
	18	3060005	6	Flat washer [D.6.4 UNI 6592 ZC]
	19	W370507900	1	
	20	3060004	4	Flat washer [D.5 UNI 6592 ZC]

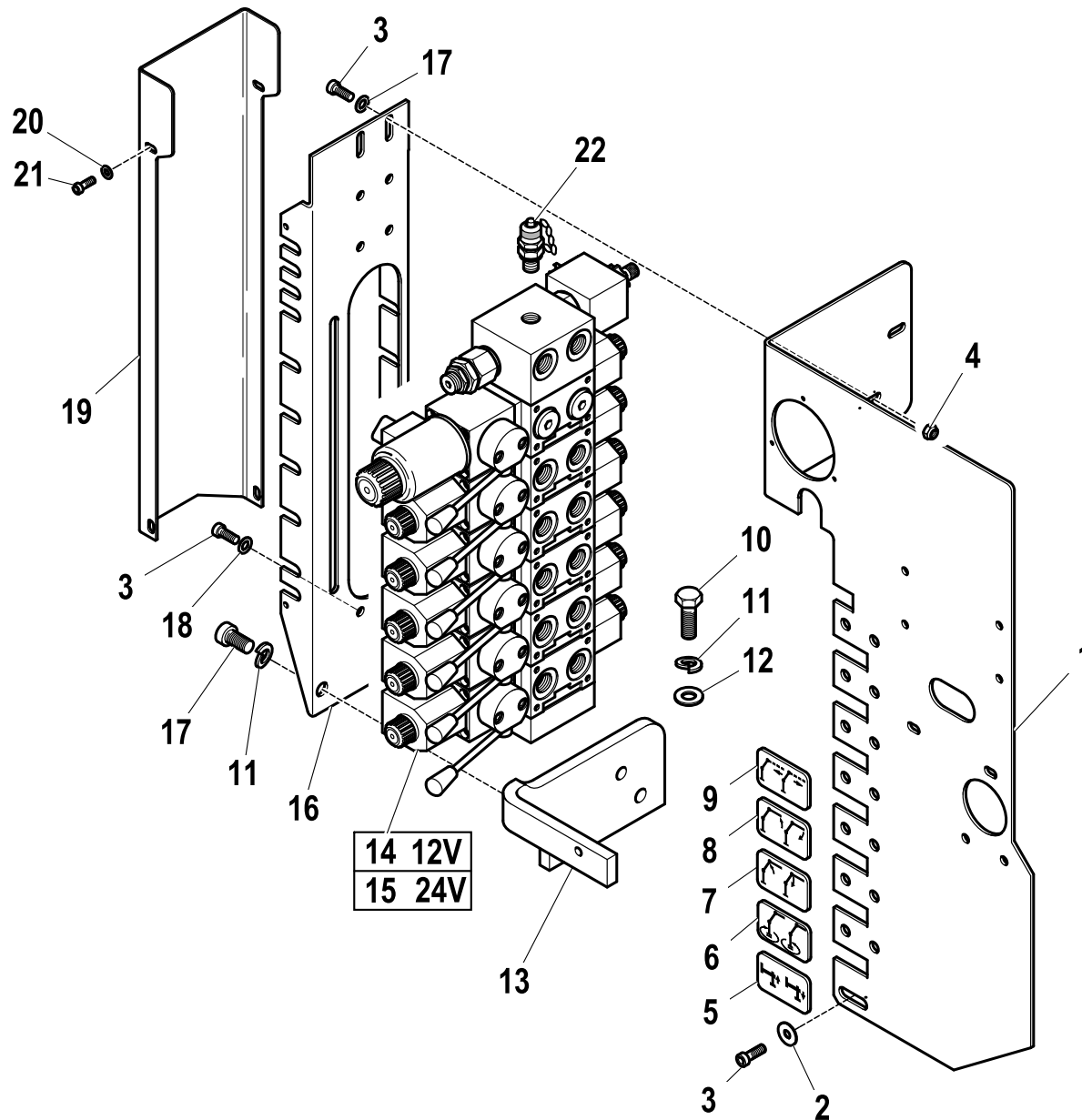
CONTROLS (RDC)

Code

5400709-2.0

2/2

R	Pos.	Code Variant	Q.ty	Description
	21	3020021	4	Socketed head cap screw [M5X12X0.8 8.8 ZC UNI 5931]
	22	3111523	1	Pipe fitting (Tapping point) [RACC. MILITES 16X2-1/4"G]

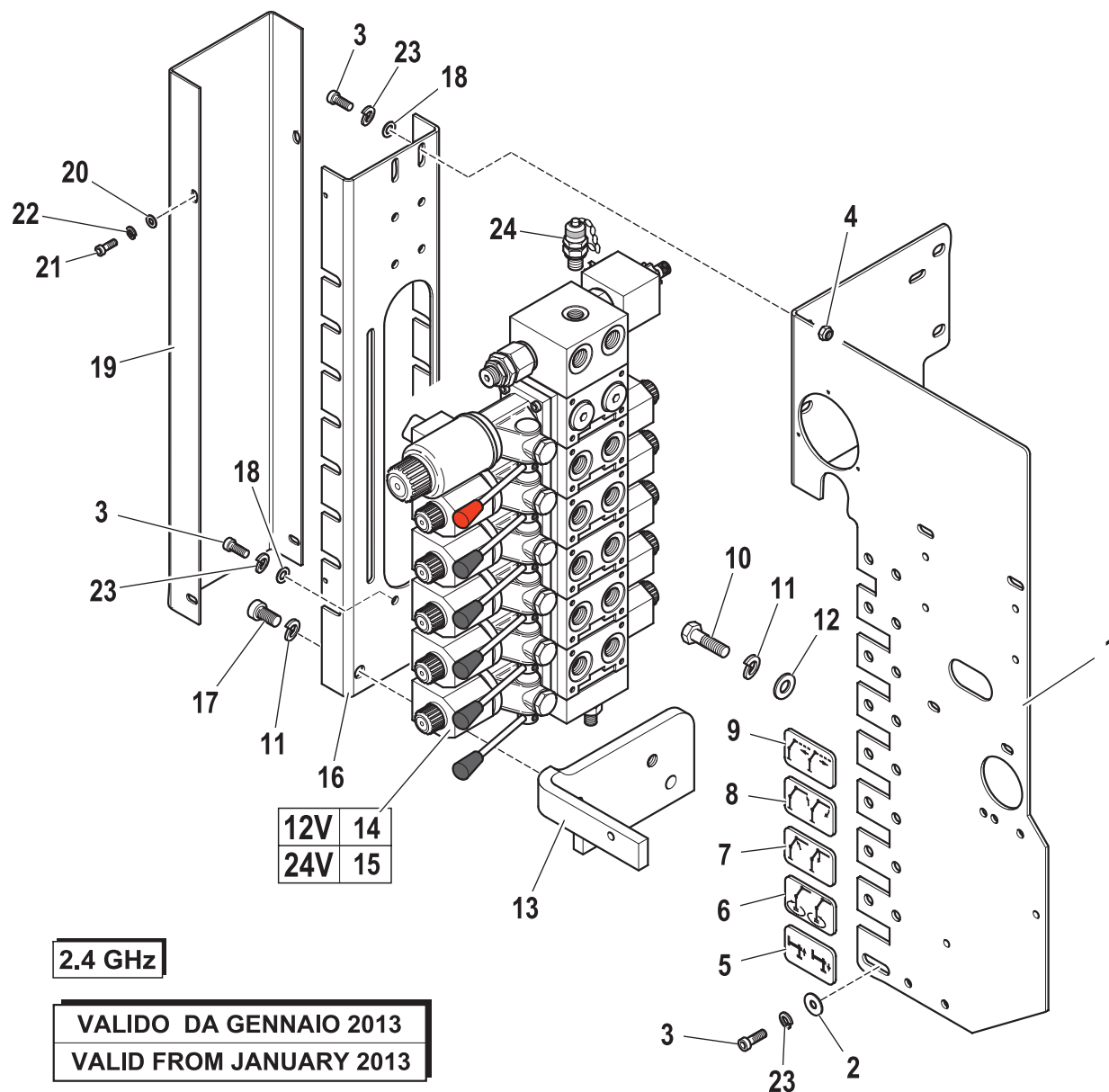


Control unit (RDC / NOCE)

Code

5402283-1.0

1/2



2.4 GHz

**VALIDO DA GENNAIO 2013
VALID FROM JANUARY 2013**

R	Pos.	Code Variant	Q.ty	Description
1		5091455	1	Guard (Control unit)
2		3060030	1	Flat washer [D.6.6X18 UNI 6593 ZC]
3		3020034	7	Socketed head cap screw [M6X16 8.8 ZC UNI 5931]
4		3040372	2	Stopnut
5		W573278	1	
6		W573279	1	
7		W573280	1	
8		W573282	1	
9		W573283	1	
10		3010355	2	Hex screw [M10X25 8.8 ZC IF UNI 5739]
11		3060056	4	Split lock washer [D=10 C72 ZC]
12		3060914	2	Flat washer [D.10.5X21X2 UNI 6592 ZC]
13		5001703	1	
14		5220407	1	
15		5220410	1	
16		5091459	1	Distributor support
17		3020080	2	Socketed head cap screw [M10X16 12.9 ZC UNI 5931]
18		3060005	6	Flat washer [D.6.4 UNI 6592 ZC]
19		5091451	1	Lateral guards and supports
20		3060004	4	Flat washer [D.5 UNI 6592 ZC]

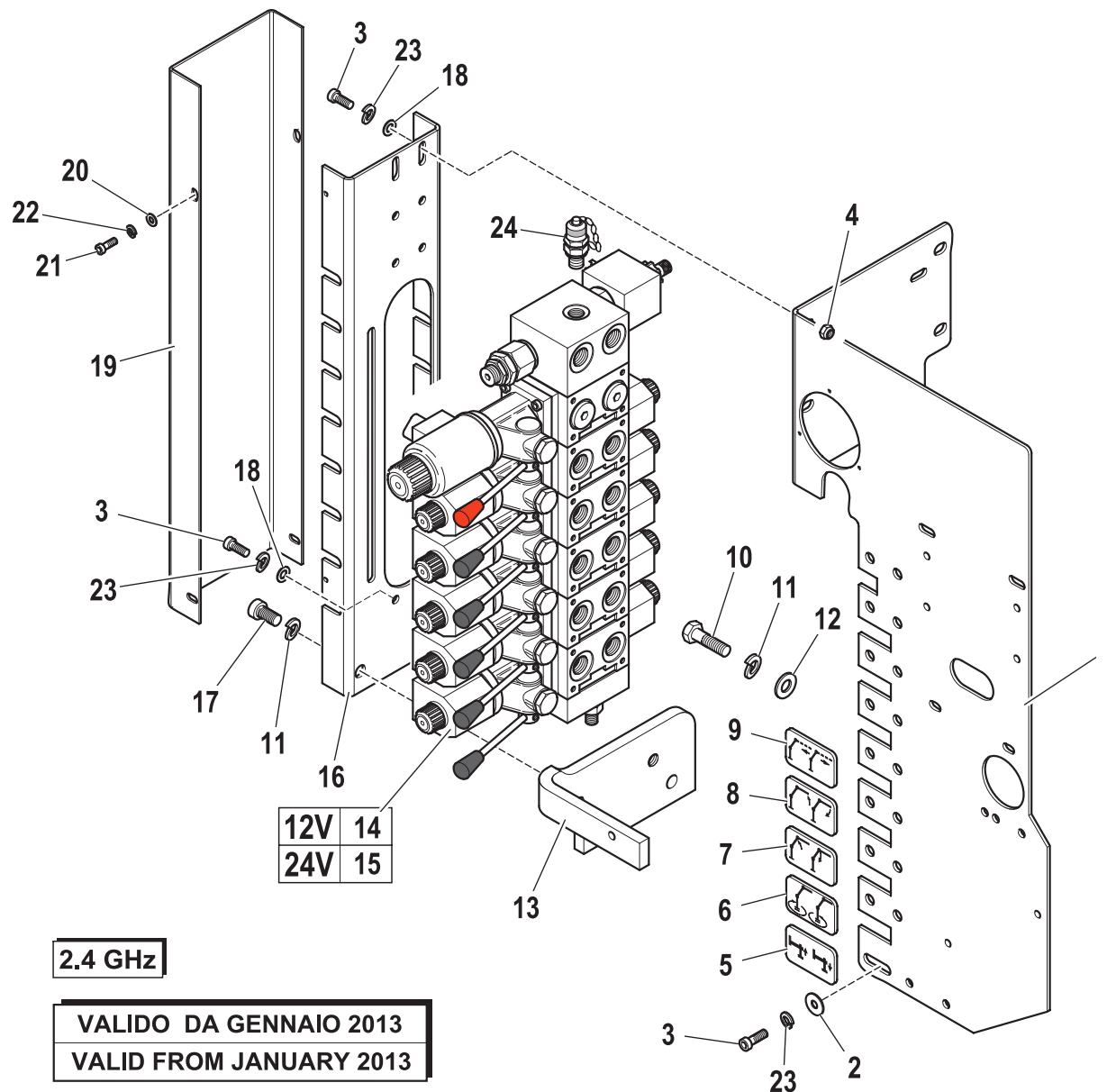
Control unit (RDC / NOCE)

Code

5402283-1.0

2/2

R	Pos.	Code Variant	Q.ty	Description
	21	3020021	4	Socket head cap screw [M5X12X0.8 8.8 ZC UNI 5931]
	22	3060052	4	Split lock washer [D=5.5 C72 ZC]
	23	3060053	4	Split lock washer [D=6.4 C72 ZC]
	24	3111523	1	Pipe fitting (Tapping point) [RACC. MILITES 16X2-1/4"G]



2.4 GHz

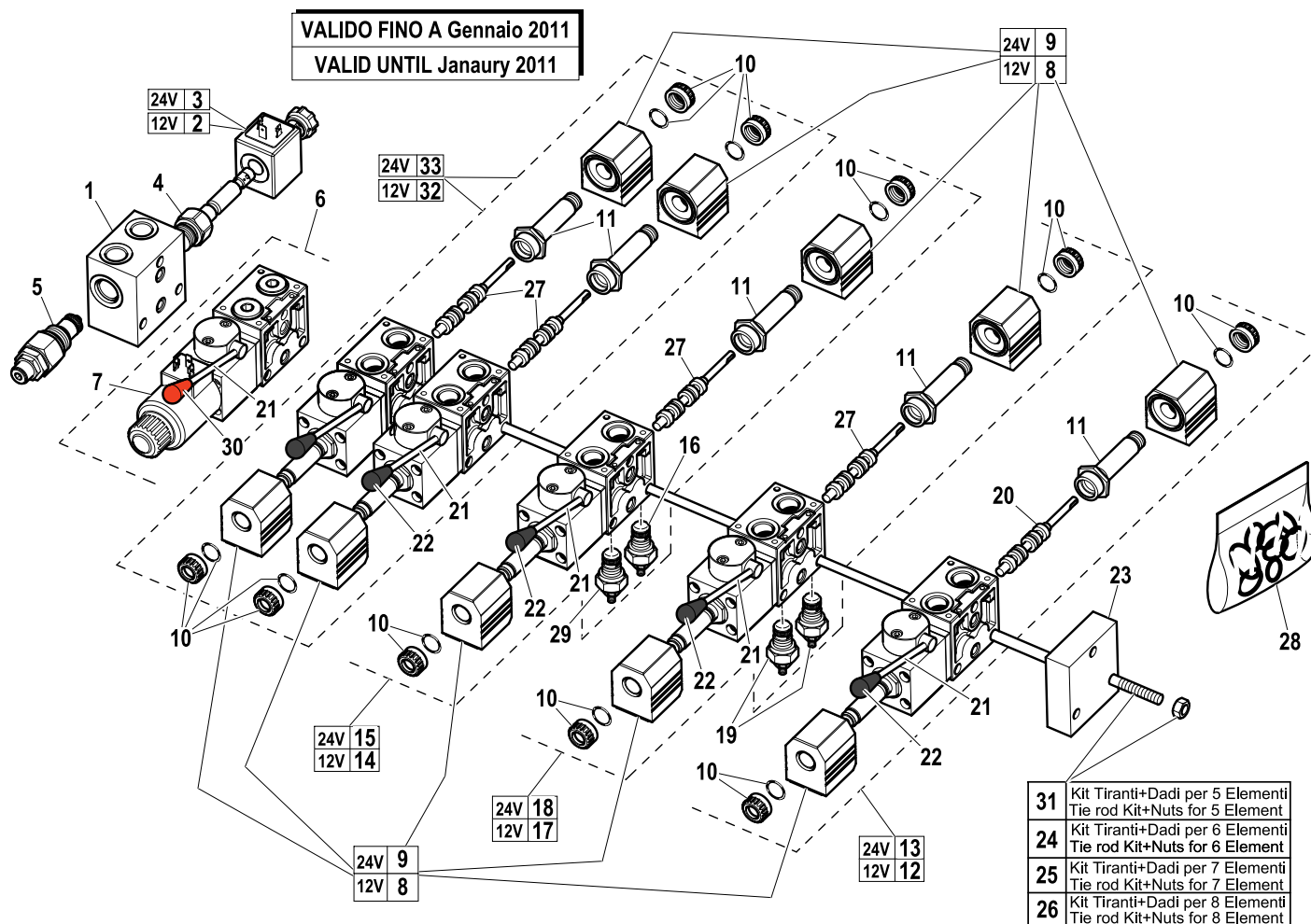
**VALIDO DA GENNAIO 2013
VALID FROM JANUARY 2013**

Control valve (5 section)

Code

5220410-1.0

1/2



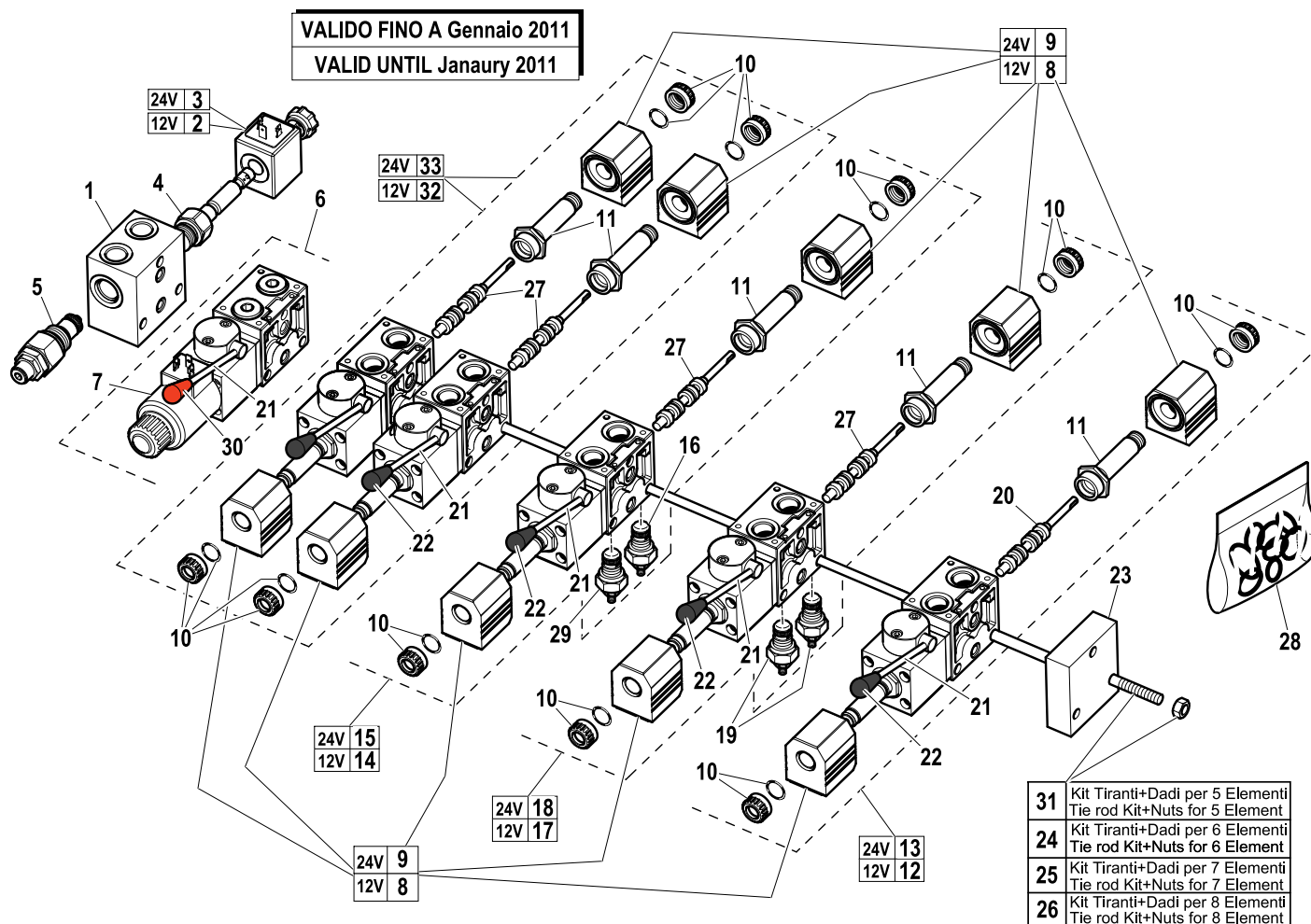
R	Pos.	Code Variant	Q.ty	Description
1		5225719	1	
2		3310906	1	
3		3310904	1	
4		5220569	1	
5		5225718	1	
6		5225720	1	
7		3310903	1	
8		3310907	10	
9		3310905	10	
10		5225721	10	
11		5225768	10	
12		5225755	1	
13		5225760	1	
14		5225726	1	
15		5225759	1	
16		5225729	1	
17		5225725	1	
18		5225758	1	
19		5225736	2	
20		5225715	1	

Control valve (5 section)

Code

5220410-1.0

2/2



R	Pos.	Code Variant	Q.ty	Description
	21	5225800	6	Control lever
	22	5225801	5	
	23	5225727	1	
	24	5225730	1	
	25	5225731	1	
	26	5225732	1	
	27	5225716	4	
	28	5225733	1	
	29	5225728	1	
	30	5225818	1	
	31	5225843	1	
	32	5225724	2	
	33	5225757	2	

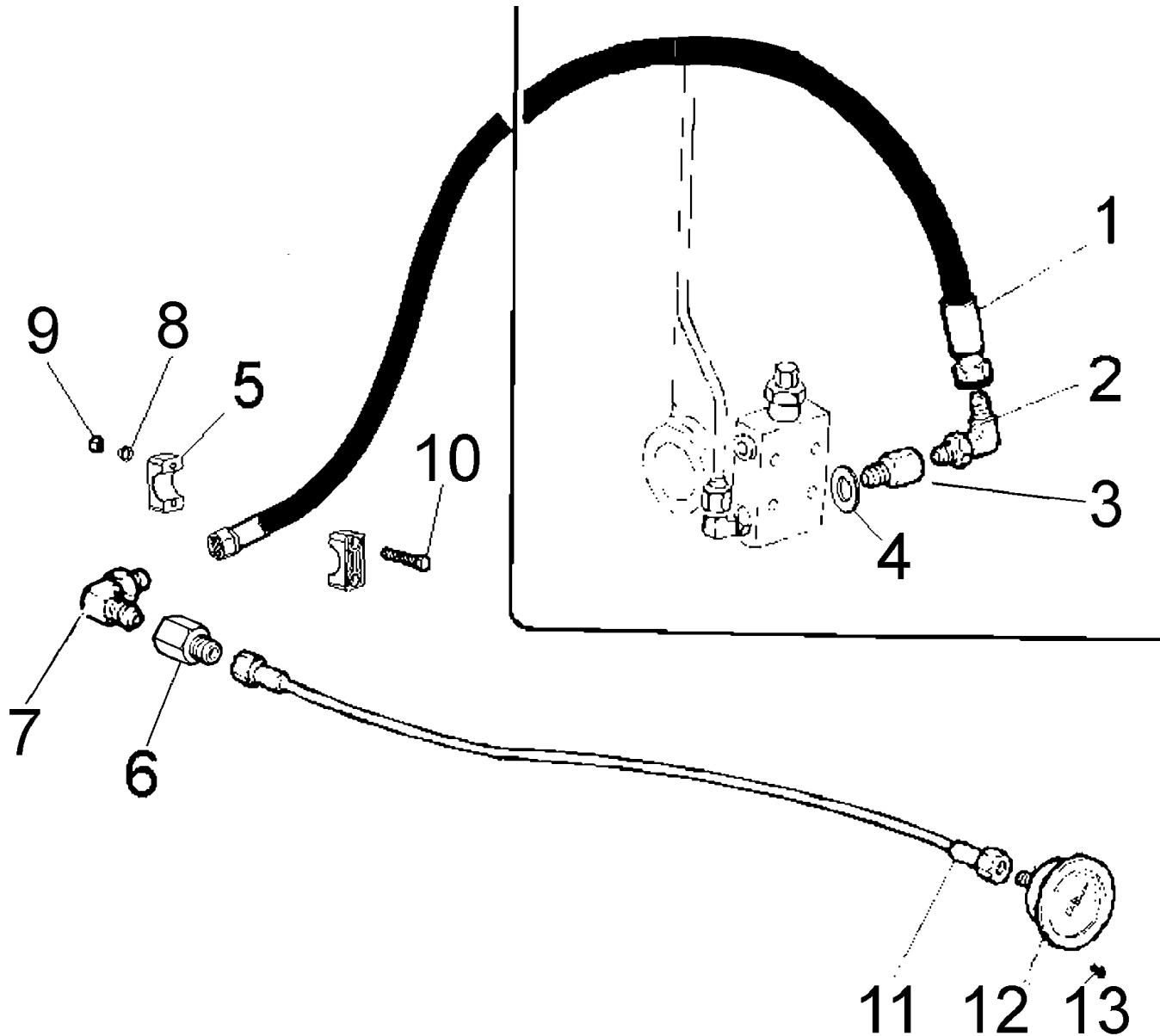
HYDRAULIC SYSTEM GAUGE (CE)

Code

5405000-1.0

1/1

R	Pos.	Code Variant	Q.ty	Description
	1	W456027	1	
	2	3101124	1	90° Connection
	3	5220300	1	Hose burst valve (Sleeve)
	4	3060143	1	Sealing washer [BSP 1/4"]
	5	W128034	1	
	6	3120200	1	Reducing fitting
	7	3101067	1	90° Connection
	8	3060005	3	Flat washer [D.6.4 UNI 6592 ZC]
	9	3040372	3	Stopnut
	10	3020040	2	Socked head cap screw [M6X40 8.8 ZC UNI 5931]
	11	W458458	1	
	12	3180150	1	
	13	3020950	3	



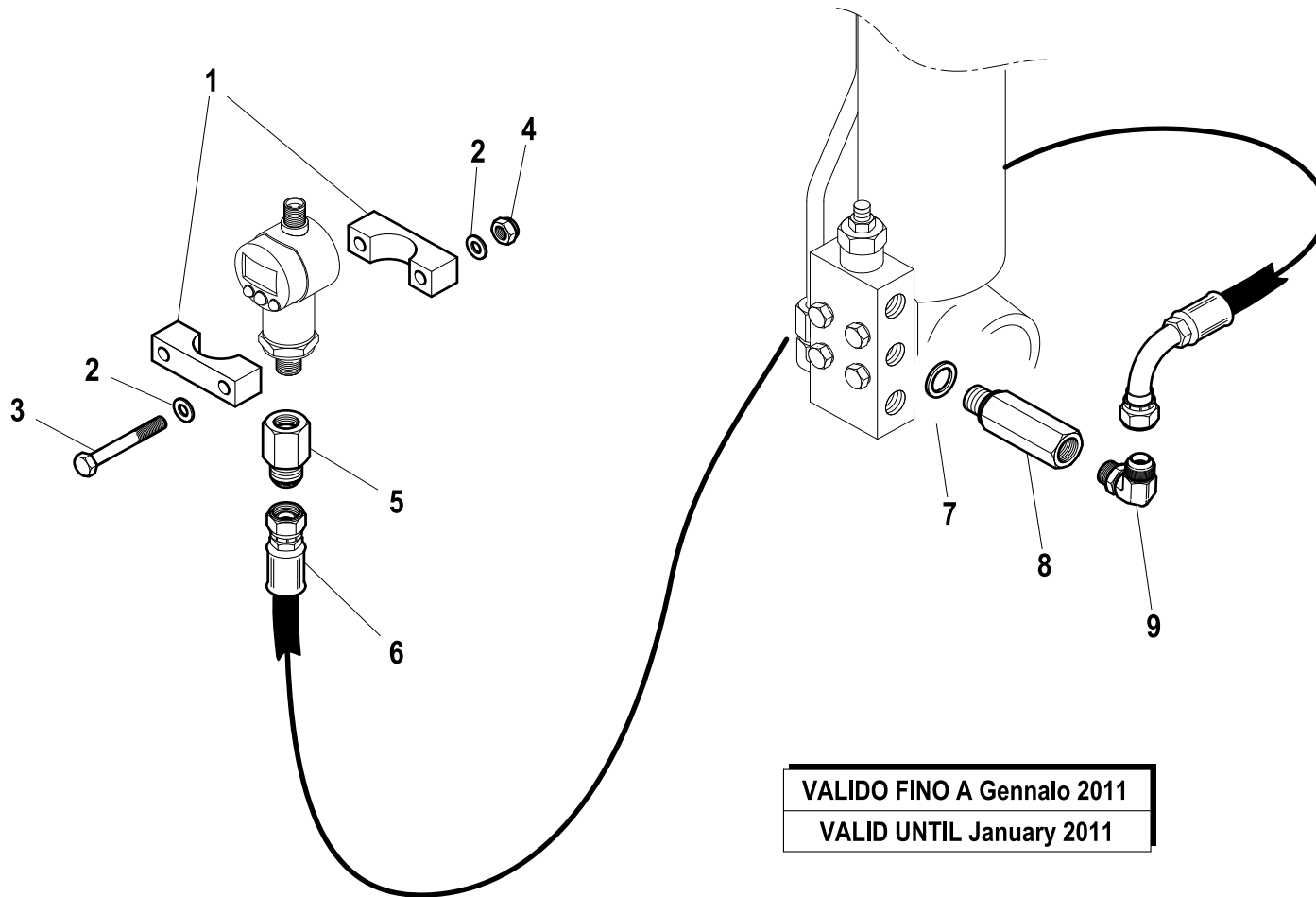
Moment limiting device (CE)

Code

5405001-2.0

1/1

R	Pos.	Code Variant	Q.ty	Description
	1	5141020	2	Vehicle (Clamp)
	2	3060005	4	Flat washer [D.6.4 UNI 6592 ZC]
	3	3010019	2	Hex screw [M6X45 8.8 ZC UNI 5737]
	4	3040372	2	Stopnut
	5	3120450	1	Reducing fitting
	6	5260868	1	Flexible hose
	7	3060143	1	Sealing washer [BSP 1/4"]
	8	5220300	1	Hose burst valve (Sleeve)
	9	3101124	1	90° Connection



VALIDO FINO A Gennaio 2011
VALID UNTIL January 2011

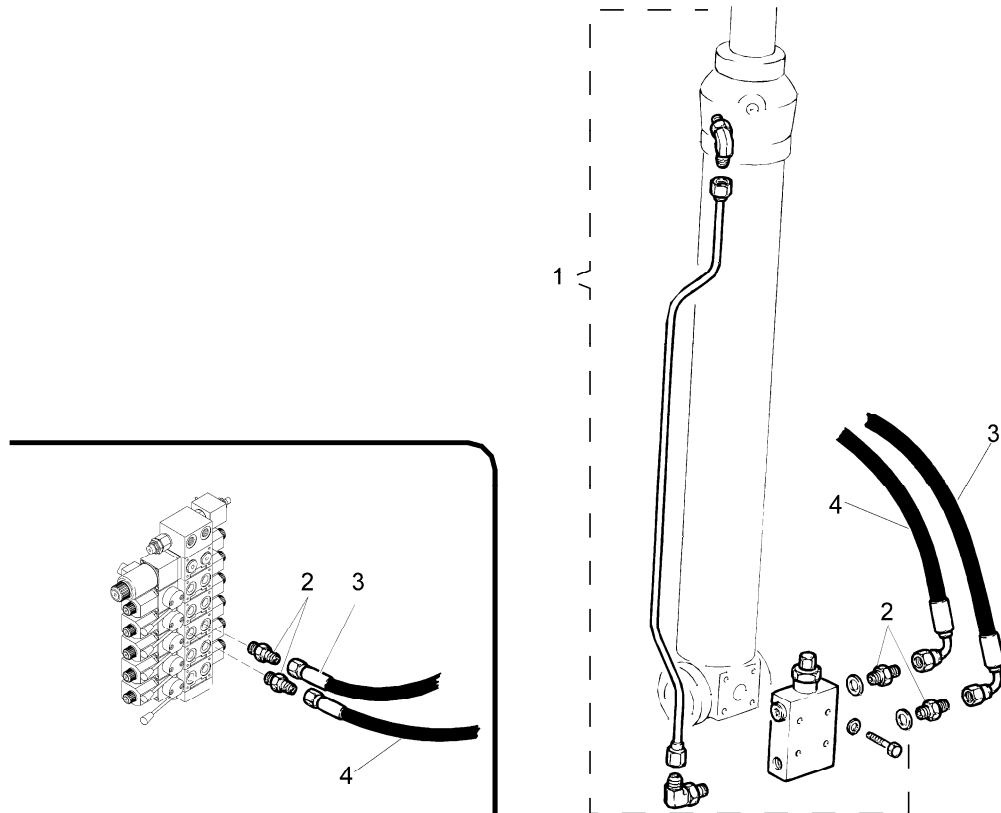
HYDRAULIC SYSTEM (LIFTING HYDRAULIC CYLINDER)

Code

W390250400-R.0

1/1

R	Pos.	Code Variant	Q.ty	Description
	1	W400250400	1	
	2	3101040	4	Straight pipe fitting
	3	5260889	1	
	4	W456052	2	



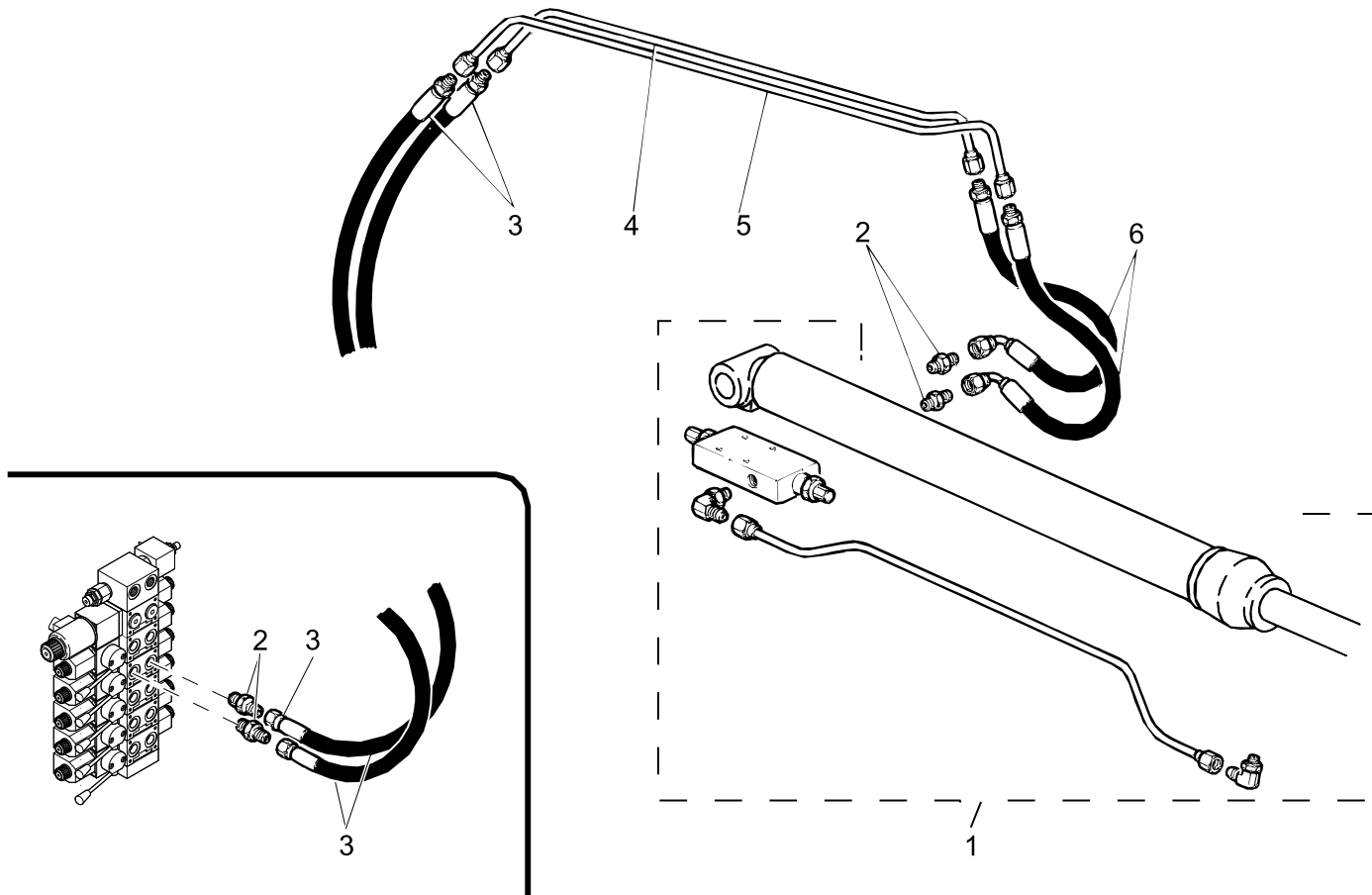
HYDRAULIC SYSTEM (ARTICULATION HYDRAULIC JACK)

Code

W400350100-R.0

1/1

R	Pos.	Code Variant	Q.ty	Description
	1	W400350100	1	
	2	3101040	4	Straight pipe fitting
	3	5260888	2	
	4	W400500200	1	
	5	W400500300	1	
	6	W456914	2	

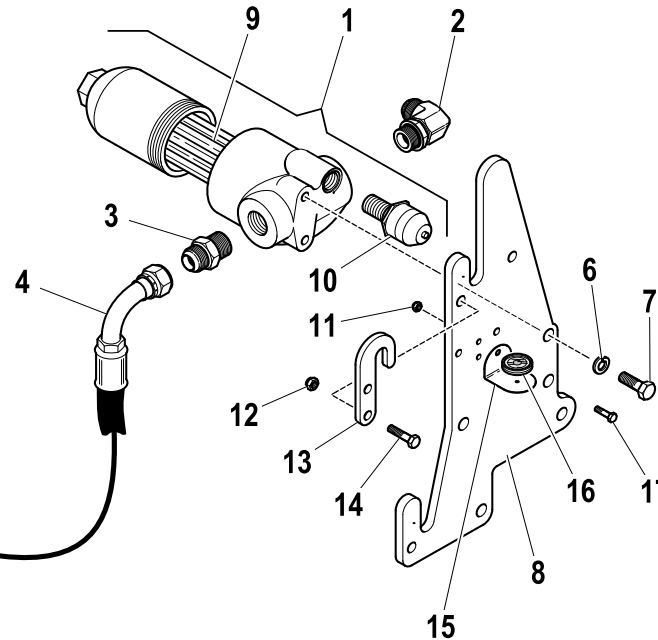
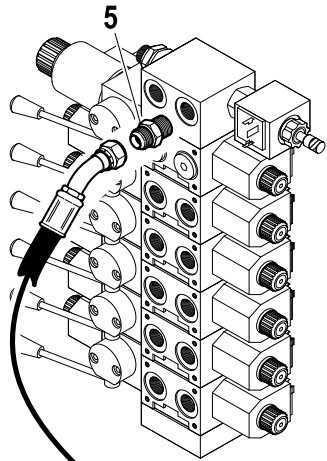


High pressure filter

Code

5400708-1.0

1/1



R	Pos.	Code Variant	Q.ty	Description
	1	3180138	1	Oil filter
	2	3101128	1	90° Connection
	3	3101044	1	Straight pipe fitting
	4	5271751	1	
	5	3101043	1	Straight pipe fitting
	6	3060055	2	Split lock washer [D=8.4 C72 ZC]
	7	3010336	2	Hex screw [M8X12 8.8 ZC UNI 5739]
	8	W370502900	1	
	9	3180139	1	Filtering cartridge
	10	3180140	1	
	11	3040372	1	Stopnut
	12	3040303	1	Stopnut
	13	W370500200	1	
	14	3010339	1	Hex screw [M8X25 8.8 ZC IF UNI 5739]
	15	W570501600	1	
	16	3180116	1	
	17	3020035	1	Socket head cap screw [M6X20 8.8 ZC UNI 5931]

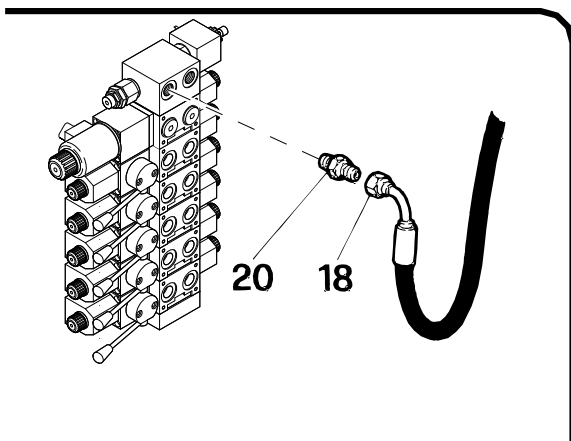
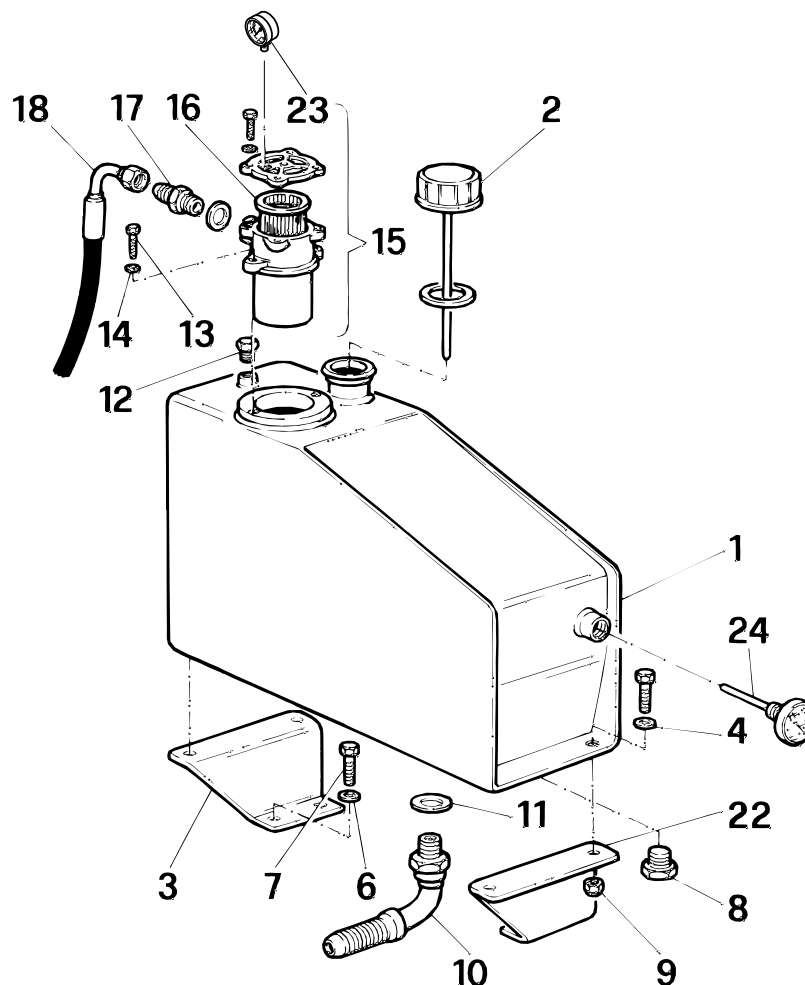
Oil reservoir

Code

W400552100-R.0

1/2

R	Pos.	Code Variant	Q.ty	Description
	1	W400500100	1	
	2	W449008	1	
	3	W400500600	1	
	4	3060029	4	Flat washer [D.8.5X24 UNI 6593 ZC]
	5	3010339	4	Hex screw [M8X25 8.8 ZC IF UNI 5739]
	6	3060914	4	Flat washer [D.10.5X21X2 UNI 6592 ZC]
	7	3010352	4	Hex screw [M10X12 8.8 ZC UNI 5739]
	8	3110070	1	
	9	3040524	4	Stopnut
	10	W410017	1	
	11	3060150	1	Sealing washer [BSP 1"]
	12	W449022	1	
	13	3010325	6	Hex screw [M6X16 8.8 ZC UNI 5739]
	14	3060005	6	Flat washer [D.6.4 UNI 6592 ZC]
	15	3180199	1	Oil filter
	16	3180112	1	Filtering cartridge
	17	3101044	1	Straight pipe fitting
	18	5280780	1	Flexible hose
	19	3101043	1	Straight pipe fitting
	20	3101051	1	Straight pipe fitting



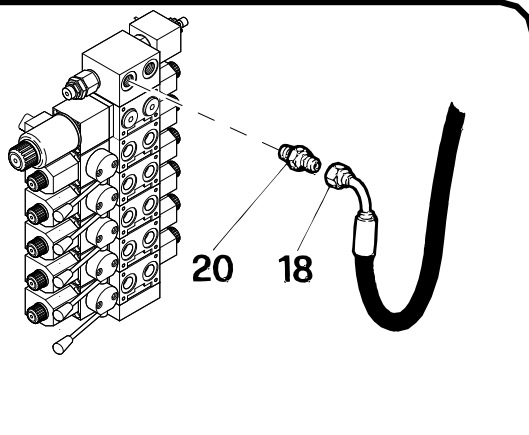
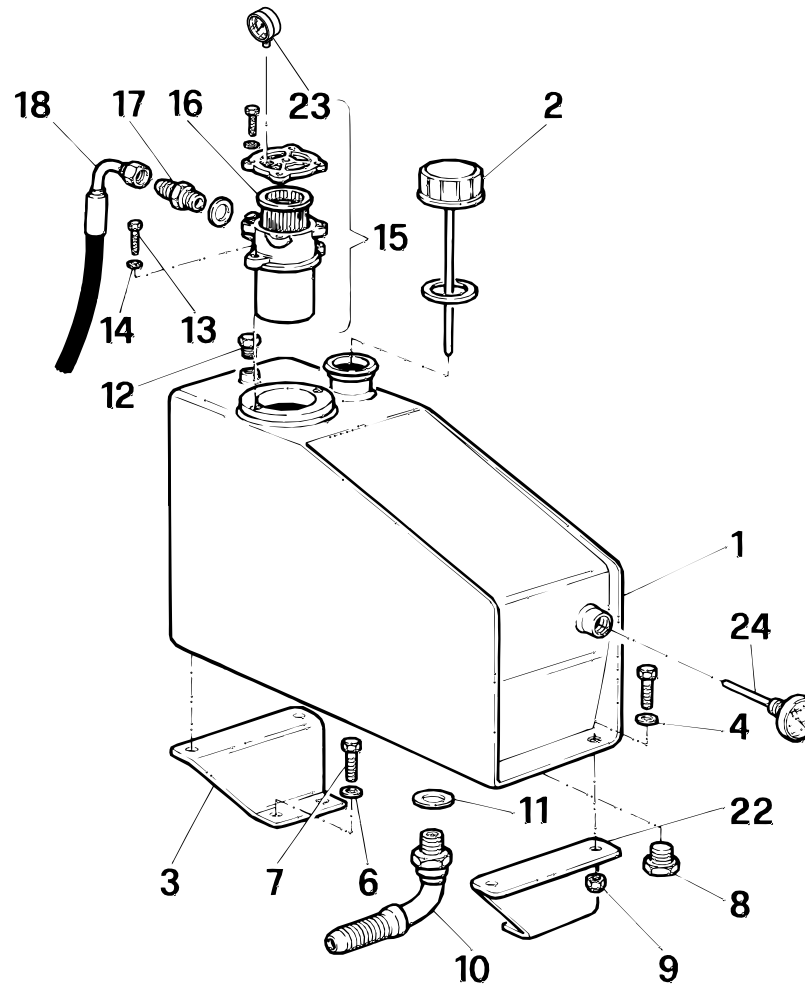
Oil reservoir

Code

W400552100-R.0

2/2

R	Pos.	Code Variant	Q.ty	Description
	21	3110041	1	Female plug
	22	W400500700	1	
	23	3180147	1	Pressure gauge (Clogging indicator)
	24	W295001	1	



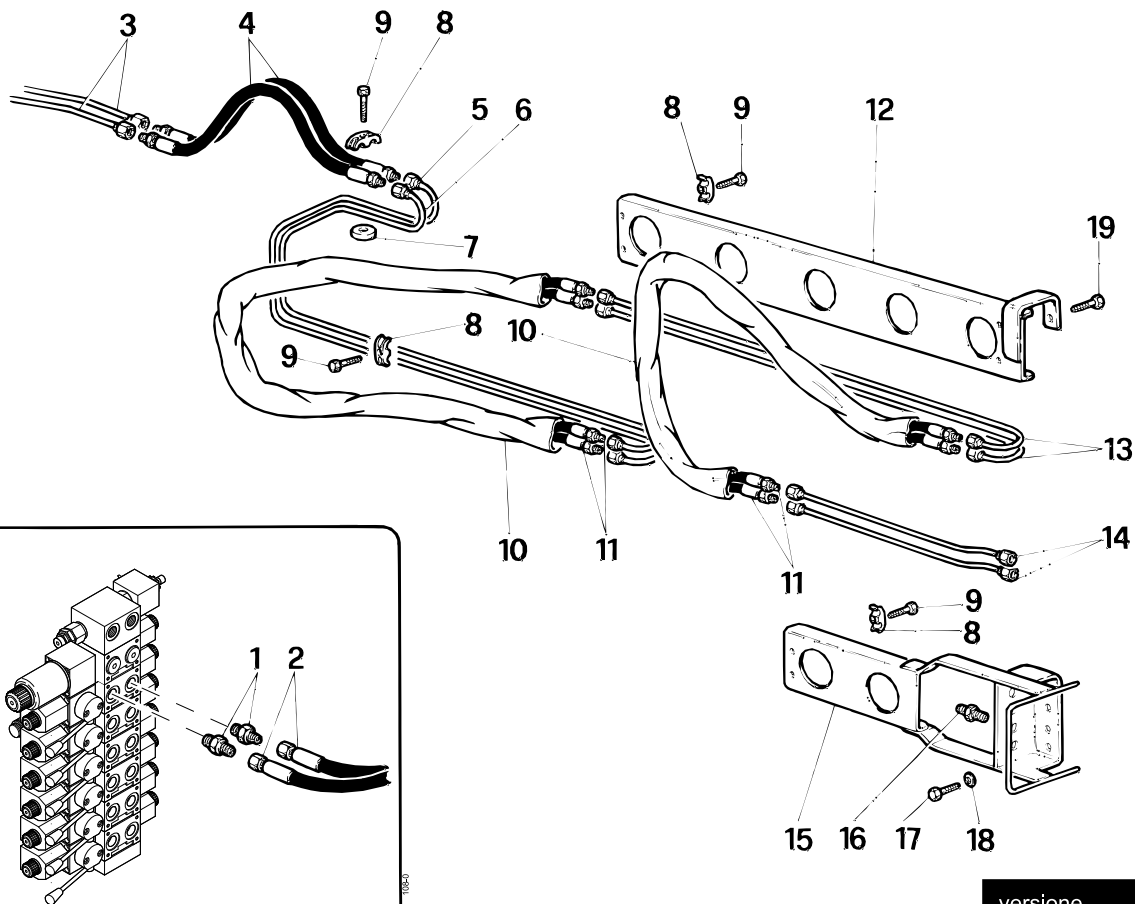
HYDRAULIC SYSTEM (6th element)

Code

5600181-1.0

1/1

R	Pos.	Code Variant	Q.ty	Description
	1	3101043	2	Straight pipe fitting
	2	5271703	2	
	3	W400500400	2	
	4	W456600	2	
	5	W390502400	1	
	6	W390502500	1	
	7	W340501400	1	
	8	5000077	6	
	9	3010033	6	Hex screw [M8X50 8.8 ZC UNI 5737]
	10	W390503300	1	
	11	W742005	2	
	12	W456593	4	
	13	W390504900	2	
	14	W340505000	2	
	15	W340502700	1	
	16	W3010353	2	
	17	3060914	2	Flat washer [D.10.5X21X2 UNI 6592 ZC]
	18	3020452	1	TSEI screw [M8X16 10.9 ZC UNI 5933]



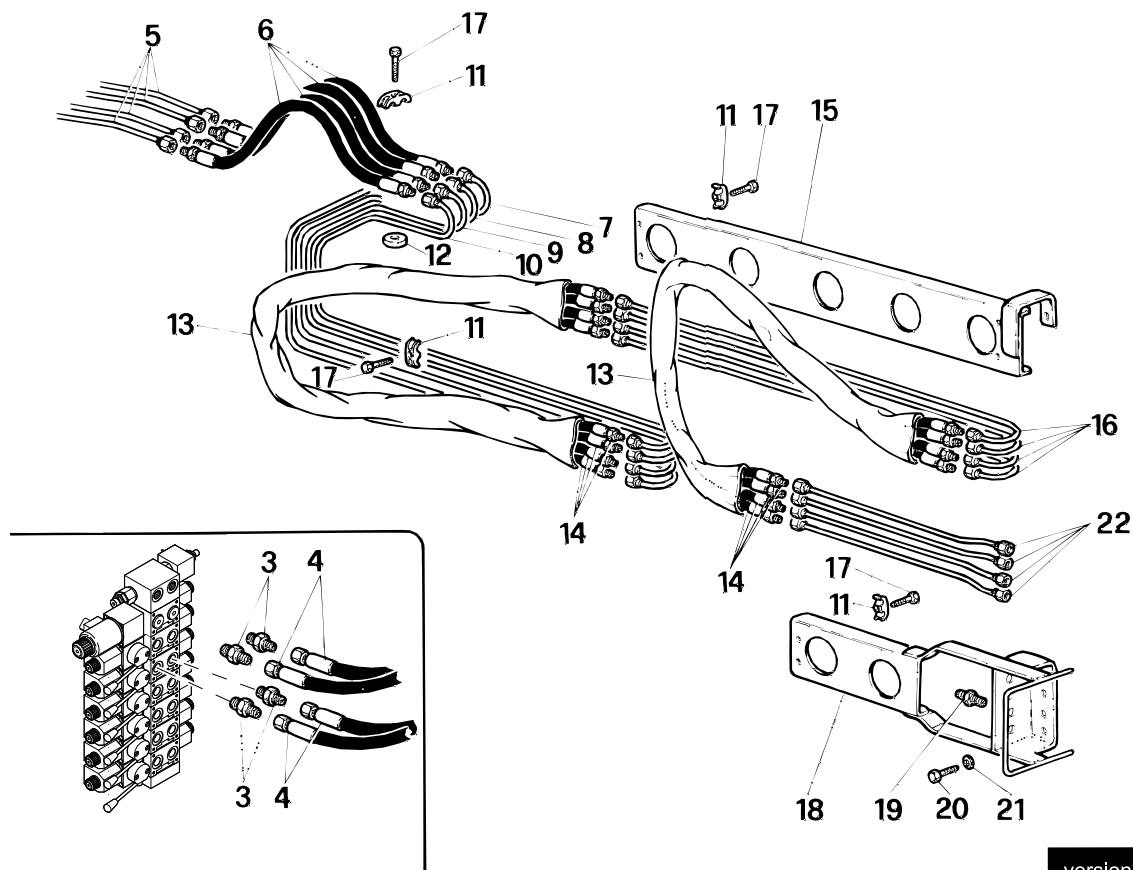
versione
model
version
Kranmodell
version
A2

HYDRAULIC SYSTEM (6th-7th element)

Code

5600180-1.0

1/2



R	Pos.	Code Variant	Q.ty	Description
	1	WVA0480	1	
	2	WVA0481	1	
	3	3101043	4	Straight pipe fitting
	4	5271703	4	
	5	W400500400	4	
	6	W456600	4	
	7	W390502400	1	
	8	W390502500	1	
	9	W390502600	1	
	10	W390502700	1	
	11	5000077	9	
	12	W340501400	9	
	13	W742005	1	
	14	W456593	4	
	15	W390503300	1	
	16	W340504900	4	
	17	3010033	9	Hex screw [M8X50 8.8 ZC UNI 5737]
	18	W340502700	1	
	19	W402008	4	
	20	3010353	2	Hex screw [M10X16 8.8 ZC UNI 5739]

versione
 model
 version
 Kranmodell
 version
A2

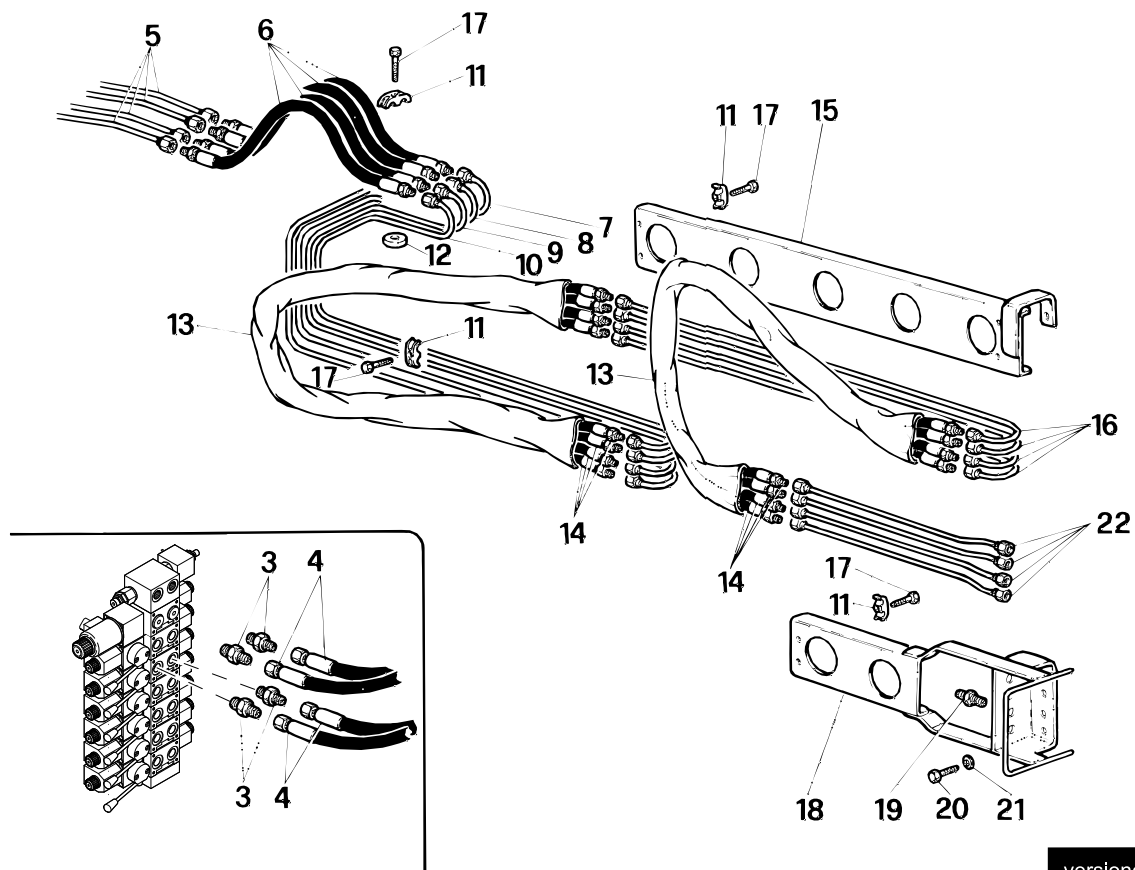
HYDRAULIC SYSTEM (6th-7th element)

Code

5600180-1.0

2/2

R	Pos.	Code Variant	Q.ty	Description
	21	3060914	2	Flat washer [D.10.5X21X2 UNI 6592 ZC]
	22	W340505000	4	



versione
 model
 version
 Kranmodell
 versi—n

A2

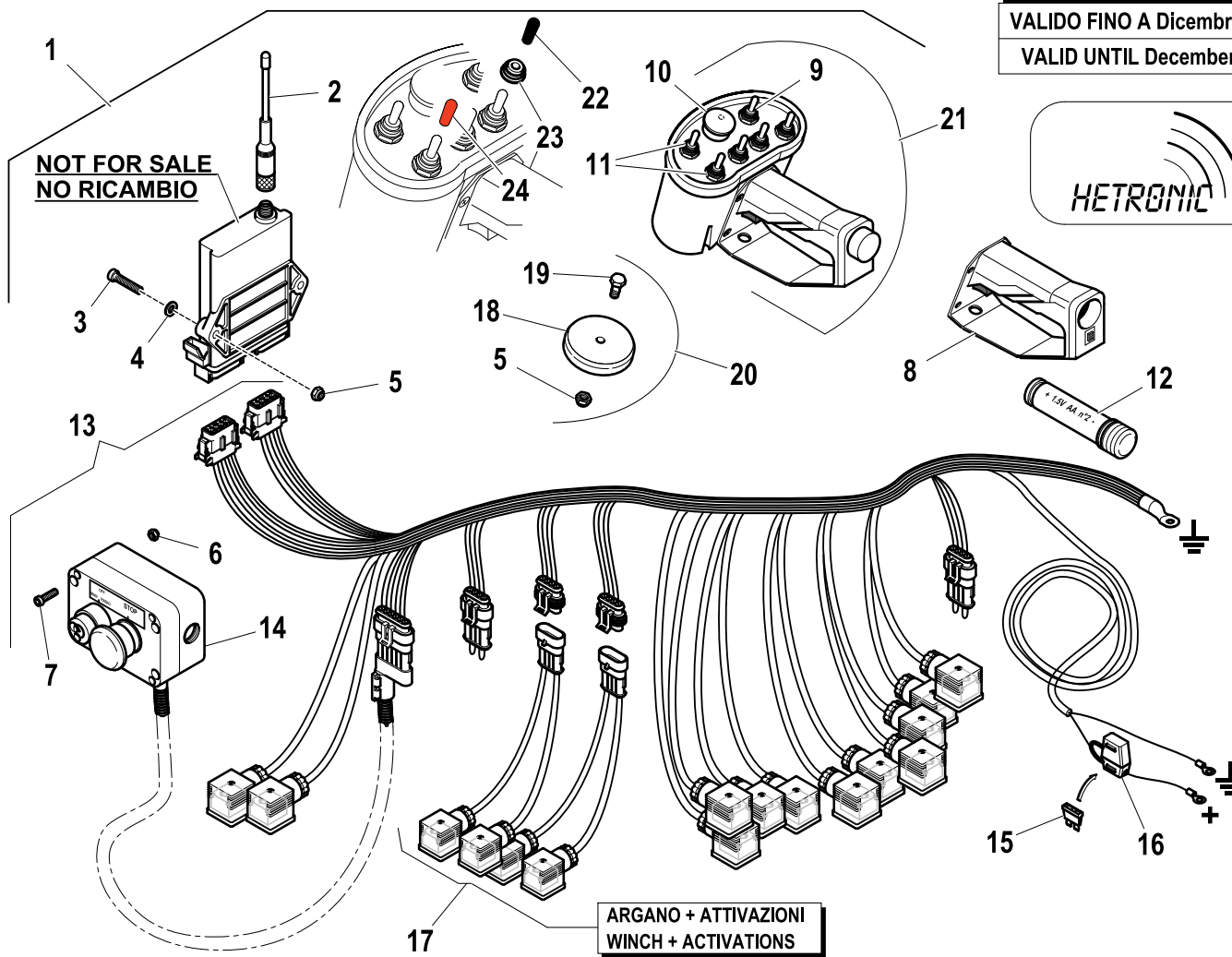
Complete wireless control (not CE)

Code

7892099-2.0

1/2

R	Pos.	Code Variant	Q.ty	Description
	1	5120095	1	
	2	3310861	1	
	3	3020038	2	Socket head cap screw [M6X30 8.8 ZC UNI 5931]
	4	3060005	2	Flat washer [D.6.4 UNI 6592 ZC]
	5	3040372	3	Stopnut
	6	3040392	8	Stopnut
	7	3020023	8	Socket head cap screw [M5X16 8.8 ZC UNI 5931]
	8	3311071	1	Handle
	9	3310891	1	
	10	3310892	1	
	11	3310890	5	
	12	3310893	1	Battery compartment
	13	3310860	1	
	14	3310908	1	
	15	3310688	1	
	16	3310852	1	
	17	3310862	2	
	18	3310064	1	
	19	3010324	1	Hex screw [M6X12 8.8 ZC UNI 5739]
	20	5410965	1	Kit (Magnet)



Complete wireless control (not CE)

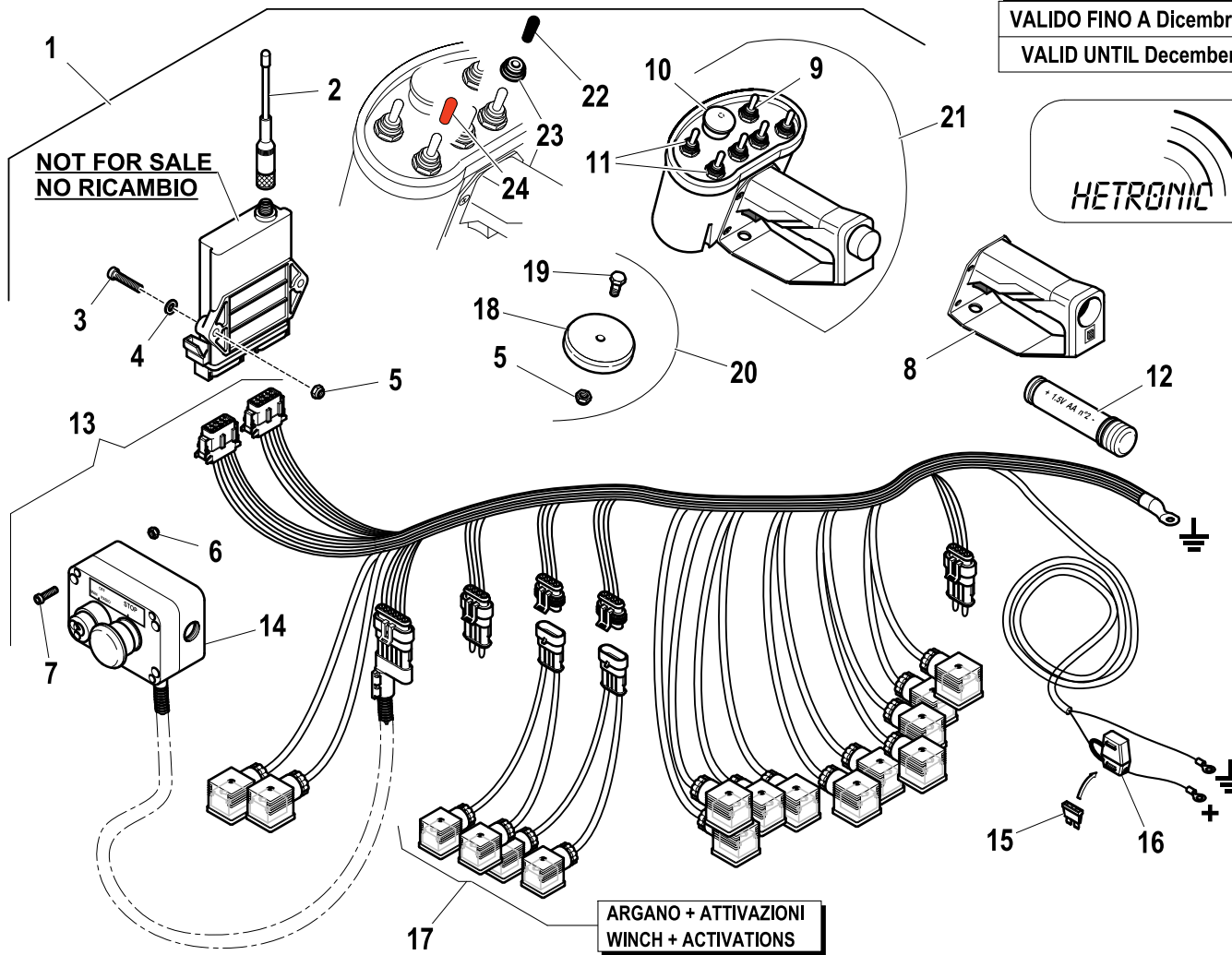
Code

7892099-2.0

2/2

R	Pos.	Code Variant	Q.ty	Description
	21	3310754	1	
	22	3311195	5	
	23	3311197	6	
	24	3311196	1	

VALIDO FINO A Dicembre 2010
VALID UNTIL December 2010



**NOT FOR SALE
NO RICAMBIO**

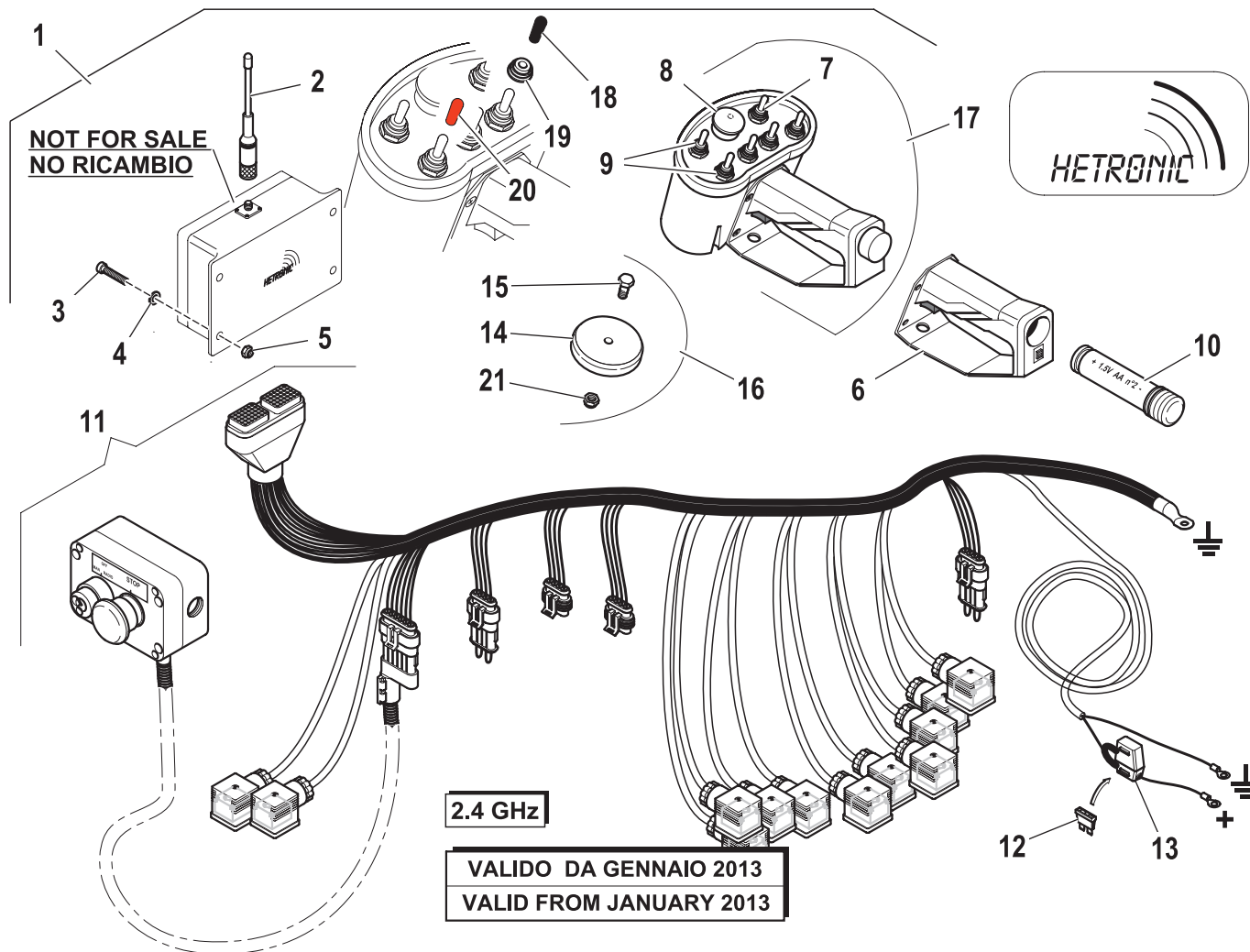
**ARGANO + ATTIVAZIONI
WINCH + ACTIVATIONS**

Complete wireless control (PTO)

Code

7892500-1.0

1/2



R	Pos.	Code Variant	Q.ty	Description
	1	5120154	1	Complete wireless control
	2	3311501	1	Aerial (Wireless control)
	3	3020028	4	Socketed head cap screw [M5X20 8.8 ZC UNI 5931]
	4	3060004	4	Flat washer [D.5 UNI 6592 ZC]
	5	3040392	4	Stopnut
	6	3311071	1	Handle
	7	3310891	1	
	8	3310892	1	
	9	3310890	5	
	10	3310893	1	Battery compartment
	11	3311509	1	Electric wiring (Wireless control)
	12	3310688	1	
	13	3310852	1	
	14	3310064	1	
	15	3010324	1	Hex screw [M6X12 8.8 ZC UNI 5739]
	16	5410965	1	Kit (Magnet)
	17	3311502	1	Transmitter (Wireless control)
	18	3311195	5	
	19	3311197	6	
	20	3311196	1	

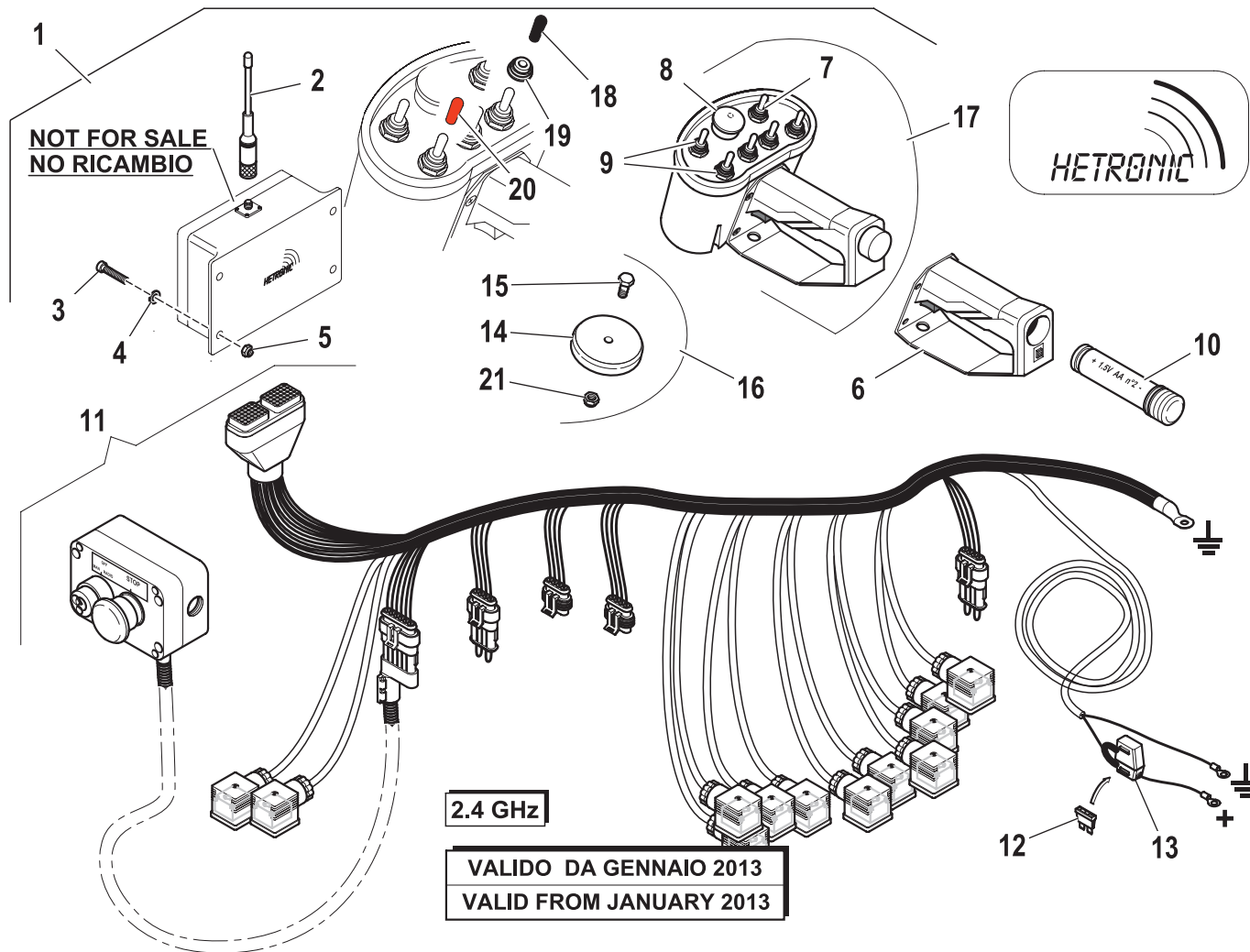
Complete wireless control (PTO)

Code

7892500-1.0

2/2

R	Pos.	Code Variant	Q.ty	Description
	21	3040372	1	Stopnut



Auxiliary wiring (Limiting device)

Code

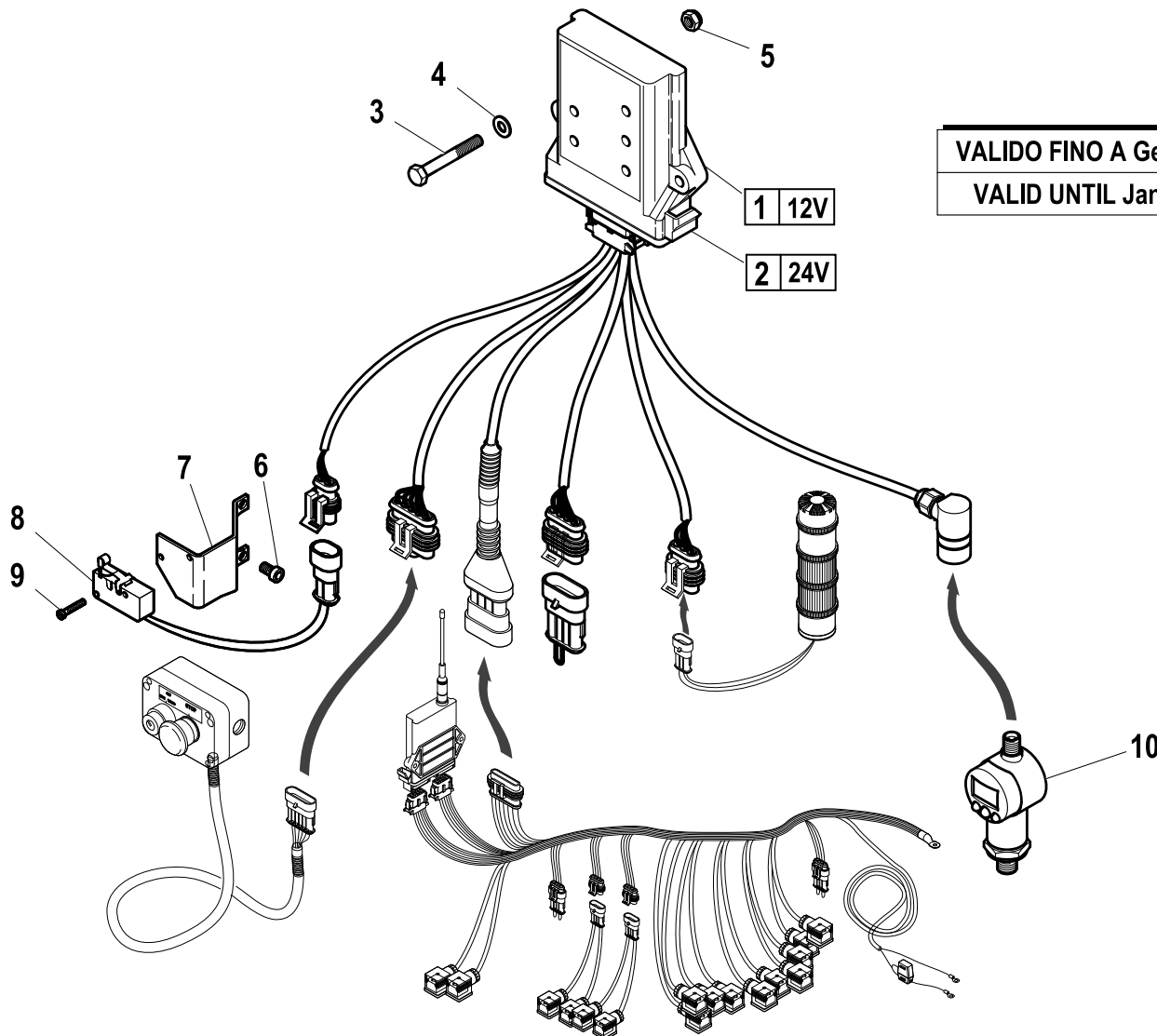
5405003-2.0

1/1

R	Pos.	Code Variant	Q.ty	Description
	1	3310876	1	
	2	3310879	1	
	3	3020038	2	Socket head cap screw [M6X30 8.8 ZC UNI 5931]
	4	3060005	2	Flat washer [D.6.4 UNI 6592 ZC]
	5	3040372	2	Stopnut
	6	3020022	2	Socket head cap screw [M5X10 8.8 ZC UNI 5931]
	7	5001694	1	
	8	3310885	1	Microswitch (Electric)
	9	3020880	2	
	10	3310873	1	

VALIDO FINO A Gennaio 2011

VALID UNTIL January 2011



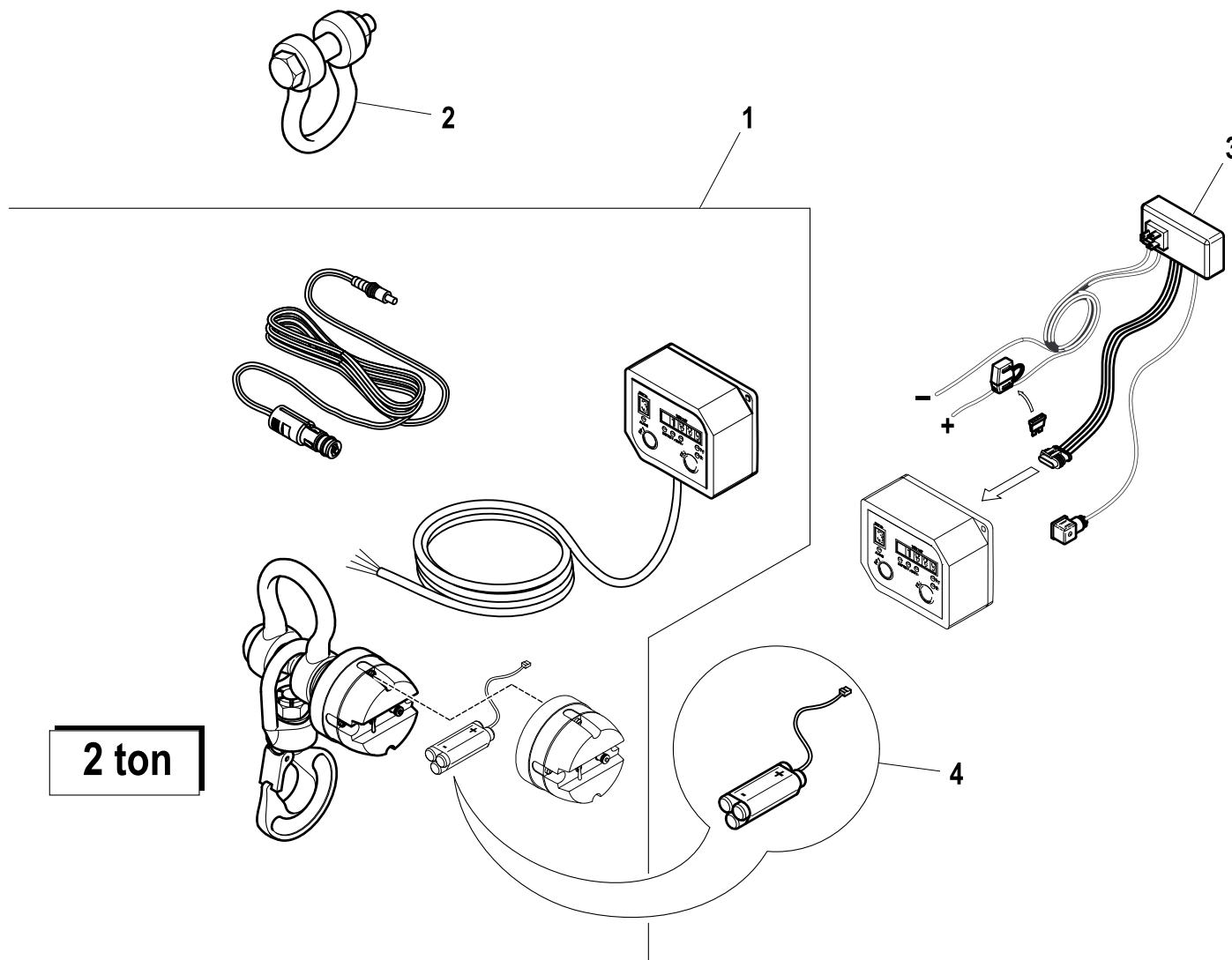
LOAD INDICATION SYSTEM

Code

7881784-1.0

1/1

R	Pos.	Code Variant	Q.ty	Description
	1	5730506	1	
	2	3200050	1	Shackles
	3	W236508	1	
	4	3311542	1	



2 ton



HB40 X EN12999-A3 (OPTIONAL)

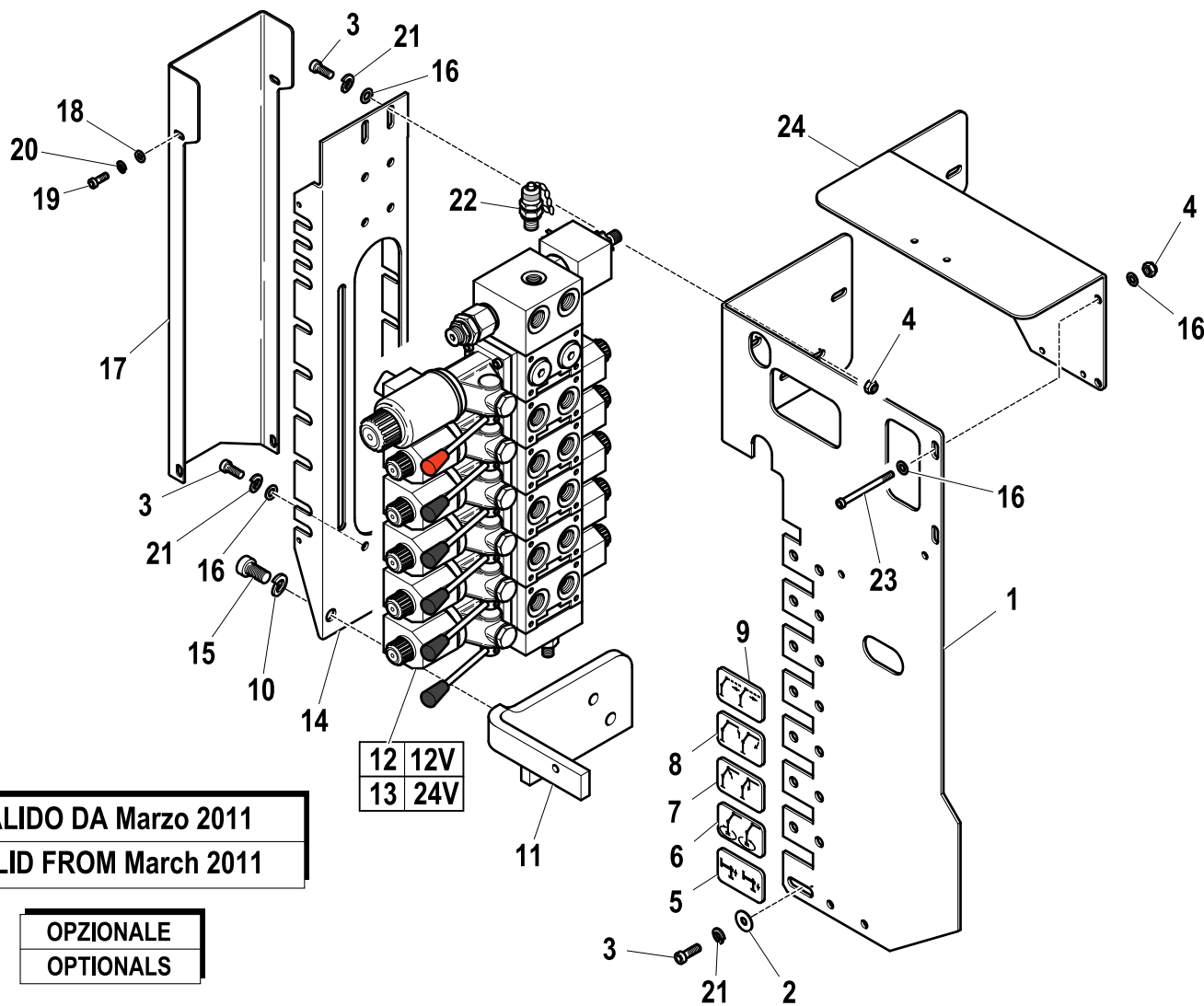
Control unit (RDC)

Code

5401643-1.0

1/2

R	Pos.	Code Variant	Q.ty	Description
	1	W370508100	1	
	2	3060030	1	Flat washer [D.6.6X18 UNI 6593 ZC]
	3	3020034	7	Socketed head cap screw [M6X16 8.8 ZC UNI 5931]
	4	3040372	4	Stopnut
	5	W573278	1	
	6	W573279	1	
	7	W573280	1	
	8	W573282	1	
	9	W573283	1	
	10	3060056	2	Split lock washer [D=10 C72 ZC]
	11	5001703	1	
	12	5220407	1	
	13	5220410	1	
	14	W370507500	1	
	15	3020080	2	Socketed head cap screw [M10X16 12.9 ZC UNI 5931]
	16	3060005	10	Flat washer [D.6.4 UNI 6592 ZC]
	17	W370507900	1	
	18	3060004	4	Flat washer [D.5 UNI 6592 ZC]
	19	3020021	4	Socketed head cap screw [M5X12X0.8 8.8 ZC UNI 5931]
	20	3060052	4	Split lock washer [D=5.5 C72 ZC]



12	12V
13	24V

VALIDO DA Marzo 2011
VALID FROM March 2011

OPZIONALE
OPTIONALS

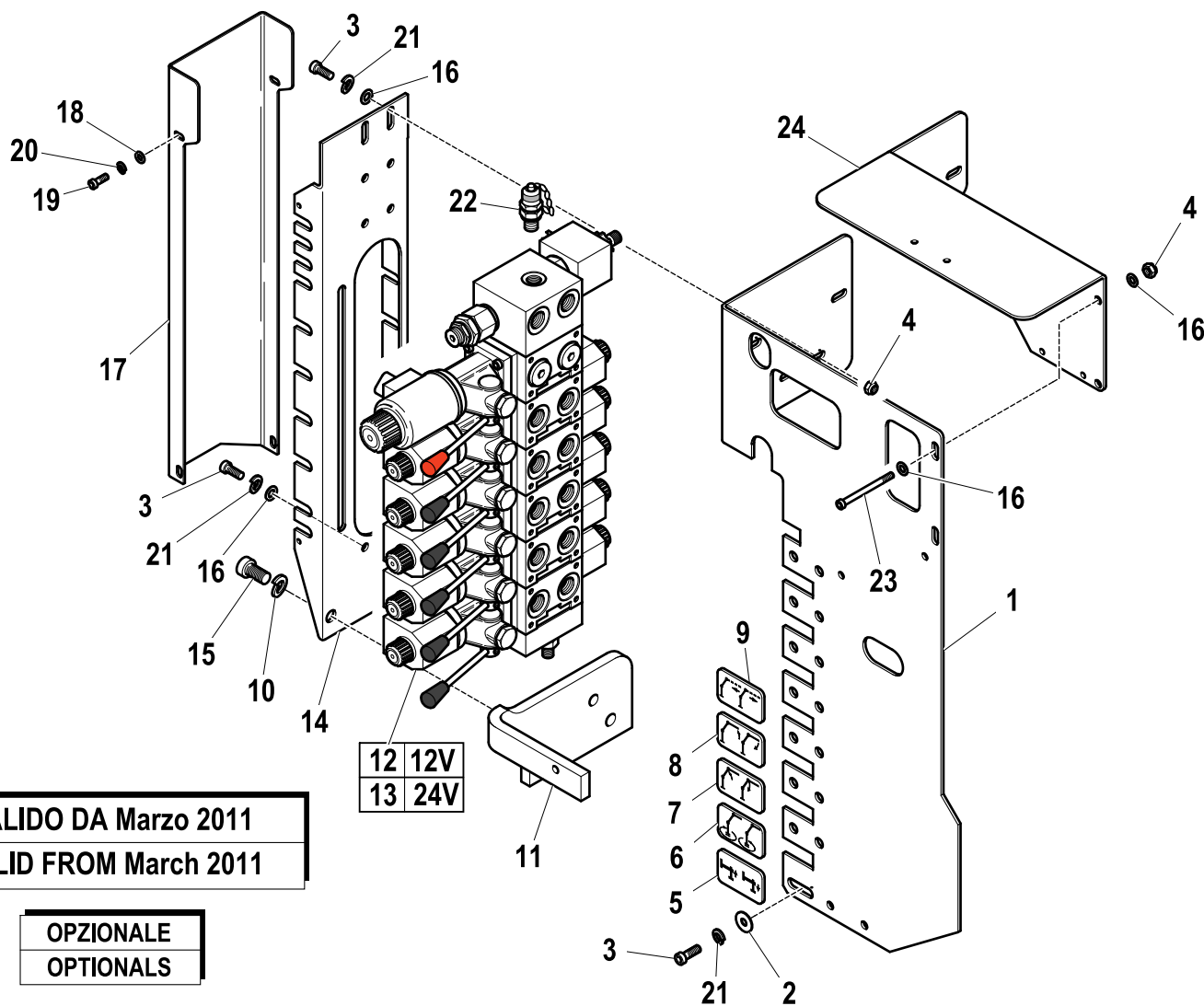
Control unit (RDC)

Code

5401643-1.0

2/2

R	Pos.	Code Variant	Q.ty	Description
	21	3060053	4	Split lock washer [D=6.4 C72 ZC]
	22	3111523	1	Pipe fitting (Tapping point) [RACC. MILITES 16X2-1/4"G]
	23	3020964	2	Socketed head cap screw [M6X70 8.8 ZC UNI 5931]
	24	W370508300	1	



VALIDO DA Marzo 2011
VALID FROM March 2011

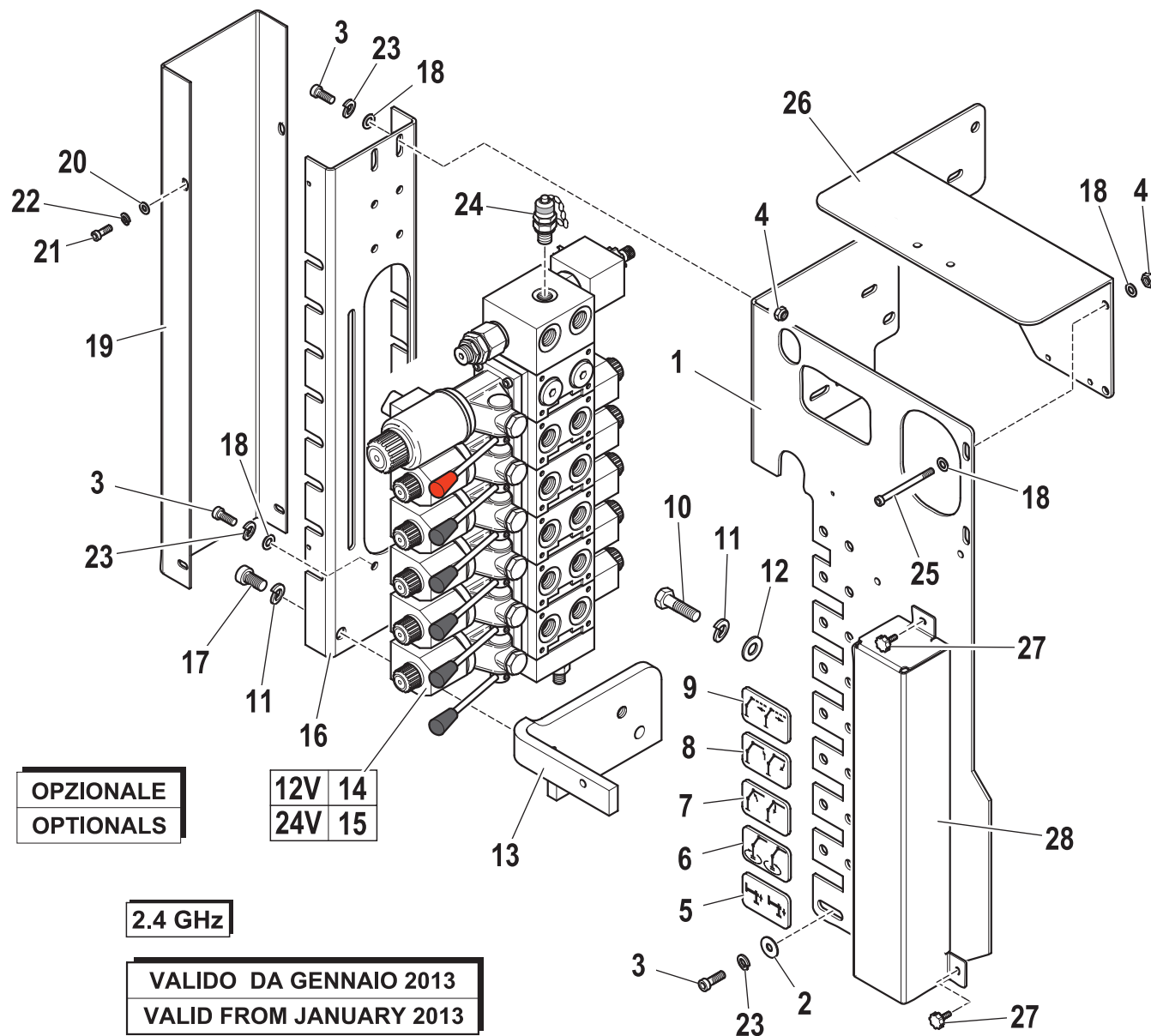
OPZIONALE
OPTIONALS

Control unit (RDC / CE)

Code

5402292-2.0

1/2



R	Pos.	Code Variant	Q.ty	Description
	1	5091454	1	Guard (Control unit)
	2	3060030	1	Flat washer [D.6.6X18 UNI 6593 ZC]
	3	3020034	7	Socketed head cap screw [M6X16 8.8 ZC UNI 5931]
	4	3040372	4	Stopnut
	5	W573278	1	
	6	W573279	1	
	7	W573280	1	
	8	W573282	1	
	9	W573283	1	
	10	3010355	2	Hex screw [M10X25 8.8 ZC IF UNI 5739]
	11	3060056	4	Split lock washer [D=10 C72 ZC]
	12	3060914	2	Flat washer [D.10.5X21X2 UNI 6592 ZC]
	13	5001703	1	
	14	5220407	1	
	15	5220410	1	
	16	5091459	1	Distributor support
	17	3020080	2	Socketed head cap screw [M10X16 12.9 ZC UNI 5931]
	18	3060005	10	Flat washer [D.6.4 UNI 6592 ZC]
	19	5091451	1	Lateral guards and supports
	20	3060004	4	Flat washer [D.5 UNI 6592 ZC]

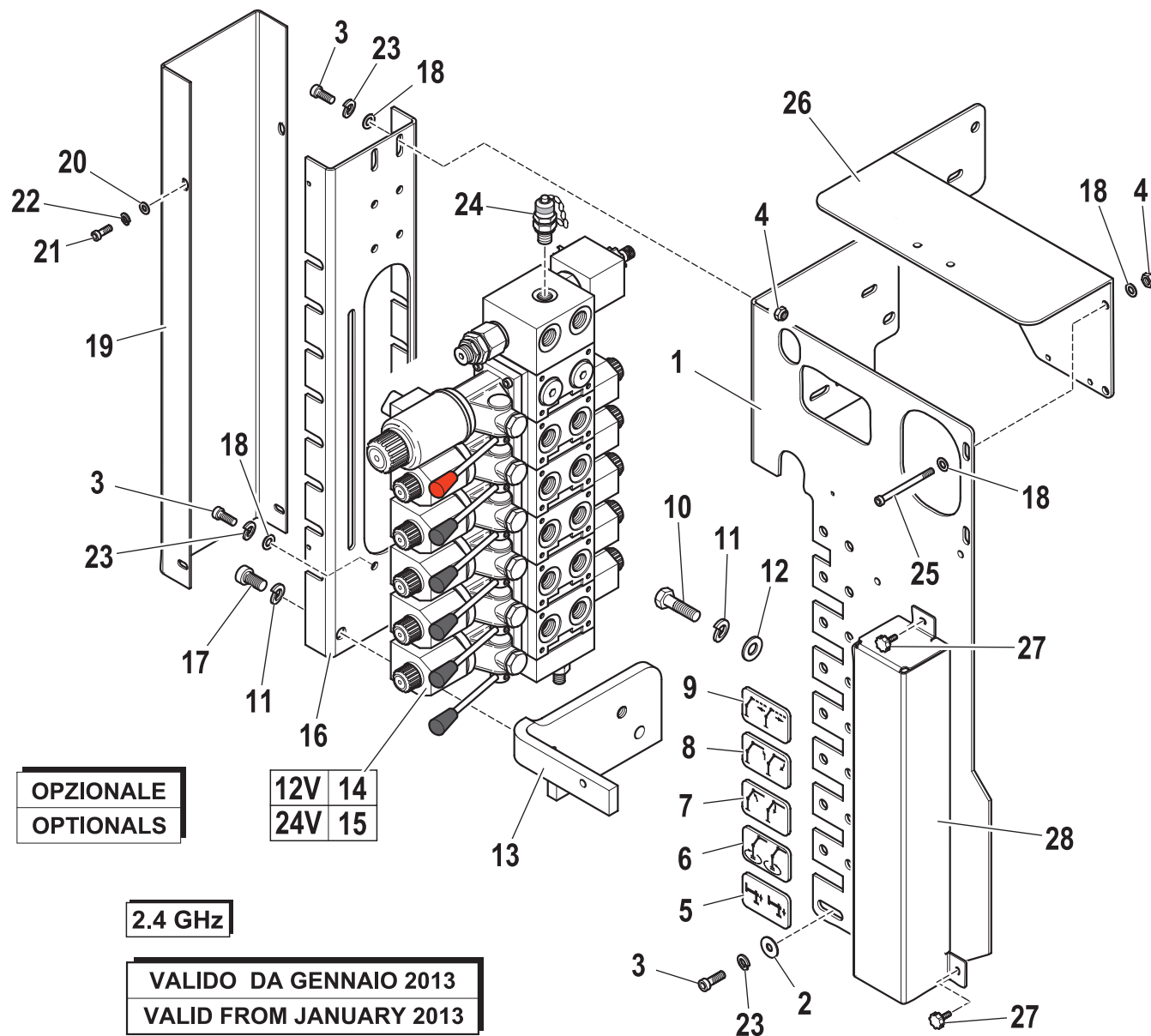
Control unit (RDC / CE)

Code

5402292-2.0

2/2

R	Pos.	Code Variant	Q.ty	Description
	21	3020021	4	Socket head cap screw [M5X12X0.8 8.8 ZC UNI 5931]
	22	3060052	4	Split lock washer [D=5.5 C72 ZC]
	23	3060053	4	Split lock washer [D=6.4 C72 ZC]
	24	3111523	1	Pipe fitting (Tapping point) [RACC. MILITES 16X2-1/4"G]
	25	3020964	2	Socket head cap screw [M6X70 8.8 ZC UNI 5931]
	26	5091488	1	Cover (Moment limiting device)
	27	3011000	2	Handwheel
	28	5091491	1	Protective guard (Control levers)

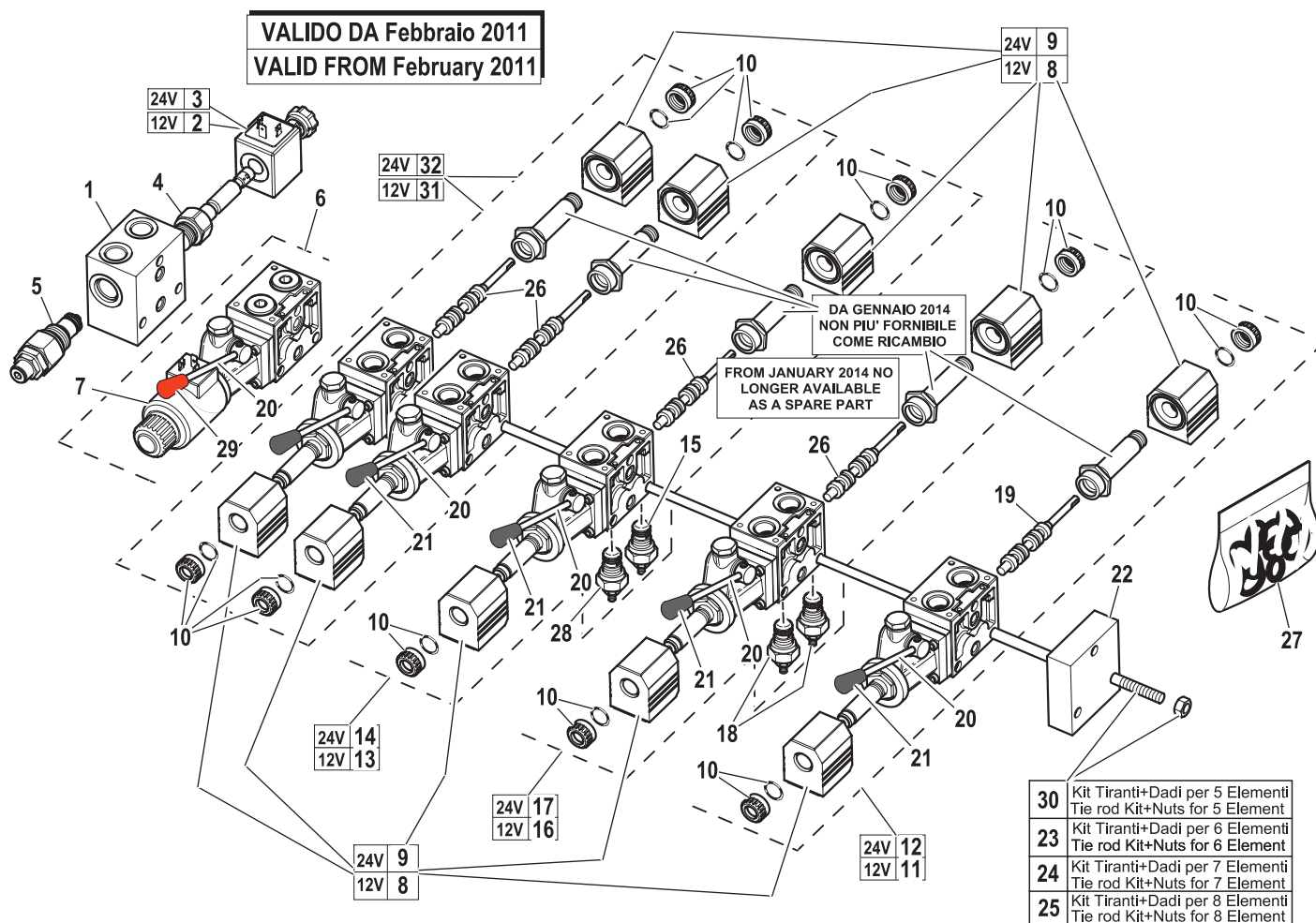


Control valve (5 section)

Code

5220410-2.0

1/2



R	Pos.	Code Variant	Q.ty	Description
	1	5225719	1	
	2	3310906	1	
	3	3310904	1	
	4	5220569	1	
	5	5225718	1	
	6	5225876	1	
	7	3310903	1	
	8	3310907	10	
	9	3310905	10	
	10	5225721	10	
	11	5225881	1	
	12	5225886	1	
	13	5225879	1	
	14	5225884	1	
	15	5225729	1	
	16	5225880	1	
	17	5225885	1	
	18	5225736	2	
	19	5225715	1	
	20	5225800	6	Control lever

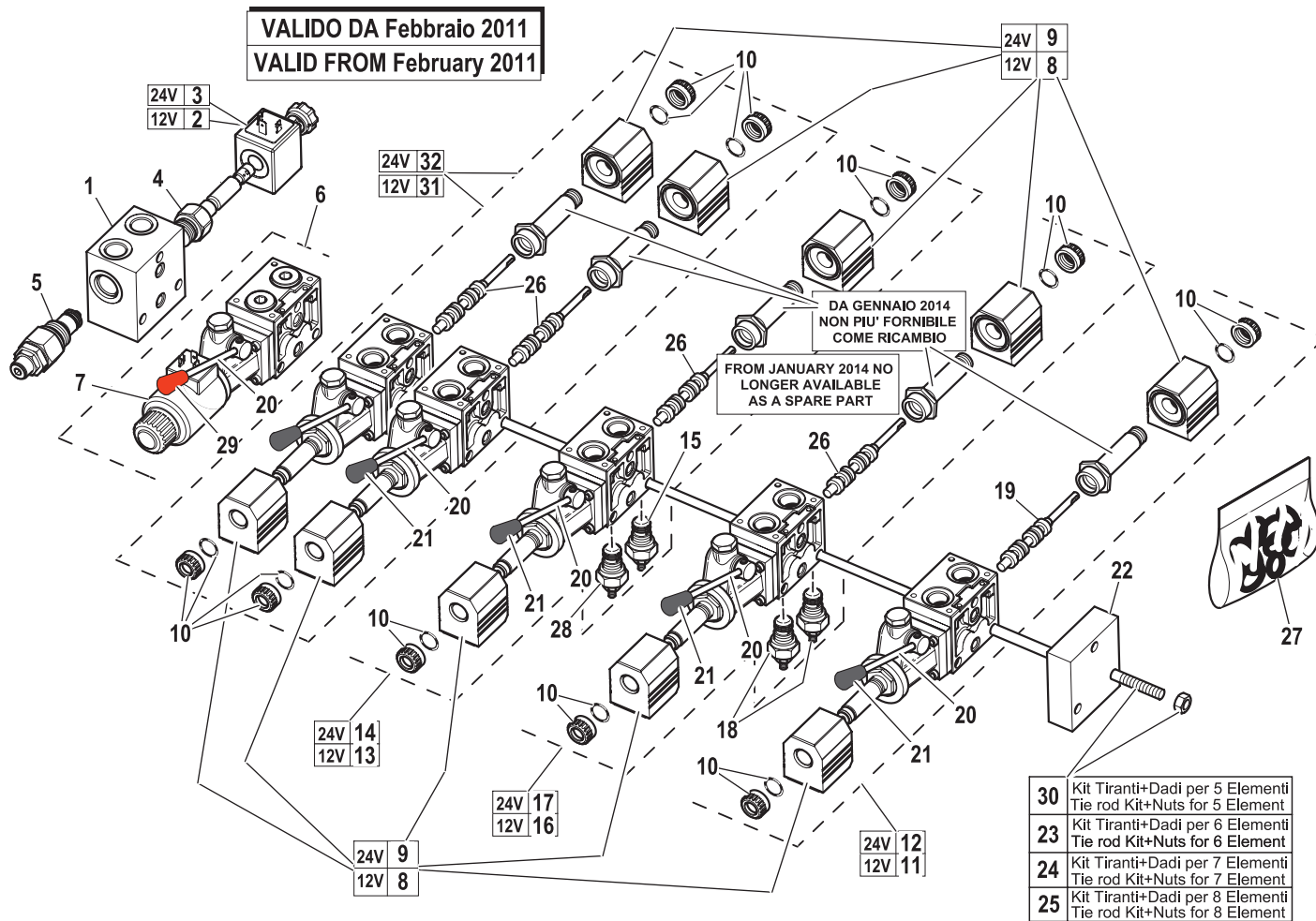
- 30 Kit Tiranti+Dadi per 5 Elementi
Tie rod Kit+Nuts for 5 Element
- 23 Kit Tiranti+Dadi per 6 Elementi
Tie rod Kit+Nuts for 6 Element
- 24 Kit Tiranti+Dadi per 7 Elementi
Tie rod Kit+Nuts for 7 Element
- 25 Kit Tiranti+Dadi per 8 Elementi
Tie rod Kit+Nuts for 8 Element

Control valve (5 section)

Code

5220410-2.0

2/2



R	Pos.	Code Variant	Q.ty	Description
	21	5225801	5	
	22	5225727	1	
	23	5225730	1	
	24	5225731	1	
	25	5225732	1	
	26	5225716	4	
	27	5225733	1	
	28	5225728	1	
	29	5225802	1	
	30	5225843	1	
	31	5225878	2	
	32	5225883	2	

30	Kit Tiranti+Dadi per 5 Elementi Tie rod Kit+Nuts for 5 Element
23	Kit Tiranti+Dadi per 6 Elementi Tie rod Kit+Nuts for 6 Element
24	Kit Tiranti+Dadi per 7 Elementi Tie rod Kit+Nuts for 7 Element
25	Kit Tiranti+Dadi per 8 Elementi Tie rod Kit+Nuts for 8 Element

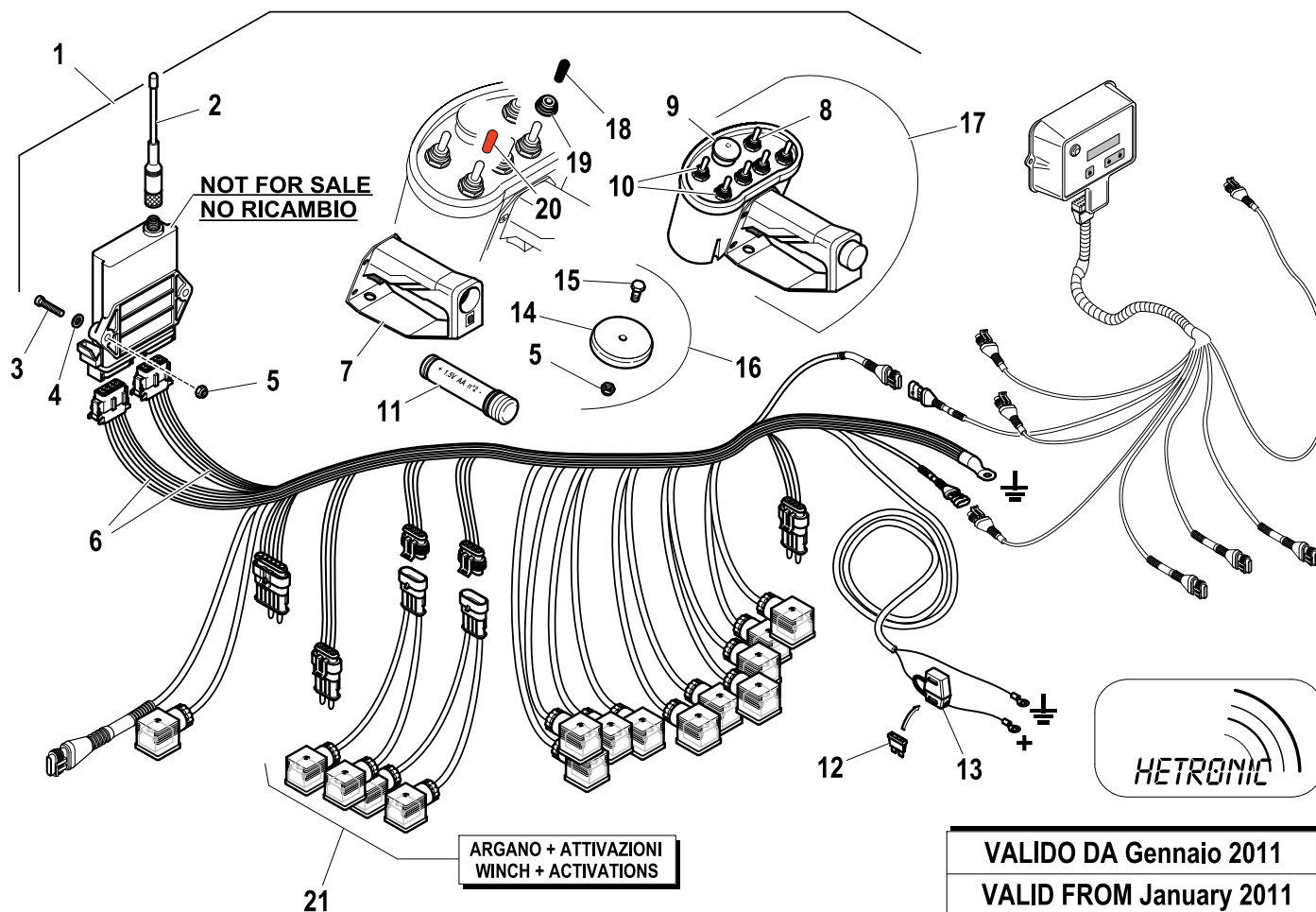
Kit (Wireless control)

Code

7892099-3.0

1/2

R	Pos.	Code Variant	Q.ty	Description
	1	5120095	1	
	2	3310861	1	
	3	3020038	2	Socket head cap screw [M6X30 8.8 ZC UNI 5931]
	4	3060005	2	Flat washer [D.6.4 UNI 6592 ZC]
	5	3040372	3	Stopnut
	6	3311385	1	
	7	3311071	1	Handle
	8	3310891	1	
	9	3310892	1	
	10	3310890	5	
	11	3310893	1	Battery compartment
	12	3310688	1	
	13	3310852	1	
	14	3310064	1	
	15	3010324	1	Hex screw [M6X12 8.8 ZC UNI 5739]
	16	5410965	1	Kit (Magnet)
	17	3310754	1	
	18	3311195	5	
	19	3311197	6	
	20	3311196	1	



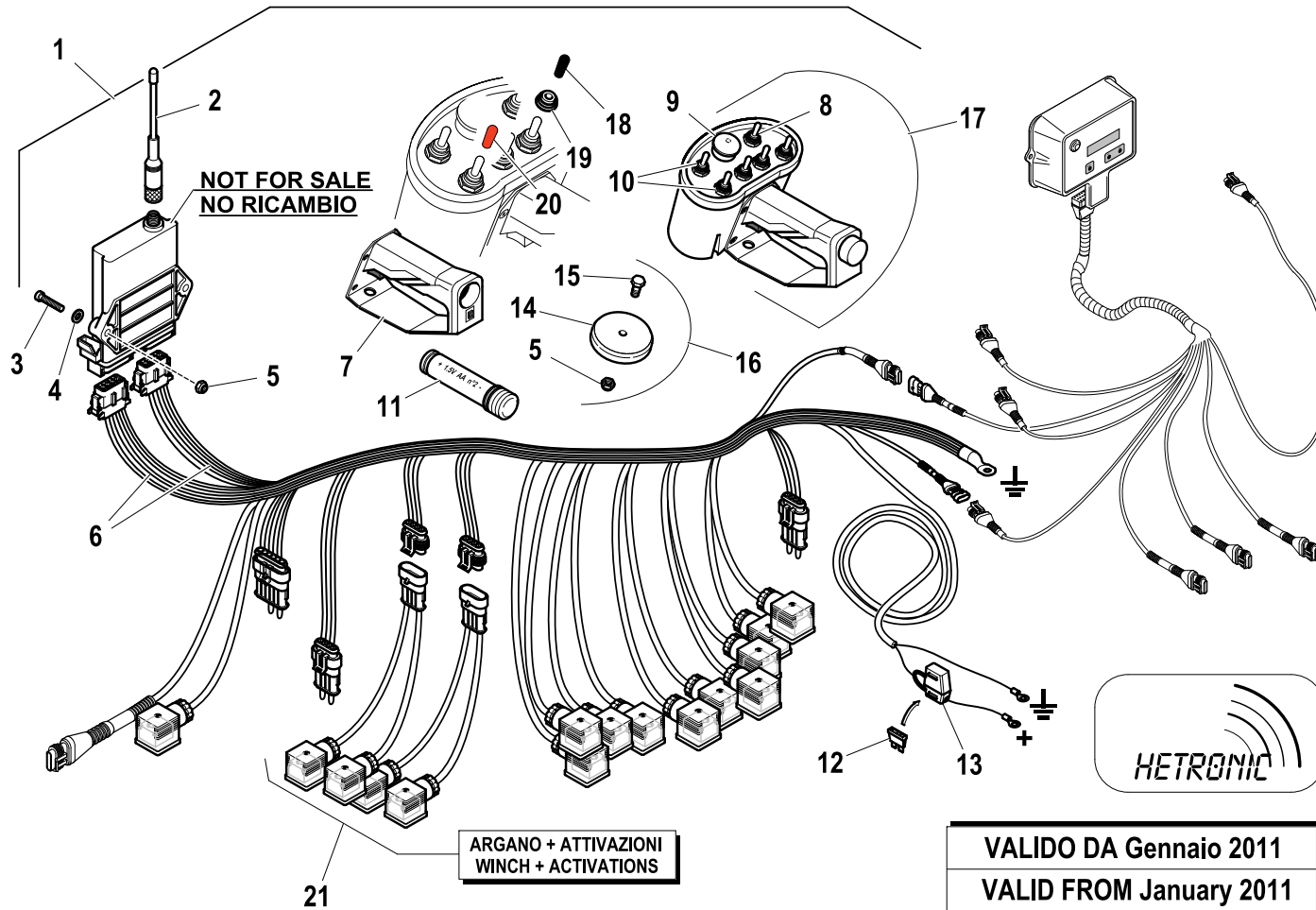
Kit (Wireless control)

Code

7892099-3.0

2/2

R	Pos.	Code Variant	Q.ty	Description
	21	3310862	2	

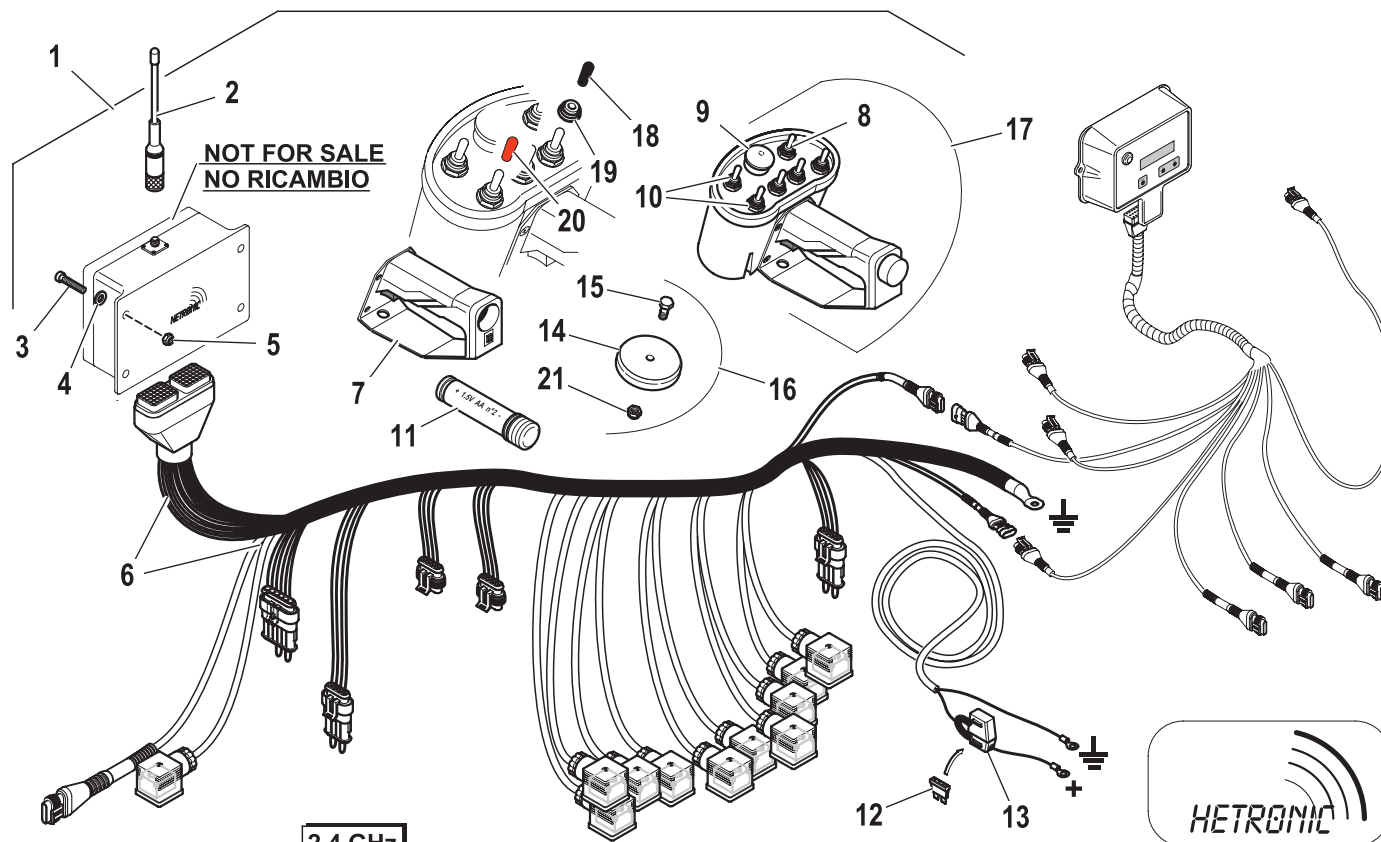


Complete wireless control (PTO)

Code

7892500-2.0

1/2



**NOT FOR SALE
NO RICAMBIO**

2.4 GHz

**VALIDO DA GENNAIO 2013
VALID FROM JANUARY 2013**

R	Pos.	Code Variant	Q.ty	Description
	1	5120154	1	Complete wireless control
	2	3311501	1	Aerial (Wireless control)
	3	3020028	4	Socketed head cap screw [M5X20 8.8 ZC UNI 5931]
	4	3060004	4	Flat washer [D.5 UNI 6592 ZC]
	5	3040392	4	Stopnut
	6	3311633	1	Electric wiring
	7	3311071	1	Handle
	8	3310891	1	
	9	3310892	1	
	10	3310890	5	
	11	3310893	1	Battery compartment
	12	3310688	1	
	13	3310852	1	
	14	3310064	1	
	15	3010324	1	Hex screw [M6X12 8.8 ZC UNI 5739]
	16	5410965	1	Kit (Magnet)
	17	3311502	1	Transmitter (Wireless control)
	18	3311195	5	
	19	3311197	6	
	20	3311196	1	

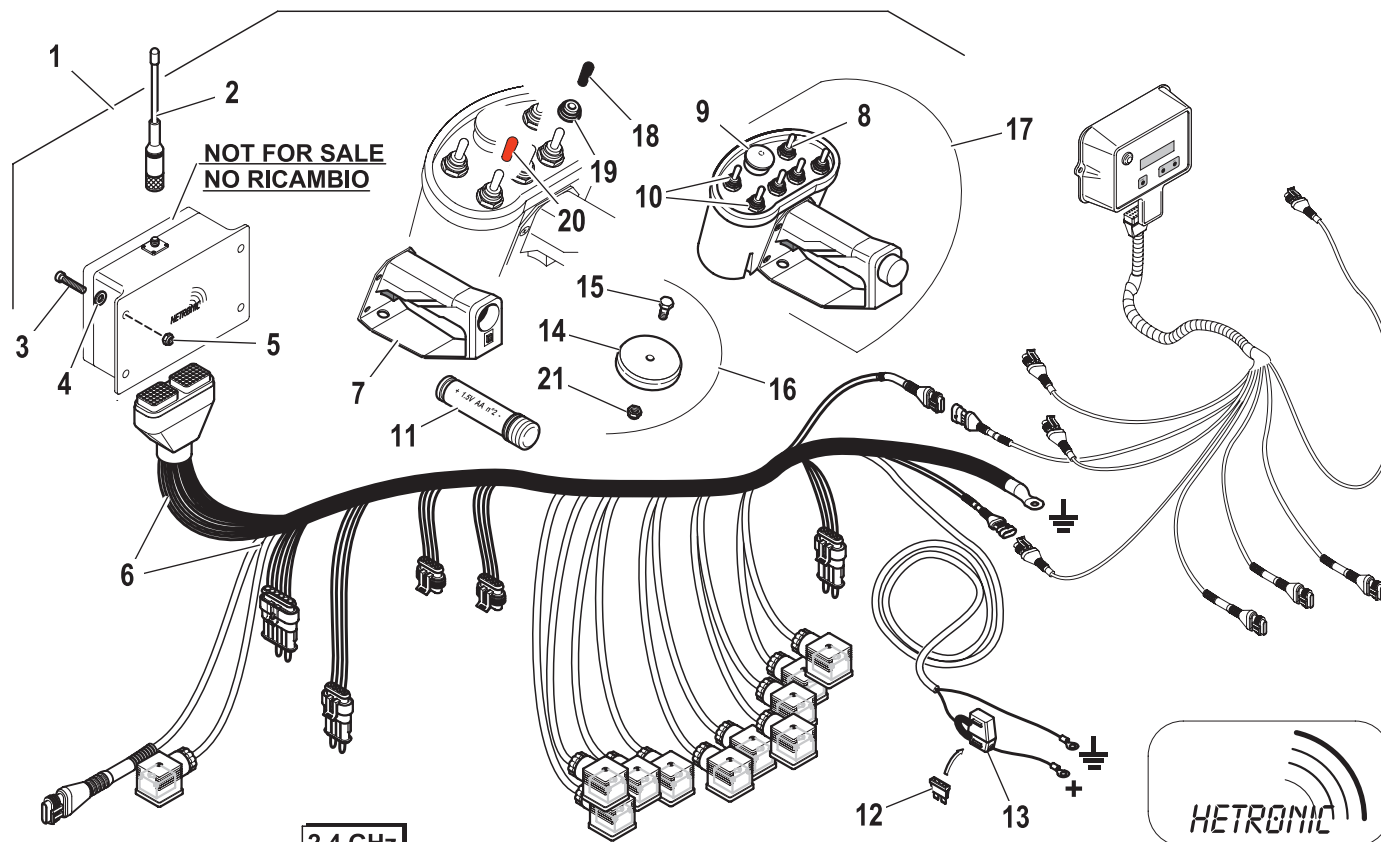
Complete wireless control (PTO)

Code

7892500-2.0

2/2

R	Pos.	Code Variant	Q.ty	Description
	21	3040372	1	Stopnut



**NOT FOR SALE
NO RICAMBIO**

2.4 GHz

**VALIDO DA GENNAIO 2013
VALID FROM JANUARY 2013**

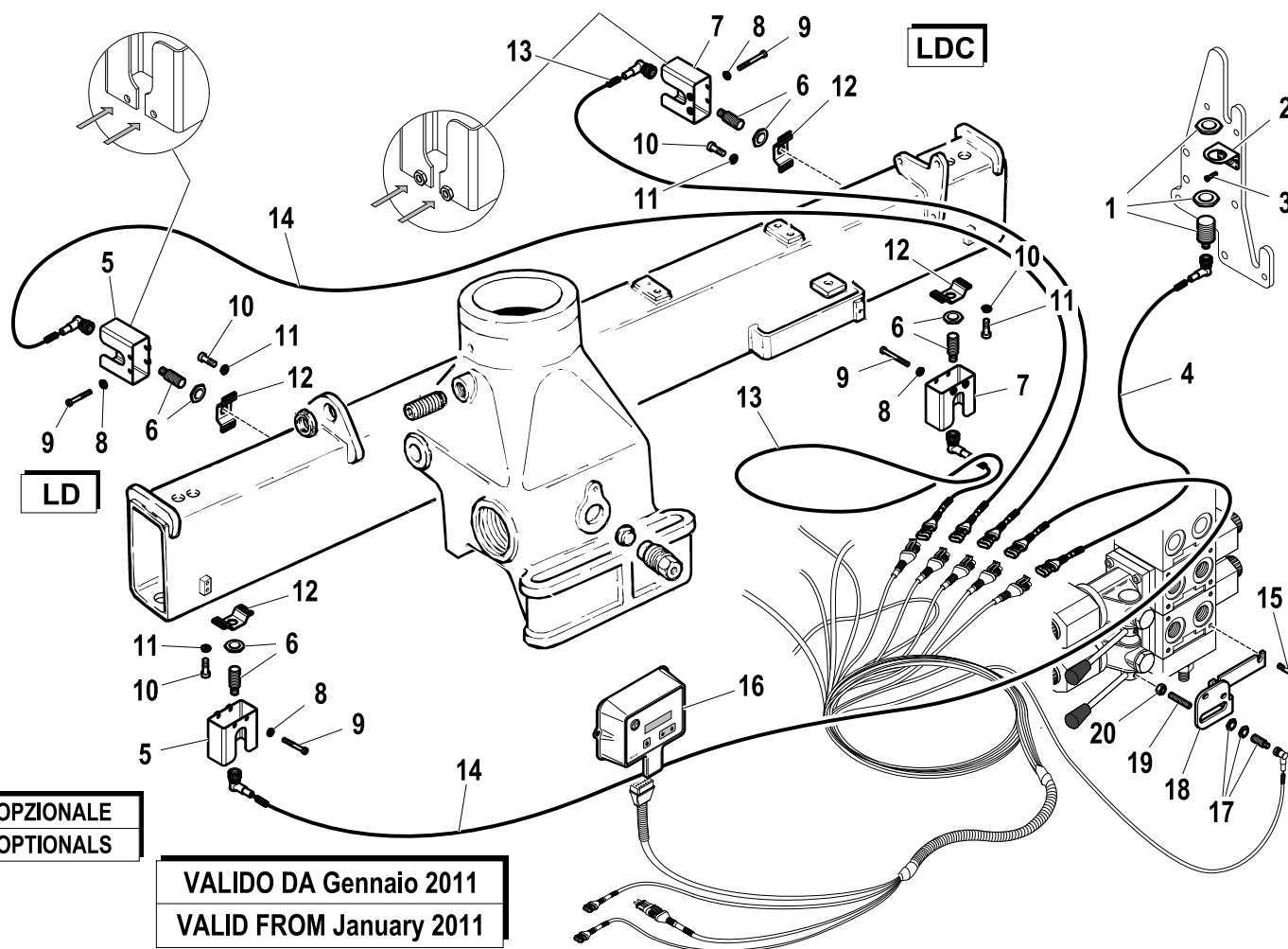
Kit CE (STABILITY CONTROL)

Code

5405044-3.0

1/1

R	Pos.	Code Variant	Q.ty	Description
	1	3311312	1	Proximity switch
	2	5000426	1	Support (Proximity switch)
	3	3020895	2	Socketed head cap screw [M4X10 8.8 ZC UNI 5931]
	4	3311372	1	Electric wiring
	5	5091306	2	Guard (Proximity switch)
	6	3311311	4	Proximity switch
	7	5091310	2	Guard (Proximity switch)
	8	3060053	8	Split lock washer [D=6.4 C72 ZC]
	9	3020045	8	Socketed head cap screw [M6X45 8.8 ZC UNI 5931]
	10	3020902	8	Socketed head cap screw [M8X10 ZC UNI 5931]
	11	3060055	8	Split lock washer [D=8.4 C72 ZC]
	12	5000420	4	Support (Proximity switch)
	13	3311342	2	
	14	3311332	2	
	15	3020022	2	Socketed head cap screw [M5X10 8.8 ZC UNI 5931]
	16	3311386	1	
	17	3311341	1	
	18	5001842	1	Microswitch support
	19	3060223	1	Grub screw
	20	3040391	1	Hexagonal nut (Normal)



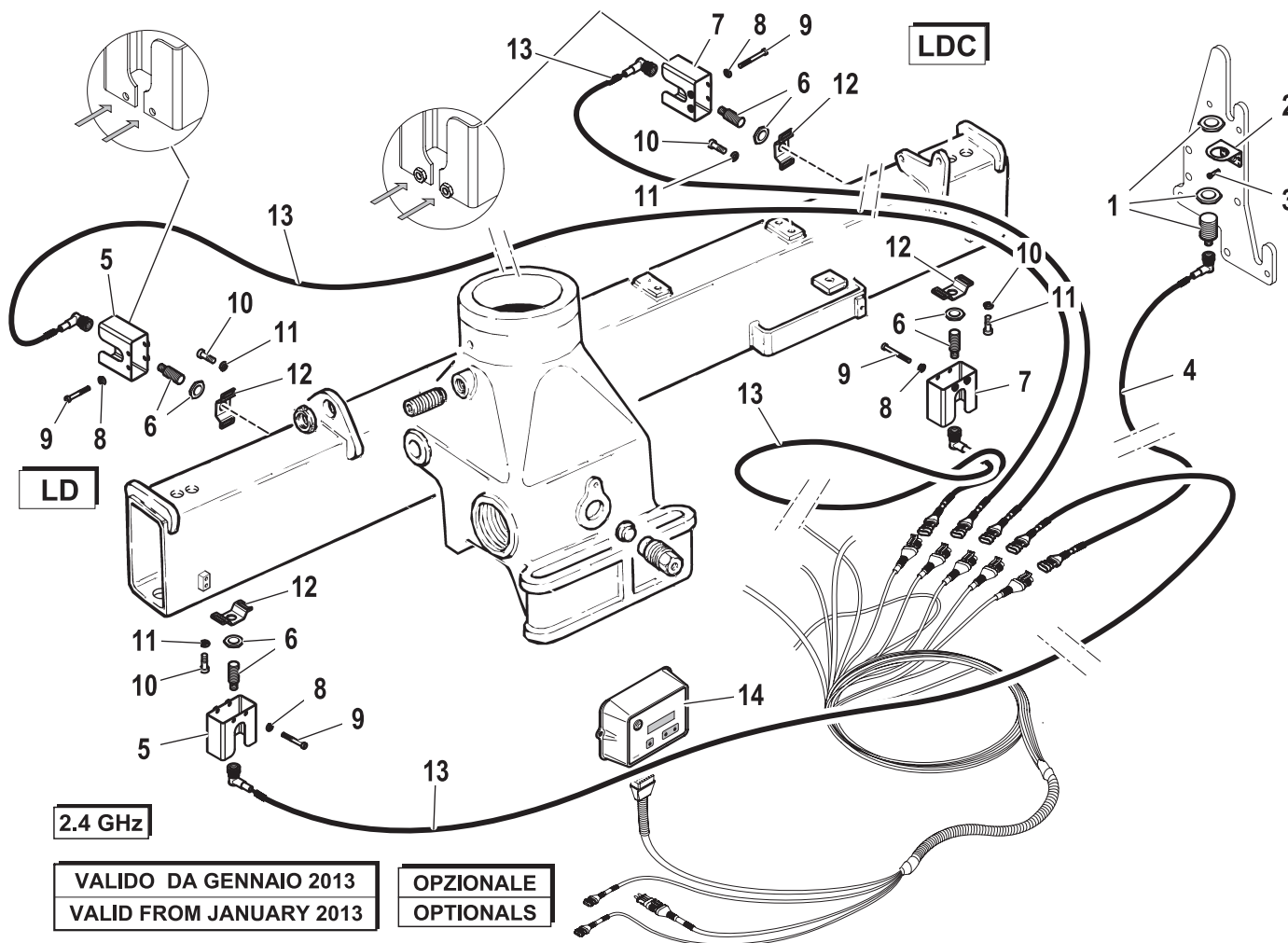
Kit CE (STABILITY CONTROL)

Code

5405044-5.0

1/1

R	Pos.	Code Variant	Q.ty	Description
	1	3311312	1	Proximity switch
	2	5000426	1	Support (Proximity switch)
	3	3020895	2	Socketed head cap screw [M4X10 8.8 ZC UNI 5931]
	4	3311372	1	Electric wiring
	5	5091306	2	Guard (Proximity switch)
	6	3311311	4	Proximity switch
	7	5091310	2	Guard (Proximity switch)
	8	3060053	8	Split lock washer [D=6.4 C72 ZC]
	9	3020045	8	Socketed head cap screw [M6X45 8.8 ZC UNI 5931]
	10	3020902	8	Socketed head cap screw [M8X10 ZC UNI 5931]
	11	3060055	8	Split lock washer [D=8.4 C72 ZC]
	12	5000420	4	Support (Proximity switch)
	13	3311636	4	Electric wiring
	14	3311541	1	Moment limiting device



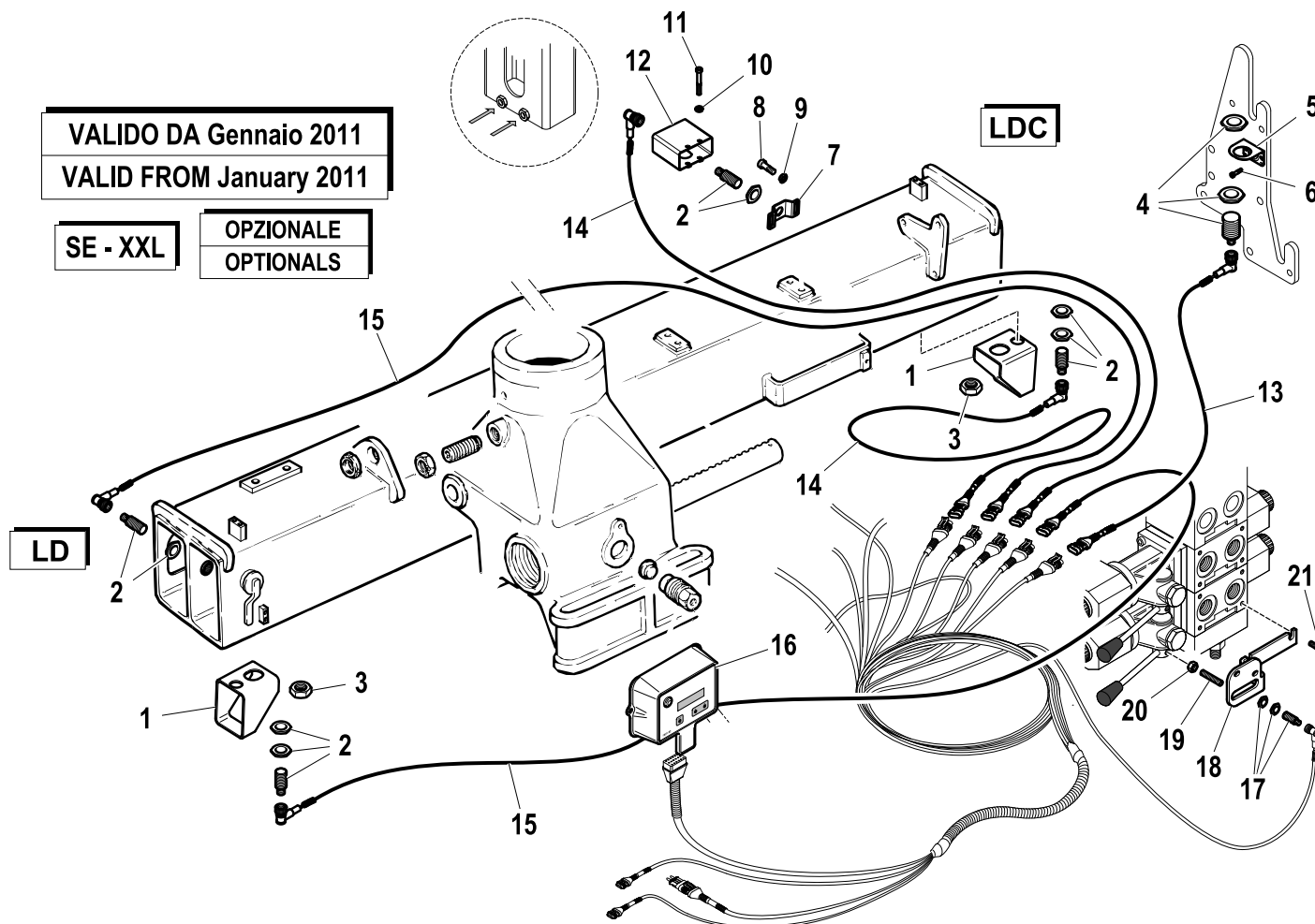
Kit CE (STABILITY CONTROL)

Code

5405044-4.0

1/2

R	Pos.	Code Variant	Q.ty	Description
	1	5000422	2	Support (Proximity switch)
	2	3311311	4	Proximity switch
	3	3040251	2	Lock nut [M24 8.G basso UNI 5589]
	4	3311312	1	Proximity switch
	5	5000426	1	Support (Proximity switch)
	6	3020895	2	Socketed head cap screw [M4X10 8.8 ZC UNI 5931]
	7	5000420	1	Support (Proximity switch)
	8	3020902	2	Socketed head cap screw [M8X10 ZC UNI 5931]
	9	3060055	2	Split lock washer [D=8.4 C72 ZC]
	10	3060053	2	Split lock washer [D=6.4 C72 ZC]
	11	3020045	2	Socketed head cap screw [M6X45 8.8 ZC UNI 5931]
	12	5091310	1	Guard (Proximity switch)
	13	3311372	1	Electric wiring
	14	3311342	2	
	15	3311332	2	
	16	3311386	1	
	17	3311341	1	
	18	5001842	1	Microswitch support
	19	3060223	1	Grub screw
	20	3040391	1	Hexagonal nut (Normal)



VALIDO DA Gennaio 2011
VALID FROM January 2011

SE - XXL **OPZIONALE**
OPTIONALS

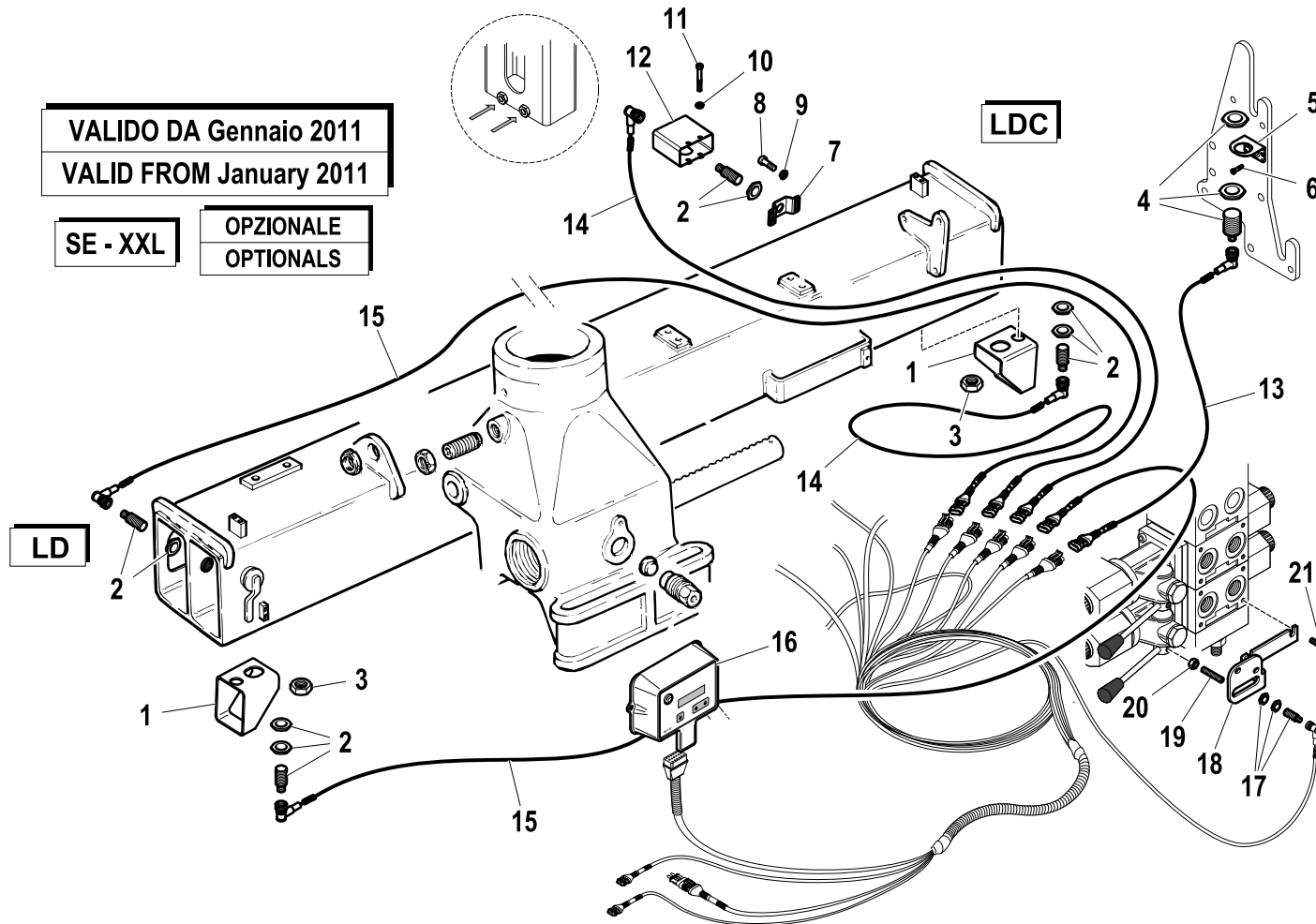
Kit CE (STABILITY CONTROL)

Code

5405044-4.0

2/2

R	Pos.	Code Variant	Q.ty	Description
	21	3020022	1	Socket head cap screw [M5X10 8.8 ZC UNI 5931]



VALIDO DA Gennaio 2011
VALID FROM January 2011

SE - XXL OPZIONALE
 OPTIONALS

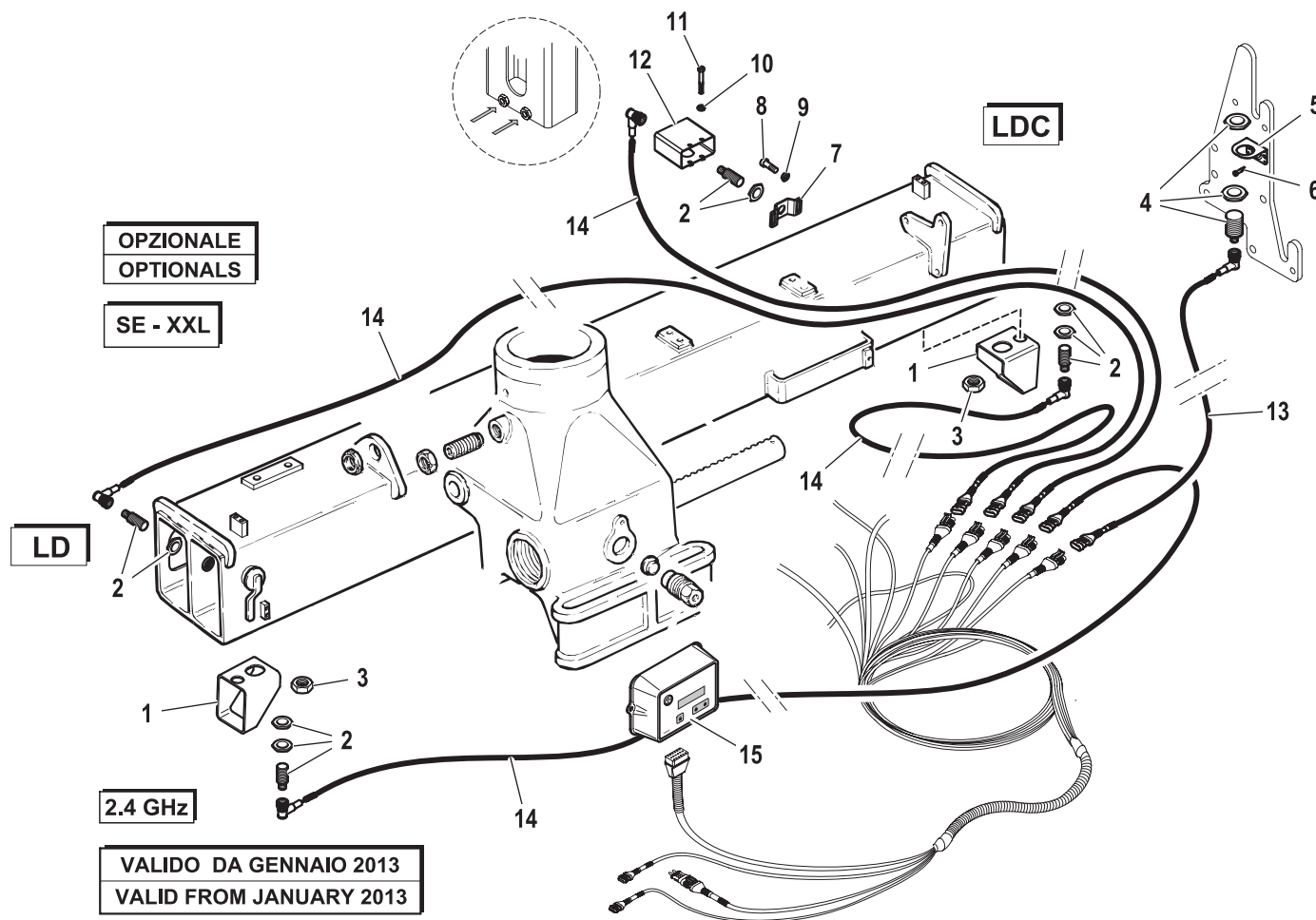
Kit CE (STABILITY CONTROL)

Code

5405044-6.0

1/1

R	Pos.	Code Variant	Q.ty	Description
	1	5000422	2	Support (Proximity switch)
	2	3311311	4	Proximity switch
	3	3040251	2	Lock nut [M24 8.G basso UNI 5589]
	4	3311312	1	Proximity switch
	5	5000426	1	Support (Proximity switch)
	6	3020895	2	Socketed head cap screw [M4X10 8.8 ZC UNI 5931]
	7	5000420	1	Support (Proximity switch)
	8	3020902	2	Socketed head cap screw [M8X10 ZC UNI 5931]
	9	3060055	2	Split lock washer [D=8.4 C72 ZC]
	10	3060053	2	Split lock washer [D=6.4 C72 ZC]
	11	3020045	2	Socketed head cap screw [M6X45 8.8 ZC UNI 5931]
	12	5091310	1	Guard (Proximity switch)
	13	3311372	1	Electric wiring
	14	3311636	4	Electric wiring
	15	3311541	1	Moment limiting device



Moment limiting device (CE)

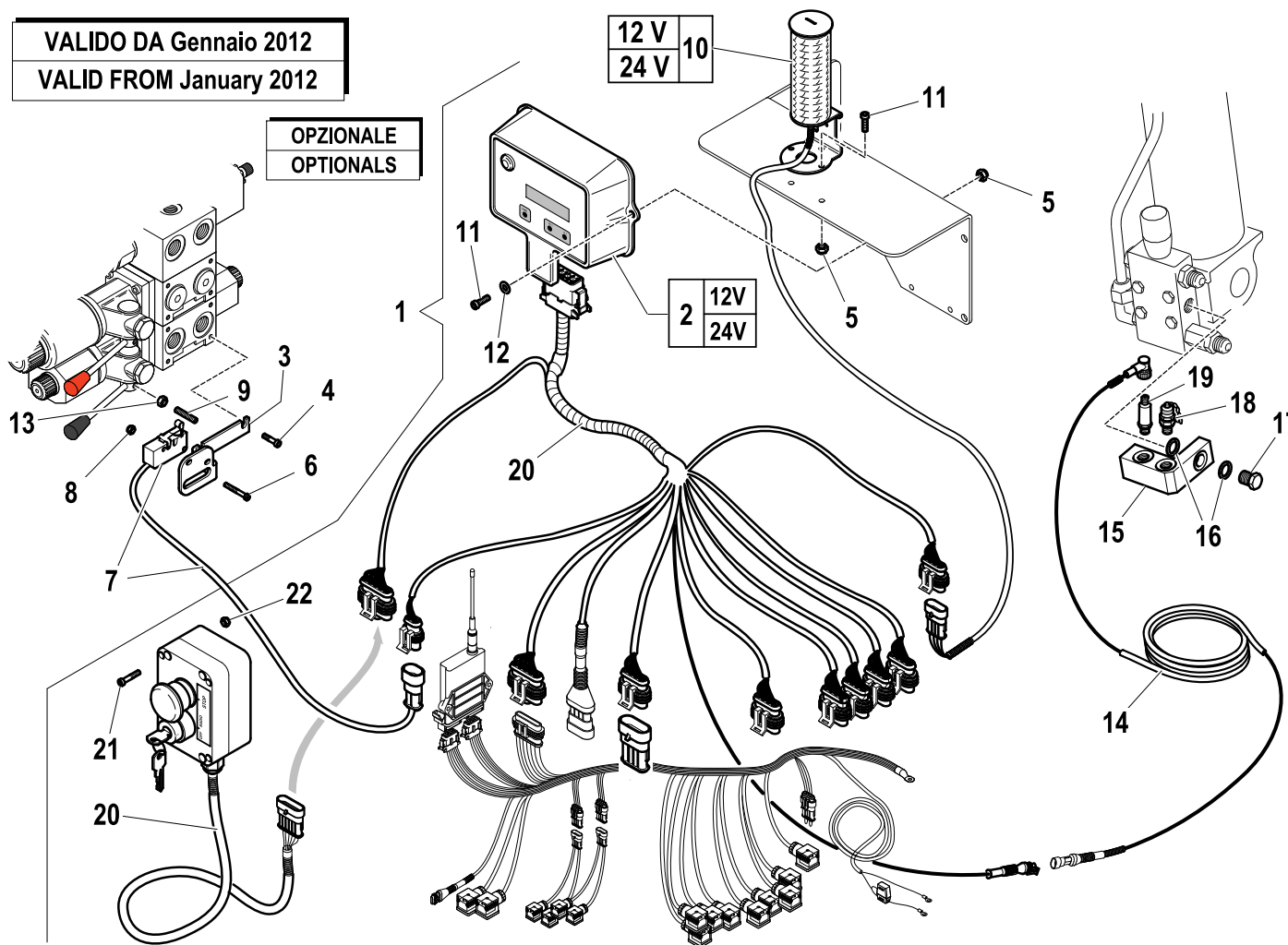
Code

5405045-3.0

1/2

VALIDO DA Gennaio 2012
VALID FROM January 2012

OPZIONALE
OPTIONALS



R	Pos.	Code Variant	Q.ty	Description
	1	3311345	1	
	2	3311386	1	
	3	5001842	1	Microswitch support
	4	3020022	2	Socket head cap screw [M5X10 8.8 ZC UNI 5931]
	5	3040392	4	Stopnut
	6	3020879	2	
	7	3310885	1	Microswitch (Electric)
	8	3040516	2	Stopnut
	9	3060223	1	Grub screw
	10	3311159	1	Signal Columns
	11	3020023	4	Socket head cap screw [M5X16 8.8 ZC UNI 5931]
	12	3060004	2	Flat washer [D.5 UNI 6592 ZC]
	13	3040391	1	Hexagonal nut (Normal)
	14	5160001	1	Electric wiring
	15	5002055	1	Manifold (Pick-up)
	16	3060143	2	Sealing washer [BSP 1/4"]
	17	3110078	1	Bolt (banjo bolt)
	18	3111523	1	Pipe fitting (Tapping point) [RACC. MILITES 16X2-1/4"G]
	19	3310612	1	Pressure sensor
	20	3311384	1	

Moment limiting device (CE)

Code

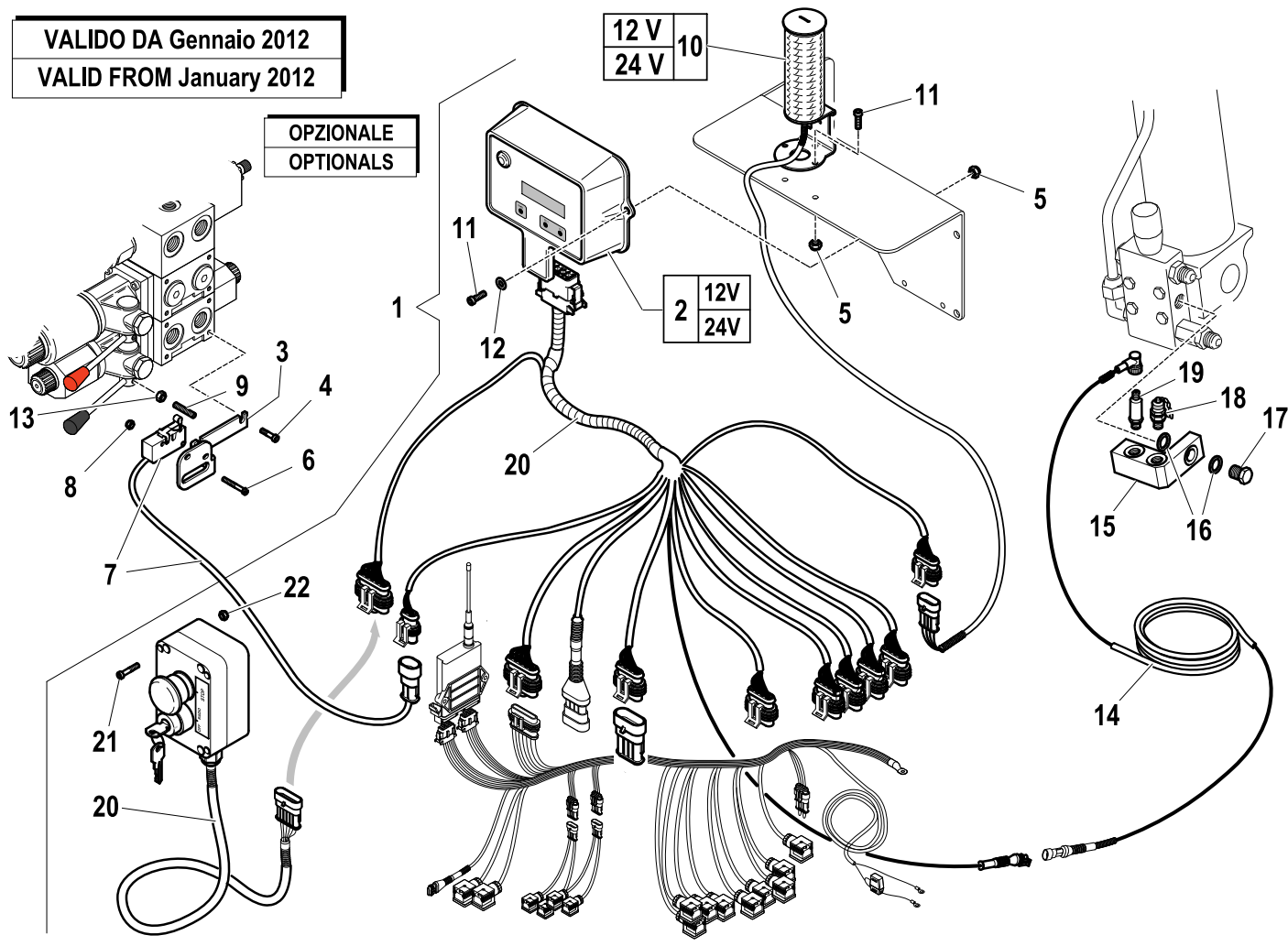
5405045-3.0

2/2

R	Pos.	Code Variant	Q.ty	Description
	21	3020885	2	Socket head cap screw [M4X20 8.8 ZC UNI 5931]
	22	3040518	2	Stopnut

VALIDO DA Gennaio 2012
VALID FROM January 2012

OPZIONALE
OPTIONALS



12 V
24 V 10

2 12V
24V

Moment limiting device (EN12999-A3)

Code

5405045-6.0

1/1

R	Pos.	Code Variant	Q.ty	Description
	1	3311634	1	Electric wiring
	2	3311541	1	Moment limiting device
	3	3040392	4	Stopnut
	4	3311159	1	Signal Columns
	5	3020023	4	Socket head cap screw [M5X16 8.8 ZC UNI 5931]
	6	3060004	2	Flat washer [D.5 UNI 6592 ZC]
	7	5160001	1	Electric wiring
	8	5002055	1	Manifold (Pick-up)
	9	3060143	2	Sealing washer [BSP 1/4"]
	10	3110078	1	Bolt (banjo bolt)
	11	3111523	1	Pipe fitting (Tapping point) [RACC. MILITES 16X2-1/4"G]
	12	3310612	1	Pressure sensor
	13	3311632	1	Electric wiring
	14	3020885	2	Socket head cap screw [M4X20 8.8 ZC UNI 5931]
	15	3040518	2	Stopnut

VALIDO DA GENNAIO 2013
VALID FROM JANUARY 2013

2.4 GHz

OPZIONALE
OPTIONALS

