



GRU - GRUAS - CRANES - GRUES - KRANE

Catalogo parti di ricambio

Catalogue des pieces detachees

HB280

Catalogo de piezas de repuestos

Ersatzteilkatalog

Spare parts book

1 5.42.0021-1-0

BASAMENTO
BASE
SOLLE
UNTERBAU
BASE

2 5.42.0083-1-0

BASAMENTO
BASE
SOLLE
UNTERBAU
BASE

3 6.24.0065-1-0

GRUPPO ROTAZIONE 380°
SLEWING ASS'Y 380°
GROUPE ROTATION 380°
DREHVORRICHTUNG 380°
GRUPO ROTACION 380°

4 6.24.0065-2-0

IMPIANTO IDRAULICO (MARTINETTO ROTAZIONE) 380°
HYDRAULIC SYSTEM (SLEWING HYDRAULIC JACK) 380°
INSTALLATION HYDRAULIQUE (VERIN ROTATION) 380°
HYDRAULIKANLAGE (DREH SCHUBZYLINDER) 380°
INSTALACION HIDRAULICA (GATO ROTACION) 380°

5 6.24.0075-1-0

GRUPPO ROTAZIONE 400°
SLEWING ASS'Y 400°
GROUPE ROTATION 400°
DREHVORRICHTUNG 400°
GRUPO ROTACION 400°

6 6.24.0075-2-0

IMPIANTO IDRAULICO (MARTINETTO ROTAZIONE) 400°
HYDRAULIC SYSTEM (SLEWING HYDRAULIC JACK) 400°
INSTALLATION HYDRAULIQUE (VERIN ROTATION) 400°
HYDRAULIKANLAGE (DREH SCHUBZYLINDER) 400°
INSTALACION HIDRAULICA (GATO ROTACION) 400°

7 6.24.0084-2-0

IMPIANTO IDRAULICO (MARTINETTO ROTAZIONE) 400°
HYDRAULIC SYSTEM (SLEWING HYDRAULIC JACK) 400°
INSTALLATION HYDRAULIQUE (VERIN ROTATION) 400°
HYDRAULIKANLAGE (DREH SCHUBZYLINDER) 400°
INSTALACION HIDRAULICA (GATO ROTACION) 400°

8 5.76.0027-1-0

ASTE STABILIZZATORI
STABILIZERS RODS
TIGES STABILISATEURS
STANGEN STABILISATOREN
VARILLAS ESTABILIZADORES

9 6.20.0054-1-0

IMPIANTO IDRAULICO (MARTINETTO STABILIZZATORE)
HYDRAULIC SYSTEM (STABILIZER HYDRAULIC JACK)
INSTALLATION HYDRAULIQUE (VERIN STABILISATEUR)
HYDRAULIKANLAGE (STABILISATOR SCHUBZYLINDER)
INSTALACION HIDRAULICA (GATO ESTABILIZADOR)

10 6.40.0054-1-0

MARTINETTO STABILIZZATORE
STABILISER RAM
VERIN STABILISATEUR
STABILISATOR SCHUBZYLINDER
GATO ESTABILIZADOR

11 6.20.0249-1-0

MARTINETTO STABILIZZATORE (IMPIANTO OLEODINAMICO)
STABILIZER HYDRAULIC JACK (HYDRAULIC SYSTEM)
VERIN STABILISATEUR (INSTALLATION HYDRAULIQUE)
STABILISATOR SCHUBZYLINDER (HYDRAULIKANLAGE)
GATO ESTABILIZADOR (INSTALACION HIDRAULICA)

12 6.20.0249-2-0

MARTINETTO STABILIZZATORE (IMPIANTO OLEODINAMICO)
STABILIZER HYDRAULIC JACK (HYDRAULIC SYSTEM)
VERIN STABILISATEUR (INSTALLATION HYDRAULIQUE)
STABILISATOR SCHUBZYLINDER (HYDRAULIKANLAGE)
GATO ESTABILIZADOR (INSTALACION HIDRAULICA)

13 6.40.0249-1-0

MARTINETTO STABILIZZATORE
STABILIZER HYDRAULIC JACK
VERIN STABILISATEUR
STABILISATOR SCHUBZYLINDER
GATO ESTABILIZADOR

14 5.41.1204-4-0

KIT CONTROLLO CHIUSURA ASTE STAB. MANUALI EN-12999-A3
CONTROL DEVICES LOCKING FOR OUTRIGGERS LEGS EN-12999-A3
KIT DE CONTRÔLE DE FERMETURE TIGES STABILISATEURS MANUELS EN-12999-A3
KIT SCHLUSSKONTROLLE FÜR MANUELLEN ABSTÜTZSTANGEN EN-12999-A3
KIT CONTROL CIERRE VASTAGO ESTABILIZADORES EN-12999-A3

15 5.41.1204-10-0

CONTROLLO STABILITA' EN-12999-A3
STABILITY CONTROL EN-12999-A3
CONTRÔLE DE LA STABILITE' EN-12999-A3
STABILITÄTSKONTROLLE EN-12999-A3
CONTROL DE LA ESTABILIDAD EN-12999-A3

16 5.41.1204-17-0

KIT CONTROLLO CHIUSURA ASTE STAB. MANUALI EN-12999-A3
CONTROL DEVICES LOCKING FOR OUTRIGGERS LEGS EN-12999-A3
KIT DE CONTRÔLE DE FERMETURE TIGES STABILISATEURS MANUELS EN-12999-A3
KIT SCHLUSSKONTROLLE FÜR MANUELLEN ABSTÜTZSTANGEN EN-12999-A3
KIT CONTROL CIERRE VASTAGO ESTABILIZADORES EN-12999-A3

17 5.41.1204-13-0

CONTROLLO STABILITA' EN-12999-A3
STABILITY CONTROL EN-12999-A3
CONTRÔLE DE LA STABILITE' EN-12999-A3
STABILITÄTSKONTROLLE EN-12999-A3
CONTROL DE LA ESTABILIDAD EN-12999-A3

18 5.76.0041-1-0

ASTE STABILIZZATRICI
STABILIZER ROD
TIGES DE STABILISATION
STÜTZSTANGEN
BARRAS ESTABILIZADORAS

19 6.20.0172-1-0

IMPIANTO IDRAULICO (MARTINETTO STABILIZZATORE)
HYDRAULIC SYSTEM (STABILIZER HYDRAULIC JACK)
INSTALLATION HYDRAULIQUE (VERIN STABILISATEUR)
HYDRAULIKANLAGE (STABILISATOR SCHUBZYLINDER)
INSTALACION HIDRAULICA (GATO ESTABILIZADOR)

20 6.40.0172-1-0

MARTINETTO STABILIZZATORE
STABILISER RAM
VERIN STABILISATEUR
STABILISATOR SCHUBZYLINDER
GATO ESTABILIZADOR

21 6.20.0250-1-0

MARTINETTO STABILIZZATORE (IMPIANTO OLEODINAMICO)
STABILIZER HYDRAULIC JACK (HYDRAULIC SYSTEM)
VERIN STABILISATEUR (INSTALLATION HYDRAULIQUE)
STABILISATOR SCHUBZYLINDER (HYDRAULIKANLAGE)
GATO ESTABILIZADOR (INSTALACION HIDRAULICA)

22 6.40.0250-1-0

MARTINETTO STABILIZZATORE
STABILIZER HYDRAULIC JACK
VERIN STABILISATEUR
STABILISATOR SCHUBZYLINDER
GATO ESTABILIZADOR

23 5.38.0007-1-0

MARTINETTO SFILO ASTE
ROD EXSTENSION HYDRAULIC CYLINDER
VERIN RALLONGE TIGES
STANGENVERLAENGERUNGSWINDE
GATO DE PROLONGACION VASTAGOS

24 6.20.0151-1-0

IMPIANTO IDRAULICO (MARTINETTO SFILO ASTE)
HYDRAULIC SYSTEM (ROD EXSTENSION HYDRAULIC CYLINDER)
INSTALLATION HYDRAULIQUE (VERIN RALLONGE TIGES)
HYDRAULIKANLAGE (STANGENVERLAENGERUNGSWINDE)
INSTALACION HIDRAULICA (GATO DE PROLONGACION VASTAGOS)

25 6.40.0151-1-0

MARTINETTO SFILO ASTE
ROD EXSTENSION HYDRAULIC CYLINDER
VERIN RALLONGE TIGES
STANGENVERLAENGERUNGSWINDE
GATO DE PROLONGACION VASTAGOS

26 5.40.0160-1-0

DEVIATORE DI FLUSSO (STABILIZZATORI)
FLOW DIVERTER (STABILIZERS)
DEVIATEUR DE FLUX (STABILISATEURS)
ABWEISER (STABILISATOREN)
DESVIADOR (ESTABILIZADORES)

27 5.40.0160-3-0

MARTINETTO SFILO ASTE (IMPIANTO IDRAULICO)
ROD EXSTENSION HYDRAULIC CYLINDER (HYDRAULIC SYSTEM)
VERIN RALLONGE TIGES (INSTALLATION HYDRAULIQUE)
STANGENVERLAENGERUNGSWINDE (HYDRAULIKANLAGE)
GATO DE PROLONGACION VASTAGOS (INSTALACION HIDRAULICA)

28 5.40.0160-2-0

IMPIANTO IDRAULICO STABILIZZATORI
OUTRIGGERS HYDRAULIC SYSTEM
INSTALLATION HYDRAULIC SYSTEM
HYDRAULISCHE ANLAGE STABILISATOREN
INSTALACION HIDRAULICA ESTABILIZADORES

29 5.40.0729-1-0

COMANDI (STABILIZZATORI STANDARD)
CONTROLS (STABILIZERS STANDARD)
COMMANDES (NORNE STABILISATEURS)
STEUERUGEN (STABILISATOREN STANDARD)
MANDOS (ESTÁNDAR ESTABILIZADORES)

30 5.40.0729-2-0

MARTINETTO SFILO ASTE (IMPIANTO OLEODINAMICO)
ROD EXSTENSION HYDRAULIC CYLINDER (HYDRAULIC SYSTEM)
VERIN RALLONGE TIGES (INSTALLATION HYDRAULIQUE)
STANGENVERLAENGERUNGSWINDE (HYDRAULIKANLAGE)
GATO DE PROLONGACION VASTAGOS (INSTALACION HIDRAULICA)

31 5.40.0729-3-0

MARTINETTO STABILIZZATORE (IMPIANTO OLEODINAMICO)
STABILIZER HYDRAULIC JACK (HYDRAULIC SYSTEM)
VERIN STABILISATEUR (INSTALLATION HYDRAULIQUE)
STABILISATOR SCHUBZYLINDER (HYDRAULIKANLAGE)
GATO ESTABILIZADOR (INSTALACION HIDRAULICA)

32 5.40.0729-4-0

MARTINETTO STABILIZZATORE (IMPIANTO OLEODINAMICO)
STABILIZER HYDRAULIC JACK (HYDRAULIC SYSTEM)
VERIN STABILISATEUR (INSTALLATION HYDRAULIQUE)
STABILISATOR SCHUBZYLINDER (HYDRAULIKANLAGE)
GATO ESTABILIZADOR (INSTALACION HIDRAULICA)

33 5.22.0346-1-0

DISTRIBUTORE STABILIZZATORI
STABILIZER CONTROL VALVE
DISTRIBUTEUR STABILISATEURS
BEDIENUNG DEN ABSTÜTZUNGEN
DISTRIBUDOR ESTABILIZADORE

34 5.40.0161-1-0

COMANDI LIG
CONTROLS LIG
COMMANDES LIG
STEUERUGEN LIG
MANDOS LIG

35 5.43.0021-1-0

IMPIANTO IDRAULICO - LIG
HYDRAULIC SYSTEM - LIG
INSTALLATION HYDRAULIQUE - LIG
HYDRAULIKANLAGE - LIG
INSTALACION HIDRAULICA - LIG

36 5.43.0021-2-0

IMPIANTO IDRAULICO - LIG
HYDRAULIC SYSTEM - LIG
INSTALLATION HYDRAULIQUE - LIG
HYDRAULIKANLAGE - LIG
INSTALACION HIDRAULICA - LIG

37 5.43.0020-1-0

IMPIANTO IDRAULICO (NON CE) - LI
HYDRAULIC SYSTEM (NOT CE) - LI
INSTALLATION HYDRAULIQUE (PAS CE) - LI
HYDRAULIKANLAGE (NICHT CE) - LI
INSTALACION HIDRAULICA (NO CE) - LI

38 5.22.0291-1-0

DISTRIBUTORE (4 ELEMENTI) NO CE
CONTROL VALVE (4 SECTION) NO CE
DISTRIBUTEUR (4 VOIES) NO CE
STUEBLOCK (4 ELEMENTE) NO CE
DISTRIBUIDOR (4 ELEMENTOS) NO CE

39 5.40.0167-1-0

COLLETTORE LIG
MANIFOLD LIG
COLLECTEUR LIG
KOLLEKTOR LIG
COLECTOR LIG

40 5.40.0162-2-0

COMANDI BILATERALI (NON CE)
DOUBLE CONTROLS (NOT CE)
DOUBLE COMMANDES (PAS CE)
DOPPELSTEUERUNG (NICHT CE)
MONDOS BILATERALAS (NO CE)

41 5.40.0162-1-0

COMANDI - CE
CONTROLS - CE
COMMANDES - CE
STEUERUGEN - CE
MANDOS - CE

42 5.40.0950-1-0

ELETTROVALVOLA
SOLENOID VALVE
ELECTROVALVE
MAGNETVENTIL
ELECTROVALVULA

43 5.40.0168-1-0

COLLETTORE - CE
MANIFOLD - CE
COLLECTEUR - CE
KOLLEKTOR - CE
COLECTOR - CE

44 5.43.0012-1-1

IMPIANTO IDRAULICO (LIMITATORE DI MOMENTO) - CE
HYDRAULIC SYSTEM (MOMENT LIMITING DEVICE) - CE
INSTALLATION HYDRAULIQUE (LIMITEUR DE MOMENT) - CE
HYDRAULIKANLAGE (HUB-MOMENTBEGRENZER) - CE
INSTALACION HIDRAULICA (LIMITADOR DE MOMENTO) - CE

45 5.22.0292-1-0

DISTRIBUTORE (4 ELEMENTI) - CE
CONTROL VALVE (4 SECTION) - CE
DISTRIBUTEUR (4 VOIES) - CE
STUEBERBLOCK (4 ELEMENTE) - CE
DISTRIBUIDOR (4 ELEMENTOS) - CE

46 5.44.0107-1-0

ELETTROVALVOLA (DISTRIBUTORE STABILIZZATORI) EN12999-A3
SOLENOID VALVE (STABILIZER CONTROL VALVE) EN12999-A3
ELECTROVALVE (DISTRIBUTEUR STABILISATEURS) EN12999-A3
MAGNETVENTIL (BEDIENUNG DEN ABSTÜTZUNGEN) EN12999-A3
ELECTROVALVULA (DISTRIBUDOR ESTABILIZADORE) EN12999-A3

47 5.40.0950-2-0

COMANDI BILATERALI CE
DOUBLE CONTROLS CE
DOUBLE COMMANDES CE
DOPPELSTEUERUNG CE
MONDOS BILATERALAS CE

48 5.40.1469-1-0

COMANDI BILATERALI (CE) EN12999-A3
DOUBLE CONTROLS (CE) EN12999-A3
DOUBLE COMMANDES (CE) EN12999-A3
DOPPELSTEUERUNG (CE) EN12999-A3
MONDOS BILATERALAS (CE) EN12999-A3

49 5.40.1728-1-0

COMANDI BILATERALI (CE) EN12999-A3
DOUBLE CONTROLS (CE) EN12999-A3
DOUBLE COMMANDES (CE) EN12999-A3
DOPPELSTEUERUNG (CE) EN12999-A3
MONDOS BILATERALAS (CE) EN12999-A3

50 5.40.1469-3-0

COMANDI BILATERALI (CE) EN12999-A3
DOUBLE CONTROLS (CE) EN12999-A3
DOUBLE COMMANDES (CE) EN12999-A3
DOPPELSTEUERUNG (CE) EN12999-A3
MONDOS BILATERALAS (CE) EN12999-A3

51 5.40.1469-4-0

COMANDI BILATERALI (CE) EN12999-A3
DOUBLE CONTROLS (CE) EN12999-A3
DOUBLE COMMANDES (CE) EN12999-A3
DOPPELSTEUERUNG (CE) EN12999-A3
MONDOS BILATERALAS (CE) EN12999-A3

52 5.40.1469-5-0

COMANDI BILATERALI (CE) EN12999-A3
DOUBLE CONTROLS (CE) EN12999-A3
DOUBLE COMMANDES (CE) EN12999-A3
DOPPELSTEUERUNG (CE) EN12999-A3
MONDOS BILATERALAS (CE) EN12999-A3

53 5.22.0465-1-0

DISTRIBUTORE (4 ELEMENTI) CE EN12999-A3
CONTROL VALVE (4 SECTION) CE EN12999-A3
DISTRIBUTEUR (4 VOIES) CE EN12999-A3
STUEBERBLOCK (4 ELEMENTE) CE EN12999-A3
DISTRIBUIDOR (4 ELEMENTOS) CE EN12999-A3

54 3.31.0155-1-0

COMPONENTI ELETTRICI
ELECTRIC COMPONENTS
COMPOSANTES ELECTRIQUES
ELEKTRISCHE BAUSTEINE
COMPONENTES ELECTRICOS

55 3.31.0616-1-0

COMPONENTI ELETTRICI CE
ELECTRIC COMPONENTS CE
COMPOSANTES ELECTRIQUES CE
ELEKTRISCHE BAUSTEINE CE
COMPONENTES ELECTRICOS CE

56 5.44.0030-1-0

A.V.P.S. (IMPIANTO OLEODINAMICO) NO-CE
A.V.P.S. (HYDRAULIC SYSTEM) NO-CE
A.V.P.S. (INSTALLATION HYDRAULIQUE) NO-CE
A.V.P.S. (HYDRAULIKANLAGE) NO-CE
A.V.P.S. (INSTALACION HIDRAULICA) NO-CE

57 5.44.0113-1-0

A.V.P.S. (IMPIANTO OLEODINAMICO) EN12999-A3
A.V.P.S. (HYDRAULIC SYSTEM) EN12999-A3
A.V.P.S. (INSTALLATION HYDRAULIQUE) EN12999-A3
A.V.P.S. (HYDRAULIKANLAGE) EN12999-A3
A.V.P.S. (INSTALACION HIDRAULICA) EN12999-A3

58 5.21.2004-1-0

KIT 5° ELEMENTO SUPPLEMENTARE CENTRO APERTO
5TH EXTRA FUNCTION KIT OPEN CENTER SPOOL
KIT 5ÈME ELEMENT SUPPLEMENTAIRE CENTRE OUVERTE
KIT 5. ZUSÄTZLICHES STEUERELEMENT MIT GEÖFFNETEM ZENTRUM
KIT 5° ELEMENTO ADICIONAL CENTRO ABIERTO

59 5.21.2019-1-0

KIT 5° ELEMENTO SUPPLEMENTARE CENTRO APERTO EN12999-A3
5TH EXTRA FUNCTION KIT OPEN CENTER SPOOL EN12999-A3
KIT 5ÈME ELEMENT SUPPLEMENTAIRE CENTRE OUVERTE EN12999-A3
KIT 5. ZUSÄTZLICHES STEUERELEMENT MIT GEÖFFNETEM ZENTRUM EN12999-A3
KIT 5° ELEMENTO ADICIONAL CENTRO ABIERTO EN12999-A3

60 5.21.2000-1-0

KIT 5° ELEMENTO SUPPLEMENTARE CENTRO CHIUSO
5TH EXTRA FUNCTION KIT CLOSED CENTER SPOOL
KIT 5ÈME ELEMENT SUPPLEMENTAIRE CENTRE FERMÉ
KIT 5. ZUSÄTZLICHES STEUERELEMENT MIT GESPERRTEM ZENTRUM
KIT 5° ELEMENTO ADICIONAL CENTRO CERRADO

61 5.21.2015-1-0

KIT 5° ELEMENTO SUPPLEMENTARE CENTRO CHIUSO EN12999-A3
5TH EXTRA FUNCTION KIT CLOSED CENTER SPOOL EN12999-A3
KIT 5ÈME ELEMENT SUPPLEMENTAIRE CENTRE FERMÉ EN12999-A3
KIT 5. ZUSÄTZLICHES STEUERELEMENT MIT GESPERRTEM ZENTRUM EN12999-A3
KIT 5° ELEMENTO ADICIONAL CENTRO CERRADO EN12999-A3

62 5.21.2005-1-0

KIT 6° ELEMENTO SUPPLEMENTARE CENTRO APERTO
6TH EXTRA FUNCTION KIT OPEN CENTER SPOOL
KIT 6ÈME ELEMENT SUPPLEMENTAIRE CENTRE OUVERTE
KIT 6. ZUSÄTZLICHES STEUERELEMENT MIT GEÖFFNETEM ZENTRUM
KIT 6° ELEMENTO ADICIONAL CENTRO ABIERTO

63 5.21.2006-1-0

KIT 7° ELEMENTO SUPPLEMENTARE CENTRO APERTO
7TH EXTRA FUNCTION KIT OPEN CENTER SPOOL
KIT 7ÈME ELEMENT SUPPLEMENTAIRE CENTRE OUVERTE
KIT 7. ZUSÄTZLICHES STEUERELEMENT MIT GEÖFFNETEM ZENTRUM
KIT 7° ELEMENTO ADICIONAL CENTRO ABIERTO

64 5.21.2020-1-0

KIT 6° ELEMENTO SUPPLEMENTARE CENTRO APERTO EN12999-A3
6TH EXTRA FUNCTION KIT OPEN CENTER SPOOL EN12999-A3
KIT 6ÈME ELEMENT SUPPLEMENTAIRE CENTRE OUVERTE EN12999-A3
KIT 6. ZUSÄTZLICHES STEUERELEMENT MIT GEÖFFNETEM ZENTRUM EN12999-A3
KIT 6° ELEMENTO ADICIONAL CENTRO ABIERTO EN12999-A3

65 5.21.2001-1-0

KIT 6° ELEMENTO SUPPLEMENTARE CENTRO CHIUSO
6TH EXTRA FUNCTION KIT CLOSED CENTER SPOOL
KIT 6ÈME ELEMENT SUPPLEMENTAIRE CENTRE FERMÉ
KIT 6. ZUSÄTZLICHES STEUERELEMENT MIT GESPERRTEM ZENTRUM
KIT 6° ELEMENTO ADICIONAL CENTRO CERRADO

66 5.21.2015-2-0

KIT 6° ELEMENTO SUPPLEMENTARE CENTRO CHIUSO EN12999-A3
6TH EXTRA FUNCTION KIT CLOSED CENTER SPOOL EN12999-A3
KIT 6ÈME ELEMENT SUPPLEMENTAIRE CENTRE FERMÉ EN12999-A3
KIT 6. ZUSÄTZLICHES STEUERELEMENT MIT GESPERRTEM ZENTRUM EN12999-A3
KIT 6° ELEMENTO ADICIONAL CENTRO CERRADO EN12999-A3

67 5.40.0126-1-1

SERBATOIO OLIO IDRAULICO NO CE
HYDRAULIC OIL TANK NO CE
RESERVOIR HUILE HYDRAULIQUE NO CE
HYDRAULIKÖLBEHALTER NO CE
DEPOSITO ACEITE HIDRAULICA NO CE

68 5.40.0992-1-0

SERBATOIO OLIO IDRAULICO NO CE
HYDRAULIC OIL TANK NO CE
RESERVOIR HUILE HYDRAULIQUE NO CE
HYDRAULIKÖLBEHALTER NO CE
DEPOSITO ACEITE HIDRAULICA NO CE

69 5.40.0127-1-0

SERBATOIO OLIO IDRAULICO - CE
HYDRAULIC OIL TANK - CE
RESERVOIR HUILE HYDRAULIQUE - CE
HYDRAULIKÖLBEHALTER - CE
DEPOSITO ACEITE HIDRAULICA - CE

70 3.18.0105-1-0

FILTRO OLIO
OIL FILTER
FILTRE A HUILE
OELFILTER
FILTRO DE ACEITE

71 5.40.0127-1-1

SERBATOIO OLIO IDRAULICO CE
HYDRAULIC OIL TANK CE
RESERVOIR.HUILE HYDRAULIQUE CE
HYDRAULIKÖLBEHALTER CE
DEPOSITO ACEITE HIDRAULICA CE

72 5.40.0993-1-0

SERBATOIO OLIO IDRAULICO CE
HYDRAULIC OIL TANK CE
RESERVOIR.HUILE HYDRAULIQUE CE
HYDRAULIKÖLBEHALTER CE
DEPOSITO ACEITE HIDRAULICA CE

73 5.40.0993-2-0

SERBATOIO OLIO IDRAULICO CE
HYDRAULIC OIL TANK CE
RESERVOIR.HUILE HYDRAULIQUE CE
HYDRAULIKÖLBEHALTER CE
DEPOSITO ACEITE HIDRAULICA CE

74 3.18.0197-1-0

FILTRO OLIO
OIL FILTER
FILTRE A HUILE
OELFILTER
FILTRO DE ACEITE

75 7.88.8001-1-0

SCAMBIATORE DI CALORE (24 V.)
HEAT EXCHANGE UNIT (24 V.)
ECHANGEUR DE CHALEUR (24 V.)
WÄRMEAUSTAUSCHER (24 V.)
INTERCAMBIADOR DE CALOR (24 V.)

76 5.46.0013-1-0

COLONNA
COLUMN
COLONNE
SAEULE
COLUMNA

77 6.23.0090-1-1

IMPIANTO IDRAULICO (MARTINETTO SOLLEVAMENTO)
HYDRAULIC SYSTEM (LIFTING HYDRAULIC CYLINDER)
INSTALLATION HYDRAULIQUE (VERIN DE LEVAGE)
HYDRAULIKANLAGE (HUBZYLINDER)
INSTALACION HIDRAULICA (GATO DE ELEVACION)

78 5.45.0021-1-0

IMPIANTO IDRAULICO (VALVOLA UNIDIREZIONALE)
HYDRAULIC SYSTEM (NON-RETURN VALVE)
INSTALLATION HYDRAULIQUE (SOUPAPE DE NON-RETOUR)
HYDRAULIKANLAGE (RÜCKSCHLAGVENTIL)
INSTALACION HIDRAULICA (VALVULA MONODIRECCIONAL)

79 6.43.0090-1-0

MARTINETTO SOLLEVAMENTO
LIFTING HYDRAULIC CYLINDER
VERIN DE LEVAGE
HUBZYLINDER
GATO DE ELEVACION

80 5.47.0018-1-0

1° BRACCIO
1ST BOOM
1ERE BRAS
1. ARM
1° BRAZO

81 6.23.0091-1-0

IMPIANTO IDRAULICO (MARTINETTO ARTICOLAZIONE)
HYDRAULIC SYSTEM (ARTICULATION HYDRAULIC JACK)
INSTALLATION HYDRAULIQUE (VERIN D'ARTICULATION)
HYDRAULIKANLAGE (GELENKSHEBEBOCK)
INSTALACION HIDRAULICA (GATO ARTICULACION)

82 6.43.0091-1-0

MARTINETTO ARTICOLAZIONE
ARTICULATION HYDRAULIC JACK
VERIN D'ARTICULATION
GELENKSHEBEBOCK
GATO DE ARTICULACION

83 5.48.0020-1-0

2° BRACCIO
2ND BOOM
2EME BRAS
2. ARM
2° BRAZO

84 5.49.0019-1-0

1° SFILLO
1ST EXTENSION
1ERE RALLONGE
1. VERLAENGERUNG
1°PROLONGACION

85 6.21.0184-1-0

IMPIANTO IDRAULICO (MARTINETTO 1°SFILO)
 HYDRAULIC SYSTEM (1TH EXTENSION HYDRAULIC CYLINDER)
 INSTALLATION HYDRAULIQUE (VERIN 1ERE RALLONGE)
 HYDRAULIKANLAGE (1. SCHUBZYLINDER)
 INSTALACION HIDRAULICA (1° GATO DE PROLONGACION)

86 6.21.0267-1-0

IMPIANTO IDRAULICO (MARTINETTO 1°SFILO)
 HYDRAULIC SYSTEM (1TH EXTENSION HYDRAULIC CYLINDER)
 INSTALLATION HYDRAULIQUE (VERIN 1ERE RALLONGE)
 HYDRAULIKANLAGE (1. SCHUBZYLINDER)
 INSTALACION HIDRAULICA (1° GATO DE PROLONGACION)

87 6.41.0184-1-0

MARTINETTO 1° SFILO
 1ST EXSTENSION HYDRAULIC
 VÉRIN 1ÈRE RALLONGE
 1. SCHUBZYLINDER
 GATO 1ª EXTENSIÓN

88 5.53.0012-1-0

2° SFILO
 2ND EXTENSION
 2EME RALLONGE
 2. VERLAENGERUNG
 2° PROLONGACION

89 6.21.0185-1-0

MARTINETTO 2° SFILO (IMPIANTO OLEODINAMICO)
 2ND EXTENSION HYDRAULIC JACK (HYDRAULIC SYSTEM)
 VÉRIN 2ÈME RALLONGE (INSTALLATION HYDRAULIQUE)
 2. SCHUBZYLINDER (HYDRAULIKANLAGE)
 GATO 2ª EXTENSIÓN (INSTALACION HIDRAULICA)

90 6.21.0185-2-0

MARTINETTO 2° SFILO (IMPIANTO OLEODINAMICO)
 2ND EXTENSION HYDRAULIC JACK (HYDRAULIC SYSTEM)
 VÉRIN 2ÈME RALLONGE (INSTALLATION HYDRAULIQUE)
 2. SCHUBZYLINDER (HYDRAULIKANLAGE)
 GATO 2ª EXTENSIÓN (INSTALACION HIDRAULICA)

91 6.41.0185-1-0

MARTINETTO 2° SFILO
 2ND EXTENSION HYDRAULIC JACK
 VÉRIN 2ÈME RALLONGE
 2. SCHUBZYLINDER
 GATO 2ª EXTENSIÓN

92 5.54.0011-1-0

3° SFILO
 3RD EXTENSION
 3EME RALLONGE
 3. VERLAENGERUNG
 3° PROLONGACION

93 6.21.0186-1-0

IMPIANTO IDRAULICO (MARTINETTO 3° SFILO)
 HYDRAULIC SYSTEM (3RD EXTENSION HYDRAULIC JACK)
 INSTALLATION HYDRAULIQUE (VERIN 3ÈME RALLONGE)
 HYDRAULIKANLAGE (3. SCHUBZYLINDER)
 INSTALACION HIDRAULICA (GATO 3ª EXTENSIÓN)

94 6.21.0186-2-0

IMPIANTO IDRAULICO (MARTINETTO 3° SFILO)
 HYDRAULIC SYSTEM (3RD EXTENSION HYDRAULIC JACK)
 INSTALLATION HYDRAULIQUE (VERIN 3ÈME RALLONGE)
 HYDRAULIKANLAGE (3. SCHUBZYLINDER)
 INSTALACION HIDRAULICA (GATO 3ª EXTENSIÓN)

95 6.41.0186-1-0

MARTINETTO 3° E 4° SFILO
 3RD AND 4TH EXTENSION HYDRAULIC CYLINDER
 VÉRIN 3ÈME ET 4ÈME RALLONGE
 3. UNT 4. VERLAENGERUNGSWINDE
 3° Y 4° GATO DE PROLONGACION

96 5.56.0003-1-0

4° SFILO
 4TH EXTENSION
 4EME RALLONGE
 4. VERLAENGERUNG
 4° PROLONGACION

97 6.21.0206-1-0

IMPIANTO IDRAULICO (MARTINETTO 4° SFILO)
 HYDRAULIC SYSTEM (4TH EXTENSION HYDRAULIC JACK)
 INSTALLATION HYDRAULIQUE (VÉRIN 4ÈME RALLONGE)
 HYDRAULIKANLAGE (4. SCHUBZYLINDER)
 INSTALACION HIDRAULICA (GATO 4ª EXTENSIÓN)

98 6.21.0206-2-0

IMPIANTO IDRAULICO (MARTINETTO 4° SFILO)
 HYDRAULIC SYSTEM (4TH EXTENSION HYDRAULIC JACK)
 INSTALLATION HYDRAULIQUE (VÉRIN 4ÈME RALLONGE)
 HYDRAULIKANLAGE (4. SCHUBZYLINDER)
 INSTALACION HIDRAULICA (GATO 4ª EXTENSIÓN)

99 5.57.0001-1-0

5° SFILO
5TH EXTENSION
5ÈME RALLONGE
5. VERLAENGERUNG
5° PROLONGACION

100 5.57.0002-1-0

5° SFILO
5TH EXTENSION
5ÈME RALLONGE
5. VERLAENGERUNG
5° PROLONGACION

101 6.21.0207-1-0

IMPIANTO IDRAULICO (MARTINETTO 5° SFILO)
HYDRAULIC SYSTEM (5TH EXTENSION HYDRAULIC JACK)
INSTALLATION HYDRAULIQUE (VÉRIN 5ÈME RALLONGE)
HYDRAULIKANLAGE (5. SCHUBZYLINDER)
INSTALACION HIDRAULICA (GATO 5ª EXTENSIÓN)

102 6.21.0207-2-0

IMPIANTO IDRAULICO (MARTINETTO 5° SFILO)
HYDRAULIC SYSTEM (5TH EXTENSION HYDRAULIC JACK)
INSTALLATION HYDRAULIQUE (VÉRIN 5ÈME RALLONGE)
HYDRAULIKANLAGE (5. SCHUBZYLINDER)
INSTALACION HIDRAULICA (GATO 5ª EXTENSIÓN)

103 6.41.0177-1-0

MARTINETTO 4° SFILO (MARTINETTO 5° SFILO)
4TH EXTENSION HYDRAULIC JACK (5TH EXTENSION HYDRAULIC JACK)
VÉRIN 4ÈME RALLONGE (VÉRIN 5ÈME RALLONGE)
4. SCHUBZYLINDER (5. SCHUBZYLINDER)
GATO 4ª EXTENSIÓN (GATO 5ª EXTENSIÓN)

104 5.58.0001-1-0

6° SFILO
6TH EXTENSION
6ÈME RALLONGE
6. VERLAENGERUNG
6° PROLONGACION

105 6.21.0197-1-0

IMPIANTO IDRAULICO (MARTINETTO 6° SFILO)
HYDRAULIC SYSTEM (6TH EXTENSION HYDRAULIC JACK)
INSTALLATION HYDRAULIQUE (VÉRIN 6ÈME RALLONGE)
HYDRAULIKANLAGE (6. SCHUBZYLINDER)
INSTALACION HIDRAULICA (GATO 6ª EXTENSIÓN)

106 6.21.0197-2-0

IMPIANTO IDRAULICO (MARTINETTO 6° SFILO)
HYDRAULIC SYSTEM (6TH EXTENSION HYDRAULIC JACK)
INSTALLATION HYDRAULIQUE (VÉRIN 6ÈME RALLONGE)
HYDRAULIKANLAGE (6. SCHUBZYLINDER)
INSTALACION HIDRAULICA (GATO 6ª EXTENSIÓN)

107 6.41.0197-1-0

MARTINETTO 6° SFILO
6TH EXTENSION HYDRAULIC JACK
VÉRIN 6ÈME RALLONGE
6. SCHUBZYLINDER
GATO 6ª EXTENSIÓN

108 5.59.0025-1-0

1ª ATTIVAZIONE PER 2S
1ST ACTIVATION FOR 2S
1ÈRE ACTIVATION POUR 2S
1. AKTIVIERUNG FÜR 2S
1ª ACTIVACIÓN PARA 2S

109 5.59.0011-1-0

1° ATTIVAZIONE SUPPLEMENTARE
1ST ADDITIONAL ACTUATION
1ÈRE ACTIVATION SUPPLEMENTAIRE
1. ZUSATZ-AKTIVIERUNGEN
1° ACTIVACIONE ADICIONALE

110 5.60.0025-1-0

2ª ATTIVAZIONE PER 2S
2ST ACTIVATION FOR 2S
2ÈRE ACTIVATION POUR 2S
2. AKTIVIERUNG FÜR 2S
2ª ACTIVACIÓN PARA 2S

111 5.60.0011-1-0

2° ATTIVAZIONE SUPPLEMENTARE
2ND ADDITIONAL ACTUATION
2ÈME ACTIVATION SUPPLEMENTAIRE
2. ZUSATZ-AKTIVIERUNGEN
2° ACTIVACIONE ADICIONALE

112 5.74.0105-1-0

ATTIVAZIONE ARGANO
ACTUATION FOR WINCH
ACTIVATION POUR TREUIL
AKTIVIERUNG WINDE
ACTIVACIONES PARA TORNO

113 **7.80.0231-1-0**
PROLUNGA MANUALE
MANUAL EXTENSION
RALLONGE MANUELLE
MANUAL-VERLÄNGERUNG
PROLONGACION MANUAL

114 **7.80.0232-1-0**
PROLUNGA MANUALE
MANUAL EXTENSION
RALLONGE MANUELLE
MANUAL-VERLÄNGERUNG
PROLONGACION MANUAL

115 **7.80.0233-1-0**
PROLUNGA MANUALE
MANUAL EXTENSION
RALLONGE MANUELLE
MANUAL-VERLÄNGERUNG
PROLONGACION MANUAL

116 **7.80.0234-1-0**
PROLUNGA MANUALE
MANUAL EXTENSION
RALLONGE MANUELLE
MANUAL-VERLÄNGERUNG
PROLONGACION MANUAL

117 **7.80.0235-1-0**
PROLUNGA MANUALE
MANUAL EXTENSION
RALLONGE MANUELLE
MANUAL-VERLÄNGERUNG
PROLONGACION MANUAL

118 **7.80.0261-1-0**
PROLUNGA MANUALE
MANUAL EXTENSION
RALLONGE MANUELLE
MANUAL-VERLÄNGERUNG
PROLONGACION MANUAL

119 **7.88.1825-1-0**
KIT CELLA DI CARICO LIS/RLC
LOAD INDICATION SYSTEM LIS/RLC
SYSTÈME D'INDICATION DE CHARGE LIS/RLC
LADEANZEIGE SYSTEM LIS/RLC
SISTEMA DE INDICACION DE CARGA LIS/RLC

120 **7.88.0377-1-0**
KIT MONTAGGIO
ASSEMBLY KIT
KIT MONTAGE
EINBAUSATZ
KIT MONTAJE

HB280 E3J3 - HB280 E4J3

122 **5.40.0216-1-0**
COMANDI
CONTROLS
COMMANDES
STEUERUGEN
MANDOS

123 **5.40.0216-3-0**
5°E 6° ELEMENTO AZIONAMENTO JIB CE
5TH AND 6TH ELEMENT FOR OPERATION JIB CE
5EME ET 6EME ÉLÉMENT FÜR BETRIEB JIB CE
5. UNT 6. ELEMENT FÜR BETRIEB JIB CE
5° Y 6° ELEMENTO PARA LA OPERACIÓN JIB CE

124 **5.43.0027-1-0**
IMPIANTO IDRAULICO (LIMITATORE DI MOMENTO) JIB - CE
HYDRAULIC SYSTEM (MOMENT LIMITING DEVICE) JIB - CE
INSTALLATION HYDRAULIQUE (LIMITEUR DE MOMENT) JIB - CE
HYDRAULIKANLAGE (HUB-MOMENTBEGRENZER) JIB - CE
INSTALACION HIDRAULICA (LIMITADOR DE MOMENTO) JIB - CE

125 **5.78.0011-1-0**
INGAMBONATURA PER JIB
ATTACHEMENT FOR JIB
CONNEXION POUR JIB
KUPPLUNG FÜR JIB
CONEXIÓN PARA JIB

126 **5.78.0010-1-0**
INGAMBONATURA PER JIB
ATTACHEMENT FOR JIB
CONNEXION POUR JIB
KUPPLUNG FÜR JIB
CONEXIÓN PARA JIB



Indice delle tavole - Table index
Index des planches - Verzeichnis der Tafeln
Indice de tablas

Codice libretto
Logbook code
Code notice
Artikelnr. Anleitung
Código libro

7.88.0504_H rev.1

10/MO_conta i i fogli di indice

127 5.63.0004-1-0

ANTENNA IDRAULICA - JIB
HYDRALIC - JIB
JIB - REPLIABLE
AUSLEGERVERLÄRENGERUNG - JIB
ANTENA HIDRAULICA - JIB

128 5.59.0037-1-0

ATTIVAZIONE SEGNALE JIB 3S - JIB 3
ACTIVATION HYDRAULIC INPUT JIB 3S - JIB 3
ACTIVATION SIGNAL HYDRAULIQUE JIB 3S - JIB 3
AKTIVIERUNG DES BEGRENZENS JIB 3S - JIB 3
ACTIVACIÓN SEÑAL HIDRÁLICO JIB 3S - JIB 3

129 5.59.0034-1-0

ATTIVAZIONE SEGNALE JIB 4S - JIB 3
ACTIVATION HYDRAULIC INPUT JIB 4S - JIB 3
ACTIVATION SIGNAL HYDRAULIQUE JIB 4S - JIB 3
AKTIVIERUNG DES BEGRENZENS JIB 4S - JIB 3
ACTIVACIÓN SEÑAL HIDRÁLICO JIB 4S - JIB 3

130 5.40.1469-6-0

COMANDI BILATERALI (CE) EN12999-A3
DOUBLE CONTROLS (CE) EN12999-A3
DOUBLE COMMANDES (CE) EN12999-A3
DOPPELSTEUERUNG (CE) EN12999-A3
MONDOS BILATERALAS (CE) EN12999-A3

131 5.40.1469-7-0

COMANDI BILATERALI (CE) EN12999-A3
DOUBLE CONTROLS (CE) EN12999-A3
DOUBLE COMMANDES (CE) EN12999-A3
DOPPELSTEUERUNG (CE) EN12999-A3
MONDOS BILATERALAS (CE) EN12999-A3

132 6.23.0098-2-0

MARTINETTO ARTICOLAZIONE - JIB 3
ARTICULATION HYDRAULIC JACK - JIB 3
VERIN D'ARTICULATION - JIB 3
GELENKSHEBEBOCK - JIB 3
GATO ARTICULACION - JIB 3

133 6.43.0098-1-0

MARTINETTO ARTICOLAZIONE - JIB 3
ARTICULATION HYDRAULIC JACK - JIB 3
VERIN D'ARTICULATION - JIB 3
GELENKSHEBEBOCK - JIB 3
GATO DE ARTICULACION - JIB 3

134 5.49.0005-1-1

1° SFILO - JIB 3
1ST EXTENSION - JIB 3
1ERE RALLONGE - JIB 3
1. VERLAENGERUNG - JIB 3
1°PROLONGACION - JIB 3

135 6.21.0165-2-0

IMPIANTO IDRAULICO (MARTINETTO 1°SFILO) - JIB 3
HYDRAULIC SYSTEM (1TH EXTENSION HYDRAULIC CYLINDER) - JIB 3
INSTALLATION HYDRAULIQUE (VERIN 1ERE RALLONGE) - JIB 3
HYDRAULIKANLAGE (1. SCHUBZYLINDER) - JIB 3
INSTALACION HIDRAULICA (1° GATO DE PROLONGACION) - JIB 3

136 6.41.0165-2-0

MARTINETTO 1° SFILO - JIB 3
1ST EXSTENSION HYDRAULIC - JIB 3
VERIN 1ÈRE RALLONGE - JIB 3
1. SCHUBZYLINDER - JIB 3
GATO 1ª EXTENSION - JIB 3

137 5.53.0004-1-2

2° SFILO - JIB 3
2ND EXTENSION - JIB 3
2EME RALLONGE - JIB 3
2. VERLAENGERUNG - JIB 3
2°PROLONGACION - JIB 3

138 6.21.0171-1-1

IMPIANTO IDRAULICO (MARTINETTO 2° SFILO) - JIB 3
HYDRAULIC SYSTEM (2ND EXTENSION HYDRAULIC CYLINDER) - JIB 3
INSTALLATION HYDRAULIQUE (VERIN 2EME RALLONGE) - JIB 3
HYDRAULIKANLAGE (2. VERLAENGERUNGSWINDE) - JIB 3
INSTALACION HIDRAULICA (2° GATO DE PROLONGACION) - JIB 3

139 6.41.0166-1-1

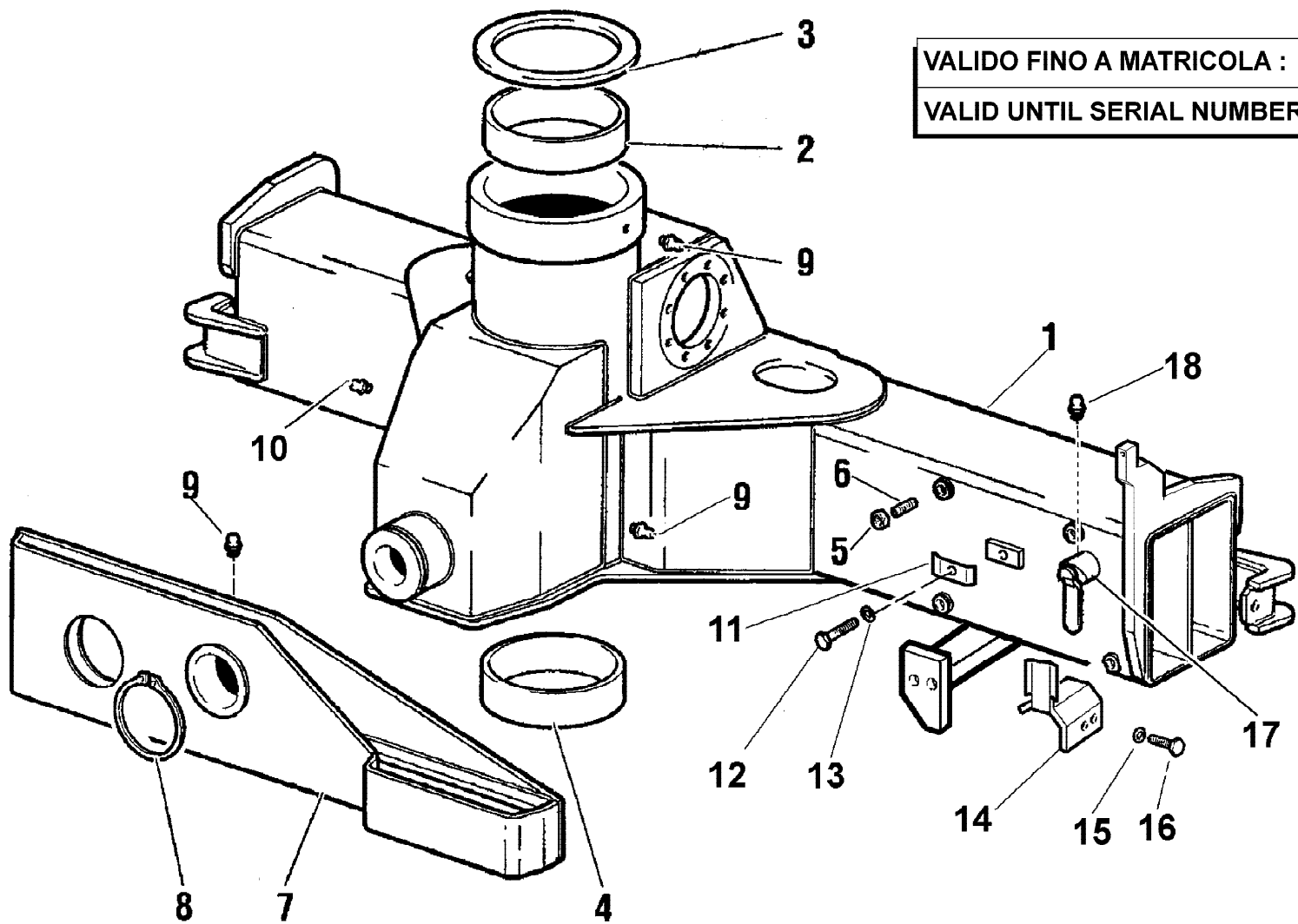
MARTINETTO 2° E 3° SFILO - JIB 3
2ND AND 3RD EXTENSION HYDRAULIC CYLINDER - JIB 3
VERIN 2EME ET 3EME RALLONGE - JIB 3
2. UNT 3. VERLAENGERUNGSWINDE - JIB 3
2° Y 3° GATO DE PROLONGACION - JIB 3

140 5.54.0005-1-2

3° SFILO - JIB 3
3RD EXTENSION - JIB 3
3EME RALLONGE - JIB 3
3. VERLAENGERUNG - JIB 3
3°PROLONGACION - JIB 3

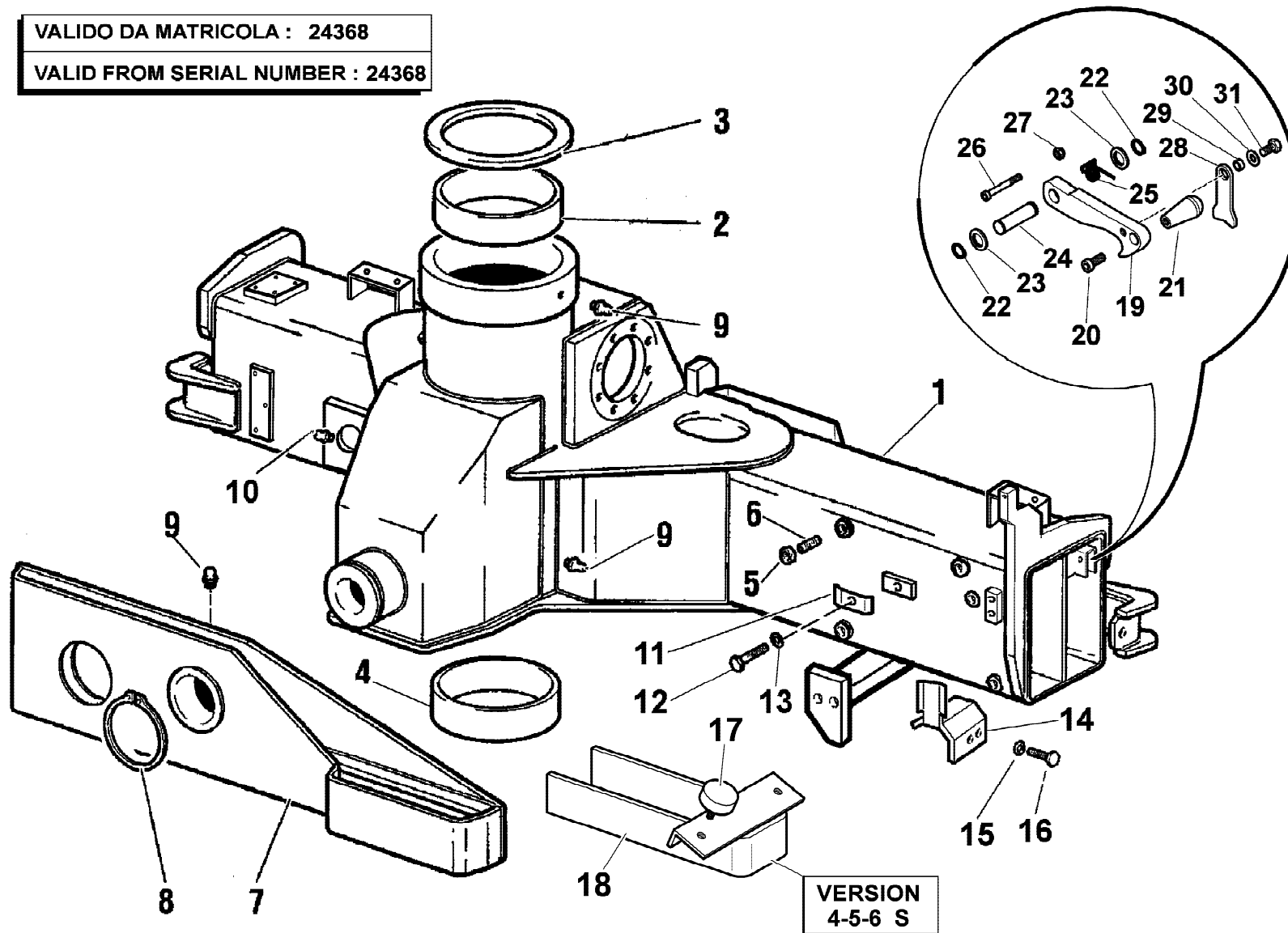
| rif. | codice | Q.tà |
|------|-----------|------|
| 1 | 5.06.0123 | 1 |
| 2 | 5.14.0685 | 1 |
| 3 | 5.14.0684 | 1 |
| 4 | 5.14.0686 | 1 |
| 5 | 3.04.0089 | 8 |
| 6 | 5.00.0771 | 8 |
| 7 | 5.09.0515 | 1 |
| 8 | 3.07.0083 | 1 |
| 9 | 3.08.0501 | 5 |
| 10 | 3.08.0512 | 1 |
| 11 | 5.00.0033 | 2 |
| 12 | 3.01.0339 | 2 |
| 13 | 3.06.0055 | 2 |
| 14 | 5.09.0595 | 2 |
| 15 | 3.06.0053 | 4 |
| 16 | 3.01.0323 | 4 |
| 17 | 5.00.0018 | 2 |
| 18 | 3.08.0500 | 2 |

VALIDO FINO A MATRICOLA : 23434
 VALID UNTIL SERIAL NUMBER : 23434



VALIDO DA MATRICOLA : 24368

VALID FROM SERIAL NUMBER : 24368



| rif. | codice | Q.tà |
|------|-----------|------|
| 1 | 5.06.0172 | 1 |
| 2 | 5.14.0685 | 1 |
| 3 | 5.14.0684 | 1 |
| 4 | 5.14.0686 | 1 |
| 5 | 3.04.0089 | 8 |
| 6 | 5.00.0771 | 8 |
| 7 | 5.09.0515 | 1 |
| 8 | 3.07.0083 | 1 |
| 9 | 3.08.0501 | 4 |
| 10 | 3.08.0512 | 1 |
| 11 | 5.00.0033 | 2 |
| 12 | 3.01.0339 | 2 |
| 13 | 3.06.0055 | 2 |
| 14 | 5.09.0595 | 2 |
| 15 | 3.06.0053 | 4 |
| 16 | 3.01.0323 | 4 |
| 17 | 3.19.0100 | 2 |
| 18 | 5.09.0596 | 1 |
| 19 | 5.00.0966 | 2 |
| 20 | 3.02.0875 | 2 |
| 21 | 3.19.0201 | 2 |
| 22 | 3.07.0148 | 4 |
| 23 | 5.14.0714 | 4 |
| 24 | 5.15.0601 | 2 |
| 25 | 3.06.0932 | 2 |
| 26 | 3.01.0397 | 2 |
| 27 | 3.04.0519 | 2 |
| 28 | 5.00.1681 | 2 |
| 29 | W.102.116 | 2 |
| 30 | 3.06.0006 | 2 |
| 31 | 3.01.0337 | 2 |

1/1

HYVA® CRANE
HB280

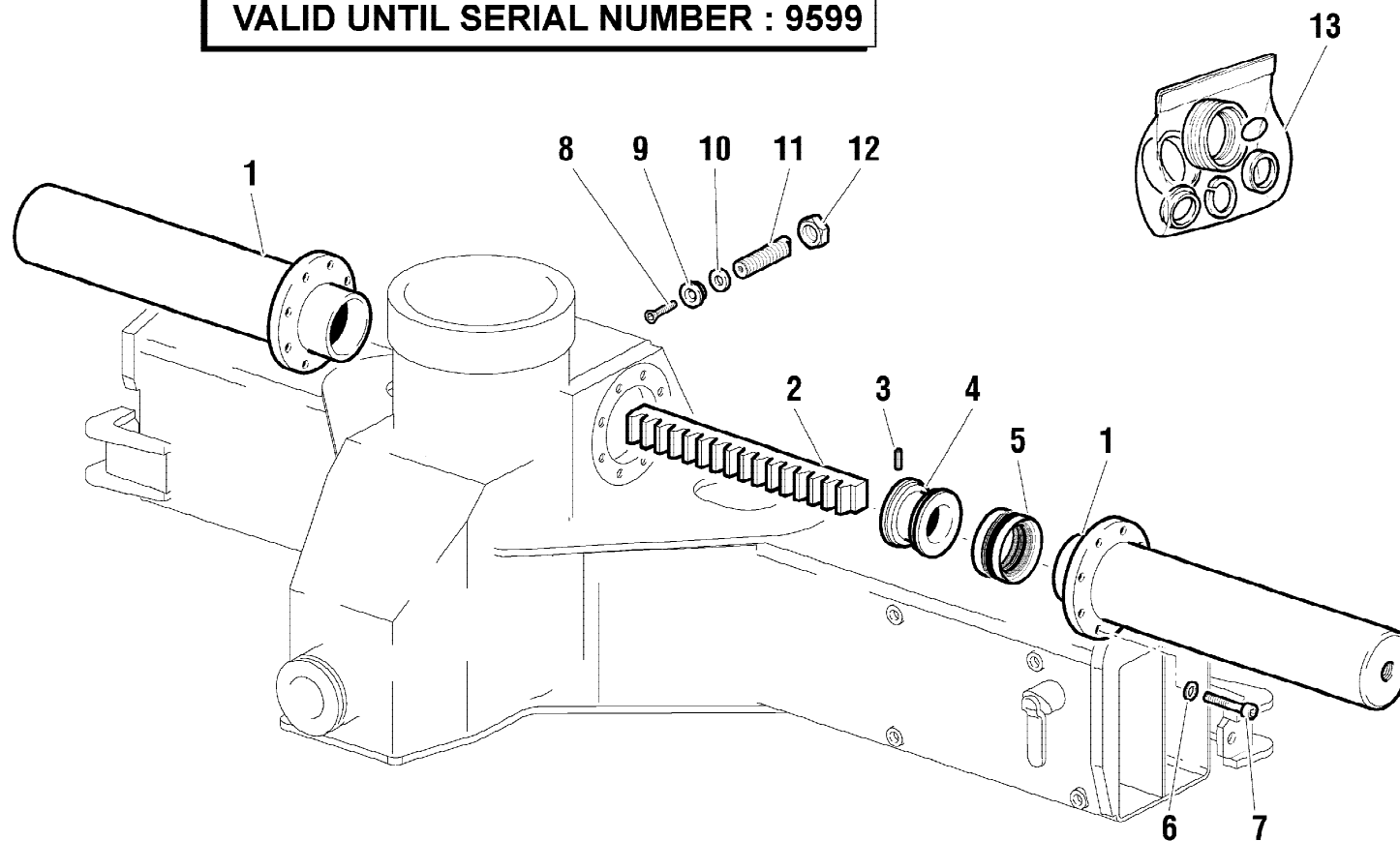
BASAMENTO
BASE
SOLLE
UNTERBAU
BASE

Tavola
5.42.0083-1-0

Data pag.
maggio 2008 2

VALIDO FINO A MATRICOLA : 9599

VALID UNTIL SERIAL NUMBER : 9599



| rif. | codice | Q.tà |
|------|-----------|------|
| 1 | 6.07.0388 | 2 |
| 2 | 5.05.0084 | 1 |
| 3 | 3.06.0607 | 2 |
| 4 | 6.05.0248 | 2 |
| 5 | 3.40.0523 | 2 |
| 6 | 3.06.0059 | 16 |
| 7 | 3.02.0128 | 16 |
| 8 | 3.02.0466 | 2 |
| 9 | 5.14.0600 | 2 |
| 10 | 4.16.0328 | 2 |
| 11 | 3.06.0919 | 2 |
| 12 | 3.04.0309 | 2 |
| 13 | 5.55.0694 | 1 |

6.24.0065-2.0

1/1

HYVA® CRANE
HB280

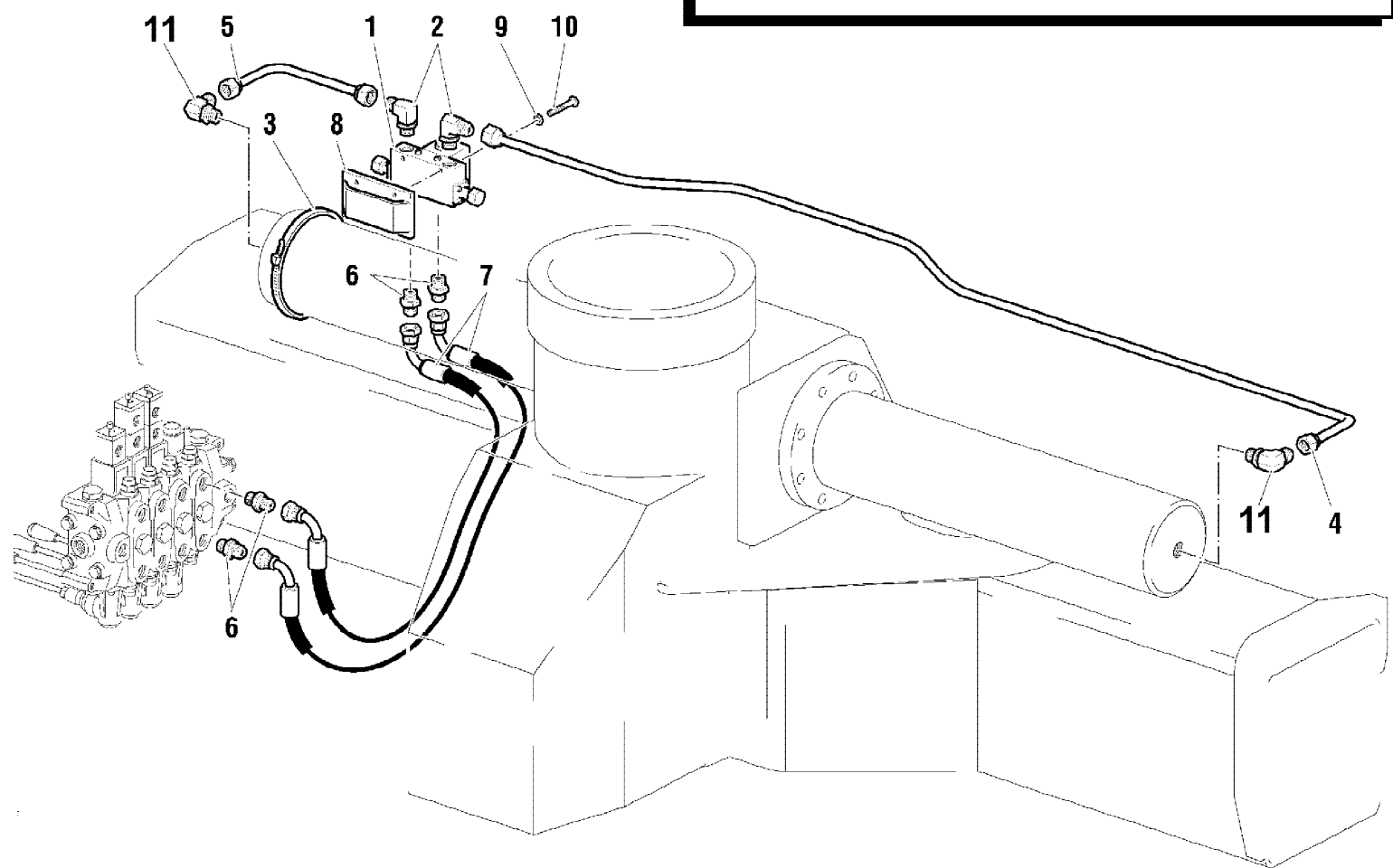
GRUPPO ROTAZIONE 380°
SLEWING ASS'Y 380°
GROUPE ROTATION 380°
DREHVORRICHTUNG 380°
GRUPO ROTACION 380°

Tavola
6.24.0065-1-0

Data pag.
ottobre 2006 3

| rif. | codice | Q.tà |
|------|-----------|------|
| 1 | 5.22.0567 | 1 |
| 2 | 3.10.1127 | 2 |
| 3 | 3.19.0027 | 2 |
| 4 | 5.39.1534 | 1 |
| 5 | 5.39.1635 | 1 |
| 6 | 3.10.1043 | 4 |
| 7 | 5.27.1174 | 2 |
| 8 | 5.00.0693 | 1 |
| 9 | 3.06.0053 | 2 |
| 10 | 3.01.0017 | 2 |
| 11 | 3.10.1128 | 2 |

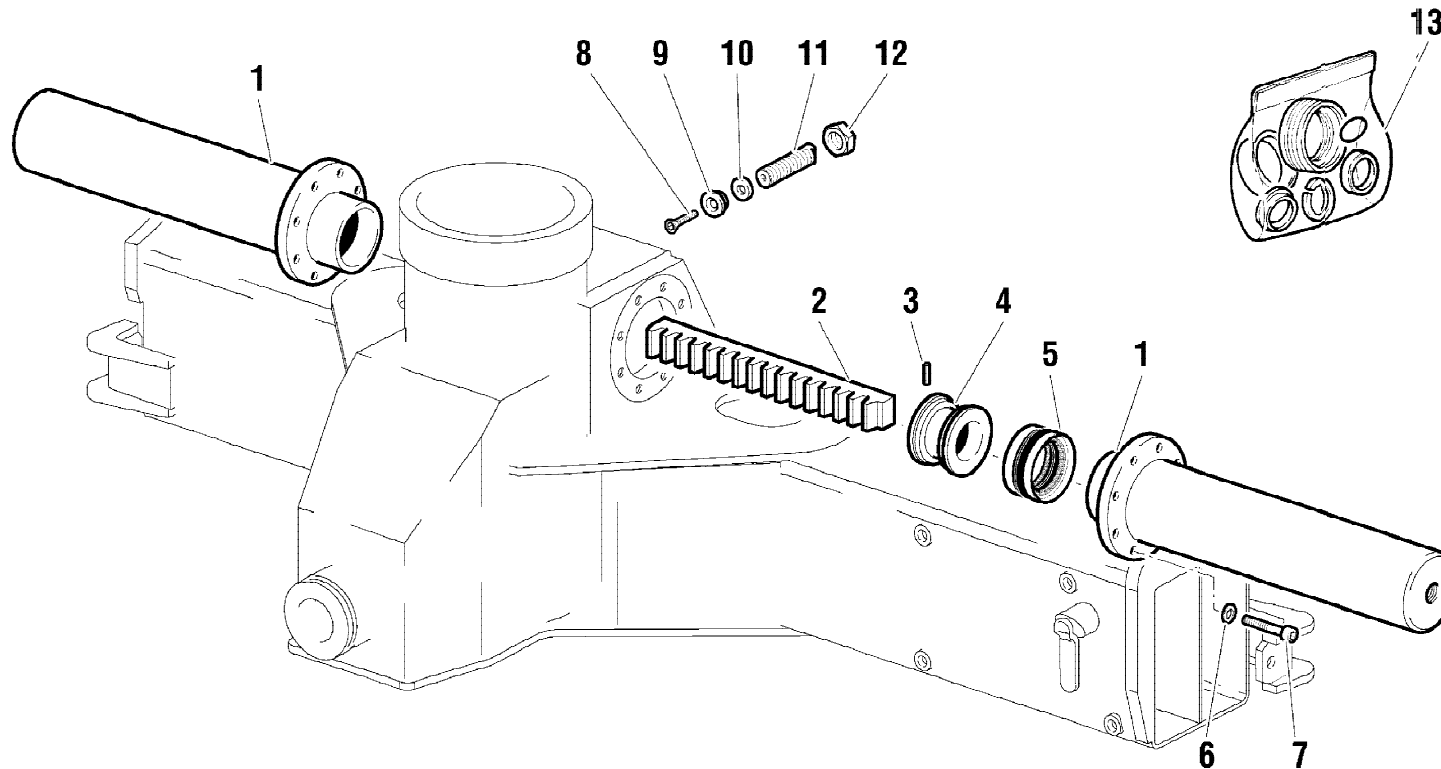
VALIDO FINO A MATRICOLA : 9599
VALID UNTIL SERIAL NUMBER : 9599



VALIDO DA MATRICOLA : 9600

VALID FROM SERIAL NUMBER : 9600

| rif. | codice | Q.tà |
|------|-----------|------|
| 1 | 6.07.0417 | 2 |
| 2 | 5.05.0085 | 1 |
| 3 | 3.06.0607 | 2 |
| 4 | 6.05.0248 | 2 |
| 5 | 3.40.0523 | 2 |
| 6 | 3.06.0059 | 16 |
| 7 | 3.02.0128 | 16 |
| 8 | 3.02.0466 | 2 |
| 9 | 5.14.0600 | 2 |
| 10 | 4.16.0328 | 2 |
| 11 | 3.06.0919 | 2 |
| 12 | 3.04.0309 | 2 |
| 13 | 5.55.0694 | 1 |



6.24.0075-2-0

1/1

HYVA® CRANE

HB280

GRUPPO ROTAZIONE 400°
SLEWING ASS'Y 400°
GROUPE ROTATION 400°
DREHVORRICHTUNG 400°
GRUPO ROTACION 400°

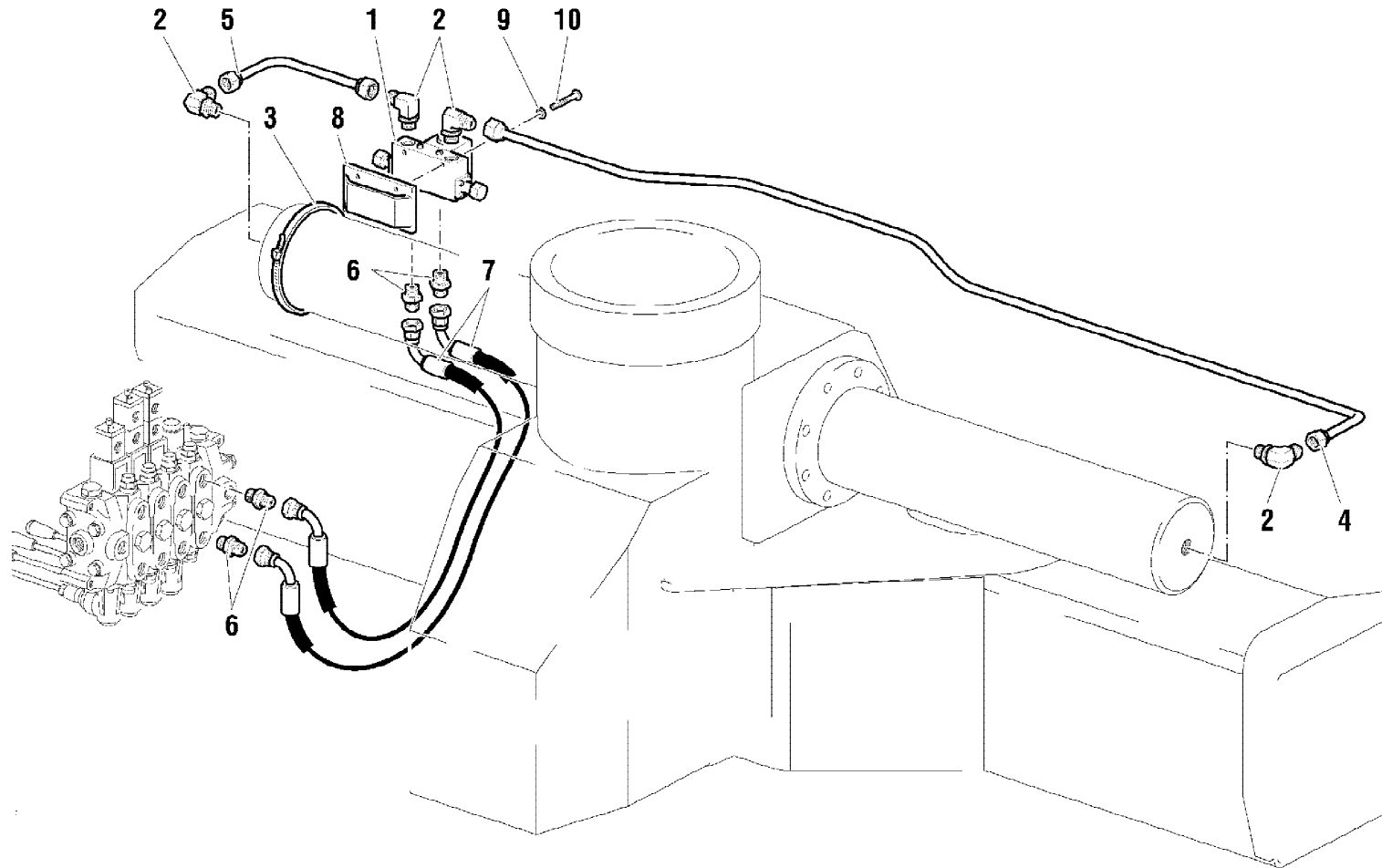
Tavola

6.24.0075-1-0

Data pag.
ottobre 2006 5

VALIDO DA MATRICOLA : 9600 A MATRICOLA : 12595

VALID FROM SERIAL NUMBER.: 9600 TO SERIAL NUMBER: 12595



| rif. | codice | Q.tà |
|------|-----------|------|
| 1 | 5.22.0620 | 1 |
| 2 | 3.10.1128 | 4 |
| 3 | 3.19.0027 | 2 |
| 4 | 5.39.1572 | 1 |
| 5 | 5.39.1573 | 1 |
| 6 | 3.10.1044 | 2 |
| 7 | 5.27.1174 | 2 |
| 8 | 5.00.0693 | 1 |
| 9 | 3.06.0053 | 2 |
| 10 | 3.10.0017 | 2 |

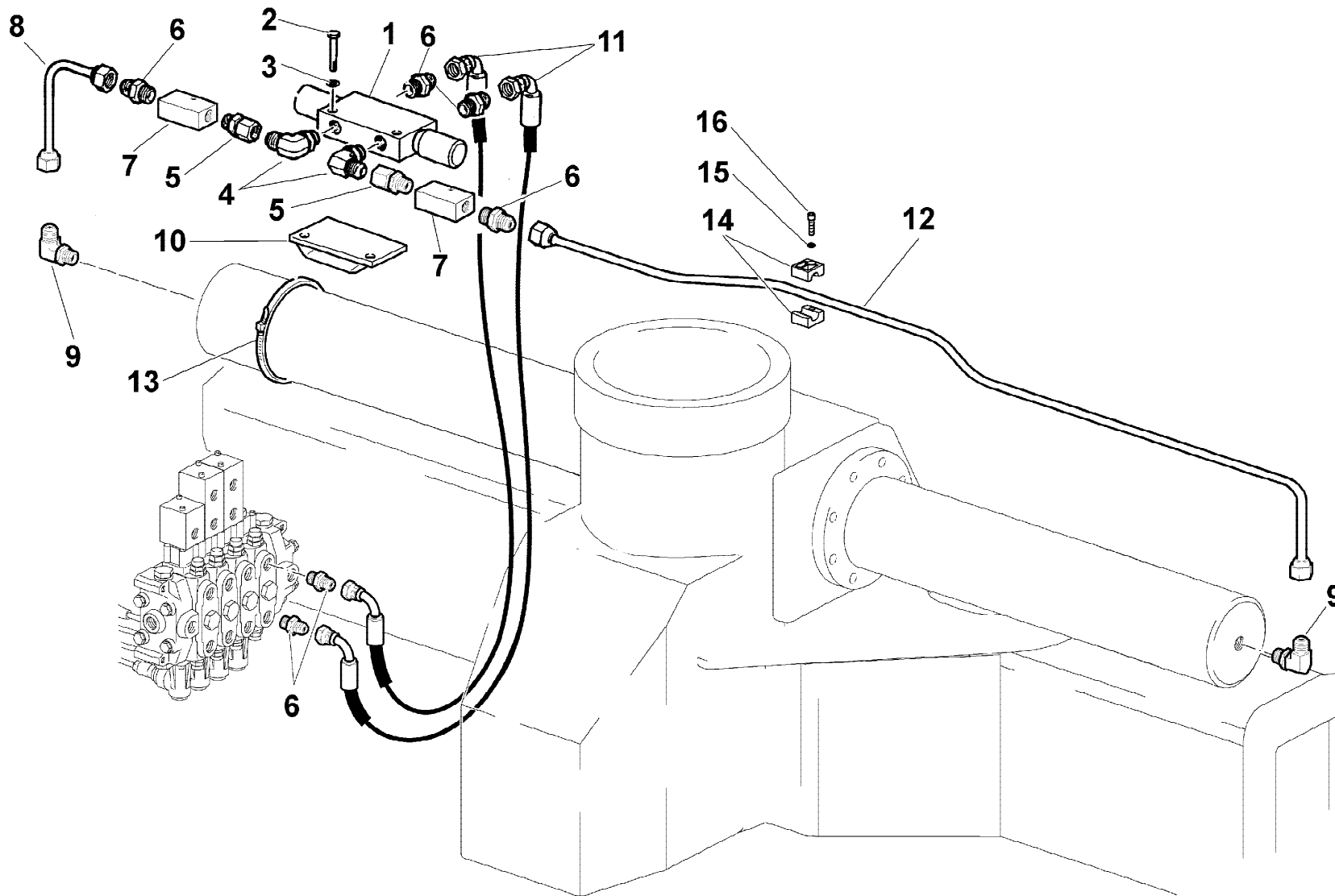
1/1

HYVA® CRANE
HB280

IMPIANTO IDRAULICO (MARTINETTO ROTAZIONE) 400°
HYDRAULIC SYSTEM (SLEWING HYDRAULIC JACK) 400°
INSTALLATION HYDRAULIQUE (VERIN ROTATION) 400°
HYDRAULIKANLAGE (DREH SCHUBZYLINDER) 400°
INSTALACION HIDRAULICA (GATO ROTACION) 400°

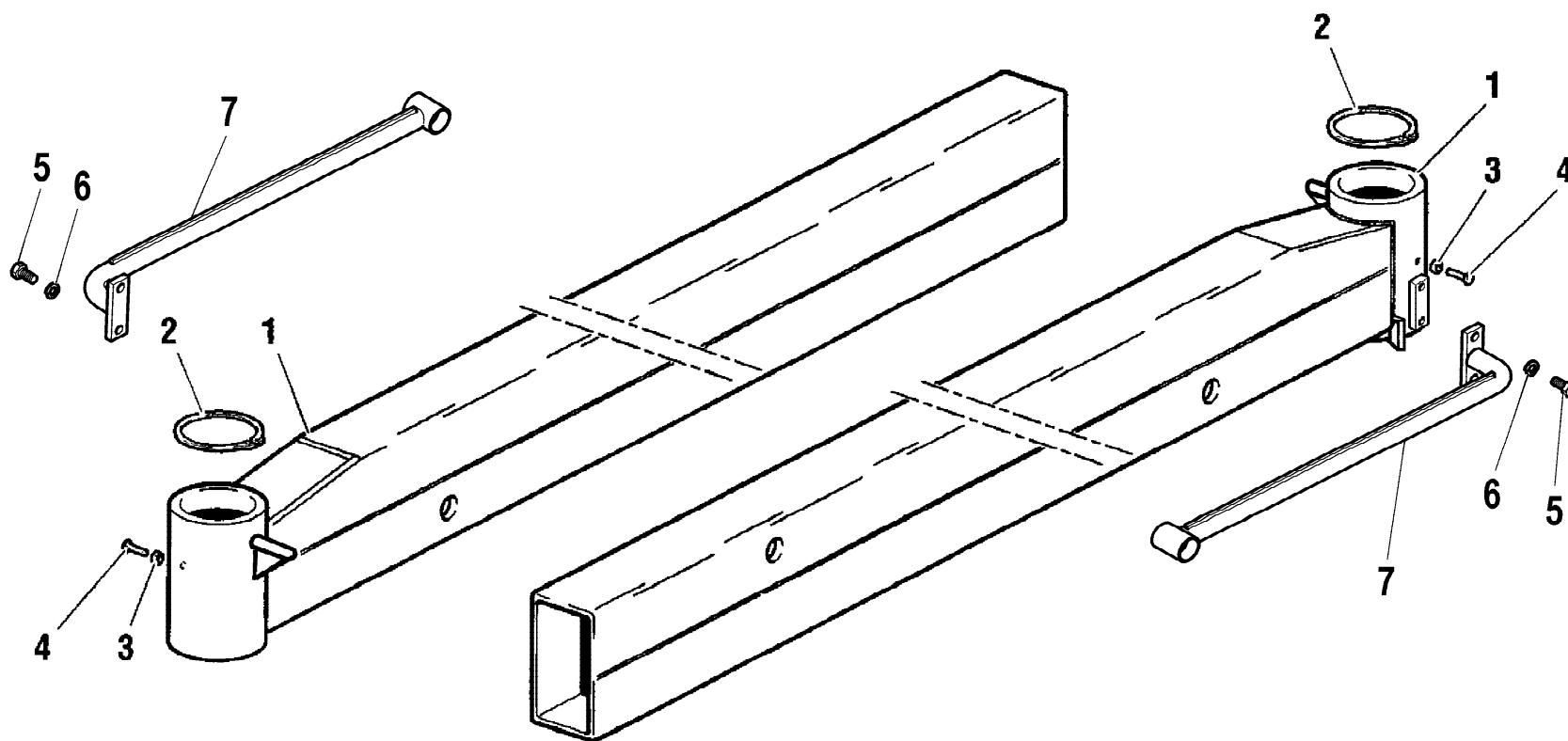
Tavola
6.24.0075-2-0

Data pag.
ottobre 2006 6



| rif. | codice | Q.tà |
|------|-----------|------|
| 1 | 5.22.0122 | 1 |
| 2 | 3.01.0017 | 2 |
| 3 | 3.06.0053 | 2 |
| 4 | 3.10.1127 | 2 |
| 5 | 3.12.0066 | 2 |
| 6 | 3.10.1043 | 6 |
| 7 | 5.22.0094 | 2 |
| 8 | 5.39.1573 | 1 |
| 9 | 3.10.1128 | 2 |
| 10 | 5.00.0693 | 1 |
| 11 | 5.27.1174 | 2 |
| 12 | 5.39.1750 | 1 |
| 13 | 3.19.0027 | 2 |
| 14 | 3.19.0176 | 4 |
| 15 | 3.19.0178 | 2 |
| 16 | 3.02.0037 | 2 |

| rif. | codice | Q.tà |
|------|-----------|------|
| 1 | 5.07.0252 | 2 |
| 2 | 3.07.0080 | 2 |
| 3 | 3.04.0047 | 2 |
| 4 | 3.01.0394 | 2 |
| 5 | 3.01.0369 | 4 |
| 6 | 3.06.0057 | 4 |
| 7 | 5.09.0594 | 2 |



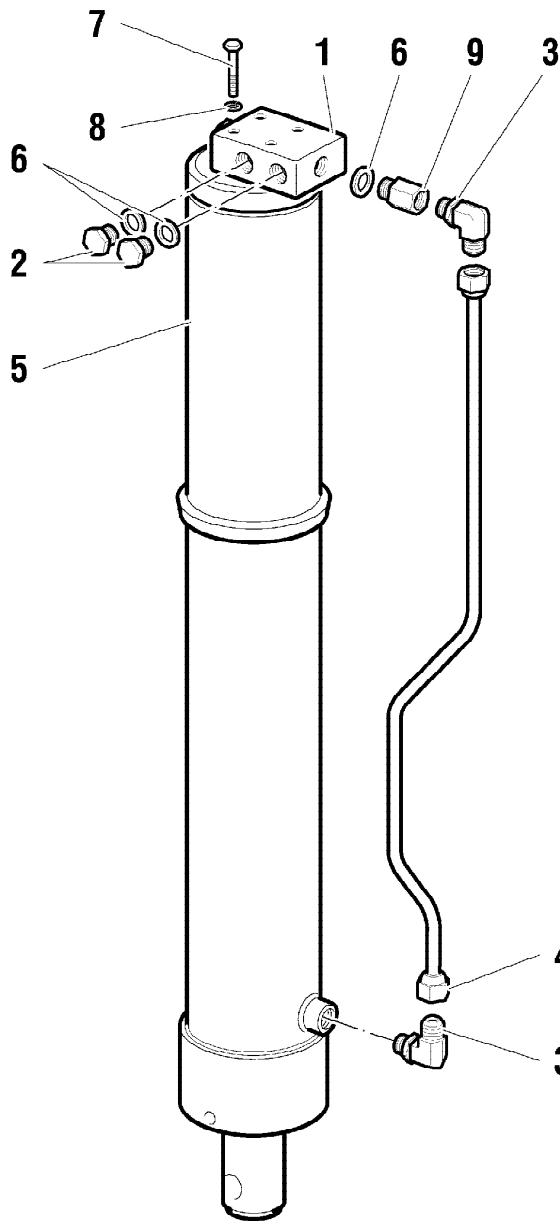
1/1

HYVA[®] CRANE
HB280

ASTE STABILIZZATORI
 STABILIZERS RODS
 TIGES STABILISATEURS
 STANGEN STABILISATOREN
 VARILLAS ESTABILIZADORES

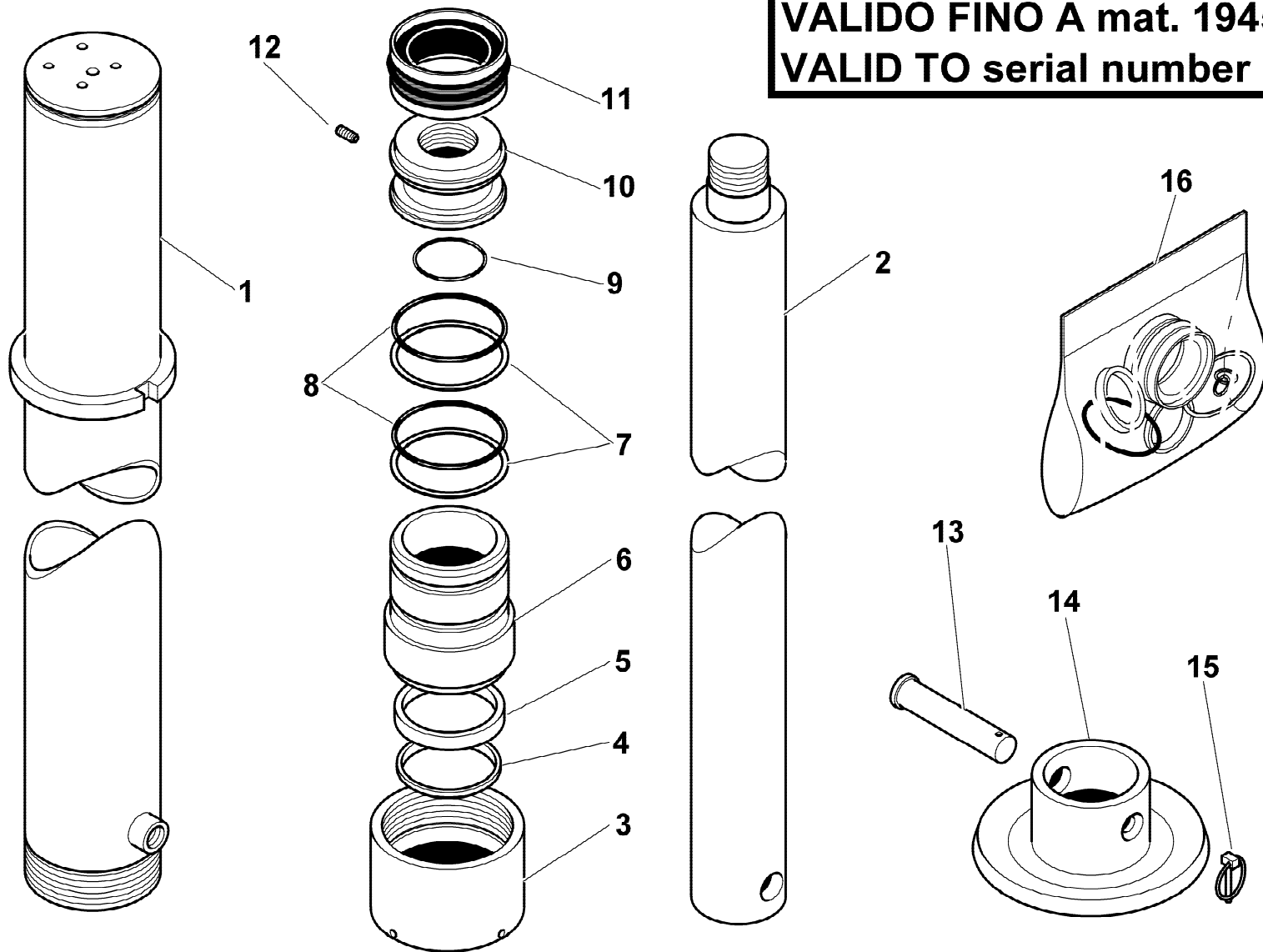
Tavola
5.76.0027-1-0

Data pag.
 giugno 2006 8



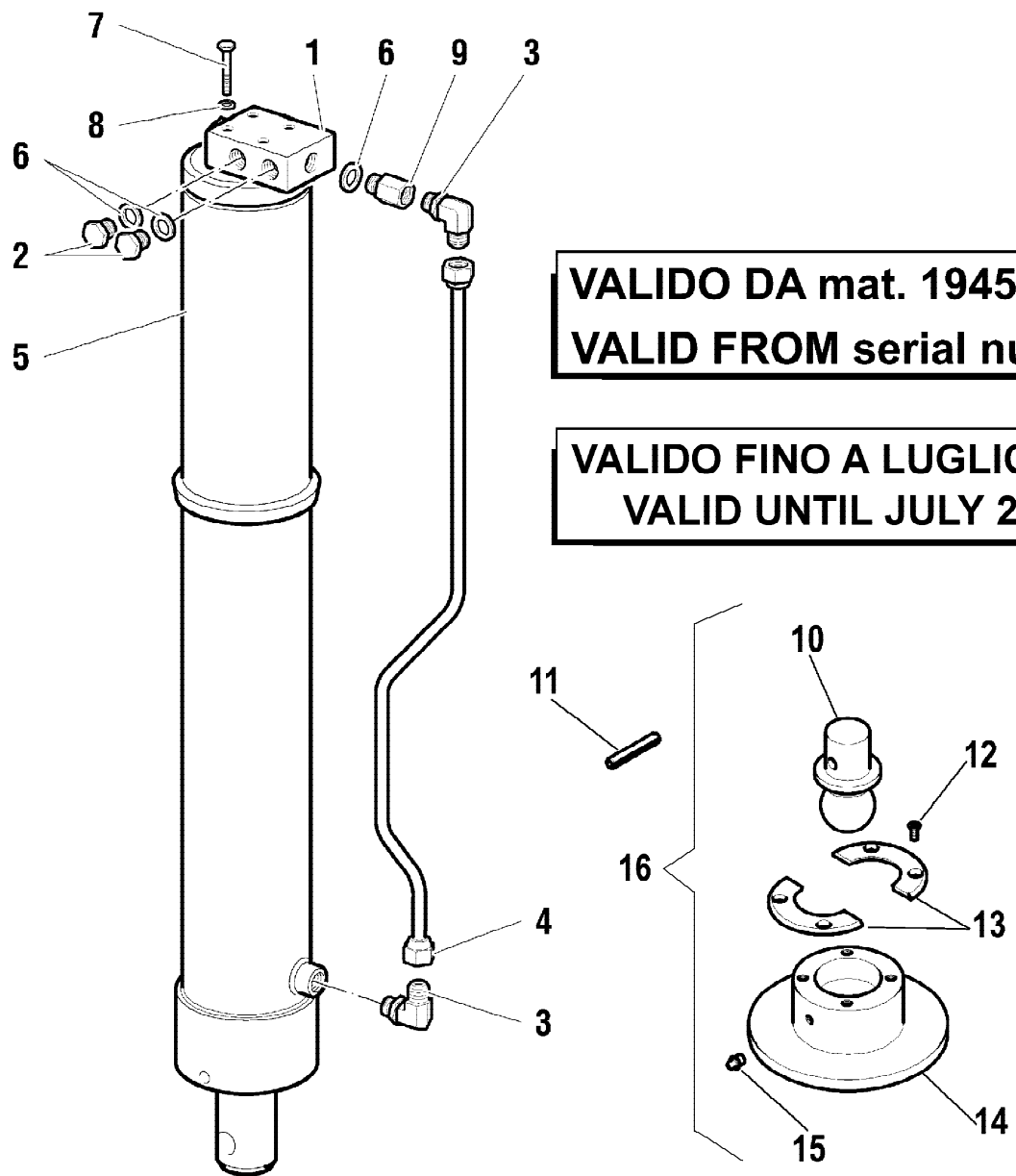
VALID FINO A mat. 19456
VALID TO Serial nuber 19456

| rif. | codice | Q.tà |
|------|-----------|------|
| 1 | 5.22.0518 | 1 |
| 2 | 3.11.0065 | 2 |
| 3 | 3.10.1128 | 2 |
| 4 | 5.39.0964 | 1 |
| 5 | 6.40.0054 | 1 |
| 6 | 3.06.0145 | 2 |
| 7 | 3.01.0032 | 4 |
| 8 | 3.06.0055 | 4 |
| 9 | 3.11.0113 | 1 |



VALIDO FINO A mat. 19456
VALID TO serial number 19456

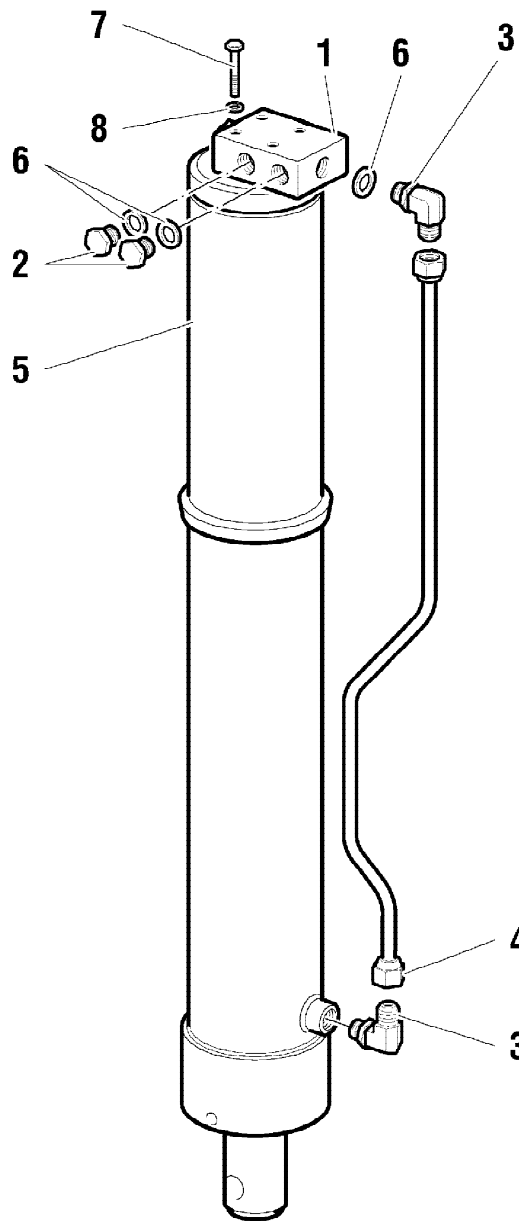
| rif. | codice | Q.tà |
|------|-----------|------|
| 1 | 6.07.0212 | 1 |
| 2 | 6.03.0169 | 1 |
| 3 | 6.04.0150 | 1 |
| 4 | 3.42.0040 | 1 |
| 5 | 3.40.0184 | 1 |
| 6 | 6.40.0149 | 1 |
| 7 | 3.46.0383 | 2 |
| 8 | 3.45.0219 | 2 |
| 9 | 3.45.0205 | 1 |
| 10 | 6.05.0141 | 1 |
| 11 | 3.40.0516 | 1 |
| 12 | 3.06.0234 | 1 |
| 13 | 5.15.0321 | 1 |
| 14 | 5.09.0275 | 1 |
| 15 | 3.06.0753 | 1 |
| 16 | 5.55.0631 | 1 |



VALIDO DA mat. 19457
VALID FROM serial number 19457

VALIDO FINO A LUGLIO 2011
VALID UNTIL JULY 2011

| rif. | codice | Q.tà |
|------|-----------|------|
| 1 | 5.22.0518 | 1 |
| 2 | 3.11.0065 | 2 |
| 3 | 3.10.1128 | 2 |
| 4 | 5.39.0964 | 1 |
| 5 | 6.40.0249 | 1 |
| 6 | 3.06.0145 | 2 |
| 7 | 3.01.0032 | 4 |
| 8 | 3.06.0055 | 4 |
| 9 | 3.11.0113 | 1 |
| 10 | 4.16.0489 | 1 |
| 11 | 3.06.0627 | 1 |
| 12 | 3.02.0899 | 4 |
| 13 | 4.16.0490 | 1 |
| 14 | 5.09.1207 | 1 |
| 15 | 3.08.0512 | 1 |
| 16 | 5.92.0004 | 1 |



**VALIDO DA AGOSTO 2011
VALID FROM AUGUST 2011**

| rif. | codice | Q.tà |
|------|-----------|------|
| 1 | 5.22.0518 | 1 |
| 2 | 3.11.0065 | 2 |
| 3 | 3.10.1128 | 2 |
| 4 | 5.39.0602 | 1 |
| 5 | 6.40.0249 | 1 |
| 6 | 3.06.0145 | 2 |
| 7 | 3.01.0032 | 4 |
| 8 | 3.06.0055 | 4 |
| 9 | 5.92.0004 | 1 |
| 10 | 4.16.0489 | 1 |
| 11 | 3.06.0627 | 1 |
| 12 | 3.02.0899 | 4 |
| 13 | 4.16.0490 | 1 |
| 14 | 5.09.1207 | 1 |
| 15 | 3.08.0512 | 1 |

1/1

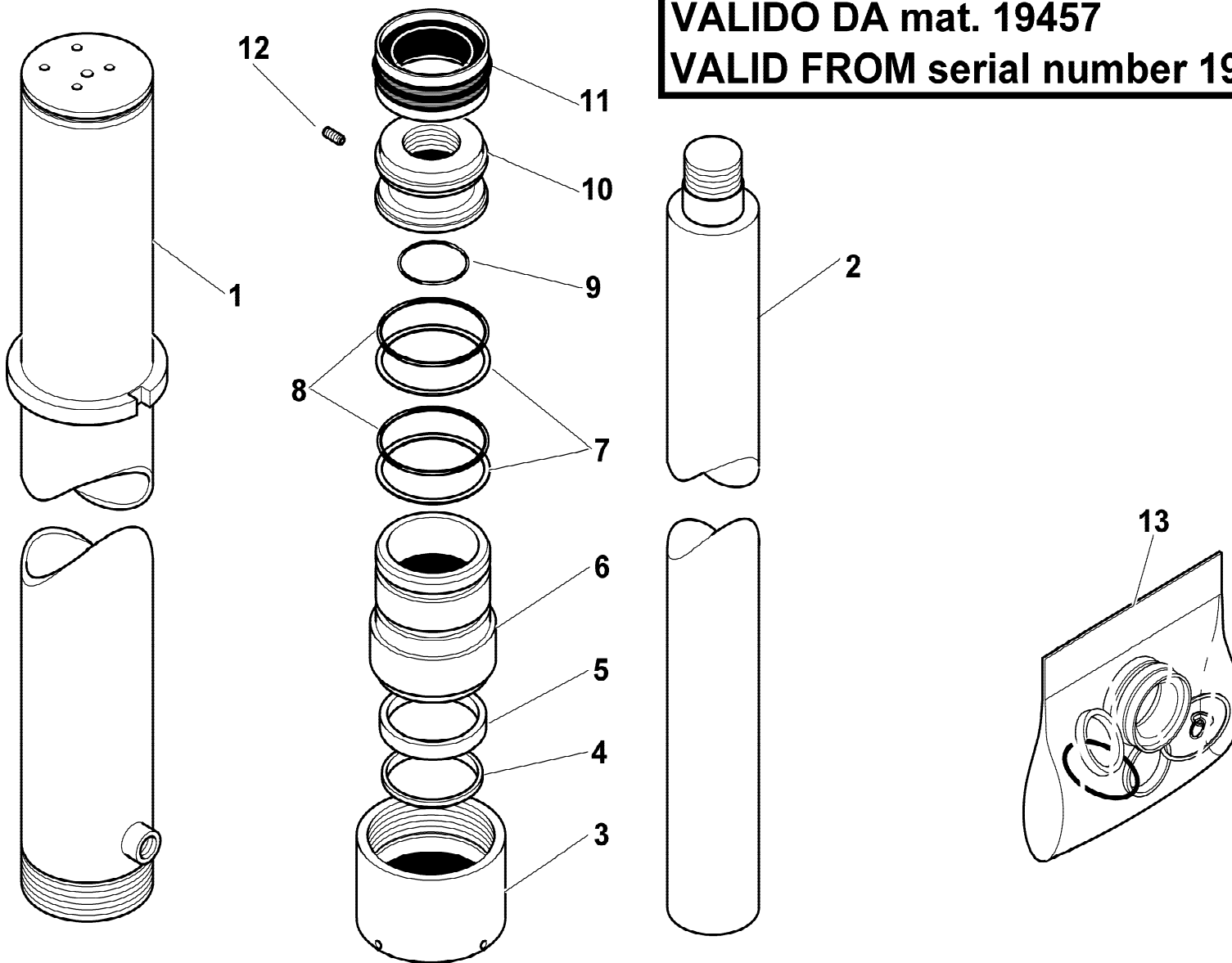
HYVA[®] CRANE
HB280

MARTINETTO STABILIZZATORE (IMPIANTO OLEODINAMICO)
STABILIZER HYDRAULIC JACK (HYDRAULIC SYSTEM)
VERIN STABILISATEUR (INSTALLATION HYDRAULIQUE)
STABILISATOR SCHUBZYLINDER (HYDRAULIKANLAGE)
GATO ESTABILIZADOR (INSTALACION HIDRAULICA)

Tavola
6.20.0249-2-0

Data pag.
luglio 2011 12

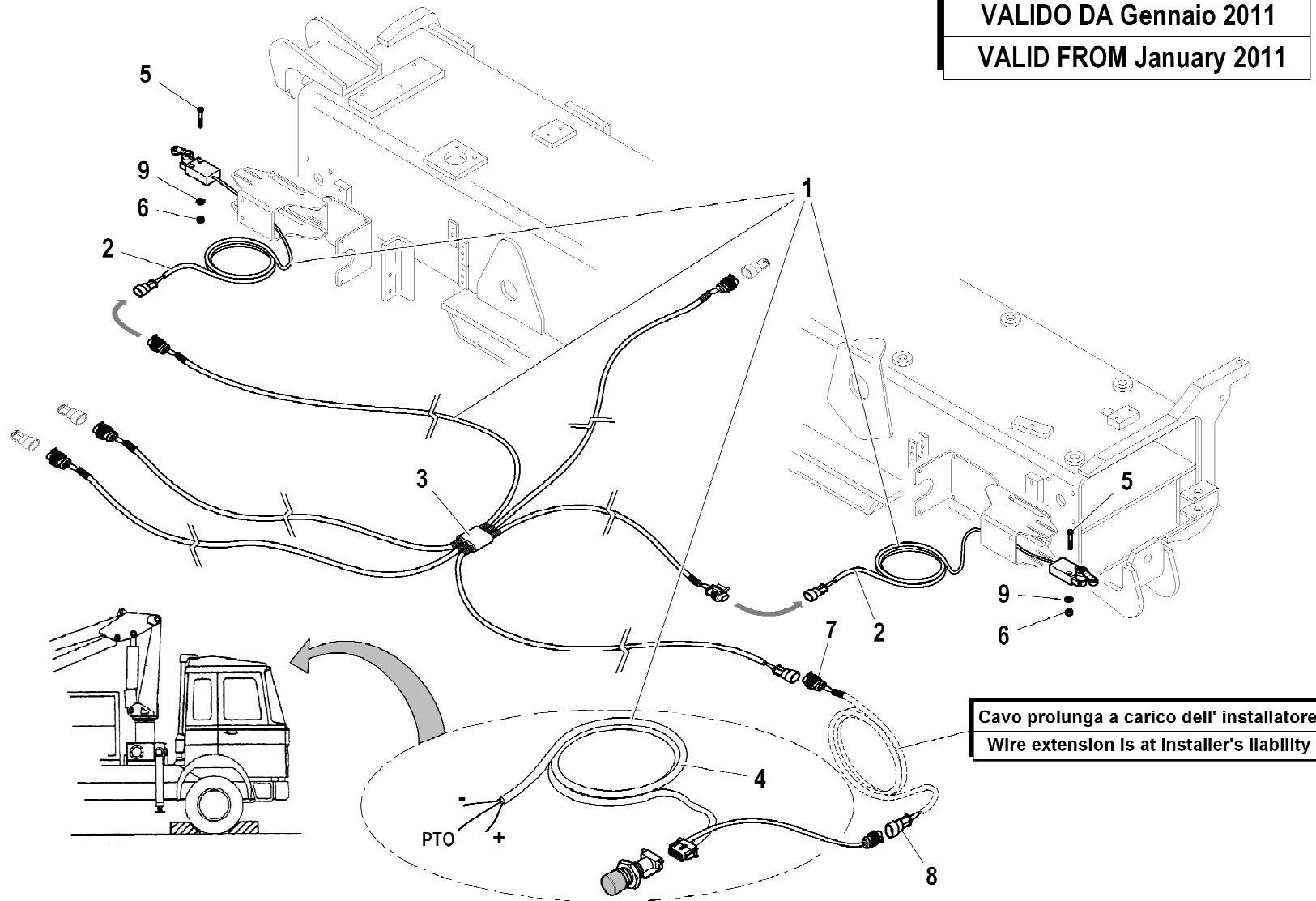
VALIDO DA mat. 19457
VALID FROM serial number 19457



| rif. | codice | Q.tà |
|------|-----------|------|
| 1 | 6.07.0212 | 1 |
| 2 | 6.03.0805 | 1 |
| 3 | 6.04.0150 | 1 |
| 4 | 3.42.0040 | 1 |
| 5 | 3.40.0184 | 1 |
| 6 | 6.04.0149 | 1 |
| 7 | 3.46.0383 | 2 |
| 8 | 3.45.0219 | 2 |
| 9 | 3.45.0205 | 1 |
| 10 | 6.05.0141 | 1 |
| 11 | 3.40.0516 | 1 |
| 12 | 3.06.0234 | 1 |
| 13 | 5.55.0631 | 1 |

VALIDO DA Gennaio 2011

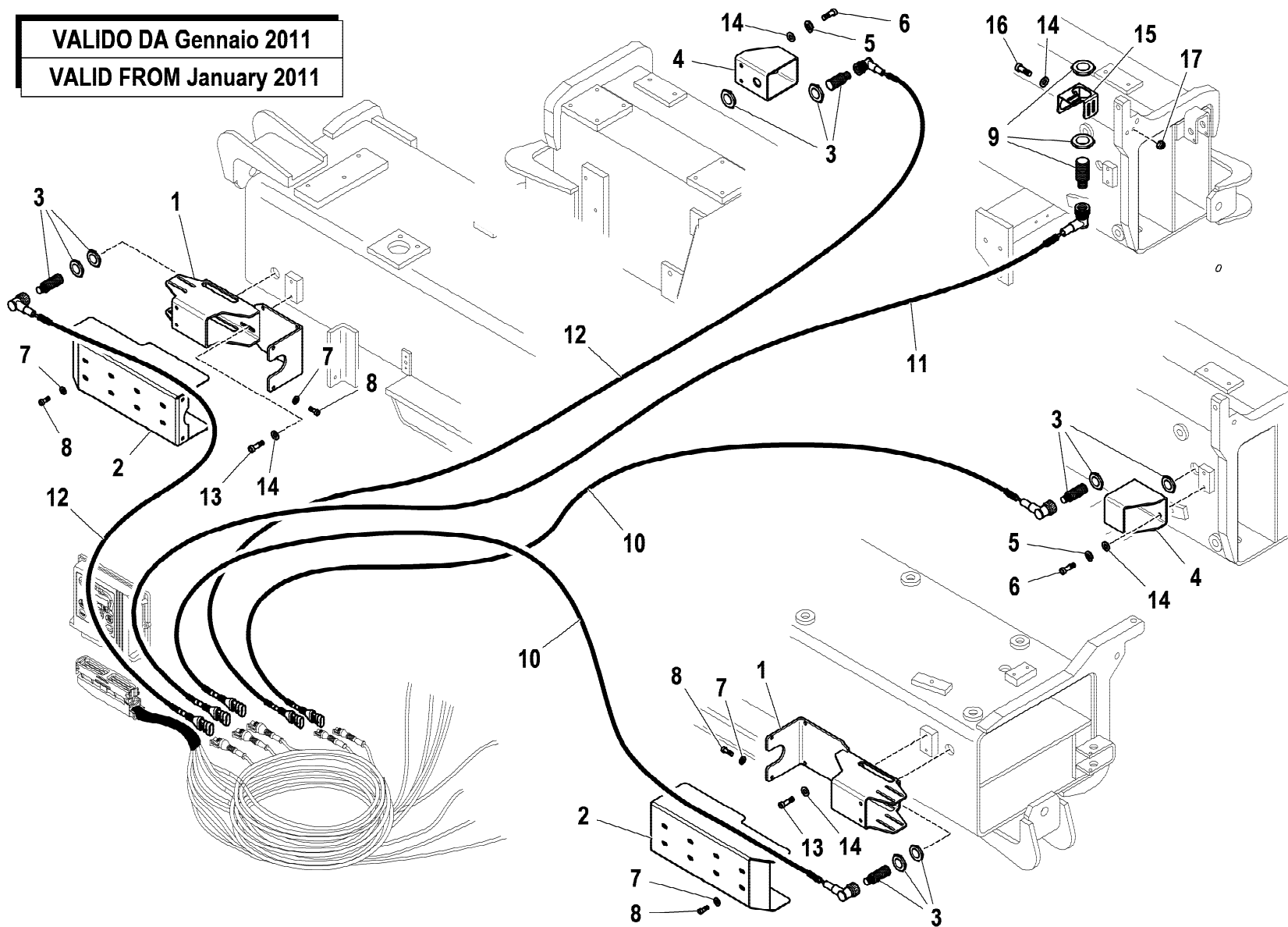
VALID FROM January 2011



| rif. | codice | Q.tà |
|------|-----------|------|
| 1 | 3.31.1352 | 1 |
| 2 | 3.31.1356 | 2 |
| 3 | 3.31.1353 | 1 |
| 4 | 3.31.1354 | 1 |
| 5 | 3.02.0014 | 4 |
| 6 | 3.04.0518 | 4 |
| 7 | 3.31.0431 | 1 |
| 8 | 3.31.0432 | 1 |
| 9 | 3.06.0003 | 4 |

Cavo prolunga a carico dell' installatore
Wire extension is at installer's liability

VALIDO DA Gennaio 2011
VALID FROM January 2011

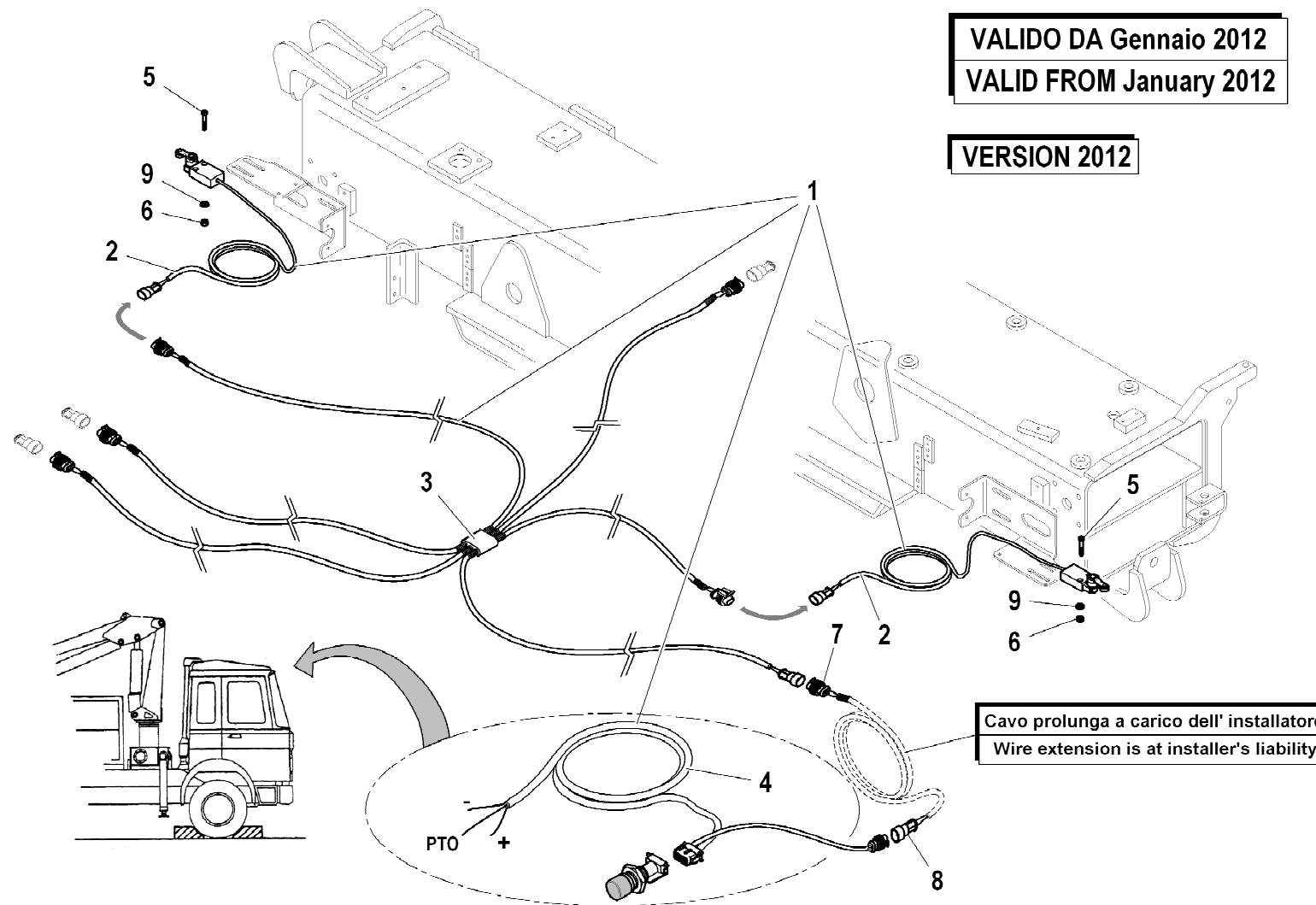


| rif. | codice | Q.tà |
|------|-----------|------|
| 1 | 5.09.1299 | 2 |
| 2 | 5.00.2060 | 2 |
| 3 | 3.31.1311 | 4 |
| 4 | 5.09.1300 | 2 |
| 5 | 3.06.0053 | 4 |
| 6 | 3.02.0035 | 4 |
| 7 | 3.06.0004 | 8 |
| 8 | 3.02.0022 | 8 |
| 9 | 3.31.1312 | 1 |
| 10 | 3.31.1377 | 2 |
| 11 | 3.31.1372 | 1 |
| 12 | 3.31.1332 | 2 |
| 13 | 3.02.0034 | 4 |
| 14 | 3.06.0030 | 10 |
| 15 | 5.00.2051 | 1 |
| 16 | 3.02.0037 | 2 |
| 17 | 3.04.0372 | 2 |

| rif. | codice | Q.tà |
|------|-----------|------|
| 1 | 3.31.1352 | 1 |
| 2 | 3.31.1356 | 2 |
| 3 | 3.31.1353 | 1 |
| 4 | 3.31.1354 | 1 |
| 5 | 3.02.0014 | 4 |
| 6 | 3.04.0518 | 4 |
| 7 | 3.31.0431 | 1 |
| 8 | 3.31.0432 | 1 |
| 9 | 3.06.0003 | 4 |

VALIDO DA Gennaio 2012
VALID FROM January 2012

VERSION 2012

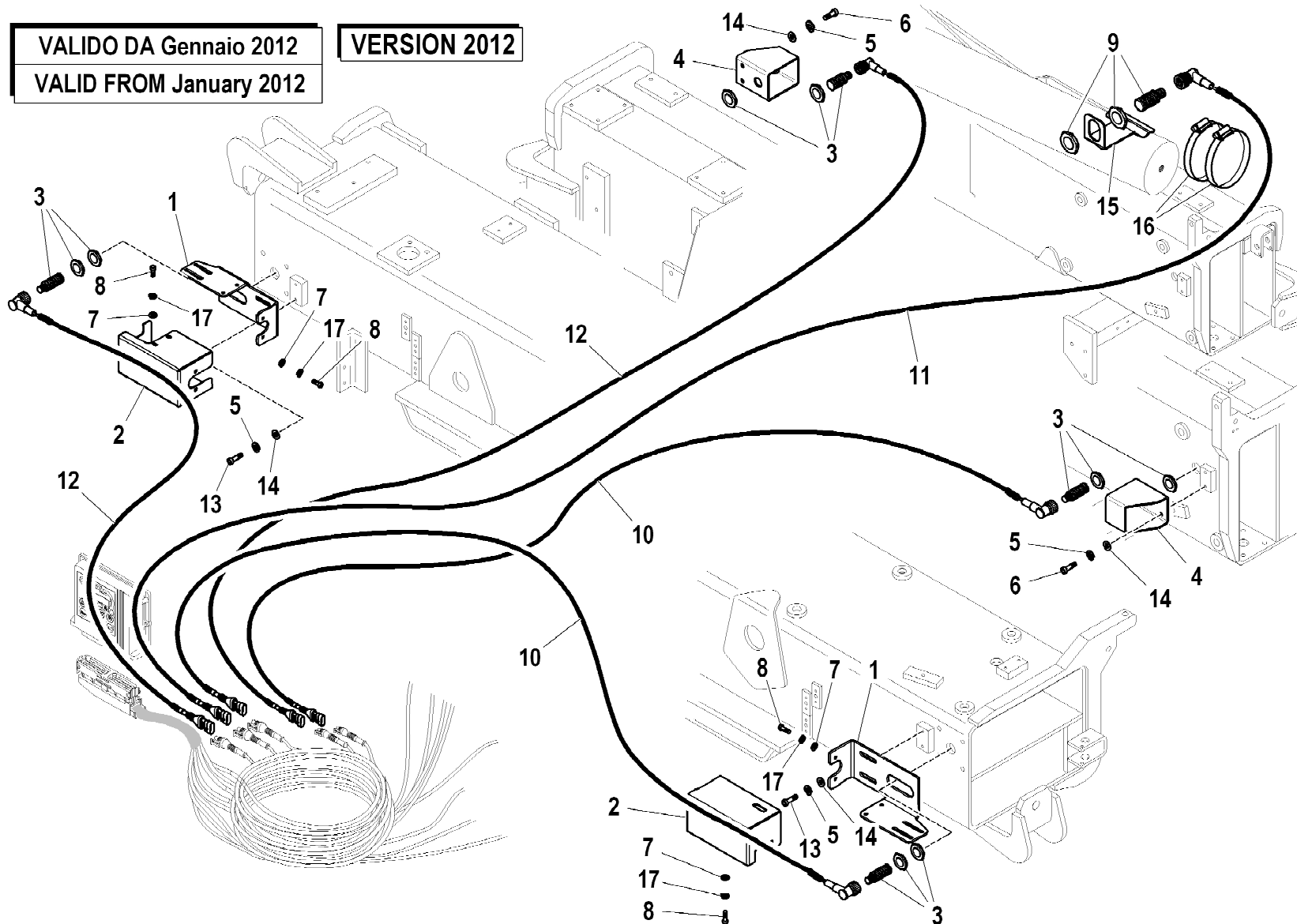


Cavo prolunga a carico dell' installatore
Wire extension is at installer's liability

PTO +

VALIDO DA Gennaio 2012
VALID FROM January 2012

VERSION 2012



| rif. | codice | Q.tà |
|------|-----------|------|
| 1 | 5.09.1395 | 2 |
| 2 | 5.00.2189 | 2 |
| 3 | 3.31.1311 | 4 |
| 4 | 5.09.1300 | 2 |
| 5 | 3.06.0053 | 8 |
| 6 | 3.02.0035 | 4 |
| 7 | 3.06.0004 | 8 |
| 8 | 3.02.0022 | 8 |
| 9 | 3.31.1312 | 1 |
| 10 | 3.31.1377 | 2 |
| 11 | 3.31.1372 | 1 |
| 12 | 3.31.1332 | 2 |
| 13 | 3.02.0034 | 4 |
| 14 | 3.06.0030 | 8 |
| 15 | 5.00.2185 | 1 |
| 16 | 3.19.0021 | 2 |
| 17 | 3.06.0052 | 8 |

1/1

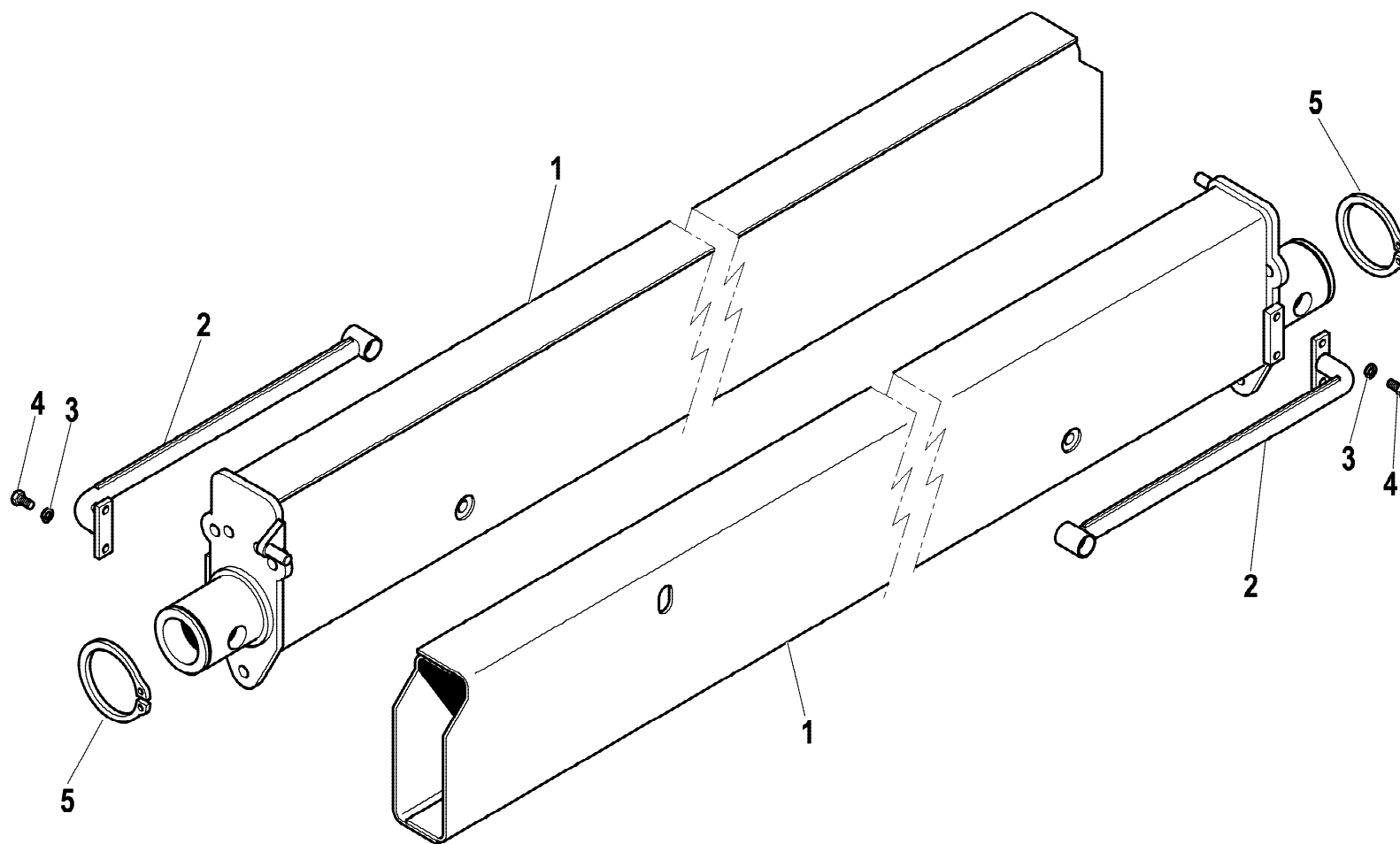
HYVA® CRANE
HB280

CONTROLLO STABILITA' EN-12999-A3
STABILITY CONTROL EN-12999-A3
CONTRÔLE DE LA STABILITE' EN-12999-A3
STABILITÄTSKONTROLLE EN-12999-A3
CONTROL DE LA ESTABILIDAD EN-12999-A3

Tavola
5.41.1204-13-0

Data pag.
aprile 2012 17

| rif. | codice | Q.tà |
|------|-----------|------|
| 1 | 5.07.0282 | 2 |
| 2 | 5.09.0594 | 2 |
| 3 | 3.06.0057 | 4 |
| 4 | 3.01.0369 | 4 |
| 5 | 3.07.0080 | 2 |



1/1

HYVA[®] CRANE

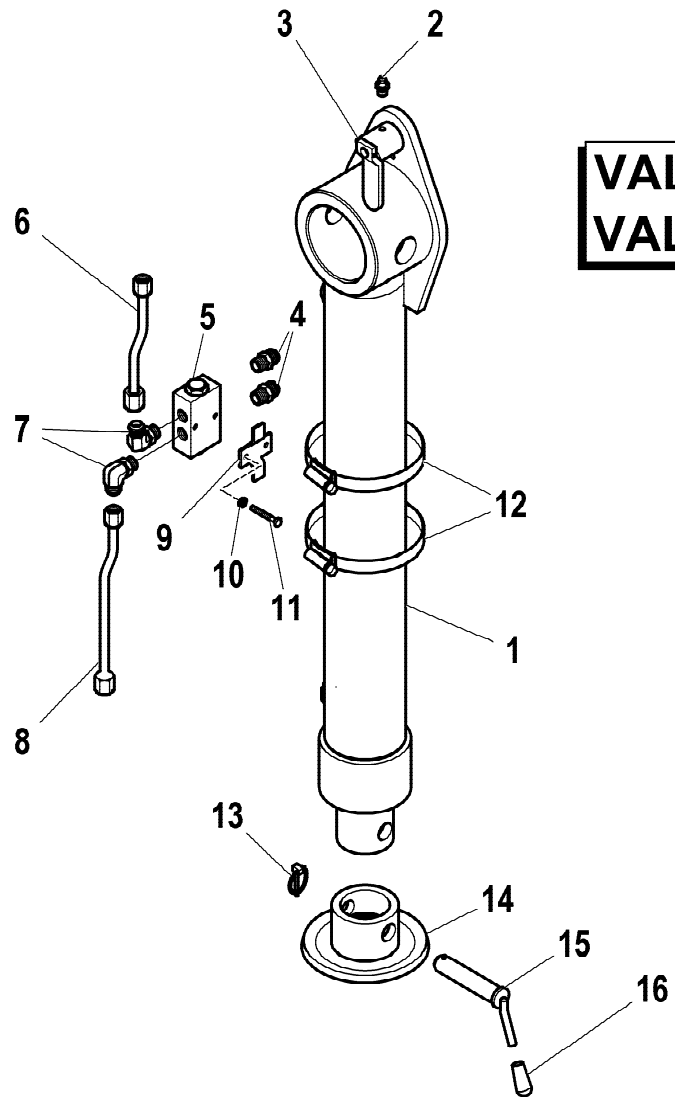
HB280

ASTE STABILIZZATRICI
 STABILIZER ROD
 TIGES DE STABILISATION
 STÜTZSTANGEN
 BARRAS ESTABILIZADORAS

Tavola

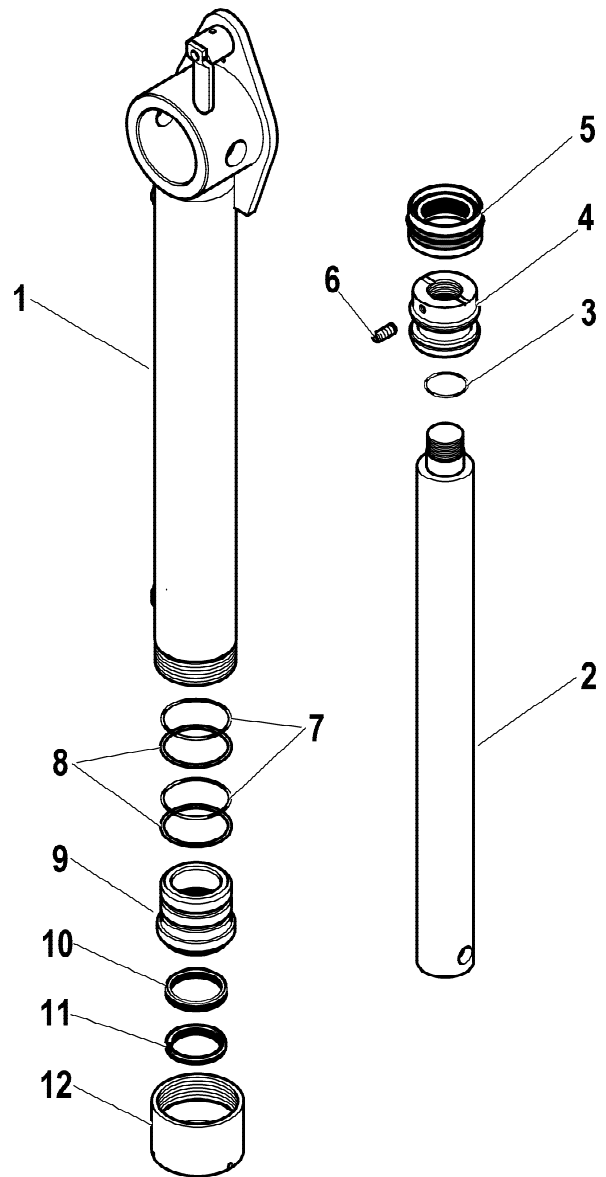
5.76.0041-1-0

Data pag.
 ottobre 2006 18



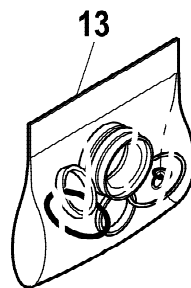
VALIDO FINO A mat. 19456
VALID TO serial number 19456

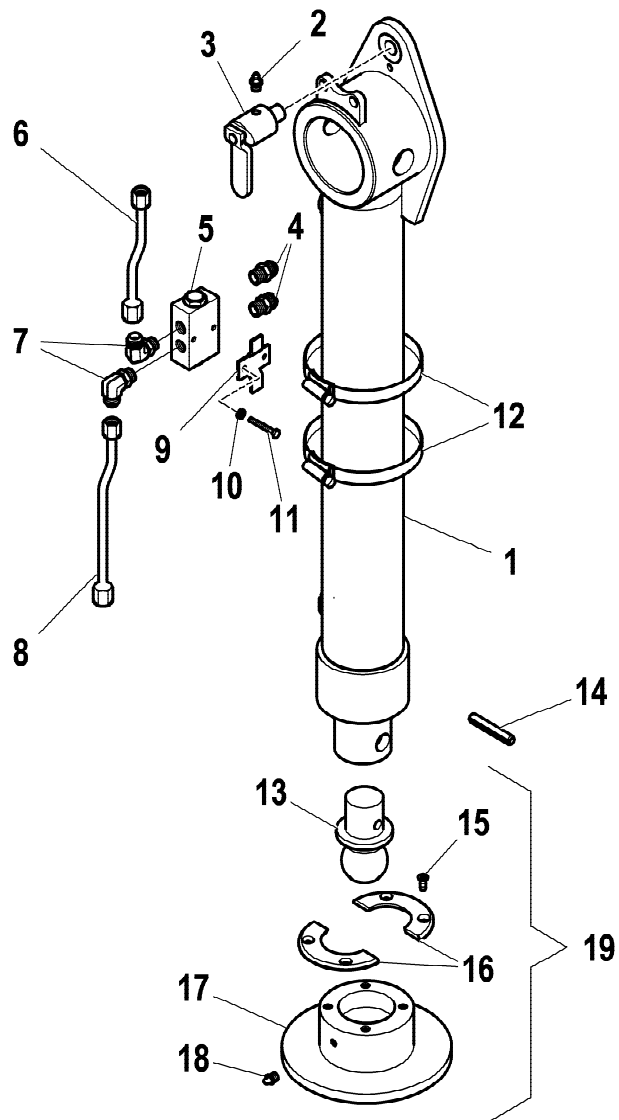
| rif. | codice | Q.tà |
|------|-----------|------|
| 1 | 6.40.0172 | 1 |
| 2 | 3.08.0501 | 1 |
| 3 | 5.00.0898 | 1 |
| 4 | 3.10.1043 | 2 |
| 5 | 5.22.0653 | 1 |
| 6 | 5.39.1887 | 1 |
| 7 | 3.12.0012 | 2 |
| 8 | 5.39.1888 | 1 |
| 9 | 2.09.1241 | 1 |
| 10 | 3.06.0053 | 2 |
| 11 | 3.01.0019 | 2 |
| 12 | 3.19.0024 | 2 |
| 13 | 3.06.0753 | 2 |
| 14 | 5.09.0275 | 1 |
| 15 | 5.15.0321 | 1 |
| 16 | 3.19.0010 | 1 |



VALIDO FINO A mat. 19456
VALID TO serial number 19456

| rif. | codice | Q.tà |
|------|-----------|------|
| 1 | 6.07.0444 | 1 |
| 2 | 6.03.0523 | 1 |
| 3 | 3.45.0205 | 1 |
| 4 | 6.05.0141 | 1 |
| 5 | 3.40.0516 | 1 |
| 6 | 3.06.0234 | 1 |
| 7 | 3.45.0219 | 2 |
| 8 | 3.46.0383 | 2 |
| 9 | 6.04.0149 | 1 |
| 10 | 3.40.0184 | 1 |
| 11 | 3.42.0040 | 1 |
| 12 | 6.04.0150 | 1 |
| 13 | 5.55.0631 | 1 |





VALIDO DA mat. 19457
VALID FROM serial number 19457

| rif. | codice | Q.tà |
|------|-----------|------|
| 1 | 6.40.0250 | 1 |
| 2 | 3.08.0500 | 1 |
| 3 | 5.00.0898 | 1 |
| 4 | 3.10.1043 | 2 |
| 5 | 5.22.0653 | 1 |
| 6 | 5.39.1887 | 1 |
| 7 | 3.12.0012 | 2 |
| 8 | 5.39.1888 | 1 |
| 9 | 2.09.1241 | 1 |
| 10 | 3.06.0053 | 2 |
| 11 | 3.01.0019 | 2 |
| 12 | 3.19.0024 | 2 |
| 13 | 4.16.0489 | 1 |
| 14 | 3.06.0627 | 1 |
| 15 | 3.02.0899 | 4 |
| 16 | 4.16.0490 | 1 |
| 17 | 5.09.1207 | 1 |
| 18 | 3.08.0512 | 1 |
| 19 | 5.92.0004 | 1 |

1/1

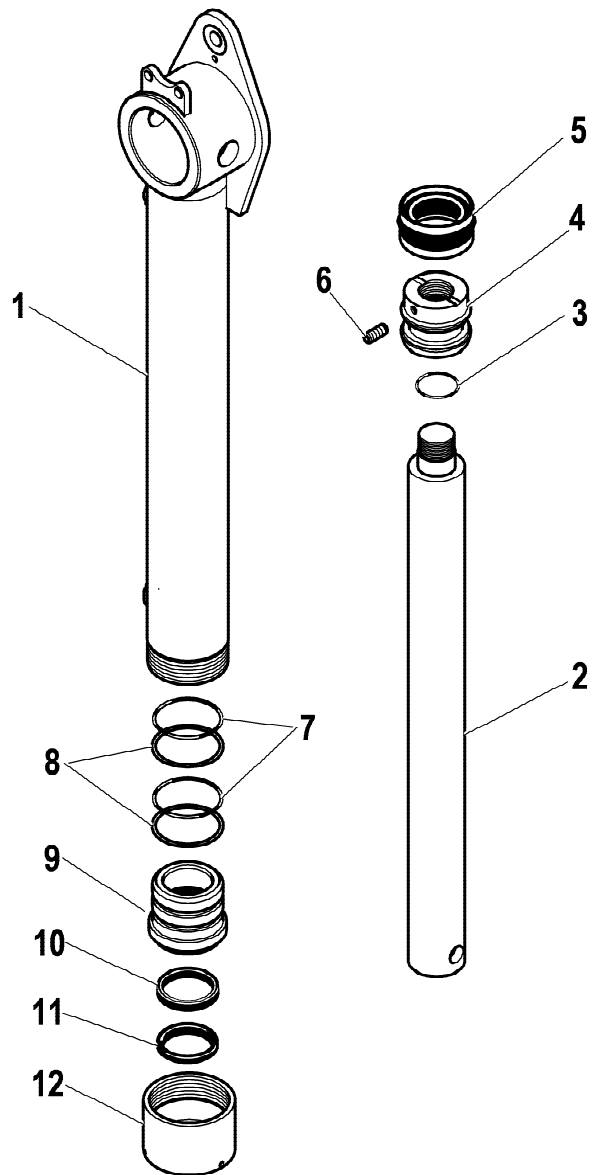
HYVA® CRANE
HB280

MARTINETTO STABILIZZATORE (IMPIANTO OLEODINAMICO)
 STABILIZER HYDRAULIC JACK (HYDRAULIC SYSTEM)
 VERIN STABILISATEUR (INSTALLATION HYDRAULIQUE)
 STABILISATOR SCHUBZYLINDER (HYDRAULIKANLAGE)
 GATO ESTABILIZADOR (INSTALACION HIDRAULICA)

Tavola

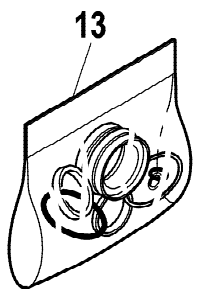
6.20.0250-1-0

Data pag.
 giugno 2006 21

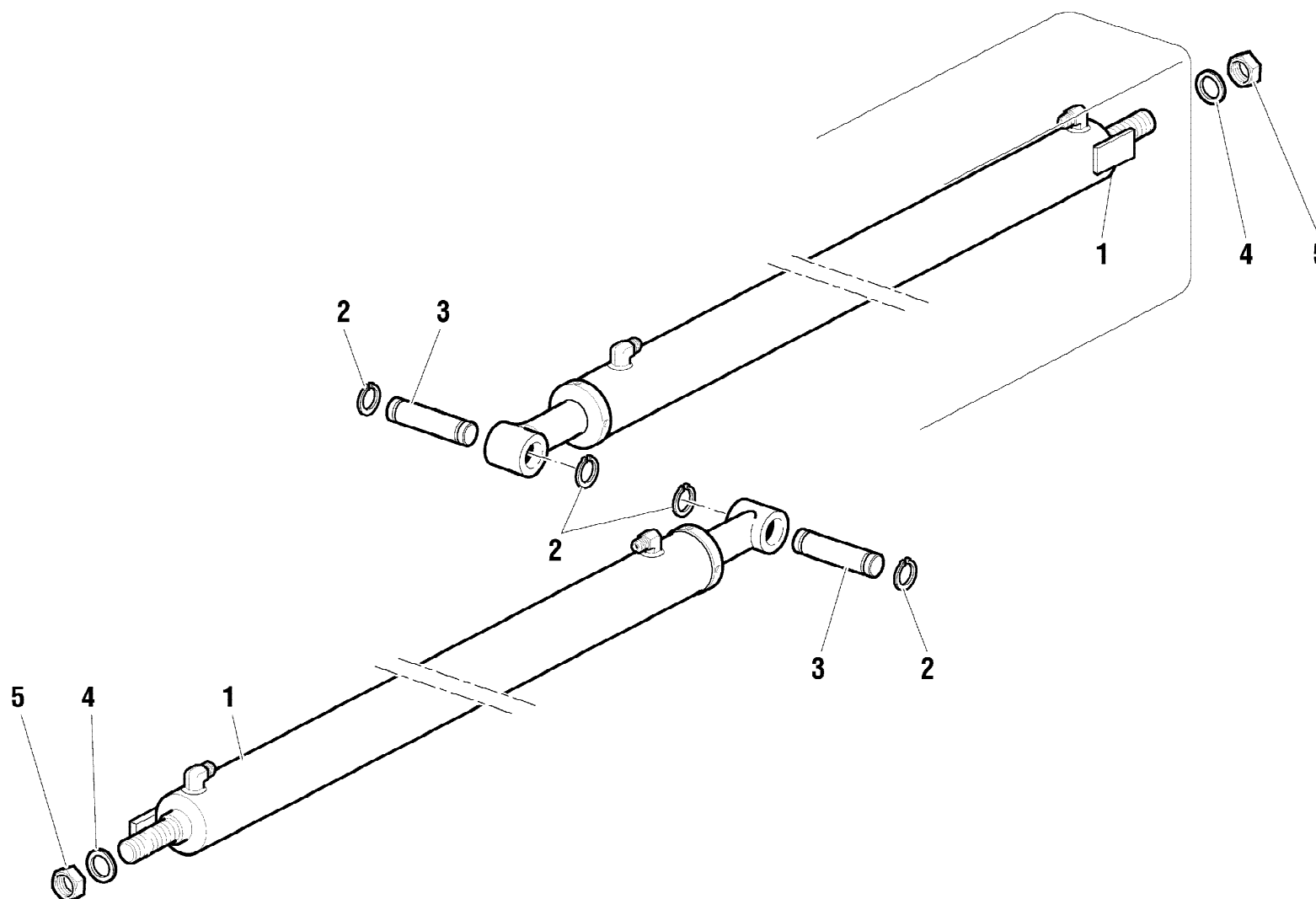


VALIDO DA mat. 19457
VALID FROM serial number 19457

| rif. | codice | Q.tà |
|------|-----------|------|
| 1 | 6.07.0444 | 1 |
| 2 | 6.03.0806 | 1 |
| 3 | 3.45.0205 | 1 |
| 4 | 6.05.0141 | 1 |
| 5 | 3.40.0516 | 1 |
| 6 | 3.06.0234 | 1 |
| 7 | 3.45.0219 | 2 |
| 8 | 3.46.0383 | 2 |
| 9 | 6.04.0149 | 1 |
| 10 | 3.40.0184 | 1 |
| 11 | 3.42.0040 | 1 |
| 12 | 6.04.0150 | 1 |
| 13 | 5.55.0631 | 1 |



| rif. | codice | Q.tà |
|------|-----------|------|
| 1 | 6.20.0151 | 2 |
| 2 | 3.07.0017 | 4 |
| 3 | 5.15.0367 | 2 |
| 4 | 3.06.0010 | 2 |
| 5 | 3.04.0307 | 2 |



1/1

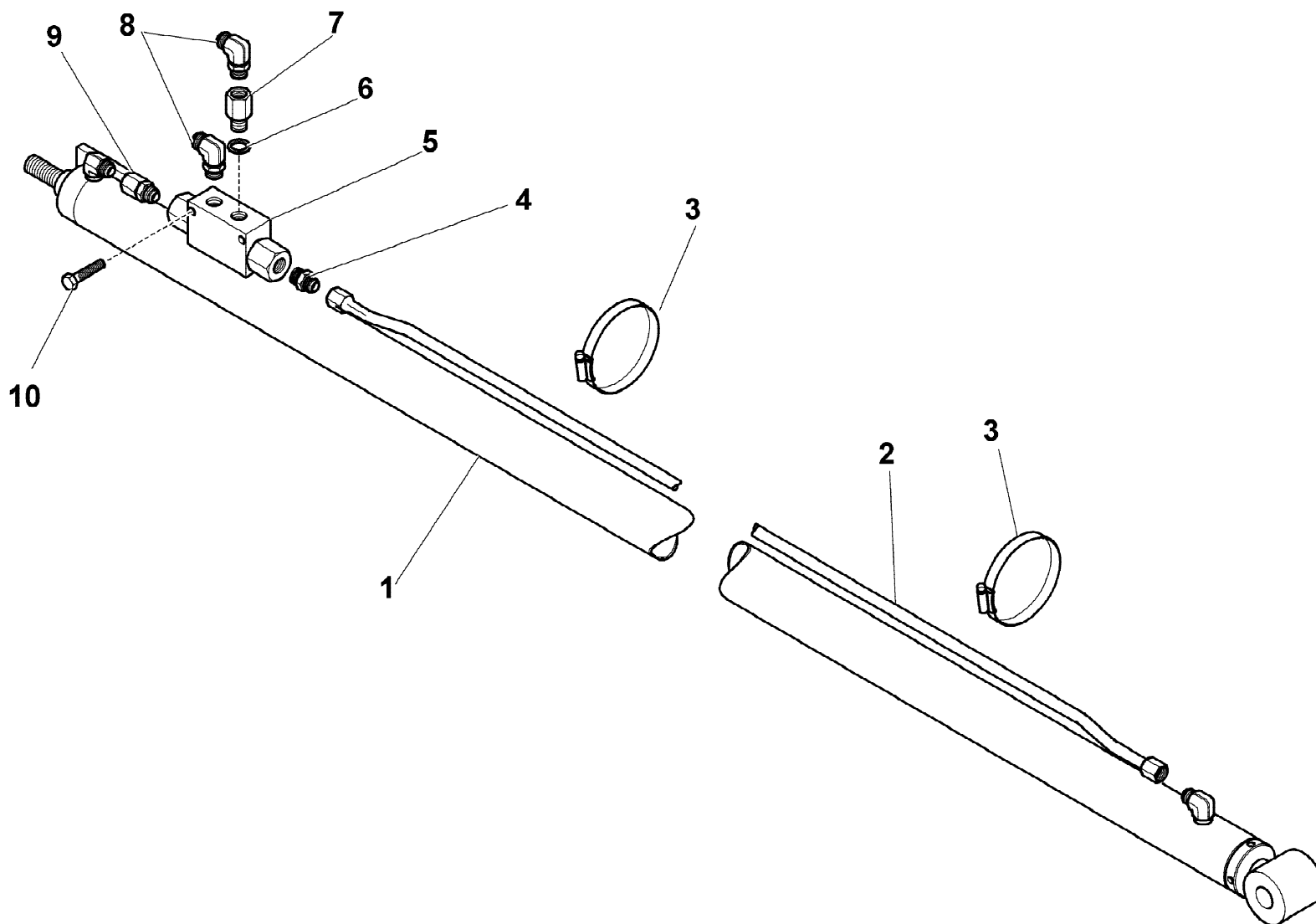
HYVA[®] CRANE
HB280

MARTINETTO SFILO ASTE
 ROD EXSTENSION HYDRAULIC CYLINDER
 VERIN RALLONGE TIGES
 STANGENVERLAENGERUNGSWINDE
 GATO DE PROLONGACION VASTAGOS

Tavola
5.38.0007-1-0

Data pag.
 giugno 2006 23

| rif. | codice | Q.tà |
|------|-----------|------|
| 1 | 6.40.0151 | 1 |
| 2 | 5.39.1473 | 1 |
| 3 | 3.19.0025 | 2 |
| 4 | 3.10.1039 | 1 |
| 5 | 5.22.0559 | 1 |
| 6 | 3.06.0143 | 1 |
| 7 | 3.11.0270 | 1 |
| 8 | 3.10.1124 | 2 |
| 9 | 3.12.0064 | 1 |
| 10 | 3.02.0040 | 1 |



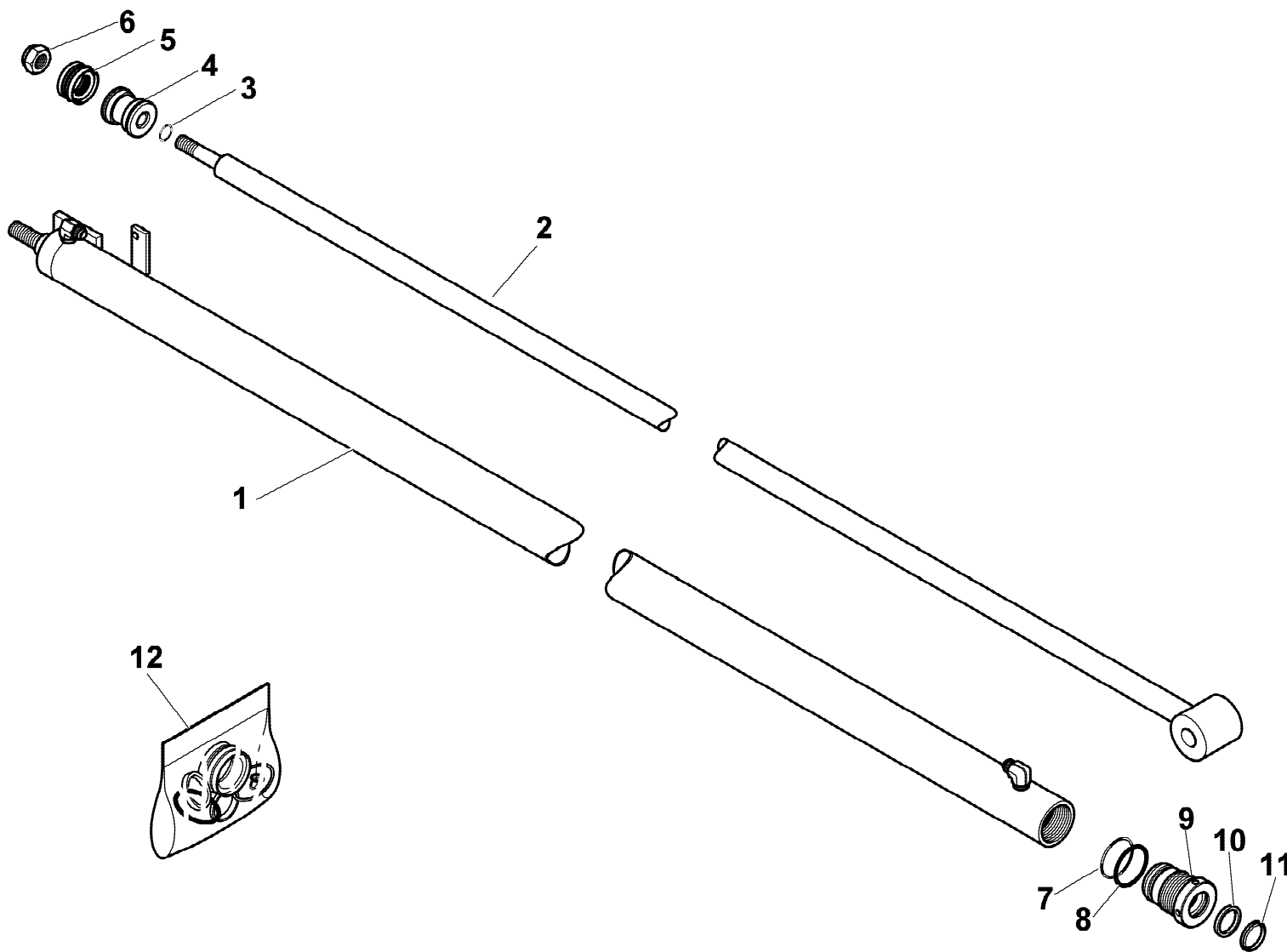
1/1

HYVA[®] CRANE
HB280

IMPIANTO IDRAULICO (MARTINETTO SFILLO ASTE)
HYDRAULIC SYSTEM (ROD EXTENSION HYDRAULIC CYLINDER)
INSTALLATION HYDRAULIQUE (VERIN RALLONGE TIGES)
HYDRAULIKANLAGE (STANGENVERLAENGERUNGSWINDE)
INSTALACION HIDRAULICA (GATO DE PROLONGACION VASTAGOS)

Tavola
6.20.0151-1-0

Data pag.
ottobre 2006 24



| rif. | codice | Q.tà |
|------|-----------|------|
| 1 | 6.07.0397 | 1 |
| 2 | 6.03.0412 | 1 |
| 3 | 3.45.0006 | 1 |
| 4 | 6.05.0142 | 1 |
| 5 | 3.40.0503 | 1 |
| 6 | 3.04.0306 | 1 |
| 7 | 3.45.0067 | 1 |
| 8 | 3.46.0067 | 1 |
| 9 | 6.04.0154 | 1 |
| 10 | 3.40.0029 | 1 |
| 11 | 3.42.0011 | 1 |
| 12 | 5.55.0709 | 1 |

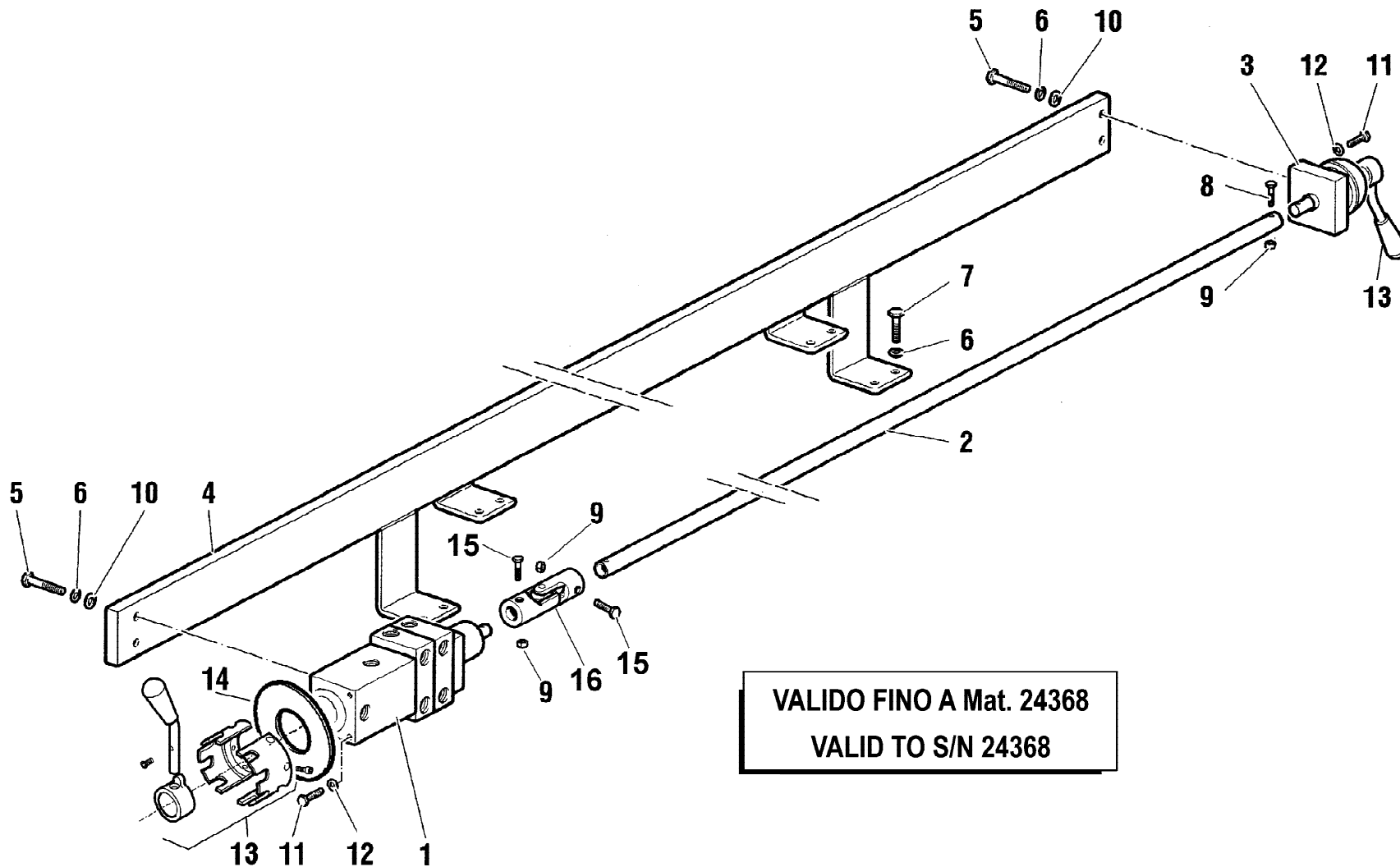
1/1

HYVA® CRANE
HB280

MARTINETTO SFILO ASTE
 ROD EXSTENSION HYDRAULIC CYLINDER
 VERIN RALLONGE TIGES
 STANGENVERLAENGERUNGSWINDE
 GATO DE PROLONGACION VASTAGOS

Tavola
6.40.0151-1-0

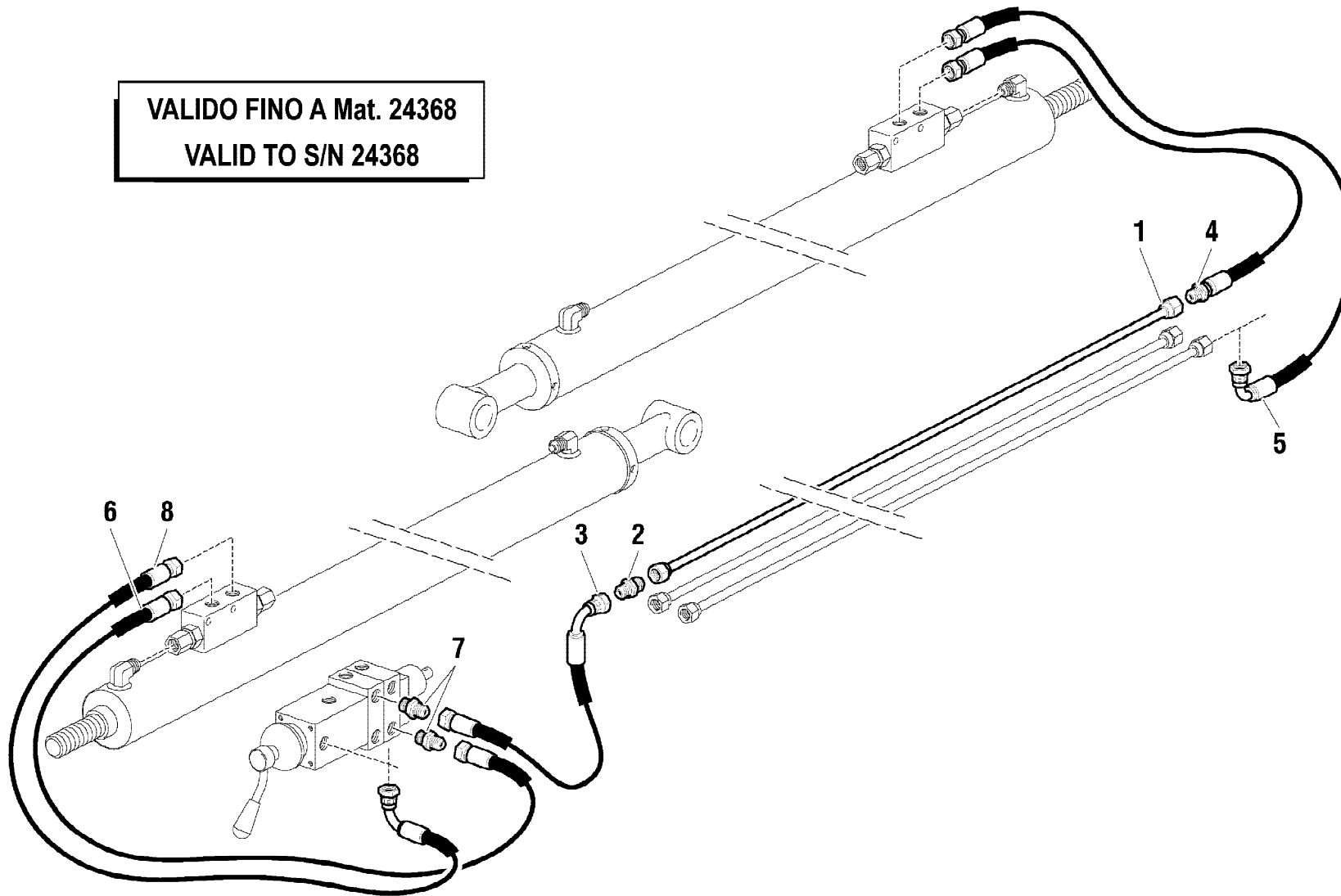
Data pag.
 giugno 2006 25



| rif. | codice | Q.tà |
|------|-----------|------|
| 1 | 5.22.0594 | 1 |
| 2 | 5.00.1155 | 1 |
| 3 | 5.22.0595 | 1 |
| 4 | 5.09.0530 | 1 |
| 5 | 3.01.0389 | 4 |
| 6 | 3.06.0056 | 8 |
| 7 | 3.01.0354 | 4 |
| 8 | 3.01.0022 | 2 |
| 9 | 3.04.0372 | 3 |
| 10 | 3.06.0914 | 4 |
| 11 | 3.01.0323 | 4 |
| 12 | 3.06.0053 | 4 |
| 13 | 5.22.5390 | 2 |
| 14 | 5.00.1034 | 2 |
| 15 | 3.01.0017 | 2 |
| 16 | 3.30.0500 | 1 |

VALIDO FINO A Mat. 24368
VALID TO S/N 24368

VALIDO FINO A Mat. 24368
VALID TO S/N 24368



| rif. | codice | Q.tà |
|------|-----------|------|
| 1 | 5.39.1134 | 1 |
| 2 | 3.12.0100 | 1 |
| 3 | 5.27.1170 | 1 |
| 4 | 5.26.0346 | 1 |
| 5 | 5.26.0347 | 1 |
| 6 | 5.26.0349 | 1 |
| 7 | 3.10.1043 | 2 |
| 8 | 5.26.0348 | 1 |

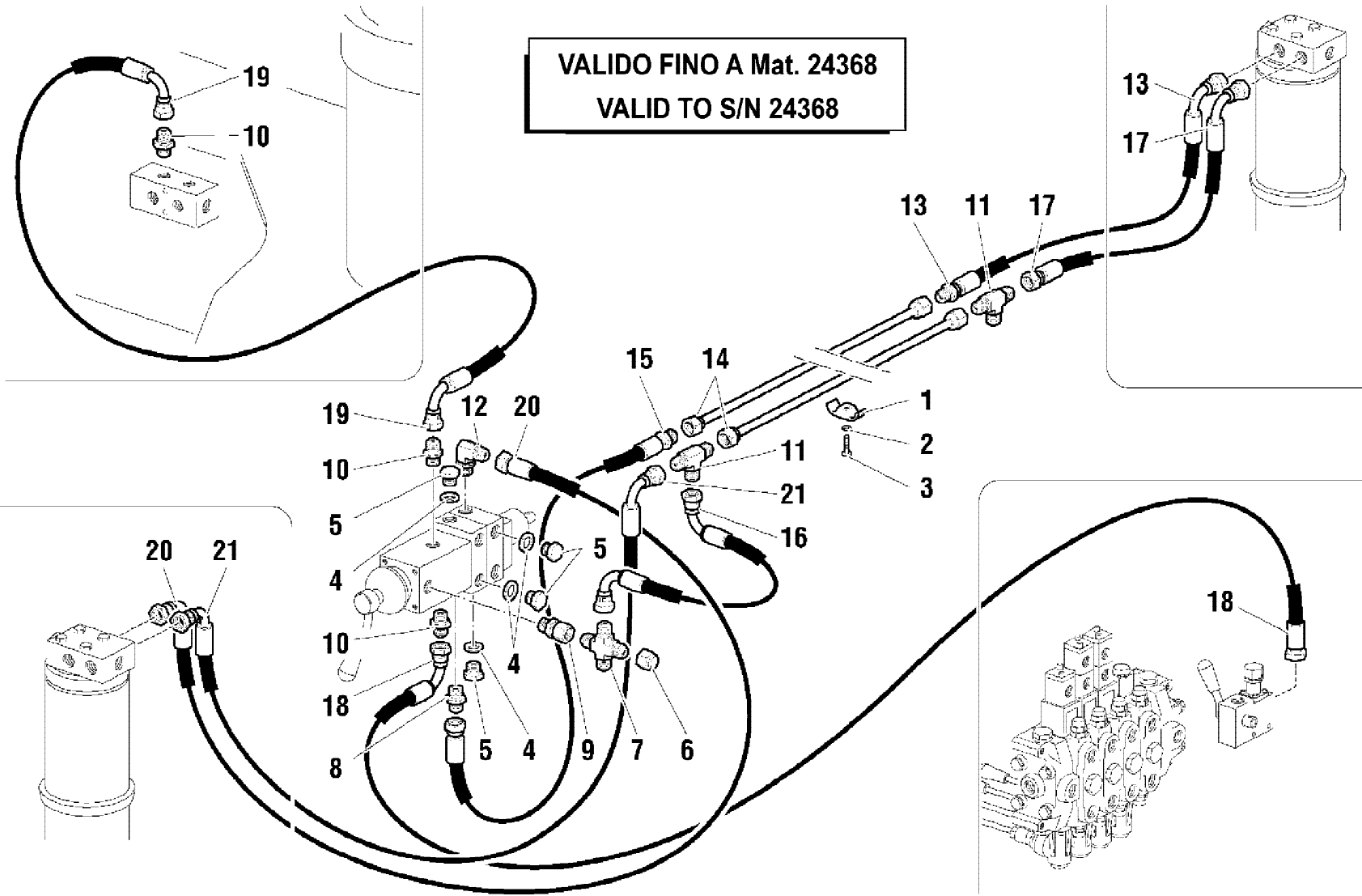
1/1

HYVA[®] CRANE
HB280

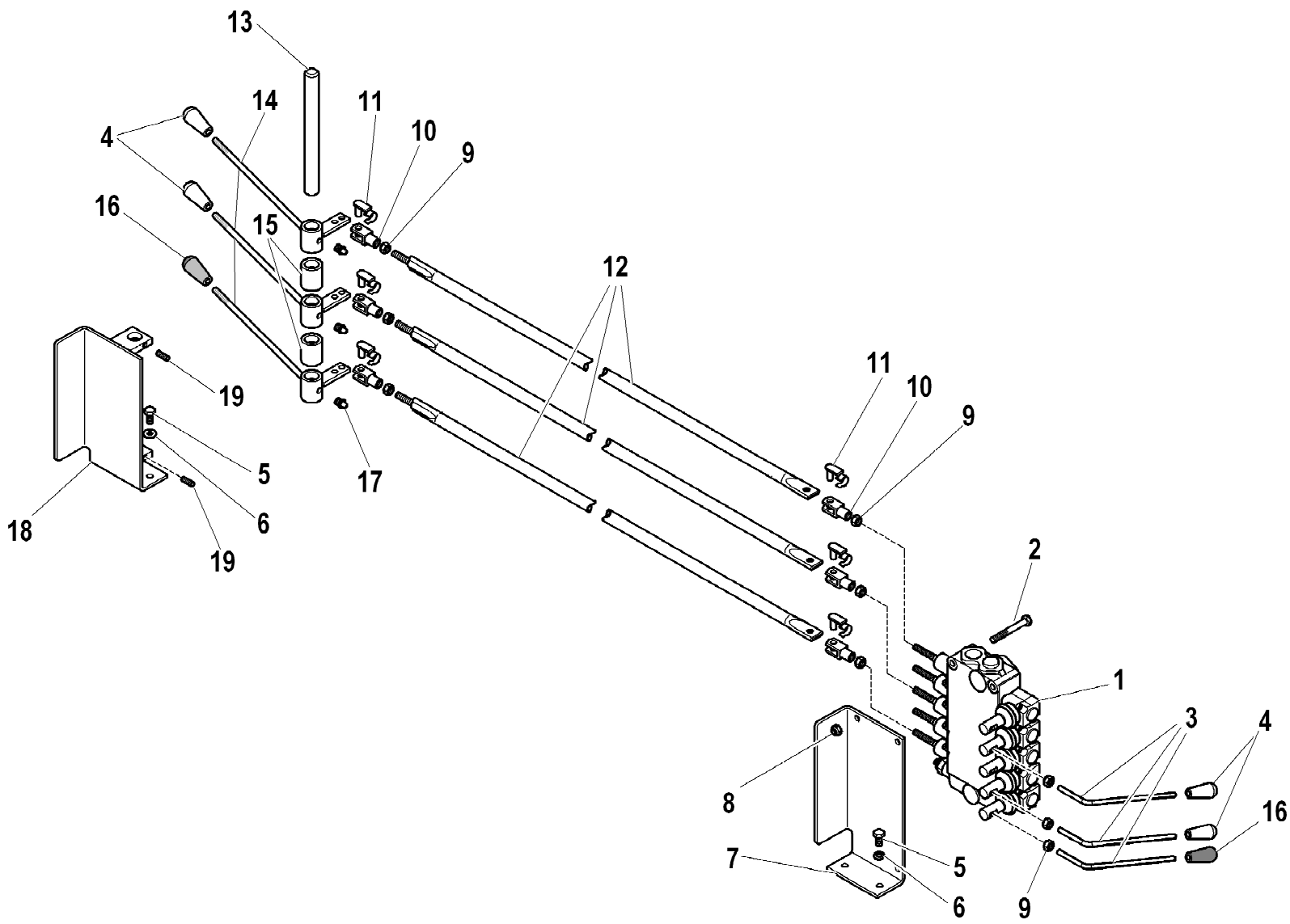
MARTINETTO SFILLO ASTE (IMPIANTO IDRAULICO)
 ROD EXTENSION HYDRAULIC CYLINDER (HYDRAULIC SYSTEM)
 VERIN RALLONGE TIGES (INSTALLATION HYDRAULIQUE)
 STANGENVERLAENGERUNGSWINDE (HYDRAULIKANLAGE)
 GATO DE PROLONGACION VASTAGOS (INSTALACION HIDRAULICA)

Tavola
5.40.0160-3-0

Data pag.
 dicembre 2007 27



| rif. | codice | Q.tà |
|------|-----------|------|
| 1 | 5.00.0077 | 4 |
| 2 | 3.06.0055 | 4 |
| 3 | 3.01.0029 | 4 |
| 4 | 3.06.0144 | 4 |
| 5 | 3.11.0061 | 4 |
| 6 | 3.11.0041 | 1 |
| 7 | 3.12.0113 | 1 |
| 8 | 3.10.1043 | 1 |
| 9 | 3.12.0066 | 1 |
| 10 | 3.10.1044 | 3 |
| 11 | 3.10.1081 | 2 |
| 12 | 3.10.1127 | 1 |
| 13 | 5.27.1165 | 1 |
| 14 | 5.39.1134 | 2 |
| 15 | 5.27.1169 | 1 |
| 16 | 5.27.1171 | 1 |
| 17 | 5.27.1166 | 1 |
| 18 | 5.28.0341 | 1 |
| 19 | 5.28.0340 | 1 |
| 20 | 5.27.1168 | 1 |
| 21 | 5.27.1167 | 1 |



| rif. | codice | Q.tà |
|------|-----------|------|
| 1 | 5.22.0346 | 1 |
| 2 | 3.01.0036 | 3 |
| 3 | 5.00.0207 | 3 |
| 4 | 3.19.0006 | 4 |
| 5 | 3.01.0339 | 4 |
| 6 | 3.06.0055 | 4 |
| 7 | 5.09.0716 | 1 |
| 8 | 3.04.0303 | 3 |
| 9 | 3.04.0045 | 9 |
| 10 | 3.30.0431 | 6 |
| 11 | 3.30.0451 | 6 |
| 12 | 5.09.0456 | 3 |
| 13 | 5.15.0647 | 1 |
| 14 | 5.09.0568 | 3 |
| 15 | 5.14.0737 | 2 |
| 16 | 3.19.0188 | 2 |
| 17 | 3.08.0500 | 3 |
| 18 | 5.09.0717 | 1 |
| 19 | 3.06.0936 | 2 |

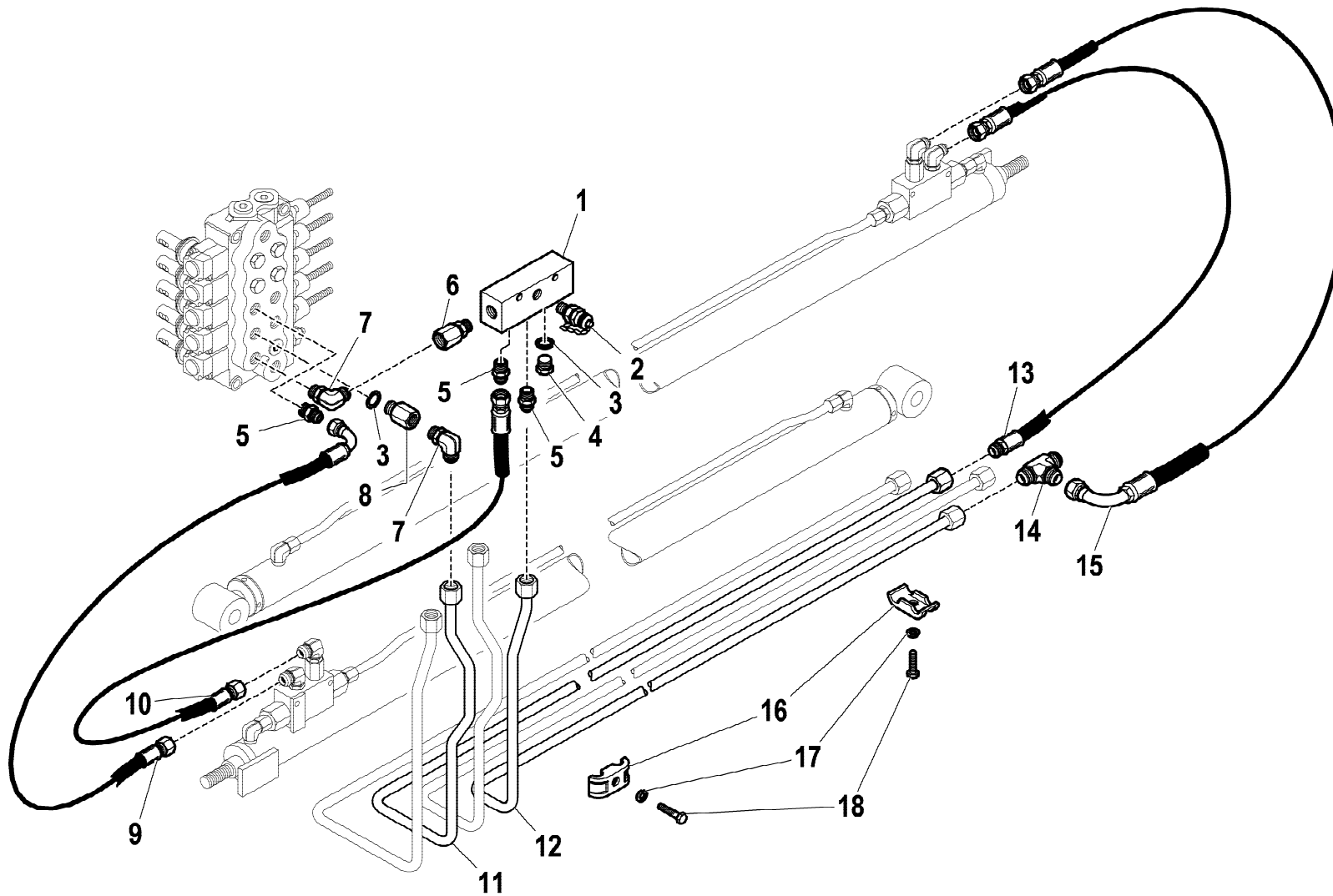


HB280

COMANDI (STABILIZZATORI STANDARD)
 CONTROLS (STABILIZERS STANDARD)
 COMMANDES (NORNE STABILISATEURS)
 STEUERUGEN (STABILISATOREN STANDARD)
 MANDOS (ESTÁNDAR ESTABILIZADORES)

Tavola
5.40.0729-1-0

Data pag.
 ottobre 2011 29



| rif. | codice | Q.tà |
|------|-----------|------|
| 1 | 5.00.1159 | 1 |
| 2 | 3.11.1523 | 1 |
| 3 | 3.06.0144 | 2 |
| 4 | 3.11.0061 | 1 |
| 5 | 3.10.1043 | 3 |
| 6 | 3.12.0066 | 1 |
| 7 | 3.10.1127 | 2 |
| 8 | 3.11.0112 | 1 |
| 9 | 5.26.0347 | 1 |
| 10 | 5.26.0894 | 1 |
| 11 | 5.39.2199 | 1 |
| 12 | 5.39.2201 | 1 |
| 13 | 5.26.0892 | 1 |
| 14 | 3.10.1081 | 1 |
| 15 | 5.26.0893 | 1 |
| 16 | 5.00.0077 | 6 |
| 17 | 3.06.0055 | 6 |
| 18 | 3.01.0029 | 6 |

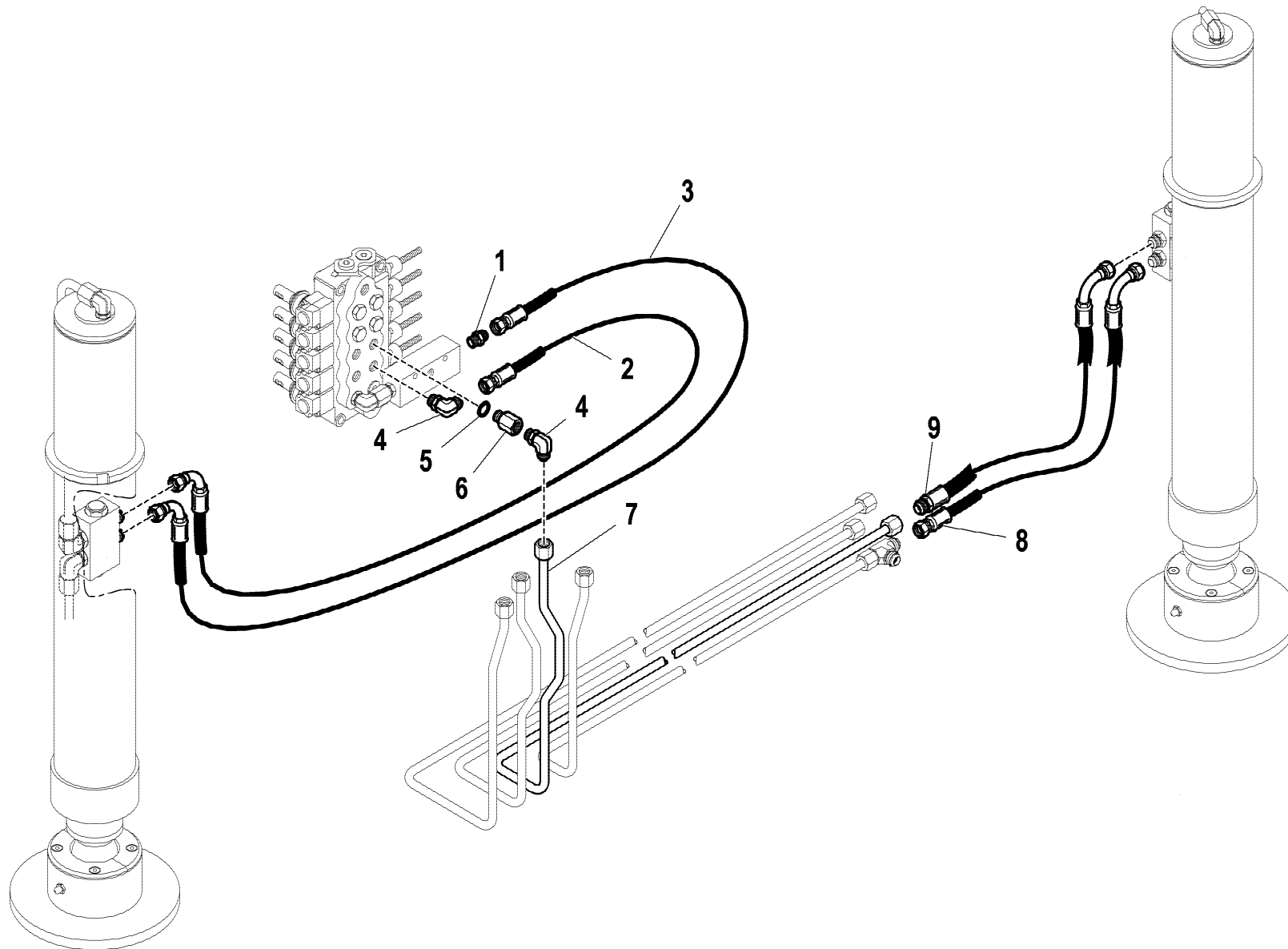
1/1

HYVA[®] CRANE
HB280

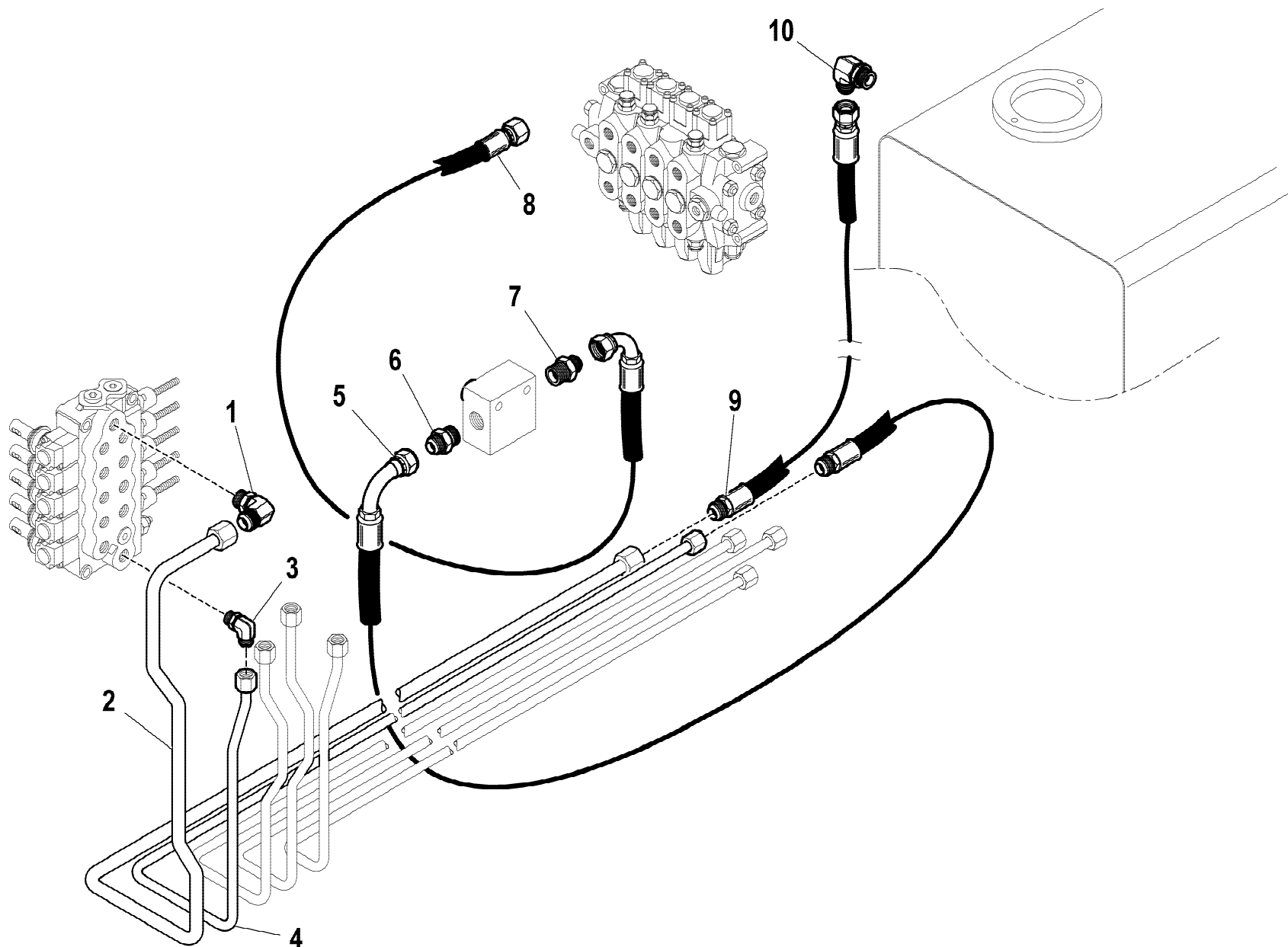
MARTINETTO SFILLO ASTE (IMPIANTO OLEODINAMICO)
 ROD EXTENSION HYDRAULIC CYLINDER (HYDRAULIC SYSTEM)
 VERIN RALLONGE TIGES (INSTALLATION HYDRAULIQUE)
 STANGENVERLAENGERUNGSWINDE (HYDRAULIKANLAGE)
 GATO DE PROLONGACION VASTAGOS (INSTALACION HIDRAULICA)

Tavola
5.40.0729-2-0

Data pag.
agosto 2006 30



| rif. | codice | Q.tà |
|------|-----------|------|
| 1 | 3.10.1043 | 1 |
| 2 | 5.27.1859 | 1 |
| 3 | 5.27.1860 | 1 |
| 4 | 3.10.1127 | 2 |
| 5 | 3.06.0144 | 1 |
| 6 | 3.11.0112 | 1 |
| 7 | 5.39.2200 | 1 |
| 8 | 5.27.1861 | 1 |
| 9 | 5.27.1862 | 1 |



| rif. | codice | Q.tà |
|------|-----------|------|
| 1 | 3.12.0012 | 1 |
| 2 | 5.39.2197 | 1 |
| 3 | 3.10.1127 | 1 |
| 4 | 5.39.2198 | 1 |
| 5 | 5.27.1764 | 1 |
| 6 | 3.10.1045 | 1 |
| 7 | 3.10.1056 | 1 |
| 8 | 5.29.0150 | 1 |
| 9 | 5.28.0782 | 1 |
| 10 | 3.10.1131 | 1 |

1/1

HYVA[®] CRANE
HB280

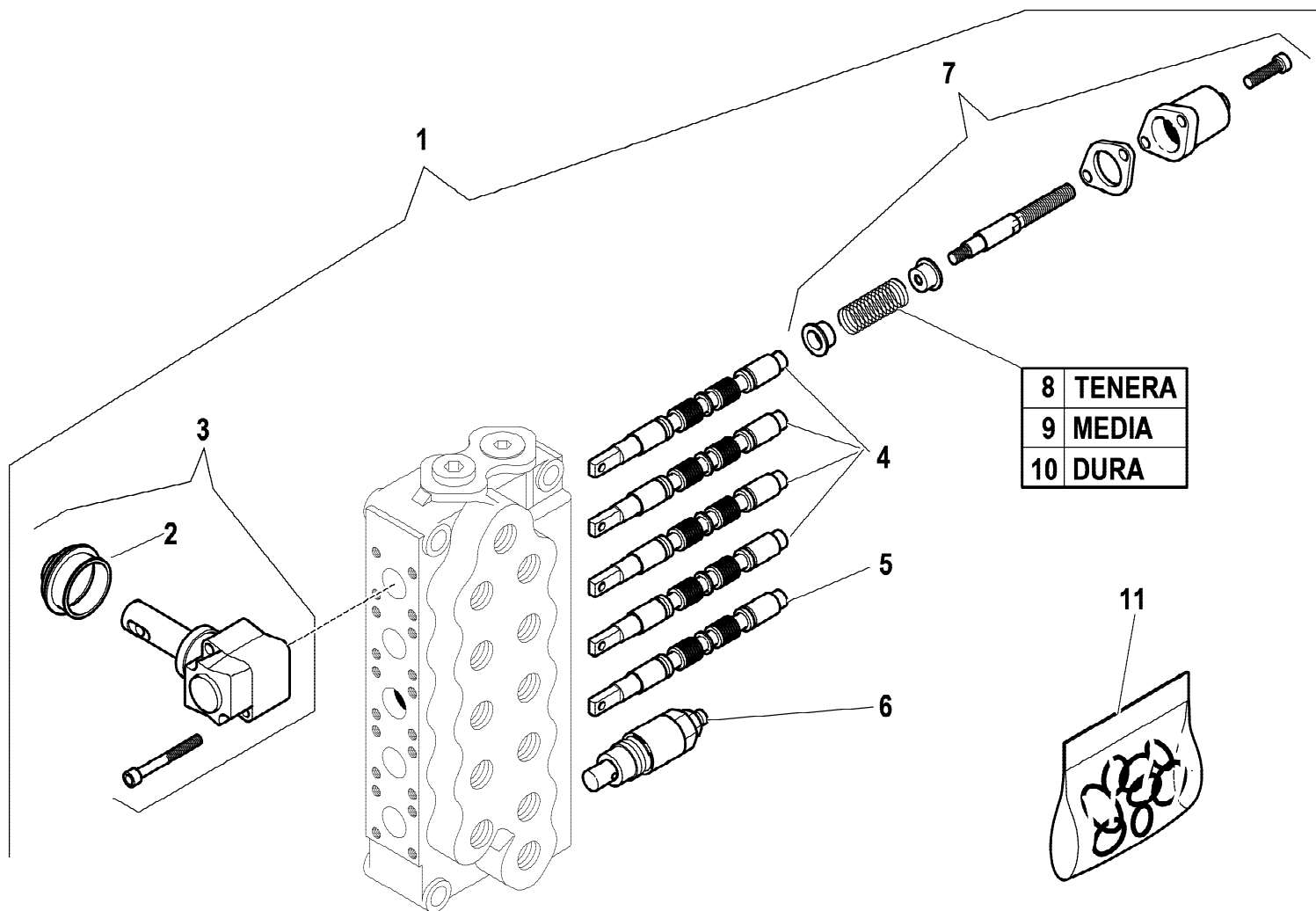
MARTINETTO STABILIZZATORE (IMPIANTO OLEODINAMICO)
 STABILIZER HYDRAULIC JACK (HYDRAULIC SYSTEM)
 VERIN STABILISATEUR (INSTALLATION HYDRAULIQUE)
 STABILISATOR SCHUBZYLINDER (HYDRAULIKANLAGE)
 GATO ESTABILIZADOR (INSTALACION HIDRAULICA)

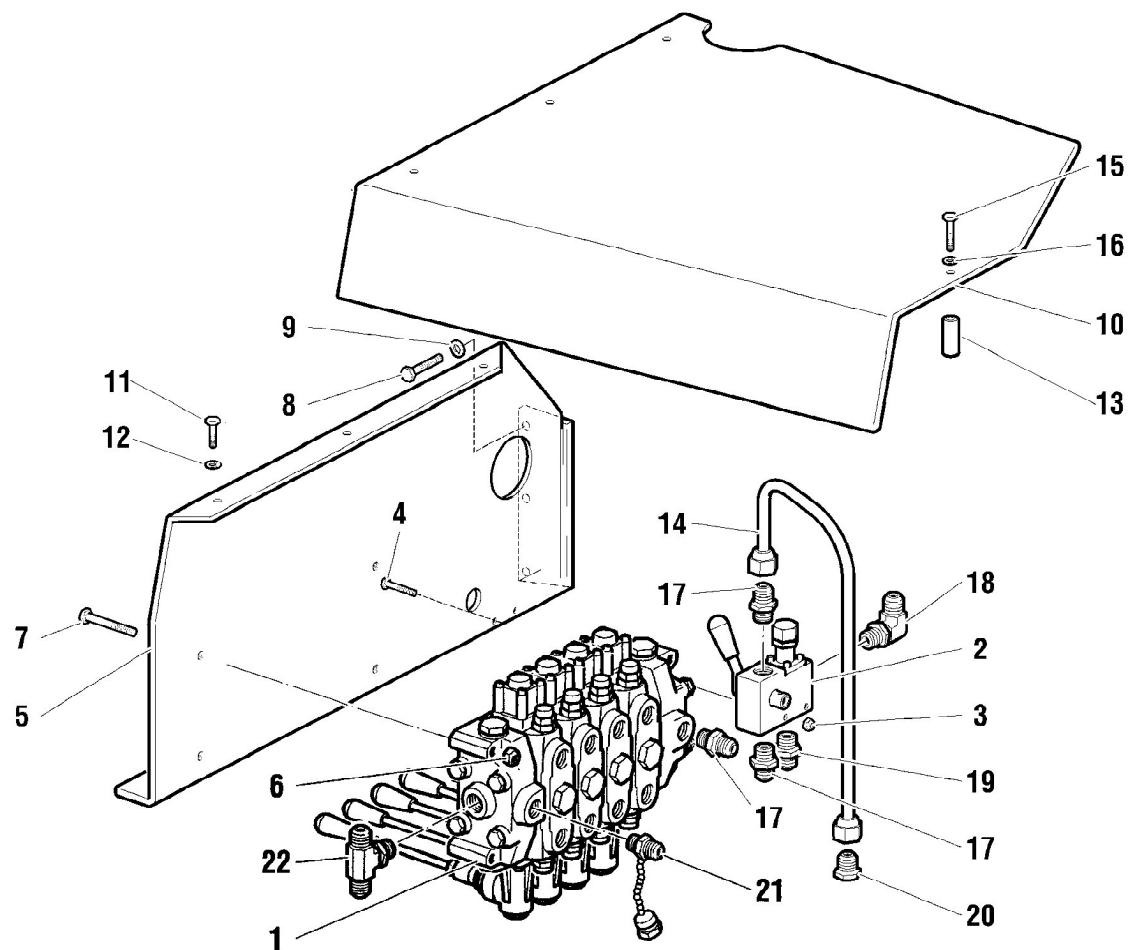
Tavola

5.40.0729-4-0

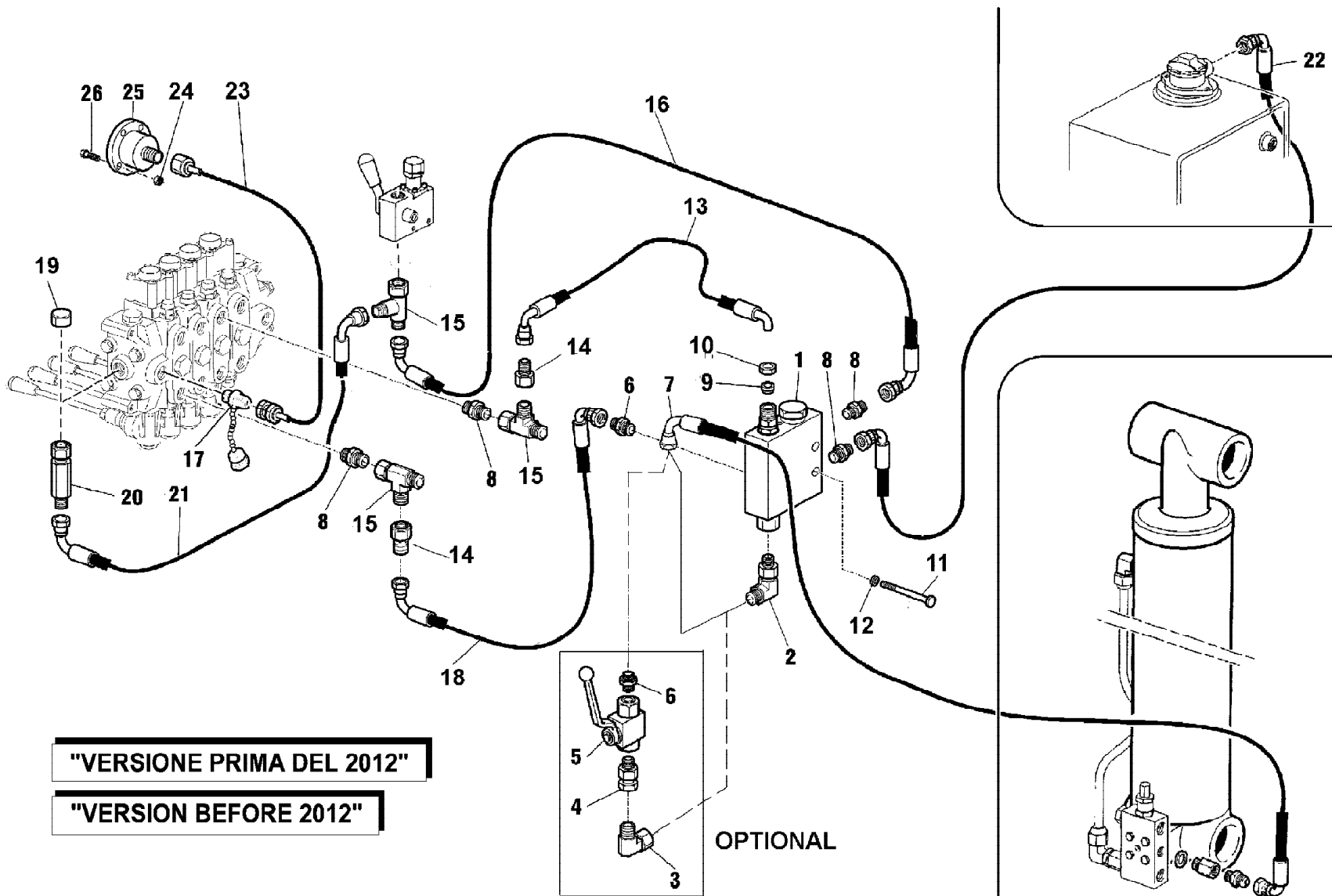
Data pag.
 dicembre 2007 32

| rif. | codice | Q.tà |
|------|-----------|------|
| 1 | 5.22.0346 | 1 |
| 2 | 5.22.5022 | 5 |
| 3 | 5.22.5261 | 5 |
| 4 | 5.22.5258 | 4 |
| 5 | 5.22.5480 | 1 |
| 6 | 5.22.5257 | 1 |
| 7 | 5.22.5268 | 5 |
| 8 | 5.22.5479 | 5 |
| 9 | 5.22.5281 | 5 |
| 10 | 5.22.5285 | 5 |
| 11 | 5.22.5263 | 1 |





| rif. | codice | Q.tà |
|------|-----------|------|
| 1 | 5.22.0291 | 1 |
| 2 | 5.22.0596 | 1 |
| 3 | 3.04.0372 | 2 |
| 4 | 3.01.0397 | 2 |
| 5 | 5.09.0570 | 2 |
| 6 | 3.04.0303 | 3 |
| 7 | 3.01.0036 | 3 |
| 8 | 3.01.0355 | 3 |
| 9 | 3.06.0056 | 3 |
| 10 | 5.90.0829 | 1 |
| 11 | 3.01.0015 | 3 |
| 12 | 3.06.0053 | 3 |
| 13 | 5.00.0835 | 1 |
| 14 | 5.39.1461 | 1 |
| 15 | 3.01.0397 | 1 |
| 16 | 3.06.0055 | 1 |
| 17 | 3.10.1051 | 3 |
| 18 | 3.10.1128 | 1 |
| 19 | 3.10.1044 | 1 |
| 20 | 3.11.0057 | 1 |
| 21 | 3.11.1523 | 1 |
| 22 | 3.12.0306 | 1 |

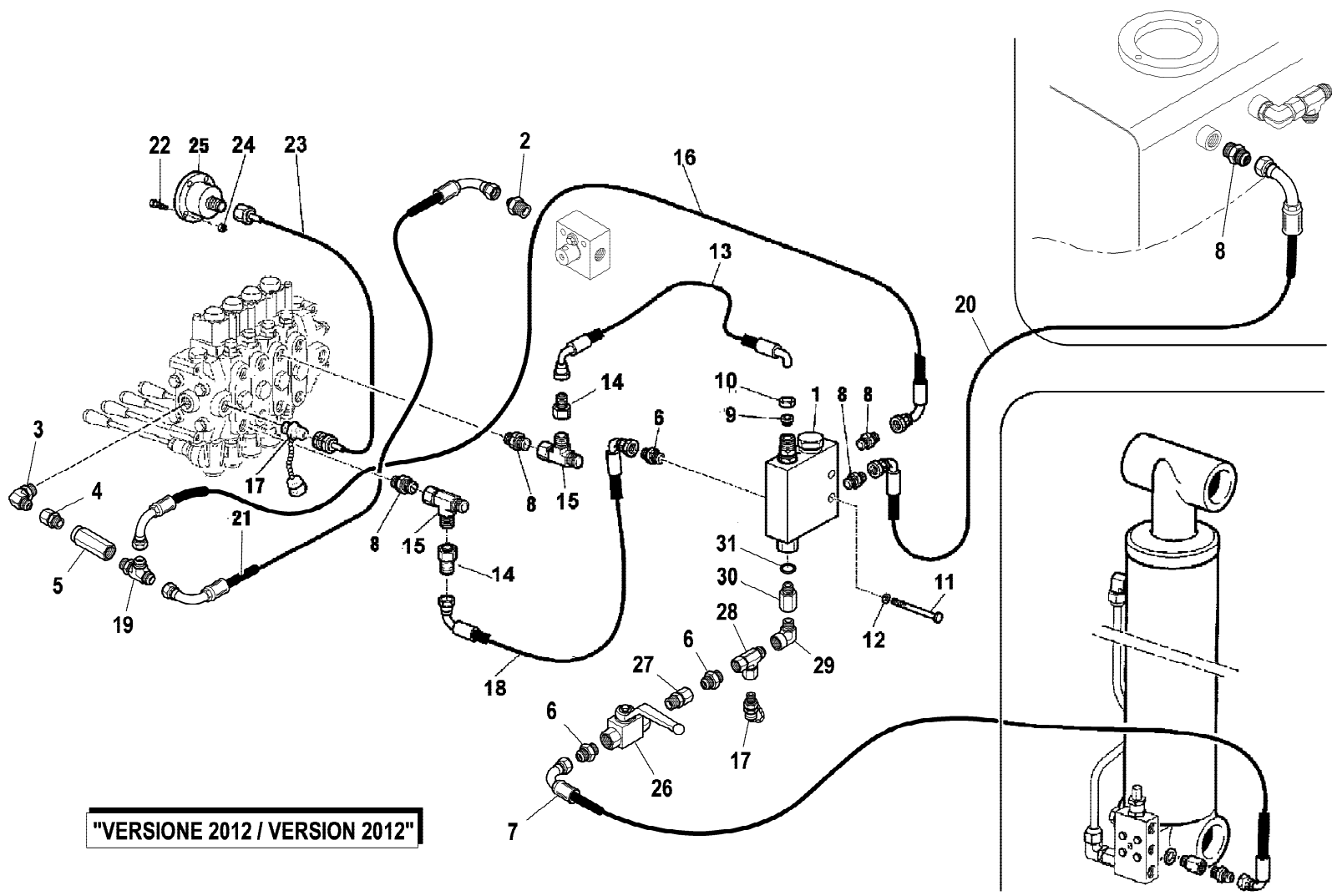


"VERSIONE PRIMA DEL 2012"

"VERSION BEFORE 2012"

OPTIONAL

| rif. | codice | Q.tà |
|------|-----------|------|
| 1 | 5.22.0135 | 1 |
| 2 | 3.10.1124 | 1 |
| 3 | 3.12.0011 | 1 |
| 4 | 3.12.0064 | 1 |
| 5 | 5.22.0063 | 1 |
| 6 | 3.10.1039 | 2 |
| 7 | 5.26.0352 | 1 |
| 8 | 3.10.1021 | 2 |
| 9 | 3.10.0956 | 1 |
| 10 | 3.10.0952 | 1 |
| 11 | 3.01.0035 | 2 |
| 12 | 3.04.0303 | 2 |
| 13 | 5.26.0350 | 1 |
| 14 | 3.12.0209 | 2 |
| 15 | 3.12.0008 | 3 |
| 16 | 5.28.0416 | 1 |
| 17 | 3.11.1523 | 1 |
| 18 | 5.26.0351 | 1 |
| 19 | 3.11.0050 | 1 |
| 20 | 5.22.0635 | 1 |
| 21 | 5.28.0341 | 1 |
| 22 | 5.28.0417 | 1 |
| 23 | 5.30.0019 | 1 |
| 24 | 3.04.0516 | 3 |
| 25 | 3.18.0109 | 1 |
| 26 | 3.02.0880 | 3 |



| rif. | codice | Q.tà |
|------|-----------|------|
| 1 | 5.22.0135 | 1 |
| 2 | 3.12.0073 | 1 |
| 3 | 3.10.1131 | 1 |
| 4 | 3.12.0067 | 1 |
| 5 | 5.22.0635 | 1 |
| 6 | 3.10.1039 | 3 |
| 7 | 5.26.0352 | 1 |
| 8 | 3.10.1051 | 5 |
| 9 | 3.10.0956 | 1 |
| 10 | 3.10.0952 | 1 |
| 11 | 3.01.0035 | 2 |
| 12 | 3.04.0303 | 2 |
| 13 | 5.26.0350 | 1 |
| 14 | 3.12.0209 | 2 |
| 15 | 3.12.0008 | 2 |
| 16 | 5.28.0948 | 1 |
| 17 | 3.11.1523 | 2 |
| 18 | 5.26.0351 | 1 |
| 19 | 3.10.1179 | 1 |
| 20 | 5.28.0417 | 1 |
| 21 | 5.28.0949 | 1 |
| 22 | 3.02.0880 | 3 |
| 23 | 5.30.0086 | 1 |
| 24 | 3.04.0516 | 3 |
| 25 | 3.18.0150 | 1 |
| 26 | 5.22.0063 | 1 |
| 27 | 3.12.0064 | 1 |
| 28 | 3.10.1215 | 1 |
| 29 | 3.11.1512 | 1 |
| 30 | 3.11.0270 | 1 |
| 31 | 3.06.0143 | 1 |

1/1

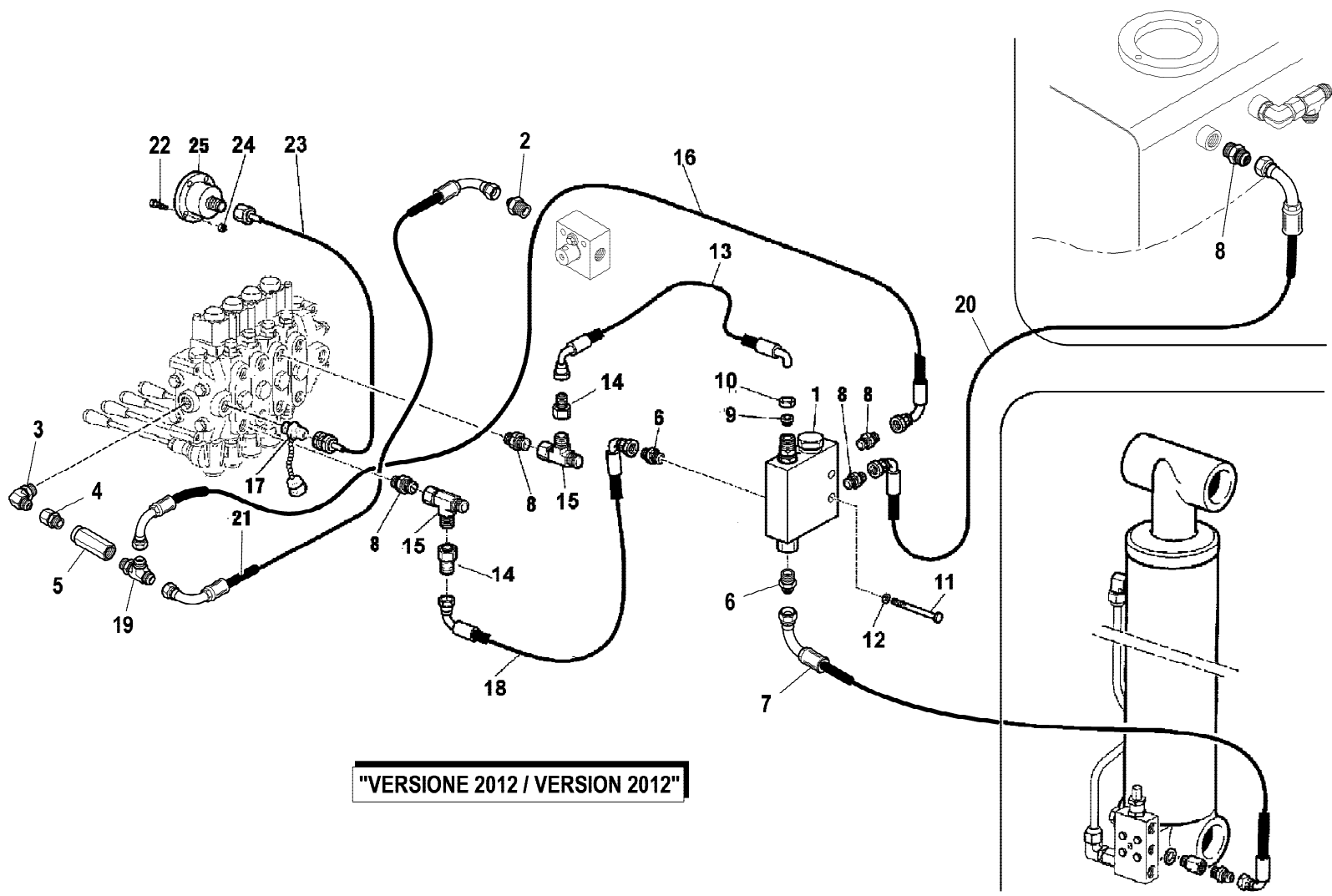


HB280

IMPIANTO IDRAULICO - LIG
 HYDRAULIC SYSTEM - LIG
 INSTALLATION HYDRAULIQUE - LIG
 HYDRAULIKANLAGE - LIG
 INSTALACION HIDRAULICA - LIG

Tavola
5.43.0021-2-0

Data pag.
 marzo 2013 36



| rif. | codice | Q.tà |
|------|-----------|------|
| 1 | 5.22.0135 | 1 |
| 2 | 3.12.0073 | 1 |
| 3 | 3.10.1131 | 1 |
| 4 | 3.12.0067 | 1 |
| 5 | 5.22.0635 | 1 |
| 6 | 3.10.1039 | 2 |
| 7 | 5.26.0352 | 1 |
| 8 | 3.10.1051 | 5 |
| 9 | 3.10.0956 | 1 |
| 10 | 3.10.0952 | 1 |
| 11 | 3.01.0035 | 2 |
| 12 | 3.04.0303 | 2 |
| 13 | 5.26.0350 | 1 |
| 14 | 3.12.0209 | 2 |
| 15 | 3.12.0008 | 2 |
| 16 | 5.28.0948 | 1 |
| 17 | 3.11.1523 | 1 |
| 18 | 5.26.0351 | 1 |
| 19 | 3.10.1179 | 1 |
| 20 | 5.28.0417 | 1 |
| 21 | 5.28.0949 | 1 |
| 22 | 3.02.0880 | 3 |
| 23 | 5.30.0086 | 1 |
| 24 | 3.04.0516 | 3 |
| 25 | 3.18.0150 | 1 |

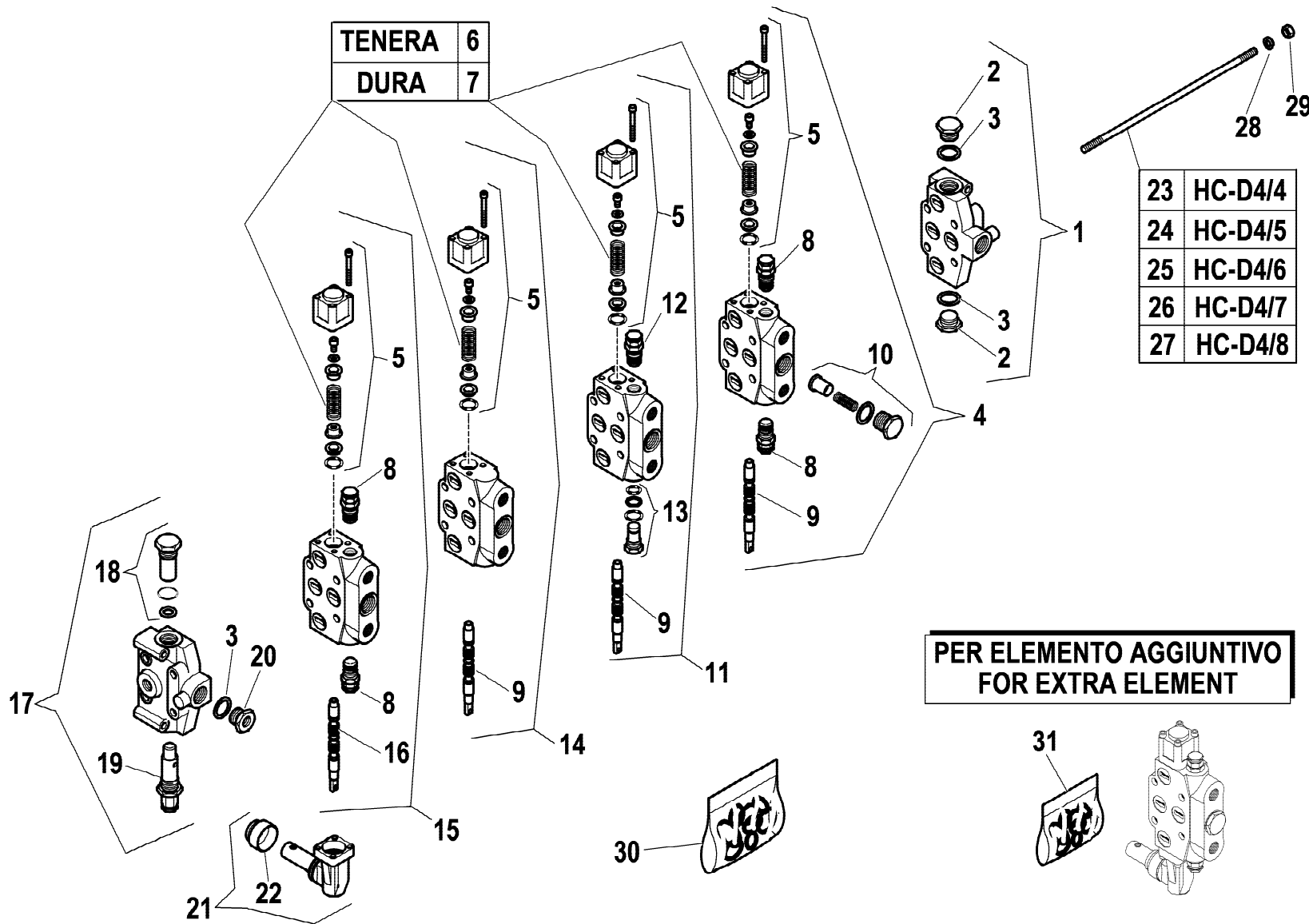


HB280

IMPIANTO IDRAULICO (NON CE) - LI
 HYDRAULIC SYSTEM (NOT CE) - LI
 INSTALLATION HYDRAULIQUE (PAS CE) - LI
 HYDRAULIKANLAGE (NICHT CE) - LI
 INSTALACION HIDRAULICA (NO CE) - LI

Tavola
5.43.0020-1-0

Data pag.
 marzo 2013 37



| | |
|--------|---|
| TENERA | 6 |
| DURA | 7 |

| | |
|----|---------|
| 23 | HC-D4/4 |
| 24 | HC-D4/5 |
| 25 | HC-D4/6 |
| 26 | HC-D4/7 |
| 27 | HC-D4/8 |

**PER ELEMENTO AGGIUNTIVO
FOR EXTRA ELEMENT**

| rif. | codice | Q.tà |
|------|-----------|------|
| 1 | 5.22.5477 | 1 |
| 2 | 3.11.0065 | 2 |
| 3 | 3.06.0145 | 3 |
| 4 | 5.22.5476 | 1 |
| 5 | 5.22.5130 | 4 |
| 6 | 5.22.5461 | 4 |
| 7 | 5.22.5463 | 4 |
| 8 | 5.22.5200 | 4 |
| 9 | 5.22.5311 | 3 |
| 10 | 5.22.5469 | 4 |
| 11 | 5.22.5484 | 1 |
| 12 | 5.22.5145 | 1 |
| 13 | 5.22.5470 | 1 |
| 14 | 5.22.5483 | 1 |
| 15 | 5.22.5482 | 1 |
| 16 | 5.22.5177 | 1 |
| 17 | 5.22.5472 | 1 |
| 18 | 5.22.5428 | 1 |
| 19 | 5.22.5546 | 1 |
| 20 | 3.11.0161 | 1 |
| 21 | 5.22.5126 | 4 |
| 22 | 5.22.5128 | 4 |
| 23 | 5.22.5224 | 4 |
| 24 | 5.22.5213 | 4 |
| 25 | 5.22.5214 | 4 |
| 26 | 5.22.5215 | 4 |
| 27 | 5.22.5216 | 4 |
| 28 | 3.06.0056 | 8 |
| 29 | 3.04.0046 | 8 |
| 30 | 5.22.5561 | 1 |
| 31 | 5.22.5031 | 1 |

1/1

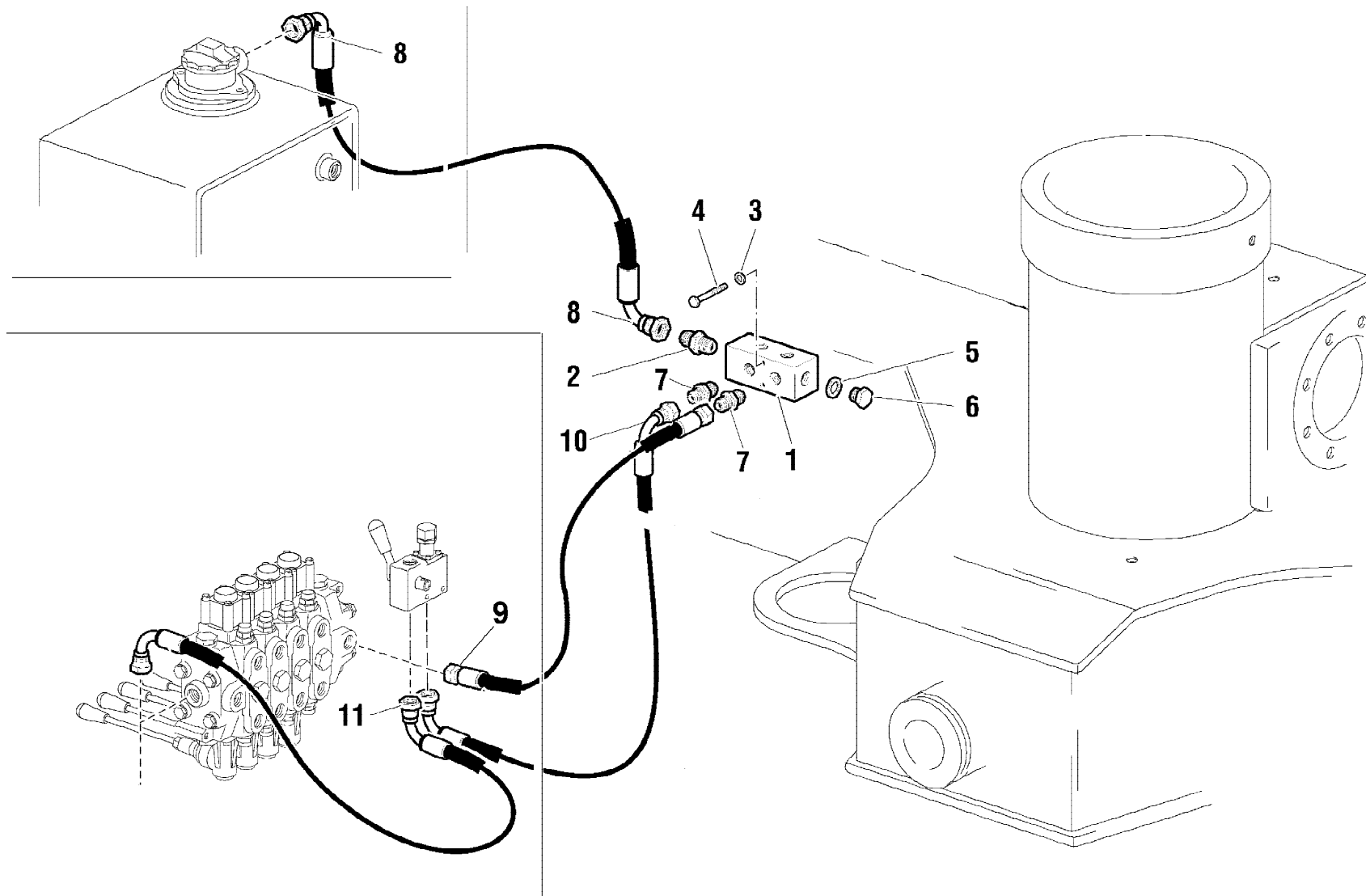


HB280

DISTRIBUTORE (4 ELEMENTI) NO CE
 CONTROL VALVE (4 SECTION) NO CE
 DISTRIBUTEUR (4 VOIES) NO CE
 STEUERBLOCK (4 ELEMENTE) NO CE
 DISTRIBUIDOR (4 ELEMENTOS) NO CE

Tavola
5.22.0291-1-0

Data pag.
 ottobre 2006 38



| rif. | codice | Q.tà |
|------|-----------|------|
| 1 | 5.00.0718 | 1 |
| 2 | 3.10.1056 | 1 |
| 3 | 3.06.0053 | 2 |
| 4 | 3.01.0388 | 2 |
| 5 | 3.06.0145 | 1 |
| 6 | 3.11.0065 | 1 |
| 7 | 3.10.1044 | 2 |
| 8 | 5.29.0047 | 1 |
| 9 | 5.29.0064 | 1 |
| 10 | 5.27.1175 | 1 |
| 11 | 5.28.0341 | 1 |

1/1

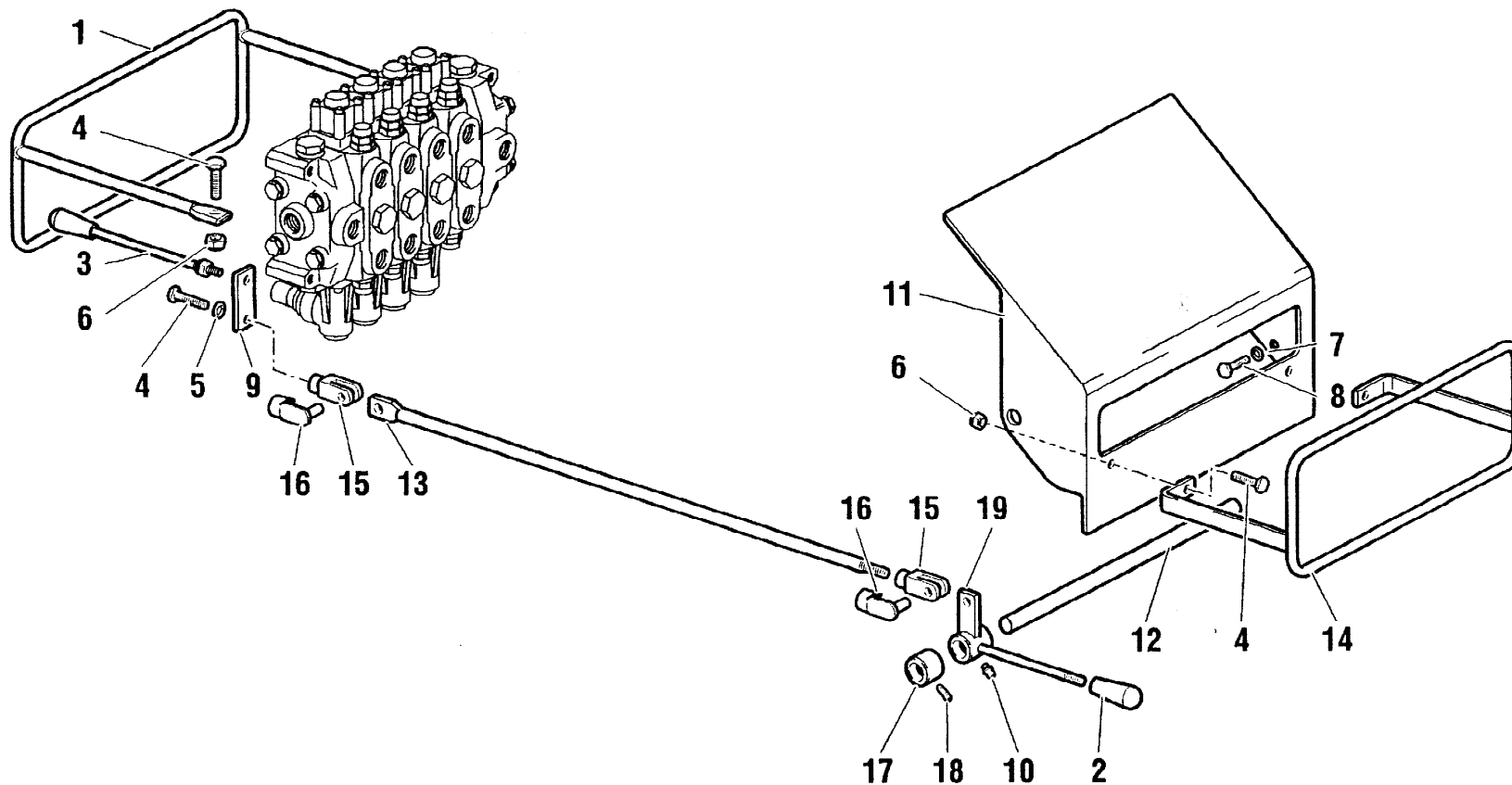
HYVA[®] CRANE

HB280

COLLETORE LIG
 MANIFOLD LIG
 COLLECTEUR LIG
 KOLLEKTOR LIG
 COLECTOR LIG

Tavola
5.40.0167-1-0

Data pag.
 giugno 2006 39



| rif. | codice | Q.tà |
|------|-----------|------|
| 1 | 5.09.0459 | 1 |
| 2 | 3.19.0006 | 4 |
| 3 | 5.22.0224 | 4 |
| 4 | 3.01.0339 | 4 |
| 5 | 3.06.0055 | 4 |
| 6 | 3.04.0303 | 4 |
| 7 | 3.06.0056 | 3 |
| 8 | 3.01.0355 | 3 |
| 9 | 5.00.0708 | 4 |
| 10 | 3.08.0500 | 4 |
| 11 | 5.09.0455 | 1 |
| 12 | 5.15.0459 | 1 |
| 13 | 5.09.0456 | 4 |
| 14 | 5.09.0460 | 1 |
| 15 | 3.30.0431 | 8 |
| 16 | 3.30.0451 | 8 |
| 17 | 5.00.0670 | 2 |
| 18 | 3.06.0232 | 4 |
| 19 | 5.09.0433 | 4 |

1/1

HYVA[®] CRANE

HB280

COMANDI BILATERALI (NON CE)
 DOUBLE CONTROLS (NOT CE)
 DOUBLE COMMANDES (PAS CE)
 DOPPELSTEUERUNG (NICHT CE)
 MONDOS BILATERALAS (NO CE)

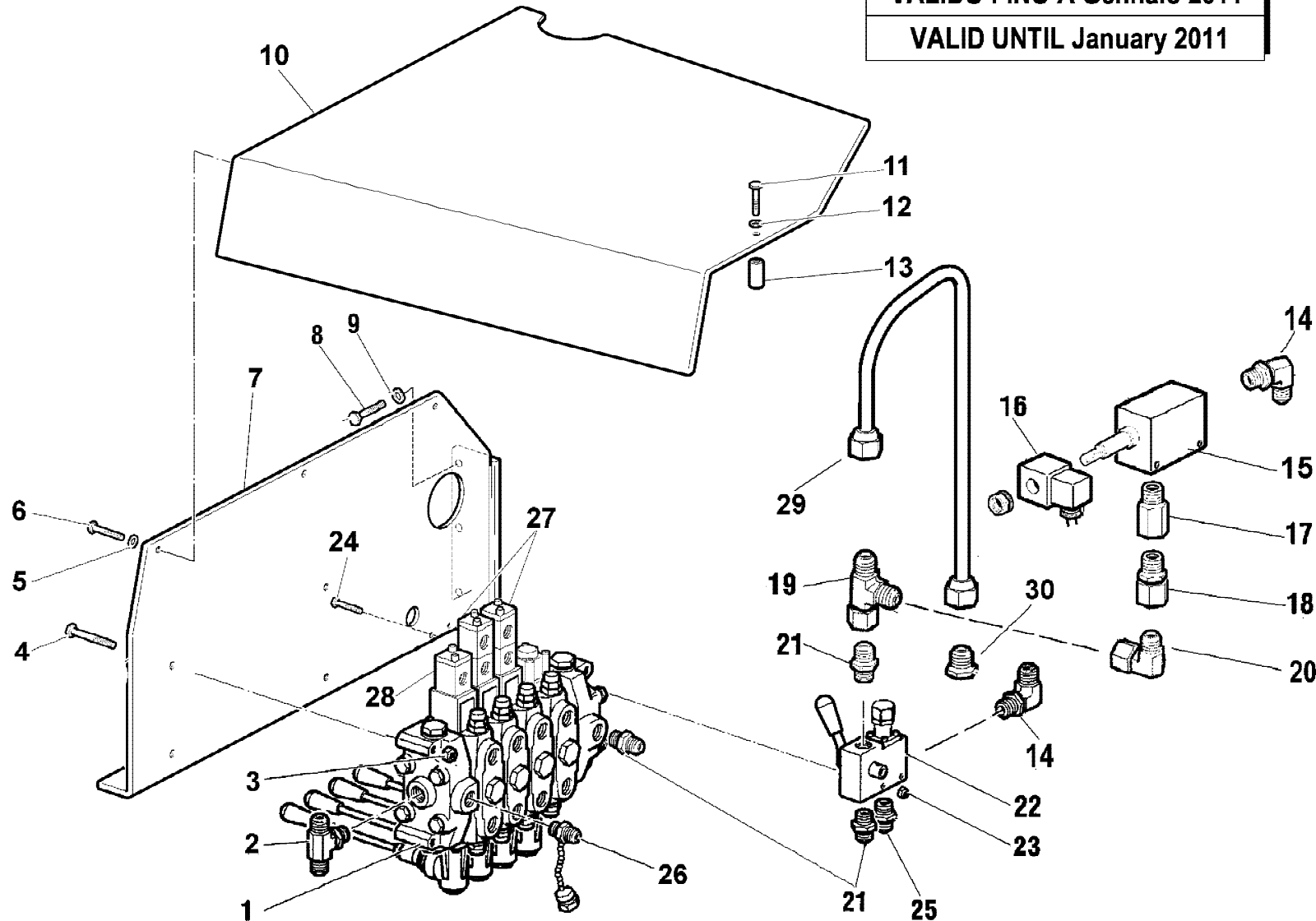
Tavola

5.40.0162-2-0

Data pag.
 novembre 2011 40

VALIDO FINO A Gennaio 2011

VALID UNTIL January 2011



| rif. | codice | Q.tà |
|------|-----------|------|
| 1 | 5.22.0292 | 1 |
| 2 | 3.12.0306 | 1 |
| 3 | 3.04.0303 | 3 |
| 4 | 3.01.0036 | 3 |
| 5 | 3.06.0053 | 3 |
| 6 | 3.01.0015 | 3 |
| 7 | 5.09.0570 | 1 |
| 8 | 3.01.0355 | 3 |
| 9 | 3.06.0056 | 3 |
| 10 | 5.00.0829 | 1 |
| 11 | 3.01.0029 | 2 |
| 12 | 3.06.0055 | 1 |
| 13 | 5.00.0835 | 1 |
| 14 | 3.10.1128 | 2 |
| 15 | 5.22.0642 | 1 |
| 16 | 3.31.0242 | 1 |
| 17 | 3.11.0113 | 1 |
| 18 | 3.12.0067 | 1 |
| 19 | 3.12.0008 | 1 |
| 20 | 3.12.0034 | 1 |
| 21 | 3.10.1051 | 3 |
| 22 | 5.22.0596 | 1 |
| 23 | 3.04.0372 | 2 |
| 24 | 3.01.0397 | 2 |
| 25 | 3.10.1044 | 1 |
| 26 | 3.11.1523 | 1 |
| 27 | 5.22.5313 | 3 |
| 28 | 5.22.5312 | 2 |
| 29 | 5.39.1461 | 1 |
| 30 | 3.11.0057 | 1 |

1/1

HYVA® CRANE

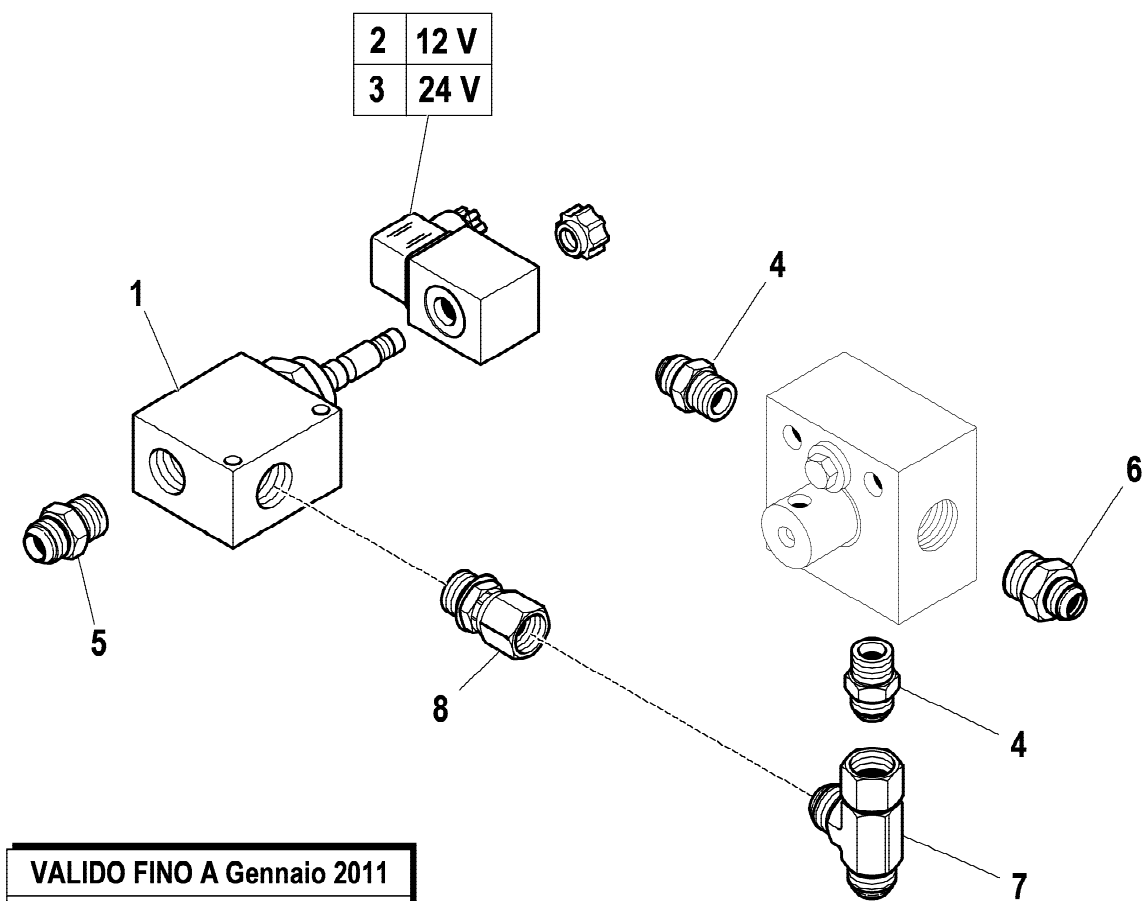
HB280

COMANDI - CE
 CONTROLS - CE
 COMMANDES - CE
 STEUERUGEN - CE
 MANDOS - CE

Tavola
5.40.0162-1-0

Data pag.
 ottobre 2006 41

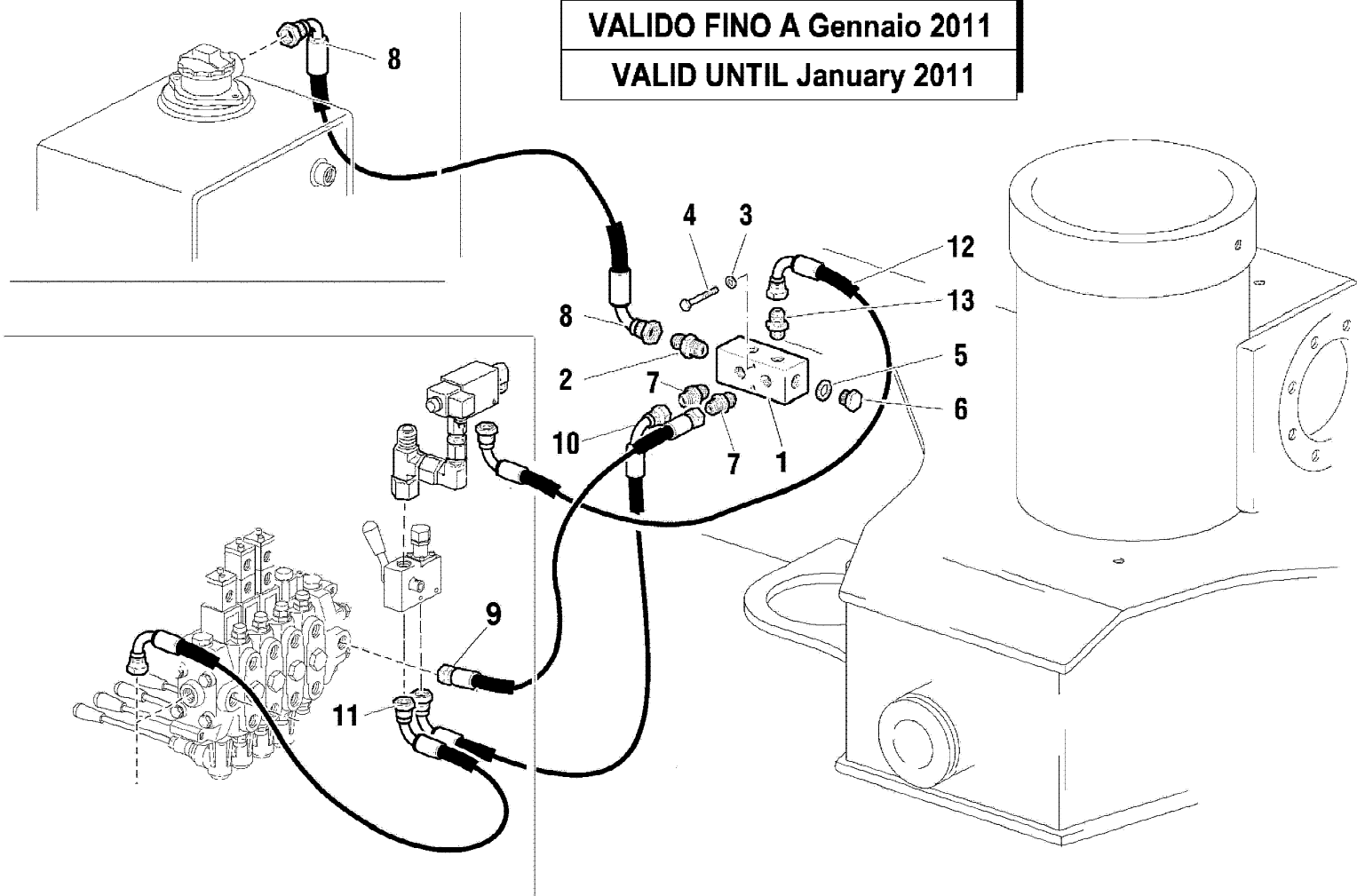
| rif. | codice | Q.tà |
|------|-----------|------|
| 1 | 5.22.0642 | 1 |
| 2 | 3.31.0238 | 1 |
| 3 | 3.31.0242 | 1 |
| 4 | 3.12.0073 | 2 |
| 5 | 3.10.1051 | 1 |
| 6 | 3.10.1045 | 1 |
| 7 | 3.12.0008 | 1 |
| 8 | 3.12.0067 | 1 |

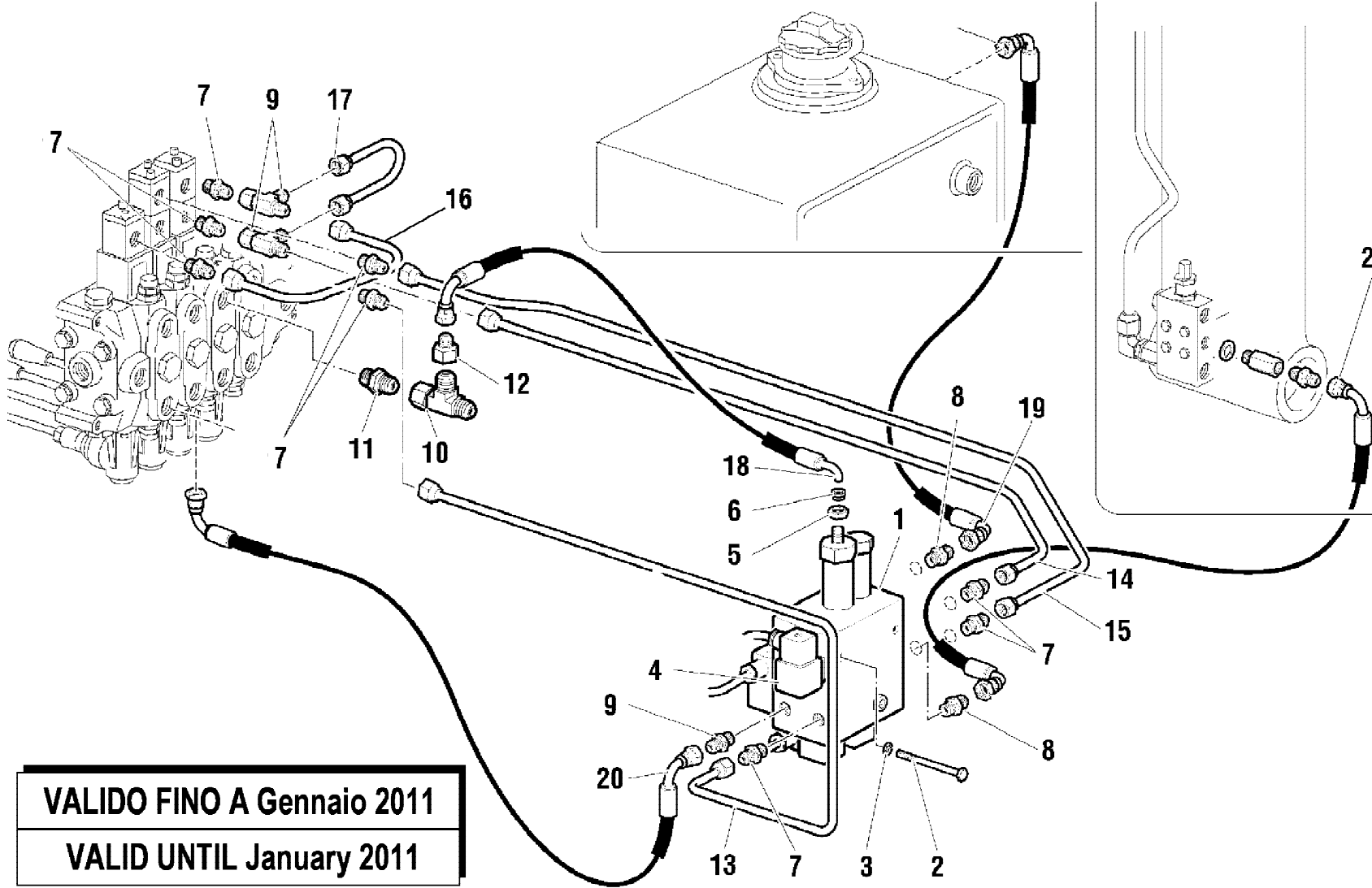


VALIDO FINO A Gennaio 2011
VALID UNTIL January 2011

| rif. | codice | Q.tà |
|------|-----------|------|
| 1 | 5.00.0718 | 1 |
| 2 | 3.10.1056 | 1 |
| 3 | 3.06.0053 | 2 |
| 4 | 3.01.0388 | 2 |
| 5 | 3.06.0145 | 1 |
| 6 | 3.11.0065 | 1 |
| 7 | 3.10.1044 | 2 |
| 8 | 5.29.0047 | 1 |
| 9 | 5.29.0064 | 1 |
| 10 | 5.27.1175 | 1 |
| 11 | 5.28.0341 | 1 |
| 12 | 5.27.1176 | 1 |
| 13 | 3.10.1051 | 1 |

VALIDO FINO A Gennaio 2011
VALID UNTIL January 2011





VALIDO FINO A Gennaio 2011

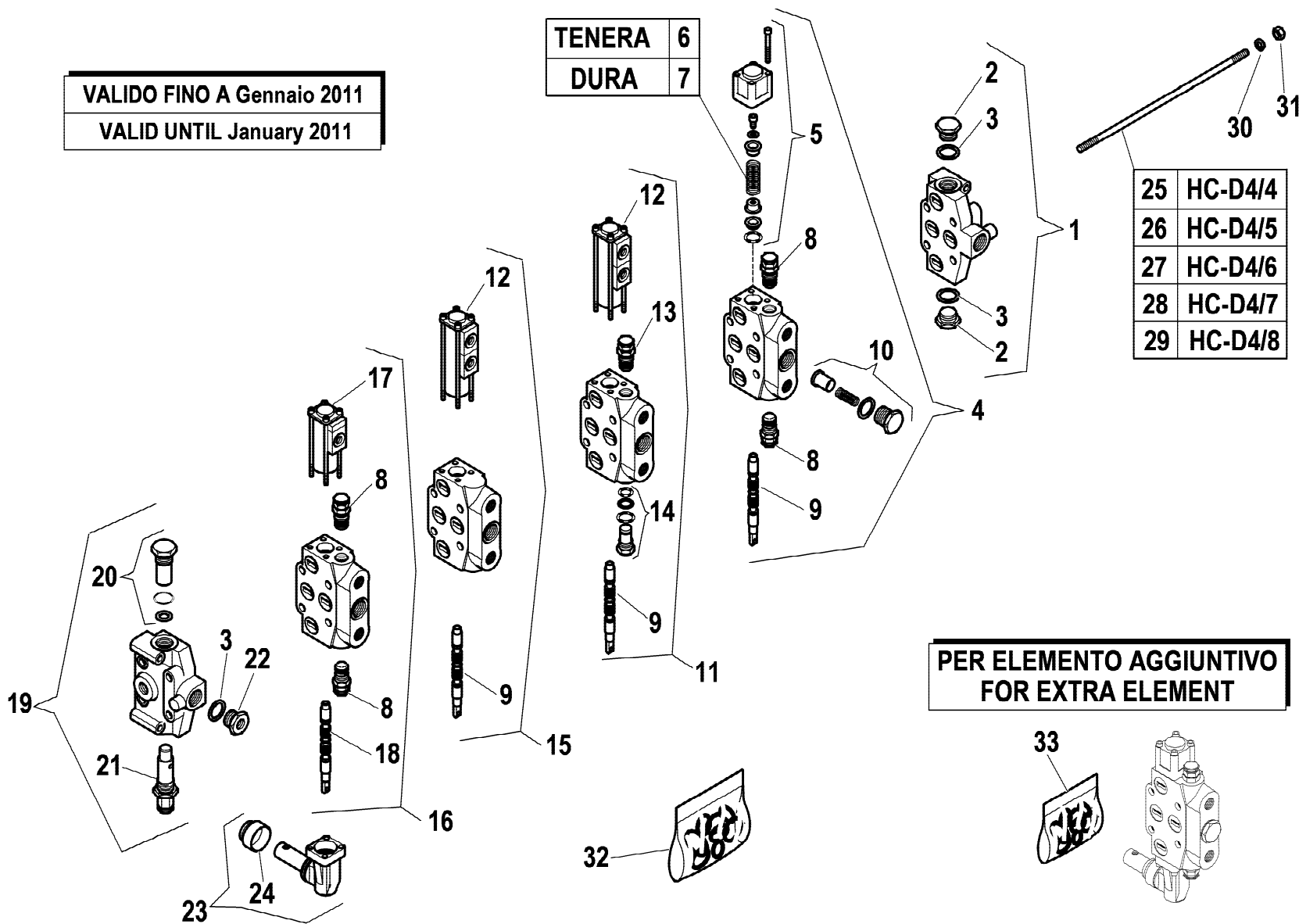
VALID UNTIL January 2011

| rif. | codice | Q.tà |
|------|-----------|------|
| 1 | 5.22.0544 | 1 |
| 2 | 3.01.0027 | 2 |
| 3 | 3.06.0055 | 2 |
| 4 | 3.31.0153 | 2 |
| 5 | 3.10.0952 | 1 |
| 6 | 3.10.0956 | 1 |
| 7 | 3.10.1034 | 8 |
| 8 | 3.10.1039 | 3 |
| 9 | 3.12.0001 | 2 |
| 10 | 3.12.0008 | 1 |
| 11 | 3.10.1051 | 1 |
| 12 | 3.12.0209 | 1 |
| 13 | 5.39.1510 | 1 |
| 14 | 5.39.1508 | 1 |
| 15 | 5.39.1509 | 1 |
| 16 | 5.39.1443 | 1 |
| 17 | 5.39.1442 | 1 |
| 18 | 5.26.0350 | 1 |
| 19 | 5.26.0353 | 1 |
| 20 | 5.26.0351 | 1 |
| 21 | 5.26.0352 | 1 |

VALIDO FINO A Gennaio 2011

VALID UNTIL January 2011

| | |
|--------|---|
| TENERA | 6 |
| DURA | 7 |



PER ELEMENTO AGGIUNTIVO
FOR EXTRA ELEMENT

| rif. | codice | Q.tà |
|------|-----------|------|
| 1 | 5.22.5477 | 1 |
| 2 | 3.11.0065 | 2 |
| 3 | 3.06.0145 | 3 |
| 4 | 5.22.5476 | 1 |
| 5 | 5.22.5130 | 1 |
| 6 | 5.22.5461 | 1 |
| 7 | 5.22.5463 | 1 |
| 8 | 5.22.5200 | 4 |
| 9 | 5.22.5311 | 3 |
| 10 | 5.22.5469 | 4 |
| 11 | 5.22.5475 | 1 |
| 12 | 5.22.5313 | 2 |
| 13 | 5.22.5145 | 1 |
| 14 | 5.22.5470 | 1 |
| 15 | 5.22.5474 | 1 |
| 16 | 5.22.5473 | 1 |
| 17 | 5.22.5312 | 1 |
| 18 | 5.22.5177 | 1 |
| 19 | 5.22.5472 | 1 |
| 20 | 5.22.5428 | 1 |
| 21 | 5.22.5546 | 1 |
| 22 | 3.11.0161 | 1 |
| 23 | 5.22.5126 | 4 |
| 24 | 5.22.5128 | 4 |
| 25 | 5.22.5224 | 4 |
| 26 | 5.22.5213 | 4 |
| 27 | 5.22.5214 | 4 |
| 28 | 5.22.5215 | 4 |
| 29 | 5.22.5216 | 4 |
| 30 | 3.06.0056 | 8 |
| 31 | 3.04.0046 | 8 |

1/2

HYVA® CRANE
HB280

DISTRIBUTORE (4 ELEMENTI) - CE
CONTROL VALVE (4 SECTION) - CE
DISTRIBUTEUR (4 VOIES) - CE
STUEURBLOCK (4 ELEMENTE) - CE
DISTRIBUIDOR (4 ELEMENTOS) - CE

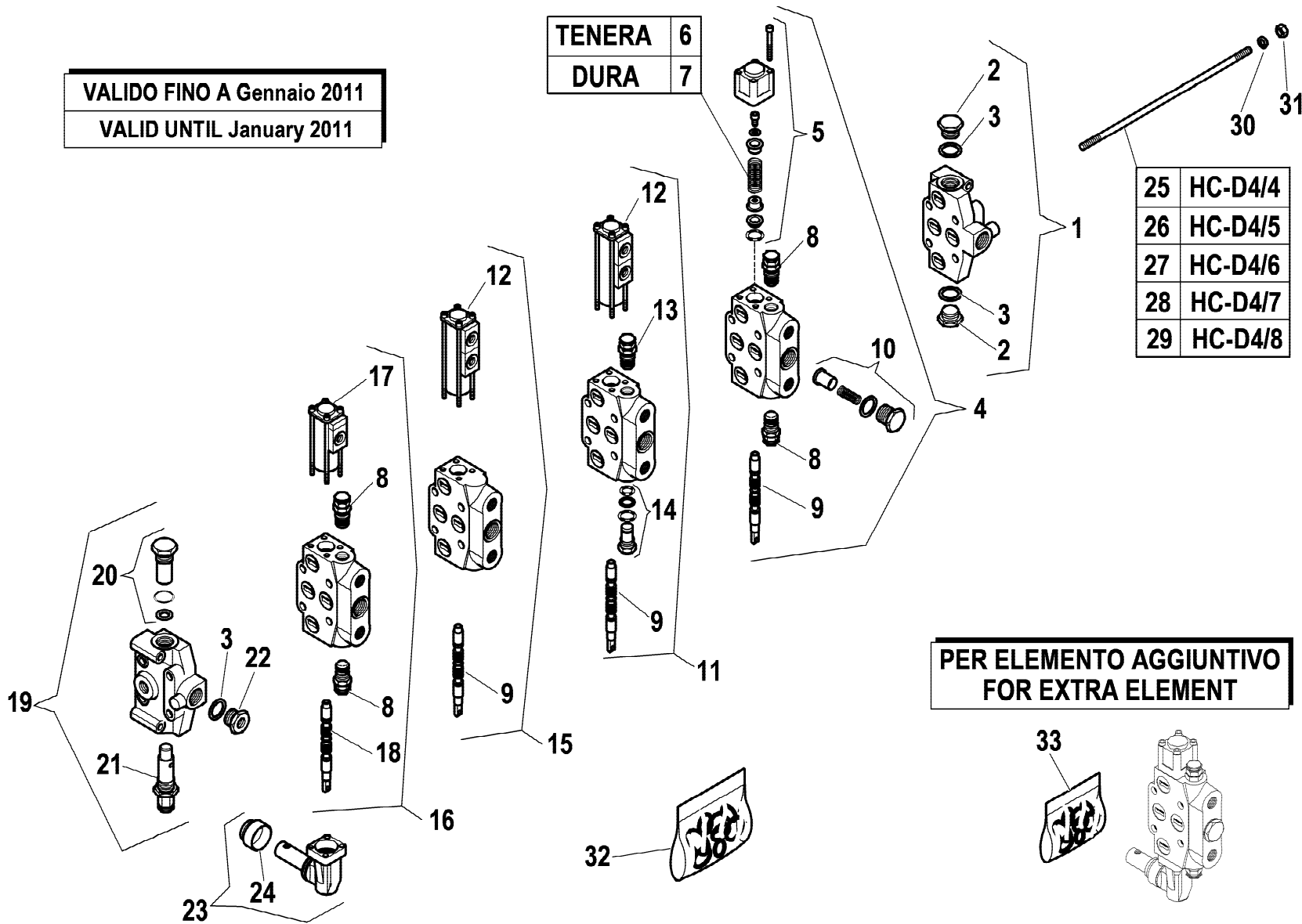
Tavola
5.22.0292-1-0

Data pag.
ottobre 2006 45.1

| rif. | codice | Q.tà |
|------|-----------|------|
| 32 | 5.22.5310 | 1 |
| 33 | 5.22.5031 | 1 |

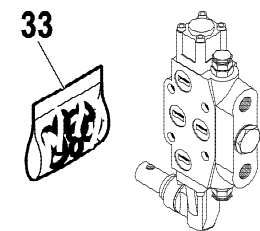
VALIDO FINO A Gennaio 2011
VALID UNTIL January 2011

| | |
|--------|---|
| TENERA | 6 |
| DURA | 7 |

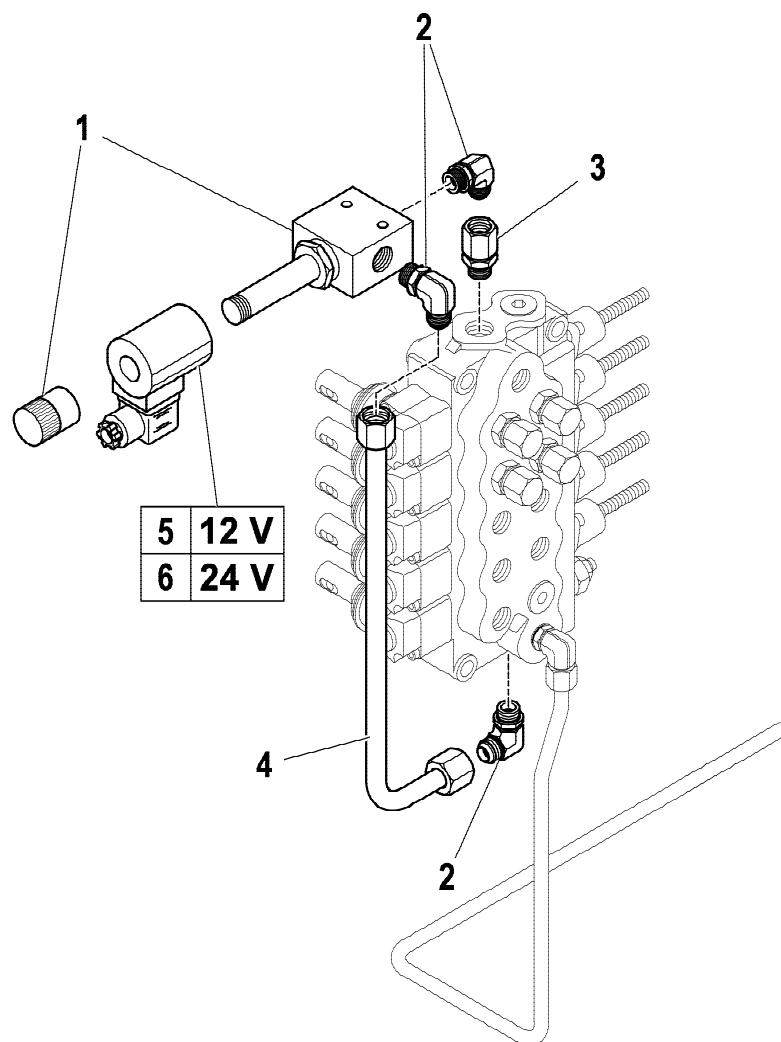


| | |
|----|---------|
| 25 | HC-D4/4 |
| 26 | HC-D4/5 |
| 27 | HC-D4/6 |
| 28 | HC-D4/7 |
| 29 | HC-D4/8 |

**PER ELEMENTO AGGIUNTIVO
 FOR EXTRA ELEMENT**



| rif. | codice | Q.tà |
|------|-----------|------|
| 1 | 5.22.0182 | 1 |
| 2 | 3.10.1127 | 3 |
| 3 | 3.12.0066 | 1 |
| 4 | 5.39.0557 | 1 |
| 5 | 3.31.0042 | 1 |
| 6 | 3.31.0043 | 1 |



1/1

HYVA[®] CRANE

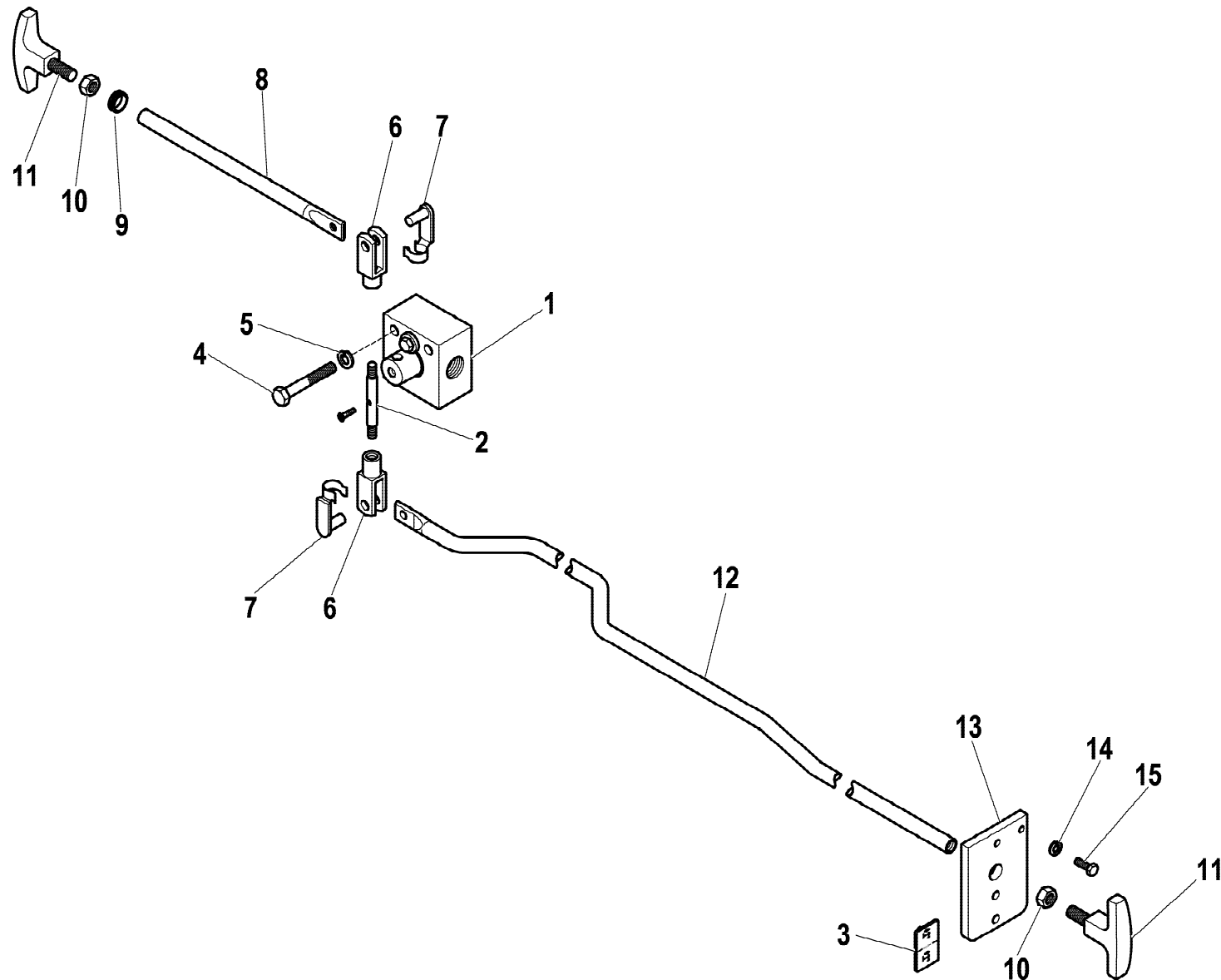
HB280

ELETTROVALVOLA (DISTRIBUTORE STABILIZZATORI) EN12999-A3
SOLENOID VALVE (STABILIZER CONTROL VALVE) EN12999-A3
ELECTROVALVE (DISTRIBUTEUR STABILISATEURS) EN12999-A3
MAGNETVENTIL (BEDIENUNG DEN ABSTÜTZUNGEN) EN12999-A3
ELECTROVALVULA (DISTRIBUDOR ESTABILIZADORE) EN12999-A3

Tavola

5.44.0107-1-0

Data pag.
luglio 2011 46



| rif. | codice | Q.tà |
|------|-----------|------|
| 1 | 5.22.0599 | 1 |
| 2 | 5.00.1170 | 1 |
| 3 | 5.81.3516 | 1 |
| 4 | 3.01.0415 | 2 |
| 5 | 3.06.0056 | 2 |
| 6 | 3.30.0433 | 2 |
| 7 | 3.30.0453 | 2 |
| 8 | 5.09.0715 | 1 |
| 9 | 3.19.0214 | 1 |
| 10 | 3.04.0047 | 2 |
| 11 | 3.19.0213 | 2 |
| 12 | 5.09.1074 | 1 |
| 13 | 5.14.0738 | 1 |
| 14 | 3.06.0053 | 2 |
| 15 | 3.01.0015 | 2 |

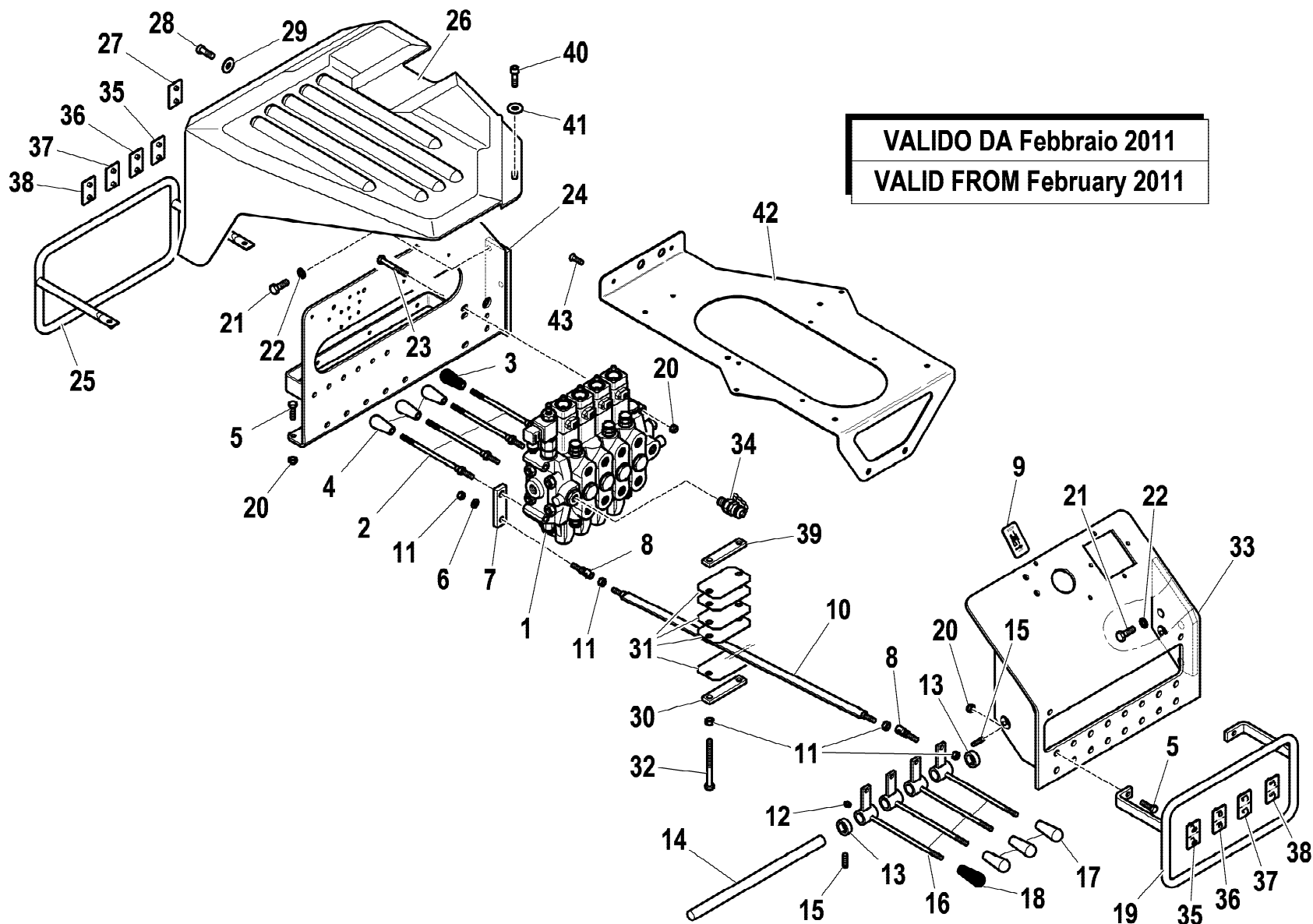
1/1

HYVA® CRANE
HB280

COMANDI BILATERALI CE
 DOUBLE CONTROLS CE
 DOUBLE COMMANDES CE
 DOPPELSTEUERUNG CE
 MONDOS BILATERALAS CE

Tavola
5.40.0950-2-0

Data pag.
 dicembre 2007 47



VALIDO DA Febbraio 2011
 VALID FROM February 2011

| rif. | codice | Q.tà |
|------|-----------|------|
| 1 | 5.22.0465 | 1 |
| 2 | 5.22.0224 | 4 |
| 3 | 3.19.0189 | 1 |
| 4 | 3.19.0010 | 3 |
| 5 | 3.01.0339 | 4 |
| 6 | 3.06.0006 | 4 |
| 7 | 5.00.0708 | 4 |
| 8 | 3.30.0503 | 8 |
| 9 | 5.81.3567 | 1 |
| 10 | 5.09.1116 | 4 |
| 11 | 3.04.0045 | 18 |
| 12 | 3.08.0500 | 4 |
| 13 | 5.00.0670 | 2 |
| 14 | 5.15.0459 | 1 |
| 15 | 3.06.0234 | 2 |
| 16 | 5.09.1111 | 4 |
| 17 | 3.19.0006 | 3 |
| 18 | 3.19.0188 | 1 |
| 19 | 5.09.0460 | 1 |
| 20 | 3.04.0303 | 7 |
| 21 | 3.01.0355 | 6 |
| 22 | 3.06.0056 | 6 |
| 23 | 3.01.0036 | 3 |
| 24 | 5.09.0132 | 1 |
| 25 | 5.09.0459 | 1 |
| 26 | 5.09.1076 | 1 |
| 27 | 5.81.3516 | 1 |
| 28 | 3.02.0023 | 3 |
| 29 | 3.06.0004 | 3 |
| 30 | 5.00.1191 | 1 |
| 31 | 5.14.0748 | 5 |

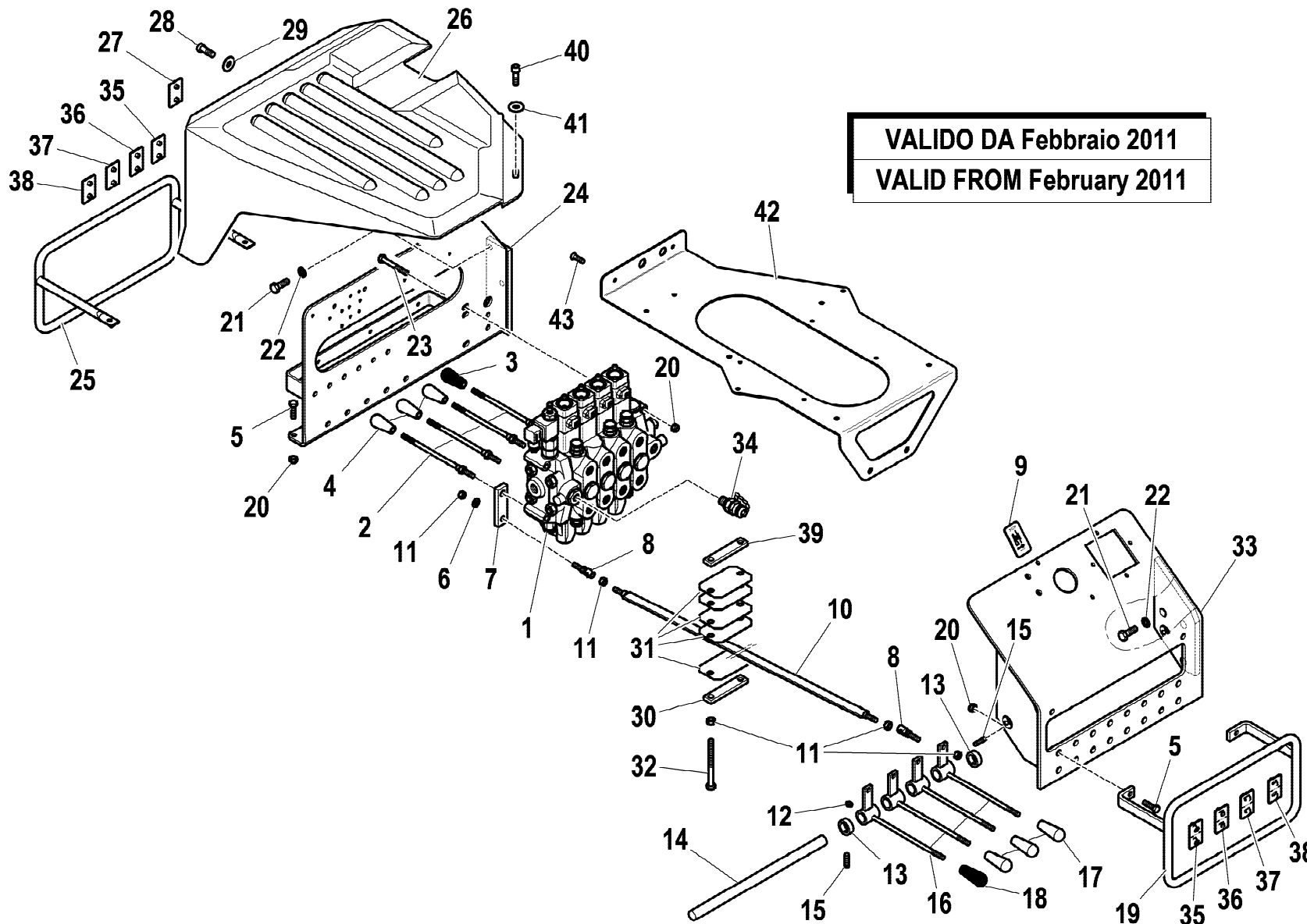
1/2

HYVA CRANE
 HB280

COMANDI BILATERALI (CE) EN12999-A3
 DOUBLE CONTROLS (CE) EN12999-A3
 DOUBLE COMMANDES (CE) EN12999-A3
 DOPPELSTEUERUNG (CE) EN12999-A3
 MONDOS BILATERALAS (CE) EN12999-A3

Tavola
5.40.1469-1-0

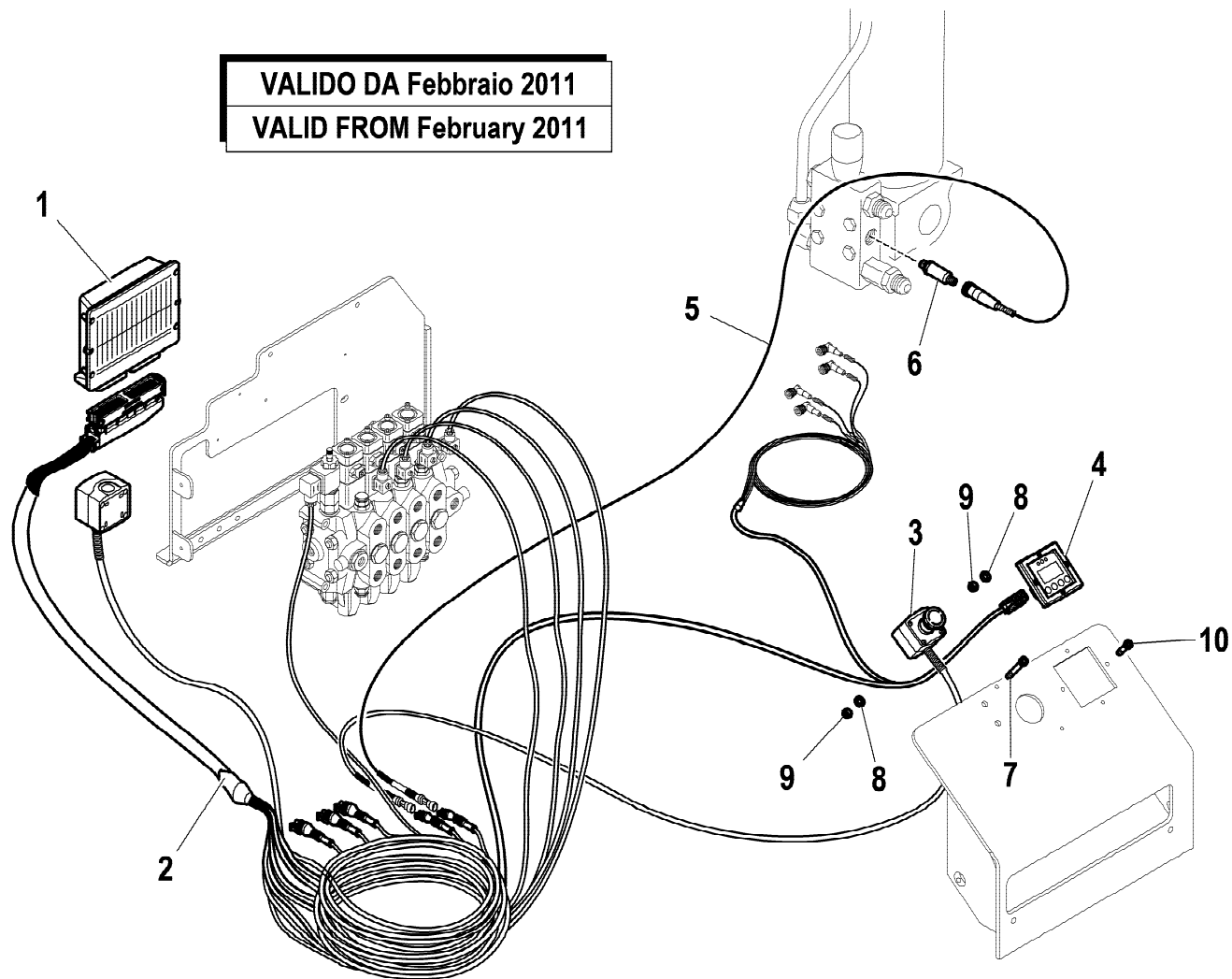
Data pag.
 novembre 2011 48.1



VALIDO DA Febbraio 2011
 VALID FROM February 2011

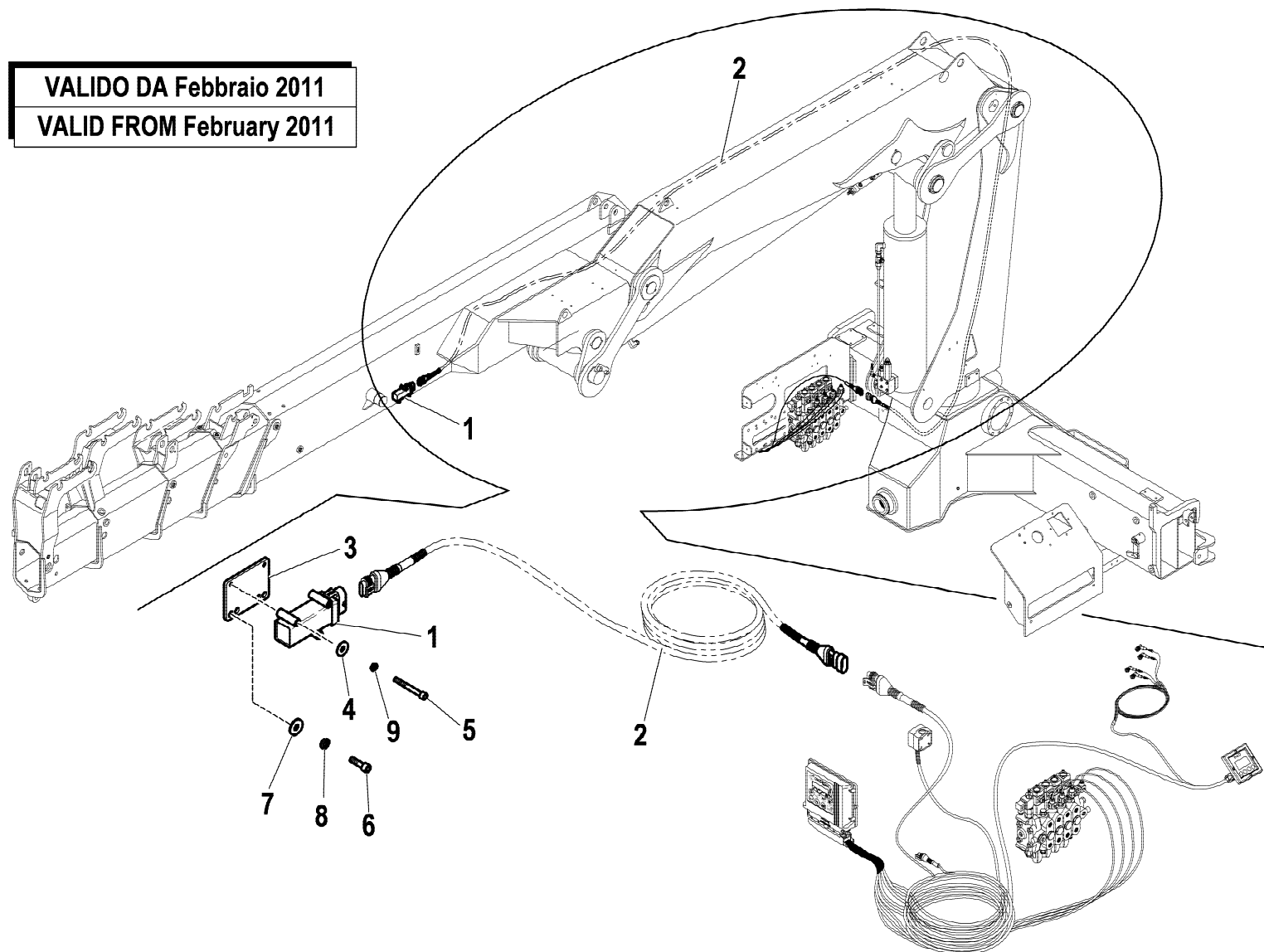
| rif. | codice | Q.tà |
|------|-----------|------|
| 32 | 3.01.0038 | 2 |
| 33 | 5.09.1329 | 1 |
| 34 | 3.11.1523 | 1 |
| 35 | W.573.266 | 2 |
| 36 | W.573.267 | 2 |
| 37 | W.573.269 | 2 |
| 38 | W.573.270 | 2 |
| 39 | 5.00.1190 | 1 |
| 40 | 3.02.0034 | 1 |
| 41 | 3.06.0030 | 1 |
| 42 | 5.00.0438 | 1 |
| 43 | 3.02.0438 | 2 |

VALIDO DA Febbraio 2011
VALID FROM February 2011



| rif. | codice | Q.tà |
|------|-----------|------|
| 1 | 3.31.1423 | 1 |
| 2 | 5.16.0085 | 1 |
| 3 | 3.31.1400 | 1 |
| 4 | 3.31.1328 | 1 |
| 5 | 5.16.0084 | 1 |
| 6 | 3.31.0612 | 1 |
| 7 | 3.02.0013 | 2 |
| 8 | 3.06.0030 | 6 |
| 9 | 3.04.0518 | 6 |
| 10 | 3.02.0885 | 4 |

VALIDO DA Febbraio 2011
VALID FROM February 2011



| rif. | codice | Q.tà |
|------|-----------|------|
| 1 | 3.31.1150 | 1 |
| 2 | 5.16.0076 | 1 |
| 3 | 5.00.2108 | 1 |
| 4 | 3.06.0003 | 2 |
| 5 | 3.02.0018 | 2 |
| 6 | 3.02.0033 | 2 |
| 7 | 3.06.0005 | 2 |
| 8 | 3.06.0053 | 2 |
| 9 | 3.06.0065 | 2 |

1/1

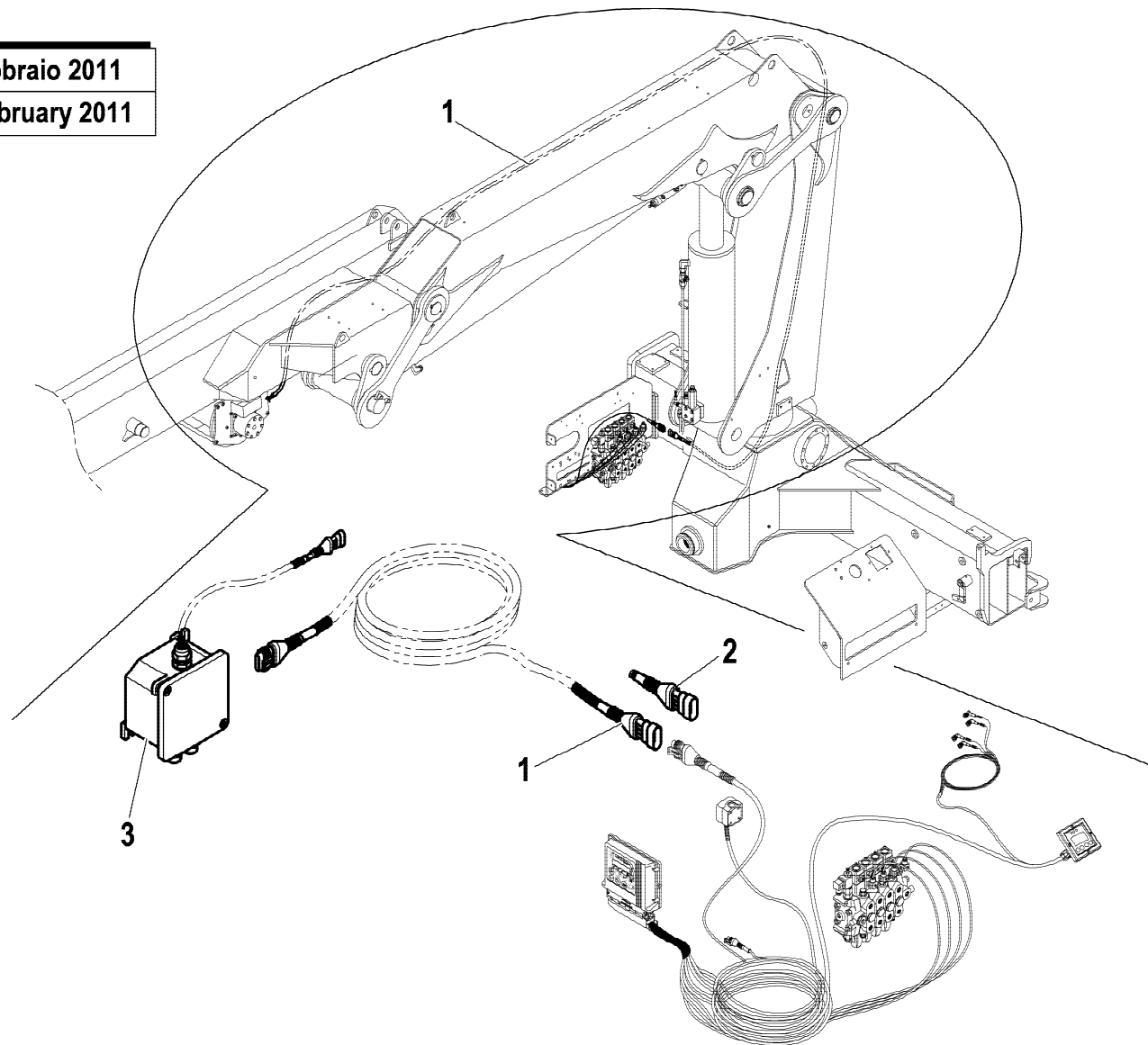
HYVA® CRANE
HB280

COMANDI BILATERALI (CE) EN12999-A3
DOUBLE CONTROLS (CE) EN12999-A3
DOUBLE COMMANDES (CE) EN12999-A3
DOPPELSTEUERUNG (CE) EN12999-A3
MONDOS BILATERALAS (CE) EN12999-A3

Tavola
5.40.1469-3-0

Data pag.
novembre 2011 50

VALIDO DA Febbraio 2011
VALID FROM February 2011



| rif. | codice | Q.tà |
|------|-----------|------|
| 1 | 5.16.0004 | 1 |
| 2 | 5.16.0013 | 1 |
| 3 | 3.31.0663 | 1 |

1/1

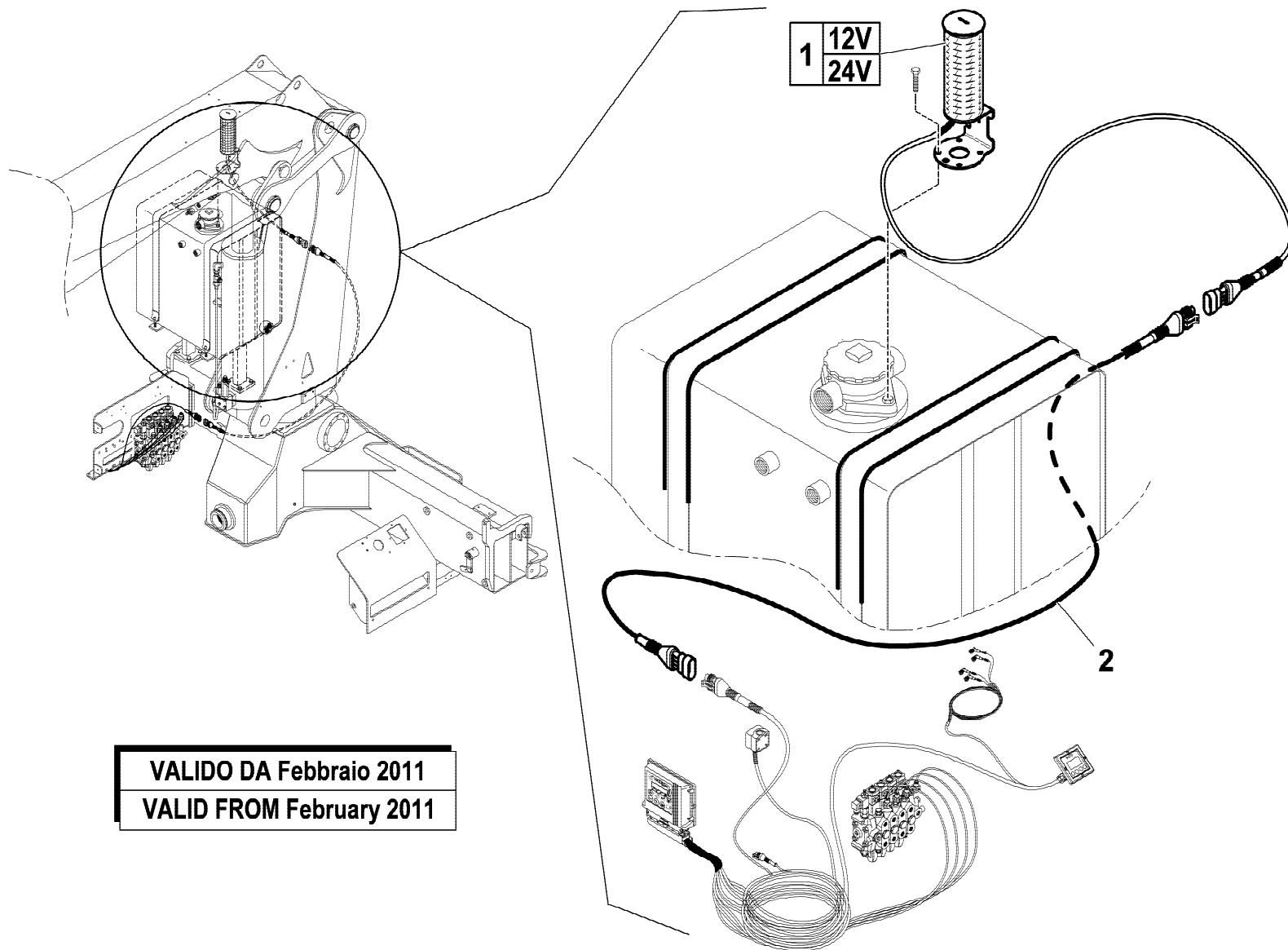
HYVA[®] CRANE
HB280

COMANDI BILATERALI (CE) EN12999-A3
 DOUBLE CONTROLS (CE) EN12999-A3
 DOUBLE COMMANDES (CE) EN12999-A3
 DOPPELSTEUERUNG (CE) EN12999-A3
 MONDOS BILATERALAS (CE) EN12999-A3

Tavola
5.40.1469-4-0

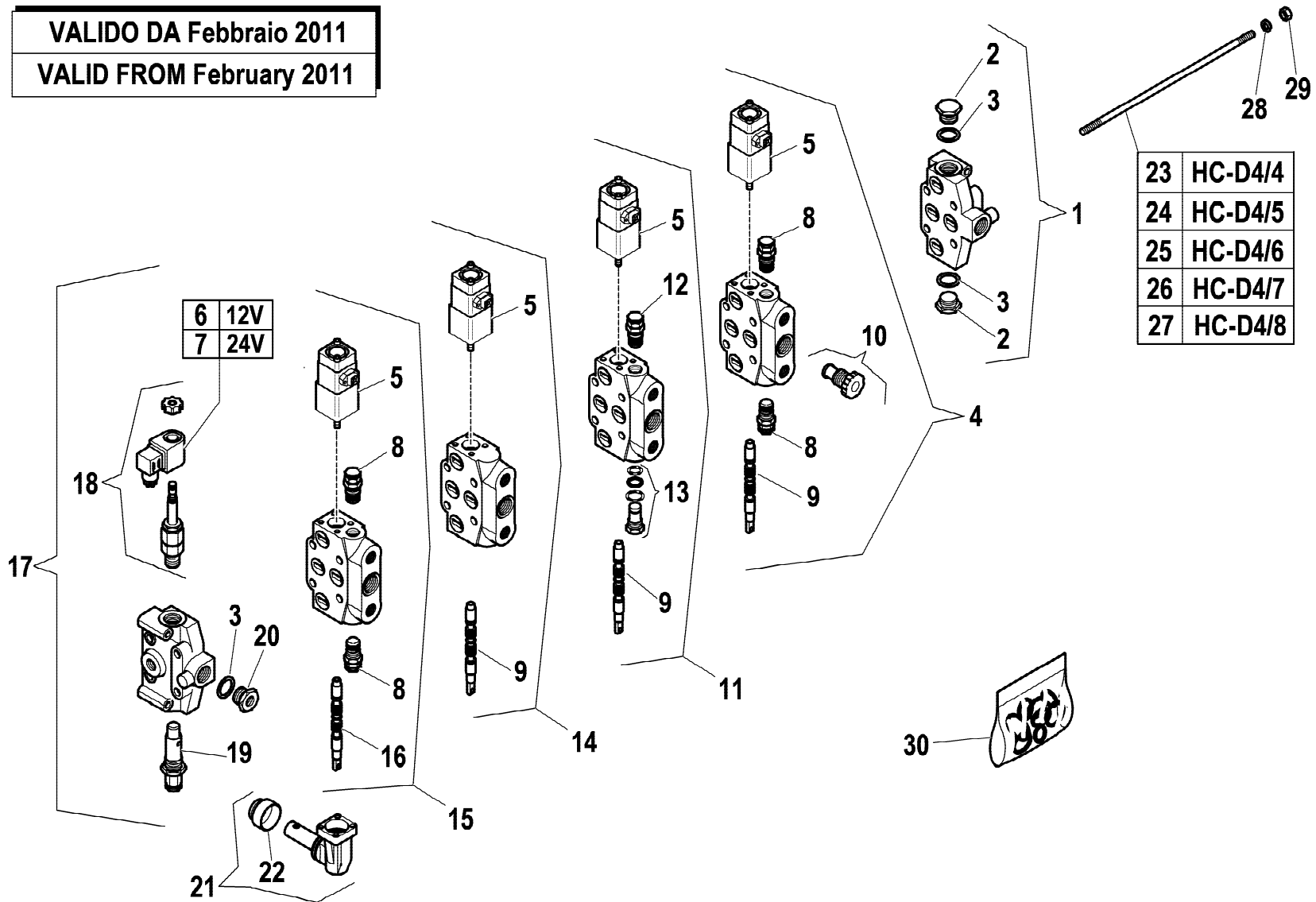
Data pag.
 novembre 2011 51

| rif. | codice | Q.tà |
|------|-----------|------|
| 1 | 3.31.1159 | 1 |
| 2 | 5.16.0003 | 1 |



VALIDO DA Febbraio 2011
 VALID FROM February 2011

VALIDO DA Febbraio 2011
VALID FROM February 2011



| rif. | codice | Q.tà |
|------|-----------|------|
| 1 | 5.22.5477 | 1 |
| 2 | 3.11.0065 | 2 |
| 3 | 3.06.0145 | 3 |
| 4 | 5.22.5698 | 1 |
| 5 | 5.22.5372 | 4 |
| 6 | 3.31.1046 | 1 |
| 7 | 3.31.1047 | 1 |
| 8 | 5.22.5200 | 4 |
| 9 | 5.22.5311 | 3 |
| 10 | 5.22.5865 | 4 |
| 11 | 5.22.5699 | 1 |
| 12 | 5.22.5145 | 1 |
| 13 | 5.22.5470 | 1 |
| 14 | 5.22.5860 | 1 |
| 15 | 5.22.5861 | 1 |
| 16 | 5.22.5177 | 1 |
| 17 | 5.22.5862 | 1 |
| 18 | 5.22.5429 | 1 |
| 19 | 5.22.5546 | 1 |
| 20 | 3.11.0161 | 1 |
| 21 | 5.22.5126 | 4 |
| 22 | 5.22.5128 | 4 |
| 23 | 5.22.5224 | 4 |
| 24 | 5.22.5213 | 4 |
| 25 | 5.22.5214 | 4 |
| 26 | 5.22.5215 | 4 |
| 27 | 5.22.5216 | 4 |
| 28 | 3.06.0056 | 8 |
| 29 | 3.04.0046 | 8 |
| 30 | 5.22.5863 | 1 |

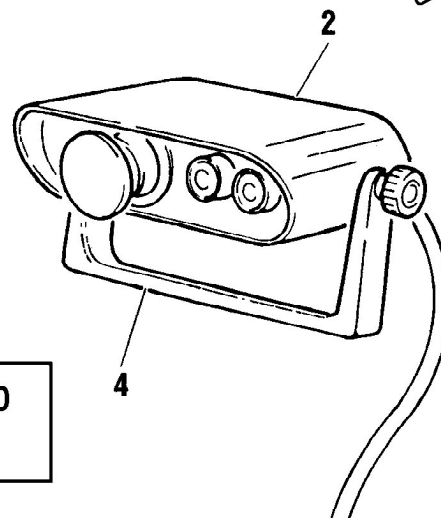
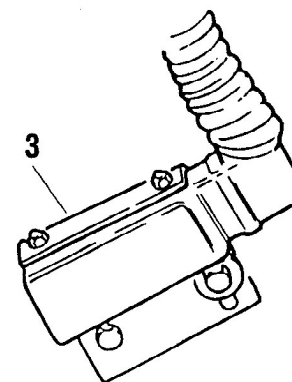
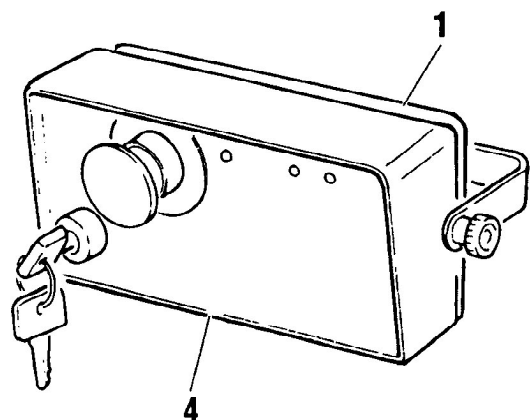


DISTRIBUTORE (4 ELEMENTI) CE EN12999-A3
 CONTROL VALVE (4 SECTION) CE EN12999-A3
 DISTRIBUTEUR (4 VOIES) CE EN12999-A3
 STEUERBLOCK (4 ELEMENTE) CE EN12999-A3
 DISTRIBUIDOR (4 ELEMENTOS) CE EN12999-A3

Tavola
5.22.0465-1-0

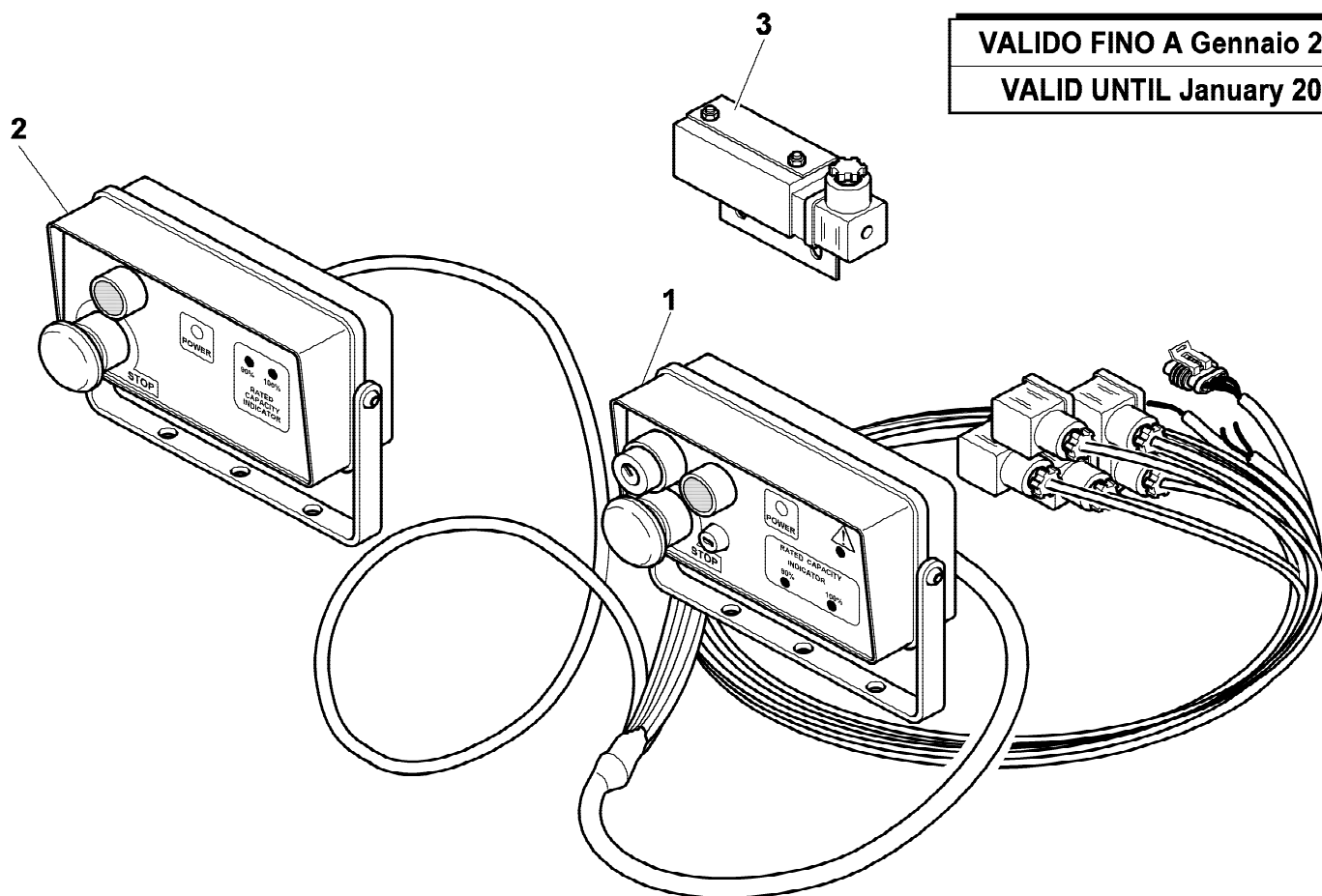
Data pag.
 gennaio 2011 53

| rif. | codice | Q.tà |
|------|-----------|------|
| 1 | 3.31.0224 | 1 |
| 2 | 3.31.0225 | 1 |
| 3 | 3.31.0154 | 1 |

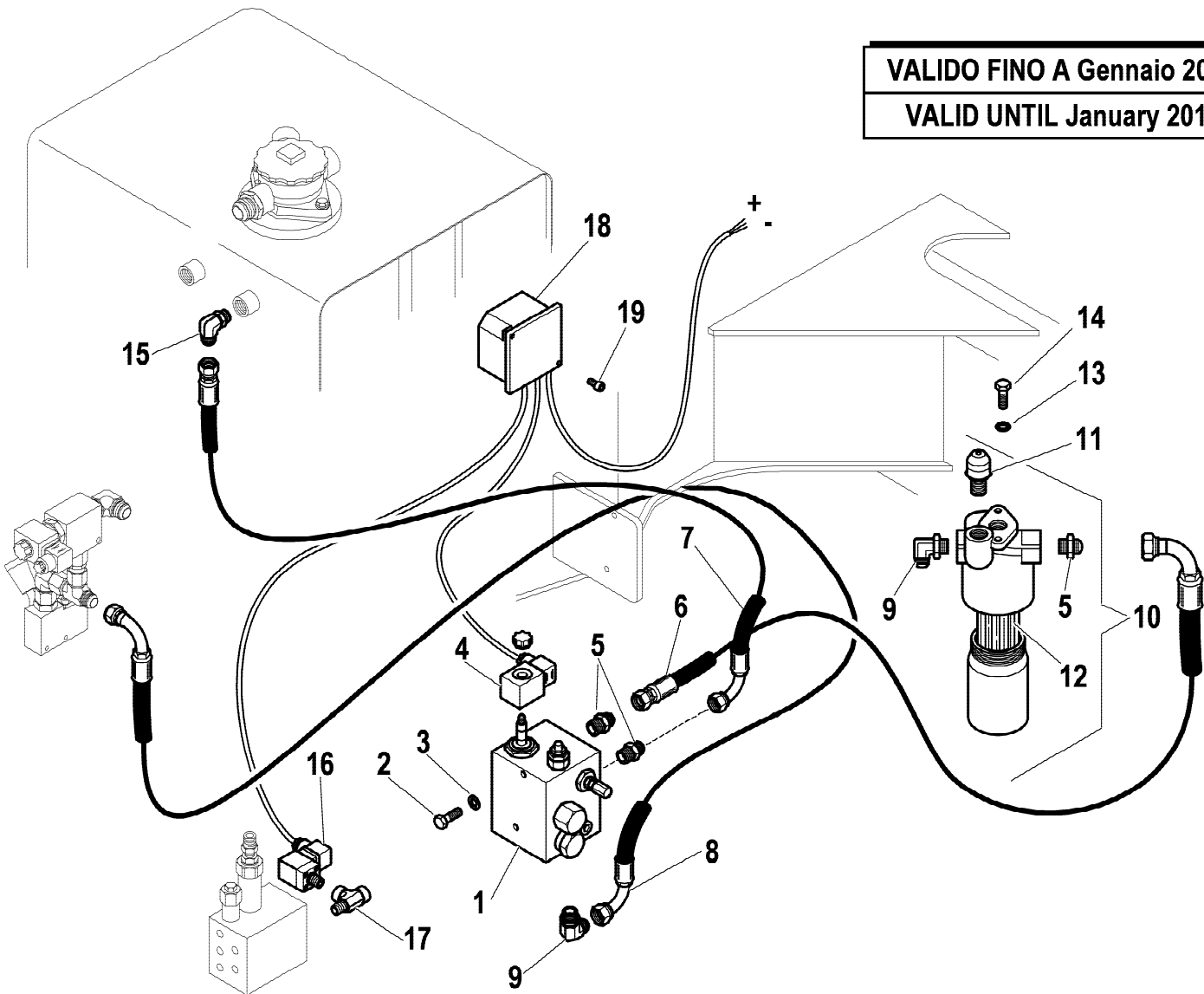


VALIDO FINO A MATRICOLA : 10130
 VALIDO FINO A MATRICOLA : 10130

| rif. | codice | Q.tà |
|------|-----------|------|
| 1 | 3.31.0617 | 1 |
| 2 | 3.31.0618 | 1 |
| 3 | 3.31.0154 | 1 |

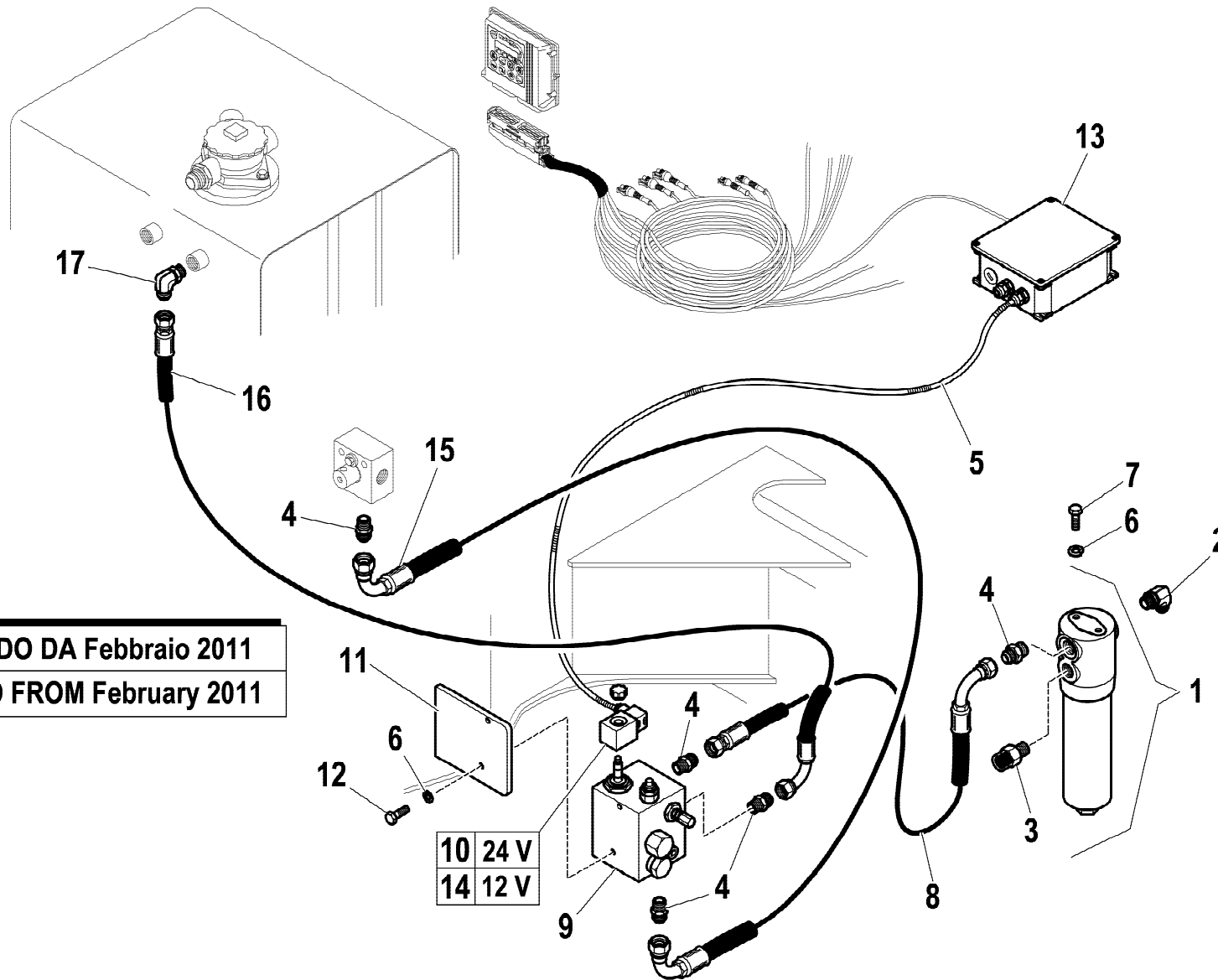


VALIDO FINO A Gennaio 2011
VALID UNTIL January 2011



VALIDO FINO A Gennaio 2011
VALID UNTIL January 2011

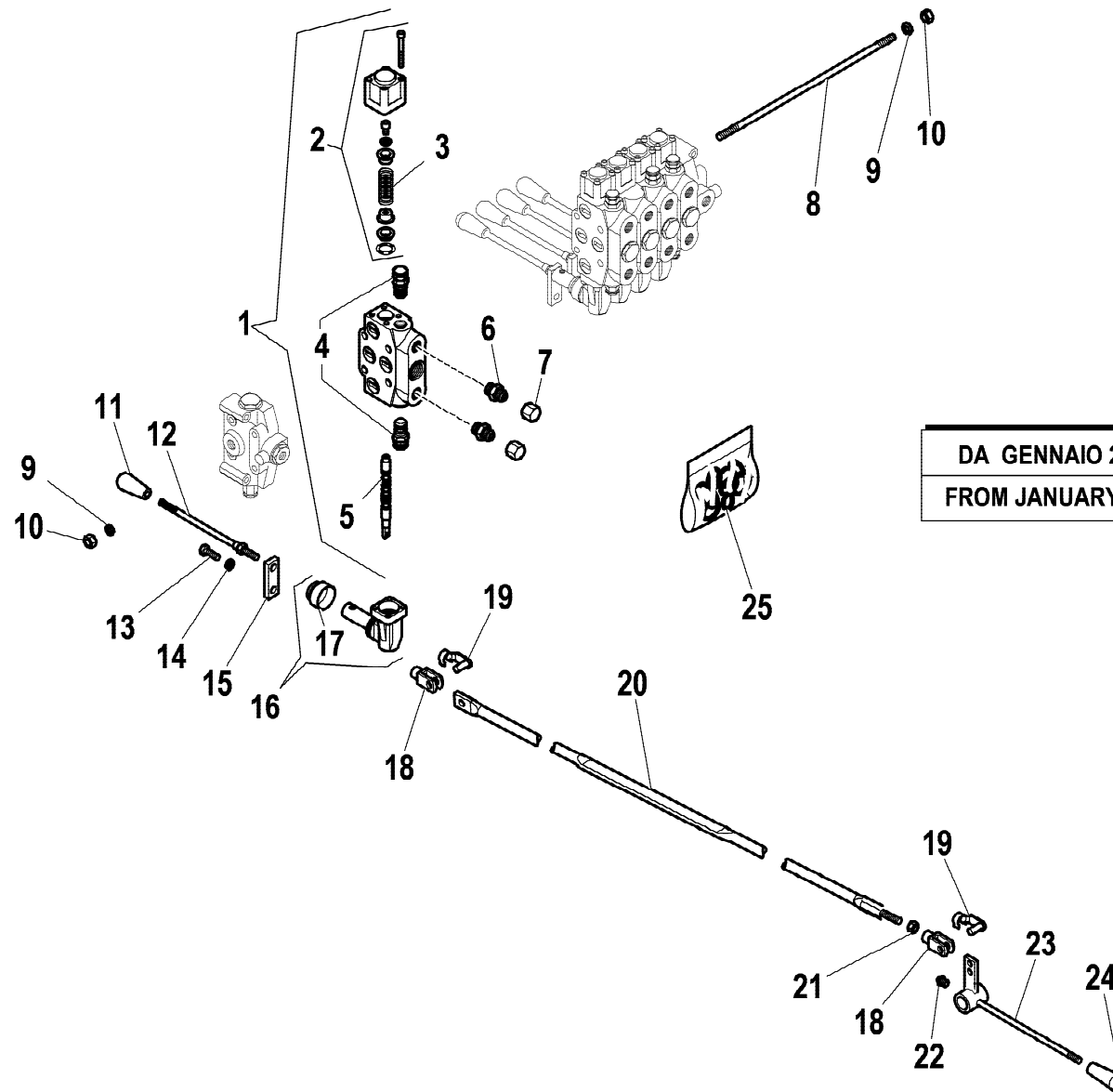
| rif. | codice | Q.tà |
|------|-----------|------|
| 1 | 5.22.0639 | 1 |
| 2 | 3.01.0339 | 2 |
| 3 | 3.06.0055 | 3 |
| 4 | 3.31.0242 | 1 |
| 5 | 3.12.0073 | 3 |
| 6 | 5.28.0516 | 1 |
| 7 | 5.28.0862 | 1 |
| 8 | 5.28.0484 | 1 |
| 9 | 3.10.1134 | 2 |
| 10 | 3.18.0141 | 1 |
| 11 | 3.18.0140 | 1 |
| 12 | 3.18.0143 | 1 |
| 13 | 3.06.0918 | 2 |
| 14 | 3.01.0027 | 2 |
| 15 | 3.10.1131 | 1 |
| 16 | 3.31.0153 | 1 |
| 17 | 3.10.1215 | 1 |
| 18 | 3.31.0388 | 1 |
| 19 | 3.02.0022 | 2 |



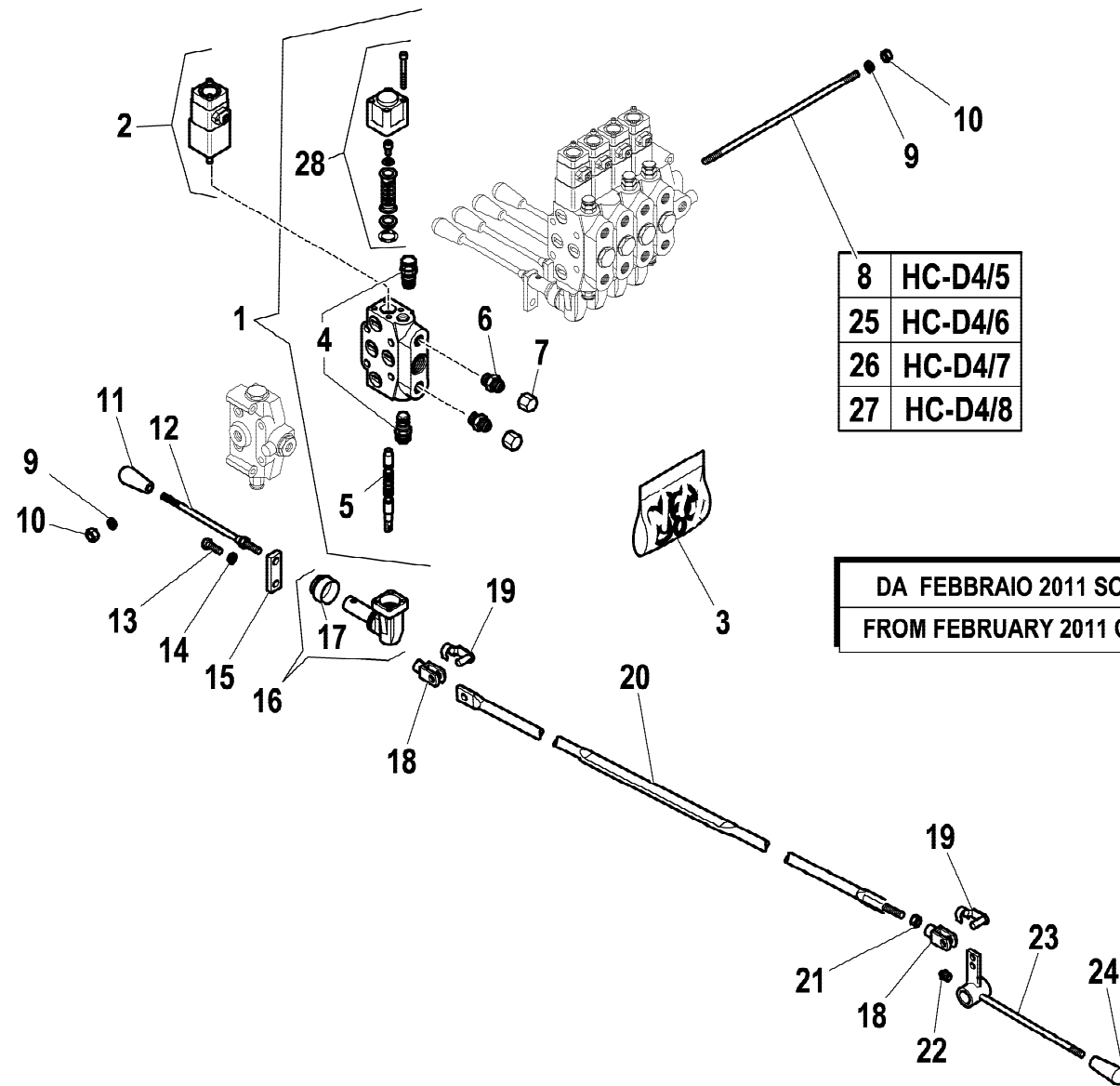
VALIDO DA Febbraio 2011
VALID FROM February 2011

10 24 V
14 12 V

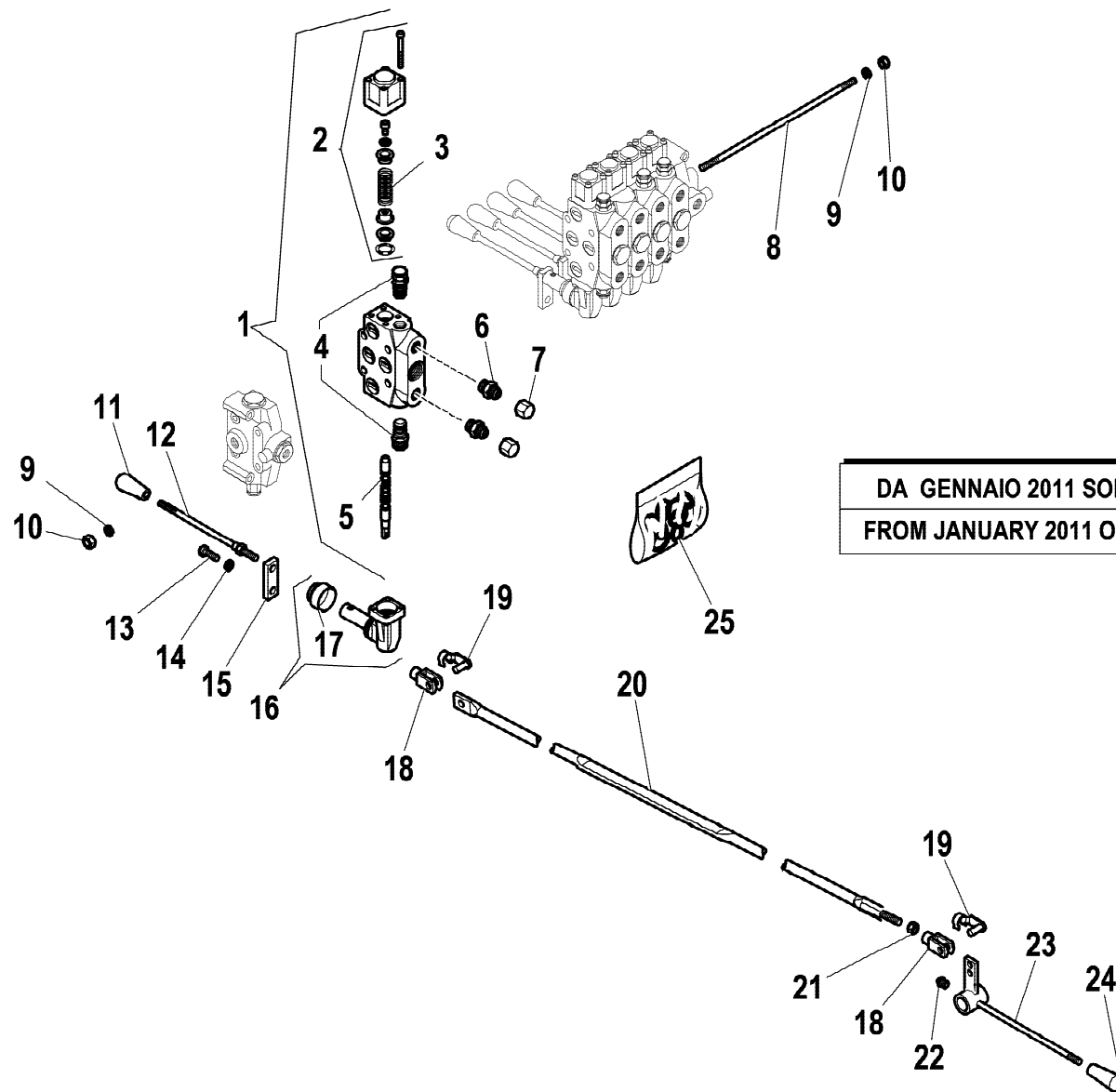
| rif. | codice | Q.tà |
|------|-----------|------|
| 1 | 3.18.0159 | 1 |
| 2 | 3.10.1134 | 1 |
| 3 | 3.18.0192 | 1 |
| 4 | 3.12.0073 | 5 |
| 5 | 5.16.0051 | 1 |
| 6 | 3.06.0055 | 4 |
| 7 | 3.01.0027 | 2 |
| 8 | 5.28.0516 | 1 |
| 9 | 5.22.0639 | 1 |
| 10 | 3.31.0242 | 1 |
| 11 | 2.09.1149 | 1 |
| 12 | 3.01.0339 | 2 |
| 13 | 3.31.1395 | 1 |
| 14 | 3.31.0238 | 1 |
| 15 | 5.28.0484 | 1 |
| 16 | 5.28.0862 | 1 |
| 17 | 3.10.1131 | 1 |



| rif. | codice | Q.tà |
|------|-----------|------|
| 1 | 5.22.5187 | 1 |
| 2 | 5.22.5130 | 1 |
| 3 | 5.22.5462 | 1 |
| 4 | 5.22.5200 | 2 |
| 5 | 5.22.5177 | 1 |
| 6 | 3.10.1051 | 2 |
| 7 | 3.11.0050 | 2 |
| 8 | 5.22.5213 | 4 |
| 9 | 3.06.0056 | 4 |
| 10 | 3.04.0046 | 4 |
| 11 | 3.19.0006 | 2 |
| 12 | 5.22.0224 | 2 |
| 13 | 3.01.0339 | 2 |
| 14 | 3.06.0055 | 2 |
| 15 | 5.00.0708 | 2 |
| 16 | 5.22.5126 | 2 |
| 17 | 5.22.5128 | 2 |
| 18 | 3.30.0431 | 2 |
| 19 | 3.30.0451 | 2 |
| 20 | 5.09.0456 | 2 |
| 21 | 3.04.0045 | 2 |
| 22 | 3.08.0500 | 2 |
| 23 | 5.09.0433 | 2 |
| 24 | 3.19.0010 | 2 |
| 25 | 5.22.5031 | 1 |



| rif. | codice | Q.tà |
|------|-----------|------|
| 1 | 5.22.5187 | 1 |
| 2 | 5.22.5372 | 1 |
| 3 | 5.22.5031 | 1 |
| 4 | 5.22.5200 | 2 |
| 5 | 5.22.5177 | 1 |
| 6 | 3.10.1051 | 2 |
| 7 | 3.11.0050 | 2 |
| 8 | 5.22.5213 | 4 |
| 9 | 3.06.0056 | 4 |
| 10 | 3.04.0046 | 4 |
| 11 | 3.19.0010 | 1 |
| 12 | 5.22.0224 | 1 |
| 13 | 3.01.0339 | 1 |
| 14 | 3.06.0055 | 1 |
| 15 | 5.00.0708 | 1 |
| 16 | 5.22.5126 | 1 |
| 17 | 5.22.5128 | 1 |
| 18 | 3.30.0431 | 2 |
| 19 | 3.30.0451 | 2 |
| 20 | 5.09.0851 | 1 |
| 21 | 3.04.0045 | 1 |
| 22 | 3.08.0500 | 1 |
| 23 | 5.09.0433 | 1 |
| 24 | 3.19.0006 | 1 |
| 25 | 5.22.5214 | 4 |
| 26 | 5.22.5215 | 4 |
| 27 | 5.22.5216 | 4 |
| 28 | 5.22.5130 | 1 |



| rif. | codice | Q.tà |
|------|-----------|------|
| 1 | 5.22.5190 | 1 |
| 2 | 5.22.5130 | 1 |
| 3 | 5.22.5462 | 1 |
| 4 | 5.22.5200 | 2 |
| 5 | 5.22.5177 | 1 |
| 6 | 3.10.1051 | 2 |
| 7 | 3.11.0050 | 2 |
| 8 | 5.22.5213 | 4 |
| 9 | 3.06.0056 | 4 |
| 10 | 3.04.0046 | 4 |
| 11 | 3.19.0010 | 1 |
| 12 | 5.22.0224 | 1 |
| 13 | 3.01.0027 | 1 |
| 14 | 3.06.0055 | 1 |
| 15 | 5.00.0708 | 1 |
| 16 | 5.22.5126 | 2 |
| 17 | 5.22.5128 | 2 |
| 18 | 3.30.0431 | 2 |
| 19 | 3.30.0451 | 2 |
| 20 | 5.09.0456 | 1 |
| 21 | 3.04.0045 | 2 |
| 22 | 3.08.0500 | 1 |
| 23 | 5.09.0433 | 1 |
| 24 | 3.19.0006 | 1 |
| 25 | 5.22.5031 | 1 |

1/1

HYVA[®] CRANE

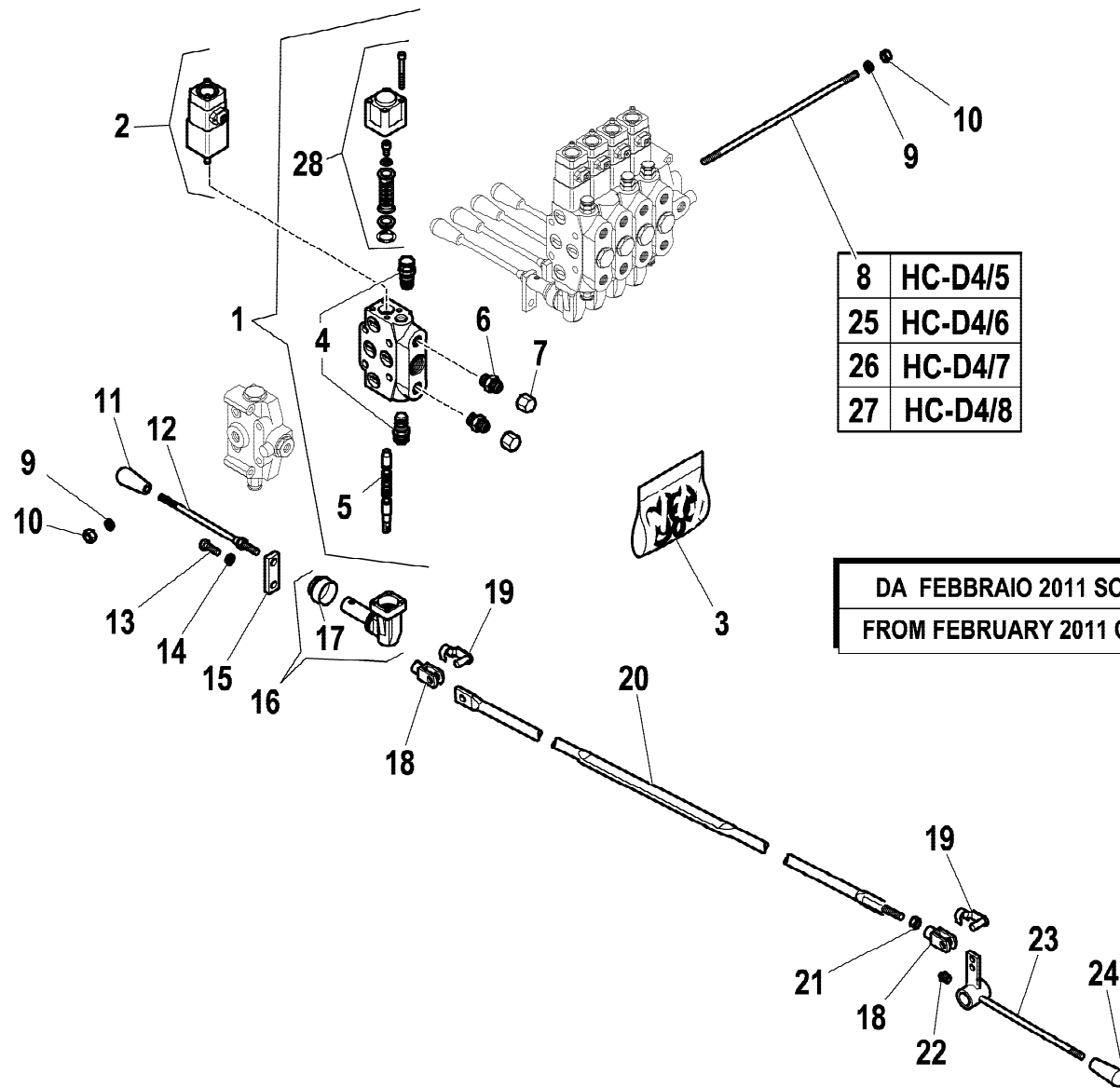
HB280

KIT 5° ELEMENTO SUPPLEMENTARE CENTRO CHIUSO
 5TH EXTRA FUNCTION KIT CLOSED CENTER SPOOL
 KIT 5ÈME ELEMENT SUPPLEMENTAIRE CENTRE FERMÉ
 KIT 5. ZUSÄTZLICHES STEUERELEMENT MIT GESPERRTEM ZENTRUM
 KIT 5° ELEMENTO ADICIONAL CENTRO CERRADO

Tavola

5.21.2000-1-0

Data pag.
 giugno 2006 60



DA FEBBRAIO 2011 SOLO "CE"
FROM FEBRUARY 2011 ONLY "CE"

| rif. | codice | Q.tà |
|------|-----------|------|
| 1 | 5.22.5190 | 1 |
| 2 | 5.22.5372 | 1 |
| 3 | 5.22.5031 | 1 |
| 4 | 5.22.5200 | 2 |
| 5 | 5.22.5143 | 1 |
| 6 | 3.10.1051 | 2 |
| 7 | 3.11.0050 | 2 |
| 8 | 5.22.5213 | 4 |
| 9 | 3.06.0056 | 4 |
| 10 | 3.04.0046 | 4 |
| 11 | 3.19.0010 | 1 |
| 12 | 5.22.0224 | 1 |
| 13 | 3.01.0339 | 1 |
| 14 | 3.06.0055 | 1 |
| 15 | 5.00.0708 | 1 |
| 16 | 5.22.5126 | 1 |
| 17 | 5.22.5128 | 1 |
| 18 | 3.30.0431 | 2 |
| 19 | 3.30.0451 | 2 |
| 20 | 5.09.0851 | 1 |
| 21 | 3.04.0045 | 1 |
| 22 | 3.08.0500 | 1 |
| 23 | 5.09.0433 | 1 |
| 24 | 3.19.0006 | 1 |
| 25 | 5.22.5214 | 4 |
| 26 | 5.22.5215 | 4 |
| 27 | 5.22.5216 | 4 |
| 28 | 5.22.5130 | 1 |

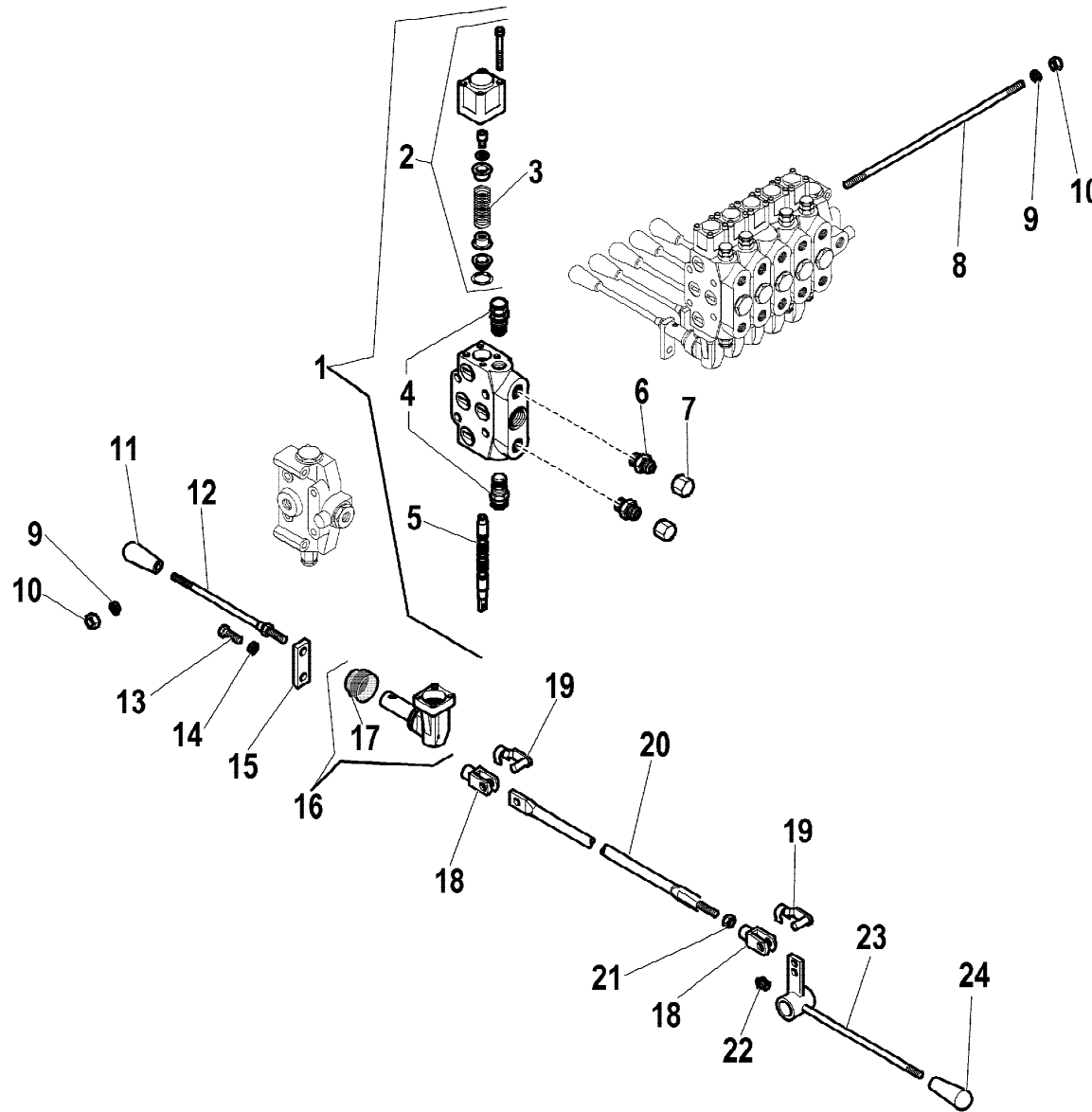
1/1

HYVA[®] CRANE
HB280

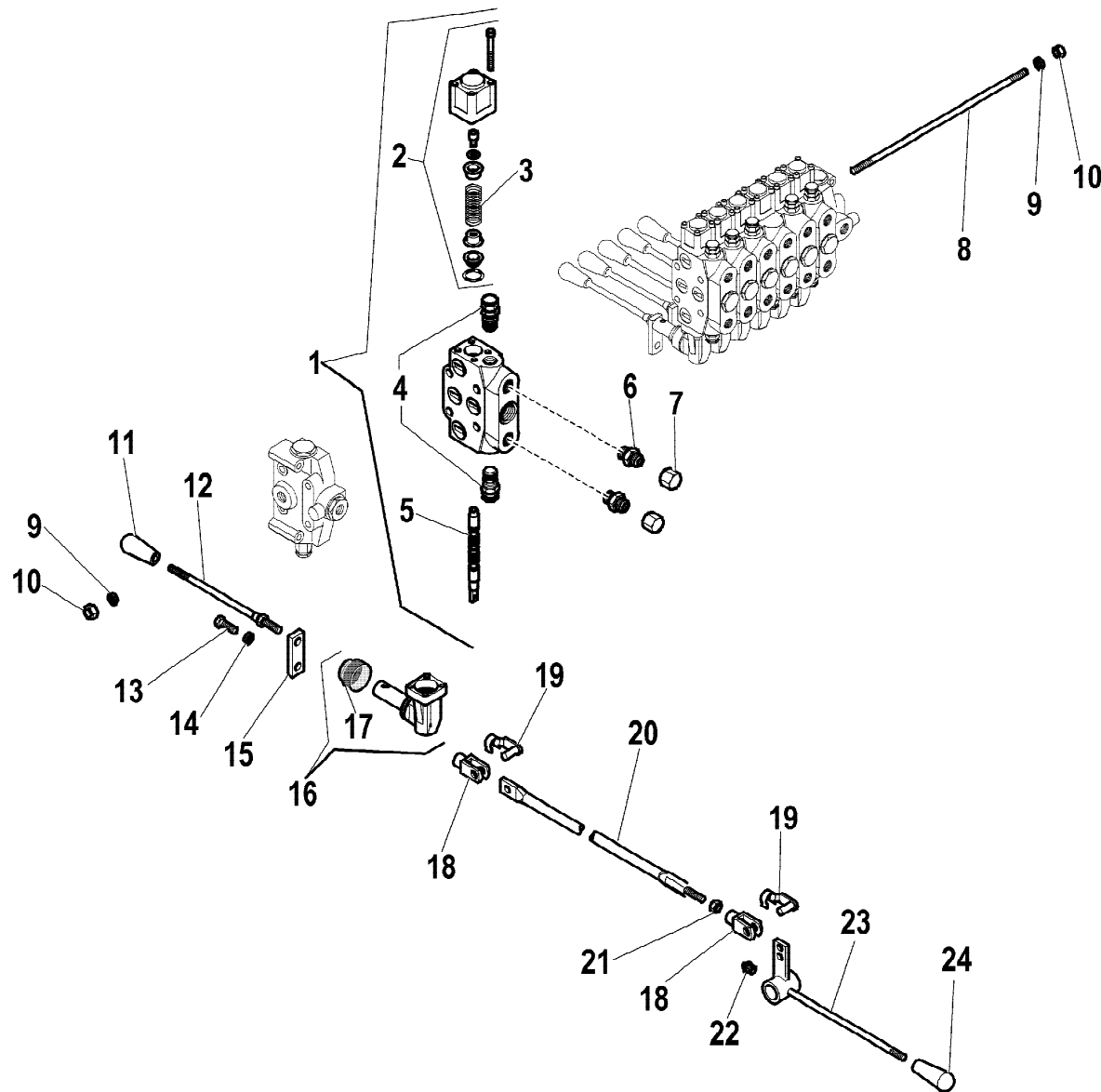
KIT 5° ELEMENTO SUPPLEMENTARE CENTRO CHIUSO EN12999-A3
5TH EXTRA FUNCTION KIT CLOSED CENTER SPOOL EN12999-A3
KIT 5ÈME ELEMENT SUPPLEMENTAIRE CENTRE FERMÉ EN12999-A3
KIT 5. ZUSÄTZLICHES STEUERELEMENT MIT GESPERRTEM ZENTRUM EN12999-A3
KIT 5° ELEMENTO ADICIONAL CENTRO CERRADO EN12999-A3

Tavola
5.21.2015-1-0

Data pag.
gennaio 2011 61



| rif. | codice | Q.tà |
|------|-----------|------|
| 1 | 5.22.5187 | 1 |
| 2 | 5.22.5130 | 1 |
| 3 | 5.22.5462 | 1 |
| 4 | 5.22.5200 | 2 |
| 5 | 5.22.5177 | 1 |
| 6 | 3.10.1051 | 2 |
| 7 | 3.11.0050 | 2 |
| 8 | 5.22.5214 | 4 |
| 9 | 3.06.0056 | 4 |
| 10 | 3.04.0046 | 4 |
| 11 | 3.19.0006 | 2 |
| 12 | 5.22.0224 | 2 |
| 13 | 3.01.0339 | 2 |
| 14 | 3.06.0055 | 2 |
| 15 | 5.00.0708 | 2 |
| 16 | 5.22.5126 | 2 |
| 17 | 5.22.5128 | 2 |
| 18 | 3.30.0431 | 2 |
| 19 | 3.30.0451 | 2 |
| 20 | 5.09.0456 | 2 |
| 21 | 3.04.0045 | 2 |
| 22 | 3.08.0500 | 2 |
| 23 | 5.09.0433 | 2 |
| 24 | 3.19.0010 | 2 |



| rif. | codice | Q.tà |
|------|-----------|------|
| 1 | 5.22.5187 | 1 |
| 2 | 5.22.5130 | 1 |
| 3 | 5.22.5462 | 1 |
| 4 | 5.22.5200 | 2 |
| 5 | 5.22.5177 | 1 |
| 6 | 3.10.1051 | 2 |
| 7 | 3.11.0050 | 2 |
| 8 | 5.22.5215 | 4 |
| 9 | 3.06.0056 | 4 |
| 10 | 3.04.0046 | 4 |
| 11 | 3.19.0006 | 2 |
| 12 | 5.22.0224 | 2 |
| 13 | 3.01.0339 | 2 |
| 14 | 3.06.0055 | 2 |
| 15 | 5.00.0708 | 2 |
| 16 | 5.22.5126 | 2 |
| 17 | 5.22.5128 | 2 |
| 18 | 3.30.0431 | 2 |
| 19 | 3.30.0451 | 2 |
| 20 | 5.09.0456 | 2 |
| 21 | 3.04.0045 | 2 |
| 22 | 3.08.0500 | 2 |
| 23 | 5.09.0433 | 2 |
| 24 | 3.19.0010 | 2 |

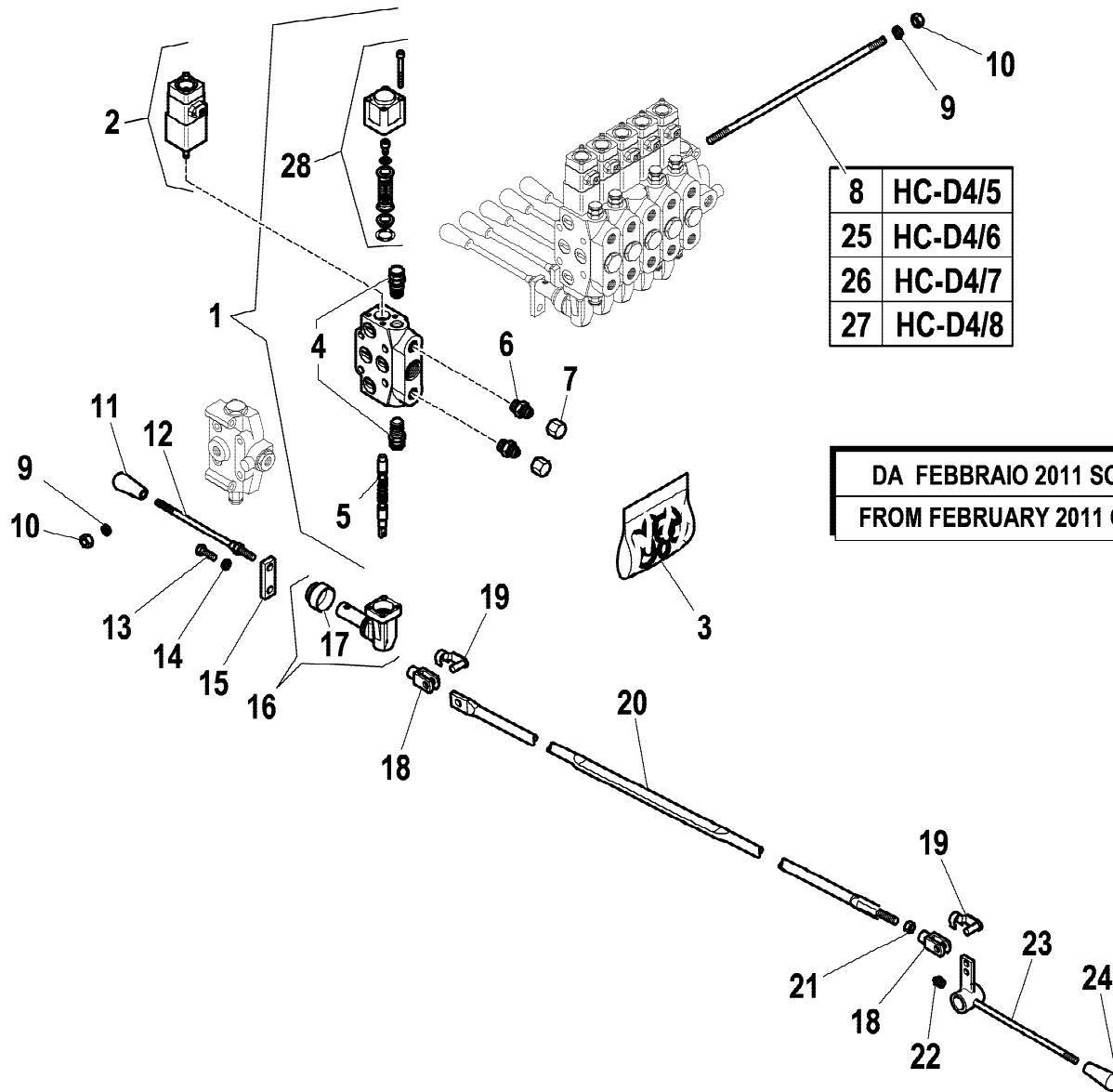
1/1

HYVA[®] CRANE
HB280

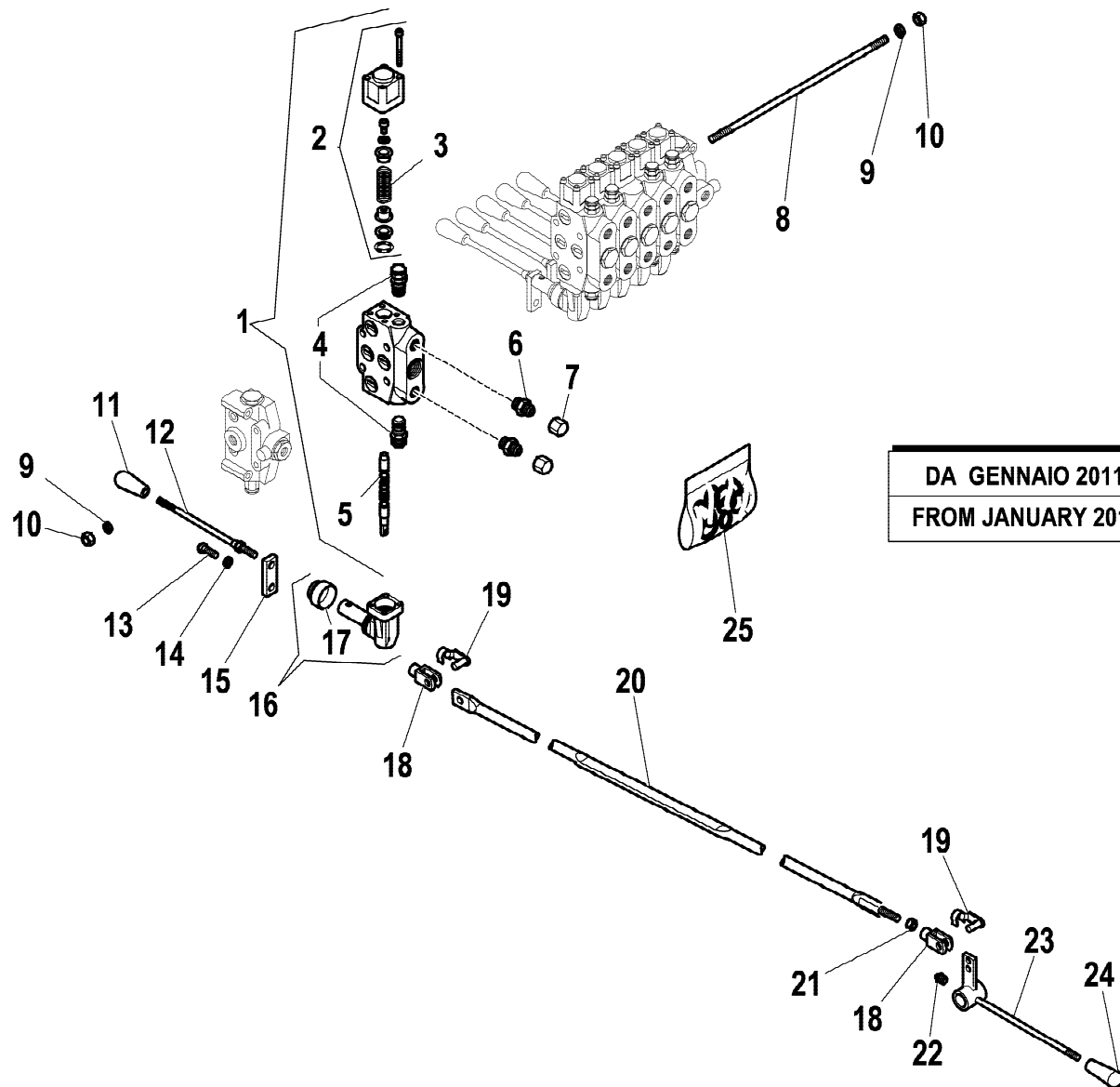
KIT 7° ELEMENTO SUPPLEMENTARE CENTRO APERTO
 7TH EXTRA FUNCTION KIT OPEN CENTER SPOOL
 KIT 7ÈME ELEMENT SUPPLEMENTAIRE CENTRE OUVERTE
 KIT 7. ZUSÄTZLICHES STEUERELEMENT MIT GEÖFFNETEM ZENTRUM
 KIT 7° ELEMENTO ADICIONAL CENTRO ABIERTO

Tavola
5.21.2006-1-0

Data pag.
 giugno 2006 63

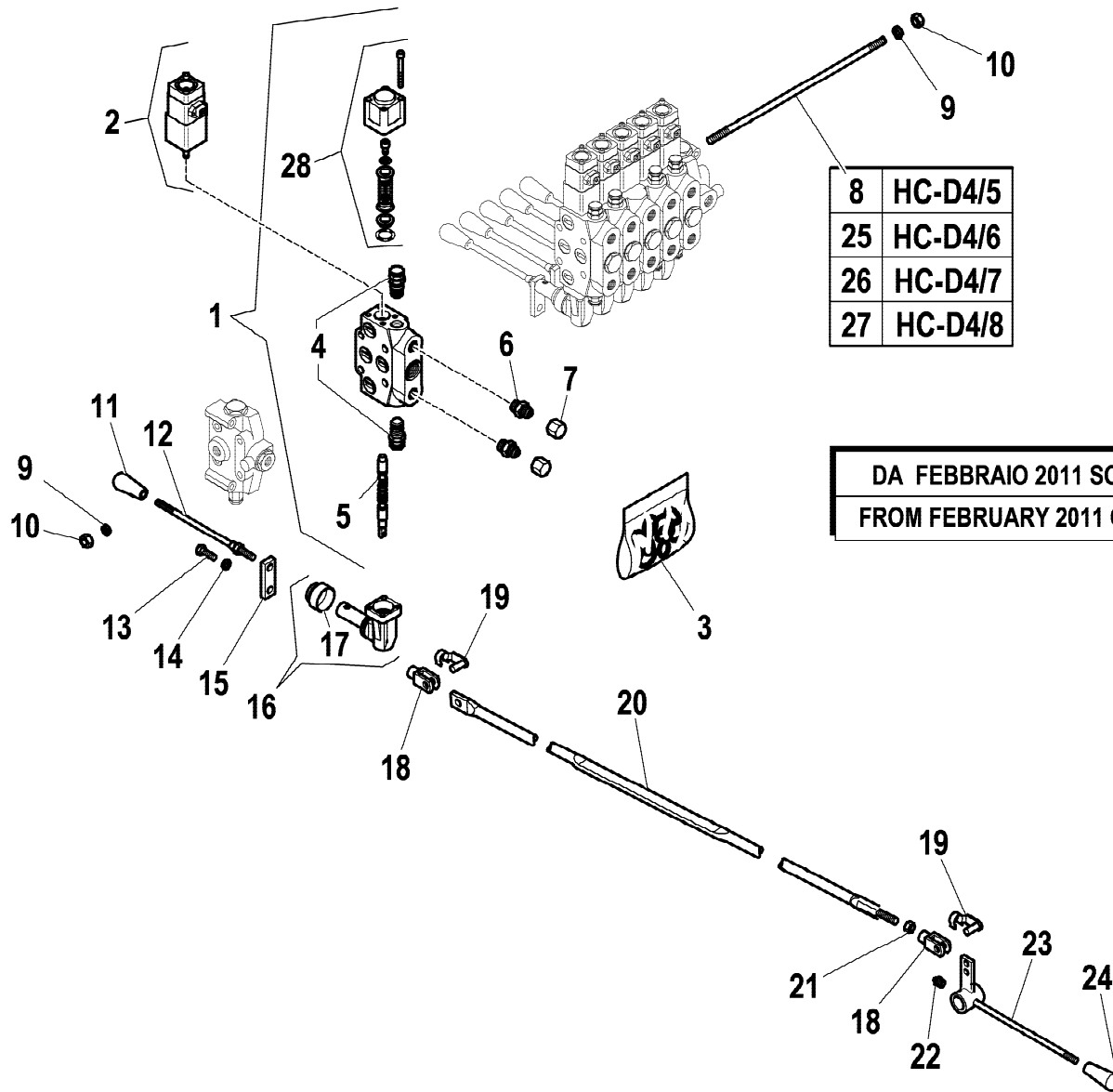


| rif. | codice | Q.tà |
|------|-----------|------|
| 1 | 5.22.5187 | 1 |
| 2 | 5.22.5372 | 1 |
| 3 | 5.22.5031 | 1 |
| 4 | 5.22.5200 | 2 |
| 5 | 5.22.5177 | 1 |
| 6 | 3.10.1051 | 2 |
| 7 | 3.11.0050 | 2 |
| 8 | 5.22.5213 | 4 |
| 9 | 3.06.0056 | 4 |
| 10 | 3.04.0046 | 4 |
| 11 | 3.19.0010 | 1 |
| 12 | 5.22.0224 | 1 |
| 13 | 3.01.0339 | 1 |
| 14 | 3.06.0055 | 1 |
| 15 | 5.00.0708 | 1 |
| 16 | 5.22.5126 | 1 |
| 17 | 5.22.5128 | 1 |
| 18 | 3.30.0431 | 2 |
| 19 | 3.30.0451 | 2 |
| 20 | 5.09.0851 | 1 |
| 21 | 3.04.0045 | 1 |
| 22 | 3.08.0500 | 1 |
| 23 | 5.09.0433 | 1 |
| 24 | 3.19.0006 | 1 |
| 25 | 5.22.5214 | 4 |
| 26 | 5.22.5215 | 4 |
| 27 | 5.22.5216 | 4 |
| 28 | 5.22.5130 | 1 |



DA GENNAIO 2011 SOLO "NO CE"
 FROM JANUARY 2011 ONLY "NO CE"

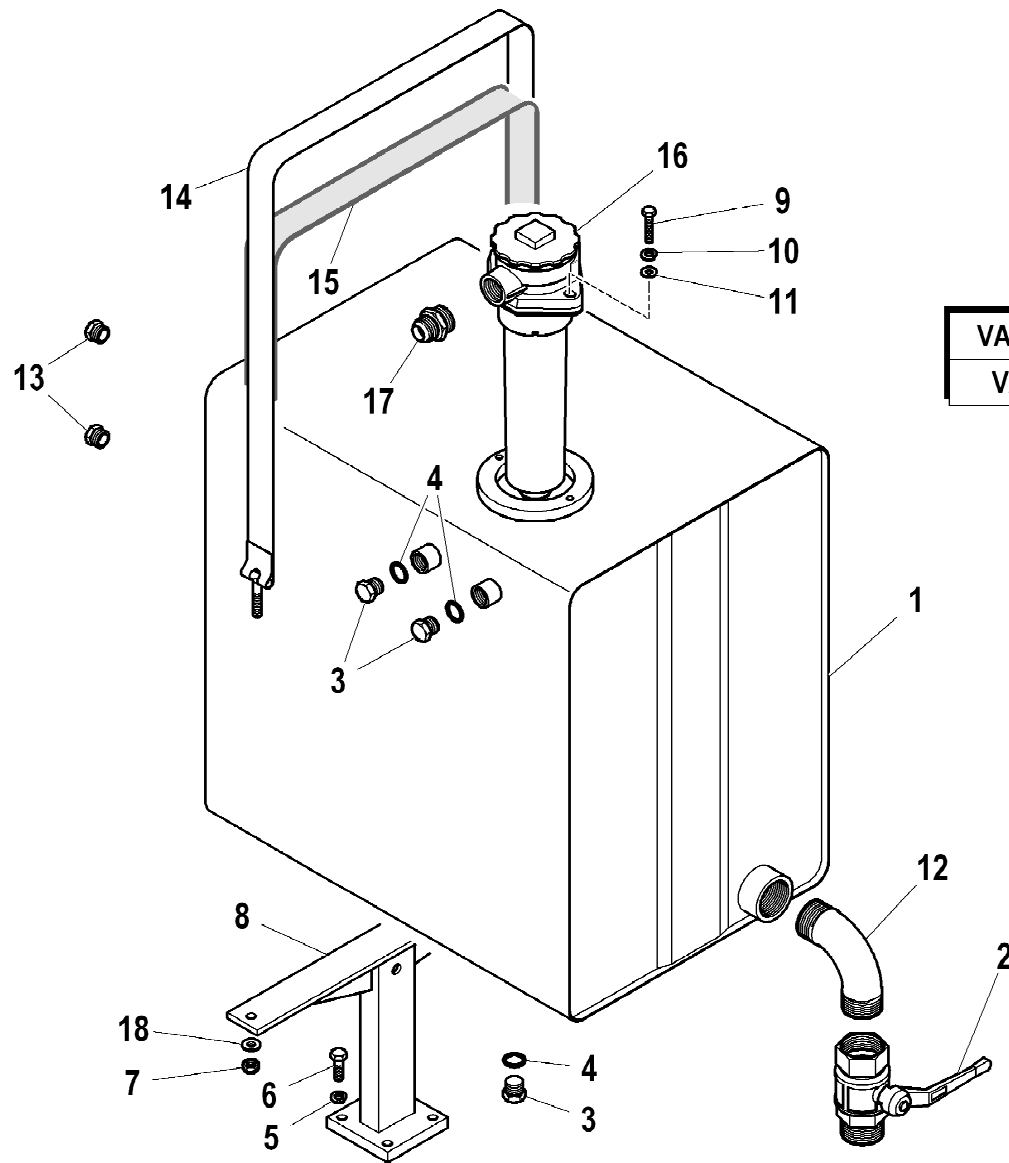
| rif. | codice | Q.tà |
|------|-----------|------|
| 1 | 5.22.5190 | 1 |
| 2 | 5.22.5130 | 1 |
| 3 | 5.22.5462 | 1 |
| 4 | 5.22.5200 | 2 |
| 5 | 5.22.5177 | 1 |
| 6 | 3.10.1051 | 2 |
| 7 | 3.11.0050 | 2 |
| 8 | 5.22.5214 | 4 |
| 9 | 3.06.0056 | 4 |
| 10 | 3.04.0046 | 4 |
| 11 | 3.19.0010 | 1 |
| 12 | 5.22.0224 | 1 |
| 13 | 3.01.0339 | 1 |
| 14 | 3.06.0055 | 1 |
| 15 | 5.00.0708 | 1 |
| 16 | 5.22.5126 | 1 |
| 17 | 5.22.5128 | 1 |
| 18 | 3.30.0431 | 2 |
| 19 | 3.30.0451 | 2 |
| 20 | 5.09.0456 | 1 |
| 21 | 3.04.0045 | 1 |
| 22 | 3.08.0500 | 1 |
| 23 | 5.09.0433 | 1 |
| 24 | 3.19.0006 | 1 |
| 25 | 5.22.5031 | 1 |



| | |
|----|---------|
| 8 | HC-D4/5 |
| 25 | HC-D4/6 |
| 26 | HC-D4/7 |
| 27 | HC-D4/8 |

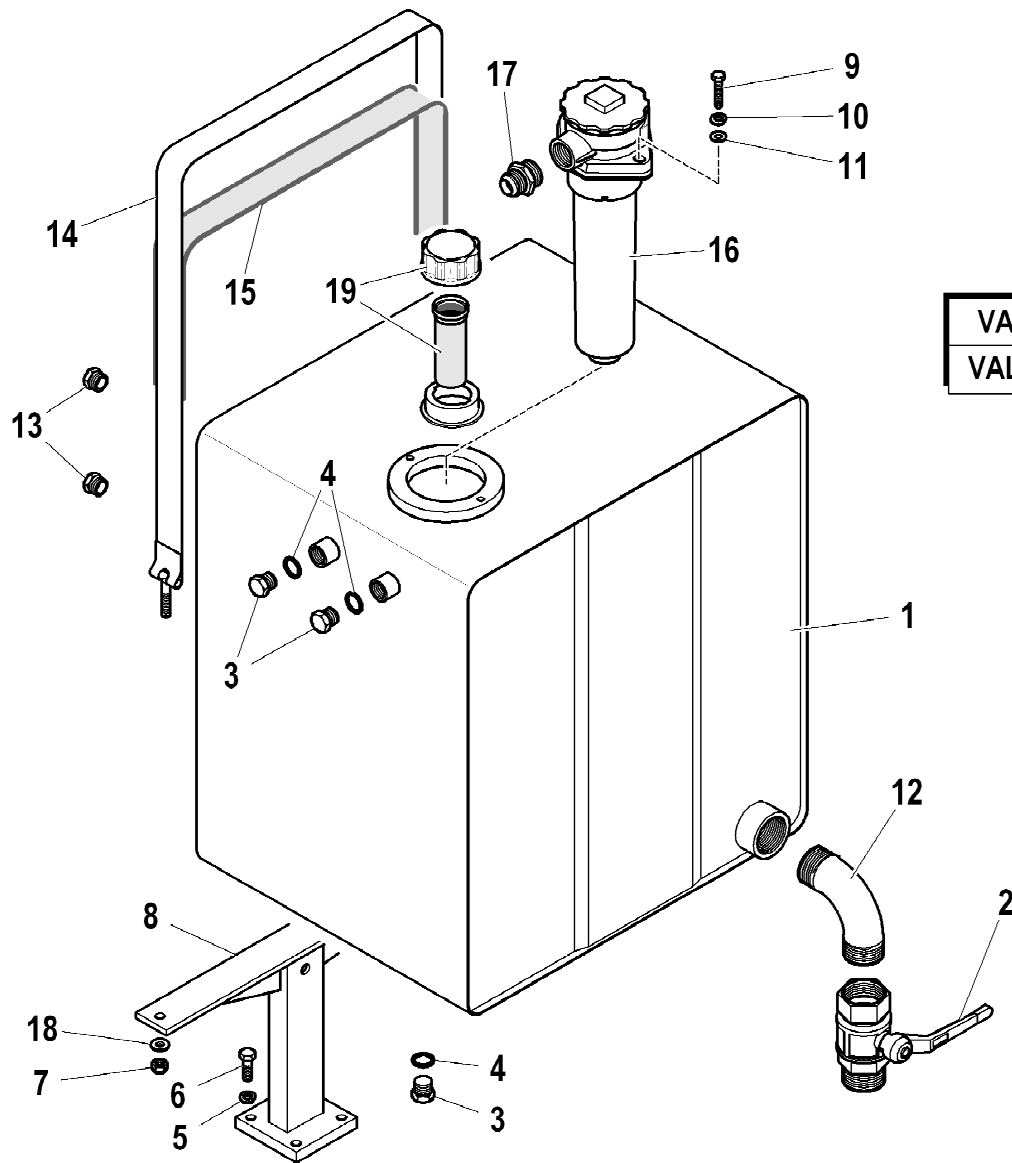
DA FEBBRAIO 2011 SOLO "CE"
FROM FEBRUARY 2011 ONLY "CE"

| rif. | codice | Q.tà |
|------|-----------|------|
| 1 | 5.22.5190 | 1 |
| 2 | 5.22.5372 | 1 |
| 3 | 5.22.5031 | 1 |
| 4 | 5.22.5200 | 2 |
| 5 | 5.22.5143 | 1 |
| 6 | 3.10.1051 | 2 |
| 7 | 3.11.0050 | 2 |
| 8 | 5.22.5213 | 4 |
| 9 | 3.06.0056 | 4 |
| 10 | 3.04.0046 | 4 |
| 11 | 3.19.0010 | 1 |
| 12 | 5.22.0224 | 1 |
| 13 | 3.01.0339 | 1 |
| 14 | 3.06.0055 | 1 |
| 15 | 5.00.0708 | 1 |
| 16 | 5.22.5126 | 1 |
| 17 | 5.22.5128 | 1 |
| 18 | 3.30.0431 | 2 |
| 19 | 3.30.0451 | 2 |
| 20 | 5.09.0851 | 1 |
| 21 | 3.04.0045 | 1 |
| 22 | 3.08.0500 | 1 |
| 23 | 5.09.0433 | 1 |
| 24 | 3.19.0006 | 1 |
| 25 | 5.22.5214 | 4 |
| 26 | 5.22.5215 | 4 |
| 27 | 5.22.5216 | 4 |
| 28 | 5.22.5130 | 1 |



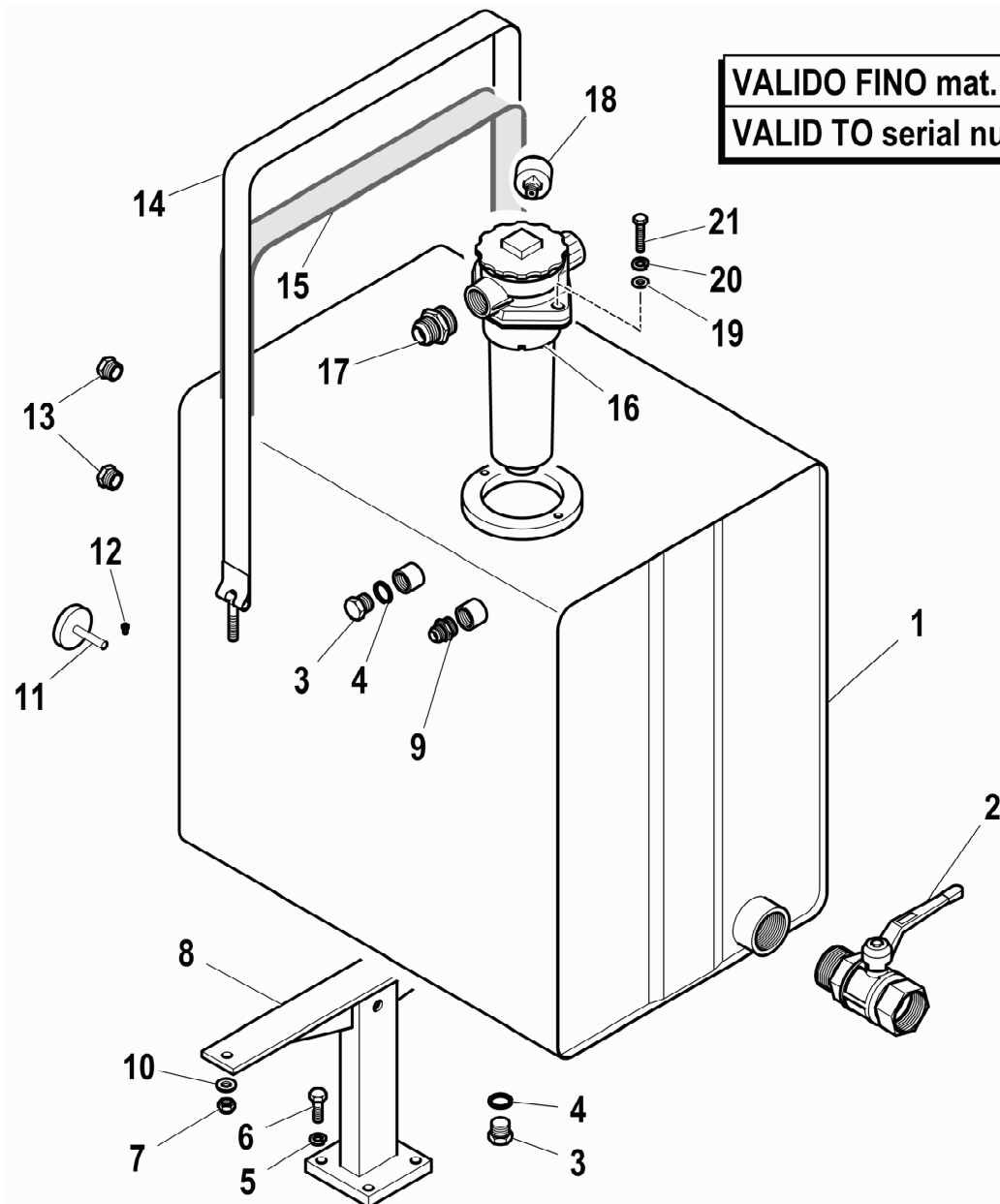
VALIDO FINO A Ottobre 2008
 VALID UNTIL October 2008

| rif. | codice | Q.tà |
|------|-----------|------|
| 1 | 5.09.0529 | 1 |
| 2 | 3.14.0304 | 1 |
| 3 | 3.11.0065 | 3 |
| 4 | 3.06.0145 | 3 |
| 5 | 3.06.0056 | 8 |
| 6 | 3.01.0355 | 8 |
| 7 | 3.04.0304 | 4 |
| 8 | 5.09.0561 | 2 |
| 9 | 3.01.0030 | 2 |
| 10 | 3.06.0055 | 2 |
| 11 | 3.06.0006 | 2 |
| 12 | 3.10.1300 | 1 |
| 13 | 3.18.0099 | 2 |
| 14 | 5.00.0521 | 2 |
| 15 | 3.19.0020 | 2 m |
| 16 | 3.18.0197 | 1 |
| 17 | 3.10.1057 | 1 |
| 18 | 3.06.0914 | 4 |



VALIDO DA Novembre 2008
 VALID FROM November 2008

| rif. | codice | Q.tà |
|------|-----------|------|
| 1 | 5.09.0019 | 1 |
| 2 | 3.14.0304 | 1 |
| 3 | 3.11.0065 | 3 |
| 4 | 3.06.0145 | 3 |
| 5 | 3.06.0056 | 8 |
| 6 | 3.01.0355 | 8 |
| 7 | 3.04.0304 | 4 |
| 8 | 5.09.0020 | 2 |
| 9 | 3.01.0030 | 2 |
| 10 | 3.06.0055 | 2 |
| 11 | 3.06.0006 | 2 |
| 12 | 3.10.1300 | 1 |
| 13 | 3.18.0099 | 2 |
| 14 | 5.00.0116 | 2 |
| 15 | 3.19.0020 | 2 m |
| 16 | 3.18.0197 | 1 |
| 17 | 3.10.1057 | 1 |
| 18 | 3.06.0914 | 4 |
| 19 | W.449.012 | 1 |



VALIDO FINO mat. 19696 - 15/06/06
VALID TO serial number 19696 - 15/06/06

| rif. | codice | Q.tà |
|------|-----------|------|
| 1 | 5.09.0529 | 1 |
| 2 | 3.14.0304 | 1 |
| 3 | 3.11.0065 | 2 |
| 4 | 3.06.0145 | 2 |
| 5 | 3.06.0056 | 8 |
| 6 | 3.01.0355 | 8 |
| 7 | 3.04.0304 | 4 |
| 8 | 5.09.0561 | 2 |
| 9 | 3.10.1041 | 1 |
| 10 | 3.06.0914 | 4 |
| 11 | 3.18.0097 | 1 |
| 12 | 3.02.0880 | 1 |
| 13 | 3.18.0099 | 2 |
| 14 | 5.00.0521 | 2 |
| 15 | 3.19.0020 | 2m |
| 16 | 3.18.0105 | 1 |
| 17 | 3.10.1057 | 1 |
| 18 | 3.18.0147 | 1 |
| 19 | 3.06.0006 | 2 |
| 20 | 3.06.0055 | 2 |
| 21 | 3.01.0030 | 2 |



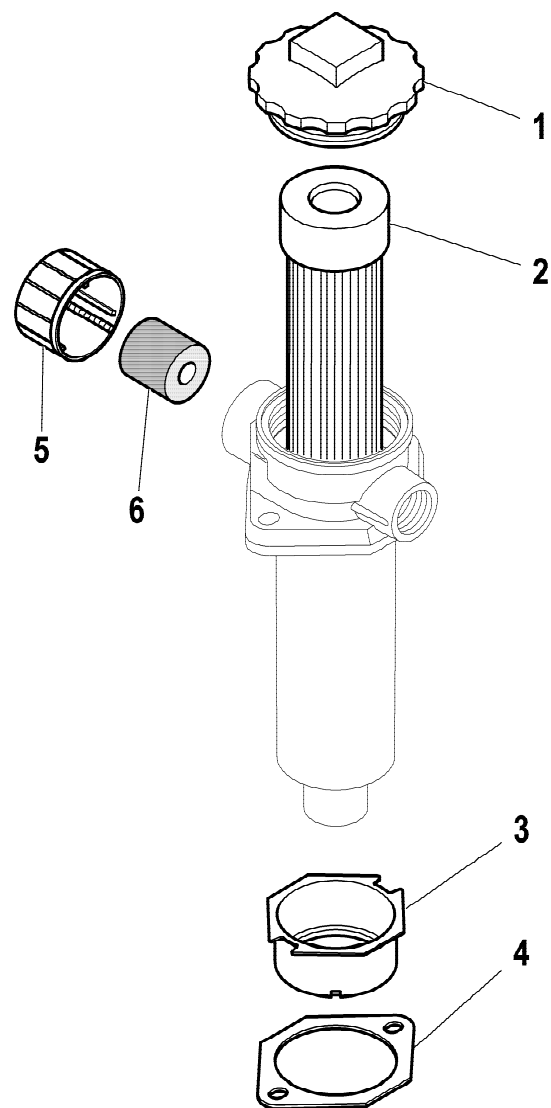
HB280

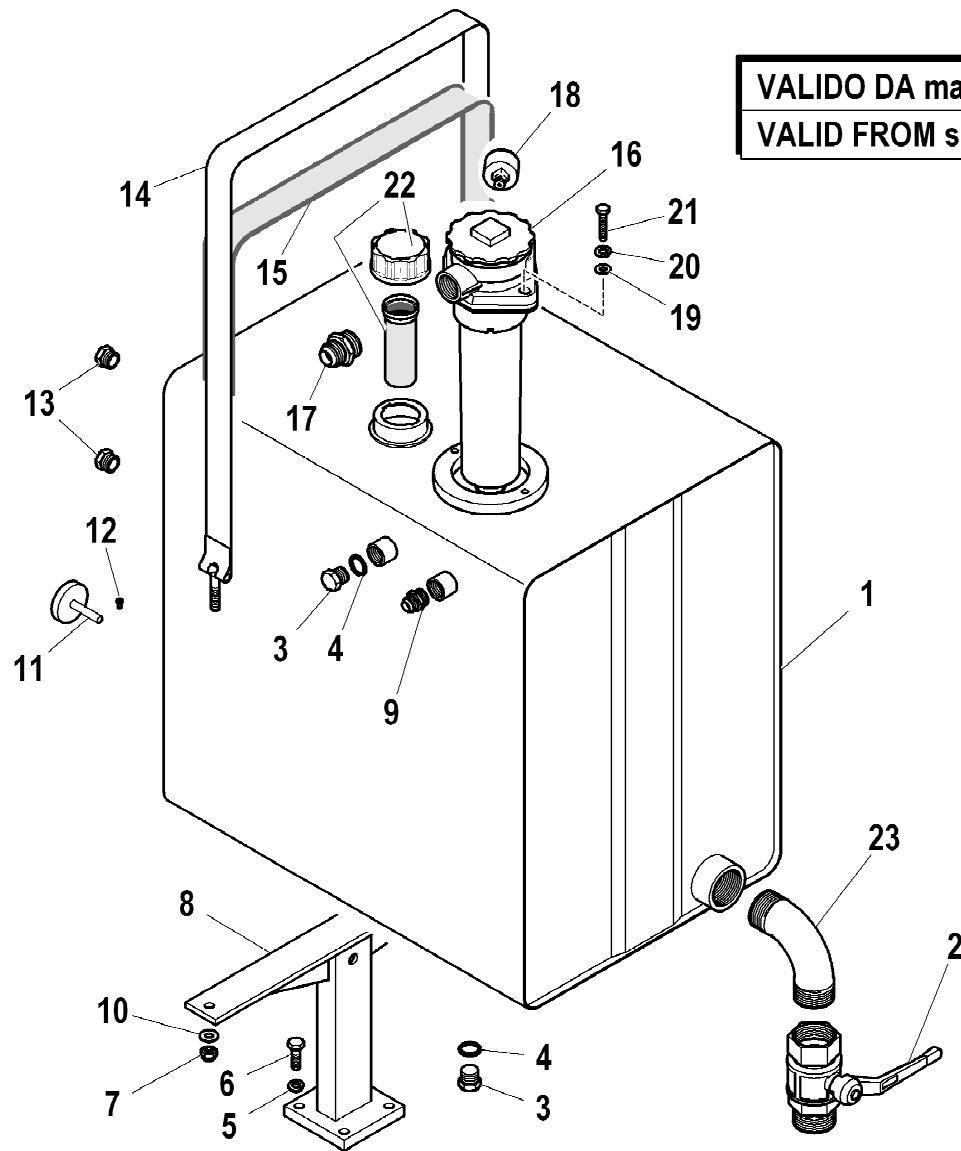
SERBATOIO OLIO IDRAULICO - CE
 HYDRAULIC OIL TANK - CE
 RESERVOIR HUILE HYDRAULIQUE - CE
 HYDRAULIKÖLBEHALTER - CE
 DEPOSITO ACEITE HIDRAULICA - CE

Tavola
5.40.0127-1-0

Data pag.
 novembre 2011 69

| rif. | codice | Q.tà |
|------|-----------|------|
| 1 | 3.18.0111 | 1 |
| 2 | 3.18.0110 | 1 |
| 3 | 3.18.0156 | 1 |
| 4 | 3.18.0158 | 1 |
| 5 | 3.18.0119 | 1 |
| 6 | 3.18.0135 | 1 |

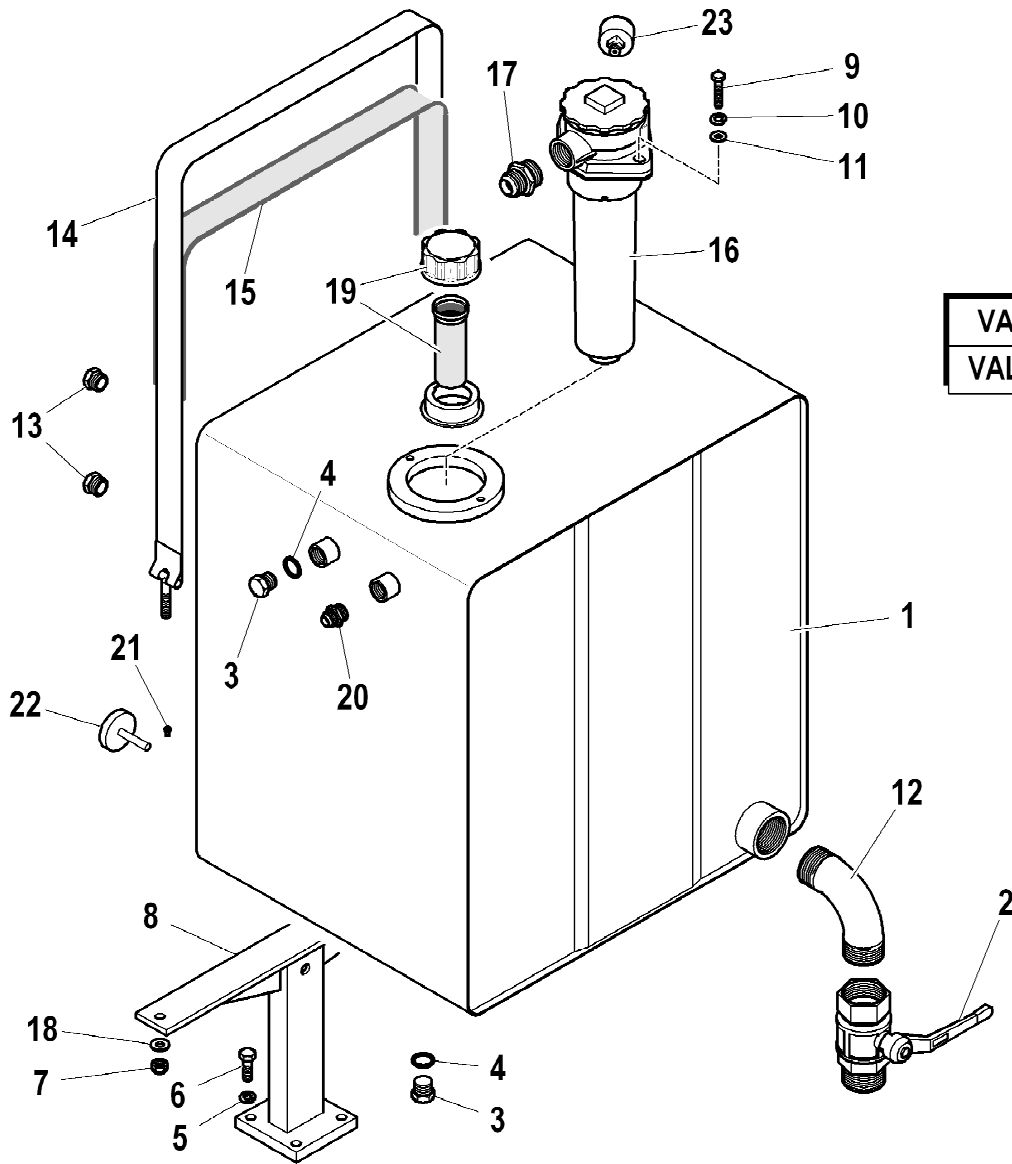




VALIDO DA mat. 19697 - 15/06/06
 VALID FROM serial number 19697 - 15/06/06

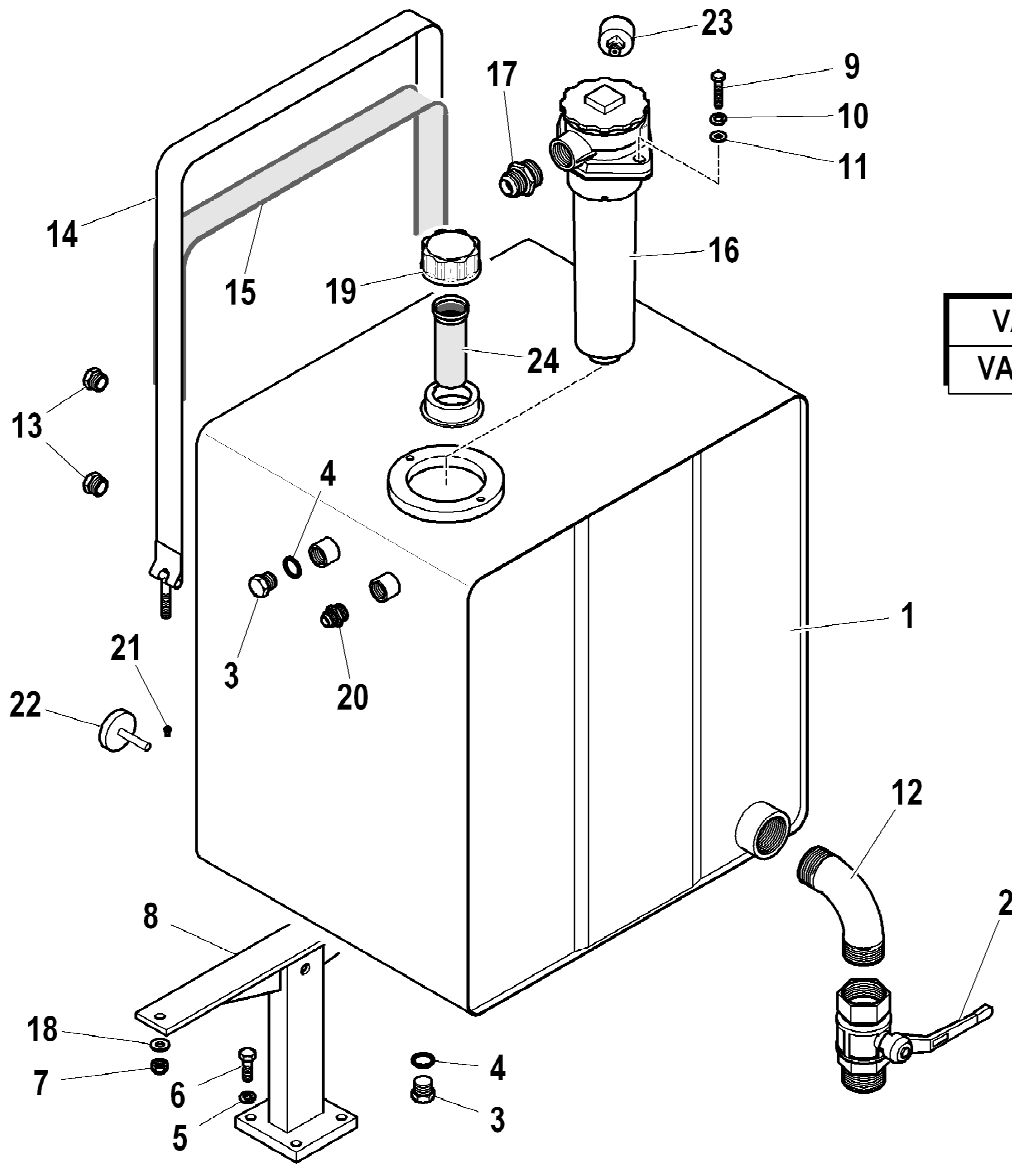
VALIDO FINO A Ottobre 2008
 VALID UNTIL October 2008

| rif. | codice | Q.tà |
|------|-----------|------|
| 1 | 5.09.0529 | 1 |
| 2 | 3.14.0304 | 1 |
| 3 | 3.11.0065 | 2 |
| 4 | 3.06.0145 | 2 |
| 5 | 3.06.0056 | 8 |
| 6 | 3.01.0355 | 8 |
| 7 | 3.04.0304 | 4 |
| 8 | 5.09.0561 | 2 |
| 9 | 3.10.1041 | 1 |
| 10 | 3.06.0914 | 4 |
| 11 | 3.18.0097 | 1 |
| 12 | 3.02.0880 | 1 |
| 13 | 3.18.0099 | 2 |
| 14 | 5.00.0521 | 2 |
| 15 | 3.19.0020 | 2m |
| 16 | 3.18.0197 | 1 |
| 17 | 3.10.1057 | 1 |
| 18 | 3.18.0147 | 1 |
| 19 | 3.06.0006 | 2 |
| 20 | 3.06.0055 | 2 |
| 21 | 3.01.0030 | 2 |
| 22 | W.449.012 | 1 |
| 23 | 3.10.1300 | 1 |



VALIDO DA Novembre 2008
VALID FROM November 2008

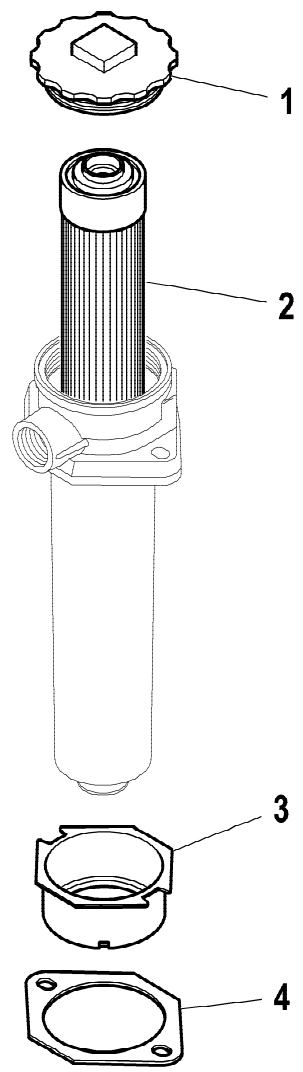
| rif. | codice | Q.tà |
|------|-----------|------|
| 1 | 5.09.0019 | 1 |
| 2 | 3.14.0304 | 1 |
| 3 | 3.11.0065 | 2 |
| 4 | 3.06.0145 | 2 |
| 5 | 3.06.0056 | 8 |
| 6 | 3.01.0355 | 8 |
| 7 | 3.04.0304 | 4 |
| 8 | 5.09.0020 | 2 |
| 9 | 3.01.0030 | 2 |
| 10 | 3.06.0055 | 2 |
| 11 | 3.06.0006 | 2 |
| 12 | 3.10.1300 | 1 |
| 13 | 3.18.0099 | 2 |
| 14 | 5.00.0116 | 2 |
| 15 | 3.19.0020 | 2m |
| 16 | 3.18.0197 | 1 |
| 17 | 3.10.1057 | 1 |
| 18 | 3.06.0914 | 4 |
| 19 | W.449.012 | 1 |
| 20 | 3.10.1041 | 1 |
| 21 | 3.02.0880 | 1 |
| 22 | 3.18.0097 | 1 |
| 23 | 3.18.0147 | 1 |

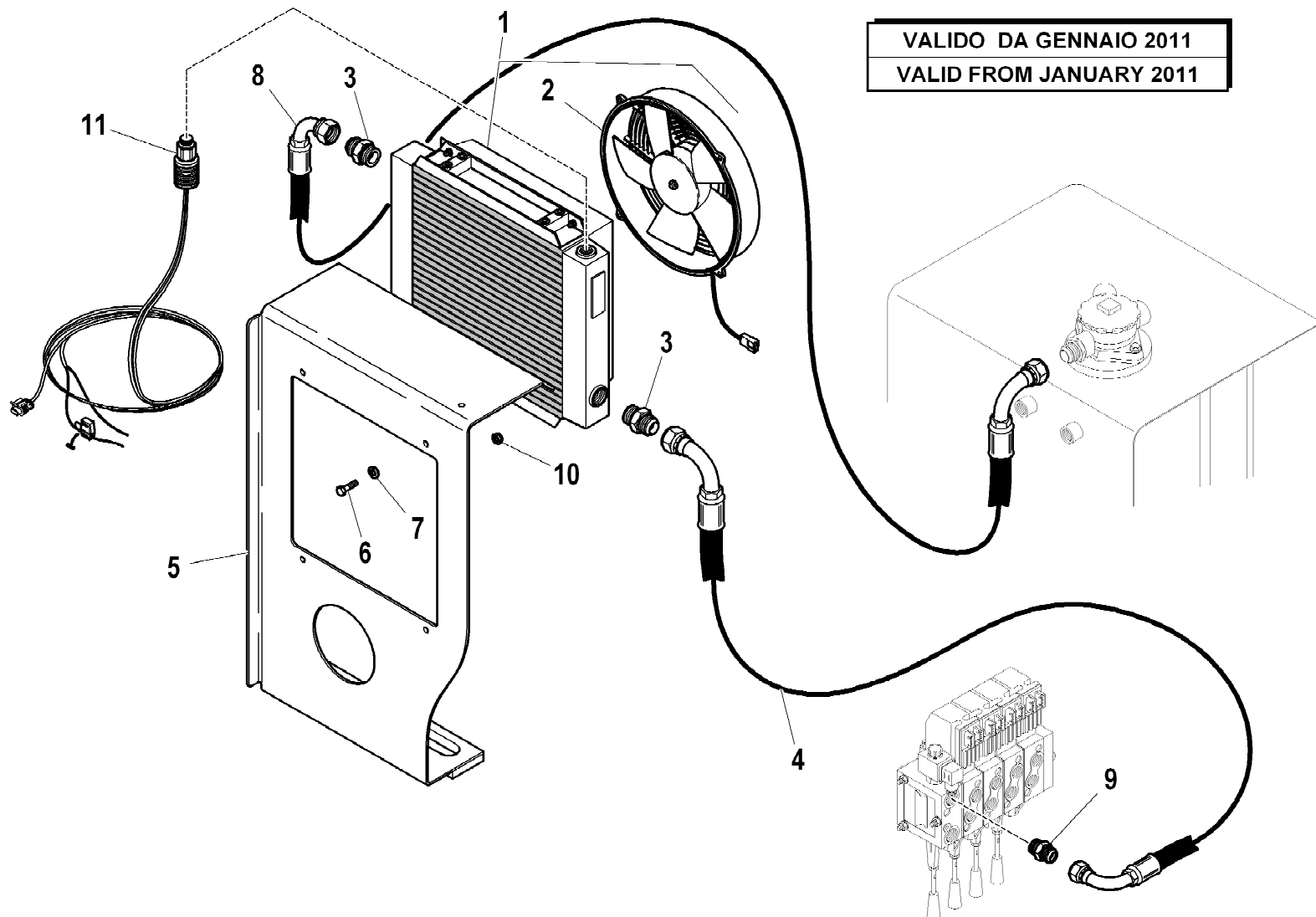


VALIDO DA Ottobre 2009
 VALID FROM October 2009

| rif. | codice | Q.tà |
|------|-----------|------|
| 1 | 5.09.0019 | 1 |
| 2 | 3.14.0304 | 1 |
| 3 | 3.11.0065 | 2 |
| 4 | 3.06.0145 | 2 |
| 5 | 3.06.0056 | 8 |
| 6 | 3.01.0355 | 8 |
| 7 | 3.04.0304 | 4 |
| 8 | 5.09.0020 | 2 |
| 9 | 3.01.0030 | 2 |
| 10 | 3.06.0055 | 2 |
| 11 | 3.06.0006 | 2 |
| 12 | 3.10.1300 | 1 |
| 13 | 3.18.0099 | 2 |
| 14 | 5.00.0116 | 2 |
| 15 | 3.19.0020 | 2m |
| 16 | 3.18.0197 | 1 |
| 17 | 3.10.1057 | 1 |
| 18 | 3.06.0914 | 4 |
| 19 | W.449.014 | 1 |
| 20 | 3.10.1041 | 1 |
| 21 | 3.02.0880 | 1 |
| 22 | 3.18.0097 | 1 |
| 23 | 3.18.0147 | 1 |
| 24 | W.449.015 | 1 |

| rif. | codice | Q.tà |
|------|-----------|------|
| 1 | 3.18.0111 | 1 |
| 2 | 3.18.0202 | 1 |
| 3 | 3.18.0156 | 1 |
| 4 | 3.18.0158 | 1 |





VALIDO DA GENNAIO 2011
VALID FROM JANUARY 2011

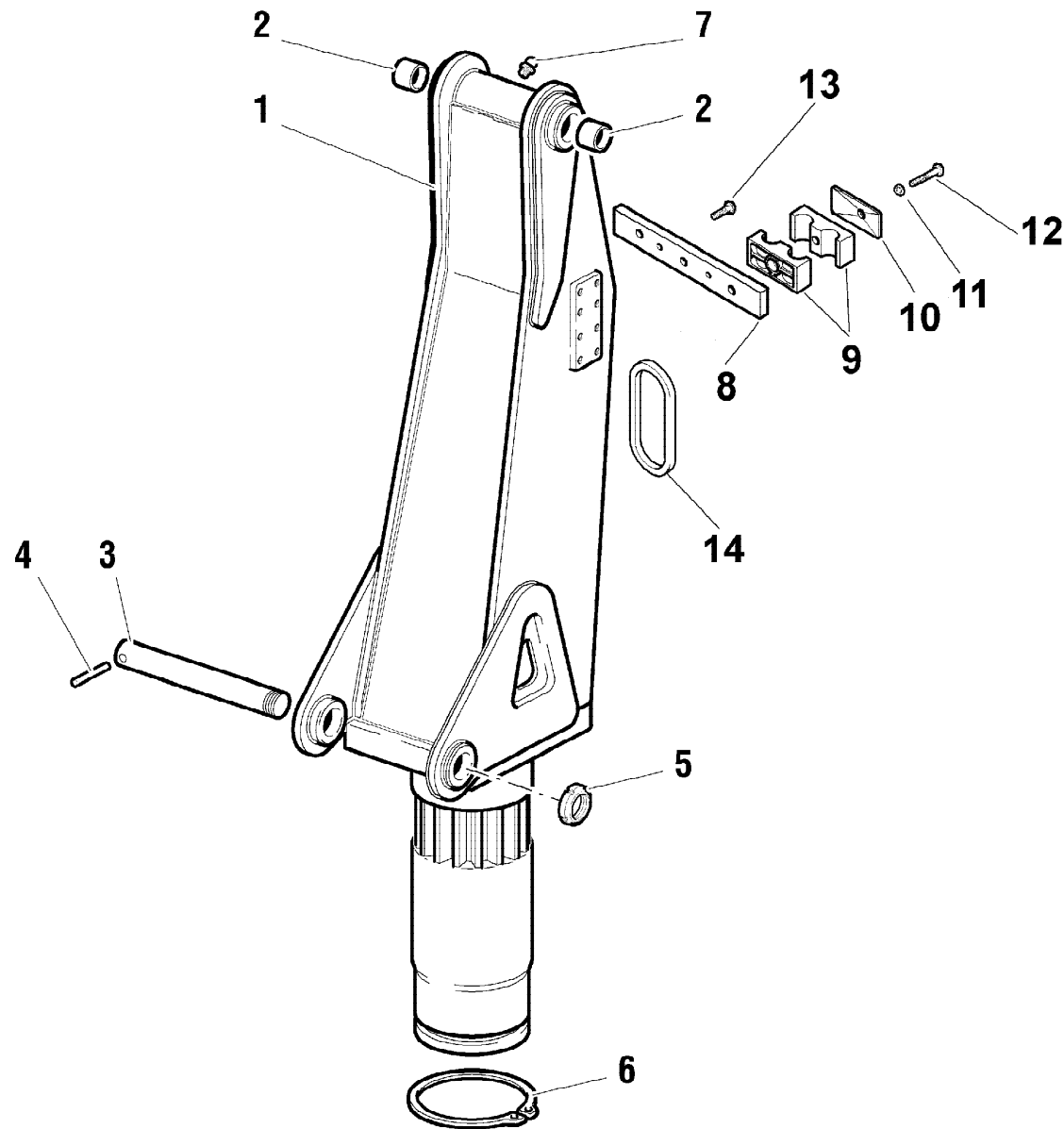
| rif. | codice | Q.tà |
|------|-----------|------|
| 1 | 5.71.0092 | 1 |
| 2 | 5.71.0110 | 1 |
| 3 | 3.10.1057 | 2 |
| 4 | 5.29.0151 | 1 |
| 5 | 5.09.1120 | 1 |
| 6 | 3.01.0339 | 4 |
| 7 | 3.06.0055 | 4 |
| 8 | 5.29.0095 | 1 |
| 9 | 3.10.1056 | 1 |
| 10 | 3.04.0303 | 4 |
| 11 | 3.31.1408 | 1 |



HB280

SCAMBIATORE DI CALORE (24 V.)
HEAT EXCHANGE UNIT (24 V.)
ECHANGEUR DE CHALEUR (24 V.)
WÄRMEAUSTAUSCHER (24 V.)
INTERCAMBIADOR DE CALOR (24 V.)

Tavola
7.88.8001-1-0



| rif. | codice | Q.tà |
|------|-----------|------|
| 1 | 5.04.0085 | 1 |
| 2 | 5.14.0689 | 2 |
| 3 | 5.15.0498 | 1 |
| 4 | 3.06.0627 | 1 |
| 5 | 3.04.0509 | 1 |
| 6 | 3.07.0146 | 1 |
| 7 | 3.08.0501 | 1 |
| 8 | 5.00.1192 | 1 |
| 9 | 3.19.0222 | 6 |
| 10 | 3.19.0221 | 3 |
| 11 | 3.06.0055 | 3 |
| 12 | 3.01.0034 | 3 |
| 13 | 3.02.0899 | 2 |
| 14 | 3.19.0241 | 1 |

1/1

HYVA[®] CRANE

HB280

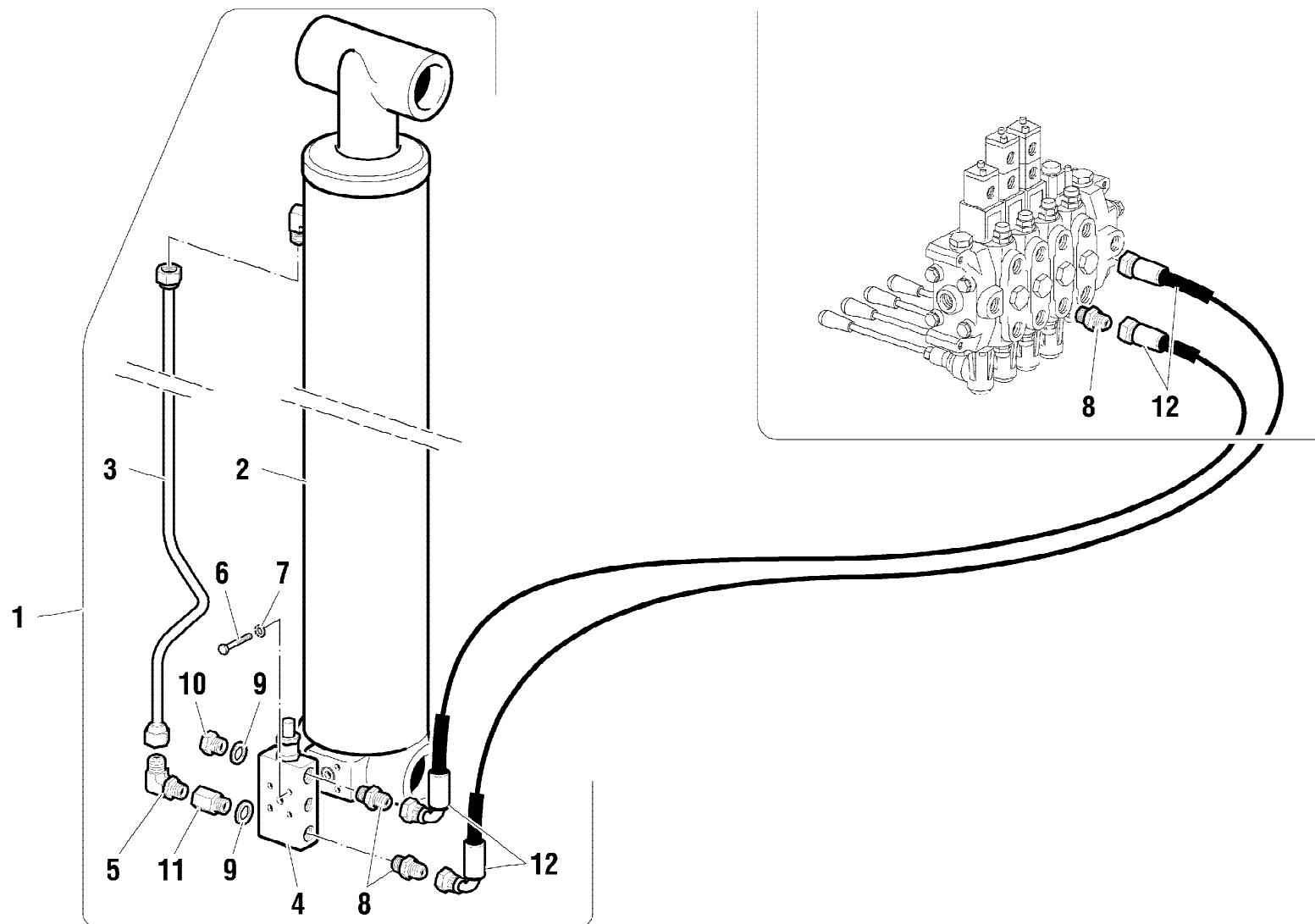
COLONNA
COLUMN
COLONNE
SAEULE
COLUMNNA

Tavola

5.46.0013-1-0

Data pag.
giugno 2006 76

| rif. | codice | Q.tà |
|------|-----------|------|
| 1 | 6.23.0090 | 1 |
| 2 | 6.43.0090 | 1 |
| 3 | 5.39.1467 | 1 |
| 4 | 5.22.0570 | 1 |
| 5 | 3.10.1131 | 1 |
| 6 | 3.01.0031 | 4 |
| 7 | 3.06.0055 | 4 |
| 8 | 3.10.1051 | 3 |
| 9 | 3.06.0145 | 1 |
| 10 | 3.11.0065 | 1 |
| 11 | 3.11.0113 | 1 |
| 12 | 5.28.0343 | 2 |



6.23.01.04-2.0

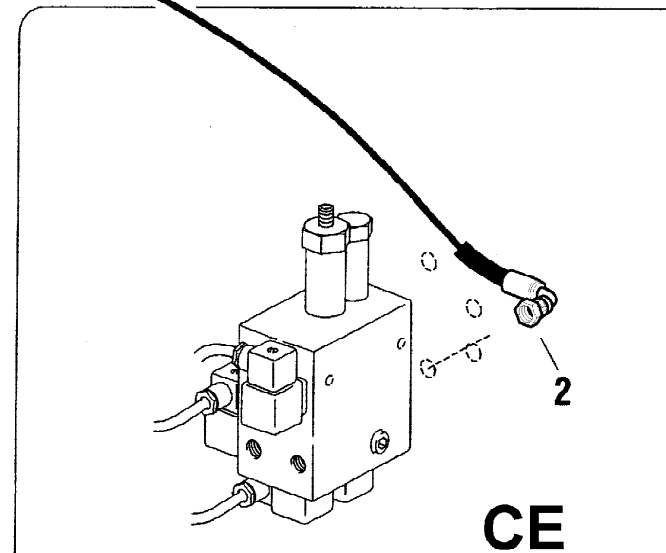
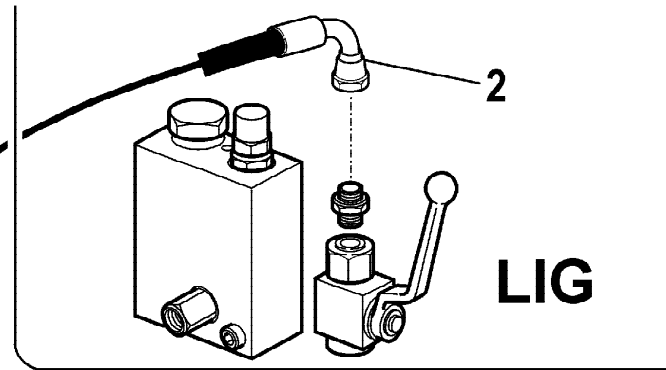
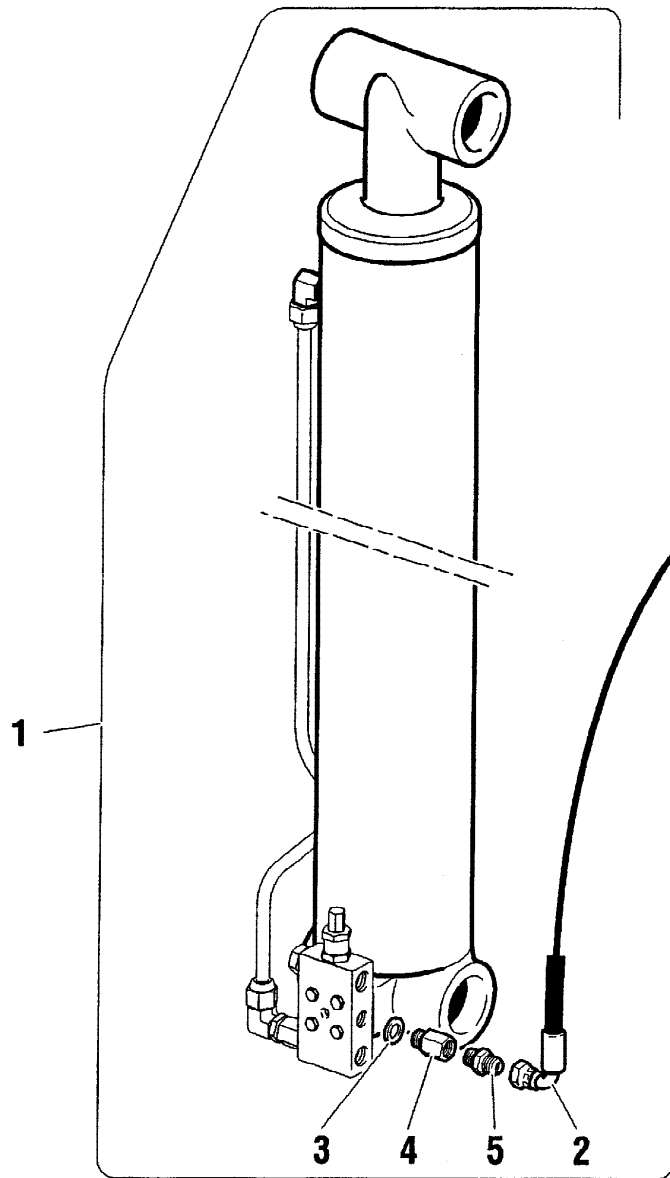
1/1

HYVA[®] CRANE
HB280

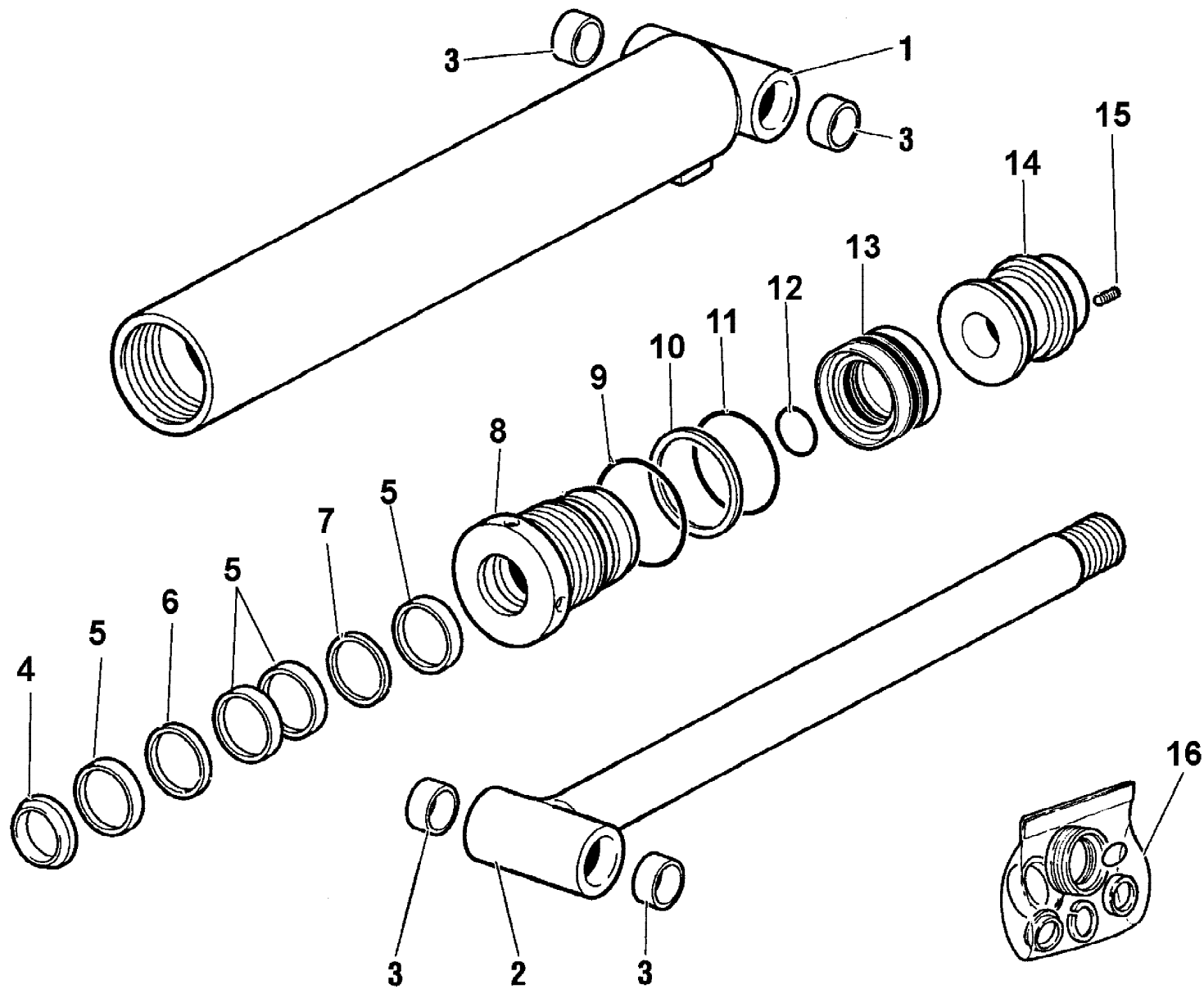
IMPIANTO IDRAULICO (MARTINETTO SOLLEVAMENTO)
 HYDRAULIC SYSTEM (LIFTING HYDRAULIC CYLINDER)
 INSTALLATION HYDRAULIQUE (VERIN DE LEVAGE)
 HYDRAULIKANLAGE (HUBZYLINDER)
 INSTALACION HIDRAULICA (GATO DE ELEVACION)

Tavola
6.23.0090-1-1

Data pag.
 ottobre 2006 77

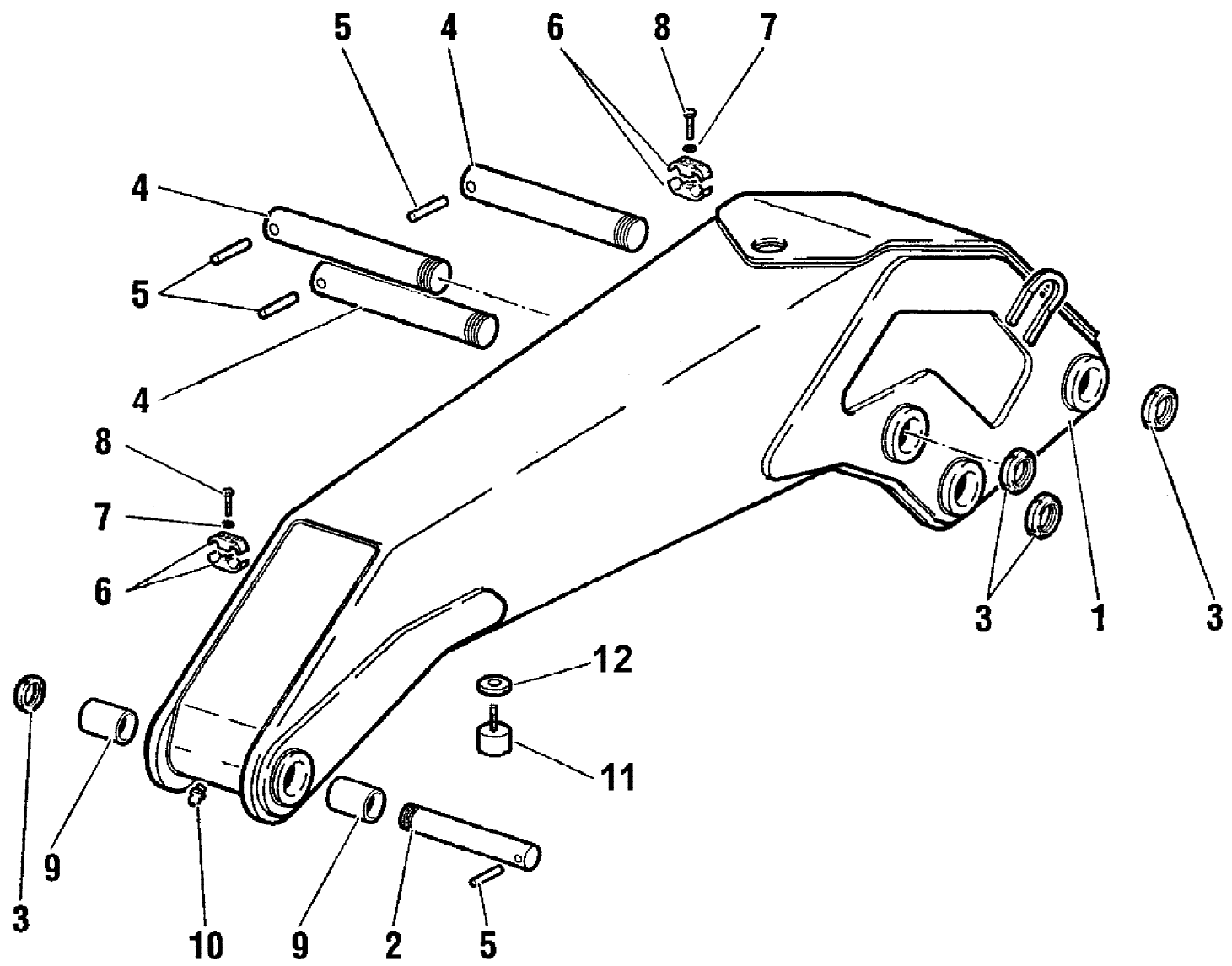


| rif. | codice | Q.tà |
|------|-----------|------|
| 1 | 6.23.0090 | 1 |
| 2 | 5.26.0352 | 1 |
| 3 | 3.06.0143 | 1 |
| 4 | 5.22.0300 | 1 |
| 5 | 3.10.1039 | 1 |



| rif. | codice | Q.tà |
|------|-----------|------|
| 1 | 6.07.0392 | 1 |
| 2 | 6.03.0410 | 1 |
| 3 | 5.14.0689 | 4 |
| 4 | 3.42.0049 | 1 |
| 5 | 3.35.0120 | 4 |
| 6 | 3.37.0175 | 1 |
| 7 | 3.38.1000 | 1 |
| 8 | 6.04.0261 | 1 |
| 9 | 3.45.0177 | 1 |
| 10 | 3.46.0401 | 1 |
| 11 | 3.45.0401 | 1 |
| 12 | 3.45.0155 | 1 |
| 13 | 3.40.0537 | 1 |
| 14 | 6.05.0259 | 1 |
| 15 | 3.06.0247 | 1 |
| 16 | 5.55.0722 | 1 |

| rif. | codice | Q.tà |
|------|-----------|------|
| 1 | 5.03.0216 | 1 |
| 2 | 5.15.0498 | 1 |
| 3 | 3.04.0509 | 4 |
| 4 | 5.15.0499 | 3 |
| 5 | 3.06.0627 | 4 |
| 6 | 5.00.0047 | 10 |
| 7 | 3.06.0055 | 5 |
| 8 | 3.01.0032 | 5 |
| 9 | 5.14.0689 | 2 |
| 10 | 3.08.0501 | 1 |
| 11 | 3.19.0100 | 1 |
| 12 | 5.00.1112 | 1 |



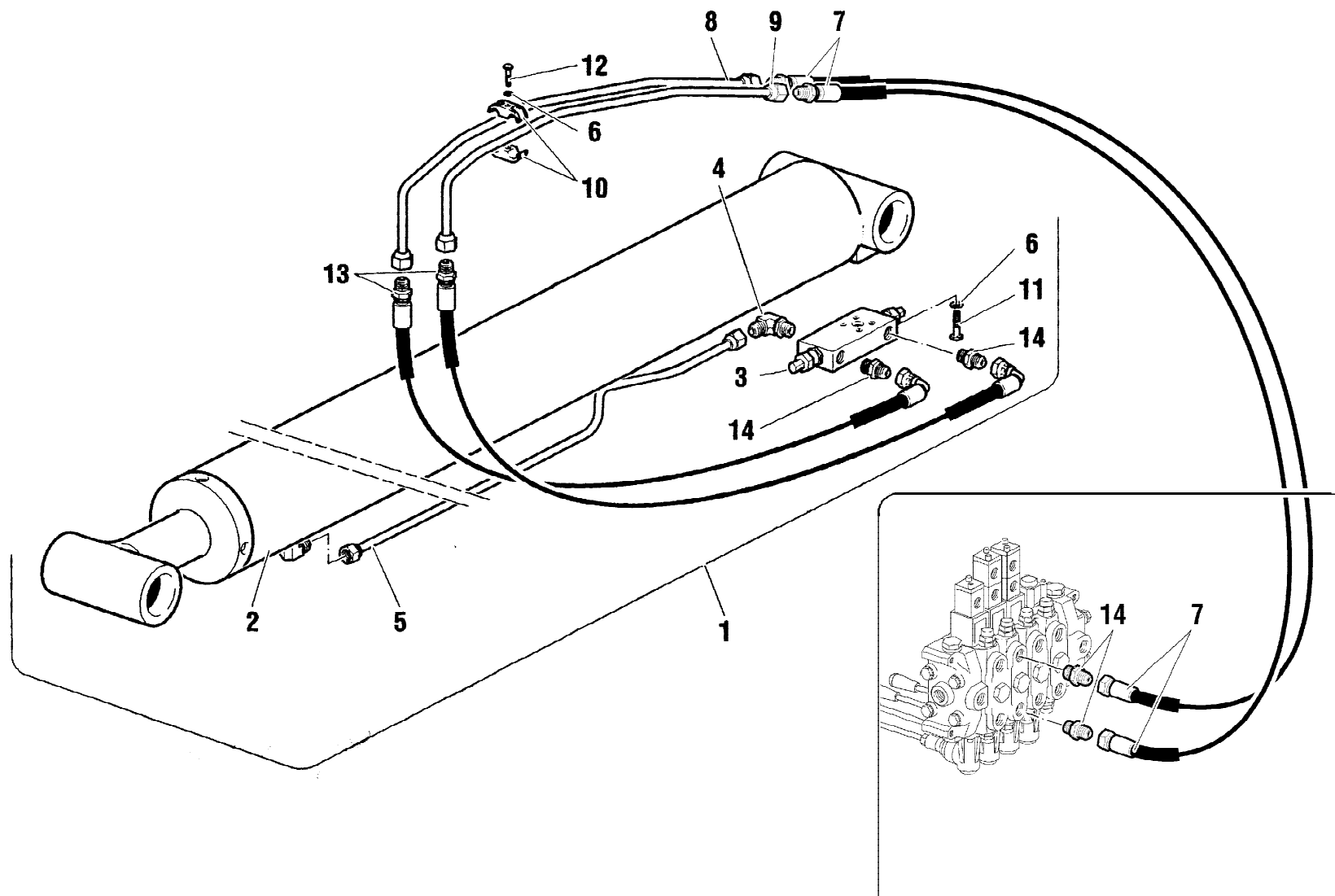
HB280

1° BRACCIO
1ST BOOM
1ERE BRAS
1. ARM
1° BRAZO

Tavola
5.47.0018-1-0

Data pag.
giugno 2006 80

| rif. | codice | Q.tà |
|------|-----------|------|
| 1 | 6.23.0091 | 1 |
| 2 | 6.43.0091 | 1 |
| 3 | 5.22.0571 | 1 |
| 4 | 3.10.1131 | 1 |
| 5 | 5.39.1512 | 1 |
| 6 | 3.06.0055 | 6 |
| 7 | 5.28.0342 | 2 |
| 8 | 5.39.1514 | 1 |
| 9 | 5.39.1513 | 1 |
| 10 | 5.00.0077 | 2 |
| 11 | 3.01.0032 | 4 |
| 12 | 3.01.0031 | 2 |
| 13 | 5.28.0344 | 2 |
| 14 | 3.10.1051 | 4 |



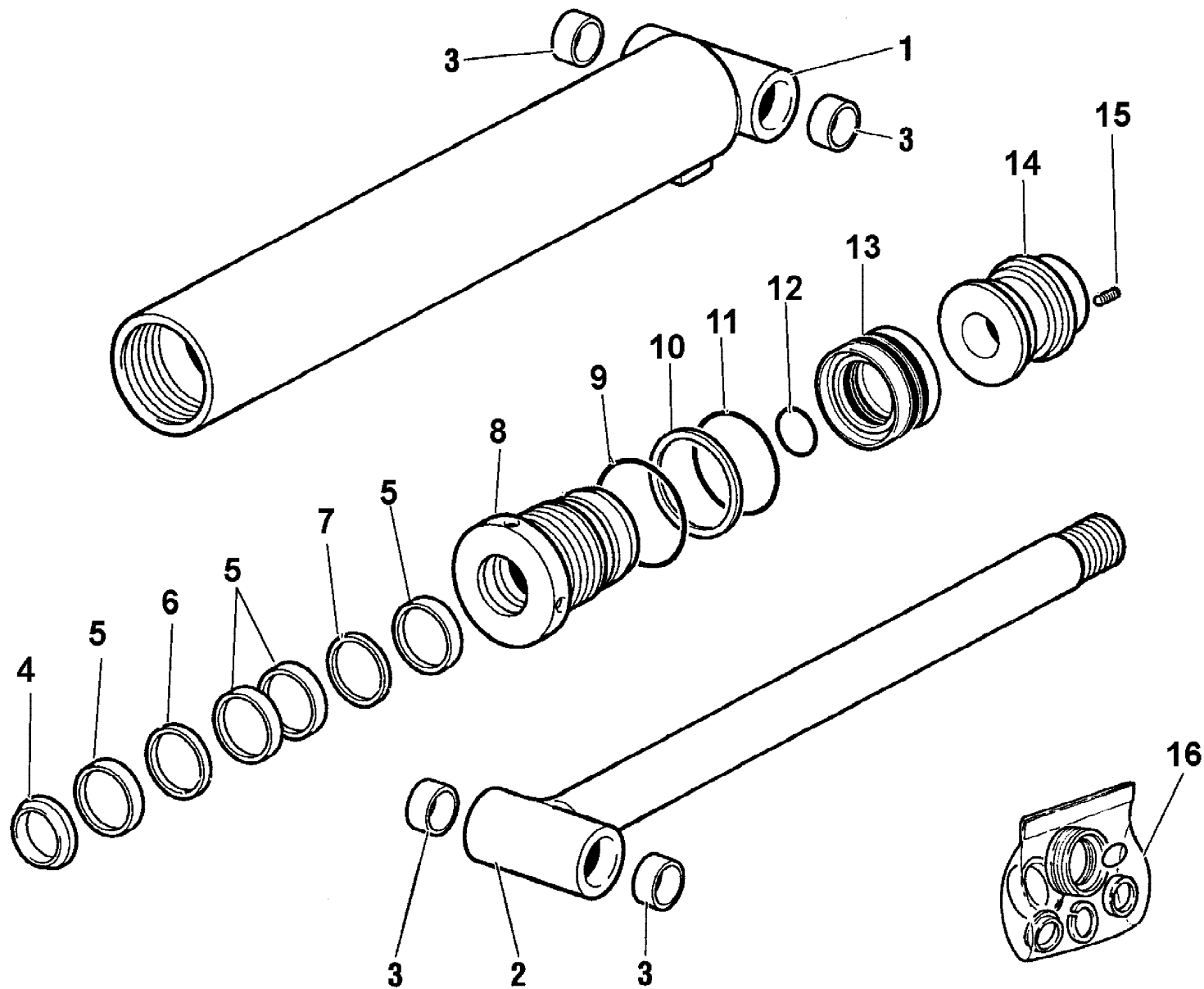
1/1

HYVA[®] CRANE
HB280

IMPIANTO IDRAULICO (MARTINETTO ARTICOLAZIONE)
 HYDRAULIC SYSTEM (ARTICULATION HYDRAULIC JACK)
 INSTALLATION HYDRAULIQUE (VERIN D'ARTICULATION)
 HYDRAULIKANLAGE (GELENKSHEBEBOCK)
 INSTALACION HIDRAULICA (GATO ARTICULACION)

Tavola
6.23.0091-1-0

Data pag.
 ottobre 2006 81



| rif. | codice | Q.tà |
|------|-----------|------|
| 1 | 6.07.0393 | 1 |
| 2 | 6.03.0411 | 1 |
| 3 | 5.14.0689 | 4 |
| 4 | 3.42.0049 | 1 |
| 5 | 3.35.0120 | 4 |
| 6 | 3.37.0175 | 1 |
| 7 | 3.38.1000 | 1 |
| 8 | 6.04.0261 | 1 |
| 9 | 3.45.0177 | 1 |
| 10 | 3.46.0401 | 1 |
| 11 | 3.45.0401 | 1 |
| 12 | 3.45.0155 | 1 |
| 13 | 3.40.0537 | 1 |
| 14 | 6.05.0259 | 1 |
| 15 | 3.06.0247 | 1 |
| 16 | 5.55.0722 | 1 |

1/1

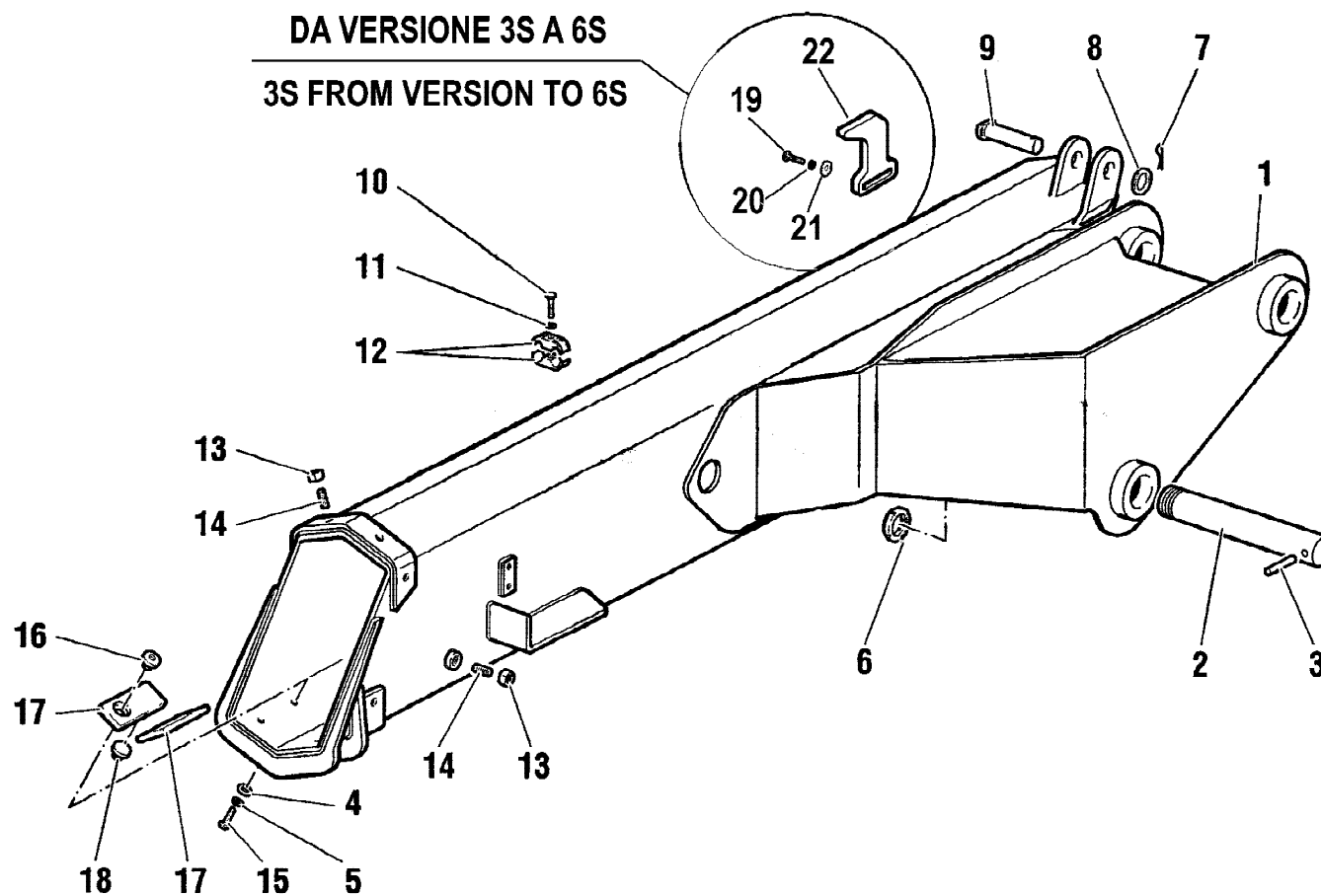
HYVA[®] CRANE
HB280

MARTINETTO ARTICOLAZIONE
 ARTICULATION HYDRAULIC JACK
 VERIN D' ARTICULATION
 GELENKSHEBEBOCK
 GATO DE ARTICULACION

Tavola
6.43.0091-1-0

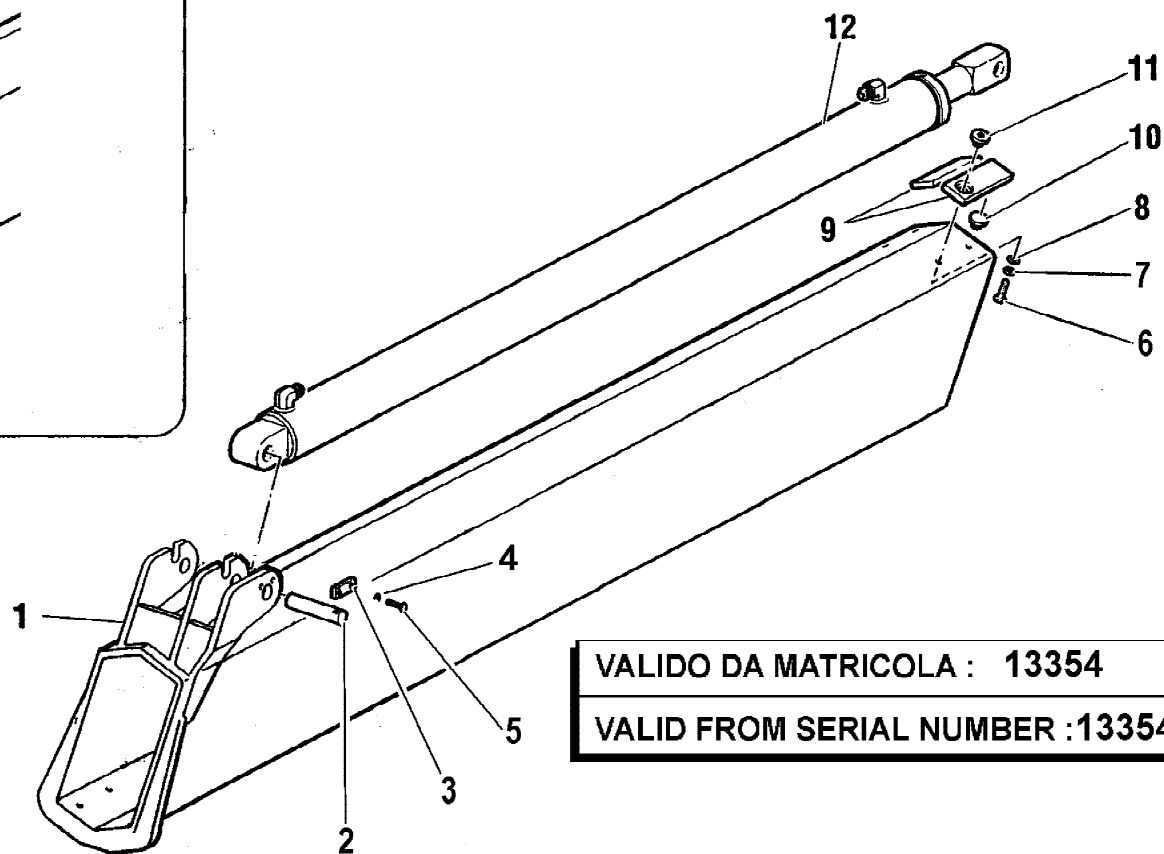
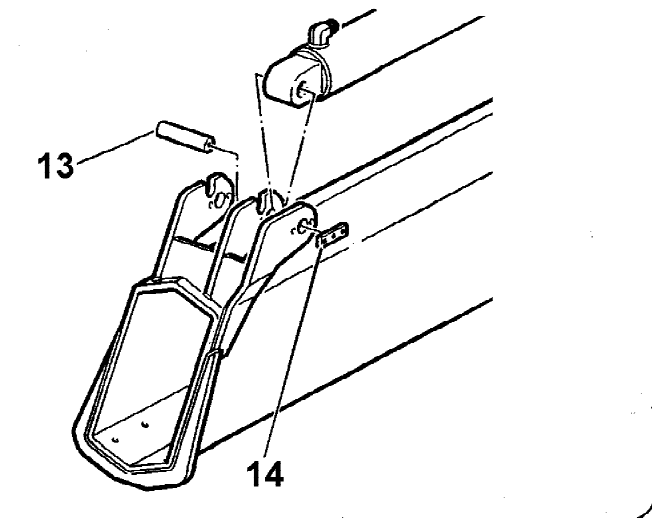
Data pag.
 giugno 2011 82

| rif. | codice | Q.tà |
|------|-----------|------|
| 1 | 5.03.0217 | 1 |
| 2 | 5.15.0499 | 1 |
| 3 | 3.06.0627 | 1 |
| 4 | 3.06.0914 | 2 |
| 5 | 3.06.0920 | 2 |
| 6 | 3.04.0509 | 1 |
| 7 | 3.06.0911 | 1 |
| 8 | 3.06.0016 | 1 |
| 9 | 5.15.0500 | 1 |
| 10 | 3.01.0030 | 2 |
| 11 | 3.06.0055 | 2 |
| 12 | 5.00.0047 | 3 |
| 13 | 3.04.0089 | 6 |
| 14 | 5.00.0771 | 6 |
| 15 | 3.01.0353 | 2 |
| 16 | 5.00.0827 | 2 |
| 17 | 5.14.0701 | 2 |
| 18 | 5.00.1253 | 2 |
| 19 | 3.01.0394 | 2 |
| 20 | 3.06.0057 | 2 |
| 21 | 3.06.0031 | 2 |
| 22 | 5.00.0908 | 1 |



VALIDO FINO A MATRICOLA : 13353

VALID UNTIL SERIAL NUMBER :13353



VALIDO DA MATRICOLA : 13354

VALID FROM SERIAL NUMBER :13354

| rif. | codice | Q.tà |
|------|-----------|------|
| 1 | 5.02.0338 | 1 |
| 2 | 5.15.0502 | 1 |
| 3 | 5.00.0674 | 1 |
| 4 | 3.06.0055 | 3 |
| 5 | 3.01.0337 | 3 |
| 6 | 3.01.0353 | 2 |
| 7 | 3.06.0920 | 2 |
| 8 | 3.06.0914 | 2 |
| 9 | 5.14.0701 | 2 |
| 10 | 5.00.1253 | 2 |
| 11 | 5.00.0827 | 2 |
| 12 | 6.41.0184 | 1 |
| 13 | 5.15.0501 | 1 |
| 14 | 5.00.0074 | 1 |

1/1

HYVA® CRANE

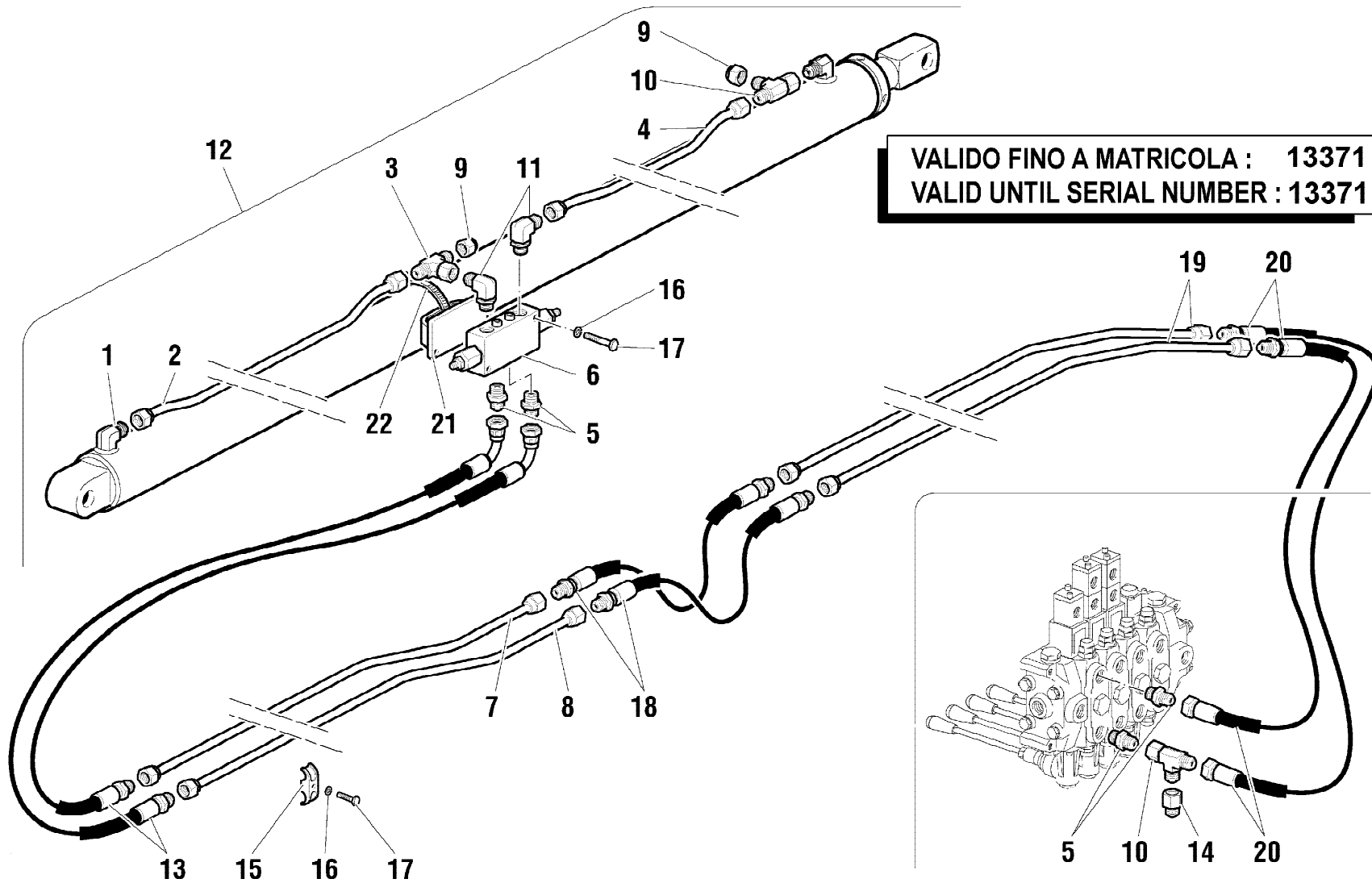
HB280

1° SFILO
1ST EXTENSION
1ERE RALLONGE
1. VERLAENGERUNG
1°PROLONGACION

Tavola

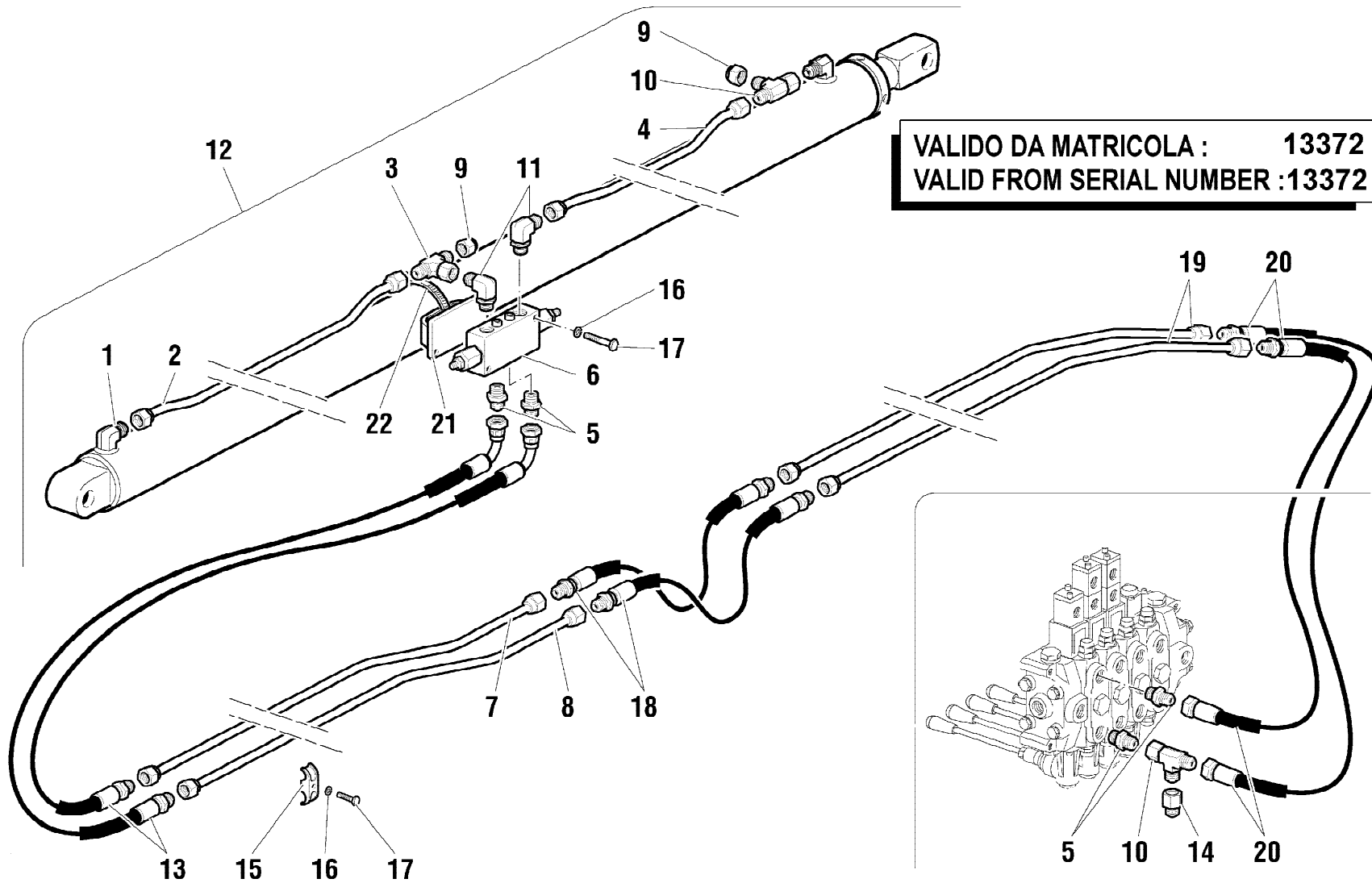
5.49.0019-1-0

Data pag.
giugno 2006 84

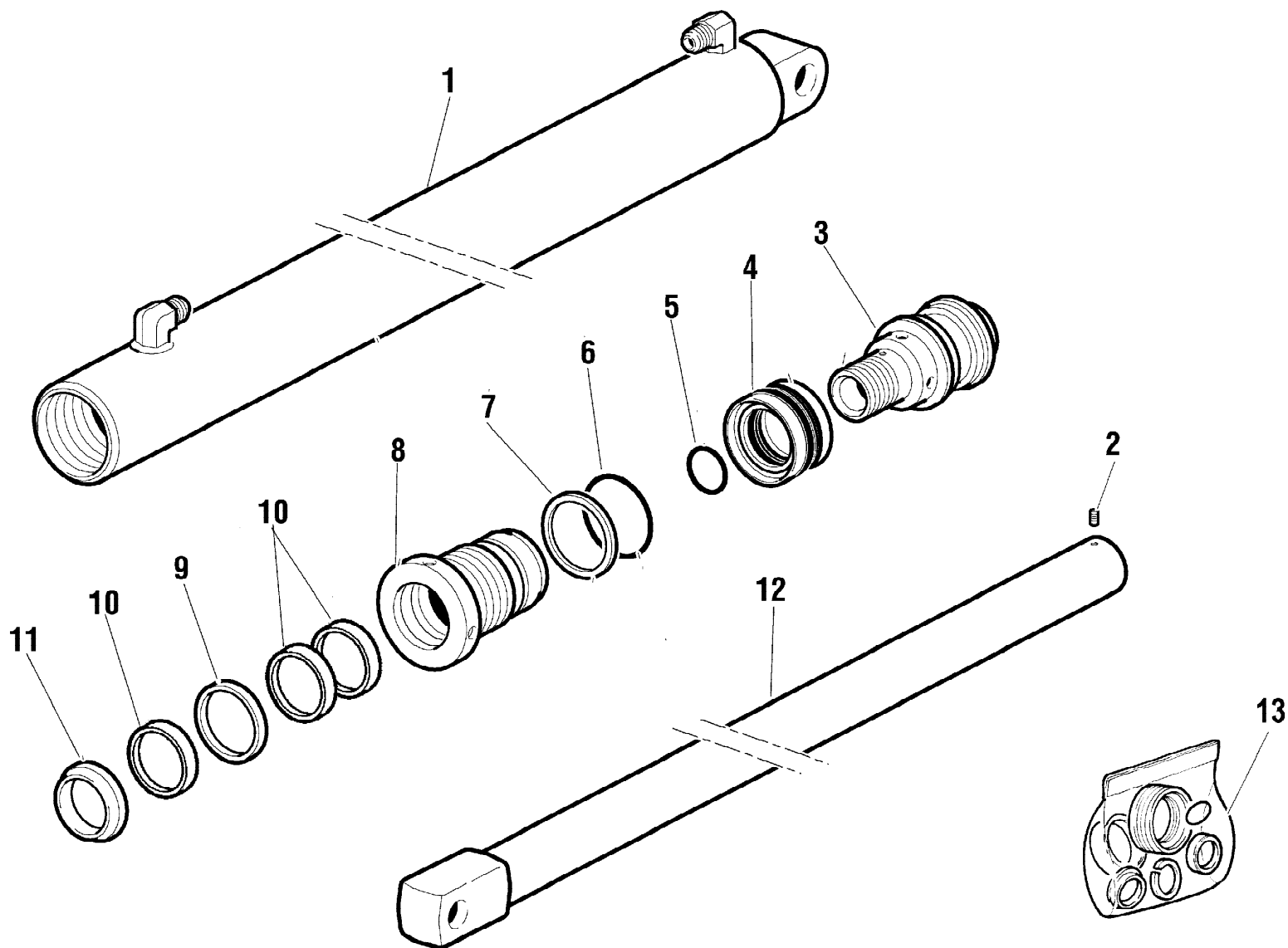


VALIDO FINO A MATRICOLA : 13371
VALID UNTIL SERIAL NUMBER : 13371

| rif. | codice | Q.tà |
|------|-----------|------|
| 1 | 6.41.0184 | 1 |
| 2 | 5.39.1520 | 1 |
| 3 | 3.12.0021 | 1 |
| 4 | 5.39.1521 | 1 |
| 5 | 3.10.1051 | 4 |
| 6 | 5.22.0112 | 1 |
| 7 | 5.39.1516 | 1 |
| 8 | 5.39.1517 | 1 |
| 9 | 3.11.0050 | 2 |
| 10 | 3.12.0008 | 2 |
| 11 | 3.10.1131 | 2 |
| 12 | 6.21.0184 | 1 |
| 13 | 5.28.0375 | 20 |
| 14 | 3.12.0209 | 1 |
| 15 | 5.00.0047 | 4 |
| 16 | 3.06.0055 | 6 |
| 17 | 3.01.0030 | 6 |
| 18 | 5.28.0376 | 2 |
| 19 | 5.39.1515 | 2 |
| 20 | 5.28.0342 | 2 |
| 21 | 5.00.0694 | 1 |
| 22 | 3.19.0022 | 2 |



| rif. | codice | Q.tà |
|------|-----------|------|
| 1 | 6.41.0184 | 1 |
| 2 | 5.39.1833 | 1 |
| 3 | 3.12.0021 | 1 |
| 4 | 5.39.1834 | 1 |
| 5 | 3.10.1051 | 4 |
| 6 | 5.22.0641 | 1 |
| 7 | 5.39.1516 | 1 |
| 8 | 5.39.1517 | 1 |
| 9 | 3.11.0050 | 2 |
| 10 | 3.12.0008 | 2 |
| 11 | 3.10.1131 | 2 |
| 12 | 6.21.0267 | 1 |
| 13 | 5.28.0375 | 20 |
| 14 | 3.12.0209 | 1 |
| 15 | 5.00.0047 | 4 |
| 16 | 3.06.0055 | 6 |
| 17 | 3.01.0030 | 6 |
| 18 | 5.28.0376 | 2 |
| 19 | 5.39.1515 | 2 |
| 20 | 5.28.0342 | 2 |
| 21 | 5.00.0694 | 1 |
| 22 | 3.19.0024 | 2 |



| rif. | codice | Q.tà |
|------|-----------|------|
| 1 | 6.07.0398 | 1 |
| 2 | 3.06.0232 | 1 |
| 3 | 6.05.0260 | 1 |
| 4 | 3.40.0513 | 1 |
| 5 | 3.45.0118 | 1 |
| 6 | 3.45.0149 | 1 |
| 7 | 3.46.0149 | 1 |
| 8 | 6.04.0272 | 1 |
| 9 | 3.37.0130 | 1 |
| 10 | 3.36.1006 | 1 |
| 11 | 3.42.0030 | 1 |
| 12 | 6.03.0416 | 1 |
| 13 | 5.55.0746 | 1 |

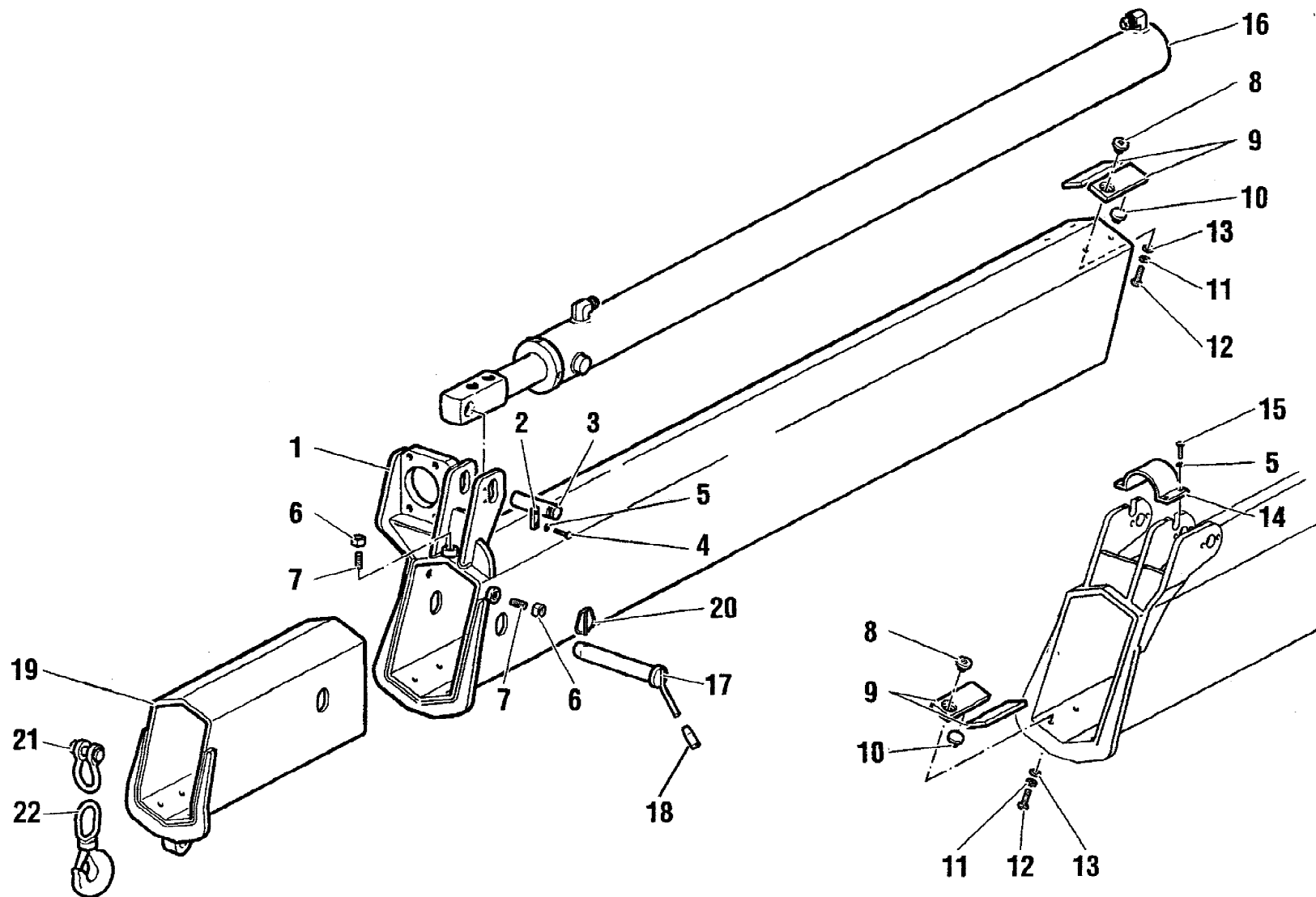
1/1

HYVA® CRANE
HB280

MARTINETTO 1° SFILLO
1ST EXSTENSION HYDRAULIC
VÉRIN 1ÈRE RALLONGE
1. SCHUBZYLINDER
GATO 1ª EXTENSIÓN

Tavola
6.41.0184-1-0

Data pag.
giugno 2006 87



| rif. | codice | Q.tà |
|------|-----------|------|
| 1 | 5.02.0339 | 1 |
| 2 | 5.00.0674 | 1 |
| 3 | 5.15.0502 | 1 |
| 4 | 3.01.0337 | 2 |
| 5 | 3.06.0055 | 6 |
| 6 | 3.04.0089 | 3 |
| 7 | 5.00.0771 | 3 |
| 8 | 5.00.0827 | 4 |
| 9 | 5.14.0701 | 4 |
| 10 | 5.00.1253 | 4 |
| 11 | 3.06.0920 | 4 |
| 12 | 3.01.0353 | 4 |
| 13 | 3.06.0914 | 4 |
| 14 | 5.00.0772 | 1 |
| 15 | 3.01.0027 | 4 |
| 16 | 6.21.0185 | 1 |
| 17 | 5.15.0421 | 1 |
| 18 | 3.19.0010 | 1 |
| 19 | 5.02.0343 | 1 |
| 20 | 3.06.0750 | 1 |
| 21 | 3.20.0067 | 1 |
| 22 | 3.20.0007 | 1 |

1/1

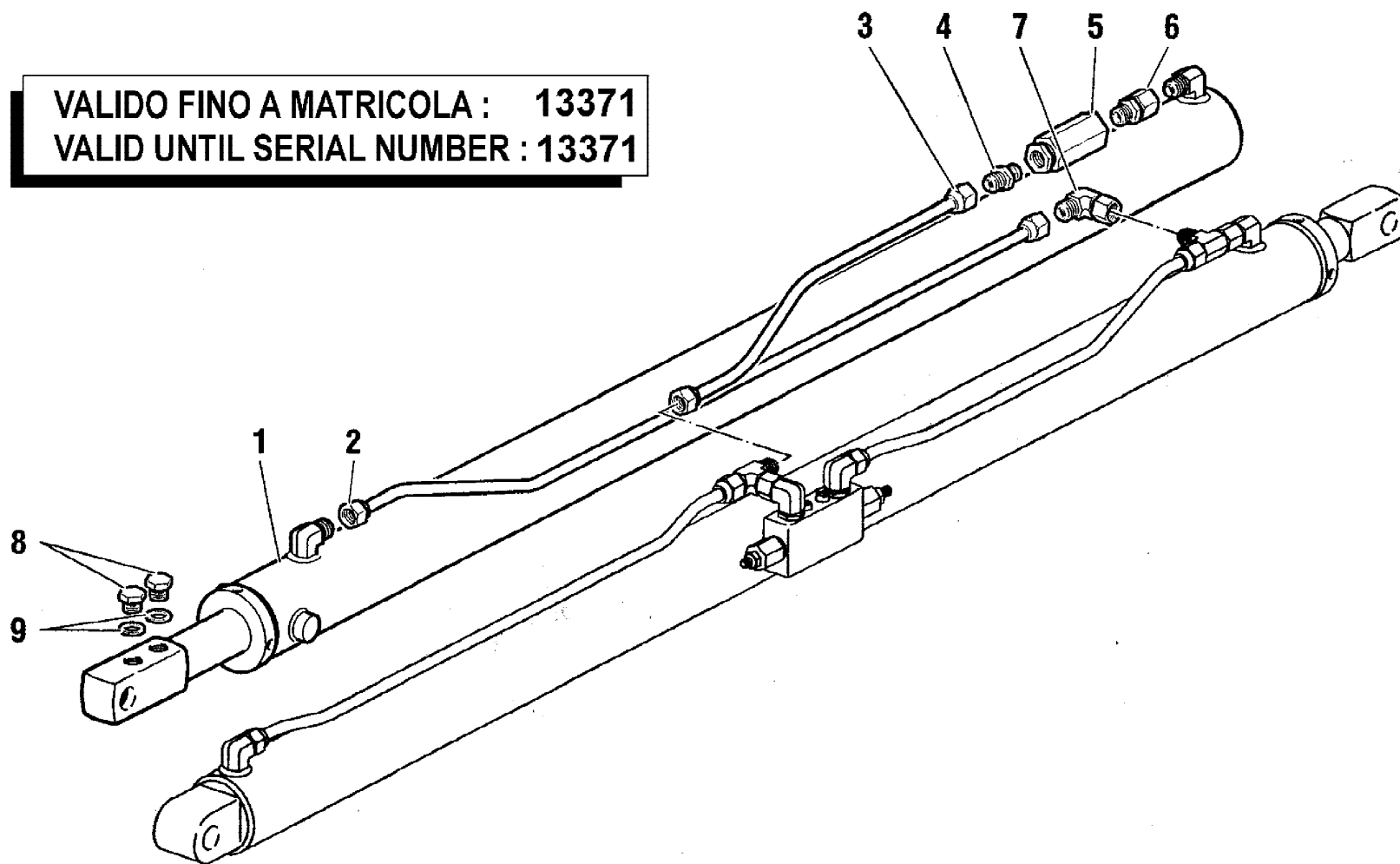
HYVA[®] CRANE
HB280

2° SFILLO
 2ND EXTENSION
 2EME RALLONGE
 2. VERLAENGERUNG
 2° PROLONGACION

Tavola
5.53.0012-1-0

Data pag.
 giugno 2006 88

VALIDO FINO A MATRICOLA : 13371
VALID UNTIL SERIAL NUMBER : 13371



| rif. | codice | Q.tà |
|------|-----------|------|
| 1 | 6.41.0185 | 1 |
| 2 | 5.39.1523 | 1 |
| 3 | 5.39.1522 | 1 |
| 4 | 3.10.1051 | 1 |
| 5 | 5.22.0557 | 1 |
| 6 | 3.12.0067 | 1 |
| 7 | 3.12.0034 | 1 |
| 8 | 3.11.0065 | 2 |
| 9 | 3.06.0145 | 2 |

1/1

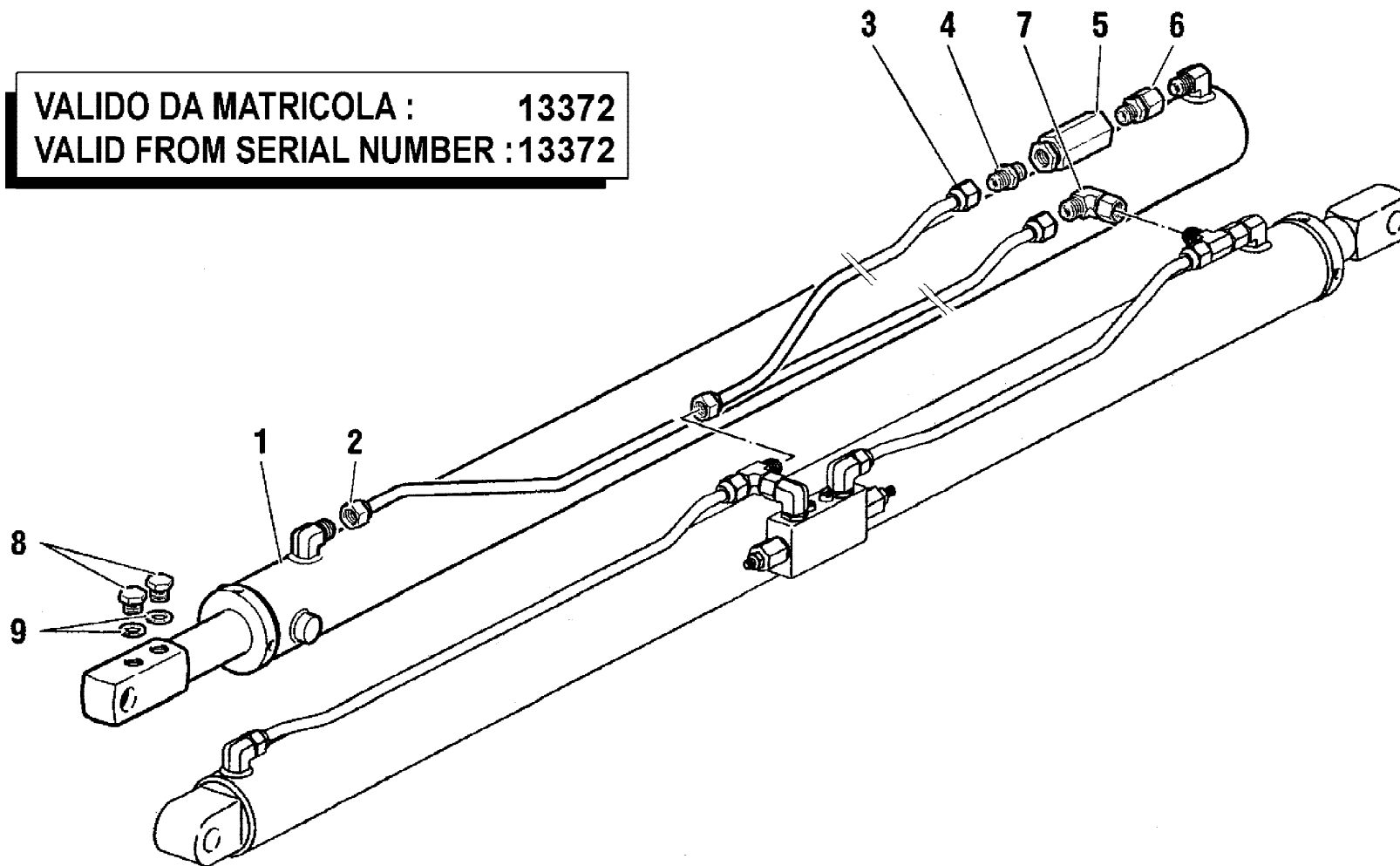
HYVA[®] CRANE
HB280

MARTINETTO 2° SFILLO (IMPIANTO OLEODINAMICO)
 2ND EXTENSION HYDRAULIC JACK (HYDRAULIC SYSTEM)
 VÉRIN 2ÈME RALLONGE (INSTALLATION HYDRAULIQUE)
 2. SCHUBZYLINDER (HYDRAULIKANLAGE)
 GATO 2ª EXTENSIÓN (INSTALACION HIDRAULICA)

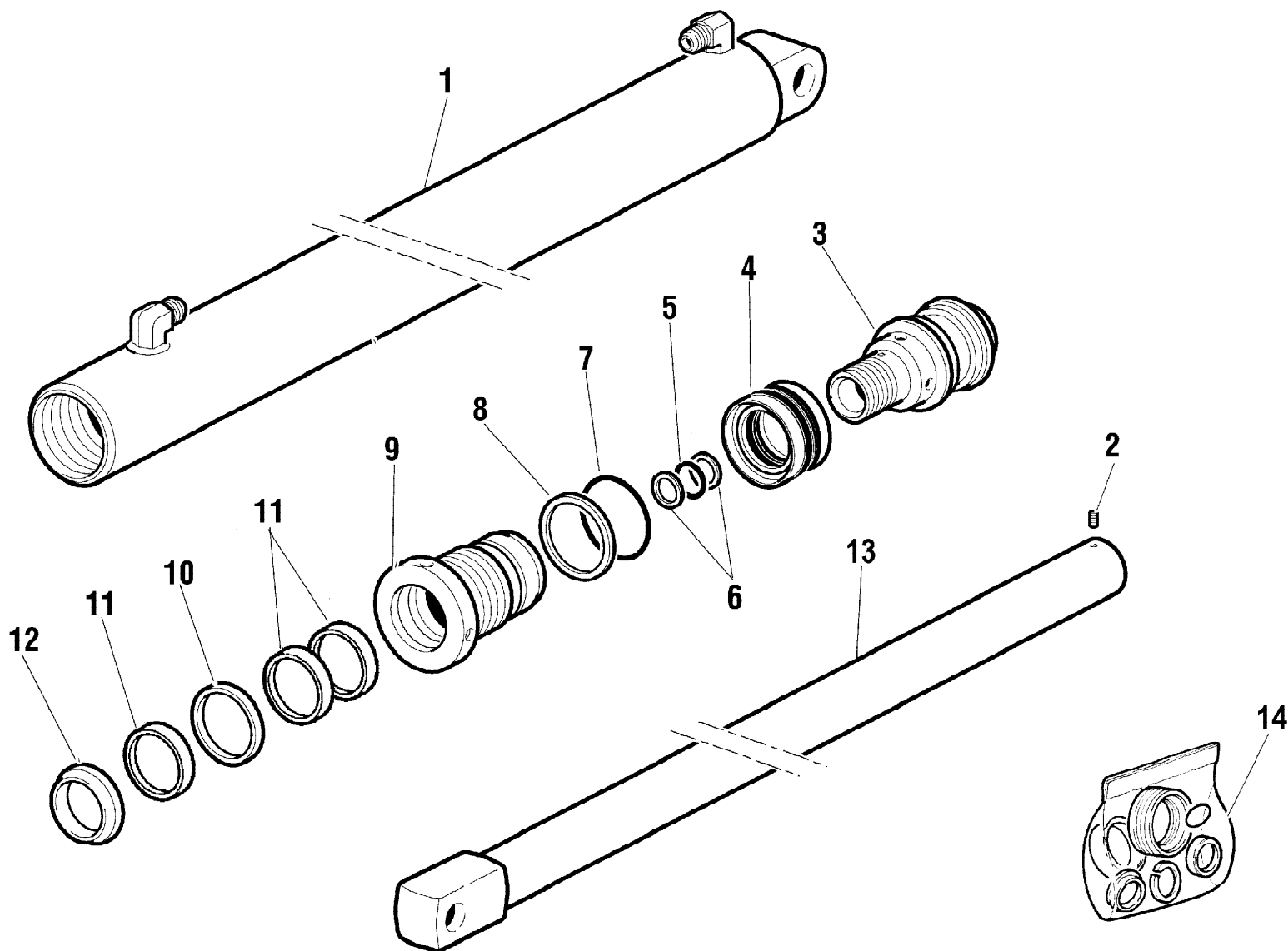
Tavola
6.21.0185-1-0

Data pag.
 giugno 2006 89

VALIDO DA MATRICOLA : 13372
VALID FROM SERIAL NUMBER : 13372



| rif. | codice | Q.tà |
|------|-----------|------|
| 1 | 6.41.0185 | 1 |
| 2 | 5.39.1523 | 1 |
| 3 | 5.39.1522 | 1 |
| 4 | 3.10.1051 | 1 |
| 5 | 5.22.0629 | 1 |
| 6 | 3.12.0067 | 1 |
| 7 | 3.12.0034 | 1 |
| 8 | 3.11.0065 | 2 |
| 9 | 3.06.0145 | 2 |



| rif. | codice | Q.tà |
|------|-----------|------|
| 1 | 6.07.0399 | 1 |
| 2 | 3.06.0232 | 2 |
| 3 | 6.05.0261 | 1 |
| 4 | 3.40.0513 | 1 |
| 5 | 3.45.0050 | 1 |
| 6 | 3.46.0382 | 2 |
| 7 | 3.45.0149 | 1 |
| 8 | 3.46.0149 | 1 |
| 9 | 6.04.0272 | 1 |
| 10 | 3.37.0130 | 1 |
| 11 | 3.36.1006 | 3 |
| 12 | 3.42.0030 | 1 |
| 13 | 6.03.0418 | 1 |
| 14 | 5.55.0747 | 1 |

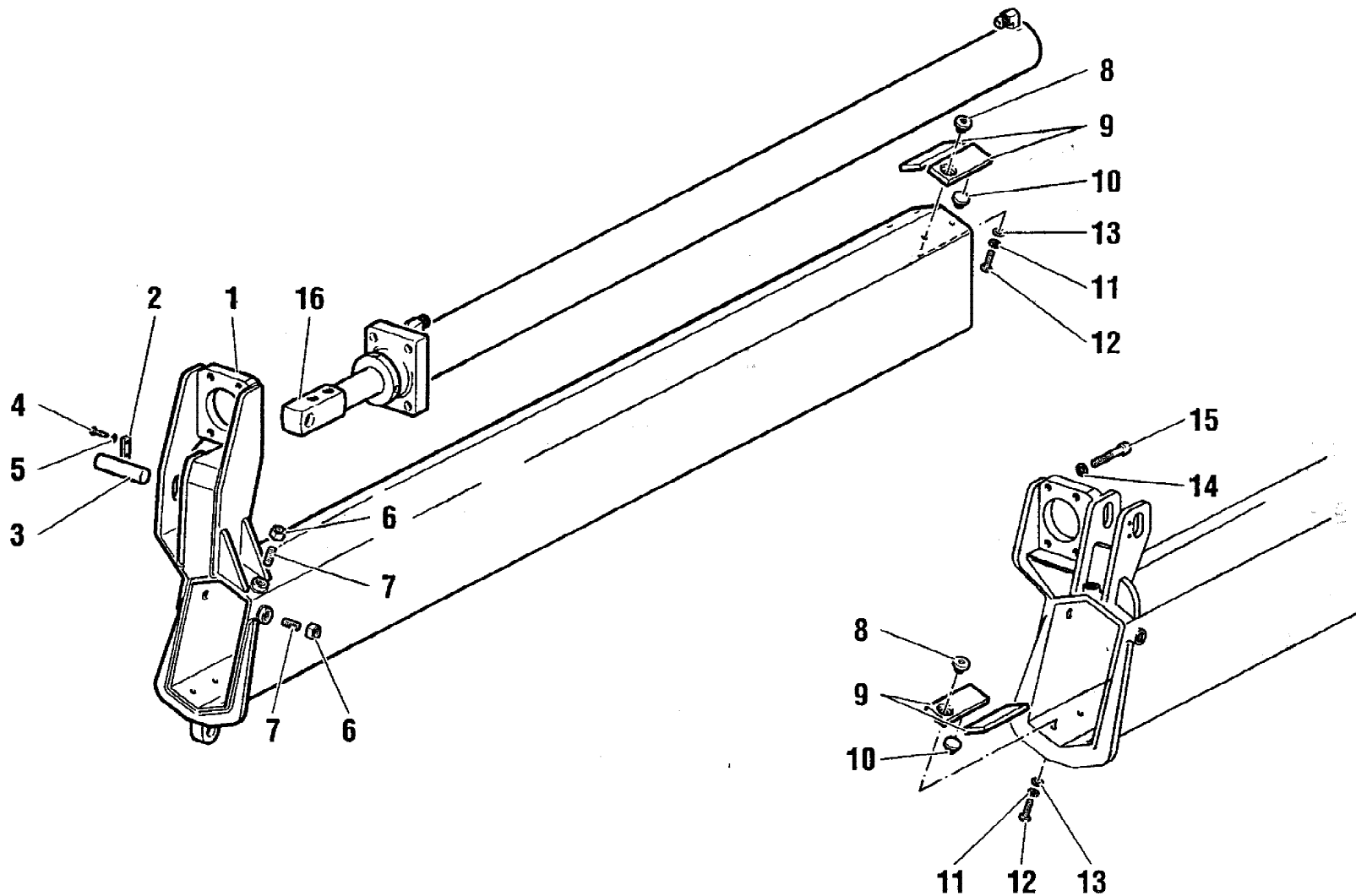
1/1

HYVA[®] CRANE
HB280

MARTINETTO 2° SFILLO
 2ND EXTENSION HYDRAULIC JACK
 VÉRIN 2ÈME RALLONGE
 2. SCHUBZYLINDER
 GATO 2ª EXTENSIÓN

Tavola
6.41.0185-1-0

Data pag.
 giugno 2006 91



| rif. | codice | Q.tà |
|------|-----------|------|
| 1 | 5.02.0340 | 1 |
| 2 | 5.00.0674 | 1 |
| 3 | 5.15.0502 | 1 |
| 4 | 3.01.0337 | 2 |
| 5 | 3.06.0055 | 2 |
| 6 | 3.04.0089 | 3 |
| 7 | 5.00.0771 | 3 |
| 8 | 5.00.0827 | 4 |
| 9 | 5.14.0701 | 4 |
| 10 | 5.00.1253 | 4 |
| 11 | 3.06.0920 | 4 |
| 12 | 3.01.0353 | 4 |
| 13 | 3.06.0914 | 4 |
| 14 | 3.06.0059 | 4 |
| 15 | 3.02.0883 | 4 |
| 16 | 6.21.0186 | 1 |

1/1

HYVA® CRANE

HB280

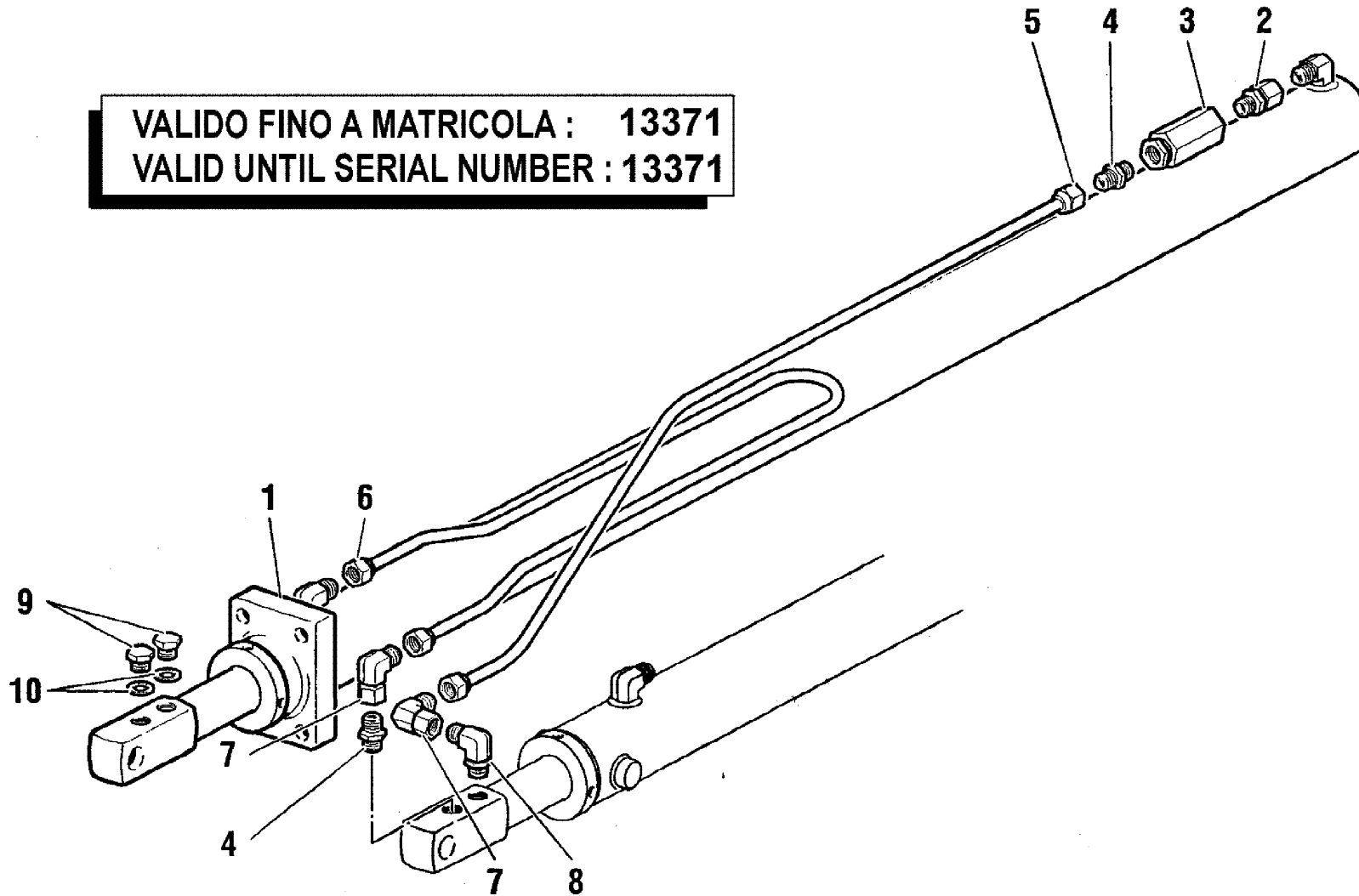
3° SFILLO
3RD EXTENSION
3EME RALLONGE
3. VERLAENGERUNG
3° PROLONGACION

Tavola

5.54.0011-1-0

Data pag.
giugno 2006 92

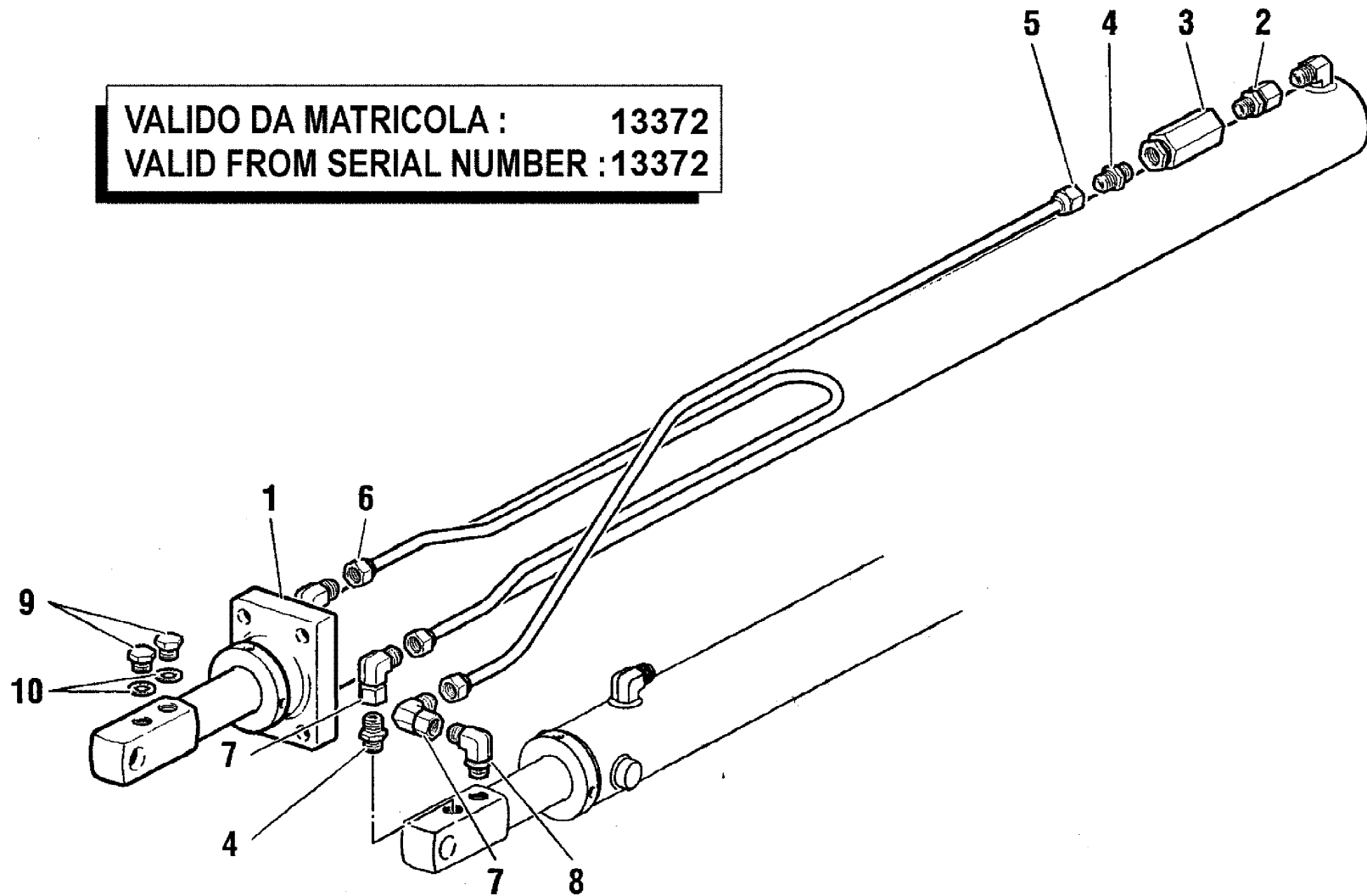
VALIDO FINO A MATRICOLA : 13371
VALID UNTIL SERIAL NUMBER : 13371

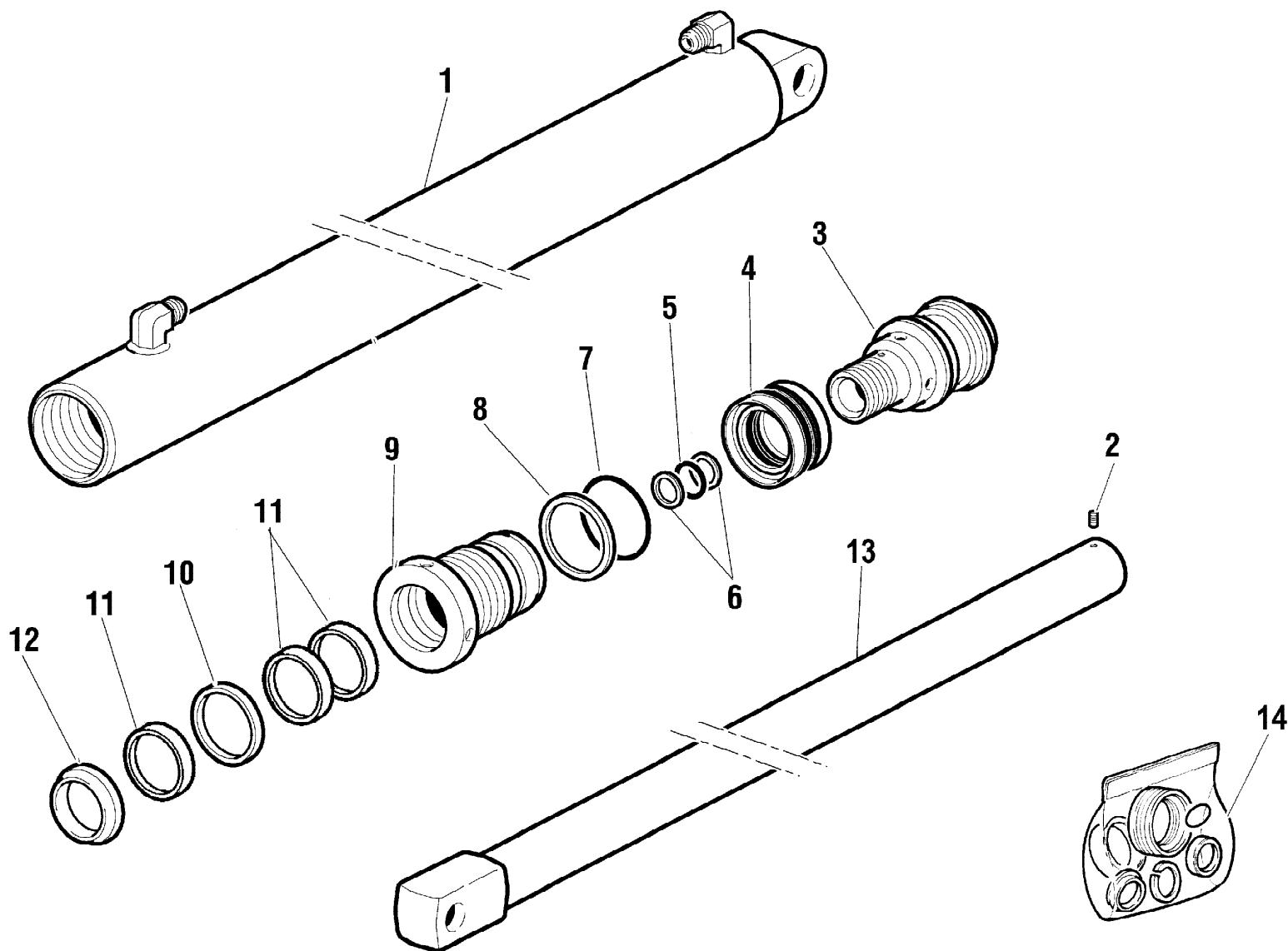


| rif. | codice | Q.tà |
|------|-----------|------|
| 1 | 6.41.0186 | 0 |
| 2 | 3.12.0067 | 1 |
| 3 | 5.22.0557 | 1 |
| 4 | 3.10.1051 | 2 |
| 5 | 5.39.1524 | 1 |
| 6 | 5.39.1525 | 1 |
| 7 | 3.12.0034 | 2 |
| 8 | 3.10.1131 | 1 |
| 9 | 3.11.0065 | 2 |
| 10 | 3.06.0145 | 2 |

| rif. | codice | Q.tà |
|------|-----------|------|
| 1 | 6.41.0186 | 1 |
| 2 | 3.12.0067 | 1 |
| 3 | 5.22.0629 | 1 |
| 4 | 3.10.1051 | 2 |
| 5 | 5.39.1524 | 1 |
| 6 | 5.39.1525 | 1 |
| 7 | 3.12.0034 | 2 |
| 8 | 3.10.1131 | 1 |
| 9 | 3.11.0065 | 2 |
| 10 | 3.06.0145 | 2 |

VALIDO DA MATRICOLA : 13372
VALID FROM SERIAL NUMBER : 13372





| rif. | codice | Q.tà |
|------|-----------|------|
| 1 | 6.07.0400 | 1 |
| 2 | 3.46.0332 | 1 |
| 3 | 6.05.0262 | 1 |
| 4 | 3.40.0512 | 1 |
| 5 | 3.45.0050 | 1 |
| 6 | 3.46.0382 | 2 |
| 7 | 3.45.0147 | 1 |
| 8 | 3.46.0147 | 1 |
| 9 | 6.04.0273 | 1 |
| 10 | 3.37.0131 | 1 |
| 11 | 3.36.1003 | 3 |
| 12 | 3.42.0026 | 1 |
| 13 | 6.03.0420 | 1 |
| 14 | 5.55.0748 | 1 |

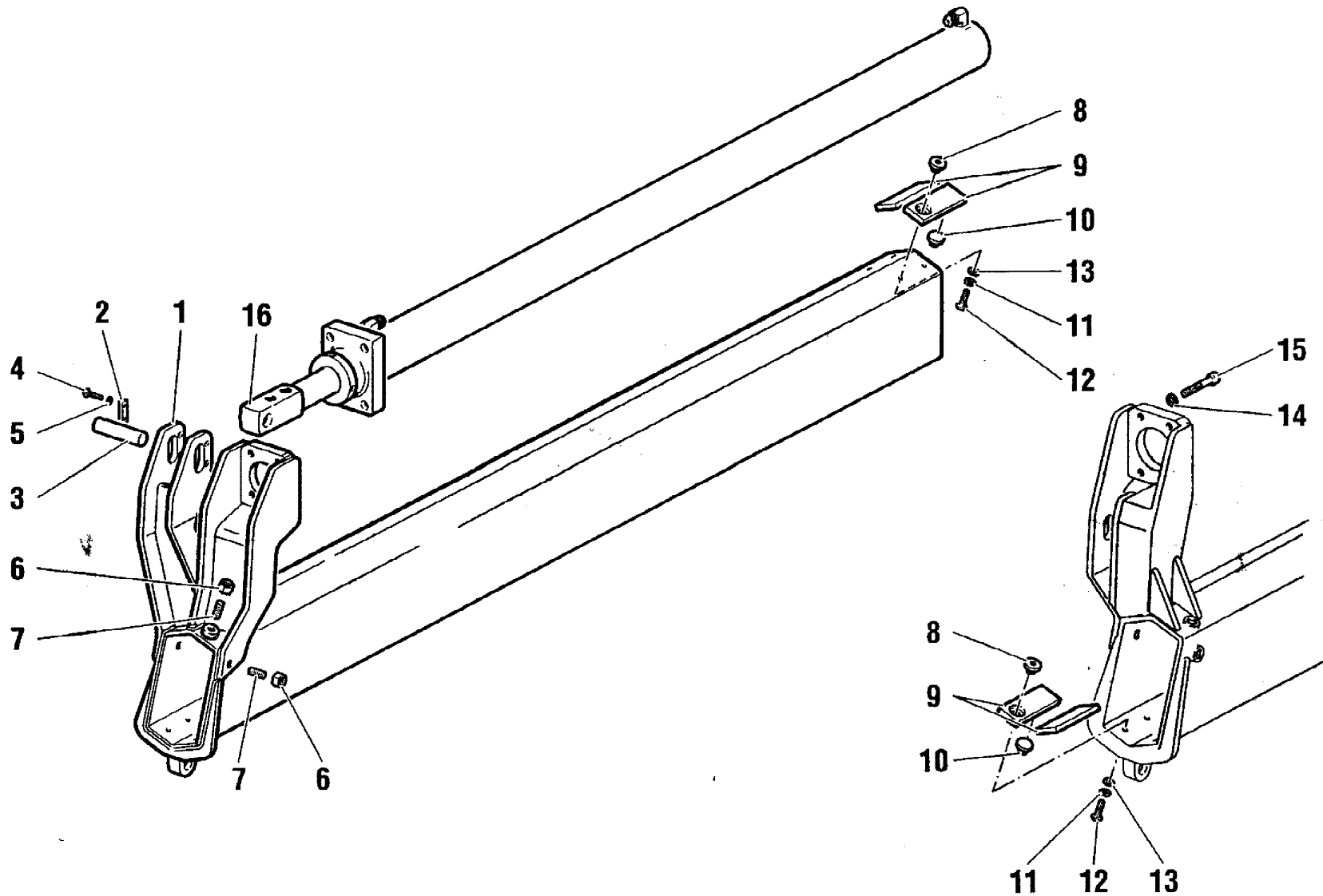
1/1

HYVA[®] CRANE
HB280

MARTINETTO 3° E 4° SFILLO
 3RD AND 4TH EXTENSION HYDRAULIC CYLINDER
 VERIN 3ÈME ET 4ÈME RALLONGE
 3. UNT 4. VERLAENGERUNGSWINDE
 3° Y 4° GATO DE PROLONGACION

Tavola
6.41.0186-1-0

Data pag.
 giugno 2006 95



| rif. | codice | Q.tà |
|------|-----------|------|
| 1 | 5.62.0341 | 1 |
| 2 | 5.00.0674 | 1 |
| 3 | 5.15.0502 | 1 |
| 4 | 3.01.0337 | 2 |
| 5 | 3.06.0055 | 2 |
| 6 | 3.04.0089 | 4 |
| 7 | 5.00.0771 | 4 |
| 8 | 5.00.0827 | 4 |
| 9 | 5.14.0701 | 4 |
| 10 | 5.00.1253 | 4 |
| 11 | 3.06.0920 | 4 |
| 12 | 3.01.0353 | 4 |
| 13 | 3.06.0914 | 4 |
| 14 | 306.0059 | 4 |
| 15 | 3.02.0129 | 4 |
| 16 | 6.21.0206 | 1 |

1/1

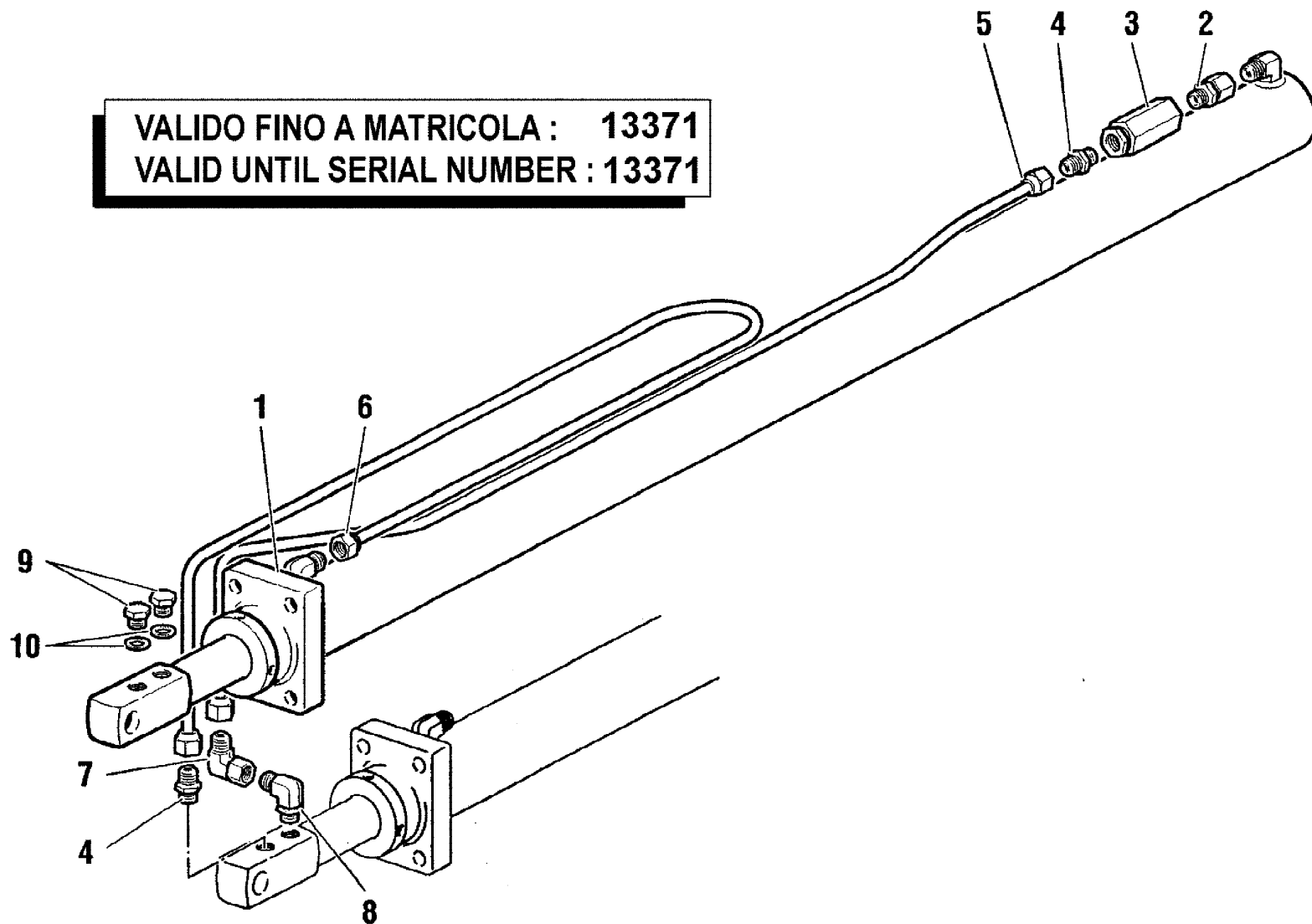
HYVA[®] CRANE
HB280

4° SFILLO
 4TH EXTENSION
 4EME RALLONGE
 4. VERLAENGERUNG
 4° PROLONGACION

Tavola
5.56.0003-1-0

Data pag.
 giugno 2006 96

VALIDO FINO A MATRICOLA : 13371
VALID UNTIL SERIAL NUMBER : 13371



| rif. | codice | Q.tà |
|------|-----------|------|
| 1 | 6.41.0186 | 1 |
| 2 | 3.12.0067 | 1 |
| 3 | 5.22.0557 | 1 |
| 4 | 3.10.1051 | 2 |
| 5 | 5.39.1526 | 1 |
| 6 | 5.39.1527 | 1 |
| 7 | 3.12.0034 | 1 |
| 8 | 3.10.1131 | 1 |
| 9 | 3.11.0065 | 2 |
| 10 | 3.06.0145 | 2 |

1/1

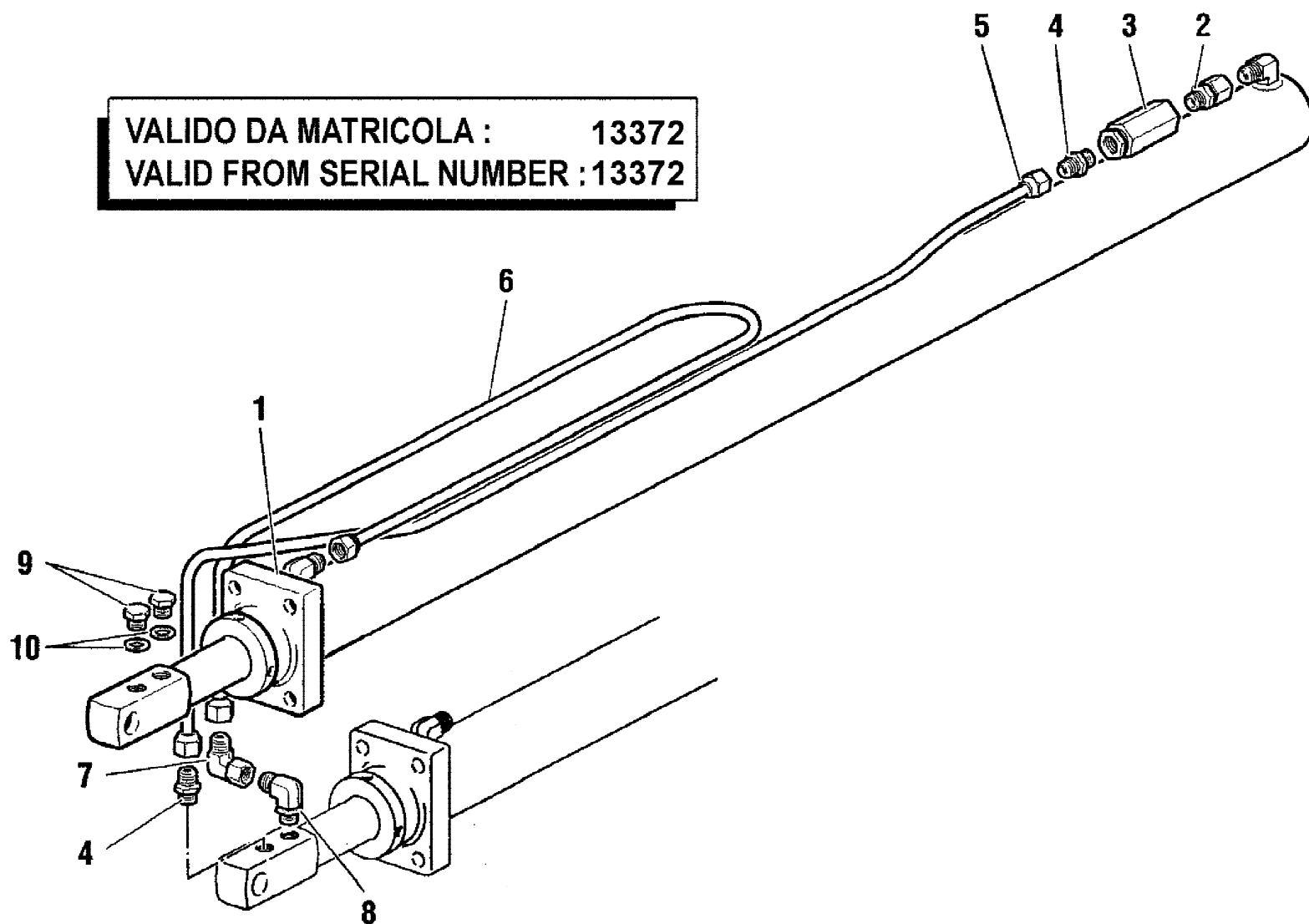
HYVA[®] CRANE
HB280

IMPIANTO IDRAULICO (MARTINETTO 4° SFILLO)
 HYDRAULIC SYSTEM (4TH EXTENSION HYDRAULIC JACK)
 INSTALLATION HYDRAULIQUE (VÉRIN 4ÈME RALLONGE)
 HYDRAULIKANLAGE (4. SCHUBZYLINDER)
 INSTALACION HIDRAULICA (GATO 4ª EXTENSIÓN)

Tavola
6.21.0206-1-0

Data pag.
 ottobre 2006 97

VALIDO DA MATRICOLA : 13372
VALID FROM SERIAL NUMBER : 13372



| rif. | codice | Q.tà |
|------|-----------|------|
| 1 | 6.41.0186 | 1 |
| 2 | 3.12.0067 | 1 |
| 3 | 5.22.0629 | 1 |
| 4 | 3.10.1051 | 2 |
| 5 | 5.39.1526 | 1 |
| 6 | 5.39.1527 | 1 |
| 7 | 3.12.0034 | 1 |
| 8 | 3.10.1131 | 1 |
| 9 | 3.11.0065 | 2 |
| 10 | 3.06.0145 | 2 |

1/1

HYVA® CRANE
HB280

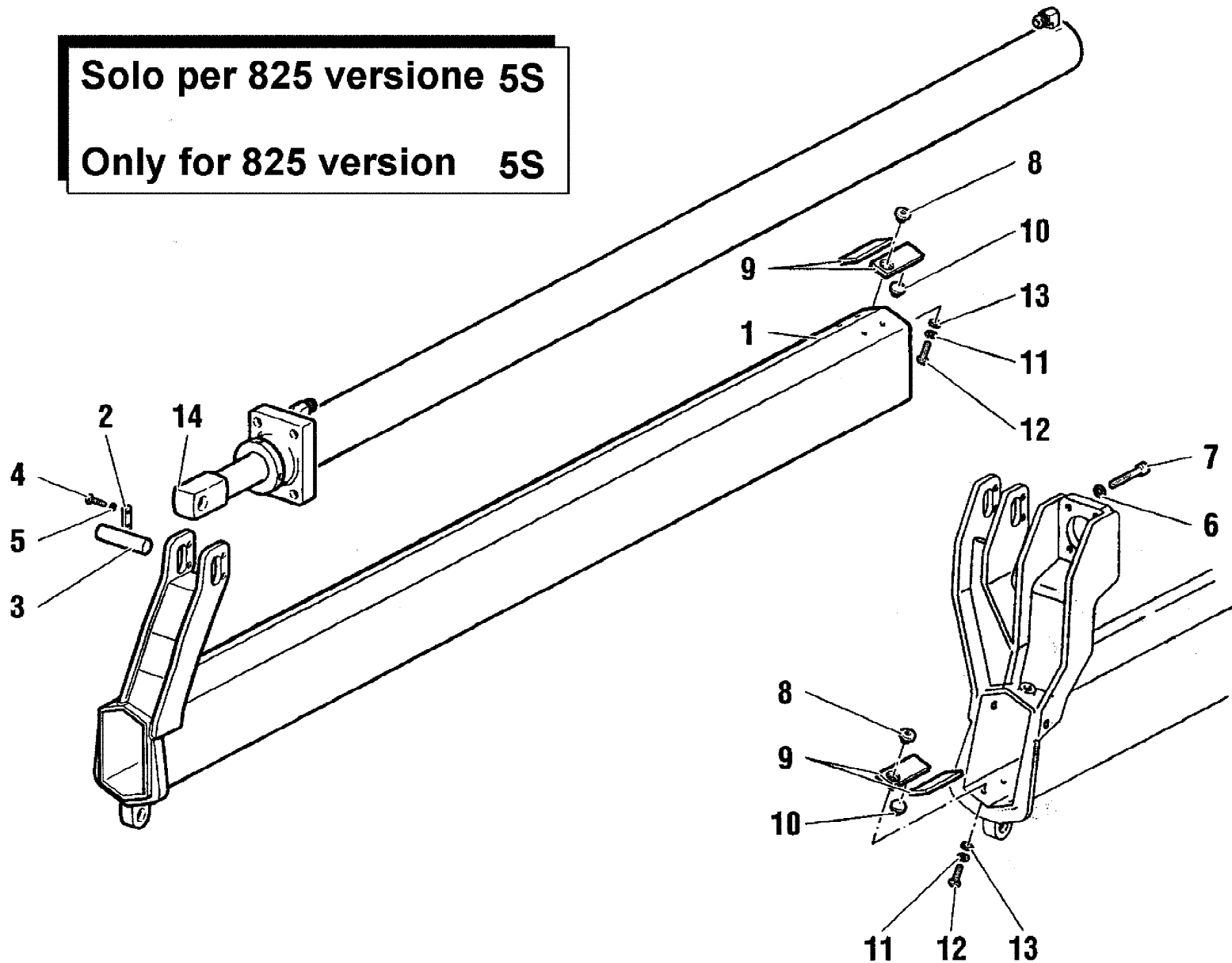
IMPIANTO IDRAULICO (MARTINETTO 4° SFILLO)
 HYDRAULIC SYSTEM (4TH EXTENSION HYDRAULIC JACK)
 INSTALLATION HYDRAULIQUE (VÉRIN 4ÈME RALLONGE)
 HYDRAULIKANLAGE (4. SCHUBZYLINDER)
 INSTALACION HIDRAULICA (GATO 4ª EXTENSIÓN)

Tavola
6.21.0206-2-0

Data pag.
 ottobre 2006 98

Solo per 825 versione 5S

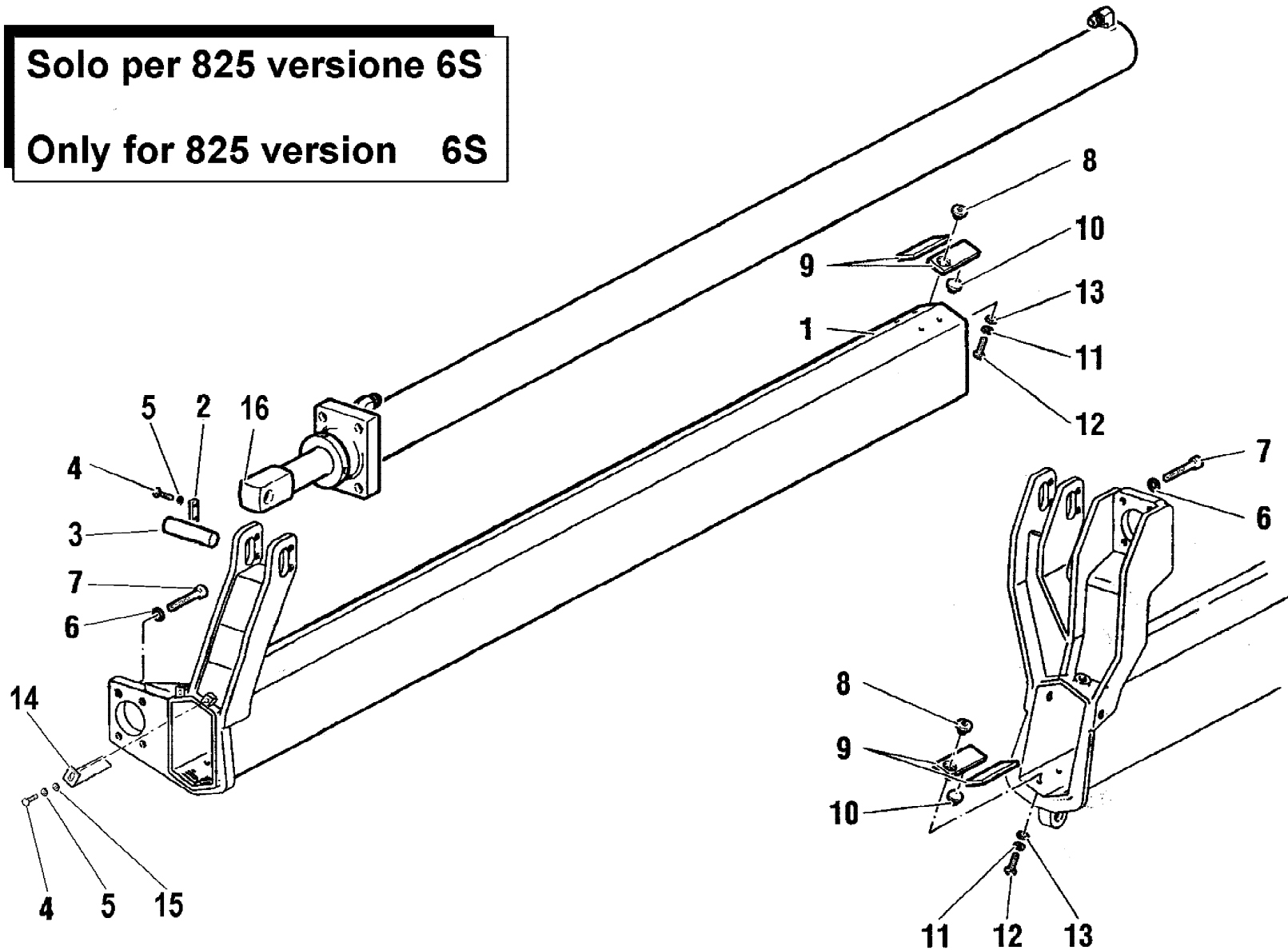
Only for 825 version 5S



| rif. | codice | Q.tà |
|------|-----------|------|
| 1 | 5.02.0342 | 1 |
| 2 | 5.00.0674 | 1 |
| 3 | 5.15.0443 | 1 |
| 4 | 3.01.0337 | 2 |
| 5 | 3.06.0055 | 2 |
| 6 | 3.06.0059 | 4 |
| 7 | 3.02.0129 | 4 |
| 8 | 5.00.0737 | 4 |
| 9 | 5.14.0680 | 4 |
| 10 | 5.00.1253 | 4 |
| 11 | 3.06.0920 | 4 |
| 12 | 3.01.0353 | 4 |
| 13 | 3.06.0914 | 4 |
| 14 | 6.21.0207 | 1 |

Solo per 825 versione 6S

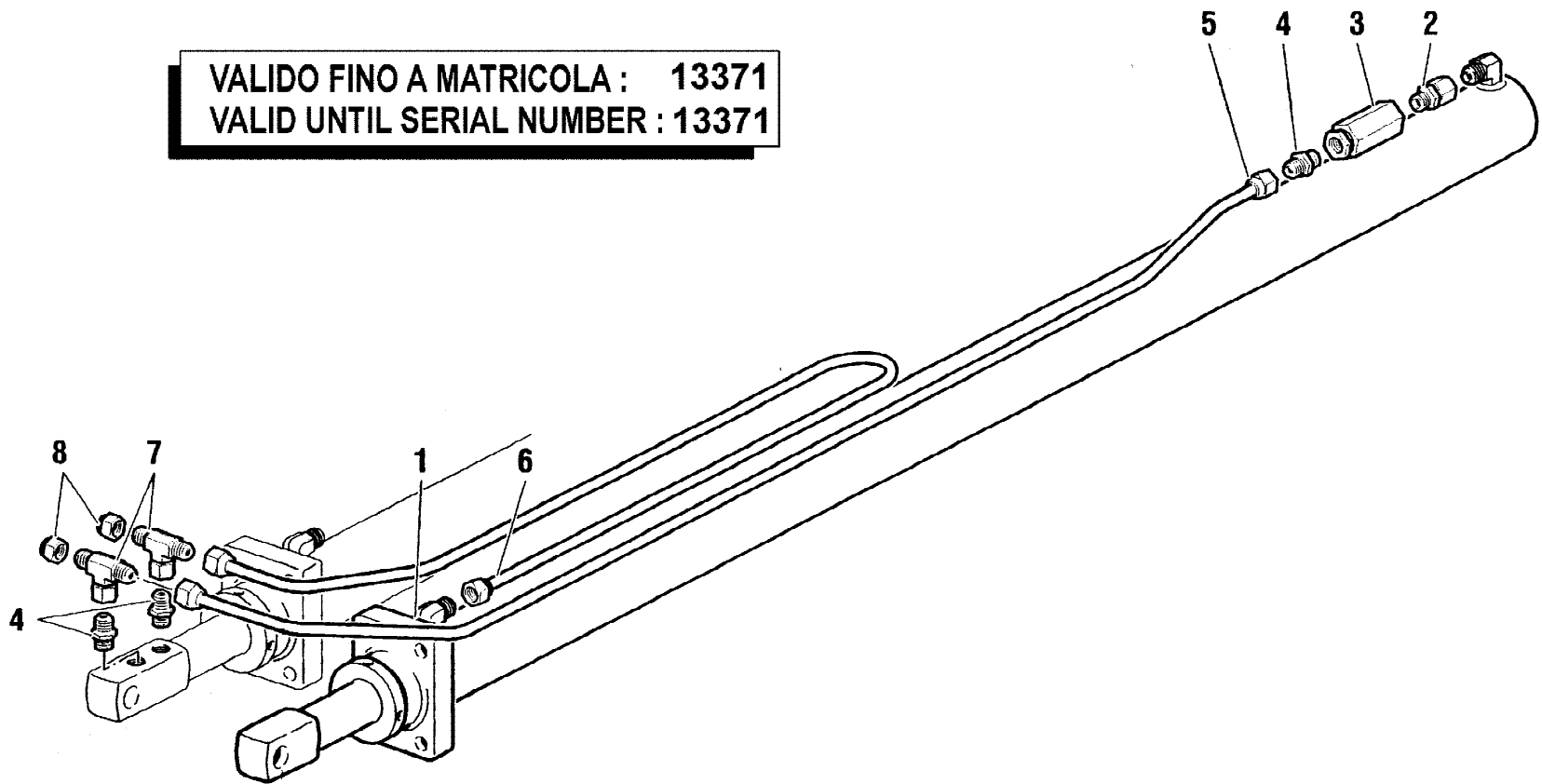
Only for 825 version 6S



| rif. | codice | Q.tà |
|------|-----------|------|
| 1 | 5.02.0356 | 1 |
| 2 | 5.00.0674 | 1 |
| 3 | 5.15.0443 | 1 |
| 4 | 3.01.0337 | 2 |
| 5 | 3.06.0055 | 2 |
| 6 | 3.06.0059 | 8 |
| 7 | 3.02.0129 | 8 |
| 8 | 5.00.0737 | 4 |
| 9 | 5.14.0680 | 4 |
| 10 | 5.00.1253 | 4 |
| 11 | 3.06.0920 | 4 |
| 12 | 3.01.0353 | 4 |
| 13 | 3.06.0914 | 4 |
| 14 | 5.00.0780 | 6 |
| 15 | 3.06.0006 | 2 |
| 16 | 6.21.0207 | 1 |

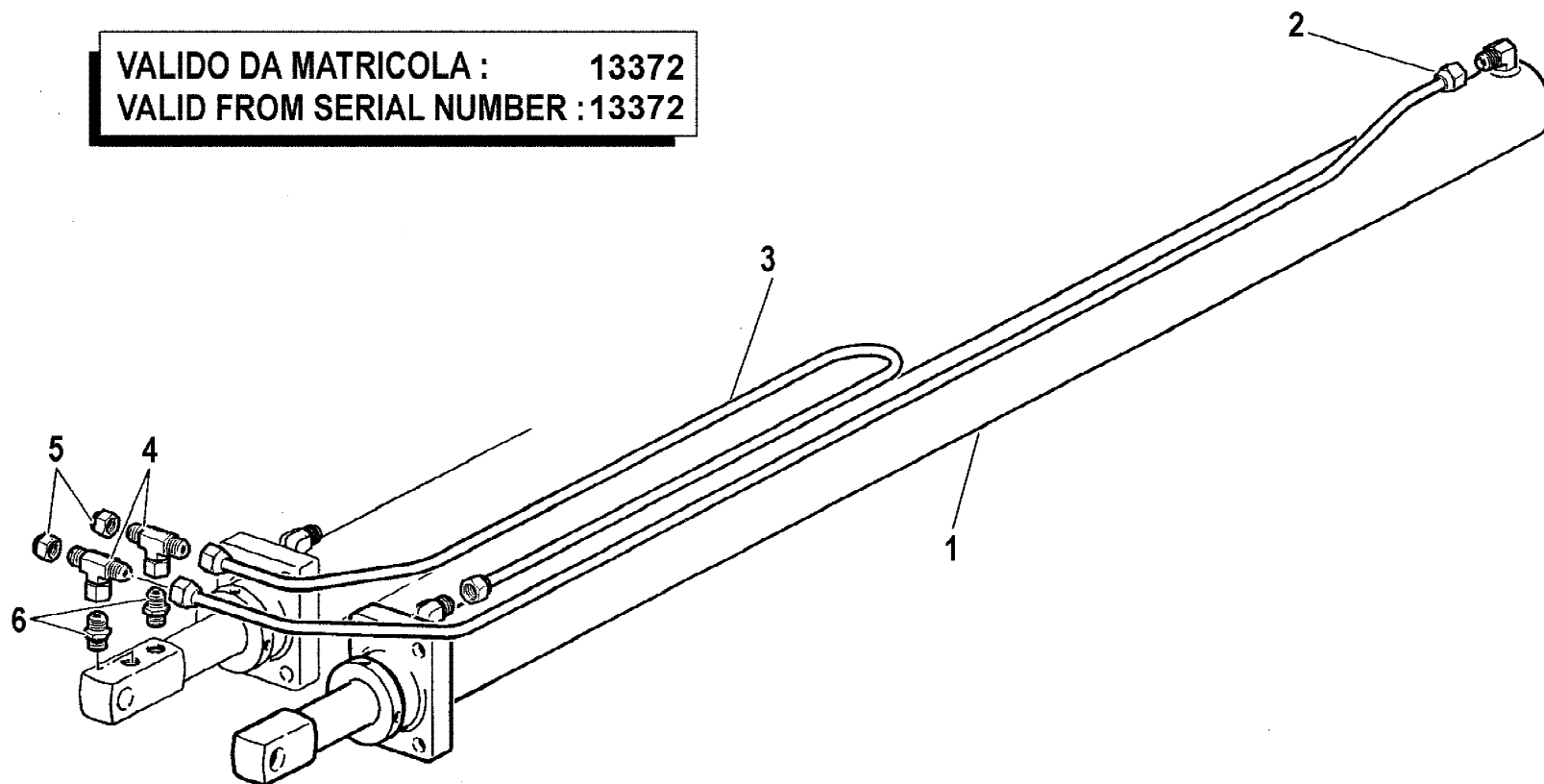
| rif. | codice | Q.tà |
|------|-----------|------|
| 1 | 6.41.0177 | 1 |
| 2 | 3.12.0067 | 1 |
| 3 | 5.22.0557 | 1 |
| 4 | 3.10.1051 | 3 |
| 5 | 5.39.1528 | 1 |
| 6 | 5.39.1529 | 2 |
| 7 | 3.12.0021 | 2 |
| 8 | 3.11.0050 | 2 |

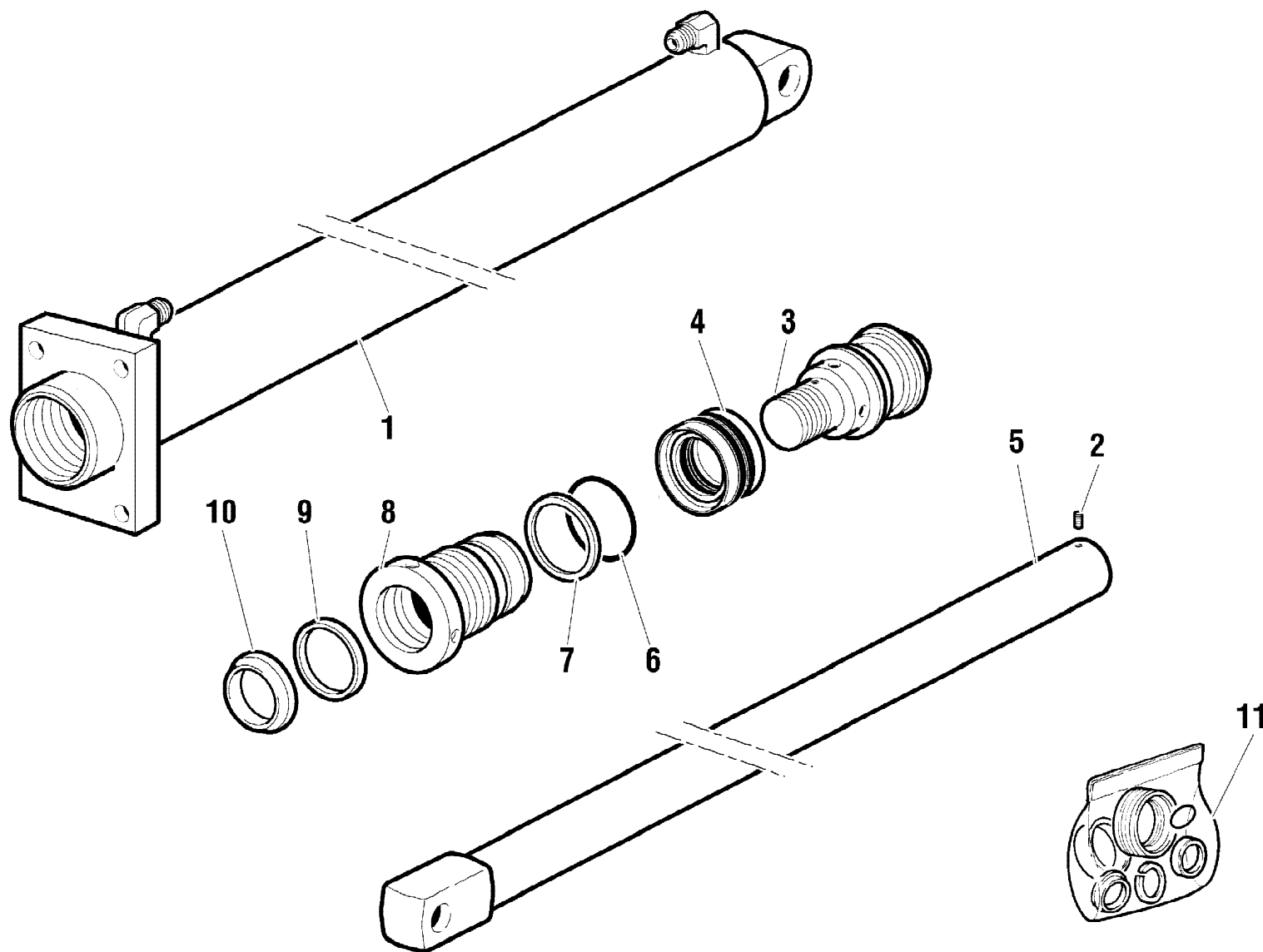
VALIDO FINO A MATRICOLA : 13371
VALID UNTIL SERIAL NUMBER : 13371



| rif. | codice | Q.tà |
|------|-----------|------|
| 1 | 6.41.0177 | 1 |
| 2 | 5.39.1752 | 1 |
| 3 | 5.39.1529 | 1 |
| 4 | 3.12.0021 | 2 |
| 5 | 3.11.0050 | 2 |
| 6 | 3.10.1051 | 2 |

VALIDO DA MATRICOLA : 13372
VALID FROM SERIAL NUMBER :13372





| rif. | codice | Q.tà |
|------|-----------|------|
| 1 | 6.07.0385 | 1 |
| 2 | 3.06.0232 | 1 |
| 3 | 6.05.0257 | 1 |
| 4 | 3.40.0509 | 1 |
| 5 | 6.03.0398 | 1 |
| 6 | 3.45.0132 | 1 |
| 7 | 3.46.0132 | 1 |
| 8 | 6.04.0259 | 1 |
| 9 | 3.40.0067 | 1 |
| 10 | 3.42.0021 | 1 |
| 11 | 5.55.0717 | 1 |

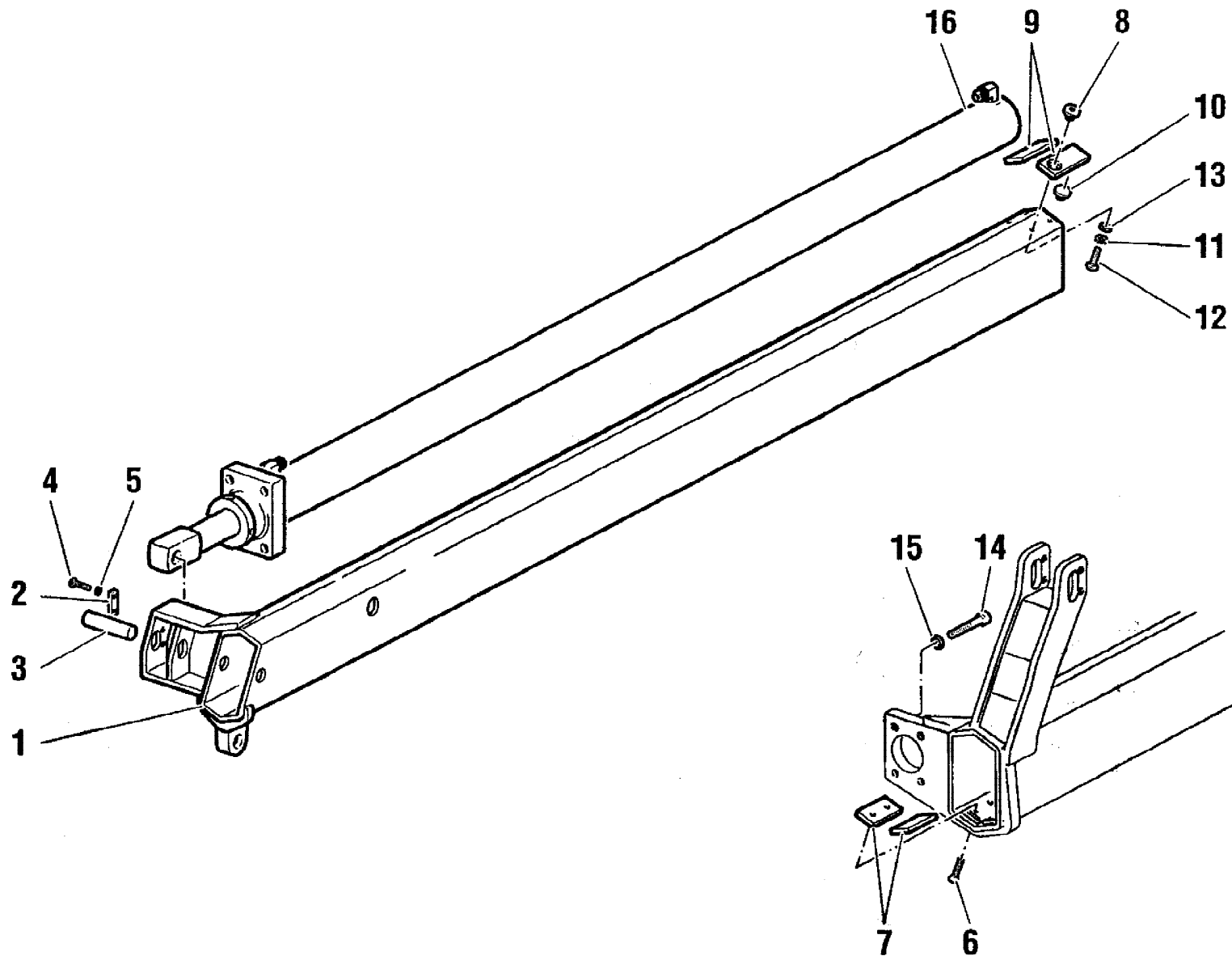
1/1

HYVA[®] CRANE
HB280

MARTINETTO 4° SFILO (MARTINETTO 5° SFILO)
 4TH EXTENSION HYDRAULIC JACK (5TH EXTENSION HYDRAULIC JACK)
 VÉRIN 4ÈME RALLONGE (VÉRIN 5ÈME RALLONGE)
 4. SCHUBZYLINDER (5. SCHUBZYLINDER)
 GATO 4ª EXTENSIÓN (GATO 5ª EXTENSIÓN)

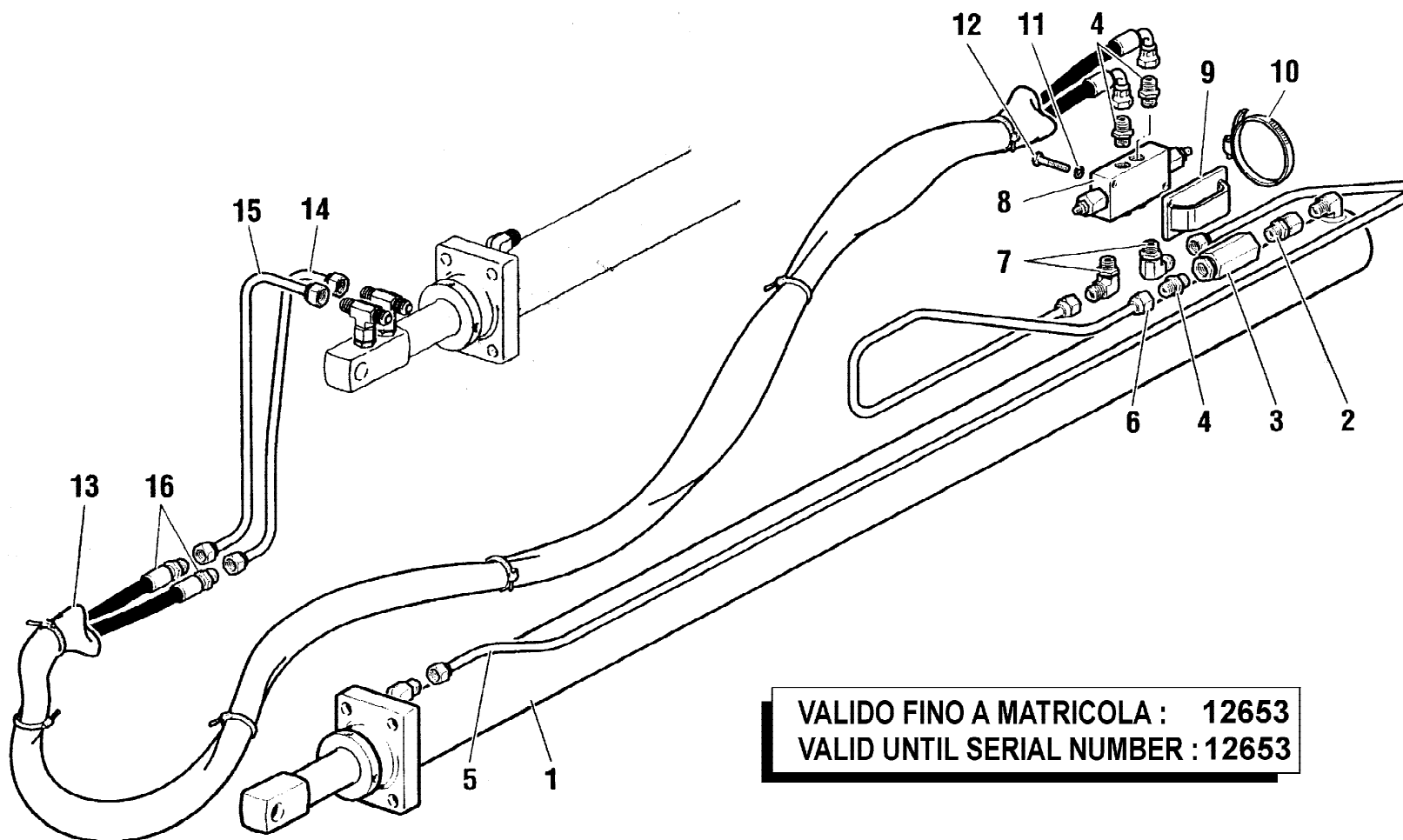
Tavola
6.41.0177-1-0

Data pag.
 dicembre 2011 103

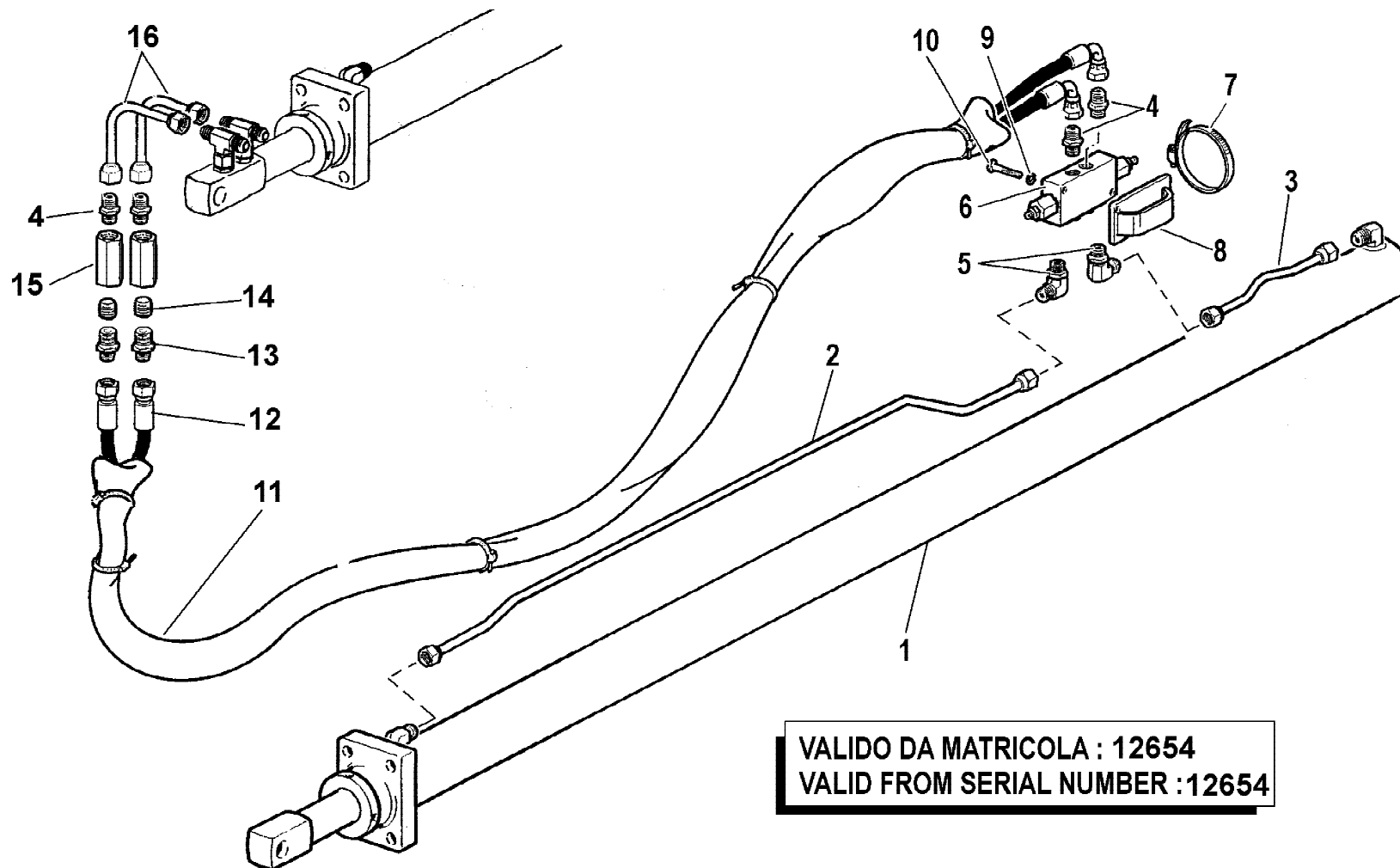


| rif. | codice | Q.tà |
|------|-----------|------|
| 1 | 5.02.0357 | 1 |
| 2 | 5.00.0674 | 1 |
| 3 | 5.15.0443 | 1 |
| 4 | 3.01.0337 | 2 |
| 5 | 3.06.0055 | 2 |
| 6 | 3.02.0451 | 4 |
| 7 | 5.14.0584 | 2 |
| 8 | 5.00.0623 | 2 |
| 9 | 5.14.0655 | 2 |
| 10 | 5.14.0656 | 2 |
| 11 | 3.06.0920 | 2 |
| 12 | 3.01.0353 | 2 |
| 13 | 3.06.0914 | 2 |
| 14 | 3.02.0129 | 4 |
| 15 | 3.06.0059 | 4 |
| 16 | 6.21.0197 | 1 |

| rif. | codice | Q.tà |
|------|-----------|------|
| 1 | 6.41.0197 | 1 |
| 2 | 3.12.0067 | 1 |
| 3 | 5.22.0574 | 1 |
| 4 | 3.10.1051 | 3 |
| 5 | 5.39.1531 | 1 |
| 6 | 5.39.1530 | 1 |
| 7 | 3.10.1131 | 2 |
| 8 | 5.22.0112 | 1 |
| 9 | 5.00.0694 | 1 |
| 10 | 3.19.0023 | 2 |
| 11 | 3.06.0055 | 2 |
| 12 | 3.01.0032 | 2 |
| 13 | 3.19.0170 | 2 |
| 14 | 3.19.0014 | 6 |
| 15 | 5.39.1533 | 1 |
| 16 | 5.39.1532 | 1 |
| 17 | 5.28.0386 | 2 |

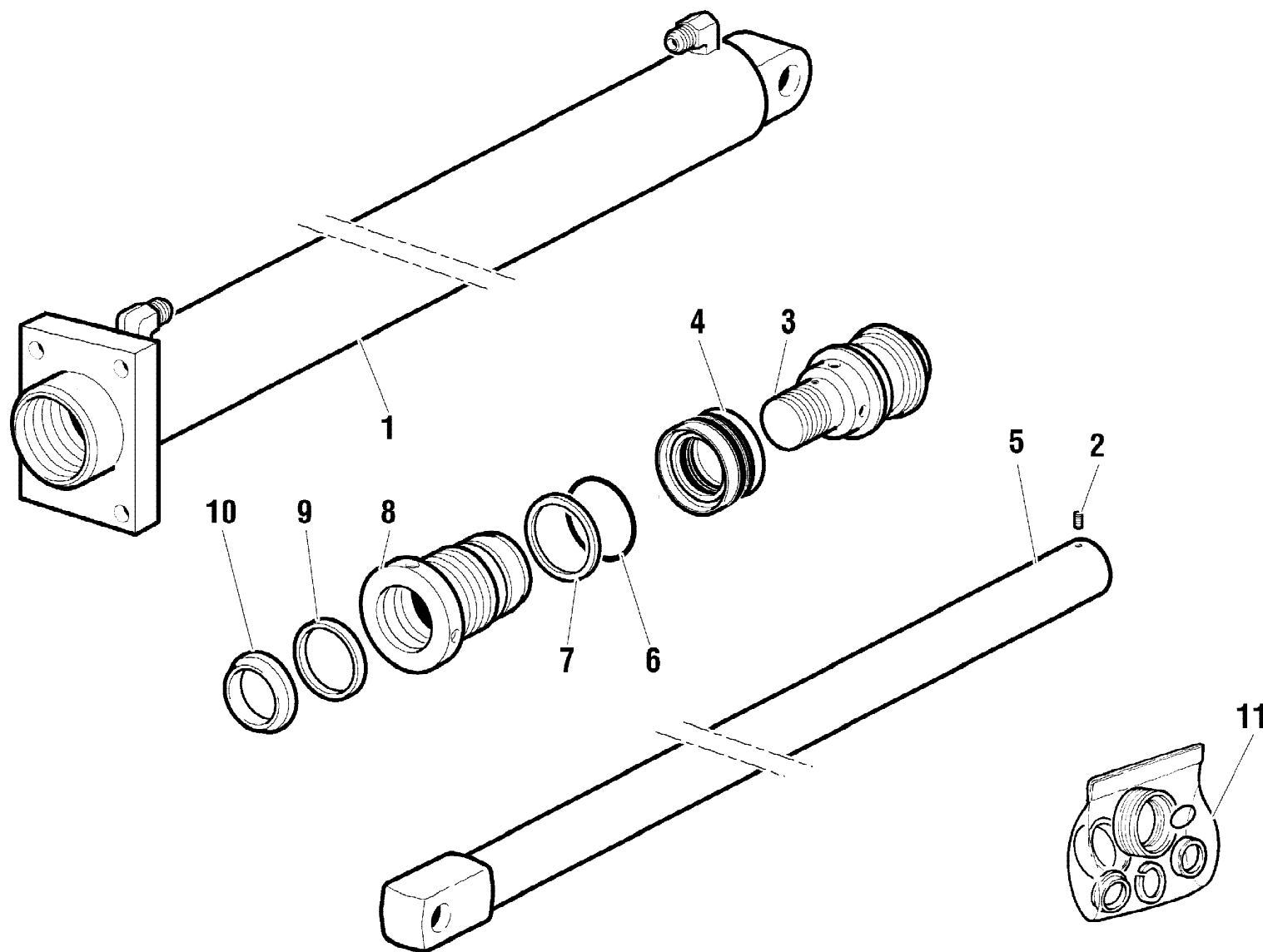


VALIDO FINO A MATRICOLA : 12653
VALID UNTIL SERIAL NUMBER : 12653



VALIDO DA MATRICOLA : 12654
VALID FROM SERIAL NUMBER : 12654

| rif. | codice | Q.tà |
|------|-----------|------|
| 1 | 6.41.0197 | 1 |
| 2 | 5.39.1754 | 1 |
| 3 | 5.39.1753 | 1 |
| 4 | 3.10.1051 | 2 |
| 5 | 3.10.1131 | 1 |
| 6 | 5.22.0112 | 1 |
| 7 | 3.19.0023 | 2 |
| 8 | 5.00.0694 | 1 |
| 9 | 3.06.0055 | 2 |
| 10 | 3.01.0032 | 2 |
| 11 | 3.19.0170 | 2 |
| 12 | 5.28.0514 | 2 |
| 13 | 3.12.0073 | 2 |
| 14 | 5.22.0659 | 2 |
| 15 | 5.00.1160 | 2 |
| 16 | 5.39.1751 | 2 |



| rif. | codice | Q.tà |
|------|-----------|------|
| 1 | 6.07.0451 | 1 |
| 2 | 3.06.0232 | 1 |
| 3 | 6.05.0257 | 1 |
| 4 | 3.40.0509 | 1 |
| 5 | 6.03.0451 | 1 |
| 6 | 3.45.0132 | 1 |
| 7 | 3.46.0132 | 1 |
| 8 | 6.04.0259 | 1 |
| 9 | 3.40.0067 | 1 |
| 10 | 3.42.0021 | 1 |
| 11 | 5.55.0717 | 1 |

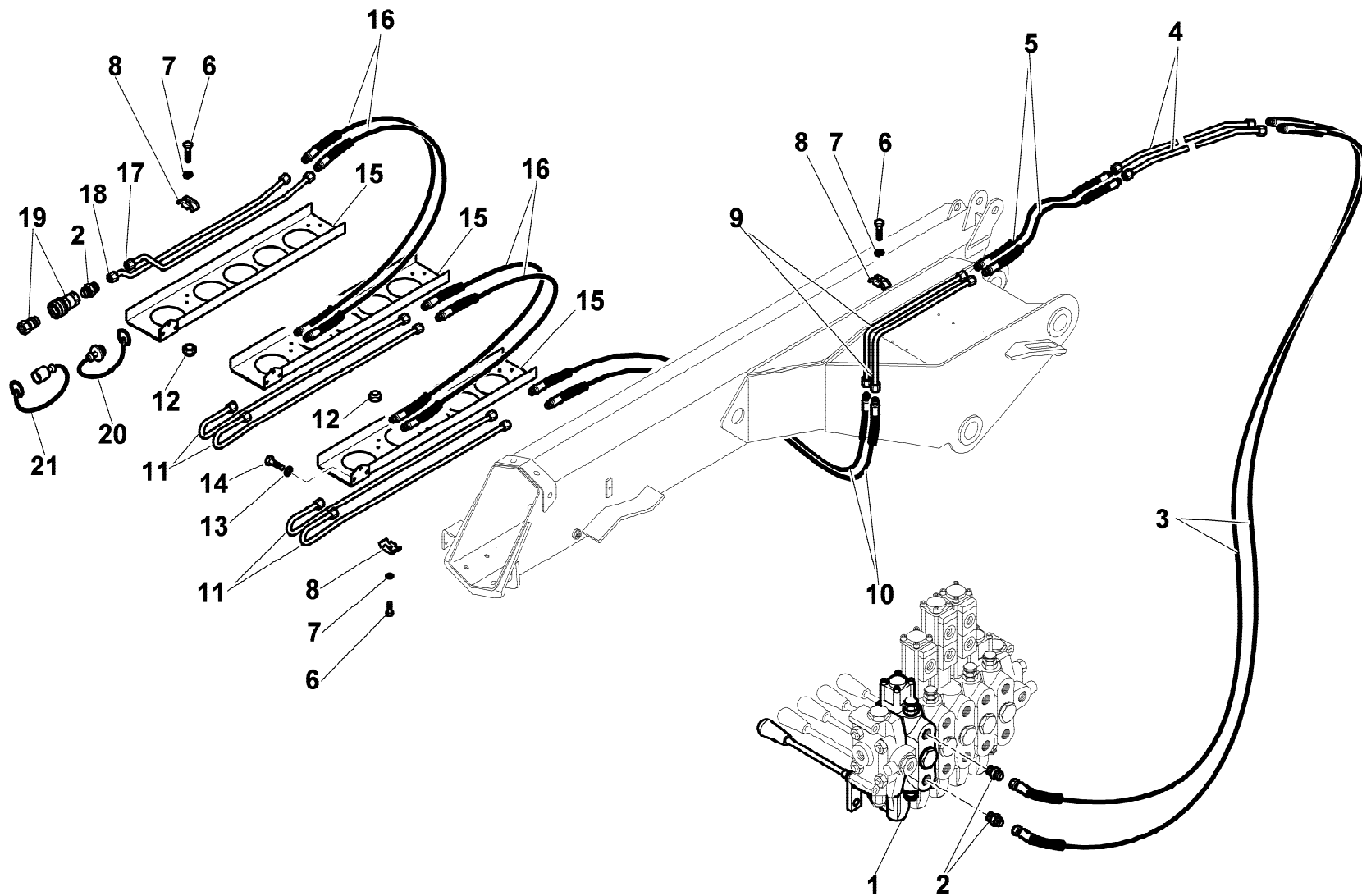
1/1

HYVA[®] CRANE
HB280

MARTINETTO 6° SFILLO
 6TH EXTENSION HYDRAULIC JACK
 VÉRIN 6ÈME RALLONGE
 6. SCHUBZYLINDER
 GATO 6ª EXTENSIÓN

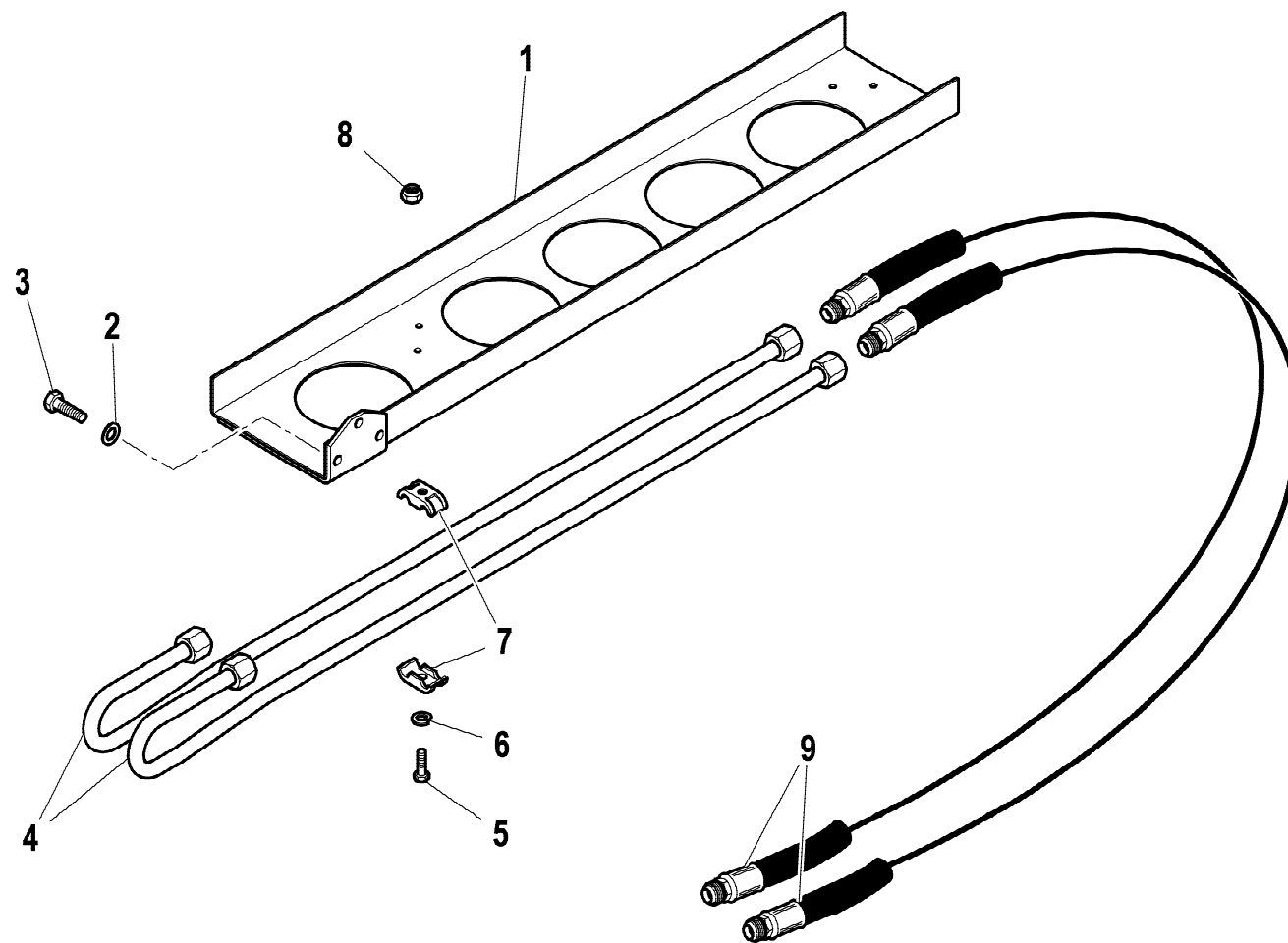
Tavola
6.41.0197-1-0

Data pag.
 giugno 2006 107



| rif. | codice | Q.tà |
|------|-----------|------|
| 1 | 5.22.5190 | 1 |
| 2 | 3.10.1051 | 4 |
| 3 | 5.28.0342 | 2 |
| 4 | 5.39.1515 | 2 |
| 5 | 5.28.0376 | 2 |
| 6 | 3.01.0031 | 8 |
| 7 | 3.06.0055 | 8 |
| 8 | 5.00.0047 | 16 |
| 9 | 5.39.1519 | 2 |
| 10 | 5.28.0467 | 2 |
| 11 | 5.39.1237 | 4 |
| 12 | 3.04.0303 | 6 |
| 13 | 3.06.0056 | 9 |
| 14 | 3.01.0354 | 9 |
| 15 | 5.00.0717 | 3 |
| 16 | 5.28.0232 | 4 |
| 17 | 5.39.1239 | 1 |
| 18 | 5.39.1238 | 1 |
| 19 | 3.11.0421 | 2 |
| 20 | 3.11.1528 | 2 |
| 21 | 3.11.1529 | 2 |

| rif. | codice | Q.tà |
|------|-----------|------|
| 1 | 5.00.0717 | 1 |
| 2 | 3.06.0056 | 3 |
| 3 | 3.01.0354 | 3 |
| 4 | 5.39.1237 | 2 |
| 5 | 3.01.0031 | 2 |
| 6 | 3.06.0055 | 2 |
| 7 | 5.00.0047 | 4 |
| 8 | 3.04.0303 | 2 |
| 9 | 5.28.0232 | 2 |



1/1

HYVA[®] CRANE

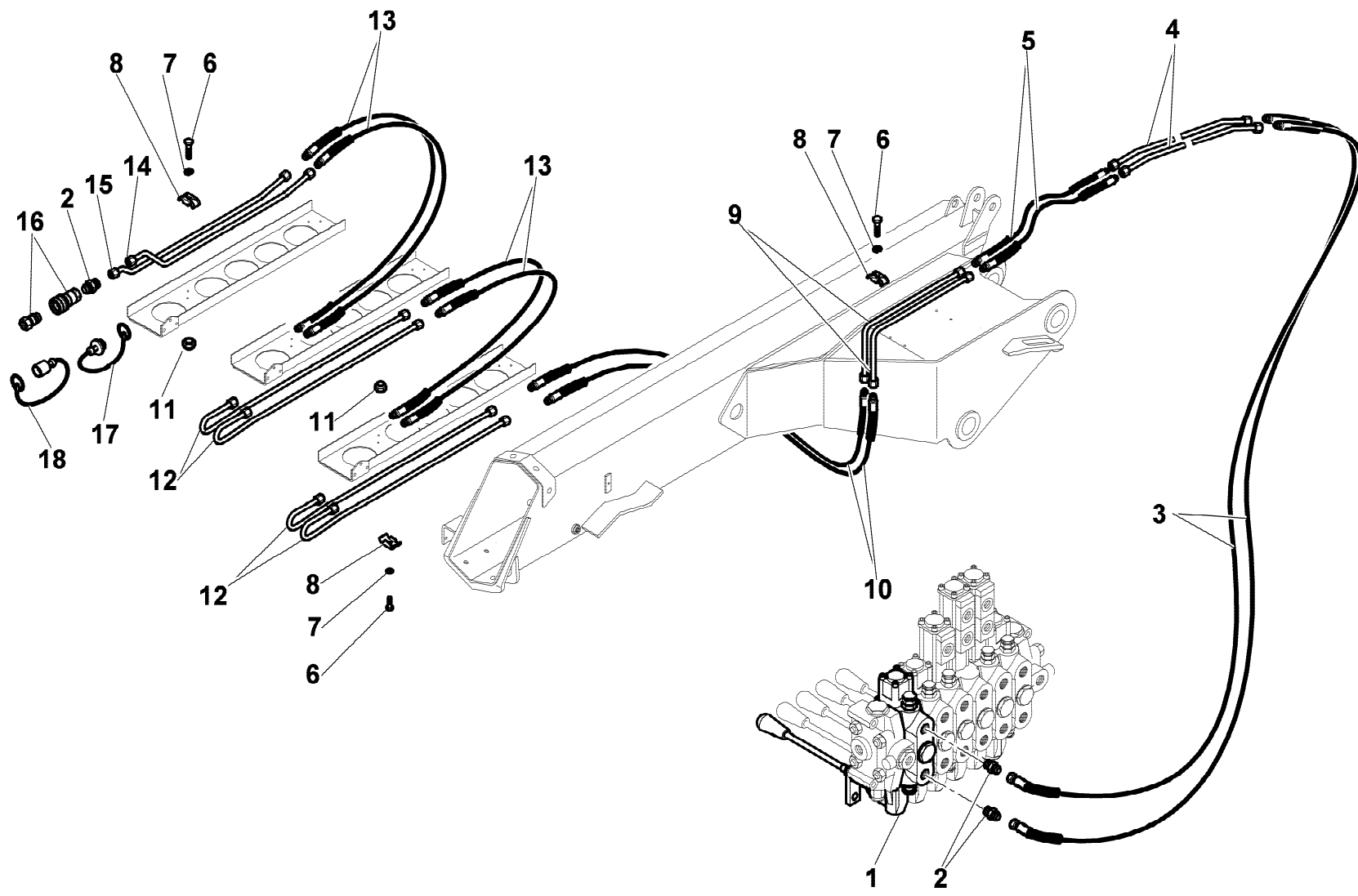
HB280

1° ATTIVAZIONE SUPPLEMENTARE
 1ST ADDITIONAL ACTUATION
 1ERE ACTIVATION SUPPLEMENTAIRE
 1. ZUSATZ-AKTIEVIERUNGEN
 1° ACTIVACIONE ADICIONAL

Tavola

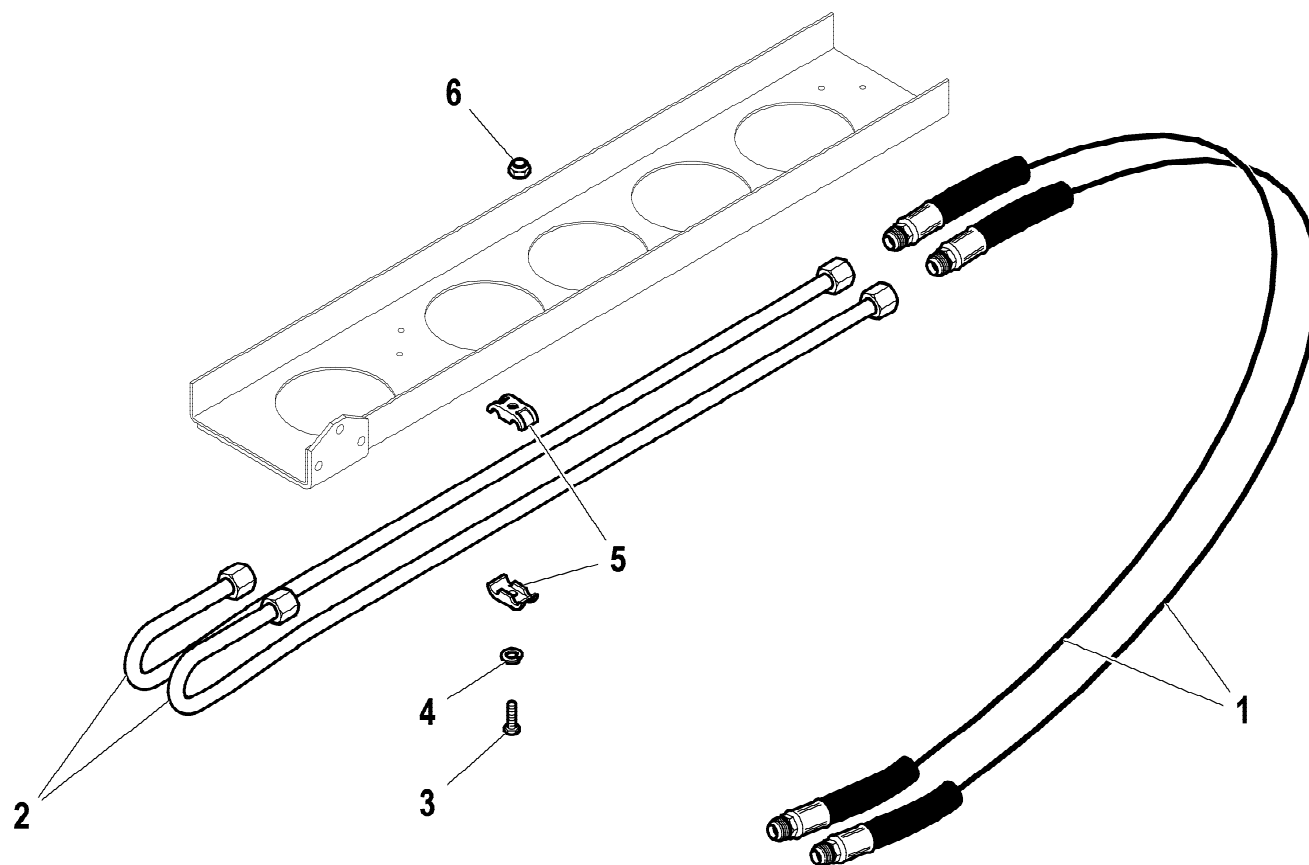
5.59.0011-1-0

Data pag.
 ottobre 2006 109



| rif. | codice | Q.tà |
|------|-----------|------|
| 1 | 5.22.5190 | 1 |
| 2 | 3.10.1051 | 4 |
| 3 | 5.28.0342 | 2 |
| 4 | 5.39.1515 | 2 |
| 5 | 5.28.0376 | 2 |
| 6 | 3.01.0031 | 8 |
| 7 | 3.06.0055 | 8 |
| 8 | 5.00.0047 | 16 |
| 9 | 5.39.1519 | 2 |
| 10 | 5.28.0467 | 2 |
| 11 | 3.04.0303 | 6 |
| 12 | 5.39.1237 | 4 |
| 13 | 5.28.0232 | 4 |
| 14 | 5.39.1239 | 1 |
| 15 | 5.39.1238 | 1 |
| 16 | 3.11.0421 | 2 |
| 17 | 3.11.1528 | 2 |
| 18 | 3.11.1529 | 2 |

| rif. | codice | Q.tà |
|------|-----------|------|
| 1 | 5.28.0232 | 2 |
| 2 | 5.39.1237 | 2 |
| 3 | 3.01.0031 | 2 |
| 4 | 3.06.0055 | 2 |
| 5 | 5.00.0047 | 4 |
| 6 | 3.04.0303 | 2 |



1/1

HYVA[®] CRANE

HB280

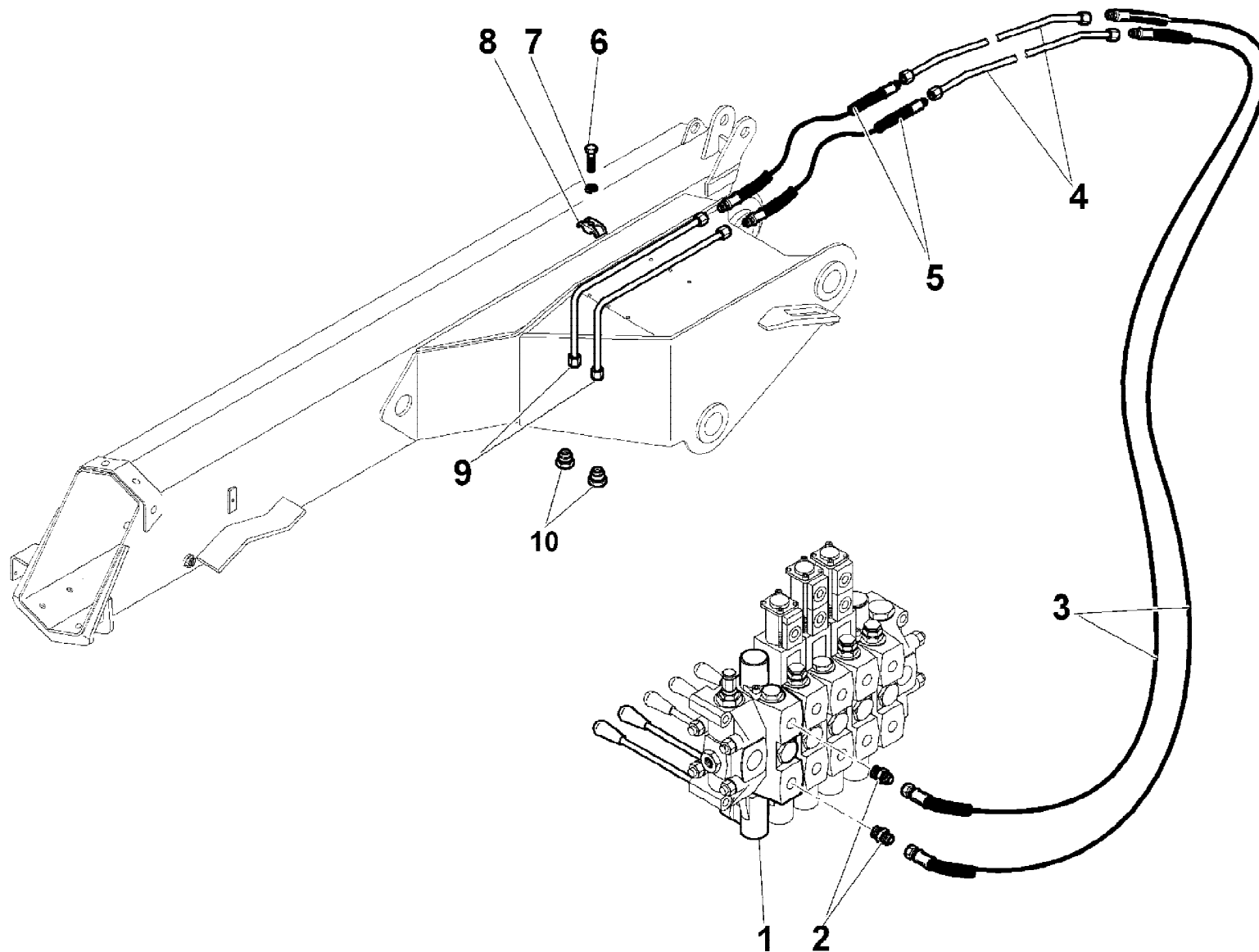
2° ATTIVAZIONE SUPPLEMENTARE
 2ND ADDITIONAL ACTUATION
 2EME ACTIVATION SUPPLEMENTAIRE
 2. ZUSATZ-AKTIVIERUNGEN
 2° ACTIVACIONE ADICIONAL

Tavola

5.60.0011-1-0

Data pag.
 ottobre 2006 111

| rif. | codice | Q.tà |
|------|-----------|------|
| 1 | 5.21.2004 | 1 |
| 2 | 3.10.1051 | 2 |
| 3 | 5.28.0342 | 2 |
| 4 | 5.39.1515 | 2 |
| 5 | 5.28.0376 | 2 |
| 6 | 3.01.0032 | 2 |
| 7 | 3.06.0055 | 2 |
| 8 | 5.00.0047 | 4 |
| 9 | 5.39.1519 | 2 |
| 10 | 3.11.0050 | 2 |



1/1

HYVA® CRANE

HB280

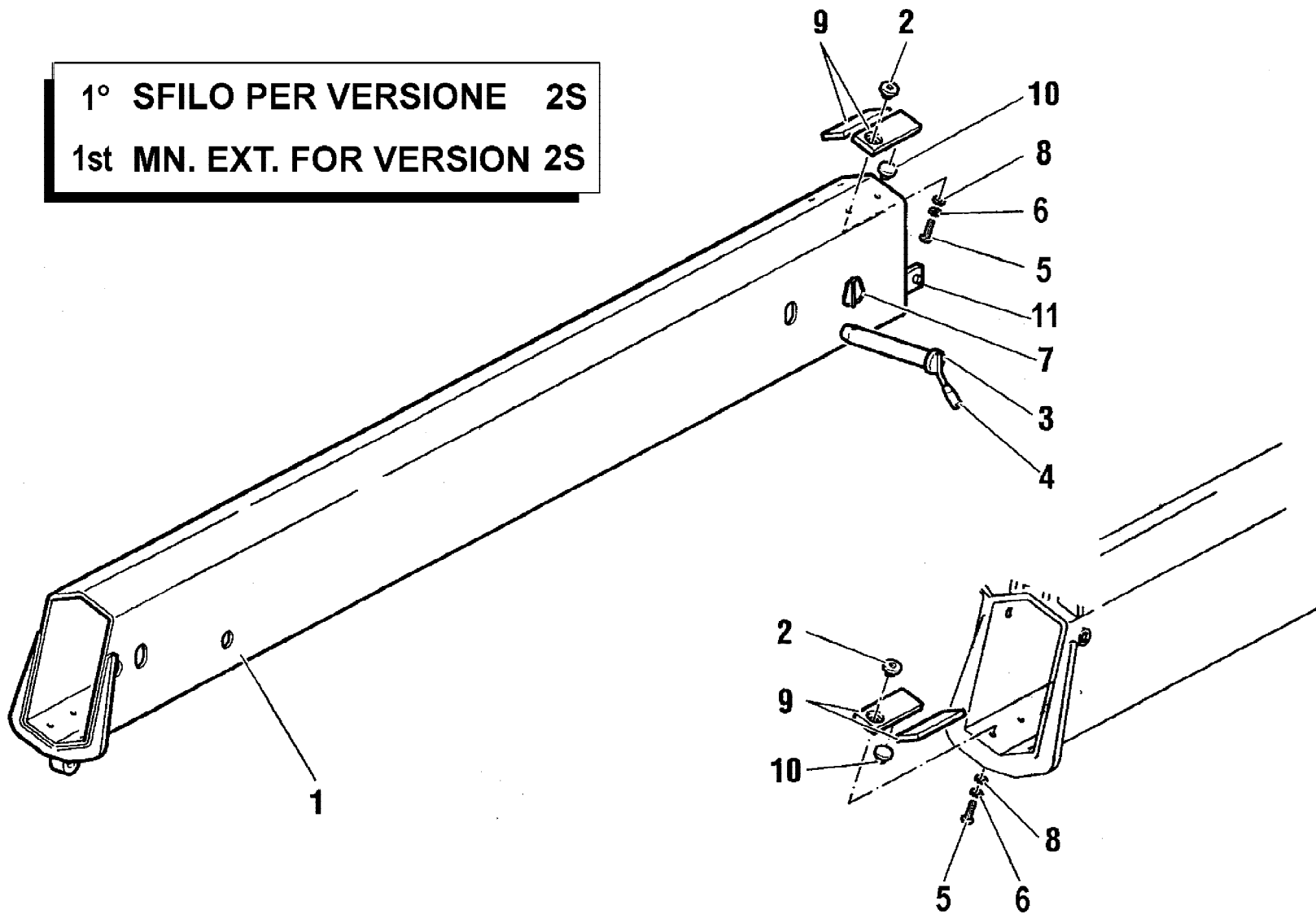
ATTIVAZIONE ARGANO
 ACTUATION FOR WINCH
 ACTIVATION POUR TREUIL
 AKTIVIERUNG WINDE
 ACTIVACIONES PARA TORNO

Tavola

5.74.0105-1-0

Data pag.
 ottobre 2006 112

1° SFILO PER VERSIONE 2S
1st MN. EXT. FOR VERSION 2S



| rif. | codice | Q.tà |
|------|-----------|------|
| 1 | 5.01.0268 | 1 |
| 2 | 5.00.0827 | 4 |
| 3 | 5.15.0822 | 1 |
| 4 | 3.19.0010 | 1 |
| 5 | 3.01.0353 | 4 |
| 6 | 3.06.0920 | 4 |
| 7 | 3.06.0750 | 1 |
| 8 | 3.06.0914 | 4 |
| 9 | 5.14.0701 | 4 |
| 10 | 5.14.0681 | 4 |
| 11 | 5.00.0640 | 1 |

1/1

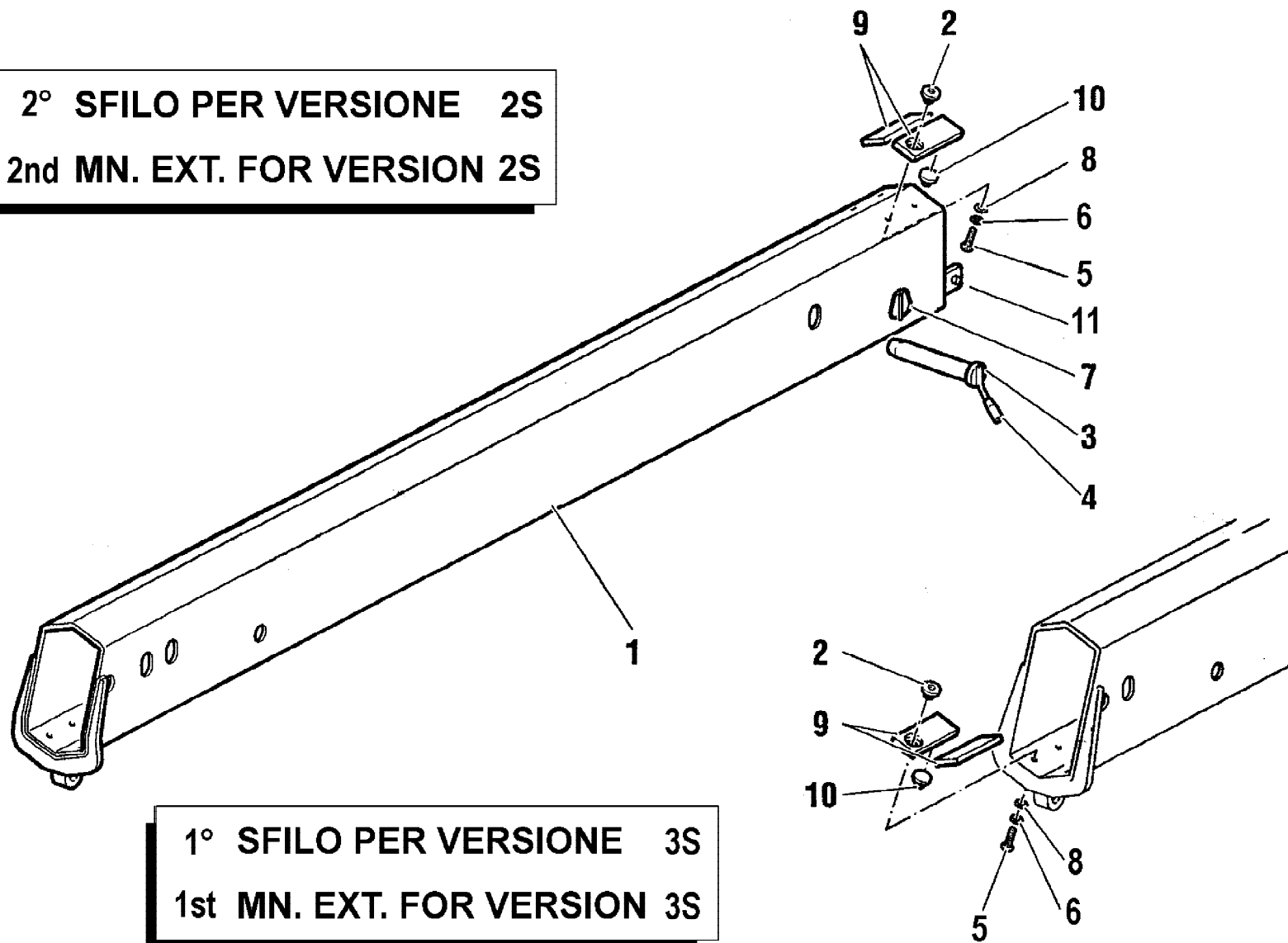
HYVA® CRANE
HB280

PROLUNGA MANUALE
 MANUAL EXTENSION
 RALLONGE MANUELLE
 MANUAL-VERLÄNGERUNG
 PROLONGACION MANUAL

Tavola
7.80.0231-1-0

Data pag.
 giugno 2006 113

2° SFILO PER VERSIONE 2S
2nd MN. EXT. FOR VERSION 2S



1° SFILO PER VERSIONE 3S
1st MN. EXT. FOR VERSION 3S

| rif. | codice | Q.tà |
|------|-----------|------|
| 1 | 5.01.0269 | 1 |
| 2 | 5.00.0827 | 4 |
| 3 | 5.15.0806 | 1 |
| 4 | 3.19.0010 | 1 |
| 5 | 3.01.0353 | 4 |
| 6 | 3.06.0920 | 4 |
| 7 | 3.06.0750 | 1 |
| 8 | 3.06.0914 | 4 |
| 9 | 5.14.0701 | 4 |
| 10 | 5.14.0681 | 4 |
| 11 | 5.00.0640 | 1 |

1/1

HYVA® CRANE

HB280

PROLUNGA MANUALE
 MANUAL EXTENSION
 RALLONGE MANUELLE
 MANUAL-VERLÄNGERUNG
 PROLONGACION MANUAL

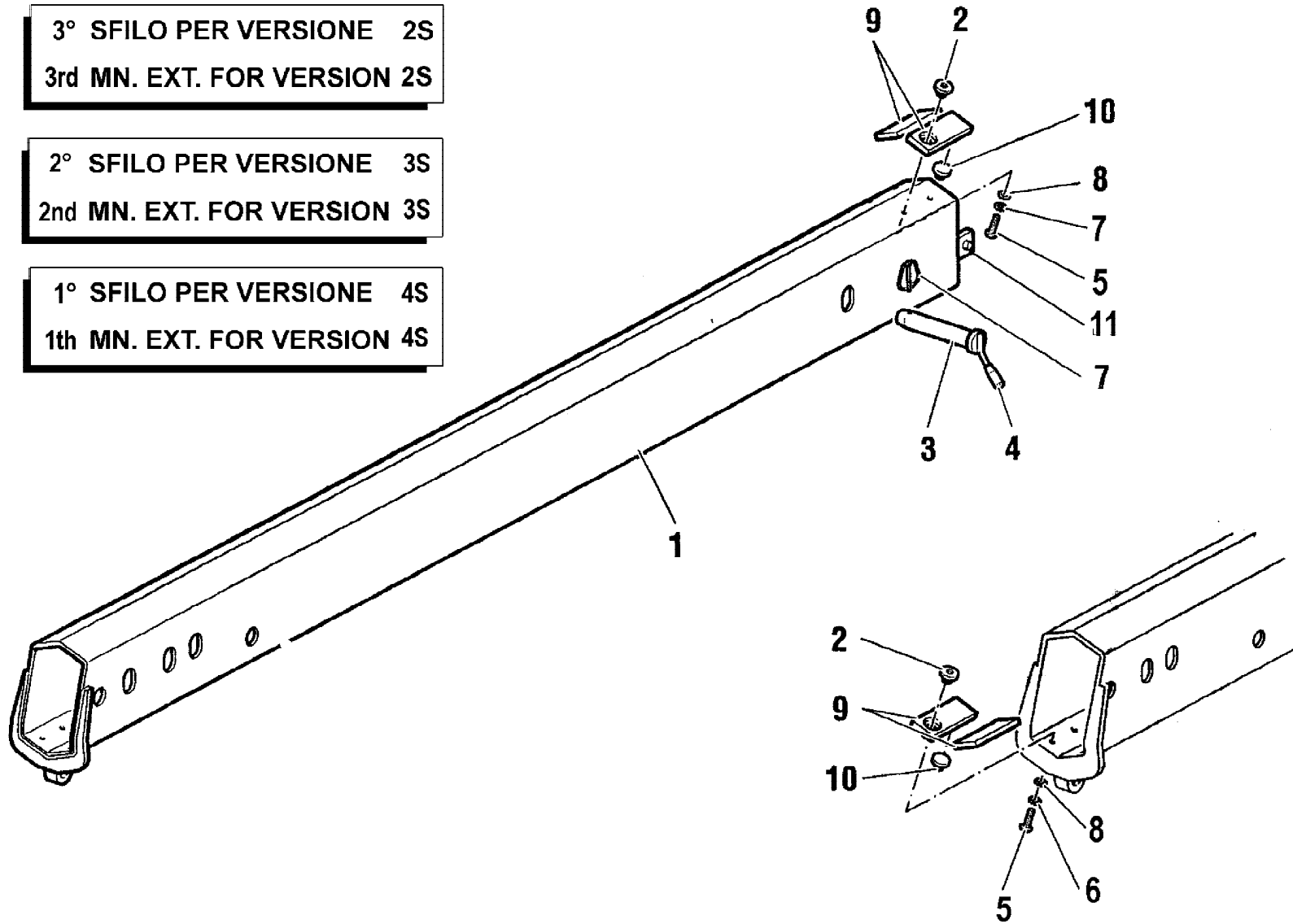
Tavola
7.80.0232-1-0

Data pag.
 giugno 2006 114

3° SFILO PER VERSIONE 2S
3rd MN. EXT. FOR VERSION 2S

2° SFILO PER VERSIONE 3S
2nd MN. EXT. FOR VERSION 3S

1° SFILO PER VERSIONE 4S
1th MN. EXT. FOR VERSION 4S



| rif. | codice | Q.tà |
|------|-----------|------|
| 1 | 5.01.0270 | 1 |
| 2 | 5.00.0827 | 4 |
| 3 | 5.15.0238 | 1 |
| 4 | 3.19.0010 | 1 |
| 5 | 3.01.0353 | 4 |
| 6 | 3.06.0920 | 4 |
| 7 | 3.06.0750 | 1 |
| 8 | 3.06.0914 | 4 |
| 9 | 5.14.0680 | 4 |
| 10 | 5.14.0681 | 4 |
| 11 | 5.00.0640 | 1 |

1/1

HYVA® CRANE

HB280

PROLUNGA MANUALE
MANUAL EXTENSION
RALLONGE MANUELLE
MANUAL-VERLÄNGERUNG
PROLONGACION MANUAL

Tavola

7.80.0233-1-0

Data pag.
giugno 2006 115

3° SFILO PER VERSIONE 3S

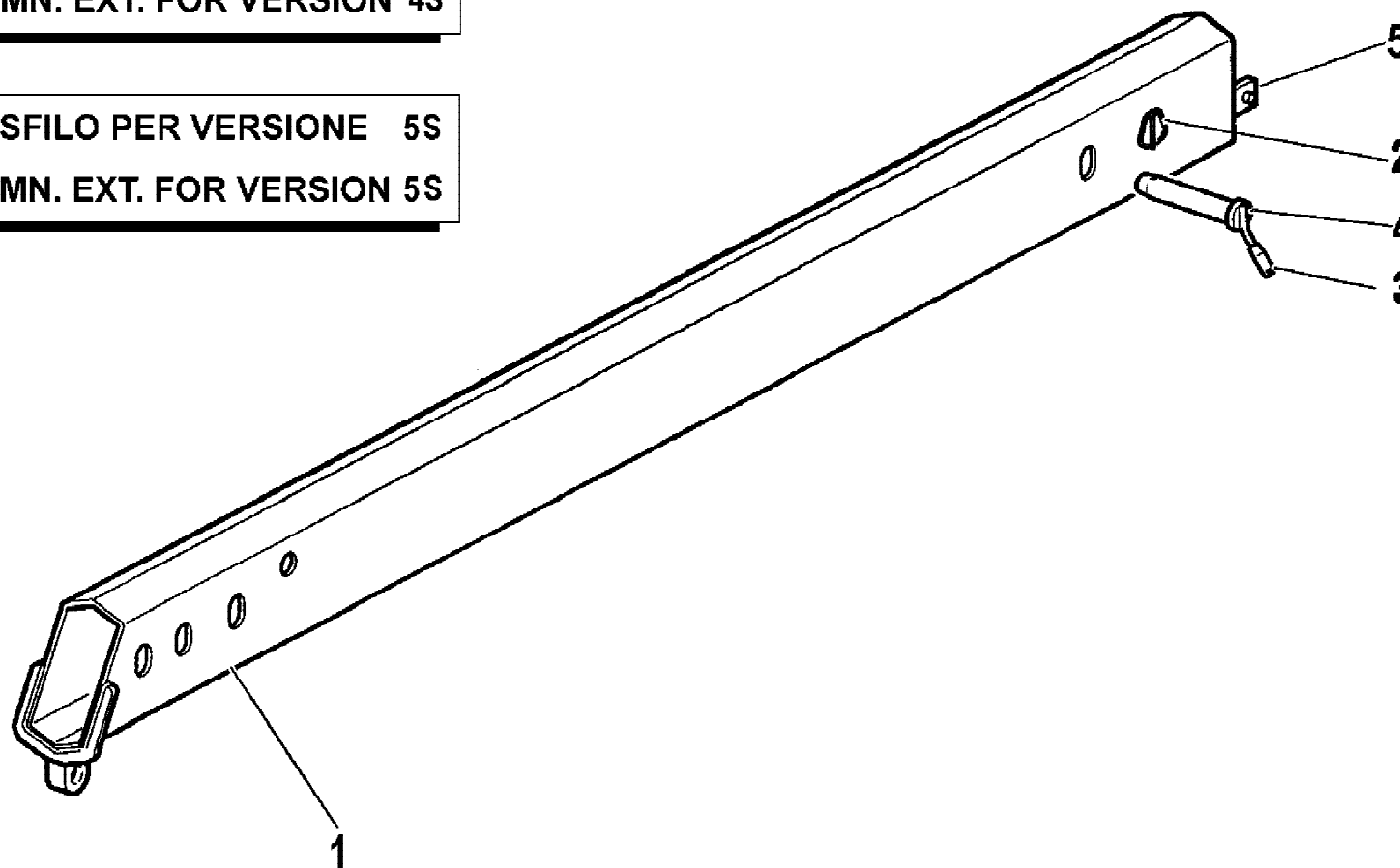
3rd MN. EXT. FOR VERSION 3S

2° SFILO PER VERSIONE 4S

2nd MN. EXT. FOR VERSION 4S

1° SFILO PER VERSIONE 5S

1st MN. EXT. FOR VERSION 5S



| rif. | codice | Q.tà |
|------|-----------|------|
| 1 | 5.01.0271 | 1 |
| 2 | 3.06.0750 | 1 |
| 3 | 3.19.0010 | 1 |
| 4 | 5.15.0395 | 1 |
| 5 | 5.00.0640 | 1 |

1/1

HYVA® CRANE

HB280

PROLUNGA MANUALE
MANUAL EXTENSION
RALLONGE MANUELLE
MANUAL-VERLÄNGERUNG
PROLONGACION MANUAL

Tavola
7.80.0234-1-0

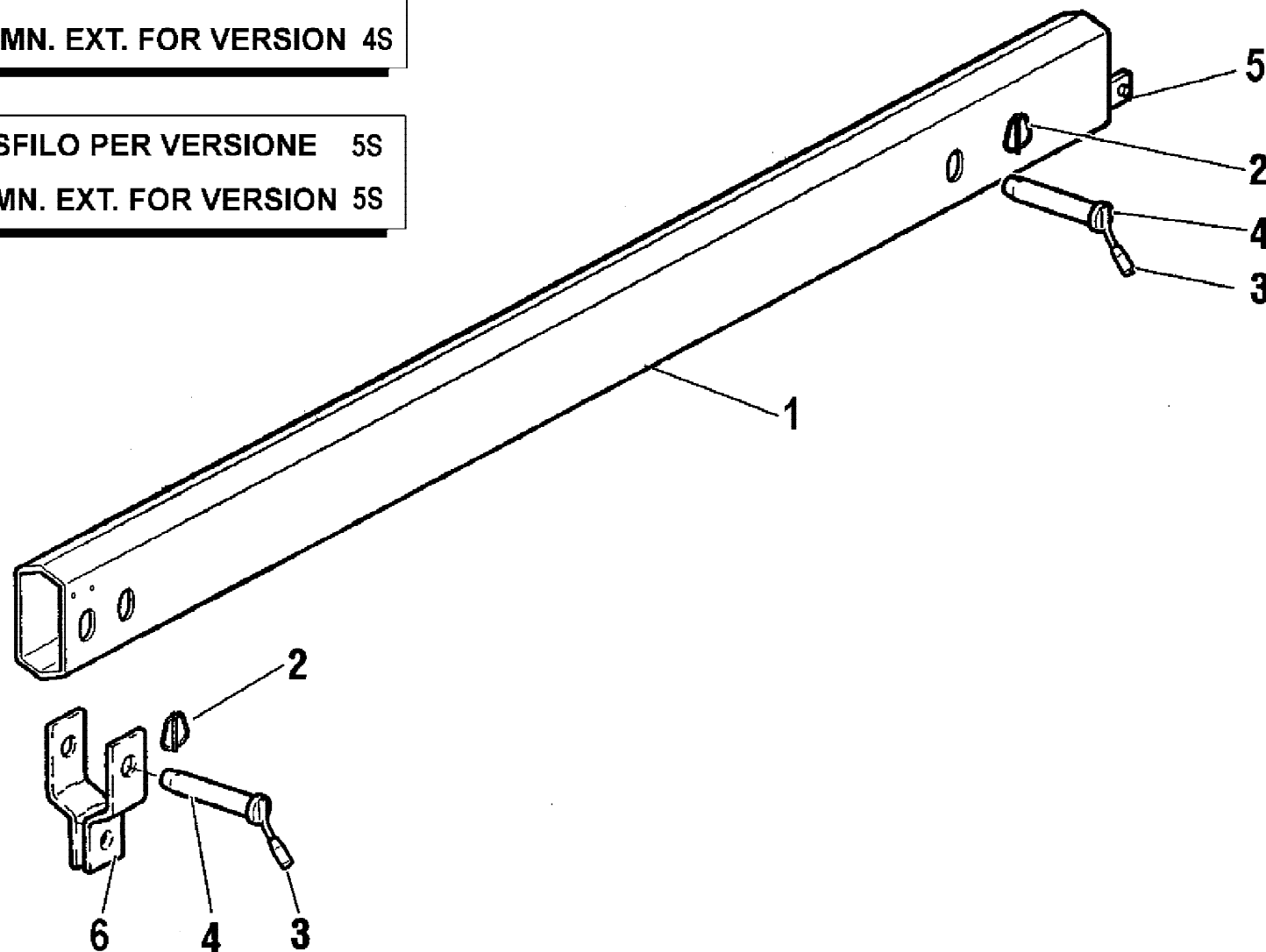
Data pag.
giugno 2006 116

3° SFILO PER VERSIONE 4S

3° MN. EXT. FOR VERSION 4S

2° SFILO PER VERSIONE 5S

2° MN. EXT. FOR VERSION 5S



| rif. | codice | Q.tà |
|------|-----------|------|
| 1 | 5.01.0272 | 1 |
| 2 | 3.06.0750 | 2 |
| 3 | 3.19.0010 | 2 |
| 4 | 5.15.0557 | 2 |
| 5 | 5.00.0640 | 1 |
| 6 | 5.00.0815 | 1 |

1/1

HYVA® CRANE

HB280

PROLUNGA MANUALE
MANUAL EXTENSION
RALLONGE MANUELLE
MANUAL-VERLÄNGERUNG
PROLONGACION MANUAL

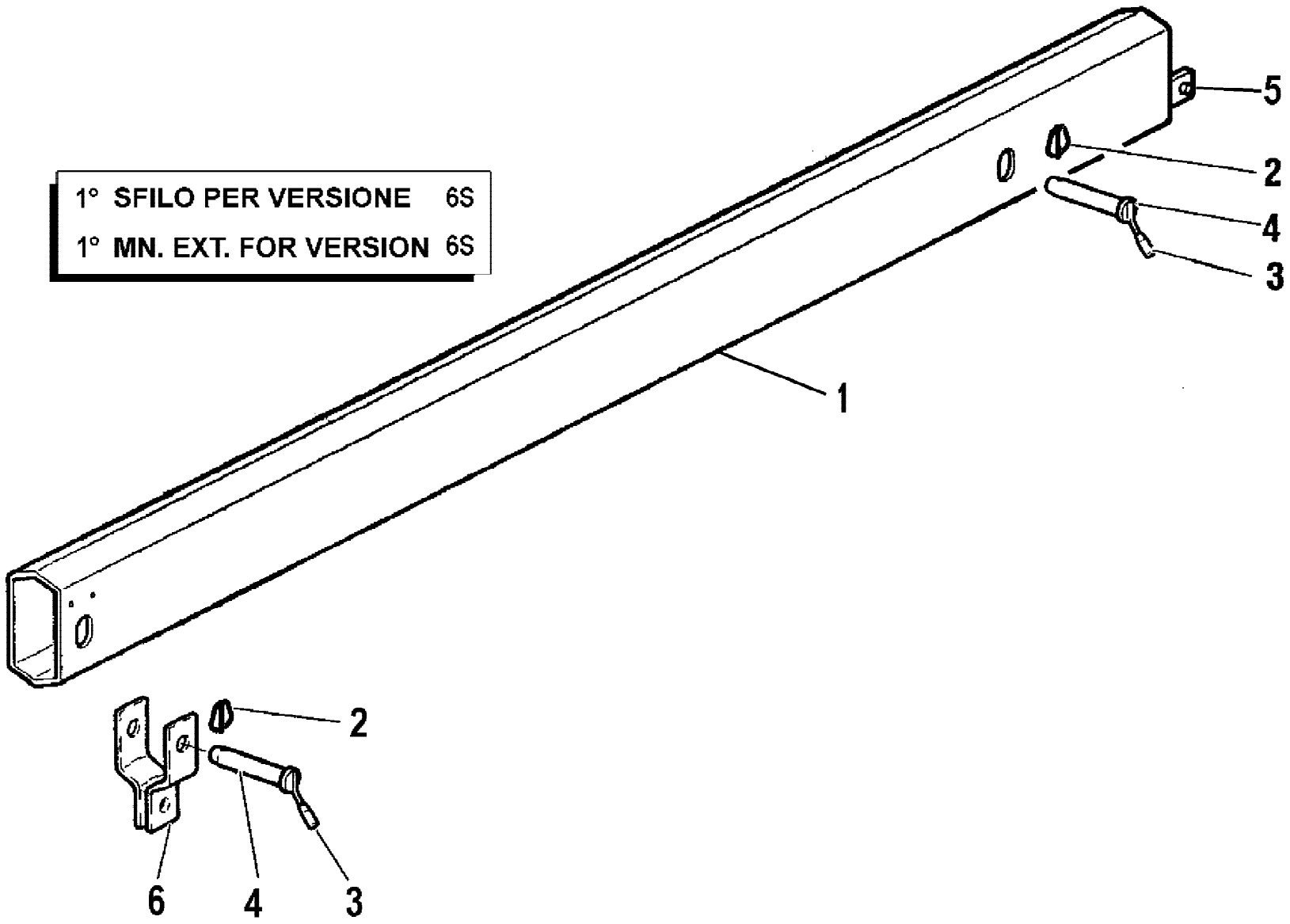
Tavola

7.80.0235-1-0

Data pag.
giugno 2006 117

| rif. | codice | Q.tà |
|------|-----------|------|
| 1 | 5.01.0277 | 1 |
| 2 | 3.06.0753 | 2 |
| 3 | 3.19.0010 | 2 |
| 4 | 5.15.0186 | 2 |
| 5 | 5.00.0640 | 1 |
| 6 | 5.00.0814 | 1 |

1° SFILO PER VERSIONE 6S
 1° MN. EXT. FOR VERSION 6S



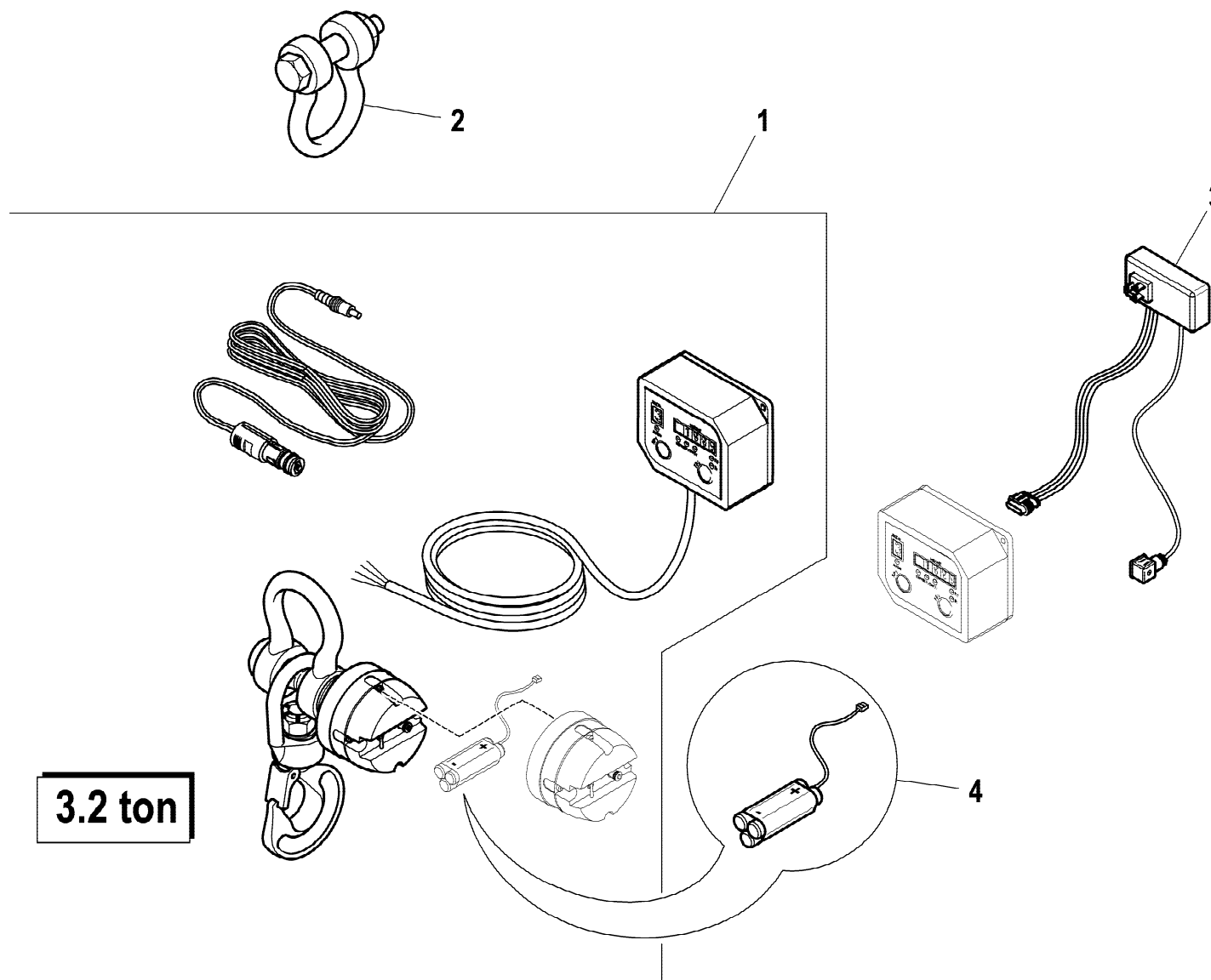
HB280

PROLUNGA MANUALE
 MANUAL EXTENSION
 RALLONGE MANUELLE
 MANUAL-VERLÄNGERUNG
 PROLONGACION MANUAL

Tavola
7.80.0261-1-0

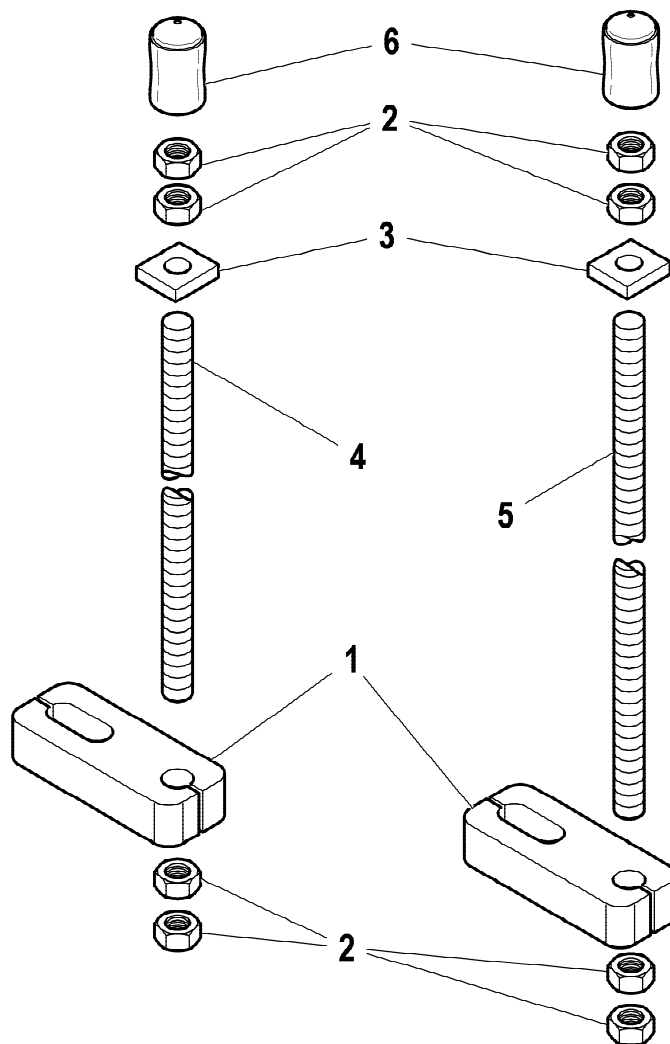
Data pag.
 giugno 2006 118

| rif. | codice | Q.tà |
|------|-----------|------|
| 1 | 5.73.0507 | 1 |
| 2 | 3.20.0050 | 1 |
| 3 | W.236.510 | 1 |
| 4 | 3.31.1542 | 1 |



3.2 ton

| rif. | codice | Q.tà |
|------|-----------|------|
| 1 | 5.00.1204 | 4 |
| 2 | 3.04.0190 | 32 |
| 3 | 5.00.0090 | 16 |
| 4 | 5.15.0659 | 2 |
| 5 | 5.15.0661 | 6 |
| 6 | 3.19.0292 | 8 |

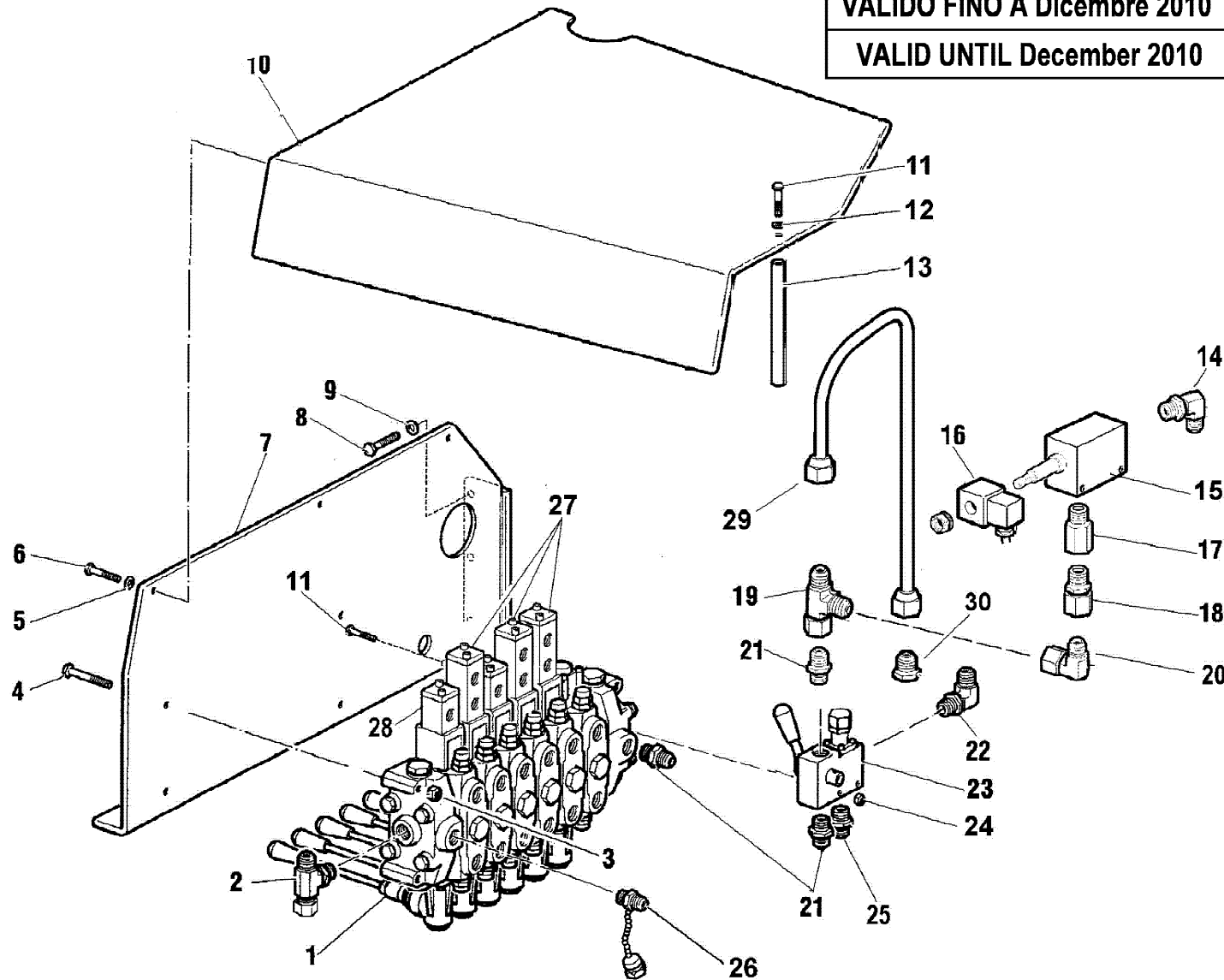




HB280 E3J3 - HB280 E4J3

VALIDO FINO A Dicembre 2010

VALID UNTIL December 2010



| rif. | codice | Q.tà |
|------|-----------|------|
| 1 | 5.22.0292 | 1 |
| 2 | 3.12.0306 | 1 |
| 3 | 3.04.0303 | 3 |
| 4 | 3.01.0036 | 3 |
| 5 | 3.06.0053 | 3 |
| 6 | 3.01.0015 | 3 |
| 7 | 5.09.0570 | 1 |
| 8 | 3.01.0355 | 3 |
| 9 | 3.06.0056 | 3 |
| 10 | 5.90.0829 | 1 |
| 11 | 3.01.0397 | 4 |
| 12 | 3.06.0055 | 1 |
| 13 | 5.00.0835 | 1 |
| 14 | 3.10.1131 | 1 |
| 15 | 5.22.0642 | 1 |
| 16 | 3.31.0242 | 1 |
| 17 | 3.11.0113 | 1 |
| 18 | 3.12.0067 | 1 |
| 19 | 3.12.0008 | 1 |
| 20 | 3.12.0034 | 1 |
| 21 | 3.10.1051 | 3 |
| 22 | 3.10.1128 | 1 |
| 23 | 5.22.0596 | 1 |
| 24 | 3.04.0372 | 2 |
| 25 | 3.101044 | 1 |
| 26 | 3.11.1523 | 1 |
| 27 | 5.22.5313 | 3 |
| 28 | 5.22.5312 | 2 |
| 29 | 5.39.1461 | 1 |
| 30 | 3.11.0057 | 1 |

1/1

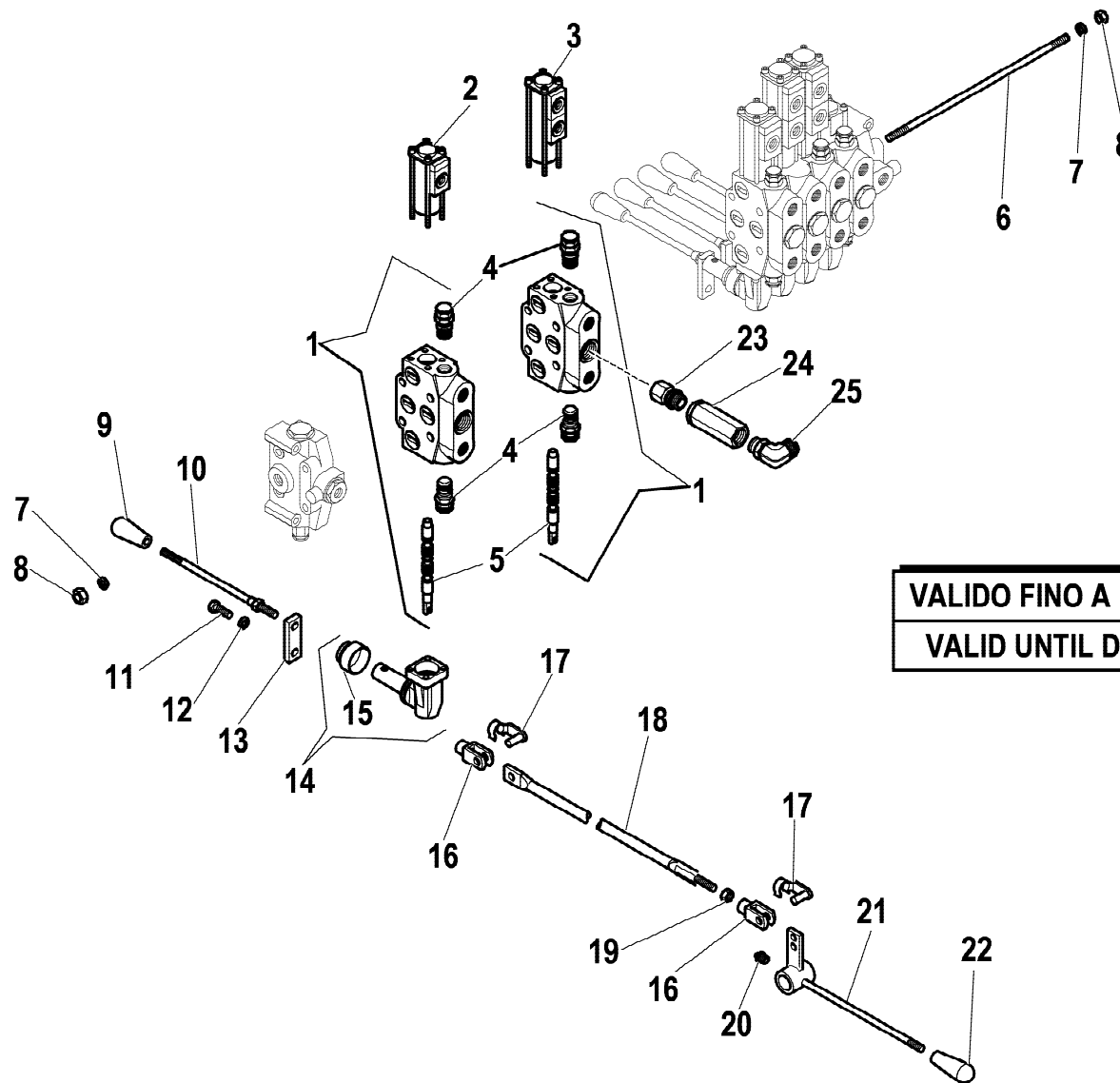
HYVA[®] CRANE

HB280

COMANDI
CONTROLS
COMMANDES
STEUERUGEN
MANDOS

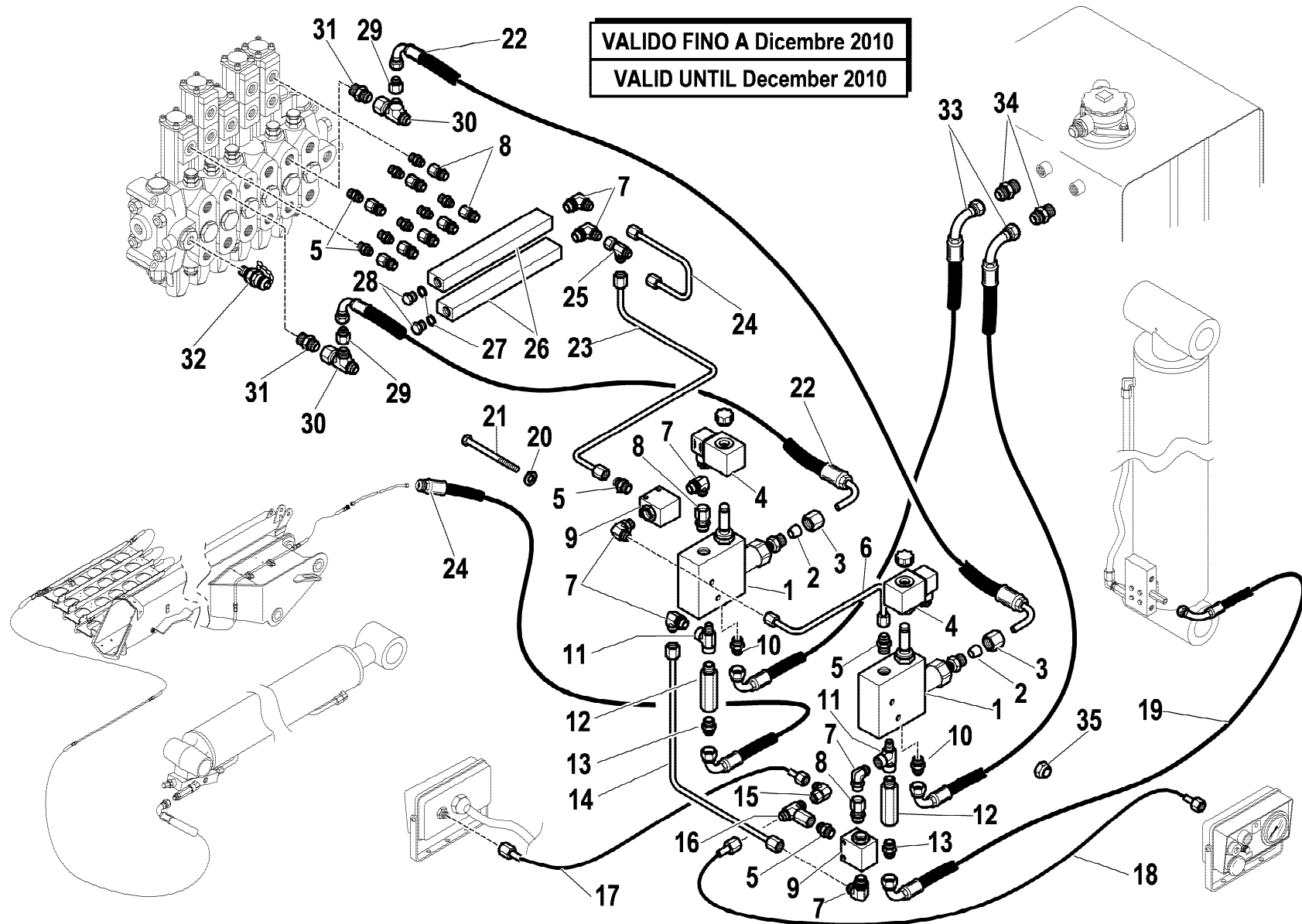
Tavola
5.40.0216-1-0

Data pag.
ottobre 2006 122



VALIDO FINO A Dicembre 2010
VALID UNTIL December 2010

| rif. | codice | Q.tà |
|------|-----------|------|
| 1 | 5.22.5187 | 2 |
| 2 | 5.22.5312 | 1 |
| 3 | 5.22.5313 | 1 |
| 4 | 5.22.5200 | 4 |
| 5 | 5.22.5177 | 2 |
| 6 | 5.22.5214 | 4 |
| 7 | 3.06.0056 | 4 |
| 8 | 3.04.0046 | 4 |
| 9 | 3.19.0006 | 2 |
| 10 | 5.22.0224 | 2 |
| 11 | 3.01.0339 | 2 |
| 12 | 3.06.0055 | 2 |
| 13 | 5.00.0708 | 2 |
| 14 | 5.22.5126 | 2 |
| 15 | 5.22.5128 | 2 |
| 16 | 3.30.0431 | 4 |
| 17 | 3.30.0451 | 4 |
| 18 | 5.09.0456 | 2 |
| 19 | 3.04.0045 | 2 |
| 20 | 3.08.0500 | 2 |
| 21 | 5.09.0433 | 2 |
| 22 | 3.19.0010 | 2 |
| 23 | 3.12.0067 | 1 |
| 24 | 5.22.0557 | 1 |
| 25 | 3.10.1128 | 1 |



VALIDO FINO A Dicembre 2010
 VALID UNTIL December 2010

| rif. | codice | Q.tà |
|------|-----------|------|
| 1 | 5.22.0578 | 2 |
| 2 | 3.10.0956 | 2 |
| 3 | 3.10.0952 | 2 |
| 4 | 3.31.0242 | 2 |
| 5 | 3.10.1034 | 11 |
| 6 | 5.39.1755 | 1 |
| 7 | 3.10.1194 | 7 |
| 8 | 3.12.0340 | 10 |
| 9 | 5.22.0542 | 2 |
| 10 | 3.10.1039 | 2 |
| 11 | 3.10.1215 | 2 |
| 12 | 3.11.0111 | 2 |
| 13 | 3.10.1042 | 2 |
| 14 | 5.39.1756 | 1 |
| 15 | 3.19.0076 | 1 |
| 16 | 3.12.0111 | 1 |
| 17 | 5.30.0032 | 1 |
| 18 | 5.30.0031 | 1 |
| 19 | 5.26.0352 | 1 |
| 20 | 3.06.0005 | 2 |
| 21 | 3.01.0386 | 2 |
| 22 | 5.26.0350 | 2 |
| 23 | 5.39.1758 | 1 |
| 24 | 5.39.1757 | 1 |
| 25 | 3.12.0001 | 1 |
| 26 | 500.1150 | 2 |
| 27 | 3.06.0143 | 2 |
| 28 | 3.11.0062 | 2 |
| 29 | 3.12.0209 | 2 |
| 30 | 3.12.0008 | 2 |
| 31 | 3.10.1051 | 2 |

1/2

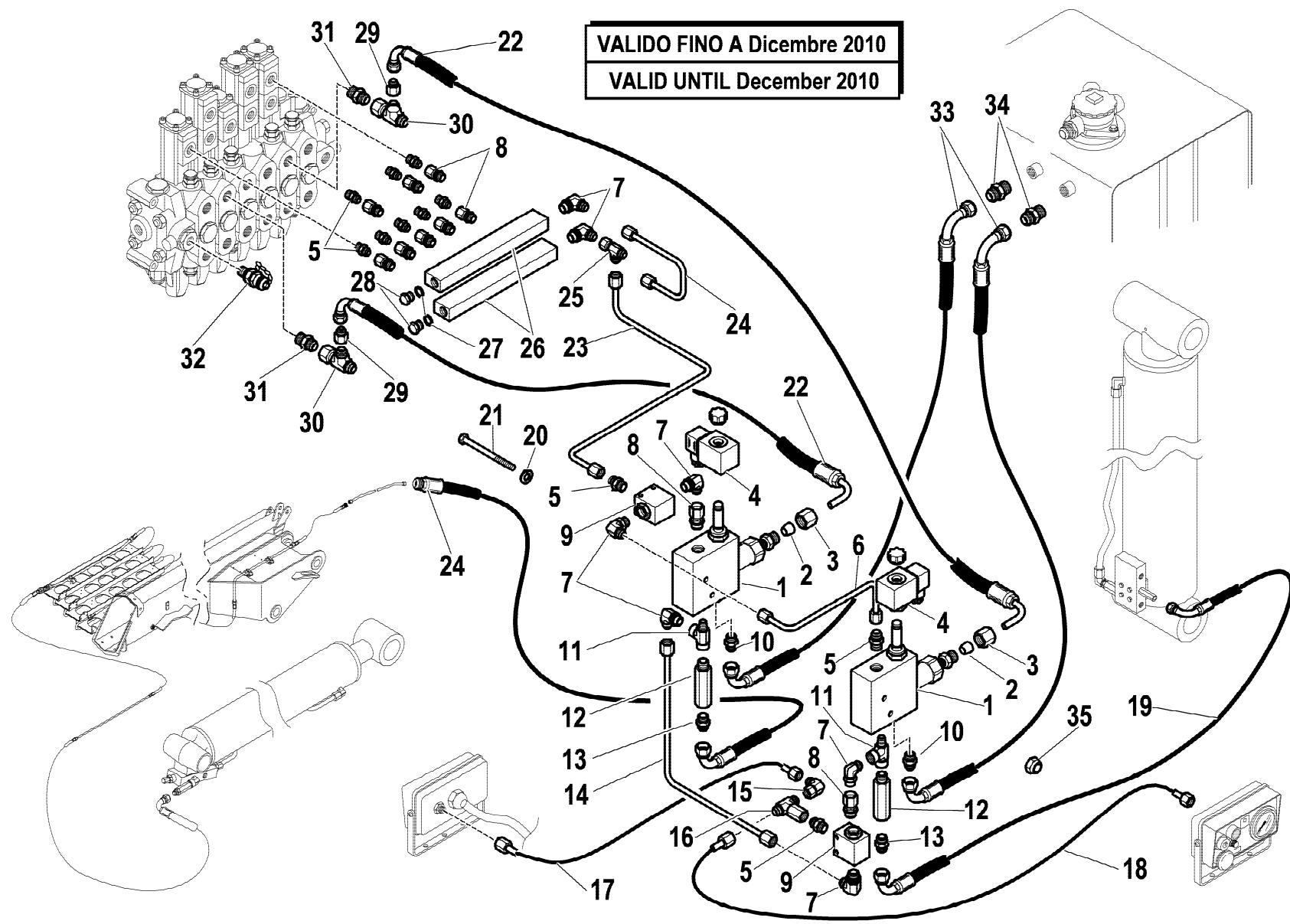
HYVA CRANE
 HB280

IMPIANTO IDRAULICO (LIMITATORE DI MOMENTO) JIB - CE
 HYDRAULIC SYSTEM (MOMENT LIMITING DEVICE) JIB - CE
 INSTALLATION HYDRAULIQUE (LIMITEUR DE MOMENT) JIB - CE
 HYDRAULIKANLAGE (HUB-MOMENTBEGRENZER) JIB - CE
 INSTALACION HIDRAULICA (LIMITADOR DE MOMENTO) JIB - CE

Tavola
5.43.0027-1-0

Data pag.
 ottobre 2006 124.1

| rif. | codice | Q.tà |
|------|-----------|------|
| 32 | 3.11.1523 | 1 |
| 33 | 5.26.0353 | 1 |
| 34 | 3.10.1041 | 1 |
| 35 | 3.04.0372 | 2 |



VALIDO FINO A Dicembre 2010
VALID UNTIL December 2010

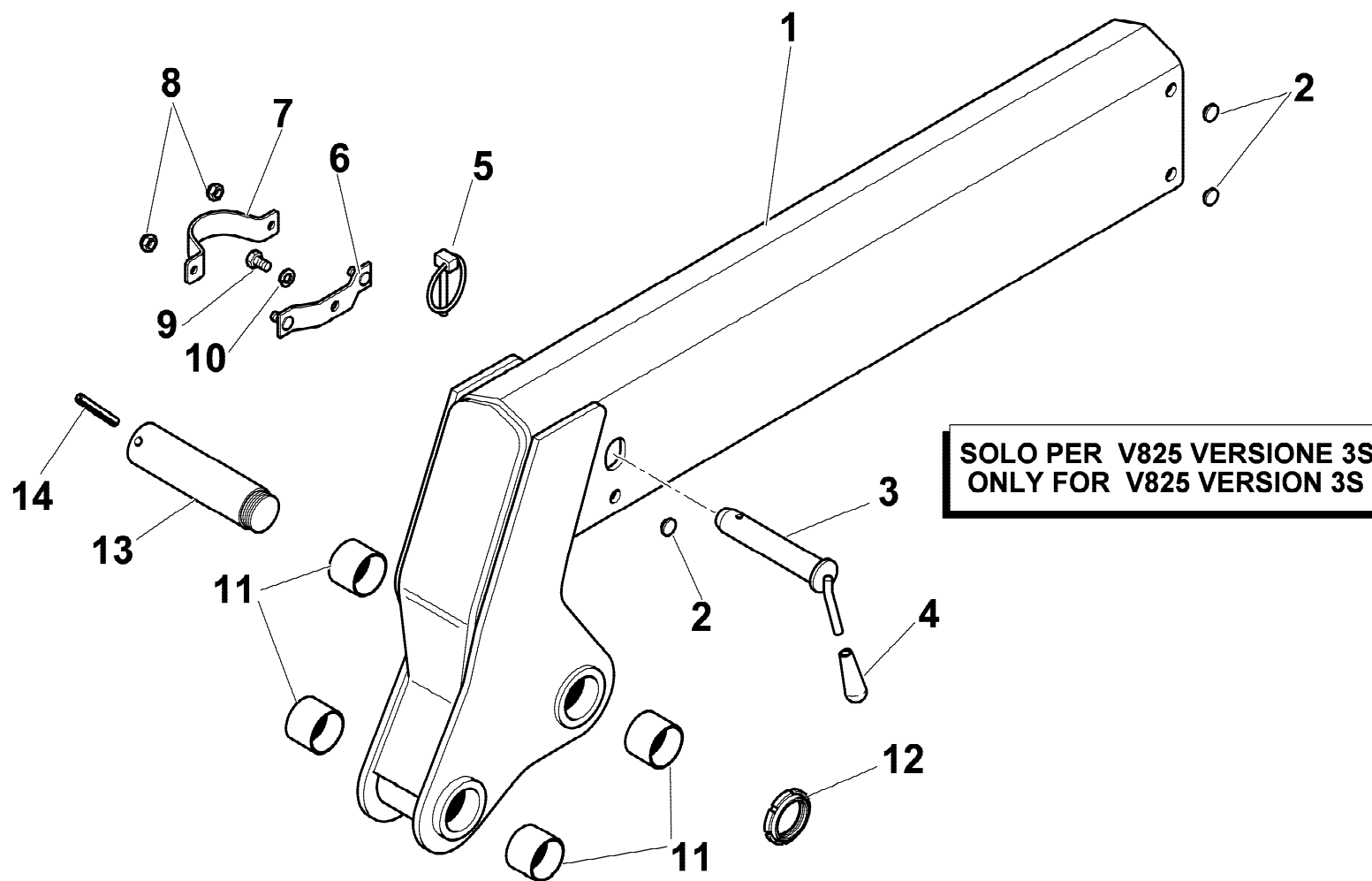
HYVA® CRANE
HB280

IMPIANTO IDRAULICO (LIMITATORE DI MOMENTO) JIB - CE
 HYDRAULIC SYSTEM (MOMENT LIMITING DEVICE) JIB - CE
 INSTALLATION HYDRAULIQUE (LIMITEUR DE MOMENT) JIB - CE
 HYDRAULIKANLAGE (HUB-MOMENTBEGRENZER) JIB - CE
 INSTALACION HIDRAULICA (LIMITADOR DE MOMENTO) JIB - CE

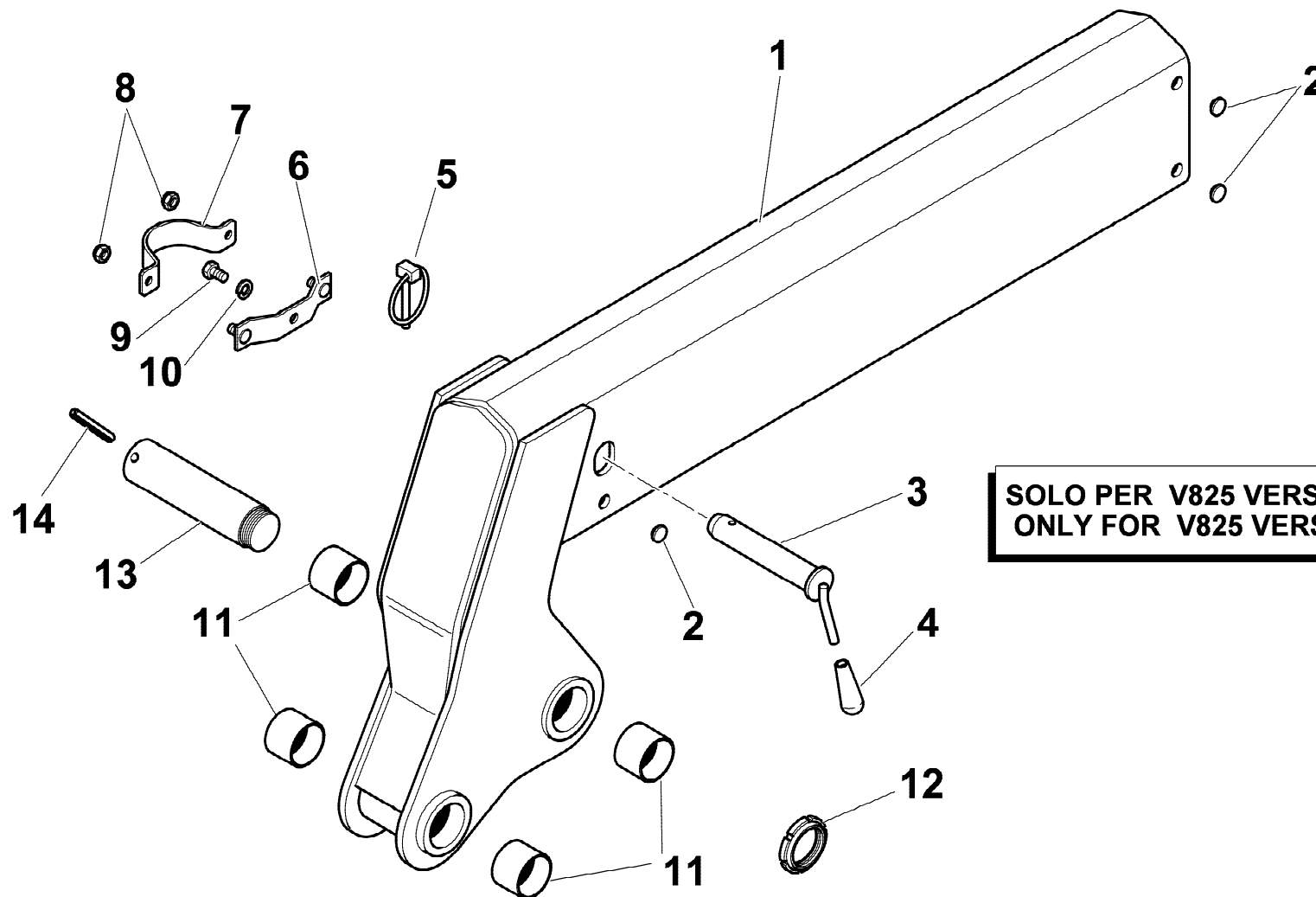
Tavola
5.43.0027-1-0

Data pag.
ottobre 2006 124.2

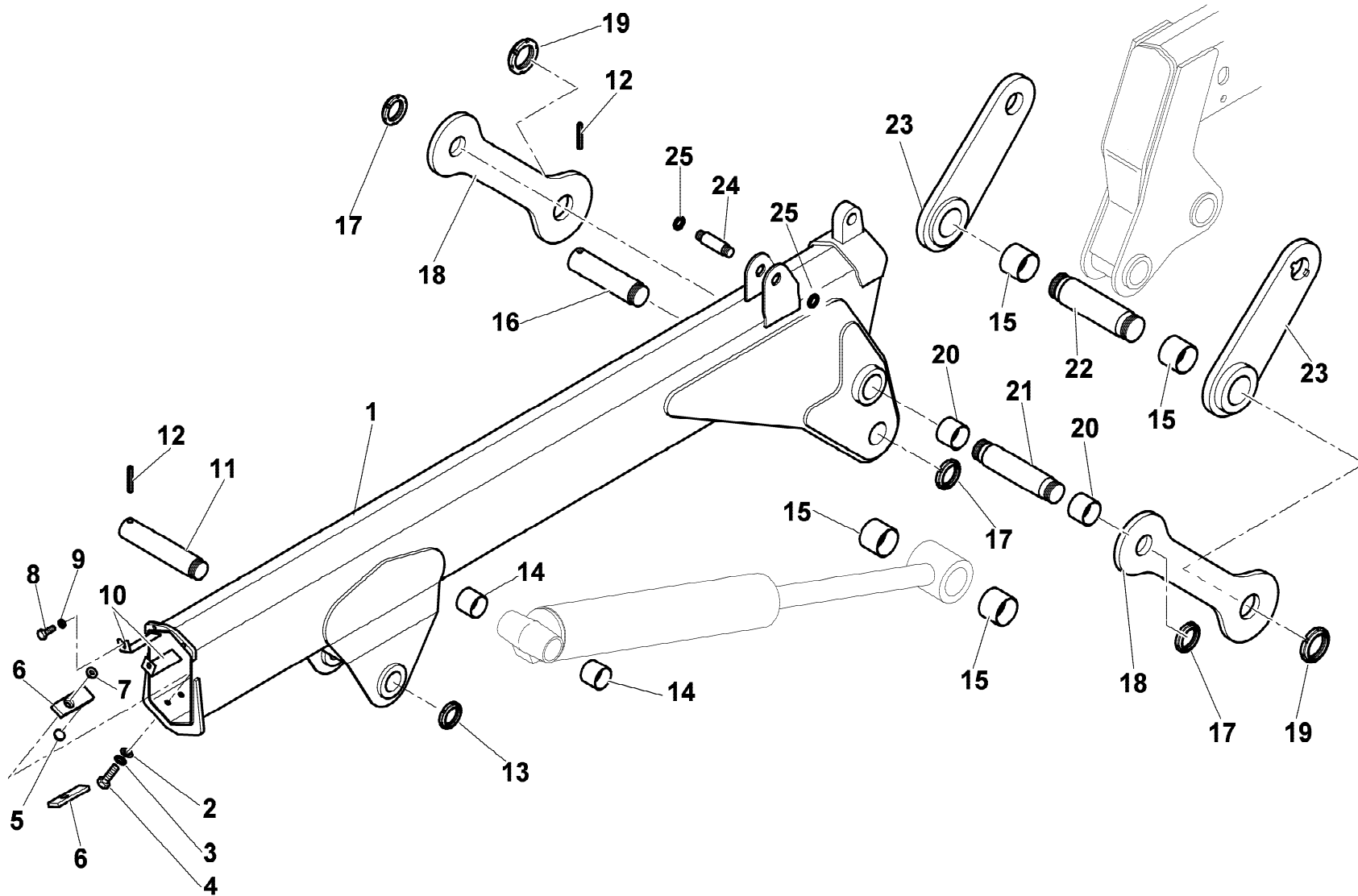
| rif. | codice | Q.tà |
|------|-----------|------|
| 1 | 5.09.0546 | 1 |
| 2 | 5.14.0656 | 6 |
| 3 | 5.15.0395 | 1 |
| 4 | 3.19.0006 | 1 |
| 5 | 3.06.0753 | 1 |
| 6 | 5.00.0614 | 1 |
| 7 | 5.00.0037 | 1 |
| 8 | 3.04.0304 | 2 |
| 9 | 3.01.0353 | 1 |
| 10 | 3.06.0056 | 1 |
| 11 | 5.14.0695 | 4 |
| 12 | 3.04.0506 | 1 |
| 13 | 5.15.0516 | 1 |
| 14 | 3.06.0632 | 1 |



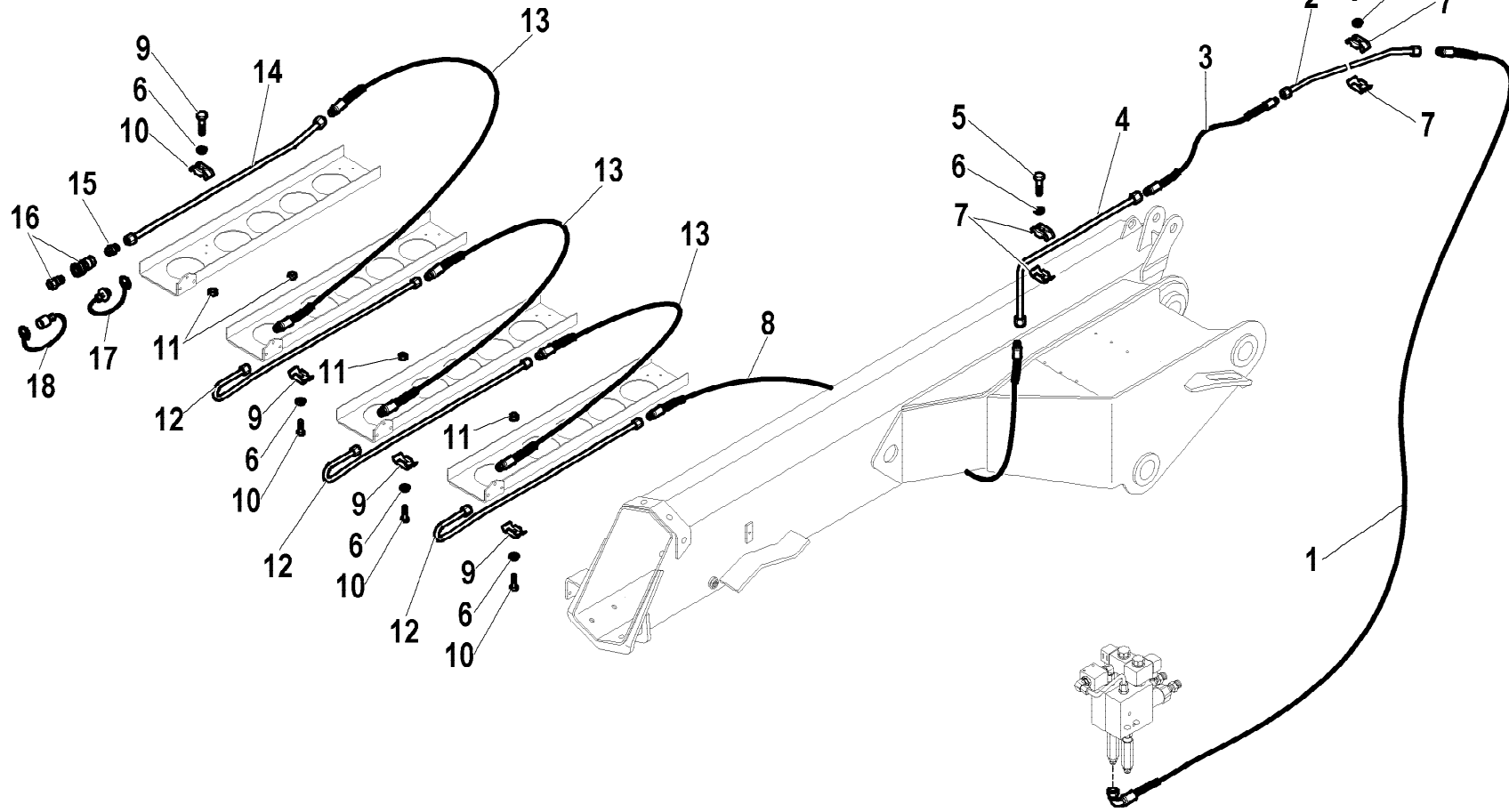
| rif. | codice | Q.tà |
|------|-----------|------|
| 1 | 5.09.0538 | 1 |
| 2 | 5.14.0656 | 6 |
| 3 | 5.15.0395 | 1 |
| 4 | 3.19.0006 | 1 |
| 5 | 3.06.0753 | 1 |
| 6 | 5.00.0614 | 1 |
| 7 | 5.00.0037 | 1 |
| 8 | 3.04.0304 | 2 |
| 9 | 3.01.0353 | 1 |
| 10 | 3.06.0056 | 1 |
| 11 | 5.14.0695 | 4 |
| 12 | 3.04.0506 | 1 |
| 13 | 5.15.0516 | 1 |
| 14 | 3.06.0632 | 1 |



**SOLO PER V825 VERSIONE 4S
ONLY FOR V825 VERSION 4S**



| rif. | codice | Q.tà |
|------|-----------|------|
| 1 | 5.03.0220 | 1 |
| 2 | 3.06.0056 | 2 |
| 3 | 3.06.0918 | 2 |
| 4 | 3.01.0337 | 2 |
| 5 | 5.14.0656 | 2 |
| 6 | 5.14.0977 | 2 |
| 7 | 5.00.0623 | 2 |
| 8 | 3.01.0336 | 2 |
| 9 | 3.06.0055 | 2 |
| 10 | 5.00.0685 | 2 |
| 11 | 5.15.0520 | 1 |
| 12 | 3.06.0632 | 2 |
| 13 | 3.04.0500 | 1 |
| 14 | 5.14.0124 | 2 |
| 15 | 5.14.0694 | 4 |
| 16 | 5.15.0516 | 1 |
| 17 | 3.04.0506 | 3 |
| 18 | 5.09.0539 | 2 |
| 19 | 3.04.0508 | 2 |
| 20 | 5.14.0695 | 2 |
| 21 | 5.15.0519 | 1 |
| 22 | 5.15.0518 | 1 |
| 23 | 5.09.0540 | 2 |
| 24 | 5.15.0442 | 1 |
| 25 | 3.04.0504 | 2 |



| rif. | codice | Q.tà |
|------|-----------|------|
| 1 | 5.25.0248 | 1 |
| 2 | 5.39.1515 | 1 |
| 3 | 5.28.0376 | 1 |
| 4 | 5.39.1519 | 1 |
| 5 | 3.01.0035 | 6 |
| 6 | 3.06.0055 | 14 |
| 7 | 5.00.0047 | 10 |
| 8 | 5.28.0467 | 1 |
| 9 | 5.00.0045 | 8 |
| 10 | 3.01.0031 | 8 |
| 11 | 3.04.0303 | 8 |
| 12 | 5.39.1241 | 3 |
| 13 | 5.26.0596 | 3 |
| 14 | 5.39.1242 | 1 |
| 15 | 3.10.1039 | 1 |
| 16 | 3.11.0425 | 1 |
| 17 | 3.11.0426 | 1 |
| 18 | 3.11.0427 | 1 |

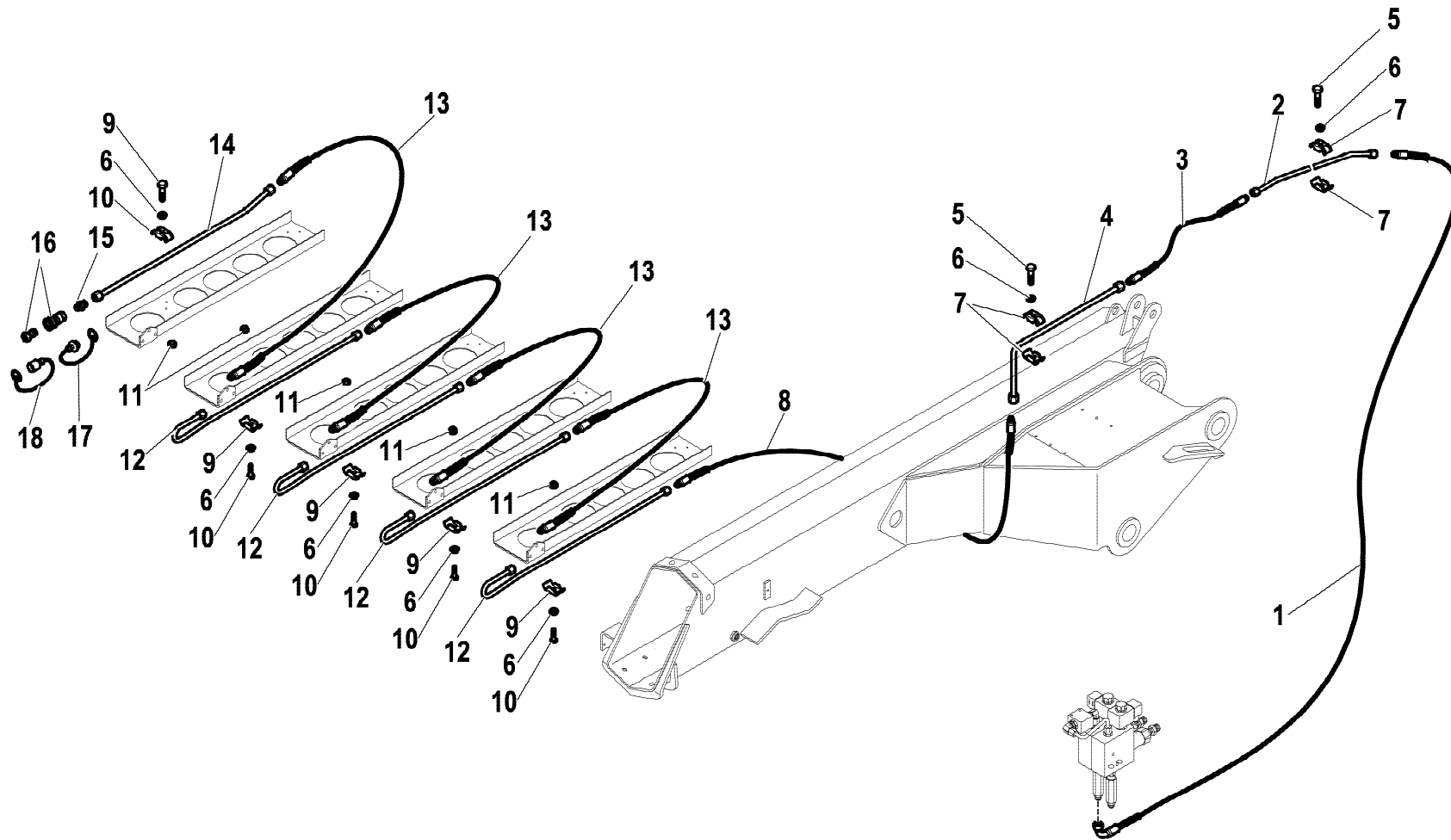


HB280

ATTIVAZIONE SEGNALE JIB 3S - JIB 3
 ACTIVATION HYDRAULIC INPUT JIB 3S - JIB 3
 ACTIVATION SIGNAL HYDRAULIQUE JIB 3S - JIB 3
 AKTIVIERUNG DES BEGRENZENS JIB 3S - JIB 3
 ACTIVACIÓN SEÑAL HIDRÁLICO JIB 3S - JIB 3

Tavola
5.59.0037-1-0

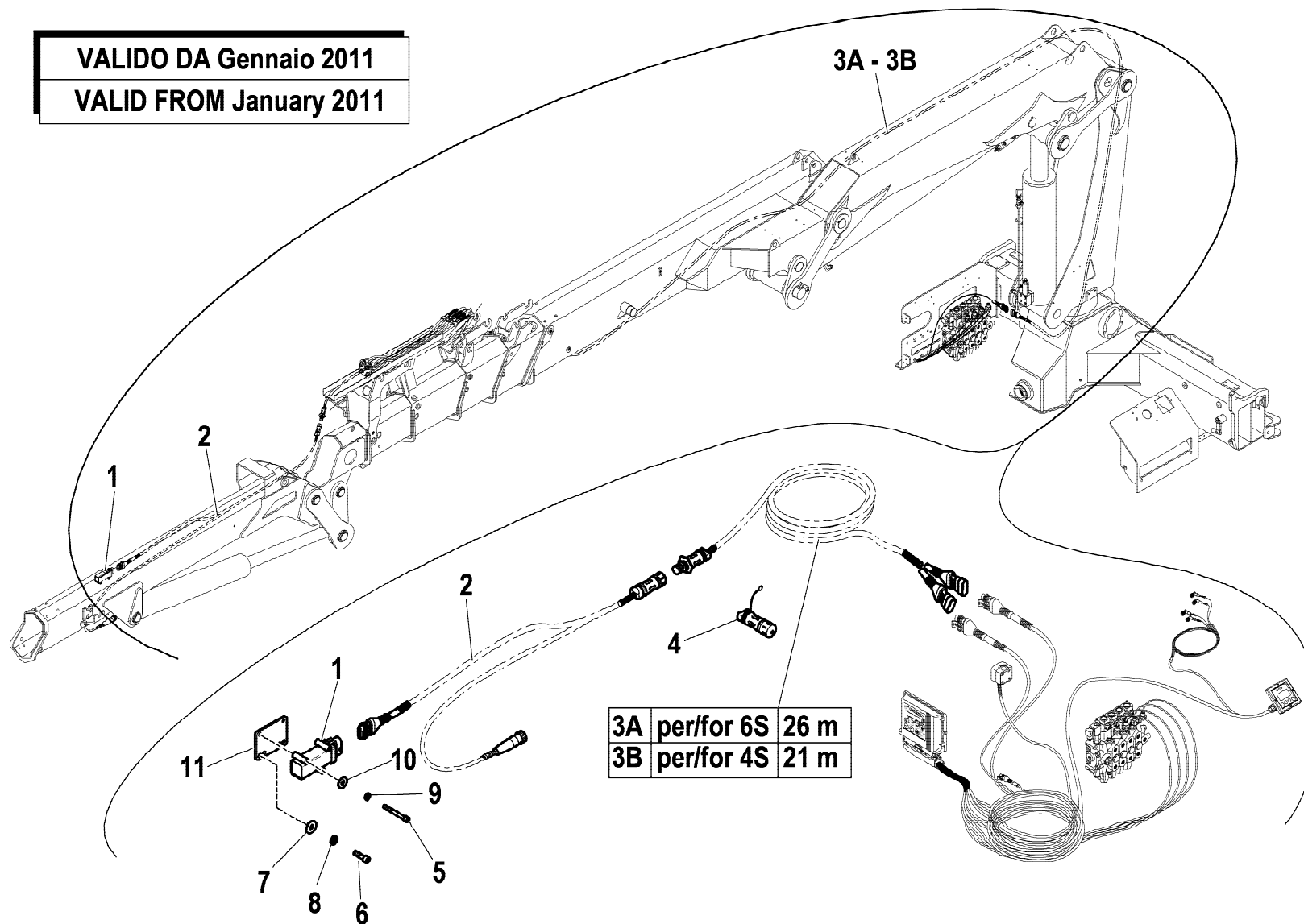
Data pag.
novembre 2011 128



| rif. | codice | Q.tà |
|------|-----------|------|
| 1 | 5.25.0248 | 1 |
| 2 | 5.39.1515 | 1 |
| 3 | 5.28.0376 | 1 |
| 4 | 5.39.1519 | 1 |
| 5 | 3.01.0035 | 6 |
| 6 | 3.06.0055 | 14 |
| 7 | 5.00.0047 | 10 |
| 8 | 5.28.0467 | 1 |
| 9 | 5.00.0045 | 8 |
| 10 | 3.01.0031 | 8 |
| 11 | 3.04.0303 | 8 |
| 12 | 5.39.1241 | 3 |
| 13 | 5.26.0596 | 3 |
| 14 | 5.39.1242 | 1 |
| 15 | 3.10.1039 | 1 |
| 16 | 3.11.0425 | 1 |
| 17 | 3.11.0426 | 1 |
| 18 | 3.11.0427 | 1 |

VALIDO DA Gennaio 2011

VALID FROM January 2011

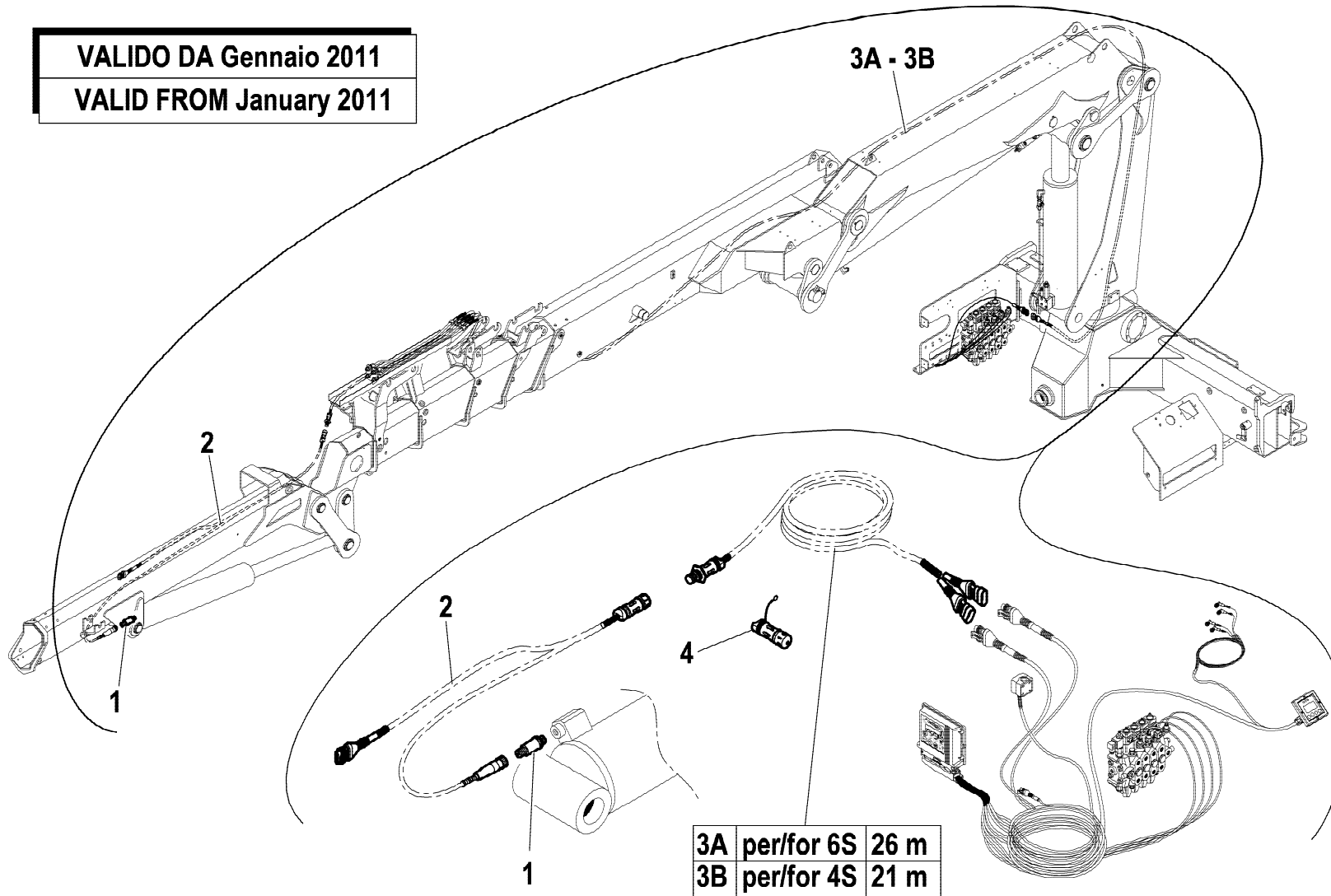


| | | |
|----|------------|------|
| 3A | per/for 6S | 26 m |
| 3B | per/for 4S | 21 m |

| rif. | codice | Q.tà |
|------|-----------|------|
| 1 | 3.31.1150 | 1 |
| 2 | 5.16.0079 | 1 |
| 3 A | 5.16.0077 | 1 |
| 3 B | 5.16.0078 | 1 |
| 4 | 5.16.0080 | 1 |
| 5 | 3.02.0018 | 2 |
| 6 | 3.02.0033 | 2 |
| 7 | 3.06.0005 | 2 |
| 8 | 3.06.0053 | 2 |
| 9 | 3.06.0065 | 2 |
| 10 | 3.06.0003 | 2 |
| 11 | 5.00.2108 | 1 |

VALIDO DA Gennaio 2011

VALID FROM January 2011



| rif. | codice | Q.tà |
|------|-----------|------|
| 1 | 3.31.0612 | 1 |
| 2 | 5.16.0079 | 1 |
| 3 A | 5.16.0077 | 1 |
| 3 B | 5.16.0078 | 1 |
| 4 | 5.16.0080 | 1 |

1/1

HYVA® CRANE

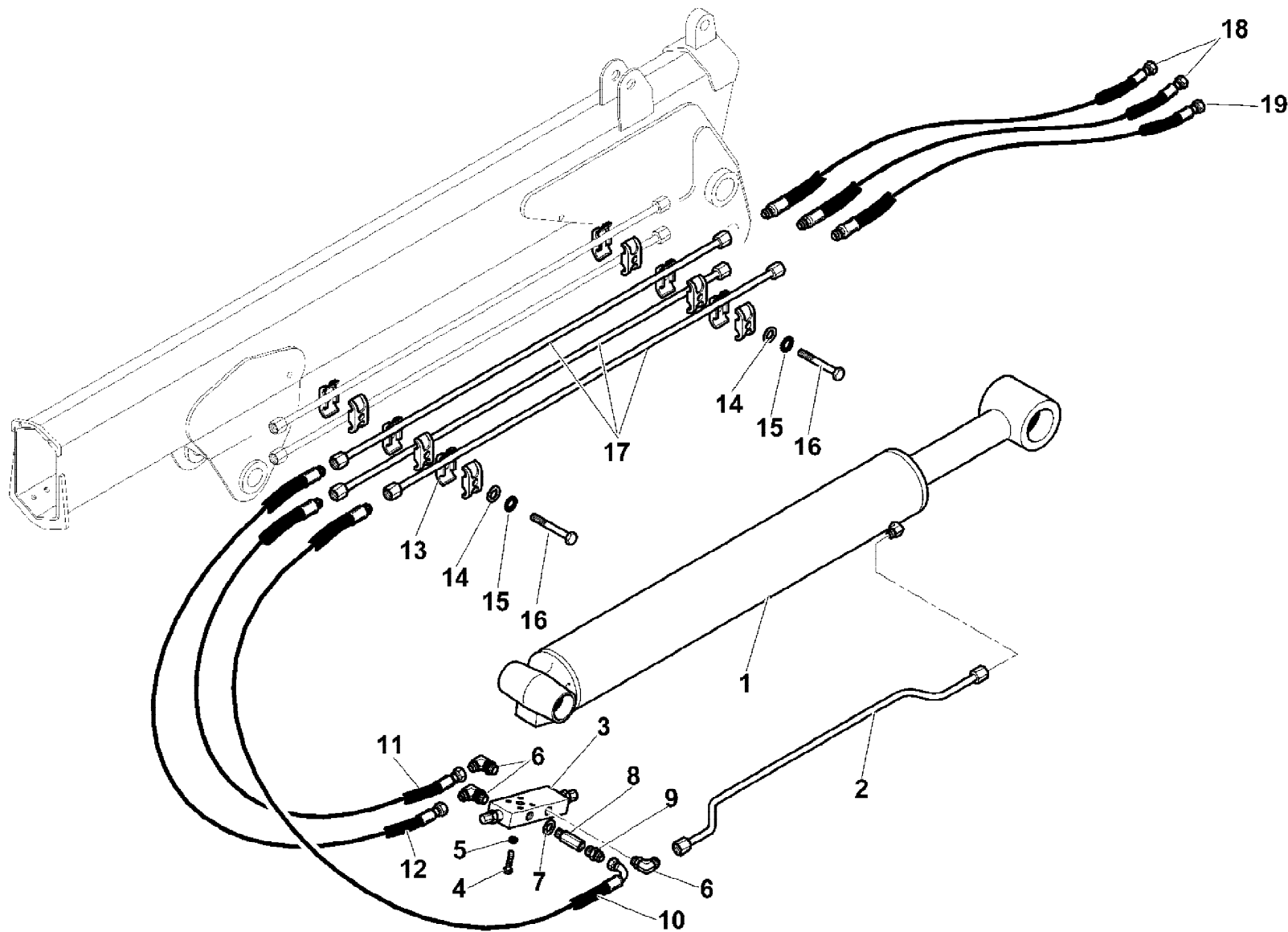
HB280

COMANDI BILATERALI (CE) EN12999-A3
DOUBLE CONTROLS (CE) EN12999-A3
DOUBLE COMMANDES (CE) EN12999-A3
DOPPELSTEUERUNG (CE) EN12999-A3
MONDOS BILATERALAS (CE) EN12999-A3

Tavola

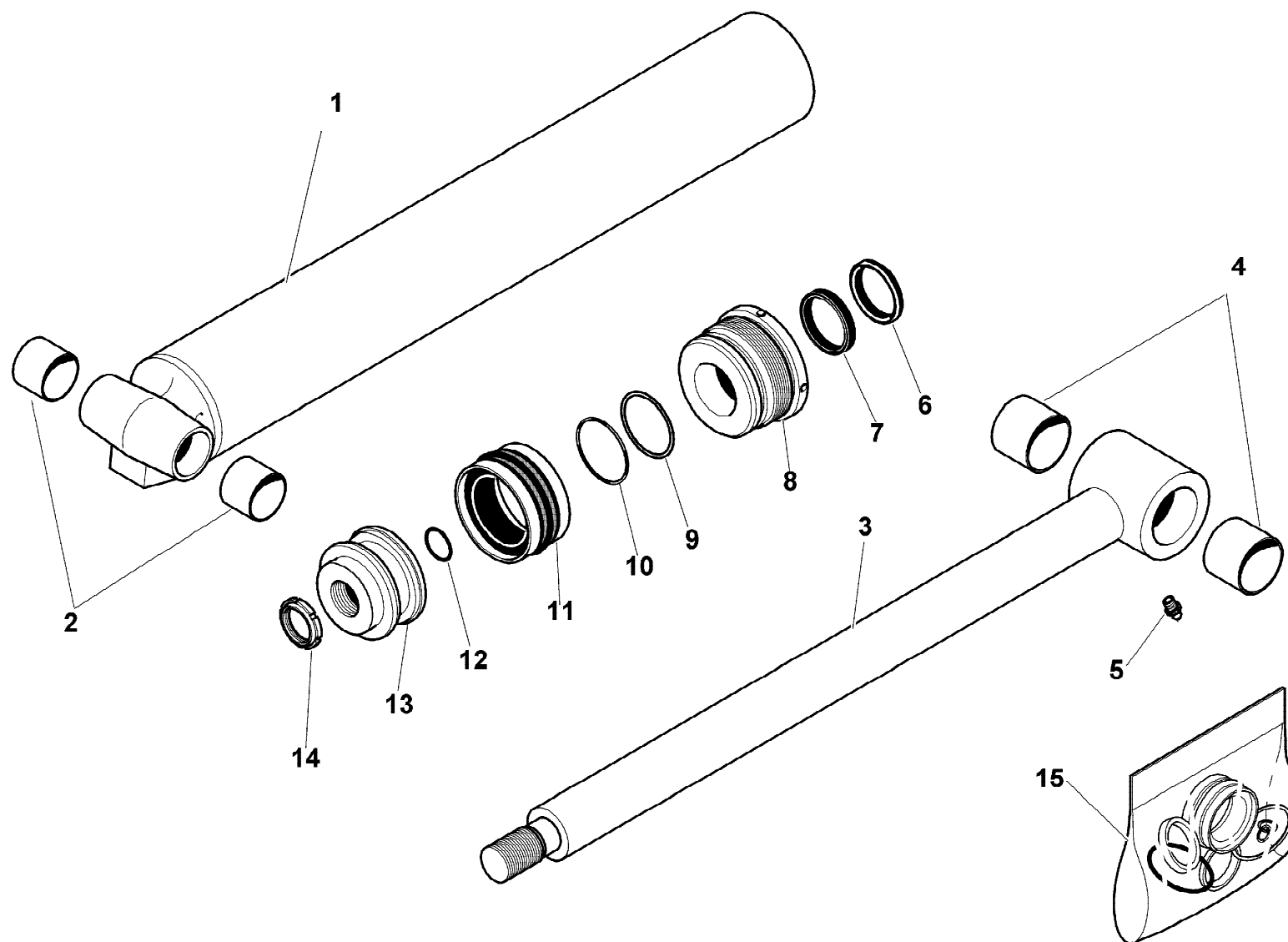
5.40.1469-7-0

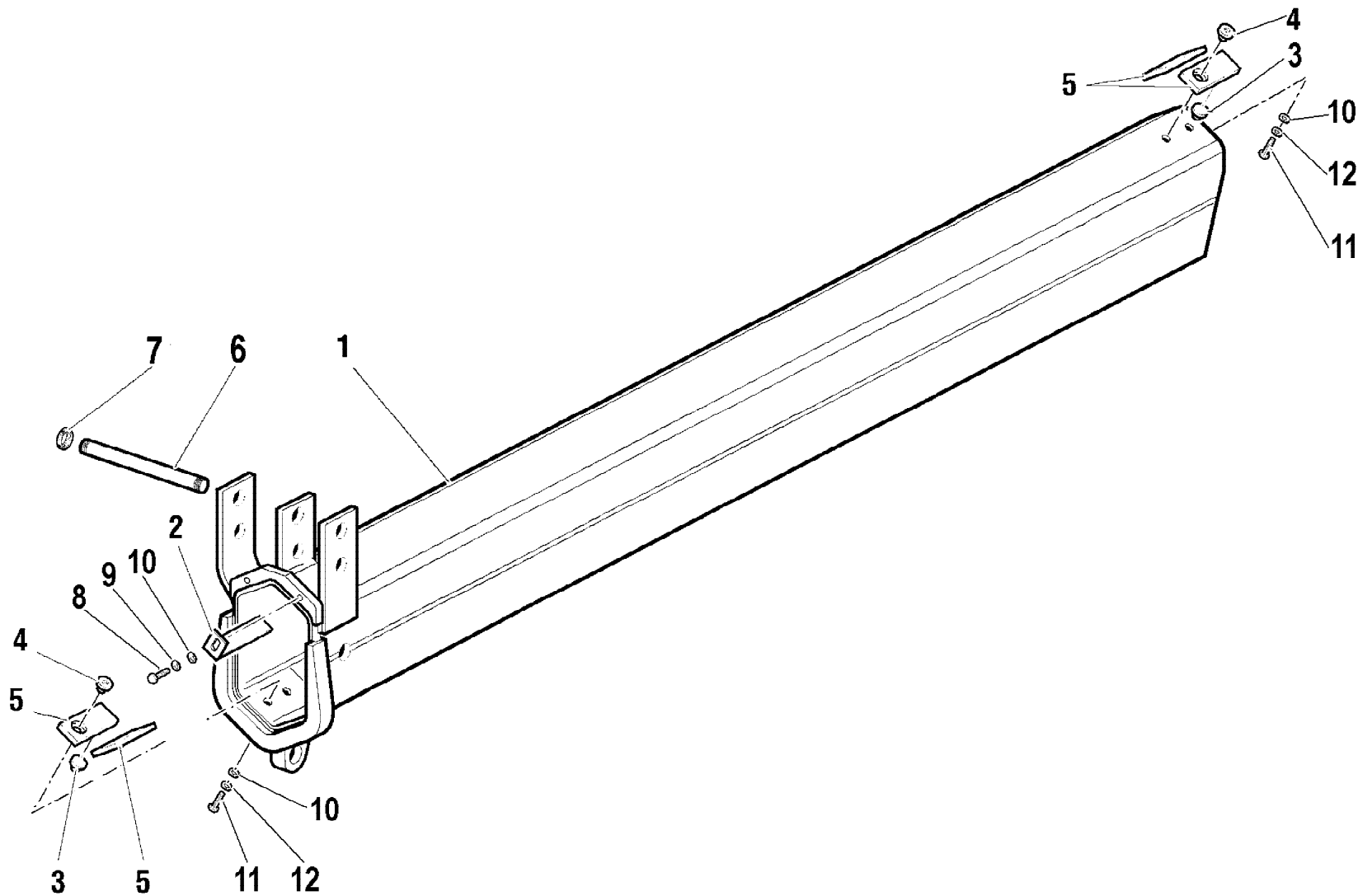
Data pag.
novembre 2011 131



| rif. | codice | Q.tà |
|------|-----------|------|
| 1 | 6.23.0098 | 1 |
| 2 | 5.39.1651 | 1 |
| 3 | 5.22.0548 | 1 |
| 4 | 3.01.0033 | 4 |
| 5 | 3.06.0055 | 4 |
| 6 | 3.10.1127 | 3 |
| 7 | 3.06.0143 | 1 |
| 8 | 5.22.0300 | 1 |
| 9 | 3.10.1039 | 1 |
| 10 | 5.25.0245 | 1 |
| 11 | 5.27.1273 | 1 |
| 12 | 5.27.1274 | 1 |
| 13 | 5.00.0077 | 12 |
| 14 | 3.06.0006 | 2 |
| 15 | 3.06.0918 | 2 |
| 16 | 3.01.0410 | 2 |
| 17 | 5.39.1665 | 5 |
| 18 | 5.27.1272 | 2 |
| 19 | 5.25.0246 | 1 |

| rif. | codice | Q.tà |
|------|-----------|------|
| 1 | 6.07.0404 | 1 |
| 2 | 5.14.0124 | 2 |
| 3 | 6.03.0431 | 1 |
| 4 | 5.14.0694 | 2 |
| 5 | 3.08.0501 | 1 |
| 6 | 3.42.0030 | 1 |
| 7 | 3.40.0111 | 1 |
| 8 | 6.04.0106 | 1 |
| 9 | 3.46.0224 | 1 |
| 10 | 3.45.0224 | 1 |
| 11 | 3.40.0519 | 1 |
| 12 | 3.45.0119 | 1 |
| 13 | 6.05.0237 | 1 |
| 14 | 3.04.0500 | 1 |
| 15 | 5.55.0681 | 1 |





| rif. | codice | Q.tà |
|------|-----------|------|
| 1 | 5.02.0329 | 1 |
| 2 | 5.00.0685 | 4 |
| 3 | 5.14.0656 | 2 |
| 4 | 5.00.1087 | 2 |
| 5 | 5.14.0977 | 2 |
| 6 | 5.15.0441 | 2 |
| 7 | 3.04.0504 | 4 |
| 8 | 3.01.0027 | 2 |
| 9 | 3.06.0055 | 2 |
| 10 | 3.06.0006 | 6 |
| 11 | 3.01.0336 | 4 |
| 12 | 3.06.0918 | 4 |

1/1

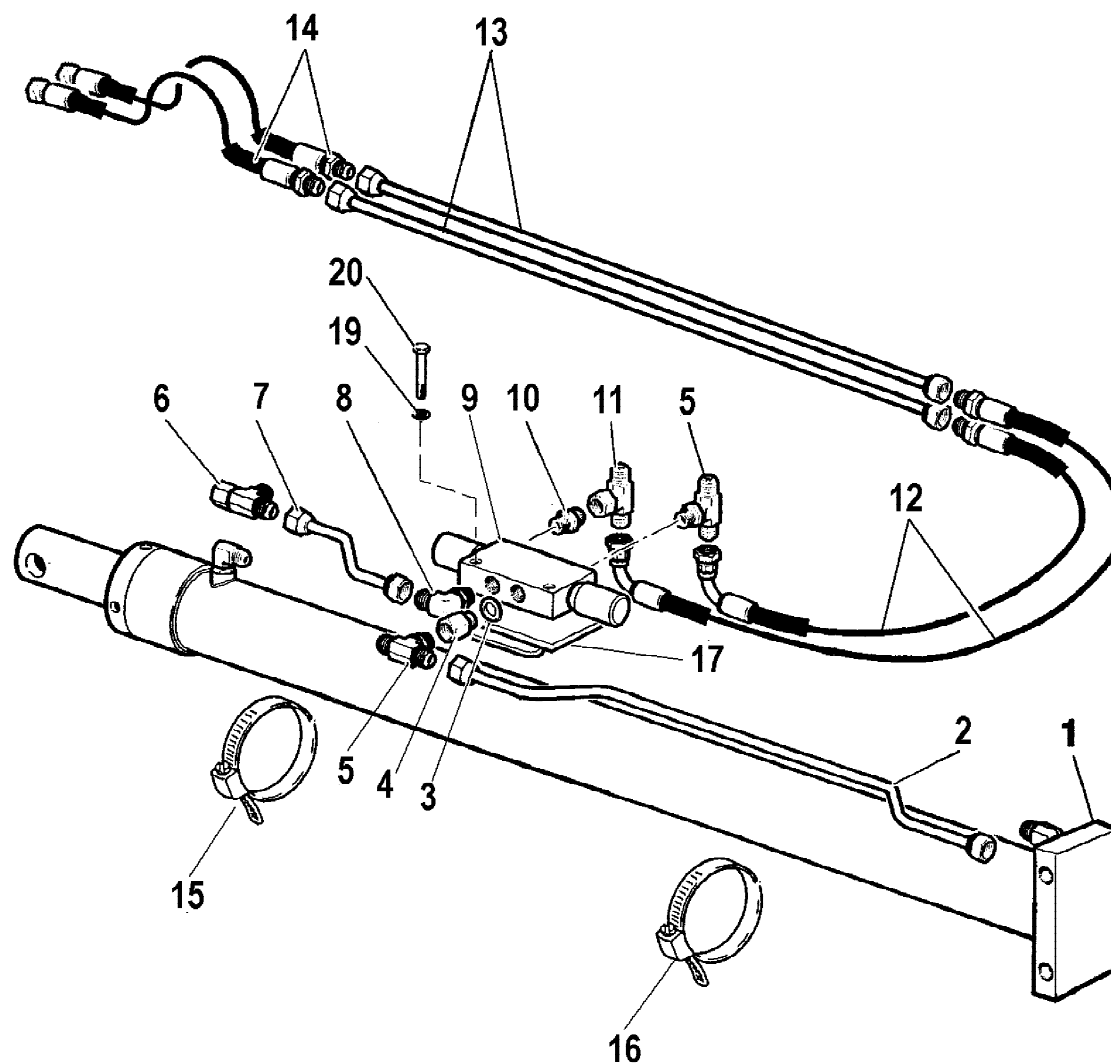
HYVA[®] CRANE
HB280

1° SFILLO - JIB 3
 1ST EXTENSION - JIB 3
 1ERE RALLONGE - JIB 3
 1. VERLAENGERUNG - JIB 3
 1°PROLONGACION - JIB 3

Tavola
5.49.0005-1-1

Data pag.
 ottobre 2006 134

| rif. | codice | Q.tà |
|------|-----------|------|
| 1 | 6.41.0165 | 1 |
| 2 | 5.39.1244 | 1 |
| 3 | 3.06.0144 | 1 |
| 4 | 3.11.0112 | 1 |
| 5 | 3.10.1197 | 2 |
| 6 | 3.12.0004 | 1 |
| 7 | 5.39.1137 | 1 |
| 8 | 3.10.1127 | 1 |
| 9 | 5.22.0122 | 1 |
| 10 | 3.10.1043 | 1 |
| 11 | 3.12.0112 | 1 |
| 12 | 5.27.1130 | 2 |
| 13 | 5.39.1665 | 2 |
| 14 | 5.27.1272 | 2 |
| 15 | 3.19.0022 | 2 |
| 16 | 3.19.0023 | 1 |
| 17 | 5.00.0693 | 1 |
| 19 | 3.06.0053 | 2 |
| 20 | 3.01.0018 | 2 |



1/1

HYVA[®] CRANE
HB280

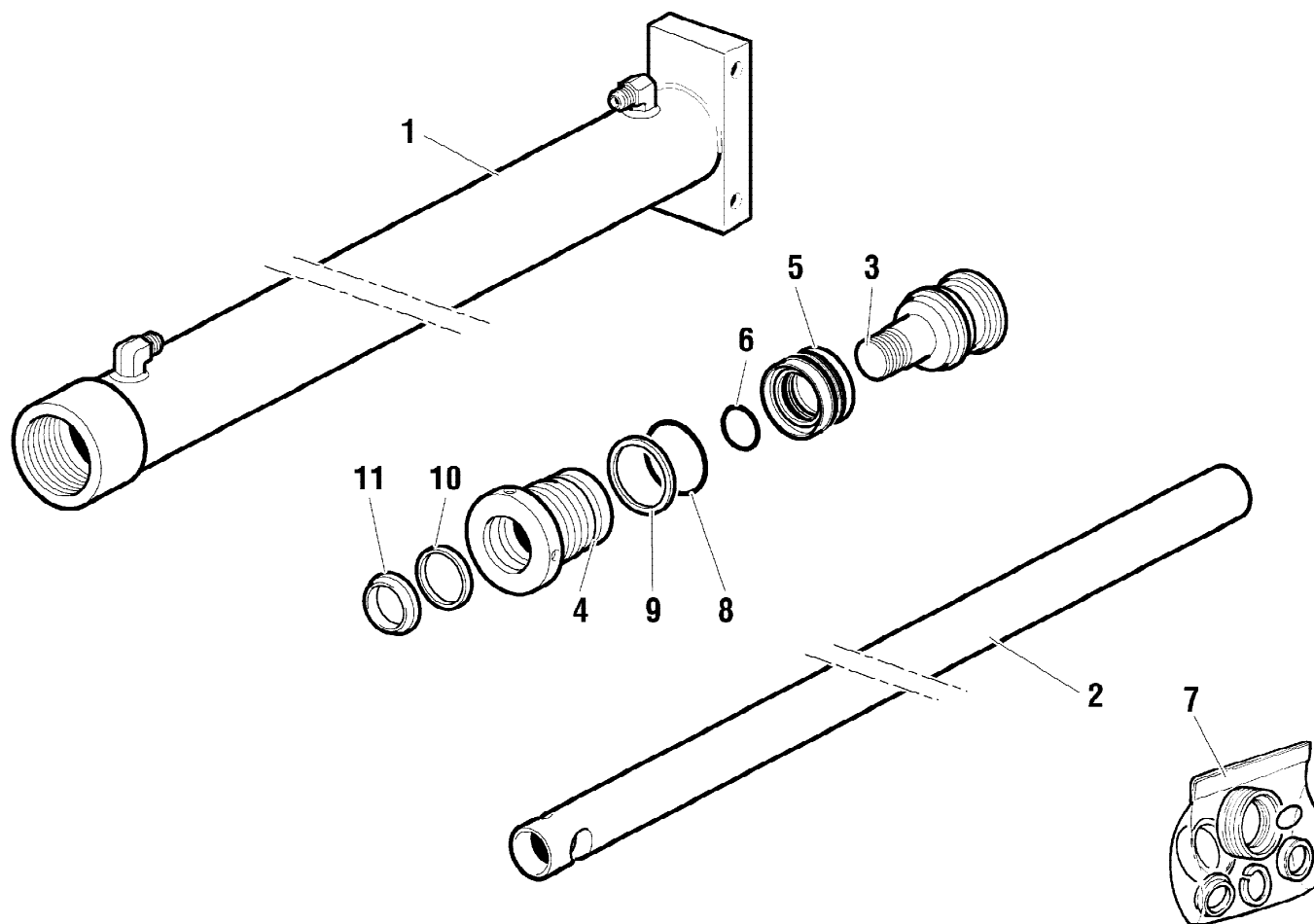
IMPIANTO IDRAULICO (MARTINETTO 1°SFILO) - JIB 3
 HYDRAULIC SYSTEM (1TH EXTENSION HYDRAULIC CYLINDER) - JIB 3
 INSTALLATION HYDRAULIQUE (VERIN 1ERE RALLONGE) - JIB 3
 HYDRAULIKANLAGE (1. SCHUBZYLINDER) - JIB 3
 INSTALACION HIDRAULICA (1° GATO DE PROLONGACION) - JIB 3

Tavola

6.21.0165-2-0

Data pag.
settembre 2008 135

| rif. | codice | Q.tà |
|------|-----------|------|
| 1 | 6.07.0362 | 1 |
| 2 | 6.03.0362 | 1 |
| 3 | 6.05.0054 | 1 |
| 4 | 6.04.0253 | 1 |
| 5 | 3.40.0509 | 1 |
| 6 | 3.45.0069 | 1 |
| 7 | 5.55.0686 | 1 |
| 8 | 3.45.0132 | 1 |
| 9 | 3.46.0132 | 1 |
| 10 | 3.40.0083 | 1 |
| 11 | 3.42.0023 | 1 |



6.41.0165-1-

1/1

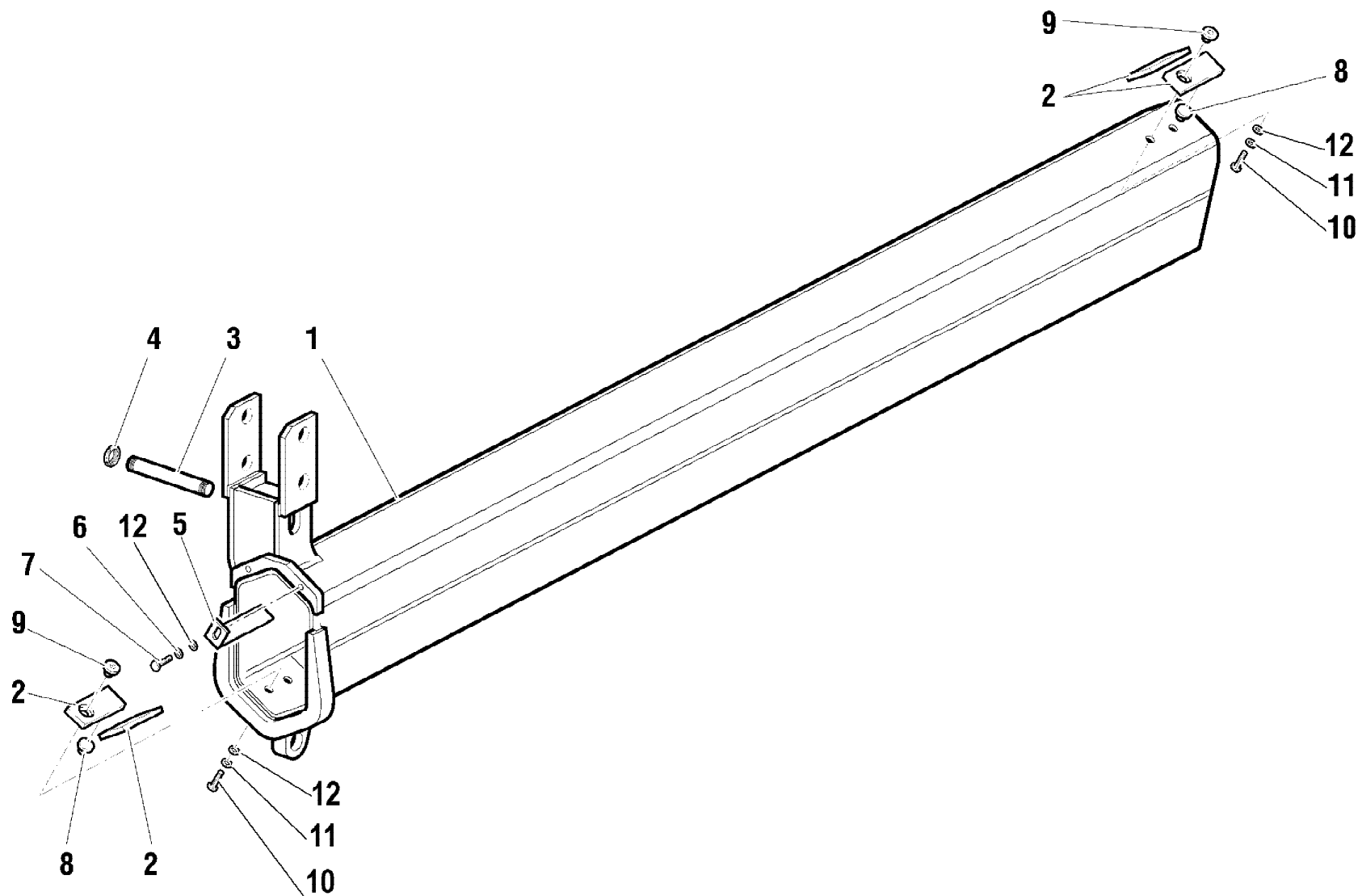
HYVA® CRANE
HB280

MARTINETTO 1° SFILO - JIB 3
 1ST EXSTENSION HYDRAULIC - JIB 3
 VÉRIN 1ÈRE RALLONGE - JIB 3
 1. SCHUBZYLINDER - JIB 3
 GATO 1ª EXTENSIÓN - JIB 3

Tavola
6.41.0165-2-0

Data pag.
 ottobre 2006 136

| rif. | codice | Q.tà |
|------|-----------|------|
| 1 | 5.02.0330 | 1 |
| 2 | 5.14.0977 | 4 |
| 3 | 5.15.0491 | 1 |
| 4 | 3.04.0504 | 2 |
| 5 | 5.00.0685 | 4 |
| 6 | 3.06.0055 | 2 |
| 7 | 3.01.0027 | 2 |
| 8 | 5.14.0656 | 4 |
| 9 | 5.00.1087 | 4 |
| 10 | 3.01.0336 | 4 |
| 11 | 3.06.0918 | 4 |
| 12 | 3.06.0006 | 6 |



1/1

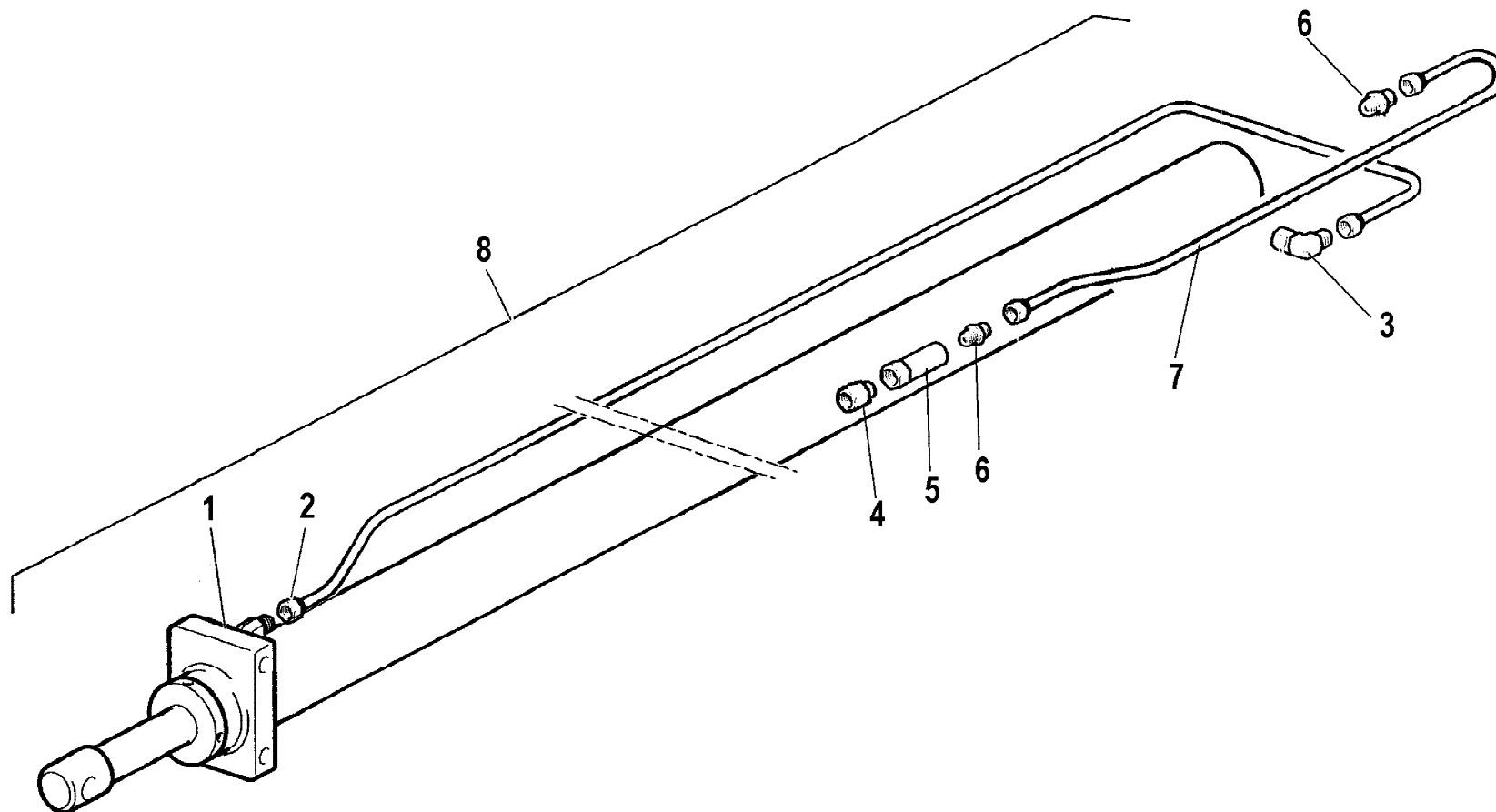
HYVA® CRANE
HB280

2° SFILO - JIB 3
 2ND EXTENSION - JIB 3
 2EME RALLONGE - JIB 3
 2. VERLAENGERUNG - JIB 3
 2°PROLONGACION - JIB 3

Tavola
5.53.0004-1-2

Data pag.
 ottobre 2006 137

| rif. | codice | Q.tà |
|------|-----------|------|
| 1 | 6.41.0166 | 1 |
| 2 | 5.39.1284 | 1 |
| 3 | 3.12.0031 | 1 |
| 4 | 3.12.0066 | 1 |
| 5 | 5.22.0556 | 1 |
| 6 | 3.10.1043 | 2 |
| 7 | 5.39.1193 | 1 |
| 8 | 6.21.0171 | 1 |



1/1

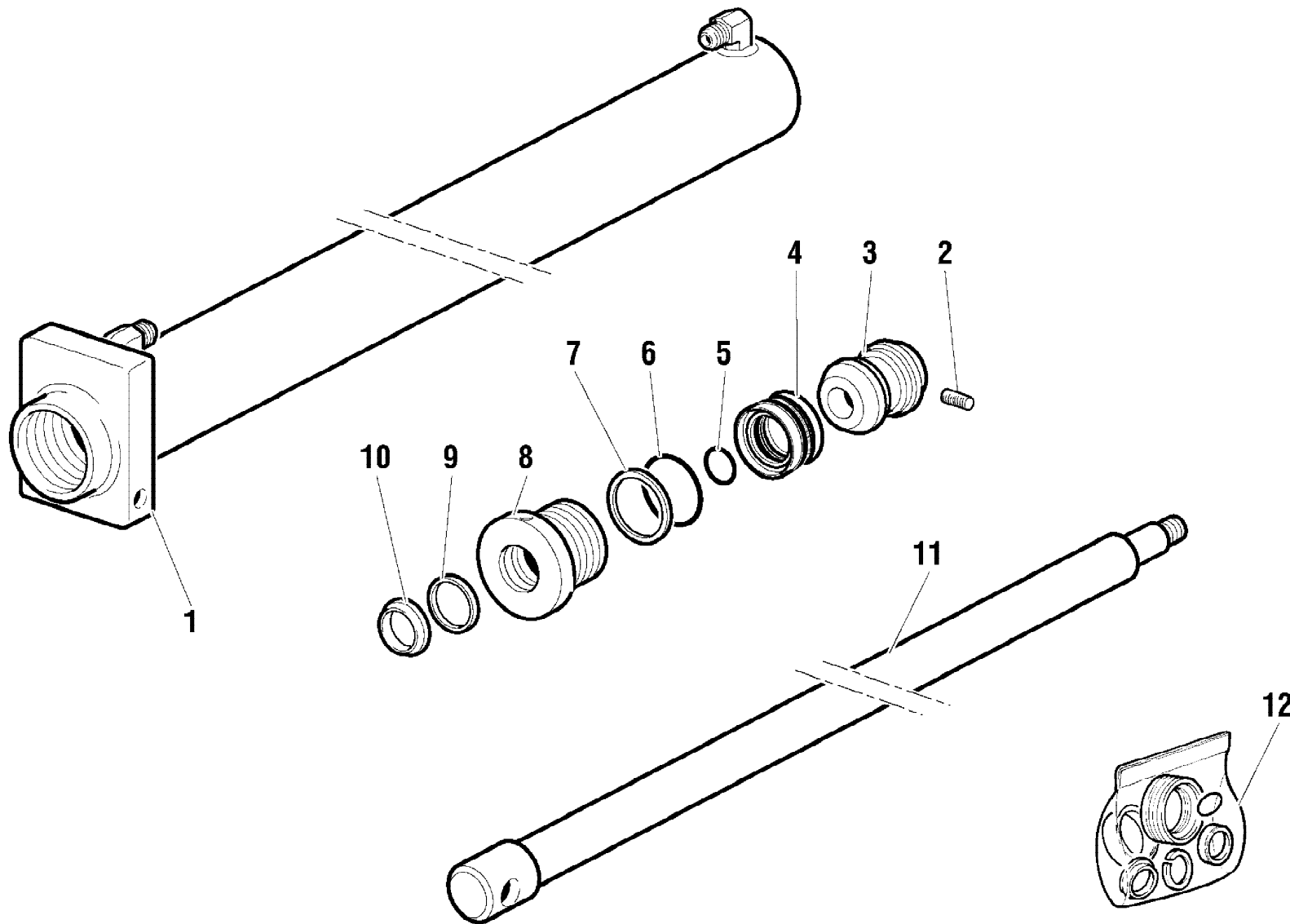
HYVA[®] CRANE
HB280

IMPIANTO IDRAULICO (MARTINETTO 2° SFILO) - JIB 3
 HYDRAULIC SYSTEM (2ND EXTENSION HYDRAULIC CYLINDER) - JIB 3
 INSTALLATION HYDRAULIQUE (VERIN 2EME RALLONGE) - JIB 3
 HYDRAULIKANLAGE (2. VERLAENGERUNGSWINDE) - JIB 3
 INSTALACION HIDRAULICA (2° GATO DE PROLONGACION) - JIB 3

Tavola

6.21.0171-1-1

Data pag.
ottobre 2006 138



| rif. | codice | Q.tà |
|------|-----------|------|
| 1 | 6.07.0363 | 1 |
| 2 | 3.06.0232 | 1 |
| 3 | 6.05.0053 | 1 |
| 4 | 3.40.0507 | 1 |
| 5 | 3.45.0107 | 1 |
| 6 | 3.45.0126 | 1 |
| 7 | 3.46.0126 | 1 |
| 8 | 6.04.0254 | 1 |
| 9 | 3.40.0055 | 1 |
| 10 | 3.42.0018 | 1 |
| 11 | 6.03.0364 | 1 |
| 12 | 5.55.0687 | 1 |

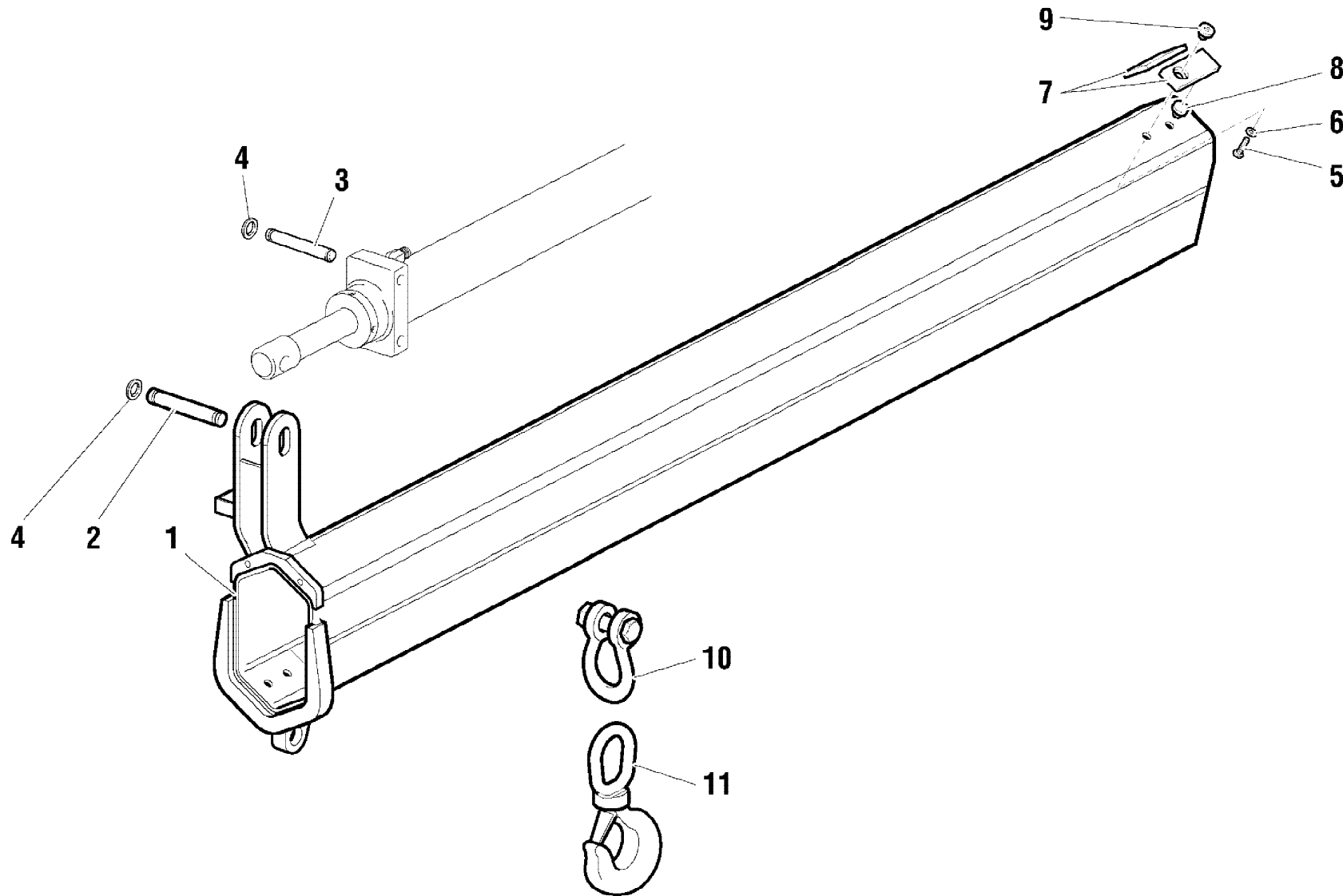
1/1

HYVA[®] CRANE
HB280

MARTINETTO 2° E 3° SFILLO - JIB 3
 2ND AND 3RD EXTENSION HYDRAULIC CYLINDER - JIB 3
 VERIN 2EME ET 3EME RALLONGE - JIB 3
 2. UNT 3. VERLAENGERUNGSWINDE - JIB 3
 2° Y 3° GATO DE PROLONGACION - JIB 3

Tavola
6.41.0166-1-1

Data pag.
 novembre 2011 139



| rif. | codice | Q.tà |
|------|-----------|------|
| 1 | 5.02.0331 | 1 |
| 2 | 5.15.0600 | 1 |
| 3 | 5.15.0438 | 2 |
| 4 | 3.04.0504 | 6 |
| 5 | 3.01.0336 | 2 |
| 6 | 3.06.0918 | 2 |
| 7 | 5.14.0977 | 2 |
| 8 | 5.14.0656 | 2 |
| 9 | 5.00.1087 | 2 |
| 10 | 3.20.0067 | 1 |
| 11 | 3.20.0006 | 1 |

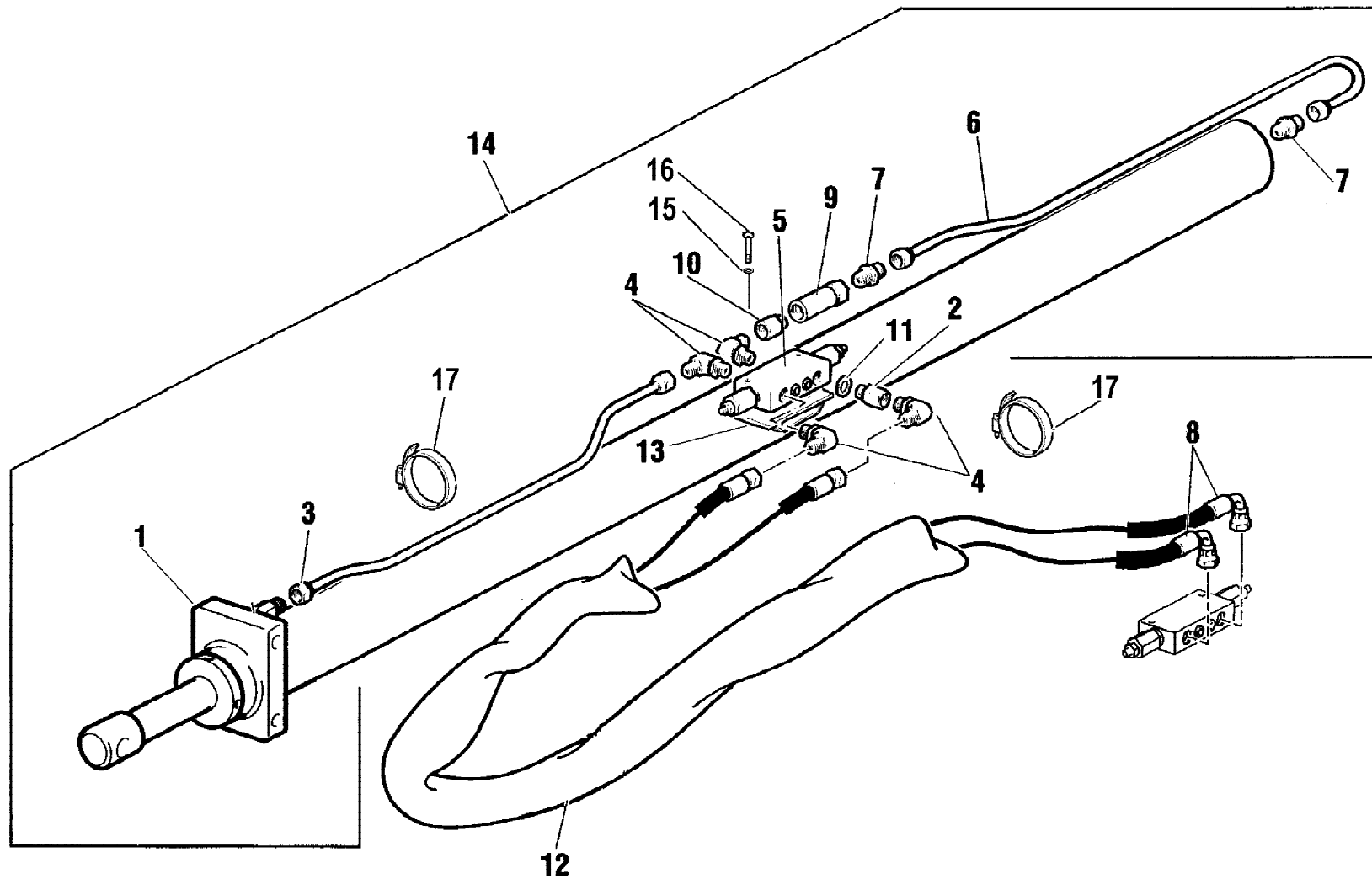
1/1

HYVA® CRANE
HB280

3° SFILO - JIB 3
3RD EXTENSION - JIB 3
3EME RALLONGE - JIB 3
3. VERLAENGERUNG - JIB 3
3°PROLONGACION - JIB 3

Tavola
5.54.0005-1-2

Data pag.
ottobre 2006 140



| rif. | codice | Q.tà |
|------|-----------|------|
| 1 | 6.41.0166 | 1 |
| 2 | 3.11.0112 | 1 |
| 3 | 5.39.1246 | 1 |
| 4 | 3.10.1127 | 4 |
| 5 | 5.22.0122 | 1 |
| 6 | 5.39.1193 | 1 |
| 7 | 3.10.1043 | 2 |
| 8 | 5.27.1001 | 2 |
| 9 | 5.22.0573 | 1 |
| 10 | 3.12.0066 | 1 |
| 11 | 3.06.0144 | 1 |
| 12 | 3.19.0170 | 5 |
| 13 | 5.00.0693 | 1 |
| 14 | 6.21.0166 | 1 |
| 15 | 3.06.0053 | 2 |
| 16 | 3.01.0017 | 2 |
| 17 | 3.19.0022 | 3 |

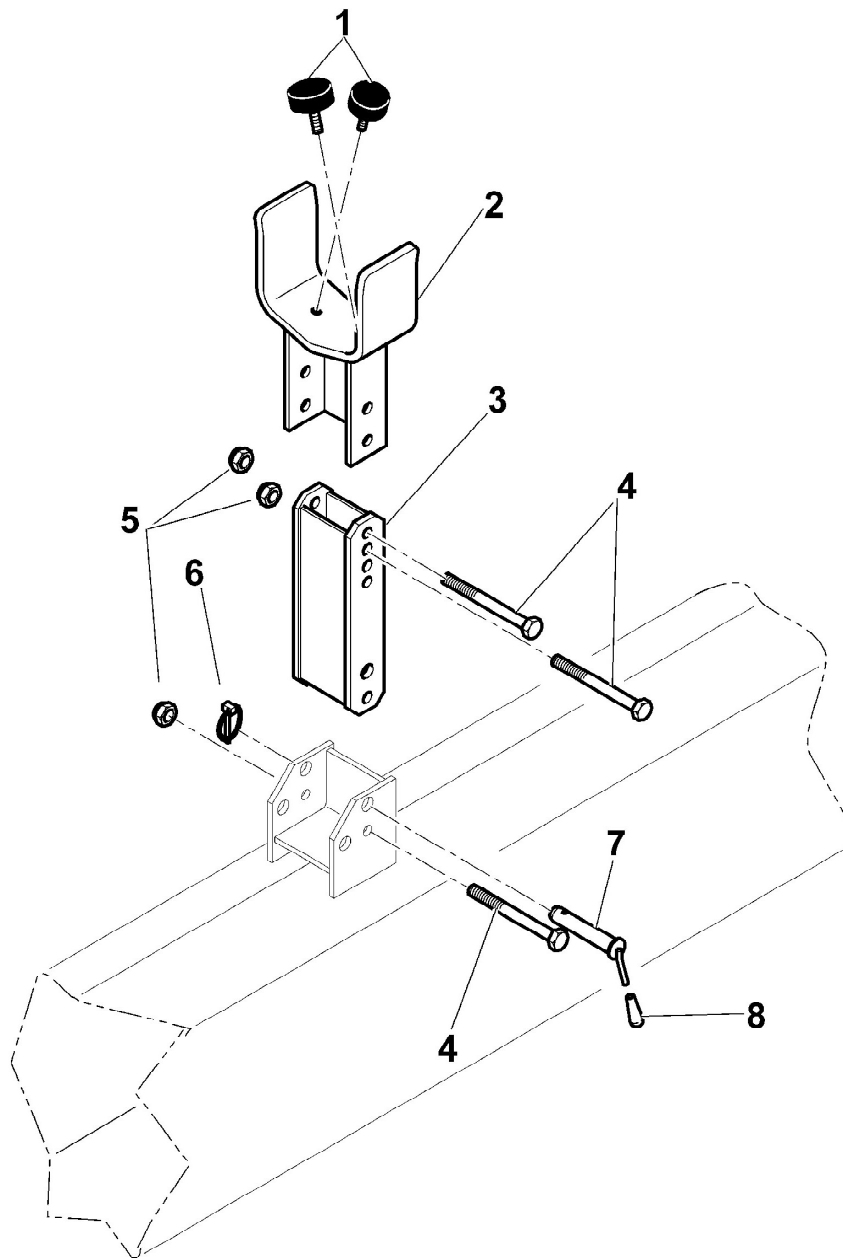
1/1

HYVA[®] CRANE
HB280

IMPIANTO IDRAULICO (MARTINETTO 3° SFILO) - 3S
 HYDRAULIC SYSTEM (3RD EXTENSION HYDRAULIC JACK) - 3S
 INSTALLATION HYDRAULIQUE (VÉRIN 3ÈME RALLONGE) - 3S
 HYDRAULIKANLAGE (3. SCHUBZYLINDER) - 3S
 INSTALACION HIDRAULICA (GATO 3ª EXTENSIÓN) - 3S

Tavola
6.21.0166-1-1

Data pag.
ottobre 2006 141



| rif. | codice | Q.tà |
|------|-----------|------|
| 1 | 3.19.0210 | 2 |
| 2 | 5.09.0598 | 1 |
| 3 | 5.09.0597 | 1 |
| 4 | 3.01.0092 | 3 |
| 5 | 3.04.0306 | 3 |
| 6 | 3.06.0753 | 1 |
| 7 | 5.15.0475 | 1 |
| 8 | 3.19.0010 | 1 |

1/1

HYVA® CRANE

HB280

APPOGGIO PER BRAGGIO JIB - JIB 3
 SUPPORT ARM FOR JIB - JIB 3
 BRAS DE SOUTINE POUR JIB - JIB 3
 LAGERARMA FÜR JIB - JIB 3
 BRAZO DE AYUDA PARA JIB - JIB 3

Tavola

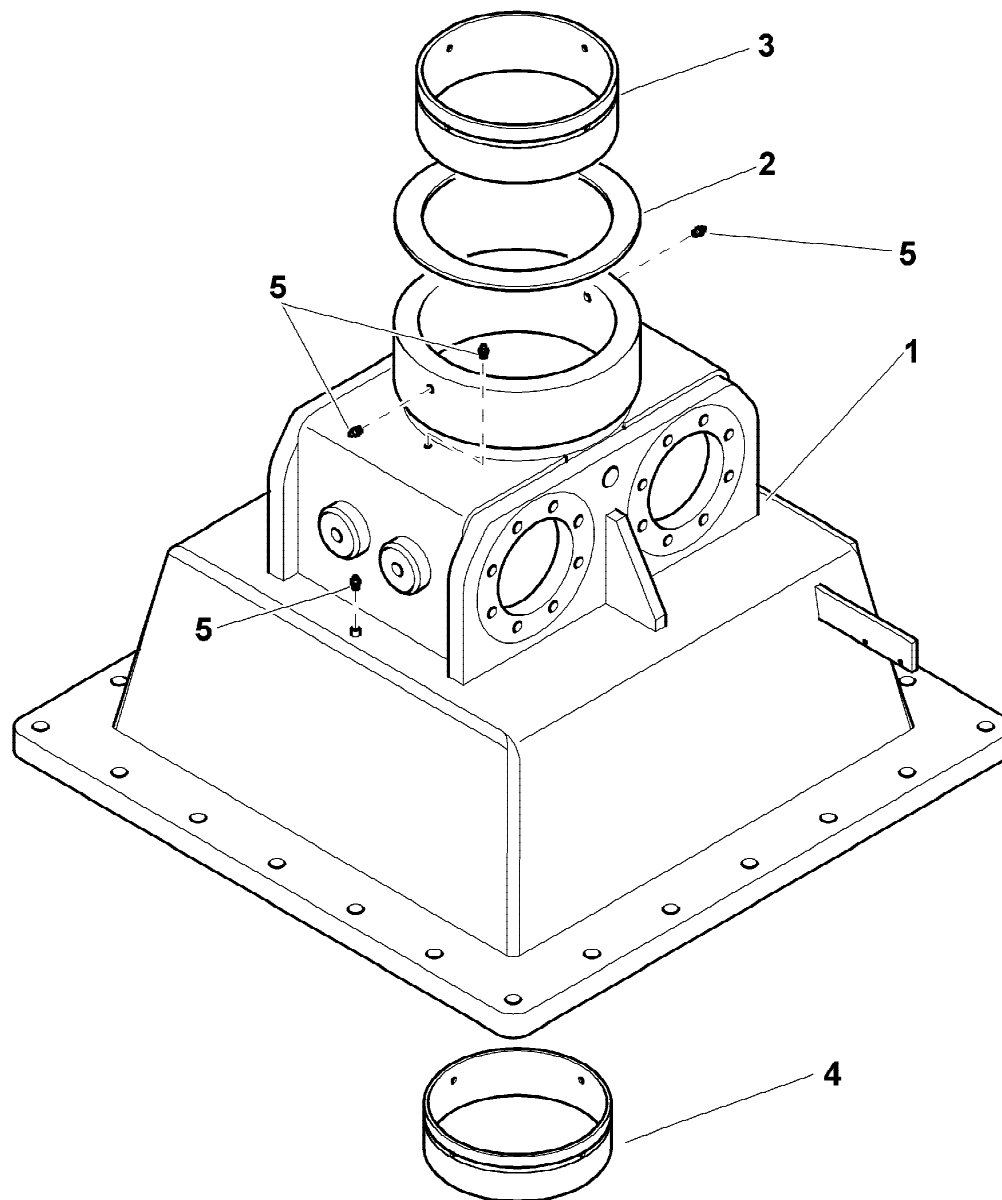
5.40.0200-1-0

Data pag.
 ottobre 2006 142



HB280 F

| rif. | codice | Q.tà |
|------|-----------|------|
| 1 | 5.06.0139 | 1 |
| 2 | 5.14.0684 | 1 |
| 3 | 5.14.0685 | 1 |
| 4 | 5.14.0686 | 1 |
| 5 | 3.08.0501 | 5 |



1/1

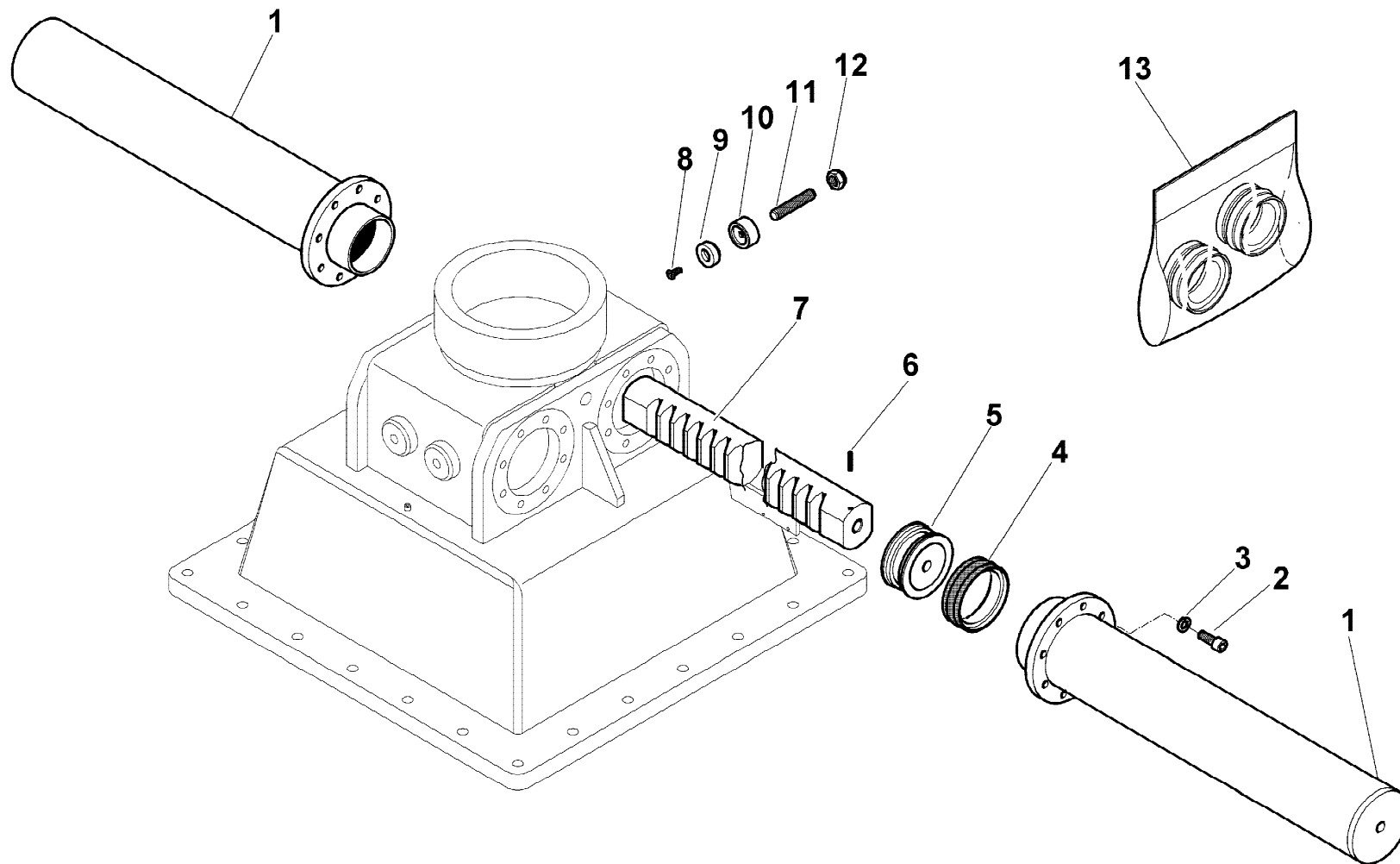
HYVA[®] CRANE

HB280

BASAMENTO
BASE
SOLLE
UNTERBAU
BASE

Tavola
5.42.0036-1-0

Data pag.
ottobre 2008 144



| rif. | codice | Q.tà |
|------|-----------|------|
| 1 | 6.07.0417 | 4 |
| 2 | 3.02.0128 | 32 |
| 3 | 3.06.0059 | 32 |
| 4 | 3.40.0523 | 4 |
| 5 | 6.05.0248 | 4 |
| 6 | 3.06.0607 | 4 |
| 7 | 5.05.0085 | 2 |
| 8 | 3.02.0468 | 4 |
| 9 | 5.14.0600 | 4 |
| 10 | 4.16.0328 | 4 |
| 11 | 3.06.0919 | 4 |
| 12 | 3.04.0309 | 4 |
| 13 | 5.55.0694 | 2 |

1/1

HYVA[®] CRANE

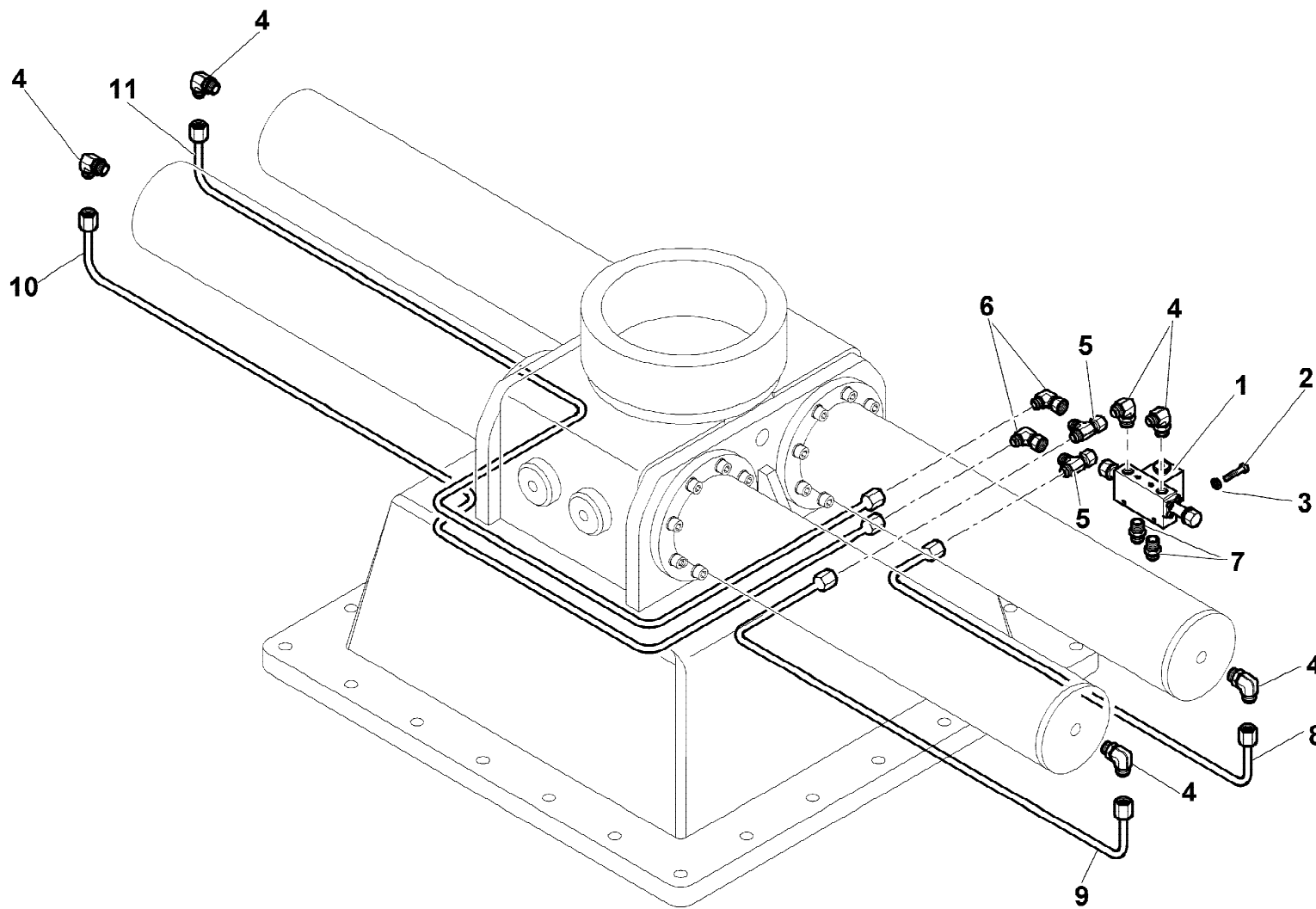
HB280

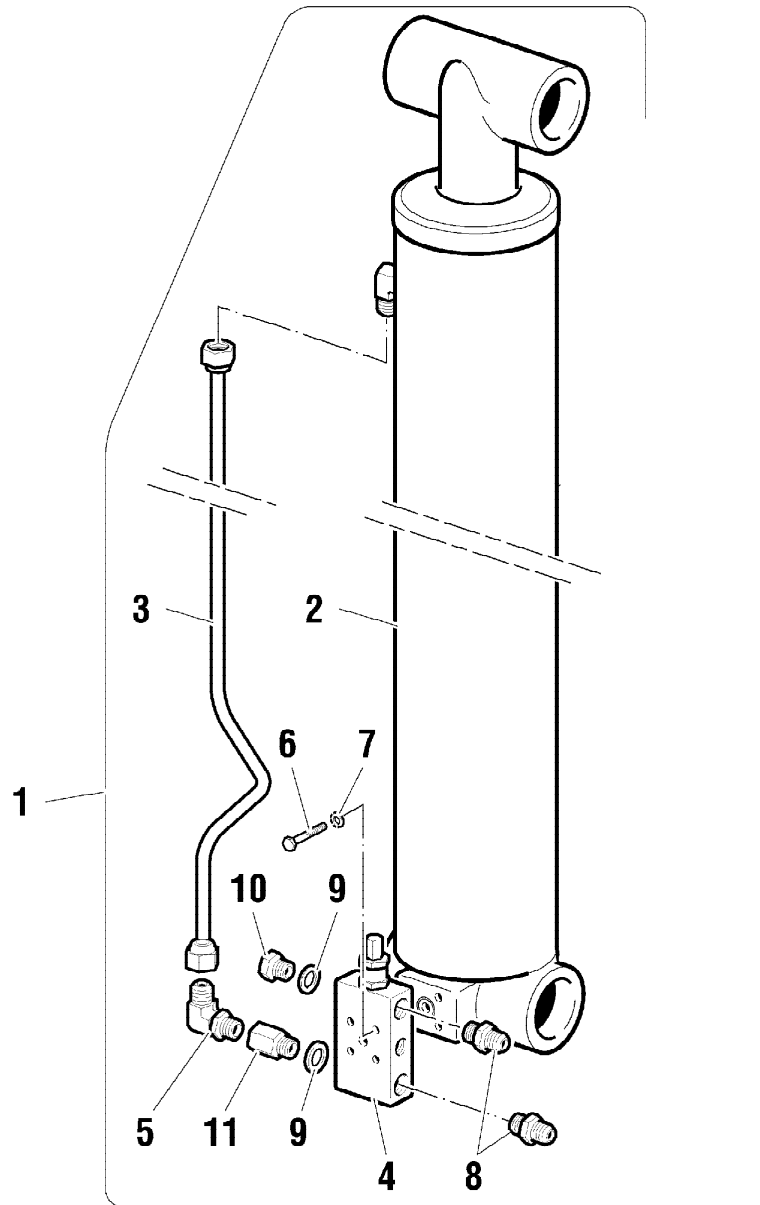
GRUPPO ROTAZIONE F
SLEWING ASS'Y F
GROUPE ROTATION F
DREHVORRICHTUNG F
GRUPO ROTACION F

Tavola
6.24.0081-1-0

Data pag.
luglio 2011 145

| rif. | codice | Q.tà |
|------|-----------|------|
| 1 | 5.22.0620 | 1 |
| 2 | 3.01.0018 | 2 |
| 3 | 3.06.0053 | 2 |
| 4 | 3.10.1128 | 6 |
| 5 | 3.12.0004 | 2 |
| 6 | 3.12.0031 | 2 |
| 7 | 3.10.1044 | 2 |
| 8 | 5.39.1723 | 1 |
| 9 | 5.39.1724 | 1 |
| 10 | 5.39.1722 | 1 |
| 11 | 5.39.1721 | 1 |





| rif. | codice | Q.tà |
|------|-----------|------|
| 1 | 6.23.0121 | 1 |
| 2 | 6.43.0121 | 1 |
| 3 | 5.39.1467 | 1 |
| 4 | 5.22.0570 | 1 |
| 5 | 3.10.1131 | 1 |
| 6 | 3.01.0031 | 4 |
| 7 | 3.06.0055 | 4 |
| 8 | 3.10.1051 | 3 |
| 9 | 3.06.0145 | 1 |
| 10 | 3.11.0065 | 1 |
| 11 | 3.11.0113 | 1 |

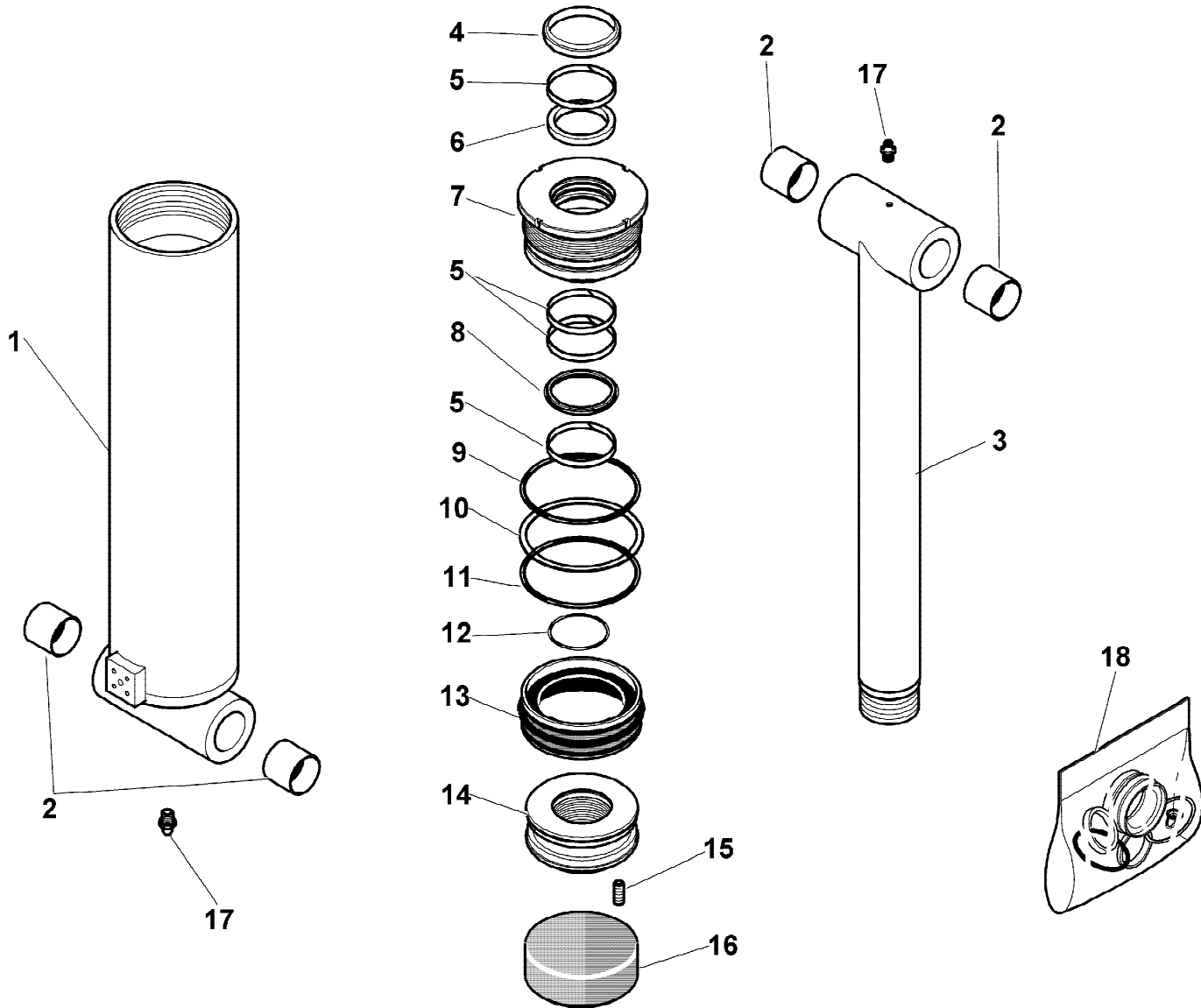
1/1

HYVA[®] CRANE
HB280

IMPIANTO IDRAULICO (MARTINETTO SOLLEVAMENTO) - 828 F
 HYDRAULIC SYSTEM (LIFTING HYDRAULIC CYLINDER) - 828 F
 INSTALLATION HYDRAULIQUE (VERIN DE LEVAGE) - 828 F
 HYDRAULIKANLAGE (HUBZYLINDER) - 828 F
 INSTALACION HIDRAULICA (GATO DE ELEVACION) - 828 F

Tavola
6.23.0121-1-0

Data pag.
 ottobre 2006 147



| rif. | codice | Q.tà |
|------|-----------|------|
| 1 | 6.07.0392 | 1 |
| 2 | 5.14.0689 | 4 |
| 3 | 6.03.0410 | 1 |
| 4 | 3.42.0049 | 1 |
| 5 | 3.35.0120 | 4 |
| 6 | 3.37.0175 | 1 |
| 7 | 6.04.0261 | 1 |
| 8 | 3.38.1000 | 1 |
| 9 | 3.45.0177 | 1 |
| 10 | 3.46.0401 | 1 |
| 11 | 3.45.0401 | 1 |
| 12 | 3.45.0155 | 1 |
| 13 | 3.40.0537 | 1 |
| 14 | 6.05.0259 | 1 |
| 15 | 3.06.0247 | 1 |
| 16 | 6.05.0276 | 1 |
| 17 | 3.08.0501 | 2 |
| 18 | 5.55.0722 | 1 |



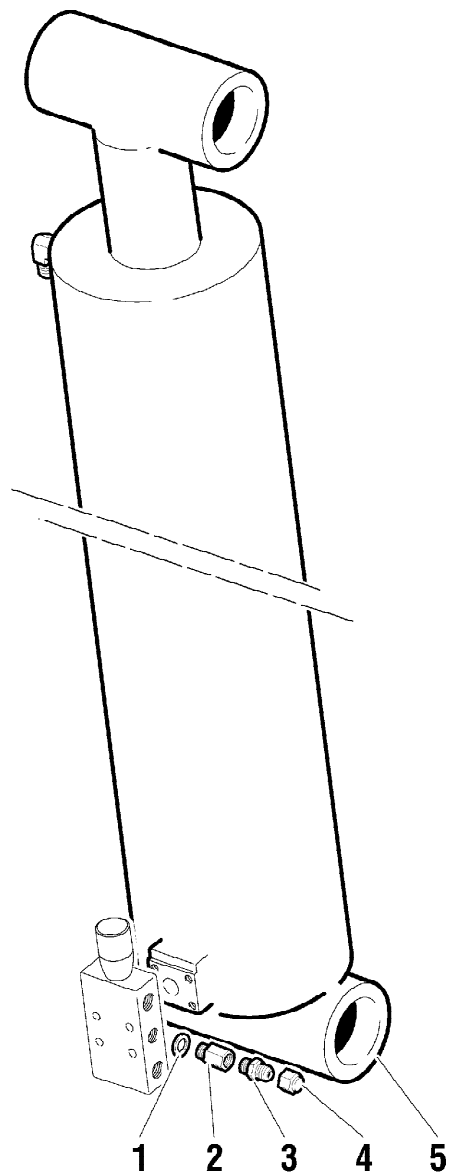
HB280

MARTINETTO SOLLEVAMENTO - 828 F
 LIFTING HYDRAULIC CYLINDER - 828 F
 VERIN DE LEVAGE - 828 F
 HUBZYLINDER - 828 F
 GATO DE ELEVACION - 828 F

Tavola
6.43.0121-1-0

Data pag.
 ottobre 2006 148

| rif. | codice | Q.tà |
|------|-----------|------|
| 1 | 3.06.0143 | 1 |
| 2 | 5.22.0300 | 1 |
| 3 | 3.10.1039 | 1 |
| 4 | 3.11.0040 | 1 |
| 5 | 6.23.0121 | 1 |



1/1

HYVA[®] CRANE

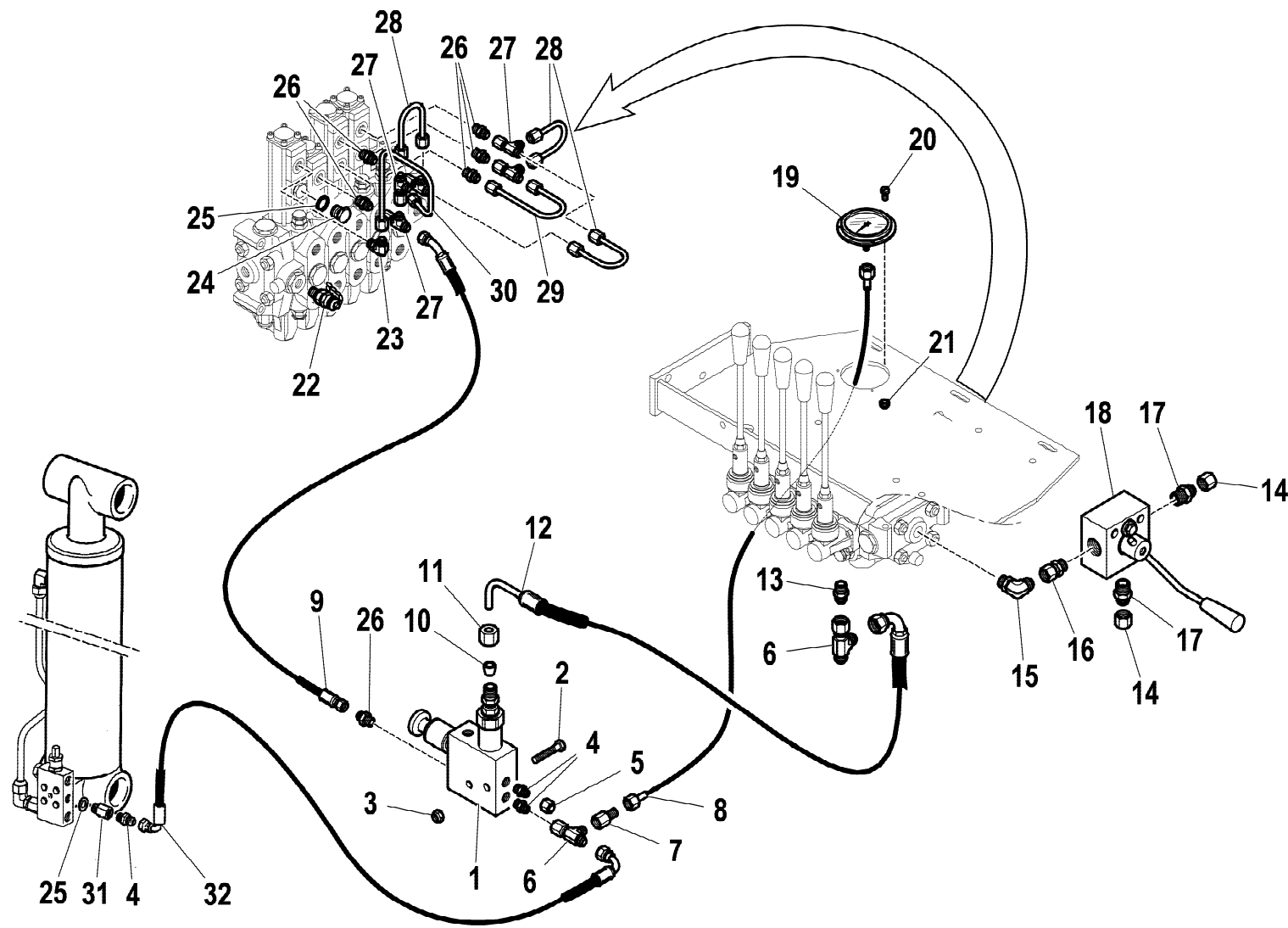
HB280

IMPIANTO IDRAULICO (VALVOLA UNIDIREZIONALE) - 828 F
 HYDRAULIC SYSTEM (NON-RETURN VALVE) - 828 F
 INSTALLATION HYDRAULIQUE (SOUPAPE DE NON-RETOUR) - 828 F
 HYDRAULIKANLAGE (RÜCKSCHLAGVENTIL) - 828 F
 INSTALACION HIDRAULICA (VALVULA MONODIRECCIONAL) - 828 F

Tavola

5.45.0032-1-0

Data pag.
ottobre 2006 149



| rif. | codice | Q.tà |
|------|-----------|------|
| 1 | 5.22.0679 | 1 |
| 2 | 3.01.0388 | 2 |
| 3 | 3.04.0372 | 2 |
| 4 | 3.10.1039 | 3 |
| 5 | 3.11.0040 | 1 |
| 6 | 3.12.0003 | 2 |
| 7 | 3.12.0200 | 1 |
| 8 | 5.30.0077 | 1 |
| 9 | 5.26.0672 | 1 |
| 10 | 3.10.0956 | 1 |
| 11 | 3.10.0952 | 1 |
| 12 | 5.26.0350 | 1 |
| 13 | 3.10.1041 | 1 |
| 14 | 3.11.0050 | 2 |
| 15 | 3.12.0034 | 1 |
| 16 | 3.12.0080 | 1 |
| 17 | 3.12.0073 | 2 |
| 18 | 5.22.0599 | 1 |
| 19 | 3.18.0150 | 1 |
| 20 | 3.02.0880 | 3 |
| 21 | 3.04.0516 | 3 |
| 22 | 3.11.1523 | 1 |
| 23 | 3.10.1194 | 1 |
| 24 | 3.11.0062 | 1 |
| 25 | 3.06.0143 | 2 |
| 26 | 3.10.1034 | 6 |
| 27 | 3.12.0001 | 5 |
| 28 | 5.39.1778 | 3 |
| 29 | 5.39.1777 | 1 |
| 30 | 5.39.1826 | 1 |
| 31 | 5.22.0300 | 1 |

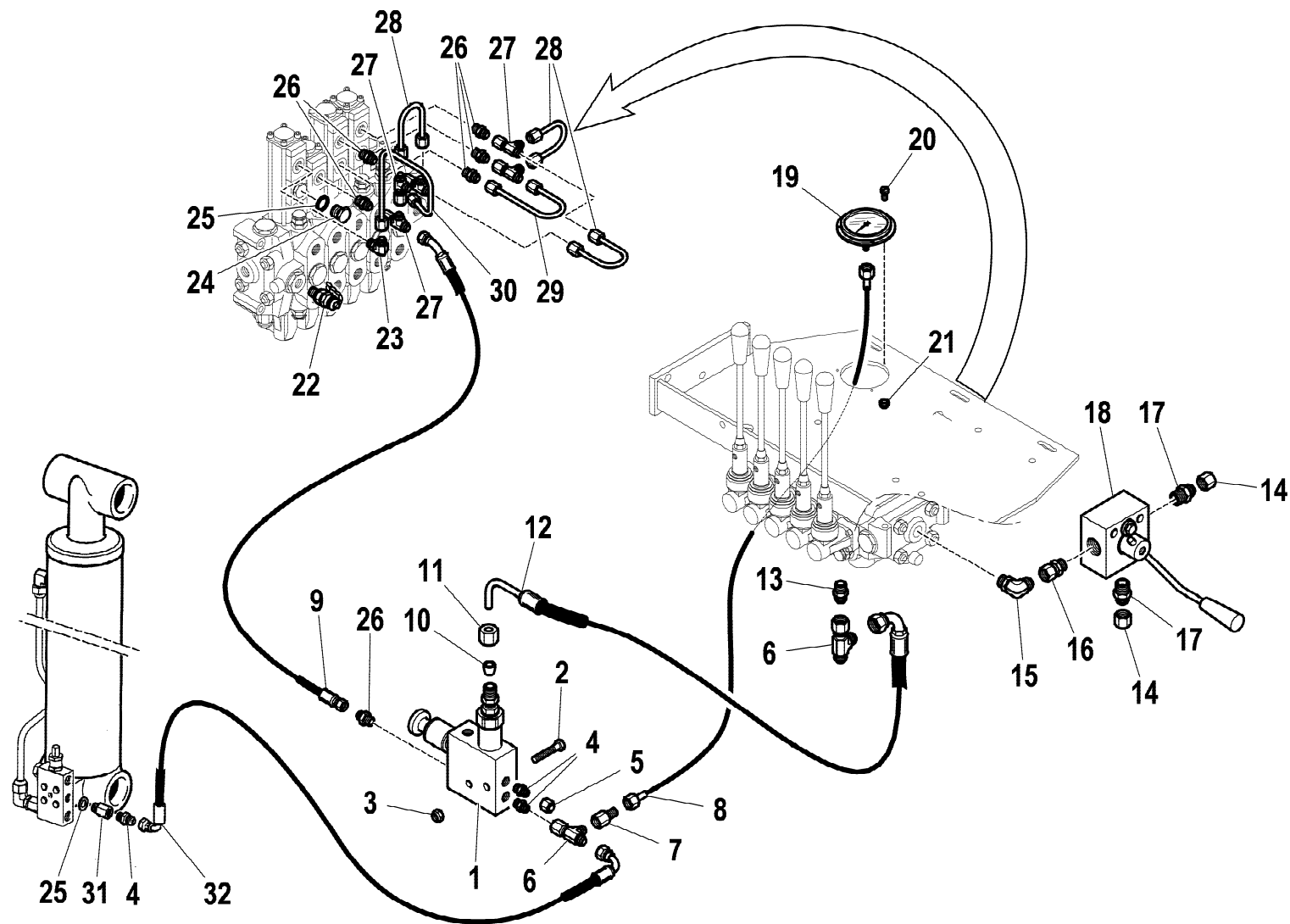
1/2

HYVA[®] CRANE
HB280

LIMITATORE DI MOMENTO (CE) F
 MOMENT LIMITING DEVICE (CE) F
 LIMITEUR DE MOMENT (CE) F
 HUB-MOMENTBEGRENZER (CE) F
 LIMITADOR DE MOMENTO (CE) F

Tavola
5.43.0213-1-0

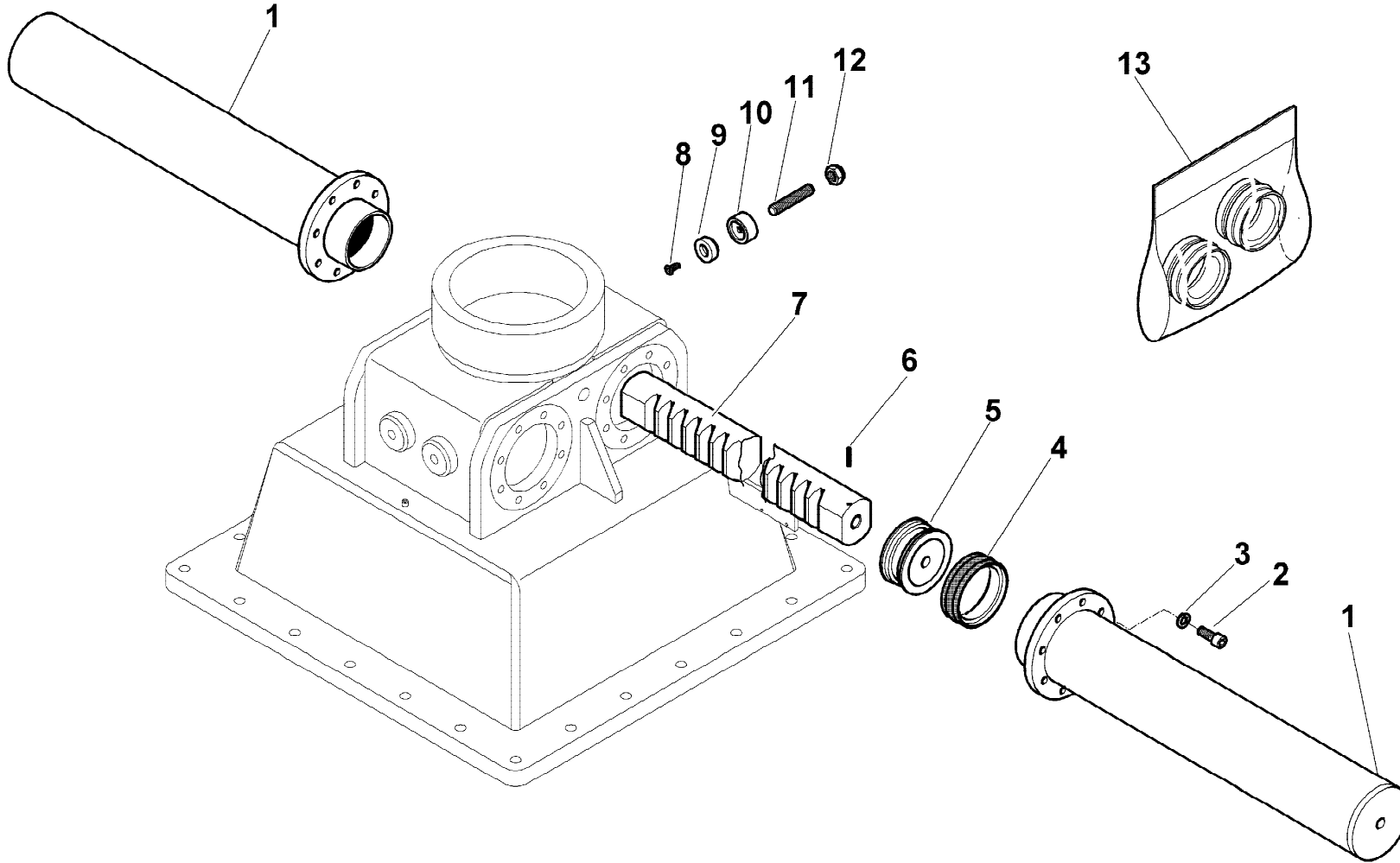
Data pag.
 settembre 2012 150.1





HB280 M

| rif. | codice | Q.tà |
|------|-----------|------|
| 1 | 6.07.0547 | 4 |
| 2 | 3.02.0128 | 32 |
| 3 | 3.06.0059 | 32 |
| 4 | 3.40.0523 | 4 |
| 5 | 6.05.0248 | 4 |
| 6 | 3.06.0607 | 4 |
| 7 | 5.05.0085 | 4 |
| 8 | 3.02.0466 | 4 |
| 9 | 5.14.0600 | 4 |
| 10 | 4.16.0328 | 4 |
| 11 | 3.06.0919 | 4 |
| 12 | 3.04.0309 | 4 |
| 13 | 5.55.0694 | 1 |



1/1

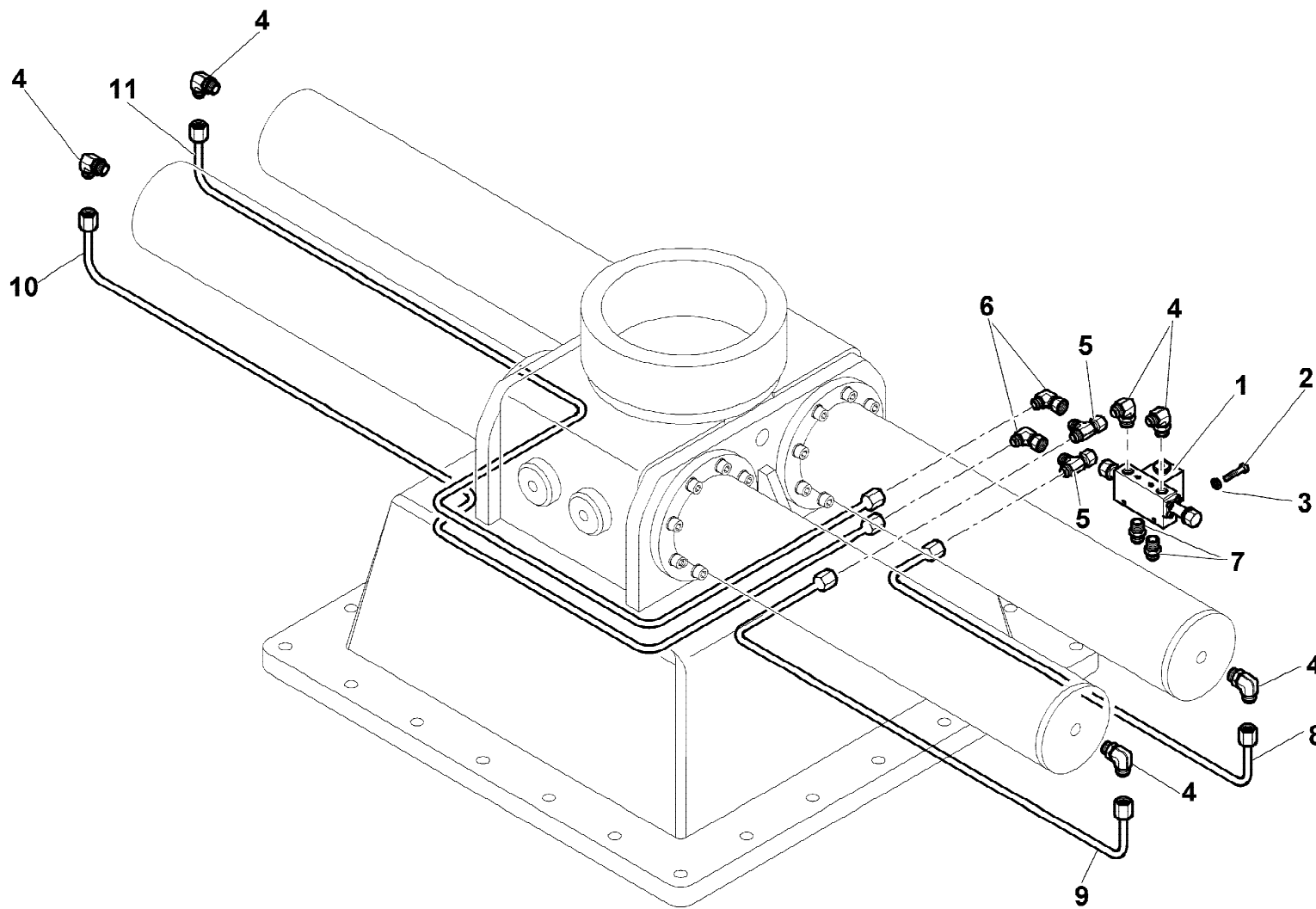
HYVA® CRANE
HB280

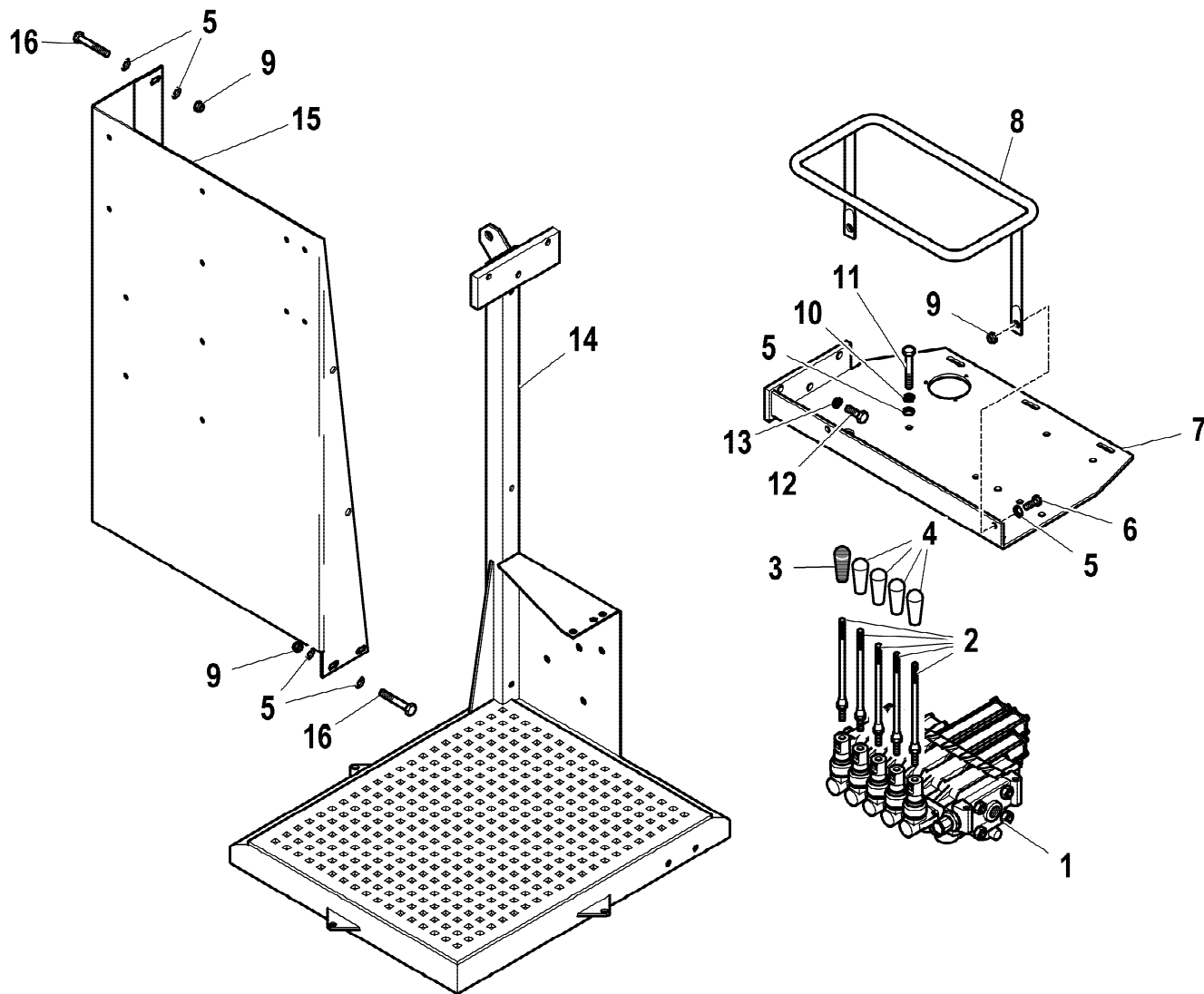
GRUPPO ROTAZIONE M
SLEWING ASS'Y M
GROUPE ROTATION M
DREHVORRICHTUNG M
GRUPO ROTACION M

Tavola
6.24.0116-1-0

Data pag.
luglio 2011 152

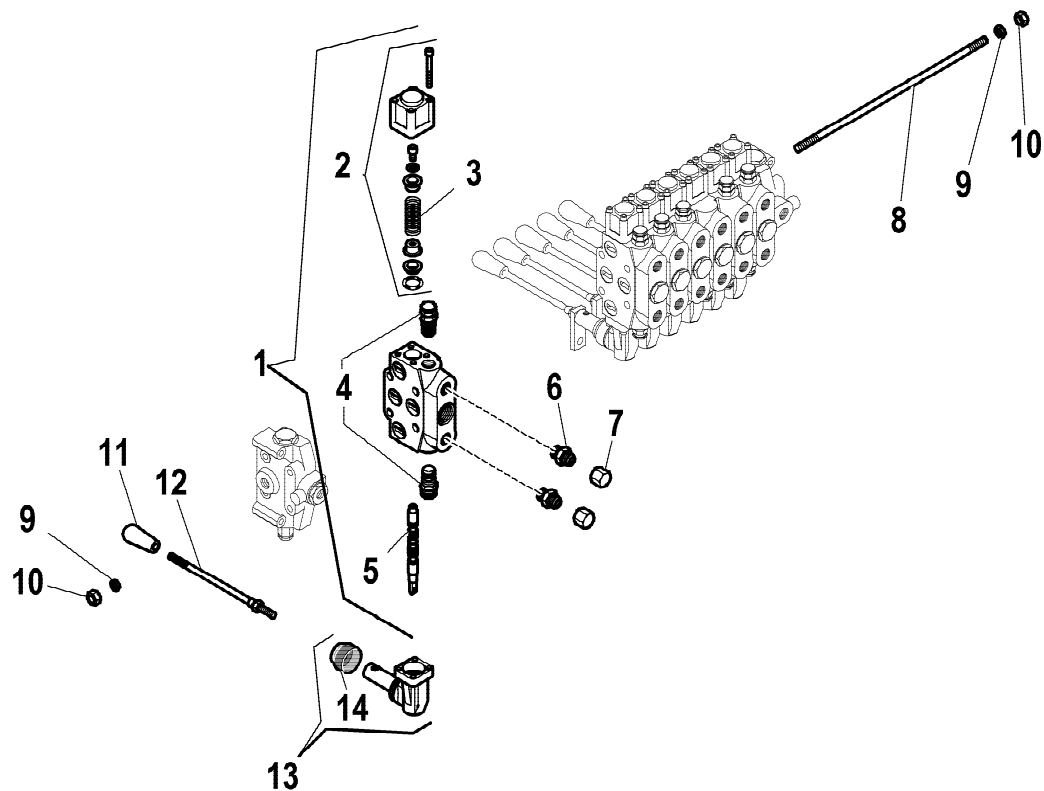
| rif. | codice | Q.tà |
|------|-----------|------|
| 1 | 5.22.0620 | 1 |
| 2 | 3.01.0018 | 2 |
| 3 | 3.06.0053 | 2 |
| 4 | 3.10.1128 | 6 |
| 5 | 3.12.0004 | 2 |
| 6 | 3.12.0031 | 2 |
| 7 | 3.10.1044 | 2 |
| 8 | 5.39.1723 | 1 |
| 9 | 5.39.1724 | 1 |
| 10 | 5.39.1722 | 1 |
| 11 | 5.39.1721 | 1 |





| rif. | codice | Q.tà |
|------|-----------|------|
| 1 | 5.22.0292 | 1 |
| 2 | 5.22.0224 | 4 |
| 3 | 3.19.0189 | 1 |
| 4 | 3.19.0010 | 3 |
| 5 | 3.06.0029 | 5 |
| 6 | 3.01.0339 | 2 |
| 7 | 3.04.0303 | 1 |
| 8 | 5.09.0459 | 1 |
| 9 | 5.09.0533 | 1 |
| 10 | 3.06.0055 | 5 |
| 11 | 3.06.0036 | 5 |
| 12 | 3.01.0355 | 3 |
| 13 | 3.06.0056 | 3 |
| 14 | 5.09.0835 | 1 |
| 15 | 5.00.1319 | 1 |
| 16 | 3.01.0035 | 5 |

| rif. | codice | Q.tà |
|------|-----------|------|
| 1 | 5.22.5187 | 1 |
| 2 | 5.22.5130 | 1 |
| 3 | 5.22.5462 | 1 |
| 4 | 5.22.5200 | 2 |
| 5 | 5.22.5177 | 1 |
| 6 | 3.10.1051 | 2 |
| 7 | 3.11.0050 | 2 |
| 8 | 5.22.5213 | 4 |
| 9 | 3.06.0056 | 4 |
| 10 | 3.04.0046 | 4 |
| 11 | 3.19.0006 | 2 |
| 12 | 5.22.0224 | 2 |
| 13 | 5.22.5126 | 2 |
| 14 | 5.22.5128 | 2 |



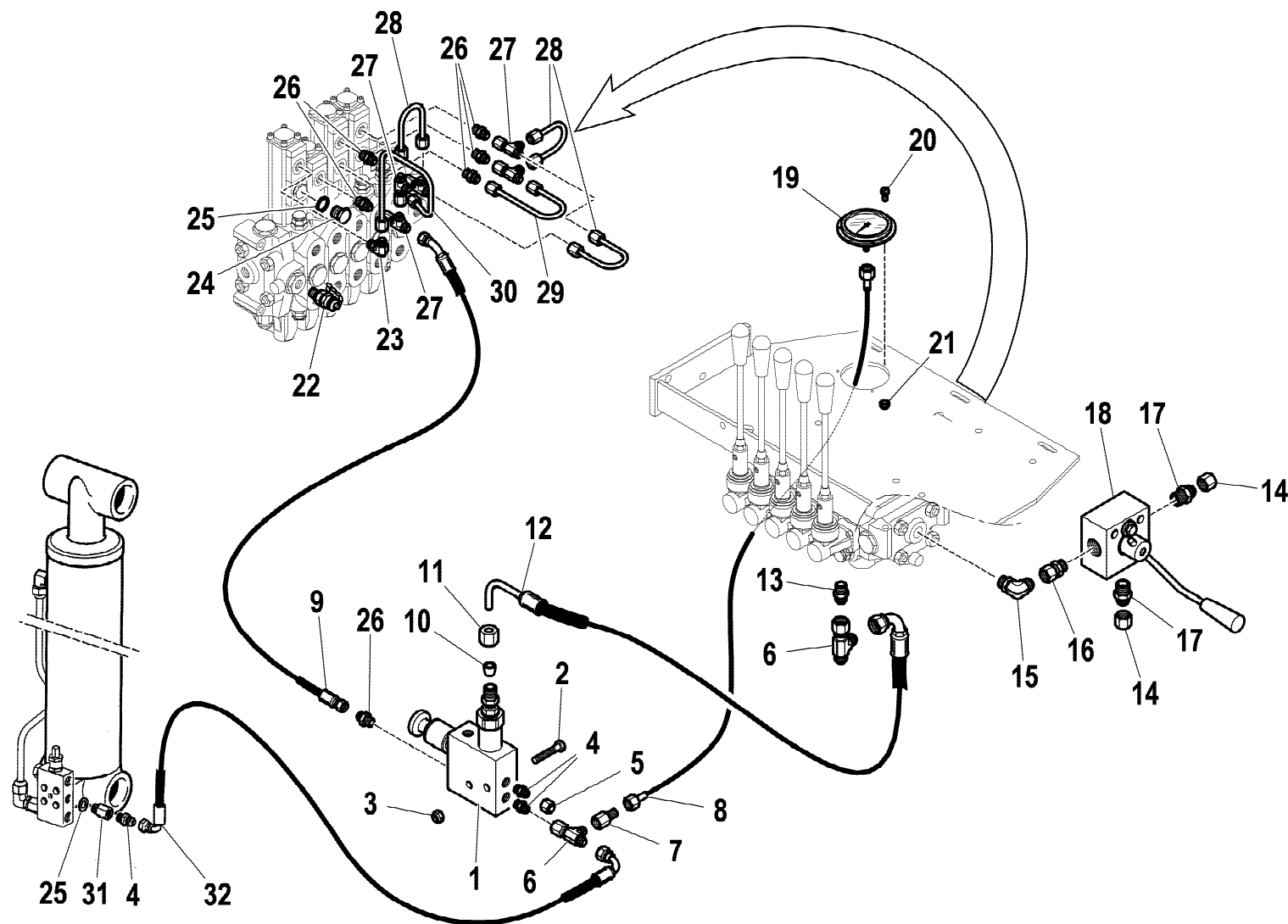
1/1

HYVA® CRANE
HB280

KIT 5° ELEMENTO SUPPLEMENTARE CENTRO APERTO
5TH EXTRA FUNCTION KIT OPEN CENTER SPOOL
KIT 5ÉME ELEMENT SUPPLEMENTAIRE CENTRE OUVERTE
KIT 5. ZUSÄTZLICHES STEUERELEMENT MIT GEÖFFNETEM ZENTRUM
KIT 5° ELEMENTO ADICIONAL CENTRO ABIERTO

Tavola
5.21.2004-2-0

Data pag.
maggio 2007 155



| rif. | codice | Q.tà |
|------|-----------|------|
| 1 | 5.22.0679 | 1 |
| 2 | 3.01.0388 | 2 |
| 3 | 3.04.0372 | 2 |
| 4 | 3.10.1039 | 3 |
| 5 | 3.11.0040 | 1 |
| 6 | 3.12.0003 | 2 |
| 7 | 3.12.0200 | 1 |
| 8 | 5.30.0069 | 1 |
| 9 | 5.26.0853 | 1 |
| 10 | 3.10.0956 | 1 |
| 11 | 3.10.0952 | 1 |
| 12 | 5.26.0693 | 1 |
| 13 | 3.10.1041 | 1 |
| 14 | 3.11.0050 | 2 |
| 15 | 3.12.0034 | 1 |
| 16 | 3.12.0080 | 1 |
| 17 | 3.12.0073 | 2 |
| 18 | 5.22.0599 | 1 |
| 19 | 3.18.0150 | 1 |
| 20 | 3.02.0880 | 3 |
| 21 | 3.04.0516 | 3 |
| 22 | 3.11.1523 | 1 |
| 23 | 3.10.1194 | 1 |
| 24 | 3.11.0062 | 1 |
| 25 | 3.06.0143 | 2 |
| 26 | 3.10.1034 | 6 |
| 27 | 3.12.0001 | 5 |
| 28 | 5.39.1778 | 3 |
| 29 | 5.39.1777 | 1 |
| 30 | 5.39.1826 | 1 |
| 31 | 5.22.0300 | 1 |

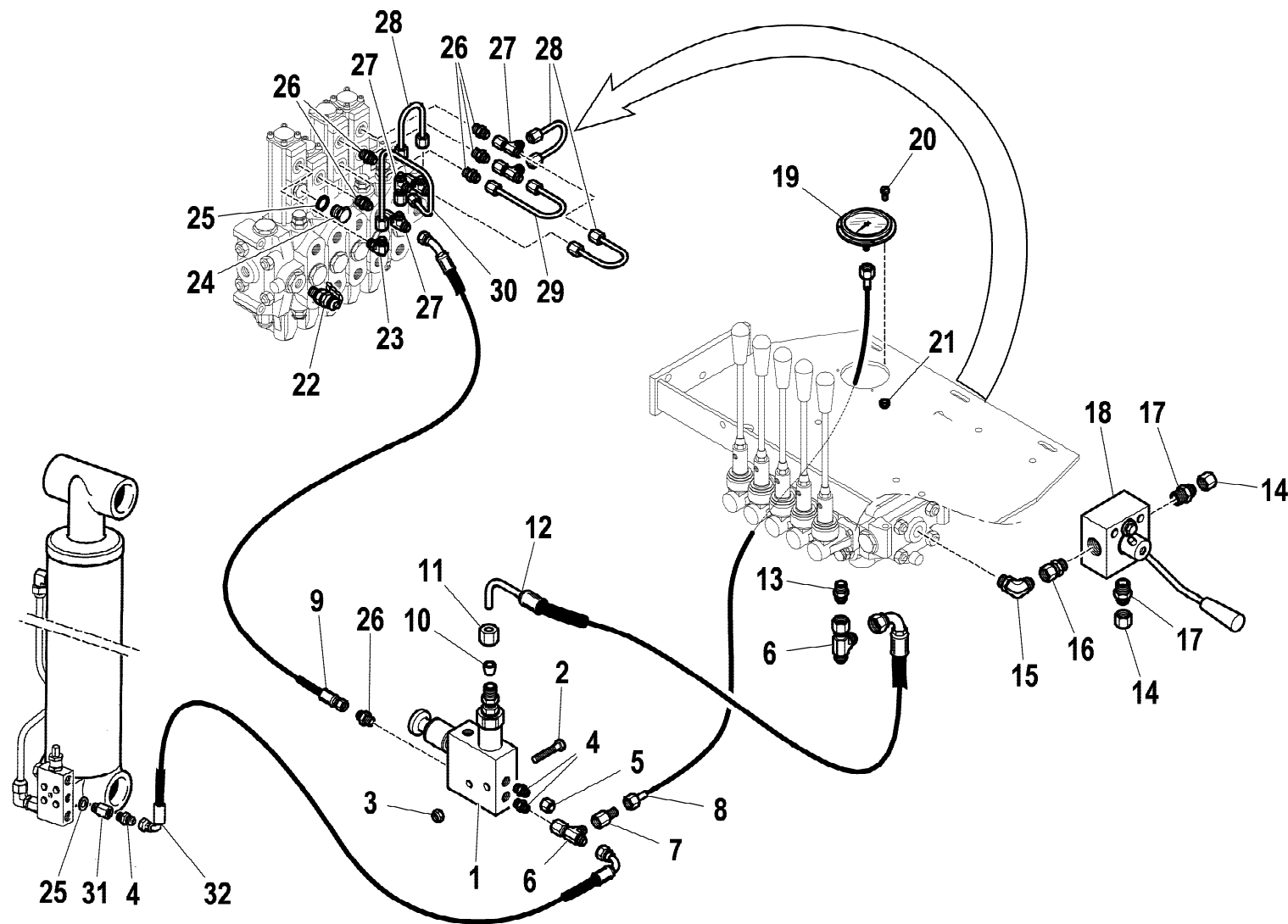
1/2

HYVA® CRANE
HB280

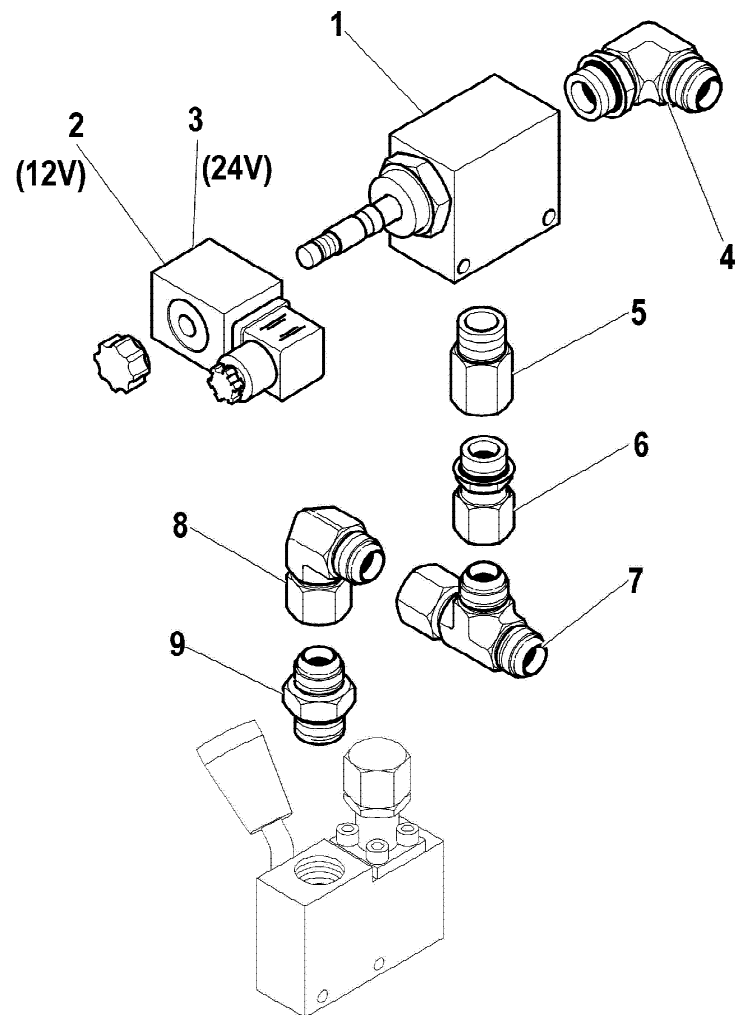
LIMITATORE DI MOMENTO (CE) M
 MOMENT LIMITING DEVICE (CE) M
 LIMITEUR DE MOMENT (CE) M
 HUB-MOMENTBEGRENZER (CE) M
 LIMITADOR DE MOMENTO (CE) M

Tavola
5.43.0212-1-0

Data pag.
 settembre 2012 156.1



| rif. | codice | Q.tà |
|------|-----------|------|
| 1 | 5.22.0642 | 1 |
| 2 | 3.31.0238 | 1 |
| 3 | 3.31.0242 | 1 |
| 4 | 3.10.1131 | 1 |
| 5 | 3.11.0113 | 1 |
| 6 | 3.12.0067 | 1 |
| 7 | 3.12.0008 | 1 |
| 8 | 3.12.0034 | 1 |
| 9 | 3.10.1051 | 1 |



1/1

HYVA[®] CRANE

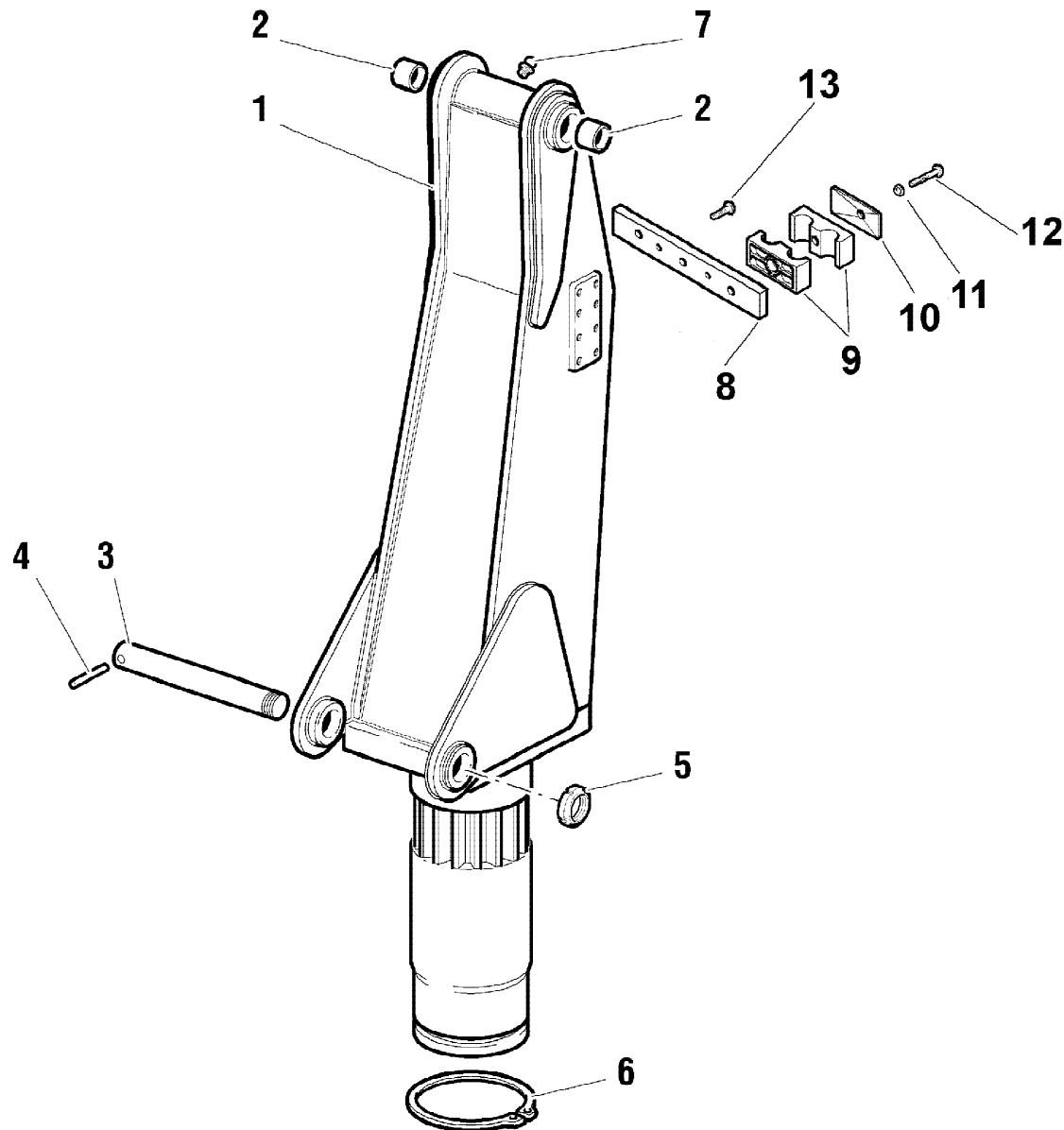
HB280

ELETTOVALVOLA
SOLENOID VALVE
ELECTROVALVE
MAGNETVENTIL
ELECTROVALVULA

Tavola

5.44.0019-1-0

Data pag.
giugno 2006 157



| rif. | codice | Q.tà |
|------|-----------|------|
| 1 | 5.04.0107 | 1 |
| 2 | 5.14.0689 | 2 |
| 3 | 5.15.0793 | 1 |
| 4 | 3.06.0627 | 1 |
| 5 | 3.04.0509 | 1 |
| 6 | 3.07.0146 | 1 |
| 7 | 3.08.0501 | 1 |
| 8 | 5.00.1192 | 1 |
| 9 | 3.19.0222 | 6 |
| 10 | 3.19.0221 | 3 |
| 11 | 3.06.0055 | 2 |
| 12 | 3.01.0034 | 2 |
| 13 | 3.02.0899 | 2 |

1/1

HYVA[®] CRANE

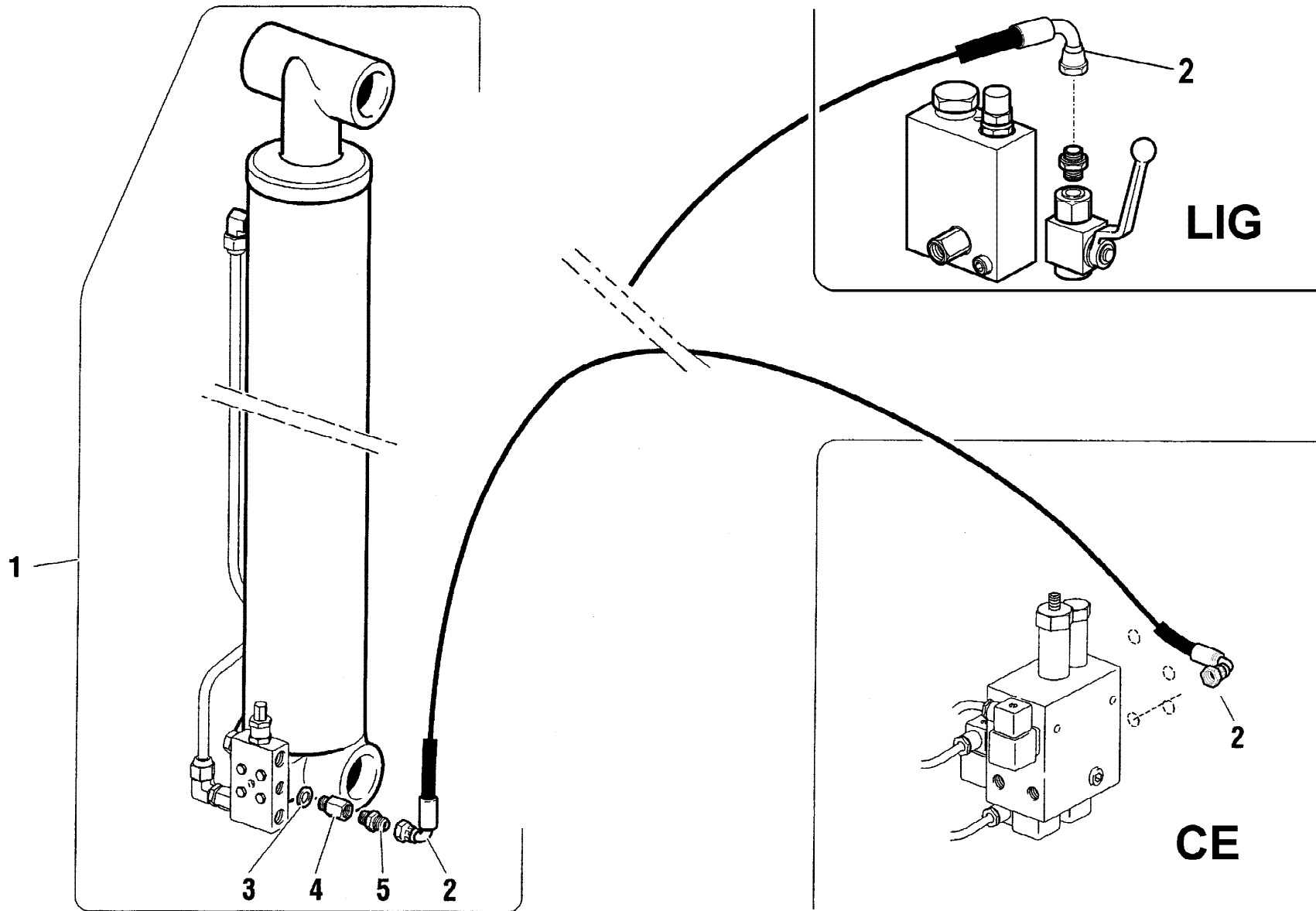
HB280

COLONNA M
COLUMN M
COLONNE M
SAEULE M
COLUMN M

Tavola

5.46.0058-1-0

Data pag.
giugno 2011 158



| rif. | codice | Q.tà |
|------|-----------|------|
| 1 | 6.23.0159 | 1 |
| 2 | 5.26.0801 | 1 |
| 3 | 3.06.0143 | 1 |
| 4 | 5.22.0300 | 1 |
| 5 | 3.10.1039 | 1 |

LIG

CE



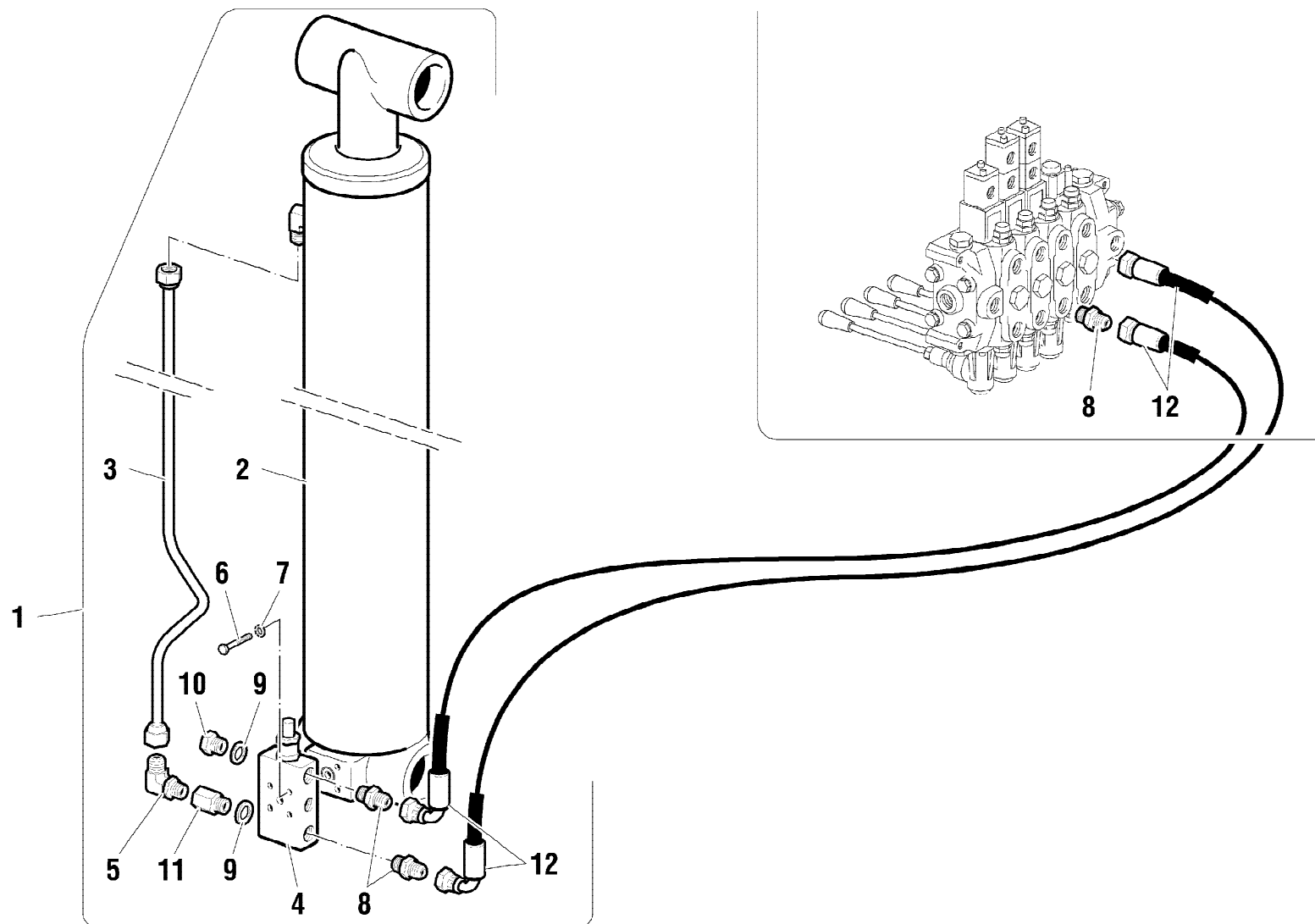
HB280

IMPIANTO IDRAULICO (VALVOLA UNIDIREZIONALE) 825M
 HYDRAULIC SYSTEM (NON-RETURN VALVE) 825M
 INSTALLATION HYDRAULIQUE (SOUPAPE DE NON-RETOUR) 825M
 HYDRAULIKANLAGE (RÜCKSCHLAGVENTIL) 825M
 INSTALACION HIDRAULICA (VALVULA MONODIRECCIONAL) 825M

Tavola
5.45.0054-1-0

Data pag.
giugno 2011 159

| rif. | codice | Q.tà |
|------|-----------|------|
| 1 | 6.23.0159 | 1 |
| 2 | 6.43.0159 | 1 |
| 3 | 5.39.1467 | 1 |
| 4 | 5.22.0570 | 1 |
| 5 | 3.10.1131 | 1 |
| 6 | 3.01.0032 | 4 |
| 7 | 3.06.0055 | 4 |
| 8 | 3.10.1051 | 3 |
| 9 | 3.06.0145 | 2 |
| 10 | 3.11.0065 | 1 |
| 11 | 3.11.0113 | 1 |
| 12 | 5.28.0602 | 2 |



6.23.01.04-2.0

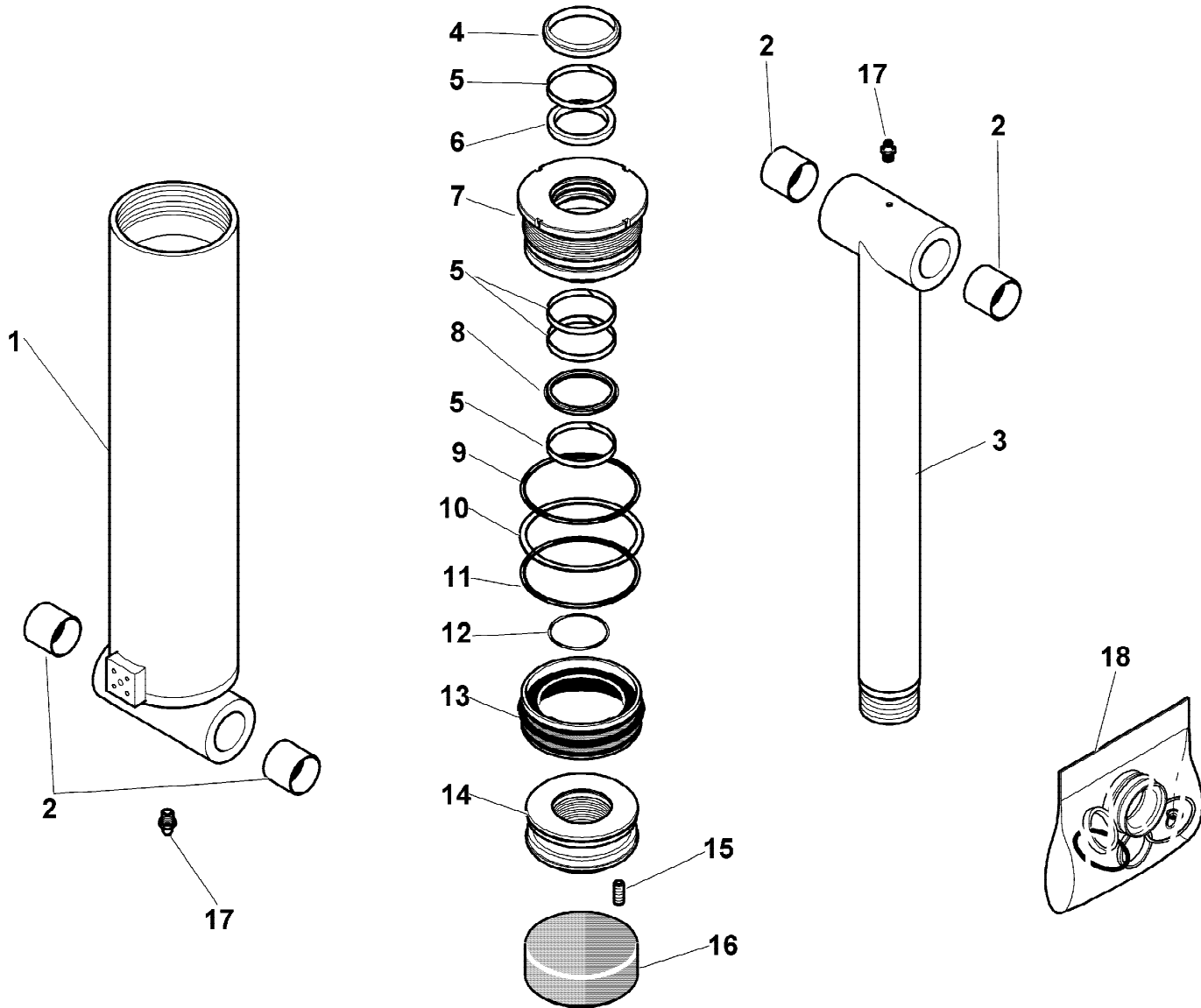
1/1

HYVA[®] CRANE
HB280

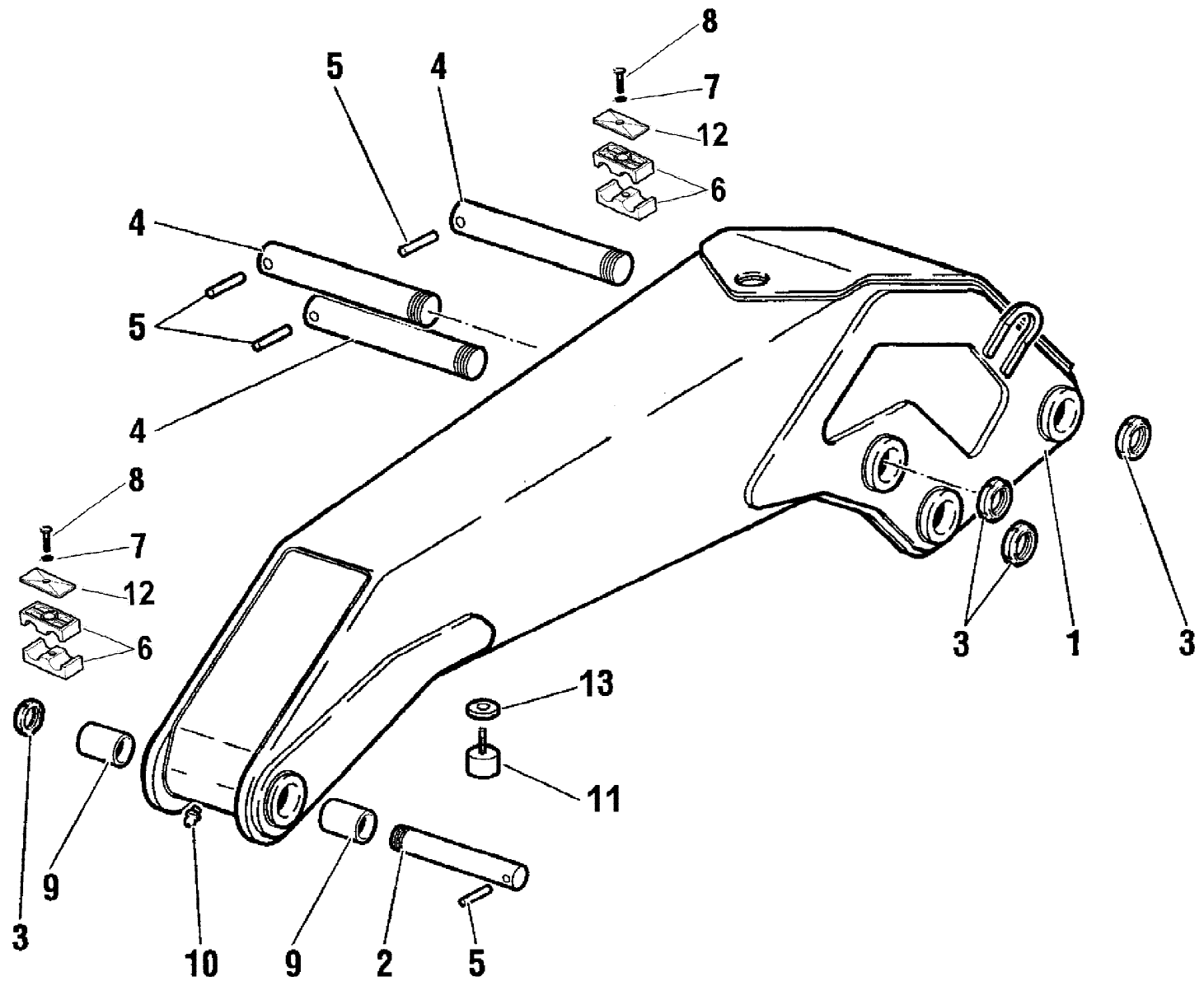
IMPIANTO IDRAULICO (MARTINETTO SOLLEVAMENTO)
HYDRAULIC SYSTEM (LIFTING HYDRAULIC CYLINDER)
INSTALLATION HYDRAULIQUE (VERIN DE LEVAGE)
HYDRAULIKANLAGE (HUBZYLINDER)
INSTALACION HIDRAULICA (GATO DE ELEVACION)

Tavola
6.23.0159-1-0

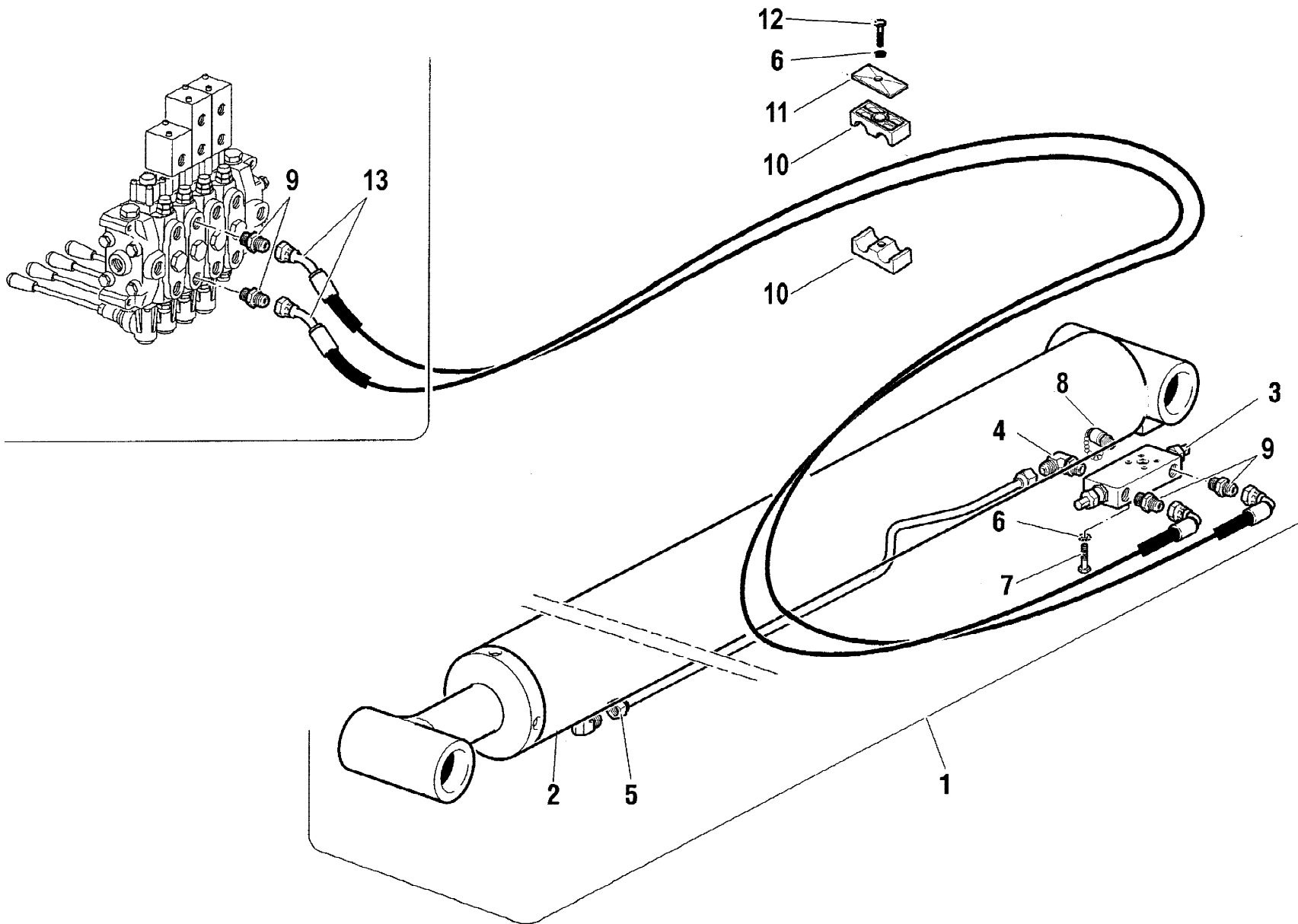
Data pag.
giugno 2011 160



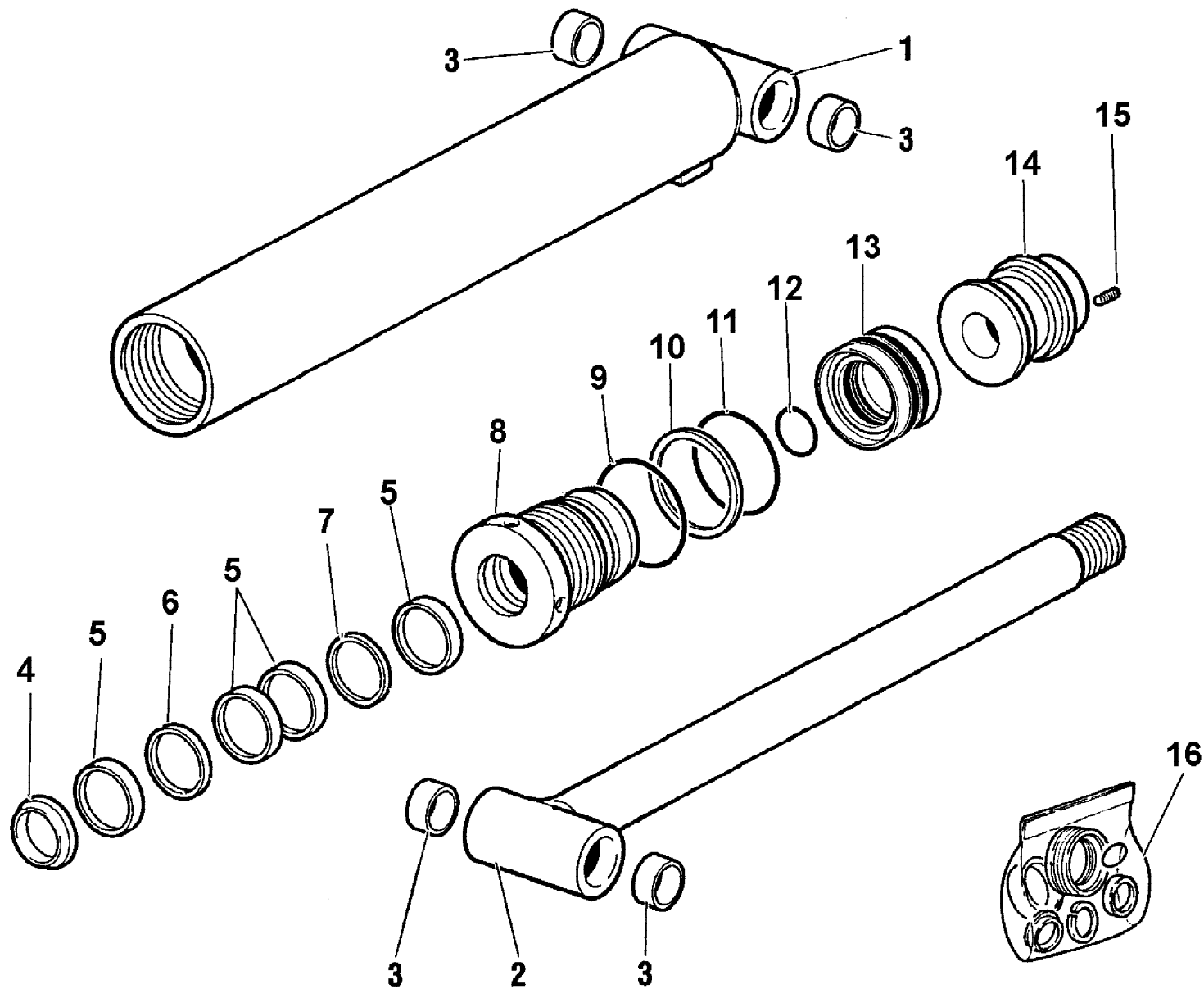
| rif. | codice | Q.tà |
|------|-----------|------|
| 1 | 6.07.0392 | 1 |
| 2 | 5.14.0689 | 4 |
| 3 | 6.03.0760 | 1 |
| 4 | 3.42.0049 | 1 |
| 5 | 3.35.0120 | 4 |
| 6 | 3.37.0175 | 1 |
| 7 | 6.04.0261 | 1 |
| 8 | 3.38.1000 | 1 |
| 9 | 3.45.0177 | 1 |
| 10 | 3.46.0401 | 1 |
| 11 | 3.45.0401 | 1 |
| 12 | 3.45.0155 | 1 |
| 13 | 3.40.0537 | 1 |
| 14 | 6.05.0259 | 1 |
| 15 | 3.06.0247 | 1 |
| 16 | 6.05.0276 | 1 |
| 17 | 3.08.0501 | 2 |
| 18 | 5.55.0722 | 1 |



| rif. | codice | Q.tà |
|------|-----------|------|
| 1 | 5.03.0216 | 1 |
| 2 | 5.15.0793 | 1 |
| 3 | 3.04.0509 | 4 |
| 4 | 5.15.0794 | 3 |
| 5 | 3.06.0627 | 4 |
| 6 | 3.19.0222 | 10 |
| 7 | 3.06.0055 | 5 |
| 8 | 3.01.0032 | 5 |
| 9 | 5.14.0689 | 2 |
| 10 | 3.08.0501 | 1 |
| 11 | 3.19.0100 | 1 |
| 12 | 3.19.0221 | 5 |
| 13 | 5.00.1112 | 1 |



| rif. | codice | Q.tà |
|------|-----------|------|
| 1 | 6.23.0160 | 1 |
| 2 | 6.43.0160 | 1 |
| 3 | 5.22.0571 | 1 |
| 4 | 3.10.1131 | 1 |
| 5 | 5.39.1512 | 1 |
| 6 | 3.06.0055 | 4 |
| 7 | 3.01.0032 | 3 |
| 8 | 3.11.1523 | 1 |
| 9 | 3.10.1051 | 4 |
| 10 | 3.19.0222 | 2 |
| 11 | 3.19.0221 | 1 |
| 12 | 3.01.0033 | 1 |
| 13 | 5.28.0601 | 2 |



| rif. | codice | Q.tà |
|------|-----------|------|
| 1 | 6.07.0393 | 1 |
| 2 | 6.03.0768 | 1 |
| 3 | 5.14.0689 | 4 |
| 4 | 3.42.0049 | 1 |
| 5 | 3.35.0120 | 4 |
| 6 | 3.37.0175 | 1 |
| 7 | 3.38.1000 | 1 |
| 8 | 6.04.0261 | 1 |
| 9 | 3.45.0177 | 1 |
| 10 | 3.46.0401 | 1 |
| 11 | 3.45.0401 | 1 |
| 12 | 3.45.0155 | 1 |
| 13 | 3.40.0537 | 1 |
| 14 | 6.05.0259 | 1 |
| 15 | 3.06.0247 | 1 |
| 16 | 5.55.0722 | 1 |

1/1

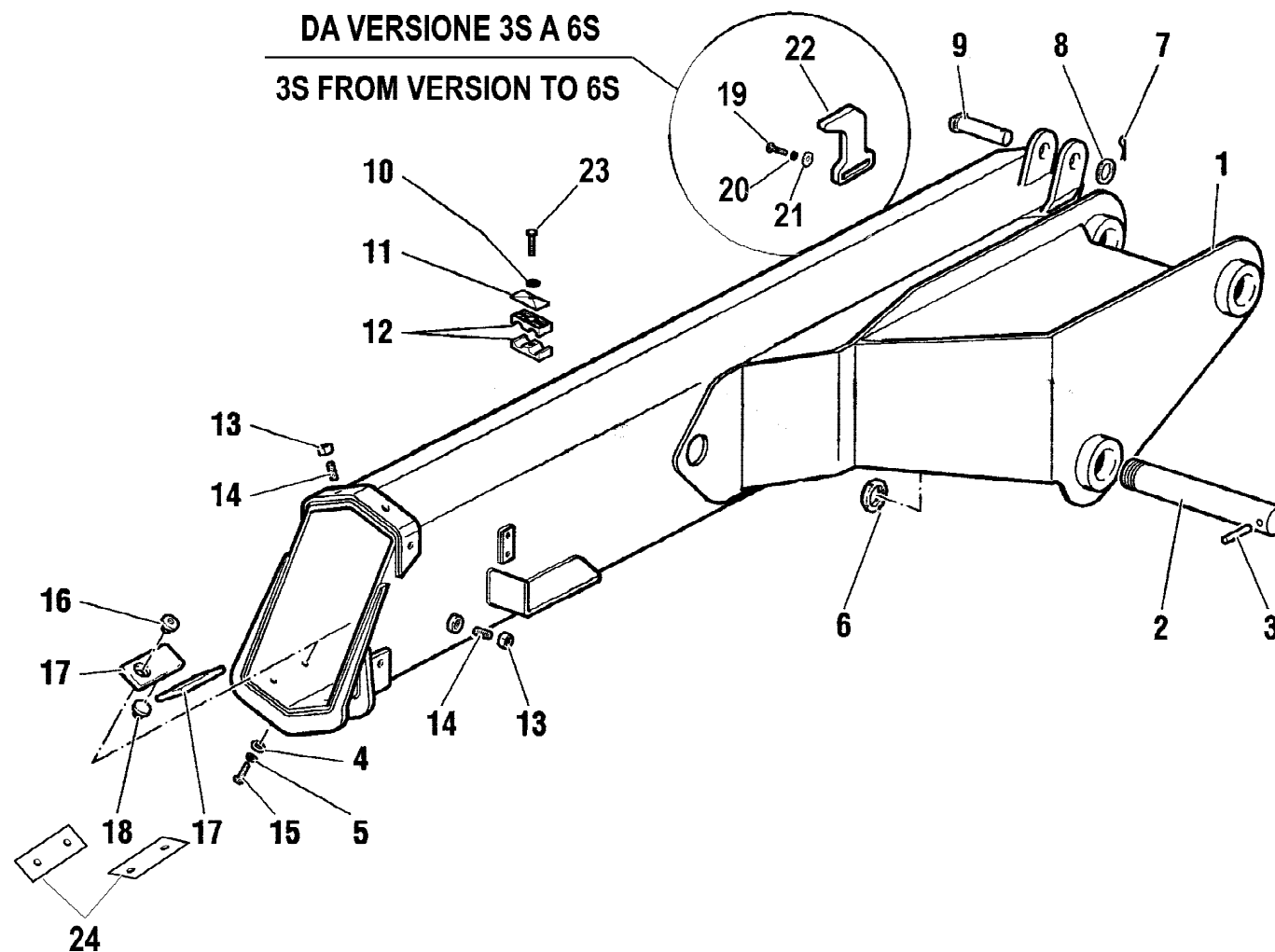
HYVA[®] CRANE
HB280

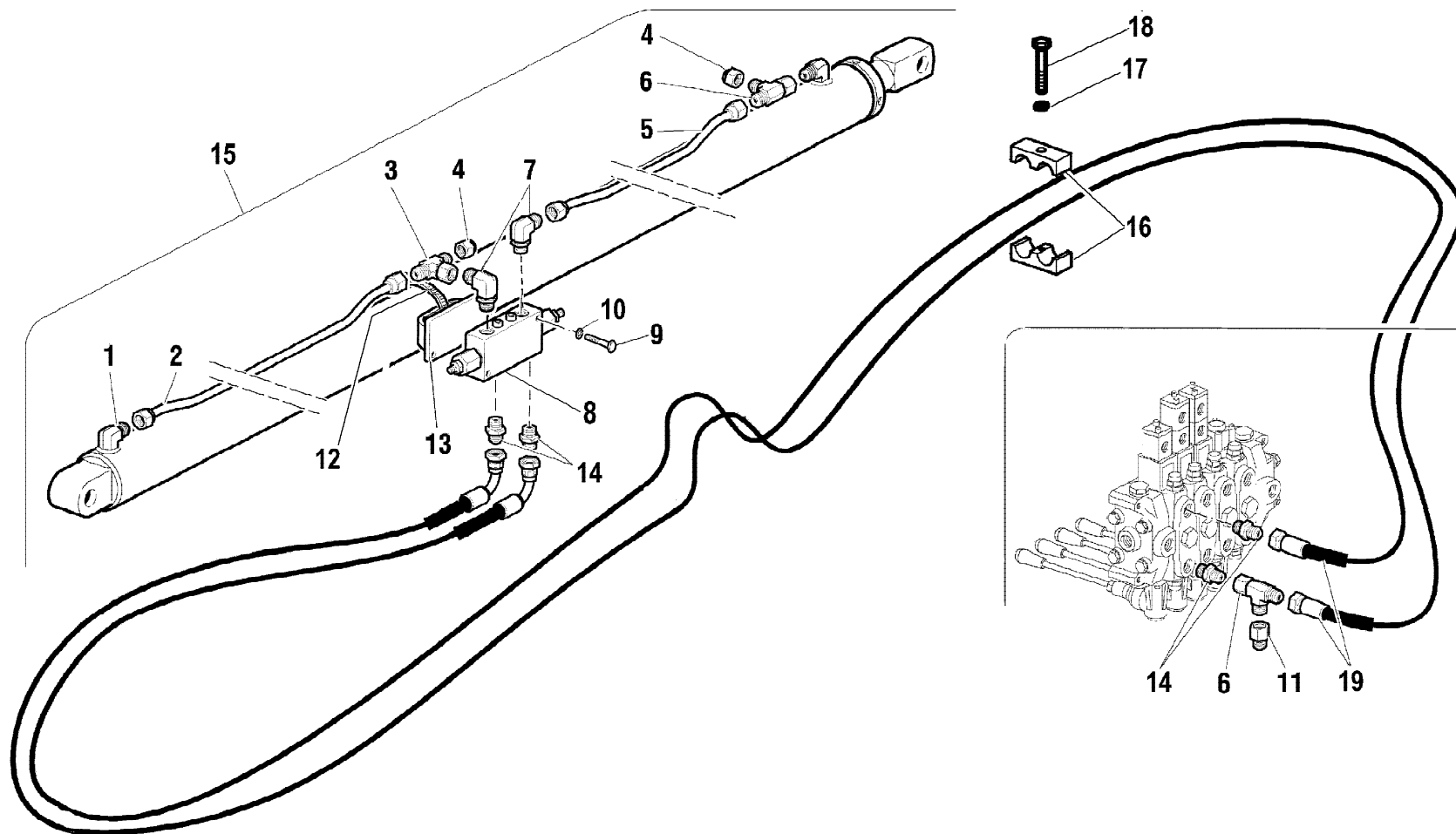
MARTINETTO ARTICOLAZIONE
 ARTICULATION HYDRAULIC JACK
 VERIN D' ARTICULATION
 GELENKSHEBEBOCK
 GATO DE ARTICULACION

Tavola
6.43.0160-1-0

Data pag.
 giugno 2011 164

| rif. | codice | Q.tà |
|------|-----------|------|
| 1 | 5.03.0217 | 1 |
| 2 | 5.15.0794 | 1 |
| 3 | 3.06.0627 | 1 |
| 4 | 3.06.0914 | 2 |
| 5 | 3.06.0920 | 2 |
| 6 | 3.04.0509 | 1 |
| 7 | 3.06.0911 | 1 |
| 8 | 3.06.0016 | 1 |
| 9 | 5.15.0795 | 1 |
| 10 | 3.06.0055 | 1 |
| 11 | 3.19.0221 | 1 |
| 12 | 3.19.0222 | 2 |
| 13 | 3.04.0089 | 6 |
| 14 | 5.00.0771 | 6 |
| 15 | 3.01.0353 | 2 |
| 16 | 5.00.0827 | 2 |
| 17 | 5.14.0701 | 2 |
| 18 | 5.00.1253 | 2 |
| 19 | 3.01.0394 | 2 |
| 20 | 3.06.0057 | 2 |
| 21 | 3.06.0031 | 2 |
| 22 | 5.00.0908 | 1 |
| 23 | 3.01.0032 | 1 |
| 24 | 5.00.0869 | 2 |





| rif. | codice | Q.tà |
|------|-----------|------|
| 1 | 6.41.0342 | 1 |
| 2 | 5.39.1833 | 1 |
| 3 | 3.12.0021 | 1 |
| 4 | 3.11.0050 | 2 |
| 5 | 5.39.1834 | 1 |
| 6 | 3.12.0008 | 2 |
| 7 | 3.10.1131 | 2 |
| 8 | 5.22.0641 | 1 |
| 9 | 3.01.0037 | 2 |
| 10 | 3.06.0006 | 2 |
| 11 | 3.12.0209 | 1 |
| 12 | 3.19.0024 | 2 |
| 13 | 5.00.0694 | 1 |
| 14 | 3.10.1051 | 4 |
| 15 | 6.21.0342 | 1 |
| 16 | 3.19.0222 | 4 |
| 17 | 3.06.0055 | 2 |
| 18 | 3.01.0032 | 2 |
| 19 | 5.28.0603 | 2 |

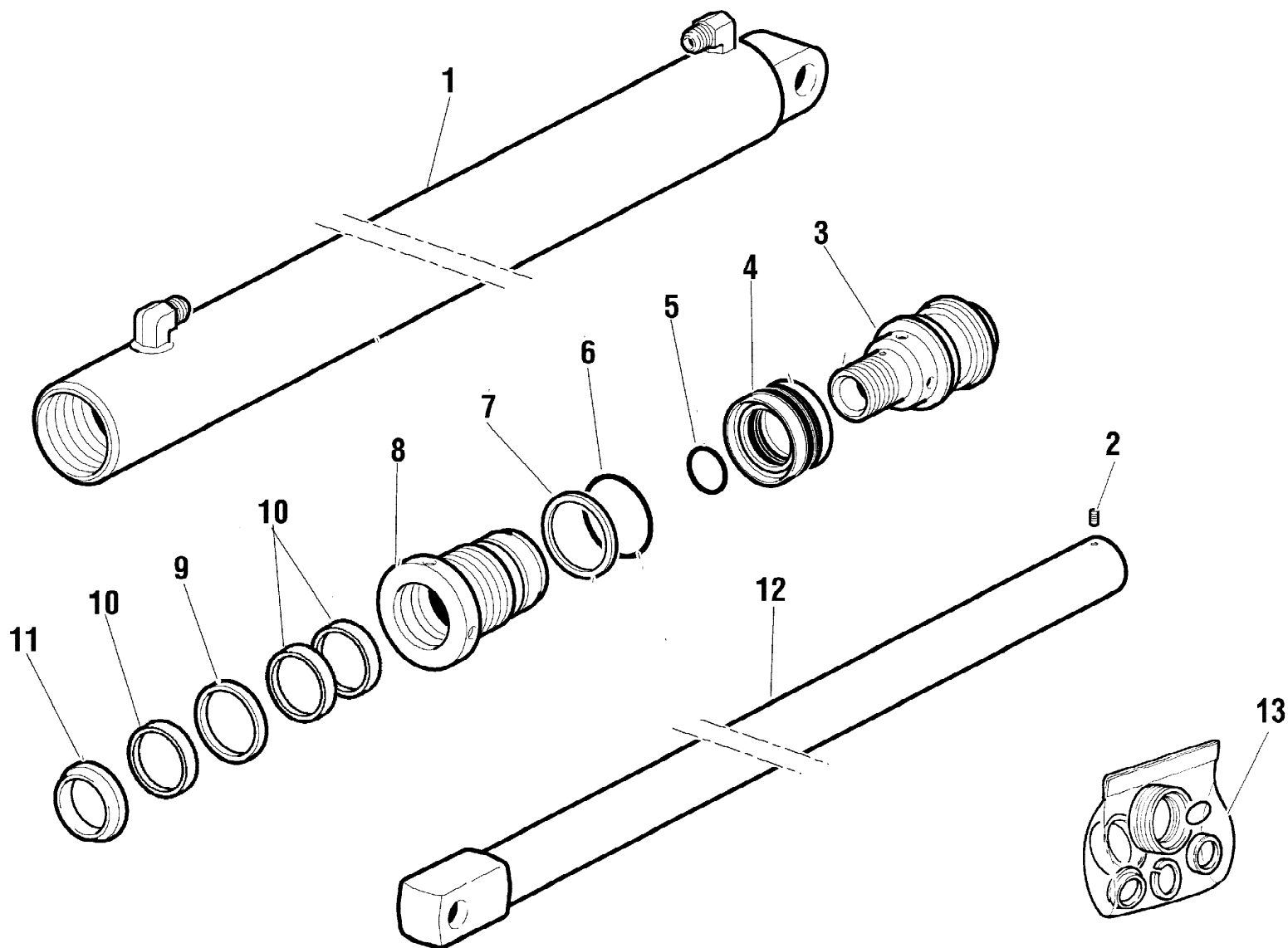
1/1

HYVA[®] CRANE
HB280

IMPIANTO IDRAULICO (MARTINETTO 1° SFILLO)
HYDRAULIC SYSTEM (1ST EXSTENSION HYDRAULIC)
INSTALLATION HYDRAULIQUE (VÉRIN 1ÈRE RALLONGE)
HYDRAULIKANLAGE (1. SCHUBZYLINDER)
INSTALACION HIDRAULICA (GATO 1ª EXTENSIÓN)

Tavola
6.21.0342-1-0

Data pag.
giugno 2011 166



| rif. | codice | Q.tà |
|------|-----------|------|
| 1 | 6.07.0398 | 1 |
| 2 | 3.06.0232 | 1 |
| 3 | 6.05.0260 | 1 |
| 4 | 3.40.0513 | 1 |
| 5 | 3.45.0118 | 1 |
| 6 | 3.45.0149 | 1 |
| 7 | 3.46.0149 | 1 |
| 8 | 6.04.0272 | 1 |
| 9 | 3.37.0130 | 1 |
| 10 | 3.36.1006 | 3 |
| 11 | 3.42.0030 | 1 |
| 12 | 6.03.0766 | 1 |
| 13 | 5.55.0746 | 1 |

1/1

HYVA[®] CRANE
HB280

MARTINETTO 1°SFILO
 1TH EXTENSION HYDRAULIC CYLINDER
 VERIN 1ERE RALLONGE
 1. SCHUBZYLINDER
 1° GATO DE PROLONGACION

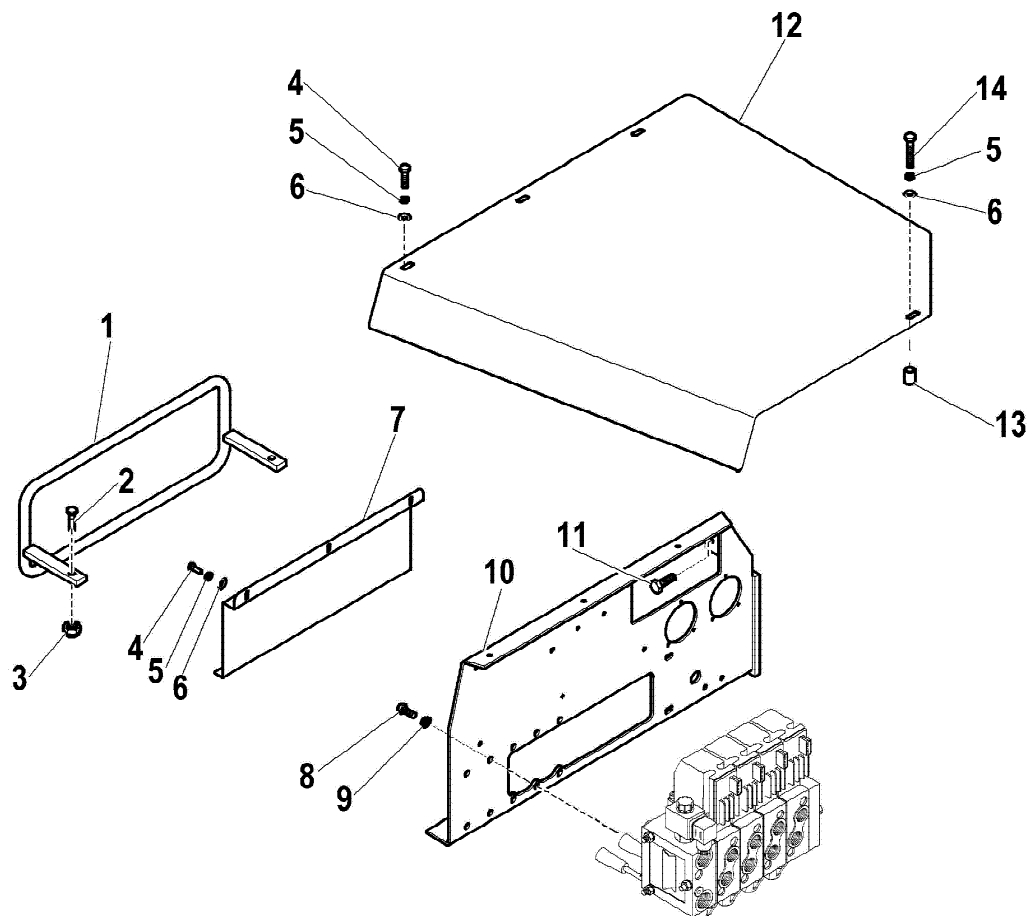
Tavola
6.41.0342-1-0

Data pag.
 febbraio 2011 167



HB280 X

| rif. | codice | Q.tà |
|------|-----------|------|
| 1 | 5.09.0636 | 1 |
| 2 | 3.01.0339 | 2 |
| 3 | 3.04.0303 | 2 |
| 4 | 3.01.0325 | 6 |
| 5 | 3.06.0053 | 7 |
| 6 | 3.06.0030 | 7 |
| 7 | 5.09.0637 | 1 |
| 8 | 3.01.0027 | 4 |
| 9 | 3.06.0055 | 4 |
| 10 | 5.09.0638 | 1 |
| 11 | 3.01.0355 | 3 |
| 12 | 5.00.0829 | 1 |
| 13 | 5.00.0835 | 1 |
| 14 | 3.01.0017 | 1 |



1/1

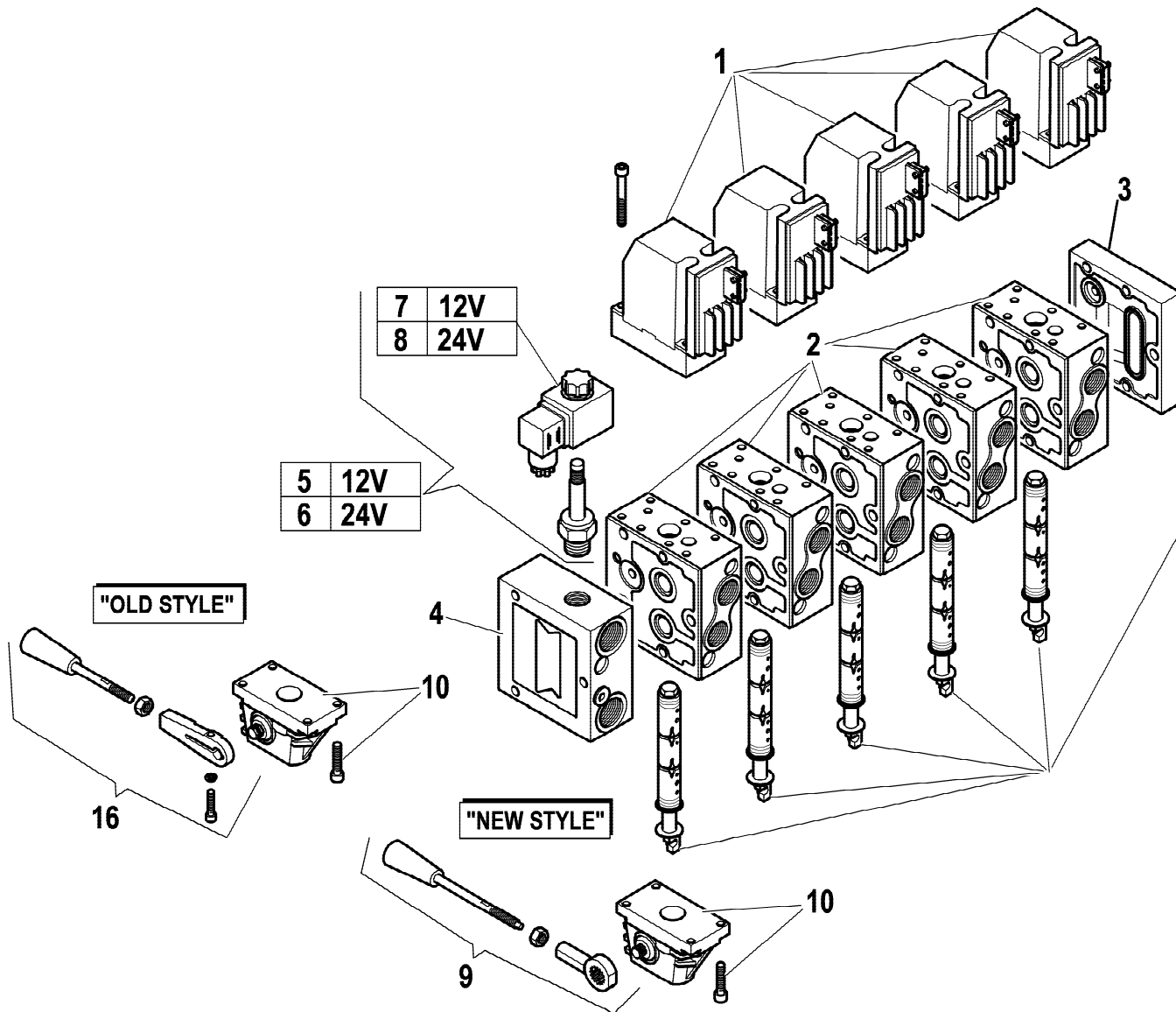
HYVA® CRANE

HB280

COMANDI RDC
 CONTROLS RDC
 COMMANDES RDC
 STEUERUGEN RDC
 MANDOS RDC

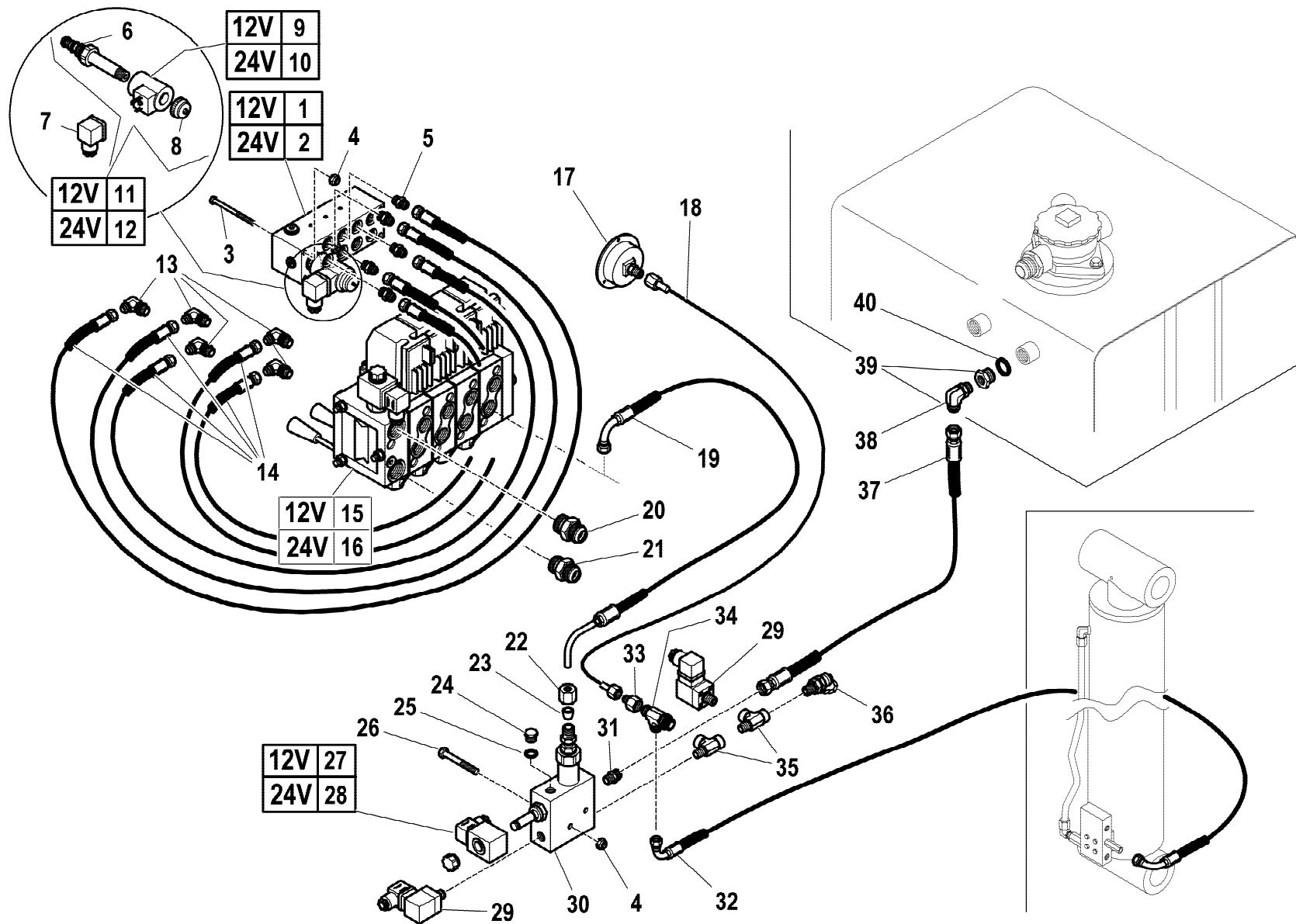
Tavola
5.40.0218-1-0

Data pag.
 giugno 2006 169



| | |
|--|----|
| | 11 |
| | 12 |
| | 13 |
| | 14 |
| | 13 |
| | 14 |
| | 15 |
| | 15 |
| | 13 |

| rif. | codice | Q.tà |
|------|--------------|------|
| 1 | 5.22.5545 | 5 |
| 2 | 5.22.5398 | 5 |
| 3 | 5.22.5512 | 1 |
| 4 | 5.22.5511 | 1 |
| 5 | 5.22.5533 | 1 |
| 6 | 5.22.5510 | 1 |
| 7 | 3.31.0238 | 1 |
| 8 | 3.31.0242 | 1 |
| 9 | 5.22.5859 | 5 |
| 10 | WDNF157B3173 | 5 |
| 11 | 5.22.5558 | 1 |
| 12 | 5.22.5536 | 1 |
| 13 | 5.22.5368 | 1 |
| 14 | 5.22.5340 | 1 |
| 15 | 5.22.5508 | 1 |
| 16 | 5.22.5858 | 5 |



| rif. | codice | Q.tà |
|------|-----------|------|
| 1 | 5.22.0624 | 1 |
| 2 | 5.22.0631 | 1 |
| 3 | 3.01.0026 | 4 |
| 4 | 3.04.0372 | 4 |
| 5 | 3.10.1034 | 5 |
| 6 | 5.22.5405 | 1 |
| 7 | 3.31.0021 | 1 |
| 8 | 5.22.5406 | 1 |
| 9 | 3.31.0318 | 1 |
| 10 | 3.31.0383 | 1 |
| 11 | 5.22.5415 | 1 |
| 12 | 5.22.5904 | 1 |
| 13 | 3.10.1194 | 5 |
| 14 | 5.30.0034 | 5 |
| 15 | 5.22.0749 | 1 |
| 16 | 5.22.0720 | 1 |
| 17 | 3.18.0109 | 1 |
| 18 | 5.30.0035 | 1 |
| 19 | 5.26.0350 | 1 |
| 20 | 3.10.1056 | 1 |
| 21 | 3.12.0073 | 1 |
| 22 | 3.10.0952 | 1 |
| 23 | 3.10.0956 | 1 |
| 24 | 3.11.0062 | 1 |
| 25 | 3.06.0143 | 1 |
| 26 | 3.01.0388 | 2 |
| 27 | 3.31.0238 | 1 |
| 28 | 3.31.0242 | 1 |
| 29 | 3.31.0153 | 2 |
| 30 | 5.22.0578 | 1 |
| 31 | 3.10.1039 | 1 |

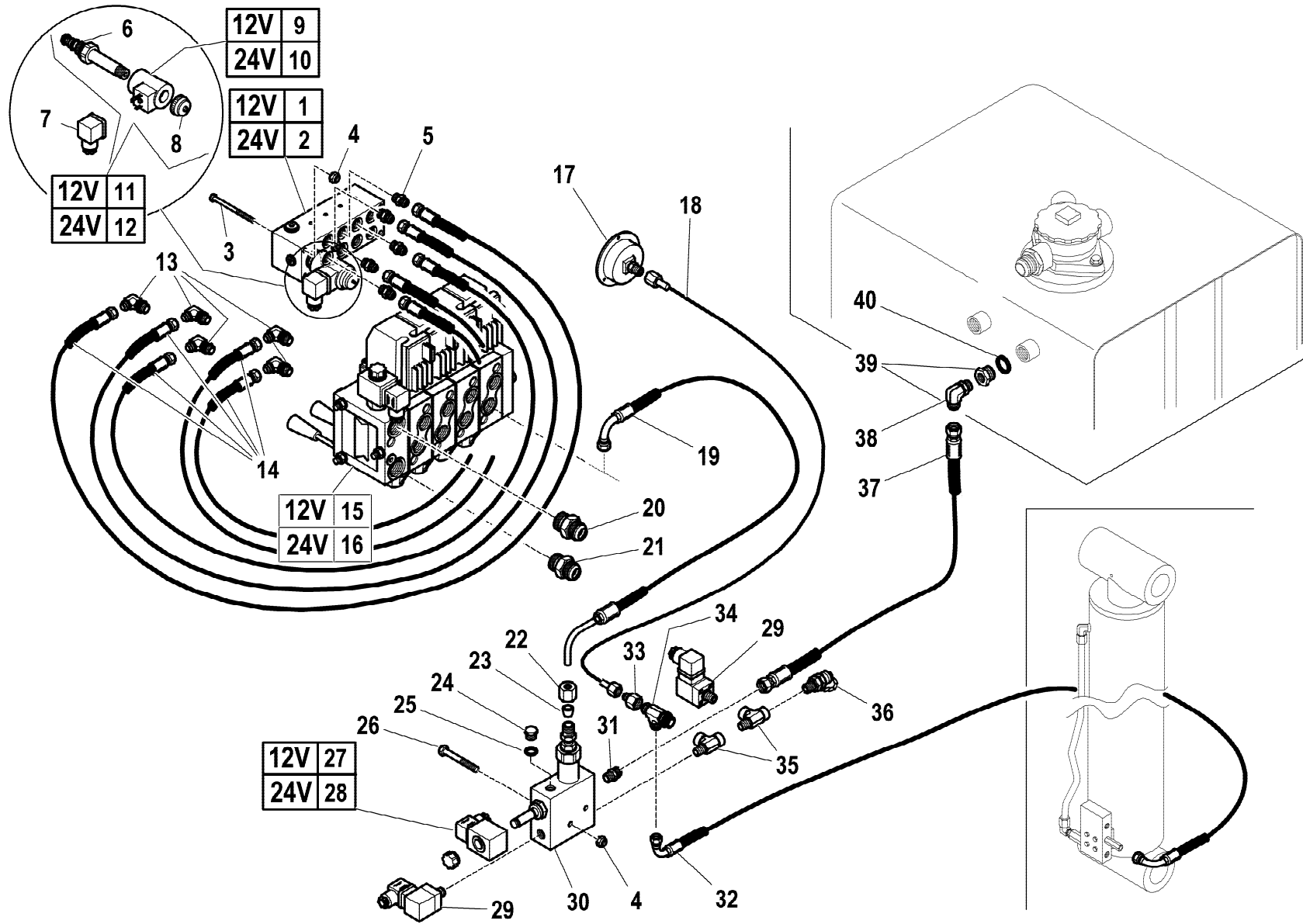
1/2

HYVA[®] CRANE
HB280

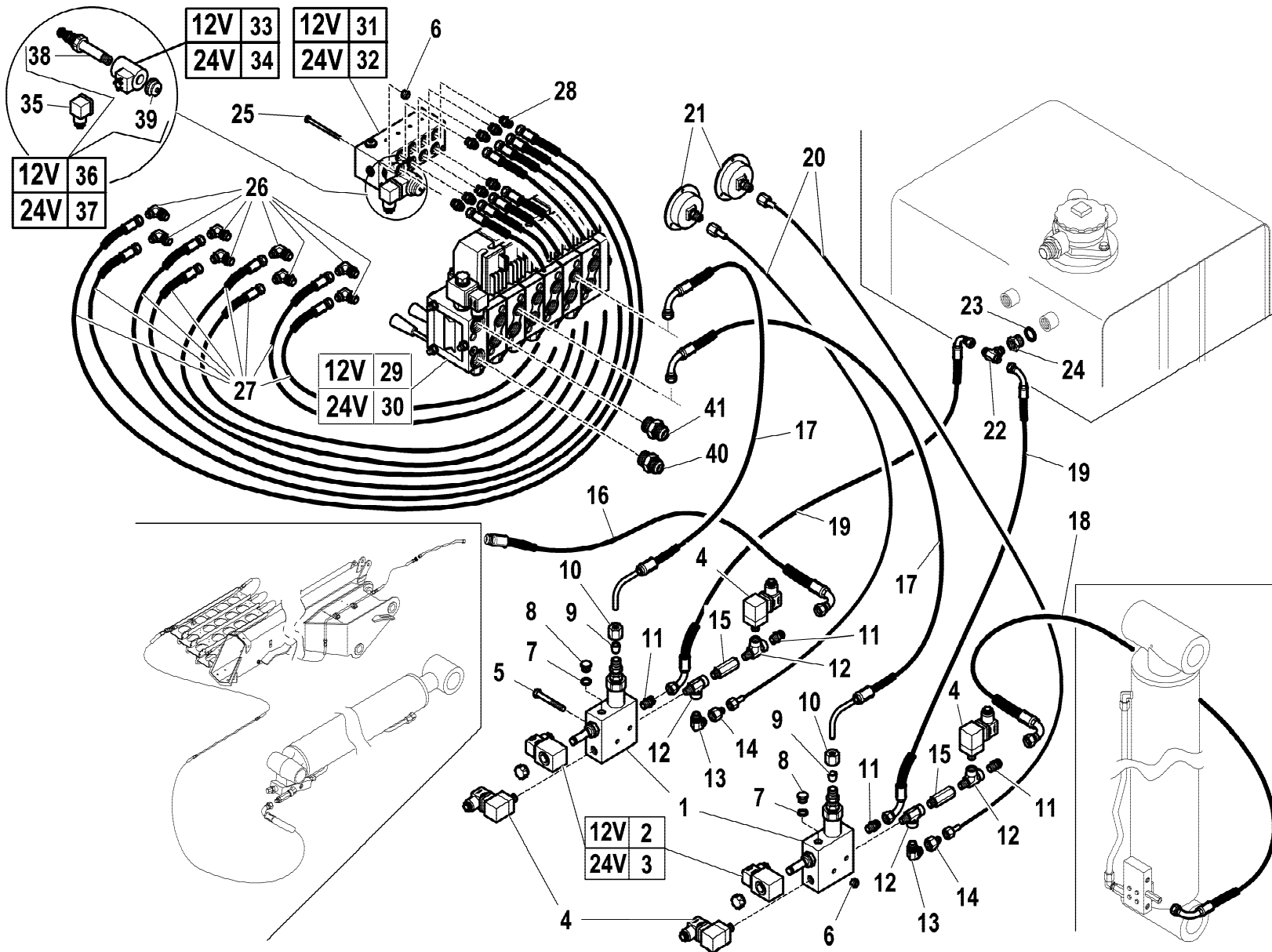
IMPIANTO IDRAULICO (LIMITATORE DI MOMENTO) - RDC
 HYDRAULIC SYSTEM (MOMENT LIMITING DEVICE) - RDC
 INSTALLATION HYDRAULIQUE (LIMITEUR DE MOMENT) - RDC
 HYDRAULIKANLAGE (HUB-MOMENTBEGRENZER) - RDC
 INSTALACION HIDRAULICA (LIMITADOR DE MOMENTO) - RDC

Tavola
5.43.0029-1-0

Data pag.
 ottobre 2006 171.1



| rif. | codice | Q.tà |
|------|-----------|------|
| 32 | 5.26.0352 | 1 |
| 33 | 3.12.0200 | 1 |
| 34 | 3.10.1175 | 1 |
| 35 | 3.10.1215 | 2 |
| 36 | 3.11.1523 | 1 |
| 37 | 5.28.0471 | 1 |
| 38 | 3.10.1124 | 1 |
| 39 | 3.11.0161 | 1 |
| 40 | 3.06.0145 | 1 |



| rif. | codice | Q.tà |
|------|-----------|------|
| 1 | 5.22.0578 | 1 |
| 2 | 3.31.0238 | 1 |
| 3 | 3.31.0242 | 1 |
| 4 | 3.31.0153 | 4 |
| 5 | 3.01.0385 | 2 |
| 6 | 3.04.0372 | 4 |
| 7 | 3.06.0143 | 2 |
| 8 | 3.11.0062 | 2 |
| 9 | 3.10.0956 | 2 |
| 10 | 3.10.0952 | 2 |
| 11 | 3.10.1039 | 4 |
| 12 | 3.10.1215 | 4 |
| 13 | 3.10.1124 | 2 |
| 14 | 3.12.0200 | 2 |
| 15 | 3.11.0115 | 2 |
| 16 | 5.25.0248 | 1 |
| 17 | 5.26.0454 | 2 |
| 18 | 5.26.0352 | 1 |
| 19 | 5.26.0353 | 2 |
| 20 | 5.30.0035 | 2 |
| 21 | 3.18.0109 | 2 |
| 22 | 3.10.1187 | 1 |
| 23 | 3.11.0161 | 1 |
| 24 | 3.06.0145 | 1 |
| 25 | 3.01.0026 | 2 |
| 26 | 3.10.1194 | 8 |
| 27 | 5.30.0034 | 8 |
| 28 | 3.10.1034 | 8 |
| 29 | 5.22.0749 | 1 |
| 30 | 5.22.0720 | 1 |
| 31 | 5.22.0624 | 1 |

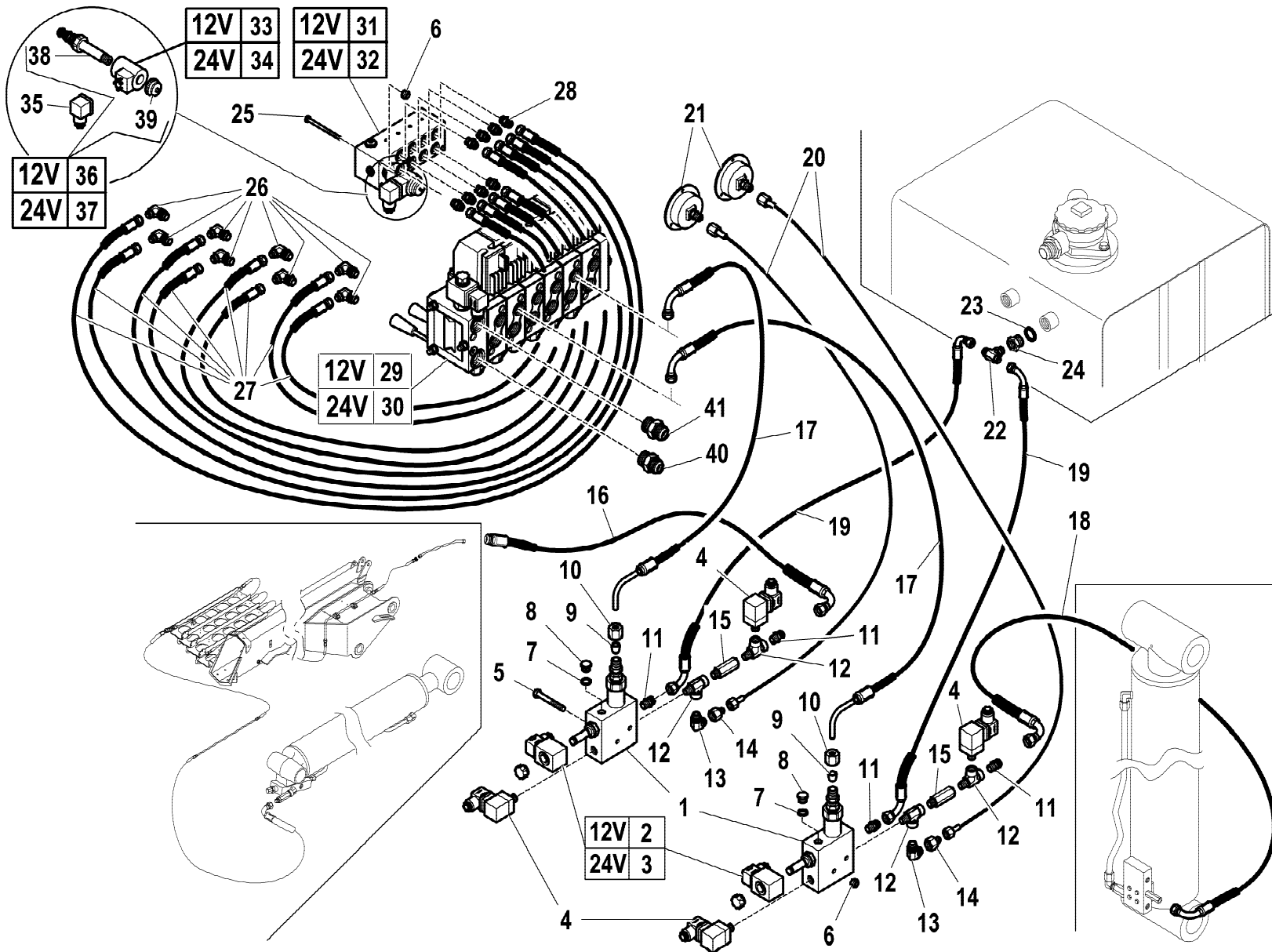
1/2

HYVA[®] CRANE
HB280

IMPIANTO IDRAULICO (LIMITATORE DI MOMENTO) - JIB RDC
 HYDRAULIC SYSTEM (MOMENT LIMITING DEVICE) - JIB RDC
 INSTALLATION HYDRAULIQUE (LIMITEUR DE MOMENT) - JIB RDC
 HYDRAULIKANLAGE (HUB-MOMENTBEGRENZER) - JIB RDC
 INSTALACION HIDRAULICA (LIMITADOR DE MOMENTO) - JIB RDC

Tavola
5.43.0030-1-0

Data pag.
ottobre 2006 172.1



| rif. | codice | Q.tà |
|------|-----------|------|
| 32 | 5.22.0631 | 1 |
| 33 | 3.31.0318 | 1 |
| 34 | 3.31.0383 | 1 |
| 35 | 3.31.0021 | 1 |
| 36 | 5.22.5415 | 1 |
| 37 | 5.22.5904 | 1 |
| 38 | 5.22.5405 | 1 |
| 39 | 5.22.5406 | 1 |
| 40 | 3.12.0073 | 1 |
| 41 | 3.10.1056 | 1 |

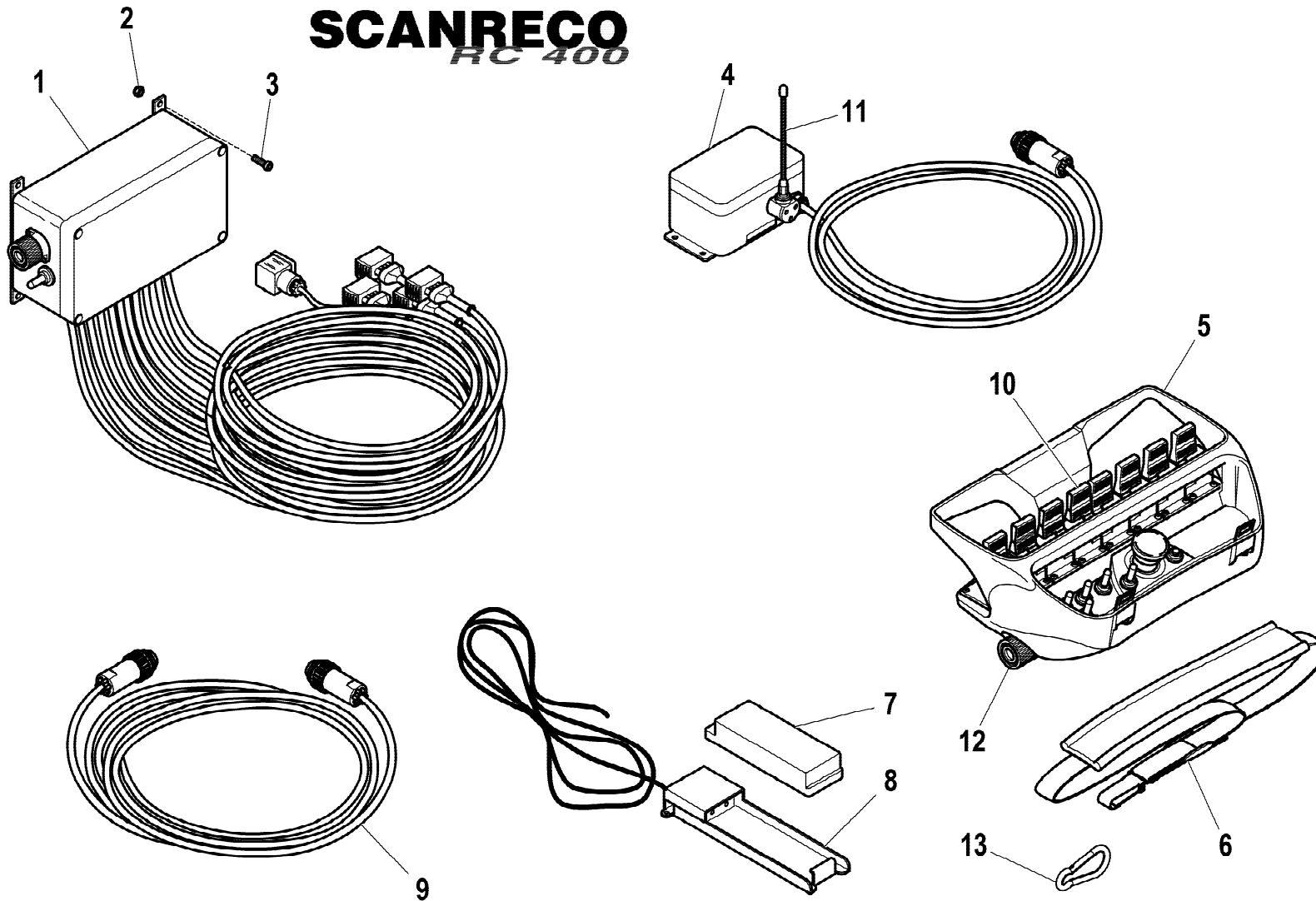
HYVA[®] CRANE
HB280

IMPIANTO IDRAULICO (LIMITATORE DI MOMENTO) - JIB RDC
 HYDRAULIC SYSTEM (MOMENT LIMITING DEVICE) - JIB RDC
 INSTALLATION HYDRAULIQUE (LIMITEUR DE MOMENT) - JIB RDC
 HYDRAULIKANLAGE (HUB-MOMENTBEGRENZER) - JIB RDC
 INSTALACION HIDRAULICA (LIMITADOR DE MOMENTO) - JIB RDC

Tavola
5.43.0030-1-0

Data pag.
 ottobre 2006 172.2

SCANRECO RC 400



| rif. | codice | Q.tà |
|------|-----------|------|
| 1 | 3.31.0534 | 1 |
| 2 | 3.04.0392 | 4 |
| 3 | 3.02.0023 | 4 |
| 4 | 3.31.0535 | 1 |
| 5 | 3.32.0026 | 1 |
| 6 | 3.19.0226 | 1 |
| 7 | 3.31.0483 | 2 |
| 8 | 3.31.0471 | 1 |
| 9 | 3.31.0536 | 1 |
| 10 | 3.31.0445 | 8 |
| 11 | 3.31.0683 | 1 |
| 12 | 3.31.0850 | 1 |
| 13 | 3.19.0259 | 1 |

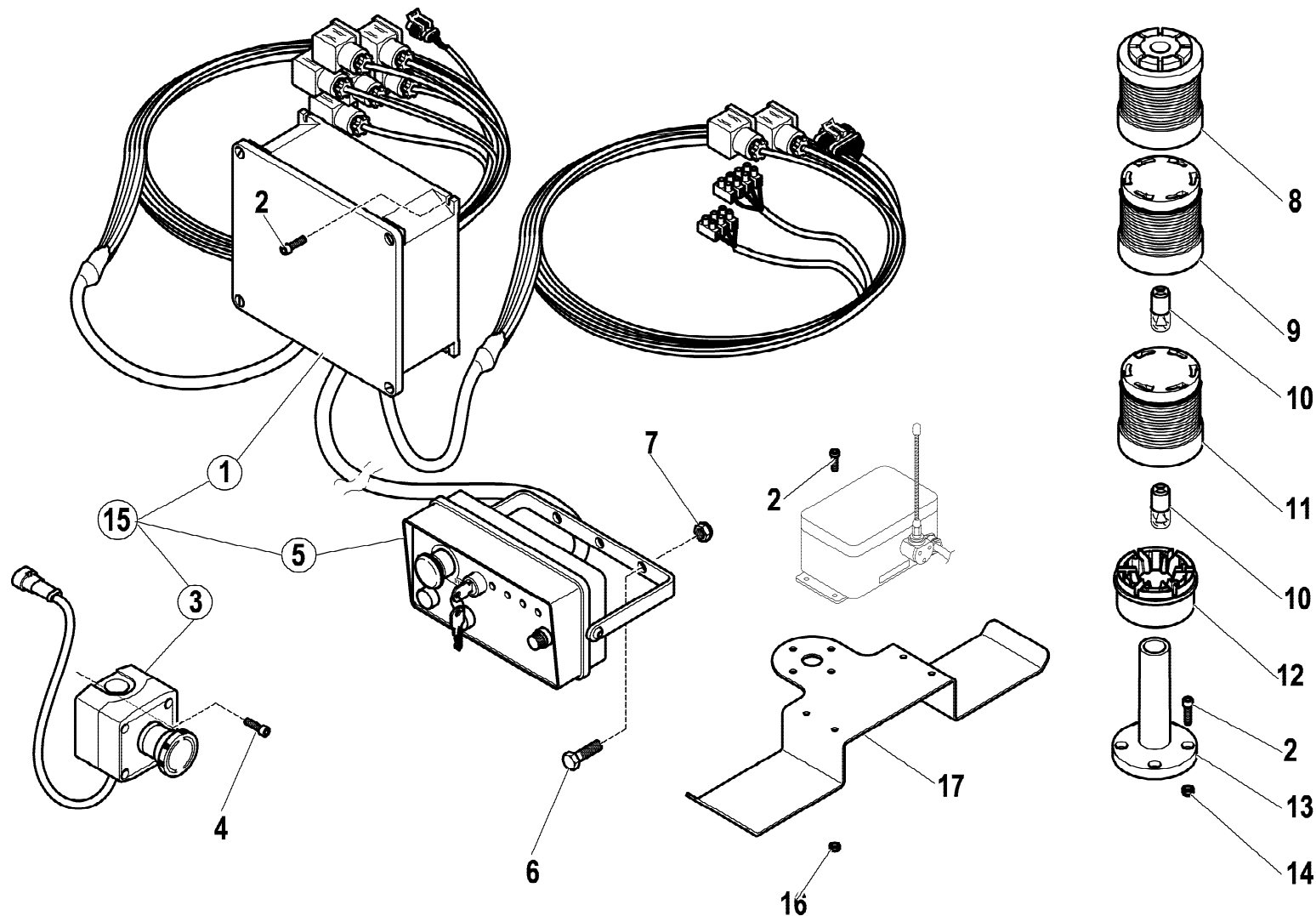
1/1

HYVA[®] CRANE
HB280

KIT RADIOCOMANDO RDC 24V
WIRELESS CONTROL KIT RDC 24V
KIT RADIOTELECOMMANDE RDC 24V
FUNKSTEUERUNG-SATZ RDC 24V
KIT RADIOMANDO RDC 24V

Tavola
7.89.2053-1-0

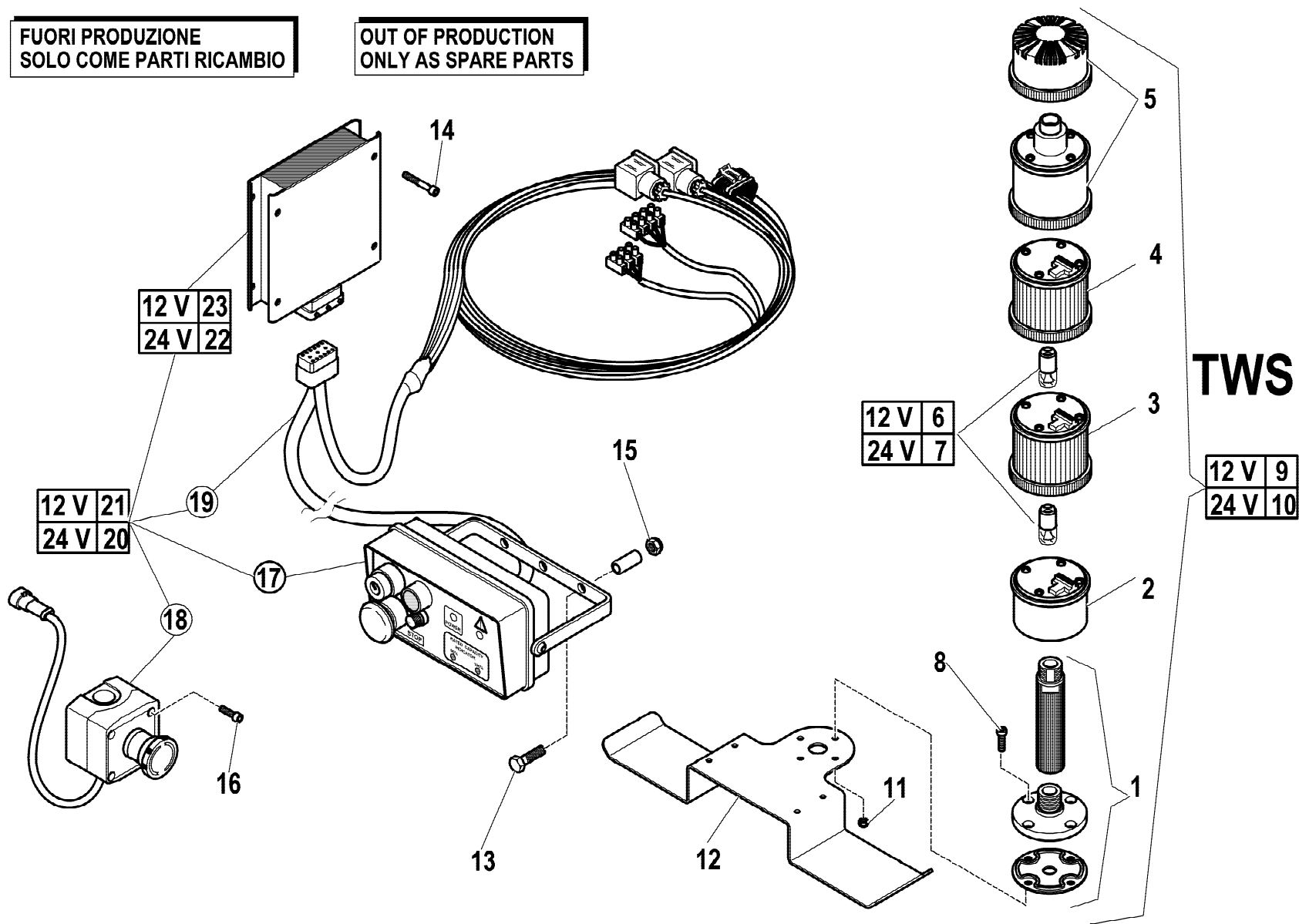
Data pag.
giugno 2008 173



| rif. | codice | Q.tà |
|------|-----------|------|
| 1 | 3.31.0534 | 1 |
| 2 | 3.02.0023 | 4 |
| 3 | 3.31.0533 | 1 |
| 4 | 3.02.0022 | 2 |
| 5 | 3.31.0532 | 1 |
| 6 | 3.01.0339 | 2 |
| 7 | 3.04.0303 | 2 |
| 8 | 3.31.0368 | 1 |
| 9 | 3.31.0364 | 1 |
| 10 | 3.31.0369 | 2 |
| 11 | 3.31.0365 | 1 |
| 12 | 3.31.0366 | 1 |
| 13 | 3.31.0373 | 1 |
| 14 | 3.01.0392 | 4 |
| 15 | 3.31.0361 | 1 |
| 16 | 3.04.0392 | 4 |
| 17 | 5.00.1271 | 1 |

FUORI PRODUZIONE
SOLO COME PARTI RICAMBIO

OUT OF PRODUCTION
ONLY AS SPARE PARTS



| rif. | codice | Q.tà |
|------|-----------|------|
| 1 | 3.31.0598 | 1 |
| 2 | 3.31.0595 | 1 |
| 3 | 3.31.0594 | 1 |
| 4 | 3.31.0593 | 1 |
| 5 | 3.31.0597 | 1 |
| 6 | 3.31.0610 | 2 |
| 7 | 3.31.0596 | 2 |
| 8 | 3.02.0023 | 4 |
| 9 | 3.31.0625 | 1 |
| 10 | 3.31.0592 | 1 |
| 11 | 3.04.0392 | 4 |
| 12 | 5.00.1184 | 1 |
| 13 | 3.01.0034 | 2 |
| 14 | 3.02.0040 | 4 |
| 15 | 3.04.0303 | 2 |
| 16 | 3.02.0909 | 4 |
| 17 | 3.31.0601 | 1 |
| 18 | 3.31.0533 | 1 |
| 19 | 3.31.0602 | 1 |
| 20 | 3.31.0361 | 1 |
| 21 | 3.31.0555 | 1 |
| 22 | 3.31.0603 | 1 |
| 23 | 3.31.0626 | 1 |
| 24 | 3.02.0025 | 4 |

TWS

| | |
|------|----|
| 12 V | 9 |
| 24 V | 10 |

| | |
|------|---|
| 12 V | 6 |
| 24 V | 7 |

| | |
|------|----|
| 12 V | 23 |
| 24 V | 22 |

| | |
|------|----|
| 12 V | 21 |
| 24 V | 20 |



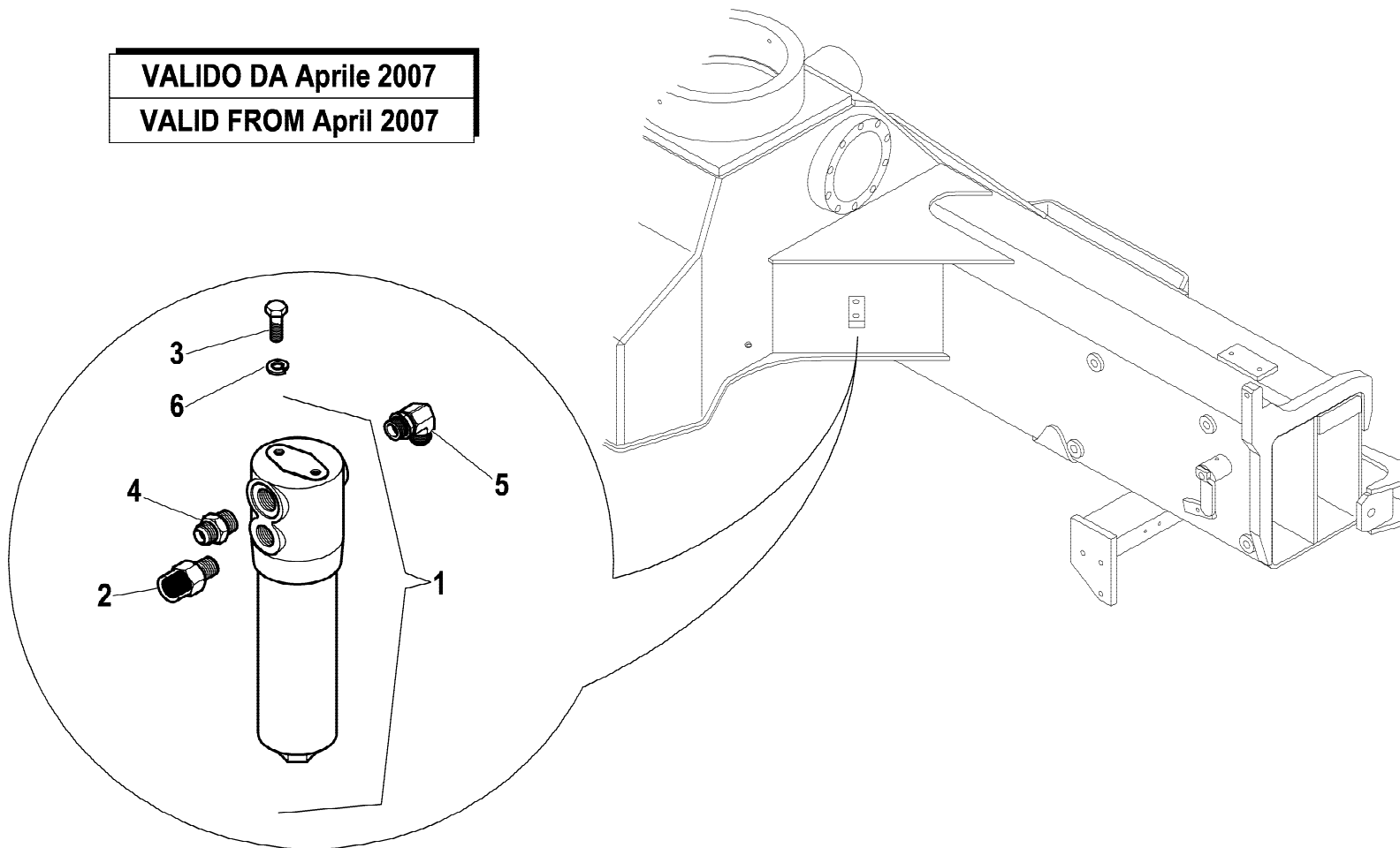
HB280

KIT RADIOCOMANDO RDC
WIRELESS CONTROL KIT RDC
KIT RADIOTELECOMMANDE RDC
FUNKSTEUERUNG-SATZ RDC
KIT RADIOMANDO RDC

Tavola
5.40.0382-2-0

Data pag.
agosto 2006 175

VALIDO DA Aprile 2007
VALID FROM April 2007

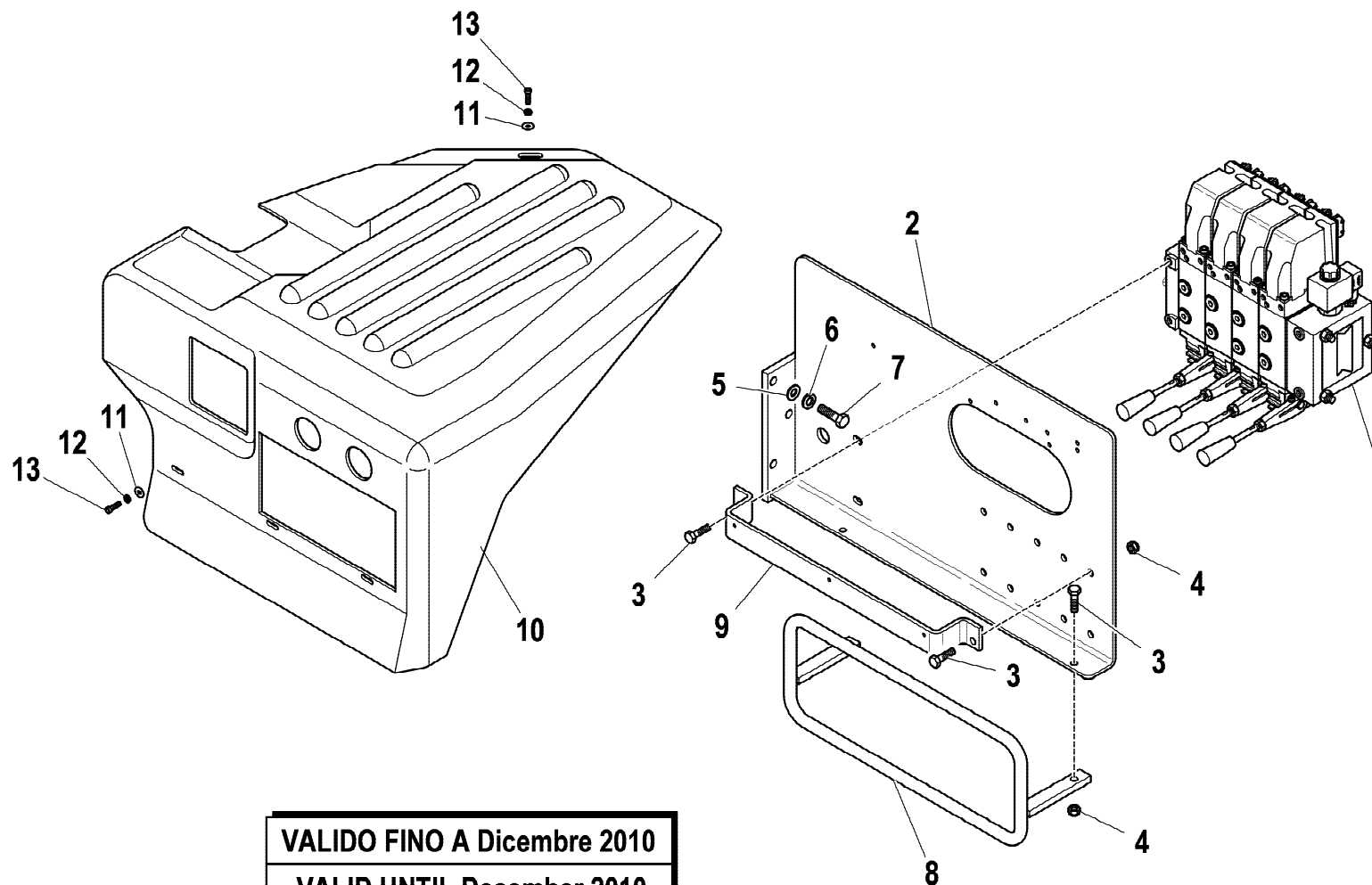


| rif. | codice | Q.tà |
|------|-----------|------|
| 1 | 3.18.0159 | 1 |
| 2 | 3.18.0192 | 1 |
| 3 | 3.01.0027 | 2 |
| 4 | 3.12.0073 | 1 |
| 5 | 3.10.1134 | 1 |
| 6 | 3.06.0055 | 2 |

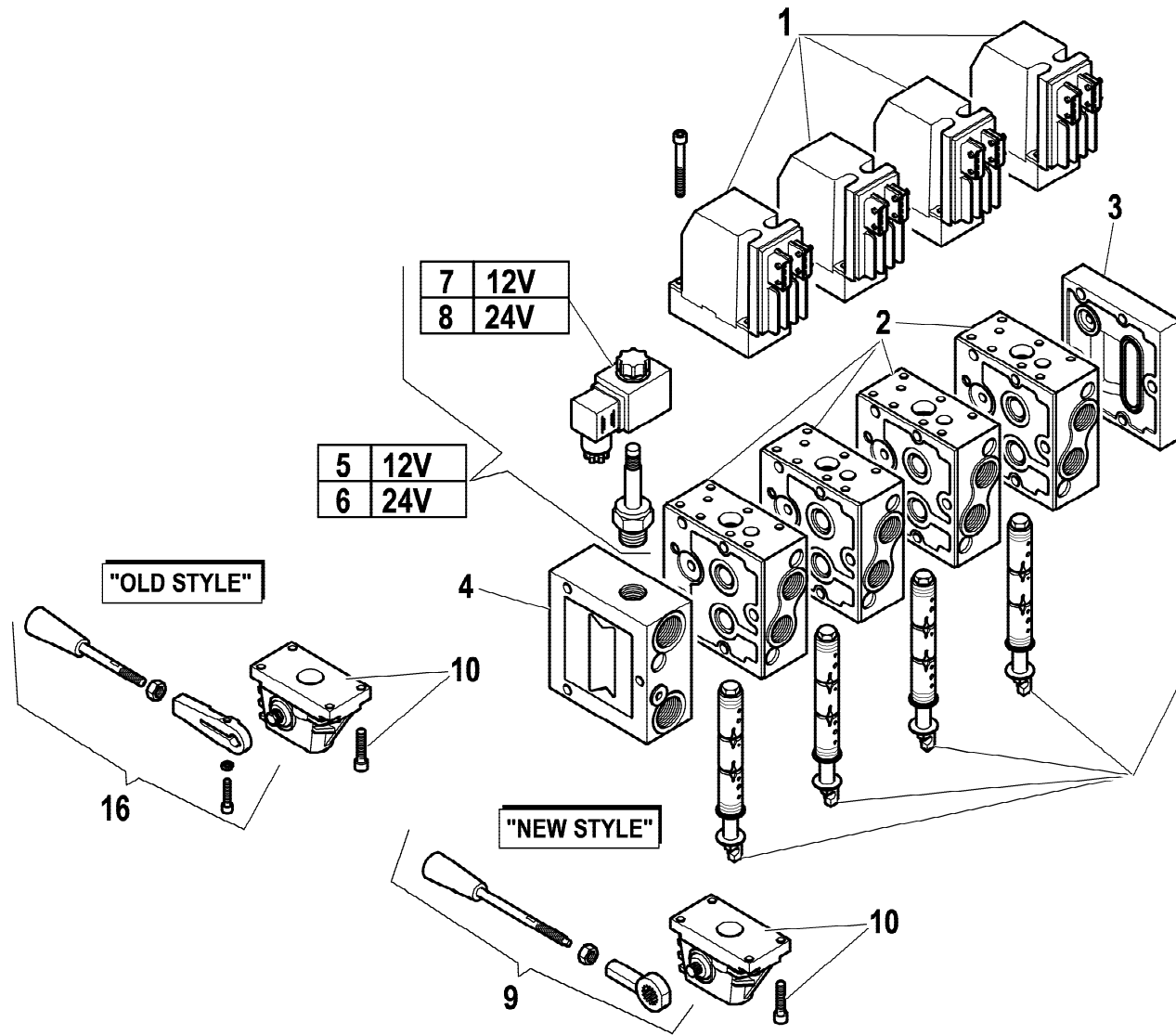


HB280 TCU

| rif. | codice | Q.tà |
|------|-----------|------|
| 1 | 5.22.0373 | 1 |
| 2 | 5.09.1071 | 1 |
| 3 | 3.01.0339 | 6 |
| 4 | 3.04.0303 | 2 |
| 5 | 3.06.0914 | 3 |
| 6 | 3.06.0056 | 3 |
| 7 | 3.01.0355 | 3 |
| 8 | 5.09.0636 | 1 |
| 9 | 5.00.1780 | 1 |
| 10 | 5.09.1076 | 1 |
| 11 | 3.06.0004 | 4 |
| 12 | 3.06.0052 | 4 |
| 13 | 3.02.0023 | 4 |

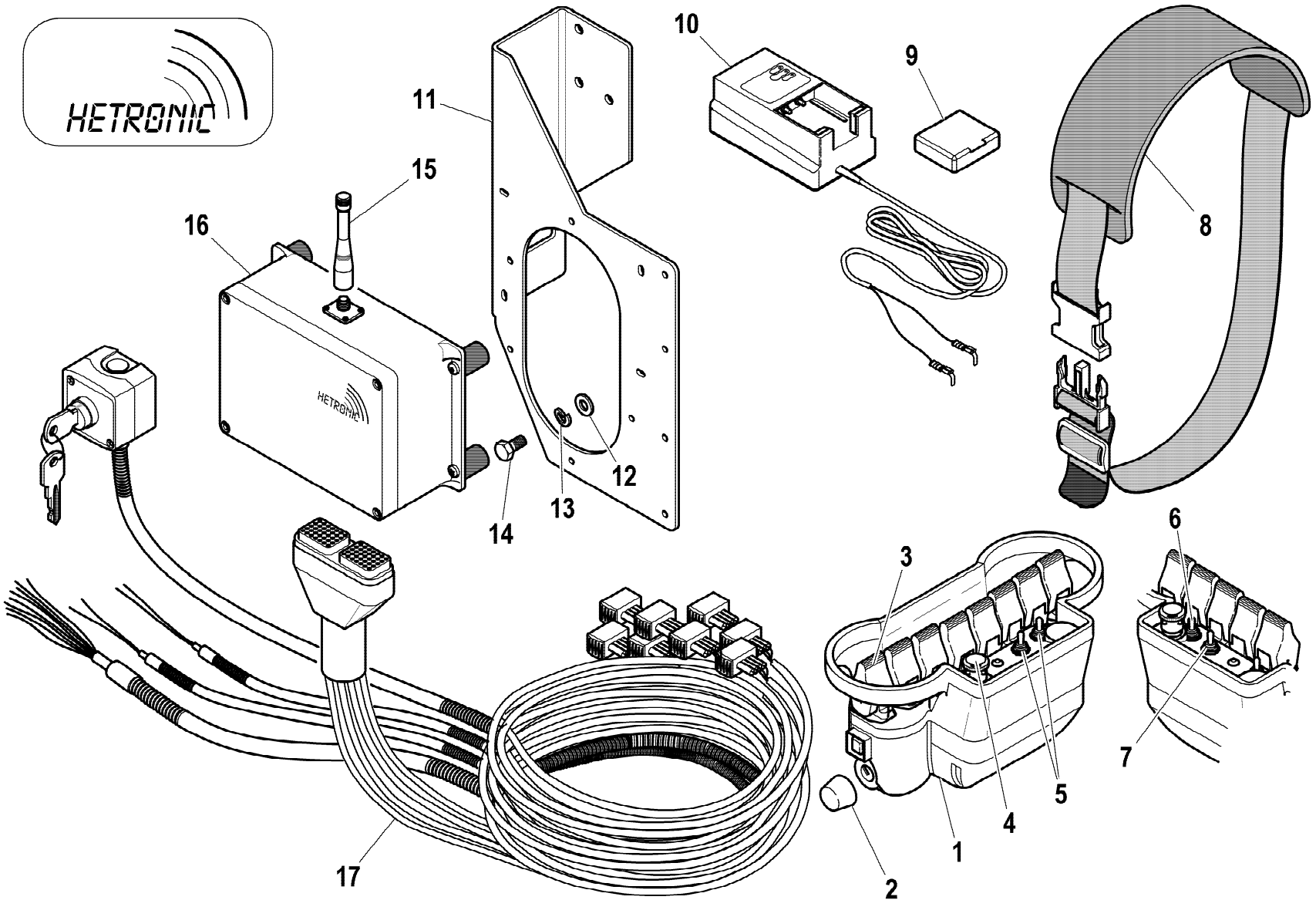
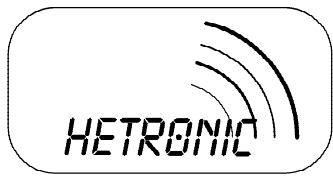


VALIDO FINO A Dicembre 2010
 VALID UNTIL December 2010

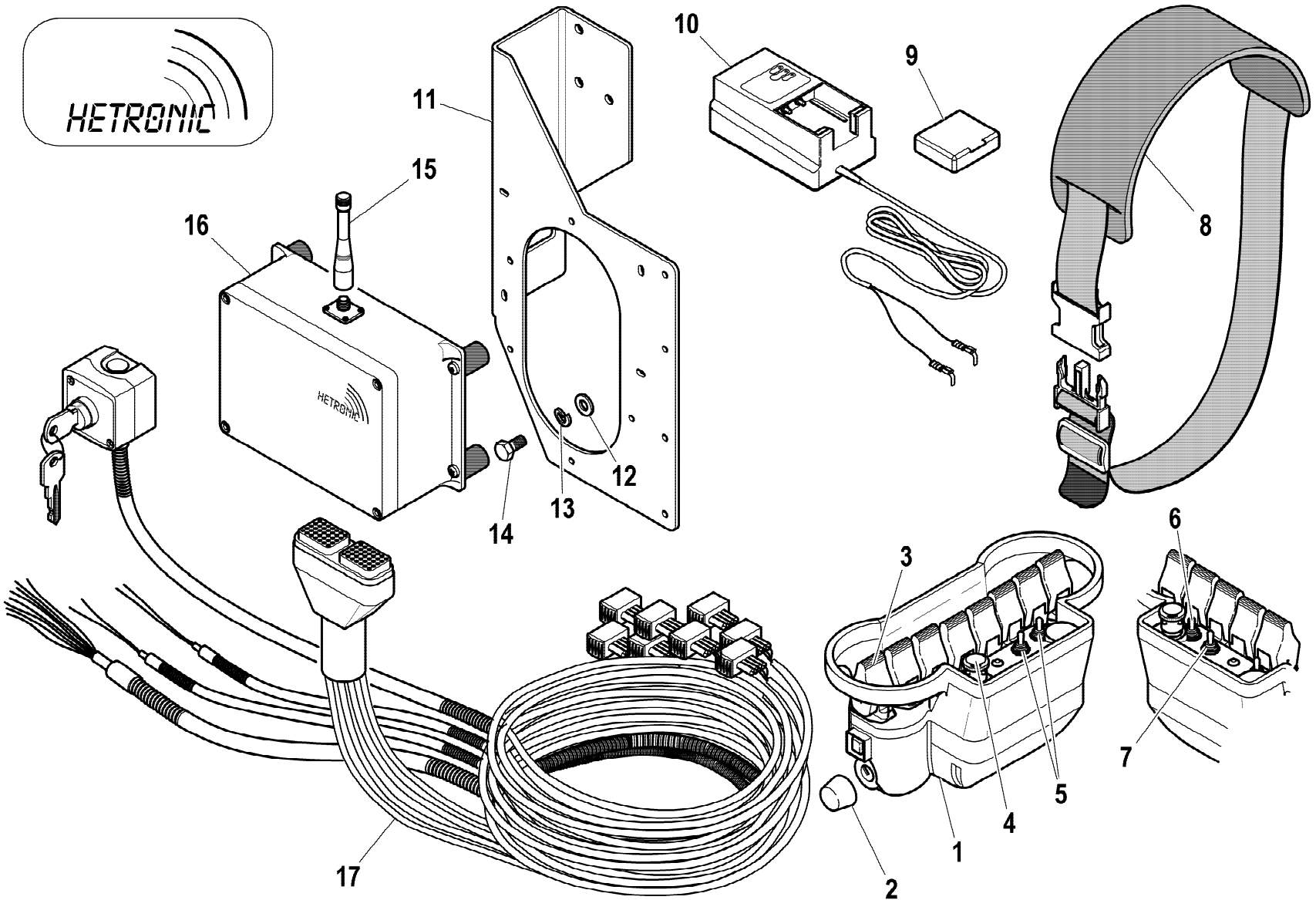
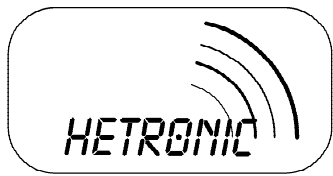


| | |
|--|----|
| | 11 |
| | 12 |
| | 13 |
| | 14 |
| | 13 |
| | 14 |
| | 15 |
| | 15 |
| | 13 |

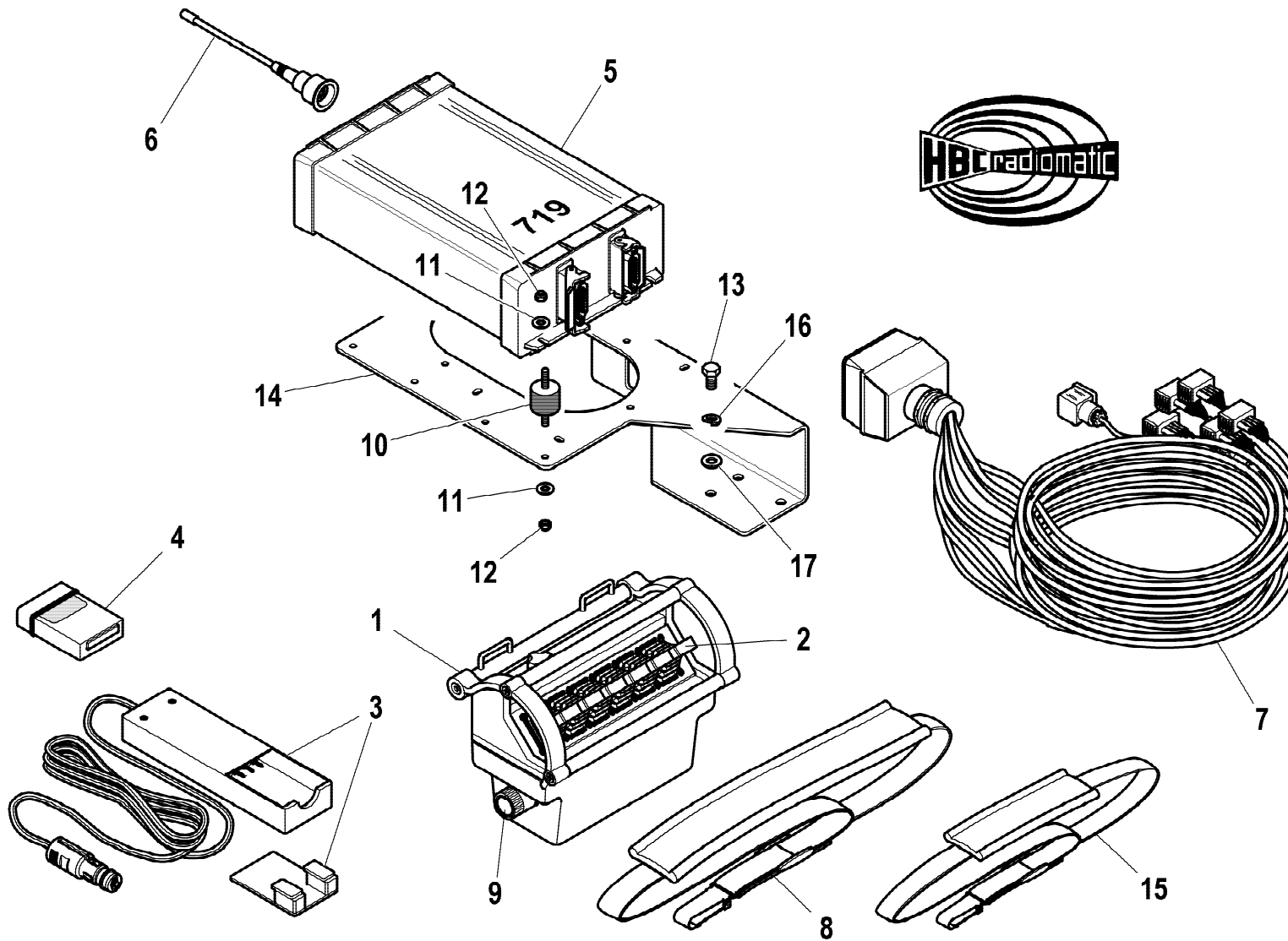
| rif. | codice | Q.tà |
|------|--------------|------|
| 1 | 5.22.5534 | 4 |
| 2 | 5.22.5398 | 4 |
| 3 | 5.22.5512 | 1 |
| 4 | 5.22.5511 | 1 |
| 5 | 5.22.5533 | 1 |
| 6 | 5.22.5510 | 1 |
| 7 | 3.31.0238 | 1 |
| 8 | 3.31.0242 | 1 |
| 9 | 5.22.5859 | 4 |
| 10 | WDNF157B3173 | 4 |
| 11 | 5.22.5558 | 1 |
| 12 | 5.22.5536 | 1 |
| 13 | 5.22.5368 | 1 |
| 14 | 5.22.5340 | 1 |
| 15 | 5.22.5508 | 1 |
| 16 | 5.22.5858 | 4 |



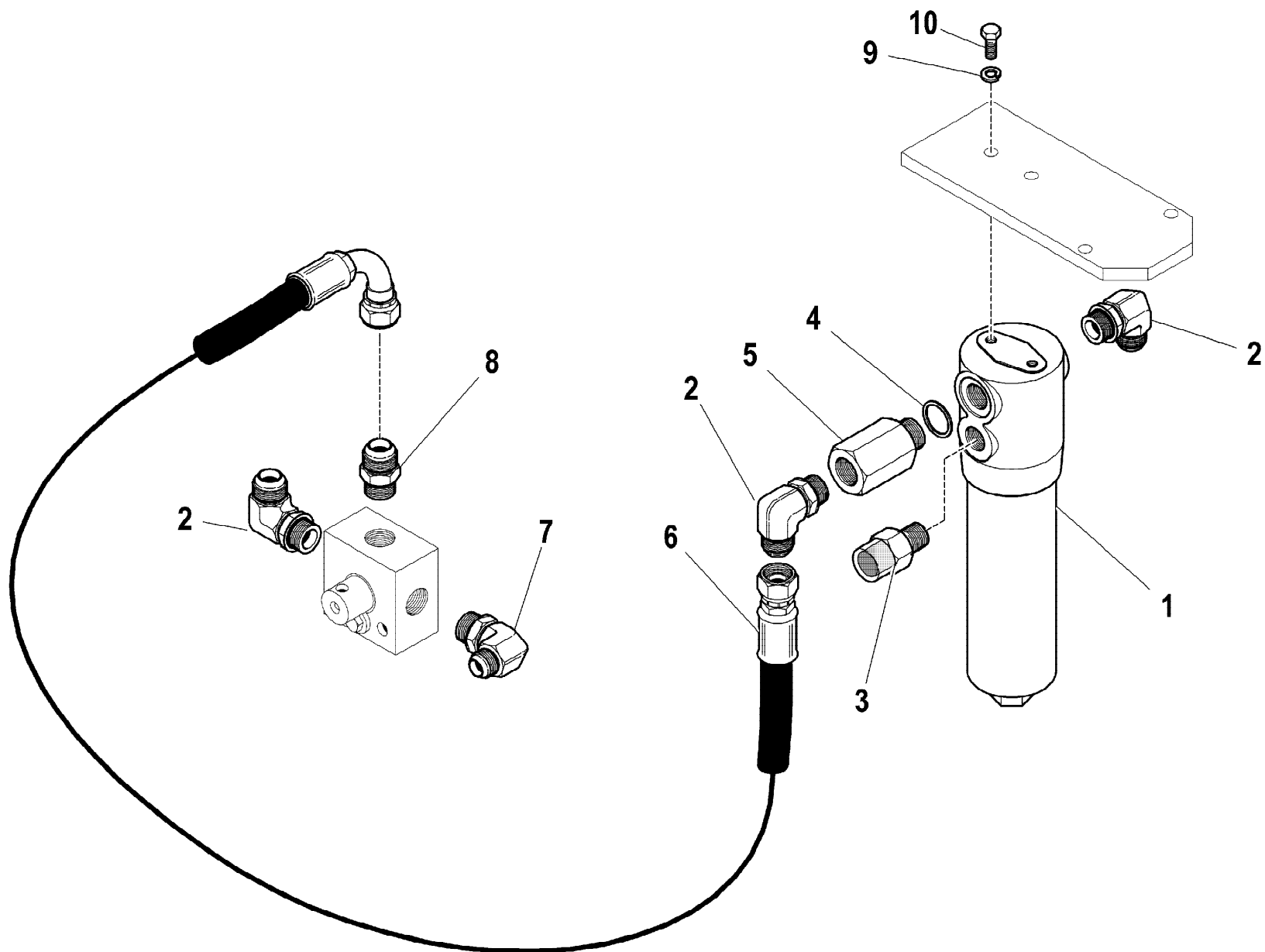
| rif. | codice | Q.tà |
|------|-----------|------|
| 1 | 3.31.0772 | 1 |
| 2 | 3.31.0795 | 1 |
| 3 | 3.31.0796 | 8 |
| 4 | 3.31.0788 | 1 |
| 5 | 3.31.0786 | 2 |
| 6 | 3.31.0785 | 1 |
| 7 | 3.31.1029 | 1 |
| 8 | 3.31.0799 | 1 |
| 9 | 3.31.0641 | 2 |
| 10 | 3.31.0797 | 1 |
| 11 | 5.00.1730 | 1 |
| 12 | 3.06.0914 | 3 |
| 13 | 3.06.0056 | 3 |
| 14 | 3.01.0349 | 3 |
| 15 | 3.31.0775 | 1 |
| 16 | 3.31.0771 | 1 |
| 17 | 3.31.0912 | 1 |



| rif. | codice | Q.tà |
|------|-----------|------|
| 1 | 3.31.0808 | 1 |
| 2 | 3.31.0795 | 1 |
| 3 | 3.31.0796 | 8 |
| 4 | 3.31.0788 | 1 |
| 5 | 3.31.0786 | 2 |
| 6 | 3.31.0785 | 1 |
| 7 | 3.31.1029 | 1 |
| 8 | 3.31.0799 | 1 |
| 9 | 3.31.0641 | 2 |
| 10 | 3.31.0797 | 1 |
| 11 | 5.00.1730 | 1 |
| 12 | 3.06.0914 | 3 |
| 13 | 3.06.0056 | 3 |
| 14 | 3.01.0349 | 3 |
| 15 | 3.31.0775 | 1 |
| 16 | 3.31.0807 | 1 |
| 17 | 3.31.0912 | 1 |



| rif. | codice | Q.tà |
|------|-----------|------|
| 1 | 3.31.0578 | 1 |
| 2 | 3.31.0581 | 6 |
| 3 | 3.31.0455 | 1 |
| 4 | 3.31.0454 | 2 |
| 5 | 3.31.0836 | 1 |
| 6 | 3.31.0583 | 1 |
| 7 | 3.31.0941 | 1 |
| 8 | 3.19.0105 | 1 |
| 9 | 3.31.0582 | 2 |
| 10 | 3.19.0102 | 4 |
| 11 | 3.06.0005 | 8 |
| 12 | 3.04.0372 | 8 |
| 13 | 3.01.0349 | 3 |
| 14 | 5.00.1730 | 1 |
| 15 | 3.19.0106 | 1 |
| 16 | 3.06.0056 | 3 |
| 17 | 3.06.0914 | 3 |



| rif. | codice | Q.tà |
|------|-----------|------|
| 1 | 3.18.0159 | 1 |
| 2 | 3.10.1133 | 3 |
| 3 | 3.18.0192 | 1 |
| 4 | 3.06.0146 | 1 |
| 5 | 3.11.1525 | 1 |
| 6 | 5.29.0149 | 1 |
| 7 | 3.10.1134 | 1 |
| 8 | 3.10.1056 | 1 |
| 9 | 3.06.0055 | 2 |
| 10 | 3.01.0027 | 2 |

1/1

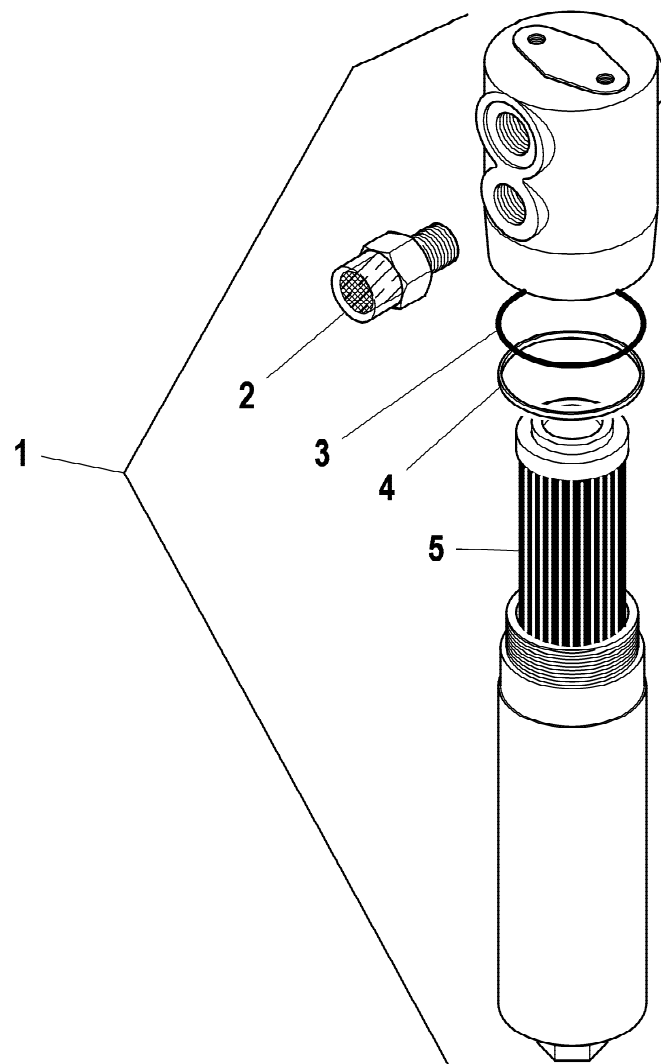
HYVA[®] CRANE
HB280

FILTRO AD ALTA PRESSIONE (IMPIANTO OLEODINAMICO)
 HIGH PRESSURE FILTER (HYDRAULIC SYSTEM)
 FILTRE HAUTE PRESSION (INSTALLATION HYDRAULIQUE)
 HOCHDRUCKFILTER (HYDRAULIKANLAGE)
 FILTRO DE ALTA PRESION (INSTALACION HIDRAULICA)

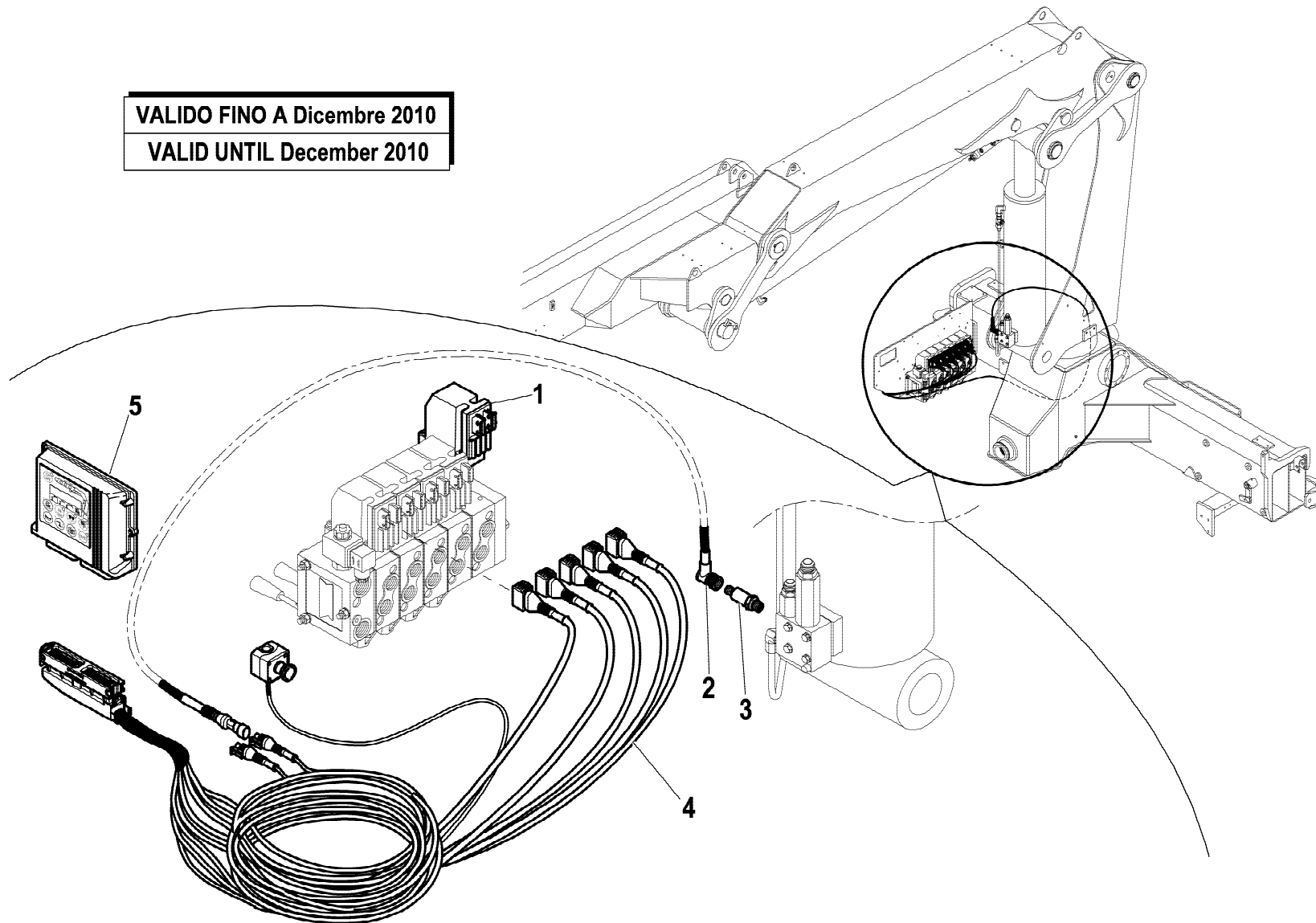
Tavola
5.40.0730-1-0

Data pag.
 giugno 2006 183

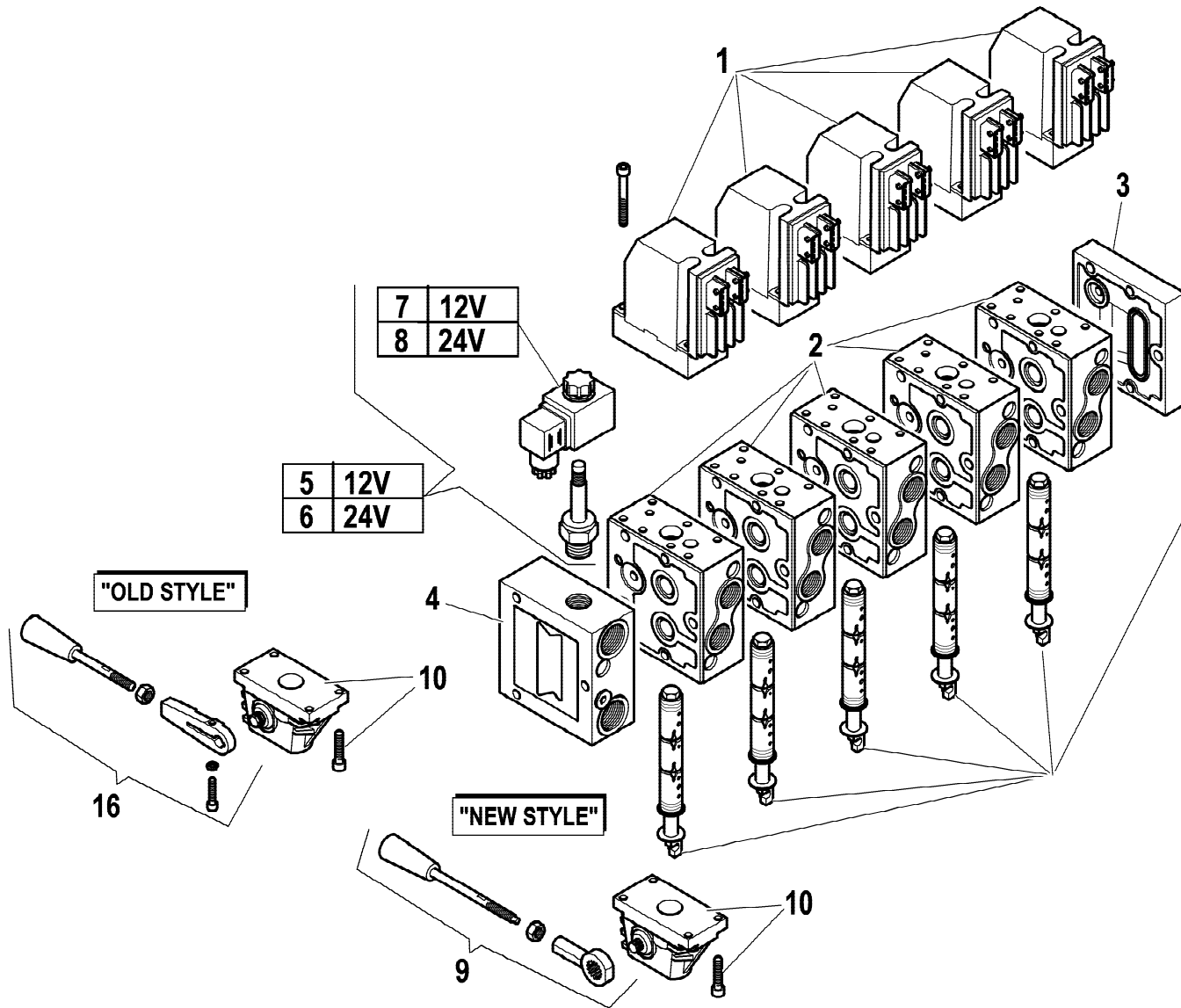
| rif. | codice | Q.tà |
|------|-----------|------|
| 1 | 3.18.0159 | 1 |
| 2 | 3.18.0192 | 1 |
| 3 | 3.45.0080 | 1 |
| 4 | 3.46.0080 | 1 |
| 5 | 3.18.0160 | 1 |



VALIDO FINO A Dicembre 2010
VALID UNTIL December 2010



| rif. | codice | Q.tà |
|------|-----------|------|
| 1 | 5.22.5534 | 5 |
| 2 | 5.16.0001 | 1 |
| 3 | 3.31.0612 | 1 |
| 4 | 5.16.0049 | 1 |
| 5 | 3.31.1088 | 1 |

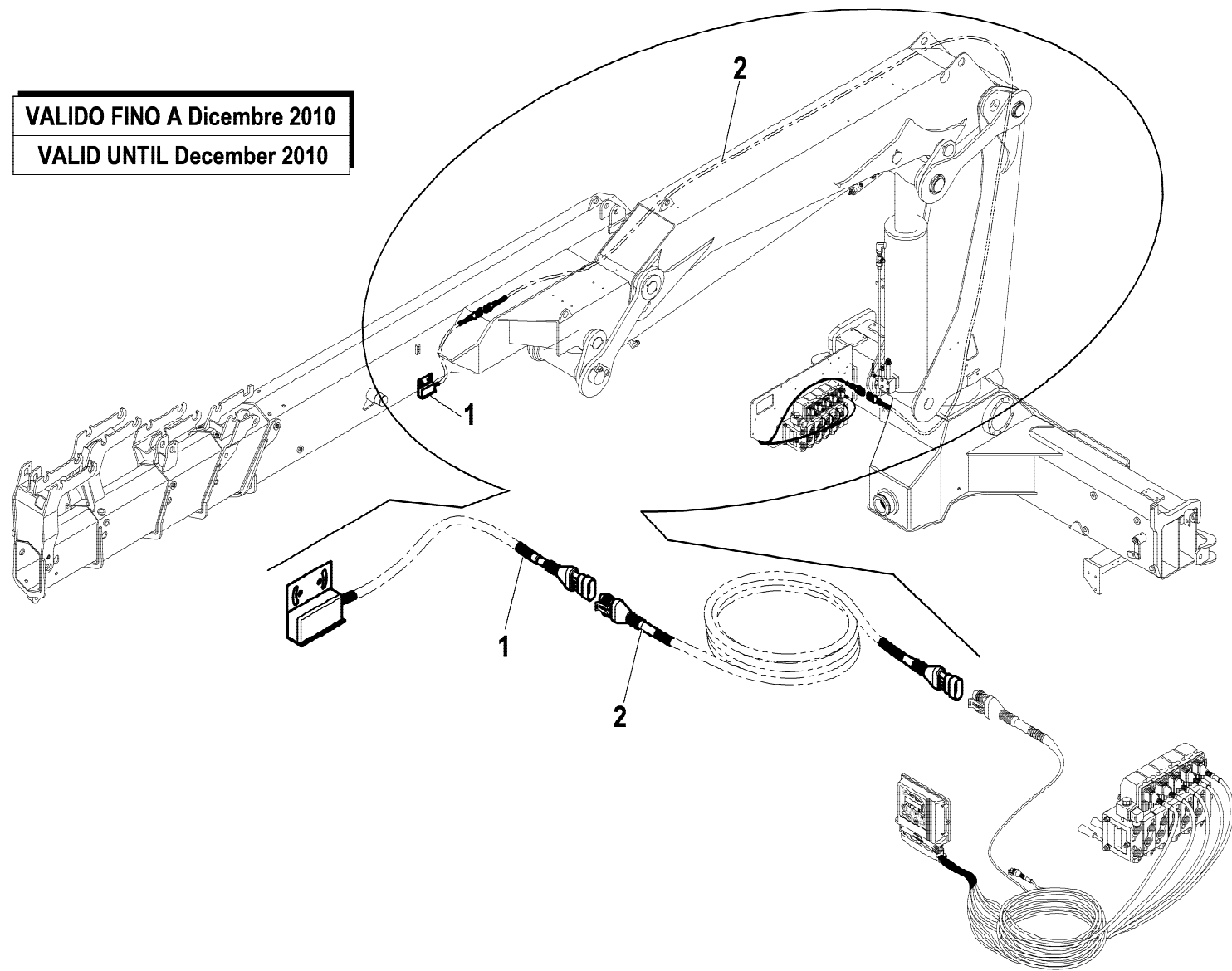


| | |
|--|----|
| | 11 |
| | 12 |
| | 13 |
| | 14 |
| | 13 |
| | 14 |
| | 15 |
| | 15 |
| | 13 |

| rif. | codice | Q.tà |
|------|--------------|------|
| 1 | 5.22.5534 | 5 |
| 2 | 5.22.5398 | 5 |
| 3 | 5.22.5512 | 1 |
| 4 | 5.22.5511 | 1 |
| 5 | 5.22.5533 | 1 |
| 6 | 5.22.5510 | 1 |
| 7 | 3.31.0238 | 1 |
| 8 | 3.31.0242 | 1 |
| 9 | 5.22.5859 | 5 |
| 10 | WDNF157B3173 | 5 |
| 11 | 5.22.5558 | 1 |
| 12 | 5.22.5536 | 1 |
| 13 | 5.22.5368 | 1 |
| 14 | 5.22.5340 | 1 |
| 15 | 5.22.5508 | 1 |
| 16 | 5.22.5858 | 5 |

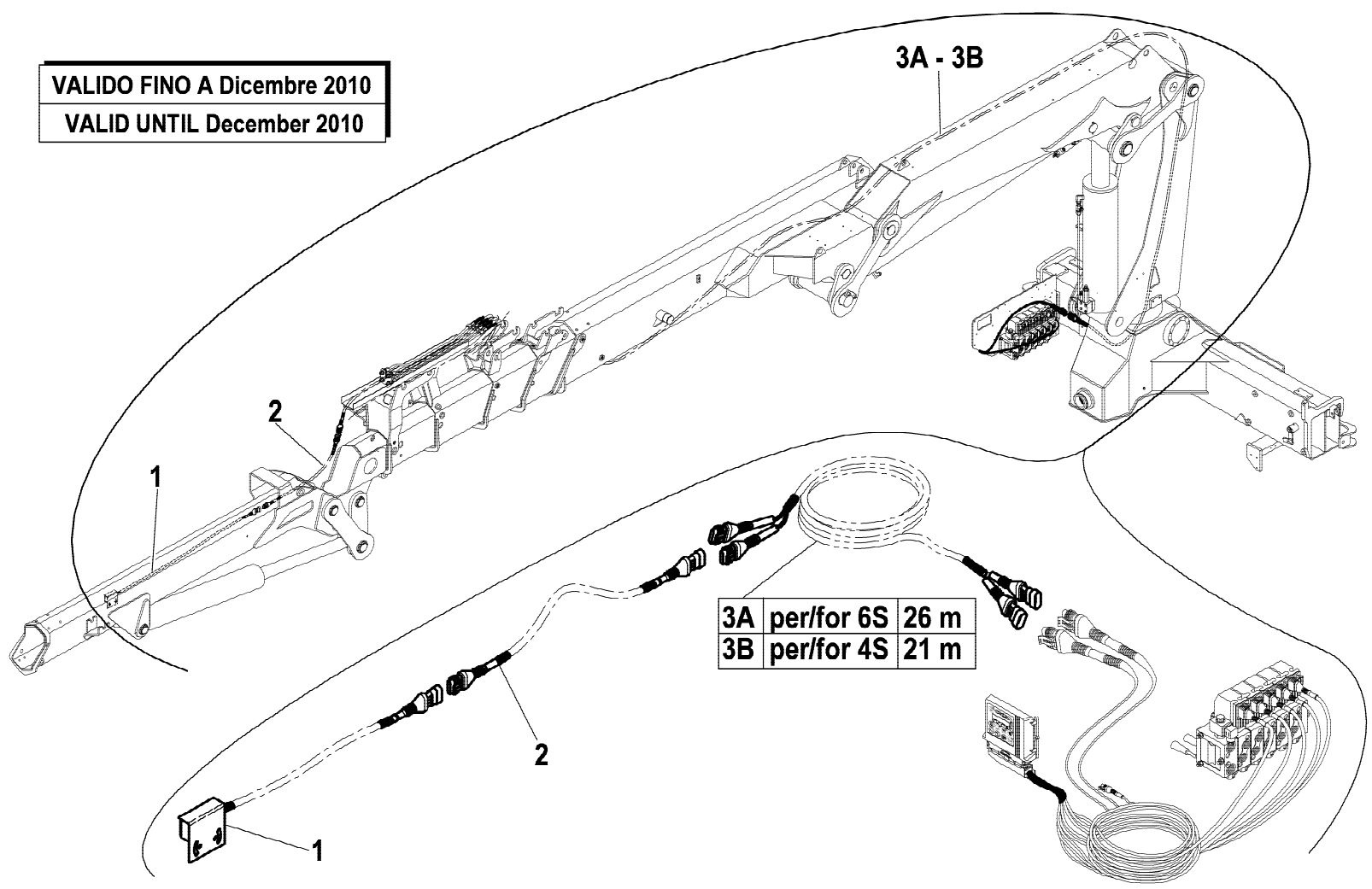
| rif. | codice | Q.tà |
|------|-----------|------|
| 1 | 3.31.0541 | 1 |
| 2 | 5.16.0002 | 1 |

VALIDO FINO A Dicembre 2010
VALID UNTIL December 2010



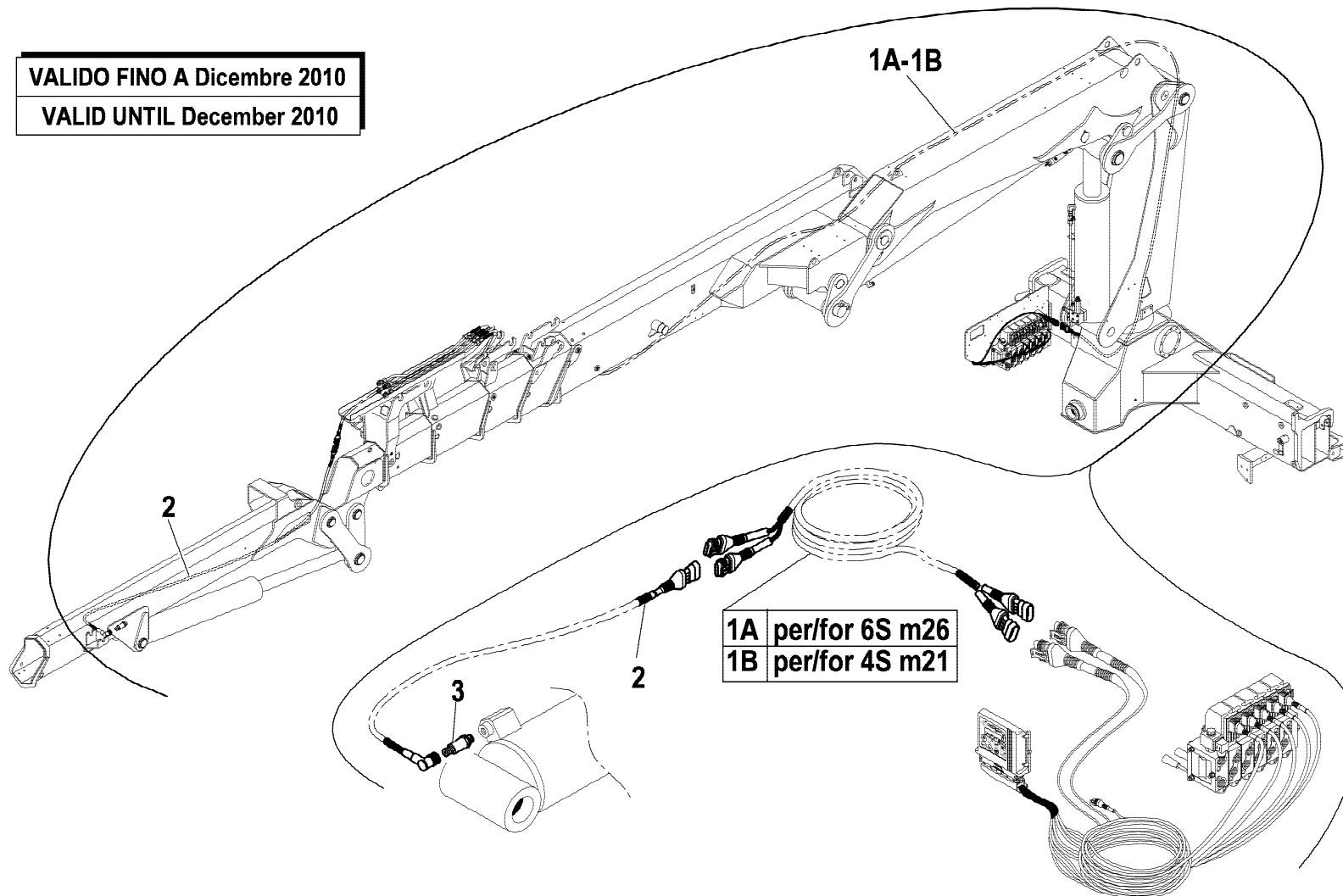
| rif. | codice | Q.tà |
|------|-----------|------|
| 1 | 3.31.0541 | 1 |
| 2 | 5.16.0016 | 1 |
| 3A | 5.16.0015 | 1 |
| 3B | 5.16.0019 | 1 |

VALIDO FINO A Dicembre 2010
VALID UNTIL December 2010



VALIDO FINO A Dicembre 2010

VALID UNTIL December 2010



| rif. | codice | Q.tà |
|------|-----------|------|
| 2 | 5.16.0001 | 1 |
| 3 | 3.31.0612 | 1 |
| 1A | 5.16.0015 | 1 |
| 1B | 5.16.0019 | 1 |

1/1

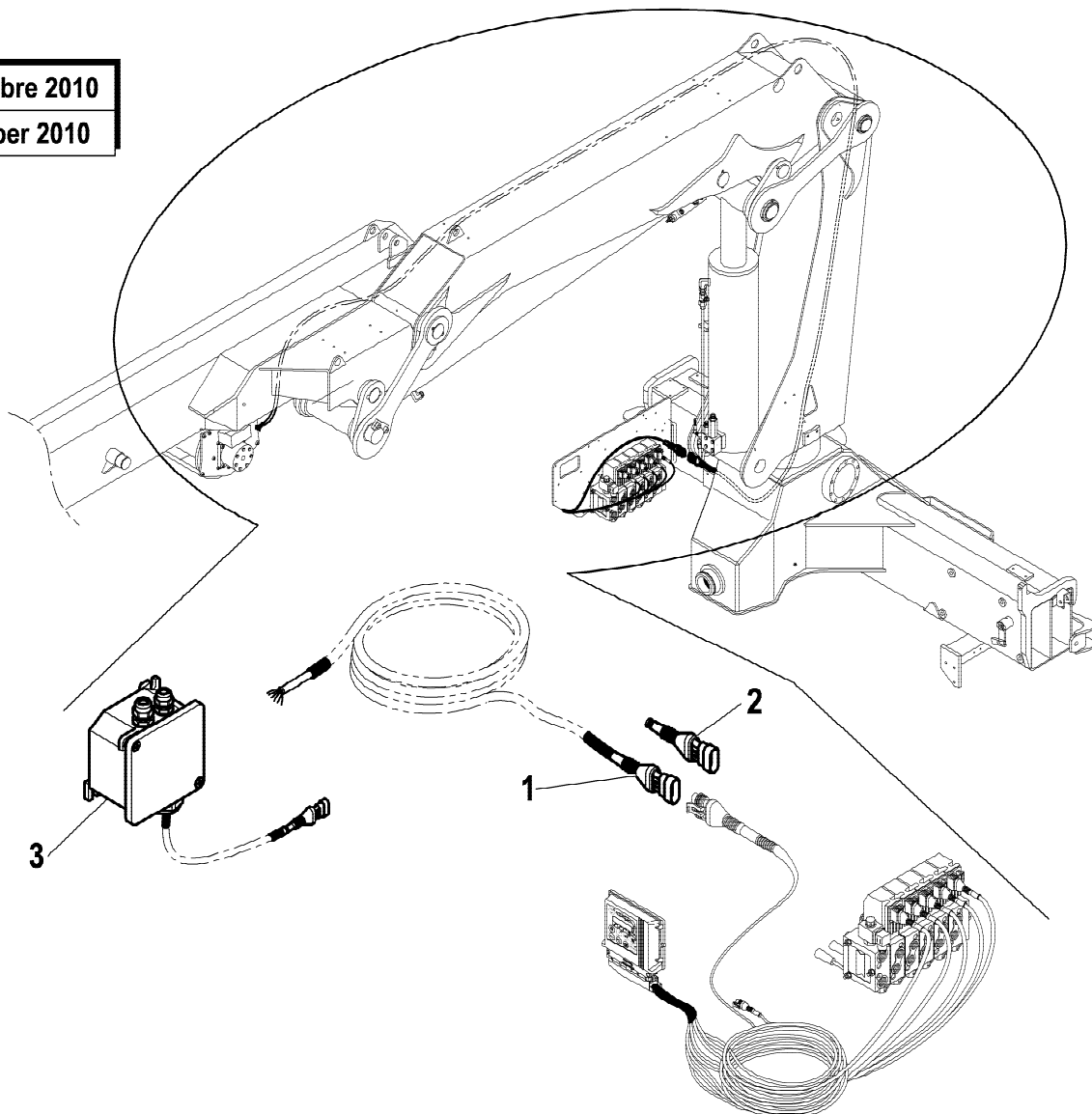
HYVA® CRANE
HB280

COMANDI RDC-EBB
CONTROLS RDC-EBB
COMMANDES RDC-EBB
STUERUGEN RDC-EBB
MANDOS RDC-EBB

Tavola
5.40.0962-4-0

Data pag.
luglio 2010 189

VALIDO FINO A Dicembre 2010
VALID UNTIL December 2010



| rif. | codice | Q.tà |
|------|-----------|------|
| 1 | 5.16.0004 | 1 |
| 2 | 5.16.0013 | 1 |
| 3 | 3.31.0663 | 1 |

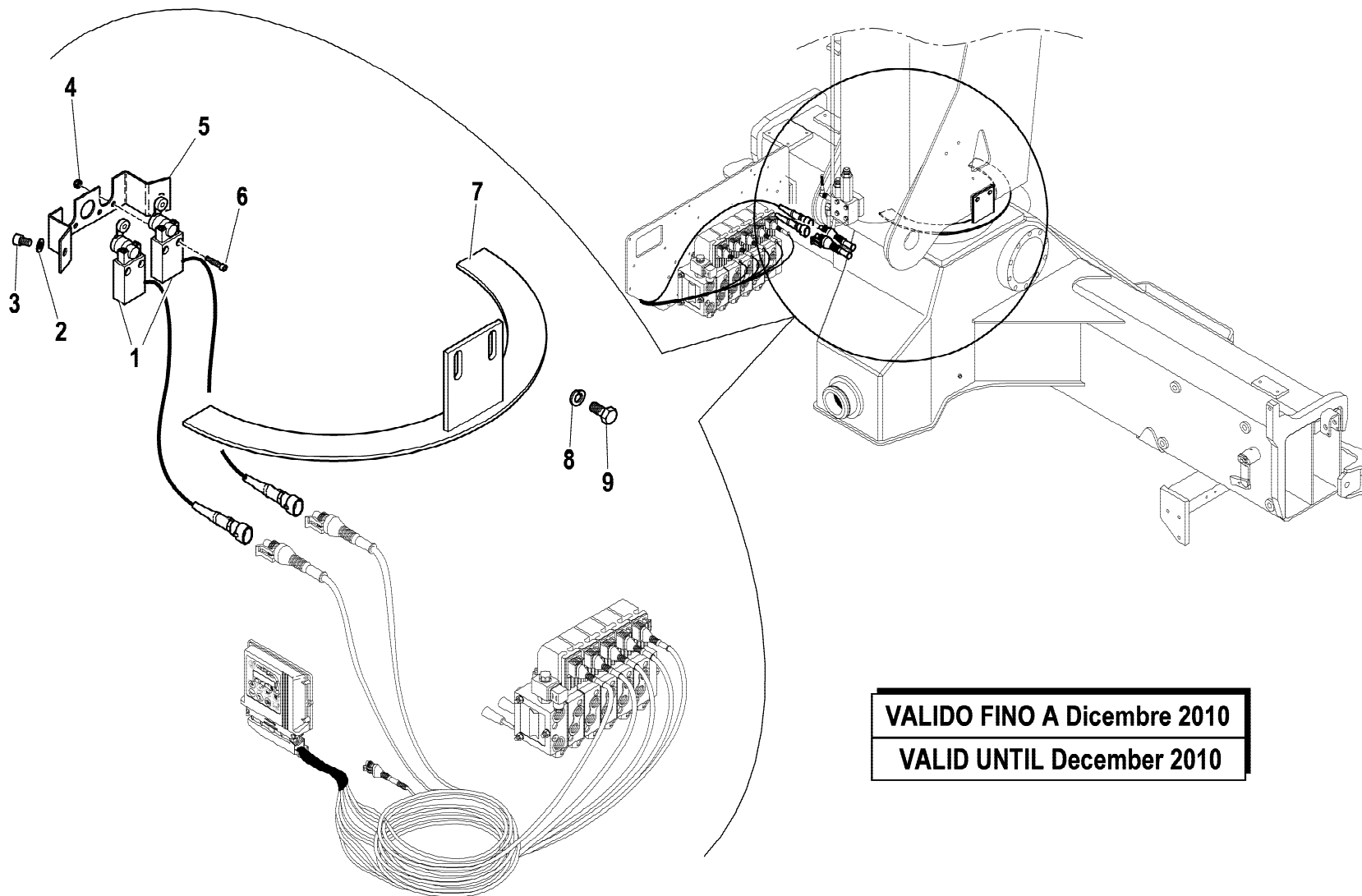
1/1

HYVA® CRANE
HB280

COMANDI RDC-EBB
CONTROLS RDC-EBB
COMMANDES RDC-EBB
STEUERUGEN RDC-EBB
MANDOS RDC-EBB

Tavola
5.40.0962-5-0

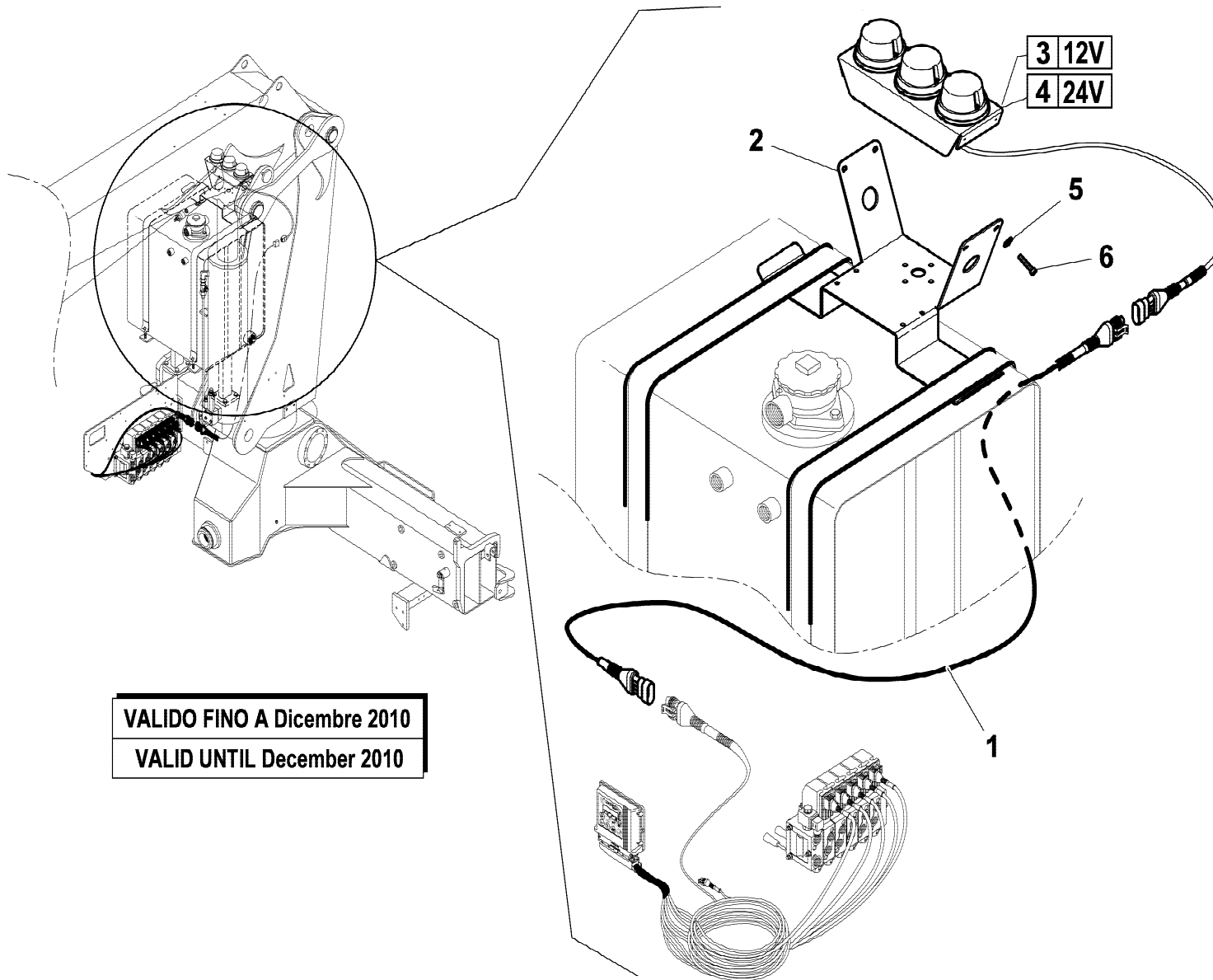
Data pag.
luglio 2010 190



VALIDO FINO A Dicembre 2010
VALID UNTIL December 2010

| rif. | codice | Q.tà |
|------|----------------|------|
| 1 | 5.16.0009 | 2 |
| 2 | 3.06.0005 | 2 |
| 3 | 3.02.0033 | 2 |
| 4 | 3.04.0392 | 4 |
| 5 | W.61.05.046.00 | 1 |
| 6 | 3.02.0024 | 2 |
| 7 | 5.00.1777 | 1 |
| 8 | 3.06.0056 | 2 |
| 9 | 3.01.0353 | 2 |

| rif. | codice | Q.tà |
|------|-----------|------|
| 1 | 5.16.0003 | 1 |
| 2 | 5.00.1657 | 1 |
| 3 | 3.31.0819 | 1 |
| 4 | 3.31.0809 | 1 |
| 5 | 3.06.0003 | 4 |
| 6 | 3.02.0885 | 4 |



VALIDO FINO A Dicembre 2010

VALID UNTIL December 2010

1/1

HYVA® CRANE

HB280

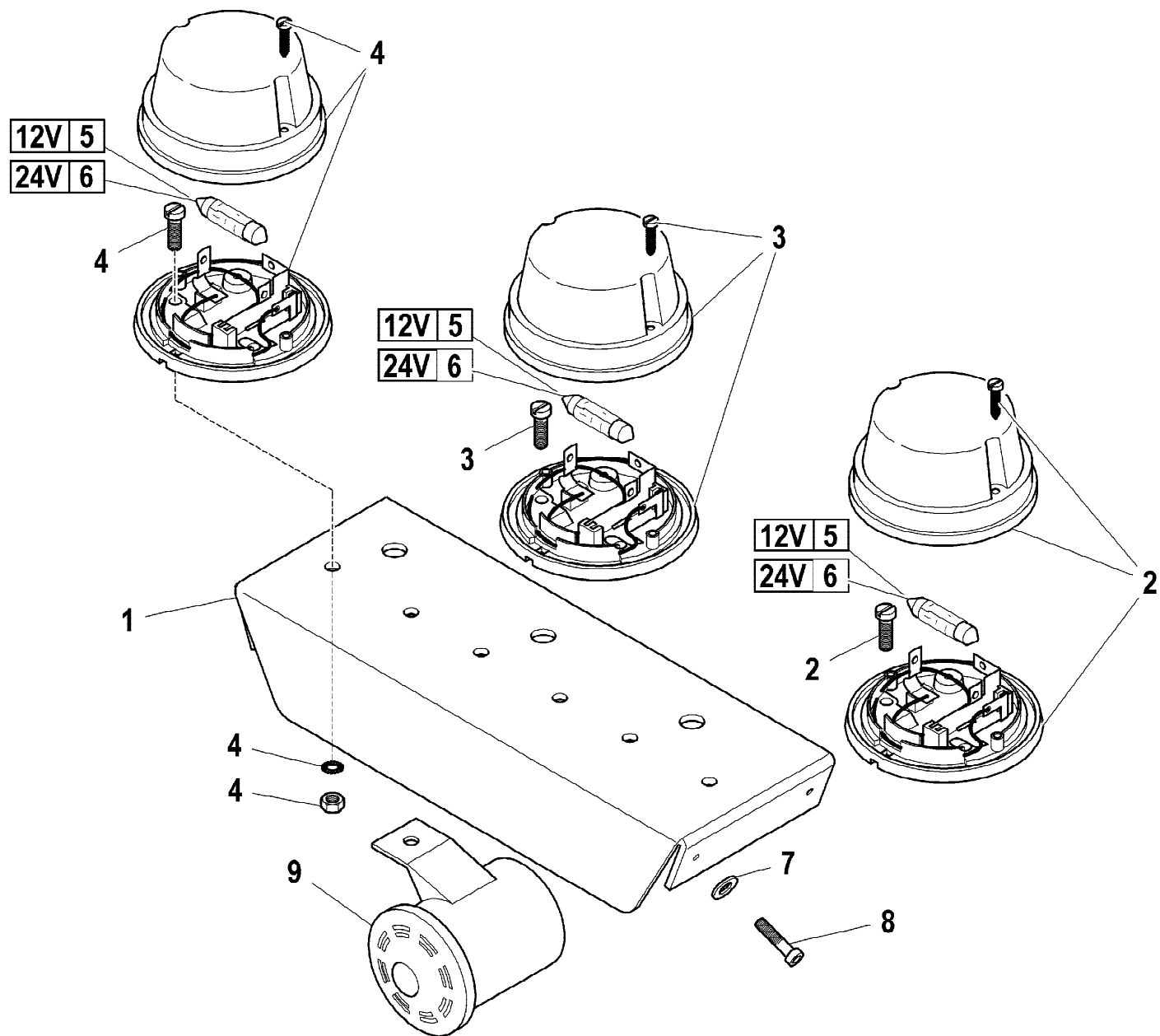
COMANDI RDC-EBB
 CONTROLS RDC-EBB
 COMMANDES RDC-EBB
 STEUERUGEN RDC-EBB
 MANDOS RDC-EBB

Tavola

5.40.0962-6-0

Data pag.
 luglio 2010 192

| rif. | codice | Q.tà |
|------|-----------|------|
| 1 | 5.00.1662 | 1 |
| 2 | 3.31.0811 | 1 |
| 3 | 3.31.0812 | 1 |
| 4 | 3.31.0810 | 1 |
| 5 | 3.31.0818 | 3 |
| 6 | 3.31.0813 | 3 |
| 7 | 3.06.0003 | 4 |
| 8 | 3.02.0885 | 4 |
| 9 | 3.31.0911 | 1 |



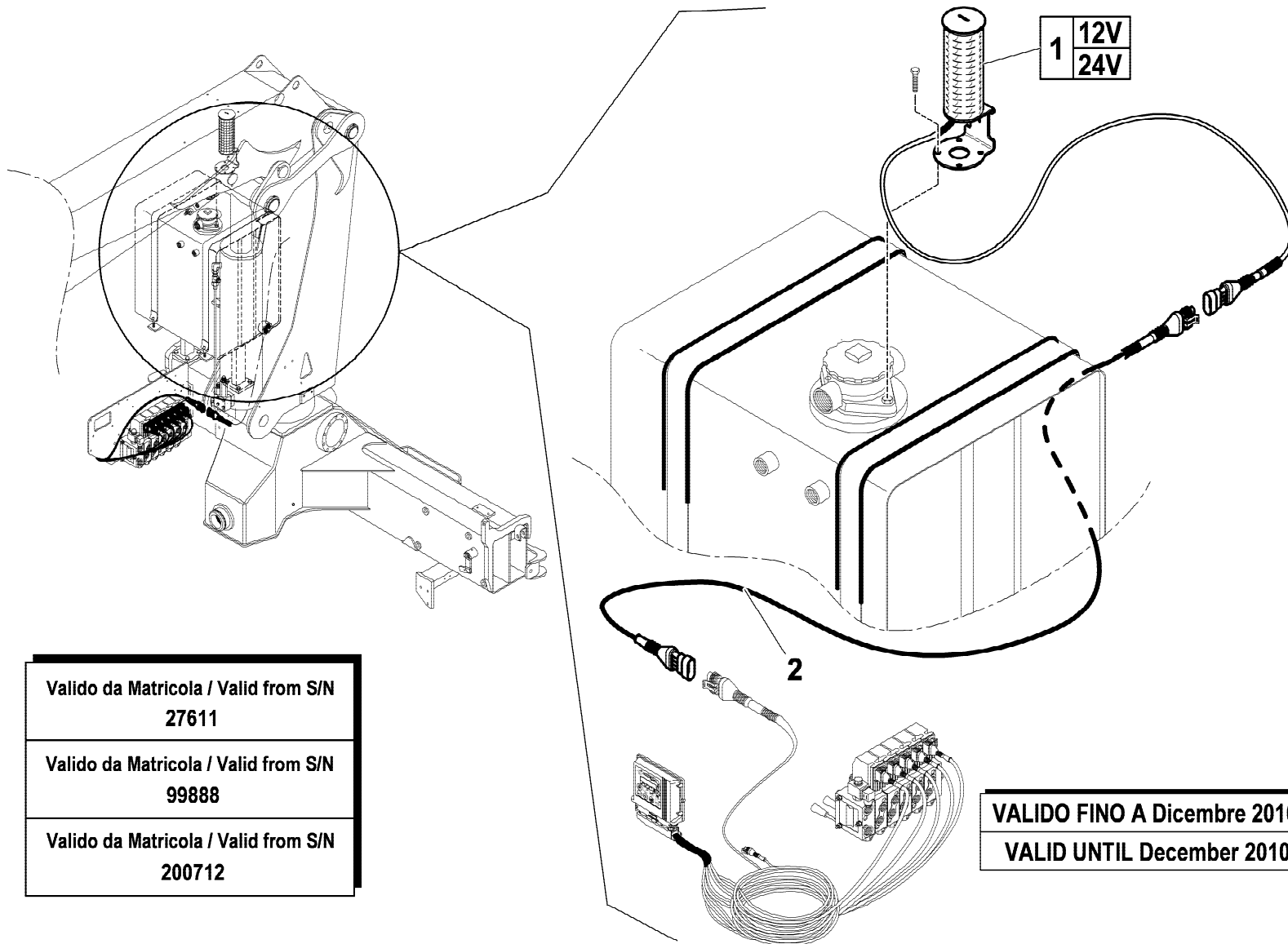
HB280

INDICATORE LUMINOSO
 PILOT LAMP
 LAMPE-TÉMOIN
 KONTROLLAMPE
 LÁMPARA SEÑAL

Tavola
7.88.5015-1-0

Data pag.
 giugno 2006 193

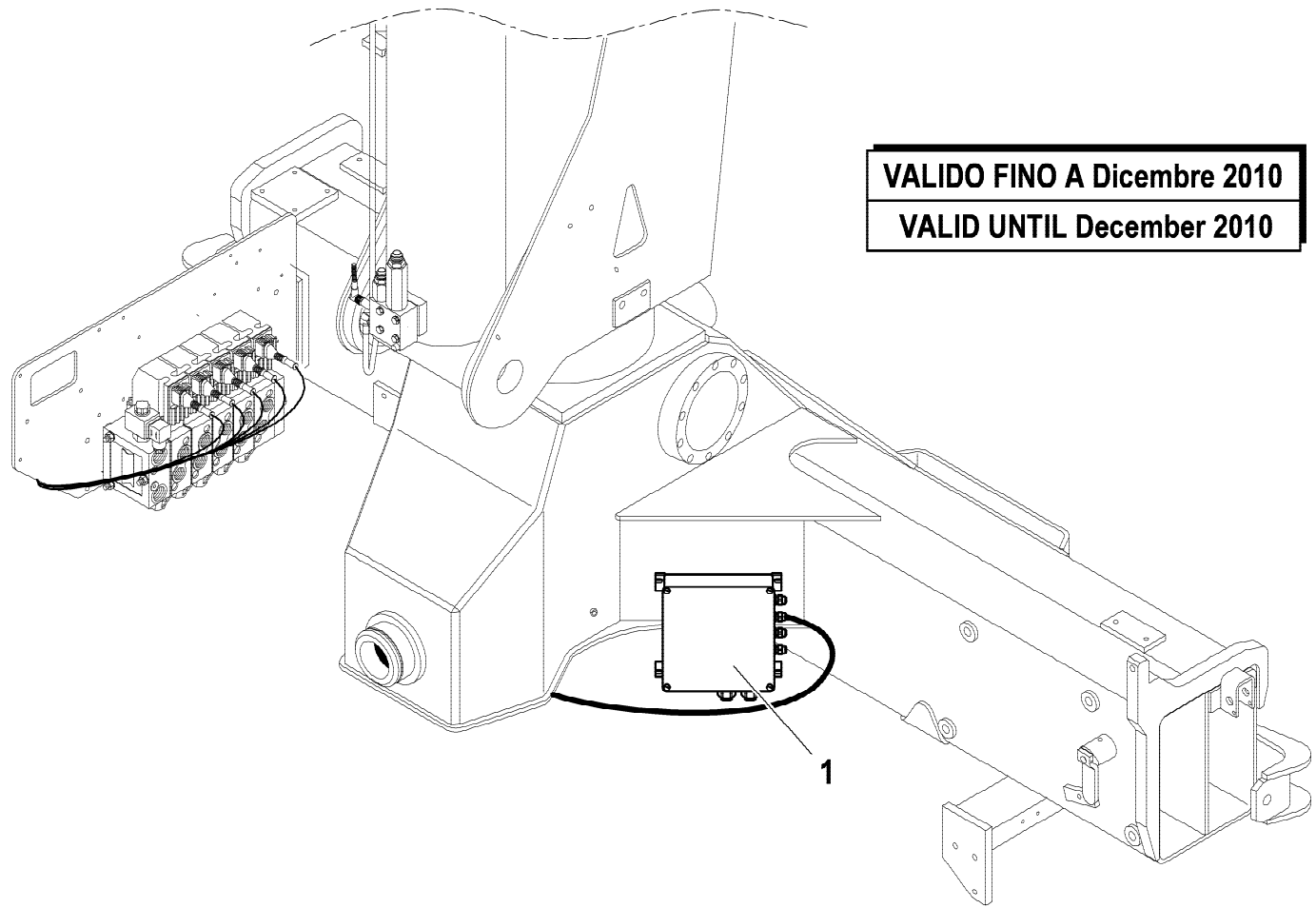
| rif. | codice | Q.tà |
|------|-----------|------|
| 1 | 3.31.1159 | 1 |
| 2 | 5.16.0003 | 1 |



| | |
|---|-----|
| 1 | 12V |
| | 24V |

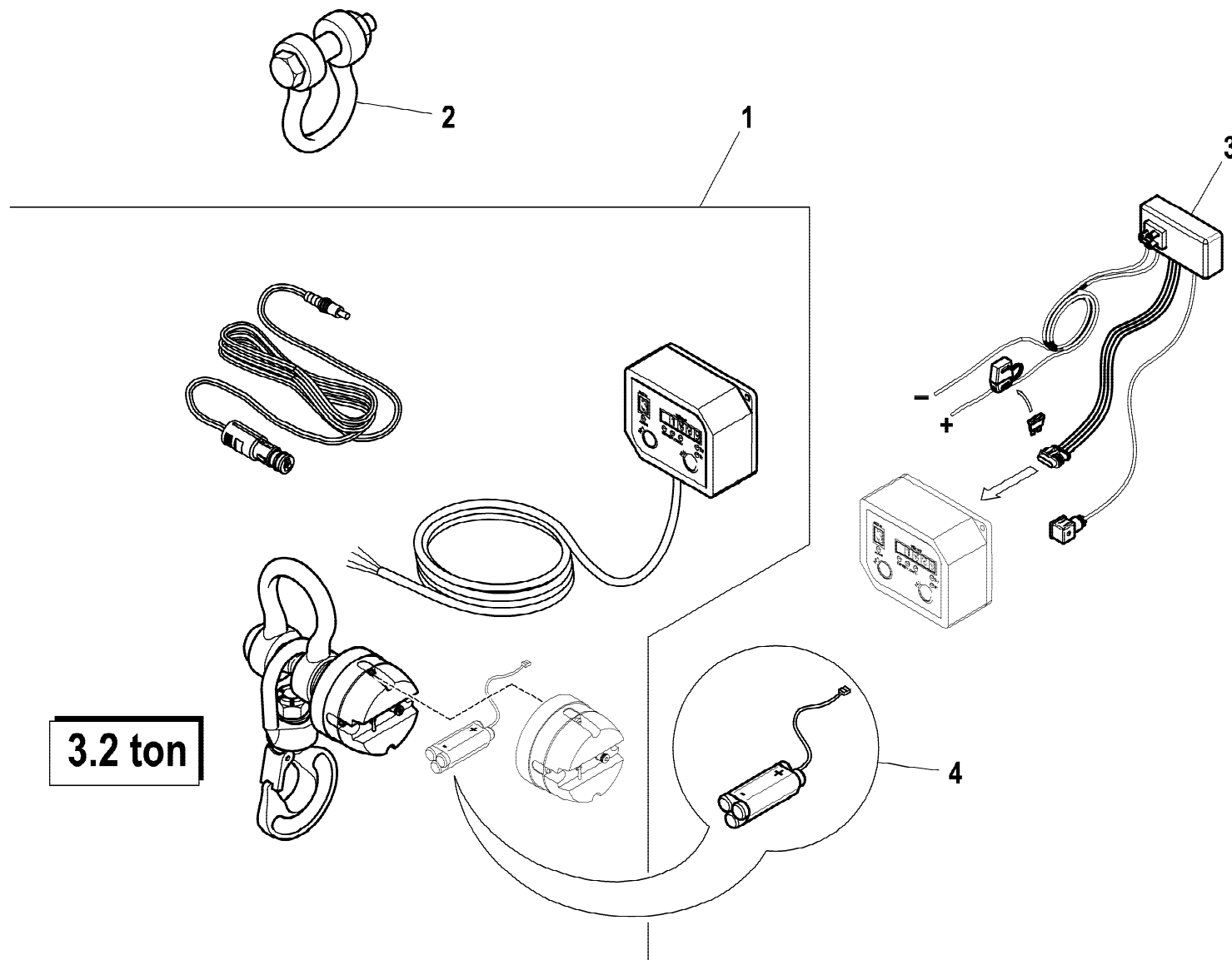
| |
|--|
| Valido da Matricola / Valid from S/N 27611 |
| Valido da Matricola / Valid from S/N 99888 |
| Valido da Matricola / Valid from S/N 200712 |

| |
|------------------------------------|
| VALIDO FINO A Dicembre 2010 |
| VALID UNTIL December 2010 |



VALIDO FINO A Dicembre 2010
VALID UNTIL December 2010

| rif. | codice | Q.tà |
|------|-----------|------|
| 1 | 5.73.0507 | 1 |
| 2 | 3.20.0050 | 1 |
| 3 | W.236.508 | 1 |
| 4 | 3.31.1542 | 1 |

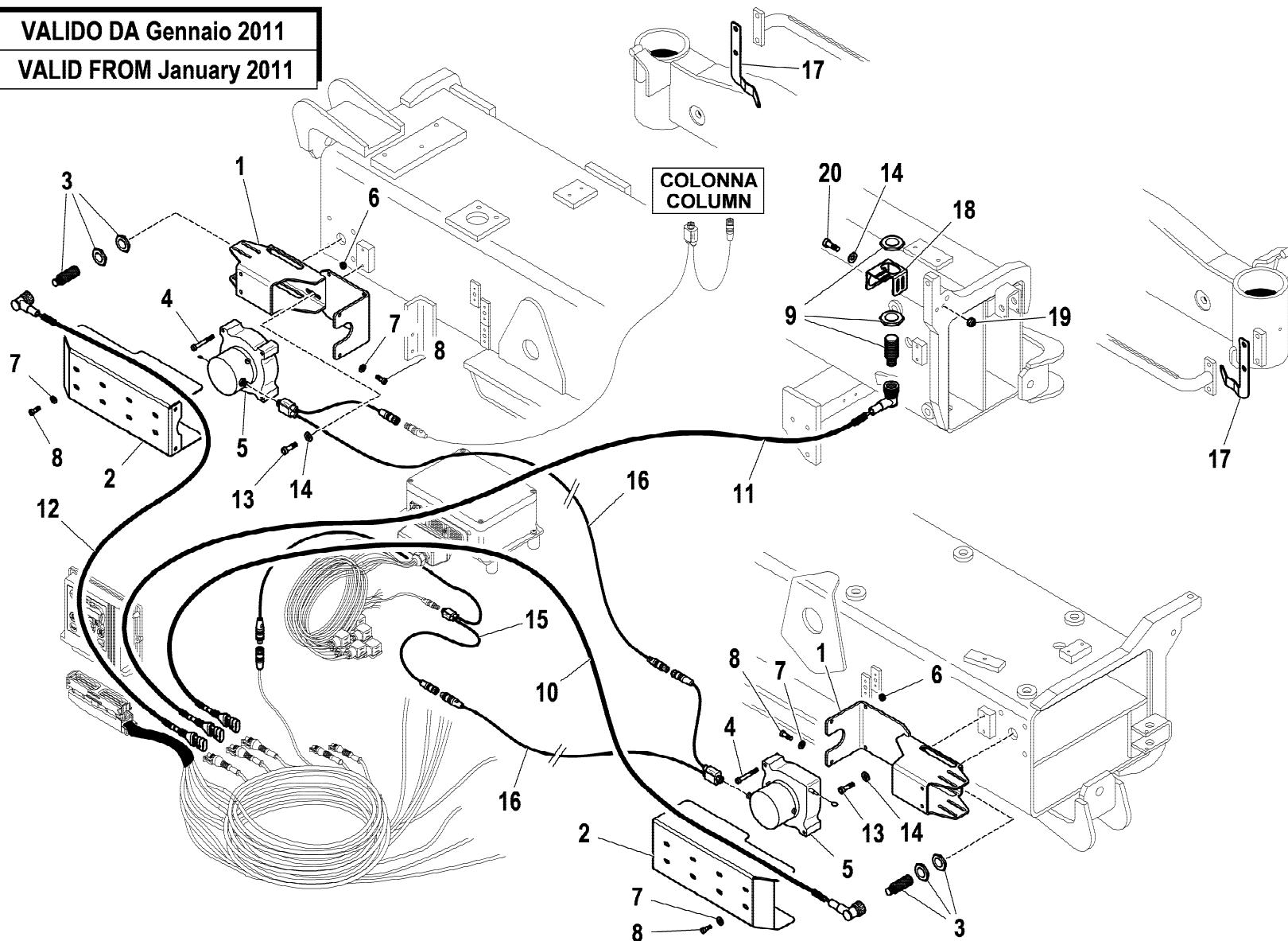




HB280 TCU EN12999-A3

VALIDO DA Gennaio 2011

VALID FROM January 2011



| rif. | codice | Q.tà |
|------|-----------|------|
| 1 | 5.09.1299 | 2 |
| 2 | 5.00.2060 | 2 |
| 3 | 3.31.1311 | 2 |
| 4 | 3.02.0019 | 6 |
| 5 | 3.31.1313 | 2 |
| 6 | 3.04.0518 | 6 |
| 7 | 3.06.0004 | 8 |
| 8 | 3.02.0022 | 8 |
| 9 | 3.31.1312 | 1 |
| 10 | 3.31.1377 | 1 |
| 11 | 3.31.1372 | 1 |
| 12 | 3.31.1332 | 1 |
| 13 | 3.02.0034 | 4 |
| 14 | 3.06.0030 | 6 |
| 15 | 3.31.1398 | 1 |
| 16 | 3.31.1325 | 2 |
| 17 | 5.00.0435 | 2 |
| 18 | 5.00.2051 | 1 |
| 19 | 3.04.0372 | 2 |
| 20 | 3.02.0037 | 2 |

1/1

HYVA CRANE

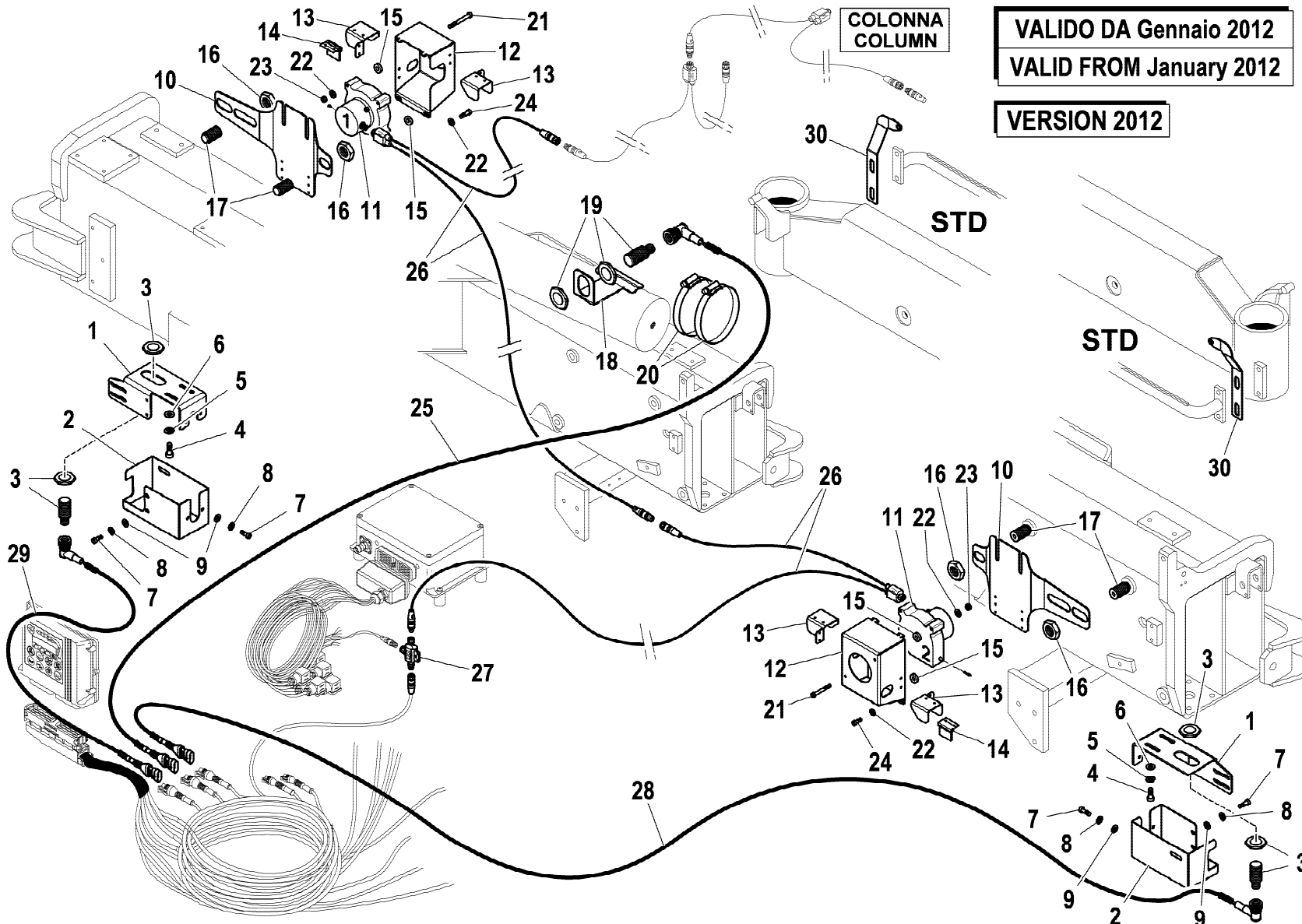
HB280

CONTROLLO STABILITA' (RDC) EN-12999-A3
 STABILITY CONTROL (RDC) EN-12999-A3
 CONTRÔLE DE LA STABILITE' (RDC) EN-12999-A3
 STABILITÄTSKONTROLLE (RDC) EN-12999-A3
 CONTROL DE LA ESTABILIDAD (RDC) EN-12999-A3

Tavola

5.41.1204-11-0

Data pag.
 aprile 2013 198



VALIDO DA Gennaio 2012
VALID FROM January 2012

VERSION 2012

| rif. | codice | Q.tà |
|------|-----------|------|
| 1 | 5.09.1395 | 2 |
| 2 | 5.00.2189 | 2 |
| 3 | 3.31.1311 | 2 |
| 4 | 3.02.0034 | 4 |
| 5 | 3.06.0053 | 4 |
| 6 | 3.06.0030 | 4 |
| 7 | 3.02.0022 | 8 |
| 8 | 3.06.0052 | 8 |
| 9 | 3.06.0004 | 8 |
| 10 | 5.00.2184 | 1 |
| 11 | 3.31.1313 | 2 |
| 12 | 5.09.1392 | 2 |
| 13 | 5.00.2181 | 4 |
| 14 | 5.00.2175 | 2 |
| 15 | 3.19.0039 | 4 |
| 16 | 3.04.0089 | 4 |
| 17 | 5.00.1917 | 4 |
| 18 | 5.00.2185 | 1 |
| 19 | 3.31.1312 | 1 |
| 20 | 3.19.0021 | 2 |
| 21 | 3.02.0019 | 4 |
| 22 | 3.06.0003 | 8 |
| 23 | 3.04.0518 | 4 |
| 24 | 3.02.0895 | 4 |
| 25 | 3.31.1372 | 1 |
| 26 | 3.31.1325 | 2 |
| 27 | 3.31.1323 | 1 |
| 28 | 3.31.1377 | 1 |
| 29 | 3.31.1332 | 1 |
| 30 | 5.00.0435 | 2 |



HB280

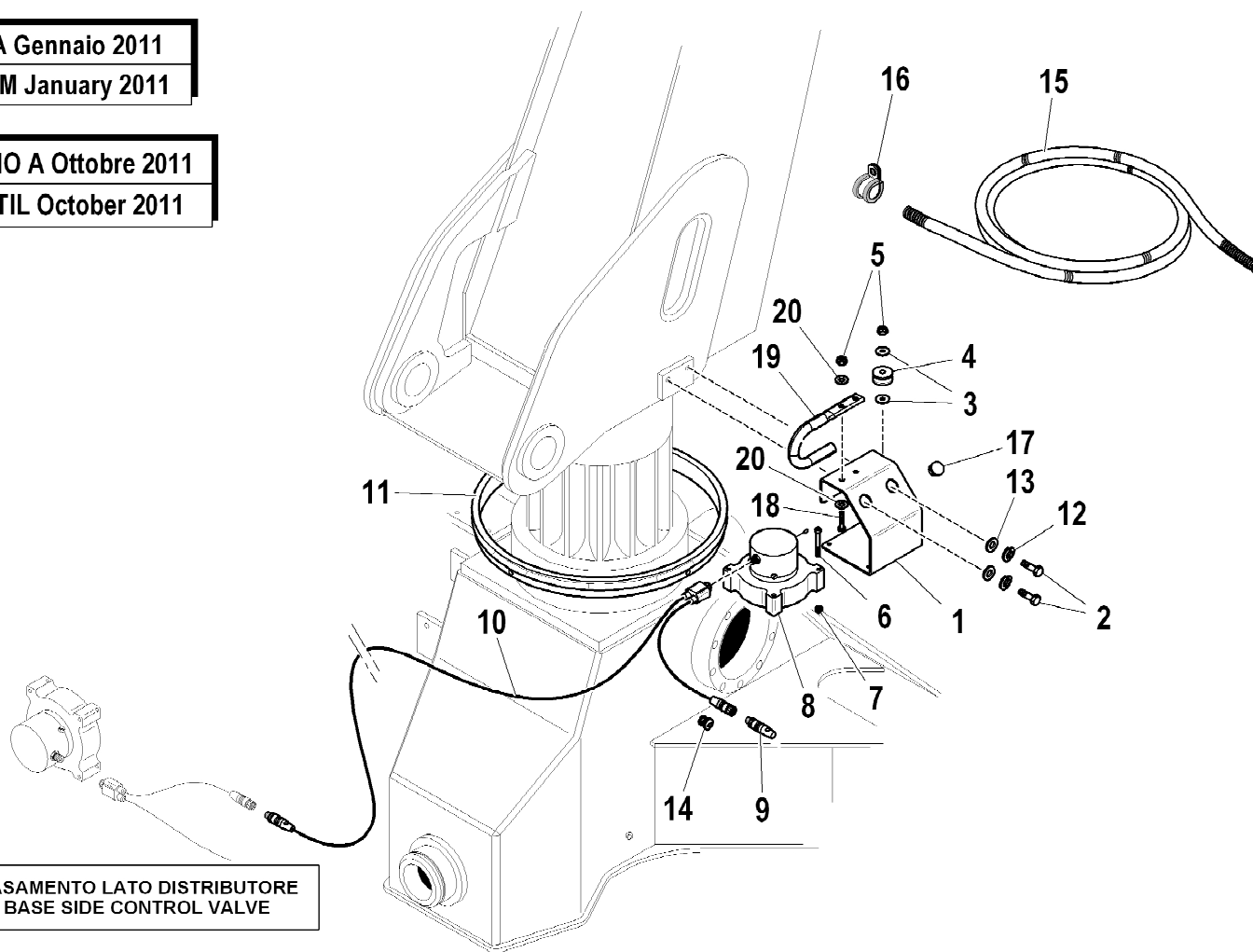
CONTROLLO STABILITA' (RDC) EN-12999-A3
 STABILITY CONTROL (RDC) EN-12999-A3
 CONTRÔLE DE LA STABILITE' (RDC) EN-12999-A3
 STABILITÄTSKONTROLLE (RDC) EN-12999-A3
 CONTROL DE LA ESTABILIDAD (RDC) EN-12999-A3

Tavola
5.41.1385-4-0

Data pag.
 aprile 2013 199

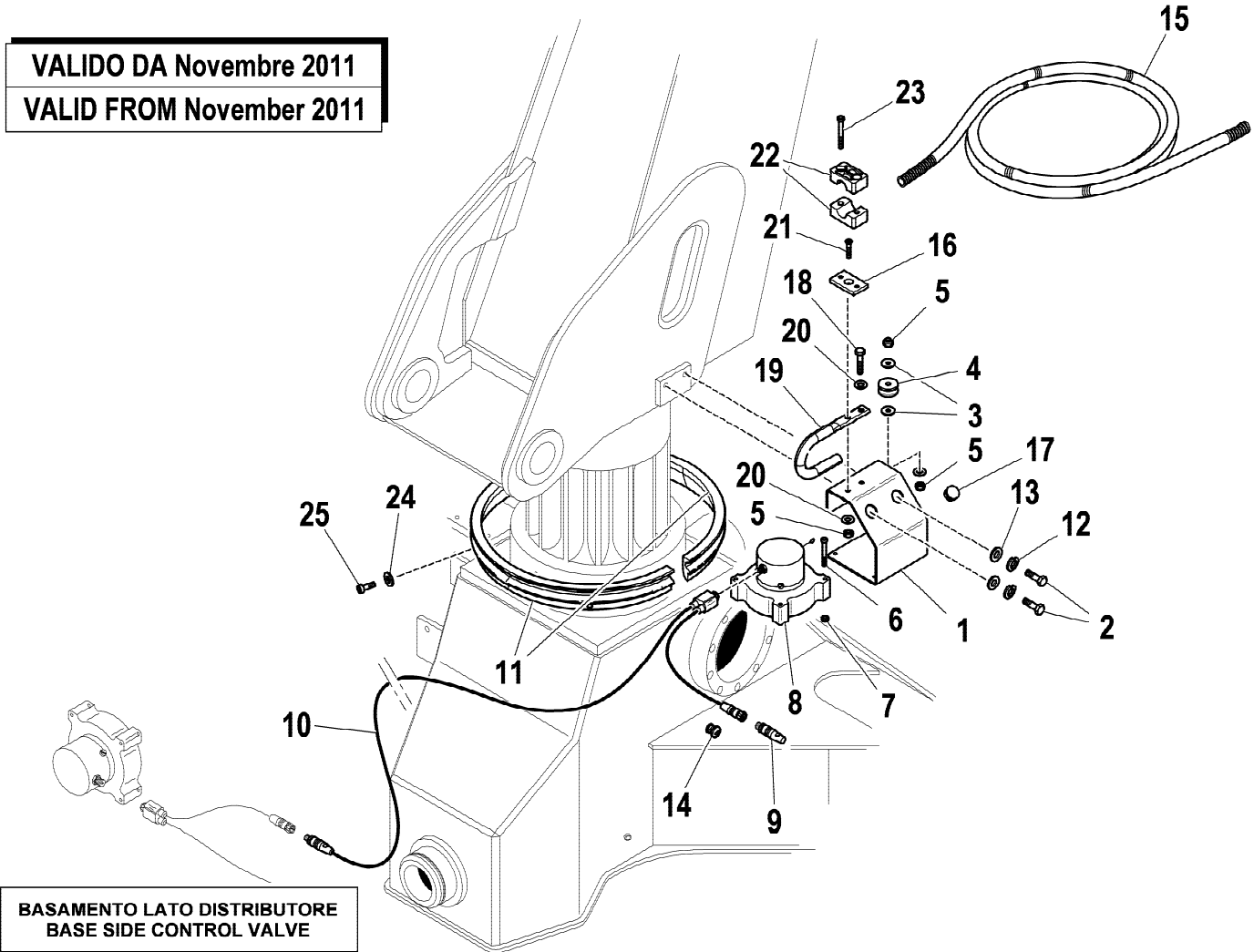
VALIDO DA Gennaio 2011
 VALID FROM January 2011

VALIDO FINO A Ottobre 2011
 VALID UNTIL October 2011



| rif. | codice | Q.tà |
|------|-----------|-------|
| 1 | 5.09.1301 | 1 |
| 2 | 3.02.0080 | 2 |
| 3 | 3.06.0030 | 2 |
| 4 | 5.14.1080 | 1 |
| 5 | 3.04.0372 | 3 |
| 6 | 3.02.0019 | 3 |
| 7 | 3.04.0518 | 3 |
| 8 | 3.31.1313 | 1 |
| 9 | 3.31.1327 | 1 |
| 10 | 3.31.1325 | 1 |
| 11 | 5.14.1087 | 1 |
| 12 | 3.06.0056 | 2 |
| 13 | 3.06.0914 | 2 |
| 14 | 3.31.1326 | 1 |
| 15 | 3.19.0295 | mt2.5 |
| 16 | 3.19.0036 | 1 |
| 17 | 3.19.0301 | 2 |
| 18 | 3.01.0022 | 2 |
| 19 | 5.00.2124 | 1 |
| 20 | 3.06.0005 | 4 |

VALIDO DA Novembre 2011
VALID FROM November 2011



BASAMENTO LATO DISTRIBUTORE
BASE SIDE CONTROL VALVE

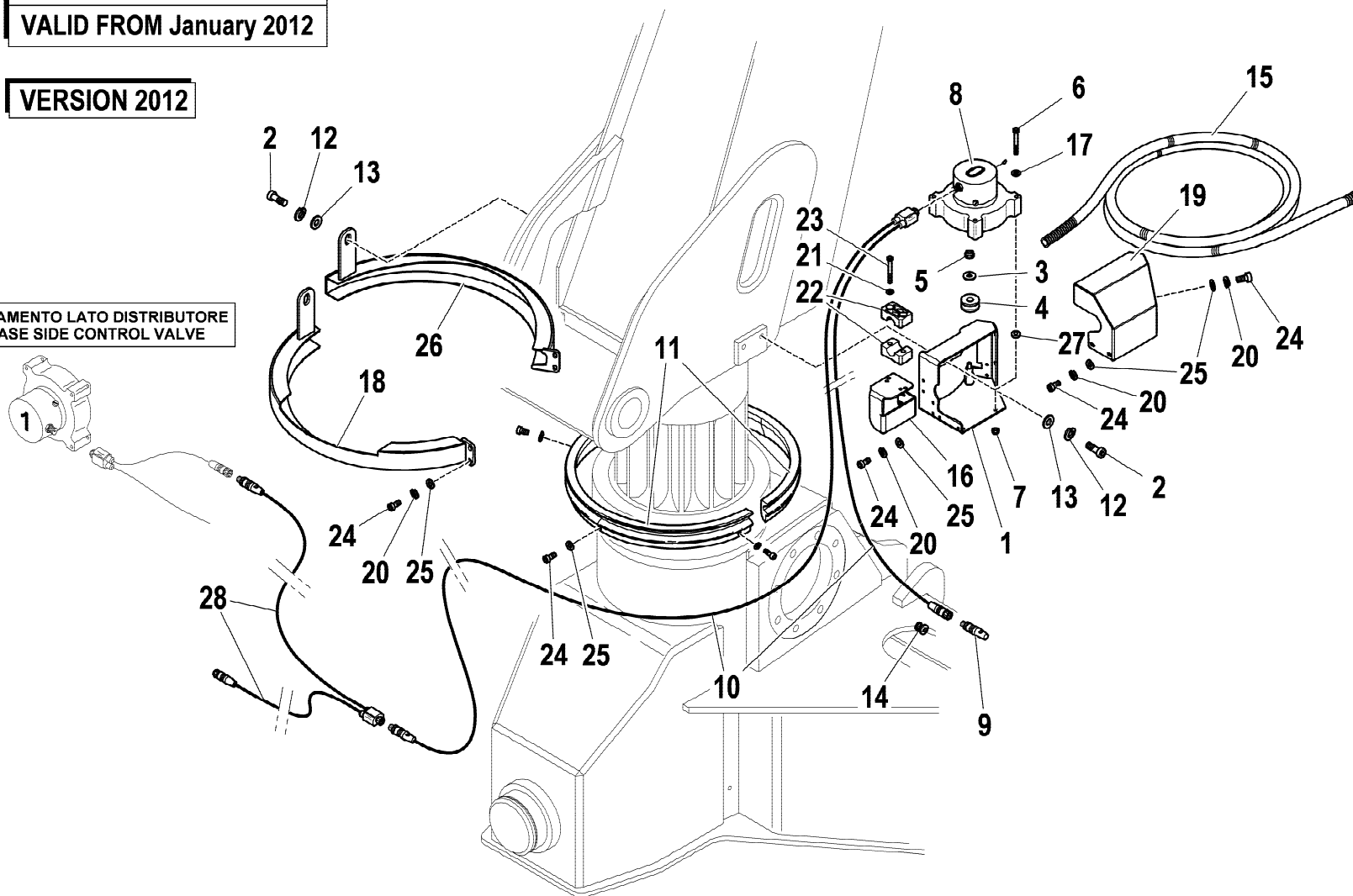
| rif. | codice | Q.tà |
|------|-----------|-------|
| 1 | 5.09.1301 | 1 |
| 2 | 3.02.0080 | 2 |
| 3 | 3.06.0030 | 2 |
| 4 | 5.14.1080 | 1 |
| 5 | 3.04.0372 | 3 |
| 6 | 3.02.0019 | 3 |
| 7 | 3.04.0518 | 3 |
| 8 | 3.31.1313 | 1 |
| 9 | 3.31.1327 | 1 |
| 10 | 3.31.1325 | 1 |
| 11 | 5.14.1121 | 2 |
| 12 | 3.06.0056 | 2 |
| 13 | 3.06.0914 | 2 |
| 14 | 3.31.1326 | 1 |
| 15 | 3.19.0295 | mt2.5 |
| 16 | 5.00.0454 | 1 |
| 17 | 3.19.0301 | 2 |
| 18 | 3.01.0022 | 2 |
| 19 | 5.00.2124 | 1 |
| 20 | 3.06.0005 | 4 |
| 21 | 3.02.0907 | 1 |
| 22 | 3.19.0185 | 2 |
| 23 | 3.02.0039 | 2 |
| 24 | 3.06.0004 | 4 |
| 25 | 3.02.0021 | 4 |

VALIDO DA Gennaio 2012

VALID FROM January 2012

VERSION 2012

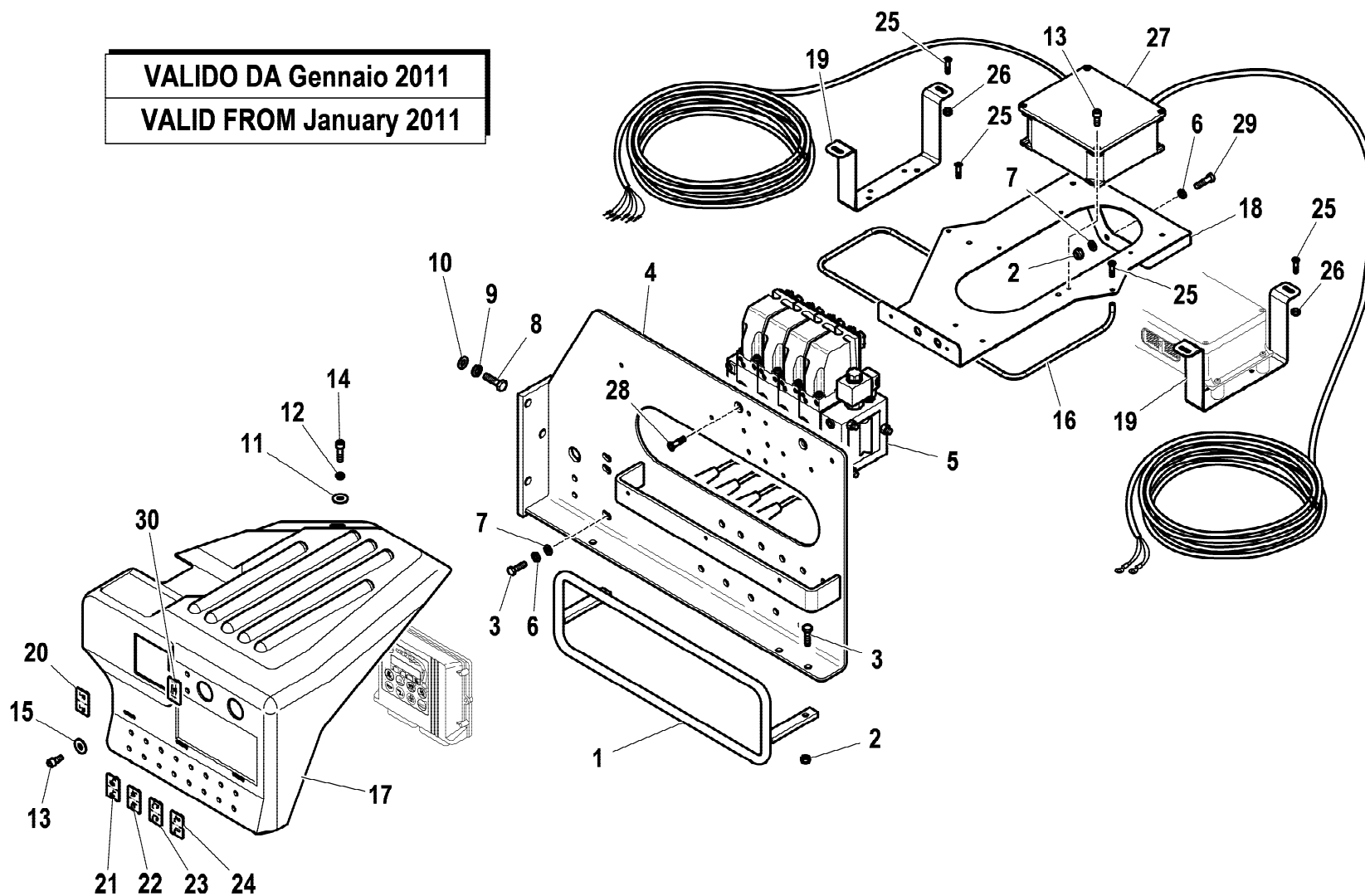
BASAMENTO LATO DISTRIBUTORE
BASE SIDE CONTROL VALVE



| rif. | codice | Q.tà |
|------|-----------|-------|
| 1 | 5.09.1398 | 1 |
| 2 | 3.02.0080 | 4 |
| 3 | 3.06.0030 | 1 |
| 4 | 5.14.1135 | 1 |
| 5 | 3.04.0372 | 1 |
| 6 | 3.02.0019 | 2 |
| 7 | 3.04.0518 | 2 |
| 8 | 3.31.1313 | 1 |
| 9 | 3.31.1327 | 1 |
| 10 | 3.31.1325 | 1 |
| 11 | 5.14.1121 | 2 |
| 12 | 3.06.0056 | 4 |
| 13 | 3.06.0914 | 4 |
| 14 | 3.31.1326 | 1 |
| 15 | 3.19.0295 | mt2.5 |
| 16 | 5.00.2193 | 1 |
| 17 | 3.06.0003 | 2 |
| 18 | 5.09.1394 | 1 |
| 19 | 5.00.2177 | 1 |
| 20 | 3.06.0052 | 10 |
| 21 | 3.19.0178 | 2 |
| 22 | 3.19.0185 | 2 |
| 23 | 3.02.0039 | 2 |
| 24 | 3.02.0022 | 16 |
| 25 | 3.06.0004 | 16 |
| 26 | 5.09.1391 | 1 |
| 27 | 3.19.0039 | 2 |
| 28 | 3.31.1398 | 1 |

VALIDO DA Gennaio 2011

VALID FROM January 2011



| rif. | codice | Q.tà |
|------|-----------|------|
| 1 | 5.09.0636 | 1 |
| 2 | 3.04.0303 | 4 |
| 3 | 3.01.0339 | 5 |
| 4 | 5.09.0132 | 1 |
| 5 | 5.22.0373 | 1 |
| 6 | 3.06.0055 | 5 |
| 7 | 3.06.0006 | 5 |
| 8 | 3.01.0355 | 3 |
| 9 | 3.06.0056 | 3 |
| 10 | 3.06.0914 | 3 |
| 11 | 3.06.0030 | 1 |
| 12 | 3.06.0005 | 1 |
| 13 | 3.02.0023 | 3 |
| 14 | 3.02.0034 | 1 |
| 15 | 3.06.0004 | 3 |
| 16 | 5.00.2043 | 1 |
| 17 | 5.09.1076 | 1 |
| 18 | 5.00.0438 | 1 |
| 19 | 5.00.2028 | 2 |
| 20 | 5.81.3516 | 1 |
| 21 | W.573.266 | 1 |
| 22 | W.573.267 | 1 |
| 23 | W.573.269 | 1 |
| 24 | W.573.270 | 1 |
| 25 | 3.02.0439 | 6 |
| 26 | 3.04.0372 | 4 |
| 27 | 3.31.1405 | 1 |
| 28 | 3.02.0438 | 2 |
| 29 | 3.02.0875 | 2 |
| 30 | 5.81.3567 | 1 |

1/1

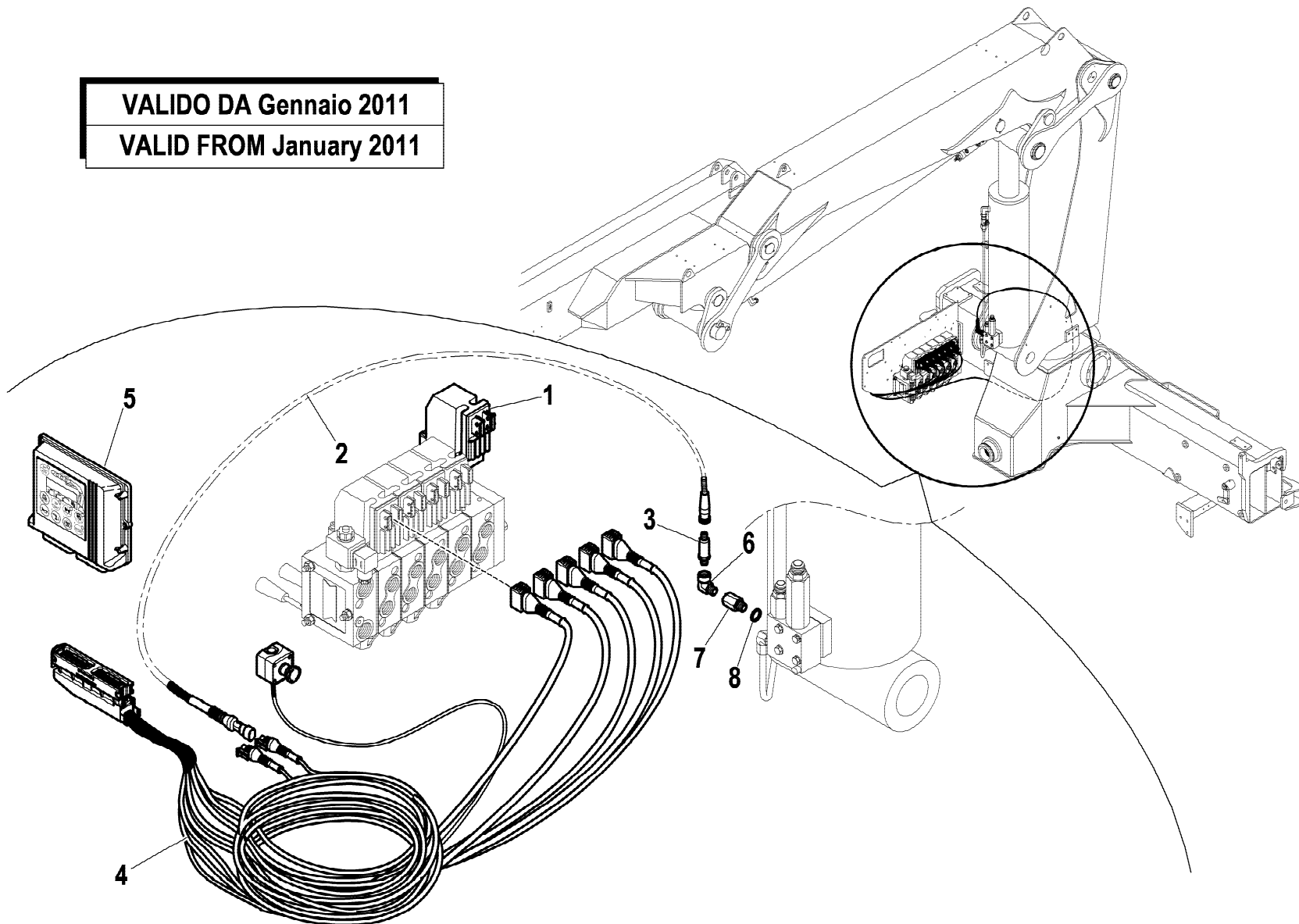
HYVA® CRANE
HB280

COMANDI CON TERMOFORMATO (RDC EBB-X TCU-ECM4) EN12999-A3
 CONTROLS WITH THERMOFORMABLE (RDC EBB-X TCU-ECM4) EN12999-A3
 COMMANDES AVEC THERMOFORMABLE (RDC EBB-X TCU-ECM4) EN12999-A3
 STEUERUGEN MIT THERMOFORMBARE (RDC EBB-X TCU-ECM4) EN12999-A3
 MANDOS CON TERMOFORMABLES (RDC EBB-X TCU-ECM4) EN12999-A3

Tavola
5.40.1370-1-0

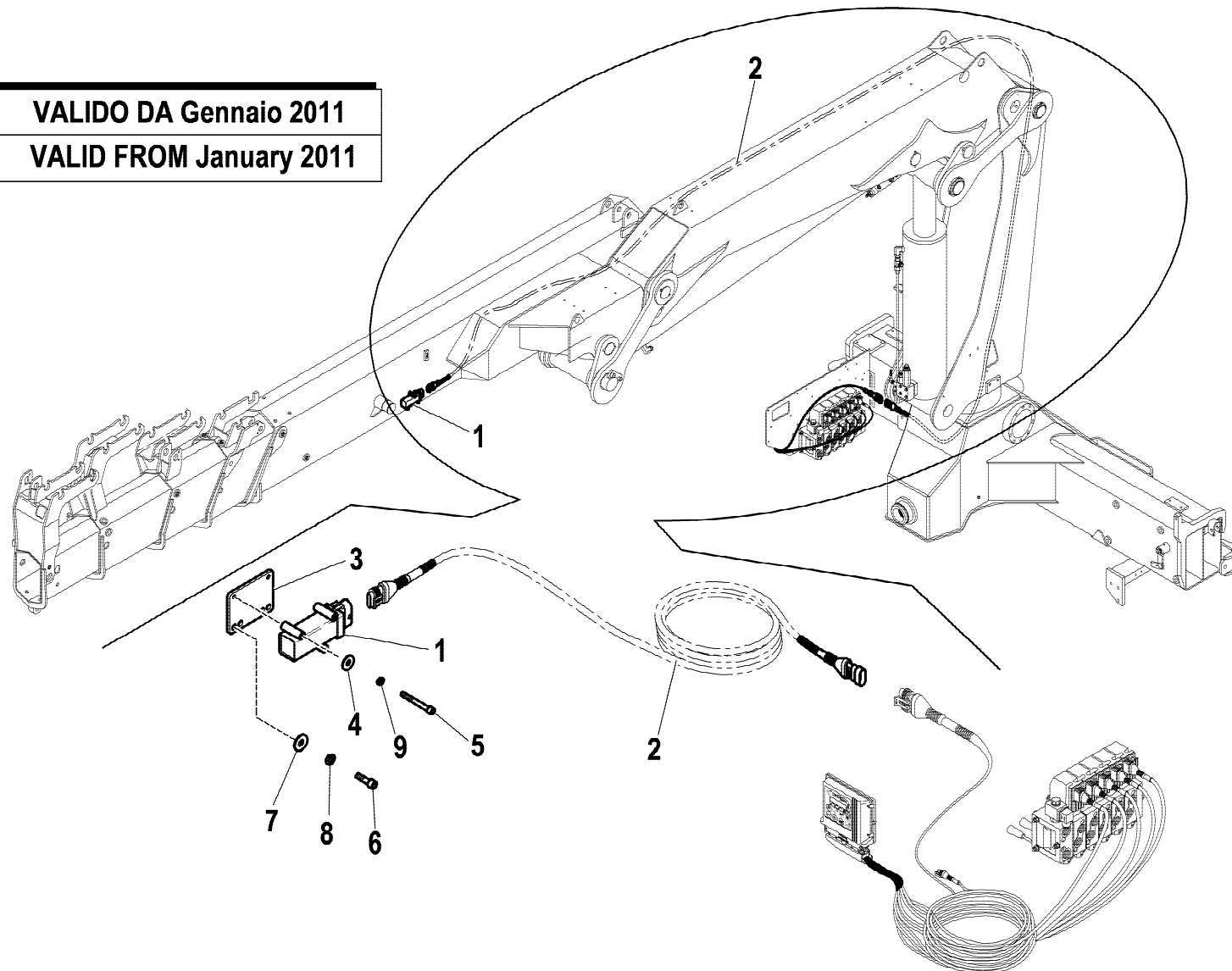
Data pag.
luglio 2011 203

VALIDO DA Gennaio 2011
VALID FROM January 2011



| rif. | codice | Q.tà |
|------|-----------|------|
| 1 | 5.22.5534 | 4 |
| 2 | 5.16.0084 | 1 |
| 3 | 3.31.0612 | 1 |
| 4 | 5.16.0072 | 1 |
| 5 | 3.31.1423 | 1 |
| 6 | 3.11.1512 | 1 |
| 7 | 3.11.0266 | 1 |
| 8 | 3.06.0143 | 1 |

VALIDO DA Gennaio 2011
VALID FROM January 2011



| rif. | codice | Q.tà |
|------|-----------|------|
| 1 | 3.31.1150 | 1 |
| 2 | 5.16.0076 | 1 |
| 3 | 5.00.2108 | 1 |
| 4 | 3.06.0003 | 2 |
| 5 | 3.02.0018 | 2 |
| 6 | 3.02.0033 | 2 |
| 7 | 3.06.0005 | 2 |
| 8 | 3.06.0053 | 2 |
| 9 | 3.06.0065 | 2 |

1/1

HYVA[®] CRANE
HB280

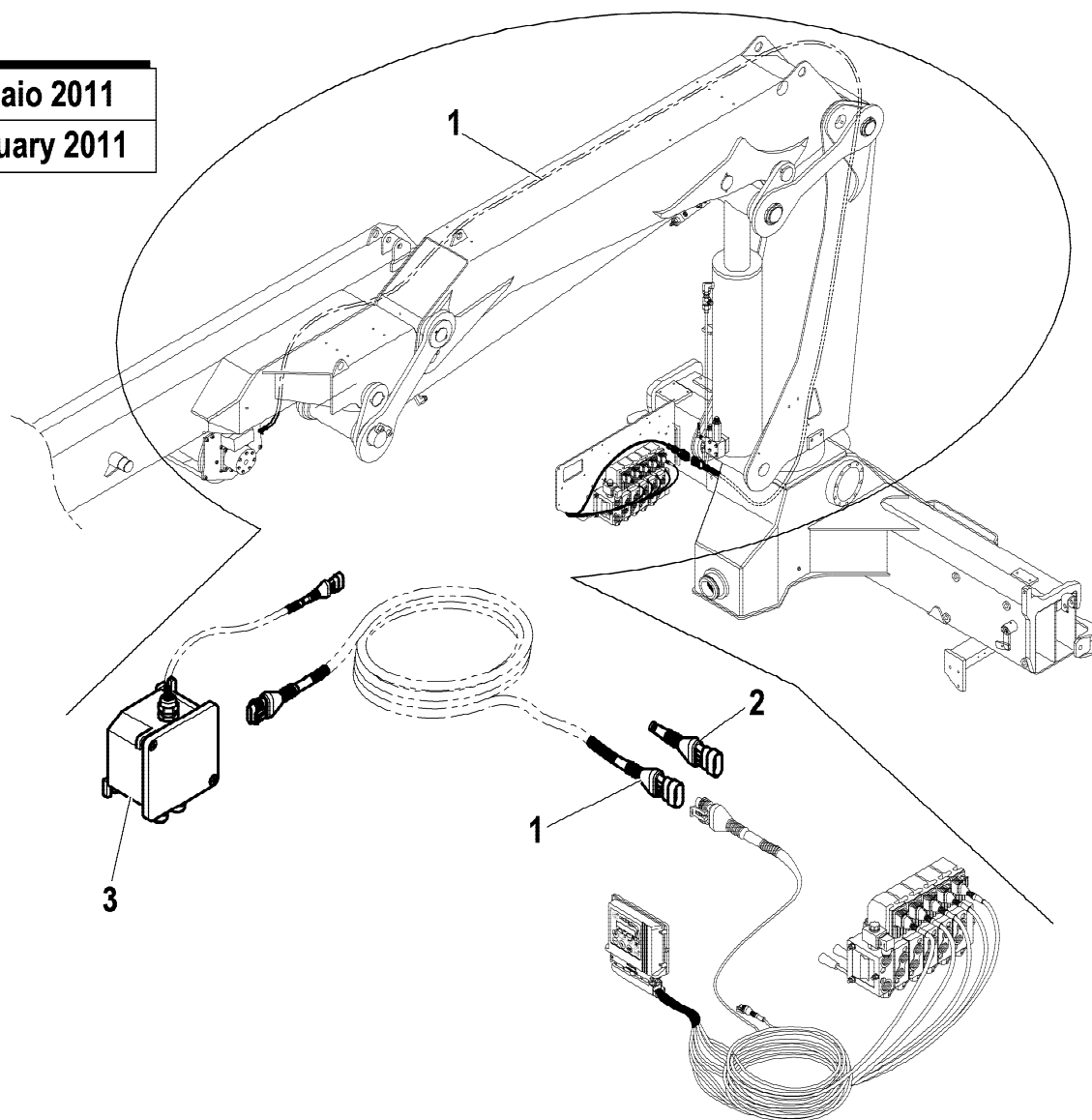
COMANDI (RDC EBB-X TCU-ECM4) EN12999-A3
 CONTROLS (RDC EBB-X TCU-ECM4) EN12999-A3
 COMMANDES (RDC EBB-X TCU-ECM4) EN12999-A3
 STEUERUGEN (RDC EBB-X TCU-ECM4) EN12999-A3
 MANDOS (RDC EBB-X TCU-ECM4) EN12999-A3

Tavola
5.40.1218-3-0

Data pag.
 dicembre 2010 205

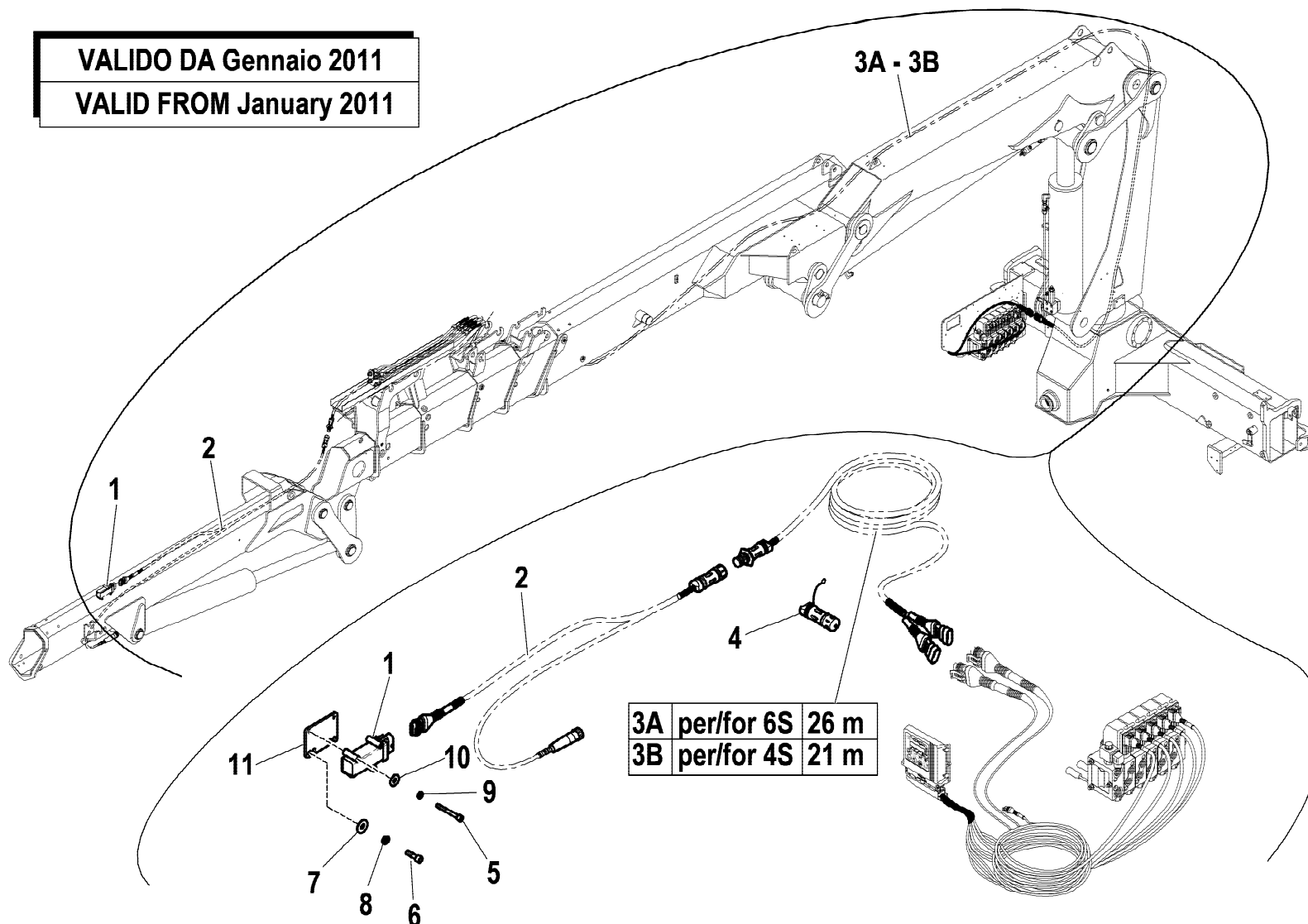
| rif. | codice | Q.tà |
|------|-----------|------|
| 1 | 5.16.0004 | 1 |
| 2 | 5.16.0013 | 1 |
| 3 | 3.31.0663 | 1 |

VALIDO DA Gennaio 2011
VALID FROM January 2011



VALIDO DA Gennaio 2011

VALID FROM January 2011



| rif. | codice | Q.tà |
|------|-----------|------|
| 1 | 3.31.1150 | 1 |
| 2 | 5.16.0079 | 1 |
| 3 A | 5.16.0077 | 1 |
| 3 B | 5.16.0078 | 1 |
| 4 | 5.16.0080 | 1 |
| 5 | 3.02.0018 | 2 |
| 6 | 3.02.0033 | 2 |
| 7 | 3.06.0005 | 2 |
| 8 | 3.06.0053 | 2 |
| 9 | 3.06.0065 | 2 |
| 10 | 3.06.0003 | 2 |
| 11 | 5.00.2108 | 1 |

1/1

HYVA® CRANE

HB280

COMANDI (RDC EBB-X TCU-ECM4) EN12999-A3
 CONTROLS (RDC EBB-X TCU-ECM4) EN12999-A3
 COMMANDES (RDC EBB-X TCU-ECM4) EN12999-A3
 STEUERUGEN (RDC EBB-X TCU-ECM4) EN12999-A3
 MANDOS (RDC EBB-X TCU-ECM4) EN12999-A3

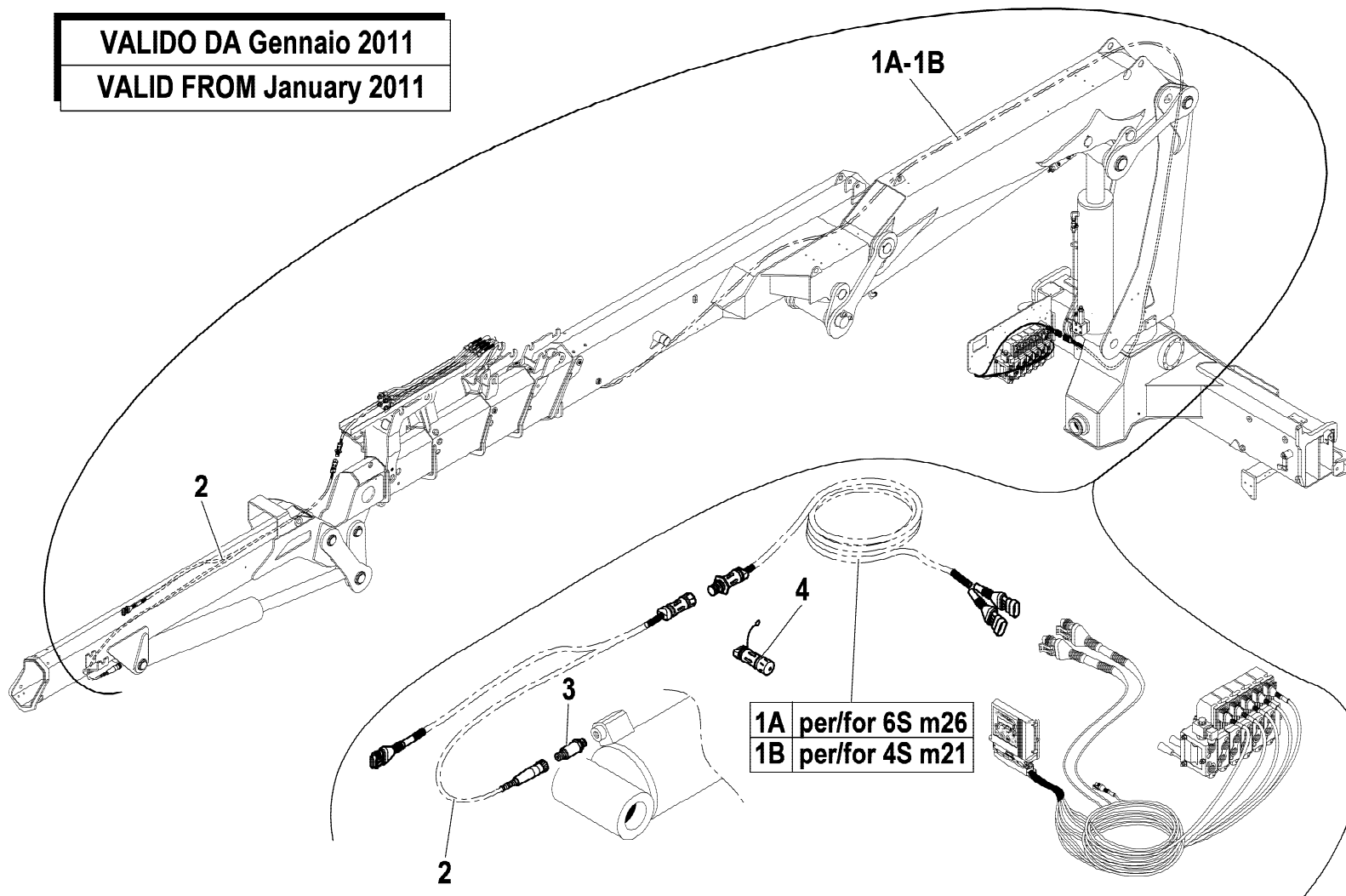
Tavola

5.40.1218-4-0

Data pag.
 dicembre 2010 207

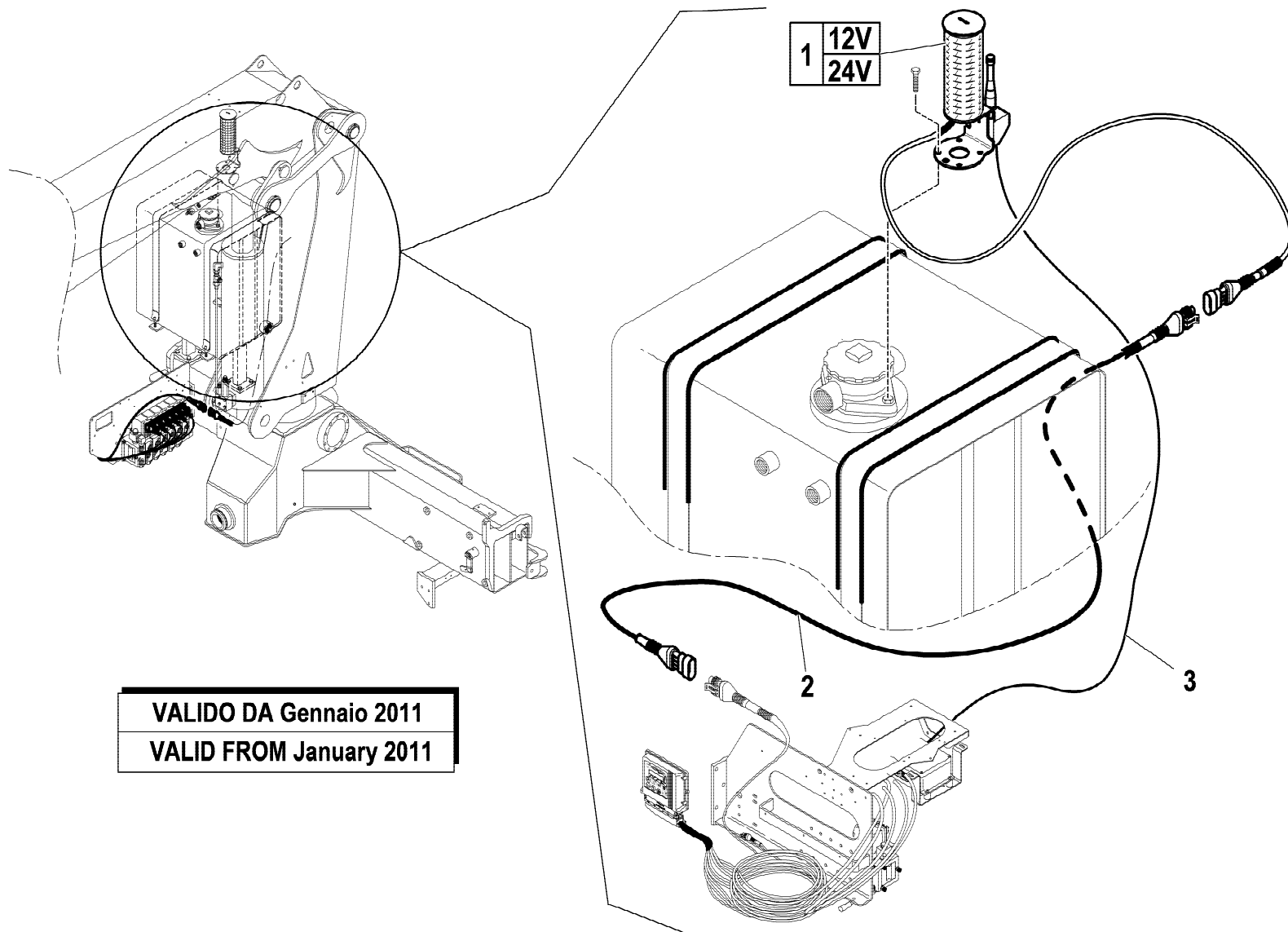
| rif. | codice | Q.tà |
|------|-----------|------|
| 1 A | 5.16.0077 | 1 |
| 1 B | 5.16.0078 | 1 |
| 2 | 5.16.0079 | 1 |
| 3 | 3.31.0612 | 1 |
| 4 | 5.16.0080 | 1 |

VALIDO DA Gennaio 2011
VALID FROM January 2011



1A per/for 6S m26
1B per/for 4S m21

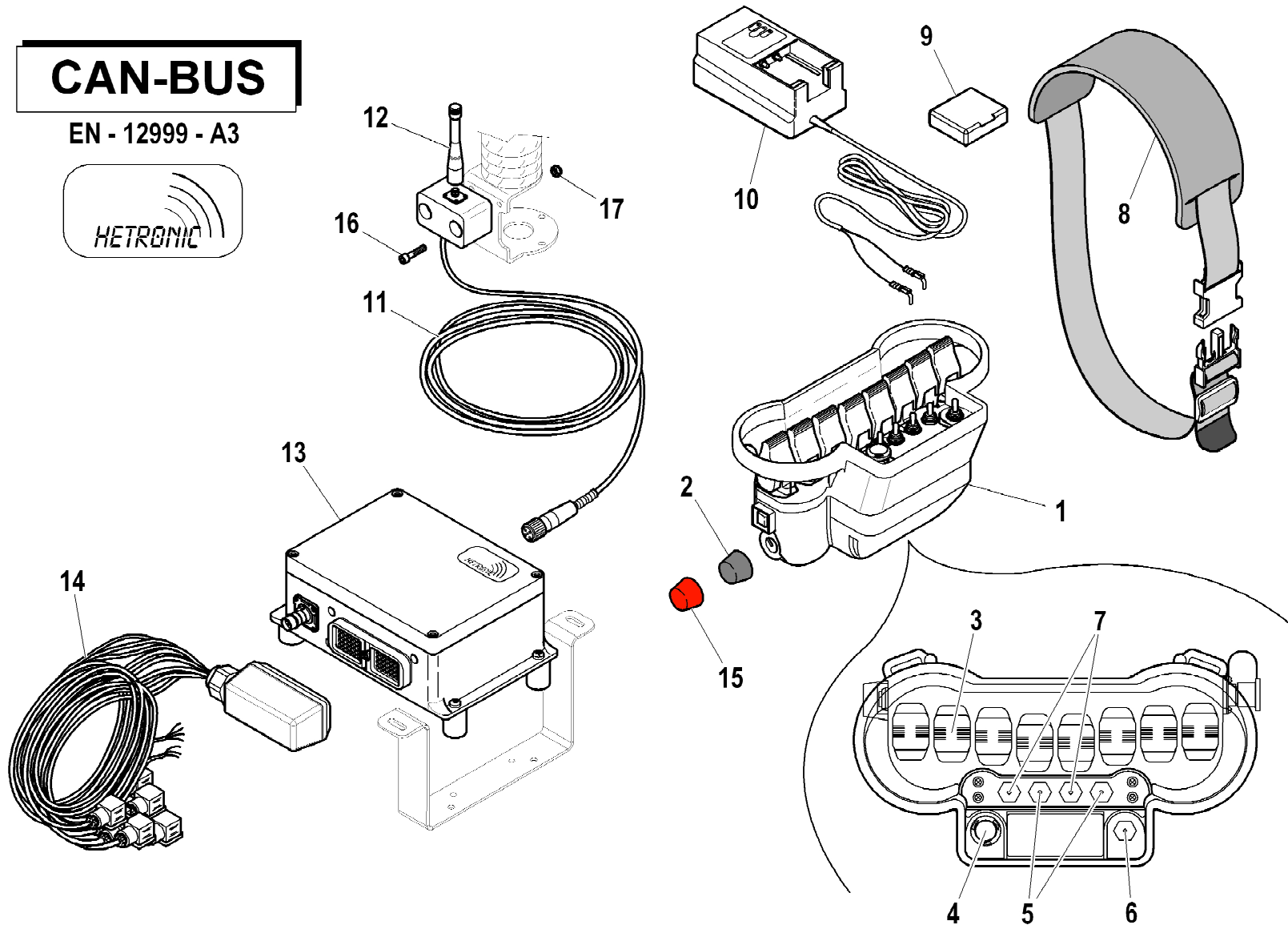
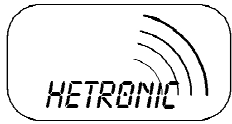
| rif. | codice | Q.tà |
|------|-----------|------|
| 1 | 3.31.1159 | 1 |
| 2 | 5.16.0003 | 1 |
| 3 | 3.31.1131 | 1 |



VALIDO DA Gennaio 2011
VALID FROM January 2011

CAN-BUS

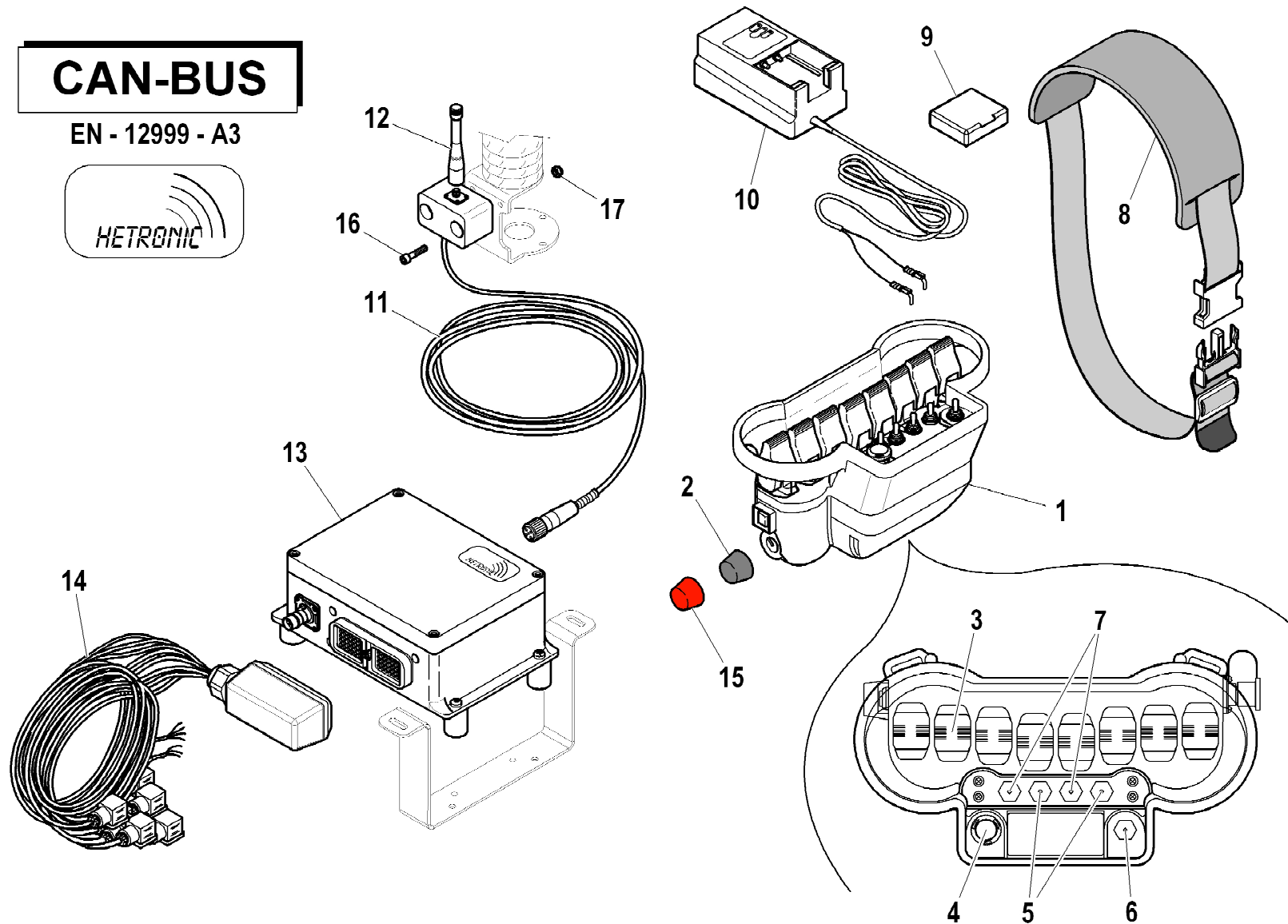
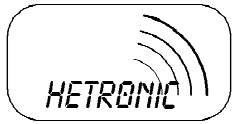
EN - 12999 - A3



| rif. | codice | Q.tà |
|------|-----------|------|
| 1 | 3.31.1429 | 1 |
| 2 | 3.31.0795 | 1 |
| 3 | 3.31.0796 | 8 |
| 4 | 3.31.0788 | 1 |
| 5 | 3.31.0786 | 2 |
| 6 | 3.31.0785 | 1 |
| 7 | 3.31.0787 | 2 |
| 8 | 3.31.1031 | 1 |
| 9 | 3.31.0641 | 2 |
| 10 | 3.31.0797 | 1 |
| 11 | 3.31.1131 | 1 |
| 12 | 3.31.0861 | 1 |
| 13 | 3.31.1433 | 1 |
| 14 | 3.31.1432 | 1 |
| 15 | 3.31.0924 | 1 |
| 16 | 3.02.0024 | 2 |
| 17 | 3.04.0392 | 2 |

CAN-BUS

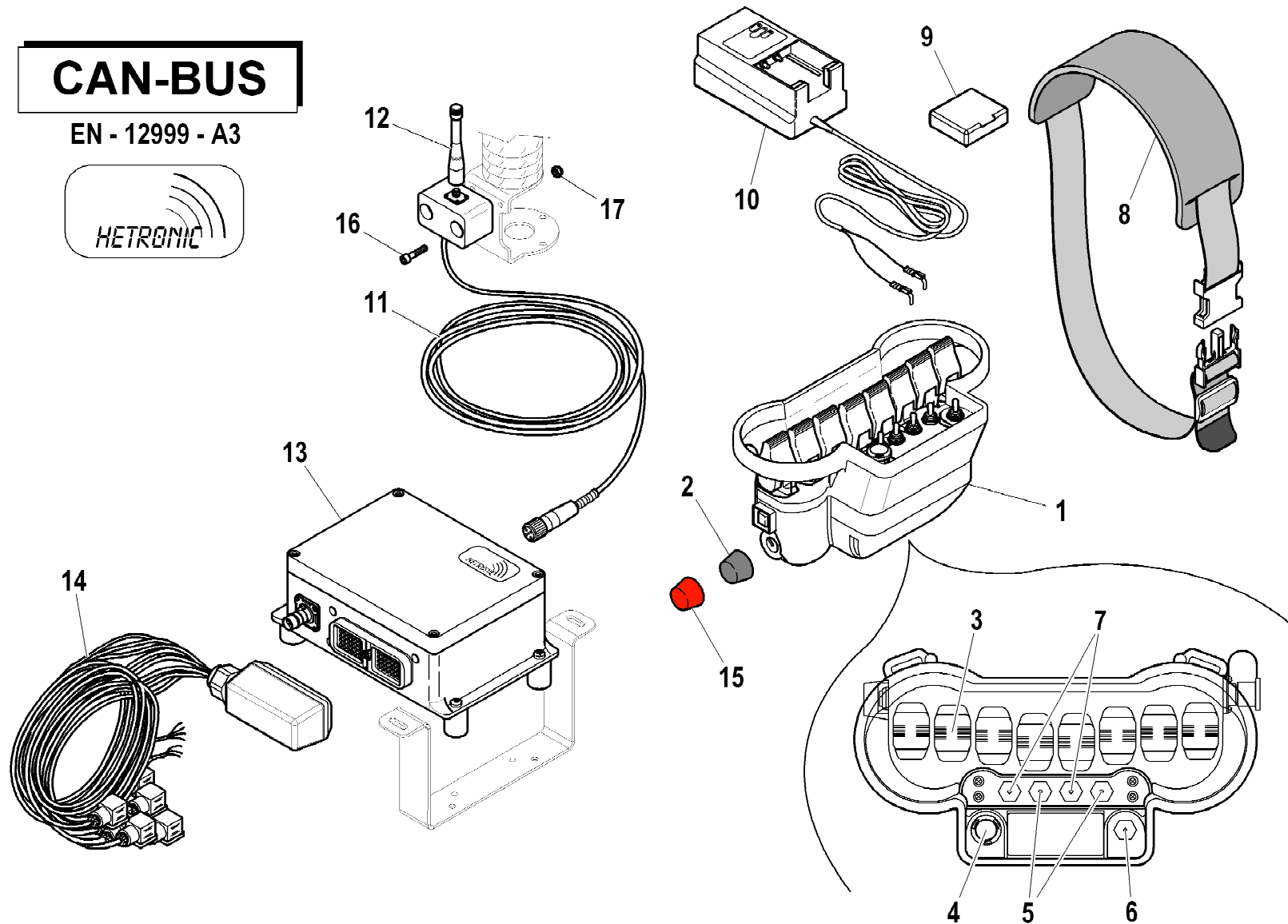
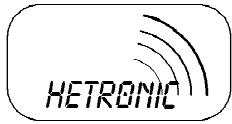
EN - 12999 - A3



| rif. | codice | Q.tà |
|------|-----------|------|
| 1 | 3.31.1431 | 1 |
| 2 | 3.31.0795 | 1 |
| 3 | 3.31.0796 | 8 |
| 4 | 3.31.0788 | 1 |
| 5 | 3.31.0786 | 2 |
| 6 | 3.31.0785 | 1 |
| 7 | 3.31.0787 | 2 |
| 8 | 3.31.1031 | 1 |
| 9 | 3.31.0641 | 2 |
| 10 | 3.31.0797 | 1 |
| 11 | 3.31.1131 | 1 |
| 12 | 3.31.0861 | 1 |
| 13 | 3.31.1435 | 1 |
| 14 | 3.31.1432 | 1 |
| 15 | 3.31.0924 | 1 |
| 16 | 3.02.0024 | 2 |
| 17 | 3.04.0392 | 2 |

CAN-BUS

EN - 12999 - A3



| rif. | codice | Q.tà |
|------|-----------|------|
| 1 | 3.31.1430 | 1 |
| 2 | 3.31.0795 | 1 |
| 3 | 3.31.0796 | 8 |
| 4 | 3.31.0788 | 1 |
| 5 | 3.31.0786 | 2 |
| 6 | 3.31.0785 | 1 |
| 7 | 3.31.0787 | 2 |
| 8 | 3.31.1031 | 1 |
| 9 | 3.31.0641 | 2 |
| 10 | 3.31.0797 | 1 |
| 11 | 3.31.1131 | 1 |
| 12 | 3.31.0861 | 1 |
| 13 | 3.31.1434 | 1 |
| 14 | 3.31.1432 | 1 |
| 15 | 3.31.0924 | 1 |
| 16 | 3.02.0024 | 2 |
| 17 | 3.04.0392 | 2 |