



GRU - GRUAS - CRANES - GRUES - KRANE

Catalogo parti di ricambio

Catalogue des pieces detachees

HB250

Catalogo de piezas de repuestos

Ersatzteilkatalog

Spare parts book

1 5.42.0021-1-0

BASAMENTO
BASE
SOLLE
UNTERBAU
BASE

2 5.42.0083-1-0

BASAMENTO
BASE
SOLLE
UNTERBAU
BASE

3 6.24.0065-1-0

GRUPPO ROTAZIONE 380°
SLEWING ASS'Y 380°
GROUPE ROTATION 380°
DREHVORRICHTUNG 380°
GRUPO ROTACION 380°

4 6.24.0065-2-0

IMPIANTO IDRAULICO (MARTINETTO ROTAZIONE) 380°
HYDRAULIC SYSTEM (SLEWING HYDRAULIC JACK) 380°
INSTALLATION HYDRAULIQUE (VERIN ROTATION) 380°
HYDRAULIKANLAGE (DREH SCHUBZYLINDER) 380°
INSTALACION HIDRAULICA (GATO ROTACION) 380°

5 6.24.0075-1-0

GRUPPO ROTAZIONE 400°
SLEWING ASS'Y 400°
GROUPE ROTATION 400°
DREHVORRICHTUNG 400°
GRUPO ROTACION 400°

6 6.24.0075-2-0

IMPIANTO IDRAULICO (MARTINETTO ROTAZIONE) 400°
HYDRAULIC SYSTEM (SLEWING HYDRAULIC JACK) 400°
INSTALLATION HYDRAULIQUE (VERIN ROTATION) 400°
HYDRAULIKANLAGE (DREH SCHUBZYLINDER) 400°
INSTALACION HIDRAULICA (GATO ROTACION) 400°

7 6.24.0084-2-0

IMPIANTO IDRAULICO (MARTINETTO ROTAZIONE) 400°
HYDRAULIC SYSTEM (SLEWING HYDRAULIC JACK) 400°
INSTALLATION HYDRAULIQUE (VERIN ROTATION) 400°
HYDRAULIKANLAGE (DREH SCHUBZYLINDER) 400°
INSTALACION HIDRAULICA (GATO ROTACION) 400°

8 5.76.0027-1-0

ASTE STABILIZZATORI
STABILIZERS RODS
TIGES STABILISATEURS
STANGEN STABILISATOREN
VARILLAS ESTABILIZADORES

9 6.20.0054-1-0

IMPIANTO IDRAULICO (MARTINETTO STABILIZZATORE)
HYDRAULIC SYSTEM (STABILIZER HYDRAULIC JACK)
INSTALLATION HYDRAULIQUE (VERIN STABILISATEUR)
HYDRAULIKANLAGE (STABILISATOR SCHUBZYLINDER)
INSTALACION HIDRAULICA (GATO ESTABILIZADOR)

10 6.40.0054-1-0

MARTINETTO STABILIZZATORE
STABILISER RAM
VERIN STABILISATEUR
STABILISATOR SCHUBZYLINDER
GATO ESTABILIZADOR

11 6.20.0249-1-0

MARTINETTO STABILIZZATORE (IMPIANTO OLEODINAMICO)
STABILIZER HYDRAULIC JACK (HYDRAULIC SYSTEM)
VERIN STABILISATEUR (INSTALLATION HYDRAULIQUE)
STABILISATOR SCHUBZYLINDER (HYDRAULIKANLAGE)
GATO ESTABILIZADOR (INSTALACION HIDRAULICA)

12 6.20.0249-2-0

MARTINETTO STABILIZZATORE (IMPIANTO OLEODINAMICO)
STABILIZER HYDRAULIC JACK (HYDRAULIC SYSTEM)
VERIN STABILISATEUR (INSTALLATION HYDRAULIQUE)
STABILISATOR SCHUBZYLINDER (HYDRAULIKANLAGE)
GATO ESTABILIZADOR (INSTALACION HIDRAULICA)

13 6.40.0249-1-0

MARTINETTO STABILIZZATORE
STABILIZER HYDRAULIC JACK
VERIN STABILISATEUR
STABILISATOR SCHUBZYLINDER
GATO ESTABILIZADOR

14 5.41.1204-4-0

KIT CONTROLLO CHIUSURA ASTE STAB. MANUALI EN-12999-A3
CONTROL DEVICES LOCKING FOR OUTRIGGERS LEGS EN-12999-A3
KIT DE CONTRÔLE DE FERMETURE TIGES STABILISATEURS MANUELS EN-12999-A3
KIT SCHLUSSKONTROLLE FÜR MANUELLEN ABSTÜTZSTANGEN EN-12999-A3
KIT CONTROL CIERRE VASTAGO ESTABILIZADORES EN-12999-A3

15 5.41.1204-10-0

CONTROLLO STABILITA' EN-12999-A3
STABILITY CONTROL EN-12999-A3
CONTRÔLE DE LA STABILITE' EN-12999-A3
STABILITÄTSKONTROLLE EN-12999-A3
CONTROL DE LA ESTABILIDAD EN-12999-A3

16 5.41.1204-17-0

KIT CONTROLLO CHIUSURA ASTE STAB. MANUALI EN-12999-A3
CONTROL DEVICES LOCKING FOR OUTRIGGERS LEGS EN-12999-A3
KIT DE CONTRÔLE DE FERMETURE TIGES STABILISATEURS MANUELS EN-12999-A3
KIT SCHLUSSKONTROLLE FÜR MANUELLEN ABSTÜTZSTANGEN EN-12999-A3
KIT CONTROL CIERRE VASTAGO ESTABILIZADORES EN-12999-A3

17 5.41.1204-13-0

CONTROLLO STABILITA' EN-12999-A3
STABILITY CONTROL EN-12999-A3
CONTRÔLE DE LA STABILITE' EN-12999-A3
STABILITÄTSKONTROLLE EN-12999-A3
CONTROL DE LA ESTABILIDAD EN-12999-A3

18 5.76.0041-1-0

ASTE STABILIZZATRICI
STABILIZER ROD
TIGES DE STABILISATION
STÜTZSTANGEN
BARRAS ESTABILIZADORAS

19 6.20.0172-1-0

IMPIANTO IDRAULICO (MARTINETTO STABILIZZATORE)
HYDRAULIC SYSTEM (STABILIZER HYDRAULIC JACK)
INSTALLATION HYDRAULIQUE (VERIN STABILISATEUR)
HYDRAULIKANLAGE (STABILISATOR SCHUBZYLINDER)
INSTALACION HIDRAULICA (GATO ESTABILIZADOR)

20 6.40.0172-1-0

MARTINETTO STABILIZZATORE
STABILISER RAM
VERIN STABILISATEUR
STABILISATOR SCHUBZYLINDER
GATO ESTABILIZADOR

21 6.20.0250-1-0

MARTINETTO STABILIZZATORE (IMPIANTO OLEODINAMICO)
STABILIZER HYDRAULIC JACK (HYDRAULIC SYSTEM)
VERIN STABILISATEUR (INSTALLATION HYDRAULIQUE)
STABILISATOR SCHUBZYLINDER (HYDRAULIKANLAGE)
GATO ESTABILIZADOR (INSTALACION HIDRAULICA)

22 6.40.0250-1-0

MARTINETTO STABILIZZATORE
STABILIZER HYDRAULIC JACK
VERIN STABILISATEUR
STABILISATOR SCHUBZYLINDER
GATO ESTABILIZADOR

23 5.38.0007-1-0

MARTINETTO SFILO ASTE
ROD EXSTENSION HYDRAULIC CYLINDER
VERIN RALLONGE TIGES
STANGENVERLAENGERUNGSWINDE
GATO DE PROLONGACION VASTAGOS

24 6.20.0151-1-0

IMPIANTO IDRAULICO (MARTINETTO SFILO ASTE)
HYDRAULIC SYSTEM (ROD EXSTENSION HYDRAULIC CYLINDER)
INSTALLATION HYDRAULIQUE (VERIN RALLONGE TIGES)
HYDRAULIKANLAGE (STANGENVERLAENGERUNGSWINDE)
INSTALACION HIDRAULICA (GATO DE PROLONGACION VASTAGOS)

25 6.40.0151-1-0

MARTINETTO SFILO ASTE
ROD EXSTENSION HYDRAULIC CYLINDER
VERIN RALLONGE TIGES
STANGENVERLAENGERUNGSWINDE
GATO DE PROLONGACION VASTAGOS

26 5.40.0160-1-0

DEVIATORE DI FLUSSO (STABILIZZATORI)
FLOW DIVERTER (STABILIZERS)
DEVIATEUR DE FLUX (STABILISATEURS)
ABWEISER (STABILISATOREN)
DESVIADOR (ESTABILIZADORES)

27 5.40.0160-3-0

MARTINETTO SFILO ASTE (IMPIANTO IDRAULICO)
ROD EXSTENSION HYDRAULIC CYLINDER (HYDRAULIC SYSTEM)
VERIN RALLONGE TIGES (INSTALLATION HYDRAULIQUE)
STANGENVERLAENGERUNGSWINDE (HYDRAULIKANLAGE)
GATO DE PROLONGACION VASTAGOS (INSTALACION HIDRAULICA)

28 5.40.0160-2-0

IMPIANTO IDRAULICO STABILIZZATORI
OUTRIGGERS HYDRAULIC SYSTEM
INSTALLATION HYDRAULIC SYSTEM
HYDRAULISCHE ANLAGE STABILISATOREN
INSTALACION HIDRAULICA ESTABILIZADORES

29 5.40.0729-1-0

COMANDI (STABILIZZATORI STANDARD)
CONTROLS (STABILIZERS STANDARD)
COMMANDES (NORNE STABILISATEURS)
STEUERUGEN (STABILISATOREN STANDARD)
MANDOS (ESTÁNDAR ESTABILIZADORES)

30 5.40.0729-2-0

MARTINETTO SFILO ASTE (IMPIANTO OLEODINAMICO)
ROD EXSTENSION HYDRAULIC CYLINDER (HYDRAULIC SYSTEM)
VERIN RALLONGE TIGES (INSTALLATION HYDRAULIQUE)
STANGENVERLAENGERUNGSWINDE (HYDRAULIKANLAGE)
GATO DE PROLONGACION VASTAGOS (INSTALACION HIDRAULICA)

31 5.40.0729-3-0

MARTINETTO STABILIZZATORE (IMPIANTO OLEODINAMICO)
STABILIZER HYDRAULIC JACK (HYDRAULIC SYSTEM)
VERIN STABILISATEUR (INSTALLATION HYDRAULIQUE)
STABILISATOR SCHUBZYLINDER (HYDRAULIKANLAGE)
GATO ESTABILIZADOR (INSTALACION HIDRAULICA)

32 5.40.0729-4-0

MARTINETTO STABILIZZATORE (IMPIANTO OLEODINAMICO)
STABILIZER HYDRAULIC JACK (HYDRAULIC SYSTEM)
VERIN STABILISATEUR (INSTALLATION HYDRAULIQUE)
STABILISATOR SCHUBZYLINDER (HYDRAULIKANLAGE)
GATO ESTABILIZADOR (INSTALACION HIDRAULICA)

33 5.22.0346-1-0

DISTRIBUTORE STABILIZZATORI
STABILIZER CONTROL VALVE
DISTRIBUTEUR STABILISATEURS
BEDIENUNG DEN ABSTÜTZUNGEN
DISTRIBUDOR ESTABILIZADORE

34 5.40.0161-1-0

COMANDI LIG
CONTROLS LIG
COMMANDES LIG
STEUERUGEN LIG
MANDOS LIG

35 5.43.0021-1-0

IMPIANTO IDRAULICO - LIG
HYDRAULIC SYSTEM - LIG
INSTALLATION HYDRAULIQUE - LIG
HYDRAULIKANLAGE - LIG
INSTALACION HIDRAULICA - LIG

36 5.43.0021-2-0

IMPIANTO IDRAULICO - LIG
HYDRAULIC SYSTEM - LIG
INSTALLATION HYDRAULIQUE - LIG
HYDRAULIKANLAGE - LIG
INSTALACION HIDRAULICA - LIG

37 5.43.0020-1-0

IMPIANTO IDRAULICO (NON CE) - LI
HYDRAULIC SYSTEM (NOT CE) - LI
INSTALLATION HYDRAULIQUE (PAS CE) - LI
HYDRAULIKANLAGE (NICHT CE) - LI
INSTALACION HIDRAULICA (NO CE) - LI

38 5.22.0291-1-0

DISTRIBUTORE (4 ELEMENTI) NO CE
CONTROL VALVE (4 SECTION) NO CE
DISTRIBUTEUR (4 VOIES) NO CE
STUEBLOCK (4 ELEMENTE) NO CE
DISTRIBUIDOR (4 ELEMENTOS) NO CE

39 5.40.0167-1-0

COLLETTORE LIG
MANIFOLD LIG
COLLECTEUR LIG
KOLLEKTOR LIG
COLECTOR LIG

40 5.40.0162-2-0

COMANDI BILATERALI (NON CE)
DOUBLE CONTROLS (NOT CE)
DOUBLE COMMANDES (PAS CE)
DOPPELSTEUERUNG (NICHT CE)
MONDOS BILATERALAS (NO CE)

41 5.40.0162-1-0

COMANDI - CE
CONTROLS - CE
COMMANDES - CE
STEUERUGEN - CE
MANDOS - CE

42 5.40.0950-1-0

ELETTROVALVOLA
SOLENOID VALVE
ELECTROVALVE
MAGNETVENTIL
ELECTROVALVULA

43 5.40.0168-1-0

COLLETTORE - CE
MANIFOLD - CE
COLLECTEUR - CE
KOLLEKTOR - CE
COLECTOR - CE

44 5.43.0012-1-1

IMPIANTO IDRAULICO (LIMITATORE DI MOMENTO) - CE
HYDRAULIC SYSTEM (MOMENT LIMITING DEVICE) - CE
INSTALLATION HYDRAULIQUE (LIMITEUR DE MOMENT) - CE
HYDRAULIKANLAGE (HUB-MOMENTBEGRENZER) - CE
INSTALACION HIDRAULICA (LIMITADOR DE MOMENTO) - CE

45 5.22.0292-1-0

DISTRIBUTORE (4 ELEMENTI) - CE
CONTROL VALVE (4 SECTION) - CE
DISTRIBUTEUR (4 VOIES) - CE
STUEBERBLOCK (4 ELEMENTE) - CE
DISTRIBUIDOR (4 ELEMENTOS) - CE

46 5.44.0107-1-0

ELETTROVALVOLA (DISTRIBUTORE STABILIZZATORI) EN12999-A3
SOLENOID VALVE (STABILIZER CONTROL VALVE) EN12999-A3
ELECTROVALVE (DISTRIBUTEUR STABILISATEURS) EN12999-A3
MAGNETVENTIL (BEDIENUNG DEN ABSTÜTZUNGEN) EN12999-A3
ELECTROVALVULA (DISTRIBUDOR ESTABILIZADORE) EN12999-A3

47 5.40.0950-2-0

COMANDI BILATERALI CE
DOUBLE CONTROLS CE
DOUBLE COMMANDES CE
DOPPELSTEUERUNG CE
MONDOS BILATERALAS CE

48 5.40.1469-1-0

COMANDI BILATERALI (CE) EN12999-A3
DOUBLE CONTROLS (CE) EN12999-A3
DOUBLE COMMANDES (CE) EN12999-A3
DOPPELSTEUERUNG (CE) EN12999-A3
MONDOS BILATERALAS (CE) EN12999-A3

49 5.40.1728-1-0

COMANDI BILATERALI (CE) EN12999-A3
DOUBLE CONTROLS (CE) EN12999-A3
DOUBLE COMMANDES (CE) EN12999-A3
DOPPELSTEUERUNG (CE) EN12999-A3
MONDOS BILATERALAS (CE) EN12999-A3

50 5.40.1469-3-0

COMANDI BILATERALI (CE) EN12999-A3
DOUBLE CONTROLS (CE) EN12999-A3
DOUBLE COMMANDES (CE) EN12999-A3
DOPPELSTEUERUNG (CE) EN12999-A3
MONDOS BILATERALAS (CE) EN12999-A3

51 5.40.1469-4-0

COMANDI BILATERALI (CE) EN12999-A3
DOUBLE CONTROLS (CE) EN12999-A3
DOUBLE COMMANDES (CE) EN12999-A3
DOPPELSTEUERUNG (CE) EN12999-A3
MONDOS BILATERALAS (CE) EN12999-A3

52 5.40.1469-5-0

COMANDI BILATERALI (CE) EN12999-A3
DOUBLE CONTROLS (CE) EN12999-A3
DOUBLE COMMANDES (CE) EN12999-A3
DOPPELSTEUERUNG (CE) EN12999-A3
MONDOS BILATERALAS (CE) EN12999-A3

53 5.22.0465-1-0

DISTRIBUTORE (4 ELEMENTI) CE EN12999-A3
CONTROL VALVE (4 SECTION) CE EN12999-A3
DISTRIBUTEUR (4 VOIES) CE EN12999-A3
STUEBERBLOCK (4 ELEMENTE) CE EN12999-A3
DISTRIBUIDOR (4 ELEMENTOS) CE EN12999-A3

54 3.31.0155-1-0

COMPONENTI ELETTRICI
ELECTRIC COMPONENTS
COMPOSANTES ELECTRIQUES
ELEKTRISCHE BAUSTEINE
COMPONENTES ELECTRICOS

55 3.31.0616-1-0

COMPONENTI ELETTRICI CE
ELECTRIC COMPONENTS CE
COMPOSANTES ELECTRIQUES CE
ELEKTRISCHE BAUSTEINE CE
COMPONENTES ELECTRICOS CE

56 5.21.2004-1-0

KIT 5° ELEMENTO SUPPLEMENTARE CENTRO APERTO
5TH EXTRA FUNCTION KIT OPEN CENTER SPOOL
KIT 5ÈME ELEMENT SUPPLEMENTAIRE CENTRE OUVERTE
KIT 5. ZUSÄTZLICHES STEUERELEMENT MIT GEÖFFNETEM ZENTRUM
KIT 5° ELEMENTO ADICIONAL CENTRO ABIERTO

57 5.21.2019-1-0

KIT 5° ELEMENTO SUPPLEMENTARE CENTRO APERTO EN12999-A3
5TH EXTRA FUNCTION KIT OPEN CENTER SPOOL EN12999-A3
KIT 5ÈME ELEMENT SUPPLEMENTAIRE CENTRE OUVERTE EN12999-A3
KIT 5. ZUSÄTZLICHES STEUERELEMENT MIT GEÖFFNETEM ZENTRUM EN12999-A3
KIT 5° ELEMENTO ADICIONAL CENTRO ABIERTO EN12999-A3

58 5.21.2000-1-0

KIT 5° ELEMENTO SUPPLEMENTARE CENTRO CHIUSO
5TH EXTRA FUNCTION KIT CLOSED CENTER SPOOL
KIT 5ÈME ELEMENT SUPPLEMENTAIRE CENTRE FERMÉ
KIT 5. ZUSÄTZLICHES STEUERELEMENT MIT GESPERRTEM ZENTRUM
KIT 5° ELEMENTO ADICIONAL CENTRO CERRADO

59 5.21.2015-1-0

KIT 5° ELEMENTO SUPPLEMENTARE CENTRO CHIUSO EN12999-A3
5TH EXTRA FUNCTION KIT CLOSED CENTER SPOOL EN12999-A3
KIT 5ÈME ELEMENT SUPPLEMENTAIRE CENTRE FERMÉ EN12999-A3
KIT 5. ZUSÄTZLICHES STEUERELEMENT MIT GESPERRTEM ZENTRUM EN12999-A3
KIT 5° ELEMENTO ADICIONAL CENTRO CERRADO EN12999-A3

60 5.21.2005-1-0

KIT 6° ELEMENTO SUPPLEMENTARE CENTRO APERTO
6TH EXTRA FUNCTION KIT OPEN CENTER SPOOL
KIT 6ÈME ELEMENT SUPPLEMENTAIRE CENTRE OUVERTE
KIT 6. ZUSÄTZLICHES STEUERELEMENT MIT GEÖFFNETEM ZENTRUM
KIT 6° ELEMENTO ADICIONAL CENTRO ABIERTO

61 5.21.2006-1-0

KIT 7° ELEMENTO SUPPLEMENTARE CENTRO APERTO
7TH EXTRA FUNCTION KIT OPEN CENTER SPOOL
KIT 7ÈME ELEMENT SUPPLEMENTAIRE CENTRE OUVERTE
KIT 7. ZUSÄTZLICHES STEUERELEMENT MIT GEÖFFNETEM ZENTRUM
KIT 7° ELEMENTO ADICIONAL CENTRO ABIERTO

62 5.21.2020-1-0

KIT 6° ELEMENTO SUPPLEMENTARE CENTRO APERTO EN12999-A3
6TH EXTRA FUNCTION KIT OPEN CENTER SPOOL EN12999-A3
KIT 6ÈME ELEMENT SUPPLEMENTAIRE CENTRE OUVERTE EN12999-A3
KIT 6. ZUSÄTZLICHES STEUERELEMENT MIT GEÖFFNETEM ZENTRUM EN12999-A3
KIT 6° ELEMENTO ADICIONAL CENTRO ABIERTO EN12999-A3

63 5.21.2001-1-0

KIT 6° ELEMENTO SUPPLEMENTARE CENTRO CHIUSO
6TH EXTRA FUNCTION KIT CLOSED CENTER SPOOL
KIT 6ÈME ELEMENT SUPPLEMENTAIRE CENTRE FERMÉ
KIT 6. ZUSÄTZLICHES STEUERELEMENT MIT GESPERRTEM ZENTRUM
KIT 6° ELEMENTO ADICIONAL CENTRO CERRADO

64 5.21.2015-2-0

KIT 6° ELEMENTO SUPPLEMENTARE CENTRO CHIUSO EN12999-A3
6TH EXTRA FUNCTION KIT CLOSED CENTER SPOOL EN12999-A3
KIT 6ÈME ELEMENT SUPPLEMENTAIRE CENTRE FERMÉ EN12999-A3
KIT 6. ZUSÄTZLICHES STEUERELEMENT MIT GESPERRTEM ZENTRUM EN12999-A3
KIT 6° ELEMENTO ADICIONAL CENTRO CERRADO EN12999-A3

65 5.40.0126-1-1

SERBATOIO OLIO IDRAULICO NO CE
HYDRAULIC OIL TANK NO CE
RESERVOIR HUILE HYDRAULIQUE NO CE
HYDRAULIKÖLBEHALTER NO CE
DEPOSITO ACEITE HIDRAULICA NO CE

66 5.40.0992-1-0

SERBATOIO OLIO IDRAULICO NO CE
HYDRAULIC OIL TANK NO CE
RESERVOIR HUILE HYDRAULIQUE NO CE
HYDRAULIKÖLBEHALTER NO CE
DEPOSITO ACEITE HIDRAULICA NO CE

67 5.40.0127-1-0

SERBATOIO OLIO IDRAULICO - CE
HYDRAULIC OIL TANK - CE
RESERVOIR HUILE HYDRAULIQUE - CE
HYDRAULIKÖLBEHALTER - CE
DEPOSITO ACEITE HIDRAULICA - CE

68 3.18.0105-1-0

FILTRO OLIO
OIL FILTER
FILTRE A HUILE
OELFILTER
FILTRO DE ACEITE

69 5.40.0127-1-1

SERBATOIO OLIO IDRAULICO CE
HYDRAULIC OIL TANK CE
RESERVOIR HUILE HYDRAULIQUE CE
HYDRAULIKÖLBEHALTER CE
DEPOSITO ACEITE HIDRAULICA CE

70 5.40.0993-1-0

SERBATOIO OLIO IDRAULICO CE
HYDRAULIC OIL TANK CE
RESERVOIR HUILE HYDRAULIQUE CE
HYDRAULIKÖLBEHALTER CE
DEPOSITO ACEITE HIDRAULICA CE

71 5.40.0993-2-0
 SERBATOIO OLIO IDRAULICO CE
 HYDRAULIC OIL TANK CE
 RESERVOIR HUILE HYDRAULIQUE CE
 HYDRAULIKÖLBEHALTER CE
 DEPOSITO ACEITE HIDRAULICA CE

72 3.18.0197-1-0
 FILTRO OLIO
 OIL FILTER
 FILTRE A HUILE
 OELFILTER
 FILTRO DE ACEITE

73 7.88.8001-1-0
 SCAMBIATORE DI CALORE (24 V.)
 HEAT EXCHANGE UNIT (24 V.)
 ECHANGEUR DE CHALEUR (24 V.)
 WÄRMEAUSTAUSCHER (24 V.)
 INTERCAMBIADOR DE CALOR (24 V.)

74 5.46.0013-1-0
 COLONNA
 COLUMN
 COLONNE
 SAEULE
 COLUMNA

75 6.23.0090-1-1
 IMPIANTO IDRAULICO (MARTINETTO SOLLEVAMENTO)
 HYDRAULIC SYSTEM (LIFTING HYDRAULIC CYLINDER)
 INSTALLATION HYDRAULIQUE (VERIN DE LEVAGE)
 HYDRAULIKANLAGE (HUBZYLINDER)
 INSTALACION HIDRAULICA (GATO DE ELEVACION)

76 5.45.0021-1-0
 IMPIANTO IDRAULICO (VALVOLA UNIDIREZIONALE)
 HYDRAULIC SYSTEM (NON-RETURN VALVE)
 INSTALLATION HYDRAULIQUE (SOUPAPE DE NON-RETOUR)
 HYDRAULIKANLAGE (RÜCKSCHLAGVENTIL)
 INSTALACION HIDRAULICA (VALVULA MONODIRECCIONAL)

77 6.43.0090-1-0
 MARTINETTO SOLLEVAMENTO
 LIFTING HYDRAULIC CYLINDER
 VERIN DE LEVAGE
 HUBZYLINDER
 GATO DE ELEVACION

78 5.47.0018-1-0
 1° BRACCIO
 1ST BOOM
 1ERE BRAS
 1. ARM
 1° BRAZO

79 6.23.0091-1-0
 IMPIANTO IDRAULICO (MARTINETTO ARTICOLAZIONE)
 HYDRAULIC SYSTEM (ARTICULATION HYDRAULIC JACK)
 INSTALLATION HYDRAULIQUE (VERIN D'ARTICULATION)
 HYDRAULIKANLAGE (GELENKSHEBEBOCK)
 INSTALACION HIDRAULICA (GATO ARTICULACION)

80 6.43.0091-1-0
 MARTINETTO ARTICOLAZIONE
 ARTICULATION HYDRAULIC JACK
 VERIN D'ARTICULATION
 GELENKSHEBEBOCK
 GATO DE ARTICULACION

81 5.48.0020-1-0
 2° BRACCIO
 2ND BOOM
 2EME BRAS
 2. ARM
 2° BRAZO

82 5.49.0019-1-0
 1° SFILO
 1ST EXTENSION
 1ERE RALLONGE
 1. VERLAENGERUNG
 1°PROLONGACION

83 6.21.0184-1-0
 IMPIANTO IDRAULICO (MARTINETTO 1°SFILO)
 HYDRAULIC SYSTEM (1TH EXTENSION HYDRAULIC CYLINDER)
 INSTALLATION HYDRAULIQUE (VERIN 1ERE RALLONGE)
 HYDRAULIKANLAGE (1. SCHUBZYLINDER)
 INSTALACION HIDRAULICA (1° GATO DE PROLONGACION)

84 6.21.0267-1-0
 IMPIANTO IDRAULICO (MARTINETTO 1°SFILO)
 HYDRAULIC SYSTEM (1TH EXTENSION HYDRAULIC CYLINDER)
 INSTALLATION HYDRAULIQUE (VERIN 1ERE RALLONGE)
 HYDRAULIKANLAGE (1. SCHUBZYLINDER)
 INSTALACION HIDRAULICA (1° GATO DE PROLONGACION)

85 6.41.0184-1-0
 MARTINETTO 1° SFILO
 1ST EXTENSION HYDRAULIC
 VÉRIN 1ÈRE RALLONGE
 1. SCHUBZYLINDER
 GATO 1ª EXTENSION

86 5.53.0012-1-0
 2° SFILO
 2ND EXTENSION
 2ÈME RALLONGE
 2. VERLAENGERUNG
 2° PROLONGACION

87 6.21.0185-1-0
 MARTINETTO 2° SFILO (IMPIANTO OLEODINAMICO)
 2ND EXTENSION HYDRAULIC JACK (HYDRAULIC SYSTEM)
 VÉRIN 2ÈME RALLONGE (INSTALLATION HYDRAULIQUE)
 2. SCHUBZYLINDER (HYDRAULIKANLAGE)
 GATO 2ª EXTENSION (INSTALACION HIDRAULICA)

88 6.21.0185-2-0
 MARTINETTO 2° SFILO (IMPIANTO OLEODINAMICO)
 2ND EXTENSION HYDRAULIC JACK (HYDRAULIC SYSTEM)
 VÉRIN 2ÈME RALLONGE (INSTALLATION HYDRAULIQUE)
 2. SCHUBZYLINDER (HYDRAULIKANLAGE)
 GATO 2ª EXTENSION (INSTALACION HIDRAULICA)

89 6.41.0185-1-0
 MARTINETTO 2° SFILO
 2ND EXTENSION HYDRAULIC JACK
 VÉRIN 2ÈME RALLONGE
 2. SCHUBZYLINDER
 GATO 2ª EXTENSION

90 5.54.0011-1-0
 3° SFILO
 3RD EXTENSION
 3ÈME RALLONGE
 3. VERLAENGERUNG
 3° PROLONGACION

91 6.21.0186-1-0
 IMPIANTO IDRAULICO (MARTINETTO 3° SFILO)
 HYDRAULIC SYSTEM (3RD EXTENSION HYDRAULIC JACK)
 INSTALLATION HYDRAULIQUE (VÉRIN 3ÈME RALLONGE)
 HYDRAULIKANLAGE (3. SCHUBZYLINDER)
 INSTALACION HIDRAULICA (GATO 3ª EXTENSION)

92 6.21.0186-2-0
 IMPIANTO IDRAULICO (MARTINETTO 3° SFILO)
 HYDRAULIC SYSTEM (3RD EXTENSION HYDRAULIC JACK)
 INSTALLATION HYDRAULIQUE (VÉRIN 3ÈME RALLONGE)
 HYDRAULIKANLAGE (3. SCHUBZYLINDER)
 INSTALACION HIDRAULICA (GATO 3ª EXTENSION)

93 6.41.0186-1-0
 MARTINETTO 3° E 4° SFILO
 3RD AND 4TH EXTENSION HYDRAULIC CYLINDER
 VÉRIN 3ÈME ET 4ÈME RALLONGE
 3. UNT 4. VERLAENGERUNGSWINDE
 3° Y 4° GATO DE PROLONGACION

94 5.56.0003-1-0
 4° SFILO
 4TH EXTENSION
 4ÈME RALLONGE
 4. VERLAENGERUNG
 4° PROLONGACION

95 6.21.0206-1-0
 IMPIANTO IDRAULICO (MARTINETTO 4° SFILO)
 HYDRAULIC SYSTEM (4TH EXTENSION HYDRAULIC JACK)
 INSTALLATION HYDRAULIQUE (VÉRIN 4ÈME RALLONGE)
 HYDRAULIKANLAGE (4. SCHUBZYLINDER)
 INSTALACION HIDRAULICA (GATO 4ª EXTENSION)

96 6.21.0206-2-0
 IMPIANTO IDRAULICO (MARTINETTO 4° SFILO)
 HYDRAULIC SYSTEM (4TH EXTENSION HYDRAULIC JACK)
 INSTALLATION HYDRAULIQUE (VÉRIN 4ÈME RALLONGE)
 HYDRAULIKANLAGE (4. SCHUBZYLINDER)
 INSTALACION HIDRAULICA (GATO 4ª EXTENSION)

97 5.57.0001-1-0
 5° SFILO
 5TH EXTENSION
 5ÈME RALLONGE
 5. VERLAENGERUNG
 5° PROLONGACION

98 5.57.0002-1-0
 5° SFILO
 5TH EXTENSION
 5ÈME RALLONGE
 5. VERLAENGERUNG
 5° PROLONGACION

99 6.21.0207-1-0

IMPIANTO IDRAULICO (MARTINETTO 5° SFILO)
HYDRAULIC SYSTEM (5TH EXTENSION HYDRAULIC JACK)
INSTALLATION HYDRAULIQUE (VÉRIN 5ÈME RALLONGE)
HYDRAULIKANLAGE (5. SCHUBZYLINDER)
INSTALACION HIDRAULICA (GATO 5ª EXTENSIÓN)

100 6.21.0207-2-0

IMPIANTO IDRAULICO (MARTINETTO 5° SFILO)
HYDRAULIC SYSTEM (5TH EXTENSION HYDRAULIC JACK)
INSTALLATION HYDRAULIQUE (VÉRIN 5ÈME RALLONGE)
HYDRAULIKANLAGE (5. SCHUBZYLINDER)
INSTALACION HIDRAULICA (GATO 5ª EXTENSIÓN)

101 6.41.0177-1-0

MARTINETTO 4° SFILO (MARTINETTO 5° SFILO)
4TH EXTENSION HYDRAULIC JACK (5TH EXTENSION HYDRAULIC JACK)
VÉRIN 4ÈME RALLONGE (VÉRIN 5ÈME RALLONGE)
4. SCHUBZYLINDER (5. SCHUBZYLINDER)
GATO 4ª EXTENSIÓN (GATO 5ª EXTENSIÓN)

102 5.58.0001-1-0

6° SFILO
6TH EXTENSION
6ÈME RALLONGE
6. VERLAENGERUNG
6° PROLONGACION

103 6.21.0197-1-0

IMPIANTO IDRAULICO (MARTINETTO 6° SFILO)
HYDRAULIC SYSTEM (6TH EXTENSION HYDRAULIC JACK)
INSTALLATION HYDRAULIQUE (VÉRIN 6ÈME RALLONGE)
HYDRAULIKANLAGE (6. SCHUBZYLINDER)
INSTALACION HIDRAULICA (GATO 6ª EXTENSIÓN)

104 6.21.0197-2-0

IMPIANTO IDRAULICO (MARTINETTO 6° SFILO)
HYDRAULIC SYSTEM (6TH EXTENSION HYDRAULIC JACK)
INSTALLATION HYDRAULIQUE (VÉRIN 6ÈME RALLONGE)
HYDRAULIKANLAGE (6. SCHUBZYLINDER)
INSTALACION HIDRAULICA (GATO 6ª EXTENSIÓN)

105 6.41.0197-1-0

MARTINETTO 6° SFILO
6TH EXTENSION HYDRAULIC JACK
VÉRIN 6ÈME RALLONGE
6. SCHUBZYLINDER
GATO 6ª EXTENSIÓN

106 5.59.0025-1-0

1ª ATTIVAZIONE PER 2S
1ST ACTIVATION FOR 2S
1ERE ACTIVATION POUR 2S
1. AKTIVIERUNG FÜR 2S
1ª ACTIVACIÓN PARA 2S

107 5.59.0011-1-0

1° ATTIVAZIONE SUPPLEMENTARE
1ST ADDITIONAL ACTUATION
1ERE ACTIVATION SUPPLEMENTAIRE
1. ZUSATZ-AKTIVIERUNGEN
1° ACTIVACIONE ADICIONALE

108 5.60.0025-1-0

2ª ATTIVAZIONE PER 2S
2ST ACTIVATION FOR 2S
2ERE ACTIVATION POUR 2S
2. AKTIVIERUNG FÜR 2S
2° ACTIVACIÓN PARA 2S

109 5.60.0011-1-0

2° ATTIVAZIONE SUPPLEMENTARE
2ND ADDITIONAL ACTUATION
2ÈME ACTIVATION SUPPLEMENTAIRE
2. ZUSATZ-AKTIVIERUNGEN
2° ACTIVACIONE ADICIONALE

110 5.74.0105-1-0

ATTIVAZIONE ARGANO
ACTUATION FOR WINCH
ACTIVATION POUR TREUIL
AKTIVIERUNG WINDE
ACTIVACIONES PARA TORNO

111 7.80.0231-1-0

PROLUNGA MANUALE
MANUAL EXTENSION
RALLONGE MANUELLE
MANUAL-VERLÄNGERUNG
PROLONGACION MANUAL

112 7.80.0232-1-0

PROLUNGA MANUALE
MANUAL EXTENSION
RALLONGE MANUELLE
MANUAL-VERLÄNGERUNG
PROLONGACION MANUAL

113 7.80.0233-1-0
 PROLUNGA MANUALE
 MANUAL EXTENSION
 RALLONGE MANUELLE
 MANUAL-VERLÄNGERUNG
 PROLONGACION MANUAL

114 7.80.0234-1-0
 PROLUNGA MANUALE
 MANUAL EXTENSION
 RALLONGE MANUELLE
 MANUAL-VERLÄNGERUNG
 PROLONGACION MANUAL

115 7.80.0235-1-0
 PROLUNGA MANUALE
 MANUAL EXTENSION
 RALLONGE MANUELLE
 MANUAL-VERLÄNGERUNG
 PROLONGACION MANUAL

116 7.80.0261-1-0
 PROLUNGA MANUALE
 MANUAL EXTENSION
 RALLONGE MANUELLE
 MANUAL-VERLÄNGERUNG
 PROLONGACION MANUAL

117 7.88.1825-1-0
 KIT CELLA DI CARICO LIS/RLC
 LOAD INDICATION SYSTEM LIS/RLC
 SYSTÈME D'INDICATION DE CHARGE LIS/RLC
 LADEANZEIGE SYSTEM LIS/RLC
 SISTEMA DE INDICACIÓN DE CARGA LIS/RLC

118 7.88.0377-1-0
 KIT MONTAGGIO
 ASSEMBLY KIT
 KIT MONTAGE
 EINBAUSATZ
 KIT MONTAJE

HB250 E3J3 - HB250 E4J3

120 5.40.0216-1-0
 COMANDI
 CONTROLS
 COMMANDES
 STEUERUGEN
 MANDOS

121 5.40.0216-3-0
 5°E 6° ELEMENTO AZIONAMENTO JIB CE
 5TH AND 6TH ELEMENT FOR OPERATION JIB CE
 5EME ET 6EME ÉLÉMENT FÜR BETRIEB JIB CE
 5. UNT 6. ELEMENT FÜR BETRIEB JIB CE
 5° Y 6° ELEMENTO PARA LA OPERACIÓN JIB CE

122 5.43.0027-1-0
 IMPIANTO IDRAULICO (LIMITATORE DI MOMENTO) JIB - CE
 HYDRAULIC SYSTEM (MOMENT LIMITING DEVICE) JIB - CE
 INSTALLATION HYDRAULIQUE (LIMITEUR DE MOMENT) JIB - CE
 HYDRAULIKANLAGE (HUB-MOMENTBEGRENZER) JIB - CE
 INSTALACION HIDRAULICA (LIMITADOR DE MOMENTO) JIB - CE

123 5.78.0011-1-0
 INGAMBONATURA PER JIB
 ATTACHEMENT FOR JIB
 CONNEXION POUR JIB
 KUPPLUNG FÜR JIB
 CONEXIÓN PARA JIB

124 5.78.0010-1-0
 INGAMBONATURA PER JIB
 ATTACHEMENT FOR JIB
 CONNEXION POUR JIB
 KUPPLUNG FÜR JIB
 CONEXIÓN PARA JIB

125 5.63.0004-1-0
 ANTENNA IDRAULICA - JIB
 HYDRALIC - JIB
 JIB - REPLIABLE
 AUSLEGERVERLÄNGERUNG - JIB
 ANTENA HIDRAULICA - JIB

126 5.59.0037-1-0
 ATTIVAZIONE SEGNALE JIB 3S - JIB 3
 ACTIVATION HYDRAULIC INPUT JIB 3S - JIB 3
 ACTIVATION SIGNAL HYDRAULIQUE JIB 3S - JIB 3
 AKTIVIERUNG DES BEGRENZENS JIB 3S - JIB 3
 ACTIVACIÓN SEÑAL HIDRÁLICO JIB 3S - JIB 3

127 5.59.0034-1-0

ATTIVAZIONE SEGNALE JIB 4S - JIB 3
 ACTIVATION HYDRAULIC INPUT JIB 4S - JIB 3
 ACTIVATION SIGNAL HYDRAULIQUE JIB 4S - JIB 3
 AKTIVIERUNG DES BEGRENZENS JIB 4S - JIB 3
 ACTIVACIÓN SEÑAL HIDRÁLICO JIB 4S - JIB 3

128 5.40.1469-6-0

COMANDI BILATERALI (CE) EN12999-A3
 DOUBLE CONTROLS (CE) EN12999-A3
 DOUBLE COMMANDES (CE) EN12999-A3
 DOPPELSTEUERUNG (CE) EN12999-A3
 MONDOS BILATERALAS (CE) EN12999-A3

129 5.40.1469-7-0

COMANDI BILATERALI (CE) EN12999-A3
 DOUBLE CONTROLS (CE) EN12999-A3
 DOUBLE COMMANDES (CE) EN12999-A3
 DOPPELSTEUERUNG (CE) EN12999-A3
 MONDOS BILATERALAS (CE) EN12999-A3

130 6.23.0098-2-0

MARTINETTO ARTICOLAZIONE - JIB 3
 ARTICULATION HYDRAULIC JACK - JIB 3
 VERIN D'ARTICULATION - JIB 3
 GELENKSHEBEBOCK - JIB 3
 GATO ARTICULACION - JIB 3

131 6.43.0098-1-0

MARTINETTO ARTICOLAZIONE - JIB 3
 ARTICULATION HYDRAULIC JACK - JIB 3
 VERIN D'ARTICULATION - JIB 3
 GELENKSHEBEBOCK - JIB 3
 GATO DE ARTICULACION - JIB 3

132 5.49.0005-1-1

1° SFILO - JIB 3
 1ST EXTENSION - JIB 3
 1ERE RALLONGE - JIB 3
 1. VERLAENGERUNG - JIB 3
 1°PROLONGACION - JIB 3

133 6.21.0165-2-0

IMPIANTO IDRAULICO (MARTINETTO 1°SFILO) - JIB 3
 HYDRAULIC SYSTEM (1TH EXTENSION HYDRAULIC CYLINDER) - JIB 3
 INSTALLATION HYDRAULIQUE (VERIN 1ERE RALLONGE) - JIB 3
 HYDRAULIKANLAGE (1. SCHUBZYLINDER) - JIB 3
 INSTALACION HIDRÁULICA (1° GATO DE PROLONGACION) - JIB 3

134 6.41.0165-2-0

MARTINETTO 1° SFILO - JIB 3
 1ST EXSTENSION HYDRAULIC - JIB 3
 VERIN 1ÈRE RALLONGE - JIB 3
 1. SCHUBZYLINDER - JIB 3
 GATO 1ª EXTENSIÓN - JIB 3

135 5.53.0004-1-2

2° SFILO - JIB 3
 2ND EXTENSION - JIB 3
 2EME RALLONGE - JIB 3
 2. VERLAENGERUNG - JIB 3
 2°PROLONGACION - JIB 3

136 6.21.0171-1-1

IMPIANTO IDRAULICO (MARTINETTO 2° SFILO) - JIB 3
 HYDRAULIC SYSTEM (2ND EXTENSION HYDRAULIC CYLINDER) - JIB 3
 INSTALLATION HYDRAULIQUE (VERIN 2EME RALLONGE) - JIB 3
 HYDRAULIKANLAGE (2. VERLAENGERUNGSWINDE) - JIB 3
 INSTALACION HIDRÁULICA (2° GATO DE PROLONGACION) - JIB 3

137 6.41.0166-1-1

MARTINETTO 2° E 3° SFILO - JIB 3
 2ND AND 3RD EXTENSION HYDRAULIC CYLINDER - JIB 3
 VERIN 2EME ET 3EME RALLONGE - JIB 3
 2. UNT 3. VERLAENGERUNGSWINDE - JIB 3
 2° Y 3° GATO DE PROLONGACION - JIB 3

138 5.54.0005-1-2

3° SFILO - JIB 3
 3RD EXTENSION - JIB 3
 3EME RALLONGE - JIB 3
 3. VERLAENGERUNG - JIB 3
 3°PROLONGACION - JIB 3

139 6.21.0166-1-1

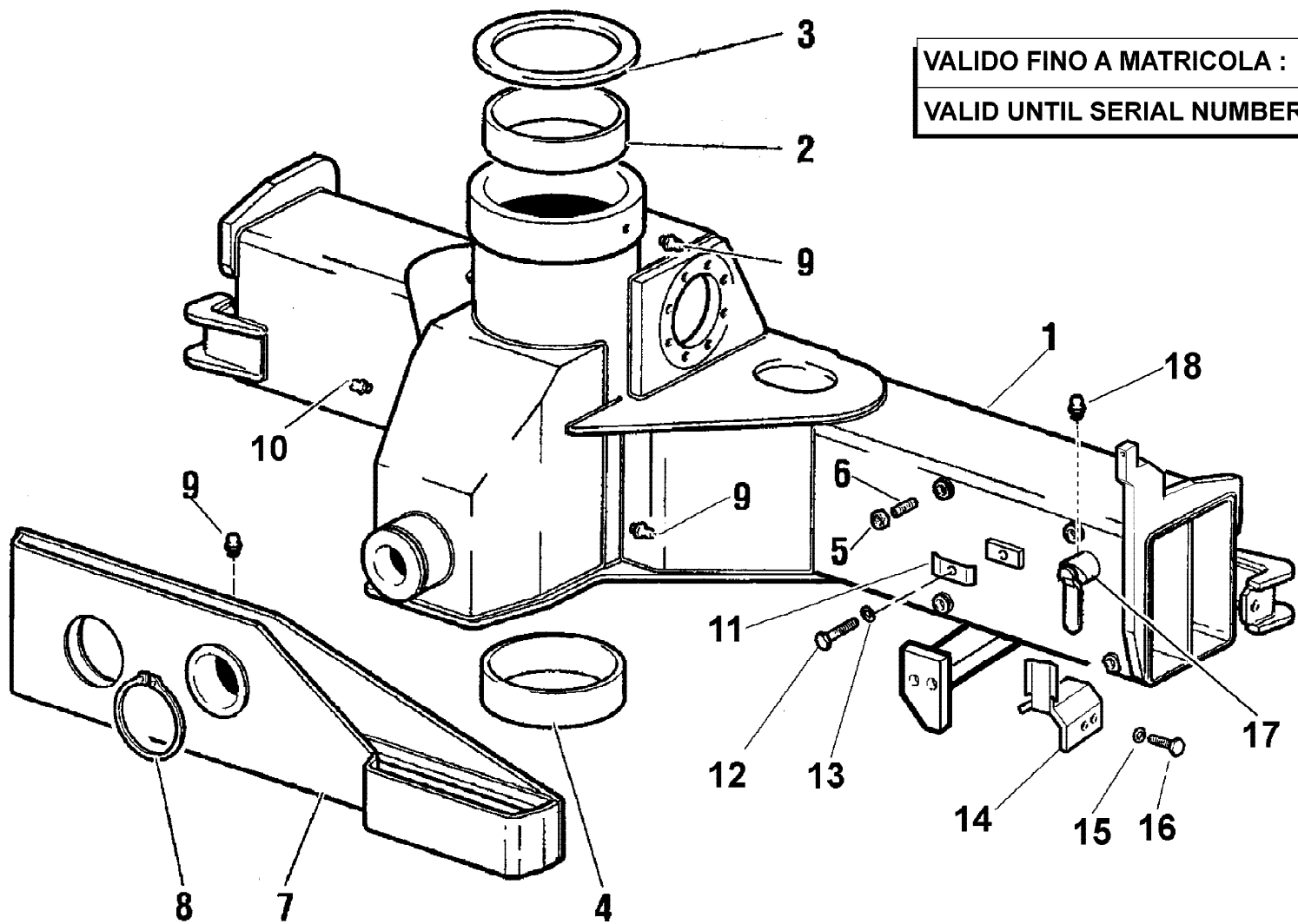
IMPIANTO IDRAULICO (MARTINETTO 3° SFILO) - 3S
 HYDRAULIC SYSTEM (3RD EXTENSION HYDRAULIC JACK) - 3S
 INSTALLATION HYDRAULIQUE (VERIN 3EME RALLONGE) - 3S
 HYDRAULIKANLAGE (3. SCHUBZYLINDER) - 3S
 INSTALACION HIDRÁULICA (GATO 3ª EXTENSIÓN) - 3S

140 5.40.0200-1-0

APPOGGIO PER BRAGGIO JIB - JIB 3
 SUPPORT ARM FOR JIB - JIB 3
 BRAS DE SOUTIENE POUR JIB - JIB 3
 LAGERARMA FÜR JIB - JIB 3
 BRAZO DE AYUDA PARA JIB - JIB 3

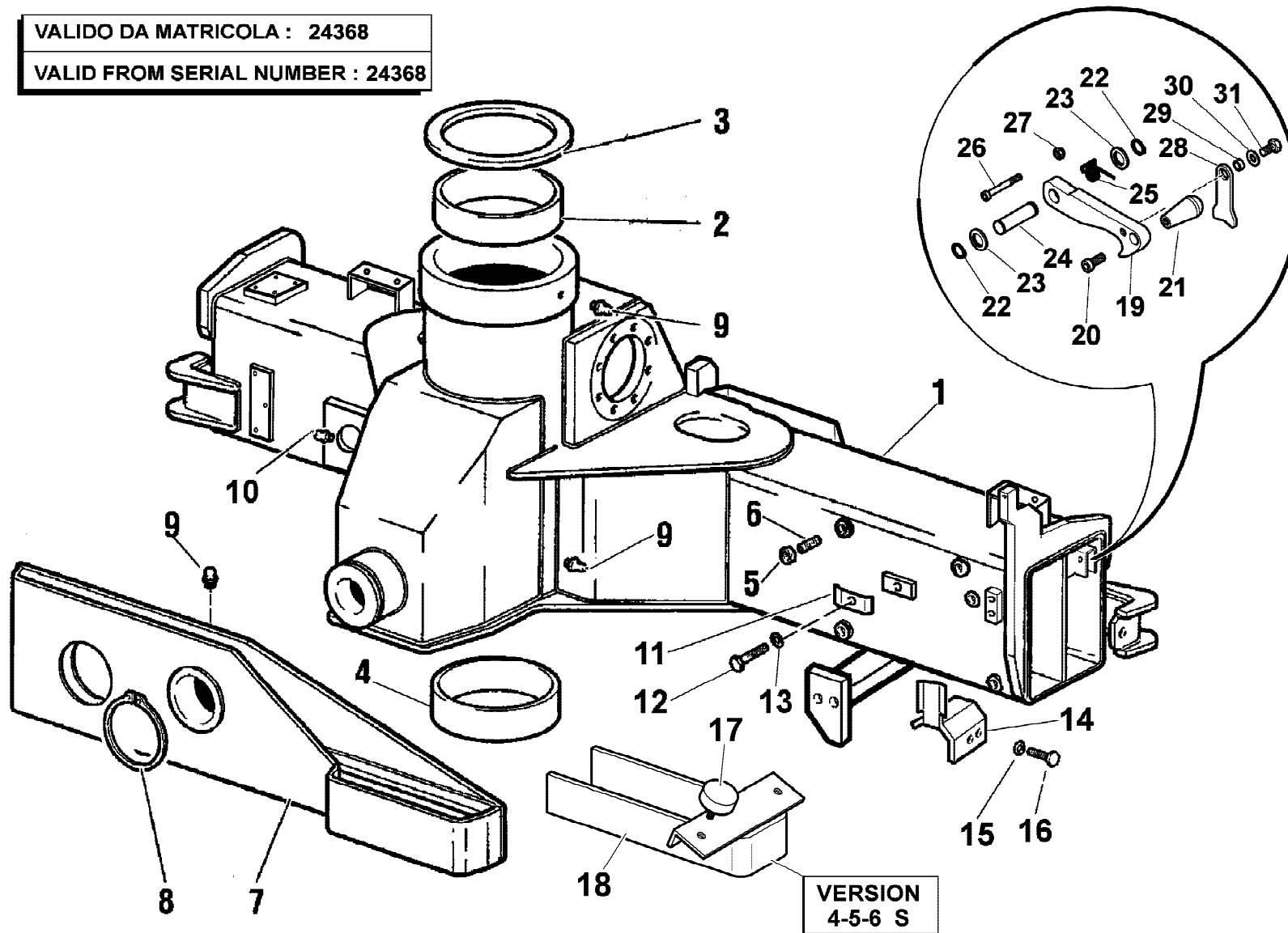
rif.	codice	Q.tà
1	5.06.0123	1
2	5.14.0685	1
3	5.14.0684	1
4	5.14.0686	1
5	3.04.0089	8
6	5.00.0771	8
7	5.09.0515	1
8	3.07.0083	1
9	3.08.0501	5
10	3.08.0512	1
11	5.00.0033	2
12	3.01.0339	2
13	3.06.0055	2
14	5.09.0595	2
15	3.06.0053	4
16	3.01.0323	4
17	5.00.0018	2
18	3.08.0500	2

VALIDO FINO A MATRICOLA : 23434
 VALID UNTIL SERIAL NUMBER : 23434



VALIDO DA MATRICOLA : 24368

VALID FROM SERIAL NUMBER : 24368



rif.	codice	Q.tà
1	5.06.0172	1
2	5.14.0685	1
3	5.14.0684	1
4	5.14.0686	1
5	3.04.0089	8
6	5.00.0771	8
7	5.09.0515	1
8	3.07.0083	1
9	3.08.0501	4
10	3.08.0512	1
11	5.00.0033	2
12	3.01.0339	2
13	3.06.0055	2
14	5.09.0595	2
15	3.06.0053	4
16	3.01.0323	4
17	3.19.0100	2
18	5.09.0596	1
19	5.00.0966	2
20	3.02.0875	2
21	3.19.0201	2
22	3.07.0148	4
23	5.14.0714	4
24	5.15.0601	2
25	3.06.0932	2
26	3.01.0397	2
27	3.04.0519	2
28	5.00.1681	2
29	W.102.116	2
30	3.06.0006	2
31	3.01.0337	2

1/1

HYVA® CRANE
HB250

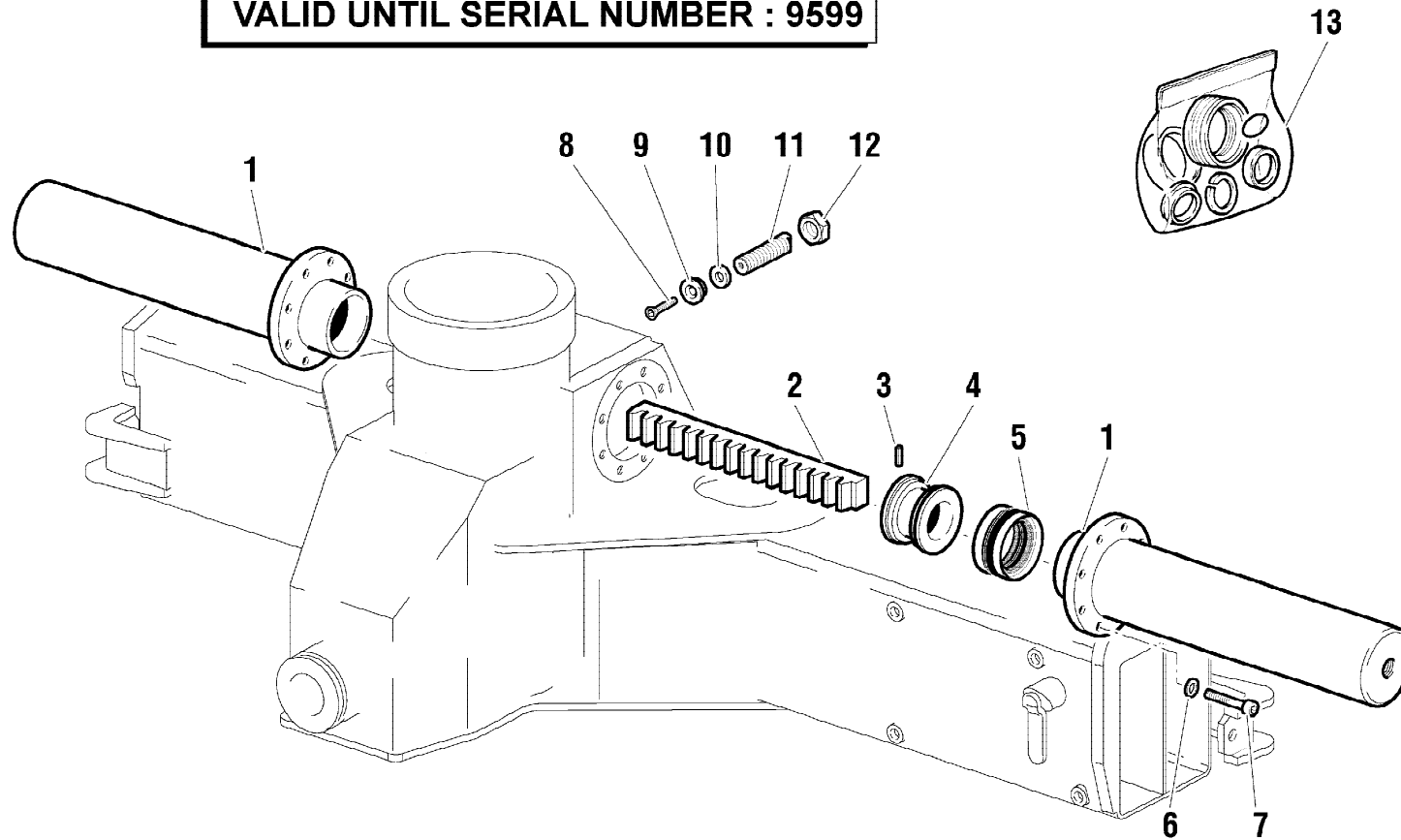
BASAMENTO
BASE
SOLLE
UNTERBAU
BASE

Tavola
5.42.0083-1-0

Data pag.
maggio 2008 2

VALIDO FINO A MATRICOLA : 9599

VALID UNTIL SERIAL NUMBER : 9599



rif.	codice	Q.tà
1	6.07.0388	2
2	5.05.0084	1
3	3.06.0607	2
4	6.05.0248	2
5	3.40.0523	2
6	3.06.0059	16
7	3.02.0128	16
8	3.02.0466	2
9	5.14.0600	2
10	4.16.0328	2
11	3.06.0919	2
12	3.04.0309	2
13	5.55.0694	1

6.24.0065-2.0

1/1

HYVA[®] CRANE
HB250

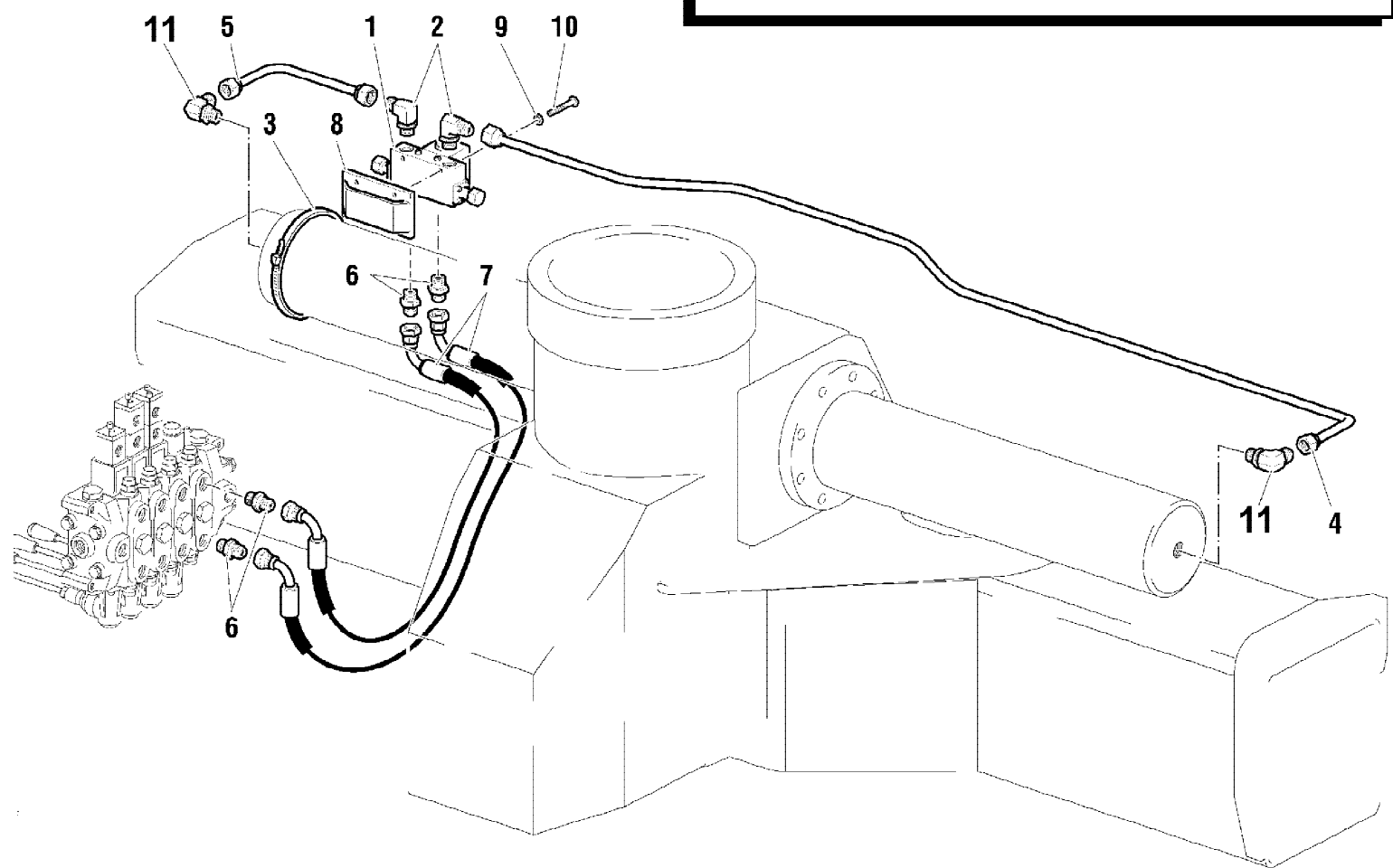
GRUPPO ROTAZIONE 380°
SLEWING ASS'Y 380°
GROUPE ROTATION 380°
DREHVORRICHTUNG 380°
GRUPO ROTACION 380°

Tavola
6.24.0065-1-0

Data pag.
ottobre 2006 3

rif.	codice	Q.tà
1	5.22.0567	1
2	3.10.1127	2
3	3.19.0027	2
4	5.39.1534	1
5	5.39.1635	1
6	3.10.1043	4
7	5.27.1174	2
8	5.00.0693	1
9	3.06.0053	2
10	3.01.0017	2
11	3.10.1128	2

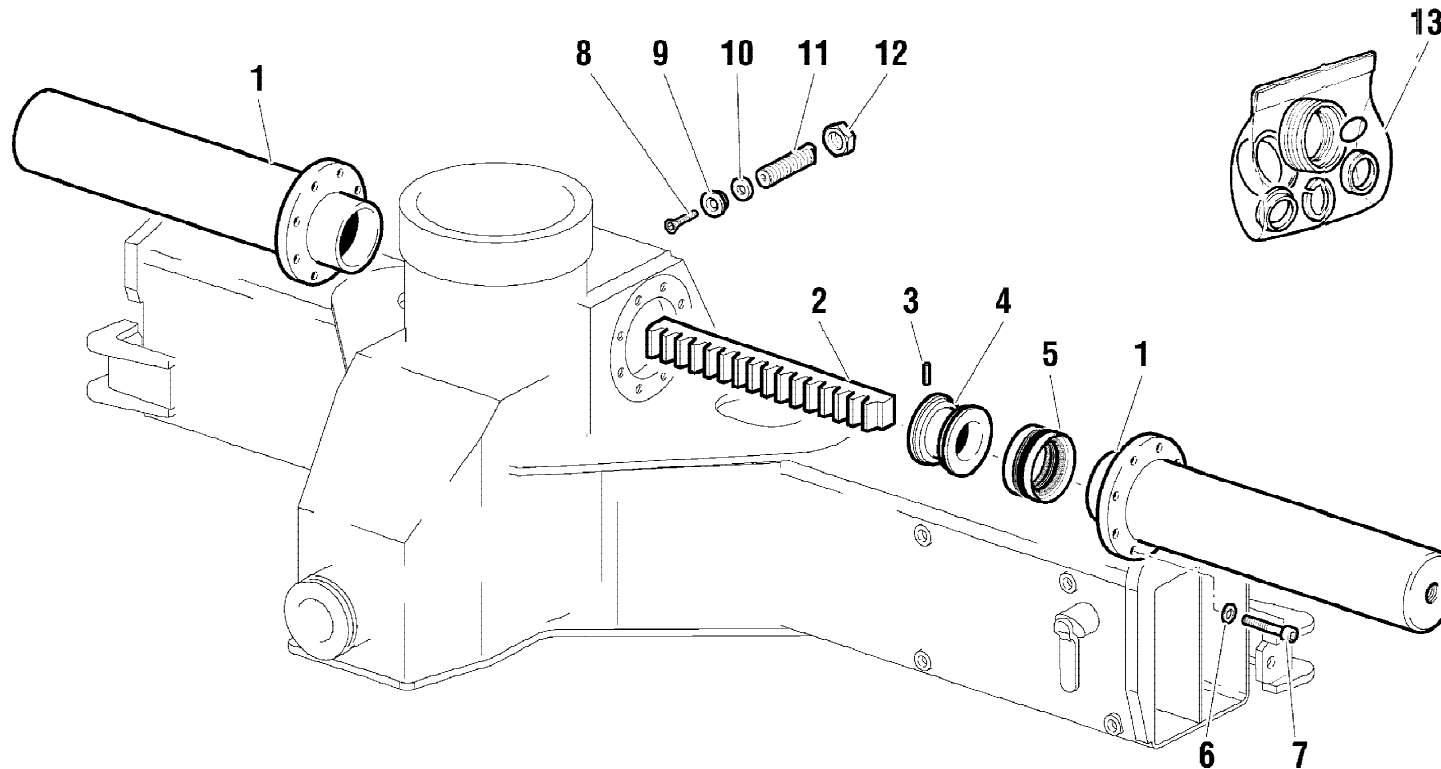
VALIDO FINO A MATRICOLA : 9599
VALID UNTIL SERIAL NUMBER : 9599



VALIDO DA MATRICOLA : 9600

VALID FROM SERIAL NUMBER : 9600

rif.	codice	Q.tà
1	6.07.0417	2
2	5.05.0085	1
3	3.06.0607	2
4	6.05.0248	2
5	3.40.0523	2
6	3.06.0059	16
7	3.02.0128	16
8	3.02.0466	2
9	5.14.0600	2
10	4.16.0328	2
11	3.06.0919	2
12	3.04.0309	2
13	5.55.0694	1



6.24.0075-2-0

1/1

HYVA® CRANE
HB250

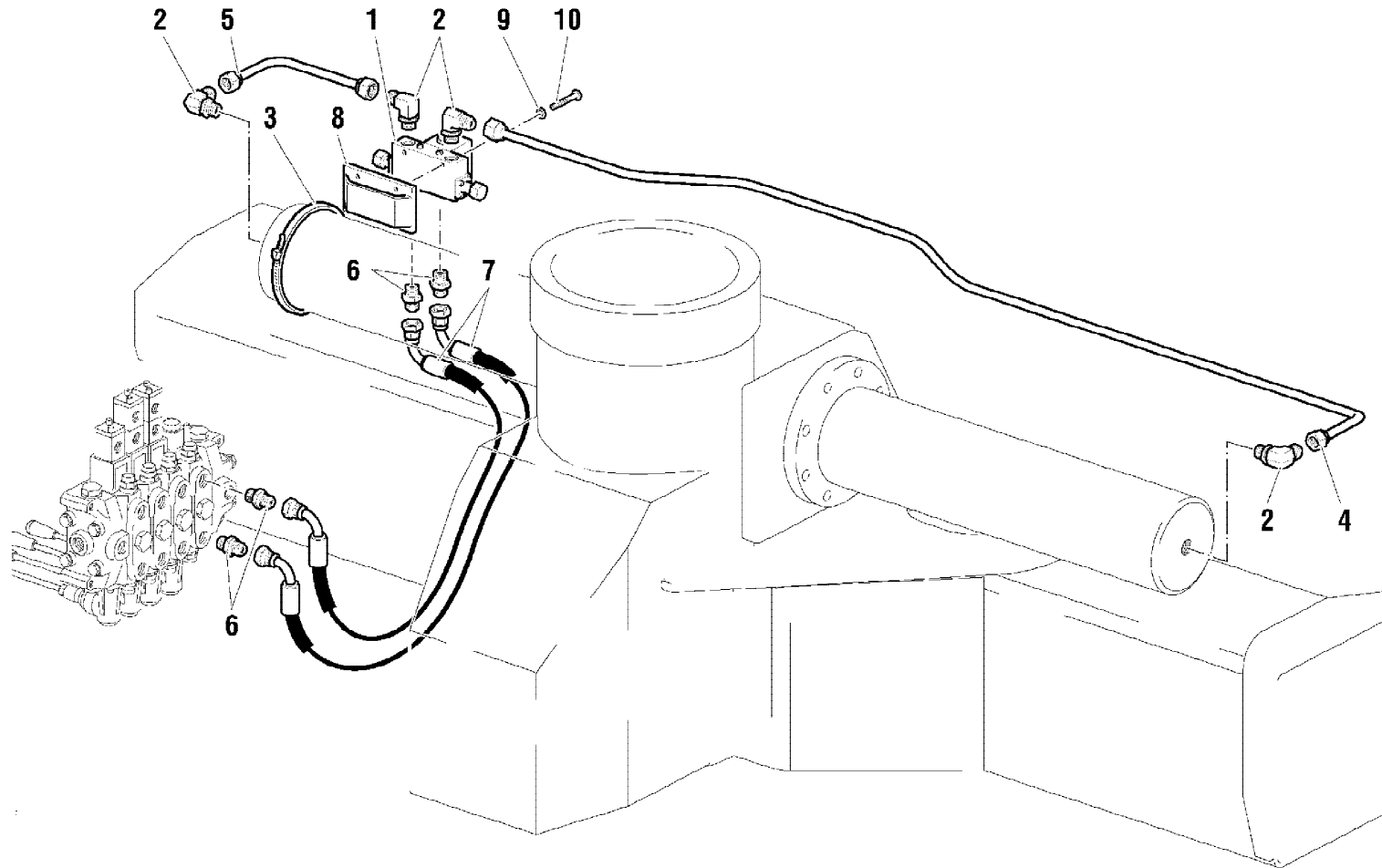
GRUPPO ROTAZIONE 400°
SLEWING ASS'Y 400°
GROUPE ROTATION 400°
DREHVORRICHTUNG 400°
GRUPO ROTACION 400°

Tavola
6.24.0075-1-0

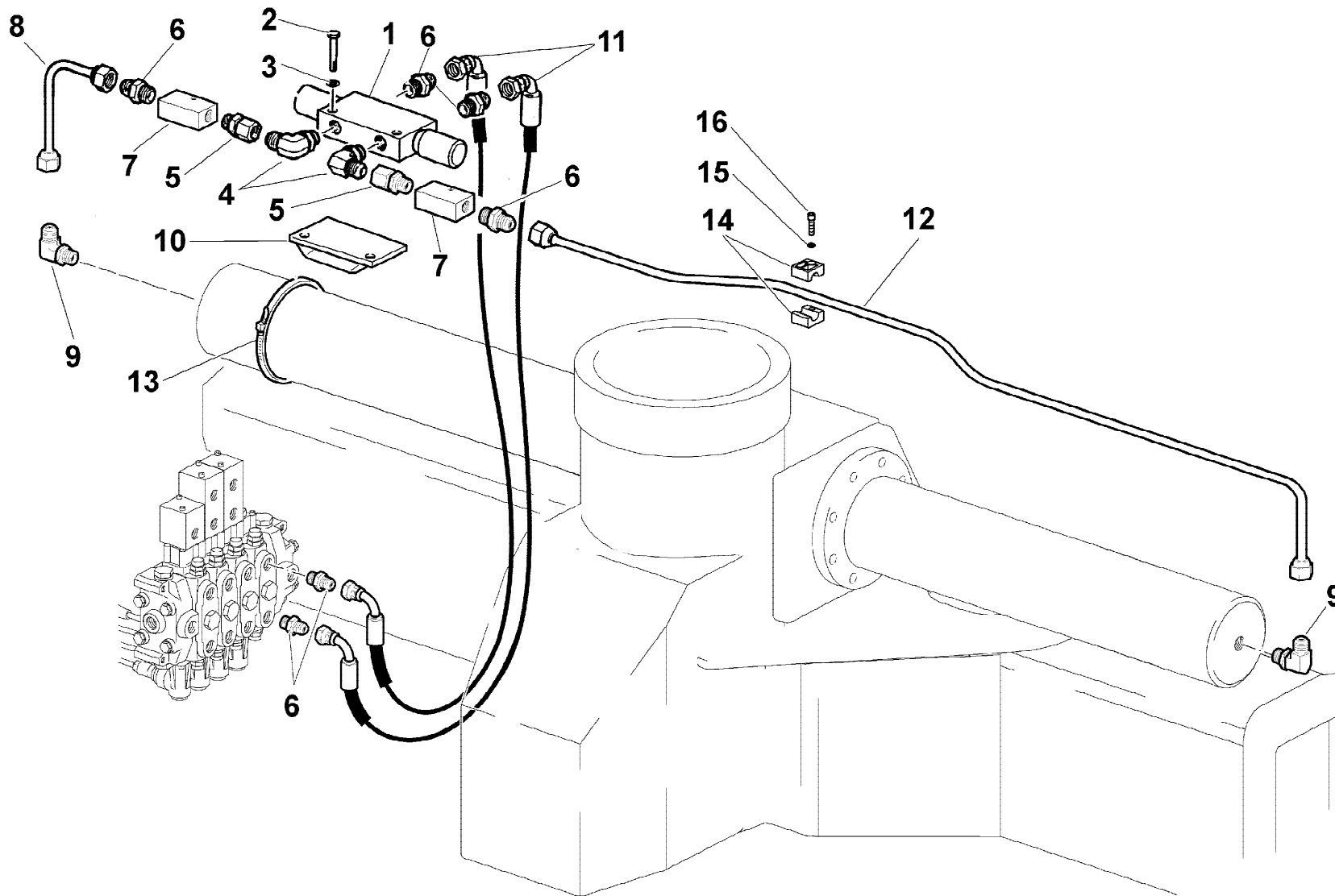
Data pag.
ottobre 2006 5

VALIDO DA MATRICOLA : 9600 A MATRICOLA : 12595

VALID FROM SERIAL NUMBER.: 9600 TO SERIAL NUMBER: 12595

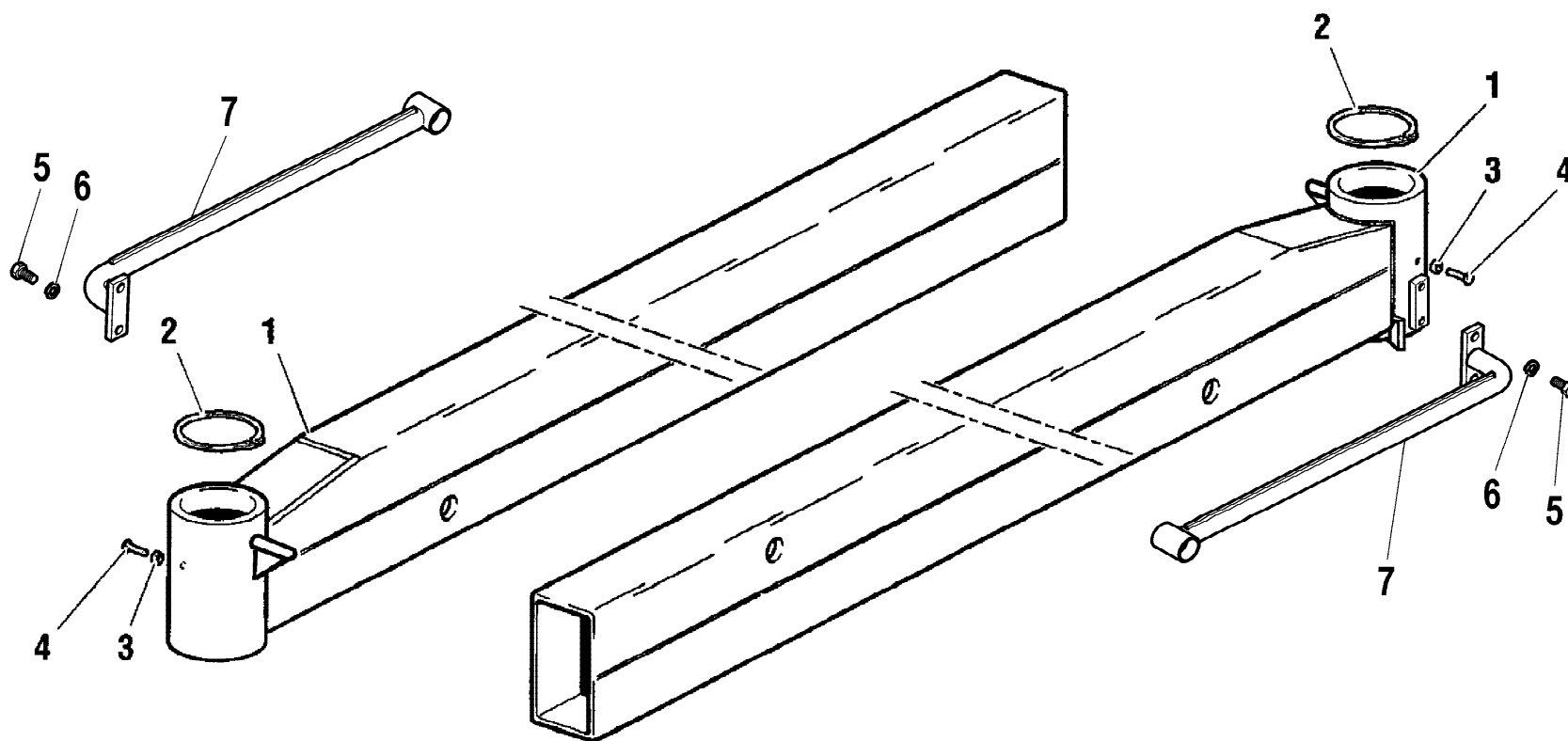


rif.	codice	Q.tà
1	5.22.0620	1
2	3.10.1128	4
3	3.19.0027	2
4	5.39.1572	1
5	5.39.1573	1
6	3.10.1044	2
7	5.27.1174	2
8	5.00.0693	1
9	3.06.0053	2
10	3.10.0017	2



rif.	codice	Q.tà
1	5.22.0122	1
2	3.01.0017	2
3	3.06.0053	2
4	3.10.1127	2
5	3.12.0066	2
6	3.10.1043	6
7	5.22.0094	2
8	5.39.1573	1
9	3.10.1128	2
10	5.00.0693	1
11	5.27.1174	2
12	5.39.1750	1
13	3.19.0027	2
14	3.19.0176	4
15	3.19.0178	2
16	3.02.0037	2

rif.	codice	Q.tà
1	5.07.0252	2
2	3.07.0080	2
3	3.04.0047	2
4	3.01.0394	2
5	3.01.0369	4
6	3.06.0057	4
7	5.09.0594	2



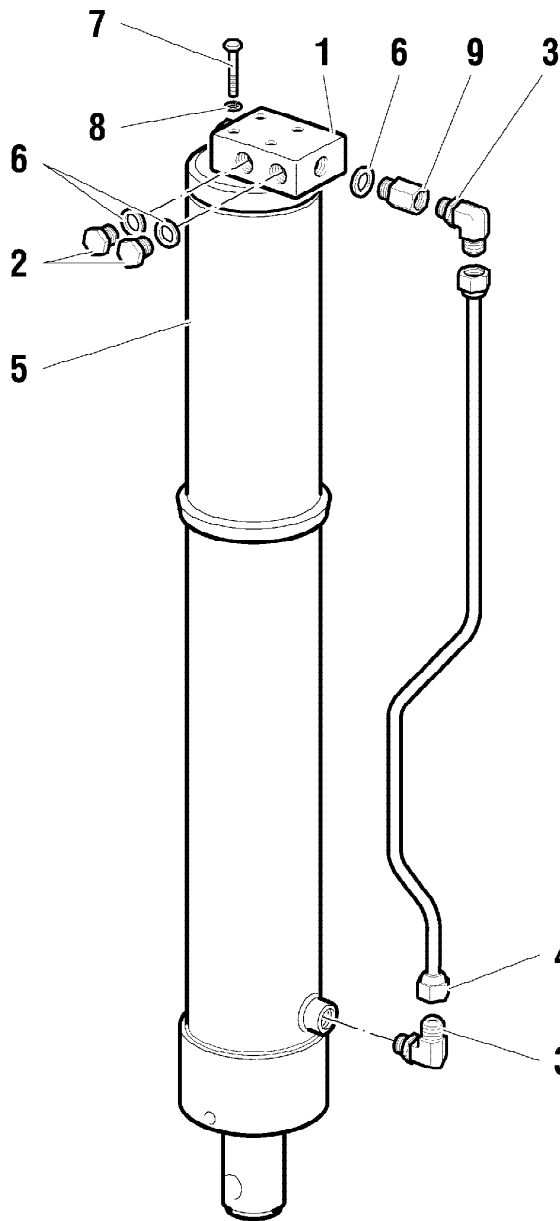
1/1

HYVA[®] CRANE
HB250

ASTE STABILIZZATORI
 STABILIZERS RODS
 TIGES STABILISATEURS
 STANGEN STABILISATOREN
 VARILLAS ESTABILIZADORES

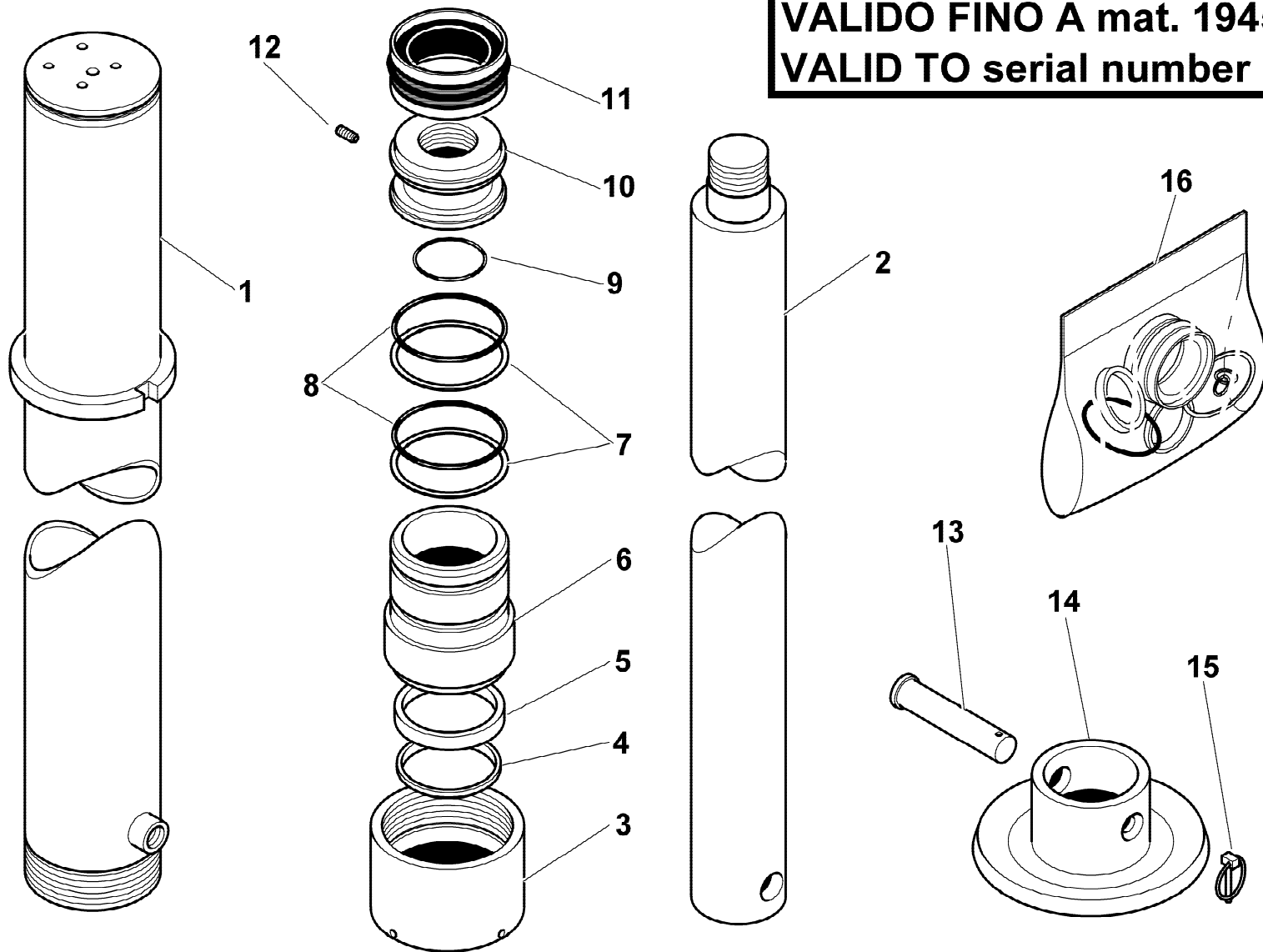
Tavola
5.76.0027-1-0

Data pag.
 giugno 2006 8



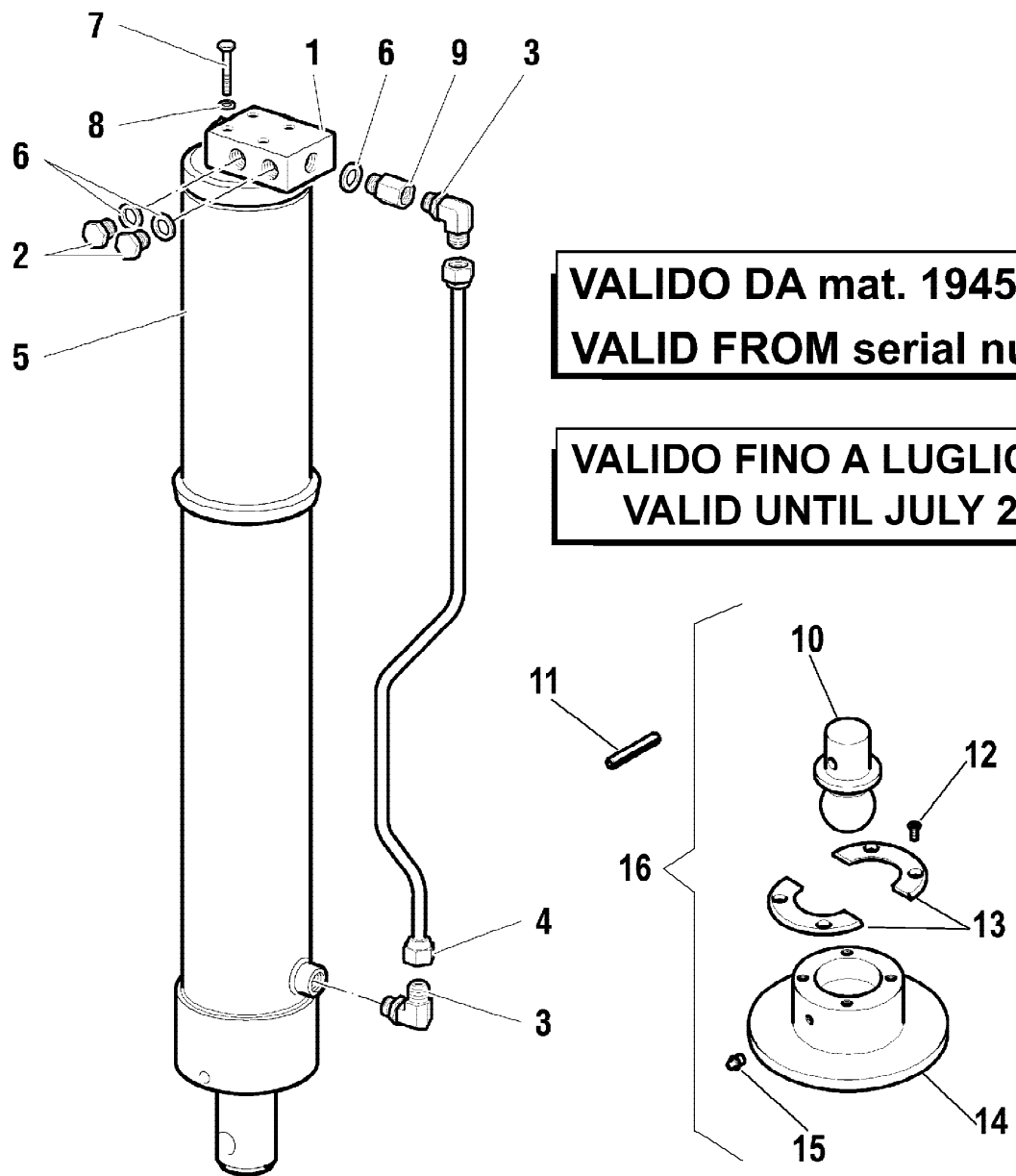
VALID FINO A mat. 19456
VALID TO Serial nuber 19456

rif.	codice	Q.tà
1	5.22.0518	1
2	3.11.0065	2
3	3.10.1128	2
4	5.39.0964	1
5	6.40.0054	1
6	3.06.0145	2
7	3.01.0032	4
8	3.06.0055	4
9	3.11.0113	1



VALIDO FINO A mat. 19456
VALID TO serial number 19456

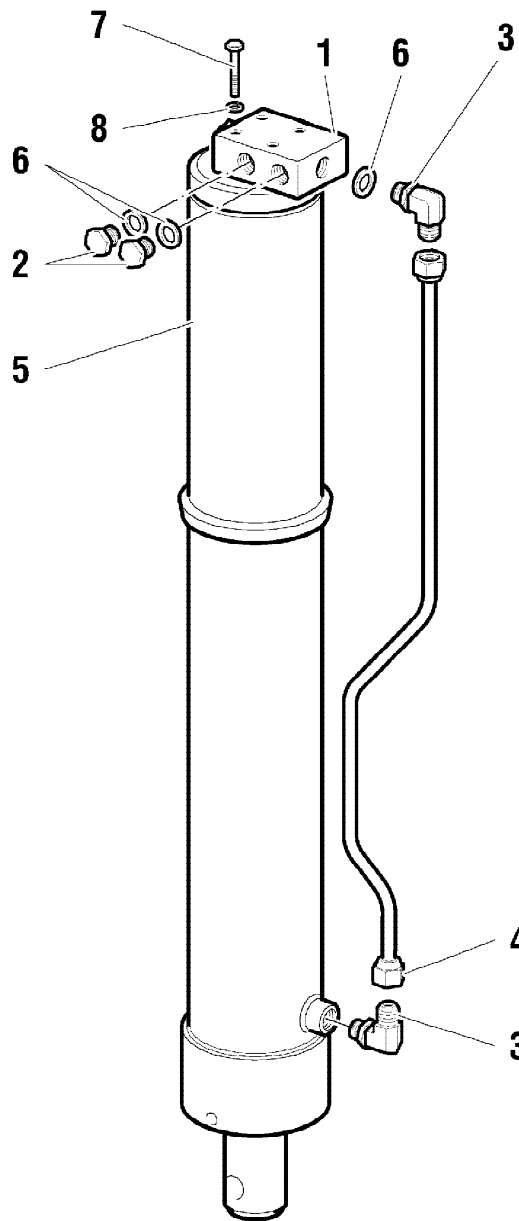
rif.	codice	Q.tà
1	6.07.0212	1
2	6.03.0169	1
3	6.04.0150	1
4	3.42.0040	1
5	3.40.0184	1
6	6.40.0149	1
7	3.46.0383	2
8	3.45.0219	2
9	3.45.0205	1
10	6.05.0141	1
11	3.40.0516	1
12	3.06.0234	1
13	5.15.0321	1
14	5.09.0275	1
15	3.06.0753	1
16	5.55.0631	1



VALIDO DA mat. 19457
VALID FROM serial number 19457

VALIDO FINO A LUGLIO 2011
VALID UNTIL JULY 2011

rif.	codice	Q.tà
1	5.22.0518	1
2	3.11.0065	2
3	3.10.1128	2
4	5.39.0964	1
5	6.40.0249	1
6	3.06.0145	2
7	3.01.0032	4
8	3.06.0055	4
9	3.11.0113	1
10	4.16.0489	1
11	3.06.0627	1
12	3.02.0899	4
13	4.16.0490	1
14	5.09.1207	1
15	3.08.0512	1
16	5.92.0004	1



**VALIDO DA AGOSTO 2011
VALID FROM AUGUST 2011**

rif.	codice	Q.tà
1	5.22.0518	1
2	3.11.0065	2
3	3.10.1128	2
4	5.39.0602	1
5	6.40.0249	1
6	3.06.0145	2
7	3.01.0032	4
8	3.06.0055	4
9	5.92.0004	1
10	4.16.0489	1
11	3.06.0627	1
12	3.02.0899	4
13	4.16.0490	1
14	5.09.1207	1
15	3.08.0512	1

1/1

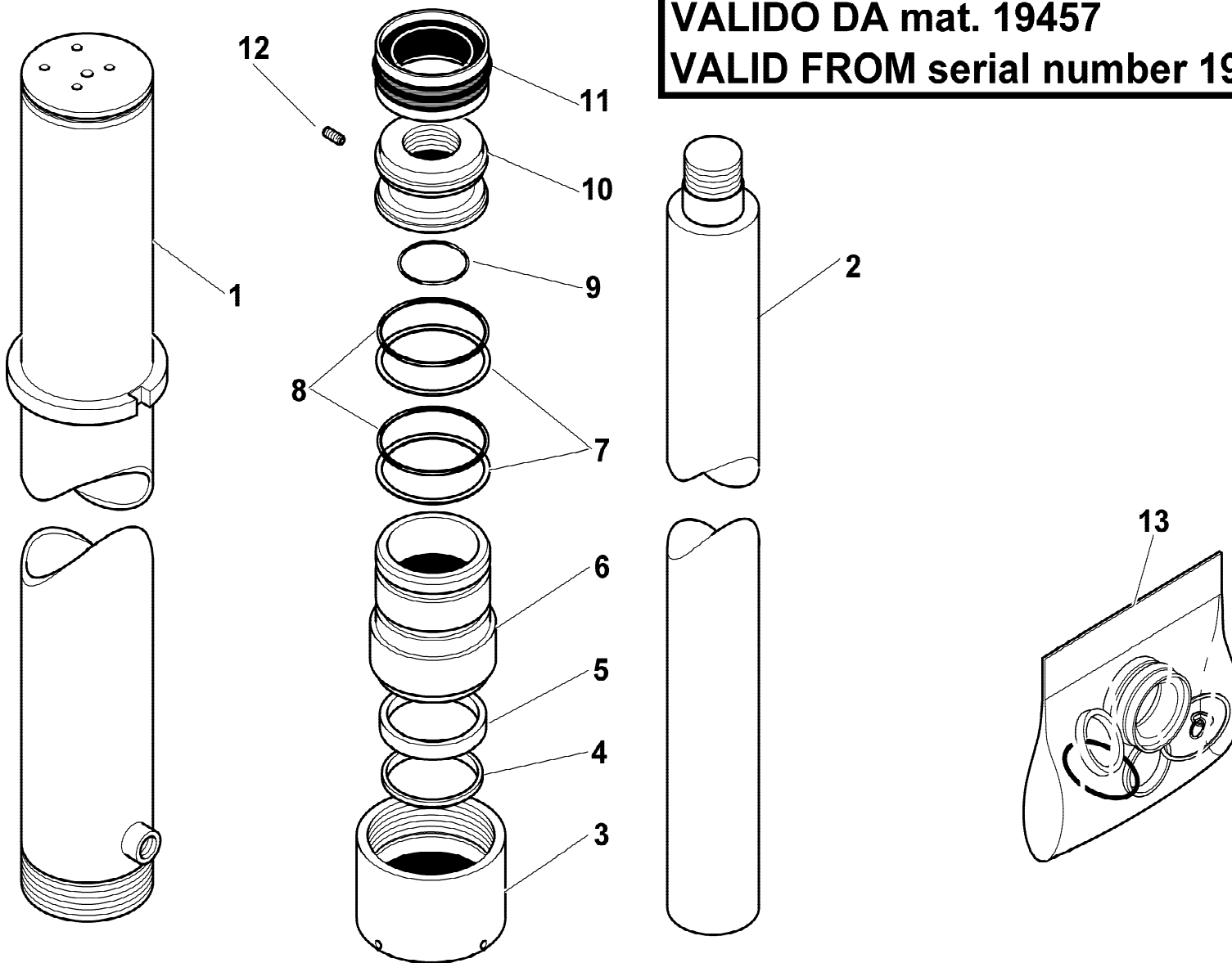
HYVA[®] CRANE
HB250

MARTINETTO STABILIZZATORE (IMPIANTO OLEODINAMICO)
STABILIZER HYDRAULIC JACK (HYDRAULIC SYSTEM)
VERIN STABILISATEUR (INSTALLATION HYDRAULIQUE)
STABILISATOR SCHUBZYLINDER (HYDRAULIKANLAGE)
GATO ESTABILIZADOR (INSTALACION HIDRAULICA)

Tavola
6.20.0249-2-0

Data pag.
luglio 2011 12

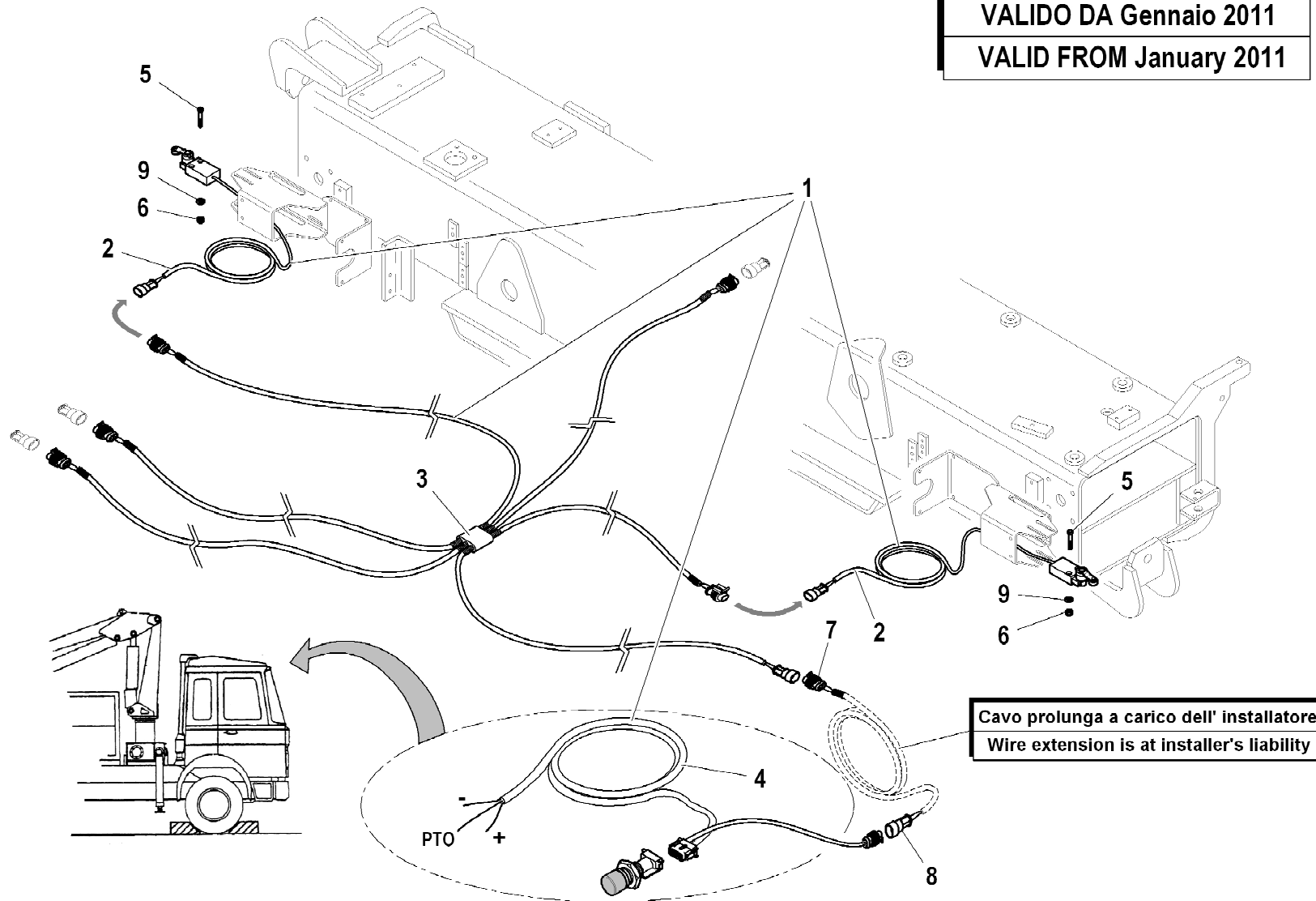
VALIDO DA mat. 19457
VALID FROM serial number 19457



rif.	codice	Q.tà
1	6.07.0212	1
2	6.03.0805	1
3	6.04.0150	1
4	3.42.0040	1
5	3.40.0184	1
6	6.04.0149	1
7	3.46.0383	2
8	3.45.0219	2
9	3.45.0205	1
10	6.05.0141	1
11	3.40.0516	1
12	3.06.0234	1
13	5.55.0631	1

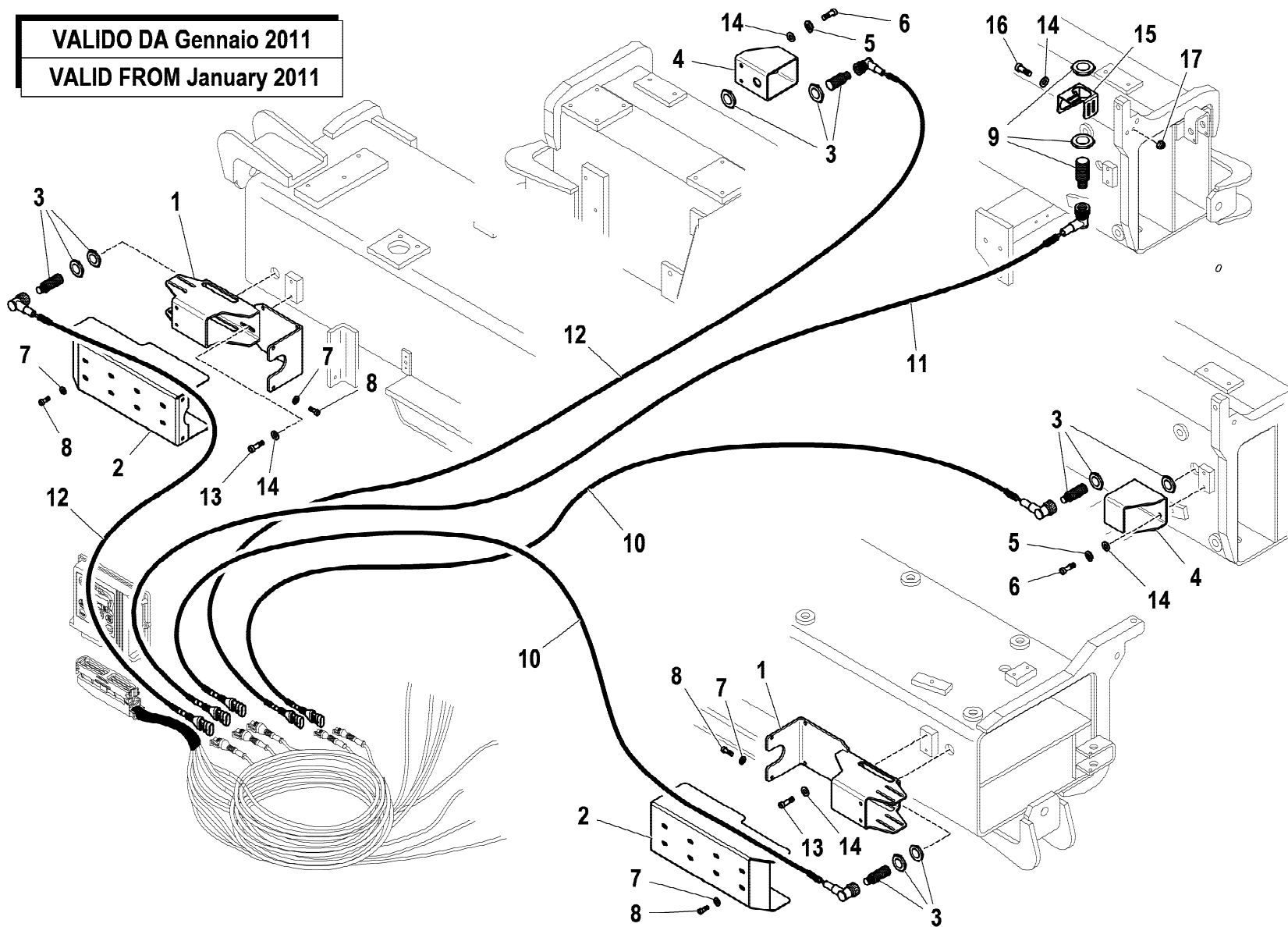
VALIDO DA Gennaio 2011

VALID FROM January 2011



rif.	codice	Q.tà
1	3.31.1352	1
2	3.31.1356	2
3	3.31.1353	1
4	3.31.1354	1
5	3.02.0014	4
6	3.04.0518	4
7	3.31.0431	1
8	3.31.0432	1
9	3.06.0003	4

VALIDO DA Gennaio 2011
VALID FROM January 2011

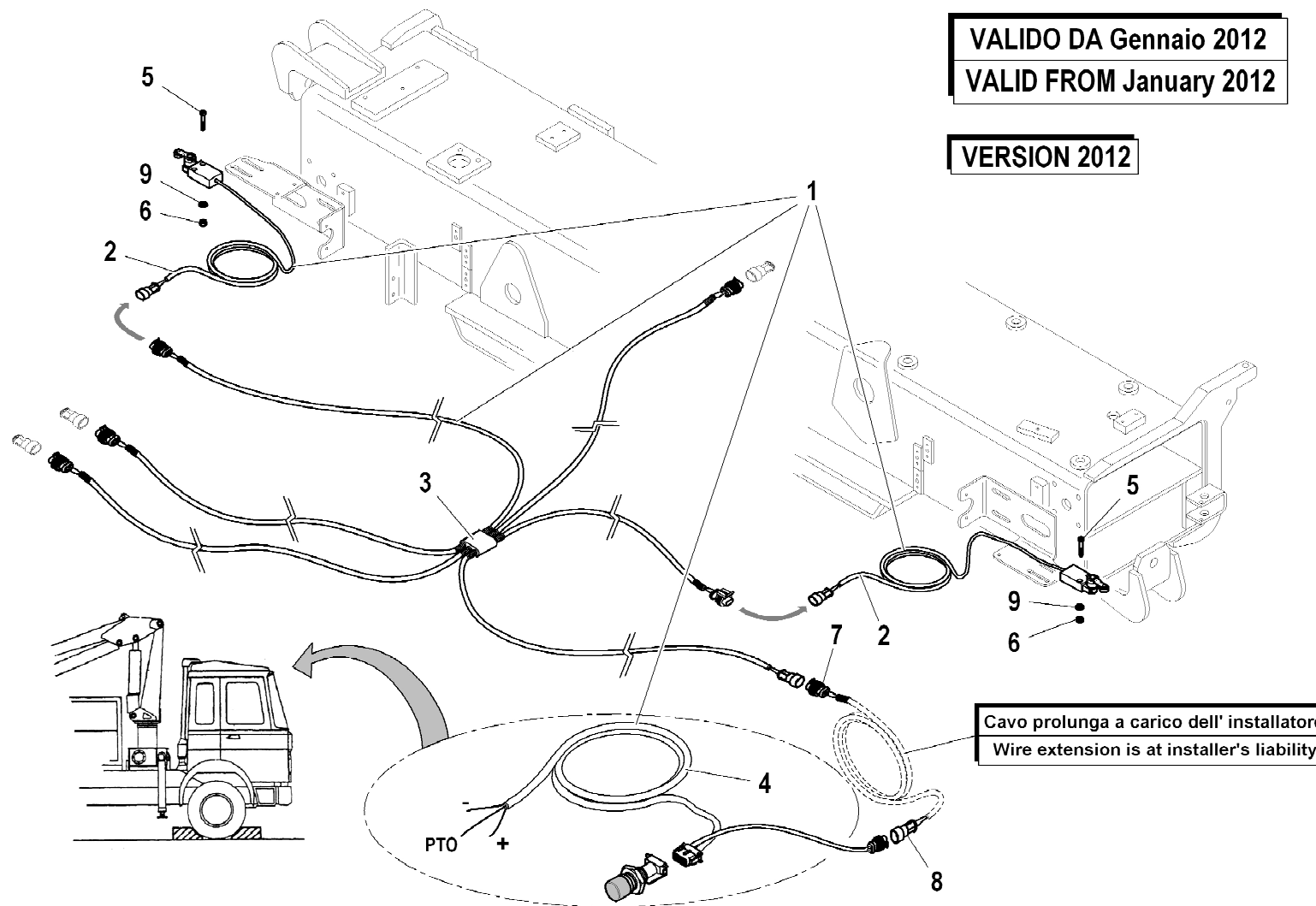


rif.	codice	Q.tà
1	5.09.1299	2
2	5.00.2060	2
3	3.31.1311	4
4	5.09.1300	2
5	3.06.0053	4
6	3.02.0035	4
7	3.06.0004	8
8	3.02.0022	8
9	3.31.1312	1
10	3.31.1377	2
11	3.31.1372	1
12	3.31.1332	2
13	3.02.0034	4
14	3.06.0030	10
15	5.00.2051	1
16	3.02.0037	2
17	3.04.0372	2

rif.	codice	Q.tà
1	3.31.1352	1
2	3.31.1356	2
3	3.31.1353	1
4	3.31.1354	1
5	3.02.0014	4
6	3.04.0518	4
7	3.31.0431	1
8	3.31.0432	1
9	3.06.0003	4

VALIDO DA Gennaio 2012
VALID FROM January 2012

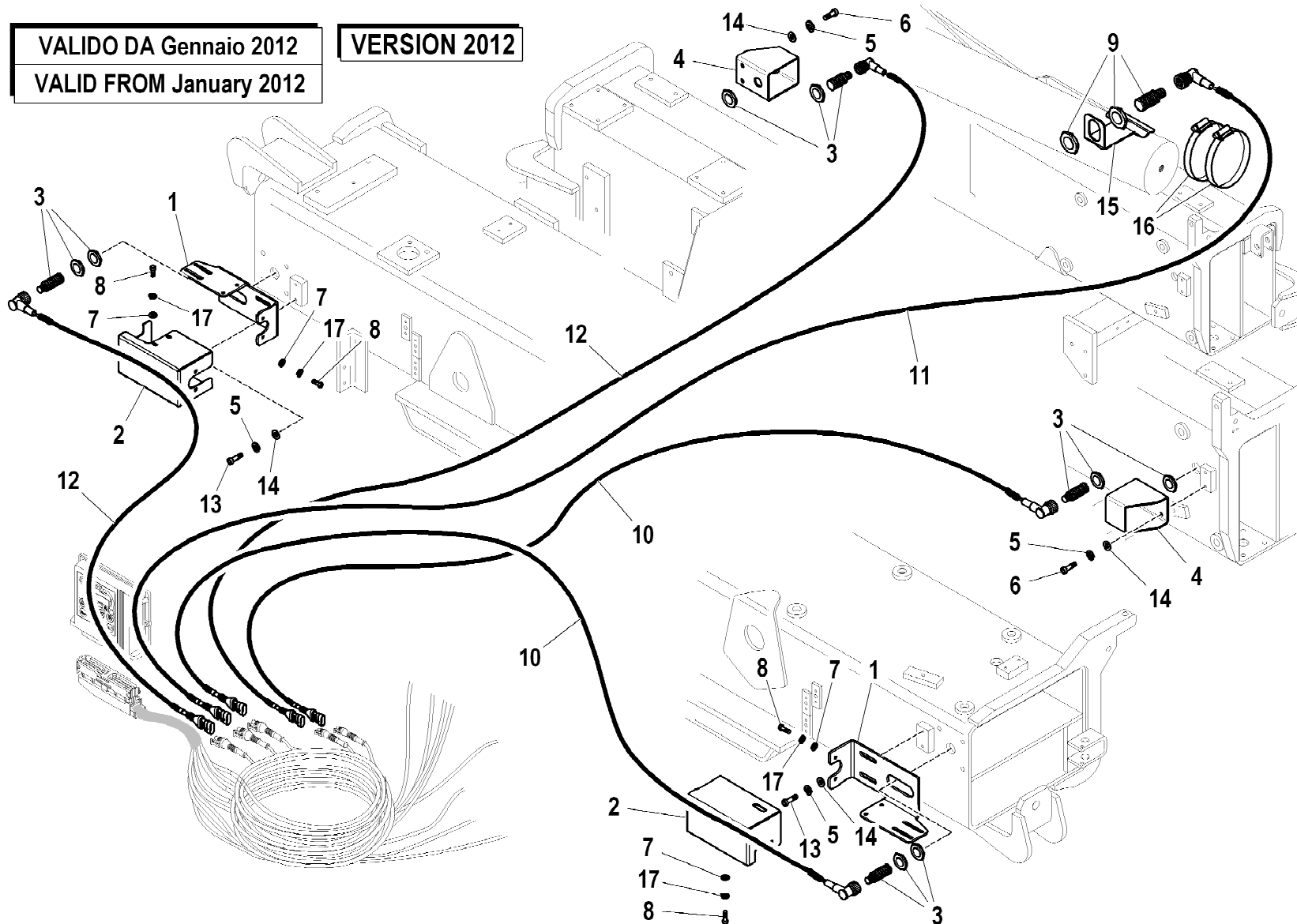
VERSION 2012



Cavo prolunga a carico dell' installatore
 Wire extension is at installer's liability

VALIDO DA Gennaio 2012
VALID FROM January 2012

VERSION 2012



rif.	codice	Q.tà
1	5.09.1395	2
2	5.00.2189	2
3	3.31.1311	4
4	5.09.1300	2
5	3.06.0053	8
6	3.02.0035	4
7	3.06.0004	8
8	3.02.0022	8
9	3.31.1312	1
10	3.31.1377	2
11	3.31.1372	1
12	3.31.1332	2
13	3.02.0034	4
14	3.06.0030	8
15	5.00.2185	1
16	3.19.0021	2
17	3.06.0052	8

1/1

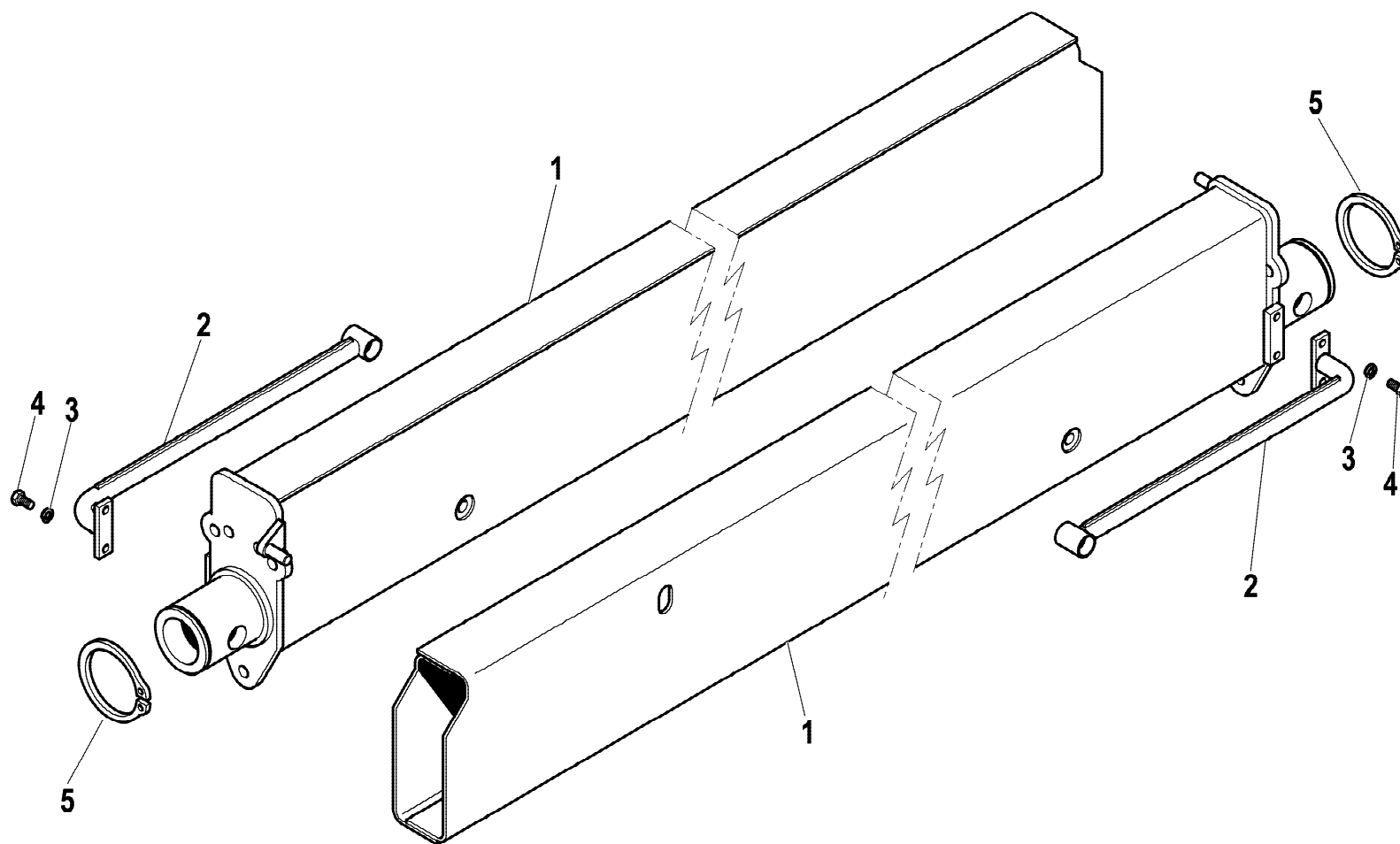
HYVA® CRANE
HB250

CONTROLLO STABILITA' EN-12999-A3
STABILITY CONTROL EN-12999-A3
CONTRÔLE DE LA STABILITE' EN-12999-A3
STABILITÄTSKONTROLLE EN-12999-A3
CONTROL DE LA ESTABILIDAD EN-12999-A3

Tavola
5.41.1204-13-0

Data pag.
aprile 2012 17

rif.	codice	Q.tà
1	5.07.0282	2
2	5.09.0594	2
3	3.06.0057	4
4	3.01.0369	4
5	3.07.0080	2



1/1

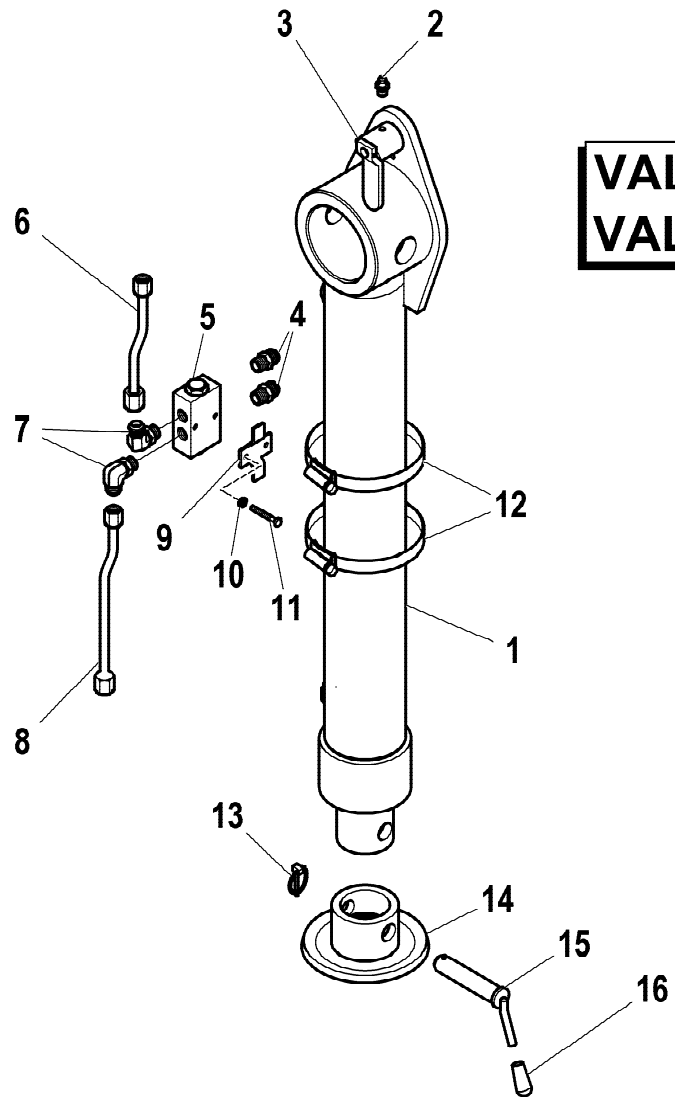
HYVA[®] CRANE

HB250

ASTE STABILIZZATRICI
 STABILIZER ROD
 TIGES DE STABILISATION
 STÜTZSTANGEN
 BARRAS ESTABILIZADORAS

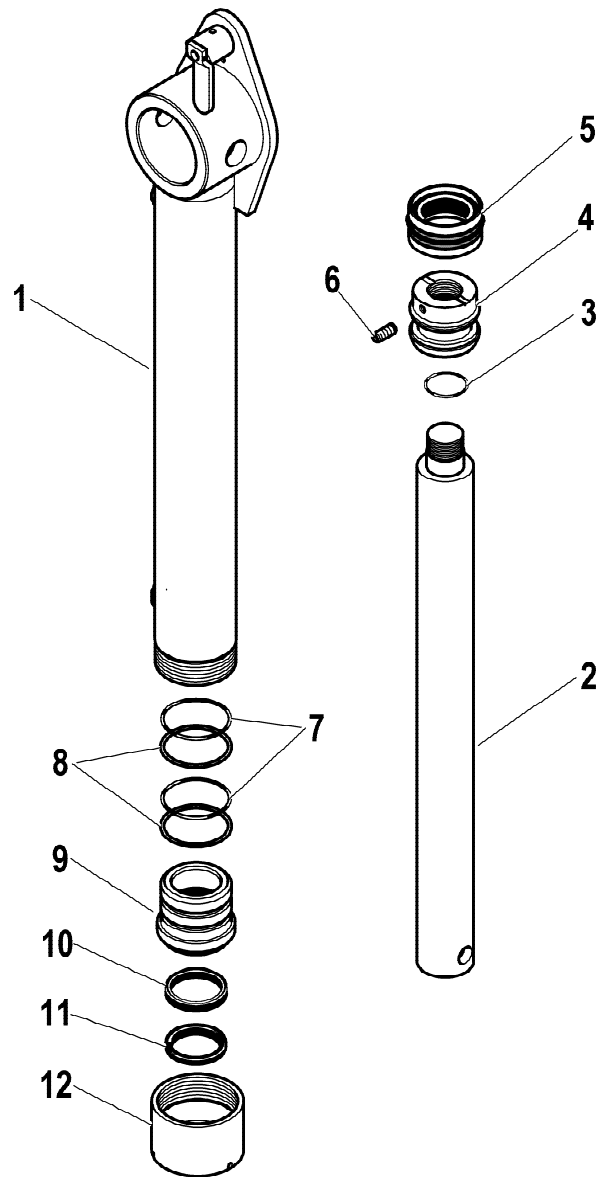
Tavola
5.76.0041-1-0

Data pag.
 ottobre 2006 18



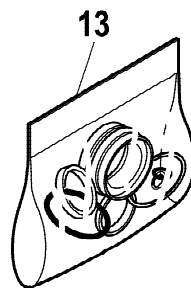
VALIDO FINO A mat. 19456
VALID TO serial number 19456

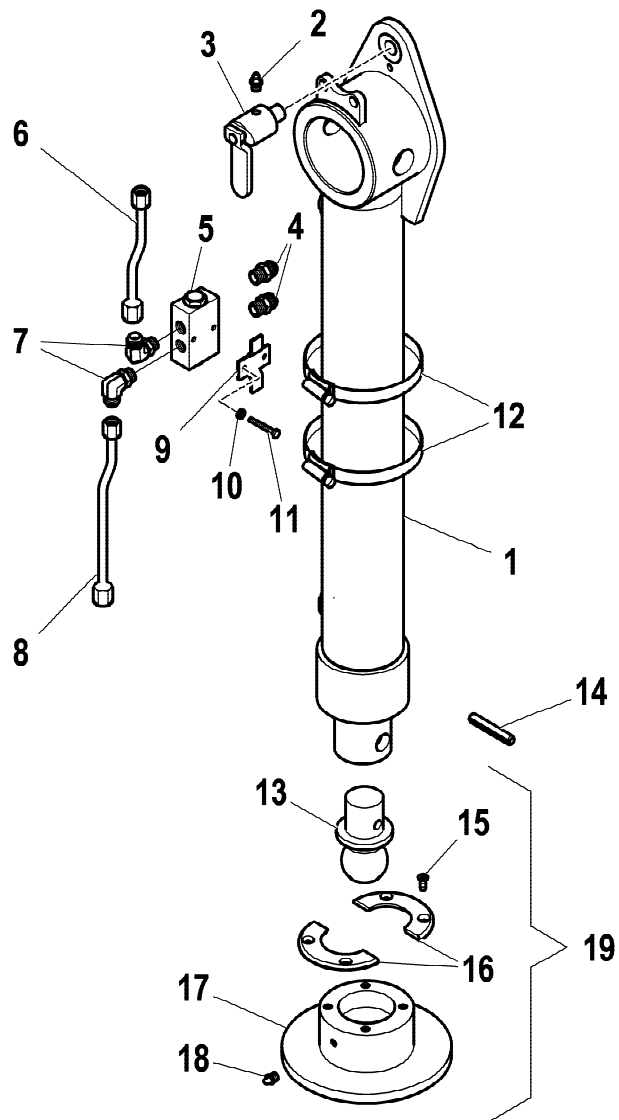
rif.	codice	Q.tà
1	6.40.0172	1
2	3.08.0501	1
3	5.00.0898	1
4	3.10.1043	2
5	5.22.0653	1
6	5.39.1887	1
7	3.12.0012	2
8	5.39.1888	1
9	2.09.1241	1
10	3.06.0053	2
11	3.01.0019	2
12	3.19.0024	2
13	3.06.0753	2
14	5.09.0275	1
15	5.15.0321	1
16	3.19.0010	1



VALIDO FINO A mat. 19456
VALID TO serial number 19456

rif.	codice	Q.tà
1	6.07.0444	1
2	6.03.0523	1
3	3.45.0205	1
4	6.05.0141	1
5	3.40.0516	1
6	3.06.0234	1
7	3.45.0219	2
8	3.46.0383	2
9	6.04.0149	1
10	3.40.0184	1
11	3.42.0040	1
12	6.04.0150	1
13	5.55.0631	1





VALIDO DA mat. 19457
VALID FROM serial number 19457

rif.	codice	Q.tà
1	6.40.0250	1
2	3.08.0500	1
3	5.00.0898	1
4	3.10.1043	2
5	5.22.0653	1
6	5.39.1887	1
7	3.12.0012	2
8	5.39.1888	1
9	2.09.1241	1
10	3.06.0053	2
11	3.01.0019	2
12	3.19.0024	2
13	4.16.0489	1
14	3.06.0627	1
15	3.02.0899	4
16	4.16.0490	1
17	5.09.1207	1
18	3.08.0512	1
19	5.92.0004	1

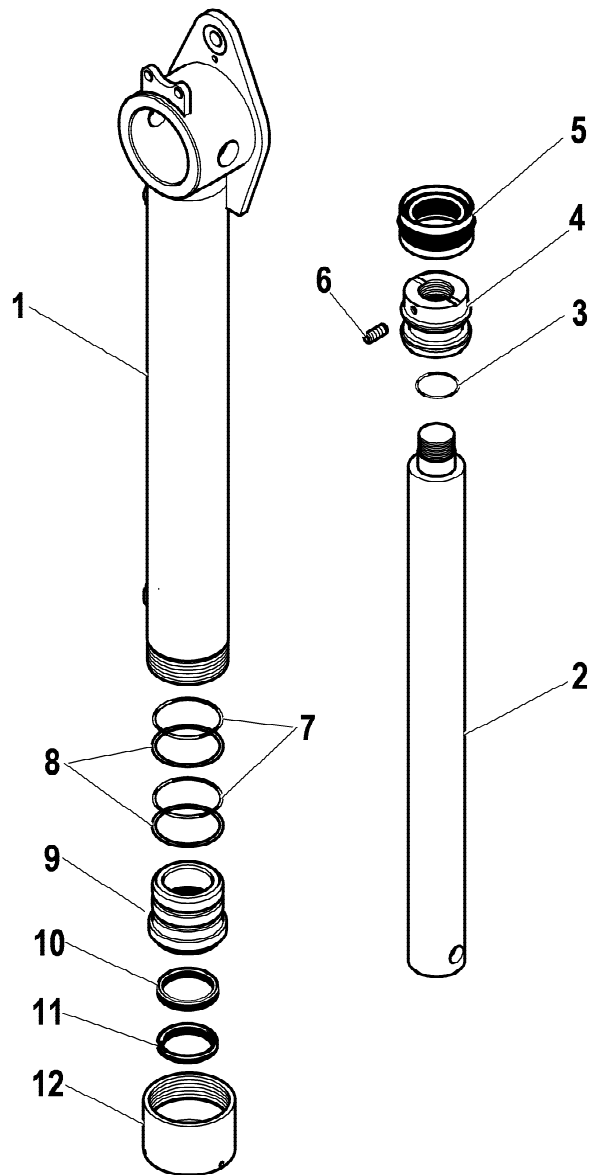
1/1

HYVA® CRANE
HB250

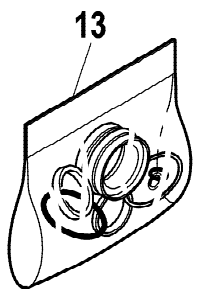
MARTINETTO STABILIZZATORE (IMPIANTO OLEODINAMICO)
 STABILIZER HYDRAULIC JACK (HYDRAULIC SYSTEM)
 VERIN STABILISATEUR (INSTALLATION HYDRAULIQUE)
 STABILISATOR SCHUBZYLINDER (HYDRAULIKANLAGE)
 GATO ESTABILIZADOR (INSTALACION HIDRAULICA)

Tavola
6.20.0250-1-0

Data pag.
 giugno 2006 21

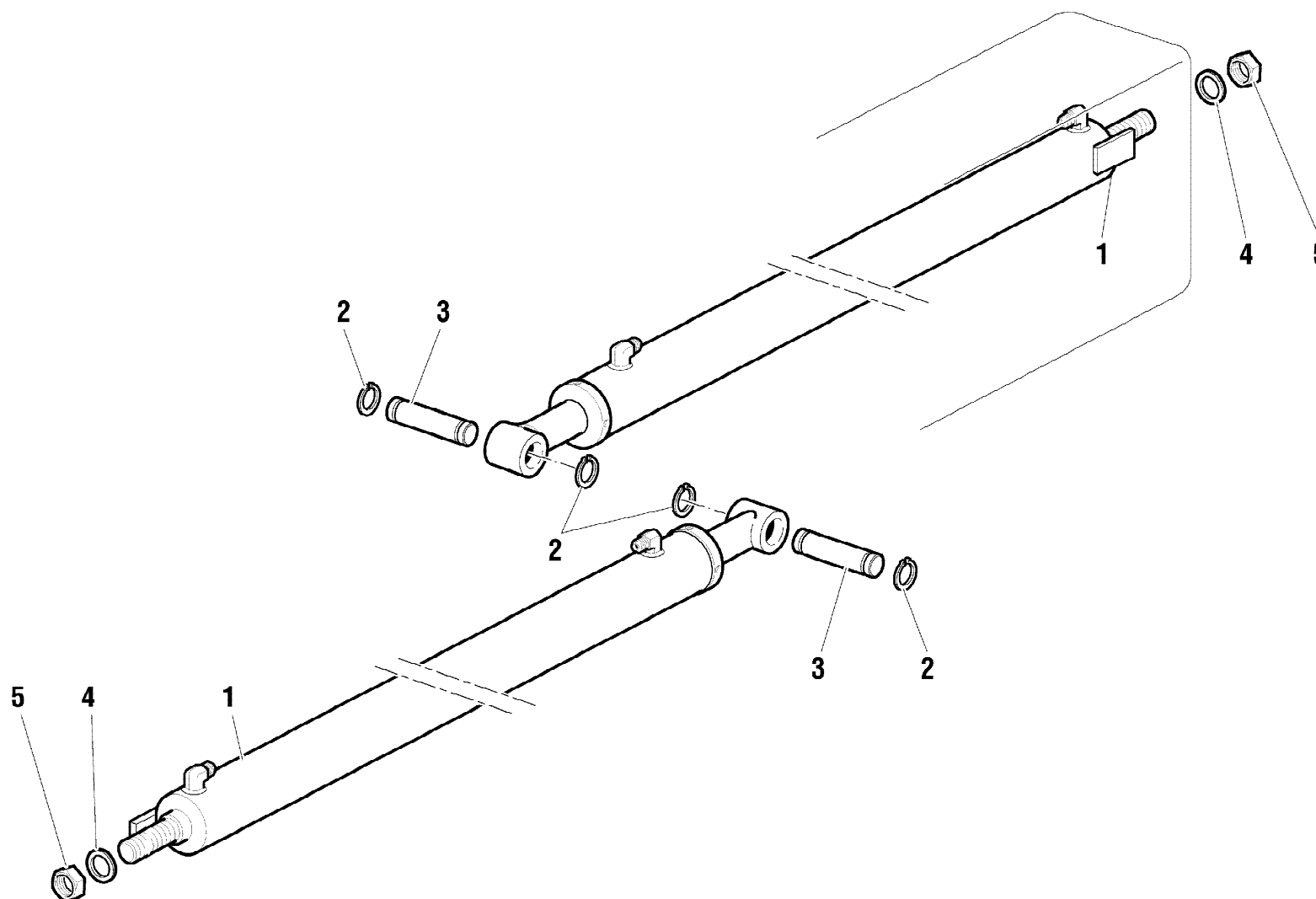


VALIDO DA mat. 19457
VALID FROM serial number 19457



rif.	codice	Q.tà
1	6.07.0444	1
2	6.03.0806	1
3	3.45.0205	1
4	6.05.0141	1
5	3.40.0516	1
6	3.06.0234	1
7	3.45.0219	2
8	3.46.0383	2
9	6.04.0149	1
10	3.40.0184	1
11	3.42.0040	1
12	6.04.0150	1
13	5.55.0631	1

rif.	codice	Q.tà
1	6.20.0151	2
2	3.07.0017	4
3	5.15.0367	2
4	3.06.0010	2
5	3.04.0307	2



1/1

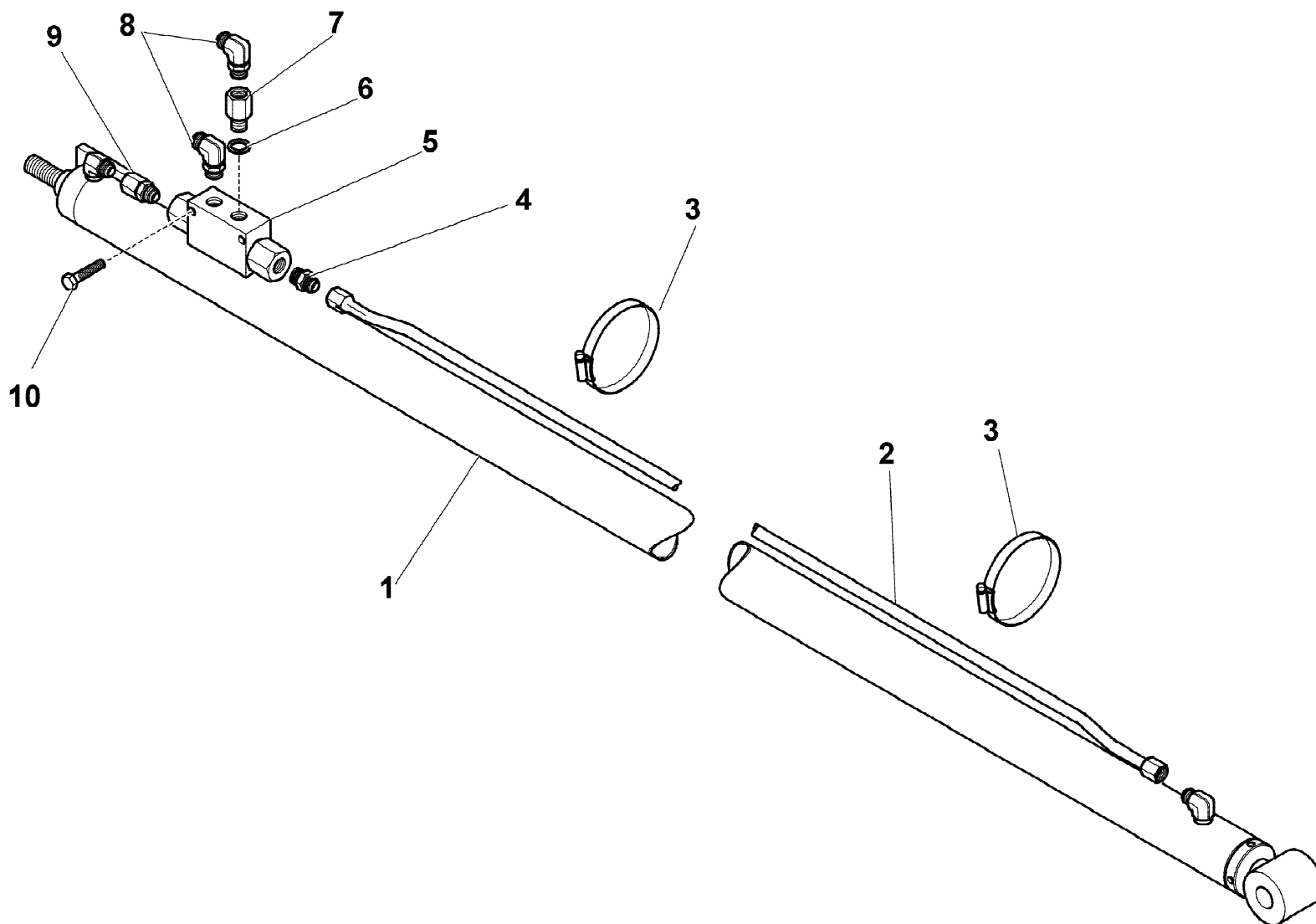
HYVA[®] CRANE
HB250

MARTINETTO SFILO ASTE
 ROD EXSTENSION HYDRAULIC CYLINDER
 VERIN RALLONGE TIGES
 STANGENVERLAENGERUNGSWINDE
 GATO DE PROLONGACION VASTAGOS

Tavola
5.38.0007-1-0

Data pag.
 giugno 2006 23

rif.	codice	Q.tà
1	6.40.0151	1
2	5.39.1473	1
3	3.19.0025	2
4	3.10.1039	1
5	5.22.0559	1
6	3.06.0143	1
7	3.11.0270	1
8	3.10.1124	2
9	3.12.0064	1
10	3.02.0040	1



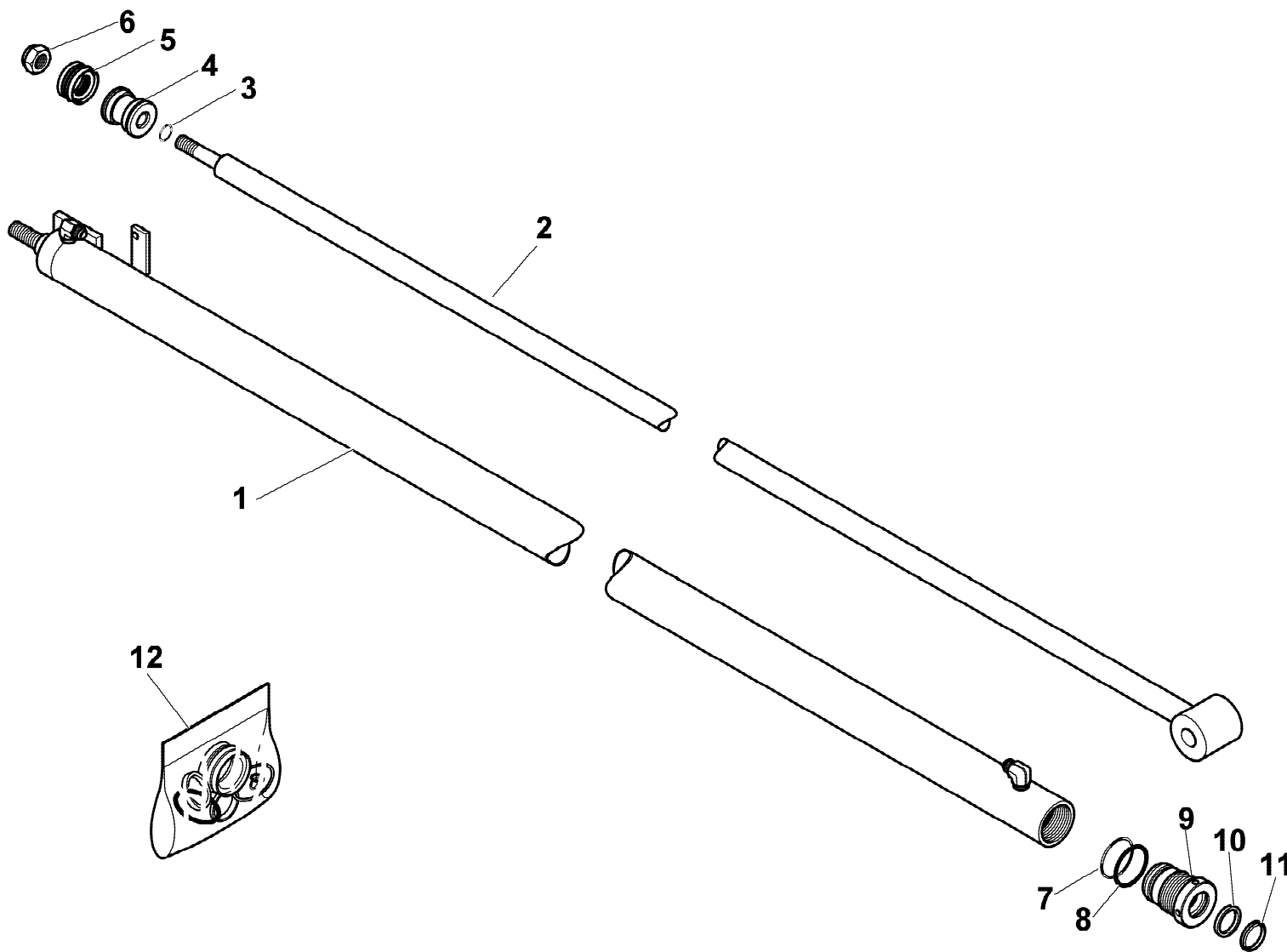
1/1

HYVA® CRANE
HB250

IMPIANTO IDRAULICO (MARTINETTO SFILLO ASTE)
 HYDRAULIC SYSTEM (ROD EXTENSION HYDRAULIC CYLINDER)
 INSTALLATION HYDRAULIQUE (VERIN RALLONGE TIGES)
 HYDRAULIKANLAGE (STANGENVERLAENGERUNGSWINDE)
 INSTALACION HIDRAULICA (GATO DE PROLONGACION VASTAGOS)

Tavola
6.20.0151-1-0

Data pag.
 ottobre 2006 24



rif.	codice	Q.tà
1	6.07.0397	1
2	6.03.0412	1
3	3.45.0006	1
4	6.05.0142	1
5	3.40.0503	1
6	3.04.0306	1
7	3.45.0067	1
8	3.46.0067	1
9	6.04.0154	1
10	3.40.0029	1
11	3.42.0011	1
12	5.55.0709	1

1/1

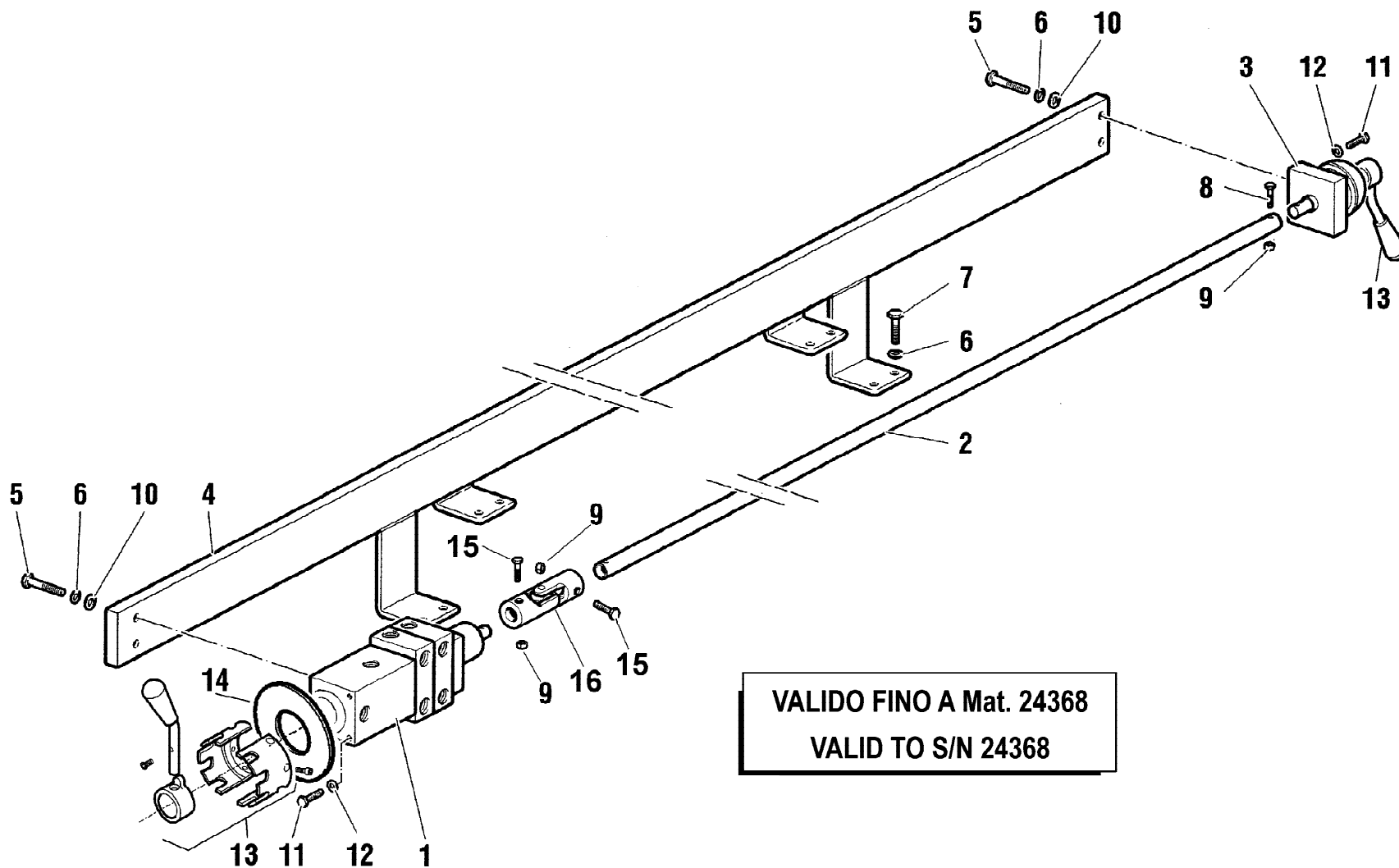
HYVA® CRANE
HB250

MARTINETTO SFILLO ASTE
 ROD EXSTENSION HYDRAULIC CYLINDER
 VERIN RALLONGE TIGES
 STANGENVERLAENGERUNGSWINDE
 GATO DE PROLONGACION VASTAGOS

Tavola
6.40.0151-1-0

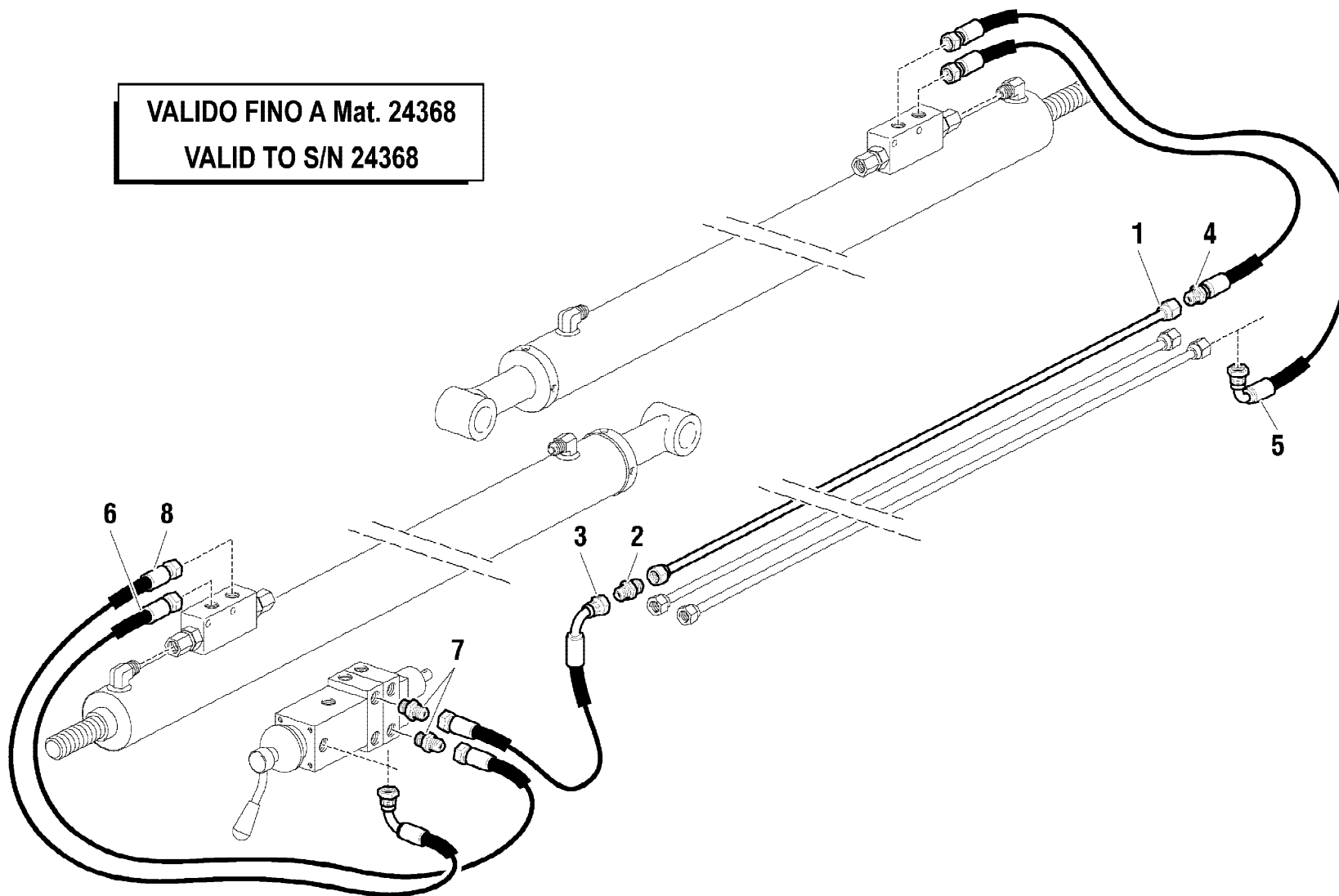
Data pag.
 giugno 2006 25

rif.	codice	Q.tà
1	5.22.0594	1
2	5.00.1155	1
3	5.22.0595	1
4	5.09.0530	1
5	3.01.0389	4
6	3.06.0056	8
7	3.01.0354	4
8	3.01.0022	2
9	3.04.0372	3
10	3.06.0914	4
11	3.01.0323	4
12	3.06.0053	4
13	5.22.5390	2
14	5.00.1034	2
15	3.01.0017	2
16	3.30.0500	1



VALIDO FINO A Mat. 24368
VALID TO S/N 24368

VALIDO FINO A Mat. 24368
VALID TO S/N 24368



rif.	codice	Q.tà
1	5.39.1134	1
2	3.12.0100	1
3	5.27.1170	1
4	5.26.0346	1
5	5.26.0347	1
6	5.26.0349	1
7	3.10.1043	2
8	5.26.0348	1

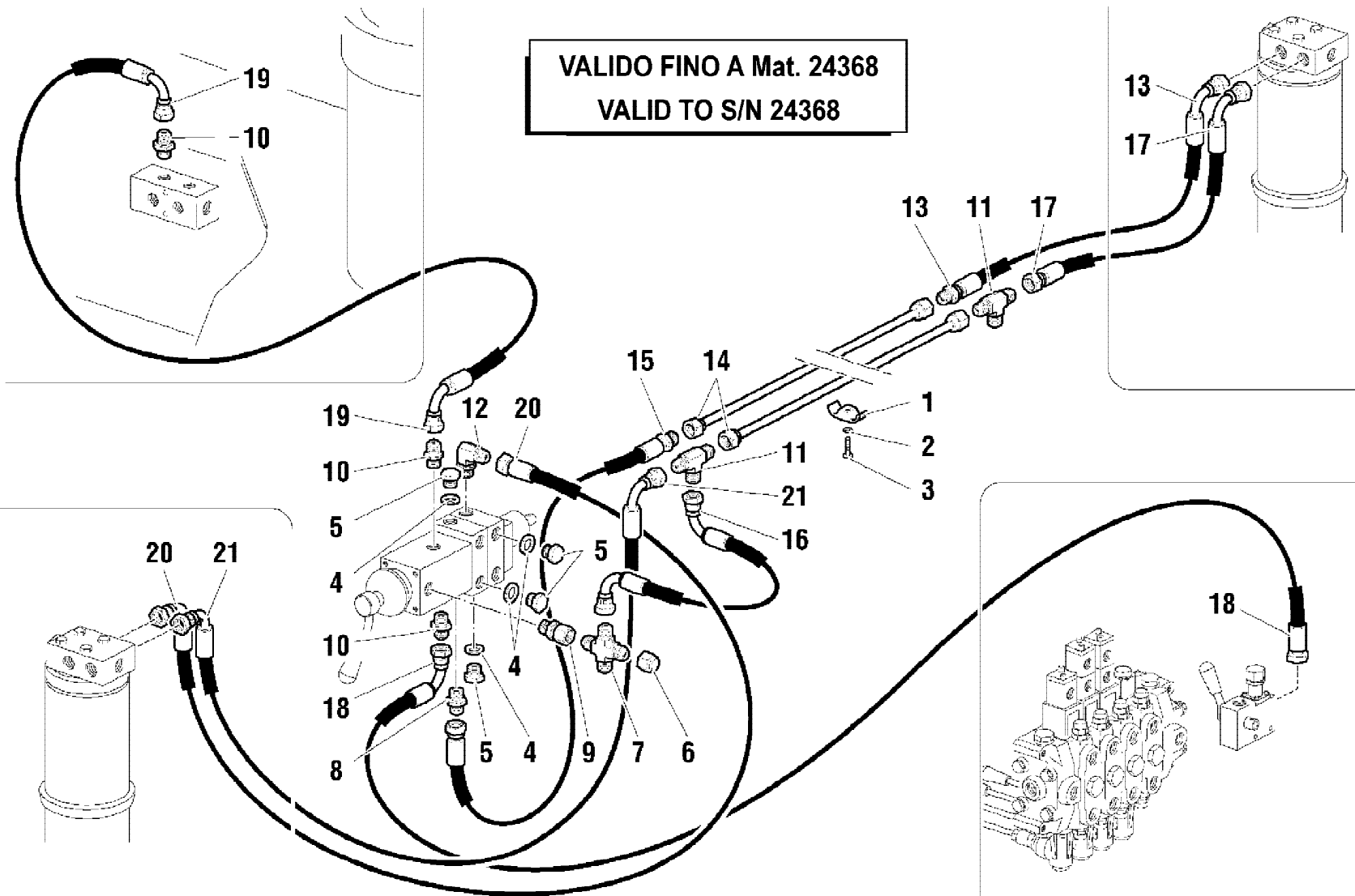
1/1

HYVA[®] CRANE
HB250

MARTINETTO SFILLO ASTE (IMPIANTO IDRAULICO)
 ROD EXTENSION HYDRAULIC CYLINDER (HYDRAULIC SYSTEM)
 VERIN RALLONGE TIGES (INSTALLATION HYDRAULIQUE)
 STANGENVERLAENGERUNGSWINDE (HYDRAULIKANLAGE)
 GATO DE PROLONGACION VASTAGOS (INSTALACION HIDRAULICA)

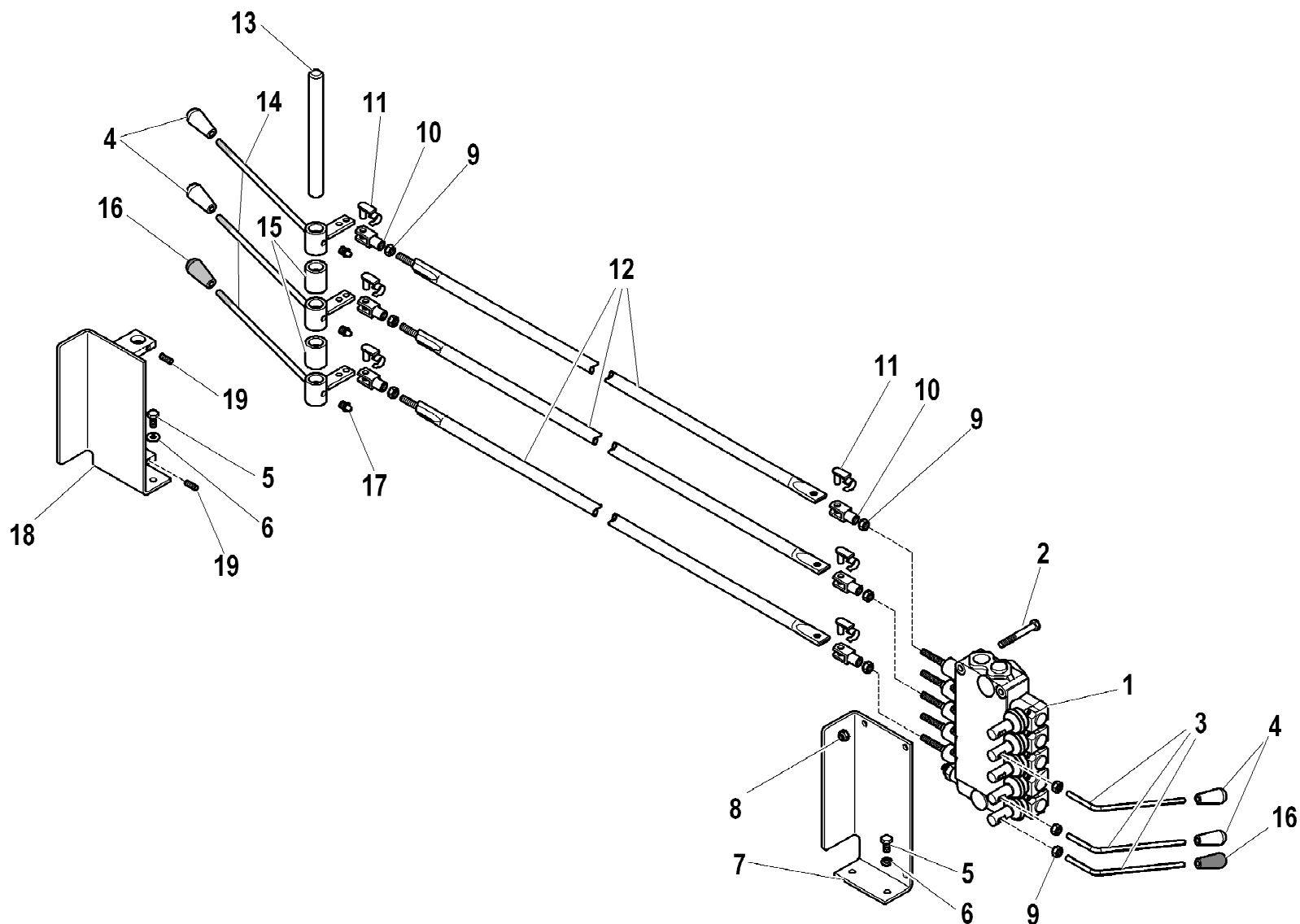
Tavola
5.40.0160-3-0

Data pag.
 dicembre 2007 27

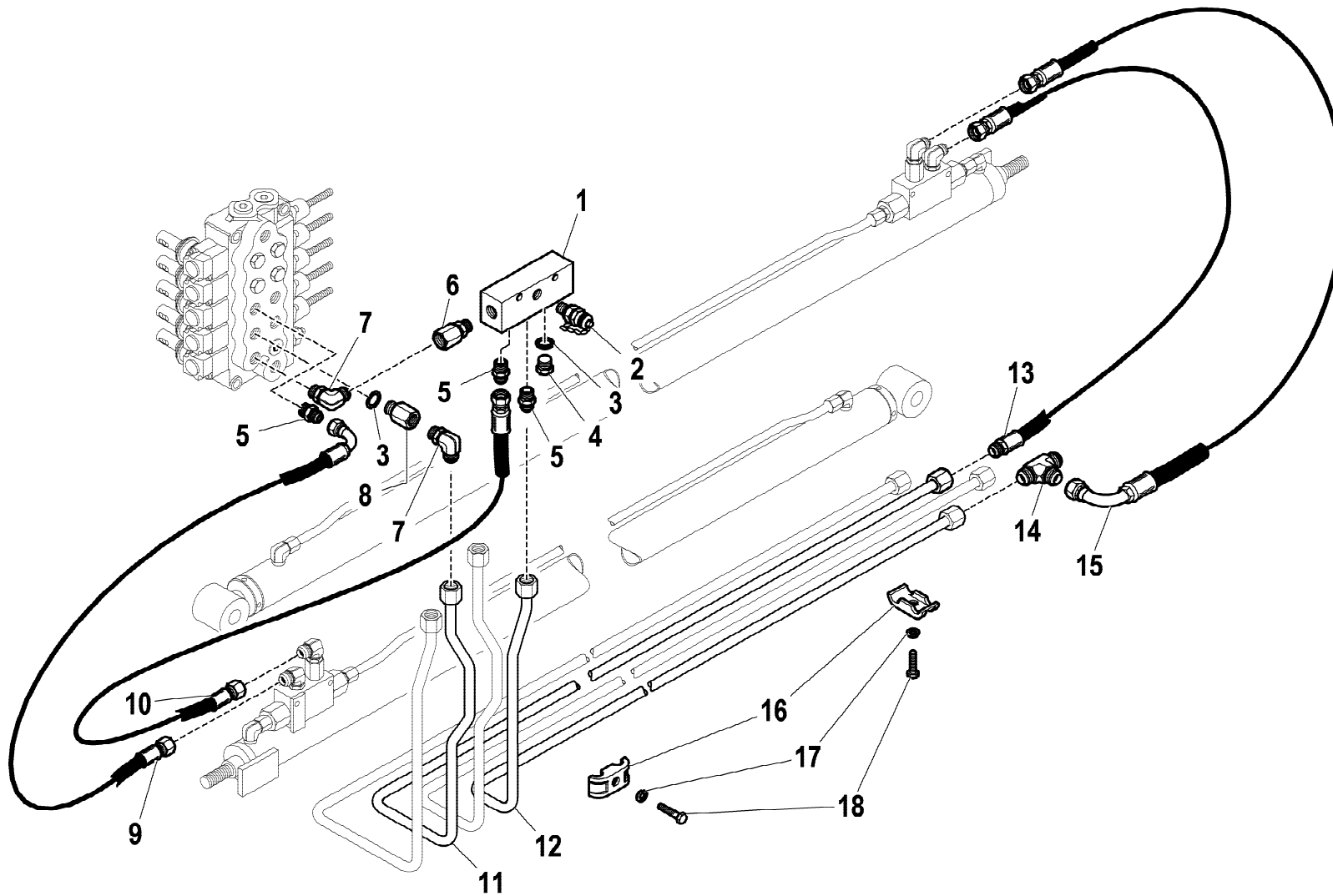


VALIDO FINO A Mat. 24368
VALID TO S/N 24368

rif.	codice	Q.tà
1	5.00.0077	4
2	3.06.0055	4
3	3.01.0029	4
4	3.06.0144	4
5	3.11.0061	4
6	3.11.0041	1
7	3.12.0113	1
8	3.10.1043	1
9	3.12.0066	1
10	3.10.1044	3
11	3.10.1081	2
12	3.10.1127	1
13	5.27.1165	1
14	5.39.1134	2
15	5.27.1169	1
16	5.27.1171	1
17	5.27.1166	1
18	5.28.0341	1
19	5.28.0340	1
20	5.27.1168	1
21	5.27.1167	1



rif.	codice	Q.tà
1	5.22.0346	1
2	3.01.0036	3
3	5.00.0207	3
4	3.19.0006	4
5	3.01.0339	4
6	3.06.0055	4
7	5.09.0716	1
8	3.04.0303	3
9	3.04.0045	9
10	3.30.0431	6
11	3.30.0451	6
12	5.09.0456	3
13	5.15.0647	1
14	5.09.0568	3
15	5.14.0737	2
16	3.19.0188	2
17	3.08.0500	3
18	5.09.0717	1
19	3.06.0936	2



rif.	codice	Q.tà
1	5.00.1159	1
2	3.11.1523	1
3	3.06.0144	2
4	3.11.0061	1
5	3.10.1043	3
6	3.12.0066	1
7	3.10.1127	2
8	3.11.0112	1
9	5.26.0347	1
10	5.26.0894	1
11	5.39.2199	1
12	5.39.2201	1
13	5.26.0892	1
14	3.10.1081	1
15	5.26.0893	1
16	5.00.0077	6
17	3.06.0055	6
18	3.01.0029	6

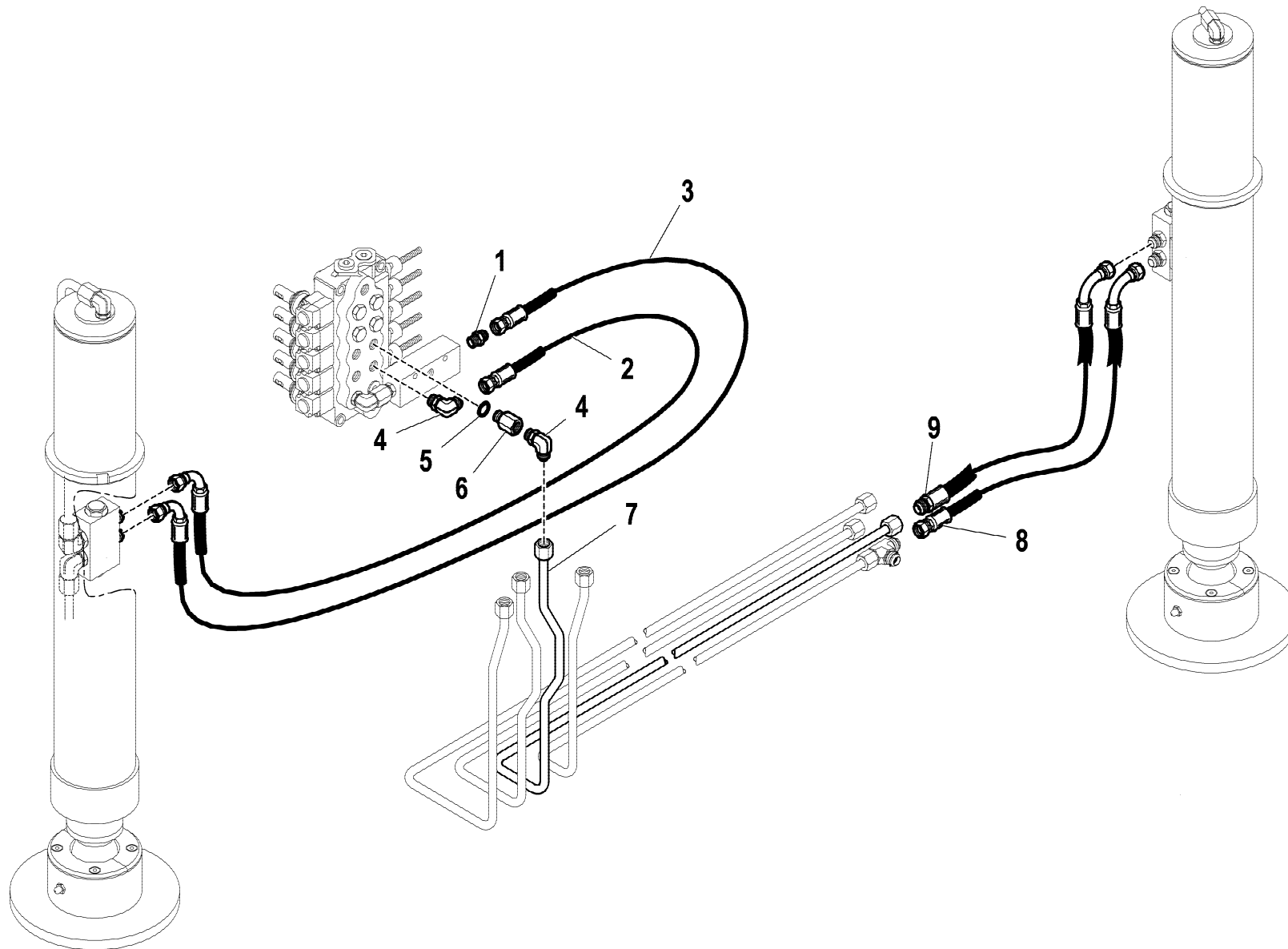
1/1

HYVA[®] CRANE
HB250

MARTINETTO SFILLO ASTE (IMPIANTO OLEODINAMICO)
 ROD EXTENSION HYDRAULIC CYLINDER (HYDRAULIC SYSTEM)
 VERIN RALLONGE TIGES (INSTALLATION HYDRAULIQUE)
 STANGENVERLAENGERUNGSWINDE (HYDRAULIKANLAGE)
 GATO DE PROLONGACION VASTAGOS (INSTALACION HIDRAULICA)

Tavola
5.40.0729-2-0

Data pag.
 agosto 2006 30



rif.	codice	Q.tà
1	3.10.1043	1
2	5.27.1859	1
3	5.27.1860	1
4	3.10.1127	2
5	3.06.0144	1
6	3.11.0112	1
7	5.39.2200	1
8	5.27.1861	1
9	5.27.1862	1

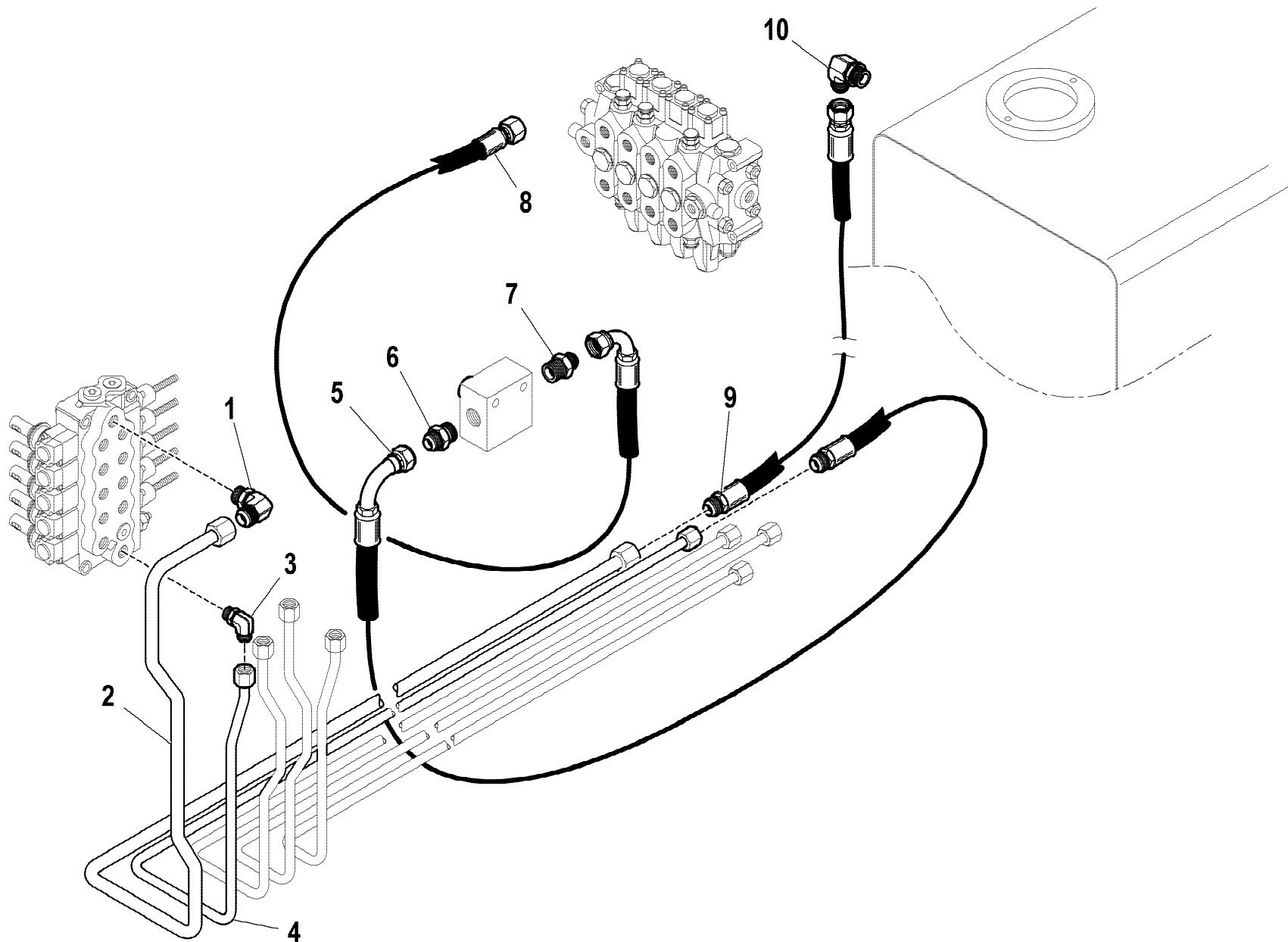
1/1

HYVA[®] CRANE
HB250

MARTINETTO STABILIZZATORE (IMPIANTO OLEODINAMICO)
 STABILIZER HYDRAULIC JACK (HYDRAULIC SYSTEM)
 VERIN STABILISATEUR (INSTALLATION HYDRAULIQUE)
 STABILISATOR SCHUBZYLINDER (HYDRAULIKANLAGE)
 GATO ESTABILIZADOR (INSTALACION HIDRAULICA)

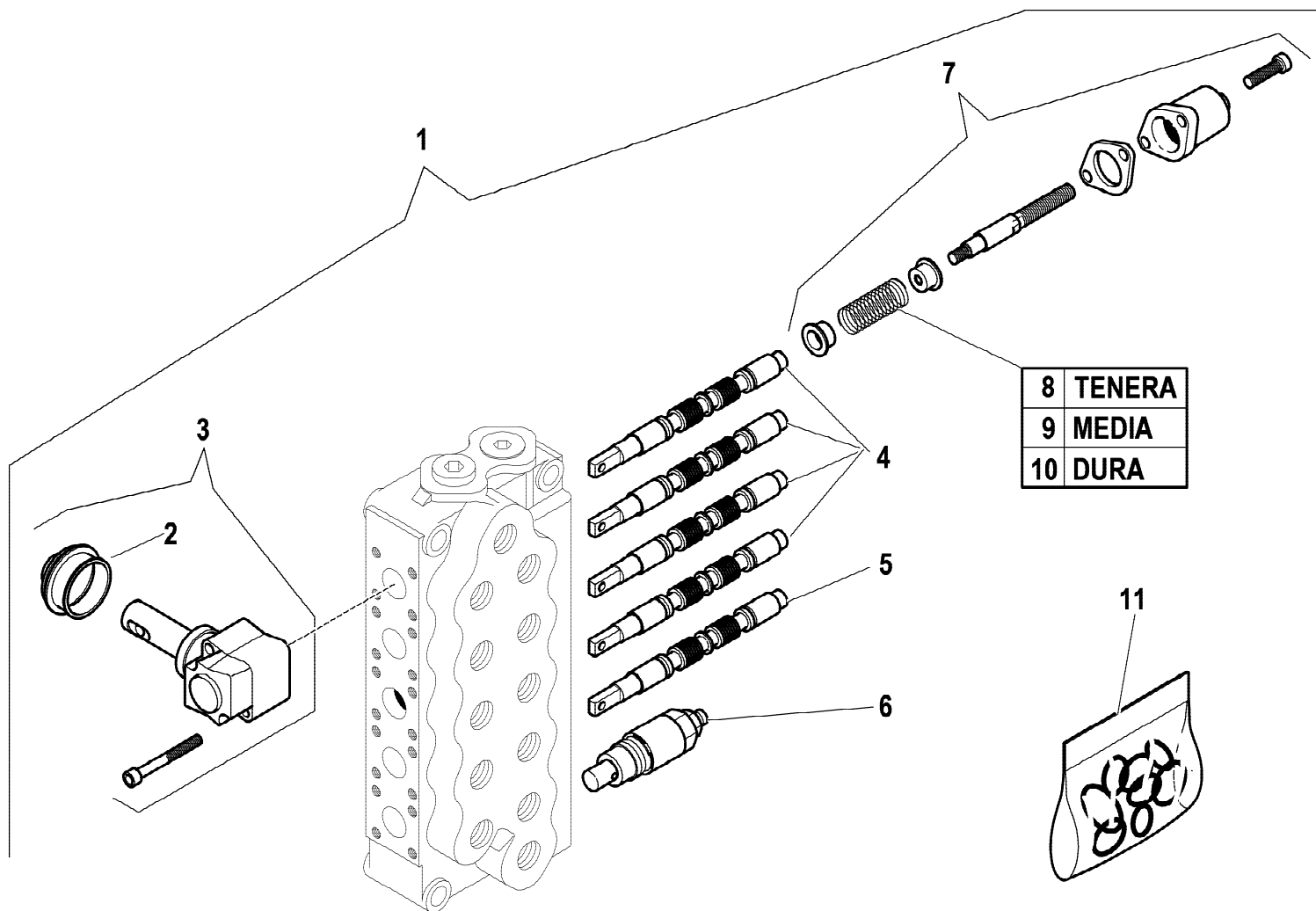
Tavola
5.40.0729-3-0

Data pag.
 dicembre 2007 31



rif.	codice	Q.tà
1	3.12.0012	1
2	5.39.2197	1
3	3.10.1127	1
4	5.39.2198	1
5	5.27.1764	1
6	3.10.1045	1
7	3.10.1056	1
8	5.29.0150	1
9	5.28.0782	1
10	3.10.1131	1

rif.	codice	Q.tà
1	5.22.0346	1
2	5.22.5022	5
3	5.22.5261	5
4	5.22.5258	4
5	5.22.5480	1
6	5.22.5257	1
7	5.22.5268	5
8	5.22.5479	5
9	5.22.5281	5
10	5.22.5285	5
11	5.22.5263	1



1/1

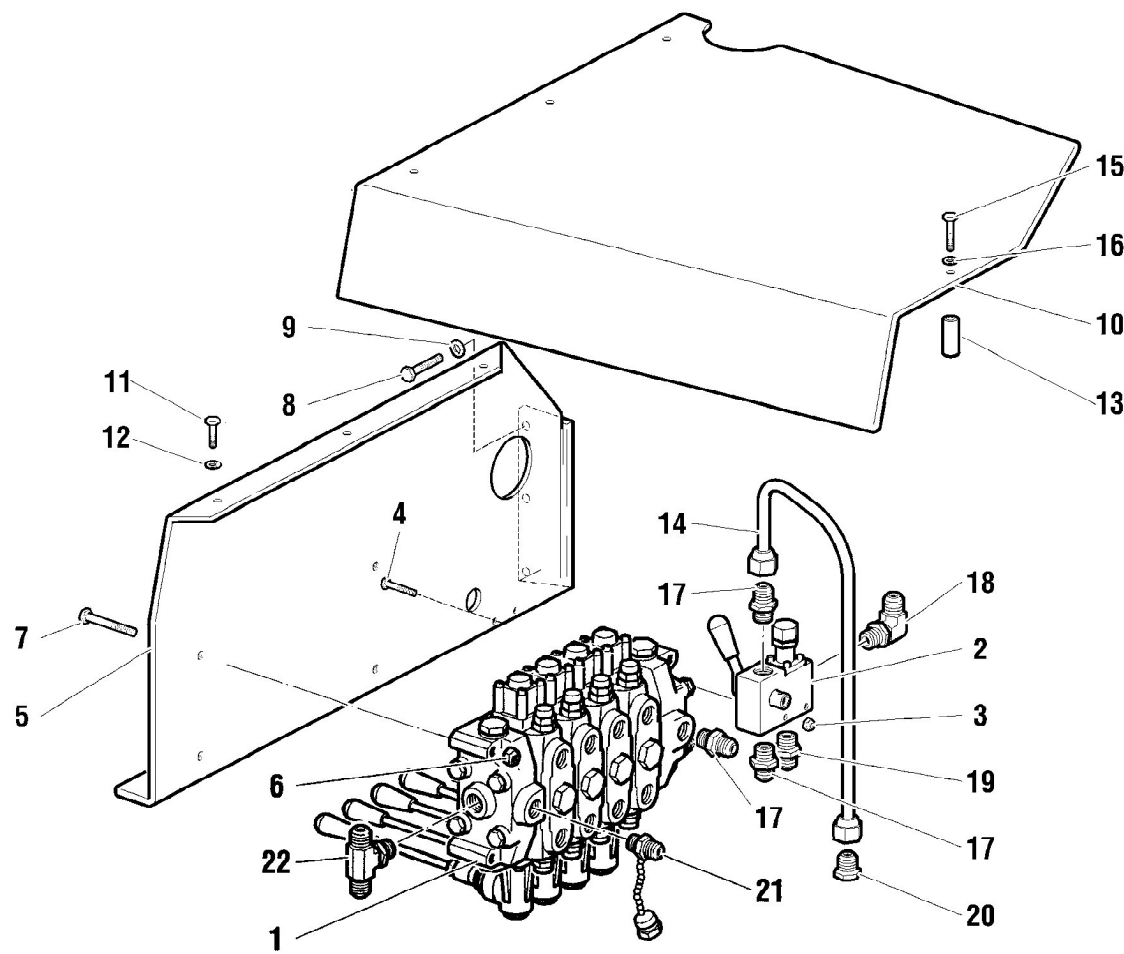
HYVA[®] CRANE
HB250

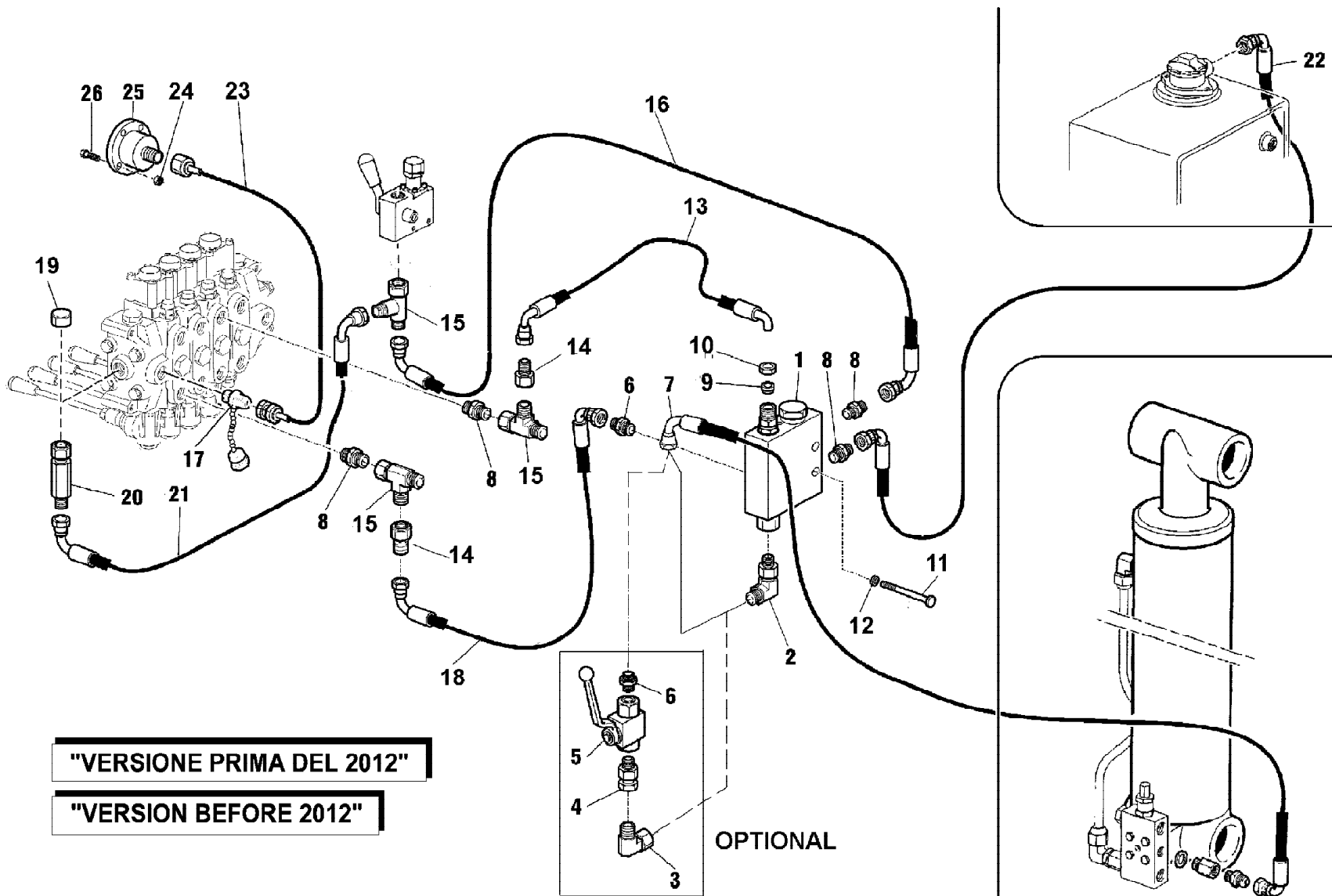
DISTRIBUTORE STABILIZZATORI
 STABILIZER CONTROL VALVE
 DISTRIBUTEUR STABILISATEURS
 BEDIENUNG DEN ABSTÜTZUNGEN
 DISTRIBUDOR ESTABILIZADORE

Tavola
5.22.0346-1-0

Data pag.
 gennaio 2007 33

rif.	codice	Q.tà
1	5.22.0291	1
2	5.22.0596	1
3	3.04.0372	2
4	3.01.0397	2
5	5.09.0570	2
6	3.04.0303	3
7	3.01.0036	3
8	3.01.0355	3
9	3.06.0056	3
10	5.90.0829	1
11	3.01.0015	3
12	3.06.0053	3
13	5.00.0835	1
14	5.39.1461	1
15	3.01.0397	1
16	3.06.0055	1
17	3.10.1051	3
18	3.10.1128	1
19	3.10.1044	1
20	3.11.0057	1
21	3.11.1523	1
22	3.12.0306	1



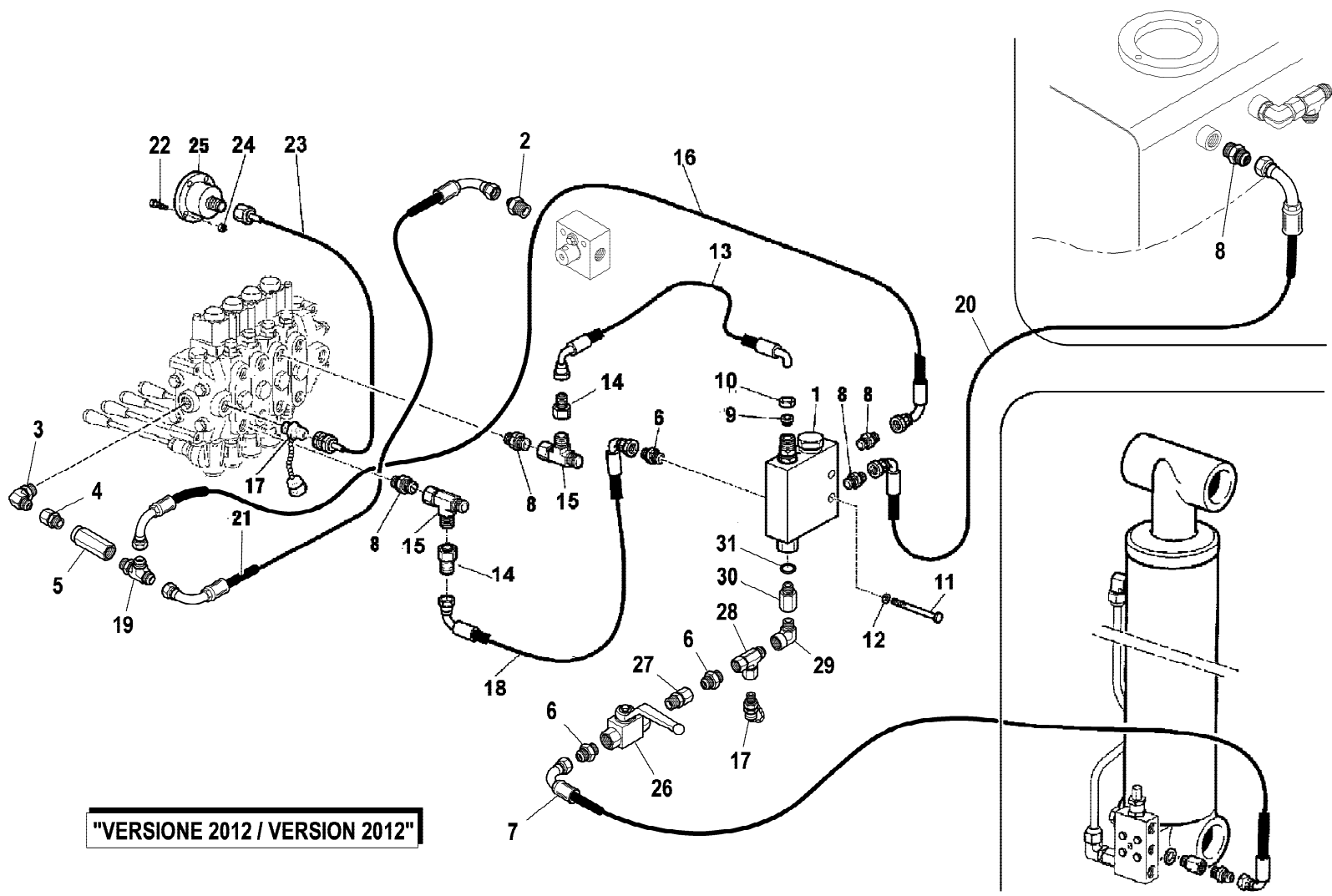


"VERSIONE PRIMA DEL 2012"

"VERSION BEFORE 2012"

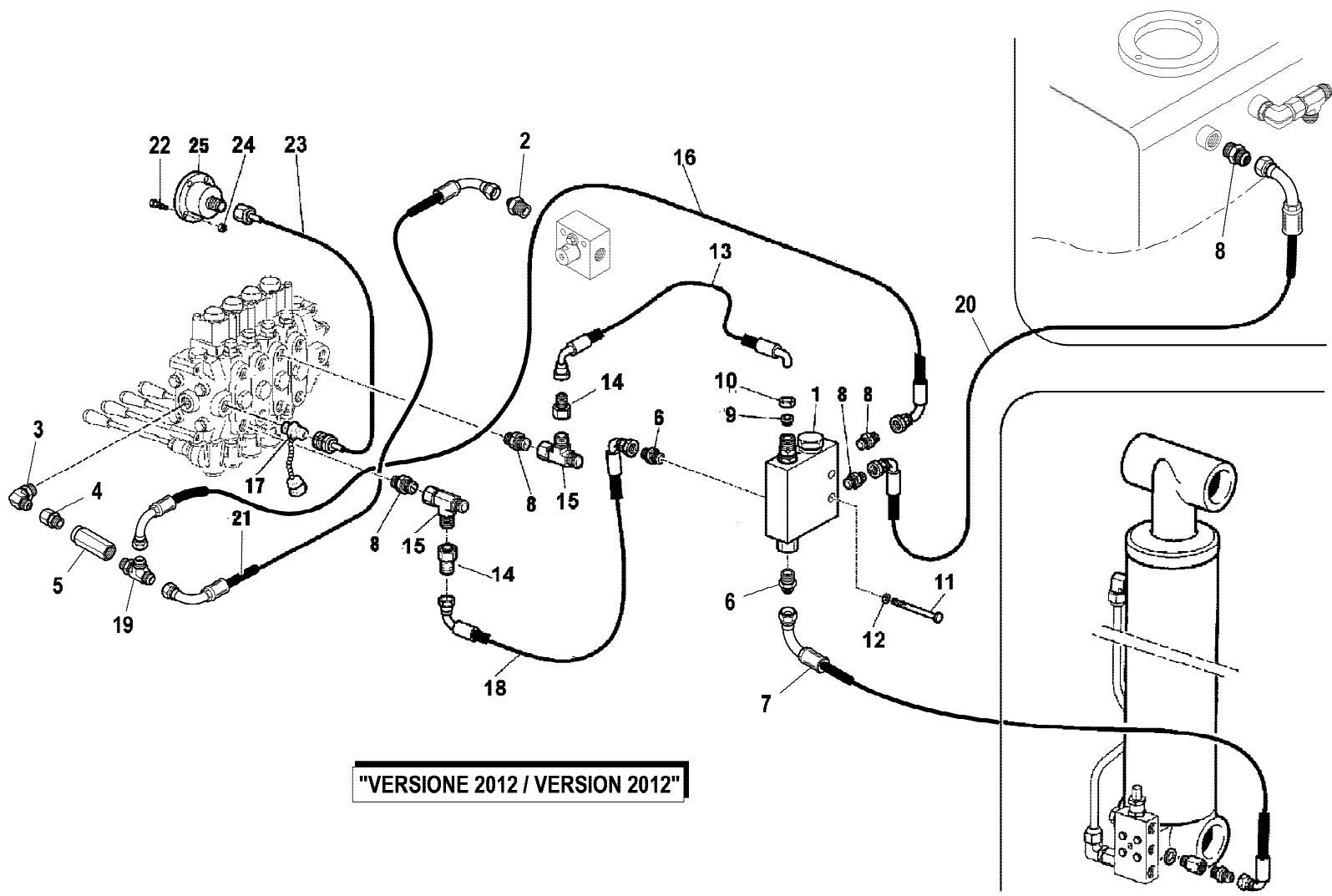
OPTIONAL

rif.	codice	Q.tà
1	5.22.0135	1
2	3.10.1124	1
3	3.12.0011	1
4	3.12.0064	1
5	5.22.0063	1
6	3.10.1039	2
7	5.26.0352	1
8	3.10.1021	2
9	3.10.0956	1
10	3.10.0952	1
11	3.01.0035	2
12	3.04.0303	2
13	5.26.0350	1
14	3.12.0209	2
15	3.12.0008	3
16	5.28.0416	1
17	3.11.1523	1
18	5.26.0351	1
19	3.11.0050	1
20	5.22.0635	1
21	5.28.0341	1
22	5.28.0417	1
23	5.30.0019	1
24	3.04.0516	3
25	3.18.0109	1
26	3.02.0880	3



"VERSIONE 2012 / VERSION 2012"

rif.	codice	Q.tà
1	5.22.0135	1
2	3.12.0073	1
3	3.10.1131	1
4	3.12.0067	1
5	5.22.0635	1
6	3.10.1039	3
7	5.26.0352	1
8	3.10.1051	5
9	3.10.0956	1
10	3.10.0952	1
11	3.01.0035	2
12	3.04.0303	2
13	5.26.0350	1
14	3.12.0209	2
15	3.12.0008	2
16	5.28.0948	1
17	3.11.1523	2
18	5.26.0351	1
19	3.10.1179	1
20	5.28.0417	1
21	5.28.0949	1
22	3.02.0880	3
23	5.30.0086	1
24	3.04.0516	3
25	3.18.0150	1
26	5.22.0063	1
27	3.12.0064	1
28	3.10.1215	1
29	3.11.1512	1
30	3.11.0270	1
31	3.06.0143	1
1/1		



rif.	codice	Q.tà
1	5.22.0135	1
2	3.12.0073	1
3	3.10.1131	1
4	3.12.0067	1
5	5.22.0635	1
6	3.10.1039	2
7	5.26.0352	1
8	3.10.1051	5
9	3.10.0956	1
10	3.10.0952	1
11	3.01.0035	2
12	3.04.0303	2
13	5.26.0350	1
14	3.12.0209	2
15	3.12.0008	2
16	5.28.0948	1
17	3.11.1523	1
18	5.26.0351	1
19	3.10.1179	1
20	5.28.0417	1
21	5.28.0949	1
22	3.02.0880	3
23	5.30.0086	1
24	3.04.0516	3
25	3.18.0150	1

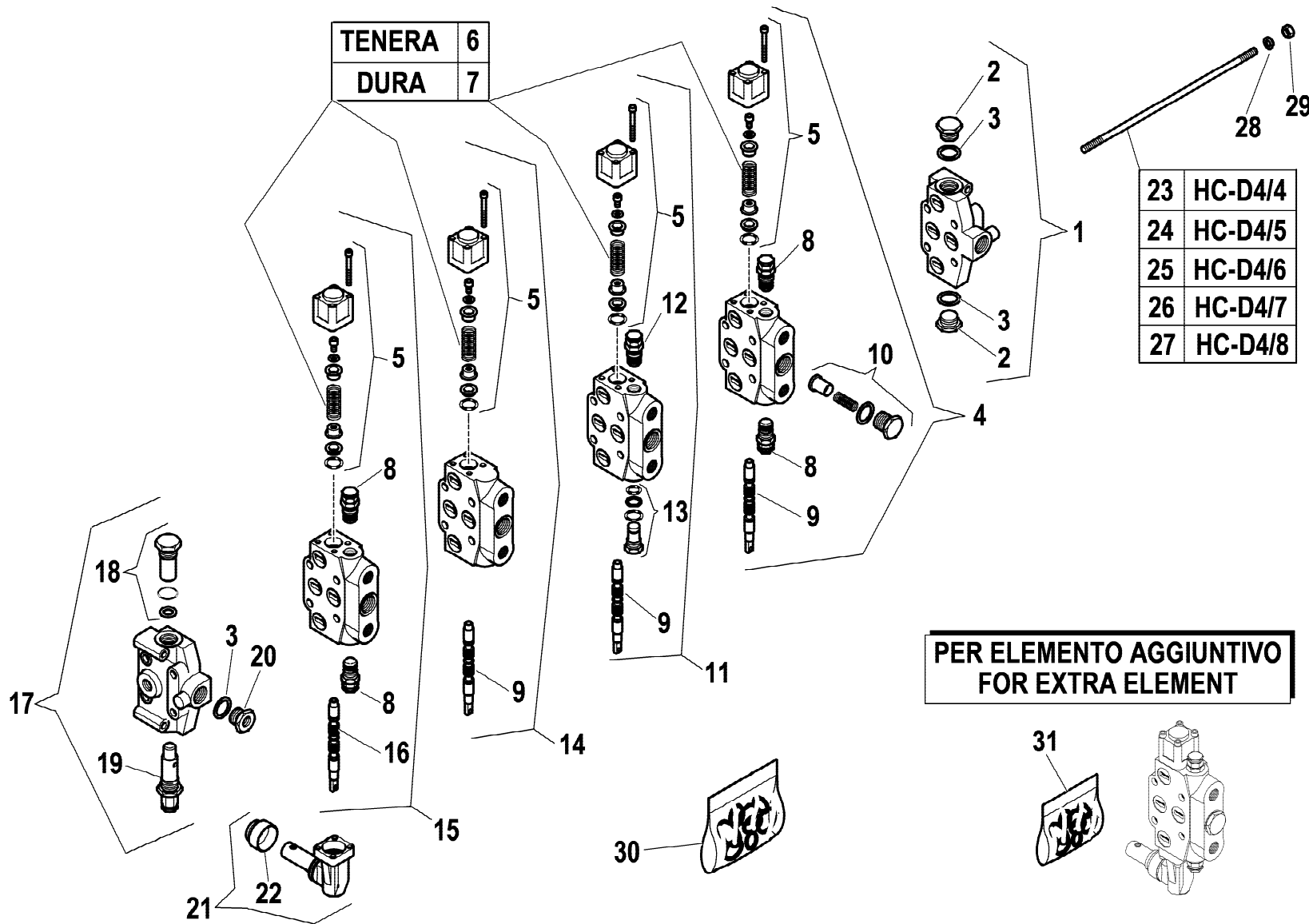


HB250

IMPIANTO IDRAULICO (NON CE) - LI
 HYDRAULIC SYSTEM (NOT CE) - LI
 INSTALLATION HYDRAULIQUE (PAS CE) - LI
 HYDRAULIKANLAGE (NICHT CE) - LI
 INSTALACION HIDRAULICA (NO CE) - LI

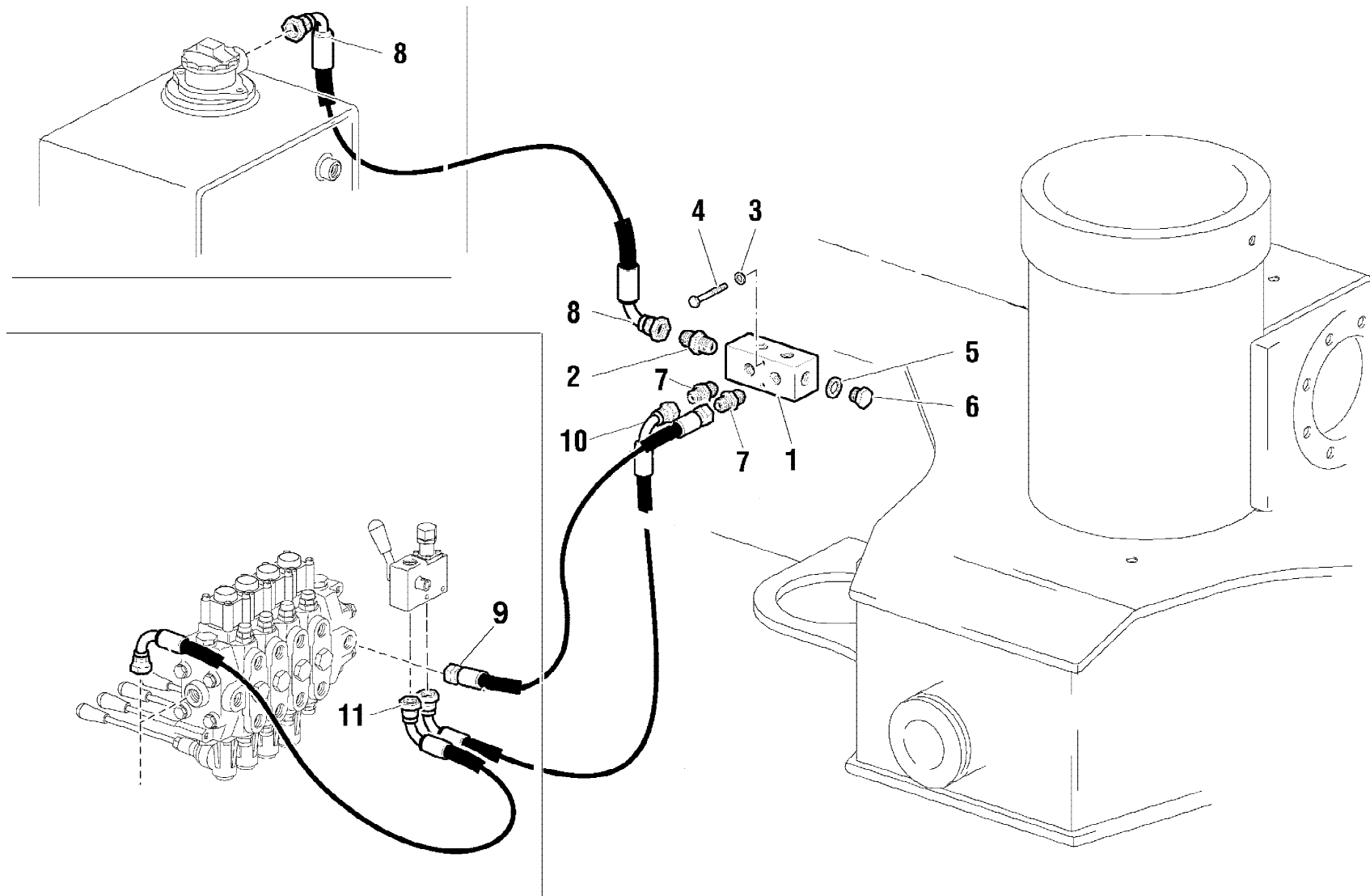
Tavola
5.43.0020-1-0

Data pag.
 marzo 2013 37

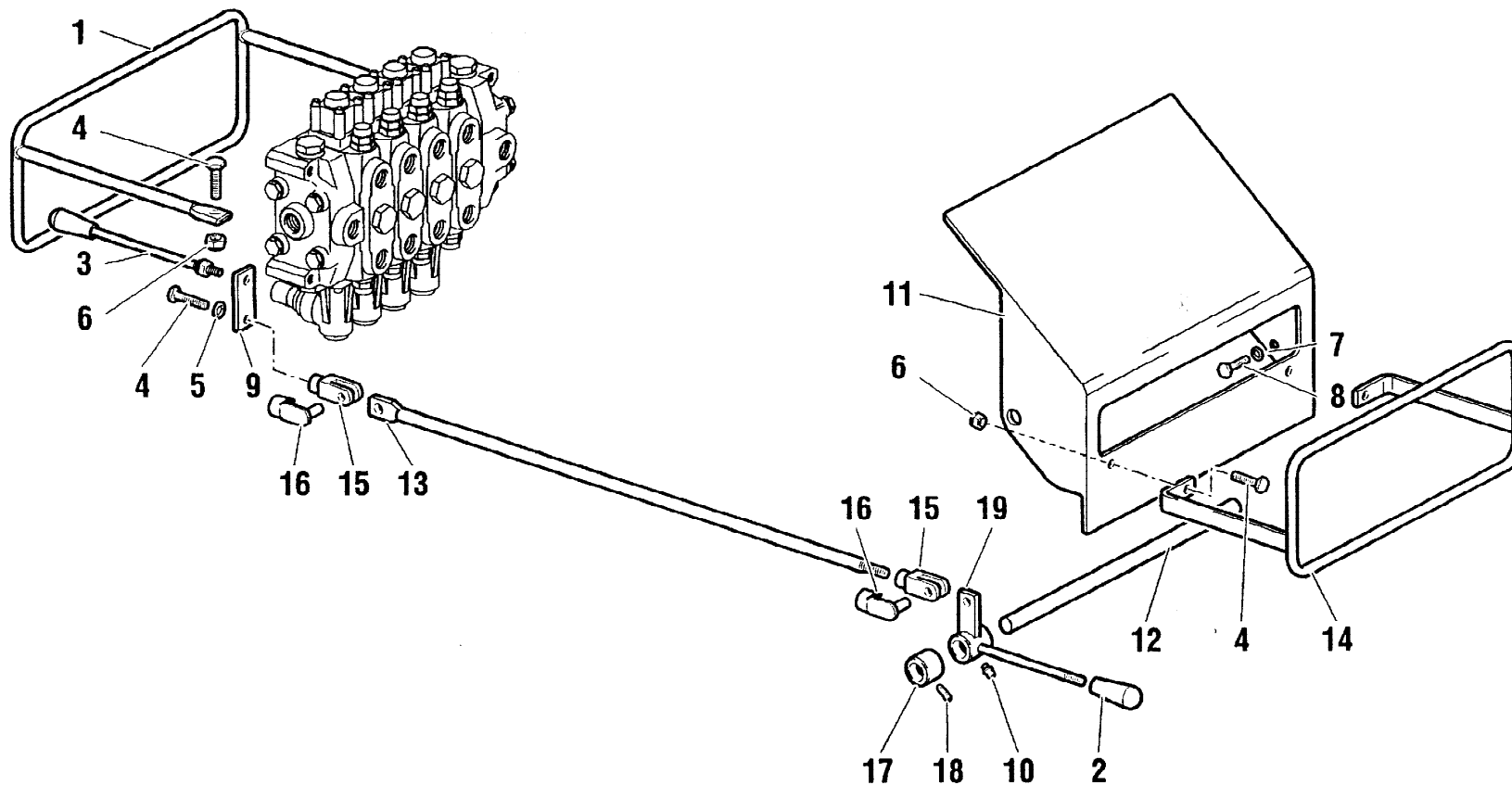


rif.	codice	Q.tà
1	5.22.5477	1
2	3.11.0065	2
3	3.06.0145	3
4	5.22.5476	1
5	5.22.5130	4
6	5.22.5461	4
7	5.22.5463	4
8	5.22.5200	4
9	5.22.5311	3
10	5.22.5469	4
11	5.22.5484	1
12	5.22.5145	1
13	5.22.5470	1
14	5.22.5483	1
15	5.22.5482	1
16	5.22.5177	1
17	5.22.5472	1
18	5.22.5428	1
19	5.22.5546	1
20	3.11.0161	1
21	5.22.5126	4
22	5.22.5128	4
23	5.22.5224	4
24	5.22.5213	4
25	5.22.5214	4
26	5.22.5215	4
27	5.22.5216	4
28	3.06.0056	8
29	3.04.0046	8
30	5.22.5561	1
31	5.22.5031	1

1/1



rif.	codice	Q.tà
1	5.00.0718	1
2	3.10.1056	1
3	3.06.0053	2
4	3.01.0388	2
5	3.06.0145	1
6	3.11.0065	1
7	3.10.1044	2
8	5.29.0047	1
9	5.29.0064	1
10	5.27.1175	1
11	5.28.0341	1



rif.	codice	Q.tà
1	5.09.0459	1
2	3.19.0006	4
3	5.22.0224	4
4	3.01.0339	4
5	3.06.0055	4
6	3.04.0303	4
7	3.06.0056	3
8	3.01.0355	3
9	5.00.0708	4
10	3.08.0500	4
11	5.09.0455	1
12	5.15.0459	1
13	5.09.0456	4
14	5.09.0460	1
15	3.30.0431	8
16	3.30.0451	8
17	5.00.0670	2
18	3.06.0232	4
19	5.09.0433	4

1/1

HYVA[®] CRANE

HB250

COMANDI BILATERALI (NON CE)
 DOUBLE CONTROLS (NOT CE)
 DOUBLE COMMANDES (PAS CE)
 DOPPELSTEUERUNG (NICHT CE)
 MONDOS BILATERALAS (NO CE)

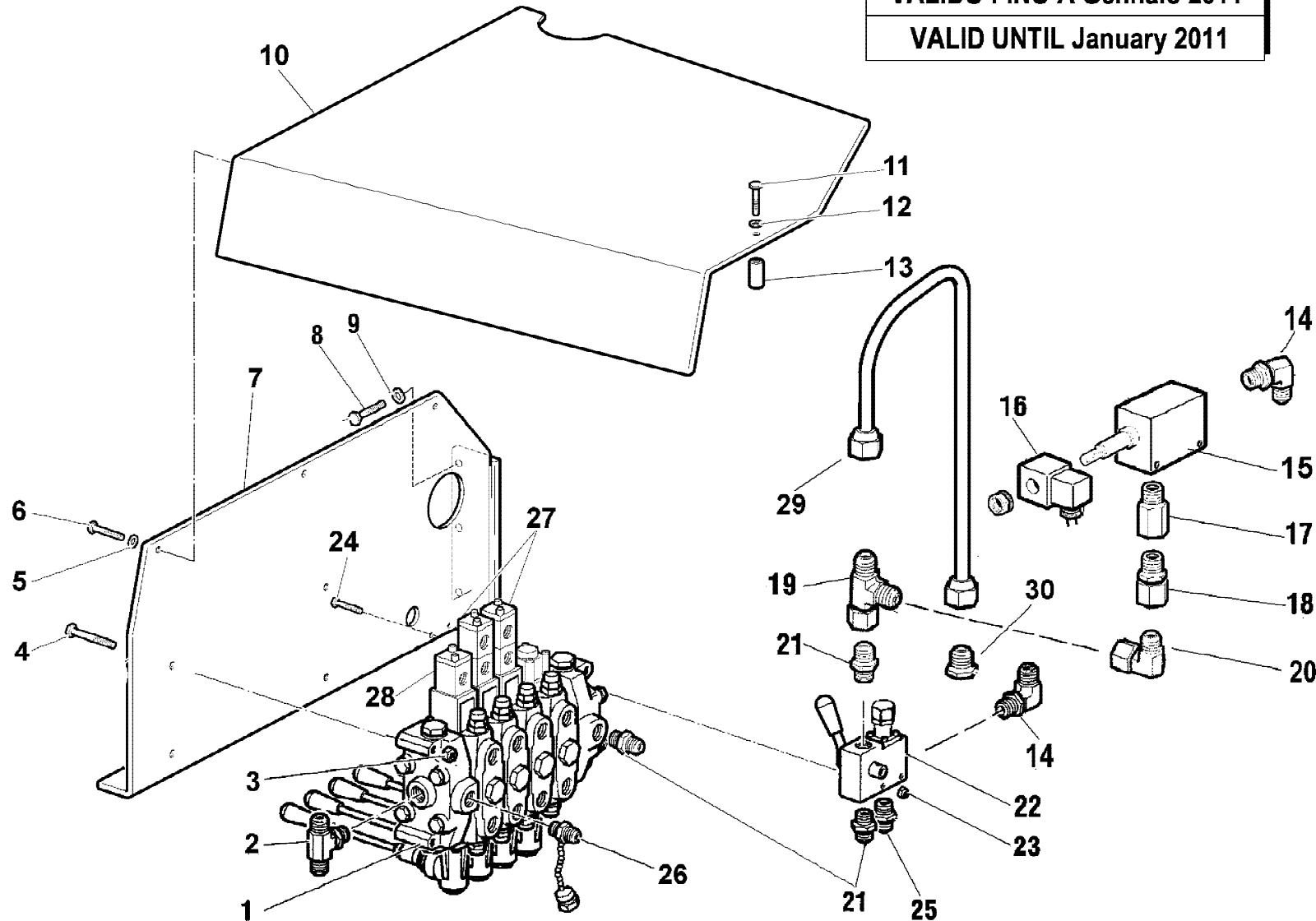
Tavola

5.40.0162-2-0

Data pag.
 novembre 2011 40

VALIDO FINO A Gennaio 2011

VALID UNTIL January 2011



rif.	codice	Q.tà
1	5.22.0292	1
2	3.12.0306	1
3	3.04.0303	3
4	3.01.0036	3
5	3.06.0053	3
6	3.01.0015	3
7	5.09.0570	1
8	3.01.0355	3
9	3.06.0056	3
10	5.00.0829	1
11	3.01.0029	2
12	3.06.0055	1
13	5.00.0835	1
14	3.10.1128	2
15	5.22.0642	1
16	3.31.0242	1
17	3.11.0113	1
18	3.12.0067	1
19	3.12.0008	1
20	3.12.0034	1
21	3.10.1051	3
22	5.22.0596	1
23	3.04.0372	2
24	3.01.0397	2
25	3.10.1044	1
26	3.11.1523	1
27	5.22.5313	3
28	5.22.5312	2
29	5.39.1461	1
30	3.11.0057	1

1/1

HYVA® CRANE

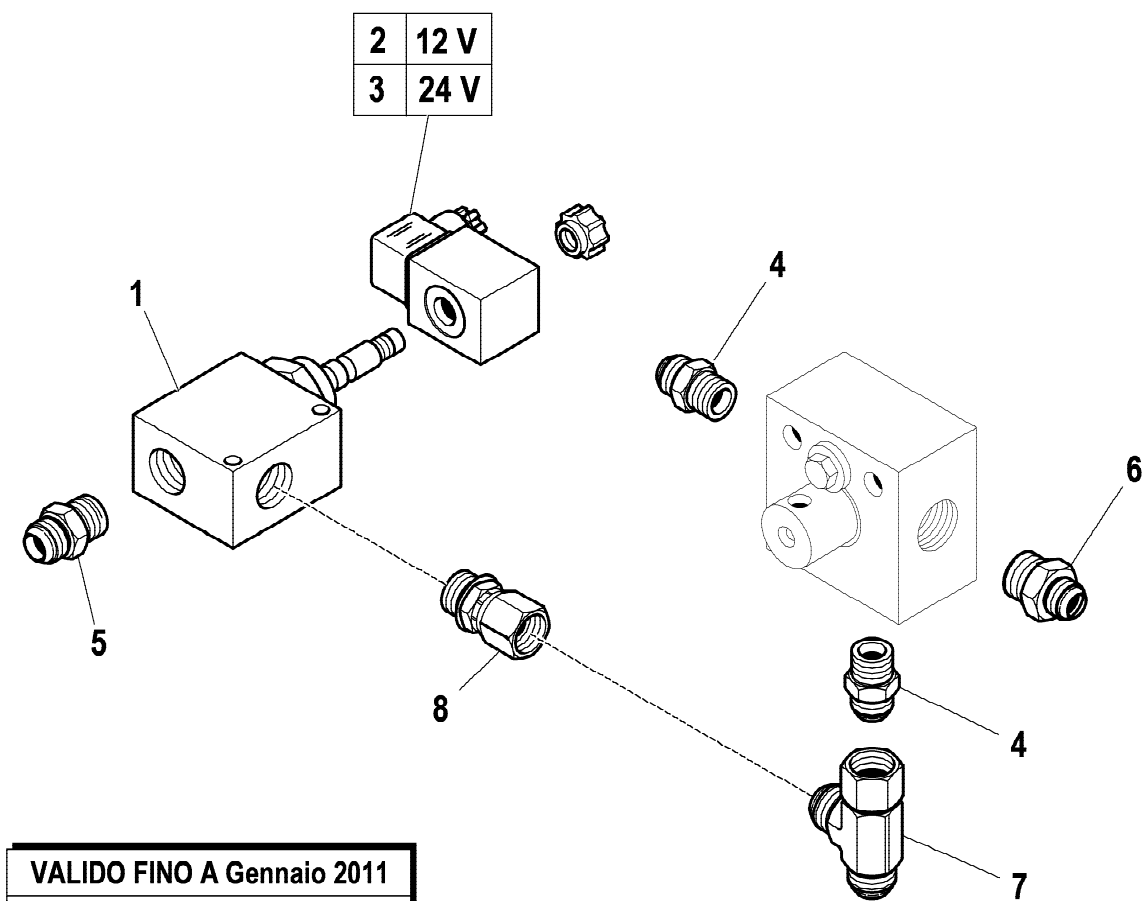
HB250

COMANDI - CE
 CONTROLS - CE
 COMMANDES - CE
 STEUERUGEN - CE
 MANDOS - CE

Tavola
5.40.0162-1-0

Data pag.
 ottobre 2006 41

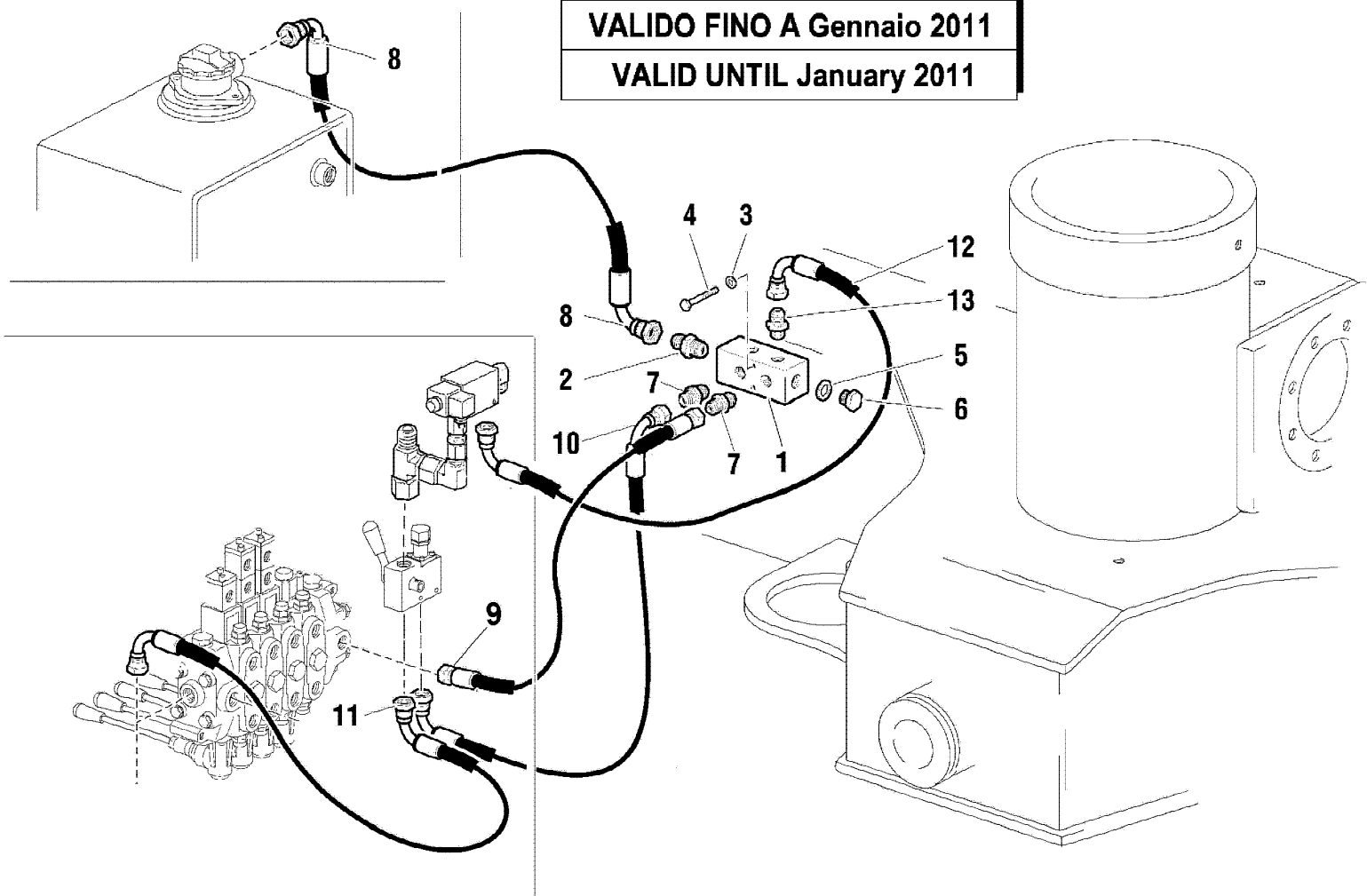
rif.	codice	Q.tà
1	5.22.0642	1
2	3.31.0238	1
3	3.31.0242	1
4	3.12.0073	2
5	3.10.1051	1
6	3.10.1045	1
7	3.12.0008	1
8	3.12.0067	1



VALIDO FINO A Gennaio 2011
VALID UNTIL January 2011

rif.	codice	Q.tà
1	5.00.0718	1
2	3.10.1056	1
3	3.06.0053	2
4	3.01.0388	2
5	3.06.0145	1
6	3.11.0065	1
7	3.10.1044	2
8	5.29.0047	1
9	5.29.0064	1
10	5.27.1175	1
11	5.28.0341	1
12	5.27.1176	1
13	3.10.1051	1

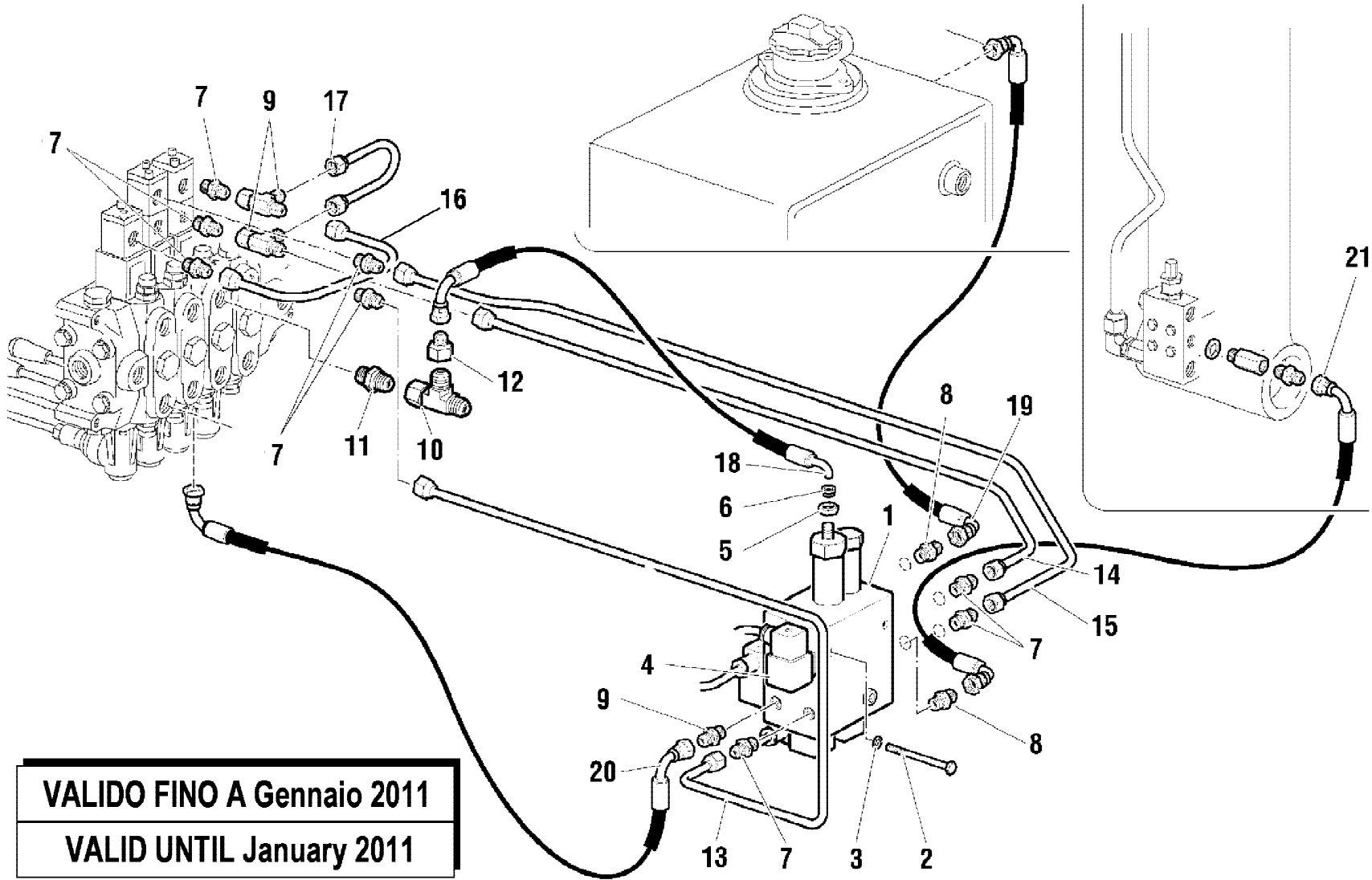
VALIDO FINO A Gennaio 2011
VALID UNTIL January 2011



HB250

COLLETTORE - CE
 MANIFOLD - CE
 COLLECTEUR - CE
 KOLLEKTOR - CE
 COLECTOR - CE

Tavola
5.40.0168-1-0



rif.	codice	Q.tà
1	5.22.0544	1
2	3.01.0027	2
3	3.06.0055	2
4	3.31.0153	2
5	3.10.0952	1
6	3.10.0956	1
7	3.10.1034	8
8	3.10.1039	3
9	3.12.0001	2
10	3.12.0008	1
11	3.10.1051	1
12	3.12.0209	1
13	5.39.1510	1
14	5.39.1508	1
15	5.39.1509	1
16	5.39.1443	1
17	5.39.1442	1
18	5.26.0350	1
19	5.26.0353	1
20	5.26.0351	1
21	5.26.0352	1

VALIDO FINO A Gennaio 2011
VALID UNTIL January 2011



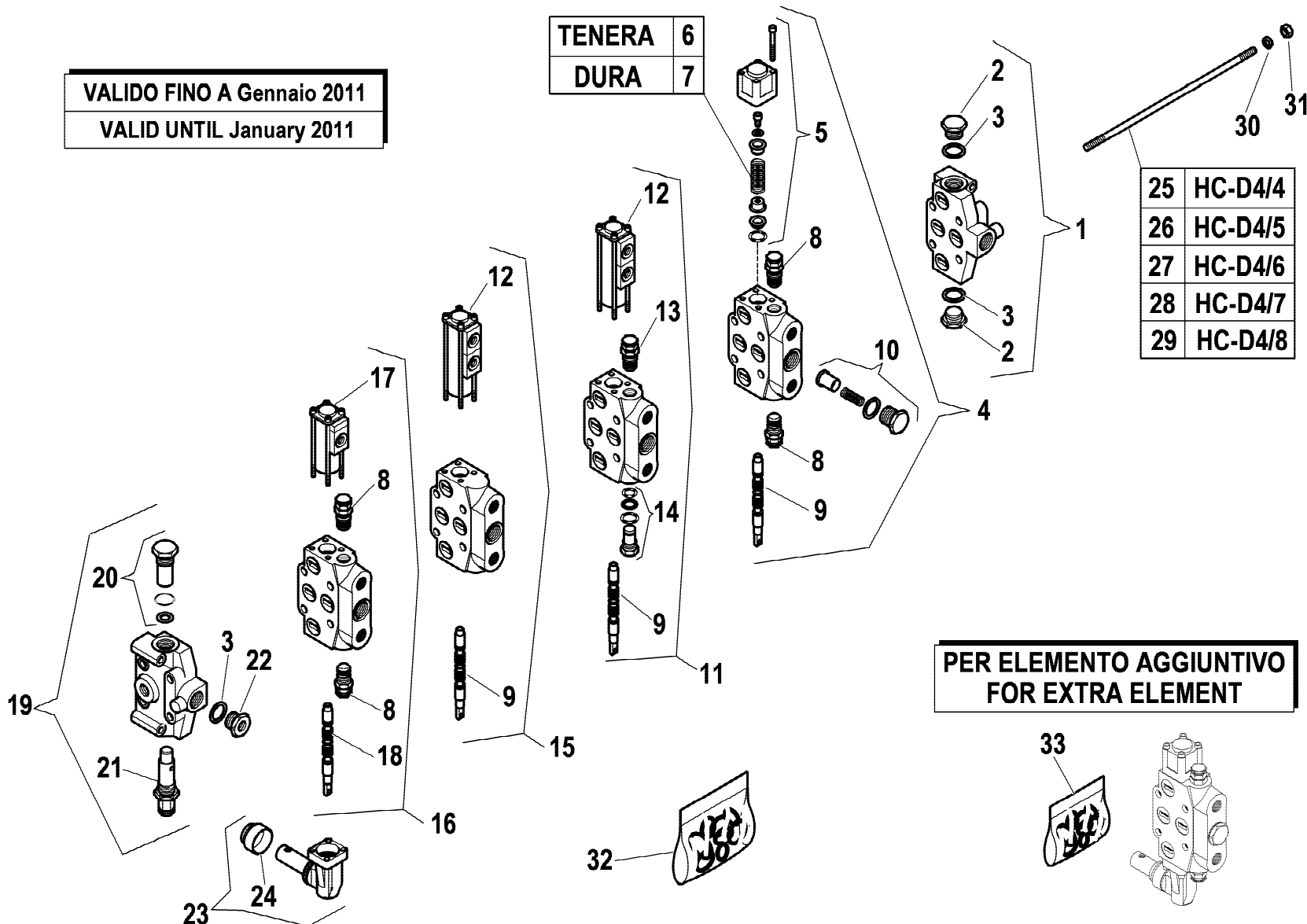
IMPIANTO IDRAULICO (LIMITATORE DI MOMENTO) - CE
 HYDRAULIC SYSTEM (MOMENT LIMITING DEVICE) - CE
 INSTALLATION HYDRAULIQUE (LIMITEUR DE MOMENT) - CE
 HYDRAULIKANLAGE (HUB-MOMENTBEGRENZER) - CE
 INSTALACION HIDRAULICA (LIMITADOR DE MOMENTO) - CE

Tavola
5.43.0012-1-1

VALIDO FINO A Gennaio 2011

VALID UNTIL January 2011

TENERA	6
DURA	7



25	HC-D4/4
26	HC-D4/5
27	HC-D4/6
28	HC-D4/7
29	HC-D4/8

**PER ELEMENTO AGGIUNTIVO
FOR EXTRA ELEMENT**

rif.	codice	Q.tà
1	5.22.5477	1
2	3.11.0065	2
3	3.06.0145	3
4	5.22.5476	1
5	5.22.5130	1
6	5.22.5461	1
7	5.22.5463	1
8	5.22.5200	4
9	5.22.5311	3
10	5.22.5469	4
11	5.22.5475	1
12	5.22.5313	2
13	5.22.5145	1
14	5.22.5470	1
15	5.22.5474	1
16	5.22.5473	1
17	5.22.5312	1
18	5.22.5177	1
19	5.22.5472	1
20	5.22.5428	1
21	5.22.5546	1
22	3.11.0161	1
23	5.22.5126	4
24	5.22.5128	4
25	5.22.5224	4
26	5.22.5213	4
27	5.22.5214	4
28	5.22.5215	4
29	5.22.5216	4
30	3.06.0056	8
31	3.04.0046	8

1/2



HB250

DISTRIBUTORE (4 ELEMENTI) - CE
 CONTROL VALVE (4 SECTION) - CE
 DISTRIBUTEUR (4 VOIES) - CE
 STEUERBLOCK (4 ELEMENTE) - CE
 DISTRIBUIDOR (4 ELEMENTOS) - CE

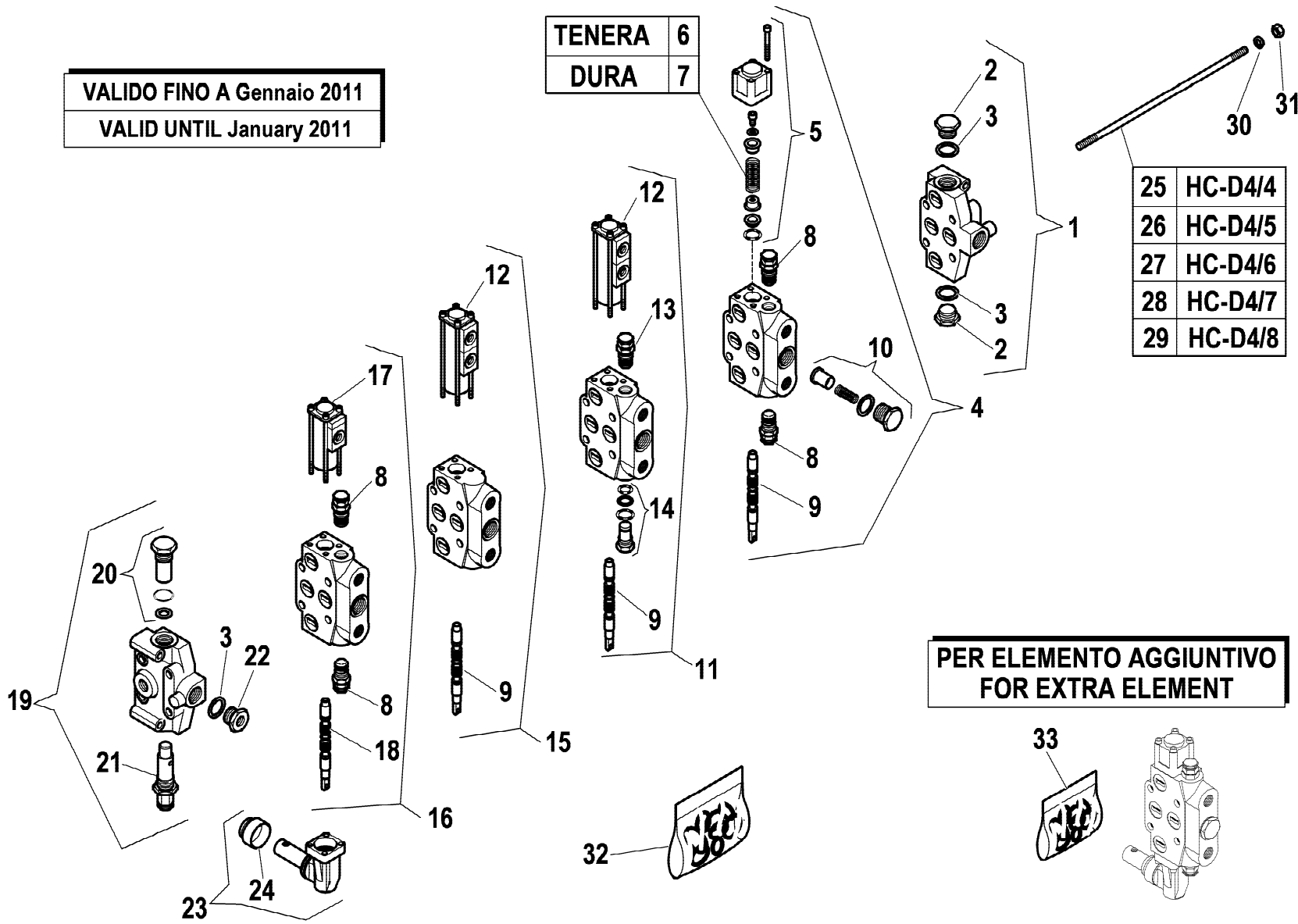
Tavola
5.22.0292-1-0

Data pag.
 ottobre 2006 45.1

rif.	codice	Q.tà
32	5.22.5310	1
33	5.22.5031	1

VALIDO FINO A Gennaio 2011
VALID UNTIL January 2011

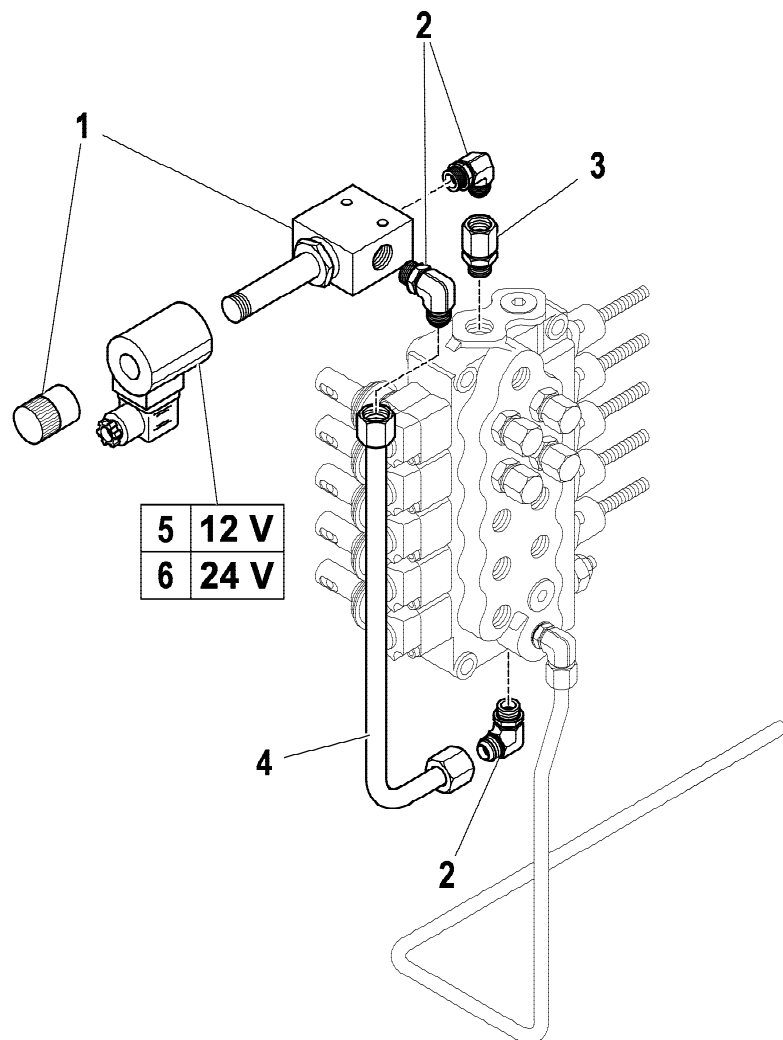
TENERA	6
DURA	7

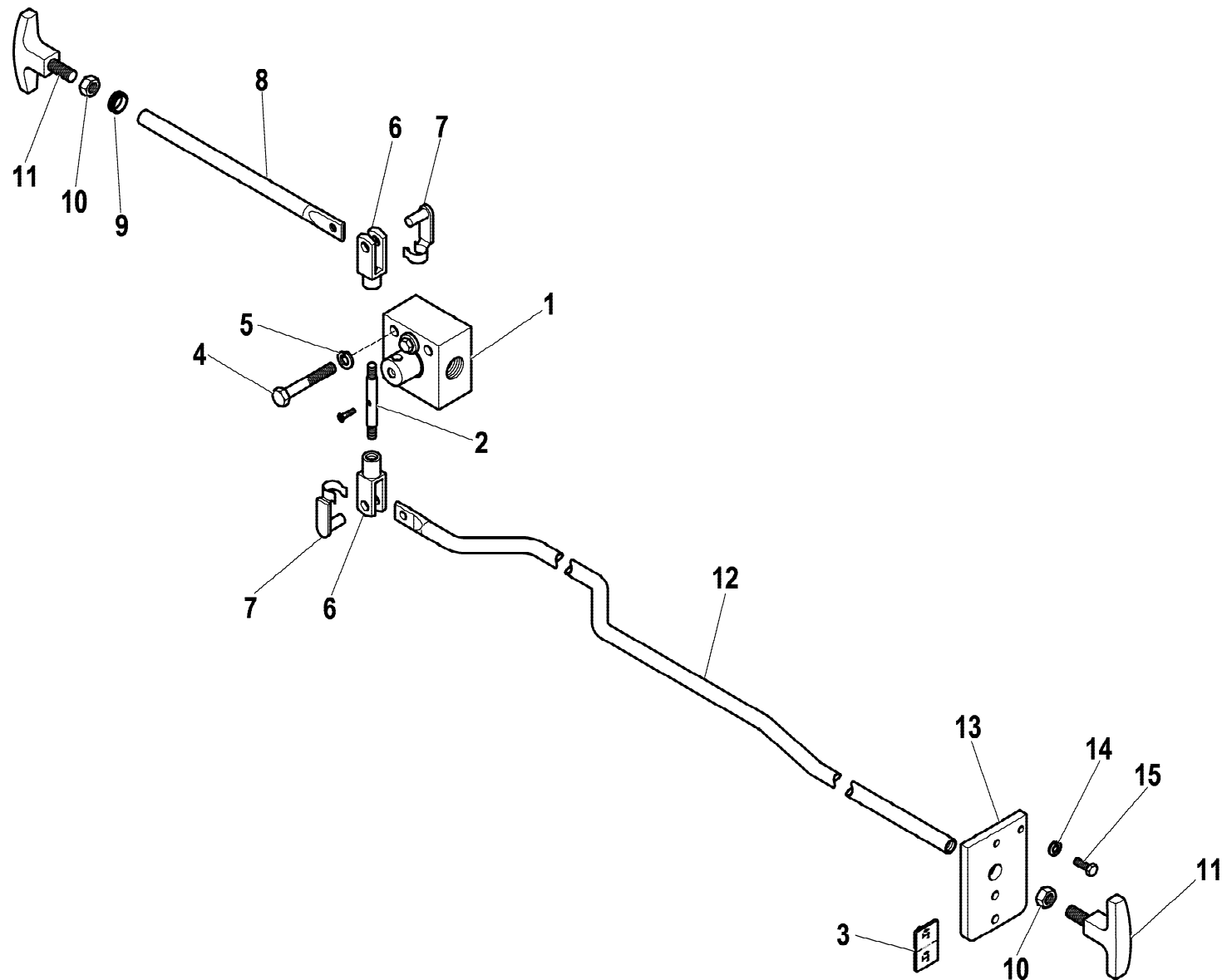


25	HC-D4/4
26	HC-D4/5
27	HC-D4/6
28	HC-D4/7
29	HC-D4/8

PER ELEMENTO AGGIUNTIVO
FOR EXTRA ELEMENT

rif.	codice	Q.tà
1	5.22.0182	1
2	3.10.1127	3
3	3.12.0066	1
4	5.39.0557	1
5	3.31.0042	1
6	3.31.0043	1





rif.	codice	Q.tà
1	5.22.0599	1
2	5.00.1170	1
3	5.81.3516	1
4	3.01.0415	2
5	3.06.0056	2
6	3.30.0433	2
7	3.30.0453	2
8	5.09.0715	1
9	3.19.0214	1
10	3.04.0047	2
11	3.19.0213	2
12	5.09.1074	1
13	5.14.0738	1
14	3.06.0053	2
15	3.01.0015	2

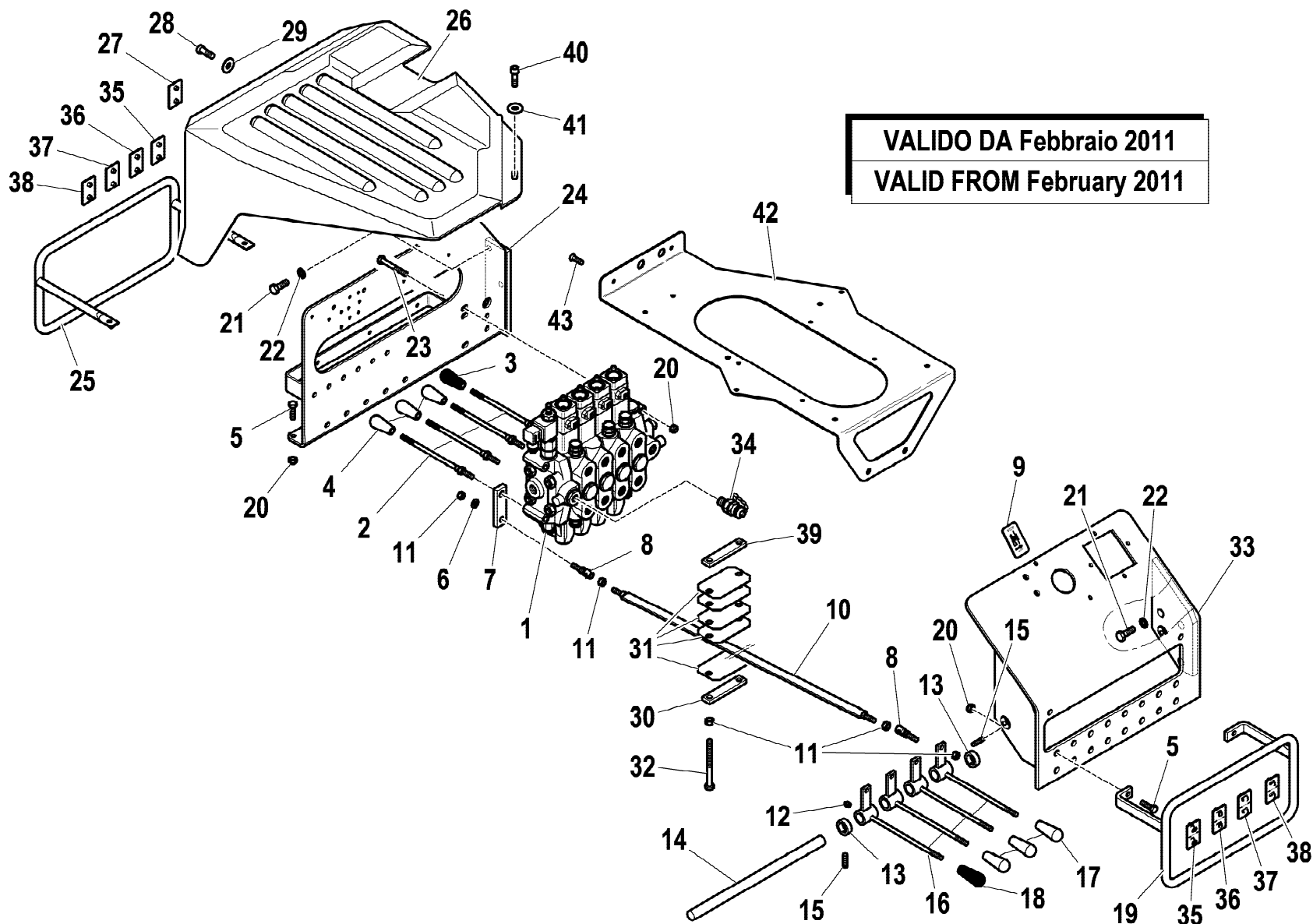
1/1

HYVA® CRANE
HB250

COMANDI BILATERALI CE
DOUBLE CONTROLS CE
DOUBLE COMMANDES CE
DOPPELSTEUERUNG CE
MONDOS BILATERALAS CE

Tavola
5.40.0950-2-0

Data pag.
dicembre 2007 47



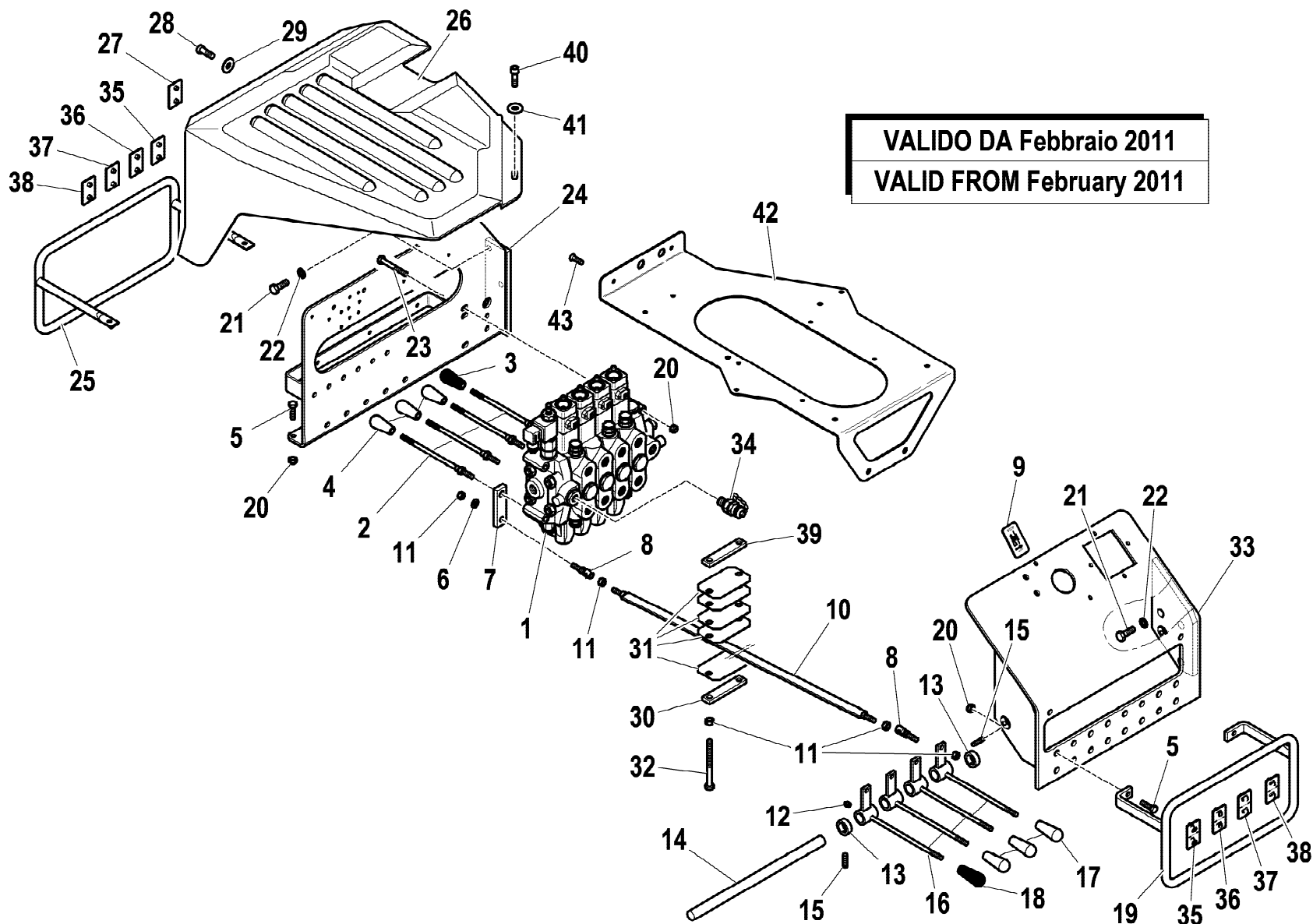
rif.	codice	Q.tà
1	5.22.0465	1
2	5.22.0224	4
3	3.19.0189	1
4	3.19.0010	3
5	3.01.0339	4
6	3.06.0006	4
7	5.00.0708	4
8	3.30.0503	8
9	5.81.3567	1
10	5.09.1116	4
11	3.04.0045	18
12	3.08.0500	4
13	5.00.0670	2
14	5.15.0459	1
15	3.06.0234	2
16	5.09.1111	4
17	3.19.0006	3
18	3.19.0188	1
19	5.09.0460	1
20	3.04.0303	7
21	3.01.0355	6
22	3.06.0056	6
23	3.01.0036	3
24	5.09.0132	1
25	5.09.0459	1
26	5.09.1076	1
27	5.81.3516	1
28	3.02.0023	3
29	3.06.0004	3
30	5.00.1191	1
31	5.14.0748	5

1/2

HYVA CRANE
HB250

COMANDI BILATERALI (CE) EN12999-A3
 DOUBLE CONTROLS (CE) EN12999-A3
 DOUBLE COMMANDES (CE) EN12999-A3
 DOPPELSTEUERUNG (CE) EN12999-A3
 MONDOS BILATERALAS (CE) EN12999-A3

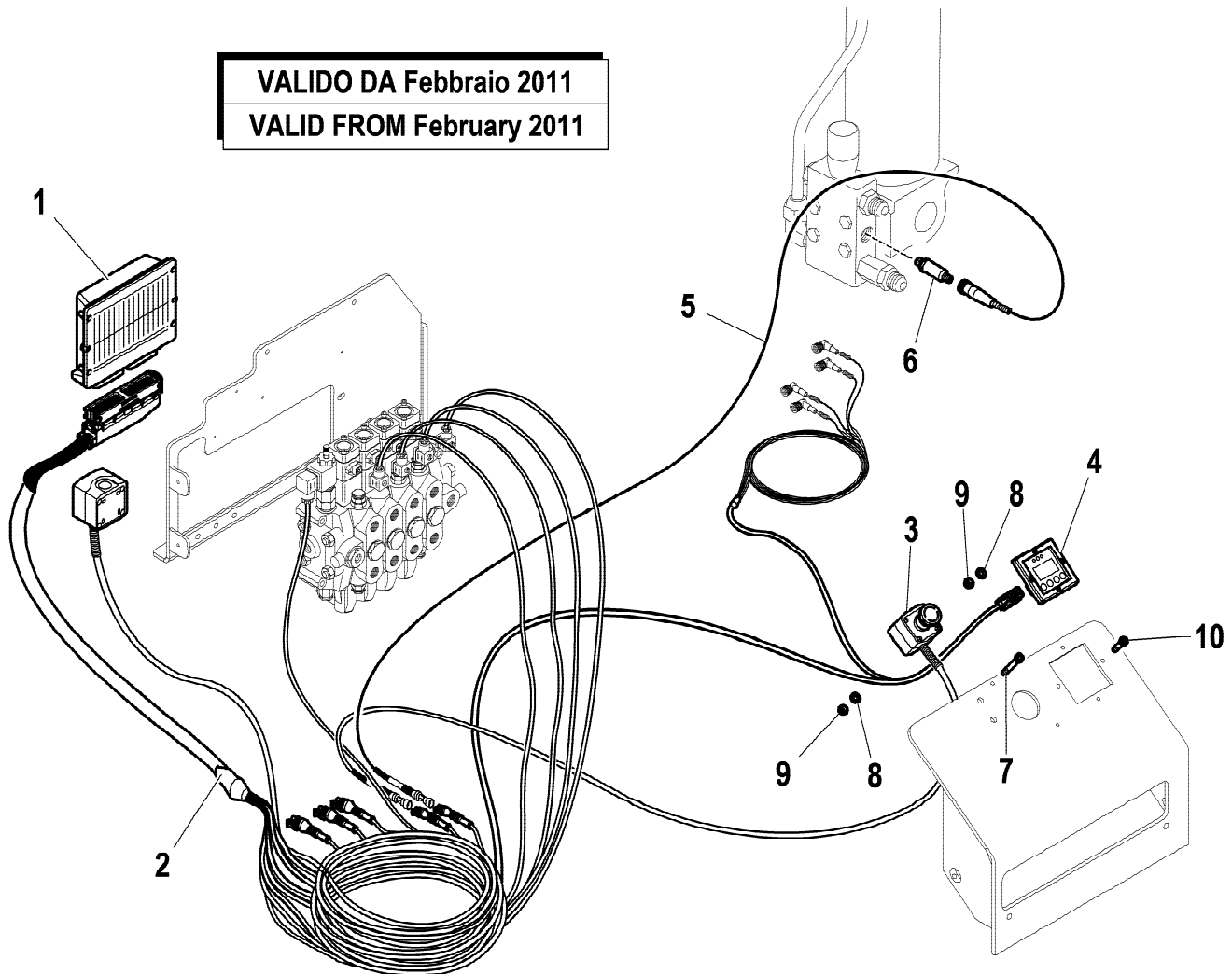
Tavola
5.40.1469-1-0
 Data pag.
 novembre 2011 48.1



VALIDO DA Febbraio 2011
 VALID FROM February 2011

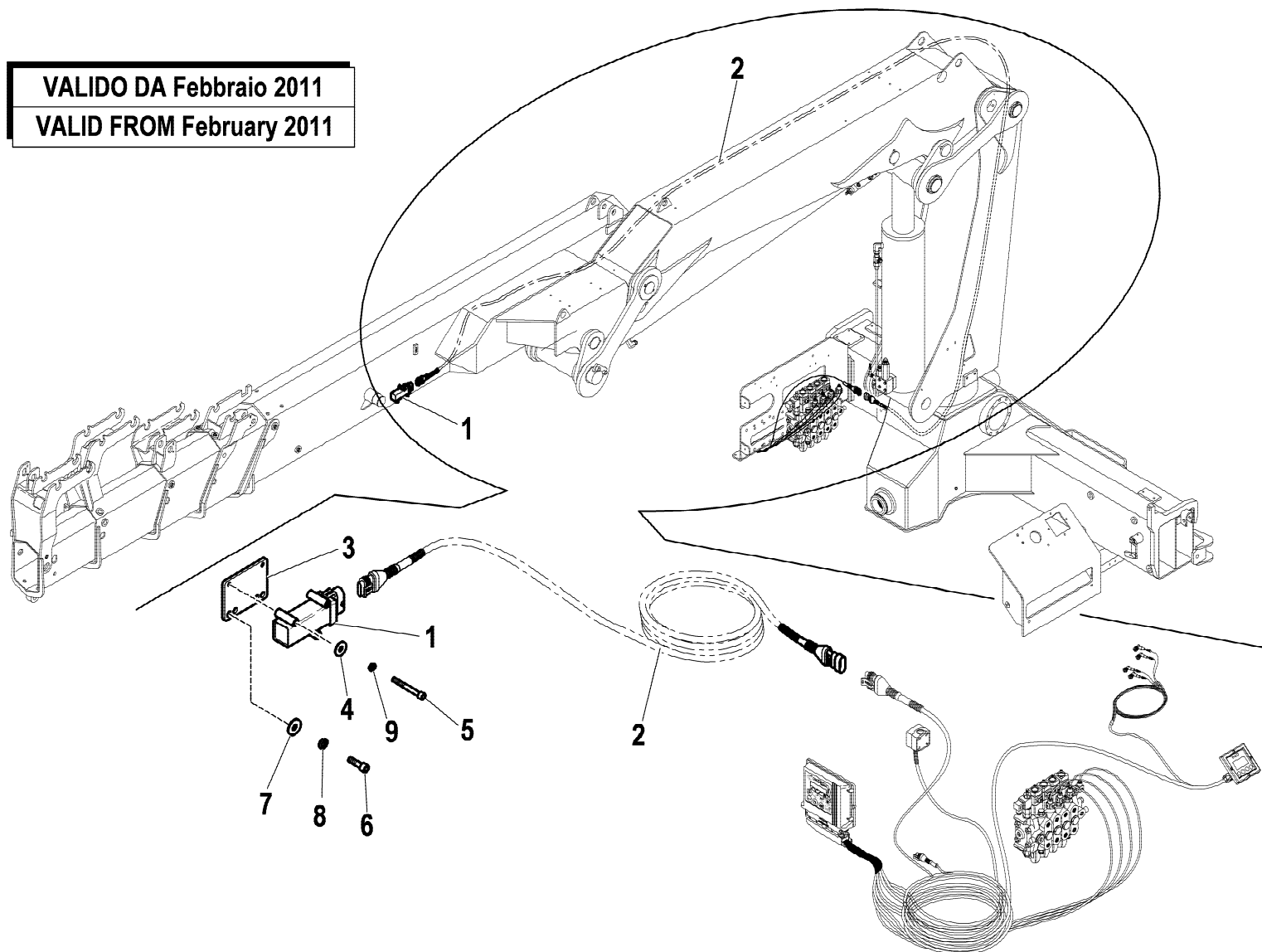
rif.	codice	Q.tà
32	3.01.0038	2
33	5.09.1329	1
34	3.11.1523	1
35	W.573.266	2
36	W.573.267	2
37	W.573.269	2
38	W.573.270	2
39	5.00.1190	1
40	3.02.0034	1
41	3.06.0030	1
42	5.00.0438	1
43	3.02.0438	2

VALIDO DA Febbraio 2011
VALID FROM February 2011



rif.	codice	Q.tà
1	3.31.1423	1
2	5.16.0085	1
3	3.31.1400	1
4	3.31.1328	1
5	5.16.0084	1
6	3.31.0612	1
7	3.02.0013	2
8	3.06.0030	6
9	3.04.0518	6
10	3.02.0885	4

VALIDO DA Febbraio 2011
 VALID FROM February 2011



rif.	codice	Q.tà
1	3.31.1150	1
2	5.16.0076	1
3	5.00.2108	1
4	3.06.0003	2
5	3.02.0018	2
6	3.02.0033	2
7	3.06.0005	2
8	3.06.0053	2
9	3.06.0065	2

1/1

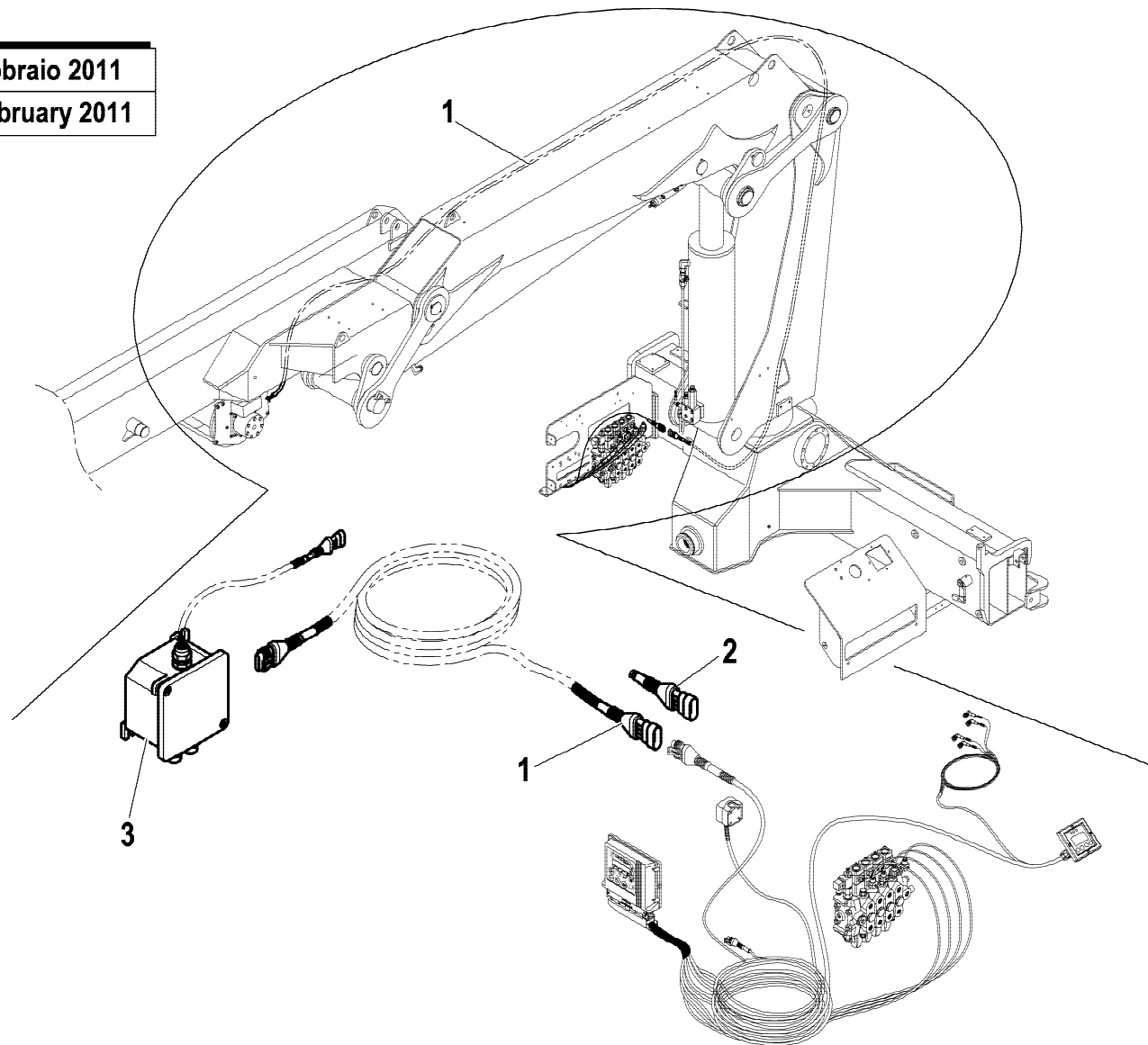
HYVA® CRANE
 HB250

COMANDI BILATERALI (CE) EN12999-A3
 DOUBLE CONTROLS (CE) EN12999-A3
 DOUBLE COMMANDES (CE) EN12999-A3
 DOPPELSTEUERUNG (CE) EN12999-A3
 MONDOS BILATERALAS (CE) EN12999-A3

Tavola
5.40.1469-3-0

Data pag.
 novembre 2011 50

VALIDO DA Febbraio 2011
VALID FROM February 2011



rif.	codice	Q.tà
1	5.16.0004	1
2	5.16.0013	1
3	3.31.0663	1

1/1

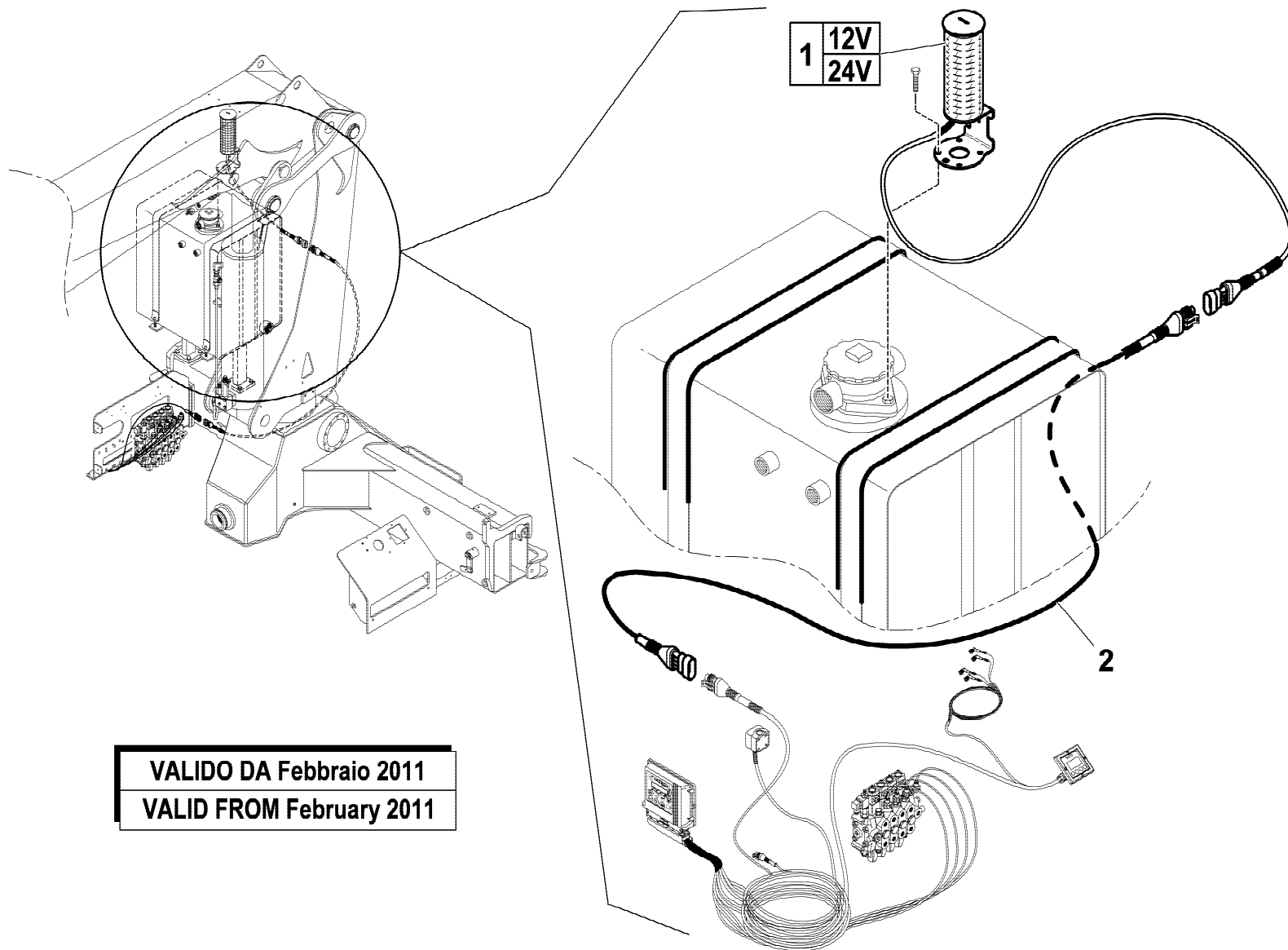
HYVA[®] CRANE
HB250

COMANDI BILATERALI (CE) EN12999-A3
 DOUBLE CONTROLS (CE) EN12999-A3
 DOUBLE COMMANDES (CE) EN12999-A3
 DOPPELSTEUERUNG (CE) EN12999-A3
 MONDOS BILATERALAS (CE) EN12999-A3

Tavola
5.40.1469-4-0

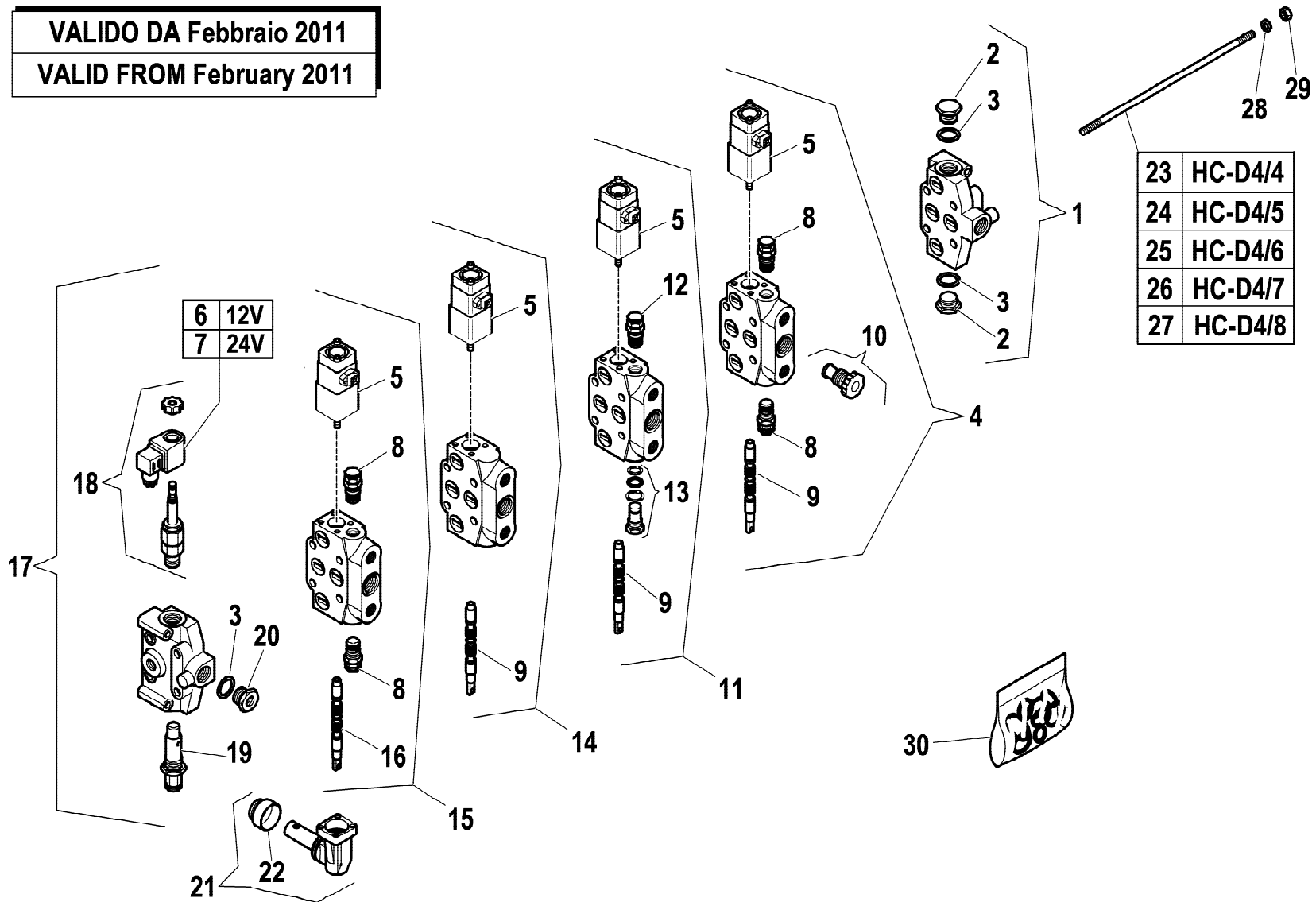
Data pag.
 novembre 2011 51

rif.	codice	Q.tà
1	3.31.1159	1
2	5.16.0003	1



VALIDO DA Febbraio 2011
 VALID FROM February 2011

VALIDO DA Febbraio 2011
VALID FROM February 2011



23	HC-D4/4
24	HC-D4/5
25	HC-D4/6
26	HC-D4/7
27	HC-D4/8

rif.	codice	Q.tà
1	5.22.5477	1
2	3.11.0065	2
3	3.06.0145	3
4	5.22.5698	1
5	5.22.5372	4
6	3.31.1046	1
7	3.31.1047	1
8	5.22.5200	4
9	5.22.5311	3
10	5.22.5865	4
11	5.22.5699	1
12	5.22.5145	1
13	5.22.5470	1
14	5.22.5860	1
15	5.22.5861	1
16	5.22.5177	1
17	5.22.5862	1
18	5.22.5429	1
19	5.22.5546	1
20	3.11.0161	1
21	5.22.5126	4
22	5.22.5128	4
23	5.22.5224	4
24	5.22.5213	4
25	5.22.5214	4
26	5.22.5215	4
27	5.22.5216	4
28	3.06.0056	8
29	3.04.0046	8
30	5.22.5863	1

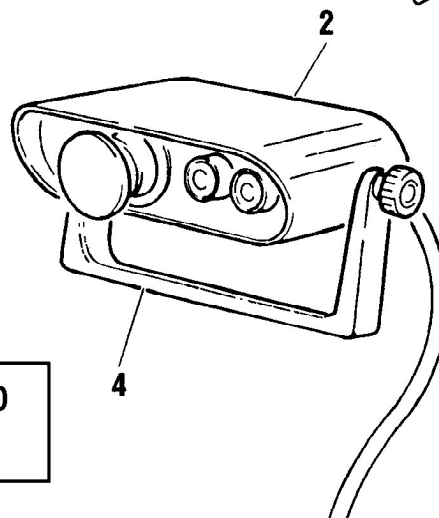
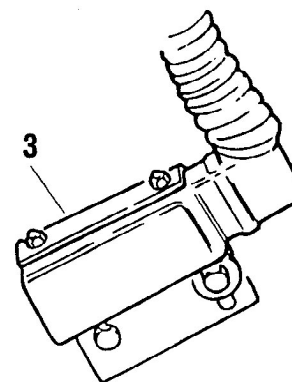
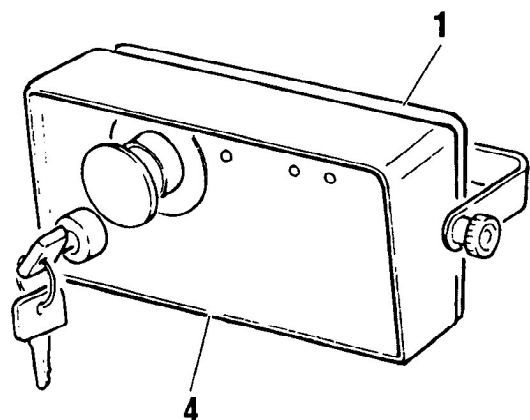


DISTRIBUTORE (4 ELEMENTI) CE EN12999-A3
 CONTROL VALVE (4 SECTION) CE EN12999-A3
 DISTRIBUTEUR (4 VOIES) CE EN12999-A3
 STEUERBLOCK (4 ELEMENTE) CE EN12999-A3
 DISTRIBUIDOR (4 ELEMENTOS) CE EN12999-A3

Tavola
5.22.0465-1-0

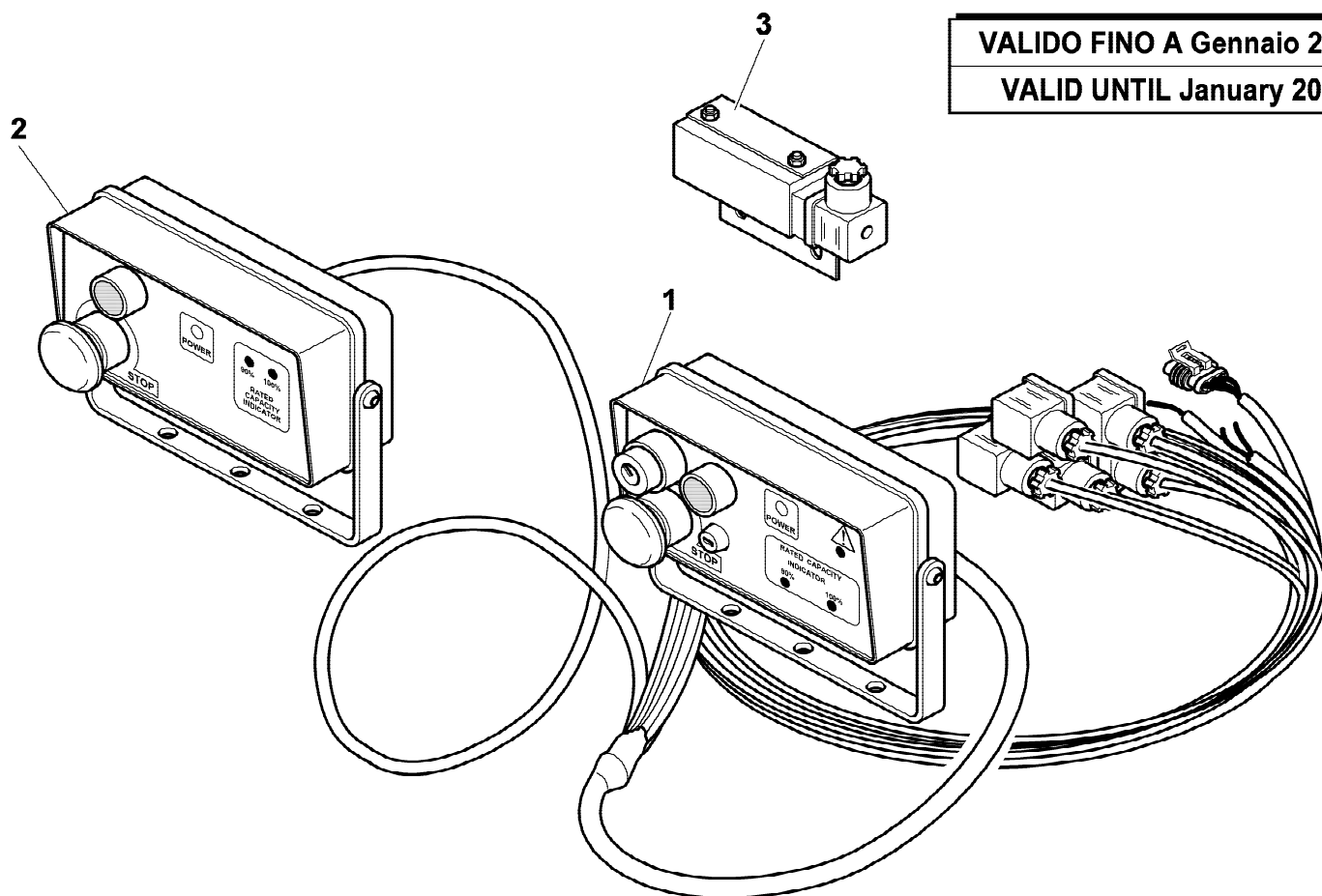
Data pag.
 gennaio 2011 53

rif.	codice	Q.tà
1	3.31.0224	1
2	3.31.0225	1
3	3.31.0154	1

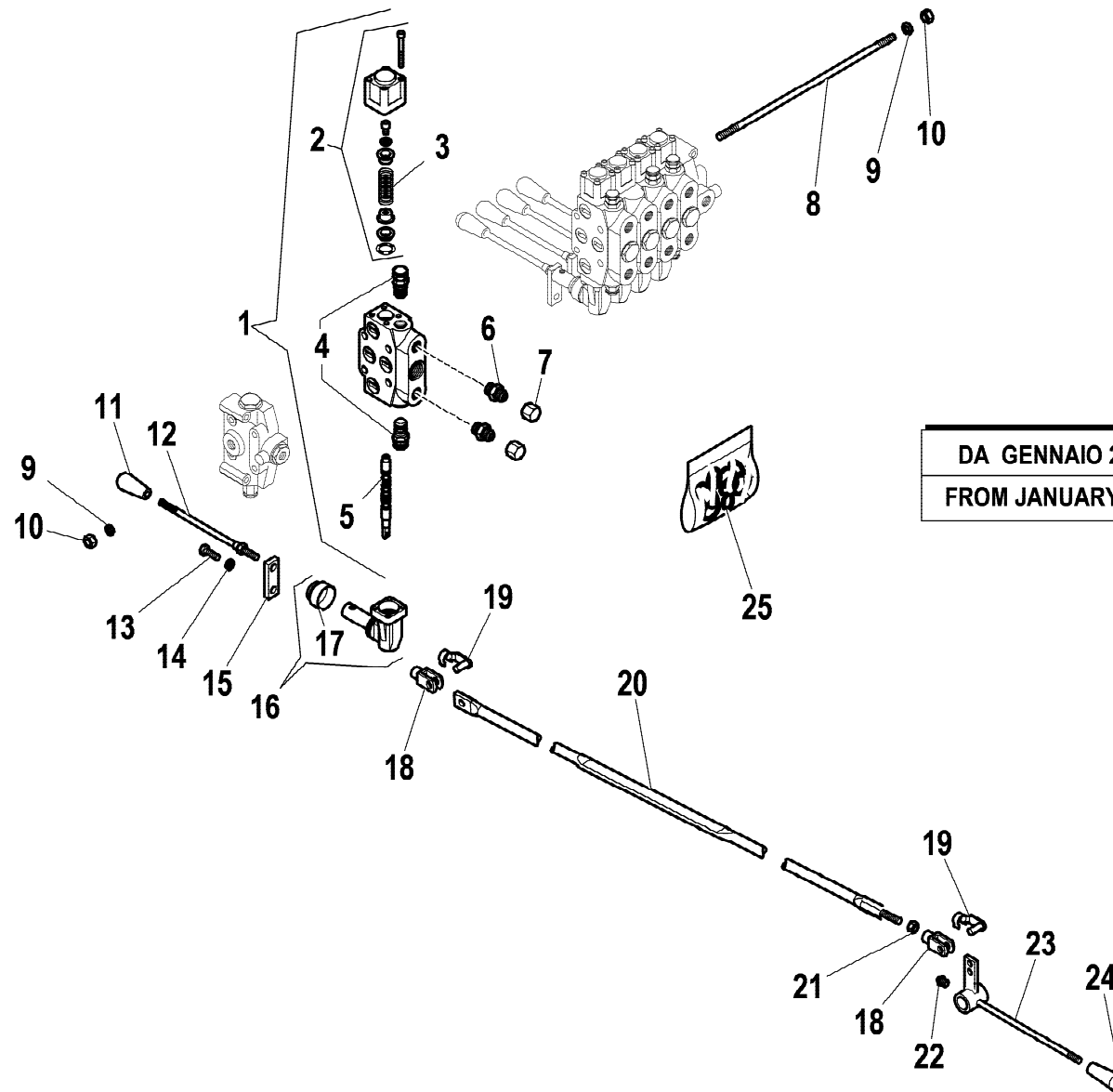


VALIDO FINO A MATRICOLA : 10130
 VALIDO FINO A MATRICOLA : 10130

rif.	codice	Q.tà
1	3.31.0617	1
2	3.31.0618	1
3	3.31.0154	1



VALIDO FINO A Gennaio 2011
VALID UNTIL January 2011



rif.	codice	Q.tà
1	5.22.5187	1
2	5.22.5130	1
3	5.22.5462	1
4	5.22.5200	2
5	5.22.5177	1
6	3.10.1051	2
7	3.11.0050	2
8	5.22.5213	4
9	3.06.0056	4
10	3.04.0046	4
11	3.19.0006	2
12	5.22.0224	2
13	3.01.0339	2
14	3.06.0055	2
15	5.00.0708	2
16	5.22.5126	2
17	5.22.5128	2
18	3.30.0431	2
19	3.30.0451	2
20	5.09.0456	2
21	3.04.0045	2
22	3.08.0500	2
23	5.09.0433	2
24	3.19.0010	2
25	5.22.5031	1

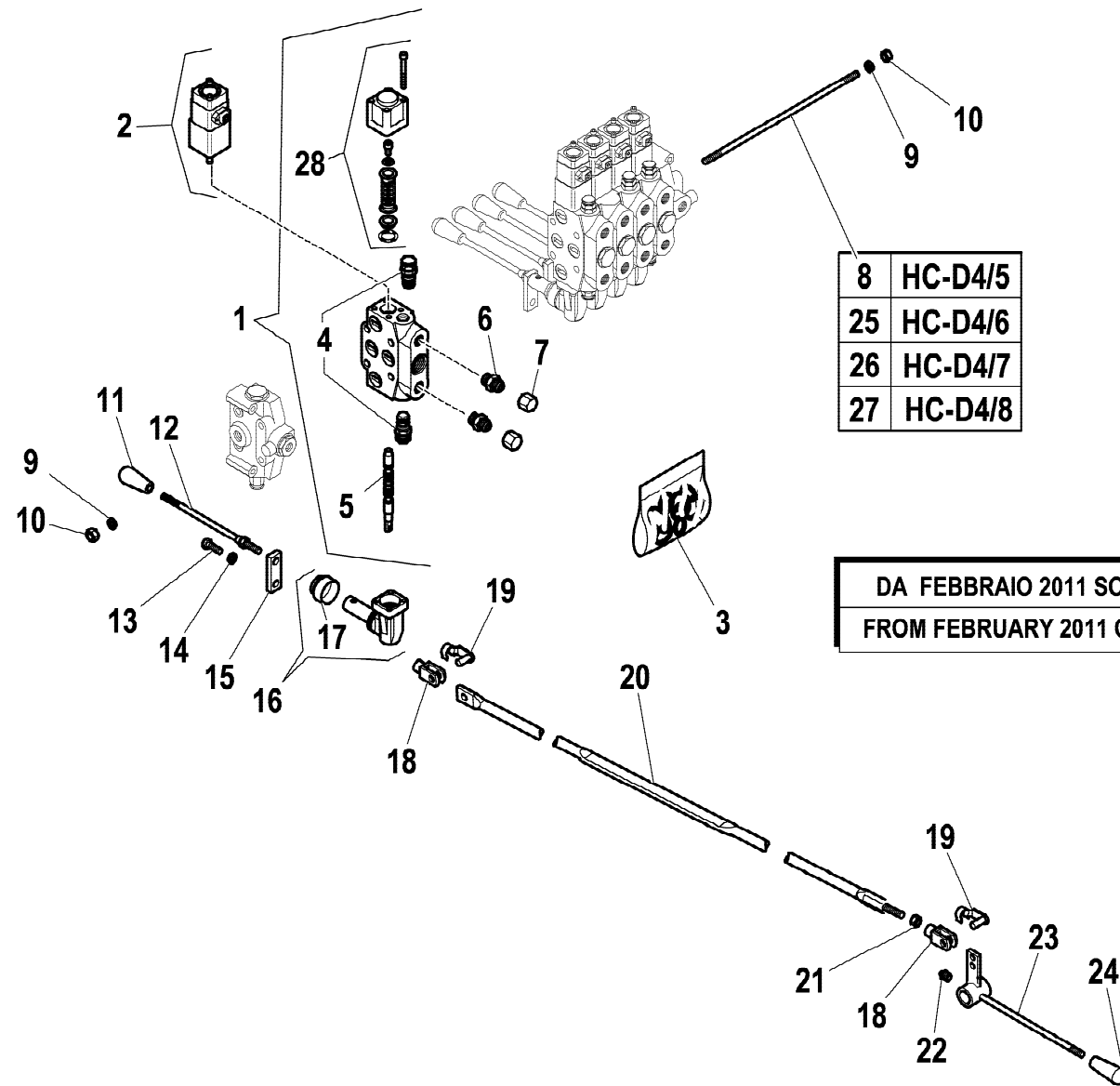
1/1

HYVA® CRANE
HB250

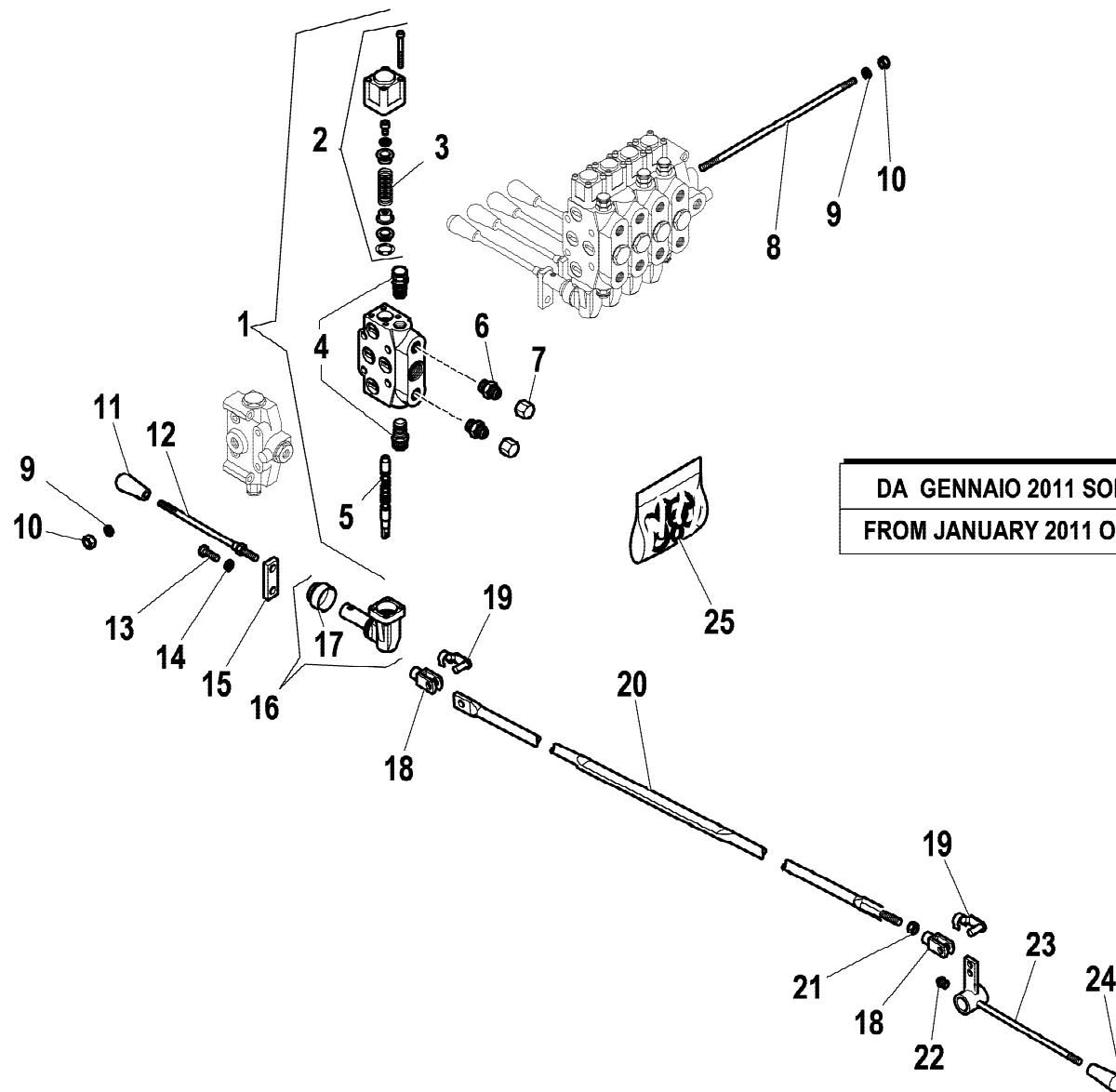
KIT 5° ELEMENTO SUPPLEMENTARE CENTRO APERTO
5TH EXTRA FUNCTION KIT OPEN CENTER SPOOL
KIT 5ÉME ELEMENT SUPPLEMENTAIRE CENTRE OUVERTE
KIT 5. ZUSÄTZLICHES STEUERELEMENT MIT GEÖFFNETEM ZENTRUM
KIT 5° ELEMENTO ADICIONAL CENTRO ABIERTO

Tavola
5.21.2004-1-0

Data pag.
novembre 2011 56



rif.	codice	Q.tà
1	5.22.5187	1
2	5.22.5372	1
3	5.22.5031	1
4	5.22.5200	2
5	5.22.5177	1
6	3.10.1051	2
7	3.11.0050	2
8	5.22.5213	4
9	3.06.0056	4
10	3.04.0046	4
11	3.19.0010	1
12	5.22.0224	1
13	3.01.0339	1
14	3.06.0055	1
15	5.00.0708	1
16	5.22.5126	1
17	5.22.5128	1
18	3.30.0431	2
19	3.30.0451	2
20	5.09.0851	1
21	3.04.0045	1
22	3.08.0500	1
23	5.09.0433	1
24	3.19.0006	1
25	5.22.5214	4
26	5.22.5215	4
27	5.22.5216	4
28	5.22.5130	1



rif.	codice	Q.tà
1	5.22.5190	1
2	5.22.5130	1
3	5.22.5462	1
4	5.22.5200	2
5	5.22.5177	1
6	3.10.1051	2
7	3.11.0050	2
8	5.22.5213	4
9	3.06.0056	4
10	3.04.0046	4
11	3.19.0010	1
12	5.22.0224	1
13	3.01.0027	1
14	3.06.0055	1
15	5.00.0708	1
16	5.22.5126	2
17	5.22.5128	2
18	3.30.0431	2
19	3.30.0451	2
20	5.09.0456	1
21	3.04.0045	2
22	3.08.0500	1
23	5.09.0433	1
24	3.19.0006	1
25	5.22.5031	1

1/1

HYVA[®] CRANE

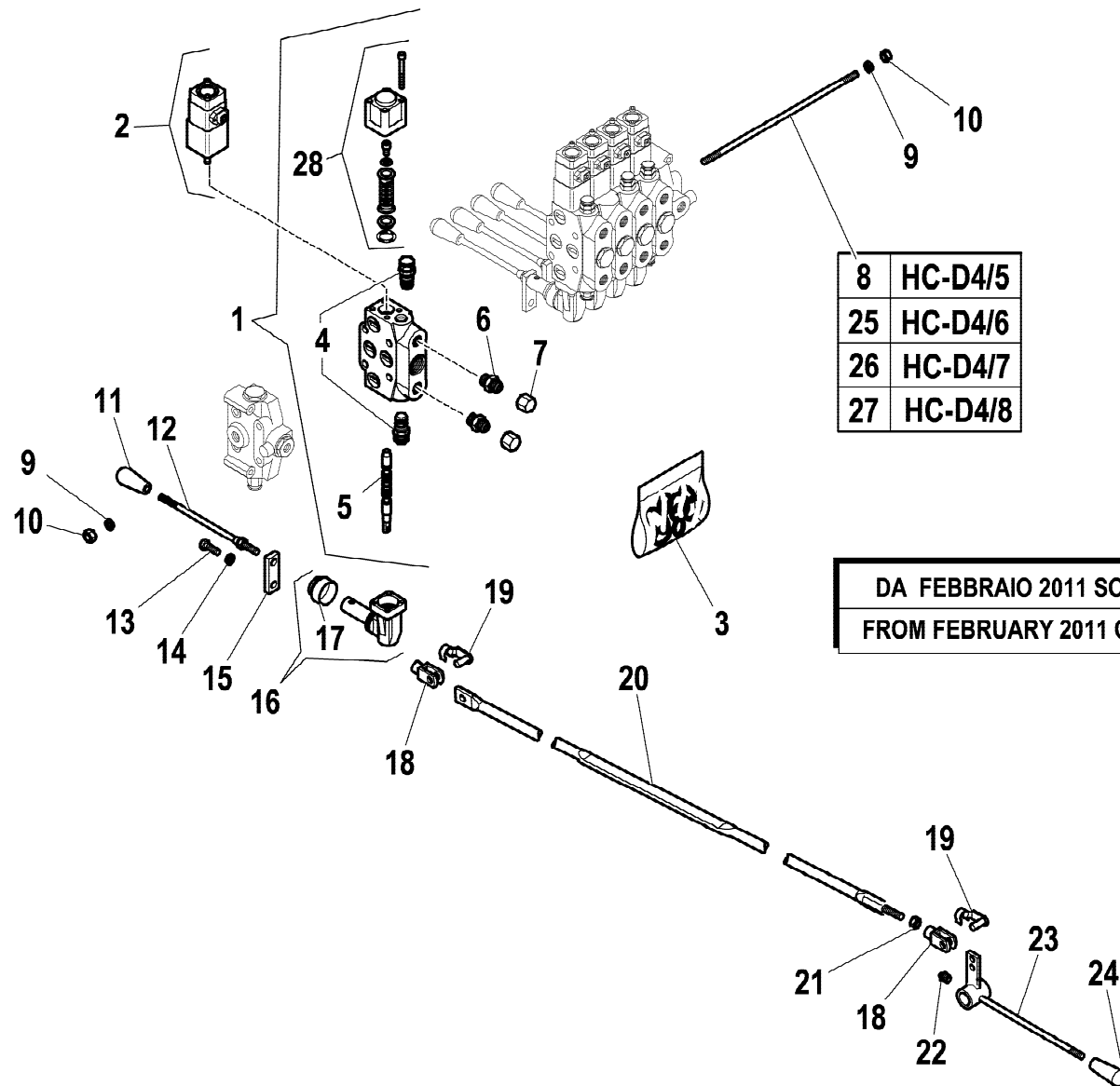
HB250

KIT 5° ELEMENTO SUPPLEMENTARE CENTRO CHIUSO
 5TH EXTRA FUNCTION KIT CLOSED CENTER SPOOL
 KIT 5ÈME ELEMENT SUPPLEMENTAIRE CENTRE FERMÉ
 KIT 5. ZUSÄTZLICHES STEUERELEMENT MIT GESPERRTEM ZENTRUM
 KIT 5° ELEMENTO ADICIONAL CENTRO CERRADO

Tavola

5.21.2000-1-0

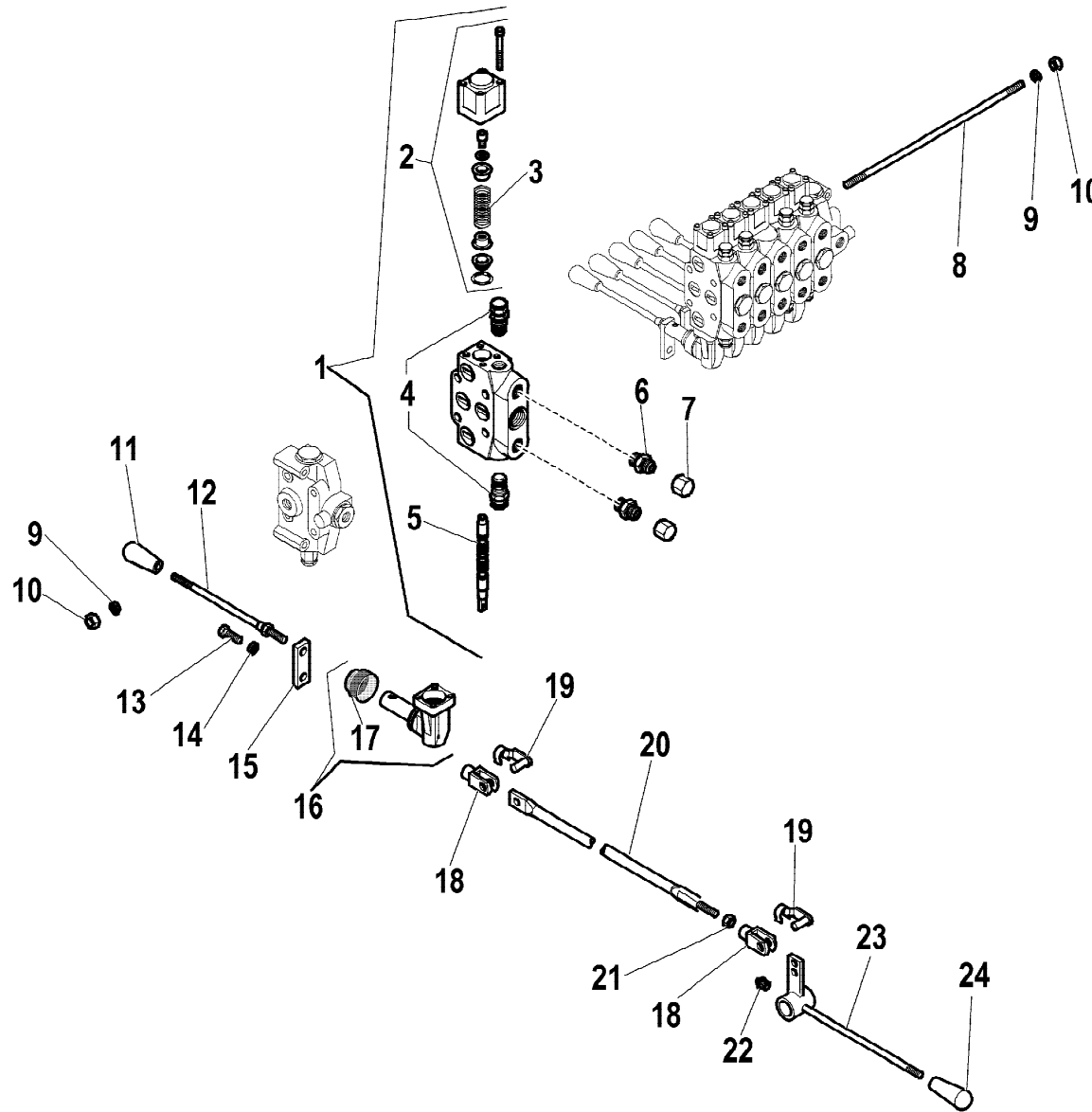
Data pag.
 giugno 2006 58



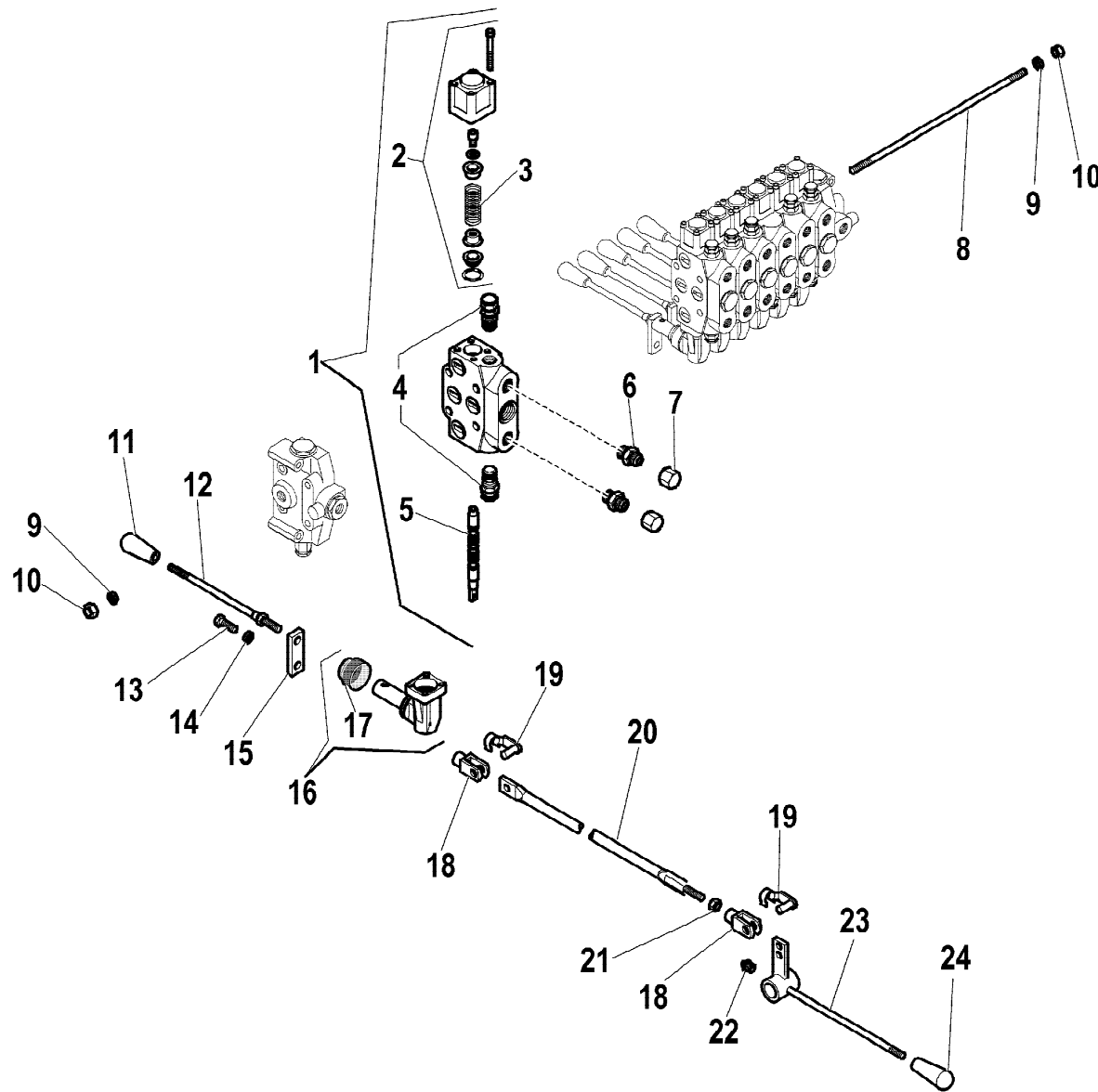
8	HC-D4/5
25	HC-D4/6
26	HC-D4/7
27	HC-D4/8

DA FEBBRAIO 2011 SOLO "CE"
FROM FEBRUARY 2011 ONLY "CE"

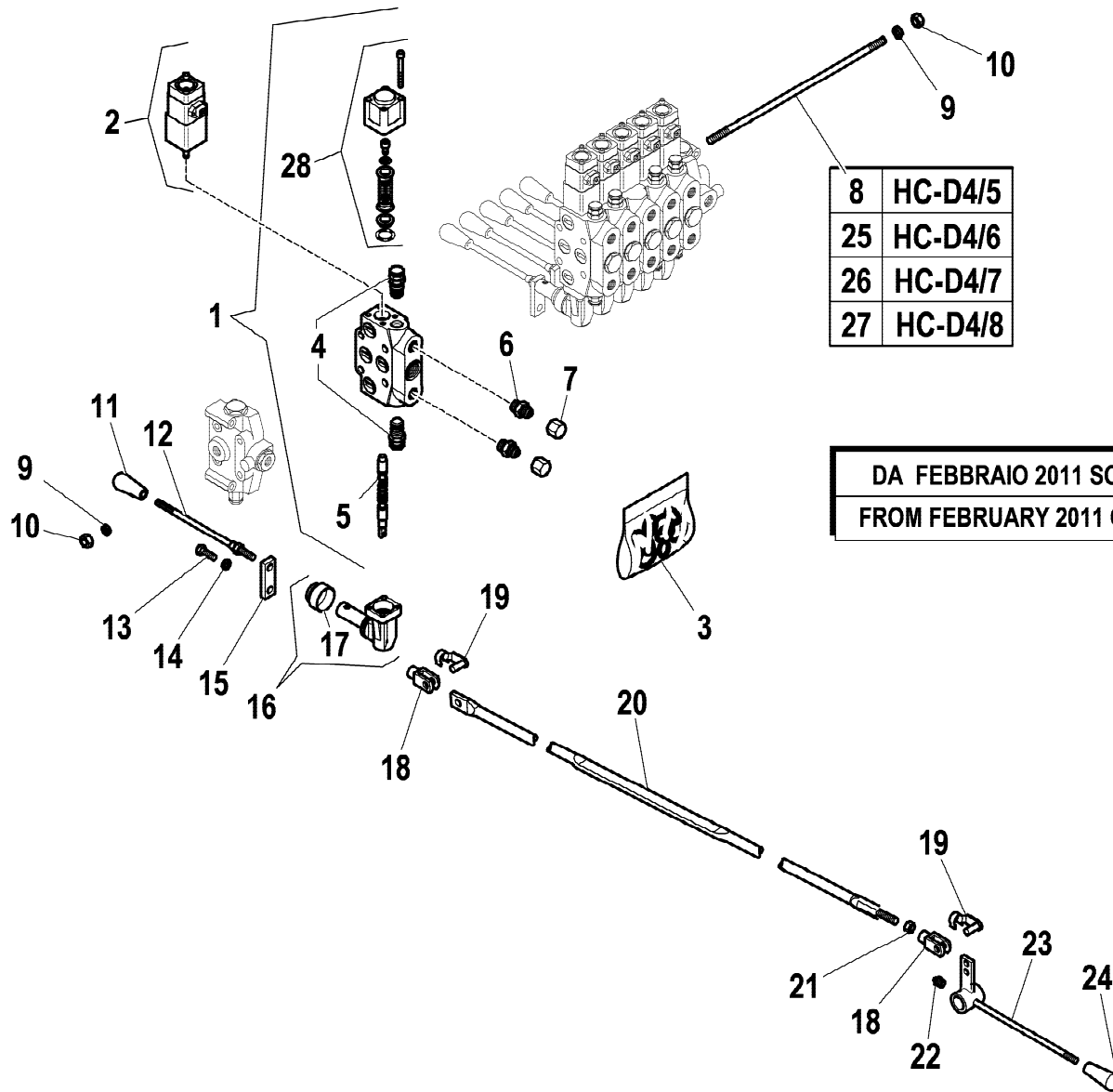
rif.	codice	Q.tà
1	5.22.5190	1
2	5.22.5372	1
3	5.22.5031	1
4	5.22.5200	2
5	5.22.5143	1
6	3.10.1051	2
7	3.11.0050	2
8	5.22.5213	4
9	3.06.0056	4
10	3.04.0046	4
11	3.19.0010	1
12	5.22.0224	1
13	3.01.0339	1
14	3.06.0055	1
15	5.00.0708	1
16	5.22.5126	1
17	5.22.5128	1
18	3.30.0431	2
19	3.30.0451	2
20	5.09.0851	1
21	3.04.0045	1
22	3.08.0500	1
23	5.09.0433	1
24	3.19.0006	1
25	5.22.5214	4
26	5.22.5215	4
27	5.22.5216	4
28	5.22.5130	1



rif.	codice	Q.tà
1	5.22.5187	1
2	5.22.5130	1
3	5.22.5462	1
4	5.22.5200	2
5	5.22.5177	1
6	3.10.1051	2
7	3.11.0050	2
8	5.22.5214	4
9	3.06.0056	4
10	3.04.0046	4
11	3.19.0006	2
12	5.22.0224	2
13	3.01.0339	2
14	3.06.0055	2
15	5.00.0708	2
16	5.22.5126	2
17	5.22.5128	2
18	3.30.0431	2
19	3.30.0451	2
20	5.09.0456	2
21	3.04.0045	2
22	3.08.0500	2
23	5.09.0433	2
24	3.19.0010	2



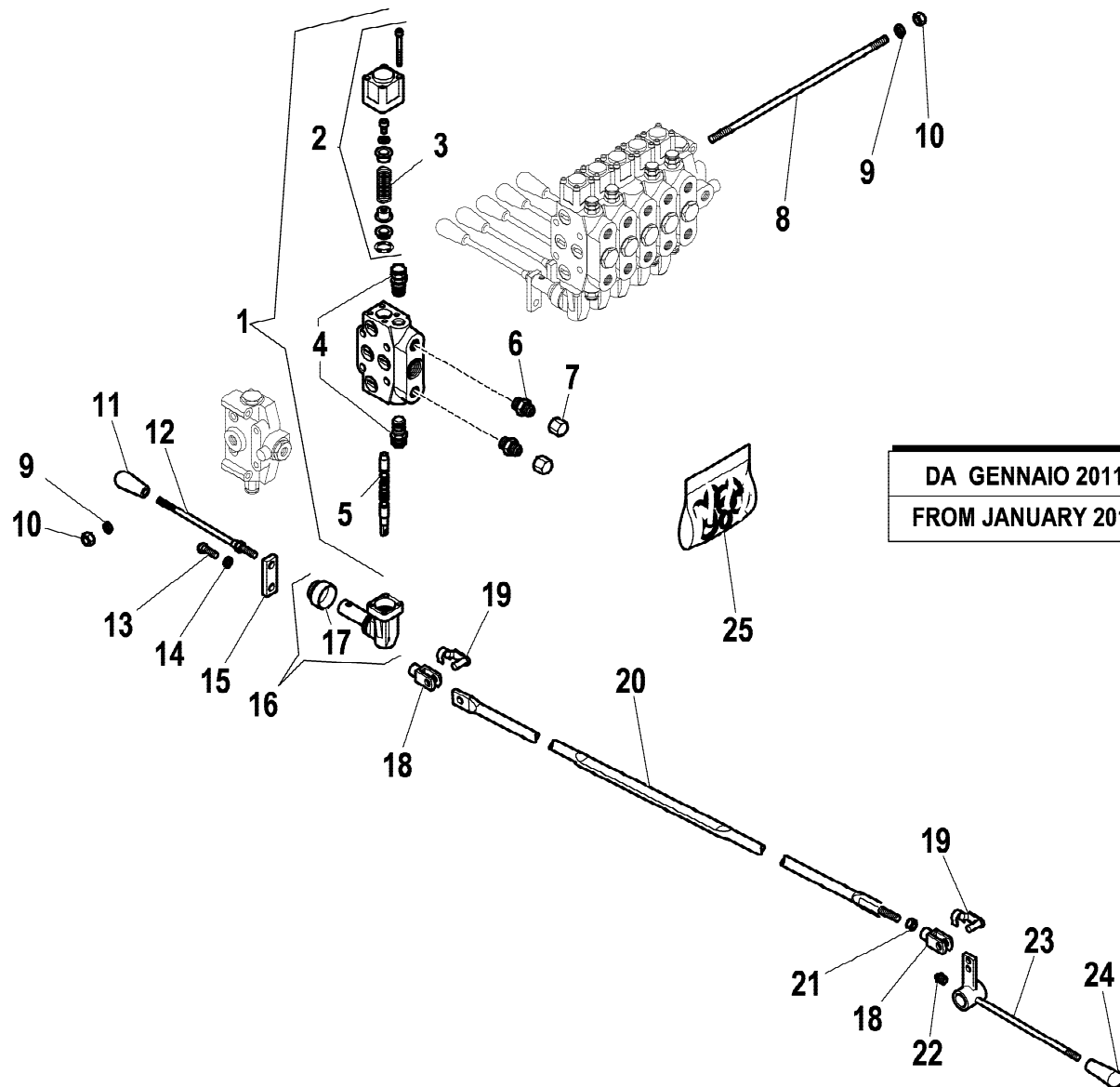
rif.	codice	Q.tà
1	5.22.5187	1
2	5.22.5130	1
3	5.22.5462	1
4	5.22.5200	2
5	5.22.5177	1
6	3.10.1051	2
7	3.11.0050	2
8	5.22.5215	4
9	3.06.0056	4
10	3.04.0046	4
11	3.19.0006	2
12	5.22.0224	2
13	3.01.0339	2
14	3.06.0055	2
15	5.00.0708	2
16	5.22.5126	2
17	5.22.5128	2
18	3.30.0431	2
19	3.30.0451	2
20	5.09.0456	2
21	3.04.0045	2
22	3.08.0500	2
23	5.09.0433	2
24	3.19.0010	2



8	HC-D4/5
25	HC-D4/6
26	HC-D4/7
27	HC-D4/8

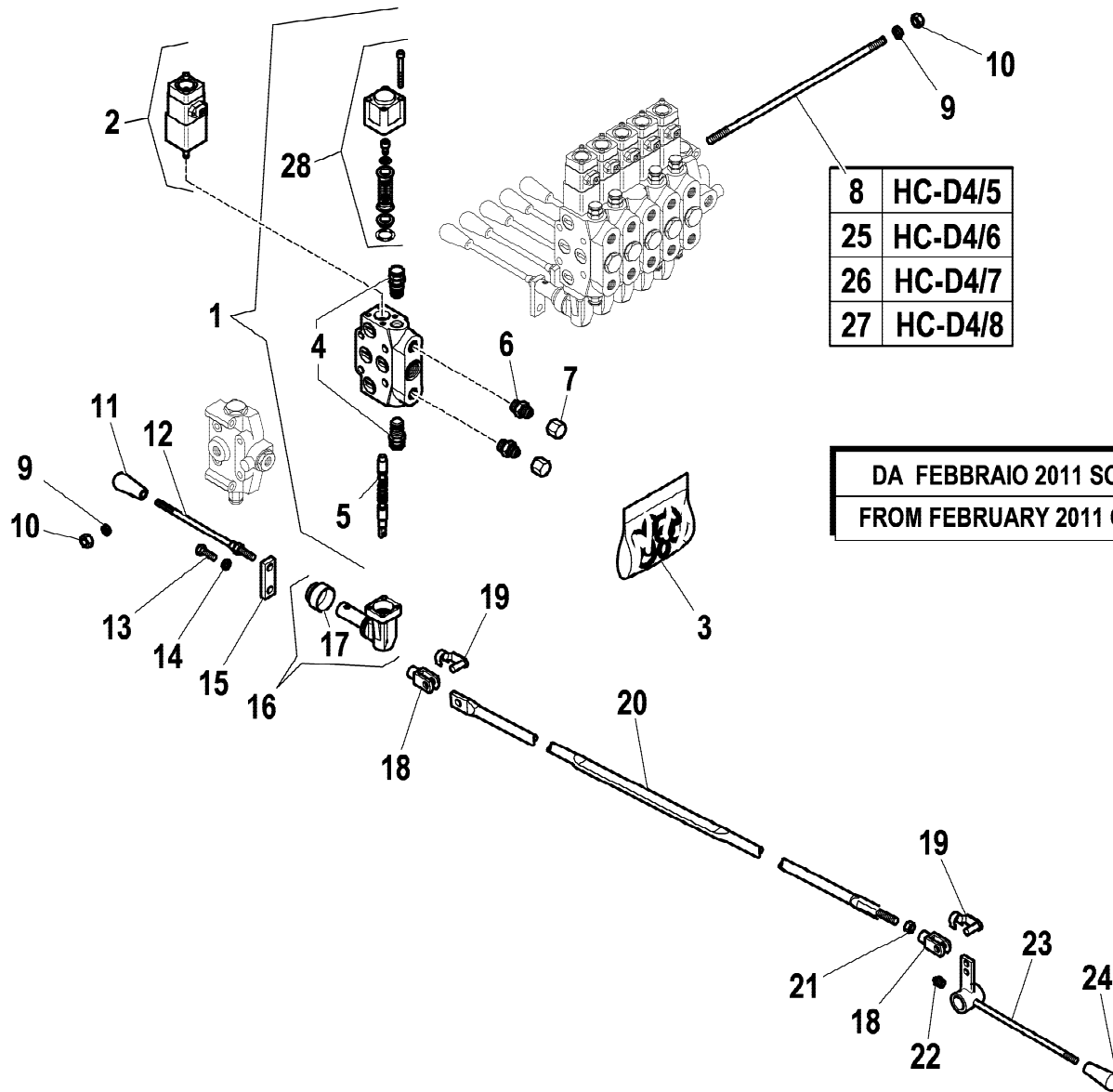
DA FEBBRAIO 2011 SOLO "CE"
FROM FEBRUARY 2011 ONLY "CE"

rif.	codice	Q.tà
1	5.22.5187	1
2	5.22.5372	1
3	5.22.5031	1
4	5.22.5200	2
5	5.22.5177	1
6	3.10.1051	2
7	3.11.0050	2
8	5.22.5213	4
9	3.06.0056	4
10	3.04.0046	4
11	3.19.0010	1
12	5.22.0224	1
13	3.01.0339	1
14	3.06.0055	1
15	5.00.0708	1
16	5.22.5126	1
17	5.22.5128	1
18	3.30.0431	2
19	3.30.0451	2
20	5.09.0851	1
21	3.04.0045	1
22	3.08.0500	1
23	5.09.0433	1
24	3.19.0006	1
25	5.22.5214	4
26	5.22.5215	4
27	5.22.5216	4
28	5.22.5130	1

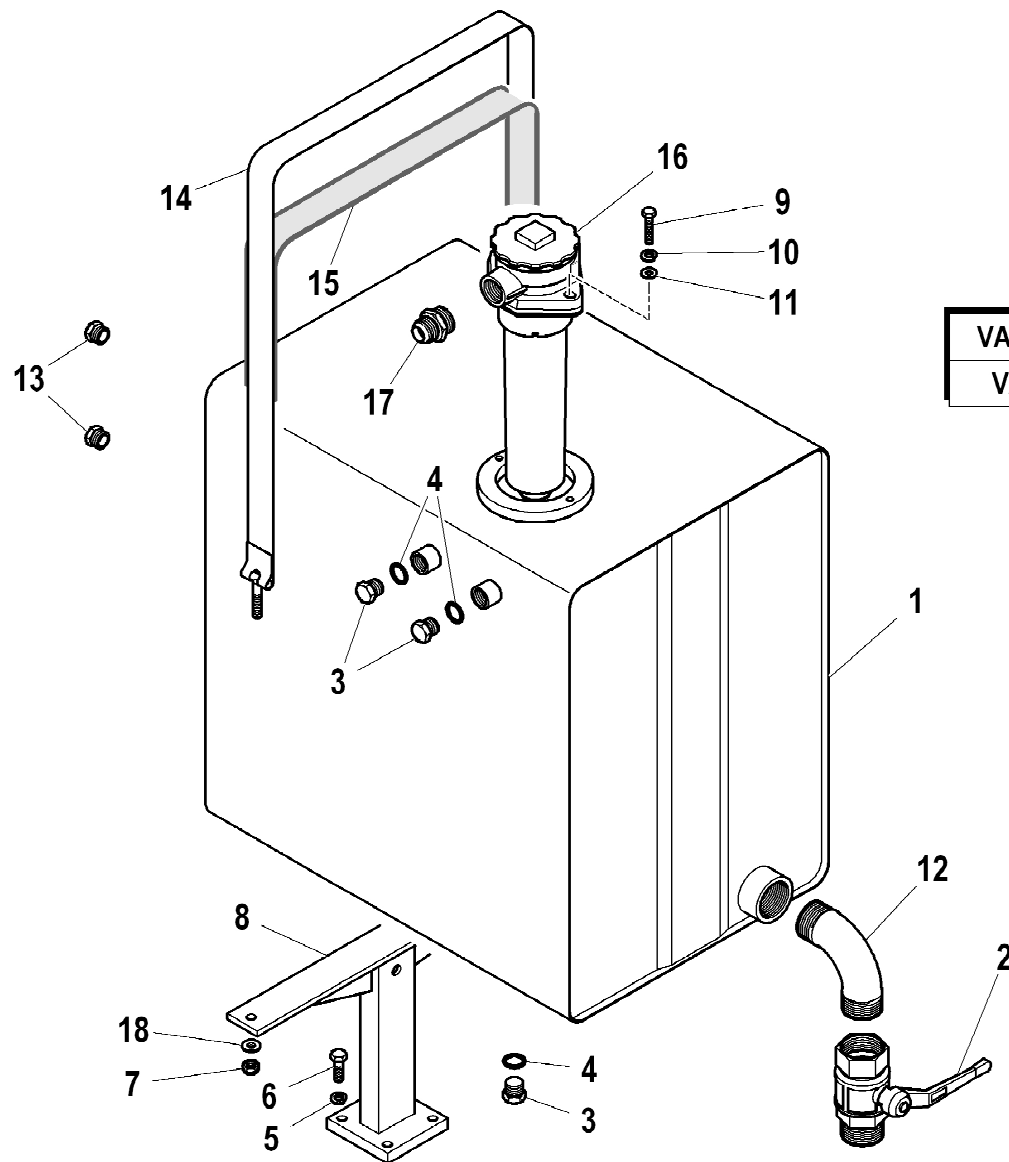


rif.	codice	Q.tà
1	5.22.5190	1
2	5.22.5130	1
3	5.22.5462	1
4	5.22.5200	2
5	5.22.5177	1
6	3.10.1051	2
7	3.11.0050	2
8	5.22.5214	4
9	3.06.0056	4
10	3.04.0046	4
11	3.19.0010	1
12	5.22.0224	1
13	3.01.0339	1
14	3.06.0055	1
15	5.00.0708	1
16	5.22.5126	1
17	5.22.5128	1
18	3.30.0431	2
19	3.30.0451	2
20	5.09.0456	1
21	3.04.0045	1
22	3.08.0500	1
23	5.09.0433	1
24	3.19.0006	1
25	5.22.5031	1

DA GENNAIO 2011 SOLO "NO CE"
FROM JANUARY 2011 ONLY "NO CE"

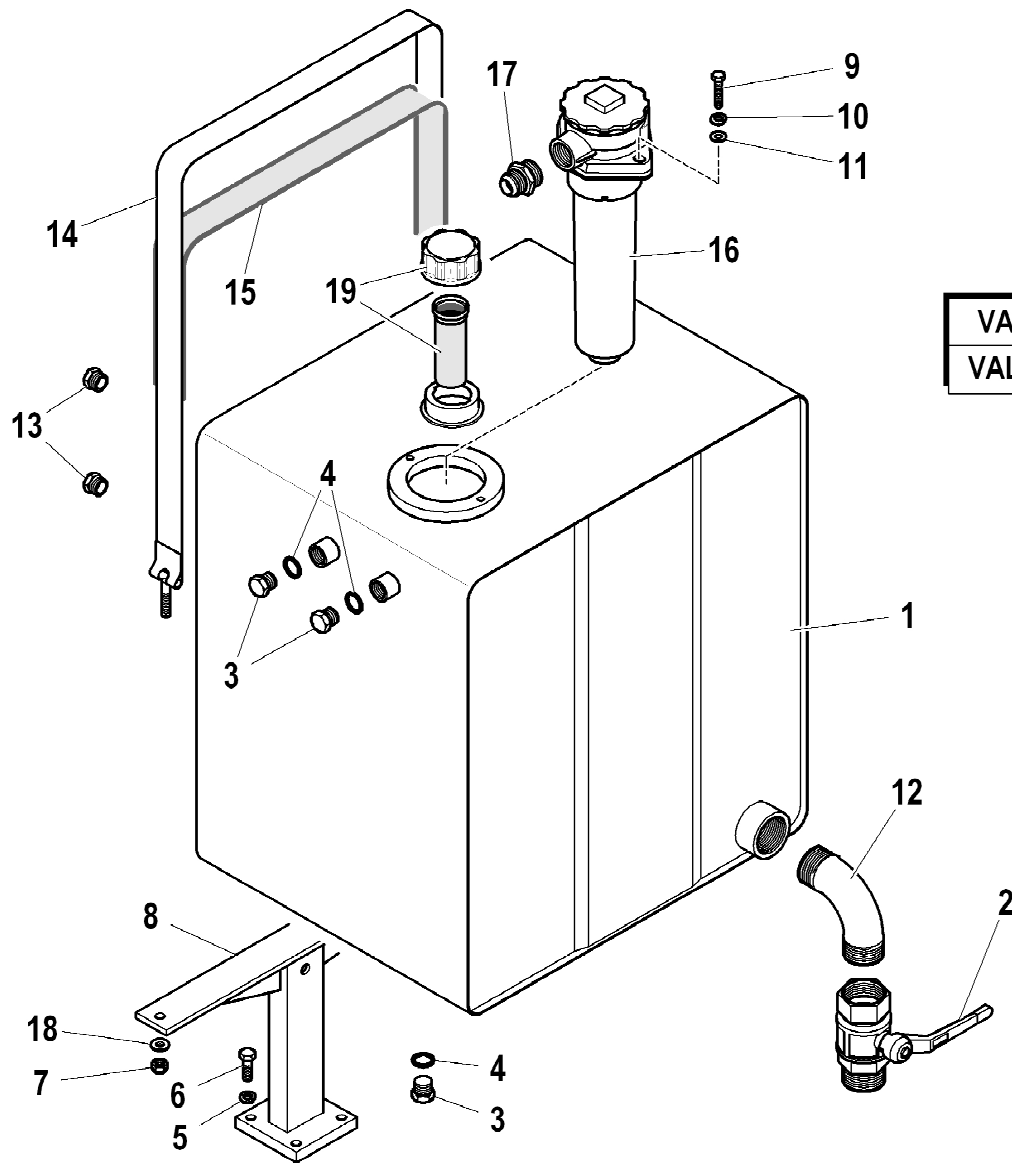


rif.	codice	Q.tà
1	5.22.5190	1
2	5.22.5372	1
3	5.22.5031	1
4	5.22.5200	2
5	5.22.5143	1
6	3.10.1051	2
7	3.11.0050	2
8	5.22.5213	4
9	3.06.0056	4
10	3.04.0046	4
11	3.19.0010	1
12	5.22.0224	1
13	3.01.0339	1
14	3.06.0055	1
15	5.00.0708	1
16	5.22.5126	1
17	5.22.5128	1
18	3.30.0431	2
19	3.30.0451	2
20	5.09.0851	1
21	3.04.0045	1
22	3.08.0500	1
23	5.09.0433	1
24	3.19.0006	1
25	5.22.5214	4
26	5.22.5215	4
27	5.22.5216	4
28	5.22.5130	1



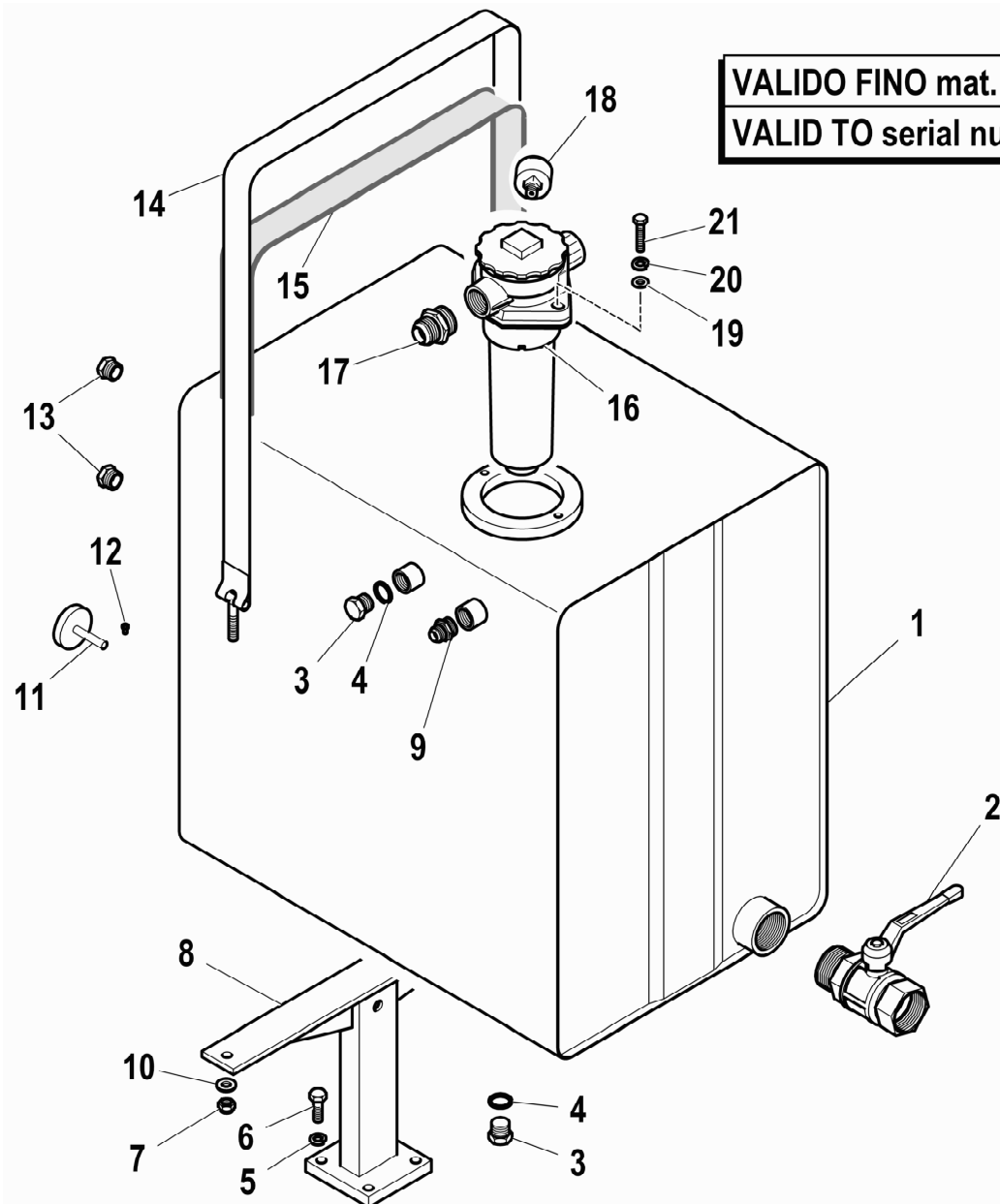
VALIDO FINO A Ottobre 2008
 VALID UNTIL October 2008

rif.	codice	Q.tà
1	5.09.0529	1
2	3.14.0304	1
3	3.11.0065	3
4	3.06.0145	3
5	3.06.0056	8
6	3.01.0355	8
7	3.04.0304	4
8	5.09.0561	2
9	3.01.0030	2
10	3.06.0055	2
11	3.06.0006	2
12	3.10.1300	1
13	3.18.0099	2
14	5.00.0521	2
15	3.19.0020	2 m
16	3.18.0197	1
17	3.10.1057	1
18	3.06.0914	4



VALIDO DA Novembre 2008
VALID FROM November 2008

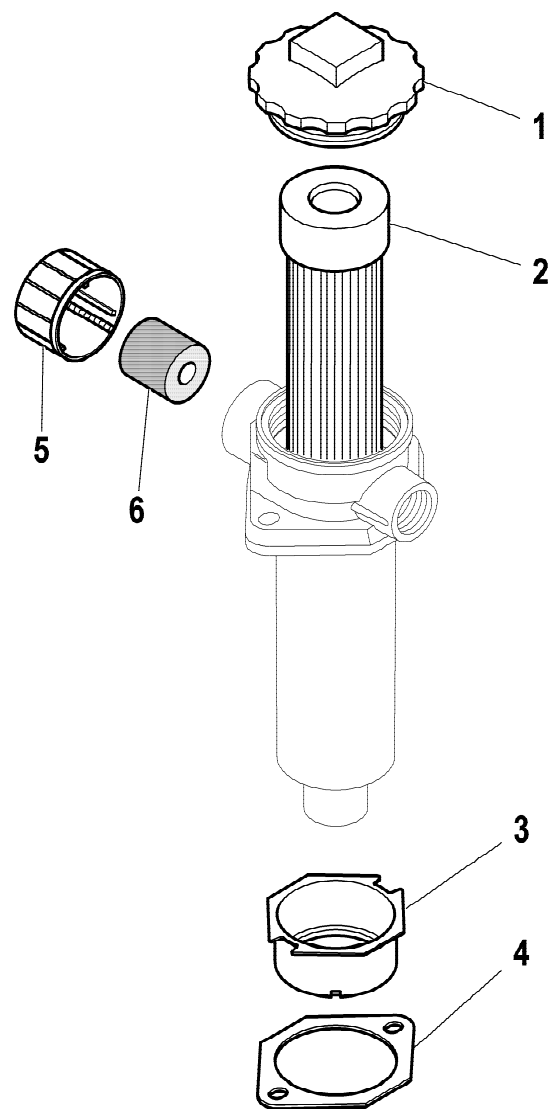
rif.	codice	Q.tà
1	5.09.0019	1
2	3.14.0304	1
3	3.11.0065	3
4	3.06.0145	3
5	3.06.0056	8
6	3.01.0355	8
7	3.04.0304	4
8	5.09.0020	2
9	3.01.0030	2
10	3.06.0055	2
11	3.06.0006	2
12	3.10.1300	1
13	3.18.0099	2
14	5.00.0116	2
15	3.19.0020	2 m
16	3.18.0197	1
17	3.10.1057	1
18	3.06.0914	4
19	W.449.012	1



VALIDO FINO mat. 19696 - 15/06/06
VALID TO serial number 19696 - 15/06/06

rif.	codice	Q.tà
1	5.09.0529	1
2	3.14.0304	1
3	3.11.0065	2
4	3.06.0145	2
5	3.06.0056	8
6	3.01.0355	8
7	3.04.0304	4
8	5.09.0561	2
9	3.10.1041	1
10	3.06.0914	4
11	3.18.0097	1
12	3.02.0880	1
13	3.18.0099	2
14	5.00.0521	2
15	3.19.0020	2m
16	3.18.0105	1
17	3.10.1057	1
18	3.18.0147	1
19	3.06.0006	2
20	3.06.0055	2
21	3.01.0030	2

rif.	codice	Q.tà
1	3.18.0111	1
2	3.18.0110	1
3	3.18.0156	1
4	3.18.0158	1
5	3.18.0119	1
6	3.18.0135	1



1/1

HYVA[®] CRANE

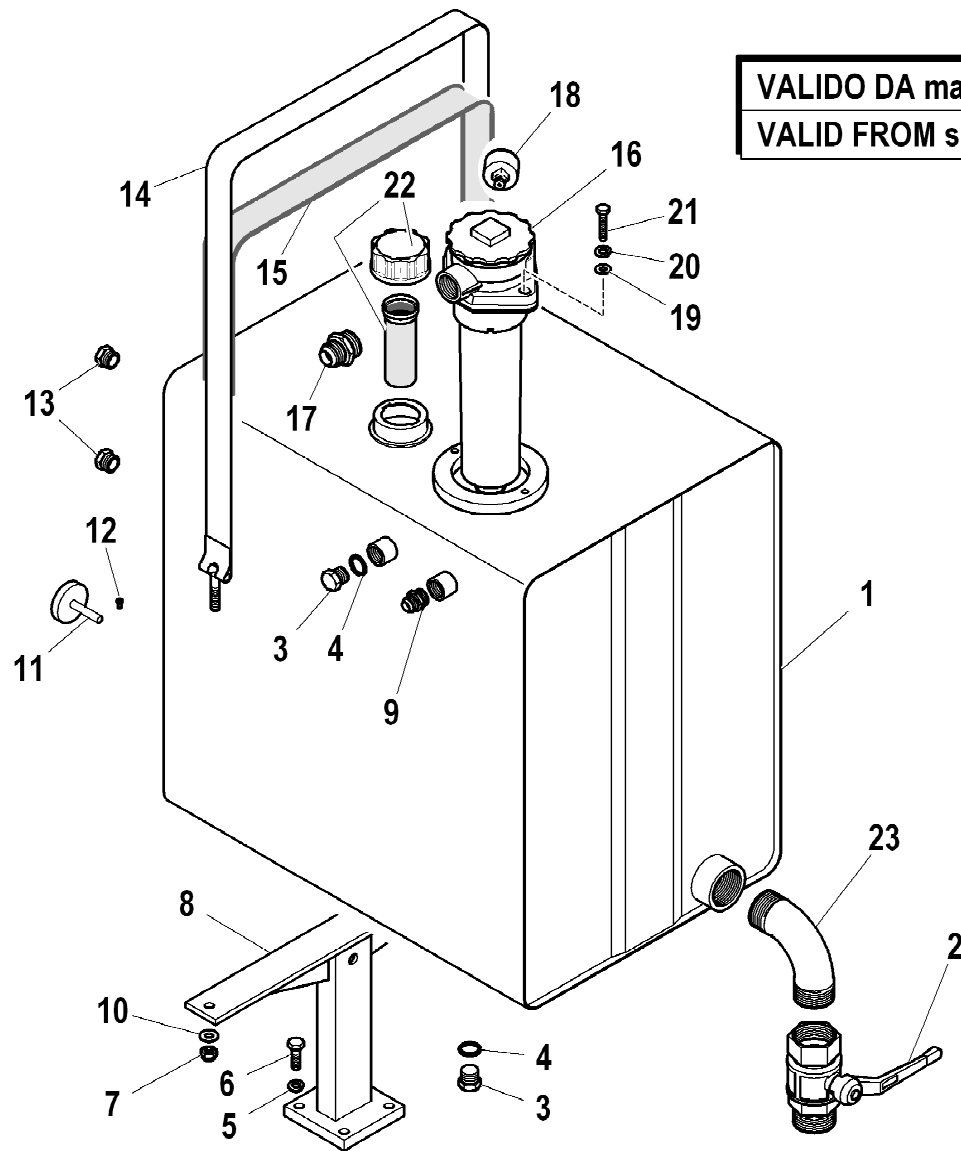
HB250

FILTRO OLIO
OIL FILTER
FILTRE A HUILE
OELFILTER
FILTRO DE ACEITE

Tavola

3.18.0105-1-0

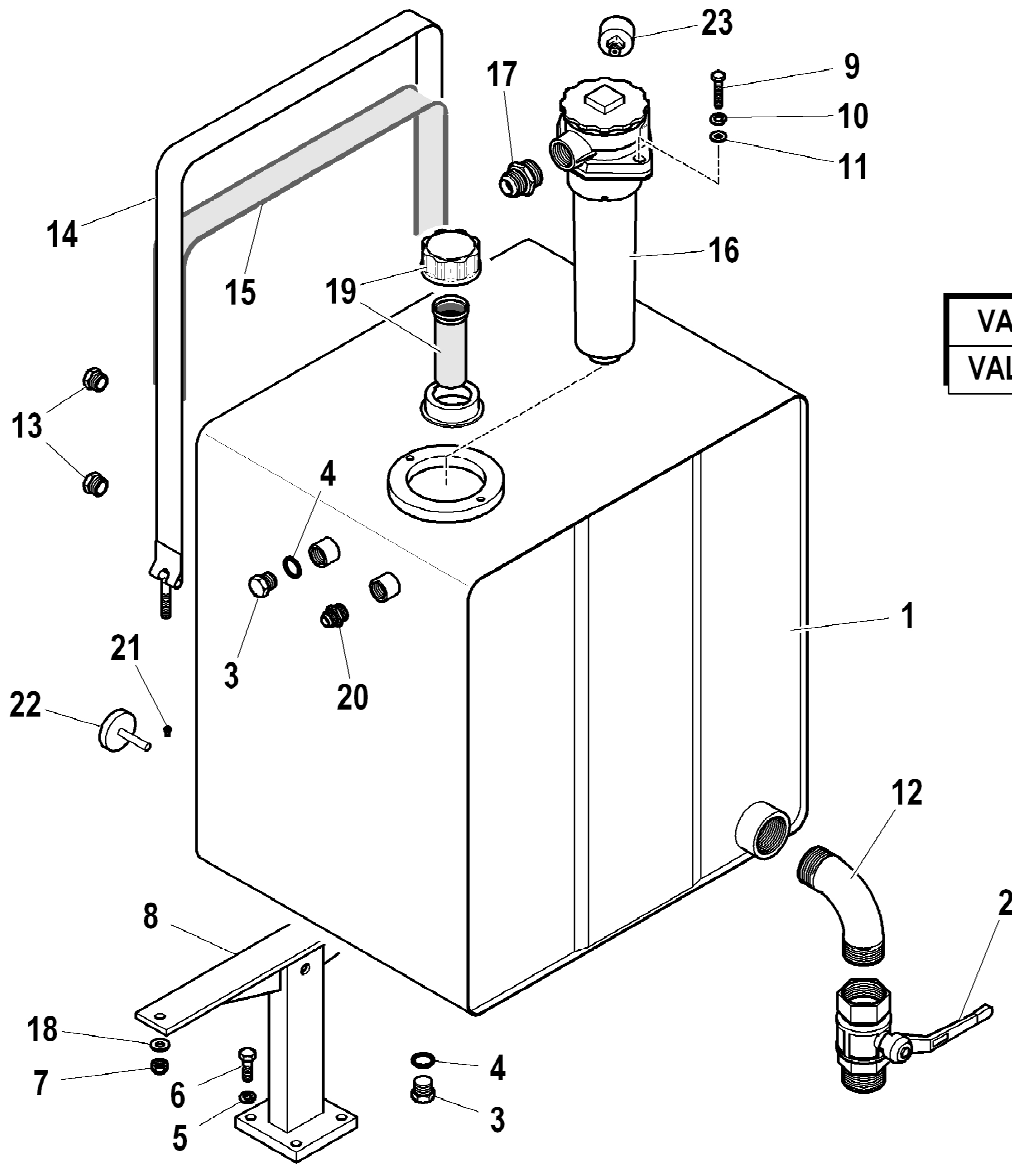
Data pag.
giugno 2006 68



VALIDO DA mat. 19697 - 15/06/06
 VALID FROM serial number 19697 - 15/06/06

VALIDO FINO A Ottobre 2008
 VALID UNTIL October 2008

rif.	codice	Q.tà
1	5.09.0529	1
2	3.14.0304	1
3	3.11.0065	2
4	3.06.0145	2
5	3.06.0056	8
6	3.01.0355	8
7	3.04.0304	4
8	5.09.0561	2
9	3.10.1041	1
10	3.06.0914	4
11	3.18.0097	1
12	3.02.0880	1
13	3.18.0099	2
14	5.00.0521	2
15	3.19.0020	2m
16	3.18.0197	1
17	3.10.1057	1
18	3.18.0147	1
19	3.06.0006	2
20	3.06.0055	2
21	3.01.0030	2
22	W.449.012	1
23	3.10.1300	1



VALIDO DA Novembre 2008
 VALID FROM November 2008

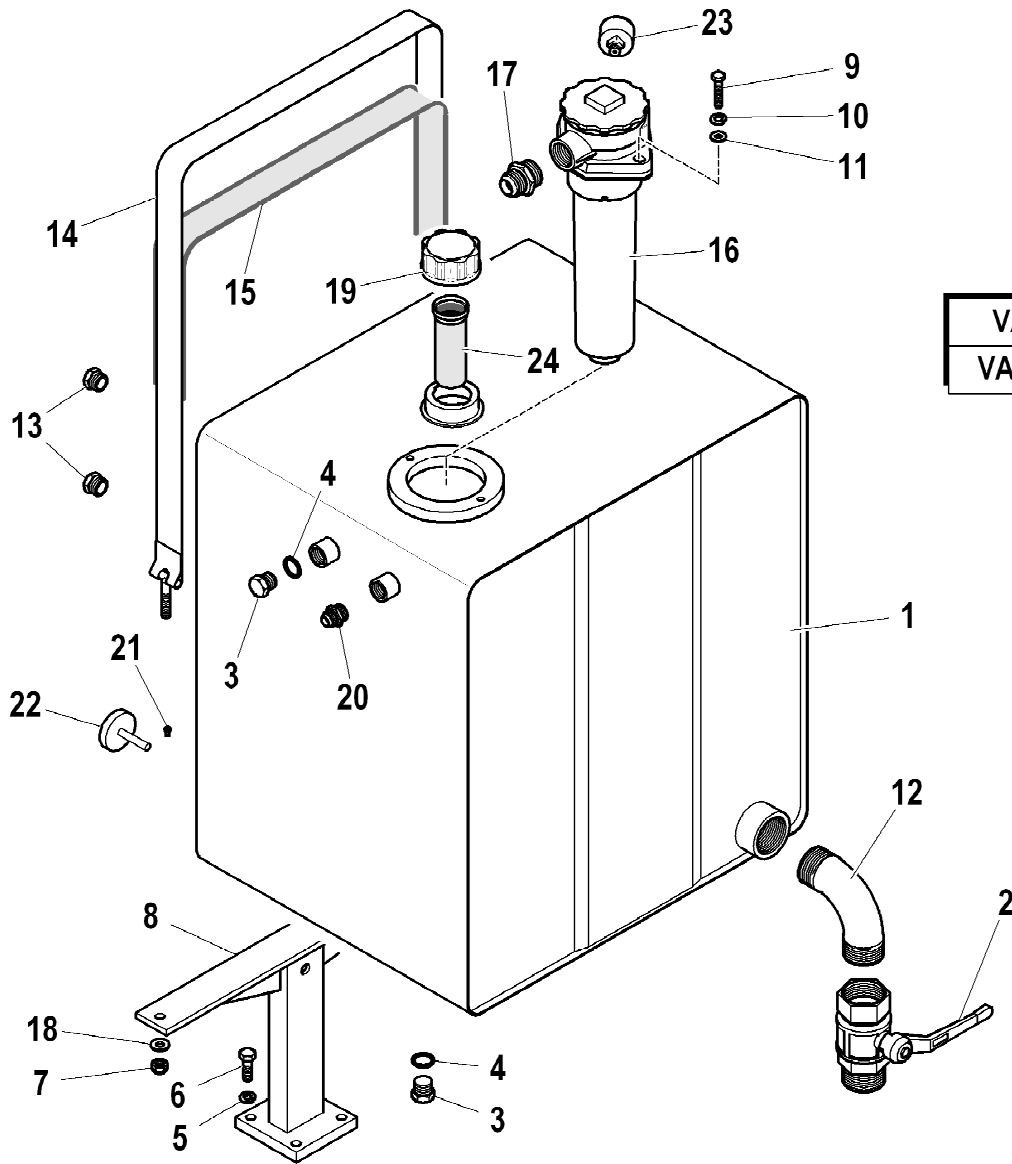
rif.	codice	Q.tà
1	5.09.0019	1
2	3.14.0304	1
3	3.11.0065	2
4	3.06.0145	2
5	3.06.0056	8
6	3.01.0355	8
7	3.04.0304	4
8	5.09.0020	2
9	3.01.0030	2
10	3.06.0055	2
11	3.06.0006	2
12	3.10.1300	1
13	3.18.0099	2
14	5.00.0116	2
15	3.19.0020	2m
16	3.18.0197	1
17	3.10.1057	1
18	3.06.0914	4
19	W.449.012	1
20	3.10.1041	1
21	3.02.0880	1
22	3.18.0097	1
23	3.18.0147	1



HB250

SERBATOIO OLIO IDRAULICO CE
 HYDRAULIC OIL TANK CE
 RESERVOIR HUILE HYDRAULIQUE CE
 HYDRAULIKÖLBEHALTER CE
 DEPOSITO ACEITE HIDRAULICA CE

Tavola
5.40.0993-1-0



VALIDO DA Ottobre 2009
 VALID FROM October 2009

rif.	codice	Q.tà
1	5.09.0019	1
2	3.14.0304	1
3	3.11.0065	2
4	3.06.0145	2
5	3.06.0056	8
6	3.01.0355	8
7	3.04.0304	4
8	5.09.0020	2
9	3.01.0030	2
10	3.06.0055	2
11	3.06.0006	2
12	3.10.1300	1
13	3.18.0099	2
14	5.00.0116	2
15	3.19.0020	2m
16	3.18.0197	1
17	3.10.1057	1
18	3.06.0914	4
19	W.449.014	1
20	3.10.1041	1
21	3.02.0880	1
22	3.18.0097	1
23	3.18.0147	1
24	W.449.015	1



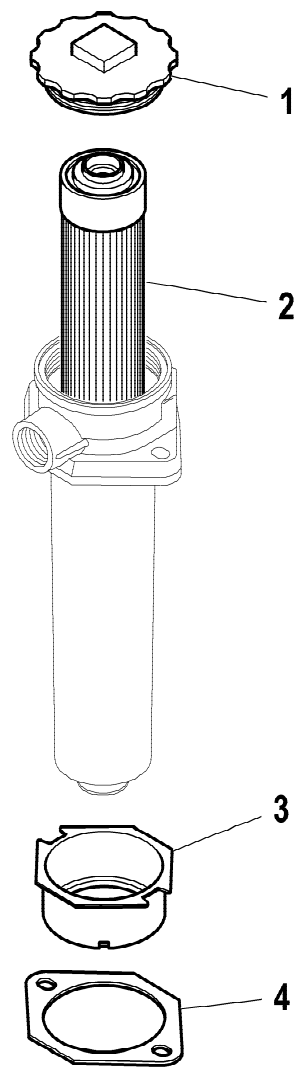
HB250

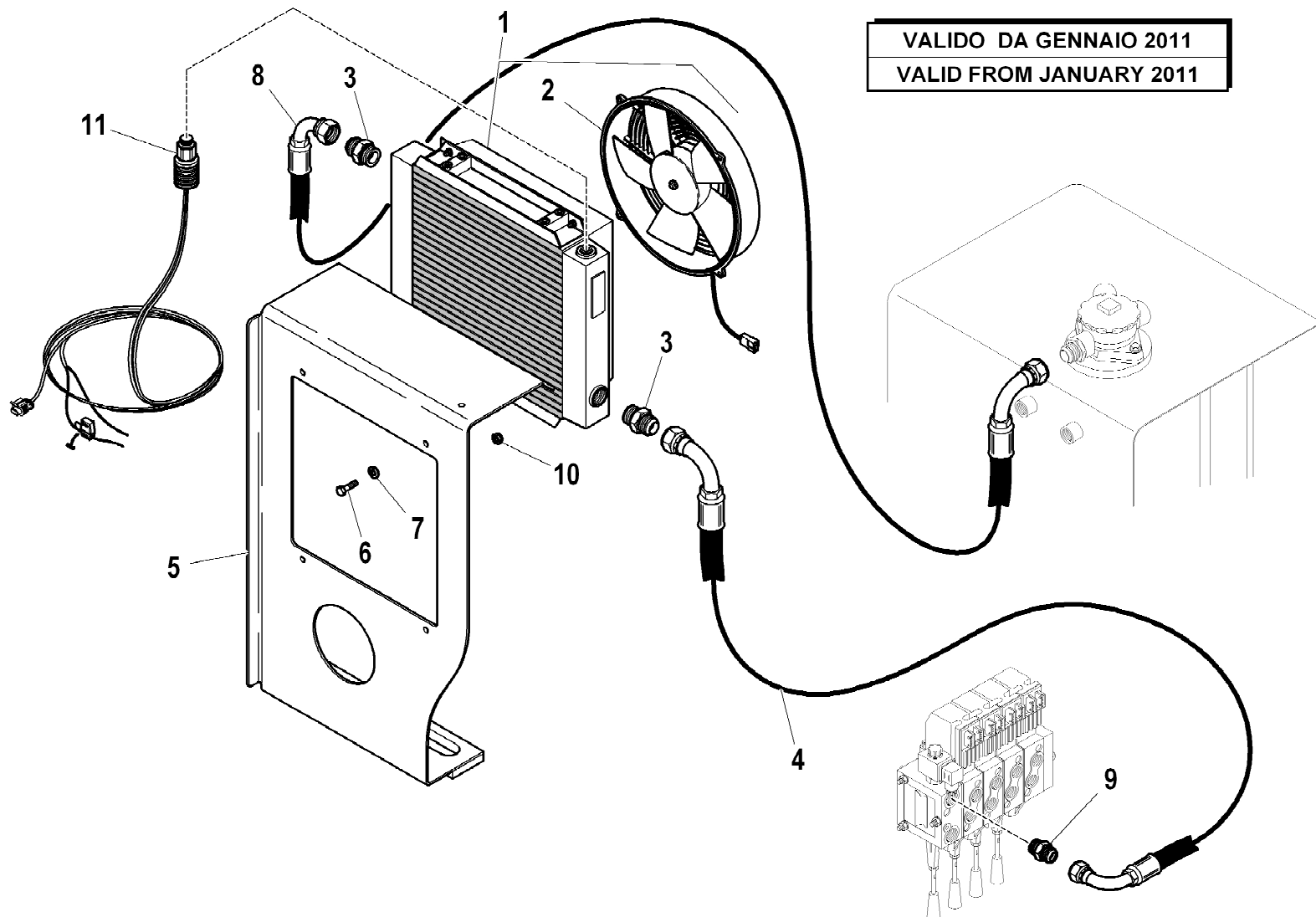
SERBATOIO OLIO IDRAULICO CE
 HYDRAULIC OIL TANK CE
 RESERVOIR HUILE HYDRAULIQUE CE
 HYDRAULIKÖLBEHALTER CE
 DEPOSITO ACEITE HIDRAULICA CE

Tavola
5.40.0993-2-0

Data pag.
 gennaio 2012 71

rif.	codice	Q.tà
1	3.18.0111	1
2	3.18.0202	1
3	3.18.0156	1
4	3.18.0158	1





VALIDO DA GENNAIO 2011
 VALID FROM JANUARY 2011

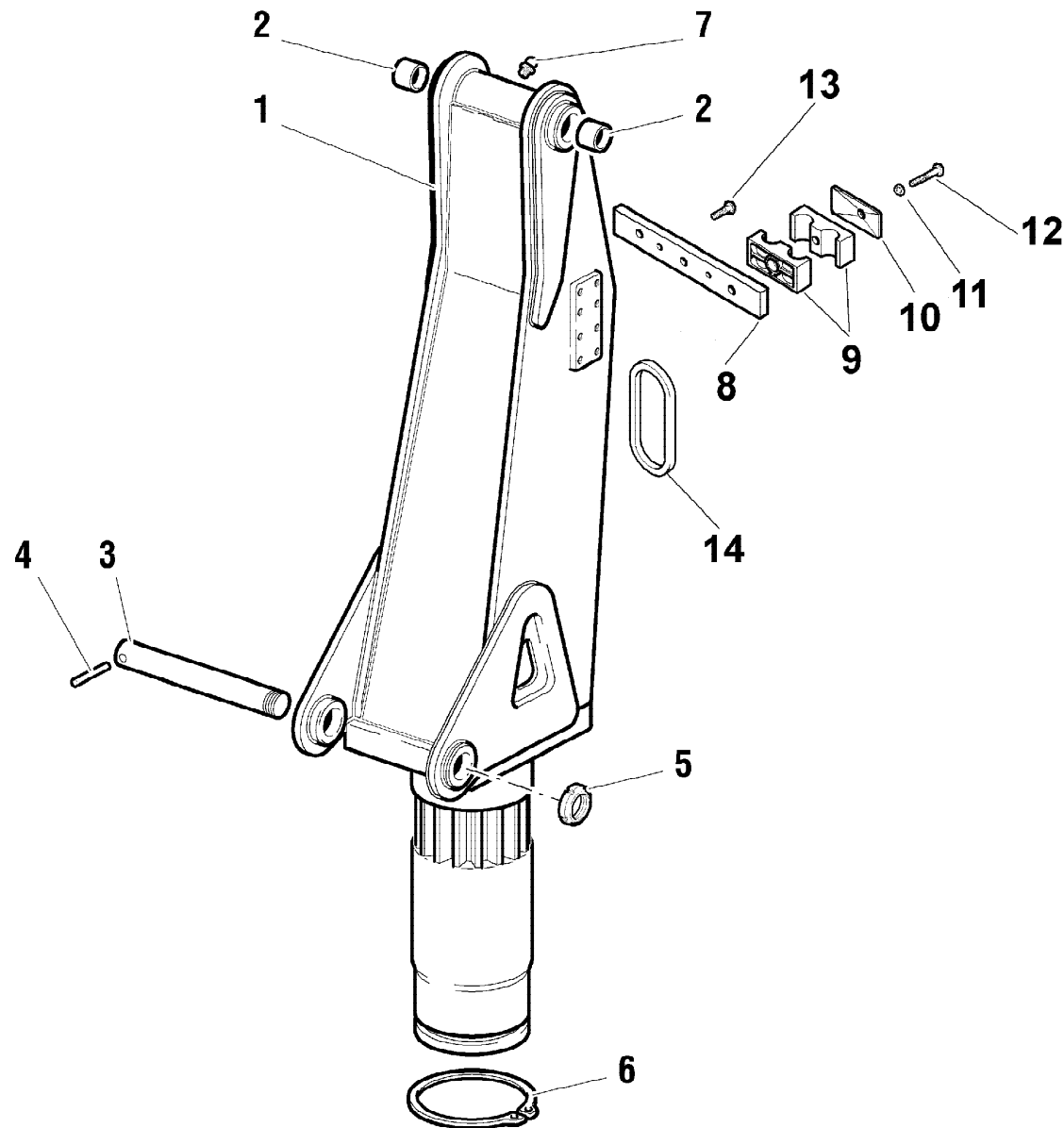
rif.	codice	Q.tà
1	5.71.0092	1
2	5.71.0110	1
3	3.10.1057	2
4	5.29.0151	1
5	5.09.1120	1
6	3.01.0339	4
7	3.06.0055	4
8	5.29.0095	1
9	3.10.1056	1
10	3.04.0303	4
11	3.31.1408	1



HB250

SCAMBIATORE DI CALORE (24 V.)
 HEAT EXCHANGE UNIT (24 V.)
 ECHANGEUR DE CHALEUR (24 V.)
 WÄRMEAUSTAUSCHER (24 V.)
 INTERCAMBIADOR DE CALOR (24 V.)

Tavola
7.88.8001-1-0



rif.	codice	Q.tà
1	5.04.0085	1
2	5.14.0689	2
3	5.15.0498	1
4	3.06.0627	1
5	3.04.0509	1
6	3.07.0146	1
7	3.08.0501	1
8	5.00.1192	1
9	3.19.0222	6
10	3.19.0221	3
11	3.06.0055	3
12	3.01.0034	3
13	3.02.0899	2
14	3.19.0241	1

1/1

HYVA[®] CRANE

HB250

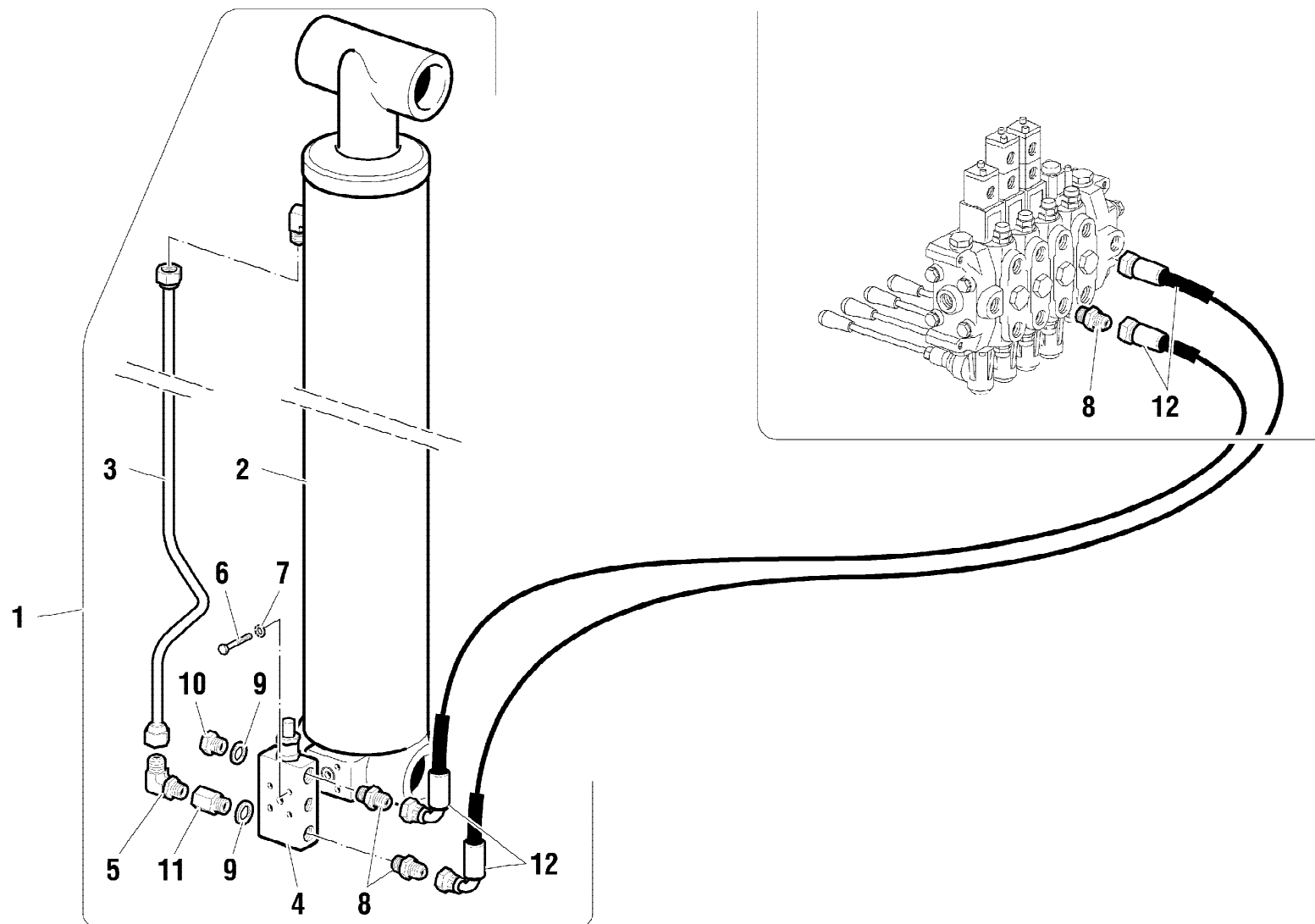
COLONNA
COLUMN
COLONNE
SAEULE
COLUMNNA

Tavola

5.46.0013-1-0

Data pag.
giugno 2006 74

rif.	codice	Q.tà
1	6.23.0090	1
2	6.43.0090	1
3	5.39.1467	1
4	5.22.0570	1
5	3.10.1131	1
6	3.01.0031	4
7	3.06.0055	4
8	3.10.1051	3
9	3.06.0145	1
10	3.11.0065	1
11	3.11.0113	1
12	5.28.0343	2



6.23.01.04-2.0

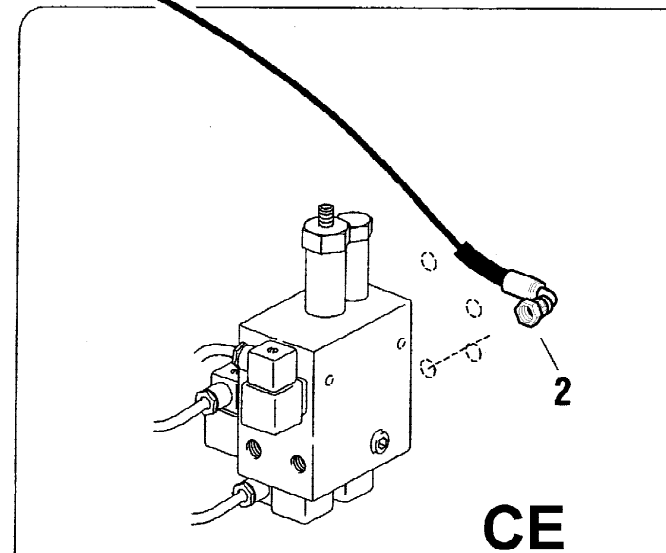
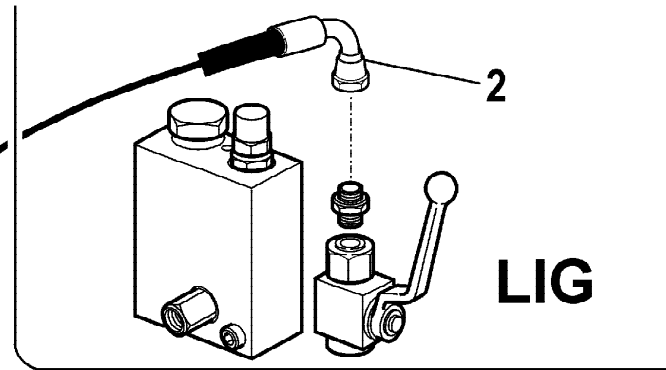
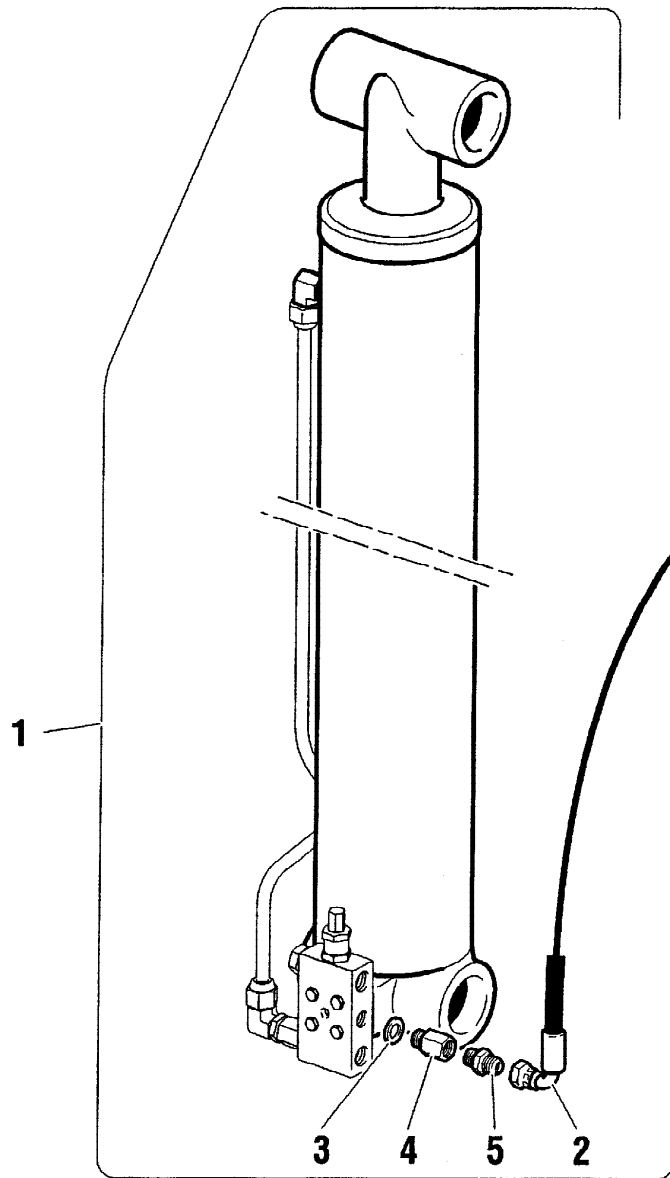
1/1

HYVA[®] CRANE
HB250

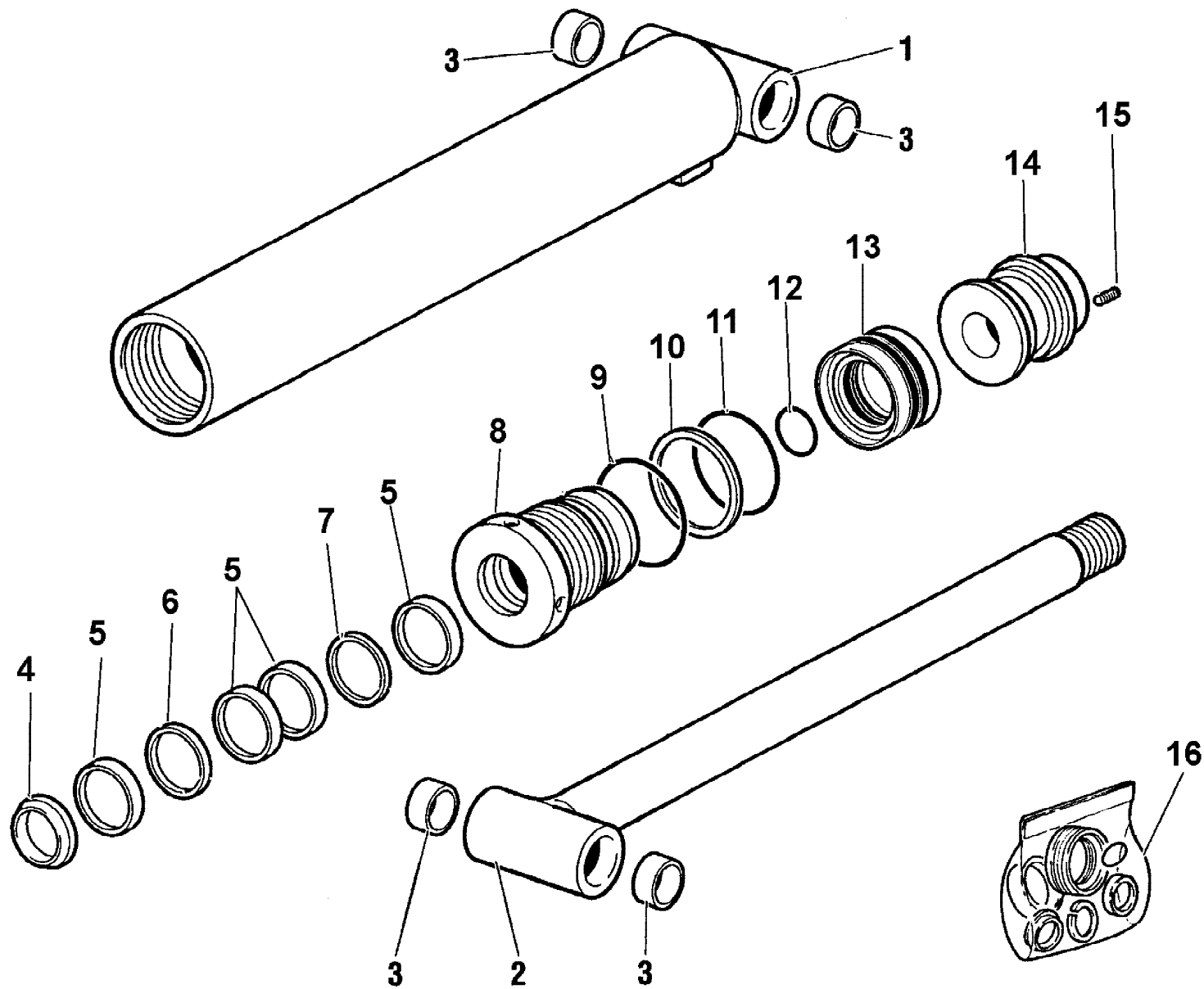
IMPIANTO IDRAULICO (MARTINETTO SOLLEVAMENTO)
 HYDRAULIC SYSTEM (LIFTING HYDRAULIC CYLINDER)
 INSTALLATION HYDRAULIQUE (VERIN DE LEVAGE)
 HYDRAULIKANLAGE (HUBZYLINDER)
 INSTALACION HIDRAULICA (GATO DE ELEVACION)

Tavola
6.23.0090-1-1

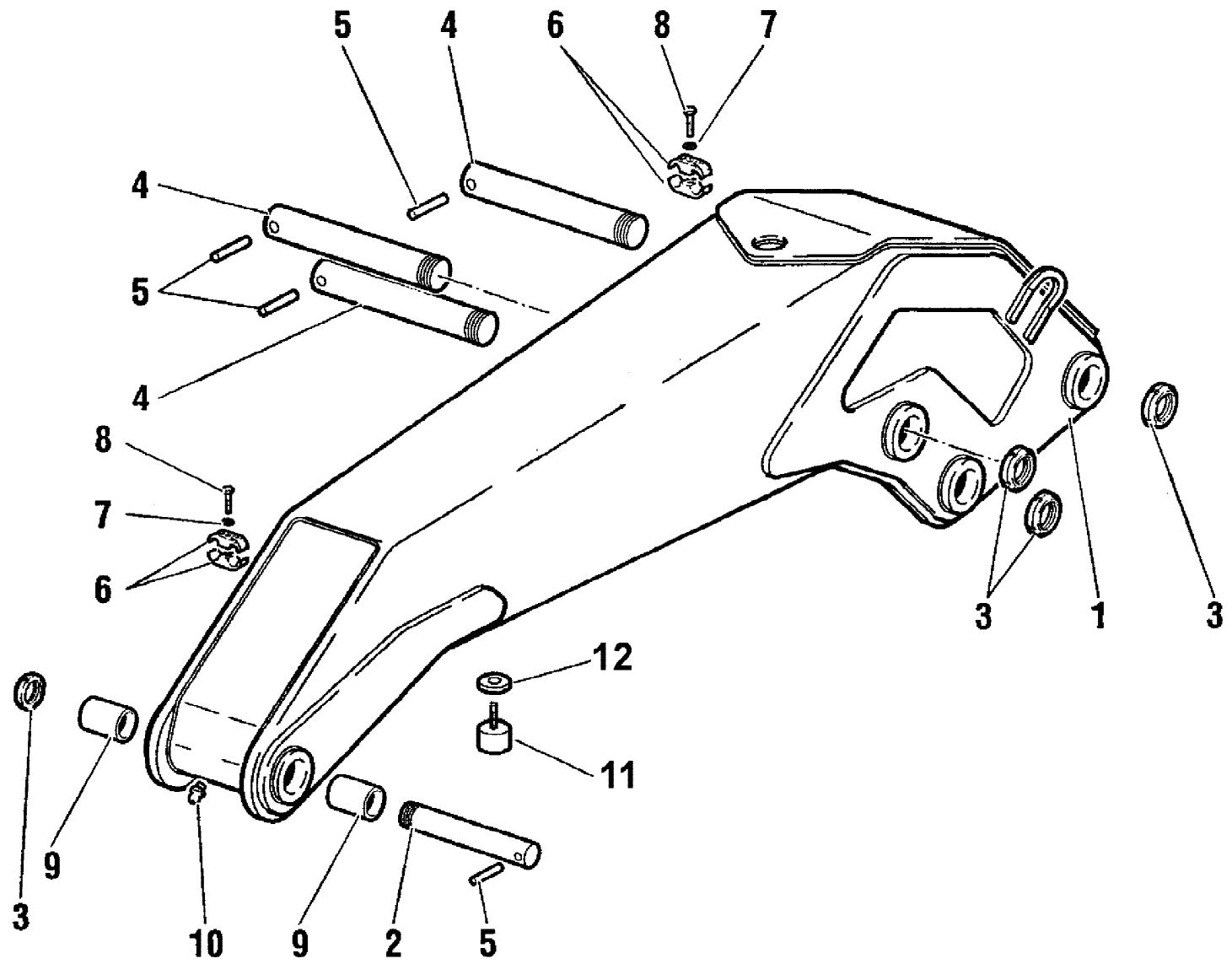
Data pag.
 ottobre 2006 75



rif.	codice	Q.tà
1	6.23.0090	1
2	5.26.0352	1
3	3.06.0143	1
4	5.22.0300	1
5	3.10.1039	1



rif.	codice	Q.tà
1	6.07.0392	1
2	6.03.0410	1
3	5.14.0689	4
4	3.42.0049	1
5	3.35.0120	4
6	3.37.0175	1
7	3.38.1000	1
8	6.04.0261	1
9	3.45.0177	1
10	3.46.0401	1
11	3.45.0401	1
12	3.45.0155	1
13	3.40.0537	1
14	6.05.0259	1
15	3.06.0247	1
16	5.55.0722	1



rif.	codice	Q.tà
1	5.03.0216	1
2	5.15.0498	1
3	3.04.0509	4
4	5.15.0499	3
5	3.06.0627	4
6	5.00.0047	10
7	3.06.0055	5
8	3.01.0032	5
9	5.14.0689	2
10	3.08.0501	1
11	3.19.0100	1
12	5.00.1112	1



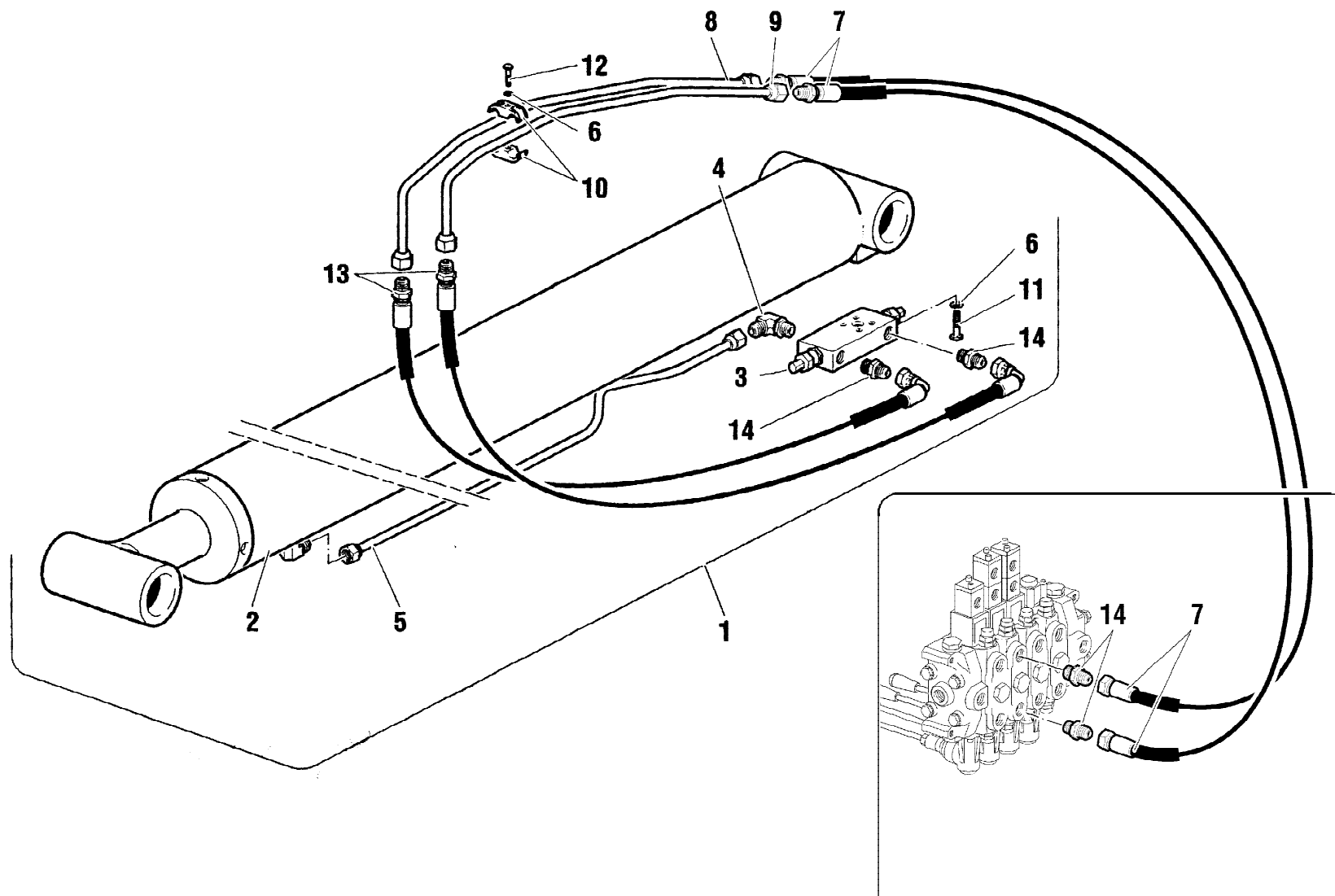
HB250

1° BRACCIO
1ST BOOM
1ERE BRAS
1. ARM
1° BRAZO

Tavola
5.47.0018-1-0

Data pag.
giugno 2006 78

rif.	codice	Q.tà
1	6.23.0091	1
2	6.43.0091	1
3	5.22.0571	1
4	3.10.1131	1
5	5.39.1512	1
6	3.06.0055	6
7	5.28.0342	2
8	5.39.1514	1
9	5.39.1513	1
10	5.00.0077	2
11	3.01.0032	4
12	3.01.0031	2
13	5.28.0344	2
14	3.10.1051	4



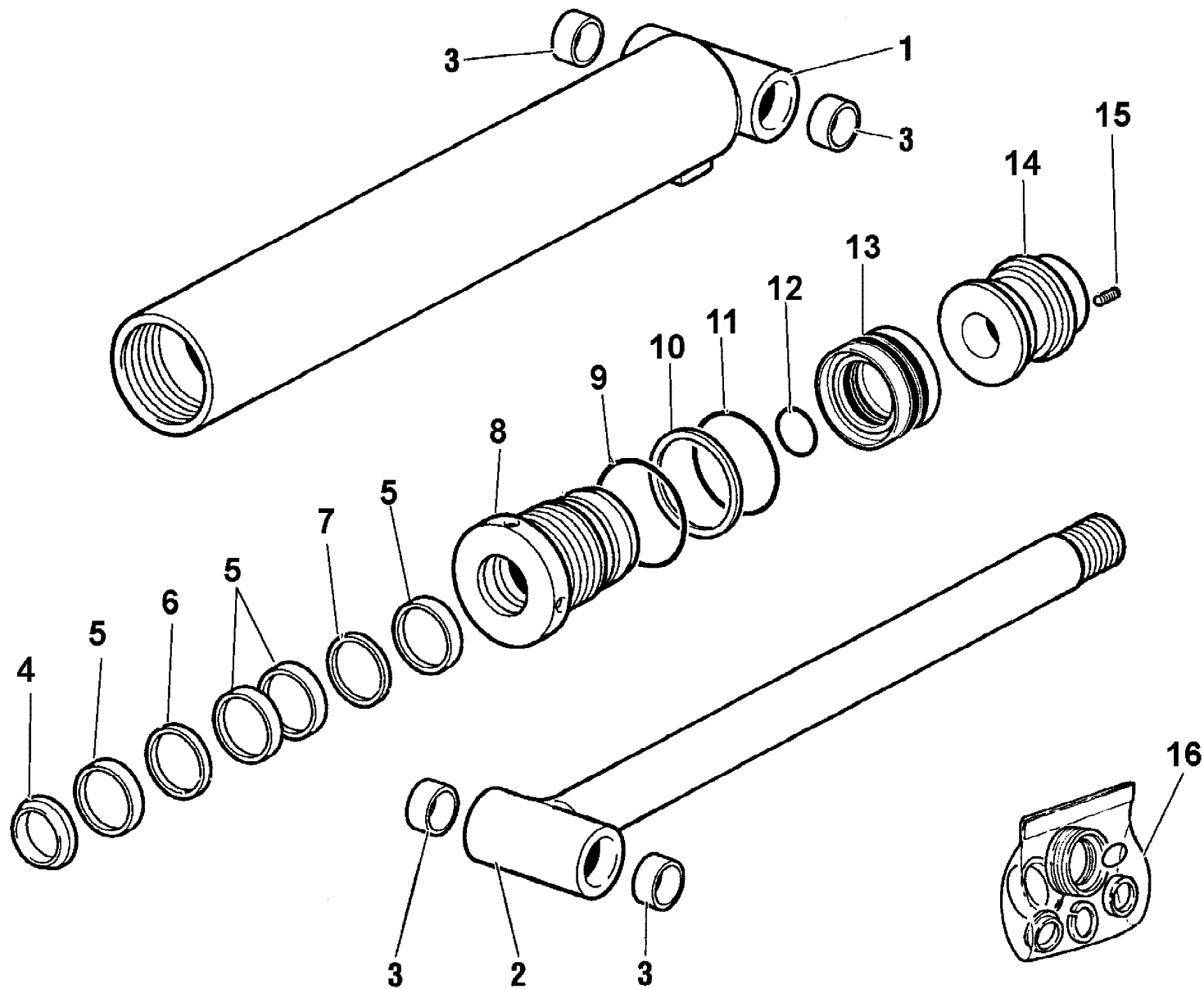
1/1

HYVA[®] CRANE
HB250

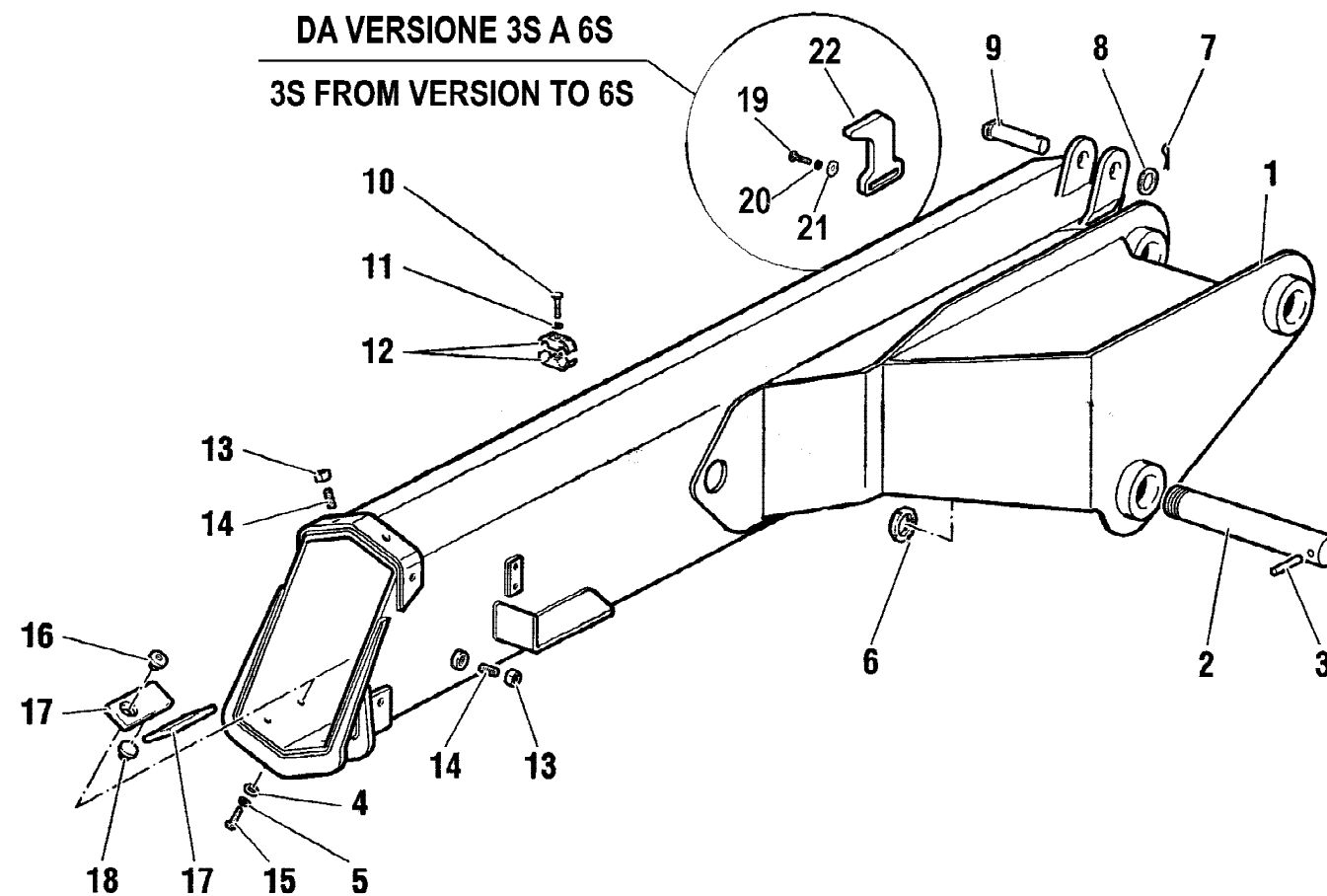
IMPIANTO IDRAULICO (MARTINETTO ARTICOLAZIONE)
 HYDRAULIC SYSTEM (ARTICULATION HYDRAULIC JACK)
 INSTALLATION HYDRAULIQUE (VERIN D'ARTICULATION)
 HYDRAULIKANLAGE (GELENKSHEBEBOCK)
 INSTALACION HIDRAULICA (GATO ARTICULACION)

Tavola
6.23.0091-1-0

Data pag.
 ottobre 2006 79



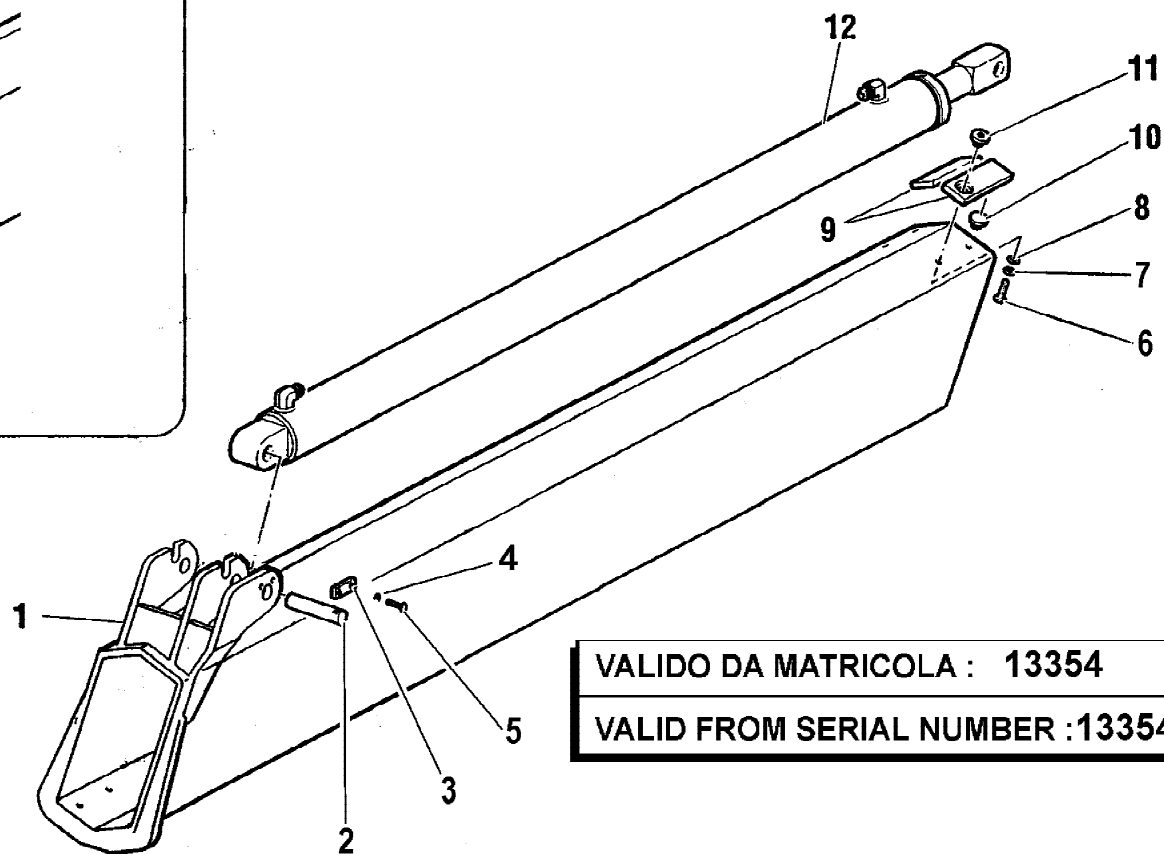
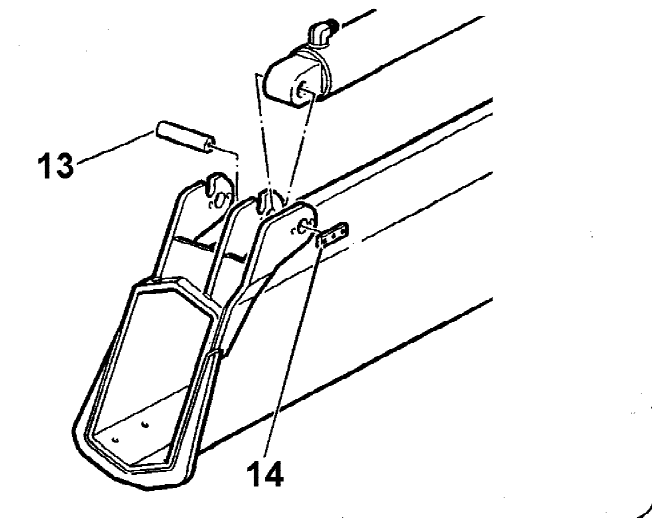
rif.	codice	Q.tà
1	6.07.0393	1
2	6.03.0411	1
3	5.14.0689	4
4	3.42.0049	1
5	3.35.0120	4
6	3.37.0175	1
7	3.38.1000	1
8	6.04.0261	1
9	3.45.0177	1
10	3.46.0401	1
11	3.45.0401	1
12	3.45.0155	1
13	3.40.0537	1
14	6.05.0259	1
15	3.06.0247	1
16	5.55.0722	1



rif.	codice	Q.tà
1	5.03.0217	1
2	5.15.0499	1
3	3.06.0627	1
4	3.06.0914	2
5	3.06.0920	2
6	3.04.0509	1
7	3.06.0911	1
8	3.06.0016	1
9	5.15.0500	1
10	3.01.0030	2
11	3.06.0055	2
12	5.00.0047	3
13	3.04.0089	6
14	5.00.0771	6
15	3.01.0353	2
16	5.00.0827	2
17	5.14.0701	2
18	5.00.1253	2
19	3.01.0394	2
20	3.06.0057	2
21	3.06.0031	2
22	5.00.0908	1

VALIDO FINO A MATRICOLA : 13353

VALID UNTIL SERIAL NUMBER :13353



VALIDO DA MATRICOLA : 13354

VALID FROM SERIAL NUMBER :13354

rif.	codice	Q.tà
1	5.02.0338	1
2	5.15.0502	1
3	5.00.0674	1
4	3.06.0055	3
5	3.01.0337	3
6	3.01.0353	2
7	3.06.0920	2
8	3.06.0914	2
9	5.14.0701	2
10	5.00.1253	2
11	5.00.0827	2
12	6.41.0184	1
13	5.15.0501	1
14	5.00.0074	1

1/1

HYVA® CRANE

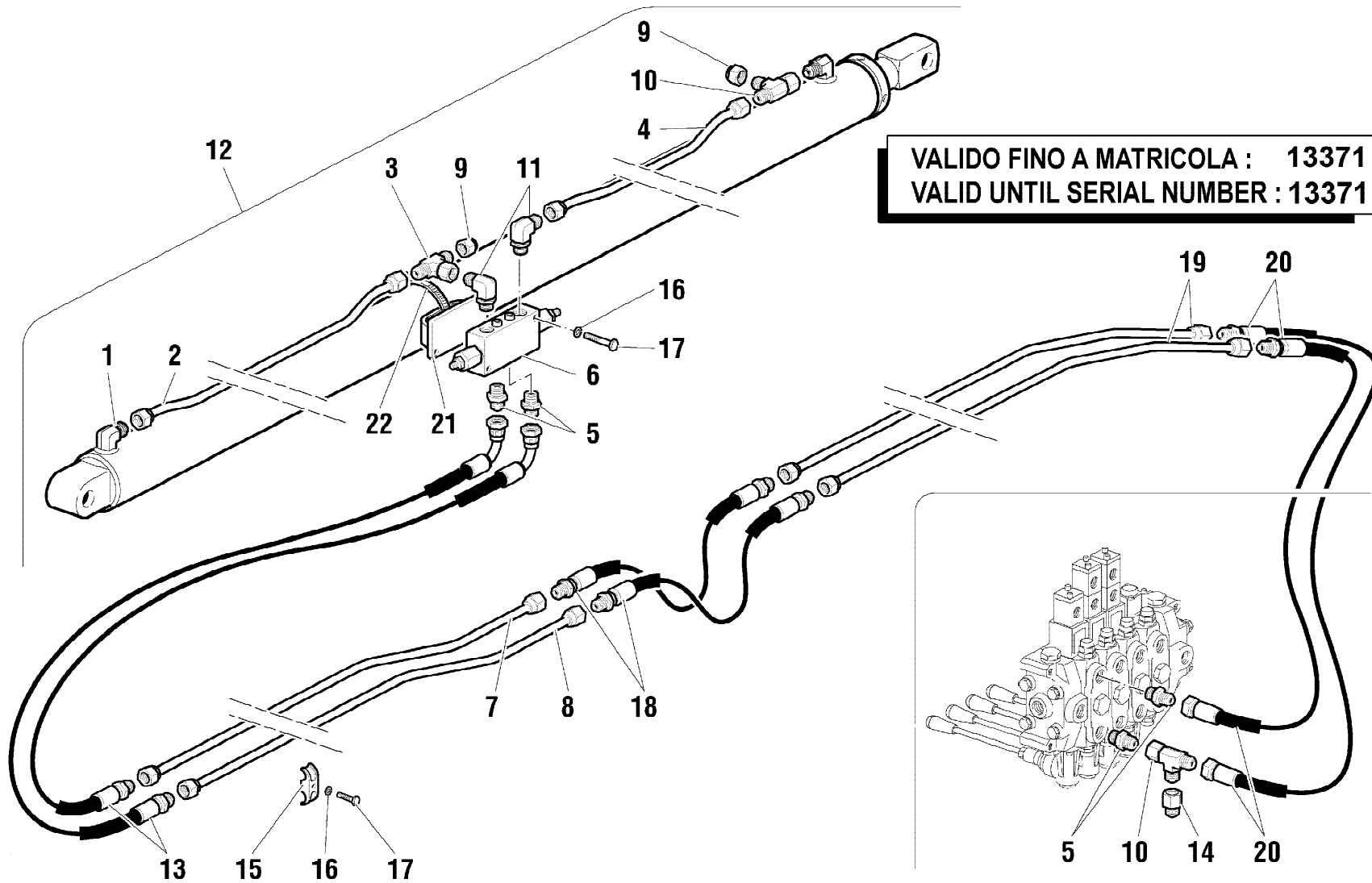
HB250

1° SFILO
1ST EXTENSION
1ERE RALLONGE
1. VERLAENGERUNG
1°PROLONGACION

Tavola

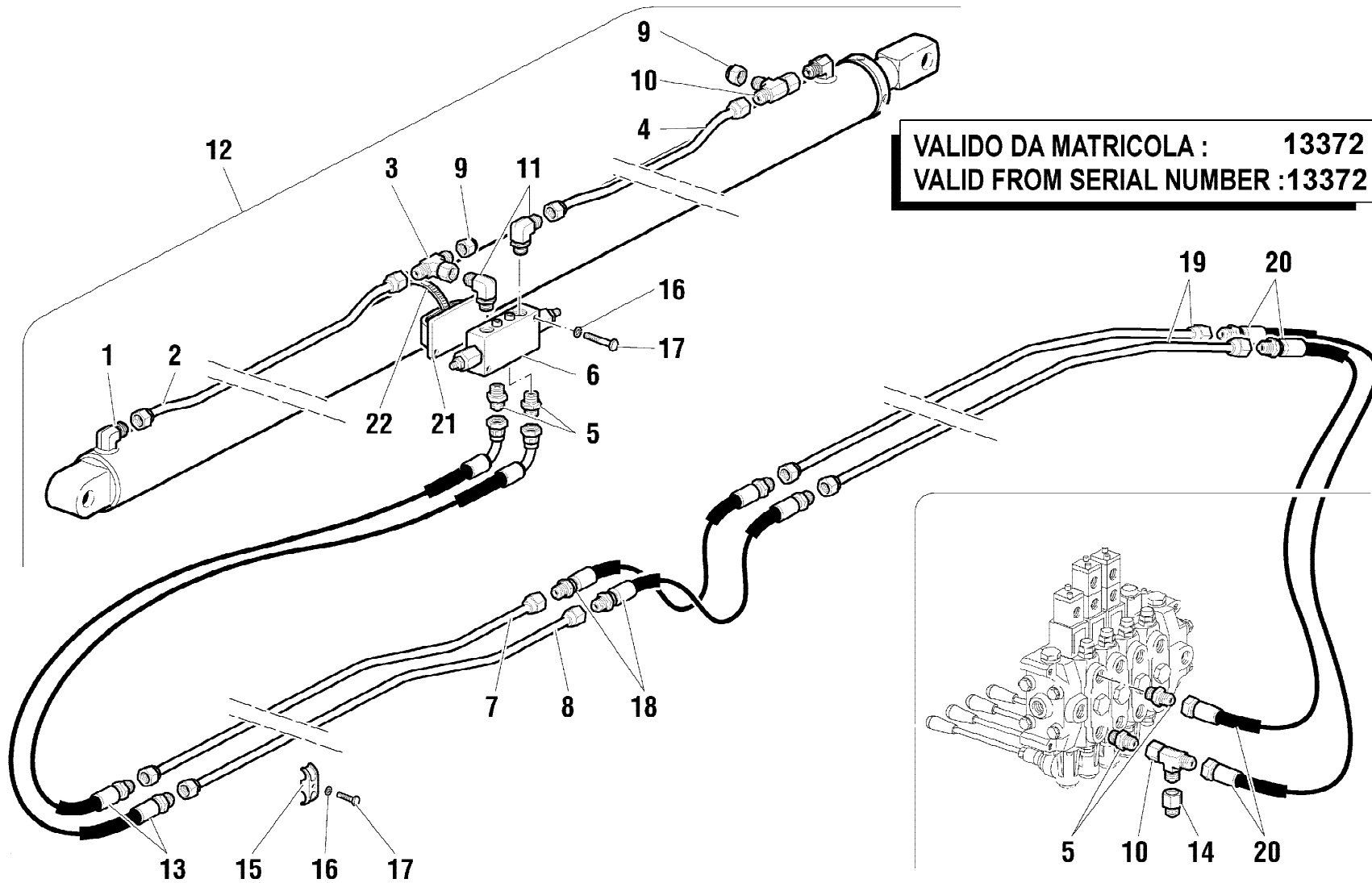
5.49.0019-1-0

Data pag.
giugno 2006 82



VALIDO FINO A MATRICOLA : 13371
VALID UNTIL SERIAL NUMBER : 13371

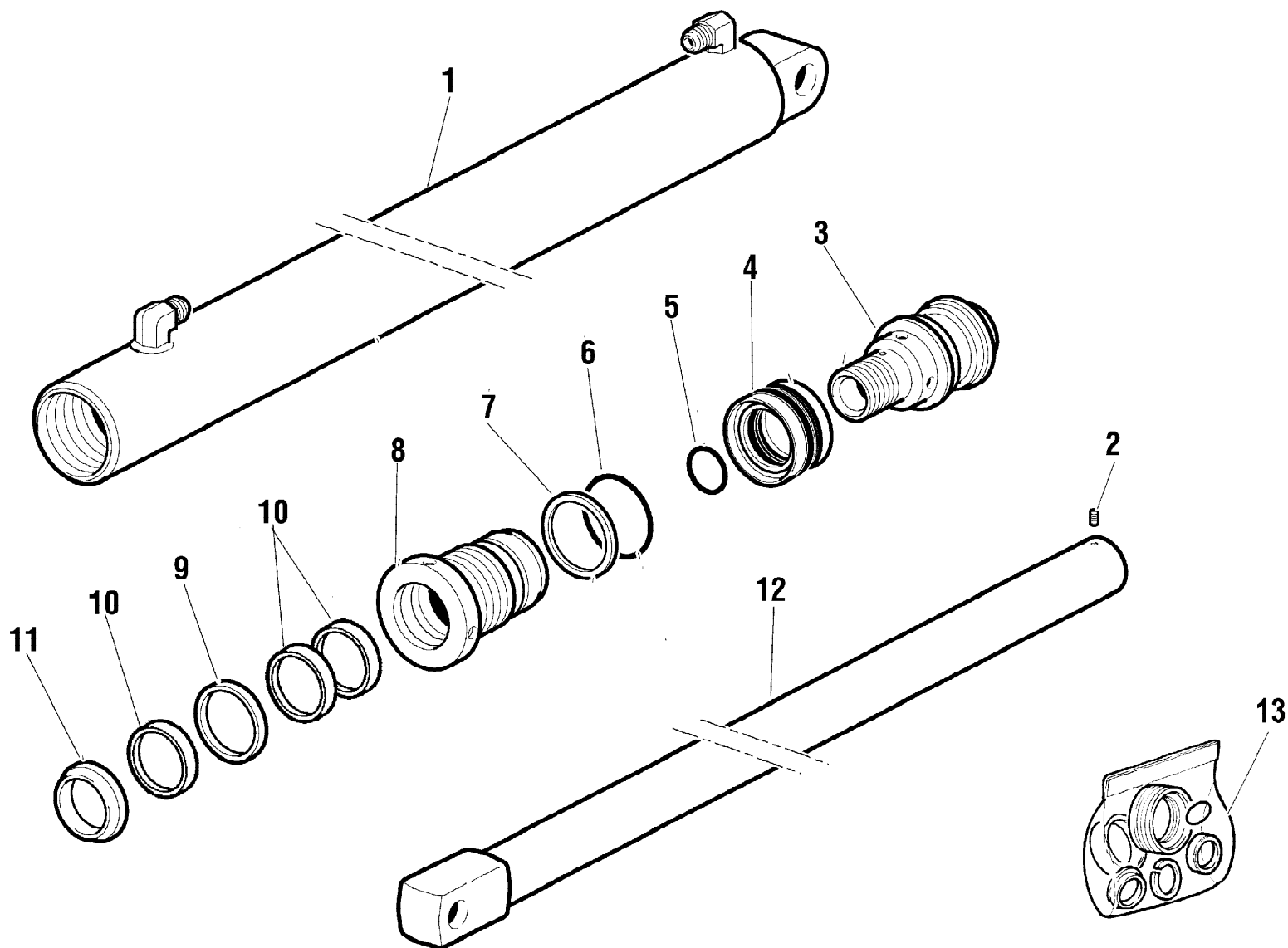
rif.	codice	Q.tà
1	6.41.0184	1
2	5.39.1520	1
3	3.12.0021	1
4	5.39.1521	1
5	3.10.1051	4
6	5.22.0112	1
7	5.39.1516	1
8	5.39.1517	1
9	3.11.0050	2
10	3.12.0008	2
11	3.10.1131	2
12	6.21.0184	1
13	5.28.0375	20
14	3.12.0209	1
15	5.00.0047	4
16	3.06.0055	6
17	3.01.0030	6
18	5.28.0376	2
19	5.39.1515	2
20	5.28.0342	2
21	5.00.0694	1
22	3.19.0022	2



VALIDO DA MATRICOLA : 13372
VALID FROM SERIAL NUMBER :13372

rif.	codice	Q.tà
1	6.41.0184	1
2	5.39.1833	1
3	3.12.0021	1
4	5.39.1834	1
5	3.10.1051	4
6	5.22.0641	1
7	5.39.1516	1
8	5.39.1517	1
9	3.11.0050	2
10	3.12.0008	2
11	3.10.1131	2
12	6.21.0267	1
13	5.28.0375	20
14	3.12.0209	1
15	5.00.0047	4
16	3.06.0055	6
17	3.01.0030	6
18	5.28.0376	2
19	5.39.1515	2
20	5.28.0342	2
21	5.00.0694	1
22	3.19.0024	2

rif.	codice	Q.tà
1	6.07.0398	1
2	3.06.0232	1
3	6.05.0260	1
4	3.40.0513	1
5	3.45.0118	1
6	3.45.0149	1
7	3.46.0149	1
8	6.04.0272	1
9	3.37.0130	1
10	3.36.1006	1
11	3.42.0030	1
12	6.03.0416	1
13	5.55.0746	1



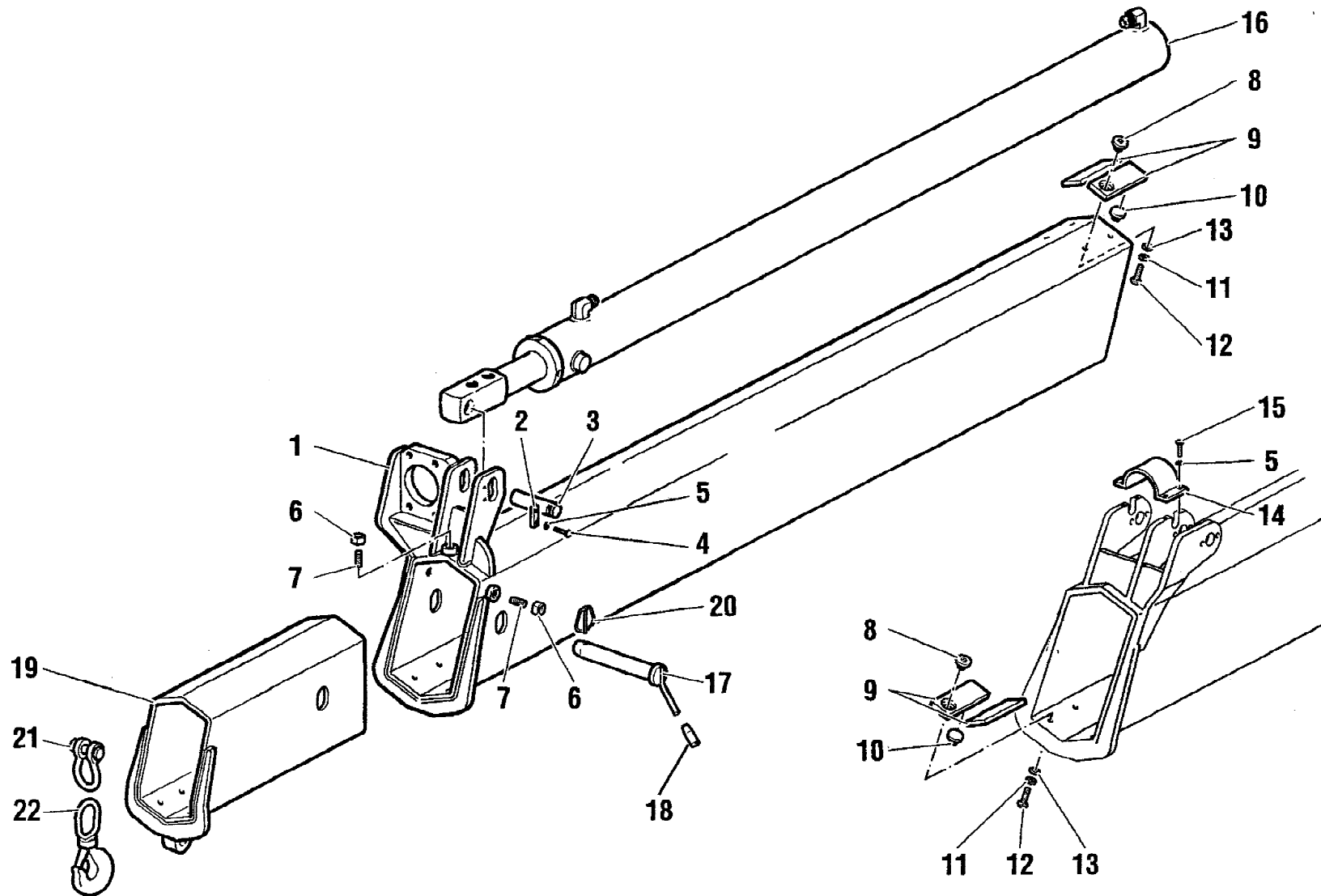
1/1

HYVA[®] CRANE
HB250

MARTINETTO 1° SFILLO
 1ST EXSTENSION HYDRAULIC
 VÉRIN 1ÈRE RALLONGE
 1. SCHUBZYLINDER
 GATO 1ª EXTENSIÓN

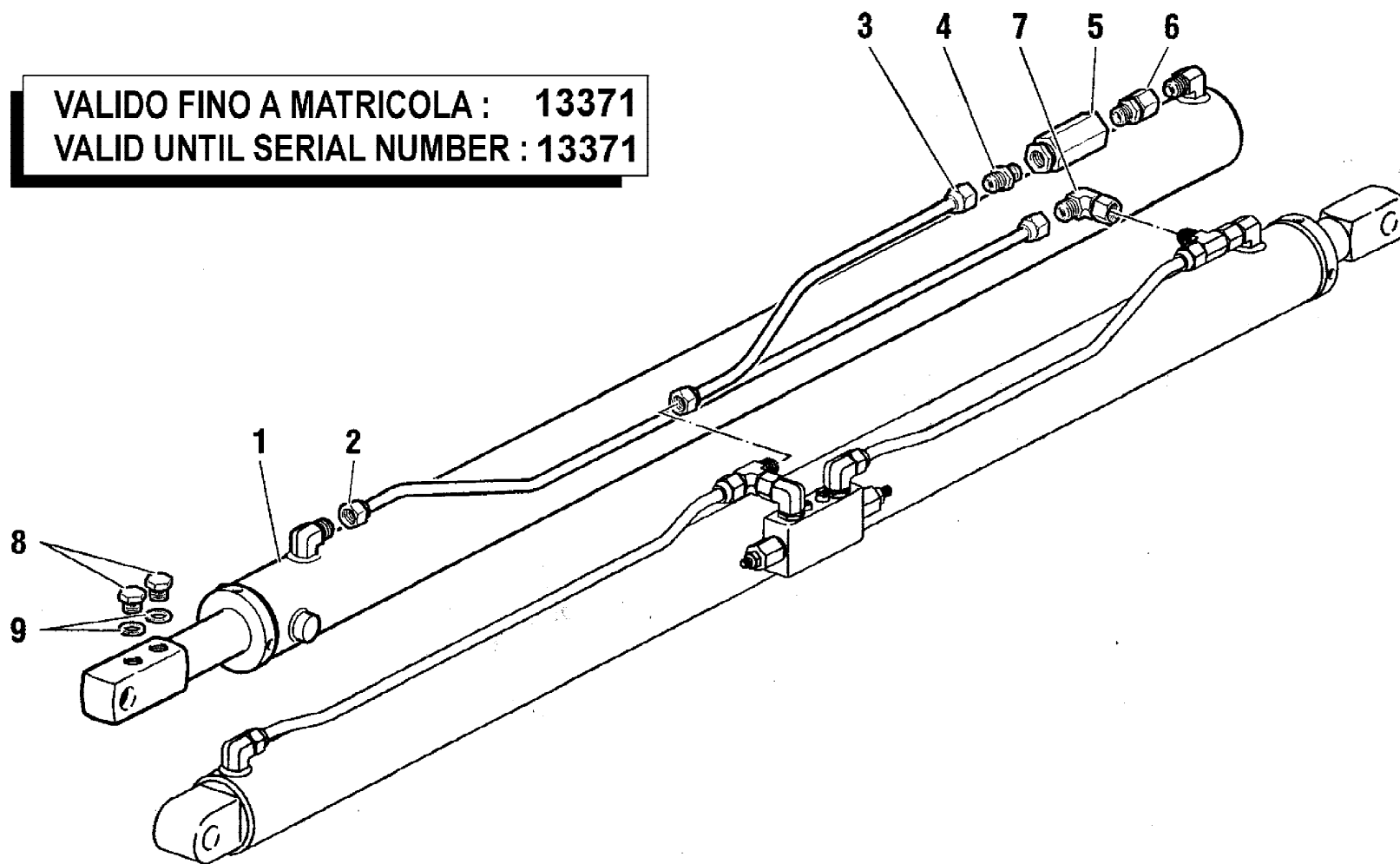
Tavola
6.41.0184-1-0

Data pag.
 giugno 2006 85



rif.	codice	Q.tà
1	5.02.0339	1
2	5.00.0674	1
3	5.15.0502	1
4	3.01.0337	2
5	3.06.0055	6
6	3.04.0089	3
7	5.00.0771	3
8	5.00.0827	4
9	5.14.0701	4
10	5.00.1253	4
11	3.06.0920	4
12	3.01.0353	4
13	3.06.0914	4
14	5.00.0772	1
15	3.01.0027	4
16	6.21.0185	1
17	5.15.0421	1
18	3.19.0010	1
19	5.02.0343	1
20	3.06.0750	1
21	3.20.0067	1
22	3.20.0007	1

VALIDO FINO A MATRICOLA : 13371
VALID UNTIL SERIAL NUMBER : 13371



rif.	codice	Q.tà
1	6.41.0185	1
2	5.39.1523	1
3	5.39.1522	1
4	3.10.1051	1
5	5.22.0557	1
6	3.12.0067	1
7	3.12.0034	1
8	3.11.0065	2
9	3.06.0145	2

1/1

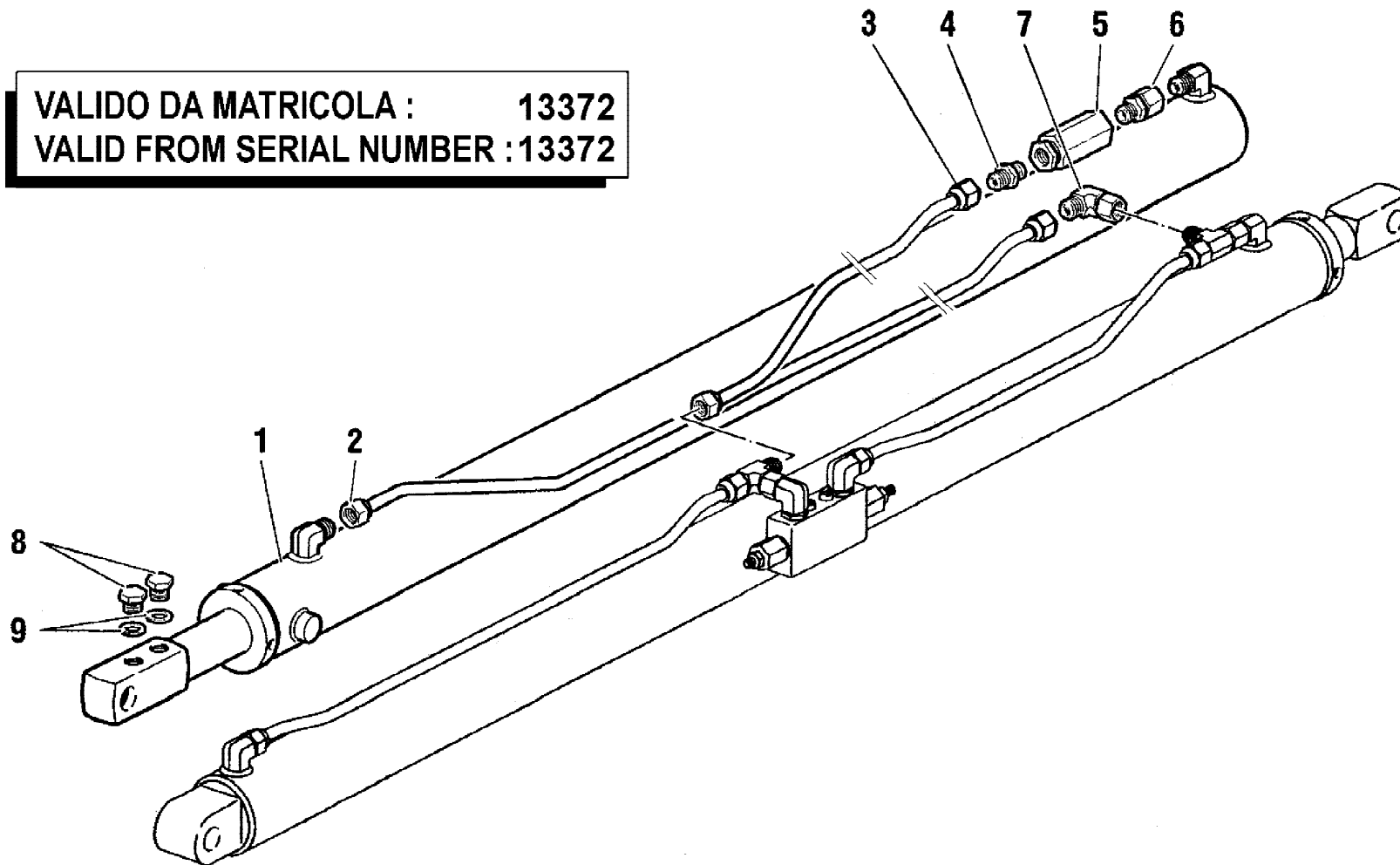
HYVA[®] CRANE
HB250

MARTINETTO 2° SFILLO (IMPIANTO OLEODINAMICO)
 2ND EXTENSION HYDRAULIC JACK (HYDRAULIC SYSTEM)
 VÉRIN 2ÈME RALLONGE (INSTALLATION HYDRAULIQUE)
 2. SCHUBZYLINDER (HYDRAULIKANLAGE)
 GATO 2ª EXTENSIÓN (INSTALACION HIDRAULICA)

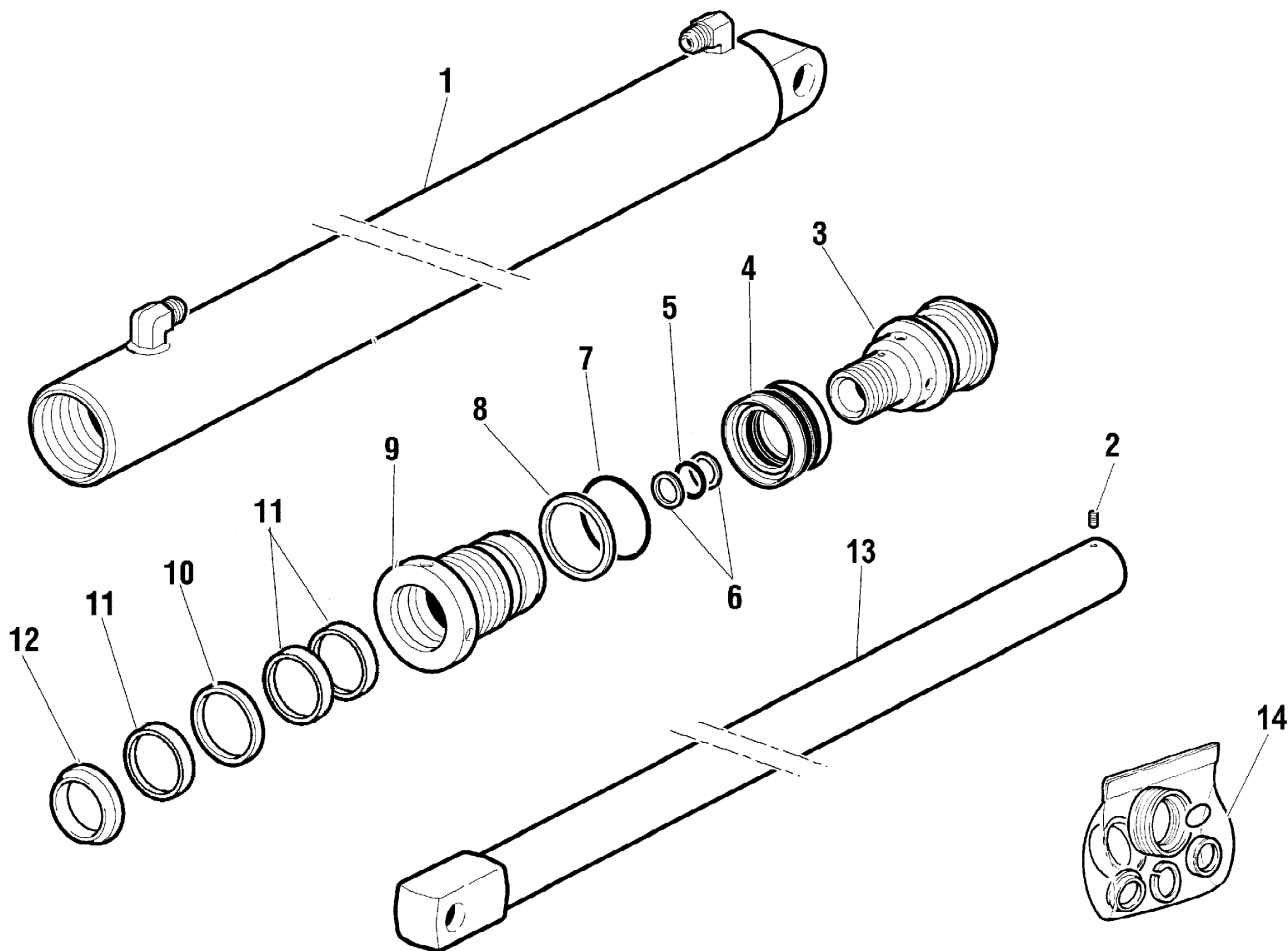
Tavola
6.21.0185-1-0

Data pag.
 giugno 2006 87

VALIDO DA MATRICOLA : 13372
VALID FROM SERIAL NUMBER : 13372



rif.	codice	Q.tà
1	6.41.0185	1
2	5.39.1523	1
3	5.39.1522	1
4	3.10.1051	1
5	5.22.0629	1
6	3.12.0067	1
7	3.12.0034	1
8	3.11.0065	2
9	3.06.0145	2



rif.	codice	Q.tà
1	6.07.0399	1
2	3.06.0232	2
3	6.05.0261	1
4	3.40.0513	1
5	3.45.0050	1
6	3.46.0382	2
7	3.45.0149	1
8	3.46.0149	1
9	6.04.0272	1
10	3.37.0130	1
11	3.36.1006	3
12	3.42.0030	1
13	6.03.0418	1
14	5.55.0747	1

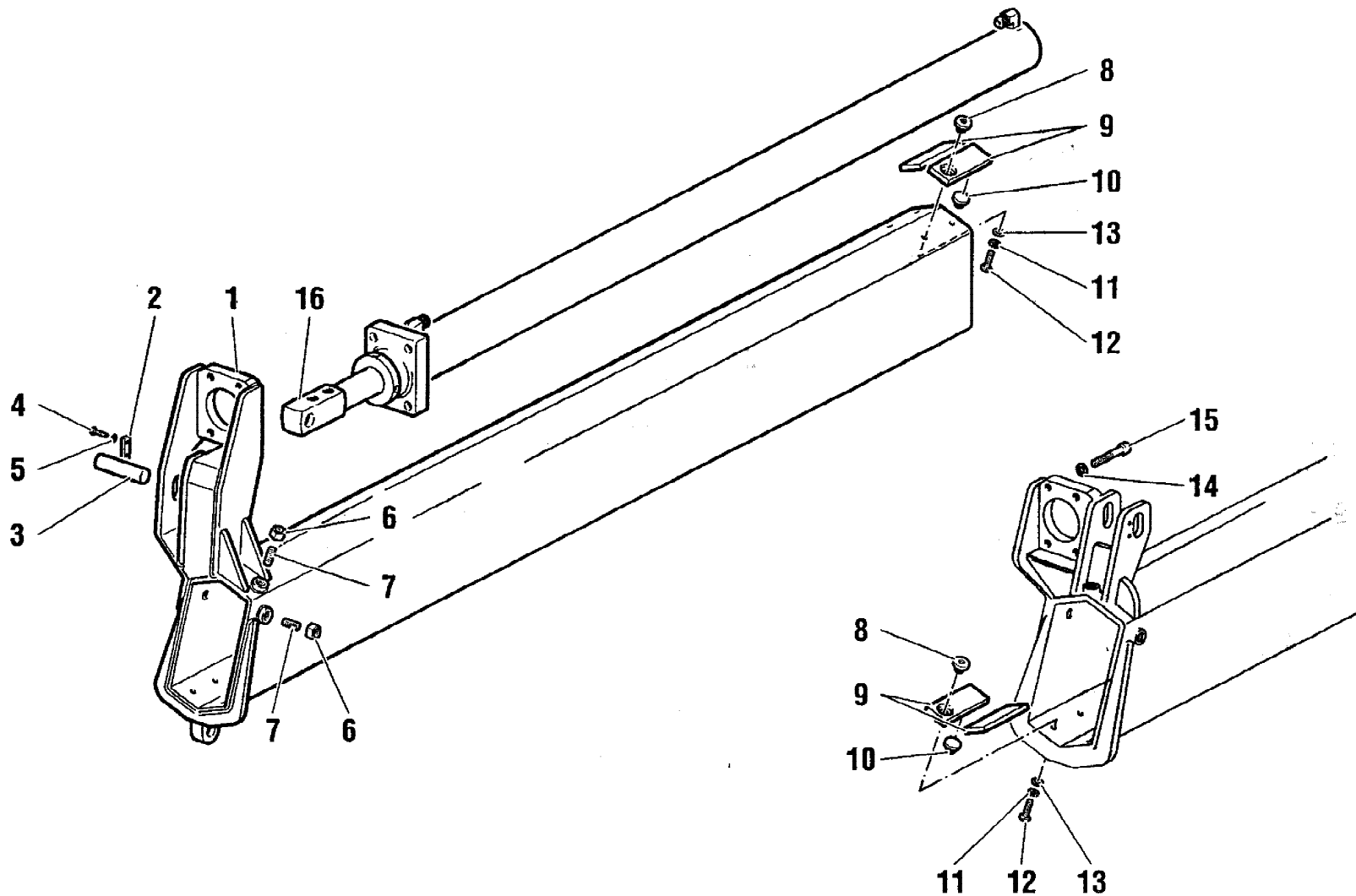
1/1

HYVA[®] CRANE
HB250

MARTINETTO 2° SFILLO
 2ND EXTENSION HYDRAULIC JACK
 VÉRIN 2ÈME RALLONGE
 2. SCHUBZYLINDER
 GATO 2ª EXTENSIÓN

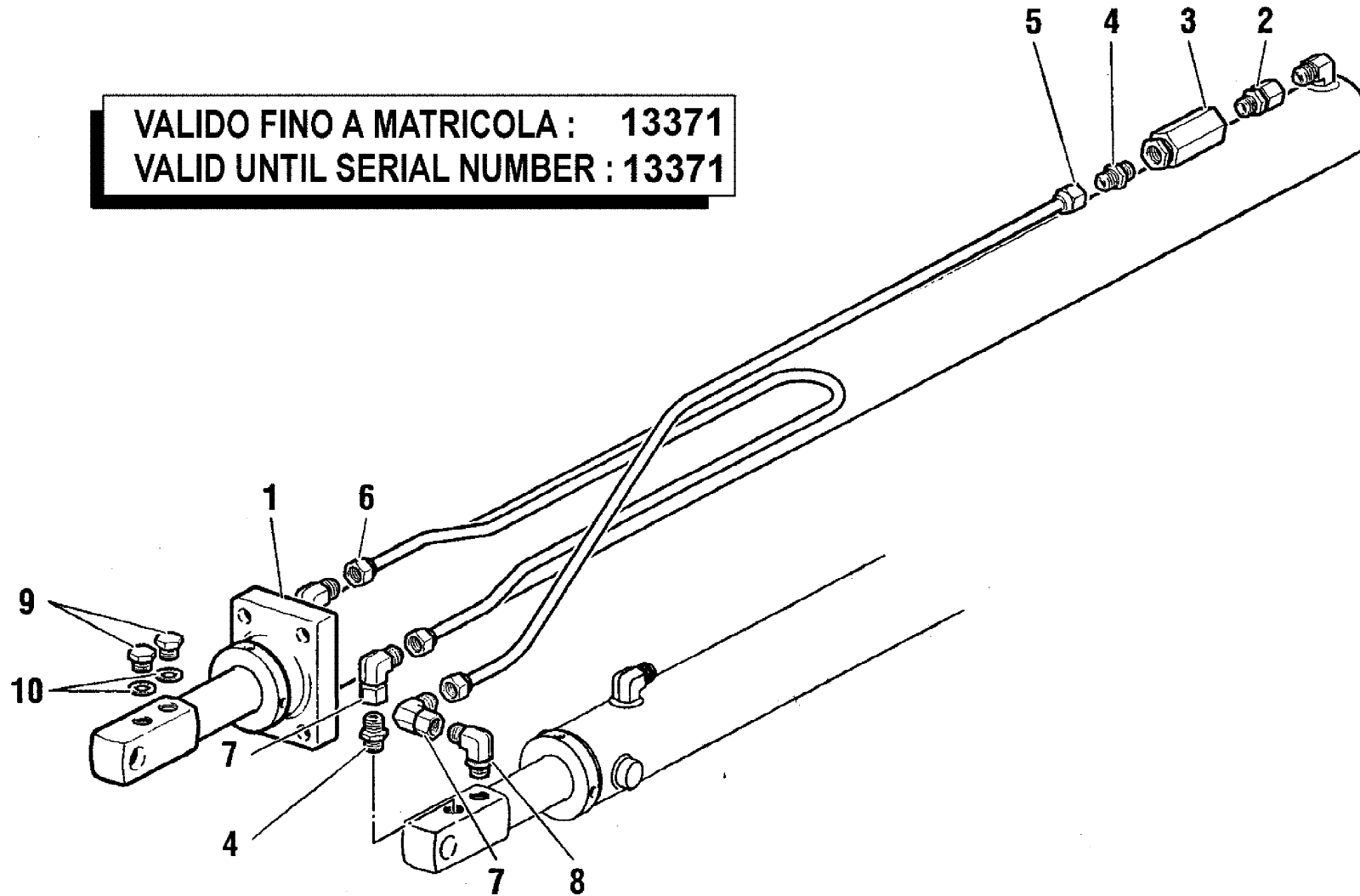
Tavola
6.41.0185-1-0

Data pag.
 giugno 2006 89



rif.	codice	Q.tà
1	5.02.0340	1
2	5.00.0674	1
3	5.15.0502	1
4	3.01.0337	2
5	3.06.0055	2
6	3.04.0089	3
7	5.00.0771	3
8	5.00.0827	4
9	5.14.0701	4
10	5.00.1253	4
11	3.06.0920	4
12	3.01.0353	4
13	3.06.0914	4
14	3.06.0059	4
15	3.02.0883	4
16	6.21.0186	1

VALIDO FINO A MATRICOLA : 13371
VALID UNTIL SERIAL NUMBER : 13371



rif.	codice	Q.tà
1	6.41.0186	0
2	3.12.0067	1
3	5.22.0557	1
4	3.10.1051	2
5	5.39.1524	1
6	5.39.1525	1
7	3.12.0034	2
8	3.10.1131	1
9	3.11.0065	2
10	3.06.0145	2



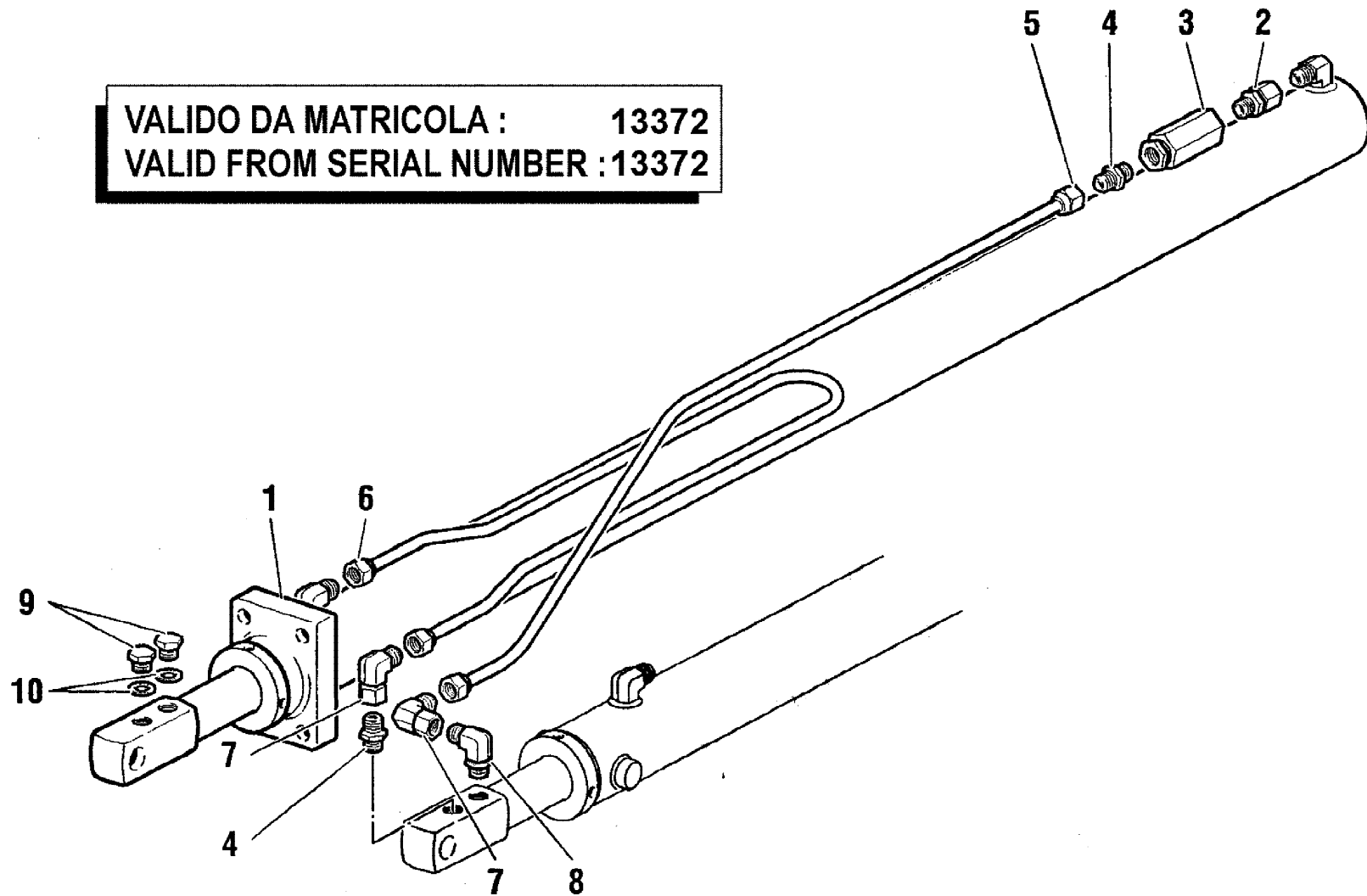
HB250

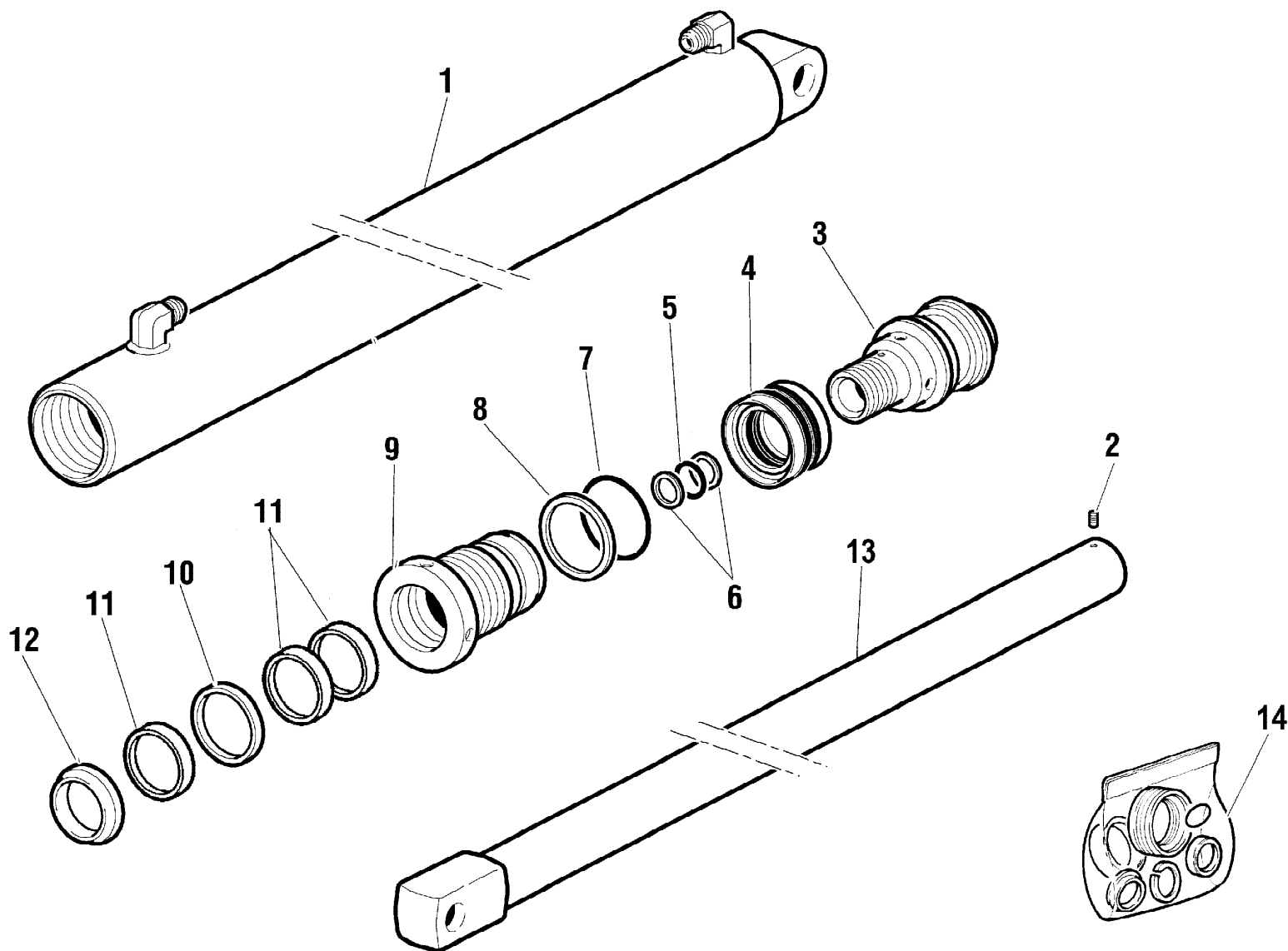
IMPIANTO IDRAULICO (MARTINETTO 3° SFILLO)
 HYDRAULIC SYSTEM (3RD EXTENSION HYDRAULIC JACK)
 INSTALLATION HYDRAULIQUE (VÉRIN 3ÈME RALLONGE)
 HYDRAULIKANLAGE (3. SCHUBZYLINDER)
 INSTALACION HIDRAULICA (GATO 3ª EXTENSIÓN)

Tavola
6.21.0186-1-0

rif.	codice	Q.tà
1	6.41.0186	1
2	3.12.0067	1
3	5.22.0629	1
4	3.10.1051	2
5	5.39.1524	1
6	5.39.1525	1
7	3.12.0034	2
8	3.10.1131	1
9	3.11.0065	2
10	3.06.0145	2

VALIDO DA MATRICOLA : 13372
VALID FROM SERIAL NUMBER : 13372





rif.	codice	Q.tà
1	6.07.0400	1
2	3.46.0332	1
3	6.05.0262	1
4	3.40.0512	1
5	3.45.0050	1
6	3.46.0382	2
7	3.45.0147	1
8	3.46.0147	1
9	6.04.0273	1
10	3.37.0131	1
11	3.36.1003	3
12	3.42.0026	1
13	6.03.0420	1
14	5.55.0748	1

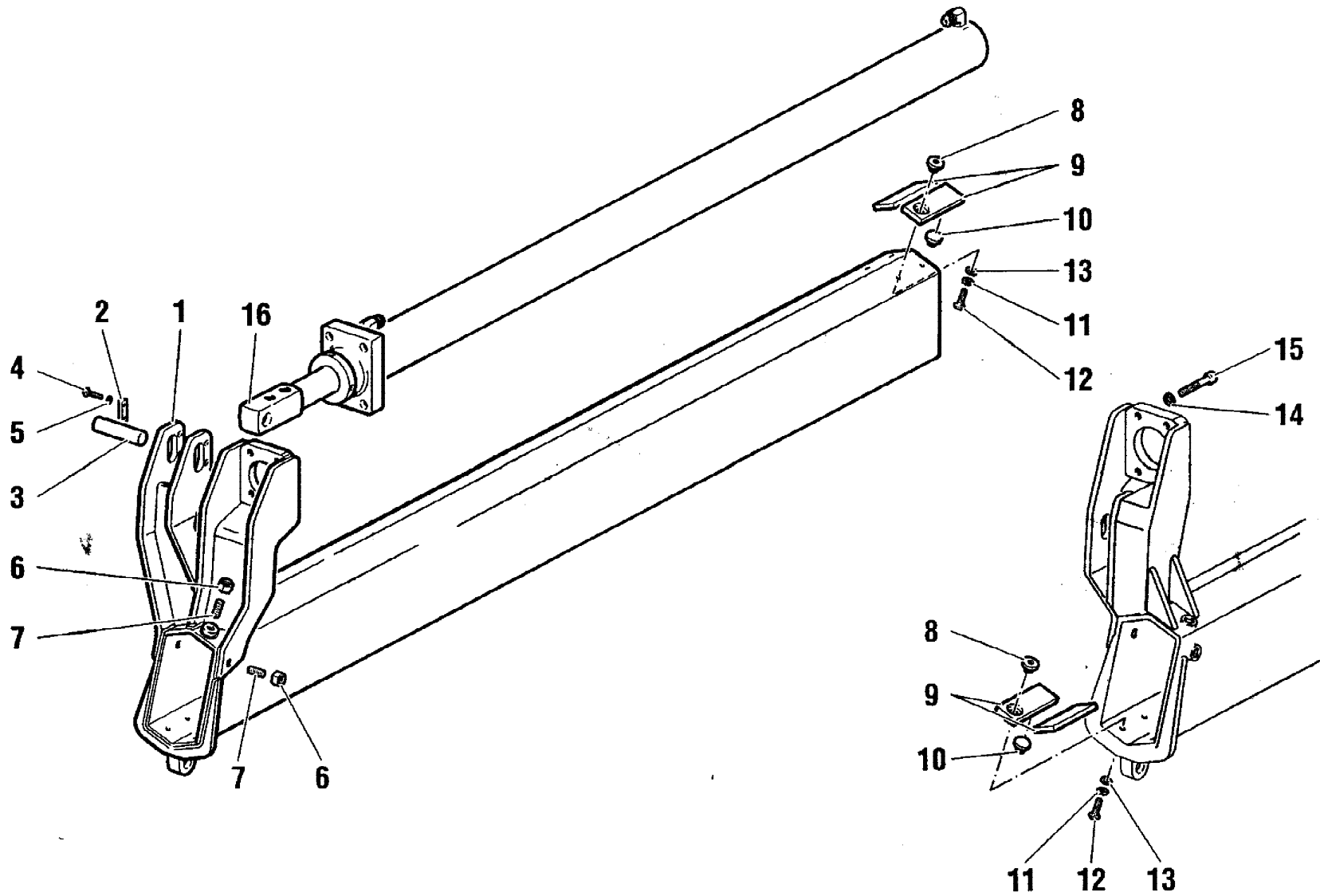
1/1

HYVA[®] CRANE
HB250

MARTINETTO 3° E 4° SFILLO
 3RD AND 4TH EXTENSION HYDRAULIC CYLINDER
 VERIN 3ÈME ET 4ÈME RALLONGE
 3. UNT 4. VERLAENGERUNGSWINDE
 3° Y 4° GATO DE PROLONGACION

Tavola
6.41.0186-1-0

Data pag.
 giugno 2006 93



rif.	codice	Q.tà
1	5.62.0341	1
2	5.00.0674	1
3	5.15.0502	1
4	3.01.0337	2
5	3.06.0055	2
6	3.04.0089	4
7	5.00.0771	4
8	5.00.0827	4
9	5.14.0701	4
10	5.00.1253	4
11	3.06.0920	4
12	3.01.0353	4
13	3.06.0914	4
14	306.0059	4
15	3.02.0129	4
16	6.21.0206	1

1/1

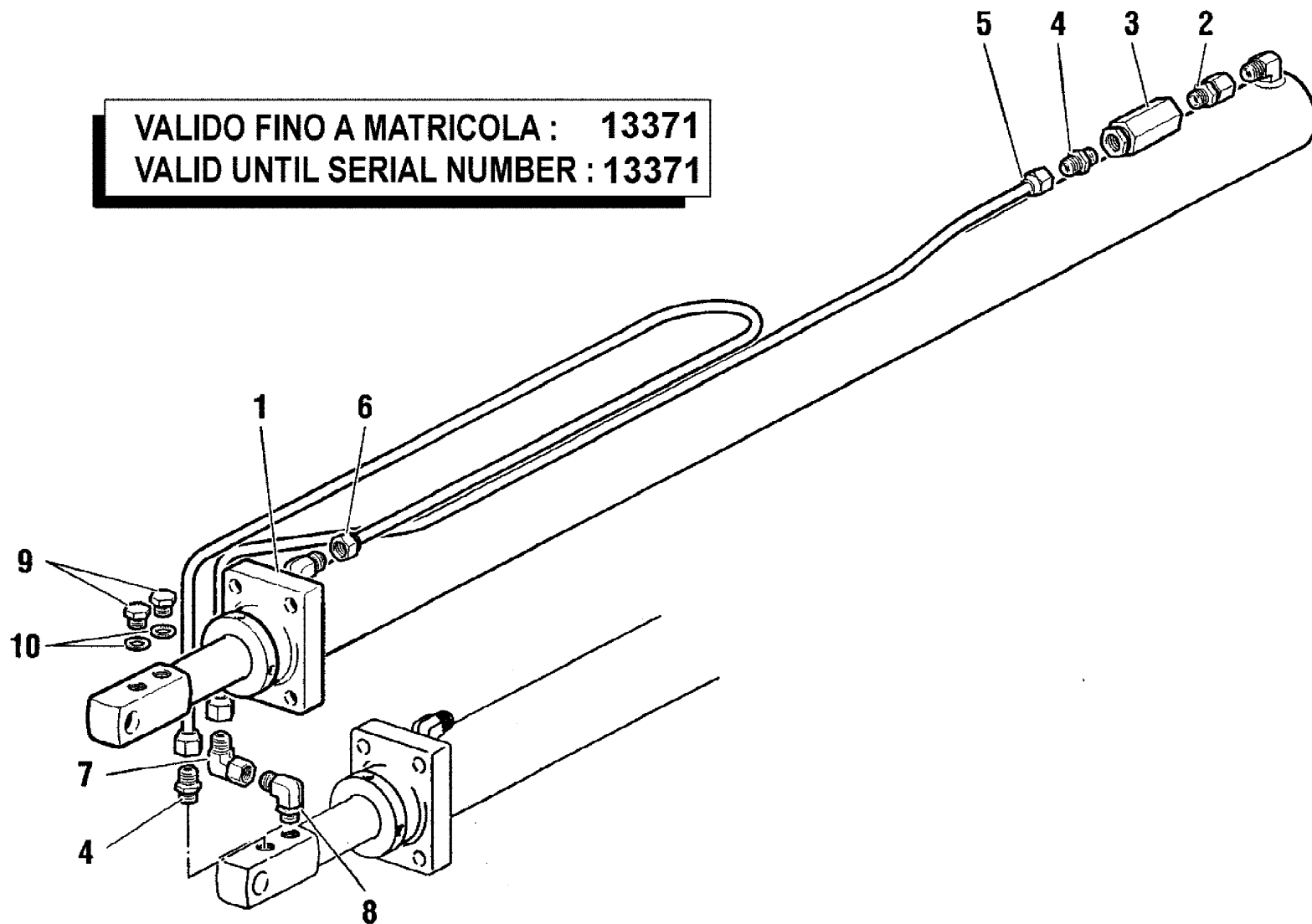
HYVA® CRANE
HB250

4° SFILLO
4TH EXTENSION
4EME RALLONGE
4. VERLAENGERUNG
4° PROLONGACION

Tavola
5.56.0003-1-0

Data pag.
giugno 2006 94

VALIDO FINO A MATRICOLA : 13371
VALID UNTIL SERIAL NUMBER : 13371



rif.	codice	Q.tà
1	6.41.0186	1
2	3.12.0067	1
3	5.22.0557	1
4	3.10.1051	2
5	5.39.1526	1
6	5.39.1527	1
7	3.12.0034	1
8	3.10.1131	1
9	3.11.0065	2
10	3.06.0145	2

1/1

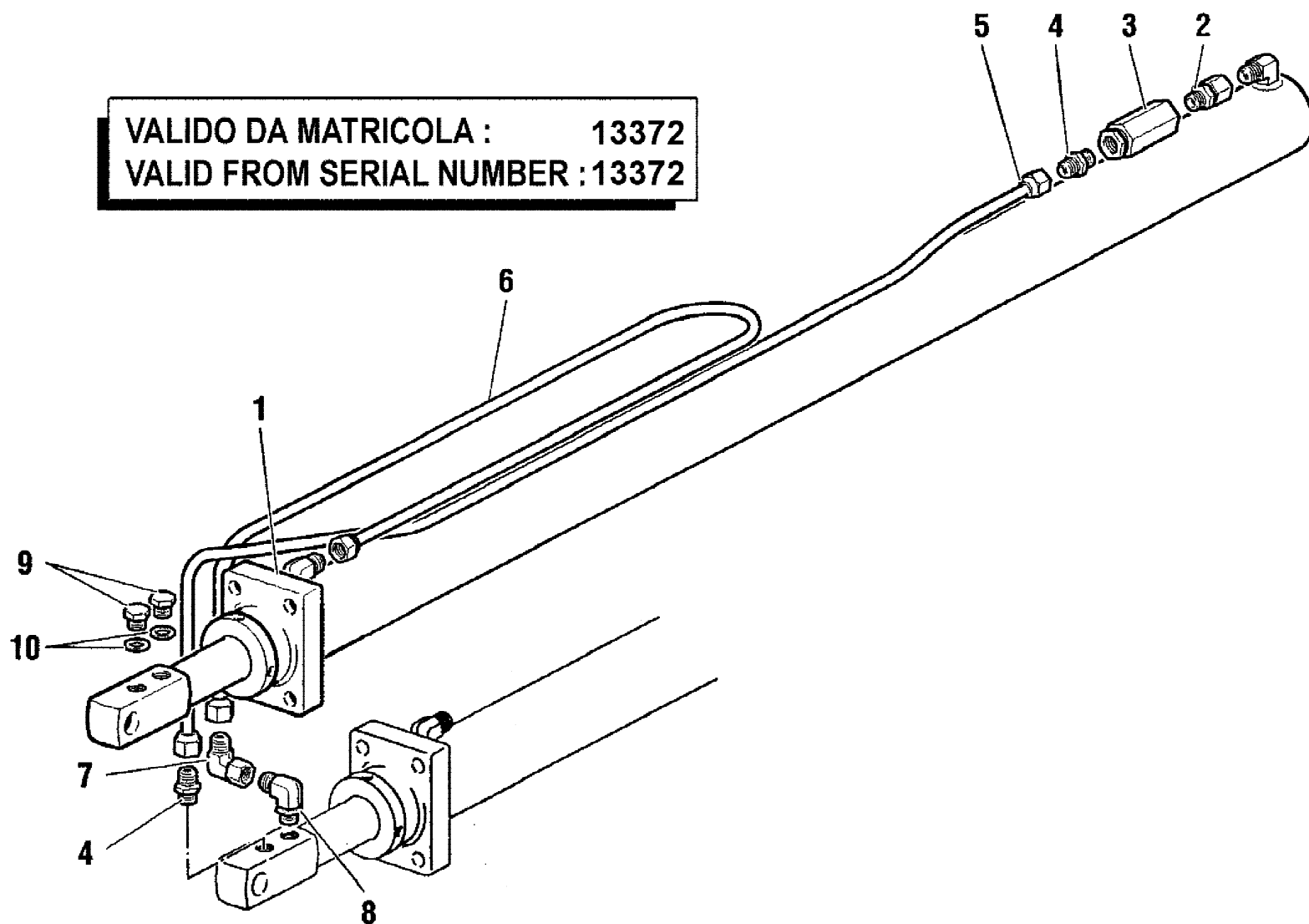
HYVA[®] CRANE
HB250

IMPIANTO IDRAULICO (MARTINETTO 4° SFILLO)
 HYDRAULIC SYSTEM (4TH EXTENSION HYDRAULIC JACK)
 INSTALLATION HYDRAULIQUE (VÉRIN 4ÈME RALLONGE)
 HYDRAULIKANLAGE (4. SCHUBZYLINDER)
 INSTALACION HIDRAULICA (GATO 4ª EXTENSIÓN)

Tavola
6.21.0206-1-0

Data pag.
 ottobre 2006 95

VALIDO DA MATRICOLA : 13372
VALID FROM SERIAL NUMBER : 13372



rif.	codice	Q.tà
1	6.41.0186	1
2	3.12.0067	1
3	5.22.0629	1
4	3.10.1051	2
5	5.39.1526	1
6	5.39.1527	1
7	3.12.0034	1
8	3.10.1131	1
9	3.11.0065	2
10	3.06.0145	2

1/1

HYVA® CRANE
HB250

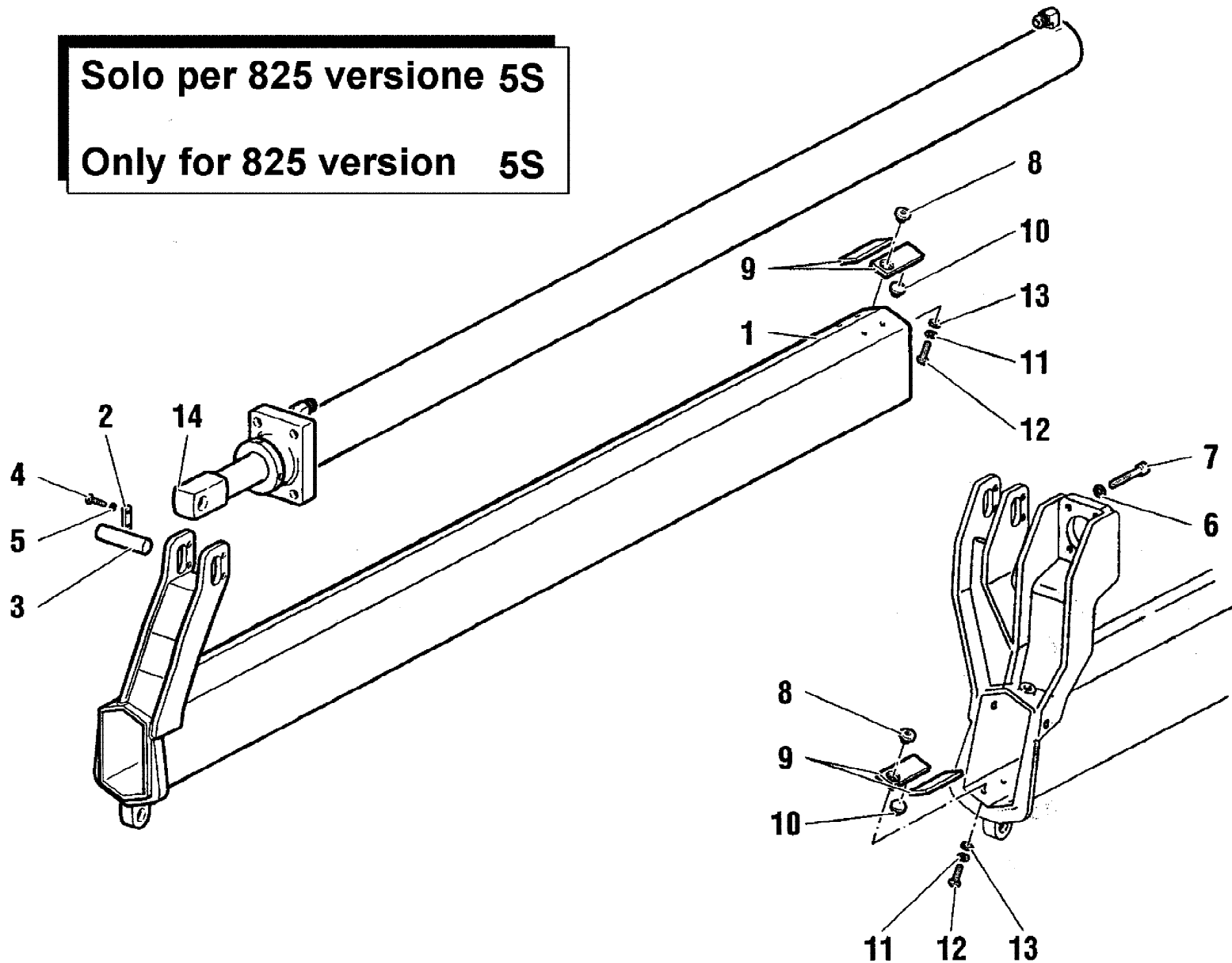
IMPIANTO IDRAULICO (MARTINETTO 4° SFILLO)
 HYDRAULIC SYSTEM (4TH EXTENSION HYDRAULIC JACK)
 INSTALLATION HYDRAULIQUE (VÉRIN 4ÈME RALLONGE)
 HYDRAULIKANLAGE (4. SCHUBZYLINDER)
 INSTALACION HIDRAULICA (GATO 4ª EXTENSIÓN)

Tavola
6.21.0206-2-0

Data pag.
 ottobre 2006 96

Solo per 825 versione 5S

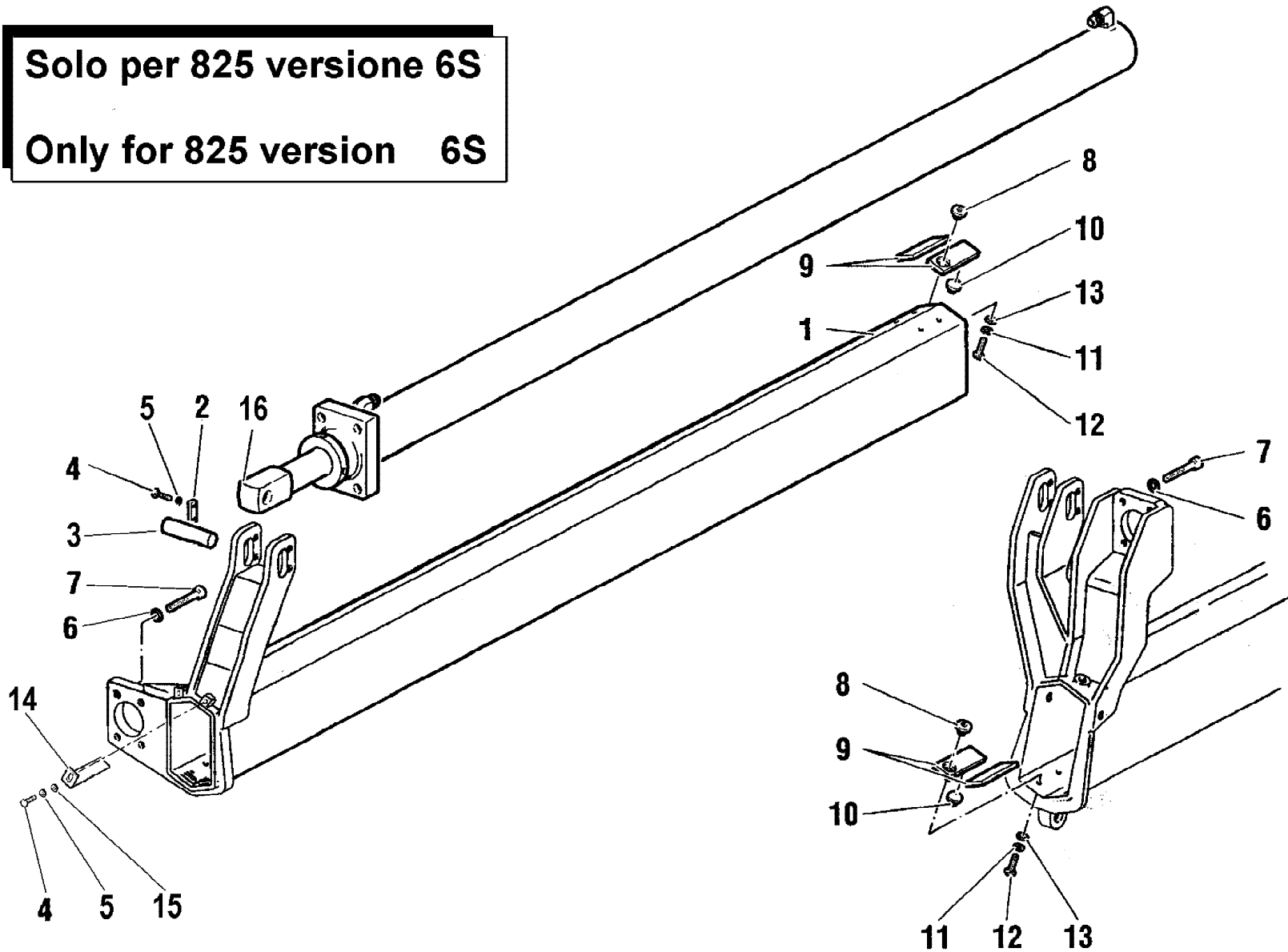
Only for 825 version 5S



rif.	codice	Q.tà
1	5.02.0342	1
2	5.00.0674	1
3	5.15.0443	1
4	3.01.0337	2
5	3.06.0055	2
6	3.06.0059	4
7	3.02.0129	4
8	5.00.0737	4
9	5.14.0680	4
10	5.00.1253	4
11	3.06.0920	4
12	3.01.0353	4
13	3.06.0914	4
14	6.21.0207	1

Solo per 825 versione 6S

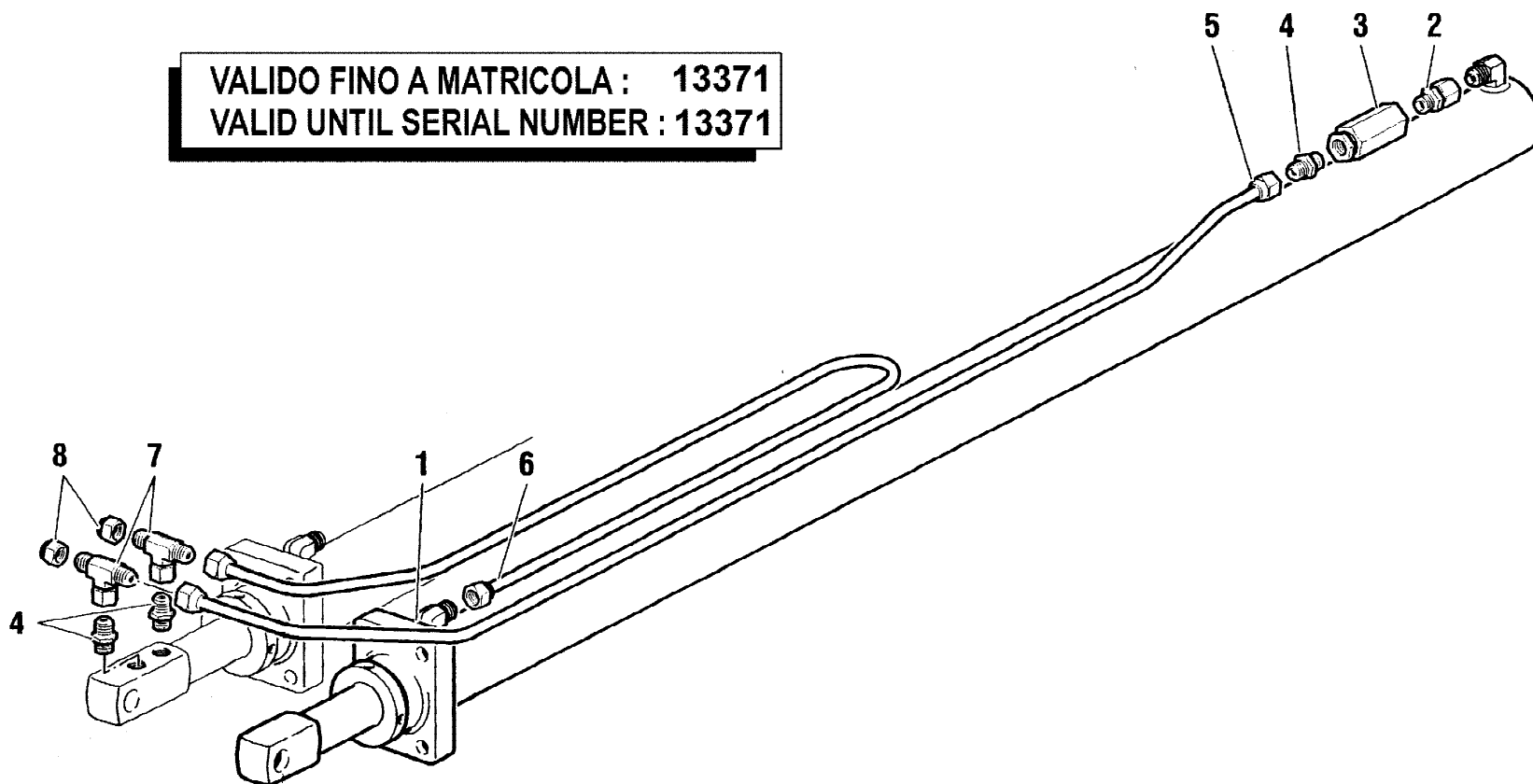
Only for 825 version 6S



rif.	codice	Q.tà
1	5.02.0356	1
2	5.00.0674	1
3	5.15.0443	1
4	3.01.0337	2
5	3.06.0055	2
6	3.06.0059	8
7	3.02.0129	8
8	5.00.0737	4
9	5.14.0680	4
10	5.00.1253	4
11	3.06.0920	4
12	3.01.0353	4
13	3.06.0914	4
14	5.00.0780	6
15	3.06.0006	2
16	6.21.0207	1

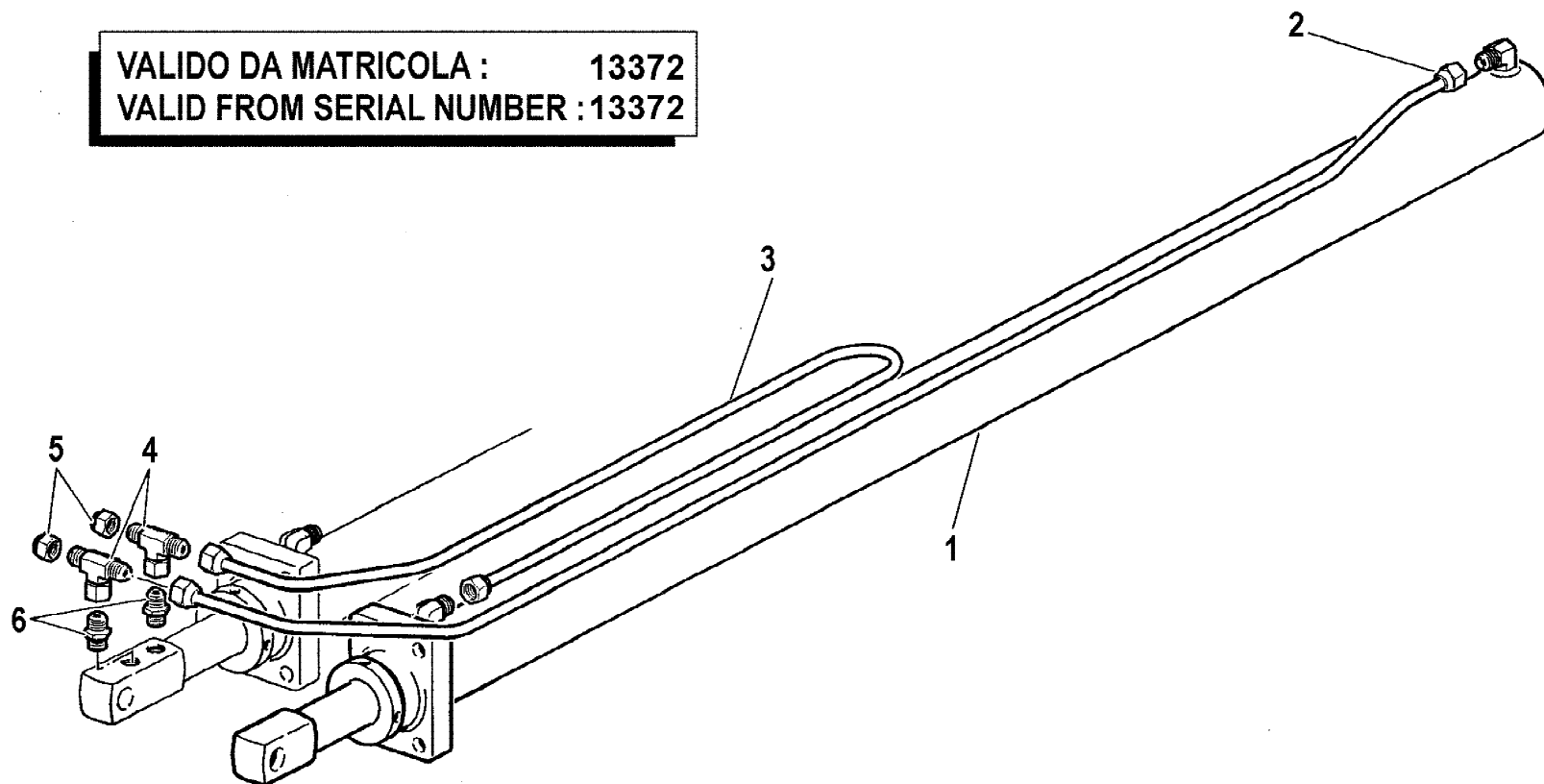
rif.	codice	Q.tà
1	6.41.0177	1
2	3.12.0067	1
3	5.22.0557	1
4	3.10.1051	3
5	5.39.1528	1
6	5.39.1529	2
7	3.12.0021	2
8	3.11.0050	2

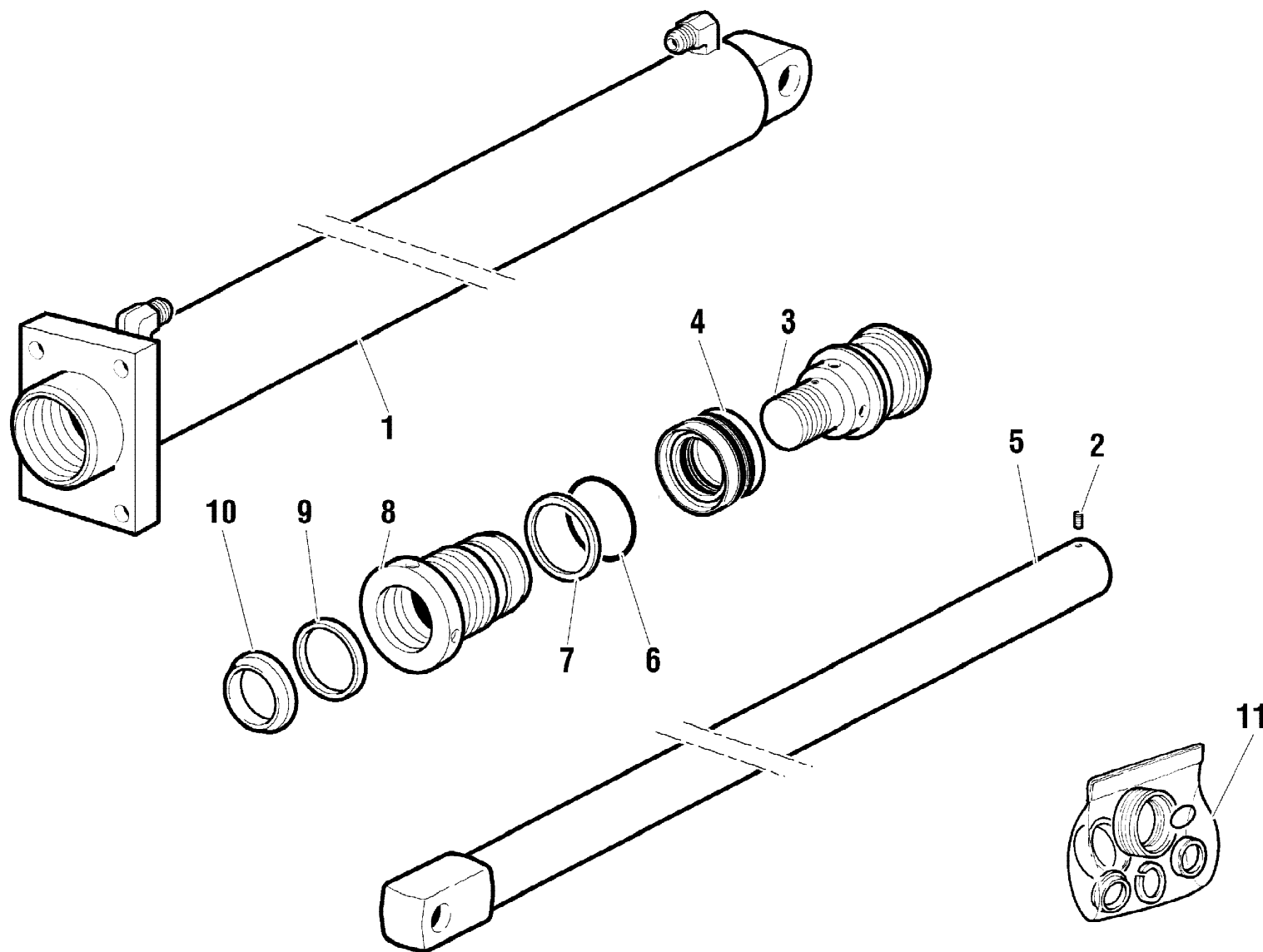
VALIDO FINO A MATRICOLA : 13371
VALID UNTIL SERIAL NUMBER : 13371



rif.	codice	Q.tà
1	6.41.0177	1
2	5.39.1752	1
3	5.39.1529	1
4	3.12.0021	2
5	3.11.0050	2
6	3.10.1051	2

VALIDO DA MATRICOLA : 13372
VALID FROM SERIAL NUMBER :13372





rif.	codice	Q.tà
1	6.07.0385	1
2	3.06.0232	1
3	6.05.0257	1
4	3.40.0509	1
5	6.03.0398	1
6	3.45.0132	1
7	3.46.0132	1
8	6.04.0259	1
9	3.40.0067	1
10	3.42.0021	1
11	5.55.0717	1

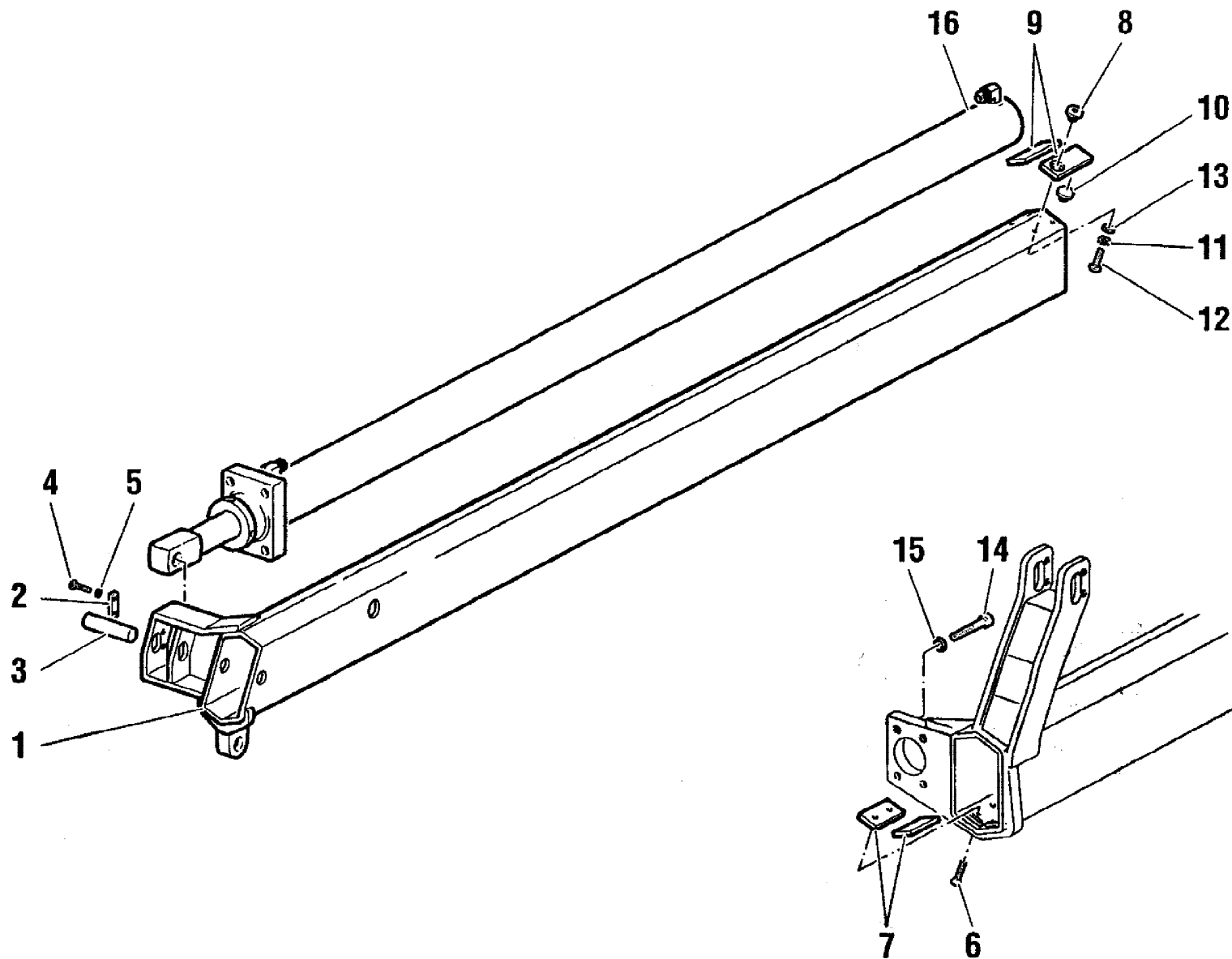
1/1

HYVA[®] CRANE
HB250

MARTINETTO 4° SFILO (MARTINETTO 5° SFILO)
 4TH EXTENSION HYDRAULIC JACK (5TH EXTENSION HYDRAULIC JACK)
 VÉRIN 4ÈME RALLONGE (VÉRIN 5ÈME RALLONGE)
 4. SCHUBZYLINDER (5. SCHUBZYLINDER)
 GATO 4ª EXTENSIÓN (GATO 5ª EXTENSIÓN)

Tavola
6.41.0177-1-0

Data pag.
 dicembre 2011 101



rif.	codice	Q.tà
1	5.02.0357	1
2	5.00.0674	1
3	5.15.0443	1
4	3.01.0337	2
5	3.06.0055	2
6	3.02.0451	4
7	5.14.0584	2
8	5.00.0623	2
9	5.14.0655	2
10	5.14.0656	2
11	3.06.0920	2
12	3.01.0353	2
13	3.06.0914	2
14	3.02.0129	4
15	3.06.0059	4
16	6.21.0197	1

1/1

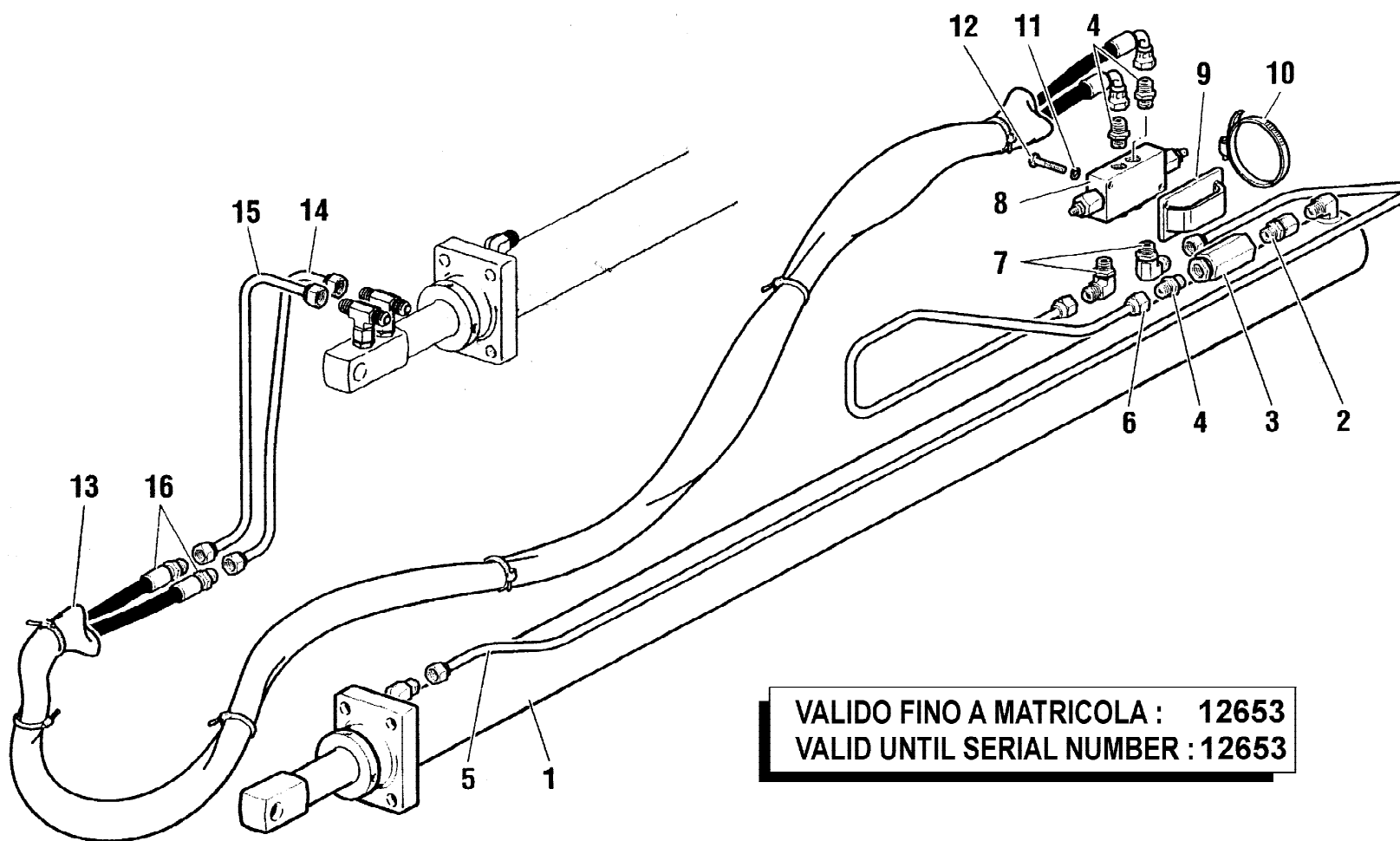
HYVA[®] CRANE
HB250

6° SFILLO
 6TH EXTENSION
 6EME RALLONGE
 6. VERLAENGERUNG
 6° PROLONGACION

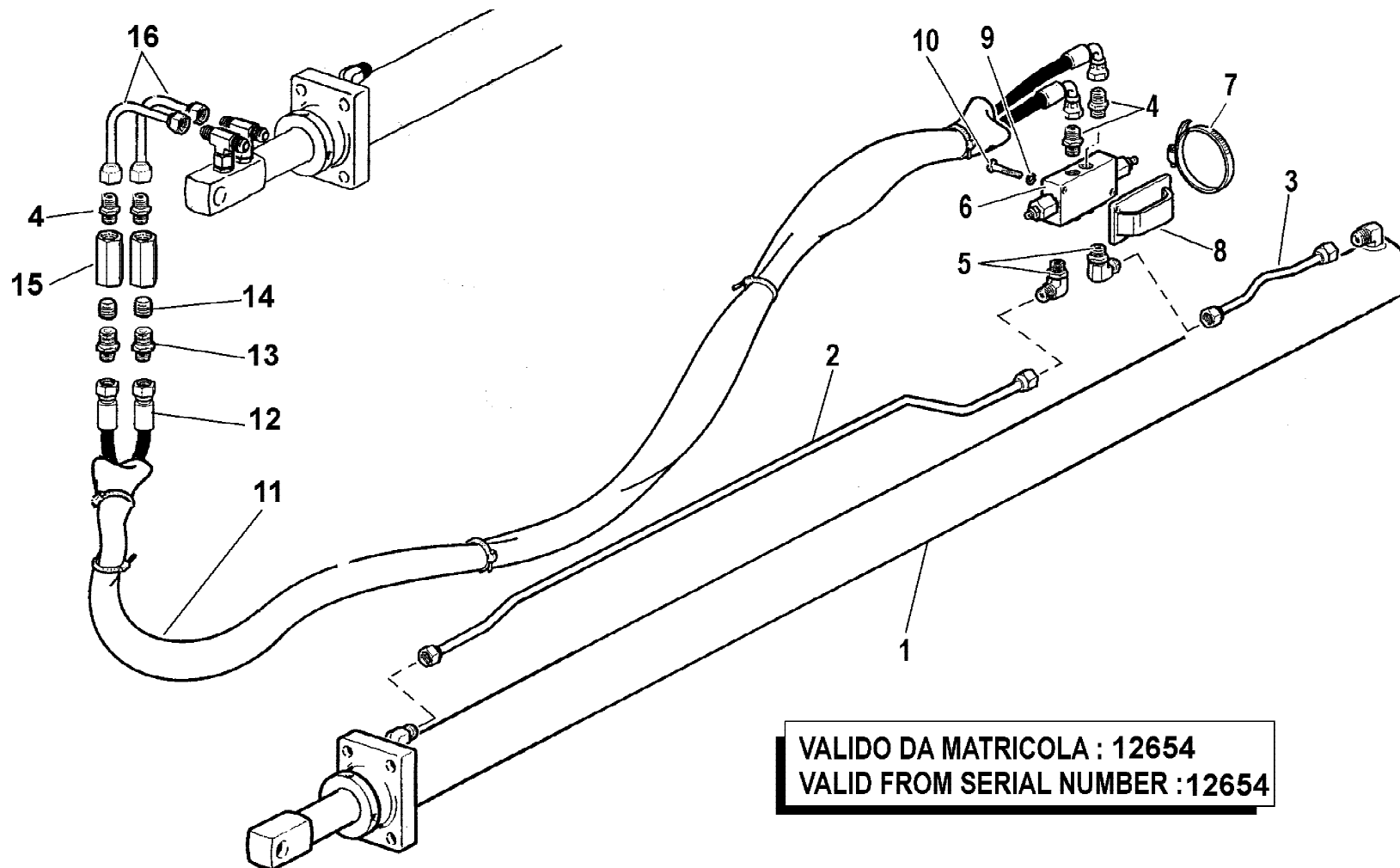
Tavola
5.58.0001-1-0

Data pag.
 giugno 2006 102

rif.	codice	Q.tà
1	6.41.0197	1
2	3.12.0067	1
3	5.22.0574	1
4	3.10.1051	3
5	5.39.1531	1
6	5.39.1530	1
7	3.10.1131	2
8	5.22.0112	1
9	5.00.0694	1
10	3.19.0023	2
11	3.06.0055	2
12	3.01.0032	2
13	3.19.0170	2
14	3.19.0014	6
15	5.39.1533	1
16	5.39.1532	1
17	5.28.0386	2



VALIDO FINO A MATRICOLA : 12653
VALID UNTIL SERIAL NUMBER : 12653



VALIDO DA MATRICOLA : 12654
VALID FROM SERIAL NUMBER : 12654

rif.	codice	Q.tà
1	6.41.0197	1
2	5.39.1754	1
3	5.39.1753	1
4	3.10.1051	2
5	3.10.1131	1
6	5.22.0112	1
7	3.19.0023	2
8	5.00.0694	1
9	3.06.0055	2
10	3.01.0032	2
11	3.19.0170	2
12	5.28.0514	2
13	3.12.0073	2
14	5.22.0659	2
15	5.00.1160	2
16	5.39.1751	2

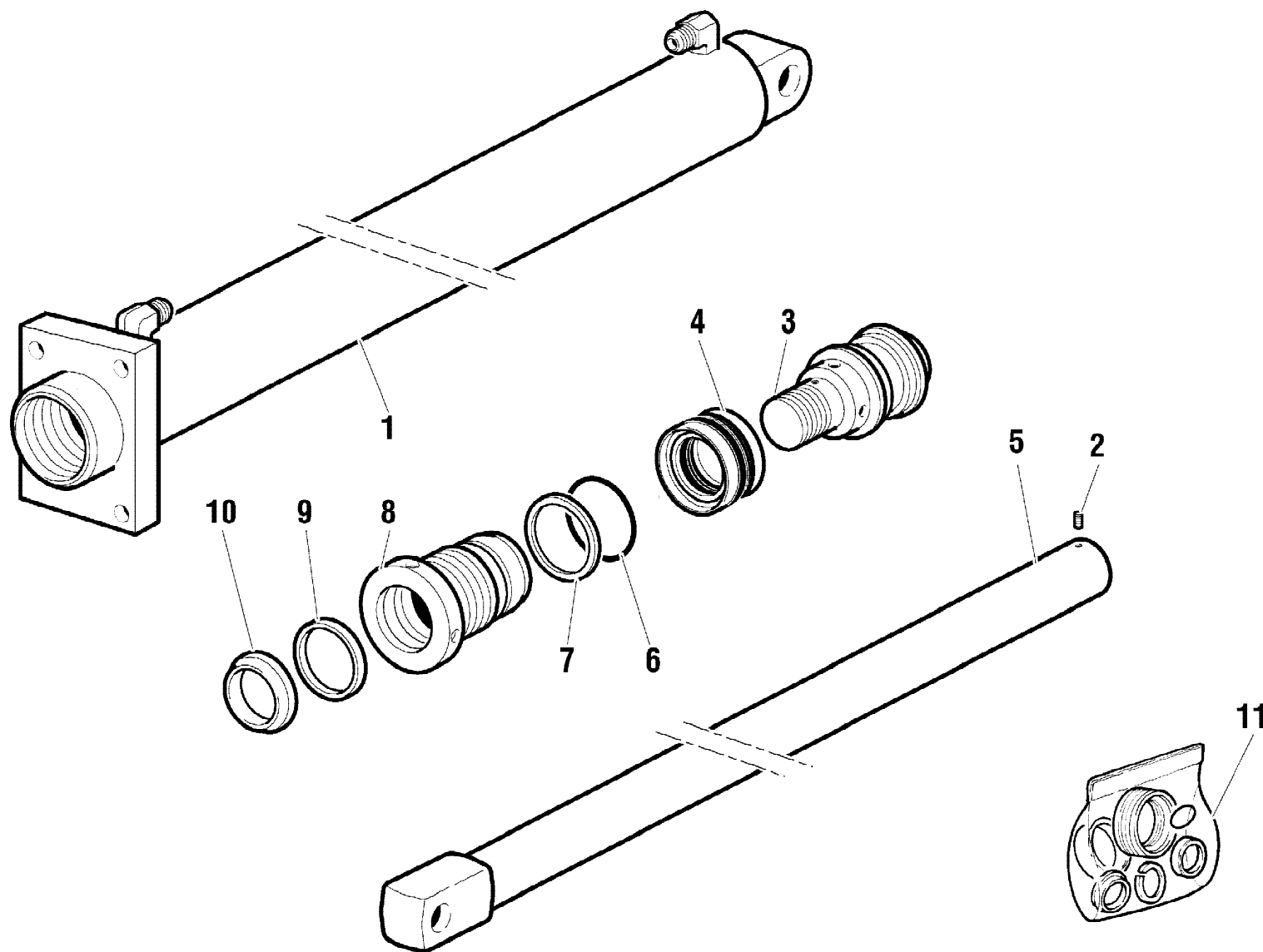
1/1

HYVA[®] CRANE
HB250

IMPIANTO IDRAULICO (MARTINETTO 6° SFILLO)
 HYDRAULIC SYSTEM (6TH EXTENSION HYDRAULIC JACK)
 INSTALLATION HYDRAULIQUE (VÉRIN 6ÈME RALLONGE)
 HYDRAULIKANLAGE (6. SCHUBZYLINDER)
 INSTALACION HIDRAULICA (GATO 6ª EXTENSIÓN)

Tavola
6.21.0197-2-0

Data pag.
 ottobre 2006 104



rif.	codice	Q.tà
1	6.07.0451	1
2	3.06.0232	1
3	6.05.0257	1
4	3.40.0509	1
5	6.03.0451	1
6	3.45.0132	1
7	3.46.0132	1
8	6.04.0259	1
9	3.40.0067	1
10	3.42.0021	1
11	5.55.0717	1

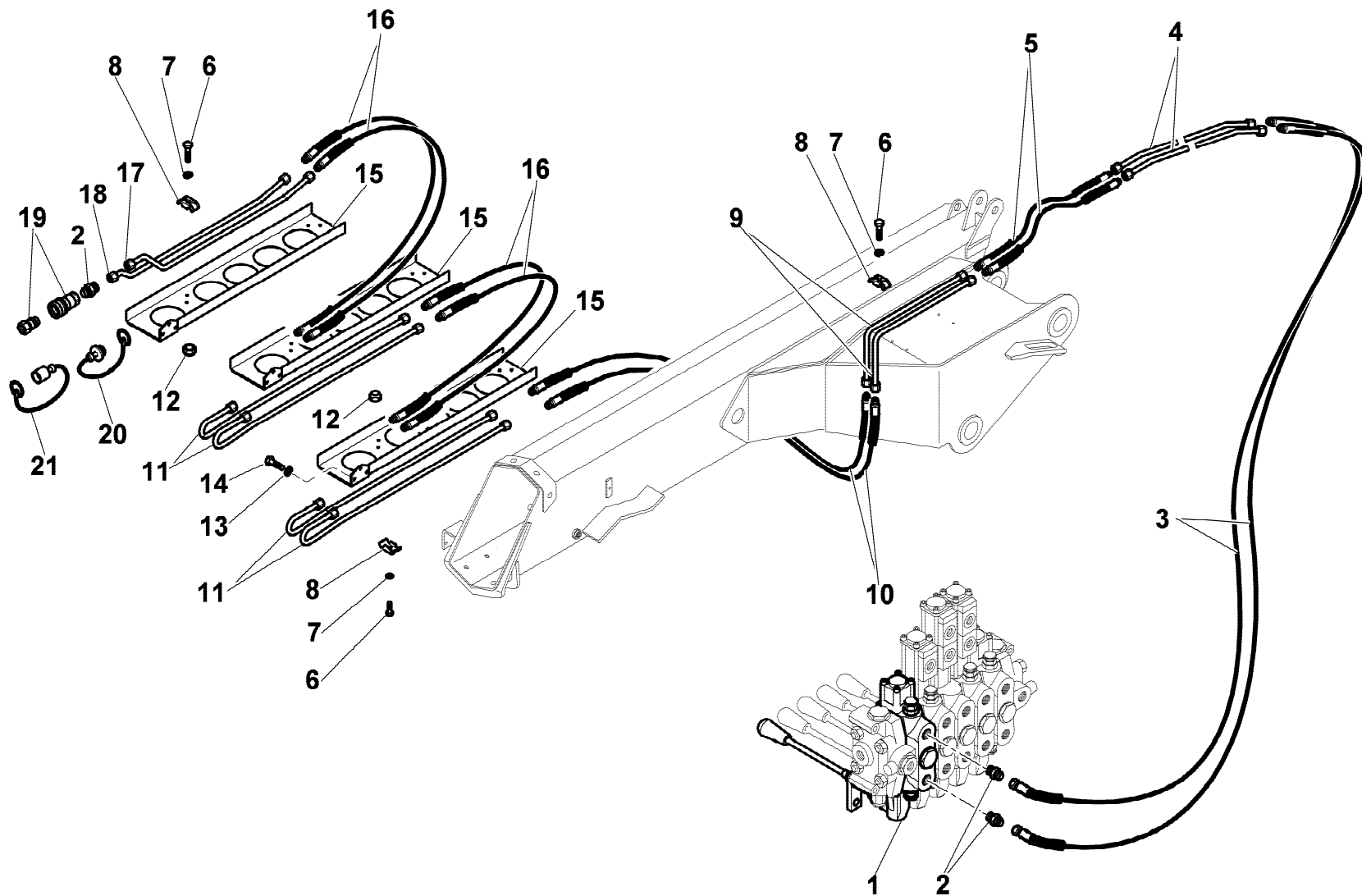
1/1

HYVA[®] CRANE
HB250

MARTINETTO 6° SFILLO
 6TH EXTENSION HYDRAULIC JACK
 VÉRIN 6ÈME RALLONGE
 6. SCHUBZYLINDER
 GATO 6ª EXTENSIÓN

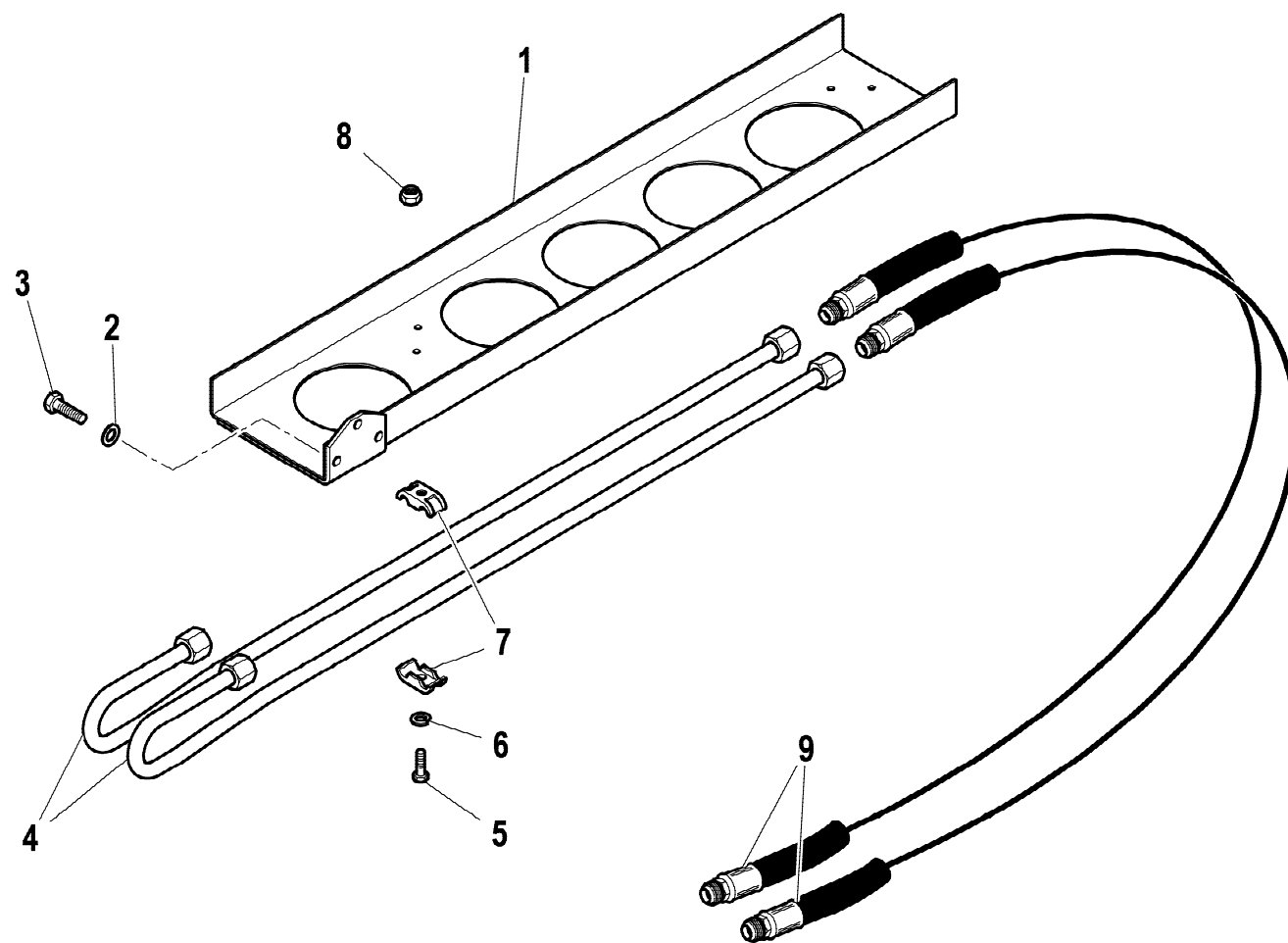
Tavola
6.41.0197-1-0

Data pag.
 giugno 2006 105



rif.	codice	Q.tà
1	5.22.5190	1
2	3.10.1051	4
3	5.28.0342	2
4	5.39.1515	2
5	5.28.0376	2
6	3.01.0031	8
7	3.06.0055	8
8	5.00.0047	16
9	5.39.1519	2
10	5.28.0467	2
11	5.39.1237	4
12	3.04.0303	6
13	3.06.0056	9
14	3.01.0354	9
15	5.00.0717	3
16	5.28.0232	4
17	5.39.1239	1
18	5.39.1238	1
19	3.11.0421	2
20	3.11.1528	2
21	3.11.1529	2

rif.	codice	Q.tà
1	5.00.0717	1
2	3.06.0056	3
3	3.01.0354	3
4	5.39.1237	2
5	3.01.0031	2
6	3.06.0055	2
7	5.00.0047	4
8	3.04.0303	2
9	5.28.0232	2



1/1

HYVA® CRANE

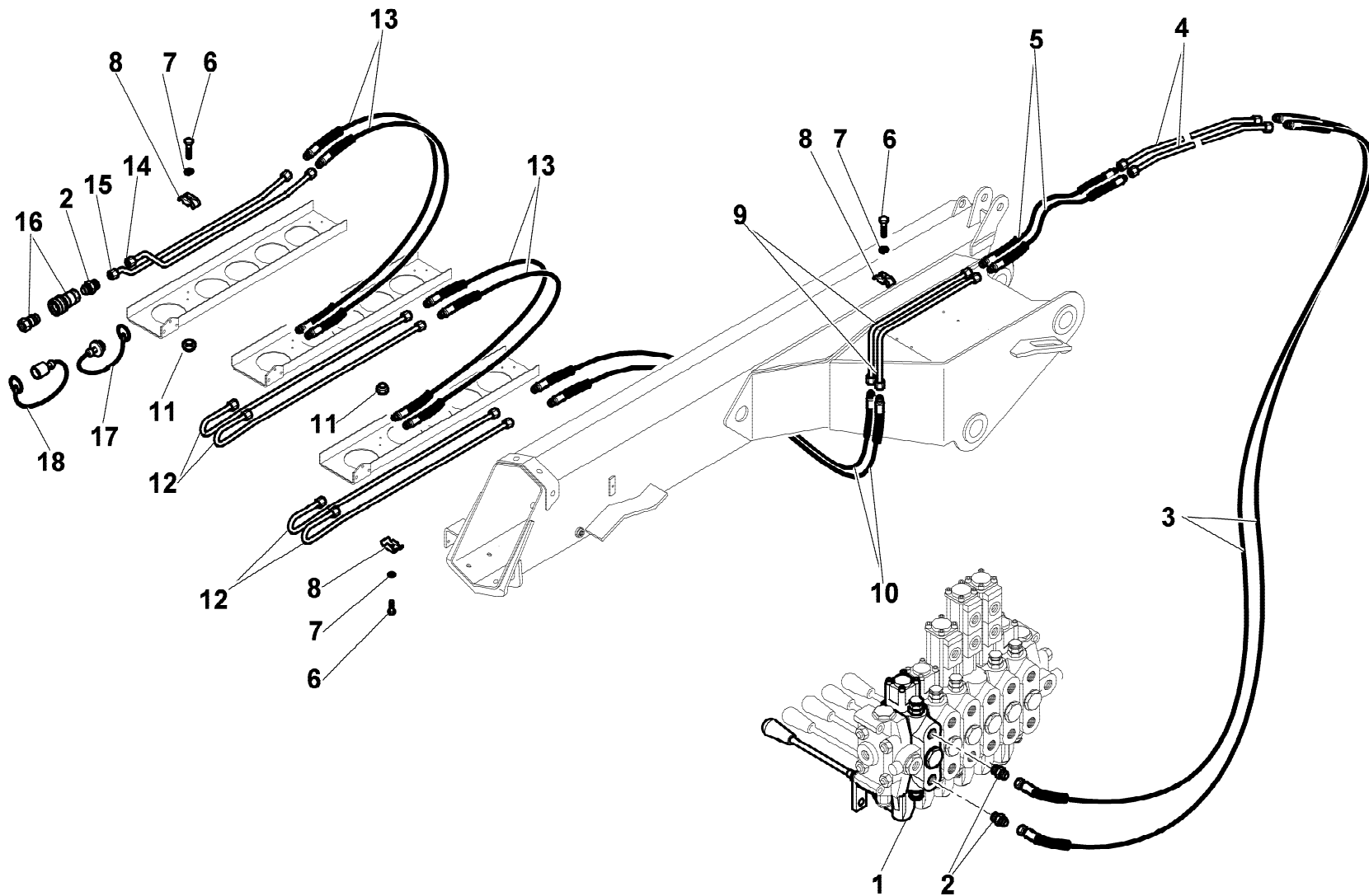
HB250

1° ATTIVAZIONE SUPPLEMENTARE
 1ST ADDITIONAL ACTUATION
 1ERE ACTIVATION SUPPLEMENTAIRE
 1. ZUSATZ-AKTIEVIERUNGEN
 1° ACTIVACIONE ADICIONAL

Tavola

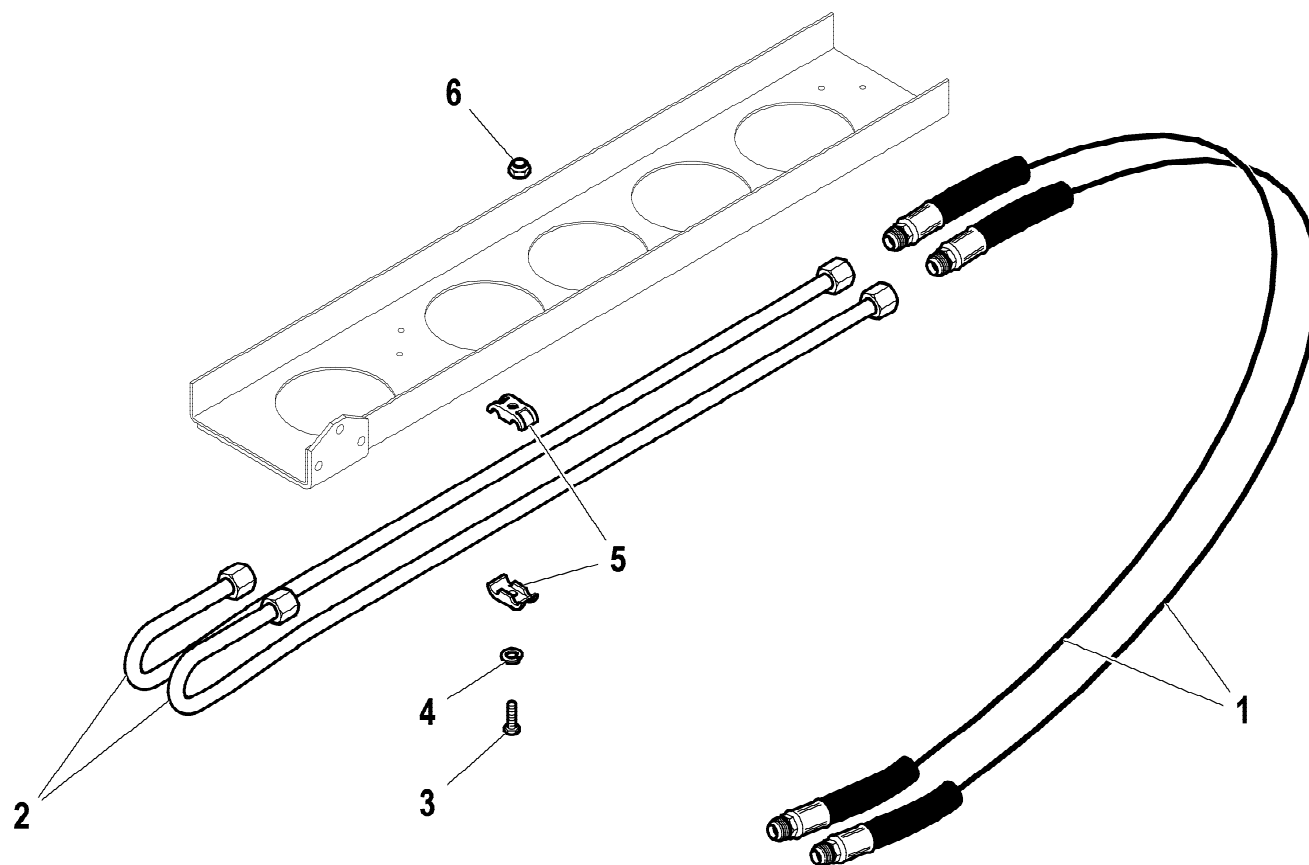
5.59.0011-1-0

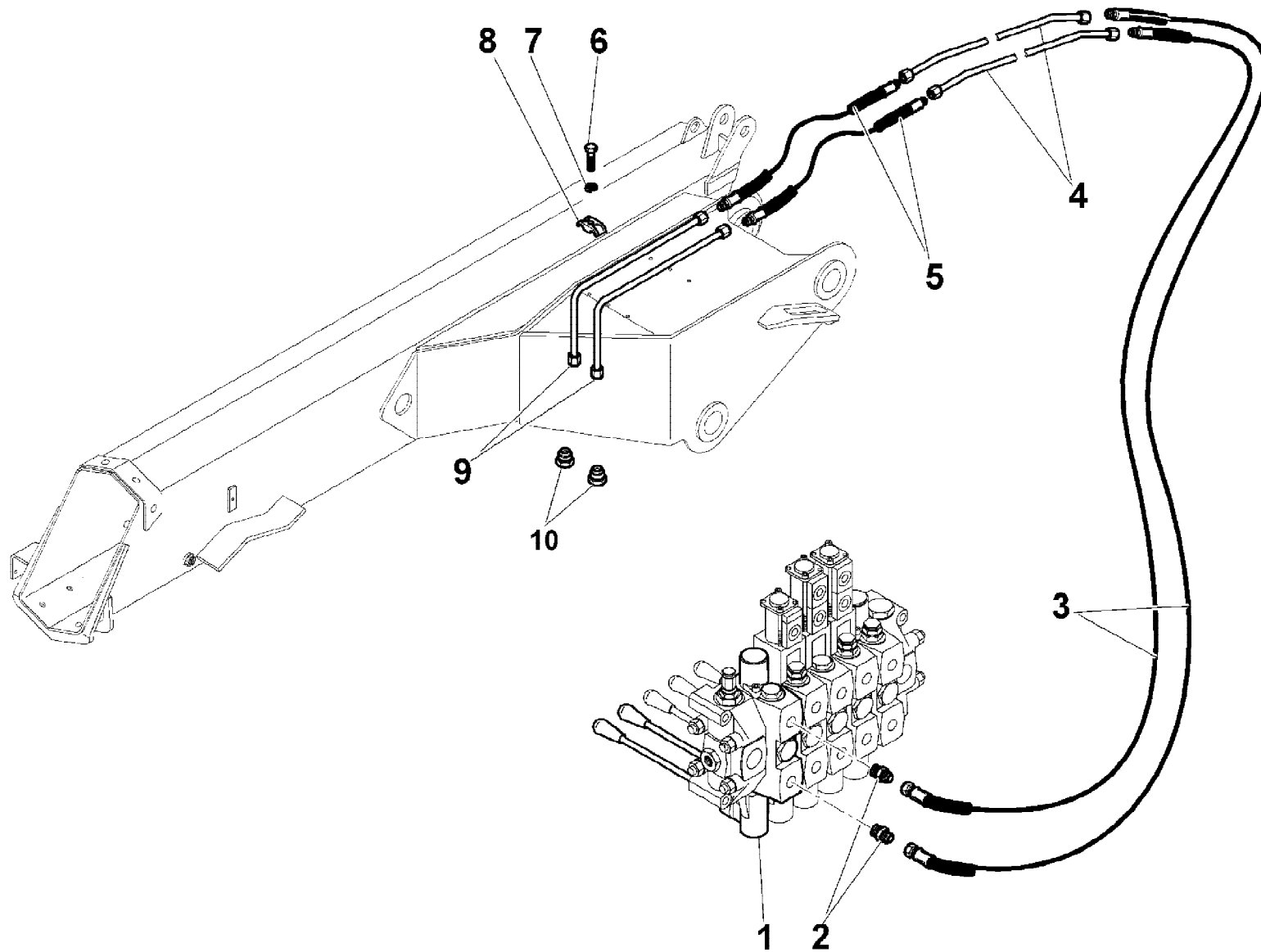
Data pag.
 ottobre 2006 107



rif.	codice	Q.tà
1	5.22.5190	1
2	3.10.1051	4
3	5.28.0342	2
4	5.39.1515	2
5	5.28.0376	2
6	3.01.0031	8
7	3.06.0055	8
8	5.00.0047	16
9	5.39.1519	2
10	5.28.0467	2
11	3.04.0303	6
12	5.39.1237	4
13	5.28.0232	4
14	5.39.1239	1
15	5.39.1238	1
16	3.11.0421	2
17	3.11.1528	2
18	3.11.1529	2

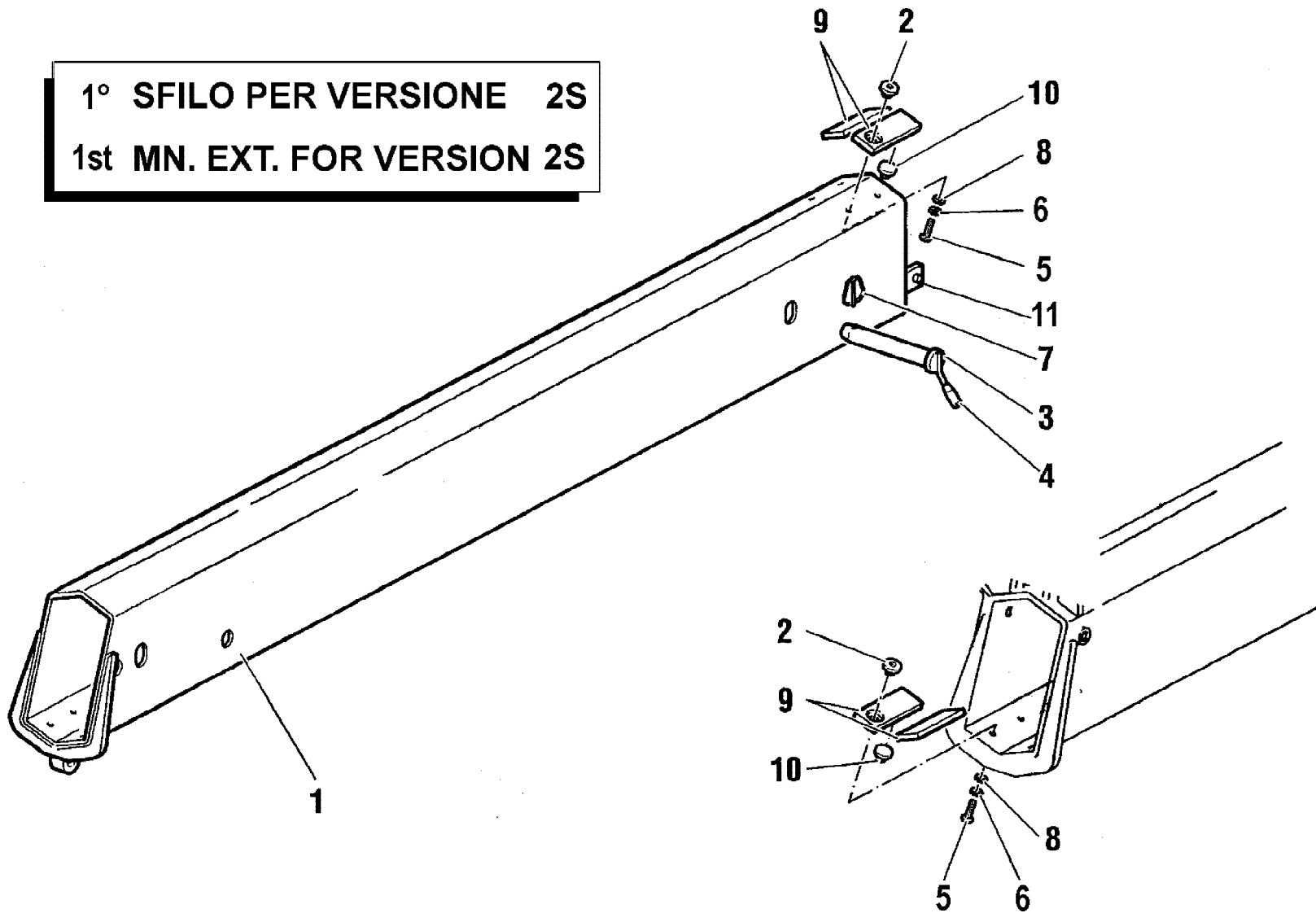
rif.	codice	Q.tà
1	5.28.0232	2
2	5.39.1237	2
3	3.01.0031	2
4	3.06.0055	2
5	5.00.0047	4
6	3.04.0303	2





rif.	codice	Q.tà
1	5.21.2004	1
2	3.10.1051	2
3	5.28.0342	2
4	5.39.1515	2
5	5.28.0376	2
6	3.01.0032	2
7	3.06.0055	2
8	5.00.0047	4
9	5.39.1519	2
10	3.11.0050	2

1° SFILO PER VERSIONE 2S
1st MN. EXT. FOR VERSION 2S



rif.	codice	Q.tà
1	5.01.0268	1
2	5.00.0827	4
3	5.15.0822	1
4	3.19.0010	1
5	3.01.0353	4
6	3.06.0920	4
7	3.06.0750	1
8	3.06.0914	4
9	5.14.0701	4
10	5.14.0681	4
11	5.00.0640	1

1/1

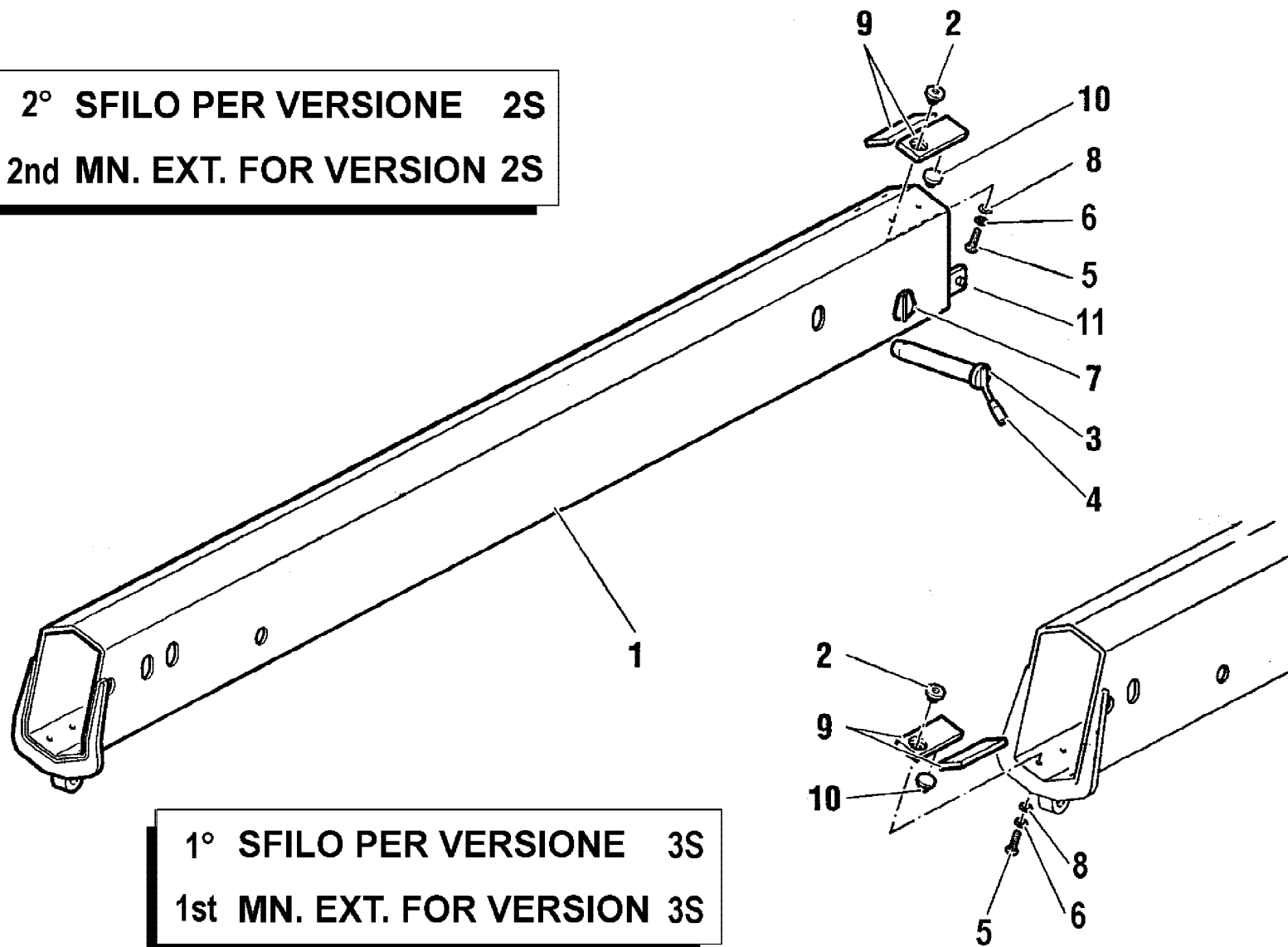
HYVA® CRANE
HB250

PROLUNGA MANUALE
 MANUAL EXTENSION
 RALLONGE MANUELLE
 MANUAL-VERLÄNGERUNG
 PROLONGACION MANUAL

Tavola
7.80.0231-1-0

Data pag.
 giugno 2006 111

2° SFILO PER VERSIONE 2S
2nd MN. EXT. FOR VERSION 2S



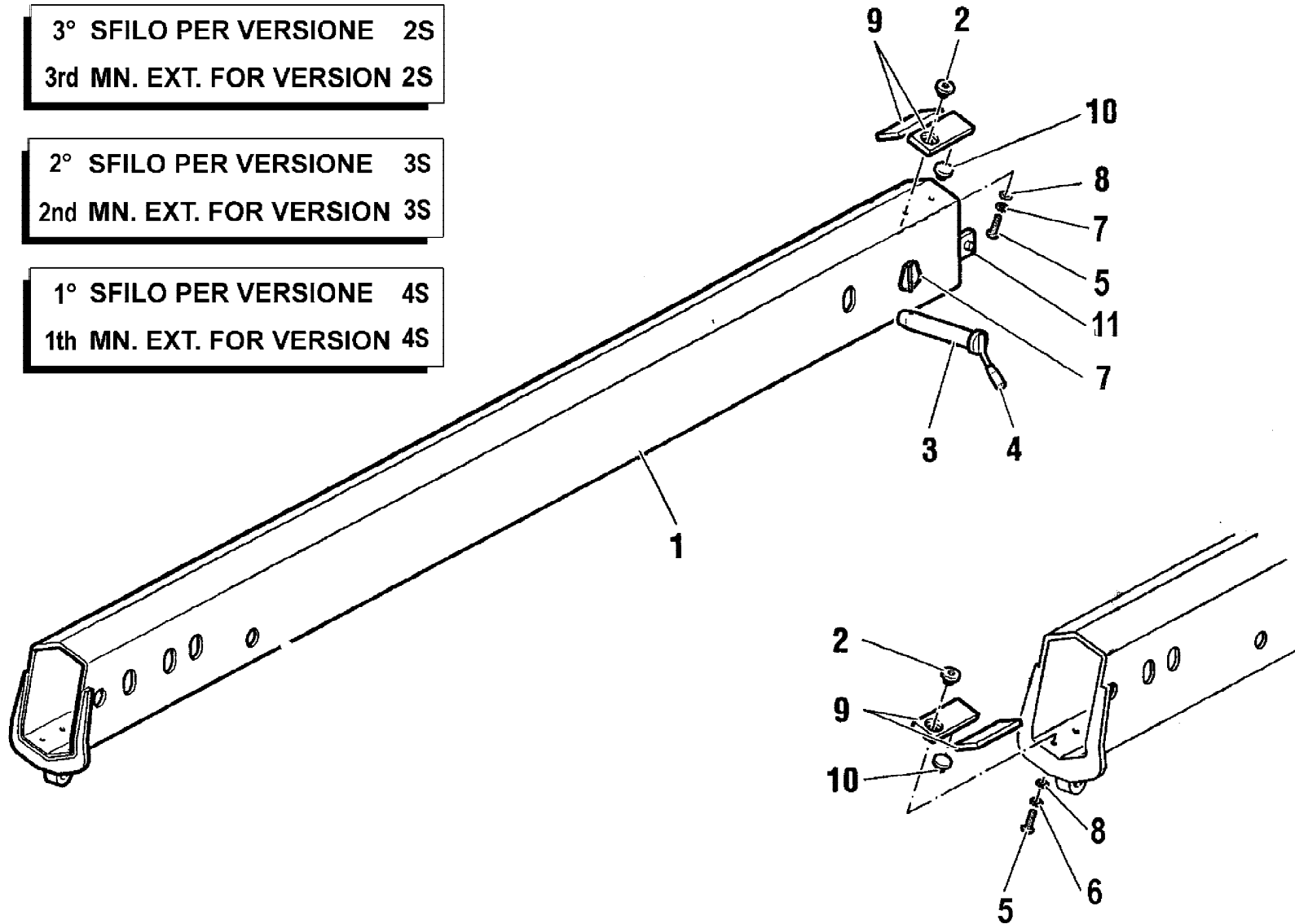
1° SFILO PER VERSIONE 3S
1st MN. EXT. FOR VERSION 3S

rif.	codice	Q.tà
1	5.01.0269	1
2	5.00.0827	4
3	5.15.0806	1
4	3.19.0010	1
5	3.01.0353	4
6	3.06.0920	4
7	3.06.0750	1
8	3.06.0914	4
9	5.14.0701	4
10	5.14.0681	4
11	5.00.0640	1

3° SFILO PER VERSIONE 2S
3rd MN. EXT. FOR VERSION 2S

2° SFILO PER VERSIONE 3S
2nd MN. EXT. FOR VERSION 3S

1° SFILO PER VERSIONE 4S
1th MN. EXT. FOR VERSION 4S



rif.	codice	Q.tà
1	5.01.0270	1
2	5.00.0827	4
3	5.15.0238	1
4	3.19.0010	1
5	3.01.0353	4
6	3.06.0920	4
7	3.06.0750	1
8	3.06.0914	4
9	5.14.0680	4
10	5.14.0681	4
11	5.00.0640	1

3° SFILO PER VERSIONE 3S

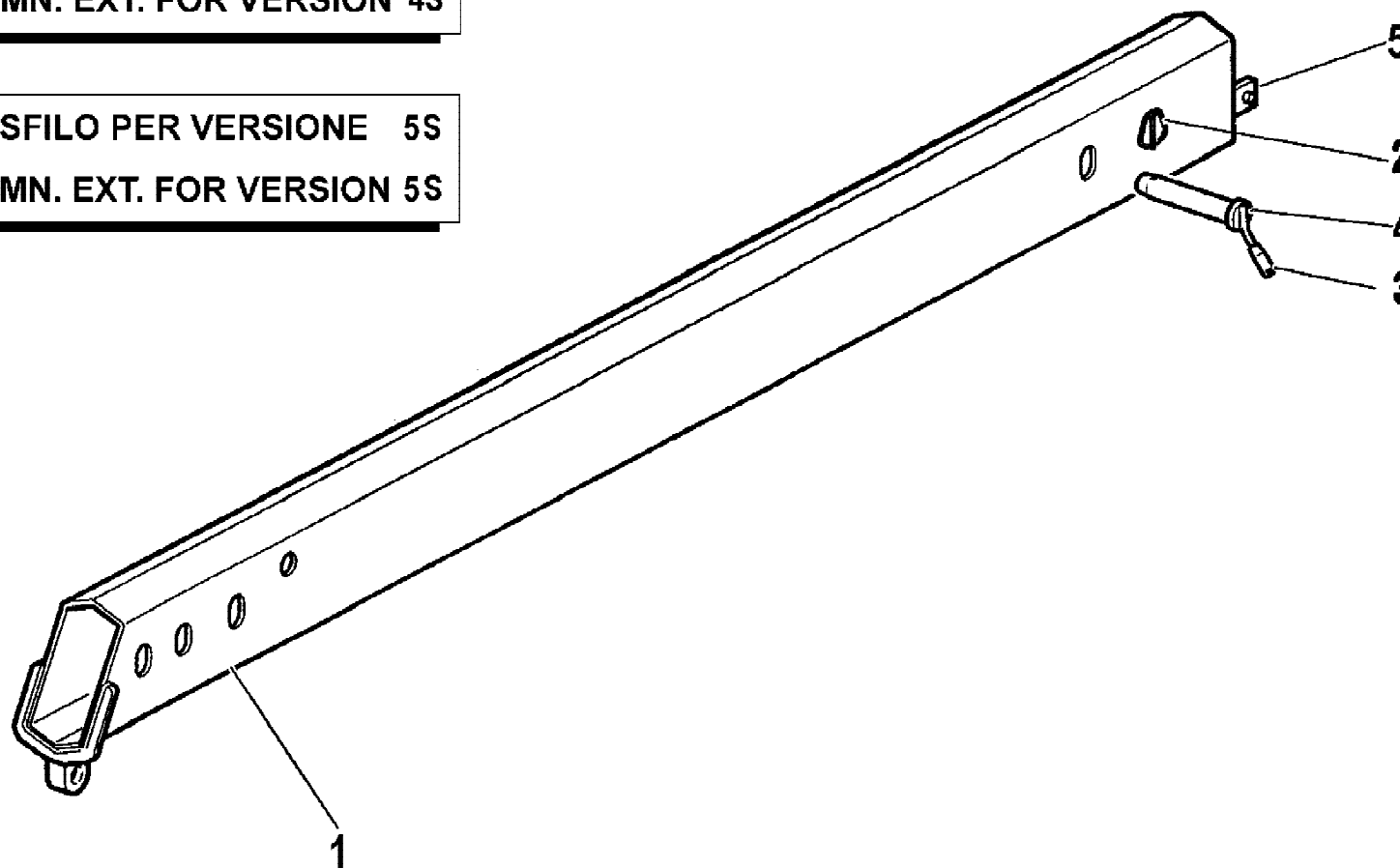
3rd MN. EXT. FOR VERSION 3S

2° SFILO PER VERSIONE 4S

2nd MN. EXT. FOR VERSION 4S

1° SFILO PER VERSIONE 5S

1st MN. EXT. FOR VERSION 5S



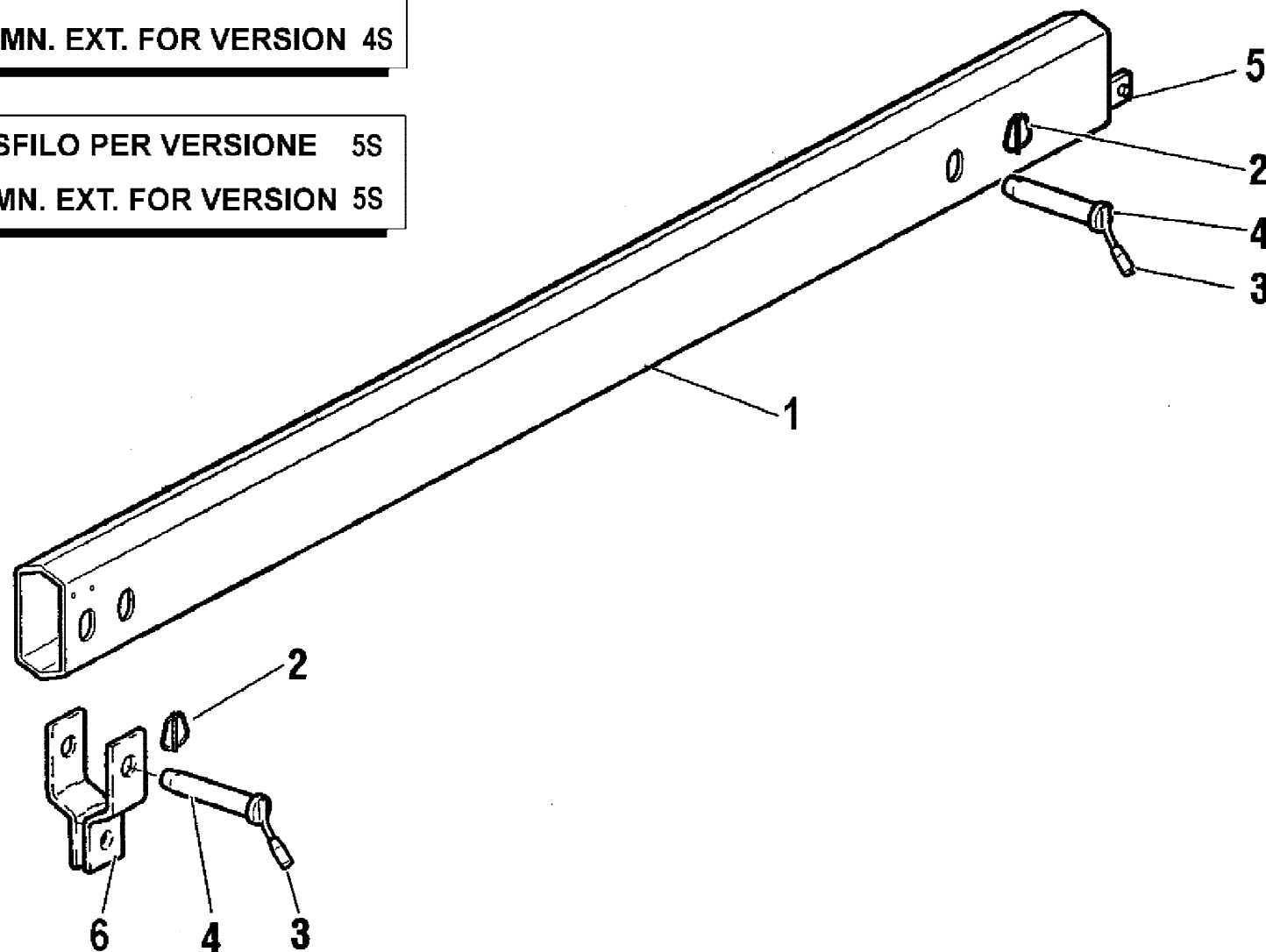
rif.	codice	Q.tà
1	5.01.0271	1
2	3.06.0750	1
3	3.19.0010	1
4	5.15.0395	1
5	5.00.0640	1

3° SFILO PER VERSIONE 4S

3° MN. EXT. FOR VERSION 4S

2° SFILO PER VERSIONE 5S

2° MN. EXT. FOR VERSION 5S



rif.	codice	Q.tà
1	5.01.0272	1
2	3.06.0750	2
3	3.19.0010	2
4	5.15.0557	2
5	5.00.0640	1
6	5.00.0815	1

1/1

HYVA® CRANE

HB250

PROLUNGA MANUALE
MANUAL EXTENSION
RALLONGE MANUELLE
MANUAL-VERLÄNGERUNG
PROLONGACION MANUAL

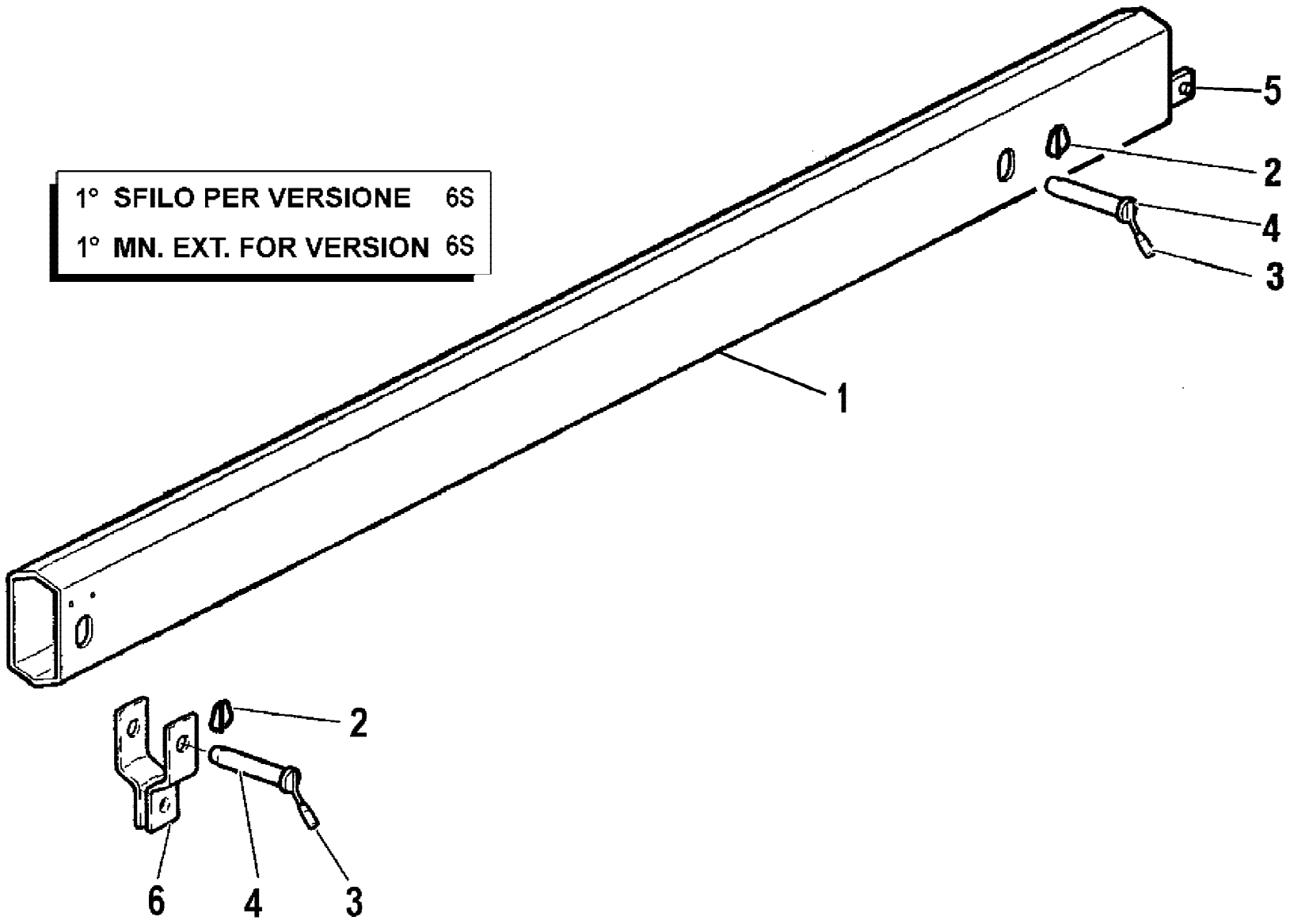
Tavola

7.80.0235-1-0

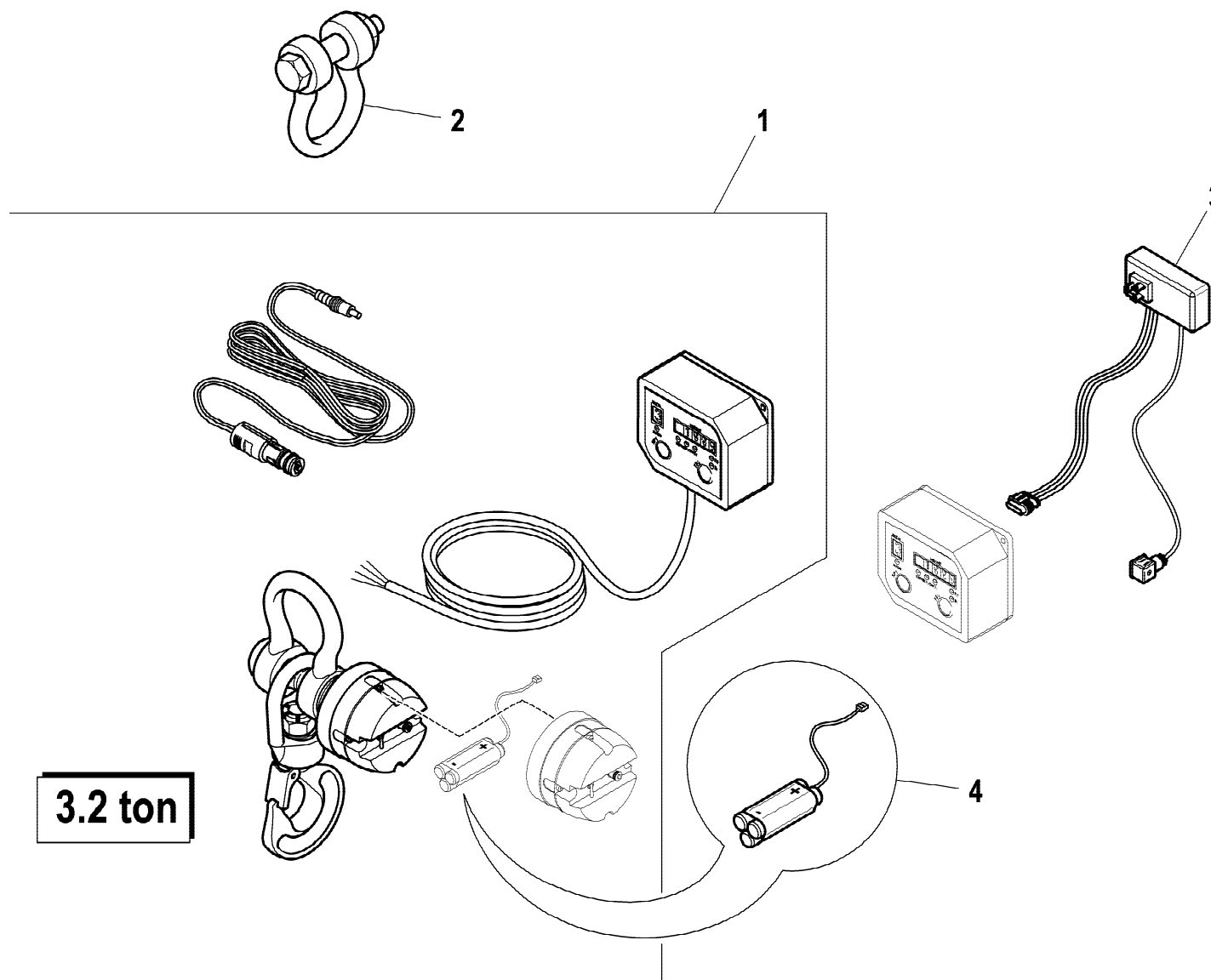
Data pag.
giugno 2006 115

rif.	codice	Q.tà
1	5.01.0277	1
2	3.06.0753	2
3	3.19.0010	2
4	5.15.0186	2
5	5.00.0640	1
6	5.00.0814	1

1° SFILO PER VERSIONE 6S
 1° MN. EXT. FOR VERSION 6S

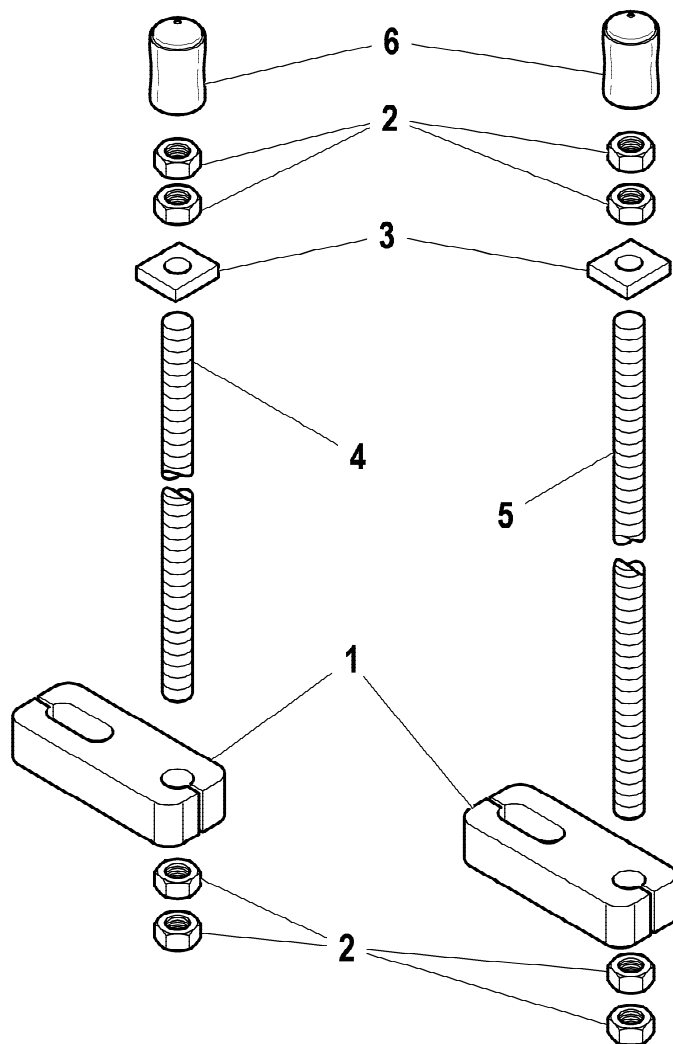


rif.	codice	Q.tà
1	5.73.0507	1
2	3.20.0050	1
3	W.236.510	1
4	3.31.1542	1



3.2 ton

rif.	codice	Q.tà
1	5.00.1204	4
2	3.04.0190	32
3	5.00.0090	16
4	5.15.0659	2
5	5.15.0661	6
6	3.19.0292	8

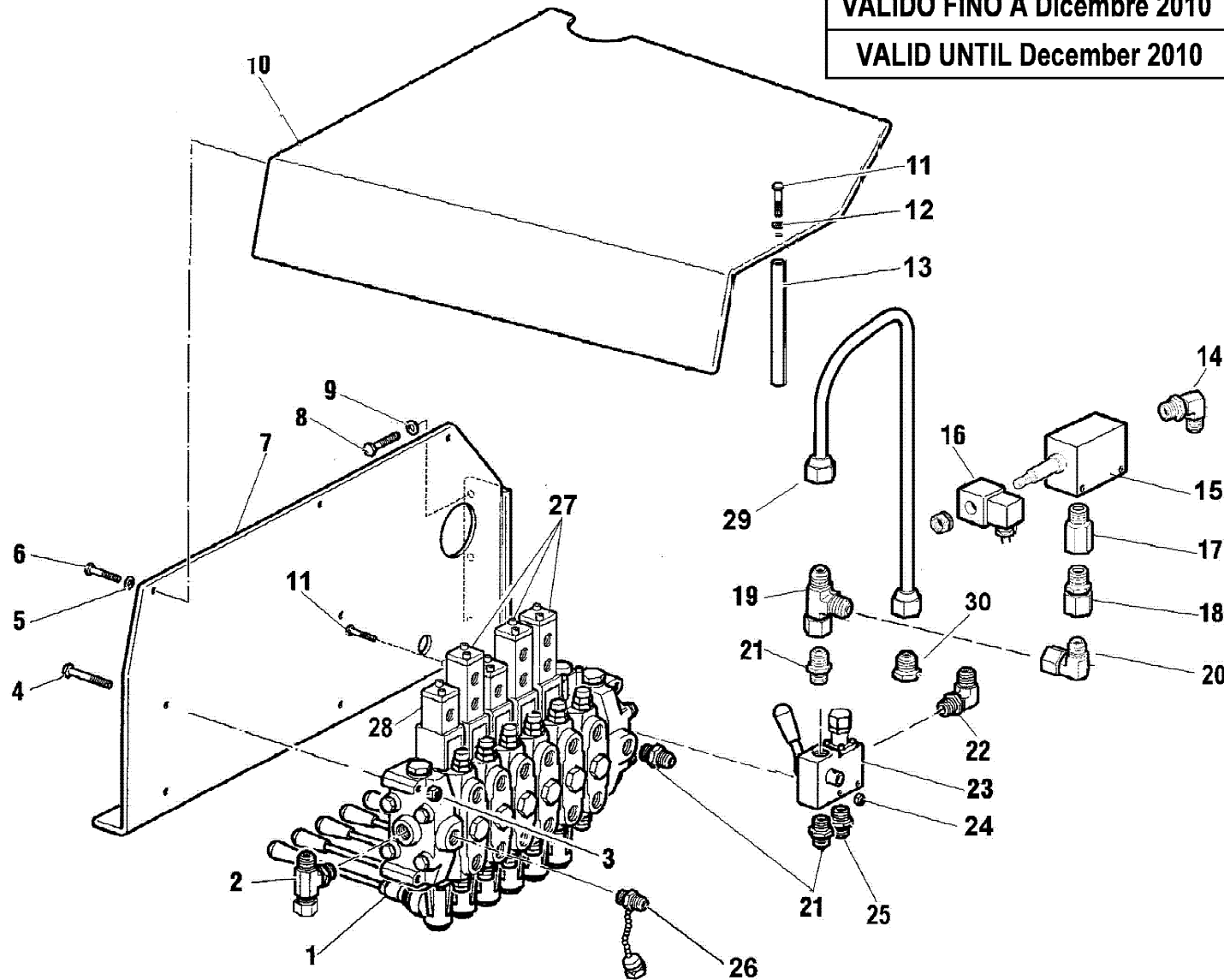




HB250 E3J3 - HB250 E4J3

VALIDO FINO A Dicembre 2010

VALID UNTIL December 2010



rif.	codice	Q.tà
1	5.22.0292	1
2	3.12.0306	1
3	3.04.0303	3
4	3.01.0036	3
5	3.06.0053	3
6	3.01.0015	3
7	5.09.0570	1
8	3.01.0355	3
9	3.06.0056	3
10	5.90.0829	1
11	3.01.0397	4
12	3.06.0055	1
13	5.00.0835	1
14	3.10.1131	1
15	5.22.0642	1
16	3.31.0242	1
17	3.11.0113	1
18	3.12.0067	1
19	3.12.0008	1
20	3.12.0034	1
21	3.10.1051	3
22	3.10.1128	1
23	5.22.0596	1
24	3.04.0372	2
25	3.101044	1
26	3.11.1523	1
27	5.22.5313	3
28	5.22.5312	2
29	5.39.1461	1
30	3.11.0057	1

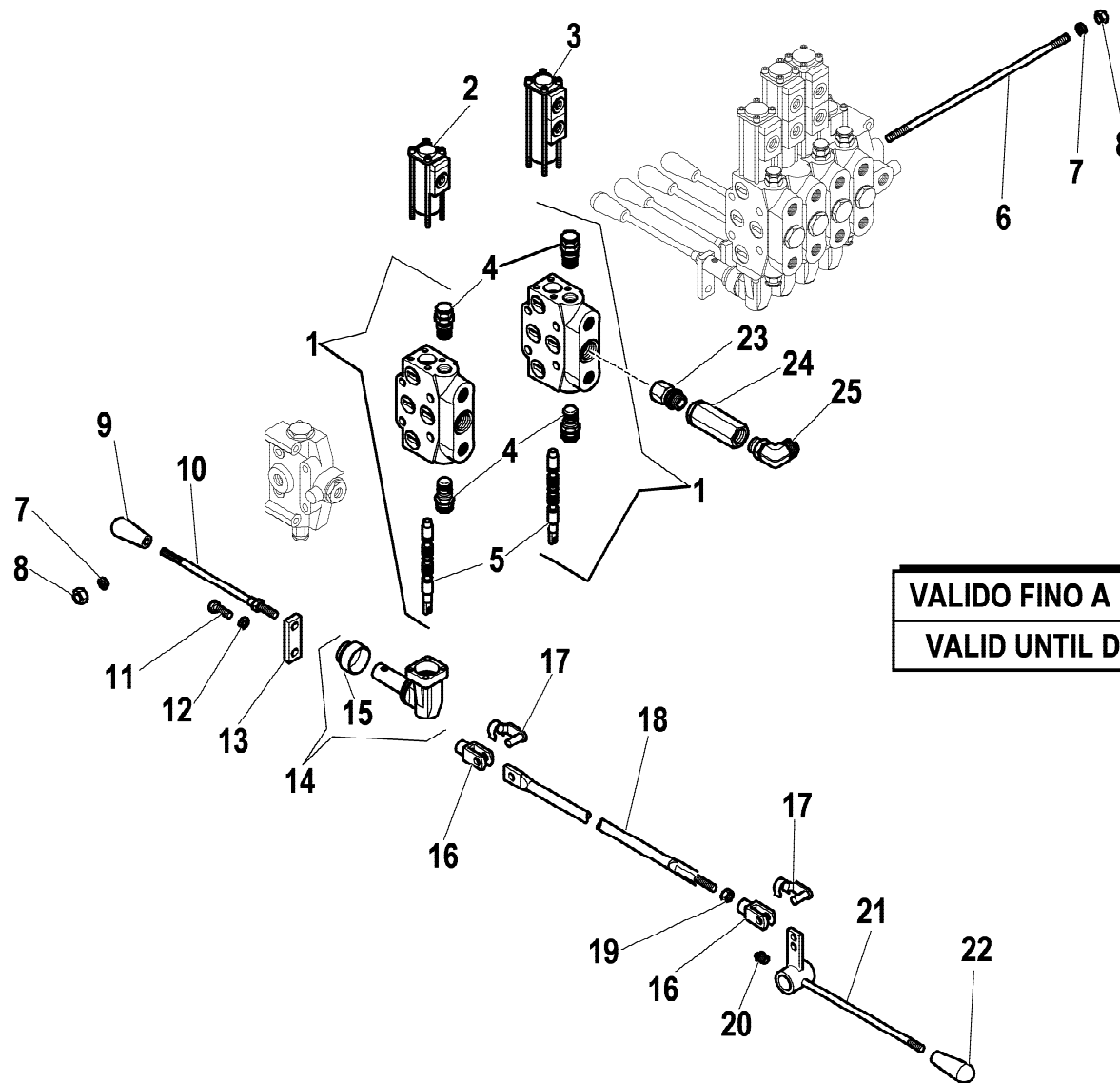
1/1

HYVA® CRANE
HB250

COMANDI
CONTROLS
COMMANDES
STEUERUGEN
MANDOS

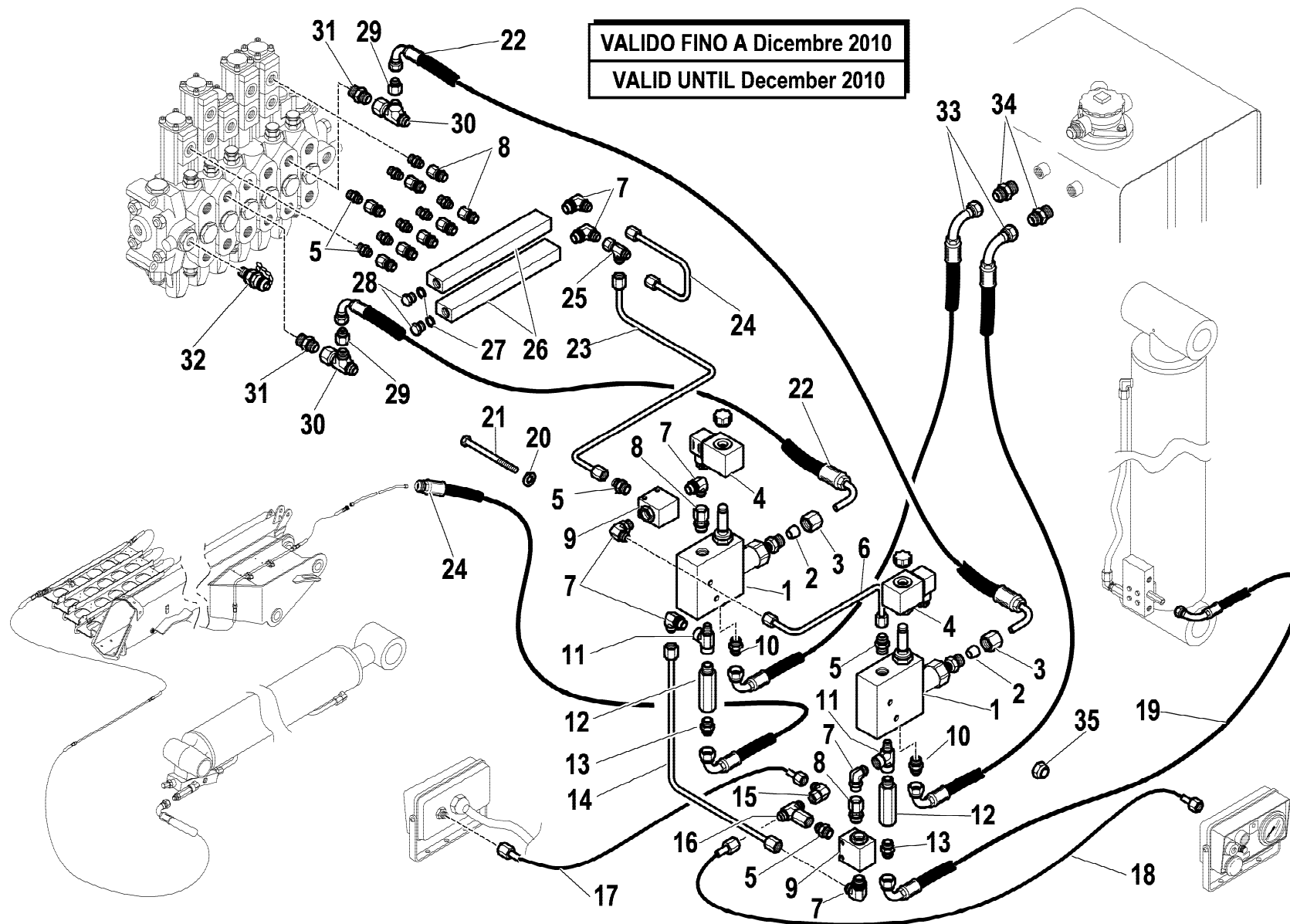
Tavola
5.40.0216-1-0

Data pag.
ottobre 2006 120



VALIDO FINO A Dicembre 2010
VALID UNTIL December 2010

rif.	codice	Q.tà
1	5.22.5187	2
2	5.22.5312	1
3	5.22.5313	1
4	5.22.5200	4
5	5.22.5177	2
6	5.22.5214	4
7	3.06.0056	4
8	3.04.0046	4
9	3.19.0006	2
10	5.22.0224	2
11	3.01.0339	2
12	3.06.0055	2
13	5.00.0708	2
14	5.22.5126	2
15	5.22.5128	2
16	3.30.0431	4
17	3.30.0451	4
18	5.09.0456	2
19	3.04.0045	2
20	3.08.0500	2
21	5.09.0433	2
22	3.19.0010	2
23	3.12.0067	1
24	5.22.0557	1
25	3.10.1128	1



VALIDO FINO A Dicembre 2010
 VALID UNTIL December 2010

rif.	codice	Q.tà
1	5.22.0578	2
2	3.10.0956	2
3	3.10.0952	2
4	3.31.0242	2
5	3.10.1034	11
6	5.39.1755	1
7	3.10.1194	7
8	3.12.0340	10
9	5.22.0542	2
10	3.10.1039	2
11	3.10.1215	2
12	3.11.0111	2
13	3.10.1042	2
14	5.39.1756	1
15	3.19.0076	1
16	3.12.0111	1
17	5.30.0032	1
18	5.30.0031	1
19	5.26.0352	1
20	3.06.0005	2
21	3.01.0386	2
22	5.26.0350	2
23	5.39.1758	1
24	5.39.1757	1
25	3.12.0001	1
26	500.1150	2
27	3.06.0143	2
28	3.11.0062	2
29	3.12.0209	2
30	3.12.0008	2
31	3.10.1051	2

1/2

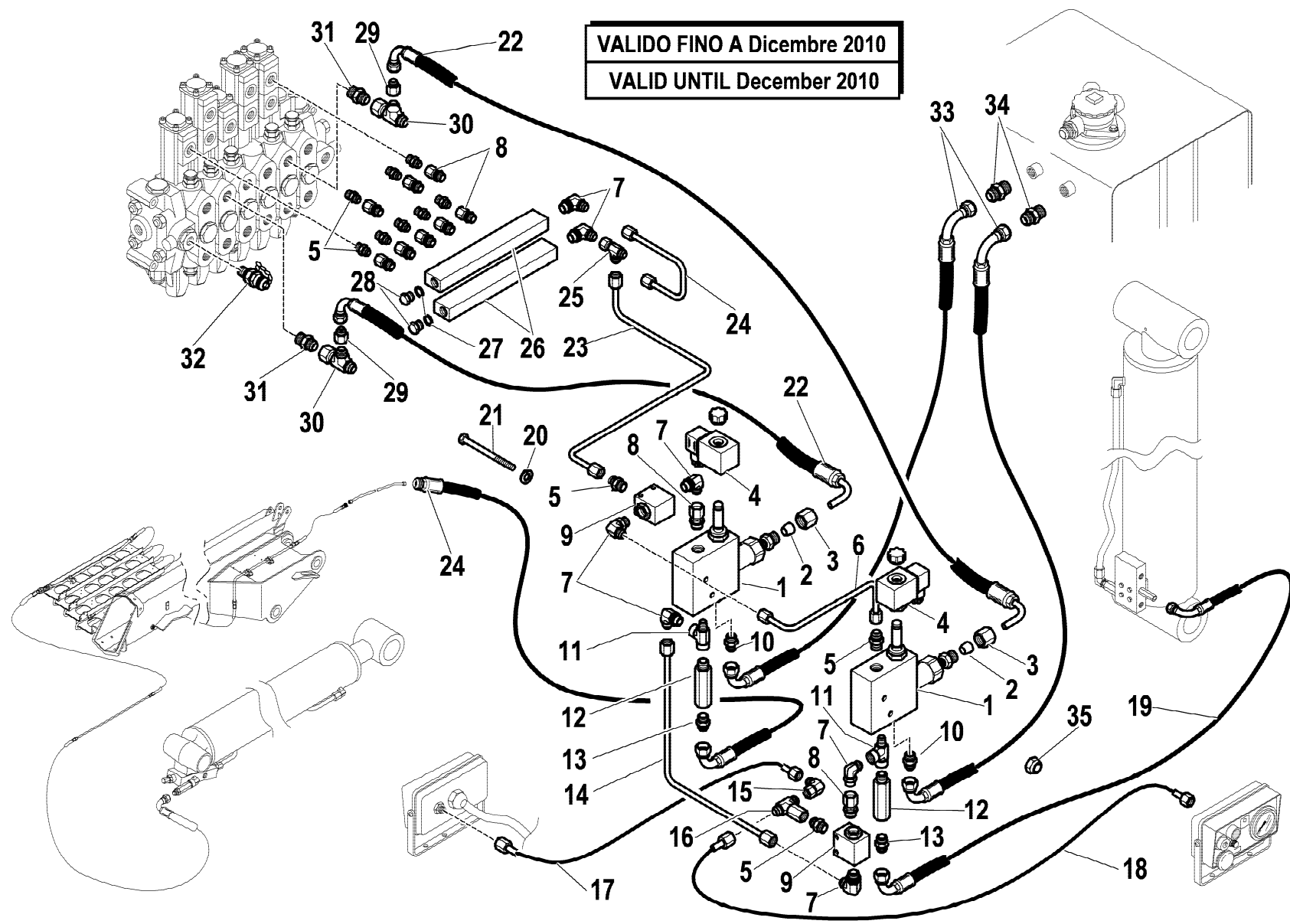
HYVA CRANE
 HB250

IMPIANTO IDRAULICO (LIMITATORE DI MOMENTO) JIB - CE
 HYDRAULIC SYSTEM (MOMENT LIMITING DEVICE) JIB - CE
 INSTALLATION HYDRAULIQUE (LIMITEUR DE MOMENT) JIB - CE
 HYDRAULIKANLAGE (HUB-MOMENTBEGRENZER) JIB - CE
 INSTALACION HIDRAULICA (LIMITADOR DE MOMENTO) JIB - CE

Tavola
5.43.0027-1-0

Data pag.
 ottobre 2006 122.1

rif.	codice	Q.tà
32	3.11.1523	1
33	5.26.0353	1
34	3.10.1041	1
35	3.04.0372	2



VALIDO FINO A Dicembre 2010
VALID UNTIL December 2010

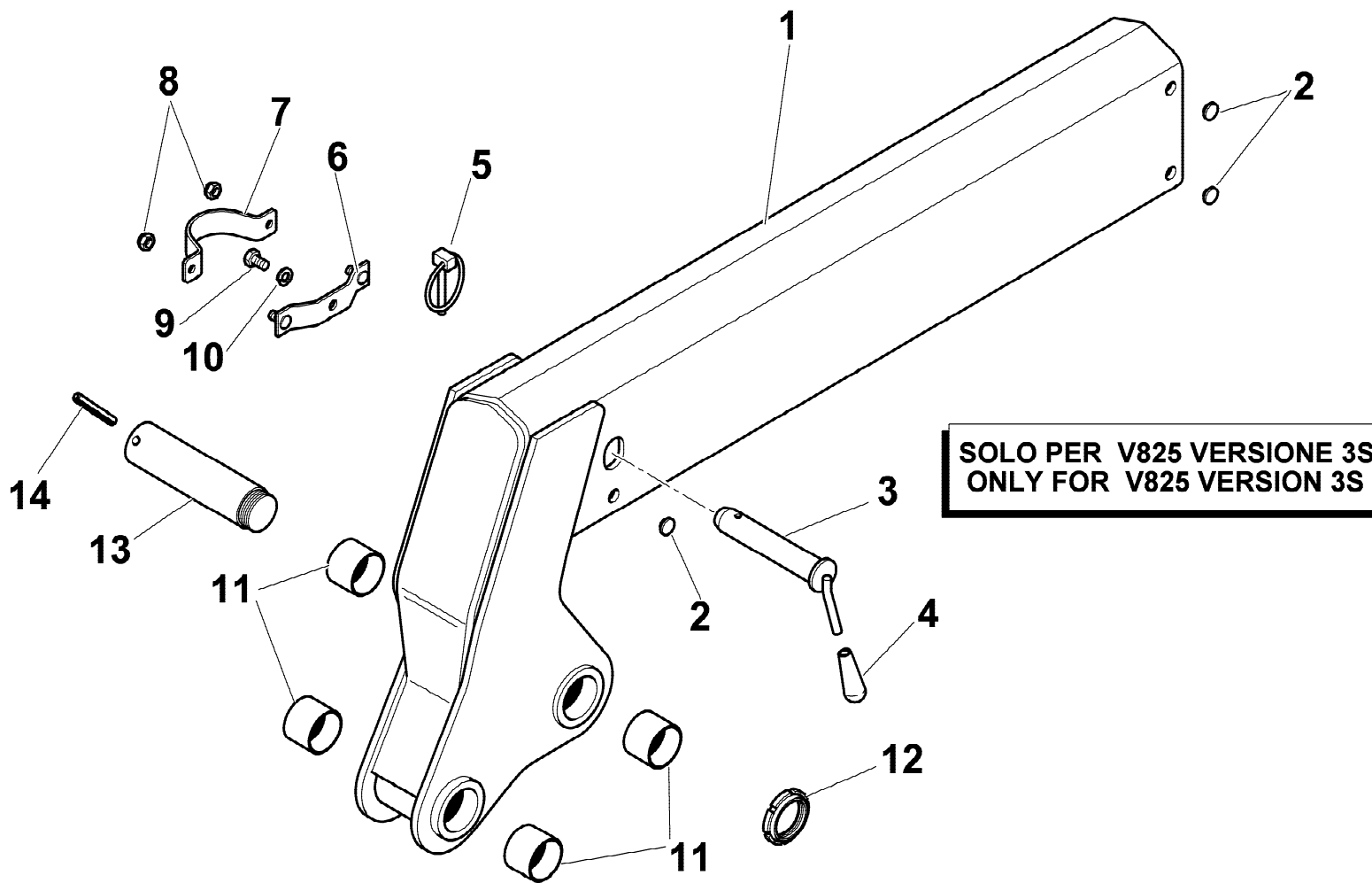
HYVA® CRANE
HB250

IMPIANTO IDRAULICO (LIMITATORE DI MOMENTO) JIB - CE
 HYDRAULIC SYSTEM (MOMENT LIMITING DEVICE) JIB - CE
 INSTALLATION HYDRAULIQUE (LIMITEUR DE MOMENT) JIB - CE
 HYDRAULIKANLAGE (HUB-MOMENTBEGRENZER) JIB - CE
 INSTALACION HIDRAULICA (LIMITADOR DE MOMENTO) JIB - CE

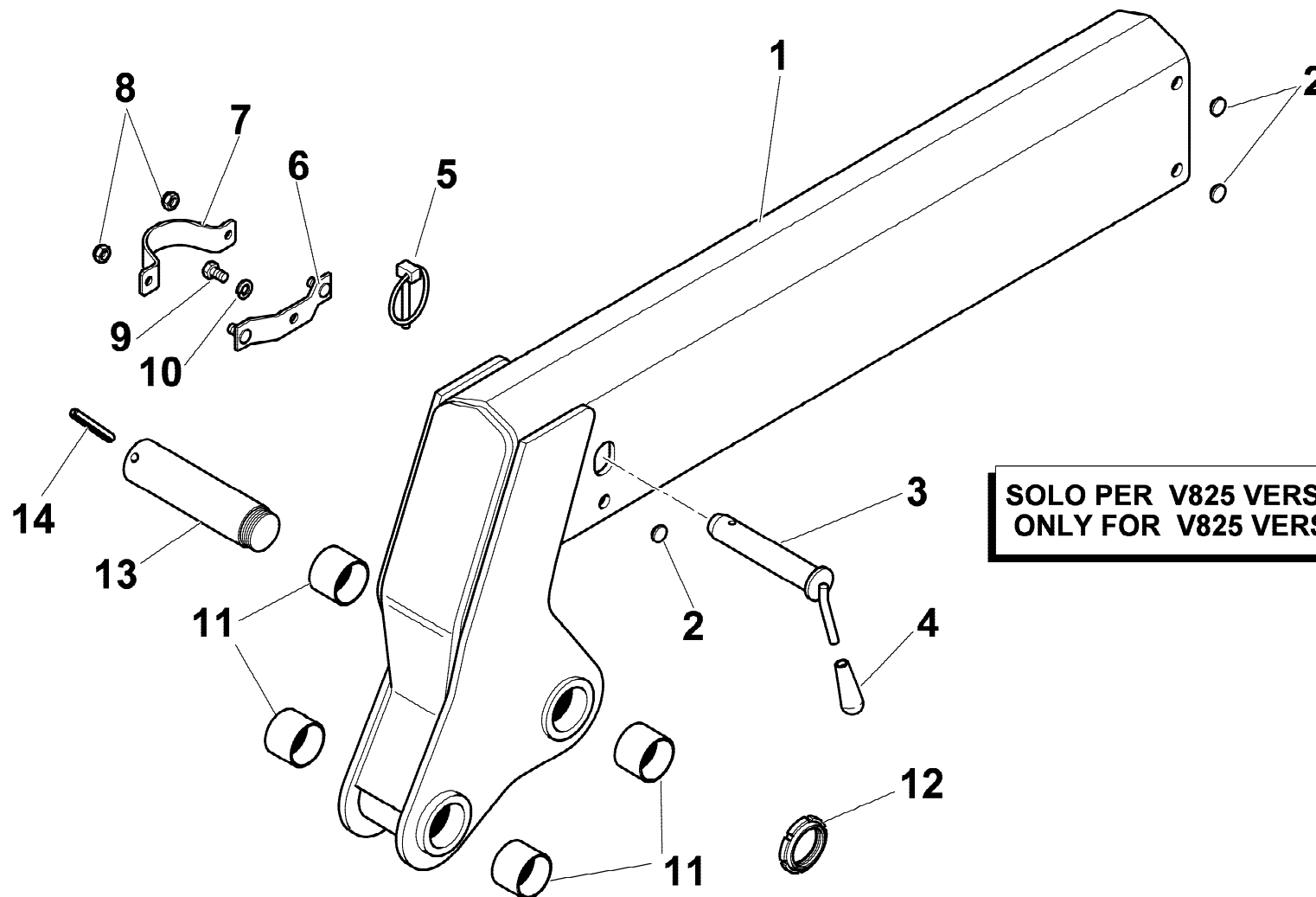
Tavola
5.43.0027-1-0

Data pag.
ottobre 2006 122.2

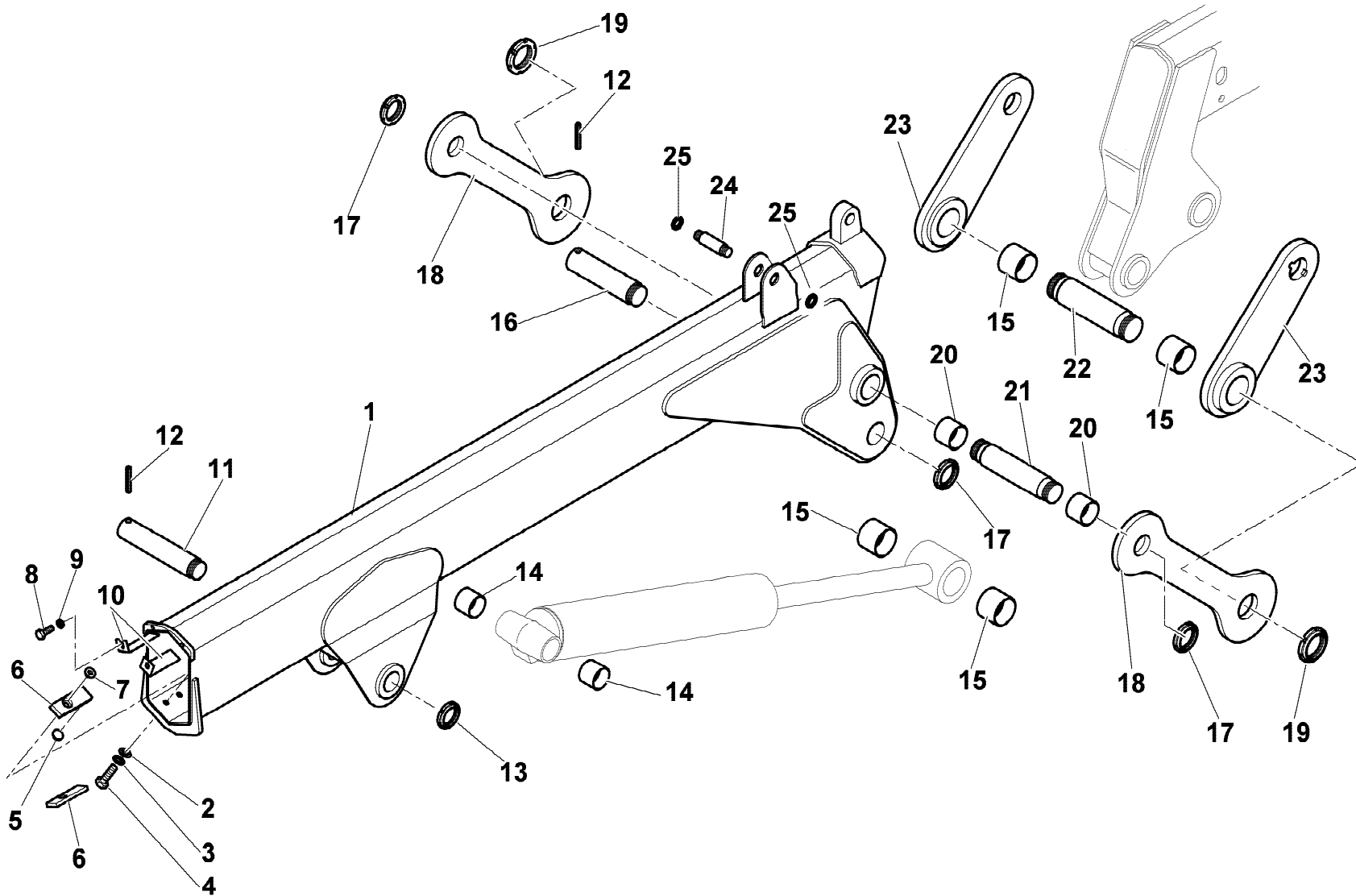
rif.	codice	Q.tà
1	5.09.0546	1
2	5.14.0656	6
3	5.15.0395	1
4	3.19.0006	1
5	3.06.0753	1
6	5.00.0614	1
7	5.00.0037	1
8	3.04.0304	2
9	3.01.0353	1
10	3.06.0056	1
11	5.14.0695	4
12	3.04.0506	1
13	5.15.0516	1
14	3.06.0632	1



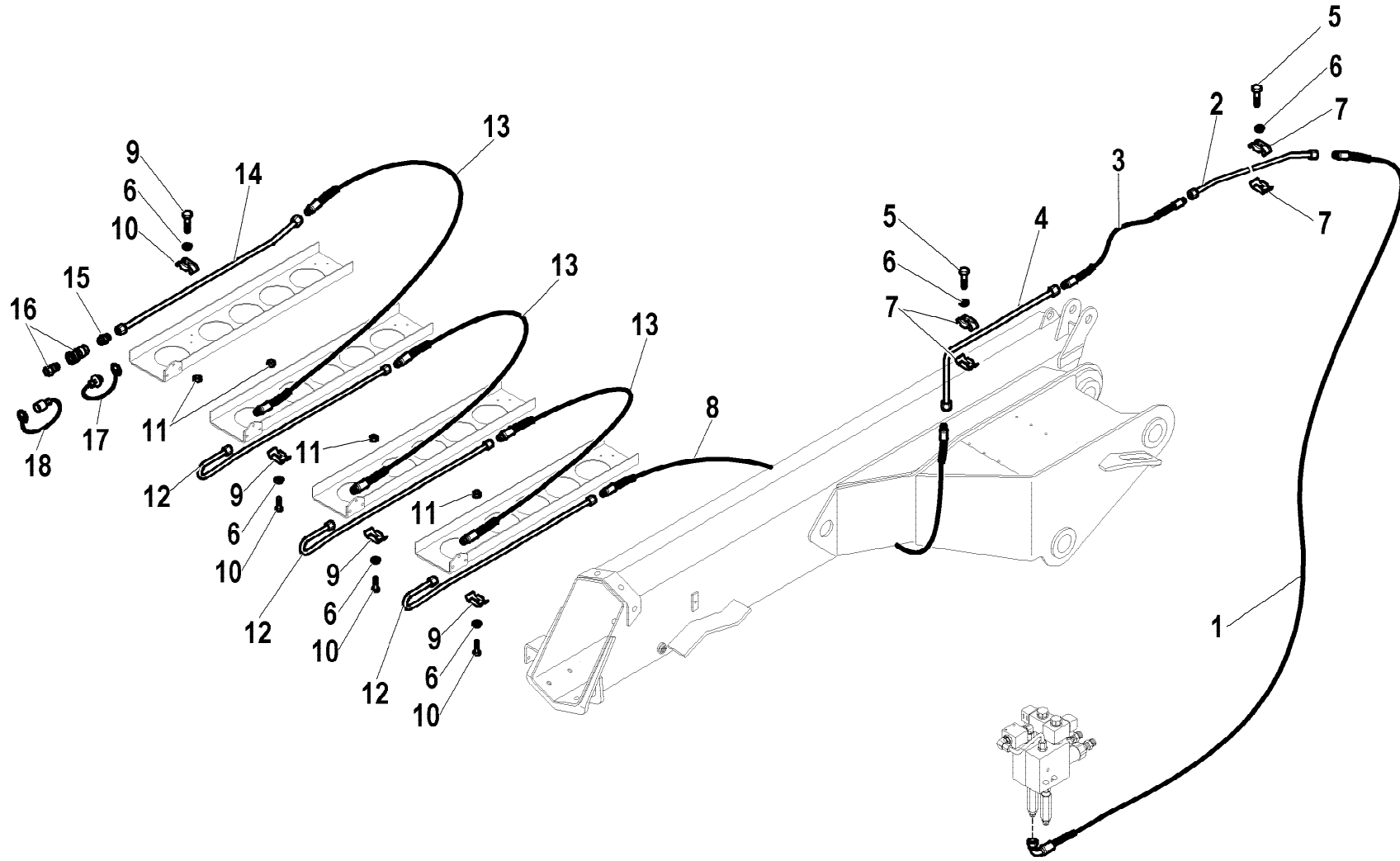
rif.	codice	Q.tà
1	5.09.0538	1
2	5.14.0656	6
3	5.15.0395	1
4	3.19.0006	1
5	3.06.0753	1
6	5.00.0614	1
7	5.00.0037	1
8	3.04.0304	2
9	3.01.0353	1
10	3.06.0056	1
11	5.14.0695	4
12	3.04.0506	1
13	5.15.0516	1
14	3.06.0632	1



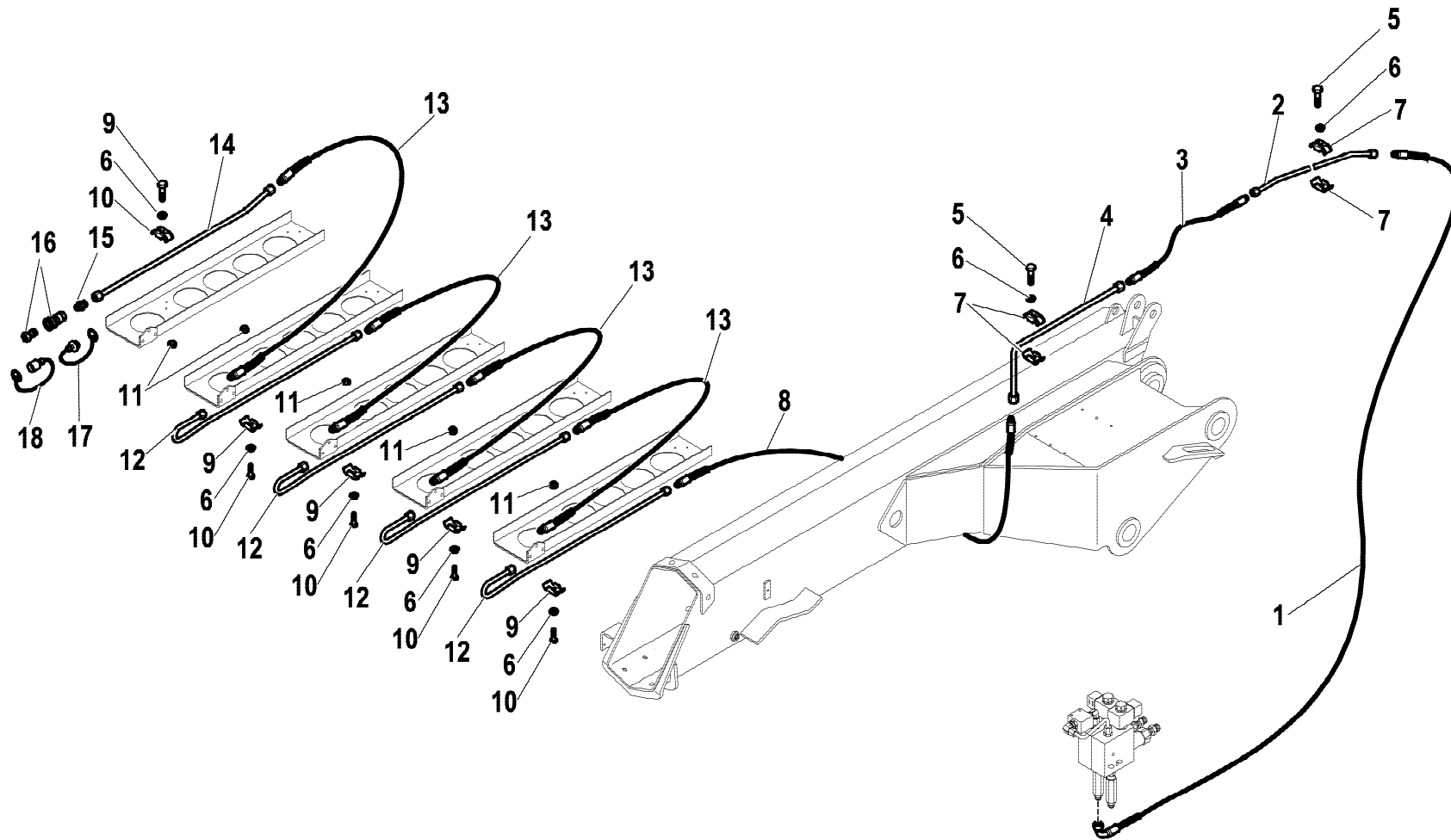
**SOLO PER V825 VERSIONE 4S
ONLY FOR V825 VERSION 4S**



rif.	codice	Q.tà
1	5.03.0220	1
2	3.06.0056	2
3	3.06.0918	2
4	3.01.0337	2
5	5.14.0656	2
6	5.14.0977	2
7	5.00.0623	2
8	3.01.0336	2
9	3.06.0055	2
10	5.00.0685	2
11	5.15.0520	1
12	3.06.0632	2
13	3.04.0500	1
14	5.14.0124	2
15	5.14.0694	4
16	5.15.0516	1
17	3.04.0506	3
18	5.09.0539	2
19	3.04.0508	2
20	5.14.0695	2
21	5.15.0519	1
22	5.15.0518	1
23	5.09.0540	2
24	5.15.0442	1
25	3.04.0504	2



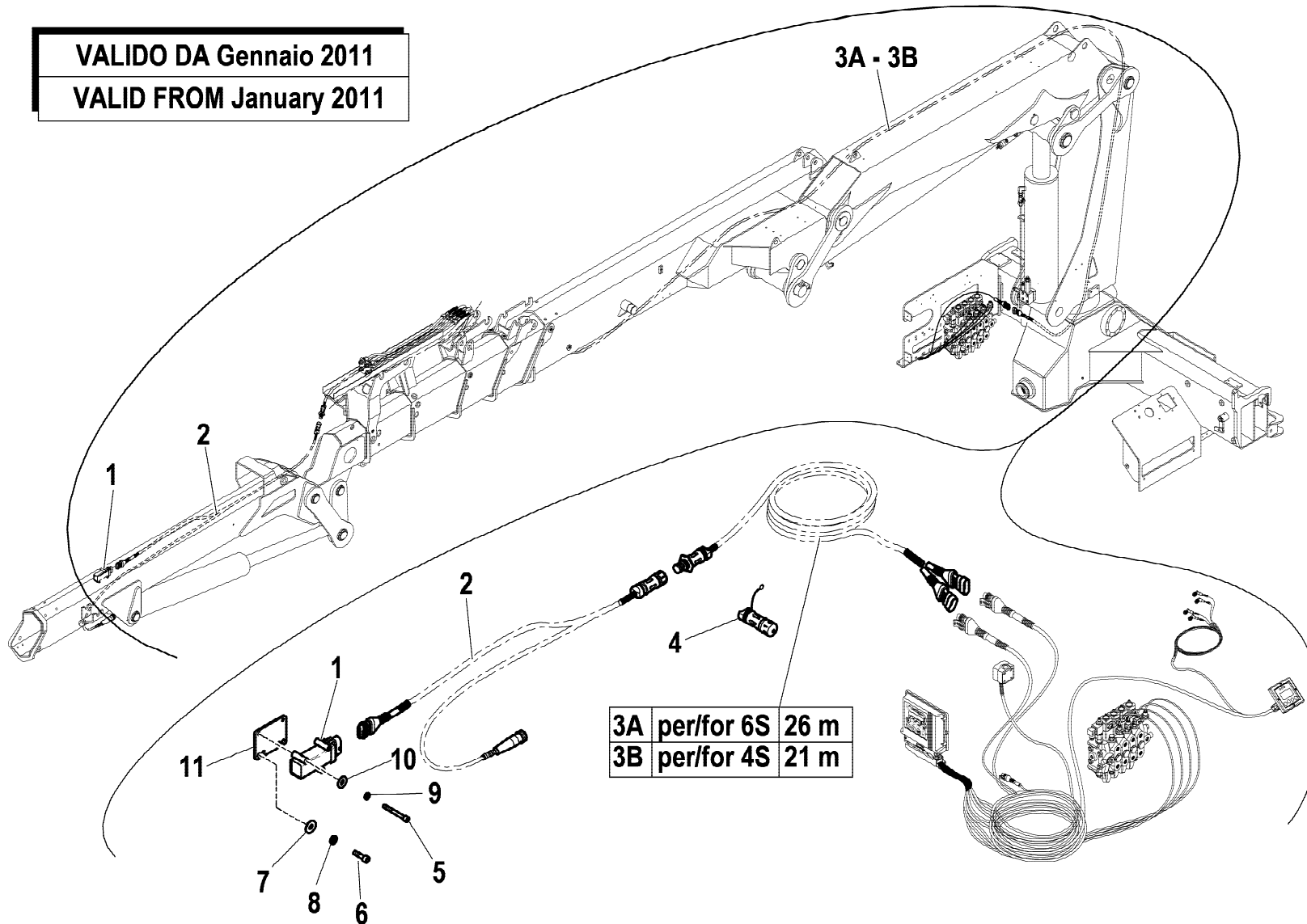
rif.	codice	Q.tà
1	5.25.0248	1
2	5.39.1515	1
3	5.28.0376	1
4	5.39.1519	1
5	3.01.0035	6
6	3.06.0055	14
7	5.00.0047	10
8	5.28.0467	1
9	5.00.0045	8
10	3.01.0031	8
11	3.04.0303	8
12	5.39.1241	3
13	5.26.0596	3
14	5.39.1242	1
15	3.10.1039	1
16	3.11.0425	1
17	3.11.0426	1
18	3.11.0427	1



rif.	codice	Q.tà
1	5.25.0248	1
2	5.39.1515	1
3	5.28.0376	1
4	5.39.1519	1
5	3.01.0035	6
6	3.06.0055	14
7	5.00.0047	10
8	5.28.0467	1
9	5.00.0045	8
10	3.01.0031	8
11	3.04.0303	8
12	5.39.1241	3
13	5.26.0596	3
14	5.39.1242	1
15	3.10.1039	1
16	3.11.0425	1
17	3.11.0426	1
18	3.11.0427	1

VALIDO DA Gennaio 2011

VALID FROM January 2011



3A	per/for 6S	26 m
3B	per/for 4S	21 m

rif.	codice	Q.tà
1	3.31.1150	1
2	5.16.0079	1
3 A	5.16.0077	1
3 B	5.16.0078	1
4	5.16.0080	1
5	3.02.0018	2
6	3.02.0033	2
7	3.06.0005	2
8	3.06.0053	2
9	3.06.0065	2
10	3.06.0003	2
11	5.00.2108	1

1/1

HYVA® CRANE

HB250

COMANDI BILATERALI (CE) EN12999-A3
 DOUBLE CONTROLS (CE) EN12999-A3
 DOUBLE COMMANDES (CE) EN12999-A3
 DOPPELSTEUERUNG (CE) EN12999-A3
 MONDOS BILATERALAS (CE) EN12999-A3

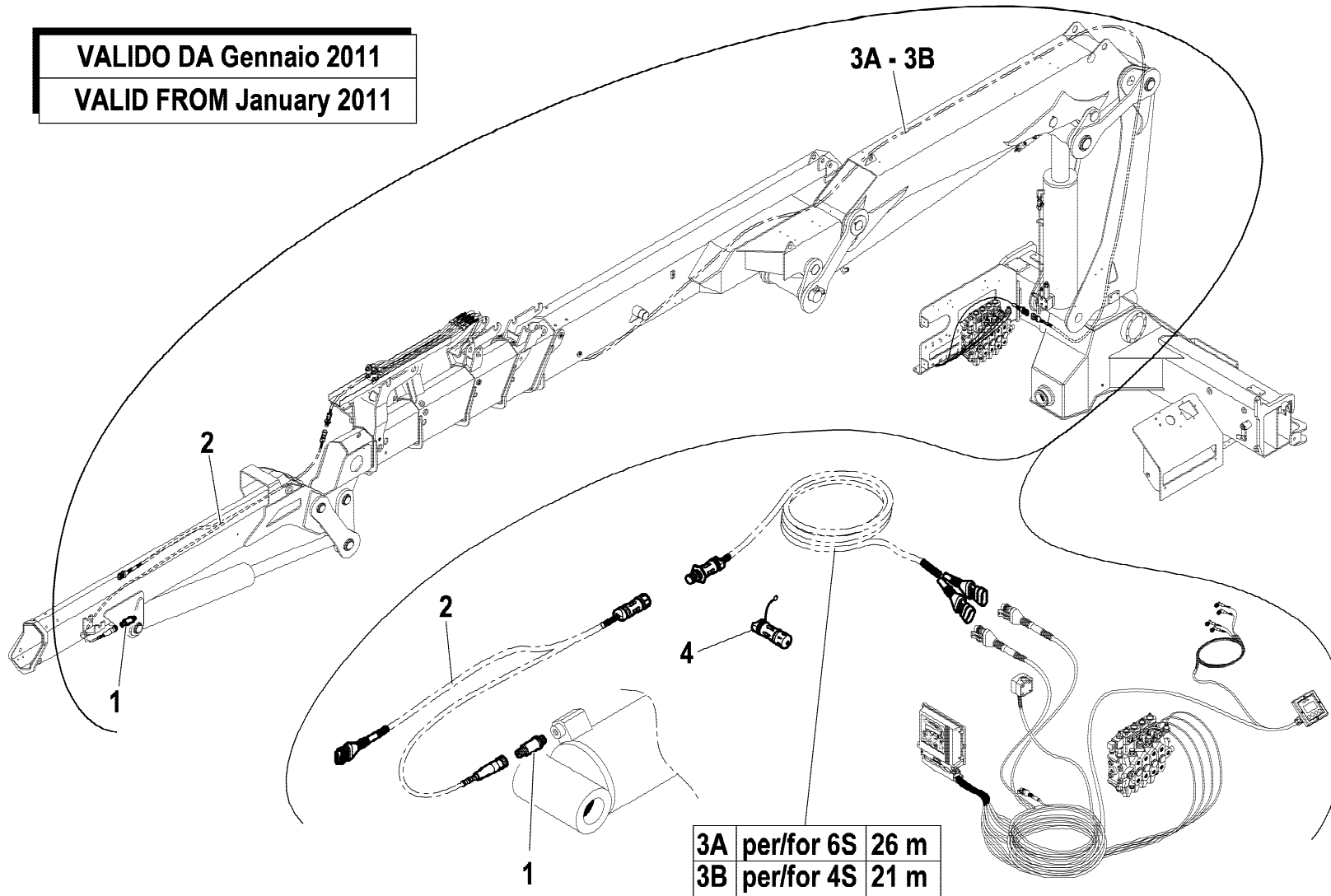
Tavola

5.40.1469-6-0

Data pag.
 novembre 2011 128

VALIDO DA Gennaio 2011

VALID FROM January 2011



rif.	codice	Q.tà
1	3.31.0612	1
2	5.16.0079	1
3 A	5.16.0077	1
3 B	5.16.0078	1
4	5.16.0080	1

1/1

HYVA® CRANE

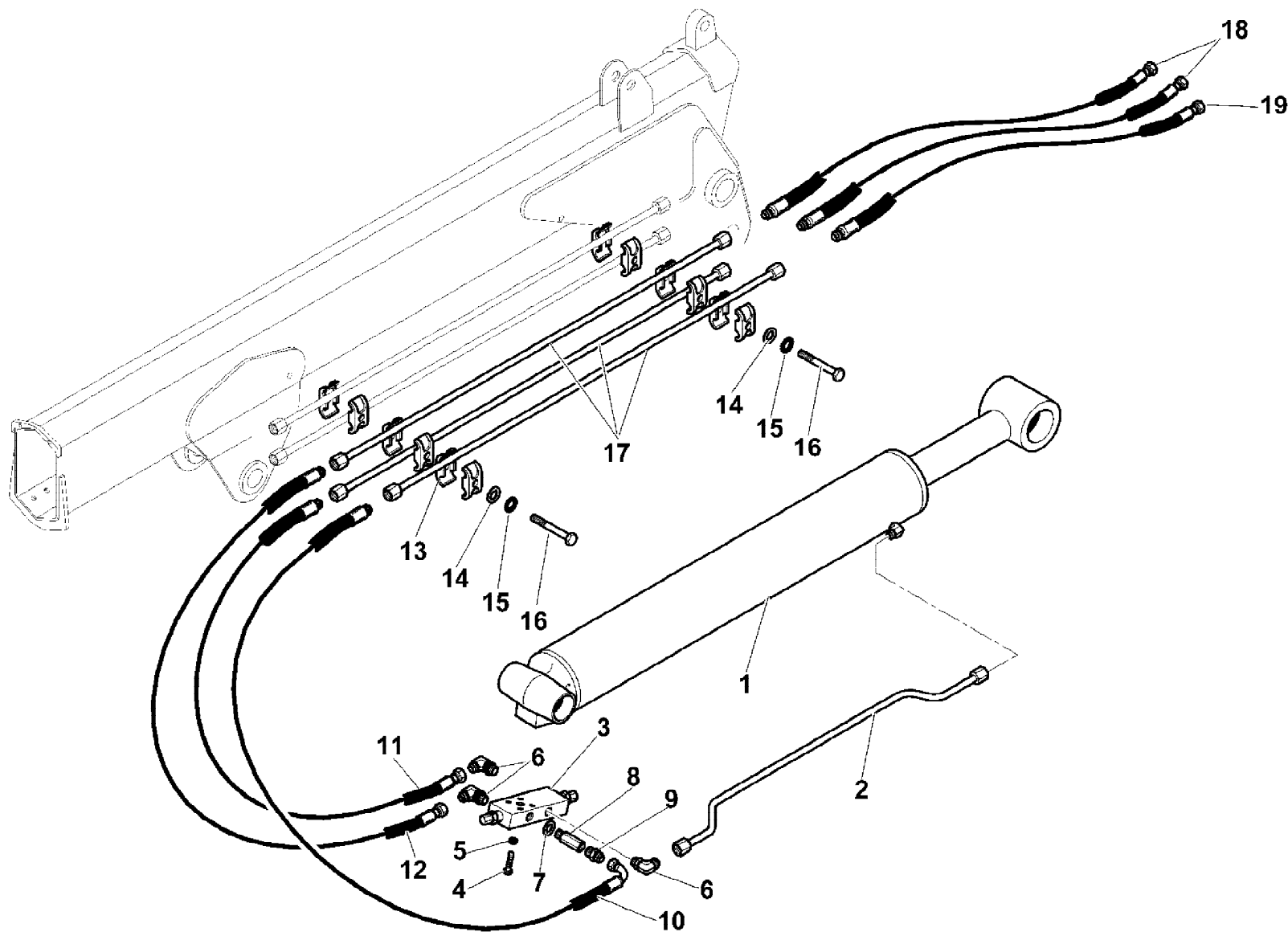
HB250

COMANDI BILATERALI (CE) EN12999-A3
DOUBLE CONTROLS (CE) EN12999-A3
DOUBLE COMMANDES (CE) EN12999-A3
DOPPELSTEUERUNG (CE) EN12999-A3
MONDOS BILATERALAS (CE) EN12999-A3

Tavola

5.40.1469-7-0

Data pag.
novembre 2011 129



rif.	codice	Q.tà
1	6.23.0098	1
2	5.39.1651	1
3	5.22.0548	1
4	3.01.0033	4
5	3.06.0055	4
6	3.10.1127	3
7	3.06.0143	1
8	5.22.0300	1
9	3.10.1039	1
10	5.25.0245	1
11	5.27.1273	1
12	5.27.1274	1
13	5.00.0077	12
14	3.06.0006	2
15	3.06.0918	2
16	3.01.0410	2
17	5.39.1665	5
18	5.27.1272	2
19	5.25.0246	1

1/1

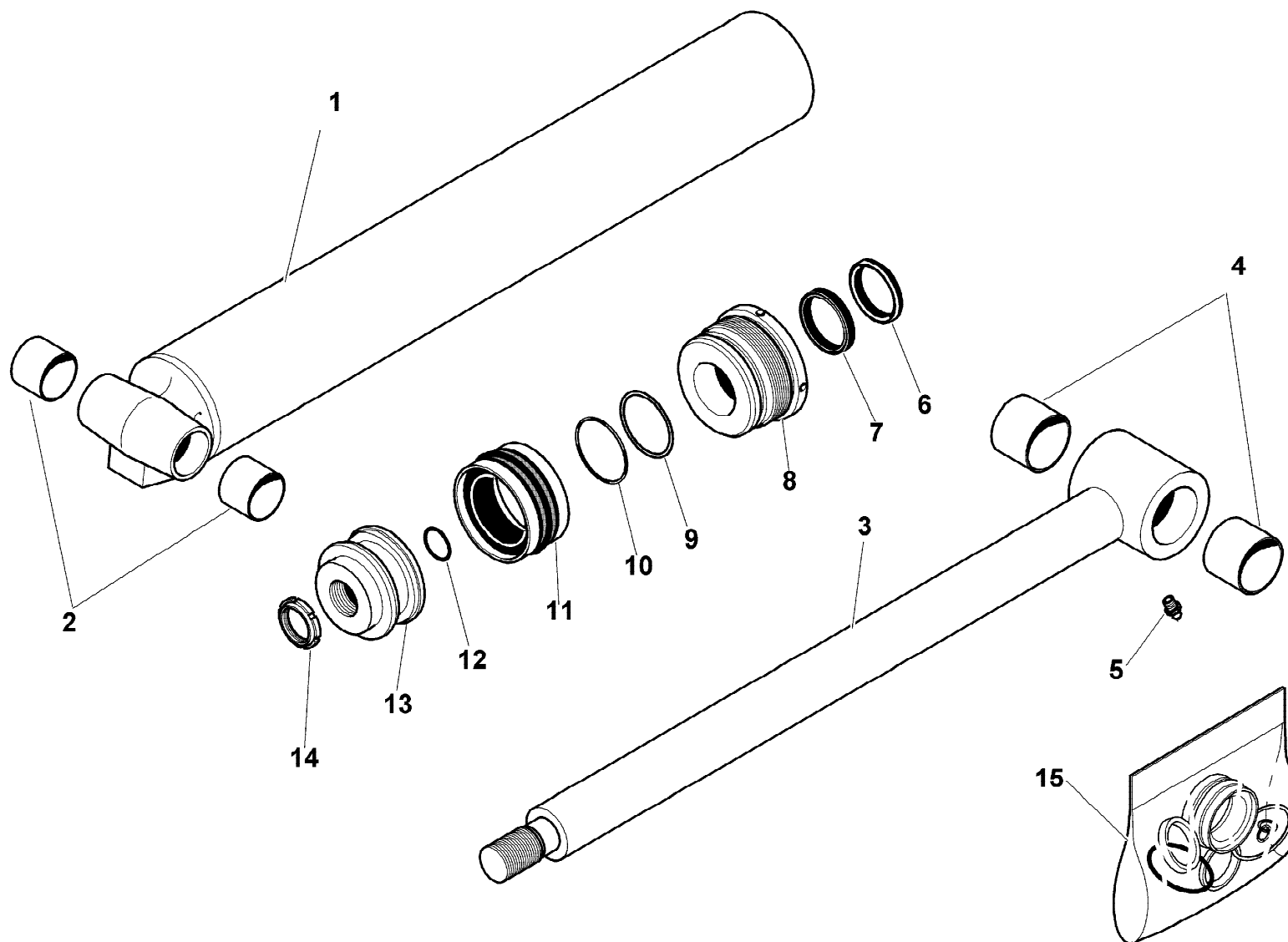
HYVA[®] CRANE
HB250

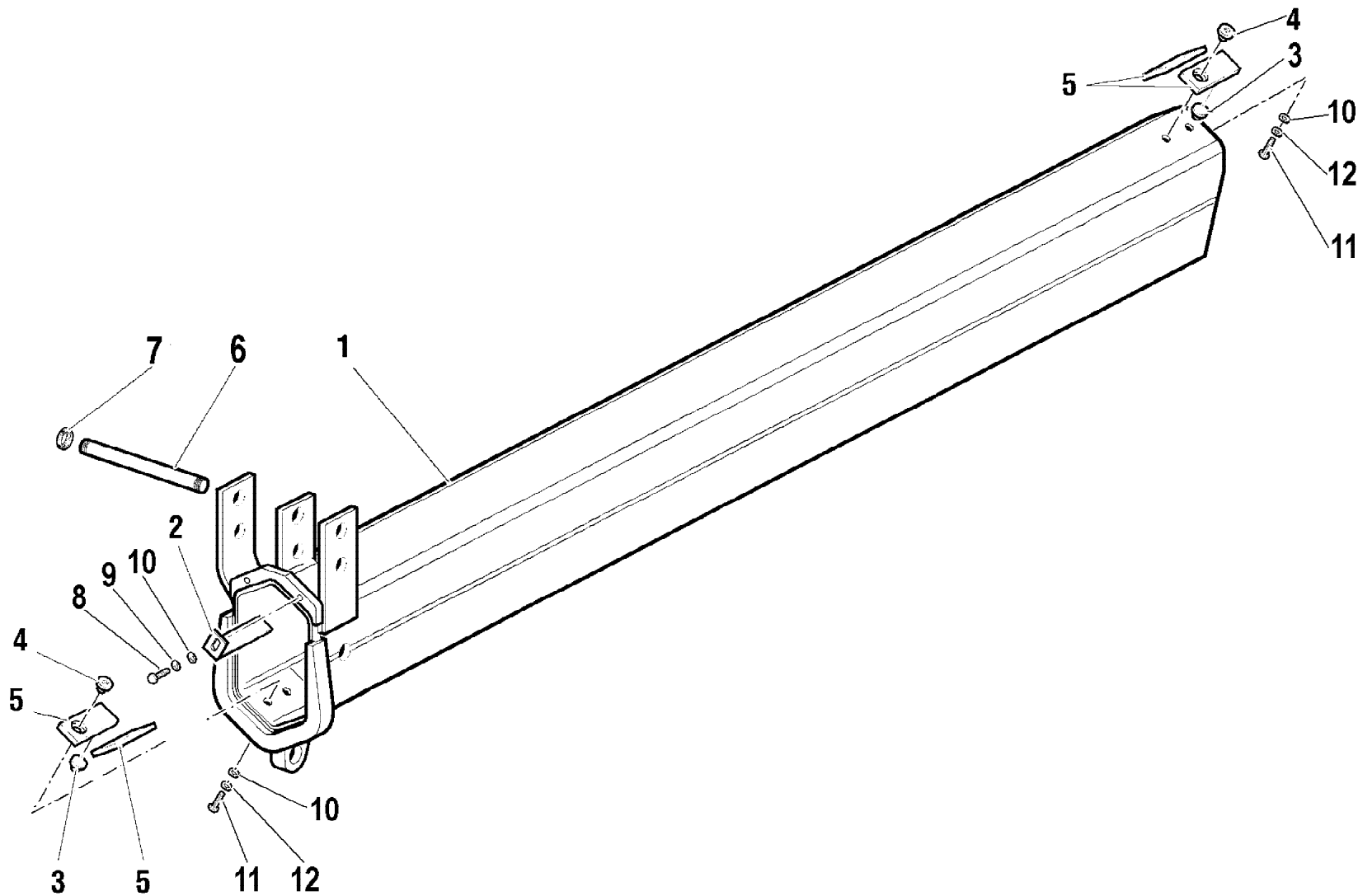
MARTINETTO ARTICOLAZIONE - JIB 3
 ARTICULATION HYDRAULIC JACK - JIB 3
 VERIN D'ARTICULATION - JIB 3
 GELENKSHEBEBOCK - JIB 3
 GATO ARTICULACION - JIB 3

Tavola
6.23.0098-2-0

Data pag.
 ottobre 2006 130

rif.	codice	Q.tà
1	6.07.0404	1
2	5.14.0124	2
3	6.03.0431	1
4	5.14.0694	2
5	3.08.0501	1
6	3.42.0030	1
7	3.40.0111	1
8	6.04.0106	1
9	3.46.0224	1
10	3.45.0224	1
11	3.40.0519	1
12	3.45.0119	1
13	6.05.0237	1
14	3.04.0500	1
15	5.55.0681	1





rif.	codice	Q.tà
1	5.02.0329	1
2	5.00.0685	4
3	5.14.0656	2
4	5.00.1087	2
5	5.14.0977	2
6	5.15.0441	2
7	3.04.0504	4
8	3.01.0027	2
9	3.06.0055	2
10	3.06.0006	6
11	3.01.0336	4
12	3.06.0918	4

1/1

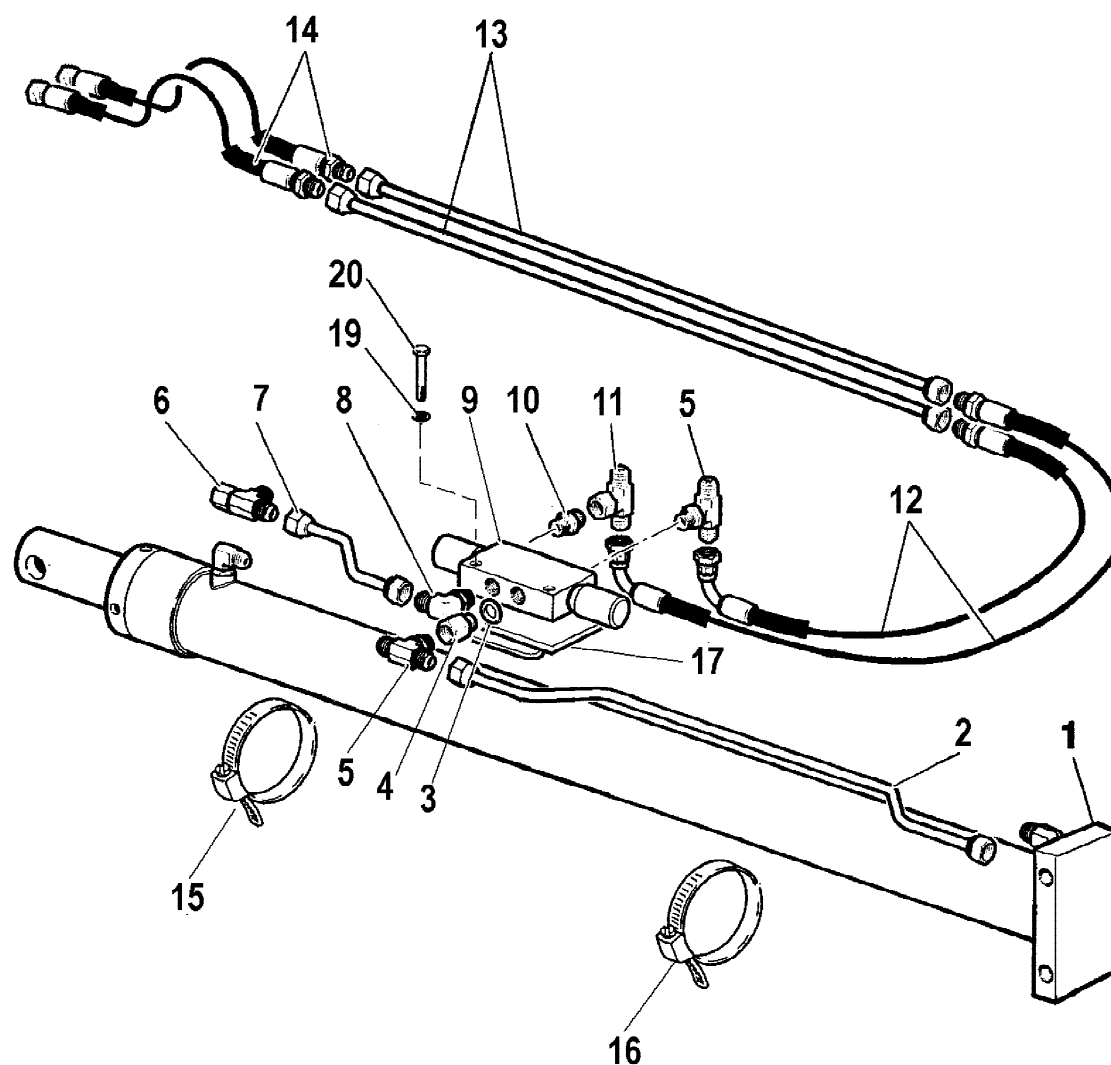
HYVA[®] CRANE
HB250

1° SFILLO - JIB 3
 1ST EXTENSION - JIB 3
 1ERE RALLONGE - JIB 3
 1. VERLAENGERUNG - JIB 3
 1°PROLONGACION - JIB 3

Tavola
5.49.0005-1-1

Data pag.
 ottobre 2006 132

rif.	codice	Q.tà
1	6.41.0165	1
2	5.39.1244	1
3	3.06.0144	1
4	3.11.0112	1
5	3.10.1197	2
6	3.12.0004	1
7	5.39.1137	1
8	3.10.1127	1
9	5.22.0122	1
10	3.10.1043	1
11	3.12.0112	1
12	5.27.1130	2
13	5.39.1665	2
14	5.27.1272	2
15	3.19.0022	2
16	3.19.0023	1
17	5.00.0693	1
19	3.06.0053	2
20	3.01.0018	2



1/1

HYVA[®] CRANE
HB250

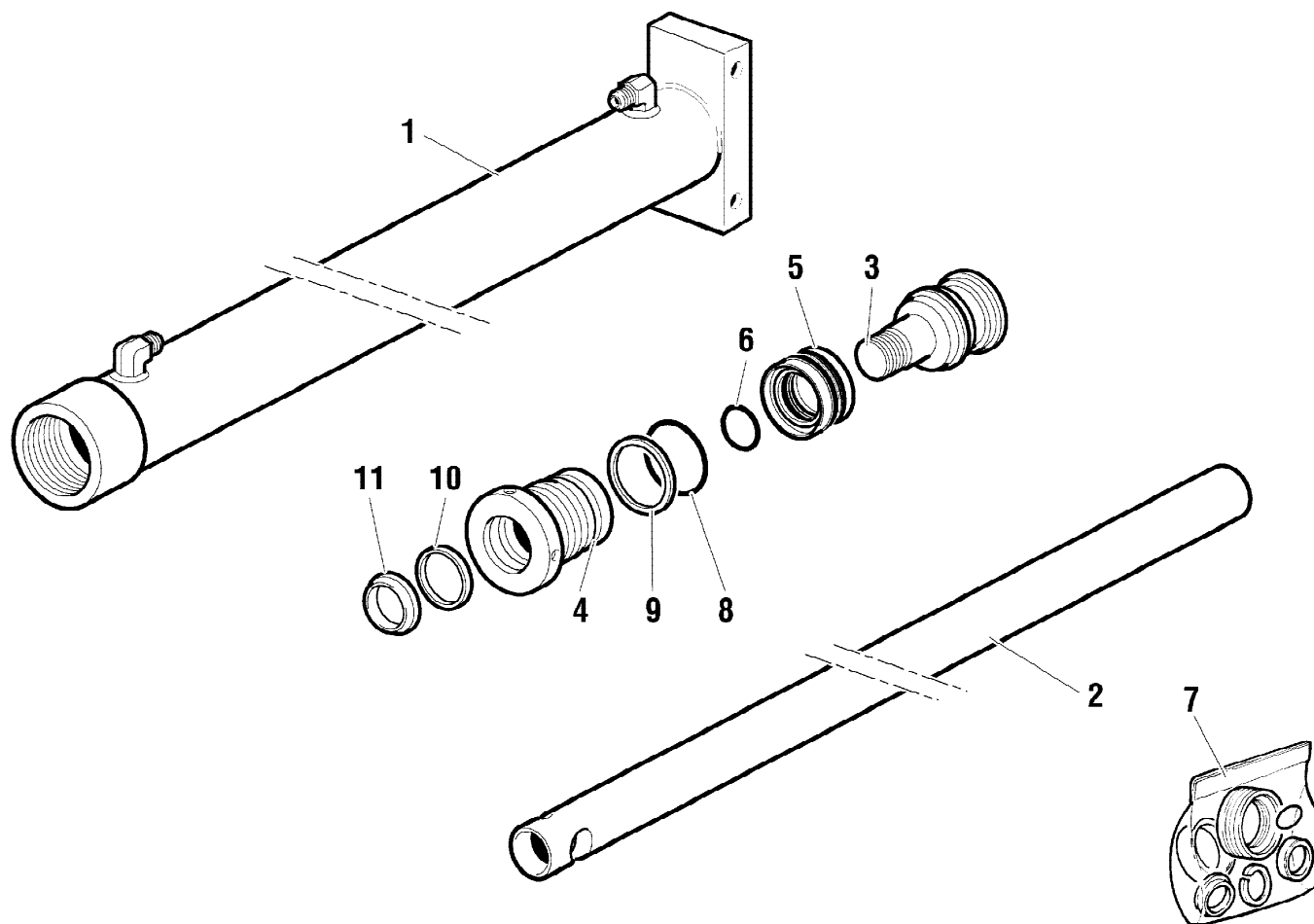
IMPIANTO IDRAULICO (MARTINETTO 1°SFILO) - JIB 3
 HYDRAULIC SYSTEM (1TH EXTENSION HYDRAULIC CYLINDER) - JIB 3
 INSTALLATION HYDRAULIQUE (VERIN 1ERE RALLONGE) - JIB 3
 HYDRAULIKANLAGE (1. SCHUBZYLINDER) - JIB 3
 INSTALACION HIDRAULICA (1° GATO DE PROLONGACION) - JIB 3

Tavola

6.21.0165-2-0

Data pag.
 settembre 2008 133

rif.	codice	Q.tà
1	6.07.0362	1
2	6.03.0362	1
3	6.05.0054	1
4	6.04.0253	1
5	3.40.0509	1
6	3.45.0069	1
7	5.55.0686	1
8	3.45.0132	1
9	3.46.0132	1
10	3.40.0083	1
11	3.42.0023	1



6.41.0165-1-

1/1

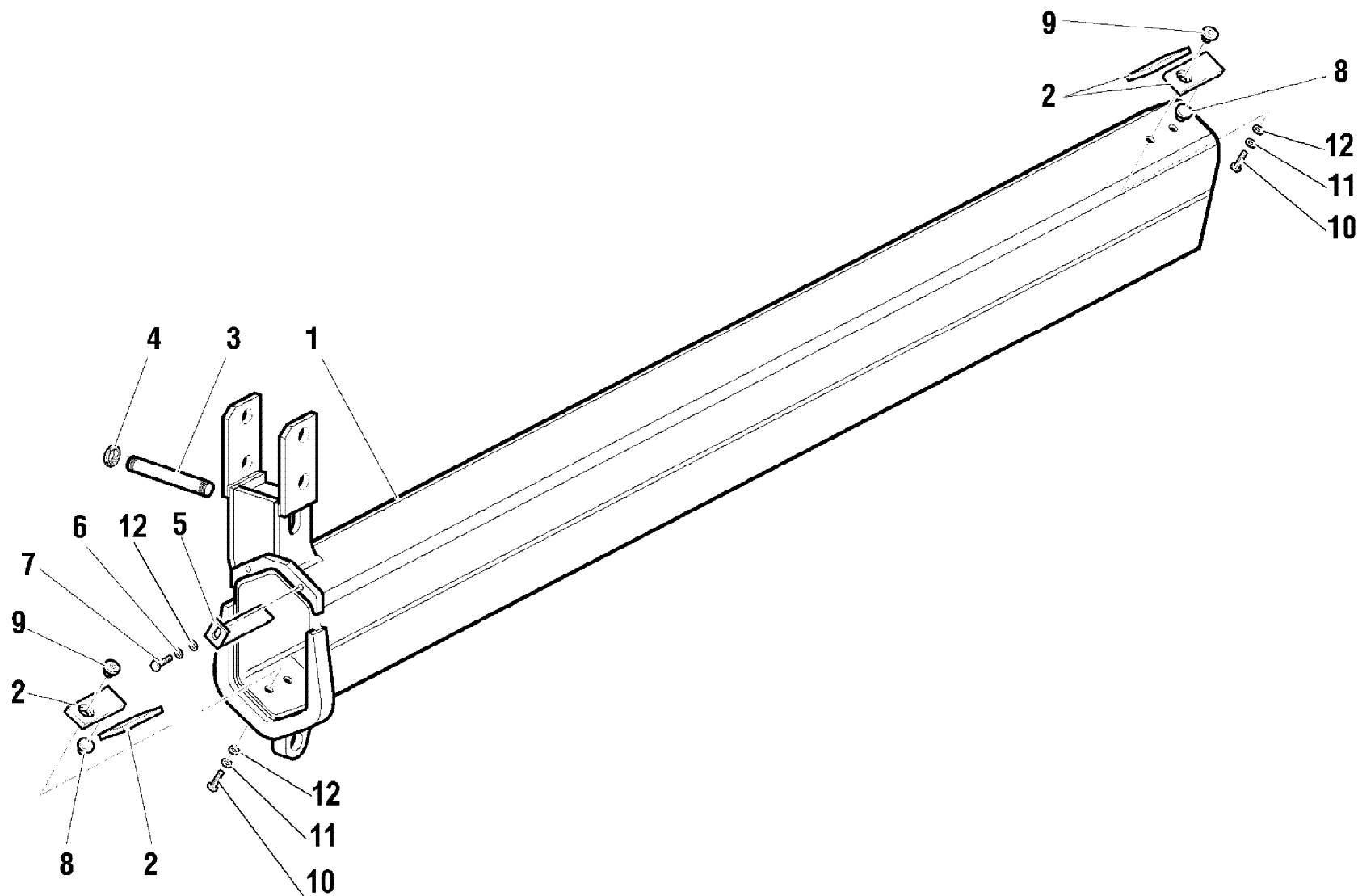
HYVA® CRANE
HB250

MARTINETTO 1° SFILO - JIB 3
1ST EXSTENSION HYDRAULIC - JIB 3
VÉRIN 1ÈRE RALLONGE - JIB 3
1. SCHUBZYLINDER - JIB 3
GATO 1ª EXTENSIÓN - JIB 3

Tavola
6.41.0165-2-0

Data pag.
ottobre 2006 134

rif.	codice	Q.tà
1	5.02.0330	1
2	5.14.0977	4
3	5.15.0491	1
4	3.04.0504	2
5	5.00.0685	4
6	3.06.0055	2
7	3.01.0027	2
8	5.14.0656	4
9	5.00.1087	4
10	3.01.0336	4
11	3.06.0918	4
12	3.06.0006	6



1/1

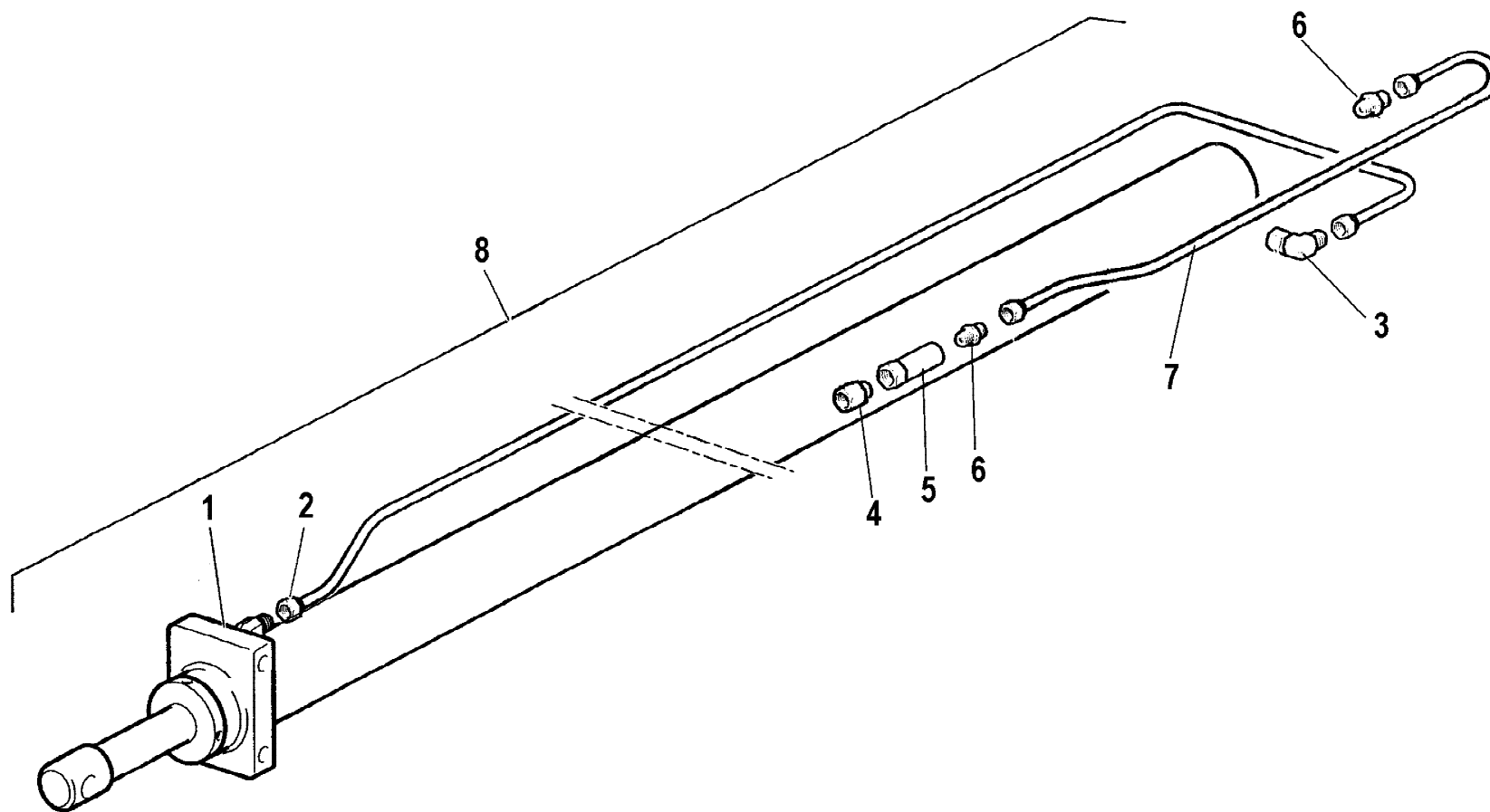
HYVA® CRANE
HB250

2° SFILO - JIB 3
 2ND EXTENSION - JIB 3
 2EME RALLONGE - JIB 3
 2. VERLAENGERUNG - JIB 3
 2°PROLONGACION - JIB 3

Tavola
5.53.0004-1-2

Data pag.
 ottobre 2006 135

rif.	codice	Q.tà
1	6.41.0166	1
2	5.39.1284	1
3	3.12.0031	1
4	3.12.0066	1
5	5.22.0556	1
6	3.10.1043	2
7	5.39.1193	1
8	6.21.0171	1



1/1

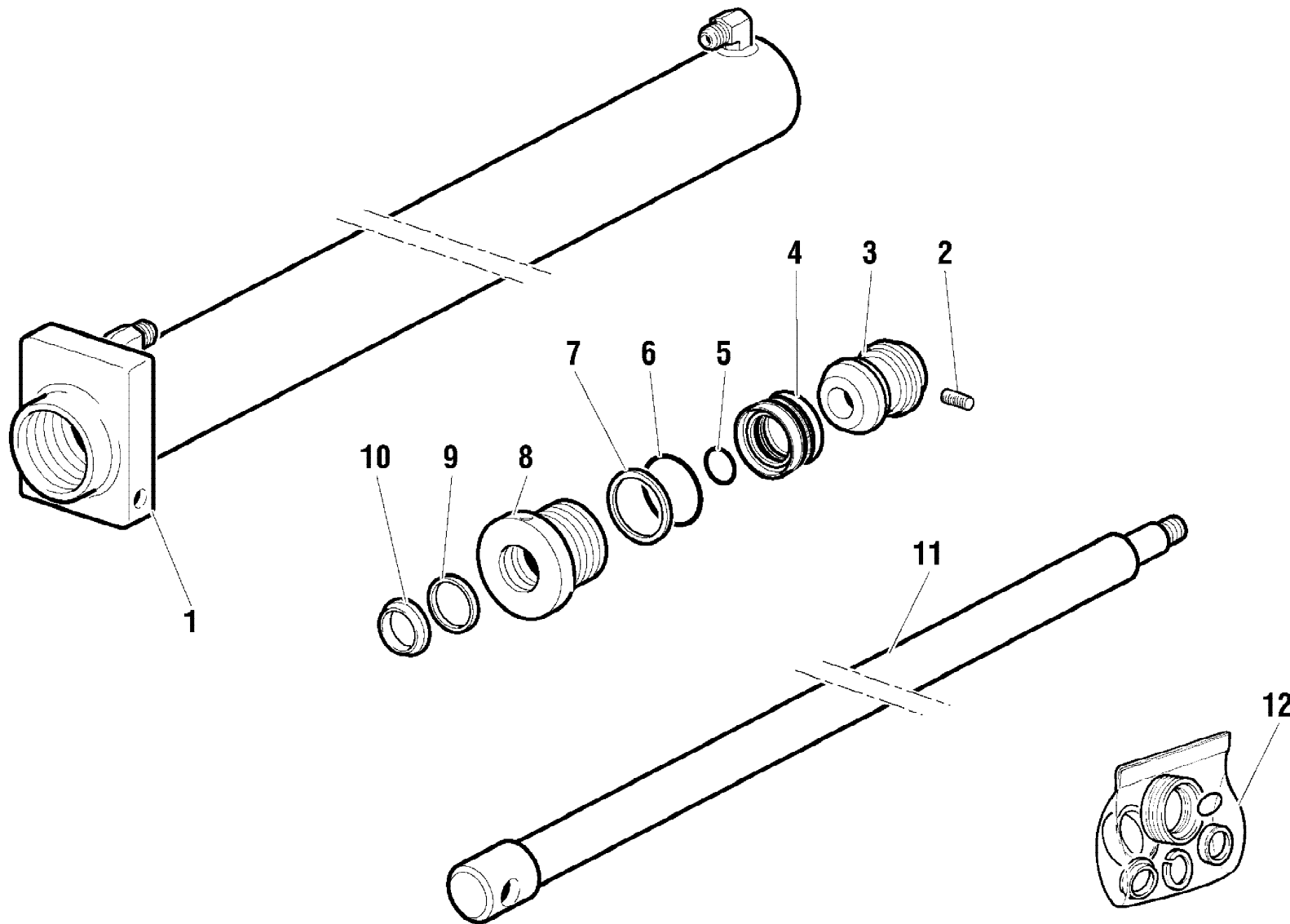
HYVA[®] CRANE
HB250

IMPIANTO IDRAULICO (MARTINETTO 2° SFILO) - JIB 3
 HYDRAULIC SYSTEM (2ND EXTENSION HYDRAULIC CYLINDER) - JIB 3
 INSTALLATION HYDRAULIQUE (VERIN 2EME RALLONGE) - JIB 3
 HYDRAULIKANLAGE (2. VERLAENGERUNGSWINDE) - JIB 3
 INSTALACION HIDRAULICA (2° GATO DE PROLONGACION) - JIB 3

Tavola

6.21.0171-1-1

Data pag.
 ottobre 2006 136



rif.	codice	Q.tà
1	6.07.0363	1
2	3.06.0232	1
3	6.05.0053	1
4	3.40.0507	1
5	3.45.0107	1
6	3.45.0126	1
7	3.46.0126	1
8	6.04.0254	1
9	3.40.0055	1
10	3.42.0018	1
11	6.03.0364	1
12	5.55.0687	1

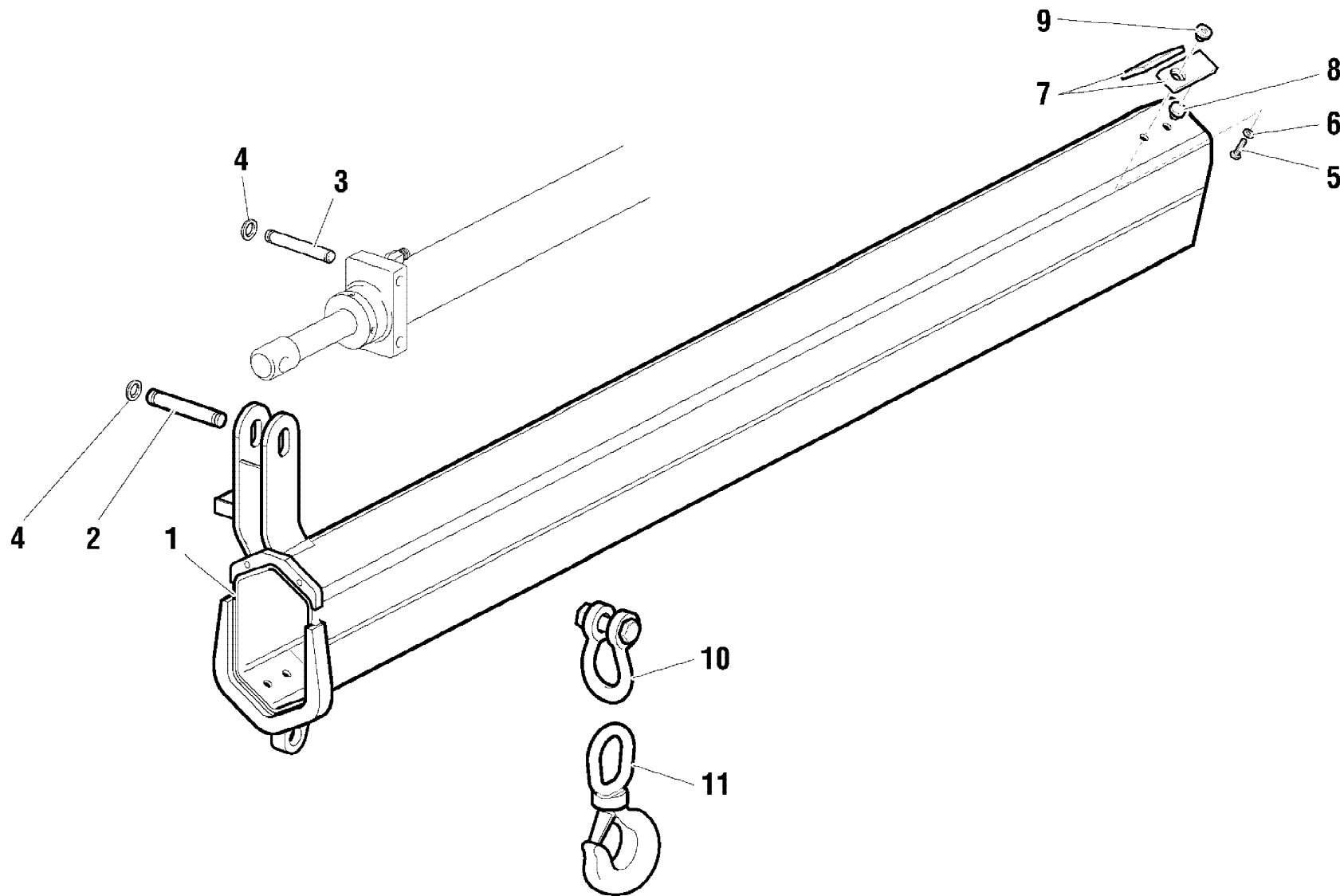
1/1

HYVA[®] CRANE
HB250

MARTINETTO 2° E 3° SFILLO - JIB 3
 2ND AND 3RD EXTENSION HYDRAULIC CYLINDER - JIB 3
 VERIN 2EME ET 3EME RALLONGE - JIB 3
 2. UNT 3. VERLAENGERUNGSWINDE - JIB 3
 2° Y 3° GATO DE PROLONGACION - JIB 3

Tavola
6.41.0166-1-1

Data pag.
 novembre 2011 137



rif.	codice	Q.tà
1	5.02.0331	1
2	5.15.0600	1
3	5.15.0438	2
4	3.04.0504	6
5	3.01.0336	2
6	3.06.0918	2
7	5.14.0977	2
8	5.14.0656	2
9	5.00.1087	2
10	3.20.0067	1
11	3.20.0006	1

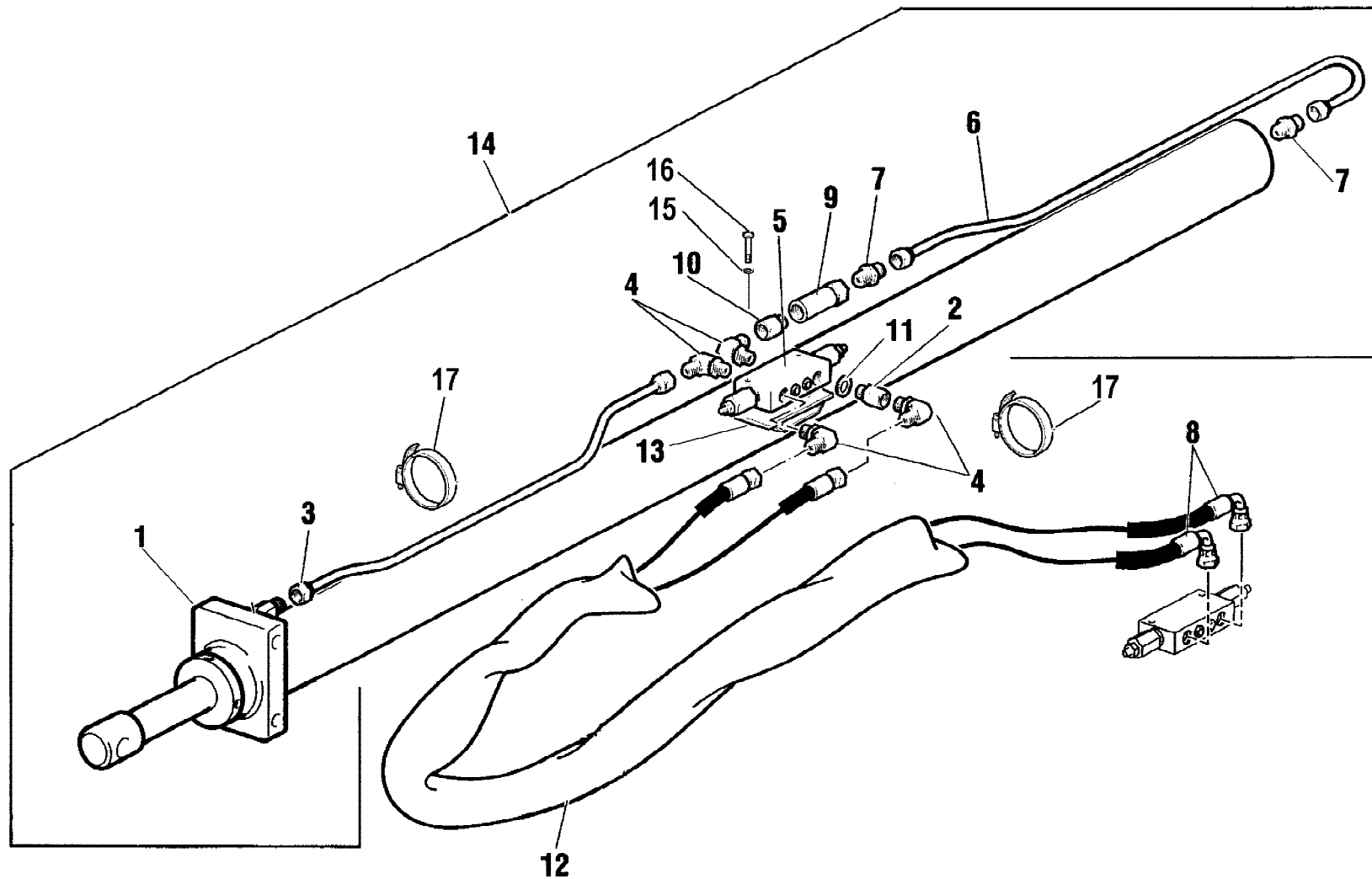
1/1

HYVA® CRANE
HB250

3° SFILO - JIB 3
3RD EXTENSION - JIB 3
3EME RALLONGE - JIB 3
3. VERLAENGERUNG - JIB 3
3° PROLONGACION - JIB 3

Tavola
5.54.0005-1-2

Data pag.
ottobre 2006 138



rif.	codice	Q.tà
1	6.41.0166	1
2	3.11.0112	1
3	5.39.1246	1
4	3.10.1127	4
5	5.22.0122	1
6	5.39.1193	1
7	3.10.1043	2
8	5.27.1001	2
9	5.22.0573	1
10	3.12.0066	1
11	3.06.0144	1
12	3.19.0170	5
13	5.00.0693	1
14	6.21.0166	1
15	3.06.0053	2
16	3.01.0017	2
17	3.19.0022	3

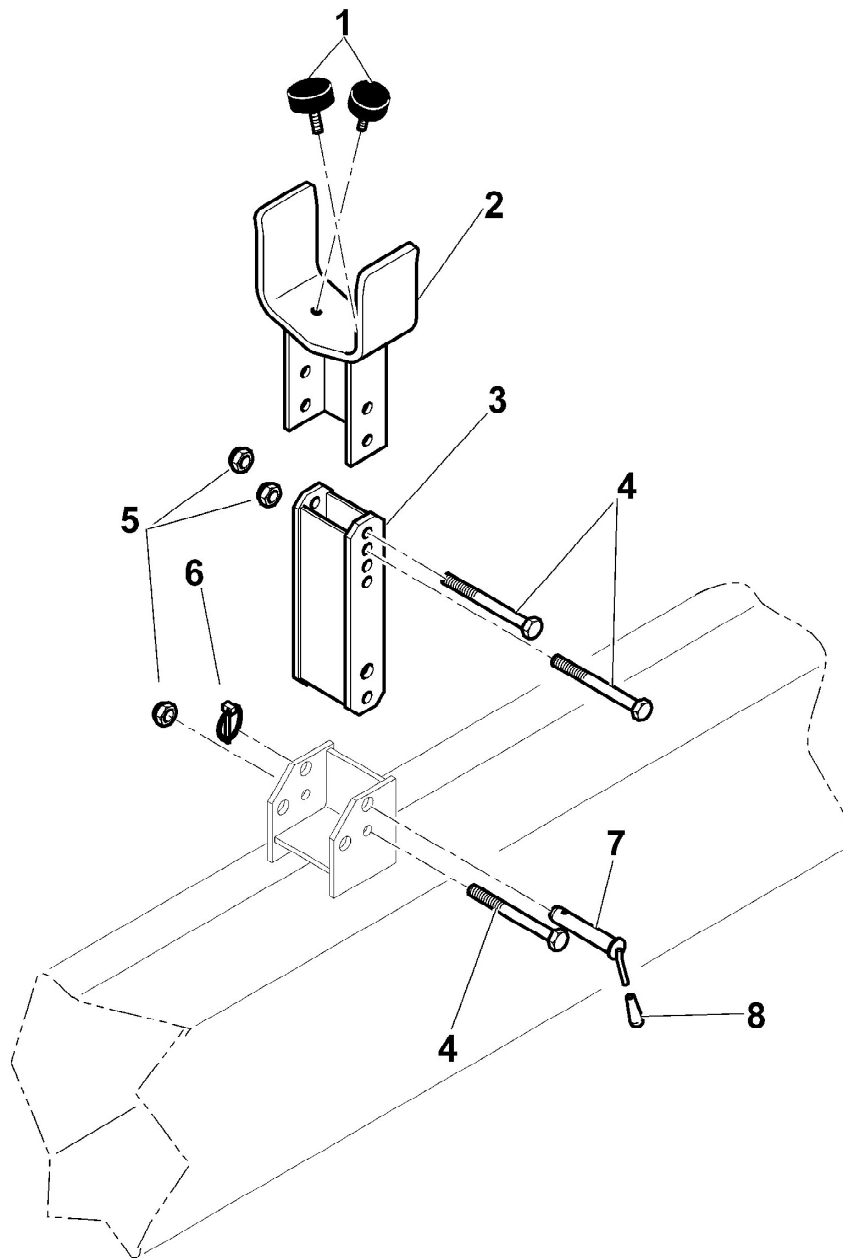
1/1

HYVA[®] CRANE
HB250

IMPIANTO IDRAULICO (MARTINETTO 3° SFILO) - 3S
 HYDRAULIC SYSTEM (3RD EXTENSION HYDRAULIC JACK) - 3S
 INSTALLATION HYDRAULIQUE (VÉRIN 3ÈME RALLONGE) - 3S
 HYDRAULIKANLAGE (3. SCHUBZYLINDER) - 3S
 INSTALACION HIDRAULICA (GATO 3ª EXTENSIÓN) - 3S

Tavola
6.21.0166-1-1

Data pag.
 ottobre 2006 139



rif.	codice	Q.tà
1	3.19.0210	2
2	5.09.0598	1
3	5.09.0597	1
4	3.01.0092	3
5	3.04.0306	3
6	3.06.0753	1
7	5.15.0475	1
8	3.19.0010	1

1/1

HYVA® CRANE

HB250

APPOGGIO PER BRAGGIO JIB - JIB 3
 SUPPORT ARM FOR JIB - JIB 3
 BRAS DE SOUTINE POUR JIB - JIB 3
 LAGERARMA FÜR JIB - JIB 3
 BRAZO DE AYUDA PARA JIB - JIB 3

Tavola

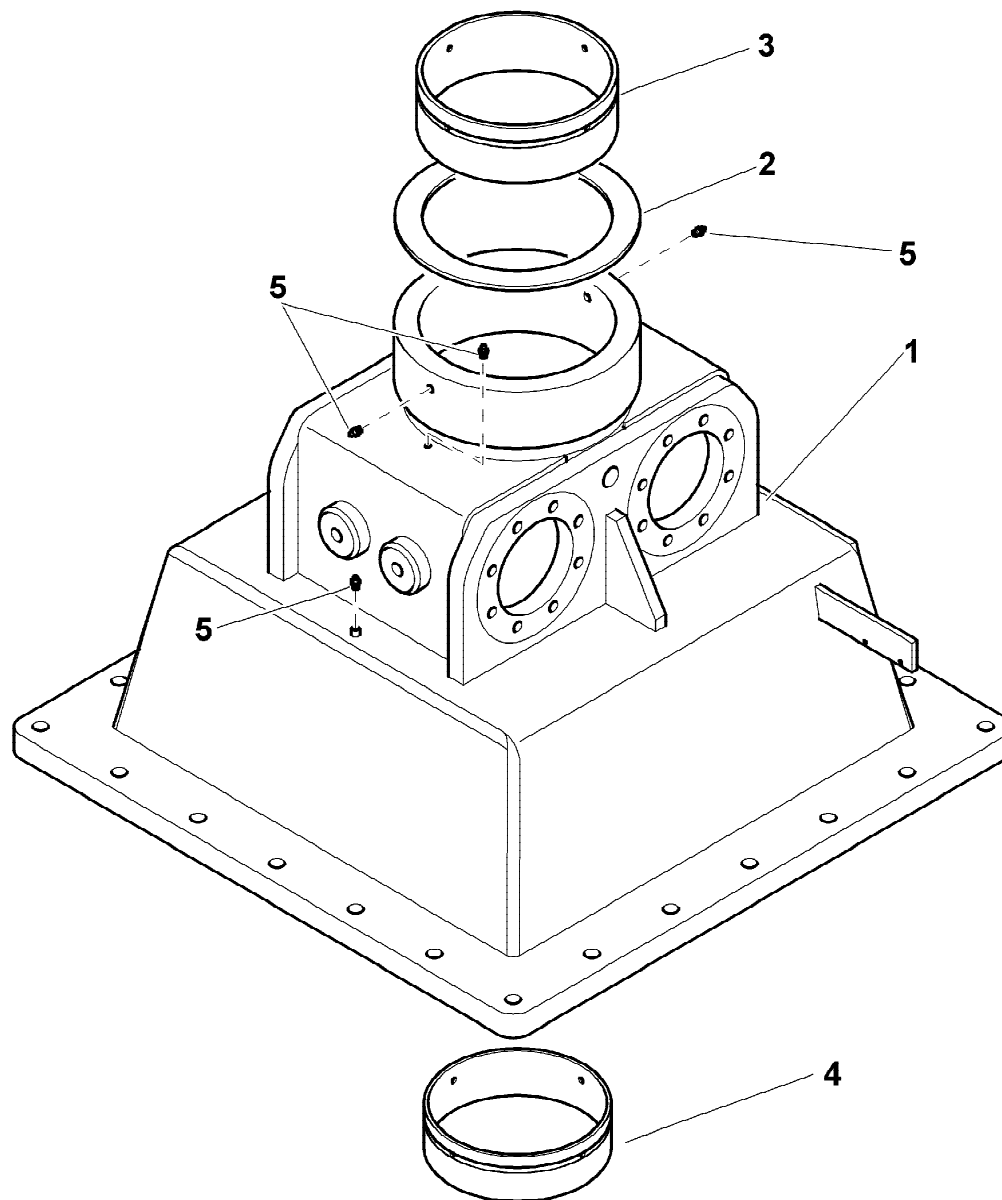
5.40.0200-1-0

Data pag.
 ottobre 2006 140



HB250 F

rif.	codice	Q.tà
1	5.06.0139	1
2	5.14.0684	1
3	5.14.0685	1
4	5.14.0686	1
5	3.08.0501	5



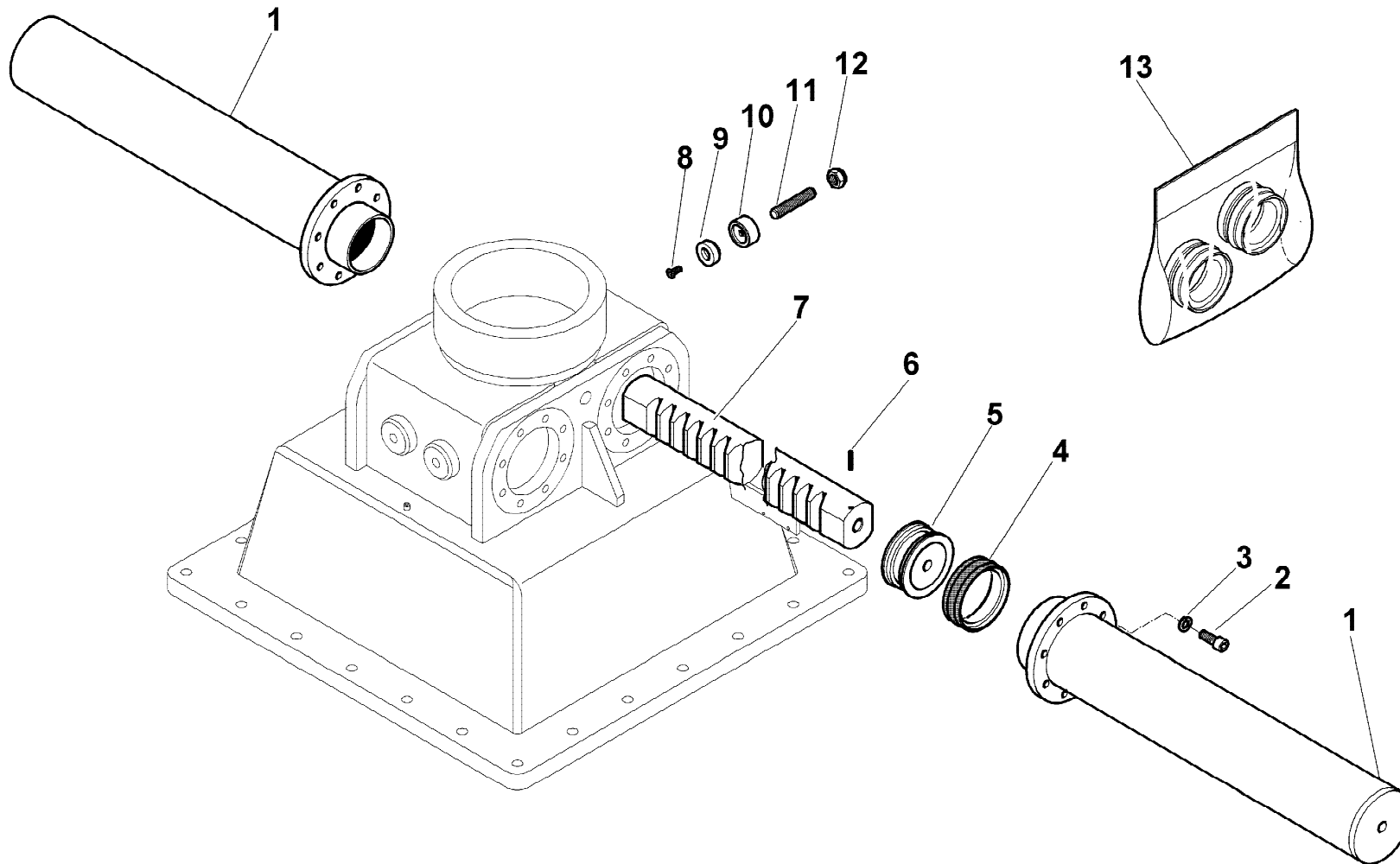
1/1

HYVA[®] CRANE
HB250

BASAMENTO
 BASE
 SOLLE
 UNTERBAU
 BASE

Tavola
5.42.0036-1-0

Data pag.
 ottobre 2008 142



rif.	codice	Q.tà
1	6.07.0417	4
2	3.02.0128	32
3	3.06.0059	32
4	3.40.0523	4
5	6.05.0248	4
6	3.06.0607	4
7	5.05.0085	2
8	3.02.0468	4
9	5.14.0600	4
10	4.16.0328	4
11	3.06.0919	4
12	3.04.0309	4
13	5.55.0694	2

1/1

HYVA[®] CRANE

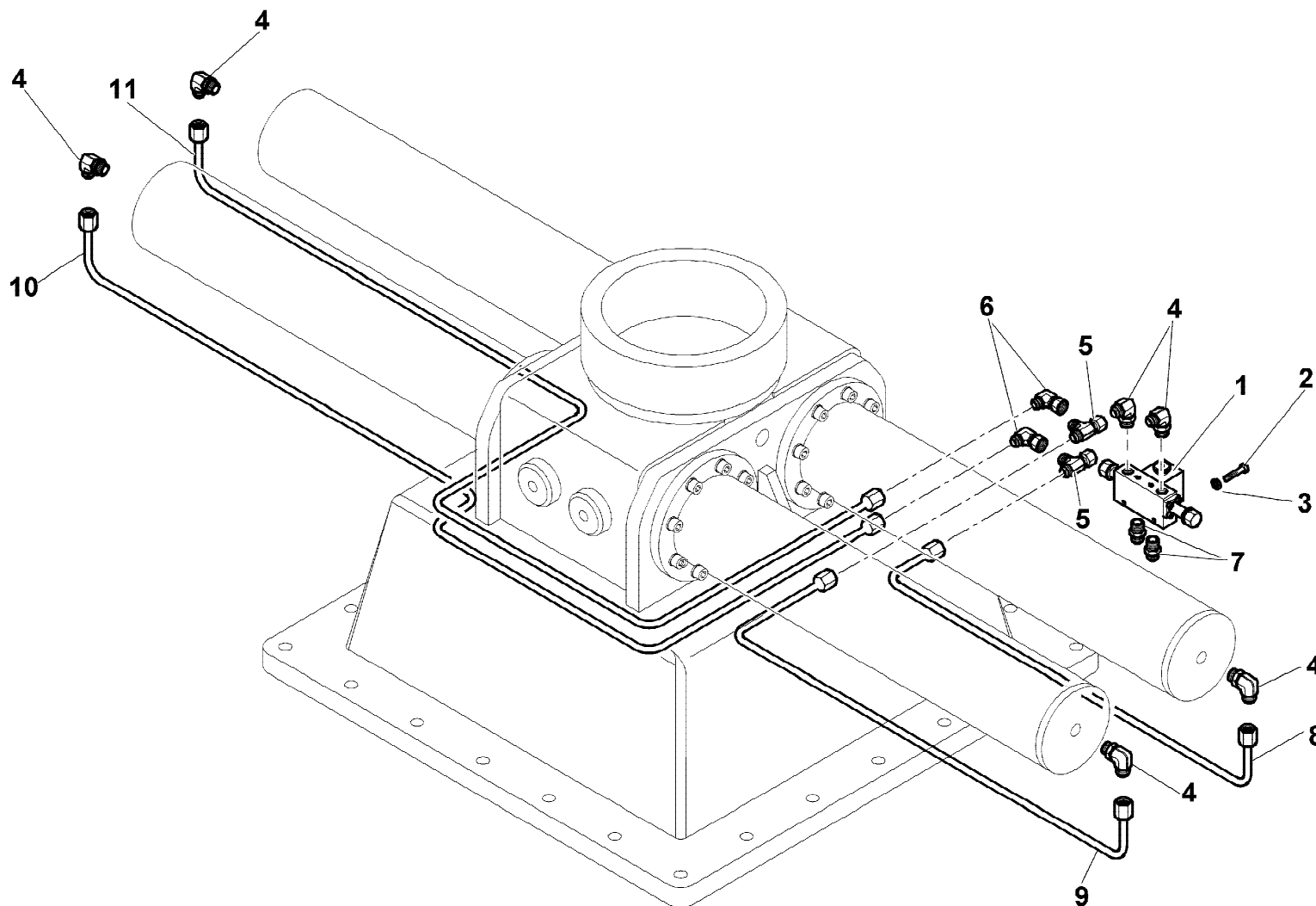
HB250

GRUPPO ROTAZIONE F
SLEWING ASS'Y F
GROUPE ROTATION F
DREHVORRICHTUNG F
GRUPO ROTACION F

Tavola
6.24.0081-1-0

Data pag.
luglio 2011 143

rif.	codice	Q.tà
1	5.22.0620	1
2	3.01.0018	2
3	3.06.0053	2
4	3.10.1128	6
5	3.12.0004	2
6	3.12.0031	2
7	3.10.1044	2
8	5.39.1723	1
9	5.39.1724	1
10	5.39.1722	1
11	5.39.1721	1



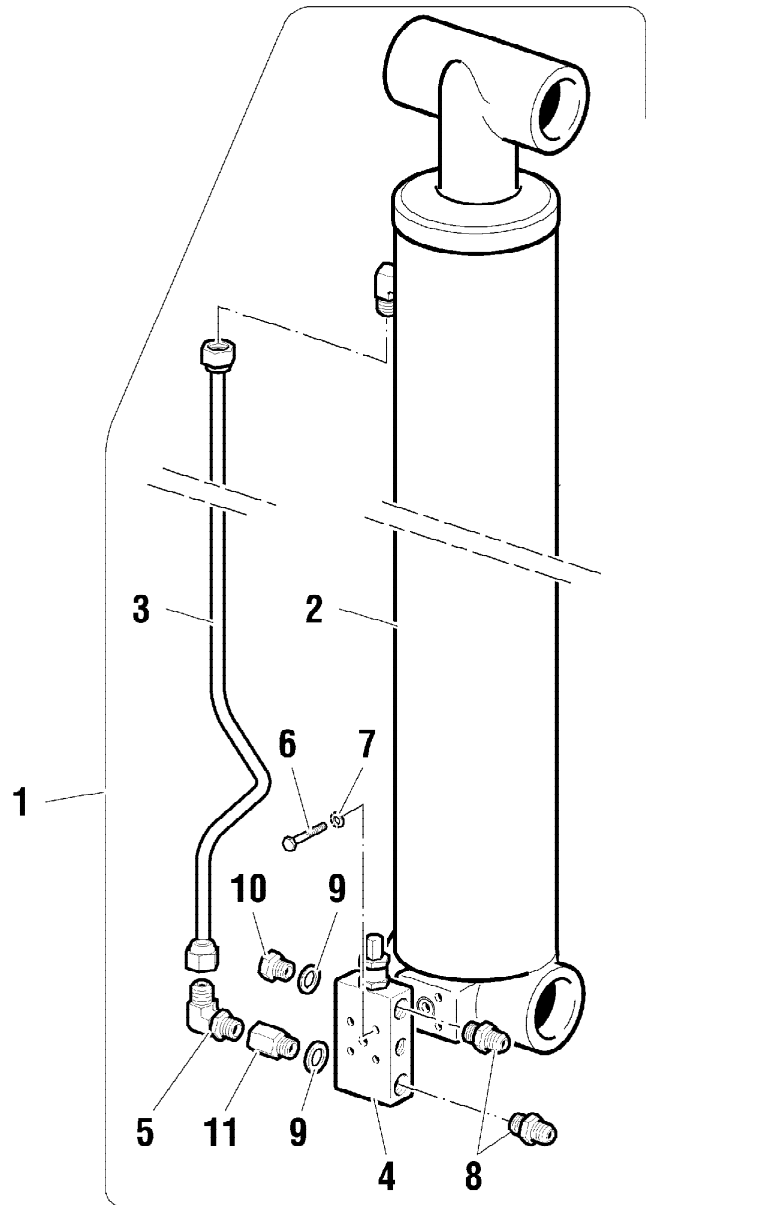
1/1

HYVA[®] CRANE
HB250

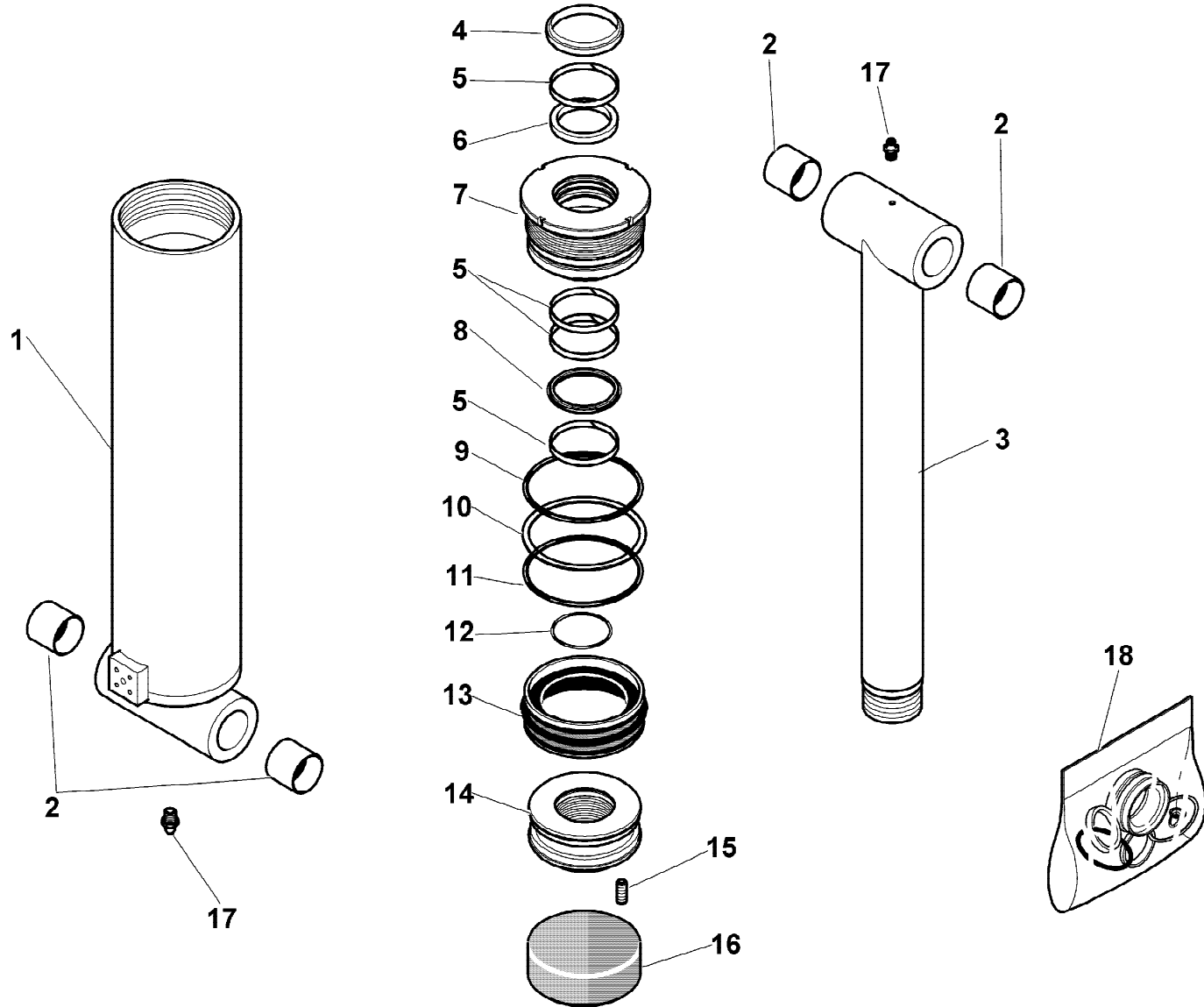
IMPIANTO IDRAULICO (MARTINETTO ROTAZIONE) F
 HYDRAULIC SYSTEM (SLEWING HYDRAULIC JACK) F
 INSTALLATION HYDRAULIQUE (VERIN ROTATION) F
 HYDRAULIKANLAGE (DREH SCHUBZYLINDER) F
 INSTALACION HIDRAULICA (GATO ROTACION) F

Tavola
6.24.0081-2-0

Data pag.
 luglio 2011 144



rif.	codice	Q.tà
1	6.23.0121	1
2	6.43.0121	1
3	5.39.1467	1
4	5.22.0570	1
5	3.10.1131	1
6	3.01.0031	4
7	3.06.0055	4
8	3.10.1051	3
9	3.06.0145	1
10	3.11.0065	1
11	3.11.0113	1



rif.	codice	Q.tà
1	6.07.0392	1
2	5.14.0689	4
3	6.03.0410	1
4	3.42.0049	1
5	3.35.0120	4
6	3.37.0175	1
7	6.04.0261	1
8	3.38.1000	1
9	3.45.0177	1
10	3.46.0401	1
11	3.45.0401	1
12	3.45.0155	1
13	3.40.0537	1
14	6.05.0259	1
15	3.06.0247	1
16	6.05.0276	1
17	3.08.0501	2
18	5.55.0722	1

1/1

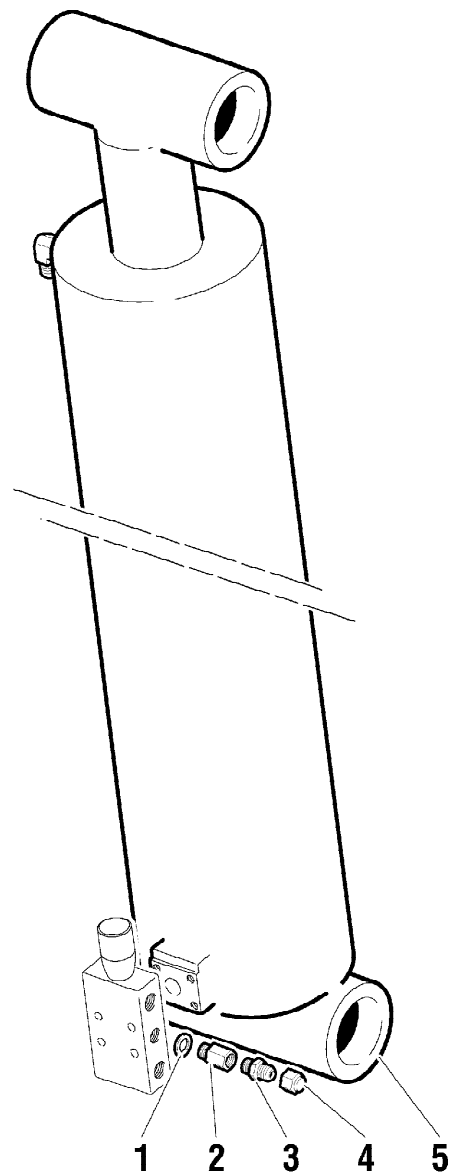
HYVA® CRANE
HB250

MARTINETTO SOLLEVAMENTO - 828 F
LIFTING HYDRAULIC CYLINDER - 828 F
VERIN DE LEVAGE - 828 F
HUBZYLINDER - 828 F
GATO DE ELEVACION - 828 F

Tavola
6.43.0121-1-0

Data pag.
ottobre 2006 146

rif.	codice	Q.tà
1	3.06.0143	1
2	5.22.0300	1
3	3.10.1039	1
4	3.11.0040	1
5	6.23.0121	1



1/1

HYVA[®] CRANE

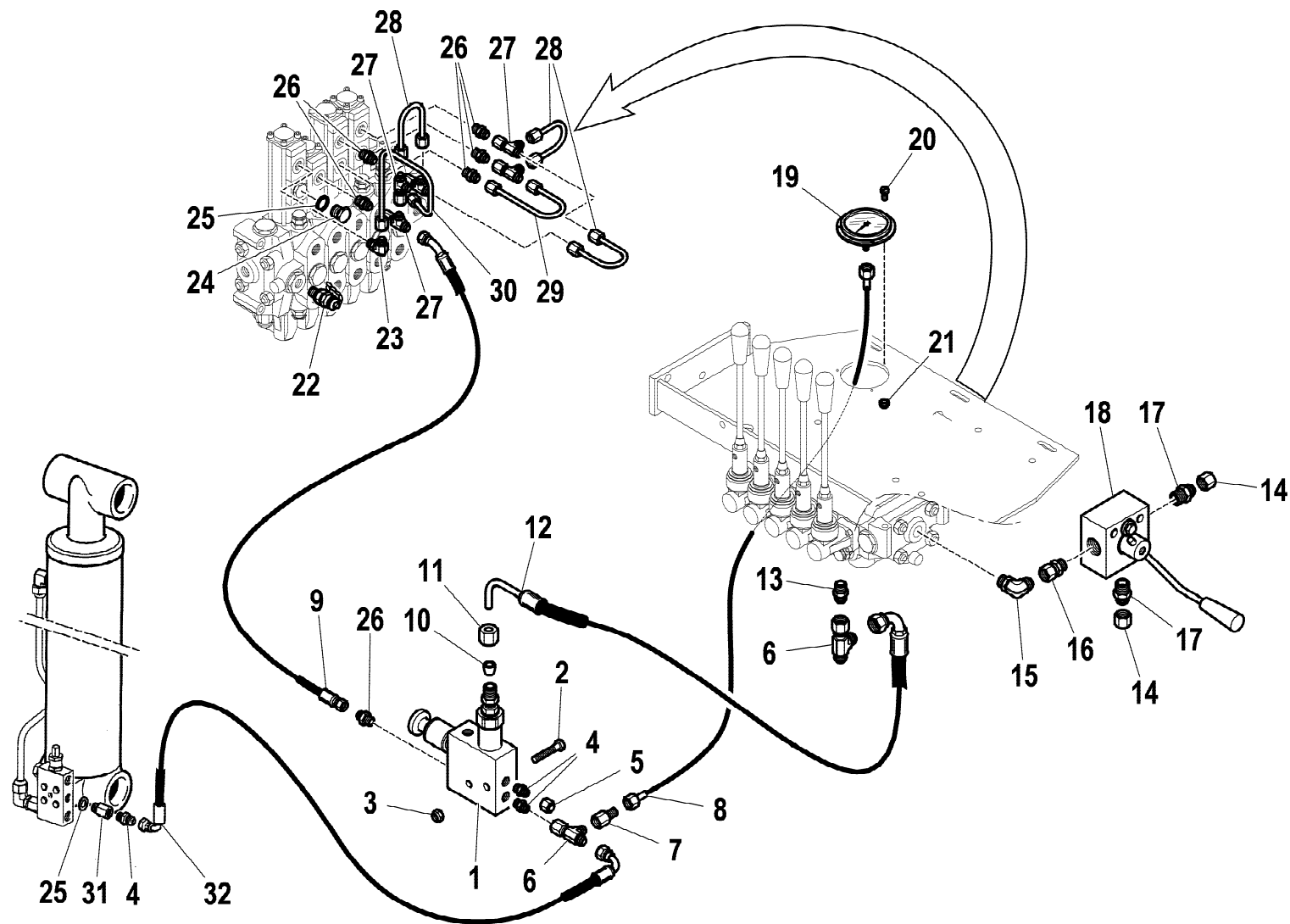
HB250

IMPIANTO IDRAULICO (VALVOLA UNIDIREZIONALE) - 828 F
 HYDRAULIC SYSTEM (NON-RETURN VALVE) - 828 F
 INSTALLATION HYDRAULIQUE (SOUPAPE DE NON-RETOUR) - 828 F
 HYDRAULIKANLAGE (RÜCKSCHLAGVENTIL) - 828 F
 INSTALACION HIDRAULICA (VALVULA MONODIRECCIONAL) - 828 F

Tavola

5.45.0032-1-0

Data pag.
ottobre 2006 147



rif.	codice	Q.tà
1	5.22.0679	1
2	3.01.0388	2
3	3.04.0372	2
4	3.10.1039	3
5	3.11.0040	1
6	3.12.0003	2
7	3.12.0200	1
8	5.30.0077	1
9	5.26.0672	1
10	3.10.0956	1
11	3.10.0952	1
12	5.26.0350	1
13	3.10.1041	1
14	3.11.0050	2
15	3.12.0034	1
16	3.12.0080	1
17	3.12.0073	2
18	5.22.0599	1
19	3.18.0150	1
20	3.02.0880	3
21	3.04.0516	3
22	3.11.1523	1
23	3.10.1194	1
24	3.11.0062	1
25	3.06.0143	2
26	3.10.1034	6
27	3.12.0001	5
28	5.39.1778	3
29	5.39.1777	1
30	5.39.1826	1
31	5.22.0300	1

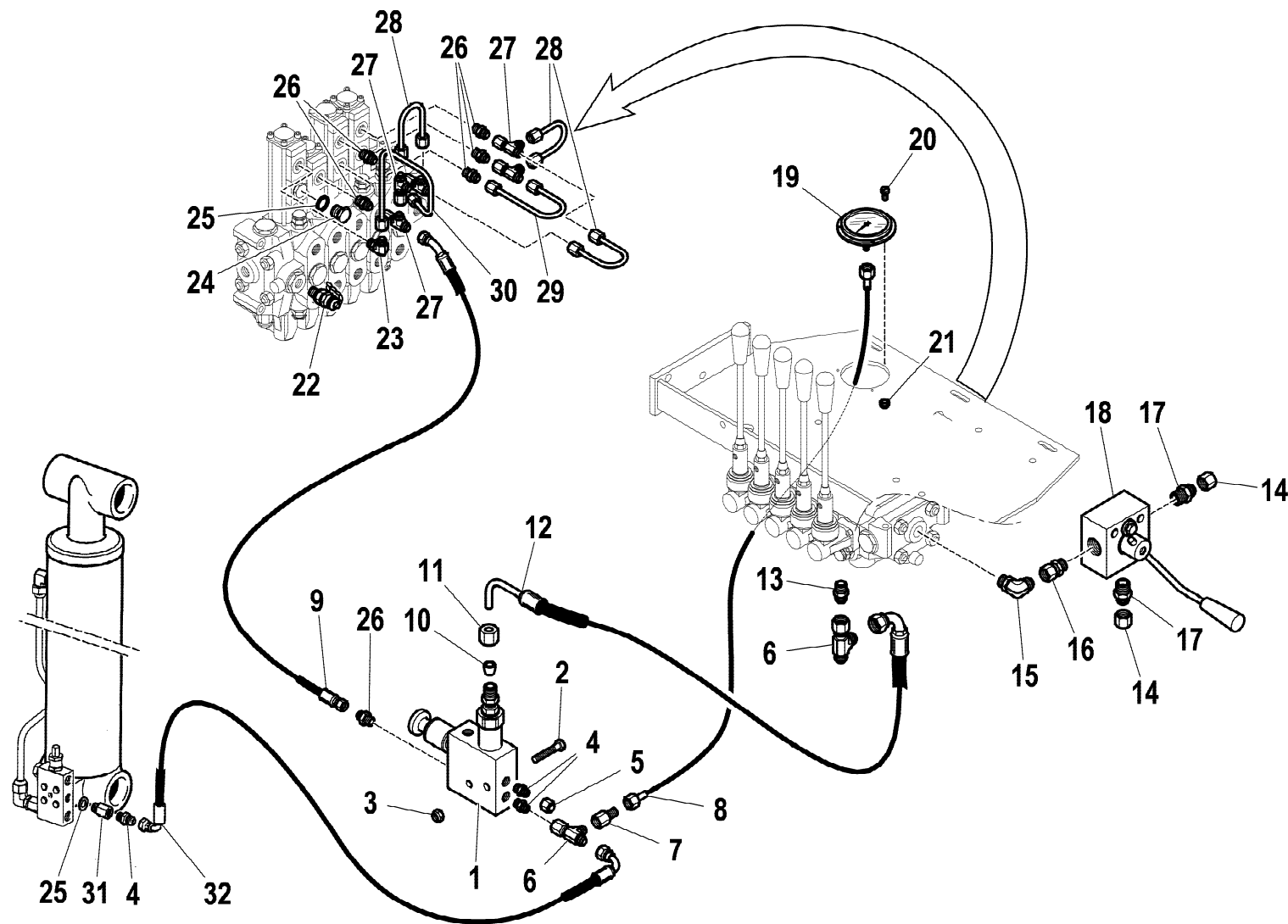
1/2

HYVA[®] CRANE
HB250

LIMITATORE DI MOMENTO (CE) F
 MOMENT LIMITING DEVICE (CE) F
 LIMITEUR DE MOMENT (CE) F
 HUB-MOMENTBEGRENZER (CE) F
 LIMITADOR DE MOMENTO (CE) F

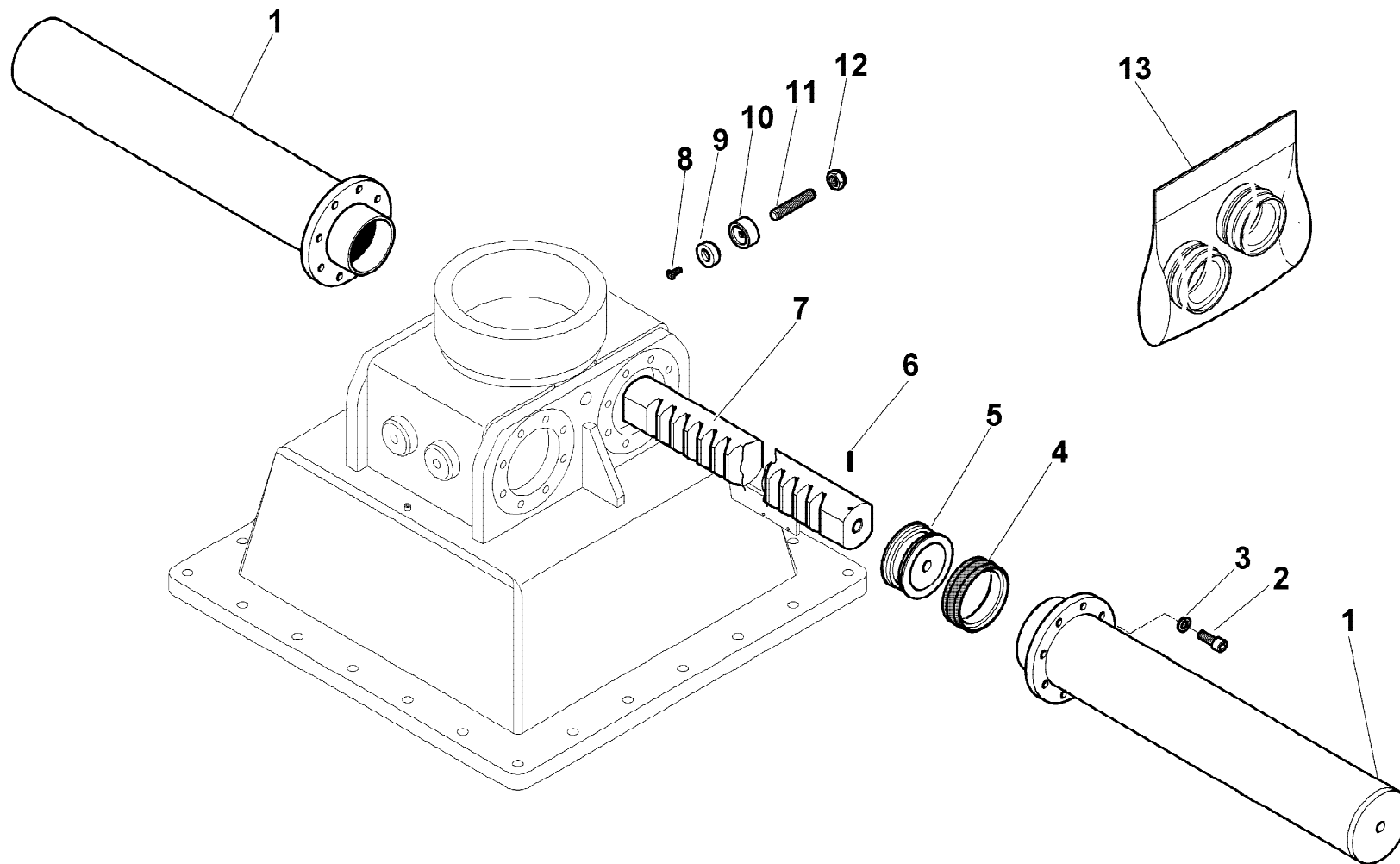
Tavola
5.43.0213-1-0

Data pag.
 settembre 2012 148.1





HB250 M



rif.	codice	Q.tà
1	6.07.0547	4
2	3.02.0128	32
3	3.06.0059	32
4	3.40.0523	4
5	6.05.0248	4
6	3.06.0607	4
7	5.05.0085	4
8	3.02.0466	4
9	5.14.0600	4
10	4.16.0328	4
11	3.06.0919	4
12	3.04.0309	4
13	5.55.0694	1

1/1

HYVA[®] CRANE

HB250

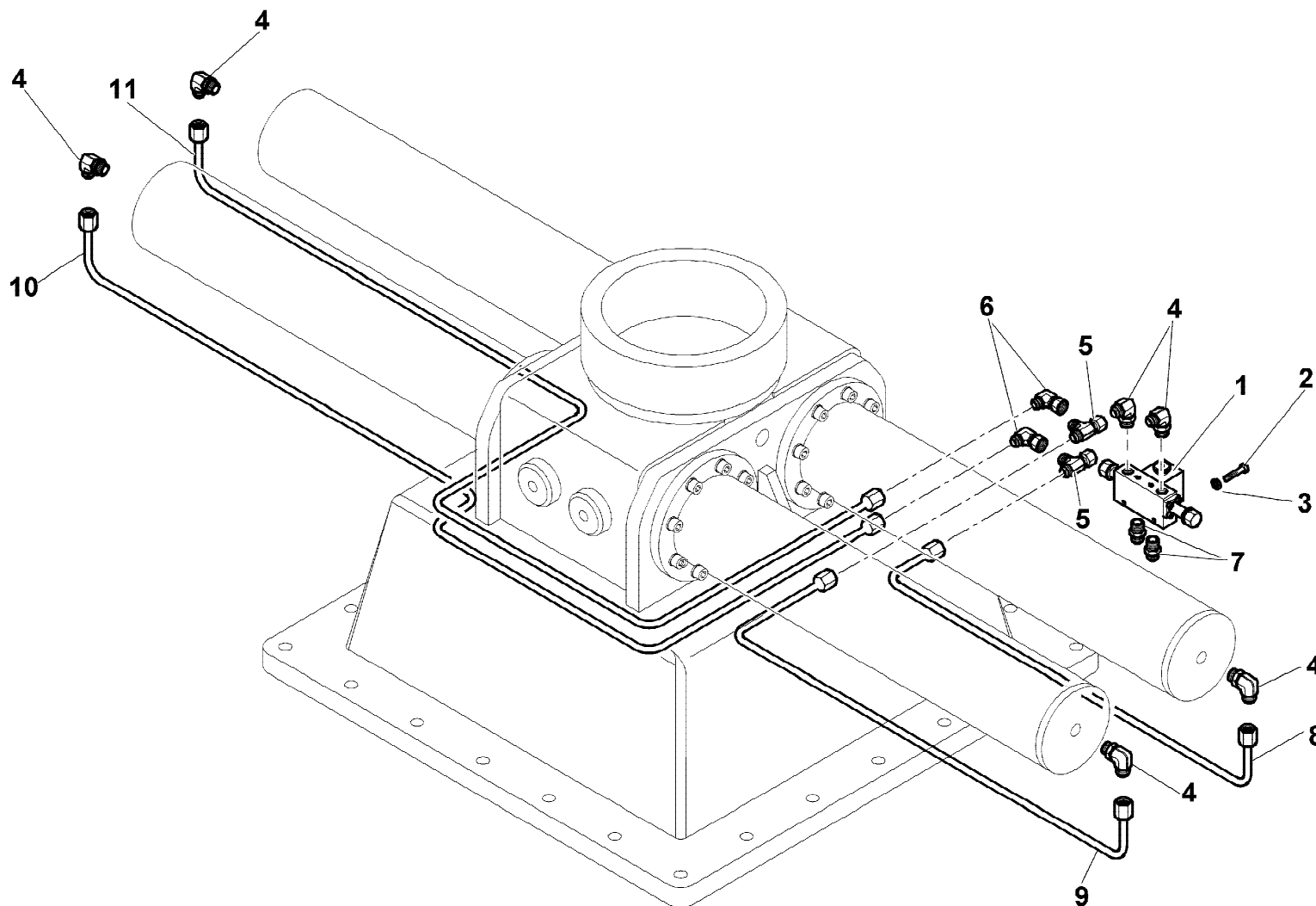
GRUPPO ROTAZIONE M
SLEWING ASS'Y M
GROUPE ROTATION M
DREHVORRICHTUNG M
GRUPO ROTACION M

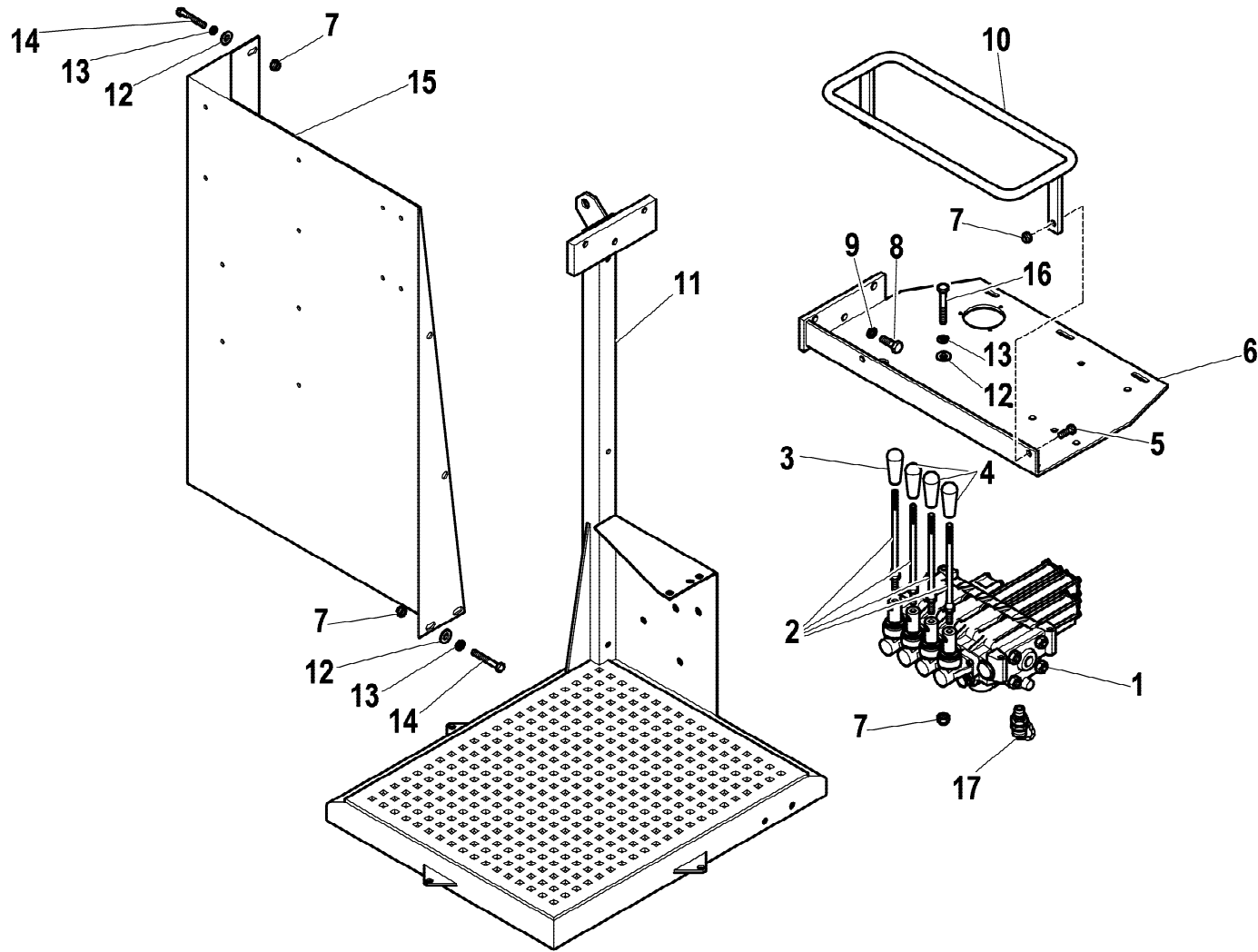
Tavola

6.24.0116-1-0

Data pag.
luglio 2011 150

rif.	codice	Q.tà
1	5.22.0620	1
2	3.01.0018	2
3	3.06.0053	2
4	3.10.1128	6
5	3.12.0004	2
6	3.12.0031	2
7	3.10.1044	2
8	5.39.1723	1
9	5.39.1724	1
10	5.39.1722	1
11	5.39.1721	1





rif.	codice	Q.tà
1	5.22.0292	1
2	5.22.0224	4
3	3.19.0189	1
4	3.19.0010	3
5	3.01.0339	2
6	5.09.0533	1
7	3.04.0303	10
8	3.01.0355	3
9	3.06.0056	3
10	5.09.0459	1
11	5.09.0835	1
12	3.06.0029	8
13	3.06.0055	8
14	3.01.0034	5
15	5.00.1319	1
16	3.01.0036	3
17	3.11.1523	1



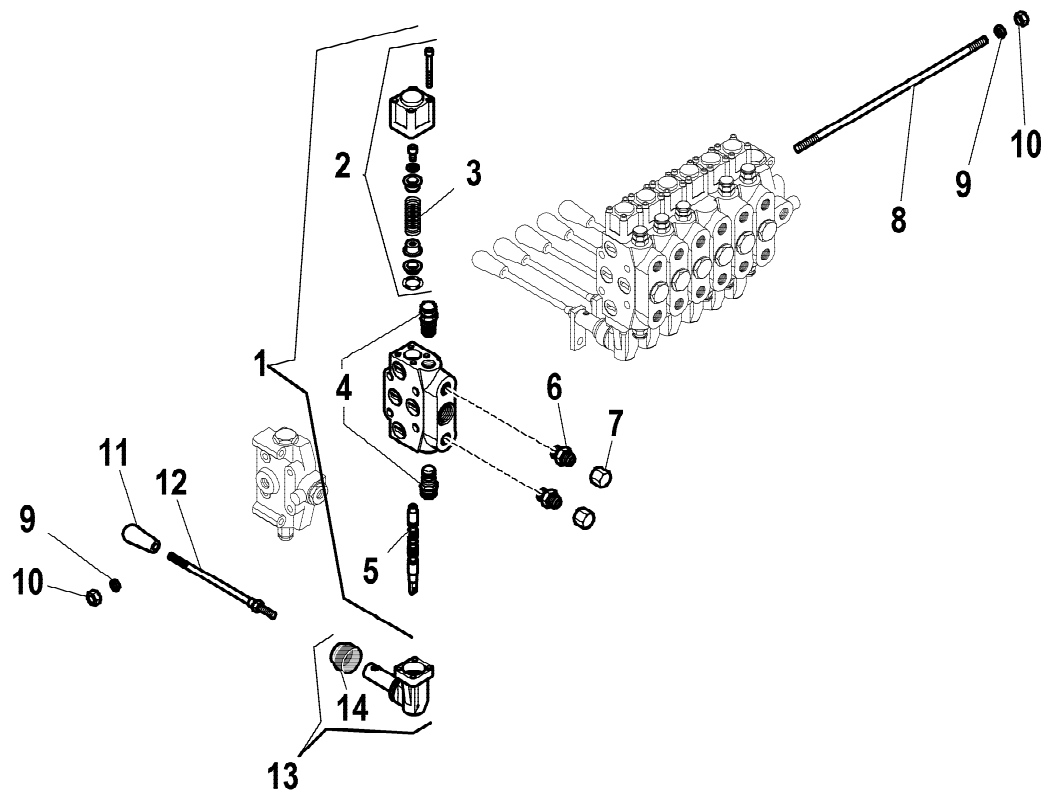
HB250

POSTO DI COMANDO
 CONTROL STATION
 PLACE DE COMMANDE
 ARBEITSPLATZ
 ESTACIÓN DE CONTROL

Tavola
5.40.0370-1-0

Data pag.
 maggio 2007 152

rif.	codice	Q.tà
1	5.22.5187	1
2	5.22.5130	1
3	5.22.5462	1
4	5.22.5200	2
5	5.22.5177	1
6	3.10.1051	2
7	3.11.0050	2
8	5.22.5213	4
9	3.06.0056	4
10	3.04.0046	4
11	3.19.0006	2
12	5.22.0224	2
13	5.22.5126	2
14	5.22.5128	2



1/1

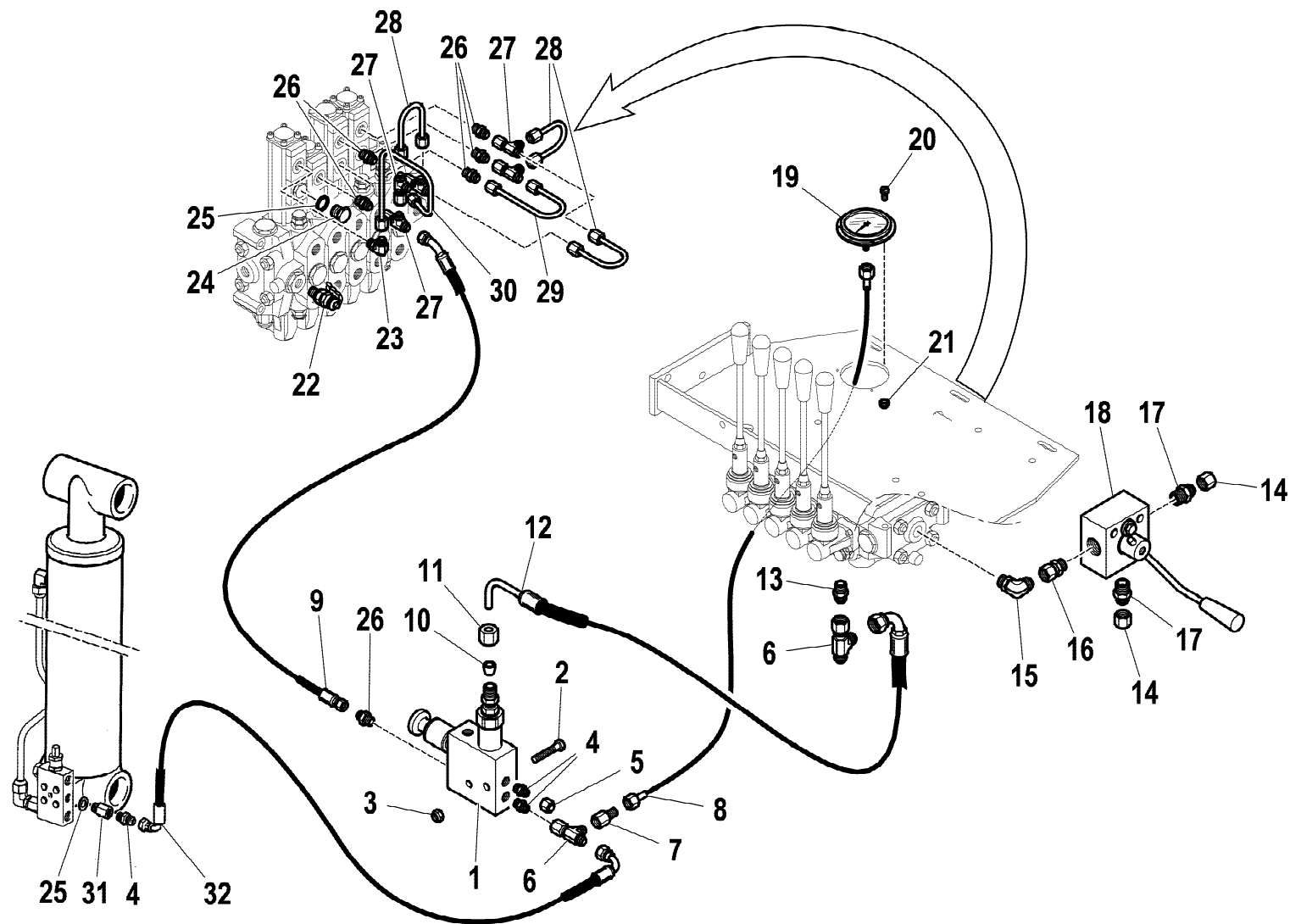
HYVA® CRANE
HB250

KIT 5° ELEMENTO SUPPLEMENTARE CENTRO APERTO
5TH EXTRA FUNCTION KIT OPEN CENTER SPOOL
KIT 5ÉME ELEMENT SUPPLEMENTAIRE CENTRE OUVERTE
KIT 5. ZUSÄTZLICHES STEUERELEMENT MIT GEÖFFNETEM ZENTRUM
KIT 5° ELEMENTO ADICIONAL CENTRO ABIERTO

Tavola

5.21.2004-2-0

Data pag.
maggio 2007 153



rif.	codice	Q.tà
1	5.22.0679	1
2	3.01.0388	2
3	3.04.0372	2
4	3.10.1039	3
5	3.11.0040	1
6	3.12.0003	2
7	3.12.0200	1
8	5.30.0069	1
9	5.26.0853	1
10	3.10.0956	1
11	3.10.0952	1
12	5.26.0693	1
13	3.10.1041	1
14	3.11.0050	2
15	3.12.0034	1
16	3.12.0080	1
17	3.12.0073	2
18	5.22.0599	1
19	3.18.0150	1
20	3.02.0880	3
21	3.04.0516	3
22	3.11.1523	1
23	3.10.1194	1
24	3.11.0062	1
25	3.06.0143	2
26	3.10.1034	6
27	3.12.0001	5
28	5.39.1778	3
29	5.39.1777	1
30	5.39.1826	1
31	5.22.0300	1

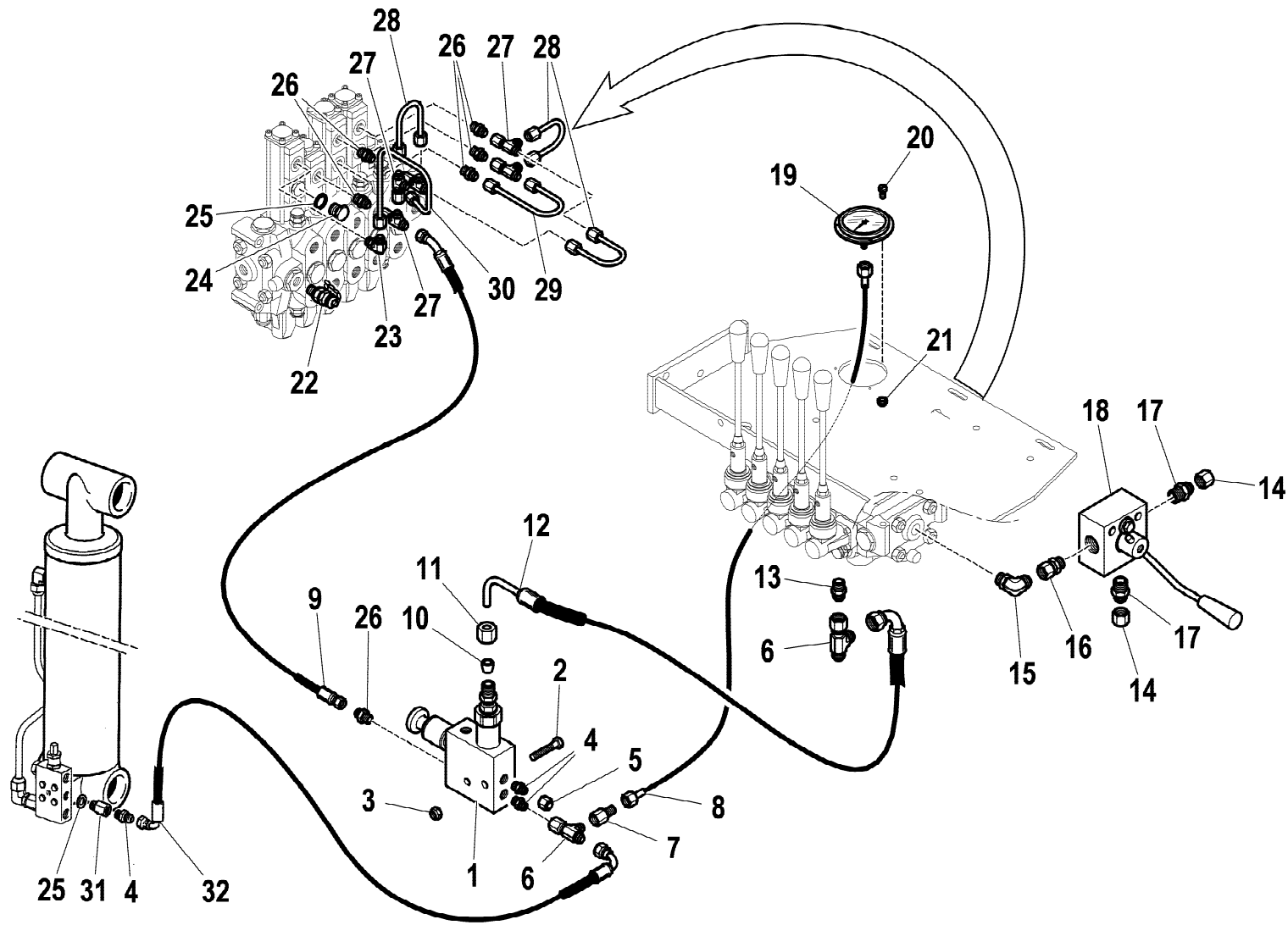
1/2

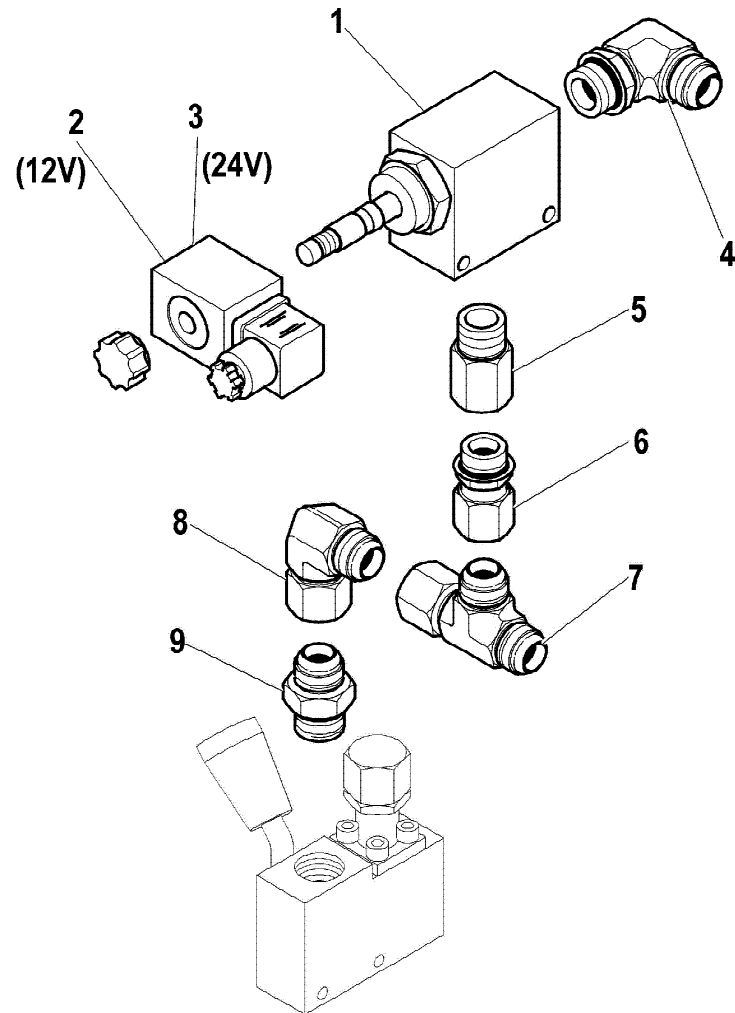
HYVA[®] CRANE
HB250

LIMITATORE DI MOMENTO (CE) M
 MOMENT LIMITING DEVICE (CE) M
 LIMITEUR DE MOMENT (CE) M
 HUB-MOMENTBEGRENZER (CE) M
 LIMITADOR DE MOMENTO (CE) M

Tavola
5.43.0212-1-0

Data pag.
 settembre 2012 154.1





rif.	codice	Q.tà
1	5.22.0642	1
2	3.31.0238	1
3	3.31.0242	1
4	3.10.1131	1
5	3.11.0113	1
6	3.12.0067	1
7	3.12.0008	1
8	3.12.0034	1
9	3.10.1051	1

1/1

HYVA[®] CRANE

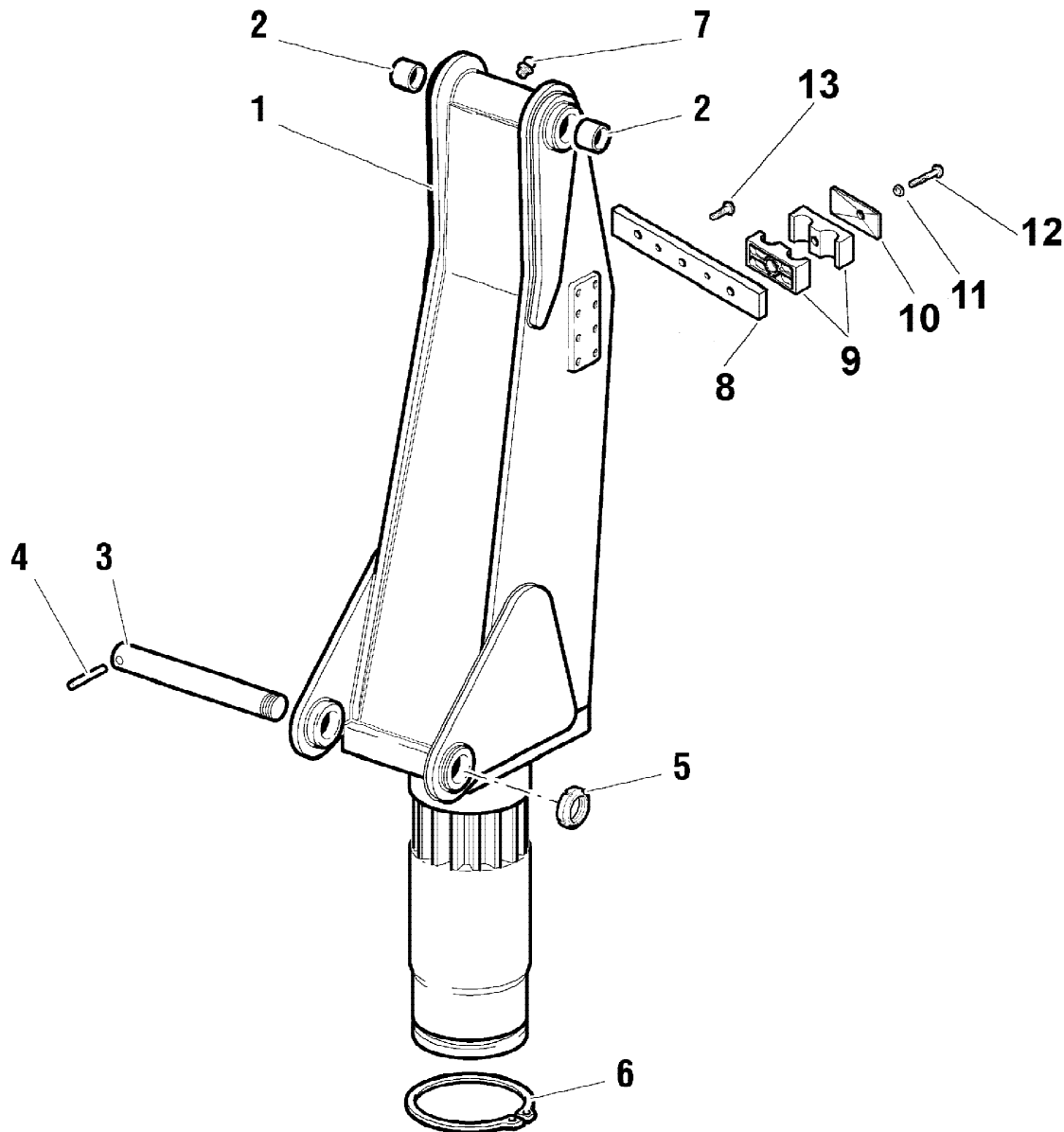
HB250

ELETTOVALVOLA
SOLENOID VALVE
ELECTROVALVE
MAGNETVENTIL
ELECTROVALVULA

Tavola

5.44.0019-1-0

Data pag.
giugno 2006 155



rif.	codice	Q.tà
1	5.04.0107	1
2	5.14.0689	2
3	5.15.0793	1
4	3.06.0627	1
5	3.04.0509	1
6	3.07.0146	1
7	3.08.0501	1
8	5.00.1192	1
9	3.19.0222	6
10	3.19.0221	3
11	3.06.0055	2
12	3.01.0034	2
13	3.02.0899	2

1/1

HYVA[®] CRANE

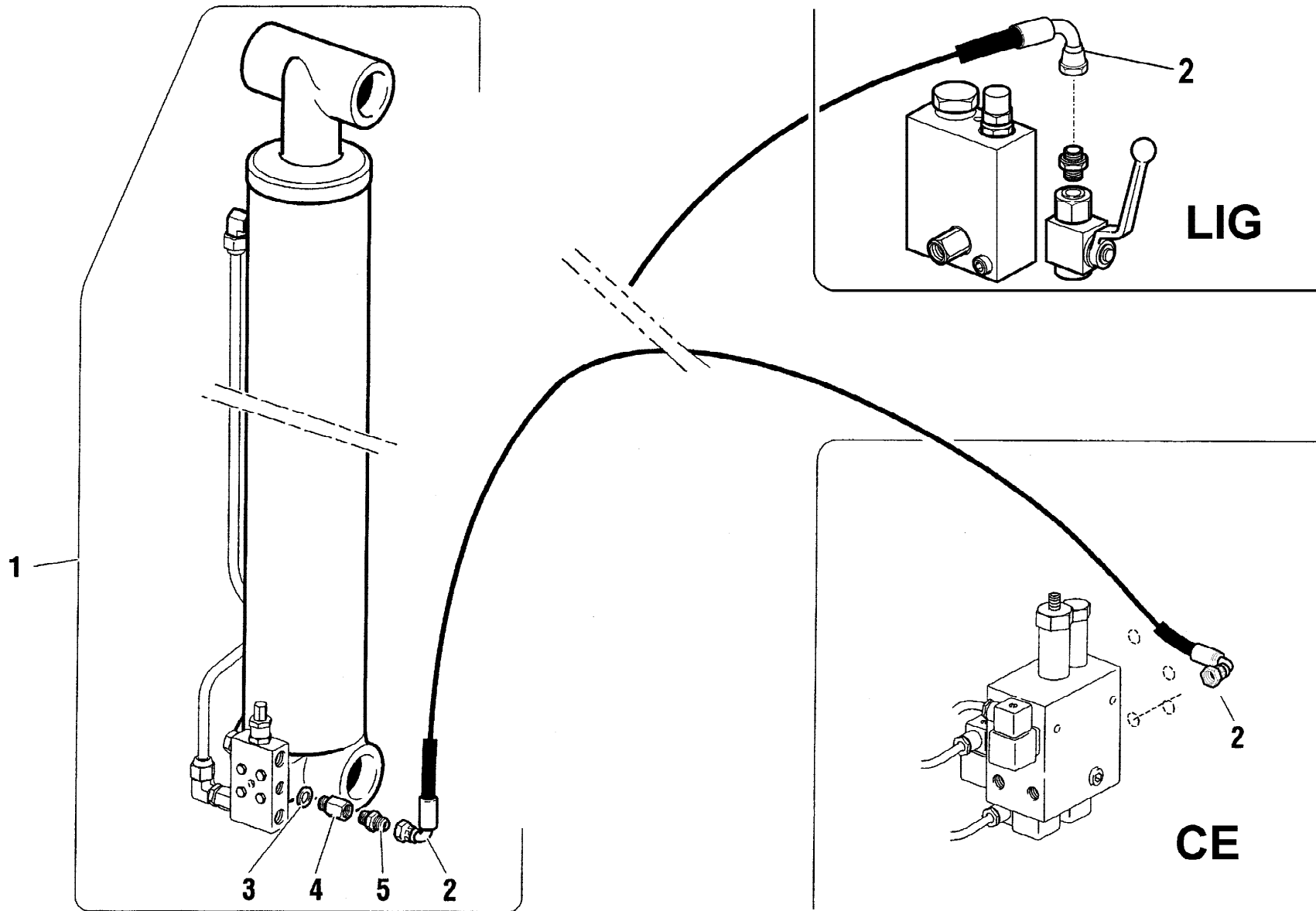
HB250

COLONNA M
COLUMN M
COLONNE M
SAEULE M
COLUMN M

Tavola

5.46.0058-1-0

Data pag.
giugno 2011 156



rif.	codice	Q.tà
1	6.23.0159	1
2	5.26.0801	1
3	3.06.0143	1
4	5.22.0300	1
5	3.10.1039	1

LIG

CE



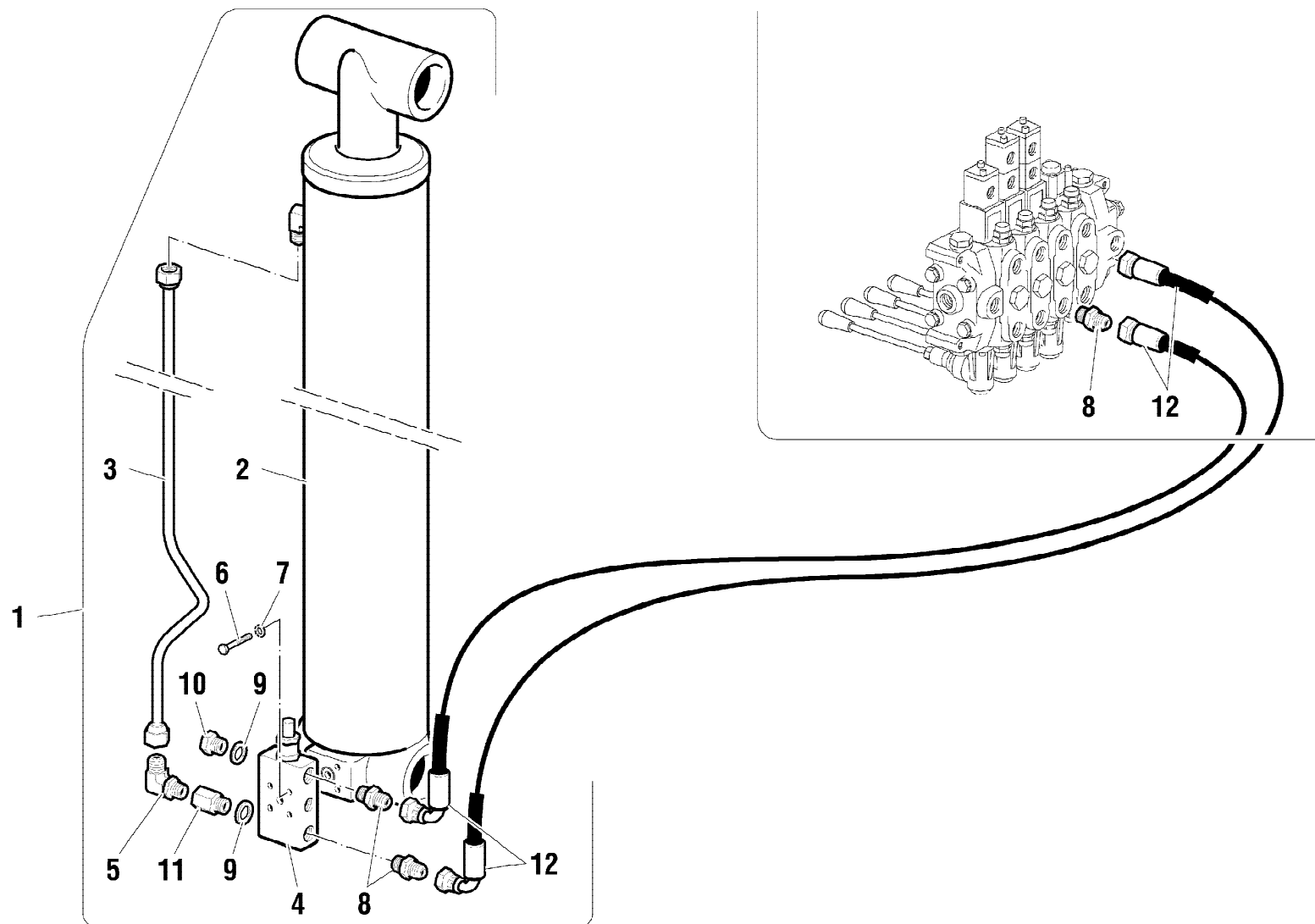
HB250

IMPIANTO IDRAULICO (VALVOLA UNIDIREZIONALE) 825M
 HYDRAULIC SYSTEM (NON-RETURN VALVE) 825M
 INSTALLATION HYDRAULIQUE (SOUPAPE DE NON-RETOUR) 825M
 HYDRAULIKANLAGE (RÜCKSCHLAGVENTIL) 825M
 INSTALACION HIDRAULICA (VALVULA MONODIRECCIONAL) 825M

Tavola
5.45.0054-1-0

Data pag.
giugno 2011 157

rif.	codice	Q.tà
1	6.23.0159	1
2	6.43.0159	1
3	5.39.1467	1
4	5.22.0570	1
5	3.10.1131	1
6	3.01.0032	4
7	3.06.0055	4
8	3.10.1051	3
9	3.06.0145	2
10	3.11.0065	1
11	3.11.0113	1
12	5.28.0602	2



6.23.01.04-2.0

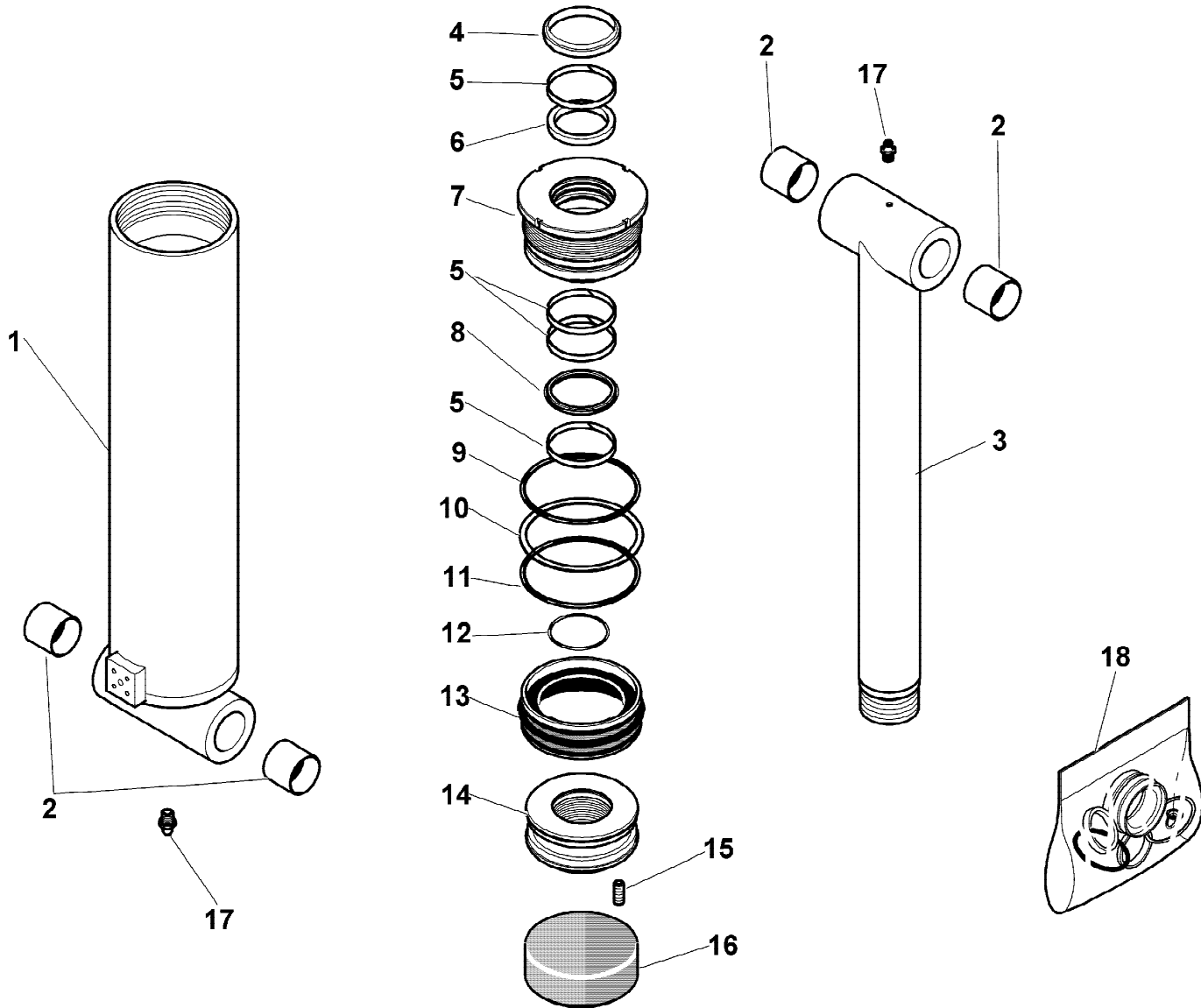
1/1

HYVA[®] CRANE
HB250

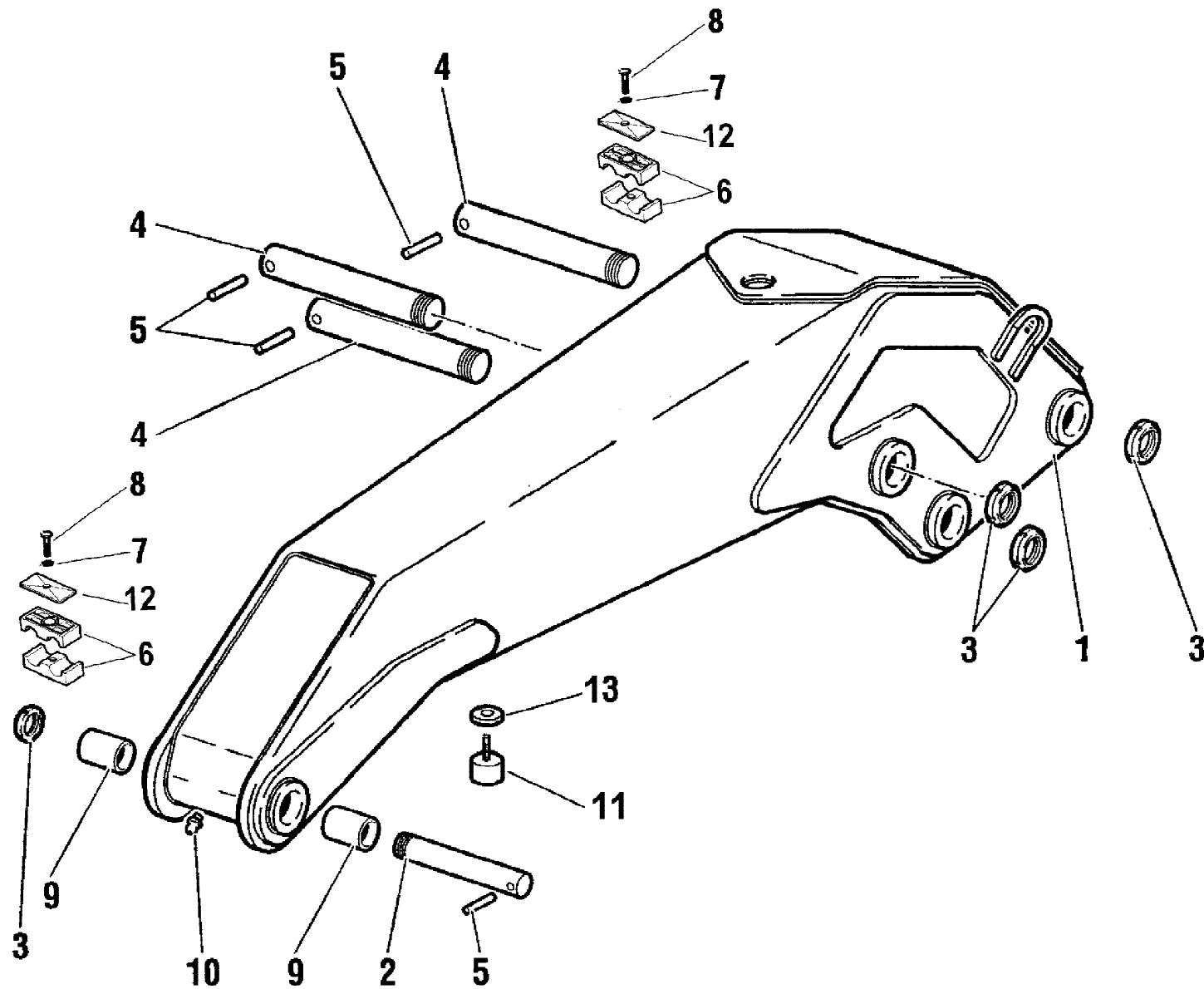
IMPIANTO IDRAULICO (MARTINETTO SOLLEVAMENTO)
 HYDRAULIC SYSTEM (LIFTING HYDRAULIC CYLINDER)
 INSTALLATION HYDRAULIQUE (VERIN DE LEVAGE)
 HYDRAULIKANLAGE (HUBZYLINDER)
 INSTALACION HIDRAULICA (GATO DE ELEVACION)

Tavola
6.23.0159-1-0

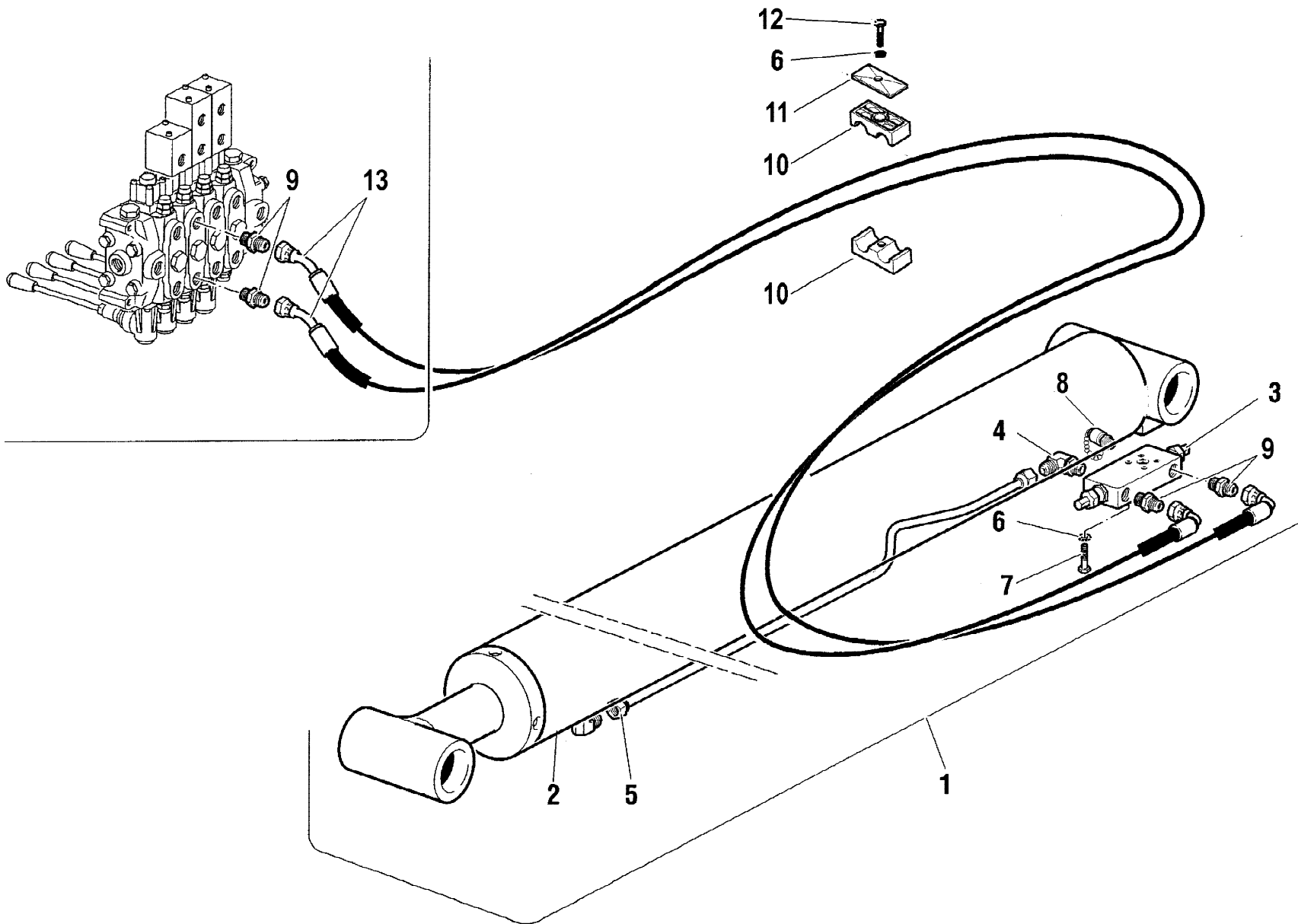
Data pag.
 giugno 2011 158



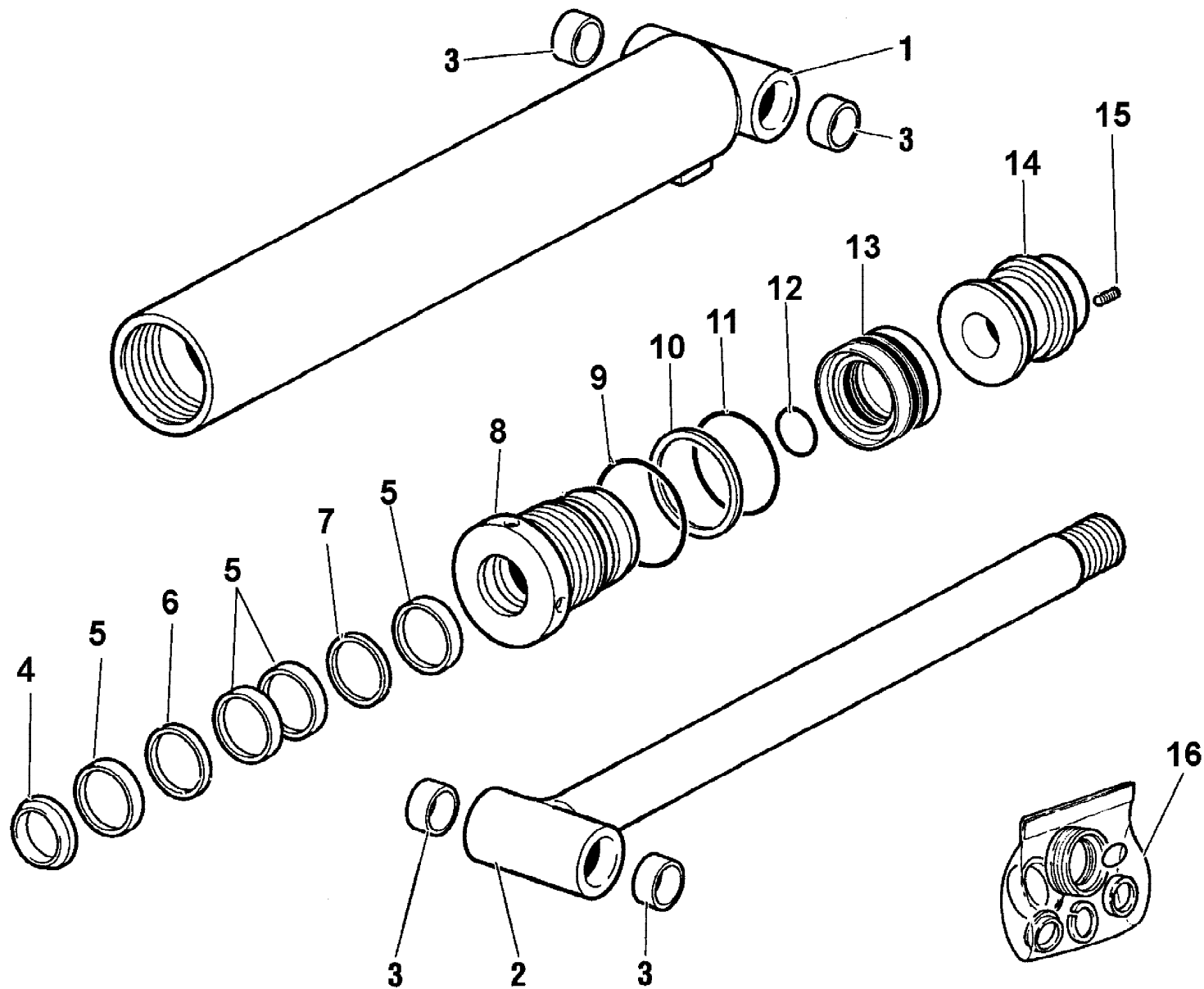
rif.	codice	Q.tà
1	6.07.0392	1
2	5.14.0689	4
3	6.03.0760	1
4	3.42.0049	1
5	3.35.0120	4
6	3.37.0175	1
7	6.04.0261	1
8	3.38.1000	1
9	3.45.0177	1
10	3.46.0401	1
11	3.45.0401	1
12	3.45.0155	1
13	3.40.0537	1
14	6.05.0259	1
15	3.06.0247	1
16	6.05.0276	1
17	3.08.0501	2
18	5.55.0722	1



rif.	codice	Q.tà
1	5.03.0216	1
2	5.15.0793	1
3	3.04.0509	4
4	5.15.0794	3
5	3.06.0627	4
6	3.19.0222	10
7	3.06.0055	5
8	3.01.0032	5
9	5.14.0689	2
10	3.08.0501	1
11	3.19.0100	1
12	3.19.0221	5
13	5.00.1112	1

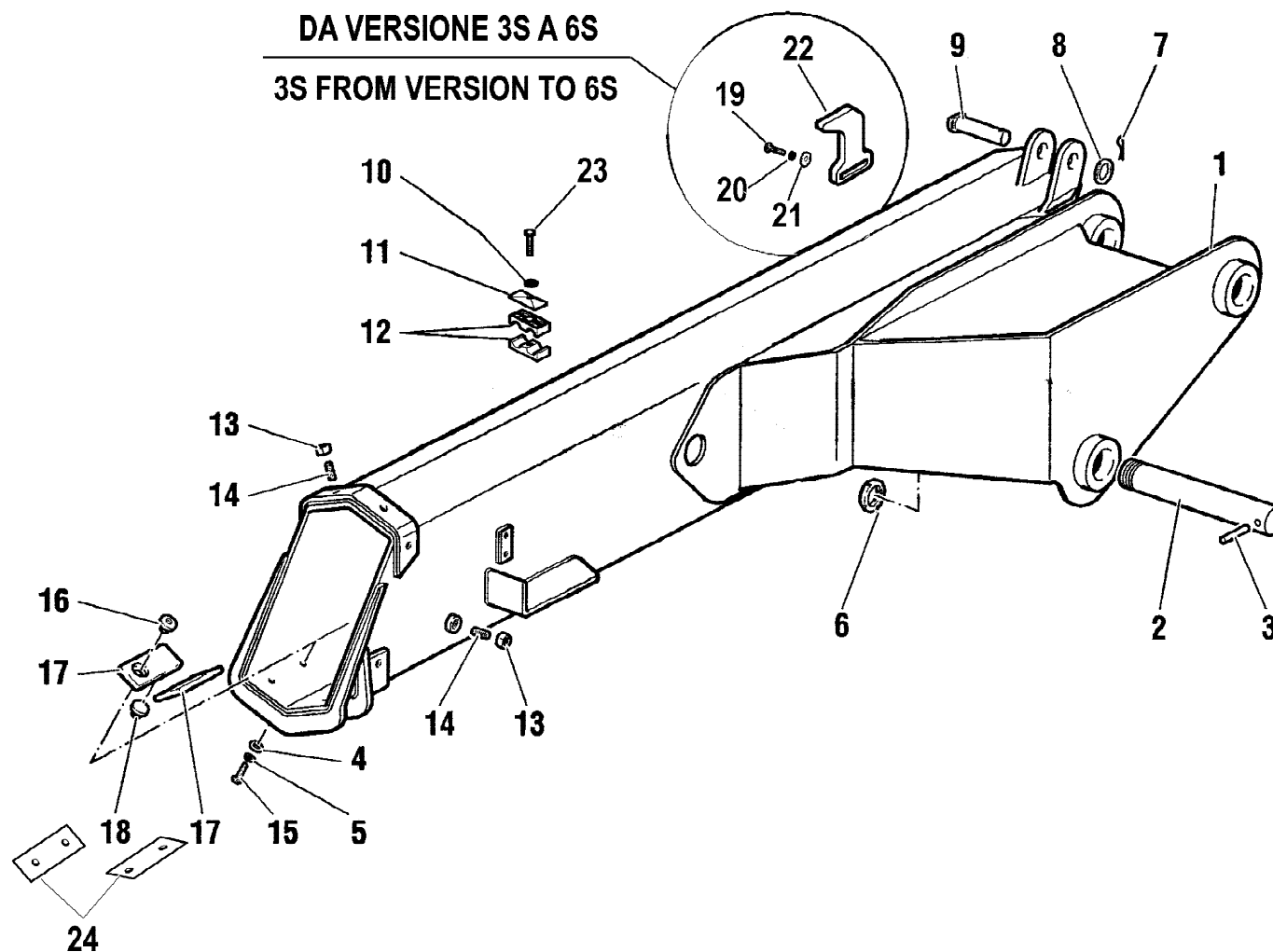


rif.	codice	Q.tà
1	6.23.0160	1
2	6.43.0160	1
3	5.22.0571	1
4	3.10.1131	1
5	5.39.1512	1
6	3.06.0055	4
7	3.01.0032	3
8	3.11.1523	1
9	3.10.1051	4
10	3.19.0222	2
11	3.19.0221	1
12	3.01.0033	1
13	5.28.0601	2



rif.	codice	Q.tà
1	6.07.0393	1
2	6.03.0768	1
3	5.14.0689	4
4	3.42.0049	1
5	3.35.0120	4
6	3.37.0175	1
7	3.38.1000	1
8	6.04.0261	1
9	3.45.0177	1
10	3.46.0401	1
11	3.45.0401	1
12	3.45.0155	1
13	3.40.0537	1
14	6.05.0259	1
15	3.06.0247	1
16	5.55.0722	1

rif.	codice	Q.tà
1	5.03.0217	1
2	5.15.0794	1
3	3.06.0627	1
4	3.06.0914	2
5	3.06.0920	2
6	3.04.0509	1
7	3.06.0911	1
8	3.06.0016	1
9	5.15.0795	1
10	3.06.0055	1
11	3.19.0221	1
12	3.19.0222	2
13	3.04.0089	6
14	5.00.0771	6
15	3.01.0353	2
16	5.00.0827	2
17	5.14.0701	2
18	5.00.1253	2
19	3.01.0394	2
20	3.06.0057	2
21	3.06.0031	2
22	5.00.0908	1
23	3.01.0032	1
24	5.00.0869	2



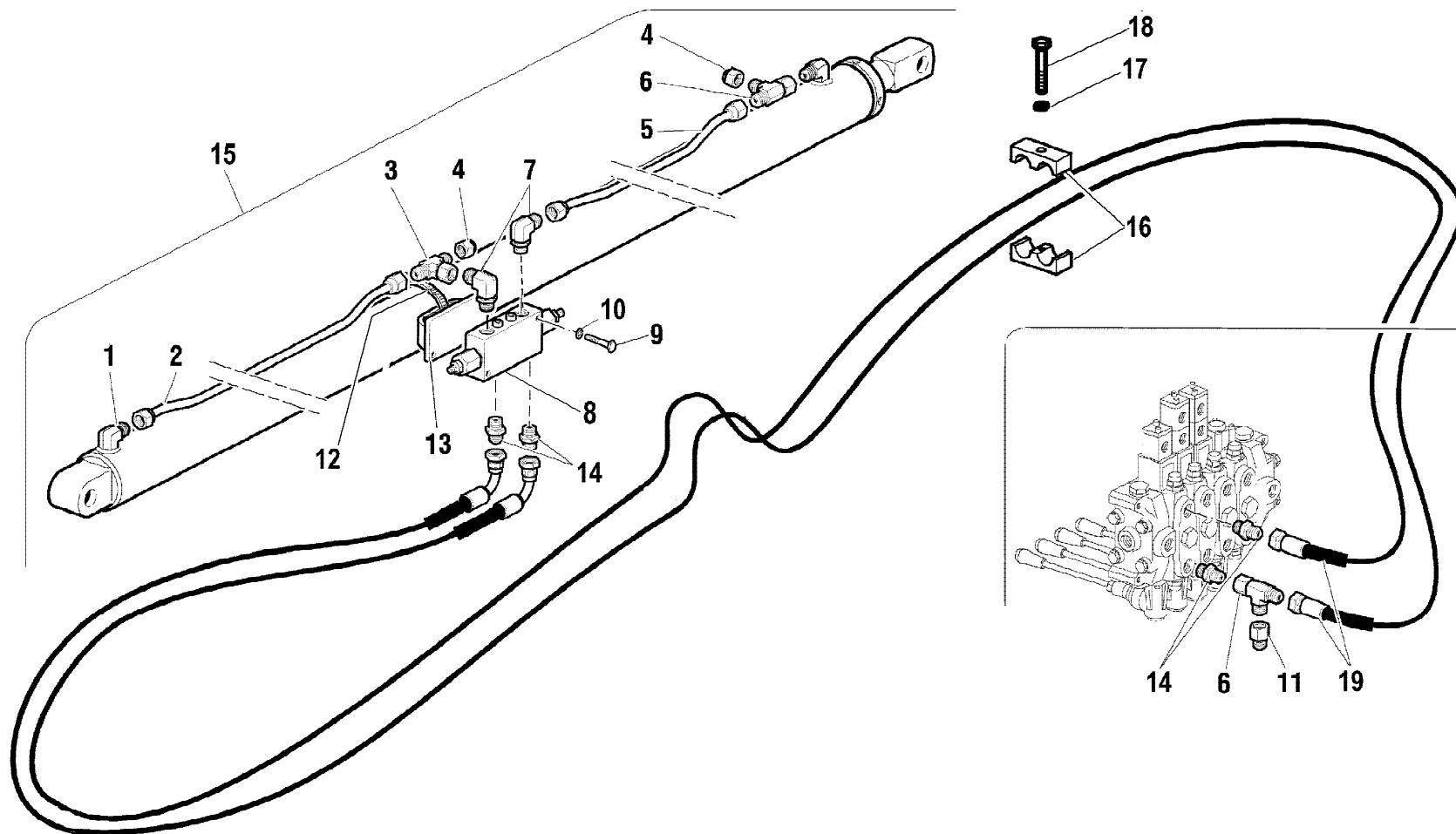
1/1

HYVA® CRANE
HB250

2° BRACCIO
2ND BOOM
2EME BRAS
2. ARM
2° BRAZO

Tavola
5.48.0078-1-0

Data pag.
giugno 2011 163



rif.	codice	Q.tà
1	6.41.0342	1
2	5.39.1833	1
3	3.12.0021	1
4	3.11.0050	2
5	5.39.1834	1
6	3.12.0008	2
7	3.10.1131	2
8	5.22.0641	1
9	3.01.0037	2
10	3.06.0006	2
11	3.12.0209	1
12	3.19.0024	2
13	5.00.0694	1
14	3.10.1051	4
15	6.21.0342	1
16	3.19.0222	4
17	3.06.0055	2
18	3.01.0032	2
19	5.28.0603	2

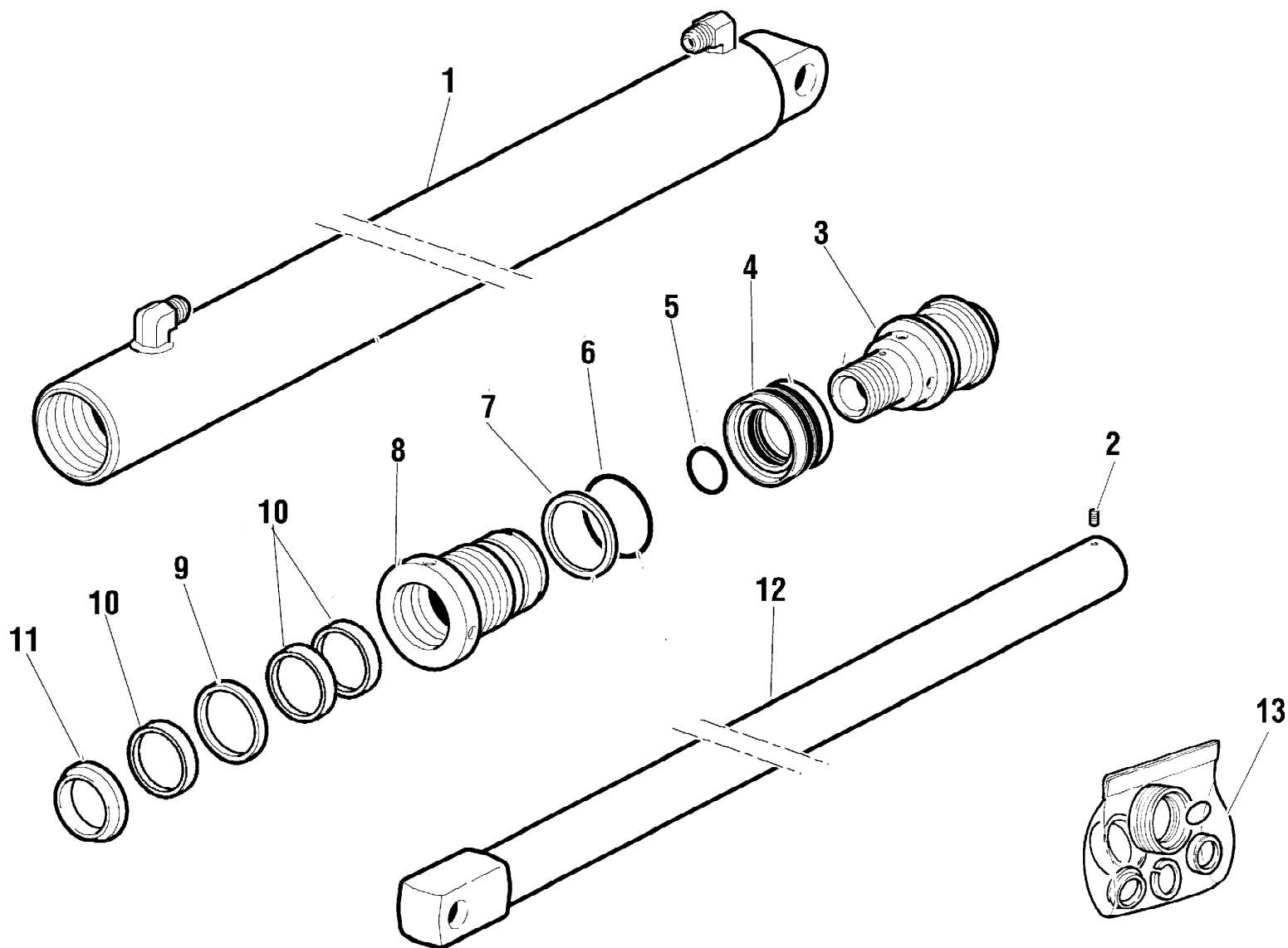
1/1

HYVA[®] CRANE
HB250

IMPIANTO IDRAULICO (MARTINETTO 1° SFILLO)
 HYDRAULIC SYSTEM (1ST EXSTENSION HYDRAULIC)
 INSTALLATION HYDRAULIQUE (VÉRIN 1ÈRE RALLONGE)
 HYDRAULIKANLAGE (1. SCHUBZYLINDER)
 INSTALACION HIDRAULICA (GATO 1ª EXTENSIÓN)

Tavola
6.21.0342-1-0

Data pag.
 giugno 2011 164



rif.	codice	Q.tà
1	6.07.0398	1
2	3.06.0232	1
3	6.05.0260	1
4	3.40.0513	1
5	3.45.0118	1
6	3.45.0149	1
7	3.46.0149	1
8	6.04.0272	1
9	3.37.0130	1
10	3.36.1006	3
11	3.42.0030	1
12	6.03.0766	1
13	5.55.0746	1

1/1

HYVA[®] CRANE
HB250

MARTINETTO 1°SFILO
 1TH EXTENSION HYDRAULIC CYLINDER
 VERIN 1ERE RALLONGE
 1. SCHUBZYLINDER
 1° GATO DE PROLONGACION

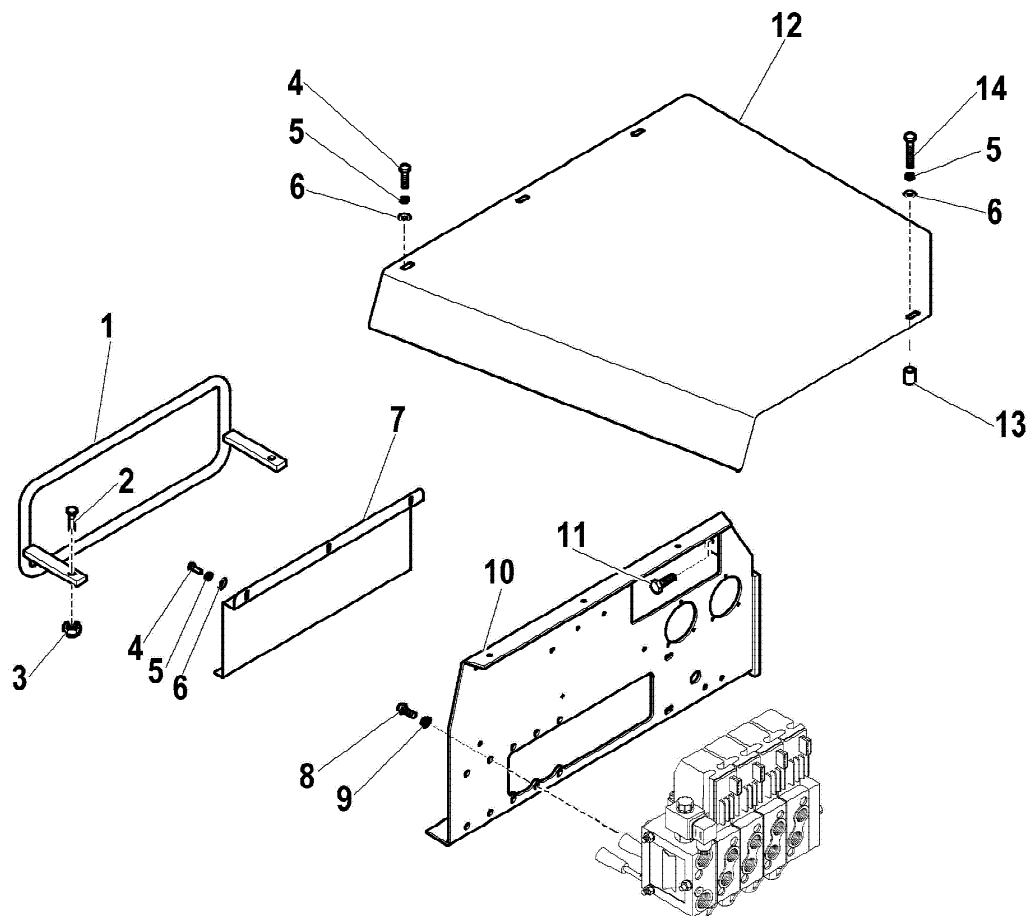
Tavola
6.41.0342-1-0

Data pag.
 febbraio 2011 165



HB250 X

rif.	codice	Q.tà
1	5.09.0636	1
2	3.01.0339	2
3	3.04.0303	2
4	3.01.0325	6
5	3.06.0053	7
6	3.06.0030	7
7	5.09.0637	1
8	3.01.0027	4
9	3.06.0055	4
10	5.09.0638	1
11	3.01.0355	3
12	5.00.0829	1
13	5.00.0835	1
14	3.01.0017	1



1/1

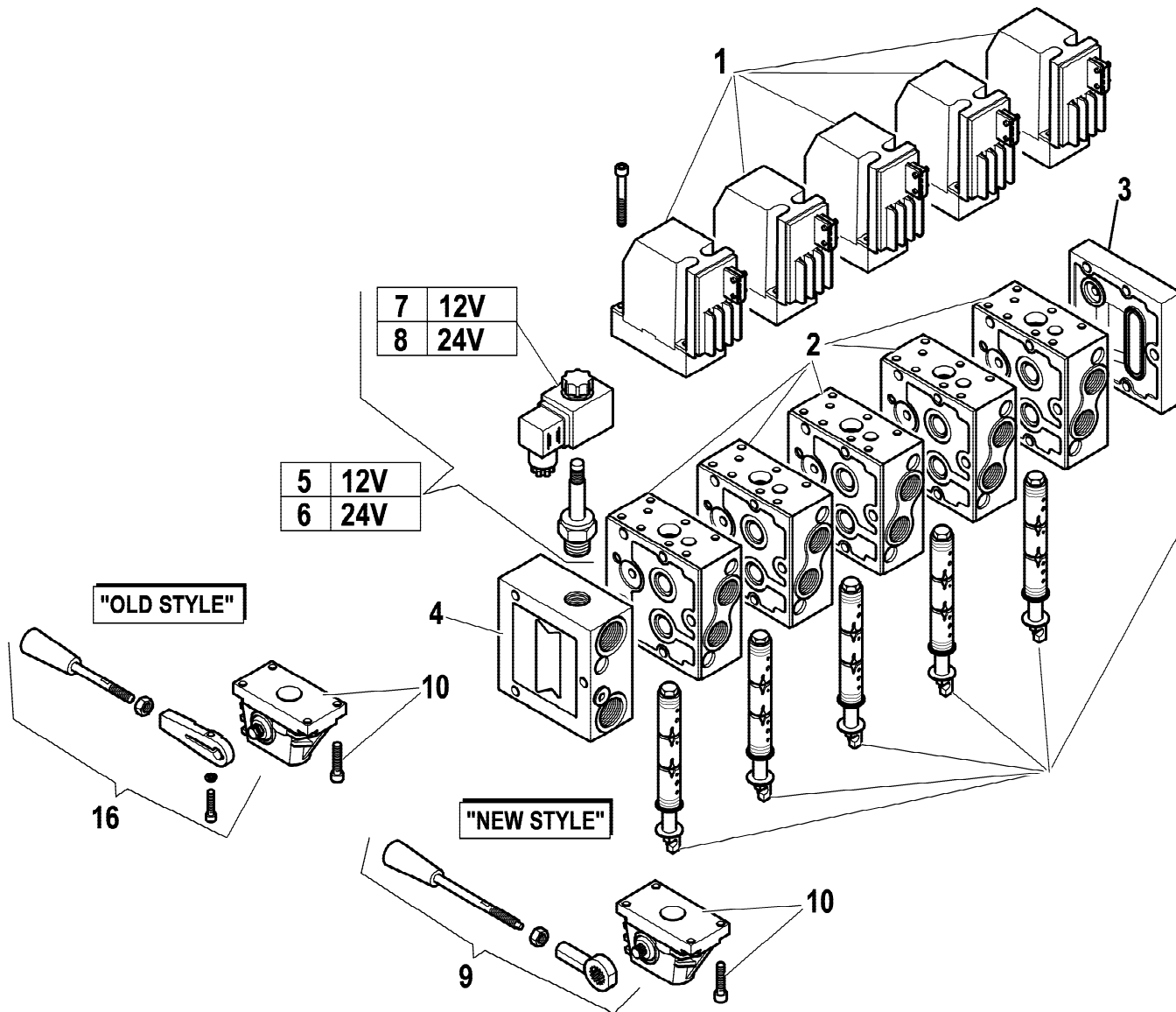
HYVA® CRANE

HB250

COMANDI RDC
 CONTROLS RDC
 COMMANDES RDC
 STEUERUGEN RDC
 MANDOS RDC

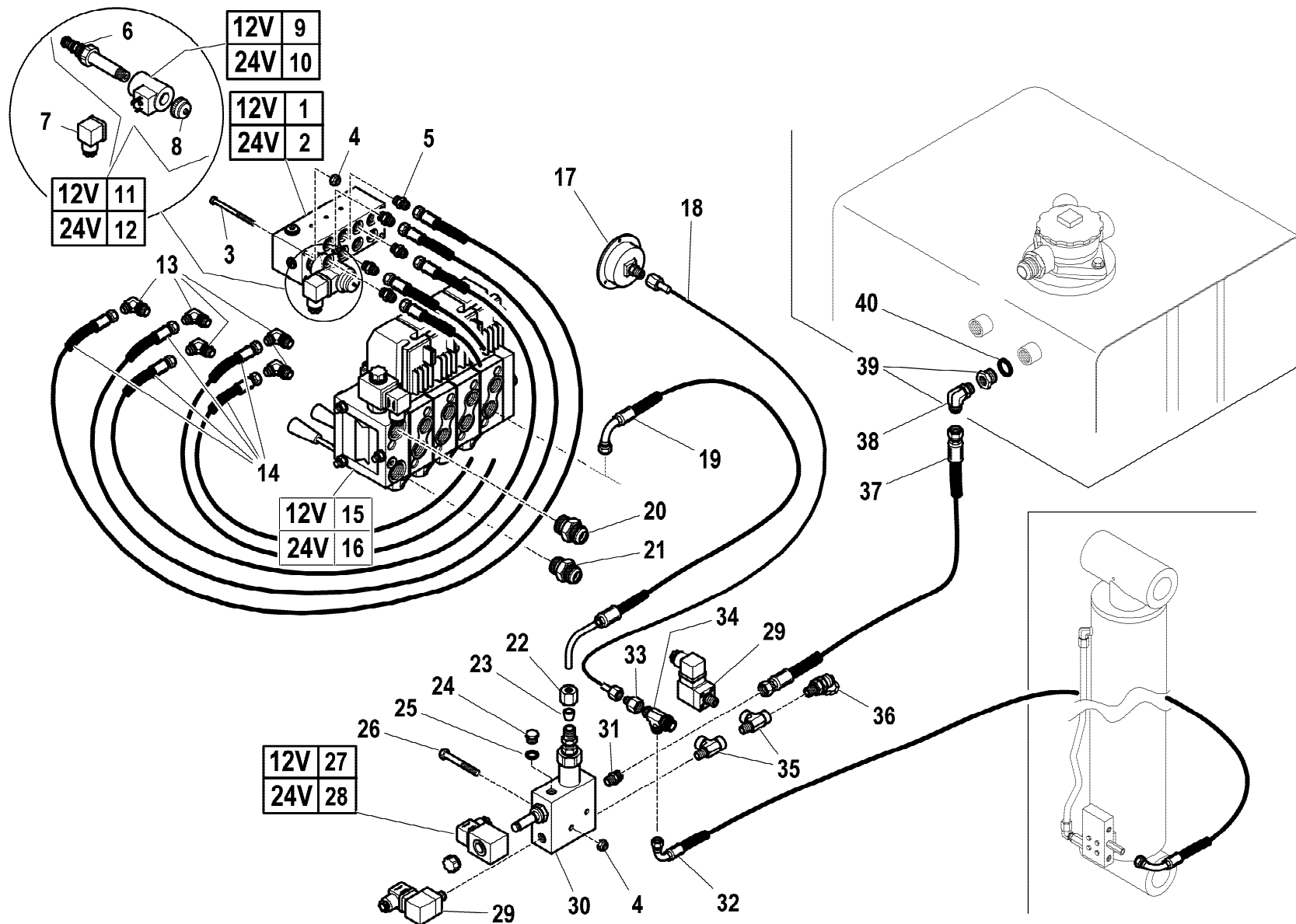
Tavola
5.40.0218-1-0

Data pag.
 giugno 2006 167



	11
	12
	13
	14
	13
	14
	15
	15
	13

rif.	codice	Q.tà
1	5.22.5545	5
2	5.22.5398	5
3	5.22.5512	1
4	5.22.5511	1
5	5.22.5533	1
6	5.22.5510	1
7	3.31.0238	1
8	3.31.0242	1
9	5.22.5859	5
10	WDNF157B3173	5
11	5.22.5558	1
12	5.22.5536	1
13	5.22.5368	1
14	5.22.5340	1
15	5.22.5508	1
16	5.22.5858	5



rif.	codice	Q.tà
1	5.22.0624	1
2	5.22.0631	1
3	3.01.0026	4
4	3.04.0372	4
5	3.10.1034	5
6	5.22.5405	1
7	3.31.0021	1
8	5.22.5406	1
9	3.31.0318	1
10	3.31.0383	1
11	5.22.5415	1
12	5.22.5904	1
13	3.10.1194	5
14	5.30.0034	5
15	5.22.0749	1
16	5.22.0720	1
17	3.18.0109	1
18	5.30.0035	1
19	5.26.0350	1
20	3.10.1056	1
21	3.12.0073	1
22	3.10.0952	1
23	3.10.0956	1
24	3.11.0062	1
25	3.06.0143	1
26	3.01.0388	2
27	3.31.0238	1
28	3.31.0242	1
29	3.31.0153	2
30	5.22.0578	1
31	3.10.1039	1

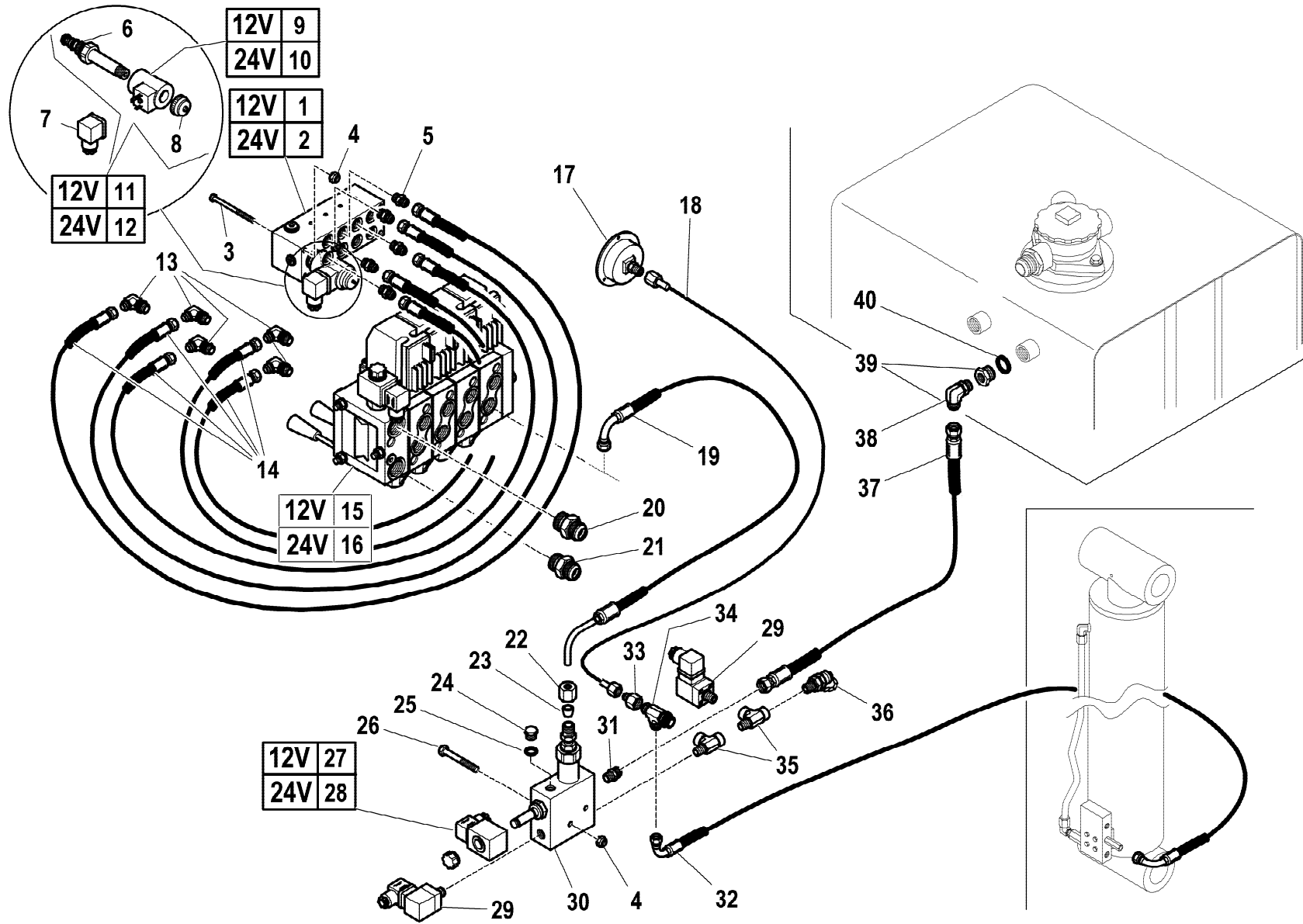
1/2

HYVA[®] CRANE
HB250

IMPIANTO IDRAULICO (LIMITATORE DI MOMENTO) - RDC
 HYDRAULIC SYSTEM (MOMENT LIMITING DEVICE) - RDC
 INSTALLATION HYDRAULIQUE (LIMITEUR DE MOMENT) - RDC
 HYDRAULIKANLAGE (HUB-MOMENTBEGRENZER) - RDC
 INSTALACION HIDRAULICA (LIMITADOR DE MOMENTO) - RDC

Tavola
5.43.0029-1-0

Data pag.
 ottobre 2006 169.1



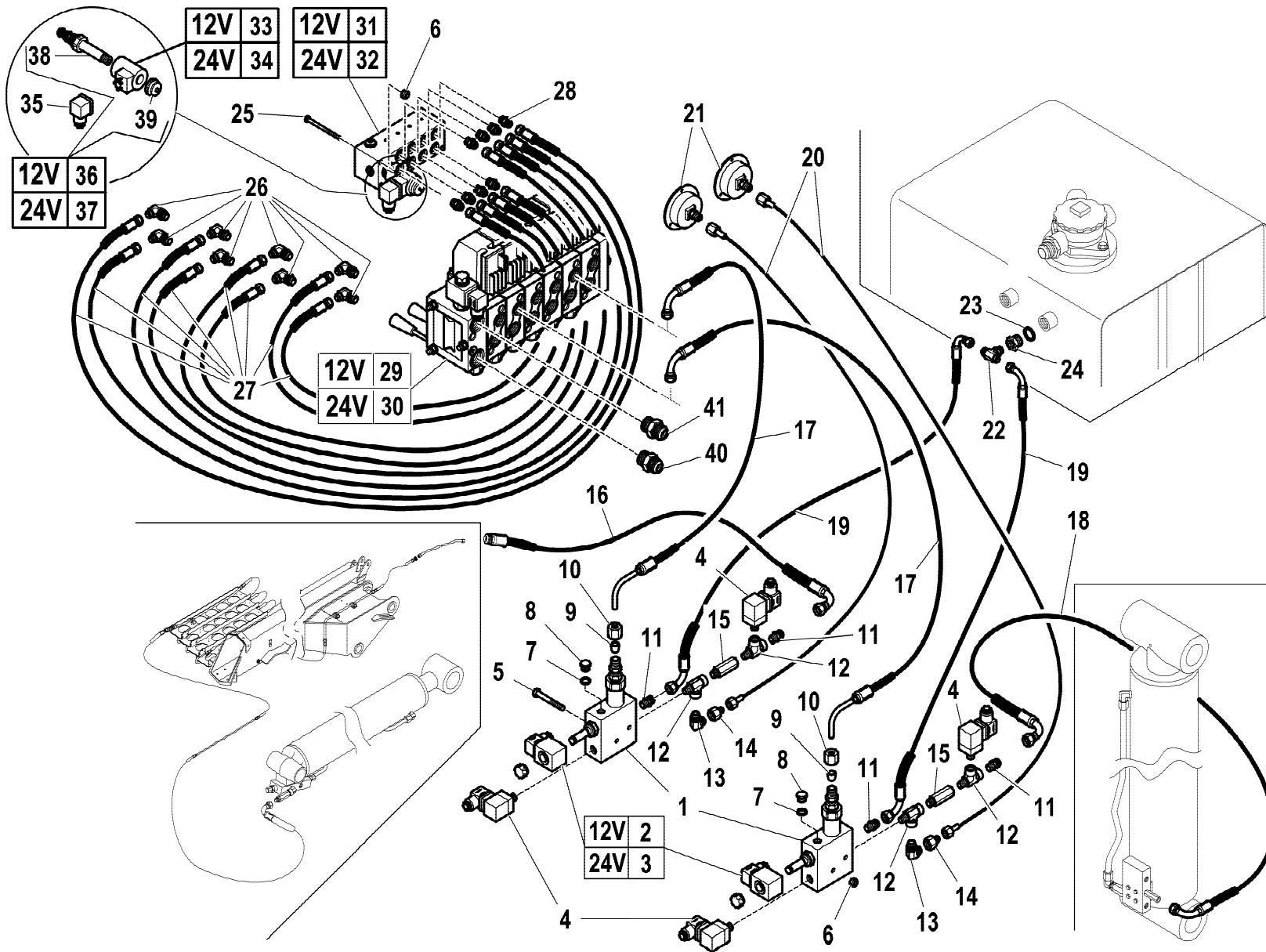
rif.	codice	Q.tà
32	5.26.0352	1
33	3.12.0200	1
34	3.10.1175	1
35	3.10.1215	2
36	3.11.1523	1
37	5.28.0471	1
38	3.10.1124	1
39	3.11.0161	1
40	3.06.0145	1

HYVA[®] CRANE
HB250

IMPIANTO IDRAULICO (LIMITATORE DI MOMENTO) - RDC
 HYDRAULIC SYSTEM (MOMENT LIMITING DEVICE) - RDC
 INSTALLATION HYDRAULIQUE (LIMITEUR DE MOMENT) - RDC
 HYDRAULIKANLAGE (HUB-MOMENTBEGRENZER) - RDC
 INSTALACION HIDRAULICA (LIMITADOR DE MOMENTO) - RDC

Tavola
5.43.0029-1-0

Data pag.
 ottobre 2006 169.2



rif.	codice	Q.tà
1	5.22.0578	1
2	3.31.0238	1
3	3.31.0242	1
4	3.31.0153	4
5	3.01.0385	2
6	3.04.0372	4
7	3.06.0143	2
8	3.11.0062	2
9	3.10.0956	2
10	3.10.0952	2
11	3.10.1039	4
12	3.10.1215	4
13	3.10.1124	2
14	3.12.0200	2
15	3.11.0115	2
16	5.25.0248	1
17	5.26.0454	2
18	5.26.0352	1
19	5.26.0353	2
20	5.30.0035	2
21	3.18.0109	2
22	3.10.1187	1
23	3.11.0161	1
24	3.06.0145	1
25	3.01.0026	2
26	3.10.1194	8
27	5.30.0034	8
28	3.10.1034	8
29	5.22.0749	1
30	5.22.0720	1
31	5.22.0624	1

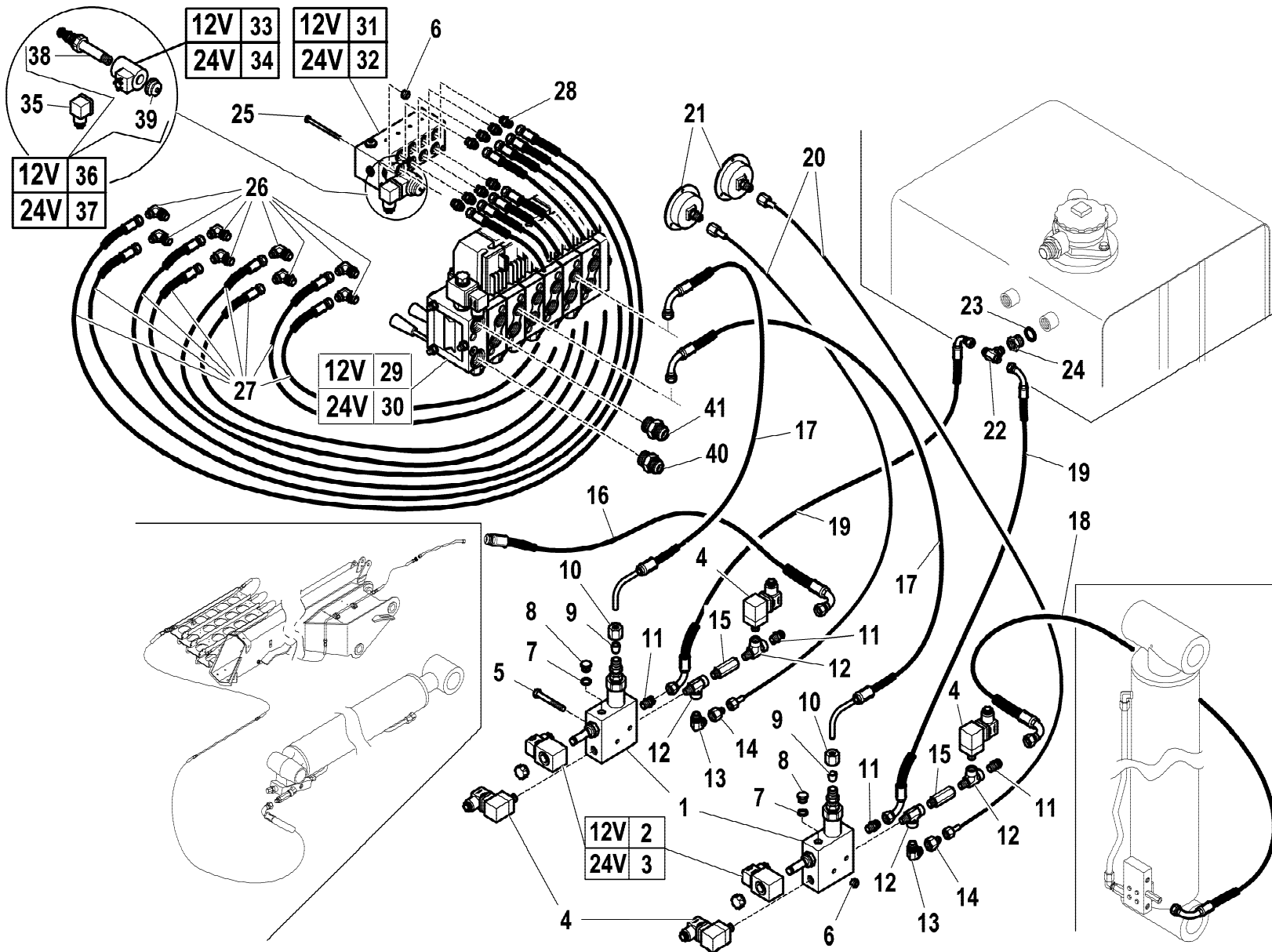
1/2

HYVA[®] CRANE
HB250

IMPIANTO IDRAULICO (LIMITATORE DI MOMENTO) - JIB RDC
 HYDRAULIC SYSTEM (MOMENT LIMITING DEVICE) - JIB RDC
 INSTALLATION HYDRAULIQUE (LIMITEUR DE MOMENT) - JIB RDC
 HYDRAULIKANLAGE (HUB-MOMENTBEGRENZER) - JIB RDC
 INSTALACION HIDRAULICA (LIMITADOR DE MOMENTO) - JIB RDC

Tavola
5.43.0030-1-0

Data pag.
 ottobre 2006 170.1



rif.	codice	Q.tà
32	5.22.0631	1
33	3.31.0318	1
34	3.31.0383	1
35	3.31.0021	1
36	5.22.5415	1
37	5.22.5904	1
38	5.22.5405	1
39	5.22.5406	1
40	3.12.0073	1
41	3.10.1056	1

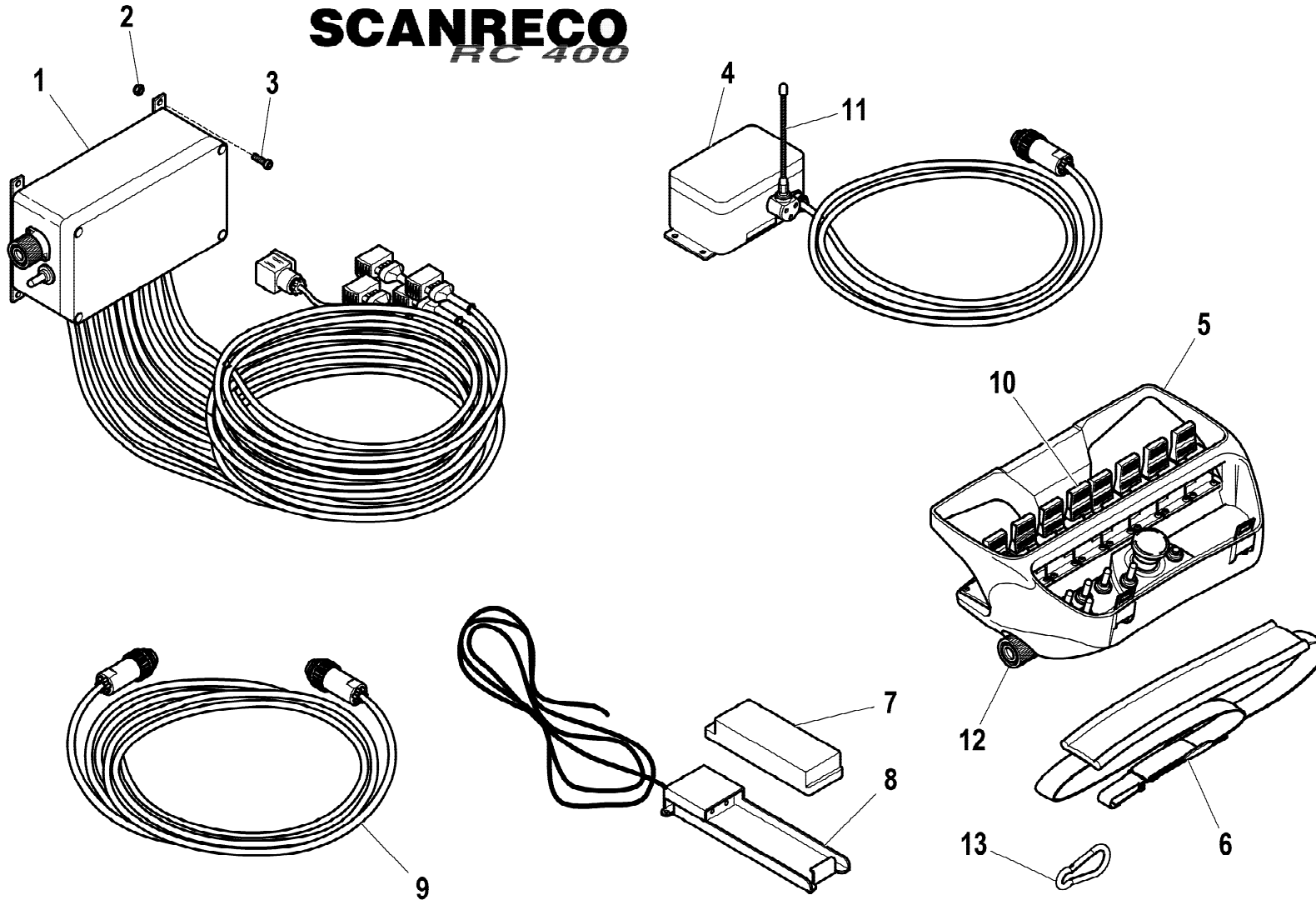
HYVA[®] CRANE
HB250

IMPIANTO IDRAULICO (LIMITATORE DI MOMENTO) - JIB RDC
 HYDRAULIC SYSTEM (MOMENT LIMITING DEVICE) - JIB RDC
 INSTALLATION HYDRAULIQUE (LIMITEUR DE MOMENT) - JIB RDC
 HYDRAULIKANLAGE (HUB-MOMENTBEGRENZER) - JIB RDC
 INSTALACION HIDRAULICA (LIMITADOR DE MOMENTO) - JIB RDC

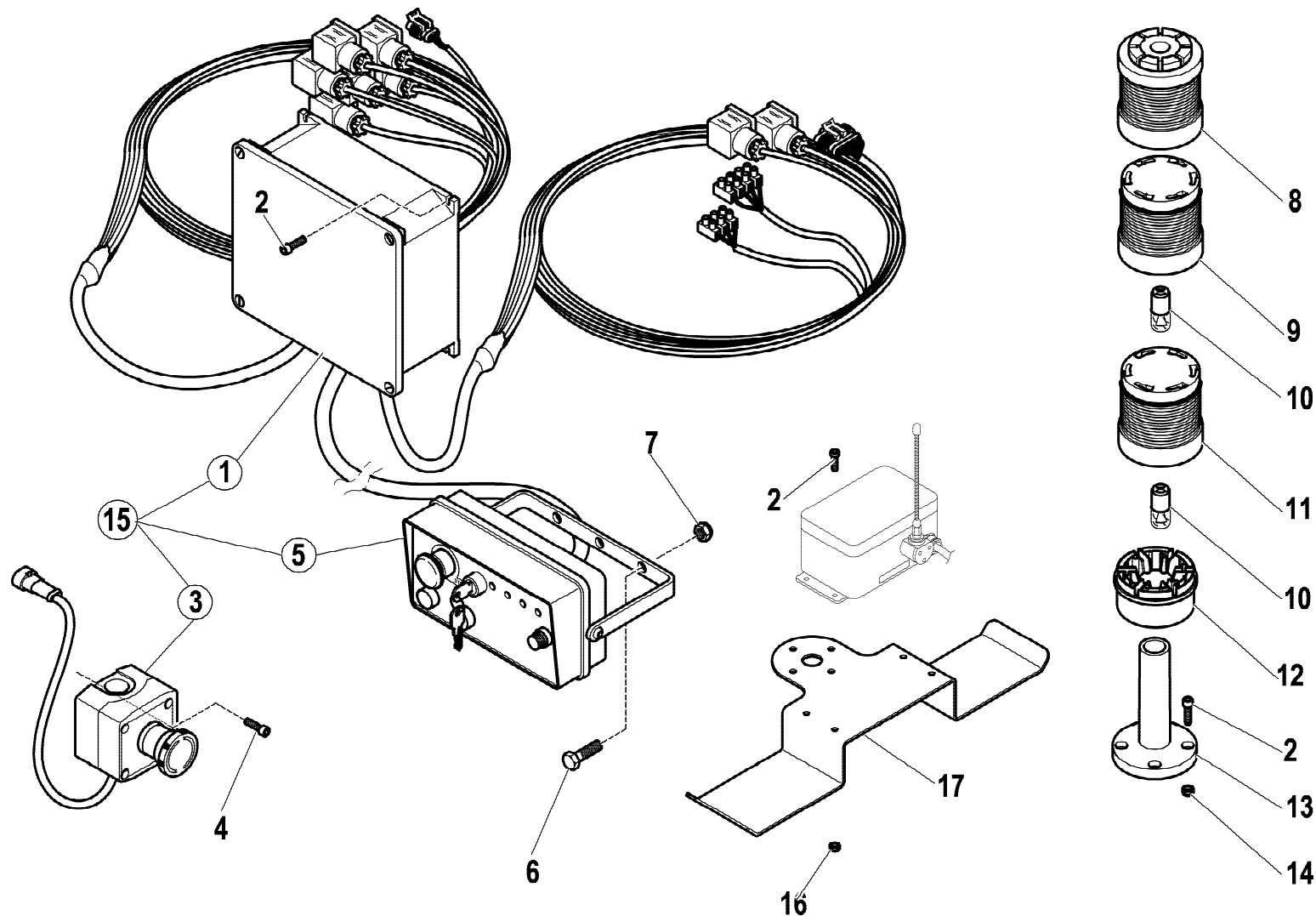
Tavola
5.43.0030-1-0

Data pag.
 ottobre 2006 170.2

SCANRECO RC 400



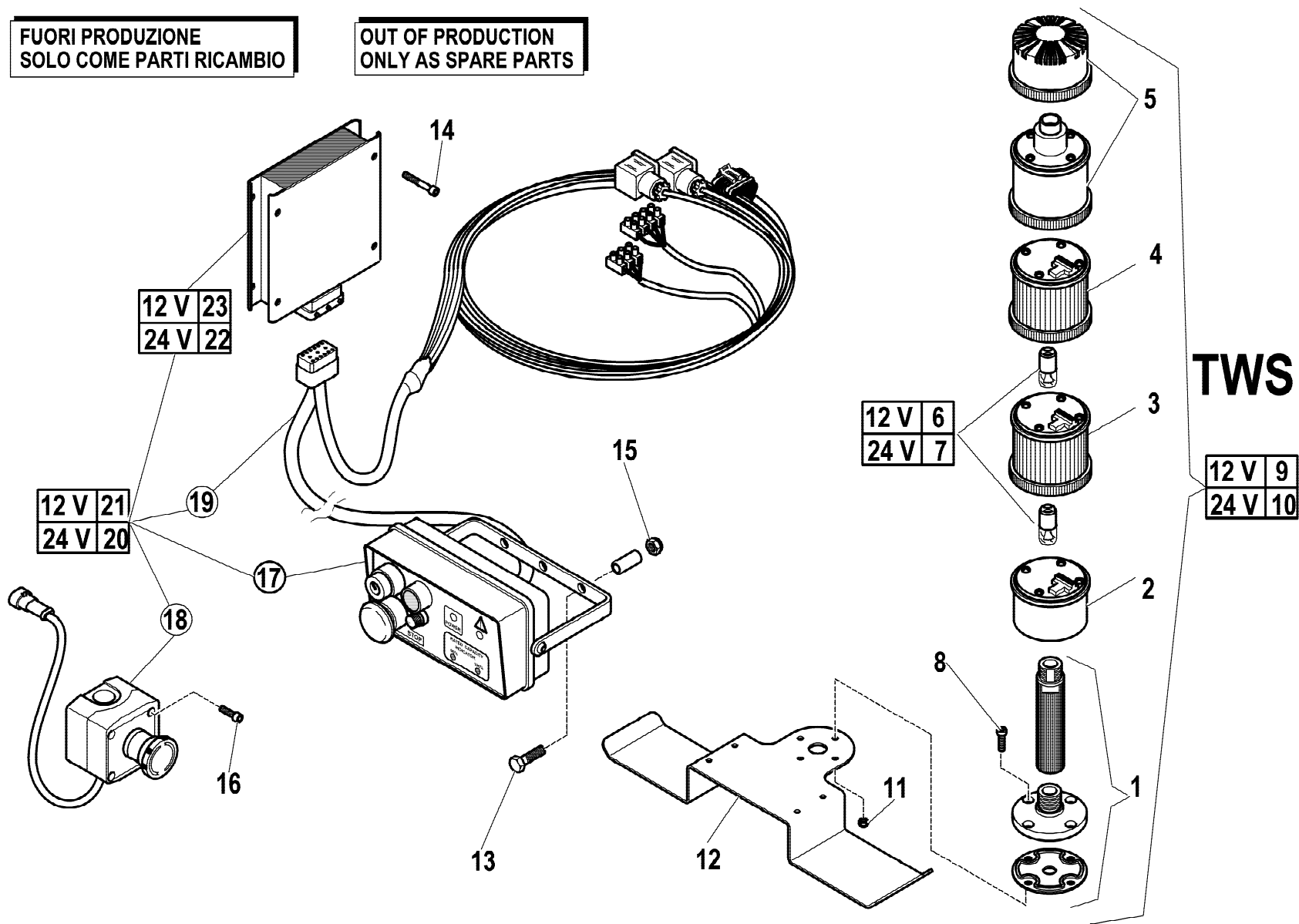
rif.	codice	Q.tà
1	3.31.0534	1
2	3.04.0392	4
3	3.02.0023	4
4	3.31.0535	1
5	3.32.0026	1
6	3.19.0226	1
7	3.31.0483	2
8	3.31.0471	1
9	3.31.0536	1
10	3.31.0445	8
11	3.31.0683	1
12	3.31.0850	1
13	3.19.0259	1



rif.	codice	Q.tà
1	3.31.0534	1
2	3.02.0023	4
3	3.31.0533	1
4	3.02.0022	2
5	3.31.0532	1
6	3.01.0339	2
7	3.04.0303	2
8	3.31.0368	1
9	3.31.0364	1
10	3.31.0369	2
11	3.31.0365	1
12	3.31.0366	1
13	3.31.0373	1
14	3.01.0392	4
15	3.31.0361	1
16	3.04.0392	4
17	5.00.1271	1

FUORI PRODUZIONE
SOLO COME PARTI RICAMBIO

OUT OF PRODUCTION
ONLY AS SPARE PARTS



rif.	codice	Q.tà
1	3.31.0598	1
2	3.31.0595	1
3	3.31.0594	1
4	3.31.0593	1
5	3.31.0597	1
6	3.31.0610	2
7	3.31.0596	2
8	3.02.0023	4
9	3.31.0625	1
10	3.31.0592	1
11	3.04.0392	4
12	5.00.1184	1
13	3.01.0034	2
14	3.02.0040	4
15	3.04.0303	2
16	3.02.0909	4
17	3.31.0601	1
18	3.31.0533	1
19	3.31.0602	1
20	3.31.0361	1
21	3.31.0555	1
22	3.31.0603	1
23	3.31.0626	1
24	3.02.0025	4



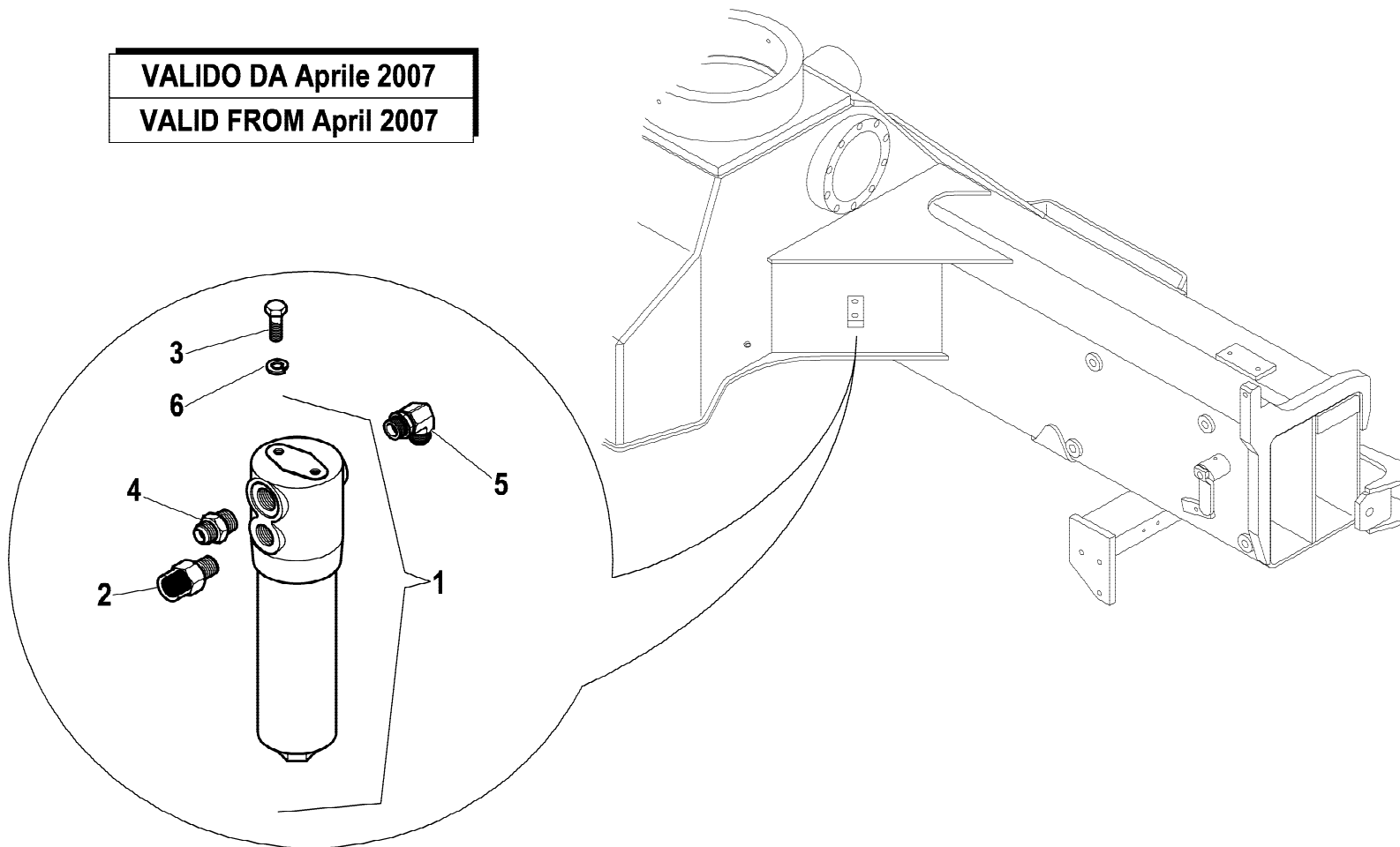
HB250

KIT RADIOCOMANDO RDC
WIRELESS CONTROL KIT RDC
KIT RADIOTELECOMMANDE RDC
FUNKSTEUERUNG-SATZ RDC
KIT RADIOMANDO RDC

Tavola
5.40.0382-2-0

Data pag.
agosto 2006 173

VALIDO DA Aprile 2007
VALID FROM April 2007

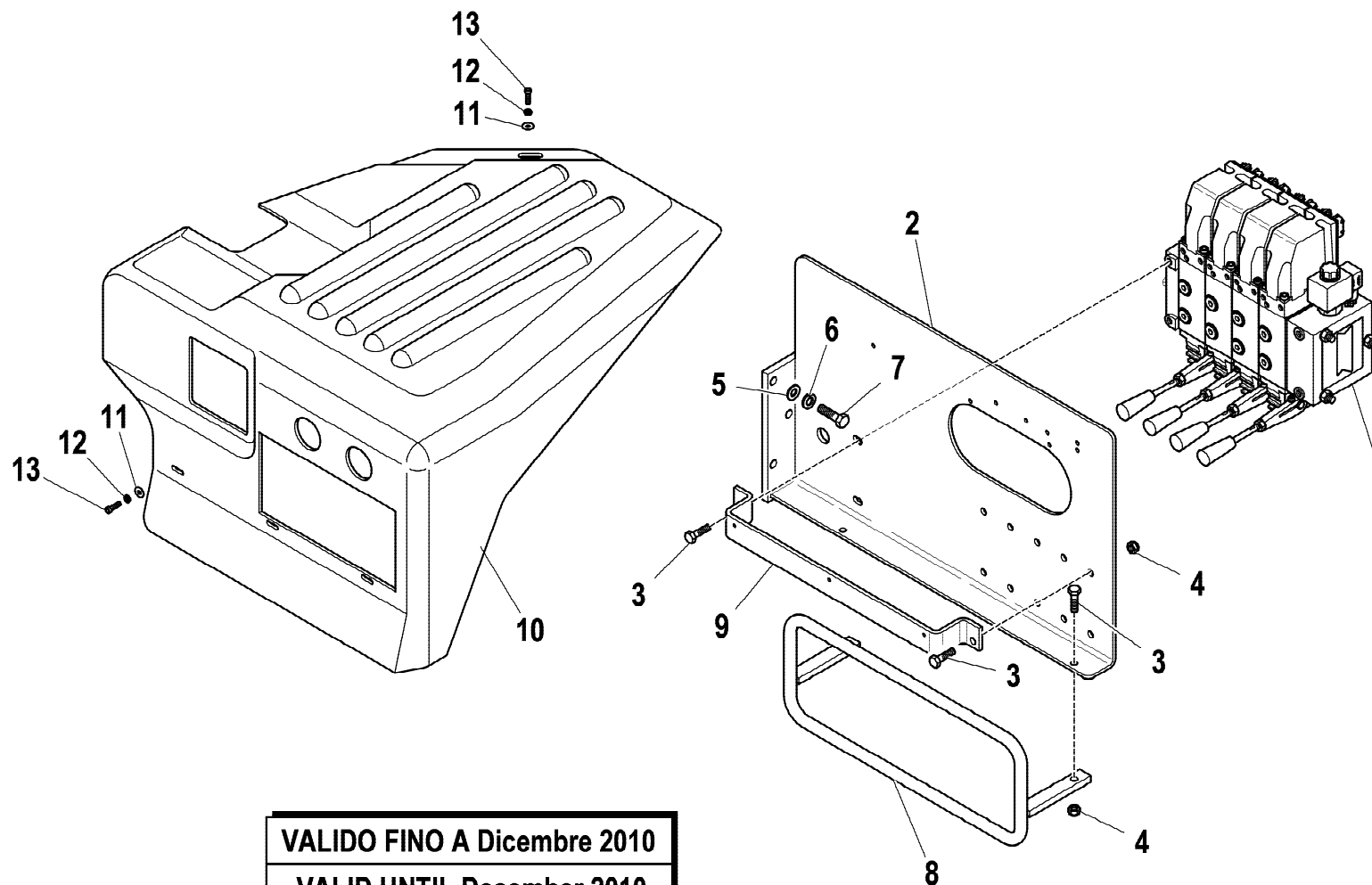


rif.	codice	Q.tà
1	3.18.0159	1
2	3.18.0192	1
3	3.01.0027	2
4	3.12.0073	1
5	3.10.1134	1
6	3.06.0055	2

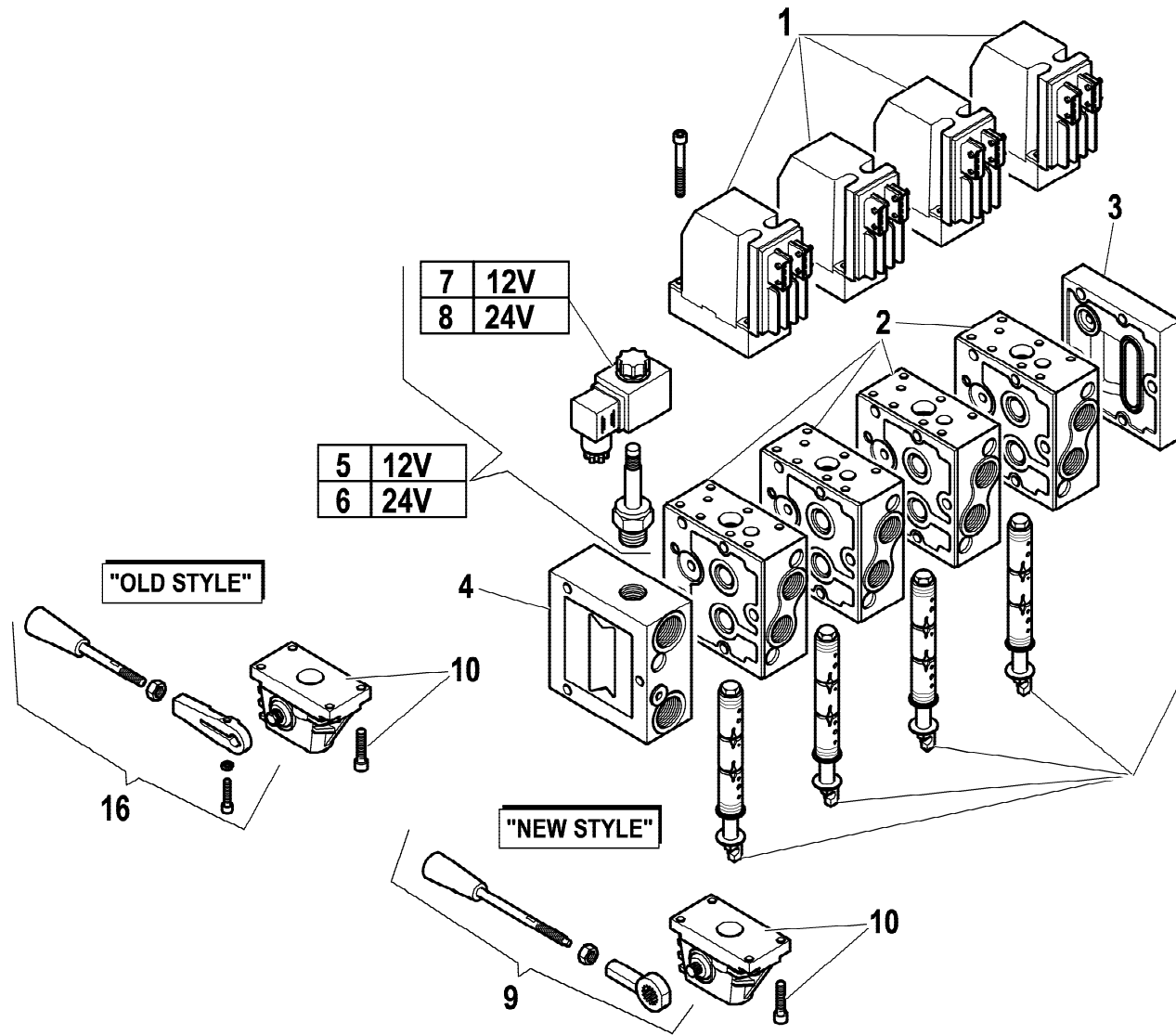


HB250 TCU

rif.	codice	Q.tà
1	5.22.0373	1
2	5.09.1071	1
3	3.01.0339	6
4	3.04.0303	2
5	3.06.0914	3
6	3.06.0056	3
7	3.01.0355	3
8	5.09.0636	1
9	5.00.1780	1
10	5.09.1076	1
11	3.06.0004	4
12	3.06.0052	4
13	3.02.0023	4

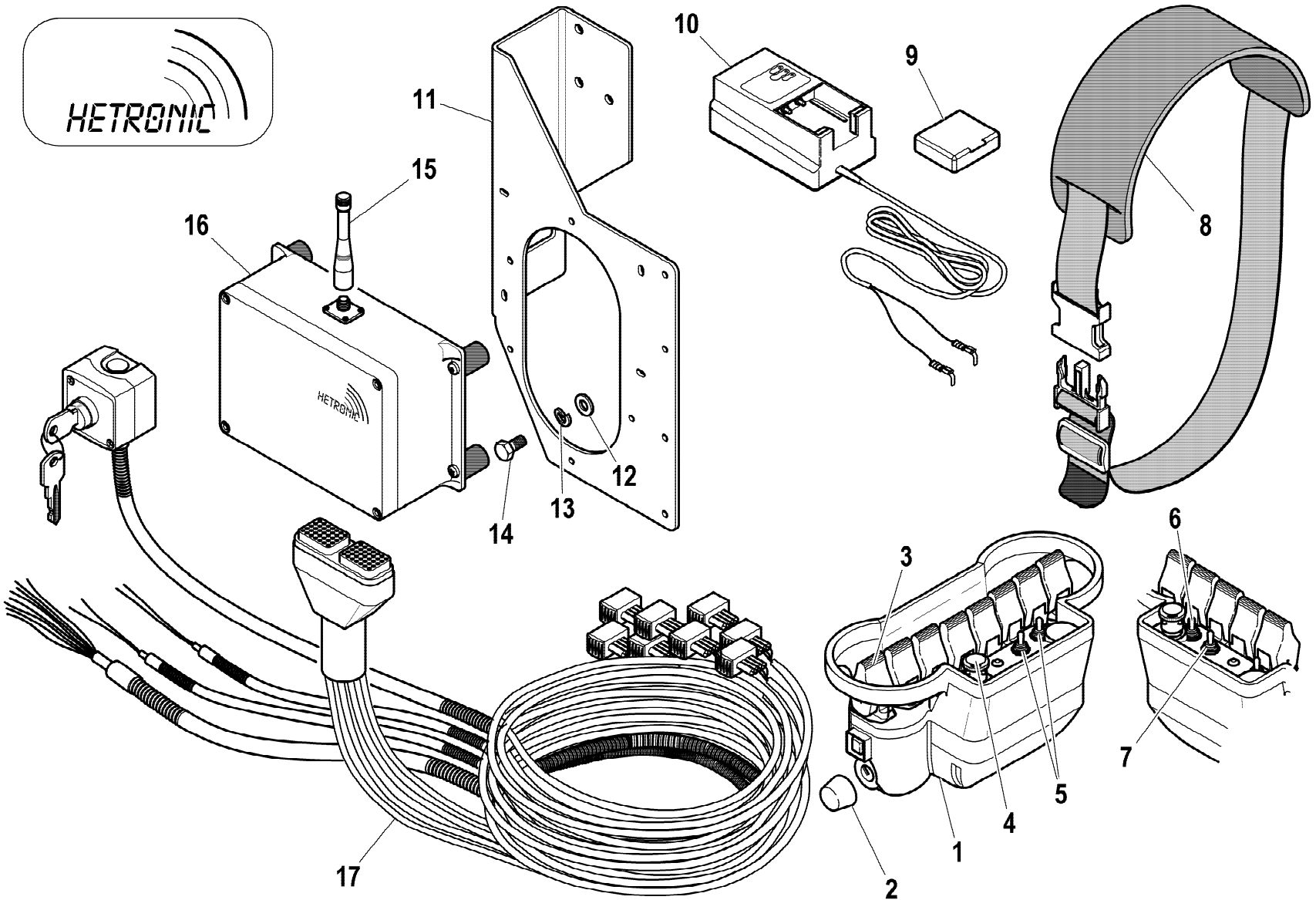
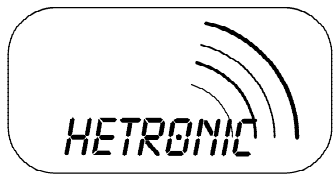


VALIDO FINO A Dicembre 2010
 VALID UNTIL December 2010

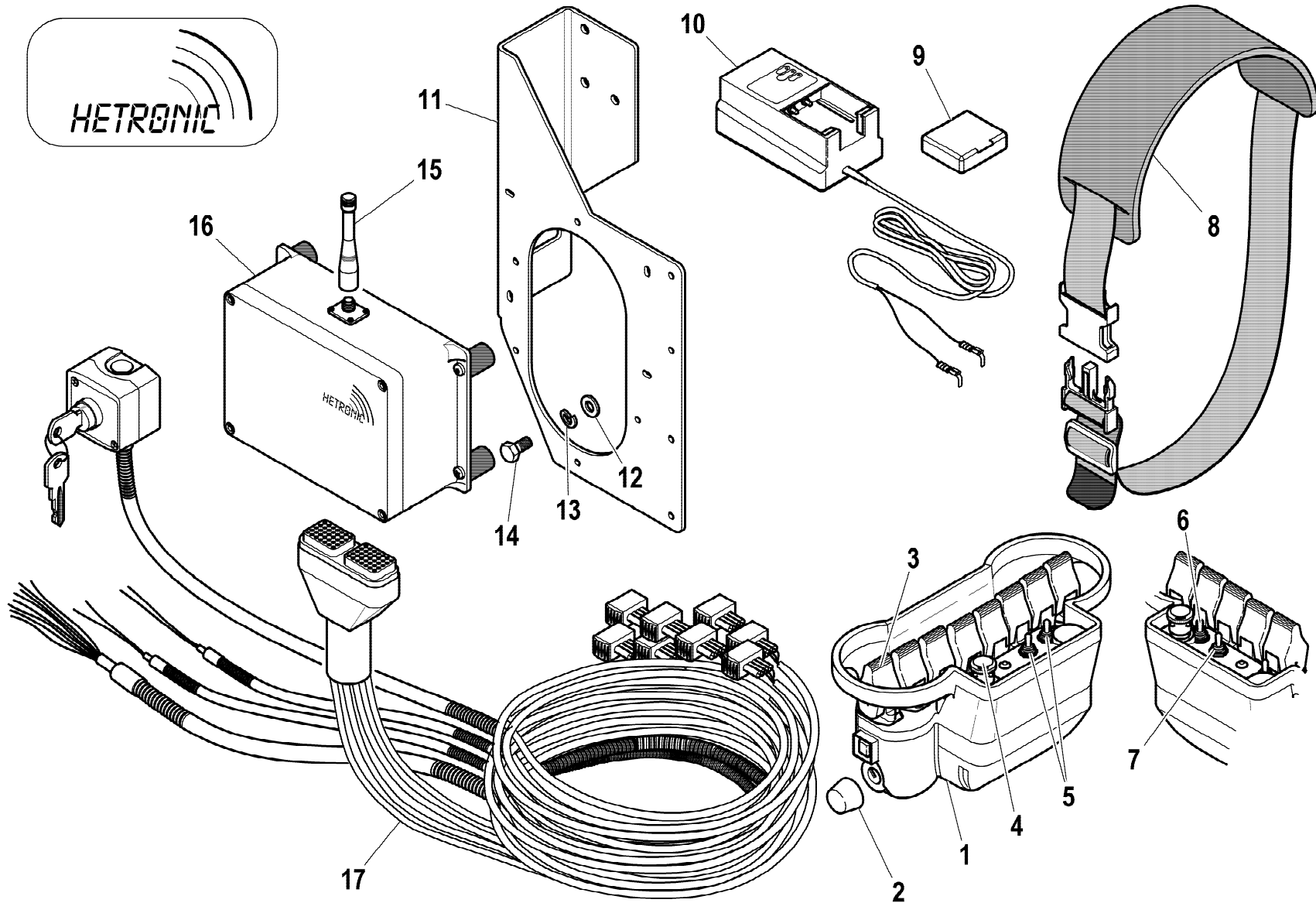
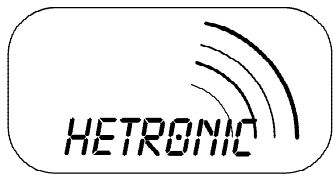


	11
	12
	13
	14
	13
	14
	15
	15
	13

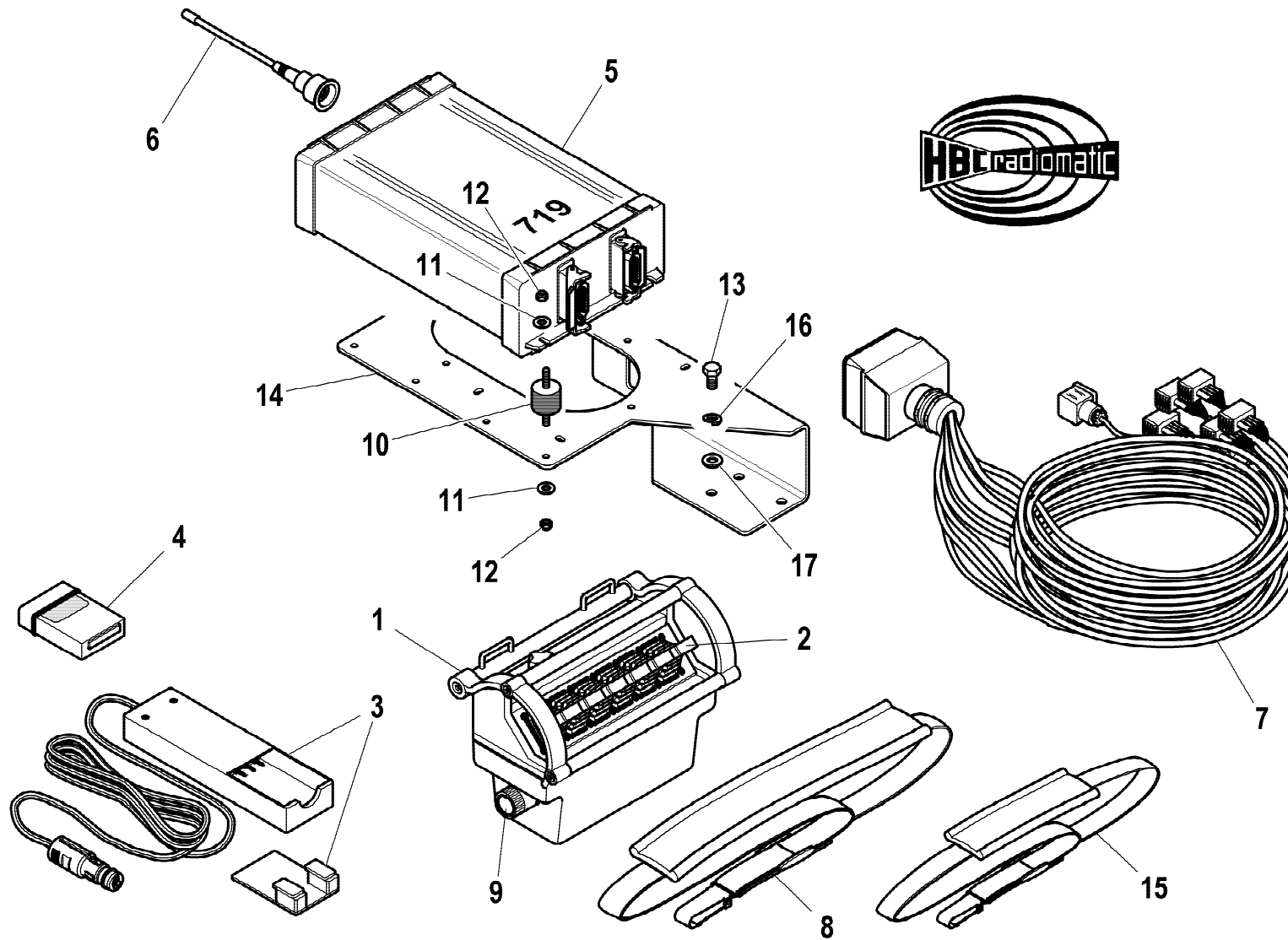
rif.	codice	Q.tà
1	5.22.5534	4
2	5.22.5398	4
3	5.22.5512	1
4	5.22.5511	1
5	5.22.5533	1
6	5.22.5510	1
7	3.31.0238	1
8	3.31.0242	1
9	5.22.5859	4
10	WDNF157B3173	4
11	5.22.5558	1
12	5.22.5536	1
13	5.22.5368	1
14	5.22.5340	1
15	5.22.5508	1
16	5.22.5858	4



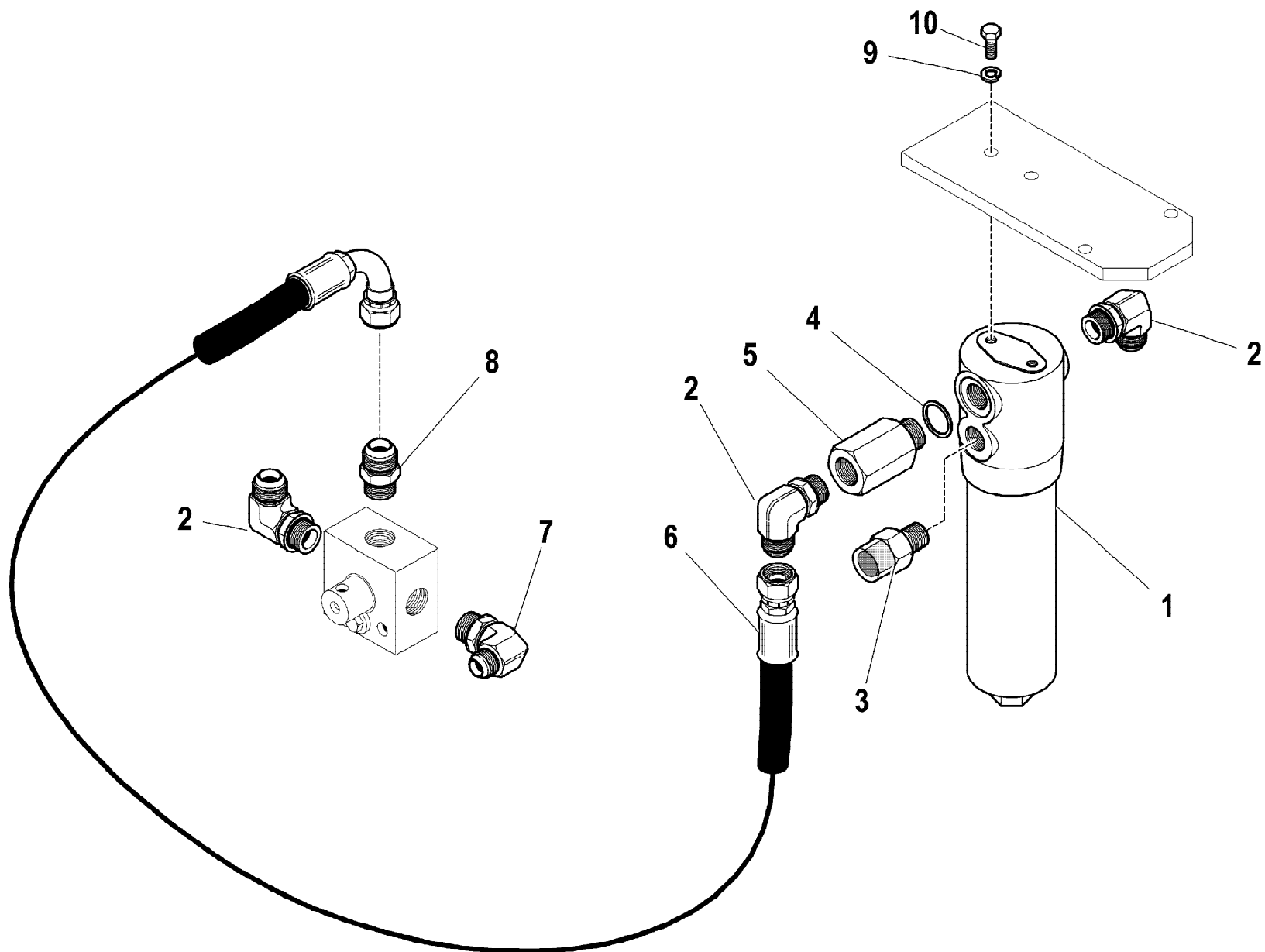
rif.	codice	Q.tà
1	3.31.0772	1
2	3.31.0795	1
3	3.31.0796	8
4	3.31.0788	1
5	3.31.0786	2
6	3.31.0785	1
7	3.31.1029	1
8	3.31.0799	1
9	3.31.0641	2
10	3.31.0797	1
11	5.00.1730	1
12	3.06.0914	3
13	3.06.0056	3
14	3.01.0349	3
15	3.31.0775	1
16	3.31.0771	1
17	3.31.0912	1



rif.	codice	Q.tà
1	3.31.0808	1
2	3.31.0795	1
3	3.31.0796	8
4	3.31.0788	1
5	3.31.0786	2
6	3.31.0785	1
7	3.31.1029	1
8	3.31.0799	1
9	3.31.0641	2
10	3.31.0797	1
11	5.00.1730	1
12	3.06.0914	3
13	3.06.0056	3
14	3.01.0349	3
15	3.31.0775	1
16	3.31.0807	1
17	3.31.0912	1



rif.	codice	Q.tà
1	3.31.0578	1
2	3.31.0581	6
3	3.31.0455	1
4	3.31.0454	2
5	3.31.0836	1
6	3.31.0583	1
7	3.31.0941	1
8	3.19.0105	1
9	3.31.0582	2
10	3.19.0102	4
11	3.06.0005	8
12	3.04.0372	8
13	3.01.0349	3
14	5.00.1730	1
15	3.19.0106	1
16	3.06.0056	3
17	3.06.0914	3



rif.	codice	Q.tà
1	3.18.0159	1
2	3.10.1133	3
3	3.18.0192	1
4	3.06.0146	1
5	3.11.1525	1
6	5.29.0149	1
7	3.10.1134	1
8	3.10.1056	1
9	3.06.0055	2
10	3.01.0027	2

1/1

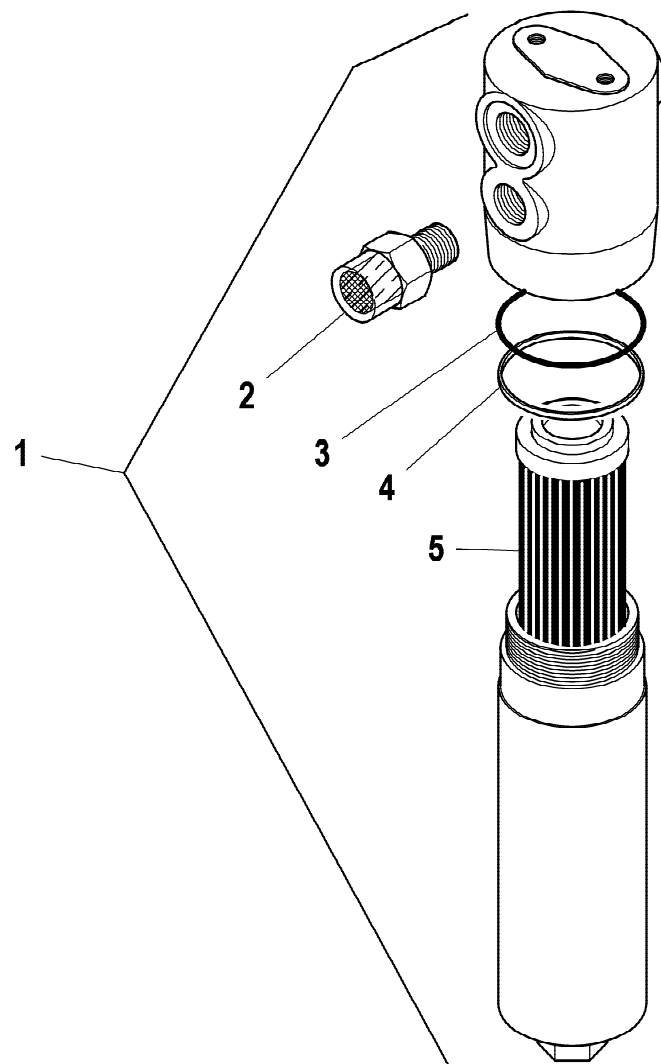
HYVA[®] CRANE
HB250

FILTRO AD ALTA PRESSIONE (IMPIANTO OLEODINAMICO)
 HIGH PRESSURE FILTER (HYDRAULIC SYSTEM)
 FILTRE HAUTE PRESSION (INSTALLATION HYDRAULIQUE)
 HOCHDRUCKFILTER (HYDRAULIKANLAGE)
 FILTRO DE ALTA PRESION (INSTALACION HIDRAULICA)

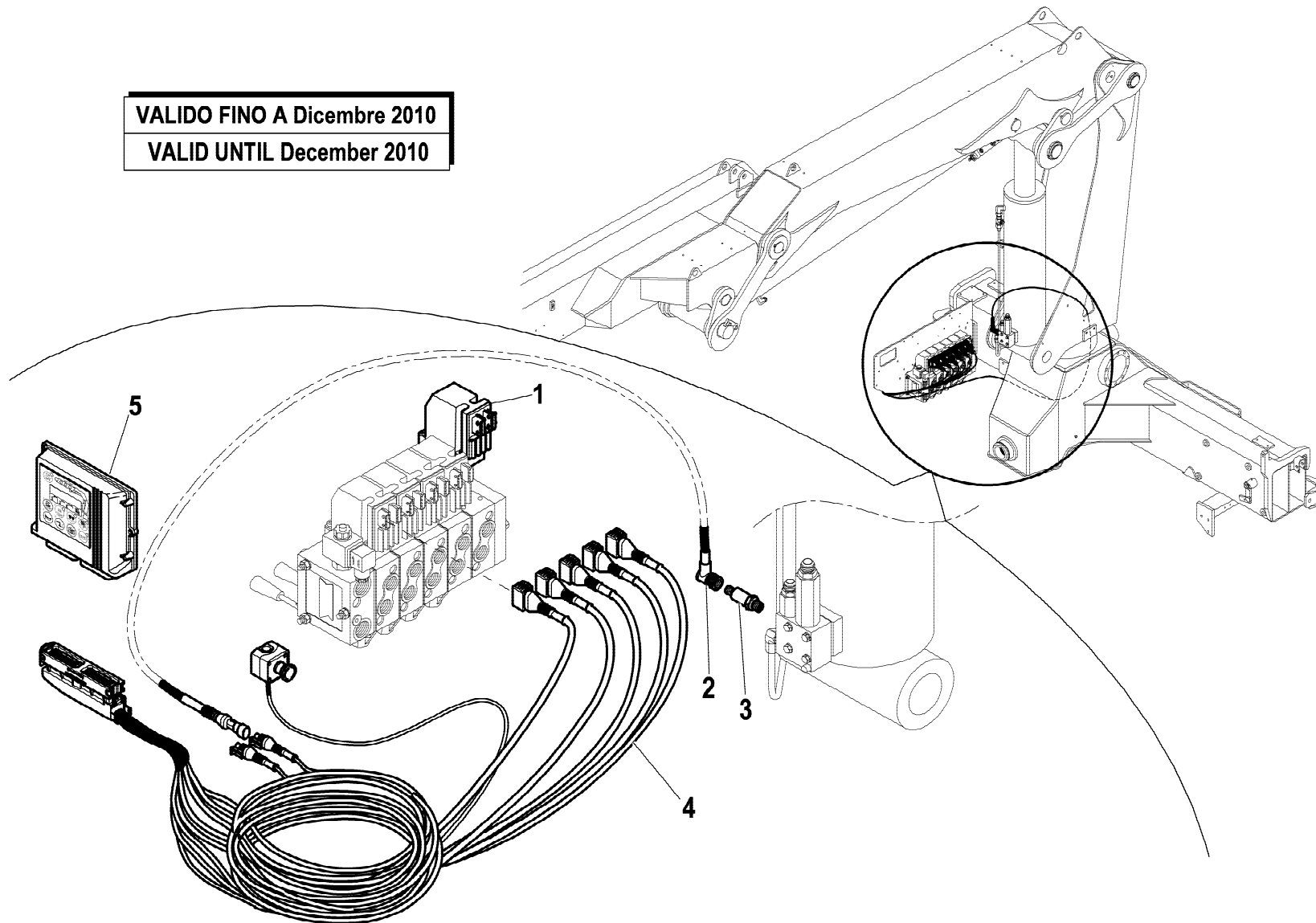
Tavola
5.40.0730-1-0

Data pag.
 giugno 2006 181

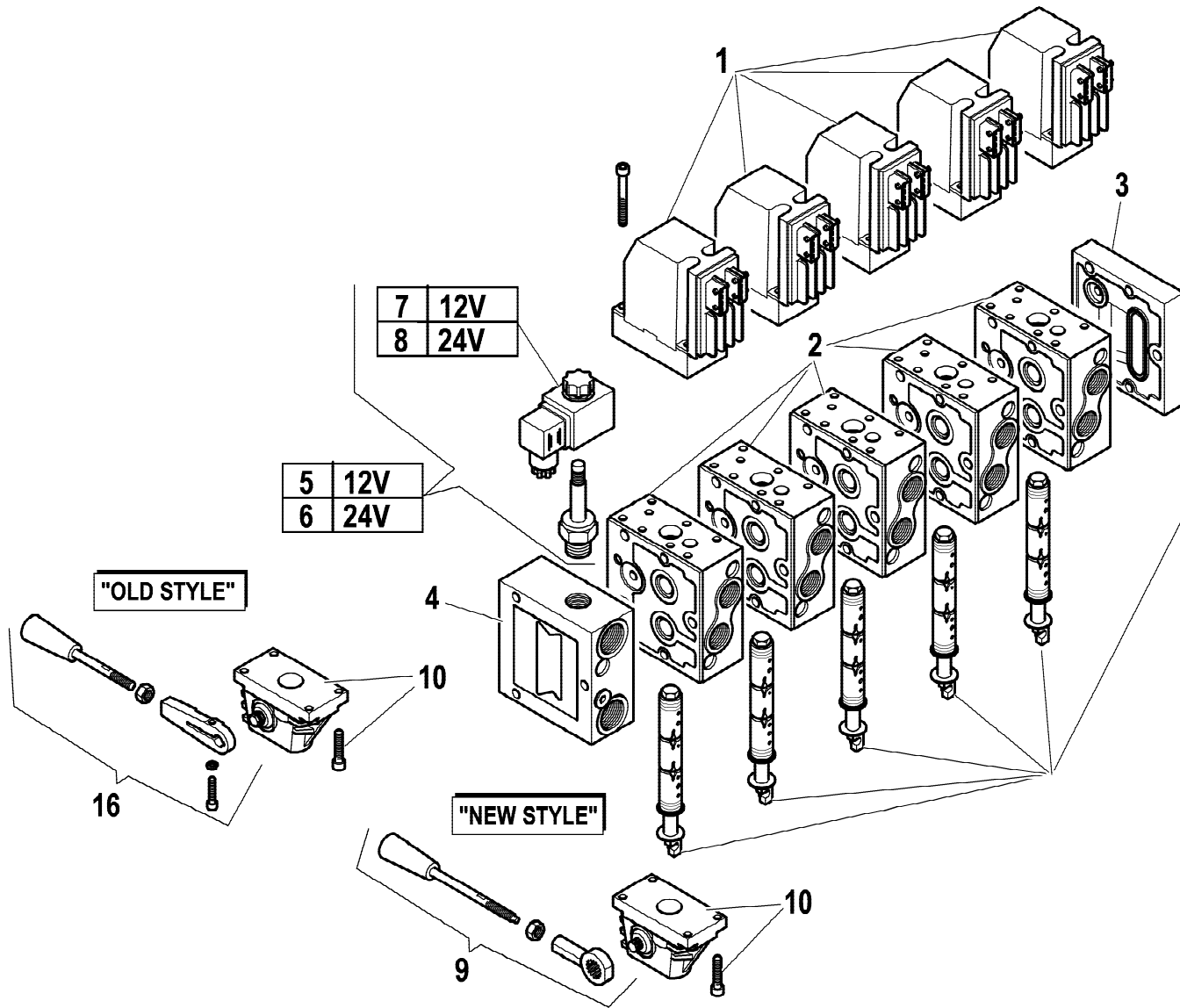
rif.	codice	Q.tà
1	3.18.0159	1
2	3.18.0192	1
3	3.45.0080	1
4	3.46.0080	1
5	3.18.0160	1



VALIDO FINO A Dicembre 2010
VALID UNTIL December 2010



rif.	codice	Q.tà
1	5.22.5534	5
2	5.16.0001	1
3	3.31.0612	1
4	5.16.0049	1
5	3.31.1088	1

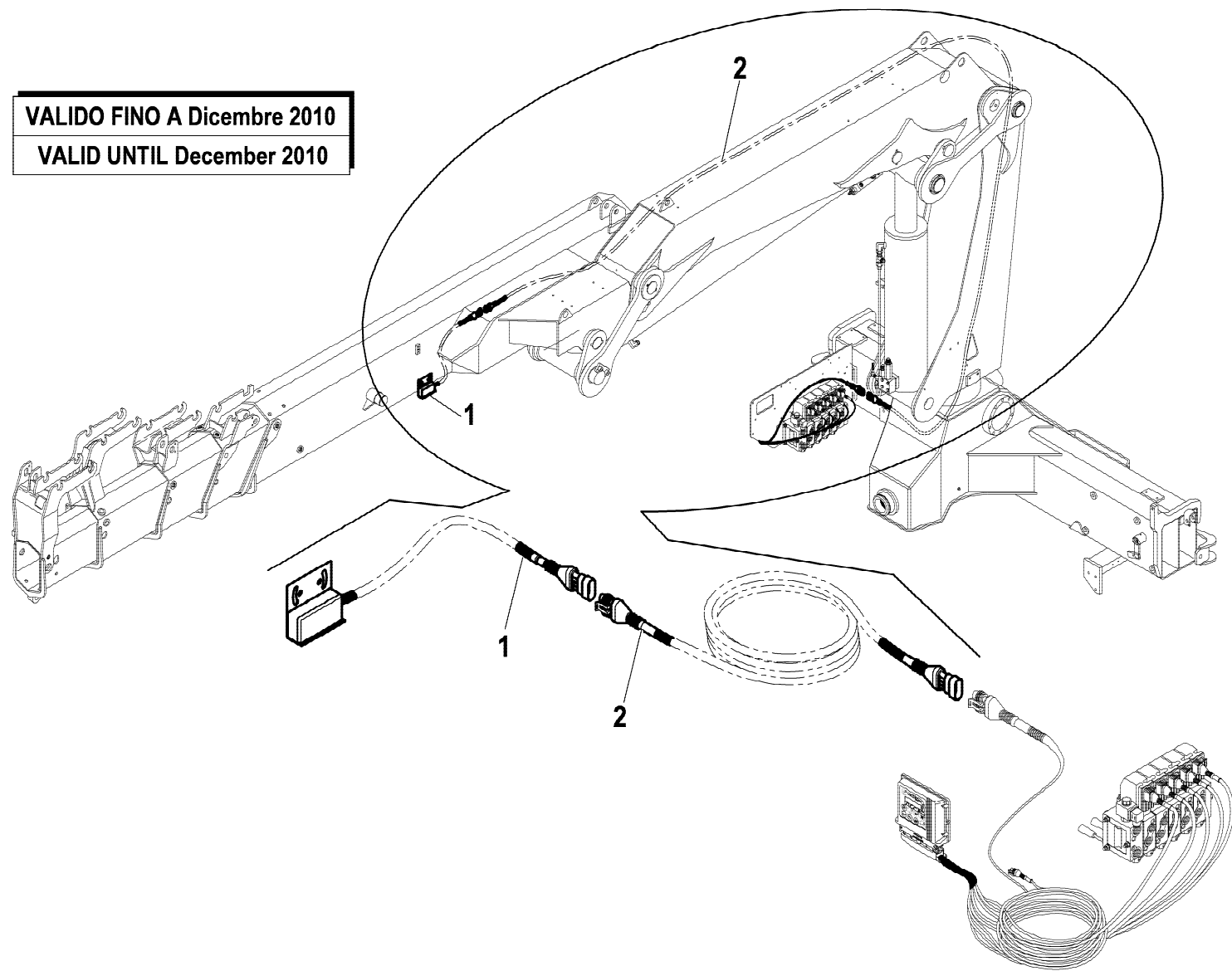


	11
	12
	13
	14
	13
	14
	15
	15
	13

rif.	codice	Q.tà
1	5.22.5534	5
2	5.22.5398	5
3	5.22.5512	1
4	5.22.5511	1
5	5.22.5533	1
6	5.22.5510	1
7	3.31.0238	1
8	3.31.0242	1
9	5.22.5859	5
10	WDNF157B3173	5
11	5.22.5558	1
12	5.22.5536	1
13	5.22.5368	1
14	5.22.5340	1
15	5.22.5508	1
16	5.22.5858	5

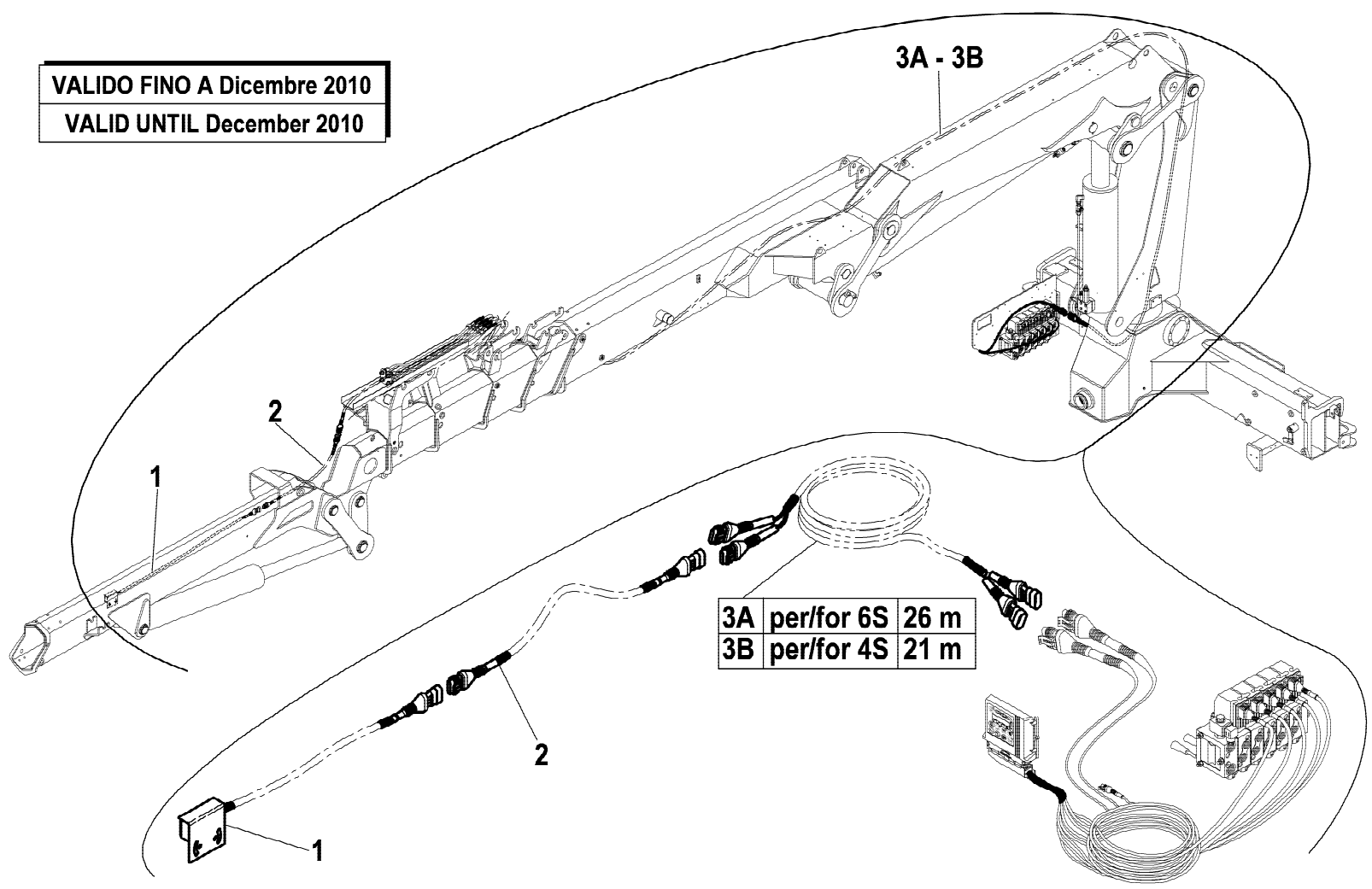
rif.	codice	Q.tà
1	3.31.0541	1
2	5.16.0002	1

VALIDO FINO A Dicembre 2010
VALID UNTIL December 2010



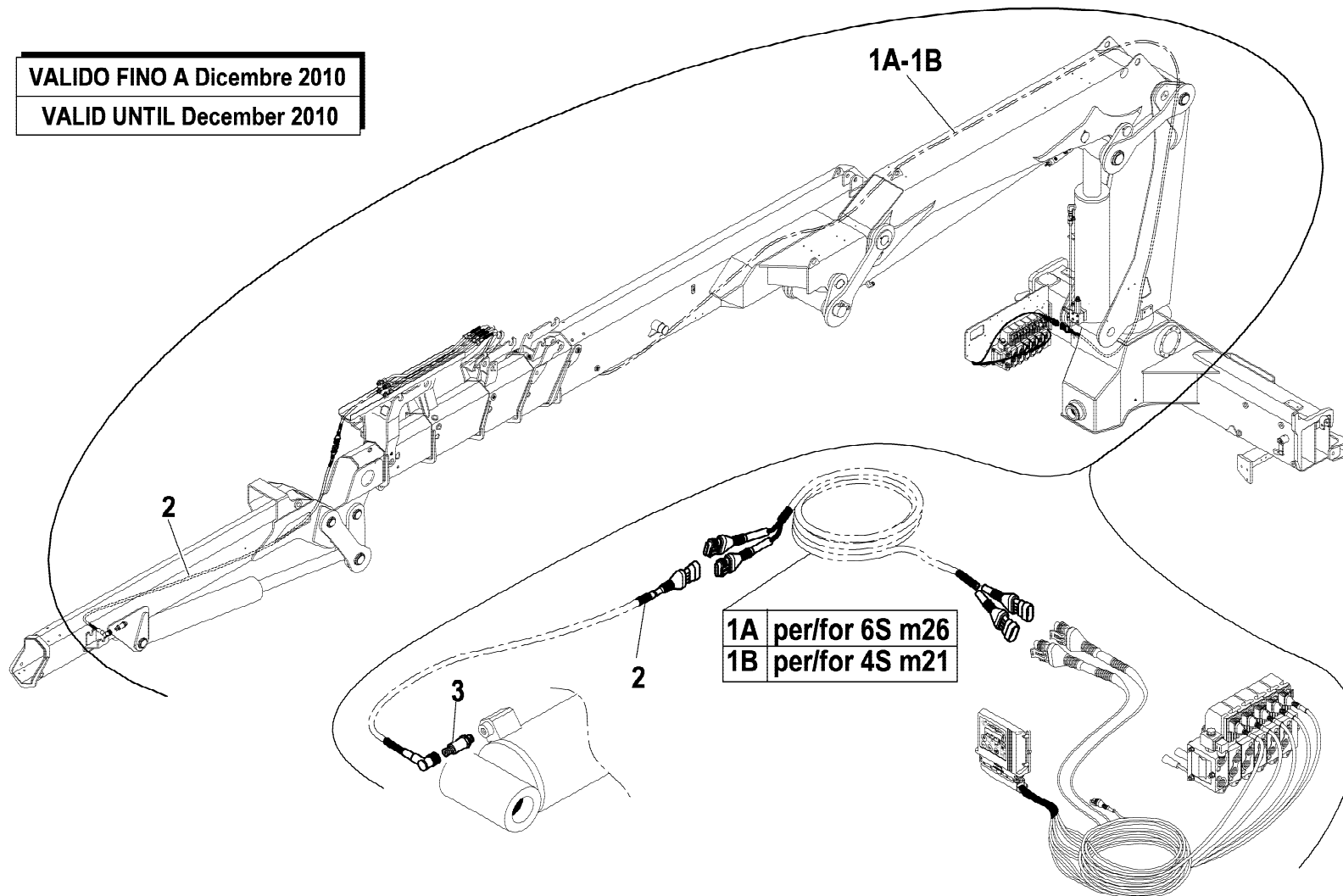
rif.	codice	Q.tà
1	3.31.0541	1
2	5.16.0016	1
3A	5.16.0015	1
3B	5.16.0019	1

VALIDO FINO A Dicembre 2010
VALID UNTIL December 2010



VALIDO FINO A Dicembre 2010

VALID UNTIL December 2010



rif.	codice	Q.tà
2	5.16.0001	1
3	3.31.0612	1
1A	5.16.0015	1
1B	5.16.0019	1

1/1

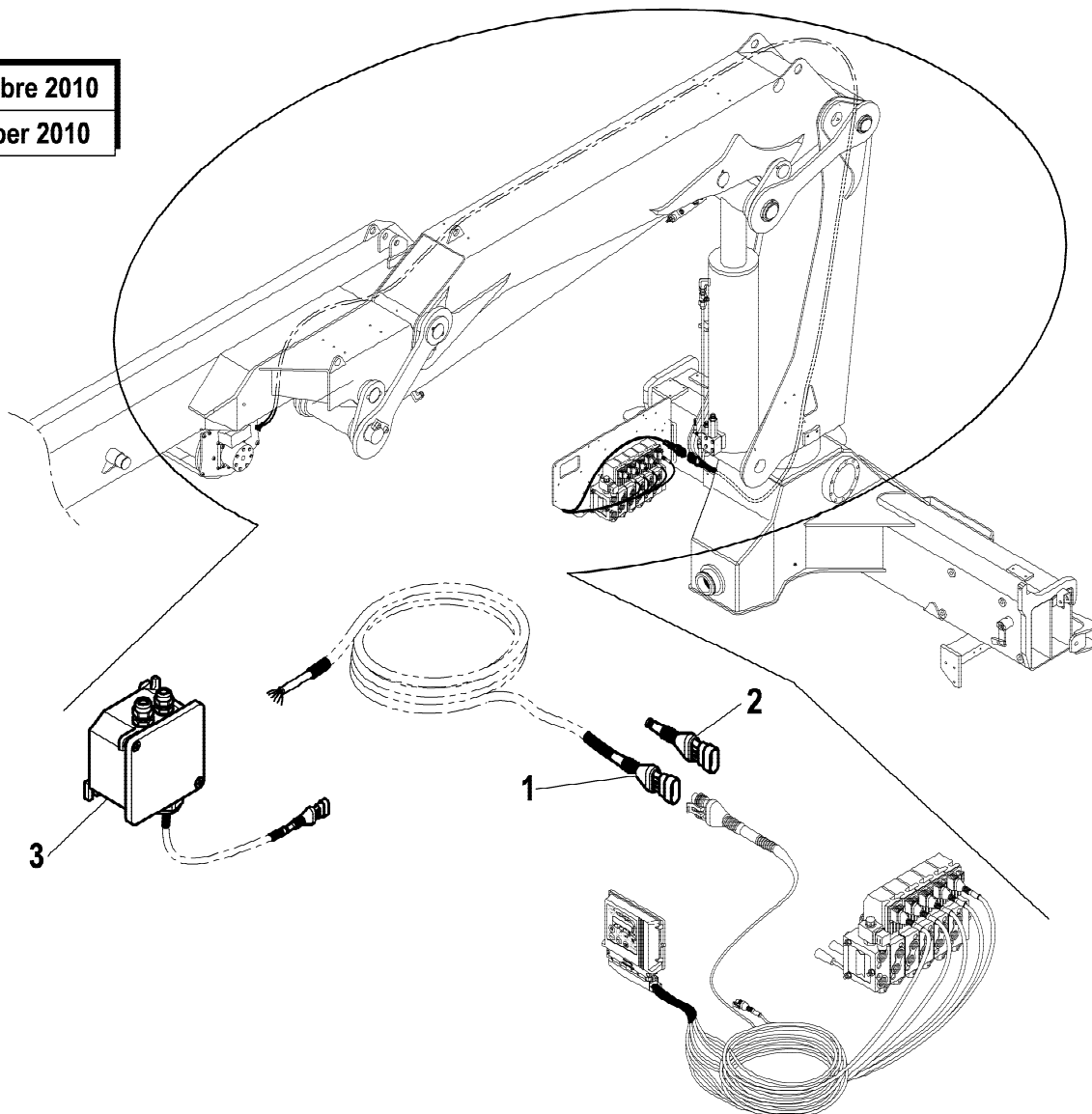
HYVA® CRANE
HB250

COMANDI RDC-EBB
CONTROLS RDC-EBB
COMMANDES RDC-EBB
STUERUGEN RDC-EBB
MANDOS RDC-EBB

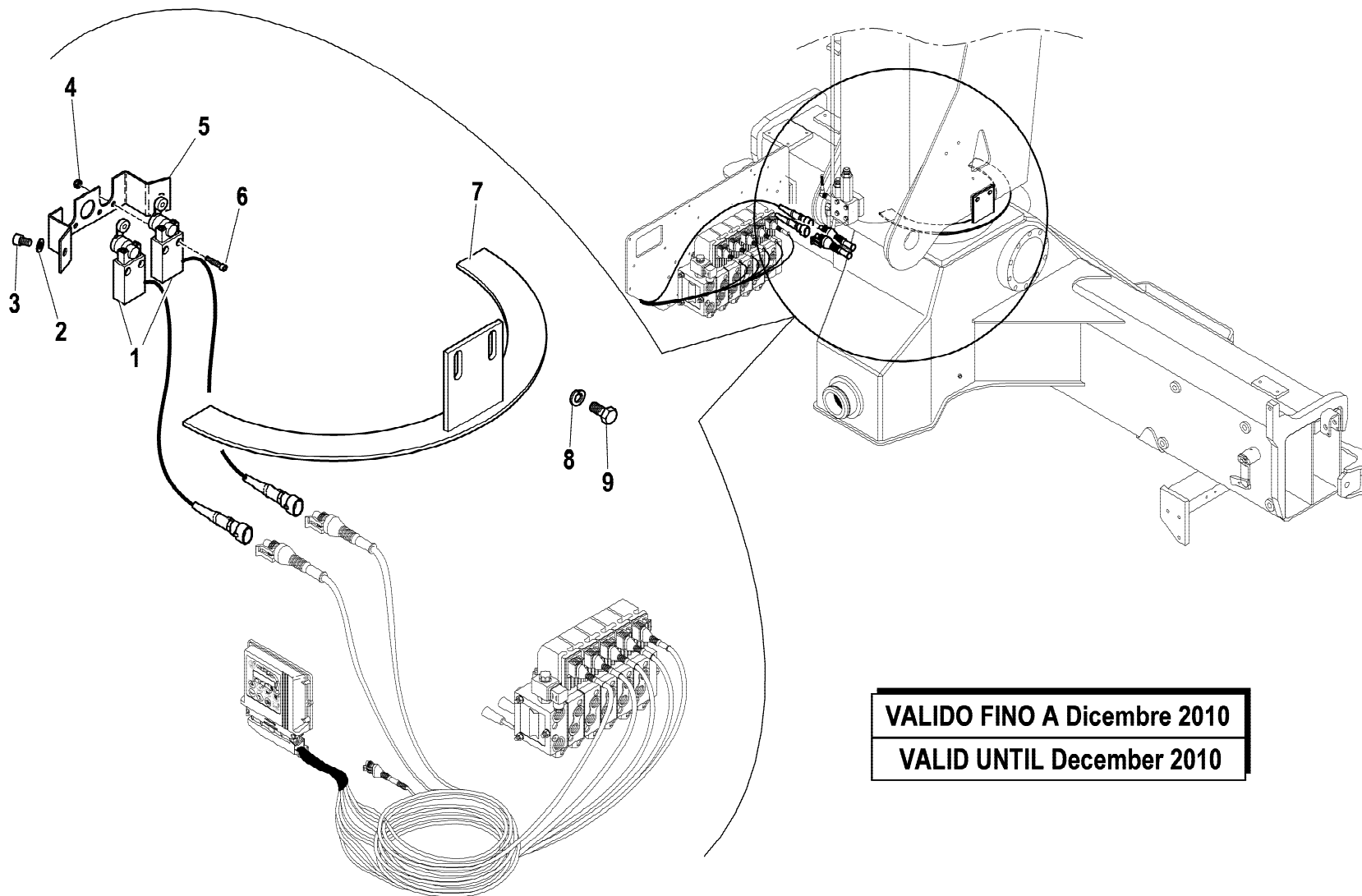
Tavola
5.40.0962-4-0

Data pag.
luglio 2010 187

VALIDO FINO A Dicembre 2010
VALID UNTIL December 2010



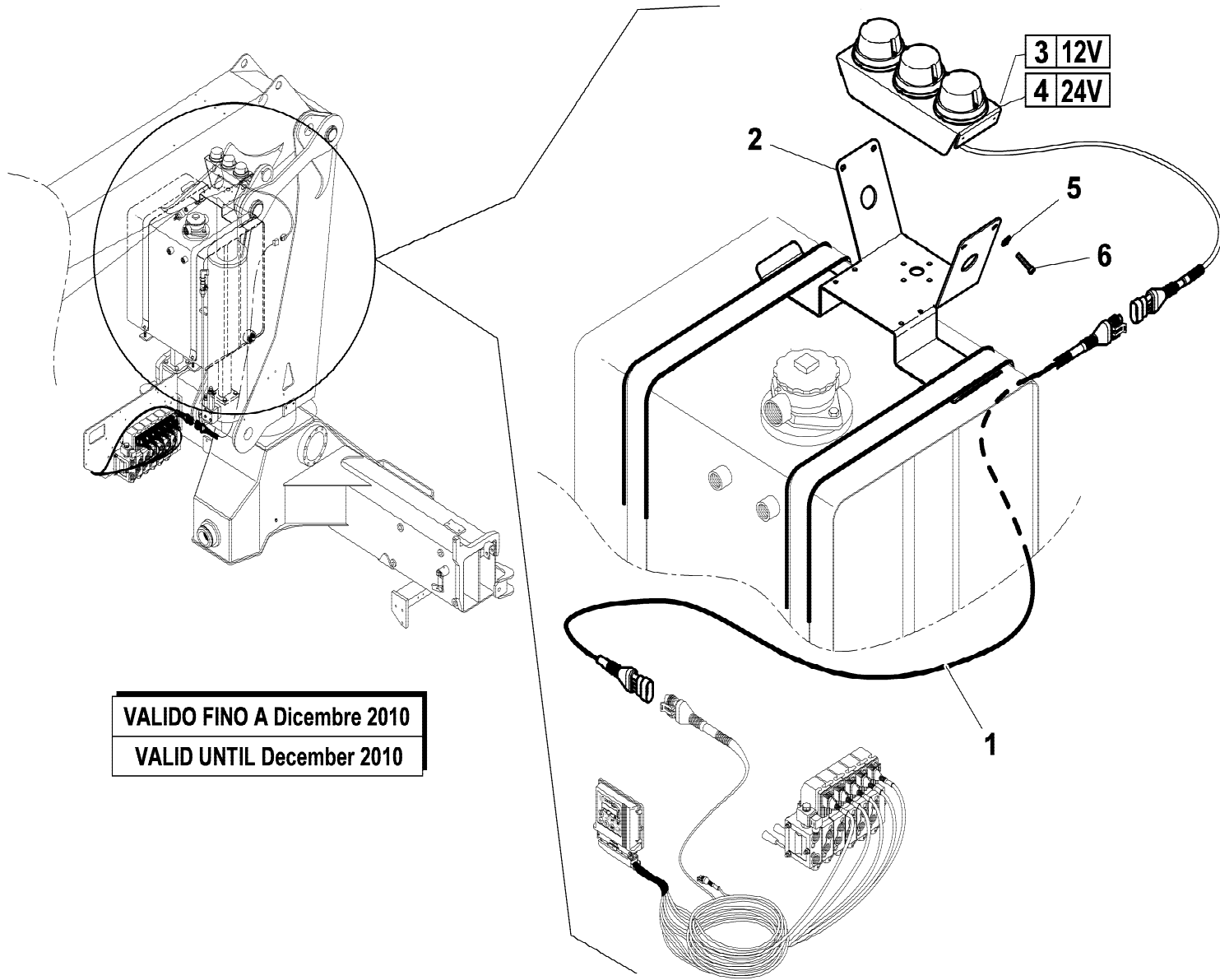
rif.	codice	Q.tà
1	5.16.0004	1
2	5.16.0013	1
3	3.31.0663	1



rif.	codice	Q.tà
1	5.16.0009	2
2	3.06.0005	2
3	3.02.0033	2
4	3.04.0392	4
5	W.61.05.046.00	1
6	3.02.0024	2
7	5.00.1777	1
8	3.06.0056	2
9	3.01.0353	2

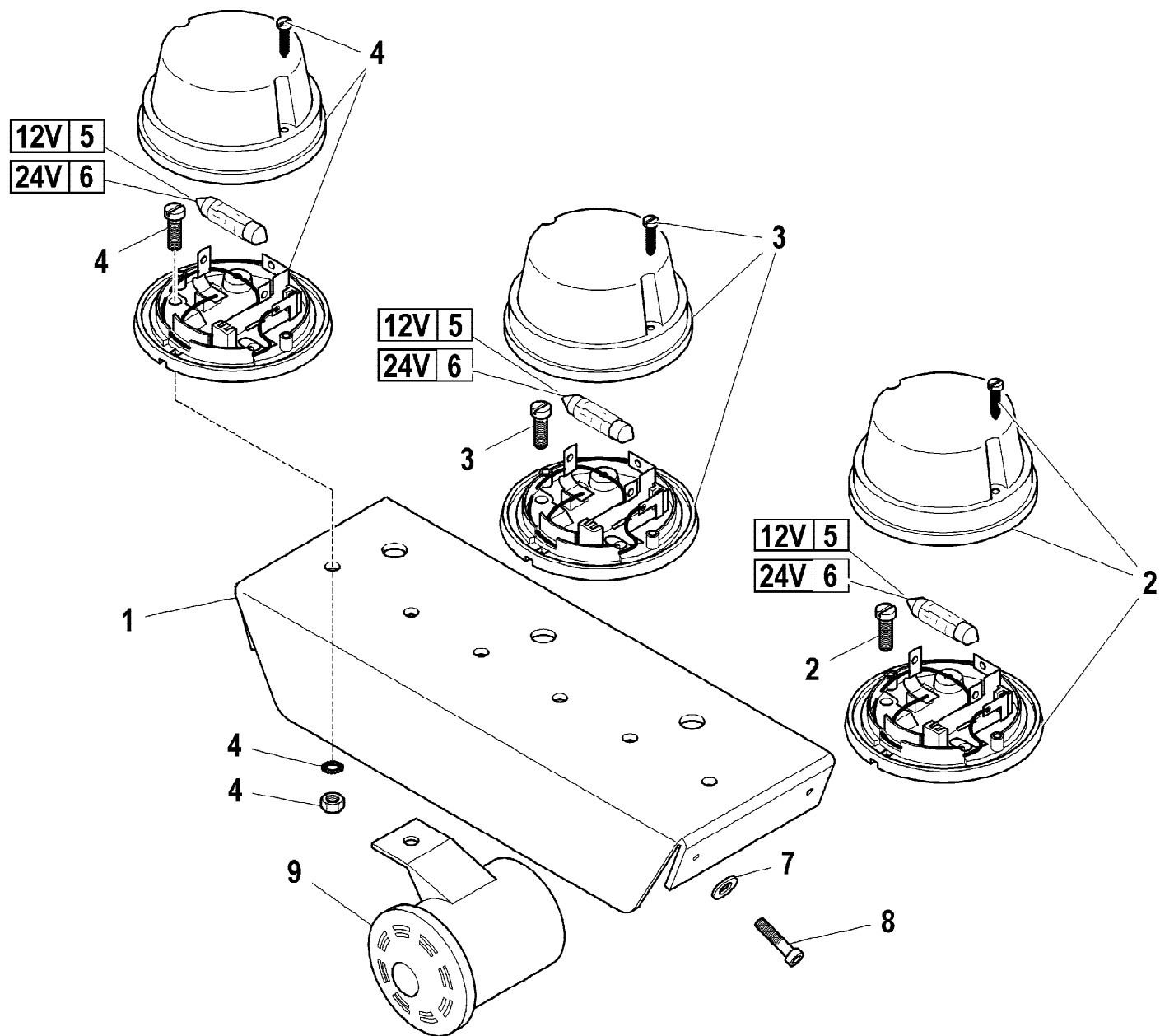
VALIDO FINO A Dicembre 2010
VALID UNTIL December 2010

rif.	codice	Q.tà
1	5.16.0003	1
2	5.00.1657	1
3	3.31.0819	1
4	3.31.0809	1
5	3.06.0003	4
6	3.02.0885	4



VALIDO FINO A Dicembre 2010
 VALID UNTIL December 2010

rif.	codice	Q.tà
1	5.00.1662	1
2	3.31.0811	1
3	3.31.0812	1
4	3.31.0810	1
5	3.31.0818	3
6	3.31.0813	3
7	3.06.0003	4
8	3.02.0885	4
9	3.31.0911	1



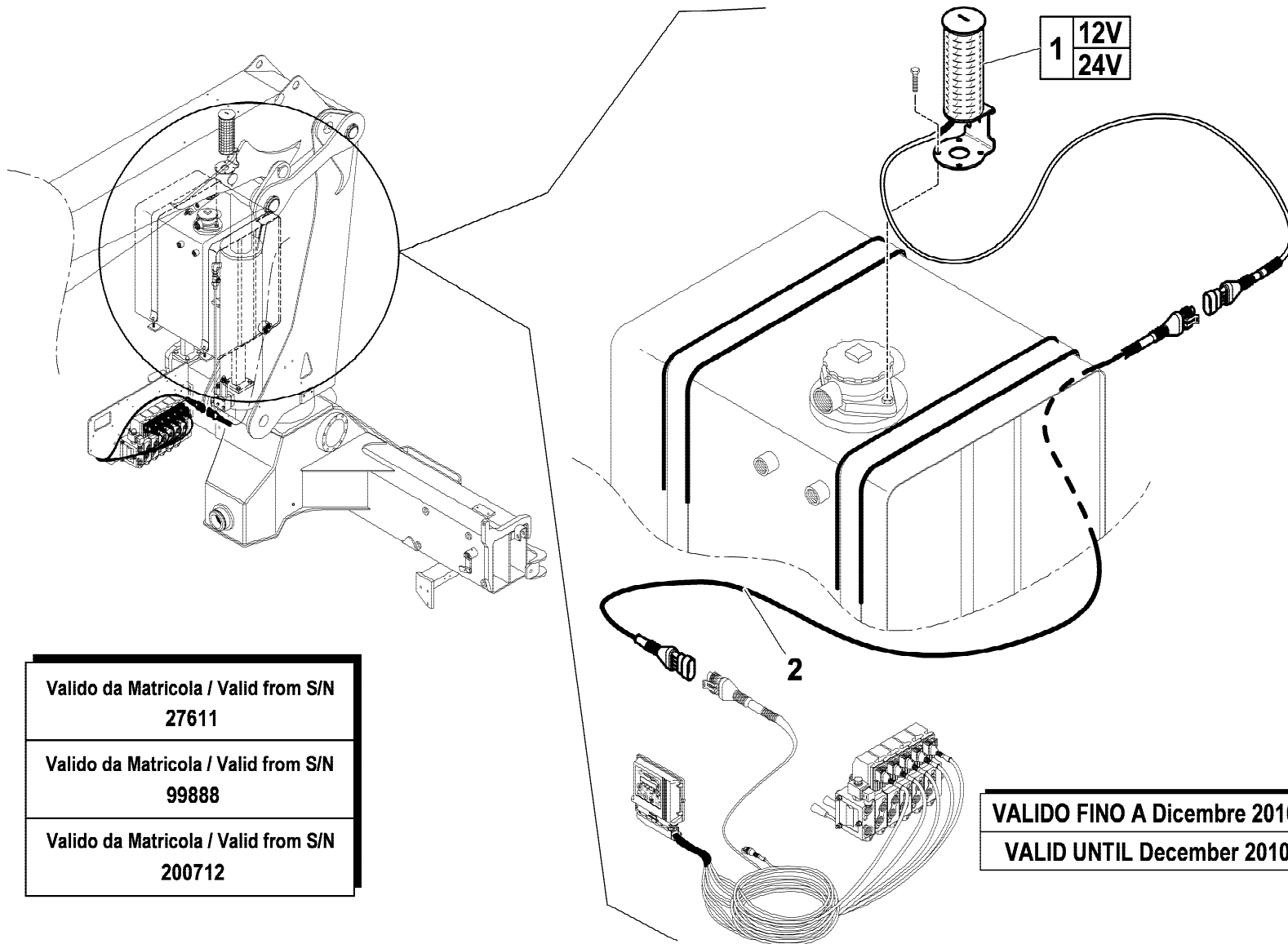
HB250

INDICATORE LUMINOSO
 PILOT LAMP
 LAMPE-TÉMOIN
 KONTROLLAMPE
 LÁMPARA SEÑAL

Tavola
7.88.5015-1-0

Data pag.
 giugno 2006 191

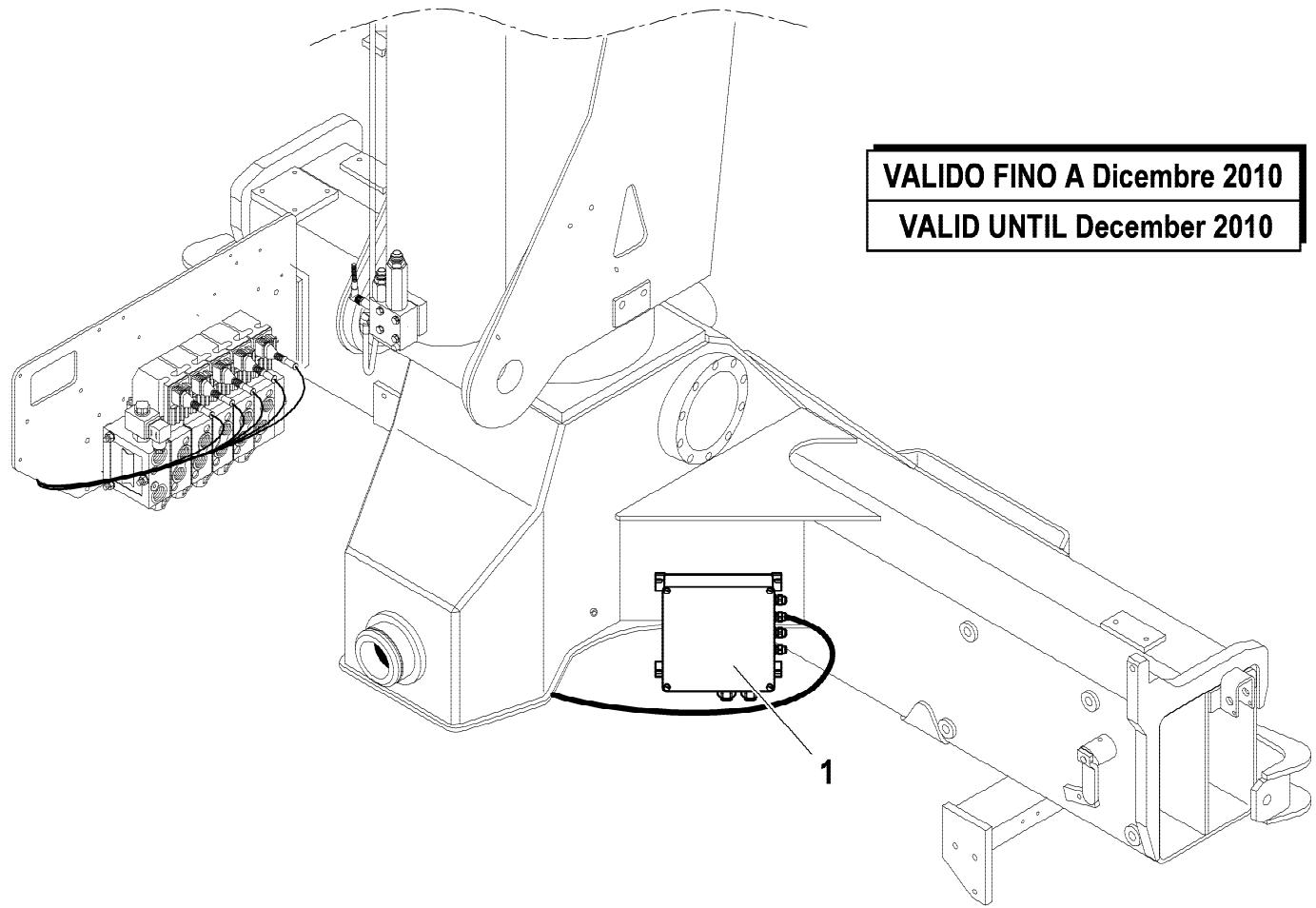
rif.	codice	Q.tà
1	3.31.1159	1
2	5.16.0003	1



Valido da Matricola / Valid from S/N 27611
Valido da Matricola / Valid from S/N 99888
Valido da Matricola / Valid from S/N 200712

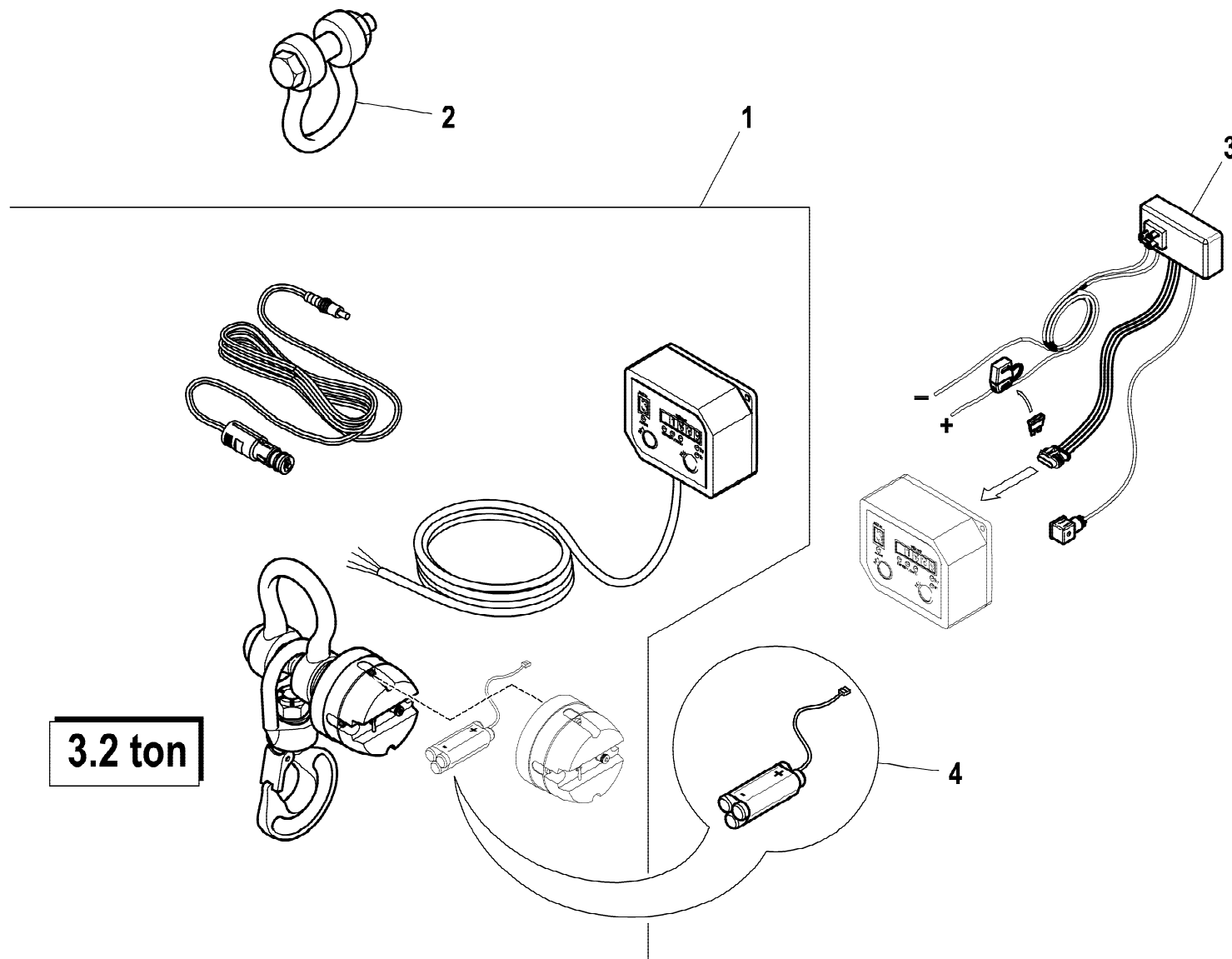
VALIDO FINO A Dicembre 2010
VALID UNTIL December 2010

1/1



VALIDO FINO A Dicembre 2010
VALID UNTIL December 2010

rif.	codice	Q.tà
1	5.73.0507	1
2	3.20.0050	1
3	W.236.508	1
4	3.31.1542	1



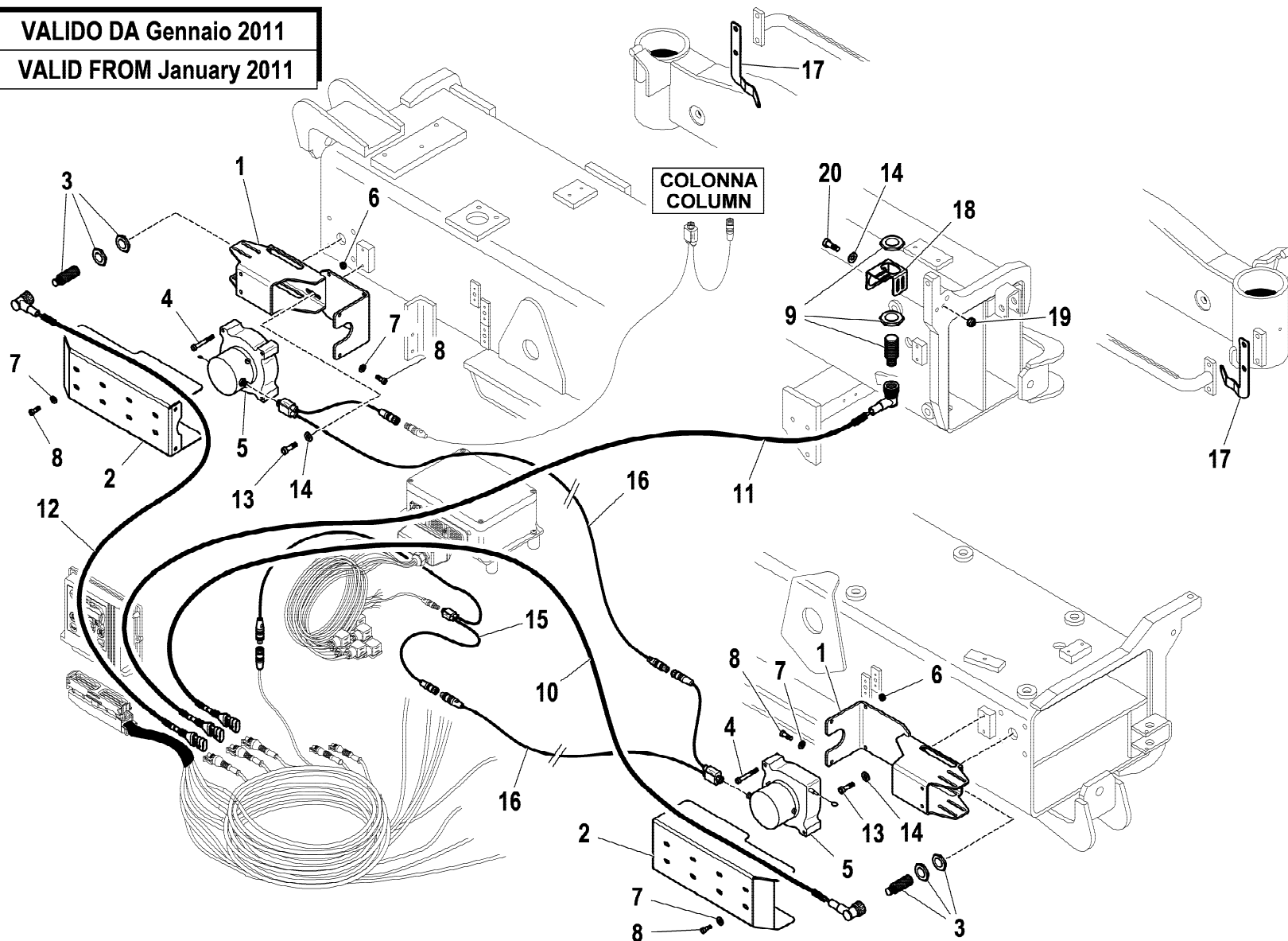
3.2 ton



HB250 TCU EN12999-A3

VALIDO DA Gennaio 2011

VALID FROM January 2011



rif.	codice	Q.tà
1	5.09.1299	2
2	5.00.2060	2
3	3.31.1311	2
4	3.02.0019	6
5	3.31.1313	2
6	3.04.0518	6
7	3.06.0004	8
8	3.02.0022	8
9	3.31.1312	1
10	3.31.1377	1
11	3.31.1372	1
12	3.31.1332	1
13	3.02.0034	4
14	3.06.0030	6
15	3.31.1398	1
16	3.31.1325	2
17	5.00.0435	2
18	5.00.2051	1
19	3.04.0372	2
20	3.02.0037	2

1/1

HYVA CRANE

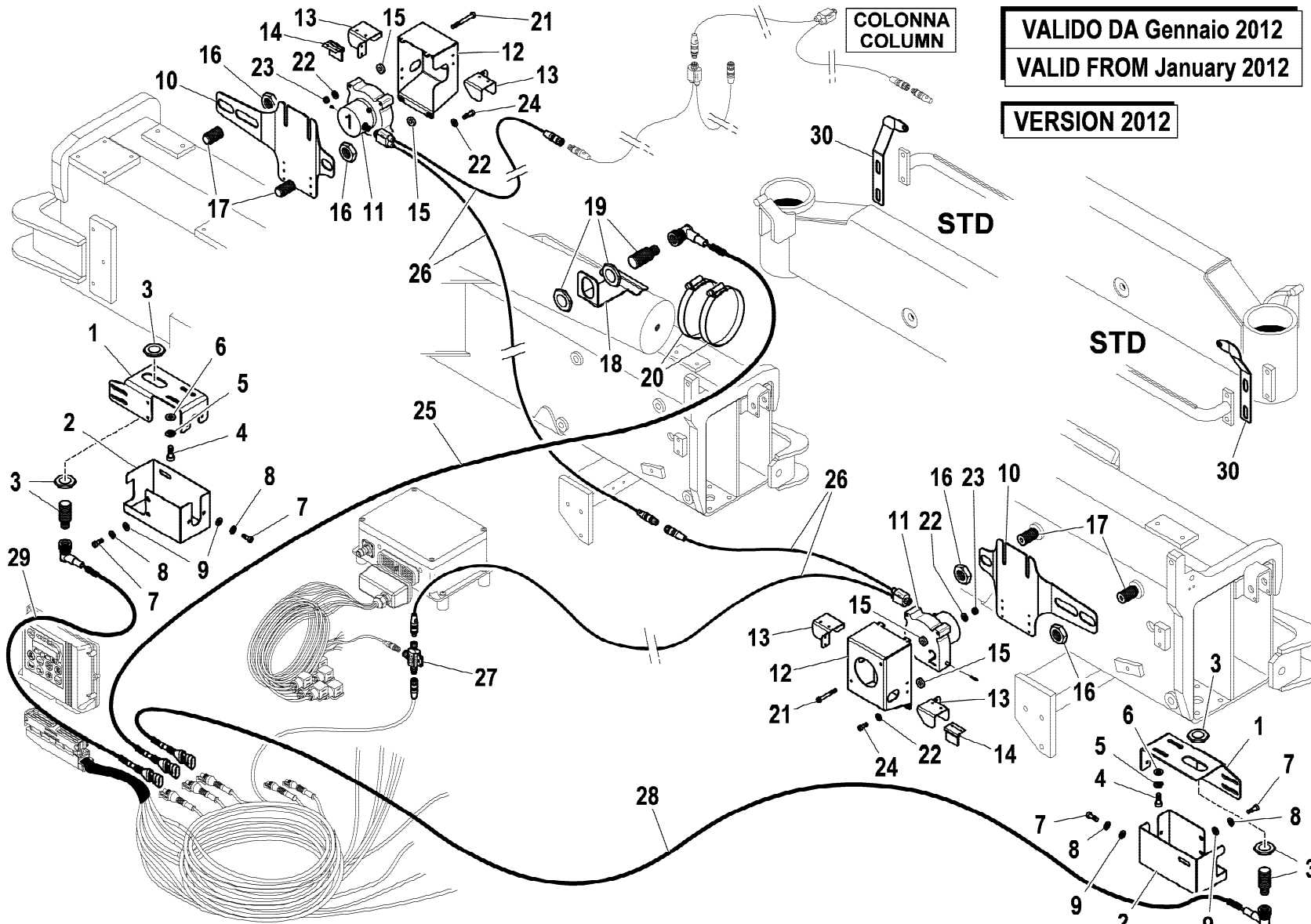
HB250

CONTROLLO STABILITA' (RDC) EN-12999-A3
STABILITY CONTROL (RDC) EN-12999-A3
CONTRÔLE DE LA STABILITE' (RDC) EN-12999-A3
STABILITÄTSKONTROLLE (RDC) EN-12999-A3
CONTROL DE LA ESTABILIDAD (RDC) EN-12999-A3

Tavola

5.41.1204-11-0

Data pag.
aprile 2013 196



VALIDO DA Gennaio 2012
VALID FROM January 2012

VERSION 2012

rif.	codice	Q.tà
1	5.09.1395	2
2	5.00.2189	2
3	3.31.1311	2
4	3.02.0034	4
5	3.06.0053	4
6	3.06.0030	4
7	3.02.0022	8
8	3.06.0052	8
9	3.06.0004	8
10	5.00.2184	1
11	3.31.1313	2
12	5.09.1392	2
13	5.00.2181	4
14	5.00.2175	2
15	3.19.0039	4
16	3.04.0089	4
17	5.00.1917	4
18	5.00.2185	1
19	3.31.1312	1
20	3.19.0021	2
21	3.02.0019	4
22	3.06.0003	8
23	3.04.0518	4
24	3.02.0895	4
25	3.31.1372	1
26	3.31.1325	2
27	3.31.1323	1
28	3.31.1377	1
29	3.31.1332	1
30	5.00.0435	2



HB250

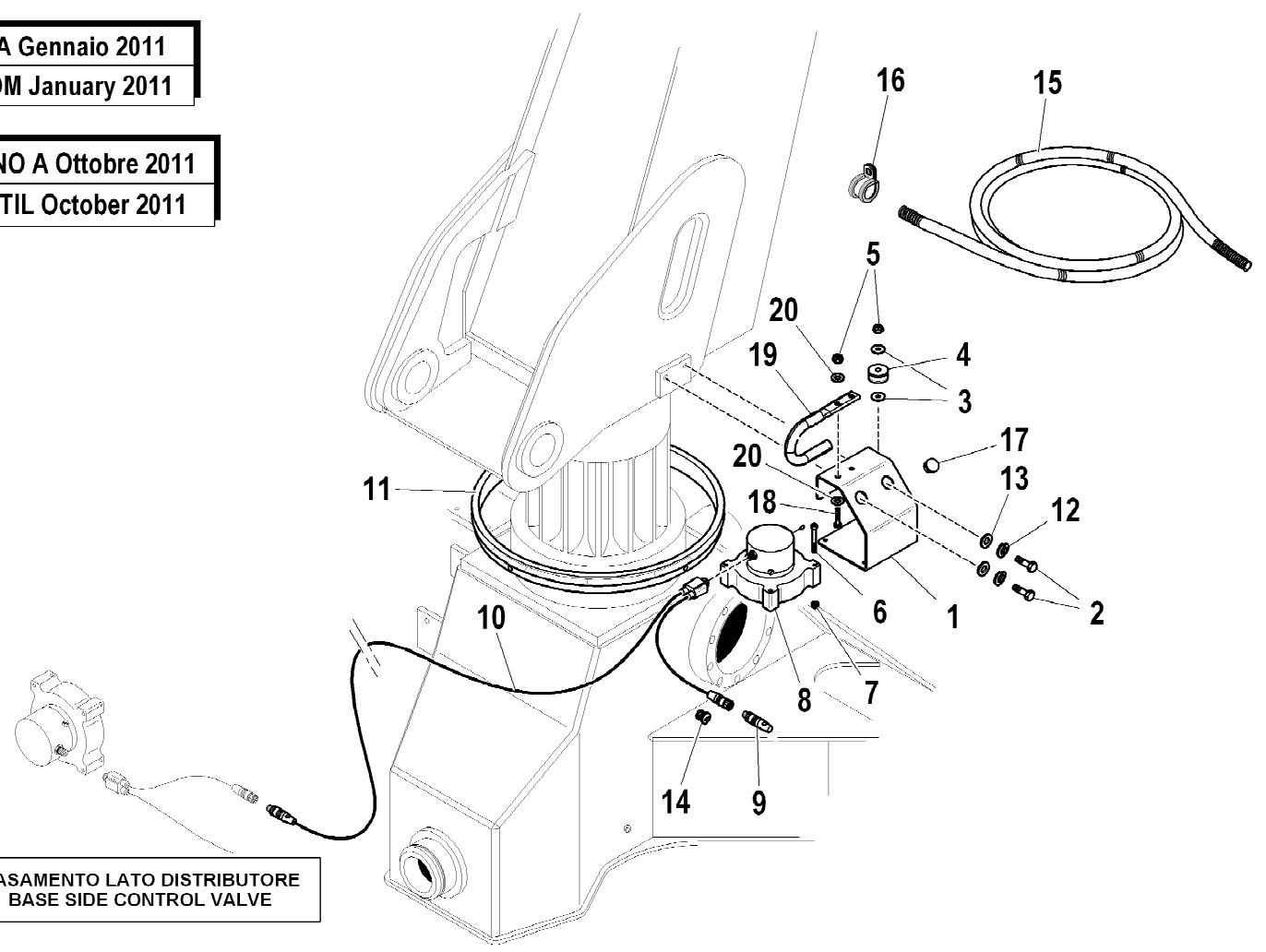
CONTROLLO STABILITA' (RDC) EN-12999-A3
 STABILITY CONTROL (RDC) EN-12999-A3
 CONTRÔLE DE LA STABILITE' (RDC) EN-12999-A3
 STABILITÄTSKONTROLLE (RDC) EN-12999-A3
 CONTROL DE LA ESTABILIDAD (RDC) EN-12999-A3

Tavola
5.41.1385-4-0

Data pag.
 aprile 2013 197

VALIDO DA Gennaio 2011
 VALID FROM January 2011

VALIDO FINO A Ottobre 2011
 VALID UNTIL October 2011



BASAMENTO LATO DISTRIBUTORE
 BASE SIDE CONTROL VALVE

rif.	codice	Q.tà
1	5.09.1301	1
2	3.02.0080	2
3	3.06.0030	2
4	5.14.1080	1
5	3.04.0372	3
6	3.02.0019	3
7	3.04.0518	3
8	3.31.1313	1
9	3.31.1327	1
10	3.31.1325	1
11	5.14.1087	1
12	3.06.0056	2
13	3.06.0914	2
14	3.31.1326	1
15	3.19.0295	mt2.5
16	3.19.0036	1
17	3.19.0301	2
18	3.01.0022	2
19	5.00.2124	1
20	3.06.0005	4



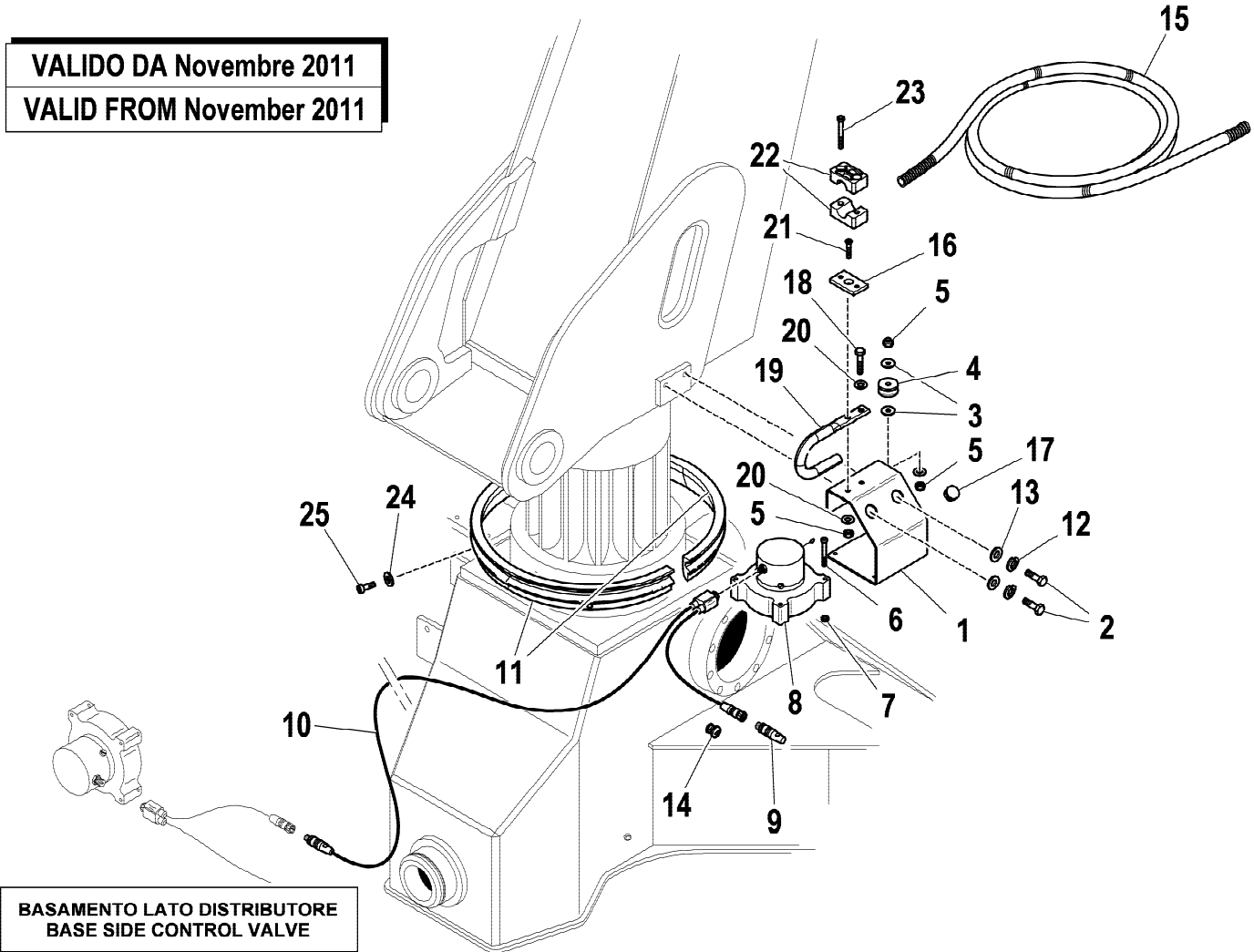
HB250

CONTROLLO ROTAZIONE EN-12999-A3
 ROTATION CONTROL EN-12999-A3
 CONTRÔLE ROTATION EN-12999-A3
 KONTROLLE ROTATION EN-12999-A3
 CONTROL ROTACIÓN EN-12999-A3

Tavola
5.41.1205-5-0

Data pag.
 luglio 2011 198

VALIDO DA Novembre 2011
VALID FROM November 2011



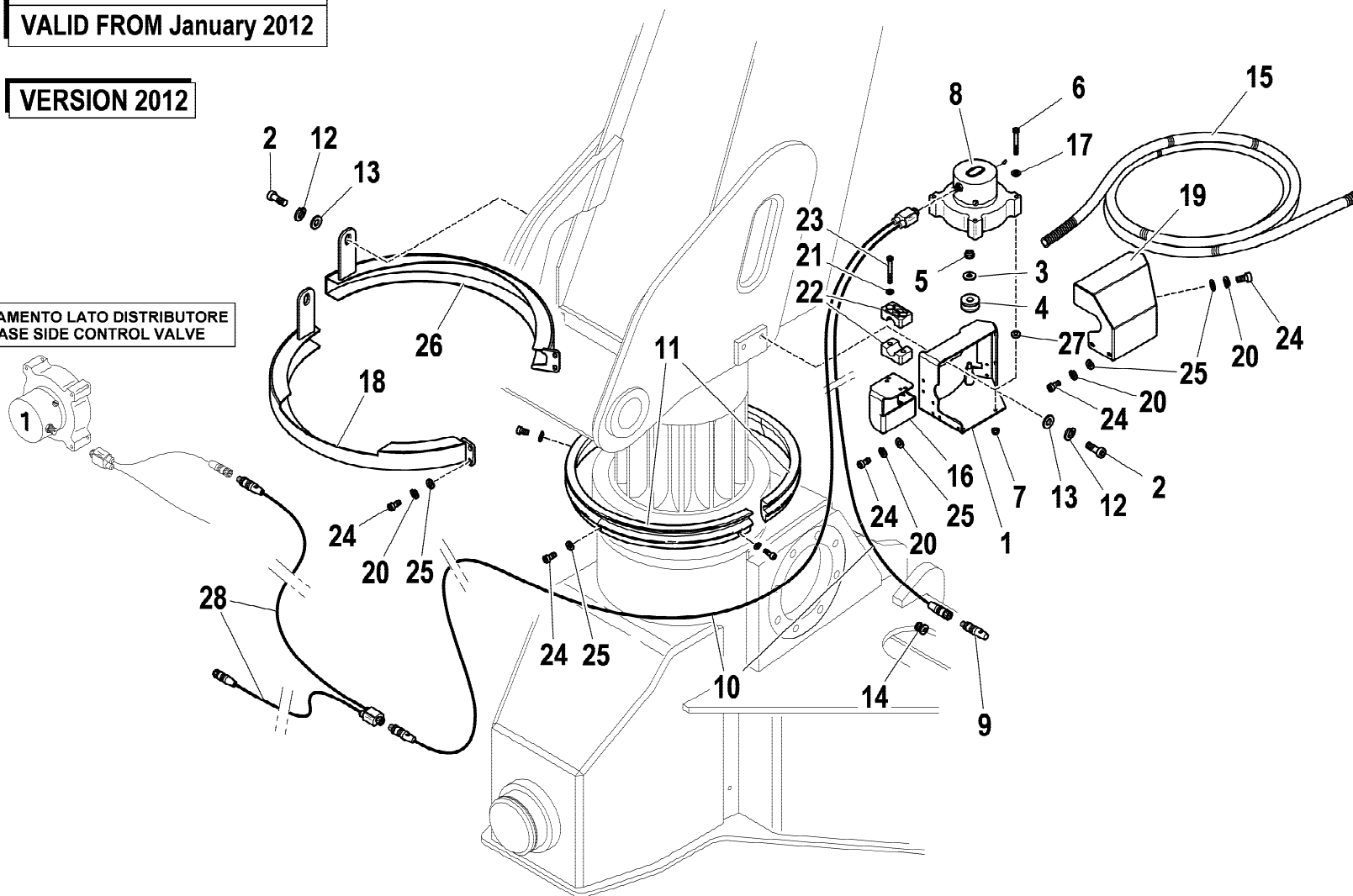
rif.	codice	Q.tà
1	5.09.1301	1
2	3.02.0080	2
3	3.06.0030	2
4	5.14.1080	1
5	3.04.0372	3
6	3.02.0019	3
7	3.04.0518	3
8	3.31.1313	1
9	3.31.1327	1
10	3.31.1325	1
11	5.14.1121	2
12	3.06.0056	2
13	3.06.0914	2
14	3.31.1326	1
15	3.19.0295	mt2.5
16	5.00.0454	1
17	3.19.0301	2
18	3.01.0022	2
19	5.00.2124	1
20	3.06.0005	4
21	3.02.0907	1
22	3.19.0185	2
23	3.02.0039	2
24	3.06.0004	4
25	3.02.0021	4

VALIDO DA Gennaio 2012

VALID FROM January 2012

VERSION 2012

BASAMENTO LATO DISTRIBUTORE
BASE SIDE CONTROL VALVE



rif.	codice	Q.tà
1	5.09.1398	1
2	3.02.0080	4
3	3.06.0030	1
4	5.14.1135	1
5	3.04.0372	1
6	3.02.0019	2
7	3.04.0518	2
8	3.31.1313	1
9	3.31.1327	1
10	3.31.1325	1
11	5.14.1121	2
12	3.06.0056	4
13	3.06.0914	4
14	3.31.1326	1
15	3.19.0295	mt2.5
16	5.00.2193	1
17	3.06.0003	2
18	5.09.1394	1
19	5.00.2177	1
20	3.06.0052	10
21	3.19.0178	2
22	3.19.0185	2
23	3.02.0039	2
24	3.02.0022	16
25	3.06.0004	16
26	5.09.1391	1
27	3.19.0039	2
28	3.31.1398	1

1/1

HYVA® CRANE
HB250

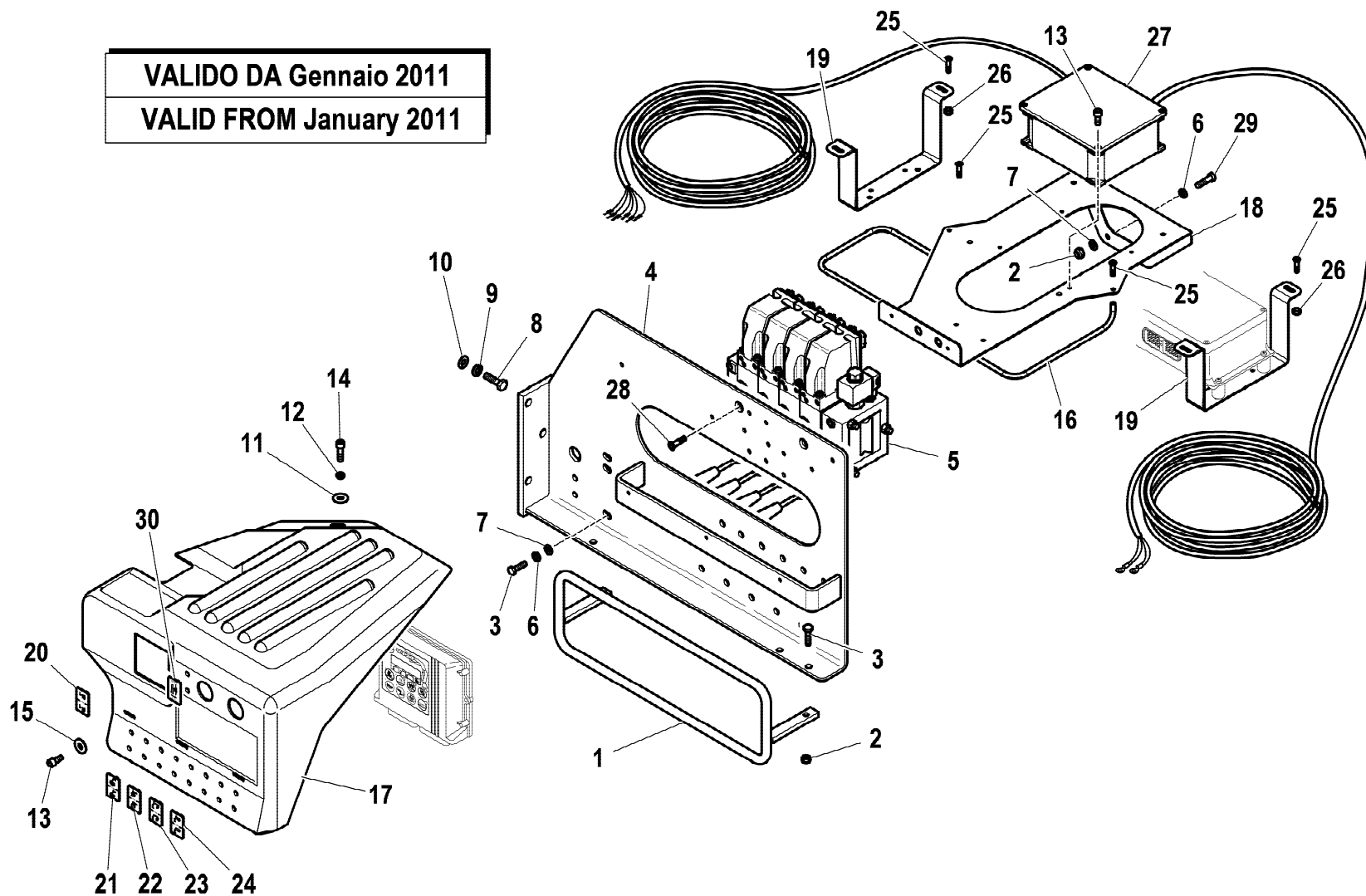
CONTROLLO ROTAZIONE EN-12999-A3
ROTATION CONTROL EN-12999-A3
CONTRÔLE ROTATION EN-12999-A3
KONTROLLE ROTATION EN-12999-A3
CONTROL ROTACIÓN EN-12999-A3

Tavola
5.41.1367-4-0

Data pag.
aprile 2013 200

VALIDO DA Gennaio 2011

VALID FROM January 2011



rif.	codice	Q.tà
1	5.09.0636	1
2	3.04.0303	4
3	3.01.0339	5
4	5.09.0132	1
5	5.22.0373	1
6	3.06.0055	5
7	3.06.0006	5
8	3.01.0355	3
9	3.06.0056	3
10	3.06.0914	3
11	3.06.0030	1
12	3.06.0005	1
13	3.02.0023	3
14	3.02.0034	1
15	3.06.0004	3
16	5.00.2043	1
17	5.09.1076	1
18	5.00.0438	1
19	5.00.2028	2
20	5.81.3516	1
21	W.573.266	1
22	W.573.267	1
23	W.573.269	1
24	W.573.270	1
25	3.02.0439	6
26	3.04.0372	4
27	3.31.1405	1
28	3.02.0438	2
29	3.02.0875	2
30	5.81.3567	1

1/1

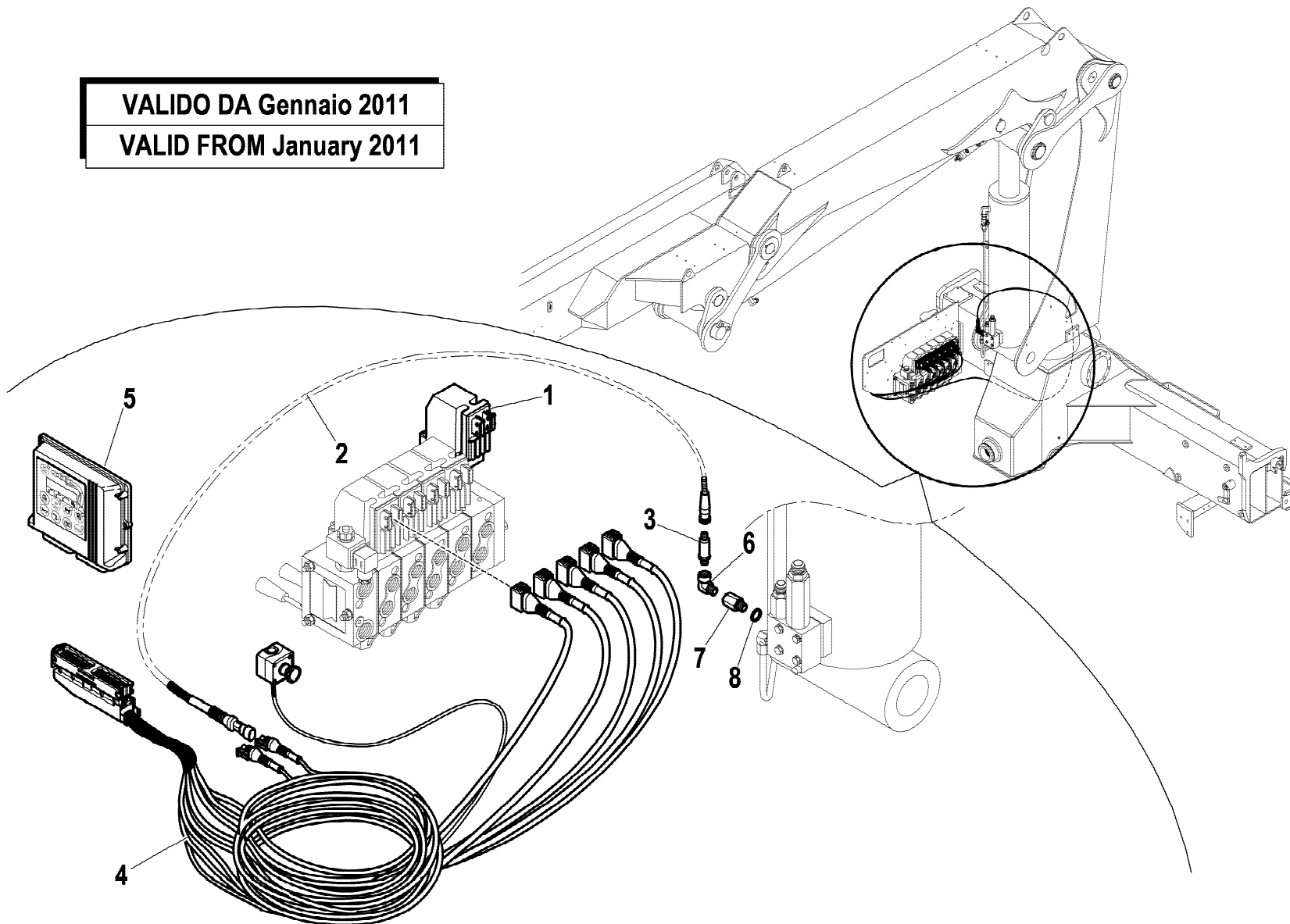
HYVA[®] CRANE
HB250

COMANDI CON TERMOFORMATO (RDC EBB-X TCU-ECM4) EN12999-A3
 CONTROLS WITH THERMOFORMABLE (RDC EBB-X TCU-ECM4) EN12999-A3
 COMMANDES AVEC THERMOFORMABLE (RDC EBB-X TCU-ECM4) EN12999-A3
 STEUERUGEN MIT THERMOFORMBARE (RDC EBB-X TCU-ECM4) EN12999-A3
 MANDOS CON TERMOFORMABLES (RDC EBB-X TCU-ECM4) EN12999-A3

Tavola
5.40.1370-1-0

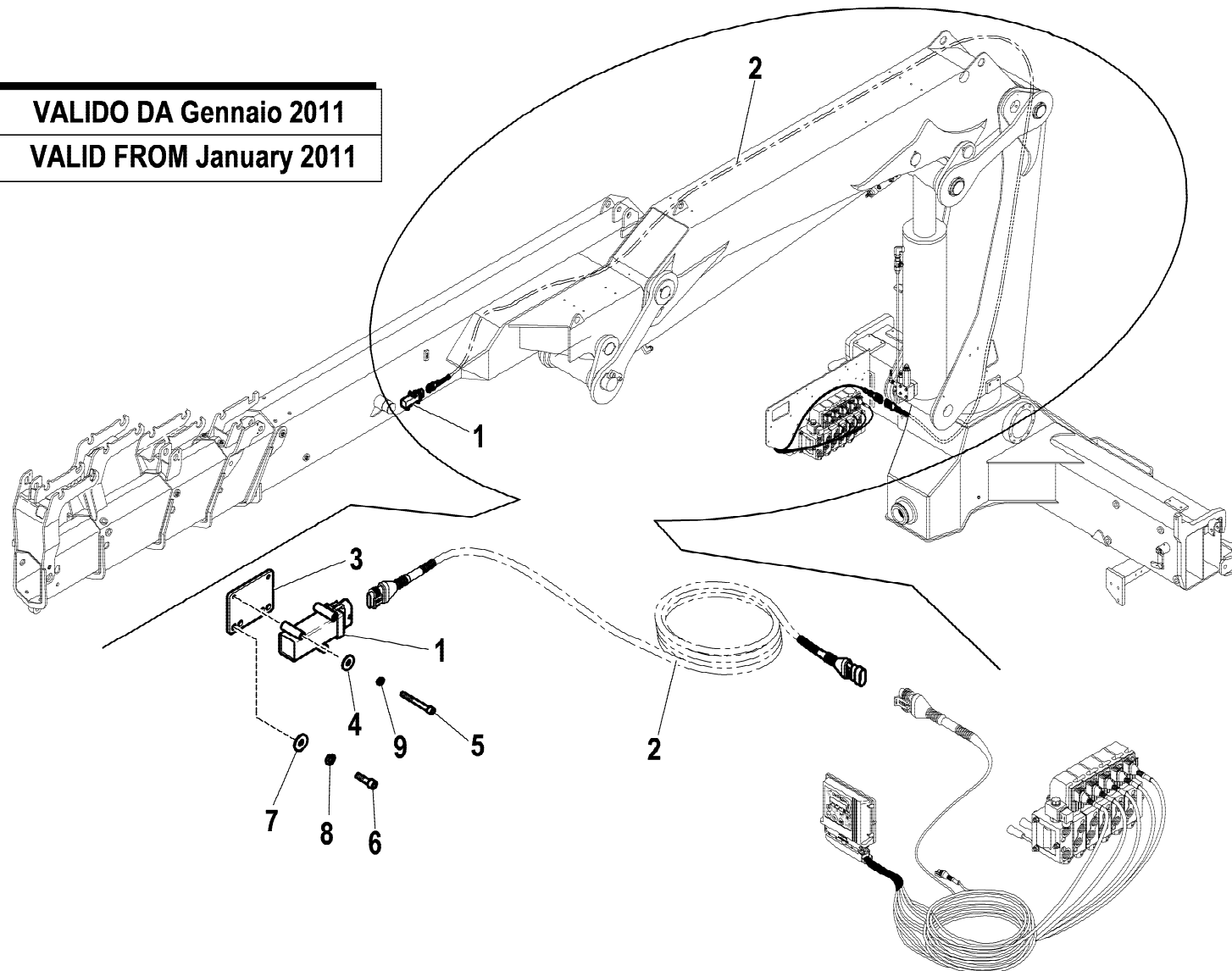
Data pag.
 luglio 2011 201

VALIDO DA Gennaio 2011
VALID FROM January 2011



rif.	codice	Q.tà
1	5.22.5534	4
2	5.16.0084	1
3	3.31.0612	1
4	5.16.0072	1
5	3.31.1423	1
6	3.11.1512	1
7	3.11.0266	1
8	3.06.0143	1

VALIDO DA Gennaio 2011
VALID FROM January 2011



rif.	codice	Q.tà
1	3.31.1150	1
2	5.16.0076	1
3	5.00.2108	1
4	3.06.0003	2
5	3.02.0018	2
6	3.02.0033	2
7	3.06.0005	2
8	3.06.0053	2
9	3.06.0065	2

1/1

HYVA[®] CRANE
HB250

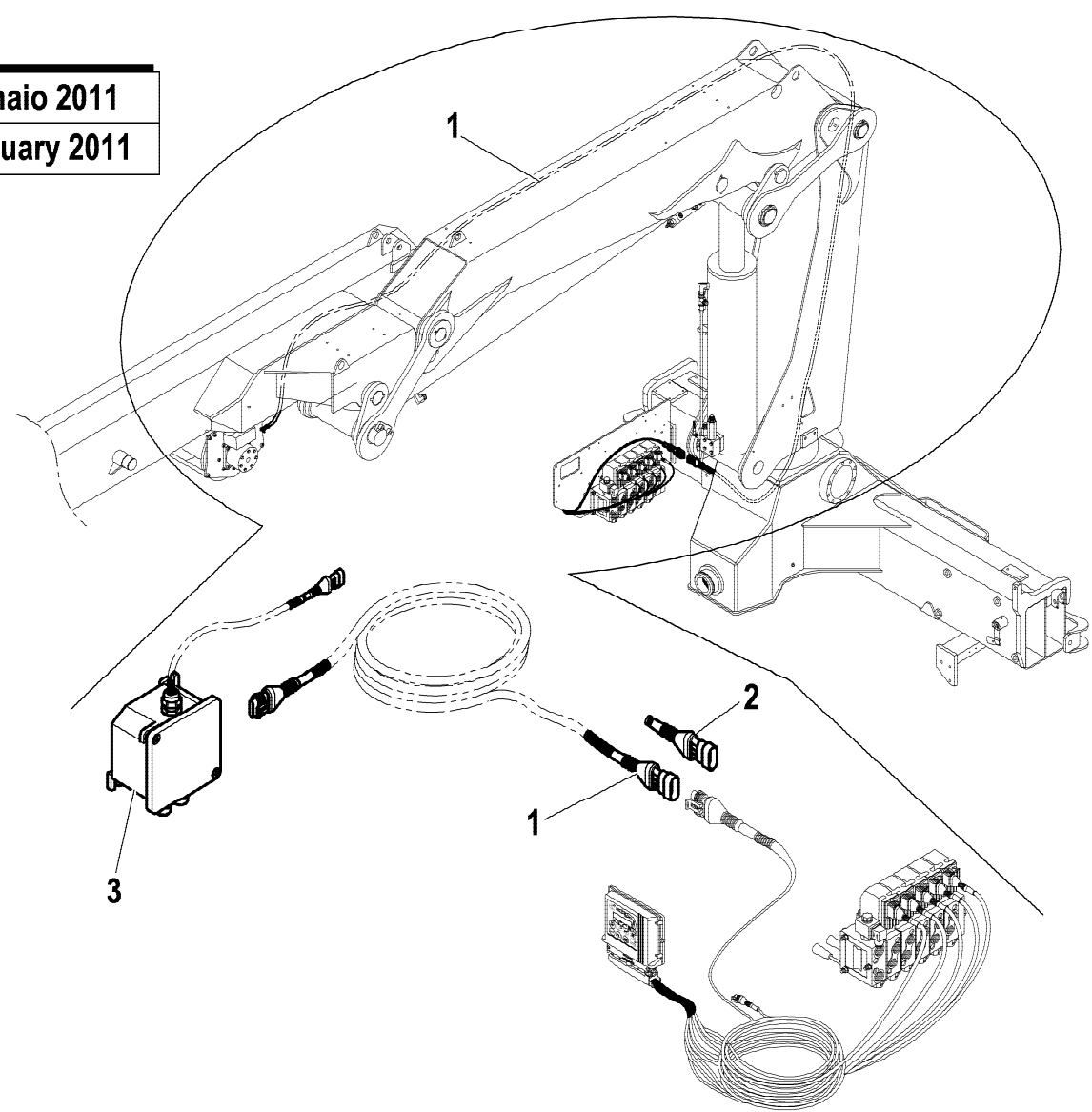
COMANDI (RDC EBB-X TCU-ECM4) EN12999-A3
 CONTROLS (RDC EBB-X TCU-ECM4) EN12999-A3
 COMMANDES (RDC EBB-X TCU-ECM4) EN12999-A3
 STEUERUGEN (RDC EBB-X TCU-ECM4) EN12999-A3
 MANDOS (RDC EBB-X TCU-ECM4) EN12999-A3

Tavola
5.40.1218-3-0

Data pag.
 dicembre 2010 203

rif.	codice	Q.tà
1	5.16.0004	1
2	5.16.0013	1
3	3.31.0663	1

VALIDO DA Gennaio 2011
VALID FROM January 2011



HYVA[®] CRANE
HB250

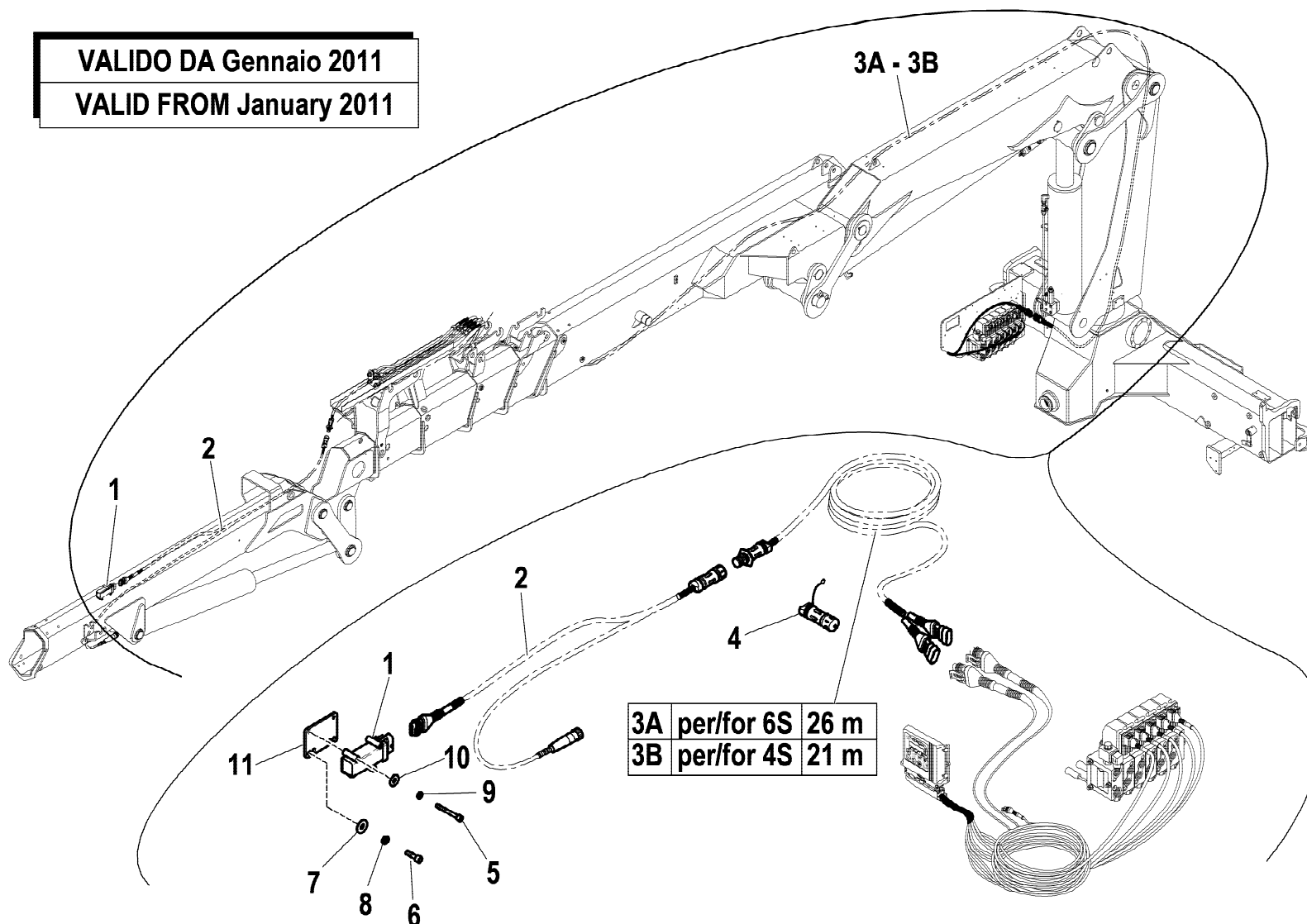
COMANDI (RDC EBB-X TCU-ECM4) EN12999-A3
 CONTROLS (RDC EBB-X TCU-ECM4) EN12999-A3
 COMMANDES (RDC EBB-X TCU-ECM4) EN12999-A3
 STEUERUGEN (RDC EBB-X TCU-ECM4) EN12999-A3
 MANDOS (RDC EBB-X TCU-ECM4) EN12999-A3

Tavola
5.40.1218-6-0

Data pag.
 dicembre 2010 204

VALIDO DA Gennaio 2011

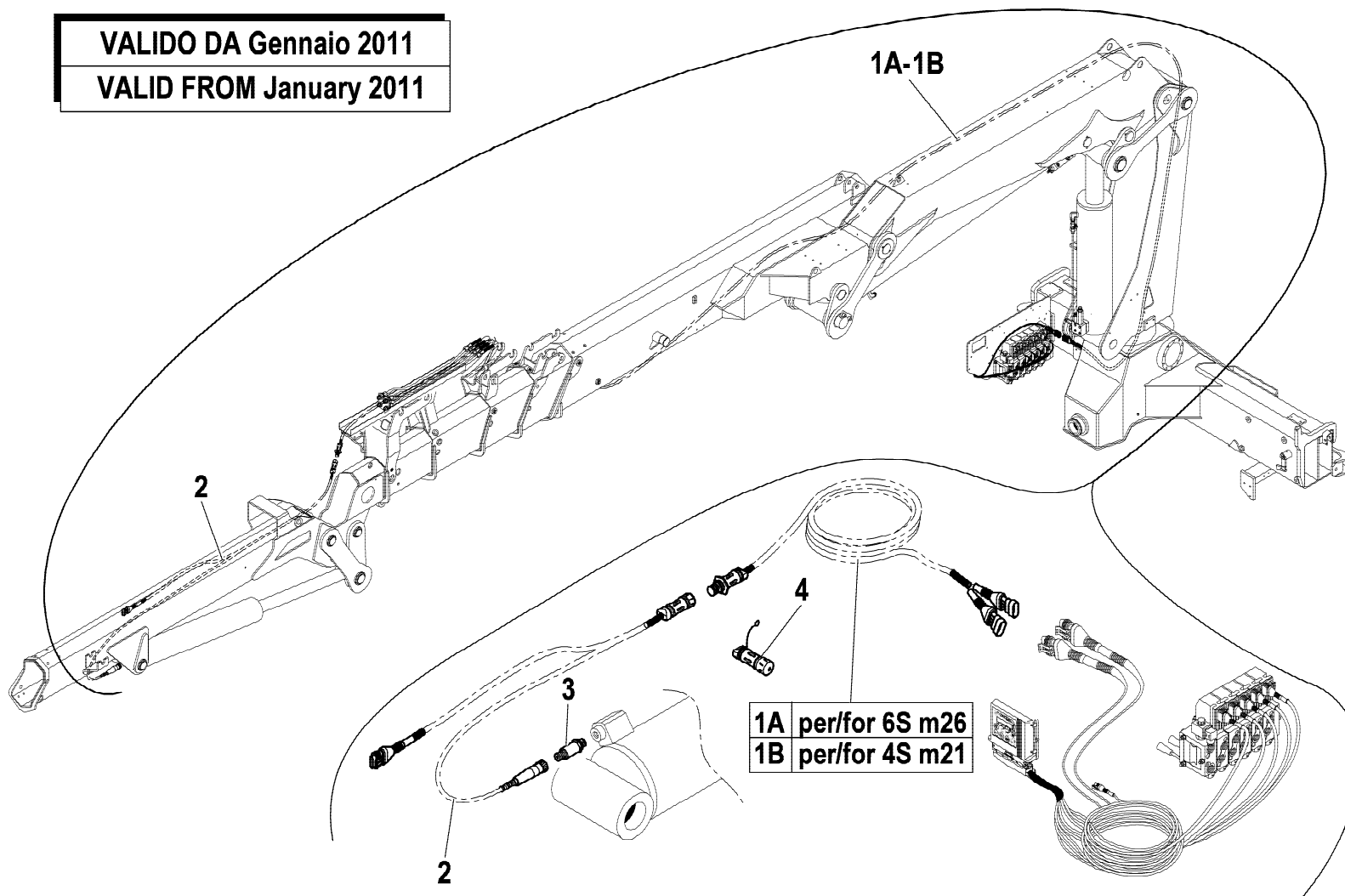
VALID FROM January 2011



rif.	codice	Q.tà
1	3.31.1150	1
2	5.16.0079	1
3 A	5.16.0077	1
3 B	5.16.0078	1
4	5.16.0080	1
5	3.02.0018	2
6	3.02.0033	2
7	3.06.0005	2
8	3.06.0053	2
9	3.06.0065	2
10	3.06.0003	2
11	5.00.2108	1

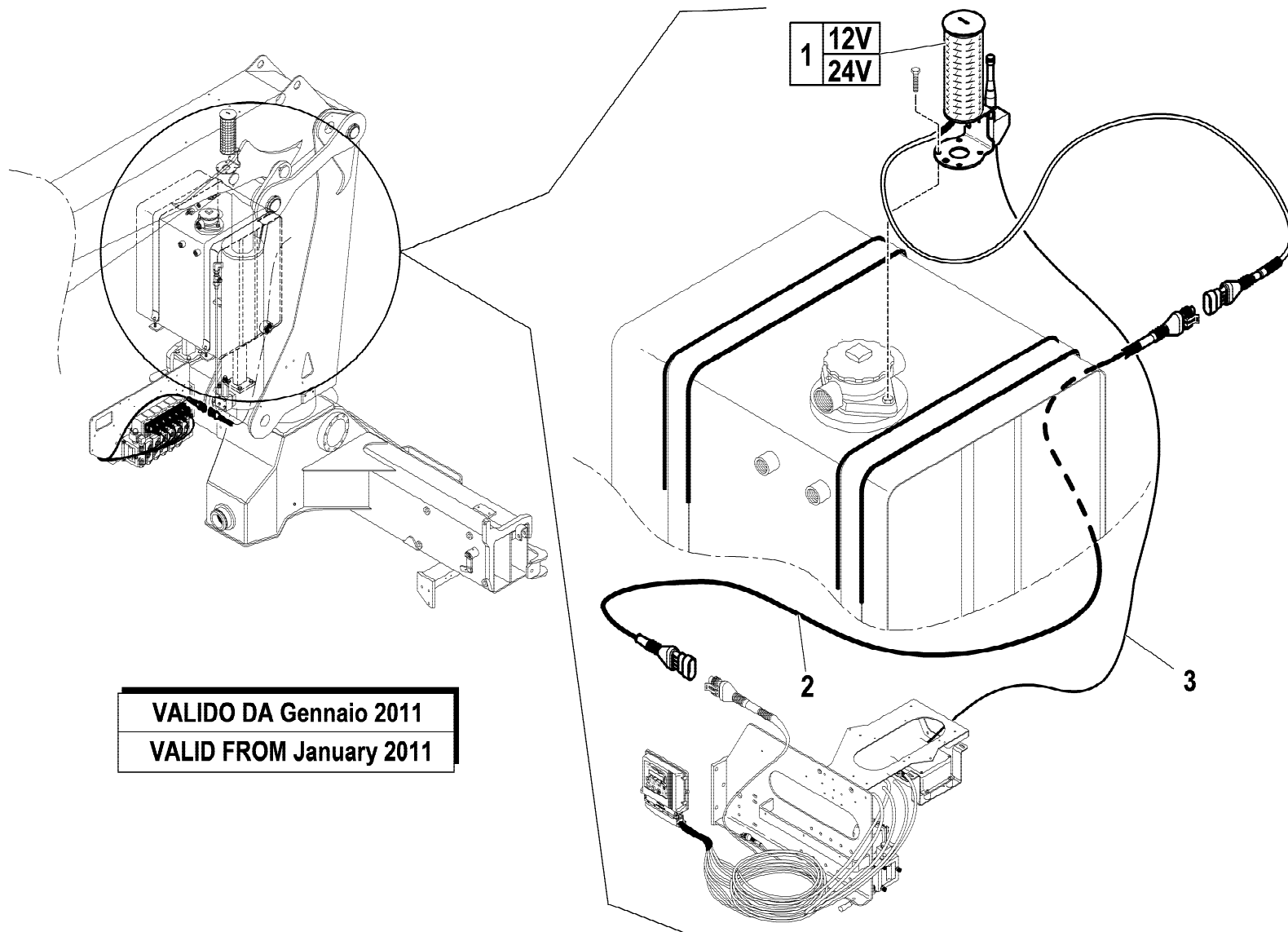
rif.	codice	Q.tà
1 A	5.16.0077	1
1 B	5.16.0078	1
2	5.16.0079	1
3	3.31.0612	1
4	5.16.0080	1

VALIDO DA Gennaio 2011
VALID FROM January 2011



1A per/for 6S m26
1B per/for 4S m21

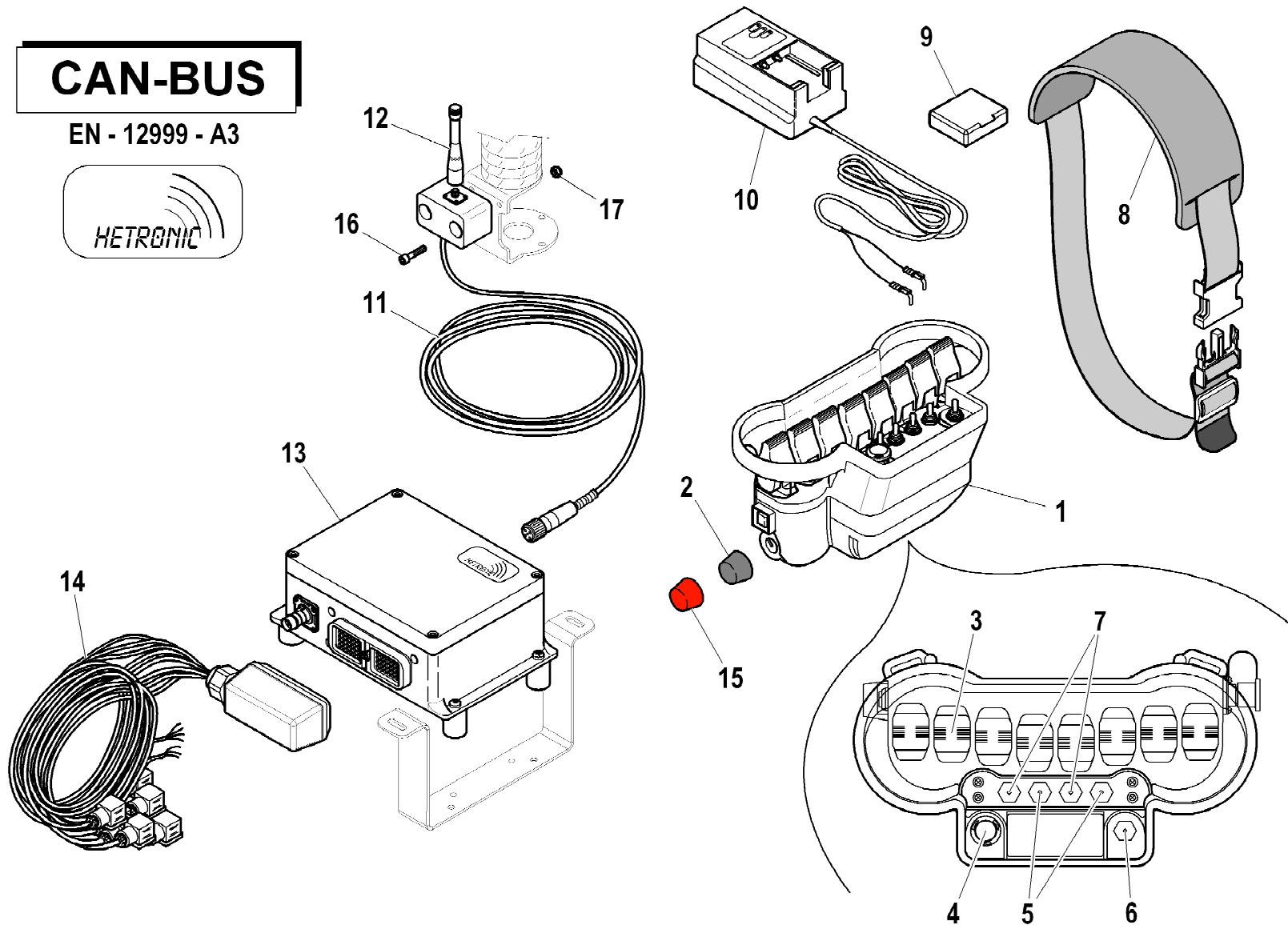
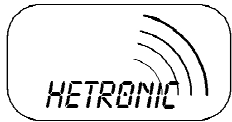
rif.	codice	Q.tà
1	3.31.1159	1
2	5.16.0003	1
3	3.31.1131	1



VALIDO DA Gennaio 2011
VALID FROM January 2011

CAN-BUS

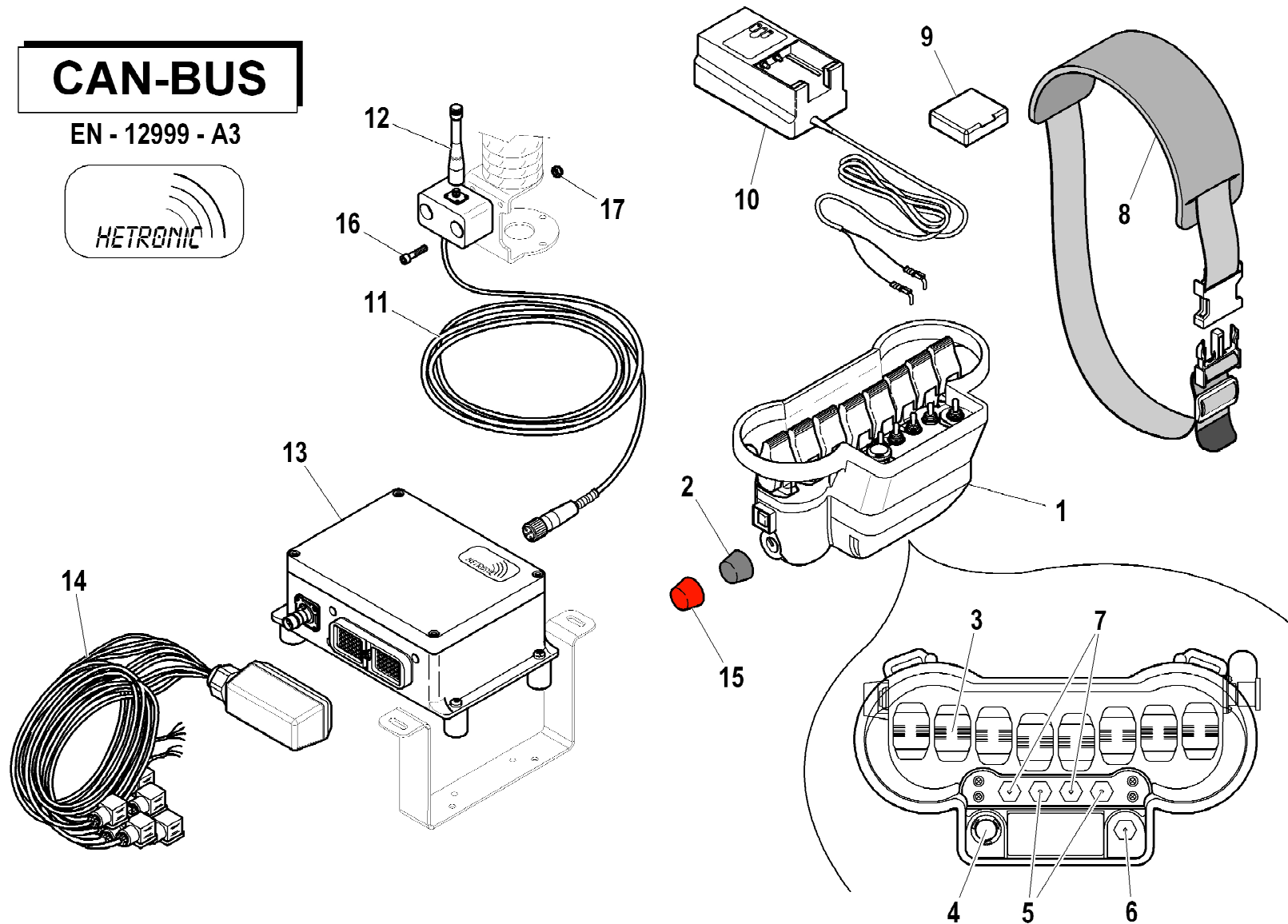
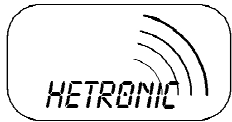
EN - 12999 - A3



rif.	codice	Q.tà
1	3.31.1429	1
2	3.31.0795	1
3	3.31.0796	8
4	3.31.0788	1
5	3.31.0786	2
6	3.31.0785	1
7	3.31.0787	2
8	3.31.1031	1
9	3.31.0641	2
10	3.31.0797	1
11	3.31.1131	1
12	3.31.0861	1
13	3.31.1433	1
14	3.31.1432	1
15	3.31.0924	1
16	3.02.0024	2
17	3.04.0392	2

CAN-BUS

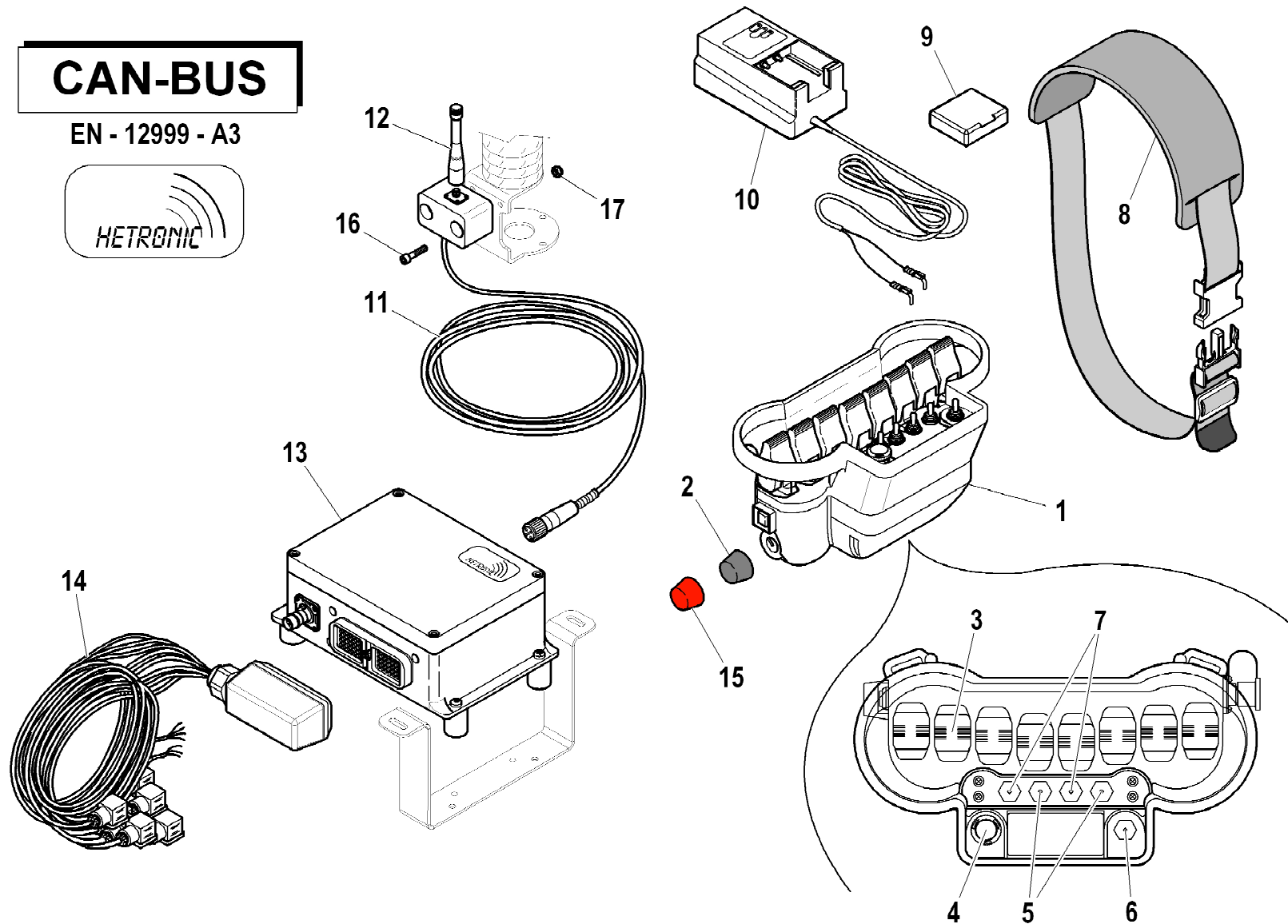
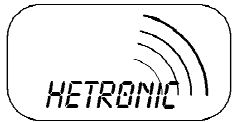
EN - 12999 - A3



rif.	codice	Q.tà
1	3.31.1431	1
2	3.31.0795	1
3	3.31.0796	8
4	3.31.0788	1
5	3.31.0786	2
6	3.31.0785	1
7	3.31.0787	2
8	3.31.1031	1
9	3.31.0641	2
10	3.31.0797	1
11	3.31.1131	1
12	3.31.0861	1
13	3.31.1435	1
14	3.31.1432	1
15	3.31.0924	1
16	3.02.0024	2
17	3.04.0392	2

CAN-BUS

EN - 12999 - A3



rif.	codice	Q.tà
1	3.31.1430	1
2	3.31.0795	1
3	3.31.0796	8
4	3.31.0788	1
5	3.31.0786	2
6	3.31.0785	1
7	3.31.0787	2
8	3.31.1031	1
9	3.31.0641	2
10	3.31.0797	1
11	3.31.1131	1
12	3.31.0861	1
13	3.31.1434	1
14	3.31.1432	1
15	3.31.0924	1
16	3.02.0024	2
17	3.04.0392	2