

Validità - Validez - Validity - Validité - Gültigkeit



Codice libretto - Código libro - Logbook code - Code notice - Artikelnr. anleitung

7.88.1897 rev.1

GRU - GRUAS - CRANES - GRUES - KRANE

Catalogo parti di ricambio

Catalogue des pieces detachees

HB170

Catalogo de piezas de repuestos

Ersatzteilkatalog

Spare parts book

1 5.42.0046-1-0

BASAMENTO
BASE
SOLLE
UNTERBAU
BASE

2 5.42.0046-2-0

BASAMENTO
BASE
SOLLE
UNTERBAU
BASE

3 5.42.0046-3-0

BASAMENTO
BASE
SOLLE
UNTERBAU
BASE

4 6.24.0083-1-0

ROTAZIONE
SLEWING
ROTATION
DREHUNG
ROTACION

5 6.24.0191-1-0

ROTAZIONE (ANELLO ELASTICO)
SLEWING (RETAINING RING)
ROTATION (ANNEAU RESSORT)
DREHUNG (SICHERUNGSRING)
ROTACION (ANILLO ELASTICO)

6 6.24.0083-2-0

MARTINETTO ROTAZIONE (IMPIANTO OLEODINAMICO)
SLEWING HYDRAULIC JACK (HYDRAULIC SYSTEM)
VERIN ROTATION (INSTALLATION HYDRAULIQUE)
DREH SCHUBZYLINDER (HYDRAULIKANLAGE)
GATO ROTACION (INSTALACION HIDRAULICA)

7 5.76.0068-1-0

ASTE STABILIZZATORI (ALLARGAMENTO IDRAULICO)
STABILIZERS RODS (HYDRAULIC LENGTHENING)
TIGES STABILISATEURS (RALLONGEANTE HYDRAULIQUE)
STANGEN STABILISATOREN (HYDRAULISCHER VERLÄNGERNDER)
VARILLAS ESTABILIZADORES (ALARGA HIDRAULICO)

8 6.20.0182-1-0

IMPIANTO IDRAULICO (MARTINETTO STABILIZZATORE)
HYDRAULIC SYSTEM (STABILISER RAM)
INSTALLATION HYDRAULIQUE (VERIN STABILISATEUR)
HYDRAULIKANLAGE (STABILISATOR SCHUBZYLINDER)
INSTALACION HIDRAULICA (GATO ESTABILIZADOR)

9 6.40.0182-1-0

MARTINETTO STABILIZZATORE
STABILIZER HYDRAULIC JACK
VERIN STABILISATEUR
STABILISATOR SCHUBZYLINDER
GATO ESTABILIZADOR

10 5.76.0096-1-0

ASTE STABILIZZATORI (ALLARGAMENTO IDRAULICO)
STABILIZERS RODS (HYDRAULIC LENGTHENING)
TIGES STABILISATEURS (RALLONGEANTE HYDRAULIQUE)
STANGEN STABILISATOREN (HYDRAULISCHER VERLÄNGERNDER)
VARILLAS ESTABILIZADORES (ALARGA HIDRAULICO)

11 5.76.0313-1-0

ASTE STABILIZZATORI (ALLARGAMENTO IDRAULICO) GIR.AUT.
STABILIZERS RODS (HYDRAULIC LENGTHENING) GIR.AUT.
TIGES STABILISATEURS (RALLONGEANTE HYDRAULIQUE) GIR.AUT.
STANGEN STABILISATOREN (HYDRAULISCHER VERLÄNGERNDER) GIR.AUT.
VARILLAS ESTABILIZADORES (ALARGA HIDRAULICO) GIR.AUT.

12 6.20.0201-1-0

IMPIANTO IDRAULICO (MARTINETTO STABILIZZATORE)
HYDRAULIC SYSTEM (STABILISER RAM)
INSTALLATION HYDRAULIQUE (VERIN STABILISATEUR)
HYDRAULIKANLAGE (STABILISATOR SCHUBZYLINDER)
INSTALACION HIDRAULICA (GATO ESTABILIZADOR)

13 6.20.0265-1-0

IMPIANTO IDRAULICO (MARTINETTO STABILIZZATORE)
HYDRAULIC SYSTEM (STABILISER RAM)
INSTALLATION HYDRAULIQUE (VERIN STABILISATEUR)
HYDRAULIKANLAGE (STABILISATOR SCHUBZYLINDER)
INSTALACION HIDRAULICA (GATO ESTABILIZADOR)

14 6.40.0201-1-0

MARTINETTO STABILIZZATORE
STABILIZER HYDRAULIC JACK
VERIN STABILISATEUR
STABILISATOR SCHUBZYLINDER
GATO ESTABILIZADOR

15 6.20.0278-1-0

MARTINETTO STABILIZZATORE (ROTANTE)
STABILISER RAM (ROTATING)
VERIN STABILISATEUR (ROTATION)
STABILISATOR SCHUBZYLINDER (ROTIERENDE)
GATO ESTABILIZADOR (ROTATORIA)

16 6.20.0278-2-0

MARTINETTO STABILIZZATORE (ROTANTE) GIR.AUT.
STABILISER RAM (ROTATING) GIR.AUT.
VERIN STABILISATEUR (ROTATION) GIR.AUT.
STABILISATOR SCHUBZYLINDER (ROTIERENDE) GIR.AUT.
GATO ESTABILIZADOR (ROTATORIA) GIR.AUT.

17 6.20.0286-1-0

MARTINETTO STABILIZZATORE (ROTANTE)
STABILISER RAM (ROTATING)
VERIN STABILISATEUR (ROTATION)
STABILISATOR SCHUBZYLINDER (ROTIERENDE)
GATO ESTABILIZADOR (ROTATORIA)

18 6.20.0286-2-0

MARTINETTO STABILIZZATORE (ROTANTE) GIR.AUT.
STABILISER RAM (ROTATING) GIR.AUT.
VERIN STABILISATEUR (ROTATION) GIR.AUT.
STABILISATOR SCHUBZYLINDER (ROTIERENDE) GIR.AUT.
GATO ESTABILIZADOR (ROTATORIA) GIR.AUT.

19 6.40.0278-1-0

MARTINETTO STABILIZZATORE (ROTANTE) GIR.AUT.
STABILIZER HYDRAULIC JACK (ROTATING) GIR.AUT.
VERIN STABILISATEUR (ROTATION) GIR.AUT.
STABILISATOR SCHUBZYLINDER (ROTIERENDE) GIR.AUT.
GATO ESTABILIZADOR (ROTATORIA) GIR.AUT.

20 5.41.1204-6-0

CONTROLLO STABILITA' EN-12999-A3
STABILITY CONTROL EN-12999-A3
CONTRÔLE DE LA STABILITE' EN-12999-A3
STABILITÄTSKONTROLLE EN-12999-A3
CONTROL DE LA ESTABILIDAD EN-12999-A3

21 5.41.1204-4-0

KIT CONTROLLO CHIUSURA ASTE STAB. MANUALI EN-12999-A3
CONTROL DEVICES LOCKING FOR OUTRIGGERS LEGS EN-12999-A3
KIT DE CONTRÔLE DE FERMETURE TIGES STABILISATEURS MANUELS EN-12999-A3
KIT SCHLUSSKONTROLLE FÜR MANUELLEN ABSTÜTZSTANGEN EN-12999-A3
KIT CONTROL CIERRE VASTAGO ESTABILIZADORES EN-12999-A3

22 5.41.1204-13-0

CONTROLLO STABILITA' EN-12999-A3
STABILITY CONTROL EN-12999-A3
CONTRÔLE DE LA STABILITE' EN-12999-A3
STABILITÄTSKONTROLLE EN-12999-A3
CONTROL DE LA ESTABILIDAD EN-12999-A3

23 5.41.1204-12-0

KIT CONTROLLO CHIUSURA ASTE STAB. MANUALI EN-12999-A3
CONTROL DEVICES LOCKING FOR OUTRIGGERS LEGS EN-12999-A3
KIT DE CONTRÔLE DE FERMETURE TIGES STABILISATEURS MANUELS EN-12999-A3
KIT SCHLUSSKONTROLLE FÜR MANUELLEN ABSTÜTZSTANGEN EN-12999-A3
KIT CONTROL CIERRE VASTAGO ESTABILIZADORES EN-12999-A3

24 5.38.0012-1-0

MARTINETTO SFILO ASTE
ROD EXSTENSION HYDRAULIC CYLINDER
VERIN RALLONGE TIGES
STANGENVERLAENGERUNGSWINDE
GATO DE PROLONGACION VASTAGOS

25 6.20.0151-1-0

IMPIANTO IDRAULICO (MARTINETTO SFILO ASTE)
HYDRAULIC SYSTEM (ROD EXSTENSION HYDRAULIC CYLINDER)
INSTALLATION HYDRAULIQUE (VERIN RALLONGE TIGES)
HYDRAULIKANLAGE (STANGENVERLAENGERUNGSWINDE)
INSTALACION HIDRAULICA (GATO DE PROLONGACION VASTAGOS)

26 6.40.0151-1-0

MARTINETTO SFILO ASTE
ROD EXSTENSION HYDRAULIC CYLINDER
VERIN RALLONGE TIGES
STANGENVERLAENGERUNGSWINDE
GATO DE PROLONGACION VASTAGOS

27 5.76.0050-1-0

ASTE STABILIZZATRICI EXTRA ESTENDIBILI
STABILIZER CONNECTING RODS EXTRA-EXTENSIBLE
EXTENSION DES STABILISATEURS EXTRA-EXTENSIBLE
STÜTZSTANGEN EXTRA-AUSDEHNBARE
VARILLAS ESTABILIZADORES EXTRA-EXTENSIBLE

28 5.76.0306-1-0

CONTROLLO STABILITA' (ASTE STABILIZZATRICI EXTRA ESTENDIBILI)
STABILITY CONTROL (STABILIZER CONNECTING RODS EXTRA-EXTENSIBLE)
CONTRÔLE DE LA STABILITE' (EXTENSION DES STABILISATEURS EXTRA-EXTENSIBLE)
STABILITÄTSKONTROLLE (STÜTZSTANGEN EXTRA-AUSDEHNBARE)
CONTROL DE LA ESTABILIDAD (VARILLAS ESTABILIZADORES EXTRA-EXTENSIBLE)

29 6.20.0255-1-0

MARTINETTO STABILIZZATORE "EXTRA" (IMPIANTO IDRAULICO)
 STABILIZER HYDRAULIC JACK "EXTRA" (HYDRAULIC SYSTEM)
 VERIN STABILISATEUR "EXTRA" (INSTALLATION HYDRAULIQUE)
 STABILISATOR SCHUBZYLINDER "EXTRA" (HYDRAULIKANLAGE)
 GATO ESTABILIZADOR "EXTRA" (INSTALACION HIDRAULICA)

30 6.40.0255-1-0

MARTINETTO STABILIZZATORE
 STABILIZER HYDRAULIC JACK
 VERIN STABILISATEUR
 STABILISATOR SCHUBZYLINDER
 GATO ESTABILIZADOR

31 5.38.0016-1-0

MARTINETTO SFILO ASTE (EXTRA ESTENDIBILI)
 ROD EXSTENSION HYDRAULIC CYLINDER (EXTRA-EXTENSIBLE)
 VERIN RALLONGE TIGES (EXTRA-EXTENSIBLE)
 STANGENVERLAENGERUNGSWINDE (EXTRA-AUSDEHNBARE)
 GATO DE PROLONGACION VASTAGOS (EXTRA-EXTENSIBLE)

32 6.20.0160-1-0

IMPIANTO IDRAULICO (MARTINETTO SFILO ASTE EXTRA ESTENDIBILI)
 HYDRAULIC SYSTEM (ROD EXTENSION HYDRAULIC CYLINDER EXTRA-EXTENSIBLE)
 INSTALLATION HYDRAULIQUE (VERIN RALLONGE TIGE SEXTRA-EXTENSIBLE)
 HYDRAULIKANLAGE (STANGENVERLAENGERUNGSWINDE EXTRA-AUSDEHNBARE)
 INSTALACION HIDRAULICA (GATO DE PROLONGACIO VASTAGOS EXTRA-EXTENSIBLE)

33 6.40.0160-1-0

MARTINETTO SFILO ASTE EXTRA ESTENDIBILI
 ROD EXTENSION HYDRAULIC CYLINDER EXTRA-EXTENSIBLE
 VERIN RALLONGE TIGE SEXTRA-EXTENSIBLE
 STANGENVERLAENGERUNGSWINDE EXTRA-AUSDEHNBARE
 GATO DE PROLONGACIO VASTAGOS EXTRA-EXTENSIBLE

34 5.76.0051-1-0

ASTE STABILIZZATRICI EXTRA ESTENDIBILI (ROTANTI)
 STABILIZER CONNECTING RODS EXTRA-EXTENSIBLE (REVOLVING)
 EXTENSION DES STABILISATEURS EXTRA-EXTENSIBLE (PIVOTANT)
 STÜTZSTANGEN EXTRA-AUSDEHNBARE (DREHBARER)
 VARILLAS ESTABILIZADORES EXTRA-EXTENSIBLE (ROTATORIO)

35 5.76.0334-1-0

ASTE STABILIZZATRICI EXTRA ESTENDIBILI (ROTANTI) GIR.AUT.
 STABILIZER CONNECTING RODS EXTRA-EXTENSIBLE (REVOLVING) GIR.AUT.
 EXTENSION DES STABILISATEURS EXTRA-EXTENSIBLE (PIVOTANT) GIR.AUT.
 STÜTZSTANGEN EXTRA-AUSDEHNBARE (DREHBARER) GIR.AUT.
 VARILLAS ESTABILIZADORES EXTRA-EXTENSIBLE (ROTATORIO) GIR.AUT.

36 5.76.0307-1-0

CONTROLLO STABILITA' (ASTE STABILIZZATRICI EXTRA ESTENDIBILI ROTANTI)
 STABILITY CONTROL (STABILIZER CONNECTING RODS EXTRA-EXTENSIBLE REVOLVING)
 CONTRÔLE DE LA STABILITE' (EXTENSION DES STABILISATEURS EXTRA-EXTENSIBLE PIVOTANT)
 STABILITÄTSKONTROLLE (STÜTZSTANGEN EXTRA-AUSDEHNBARE DREHBARER)
 CONTROL DE LA ESTABILIDAD (VARILLAS ESTABILIZADORES EXTRA-EXTENSIBLE ROTATORIO)

37 6.20.0257-1-0

MARTINETTO STABILIZZATORE "EXTRA" (ROTANTE)
 STABILIZER HYDRAULIC JACK "EXTRA" (ROTATING)
 VERIN STABILISATEUR "EXTRA" (ROTATION)
 STABILISATOR SCHUBZYLINDER "EXTRA" (ROTIERENDE)
 GATO ESTABILIZADOR "EXTRA" (ROTATORIA)

38 6.40.0257-1-0

MARTINETTO STABILIZZATORE (ROTANTE)
 STABILIZER HYDRAULIC JACK (ROTATING)
 VERIN STABILISATEUR (ROTATION)
 STABILISATOR SCHUBZYLINDER (ROTIERENDE)
 GATO ESTABILIZADOR (ROTATORIA)

39 5.41.1117-1-0

GRUPPO ROTAZIONE (MARTINETTO STABILIZZATORE) GIR.AUT.
 SLEWING ASS'Y (STABILISER RAM) GIR.AUT.
 GROUPE ROTATION (VERIN STABILISATEUR) GIR.AUT.
 DREHVORRICHTUNG (STABILISATOR SCHUBZYLINDER) GIR.AUT.
 GRUPO ROTACION (GATO ESTABILIZADOR) GIR.AUT.

40 5.41.1302-1-0

GRUPPO ROTAZIONE (MARTINETTO STABILIZZATORE) GIR.AUT.
 SLEWING ASS'Y (STABILISER RAM) GIR.AUT.
 GROUPE ROTATION (VERIN STABILISATEUR) GIR.AUT.
 DREHVORRICHTUNG (STABILISATOR SCHUBZYLINDER) GIR.AUT.
 GRUPO ROTACION (GATO ESTABILIZADOR) GIR.AUT.

41 5.40.0267-1-0

COMANDI PER STABILIZZATORI
 CONTROLS FOR STABILIZERS
 COMMANDES POUR STABILISATEURS
 STEUERUNG FÜR ABSTÜTZUNGEN
 MANDOS POR ESTABILIZADORES

42 5.40.0267-2-0

IMPIANTO IDRAULICO (MARTINETTO SFILO ASTE)
 HYDRAULIC SYSTEM (ROD EXSTENSION HYDRAULIC CYLINDER)
 INSTALLATION HYDRAULIQUE (VERIN RALLONGE TIGES)
 HYDRAULIKANLAGE (STANGENVERLAENGERUNGSWINDE)
 INSTALACION HIDRAULICA (GATO DE PROLONGACION VASTAGOS)

43 5.40.0267-3-0

IMPIANTO OLEODINAMICO (MARTINETTO SFILO ASTE STANDARD)
HYDRAULIC SYSTEM (ROD EXTENSION HYDRAULIC CYLINDER)
INSTALLATION HYDRAULIQUE (NORME VERIN RALLONGE TIGES)
HYDRAULIKANLAGE (STANGENVERLAENGERUNGSWINDE STANDARD)
INSTALACION HIDRAULICA (ESTÁNDAR GATO DE PROLONGACIO VASTAGOS)

44 5.40.0267-4-0

IMPIANTO IDRAULICO STABILIZZATORI
OUTRIGGERS HYDRAULIC SYSTEM
ISTALLATION HYDRAULIC SYSTEM
HYDRAULISCHE ANLAGE STABILISATOREN
INSTALACION HIDRAULICA ESTABILIZADORES

45 5.40.0267-5-0

IMPIANTO IDRAULICO STABILIZZATORI NO CE
OUTRIGGERS HYDRAULIC SYSTEM NO CE
ISTALLATION HYDRAULIC SYSTEM NO CE
HYDRAULISCHE ANLAGE STABILISATOREN NO CE
INSTALACION HIDRAULICA ESTABILIZADORES NO CE

46 5.44.0044-1-0

ELETTROVALVOLA
SOLENOID VALVE
ELECTROVALVE
MAGNETVENTIL
ELECTROVALVULA

47 5.44.0101-1-0

ELETTROVALVOLA (DISTRIBUTORE STABILIZZATORI) EN12999-A3
SOLENOID VALVE (STABILIZER CONTROL VALVE) EN12999-A3
ELECTROVALVE (DISTRIBUTEUR STABILISATEURS) EN12999-A3
MAGNETVENTIL (BEDIENUNG DEN ABSTÜTZUNGEN) EN12999-A3
ELECTROVALVULA (DISTRIBUDOR ESTABILIZADORE) EN12999-A3

48 5.22.0346-1-0

DISTRIBUTORE STABILIZZATORI
STABILIZER CONTROL VALVE
DISTRIBUTEUR STABILISATEURS
BEDIENUNG DEN ABSTÜTZUNGEN
DISTRIBUDOR ESTABILIZADORE

49 5.40.0266-1-0

COMANDI BILATERALI CE
DOUBLE CONTROLS CE
DOUBLE COMMANDES CE
DOPPELSTEUERUNG CE
MONDOS BILATERALAS CE

50 5.40.0266-2-0

COMANDI BILATERALI CE
DOUBLE CONTROLS CE
DOUBLE COMMANDES CE
DOPPELSTEUERUNG CE
MONDOS BILATERALAS CE

51 5.40.1157-2-0

COMANDI BILATERALI (PER CARTER TERMOFORMATO)
DOUBLE CONTROLS (FOR CARTER THERMOFORMABLE)
DOUBLE COMMANDES (POUR CARTER THERMOFORMABLE)
DOPPELSTEUERUNG (FÜR CARTER THERMOFORMBARE)
MONDOS BILATERALAS (PARA CARTER TERMOFORMABLES)

52 5.40.1467-1-0

COMANDI BILATERALI (CE) EN12999-A3
DOUBLE CONTROLS (CE) EN12999-A3
DOUBLE COMMANDES (CE) EN12999-A3
DOPPELSTEUERUNG (CE) EN12999-A3
MONDOS BILATERALAS (CE) EN12999-A3

53 5.40.1467-2-1

COMANDI BILATERALI (CE) EN12999-A3
DOUBLE CONTROLS (CE) EN12999-A3
DOUBLE COMMANDES (CE) EN12999-A3
DOPPELSTEUERUNG (CE) EN12999-A3
MONDOS BILATERALAS (CE) EN12999-A3

54 5.40.1467-3-0

COMANDI BILATERALI (CE) EN12999-A3
DOUBLE CONTROLS (CE) EN12999-A3
DOUBLE COMMANDES (CE) EN12999-A3
DOPPELSTEUERUNG (CE) EN12999-A3
MONDOS BILATERALAS (CE) EN12999-A3

55 5.40.1467-6-0

COMANDI BILATERALI (CE) EN12999-A3
DOUBLE CONTROLS (CE) EN12999-A3
DOUBLE COMMANDES (CE) EN12999-A3
DOPPELSTEUERUNG (CE) EN12999-A3
MONDOS BILATERALAS (CE) EN12999-A3

56 5.40.1467-7-0

COMANDI BILATERALI (CE) EN12999-A3
DOUBLE CONTROLS (CE) EN12999-A3
DOUBLE COMMANDES (CE) EN12999-A3
DOPPELSTEUERUNG (CE) EN12999-A3
MONDOS BILATERALAS (CE) EN12999-A3

57 5.43.0049-1-0
LIMITATORE DI MOMENTO CE
MOMENT LIMITING DEVICE CE
LIMITEUR DE MOMENT CE
HUB-MOMENTBEGRENZER CE
LIMITADOR DE MOMENTO CE

58 7.88.0142-1-0
KIT POMPA A MANO
PUMP HAND KIT
KIT POMPE À MAIN
PUMPE HAND KIT
KIT BOMBA DE MANO

59 7.88.0142-2-0
KIT POMPA A MANO (FILTRIO AD ALTA PRESSIONE)
PUMP HAND KIT (HIGH PRESSURE FILTER)
KIT POMPE À MAIN (FILTRÉ HAUTE PRESSION)
PUMPE HAND KIT (HOCHDRUCKFILTER)
KIT BOMBA DE MANO (FILTRIO DE ALTA PRESION)

60 5.40.0265-1-0
COLLETTORE CE
MANIFOLD CE
COLLECTEUR CE
KOLLEKTOR CE
COLECTOR CE

61 5.40.0265-2-0
COLLETTORE (CE) EN12999-A3
MANIFOLD (CE) EN12999-A3
COLLECTEUR (CE) EN12999-A3
KOLLEKTOR (CE) EN12999-A3
COLECTOR (CE) EN12999-A3

62 5.40.0287-1-0
COMANDI BILATERALI NOCE
DOUBLE CONTROLS NOCE
DOUBLE COMMANDES NOCE
DOPPELSTEUERUNG NOCE
MONDOS BILATERALAS NOCE

63 5.40.0287-1-1
COMANDI BILATERALI (COMANDI CON TERMOFORMATO) NOCE
DOUBLE CONTROLS (CONTROLS WITH THERMOFORMABLE) NOCE
DOUBLE COMMANDES (COMMANDES AVEC THERMOFORMABLE) NOCE
DOPPELSTEUERUNG (STEUERUGEN MIT THERMOFORMBARE) NOCE
MONDOS BILATERALAS (MANDOS CON TERMOFORMABLES) NOCE

64 5.43.0055-1-0
LIMITATORE DI MOMENTO
MOMENT LIMITING DEVICE
LIMITEUR DE MOMENT
HUB-MOMENTBEGRENZER
LIMITADOR DE MOMENTO

65 5.40.0294-1-0
COLLETTORE NO CE
MANIFOLD NO CE
COLLECTEUR NO CE
KOLLEKTOR NO CE
COLECTOR NO CE

66 5.40.0072-1-0
KIT 5° ELEMENTO SUPPLEMENTARE CENTRO CHIUSO NOCE
5TH EXTRA FUNCTION KIT CLOSED CENTER SPOOL NOCE
KIT 5ÈME ÉLÉMENT SUPPLEMENTAIRE CENTRE FERMÉ NOCE
KIT 5. ZUSÄTZLICHES STEUERELEMENT MIT GESPERRTEM ZENTRUM NOCE
KIT 5° ELEMENTO ADICIONAL CENTRO CERRADO NOCE

67 5.40.0072-3-0
KIT 5° ELEMENTO SUPPLEMENTARE CENTRO APERTO NOCE
5TH EXTRA FUNCTION KIT OPEN CENTER SPOOL NOCE
KIT 5ÈME ÉLÉMENT SUPPLEMENTAIRE CENTRE OUVERTE NOCE
KIT 5. ZUSÄTZLICHES STEUERELEMENT MIT GEÖFFNETEM ZENTRUM NOCE
KIT 5° ELEMENTO ADICIONAL CENTRO ABIERTO NOCE

68 5.21.2015-1-0
KIT 5° ELEMENTO SUPPLEMENTARE CENTRO CHIUSO EN12999-A3
5TH EXTRA FUNCTION KIT CLOSED CENTER SPOOL EN12999-A3
KIT 5ÈME ÉLÉMENT SUPPLEMENTAIRE CENTRE FERMÉ EN12999-A3
KIT 5. ZUSÄTZLICHES STEUERELEMENT MIT GESPERRTEM ZENTRUM EN12999-A3
KIT 5° ELEMENTO ADICIONAL CENTRO CERRADO EN12999-A3

69 5.21.2019-1-0
KIT 5° ELEMENTO SUPPLEMENTARE CENTRO APERTO EN12999-A3
5TH EXTRA FUNCTION KIT OPEN CENTER SPOOL EN12999-A3
KIT 5ÈME ÉLÉMENT SUPPLEMENTAIRE CENTRE OUVERTE EN12999-A3
KIT 5. ZUSÄTZLICHES STEUERELEMENT MIT GEÖFFNETEM ZENTRUM EN12999-A3
KIT 5° ELEMENTO ADICIONAL CENTRO ABIERTO EN12999-A3

70 5.40.0072-2-0
KIT 6° ELEMENTO SUPPLEMENTARE CENTRO CHIUSO NOCE
6TH EXTRA FUNCTION KIT CLOSED CENTER SPOOL NOCE
KIT 6ÈME ÉLÉMENT SUPPLEMENTAIRE CENTRE FERMÉ NOCE
KIT 6. ZUSÄTZLICHES STEUERELEMENT MIT GESPERRTEM ZENTRUM NOCE
KIT 6° ELEMENTO ADICIONAL CENTRO CERRADO NOCE

71 5.21.2015-2-0

KIT 6° ELEMENTO SUPPLEMENTARE CENTRO CHIUSO EN12999-A3
6TH EXTRA FUNCTION KIT CLOSED CENTER SPOOL EN12999-A3
KIT 6ÈME ELEMENT SUPPLEMENTAIRE CENTRE FERMÉ EN12999-A3
KIT 6. ZUSÄTZLICHES STEUERELEMENT MIT GESPERRTEM ZENTRUM EN12999-A3
KIT 6° ELEMENTO ADICIONAL CENTRO CERRADO EN12999-A3

72 5.22.0292-1-0

DISTRIBUTORE (4 ELEMENTI) - CE
CONTROL VALVE (4 SECTION) - CE
DISTRIBUTEUR (4 VOIES) - CE
STUEBERBLOCK (4 ELEMENTE) - CE
DISTRIBUIDOR (4 ELEMENTOS) - CE

73 5.22.0465-1-0

DISTRIBUTORE (4 ELEMENTI) CE EN12999-A3
CONTROL VALVE (4 SECTION) CE EN12999-A3
DISTRIBUTEUR (4 VOIES) CE EN12999-A3
STUEBERBLOCK (4 ELEMENTE) CE EN12999-A3
DISTRIBUIDOR (4 ELEMENTOS) CE EN12999-A3

74 5.22.0291-1-0

DISTRIBUTORE (4 ELEMENTI) NO CE
CONTROL VALVE (4 SECTION) NO CE
DISTRIBUTEUR (4 VOIES) NO CE
STUEBERBLOCK (4 ELEMENTE) NO CE
DISTRIBUIDOR (4 ELEMENTOS) NO CE

75 3.31.0543-1-0

COMANDI ELETTRICI
ELECTRICS CONTROLS
COMMANDES ELETRIQUES
ELEKTROSTEUERUNGEN
CONTROLES ELÉCTRICOS

76 5.40.0292-1-0

SERBATOIO OLIO IDRAULICO CE
HYDRAULIC OIL TANK CE
RESERVOIR HUILE HYDRAULIQUE CE
HYDRAULIKÖLBEHALTER CE
DEPOSITO ACEITE HIDRAULICA CE

77 5.40.0759-1-0

SERBATOIO OLIO IDRAULICO CE
HYDRAULIC OIL TANK CE
RESERVOIR HUILE HYDRAULIQUE CE
HYDRAULIKÖLBEHALTER CE
DEPOSITO ACEITE HIDRAULICA CE

78 5.40.0253-1-0

SERBATOIO OLIO IDRAULICO NO CE
HYDRAULIC OIL TANK NO CE
RESERVOIR HUILE HYDRAULIQUE NO CE
HYDRAULIKÖLBEHALTER NO CE
DEPOSITO ACEITE HIDRAULICA NO CE

79 5.40.0758-1-0

SERBATOIO OLIO IDRAULICO NO CE
HYDRAULIC OIL TANK NO CE
RESERVOIR HUILE HYDRAULIQUE NO CE
HYDRAULIKÖLBEHALTER NO CE
DEPOSITO ACEITE HIDRAULICA NO CE

80 3.18.0105-1-0

FILTRO OLIO
OIL FILTER
FILTRE A HUILE
OELFILTER
FILTRO DE ACEITE

81 3.18.0196-1-0

FILTRO OLIO
OIL FILTER
FILTRE A HUILE
OELFILTER
FILTRO DE ACEITE

82 7.88.8004-1-0

SCAMBIATORE DI CALORE (24 V.)
HEAT EXCHANGE UNIT (24 V.)
ECHANGEUR DE CHALEUR (24 V.)
WÄRMEAUSTAUSCHER (24 V.)
INTERCAMBIADOR DE CALOR (24 V.)

83 7.88.8004-2-0

SCAMBIATORE DI CALORE (24 V.)
HEAT EXCHANGE UNIT (24 V.)
ECHANGEUR DE CHALEUR (24 V.)
WÄRMEAUSTAUSCHER (24 V.)
INTERCAMBIADOR DE CALOR (24 V.)

84 7.88.8004-3-0

SCAMBIATORE DI CALORE (24 V.)
HEAT EXCHANGE UNIT (24 V.)
ECHANGEUR DE CHALEUR (24 V.)
WÄRMEAUSTAUSCHER (24 V.)
INTERCAMBIADOR DE CALOR (24 V.)

85 7.88.8010-1-0
 SCAMBIATORE DI CALORE (12 V.)
 HEAT EXCHANGE UNIT (12 V.)
 ECHANGEUR DE CHALEUR (12 V.)
 WÄRMEAUSTAUSCHER (12 V.)
 INTERCAMBIADOR DE CALOR (12 V.)

86 5.46.0032-1-0
 COLONNA
 COLUMN
 COLONNE
 SÆULE
 COLUMNA

87 6.23.0127-1-0
 MARTINETTO SOLLEVAMENTO (IMPIANTO OLEODINAMICO)
 LIFTING HYDRAULIC CYLINDER (HYDRAULIC SYSTEM)
 VERIN DE LEVAGE (INSTALLATION HYDRAULIQUE)
 HUBZYLINDER (HYDRAULIKANLAGE)
 GATO DE ELEVACION (INSTALACION HIDRAULICA)

88 6.43.0127-1-0
 MARTINETTO SOLLEVAMENTO
 LIFTING HYDRAULIC CYLINDER
 VERIN DE LEVAGE
 HUBZYLINDER
 GATO DE ELEVACION

89 5.47.0051-1-0
 1° BRACCIO
 1ST BOOM
 1ERE BRAS
 1. ARM
 1° BRAZO

90 6.23.0128-1-0
 MARTINETTO ARTICOLAZIONE (IMPIANTO OLEODINAMICO)
 ARTICULATION HYDRAULIC JACK (HYDRAULIC SYSTEM)
 VERIN D'ARTICULATION (INSTALLATION HYDRAULIQUE)
 GELENKSHEBEBOCK (HYDRAULIKANLAGE)
 GATO ARTICULACION (INSTALACION HIDRAULICA)

91 6.43.0128-1-0
 MARTINETTO ARTICOLAZIONE
 ARTICULATION HYDRAULIC JACK
 VERIN D'ARTICULATION
 GELENKSHEBEBOCK
 GATO ARTICULACION

92 5.48.0055-1-0
 2° BRACCIO
 2ND BOOM
 2EME BRAS
 2. ARM
 2° BRAZO

93 5.49.0058-1-0
 1° SFILO
 1ST EXTENSION
 1ERE RALLONGE
 1. VERLAENGERUNG
 1°PROLONGACION

94 6.21.0254-1-0
 MARTINETTO 1° SFILO (IMPIANTO OLEODINAMICO)
 1ST EXSTENSION HYDRAULIC (HYDRAULIC SYSTEM)
 VÉRIN 1ÈRE RALLONGE (INSTALLATION HYDRAULIQUE)
 1. SCHUBZYLINDER (HYDRAULIKANLAGE)
 GATO 1ª EXTENSION (INSTALACION HIDRAULICA)

95 6.41.0254-1-0
 MARTINETTO 1° SFILO
 1ST EXSTENSION HYDRAULIC
 VÉRIN 1ÈRE RALLONGE
 1. SCHUBZYLINDER
 GATO 1ª EXTENSION

96 5.53.0025-1-0
 2° SFILO
 2ND EXTENSION
 2EME RALLONGE
 2. VERLAENGERUNG
 2° PROLONGACION

97 6.21.0255-1-0
 IMPIANTO IDRAULICO (MARTINETTO 2° SFILO)
 HYDRAULIC SYSTEM (2ND EXTENSION HYDRAULIC JACK)
 INSTALLATION HYDRAULIQUE (VÉRIN 2ÈME RALLONGE)
 HYDRAULIKANLAGE (2. SCHUBZYLINDER)
 INSTALACION HIDRAULICA (GATO 2ª EXTENSION)

98 6.41.0255-1-0
 MARTINETTO 2° SFILO
 2ND EXTENSION HYDRAULIC JACK
 VÉRIN 2ÈME RALLONGE
 2. SCHUBZYLINDER
 GATO 2ª EXTENSION

99 5.54.0027-1-0

3° SFILO
 3RD EXTENSION
 3ÈME RALLONGE
 3. VERLAENGERUNG
 3° PROLONGACION

100 6.21.0256-1-0

IMPIANTO IDRAULICO (MARTINETTO 3° SFILO)
 HYDRAULIC SYSTEM (3RD EXTENSION HYDRAULIC JACK)
 INSTALLATION HYDRAULIQUE (VERIN 3ÈME RALLONGE)
 HYDRAULIKANLAGE (3. SCHUBZYLINDER)
 INSTALACION HIDRAULICA (GATO 3ª EXTENSIÓN)

101 6.41.0256-1-0

MARTINETTO 3° E 4° SFILO
 3RD AND 4TH EXTENSION HYDRAULIC CYLINDER
 VERIN 3ÈME ET 4ÈME RALLONGE
 3. UNT 4. VERLAENGERUNGSWINDE
 3° Y 4° GATO DE PROLONGACION

102 5.56.0020-1-0

4° SFILO
 4TH EXTENSION
 4ÈME RALLONGE
 4. VERLAENGERUNG
 4° PROLONGACION

103 6.21.0257-1-0

IMPIANTO IDRAULICO (MARTINETTO 4° SFILO)
 HYDRAULIC SYSTEM (4TH EXTENSION HYDRAULIC JACK)
 INSTALLATION HYDRAULIQUE (VERIN 4ÈME RALLONGE)
 HYDRAULIKANLAGE (4. SCHUBZYLINDER)
 INSTALACION HIDRAULICA (GATO 4ª EXTENSIÓN)

104 5.57.0008-1-0

5° SFILO
 5TH EXTENSION
 5ÈME RALLONGE
 5. VERLAENGERUNG
 5° PROLONGACION

105 6.21.0258-1-0

MARTINETTO 5° SFILO (IMPIANTO OLEODINAMICO)
 5TH EXTENSION HYDRAULIC JACK (HYDRAULIC SYSTEM)
 VERIN 5ÈME RALLONGE (INSTALLATION HYDRAULIQUE)
 5. SCHUBZYLINDER (HYDRAULIKANLAGE)
 GATO 5ª EXTENSIÓN (INSTALACION HIDRAULICA)

106 6.41.0258-1-0

MARTINETTO 5°,6° E 7° SFILO
 5TH, 6TH AND 7TH EXTENSION HYDRAULIC CYLINDER
 VERIN 5ÈME, 6ÈME ET 7ÈME RALLONGE
 5. - 6. UND 7. VERLAENGERUNGSWINDE
 5°, 6° Y 7° GATO DE PROLONGACION

107 5.58.0006-1-0

6° SFILO
 6TH EXTENSION
 6ÈME RALLONGE
 6. VERLAENGERUNG
 6° PROLONGACION

108 6.21.0259-1-0

MARTINETTO 6° SFILO (IMPIANTO OLEODINAMICO)
 6TH EXTENSION HYDRAULIC JACK (HYDRAULIC SYSTEM)
 VERIN 6ÈME RALLONGE (INSTALLATION HYDRAULIQUE)
 6. SCHUBZYLINDER (HYDRAULIKANLAGE)
 GATO 6ª EXTENSIÓN (INSTALACION HIDRAULICA)

109 6.41.0259-1-0

MARTINETTO 6° SFILO
 6TH EXTENSION HYDRAULIC JACK
 VERIN 6ÈME RALLONGE
 6. SCHUBZYLINDER
 GATO 6ª EXTENSIÓN

110 5.59.0066-1-0

1ª ATTIVAZIONE PER 1S
 1ST ACTIVATION FOR 1S
 1ERE ACTIVATION POUR 1S
 1. AKTIVIERUNG FÜR 1S
 1ª ACTIVACIÓN PARA 1S

111 5.60.0051-1-0

2ª ATTIVAZIONE PER 1S
 2ST ACTIVATION FOR 1S
 2ERE ACTIVATION POUR 1S
 2. AKTIVIERUNG FÜR 1S
 2ª ACTIVACIÓN PARA 1S

112 5.59.0067-1-0

1° ATTIVAZIONE SUPPLEMENTARE
 1ST ADDITIONAL ACTUATION
 1ERE ACTIVATION SUPPLEMENTAIRE
 1. ZUSATZ-AKTIVIERUNGEN
 1ª ACTIVACION ADICIONAL

113 5.60.0052-1-0
2° ATTIVAZIONE SUPPLEMENTARE
2ND ADDITIONAL ACTUATION
2EME ACTIVATION SUPPLEMENTAIRE
2. ZUSATZ-AKTIVIERUNGEN
2° ACTIVACIONE ADICIONAL

114 7.80.0293-1-0
PROLUNGA MANUALE (1°)
MANUAL EXTENSION (1ST)
RALLONGE MANUELLE (1ERE)
MANUAL-VERLÄNGERUNG (1.)
PROLONGACION MANUAL (1°)

115 7.80.0294-1-0
PROLUNGA MANUALE (2°)
MANUAL EXTENSION (2ND)
RALLONGE MANUELLE (2EME)
MANUAL-VERLÄNGERUNG (2.)
PROLONGACION MANUAL (2°)

116 7.80.0295-1-0
PROLUNGA MANUALE
MANUAL EXTENSION
RALLONGE MANUELLE
MANUAL-VERLÄNGERUNG
PROLONGACION MANUAL

117 7.80.0296-1-0
PROLUNGA MANUALE (1°)
MANUAL EXTENSION (1ST)
RALLONGE MANUELLE (1ERE)
MANUAL-VERLÄNGERUNG (1.)
PROLONGACION MANUAL (1°)

118 7.80.0297-1-0
PROLUNGA MANUALE (2°)
MANUAL EXTENSION (2ND)
RALLONGE MANUELLE (2EME)
MANUAL-VERLÄNGERUNG (2.)
PROLONGACION MANUAL (2°)

119 7.80.0298-1-0
PROLUNGA MANUALE
MANUAL EXTENSION
RALLONGE MANUELLE
MANUAL-VERLÄNGERUNG
PROLONGACION MANUAL

120 7.80.0299-1-0
PROLUNGA MANUALE (1°)
MANUAL EXTENSION (1ST)
RALLONGE MANUELLE (1ERE)
MANUAL-VERLÄNGERUNG (1.)
PROLONGACION MANUAL (1°)

121 7.80.0300-1-0
PROLUNGA MANUALE (2°)
MANUAL EXTENSION (2ND)
RALLONGE MANUELLE (2EME)
MANUAL-VERLÄNGERUNG (2.)
PROLONGACION MANUAL (2°)

122 7.80.0301-1-0
PROLUNGA MANUALE (1°)
MANUAL EXTENSION (1ST)
RALLONGE MANUELLE (1ERE)
MANUAL-VERLÄNGERUNG (1.)
PROLONGACION MANUAL (1°)

123 7.88.1825-1-0
KIT CELLA DI CARICO LIS/RLC
LOAD INDICATION SYSTEM LIS/RLC
SYSTÈME D'INDICATION DE CHARGE LIS/RLC
LADEANZEIGE SYSTEM LIS/RLC
SISTEMA DE INDICACIÓN DE CARGA LIS/RLC

124 7.88.0378-1-0
KIT MONTAGGIO
ASSEMBLY KIT
KIT MONTAGE
EINBAUSATZ
KIT MONTAJE

HB170 M

126 5.42.0049-1-0
BASAMENTO
BASE
SOLLE
UNTERBAU
BASE

127 6.24.0095-1-0

ROTAZIONE M
SLEWING M
ROTATION M
DREHUNG M
ROTACION M

128 6.24.0194-1-0

ROTAZIONE (ANELLO ELASTICO) M
SLEWING (RETAINING RING) M
ROTATION (ANNEAU RESSORT) M
DREHUNG (SICHERUNGSRING) M
ROTACION (ANILLO ELASTICO) M

129 6.24.0095-2-0

MARTINETTO ROTAZIONE (IMPIANTO OLEODINAMICO)
SLEWING HYDRAULIC JACK (HYDRAULIC SYSTEM)
VERIN ROTATION (INSTALLATION HYDRAULIQUE)
DREH SCHUBZYLINDER (HYDRAULIKANLAGE)
GATO ROTACION (INSTALACION HIDRAULICA)

130 5.46.0041-1-0

COLONNA
COLUMN
COLONNE
SAEULE
COLUMNA

131 6.23.0135-1-0

MARTINETTO SOLLEVAMENTO (IMPIANTO OLEODINAMICO)
LIFTING HYDRAULIC CYLINDER (HYDRAULIC SYSTEM)
VERIN DE LEVAGE (INSTALLATION HYDRAULIQUE)
HUBZYLINDER (HYDRAULIKANLAGE)
GATO DE ELEVACION (INSTALACION HIDRAULICA)

132 6.43.0135-1-0

MARTINETTO SOLLEVAMENTO
LIFTING HYDRAULIC CYLINDER
VERIN DE LEVAGE
HUBZYLINDER
GATO DE ELEVACION

133 5.47.0060-1-0

1° BRACCIO
1ST BOOM
1ERE BRAS
1. ARM
1° BRAZO

134 6.23.0140-1-0

MARTINETTO ARTICOLAZIONE (IMPIANTO OLEODINAMICO)
ARTICULATION HYDRAULIC JACK (HYDRAULIC SYSTEM)
VERIN D'ARTICULATION (INSTALLATION HYDRAULIQUE)
GELENKSHEBEBOCK (HYDRAULIKANLAGE)
GATO ARTICULACION (INSTALACION HIDRAULICA)

135 6.43.0140-1-0

MARTINETTO ARTICOLAZIONE
ARTICULATION HYDRAULIC JACK
VERIN D'ARTICULATION
GELENKSHEBEBOCK
GATO ARTICULACION

136 5.48.0065-1-0

2° BRACCIO
2ND BOOM
2EME BRAS
2. ARM
2° BRAZO

137 5.49.0064-1-0

1° SFILO
1ST EXTENSION
1ERE RALLONGE
1. VERLAENGERUNG
1°PROLONGACION

138 6.21.0287-1-0

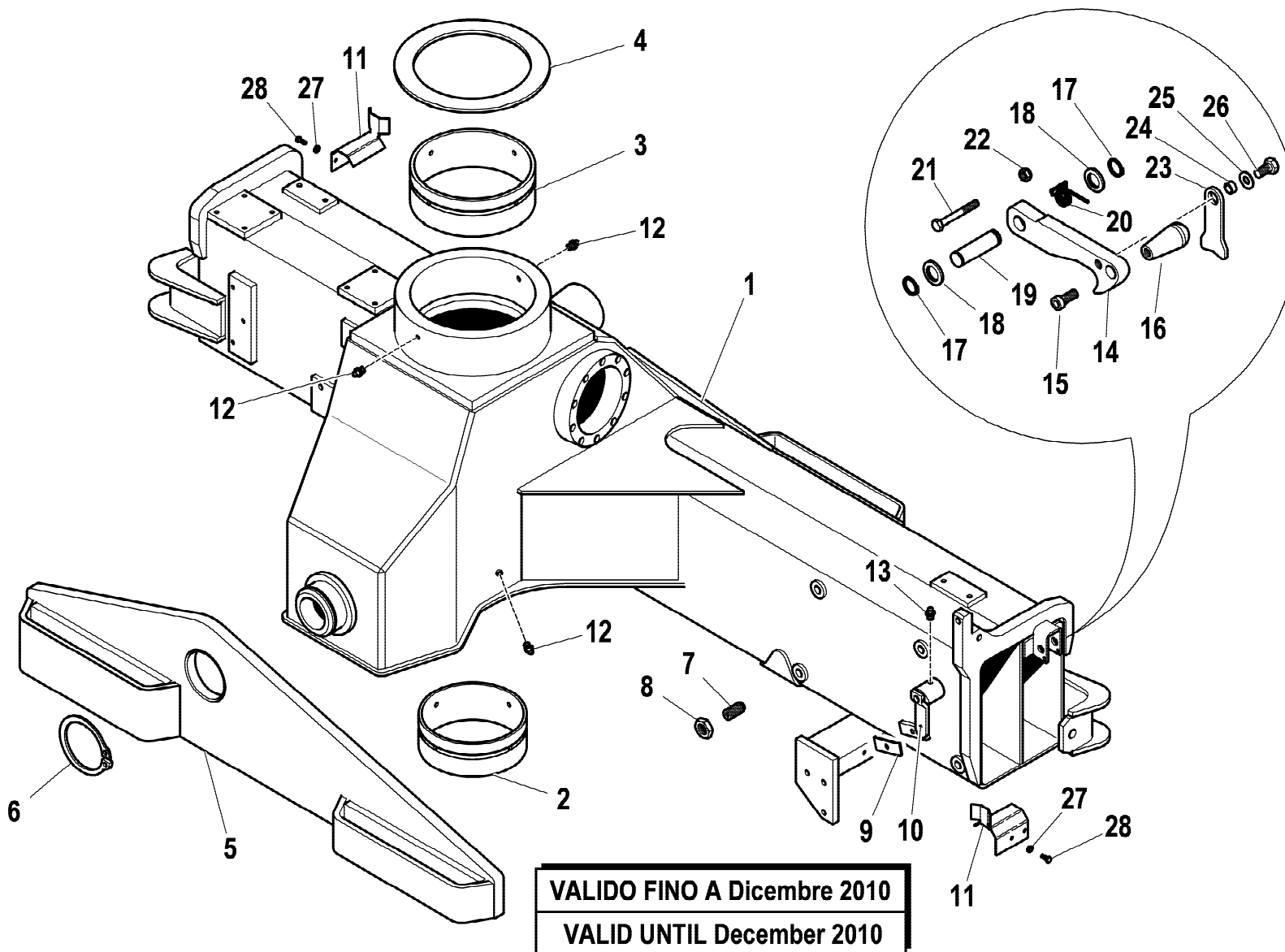
MARTINETTO 1° SFILO (IMPIANTO OLEODINAMICO)
1ST EXSTENSION HYDRAULIC (HYDRAULIC SYSTEM)
VERIN 1ERE RALLONGE (INSTALLATION HYDRAULIQUE)
1. SCHUBZYLINDER (HYDRAULIKANLAGE)
GATO 1ª EXTENSION (INSTALACION HIDRAULICA)

139 6.41.0287-1-0

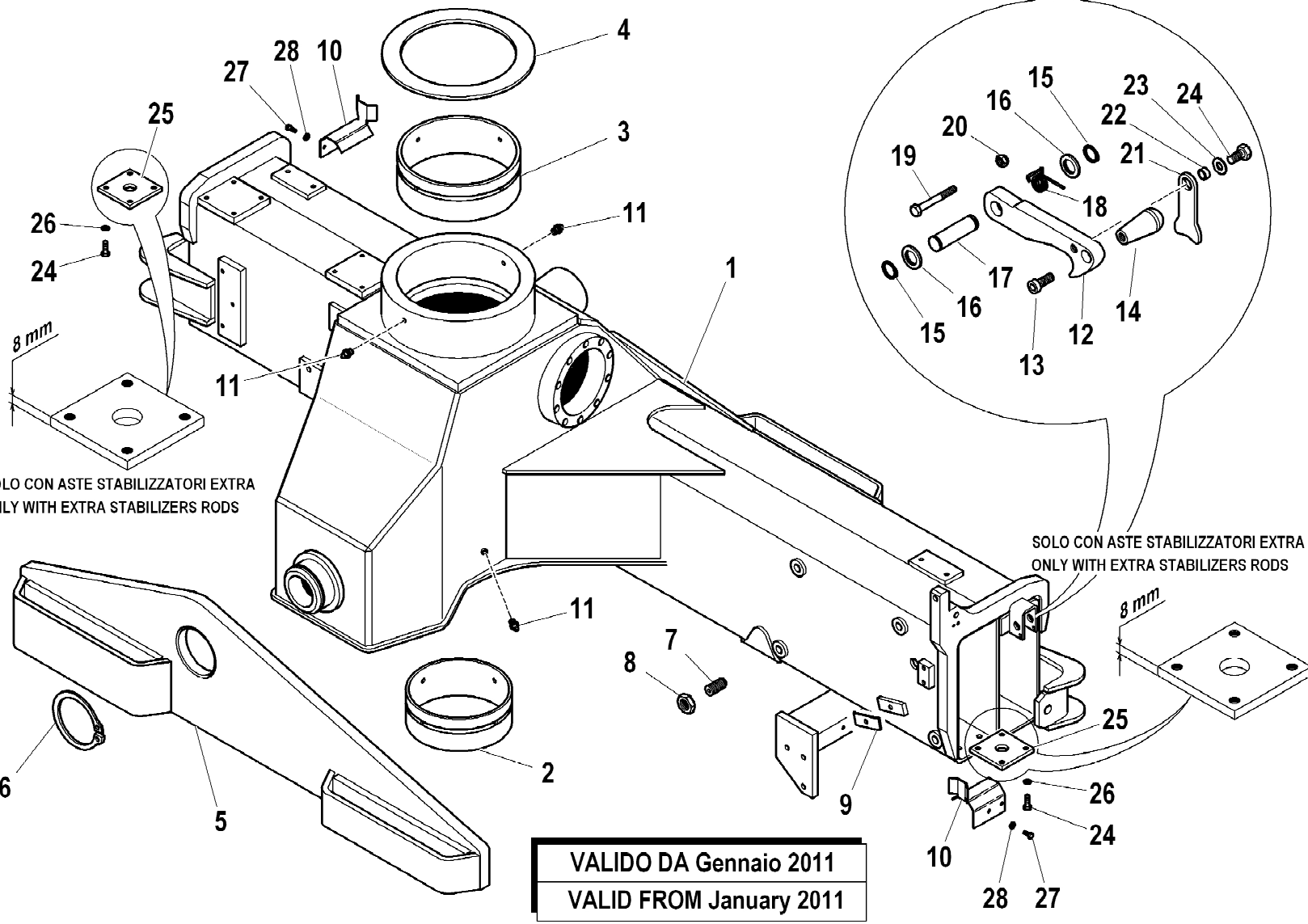
MARTINETTO 1° SFILO
1ST EXSTENSION HYDRAULIC
VERIN 1ERE RALLONGE
1. SCHUBZYLINDER
GATO 1ª EXTENSION

140 5.53.0031-1-0

2° SFILO
2ND EXTENSION
2EME RALLONGE
2. VERLAENGERUNG
2° PROLONGACION



rif.	codice	Q.tà
1	5.06.0145	1
2	5.14.0731	1
3	5.14.0730	1
4	5.14.0729	1
5	5.09.0676	1
6	3.07.0073	1
7	5.00.0771	8
8	3.04.0089	8
9	5.00.0033	1
10	5.00.0018	2
11	5.09.0595	2
12	3.08.0501	5
13	3.08.0500	2
14	5.00.0966	2
15	3.02.0875	2
16	3.19.0201	2
17	3.07.0148	4
18	5.14.0714	4
19	5.15.0601	2
20	3.06.0932	2
21	3.02.0898	2
22	3.04.0519	2
23	5.00.1681	2
24	W.102.116	2
25	3.06.0006	2
26	3.01.0337	2
27	3.06.0053	4
28	3.01.0323	4



rif.	codice	Q.tà
1	5.06.0145	1
2	5.14.0731	1
3	5.14.0730	1
4	5.14.0729	1
5	5.09.0676	1
6	3.07.0073	1
7	5.00.0771	8
8	3.04.0089	8
9	5.00.0033	1
10	5.09.0595	2
11	3.08.0501	5
12	5.00.0966	2
13	3.02.0875	2
14	3.19.0201	2
15	3.07.0148	4
16	5.14.0714	4
17	5.15.0601	2
18	3.06.0932	2
19	3.02.0898	2
20	3.04.0519	2
21	5.00.1681	2
22	W.102.116	2
23	3.06.0006	2
24	3.01.0337	10
25	5.14.1131	2
26	3.06.0918	8
27	3.01.0323	4
28	3.06.0053	4

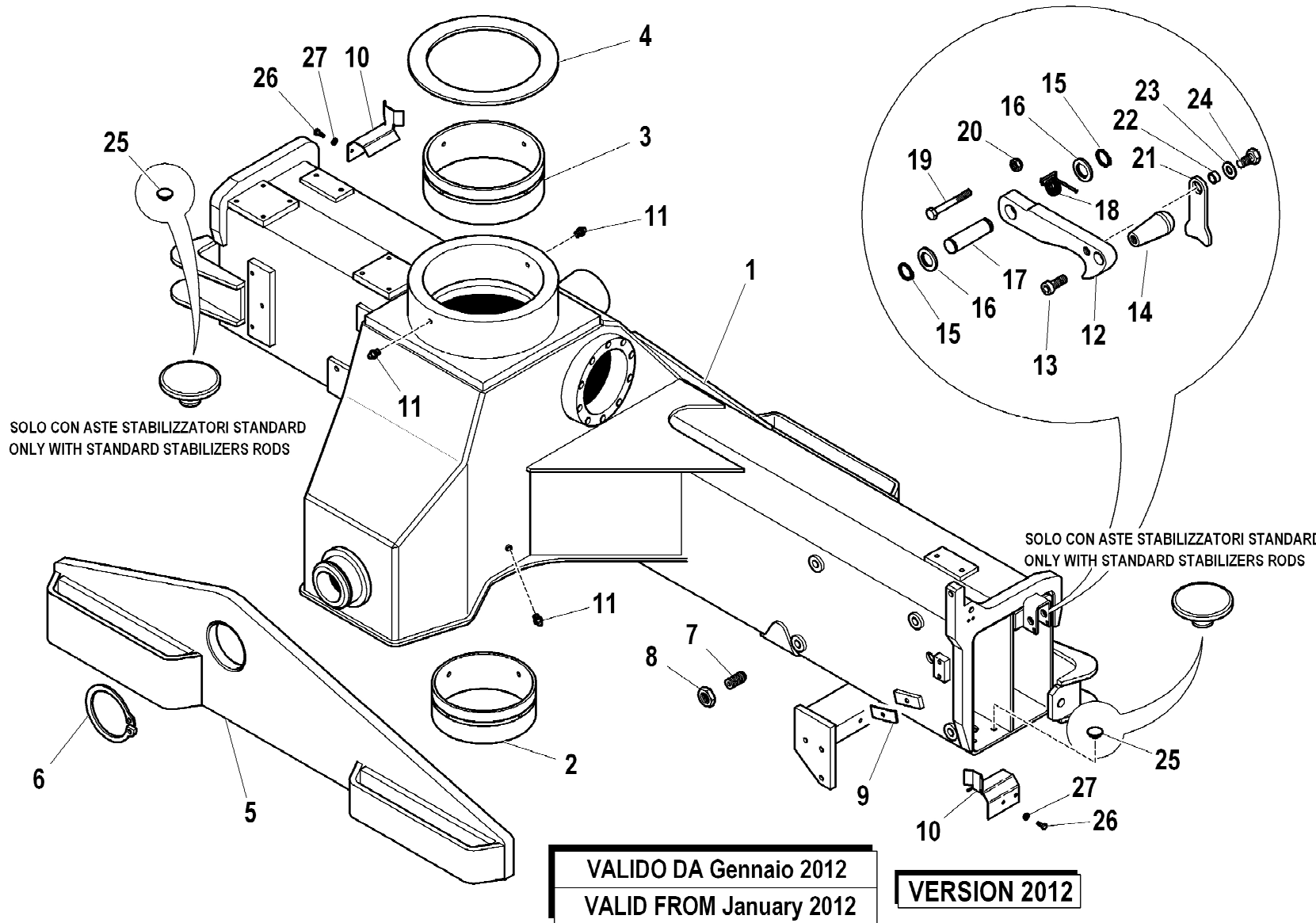


HB170

BASAMENTO
BASE
SOLLE
UNTERBAU
BASE

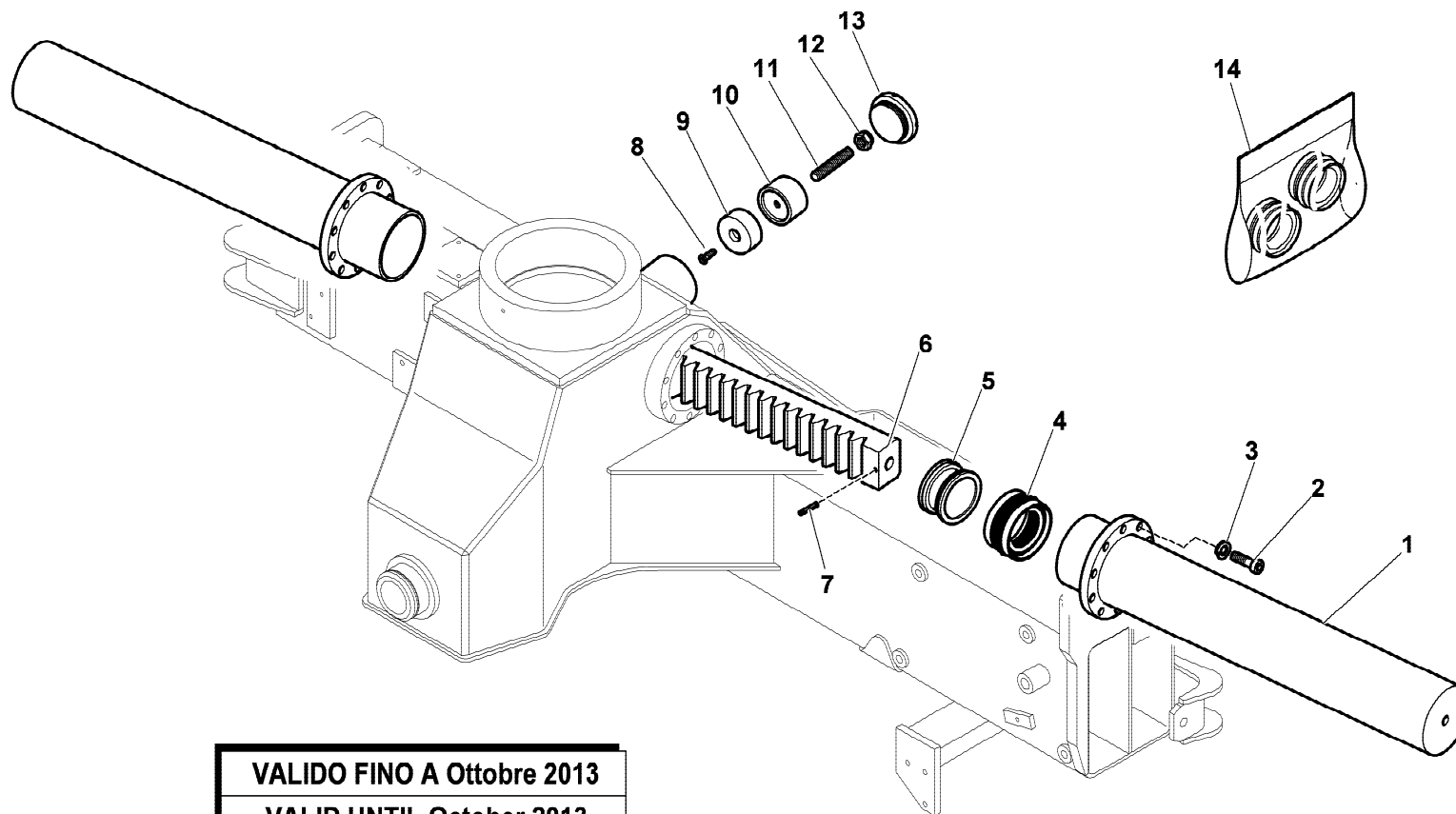
Tavola
5.42.0046-2-0

Data pag.
marzo 2012 2



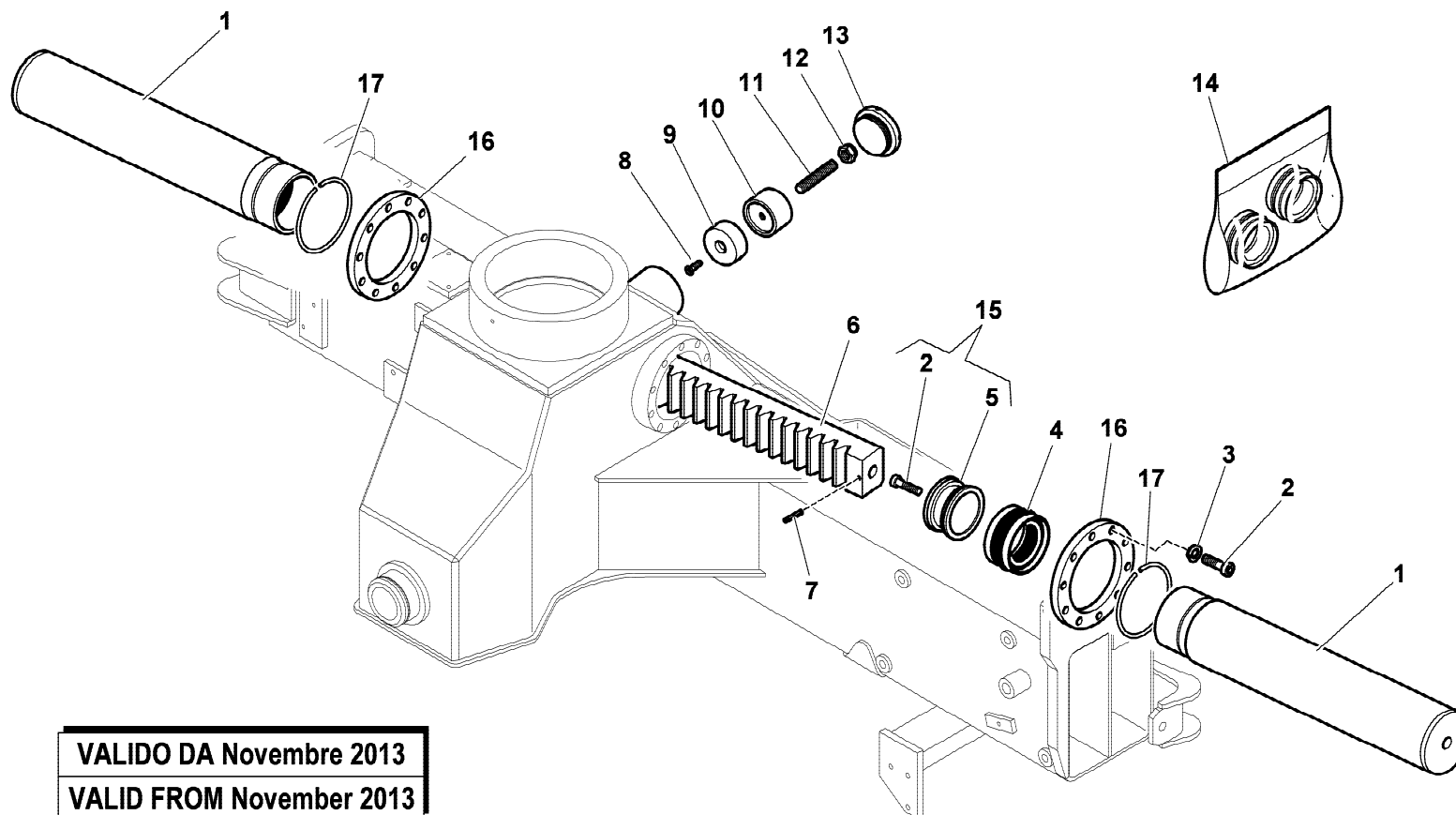
rif.	codice	Q.tà
1	5.06.0145	1
2	5.14.0731	1
3	5.14.0730	1
4	5.14.0729	1
5	5.09.0676	1
6	3.07.0073	1
7	5.00.0771	8
8	3.04.0089	8
9	5.00.0033	1
10	5.09.0595	2
11	3.08.0501	5
12	5.00.0966	2
13	3.02.0875	2
14	3.19.0201	2
15	3.07.0148	4
16	5.14.0714	4
17	5.15.0601	2
18	3.06.0932	2
19	3.02.0898	2
20	3.04.0519	2
21	5.00.1681	2
22	W.102.116	2
23	3.06.0006	2
24	3.01.0337	2
25	5.14.1134	8
26	3.01.0323	4
27	3.06.0053	4

rif.	codice	Q.tà
1	6.07.0592	2
2	3.02.0110	20
3	3.06.0058	20
4	3.40.0521	2
5	6.05.0280	2
6	5.05.0090	1
7	3.06.0608	2
8	3.02.0893	1
9	5.14.0732	1
10	4.16.0381	1
11	3.06.0919	1
12	3.04.0309	1
13	5.14.0735	1
14	5.55.0745	1



VALIDO FINO A Ottobre 2013
VALID UNTIL October 2013

rif.	codice	Q.tà
1	6.07.0706	2
2	3.02.0110	22
3	3.06.0058	20
4	3.40.0521	2
5	6.05.0279	2
6	5.05.0090	1
7	3.06.0608	2
8	3.02.0893	1
9	5.14.0732	1
10	4.16.0381	1
11	3.06.0919	1
12	3.04.0309	1
13	5.14.0735	1
14	5.55.0745	1
15	6.05.0280	2
16	5.00.2437	2
17	W.44.02.012.00	2



VALIDO DA Novembre 2013

VALID FROM November 2013

Valido da Matricola / Valid from S/N
34190

1/1

HYVA CRANE

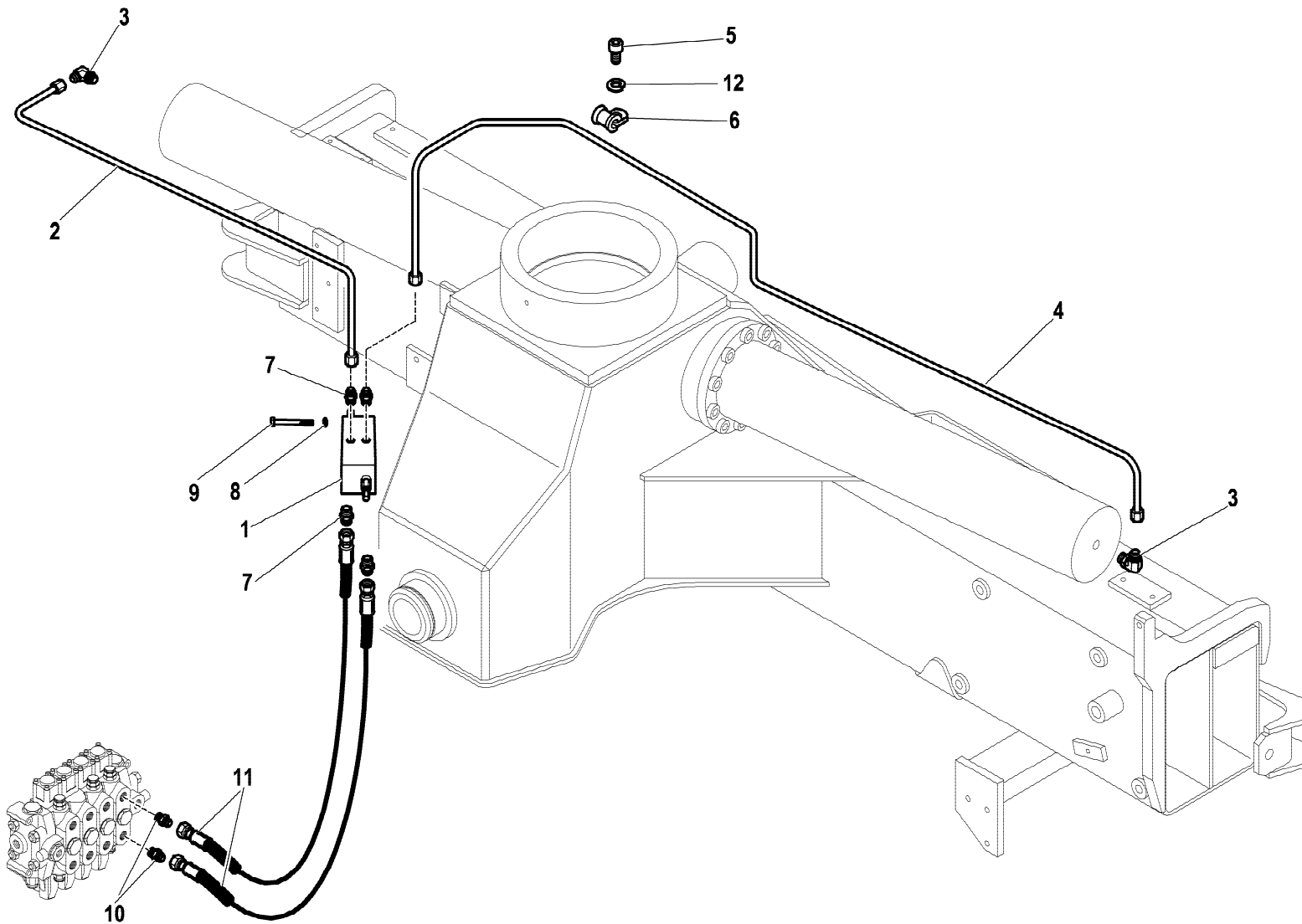
HB170

ROTAZIONE (ANELLO ELASTICO)
SLEWING (RETAINING RING)
ROTATION (ANNEAU RESSORT)
DREHUNG (SICHERUNGSRING)
ROTACION (ANILLO ELASTICO)

Tavola

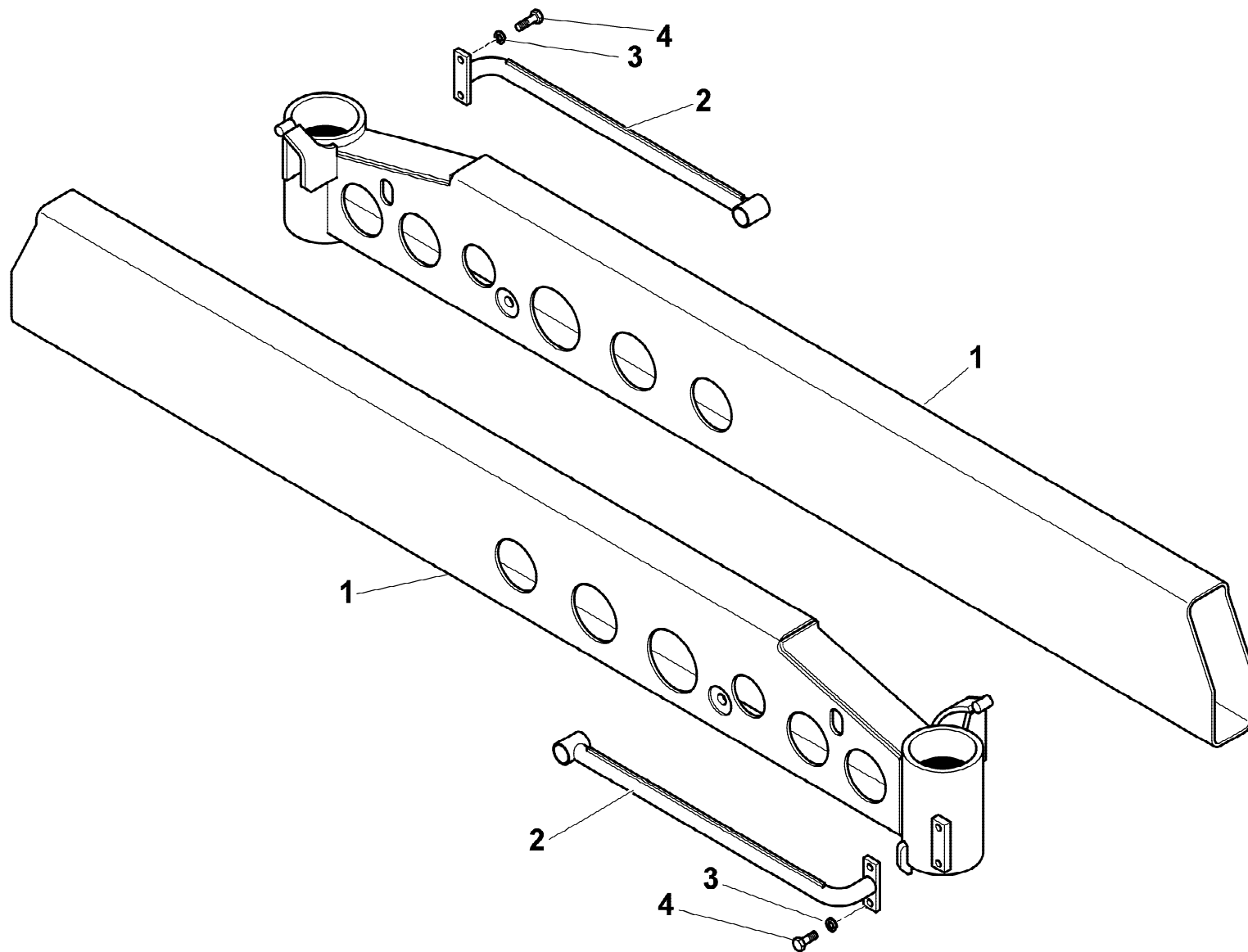
6.24.0191-1-0

Data pag.
novembre 2013 5



rif.	codice	Q.tà
1	5.22.0666	1
2	5.39.1800	1
3	3.10.1127	2
4	5.39.1799	1
5	3.02.0902	2
6	3.19.0208	2
7	3.10.1043	4
8	3.06.0053	2
9	3.01.0026	2
10	3.10.1044	2
11	5.27.1385	2
12	3.06.0055	2

rif.	codice	Q.tà
1	5.07.0303	2
2	5.09.0594	2
3	3.06.0057	4
4	3.01.0369	4



1/1

HYVA CRANE

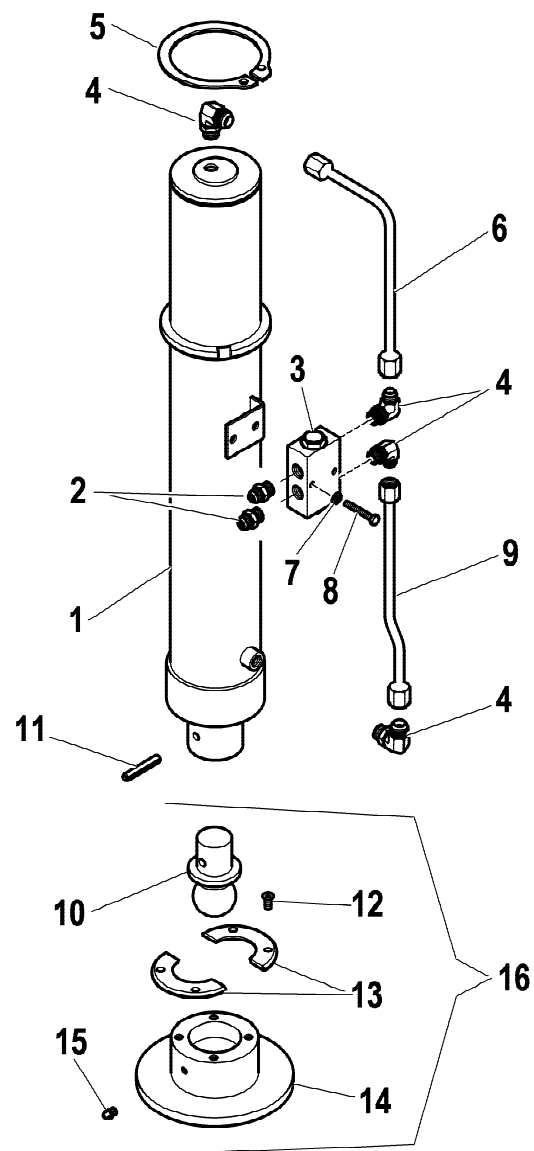
HB170

ASTE STABILIZZATORI (ALLARGAMENTO IDRAULICO)
 STABILIZERS RODS (HYDRAULIC LENGTHENING)
 TIGES STABILISATEURS (RALLONGEANTE HYDRAULIQUE)
 STANGEN STABILISATOREN (HYDRAULISCHER VERLÄNGERNDER)
 VARILLAS ESTABILIZADORES (ALARGA HIDRÁULICO)

Tavola

5.76.0068-1-0

Data pag.
 maggio 2012 7



rif.	codice	Q.tà
1	6.40.0182	1
2	3.10.1043	2
3	5.22.0653	1
4	3.10.1127	4
5	3.07.0080	1
6	5.39.1733	1
7	3.06.0005	2
8	3.01.0019	2
9	5.39.1732	1
10	4.16.0391	1
11	3.06.0939	1
12	3.02.0452	4
13	4.16.0392	1
14	5.09.0778	1
15	3.08.0512	1
16	5.92.0001	1

1/1

HYVA CRANE

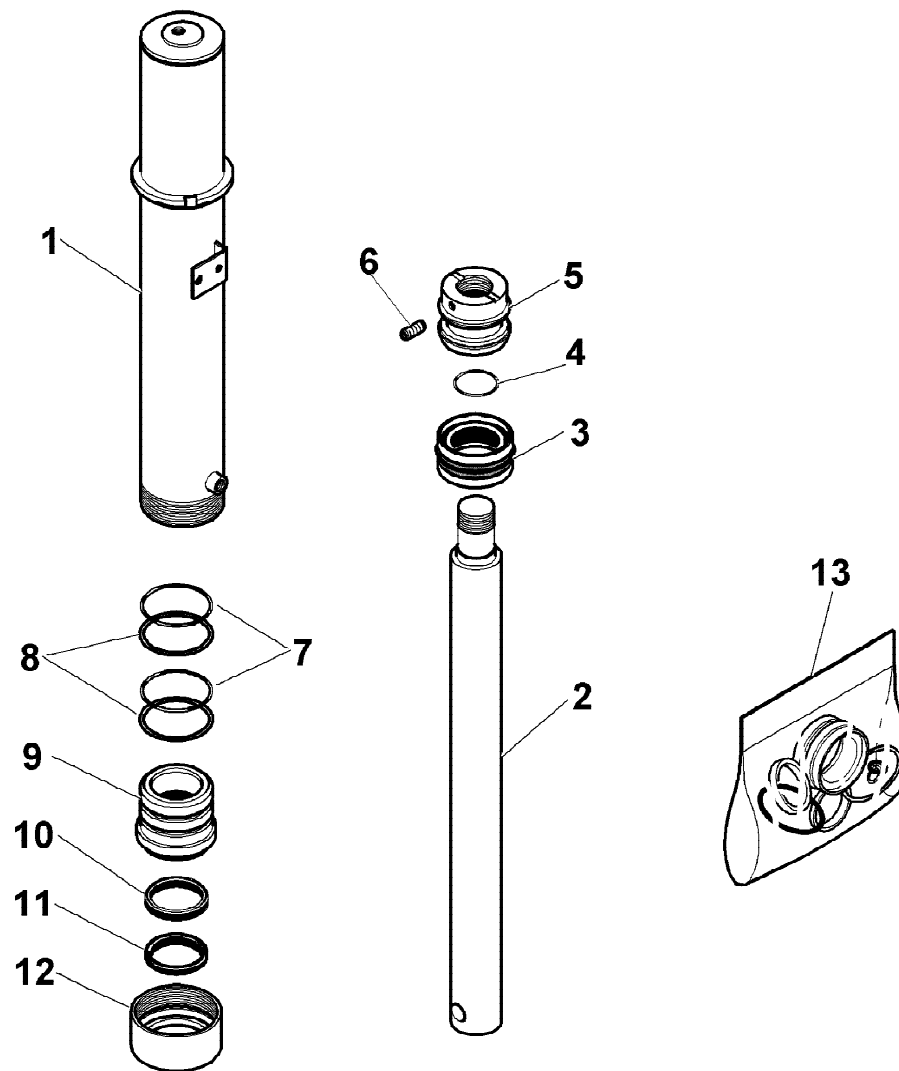
HB170

IMPIANTO IDRAULICO (MARTINETTO STABILIZZATORE)
 HYDRAULIC SYSTEM (STABILISER RAM)
 INSTALLATION HYDRAULIQUE (VERIN STABILISATEUR)
 HYDRAULIKANLAGE (STABILISATOR SCHUBZYLINDER)
 INSTALACION HIDRAULICA (GATO ESTABILIZADOR)

Tavola

6.20.0182-1-0

Data pag.
 gennaio 2007 8



rif.	codice	Q.tà
1	6.07.0289	1
2	6.03.0610	1
3	3.40.0516	1
4	3.45.0127	1
5	6.05.0026	1
6	3.06.0234	1
7	3.45.0219	2
8	3.46.0383	2
9	6.04.0075	1
10	3.40.0132	1
11	3.42.0034	1
12	6.04.0074	1
13	5.55.0638	1

1/1

HYVA CRANE

HB170

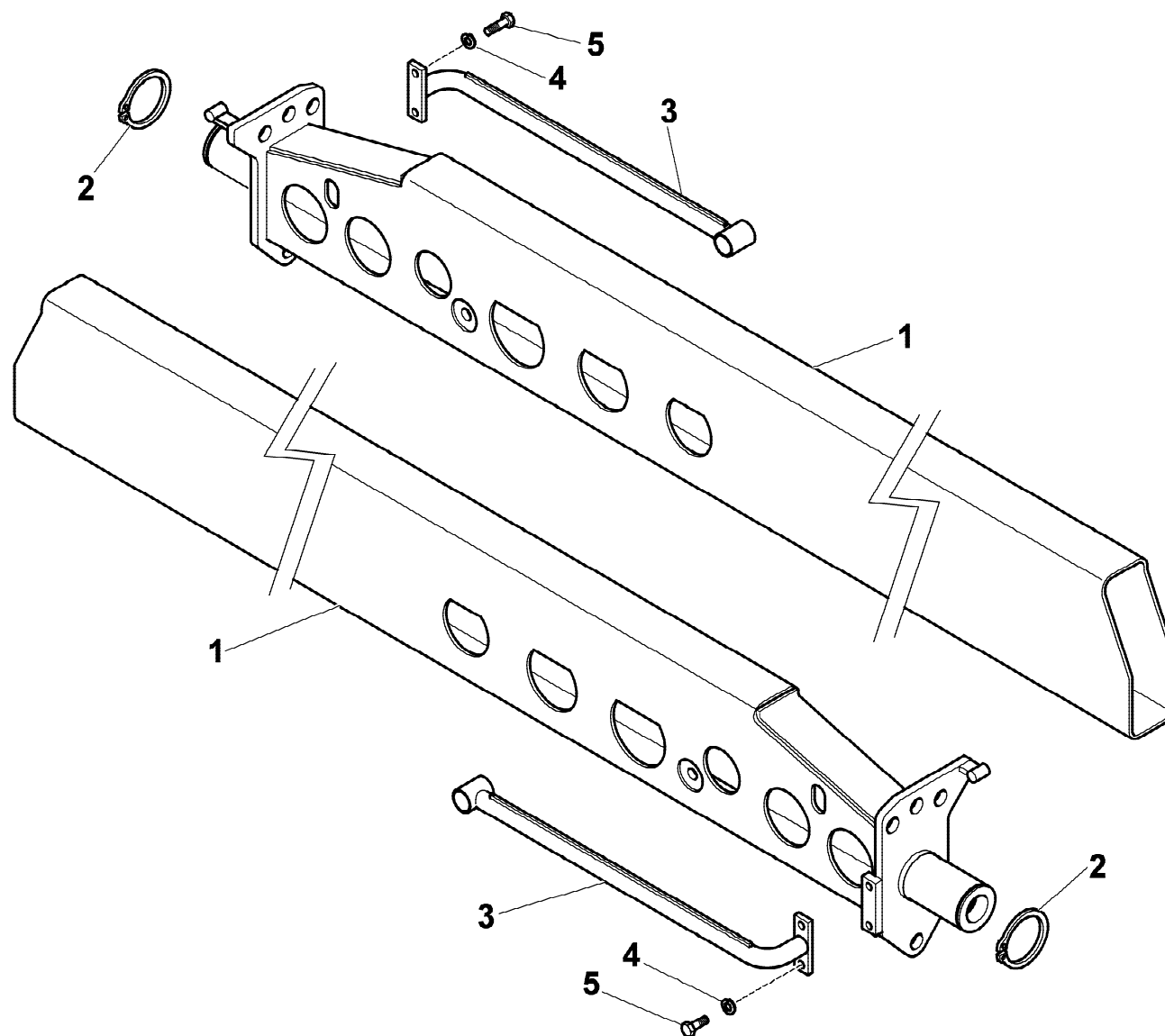
MARTINETTO STABILIZZATORE
 STABILIZER HYDRAULIC JACK
 VERIN STABILISATEUR
 STABILISATOR SCHUBZYLINDER
 GATO ESTABILIZADOR

Tavola

6.40.0182-1-0

Data pag.
 agosto 2006 9

rif.	codice	Q.tà
1	5.07.0346	2
2	3.07.0063	2
3	5.09.0594	2
4	3.06.0057	4
5	3.01.0369	4



1/1

HYVA CRANE

HB170

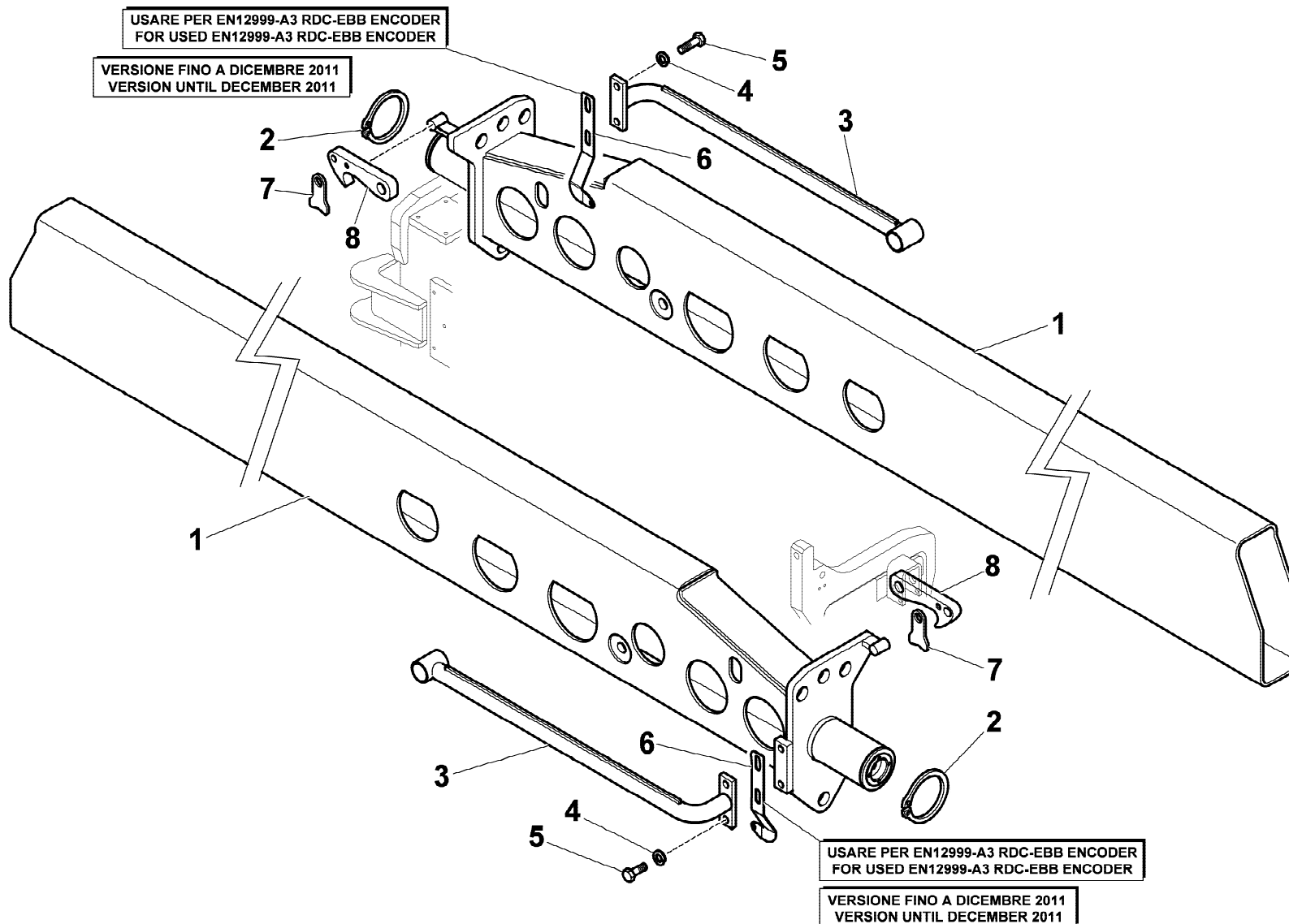
ASTE STABILIZZATORI (ALLARGAMENTO IDRAULICO)
 STABILIZERS RODS (HYDRAULIC LENGTHENING)
 TIGES STABILISATEURS (RALLONGEANTE HYDRAULIQUE)
 STANGEN STABILISATOREN (HYDRAULISCHER VERLÄNGERNDER)
 VARILLAS ESTABILIZADORES (ALARGA HIDRÁULICO)

Tavola

5.76.0096-1-0

Data pag.
 marzo 2010 10

rif.	codice	Q.tà
1	5.07.0433	2
2	3.07.0065	2
3	5.09.0594	2
4	3.06.0057	4
5	3.01.0369	4
6	5.00.2114	2
7	5.00.1989	2
8	5.00.1988	2



1/1

HYVA CRANE

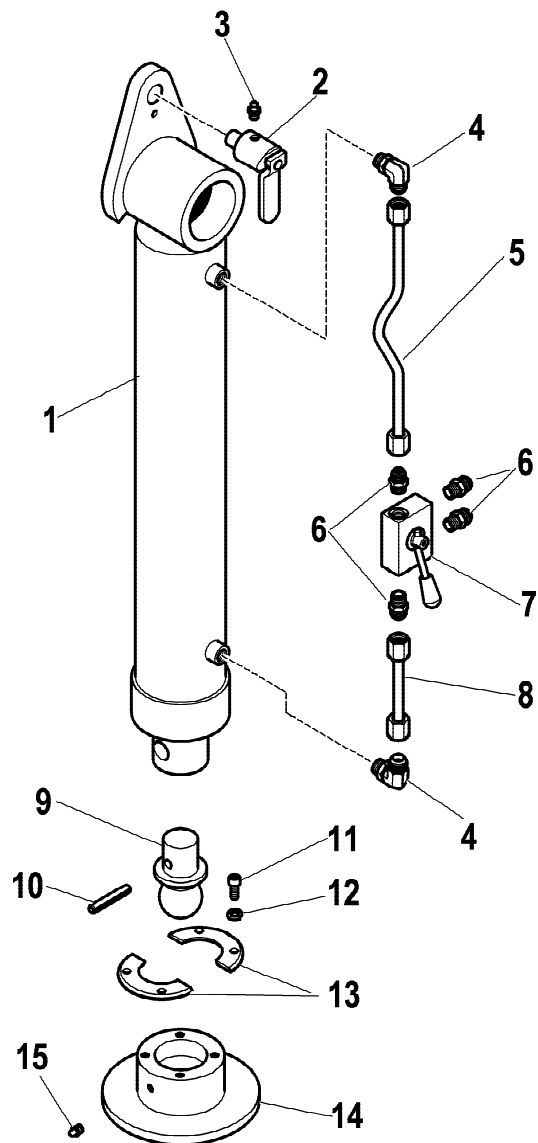
HB170

ASTE STABILIZZATORI (ALLARGAMENTO IDRAULICO) GIR.AUT.
 STABILIZERS RODS (HYDRAULIC LENGTHENING) GIR.AUT.
 TIGES STABILISATEURS (RALLONGEANTE HYDRAULIQUE) GIR.AUT.
 STANGEN STABILISATOREN (HYDRAULISCHER VERLÄNGERNDER) GIR.AUT.
 VARILLAS ESTABILIZADORES (ALARGA HIDRÁULICO) GIR.AUT.

Tavola

5.76.0313-1-0

Data pag.
 dicembre 2011 11



VALIDO FINO A FEB. 2008

VALID UNTIL FEB. 2008

rif.	codice	Q.tà
1	6.40.0201	1
2	5.00.0018	1
3	3.08.0500	2
4	3.10.1127	2
5	5.39.1621	1
6	3.10.1043	4
7	5.22.0047	1
8	5.39.1622	1
9	4.16.0391	1
10	3.06.0632	1
11	3.02.0875	4
12	3.06.0055	4
13	4.16.0392	1
14	5.09.0778	1
15	3.08.0512	1

1/1

HYVA CRANE

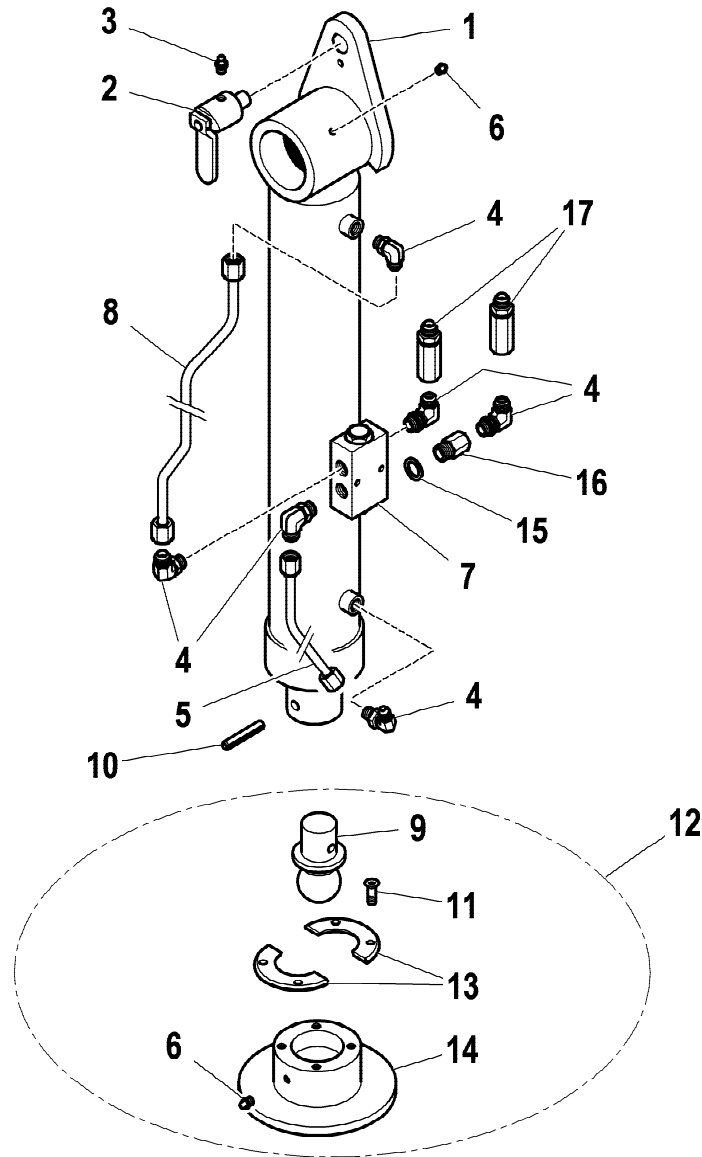
HB170

IMPIANTO IDRAULICO (MARTINETTO STABILIZZATORE)
 HYDRAULIC SYSTEM (STABILISER RAM)
 INSTALLATION HYDRAULIQUE (VERIN STABILISATEUR)
 HYDRAULIKANLAGE (STABILISATOR SCHUBZYLINDER)
 INSTALACION HIDRAULICA (GATO ESTABILIZADOR)

Tavola

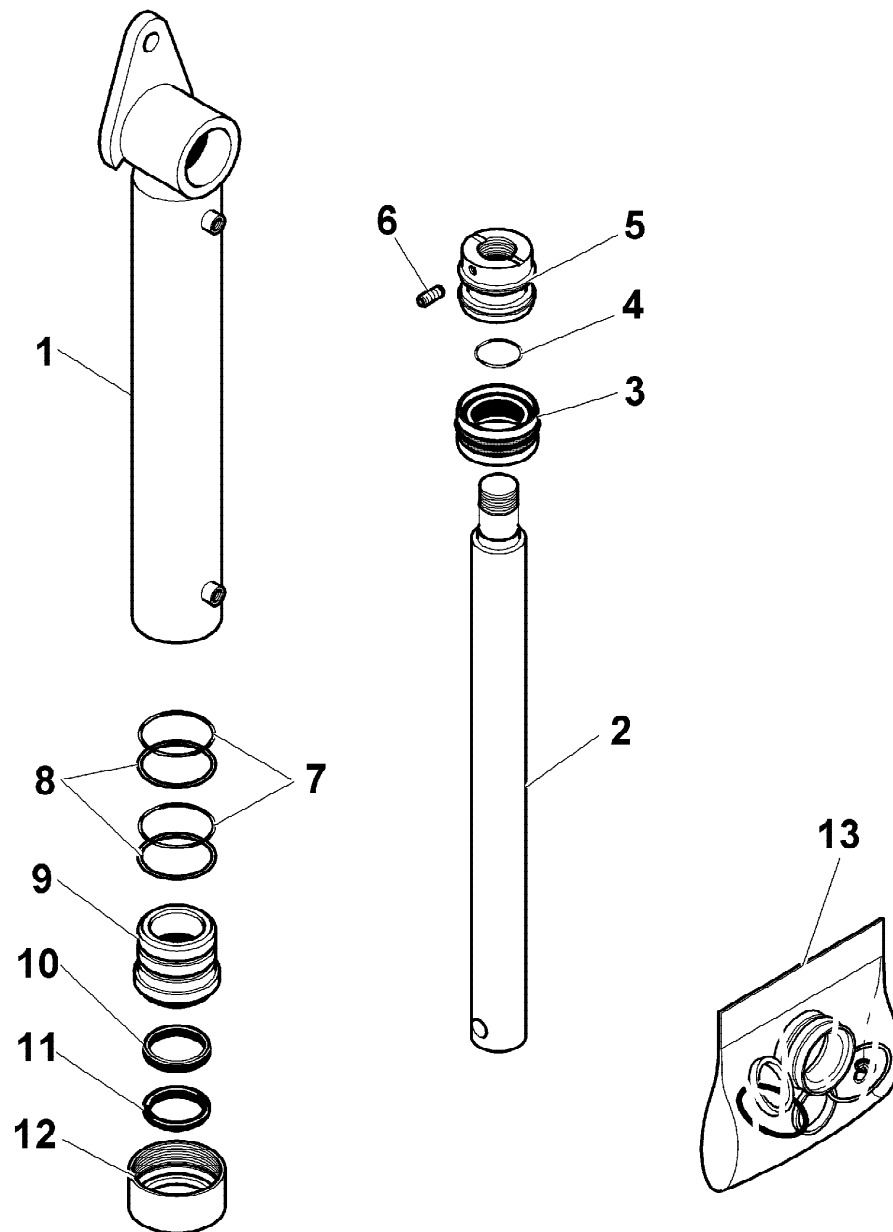
6.20.0201-1-0

Data pag.
 gennaio 2007 12



VERSIONE 2008
VERSION 2008

rif.	codice	Q.tà
1	6.40.0201	1
2	5.00.1198	1
3	3.08.0500	1
4	3.10.1127	6
5	5.39.0032	1
6	3.08.0512	2
7	5.22.0653	1
8	5.39.0033	1
9	4.16.0391	1
10	3.06.0939	1
11	3.02.0452	4
12	5.92.0001	1
13	4.16.0392	1
14	5.09.0778	1
15	3.06.0144	1
16	3.11.0112	1
17	5.22.5681	2



rif.	codice	Q.tà
1	6.07.0274	1
2	6.03.0611	1
3	3.40.0516	1
4	3.45.0127	1
5	6.05.0026	1
6	3.06.0234	1
7	3.45.0219	2
8	3.46.0383	2
9	6.04.0075	1
10	3.40.0132	1
11	3.42.0034	1
12	6.04.0074	1
13	5.55.0638	1

1/1

HYVA CRANE

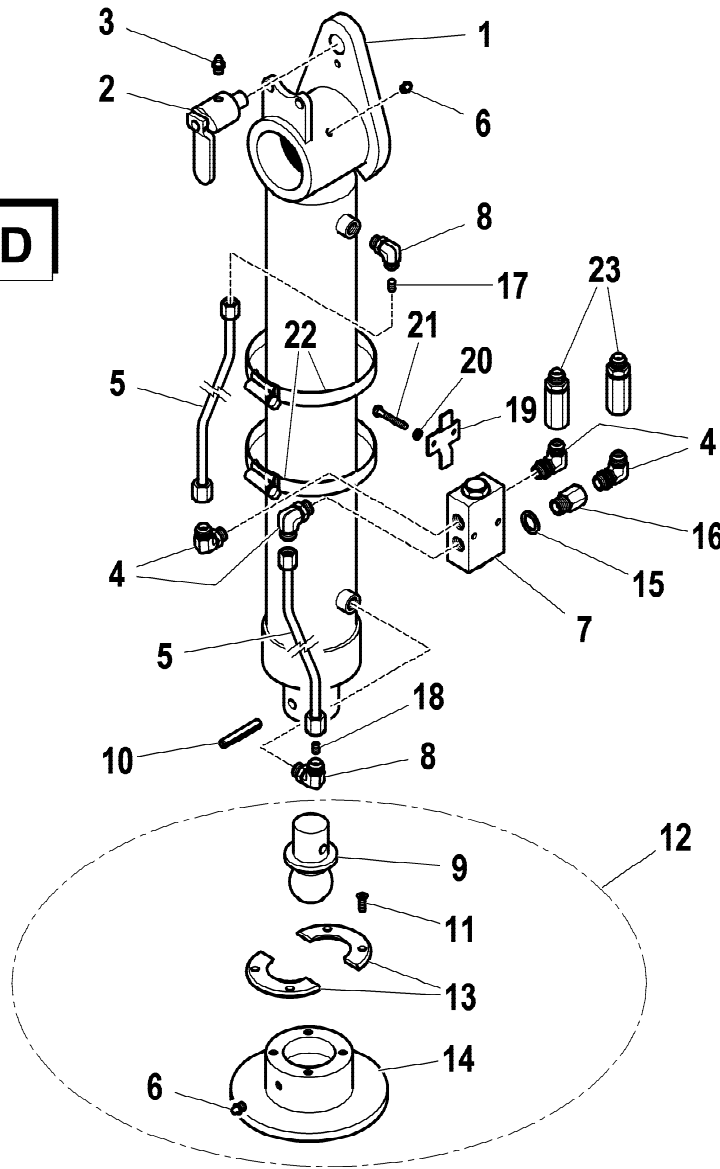
HB170

MARTINETTO STABILIZZATORE
 STABILIZER HYDRAULIC JACK
 VERIN STABILISATEUR
 STABILISATOR SCHUBZYLINDER
 GATO ESTABILIZADOR

Tavola
6.40.0201-1-0

Data pag.
 giugno 2006 14

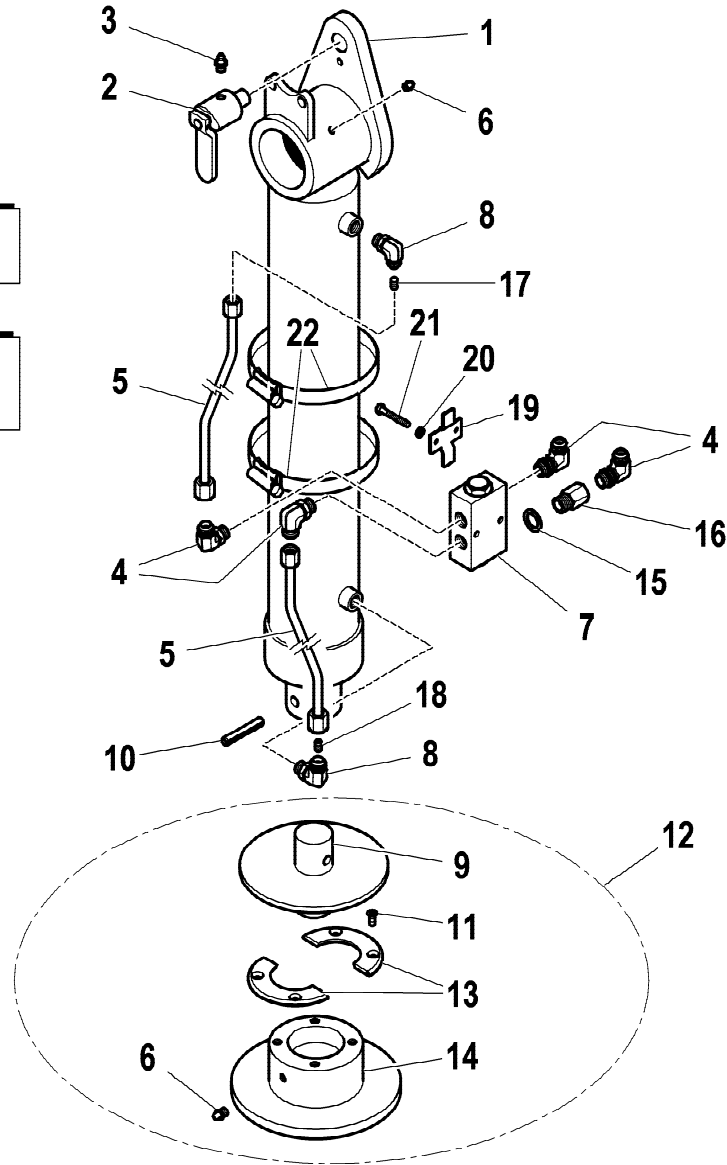
LD



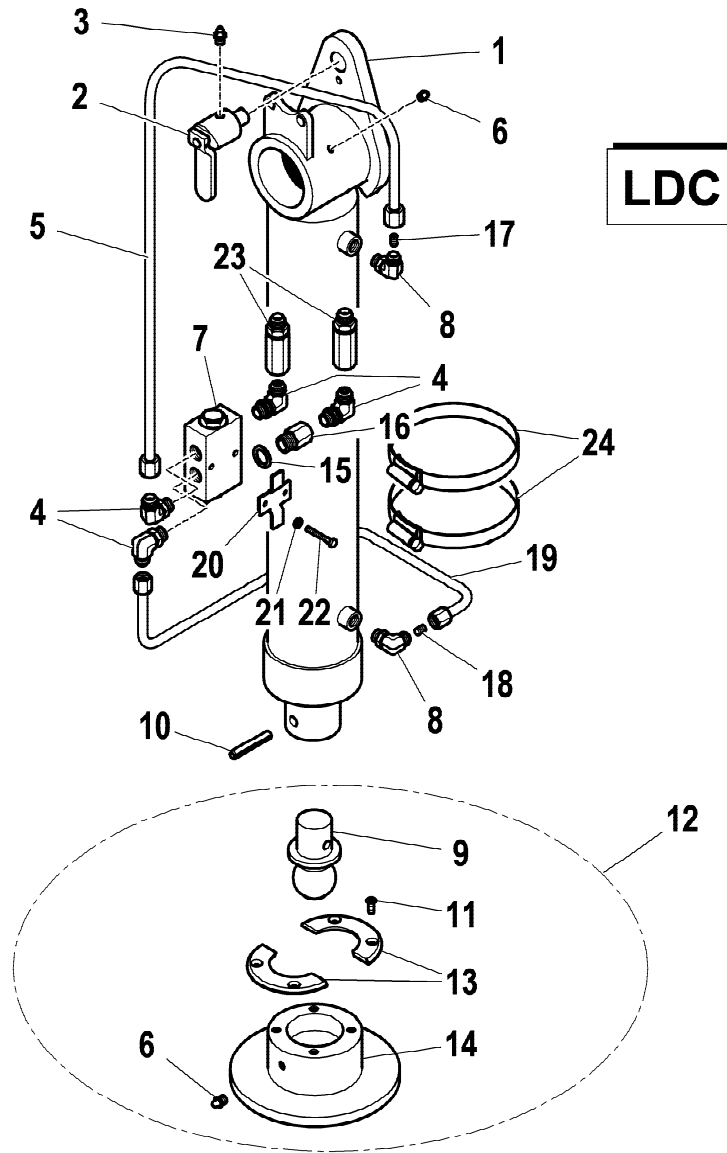
rif.	codice	Q.tà
1	6.40.0278	1
2	5.00.1198	1
3	3.08.0500	1
4	3.10.1127	4
5	5.39.0551	2
6	3.08.0512	2
7	5.22.0653	1
8	W.470.424	2
9	4.16.0391	1
10	3.06.0939	1
11	3.02.0452	4
12	5.92.0001	1
13	4.16.0392	1
14	5.09.0778	1
15	3.06.0144	1
16	3.11.0112	1
17	W.470.425	1
18	W.470.427	1
19	2.09.1241	1
20	3.06.0053	2
21	3.01.0023	2
22	3.19.0024	2
23	5.22.5681	2

LD

**AUTOMATIC
ROTATION**



rif.	codice	Q.tà
1	6.40.0278	1
2	5.00.1198	1
3	3.08.0500	1
4	3.10.1127	4
5	5.39.0551	2
6	3.08.0512	2
7	5.22.0653	1
8	W.470.424	2
9	5.09.1264	1
10	3.06.0939	1
11	3.02.0452	4
12	5.92.0011	1
13	4.16.0392	1
14	5.09.0778	1
15	3.06.0144	1
16	3.11.0112	1
17	W.470.425	1
18	W.470.427	1
19	2.09.1241	1
20	3.06.0053	2
21	3.01.0023	2
22	3.19.0024	2



rif.	codice	Q.tà
1	6.40.0278	1
2	5.00.1198	1
3	3.08.0500	1
4	3.10.1127	4
5	5.39.0550	1
6	3.08.0512	2
7	5.22.0653	1
8	W.470.424	2
9	4.16.0391	1
10	3.06.0939	1
11	3.02.0452	4
12	5.92.0001	1
13	4.16.0392	1
14	5.09.0778	1
15	3.06.0144	1
16	3.11.0112	1
17	W.470.425	1
18	W.470.427	1
19	5.39.0549	1
20	2.09.1241	1
21	3.06.0053	2
22	3.01.0023	2
23	5.22.5681	2
24	3.19.0024	2

1/1

HYVA CRANE

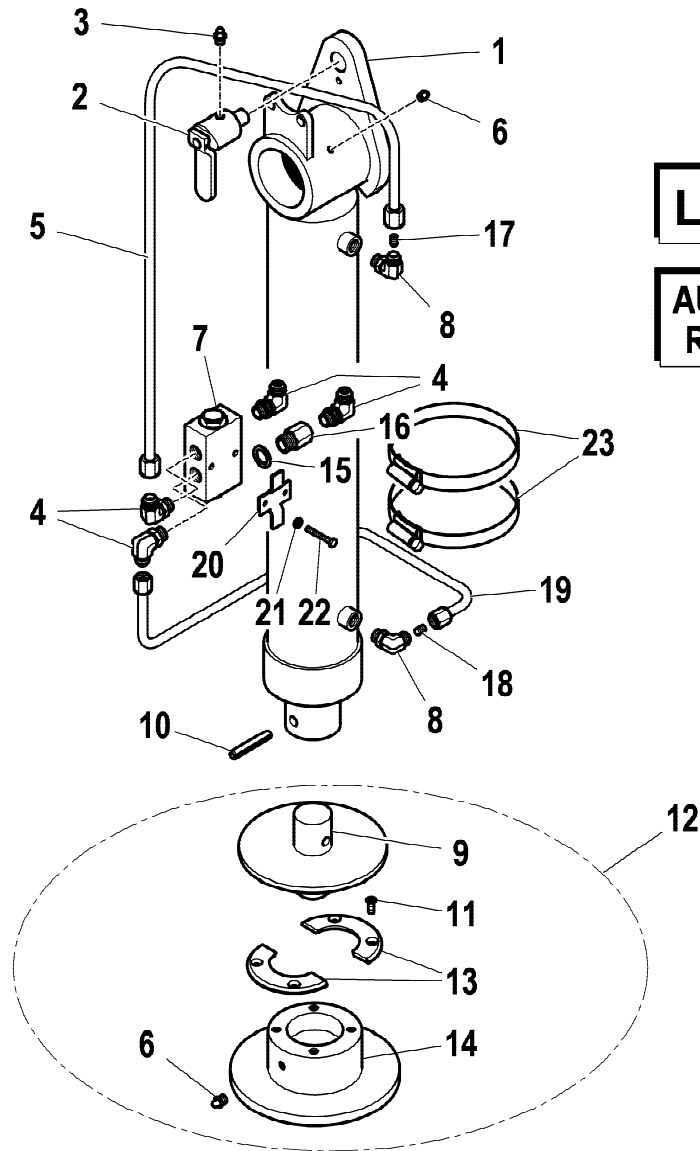
HB170

MARTINETTO STABILIZZATORE (ROTANTE)
 STABILISER RAM (ROTATING)
 VERIN STABILISATEUR (ROTATION)
 STABILISATOR SCHUBZYLINDER (ROTIERENDE)
 GATO ESTABILIZADOR (ROTATORIA)

Tavola

6.20.0286-1-0

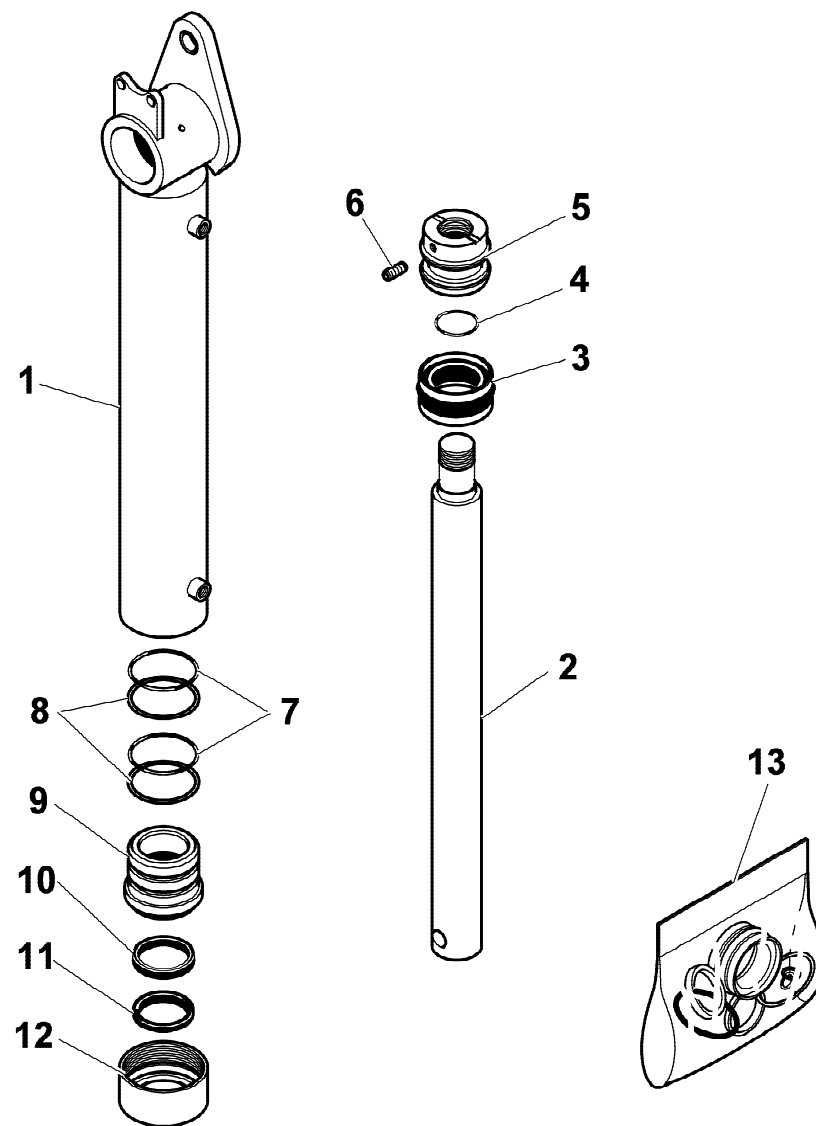
Data pag.
 novembre 2013 17



LDC

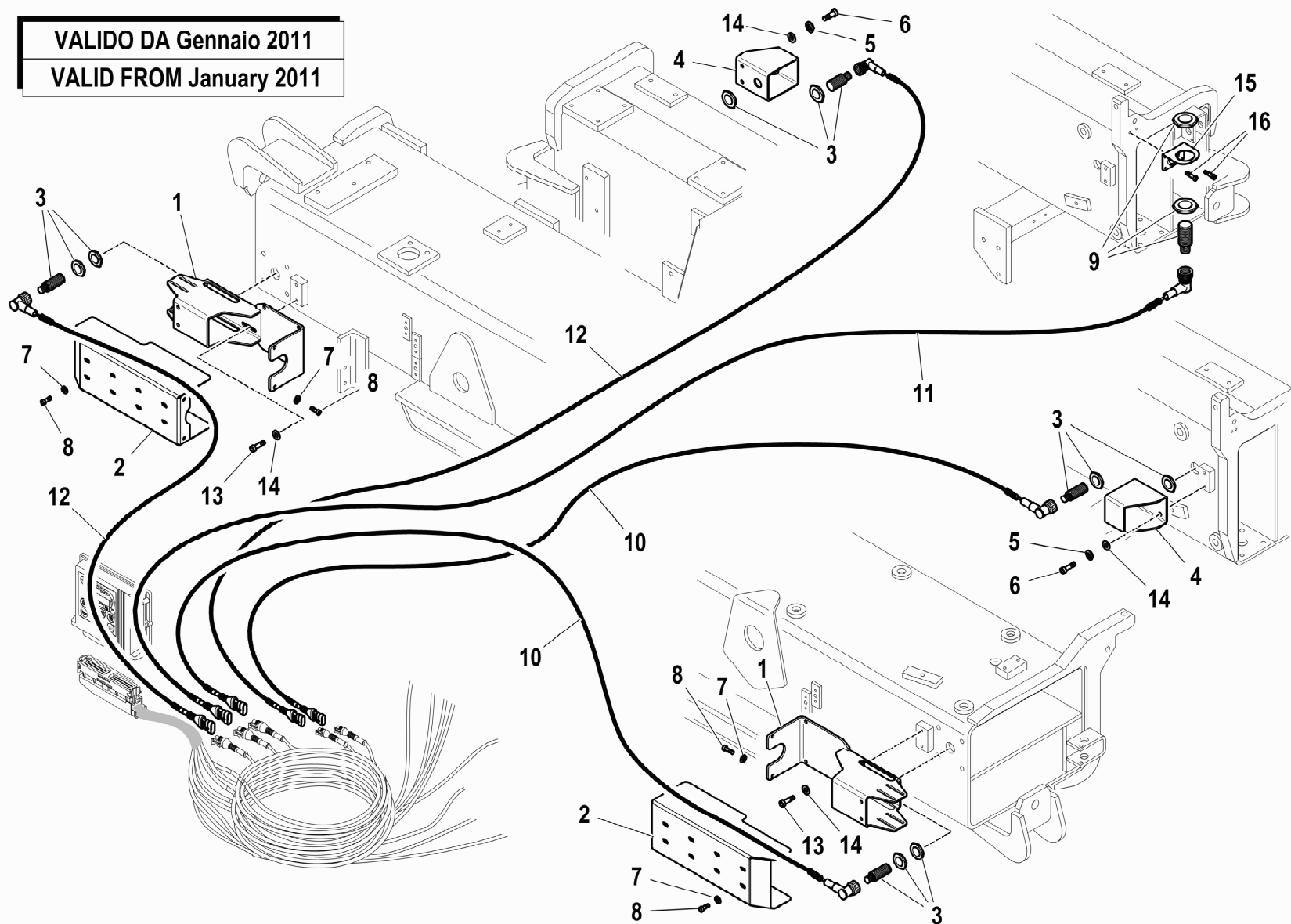
AUTOMATIC
ROTATION

rif.	codice	Q.tà
1	6.40.0278	1
2	5.00.1198	1
3	3.08.0500	1
4	3.10.1127	4
5	5.39.0550	1
6	3.08.0512	2
7	5.22.0653	1
8	W.470.424	2
9	5.09.1264	1
10	3.06.0939	1
11	3.02.0452	4
12	5.92.0011	1
13	4.16.0392	1
14	5.09.0778	1
15	3.06.0144	1
16	3.11.0112	1
17	W.470.425	1
18	W.470.427	1
19	5.39.0549	1
20	2.09.1241	1
21	3.06.0053	2
22	3.01.0023	2
23	3.19.0024	2



rif.	codice	Q.tà
1	6.07.0625	1
2	6.03.0611	1
3	3.40.0516	1
4	3.45.0127	1
5	6.05.0026	1
6	3.06.0234	1
7	3.45.0219	2
8	3.46.0383	2
9	6.04.0075	1
10	3.40.0132	1
11	3.42.0034	1
12	6.04.0074	1
13	5.55.0638	1

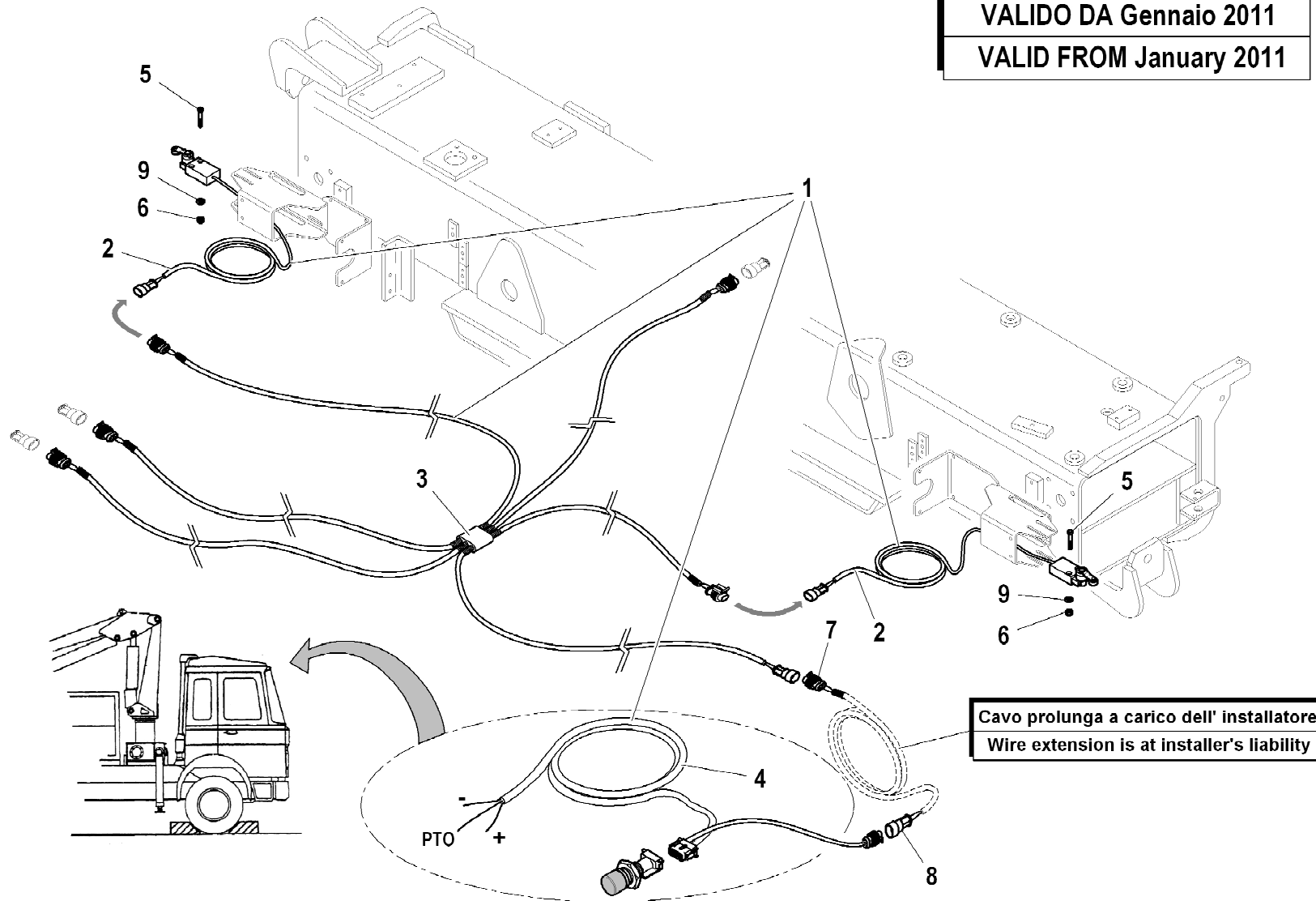
VALIDO DA Gennaio 2011
 VALID FROM January 2011



rif.	codice	Q.tà
1	5.09.1299	2
2	5.00.2060	2
3	3.31.1311	4
4	5.09.1300	2
5	3.06.0053	4
6	3.02.0035	4
7	3.06.0004	8
8	3.02.0022	8
9	3.31.1312	1
10	3.31.1377	2
11	3.31.1372	1
12	3.31.1332	2
13	3.02.0034	4
14	3.06.0030	8
15	5.00.0426	1
16	3.02.0895	2

VALIDO DA Gennaio 2011

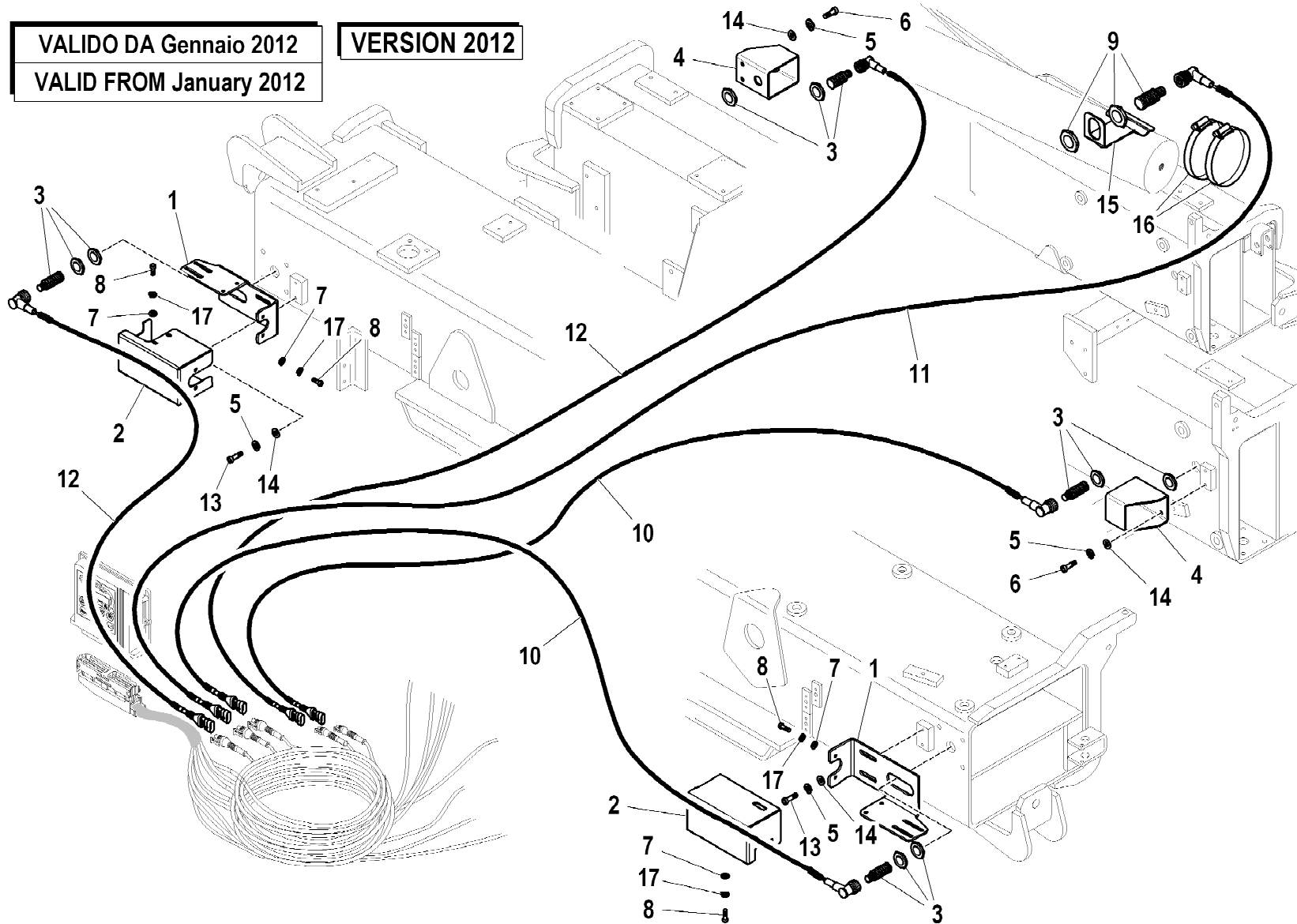
VALID FROM January 2011



rif.	codice	Q.tà
1	3.31.1352	1
2	3.31.1356	2
3	3.31.1353	1
4	3.31.1354	1
5	3.02.0014	4
6	3.04.0518	4
7	3.31.0431	1
8	3.31.0432	1
9	3.06.0003	4

VALIDO DA Gennaio 2012
VALID FROM January 2012

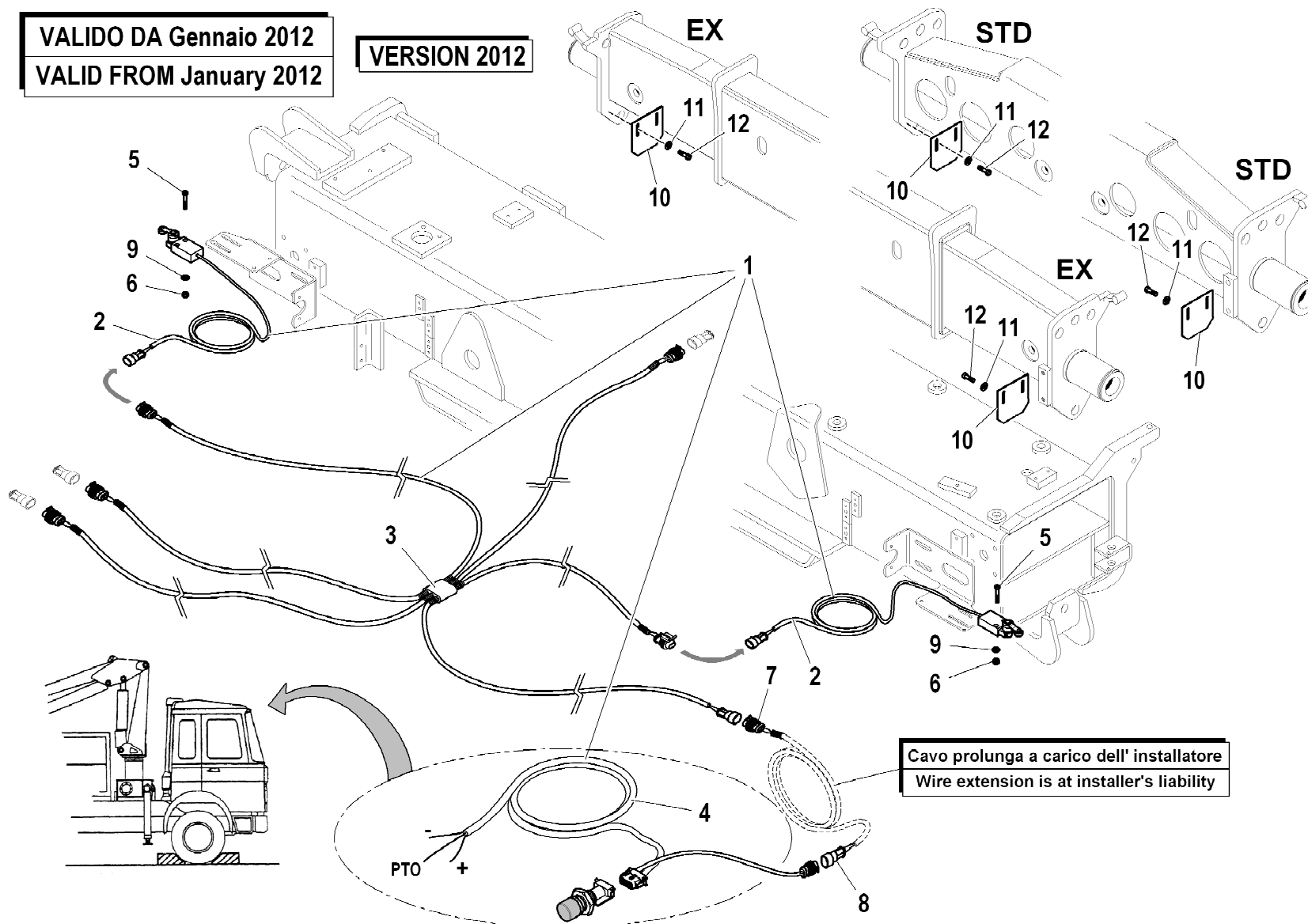
VERSION 2012



rif.	codice	Q.tà
1	5.09.1395	2
2	5.00.2189	2
3	3.31.1311	4
4	5.09.1300	2
5	3.06.0053	8
6	3.02.0035	4
7	3.06.0004	8
8	3.02.0022	8
9	3.31.1312	1
10	3.31.1377	2
11	3.31.1372	1
12	3.31.1332	2
13	3.02.0034	4
14	3.06.0030	8
15	5.00.2185	1
16	3.19.0021	2
17	3.06.0052	8

VALIDO DA Gennaio 2012
VALID FROM January 2012

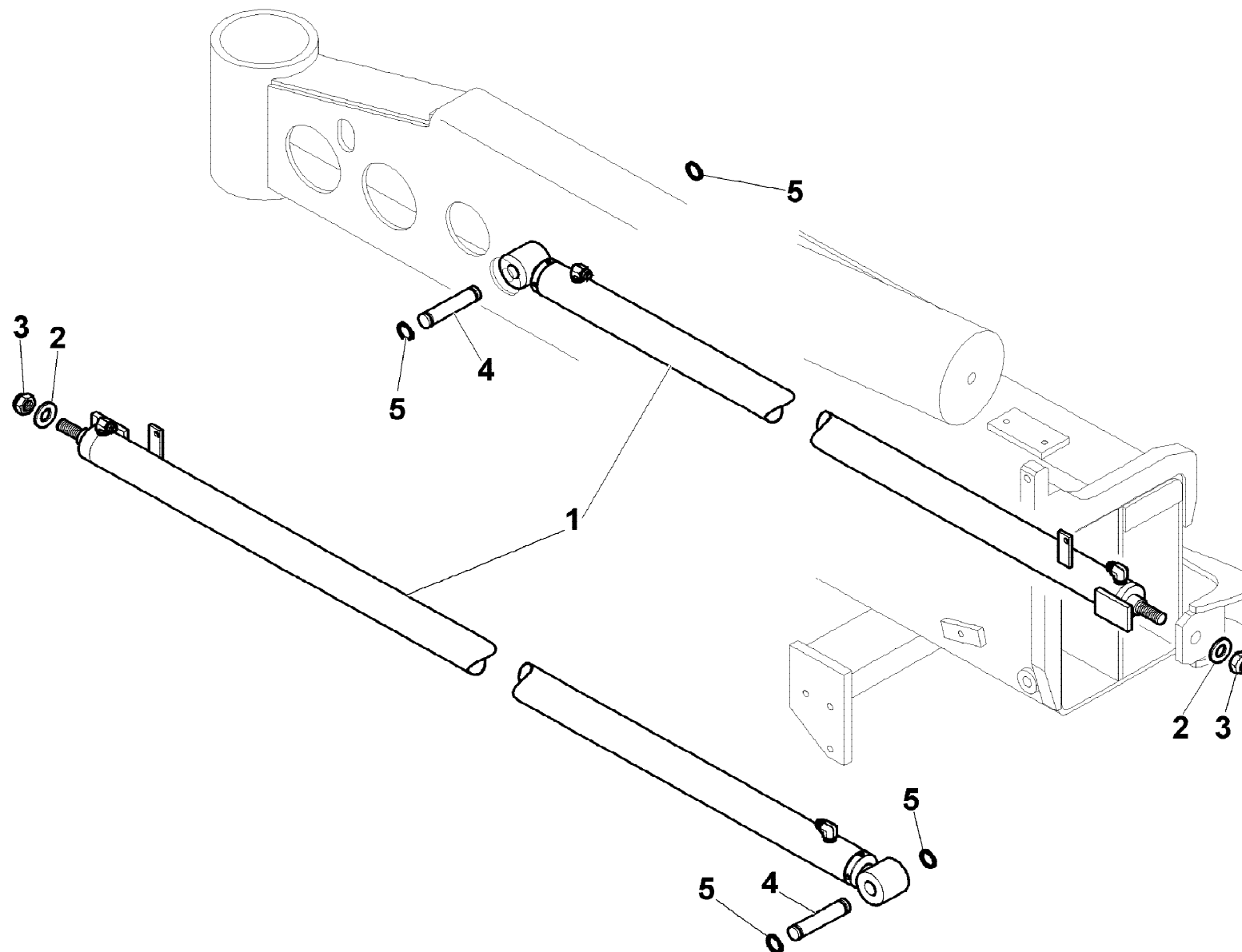
VERSION 2012



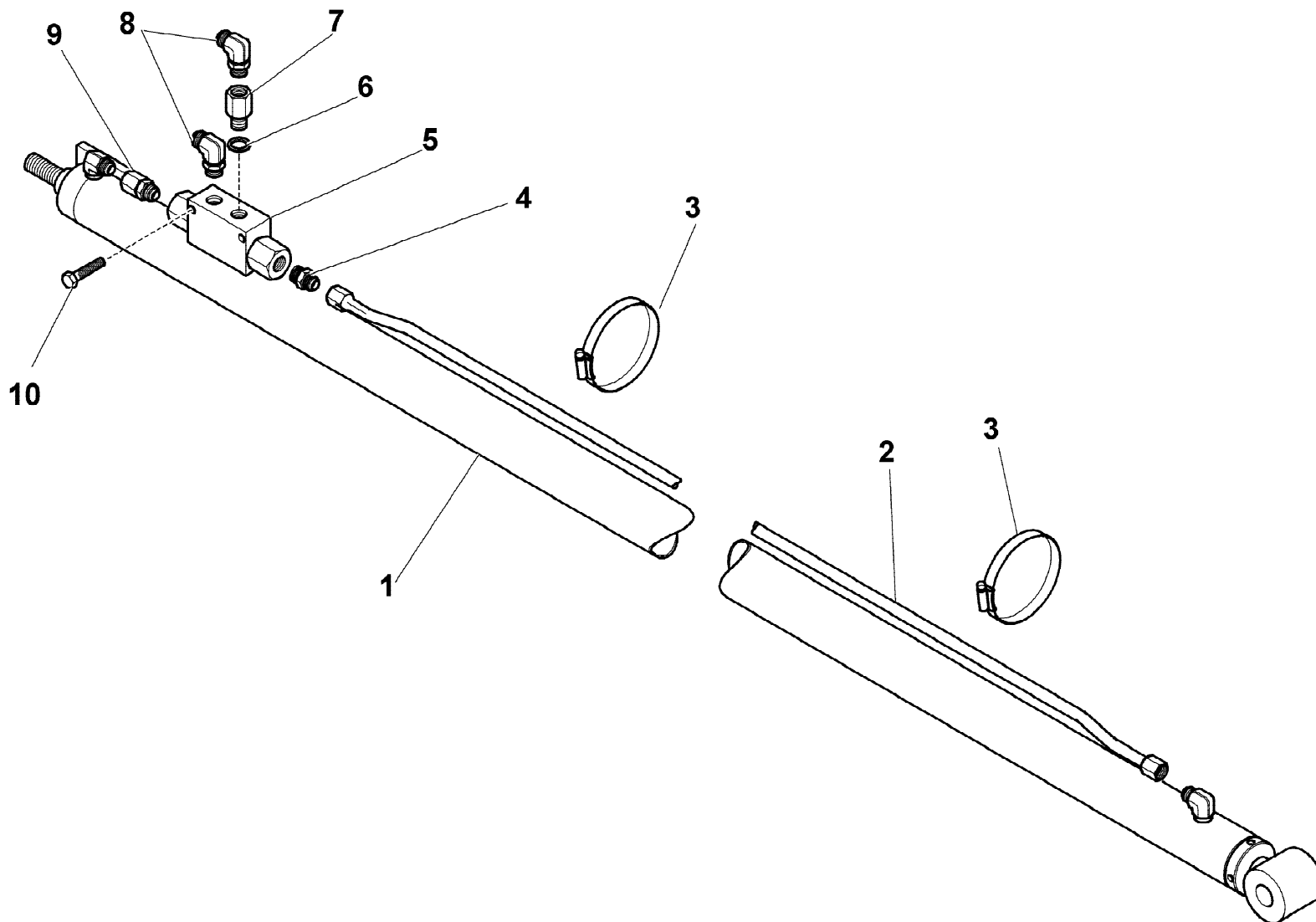
rif.	codice	Q.tà
1	3.31.1352	1
2	3.31.1356	2
3	3.31.1353	1
4	3.31.1354	1
5	3.02.0014	4
6	3.04.0518	4
7	3.31.0431	1
8	3.31.0432	1
9	3.06.0003	4
10	5.00.2186	2
11	3.06.0030	4
12	3.02.0034	4

Cavo prolunga a carico dell' installatore
Wire extension is at installer's liability

rif.	codice	Q.tà
1	6.40.0151	2
2	3.06.0010	2
3	3.04.0307	2
4	5.15.0643	2
5	3.07.0017	2



rif.	codice	Q.tà
1	6.40.0151	1
2	5.39.1473	1
3	3.19.0025	2
4	3.10.1039	1
5	5.22.0559	1
6	3.06.0143	1
7	3.11.0270	1
8	3.10.1124	2
9	3.12.0064	1
10	3.02.0040	1



1/1

HYVA CRANE

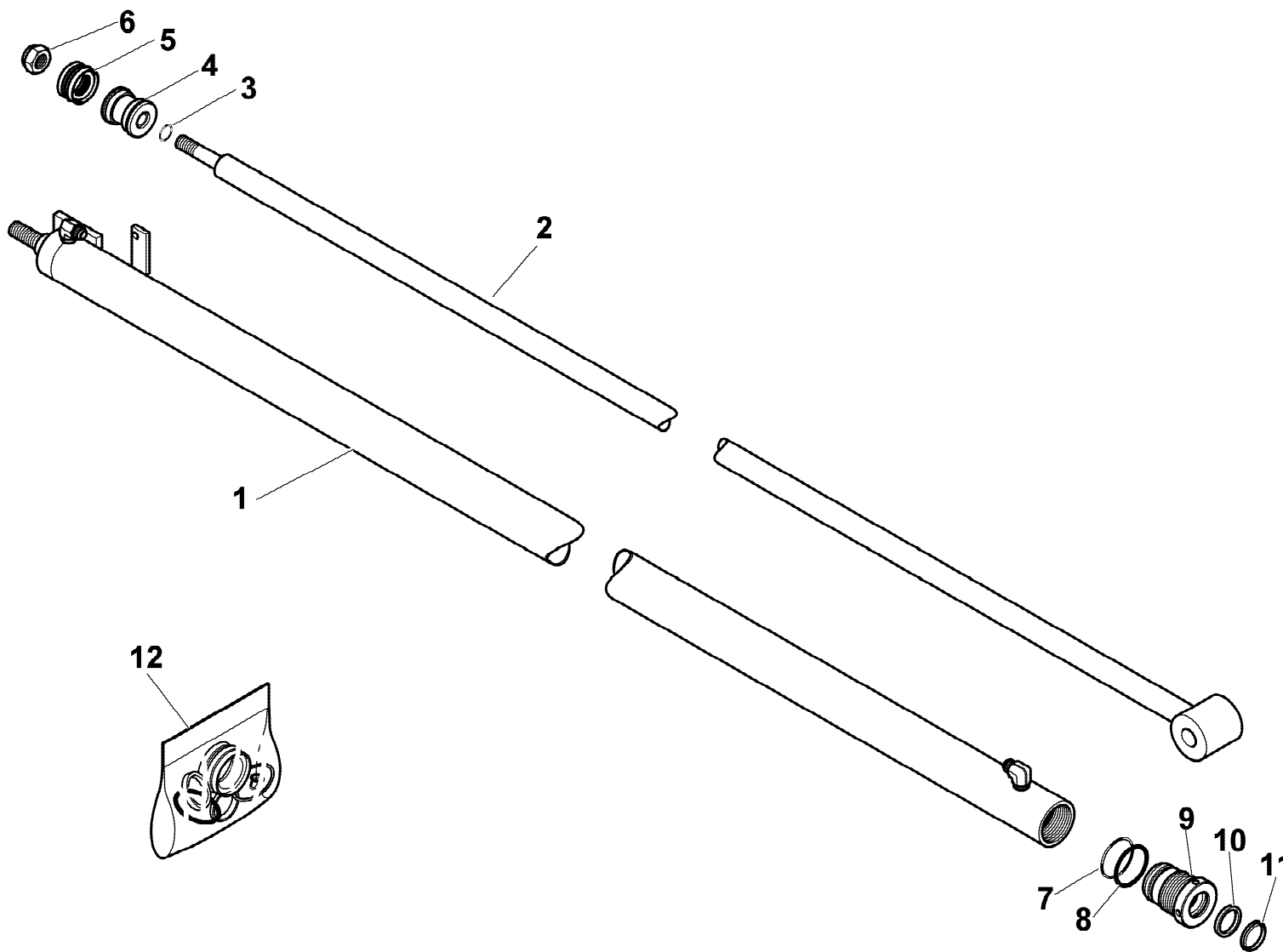
HB170

IMPIANTO IDRAULICO (MARTINETTO SFILLO ASTE)
 HYDRAULIC SYSTEM (ROD EXTENSION HYDRAULIC CYLINDER)
 INSTALLATION HYDRAULIQUE (VERIN RALLONGE TIGES)
 HYDRAULIKANLAGE (STANGENVERLAENGERUNGSWINDE)
 INSTALACION HIDRAULICA (GATO DE PROLONGACION VASTAGOS)

Tavola

6.20.0151-1-0

Data pag.
 ottobre 2006 25



rif.	codice	Q.tà
1	6.07.0397	1
2	6.03.0412	1
3	3.45.0006	1
4	6.05.0142	1
5	3.40.0503	1
6	3.04.0306	1
7	3.45.0067	1
8	3.46.0067	1
9	6.04.0154	1
10	3.40.0029	1
11	3.42.0011	1
12	5.55.0709	1

1/1

HYVA CRANE

HB170

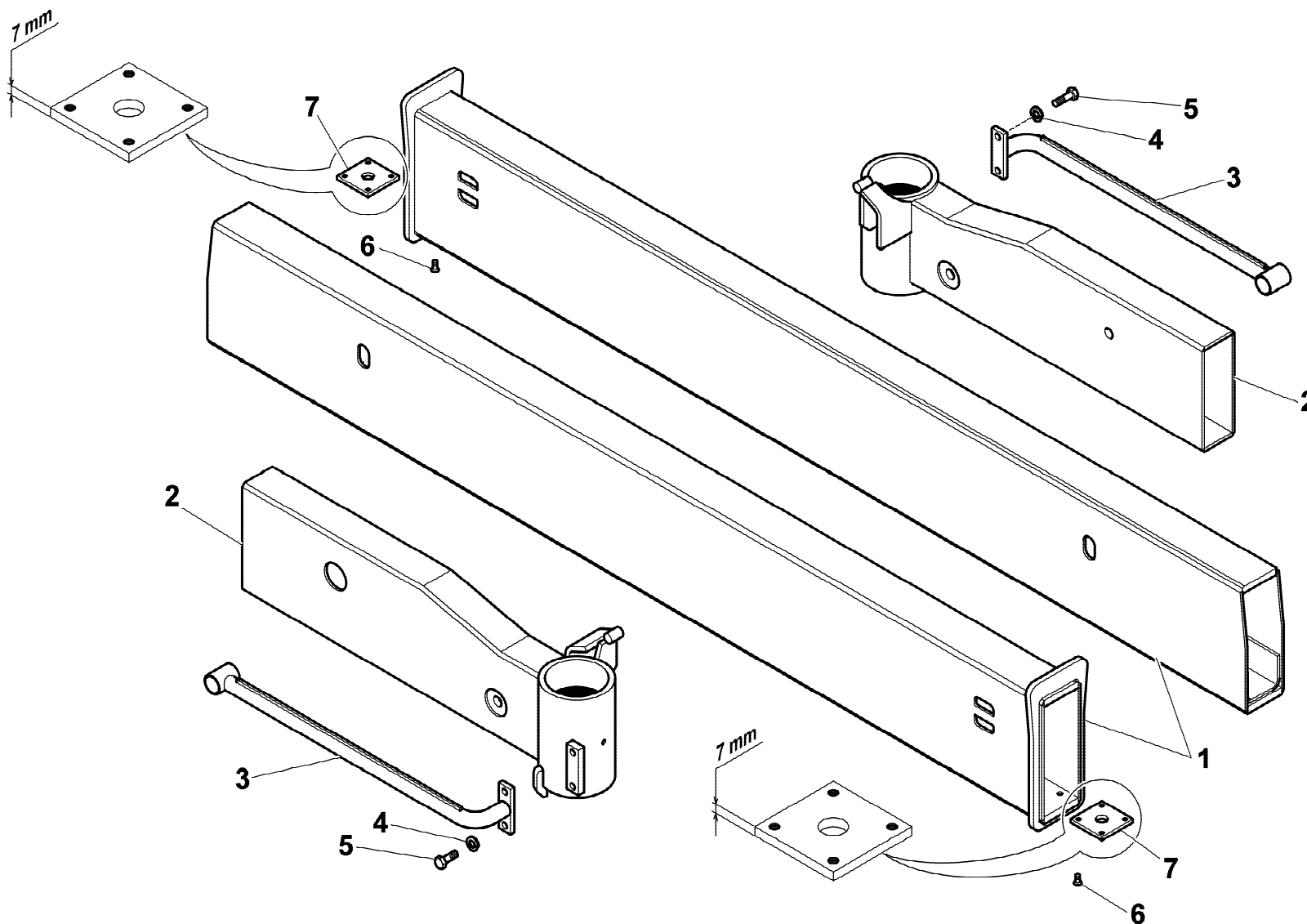
MARTINETTO SFILO ASTE
 ROD EXSTENSION HYDRAULIC CYLINDER
 VERIN RALLONGE TIGES
 STANGENVERLAENGERUNGSWINDE
 GATO DE PROLONGACION VASTAGOS

Tavola

6.40.0151-1-0

Data pag.
 giugno 2006 26

rif.	codice	Q.tà
1	5.07.0410	2
2	5.07.0408	2
3	5.09.0594	2
4	3.06.0057	4
5	3.01.0369	4
6	3.02.0452	8
7	5.14.1139	2



1/1

HYVA CRANE

HB170

ASTE STABILIZZATRICI EXTRA ESTENDIBILI
 STABILIZER CONNECTING RODS EXTRA-EXTENSIBLE
 EXTENSION DES STABILISATEURS EXTRA-EXTENSIBLE
 STÜTZSTANGEN EXTRA-AUSDEHNBARE
 VARILLAS ESTABILIZADORES EXTRA-EXTENSIBLE

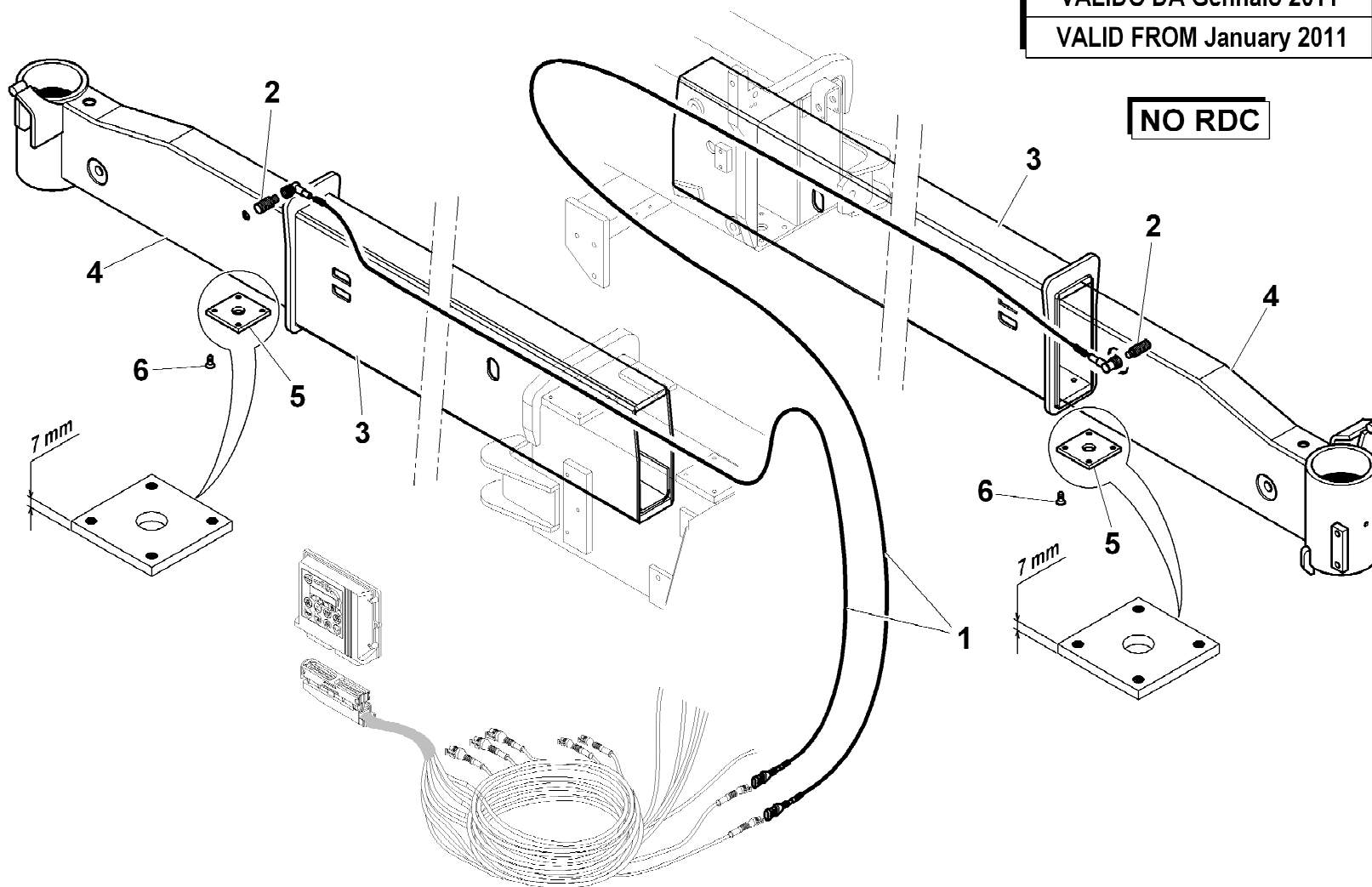
Tavola
5.76.0050-1-0

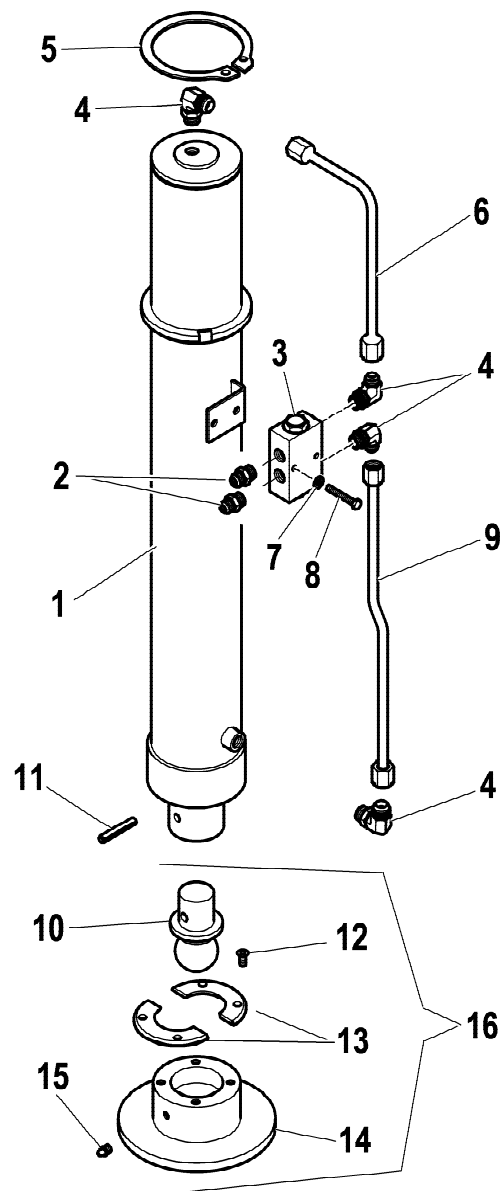
Data pag.
 marzo 2012 27

rif.	codice	Q.tà
1	3.31.1333	2
2	3.31.1311	2
3	5.07.0410	2
4	5.07.0408	2
5	5.14.1139	2
6	3.02.0452	8

VALIDO DA Gennaio 2011
VALID FROM January 2011

NO RDC

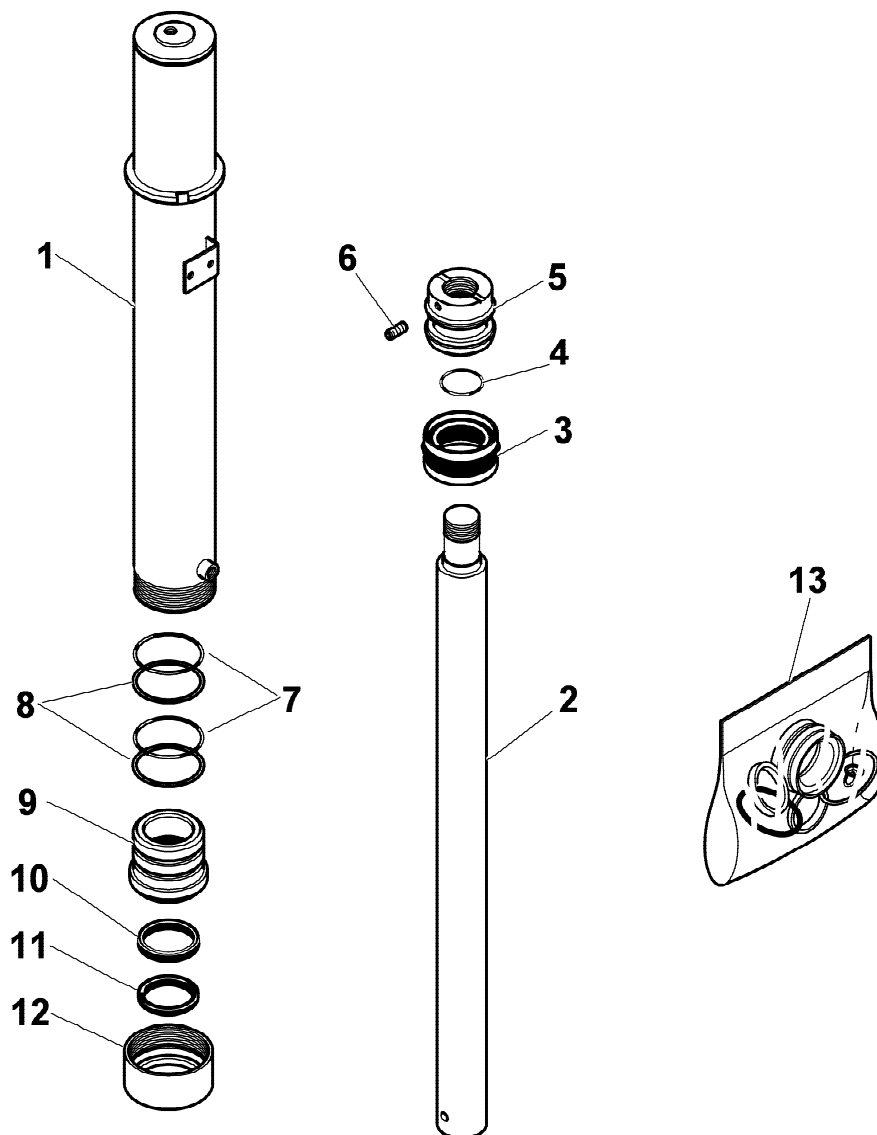




**VERSIONE LUNGA
LONG VERSION
VERSION LONGUE
LANGVERSION
VERSIÓN LARGA**

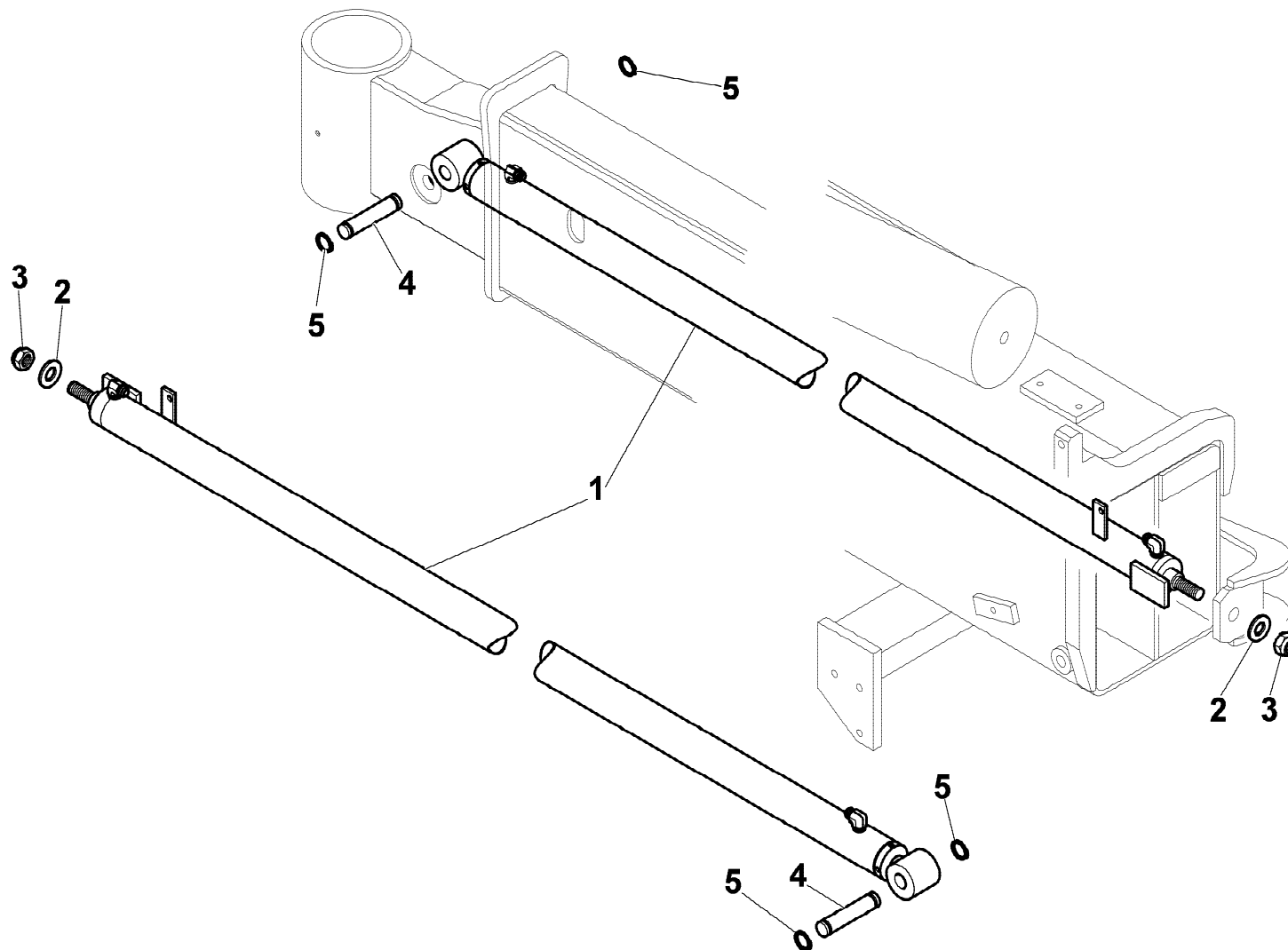
rif.	codice	Q.tà
1	6.40.0255	1
2	3.10.1043	2
3	5.22.0653	1
4	3.10.1127	4
5	3.07.0080	1
6	5.39.1733	1
7	3.06.0005	2
8	3.01.0019	2
9	5.39.2188	1
10	4.16.0391	1
11	3.06.0939	1
12	3.02.0452	4
13	4.16.0392	1
14	5.09.0778	1
15	3.08.0512	1
16	5.92.0001	1

VERSIONE LUNGA
 LONG VERSION
 VERSION LONGUE
 LANGVERSION
 VERSIÓN LARGA



rif.	codice	Q.tà
1	6.07.0567	1
2	6.03.0818	1
3	3.40.0516	1
4	3.45.0127	1
5	6.05.0026	1
6	3.06.0234	1
7	3.45.0219	2
8	3.46.0383	2
9	6.04.0075	1
10	3.40.0132	1
11	3.42.0034	1
12	6.04.0074	1
13	5.55.0638	1

rif.	codice	Q.tà
1	6.20.0160	2
2	3.06.0010	2
3	3.04.0307	2
4	5.15.0666	2
5	3.07.0017	4



1/1

HYVA CRANE

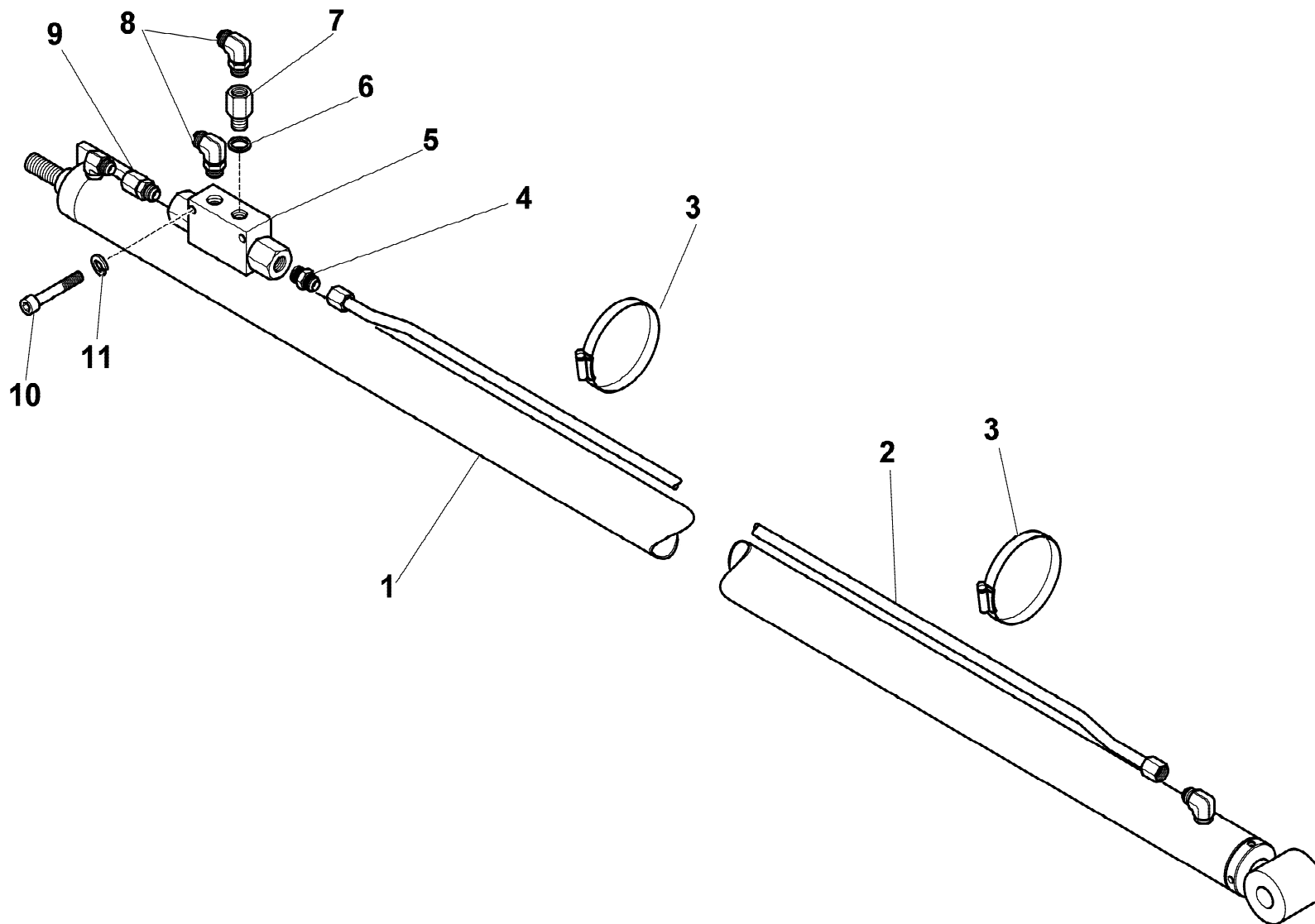
HB170

MARTINETTO SFILLO ASTE (EXTRA ESTENDIBILI)
 ROD EXSTENSION HYDRAULIC CYLINDER (EXTRA-EXTENSIBLE)
 VERIN RALLONGE TIGES (EXTRA-EXTENSIBLE)
 STANGENVERLAENGERUNGSWINDE (EXTRA-AUSDEHNBARE)
 GATO DE PROLONGACION VASTAGOS (EXTRA-EXTENSIBLE)

Tavola

5.38.0016-1-0

Data pag.
 gennaio 2007 31



rif.	codice	Q.tà
1	6.40.0160	1
2	5.39.1496	1
3	3.19.0025	2
4	3.10.1039	1
5	5.22.0559	1
6	3.06.0143	1
7	3.11.0270	1
8	3.10.1124	2
9	3.12.0064	1
10	3.02.0040	1
11	3.06.0053	1

1/1

HYVA CRANE

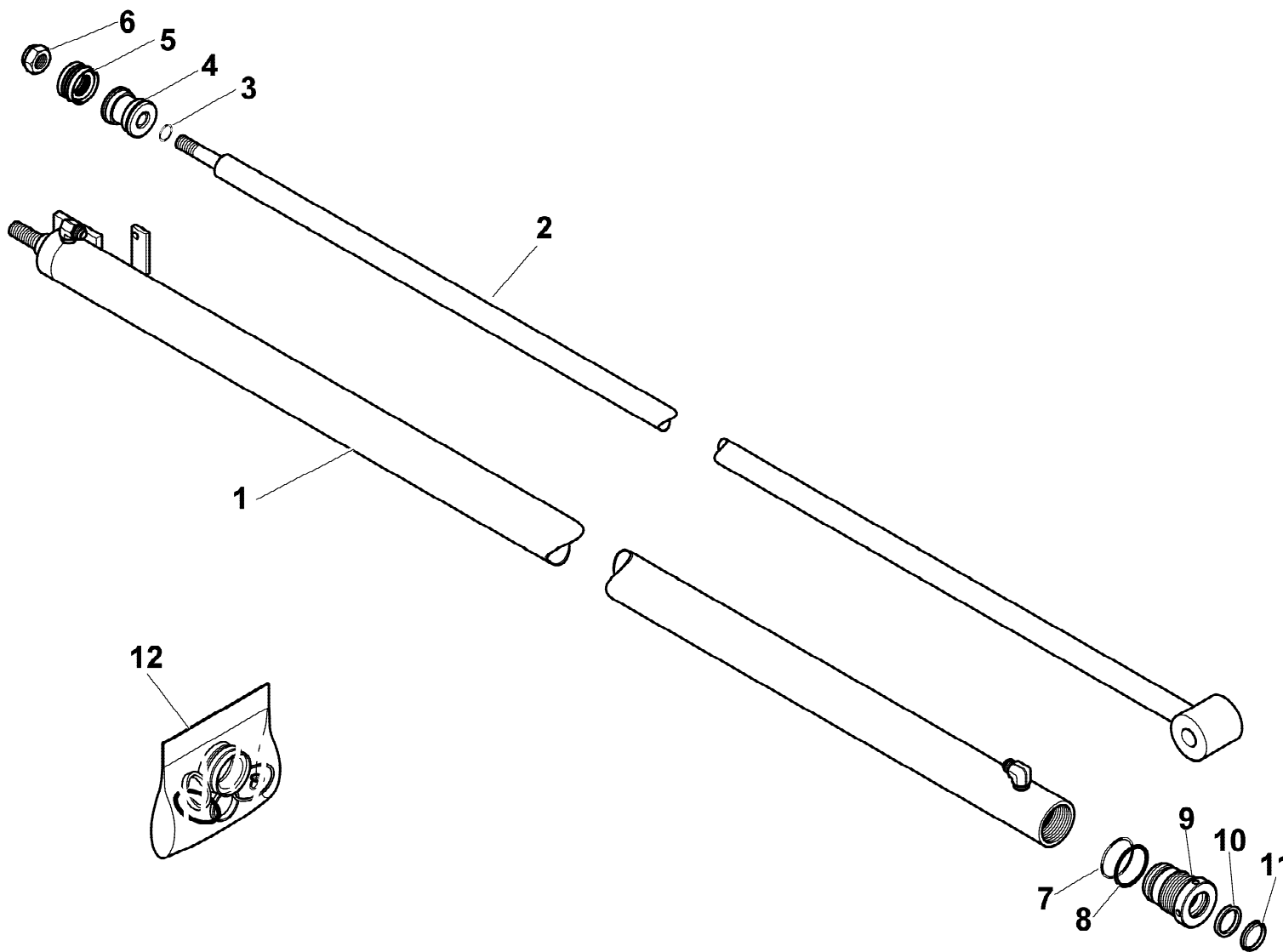
HB170

IMPIANTO IDRAULICO (MARTINETTO SFILLO ASTE EXTRA ESTENDIBILI)
 HYDRAULIC SYSTEM (ROD EXTENSION HYDRAULIC CYLINDER EXTRA-EXTENSIBLE)
 INSTALLATION HYDRAULIQUE (VERIN RALLONGE TIGE SEXTRA-EXTENSIBLE)
 HYDRAULIKANLAGE (STANGENVERLAENGERUNGSWINDE EXTRA-AUSDEHNBARE)
 INSTALACION HIDRAULICA (GATO DE PROLONGACIO VASTAGOS EXTRA-EXTENSIBLE)

Tavola

6.20.0160-1-0

Data pag.
 gennaio 2007 32



rif.	codice	Q.tà
1	6.07.0409	1
2	6.03.0439	1
3	3.45.0006	1
4	6.05.0142	1
5	3.40.0503	1
6	3.04.0306	1
7	3.45.0067	1
8	3.46.0067	1
9	6.04.0154	1
10	3.40.0029	1
11	3.42.0011	1
12	5.55.0709	1

1/1

HYVA CRANE

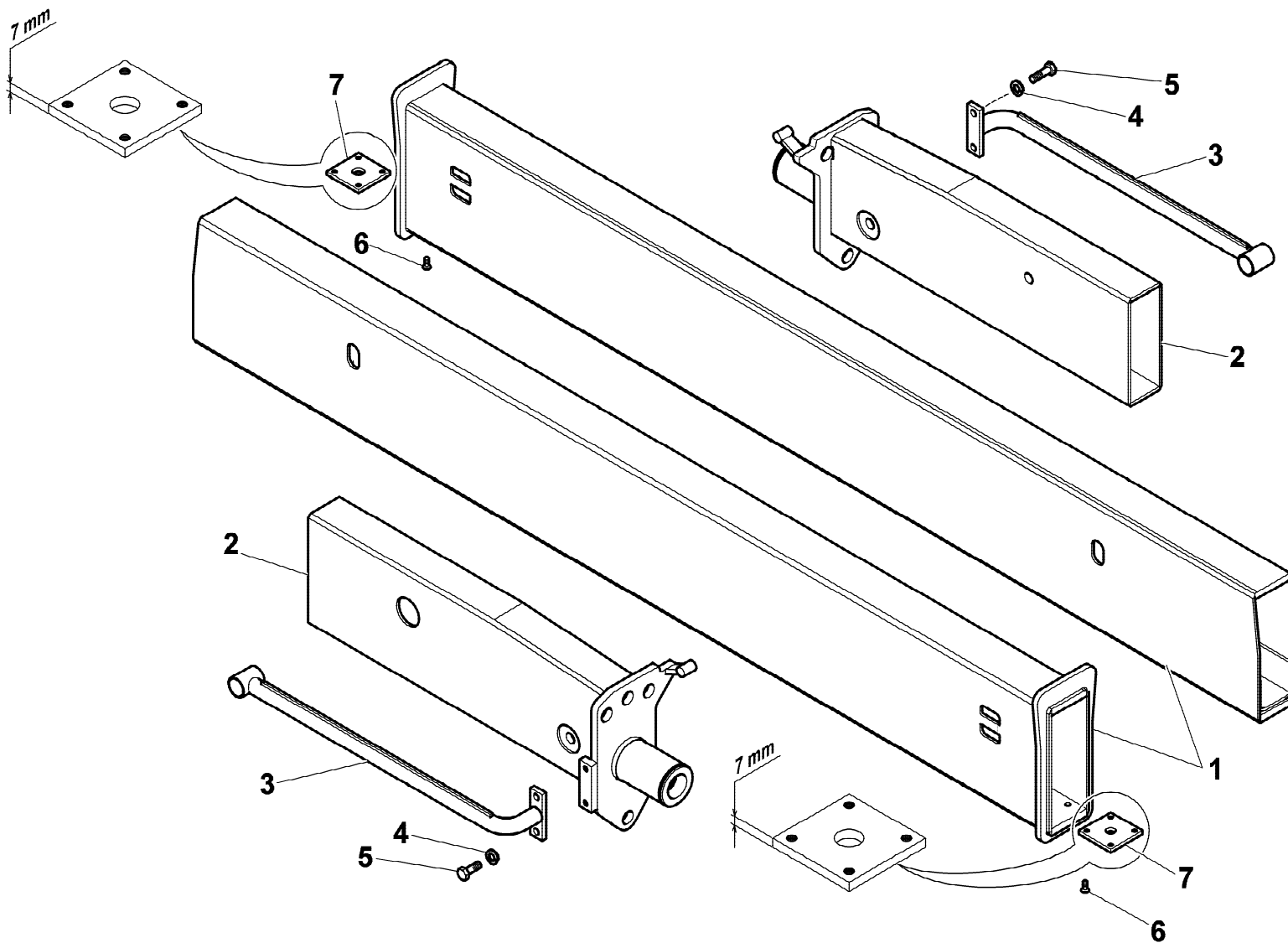
HB170

MARTINETTO SFILO ASTE EXTRA ESTENDIBILI
 ROD EXTENSION HYDRAULIC CYLINDER EXTRA-EXTENSIBLE
 VERIN RALLONGE TIGE SEXTRA-EXTENSIBLE
 STANGENVERLAENGERUNGSWINDE EXTRA-AUSDEHNBARE
 GATO DE PROLONGACIO VASTAGOS EXTRA-EXTENSIBLE

Tavola

6.40.0160-1-0

Data pag.
 gennaio 2007 33



rif.	codice	Q.tà
1	5.07.0410	2
2	5.07.0409	2
3	5.09.0594	2
4	3.06.0057	4
5	3.01.0369	4
6	3.02.0452	8
7	5.14.1139	2

1/1

HYVA CRANE

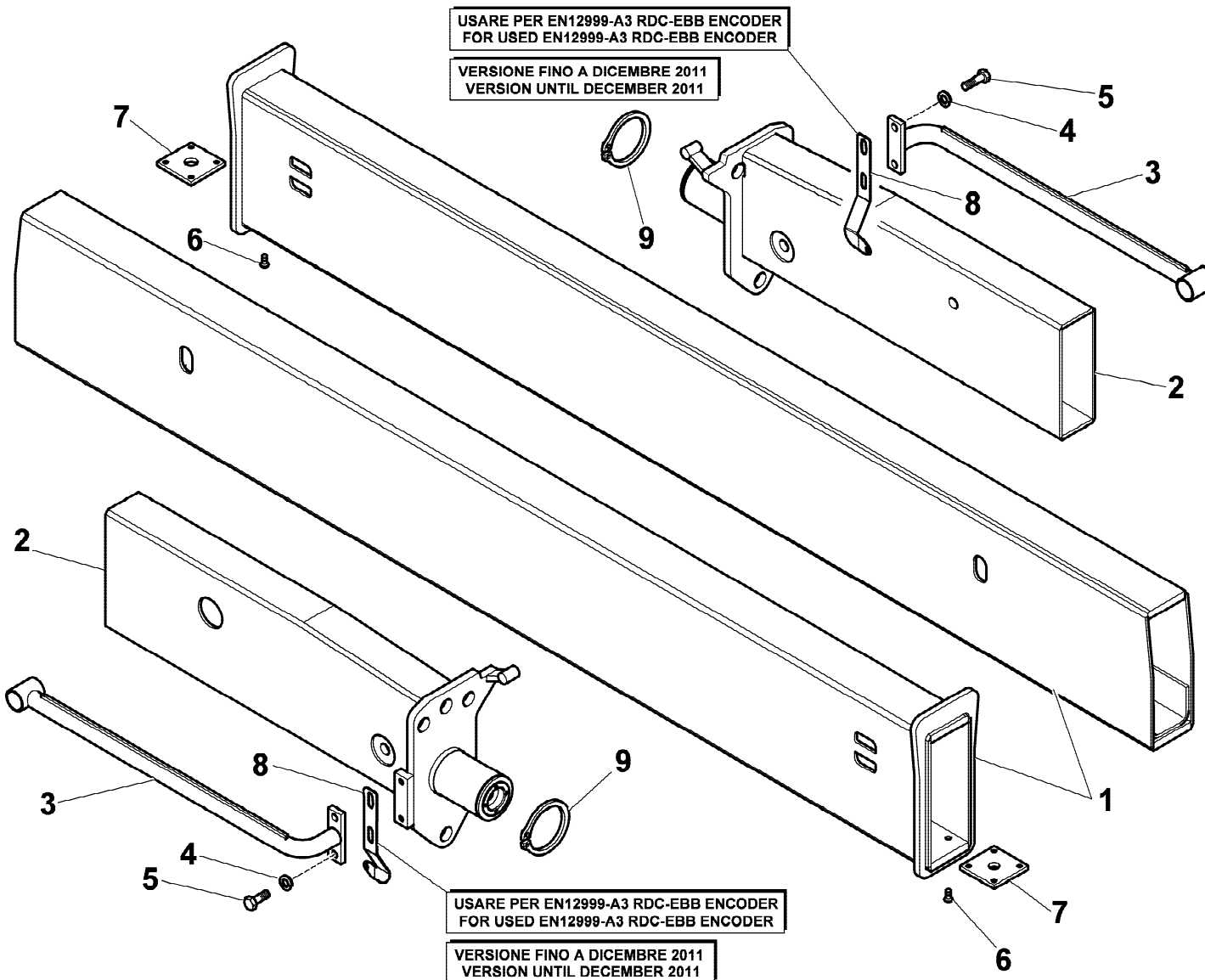
HB170

ASTE STABILIZZATRICI EXTRA ESTENDIBILI (ROTANTI)
 STABILIZER CONNECTING RODS EXTRA-EXTENSIBLE (REVOLVING)
 EXTENSION DES STABILISATEURS EXTRA-EXTENSIBLE (PIVOTANT)
 STÜTZSTANGEN EXTRA-AUSDEHNBARE (DREHBARER)
 VARILLAS ESTABILIZADORES EXTRA-EXTENSIBLE (ROTATORIO)

Tavola

5.76.0051-1-0

Data pag.
 marzo 2012 34

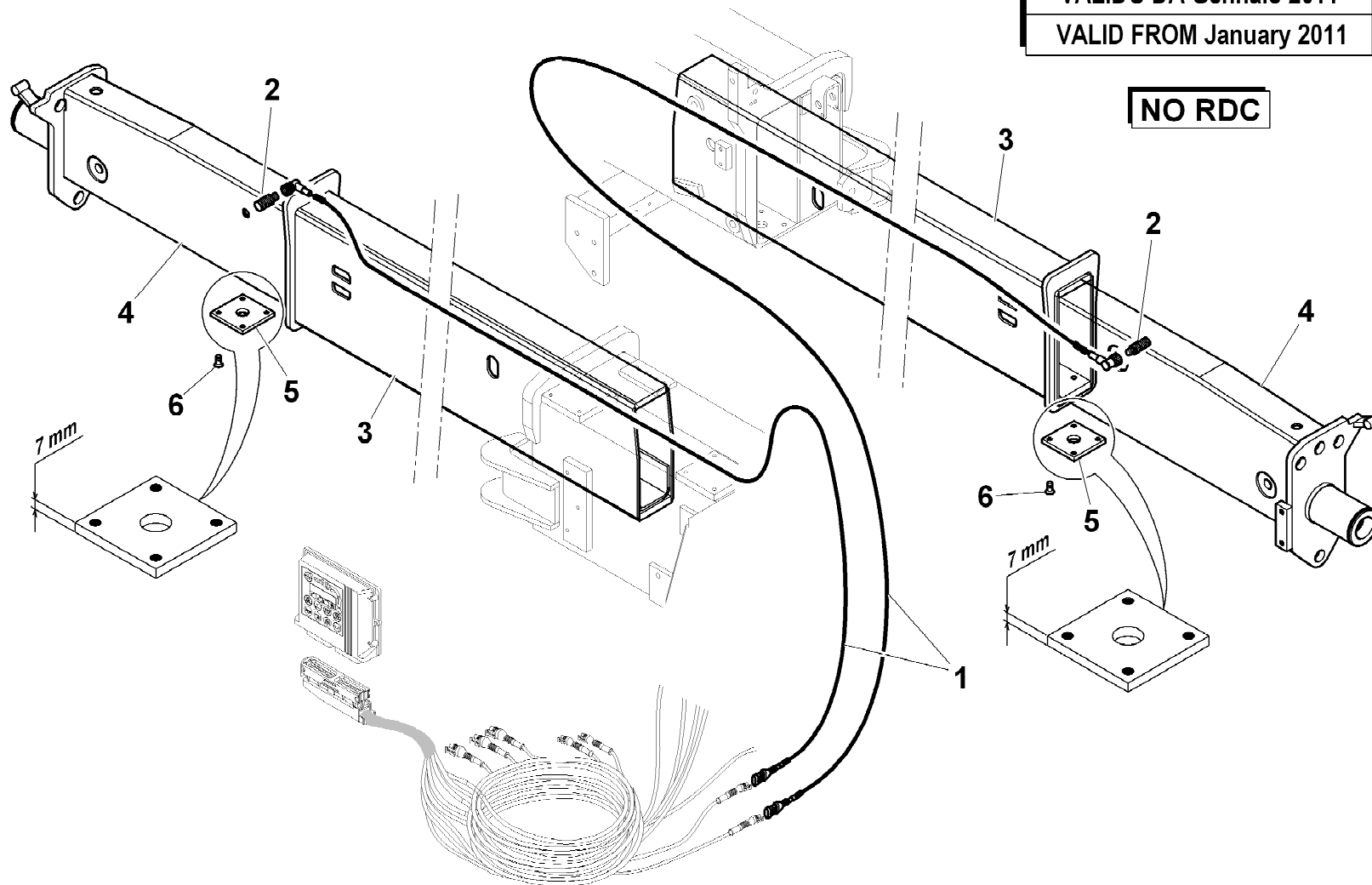


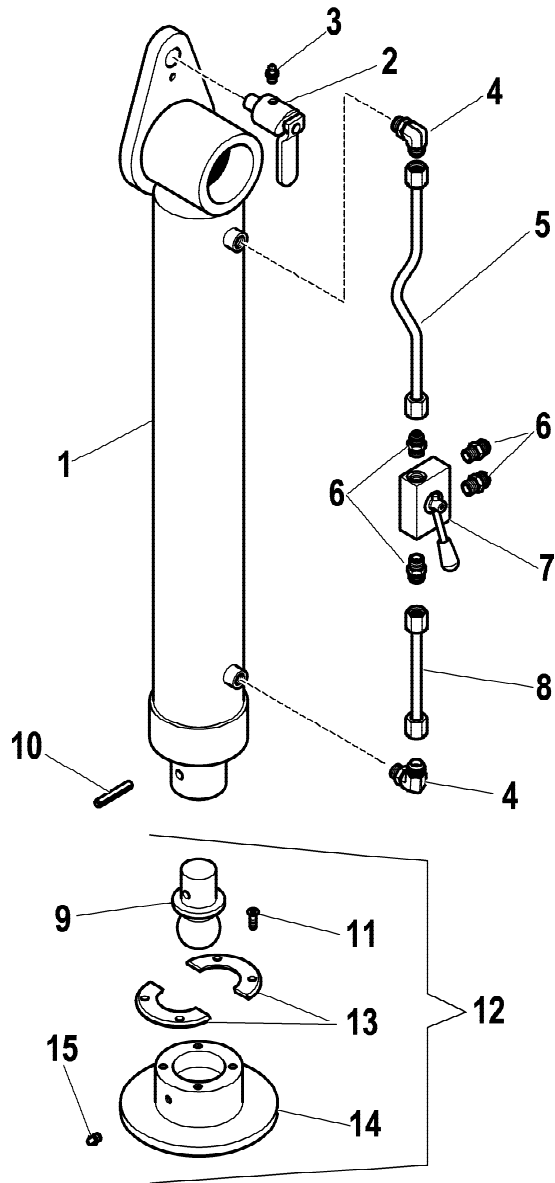
rif.	codice	Q.tà
1	5.07.0410	2
2	5.07.0466	2
3	5.09.0594	2
4	3.06.0057	4
5	3.01.0369	4
6	3.02.0452	8
7	5.14.1139	2
8	5.00.2114	2
9	3.07.0065	2

rif.	codice	Q.tà
1	3.31.1333	2
2	3.31.1311	2
3	5.07.0410	2
4	5.07.0409	2
5	5.14.1139	2
6	3.02.0452	8

VALIDO DA Gennaio 2011
VALID FROM January 2011

NO RDC

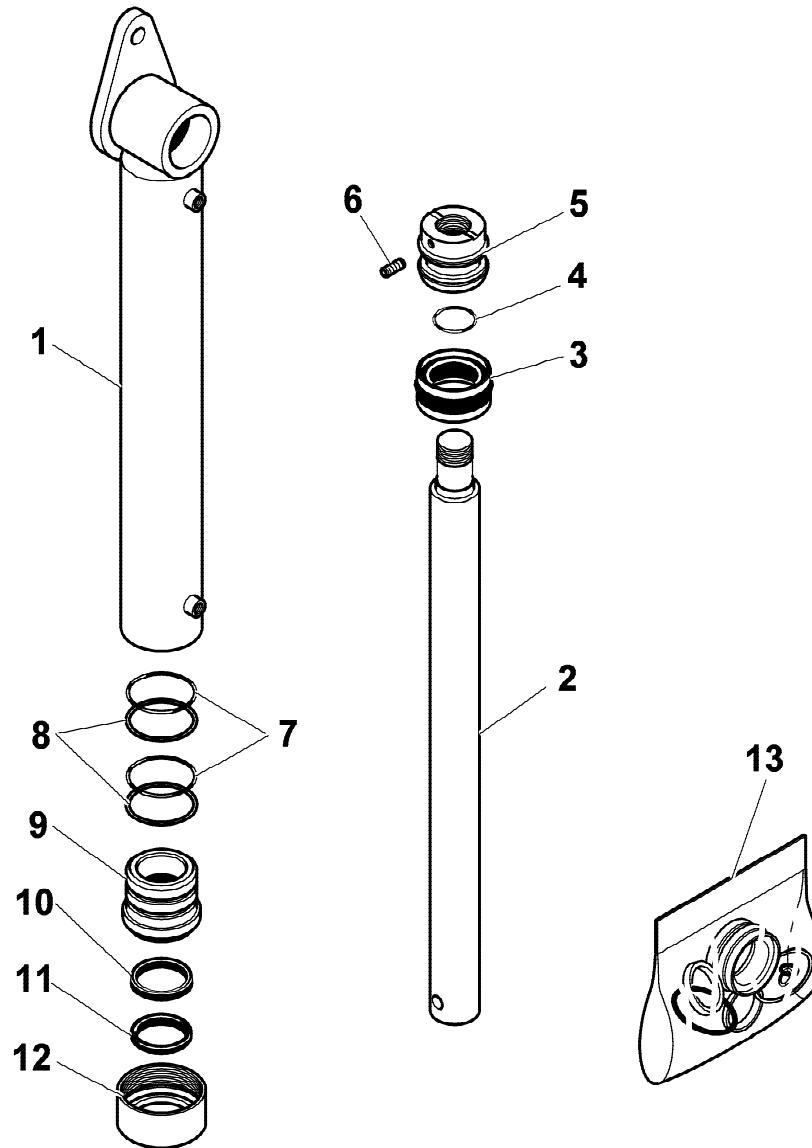




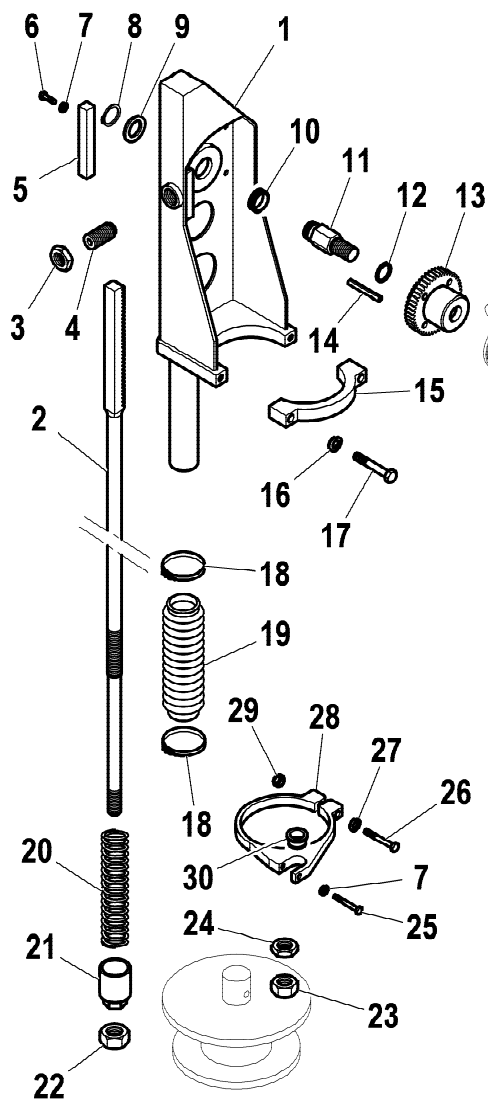
VERSIONE LUNGA
LONG VERSION
VERSION LONGUE
LANGVERSION
VERSIÓN LARGA

rif.	codice	Q.tà
1	6.40.0257	1
2	5.00.1198	1
3	3.08.0500	2
4	3.10.1127	2
5	5.39.1621	1
6	3.10.1043	4
7	5.22.0047	1
8	5.39.2224	1
9	4.16.0391	1
10	3.06.0939	1
11	3.02.0452	4
12	5.92.0001	1
13	4.16.0392	1
14	5.09.0778	1
15	3.08.0512	1

VERSIONE LUNGA
 LONG VERSION
 VERSION LONGUE
 LANGVERSION
 VERSIÓN LARGA

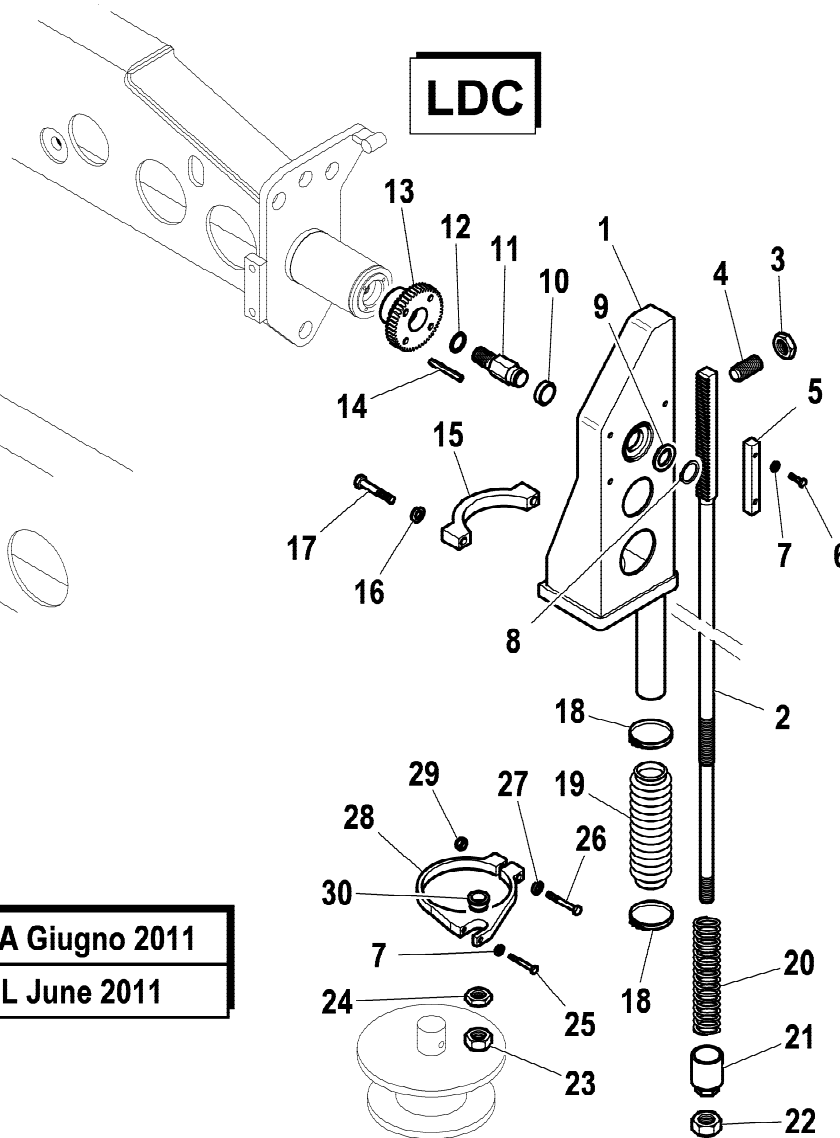


rif.	codice	Q.tà
1	6.07.0578	1
2	6.03.0839	1
3	3.40.0516	1
4	3.45.0127	1
5	6.05.0026	1
6	3.06.0234	1
7	3.45.0219	2
8	3.46.0383	2
9	6.04.0075	1
10	3.40.0132	1
11	3.42.0034	1
12	6.04.0074	1
13	5.55.0638	1



LD

VALIDO FINO A Giugno 2011
VALID UNTIL June 2011



LDC

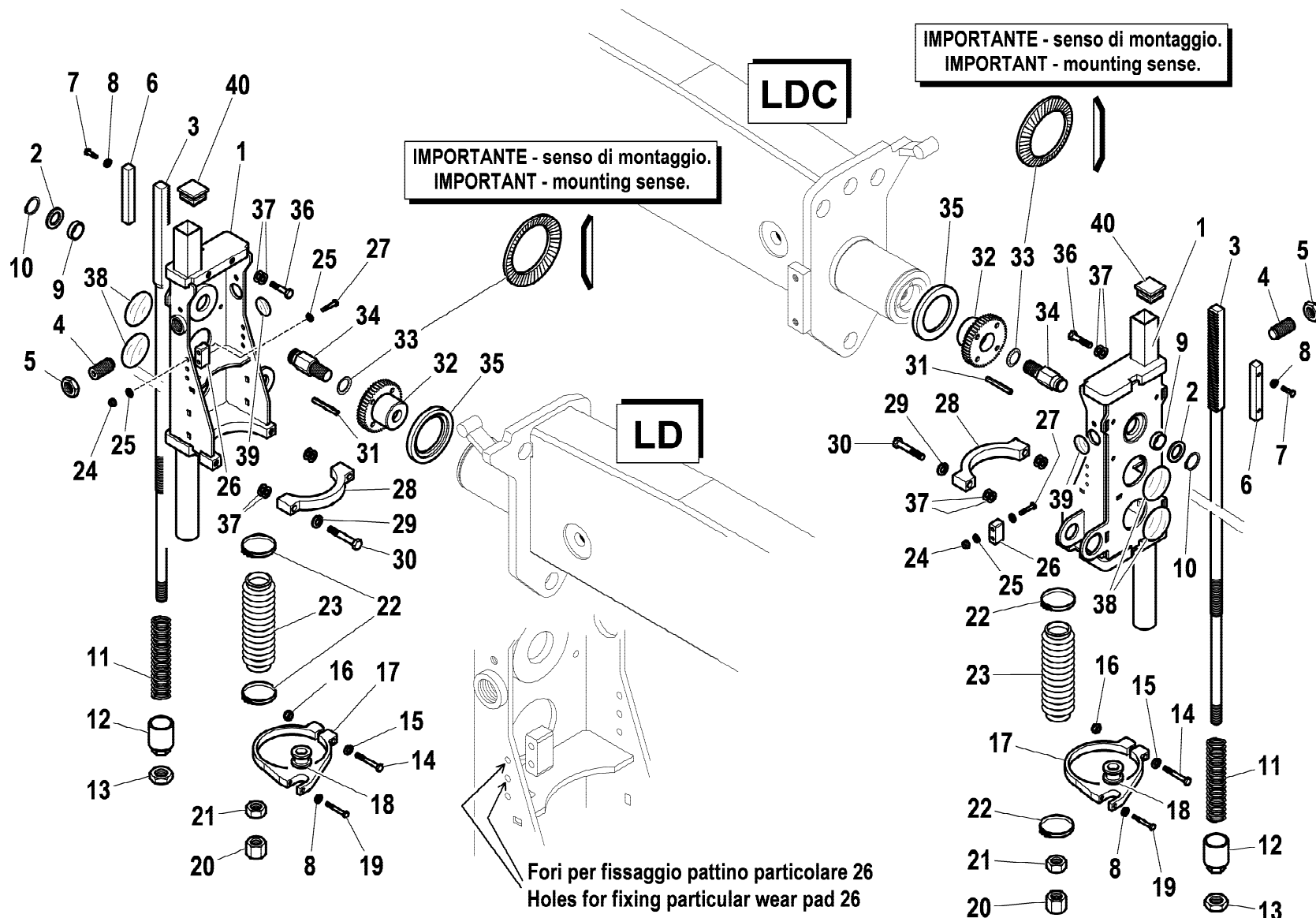
rif.	codice	Q.tà
1	5.09.1279	2
2	5.00.1990	2
3	3.04.0251	2
4	W.42.03.054.00	2
5	W.61.04.026.00	2
6	3.01.0015	4
7	3.06.0053	6
8	3.07.0022	2
9	3.06.0938	2
10	5.14.1076	2
11	5.00.1982	2
12	W.694.122	2
13	W.61.04.017.00	2
14	W.726.016	8
15	5.00.1987	2
16	3.06.0056	4
17	3.01.0047	4
18	W.582.002	4
19	W.61.04.022.00	2
20	W.641.011	2
21	W.61.04.021.00	2
22	3.04.0055	2
23	3.04.0185	2
24	3.04.0088	2
25	3.01.0019	2
26	3.01.0039	2
27	3.06.0055	2
28	5.00.1991	2
29	3.04.0524	2
30	W.59.03.064.00	2



HB170

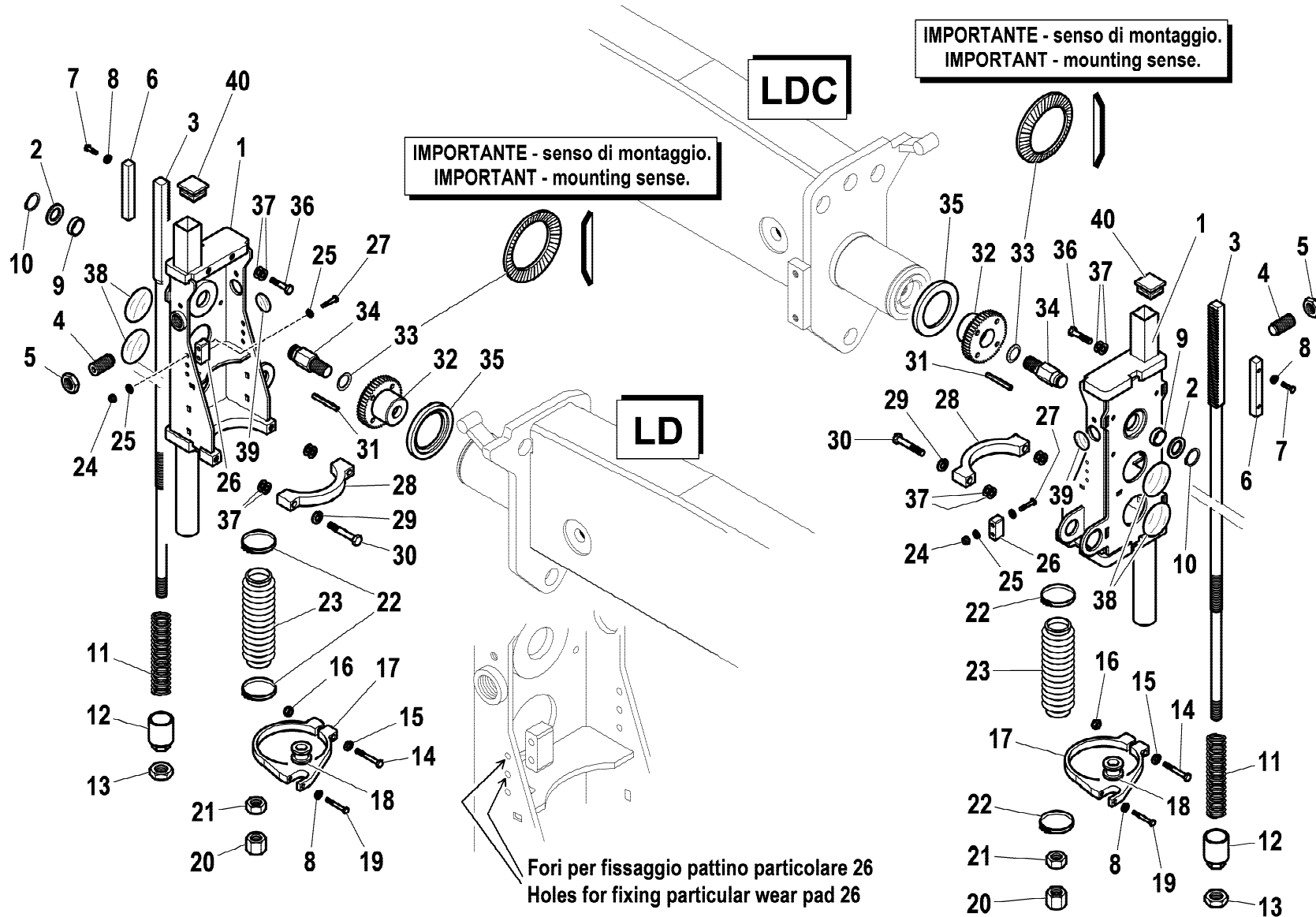
GRUPPO ROTAZIONE (MARTINETTO STABILIZZATORE) GIR.AUT.
 SLEWING ASS'Y (STABILISER RAM) GIR.AUT.
 GROUPE ROTATION (VERIN STABILISATEUR) GIR.AUT.
 DREHVORRICHTUNG (STABILISATOR SCHUBZYLINDER) GIR.AUT.
 GRUPO ROTACION (GATO ESTABILIZADOR) GIR.AUT.

Tavola
5.41.1117-1-0

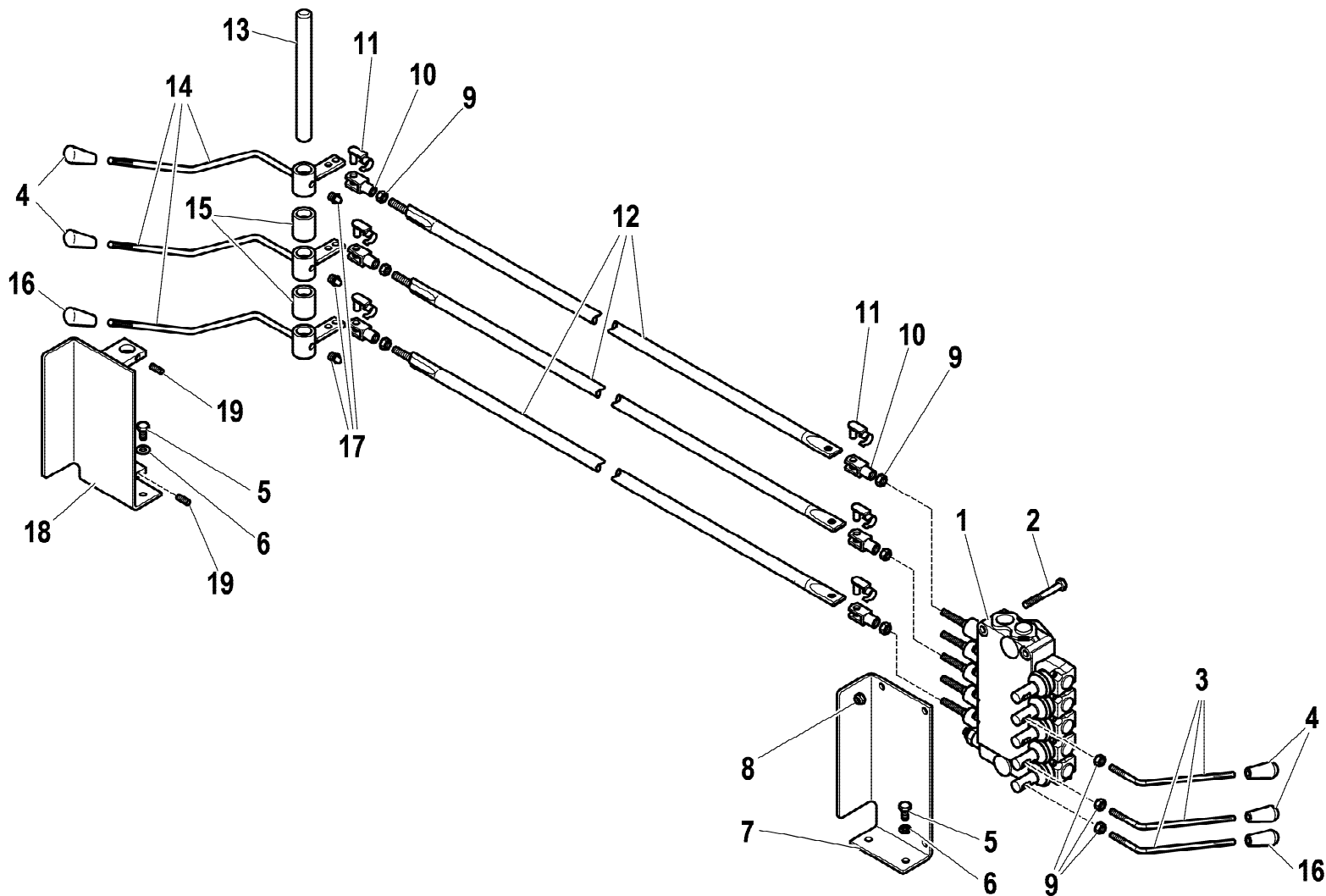


rif.	codice	Q.tà
1	5.09.1353	2
2	3.06.0938	2
3	5.09.1327	2
4	W.061.333	2
5	3.04.0251	2
6	W.61.04.026.00	2
7	3.01.0015	4
8	3.06.0053	6
9	5.14.1076	2
10	3.07.0022	2
11	W.641.011	2
12	W.61.04.021.00	2
13	3.04.0216	2
14	3.01.0039	2
15	3.06.0055	2
16	3.04.0303	2
17	5.00.1991	2
18	5.14.1133	2
19	3.01.0018	2
20	5.00.0137	2
21	3.04.0185	2
22	3.19.0059	4
23	W.61.04.022.00	2
24	3.04.0519	4
25	3.06.0005	4
26	5.14.1113	2
27	3.01.0016	4
28	5.00.1987	2
29	3.06.0056	4
30	3.01.0415	4
31	W.726.016	8

1/2



rif.	codice	Q.tà
32	W.61.04.017.00	2
33	W.694.122	2
34	5.00.1982	2
35	5.14.1114	2
36	3.01.0044	4
37	3.06.0958	16
38	3.19.0308	4
39	3.19.0309	2
40	3.19.0307	2



rif.	codice	Q.tà
1	5.22.0346	1
2	3.01.0036	3
3	5.00.0207	3
4	3.19.0006	4
5	3.01.0336	4
6	3.06.0055	4
7	5.09.0716	1
8	3.04.0303	3
9	3.04.0045	9
10	3.30.0431	6
11	3.30.0451	6
12	5.09.0456	3
13	5.15.0647	1
14	5.09.1280	3
15	5.14.0737	2
16	3.19.0188	2
17	3.08.0500	3
18	5.09.0717	1
19	3.06.0936	2

1/1

HYVA CRANE

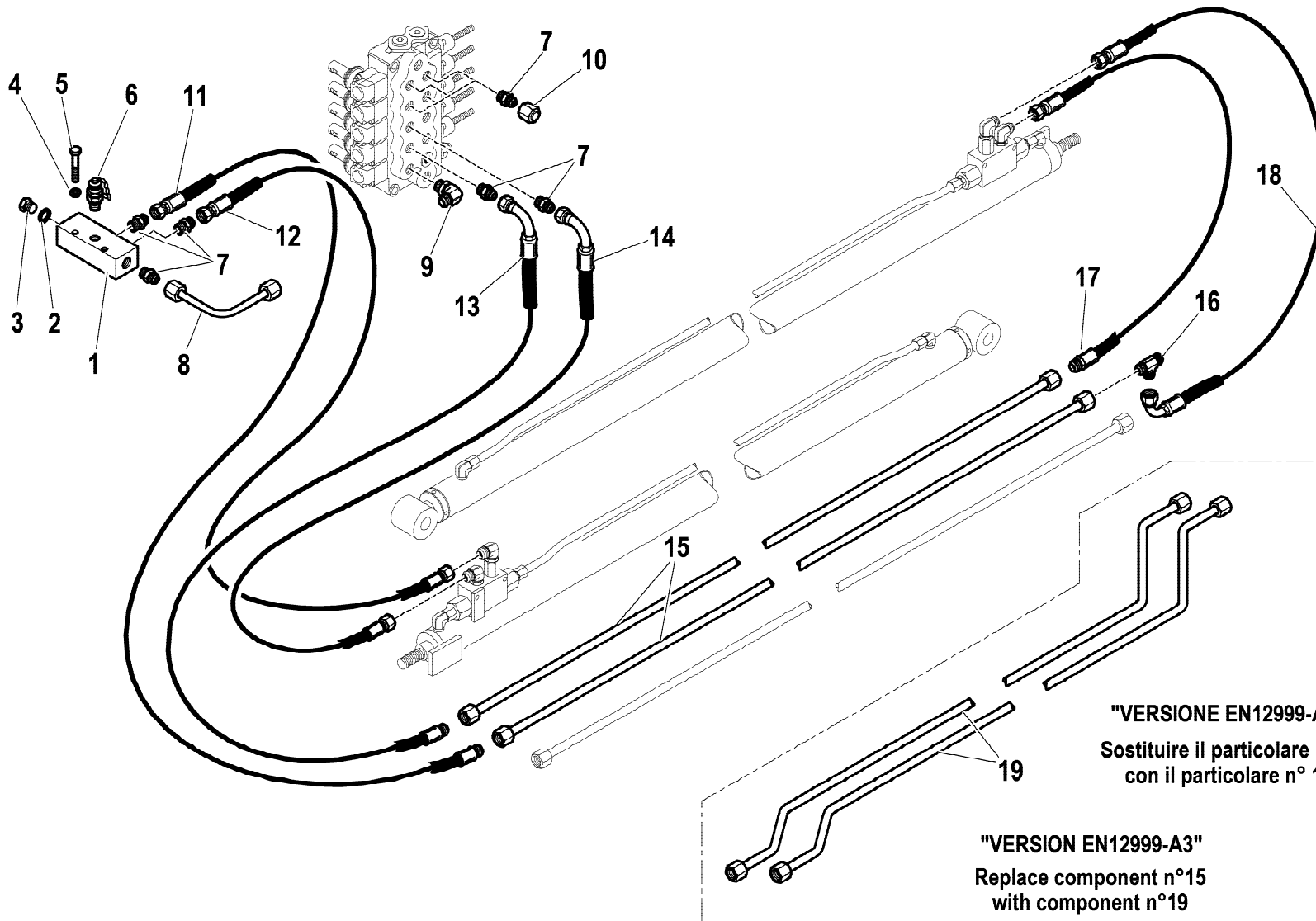
HB170

COMANDI PER STABILIZZATORI
 CONTROLS FOR STABILIZERS
 COMMANDES POUR STABILISATEURS
 STEUERUNG FÜR ABSTÜTZUNGEN
 MANDOS POR ESTABILIZADORES

Tavola

5.40.0267-1-0

Data pag.
 gennaio 2007 41



rif.	codice	Q.tà
1	5.00.1159	1
2	3.06.0144	1
3	3.11.0061	1
4	3.06.0055	2
5	3.01.0032	2
6	3.11.1523	1
7	3.10.1043	9
8	5.39.1776	1
9	3.10.1127	1
10	3.11.0041	4
11	5.27.1387	1
12	5.26.0554	1
13	5.27.1386	1
14	5.26.0553	1
15	5.39.1773	2
16	3.10.1081	1
17	5.26.0551	1
18	5.26.0552	1
19	5.39.0553	2



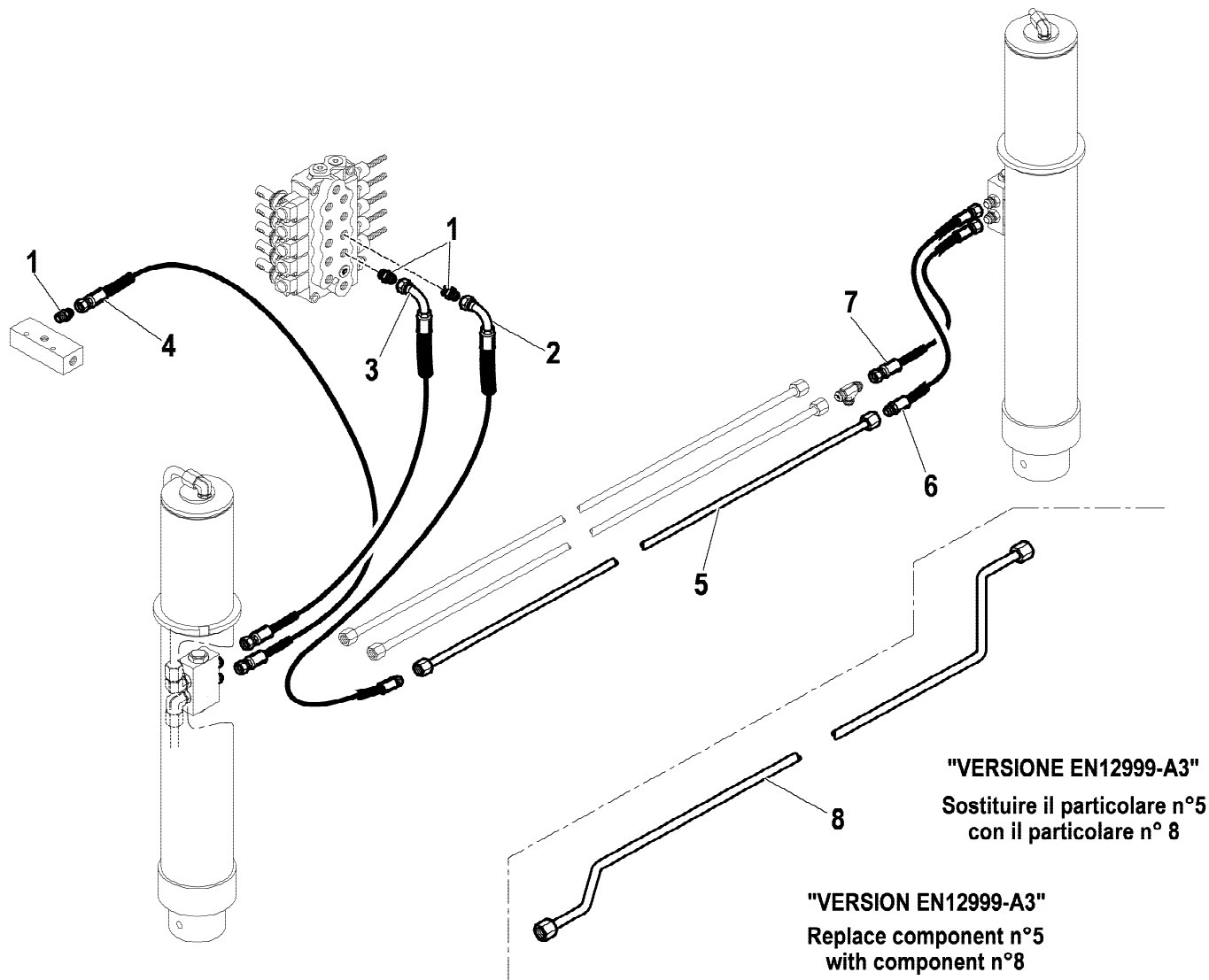
HB170

IMPIANTO IDRAULICO (MARTINETTO SFILLO ASTE)
 HYDRAULIC SYSTEM (ROD EXSTENSION HYDRAULIC CYLINDER)
 INSTALLATION HYDRAULIQUE (VERIN RALLONGE TIGES)
 HYDRAULIKANLAGE (STANGENVERLAENGERUNGSWINDE)
 INSTALACION HIDRAULICA (GATO DE PROLONGACION VASTAGOS)

Tavola
5.40.0267-2-0

Data pag.
 dicembre 2010 42

rif.	codice	Q.tà
1	3.10.1043	3
2	5.27.1386	1
3	5.27.1408	1
4	5.27.1409	1
5	5.39.1773	1
6	5.27.1407	1
7	5.27.1406	1
8	5.39.0553	1



1/1

HYVA CRANE

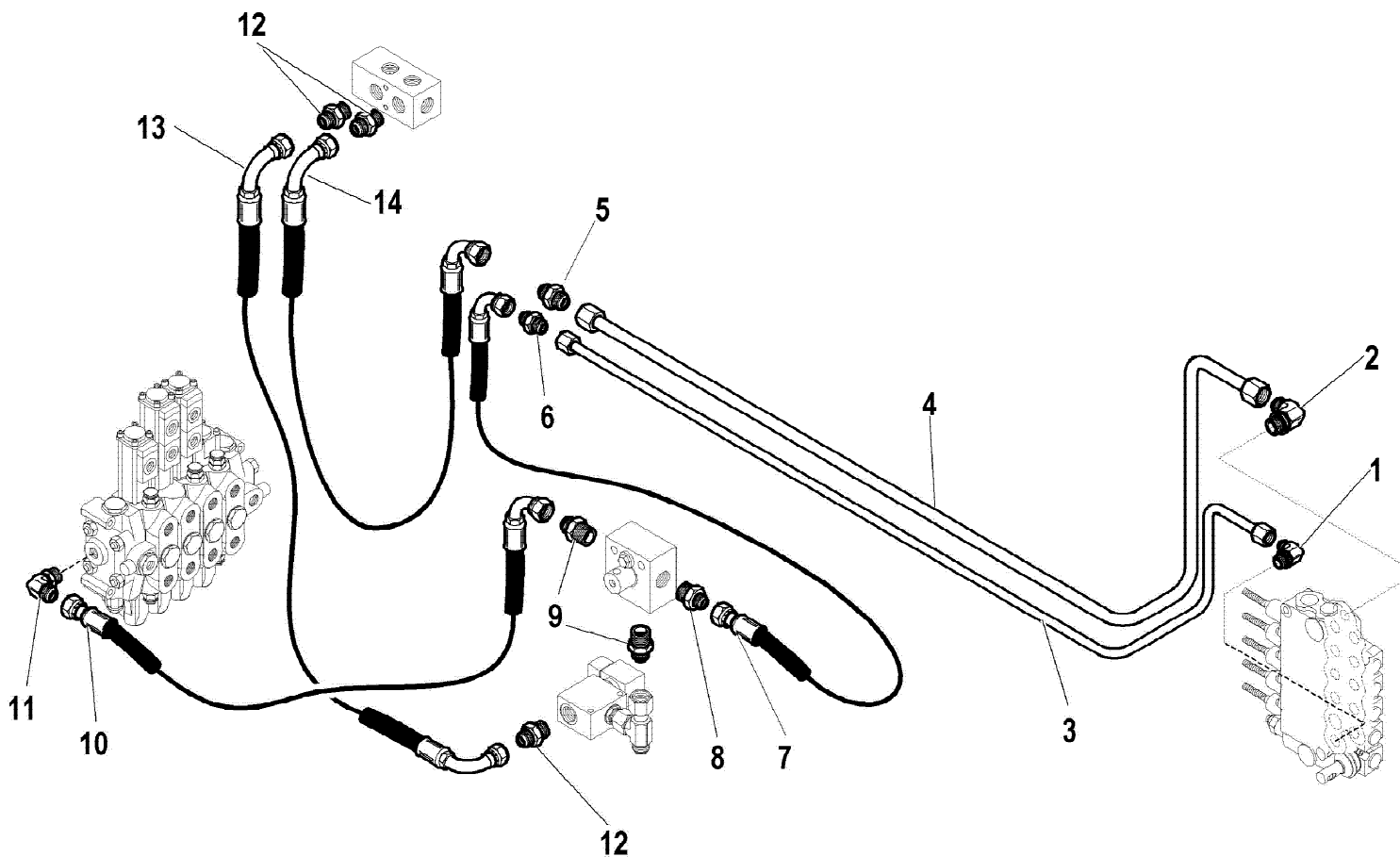
HB170

IMPIANTO OLEODINAMICO (MARTINETTO SFILLO ASTE STANDARD)
 HYDRAULIC SYSTEM (ROD EXTENSION HYDRAULIC CYLINDER)
 INSTALLATION HYDRAULIQUE (NORME VERIN RALLONGE TIGES)
 HYDRAULIKANLAGE (STANGENVERLAENGERUNGSWINDE STANDARD)
 INSTALACION HIDRAULICA (ESTÁNDAR GATO DE PROLONGACIO VASTAGOS)

Tavola

5.40.0267-3-0

Data pag.
febbraio 2011 43



rif.	codice	Q.tà
1	3.10.1127	1
2	3.12.0012	1
3	5.39.1774	1
4	5.39.1775	1
5	3.12.0102	1
6	3.12.0100	1
7	5.27.1172	1
8	3.10.1045	1
9	3.12.0073	1
10	5.28.0522	1
11	3.10.1131	1
12	3.10.1051	3
13	5.28.0521	1
14	5.28.0527	1

1/1

HYVA CRANE

HB170

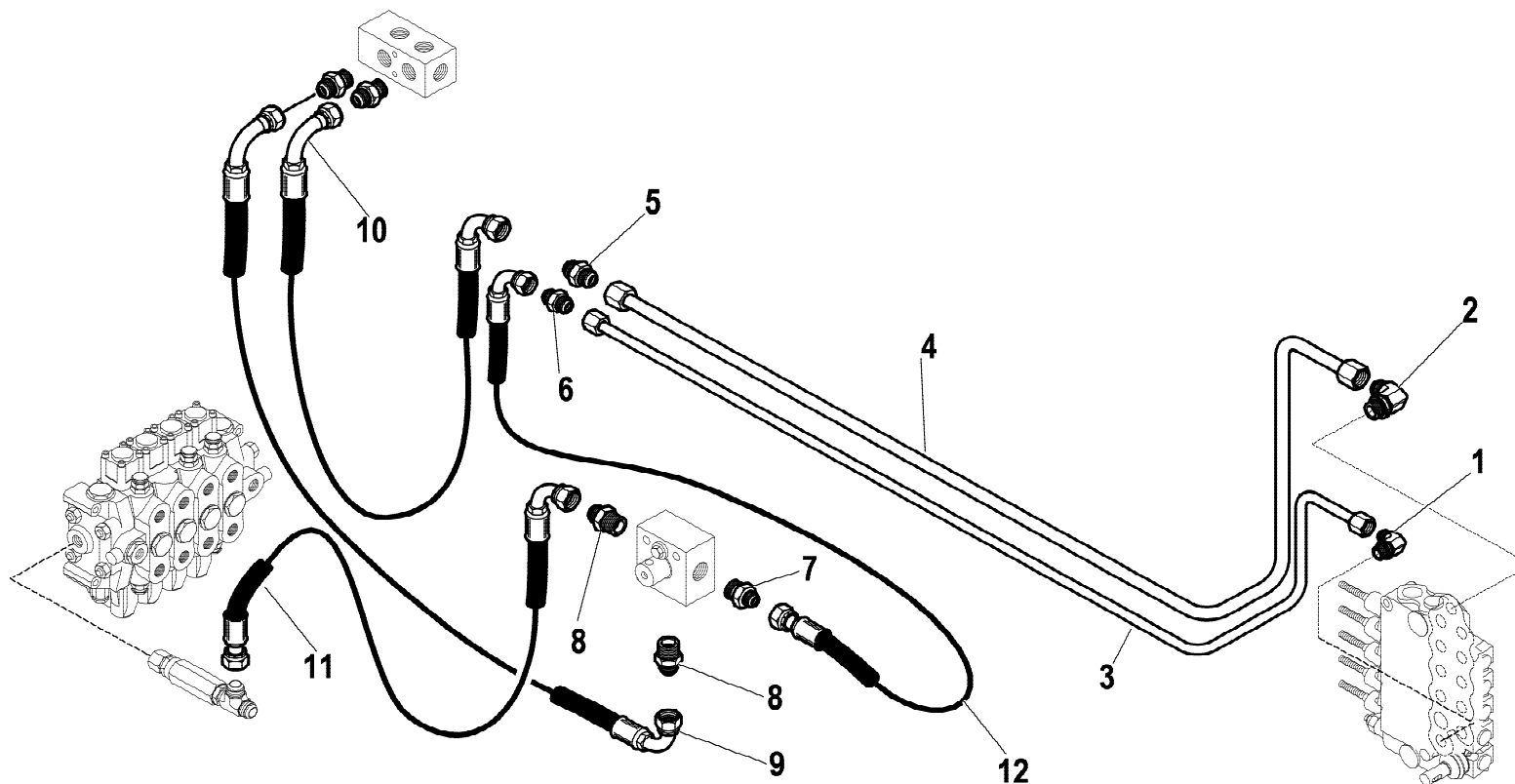
IMPIANTO IDRAULICO STABILIZZATORI
 OUTRIGGERS HYDRAULIC SYSTEM
 INSTALLATION HYDRAULIC SYSTEM
 HYDRAULISCHE ANLAGE STABILISATOREN
 INSTALACION HIDRAULICA ESTABILIZADORES

Tavola

5.40.0267-4-0

Data pag.
 gennaio 2007 44

rif.	codice	Q.tà
1	3.10.1127	1
2	3.12.0012	2
3	5.39.1774	1
4	5.39.1775	1
5	3.12.0102	1
6	3.12.0100	1
7	3.10.1045	1
8	3.12.0073	2
9	5.28.0521	1
10	5.28.0527	1
11	5.28.0522	1
12	5.27.1172	1



1/1

HYVA CRANE

HB170

IMPIANTO IDRAULICO STABILIZZATORI NO CE
 OUTRIGGERS HYDRAULIC SYSTEM NO CE
 INSTALLATION HYDRAULIC SYSTEM NO CE
 HYDRAULISCHE ANLAGE STABILISATOREN NO CE
 INSTALACION HIDRAULICA ESTABILIZADORES NO CE

Tavola

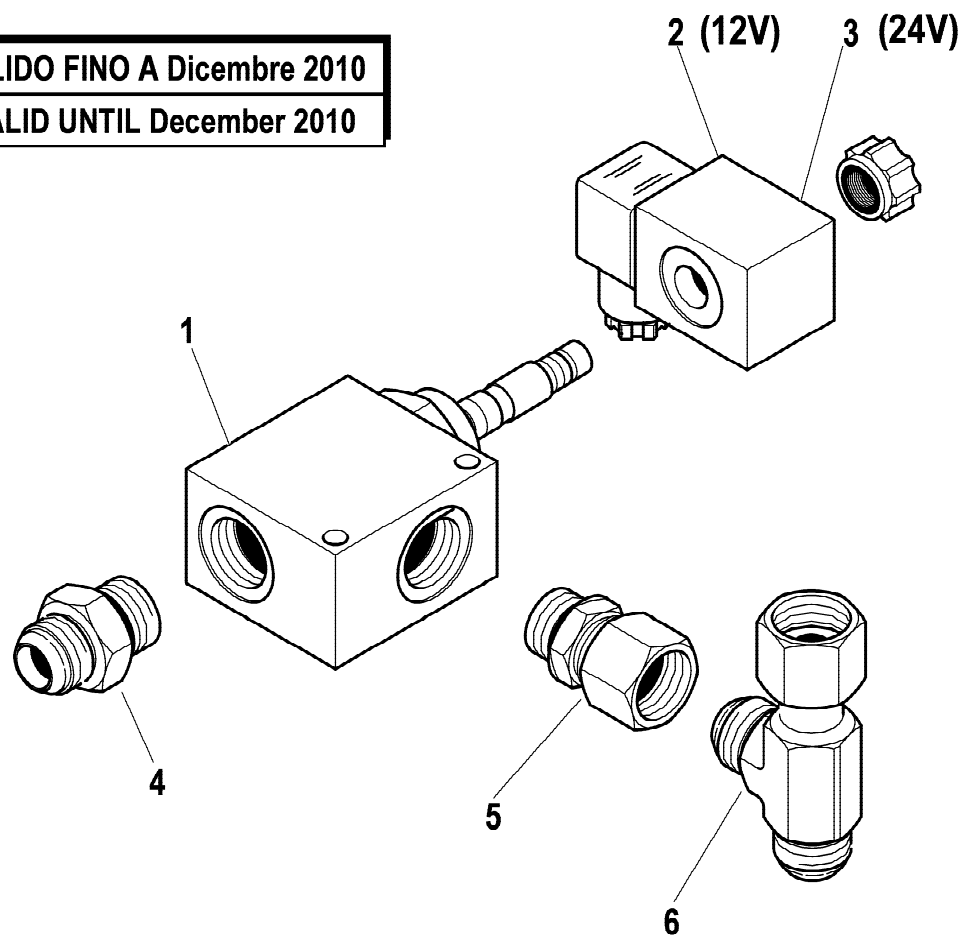
5.40.0267-5-0

Data pag.
 gennaio 2007 45

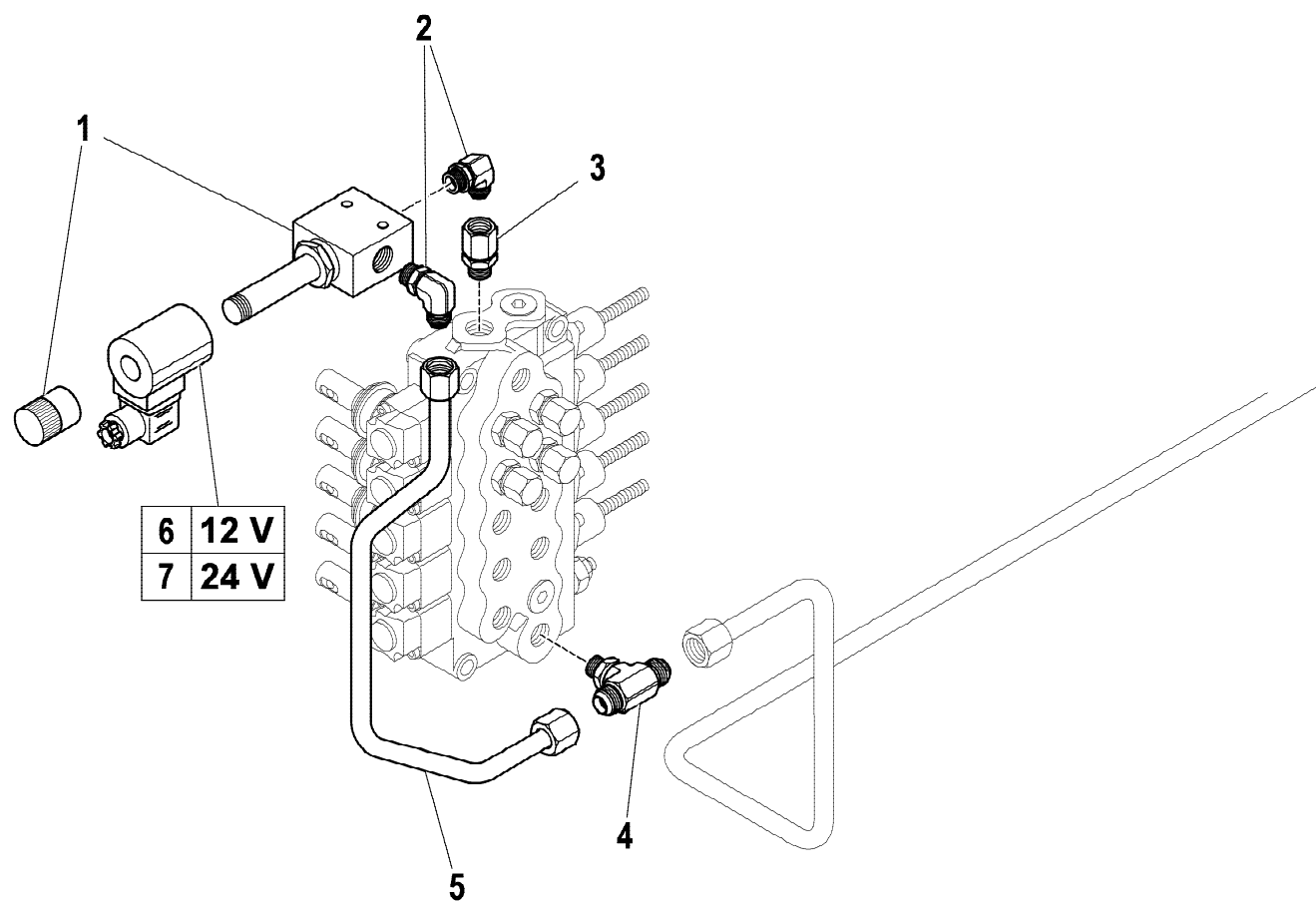
rif.	codice	Q.tà
1	5.22.0642	1
2	3.31.0238	1
3	3.31.0242	1
4	3.10.1051	1
5	3.12.0067	1
6	3.12.0008	1

VALIDO FINO A Dicembre 2010

VALID UNTIL December 2010



rif.	codice	Q.tà
1	5.22.0182	1
2	3.10.1127	2
3	3.12.0066	1
4	3.12.0303	1
5	5.39.0548	1
6	3.31.0042	1
7	3.31.0043	1



HYVA CRANE

HB170

ELETTOVALVOLA (DISTRIBUTORE STABILIZZATORI) EN12999-A3
SOLENOID VALVE (STABILIZER CONTROL VALVE) EN12999-A3
ELECTROVALVE (DISTRIBUTEUR STABILISATEURS) EN12999-A3
MAGNETVENTIL (BEDIENUNG DEN ABSTÜTZUNGEN) EN12999-A3
ELECTROVALVULA (DISTRIBUDOR ESTABILIZADORE) EN12999-A3

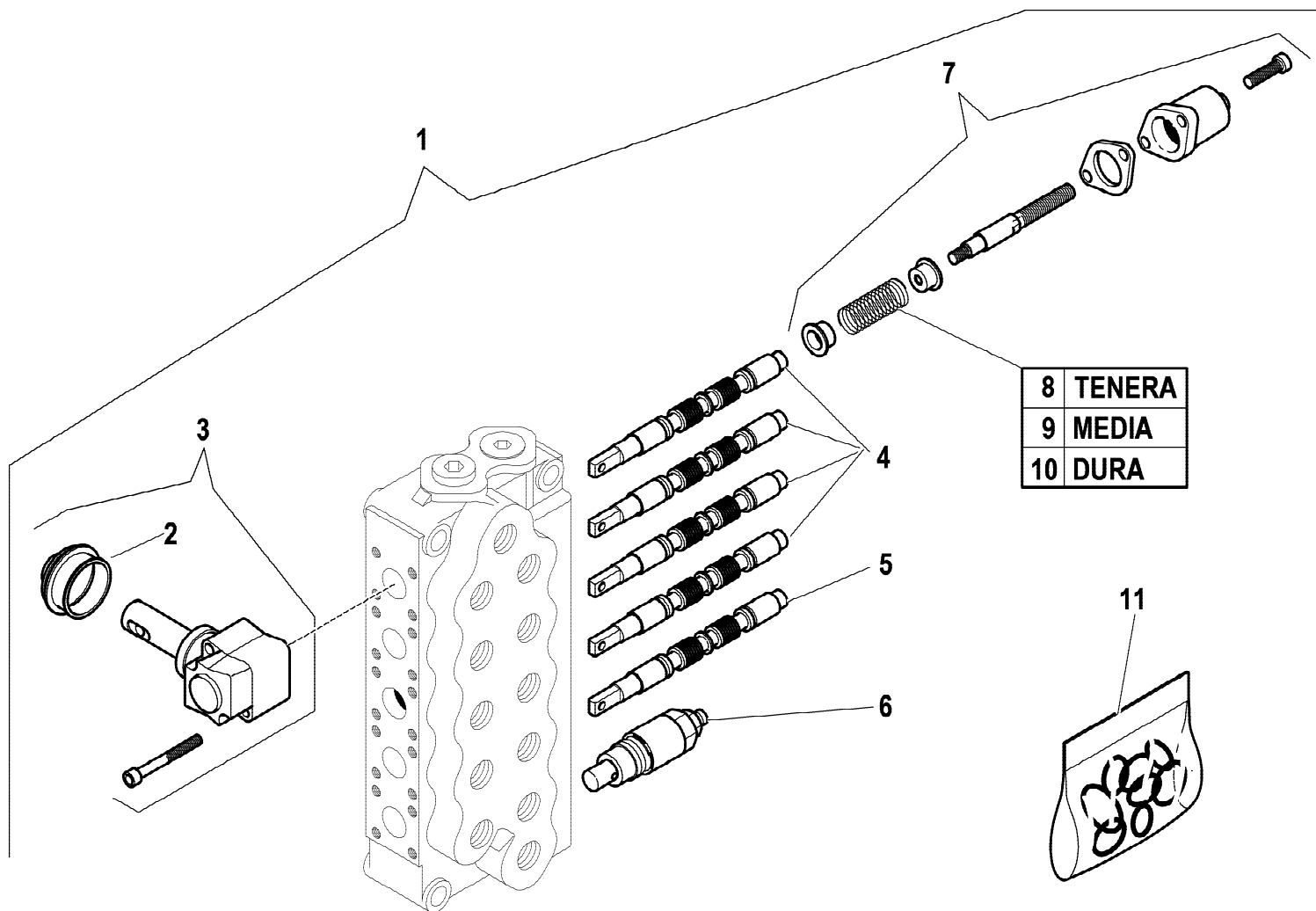
1/1

Tavola

5.44.0101-1-0

Data pag.
dicembre 2010 47

rif.	codice	Q.tà
1	5.22.0346	1
2	5.22.5022	5
3	5.22.5261	5
4	5.22.5258	4
5	5.22.5480	1
6	5.22.5257	1
7	5.22.5268	5
8	5.22.5479	5
9	5.22.5281	5 </td
10	5.22.5285	5
11	5.22.5263	1



8	TENERA
9	MEDIA
10	DURA

1/1

HYVA CRANE

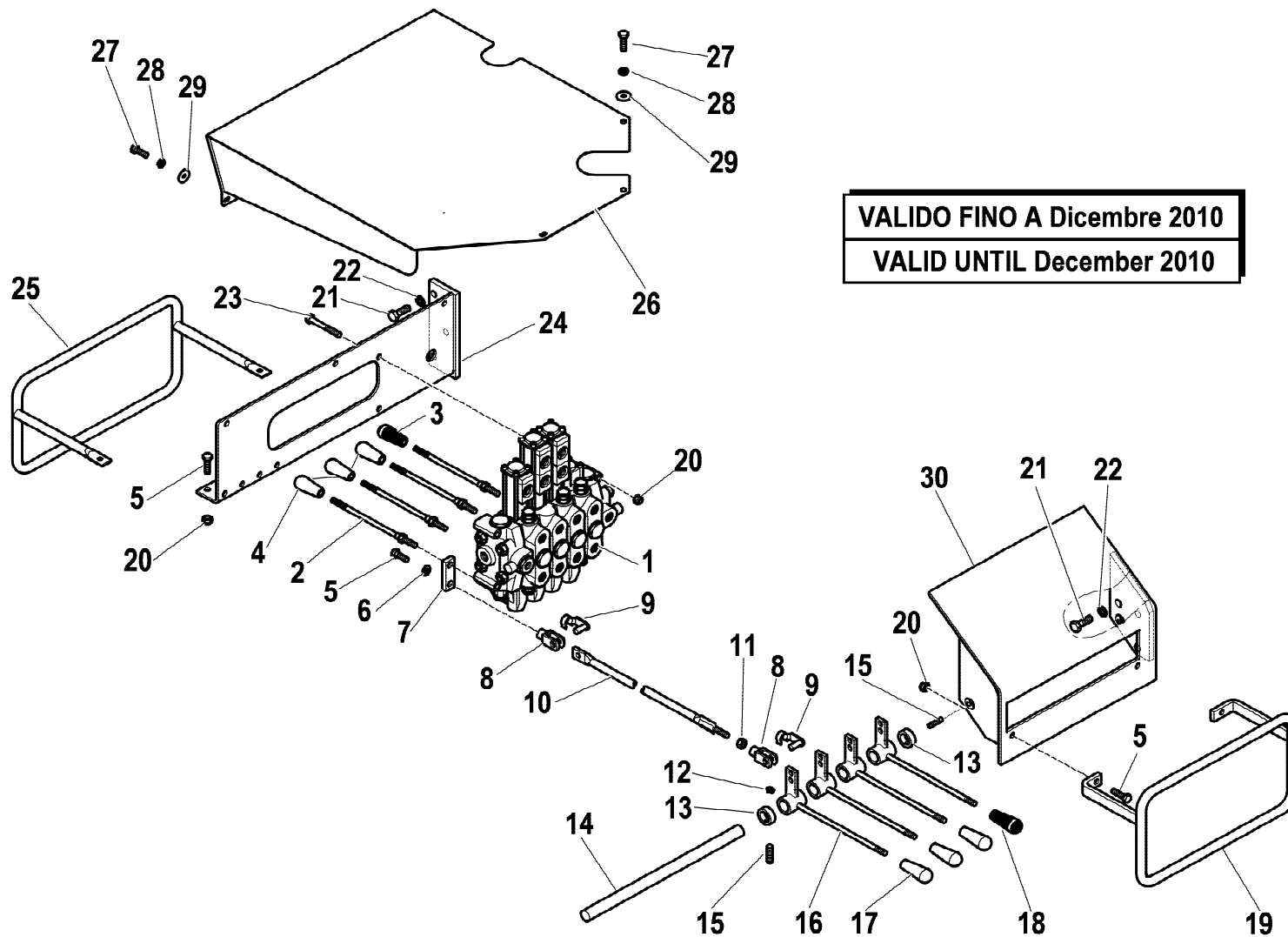
HB170

DISTRIBUTORE STABILIZZATORI
 STABILIZER CONTROL VALVE
 DISTRIBUTEUR STABILISATEURS
 BEDIENUNG DEN ABSTÜTZUNGEN
 DISTRIBUDOR ESTABILIZADORE

Tavola

5.22.0346-1-0

Data pag.
 gennaio 2007 48



VALIDO FINO A Dicembre 2010
VALID UNTIL December 2010

rif.	codice	Q.tà
1	5.22.0292	1
2	5.22.0224	4
3	3.19.0189	1
4	3.19.0010	3
5	3.01.0339	8
6	3.06.0006	4
7	5.00.0708	4
8	3.300431	8
9	3.30.0451	8
10	5.09.0456	4
11	3.04.0045	4
12	3.08.0500	4
13	5.00.0670	2
14	5.15.0459	1
15	3.06.0234	4
16	5.09.0433	4
17	3.19.0006	3
18	3.19.0188	1
19	5.09.0460	1
20	3.04.0303	7
21	3.01.0355	6
22	3.06.0056	6
23	3.01.0036	3
24	5.09.0718	1
25	5.09.0459	1
26	5.09.0719	1
27	3.01.0323	6
28	3.06.0053	6
29	3.06.0030	6
30	5.09.0455	1

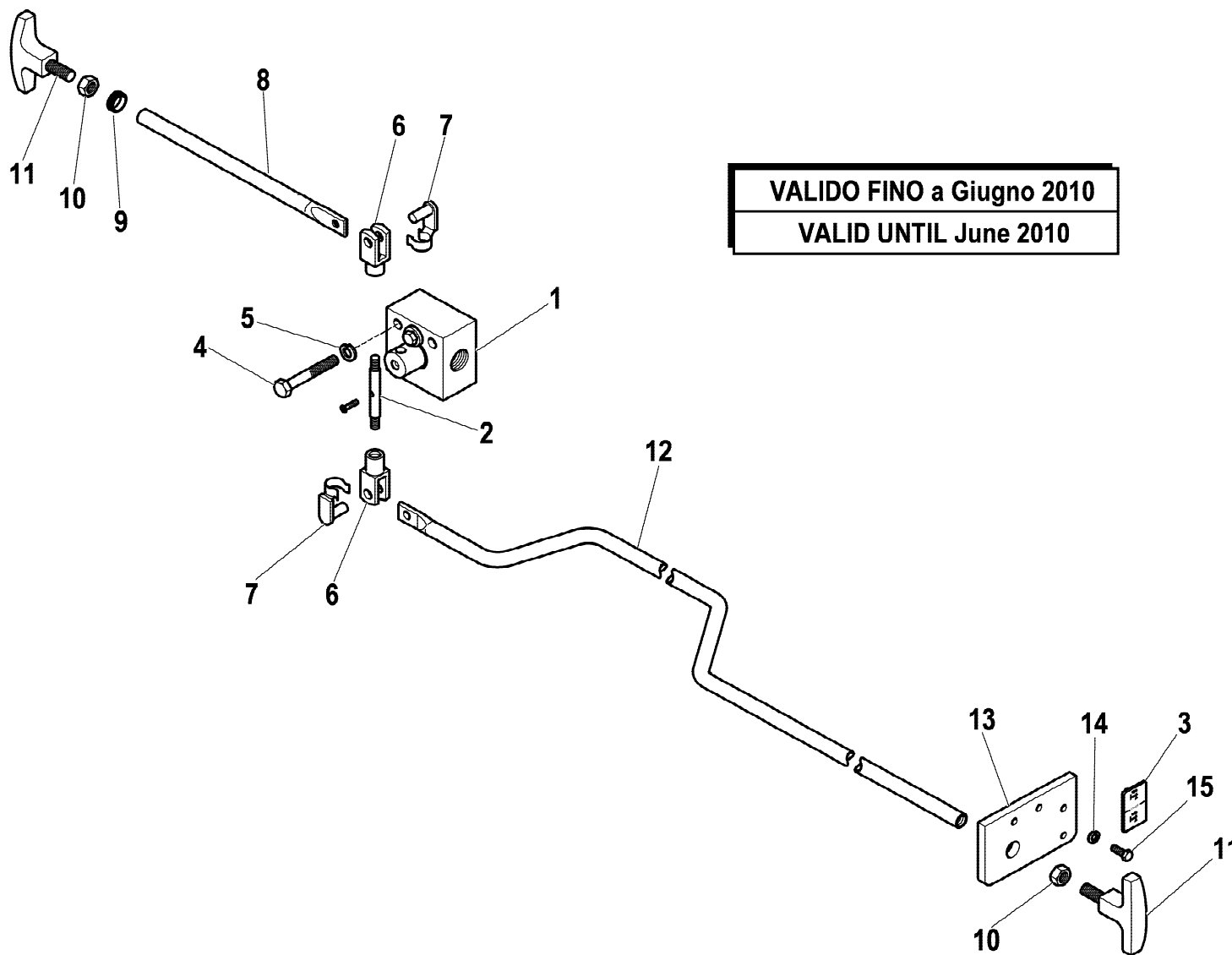


HB170

COMANDI BILATERALI CE
 DOUBLE CONTROLS CE
 DOUBLE COMMANDES CE
 DOPPELSTEUERUNG CE
 MONDOS BILATERALAS CE

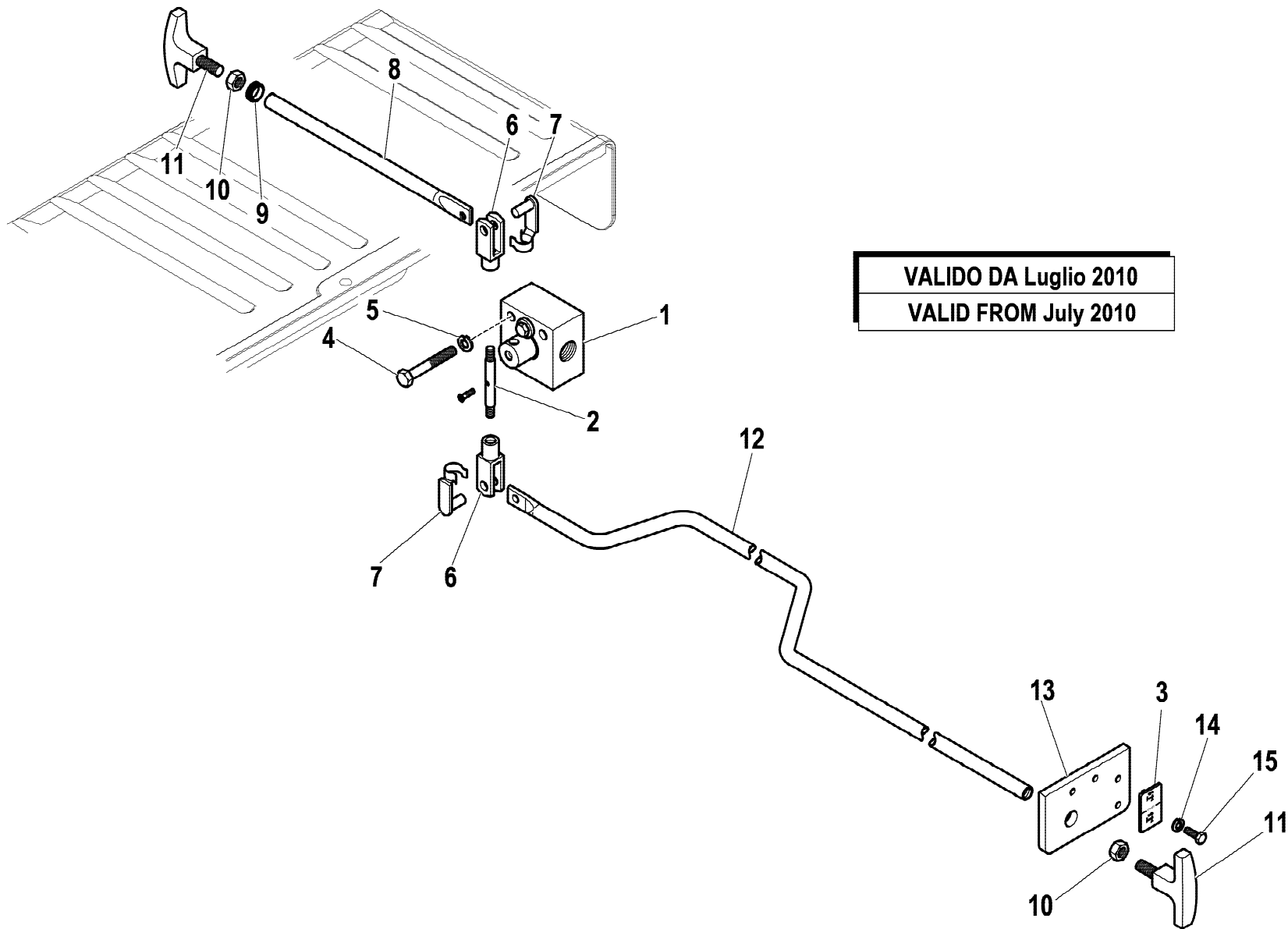
Tavola
5.40.0266-1-0

Data pag.
 giugno 2006 49



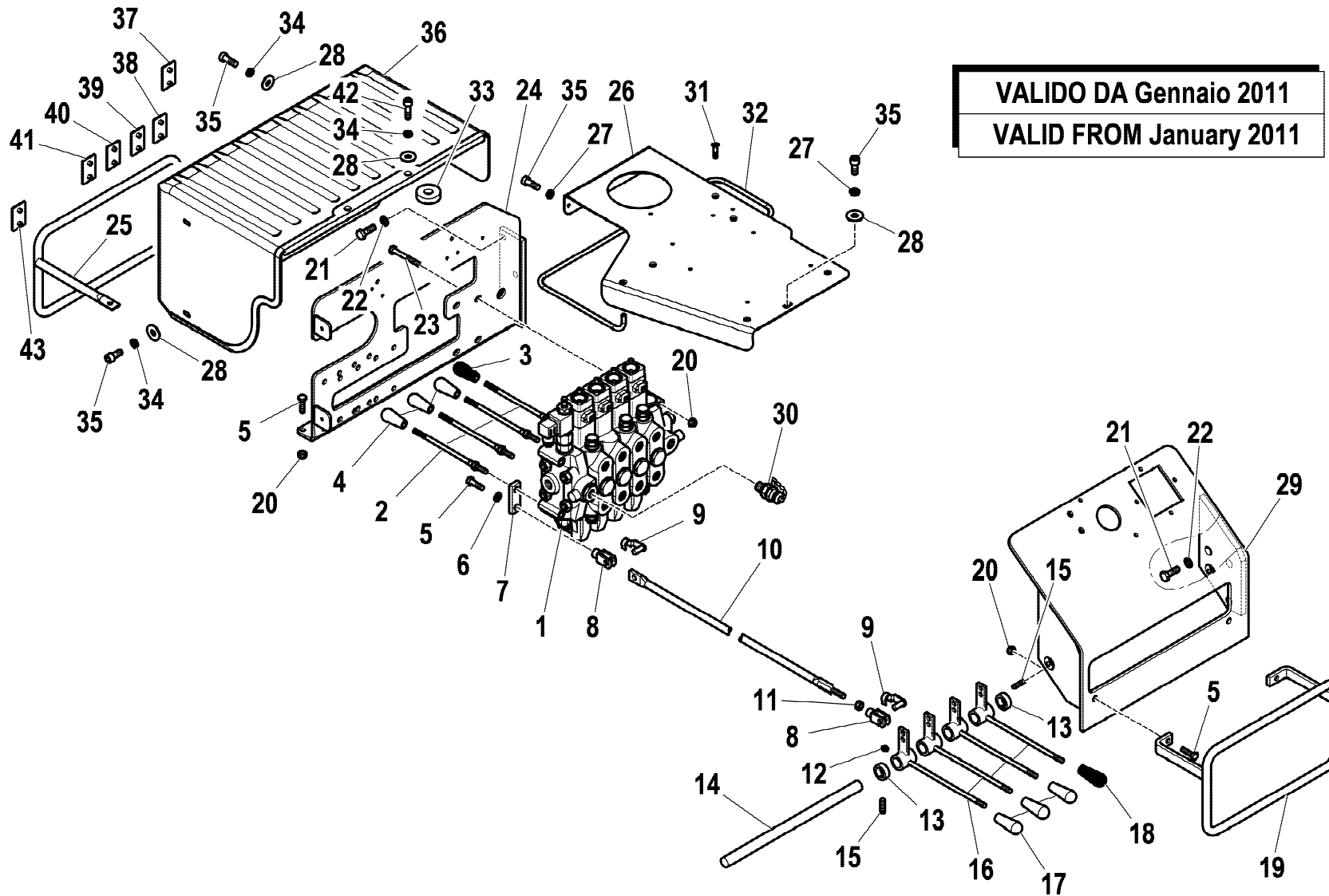
VALIDO FINO a Giugno 2010
VALID UNTIL June 2010

rif.	codice	Q.tà
1	5.22.0599	1
2	5.00.1170	1
3	5.81.3516	1
4	3.01.0415	2
5	3.06.0056	2
6	3.30.0431	2
7	3.30.0451	2
8	5.09.0715	1
9	3.19.0214	1
10	3.04.0047	2
11	3.19.0213	2
12	5.09.0714	1
13	5.14.0738	1
14	3.06.0053	2
15	3.01.0015	2



VALIDO DA Luglio 2010
VALID FROM July 2010

rif.	codice	Q.tà
1	5.22.0599	1
2	5.00.1170	1
3	5.81.3516	1
4	3.01.0415	2
5	3.06.0056	2
6	3.30.0433	2
7	3.30.0453	2
8	5.09.1303	1
9	3.19.0214	1
10	3.04.0047	2
11	3.19.0213	2
12	5.09.0714	1
13	5.14.0738	1
14	3.06.0053	2
15	3.01.0015	2



rif.	codice	Q.tà
1	5.22.0465	1
2	5.22.0224	4
3	3.19.0189	1
4	3.19.0010	3
5	3.01.0339	8
6	3.06.0006	4
7	5.00.0708	4
8	3.30.0431	8
9	3.30.0451	8
10	5.09.0456	4
11	3.04.0045	4
12	3.08.0500	4
13	5.00.0670	2
14	5.15.0459	1
15	3.06.0234	4
16	5.09.0433	4
17	3.19.0006	3
18	3.19.0188	1
19	5.09.0460	1
20	3.04.0303	7
21	3.01.0355	6
22	3.06.0056	6
23	3.01.0036	3
24	5.09.1219	1
25	5.09.0459	1
26	5.00.2024	1
27	3.06.0053	3
28	3.06.0030	6
29	5.09.1329	1
30	3.11.1523	1
31	3.02.0439	2
1/2		

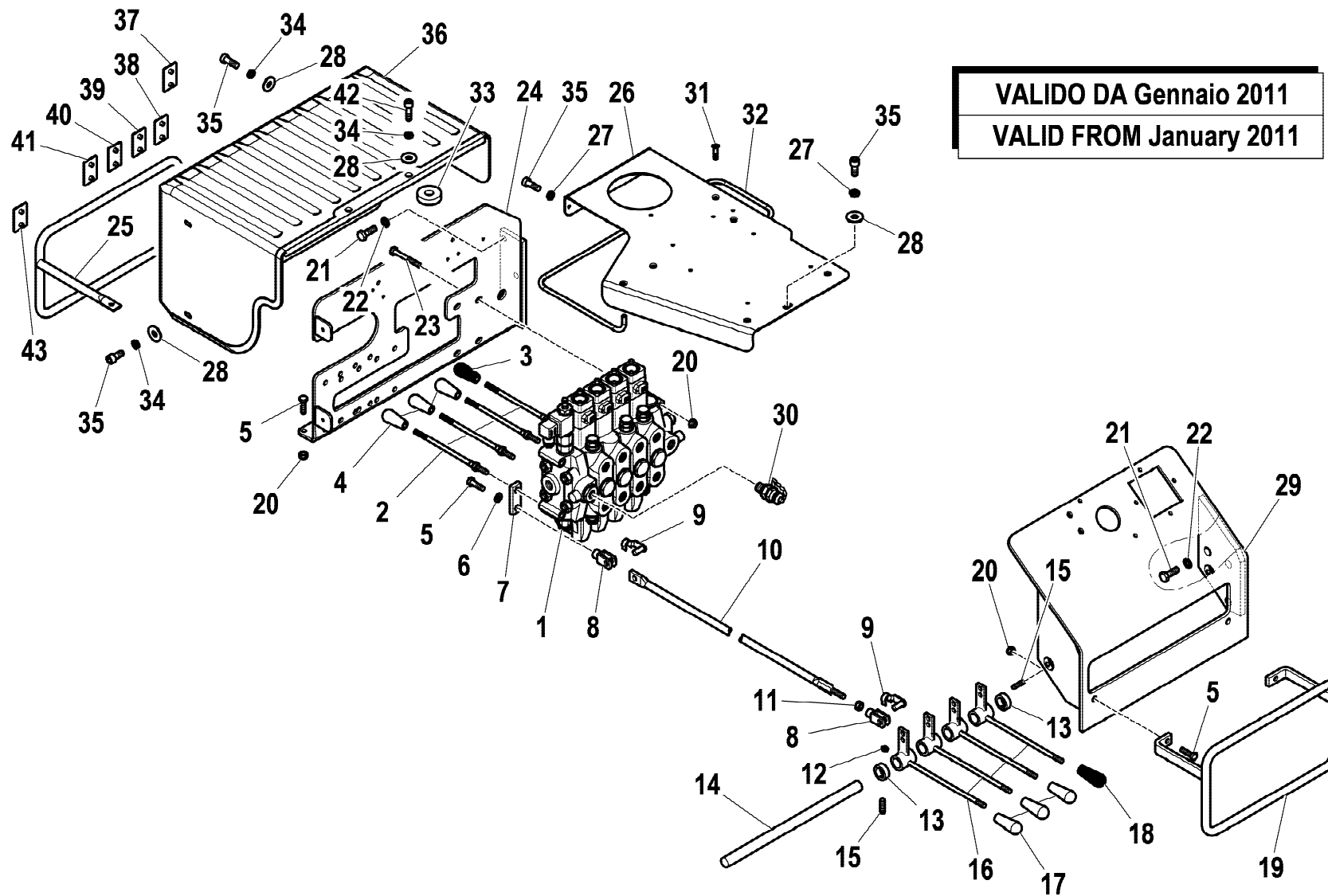


HB170

COMANDI BILATERALI (CE) EN12999-A3
 DOUBLE CONTROLS (CE) EN12999-A3
 DOUBLE COMMANDES (CE) EN12999-A3
 DOPPELSTEUERUNG (CE) EN12999-A3
 MONDOS BILATERALAS (CE) EN12999-A3

Tavola
5.40.1467-1-0

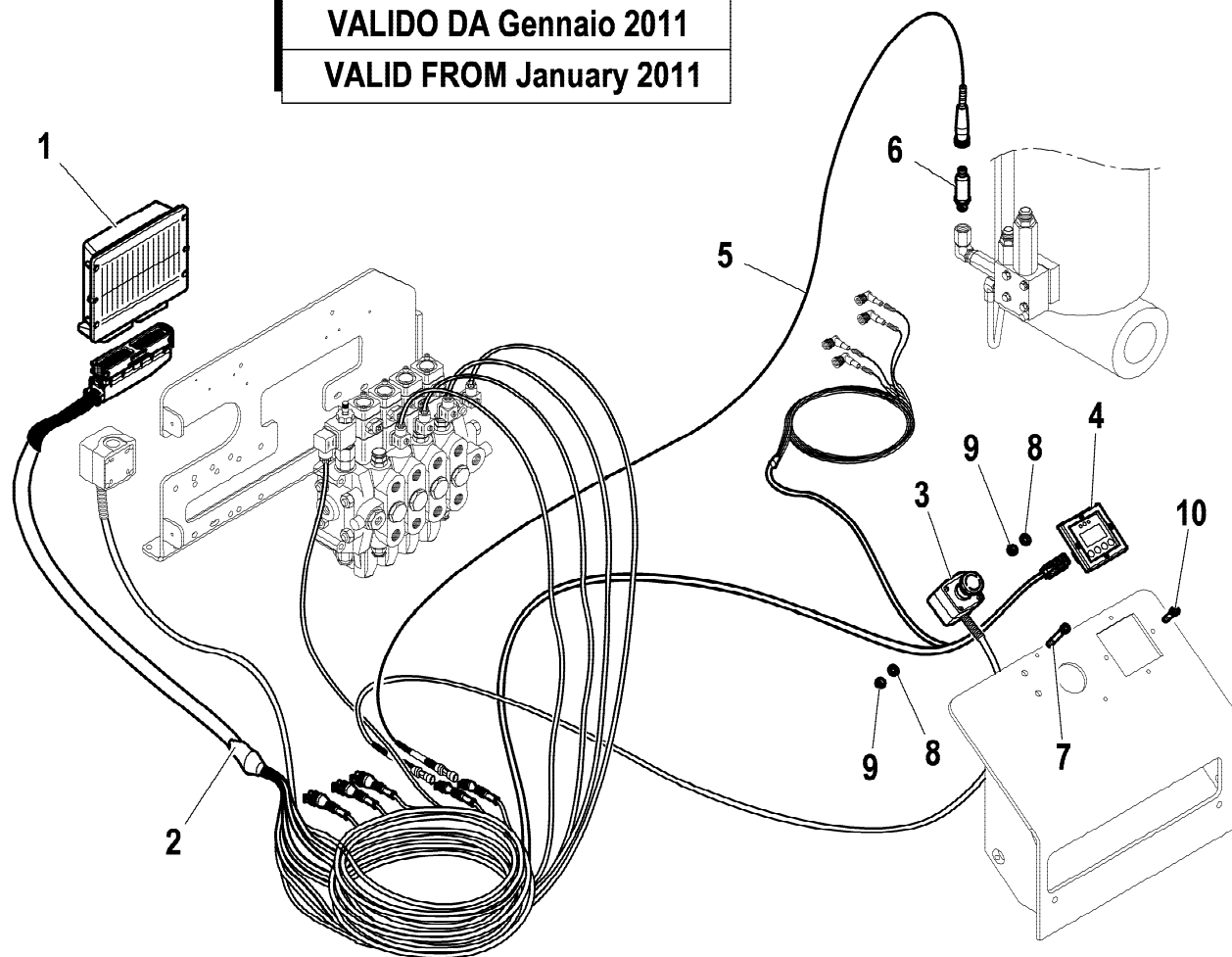
Data pag.
dicembre 2010 52.1



VALIDO DA Gennaio 2011
VALID FROM January 2011

rif.	codice	Q.tà
32	5.00.2043	1
33	W.34.05.014.00	2
34	3.06.0005	5
35	3.02.0034	6
36	5.09.1218	1
37	5.81.3516	1
38	W.573.266	1
39	W.573.267	1
40	W.573.269	1
41	W.573.270	1
42	3.02.0037	2
43	5.81.3567	1

VALIDO DA Gennaio 2011
VALID FROM January 2011



rif.	codice	Q.tà
1	3.31.1423	1
2	5.16.0085	1
3	3.31.1400	1
4	3.31.1328	1
5	5.16.0084	1
6	3.31.0612	1
7	3.02.0013	2
8	3.06.0030	4
9	3.04.0518	4
10	3.02.0885	2

1/1

HYVA CRANE

HB170

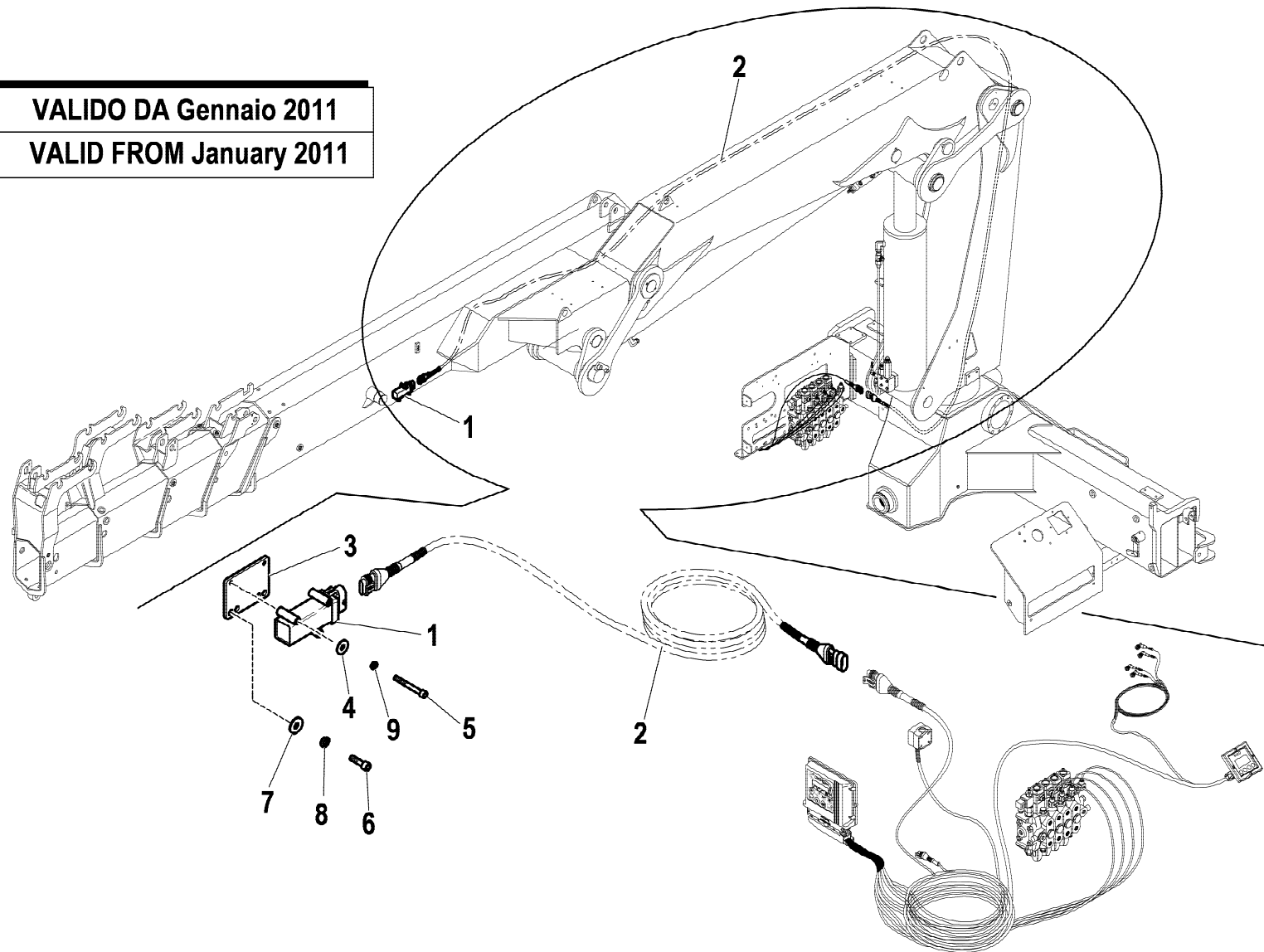
COMANDI BILATERALI (CE) EN12999-A3
 DOUBLE CONTROLS (CE) EN12999-A3
 DOUBLE COMMANDES (CE) EN12999-A3
 DOPPELSTEUERUNG (CE) EN12999-A3
 MONDOS BILATERALAS (CE) EN12999-A3

Tavola

5.40.1467-2-1

Data pag.
 febbraio 2011 53

VALIDO DA Gennaio 2011
 VALID FROM January 2011



rif.	codice	Q.tà
1	3.31.1150	1
2	5.16.0076	1
3	5.00.2108	1
4	3.06.0003	2
5	3.02.0018	2
6	3.02.0033	2
7	3.06.0005	2
8	3.06.0053	2
9	3.06.0065	2

1/1

HYVA CRANE

HB170

COMANDI BILATERALI (CE) EN12999-A3
 DOUBLE CONTROLS (CE) EN12999-A3
 DOUBLE COMMANDES (CE) EN12999-A3
 DOPPELSTEUERUNG (CE) EN12999-A3
 MONDOS BILATERALAS (CE) EN12999-A3

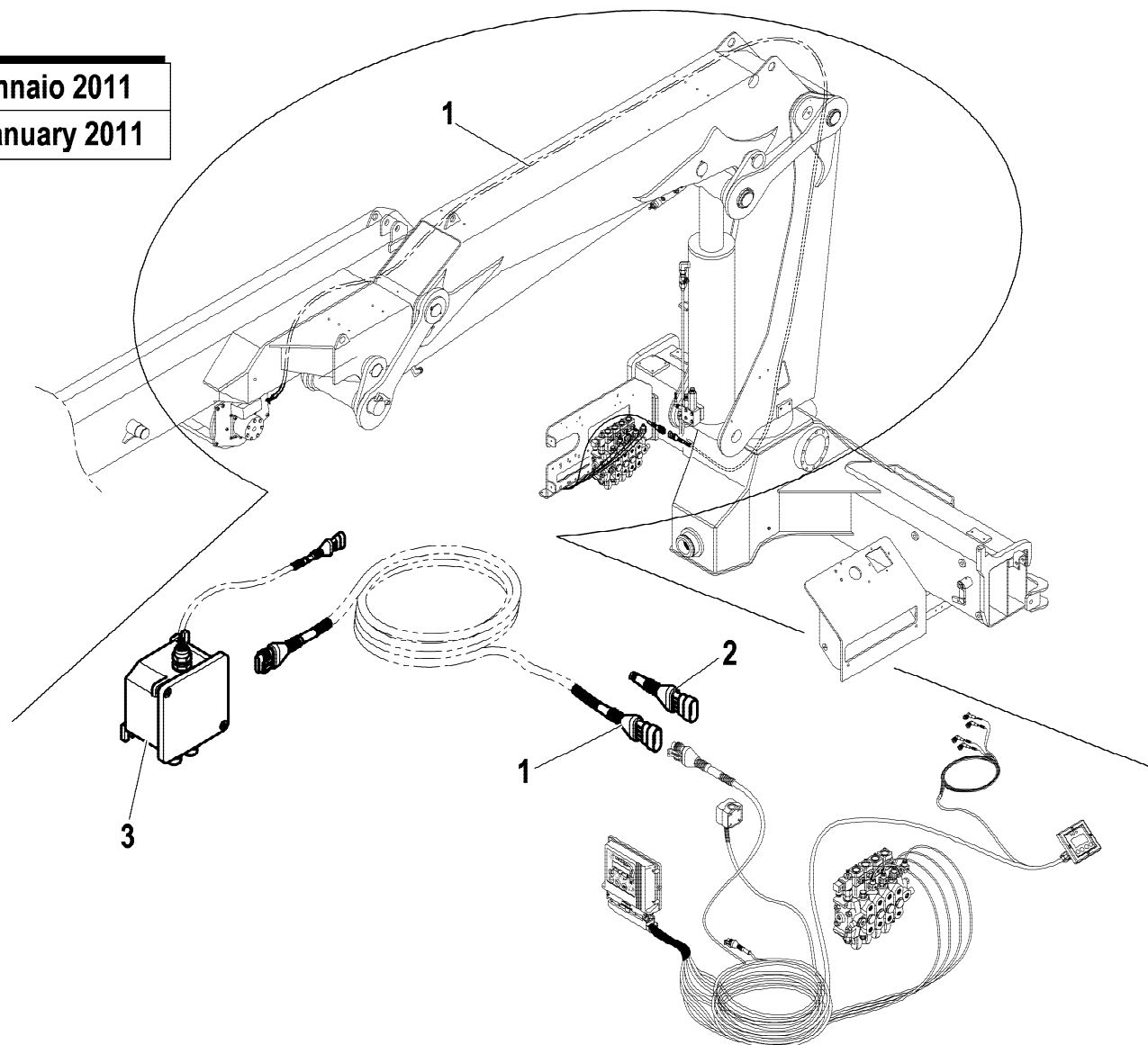
Tavola

5.40.1467-3-0

Data pag.
 dicembre 2010 54

rif.	codice	Q.tà
1	5.16.0004	1
2	5.16.0013	1
3	3.31.0663	1

VALIDO DA Gennaio 2011
VALID FROM January 2011



1/1



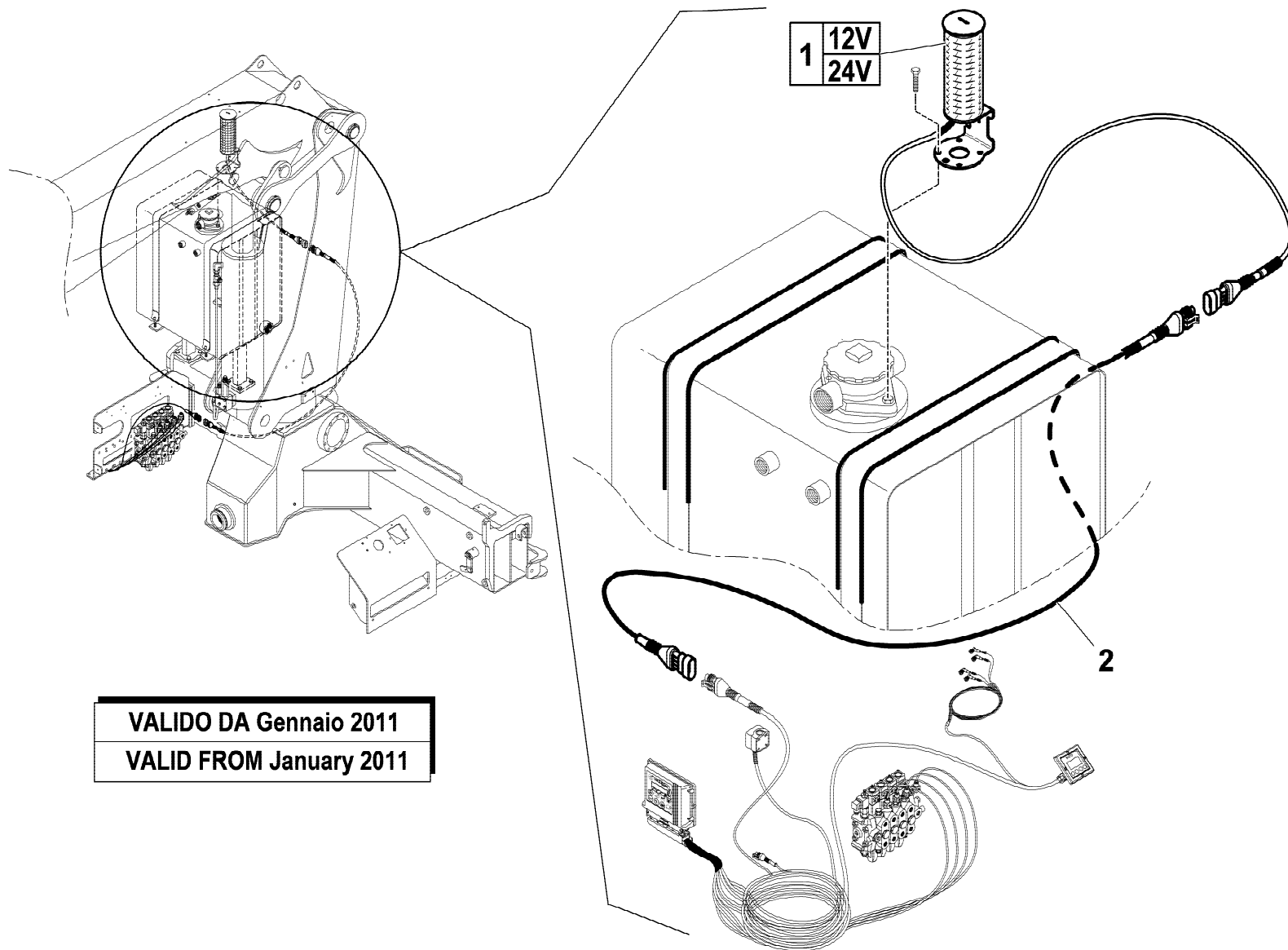
HB170

COMANDI BILATERALI (CE) EN12999-A3
 DOUBLE CONTROLS (CE) EN12999-A3
 DOUBLE COMMANDES (CE) EN12999-A3
 DOPPELSTEUERUNG (CE) EN12999-A3
 MONDOS BILATERALAS (CE) EN12999-A3

Tavola
5.40.1467-6-0

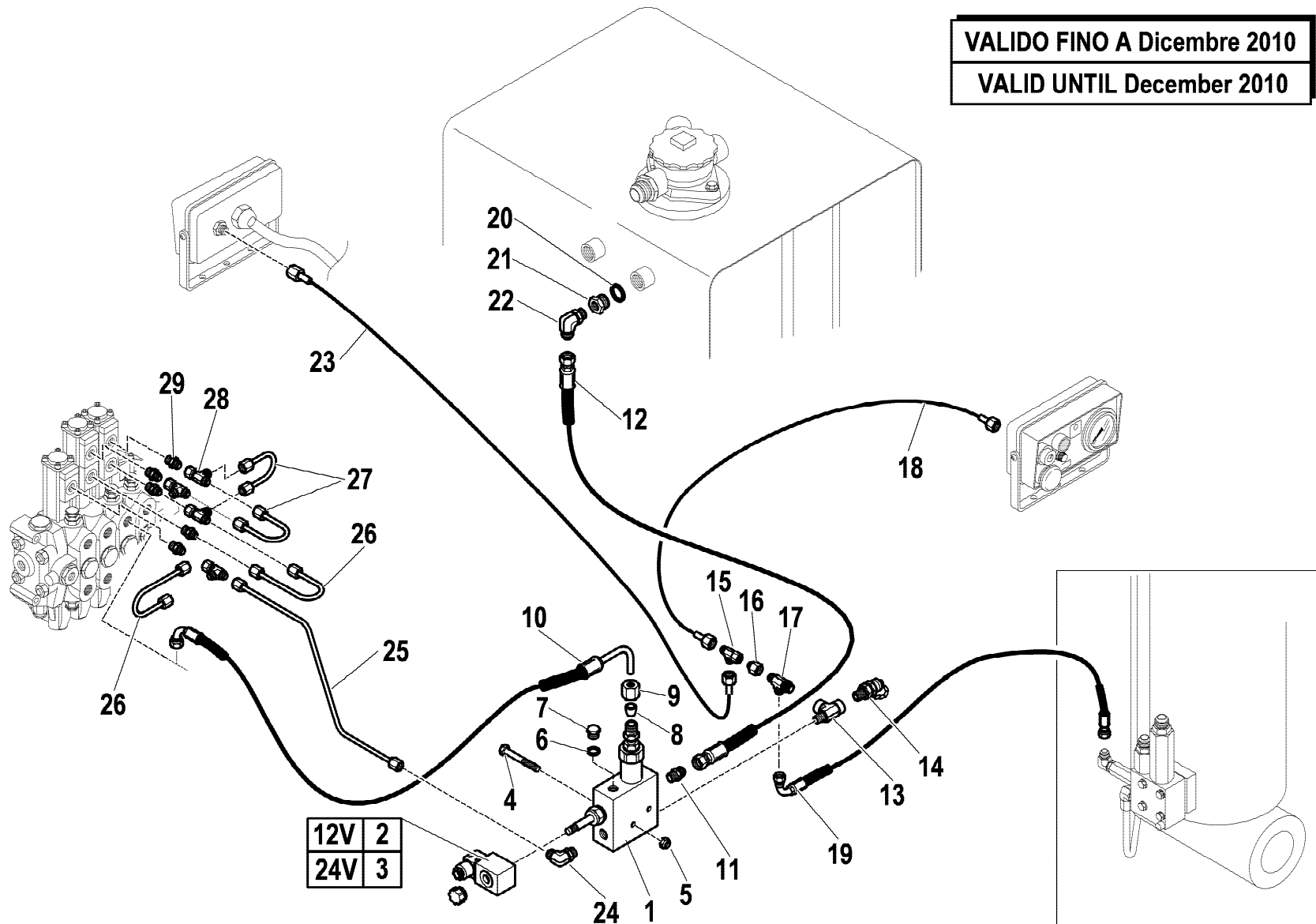
Data pag.
 giugno 2011 55

rif.	codice	Q.tà
1	3.31.1159	1
2	5.16.0003	1

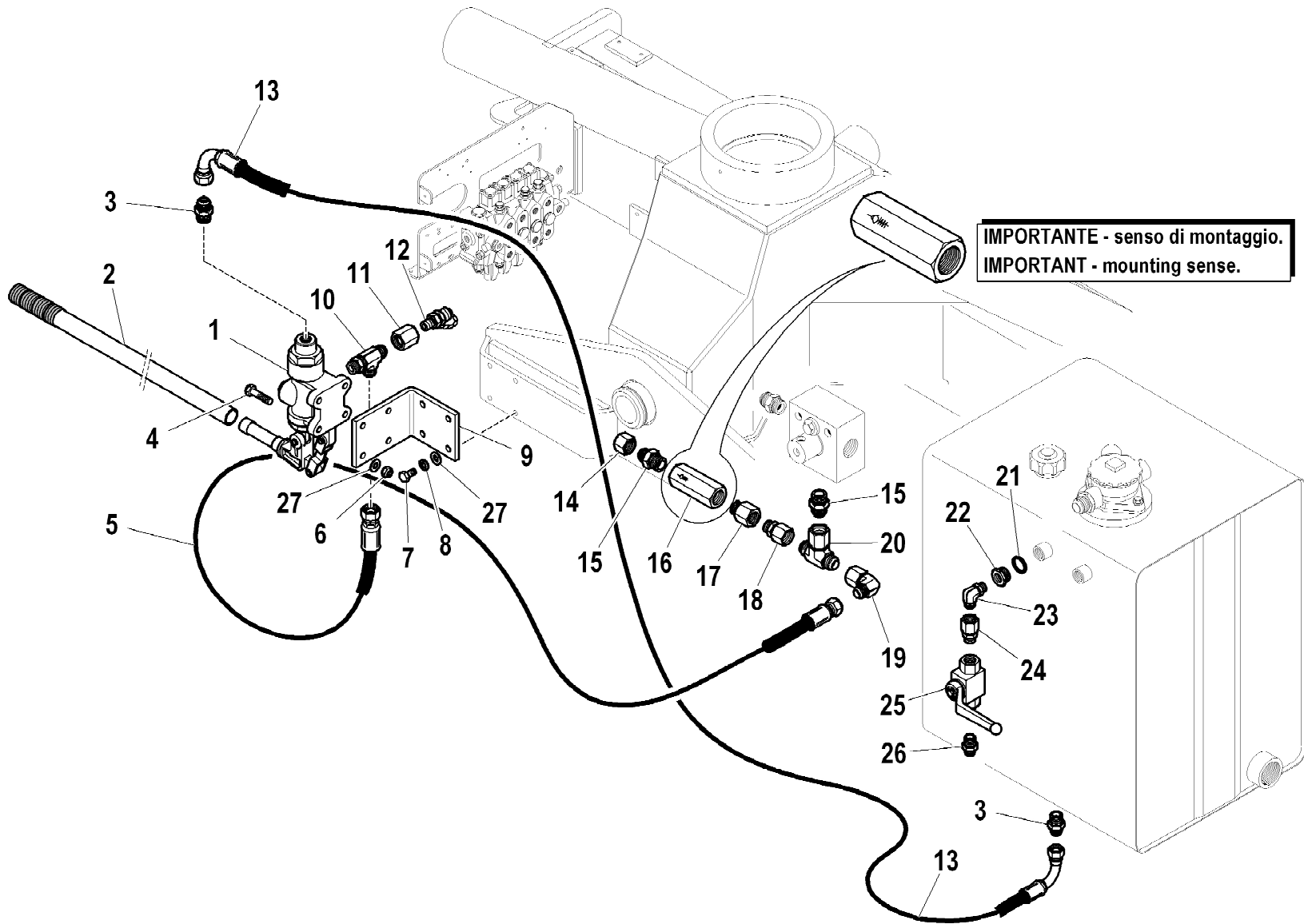


VALIDO DA Gennaio 2011
VALID FROM January 2011

VALIDO FINO A Dicembre 2010
VALID UNTIL December 2010

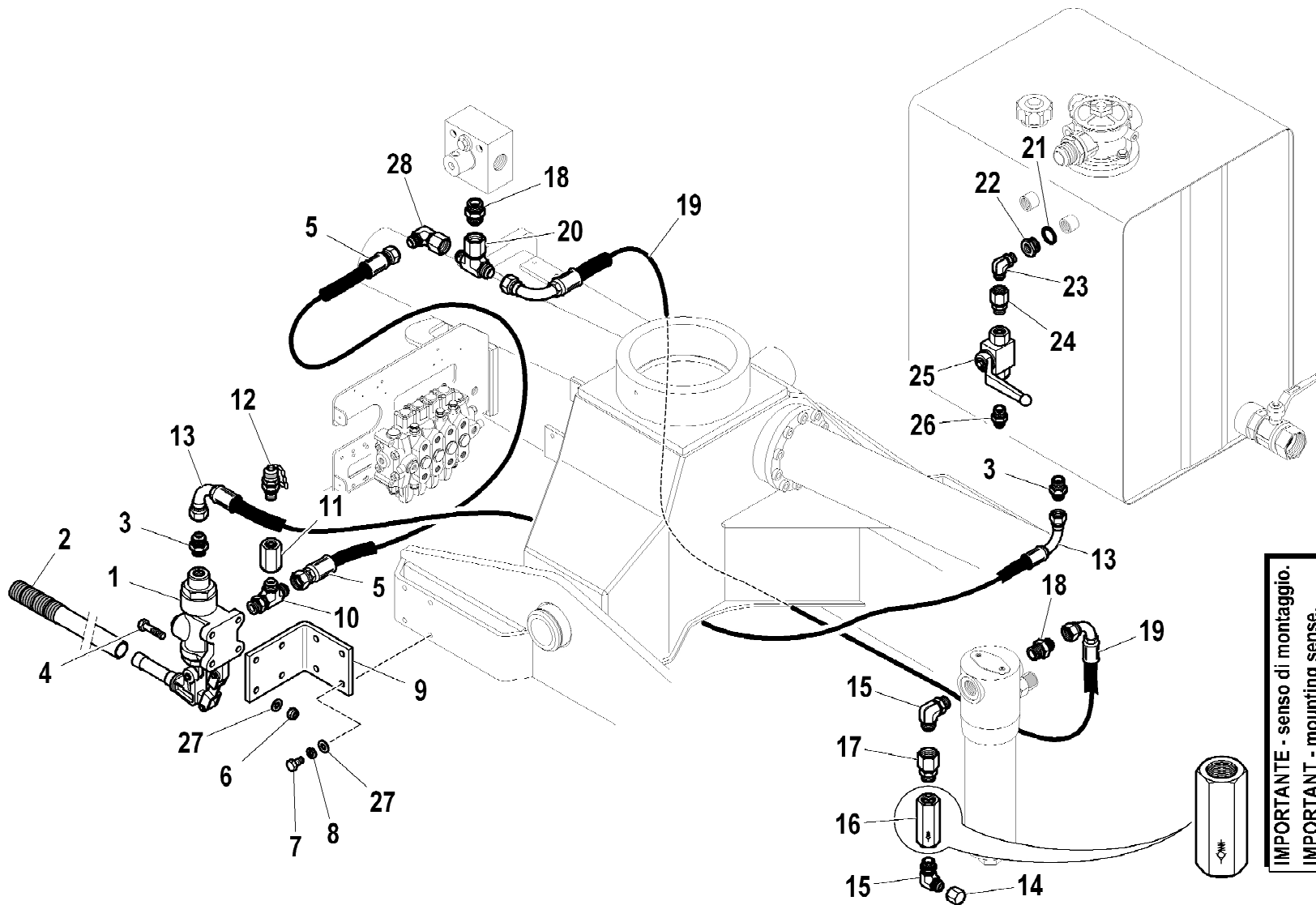


rif.	codice	Q.tà
1	5.22.0578	1
2	3.31.0238	1
3	3.31.0242	1
4	3.01.0027	2
5	3.04.0303	2
6	3.06.0143	1
7	3.11.0062	1
8	3.10.0956	1
9	3.10.0952	1
10	5.26.0350	1
11	3.10.1039	1
12	5.26.0550	1
13	3.10.1215	1
14	3.11.1523	1
15	3.12.0004	1
16	3.12.0200	1
17	3.10.1175	1
18	5.30.0050	1
19	5.26.0549	1
20	3.10.1124	1
21	3.11.0161	1
22	3.06.0145	1
23	5.30.0049	1
24	3.10.1194	1
25	5.39.1767	1
26	5.39.1778	2
27	5.39.1777	2
28	3.12.0001	5
29	3.10.1034	5



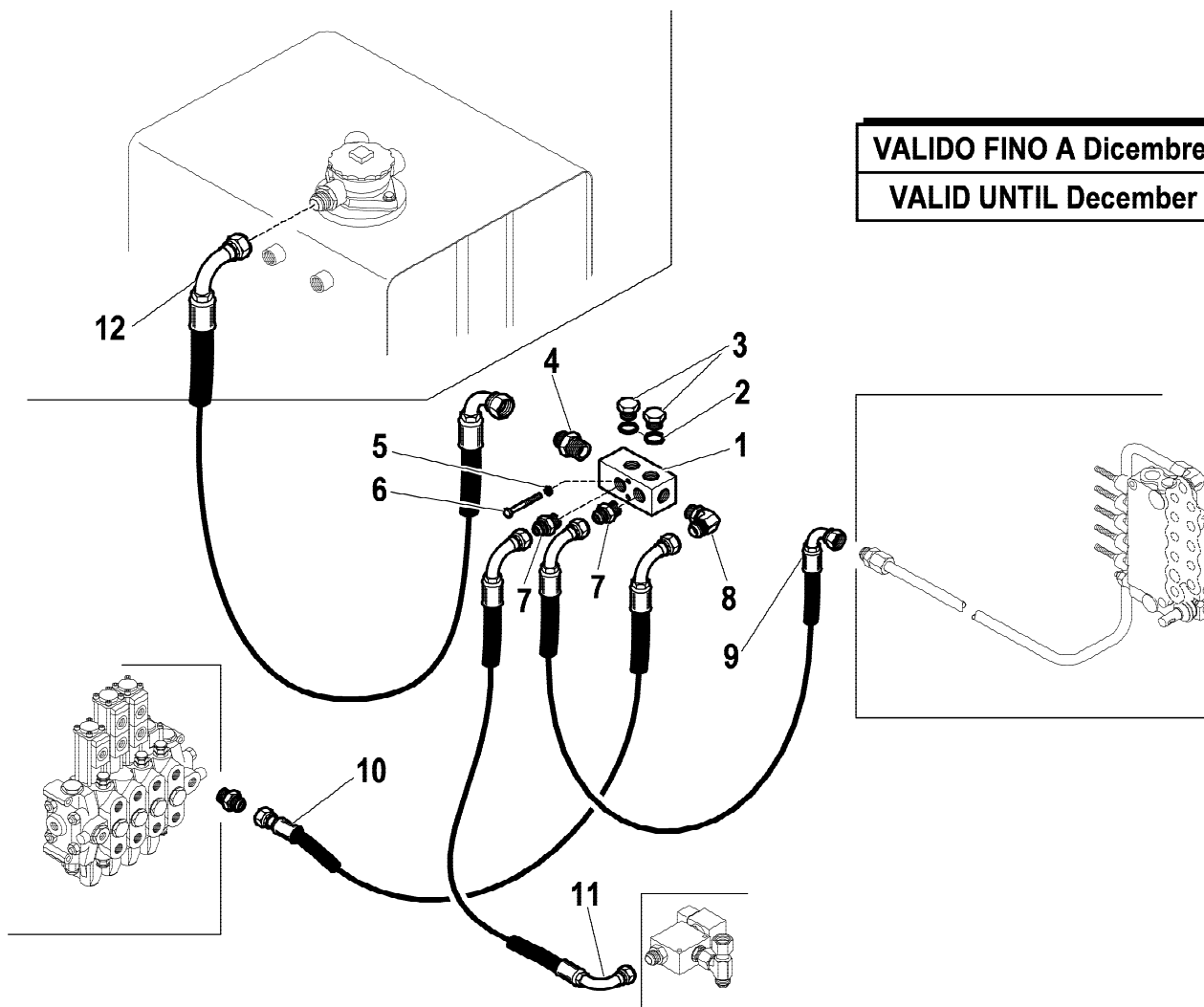
**IMPORTANTE - senso di montaggio.
IMPORTANT - mounting sense.**

rif.	codice	Q.tà
1	W.390.502	1
2	5.70.0169	1
3	3.10.1051	2
4	3.01.0358	4
5	5.28.0725	1
6	3.04.0304	4
7	3.01.0354	4
8	3.06.0056	4
9	W.63.05.045.00	1
10	3.10.1176	1
11	3.12.0356	1
12	3.11.1523	1
13	5.28.0724	1
14	3.11.0050	1
15	3.12.0073	2
16	W.470.206	1
17	3.12.0386	1
18	3.12.0072	1
19	3.12.0034	1
20	3.12.0021	1
21	3.06.0145	1
22	3.11.0161	1
23	3.10.1124	1
24	3.12.0064	1
25	5.22.0063	1
26	3.10.1039	1
27	3.06.0914	8



rif.	codice	Q.tà
1	W.390.502	1
2	5.70.0169	1
3	3.10.1051	2
4	3.01.0358	4
5	5.28.0725	1
6	3.04.0304	4
7	3.01.0354	4
8	3.06.0056	4
9	W.63.05.045.00	1
10	3.10.1176	1
11	3.12.0356	1
12	3.11.1523	1
13	5.28.0724	1
14	3.11.0050	1
15	3.10.1134	2
16	W.470.206	1
17	3.12.0080	1
18	3.12.0073	2
19	1
20	3.12.0021	1
21	3.06.0145	1
22	3.11.0161	1
23	3.10.1124	1
24	3.12.0064	1
25	5.22.0063	1
26	3.10.1039	1
27	3.06.0914	8
28	3.12.0034	1

rif.	codice	Q.tà
1	5.00.0718	1
2	3.06.0145	2
3	3.11.0065	2
4	3.10.1056	1
5	3.06.0053	1
6	3.01.0388	1
7	3.10.1051	2
8	3.10.1132	1
9	5.28.0527	1
10	5.29.0067	1
11	5.28.0521	1
12	5.29.0068	1



1/1

HYVA CRANE

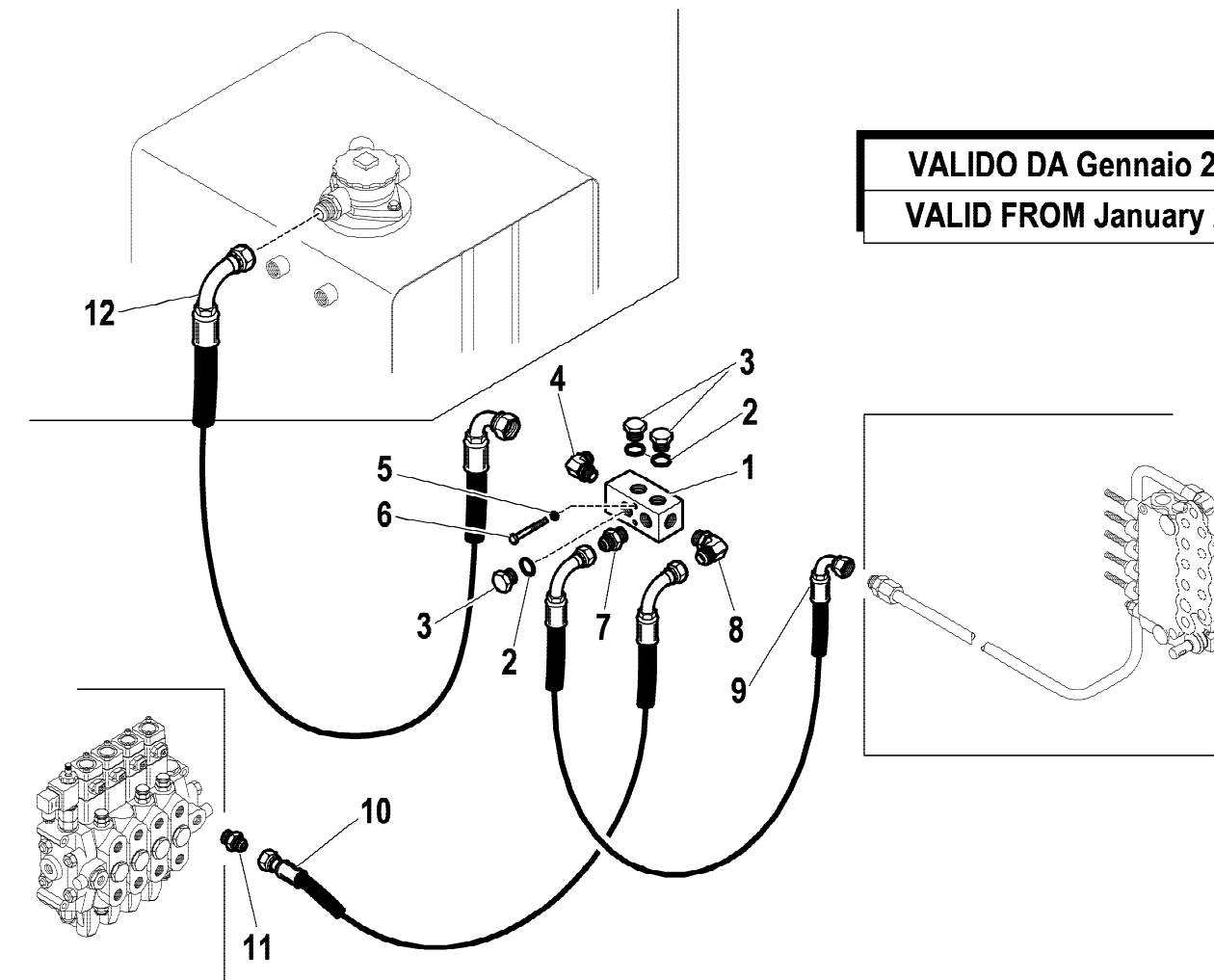
HB170

COLLETTORE CE
 MANIFOLD CE
 COLLECTEUR CE
 KOLLEKTOR CE
 COLECTOR CE

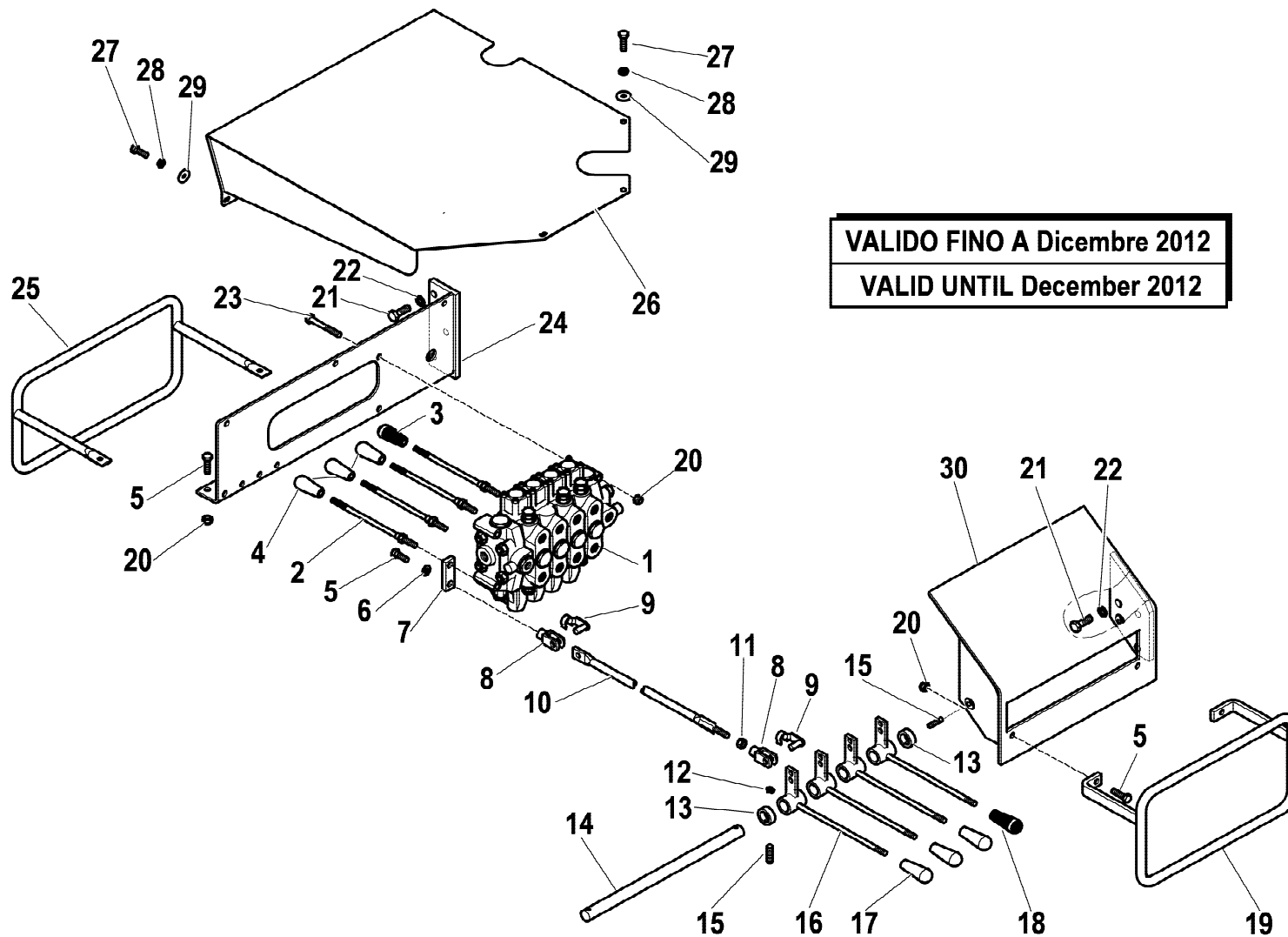
Tavola
5.40.0265-1-0

Data pag.
 giugno 2006 60

rif.	codice	Q.tà
1	5.00.0718	1
2	3.06.0145	3
3	3.11.0065	3
4	3.10.1133	1
5	3.06.0053	1
6	3.01.0388	1
7	3.10.1051	1
8	3.10.1132	1
9	5.28.0527	1
10	5.29.0067	1
11	3.10.1058	1
12	5.29.0068	1



VALIDO DA Gennaio 2011
VALID FROM January 2011



VALIDO FINO A Dicembre 2012
VALID UNTIL December 2012

rif.	codice	Q.tà
1	5.22.0291	1
2	5.22.0224	4
3	3.19.0189	1
4	3.19.0010	3
5	3.01.0339	8
6	3.06.0006	4
7	5.00.0708	4
8	3.30.0431	8
9	3.30.0451	8
10	5.09.0456	4
11	3.04.0045	4
12	3.08.0500	4
13	5.00.0670	2
14	5.15.0459	1
15	3.06.0234	4
16	5.09.0433	4
17	3.19.0006	3
18	3.19.0188	1
19	5.09.0460	1
20	3.04.0303	7
21	3.01.0355	6
22	3.06.0056	6
23	3.01.0036	3
24	5.09.0718	1
25	5.09.0459	1
26	5.09.0719	1
27	3.01.0323	6
28	3.06.0053	6
29	3.06.0030	6
30	5.09.0455	1

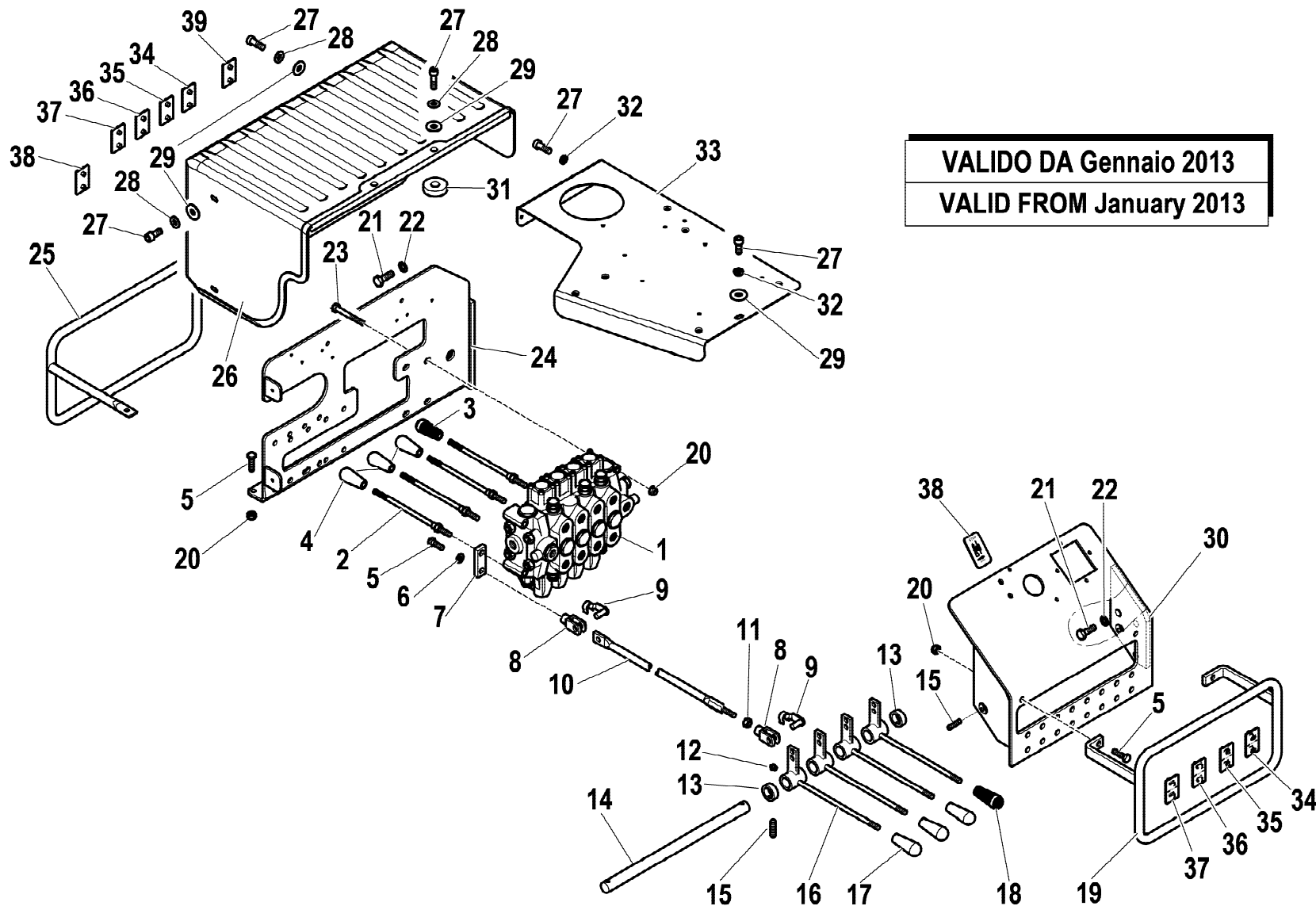


HB170

COMANDI BILATERALI NOCE
 DOUBLE CONTROLS NOCE
 DOUBLE COMMANDES NOCE
 DOPPELSTEUERUNG NOCE
 MONDOS BILATERALAS NOCE

Tavola
5.40.0287-1-0

Data pag.
 febbraio 2011 62



VALIDO DA Gennaio 2013
VALID FROM January 2013

rif.	codice	Q.tà
1	5.22.0291	1
2	5.22.0224	4
3	3.19.0189	1
4	3.19.0010	3
5	3.01.0339	8
6	3.06.0006	4
7	5.00.0708	4
8	3.30.0431	8
9	3.30.0451	8
10	5.09.0456	4
11	3.04.0045	4
12	3.08.0500	4
13	5.00.0670	2
14	5.15.0459	1
15	3.06.0234	4
16	5.09.0433	4
17	3.19.0006	3
18	3.19.0188	1
19	5.09.0460	1
20	3.04.0303	7
21	3.01.0355	6
22	3.06.0056	6
23	3.01.0036	3
24	5.09.1219	1
25	5.09.0459	1
26	5.09.1463	1
27	3.02.0034	6
28	3.06.0005	6
29	3.06.0030	6
30	5.09.1329	1
31	W.34.05.014.00	2

1/2

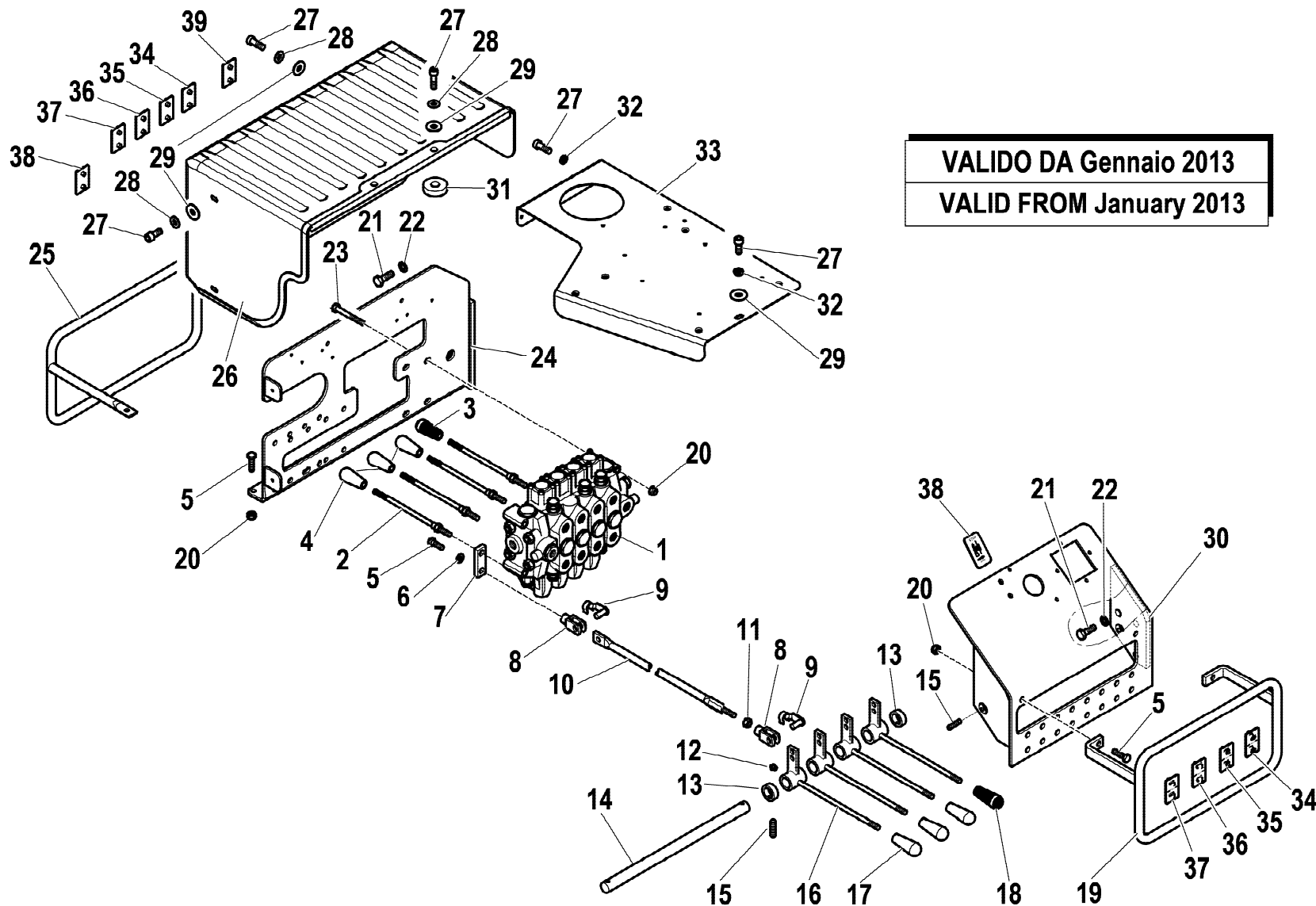


HB170

COMANDI BILATERALI (COMANDI CON TERMOFORMATO) NOCE
 DOUBLE CONTROLS (CONTROLS WITH THERMOFORMABLE) NOCE
 DOUBLE COMMANDES (COMMANDES AVEC THERMOFORMABLE) NOCE
 DOPPELSTEUERUNG (STEUERUGEN MIT THERMOFORMBARE) NOCE
 MONDOS BILATERALAS (MANDOS CON TERMOFORMABLES) NOCE

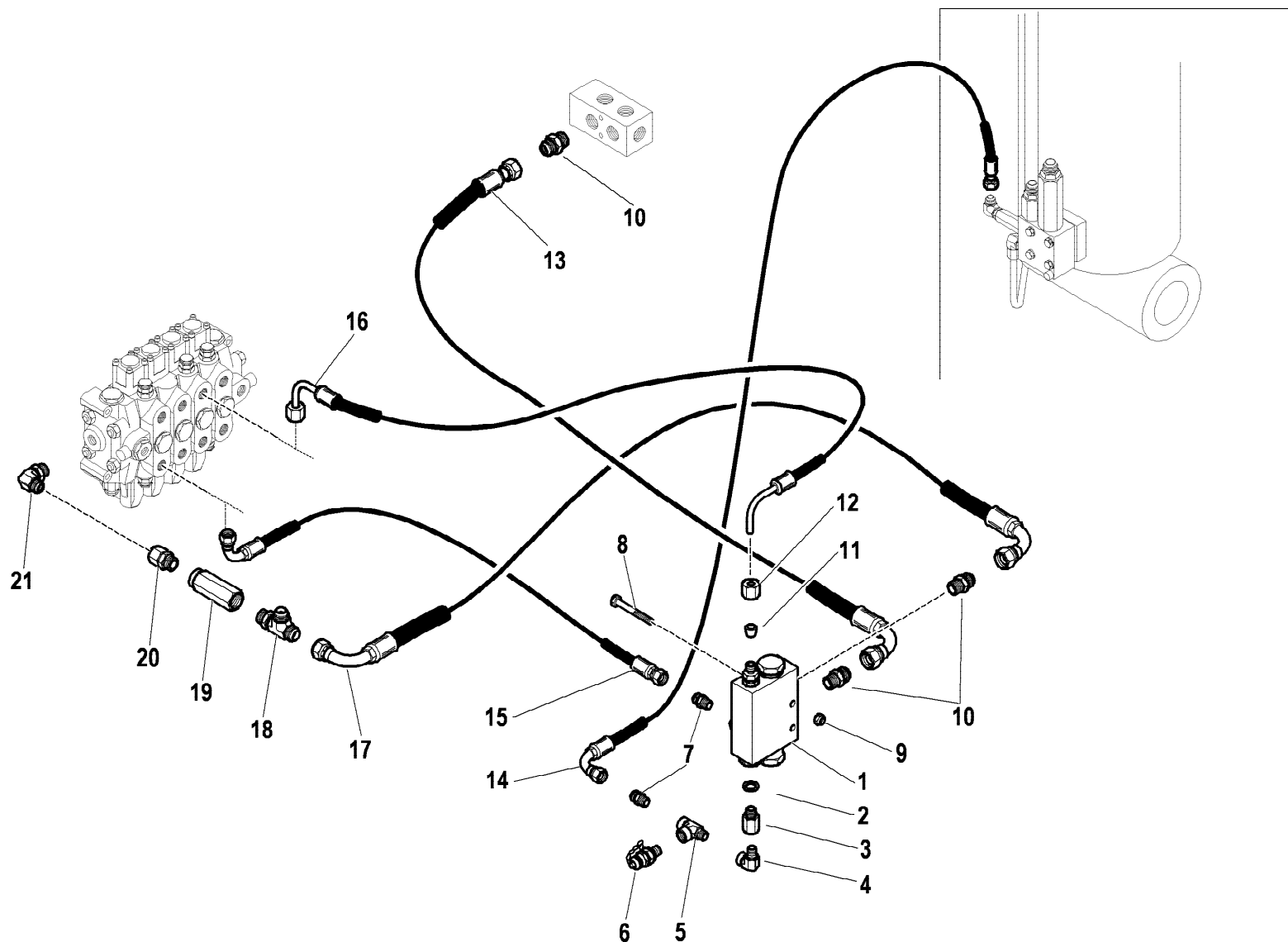
Tavola
5.40.0287-1-1

Data pag.
 marzo 2013 63.1



rif.	codice	Q.tà
32	3.06.0053	3
33	5.00.2024	1
34	W.573.266	2
35	W.573.267	2
36	W.573.269	2
37	W.573.270	2
38	5.81.3567	2
39	5.81.3516	1

VALIDO DA Gennaio 2013
VALID FROM January 2013



rif.	codice	Q.tà
1	5.22.0135	1
2	3.06.0143	1
3	3.11.0270	1
4	3.11.1512	1
5	3.10.1215	1
6	3.11.1523	1
7	3.10.1039	2
8	3.01.0035	2
9	3.04.0303	2
10	3.10.1051	3
11	3.10.0956	1
12	3.10.0952	1
13	5.28.0546	1
14	5.26.0549	1
15	5.26.0580	1
16	5.26.0350	1
17	5.28.0545	1
18	3.10.1179	1
19	5.22.0635	1
20	3.12.0067	1
21	3.10.1131	1

1/1

HYVA CRANE

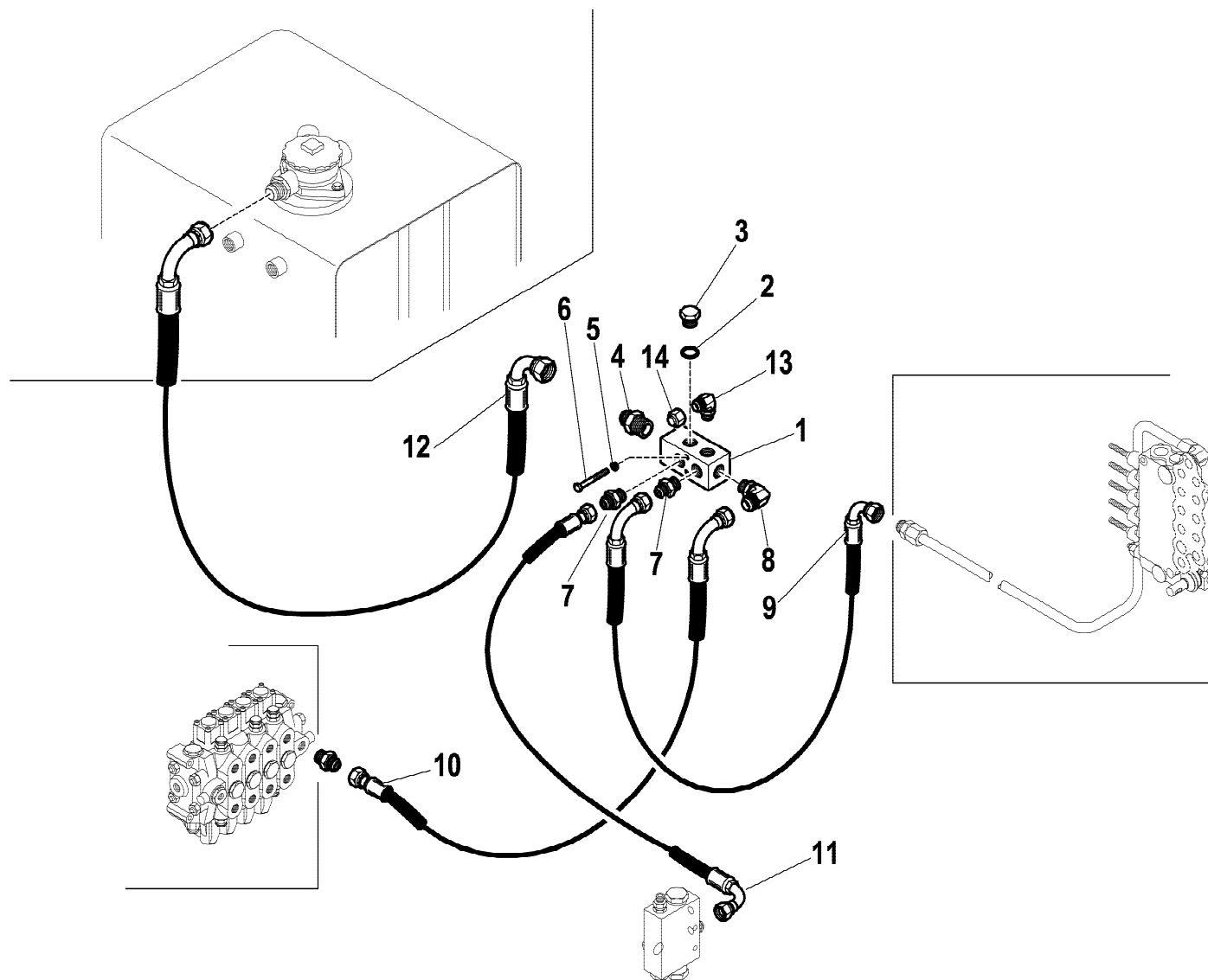
HB170

LIMITATORE DI MOMENTO
 MOMENT LIMITING DEVICE
 LIMITEUR DE MOMENT
 HUB-MOMENTBEGRENZER
 LIMITADOR DE MOMENTO

Tavola

5.43.0055-1-0

Data pag.
 giugno 2006 64



rif.	codice	Q.tà
1	5.00.0718	1
2	3.06.0145	1
3	3.11.0065	1
4	3.10.1056	1
5	3.06.0053	2
6	3.01.0388	2
7	3.10.1051	2
8	3.10.1132	1
9	5.28.0527	1
10	5.29.0067	1
11	5.28.0546	1
12	5.29.0068	1
13	3.10.1131	1
14	3.11.0050	1

1/1

HYVA CRANE

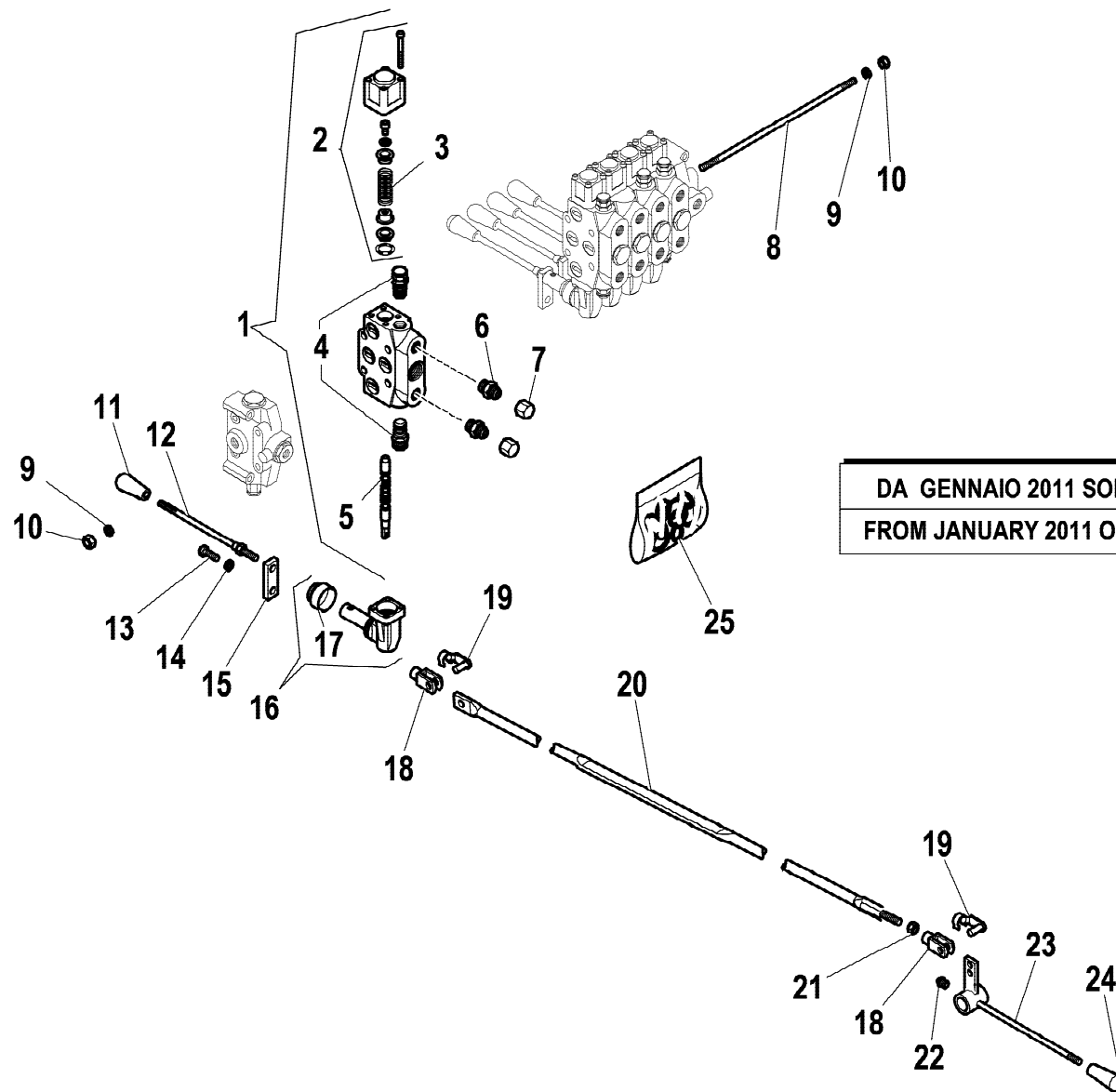
HB170

COLLETTORE NO CE
 MANIFOLD NO CE
 COLLECTEUR NO CE
 KOLLEKTOR NO CE
 COLECTOR NO CE

Tavola

5.40.0294-1-0

Data pag.
 giugno 2006 65



rif.	codice	Q.tà
1	5.22.5190	1
2	5.22.5130	1
3	5.22.5462	1
4	5.22.5200	2
5	5.22.5143	1
6	3.10.1051	2
7	3.11.0050	2
8	5.22.5213	4
9	3.06.0056	4
10	3.04.0046	4
11	3.19.0010	1
12	5.22.0224	2
13	3.01.0339	2
14	3.06.0055	2
15	5.00.0708	2
16	5.22.5126	2
17	5.22.5128	2
18	3.30.0431	2
19	3.30.0451	2
20	5.09.0456	2
21	3.04.0045	2
22	3.08.0500	2
23	5.09.0433	2
24	3.19.0006	1
25	5.22.5031	1

1/1

HYVA CRANE

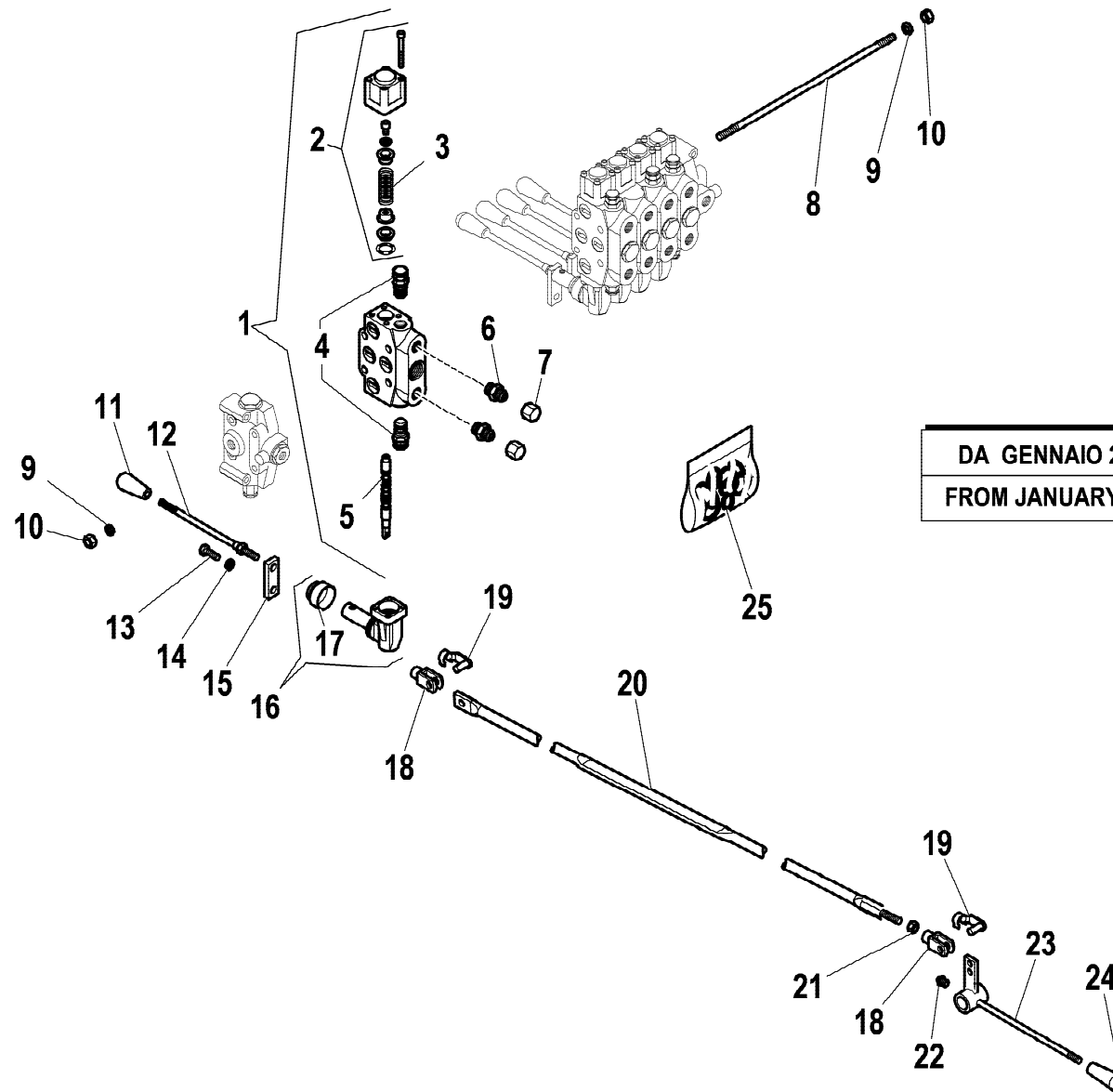
HB170

KIT 5° ELEMENTO SUPPLEMENTARE CENTRO CHIUSO NOCE
 5TH EXTRA FUNCTION KIT CLOSED CENTER SPOOL NOCE
 KIT 5ÈME ELEMENT SUPPLEMENTAIRE CENTRE FERMÉ NOCE
 KIT 5. ZUSÄTZLICHES STEUERELEMENT MIT GESPERRTEM ZENTRUM NOCE
 KIT 5° ELEMENTO ADICIONAL CENTRO CERRADO NOCE

Tavola

5.40.0072-1-0

Data pag.
 gennaio 2011 66



rif.	codice	Q.tà
1	5.22.5187	1
2	5.22.5130	1
3	5.22.5462	1
4	5.22.5200	2
5	5.22.5177	1
6	3.10.1051	2
7	3.11.0050	2
8	5.22.5213	4
9	3.06.0056	4
10	3.04.0046	4
11	3.19.0010	1
12	5.22.0224	2
13	3.01.0339	2
14	3.06.0055	2
15	5.00.0708	2
16	5.22.5126	2
17	5.22.5128	2
18	3.30.0431	2
19	3.30.0451	2
20	5.09.0456	2
21	3.04.0045	2
22	3.08.0500	2
23	5.09.0433	2
24	3.19.0006	1
25	5.22.5031	1

1/1

HYVA CRANE

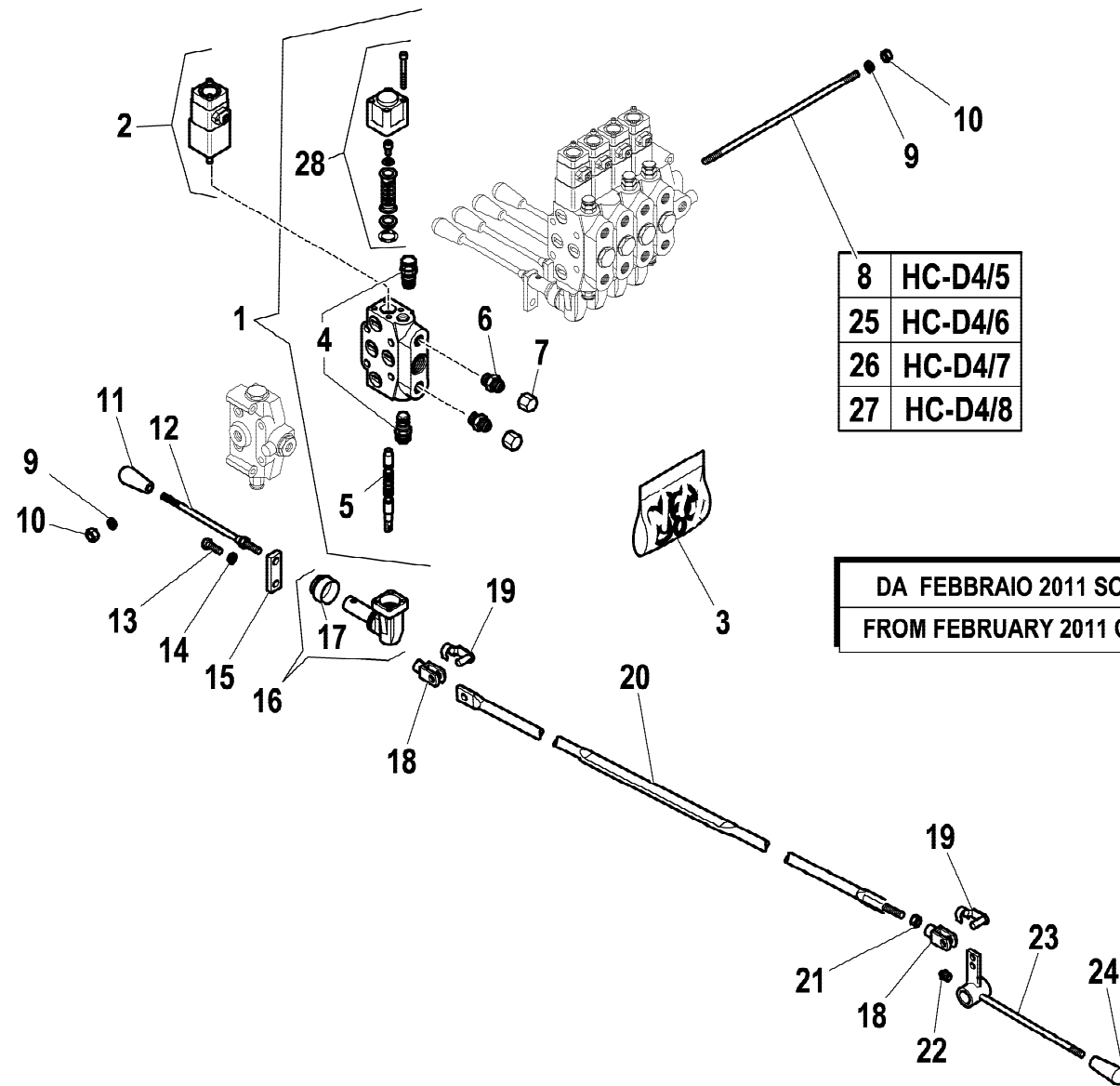
HB170

KIT 5° ELEMENTO SUPPLEMENTARE CENTRO APERTO NOCE
 5TH EXTRA FUNCTION KIT OPEN CENTER SPOOL NOCE
 KIT 5ÈME ELEMENT SUPPLEMENTAIRE CENTRE OUVERTE NOCE
 KIT 5. ZUSÄTZLICHES STEUERELEMENT MIT GEÖFFNETEM ZENTRUM NOCE
 KIT 5° ELEMENTO ADICIONAL CENTRO ABIERTO NOCE

Tavola

5.40.0072-3-0

Data pag.
 gennaio 2011 67



DA FEBBRAIO 2011 SOLO "CE"
FROM FEBRUARY 2011 ONLY "CE"

rif.	codice	Q.tà
1	5.22.5190	1
2	5.22.5372	1
3	5.22.5031	1
4	5.22.5200	2
5	5.22.5143	1
6	3.10.1051	2
7	3.11.0050	2
8	5.22.5213	4
9	3.06.0056	4
10	3.04.0046	4
11	3.19.0010	1
12	5.22.0224	1
13	3.01.0339	1
14	3.06.0055	1
15	5.00.0708	1
16	5.22.5126	1
17	5.22.5128	1
18	3.30.0431	2
19	3.30.0451	2
20	5.09.0851	1
21	3.04.0045	1
22	3.08.0500	1
23	5.09.0433	1
24	3.19.0006	1
25	5.22.5214	4
26	5.22.5215	4
27	5.22.5216	4
28	5.22.5130	1

1/1

HYVA CRANE

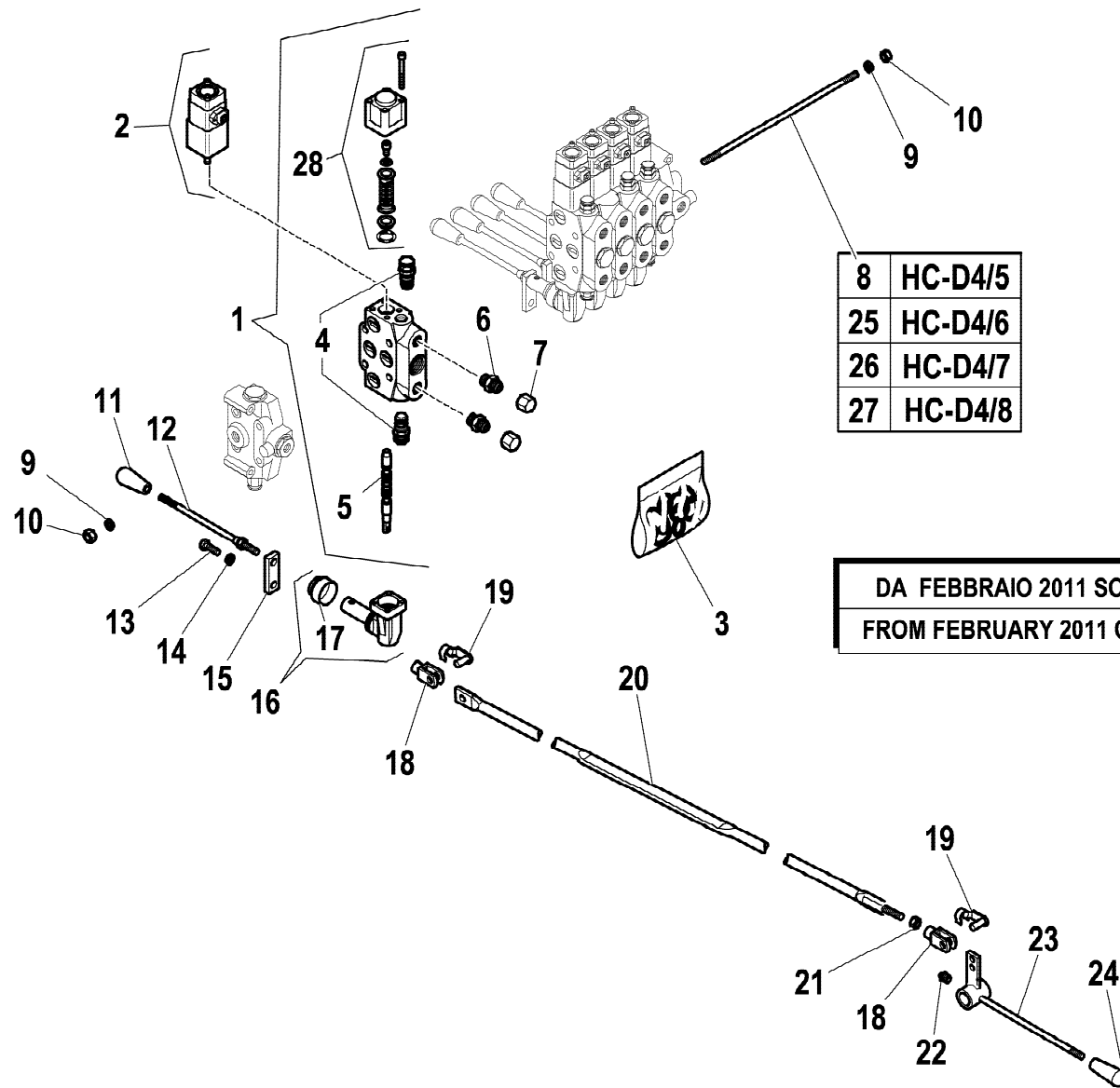
HB170

KIT 5° ELEMENTO SUPPLEMENTARE CENTRO CHIUSO EN12999-A3
5TH EXTRA FUNCTION KIT CLOSED CENTER SPOOL EN12999-A3
KIT 5ÈME ELEMENT SUPPLEMENTAIRE CENTRE FERMÉ EN12999-A3
KIT 5. ZUSÄTZLICHES STEUERELEMENT MIT GESPERRTEM ZENTRUM EN12999-A3
KIT 5° ELEMENTO ADICIONAL CENTRO CERRADO EN12999-A3

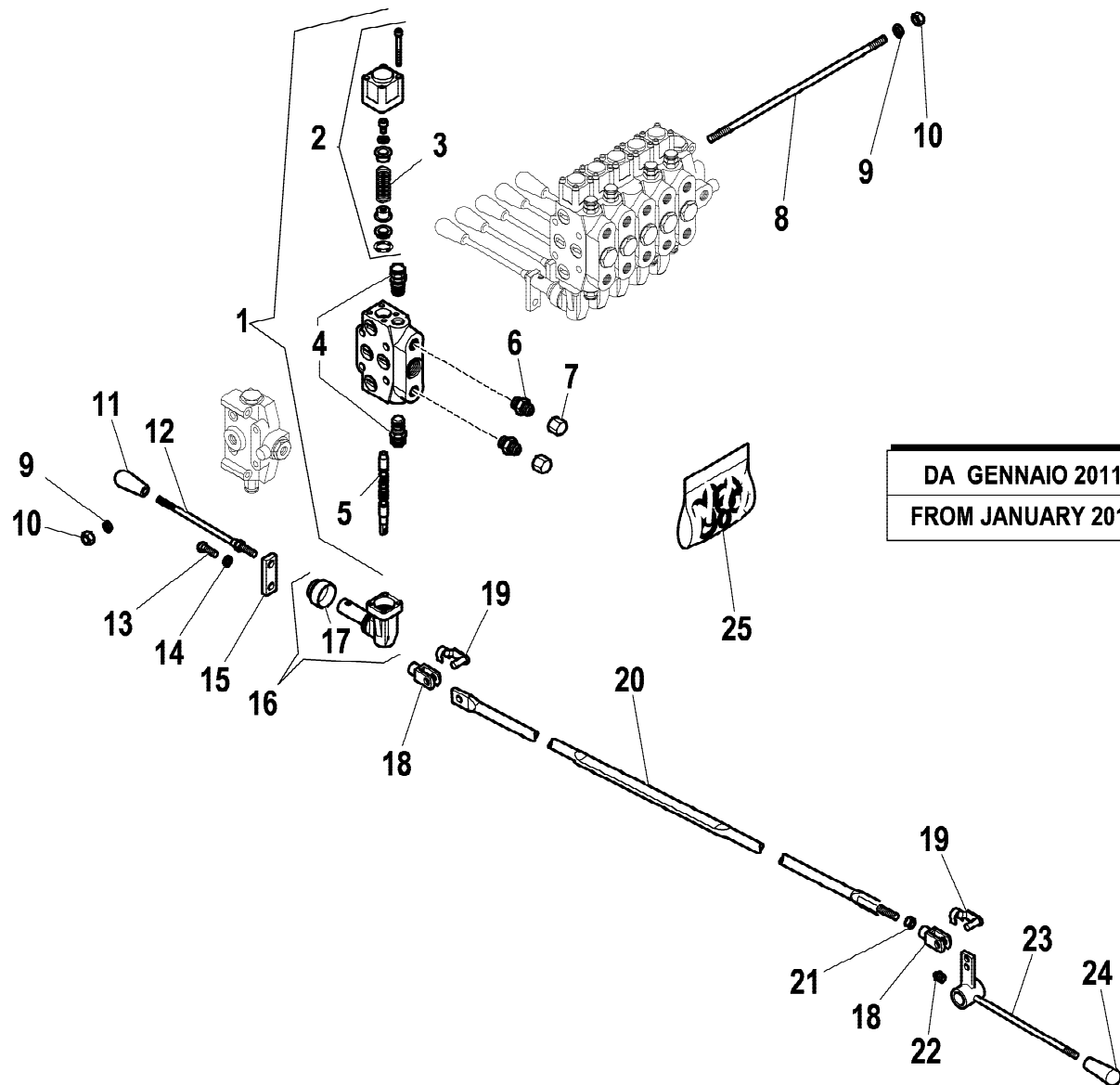
Tavola

5.21.2015-1-0

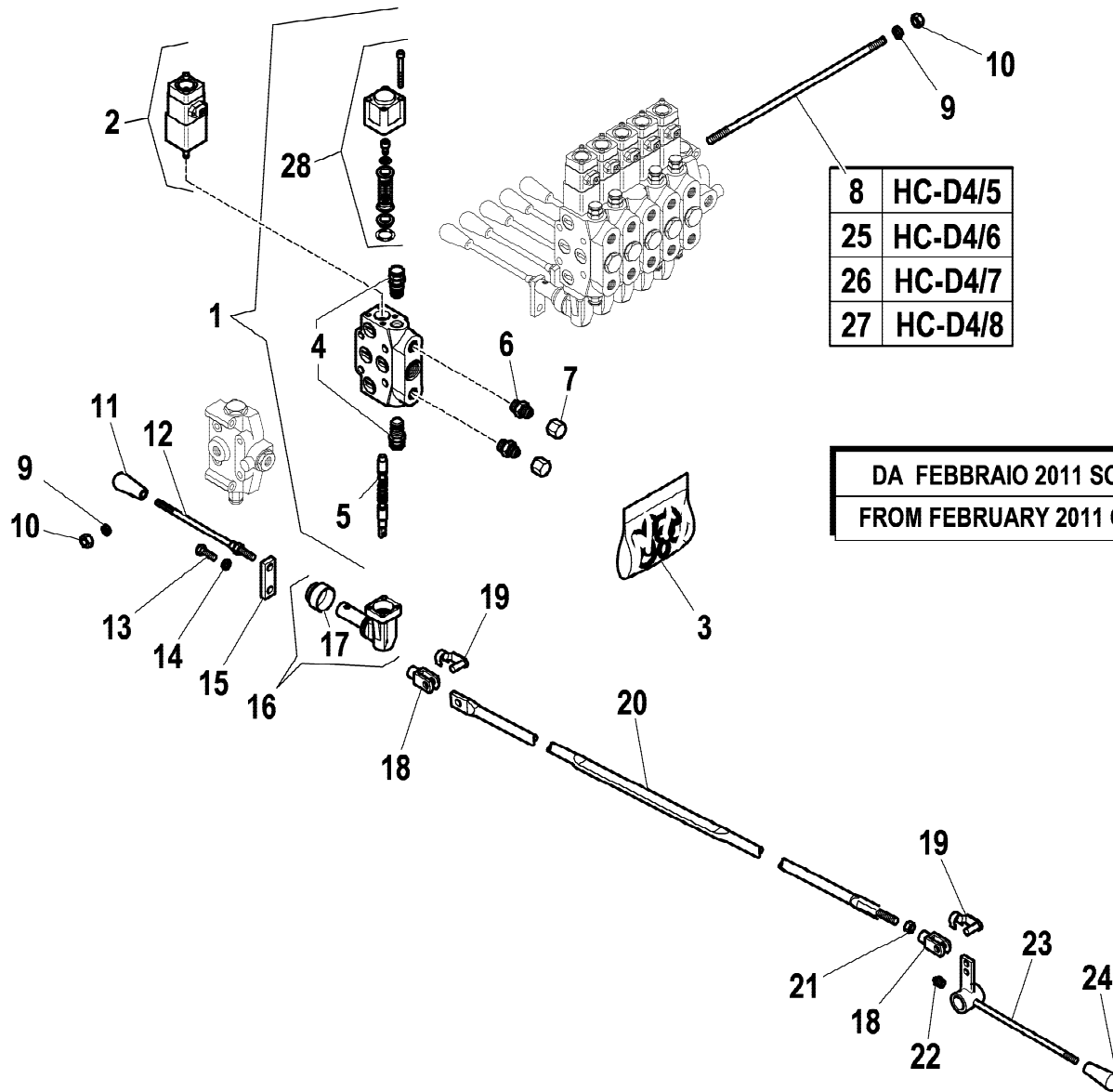
Data pag.
gennaio 2011 68



rif.	codice	Q.tà
1	5.22.5187	1
2	5.22.5372	1
3	5.22.5031	1
4	5.22.5200	2
5	5.22.5177	1
6	3.10.1051	2
7	3.11.0050	2
8	5.22.5213	4
9	3.06.0056	4
10	3.04.0046	4
11	3.19.0010	1
12	5.22.0224	1
13	3.01.0339	1
14	3.06.0055	1
15	5.00.0708	1
16	5.22.5126	1
17	5.22.5128	1
18	3.30.0431	2
19	3.30.0451	2
20	5.09.0851	1
21	3.04.0045	1
22	3.08.0500	1
23	5.09.0433	1
24	3.19.0006	1
25	5.22.5214	4
26	5.22.5215	4
27	5.22.5216	4
28	5.22.5130	1



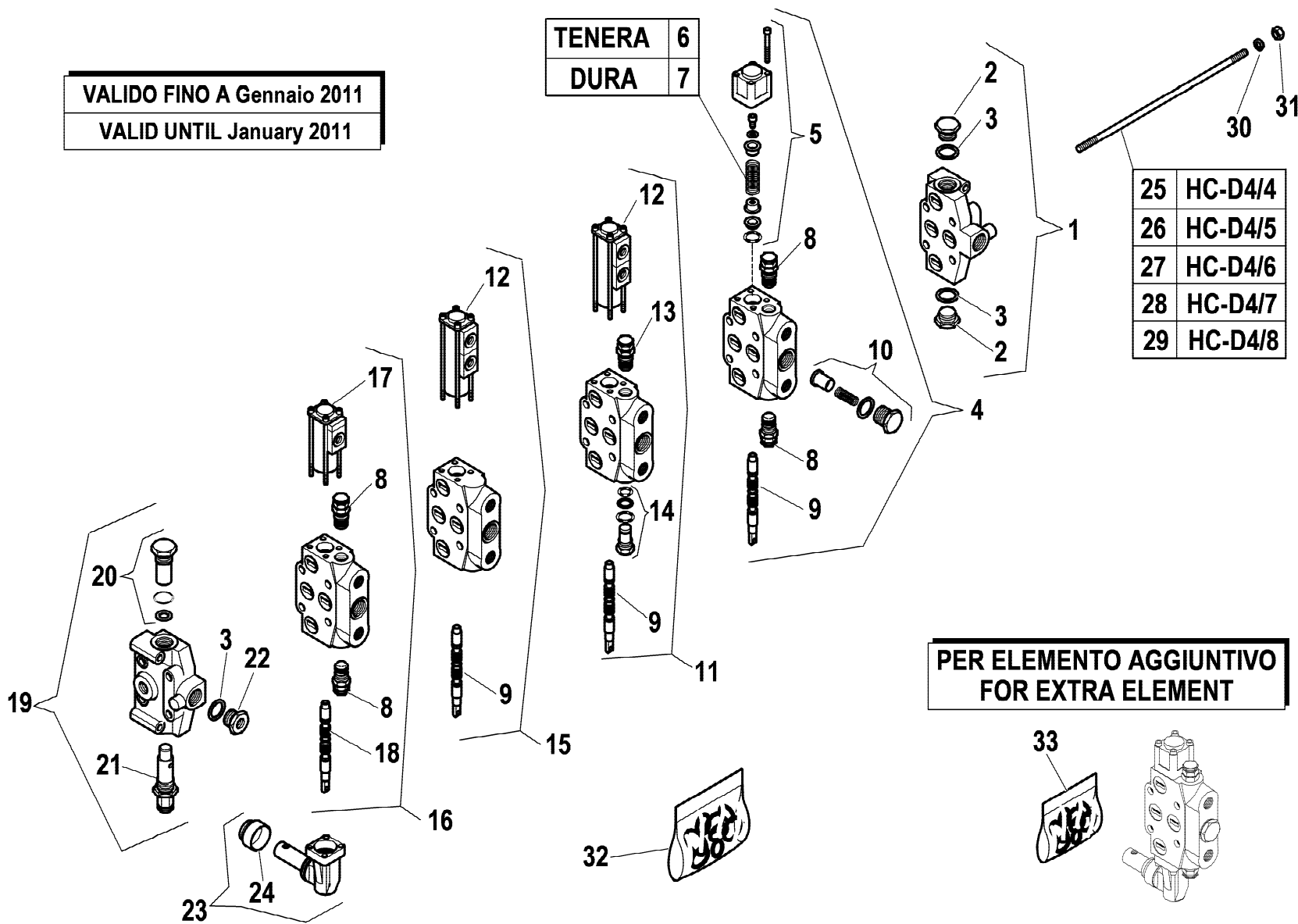
rif.	codice	Q.tà
1	5.22.5190	1
2	5.22.5130	1
3	5.22.5462	1
4	5.22.5200	2
5	5.22.5143	1
6	3.10.1051	2
7	3.11.0050	2
8	5.22.5214	4
9	3.06.0056	4
10	3.04.0046	4
11	3.19.0010	1
12	5.22.0224	2
13	3.01.0339	2
14	3.06.0055	2
15	5.00.0708	2
16	5.22.5126	2
17	5.22.5128	2
18	3.30.0431	2
19	3.30.0451	2
20	5.09.0456	2
21	3.04.0045	2
22	3.08.0500	2
23	5.09.0433	2
24	3.19.0006	1
25	5.22.5031	1



rif.	codice	Q.tà
1	5.22.5190	1
2	5.22.5372	1
3	5.22.5031	1
4	5.22.5200	2
5	5.22.5143	1
6	3.10.1051	2
7	3.11.0050	2
8	5.22.5213	4
9	3.06.0056	4
10	3.04.0046	4
11	3.19.0010	1
12	5.22.0224	1
13	3.01.0339	1
14	3.06.0055	1
15	5.00.0708	1
16	5.22.5126	1
17	5.22.5128	1
18	3.30.0431	2
19	3.30.0451	2
20	5.09.0851	1
21	3.04.0045	1
22	3.08.0500	1
23	5.09.0433	1
24	3.19.0006	1
25	5.22.5214	4
26	5.22.5215	4
27	5.22.5216	4
28	5.22.5130	1

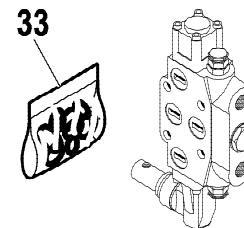
VALIDO FINO A Gennaio 2011
VALID UNTIL January 2011

TENERA	6
DURA	7



rif.	codice	Q.tà
1	5.22.5477	1
2	3.11.0065	2
3	3.06.0145	3
4	5.22.5476	1
5	5.22.5130	1
6	5.22.5461	1
7	5.22.5463	1
8	5.22.5200	4
9	5.22.5311	3
10	5.22.5469	4
11	5.22.5475	1
12	5.22.5313	2
13	5.22.5145	1
14	5.22.5470	1
15	5.22.5474	1
16	5.22.5473	1
17	5.22.5312	1
18	5.22.5177	1
19	5.22.5472	1
20	5.22.5428	1
21	5.22.5546	1
22	3.11.0161	1
23	5.22.5126	4
24	5.22.5128	4
25	5.22.5224	4
26	5.22.5213	4
27	5.22.5214	4
28	5.22.5215	4
29	5.22.5216	4
30	3.06.0056	8
31	3.04.0046	8

PER ELEMENTO AGGIUNTIVO
FOR EXTRA ELEMENT



1/2

HYVA CRANE

HB170

DISTRIBUTORE (4 ELEMENTI) - CE
CONTROL VALVE (4 SECTION) - CE
DISTRIBUTEUR (4 VOIES) - CE
STUEURBLOCK (4 ELEMENTE) - CE
DISTRIBUIDOR (4 ELEMENTOS) - CE

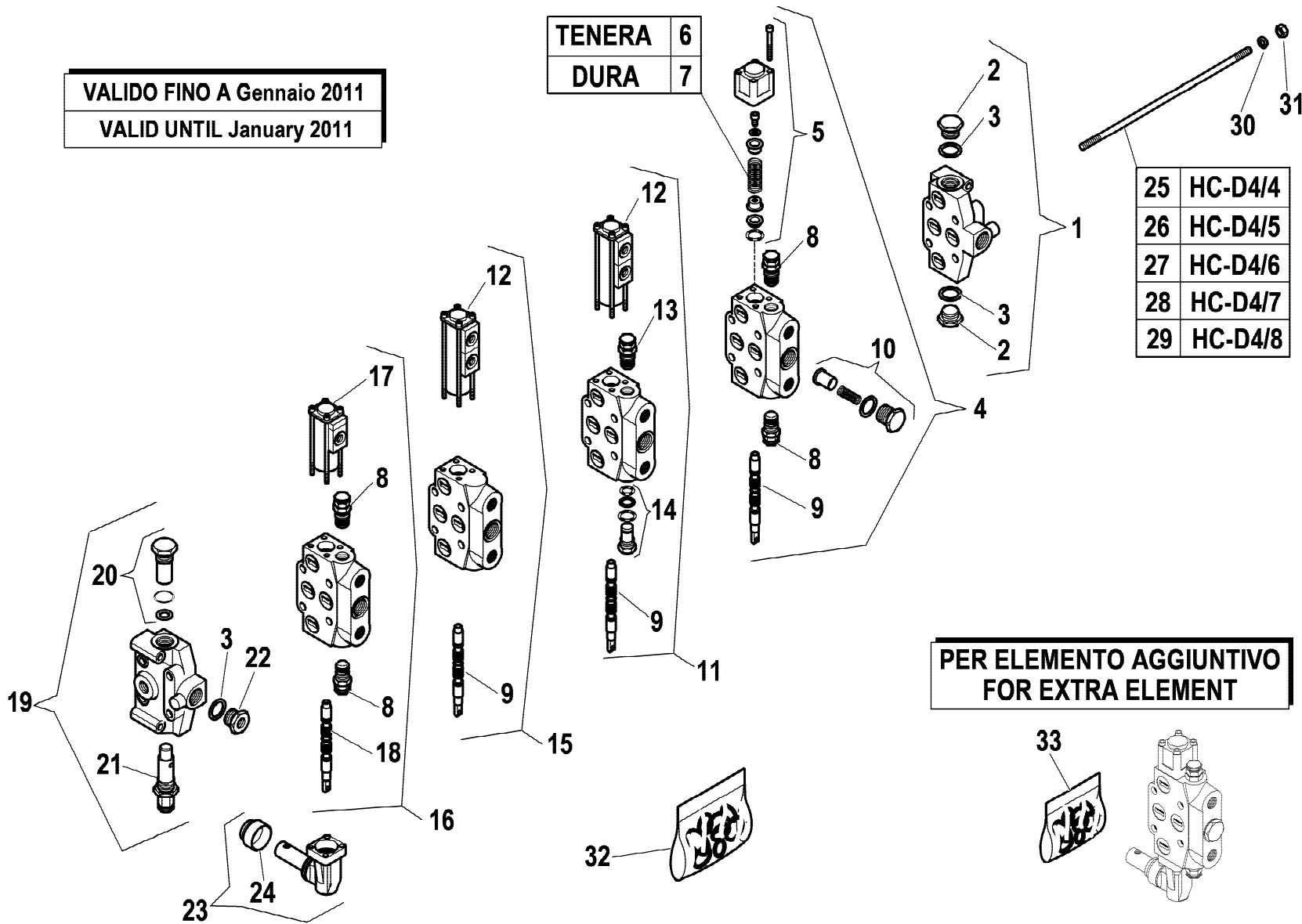
Tavola
5.22.0292-1-0

Data pag.
ottobre 2006 72.1

rif.	codice	Q.tà
32	5.22.5310	1
33	5.22.5031	1

VALIDO FINO A Gennaio 2011
VALID UNTIL January 2011

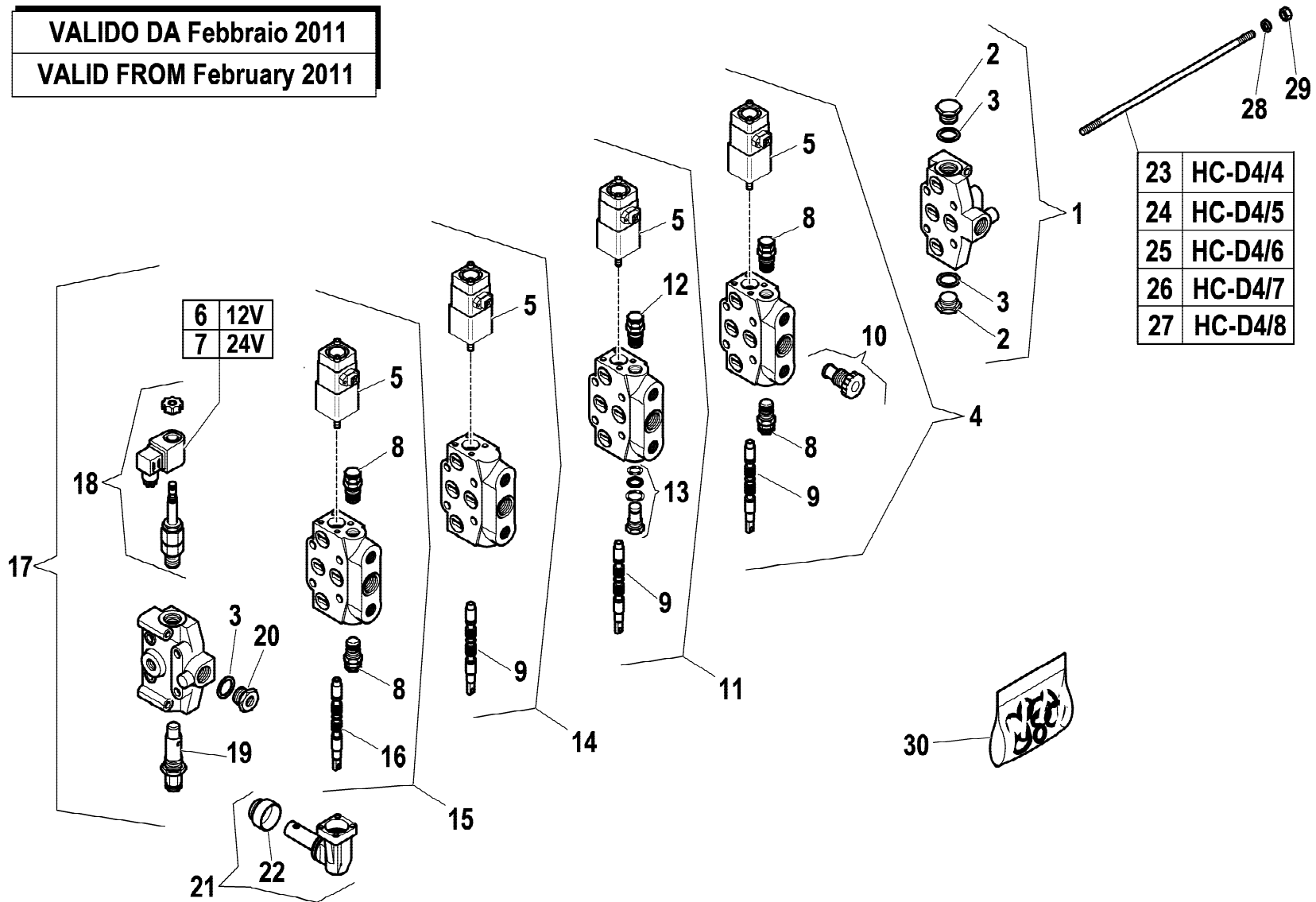
TENERA	6
DURA	7



25	HC-D4/4
26	HC-D4/5
27	HC-D4/6
28	HC-D4/7
29	HC-D4/8

**PER ELEMENTO AGGIUNTIVO
 FOR EXTRA ELEMENT**

VALIDO DA Febbraio 2011
VALID FROM February 2011



23	HC-D4/4
24	HC-D4/5
25	HC-D4/6
26	HC-D4/7
27	HC-D4/8

rif.	codice	Q.tà
1	5.22.5477	1
2	3.11.0065	2
3	3.06.0145	3
4	5.22.5698	1
5	5.22.5372	4
6	3.31.1046	1
7	3.31.1047	1
8	5.22.5200	4
9	5.22.5311	3
10	5.22.5865	4
11	5.22.5699	1
12	5.22.5145	1
13	5.22.5470	1
14	5.22.5860	1
15	5.22.5861	1
16	5.22.5177	1
17	5.22.5862	1
18	5.22.5429	1
19	5.22.5546	1
20	3.11.0161	1
21	5.22.5126	4
22	5.22.5128	4
23	5.22.5224	4
24	5.22.5213	4
25	5.22.5214	4
26	5.22.5215	4
27	5.22.5216	4
28	3.06.0056	8
29	3.04.0046	8
30	5.22.5863	1

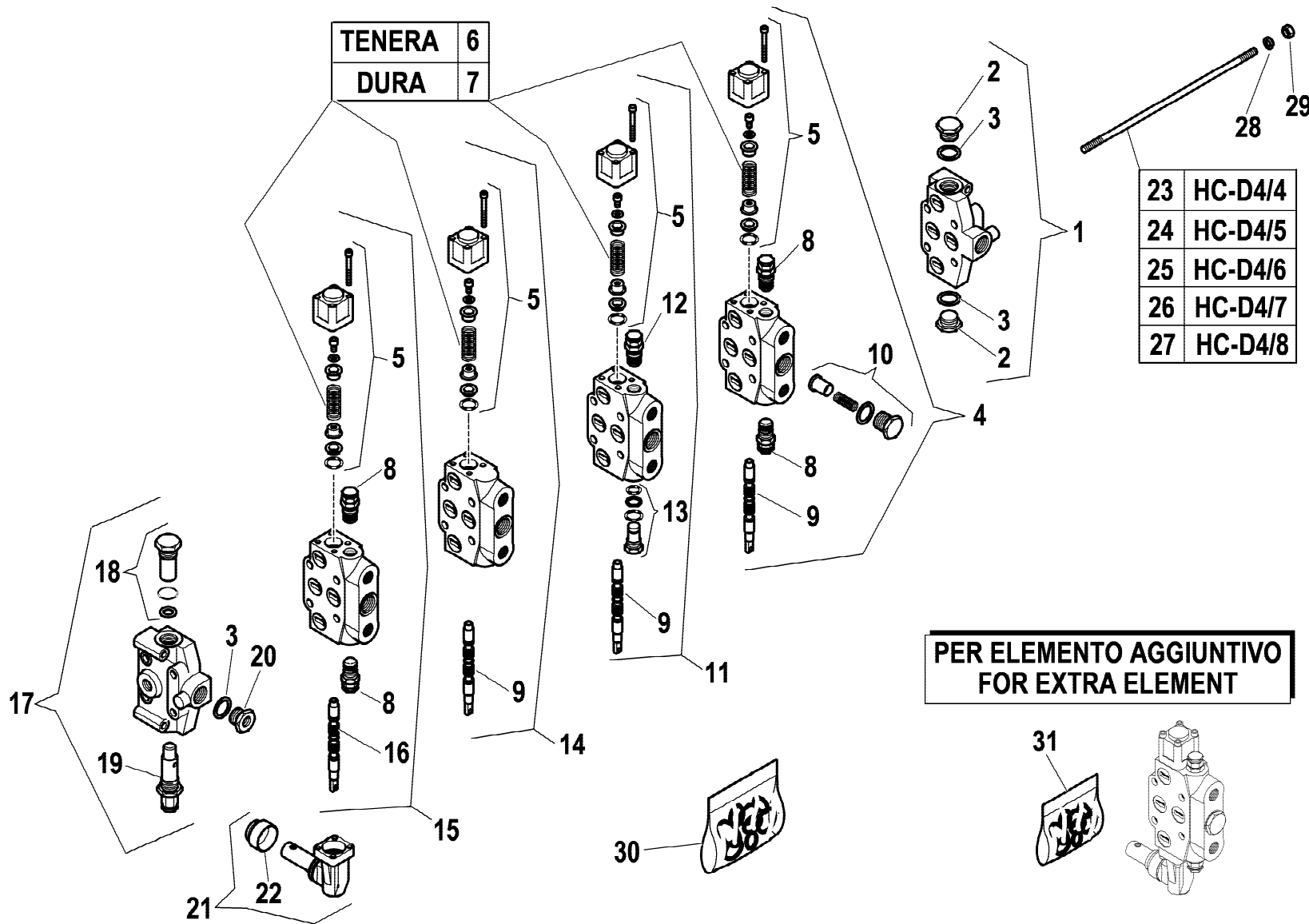


HB170

DISTRIBUTORE (4 ELEMENTI) CE EN12999-A3
 CONTROL VALVE (4 SECTION) CE EN12999-A3
 DISTRIBUTEUR (4 VOIES) CE EN12999-A3
 STEUERBLOCK (4 ELEMENTE) CE EN12999-A3
 DISTRIBUIDOR (4 ELEMENTOS) CE EN12999-A3

Tavola
5.22.0465-1-0

Data pag.
 gennaio 2011 73



TENERA	6
DURA	7

23	HC-D4/4
24	HC-D4/5
25	HC-D4/6
26	HC-D4/7
27	HC-D4/8

**PER ELEMENTO AGGIUNTIVO
FOR EXTRA ELEMENT**

rif.	codice	Q.tà
1	5.22.5477	1
2	3.11.0065	2
3	3.06.0145	3
4	5.22.5476	1
5	5.22.5130	4
6	5.22.5461	4
7	5.22.5463	4
8	5.22.5200	4
9	5.22.5311	3
10	5.22.5469	4
11	5.22.5484	1
12	5.22.5145	1
13	5.22.5470	1
14	5.22.5483	1
15	5.22.5482	1
16	5.22.5177	1
17	5.22.5472	1
18	5.22.5428	1
19	5.22.5546	1
20	3.11.0161	1
21	5.22.5126	4
22	5.22.5128	4
23	5.22.5224	4
24	5.22.5213	4
25	5.22.5214	4
26	5.22.5215	4
27	5.22.5216	4
28	3.06.0056	8
29	3.04.0046	8
30	5.22.5561	1
31	5.22.5031	1

1/1



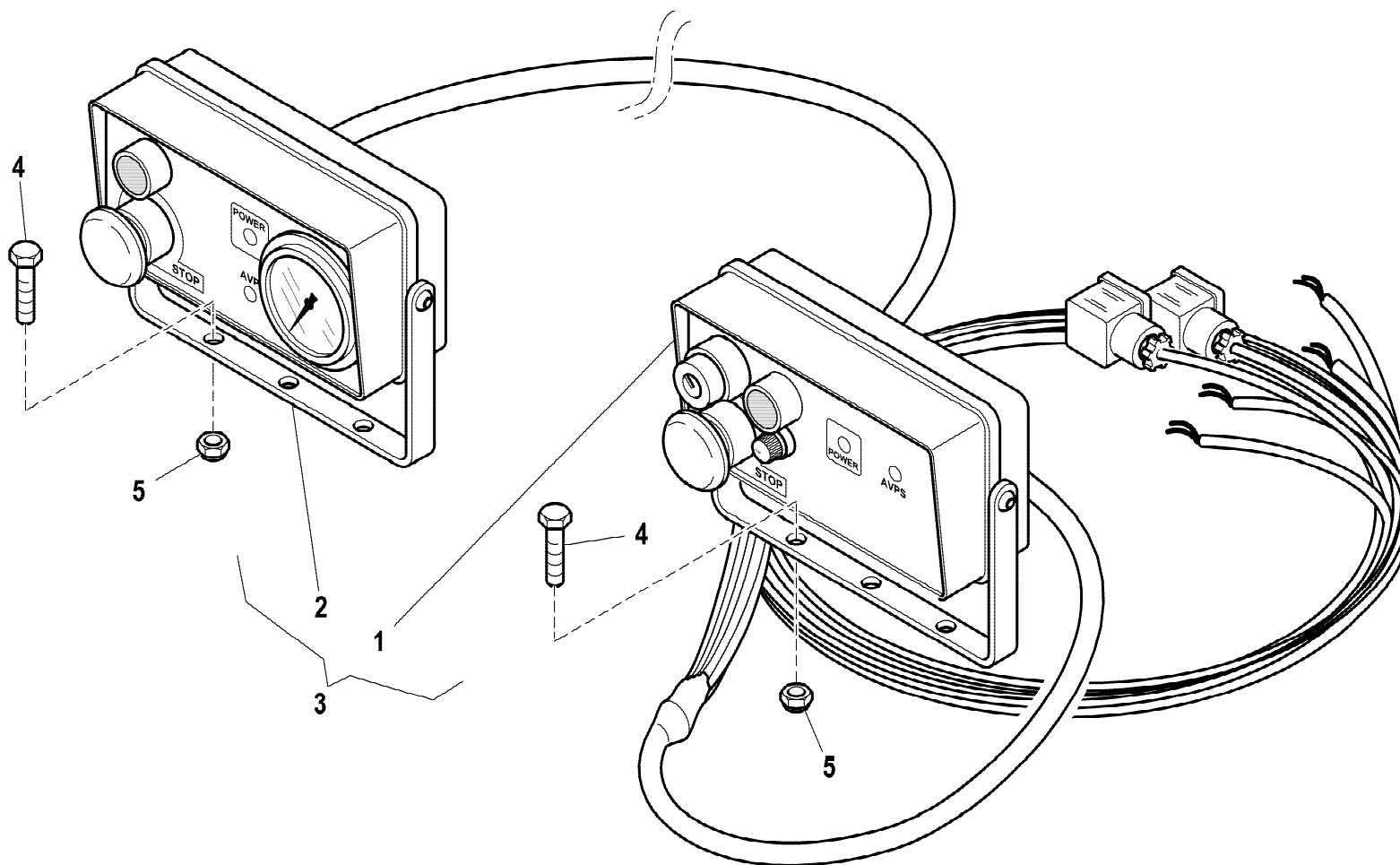
HB170

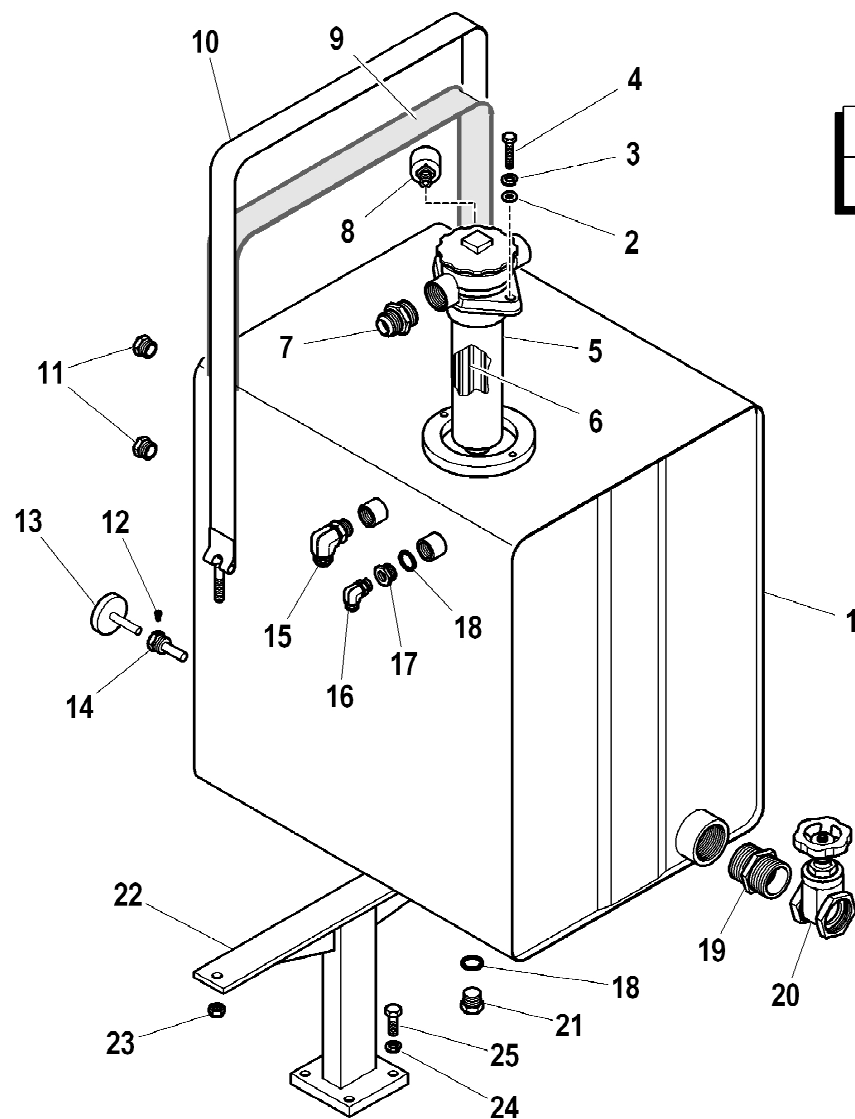
DISTRIBUTORE (4 ELEMENTI) NO CE
 CONTROL VALVE (4 SECTION) NO CE
 DISTRIBUTEUR (4 VOIES) NO CE
 STEUERBLOCK (4 ELEMENTE) NO CE
 DISTRIBUIDOR (4 ELEMENTOS) NO CE

Tavola
5.22.0291-1-0

Data pag.
 ottobre 2006 74

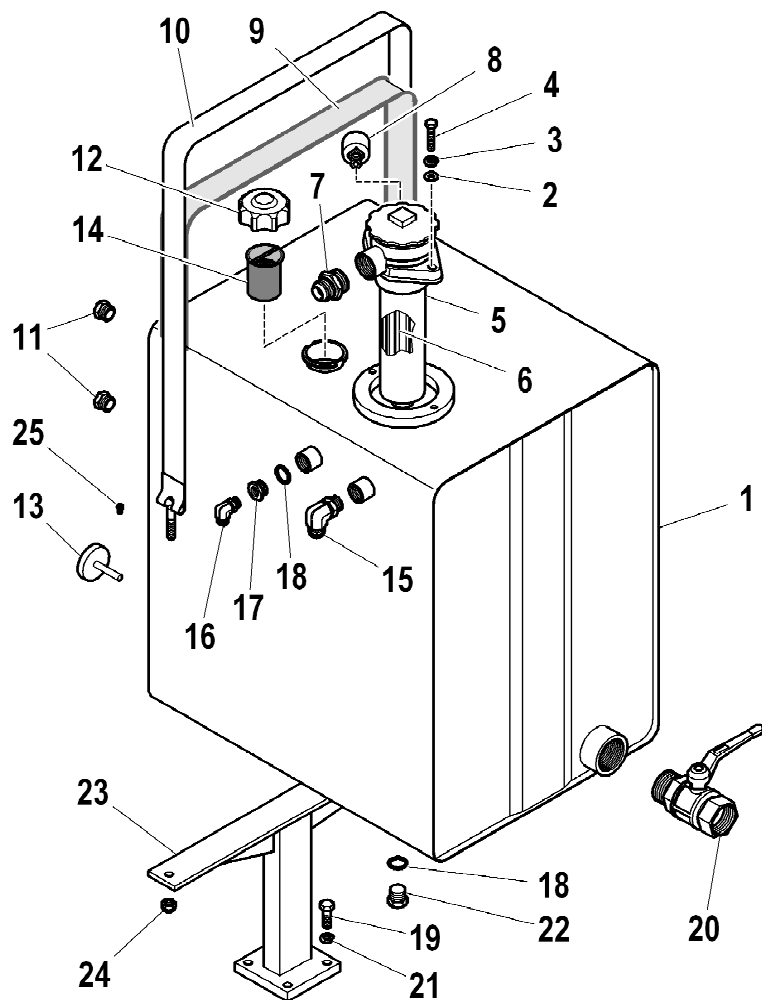
rif.	codice	Q.tà
1	3.31.0544	1
2	3.31.0545	1
3	3.31.0543	1
4	3.01.0027	4
5	3.04.0303	4





VALIDO FINO A FEBB. 2008
VALID UNTIL FEBB. 2008

rif.	codice	Q.tà
1	5.09.0683	1
2	3.06.0006	2
3	3.06.0055	2
4	3.01.0030	2
5	3.18.0105	1
6	3.18.0110	1
7	3.10.1057	1
8	3.18.0104	1
9	3.19.0020	2
10	5.00.1164	2
11	3.18.0099	2
12	3.02.0881	1
13	3.18.0097	1
14	5.22.0597	1
15	3.10.1131	1
16	3.10.1124	1
17	3.11.0161	1
18	3.06.0145	2
19	3.11.0272	1
20	3.14.0303	1
21	3.11.0065	1
22	5.09.0561	2
23	3.04.0304	4
24	3.06.0056	8
25	3.01.0355	8



VALIDO DA MAR. 2008
 VALID FROM MAR. 2008

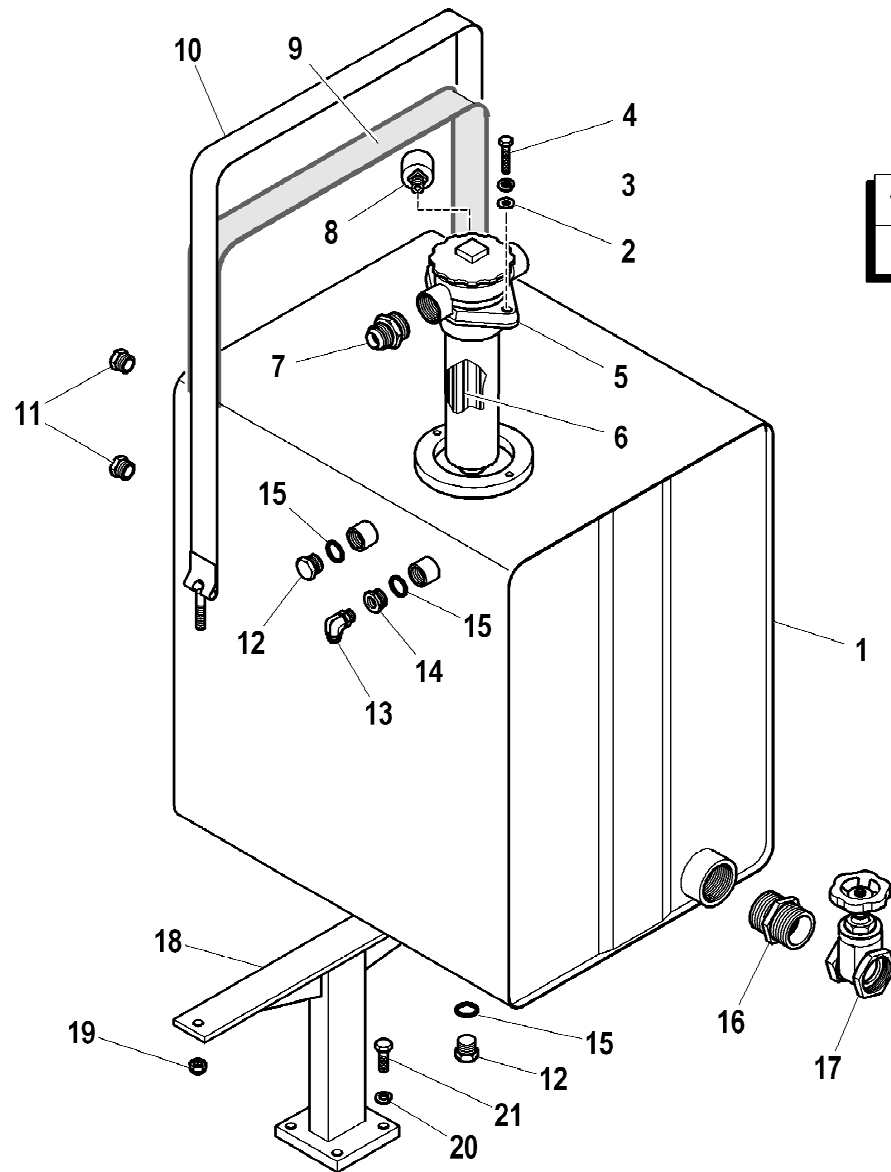
rif.	codice	Q.tà
1	5.09.0017	1
2	3.06.0006	2
3	3.06.0055	2
4	3.01.0029	2
5	3.18.0196	1
6	3.18.0110	1
7	3.10.1057	1
8	3.18.0147	1
9	3.19.0020	2
10	5.00.0521	2
11	3.18.0099	2
12	W.449.014	1
13	3.18.0097	1
14	W.449.015	1
15	3.10.1131	1
16	3.10.1124	1
17	3.11.0161	1
18	3.06.0145	2
19	3.01.0355	8
20	3.14.0304	1
21	3.06.0056	8
22	3.11.0065	1
23	5.09.0561	2
24	3.04.0304	4
25	3.02.0880	1



HB170

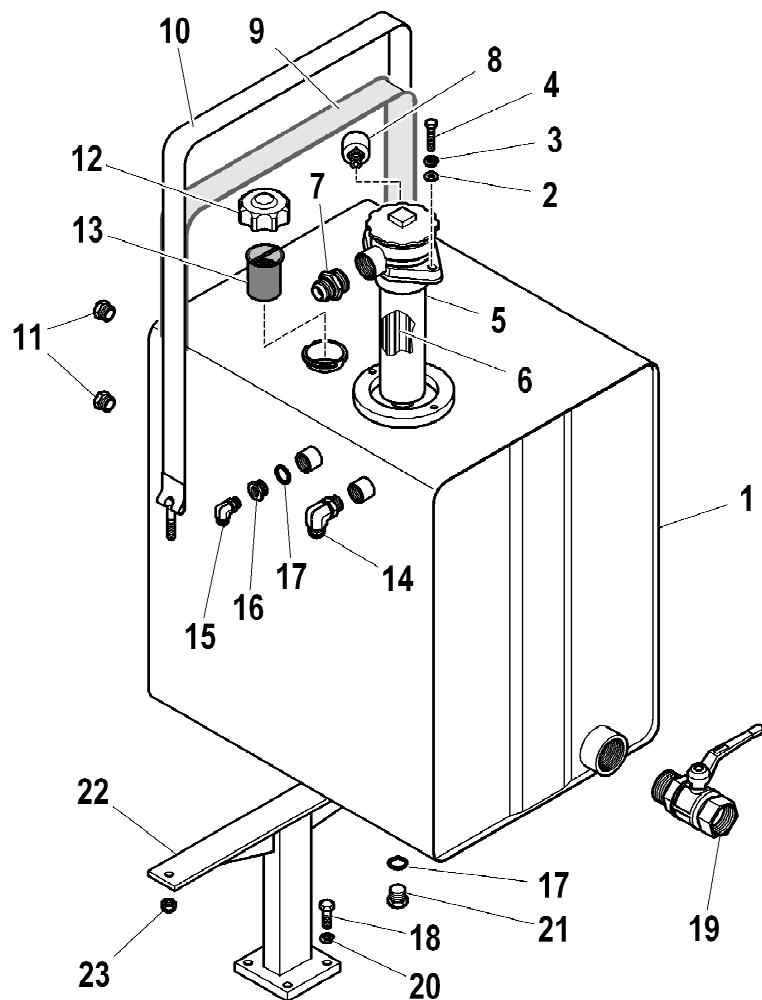
SERBATOIO OLIO IDRAULICO CE
 HYDRAULIC OIL TANK CE
 RESERVOIR HUILE HYDRAULIQUE CE
 HYDRAULIKÖLBEHALTER CE
 DEPOSITO ACEITE HIDRAULICA CE

Tavola
5.40.0759-1-0



VALIDO FINO A FEBB. 2008
VALID UNTIL FEBB. 2008

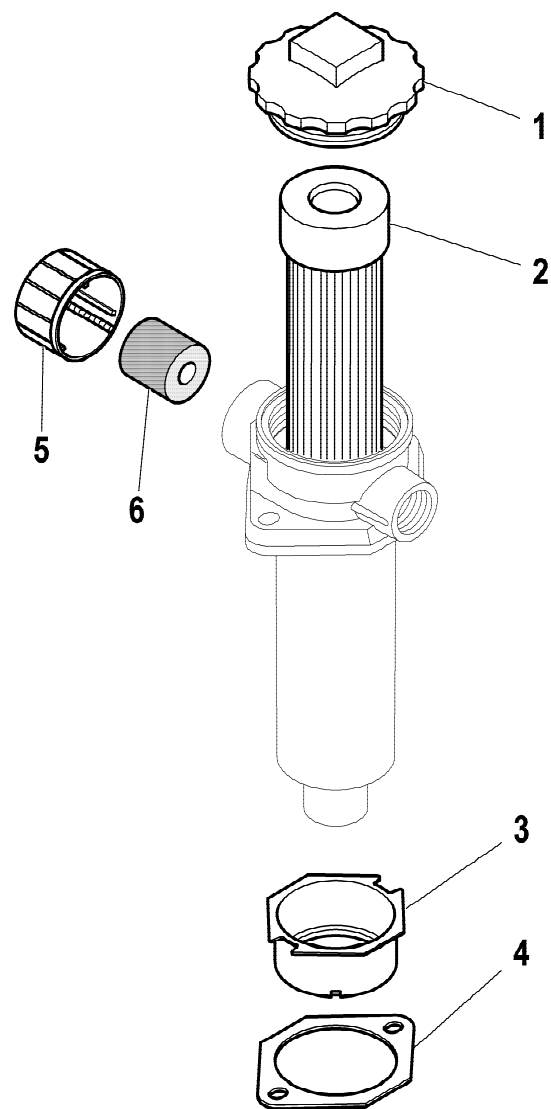
rif.	codice	Q.tà
1	5.09.0683	1
2	3.06.0006	2
3	3.06.0055	2
4	3.01.0030	2
5	3.18.0105	1
6	3.18.0110	1
7	3.10.1057	1
8	3.18.0147	1
9	3.19.0020	2
10	5.00.1164	2
11	3.18.0099	2
12	3.11.0065	2
13	3.10.1124	1
14	3.11.0161	1
15	3.06.0145	3
16	3.11.0272	1
17	3.14.0303	1
18	5.09.0561	2
19	3.04.0304	4
20	3.06.0056	8
21	3.01.0355	8



VALIDO DA MAR. 2008
 VALID FROM MAR. 2008

rif.	codice	Q.tà
1	5.09.0017	1
2	3.06.0006	2
3	3.06.0055	2
4	3.01.0029	2
5	3.18.0196	1
6	3.18.0110	1
7	3.10.1057	1
8	3.18.0147	1
9	3.19.0020	2
10	5.00.0521	2
11	3.18.0099	2
12	W.449.014	1
13	W.449.015	1
14	3.10.1131	1
15	3.10.1124	1
16	3.11.0161	1
17	3.06.0145	2
18	3.01.0355	8
19	3.14.0304	1
20	3.06.0056	8
21	3.11.0065	1
22	5.09.0561	2
23	3.04.0304	4

rif.	codice	Q.tà
1	3.18.0111	1
2	3.18.0110	1
3	3.18.0156	1
4	3.18.0158	1
5	3.18.0119	1
6	3.18.0135	1



1/1

HYVA CRANE

HB170

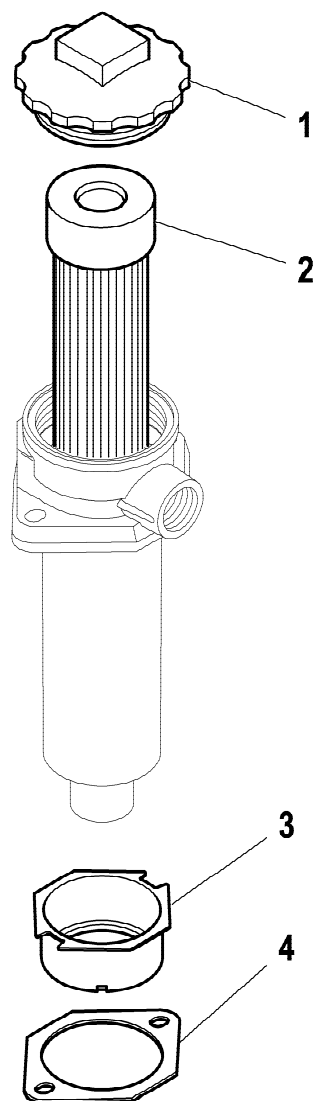
FILTRO OLIO
OIL FILTER
FILTRE A HUILE
OELFILTER
FILTRO DE ACEITE

Tavola

3.18.0105-1-0

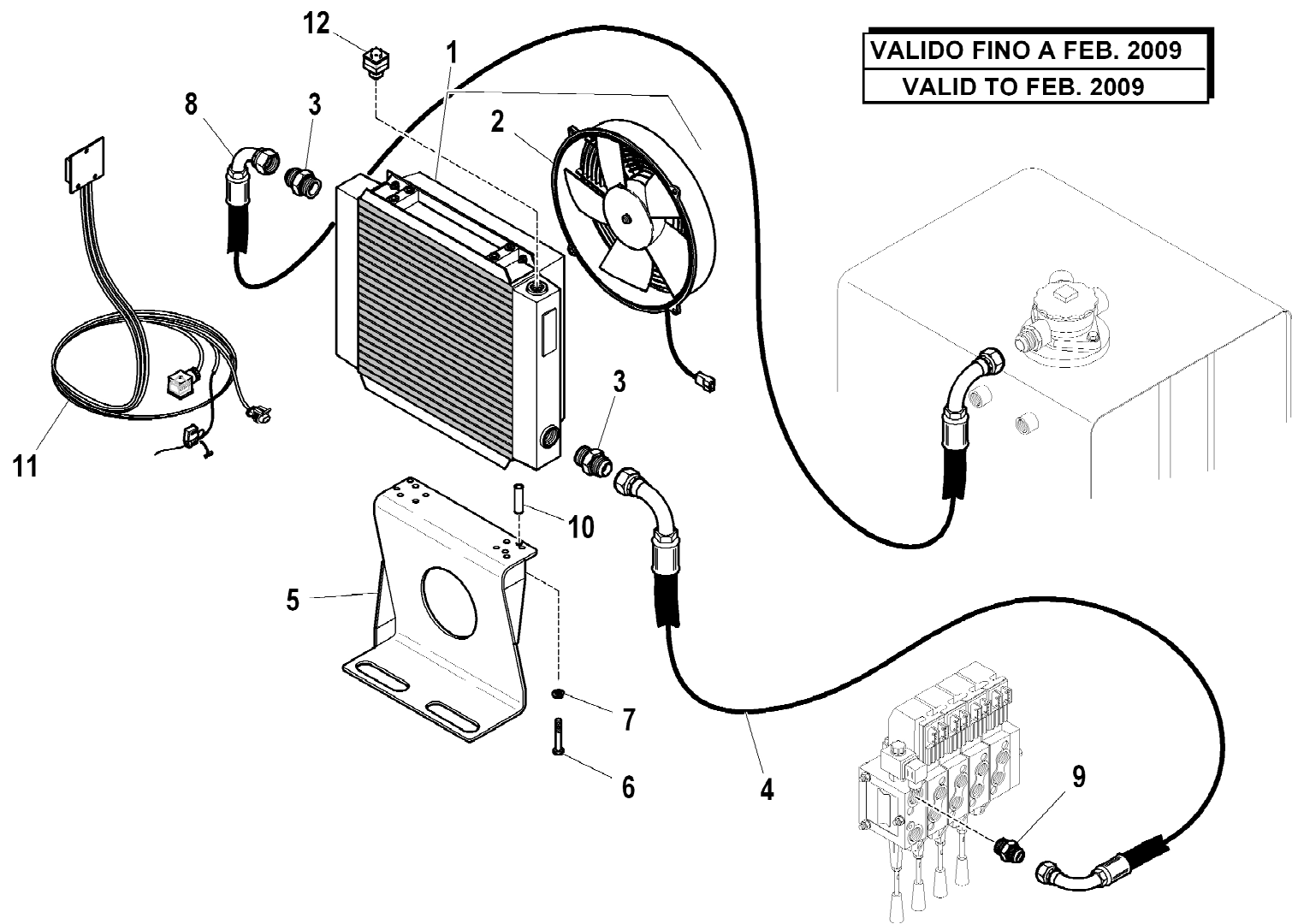
Data pag.
giugno 2006 80

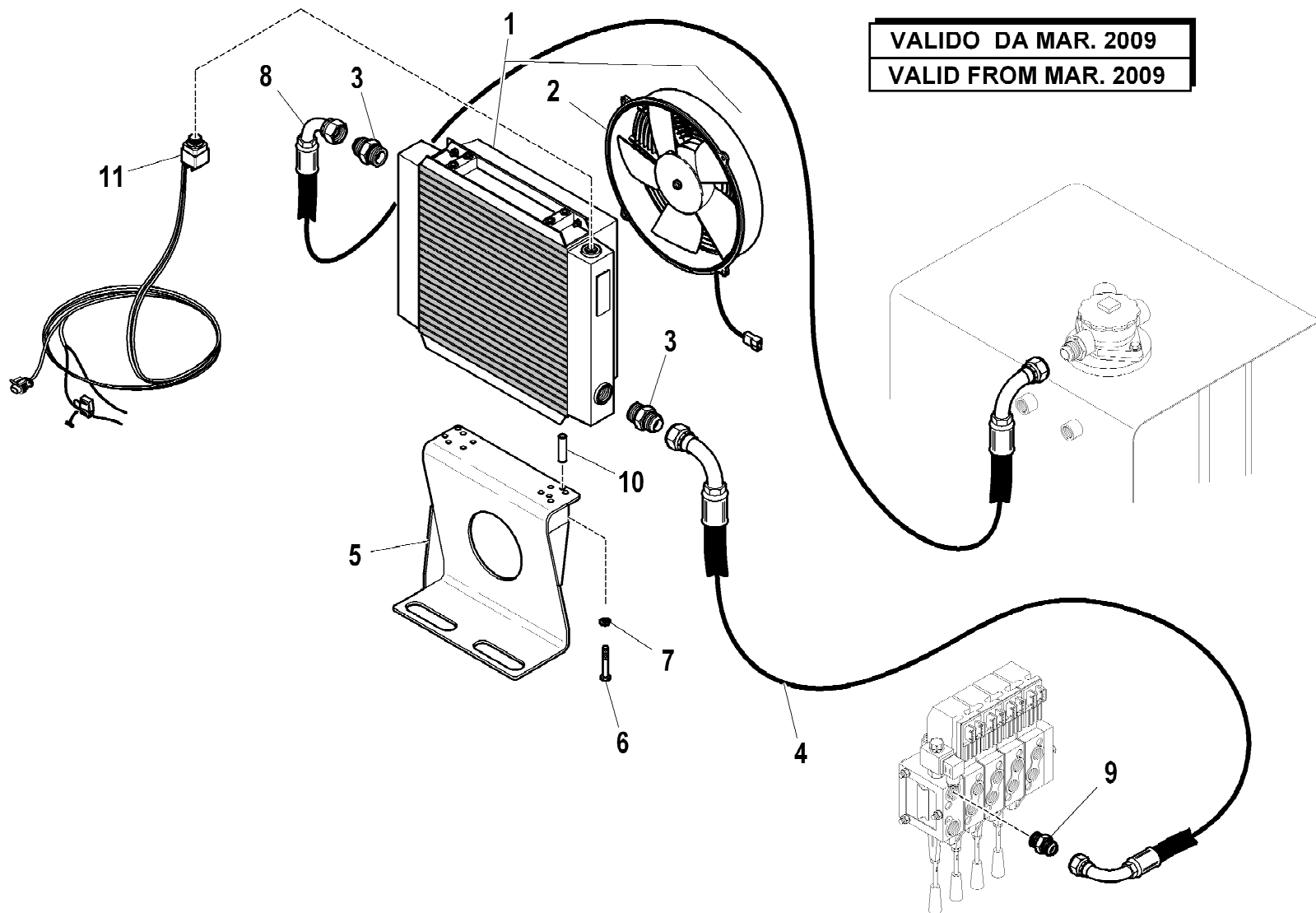
rif.	codice	Q.tà
1	3.18.0111	1
2	3.18.0110	1
3	3.18.0156	1
4	3.18.0158	1



rif.	codice	Q.tà
1	5.71.0092	1
2	5.71.0110	1
3	3.10.1057	2
4	5.29.0151	1
5	5.00.1229	1
6	3.01.0035	4
7	3.06.0055	4
8	5.29.0095	1
9	3.10.1056	1
10	2.09.1326	4
11	W.437.005	1
12	W.437.101	1

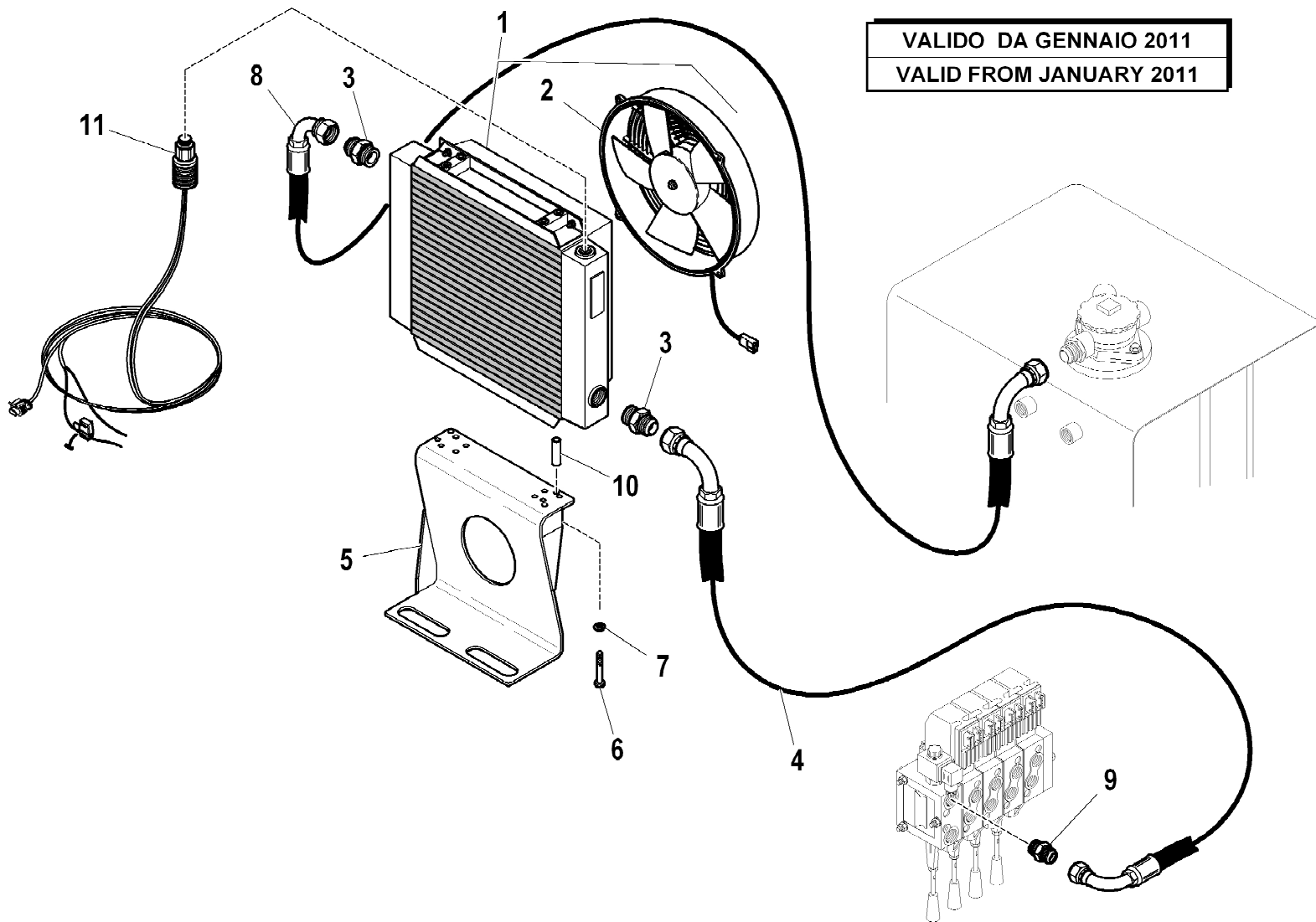
VALIDO FINO A FEB. 2009
VALID TO FEB. 2009





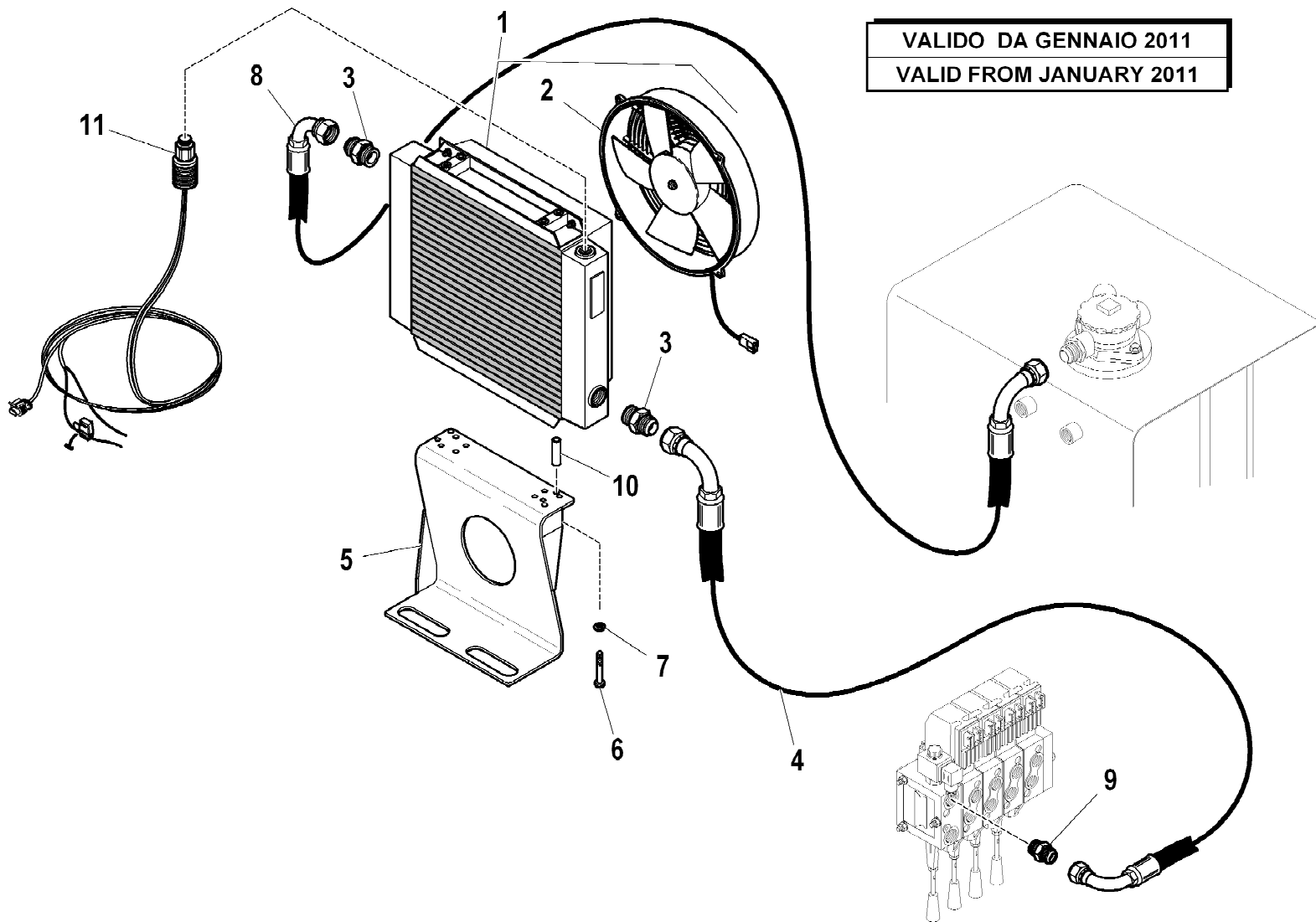
VALIDO DA MAR. 2009
VALID FROM MAR. 2009

rif.	codice	Q.tà
1	5.71.0092	1
2	5.71.0110	1
3	3.10.1057	2
4	5.29.0151	1
5	5.00.1229	1
6	3.01.0035	4
7	3.06.0055	4
8	5.29.0095	1
9	3.10.1056	1
10	2.09.1326	4
11	3.31.0062	1



VALIDO DA GENNAIO 2011
VALID FROM JANUARY 2011

rif.	codice	Q.tà
1	5.71.0092	1
2	5.71.0110	1
3	3.10.1057	2
4	5.29.0151	1
5	5.00.1229	1
6	3.01.0035	4
7	3.06.0055	4
8	5.29.0095	1
9	3.10.1056	1
10	2.09.1326	4
11	3.31.1408	1



VALIDO DA GENNAIO 2011
VALID FROM JANUARY 2011

rif.	codice	Q.tà
1	5.71.0093	1
2	5.71.0097	1
3	3.10.1057	2
4	5.29.0151	1
5	5.00.1229	1
6	3.01.0035	4
7	3.06.0055	4
8	5.29.0095	1
9	3.10.1056	1
10	2.09.1326	4
11	3.31.1408	1

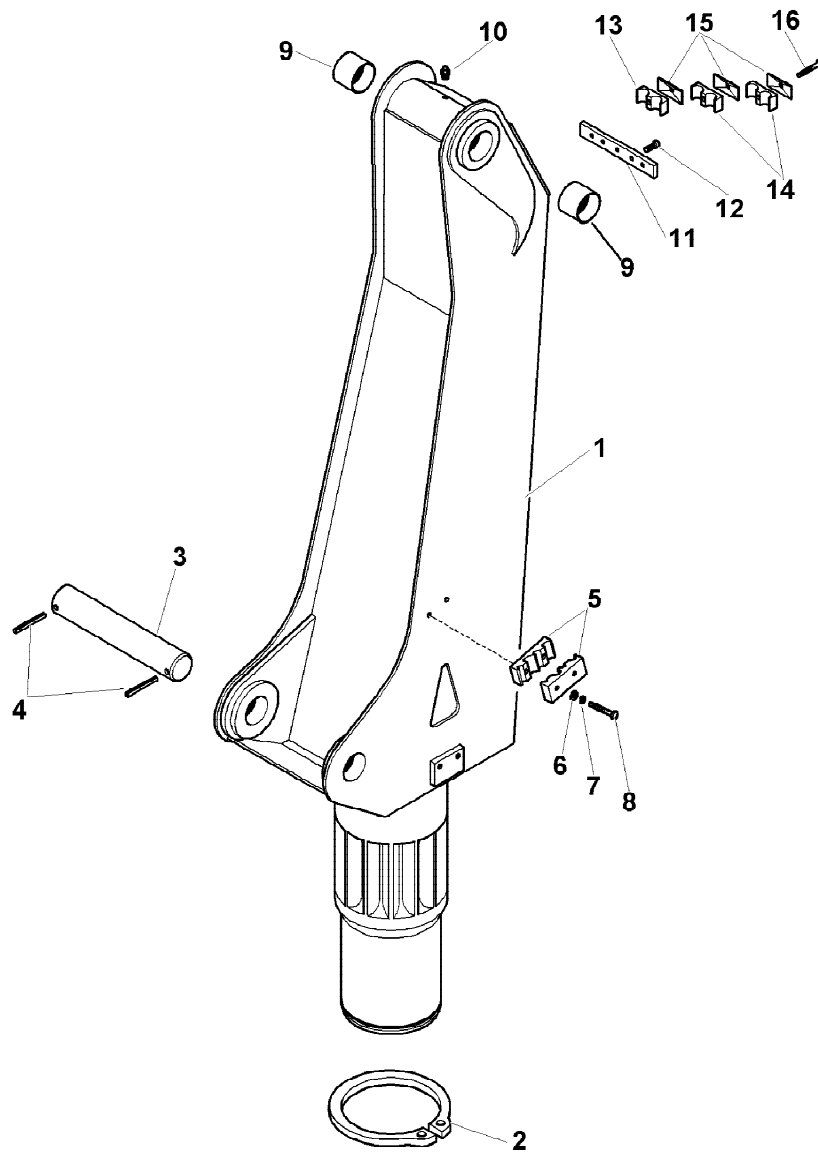


HB170

SCAMBIATORE DI CALORE (12 V.)
HEAT EXCHANGE UNIT (12 V.)
ECHANGEUR DE CHALEUR (12 V.)
WÄRMEAUSTAUSCHER (12 V.)
INTERCAMBIADOR DE CALOR (12 V.)

Tavola
7.88.8010-1-0

Data pag.
febbraio 2011 85



rif.	codice	Q.tà
1	5.04.0090	1
2	3.07.0110	1
3	5.15.0729	1
4	3.06.0939	2
5	5.14.0749	1
6	3.06.0006	2
7	3.06.0055	2
8	3.01.0034	2
9	5.14.0694	2
10	3.08.0501	1
11	5.00.1192	1
12	3.02.0899	2
13	3.19.0222	1
14	3.19.0220	2
15	3.19.0221	3
16	3.01.0033	3

1/1

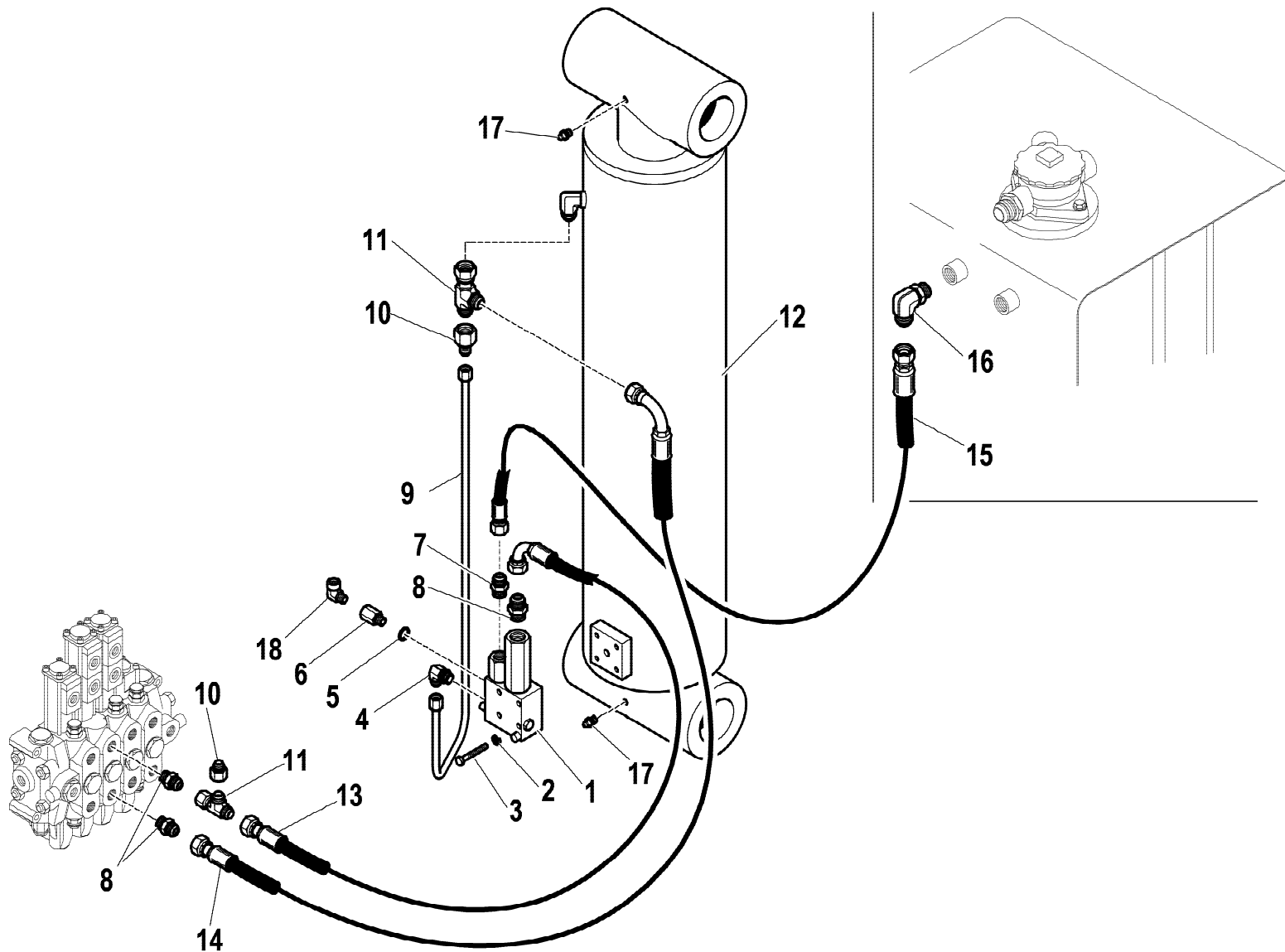
HYVA CRANE

HB170

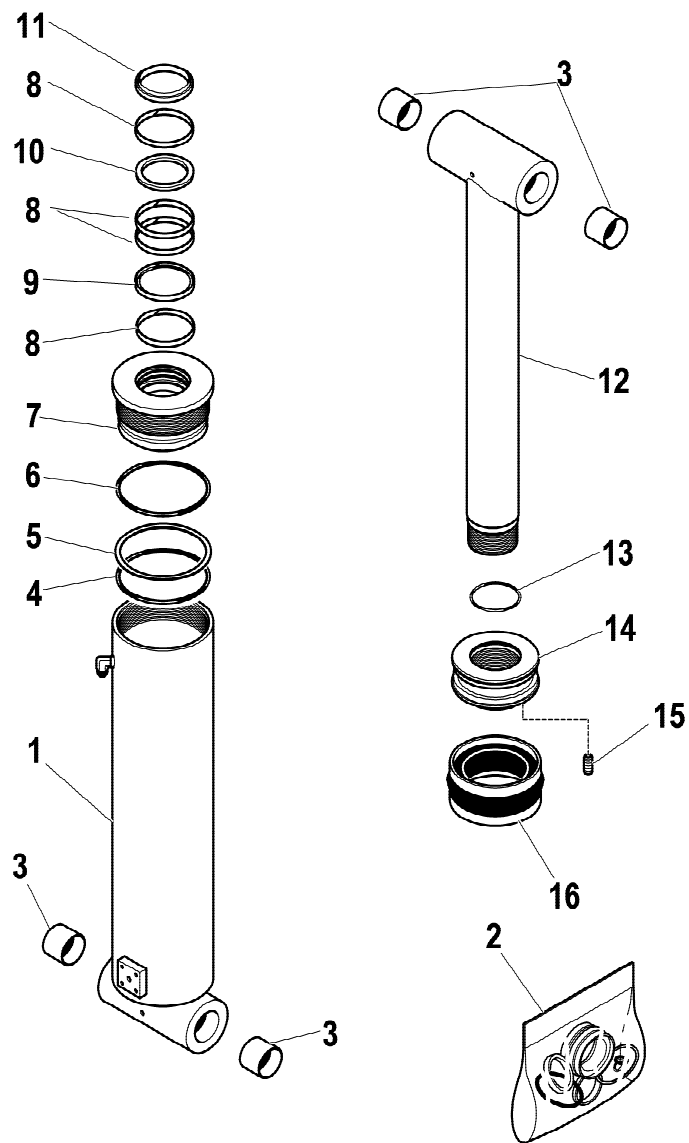
COLONNA
COLUMN
COLONNE
SAEULE
COLUMNNA

Tavola
5.46.0032-1-0

Data pag.
giugno 2006 86



rif.	codice	Q.tà
1	5.22.0670	1
2	3.06.0053	4
3	3.01.0399	4
4	3.10.1124	1
5	3.06.0143	1
6	3.11.0266	1
7	3.10.1040	1
8	3.10.1051	3
9	5.39.1731	1
10	3.12.0209	2
11	3.12.0008	2
12	6.43.0127	1
13	5.28.0524	1
14	5.28.0539	1
15	5.26.1008	1
16	3.10.1119	1
17	3.08.0501	2
18	3.11.1512	1



rif.	codice	Q.tà
1	6.07.0480	1
2	3.08.0501	2
3	5.14.0694	4
4	3.45.0323	1
5	3.46.0323	1
6	3.45.0172	1
7	6.04.0274	1
8	3.36.1011	4
9	3.38.0800	1
10	3.37.0170	1
11	3.42.0041	1
12	6.03.0583	1
13	3.45.0148	1
14	6.05.0281	1
15	3.06.0246	1
16	3.40.0528	1
17	5.55.0749	1

1/1

HYVA CRANE

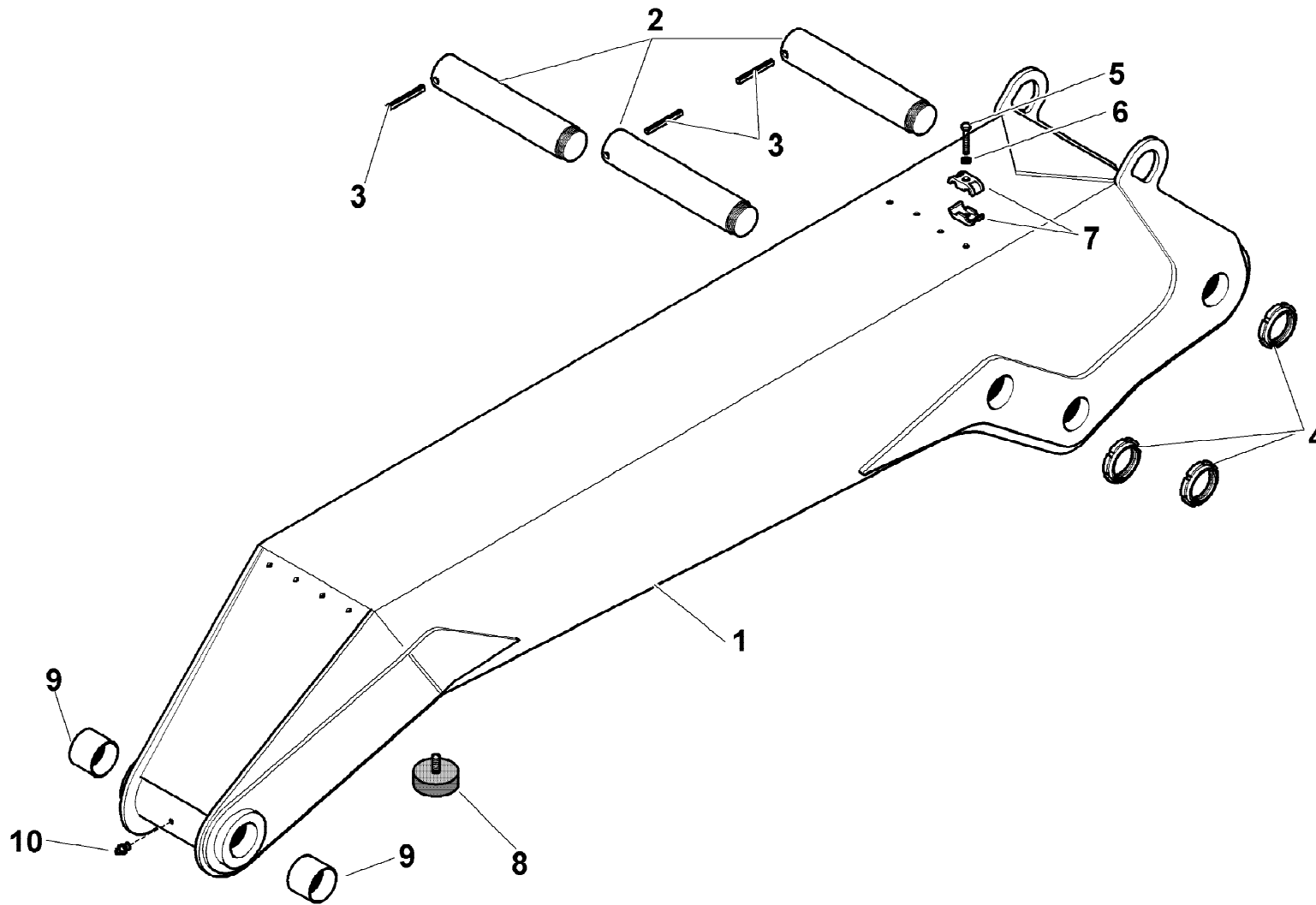
HB170

MARTINETTO SOLLEVAMENTO
LIFTING HYDRAULIC CYLINDER
VERIN DE LEVAGE
HUBZYLINDER
GATO DE ELEVACION

Tavola

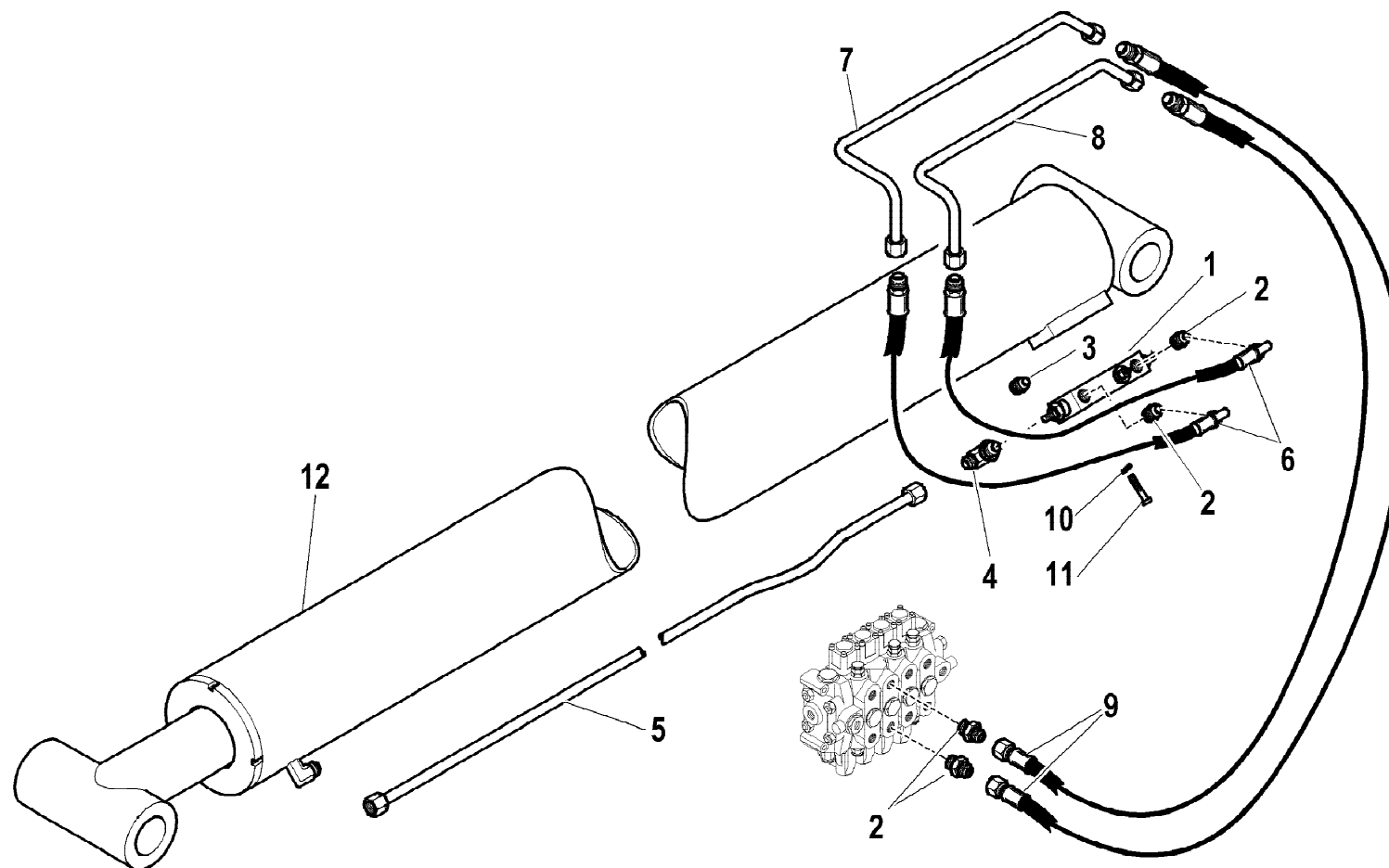
6.43.0127-1-0

Data pag.
aprile 2009 88



rif.	codice	Q.tà
1	5.03.0253	1
2	5.15.0731	3
3	3.06.0939	3
4	3.04.0508	3
5	3.01.0032	1
6	3.06.0055	1
7	5.00.0047	2
8	3.19.0100	1
9	5.14.0689	2
10	3.08.0501	1

rif.	codice	Q.tà
1	5.22.0665	1
2	3.10.1051	4
3	3.11.1523	1
4	3.10.1131	1
5	5.39.1734	1
6	5.28.0525	2
7	5.39.1768	1
8	5.39.1769	1
9	5.28.0523	2
10	3.06.0055	2
11	3.01.0032	2
12	6.43.0128	1



1/1

HYVA CRANE

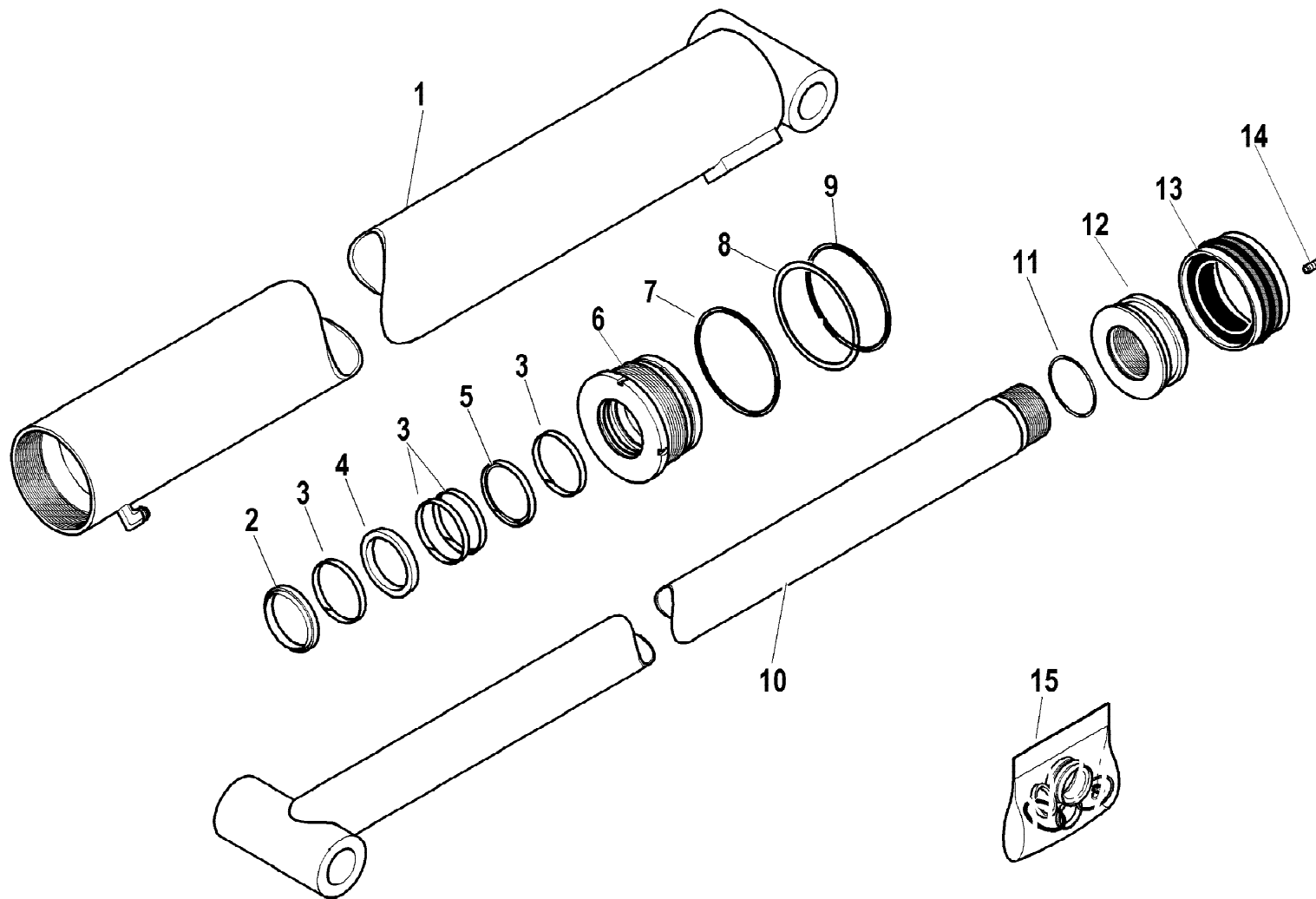
HB170

MARTINETTO ARTICOLAZIONE (IMPIANTO OLEODINAMICO)
 ARTICULATION HYDRAULIC JACK (HYDRAULIC SYSTEM)
 VERIN D'ARTICULATION (INSTALLATION HYDRAULIQUE)
 GELENKSHEBEBOCK (HYDRAULIKANLAGE)
 GATO ARTICULACION (INSTALACION HIDRAULICA)

Tavola

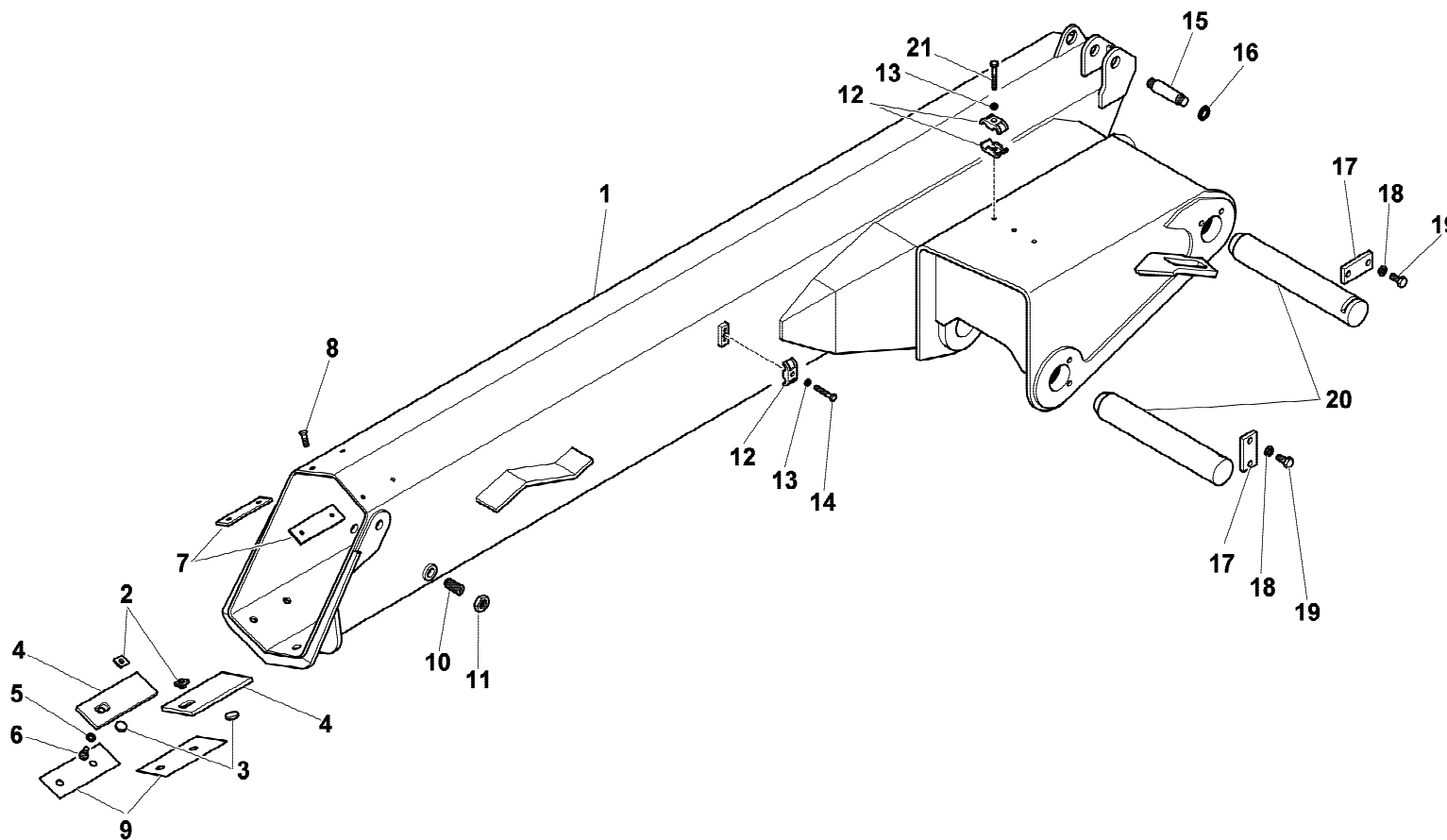
6.23.0128-1-0

Data pag.
 giugno 2006 90



rif.	codice	Q.tà
1	6.07.0481	1
2	3.42.0041	1
3	3.36.1011	4
4	3.37.0170	1
5	3.38.0800	1
6	6.04.0274	1
7	3.45.0172	1
8	3.46.0323	1
9	3.45.0323	1
10	6.03.0585	1
11	3.45.0148	1
12	6.05.0281	1
13	3.40.0528	1
14	3.06.0246	1
15	5.55.0749	1

rif.	codice	Q.tà
1	5.03.0257	1
2	5.00.0827	2
3	5.00.1253	2
4	5.14.0701	2
5	3.06.0920	2
6	3.01.0353	2
7	5.14.0757	2
8	3.02.0450	4
9	5.00.0869	6
10	5.00.0771	4
11	3.04.0089	4
12	5.00.0047	3
13	3.06.0055	2
14	3.01.0390	1
15	5.15.0733	1
16	3.04.0504	2
17	5.00.1138	2
18	3.06.0057	4
19	3.01.0368	4
20	5.15.0732	2
21	3.01.0032	1

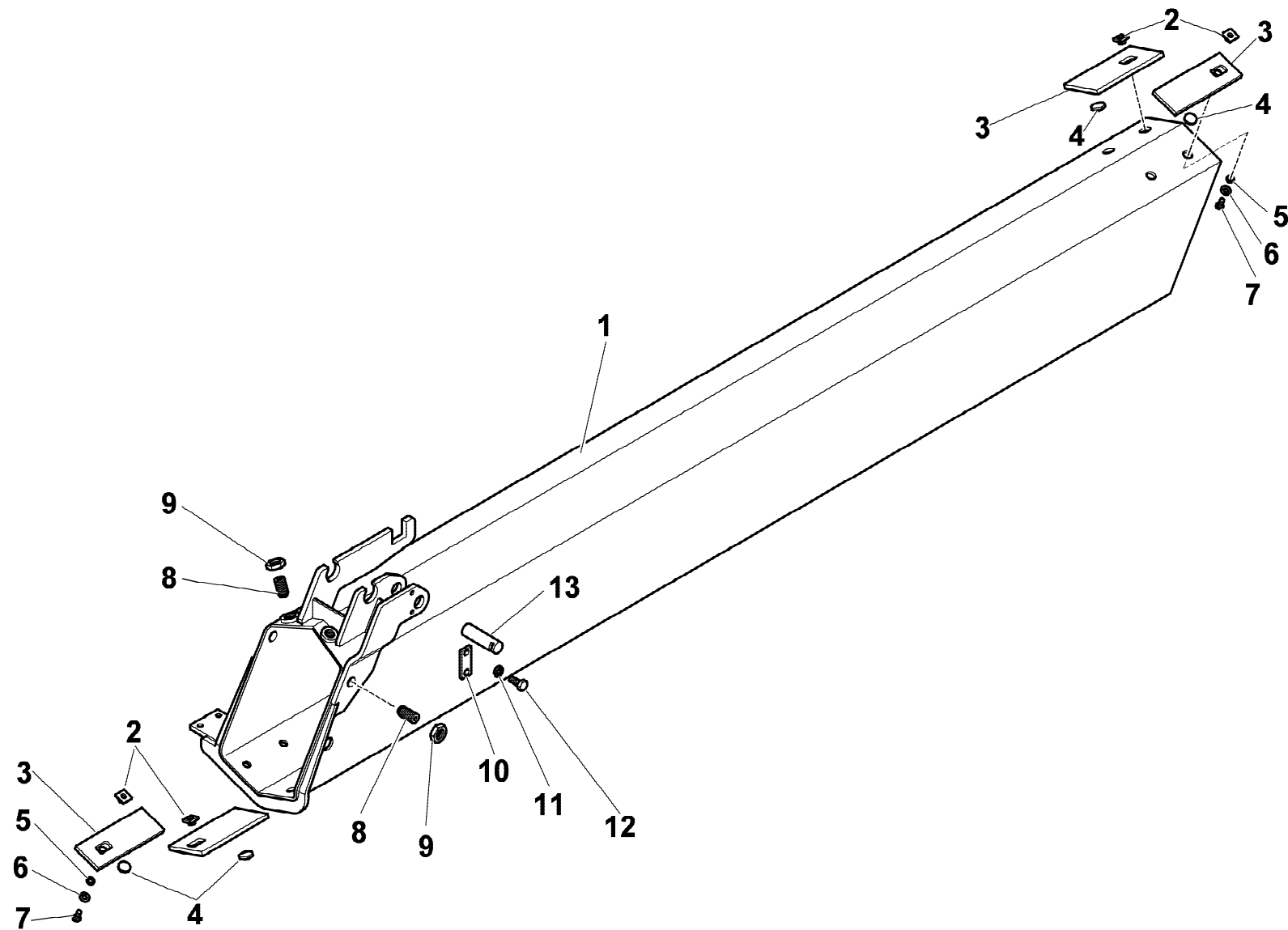


HB170

2° BRACCIO
2ND BOOM
2EME BRAS
2. ARM
2° BRAZO

Tavola
5.48.0055-1-0

Data pag.
giugno 2006 92



rif.	codice	Q.tà
1	5.02.0422	1
2	5.00.0827	4
3	5.14.0701	4
4	5.14.0681	2
5	3.06.0920	4
6	3.06.0914	4
7	3.01.0353	4
8	5.00.0771	4
9	3.04.0089	4
10	5.00.0674	1
11	3.01.0337	2
12	3.06.0055	2
13	5.15.0658	1

1/1

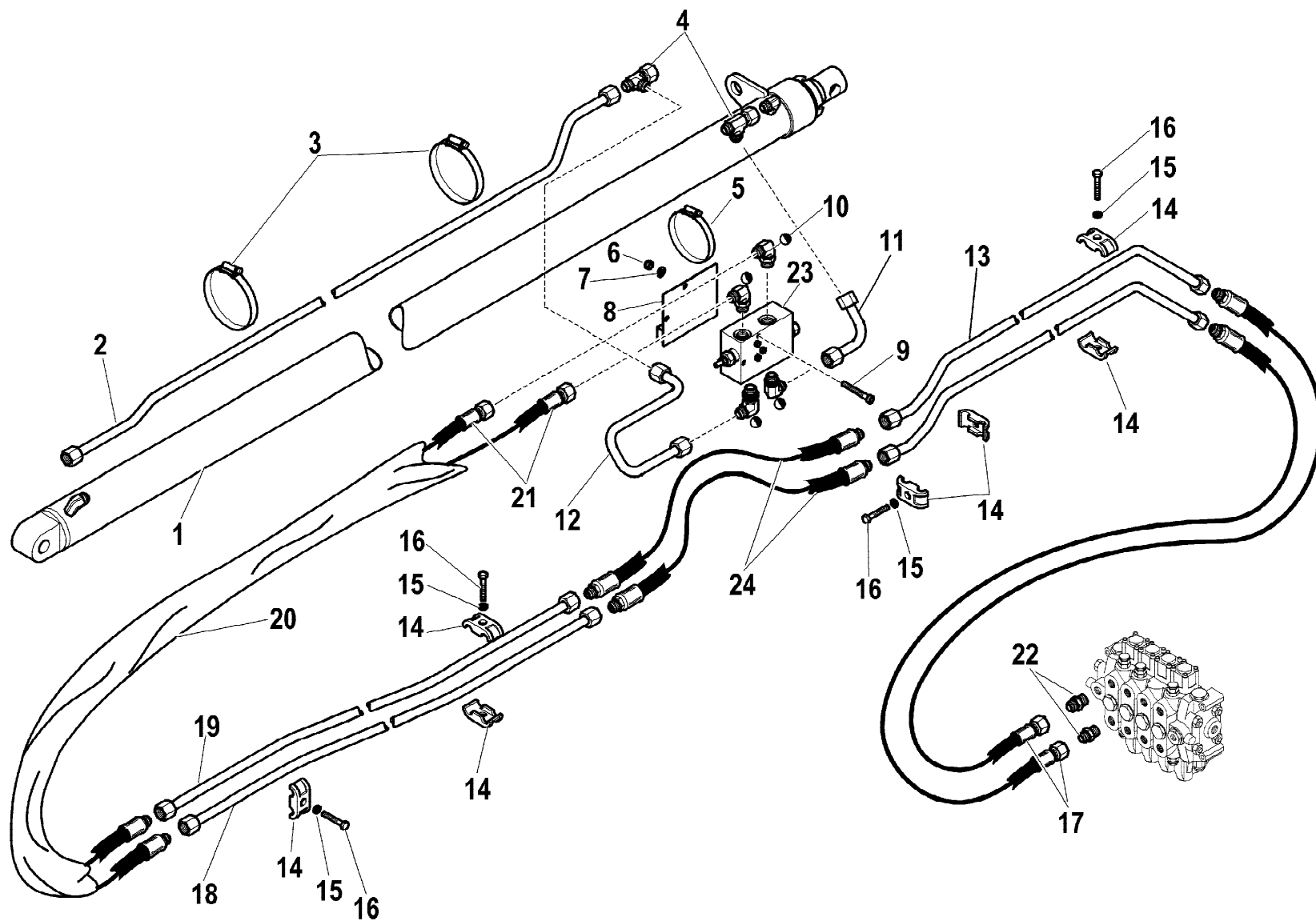
HYVA CRANE

HB170

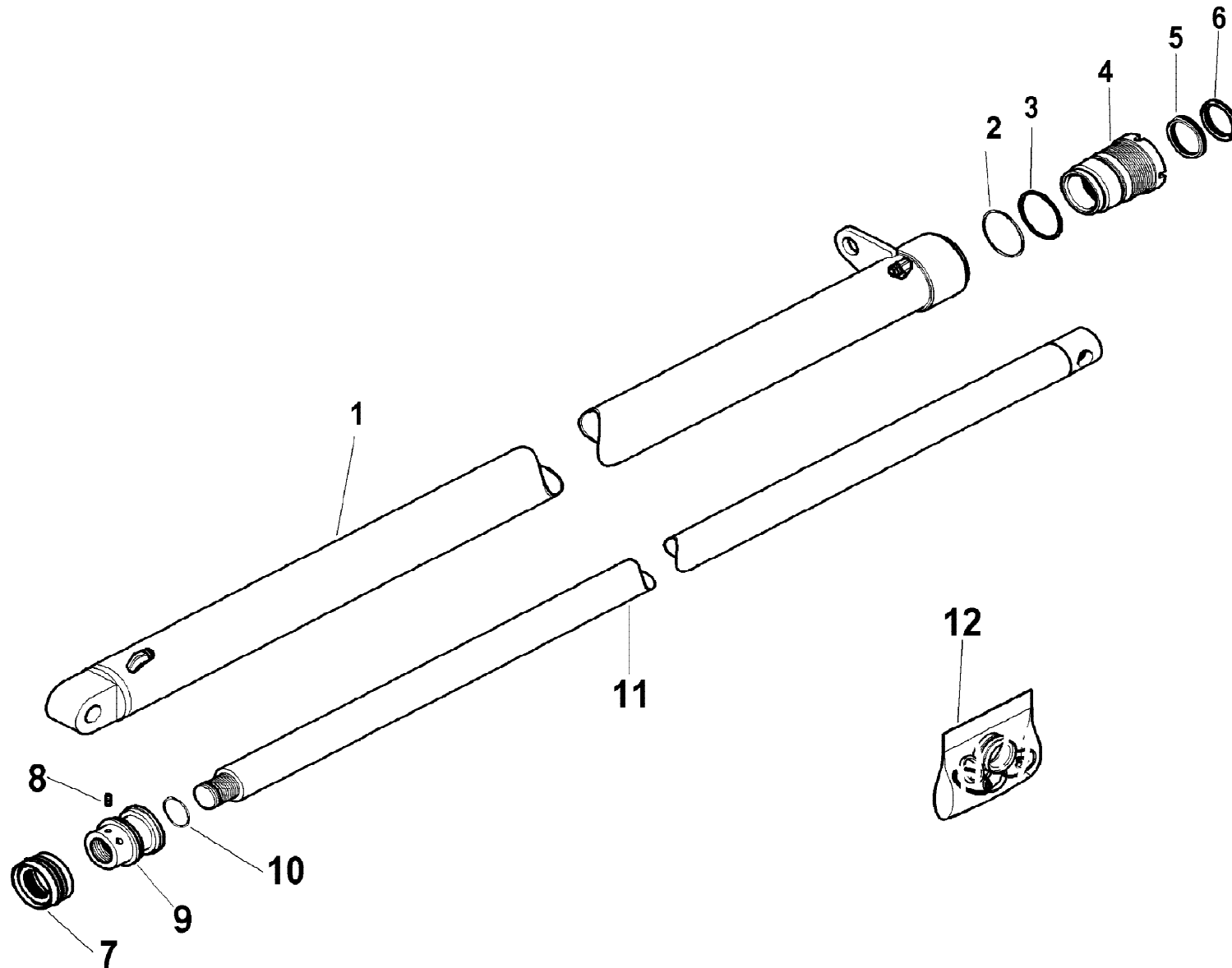
1° SFILO
1ST EXTENSION
1ERE RALLONGE
1. VERLAENGERUNG
1°PROLONGACION

Tavola
5.49.0058-1-0

Data pag.
giugno 2006 93



rif.	codice	Q.tà
1	6.41.0254	1
2	5.39.1804	1
3	3.19.0023	2
4	3.12.0008	2
5	3.19.0022	2
6	3.04.0303	2
7	3.06.0006	2
8	5.00.1196	1
9	3.02.0901	1
10	3.10.1131	4
11	5.39.1801	1
12	5.39.1803	1
13	5.39.1770	2
14	5.00.0047	7
15	3.06.0055	4
16	3.01.0032	4
17	5.28.0538	2
18	5.39.1772	1
19	5.39.1771	1
20	3.19.0171	1
21	5.28.0526	2
22	3.10.1051	2
23	5.22.0654	1
24	5.28.0376	2



rif.	codice	Q.tà
1	6.07.0464	1
2	3.45.0136	1
3	3.46.0136	1
4	6.04.0257	1
5	3.37.0134	1
6	3.42.0026	1
7	3.40.0510	1
8	3.06.0234	1
9	6.05.0143	1
10	3.45.0069	1
11	6.03.0560	1
12	5.55.0779	1

1/1

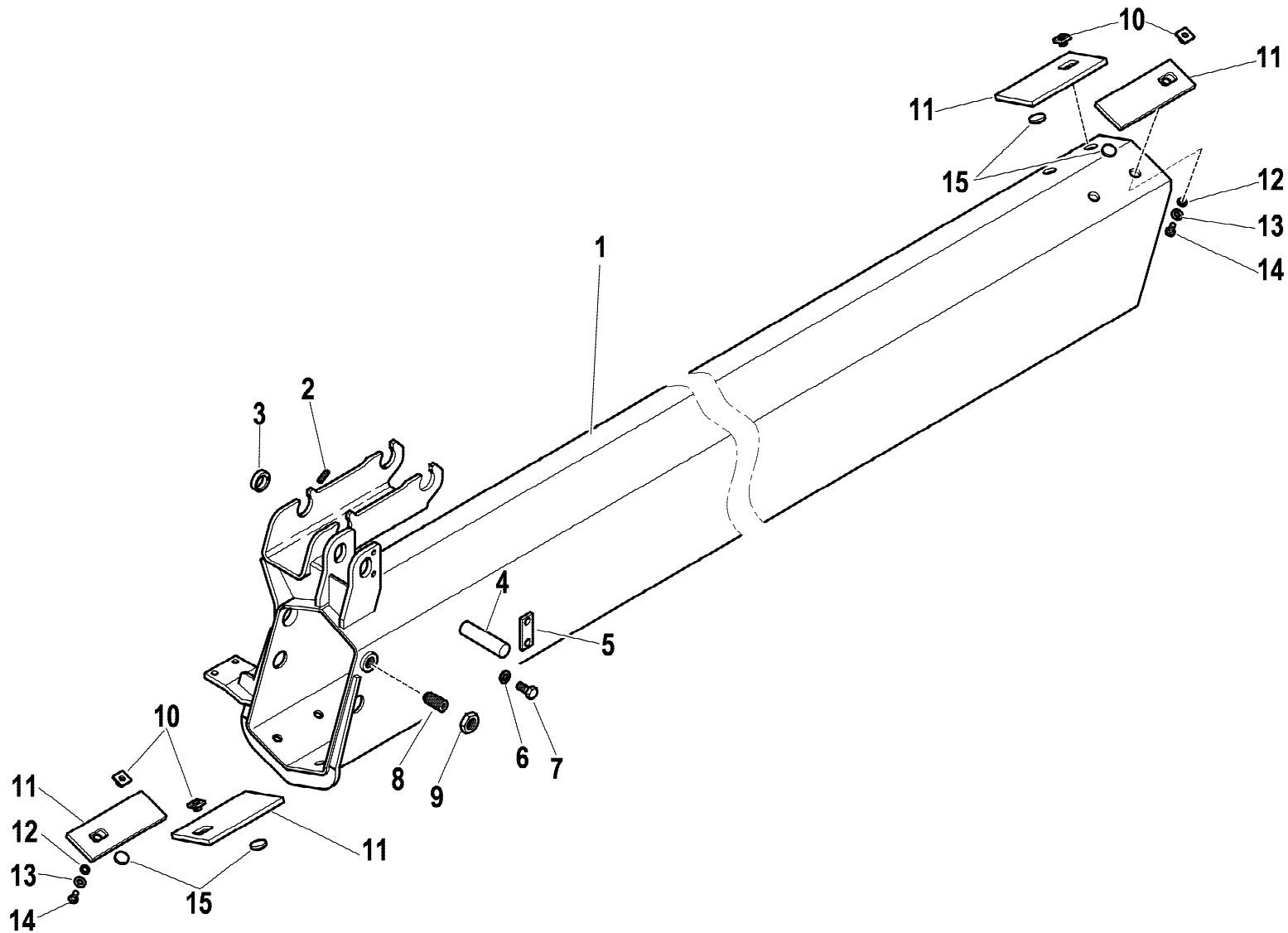
HYVA CRANE

HB170

MARTINETTO 1° SFILLO
 1ST EXSTENSION HYDRAULIC
 VÉRIN 1ÈRE RALLONGE
 1. SCHUBZYLINDER
 GATO 1ª EXTENSIÓN

Tavola
6.41.0254-1-0

Data pag.
 maggio 2008 95



rif.	codice	Q.tà
1	5.02.0423	1
2	3.06.0941	4
3	5.00.1105	4
4	5.15.0443	1
5	5.00.0674	1
6	3.06.0055	2
7	3.01.0337	2
8	5.00.0771	2
9	3.04.0089	2
10	5.00.0827	4
11	5.14.0743	4
12	3.06.0920	4
13	3.06.0914	4
14	3.01.0353	4
15	5.14.0681	4

1/1

HYVA CRANE

HB170

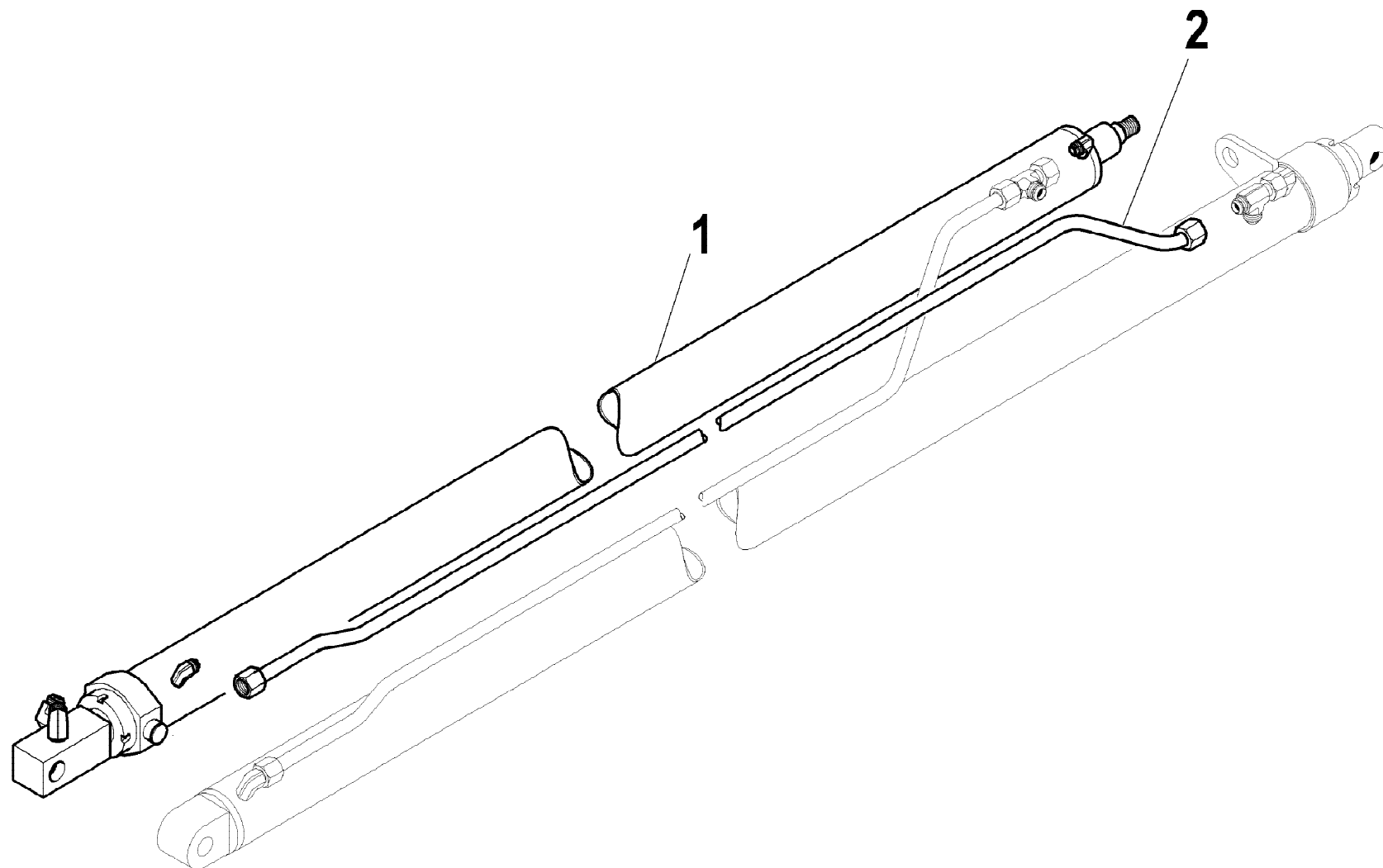
2° SFILLO
2ND EXTENSION
2EME RALLONGE
2. VERLAENGERUNG
2° PROLONGACION

Tavola

5.53.0025-1-0

Data pag.
giugno 2006 96

rif.	codice	Q.tà
1	6.41.0255	1
2	5.39.1802	1



1/1

HYVA CRANE

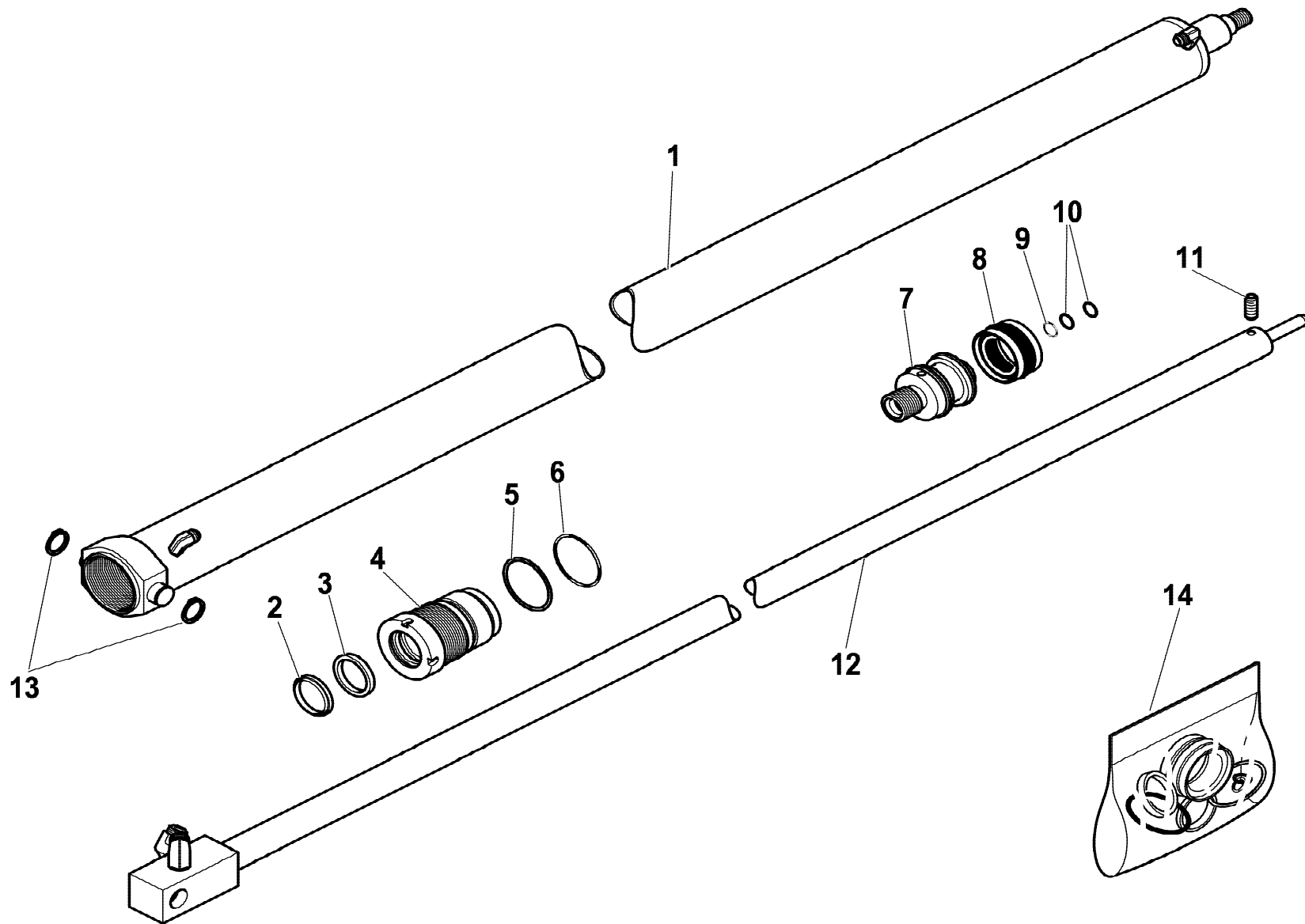
HB170

IMPIANTO IDRAULICO (MARTINETTO 2° SFILLO)
 HYDRAULIC SYSTEM (2ND EXTENSION HYDRAULIC JACK)
 INSTALLATION HYDRAULIQUE (VÉRIN 2ÈME RALLONGE)
 HYDRAULIKANLAGE (2. SCHUBZYLINDER)
 INSTALACION HIDRAULICA (GATO 2ª EXTENSIÓN)

Tavola

6.21.0255-1-0

Data pag.
 gennaio 2007 97



rif.	codice	Q.tà
1	6.07.0468	1
2	3.42.0023	1
3	3.40.0083	1
4	6.04.0258	1
5	3.46.0136	1
6	3.45.0136	1
7	6.05.0255	1
8	3.40.0510	1
9	3.45.0047	1
10	3.46.0047	2
11	3.06.0232	1
12	6.03.0581	1
13	3.07.0150	2
14	5.55.0780	1

1/1

HYVA CRANE

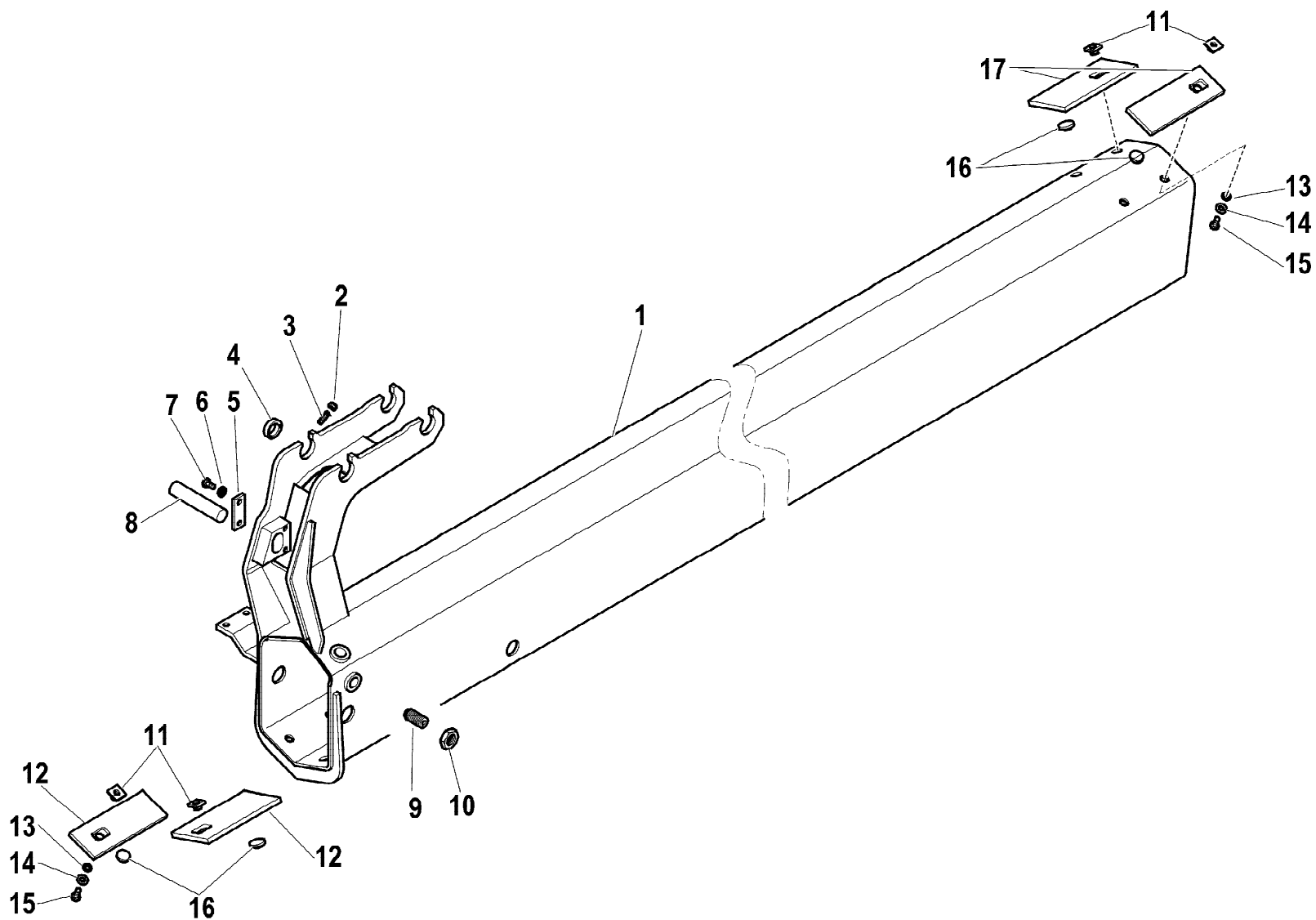
HB170

MARTINETTO 2° SFILLO
 2ND EXTENSION HYDRAULIC JACK
 VÉRIN 2ÉME RALLONGE
 2. SCHUBZYLINDER
 GATO 2ª EXTENSIÓN

Tavola

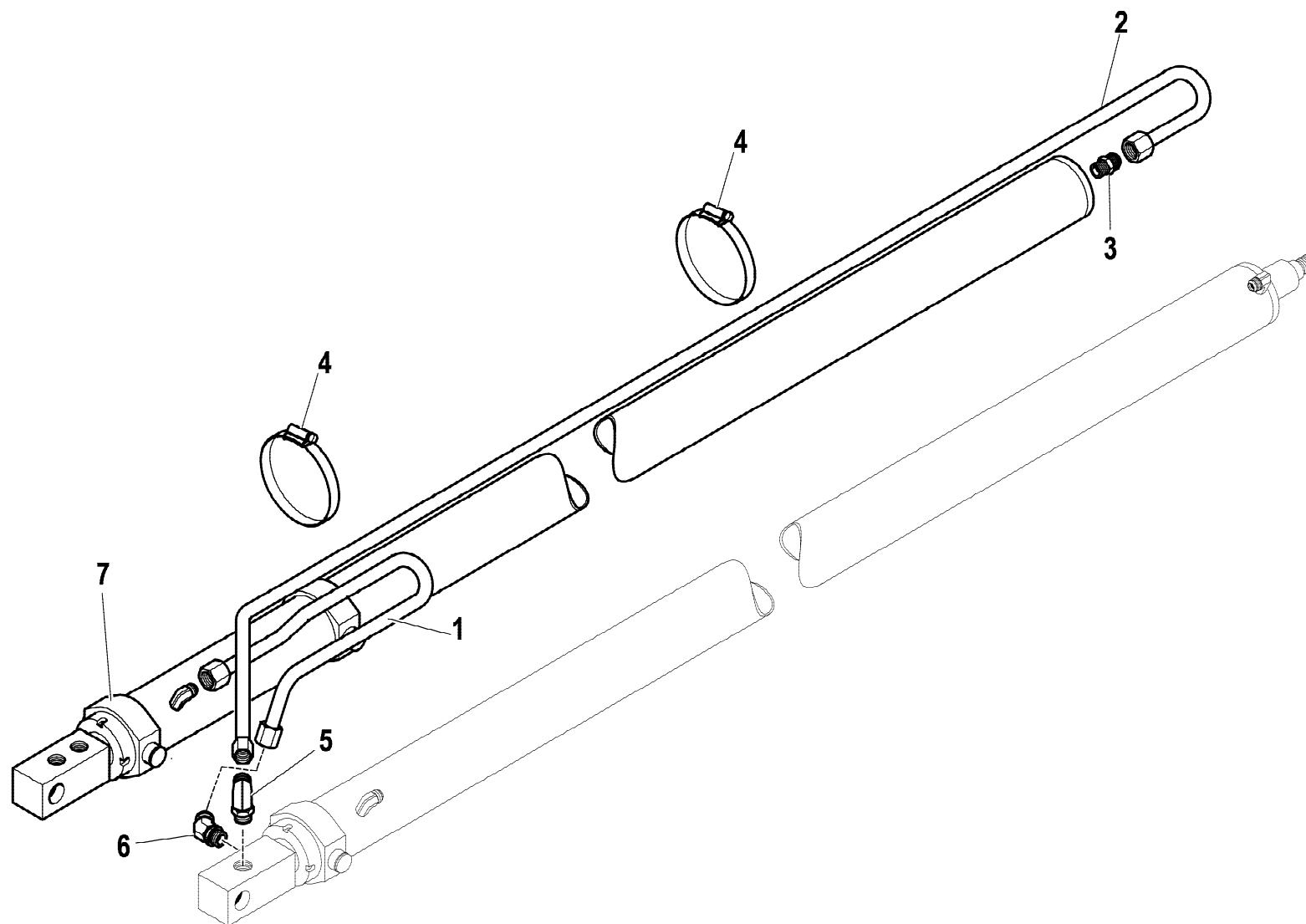
6.41.0255-1-0

Data pag.
 giugno 2006 98



rif.	codice	Q.tà
1	5.02.0424	1
2	3.04.0510	4
3	3.06.0941	4
4	5.00.1105	4
5	5.00.0674	1
6	3.06.0055	2
7	3.01.0337	2
8	5.15.0641	1
9	5.00.0771	4
10	3.04.0089	4
11	5.00.0827	4
12	5.14.0743	2
13	3.06.0920	4
14	3.06.0914	4
15	3.01.0353	4
16	5.14.0681	2
17	5.14.0733	2

rif.	codice	Q.tà
1	5.39.1806	1
2	5.39.1805	1
3	3.10.1051	1
4	3.19.0022	2
5	3.10.1131	1
6	3.10.1219	1
7	6.41.0256	1



1/1

HYVA CRANE

HB170

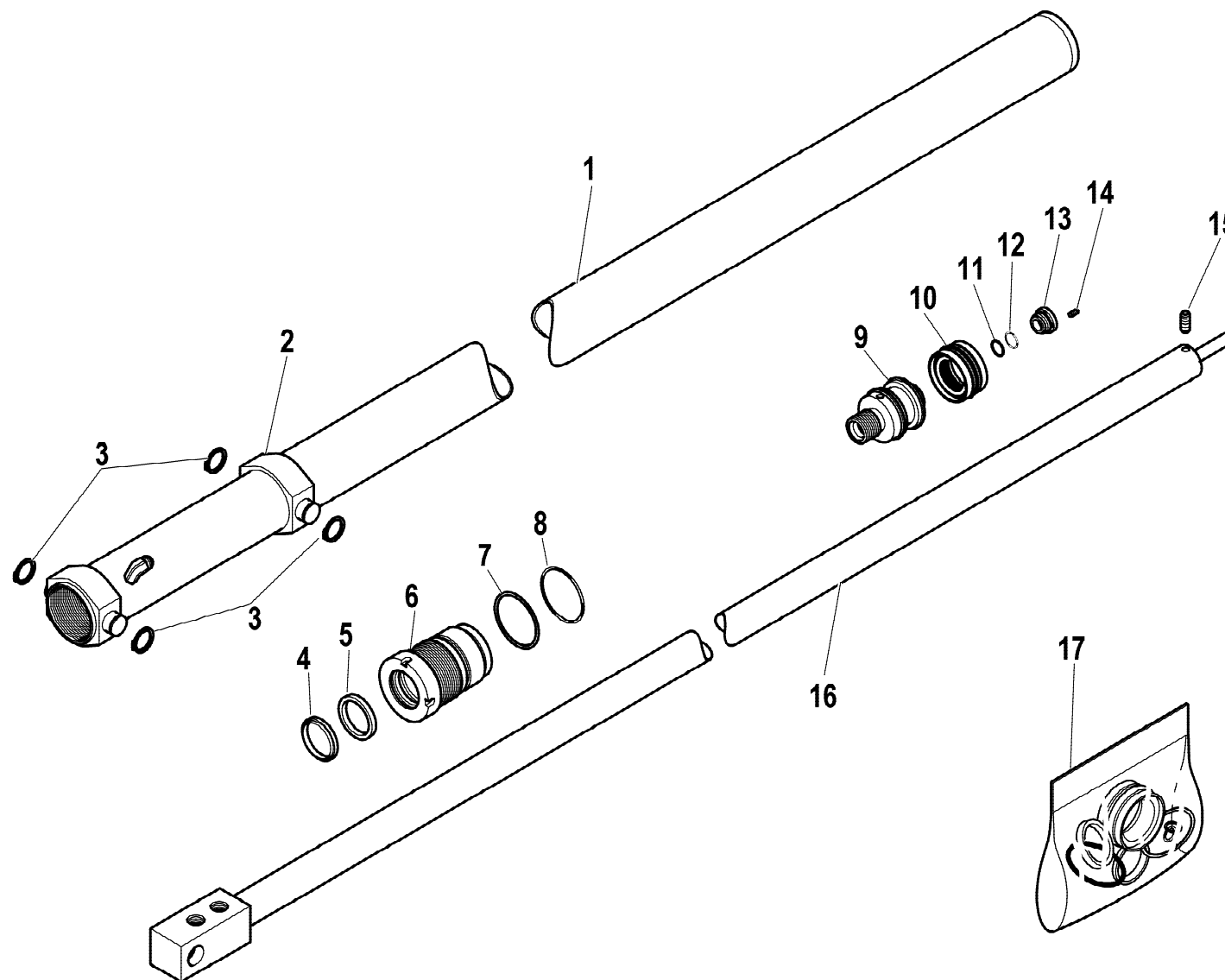
IMPIANTO IDRAULICO (MARTINETTO 3° SFILLO)
 HYDRAULIC SYSTEM (3RD EXTENSION HYDRAULIC JACK)
 INSTALLATION HYDRAULIQUE (VÉRIN 3ÈME RALLONGE)
 HYDRAULIKANLAGE (3. SCHUBZYLINDER)
 INSTALACION HIDRAULICA (GATO 3ª EXTENSIÓN)

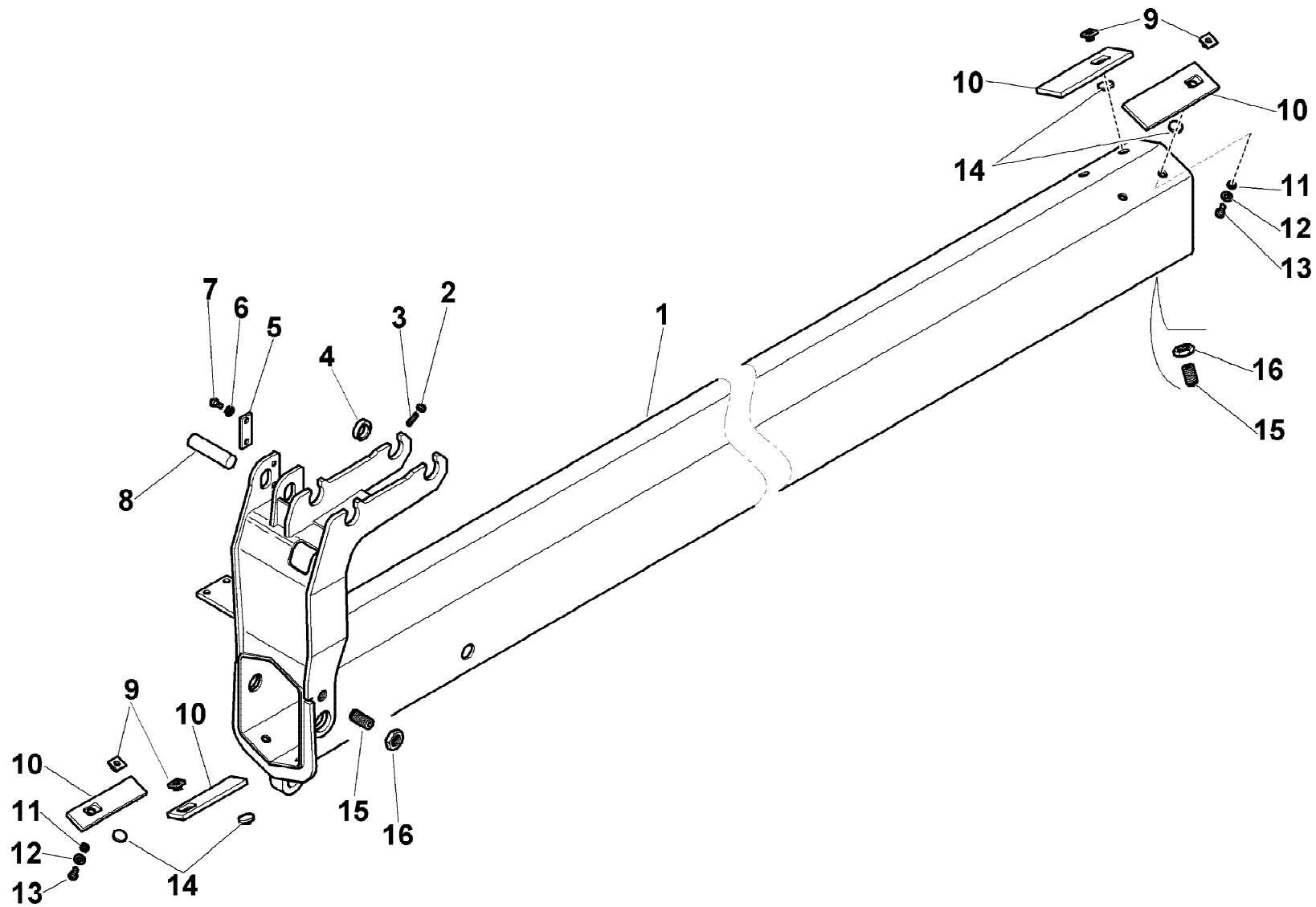
Tavola

6.21.0256-1-0

Data pag.
 gennaio 2007 100

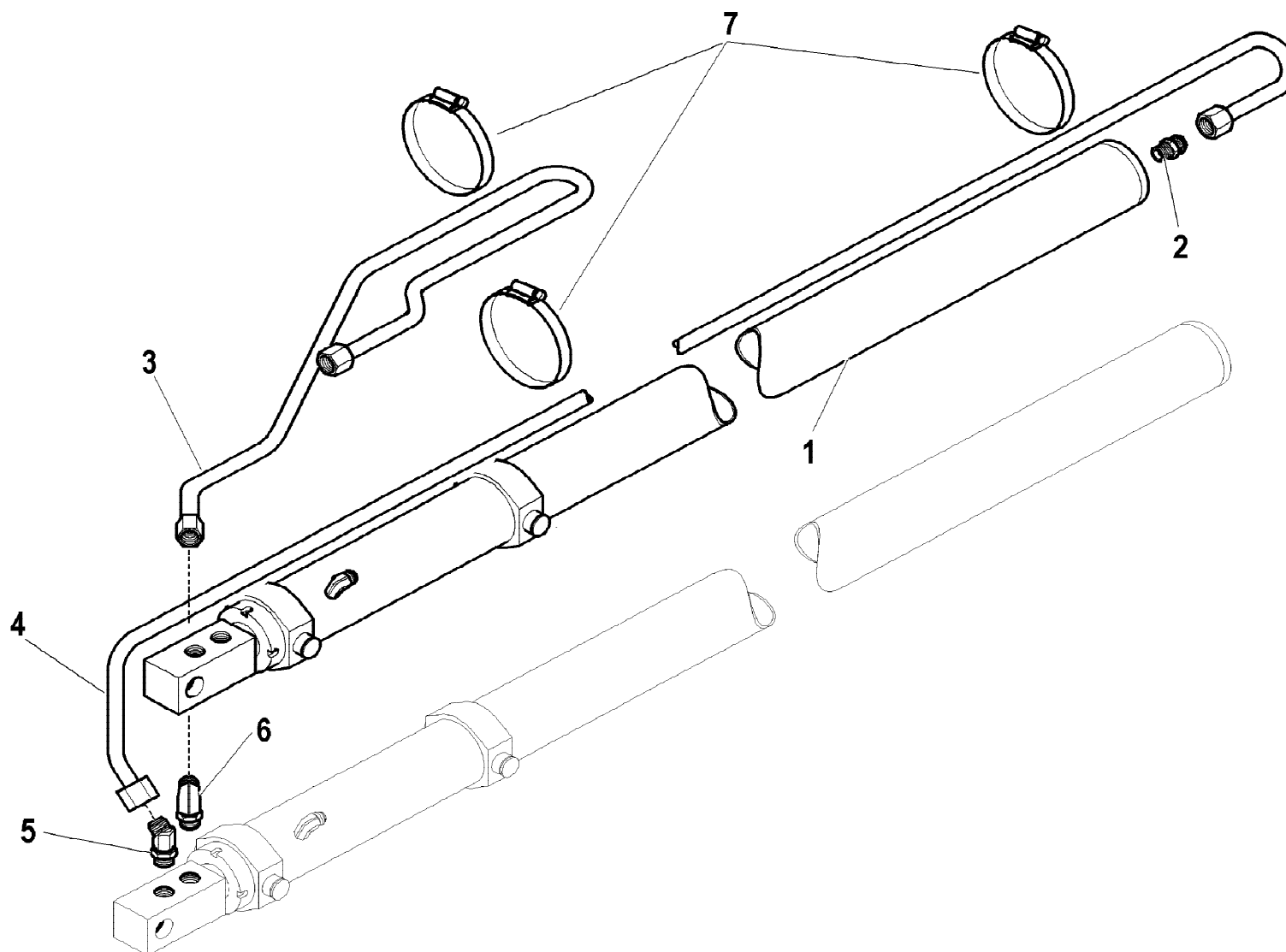
rif.	codice	Q.tà
1	6.07.0466	1
2	5.00.1161	1
3	3.07.0150	4
4	3.42.0021	1
5	3.40.0067	1
6	6.04.0259	1
7	3.46.0132	1
8	3.45.0132	1
9	6.05.0275	1
10	3.40.0509	1
11	3.46.0047	1
12	3.45.0047	1
13	6.04.0629	1
14	3.06.0248	1
15	3.06.0232	1
16	6.03.0563	1
17	5.55.0781	1





rif.	codice	Q.tà
1	5.02.0425	1
2	3.04.0519	4
3	3.06.0941	4
4	5.00.1105	4
5	5.00.0674	1
6	3.06.0055	2
7	3.01.0337	2
8	5.15.0641	1
9	5.00.0827	4
10	5.14.0733	4
11	3.06.0920	4
12	3.06.0914	4
13	3.01.0353	4
14	5.14.0681	4
15	5.00.0771	4
16	3.04.0089	4

rif.	codice	Q.tà
1	6.41.0256	1
2	3.10.1051	1
3	5.39.1808	1
4	5.39.1807	1
5	3.10.1219	1
6	3.10.1131	1
7	3.19.0022	3



1/1

HYVA CRANE

HB170

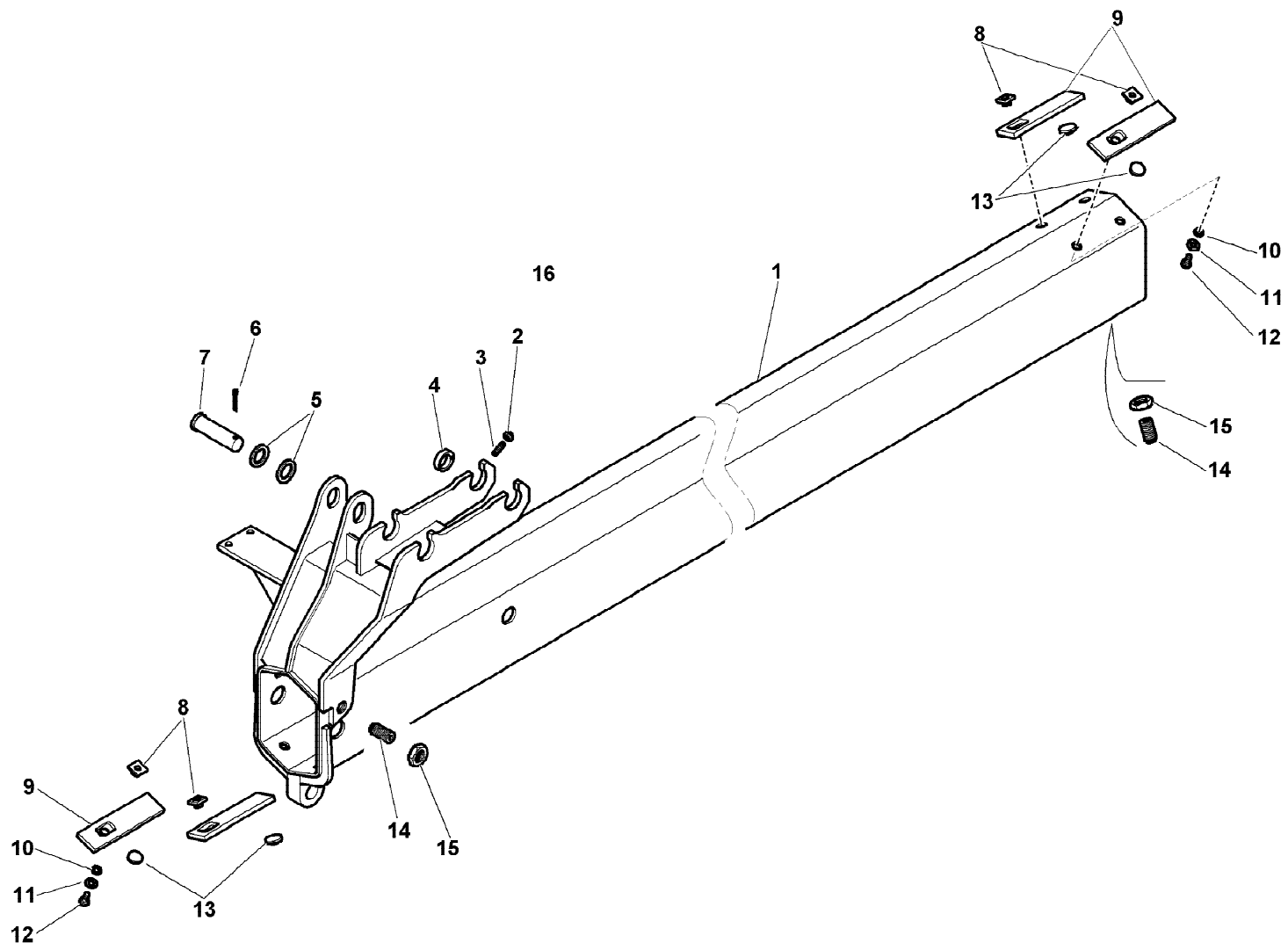
IMPIANTO IDRAULICO (MARTINETTO 4° SFILLO)
 HYDRAULIC SYSTEM (4TH EXTENSION HYDRAULIC JACK)
 INSTALLATION HYDRAULIQUE (VÉRIN 4ÈME RALLONGE)
 HYDRAULIKANLAGE (4. SCHUBZYLINDER)
 INSTALACION HIDRAULICA (GATO 4ª EXTENSIÓN)

Tavola

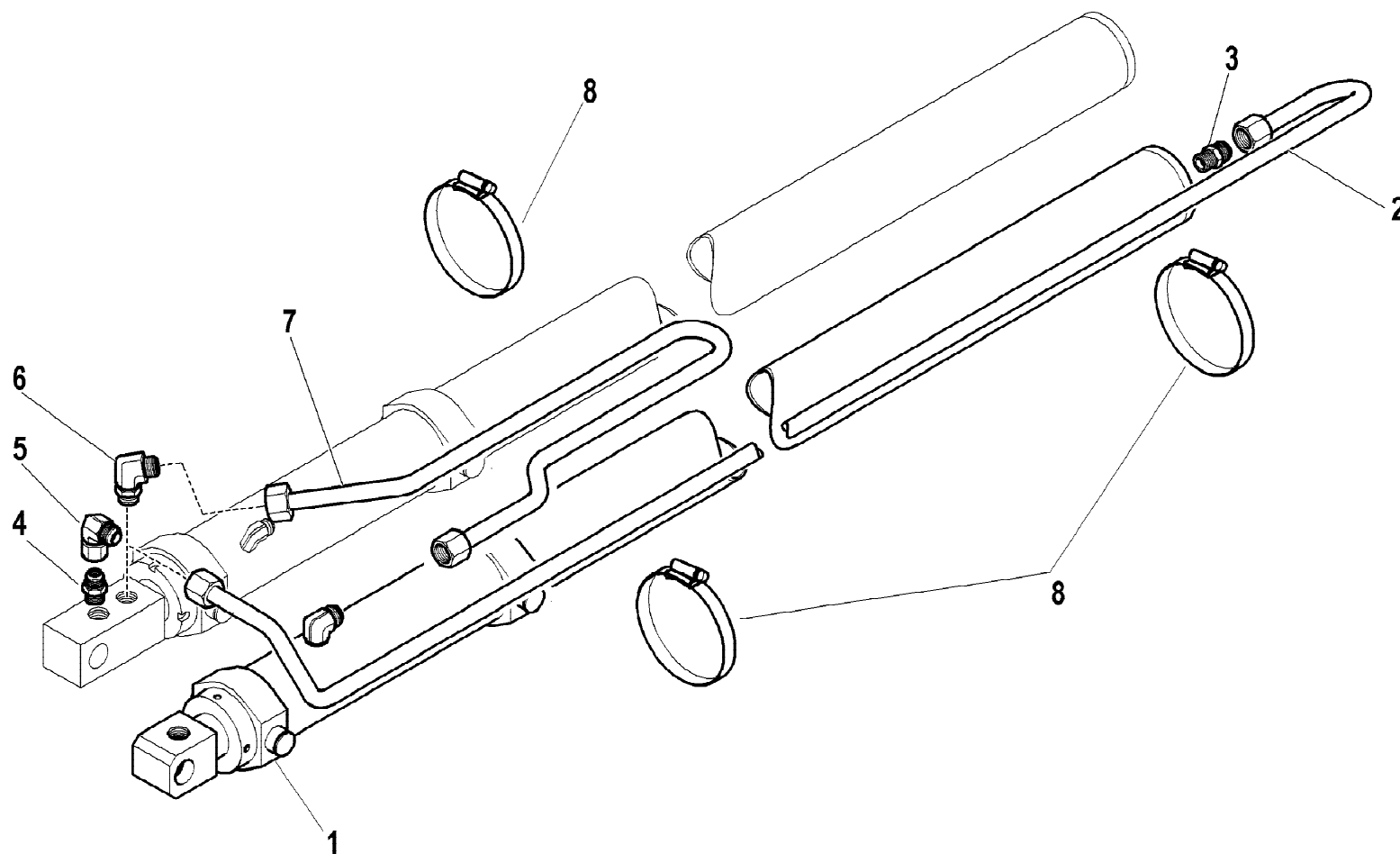
6.21.0257-1-0

Data pag.
 gennaio 2007 103

rif.	codice	Q.tà
1	5.02.0426	1
2	3.04.0519	4
3	3.06.0941	4
4	5.00.1105	4
5	3.06.0938	2
6	3.06.0911	1
7	5.15.0649	1
8	5.00.0827	4
9	5.14.0733	4
10	3.06.0920	4
11	3.06.0920	4
12	3.01.0353	4
13	5.14.0681	4
14	5.00.0771	4
15	3.04.0089	4



rif.	codice	Q.tà
1	6.41.0258	1
2	5.39.1809	1
3	3.10.1051	1
4	3.10.1051	1
5	3.10.1131	1
6	3.12.0034	1
7	5.39.1810	1
8	3.19.0022	1



1/1

HYVA CRANE

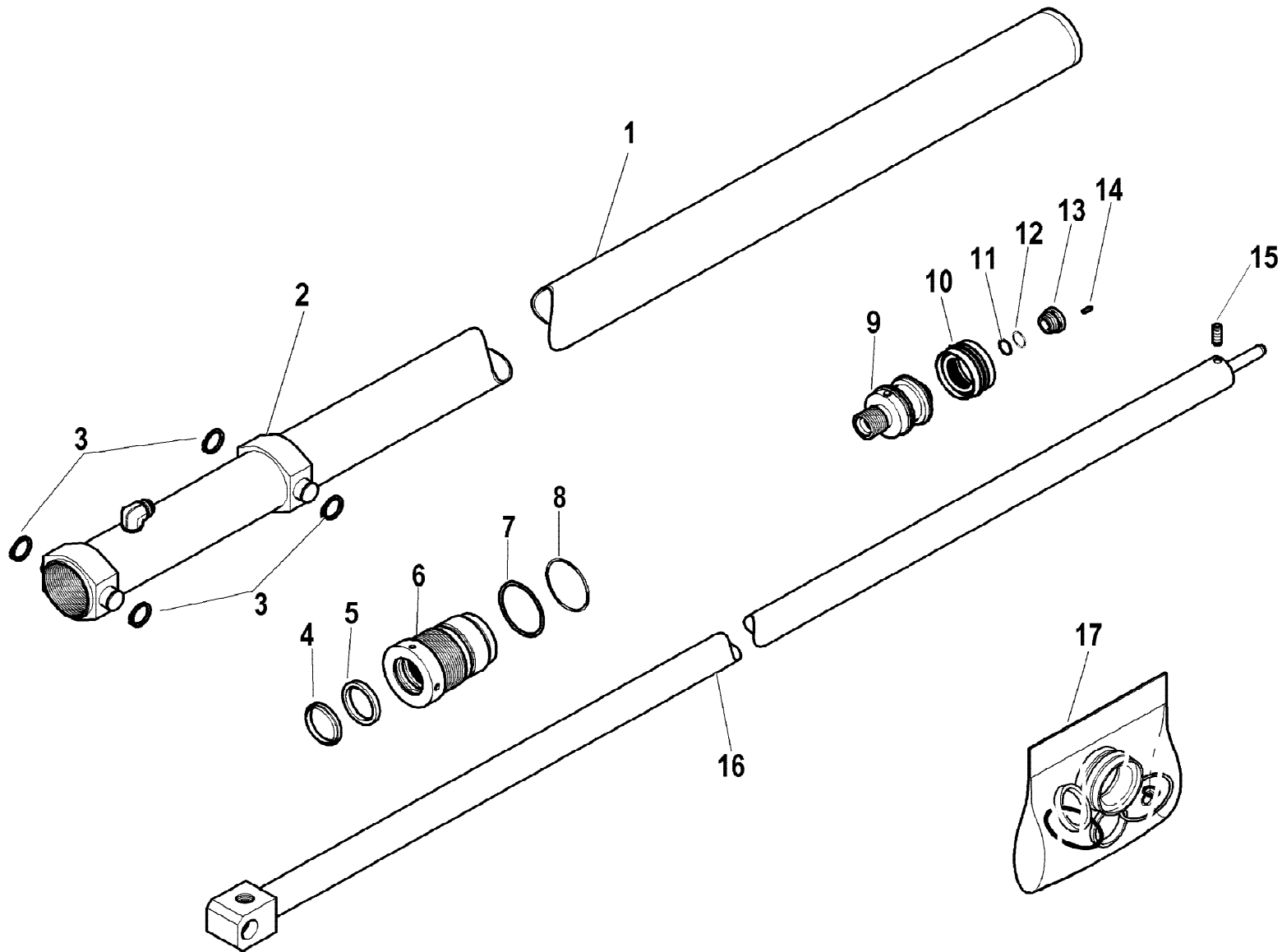
HB170

MARTINETTO 5° SFILO (IMPIANTO OLEODINAMICO)
 5TH EXTENSION HYDRAULIC JACK (HYDRAULIC SYSTEM)
 VÉRIN 5ÈME RALLONGE (INSTALLATION HYDRAULIQUE)
 5. SCHUBZYLINDER (HYDRAULIKANLAGE)
 GATO 5ª EXTENSIÓN (INSTALACION HIDRAULICA)

Tavola

6.21.0258-1-0

Data pag.
 giugno 2006 105



rif.	codice	Q.tà
1	6.07.0467	1
2	5.00.1106	1
3	3.07.0150	4
4	3.42.0018	1
5	3.40.0055	1
6	6.04.0254	1
7	3.46.0126	1
8	3.45.0126	1
9	6.05.0277	1
10	3.40.0507	1
11	3.46.0047	1
12	3.45.0047	1
13	6.04.0269	1
14	3.06.0248	1
15	3.06.0232	1
16	6.03.0565	1
17	5.55.0783	1

1/1

HYVA CRANE

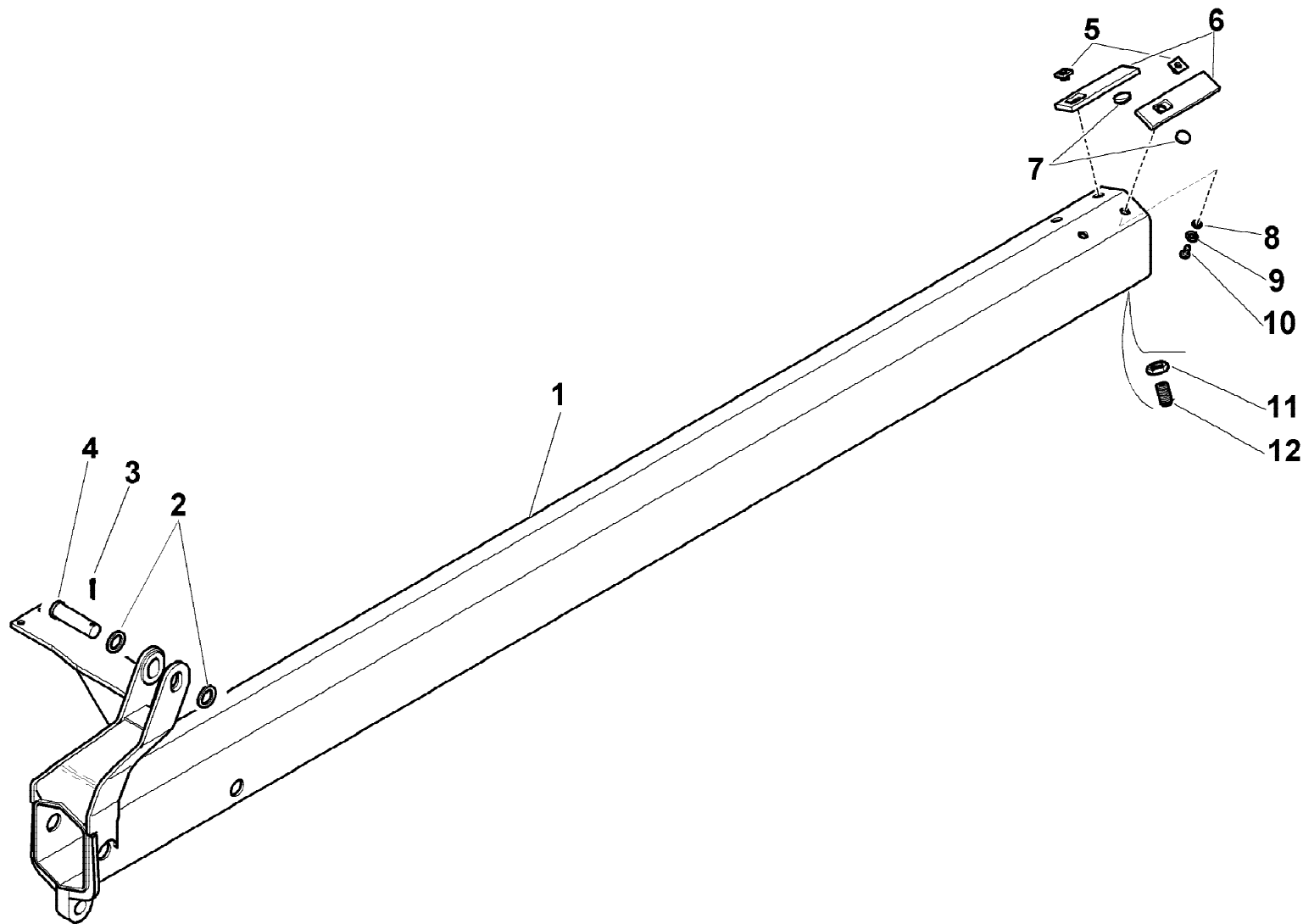
HB170

MARTINETTO 5°,6° E 7° SFILLO
 5TH, 6TH AND 7TH EXTENSION HYDRAULIC CYLINDER
 VERIN 5EME, 6ÈME ET 7EME RALLONGE
 5. - 6. UND 7. VERLAENGERUNSWINDE
 5°, 6° Y 7° GATO DE PROLONGACION

Tavola

6.41.0258-1-0

Data pag.
 giugno 2006 106



rif.	codice	Q.tà
1	5.02.0427	1
2	3.06.0938	2
3	3.06.0911	1
4	5.15.0649	1
5	5.00.0827	2
6	5.14.0733	2
7	5.14.0681	2
8	3.06.0920	2
9	3.06.0914	2
10	3.01.0353	2
11	3.04.0089	2
12	5.00.0771	2

1/1

HYVA CRANE

HB170

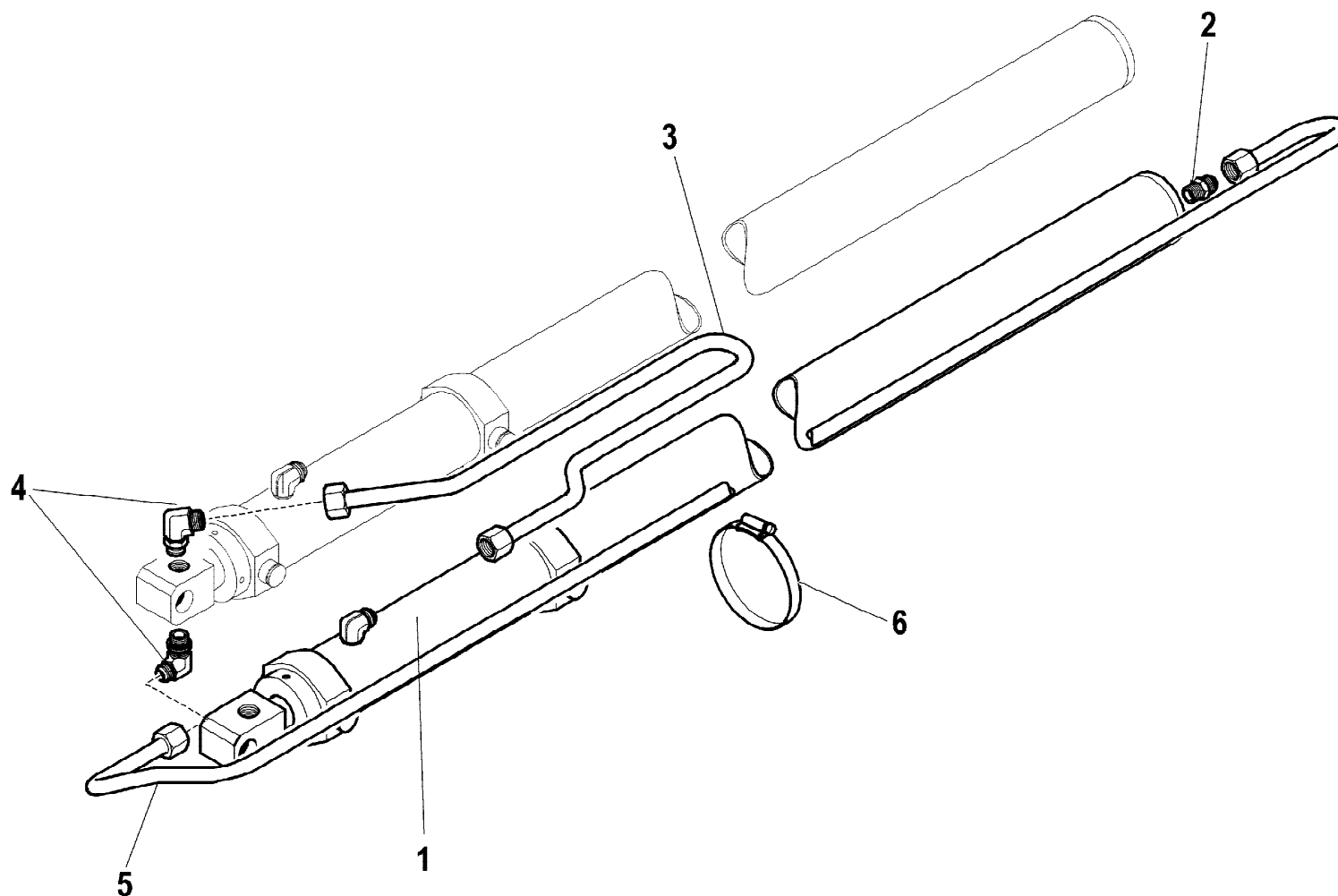
6° SFILO
 6TH EXTENSION
 6EME RALLONGE
 6. VERLAENGERUNG
 6° PROLONGACION

Tavola

5.58.0006-1-0

Data pag.
 giugno 2006 107

rif.	codice	Q.tà
1	6.41.0259	1
2	3.10.1051	1
3	5.39.1812	1
4	3.10.1131	2
5	5.39.1811	1
6	3.19.0022	3



1/1

HYVA CRANE

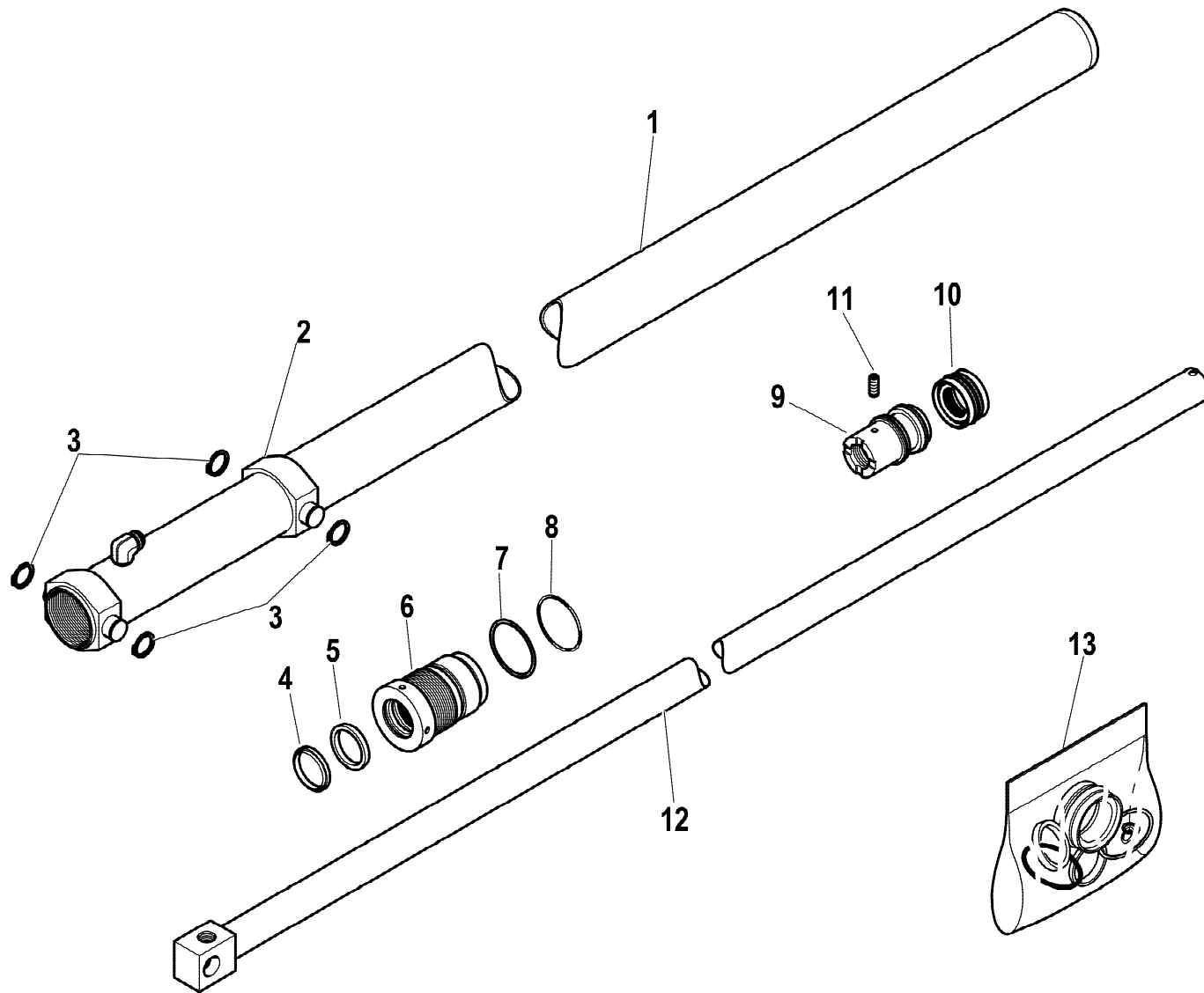
HB170

MARTINETTO 6° SFILO (IMPIANTO OLEODINAMICO)
 6TH EXTENSION HYDRAULIC JACK (HYDRAULIC SYSTEM)
 VÉRIN 6ÈME RALLONGE (INSTALLATION HYDRAULIQUE)
 6. SCHUBZYLINDER (HYDRAULIKANLAGE)
 GATO 6ª EXTENSIÓN (INSTALACION HIDRAULICA)

Tavola

6.21.0259-1-0

Data pag.
 giugno 2006 108



rif.	codice	Q.tà
1	6.07.0467	1
2	5.00.1106	1
3	3.07.0150	4
4	3.42.0015	1
5	3.37.0138	1
6	6.04.0270	1
7	3.46.0126	1
8	3.45.0126	1
9	6.05.0289	1
10	3.40.0507	1
11	3.06.0232	1
12	6.03.0619	1
13	5.55.0784	1

1/1

HYVA CRANE

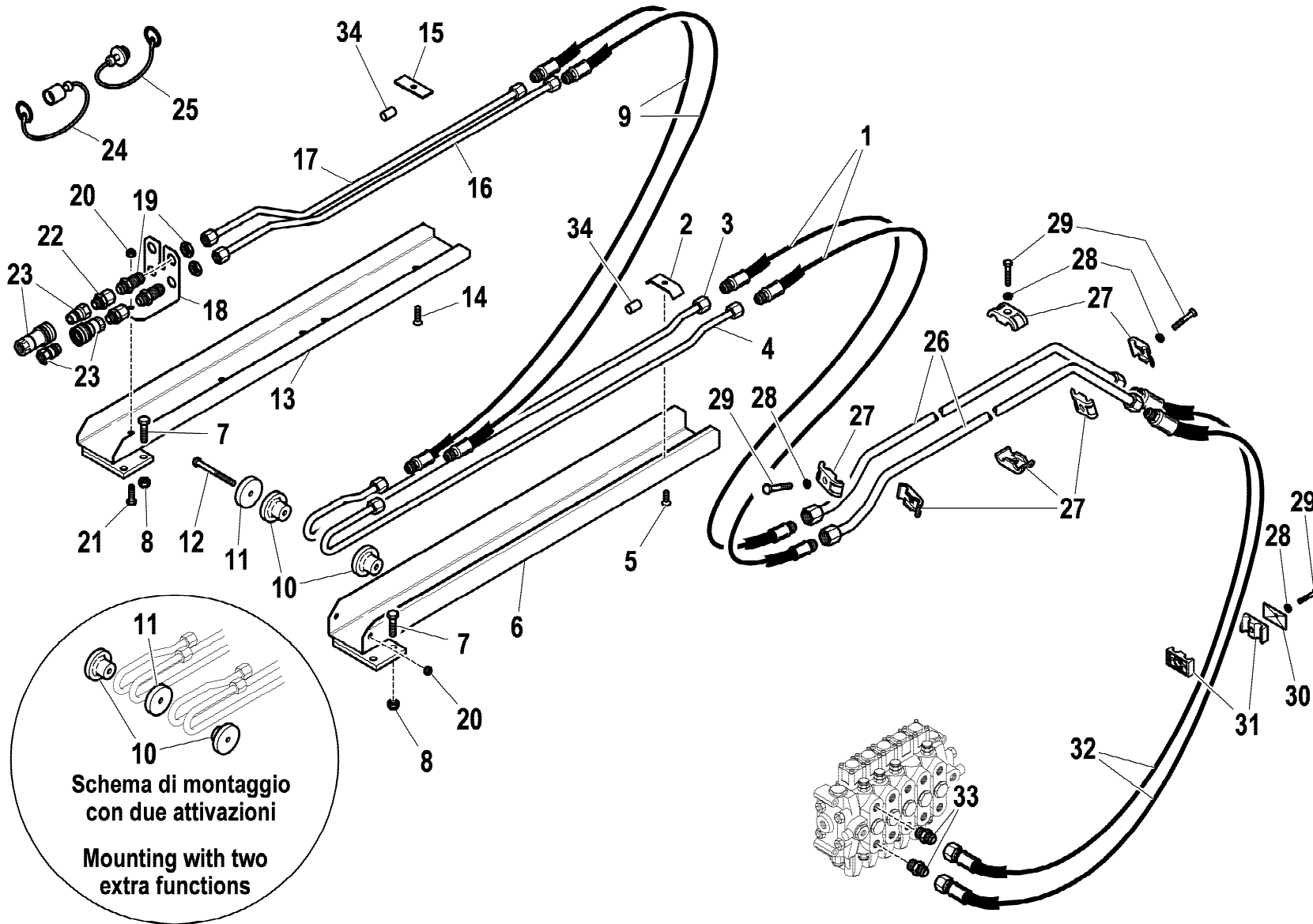
HB170

MARTINETTO 6° SFILLO
 6TH EXTENSION HYDRAULIC JACK
 VÉRIN 6ÈME RALLONGE
 6. SCHUBZYLINDER
 GATO 6ª EXTENSIÓN

Tavola

6.41.0259-1-0

Data pag.
 luglio 2009 109



rif.	codice	Q.tà
1	5.27.1403	2
2	5.00.1187	1
3	5.39.1820	1
4	5.39.1821	1
5	3.02.0899	1
6	5.00.1334	1
7	3.01.0389	4
8	3.04.0304	4
9	5.27.1401	2
10	5.14.0742	2
11	5.14.1000	1
12	3.01.0041	1
13	5.00.1333	1
14	3.02.0903	1
15	5.00.1193	1
16	W.44.05.008.00	1
17	W.44.05.009.00	1
18	5.00.1596	1
19	3.12.0310	2
20	3.04.0303	2
21	3.01.0337	1
22	3.12.0066	2
23	3.11.0420	2
24	3.11.0429	1
25	3.11.0428	1
26	5.39.1770	2
27	5.00.0047	6
28	3.06.0055	4
29	3.01.0032	4
30	3.19.0221	1
31	3.19.0222	2
1/2		

HYVA CRANE

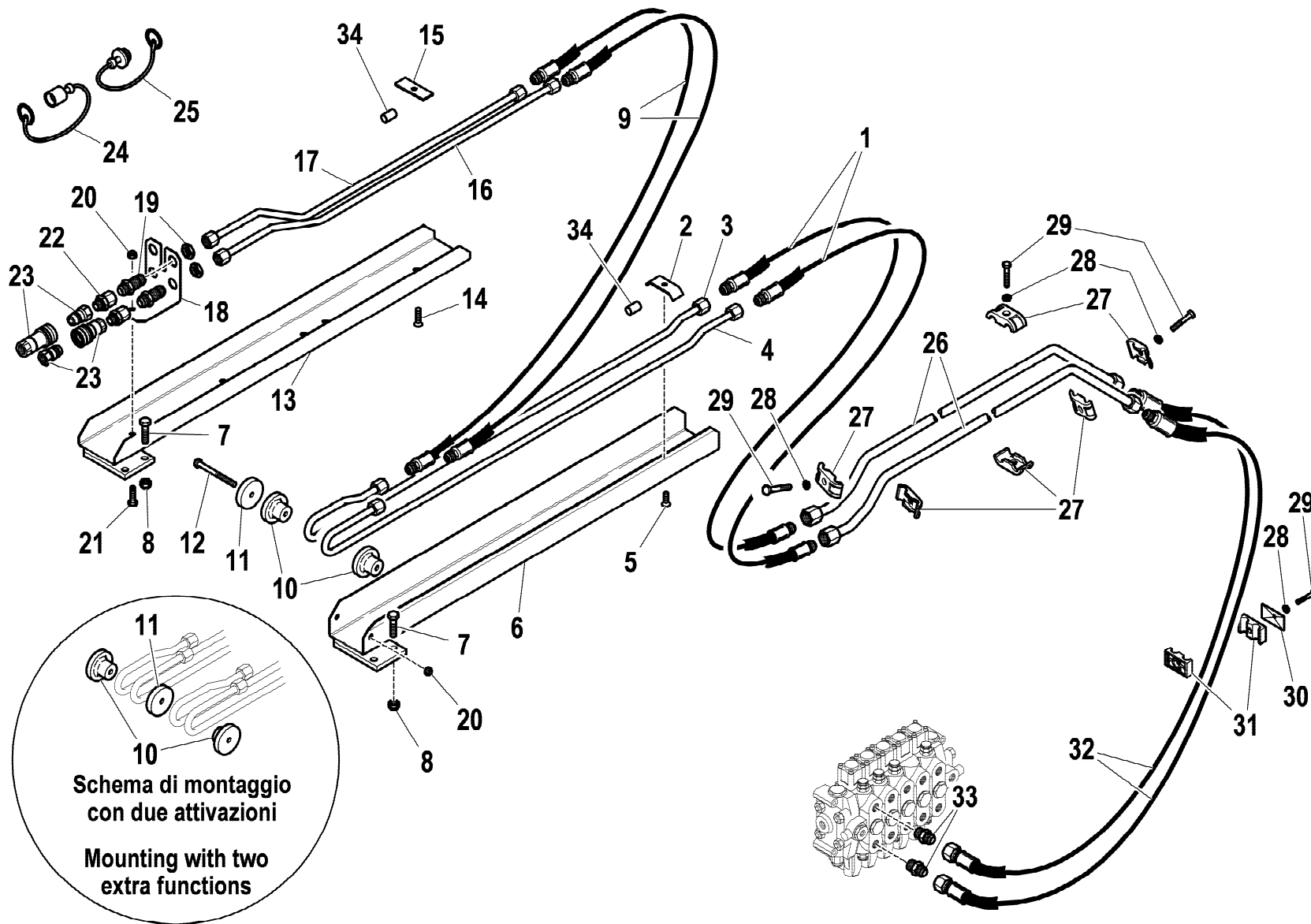
HB170

1[^] ATTIVAZIONE PER 1S
 1ST ACTIVATION FOR 1S
 1ERE ACTIVATION POUR 1S
 1. AKTIVIERUNG FÜR 1S
 1°ACTIVACIÓN PARA 1S

Tavola
5.59.0066-1-0

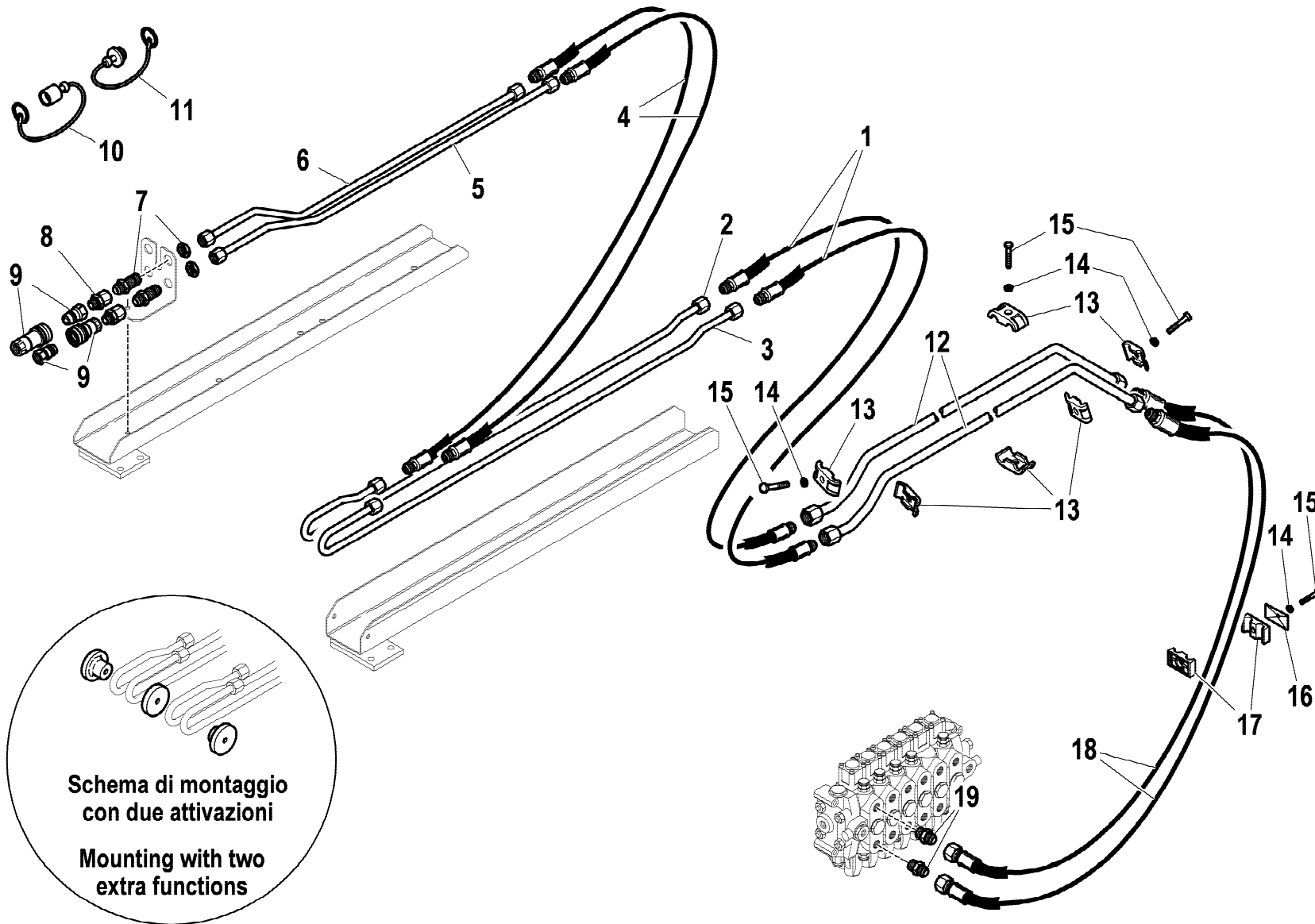
Data pag.
 novembre 2006 110.1

rif.	codice	Q.tà
32	5.28.0538	2
33	3.10.1051	2
34	5.00.1576	2



Schema di montaggio
con due attivazioni

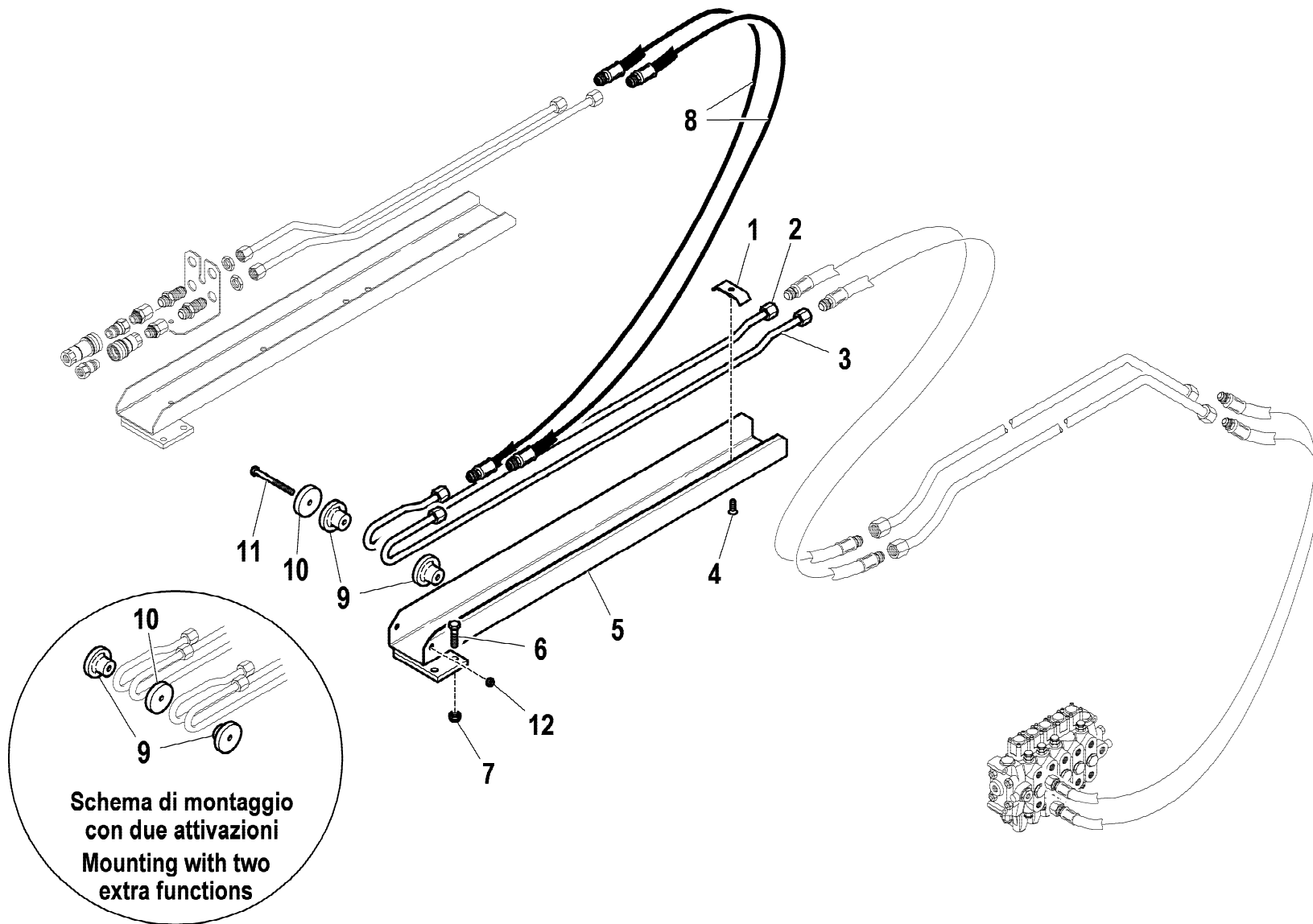
Mounting with two
extra functions



rif.	codice	Q.tà
1	5.27.1403	2
2	5.39.1822	1
3	5.39.1823	1
4	5.27.1401	2
5	W.44.05.008.00	1
6	W.44.05.009.00	1
7	3.12.0310	2
8	3.12.0066	2
9	3.11.0420	2
10	W.734.035	1
11	W.734.034	1
12	5.39.1770	2
13	5.00.0047	6
14	3.06.0055	4
15	3.01.0032	4
16	3.19.0221	1
17	3.19.0222	2
18	5.28.0538	2
19	3.10.1051	2

Schema di montaggio
con due attivazioni

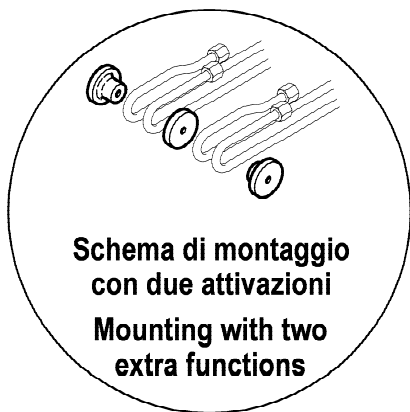
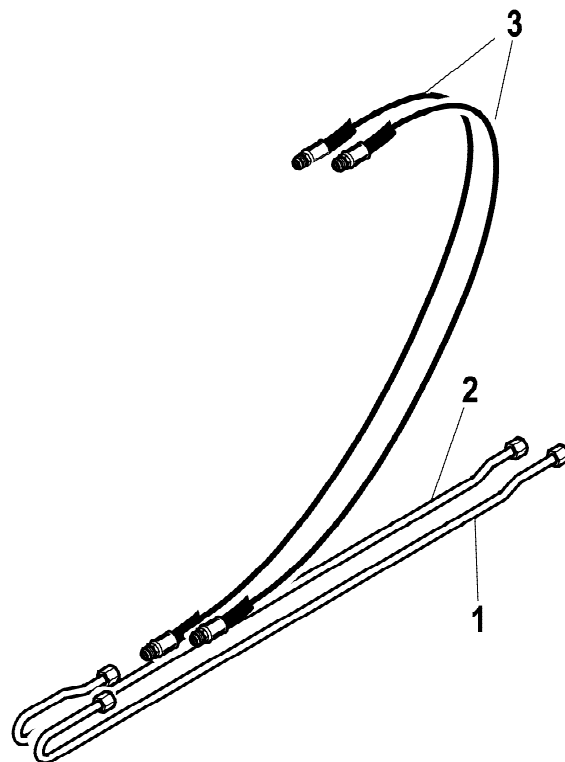
Mounting with two
extra functions



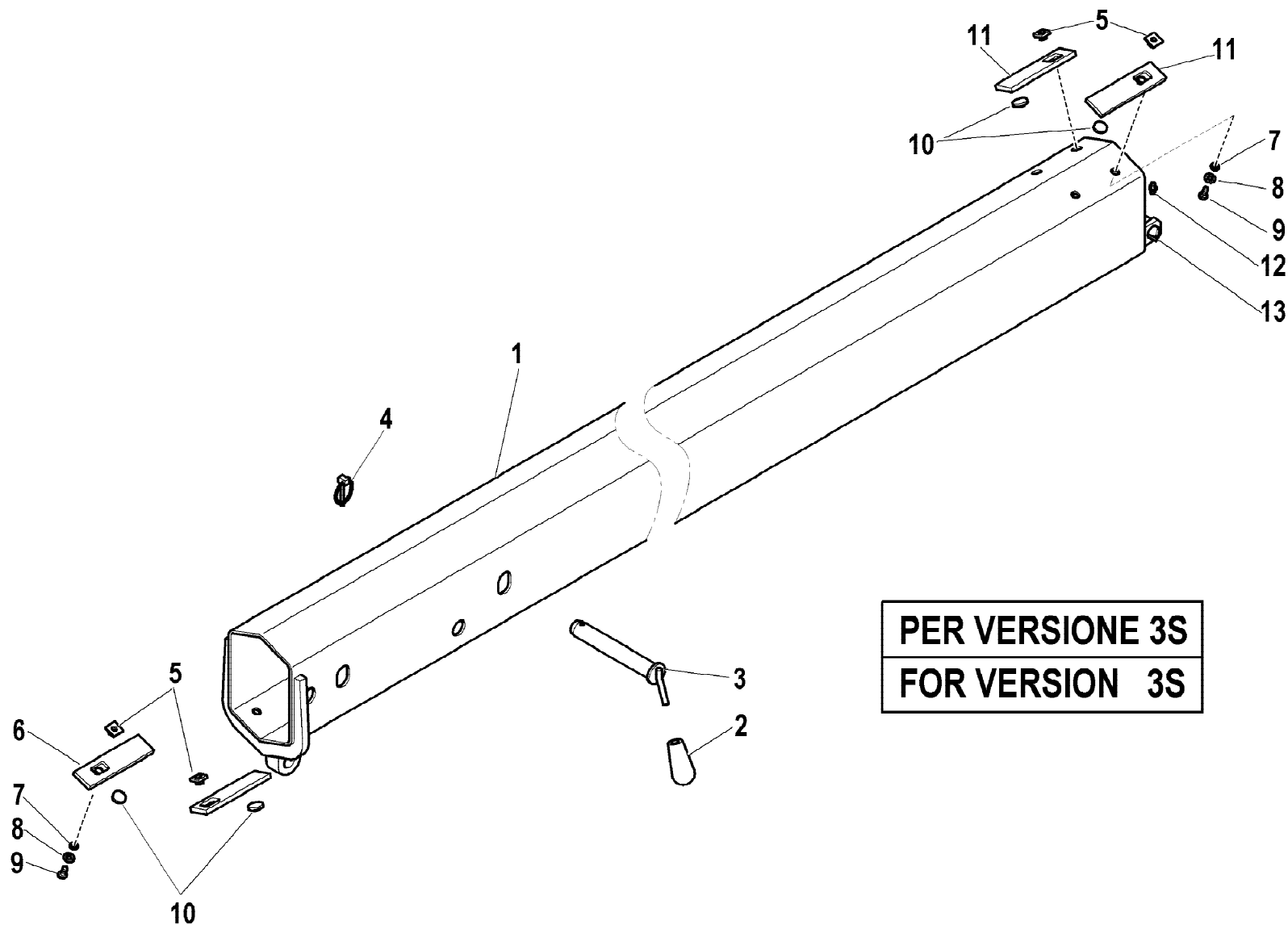
rif.	codice	Q.tà
1	5.00.1187	1
2	5.39.1820	1
3	5.39.1821	1
4	3.02.0899	1
5	5.00.1334	1
6	3.01.0389	2
7	3.04.0304	2
8	5.27.1401	2
9	5.14.0742	2
10	5.14.1000	1
11	3.01.0041	1
12	3.04.0303	1

Schema di montaggio
con due attivazioni
Mounting with two
extra functions

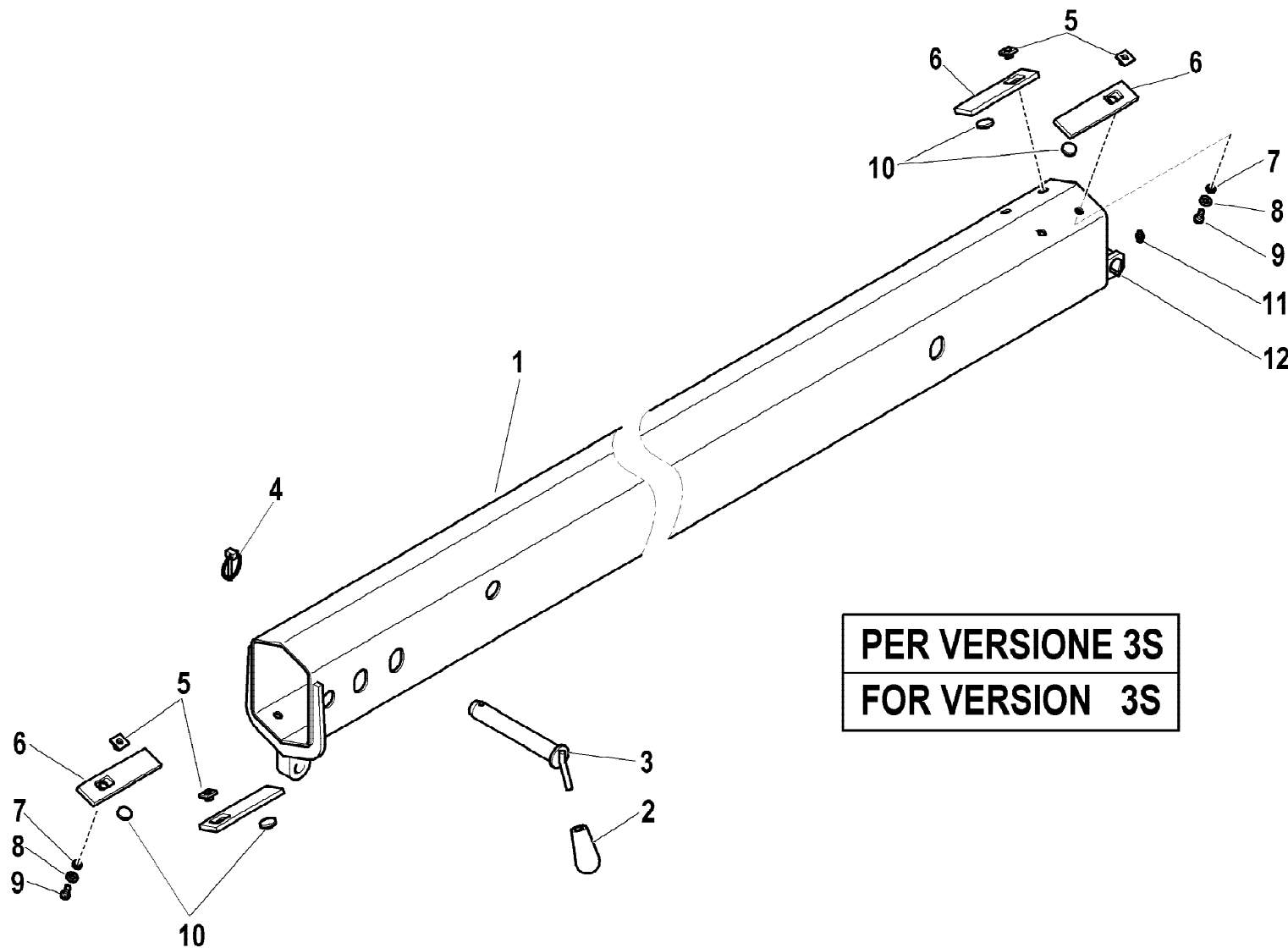
rif.	codice	Q.tà
1	5.39.1823	1
2	5.39.1822	1
3	5.27.1401	2



rif.	codice	Q.tà
1	5.01.0300	1
2	3.19.0010	1
3	5.15.0238	1
4	3.06.0757	1
5	5.00.0827	4
6	5.14.0733	2
7	3.06.0914	4
8	3.06.0920	4
9	3.01.0353	4
10	5.14.0681	4
11	5.14.0701	2
12	3.08.0500	1
13	5.00.0640	1



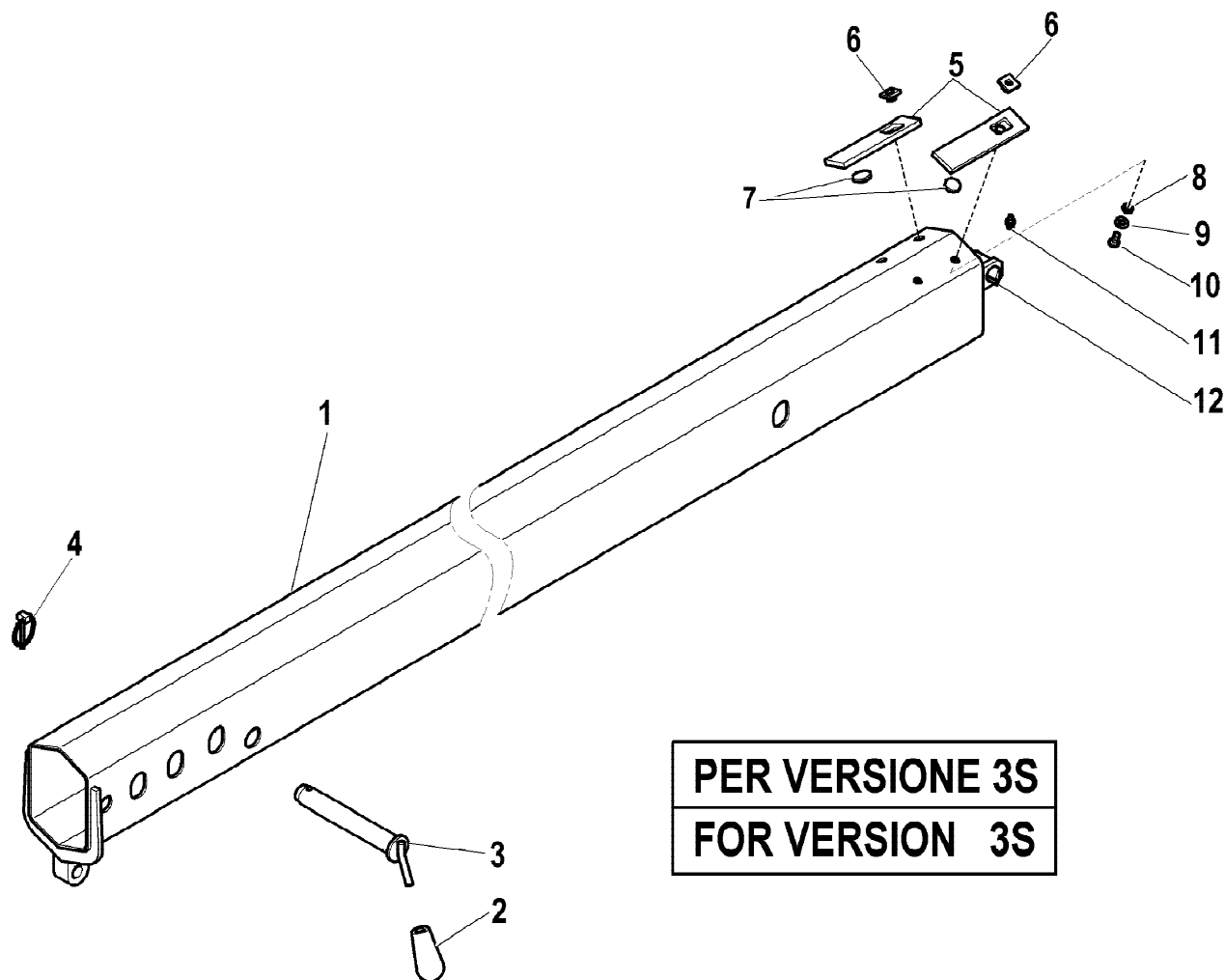
PER VERSIONE 3S
FOR VERSION 3S



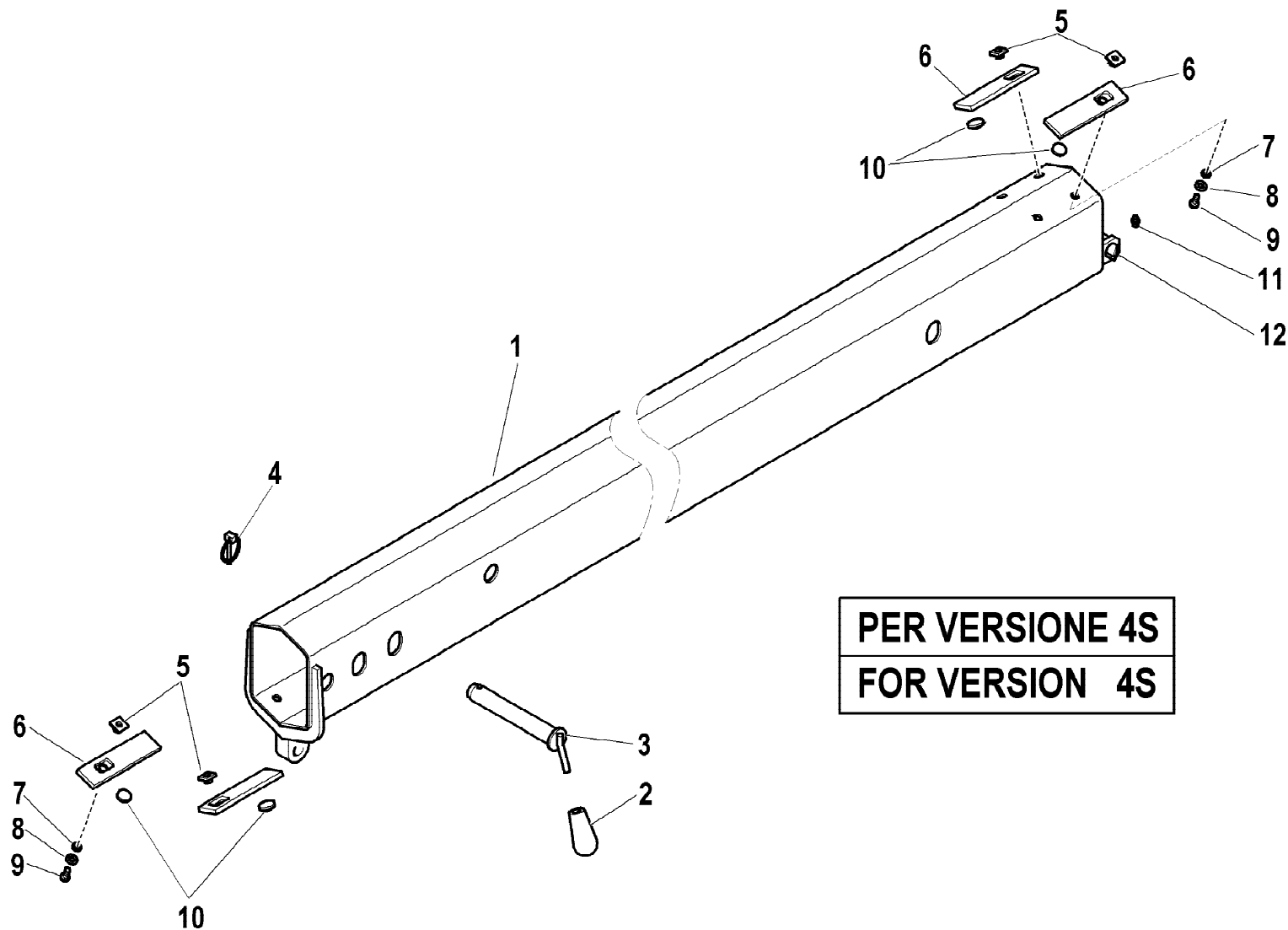
rif.	codice	Q.tà
1	5.01.0301	1
2	3.19.0010	1
3	5.15.0396	1
4	3.06.0757	1
5	5.00.0827	4
6	5.14.0733	4
7	3.06.0914	4
8	3.06.0920	4
9	3.01.0353	4
10	5.14.0681	4
11	3.08.0500	1
12	5.00.0640	1

PER VERSIONE 3S
FOR VERSION 3S

rif.	codice	Q.tà
1	5.01.0302	1
2	3.19.0010	1
3	5.15.0395	1
4	3.06.0757	1
5	5.14.0733	2
6	5.00.0827	4
7	5.14.0681	2
8	3.06.0914	2
9	3.06.0920	2
10	3.01.0353	2
11	3.08.0500	1
12	5.00.0640	1



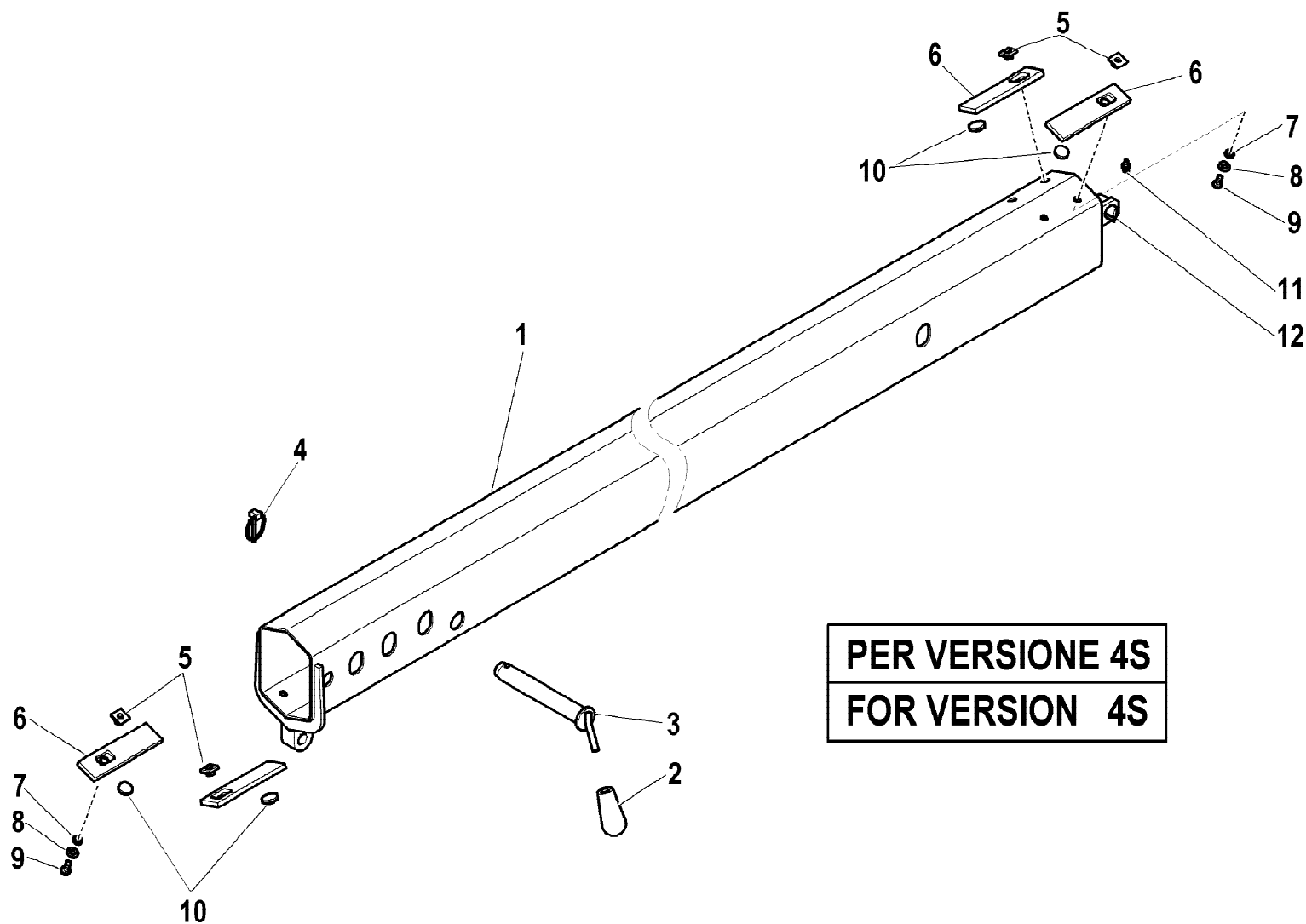
PER VERSIONE 3S
FOR VERSION 3S



rif.	codice	Q.tà
1	5.01.0301	1
2	3.19.0010	1
3	5.15.0421	1
4	3.06.0757	1
5	5.00.0827	4
6	5.14.0733	4
7	3.06.0914	4
8	3.06.0920	4
9	3.01.0353	4
10	5.14.0681	4
11	3.08.0500	1
12	5.00.0640	1

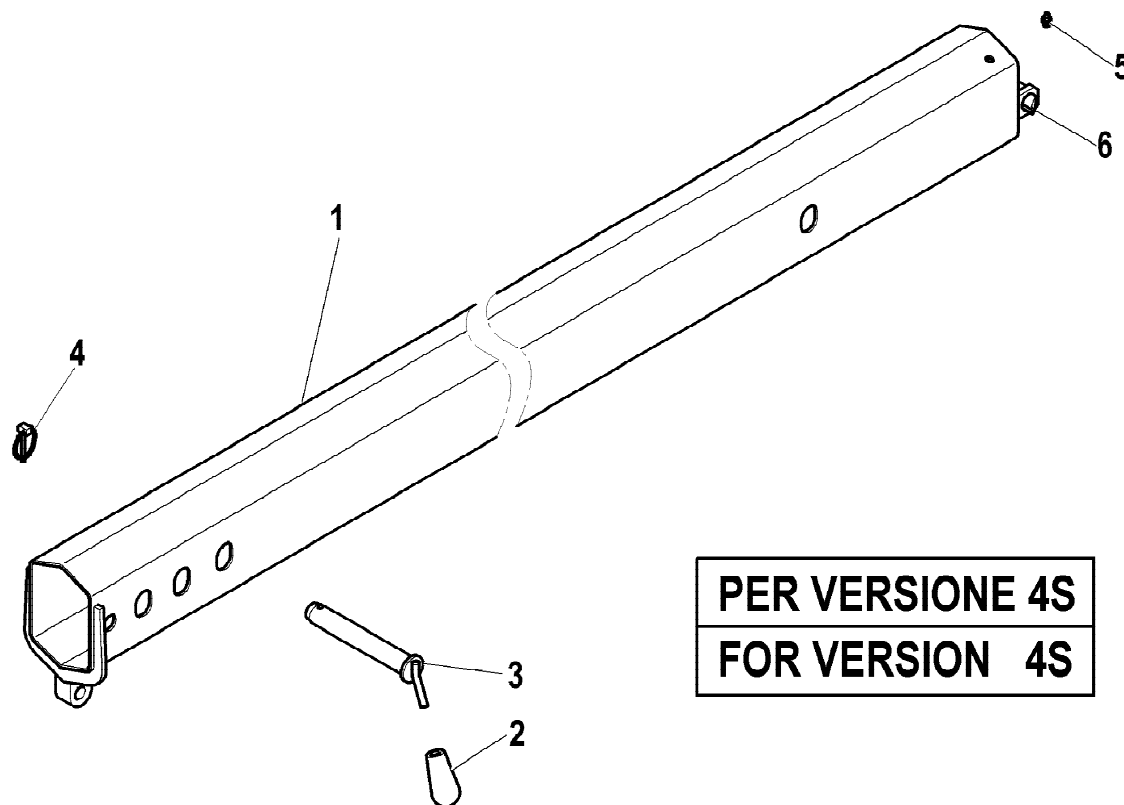
PER VERSIONE 4S
FOR VERSION 4S

rif.	codice	Q.tà
1	5.01.0302	1
2	3.19.0010	1
3	5.15.0395	1
4	3.06.0757	1
5	5.00.0827	4
6	5.14.0733	4
7	3.06.0914	4
8	3.06.0920	4
9	3.01.0353	4
10	5.14.0681	4
11	3.08.0500	1
12	5.00.0640	1



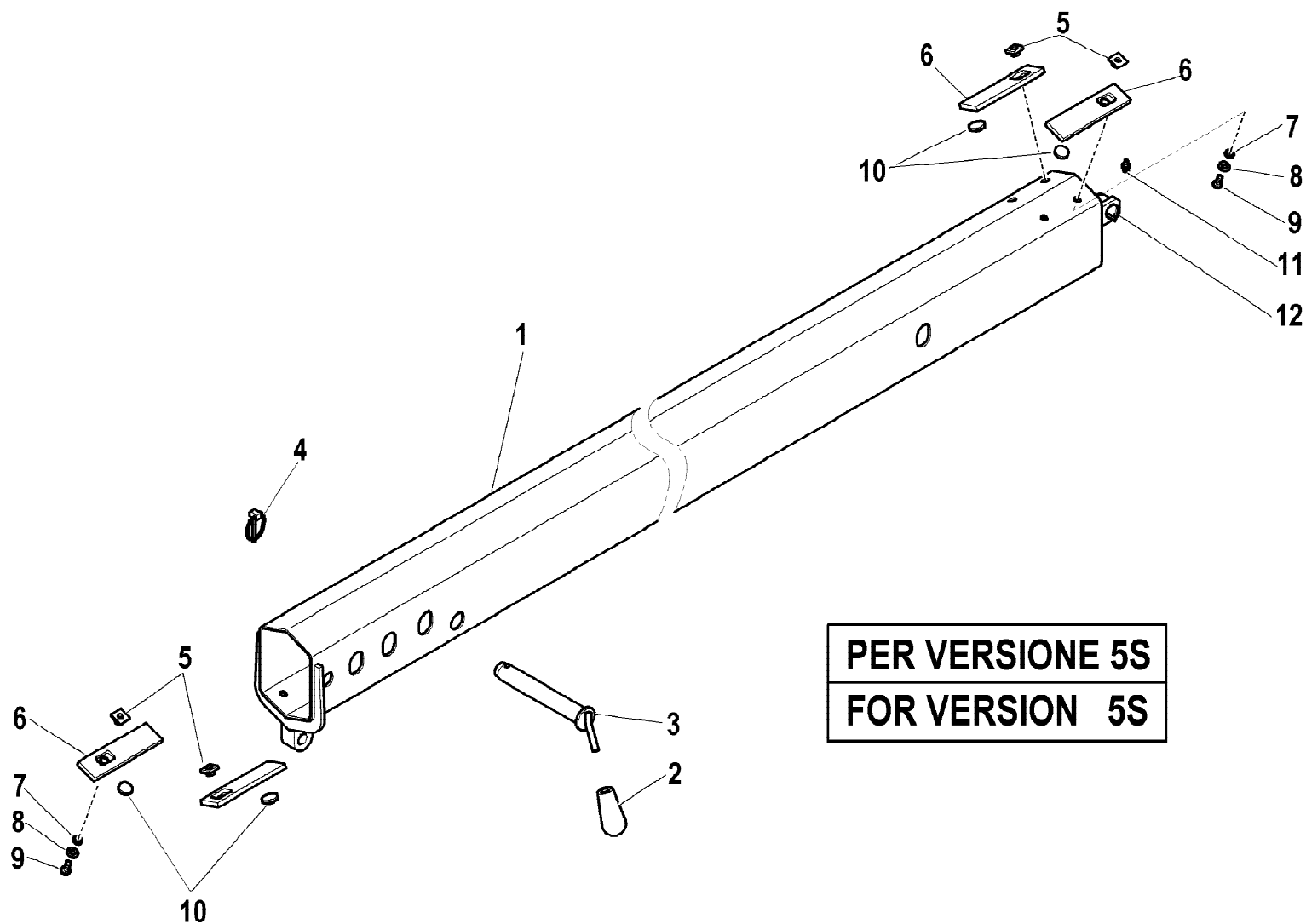
PER VERSIONE 4S
FOR VERSION 4S

rif.	codice	Q.tà
1	5.01.0303	1
2	3.19.0010	1
3	5.15.0395	1
4	3.06.0757	1
5	3.08.0500	1
6	5.00.0640	1



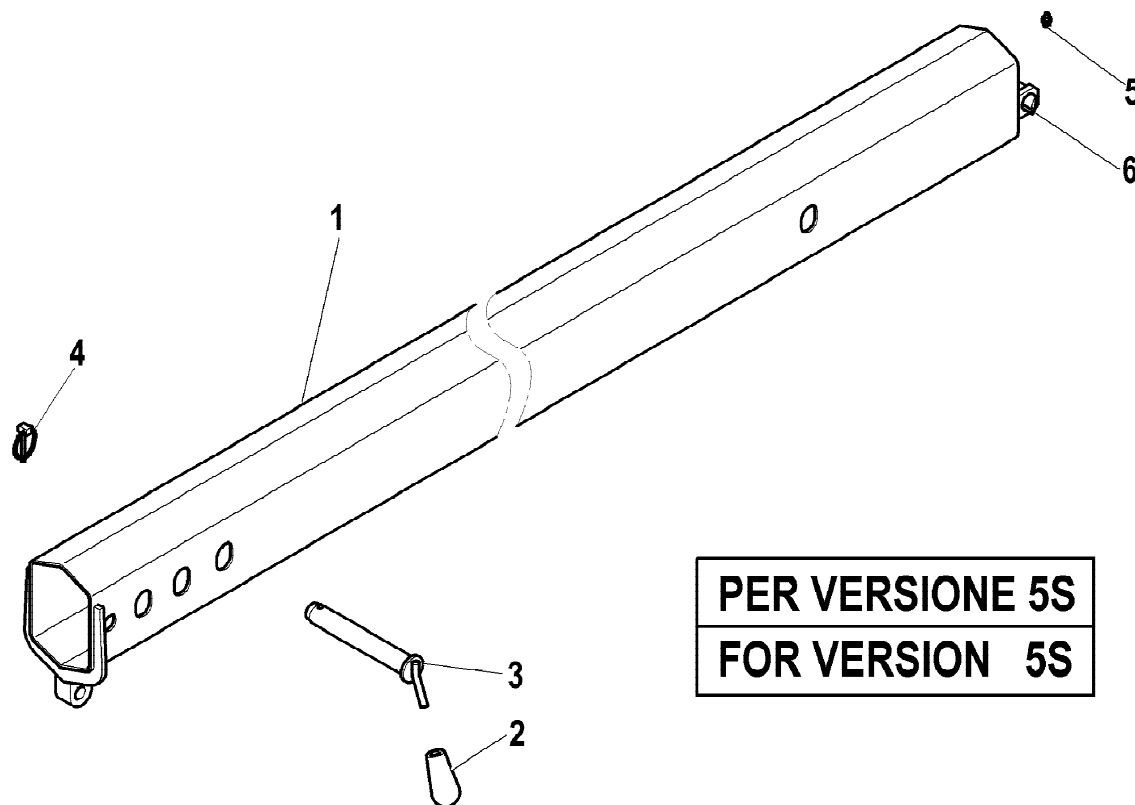
PER VERSIONE 4S
FOR VERSION 4S

rif.	codice	Q.tà
1	5.01.0302	1
2	3.19.0010	1
3	5.15.0395	1
4	3.06.0757	1
5	5.00.0827	4
6	5.14.0733	4
7	3.06.0914	4
8	3.06.0920	4
9	3.01.0353	4
10	5.14.0681	4
11	3.08.0500	1
12	5.00.0640	1



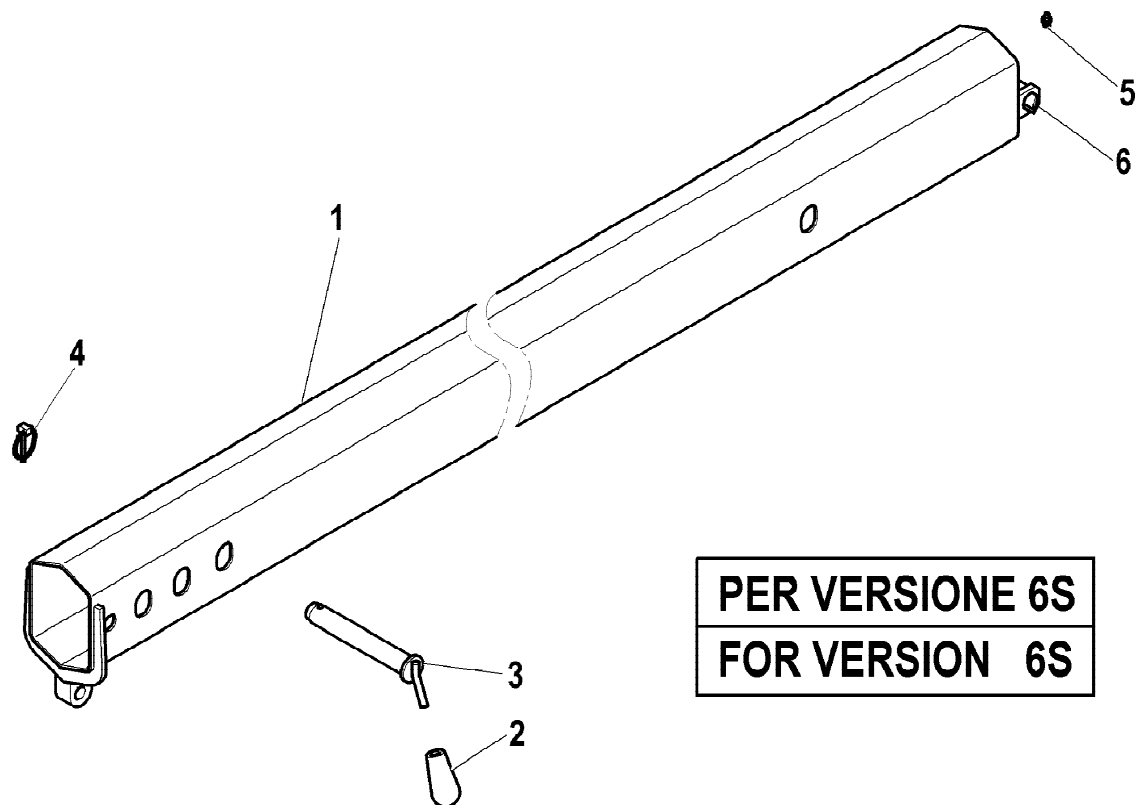
PER VERSIONE 5S
FOR VERSION 5S

rif.	codice	Q.tà
1	5.01.0303	1
2	3.19.0010	1
3	5.15.0395	1
4	3.06.0757	1
5	3.08.0500	1
6	5.00.0640	1



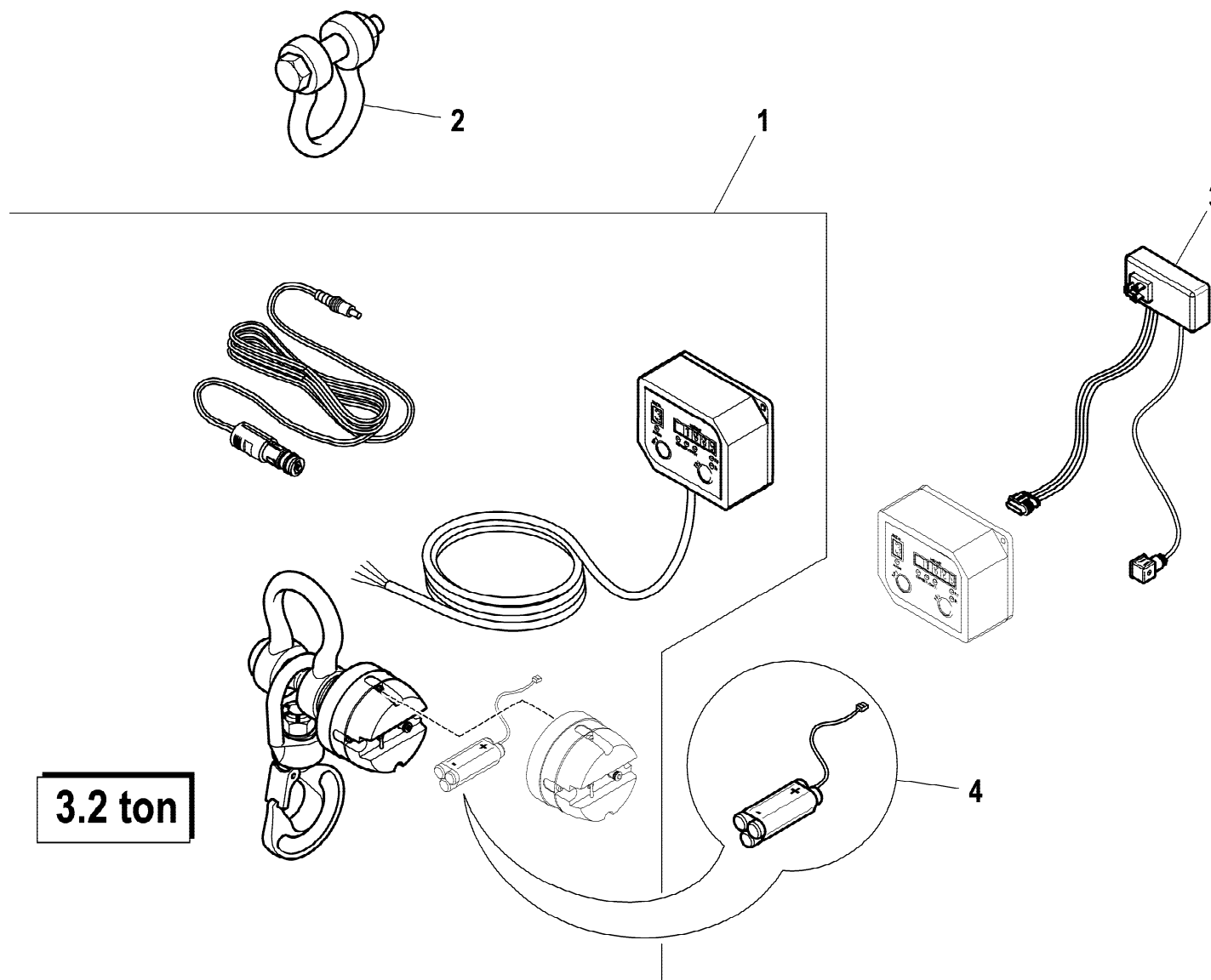
PER VERSIONE 5S
FOR VERSION 5S

rif.	codice	Q.tà
1	5.01.0303	1
2	3.19.0010	1
3	5.15.0395	1
4	3.06.0757	1
5	3.08.0500	1
6	5.00.0640	1

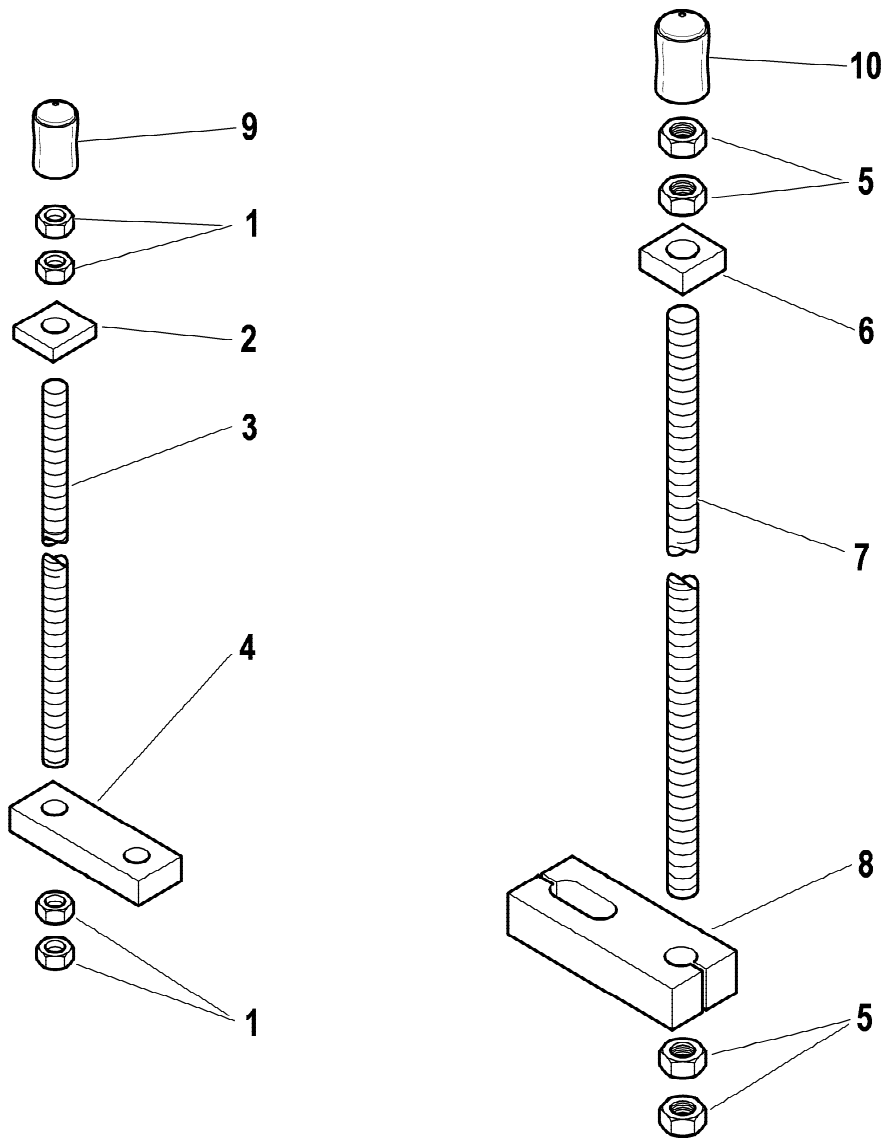


PER VERSIONE 6S
FOR VERSION 6S

rif.	codice	Q.tà
1	5.73.0507	1
2	3.20.0050	1
3	W.236.510	1
4	3.31.1542	1



3.2 ton

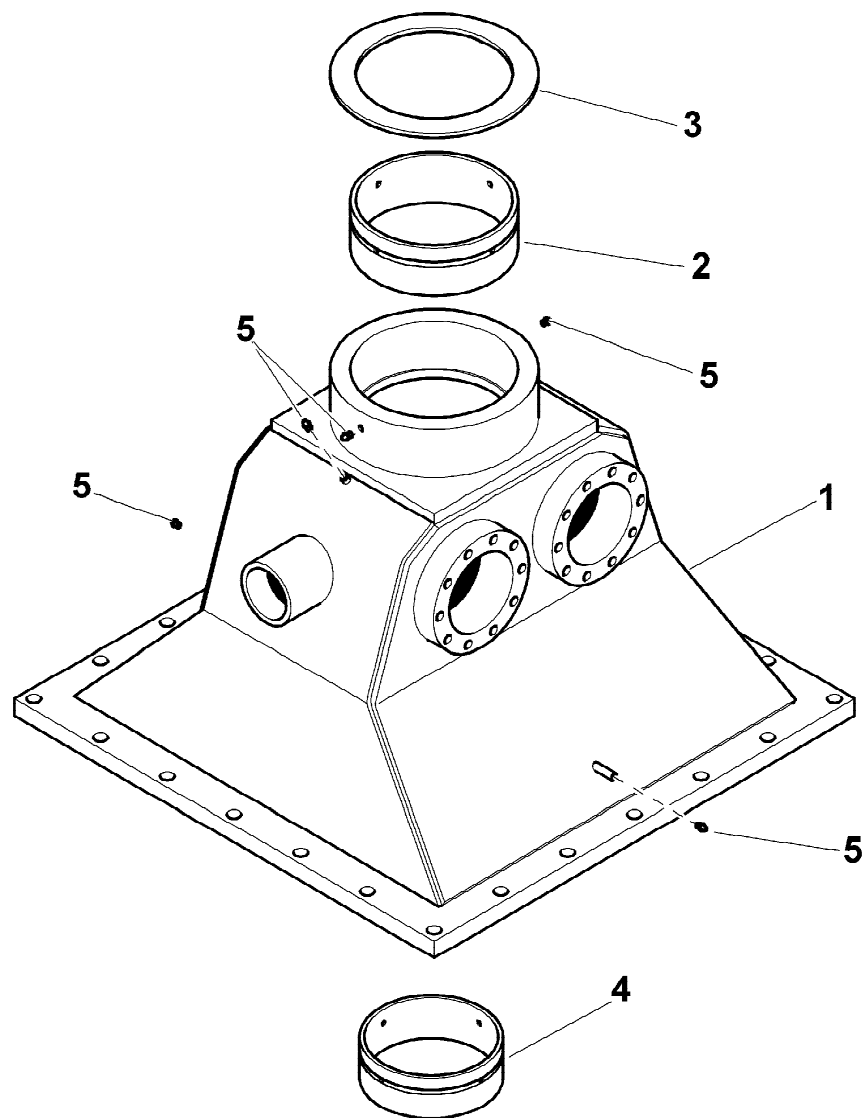


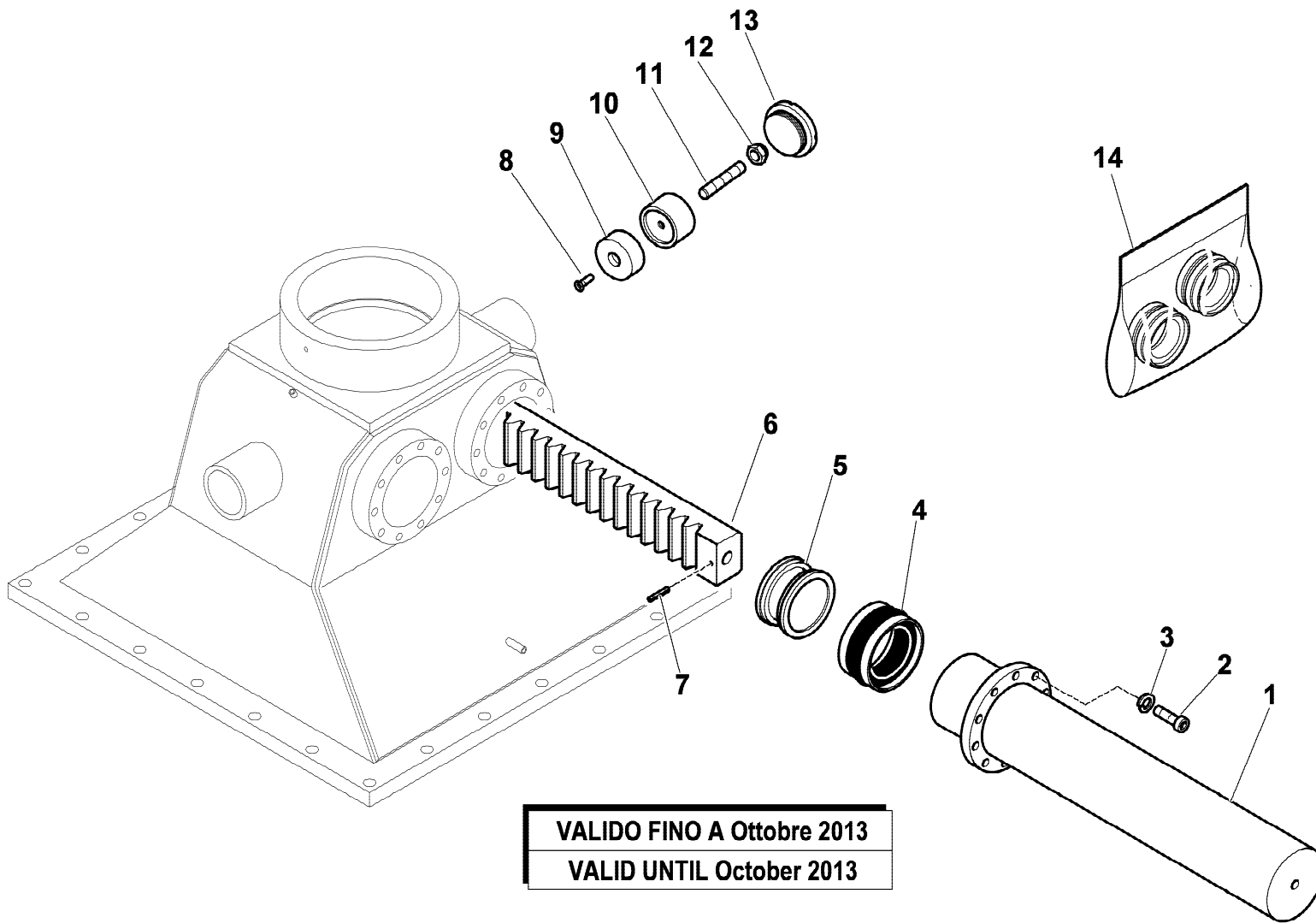
rif.	codice	Q.tà
1	3.04.0188	16
2	5.00.0085	4
3	5.15.0656	4
4	5.00.0202	2
5	3.04.0190	16
6	5.00.0090	8
7	5.15.0661	4
8	5.00.1204	2
9	3.19.0291	4
10	3.19.0292	4



HB170 M

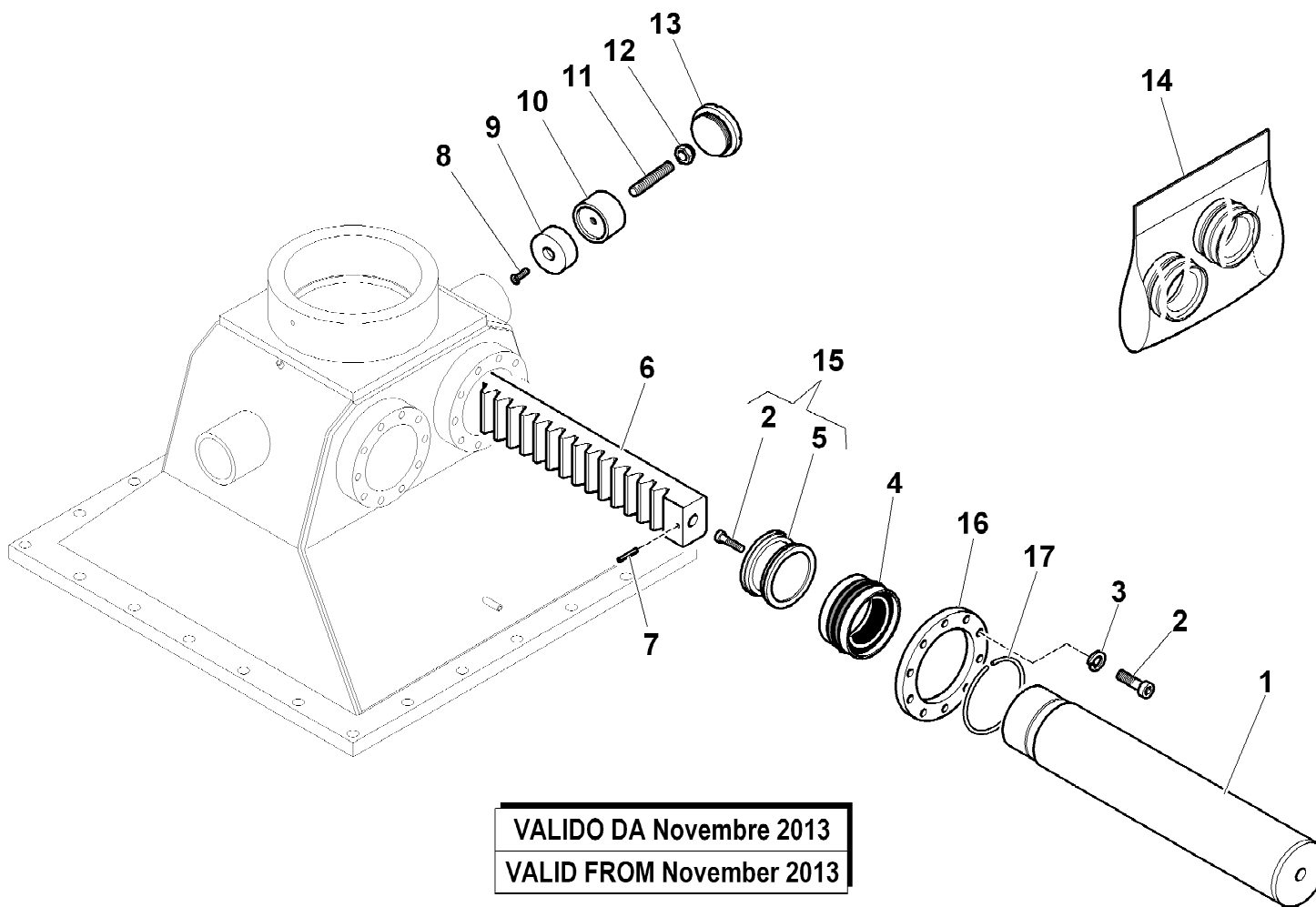
rif.	codice	Q.tà
1	5.06.0149	1
2	5.14.0730	1
3	5.14.0729	1
4	5.14.0731	1
5	3.08.0501	6





VALIDO FINO A Ottobre 2013
 VALID UNTIL October 2013

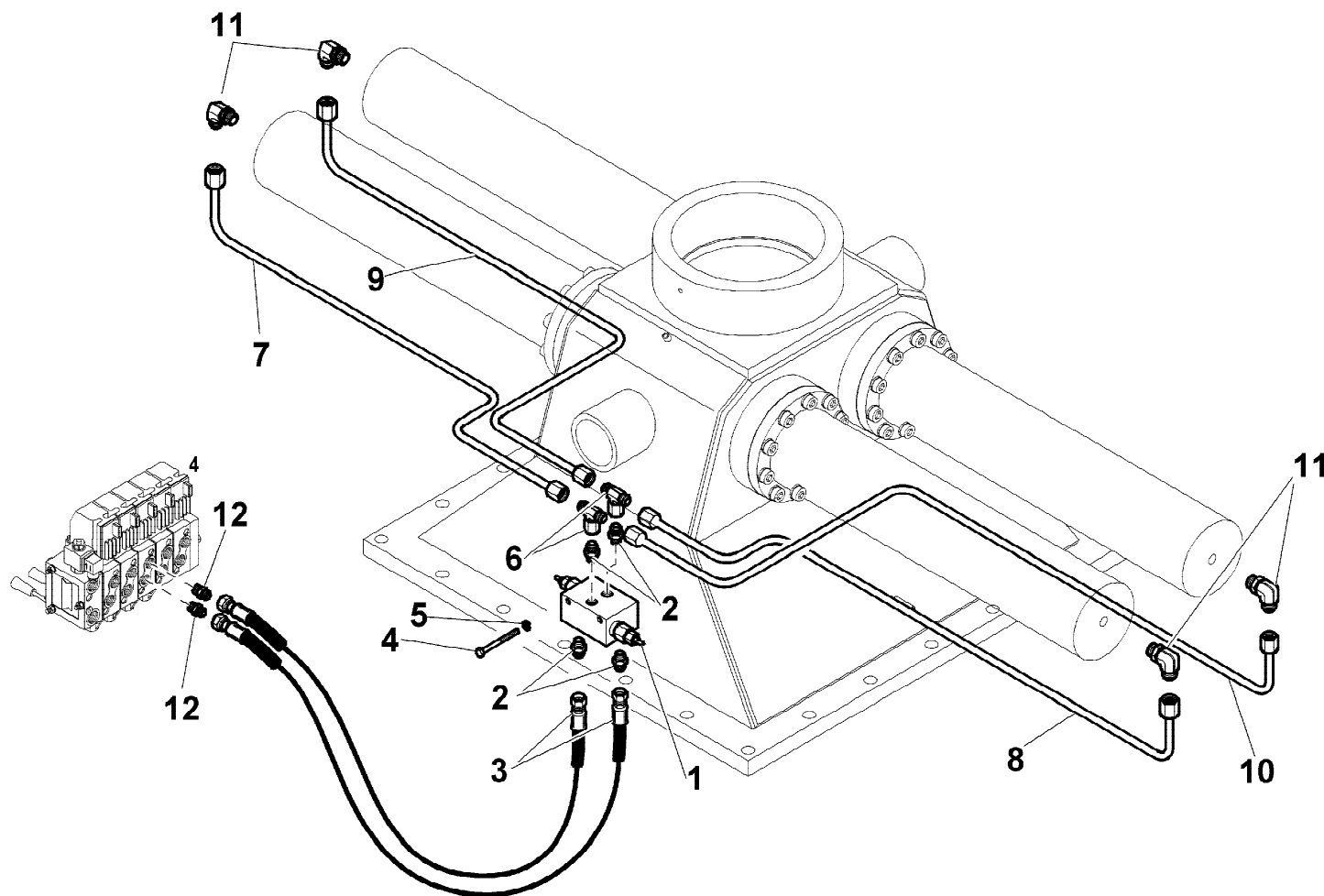
rif.	codice	Q.tà
1	6.07.0593	4
2	3.02.0118	40
3	3.06.0058	40
4	3.40.0521	4
5	6.05.0280	4
6	5.05.0090	2
7	3.06.0608	4
8	3.02.0893	2
9	5.14.0732	2
10	4.16.0381	2
11	3.06.0919	2
12	3.04.0309	2
13	5.14.0735	2
14	5.55.0745	1



VALIDO DA Novembre 2013
 VALID FROM November 2013

rif.	codice	Q.tà
1	6.07.0707	4
2	3.02.0110	44
3	3.06.0050	40
4	3.40.0521	4
5	6.05.0279	4
6	5.05.0090	2
7	3.06.0608	4
8	3.02.0893	2
9	5.14.0732	2
10	4.16.0381	2
11	3.06.0919	2
12	3.04.0309	2
13	5.14.0735	2
14	5.55.0745	1
15	6.05.0280	4
16	5.00.2437	4
17	W.44.02.012.00	4

rif.	codice	Q.tà
1	5.22.0666	1
2	3.10.1043	4
3	5.27.1532	2
4	3.01.0026	2
5	3.06.0053	1
6	3.12.0066	2
7	5.39.1900	1
8	5.39.1899	1
9	5.39.1897	1
10	5.39.1898	1
11	3.10.1127	4
12	3.10.1044	2



1/1

HYVA CRANE

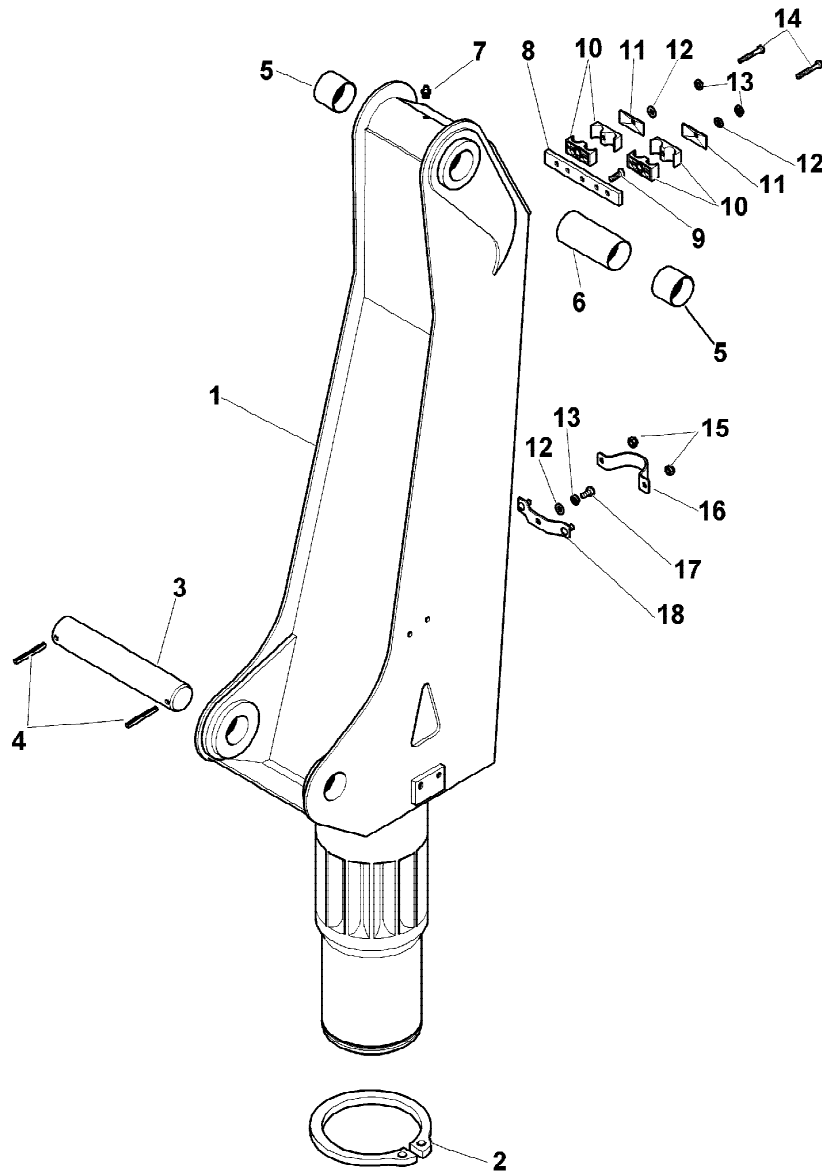
HB170

MARTINETTO ROTAZIONE (IMPIANTO OLEODINAMICO)
 SLEWING HYDRAULIC JACK (HYDRAULIC SYSTEM)
 VERIN ROTATION (INSTALLATION HYDRAULIQUE)
 DREH SCHUBZYLINDER (HYDRAULIKANLAGE)
 GATO ROTACION (INSTALACION HIDRAULICA)

Tavola

6.24.0095-2-0

Data pag.
 giugno 2006 129



rif.	codice	Q.tà
1	5.04.0090	1
2	3.07.0110	1
3	5.15.0729	1
4	3.06.0939	2
5	5.14.0694	2
6	5.00.1254	1
7	3.08.0501	1
8	5.00.1192	1
9	3.02.0899	1
10	3.19.0220	2
11	3.19.0221	2
12	3.06.0006	3
13	3.06.0055	3
14	3.01.0035	2
15	3.04.0303	2
16	5.00.0038	1
17	3.01.0337	1
18	5.00.0614	1

1/1

HYVA CRANE

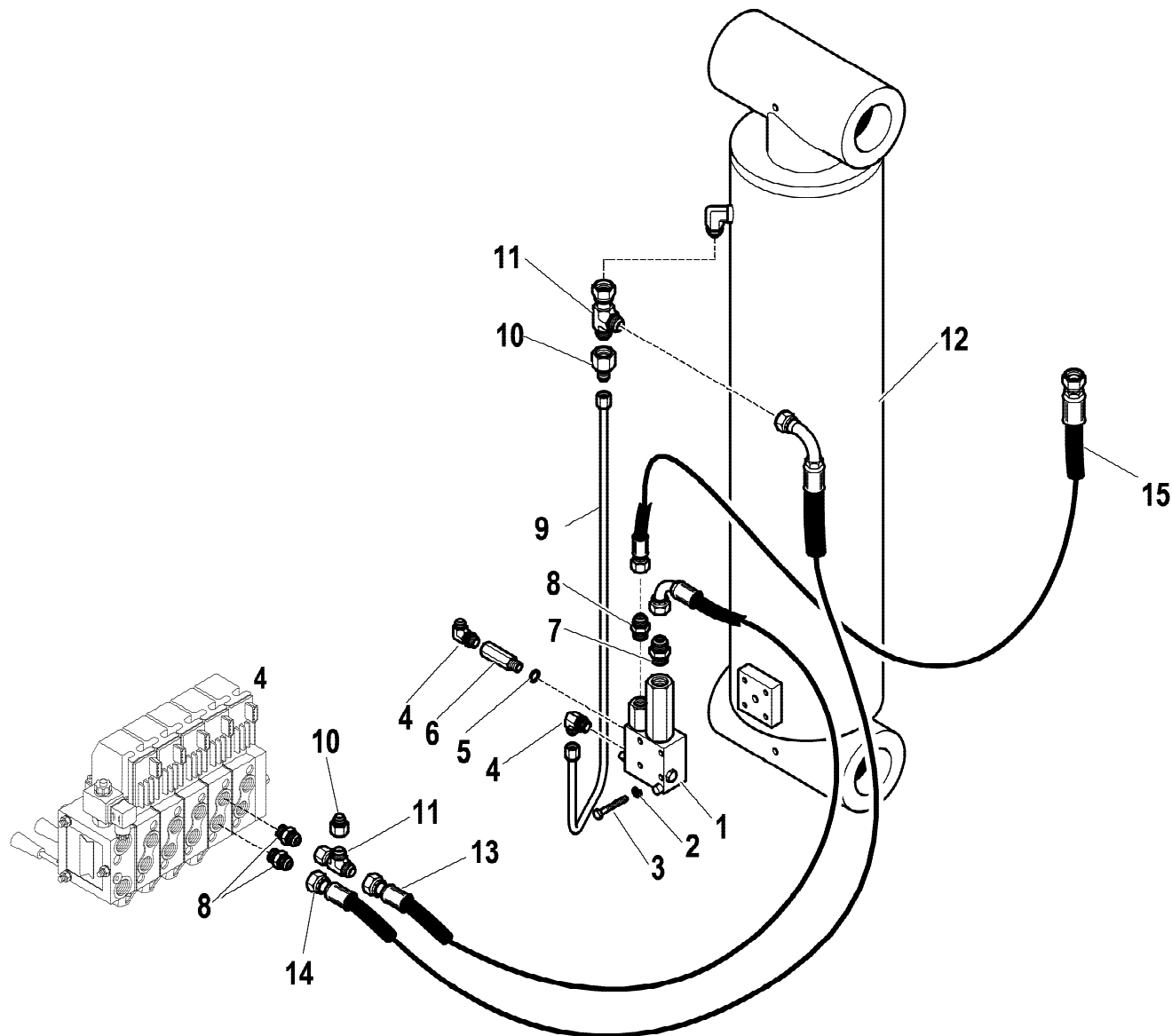
HB170

COLONNA
COLUMN
COLONNE
SAEULE
COLUMNNA

Tavola

5.46.0041-1-0

Data pag.
giugno 2006 130



rif.	codice	Q.tà
1	5.22.0670	1
2	3.06.0053	4
3	3.01.0399	4
4	3.10.1124	2
5	3.06.0143	1
6	5.22.0300	1
7	3.10.1043	1
8	3.10.1051	3
9	5.39.1731	1
10	3.12.0209	2
11	3.12.0008	2
12	6.43.0135	1
13	5.28.0573	1
14	5.28.0574	1
15	5.26.1061	1

1/1

HYVA CRANE

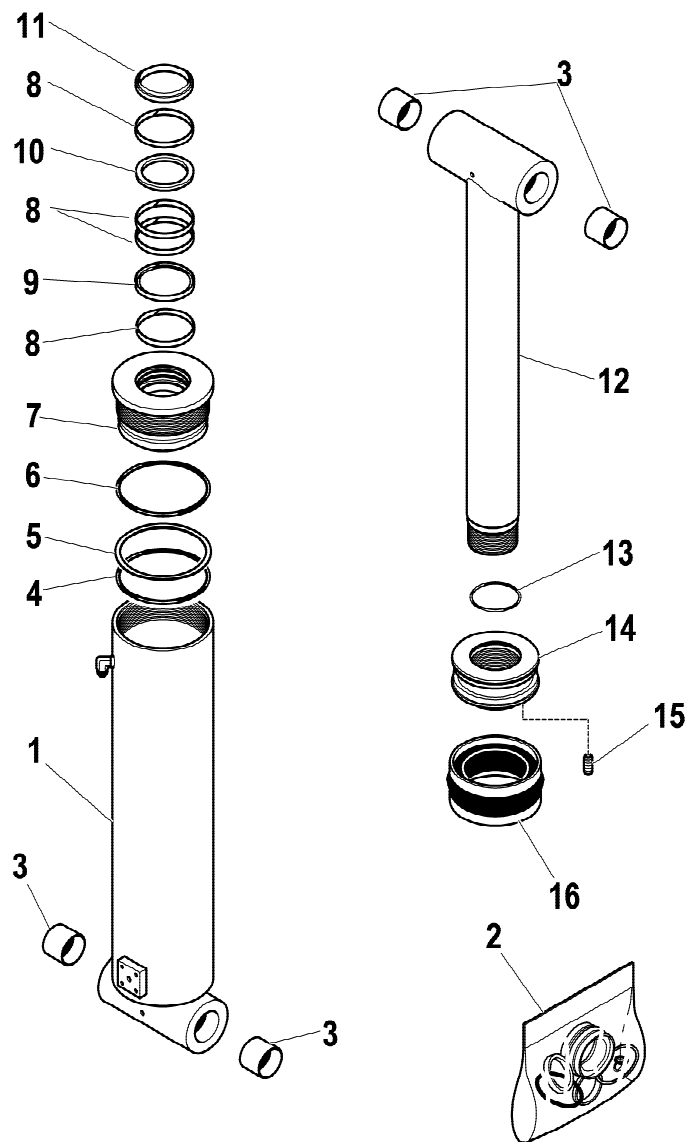
HB170

MARTINETTO SOLLEVAMENTO (IMPIANTO OLEODINAMICO)
 LIFTING HYDRAULIC CYLINDER (HYDRAULIC SYSTEM)
 VERIN DE LEVAGE (INSTALLATION HYDRAULIQUE)
 HUBZYLINDER (HYDRAULIKANLAGE)
 GATO DE ELEVACION (INSTALACION HIDRAULICA)

Tavola

6.23.0135-1-0

Data pag.
 aprile 2009 131



rif.	codice	Q.tà
1	6.07.0480	1
2	3.08.0501	2
3	5.14.0694	4
4	3.45.0323	1
5	3.46.0323	1
6	3.45.0172	1
7	6.04.0274	1
8	3.36.1011	4
9	3.38.0800	1
10	3.37.0170	1
11	3.42.0041	1
12	6.03.0621	1
13	3.45.0148	1
14	6.05.0281	1
15	3.06.0246	1
16	3.40.0528	1
17	5.55.0749	1

1/1

HYVA CRANE

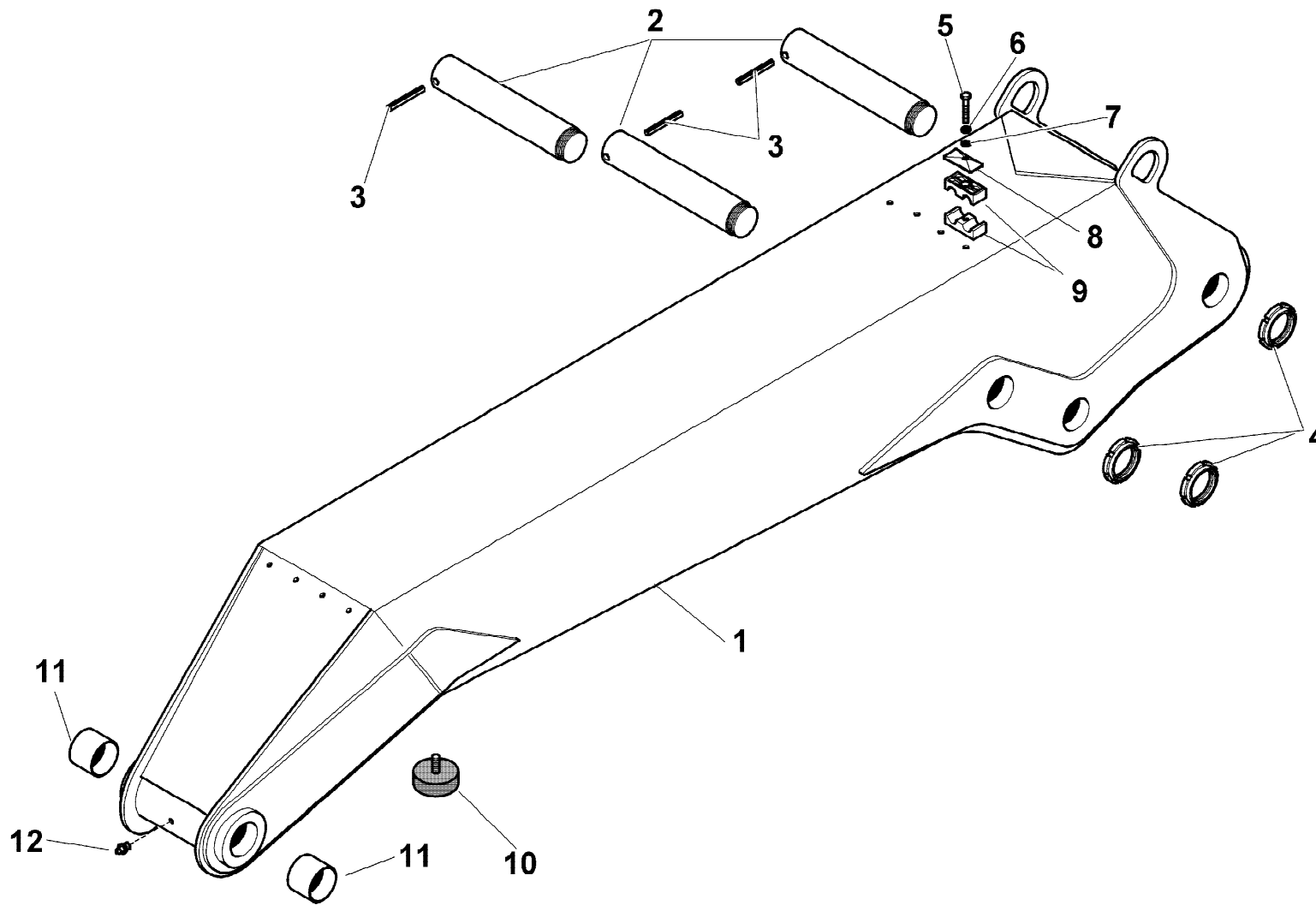
HB170

MARTINETTO SOLLEVAMENTO
LIFTING HYDRAULIC CYLINDER
VERIN DE LEVAGE
HUBZYLINDER
GATO DE ELEVACION

Tavola

6.43.0135-1-0

Data pag.
aprile 2009 132



rif.	codice	Q.tà
1	5.03.0253	1
2	5.15.0731	1
3	3.06.0939	1
4	3.04.0508	1
5	3.19.0220	4
6	3.19.0221	4
7	3.06.0006	4
8	3.06.0055	4
9	3.01.0035	8
10	3.19.0100	1
11	5.14.0694	2
12	3.08.0501	1



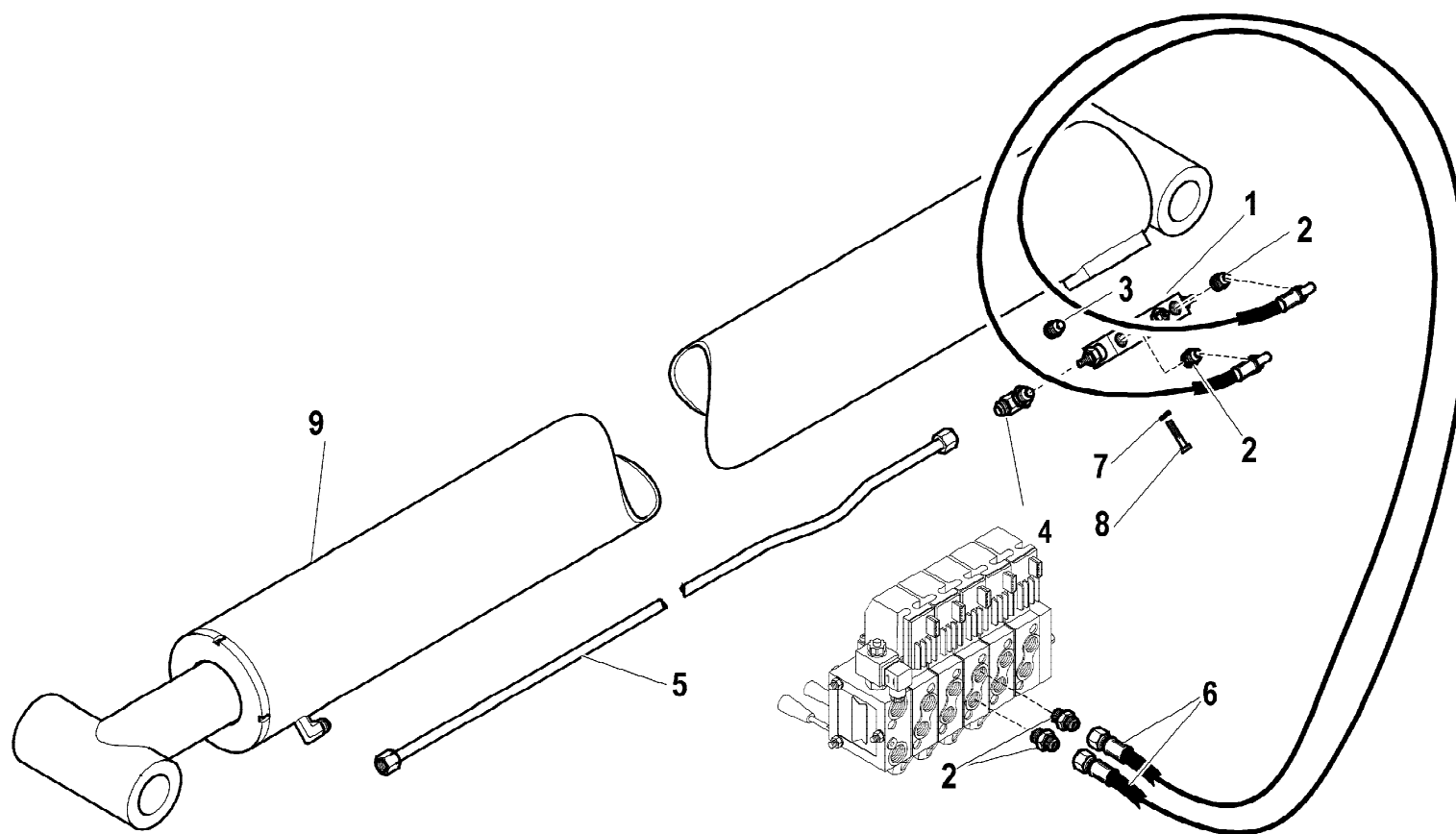
HB170

1° BRACCIO
1ST BOOM
1ERE BRAS
1. ARM
1° BRAZO

Tavola
5.47.0060-1-0

Data pag.
giugno 2006 133

rif.	codice	Q.tà
1	5.22.0665	1
2	3.10.1051	4
3	3.11.1523	1
4	3.10.1131	1
5	5.39.1734	1
6	5.28.0592	2
7	3.06.0055	3
8	3.01.0032	3
9	6.43.0140	1



1/1

HYVA CRANE

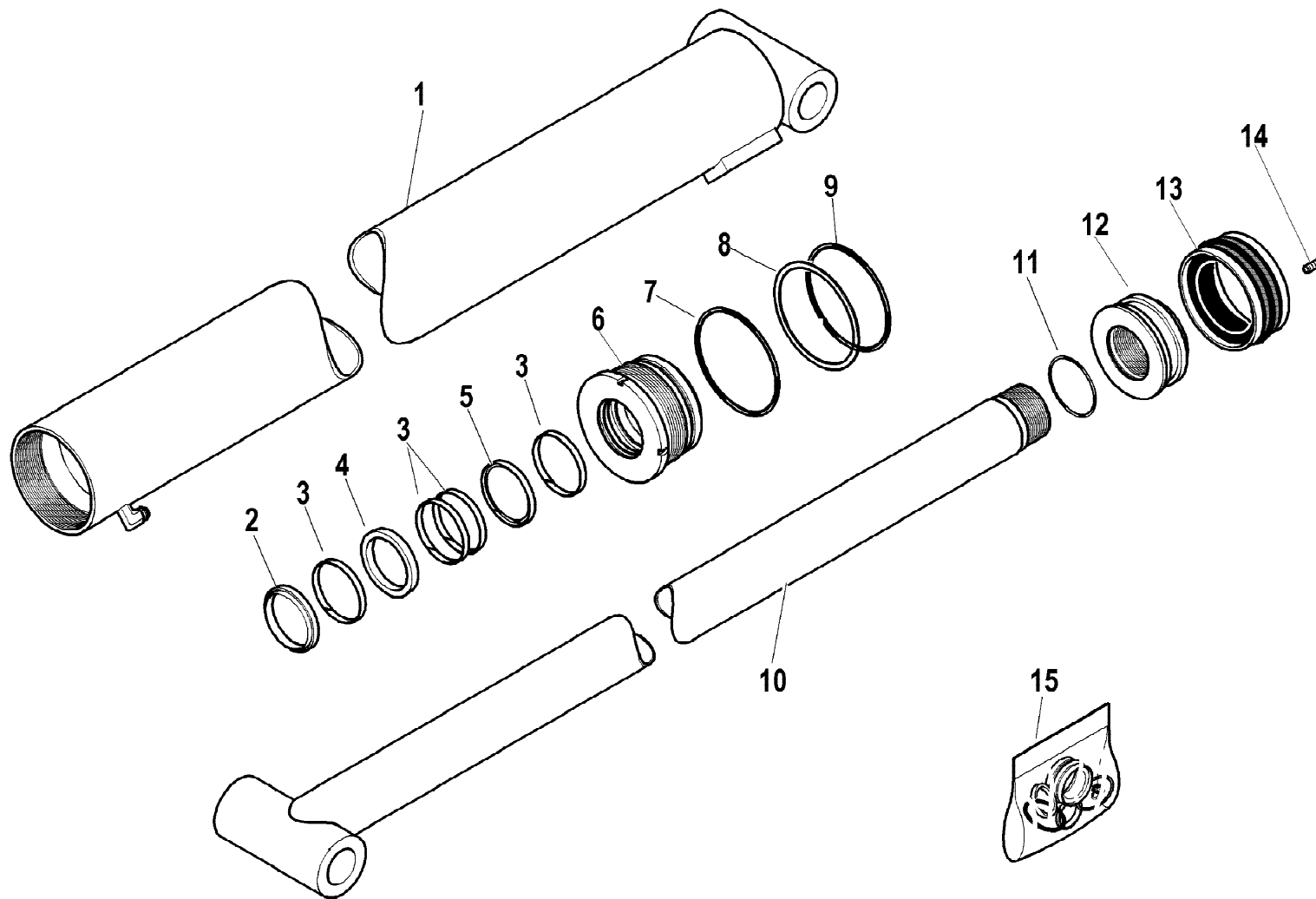
HB170

MARTINETTO ARTICOLAZIONE (IMPIANTO OLEODINAMICO)
 ARTICULATION HYDRAULIC JACK (HYDRAULIC SYSTEM)
 VERIN D'ARTICULATION (INSTALLATION HYDRAULIQUE)
 GELENKSHEBEBOCK (HYDRAULIKANLAGE)
 GATO ARTICULACION (INSTALACION HIDRAULICA)

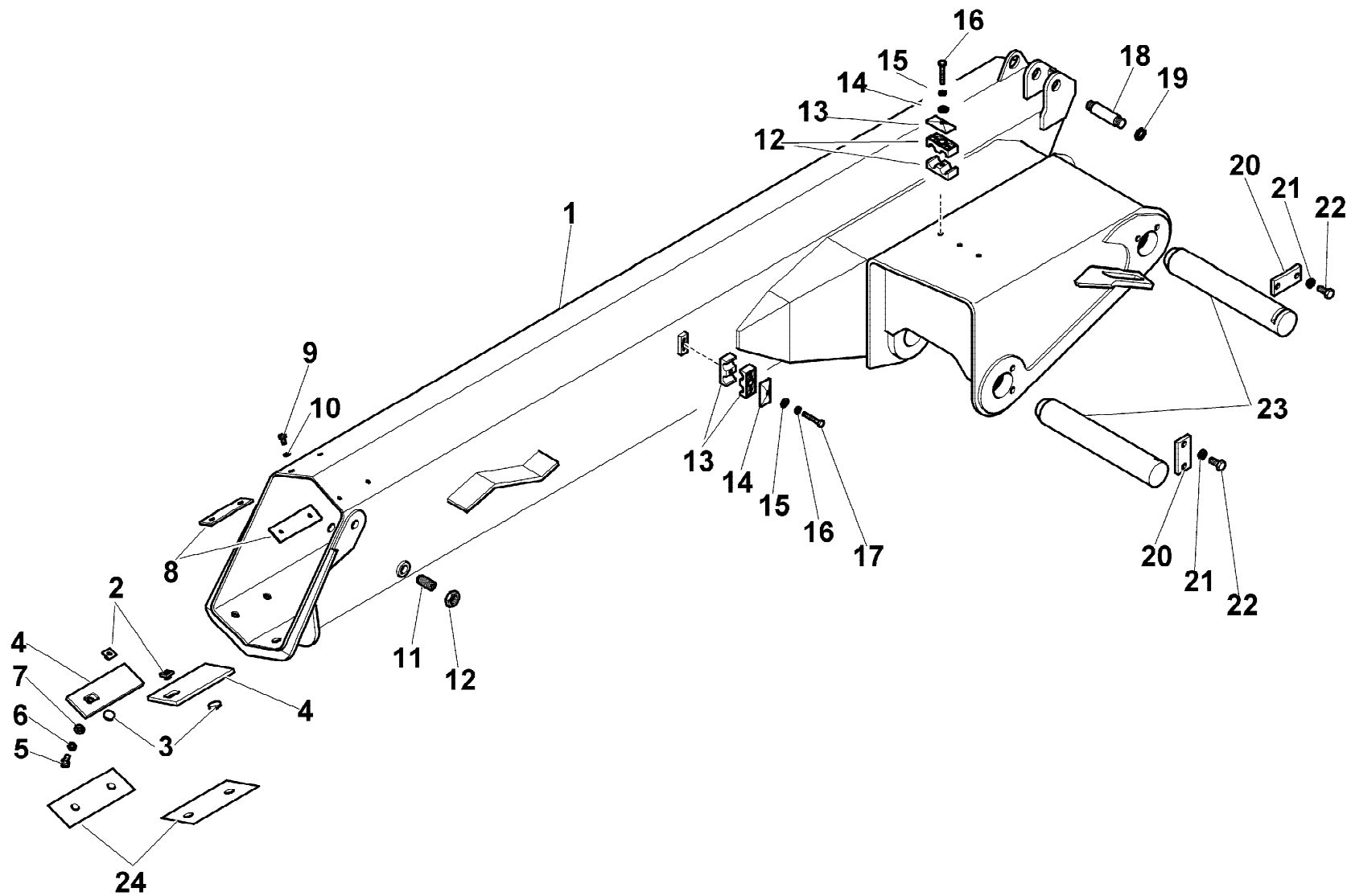
Tavola

6.23.0140-1-0

Data pag.
 giugno 2006 134



rif.	codice	Q.tà
1	6.07.0481	1
2	3.42.0041	1
3	3.36.1011	4
4	3.37.0170	1
5	3.38.0800	1
6	6.04.0274	1
7	3.45.0172	1
8	3.46.0323	1
9	3.45.0323	1
10	6.03.0648	1
11	3.45.0148	1
12	6.05.0281	1
13	3.40.0528	1
14	3.06.0246	1
15	5.55.0749	1



rif.	codice	Q.tà
1	5.03.0257	1
2	5.00.0827	2
3	5.14.0681	2
4	5.14.0701	2
5	3.01.0353	2
6	3.06.0914	2
7	3.06.0920	2
8	5.14.0609	2
10	3.06.0918	4
11	5.00.0771	4
12	3.04.0089	4
13	3.19.0220	6
14	3.19.0221	3
15	3.06.0006	3
16	3.06.0055	1
17	3.01.0035	3
18	5.15.0733	1
19	3.04.0504	2
20	5.00.1138	2
21	3.06.0057	4
22	3.01.0368	4
23	5.15.0732	2
24	5.00.0869	2

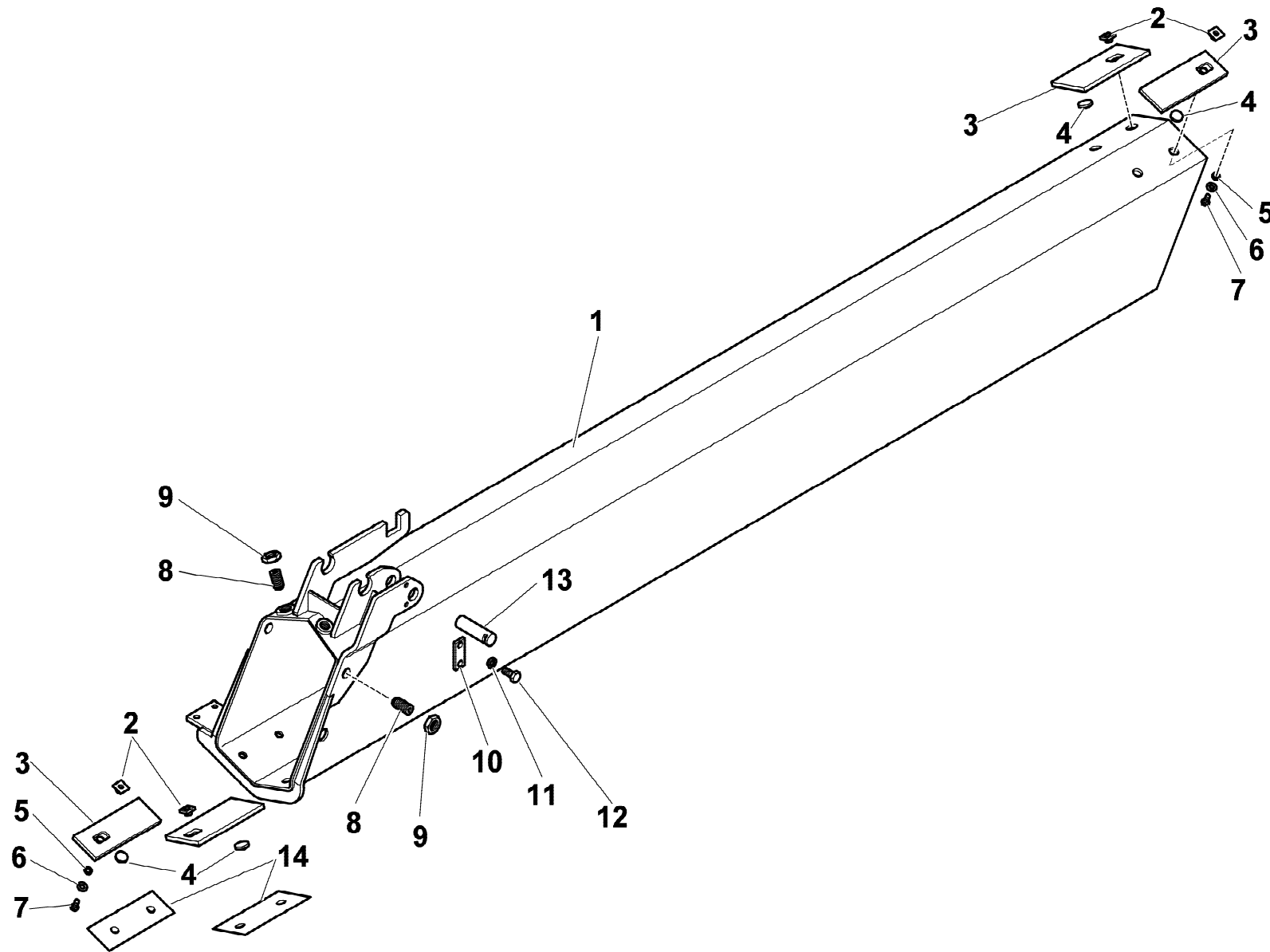


HB170

2° BRACCIO
2ND BOOM
2EME BRAS
2. ARM
2° BRAZO

Tavola
5.48.0065-1-0

Data pag.
giugno 2006 136



rif.	codice	Q.tà
1	5.02.0422	1
2	5.00.0827	4
3	5.14.0701	4
4	5.14.0681	2
5	3.06.0920	4
6	3.06.0914	4
7	3.01.0353	4
8	5.00.0771	4
9	3.04.0089	4
10	5.00.0674	1
11	3.01.0337	2
12	3.06.0055	2
13	5.15.0734	1
14	5.00.0869	2

1/1

HYVA CRANE

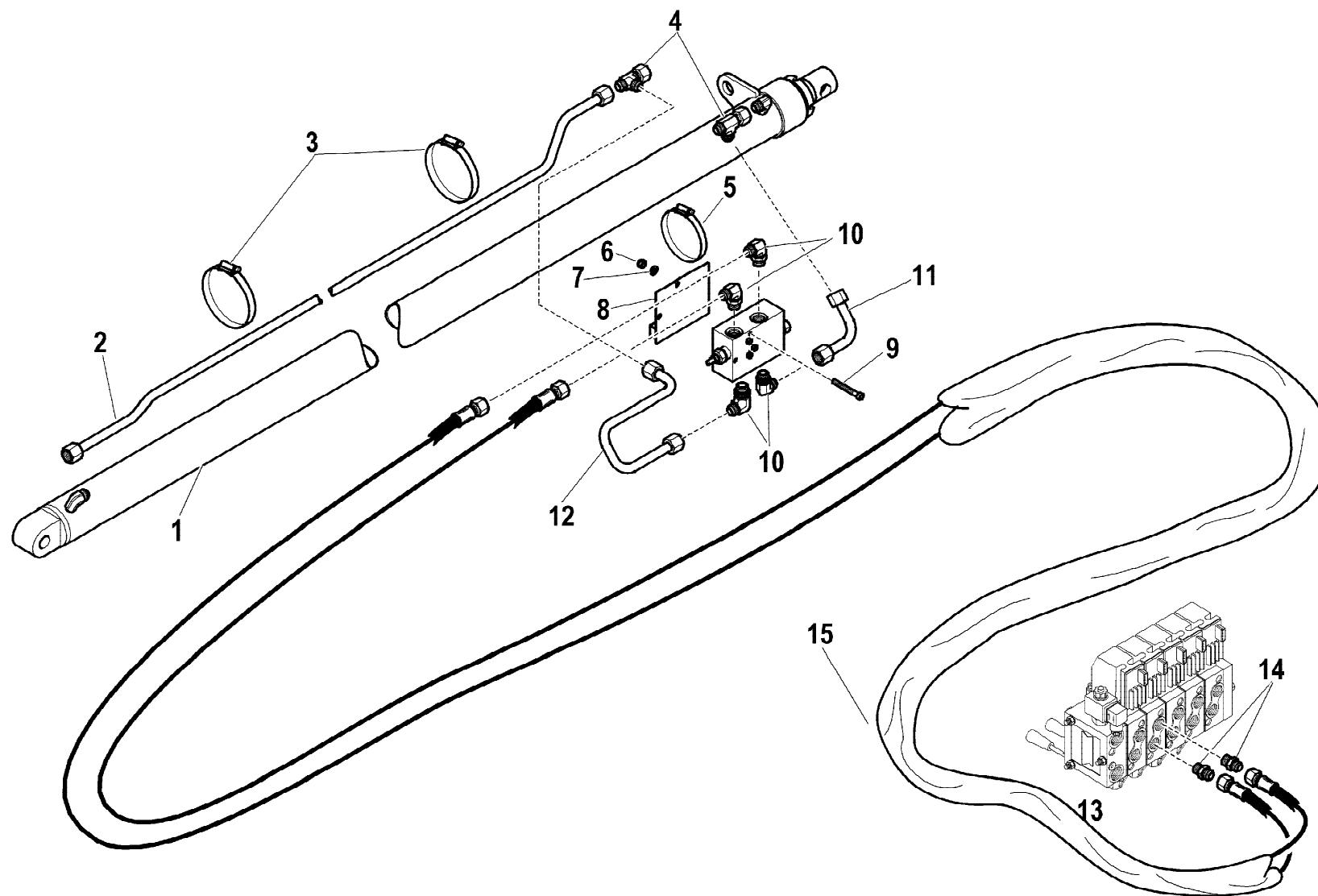
HB170

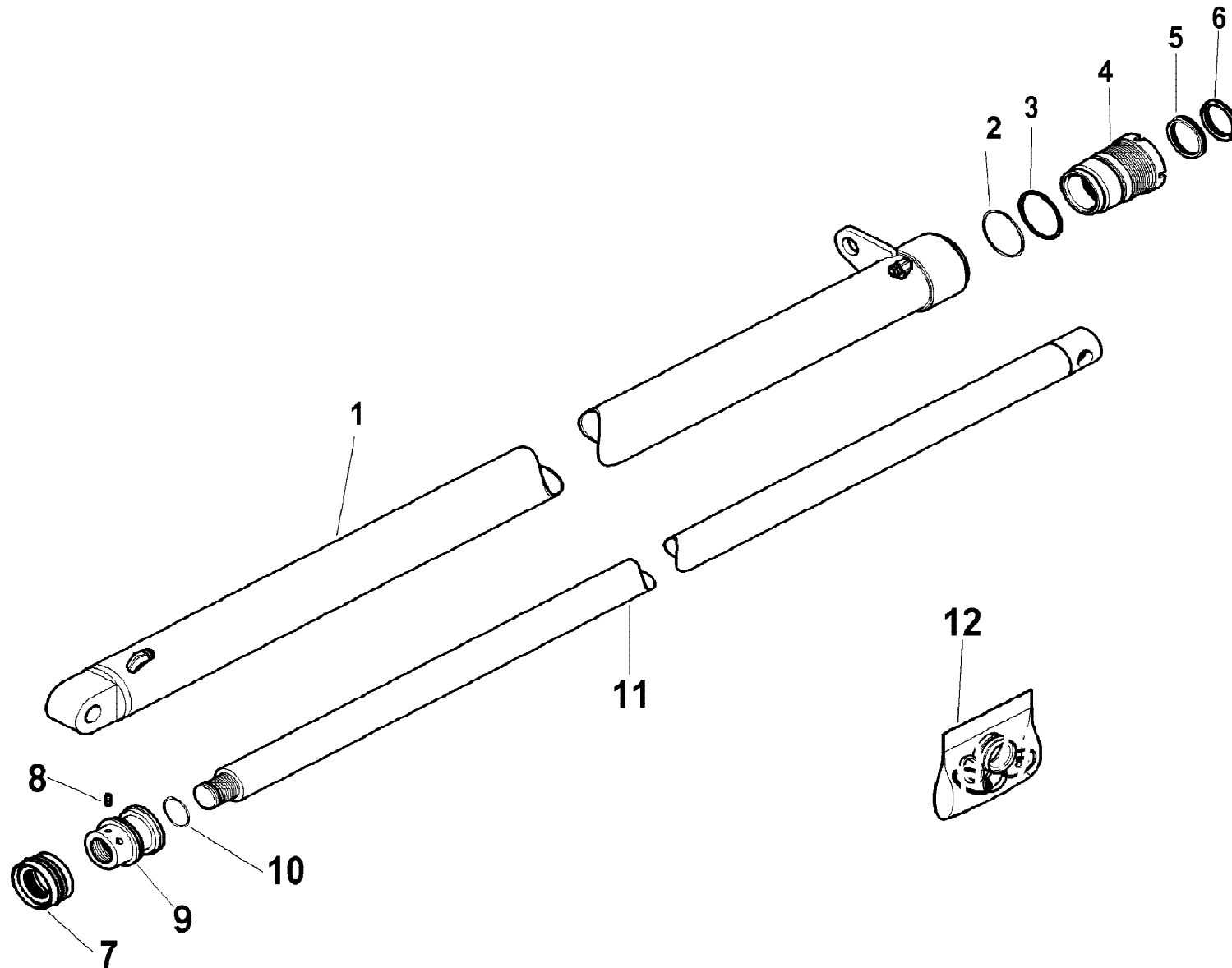
1° SFILLO
1ST EXTENSION
1ERE RALLONGE
1. VERLAENGERUNG
1°PROLONGACION

Tavola
5.49.0064-1-0

Data pag.
giugno 2006 137

rif.	codice	Q.tà
1	6.21.0287	1
2	5.39.1804	1
3	3.19.0023	2
4	3.12.0008	2
5	3.19.0022	2
6	3.04.0303	2
7	3.06.0006	2
8	5.00.1196	1
9	3.02.0901	1
10	3.10.1131	4
11	5.39.1801	1
12	5.39.1803	1
13	5.28.0589	2
14	3.10.1051	2
15	3.19.0171	1





rif.	codice	Q.tà
1	6.07.0464	1
2	3.45.0136	1
3	3.46.0136	1
4	6.04.0257	1
5	3.37.0134	1
6	3.42.0026	1
7	3.40.0510	1
8	3.06.0234	1
9	6.05.0143	1
10	3.45.0069	1
11	6.03.0650	1
12	5.55.0779	1

1/1

HYVA CRANE

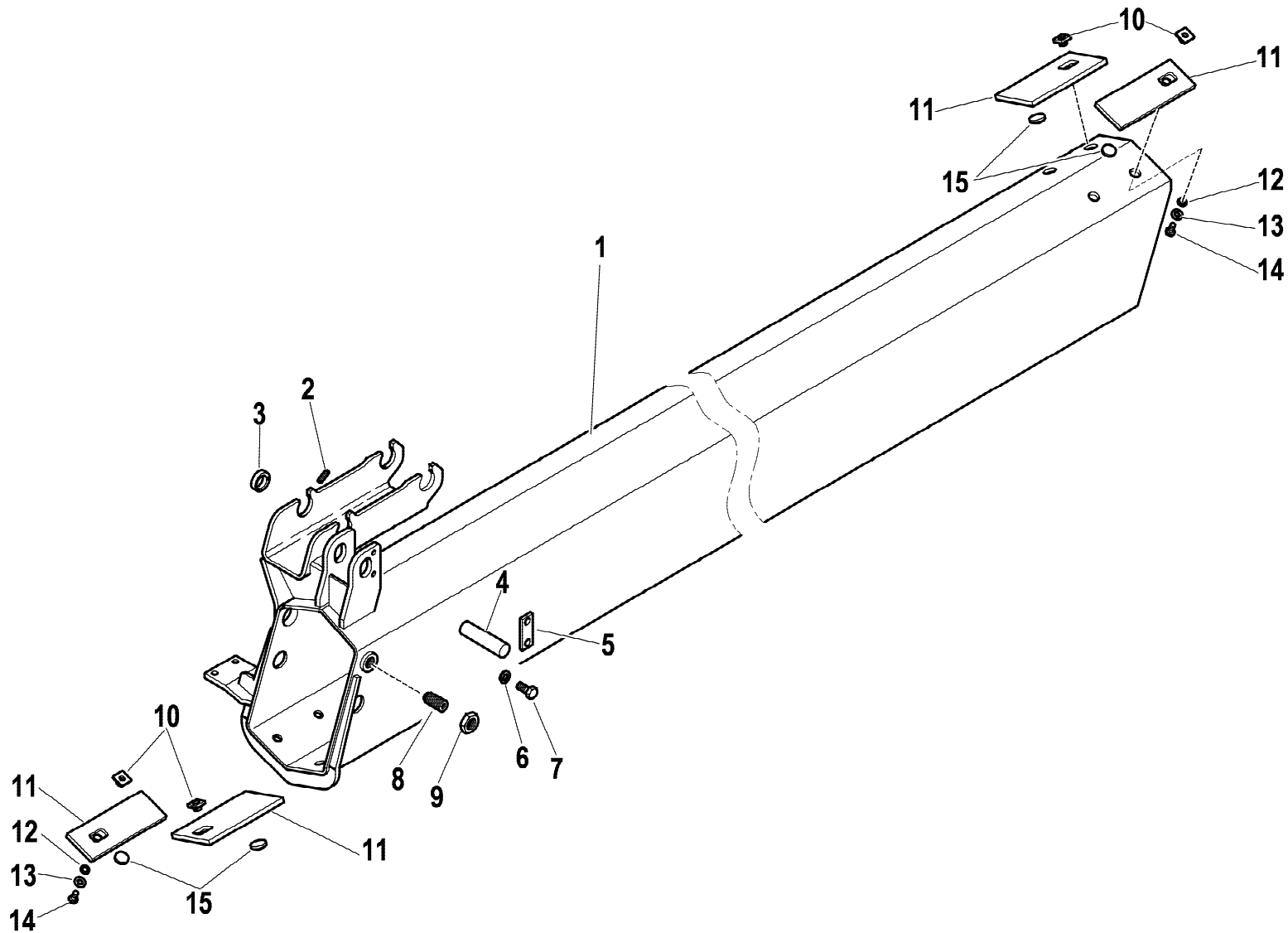
HB170

MARTINETTO 1° SFILLO
 1ST EXSTENSION HYDRAULIC
 VÉRIN 1ÈRE RALLONGE
 1. SCHUBZYLINDER
 GATO 1ª EXTENSIÓN

Tavola

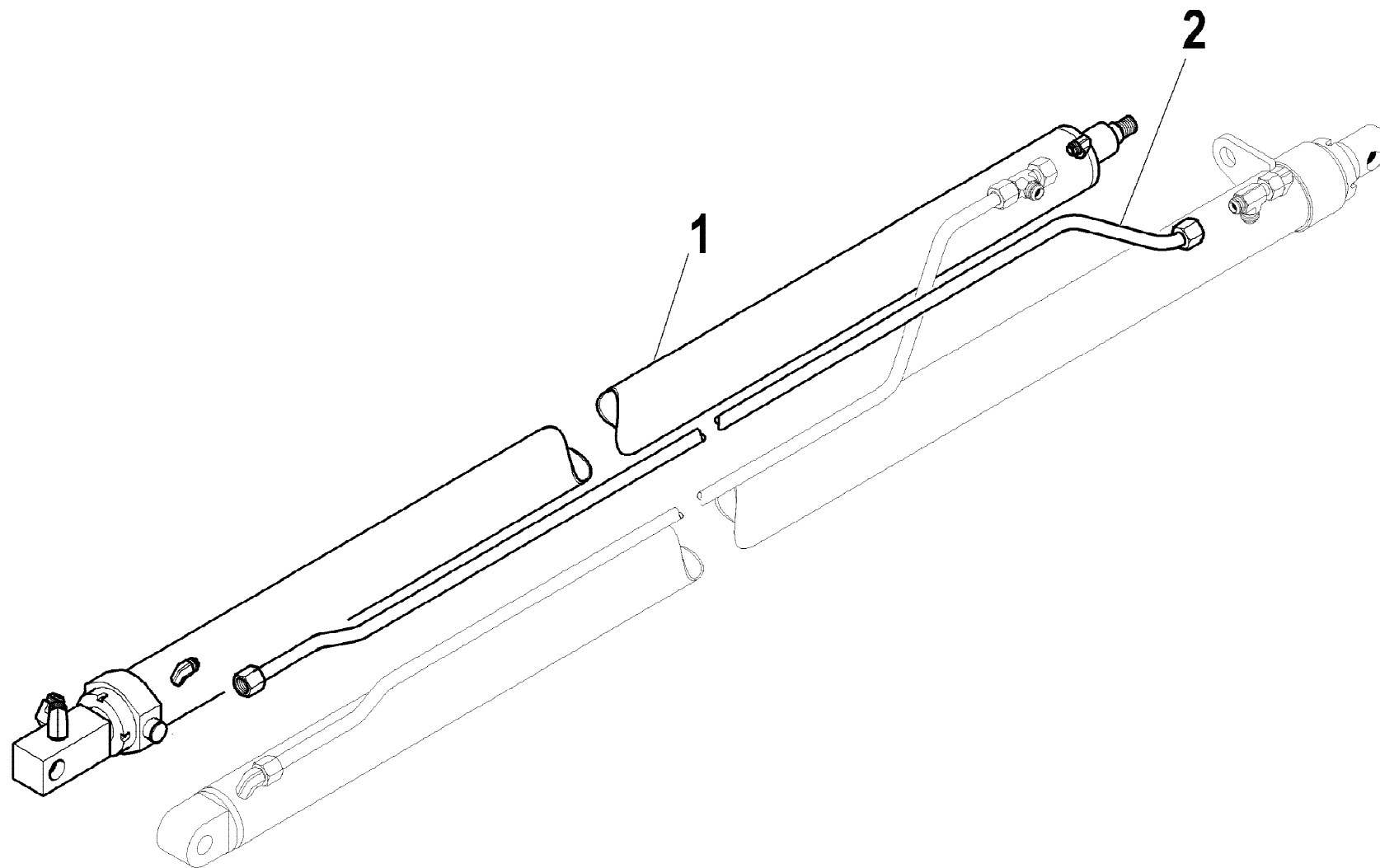
6.41.0287-1-0

Data pag.
 giugno 2006 139



rif.	codice	Q.tà
1	5.02.0423	1
2	3.06.0941	4
3	5.00.1105	4
4	5.15.0443	1
5	5.00.0674	1
6	3.06.0055	2
7	3.01.0337	2
8	5.00.0771	2
9	3.04.0089	2
10	5.00.0827	4
11	5.14.0743	4
12	3.06.0920	4
13	3.06.0914	4
14	3.01.0353	4
15	5.14.0681	4

rif.	codice	Q.tà
1	6.41.0288	1
2	5.39.1802	1



1/1

HYVA CRANE

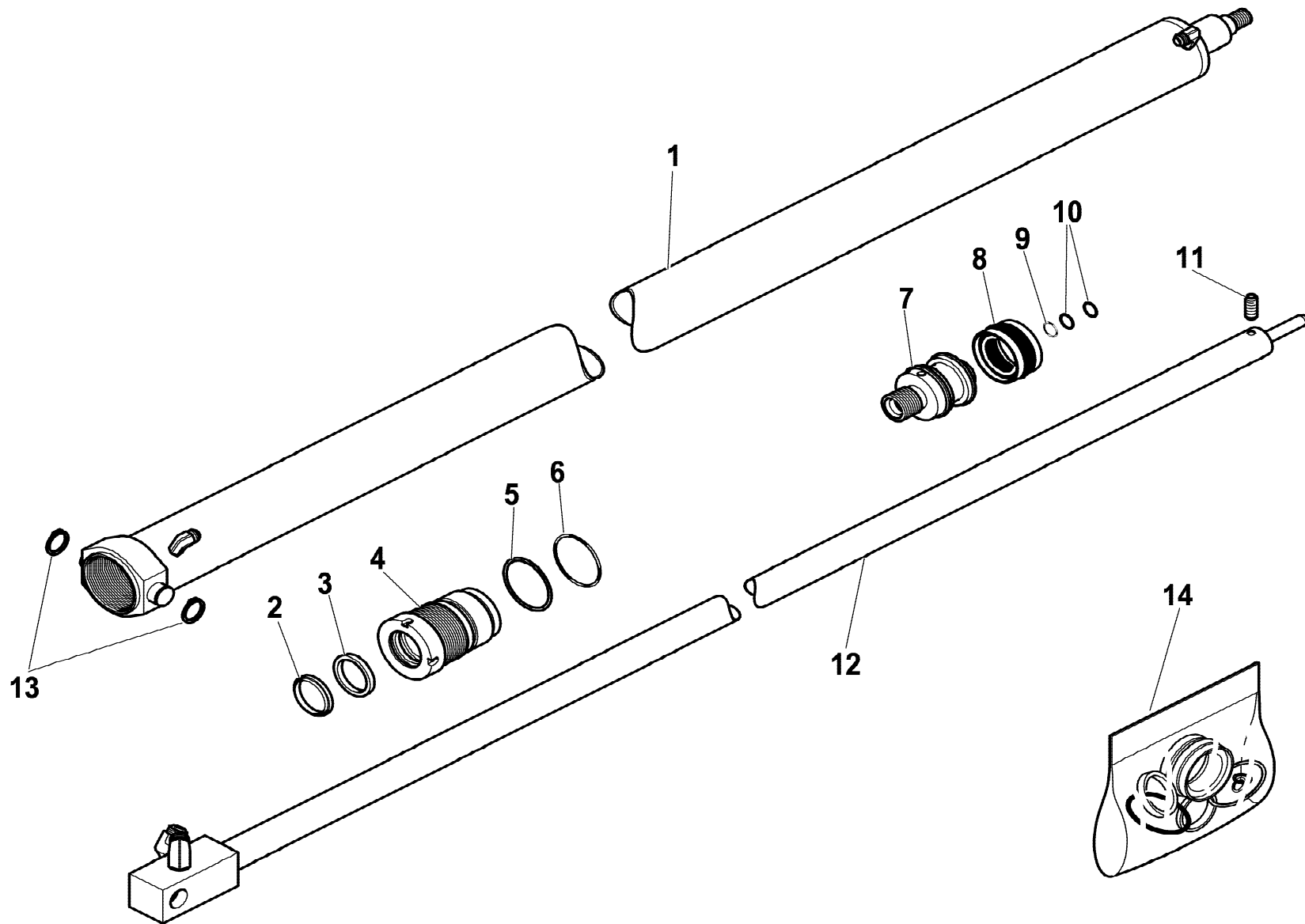
HB170

MARTINETTO 2° SFILLO (IMPIANTO OLEODINAMICO)
 2ND EXTENSION HYDRAULIC JACK (HYDRAULIC SYSTEM)
 VÉRIN 2ÈME RALLONGE (INSTALLATION HYDRAULIQUE)
 2. SCHUBZYLINDER (HYDRAULIKANLAGE)
 GATO 2ª EXTENSIÓN (INSTALACION HIDRAULICA)

Tavola

6.21.0288-1-0

Data pag.
 giugno 2006 141



rif.	codice	Q.tà
1	6.07.0468	1
2	3.42.0023	1
3	3.40.0083	1
4	6.04.0258	1
5	3.46.0136	1
6	3.45.0136	1
7	6.05.0255	1
8	3.40.0510	1
9	3.45.0047	1
10	3.46.0047	2
11	3.06.0232	1
12	6.03.0651	1
13	3.07.0150	2
14	5.55.0780	1

1/1

HYVA CRANE

HB170

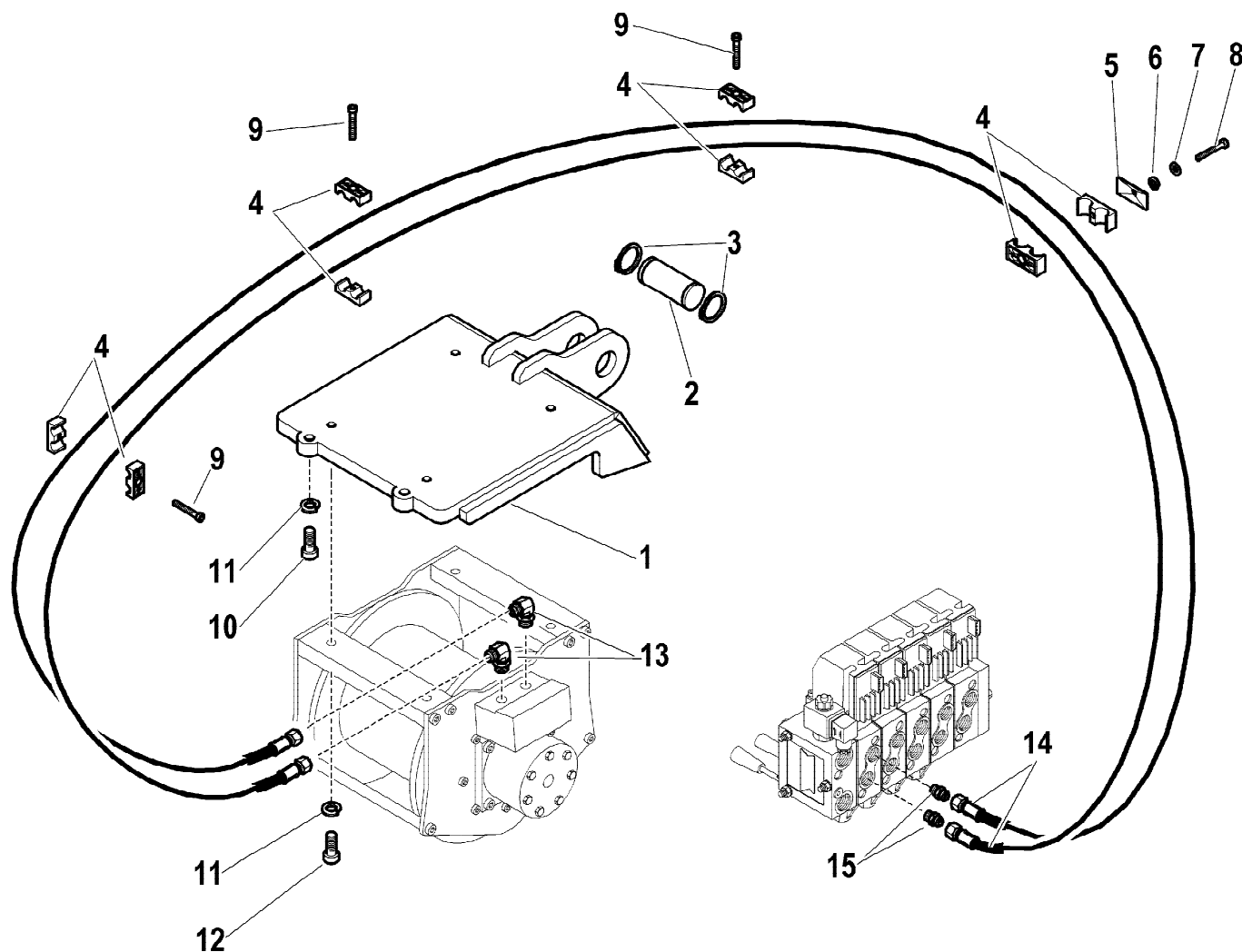
MARTINETTO 2° SFILLO
 2ND EXTENSION HYDRAULIC JACK
 VÉRIN 2ÈME RALLONGE
 2. SCHUBZYLINDER
 GATO 2ª EXTENSIÓN

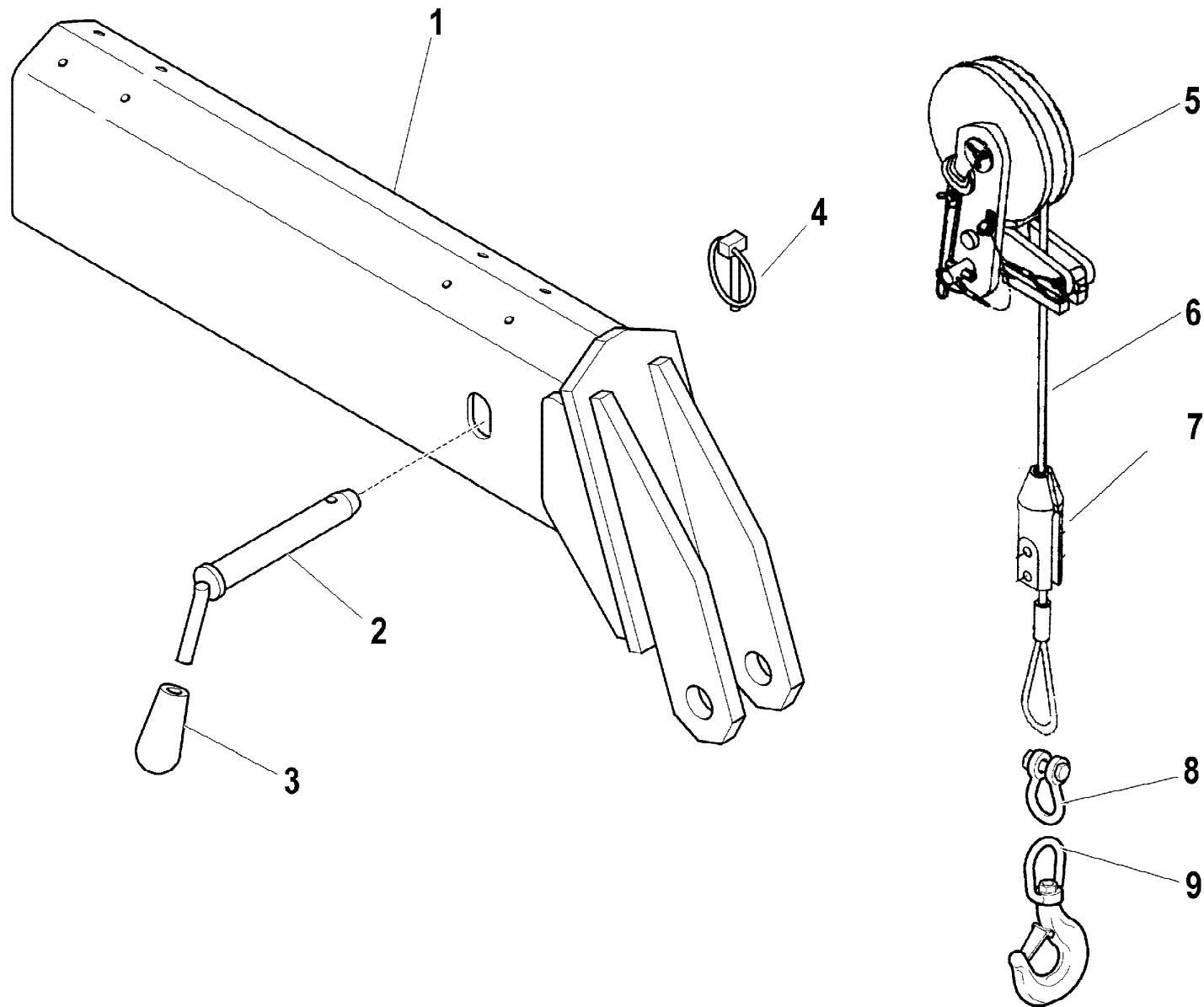
Tavola

6.41.0288-1-0

Data pag.
 giugno 2006 142

rif.	codice	Q.tà
1	5.09.0725	1
2	5.15.0652	2
3	3.07.0151	2
4	3.19.0222	8
5	3.19.0221	1
6	3.06.0006	1
7	3.06.0055	1
8	3.01.0035	1
9	3.02.0058	3
10	3.02.0076	2
11	3.06.0057	4
12	3.01.0065	4
13	3.12.0034	2
14	5.28.0593	2
15	3.10.1213	2





rif.	codice	Q.tà
1	5.09.0798	1
2	5.15.0421	1
3	3.19.0010	1
4	3.06.0753	1
5	5.73.0069	1
6	5.73.0103	1
7	5.73.0076	1
8	3.20.0067	1
9	3.20.0007	1

1/1

HYVA CRANE

HB170

INNESTO (ACCESSORI)
 COUPLING (ACCESSORIES)
 EMBRAYAGE (ACCESSOIRES)
 KUPPLUNG (ZUBEHOER)
 ACOPLAMIENTO (ACCESORIOS)

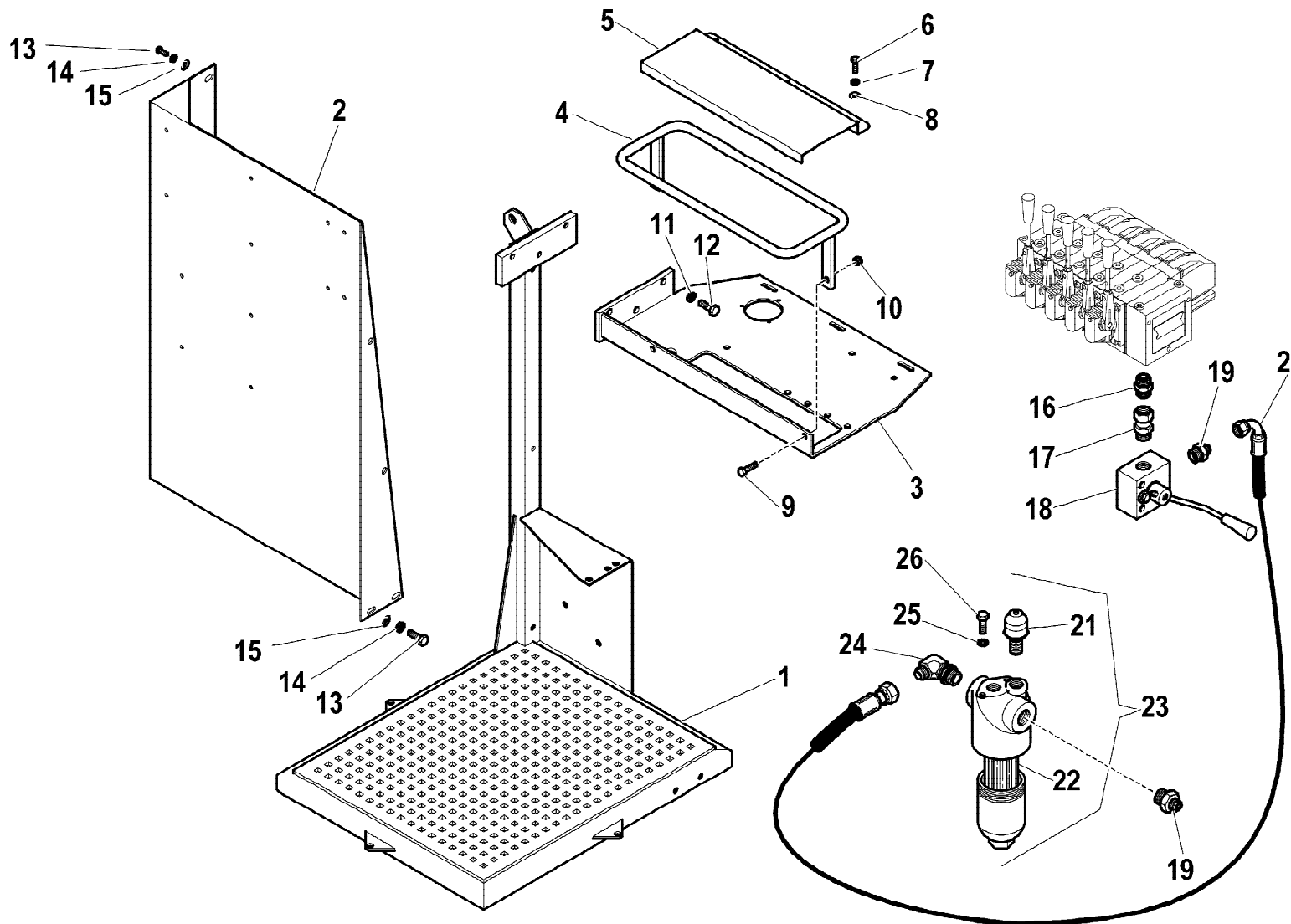
Tavola

7.90.0239-1-0

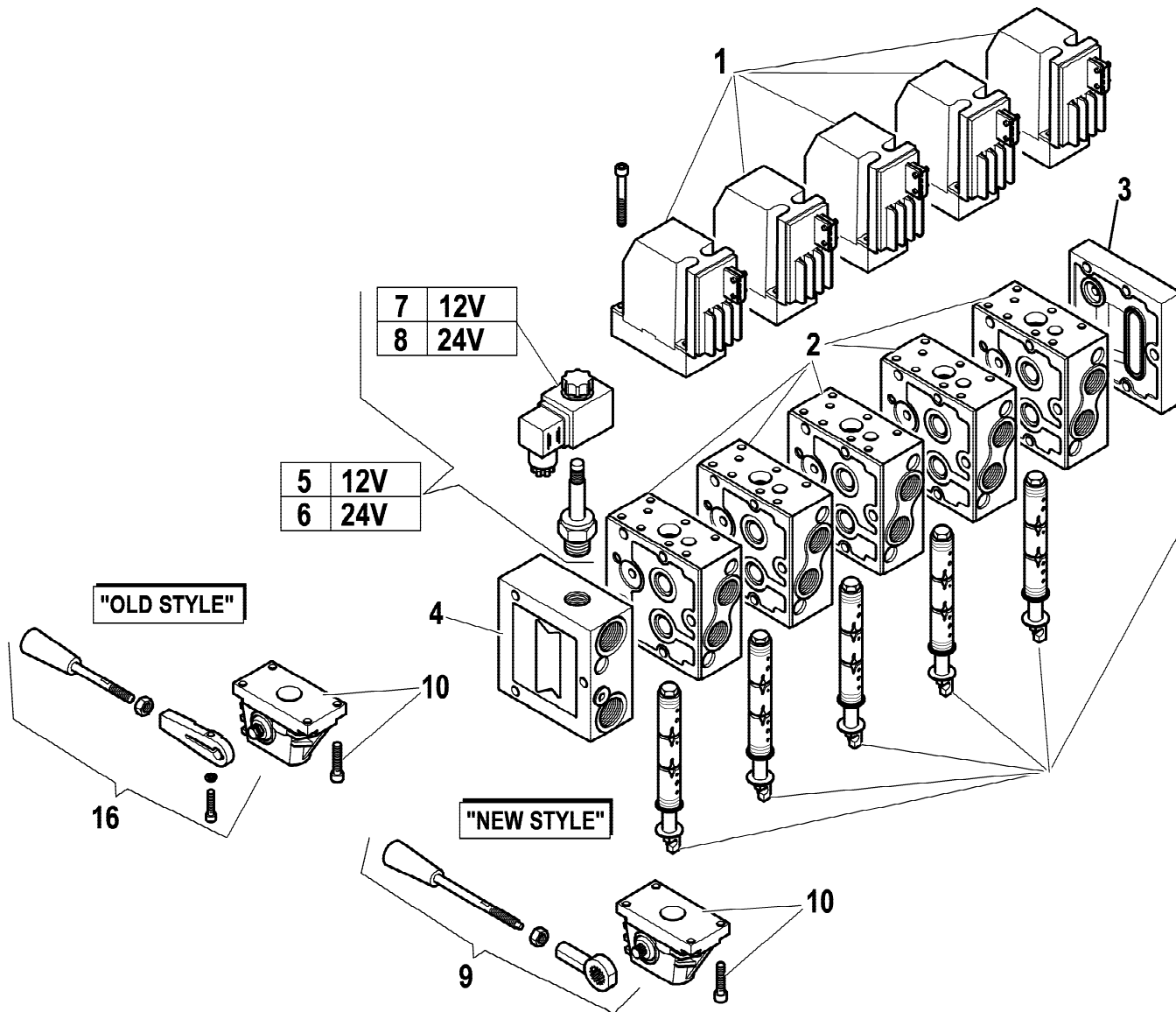
Data pag.
 giugno 2006 144



HB170 M RDC

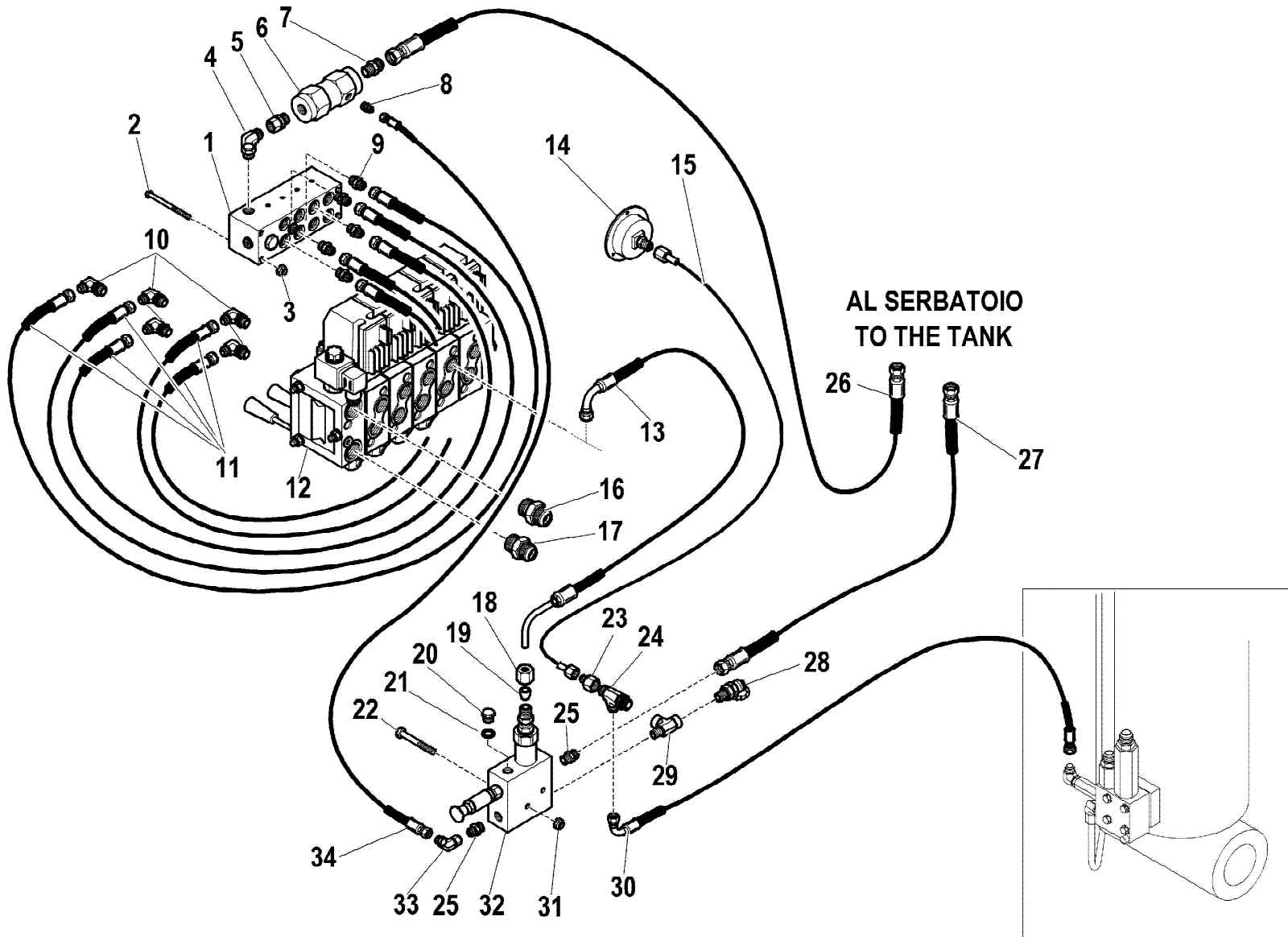


rif.	codice	Q.tà
1	5.09.0835	1
2	5.00.1319	1
3	5.09.0667	1
4	5.09.0636	1
5	5.09.0637	1
6	3.01.0325	3
7	3.06.0030	3
8	3.06.0053	3
9	3.01.0339	2
10	3.04.0303	2
11	3.06.0056	3
12	3.01.0355	3
13	3.01.0034	5
14	3.06.0055	5
15	3.06.0006	5
16	3.10.1056	1
17	3.12.0333	1
18	5.22.0599	1
19	3.12.0073	1
20	5.27.1534	1
21	3.18.0140	1
22	3.18.0143	1
23	3.18.0141	1
24	3.10.1134	1
25	3.06.0918	1
26	3.01.0337	1



	11
	12
	13
	14
	13
	14
	15
	15
	13

rif.	codice	Q.tà
1	5.22.5545	5
2	5.22.5398	5
3	5.22.5512	1
4	5.22.5511	1
5	5.22.5533	1
6	5.22.5510	1
7	3.31.0238	1
8	3.31.0242	1
9	5.22.5859	5
10	WDNF157B3173	5
11	5.22.5558	1
12	5.22.5536	1
13	5.22.5368	1
14	5.22.5340	1
15	5.22.5508	1
16	5.22.5858	5



rif.	codice	Q.tà
1	5.22.0631	1
2	3.01.0026	3
3	3.04.0372	3
4	3.10.1127	1
5	3.12.0066	1
6	5.22.0683	1
7	3.10.1039	1
8	3.10.1039	1
9	3.10.1034	5
10	3.10.1194	5
11	5.30.0034	5
12	5.22.0332	1
13	5.26.0299	1
14	3.18.0109	1
15	5.30.0074	1
16	3.10.1045	1
17	3.10.1056	1
18	3.31.0952	1
19	3.10.0956	1
20	3.11.0062	1
21	3.06.0143	1
22	3.01.0338	2
23	3.12.0200	1
24	3.10.1175	1
25	3.10.1039	1
26	5.27.1436	1
27	5.26.0600	1
28	3.11.1523	1
29	3.10.1215	1
30	5.26.0675	1
31	3.31.0238	2

1/2



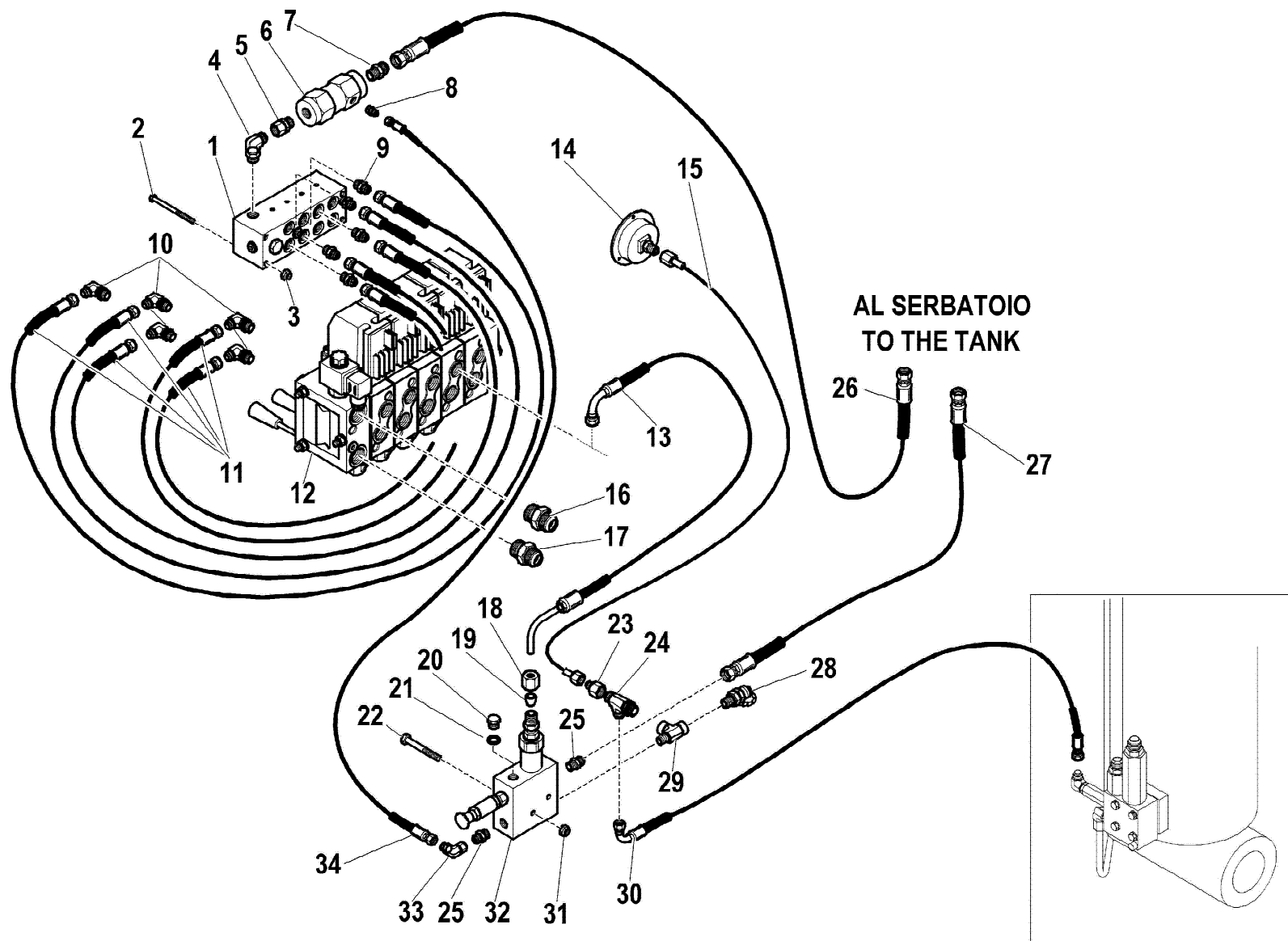
HB170

LIMITATORE DI MOMENTO
 MOMENT LIMITING DEVICE
 LIMITEUR DE MOMENT
 HUB-MOMENTBEGRENZER
 LIMITADOR DE MOMENTO

Tavola
5.43.0078-1-0

Data pag.
 giugno 2006 148.1

rif.	codice	Q.tà
32	5.22.0679	1
33	3.12.0011	1
34	5.26.0674	1



2/2

HYVA CRANE

HB170

LIMITATORE DI MOMENTO
 MOMENT LIMITING DEVICE
 LIMITEUR DE MOMENT
 HUB-MOMENTBEGRENZER
 LIMITADOR DE MOMENTO

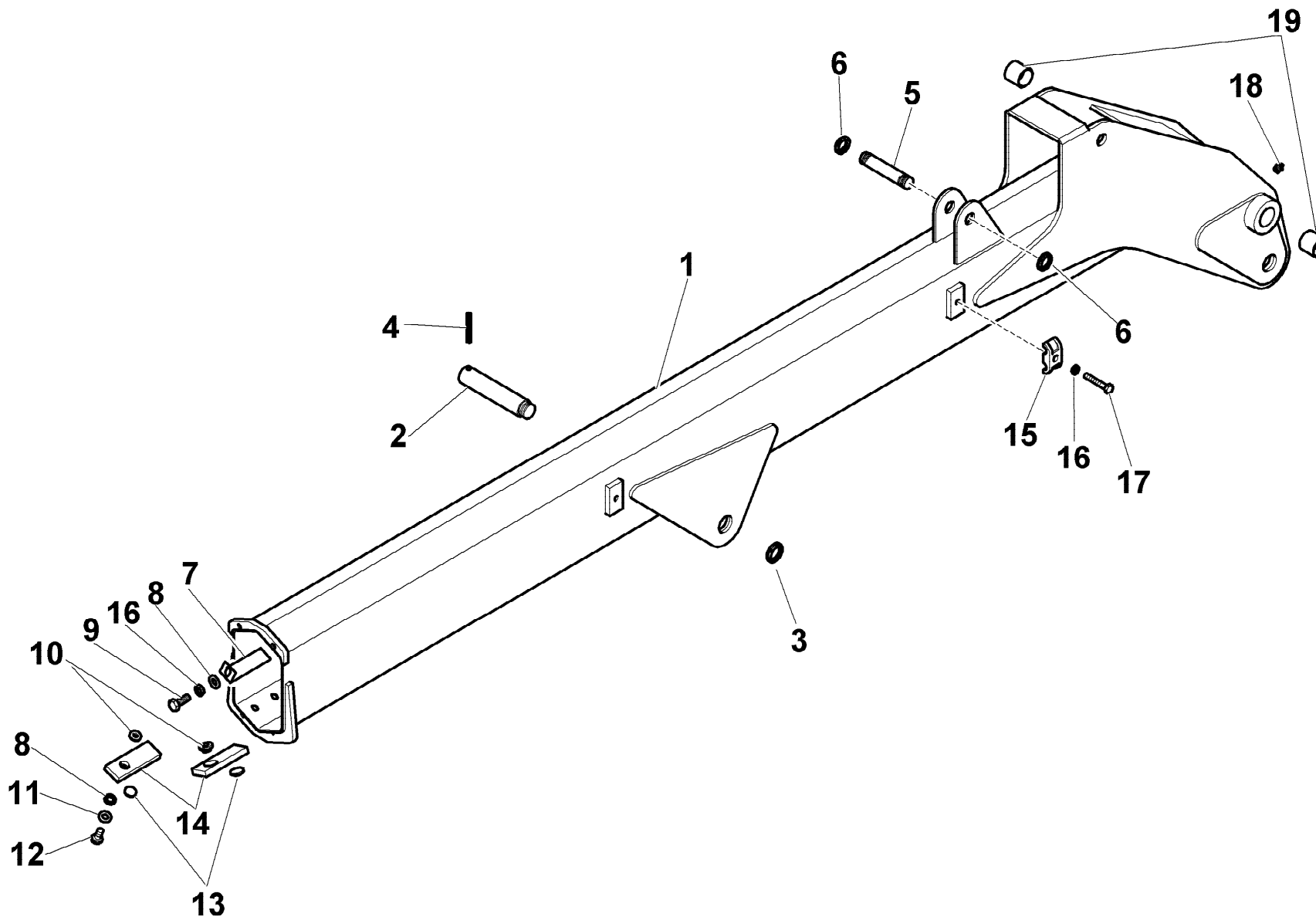
Tavola

5.43.0078-1-0

Data pag.
 giugno 2006 148.2

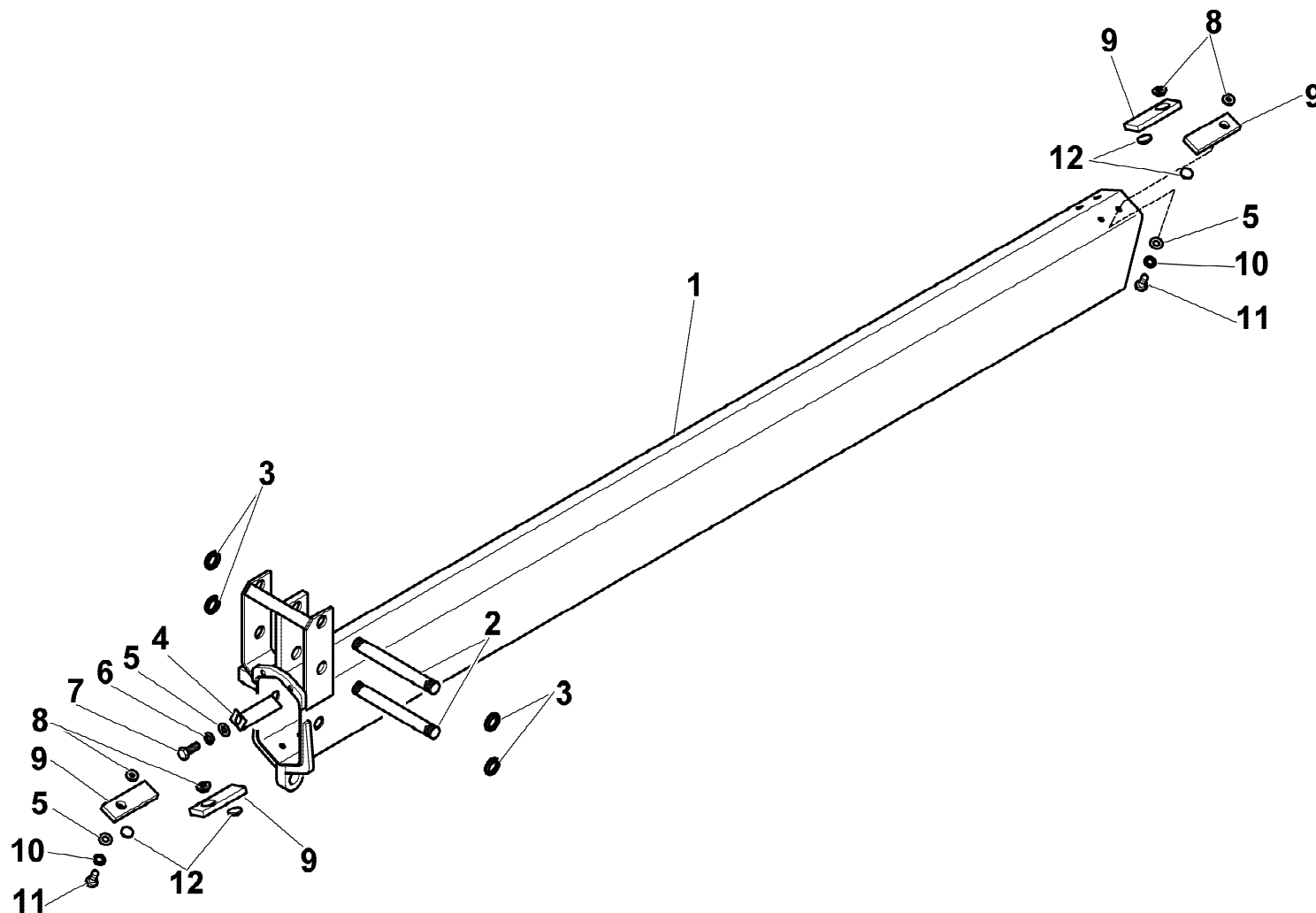


HB170 JIB 2S



rif.	codice	Q.tà
1	5.03.0263	1
2	5.15.0684	1
3	3.04.0502	1
4	3.06.0608	1
5	5.15.0435	1
6	3.04.0504	2
7	5.00.0685	6
8	3.06.0006	4
9	3.01.0027	2
10	5.00.0623	2
11	3.06.0918	2
12	3.01.0336	2
13	5.14.0656	2
14	5.14.0655	2
15	5.00.0077	2
16	3.06.0055	4
17	3.01.0029	2
18	3.08.0501	1
19	5.14.0122	2

rif.	codice	Q.tà
1	5.02.0316	1
2	5.15.0432	2
3	3.04.0504	4
4	5.00.0685	2
5	3.06.0006	6
6	3.06.0053	2
7	3.01.0027	2
8	5.00.0623	4
9	5.14.0655	4
10	3.06.0918	4
11	3.01.0336	4
12	5.14.0656	4



1/1

HYVA CRANE

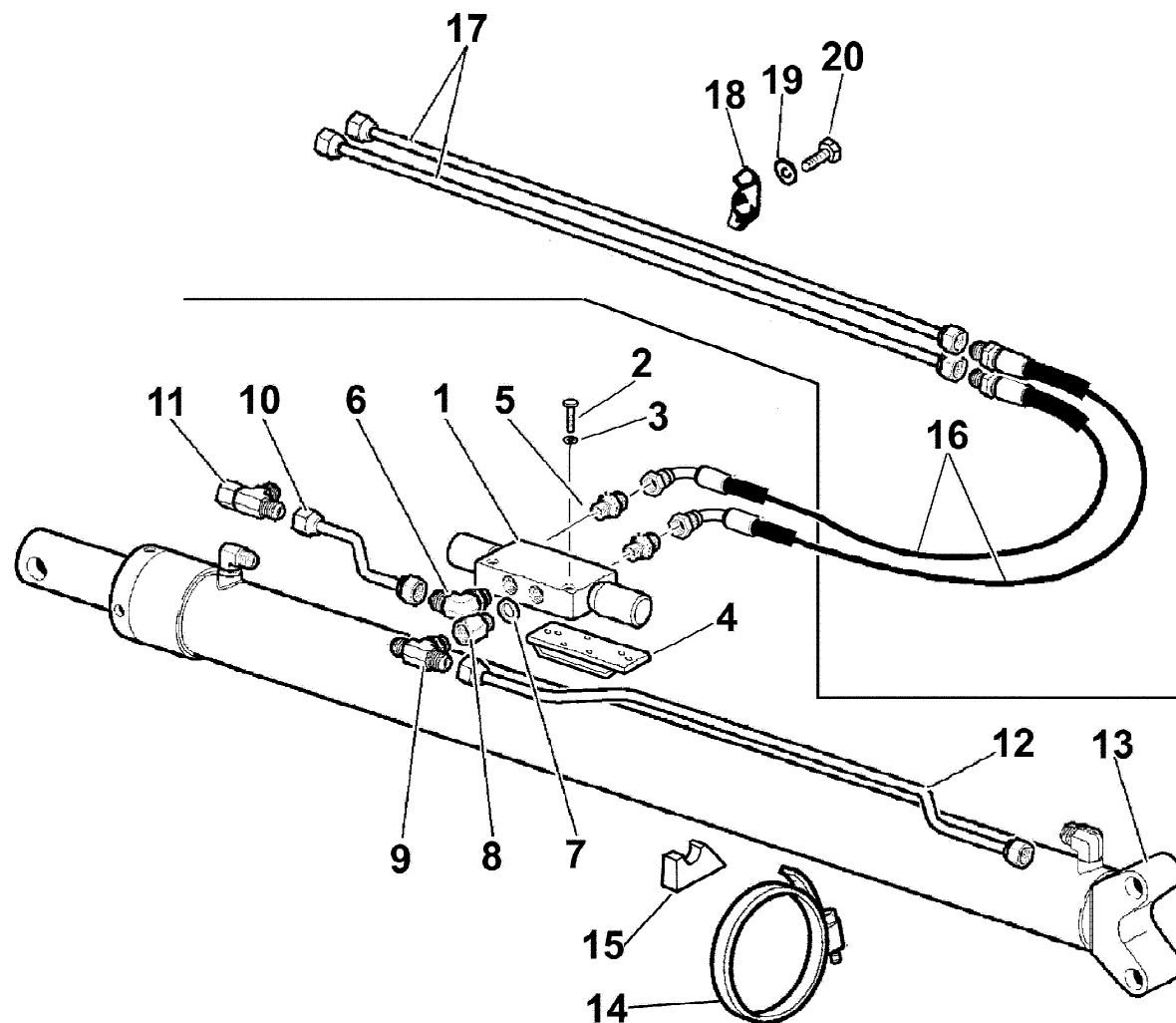
HB170

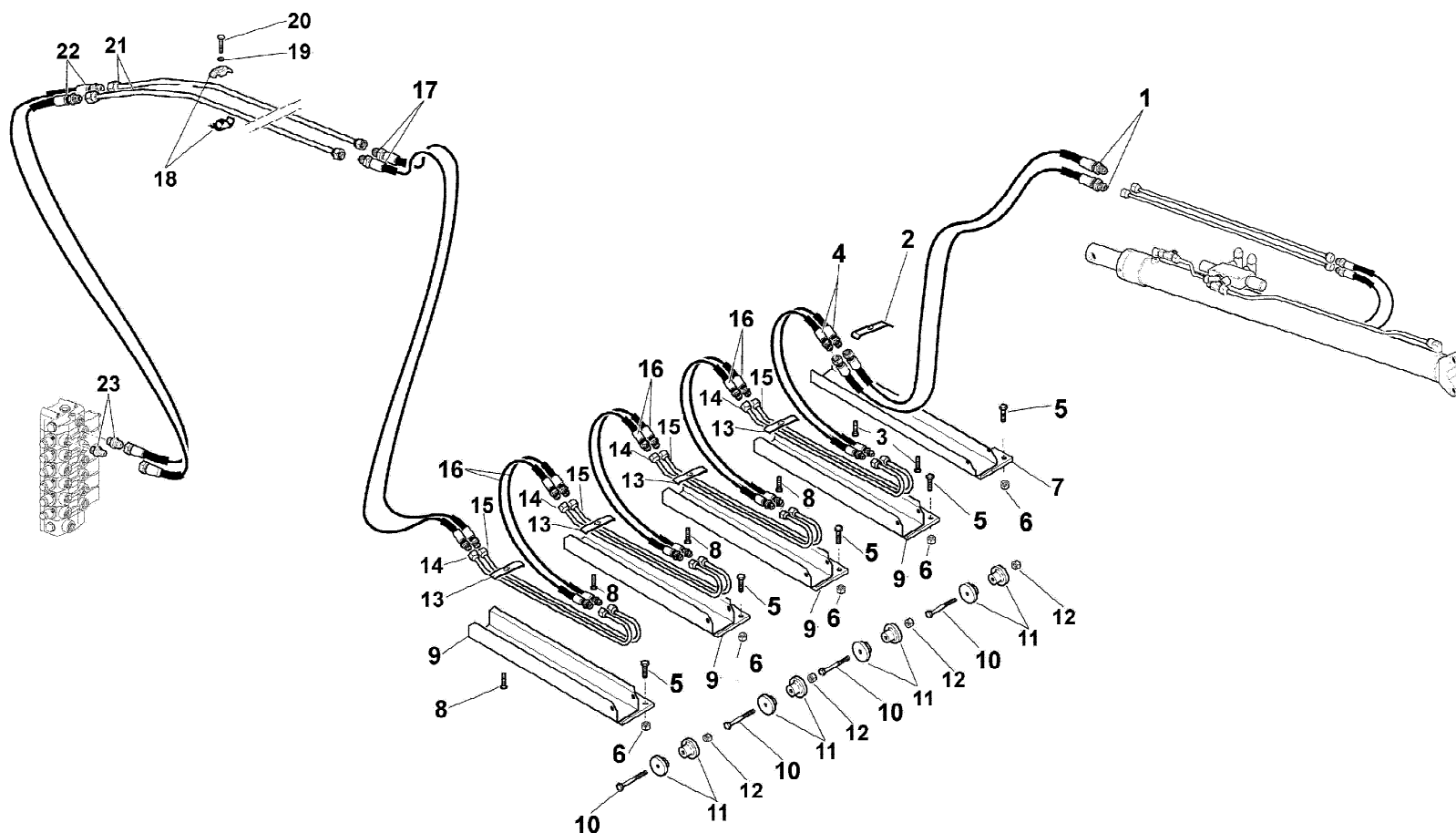
1° SFILO JIB2
 1ST EXTENSION JIB2
 1ERE RALLONGE JIB2
 1. VERLAENGERUNG JIB2
 1°PROLONGACION JIB2

Tavola
5.49.0007-1-0

Data pag.
 dicembre 2006 151

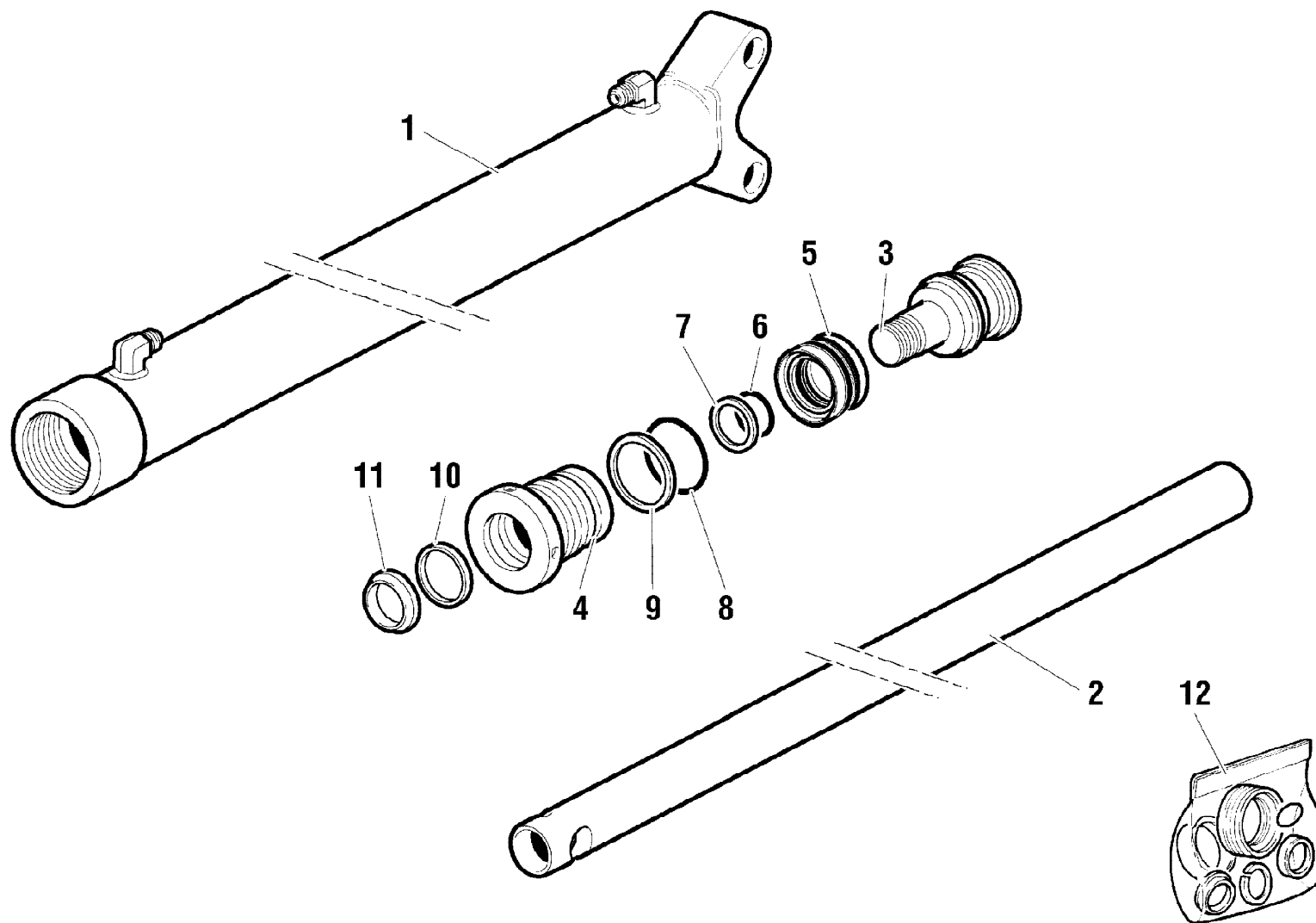
rif.	codice	Q.tà
1	5.22.0122	1
2	3.01.0017	2
3	3.06.0053	2
4	5.00.0693	1
5	3.10.1043	2
6	3.10.1127	1
7	3.06.0144	1
8	3.11.0112	1
9	3.12.0303	1
10	5.39.0274	1
11	3.12.0004	1
12	5.39.2072	1
13	6.41.0160	1
14	3.19.0029	4
15	5.14.0133	2
16	5.27.1000	2
17	5.39.1894	2
18	3.19.0172	2
19	3.06.0055	2
20	3.01.0030	2





rif.	codice	Q.tà
1	5.27.1463	1
2	5.00.1193	2
3	3.02.0903	2
4	5.27.1402	2
5	3.01.0389	10
6	3.04.0304	10
7	5.00.1333	1
8	3.02.0899	4
9	5.00.1334	4
10	3.01.0414	4
11	5.14.0742	8
12	3.04.0303	4
13	5.00.1187	4
14	5.39.1820	8
15	5.39.1821	8
16	5.27.1401	6
17	5.27.1403	2
18	5.00.0047	6
19	3.06.0055	3
20	3.01.0032	3
21	5.39.1770	2
22	5.28.0538	2
23	3.10.1051	2

rif.	codice	Q.tà
1	6.07.0347	1
2	6.03.0339	1
3	6.05.0234	1
4	6.04.0248	1
5	3.40.0506	1
6	3.45.0062	1
7	3.46.0057	1
8	3.45.0077	1
9	3.46.0077	1
10	3.40.0067	1
11	3.42.0021	1
12	5.55.0682	1



1/1

HYVA CRANE

HB170

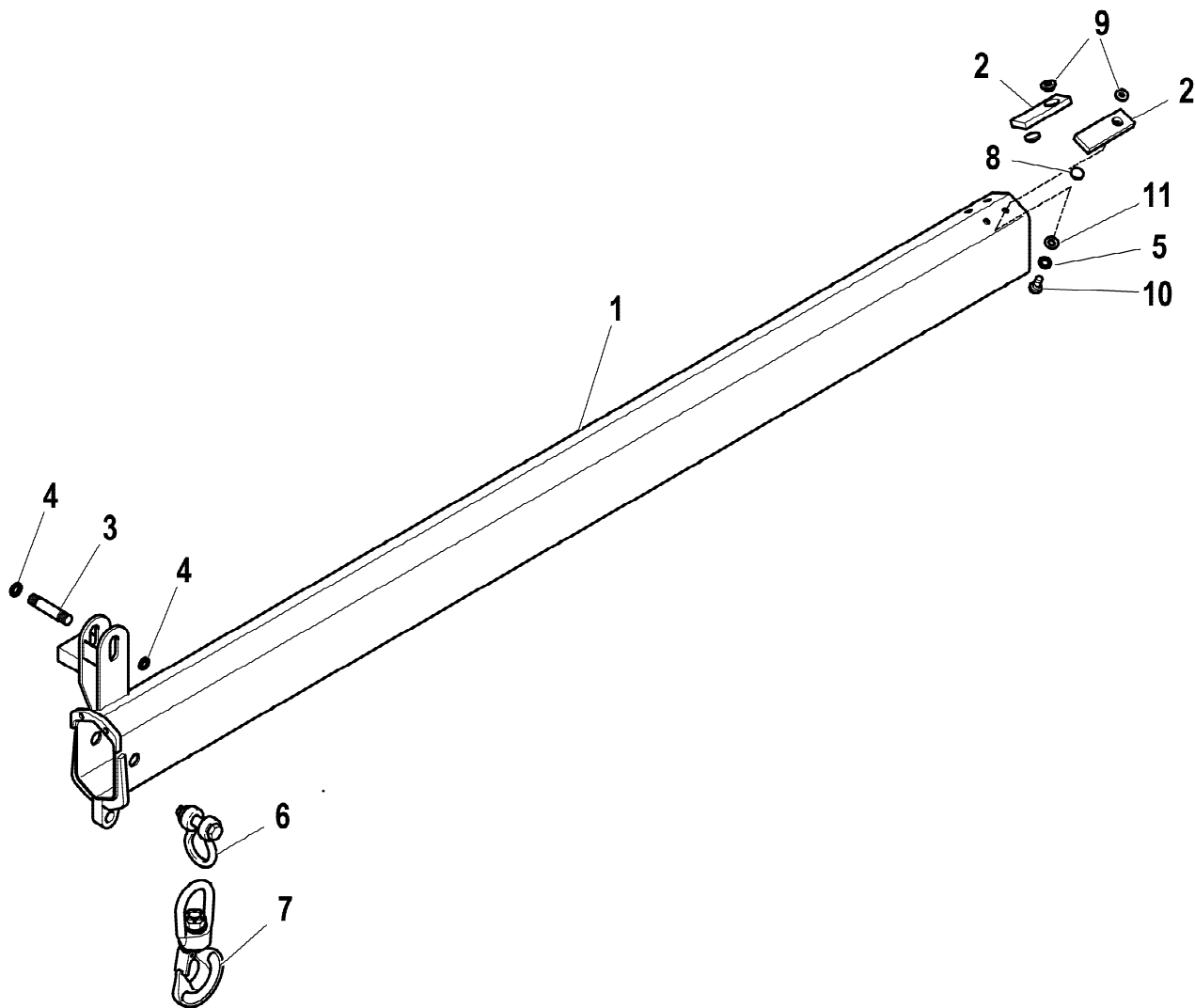
MARTINETTO 1° SFILO JIB2
 1ST EXSTENSION HYDRAULIC JIB2
 VÉRIN 1ÈRE RALLONGE JIB2
 1. SCHUBZYLINDER JIB2
 GATO 1ª EXTENSIÓN JIB2

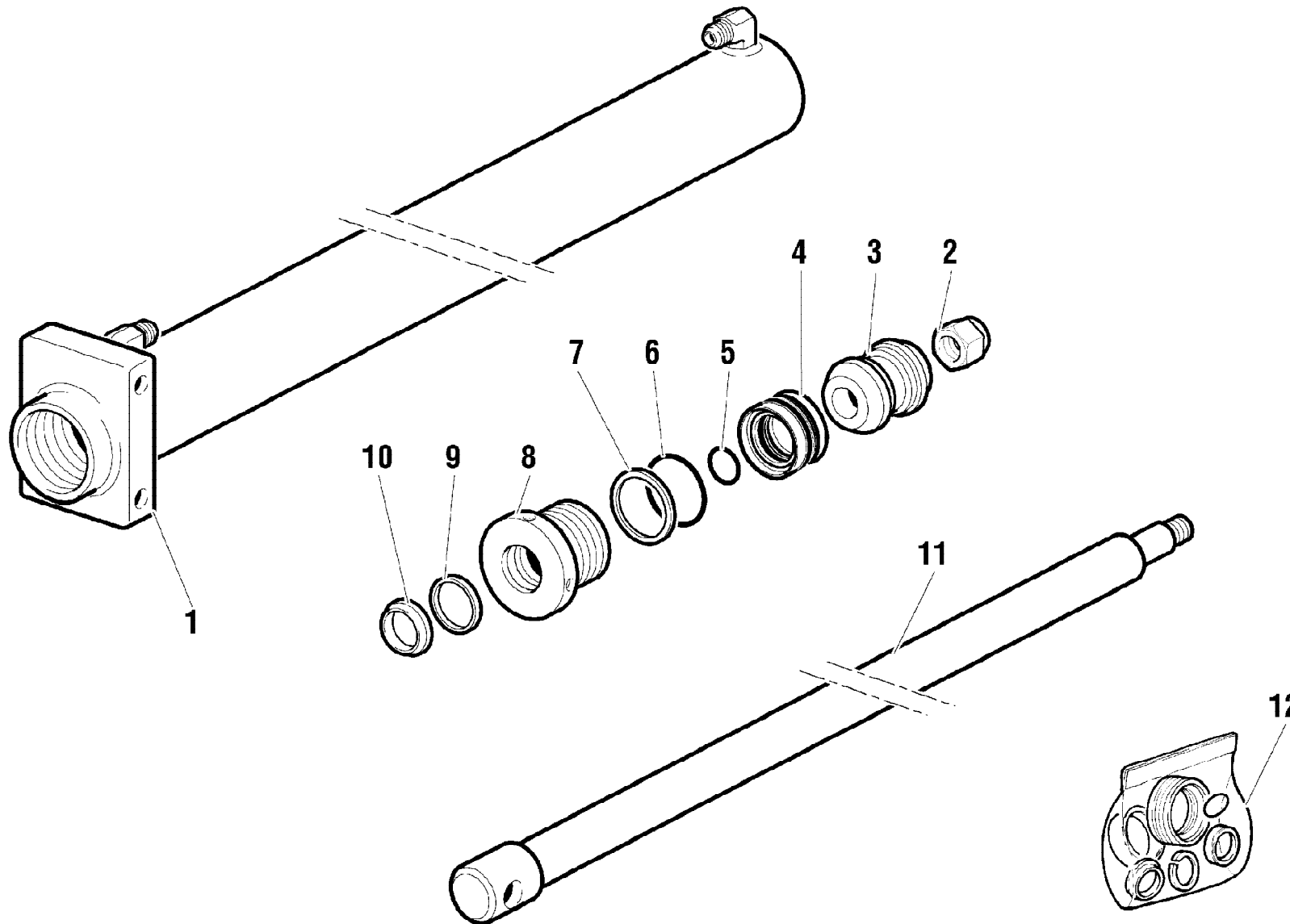
Tavola

6.41.0160-1-0

Data pag.
 dicembre 2006 154

rif.	codice	Q.tà
1	5.02.0317	1
2	5.14.0655	2
3	5.15.0434	1
4	3.04.0498	2
5	3.06.0918	4
6	3.20.0050	1
7	3.20.0006	1
8	5.14.0656	2
9	5.00.0623	2
10	3.01.0336	4





rif.	codice	Q.tà
1	6.07.0348	1
2	3.04.0377	1
3	6.05.0025	1
4	3.40.0505	1
5	3.45.0050	1
6	3.45.0117	1
7	3.46.0255	1
8	6.04.0255	1
9	3.40.0043	1
10	3.42.0015	1
11	6.03.0340	1
12	5.55.0683	1

1/1

HYVA CRANE

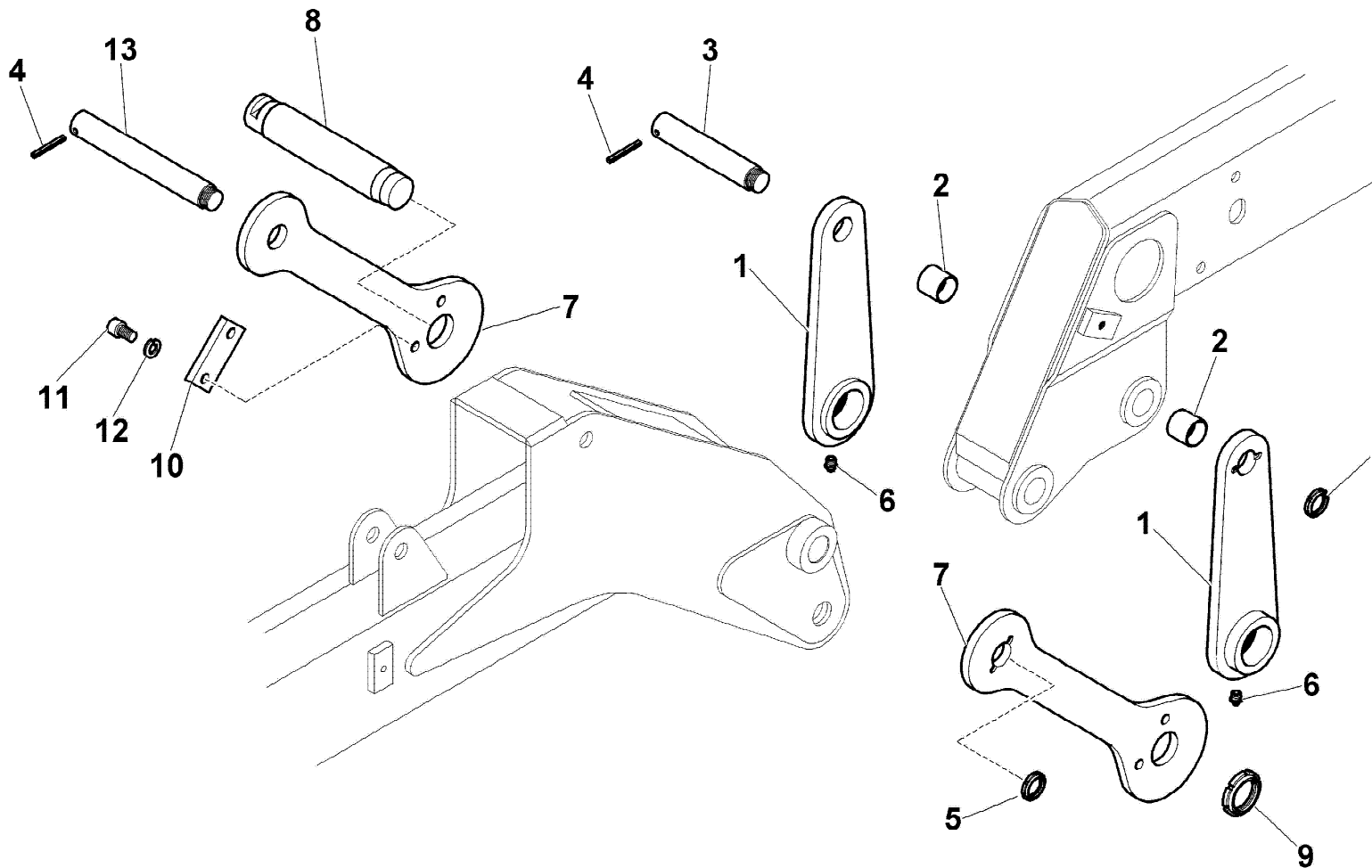
HB170

MARTINETTO 2° SFILLO JIB2
 2ND EXTENSION HYDRAULIC JACK JIB2
 VÉRIN 2ÉME RALLONGE JIB2
 2. SCHUBZYLINDER JIB2
 GATO 2ª EXTENSIÓN JIB2

Tavola

6.41.0161-1-0

Data pag.
 dicembre 2006 156



rif.	codice	Q.tà
1	5.09.0753	2
2	5.14.0124	2
3	5.15.0682	1
4	3.06.0608	2
5	3.04.0502	2
6	3.08.0501	2
7	5.09.0752	2
8	5.15.0683	1
9	3.04.0500	1
10	5.00.1138	1
11	3.02.0874	2
12	3.06.0057	2
13	5.15.0685	1

1/1

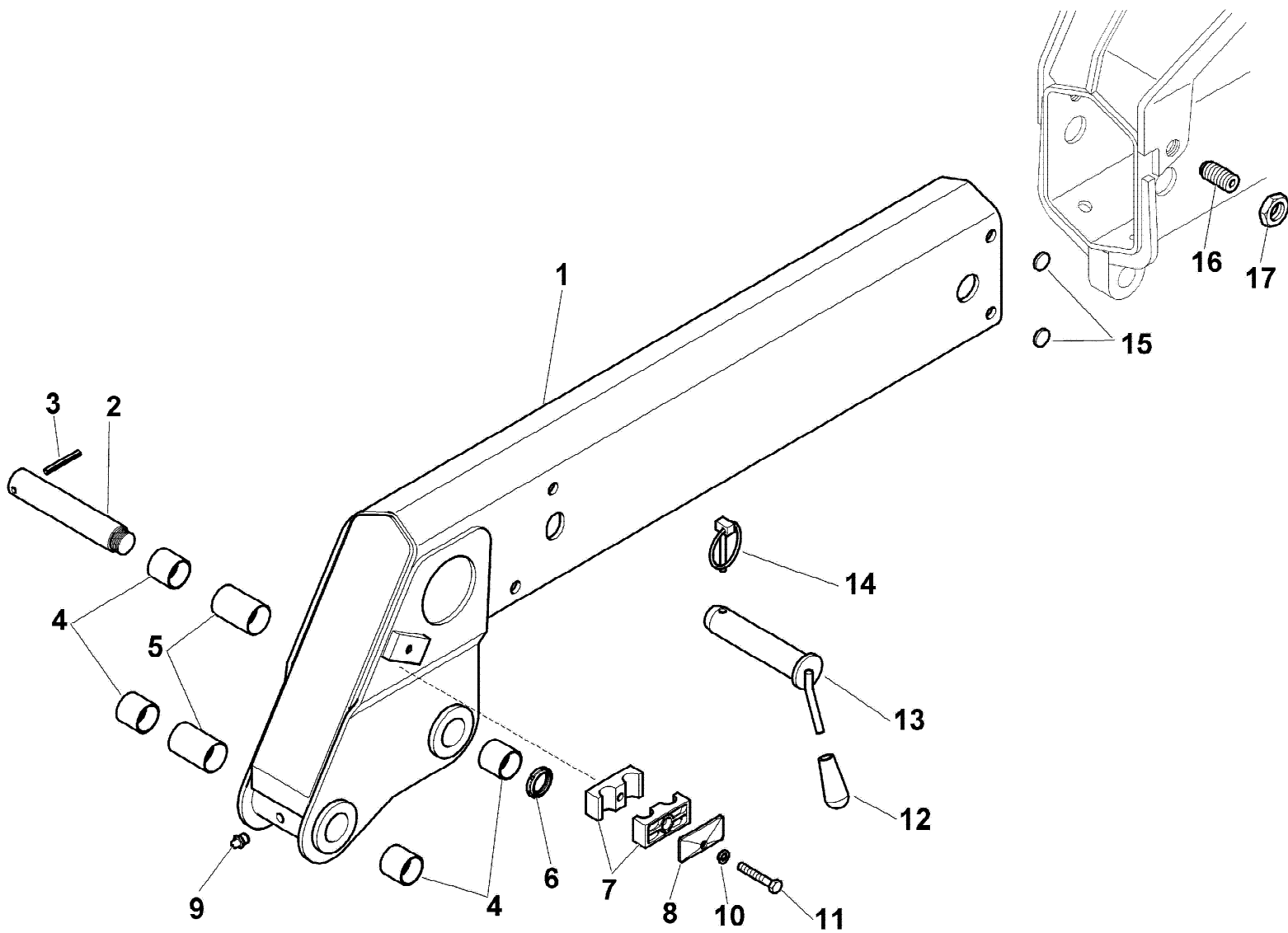
HYVA CRANE

HB170

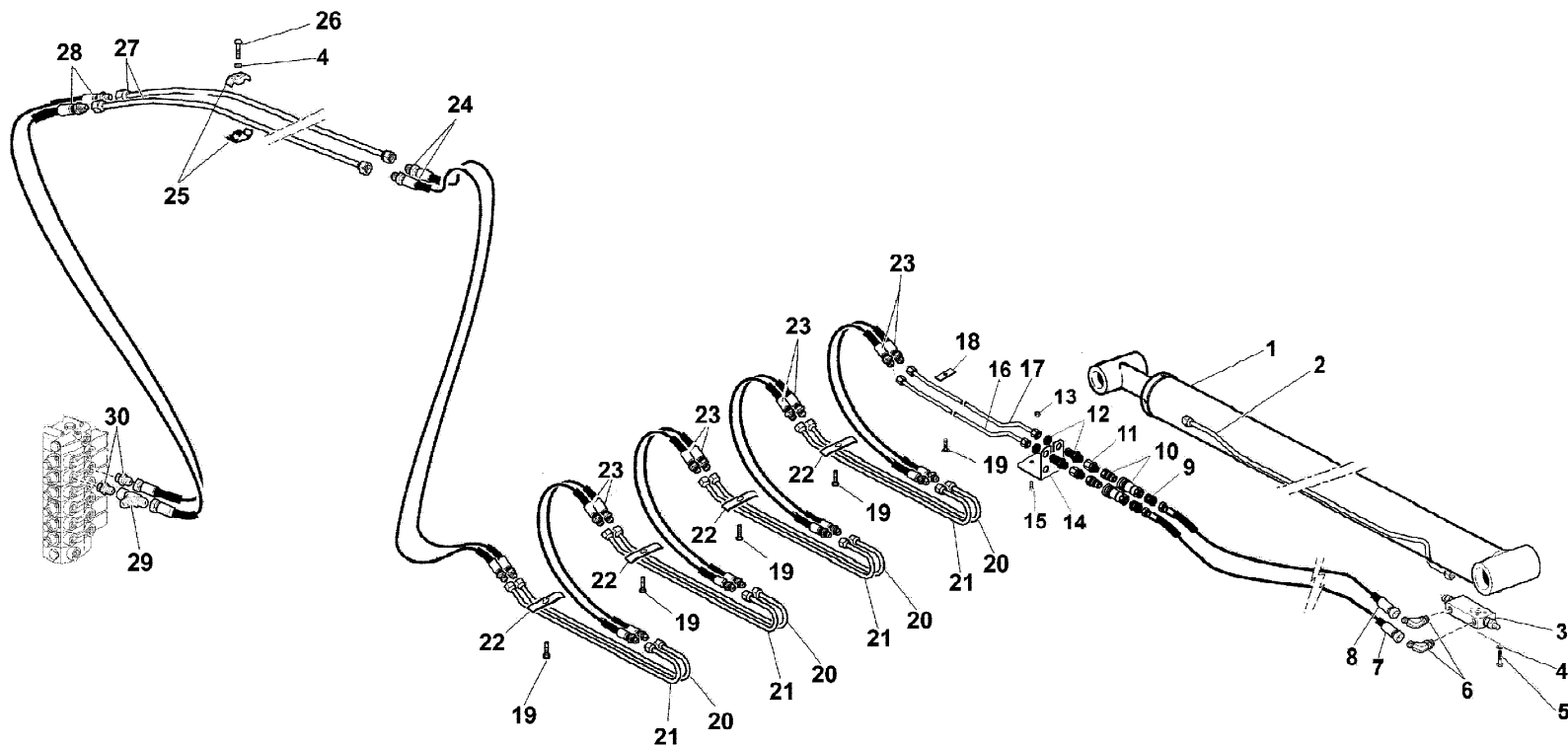
KIT BIELLE JIB2
 KIT CONNECTING ROD JIB2
 KIT BIELLE JIB2
 KIT PLEUEL JIB2
 KIT BIELA JIB2

Tavola
5.36.0013-1-0

Data pag.
 dicembre 2006 157



rif.	codice	Q.tà
1	5.09.0829	1
2	5.15.0682	1
3	3.06.0608	1
4	5.14.0122	4
5	5.00.1305	2
6	3.04.0502	1
7	3.19.0172	2
8	3.19.0204	2
9	3.08.0501	2
10	3.06.0055	2
11	3.01.0031	2
12	3.19.0010	1
13	5.15.0396	1
14	3.06.0750	1
15	5.14.0656	4
16	5.00.0771	4
17	3.04.0089	4



rif.	codice	Q.tà
1	6.43.0131	1
2	5.39.1047	1
3	5.22.0674	1
4	3.06.0055	4
5	3.01.0033	4
6	3.10.1125	2
7	5.27.1433	1
8	5.27.1432	1
9	3.10.1043	2
10	3.11.0420	2
11	3.12.0066	2
12	3.12.0310	4
13	3.04.0303	4
14	5.00.1596	2
15	3.02.0903	4
16	W.44.05.009.00	4
17	W.44.05.008.00	2
18	5.00.1187	6
19	3.02.0899	3
20	5.39.1822	3
21	5.39.1823	2
22	5.00.1193	2
23	5.27.1401	1
24	5.27.1563	1
25	5.00.0047	6
26	3.01.0031	3
27	5.39.1935	2
28	5.28.0600	2
29	3.12.0008	1
30	3.10.1051	2

1/1

HYVA CRANE

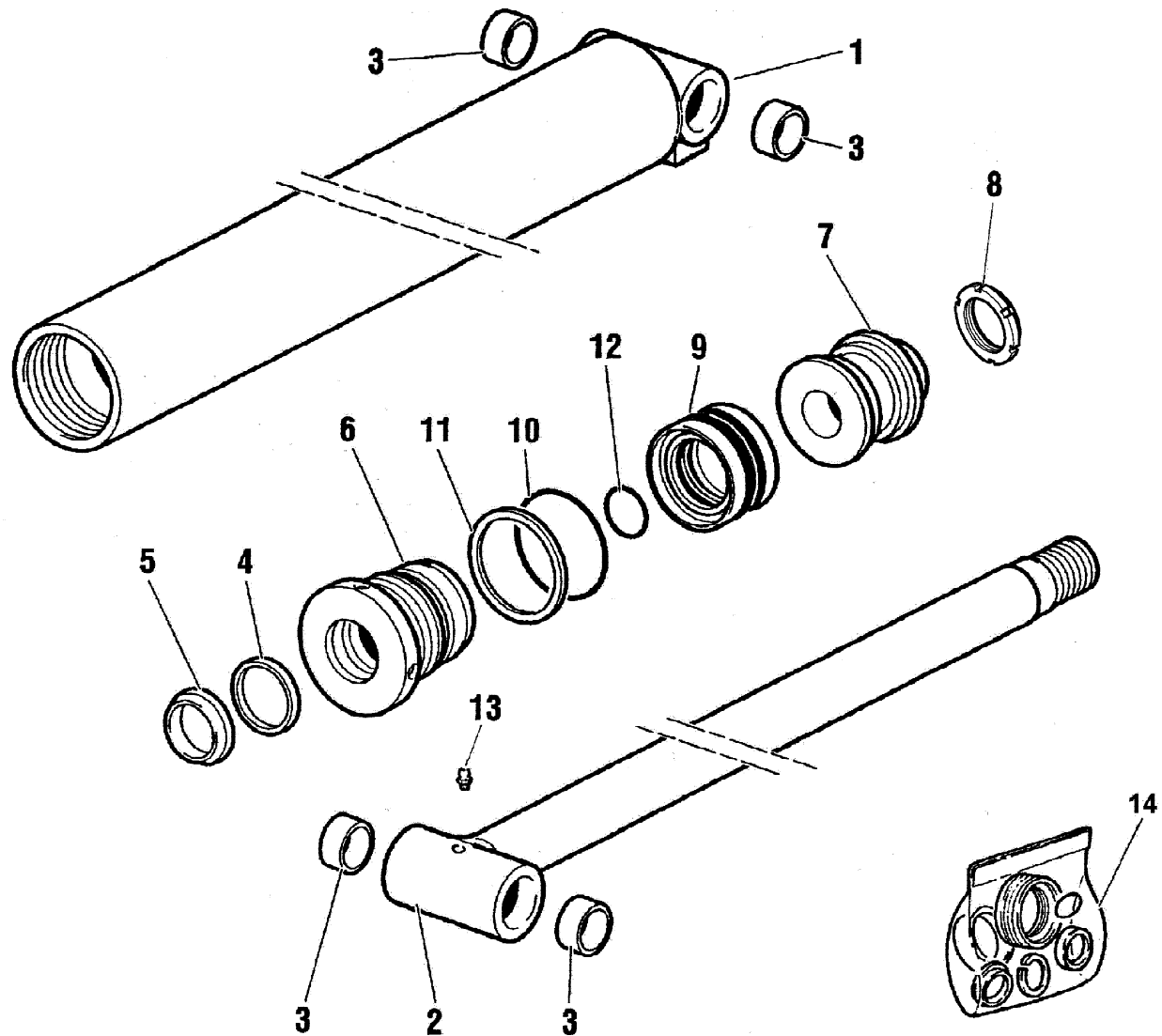
HB170

MARTINETTO ARTICOLAZIONE (IMPIANTO OLEODINAMICO) JIB
 ARTICULATION HYDRAULIC JACK (HYDRAULIC SYSTEM) JIB
 VERIN D'ARTICULATION (INSTALLATION HYDRAULIQUE) JIB
 GELENKSHEBEBOCK (HYDRAULIKANLAGE) JIB
 GATO ARTICULACION (INSTALACION HIDRAULICA) JIB

Tavola

6.23.0131-2-0

Data pag.
 giugno 2006 159



rif.	codice	Q.tà
1	6.07.0344	1
2	6.03.0605	1
3	5.14.0122	4
4	3.40.0090	1
5	3.42.0026	1
6	6.04.0103	1
7	6.05.0231	1
8	3.04.0501	1
9	3.40.0512	1
10	3.45.0210	1
11	3.46.0329	1
12	3.45.0114	1
13	3.08.0501	2
14	5.55.0699	1

1/1

HYVA CRANE

HB170

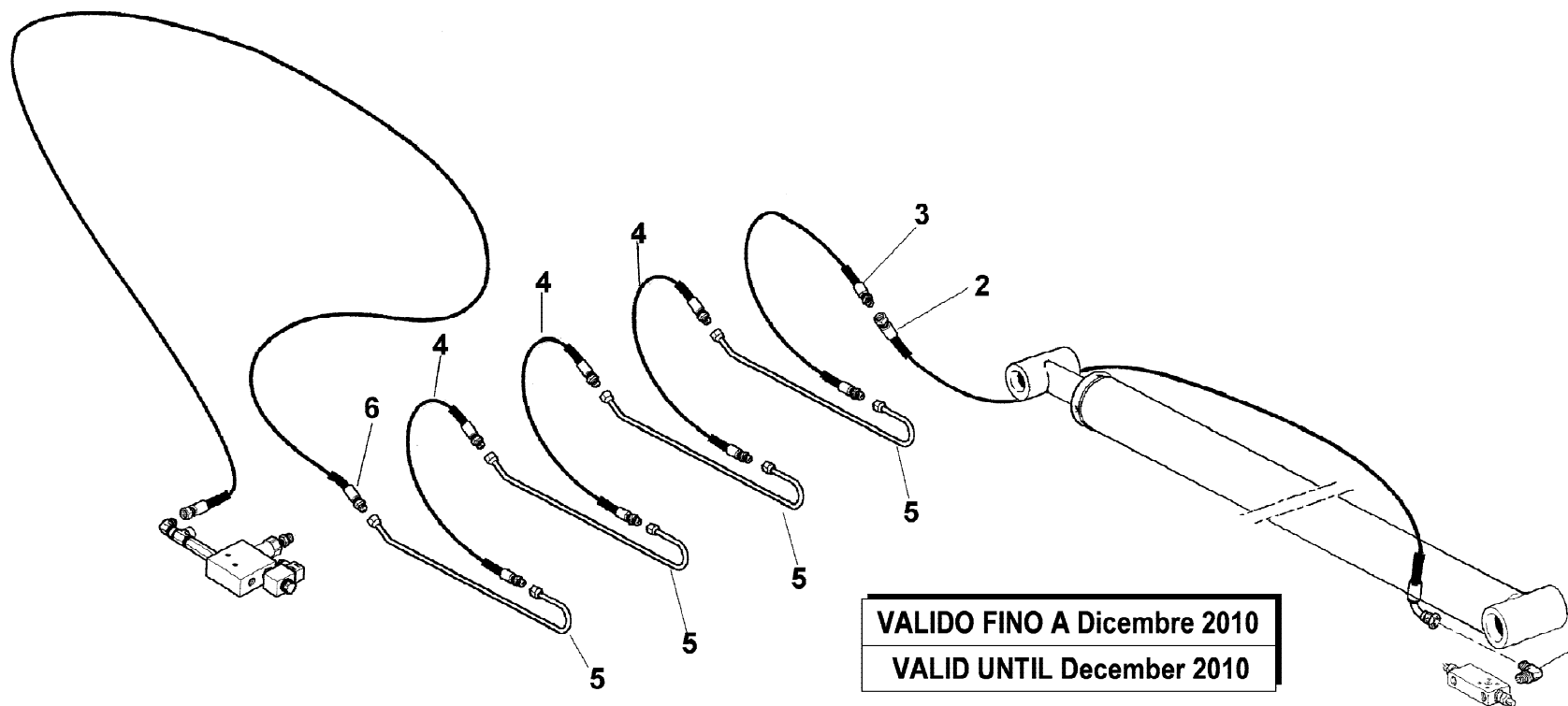
MARTINETTO ARTICOLAZIONE JIB2
 ARTICULATION HYDRAULIC JACK JIB2
 VERIN D'ARTICULATION JIB2
 GELENKSHEBEBOCK JIB2
 GATO ARTICULACION JIB2

Tavola

6.43.0131-1-0

Data pag.
 dicembre 2006 160

rif.	codice	Q.tà
1	3.10.1125	1
2	5.26.0617	1
3	5.26.0623	1
4	5.26.0731	3
5	5.39.1985	4
6	5.26.0619	1



1/1

HYVA CRANE

HB170

KIT ATTIVAZIONE SEGNALE (PROLUNGA ARTICOLATA)
 KIT ACTIVATION HYDRAULIC INPUT (ARTICULATED EXTENSION)
 ACTIVATION SIGNAL HYDRAULIQUE (RALLONGE ARTICULEE)
 AKTIVIERUNG DES BEGRENZENS (GELENKVERLANGERUNG)
 KIT ACTIVACIÓN SEÑAL HIDRÁLICO (PROLONGACION ARTICULADA)

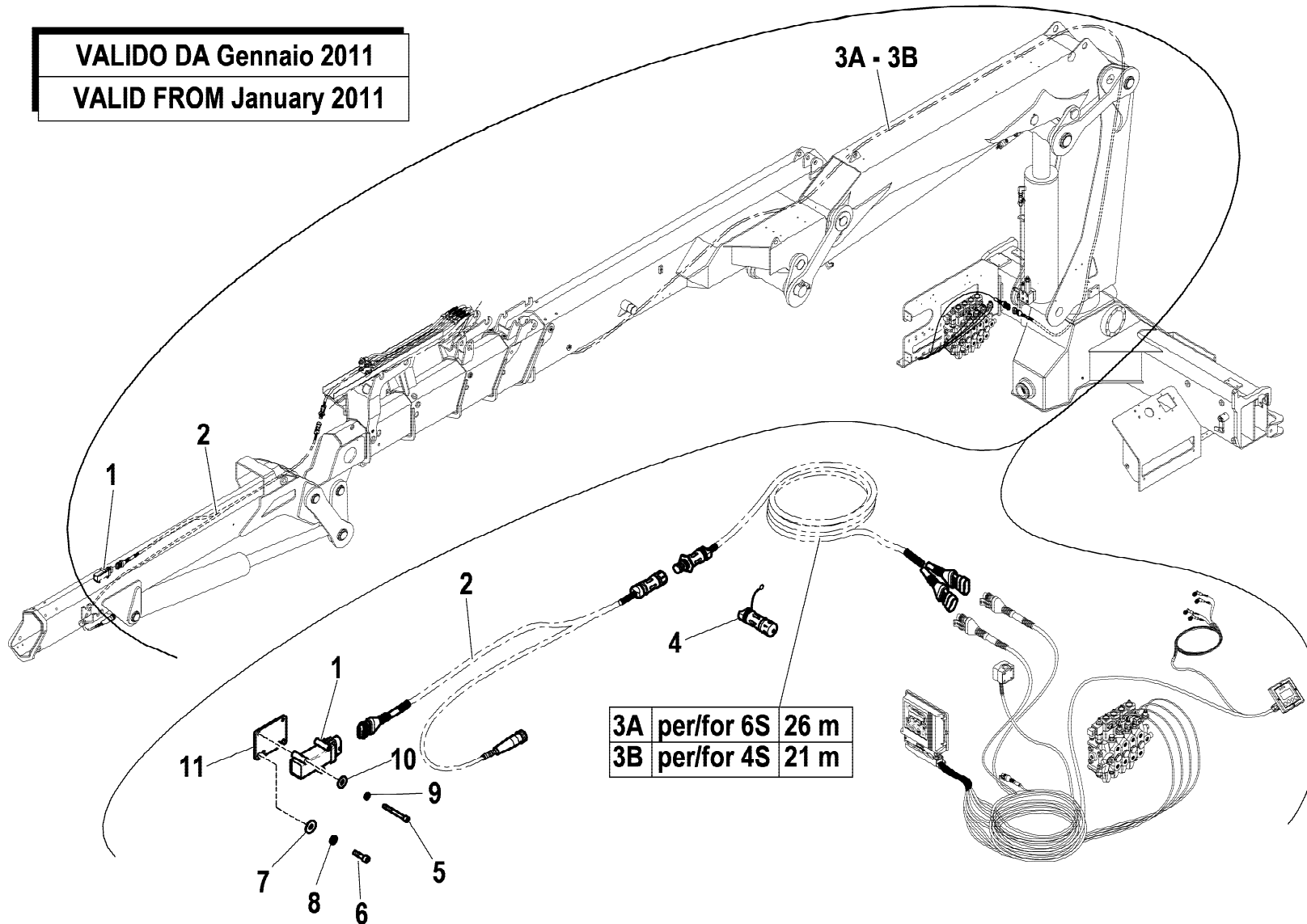
Tavola

5.59.0083-1-0

Data pag.
giugno 2006 161

VALIDO DA Gennaio 2011

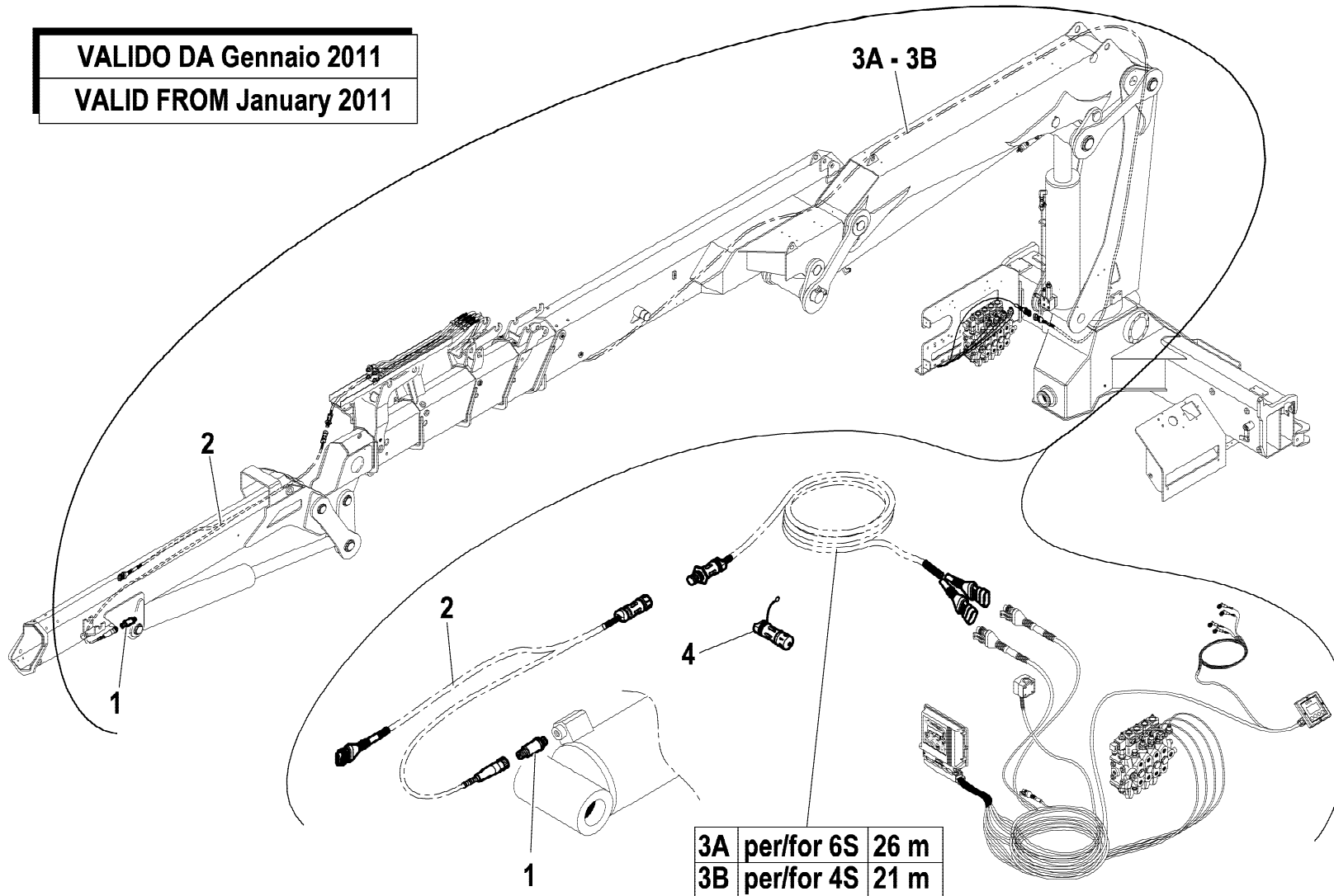
VALID FROM January 2011



rif.	codice	Q.tà
1	3.31.1150	1
2	5.16.0079	1
3 A	5.16.0077	1
3 B	5.16.0078	1
4	5.16.0080	1
5	3.02.0018	2
6	3.02.0033	2
7	3.06.0005	2
8	3.06.0053	2
9	3.06.0065	2
10	3.06.0003	2
11	5.00.2108	1

VALIDO DA Gennaio 2011

VALID FROM January 2011



rif.	codice	Q.tà
1	3.31.0612	1
2	5.16.0079	1
3 A	5.16.0077	1
3 B	5.16.0078	1
4	5.16.0080	1

1/1

HYVA CRANE

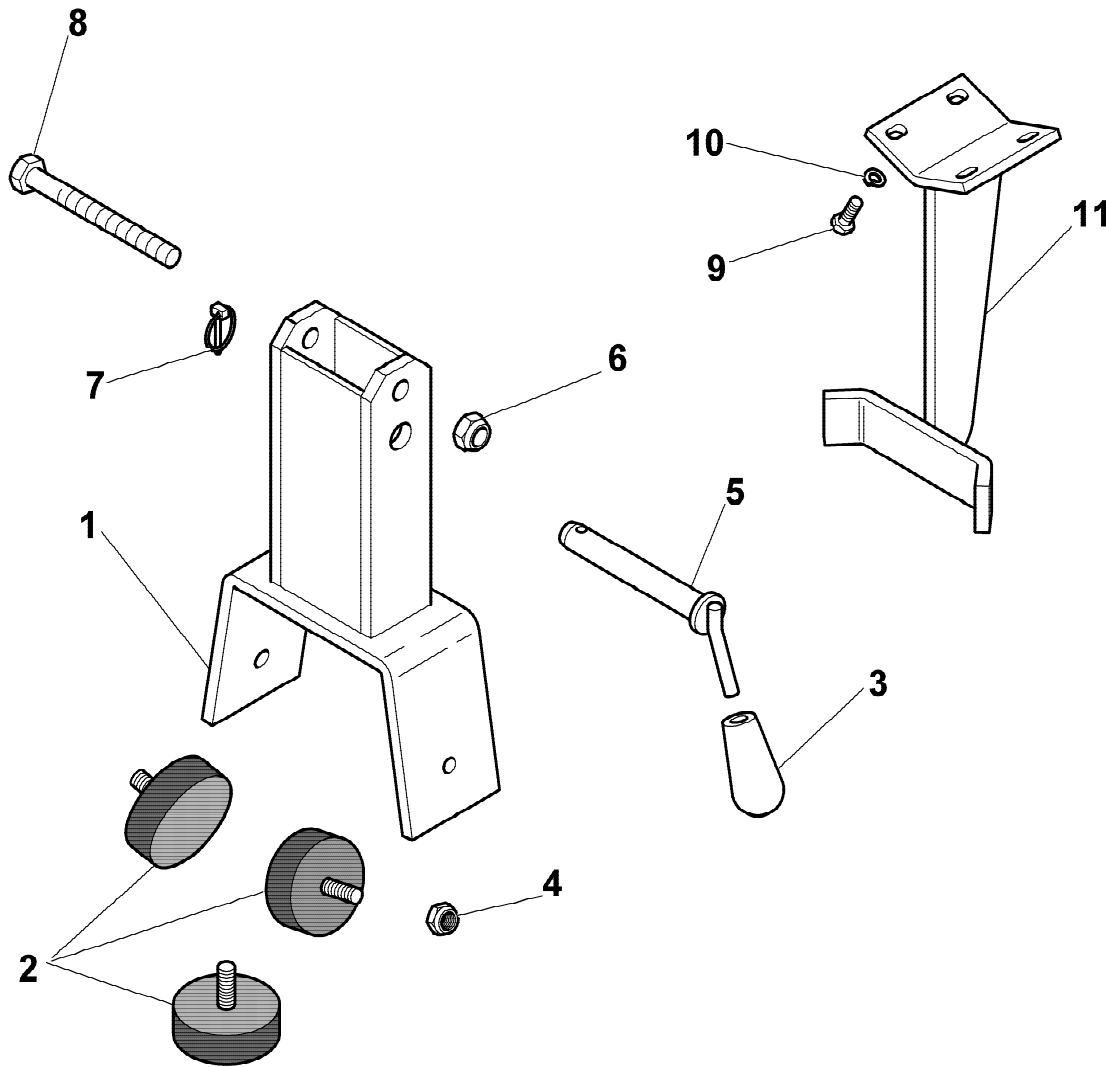
HB170

KIT ATTIVAZIONE SEGNALE (PROLUNGA ARTICOLATA) EN12999-A3
KIT ACTIVATION HYDRAULIC INPUT (ARTICULATED EXTENSION) EN12999-A3
ACTIVATION SIGNAL HYDRAULIQUE (RALLONGE ARTICULEE) EN12999-A3
AKTIVIERUNG DES BEGRENZENS (GELENKVERLANGERUNG) EN12999-A3
KIT ACTIVACIÓN SEÑAL HIDRÁLICO (PROLONGACION ARTICULADA) EN12999-A3

Tavola

5.40.1467-5-0

Data pag.
gennaio 2011 163



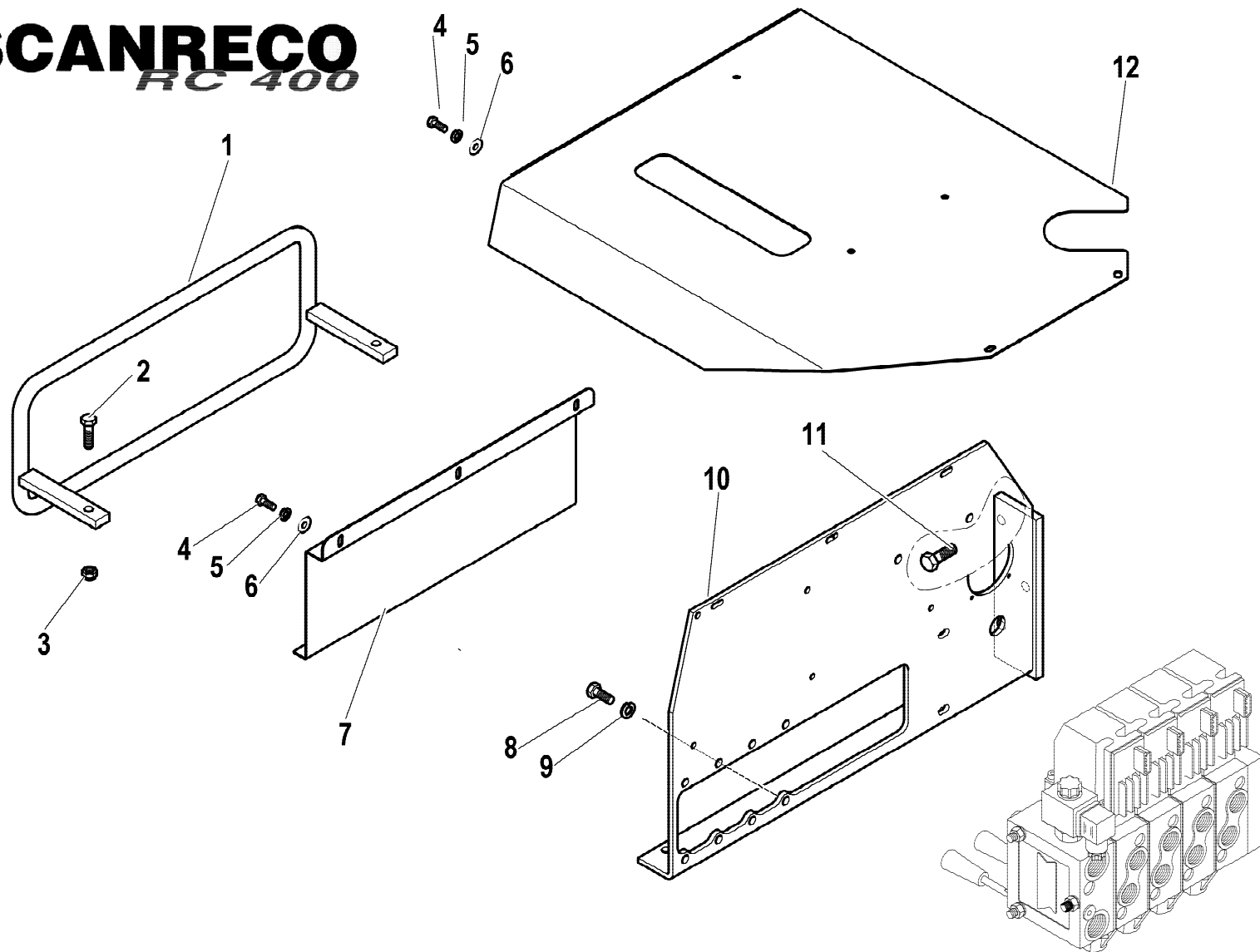
rif.	codice	Q.tà
1	5.09.0837	1
2	3.19.0100	3
3	3.19.0010	1
4	3.04.0047	2
5	5.15.0475	1
6	3.04.0306	3
7	3.06.0753	1
8	3.01.0092	1
9	3.01.0354	4
10	3.06.0056	4
11	5.00.1278	1



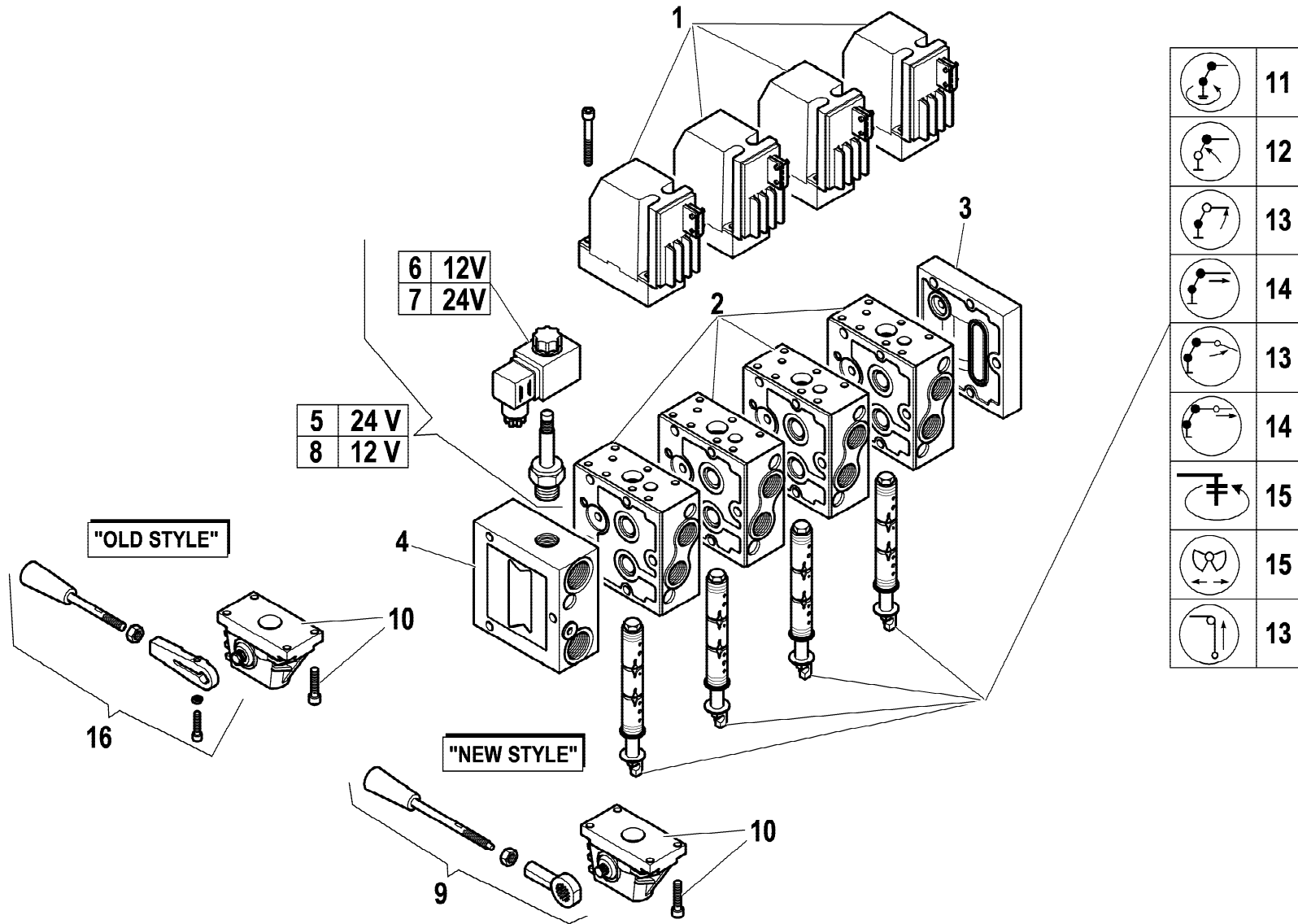
HB170 X

SCANRECO

RC 400

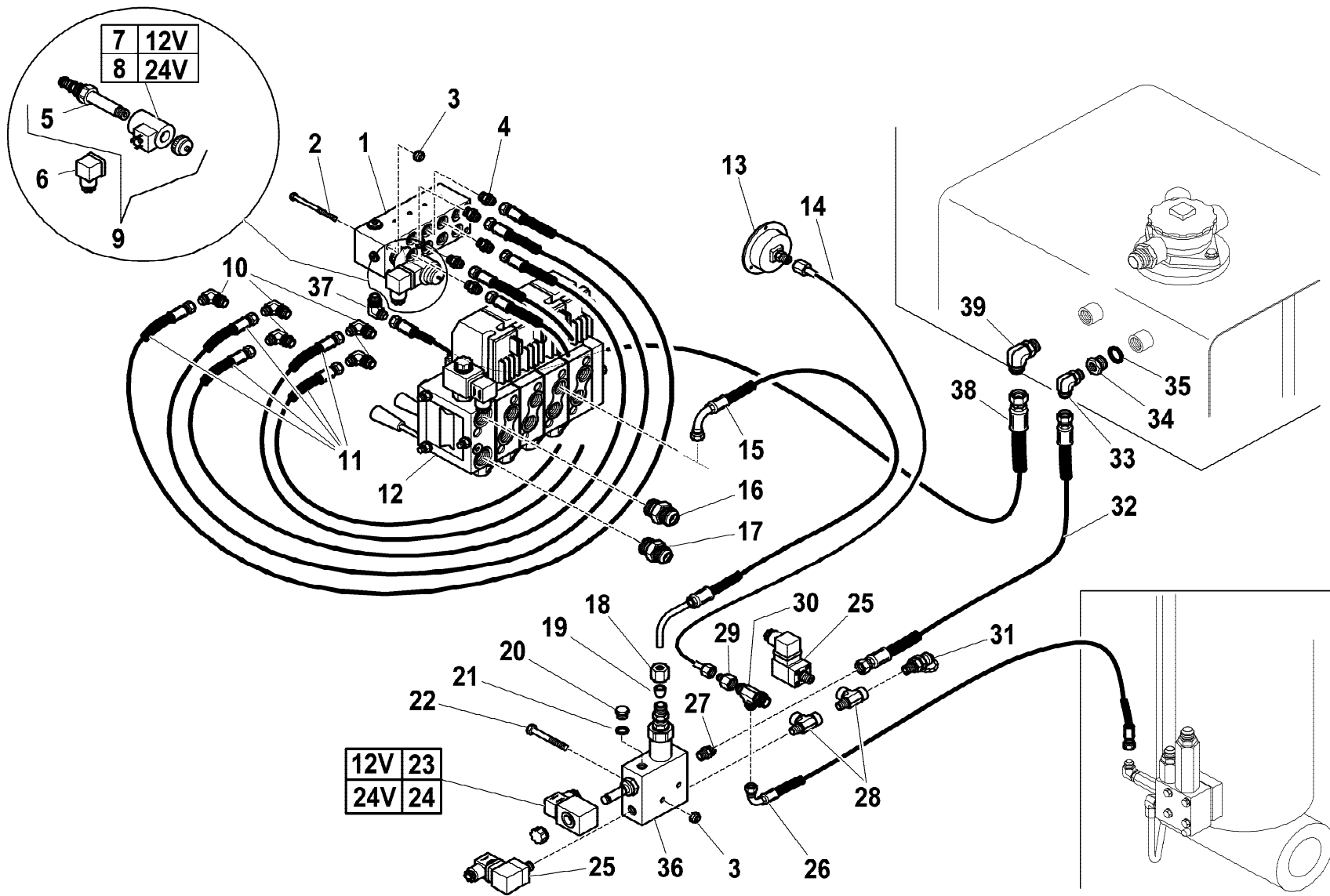


rif.	codice	Q.tà
1	5.09.0636	1
2	3.01.0339	2
3	3.04.0303	2
4	3.01.0325	8
5	3.06.0053	8
6	3.06.0030	8
7	5.09.0637	1
8	3.01.0027	4
9	3.06.0055	4
10	5.09.0739	1
11	3.01.0355	3
12	5.09.0744	1



rif.	codice	Q.tà
1	5.22.5545	4
2	5.22.5398	4
3	5.22.5512	1
4	5.22.5511	1
5	5.22.5510	1
6	3.31.0238	1
7	3.31.0242	1
8	5.22.5533	1
9	5.22.5859	4
10	WDNF157B3173	4
11	5.22.5558	1
12	5.22.5536	1
13	5.22.5368	1
14	5.22.5340	1
15	5.22.5508	1
16	5.22.5858	4

	11
	12
	13
	14
	13
	14
	15
	15
	13



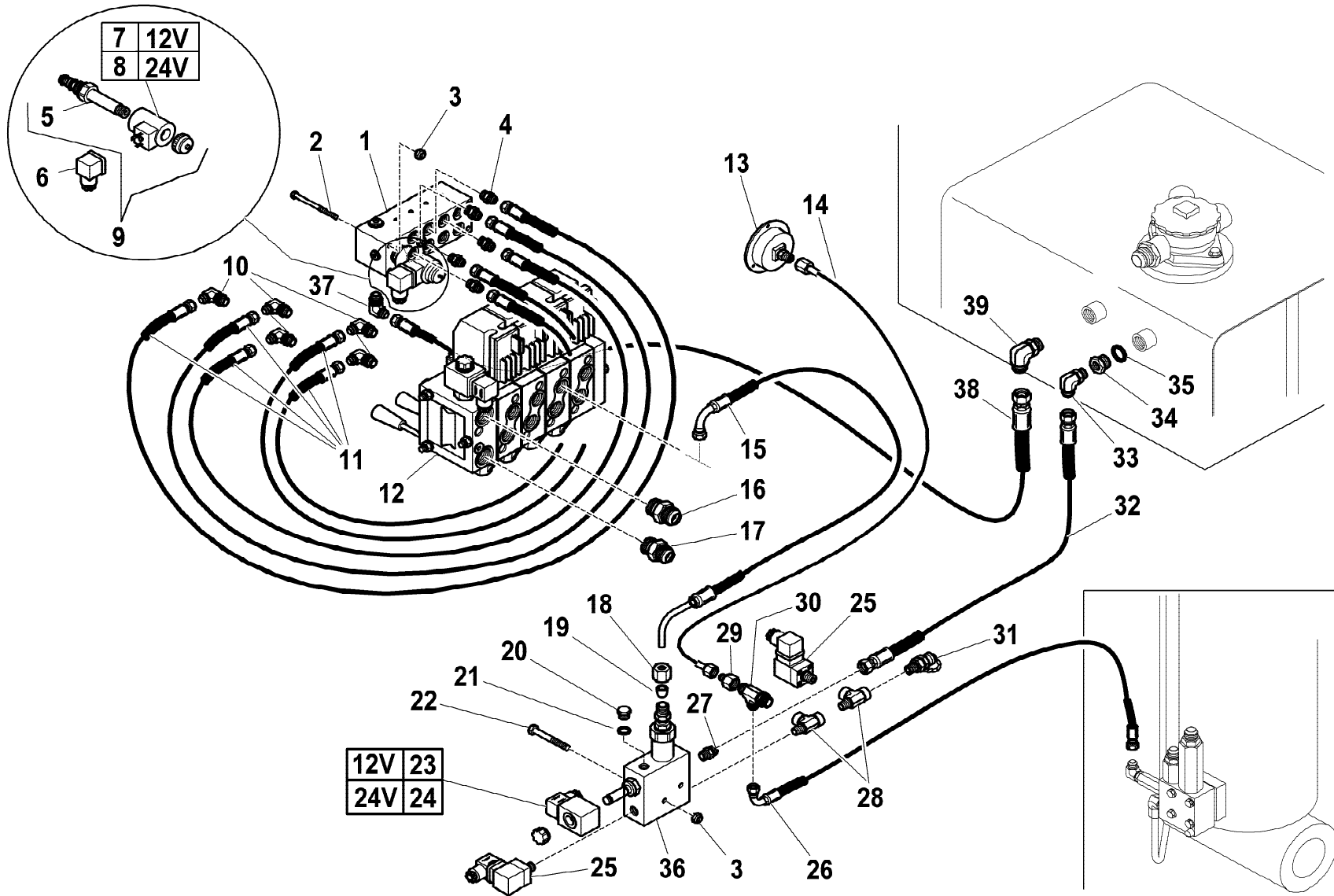
rif.	codice	Q.tà
1	5.22.0631	1
2	3.01.0026	4
3	3.04.0372	4
4	3.10.1034	5
5	5.22.5405	1
6	3.31.0021	1
7	3.31.0318	1
8	3.31.0383	1
9	5.22.5415	1
10	3.10.1194	5
11	5.30.0034	5
12	5.22.0331	1
13	3.18.0150	1
14	5.30.0035	1
15	5.26.0350	1
16	3.10.1056	1
17	3.12.0073	1
18	3.10.0952	1
19	3.10.0956	1
20	3.11.0062	1
21	3.06.0143	1
22	3.01.0388	1
23	3.31.0238	1
24	3.31.0242	1
25	3.31.0153	2
26	5.26.0549	1
27	3.10.1039	1
28	3.10.1215	2
29	3.12.0200	2
30	3.10.1175	1
31	3.11.1523	1
1/2		

HYVA CRANE
HB170

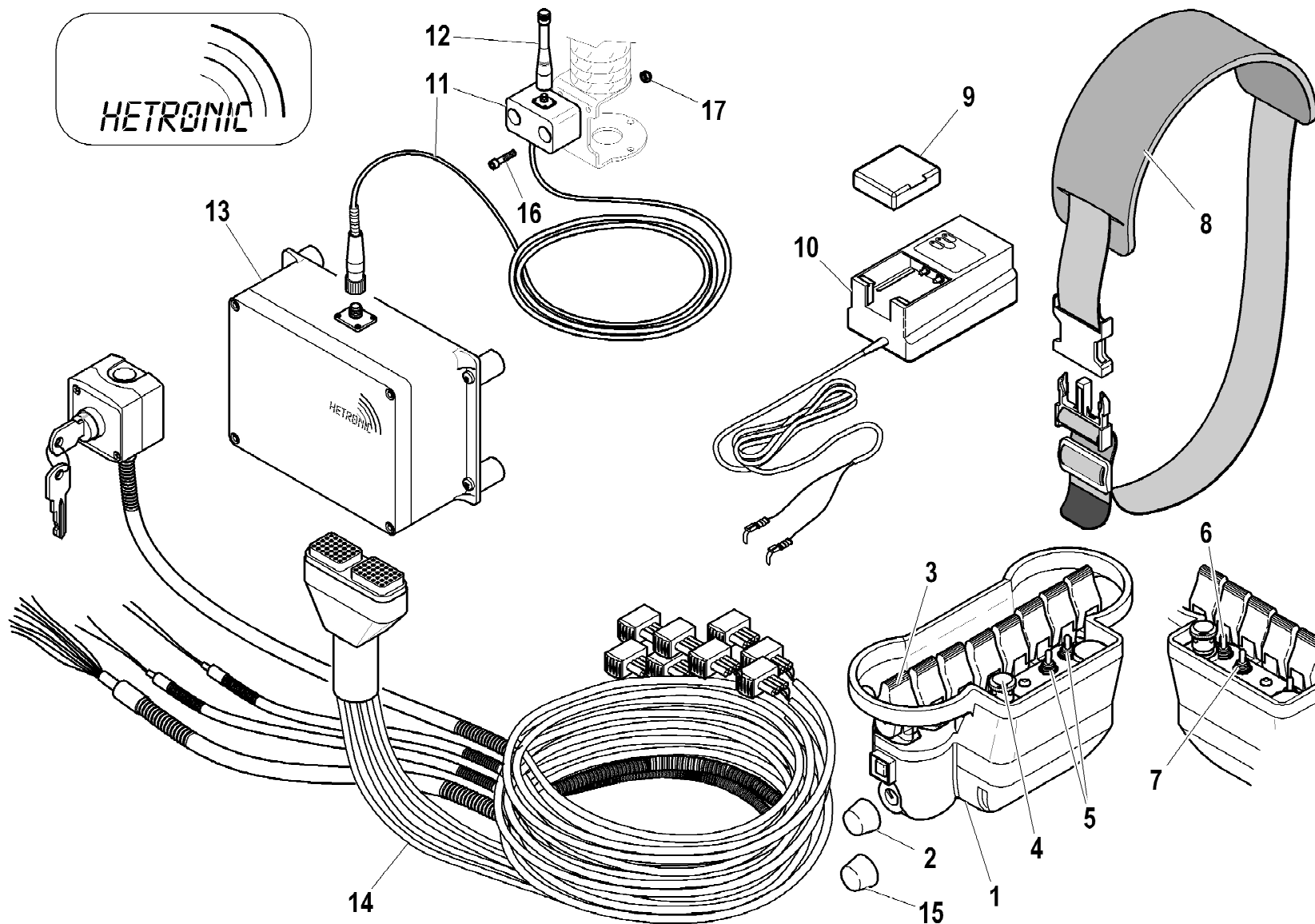
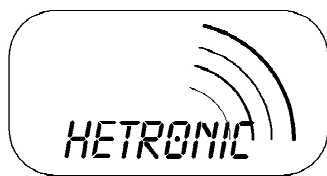
LIMITATORE DI MOMENTO RDC
 MOMENT LIMITING DEVICE RDC
 LIMITEUR DE MOMENT RDC
 HUB-MOMENTBEGRENZER RDC
 LIMITADOR DE MOMENTO RDC

Tavola
5.43.0057-1-0

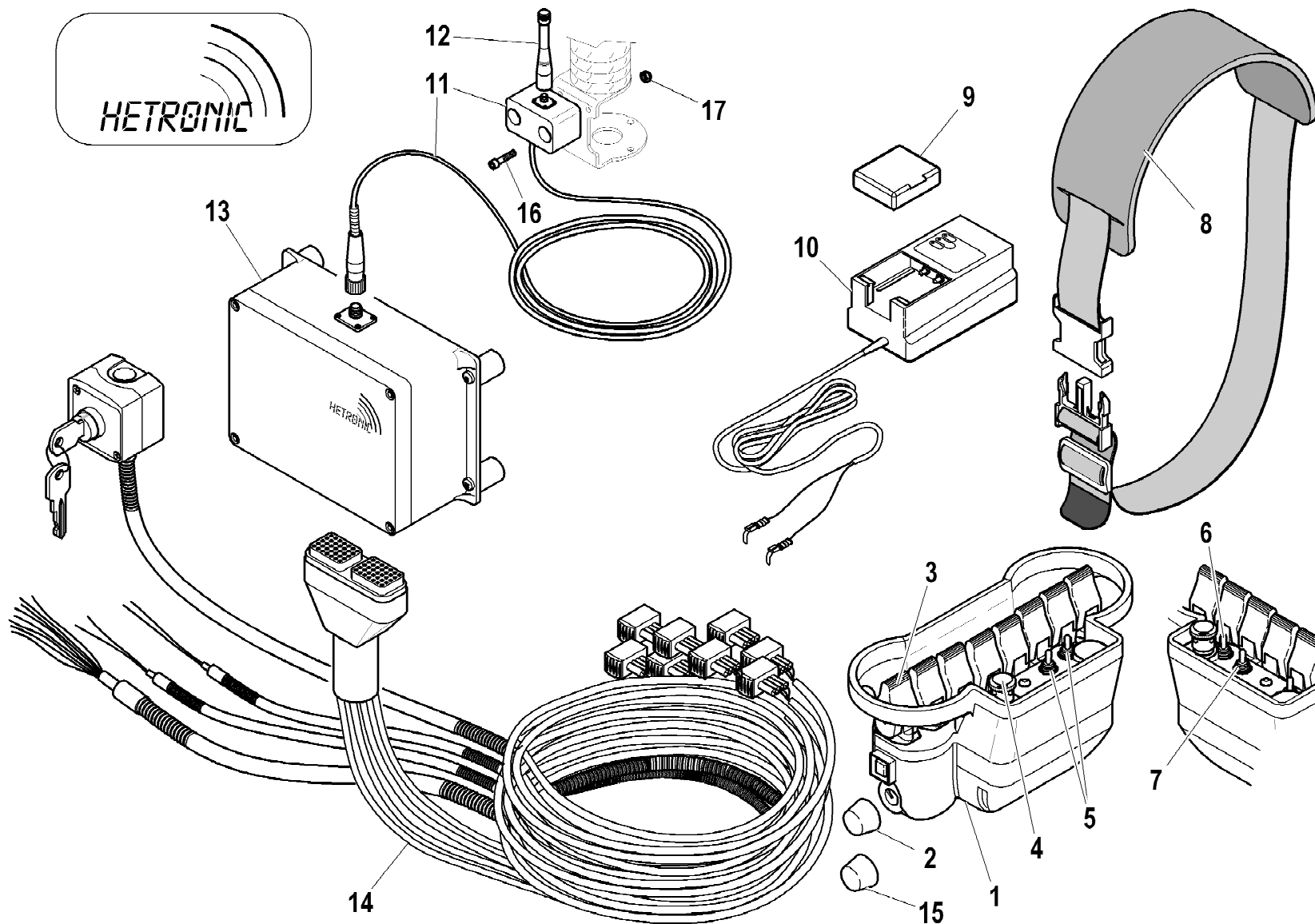
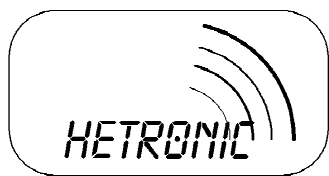
Data pag.
 agosto 2006 168.1



rif.	codice	Q.tà
32	5.26.0600	1
33	3.10.1124	1
34	3.11.0161	1
35	3.06.0145	1
36	5.22.0578	1
37	3.10.1127	1
38	5.27.1436	1
39	3.10.1131	1

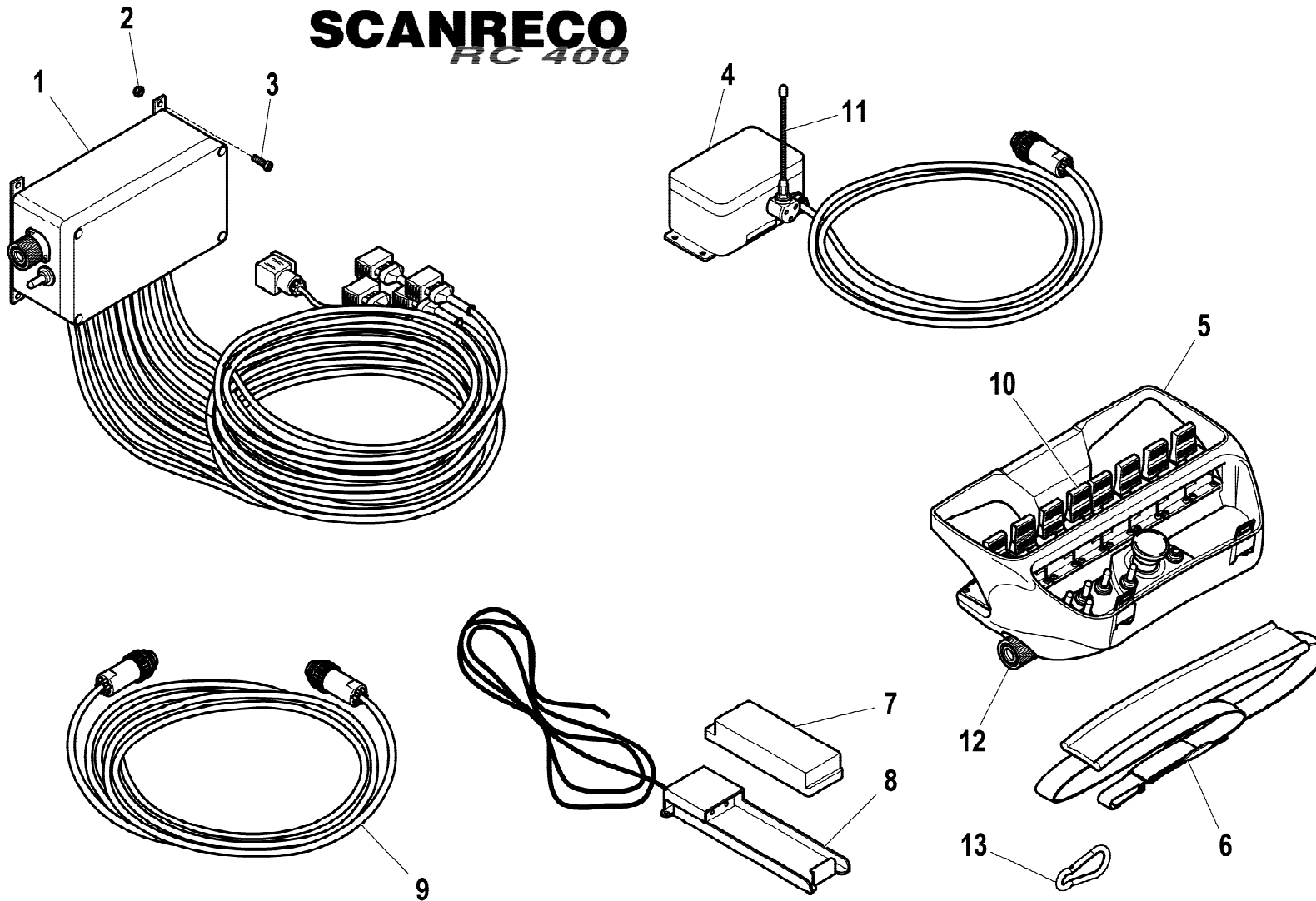


rif.	codice	Q.tà
1	3.31.0772	1
2	3.31.0795	1
3	3.31.0796	8
4	3.31.0788	1
5	3.31.0786	2
6	3.31.0785	1
7	3.31.1029	1
8	3.31.0799	1
9	3.31.0641	2
10	3.31.0797	1
11	3.31.1131	1
12	3.31.0775	1
13	3.31.0771	1
14	3.31.0912	1
15	3.31.0924	1
16	3.02.0024	2
17	3.04.0392	2



rif.	codice	Q.tà
1	3.31.0808	1
2	3.31.0795	1
3	3.31.0796	8
4	3.31.0788	1
5	3.31.0786	2
6	3.31.0785	1
7	3.31.1029	1
8	3.31.0799	1
9	3.31.0641	2
10	3.31.0797	1
11	3.31.1131	1
12	3.31.0775	1
13	3.31.0807	1
14	3.31.0912	1
15	3.31.0924	1
16	3.02.0024	2
17	3.04.0392	2

SCANRECO RC 400



rif.	codice	Q.tà
1	3.31.0534	1
2	3.04.0392	4
3	3.02.0023	4
4	3.31.0535	1
5	3.32.0026	1
6	3.19.0226	1
7	3.31.0483	2
8	3.31.0471	1
9	3.31.0536	1
10	3.31.0445	8
11	3.31.0683	1
12	3.31.0850	1
13	3.19.0259	1

1/1

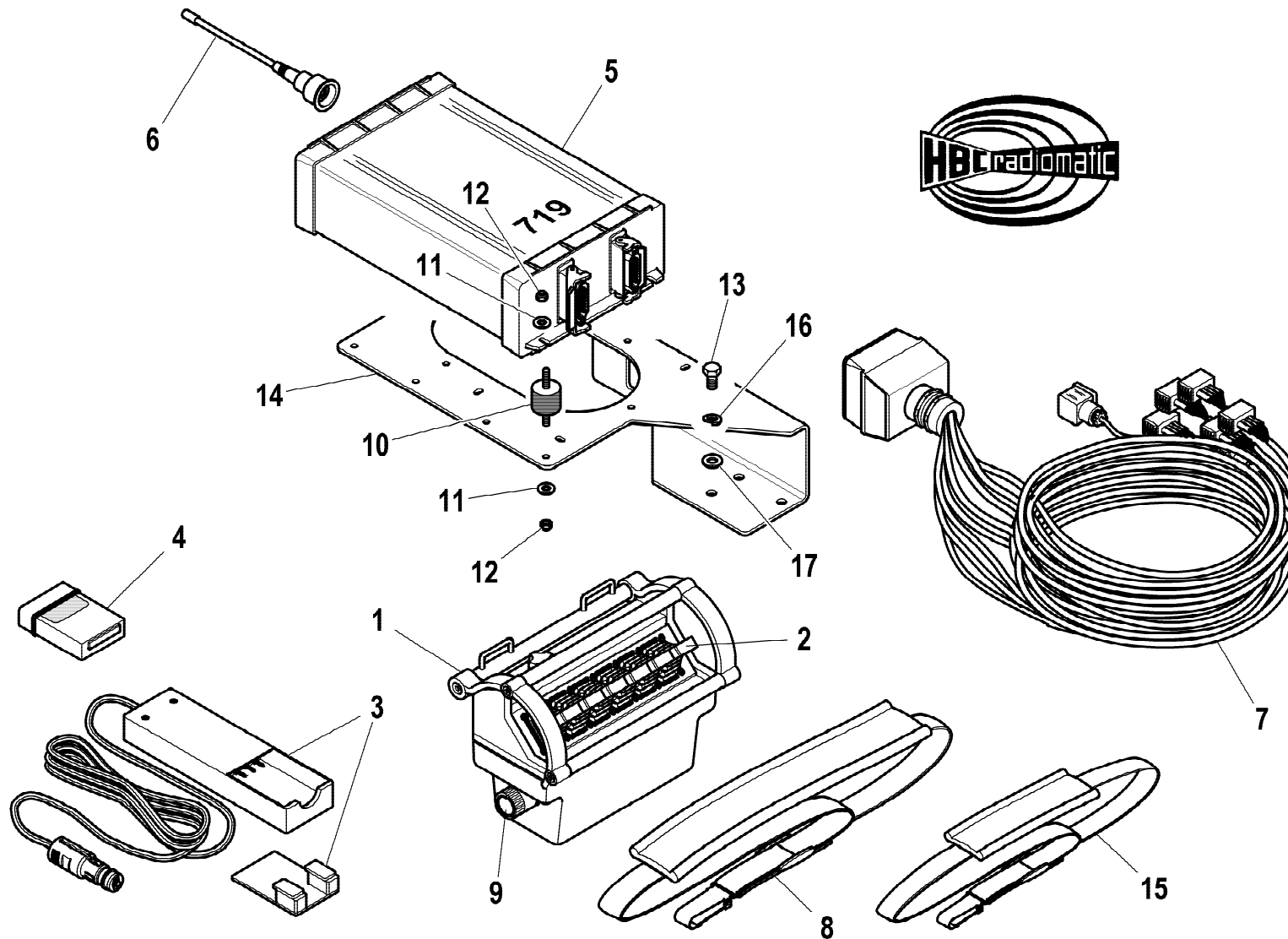
HYVA CRANE

HB170

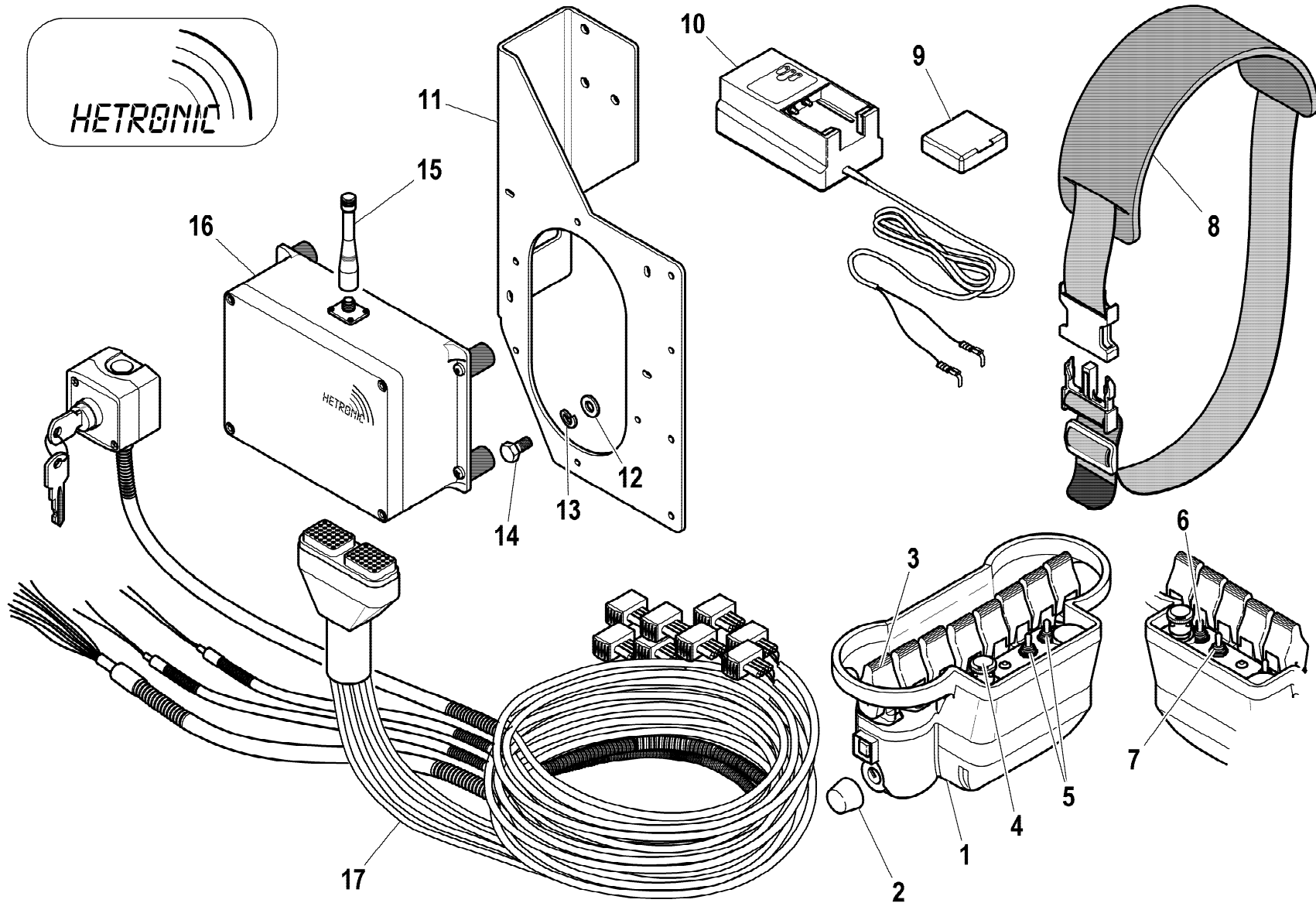
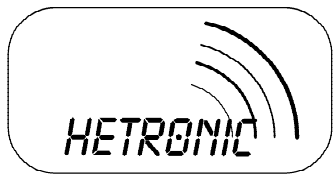
KIT RADIOCOMANDO RDC 24V
 WIRELESS CONTROL KIT RDC 24V
 KIT RADIOTELECOMMANDE RDC 24V
 FUNKSTEUERUNG-SATZ RDC 24V
 KIT RADIOMANDO RDC 24V

Tavola
7.89.2053-1-0

Data pag.
 giugno 2008 171

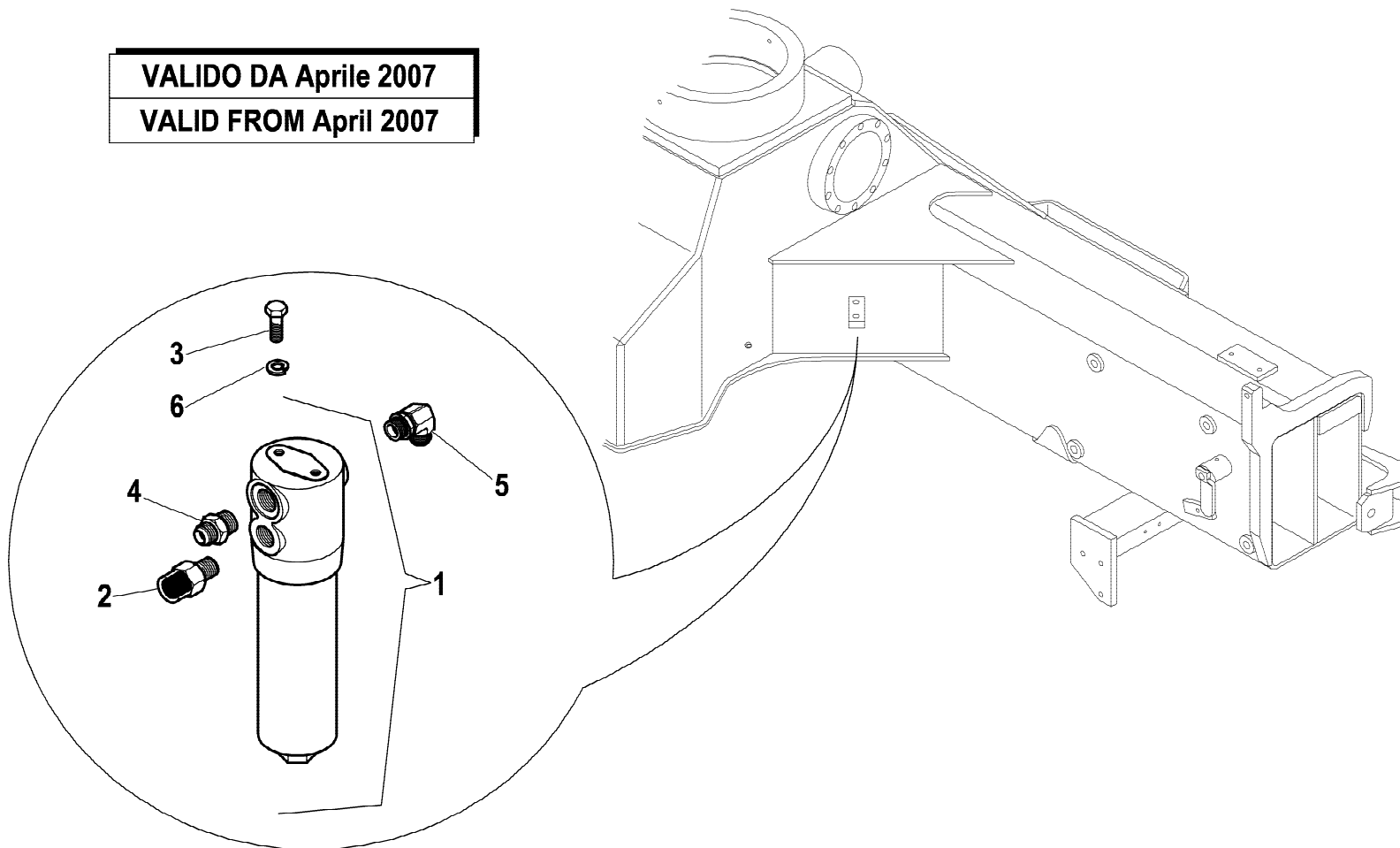


rif.	codice	Q.tà
1	3.31.0578	1
2	3.31.0581	6
3	3.31.0455	1
4	3.31.0454	2
5	3.31.0836	1
6	3.31.0583	1
7	3.31.0941	1
8	3.19.0105	1
9	3.31.0582	2
10	3.19.0102	4
11	3.06.0005	8
12	3.04.0372	8
13	3.01.0349	3
14	5.00.1730	1
15	3.19.0106	1
16	3.06.0056	3
17	3.06.0914	3



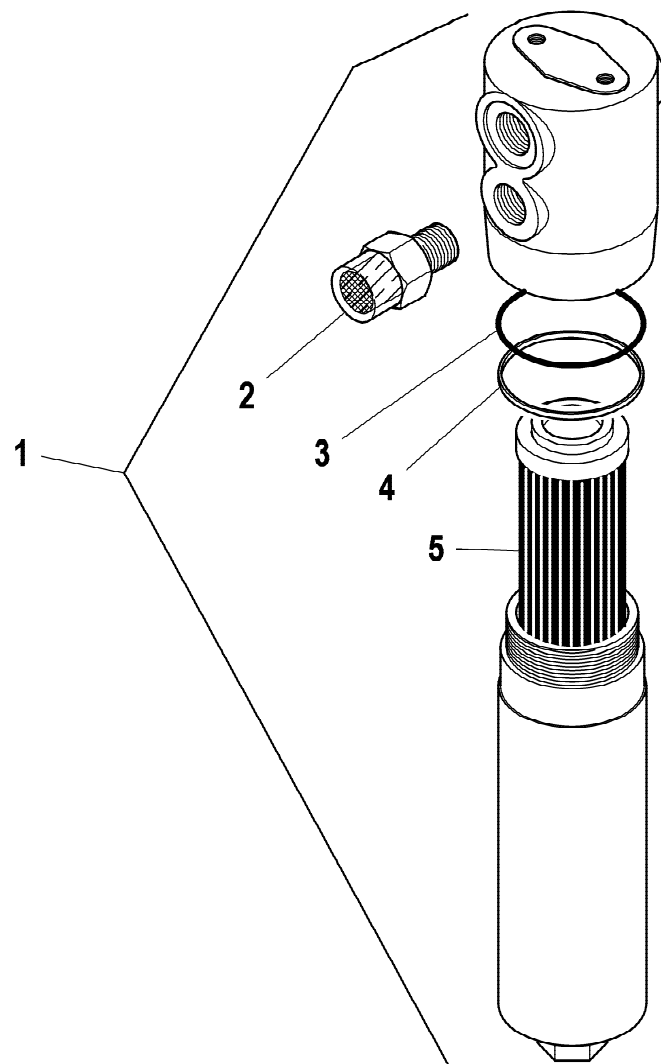
rif.	codice	Q.tà
1	3.31.1116	1
2	3.31.0795	1
3	3.31.0796	8
4	3.31.0788	1
5	3.31.0786	2
6	3.31.0785	1
7	3.31.1029	1
8	3.31.0799	1
9	3.31.0641	2
10	3.31.0797	1
11	5.00.1730	1
12	3.06.0914	3
13	3.06.0056	3
14	3.01.0349	3
15	3.31.0775	1
16	3.31.1115	1
17	3.31.0912	1

VALIDO DA Aprile 2007
VALID FROM April 2007

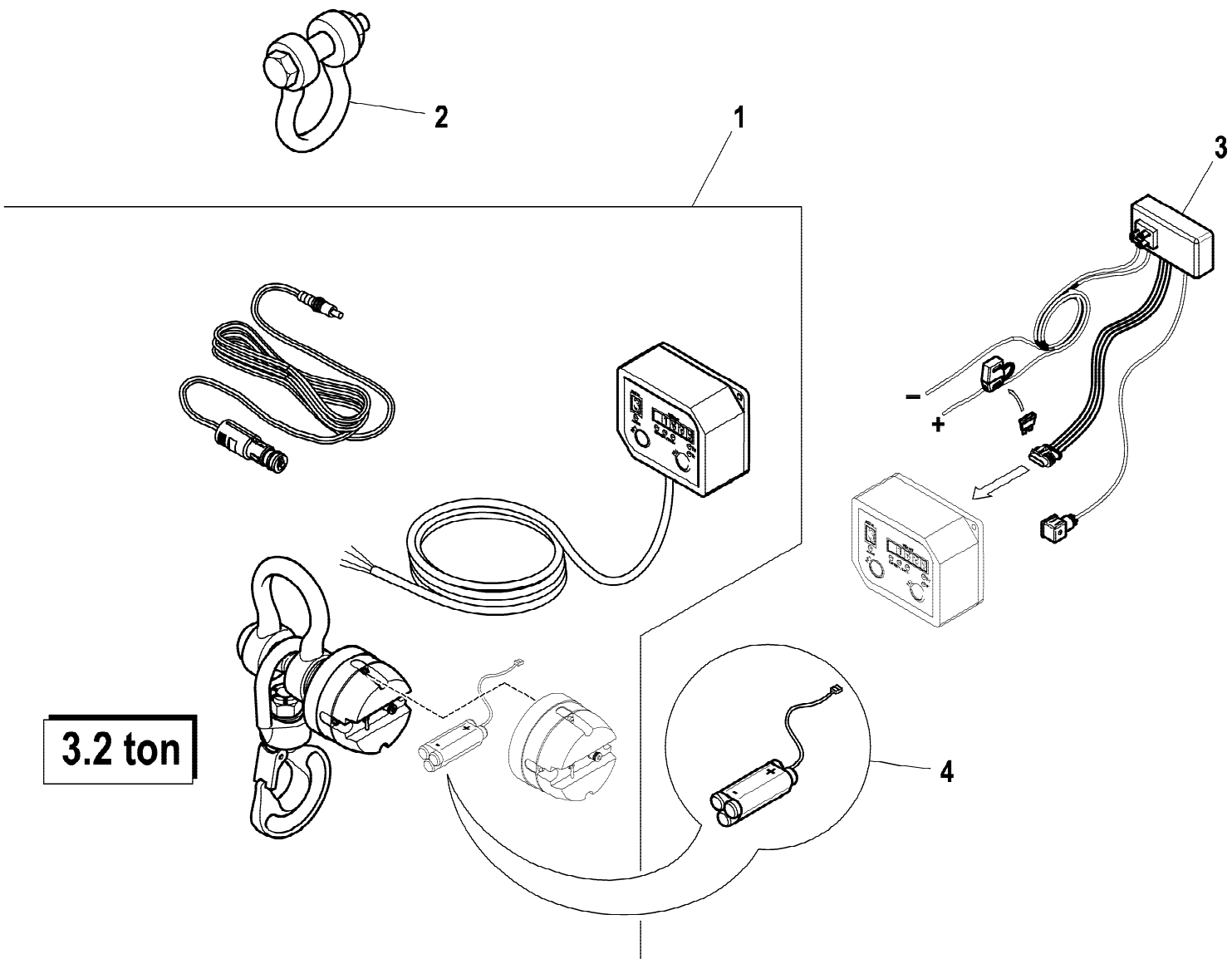


rif.	codice	Q.tà
1	3.18.0159	1
2	3.18.0192	1
3	3.01.0027	2
4	3.12.0073	1
5	3.10.1134	1
6	3.06.0055	2

rif.	codice	Q.tà
1	3.18.0159	1
2	3.18.0192	1
3	3.45.0080	1
4	3.46.0080	1
5	3.18.0160	1



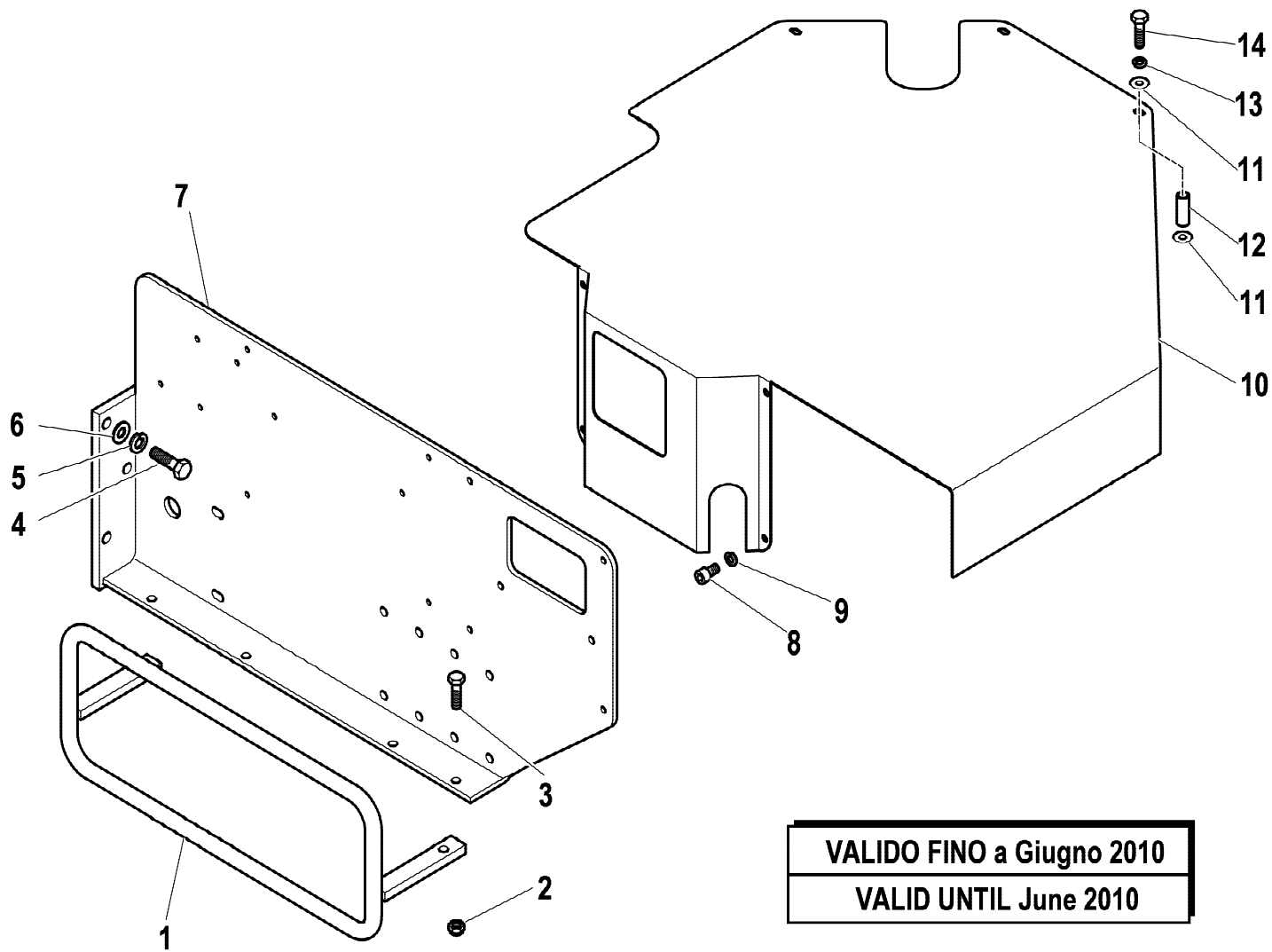
rif.	codice	Q.tà
1	5.73.0507	1
2	3.20.0050	1
3	W.236.508	1
4	3.31.1542	1



3.2 ton



HB170 TCU

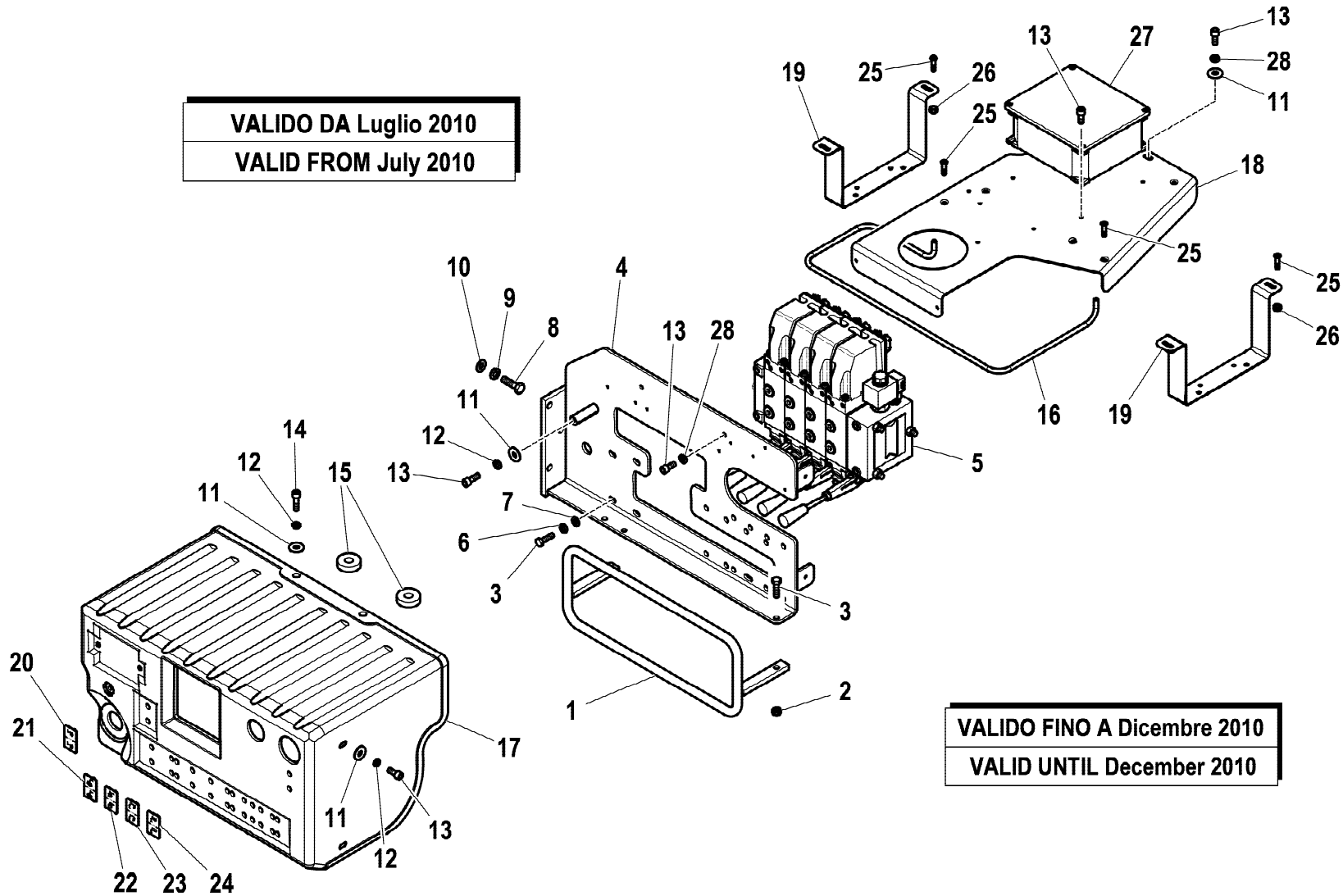


rif.	codice	Q.tà
1	5.09.0636	1
2	3.04.0045	2
3	3.01.0339	2
4	3.01.0355	3
5	3.06.0056	3
6	3.06.0914	3
7	5.09.0890	1
8	3.02.0022	4
9	3.06.0149	4
10	5.00.1414	1
11	3.19.0178	6
12	2.09.1326	3
13	3.06.0053	3
14	3.01.0018	3

VALIDO FINO a Giugno 2010
VALID UNTIL June 2010

VALIDO DA Luglio 2010

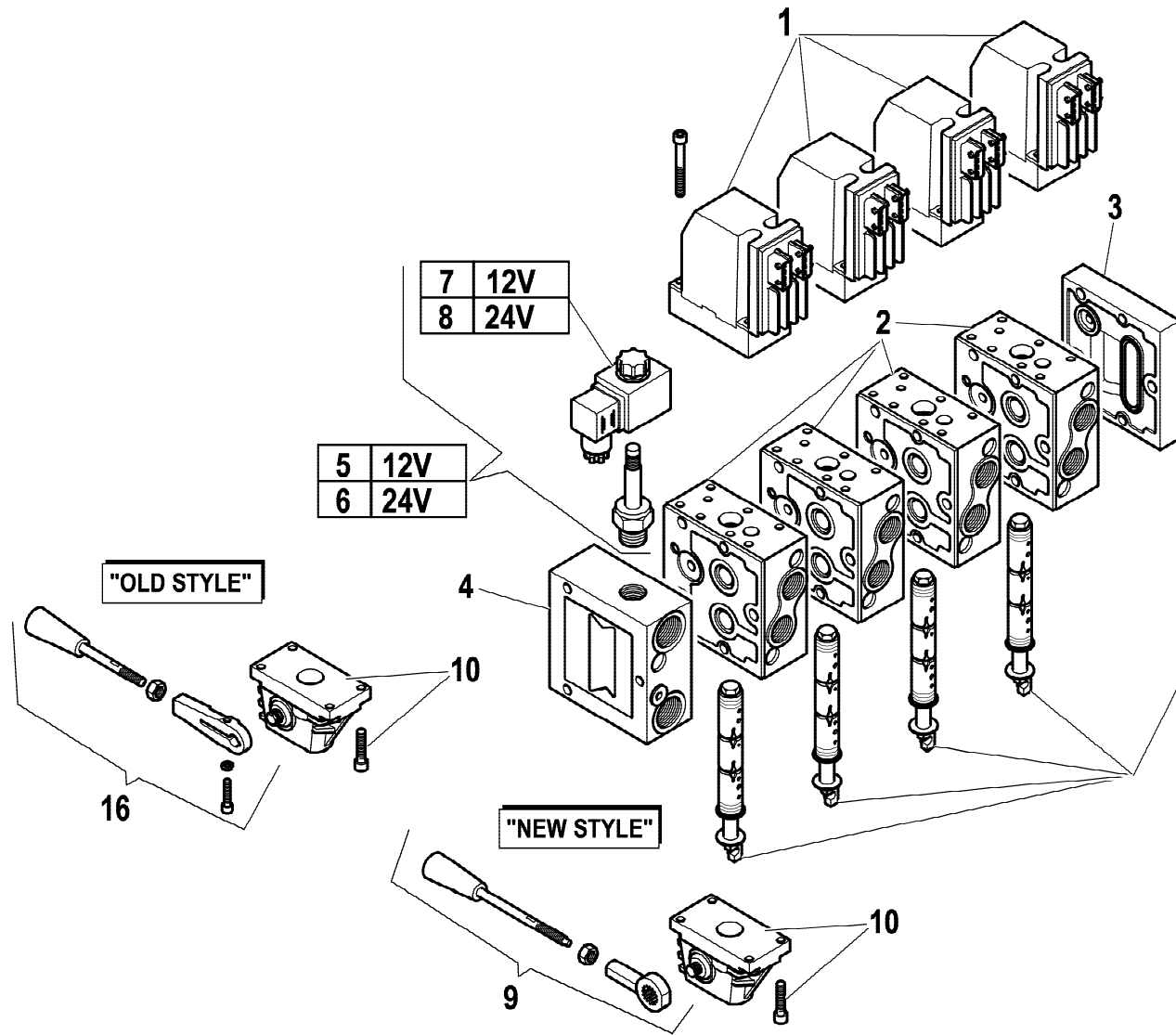
VALID FROM July 2010



VALIDO FINO A Dicembre 2010

VALID UNTIL December 2010

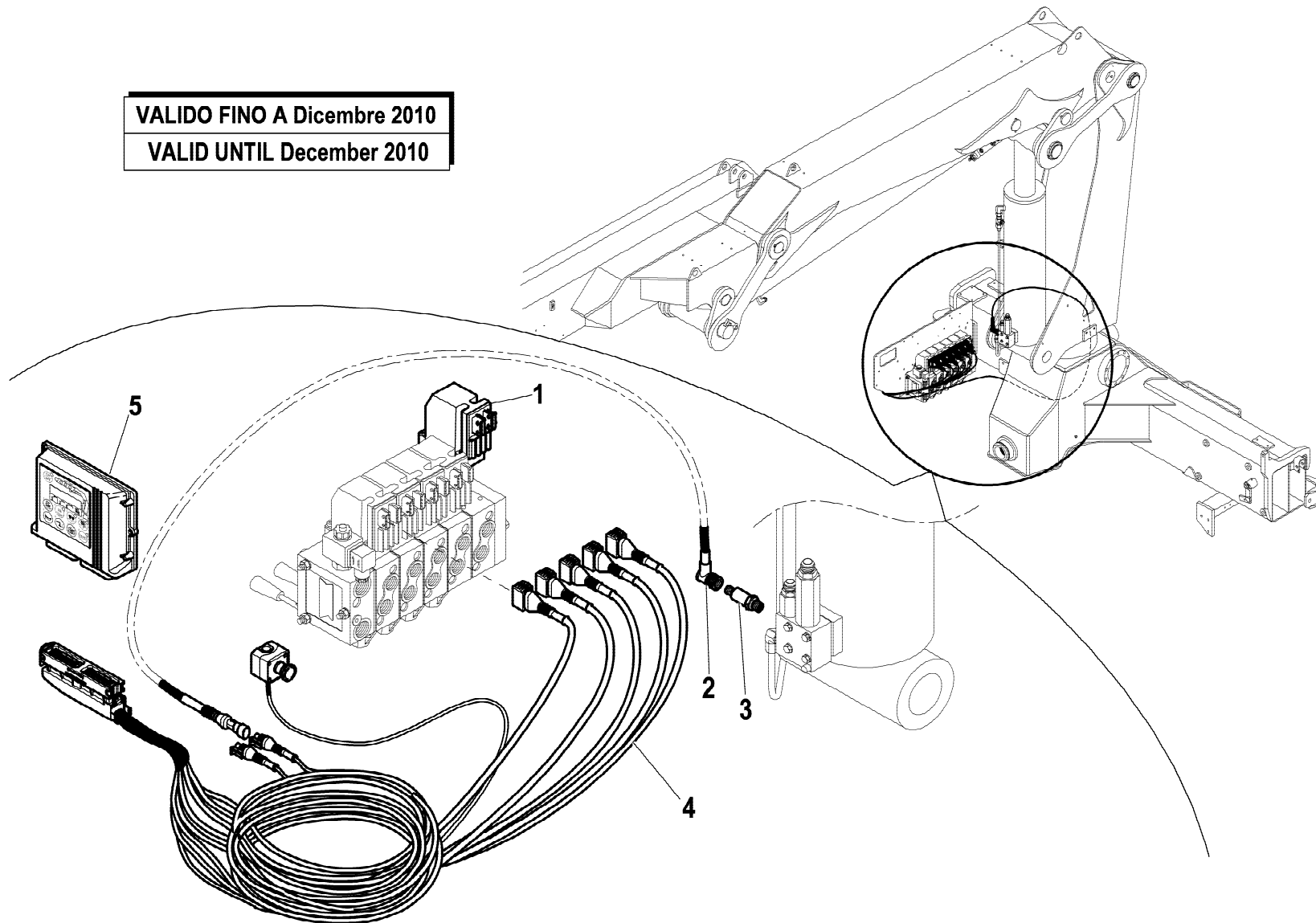
rif.	codice	Q.tà
1	5.09.0636	1
2	3.04.0045	2
3	3.01.0027	6
4	5.09.1219	1
5	5.22.0373	1
6	3.06.0055	4
7	3.06.0006	4
8	3.01.0355	3
9	3.06.0056	3
10	3.06.0914	3
11	3.06.0030	6
12	3.06.0005	5
13	3.02.0034	10
14	3.02.0037	2
15	W.34.05.014.00	2
16	5.00.2043	1
17	5.09.1218	1
18	5.00.2024	1
19	5.00.2028	2
20	5.81.3516	1
21	W.573.266	1
22	W.573.267	1
23	W.573.269	1
24	W.573.270	1
25	3.02.0439	6
26	3.04.0372	4
27	3.31.0853	1
28	3.06.0053	3



	11
	12
	13
	14
	13
	14
	15
	15
	13

rif.	codice	Q.tà
1	5.22.5534	4
2	5.22.5398	4
3	5.22.5512	1
4	5.22.5511	1
5	5.22.5533	1
6	5.22.5510	1
7	3.31.0238	1
8	3.31.0242	1
9	5.22.5859	4
10	WDNF157B3173	4
11	5.22.5558	1
12	5.22.5536	1
13	5.22.5368	1
14	5.22.5340	1
15	5.22.5508	1
16	5.22.5858	4

VALIDO FINO A Dicembre 2010
VALID UNTIL December 2010



rif.	codice	Q.tà
1	5.22.5534	5
2	5.16.0001	1
3	3.31.0612	1
4	5.16.0049	1
5	3.31.1088	1

1/1

HYVA CRANE

HB170

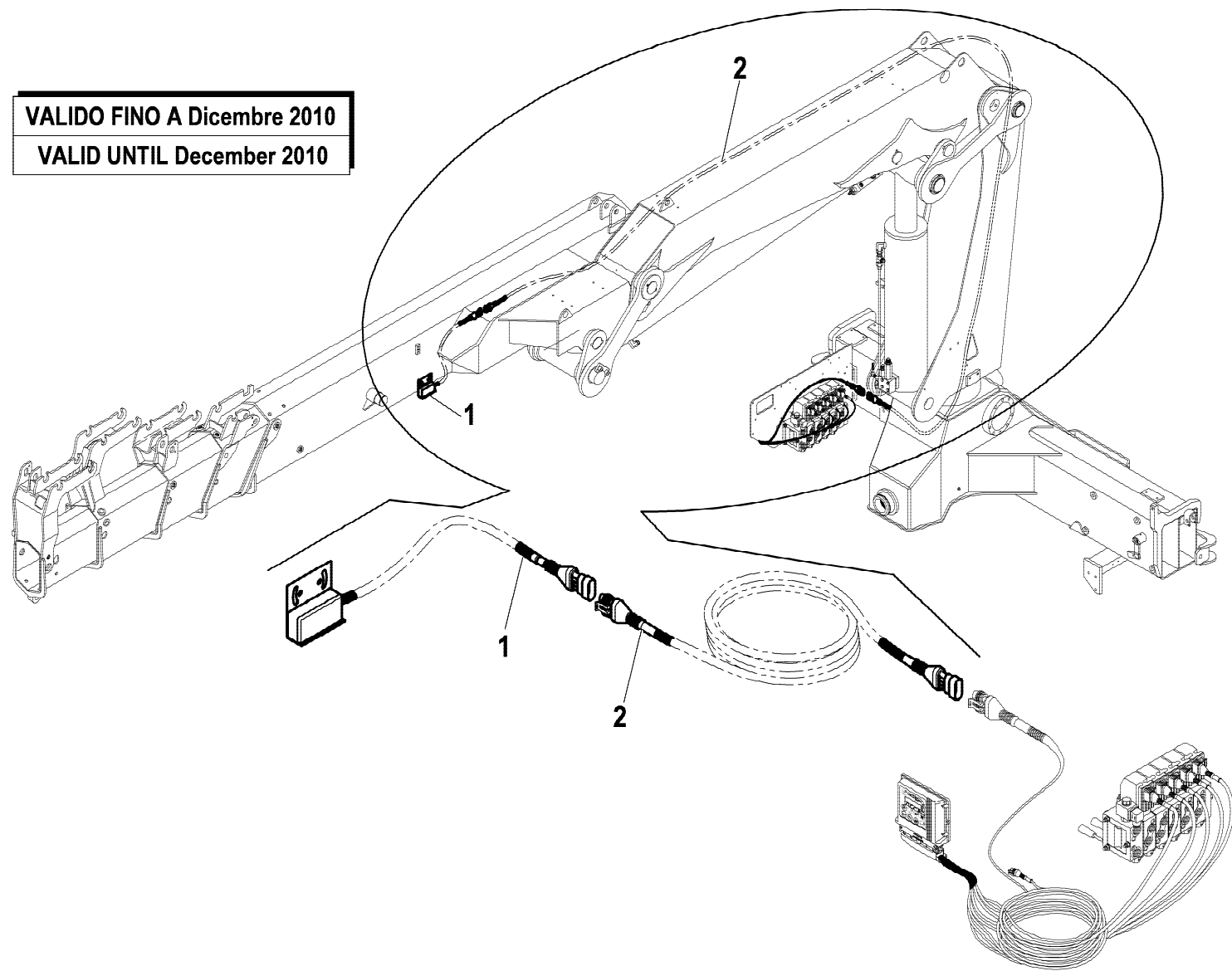
COMANDI (X TCU)
 CONTROLS (X TCU)
 COMMANDES (X TCU)
 STEUERUGEN (X TCU)
 MANDOS (X TCU)

Tavola
5.40.0512-1-0

Data pag.
 marzo 2010 181

rif.	codice	Q.tà
1	3.31.0541	1
2	5.16.0002	1

VALIDO FINO A Dicembre 2010
VALID UNTIL December 2010



1/1

HYVA[®] CRANE
HB170

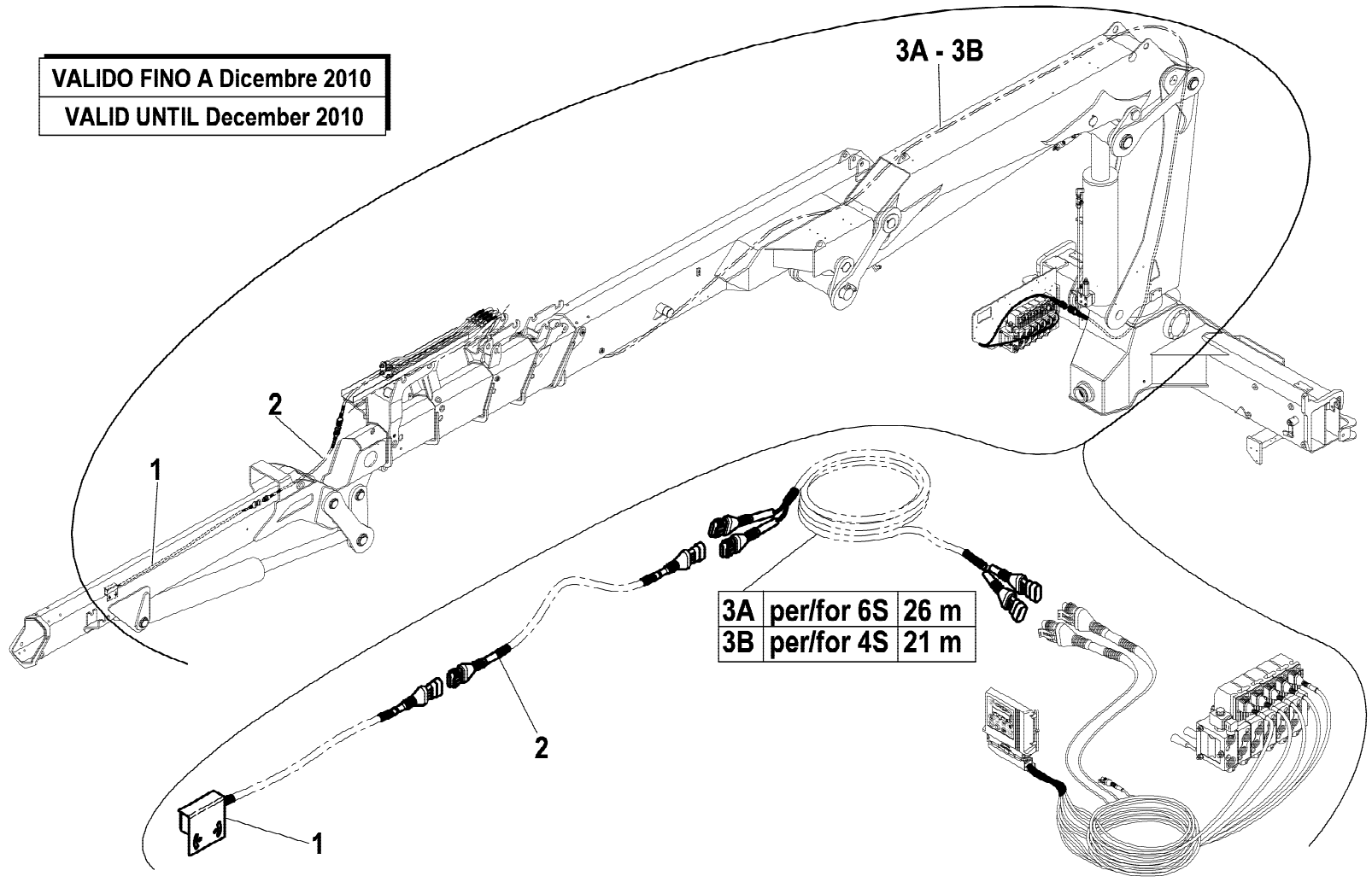
COMANDI (RDC EBB-X TCU-ECM4)
 CONTROLS (RDC EBB-X TCU-ECM4)
 COMMANDES (RDC EBB-X TCU-ECM4)
 STEUERUGEN (RDC EBB-X TCU-ECM4)
 MANDOS (RDC EBB-X TCU-ECM4)

Tavola
5.40.0433-3-0

Data pag.
 marzo 2010 182

rif.	codice	Q.tà
1	3.31.0541	1
2	5.16.0016	1
3A	5.16.0015	1
3B	5.16.0019	1

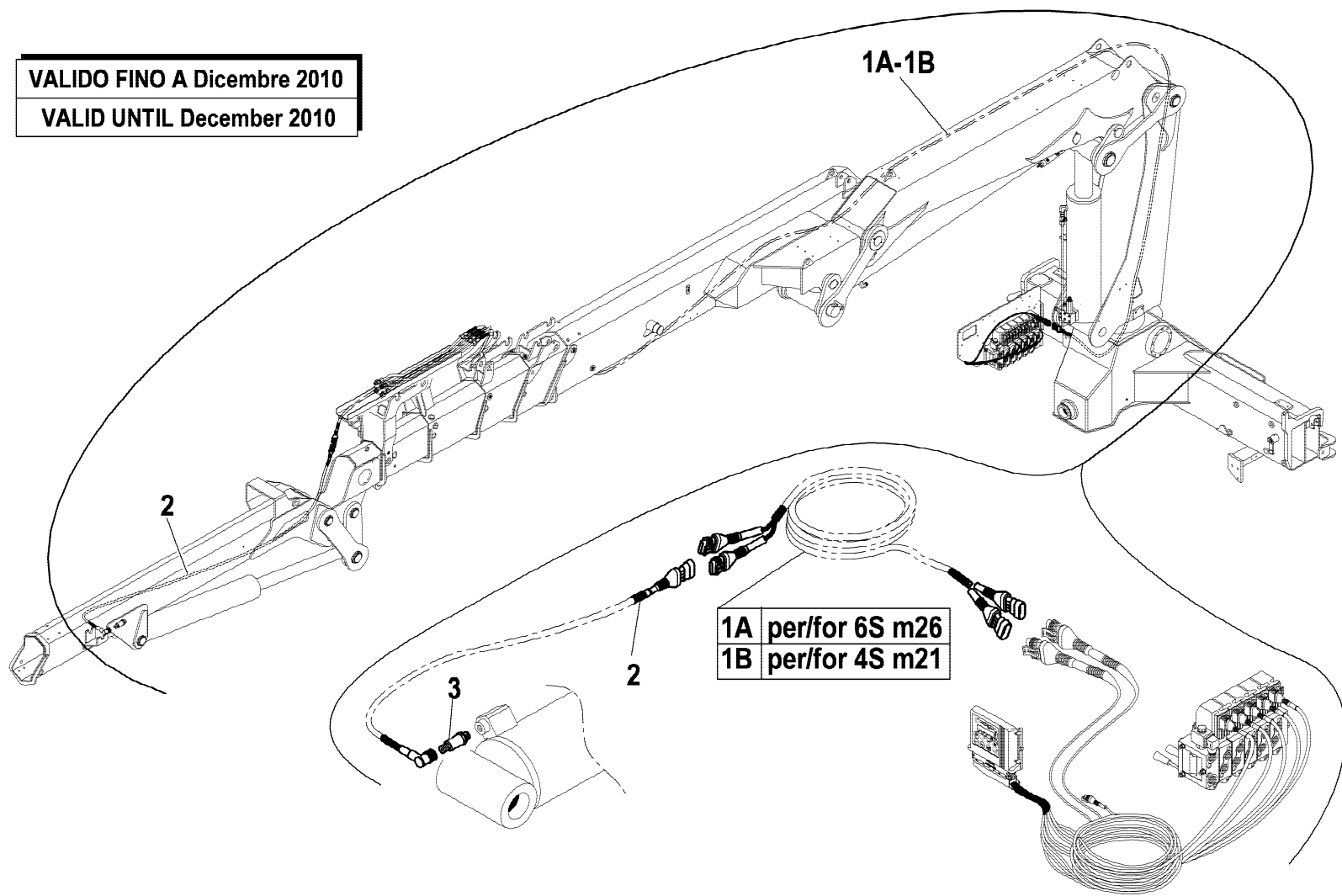
VALIDO FINO A Dicembre 2010
VALID UNTIL December 2010



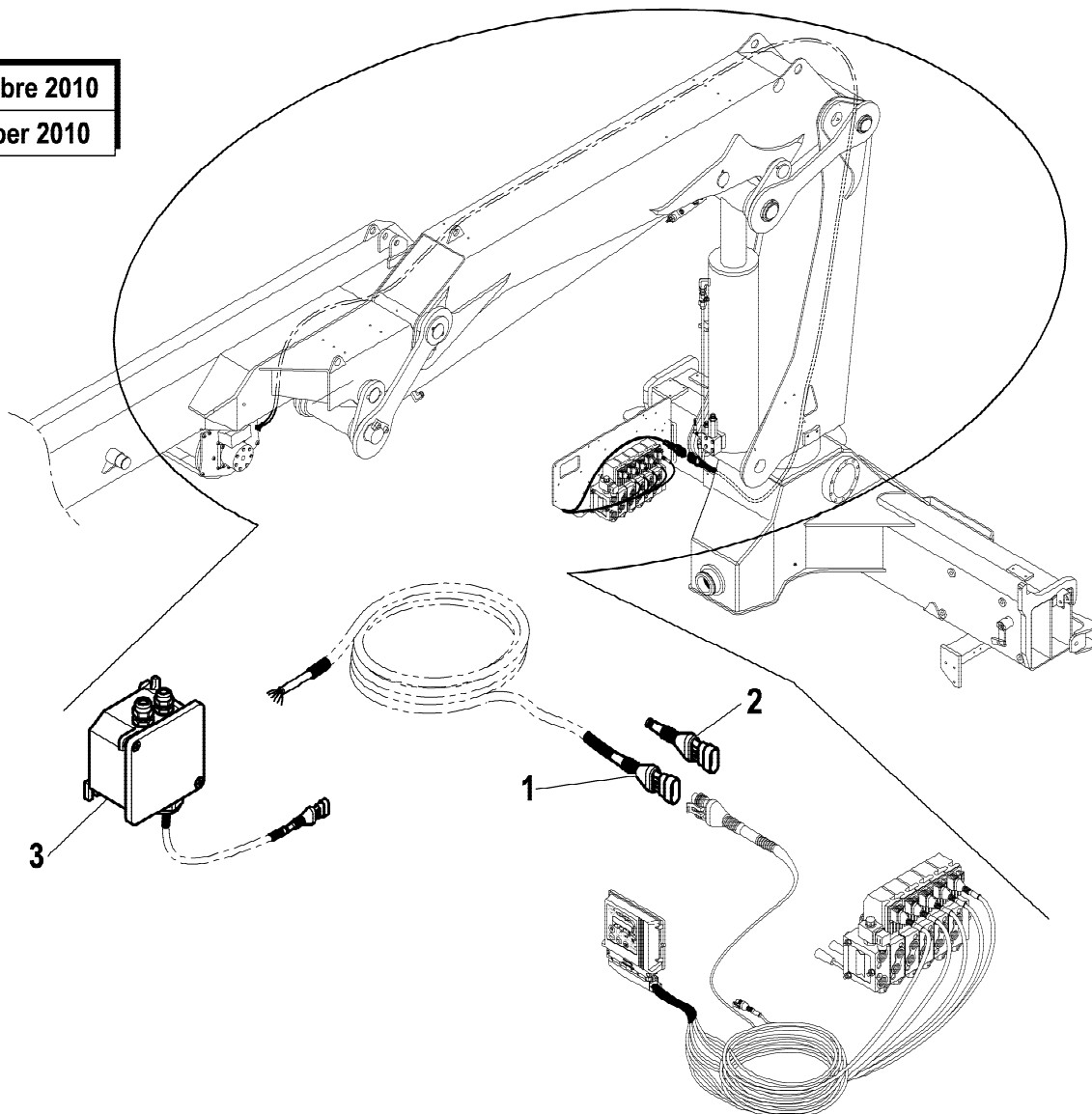
3A	per/for 6S	26 m
3B	per/for 4S	21 m

rif.	codice	Q.tà
2	5.16.0001	1
3	3.31.0612	1
1A	5.16.0015	1
1B	5.16.0019	1

VALIDO FINO A Dicembre 2010
VALID UNTIL December 2010



VALIDO FINO A Dicembre 2010
 VALID UNTIL December 2010



rif.	codice	Q.tà
1	5.16.0004	1
2	5.16.0013	1
3	3.31.0663	1

1/1

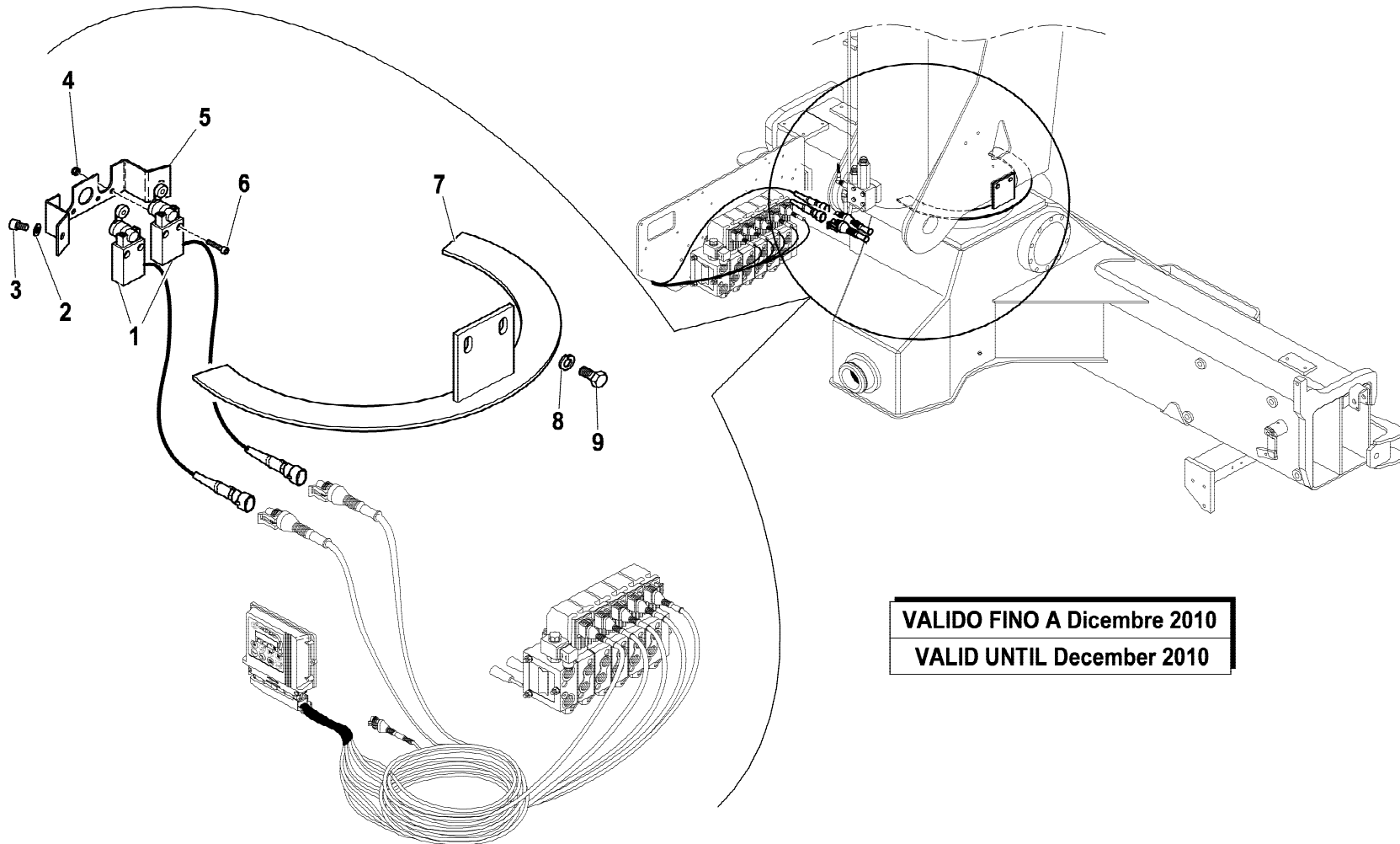
HYVA CRANE

HB170

COMANDI (RDC EBB-X TCU-ECM4)
 CONTROLS (RDC EBB-X TCU-ECM4)
 COMMANDES (RDC EBB-X TCU-ECM4)
 STEUERUGEN (RDC EBB-X TCU-ECM4)
 MANDOS (RDC EBB-X TCU-ECM4)

Tavola
5.40.0433-6-0

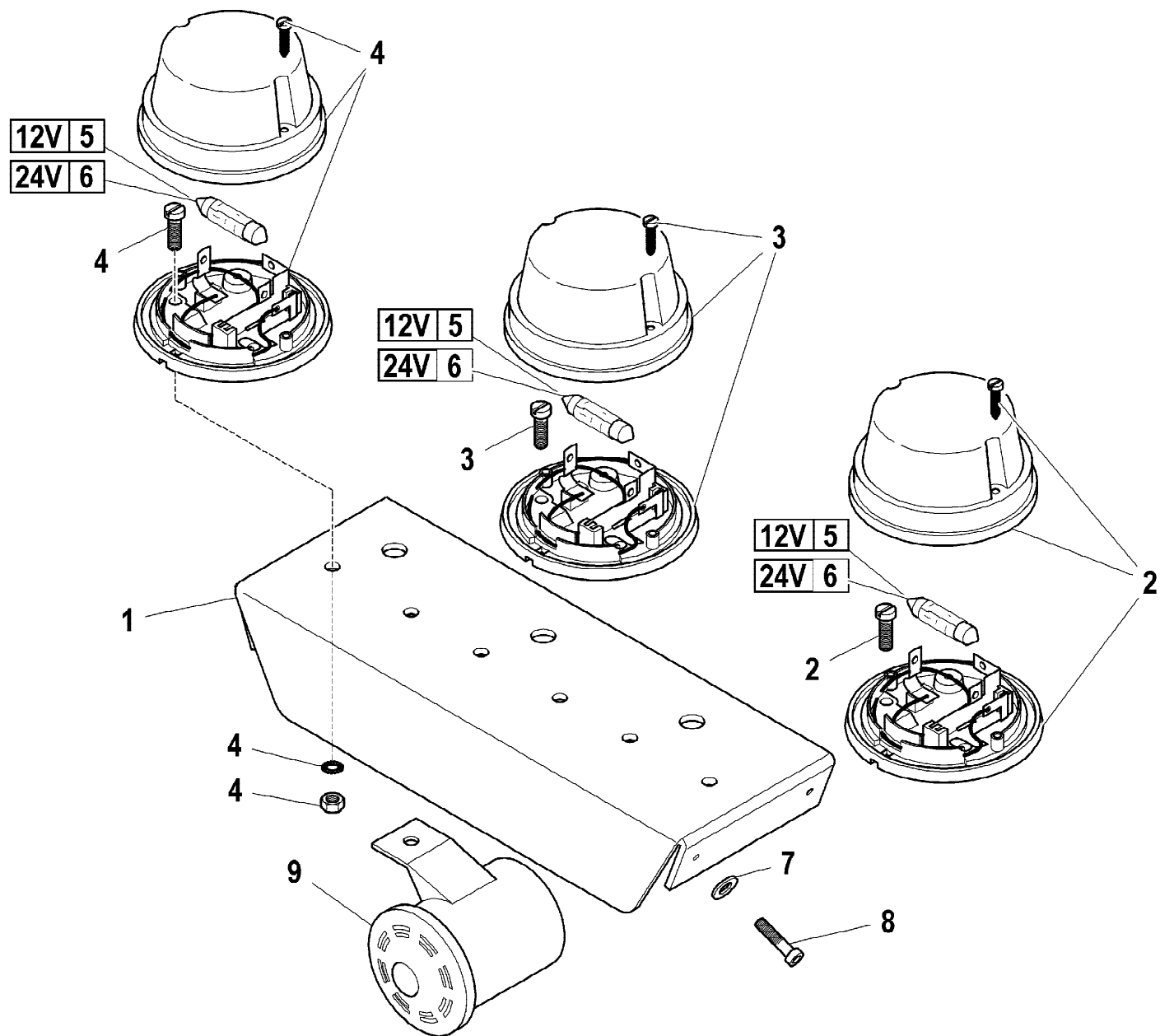
Data pag.
 marzo 2010 185



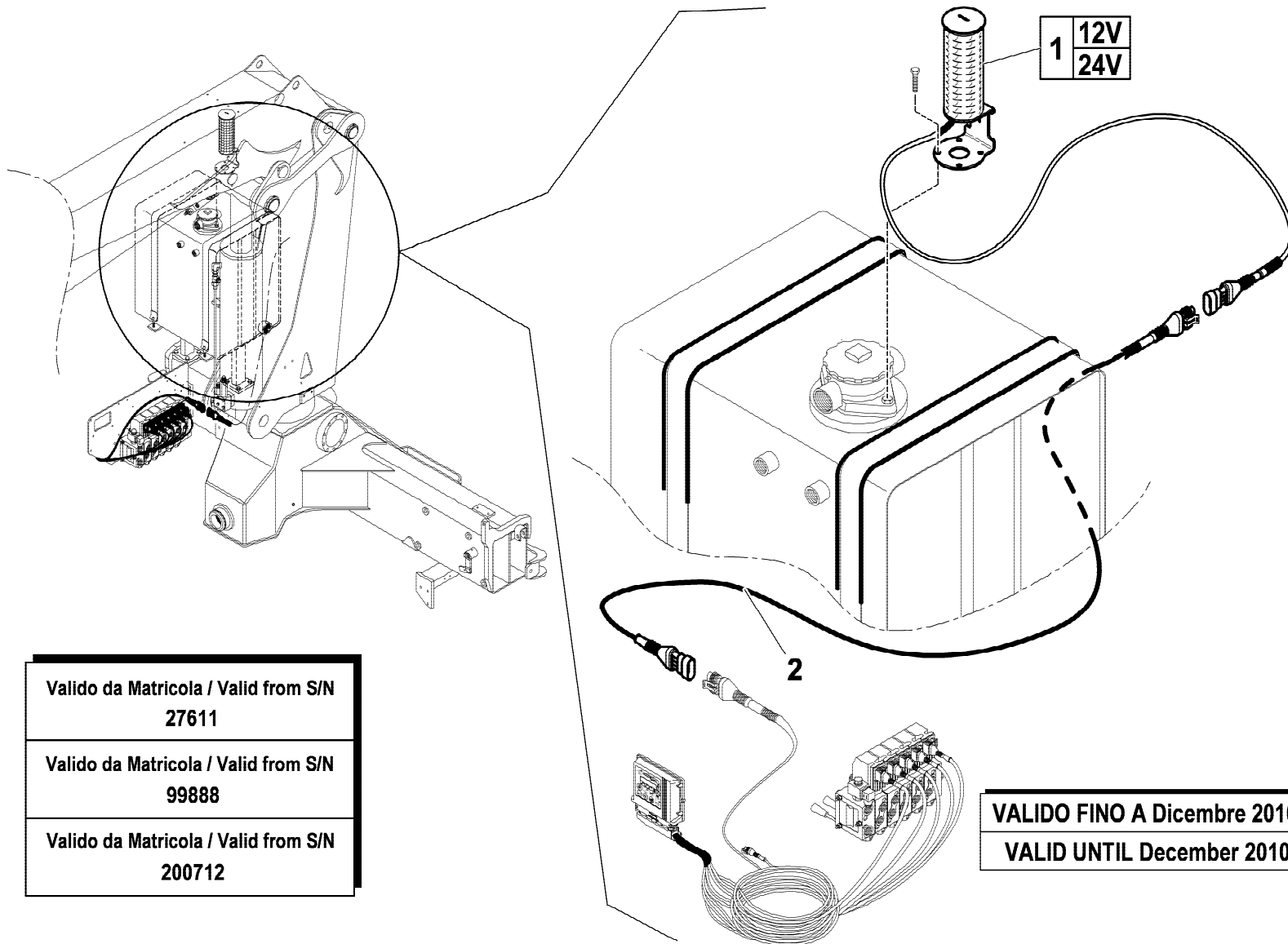
VALIDO FINO A Dicembre 2010
VALID UNTIL December 2010

rif.	codice	Q.tà
1	5.16.0009	2
2	3.06.0005	2
3	3.02.0033	2
4	3.04.0392	4
5	W.61.05.046.00	1
6	3.02.0024	4
7	5.00.1173	1
8	3.06.0056	2
9	3.01.0353	2

rif.	codice	Q.tà
1	5.00.1662	1
2	3.31.0811	1
3	3.31.0812	1
4	3.31.0810	1
5	3.31.0818	3
6	3.31.0813	3
7	3.06.0003	4
8	3.02.0885	4
9	3.31.0911	1

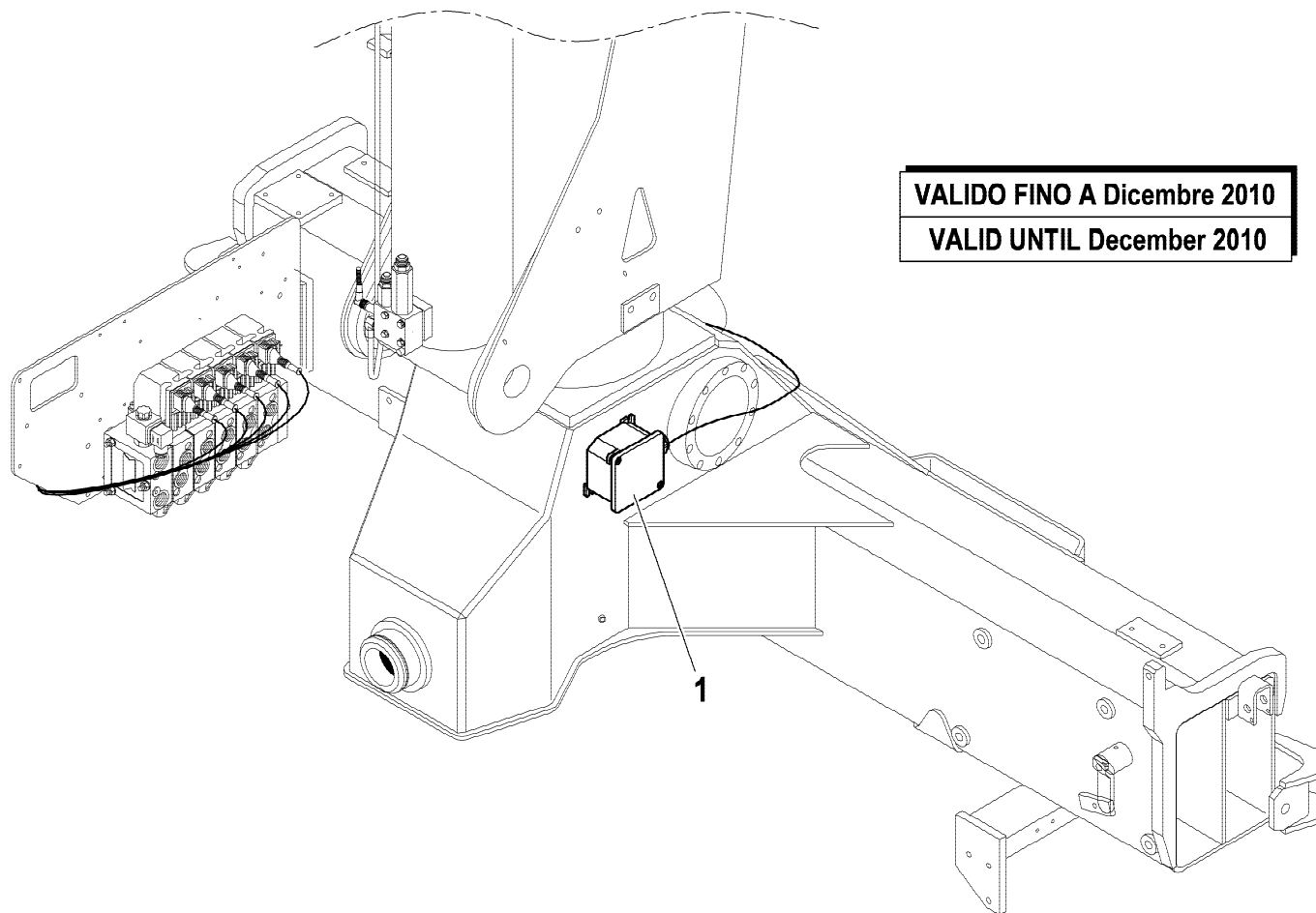


rif.	codice	Q.tà
1	3.31.1159	1
2	5.16.0003	1



Valido da Matricola / Valid from S/N 27611
Valido da Matricola / Valid from S/N 99888
Valido da Matricola / Valid from S/N 200712

VALIDO FINO A Dicembre 2010
VALID UNTIL December 2010

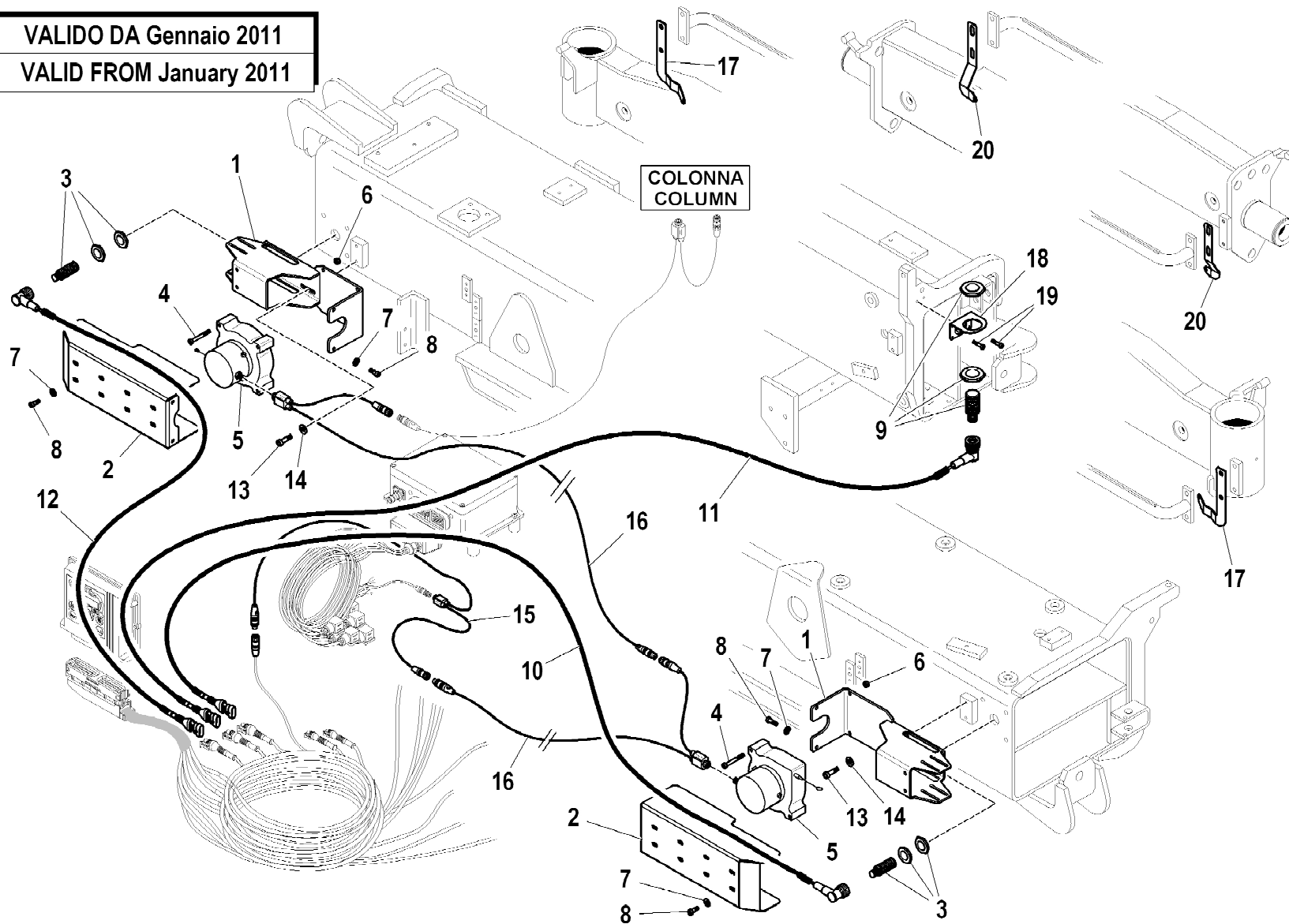




HB170 TCU EN12999-A3

VALIDO DA Gennaio 2011

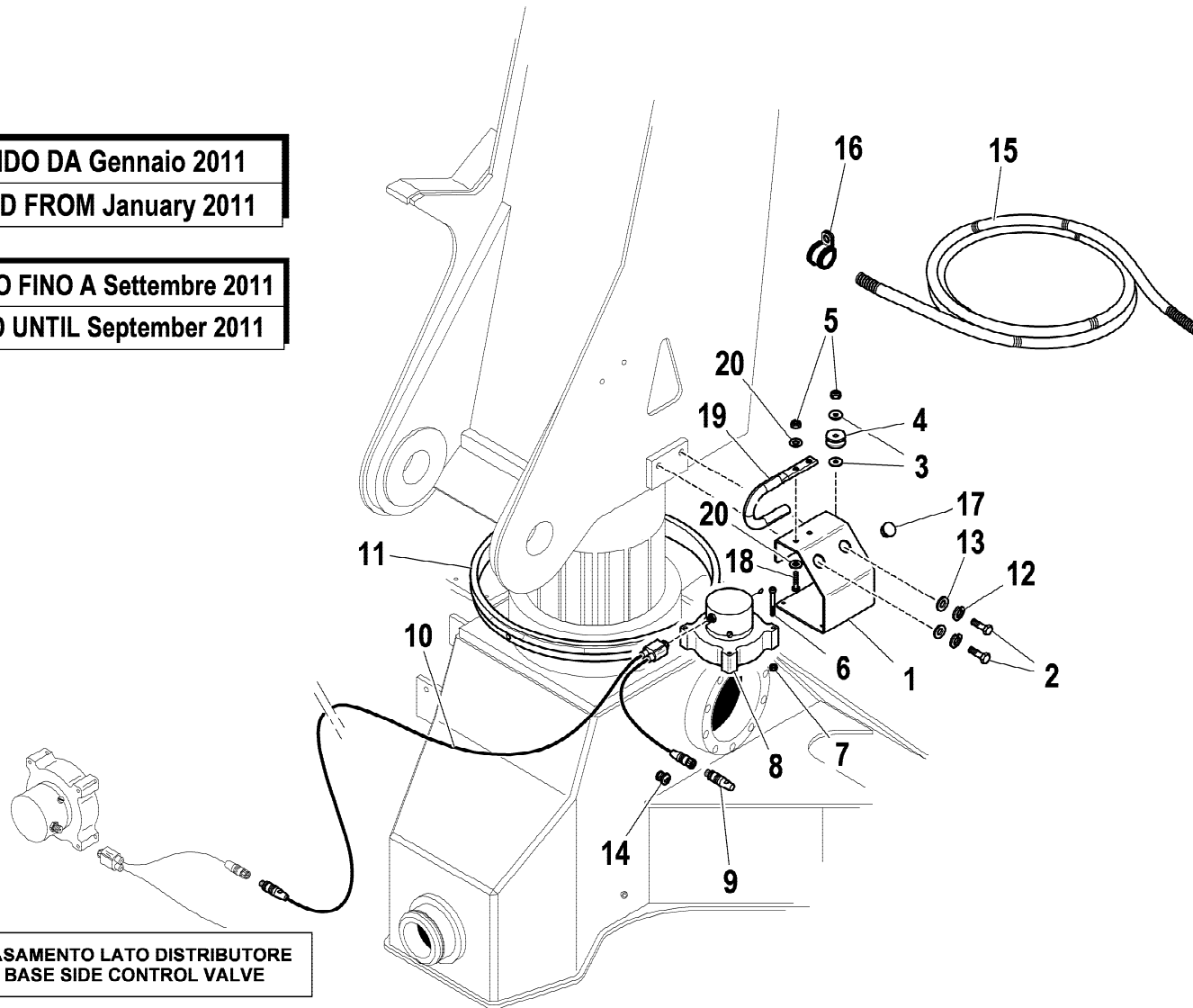
VALID FROM January 2011



rif.	codice	Q.tà
1	5.09.1299	2
2	5.00.2060	2
3	3.31.1311	2
4	3.02.0019	6
5	3.31.1313	2
6	3.04.0518	6
7	3.06.0004	8
8	3.02.0022	8
9	3.31.1312	1
10	3.31.1377	1
11	3.31.1372	1
12	3.31.1332	1
13	3.02.0034	4
14	3.06.0030	4
15	3.31.1398	1
16	3.31.1325	2
17	5.00.0436	2
18	5.00.0426	1
19	3.02.0895	2
20	5.00.2114	2

VALIDO DA Gennaio 2011
VALID FROM January 2011

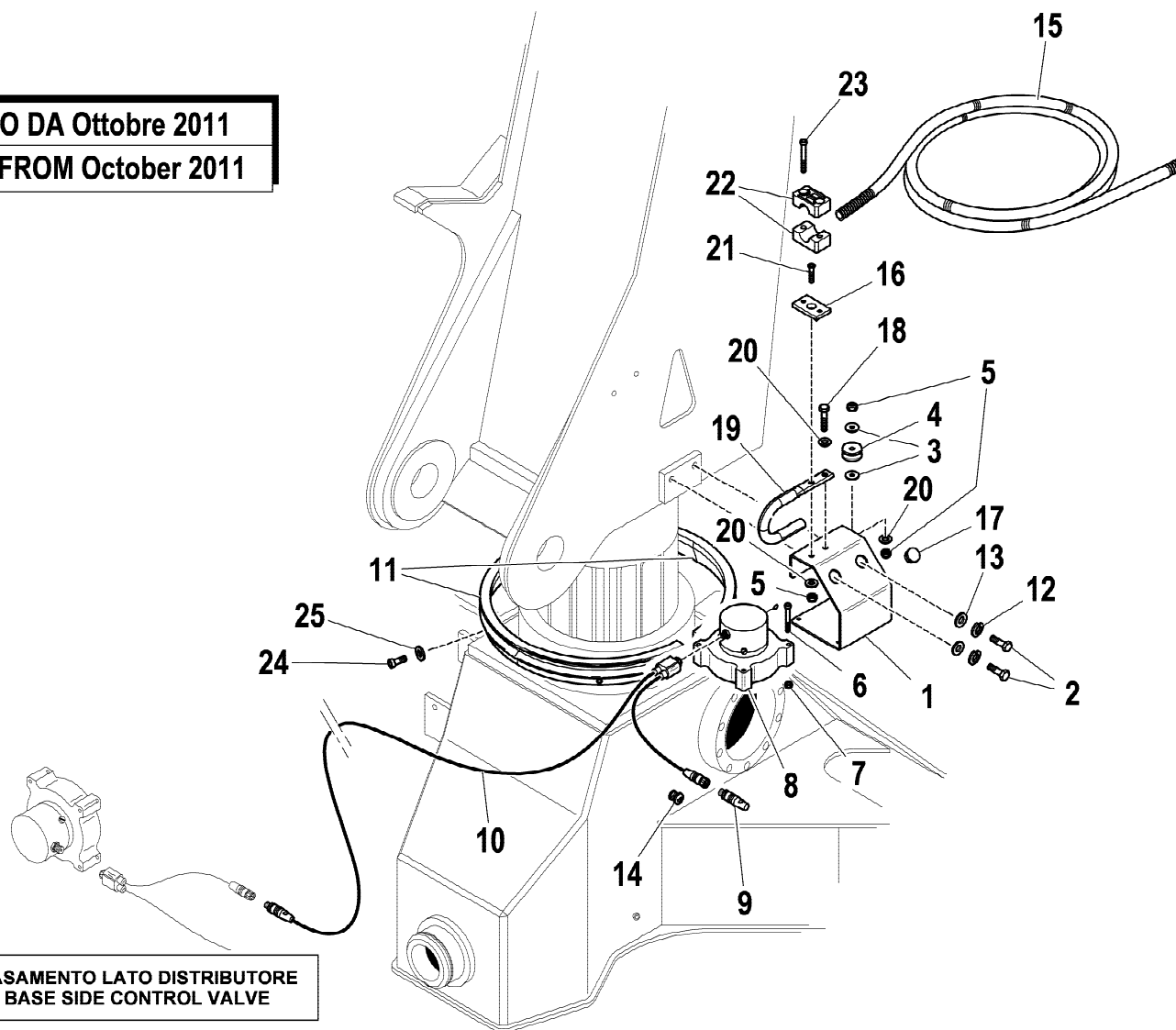
VALIDO FINO A Settembre 2011
VALID UNTIL September 2011



BASAMENTO LATO DISTRIBUTORE
BASE SIDE CONTROL VALVE

rif.	codice	Q.tà
1	5.09.1301	1
2	3.02.0080	2
3	3.06.0030	2
4	5.14.1080	1
5	3.04.0372	3
6	3.02.0019	3
7	3.04.0518	3
8	3.31.1313	1
9	3.31.1327	1
10	3.31.1325	1
11	5.14.1079	1
12	3.06.0056	2
13	3.06.0914	2
14	3.31.1326	1
15	3.19.0295	mt2.5
16	3.19.0036	1
17	3.19.0301	2
18	3.01.0022	2
19	5.00.2124	1
20	3.06.0005	4

VALIDO DA Ottobre 2011
VALID FROM October 2011



BASAMENTO LATO DISTRIBUTORE
BASE SIDE CONTROL VALVE

rif.	codice	Q.tà
1	5.09.1301	1
2	3.02.0080	2
3	3.06.0030	2
4	5.14.1080	1
5	3.04.0372	3
6	3.02.0019	3
7	3.04.0518	3
8	3.31.1313	1
9	3.31.1327	1
10	3.31.1325	1
11	5.14.1120	2
12	3.06.0056	2
13	3.06.0914	2
14	3.31.1326	1
15	3.19.0295	mt2.5
16	5.00.0454	1
17	3.19.0301	2
18	3.01.0022	1
19	5.00.2124	1
20	3.06.0005	3
21	3.02.0907	1
22	3.19.0185	2
23	3.02.0039	2
24	3.02.0022	6
25	3.06.0004	6

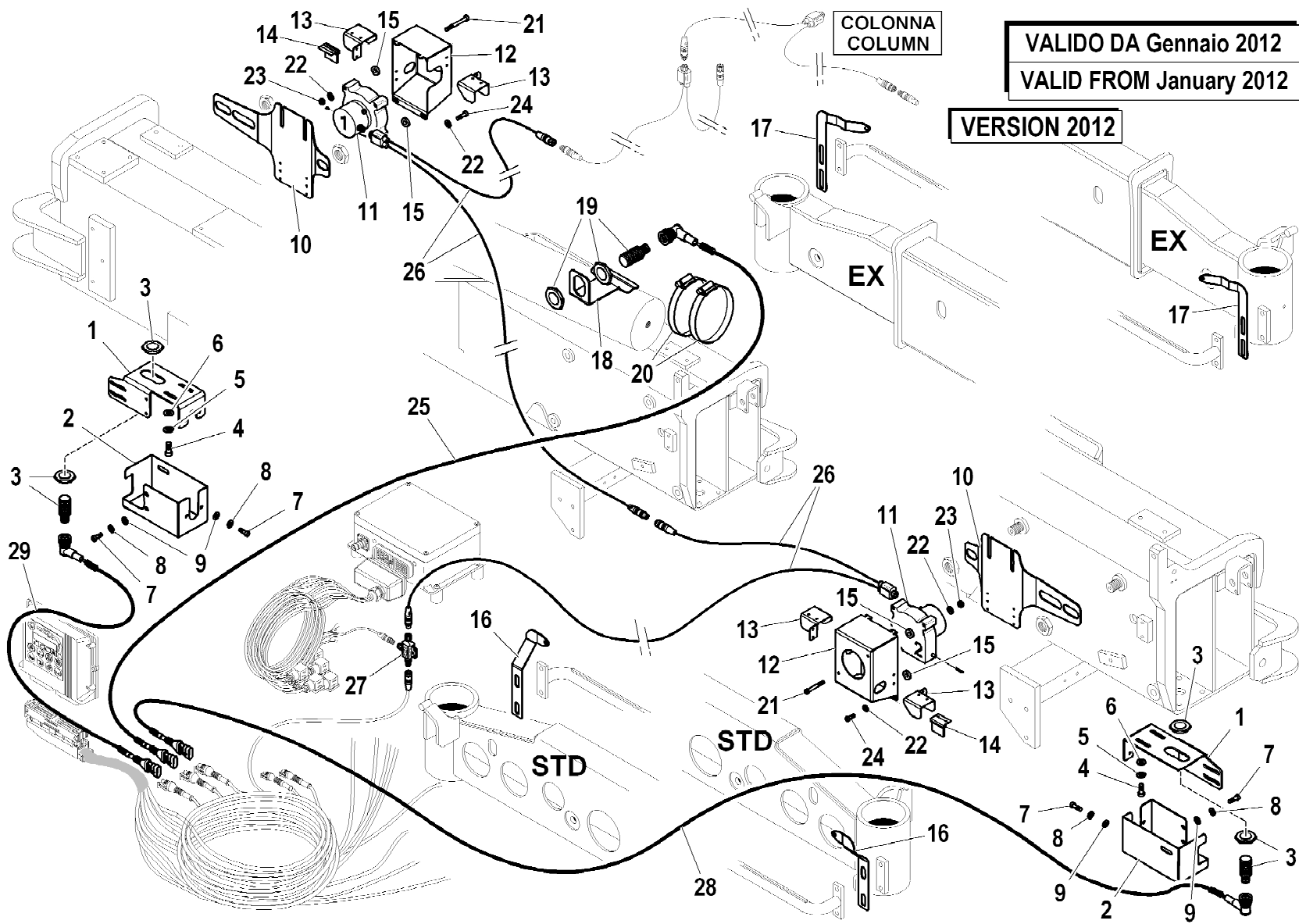


HB170

CONTROLLO ROTAZIONE EN-12999-A3
 ROTATION CONTROL EN-12999-A3
 CONTRÔLE ROTATION EN-12999-A3
 KONTROLLE ROTATION EN-12999-A3
 CONTROL ROTACIÓN EN-12999-A3

Tavola
5.41.1205-1-1

Data pag.
 maggio 2012 194



rif.	codice	Q.tà
1	5.09.1395	2
2	5.00.2189	2
3	3.31.1311	2
4	3.02.0034	4
5	3.06.0053	4
6	3.06.0030	4
7	3.02.0022	8
8	3.06.0052	8
9	3.06.0004	8
10	5.00.2184	1
11	3.31.1313	2
12	5.09.1392	2
13	5.00.2181	4
14	5.00.2175	2
15	3.19.0039	4
16	5.00.2114	2
17	5.00.2183	2
18	5.00.2185	1
19	3.31.1312	1
20	3.19.0021	2
21	3.02.0019	4
22	3.06.0003	8
23	3.04.0518	4
24	3.02.0895	4
25	3.31.1372	1
26	3.31.1325	2
27	3.31.1323	1
28	3.31.1377	1
29	3.31.1332	1



HB170

CONTROLLO STABILITA' EN-12999-A3
 STABILITY CONTROL EN-12999-A3
 CONTRÔLE DE LA STABILITE' EN-12999-A3
 STABILITÄTSKONTROLLE EN-12999-A3
 CONTROL DE LA ESTABILIDAD EN-12999-A3

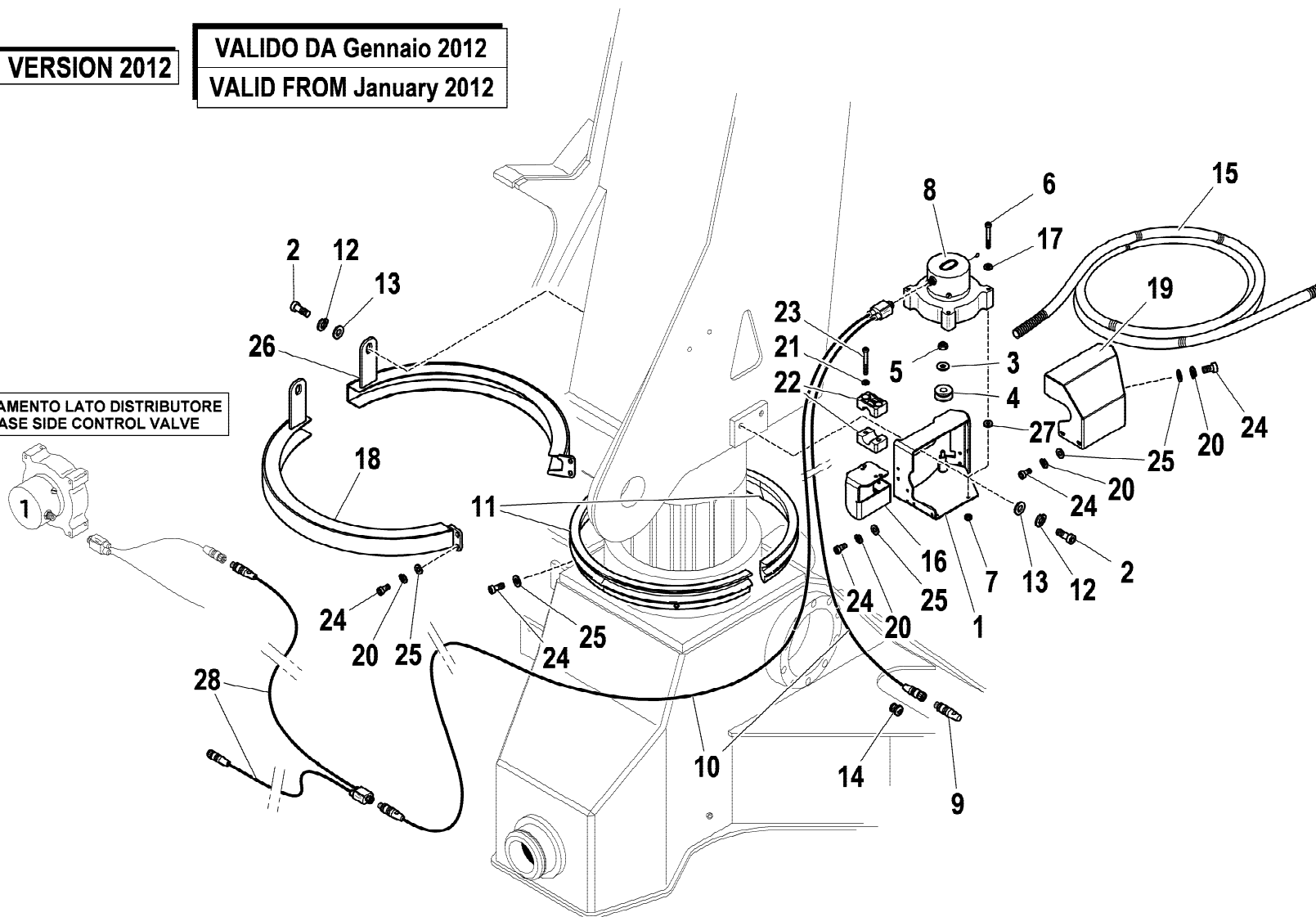
Tavola
5.41.1204-14-0

Data pag.
 maggio 2012 195

VERSION 2012

**VALIDO DA Gennaio 2012
VALID FROM January 2012**

**BASAMENTO LATO DISTRIBUTORE
BASE SIDE CONTROL VALVE**



rif.	codice	Q.tà
1	5.09.1398	1
2	3.02.0080	4
3	3.06.0030	1
4	5.14.1135	1
5	3.04.0372	1
6	3.02.0019	2
7	3.04.0518	2
8	3.31.1313	1
9	3.31.1327	1
10	3.31.1325	1
11	5.14.1120	2
12	3.06.0056	4
13	3.06.0914	4
14	3.31.1326	1
15	3.19.0295	mt2.5
16	5.00.2193	1
17	3.06.0003	2
18	5.09.1376	1
19	5.00.2177	1
20	3.06.0052	10
21	3.19.0178	2
22	3.19.0185	2
23	3.02.0039	2
24	3.02.0022	16
25	3.06.0004	16
26	5.09.1374	1
27	3.19.0039	2
28	3.31.1398	1

1/1

HYVA[®] CRANE

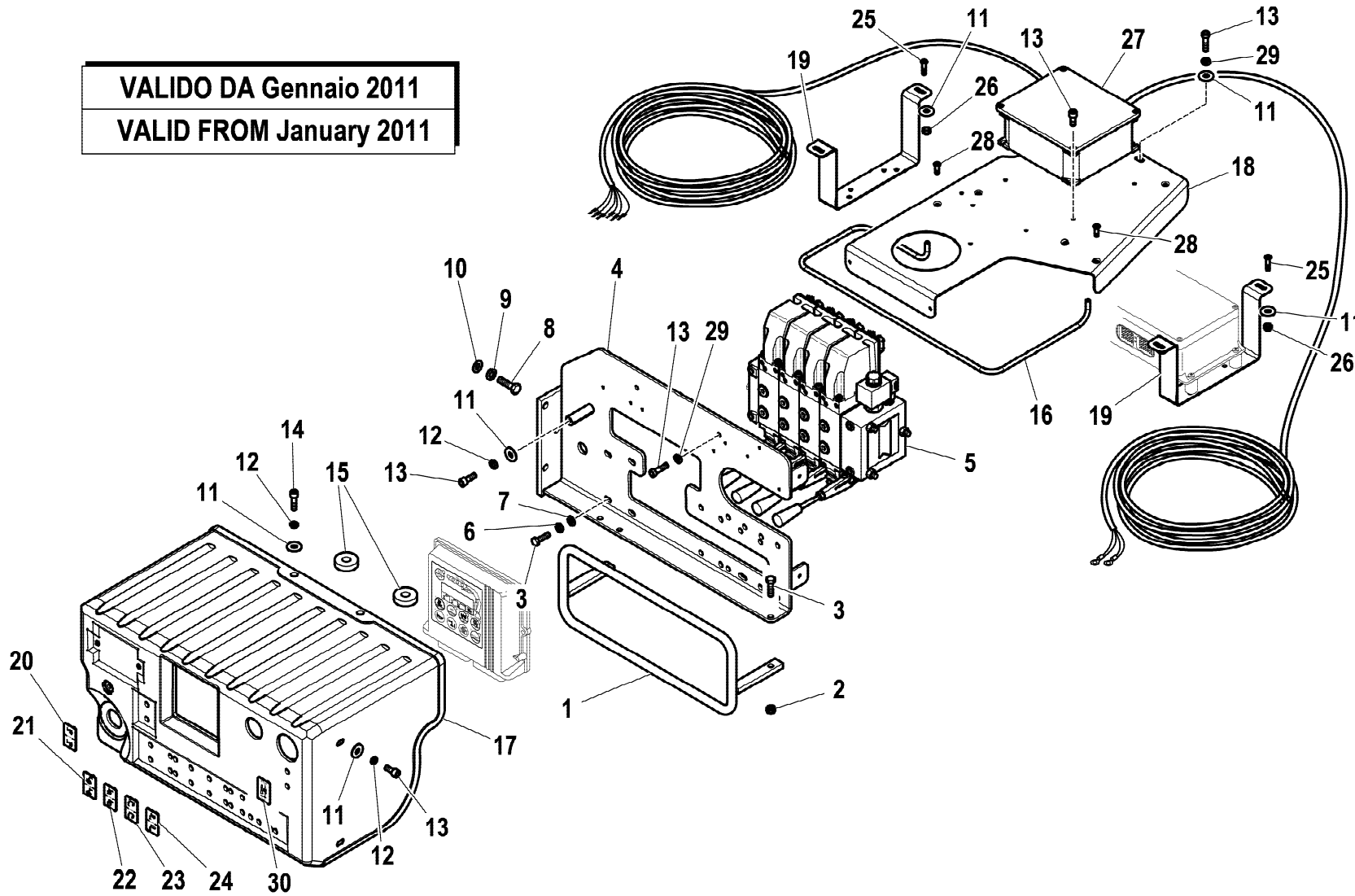
HB170

CONTROLLO ROTAZIONE EN-12999-A3
 ROTATION CONTROL EN-12999-A3
 CONTRÔLE ROTATION EN-12999-A3
 KONTROLLE ROTATION EN-12999-A3
 CONTROL ROTACIÓN EN-12999-A3

Tavola
5.41.1367-1-0

Data pag.
 maggio 2012 196

VALIDO DA Gennaio 2011
 VALID FROM January 2011



rif.	codice	Q.tà
1	5.09.0636	1
2	3.04.0303	2
3	3.01.0339	6
4	5.09.1219	1
5	5.22.0373	1
6	3.06.0055	4
7	3.06.0006	4
8	3.01.0355	3
9	3.06.0056	3
10	3.06.0914	3
11	3.06.0030	10
12	3.06.0005	5
13	3.02.0034	10
14	3.02.0037	2
15	W.34.05.014.00	2
16	5.00.2043	1
17	5.09.1218	1
18	5.00.2024	1
19	5.00.2028	2
20	5.81.3516	1
21	W.573.266	1
22	W.573.267	1
23	W.573.269	1
24	W.573.270	1
25	3.02.0405	4
26	3.04.0372	4
27	3.31.1405	1
28	3.02.0436	2
29	3.06.0053	3
30	5.81.3567	1

1/1



HB170

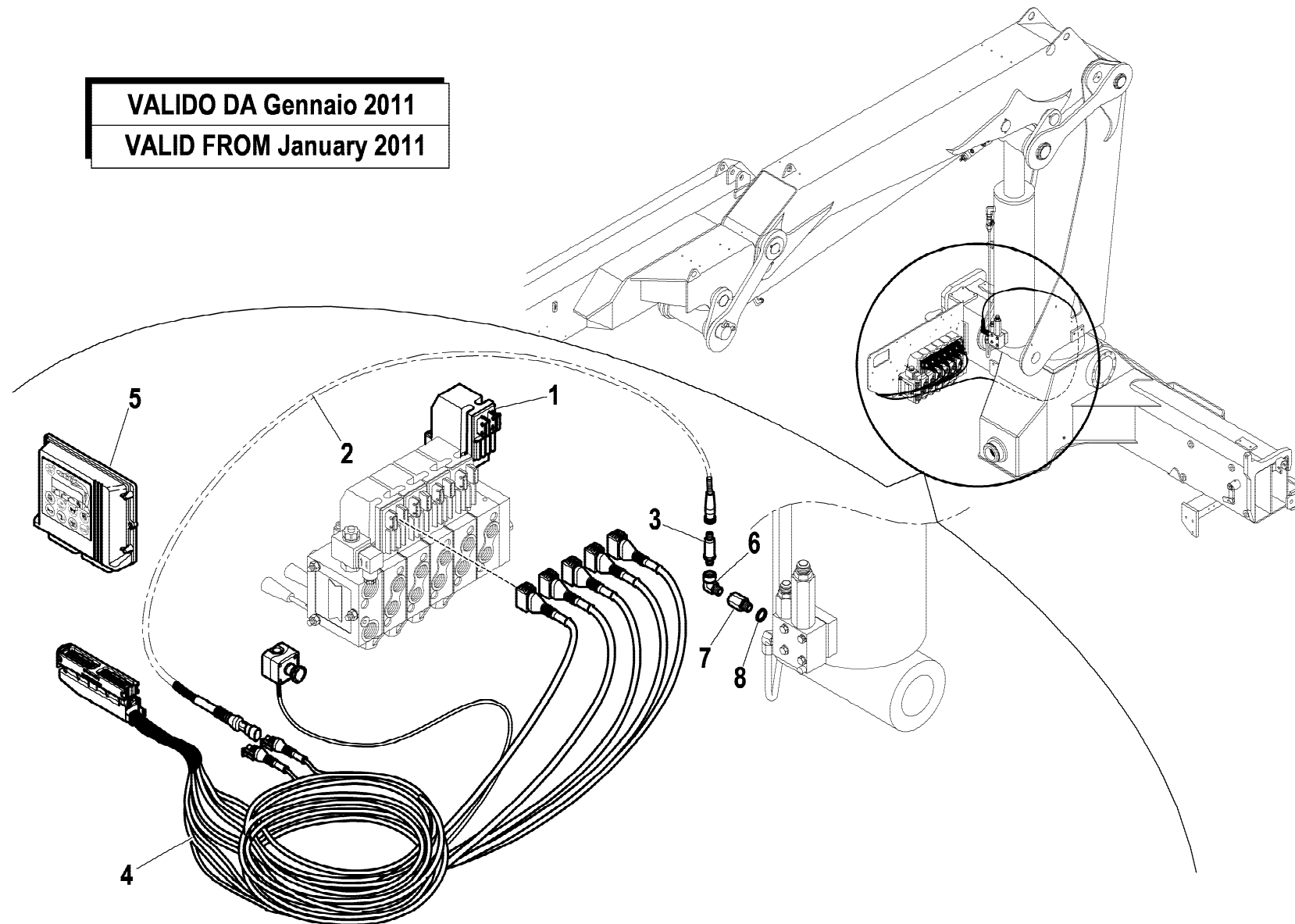
COMANDI CON TERMOFORMATO (RDC EBB-X TCU-ECM4) EN12999-A3
 CONTROLS WITH THERMOFORMABLE (RDC EBB-X TCU-ECM4) EN12999-A3
 COMMANDES AVEC THERMOFORMABLE (RDC EBB-X TCU-ECM4) EN12999-A3
 STEUERUGEN MIT THERMOFORMBARE (RDC EBB-X TCU-ECM4) EN12999-A3
 MANDOS CON TERMOFORMABLES (RDC EBB-X TCU-ECM4) EN12999-A3

Tavola

5.40.1218-1-0

Data pag.
 dicembre 2010 197

VALIDO DA Gennaio 2011
VALID FROM January 2011



rif.	codice	Q.tà
1	5.22.5534	4
2	5.16.0084	1
3	3.31.0612	1
4	5.16.0072	1
5	3.31.1423	1
6	3.11.1512	1
7	3.11.0266	1
8	3.06.0143	1

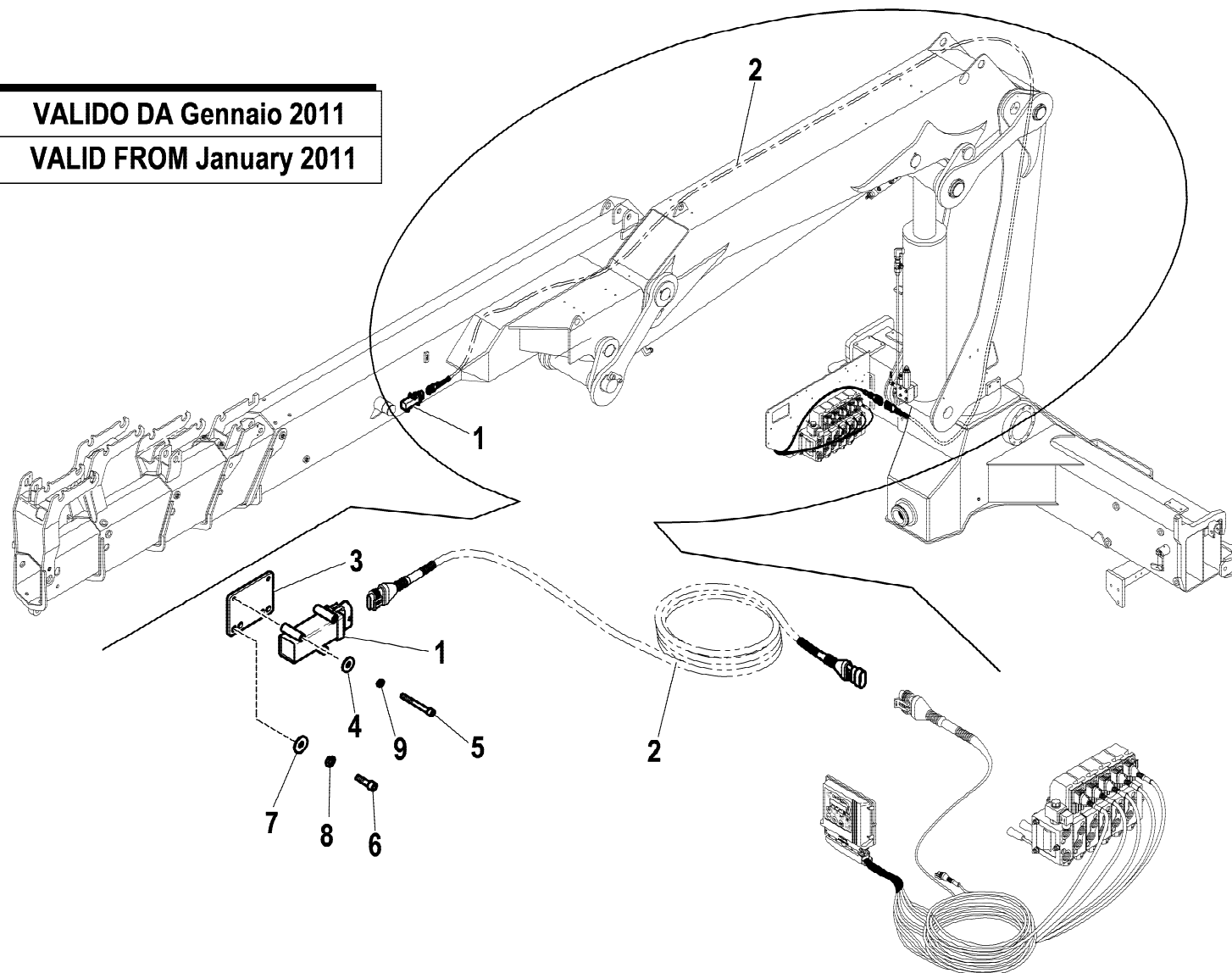
1/1

HYVA CRANE
HB170

COMANDI (RDC EBB-X TCU-ECM4) EN12999-A3
 CONTROLS (RDC EBB-X TCU-ECM4) EN12999-A3
 COMMANDES (RDC EBB-X TCU-ECM4) EN12999-A3
 STEUERUGEN (RDC EBB-X TCU-ECM4) EN12999-A3
 MANDOS (RDC EBB-X TCU-ECM4) EN12999-A3

Tavola
5.40.1218-2-1
 Data pag.
 febbraio 2011 198

VALIDO DA Gennaio 2011
VALID FROM January 2011



rif.	codice	Q.tà
1	3.31.1150	1
2	5.16.0076	1
3	5.00.2108	1
4	3.06.0003	2
5	3.02.0018	2
6	3.02.0033	2
7	3.06.0005	2
8	3.06.0053	2
9	3.06.0065	2

1/1

HYVA CRANE

HB170

COMANDI (RDC EBB-X TCU-ECM4) EN12999-A3
 CONTROLS (RDC EBB-X TCU-ECM4) EN12999-A3
 COMMANDES (RDC EBB-X TCU-ECM4) EN12999-A3
 STEUERUGEN (RDC EBB-X TCU-ECM4) EN12999-A3
 MANDOS (RDC EBB-X TCU-ECM4) EN12999-A3

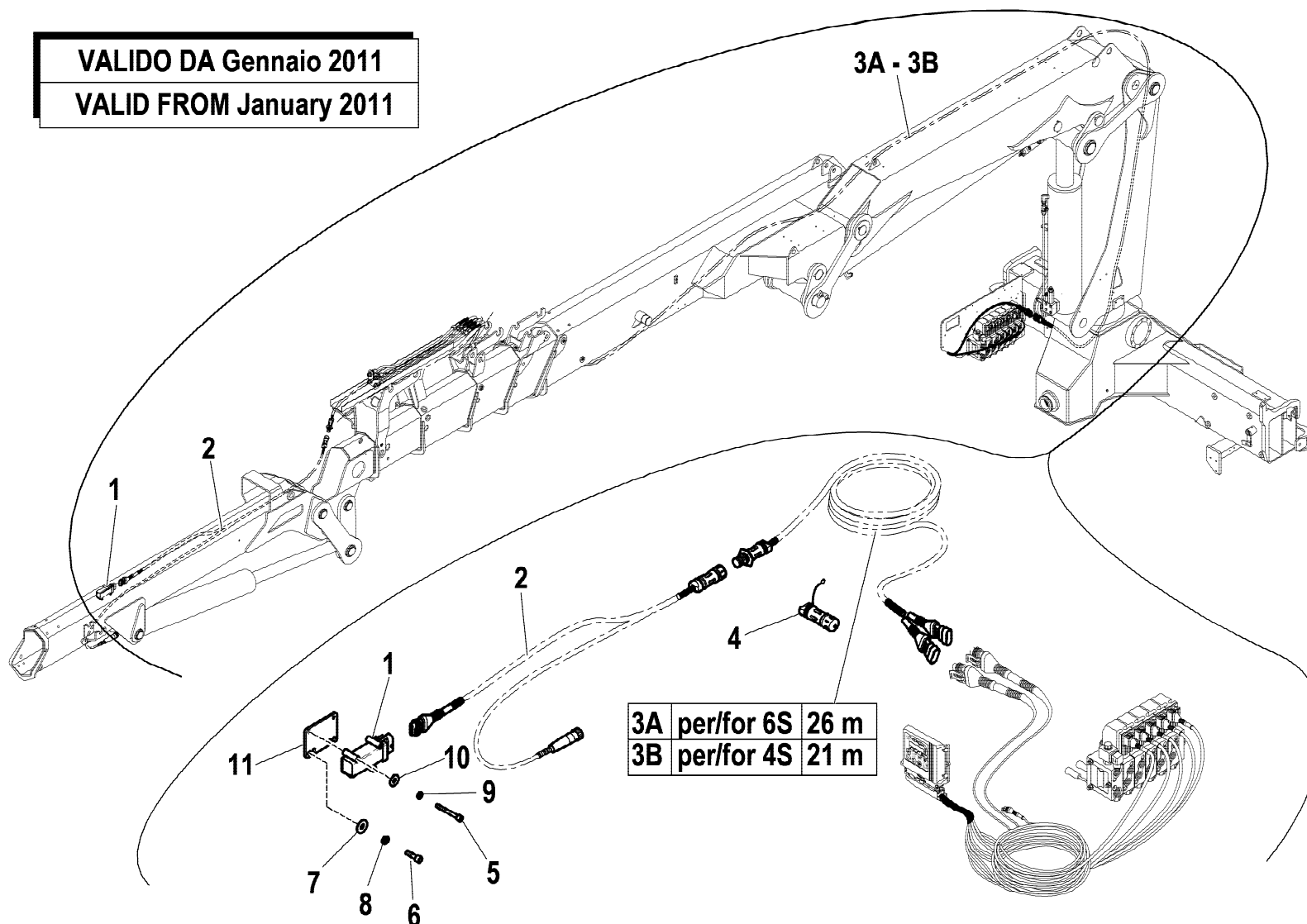
Tavola

5.40.1218-3-0

Data pag.
 dicembre 2010 199

VALIDO DA Gennaio 2011

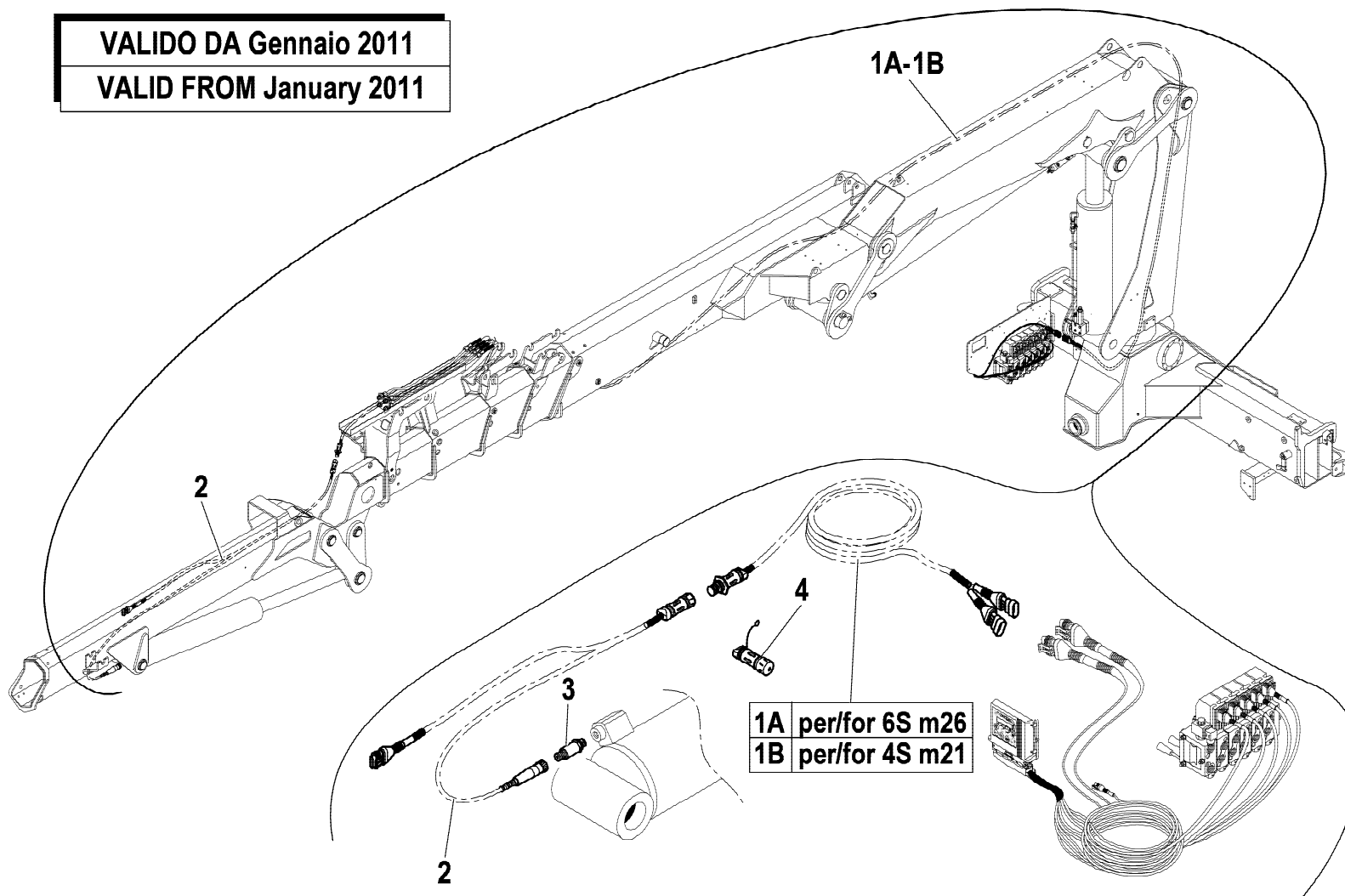
VALID FROM January 2011



rif.	codice	Q.tà
1	3.31.1150	1
2	5.16.0079	1
3 A	5.16.0077	1
3 B	5.16.0078	1
4	5.16.0080	1
5	3.02.0018	2
6	3.02.0033	2
7	3.06.0005	2
8	3.06.0053	2
9	3.06.0065	2
10	3.06.0003	2
11	5.00.2108	1

rif.	codice	Q.tà
1 A	5.16.0077	1
1 B	5.16.0078	1
2	5.16.0079	1
3	3.31.0612	1
4	5.16.0080	1

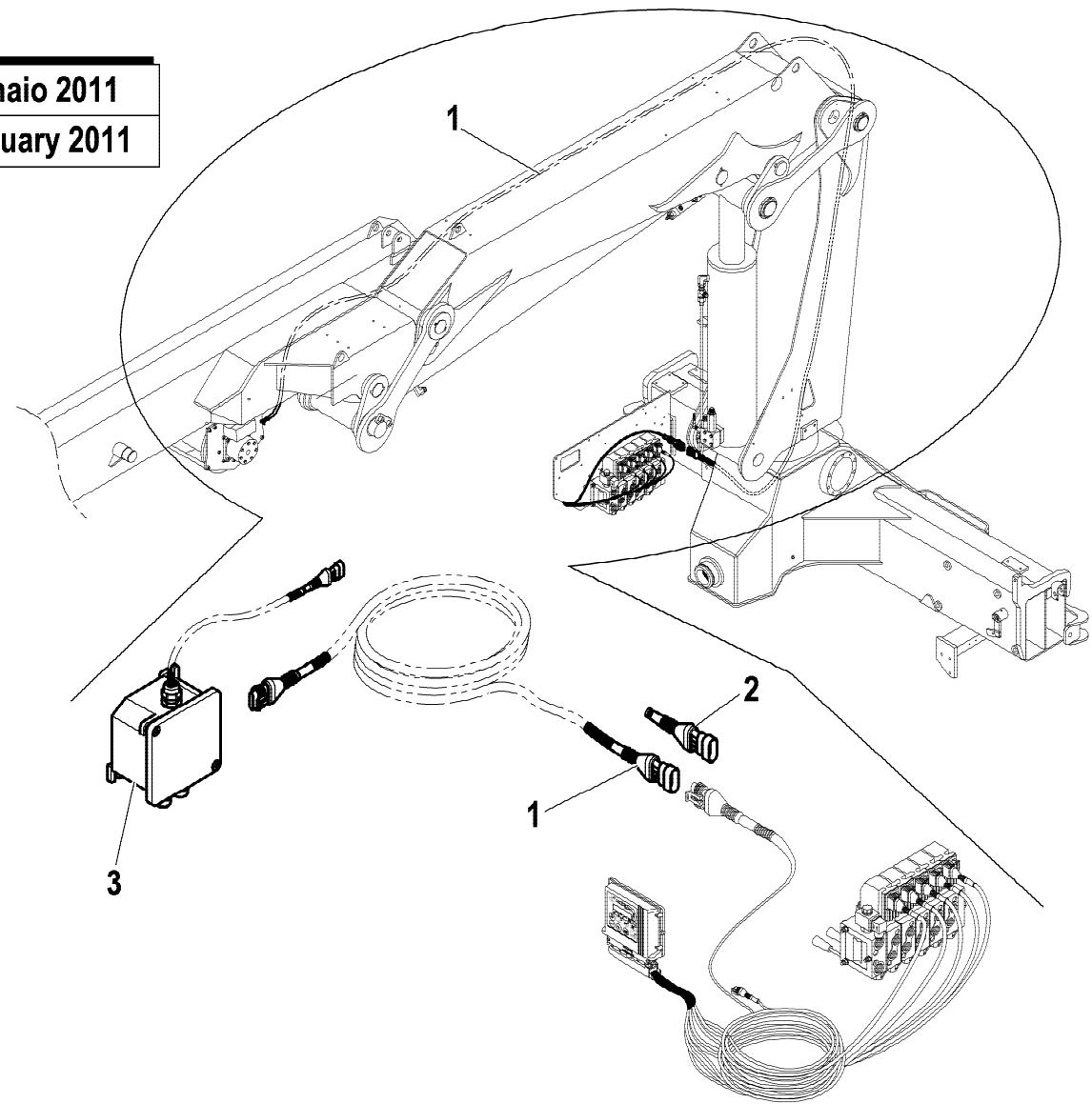
VALIDO DA Gennaio 2011
VALID FROM January 2011



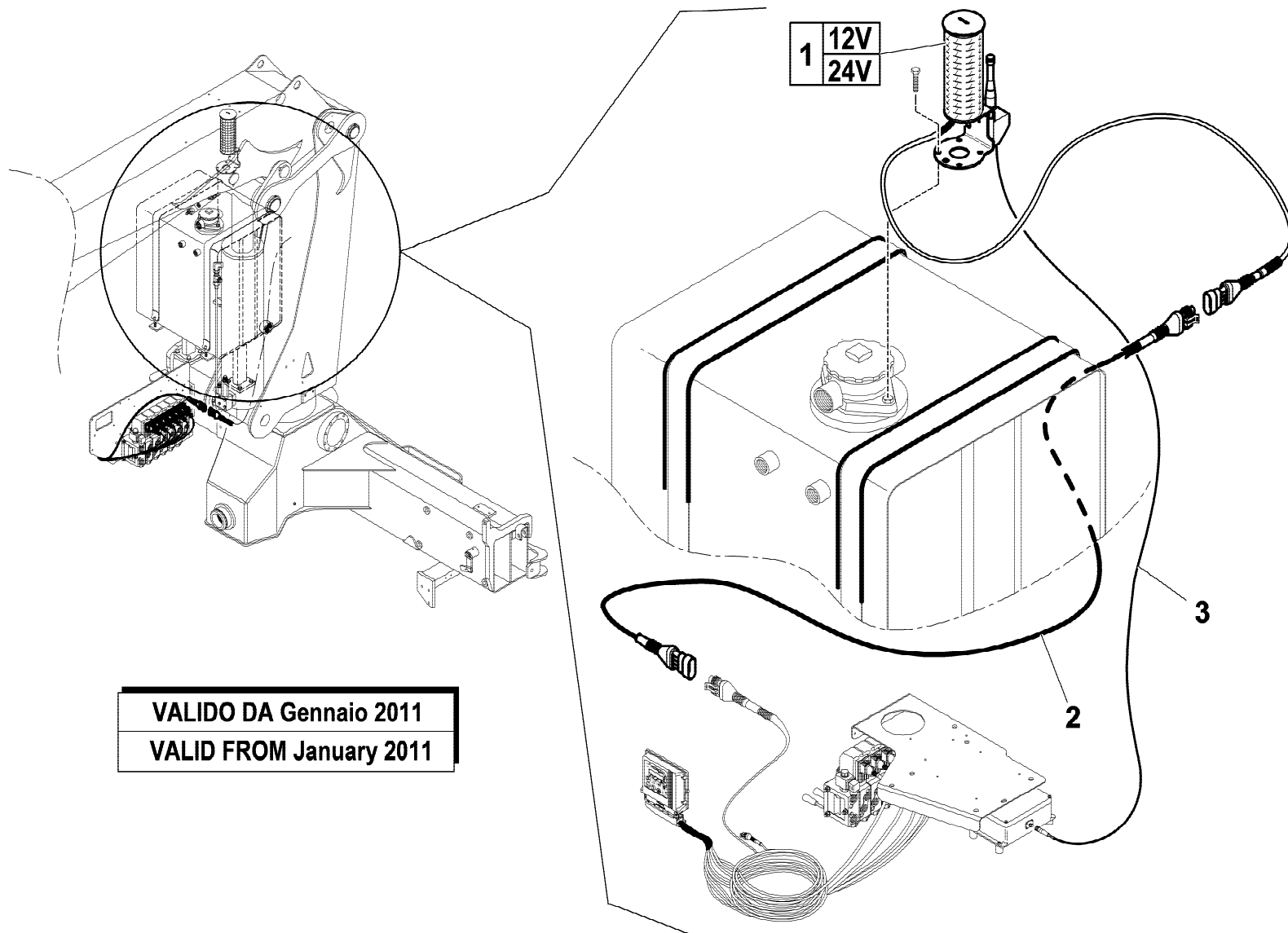
1A per/for 6S m26
1B per/for 4S m21

rif.	codice	Q.tà
1	5.16.0004	1
2	5.16.0013	1
3	3.31.0663	1

VALIDO DA Gennaio 2011
VALID FROM January 2011



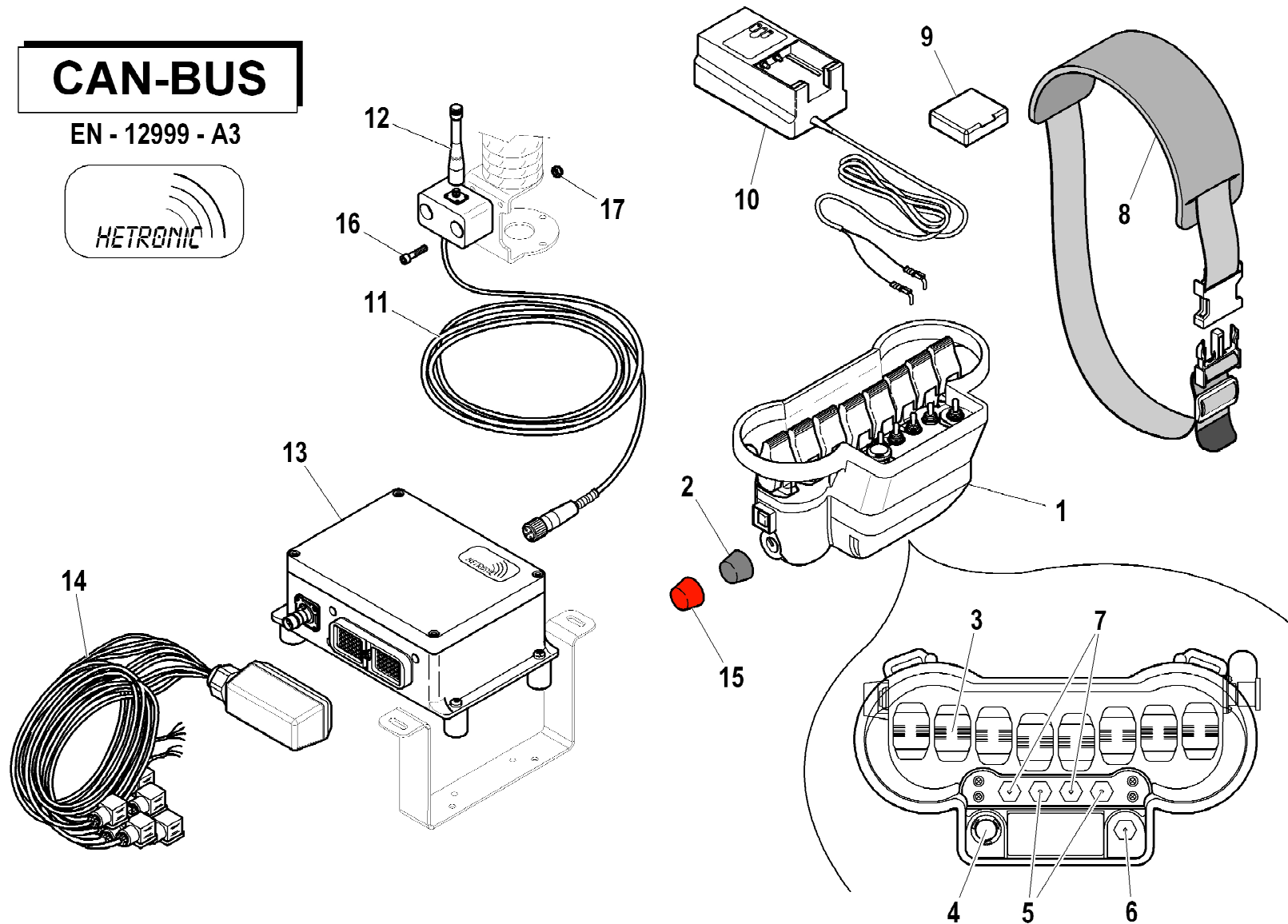
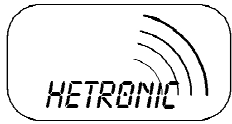
rif.	codice	Q.tà
1	3.31.1159	1
2	5.16.0003	1
3	3.31.1131	1



VALIDO DA Gennaio 2011
VALID FROM January 2011

CAN-BUS

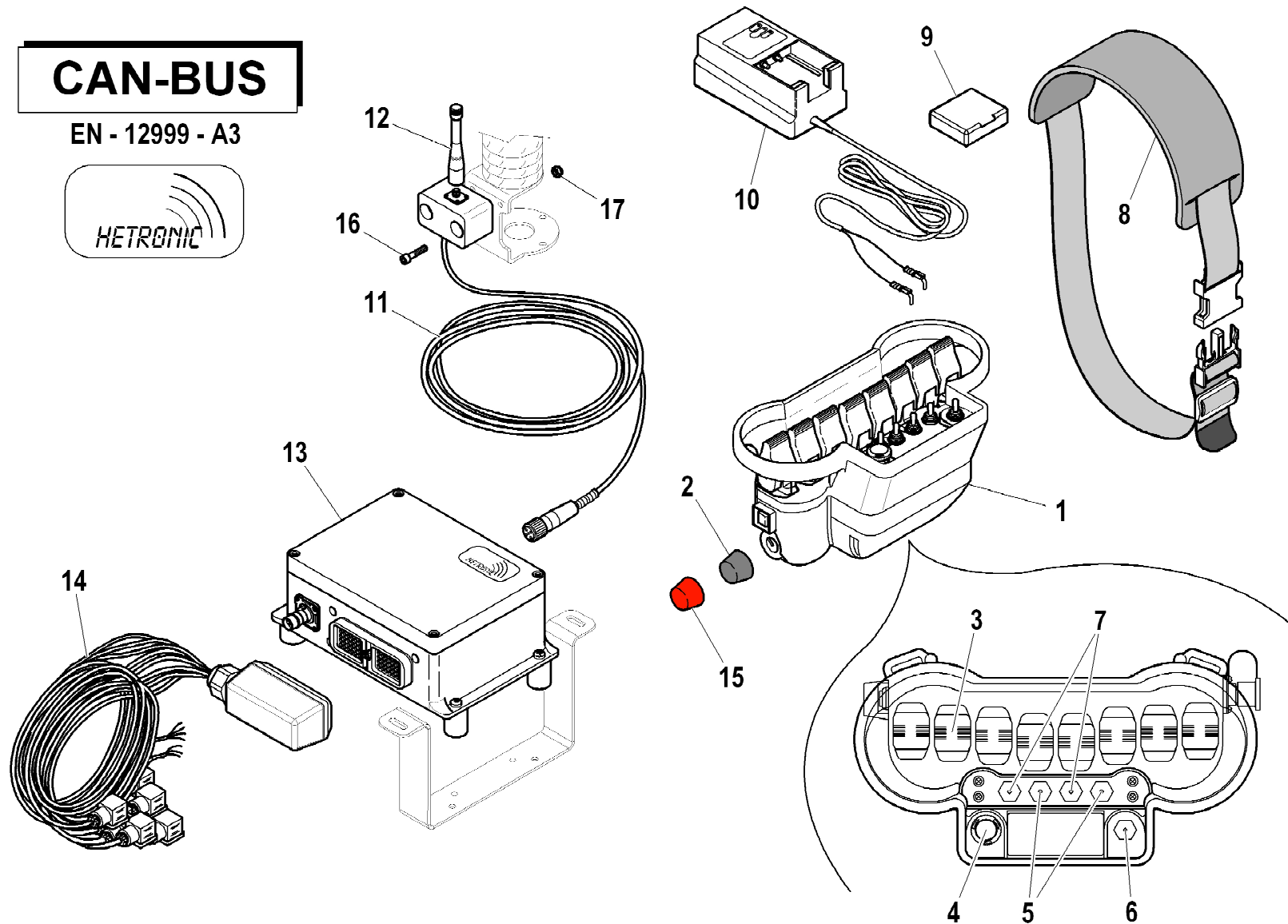
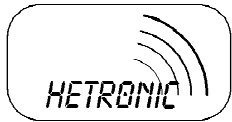
EN - 12999 - A3



rif.	codice	Q.tà
1	3.31.1429	1
2	3.31.0795	1
3	3.31.0796	8
4	3.31.0788	1
5	3.31.0786	2
6	3.31.0785	1
7	3.31.0787	2
8	3.31.1031	1
9	3.31.0641	2
10	3.31.0797	1
11	3.31.1131	1
12	3.31.0861	1
13	3.31.1433	1
14	3.31.1432	1
15	3.31.0924	1
16	3.02.0024	2
17	3.04.0392	2

CAN-BUS

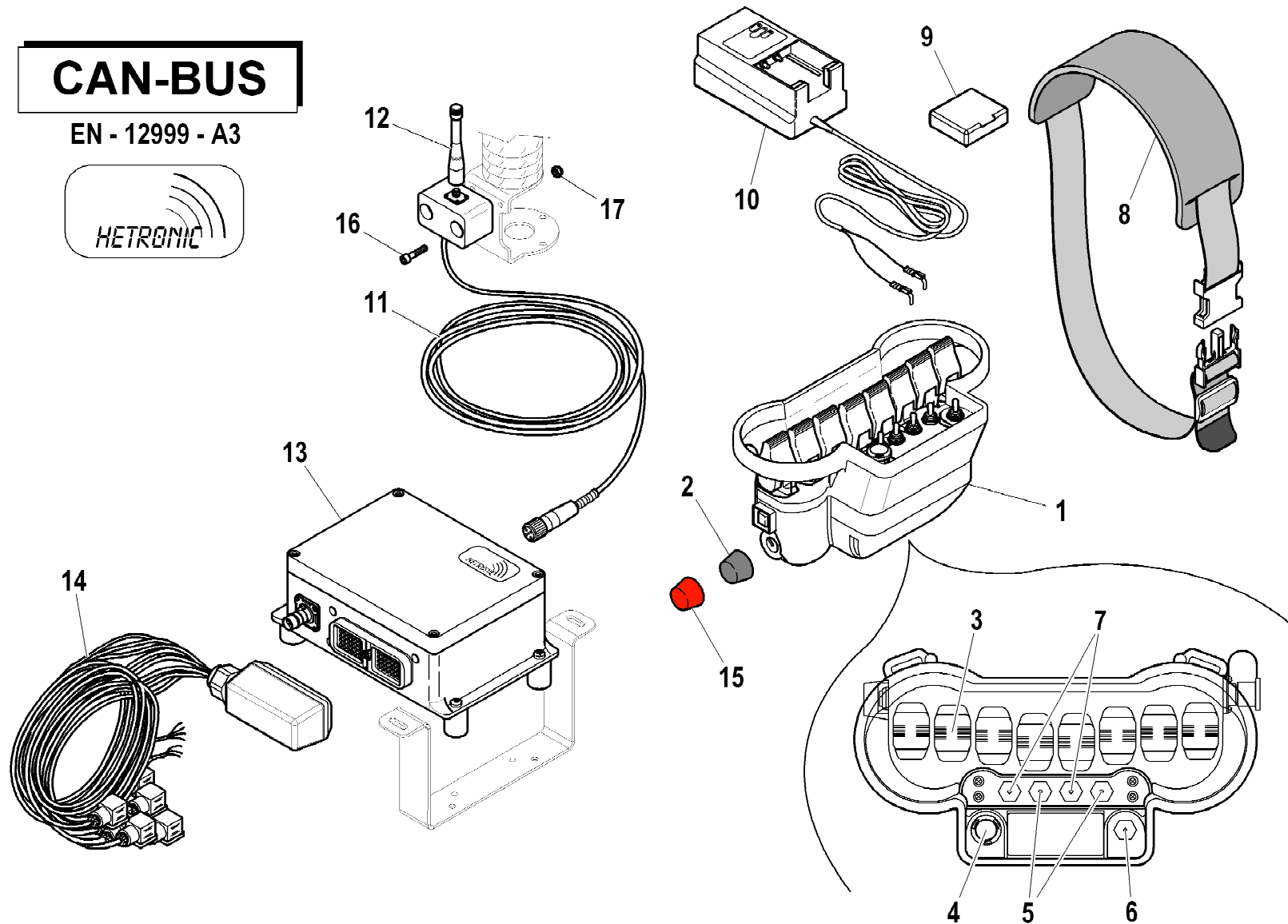
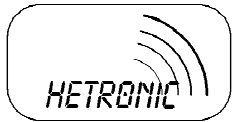
EN - 12999 - A3



rif.	codice	Q.tà
1	3.31.1431	1
2	3.31.0795	1
3	3.31.0796	8
4	3.31.0788	1
5	3.31.0786	2
6	3.31.0785	1
7	3.31.0787	2
8	3.31.1031	1
9	3.31.0641	2
10	3.31.0797	1
11	3.31.1131	1
12	3.31.0861	1
13	3.31.1435	1
14	3.31.1432	1
15	3.31.0924	1
16	3.02.0024	2
17	3.04.0392	2

CAN-BUS

EN - 12999 - A3



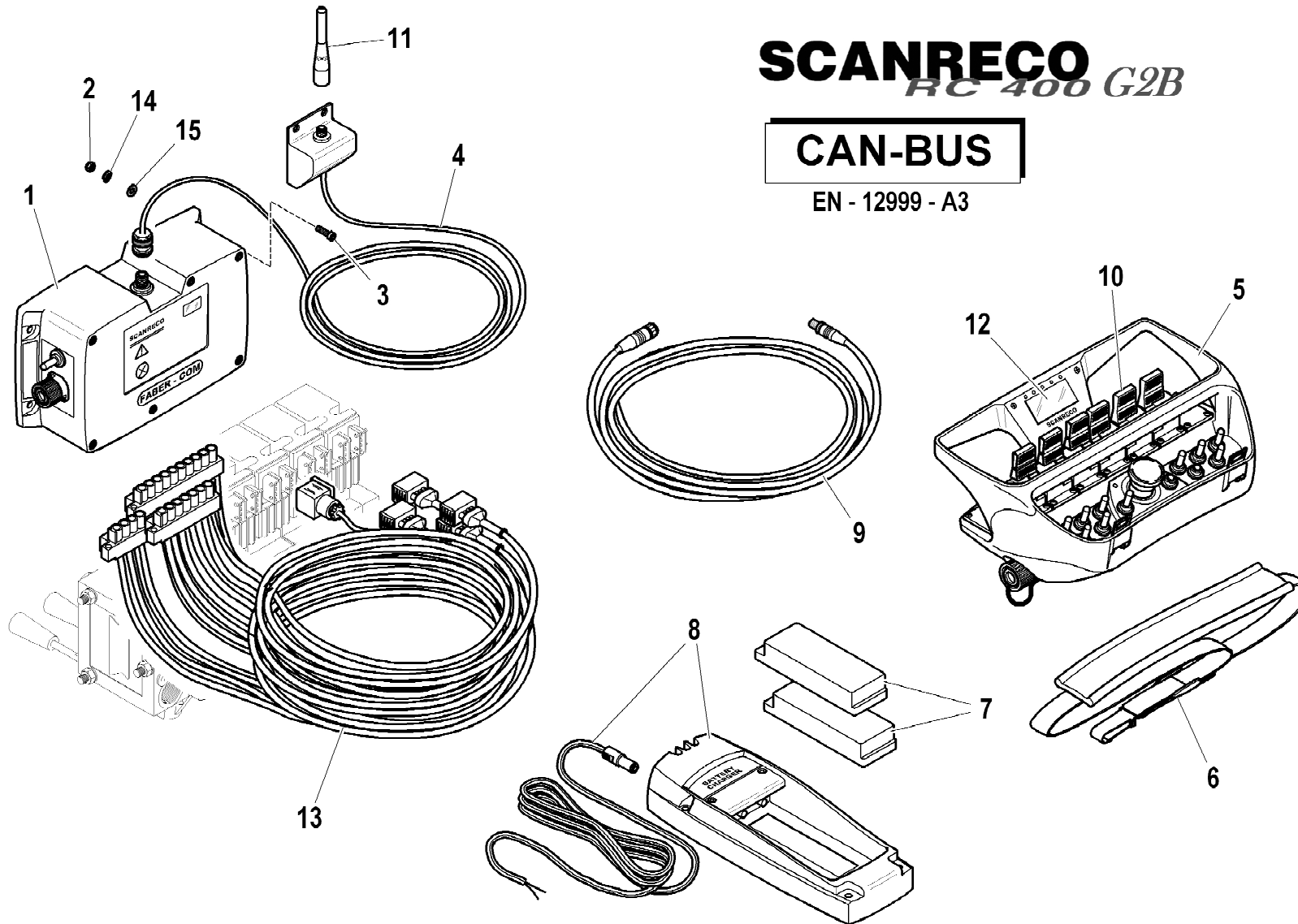
rif.	codice	Q.tà
1	3.31.1430	1
2	3.31.0795	1
3	3.31.0796	8
4	3.31.0788	1
5	3.31.0786	2
6	3.31.0785	1
7	3.31.0787	2
8	3.31.1031	1
9	3.31.0641	2
10	3.31.0797	1
11	3.31.1131	1
12	3.31.0861	1
13	3.31.1434	1
14	3.31.1432	1
15	3.31.0924	1
16	3.02.0024	2
17	3.04.0392	2

SCANRECO

RC 400 G2B

CAN-BUS

EN - 12999 - A3



rif.	codice	Q.tà
1	3.31.1529	1
2	3.04.0392	4
3	3.02.0028	4
4	3.31.1242	1
5	3.31.1528	1
6	3.19.0226	1
7	3.31.0483	2
8	3.31.0471	1
9	3.31.1535	1
10	3.31.0445	6
11	3.31.1275	1
12	3.31.1532	1
13	3.31.1531	1
14	3.06.0052	4
15	3.06.0004	4

1/1

HYVA CRANE

HB170

KIT RADIOCOMANDO (RDC-EBB) DANFOSS 12 / 24V
 WIRELESS CONTROL KIT (RDC-EBB) DANFOSS 12 / 24V
 KIT RADIOTELECOMMANDE (RDC-EBB) DANFOSS 12 / 24V
 FUNKSTEUERUNG-SATZ (RDC-EBB) DANFOSS 12 / 24V
 KIT RADIOMANDO (RDC-EBB) DANFOSS 12 / 24V

Tavola

7.89.2227-1-0

Data pag.
luglio 2012 207