

Model
HB150

Logbook code
7880503_H.1
Edition
02/2007



Page	Table code	Q.ty	Table heading	Q.ty	Validity
7	5420014-1.0	1	Base		
8	6240056-2.0	1	Slewing		
9	6240166-1.0	1	Slewing (Retaining ring)		
10	6240056-1.0	1	Slewing Hydraulic jack (Hydraulic system)		
11	5760023-1.0	1	Stabilizers rods (Manual expansion element)		
12	5760191-1.0	1	STABILIZER ROD (Manual expansion element)		
13	5760204-1.0	1	Stabilizer connecting rods extra-extensible (Manual expansion)		
14	5760025-2.0	1	Stabilizer connecting rods extra-extensible (hydraulic lengthening)		
15	5760052-1.0	1	STABILIZERS RODS SUPER EXTRA-EXTENSIBLE (hydraulic)		
16	6200103-1.0	1	Stabilizer Hydraulic jack (Hydraulic system)		
17	6400103-1.0	1	Stabilizer Hydraulic jack		
18	6200298-1.0	1	Stabilizer Hydraulic jack (Hydraulic system)		
19	6400298-1.0	1	Stabilizer Hydraulic jack (Circlip)		
20	6200214-1.0	1	Stabilizer Hydraulic jack "extra" (Hydraulic system)		
21	6400214-1.0	1	Stabilizer Hydraulic jack (Long)		
22	6200303-1.0	1	Stabilizer Hydraulic jack "extra" (Hydraulic system)		
23	6400303-1.0	1	Stabilizer Hydraulic jack (Retaining ring)		
24	5411040-1.0	1	CLOSING CONTROL KIT STABILIZERS		
25	5760024-1.1	1	Stabilizers rods (Revolving)		
27	5760200-1.0	1	Stabilizer connecting rods (Revolving)		

Page	Table code	Q.ty	Table heading	Q.ty	Validity
28	5760205-1.0	1	Stabilizer connecting rods extra-extensible revolving		
29	5760026-2.0	1	Stabilizer connecting rods extra-extensible (hydraulic lengthening)		
30	5760175-1.0	1	STABILIZERS RODS SUPER EXTRA-EXTENSIBLE (hydraulic)		
31	6200266-1.0	1	Stabilizer Hydraulic jack (Hydraulic system)		
32	6400104-1.0	1	Stabilizer Hydraulic jack (Revolving)		
33	6200306-1.0	1	Stabilizer Hydraulic jack (Hydraulic system)		
34	6400306-1.0	1	Stabilizer Hydraulic jack (Retaining ring)		
35	5411038-1.0	1	CONTROL DEVICES LOCKING FOR OUTRIGGERS LEGS		
36	5411225-2.0	1	STABILITY CONTROL (standard-extra)		
37	5411225-2.1	1	STABILITY CONTROL (standard-extra)		
38	5380006-1.0	1	ROD EXSTENSION HYDRAULIC CYLINDER (Extra-extensible)		
39	6200137-1.0	1	ROD EXSTENSION HYDRAULIC CYLINDER (Hydraulic system)		
40	6400137-1.0	1	ROD EXSTENSION HYDRAULIC CYLINDER		
41	5380037-1.0	1	ROD EXSTENSION HYDRAULIC CYLINDER (SUPER EXTRA-		
42	6200151-1.0	1	HYDRAULIC SYSTEM (ROD EXSTENSION HYDRAULIC		
43	6400151-2.0	1	ROD EXSTENSION HYDRAULIC CYLINDER		
44	5400133-1.0	1	Stabilizer Hydraulic jack (Hydraulic system)		
45	5400134-2.0	1	HYDRAULIC PLAN OUTRIGGERS WITH MANUAL PULL-OUT		
47	5400133-2.1	1	HYDRAULIC PLAN OUTRIGGERS WITH HYDRAULIC PULL-OUT		
49	5400133-3.0	1	ROD EXSTENSION HYDRAULIC CYLINDER (Hydraulic system)		

Page	Table code	Q.ty	Table heading		Validity
50	5400131-1.1	1	CONTROLS (4 section)		
52	5400131-2.0	1	DOUBLE CONTROLS		
53	5220292-1.0	1	Control valve (4 section)		
55	5430012-1.1	1	HYDRAULIC SYSTEM (Moment limiting device)		
57	5400129-1.0	1	Manifold		
58	5440015-1.0	1	Solenoid valve		
59	5400132-1.0	1	CONTROLS (4 section)		
60	5220291-1.0	1	Control valve (4 section)		
62	5430013-1.0	1	HYDRAULIC SYSTEM (not CE)		
64	5430015-1.0	1	Hydraulic system		
66	5400145-1.0	1	Manifold		
67	3310616-1.0	1	Electric components		
68	5401407-1.0	1	DOUBLE CONTROLS (EN12999-A3)		
71	5220465-1.0	1	Control valve (4 section)		
73	5401626-1.0	1	DOUBLE CONTROLS (EN12999-A3)		
74	5401626-2.0	1	DOUBLE CONTROLS (EN12999-A3)		
75	5401408-3.0	1	DOUBLE CONTROLS (EN12999-A3)		
76	5401408-7.0	1	DOUBLE CONTROLS (EN12999-A3)		
77	5400129-2.0	1	Manifold (CE)		
78	5440106-1.0	1	Solenoid valve (STABILIZER CONTROL VALVE)		

Page	Table code	Q.ty	Table heading		Validity
79	5440106-2.0	1	Solenoid valve (STABILIZER CONTROL VALVE)		
80	5212000-2.0	1	5th extra function kit closed center spool		
82	5212001-2.0	1	6th extra function kit closed center spool		
84	5212004-3.0	1	5th extra function kit open center spool		
86	5212015-5.0	1	5th extra function kit closed center spool		
88	5212015-6.0	1	6th extra function kit closed center spool		
90	5212019-4.0	1	5th extra function kit open center spool		
92	5400026-1.2	1	Hydraulic oil tank		
94	5400027-1.2	1	Hydraulic oil tank		
96	3180196-1.0	1	Oil filter		
97	5460011-1.0	1	Column		
98	6230132-1.0	1	LIFTING HYDRAULIC CYLINDER (Hydraulic system)		
99	6430132-1.0	1	LIFTING HYDRAULIC CYLINDER		
100	5470014-1.0	1	1ST BOOM		
101	6230133-1.0	1	Articulation Hydraulic jack (Hydraulic system)		
102	6430133-1.0	1	Articulation Hydraulic jack		
103	5480018-1.0	1	2nd BOOM		
104	5480130-1.0	1	2nd BOOM (Special)		
105	5490017-1.0	1	1st EXTENSION		
106	6210275-1.0	1	1st EXSTENSION HYDRAULIC (Hydraulic system)		

Page	Table code	Q.ty	Table heading	Validity
108	6410174-1.0	1	1st EXSTENSION HYDRAULIC	
109	5530009-1.0	1	2nd extension	
110	6210276-1.0	1	2nd EXTENSION HYDRAULIC JACK (Hydraulic system)	
111	6410175-1.0	1	2nd EXTENSION HYDRAULIC JACK	
112	5540009-1.0	1	3rd extension	
113	6210277-1.0	1	3rd extension Hydraulic jack (Hydraulic system)	
114	6410176-1.0	1	3rd extension Hydraulic jack	
115	5560023-1.0	1	4th extension	
116	6210278-1.0	1	4th extension Hydraulic jack (Hydraulic system)	
117	6410177-1.0	1	4th extension Hydraulic jack (5th extension Hydraulic jack)	
118	5560024-1.0	1	4th extension	
119	6210279-1.0	1	4th extension Hydraulic jack (Hydraulic system)	
120	5570006-1.0	1	5th extension	
121	6210261-1.0	1	5th extension Hydraulic jack (Hydraulic system)	
122	6410259-1.0	1	6th extension Hydraulic jack	
123	5590018-1.0	1	1st ADDITIONAL ACTUATION	
124	5590018-2.0	1	1st ADDITIONAL ACTUATION	
125	5590224-1.0	1	1st ACTIVATION FOR 1S	
127	5590225-1.0	1	1st ADDITIONAL ACTUATION	
128	5600190-1.0	1	2st ACTIVATION FOR 1S	

Page	Table code	Q.ty	Table heading	Validity
130	5600191-1.0	1	2nd ADDITIONAL ACTUATION	
131	7800215-1.0	1	Manual extension (1st)	
132	7800216-1.0	1	Manual extension (2nd)	
133	7800221-1.0	1	Manual extension	
134	7800222-1.0	1	Manual extension	
135	7881825-1.0	1	LOAD INDICATION SYSTEM	
136	7900356-1.0	1	Plates (TOOL)	
137	7880375-1.0	1	Assembly kit	
139			HB150 F	
140	5420052-1.0	1	Base	
141	6240144-1.0	1	Slewing	
142	6240168-1.0	1	Slewing	
143	6240144-2.0	1	Slewing Hydraulic jack (Hydraulic system)	
144	5400620-1.0	1	Control station	
145	5430113-1.0	1	Moment limiting device	
146	5460049-1.0	1	Column	
147			HB150 M	
148	6240098-1.0	1	Slewing	
149	6240179-1.0	1	Slewing	
150	6240098-2.0	1	Slewing Hydraulic jack (Hydraulic system)	

Page	Table code	Q.ty	Table heading		Validity
151	5400370-1.0	1	Control station		
152	5430086-1.0	1	Moment limiting device		
154	6230519-1.0	1	LIFTING HYDRAULIC CYLINDER (Hydraulic system)		
155	6430519-1.0	1	LIFTING HYDRAULIC CYLINDER		
156	5470085-1.0	1	1ST BOOM		
157	6230518-1.0	1	Articulation Hydraulic jack (Hydraulic system)		
158	6430518-1.0	1	Articulation Hydraulic jack		
159	5480066-1.0	1	2nd BOOM		
160	6210296-1.0	1	1st EXSTENSION HYDRAULIC (Hydraulic system)		
161	6410296-1.0	1	1st EXSTENSION HYDRAULIC		
162	6210293-1.0	1	2nd EXTENSION HYDRAULIC JACK (Hydraulic system)		
163	6410293-1.0	1	2nd EXTENSION HYDRAULIC JACK		
165			HB150 E3J2		
166	5780015-1.0	1	ATTACHEMENT FOR		
167	5360013-1.0	1	KIT CONNECTING ROD		
168	5630006-1.0	1	JIB ARM		
169	5490007-1.0	1	1st EXTENSION		
170	6210343-1.0	1	HYDRAULIC SYSTEM (1th extension hydraulic cylinder)		
171	5590077-1.0	1	ACTUATIONS FOR 1S		
173	6410160-1.0	1	1st EXSTENSION HYDRAULIC		

Page	Table code	Q.ty	Table heading		Validity
174	5530006-1.0	1	2nd EXTENSION		
175	6210344-1.0	1	2nd extension hydraulic cylinder (HYDRAULIC SYSTEM)		
176	6410161-1.0	1	2nd EXTENSION HYDRAULIC JACK		
177	6230131-1.0	1	Articulation Hydraulic jack (Hydraulic system)		
179	6430131-1.0	1	Articulation Hydraulic jack		
180	5590078-1.0	1	Kit activation hydraulic input (Articulated extension)		
181	5401408-4.0	1	DOUBLE CONTROLS (CE)		
182	5401408-5.0	1	DOUBLE CONTROLS (CE)		
183	5400327-1.0	1	Support (Articulated extension)		
185			HB150 X TCU		
186	5400630-1.0	1	CONTROLS (RDC EBB-X TCU-ECM4)		
188	5401097-1.0	1	CONTROLS WITH THERMOFORMABLE (RDC EBB-X		
190	5220766-1.0	1	Control valve (4 section)		
192	5400630-2.1	1	CONTROLS (X TCU)		
193	5400630-3.0	1	CONTROLS (RDC EBB-X TCU-ECM4)		
194	7885015-1.0	1	Pilot lamp		
195	5400630-4.0	1	CONTROLS (RDC EBB-X TCU-ECM4)		
196	5400630-5.0	1	CONTROLS (RDC EBB-X TCU-ECM4)		
197	5400630-6.0	1	CONTROLS (RDC EBB-X TCU-ECM4)		
198	5400630-7.0	1	CONTROLS (RDC EBB-X TCU-ECM4)		

Page	Table code	Q.ty	Table heading	Validity
199	5400628-1.0	1	Hydraulic oil tank	
201	5400244-1.0	1	High pressure filter	
202	3180159-1.0	1	High pressure filter	
203	7892107-1.0	1	Wireless control kit	
204	7892041-1.0	1	Wireless control kit	
205	7892124-1.0	1	Wireless control kit	
206	7881785-1.0	1	LOAD INDICATION SYSTEM	
207			HB150 TCU EN12999-A3	
208	5401431-1.0	1	CONTROLS WITH THERMOFORMABLE (RDC EBB-X	
210	5220852-1.0	1	Control valve (4 section)	
212	5220852-2.0	1	Control valve (4 section)	
214	5411205-2.0	1	ROTATION CONTROL (EN12999-A3)	
215	5411205-10.0	1	ROTATION CONTROL (EN12999-A3)	
217	5411367-5.0	1	ROTATION CONTROL (EN12999-A3)	
219	5411526-1.0	1	ROTATION CONTROL (EN12999-A3)	
221	5411271-2.0	1	STABILITY CONTROL (EN12999-A3)	
223	5411271-3.0	1	STABILITY CONTROL (EN12999-A3)	
225	5402723-1.0	1	STABILITY CONTROL (EN12999-A3)	
227	5401442-1.0	1	CONTROLS (RDC EBB-X TCU-ECM4)	
228	5402723-2.0	1	CONTROLS (RDC EBB-X TCU-ECM4)	

Page	Table code	Q.ty	Table heading	Validity
229	5401431-2.0	1	CONTROLS (RDC EBB-X TCU-ECM4)	
230	5401431-4.0	1	CONTROLS (RDC EBB-X TCU-ECM4)	
231	5401431-5.0	1	CONTROLS (RDC EBB-X TCU-ECM4)	
232	5401431-6.0	1	CONTROLS (RDC EBB-X TCU-ECM4)	
233	5401338-4.0	1	CONTROLS (RDC EBB-X TCU-ECM4)	
234	7892199-1.0	1	Wireless control kit (CAN BUS)	

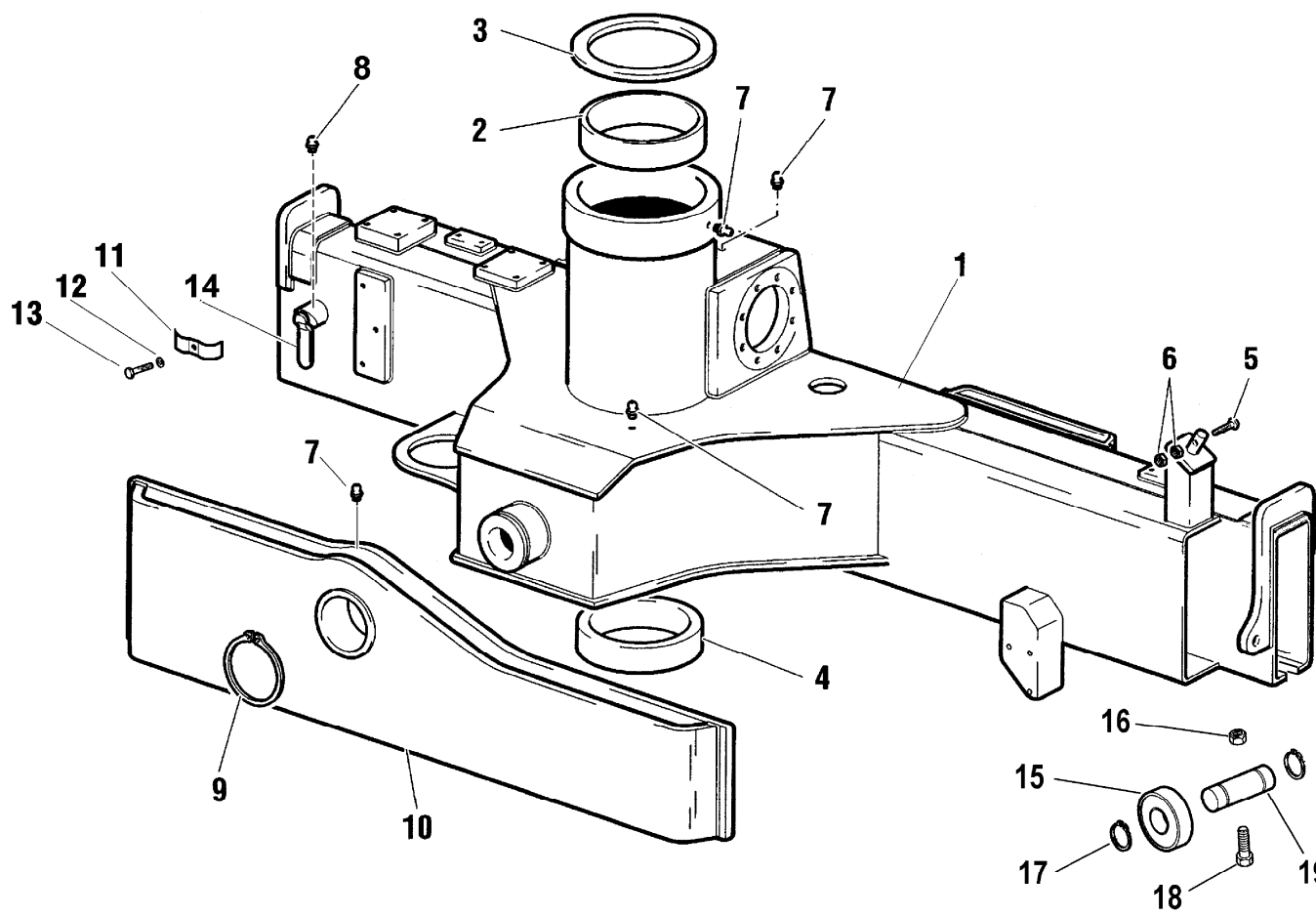


Base

Code

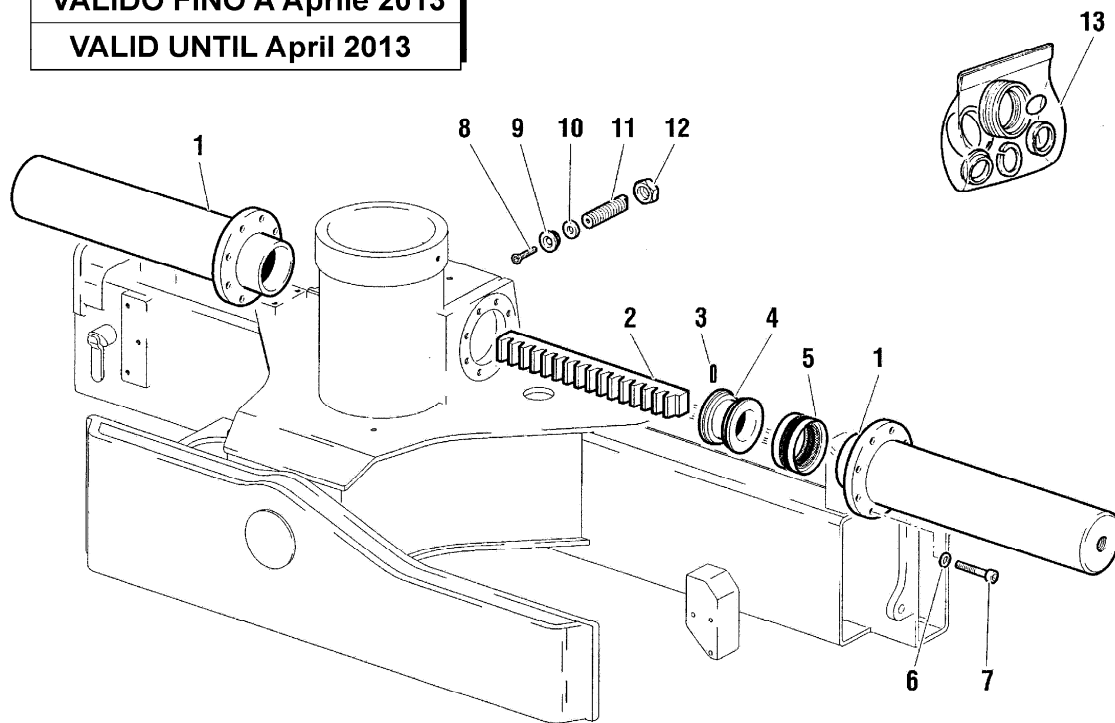
5420014-1.0

1/1



R	Pos.	Code Variant	Q.ty	Description
	1	5060120	1	Base
	2	5140677	1	
	3	5140678	1	
	4	5140676	1	
	5	3010032	1	Hex screw
	6	3040045	2	Nut
	7	3080501	5	Grease nipple
	8	3080500	2	Grease nipple
	9	3070073	1	Seeger
	10	5090483	1	
	11	5000031	1	
	12	3060006	1	Flat washer [D.8x17 UNI 6592 ZC]
	13	3010336	1	Hex screw
	14	5000625	2	
	15	5140687	2	
	16	3040084	8	Lock nut [M10 basso UNI 5589]
	17	3070022	4	Seeger
	18	3010360	4	Hex screw
	19	5150593	2	

VALIDO FINO A Aprile 2013
VALID UNTIL April 2013



R	Pos.	Code Variant	Q.ty	Description
	1	6070379	2	
	2	5050082	1	
	3	3060607	2	Spring pin
	4	6050247	2	
	5	3400519	2	
	6	3060050	16	Split lock washer
	7	3020109	16	Socked head cap screw
	8	3020468	1	TSEI screw
	9	5140600	1	
	10	4160328	1	
	11	3060919	1	Grub screw
	12	3040309	1	Stopnut
	13	5550696	1	

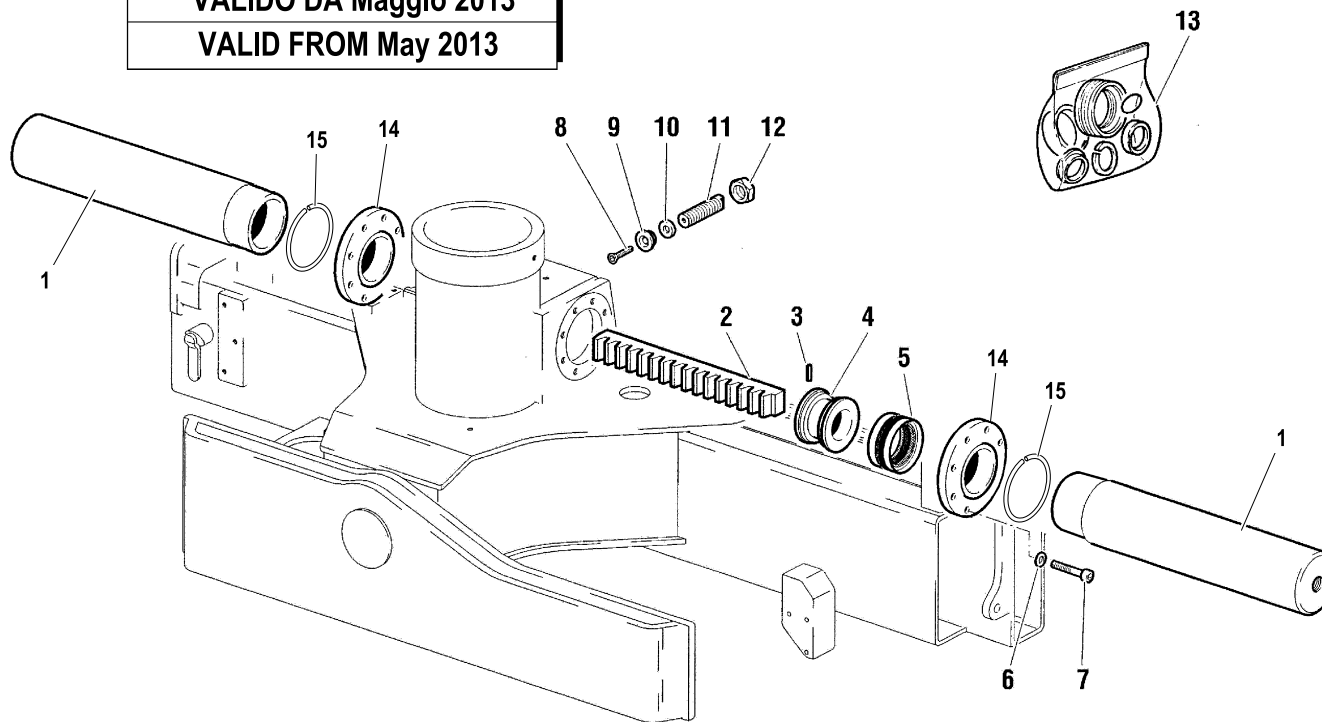
Slewing (Retaining ring)

Code

6240166-1.0

1/1

VALIDO DA Maggio 2013
VALID FROM May 2013



R	Pos.	Code Variant	Q.ty	Description
	1	6070678	2	
	2	5050082	1	
	3	3060608	2	Spring pin
	4	6050247	2	
	5	3400519	2	
	6	3060050	16	Split lock washer
	7	3020109	16	Socketed head cap screw
	8	3020499	1	TSEI screw
	9	5140600	1	
	10	4160328	1	
	11	3060919	1	Grub screw
	12	3040309	1	Stopnut
	13	5550696	1	
	14	5002277	2	
	15	W570100800	2	

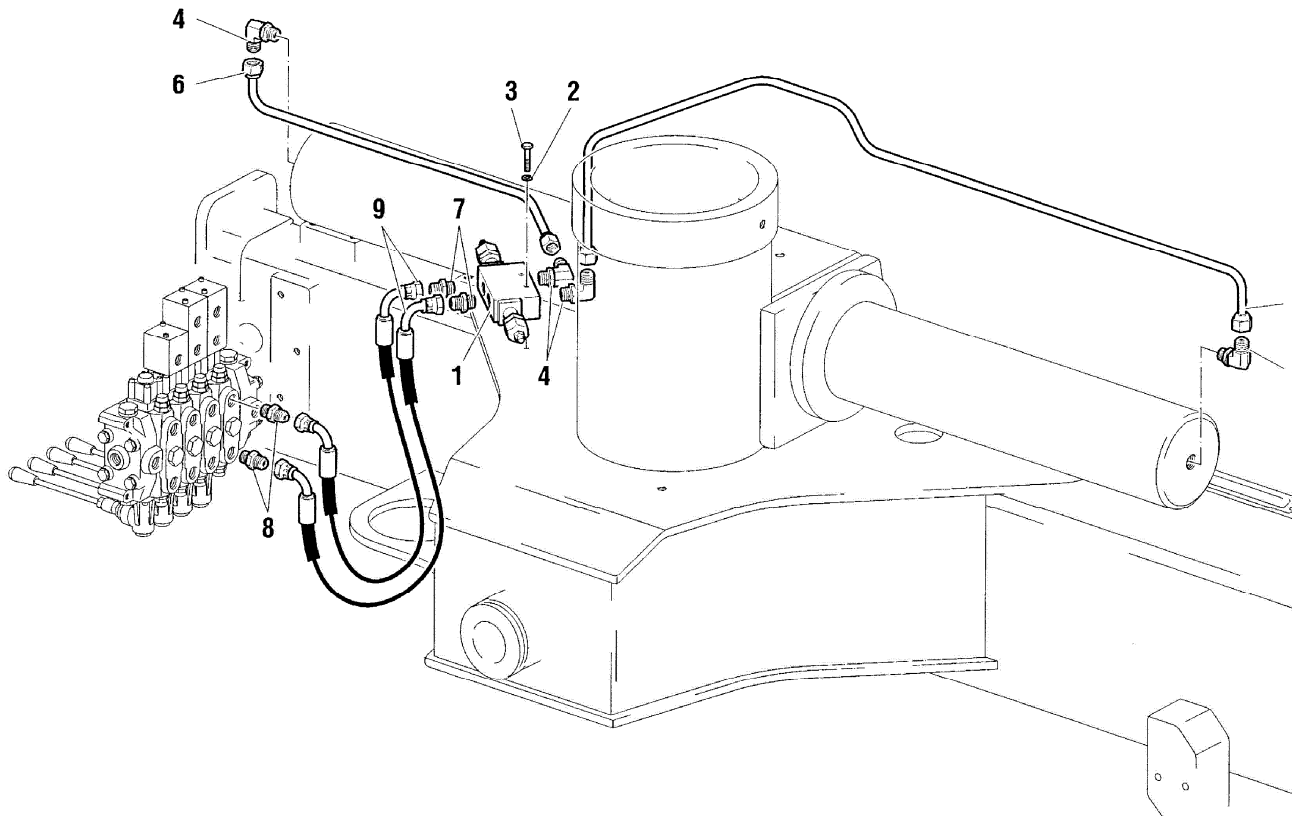
Slewing Hydraulic jack (Hydraulic system)

Code

6240056-1.0

1/1

R	Pos.	Code Variant	Q.ty	Description
	1	5220567	1	
	2	3060053	2	Split lock washer [D=6.4 C72 ZC.UNI1751]
	3	3010018	2	Hex screw
	4	3101127	4	90° Connection
	5	5391448	1	
	6	5391447	1	
	7	3101043	2	Straight pipe fitting
	8	3101044	2	Straight pipe fitting
	9	5271121	2	Flexible hose

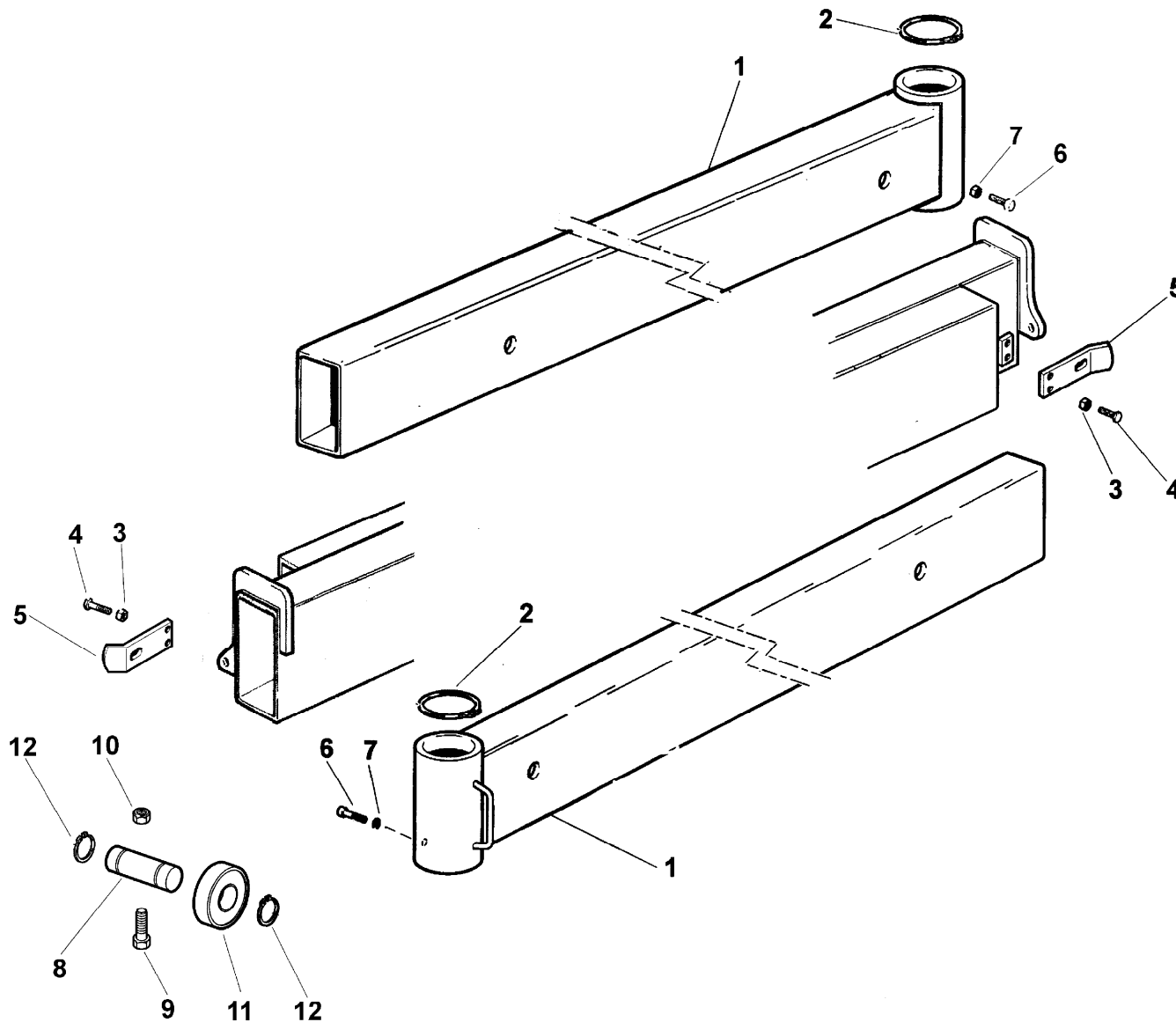


Stabilizers rods (Manual expansion element)

Code

5760023-1.0

1/1



R	Pos.	Code Variant	Q.ty	Description
	1	5070249	2	
	2	3070070	2	Seeger
	3	3040045	2	Nut
	4	3020875	2	Socketed head cap screw
	5	5000540	2	
	6	3010323	4	Hex screw [M6X10 8.8 UNI 5739 ZC]
	7	3060053	4	Split lock washer [D=6.4 C72 ZC.UNI1751]
	8	5150593	2	
	9	3010360	4	Hex screw
	10	3040084	8	Lock nut [M10 basso UNI 5589]
	11	5140687	2	
	12	3070022	4	Seeger

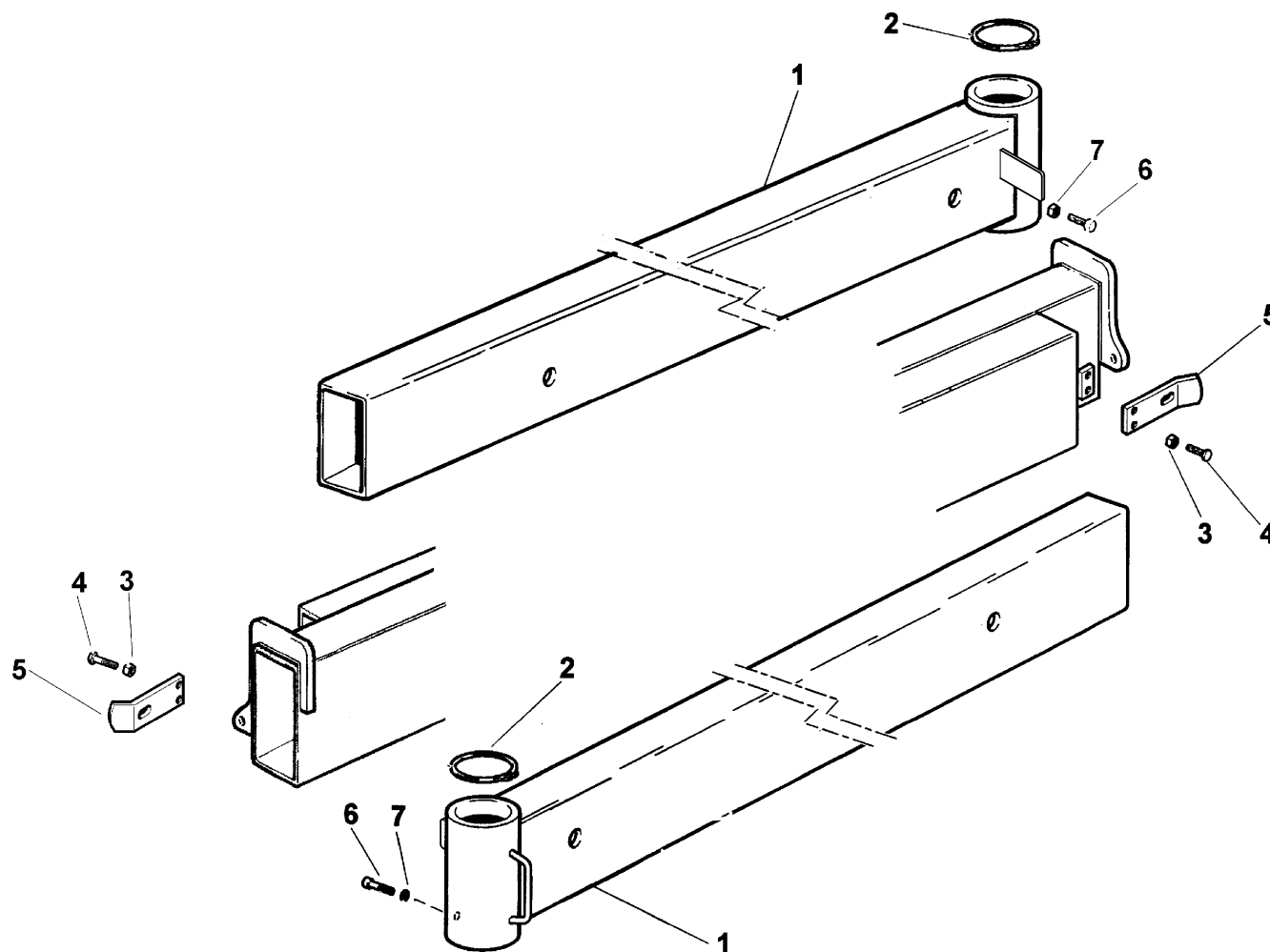
STABILIZER ROD (Manual expansion element)

Code

5760191-1.0

1/1

R	Pos.	Code Variant	Q.ty	Description
	1	5070249	2	
	2	3070070	2	Seeger
	3	3040045	2	Nut
	4	3020875	2	Socked head cap screw
	5	5000540	2	
	6	3010323	4	Hex screw [M6X10 8.8 UNI 5739 ZC]
	7	3060053	4	Split lock washer [D=6.4 C72 ZC.UNI1751]



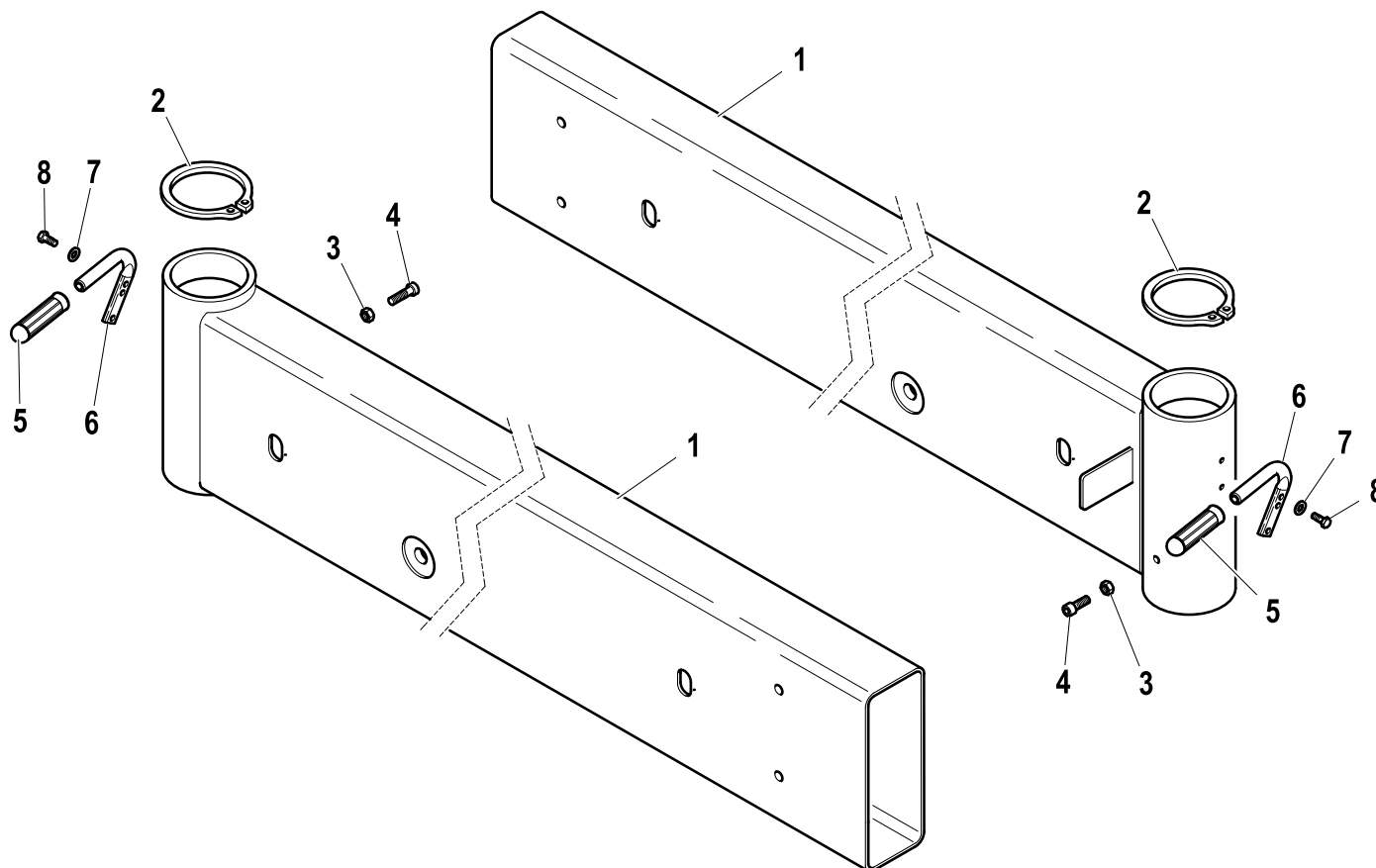
Stabilizer connecting rods extra-extensible (Manual expansion element)

Code

5760204-1.0

1/1

R	Pos.	Code Variant	Q.ty	Description
	1	5070248	2	
	2	3070070	2	Seeger
	3	3020875	2	Socketed head cap screw
	4	3040045	2	Nut
	5	W664018	2	
	6	W370401800	2	
	7	3060005	4	Flat washer [6.4-12.5 H=1.6 UNI 6592]
	8	3010325	4	Hex screw



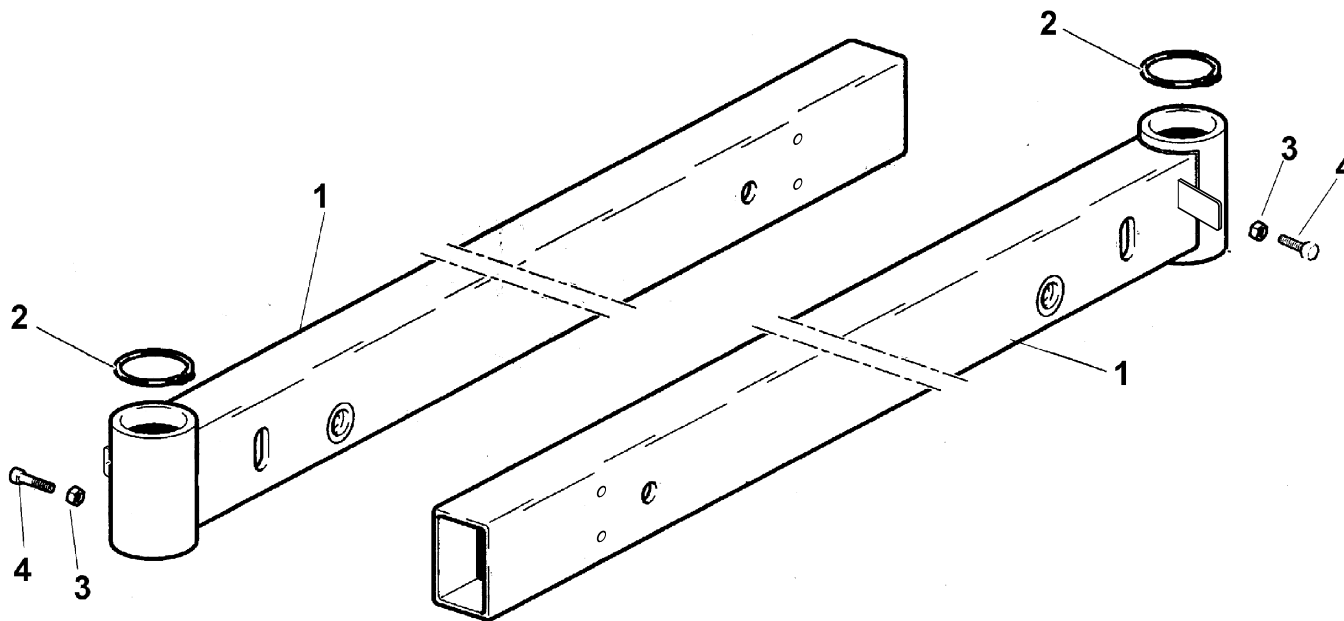
Stabilizer connecting rods extra-extensible (hydraulic lengthening)

Code

5760025-2.0

1/1

R	Pos.	Code Variant	Q.ty	Description
	1	5070248	2	
	2	3070070	2	Seeger
	3	3040045	2	Nut
	4	3020875	2	Socked head cap screw



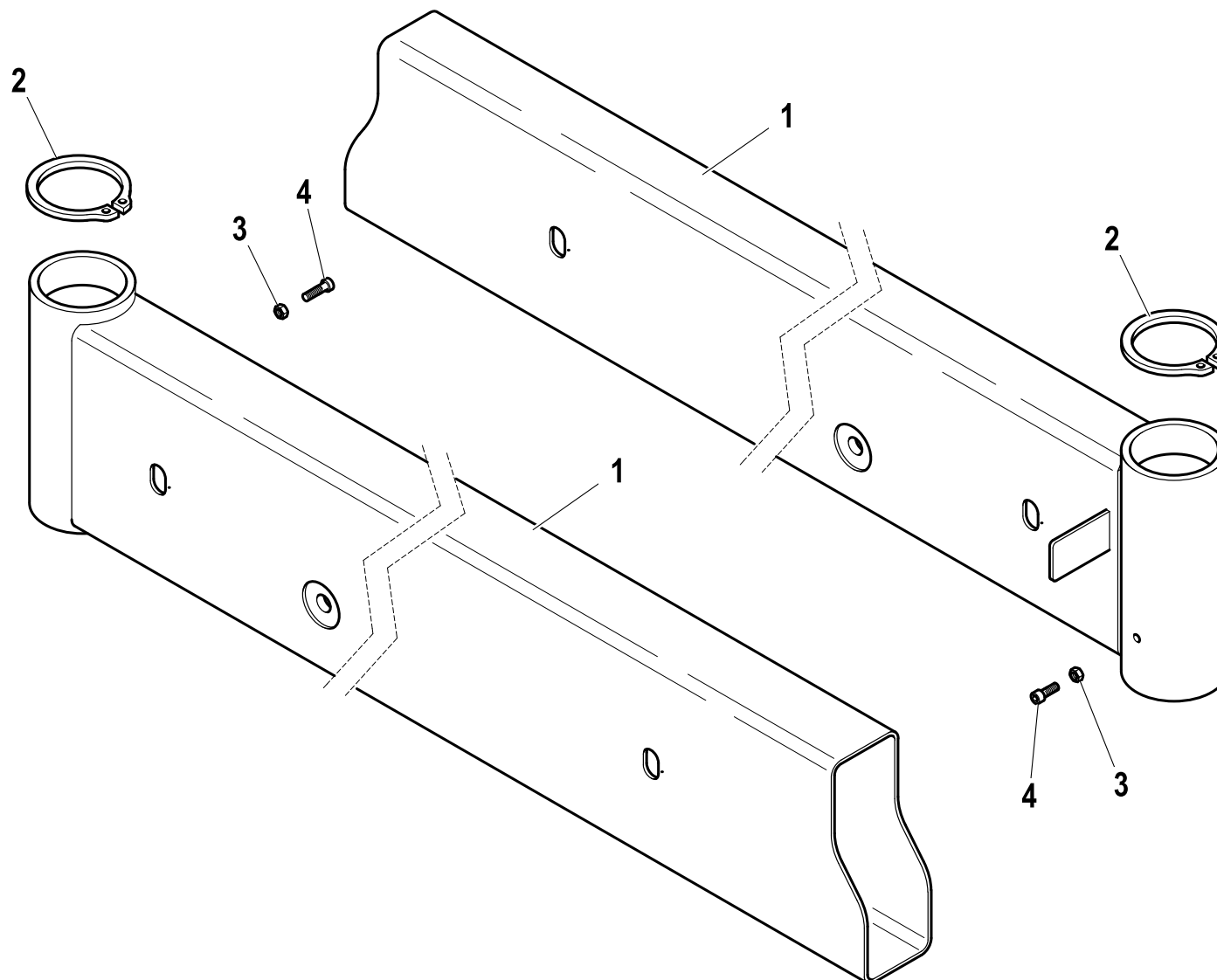
STABILIZERS RODS SUPER EXTRA-EXTENSIBLE (hydraulic lengthening)

Code

5760052-1.0

1/1

R	Pos.	Code Variant	Q.ty	Description
	1	5070412	2	
	2	3070070	2	Seeger
	3	3040045	2	Nut
	4	3020875	2	Socked head cap screw



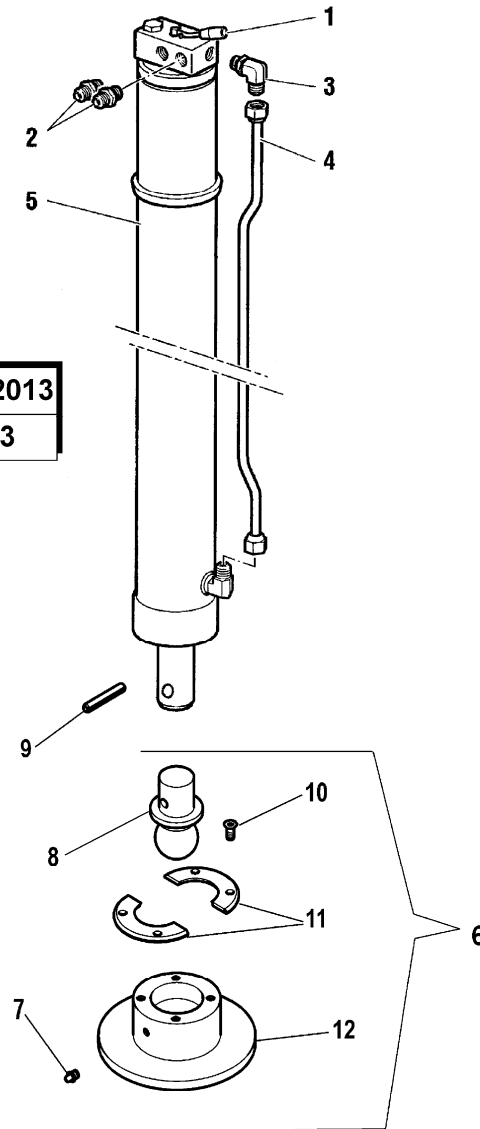
Stabilizer Hydraulic jack (Hydraulic system)

Code

6200103-1.0

1/1

VALIDO FINO A Maggio 2013
VALID UNTIL May 2013



R	Pos.	Code Variant	Q.ty	Description
	1	5220104	1	
	2	3101043	2	Straight pipe fitting
	3	3101127	1	90° Connection
	4	5391344	1	
	5	6400103	1	Stabilizer Hydraulic jack
	6	5920001	1	ARTICULATED JOINT TANG (Stabilizers)
	7	3080512	1	Grease nipple
	8	4160391	1	
	9	3060632	1	Spring pin
	10	3020452	4	TSEI screw
	11	4160392	1	
	12	5090778	1	

Stabilizer Hydraulic jack

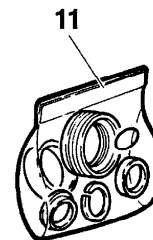
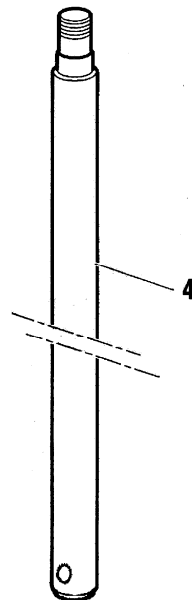
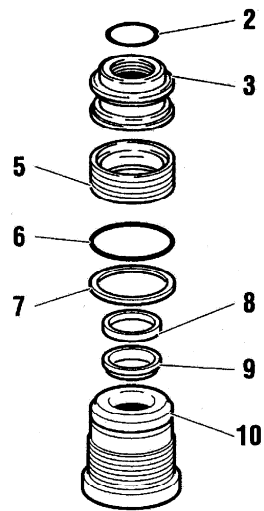
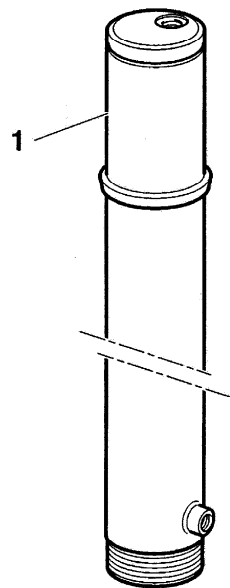
Code

6400103-1.0

1/1

VALIDO FINO A Maggio 2013

VALID UNTIL May 2013



R	Pos.	Code Variant	Q.ty	Description
	1	6070331	1	
	2	3450114	1	
	3	6050013	1	
	4	6030387	1	
	5	3400512	1	
	6	3450145	1	
	7	3460145	1	
	8	3400107	1	
	9	3420030	1	
	10	6040243	1	
	11	5550708	1	Seal kit

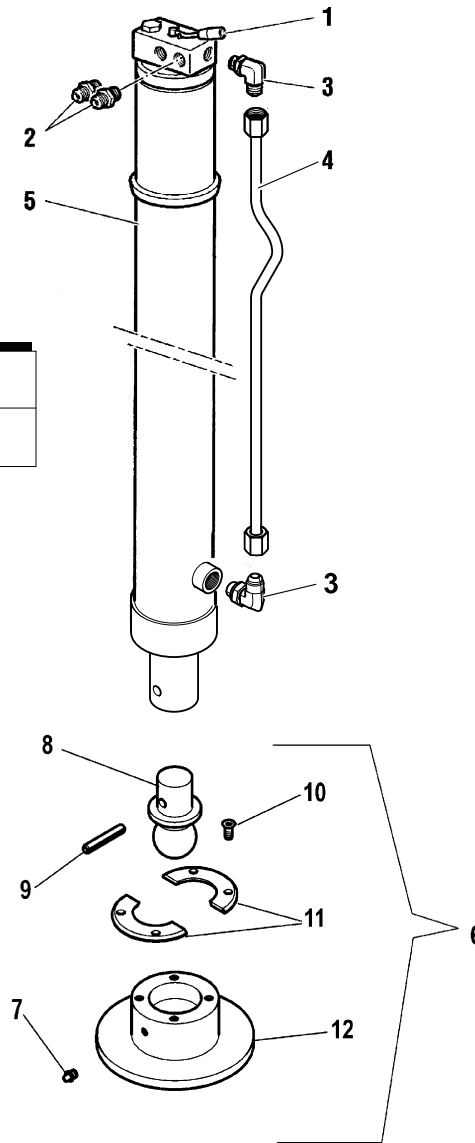
Stabilizer Hydraulic jack (Hydraulic system)

Code

6200298-1.0

1/1

VALIDO DA Giugno 2013
VALID FROM June 2013



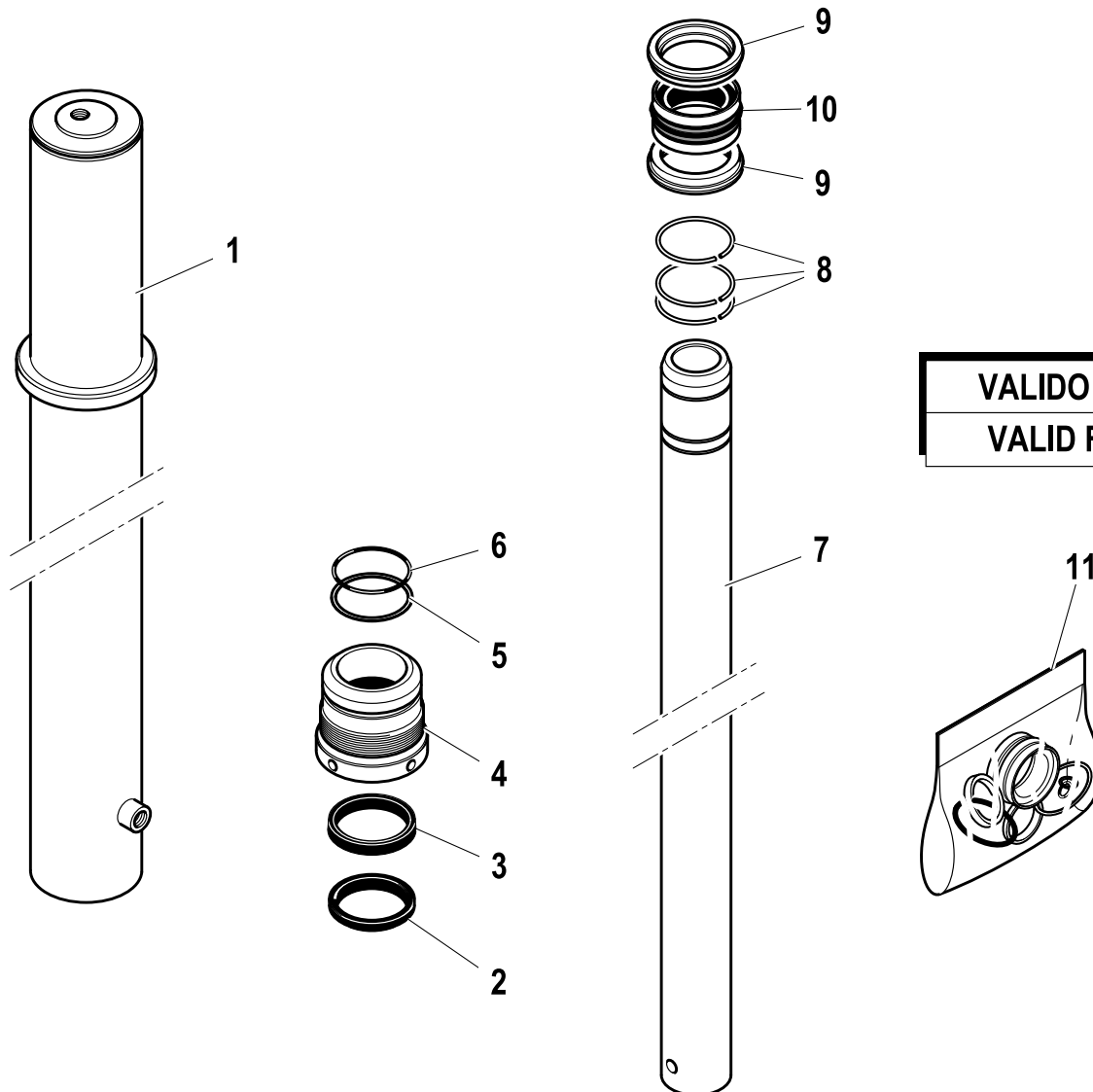
R	Pos.	Code Variant	Q.ty	Description
	1	5220104	1	
	2	3101043	2	Straight pipe fitting
	3	3101127	2	90° Connection
	4	5391344	1	
	5	6400298	1	Stabilizer Hydraulic jack
	6	5920001	1	ARTICULATED JOINT TANG (Stabilizers)
	7	3080512	1	Grease nipple
	8	4160391	1	
	9	3060632	1	Spring pin
	10	3020452	4	TSEI screw
	11	4160392	1	
	12	5090778	1	

Stabilizer Hydraulic jack (Circlip)

Code

6400298-1.0

1/1



R	Pos.	Code Variant	Q.ty	Description
	1	6070341	1	
	2	3420030	1	
	3	3400107	1	
	4	6040275	1	
	5	3460145	1	
	6	3450145	1	
	7	6030509	1	
	8	3070216	3	Snap ring
	9	6050162	2	
	10	3400512	1	
	11	5550708	1	Seal kit

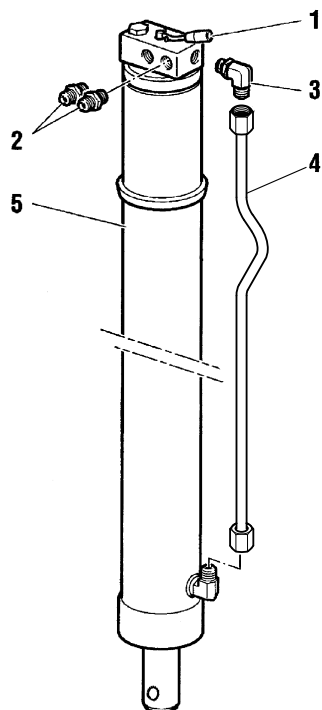
Stabilizer Hydraulic jack "extra" (Hydraulic system)

Code

6200214-1.0

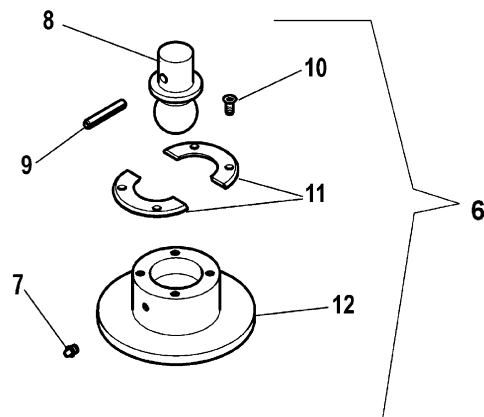
1/1

R	Pos.	Code Variant	Q.ty	Description
	1	5220104	1	
	2	3101043	2	Straight pipe fitting
	3	3101127	1	90° Connection
	4	5392251	1	
	5	6400214	1	Stabilizer Hydraulic jack
	6	5920001	1	ARTICULATED JOINT TANG (Stabilizers)
	7	3080512	1	Grease nipple
	8	4160391	1	
	9	3060632	1	Spring pin
	10	3020452	4	TSEI screw
	11	4160392	1	
	12	5090778	1	



**VERSIONE LUNGA
LONG VERSION
VERSION LONGUE
LANGVERSION
VERSIÓN LARGA**

**VALIDO FINO A Maggio 2013
VALID UNTIL May 2013**



Stabilizer Hydraulic jack (Long)

Code

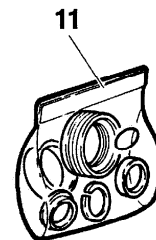
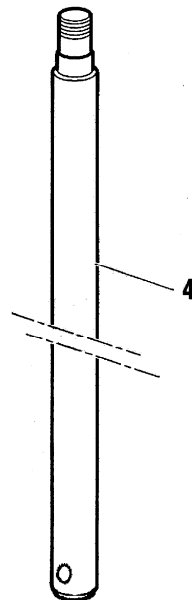
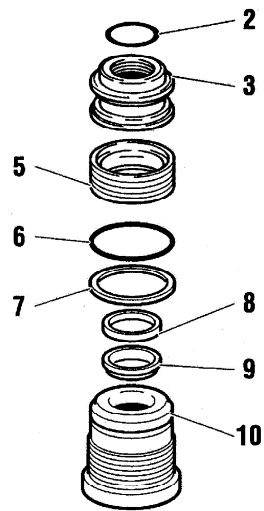
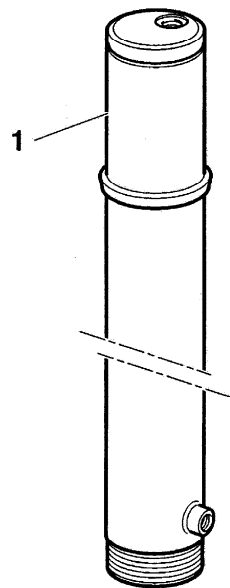
6400214-1.0

1/1

R	Pos.	Code Variant	Q.ty	Description
	1	6070519	1	
	2	3450114	1	
	3	6050013	1	
	4	6030700	1	
	5	3400512	1	
	6	3450145	1	
	7	3460145	1	
	8	3400107	1	
	9	3420030	1	
	10	6040243	1	
	11	5550708	1	Seal kit

VALIDO FINO A Maggio 2013

VALID UNTIL May 2013



Stabilizer Hydraulic jack "extra" (Hydraulic system)

Code

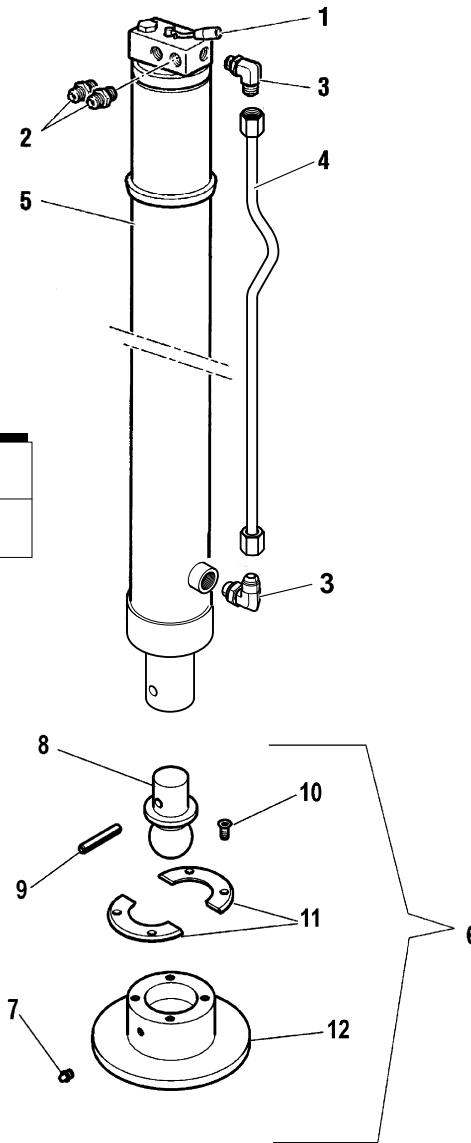
6200303-1.0

1/1

**VERSIONE LUNGA
LONG VERSION
VERSION LONGUE
LANGVERSION
VERSIÓN LARGA**

VALIDO DA Giugno 2013

VALID FROM June 2013



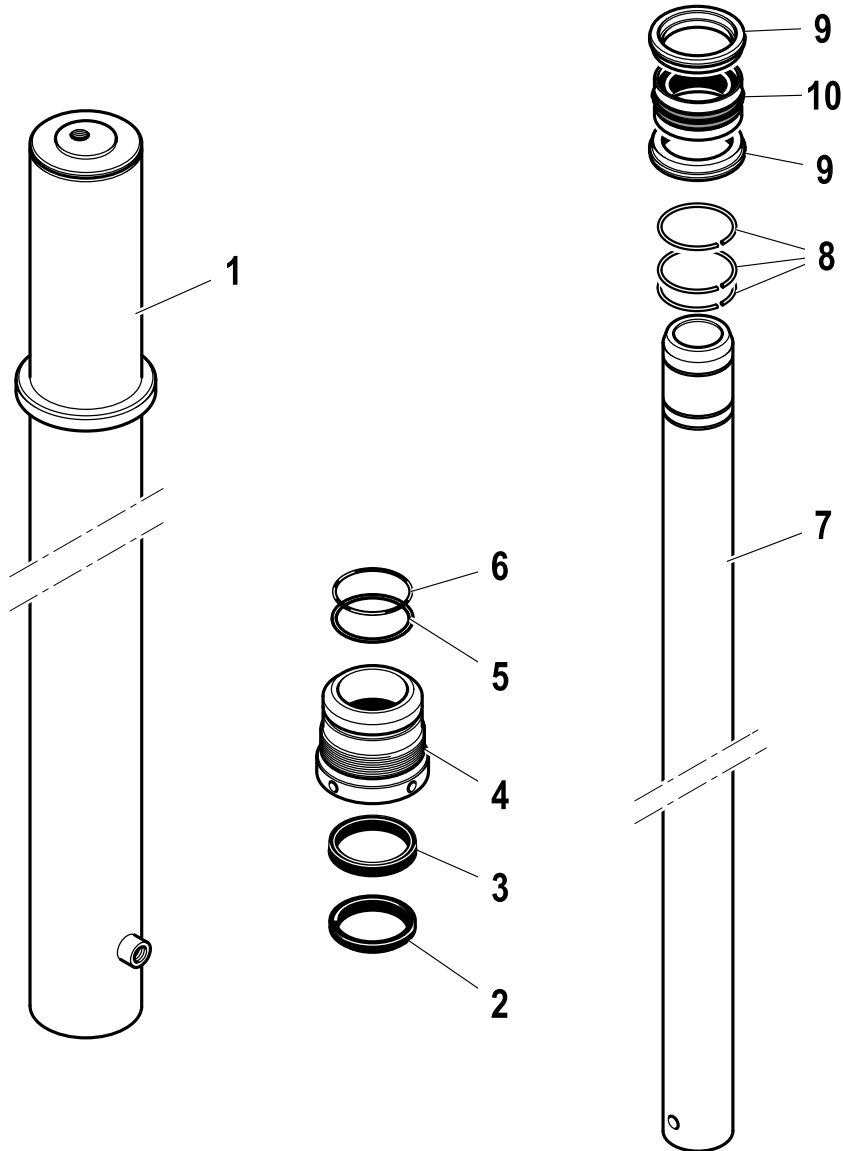
R	Pos.	Code Variant	Q.ty	Description
	1	5220104	1	
	2	3101043	2	Straight pipe fitting
	3	3101127	2	90° Connection
	4	5392251	1	
	5	6400303	1	Stabilizer Hydraulic jack
	6	5920001	1	ARTICULATED JOINT TANG (Stabilizers)
	7	3080512	1	Grease nipple
	8	4160391	1	
	9	3060632	1	Spring pin
	10	3020452	4	TSEI screw
	11	4160392	1	
	12	5090778	1	

Stabilizer Hydraulic jack (Retaining ring)

Code

6400303-1.0

1/1



**VERSIONE LUNGA
LONG VERSION
VERSION LONGUE
LANGVERSION
VERSIÓN LARGA**

**VALIDO DA Giugno 2013
VALID FROM June 2013**

R	Pos.	Code Variant	Q.ty	Description
	1	6070692	1	
	2	3420030	1	
	3	3400107	1	
	4	6040275	1	
	5	3460145	1	
	6	3450145	1	
	7	6030510	1	
	8	3070216	3	Snap ring
	9	6050162	2	
	10	3400512	1	
	11	5550708	1	Seal kit

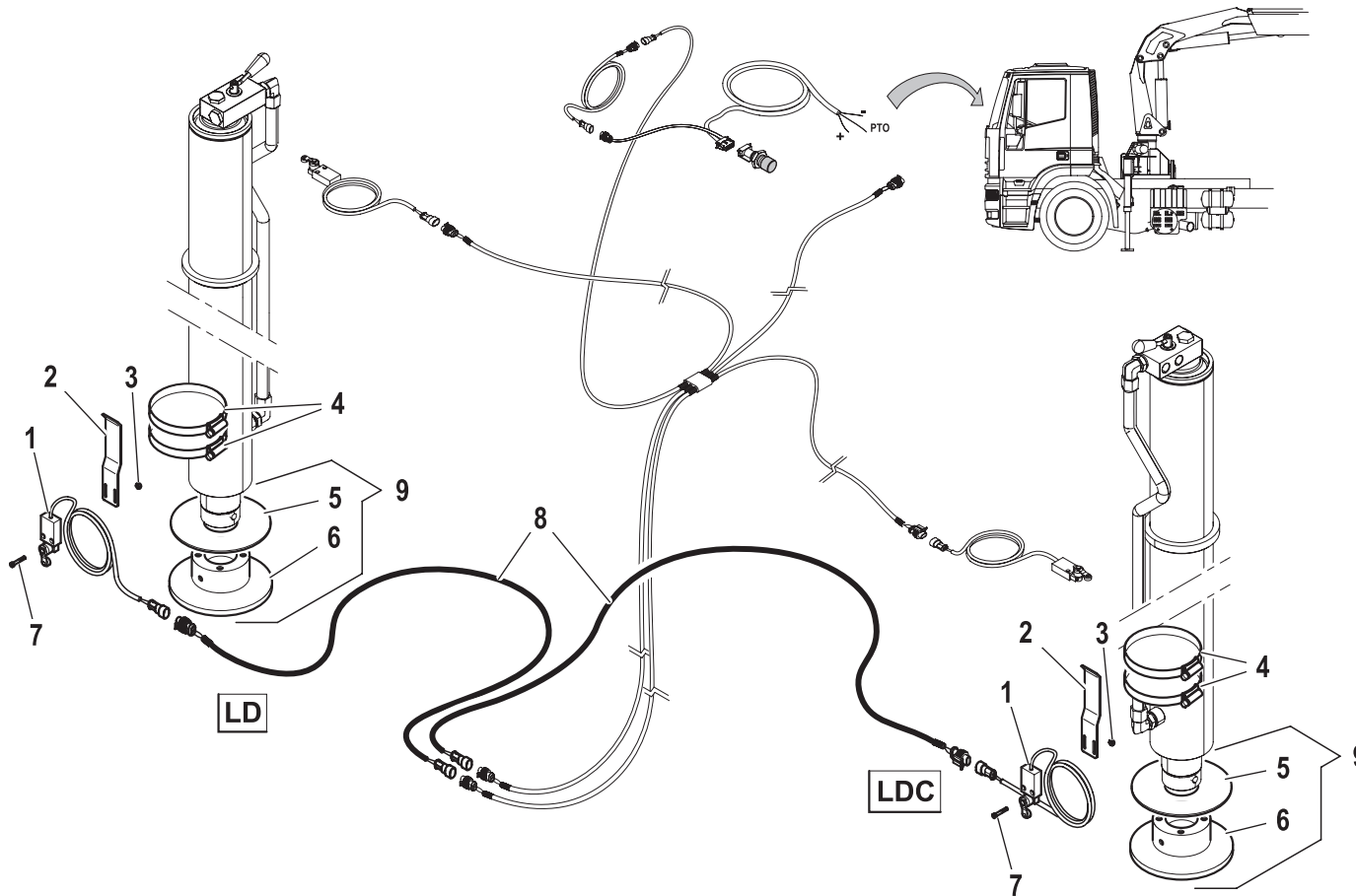
CLOSING CONTROL KIT STABILIZERS

Code

5411040-1.0

1/1

R	Pos.	Code Variant	Q.ty	Description
	1	3311182	2	
	2	5001950	2	
	3	3040041	4	Nut
	4	3190021	4	Clamp [104-138 12.2 ABA]
	5	5000221	2	
	6	5090778	2	
	7	3020885	4	Socked head cap screw
	8	3311215	1	Electric wiring
	9	5920055	2	ARTICULATED JOINT TANG

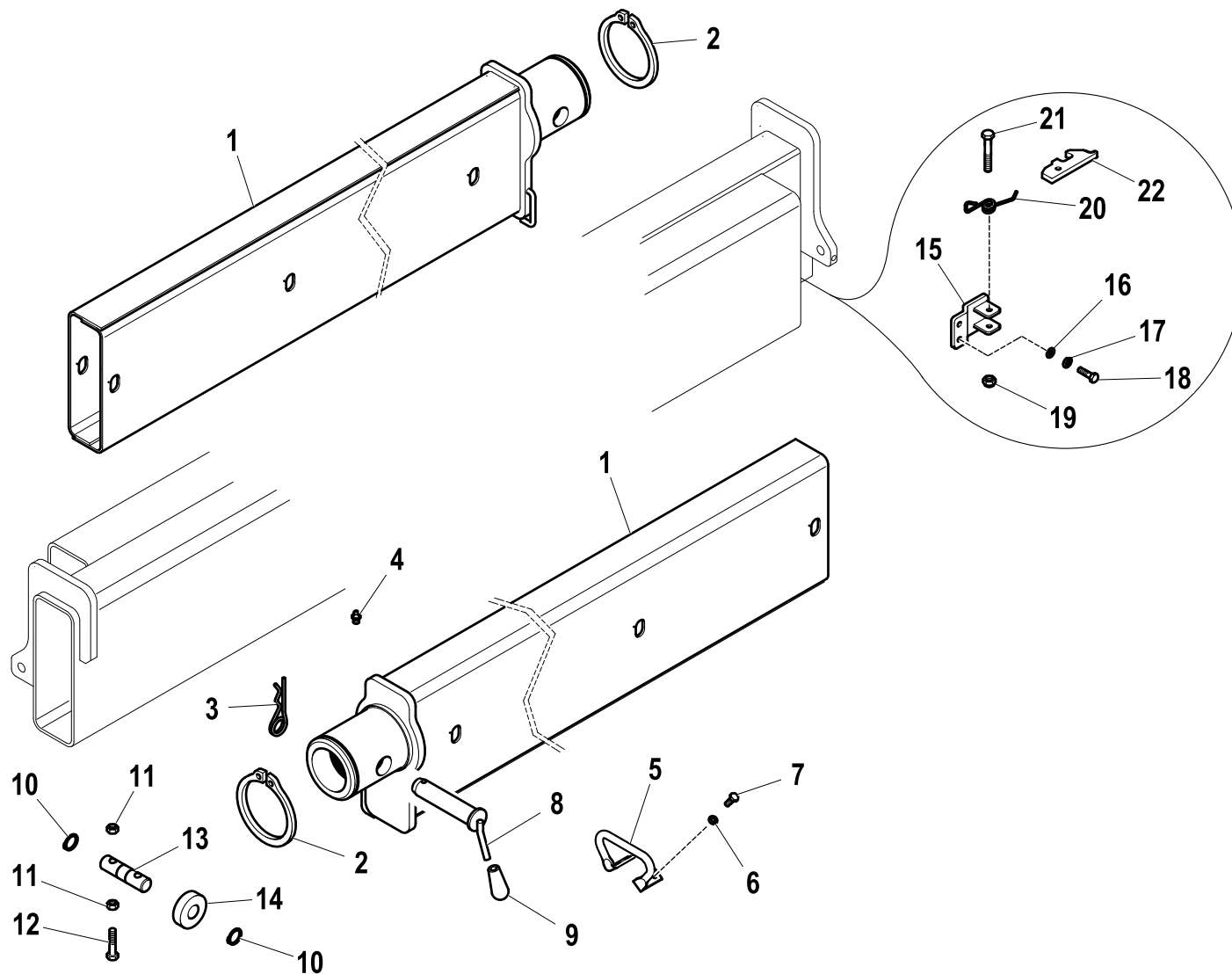


Stabilizers rods (Revolving)

Code

5760024-1.1

1/2



R	Pos.	Code Variant	Q.ty	Description
	1	5070251	2	
	2	3070080	2	Seeger
	3	3060703	2	Cotter pin
	4	3080501	2	Grease nipple
	5	5001957	2	
	6	3060055	8	Split lock washer
	7	3010337	8	Hex screw
	8	5150485	2	
	9	3190010	2	Knob
	10	3070022	4	Seeger
	11	3040084	8	Lock nut [M10 basso UNI 5589]
	12	3010360	4	Hex screw
	13	5150593	2	
	14	5140687	2	
	15	5091224	2	
	16	3060030	4	Flat washer
	17	3060053	4	Split lock washer [D=6.4 C72 ZC.UNI1751]
	18	3010325	4	Hex screw
	19	3040372	2	Stopnut
	20	3060953	2	

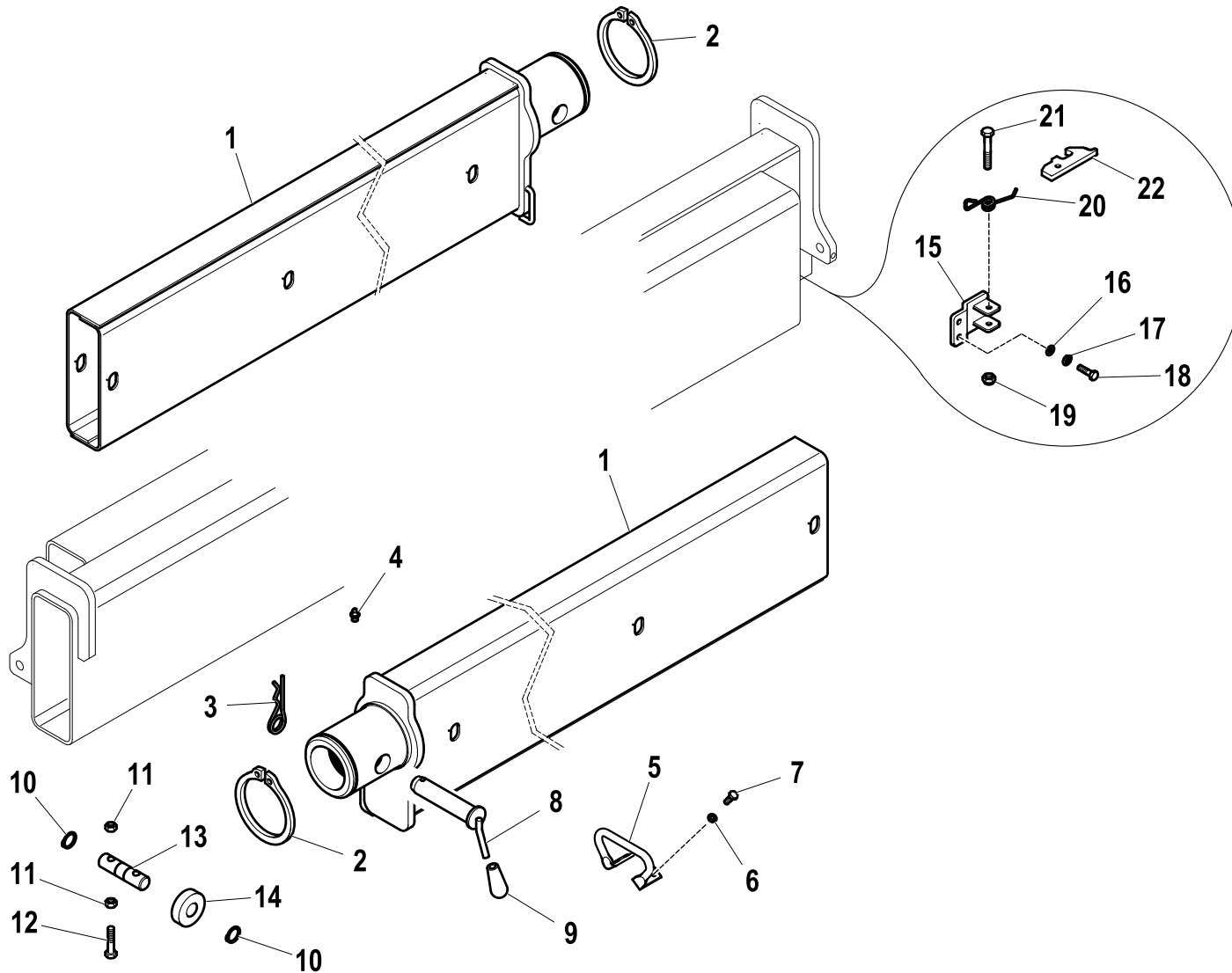
Stabilizers rods (Revolving)

Code

5760024-1.1

2/2

R	Pos.	Code Variant	Q.ty	Description
	21	3010018	2	Hex screw
	22	5001431	2	

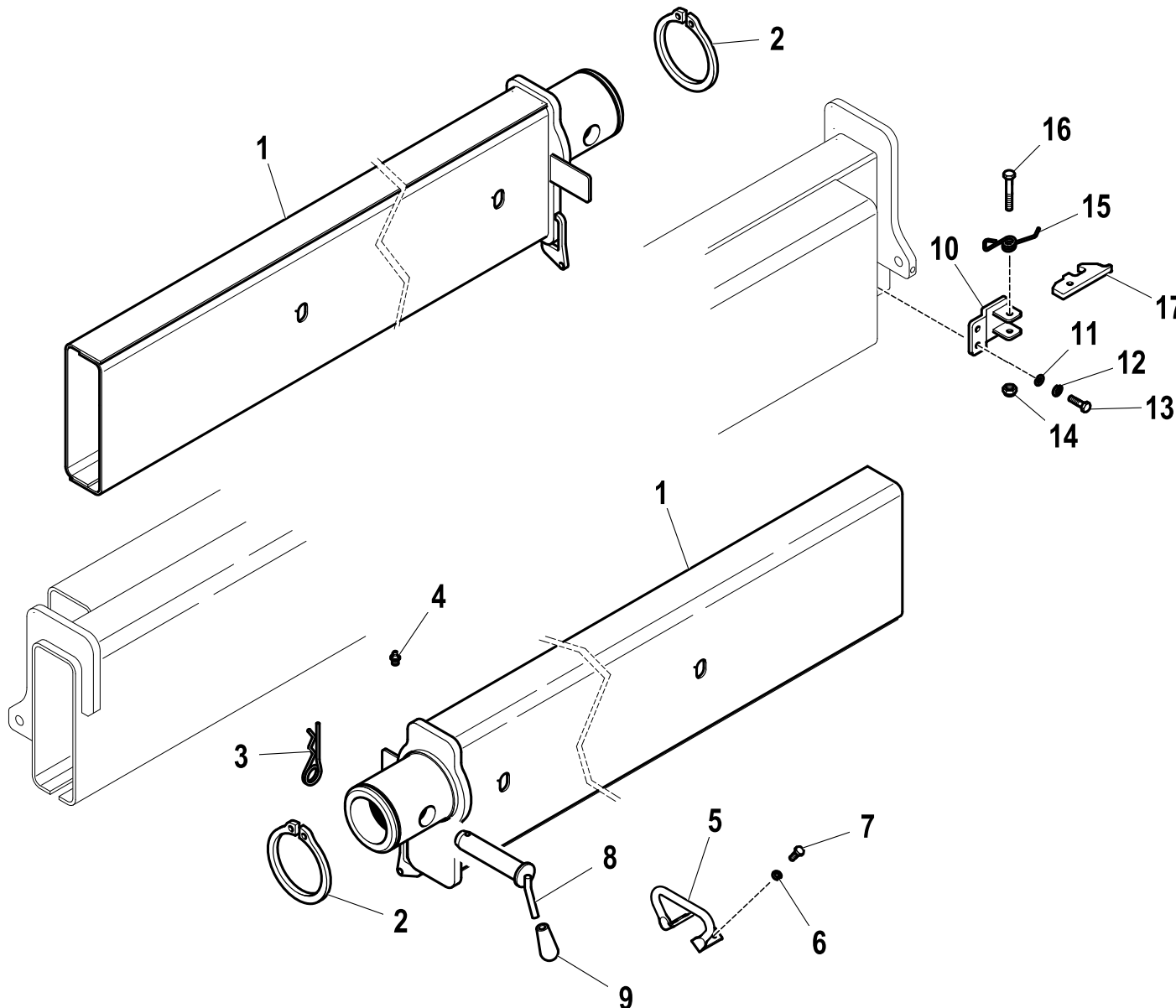


Stabilizer connecting rods (Revolving)

Code

5760200-1.0

1/1



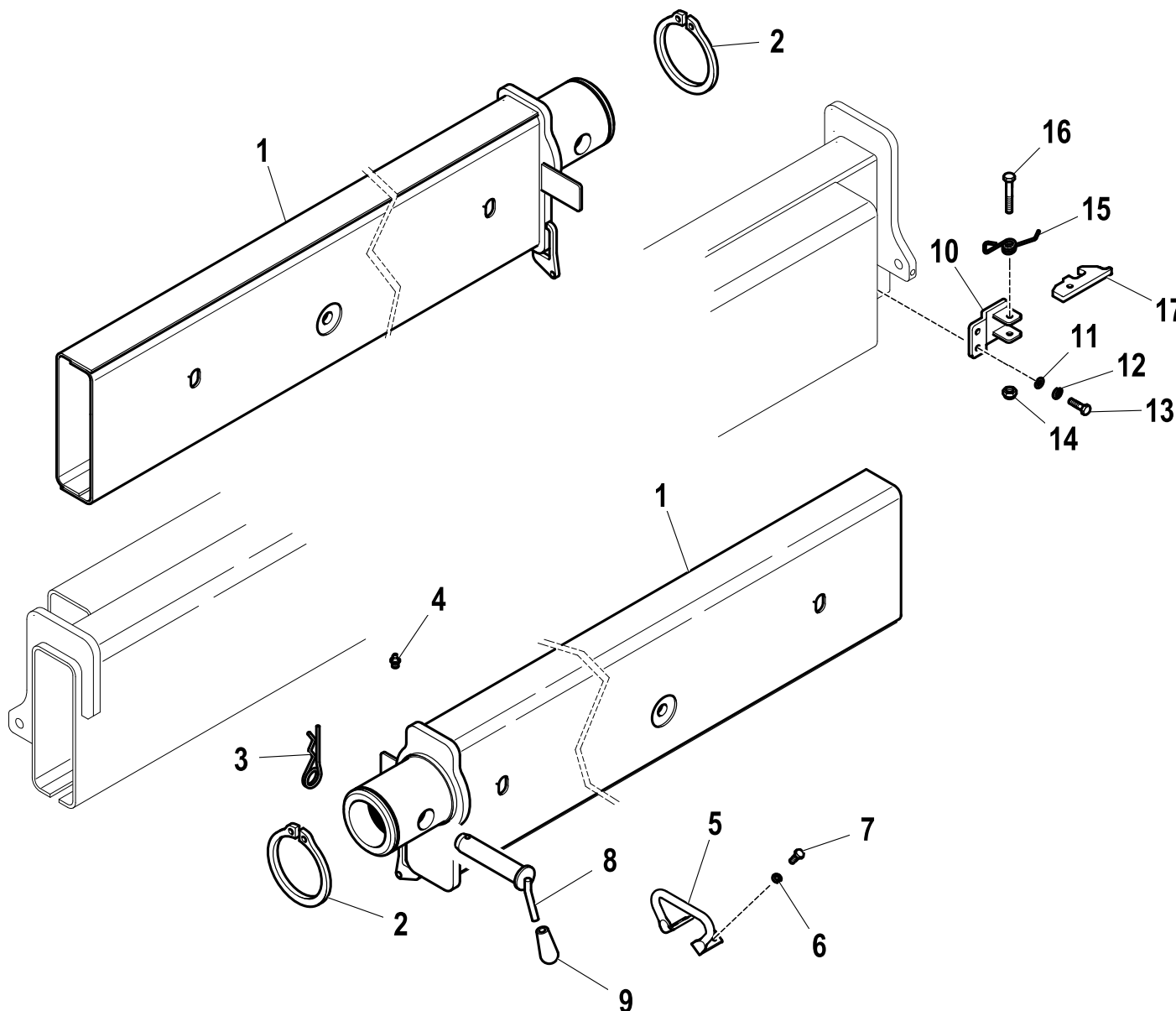
R	Pos.	Code Variant	Q.ty	Description
	1	5070251	2	
	2	3070080	2	Seeger
	3	3060703	2	Cotter pin
	4	3080501	2	Grease nipple
	5	5001957	2	
	6	3060055	8	Split lock washer
	7	3010337	8	Hex screw
	8	5150485	2	
	9	3190010	2	Knob
	10	5091224	2	
	11	3060030	4	Flat washer
	12	3060053	4	Split lock washer [D=6.4 C72 ZC.UNI1751]
	13	3010325	4	Hex screw
	14	3040372	2	Stopnut
	15	3060953	2	
	16	3010018	2	Hex screw
	17	5001431	2	

Stabilizer connecting rods extra-extensible revolving

Code

5760205-1.0

1/1



R	Pos.	Code Variant	Q.ty	Description
	1	5070250	2	
	2	3070080	2	Seeger
	3	3060703	2	Cotter pin
	4	3080501	2	Grease nipple
	5	5001957	2	
	6	3060055	8	Split lock washer
	7	3010337	8	Hex screw
	8	5150485	2	
	9	3190010	2	Knob
	10	5091224	2	
	11	3060030	4	Flat washer
	12	3060053	4	Split lock washer [D=6.4 C72 ZC.UNI1751]
	13	3010325	4	Hex screw
	14	3040372	2	Stopnut
	15	3060953	2	
	16	3010018	2	Hex screw
	17	5001431	2	

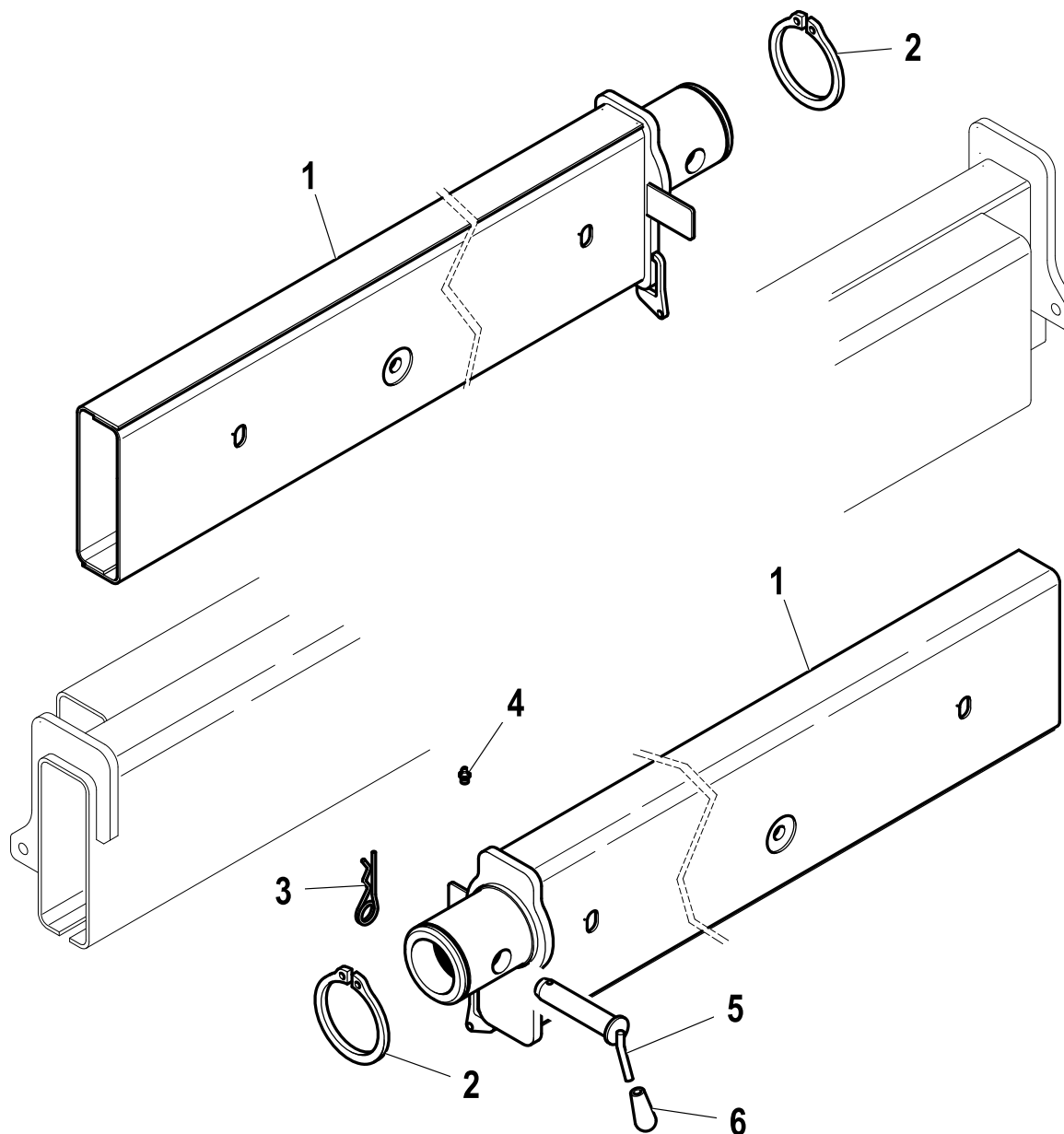
Stabilizer connecting rods extra-extensible (hydraulic lengthening)

Code

5760026-2.0

1/1

R	Pos.	Code Variant	Q.ty	Description
	1	5070250	2	
	2	3070080	2	Seeger
	3	3060703	2	Cotter pin
	4	3080501	2	Grease nipple
	5	5150485	2	
	6	3190010	2	Knob



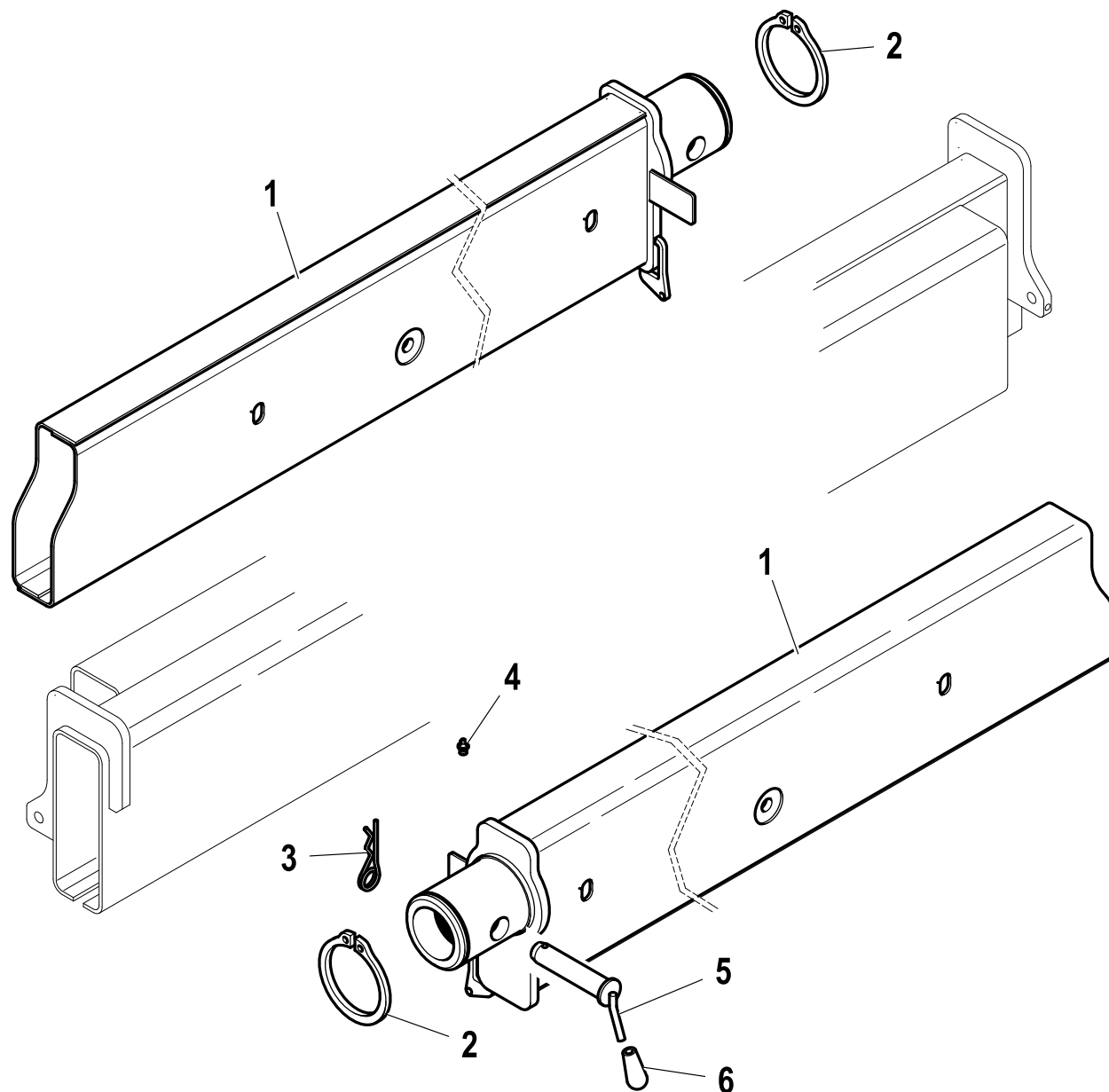
STABILIZERS RODS SUPER EXTRA-EXTENSIBLE (hydraulic lengthening)

Code

5760175-1.0

1/1

R	Pos.	Code Variant	Q.ty	Description
	1	5070416	2	
	2	3070080	2	Seeger
	3	3060703	2	Cotter pin
	4	3080501	2	Grease nipple
	5	5150485	2	
	6	3190010	2	Knob



Stabilizer Hydraulic jack (Hydraulic system)

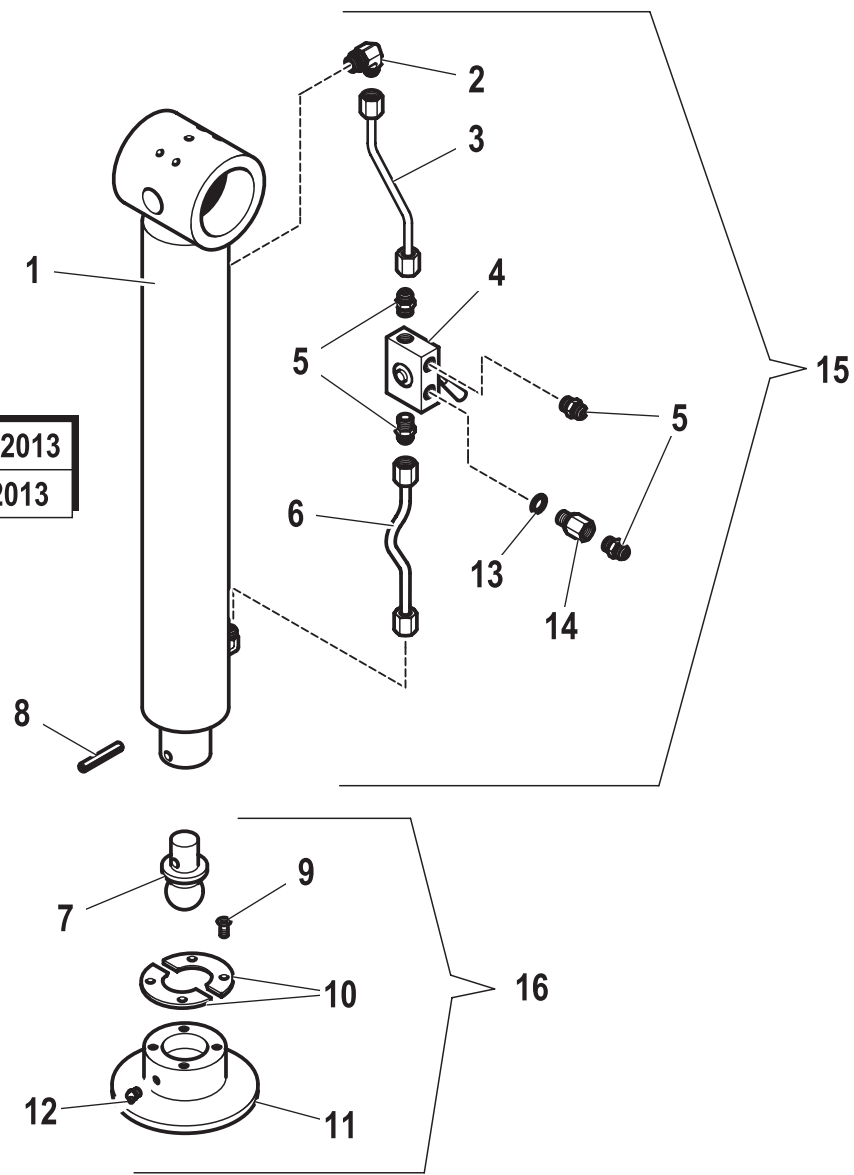
Code

6200266-1.0

1/1

R	Pos.	Code Variant	Q.ty	Description
	1	6400104	1	Stabilizer Hydraulic jack
	2	3101127	1	90° Connection
	3	5392377	1	
	4	5220048	1	
	5	3101043	4	Straight pipe fitting
	6	5392378	1	
	7	4160391	1	
	8	3060632	1	Spring pin
	9	3020452	4	TSEI screw
	10	4160392	1	
	11	5090778	1	
	12	3080512	1	Grease nipple
	13	3060144	1	Sealing washer
	14	3110112	1	Straight pipe fitting
	15	6200266	1	Stabilizer Hydraulic jack
	16	5920001	1	ARTICULATED JOINT TANG (Stabilizers)

VALIDO FINO A Dicembre 2013
VALID UNTIL December 2013



Stabilizer Hydraulic jack (Revolving)

Code

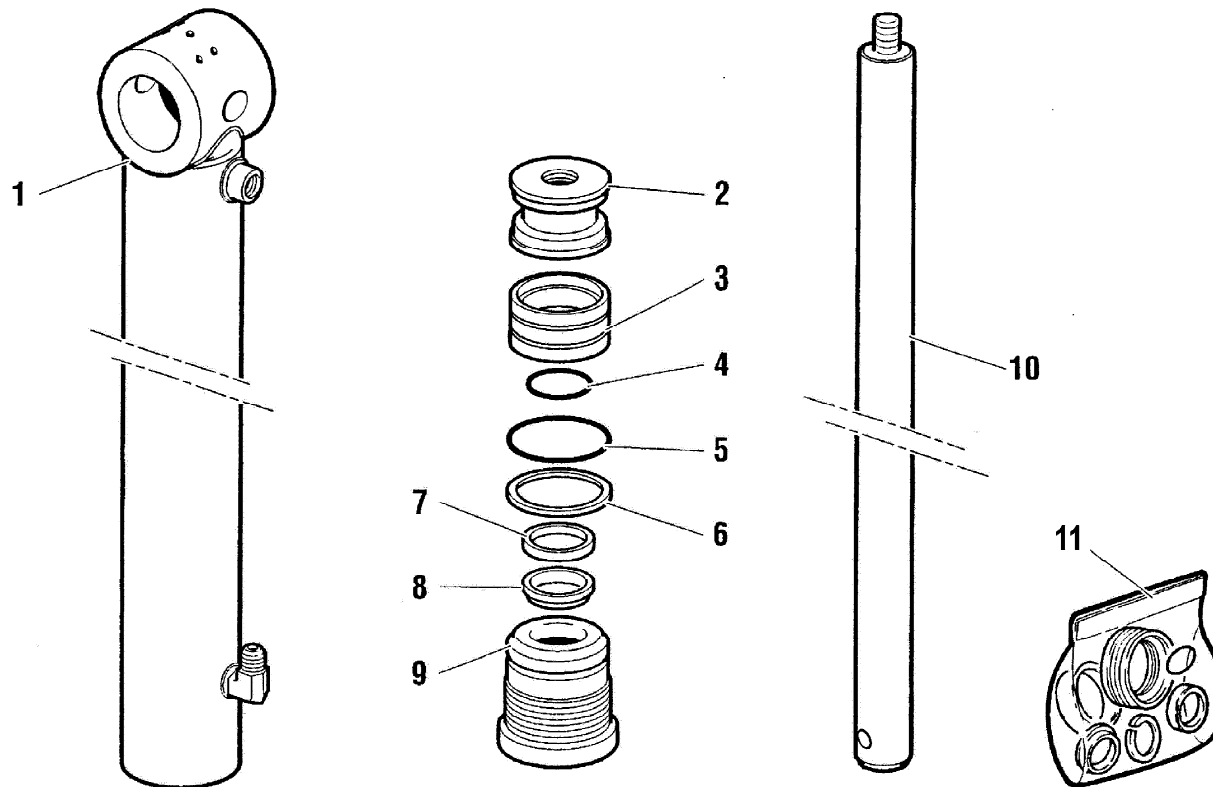
6400104-1.0

1/1

VALIDO FINO A DICEMBRE 2013

VALID UNTIL DECEMBER 2013

R	Pos.	Code Variant	Q.ty	Description
	1	6070332	1	
	2	6050013	1	
	3	3400512	1	
	4	3450114	1	
	5	3450145	1	
	6	3460145	1	
	7	3400107	1	
	8	3420030	1	
	9	6040243	1	
	10	6030387	1	
	11	5550708	1	Seal kit



Stabilizer Hydraulic jack (Hydraulic system)

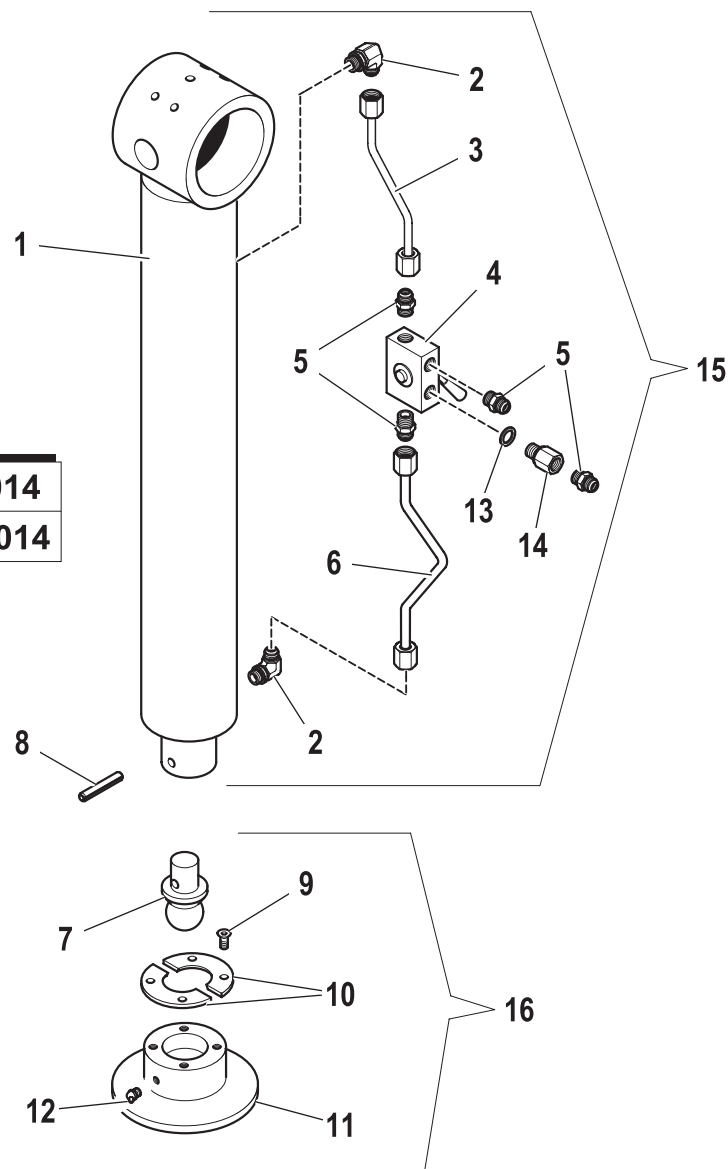
Code

6200306-1.0

1/1

R	Pos.	Code Variant	Q.ty	Description
	1	6400306	1	Stabilizer Hydraulic jack
	2	3101127	2	90° Connection
	3	5392377	1	
	4	5220048	1	
	5	3101043	4	Straight pipe fitting
	6	5392378	1	
	7	4160391	1	
	8	3060632	1	Spring pin
	9	3020899	4	TSEI screw
	10	4160392	1	
	11	5090778	1	
	12	3080512	1	Grease nipple
	13	3060144	1	Sealing washer
	14	3110112	1	Straight pipe fitting
	15	6200306	1	Stabilizer Hydraulic jack
	16	5920001	1	ARTICULATED JOINT TANG (Stabilizers)

VALIDO DA Gennaio 2014
VALID FROM January 2014

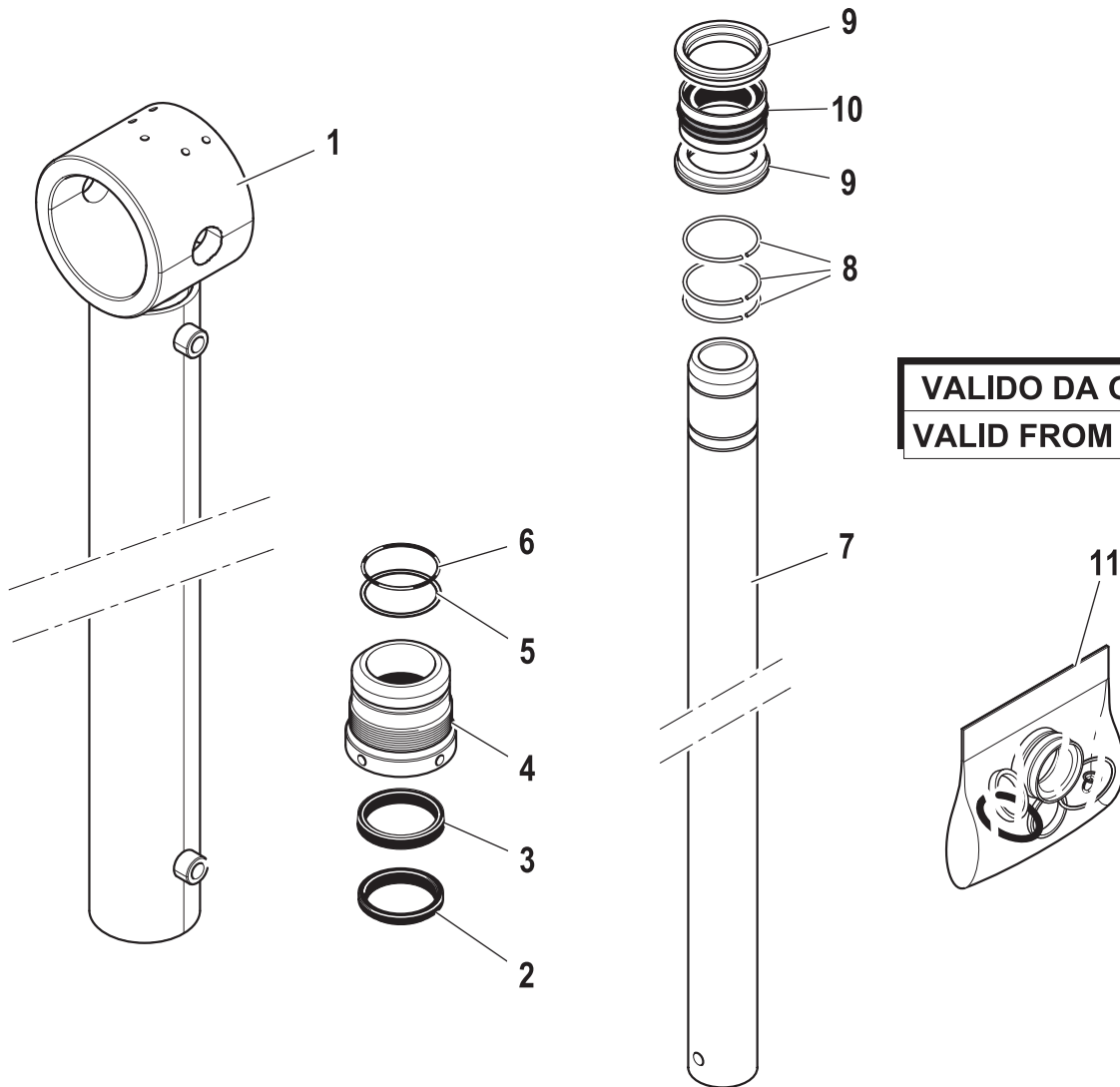


Stabilizer Hydraulic jack (Retaining ring)

Code

6400306-1.0

1/1



VALIDO DA Gennaio 2014
VALID FROM January 2014

R	Pos.	Code Variant	Q.ty	Description
	1	6070695	1	
	2	3420030	1	
	3	3400107	1	
	4	6040275	1	
	5	3460145	1	
	6	3450145	1	
	7	6030509	1	
	8	3070216	3	Snap ring
	9	6050162	2	
	10	3400512	1	
	11	5550708	1	Seal kit

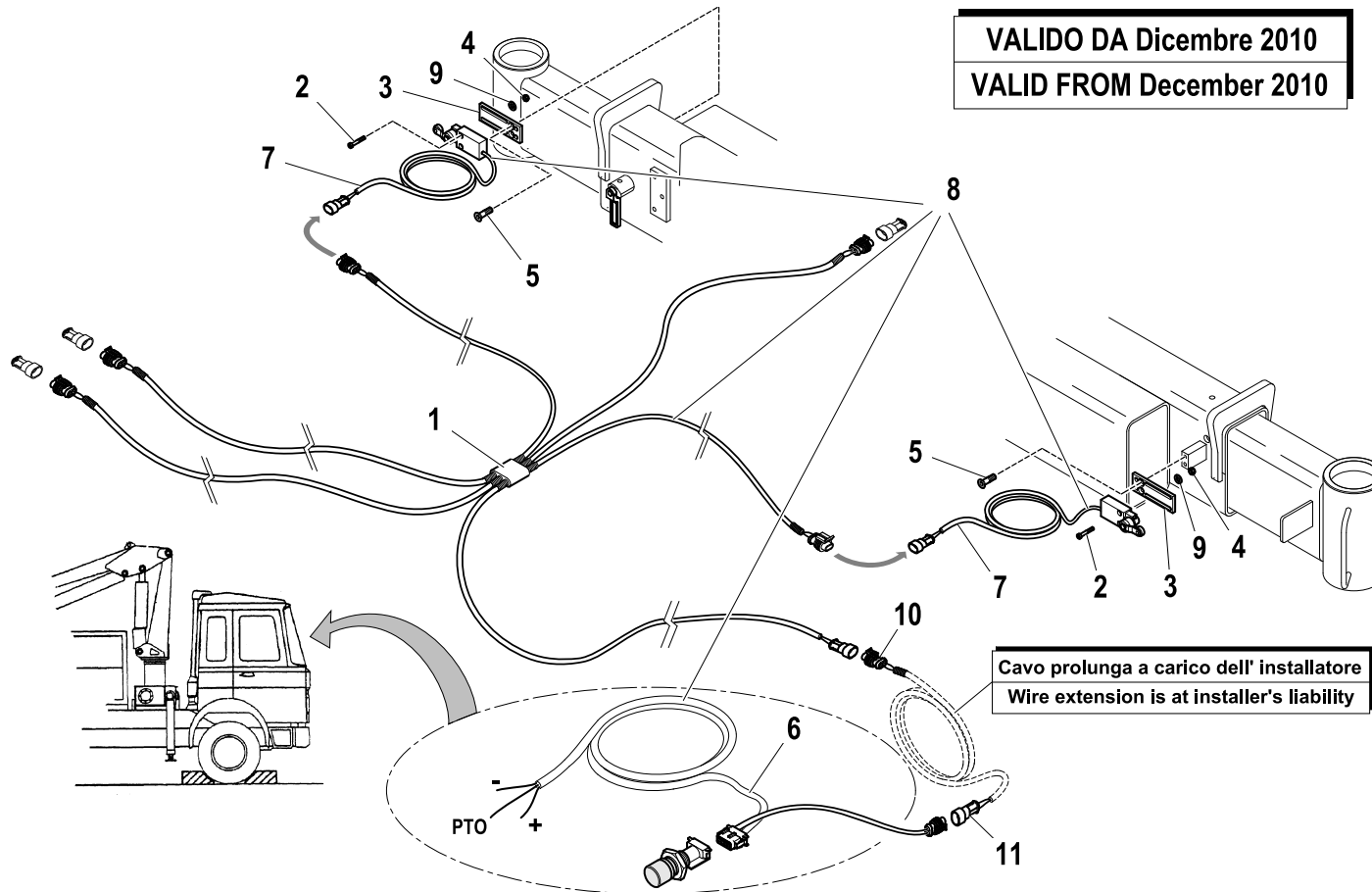
CONTROL DEVICES LOCKING FOR OUTRIGGERS LEGS

Code

5411038-1.0

1/1

R	Pos.	Code Variant	Q.ty	Description
	1	3311353	1	
	2	3020014	4	Socket head cap screw
	3	5000218	2	
	4	3040041	4	Nut
	5	3020439	4	TSEI screw
	6	3311354	1	
	7	3311356	2	
	8	3311352	1	
	9	3060003	4	Flat washer
	10	3310431	1	
	11	3310432	1	

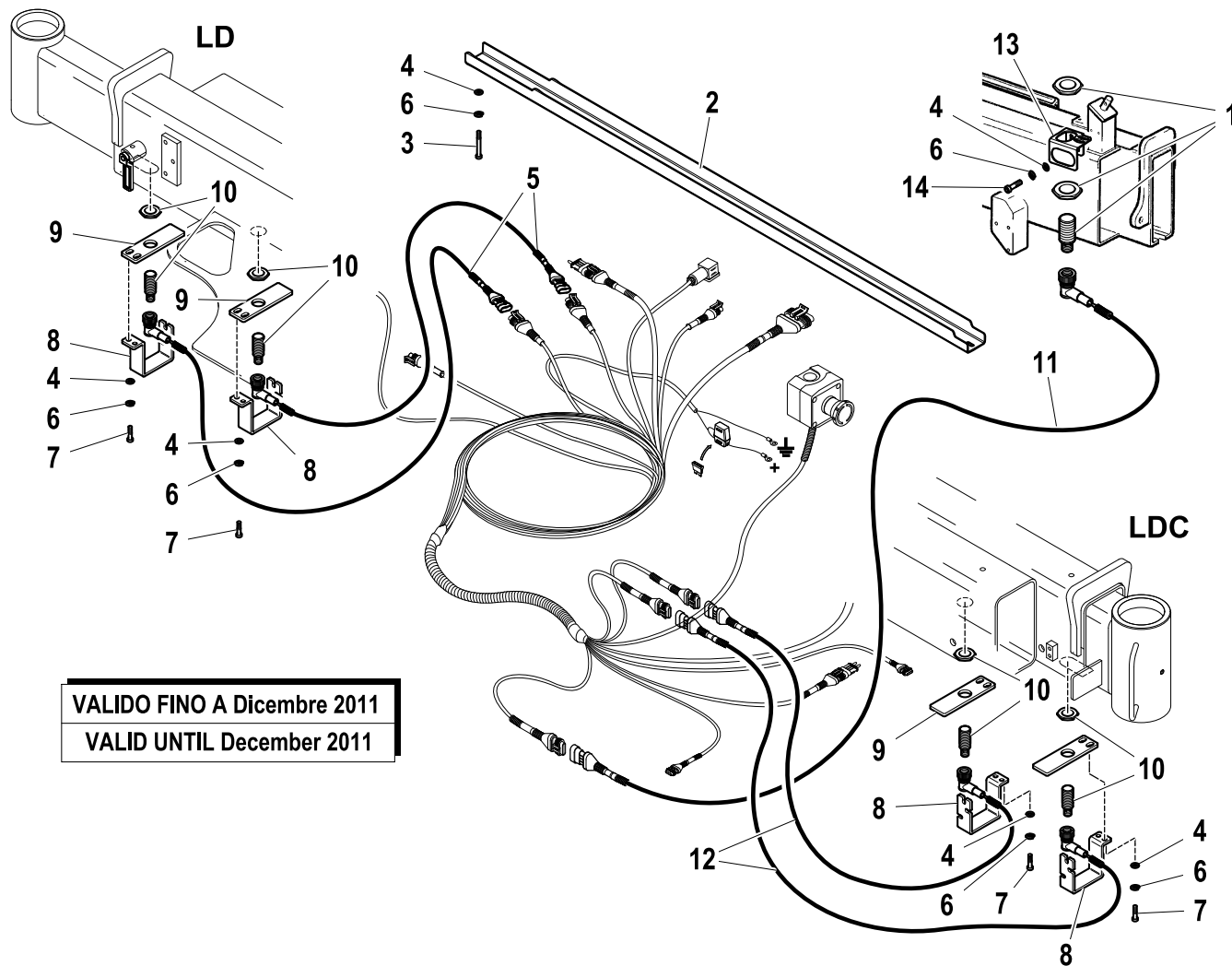


STABILITY CONTROL (standard-extra)

Code

5411225-2.0

1/1



R	Pos.	Code Variant	Q.ty	Description
	1	3311312	1	
	2	5002091	1	
	3	3010017	2	Hex screw
	4	3060030	12	Flat washer
	5	3311332	2	
	6	3060053	12	Split lock washer [D=6.4 C72 ZC:UNI1751]
	7	3020035	8	Socketed head cap screw
	8	5002026	4	
	9	5002057	4	
	10	3311311	4	
	11	3311372	1	
	12	3311377	2	
	13	5002051	1	
	14	3020034	2	Socketed head cap screw

VALIDO FINO A Dicembre 2011

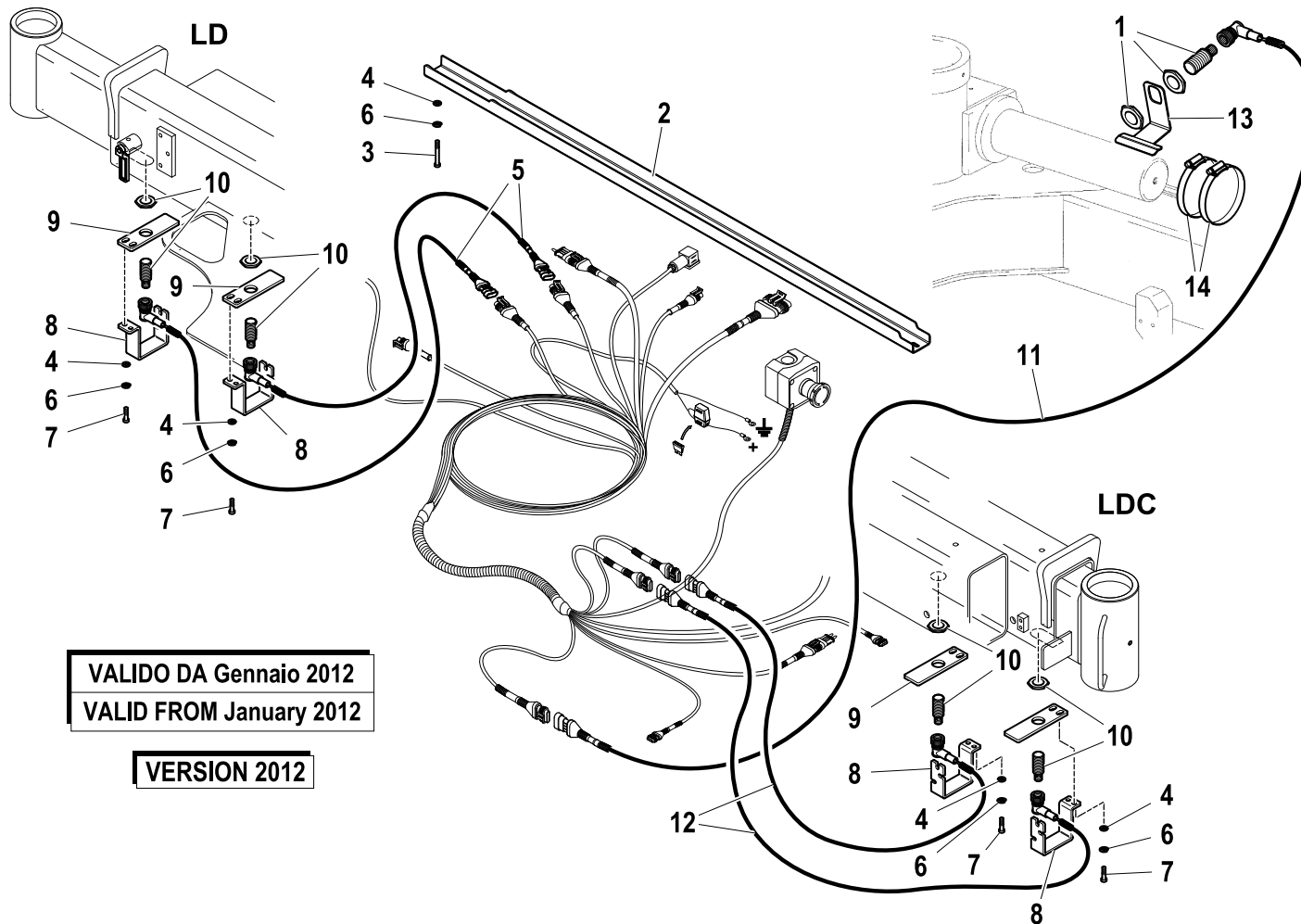
VALID UNTIL December 2011

STABILITY CONTROL (standard-extra)

Code

5411225-2.1

1/1



R	Pos.	Code Variant	Q.ty	Description
	1	3311312	1	
	2	5002091	1	
	3	3010017	2	Hex screw
	4	3060030	12	Flat washer
	5	3311332	2	
	6	3060053	12	Split lock washer [D=6.4 C72 ZC.UNI1751]
	7	3020035	8	Socketed head cap screw
	8	5002026	4	
	9	5002057	4	
	10	3311311	4	
	11	3311372	1	
	12	3311377	2	
	13	5002217	1	
	14	3190021	2	Clamp [104-138 12.2 ABA]

VALIDO DA Gennaio 2012
VALID FROM January 2012

VERSION 2012

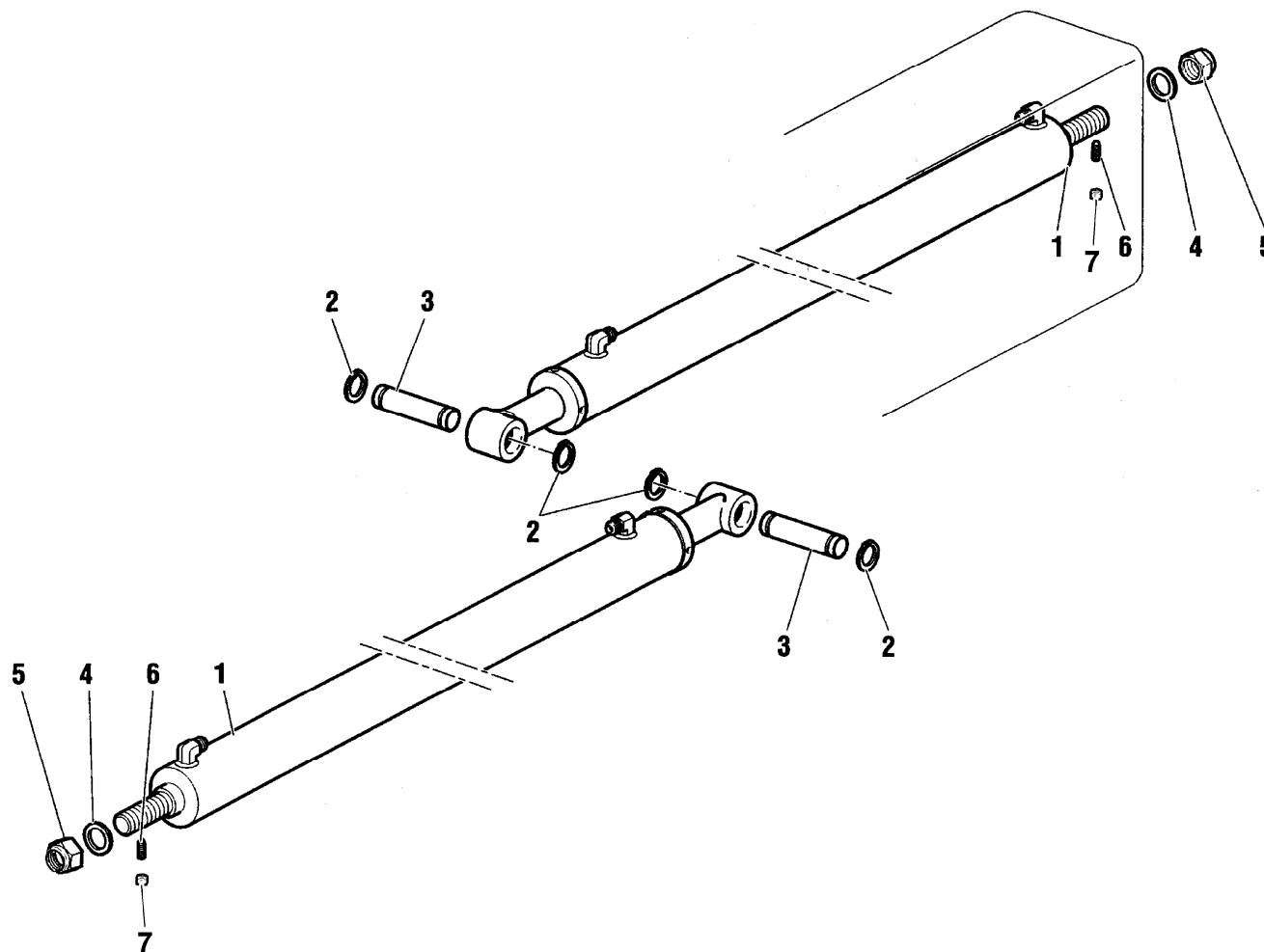
ROD EXTENSION HYDRAULIC CYLINDER (Extra-extensible)

Code

5380006-1.0

1/1

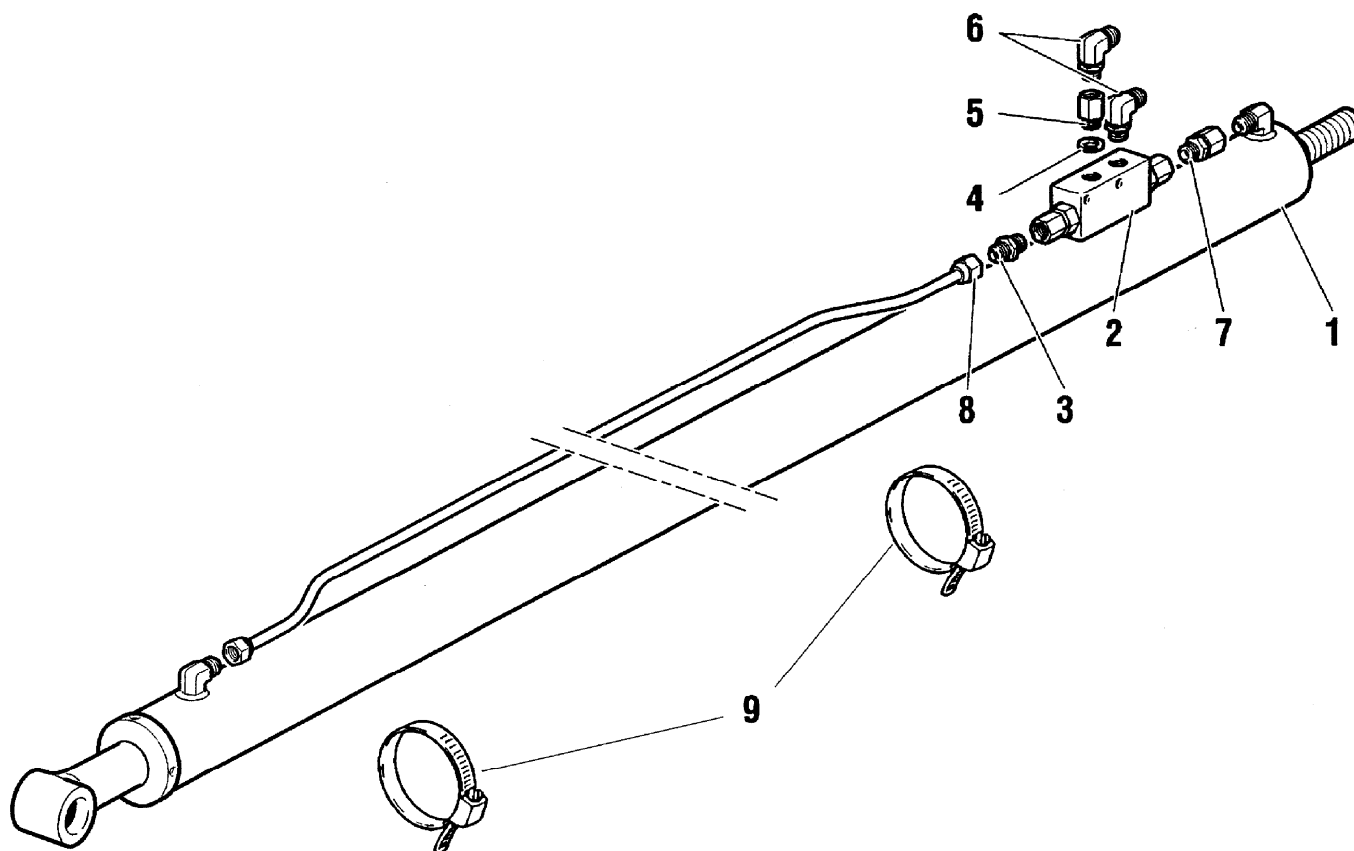
R	Pos.	Code Variant	Q.ty	Description
	1	6200137	2	Extension Hydraulic jack
	2	3070017	4	Seeger
	3	5150484	2	
	4	3060010	2	Flat washer
	5	3040307	2	Stopnut
	6	3060936	2	Grub screw
	7	3040045	2	Nut



ROD EXTENSION HYDRAULIC CYLINDER (Hydraulic system)

Code		
6200137-1.0		1/1

R	Pos.	Code Variant	Q.ty	Description
	1	6400137	1	
	2	5220559	1	
	3	3101039	1	Straight pipe fitting
	4	3060143	1	Sealing washer
	5	3110270	1	Straight pipe fitting
	6	3101124	2	90° Connection
	7	3120064	1	Straight pipe fitting
	8	5391347	1	
	9	3190025	2	Clamp



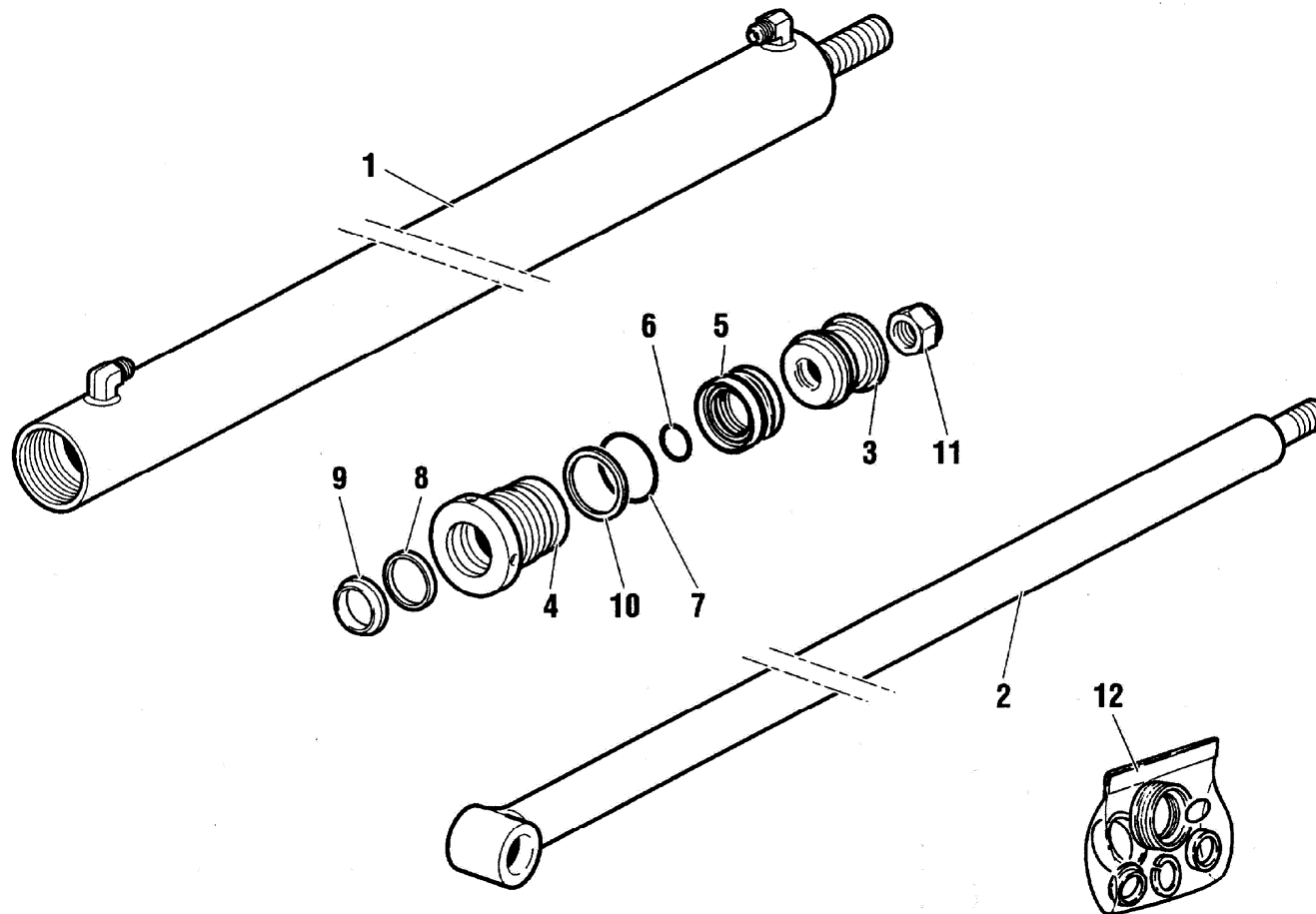
ROD EXTENSION HYDRAULIC CYLINDER

Code

6400137-1.0

1/1

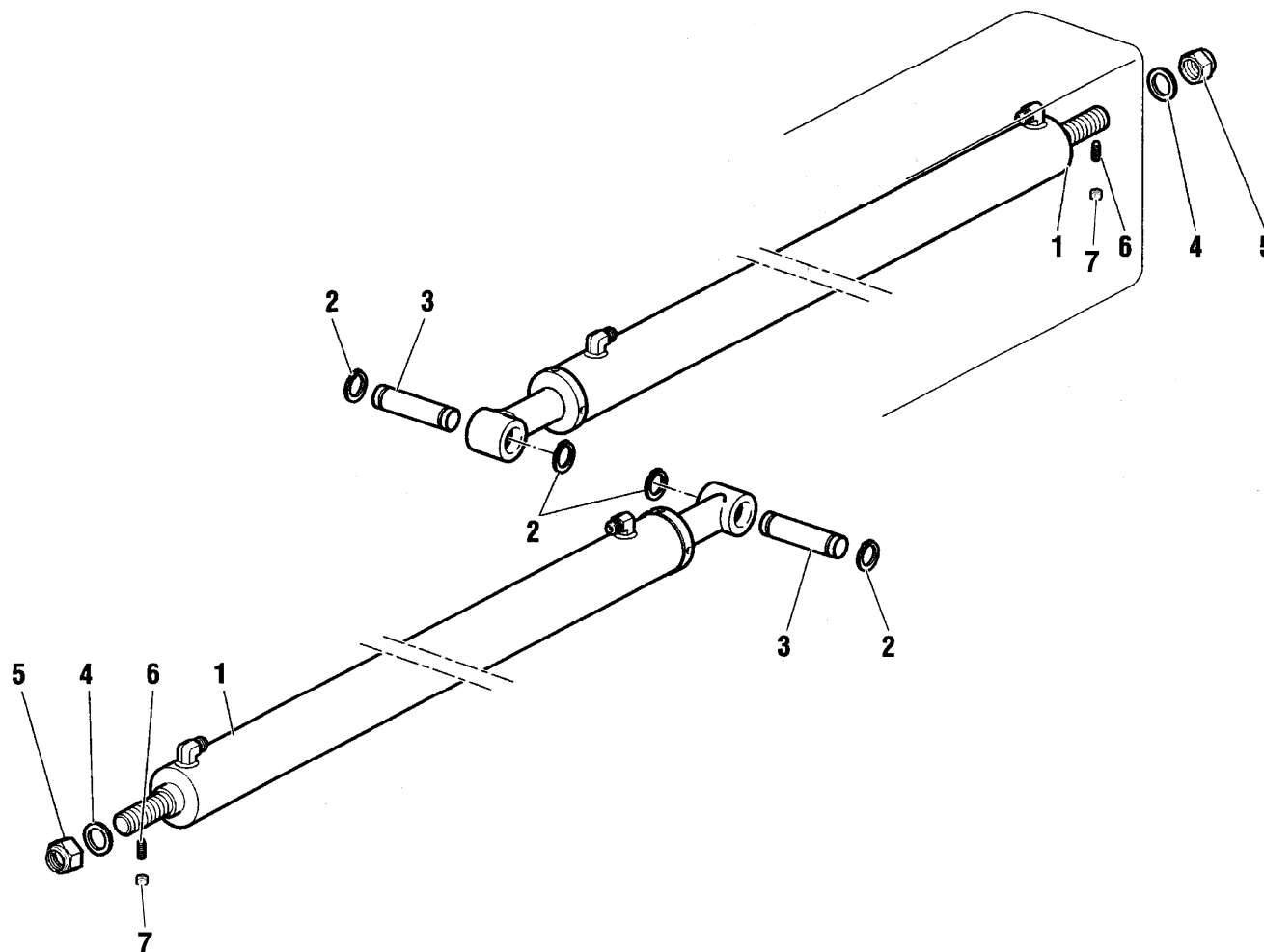
R	Pos.	Code Variant	Q.ty	Description
	1	6070375	1	
	2	6030381	1	
	3	6050142	1	
	4	6040154	1	
	5	3400503	1	
	6	3450006	1	
	7	3450067	1	
	8	3400029	1	
	9	3420011	1	
	10	3460067	1	
	11	3040306	1	Stopnut
	12	5550709	1	



ROD EXTENSION HYDRAULIC CYLINDER (SUPER EXTRA-EXTENSIBLE)

Code		
5380037-1.0		1/1

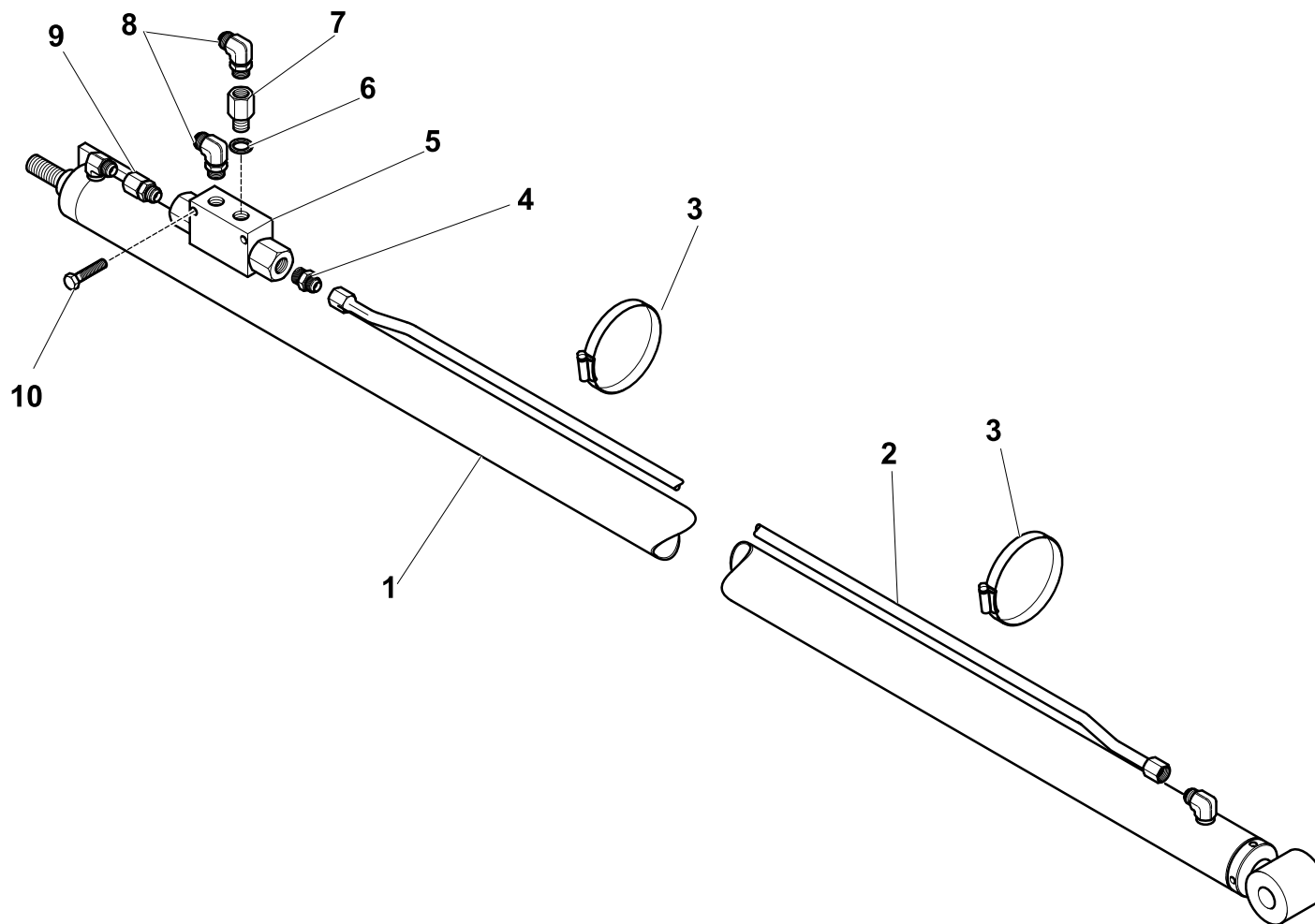
R	Pos.	Code Variant	Q.ty	Description
	1	6200264	2	Extension Hydraulic jack
	2	3070017	4	Seeger
	3	5150484	2	
	4	3060010	2	Flat washer
	5	3040307	2	Stopnut
	6	3060936	2	Grub screw
	7	3040045	2	Nut



HYDRAULIC SYSTEM (ROD EXTENSION HYDRAULIC CYLINDER)

Code		
6200151-1.0		1/1

R	Pos.	Code Variant	Q.ty	Description
	1	6400151	1	Extension Hydraulic jack
	2	5391473	1	
	3	3190025	2	Clamp
	4	3101039	1	Straight pipe fitting
	5	5220559	1	
	6	3060143	1	Sealing washer
	7	3110270	1	Straight pipe fitting
	8	3101124	2	90° Connection
	9	3120064	1	Straight pipe fitting
	10	3020040	1	Socketed head cap screw

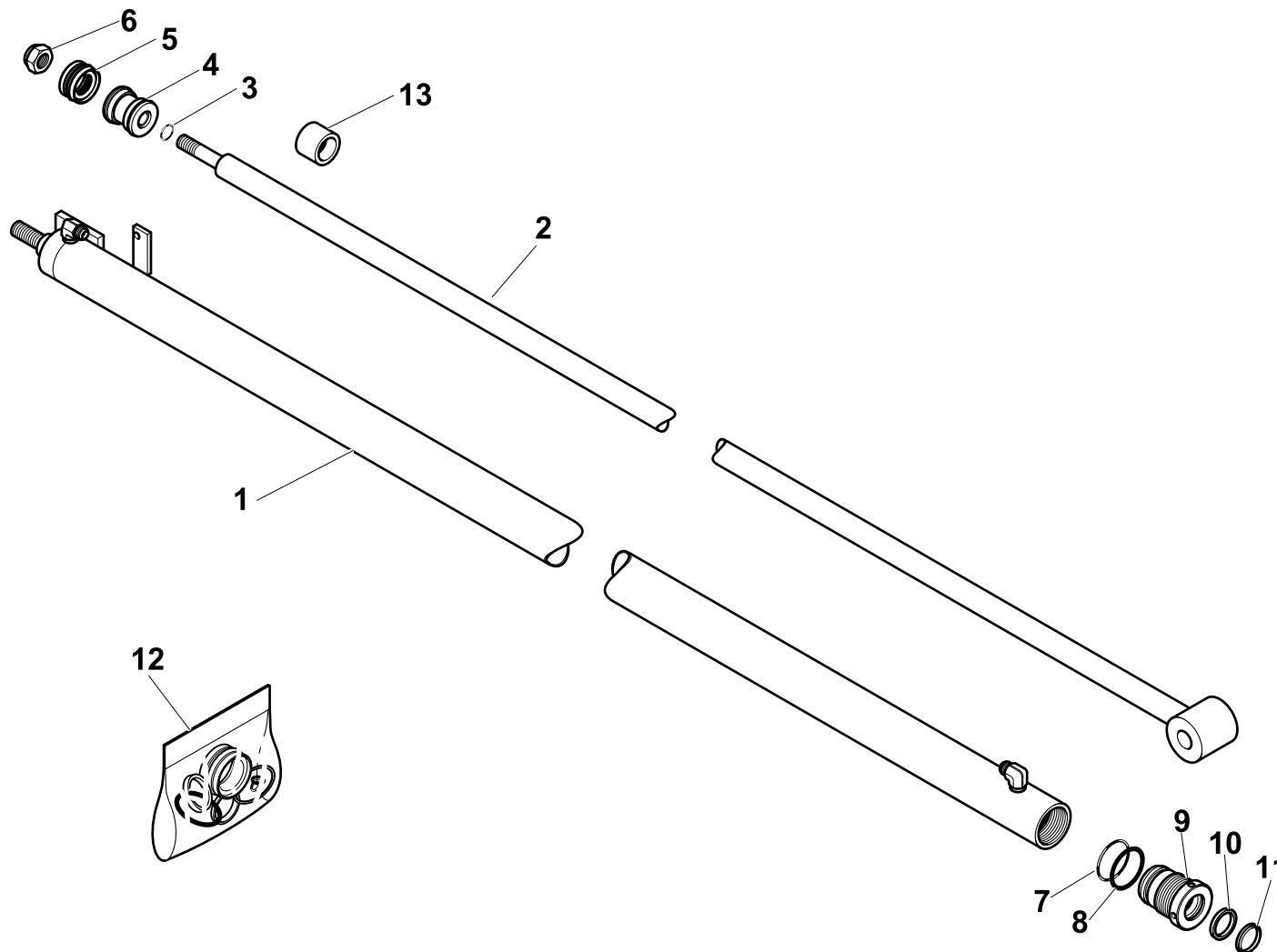


ROD EXTENSION HYDRAULIC CYLINDER

Code

6400151-2.0

1/1



R	Pos.	Code Variant	Q.ty	Description
	1	6070397	1	
	2	6030412	1	
	3	3450006	1	
	4	6050142	1	
	5	3400503	1	
	6	3040306	1	Stopnut
	7	3450067	1	
	8	3460057	1	
	9	6040154	1	
	10	3400029	1	
	11	3420011	1	
	12	5550709	1	
	13	5001918	1	

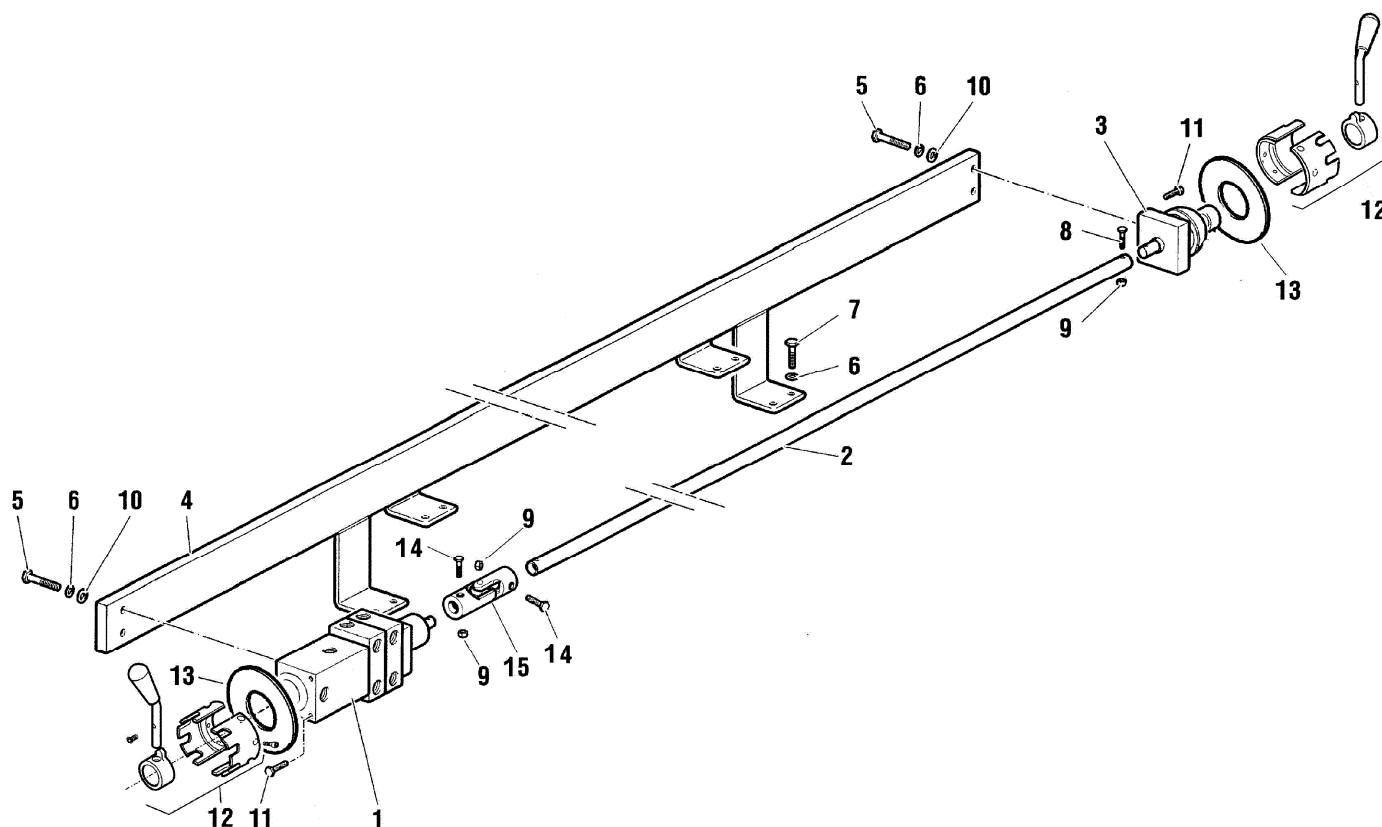
Stabilizer Hydraulic jack (Hydraulic system)

Code

5400133-1.0

1/1

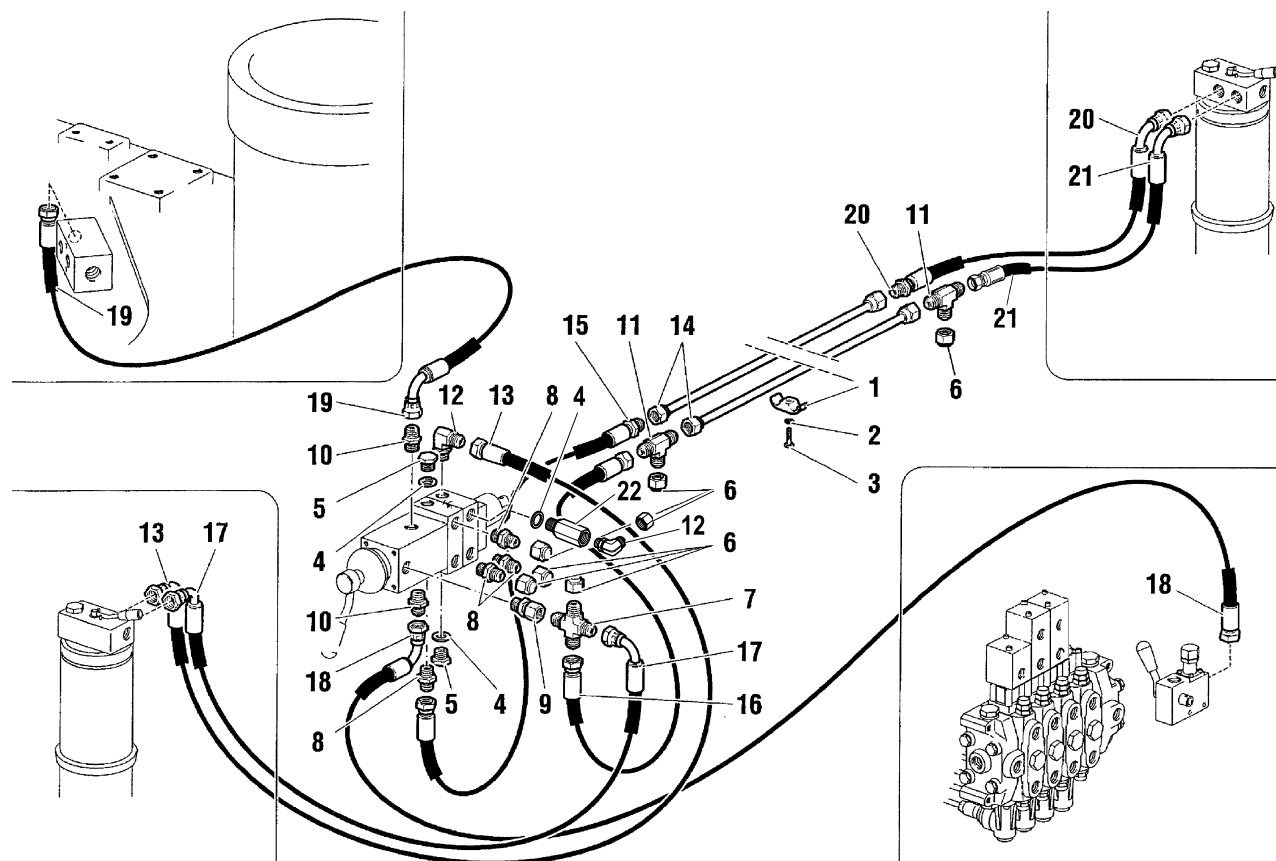
R	Pos.	Code Variant	Q.ty	Description
	1	5220594	1	
	2	5001155	1	
	3	5220595	1	
	4	5090530	1	
	5	3010389	4	Hex screw
	6	3060056	8	Split lock washer
	7	3010354	4	Hex screw
	8	3010022	1	Hex screw
	9	3040372	3	Stopnut
	10	3060914	4	Flat washer
	11	3020438	4	TSEI screw
	12	5225390	2	Control lever
	13	5001034	2	
	14	3010017	2	Hex screw
	15	3300500	1	



HYDRAULIC PLAN OUTRIGGERS WITH MANUAL PULL-OUT

Code		
5400134-2.0		1/2

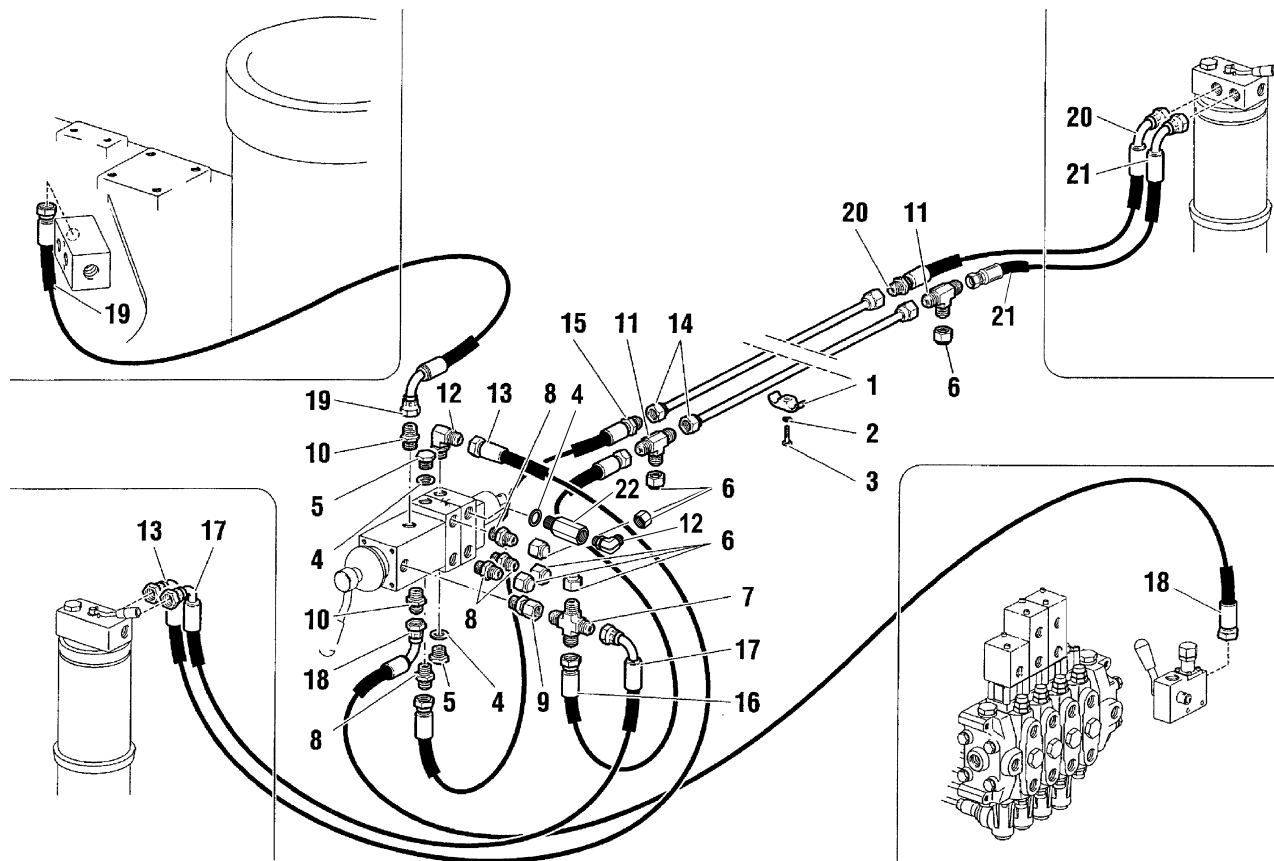
R	Pos.	Code Variant	Q.ty	Description
	1	5000077	2	
	2	3060055	2	Split lock washer
	3	3010029	2	Hex screw [Vte M8x30 8.8 Zc. UNI 5737]
	4	3060144	3	Sealing washer
	5	3110061	2	Plug
	6	3110041	7	Female plug
	7	3120113	1	
	8	3101043	4	Straight pipe fitting
	9	3120066	1	Straight pipe fitting
	10	3101044	2	Straight pipe fitting
	11	3101081	2	Tee fitting
	12	3101127	2	90° Connection
	13	5271117	1	Flexible hose
	14	5391134	2	
	15	5271200	1	Flexible hose
	16	5271118	1	Flexible hose
	17	5271116	1	Flexible hose
	18	5271112	1	
	19	5271113	1	Flexible hose
	20	5271120	1	Flexible hose



HYDRAULIC PLAN OUTRIGGERS WITH MANUAL PULL-OUT

Code		
5400134-2.0		2/2

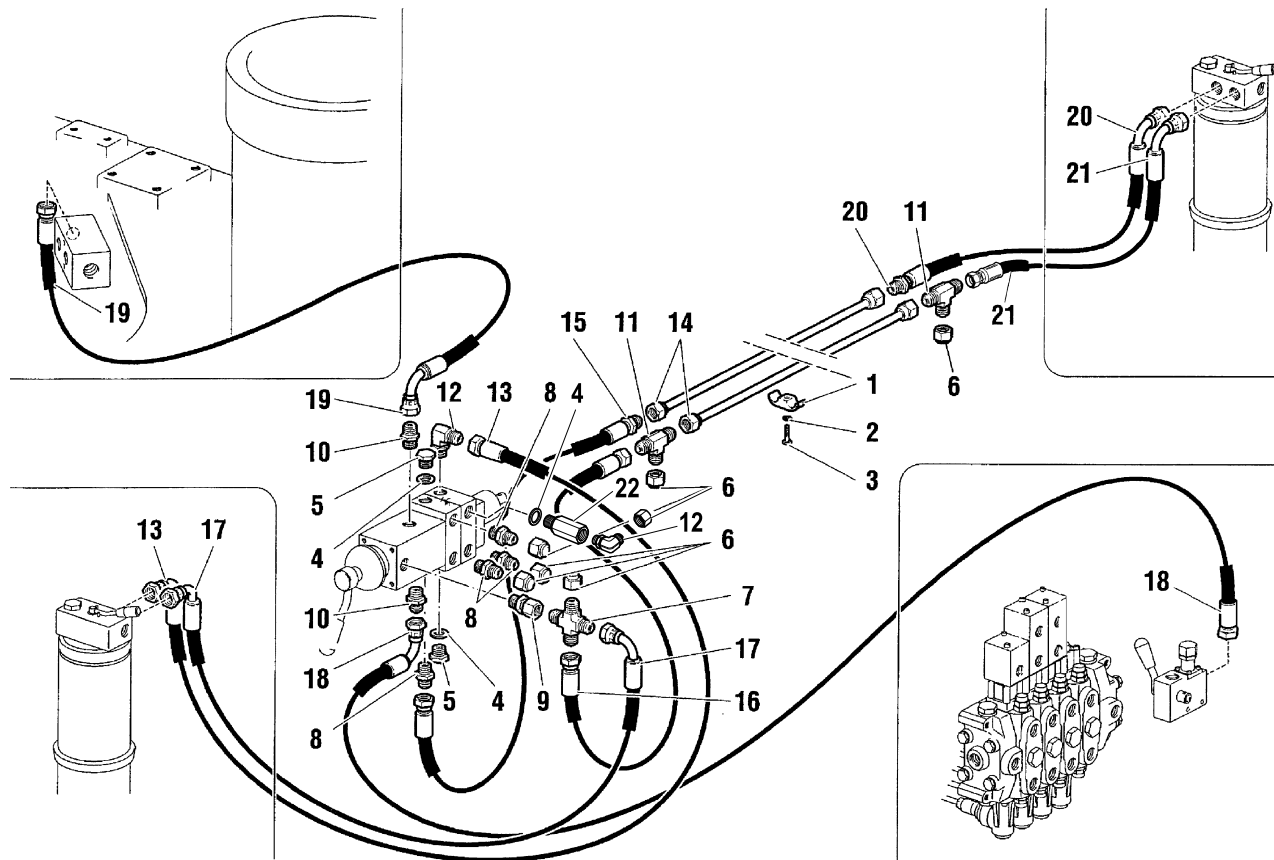
R	Pos.	Code Variant	Q.ty	Description
	21	5271210	1	Flexible hose
	22	3110110	1	Straight pipe fitting



HYDRAULIC PLAN OUTRIGGERS WITH HYDRAULIC PULL-OUT

Code		
5400133-2.1		1/2

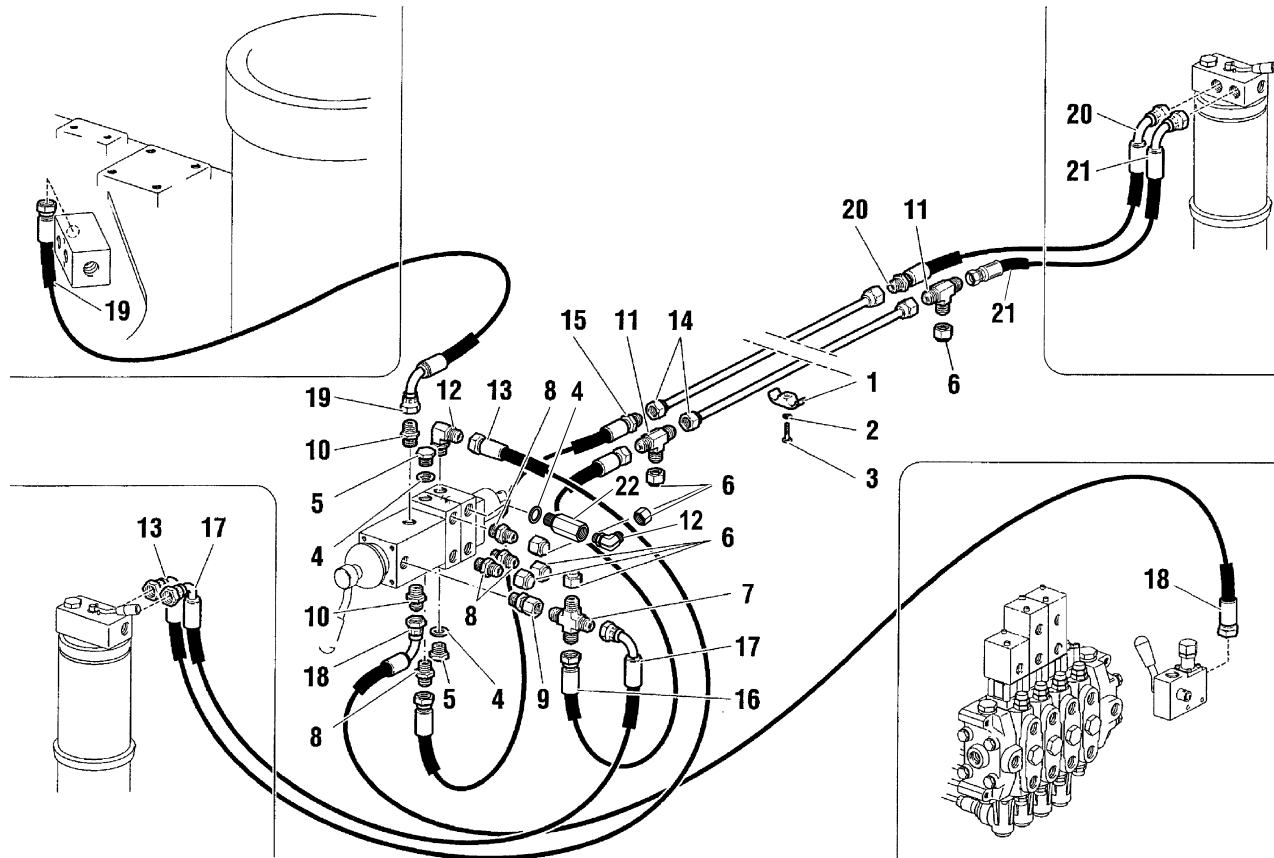
R	Pos.	Code Variant	Q.ty	Description
	1	5000077	2	
	2	3060055	2	Split lock washer
	3	3010029	2	Hex screw [Vte M8x30 8.8 Zc. UNI 5737]
	4	3060144	3	Sealing washer
	5	3110061	2	Plug
	6	3110041	7	Female plug
	7	3120113	1	
	8	3101043	4	Straight pipe fitting
	9	3120066	1	Straight pipe fitting
	10	3101044	2	Straight pipe fitting
	11	3101081	2	Tee fitting
	12	3101127	2	90° Connection
	13	5271117	1	Flexible hose
	14	5391134	2	
	15	5271200	1	Flexible hose
	16	5271118	1	Flexible hose
	17	5271116	1	Flexible hose
	18	5271112	1	
	19	5271113	1	Flexible hose
	20	5271120	1	Flexible hose



HYDRAULIC PLAN OUTRIGGERS WITH HYDRAULIC PULL-OUT

Code		
5400133-2.1		2/2

R	Pos.	Code Variant	Q.ty	Description
	21	5271210	1	Flexible hose
	22	3110110	1	Straight pipe fitting



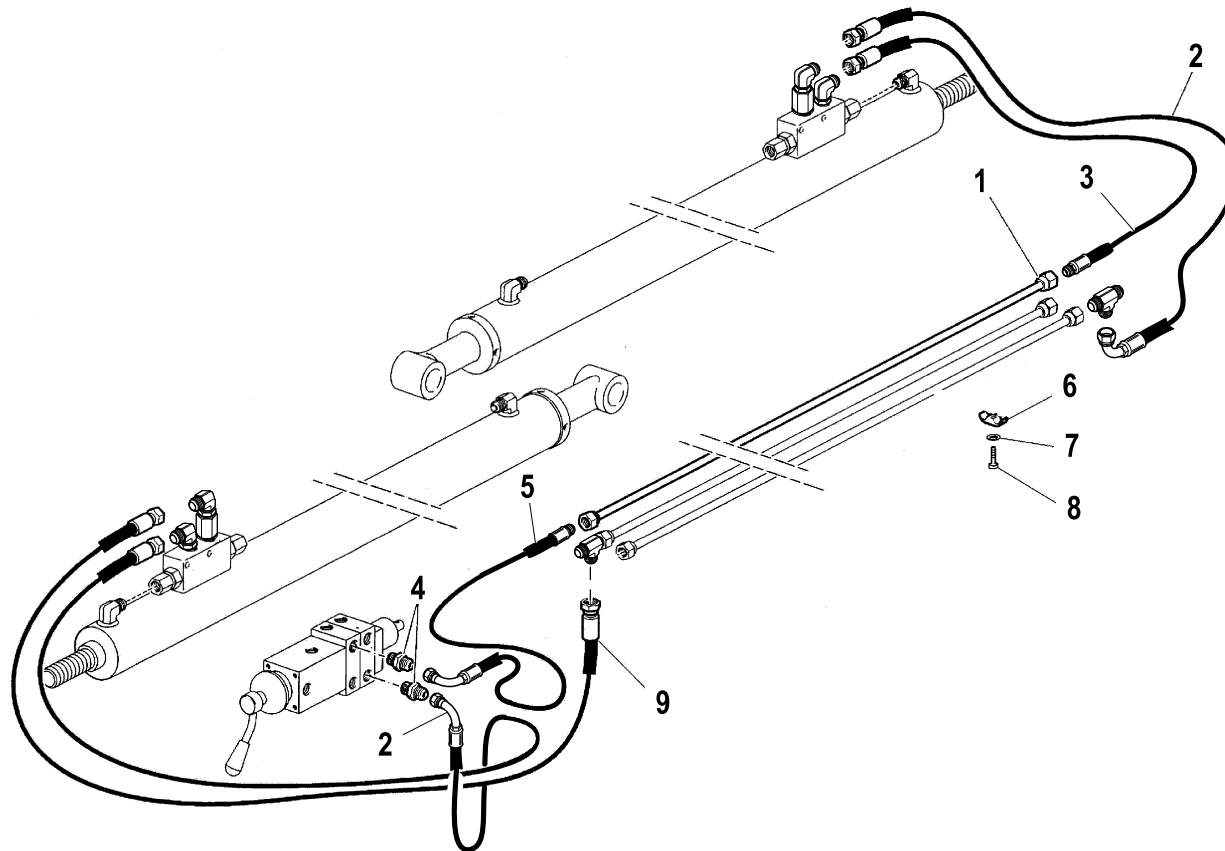
ROD EXTENSION HYDRAULIC CYLINDER (Hydraulic system)

Code

5400133-3.0

1/1

R	Pos.	Code Variant	Q.ty	Description
	1	5391134	1	
	2	5260295	2	
	3	5260297	1	Flexible hose
	4	3101043	2	Straight pipe fitting
	5	5271119	1	Flexible hose
	6	5000077	2	
	7	3060055	2	Split lock washer
	8	3010029	2	Hex screw [Vte M8x30 8.8 Zc. UNI 5737]
	9	5260296	1	



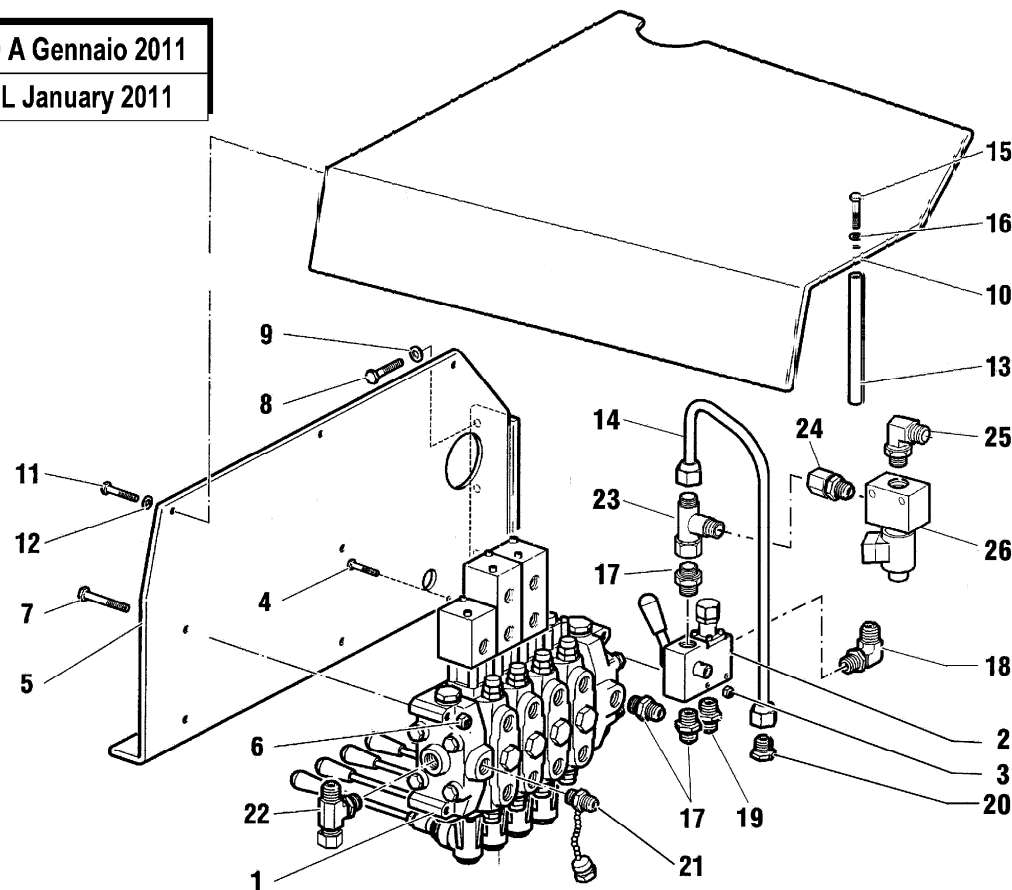
CONTROLS (4 section)

Code

5400131-1.1

1/2

VALIDO FINO A Gennaio 2011
VALID UNTIL January 2011



R	Pos.	Code Variant	Q.ty	Description
	1	5220292	1	
	2	5220596	1	
	3	3040372	2	Stopnut
	4	3010397	2	Hex screw
	5	5090533	1	
	6	3040303	3	Stopnut
	7	3010036	3	Hex screw
	8	3010355	3	Hex screw [M10X25 8.8 ZC IF UNI 5739]
	9	3060056	3	Split lock washer
	10	5900785	1	
	11	3010015	3	Hex screw (Zincate) [M6X20 8.8 ZINCATA UNI 5739]
	12	3060053	3	Split lock washer [D=6.4 C72 ZC.UNI1751]
	13	5000786	1	
	14	5391461	1	
	15	3010396	1	Hex screw
	16	3060055	1	Split lock washer
	17	3101051	3	Straight pipe fitting
	18	3101128	1	90° Connection
	19	3101044	1	Straight pipe fitting
	20	3110057	1	Plug

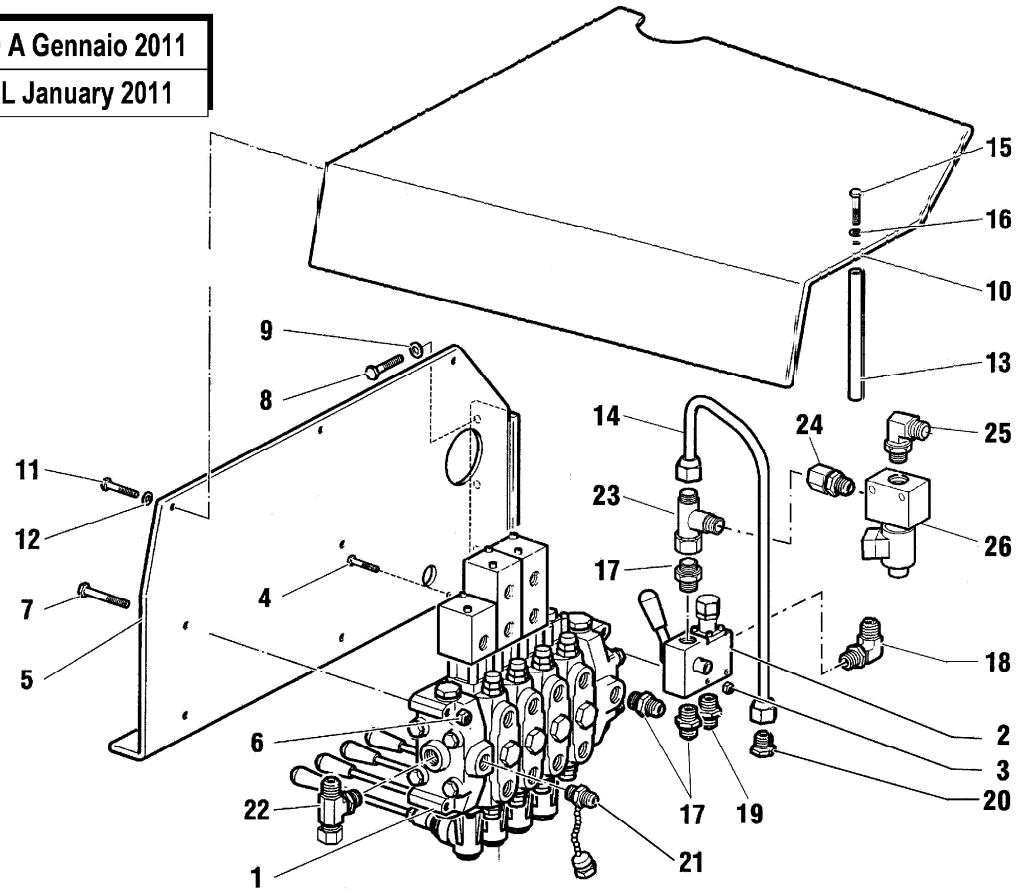
CONTROLS (4 section)

Code

5400131-1.1

2/2

VALIDO FINO A Gennaio 2011
VALID UNTIL January 2011



R	Pos.	Code Variant	Q.ty	Description
	21	3111523	1	Pipe fitting (Tapping point) [RACC. MILITES 16X2-1/4"G]
	22	3120306	1	Tee fitting
	23	3120008	1	Tee fitting
	24	3120072	1	Straight pipe fitting
	25	3101127	1	90° Connection
	26	5220145	1	

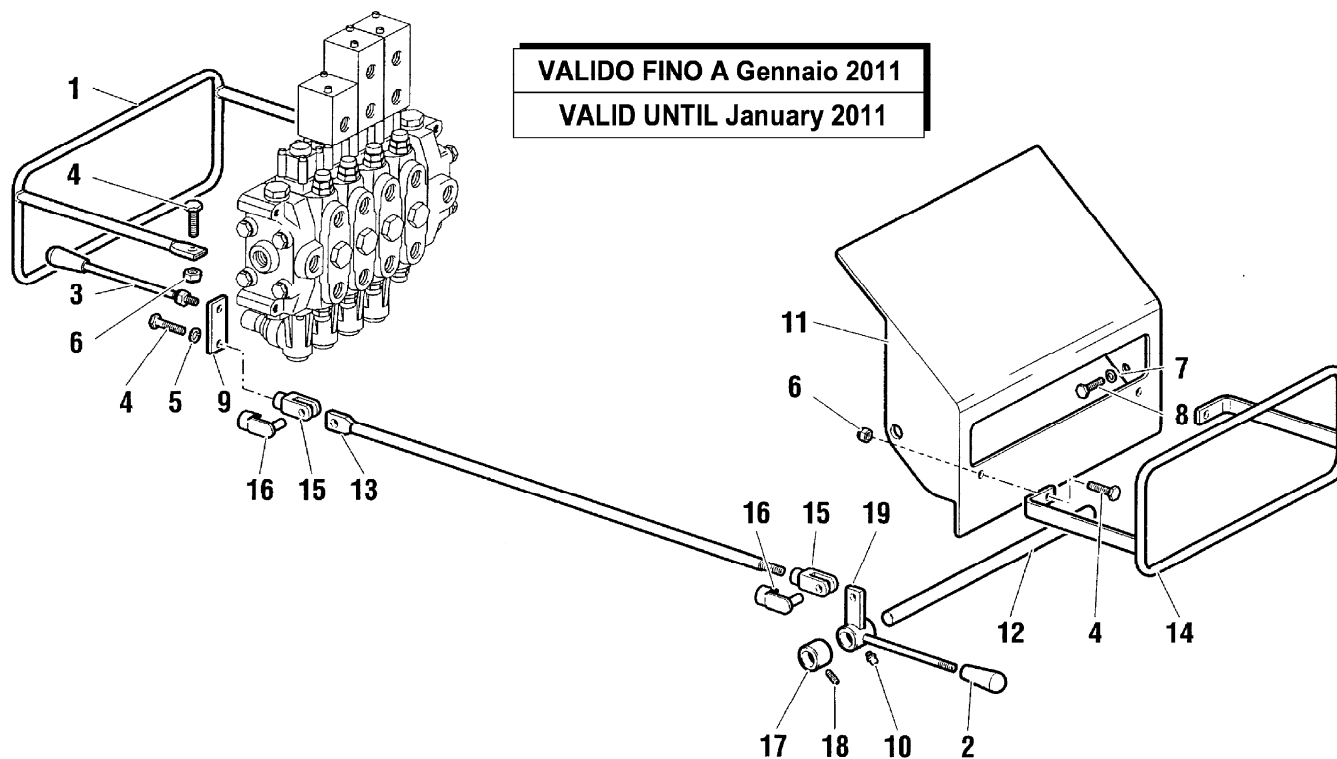
DOUBLE CONTROLS

Code

5400131-2.0

1/1

R	Pos.	Code Variant	Q.ty	Description
	1	5090459	1	
	2	3190006	4	
	3	5220224	4	
	4	3010339	4	Hex screw [M8X25 8.8 ZC IF UNI 5739]
	5	3060055	4	Split lock washer
	6	3040303	4	Stopnut
	7	3060056	3	Split lock washer
	8	3010355	3	Hex screw [M10X25 8.8 ZC IF UNI 5739]
	9	5000708	4	
	10	3080500	4	Grease nipple
	11	5090455	1	
	12	5150459	1	
	13	5090481	4	
	14	5090460	1	
	15	3300431	8	
	16	3300451	8	
	17	5000670	2	
	18	3060232	4	Grub screw
	19	5090433	4	Control lever



VALIDO FINO A Gennaio 2011

VALID UNTIL January 2011

Control valve (4 section)

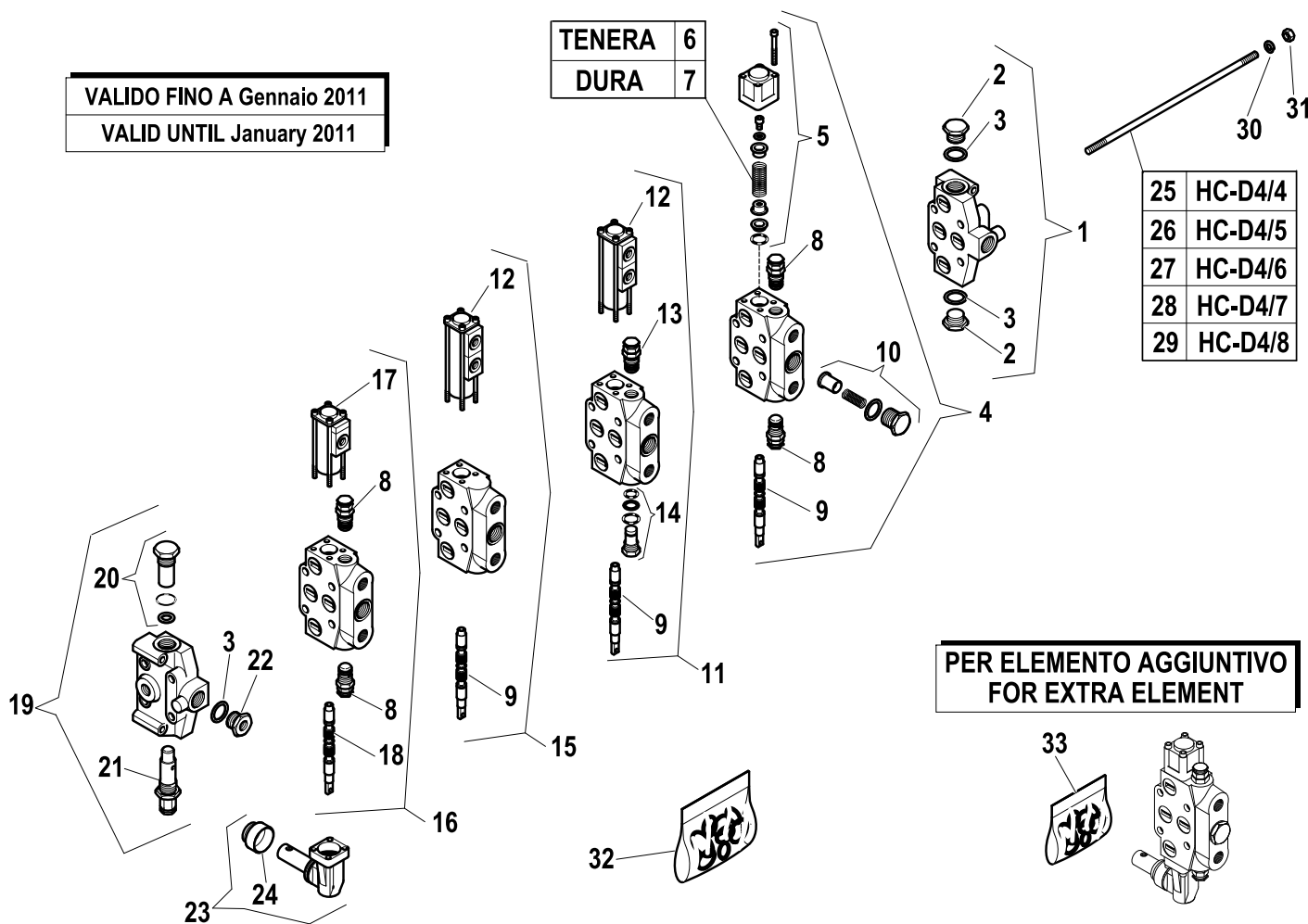
Code

5220292-1.0

1/2

VALIDO FINO A Gennaio 2011
VALID UNTIL January 2011

TENERA 6
DURA 7



R	Pos.	Code Variant	Q.ty	Description
	1	5225477	1	
	2	3110065	2	Plug
	3	3060145	3	Sealing washer
	4	5225476	1	
	5	5225130	1	
	6	5225461	1	
	7	5225463	1	
	8	5225200	4	
	9	5225311	3	
	10	5225469	4	
	11	5225475	1	
	12	5225313	2	
	13	5225145	1	
	14	5225470	1	
	15	5225474	1	
	16	5225473	1	
	17	5225312	1	
	18	5225177	1	
	19	5225472	1	
	20	5225428	1	

25	HC-D4/4
26	HC-D4/5
27	HC-D4/6
28	HC-D4/7
29	HC-D4/8

PER ELEMENTO AGGIUNTIVO
FOR EXTRA ELEMENT

Control valve (4 section)

Code

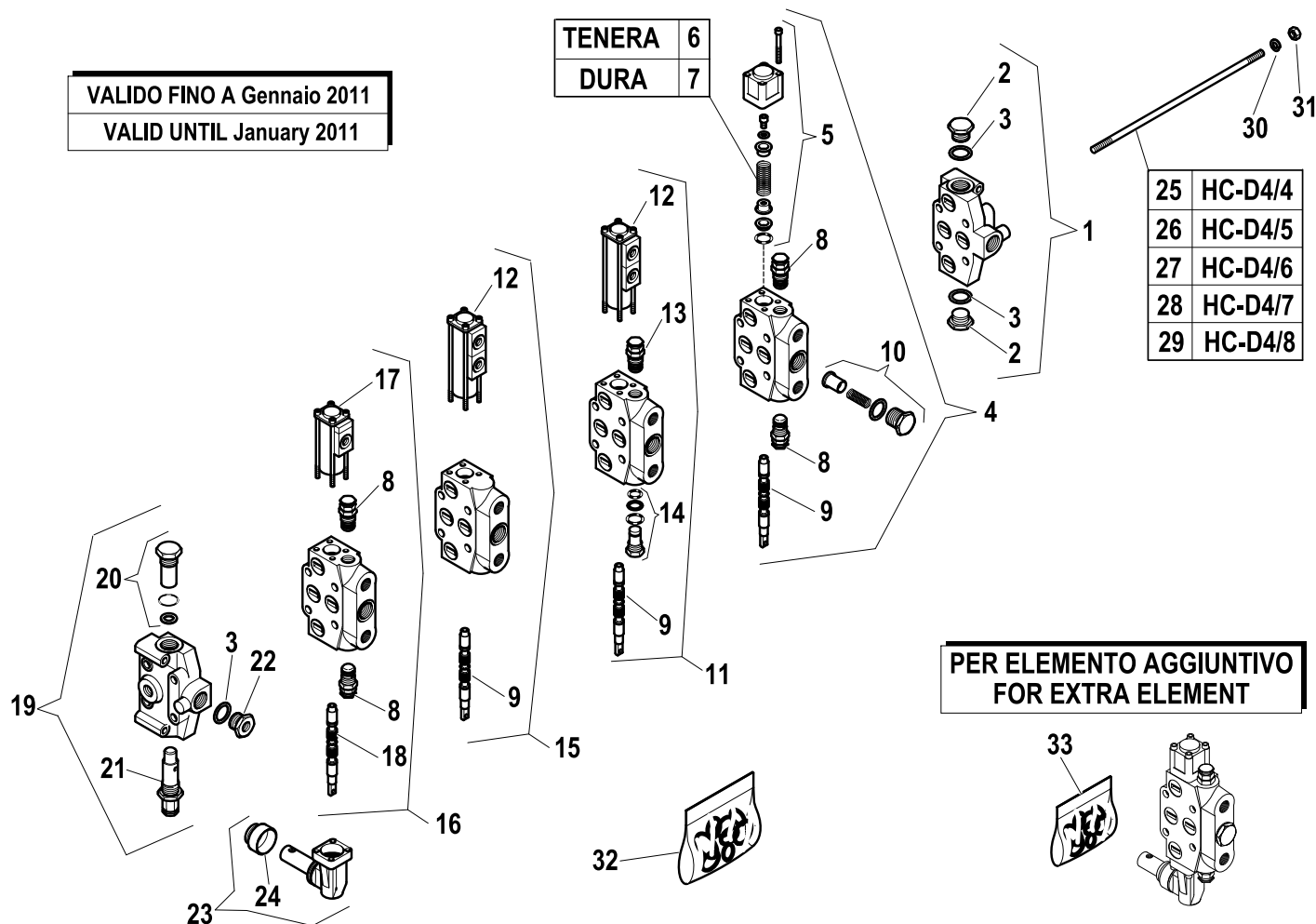
5220292-1.0

2/2

R	Pos.	Code Variant	Q.ty	Description
	21	5225546	1	
	22	3110161	1	Reducing fitting
	23	5225126	4	
	24	5225128	4	
	25	5225224	4	
	26	5225213	4	
	27	5225214	4	
	28	5225215	4	
	29	5225216	4	
	30	3060056	8	Split lock washer
	31	3040046	8	Nut
	32	5225310	1	
	33	5225031	1	

VALIDO FINO A Gennaio 2011
VALID UNTIL January 2011

TENERA 6
DURA 7



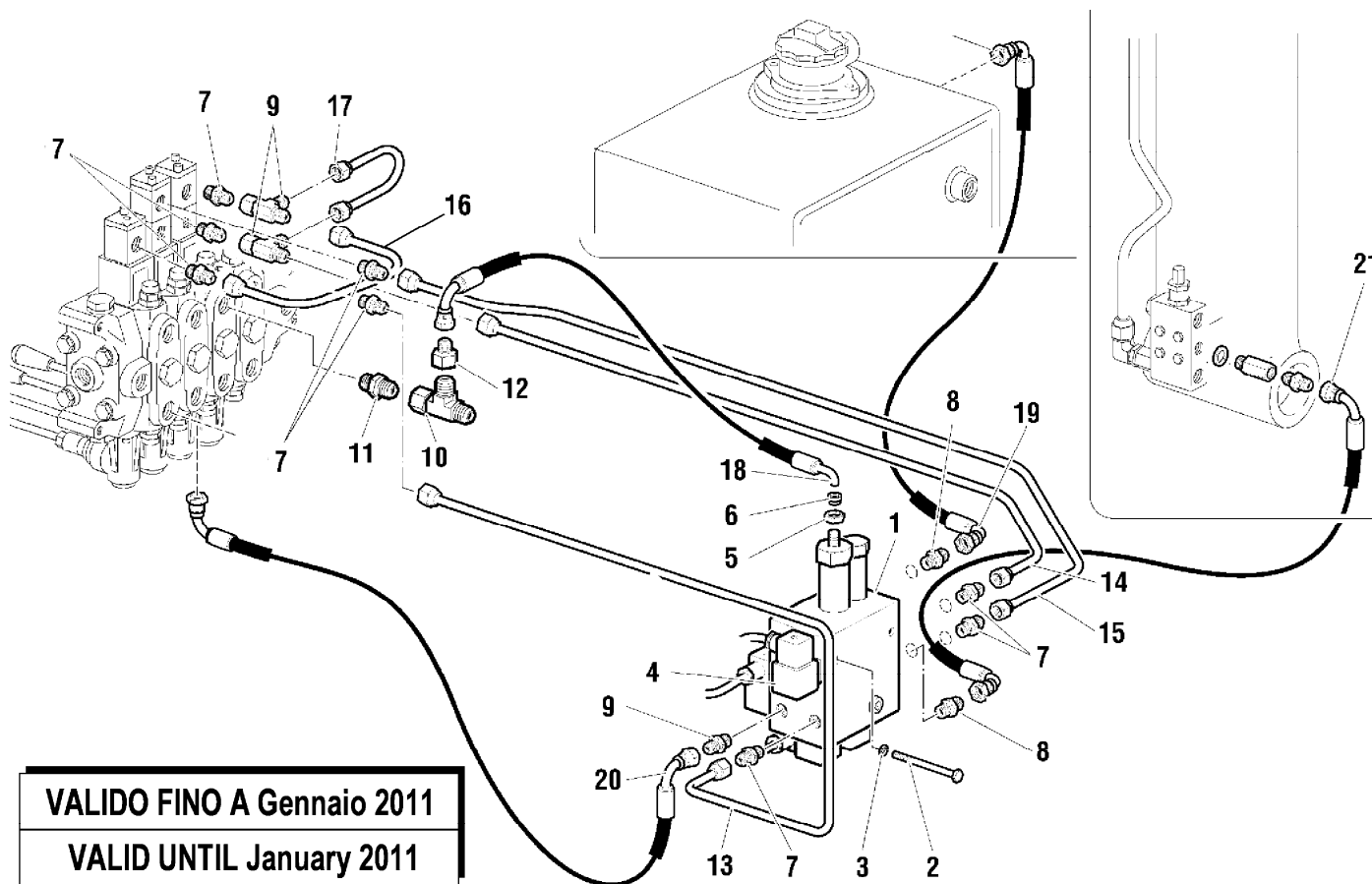
PER ELEMENTO AGGIUNTIVO
FOR EXTRA ELEMENT

HYDRAULIC SYSTEM (Moment limiting device)

Code

5430012-1.1

1/2



VALIDO FINO A Gennaio 2011
VALID UNTIL January 2011

R	Pos.	Code Variant	Q.ty	Description
	1	5220544	1	
	2	3010027	2	Hex screw [M8X20 8.8 ZC IF UNI 5739]
	3	3060055	2	Split lock washer
	4	3310153	2	Pressure monitor [PPC300 ATTACCO MASCHIO]
	5	3100952	1	Nut
	6	3100956	1	
	7	3101034	8	Straight pipe fitting
	8	3101039	3	Straight pipe fitting
	9	3120001	2	Tee fitting
	10	3120008	1	Tee fitting
	11	3101051	1	Straight pipe fitting
	12	3120209	1	Reducing fitting
	13	5391510	1	
	14	5391508	1	
	15	5391509	1	
	16	5391443	1	
	17	5391442	1	
	18	5260350	1	Flexible hose
	19	5260353	1	Flexible hose
	20	5260351	1	Flexible hose

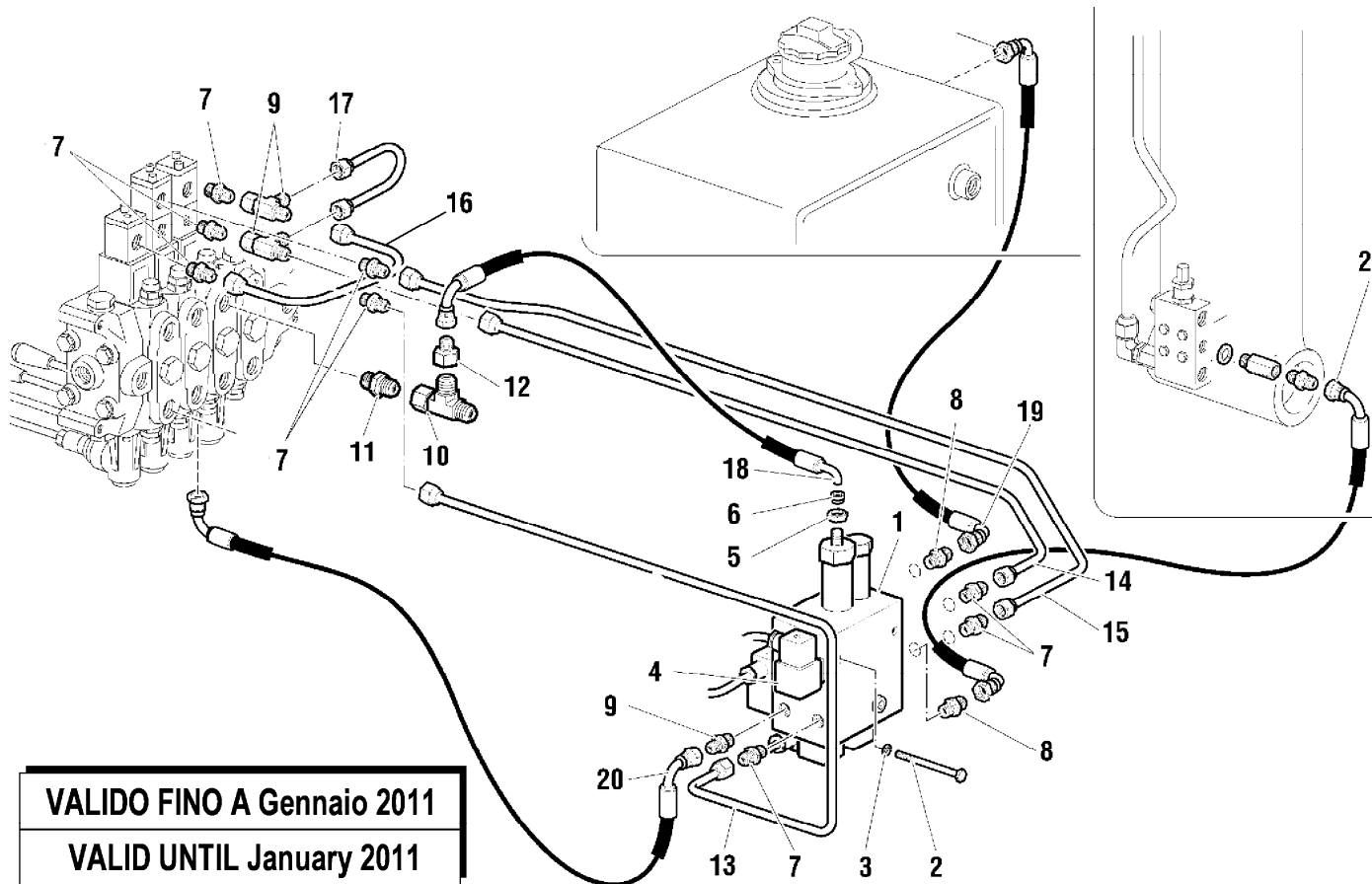
HYDRAULIC SYSTEM (Moment limiting device)

Code

5430012-1.1

2/2

R	Pos.	Code Variant	Q.ty	Description
	21	5260352	1	Flexible hose



VALIDO FINO A Gennaio 2011
VALID UNTIL January 2011

Manifold

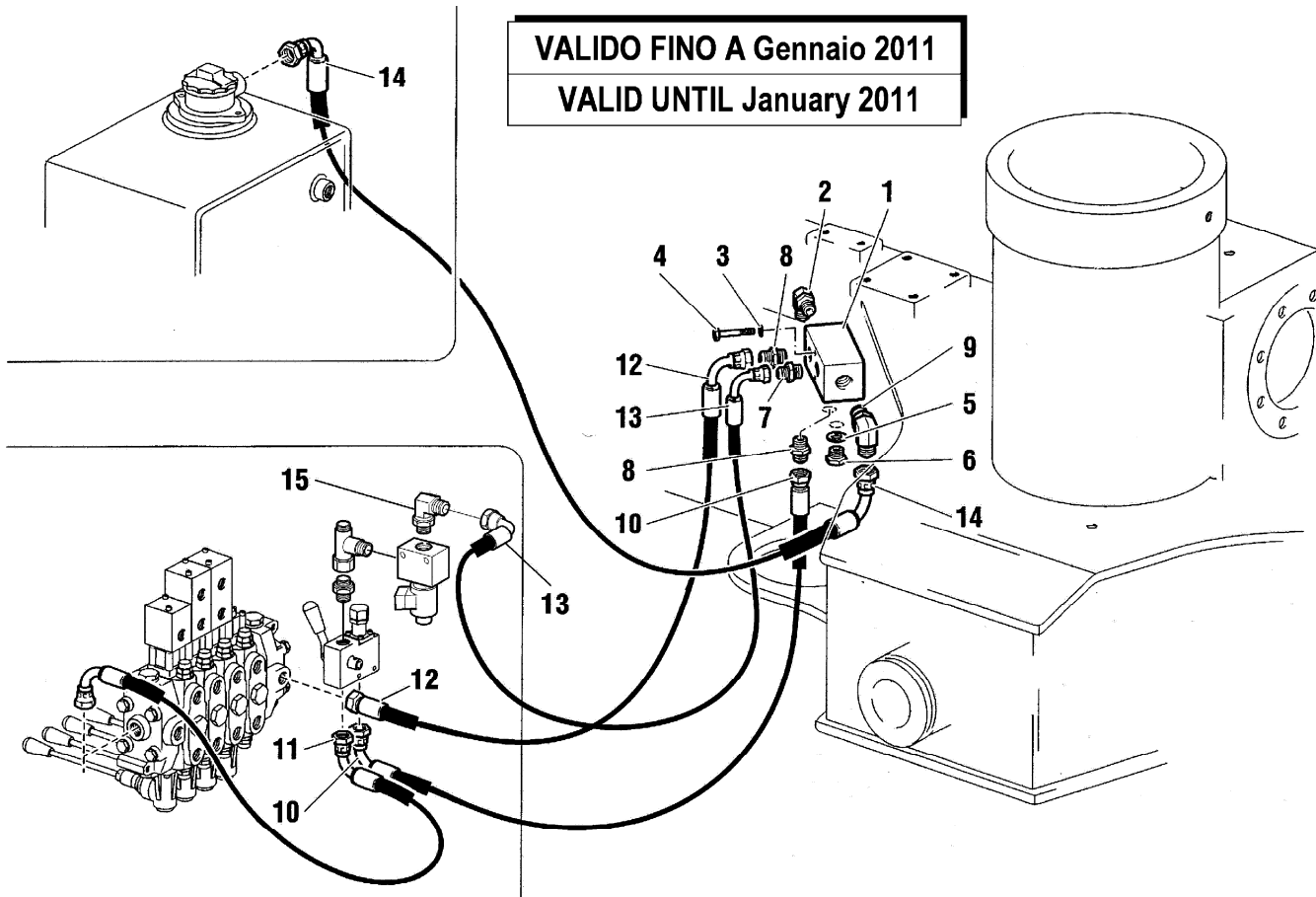
Code

5400129-1.0

1/1

R	Pos.	Code Variant	Q.ty	Description
	1	5000718	1	
	2	3101128	1	90° Connection
	3	3060053	2	Split lock washer [D=6.4 C72 ZC.UNI1751]
	4	3010388	2	Hex screw
	5	3060145	1	Sealing washer
	6	3110065	1	Plug
	7	3101044	1	Straight pipe fitting
	8	3101051	2	Straight pipe fitting
	9	3101133	1	
	10	5271115	1	Flexible hose
	11	5280287	1	
	12	5280288	1	Flexible hose
	13	5271114	1	Flexible hose
	14	5290046	1	Flexible hose
	15	3101127	1	90° Connection

VALIDO FINO A Gennaio 2011
VALID UNTIL January 2011



Solenoid valve

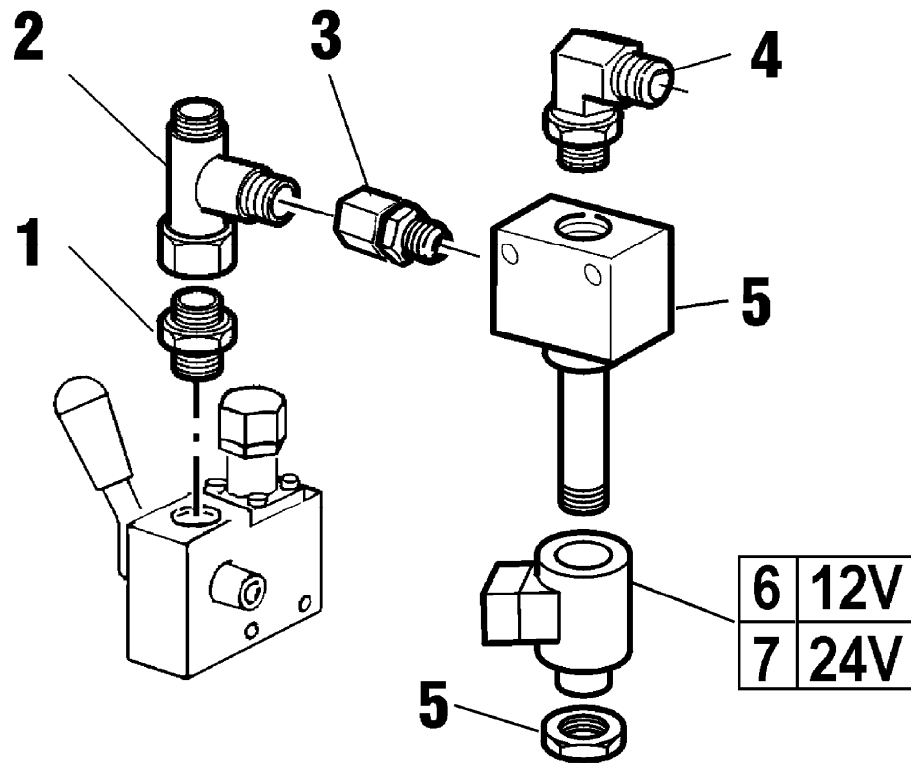
Code

5440015-1.0

1/1

VALIDO FINO A Gennaio 2011
VALID UNTIL January 2011

R	Pos.	Code Variant	Q.ty	Description
	1	3101051	1	Straight pipe fitting
	2	3120008	1	Tee fitting
	3	3120072	1	Straight pipe fitting
	4	3101127	1	90° Connection
	5	5220145	1	
	6	3310042	1	
	7	3310043	1	

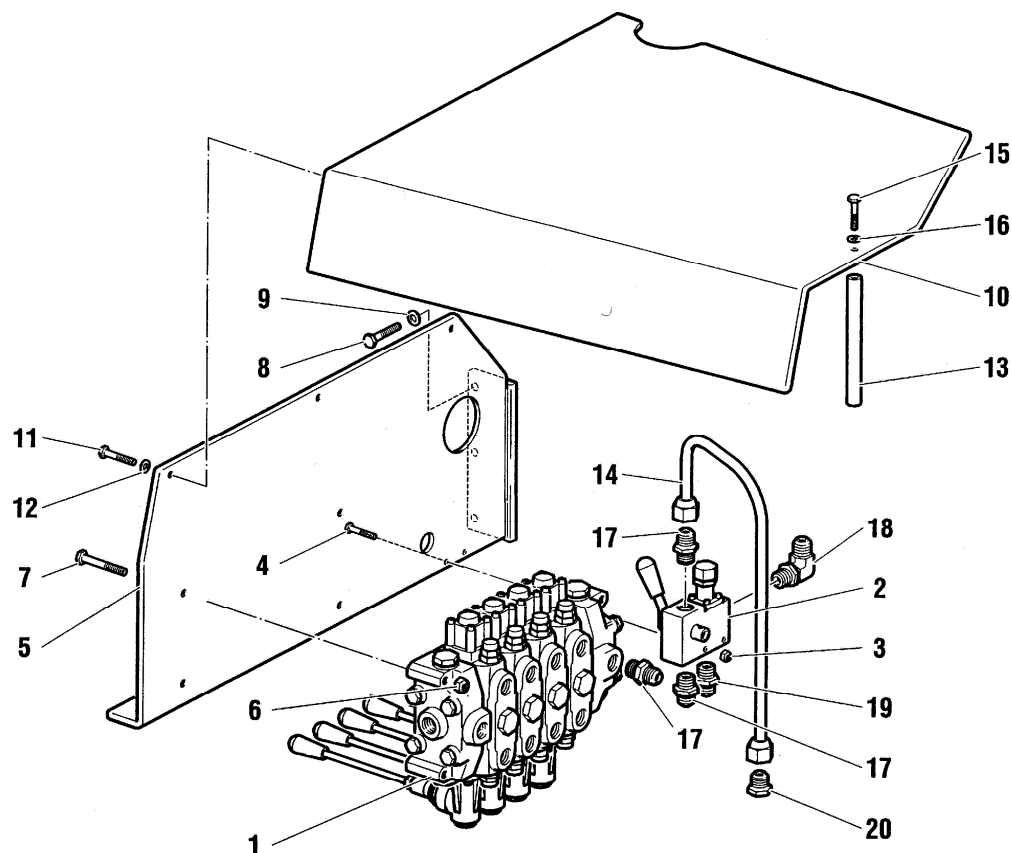


CONTROLS (4 section)

Code

5400132-1.0

1/1



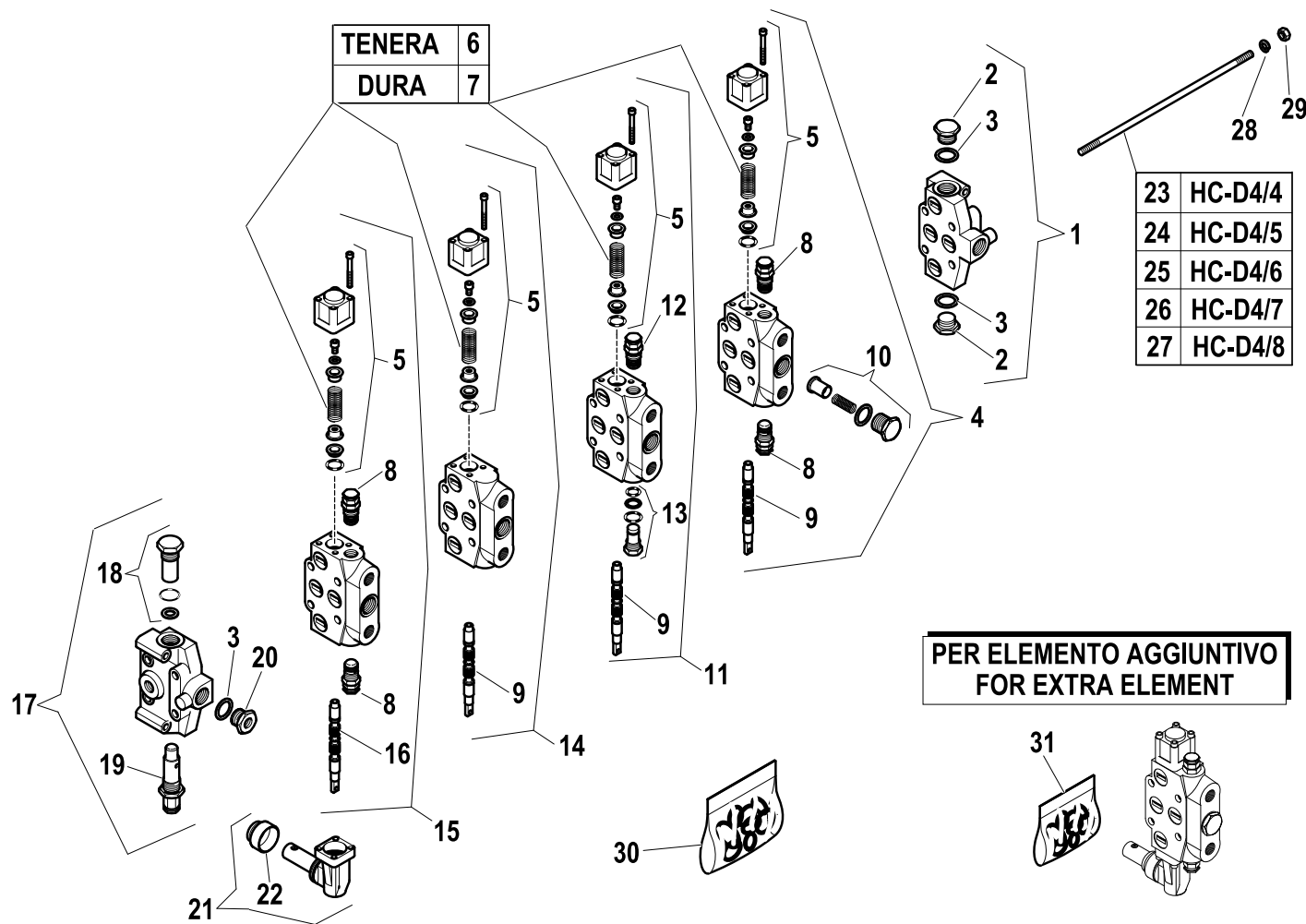
R	Pos.	Code Variant	Q.ty	Description
	1	5220291	1	
	2	5220596	1	
	3	3010372	2	Hex screw
	4	3010397	2	Hex screw
	5	5090533	1	
	6	3040303	3	Stopnut
	7	3010036	3	Hex screw
	8	3010355	3	Hex screw [M10X25 8.8 ZC IF UNI 5739]
	9	3060056	3	Split lock washer
	10	5900785	1	
	11	3010015	3	Hex screw (Zincate) [M6X20 8.8 ZINCATA UNI 5739]
	12	3060053	3	Split lock washer [D=6.4 C72 ZC.UNI1751]
	13	5000786	1	
	14	5391461	1	
	15	3010396	1	Hex screw
	16	3060055	1	Split lock washer
	17	3101051	3	Straight pipe fitting
	18	3101128	1	90° Connection
	19	3101044	1	Straight pipe fitting
	20	3110057	1	Plug

Control valve (4 section)

Code

5220291-1.0

1/2



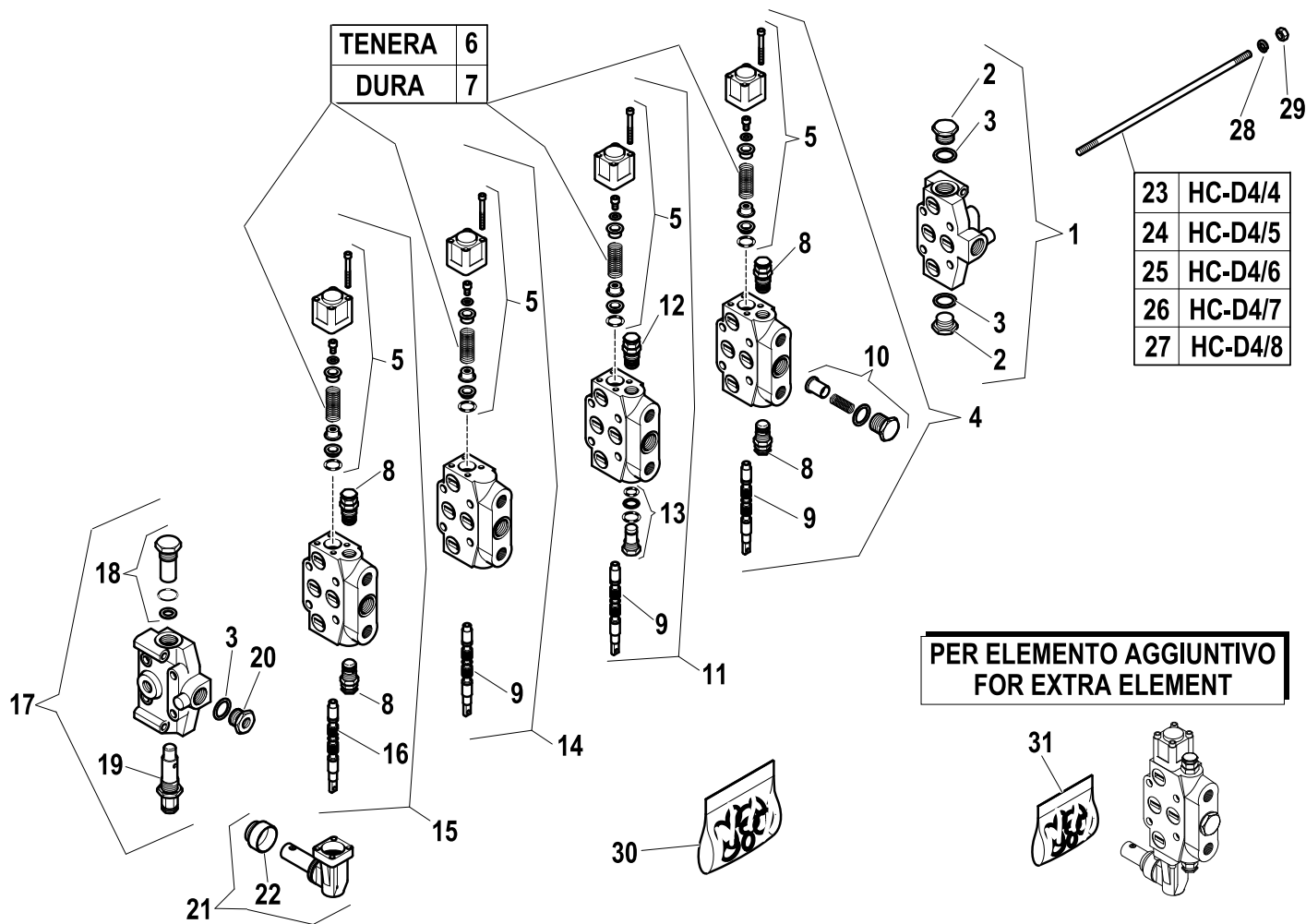
R	Pos.	Code Variant	Q.ty	Description
	1	5225477	1	
	2	3110065	2	Plug
	3	3060145	3	Sealing washer
	4	5225476	1	
	5	5225130	4	
	6	5225461	4	
	7	5225463	4	
	8	5225200	4	
	9	5225311	3	
	10	5225469	4	
	11	5225484	1	
	12	5225145	1	
	13	5225470	1	
	14	5225483	1	
	15	5225482	1	
	16	5225177	1	
	17	5225472	1	
	18	5225428	1	
	19	5225546	1	
	20	3110161	1	Reducing fitting

Control valve (4 section)

Code

5220291-1.0

2/2



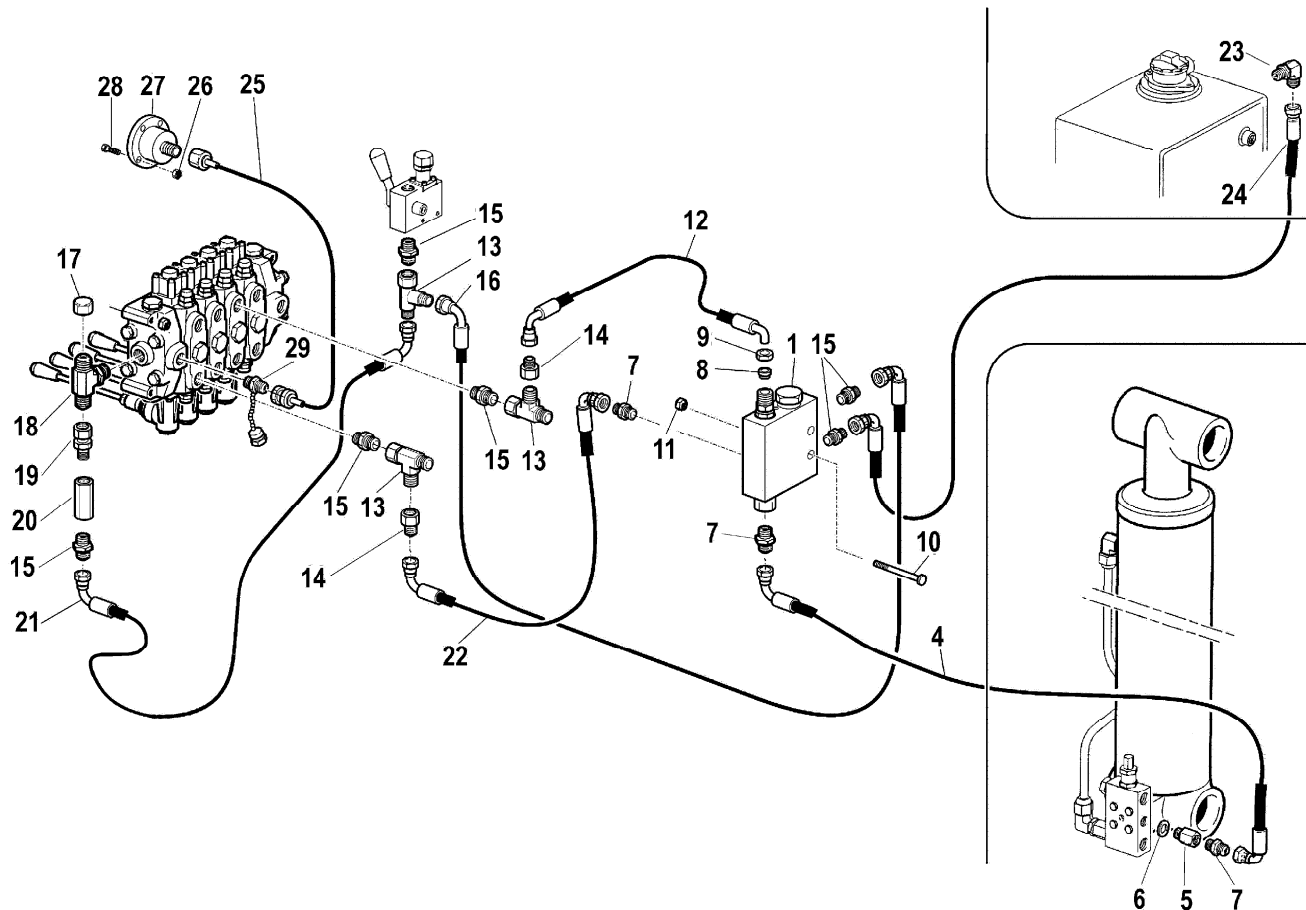
R	Pos.	Code Variant	Q.ty	Description
	21	5225126	4	
	22	5225128	4	
	23	5225224	4	
	24	5225213	4	
	25	5225214	4	
	26	5225215	4	
	27	5225216	4	
	28	3060056	8	Split lock washer
	29	3040046	8	Nut
	30	5225561	1	
	31	5225031	1	

HYDRAULIC SYSTEM (not CE)

Code

5430013-1.0

1/2



R	Pos.	Code Variant	Q.ty	Description
	1	5220135	1	
	4	5260345	1	Flexible hose
	5	5220300	1	Hose burst valve (Sleeve)
	6	3060143	1	Sealing washer
	7	3101039	3	Straight pipe fitting
	8	3100956	1	
	9	3100952	1	Nut
	10	3010035	2	Hex screw
	11	3040303	2	Stopnut
	12	5260343	1	Flexible hose
	13	3120008	3	Tee fitting
	14	3120209	2	Reducing fitting
	15	3101051	6	Straight pipe fitting
	16	5271159	1	
	17	3110050	1	Female plug
	18	3120306	1	Tee fitting
	19	3120067	1	Straight pipe fitting
	20	5220635	1	Non-return valve
	21	5280287	1	
	22	5260344	1	Flexible hose

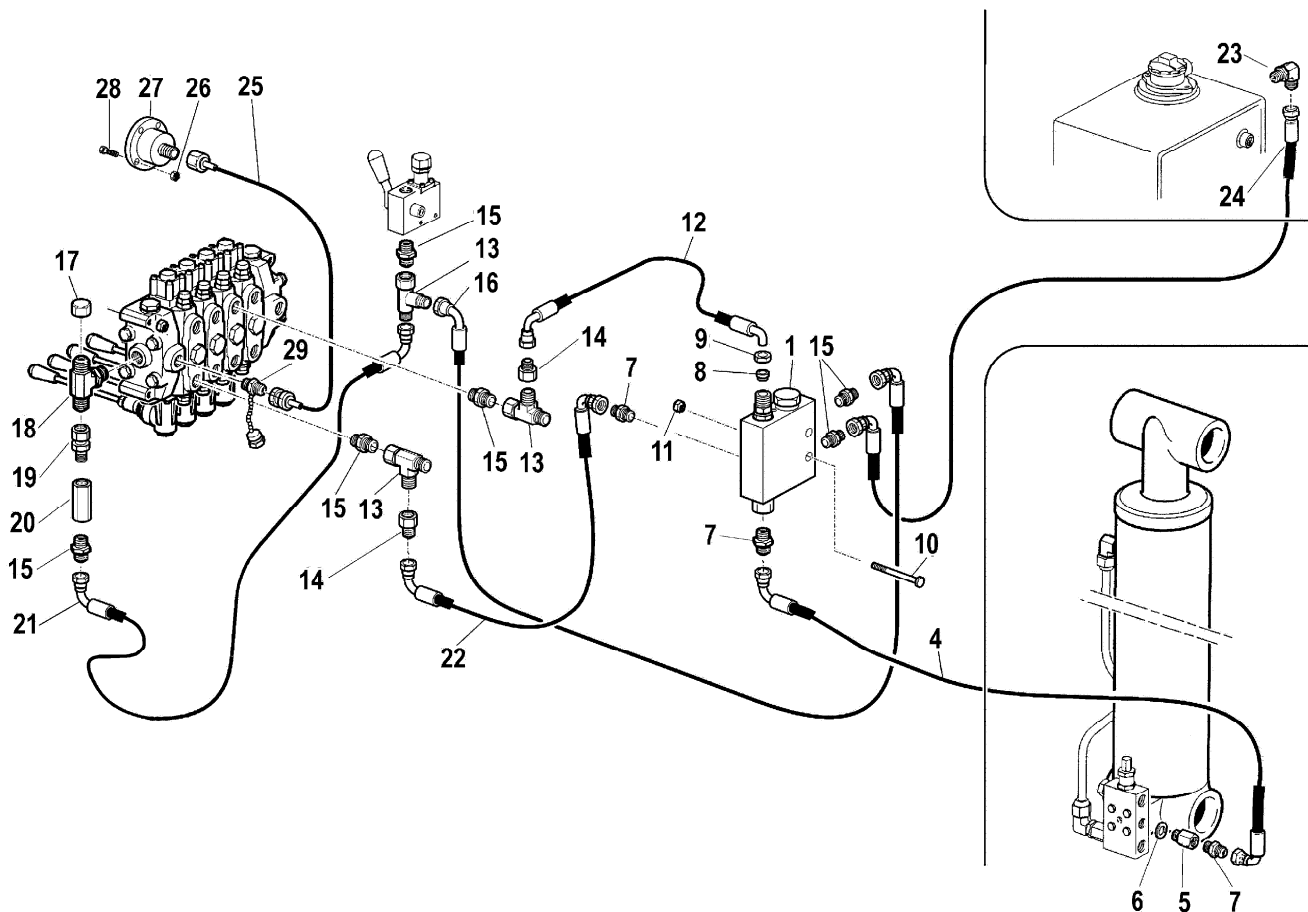
HYDRAULIC SYSTEM (not CE)

Code

5430013-1.0

2/2

R	Pos.	Code Variant	Q.ty	Description
	23	3101132	1	90° Connection
	24	5290062	1	Flexible hose
	25	5300086	1	
	26	3040516	3	Stopnut
	27	3180150	1	
	28	3020880	3	
	29	3111523	1	Pipe fitting (Tapping point) [RACC. MILITES 16X2-1/4"G]

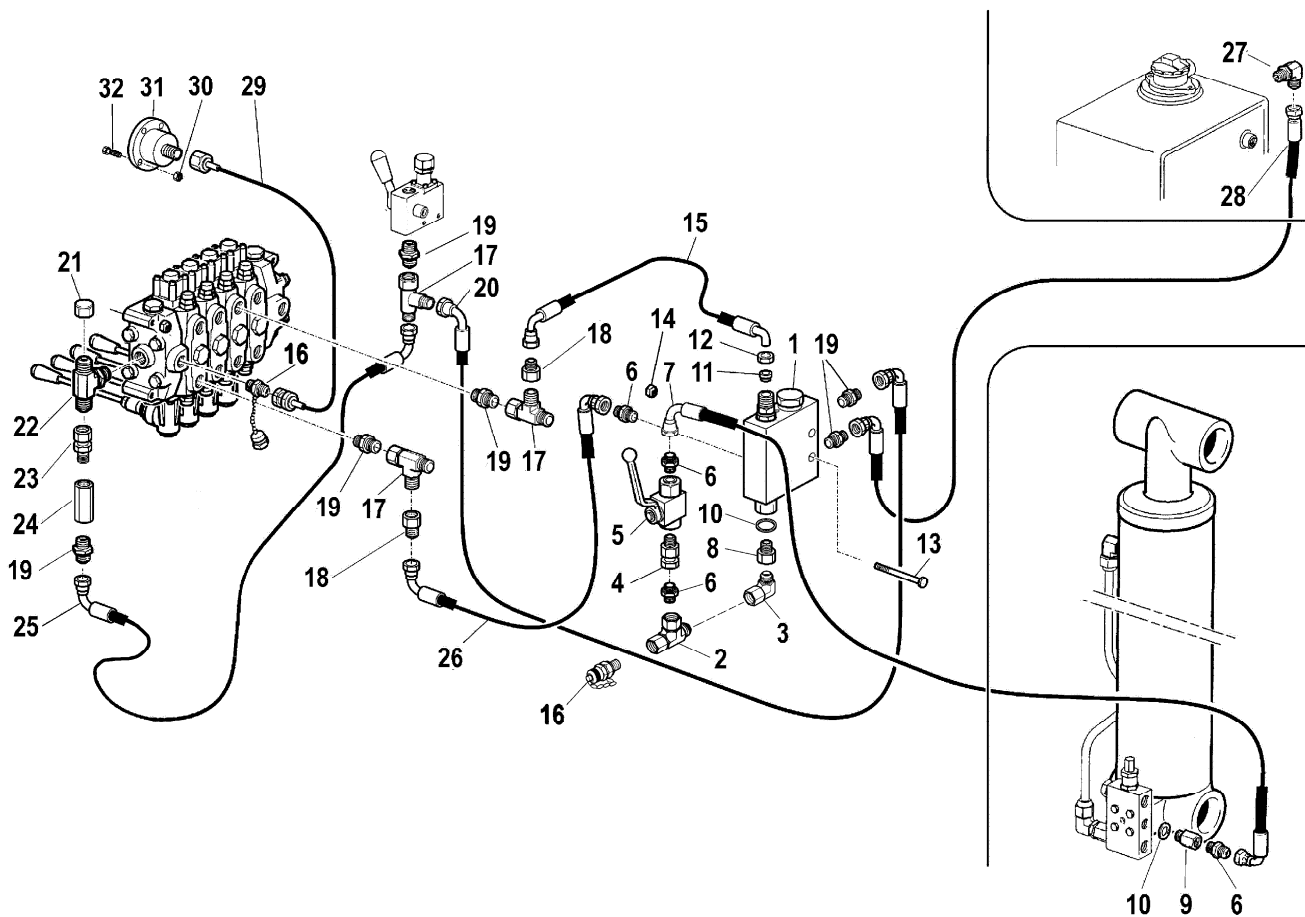


Hydraulic system

Code

5430015-1.0

1/2



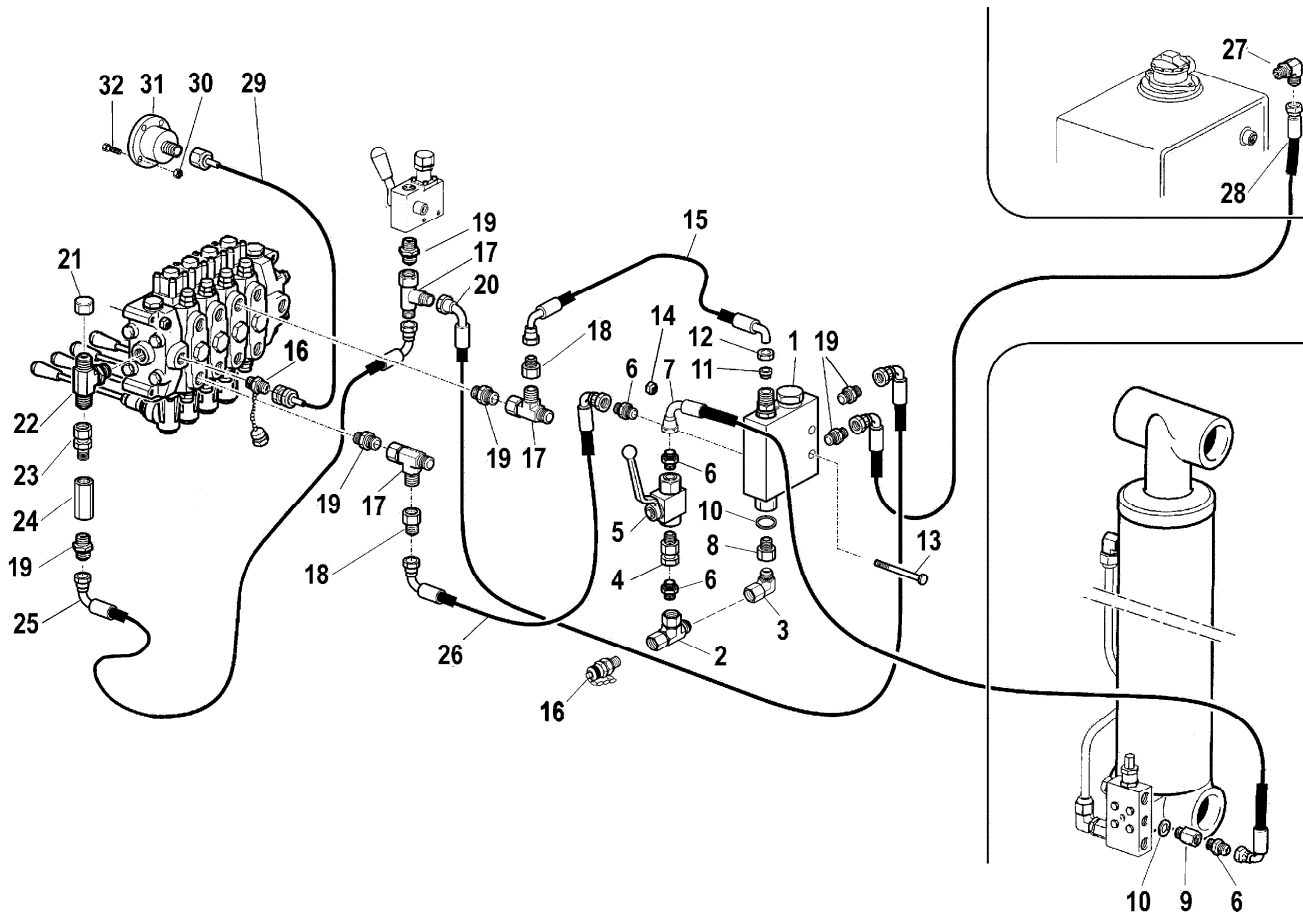
R	Pos.	Code Variant	Q.ty	Description
	1	5220135	1	
	2	3101215	1	Tee fitting
	3	3111512	1	90° Connection
	4	3120064	1	Straight pipe fitting
	5	5220063	1	
	6	3101039	4	Straight pipe fitting
	7	5260345	1	Flexible hose
	8	3110270	1	Straight pipe fitting
	9	5220300	1	Hose burst valve (Sleeve)
	10	3060143	2	Sealing washer
	11	3100956	1	
	12	3100952	1	Nut
	13	3010035	2	Hex screw
	14	3040303	2	Stopnut
	15	5260343	1	Flexible hose
	16	3111523	2	Pipe fitting (Tapping point) [RACC. MILITES 16X2-1/4"G]
	17	3120008	3	Tee fitting
	18	3120209	2	Reducing fitting
	19	3101051	6	Straight pipe fitting
	20	5271159	1	

Hydraulic system

Code

5430015-1.0

2/2



R	Pos.	Code Variant	Q.ty	Description
	21	3110050	1	Female plug
	22	3120306	1	Tee fitting
	23	3120067	1	Straight pipe fitting
	24	5220635	1	Non-return valve
	25	5280287	1	
	26	5260344	1	Flexible hose
	27	3101132	1	90° Connection
	28	5290062	1	Flexible hose
	29	5300086	1	
	30	3040516	3	Stopnut
	31	3180150	1	
	32	3020880	3	

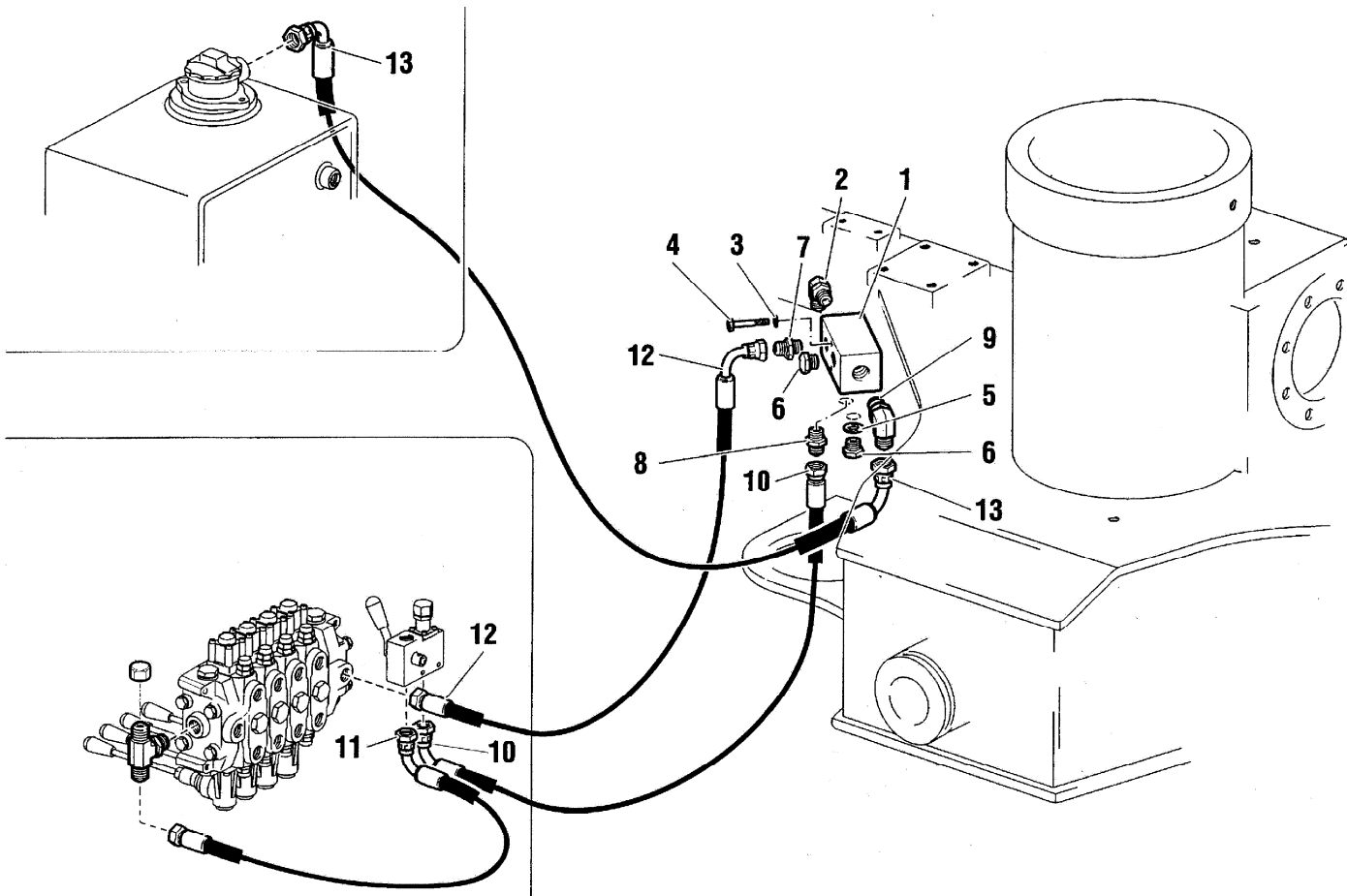
Manifold

Code

5400145-1.0

1/1

R	Pos.	Code Variant	Q.ty	Description
	1	5000718	1	
	2	3101128	1	90° Connection
	3	3060053	2	Split lock washer [D=6.4 C72 ZC.UNI1751]
	4	3010388	2	Hex screw
	5	3060145	1	Sealing washer
	6	3110065	2	Plug
	7	3101051	1	Straight pipe fitting
	8	3101044	1	Straight pipe fitting
	9	3101133	1	
	10	5271115	1	Flexible hose
	11	5280287	1	
	12	5280288	1	Flexible hose
	13	5290046	1	Flexible hose



Electric components

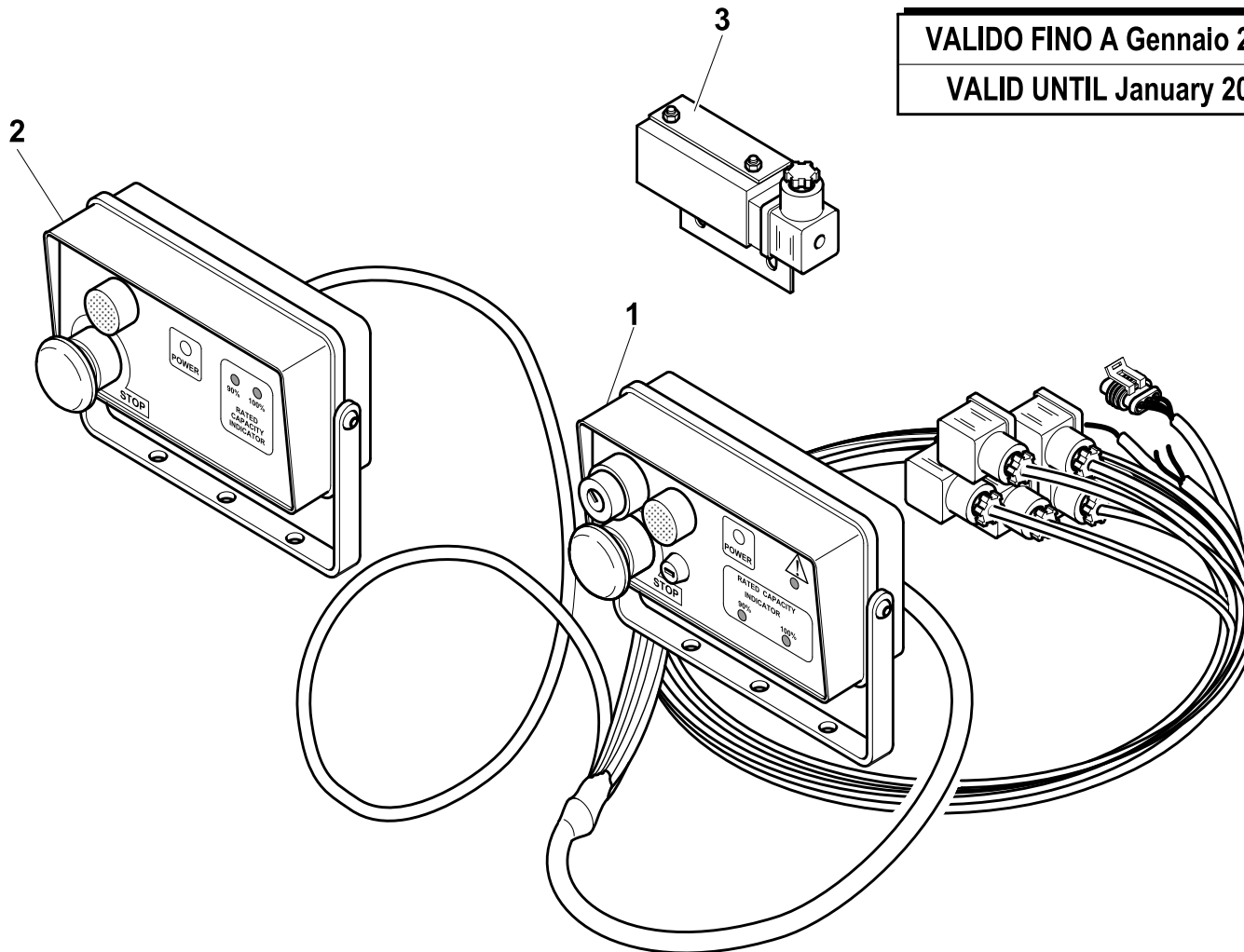
Code

3310616-1.0

1/1

R	Pos.	Code Variant	Q.ty	Description
	1	3310617	1	
	2	3310618	1	
	3	3310154	1	

VALIDO FINO A Gennaio 2011
VALID UNTIL January 2011

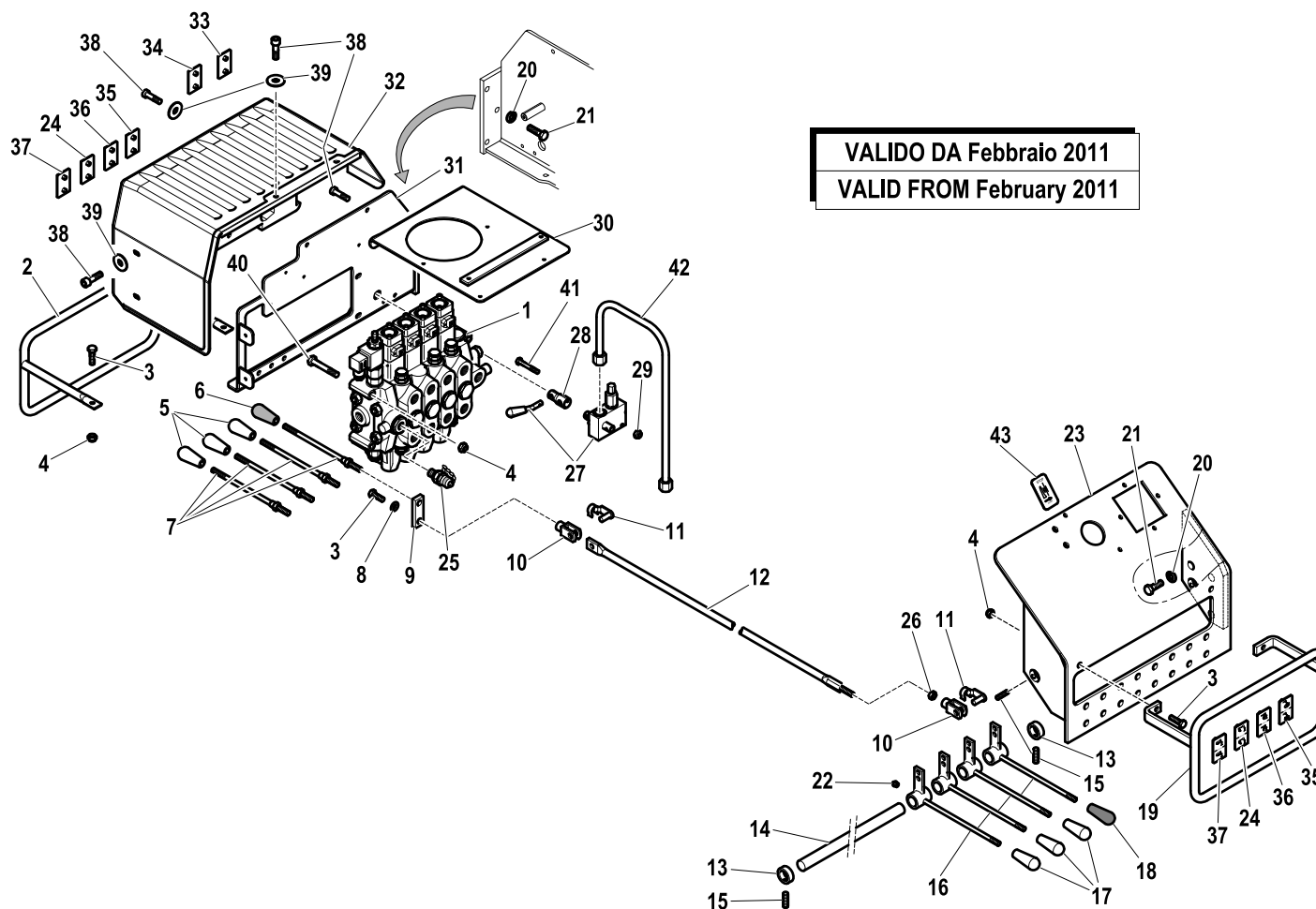


DOUBLE CONTROLS (EN12999-A3)

Code

5401407-1.0

1/3



VALIDO DA Febbraio 2011
VALID FROM February 2011

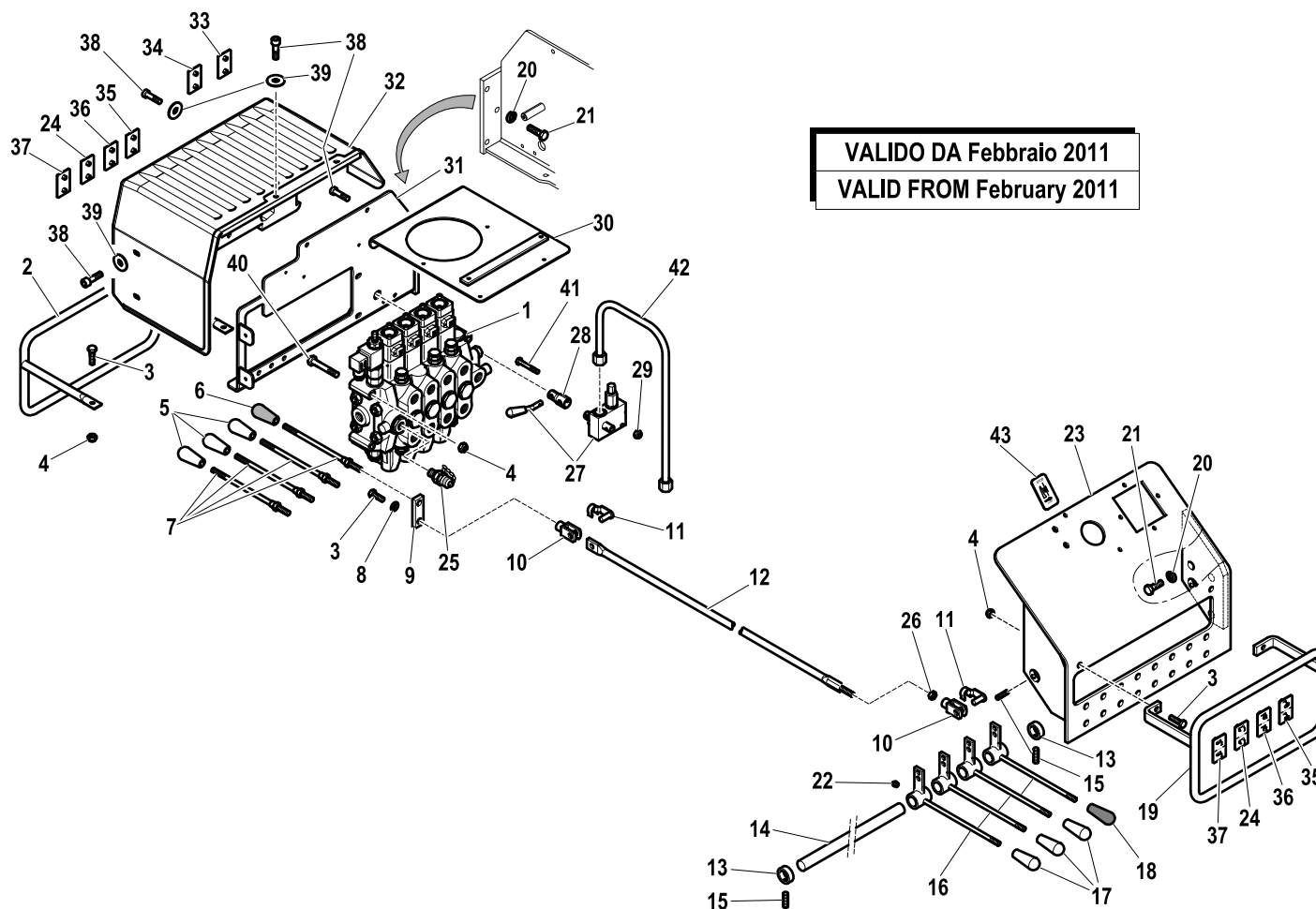
R	Pos.	Code Variant	Q.ty	Description
	1	5220465	1	
	2	5090459	1	
	3	3010339	8	Hex screw [M8X25 8.8 ZC IF UNI 5739]
	4	3040303	7	Stopnut
	5	3190010	3	Knob
	6	3190189	1	
	7	5220224	4	
	8	3060006	4	Flat washer [D.8x17 UNI 6592 ZC]
	9	5000708	4	
	10	3300431	8	
	11	3300451	8	
	12	5090481	4	
	13	5000670	2	
	14	5150459	1	
	15	3060232	4	Grub screw
	16	5090433	4	Control lever
	17	3190006	3	
	18	3190188	1	
	19	5090460	1	
	20	3060056	6	Split lock washer

DOUBLE CONTROLS (EN12999-A3)

Code

5401407-1.0

2/3



VALIDO DA Febbraio 2011
VALID FROM February 2011

R	Pos.	Code Variant	Q.ty	Description
	21	3010355	6	Hex screw [M10X25 8.8 ZC IF UNI 5739]
	22	3080500	4	Grease nipple
	23	5091329	1	
	24	W573269	2	Small plate (CONTROL SYMBOLS)
	25	3111523	1	Pipe fitting (Tapping point) [RACC. MILITES 16X2-1/4"G]
	26	3040045	4	Nut
	27	5220596	1	
	28	5150906	1	
	29	3040372	2	Stopnut
	30	5000445	1	
	31	5091317	1	
	32	5091318	1	
	33	5813269	1	
	34	5813268	1	
	35	W573266	2	Small plate (CONTROL SYMBOLS)
	36	W573267	2	Small plate (CONTROL SYMBOLS)
	37	W573270	2	Small plate (CONTROL SYMBOLS)
	38	3020034	7	Socketed head cap screw
	39	3060030	5	Flat washer
	40	3010036	3	Hex screw

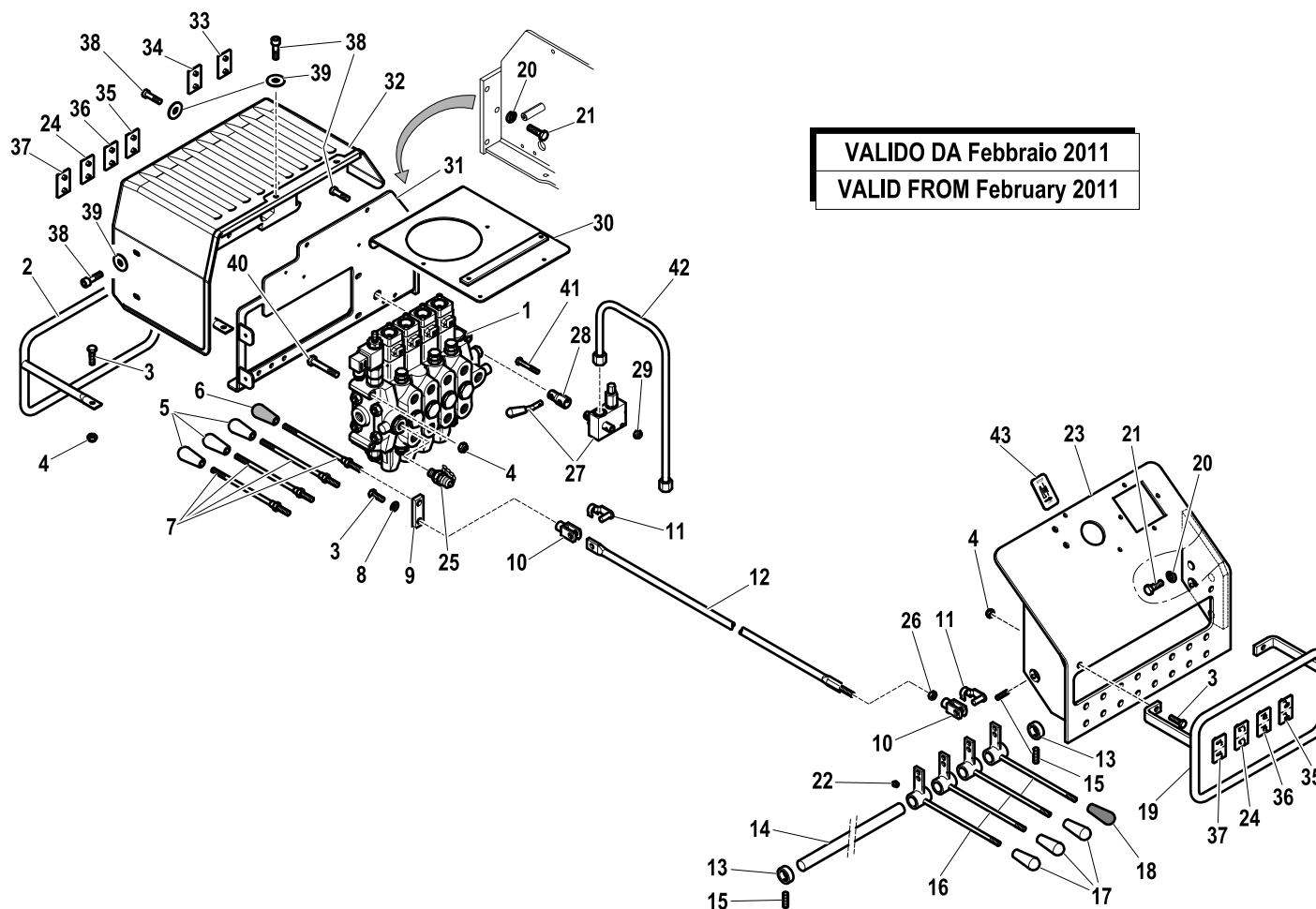
DOUBLE CONTROLS (EN12999-A3)

Code

5401407-1.0

3/3

R	Pos.	Code Variant	Q.ty	Description
	41	3010397	2	Hex screw
	42	5391461	1	
	43	5813567	1	



VALIDO DA Febbraio 2011
VALID FROM February 2011

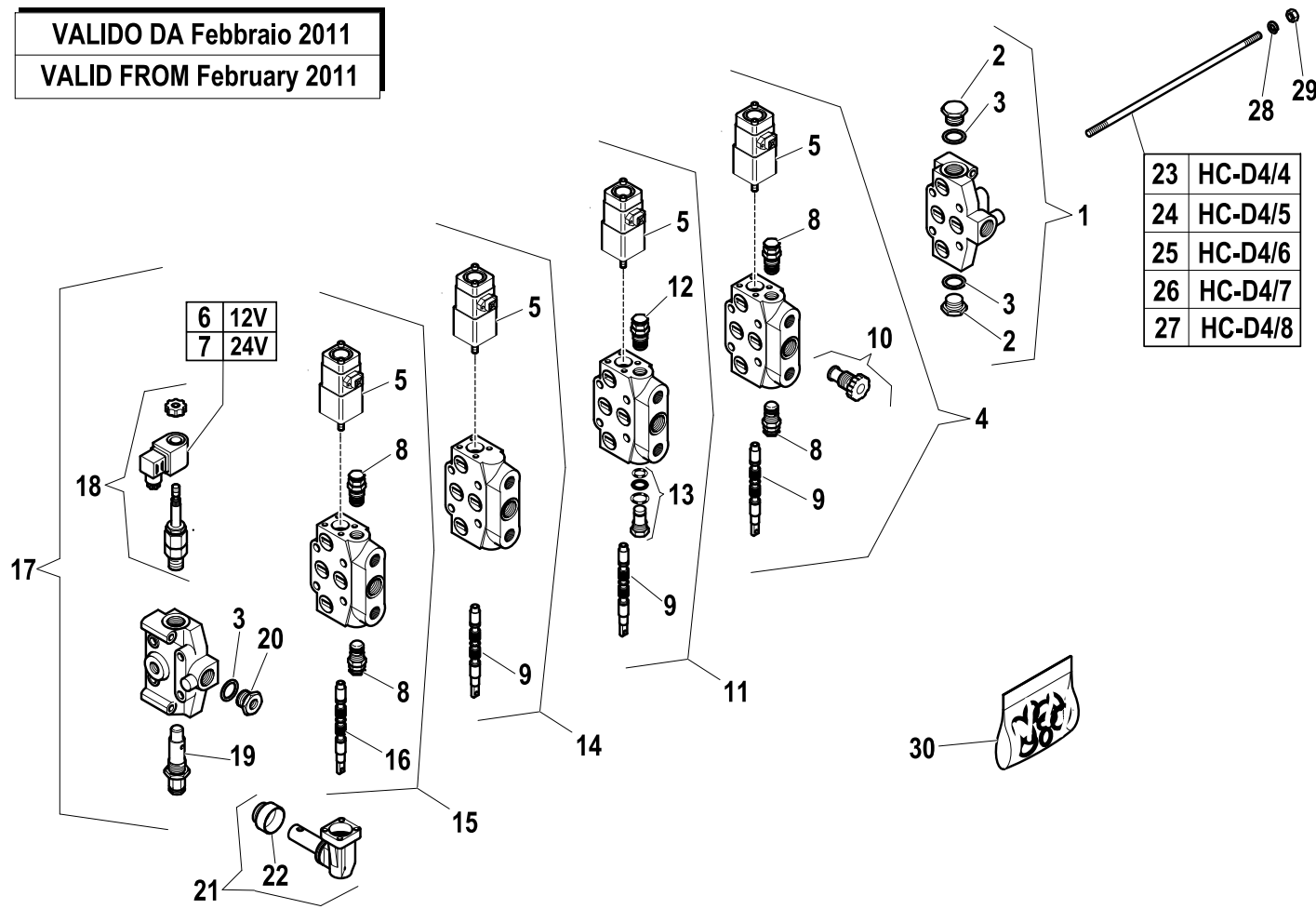
Control valve (4 section)

Code

5220465-1.0

1/2

VALIDO DA Febbraio 2011
VALID FROM February 2011



23	HC-D4/4
24	HC-D4/5
25	HC-D4/6
26	HC-D4/7
27	HC-D4/8

R	Pos.	Code Variant	Q.ty	Description
	1	5225477	1	
	2	3110065	2	Plug
	3	3060145	3	Sealing washer
	4	5225698	1	
	5	5225372	4	
	6	3311046	1	
	7	3311047	1	
	8	5225200	4	
	9	5225311	3	
	10	5225865	4	
	11	5225699	1	
	12	5225145	1	
	13	5225470	1	
	14	5225860	1	
	15	5225861	1	
	16	5225177	1	
	17	5225862	1	
	18	5225429	1	
	19	5225546	1	
	20	3110161	1	Reducing fitting

Control valve (4 section)

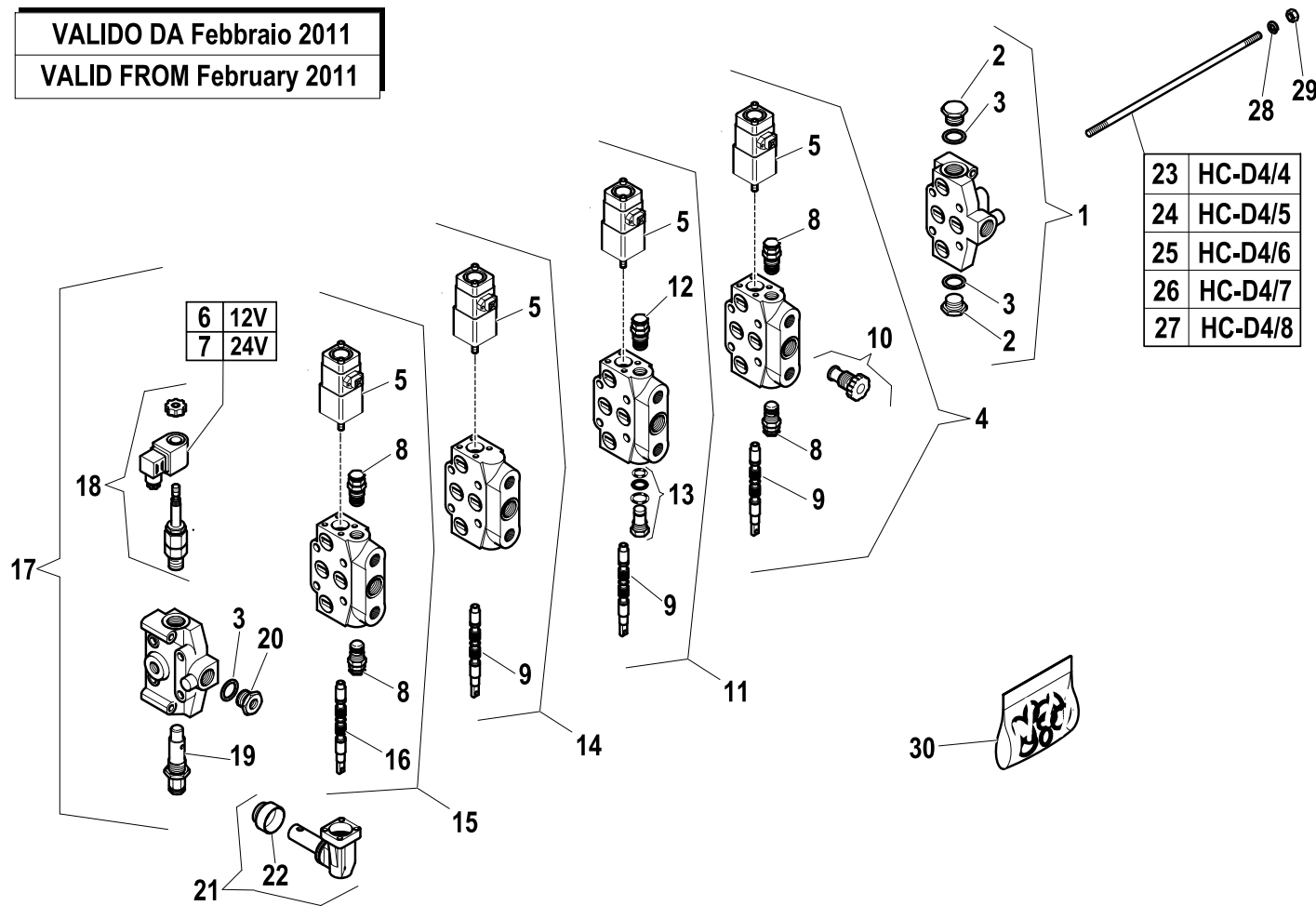
Code

5220465-1.0

2/2

VALIDO DA Febbraio 2011

VALID FROM February 2011



23	HC-D4/4
24	HC-D4/5
25	HC-D4/6
26	HC-D4/7
27	HC-D4/8

R	Pos.	Code Variant	Q.ty	Description
	21	5225126	4	
	22	5225128	4	
	23	5225224	4	
	24	5225213	4	
	25	5225214	4	
	26	5225215	4	
	27	5225216	4	
	28	3060056	8	Split lock washer
	29	3040046	8	Nut
	30	5225863	1	

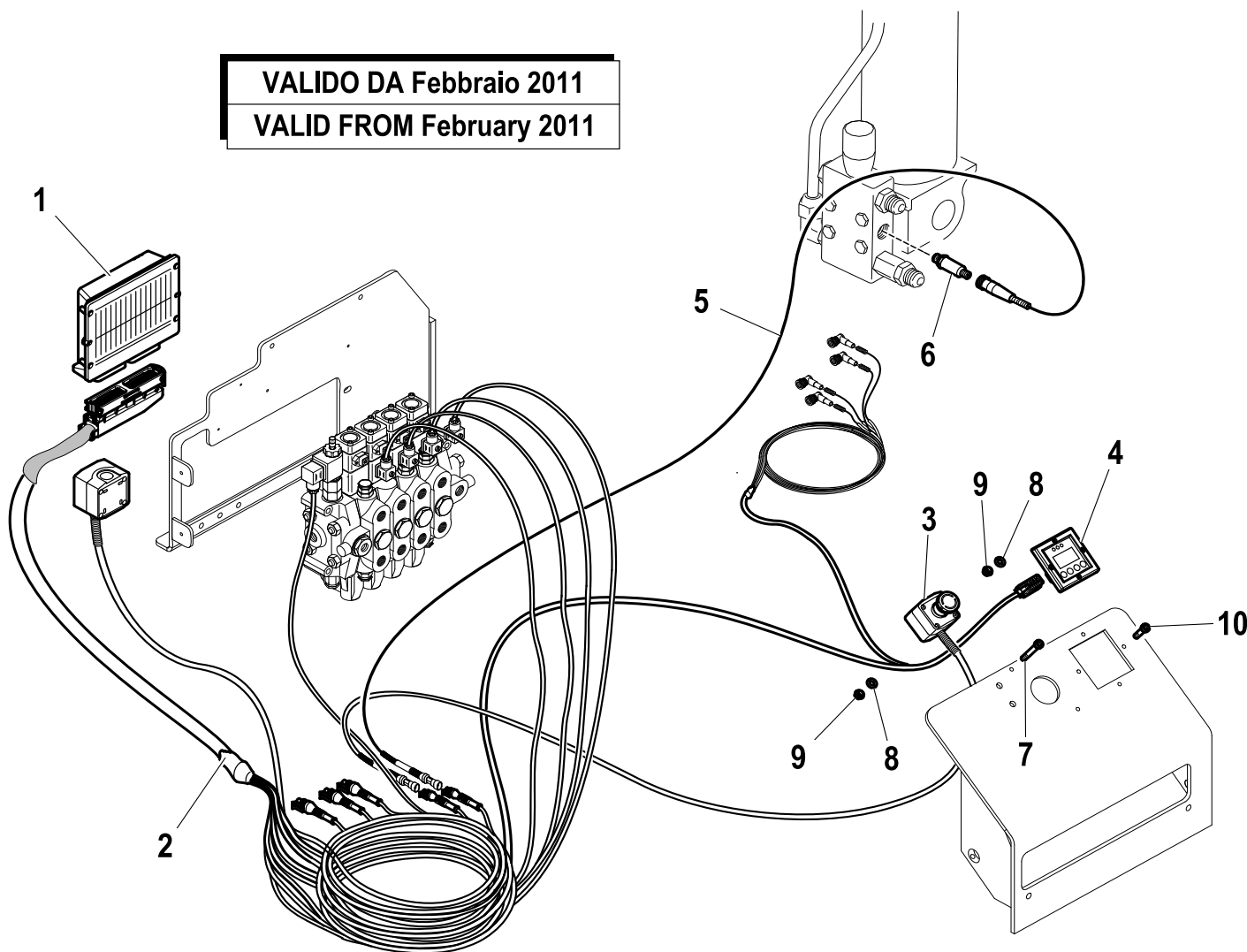
DOUBLE CONTROLS (EN12999-A3)

Code

5401626-1.0

1/1

VALIDO DA Febbraio 2011
VALID FROM February 2011



R	Pos.	Code Variant	Q.ty	Description
	1	3311423	1	Moment limiting device [SUPERATO]
	2	5160085	1	Electric wiring
	3	3311400	1	Electric wiring
	4	3311328	1	DIGITAL INSTRUMENT PANEL (Moment limiting device)
	5	5160084	1	Electric wiring
	6	3310612	1	Pressure sensor
	7	3020013	2	Socketed head cap screw
	8	3060030	6	Flat washer
	9	3040518	6	Stopnut
	10	3020885	4	Socketed head cap screw

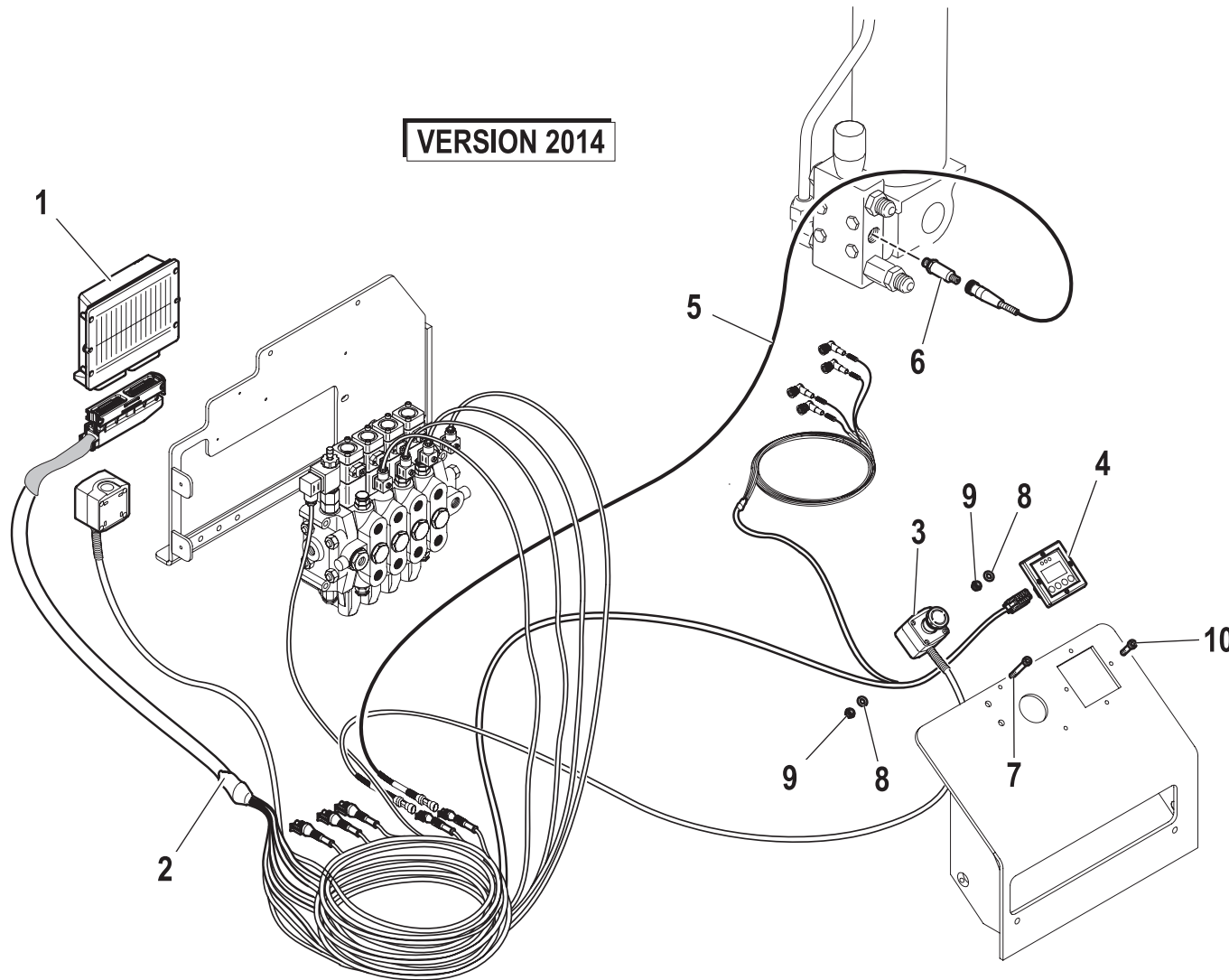
DOUBLE CONTROLS (EN12999-A3)

Code

5401626-2.0

1/1

VERSION 2014



R	Pos.	Code Variant	Q.ty	Description
	1	3311630	1	Moment limiting device (WITH RESINING)
	2	5160085	1	Electric wiring
	3	3311400	1	Electric wiring
	4	3311328	1	DIGITAL INSTRUMENT PANEL (Moment limiting device)
	5	5160084	1	Electric wiring
	6	3310612	1	Pressure sensor
	7	3020013	2	Socketed head cap screw
	8	3060030	6	Flat washer
	9	3040518	6	Stopnut
	10	3020885	4	Socketed head cap screw

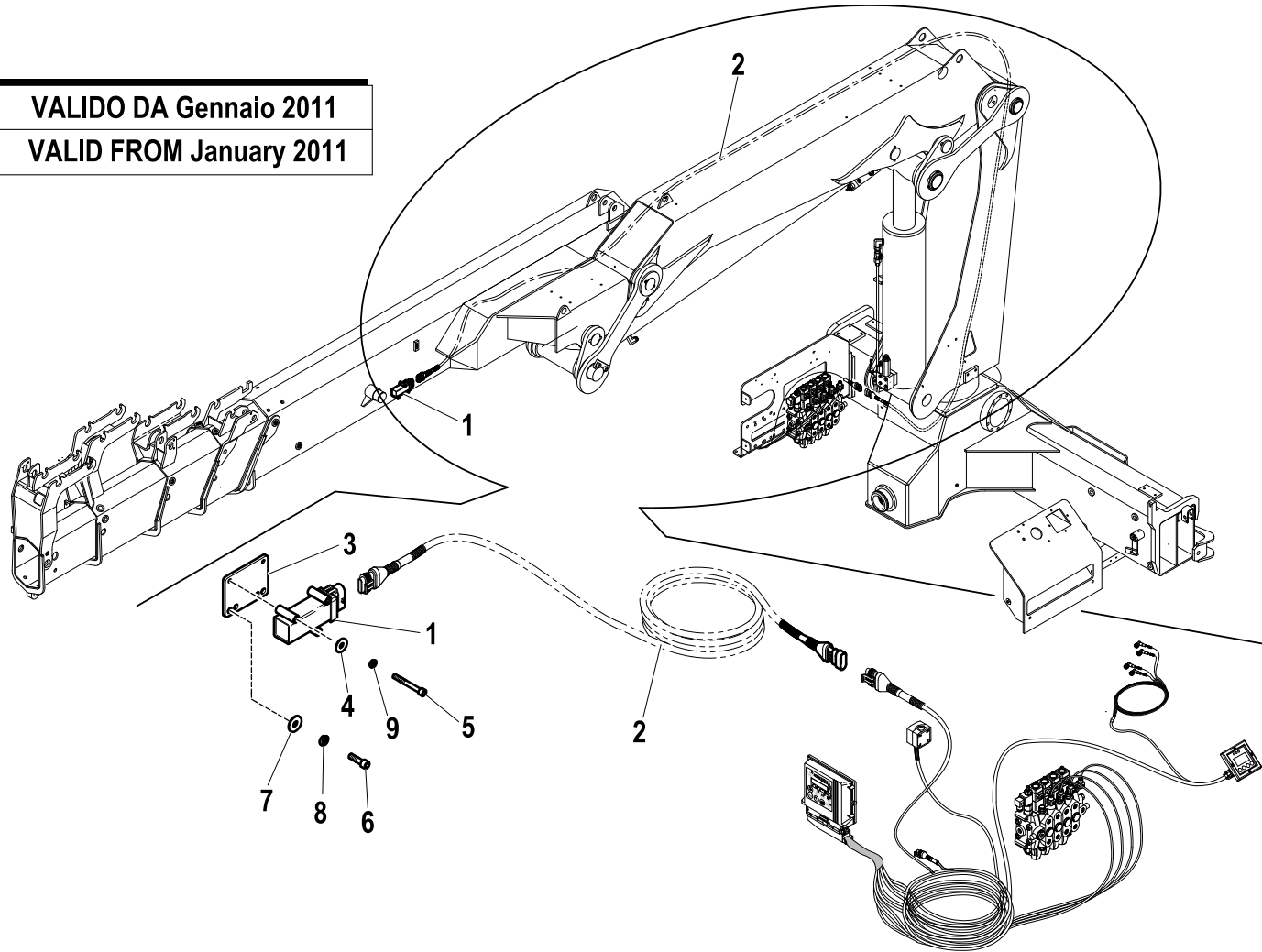
DOUBLE CONTROLS (EN12999-A3)

Code

5401408-3.0

1/1

VALIDO DA Gennaio 2011
VALID FROM January 2011



R	Pos.	Code Variant	Q.ty	Description
	1	3311150	1	
	2	5160076	1	
	3	5002108	1	
	4	3060003	2	Flat washer
	5	3020018	2	Socketed head cap screw
	6	3020033	2	Socketed head cap screw
	7	3060005	2	Flat washer [6.4-12.5 H=1.6 UNI 6592]
	8	3060053	2	Split lock washer [D=6.4 C72 ZC.UNI1751]
	9	3060065	2	Split lock washer

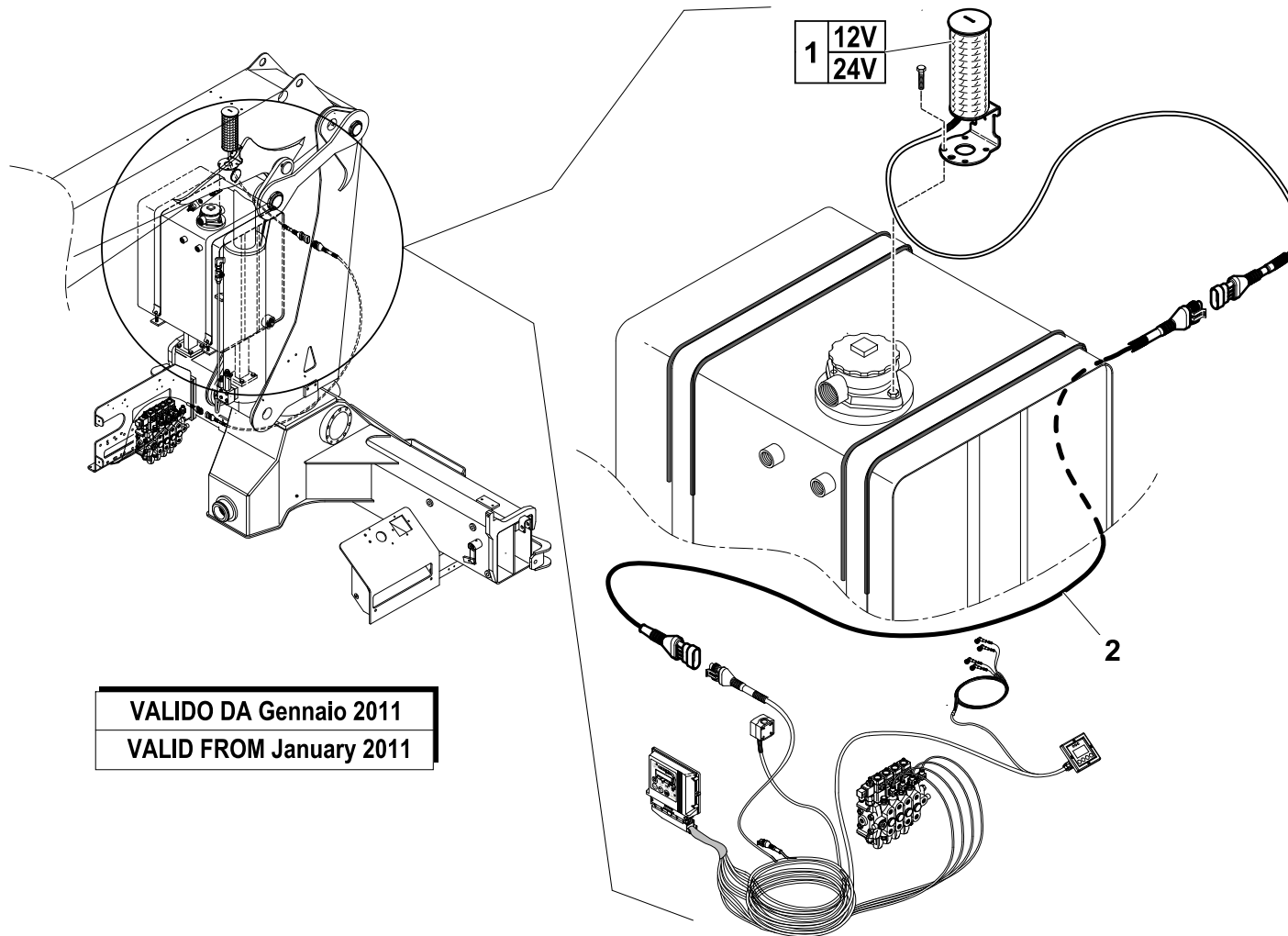
DOUBLE CONTROLS (EN12999-A3)

Code

5401408-7.0

1/1

R	Pos.	Code Variant	Q.ty	Description
1		3311159	1	Signal Columns
2		5160003	1	Electric wiring



VALIDO DA Gennaio 2011
VALID FROM January 2011

Manifold (CE)

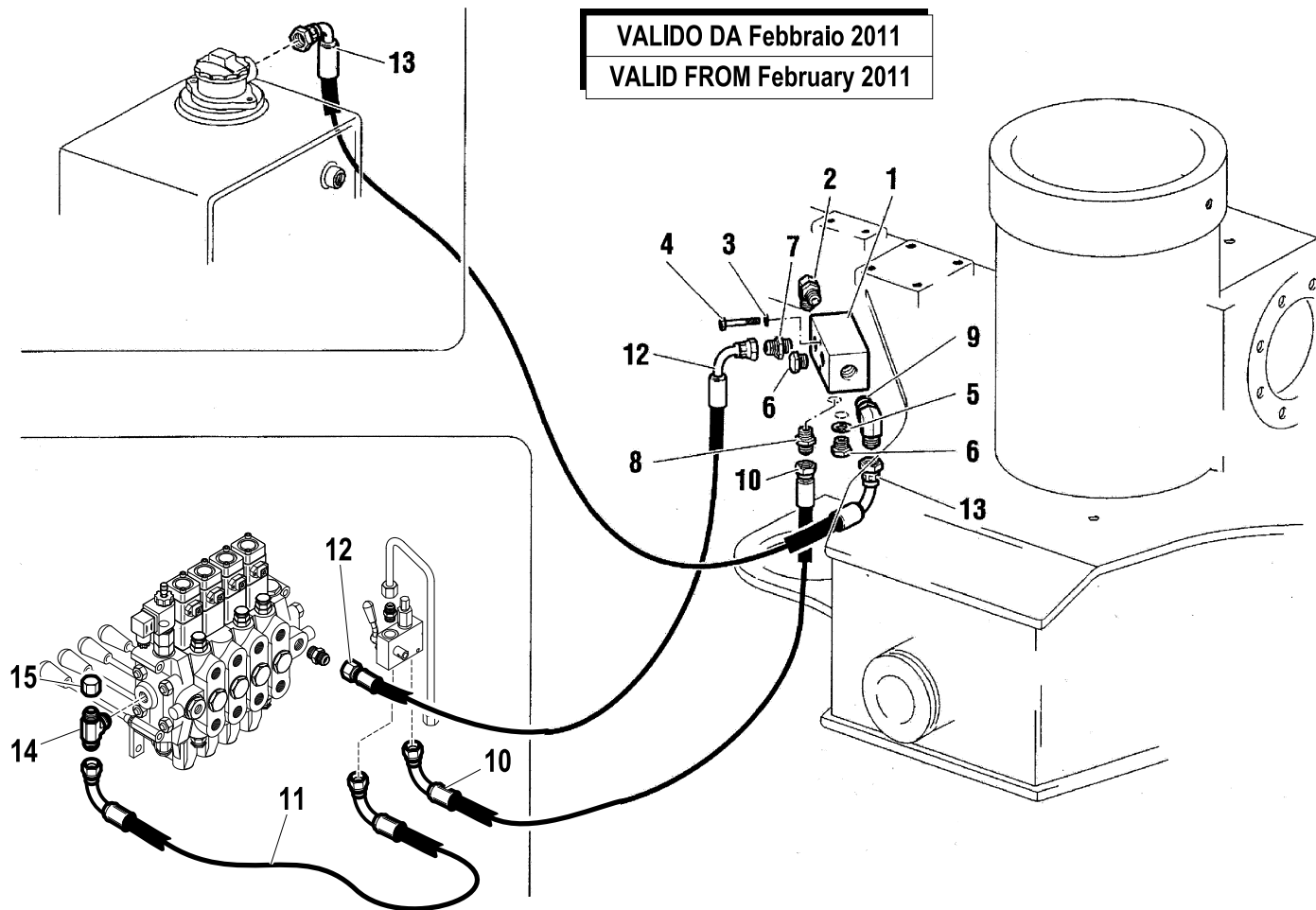
Code

5400129-2.0

1/1

R	Pos.	Code Variant	Q.ty	Description
	1	5000718	1	
	2	3101128	1	90° Connection
	3	3060053	2	Split lock washer [D=6.4 C72 ZC.UNI1751]
	4	3010388	2	Hex screw
	5	3060145	2	Sealing washer
	6	3110065	2	Plug
	7	3101051	1	Straight pipe fitting
	8	3101044	1	Straight pipe fitting
	9	3101133	1	
	10	5271115	1	Flexible hose
	11	5280287	1	
	12	5280288	1	Flexible hose
	13	5290153	1	Flexible hose
	14	3120306	1	Tee fitting
	15	3110050	1	Female plug

VALIDO DA Febbraio 2011
VALID FROM February 2011



Solenoid valve (STABILIZER CONTROL VALVE)

Code

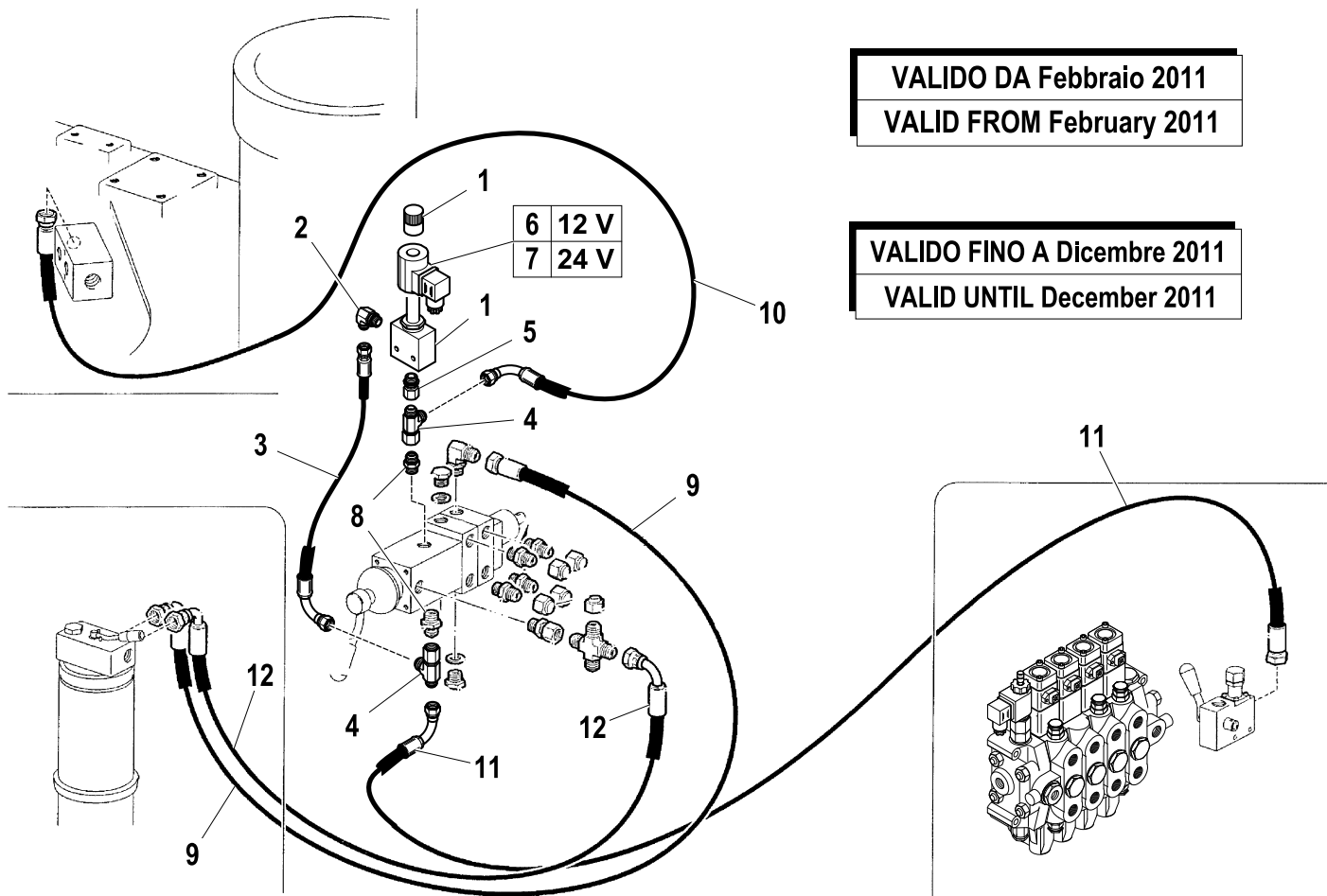
5440106-1.0

1/1

R	Pos.	Code Variant	Q.ty	Description
	1	5220182	1	
	2	3101127	2	90° Connection
	3	5272007	1	Flexible hose
	4	3120004	2	Tee fitting
	5	3120066	1	Straight pipe fitting
	6	3310042	1	
	7	3310043	1	
	8	3101044	2	Straight pipe fitting
	9	5271117	1	Flexible hose
	10	5271113	1	Flexible hose
	11	5271112	1	
	12	5271116	1	Flexible hose

VALIDO DA Febbraio 2011
VALID FROM February 2011

VALIDO FINO A Dicembre 2011
VALID UNTIL December 2011



Solenoid valve (STABILIZER CONTROL VALVE)

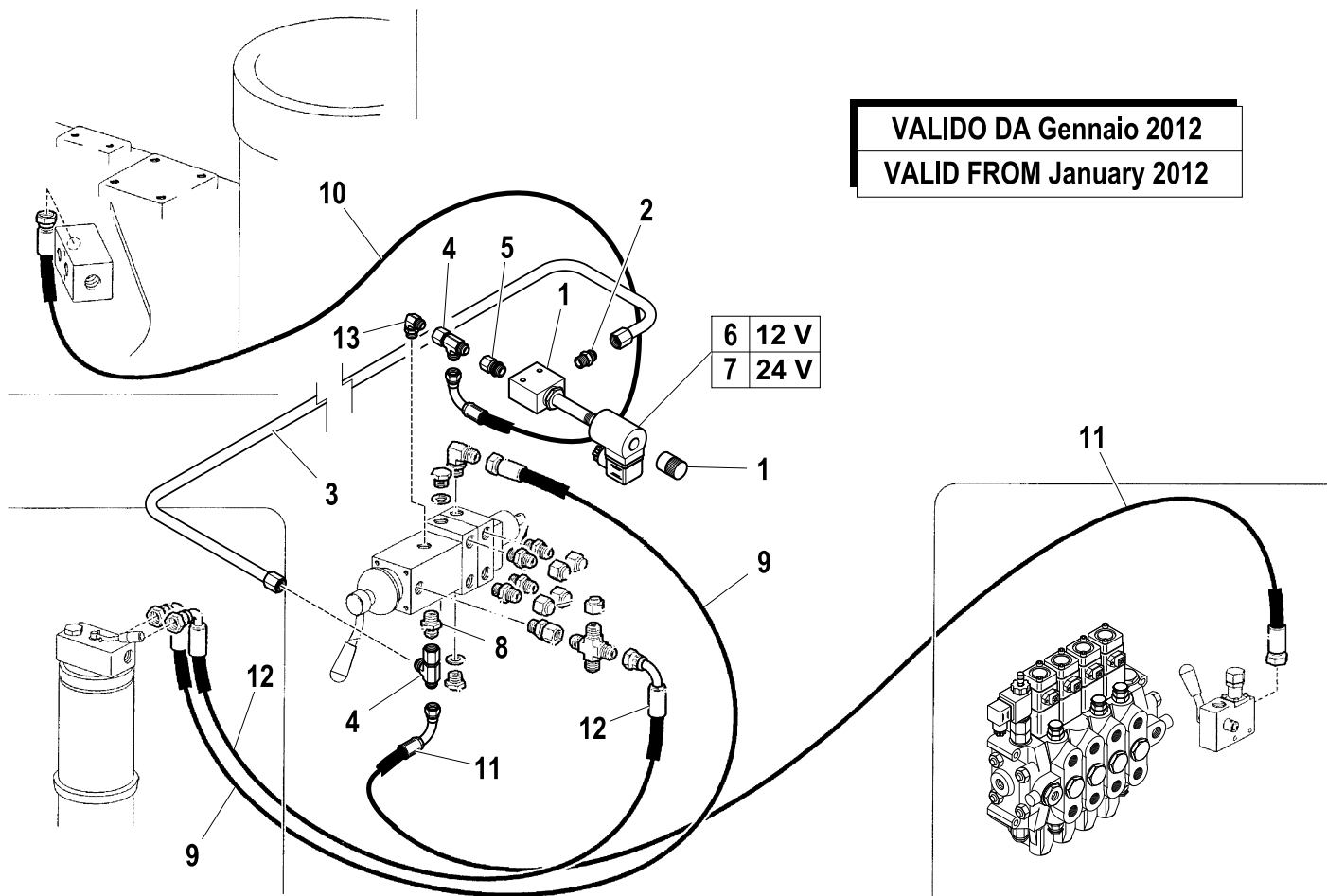
Code

5440106-2.0

1/1

R	Pos.	Code Variant	Q.ty	Description
	1	5220182	1	
	2	3101043	1	Straight pipe fitting
	3	5392430	1	
	4	3120004	2	Tee fitting
	5	3120066	1	Straight pipe fitting
	6	3310042	1	
	7	3310043	1	
	8	3101044	1	Straight pipe fitting
	9	5271117	1	Flexible hose
	10	5271113	1	Flexible hose
	11	5271112	1	
	12	5271116	1	Flexible hose
	13	3101128	1	90° Connection

VALIDO DA Gennaio 2012
VALID FROM January 2012

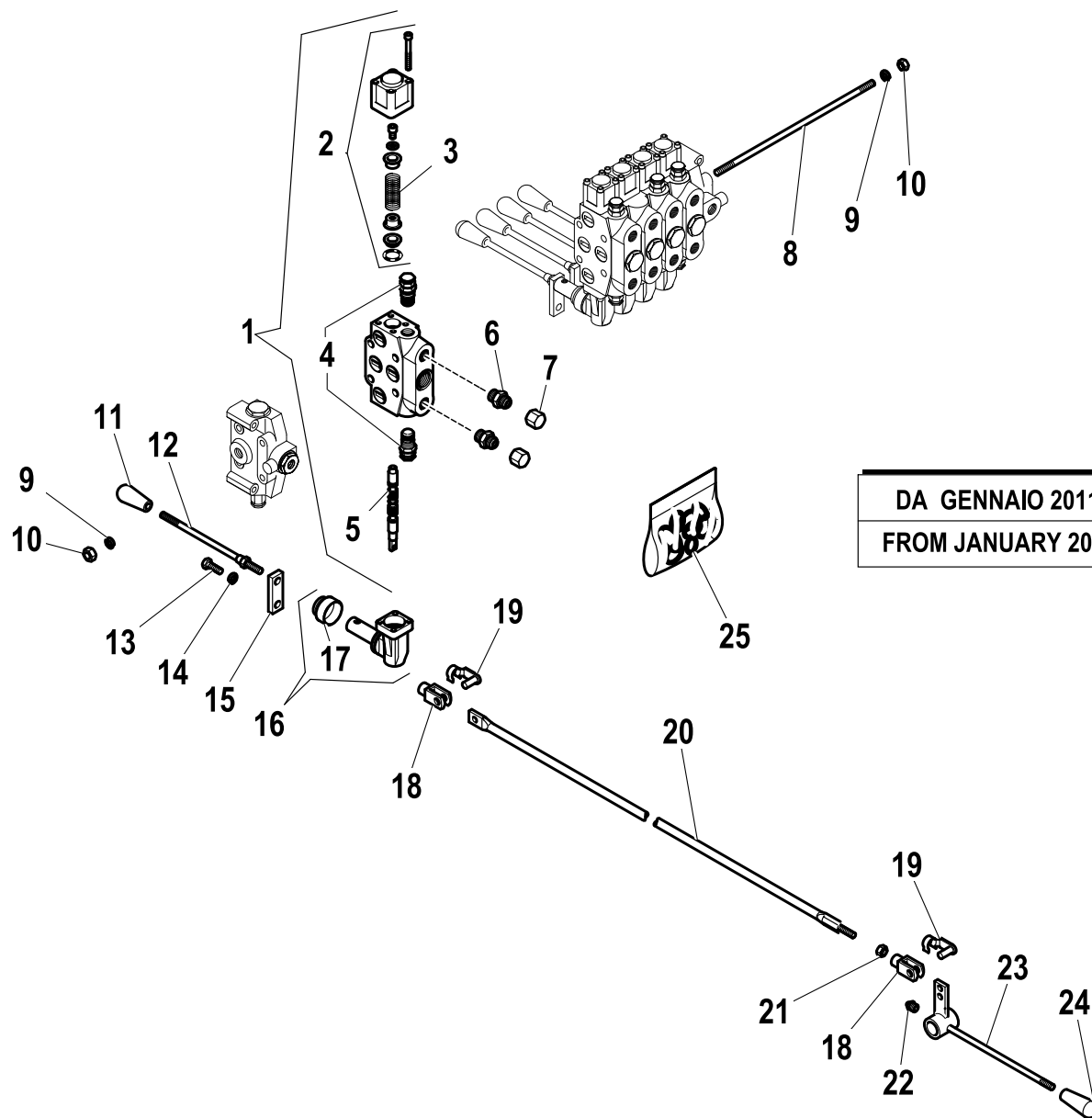


5th extra function kit closed center spool

Code

5212000-2.0

1/2



**DA GENNAIO 2011 SOLO "NO CE"
FROM JANUARY 2011 ONLY "NO CE"**

R	Pos.	Code Variant	Q.ty	Description
	1	5225190	1	
	2	5225130	1	
	3	5225462	1	
	4	5225200	2	
	5	5225177	1	
	6	3101051	2	Straight pipe fitting
	7	3110050	2	Female plug
	8	5225213	4	
	9	3060056	4	Split lock washer
	10	3040046	4	Nut
	11	3190010	1	Knob
	12	5220224	1	
	13	3010027	1	Hex screw [M8X20 8.8 ZC IF UNI 5739]
	14	3060055	1	Split lock washer
	15	5000708	1	
	16	5225126	1	
	17	5225128	1	
	18	3300431	2	
	19	3300451	2	
	20	5090481	1	

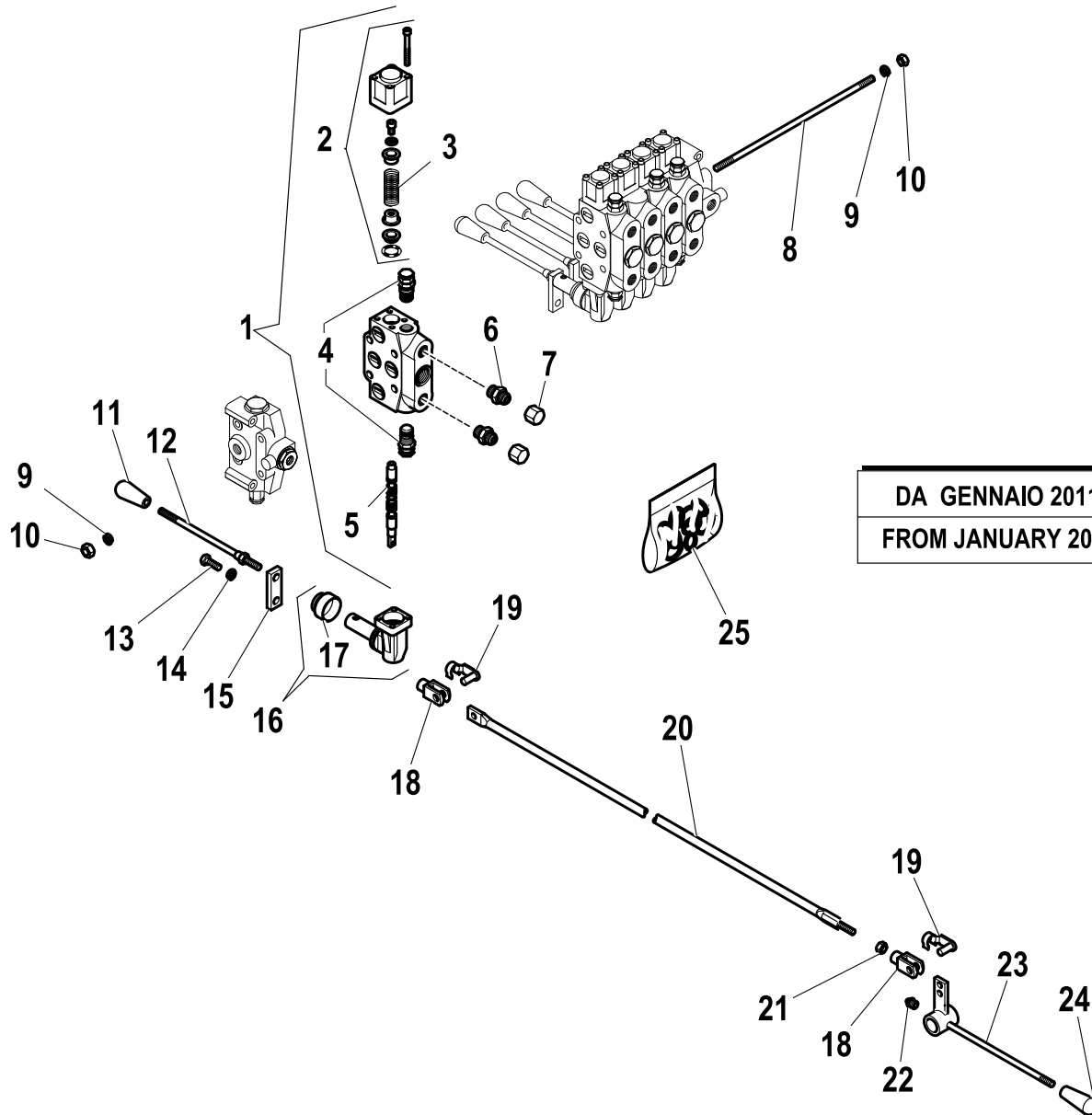
5th extra function kit closed center spool

Code

5212000-2.0

2/2

R	Pos.	Code Variant	Q.ty	Description
	21	3040045	1	Nut
	22	3080500	1	Grease nipple
	23	5090433	1	Control lever
	24	3190006	1	
	25	5225031	1	



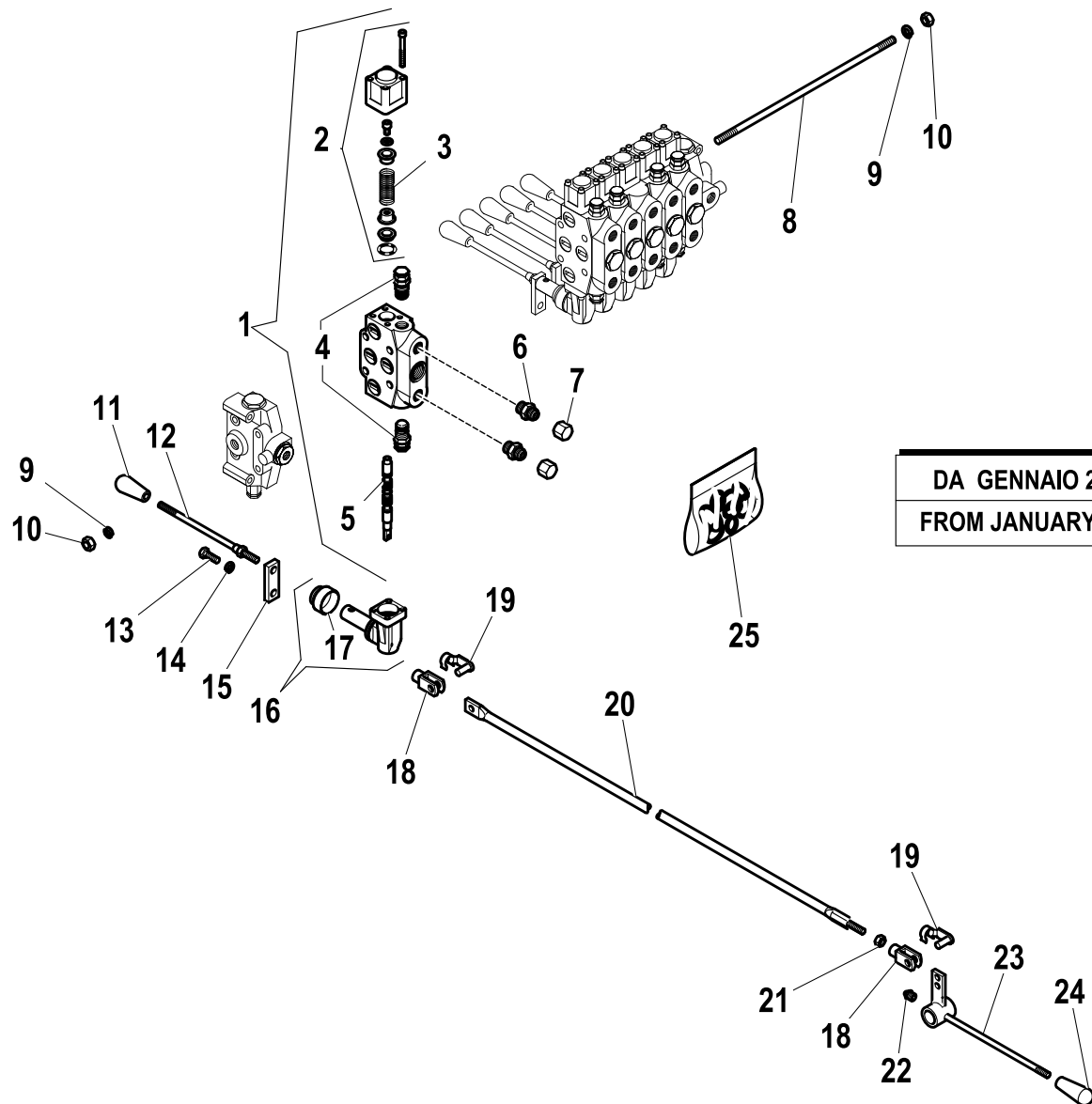
DA GENNAIO 2011 SOLO "NO CE"
FROM JANUARY 2011 ONLY "NO CE"

6th extra function kit closed center spool

Code

5212001-2.0

1/2



DA GENNAIO 2011 SOLO "NO CE"
FROM JANUARY 2011 ONLY "NO CE"

R	Pos.	Code Variant	Q.ty	Description
	1	5225190	1	
	2	5225130	1	
	3	5225462	1	
	4	5225200	2	
	5	5225177	1	
	6	3101051	2	Straight pipe fitting
	7	3110050	2	Female plug
	8	5225214	4	
	9	3060056	4	Split lock washer
	10	3040046	4	Nut
	11	3190010	1	Knob
	12	5220224	1	
	13	3010027	1	Hex screw [M8X20 8.8 ZC IF UNI 5739]
	14	3060055	1	Split lock washer
	15	5000708	1	
	16	5225126	1	
	17	5225128	1	
	18	3300431	2	
	19	3300451	2	
	20	5090481	1	

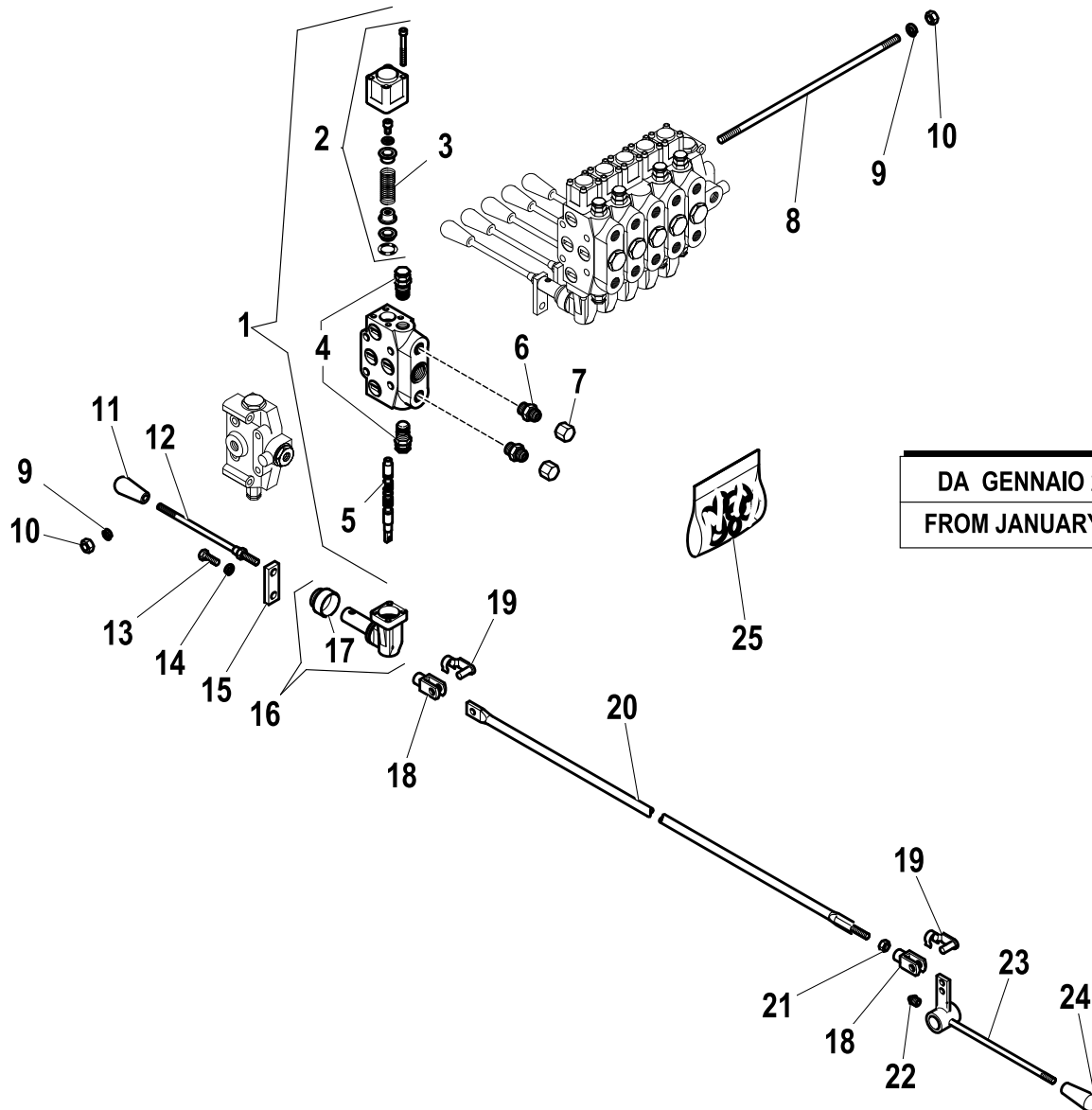
6th extra function kit closed center spool

Code

5212001-2.0

2/2

R	Pos.	Code Variant	Q.ty	Description
	21	3040045	1	Nut
	22	3080500	1	Grease nipple
	23	5090433	1	Control lever
	24	3190006	1	
	25	5225031	1	

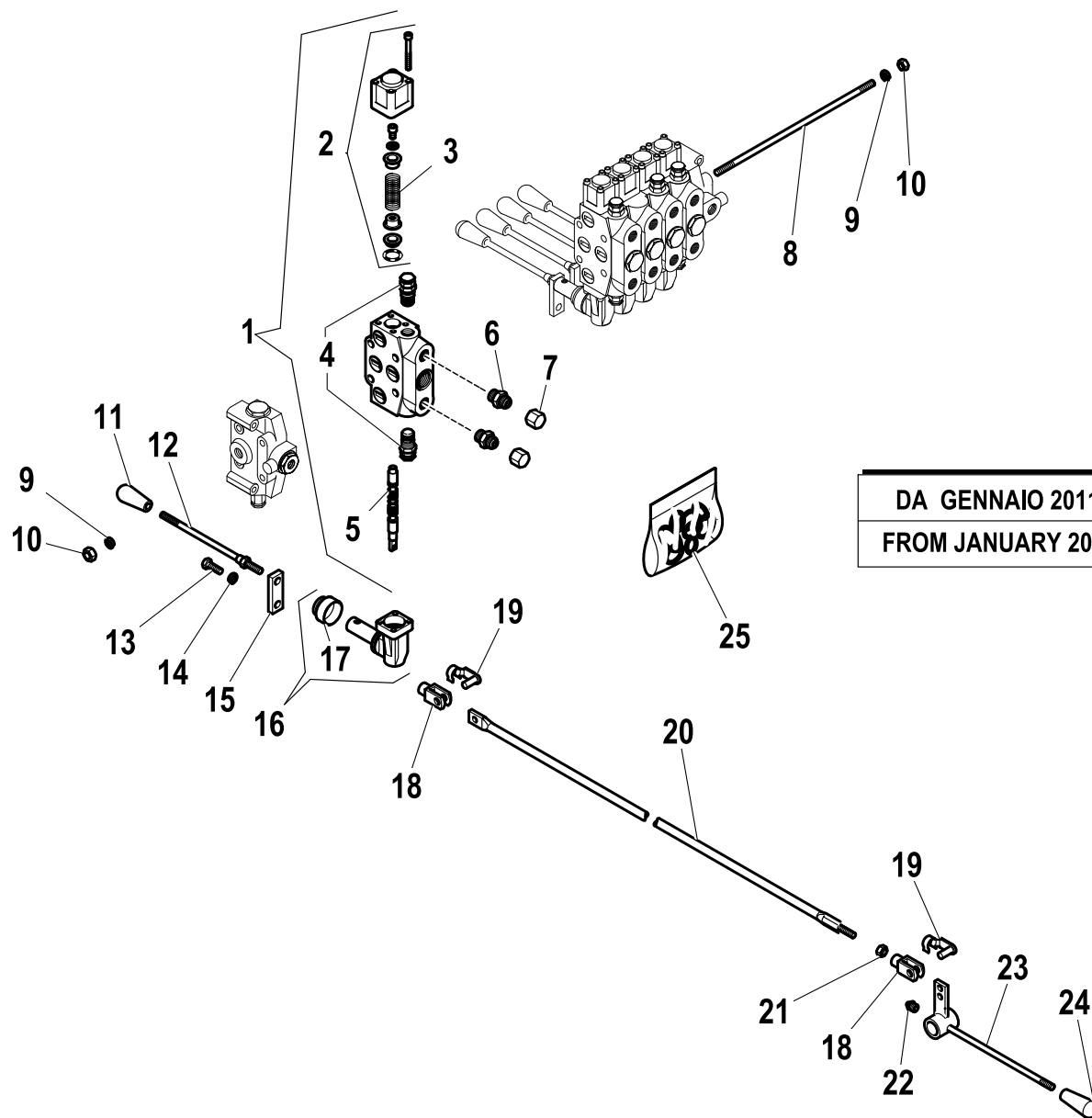


5th extra function kit open center spool

Code

5212004-3.0

1/2



**DA GENNAIO 2011 SOLO "NO CE"
FROM JANUARY 2011 ONLY "NO CE"**

R	Pos.	Code Variant	Q.ty	Description
	1	5225187	1	
	2	5225130	1	
	3	5225462	1	
	4	5225200	2	
	5	5225177	1	
	6	3101051	2	Straight pipe fitting
	7	3110050	2	Female plug
	8	5225213	4	
	9	3060056	4	Split lock washer
	10	3040046	4	Nut
	11	3190010	1	Knob
	12	5220224	1	
	13	3010027	1	Hex screw [M8X20 8.8 ZC IF UNI 5739]
	14	3060055	1	Split lock washer
	15	5000708	1	
	16	5225126	1	
	17	5225128	1	
	18	3300431	2	
	19	3300451	2	
	20	5090481	1	

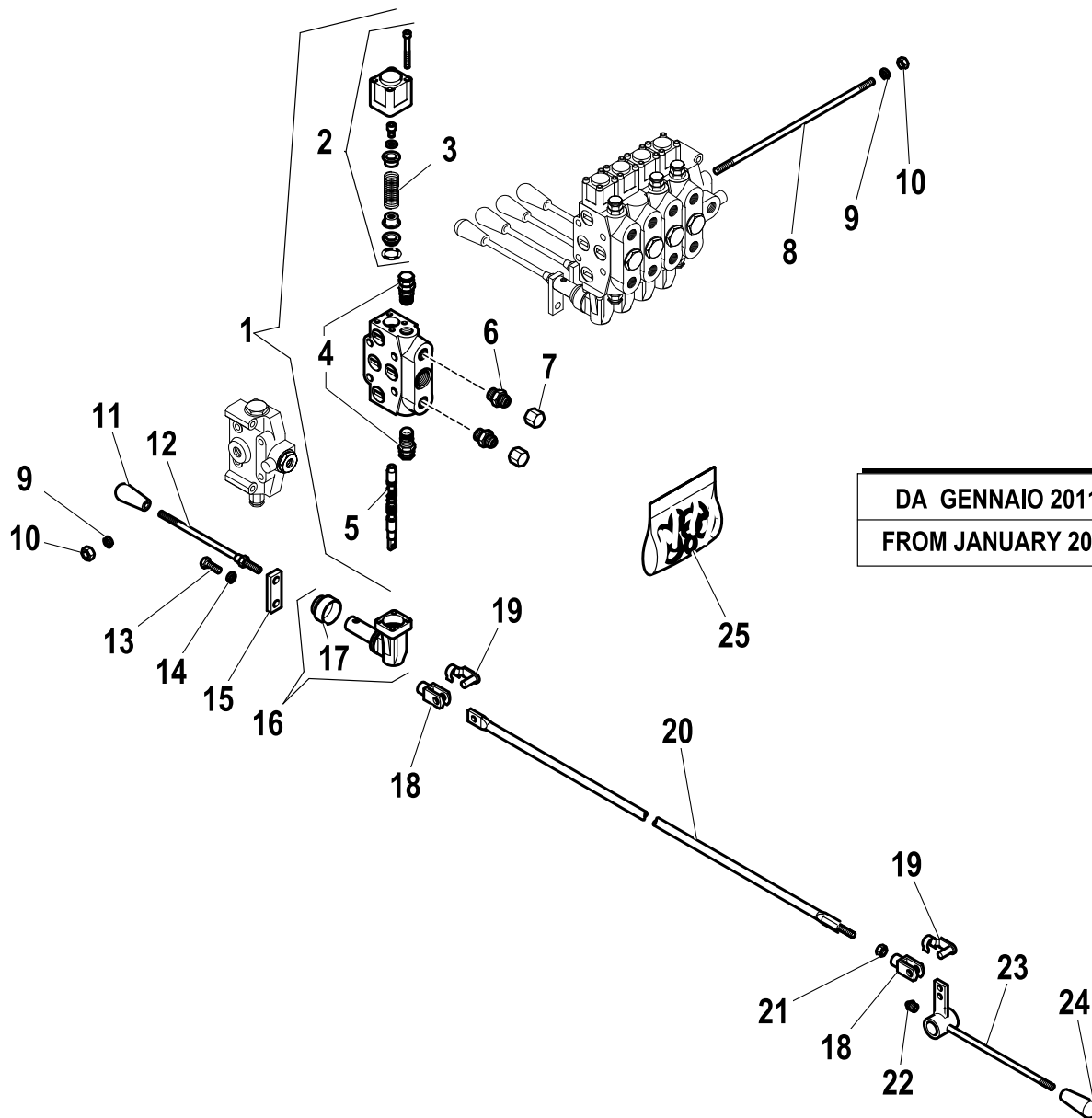
5th extra function kit open center spool

Code

5212004-3.0

2/2

R	Pos.	Code Variant	Q.ty	Description
	21	3040045	1	Nut
	22	3080500	1	Grease nipple
	23	5090433	1	Control lever
	24	3190006	1	
	25	5225031	1	

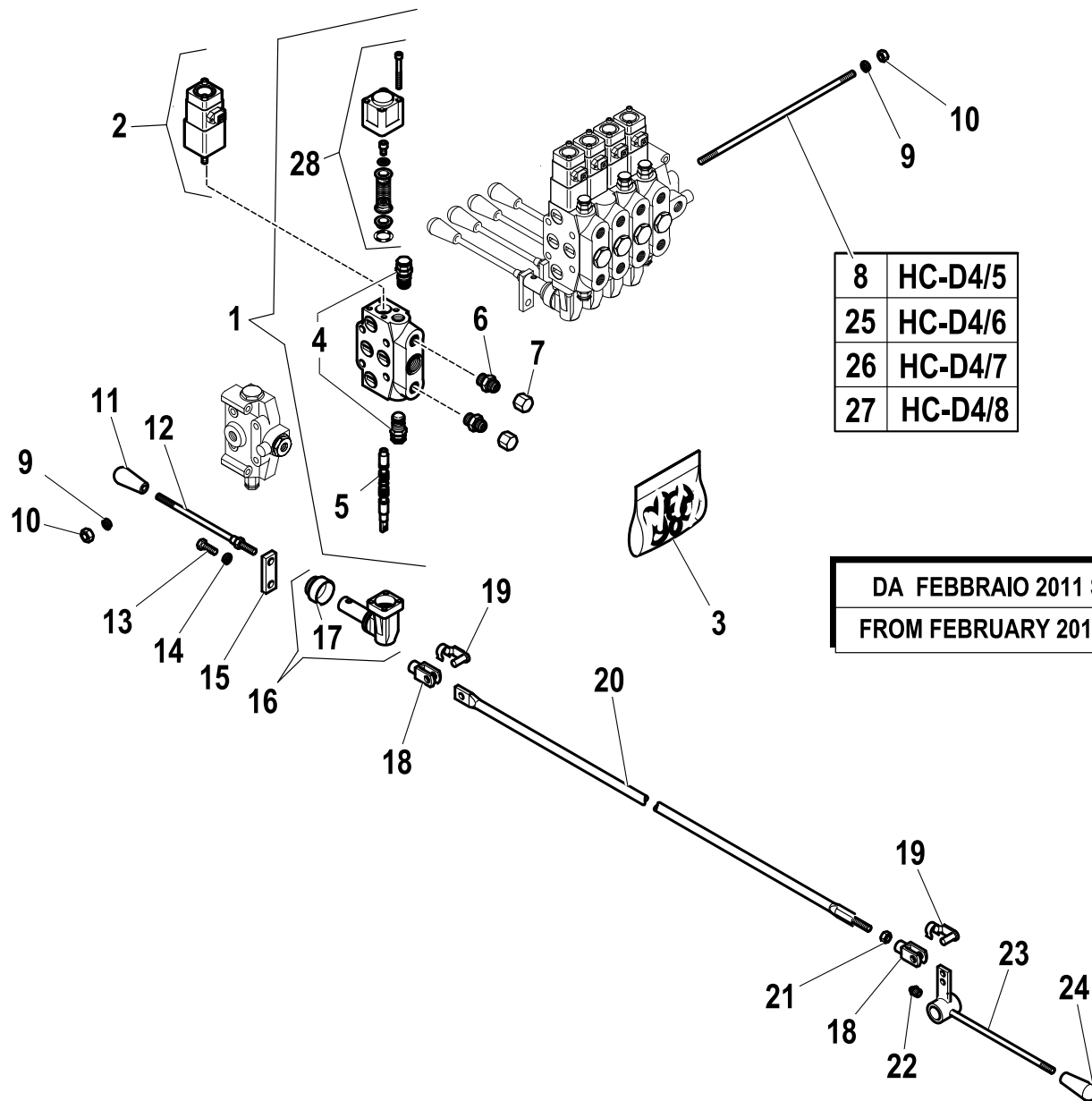


5th extra function kit closed center spool

Code

5212015-5.0

1/2



8	HC-D4/5
25	HC-D4/6
26	HC-D4/7
27	HC-D4/8

**DA FEBBRAIO 2011 SOLO "CE"
FROM FEBRUARY 2011 ONLY "CE"**

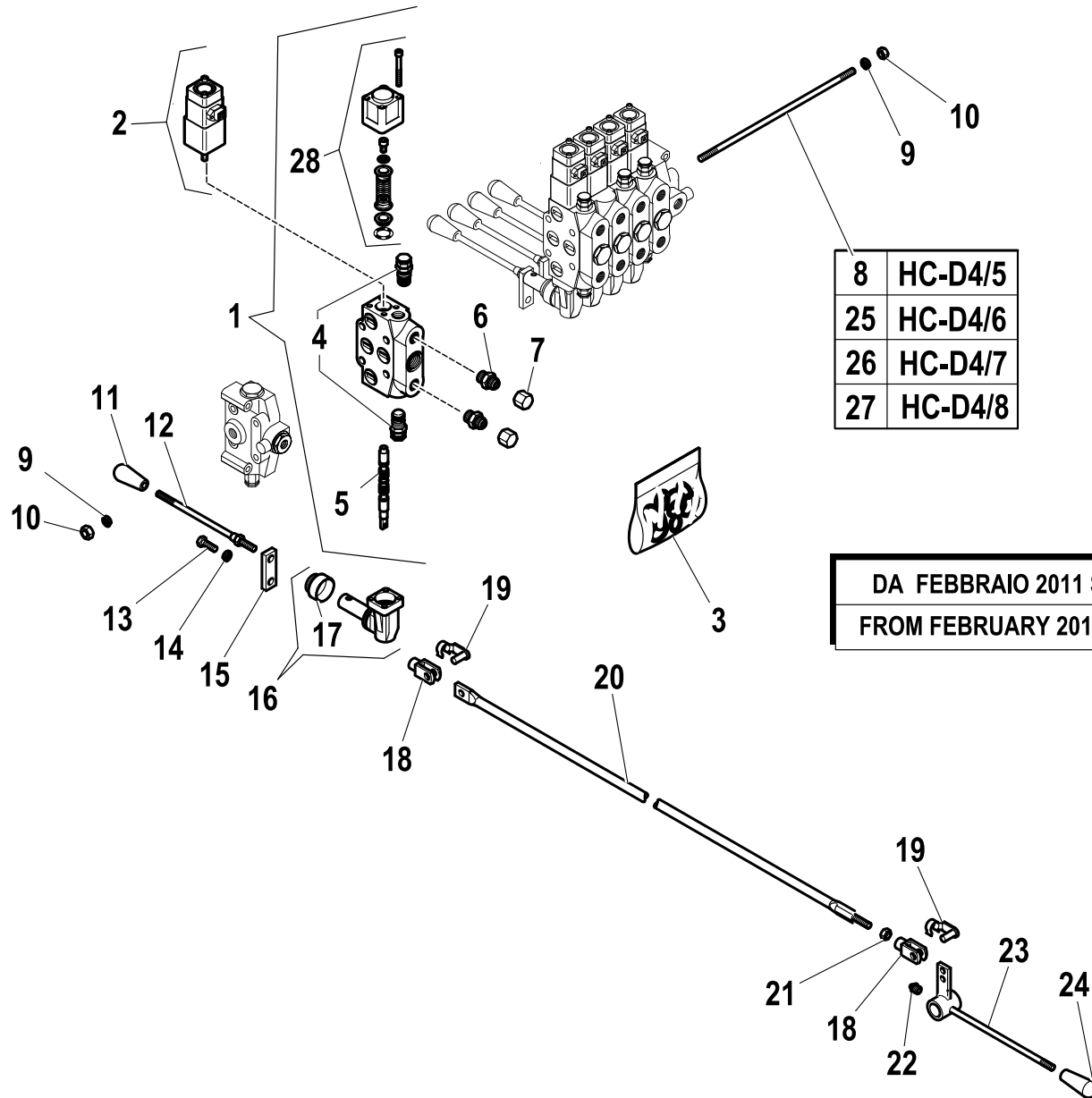
R	Pos.	Code Variant	Q.ty	Description
	1	5225190	1	
	2	5225372	1	
	3	5225031	1	
	4	5225200	2	
	5	5225143	1	
	6	3101051	2	Straight pipe fitting
	7	3110050	2	Female plug
	8	5225213	4	
	9	3060056	4	Split lock washer
	10	3040046	4	Nut
	11	3190010	1	Knob
	12	5220224	1	
	13	3010339	1	Hex screw [M8X25 8.8 ZC IF UNI 5739]
	14	3060055	1	Split lock washer
	15	5000708	1	
	16	5225126	1	
	17	5225128	1	
	18	3300431	2	
	19	3300451	2	
	20	5090481	1	

5th extra function kit closed center spool

Code

5212015-5.0

2/2



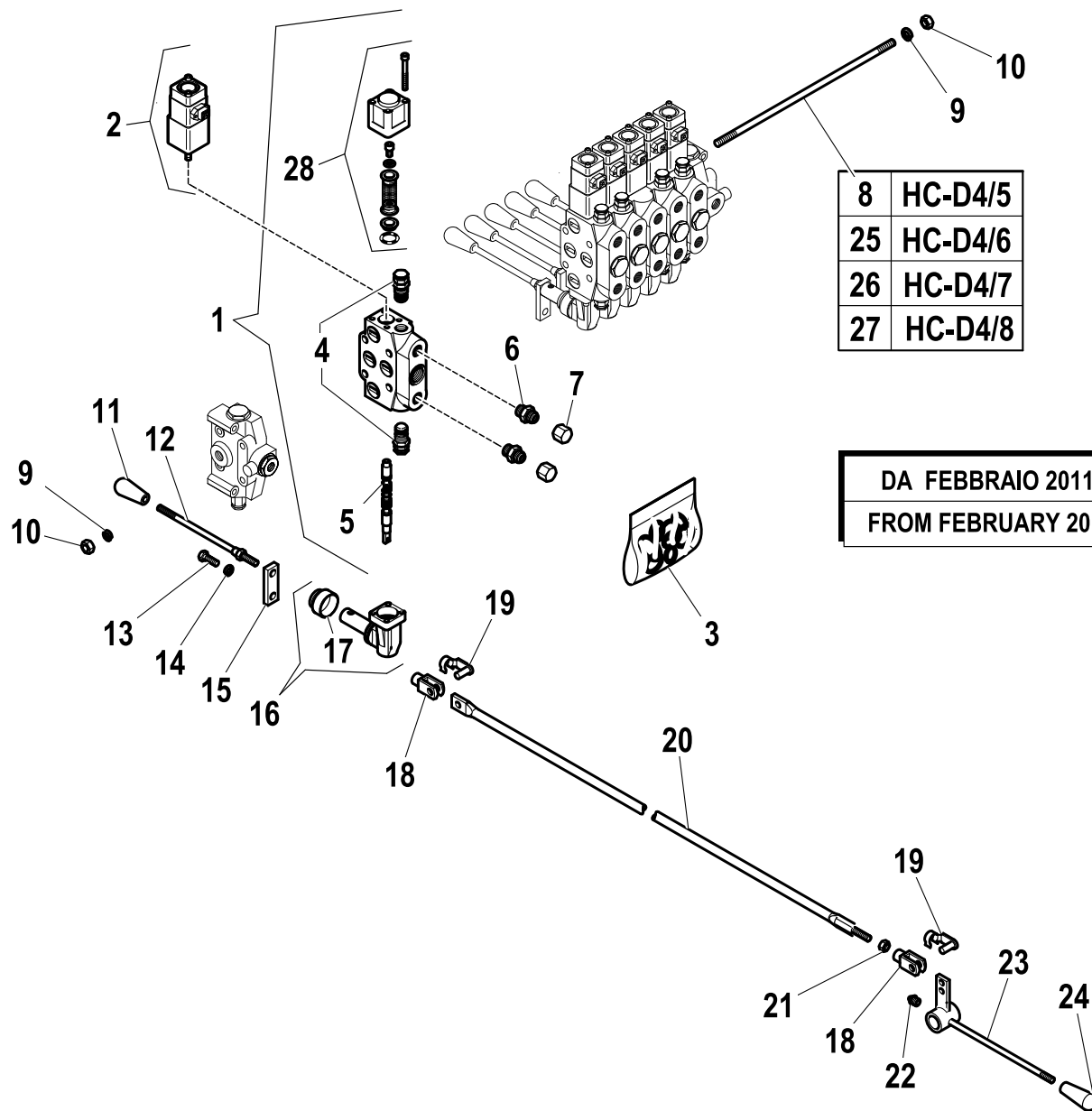
R	Pos.	Code Variant	Q.ty	Description
	21	3040045	1	Nut
	22	3080500	1	Grease nipple
	23	5090433	1	Control lever
	24	3190006	1	
	25	5225214	4	
	26	5225215	4	
	27	5225216	4	
	28	5225130	1	

6th extra function kit closed center spool

Code

5212015-6.0

1/2



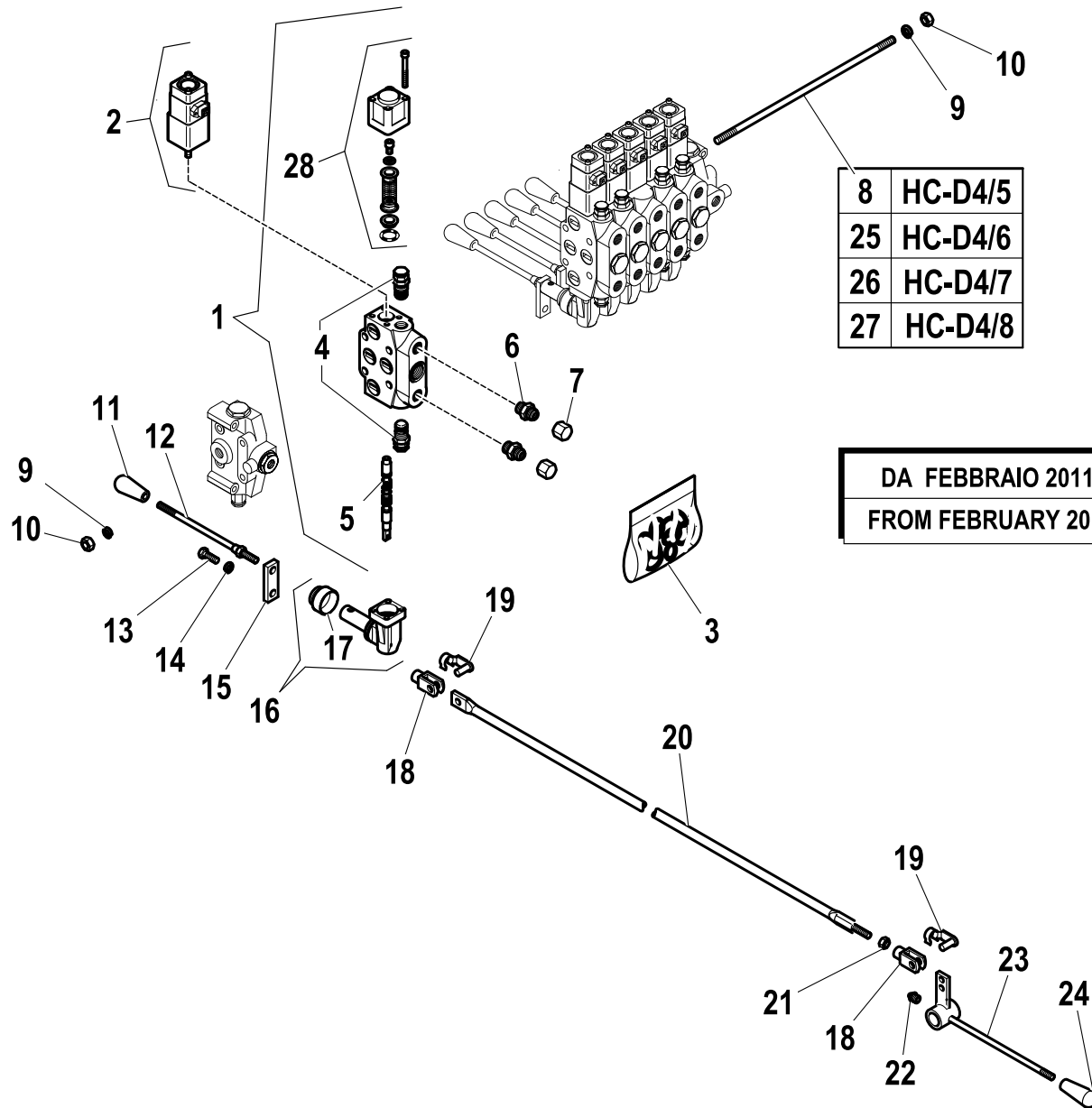
R	Pos.	Code Variant	Q.ty	Description
	1	5225190	1	
	2	5225372	1	
	3	5225031	1	
	4	5225200	2	
	5	5225143	1	
	6	3101051	2	Straight pipe fitting
	7	3110050	2	Female plug
	8	5225213	4	
	9	3060056	4	Split lock washer
	10	3040046	4	Nut
	11	3190010	1	Knob
	12	5220224	1	
	13	3010339	1	Hex screw [M8X25 8.8 ZC IF UNI 5739]
	14	3060055	1	Split lock washer
	15	5000708	1	
	16	5225126	1	
	17	5225128	1	
	18	3300431	2	
	19	3300451	2	
	20	5090481	1	

6th extra function kit closed center spool

Code

5212015-6.0

2/2



8	HC-D4/5
25	HC-D4/6
26	HC-D4/7
27	HC-D4/8

DA FEBBRAIO 2011 SOLO "CE"
FROM FEBRUARY 2011 ONLY "CE"

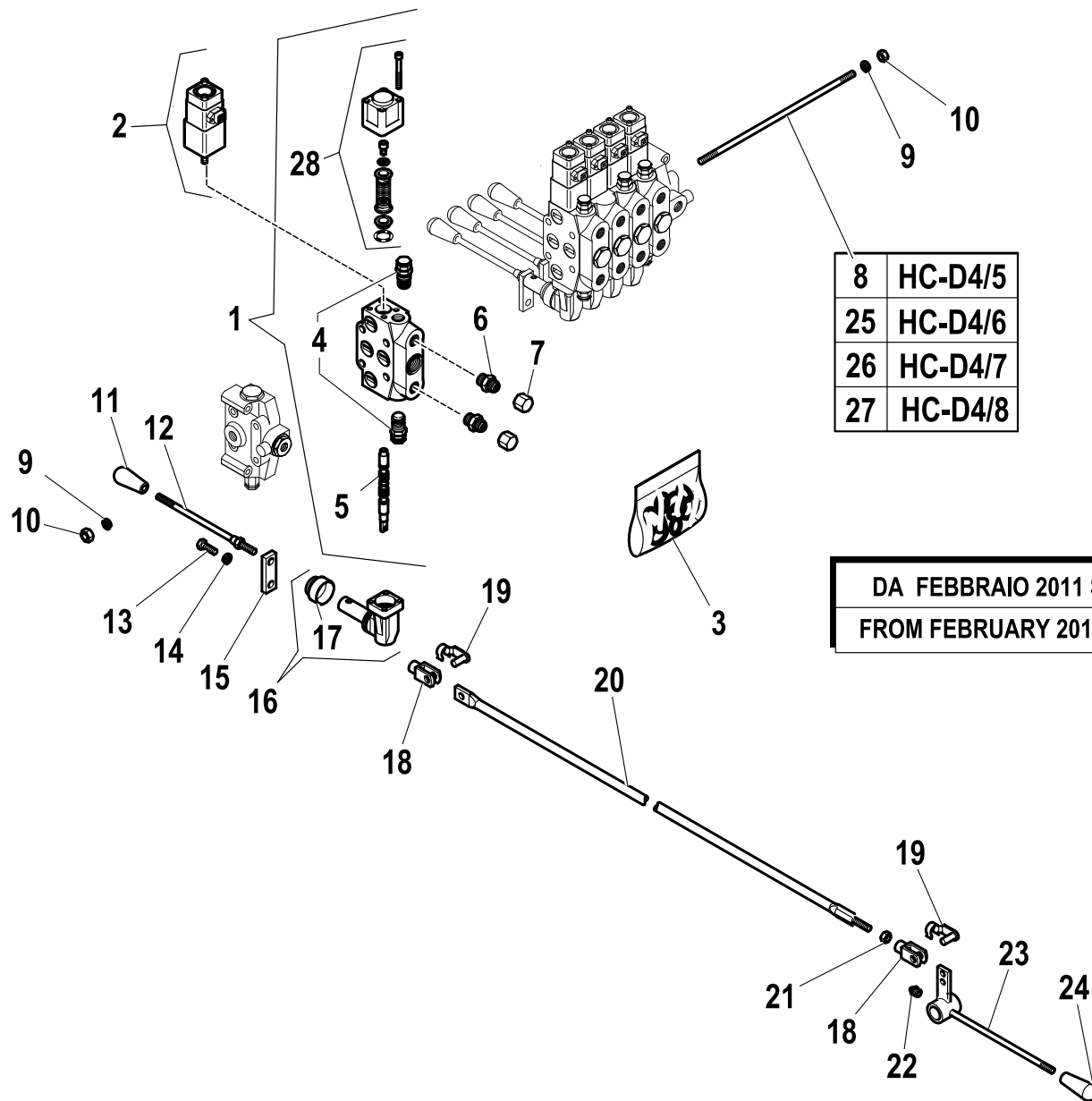
R	Pos.	Code Variant	Q.ty	Description
	21	3040045	1	Nut
	22	3080500	1	Grease nipple
	23	5090433	1	Control lever
	24	3190006	1	
	25	5225214	4	
	26	5225215	4	
	27	5225216	4	
	28	5225130	1	

5th extra function kit open center spool

Code

5212019-4.0

1/2



8	HC-D4/5
25	HC-D4/6
26	HC-D4/7
27	HC-D4/8

DA FEBBRAIO 2011 SOLO "CE"
FROM FEBRUARY 2011 ONLY "CE"

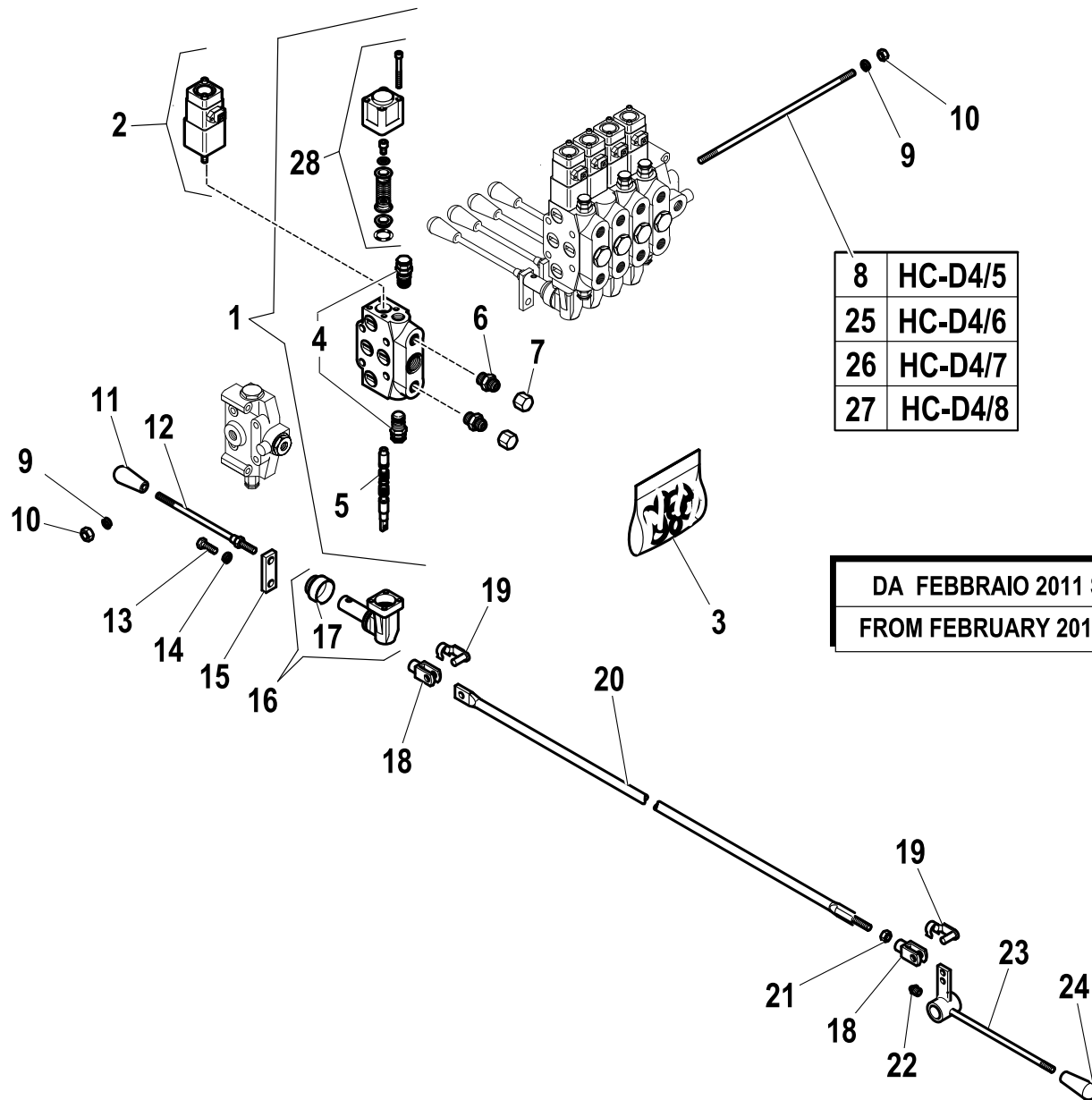
R	Pos.	Code Variant	Q.ty	Description
	1	5225187	1	
	2	5225372	1	
	3	5225031	1	
	4	5225200	2	
	5	5225143	1	
	6	3101051	2	Straight pipe fitting
	7	3110050	2	Female plug
	8	5225213	4	
	9	3060056	4	Split lock washer
	10	3040046	4	Nut
	11	3190010	1	Knob
	12	5220224	1	
	13	3010339	1	Hex screw [M8X25 8.8 ZC IF UNI 5739]
	14	3060055	1	Split lock washer
	15	5000708	1	
	16	5225126	1	
	17	5225128	1	
	18	3300431	2	
	19	3300451	2	
	20	5090481	1	

5th extra function kit open center spool

Code

5212019-4.0

2/2



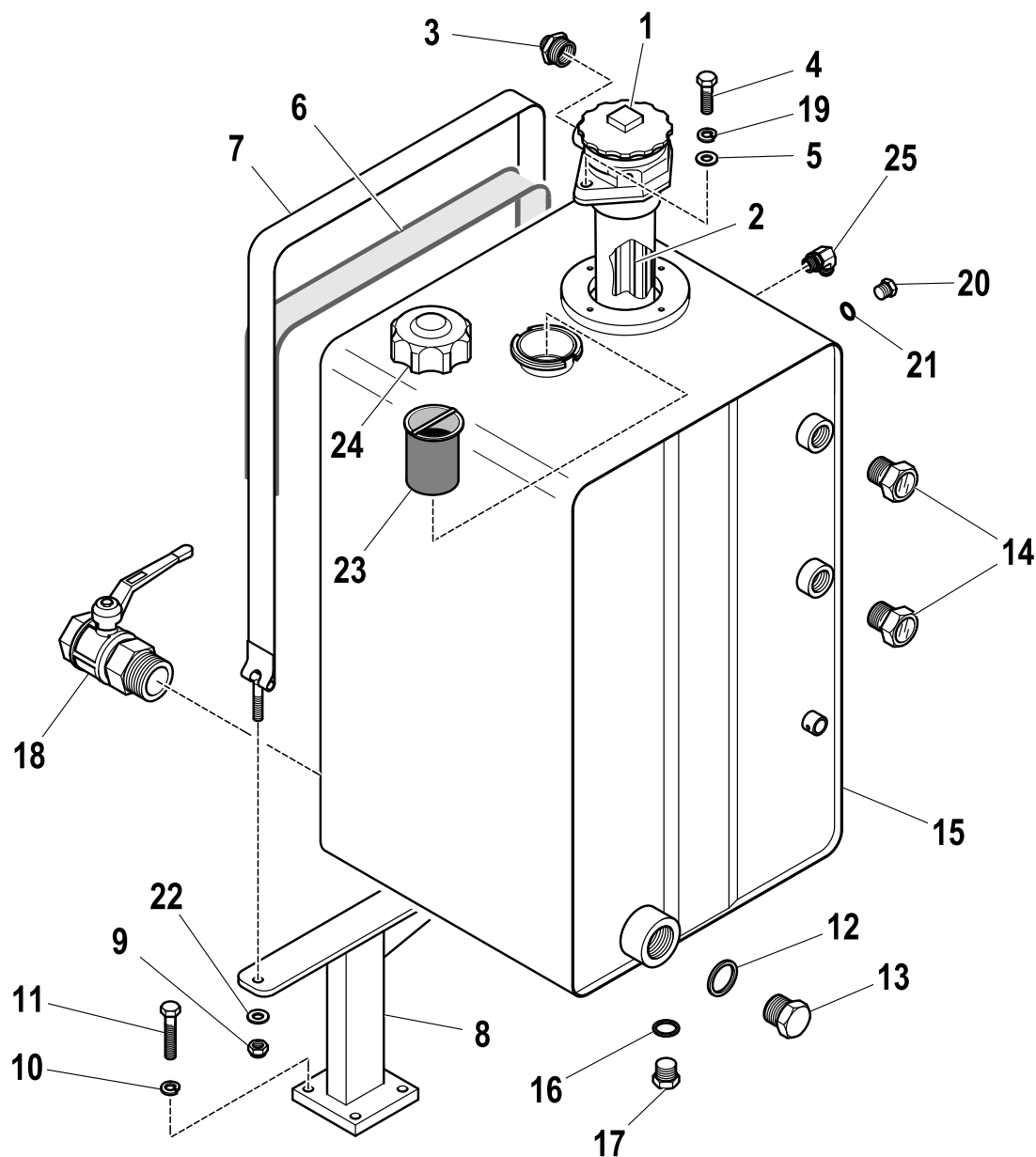
R	Pos.	Code Variant	Q.ty	Description
	21	3040045	1	Nut
	22	3080500	1	Grease nipple
	23	5090433	1	Control lever
	24	3190006	1	
	25	5225214	4	
	26	5225215	4	
	27	5225216	4	
	28	5225130	1	

Hydraulic oil tank

Code

5400026-1.2

1/2



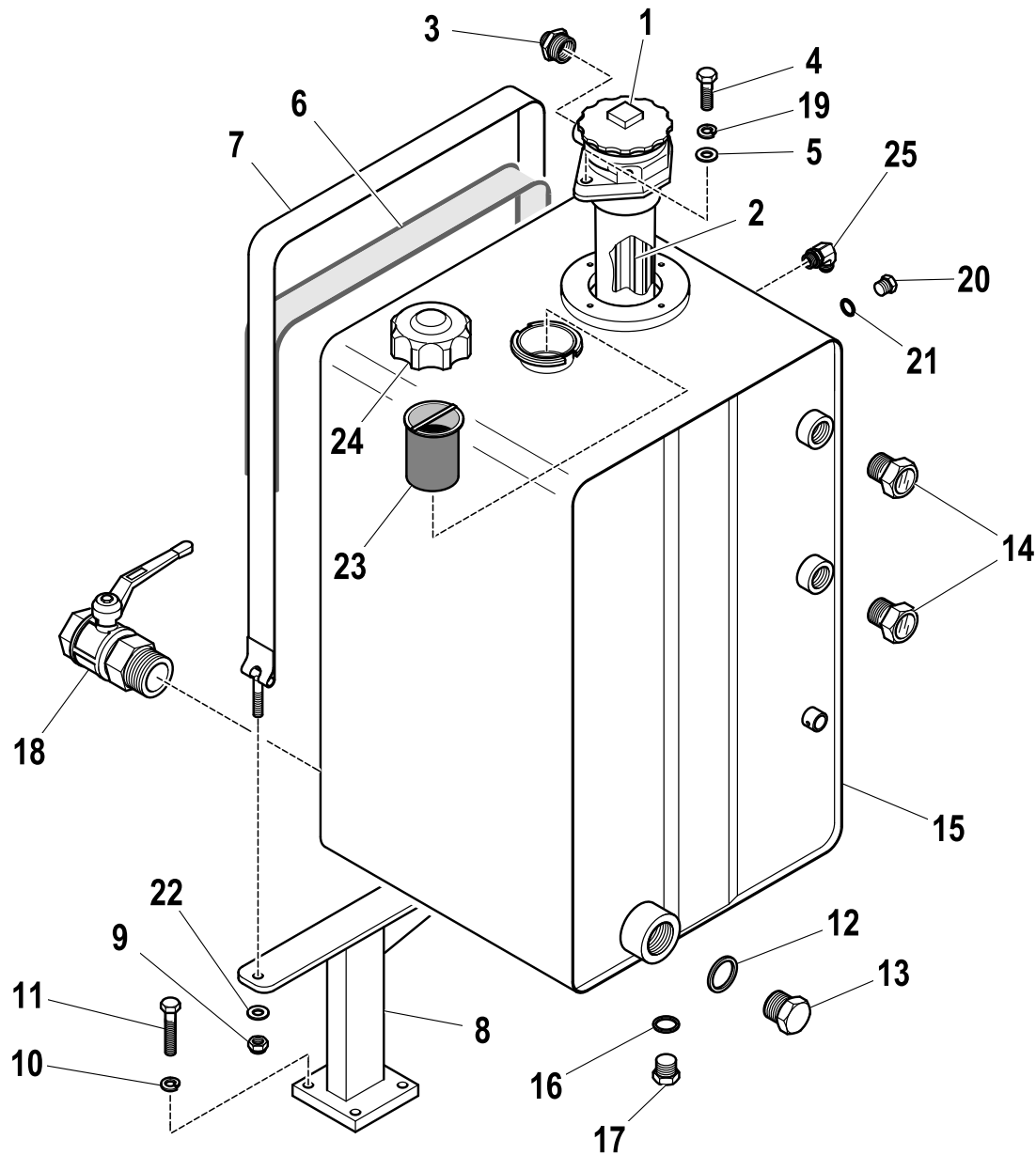
R	Pos.	Code Variant	Q.ty	Description
	1	3180196	1	Oil filter
	2	3180110	1	Filtering cartridge
	3	3101057	1	Straight pipe fitting
	4	3010029	2	Hex screw [Vte M8x30 8.8 Zc. UNI 5737]
	5	3060006	2	Flat washer [D.8x17 UNI 6592 ZC]
	6	3190020	1.4m	
	7	5000521	2	
	8	5090427	2	
	9	3040304	4	Stopnut
	10	3060056	8	Split lock washer
	11	3010355	8	Hex screw [M10X25 8.8 ZC IF UNI 5739]
	12	3060150	1	Sealing washer
	13	3110064	1	Plug
	14	3180099	2	
	15	5090360	1	
	16	3060145	1	Sealing washer
	17	3110065	1	Plug
	18	3140304	1	
	19	3060055	2	Split lock washer
	20	3110062	1	Plug

Hydraulic oil tank

Code

5400026-1.2

2/2



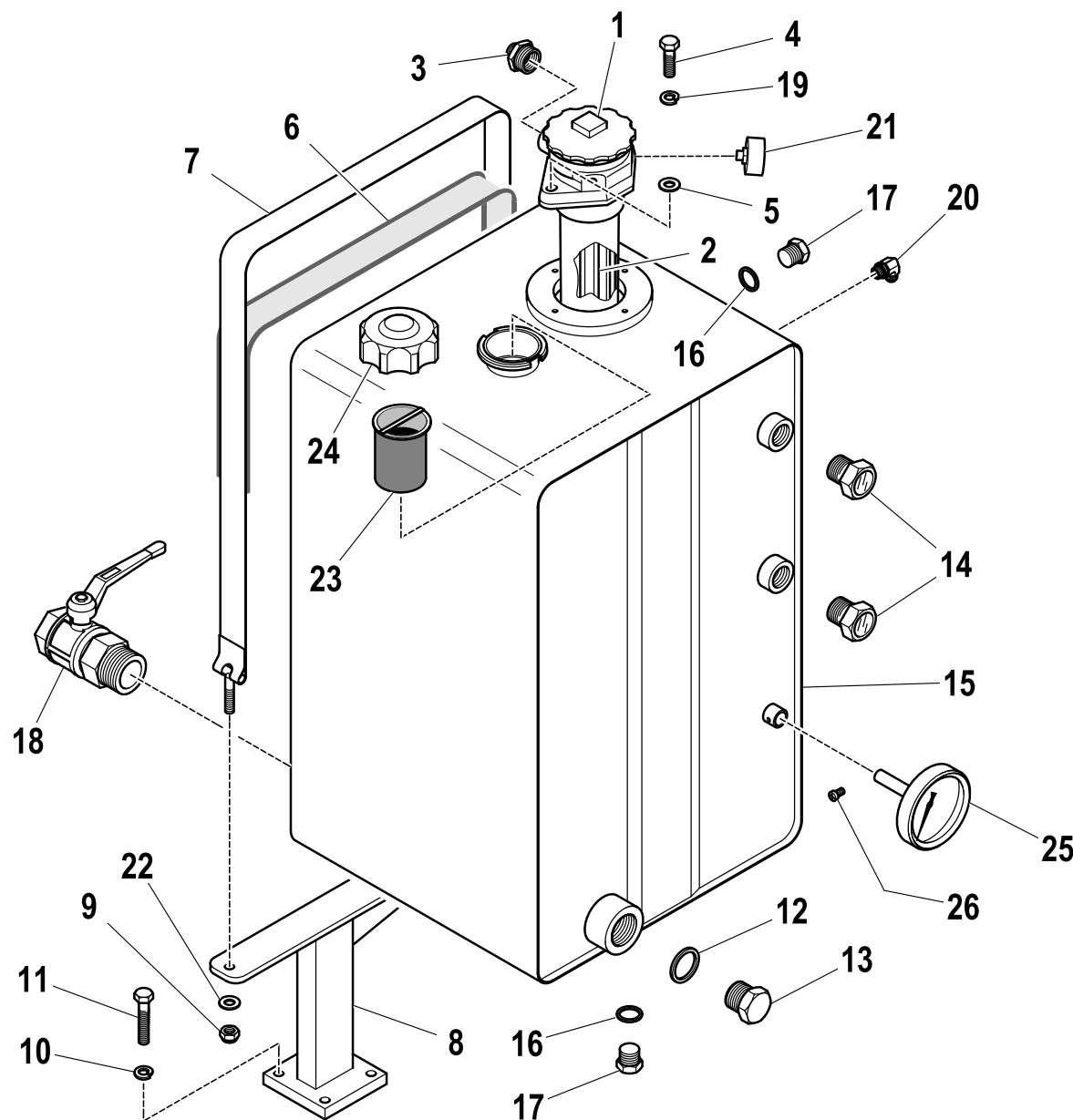
R	Pos.	Code Variant	Q.ty	Description
	21	3060143	1	Sealing washer
	22	3060914	4	Flat washer
	23	W449015	1	
	24	W449014	1	
	25	3101131	1	90° Connection

Hydraulic oil tank

Code

5400027-1.2

1/2



R	Pos.	Code Variant	Q.ty	Description
	1	3180196	1	Oil filter
	2	3180110	1	Filtering cartridge
	3	3101057	1	Straight pipe fitting
	4	3010029	2	Hex screw [Vte M8x30 8.8 Zc. UNI 5737]
	5	3060006	2	Flat washer [D.8x17 UNI 6592 ZC]
	6	3190020	1.4m	
	7	5000521	2	
	8	5090427	2	
	9	3040304	4	Stopnut
	10	3060056	8	Split lock washer
	11	3010355	8	Hex screw [M10X25 8.8 ZC IF UNI 5739]
	12	3060150	1	Sealing washer
	13	3110064	1	Plug
	14	3180099	2	
	15	5090360	1	
	16	3060145	2	Sealing washer
	17	3110065	2	Plug
	18	3140304	1	
	19	3060055	2	Split lock washer
	20	3101124	1	90° Connection

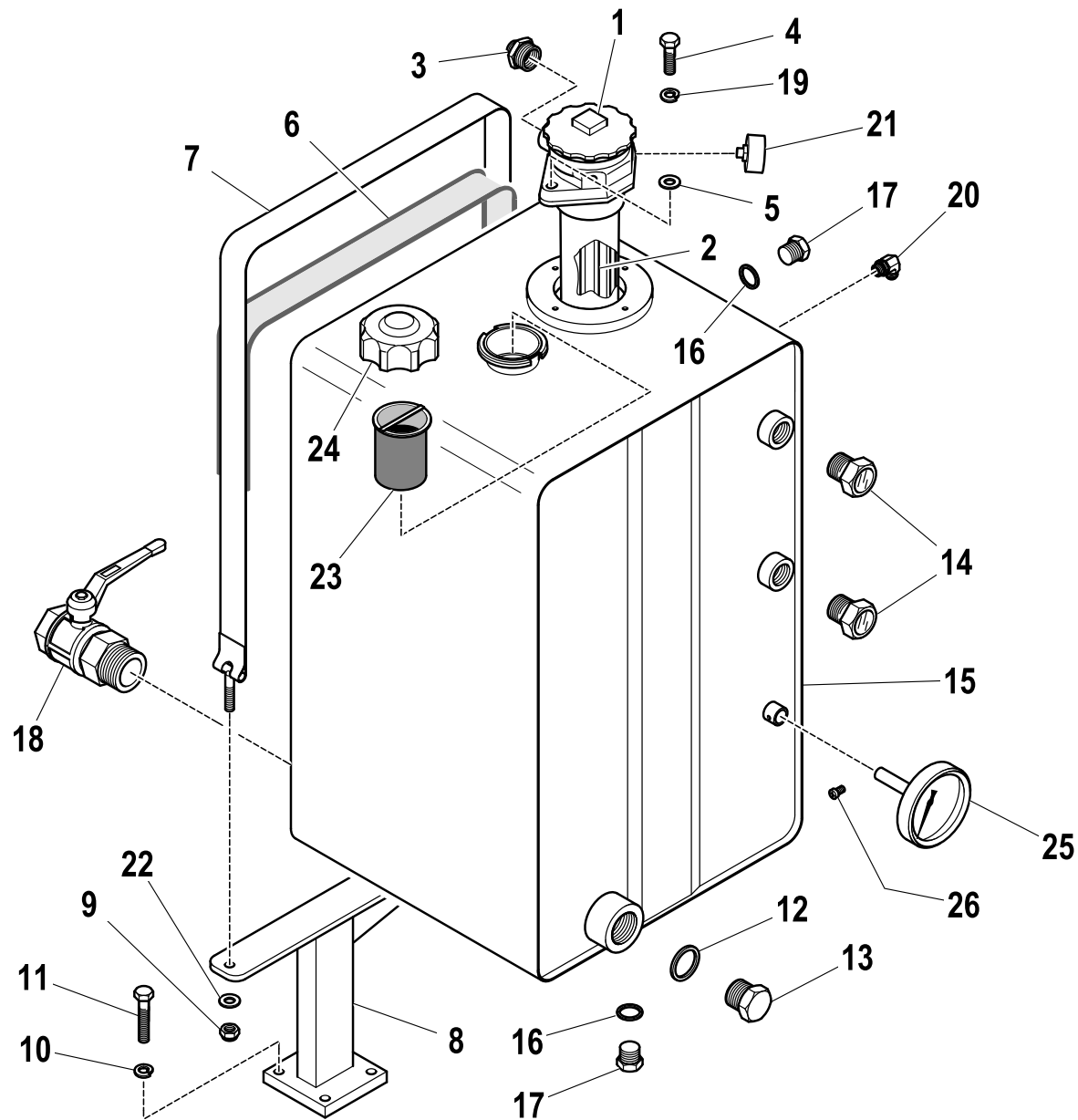
Hydraulic oil tank

Code

5400027-1.2

2/2

R	Pos.	Code Variant	Q.ty	Description
	21	3180147	1	Pressure gauge (Clogging indicator)
	22	3060914	4	Flat washer
	23	W449015	1	
	24	W449014	1	
	25	3180097	1	
	26	3020881	1	

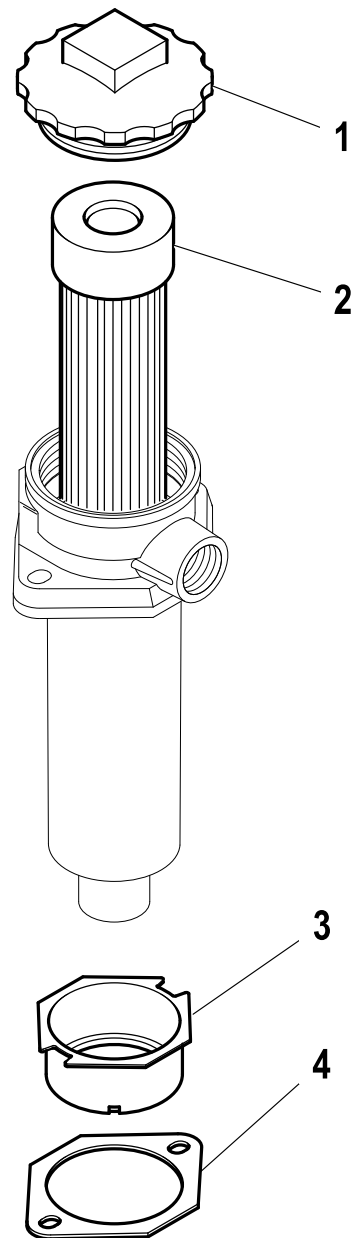


Oil filter

Code

3180196-1.0

1/1



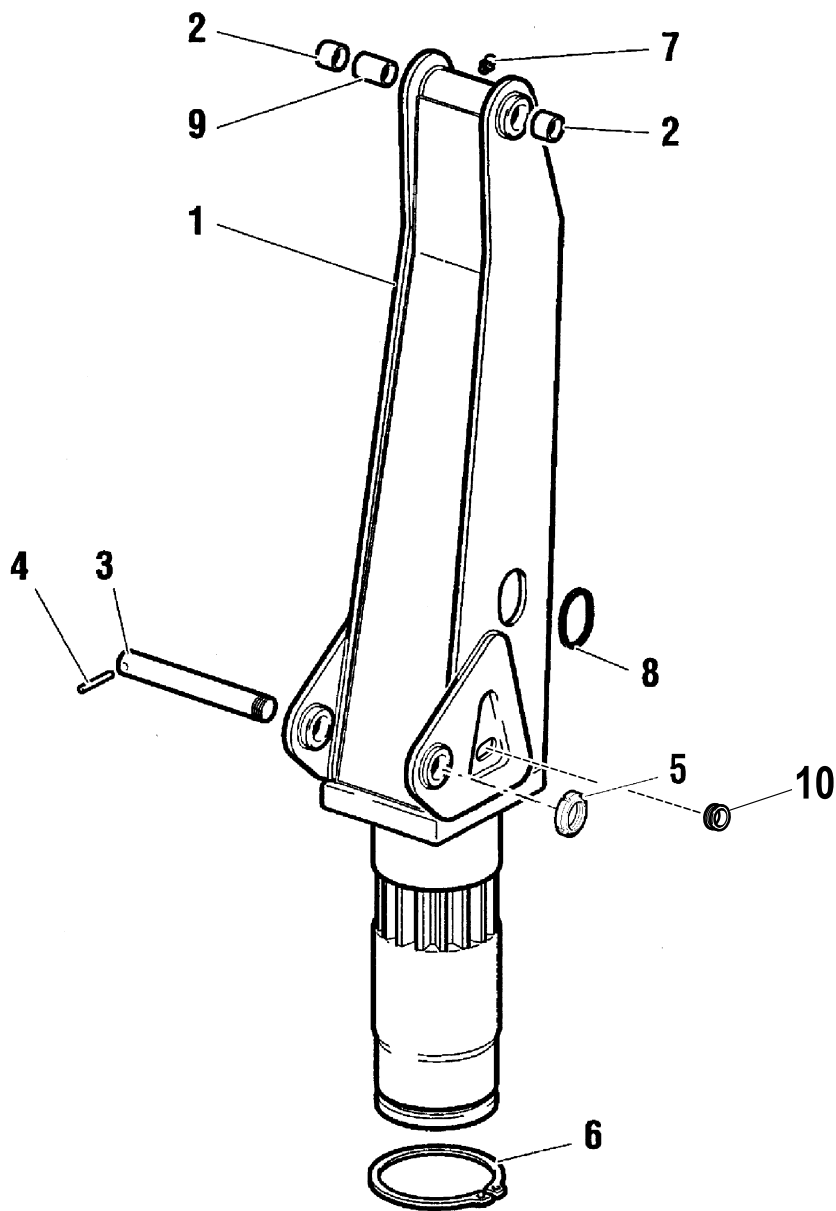
R	Pos.	Code Variant	Q.ty	Description
	1	3180111	1	
	2	3180110	1	Filtering cartridge
	3	3180156	1	
	4	3180158	1	

Column

Code

5460011-1.0

1/1



R	Pos.	Code Variant	Q.ty	Description
	1	5040083	1	Column
	2	5140679	2	
	3	5150473	1	
	4	3060628	1	Spring pin
	5	3040507	1	Self-locking ringnut
	6	3070128	1	Seeger
	7	3080501	1	Grease nipple
	8	3190011	1	
	9	5000756	1	
	10	W180201000	1	

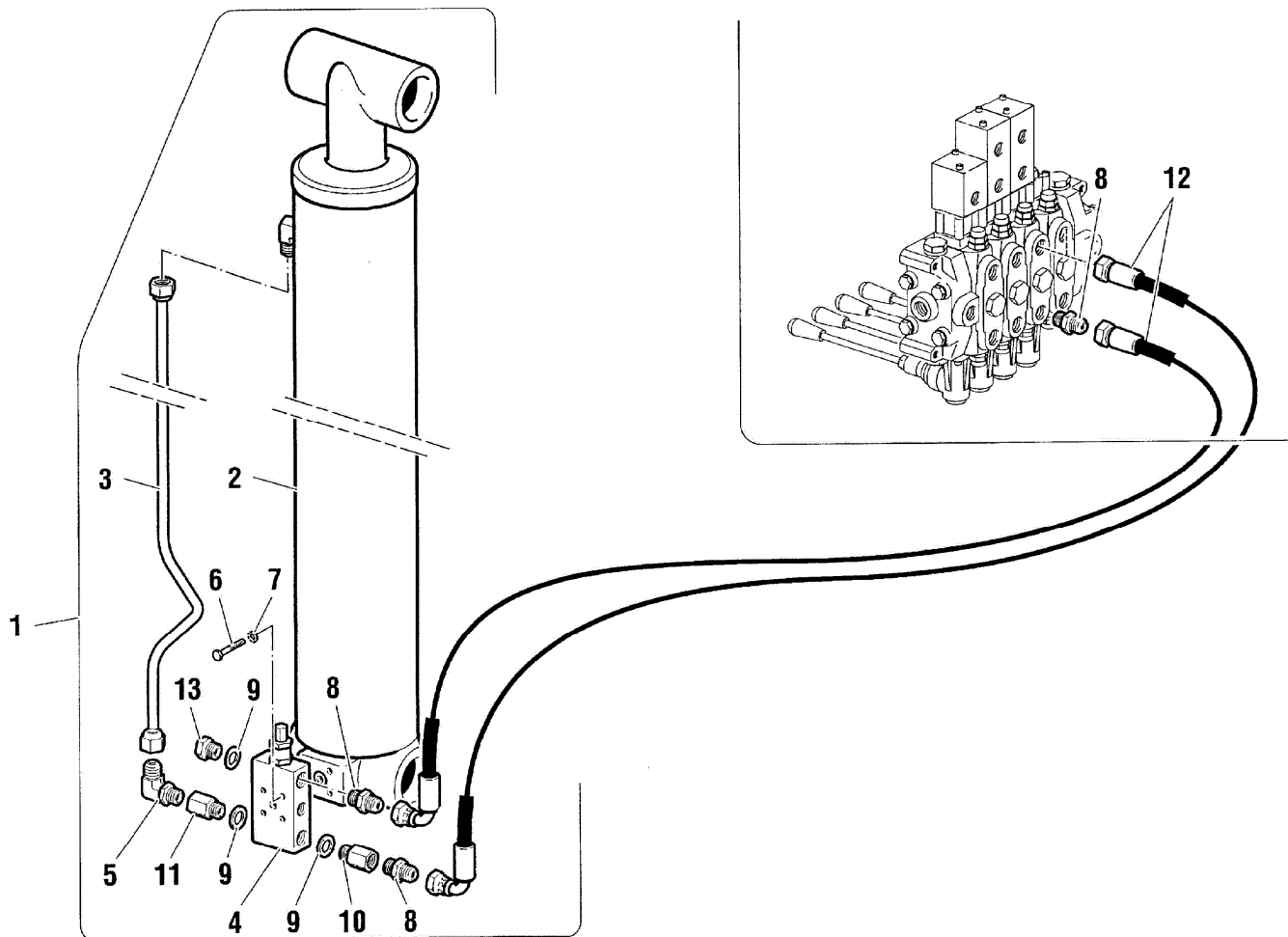
LIFTING HYDRAULIC CYLINDER (Hydraulic system)

Code

6230132-1.0

1/1

R	Pos.	Code Variant	Q.ty	Description
	1	6230132	1	Lifting jack
	2	6430132	1	Lifting jack
	3	5391353	1	
	4	5220570	1	
	5	3101131	1	90° Connection
	6	3010032	4	Hex screw
	7	3060055	4	Split lock washer
	8	3101051	3	Straight pipe fitting
	9	3060145	3	Sealing washer
	10	3110117	1	Straight pipe fitting
	11	3110113	1	Straight pipe fitting
	12	5281157	2	
	13	3110065	1	Plug

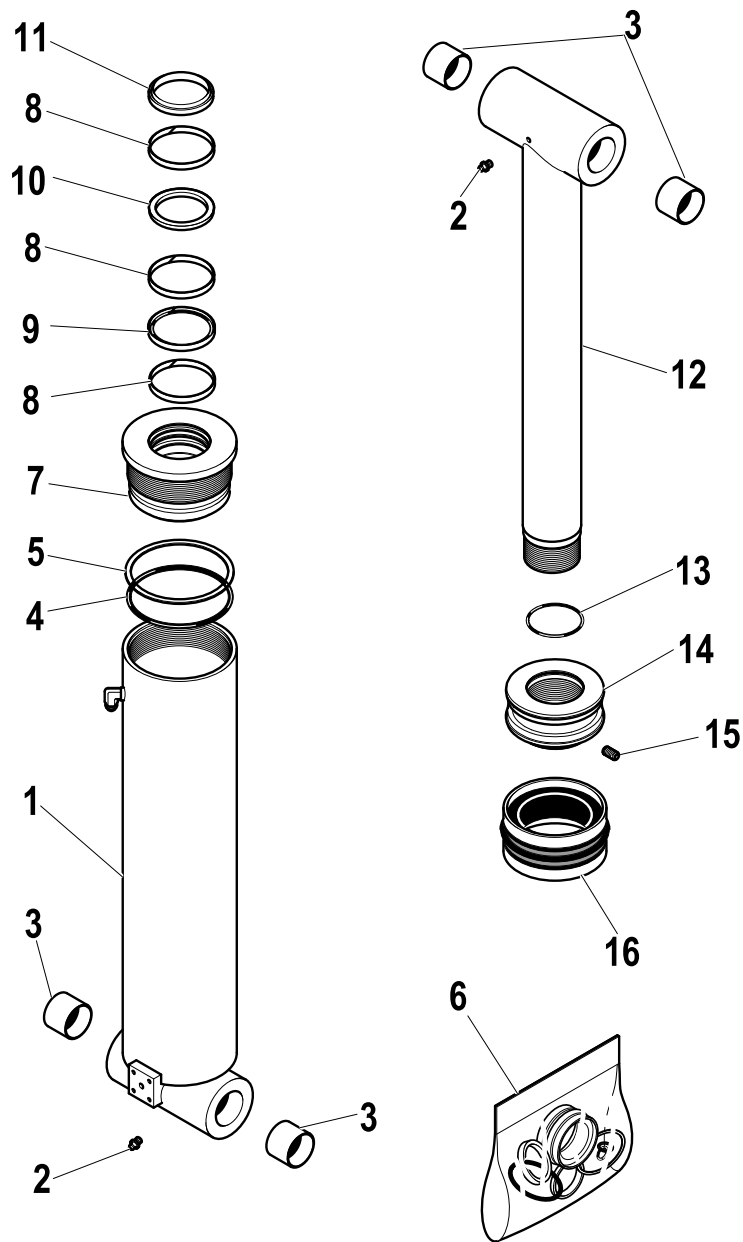


LIFTING HYDRAULIC CYLINDER

Code

6430132-1.0

1/1



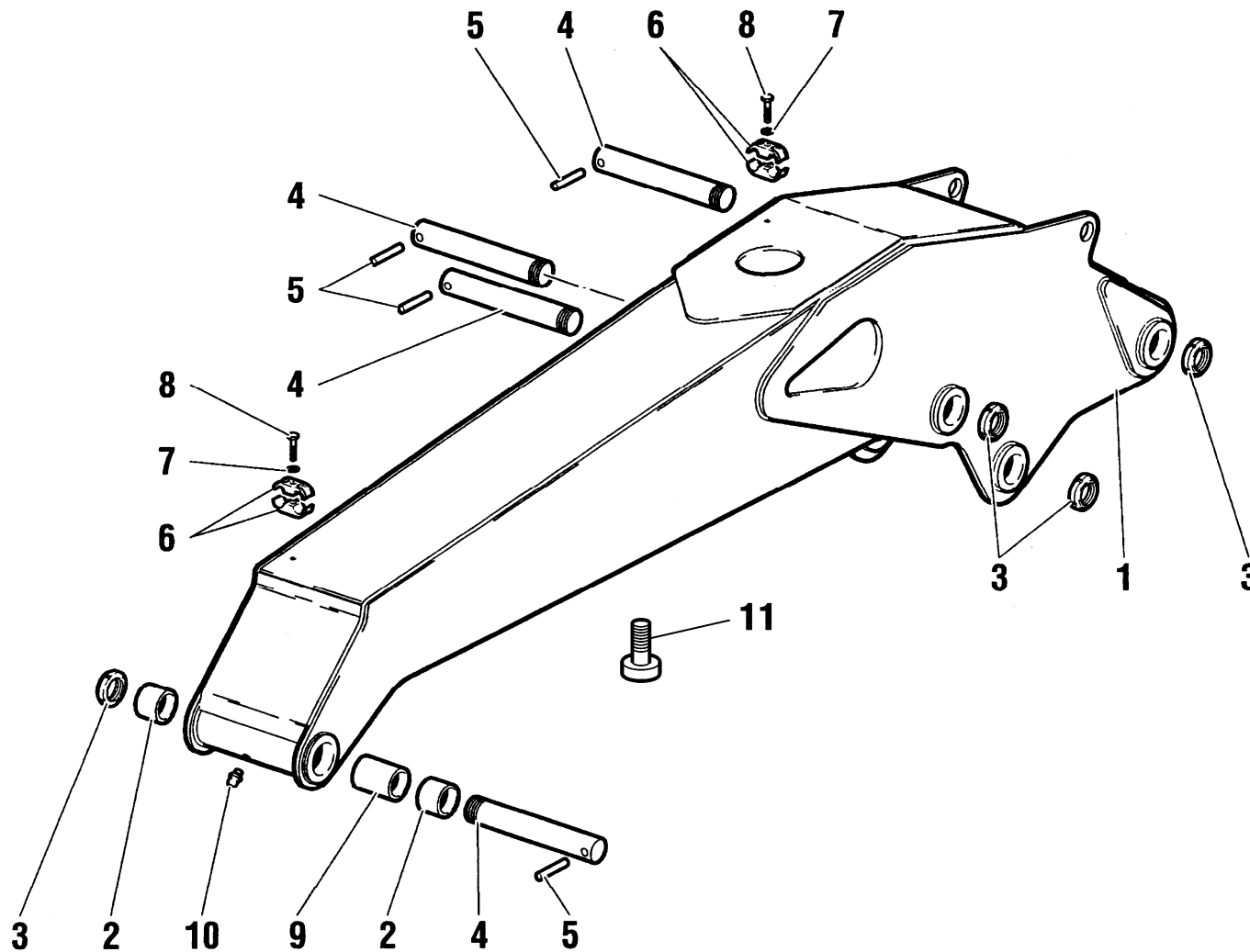
R	Pos.	Code Variant	Q.ty	Description
	1	6070381	1	
	2	3080501	2	Grease nipple
	3	5140679	4	
	4	3450501	1	
	5	3460501	1	
	6	5550777	1	
	7	6040301	1	
	8	3361011	3	
	9	3380800	1	
	10	3370170	1	
	11	3420041	1	
	12	6030608	1	
	13	3450125	1	
	14	6050254	1	
	15	3060244	1	Grub screw
	16	3400526	1	

1ST BOOM

Code

5470014-1.0

1/1



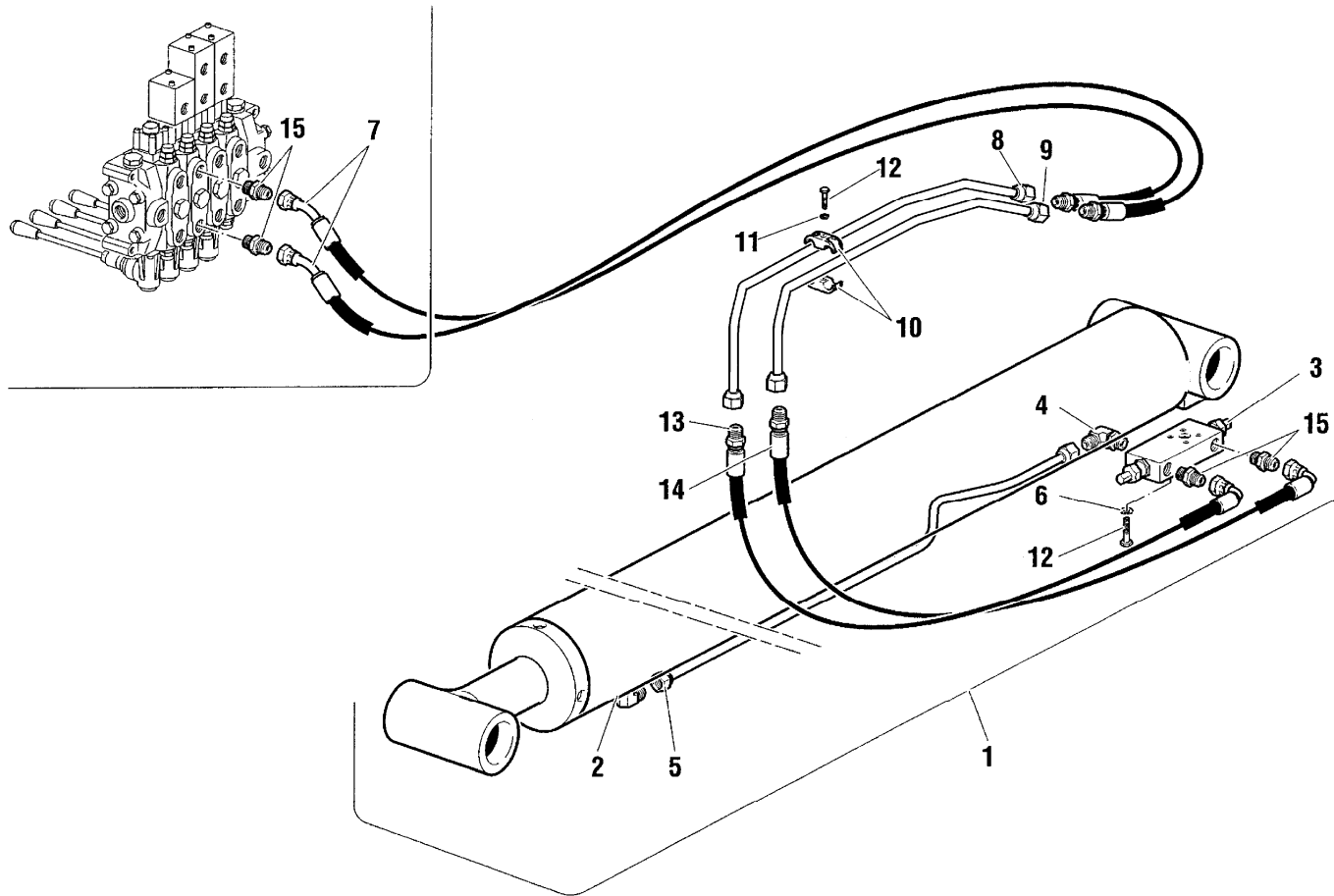
R	Pos.	Code Variant	Q.ty	Description
	1	5030210	1	Main boom
	2	5140679	2	
	3	3040507	4	Self-locking ringnut
	4	5150473	4	
	5	3060628	4	Spring pin
	6	5000047	10	
	7	3060055	5	Split lock washer
	8	3010032	5	Hex screw
	9	5000756	1	
	10	3080501	1	Grease nipple
	11	3190100	1	

Articulation Hydraulic jack (Hydraulic system)

Code

6230133-1.0

1/1



R	Pos.	Code Variant	Q.ty	Description
	1	6230133	1	Articulation Hydraulic jack
	2	6430133	1	Articulation Hydraulic jack
	3	5220571	1	
	4	3101131	1	90° Connection
	5	5391360	1	
	6	3060055	4	Split lock washer
	7	5280290	2	
	8	5391450	1	
	9	5391451	1	
	10	5000077	2	
	11	3010031	2	Hex screw
	12	3010032	6	Hex screw
	13	5280291	1	
	14	5280292	1	
	15	3101051	4	Straight pipe fitting

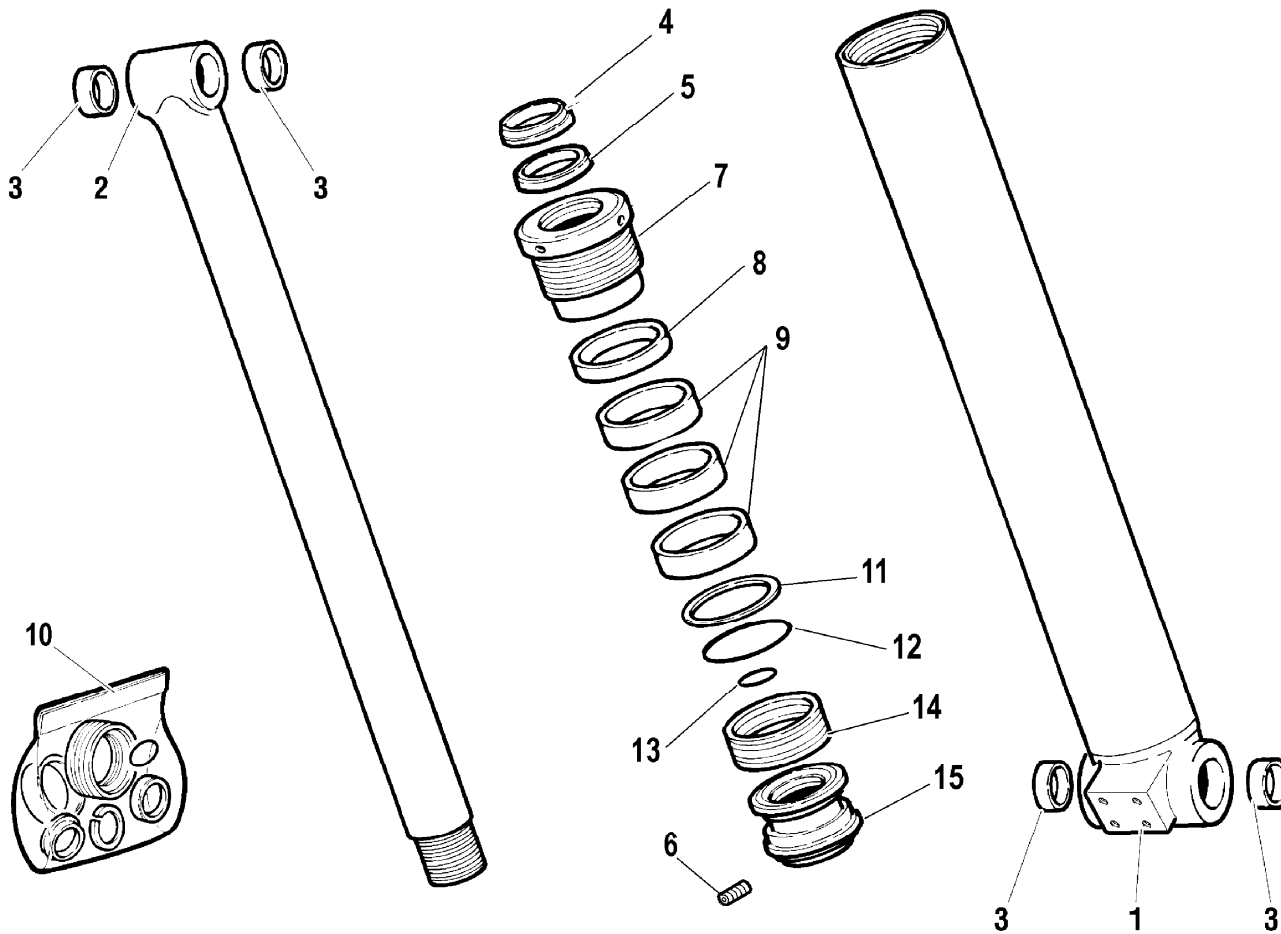
Articulation Hydraulic jack

Code

6430133-1.0

1/1

R	Pos.	Code Variant	Q.ty	Description
	1	6070382	1	
	2	6030609	1	
	3	5140679	4	
	4	3420041	1	
	5	3370170	1	
	6	3060244	1	Grub screw
	7	6040301	1	
	8	3380800	1	
	9	3361011	3	
	10	5550777	1	
	11	3460501	1	
	12	3450501	1	
	13	3450125	1	
	14	3400526	1	
	15	6050254	1	

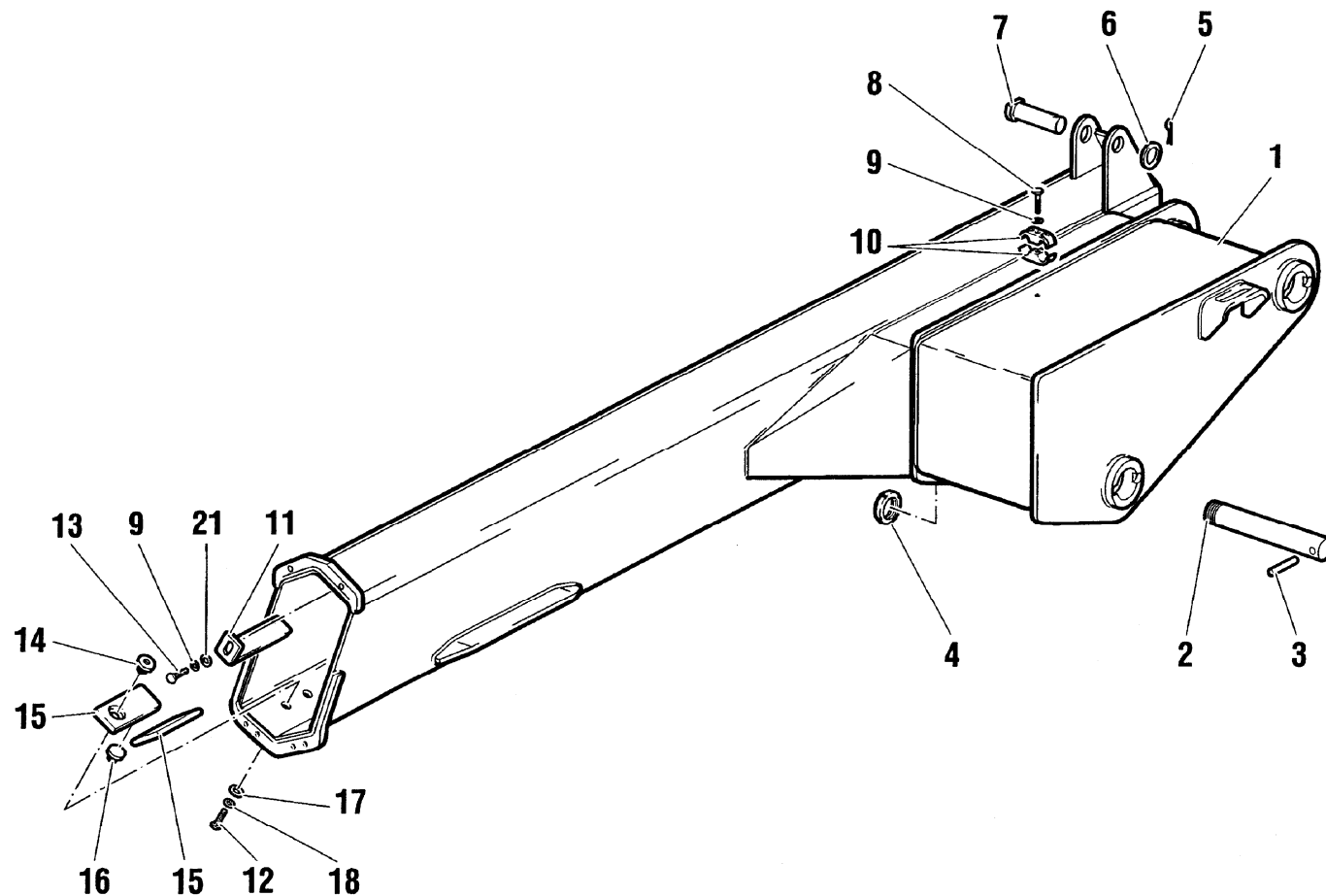


2nd BOOM

Code

5480018-1.0

1/1



R	Pos.	Code Variant	Q.ty	Description
	1	5030211	1	Secondary boom
	2	5150473	1	
	3	3060628	1	Spring pin
	4	3040507	1	Self-locking ringnut
	5	3060911	1	
	6	3060938	1	Flat washer
	7	5150403	1	
	8	3010030	1	Hex screw
	9	3060055	1	Split lock washer
	10	5000047	3	
	11	5000780	5	
	12	3010353	2	Hex screw
	13	3010027	2	Hex screw [M8X20 8.8 ZC IF UNI 5739]
	14	5000737	2	
	15	5140680	2	
	16	5140681	2	
	17	3060914	2	Flat washer
	18	3060920	2	Tooth lock washer
	21	3060006	2	Flat washer [D.8x17 UNI 6592 ZC]

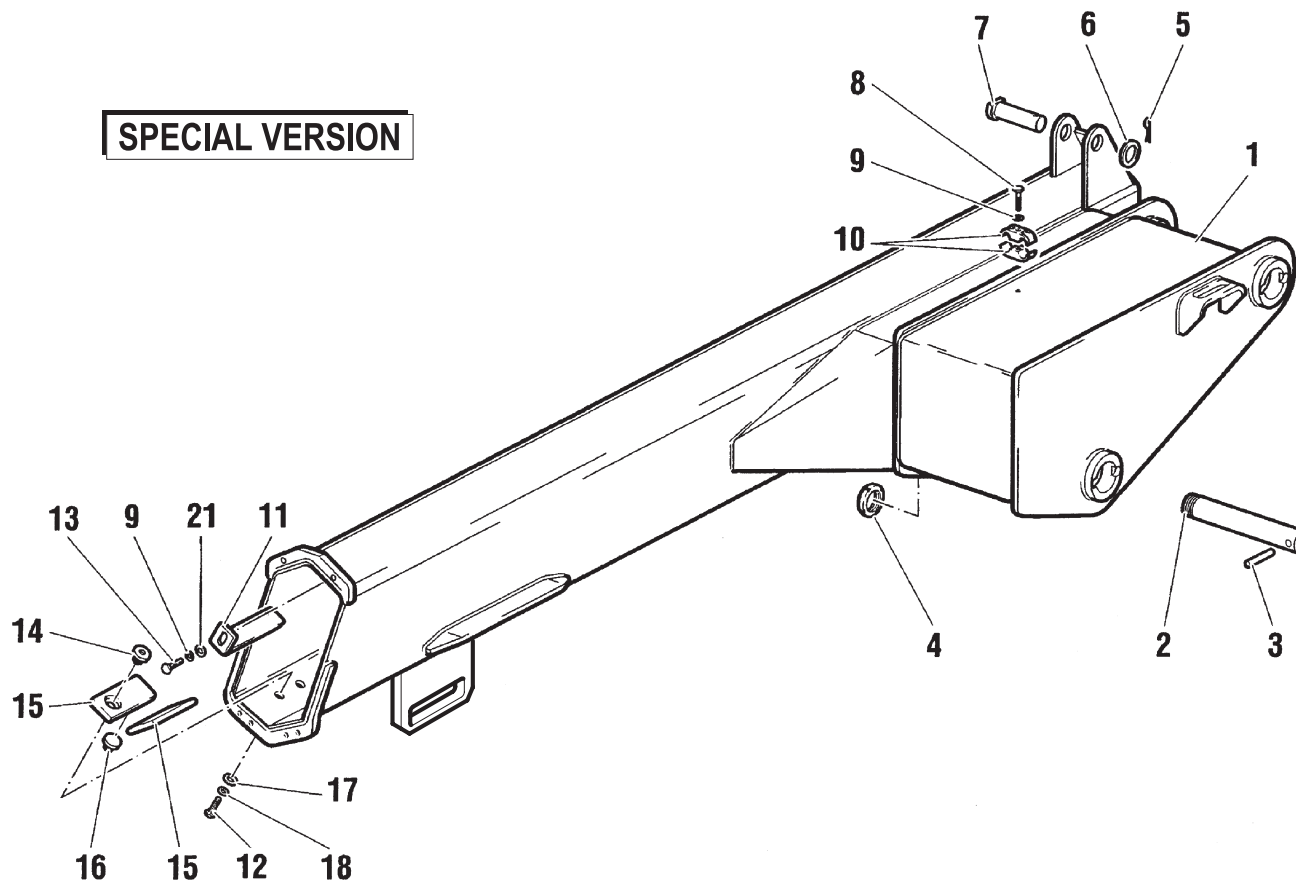
2nd BOOM (Special)

Code

5480130-1.0

1/1

SPECIAL VERSION



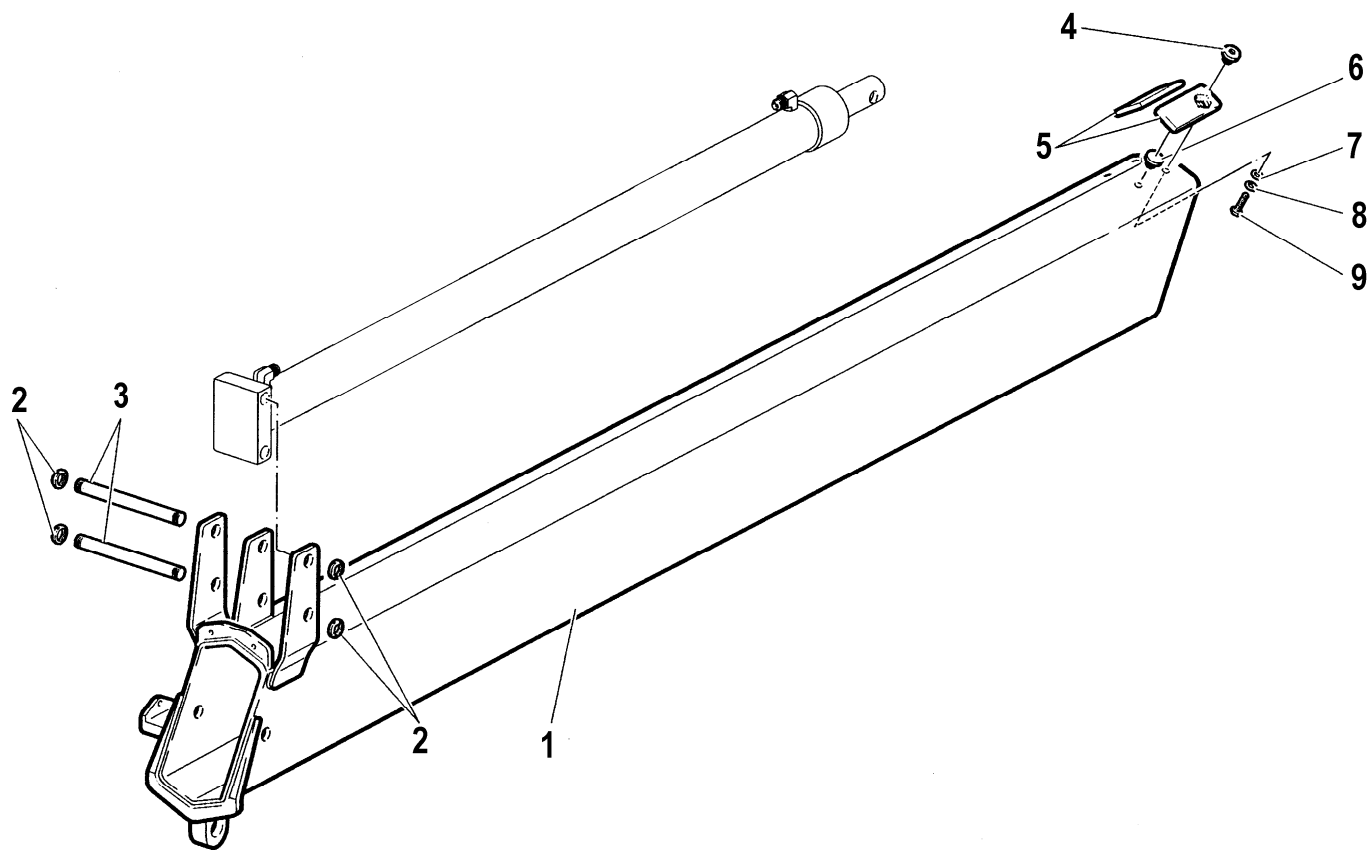
R	Pos.	Code Variant	Q.ty	Description
	1	5030573	1	Secondary boom
	2	5150473	1	
	3	3060628	1	Spring pin
	4	3040507	1	Self-locking ringnut
	5	3060911	1	
	6	3060938	1	Flat washer
	7	5150743	1	
	8	3010030	1	Hex screw
	9	3060055	1	Split lock washer
	10	5000047	3	
	11	5000780	5	
	12	3010353	2	Hex screw
	13	3010027	2	Hex screw [M8X20 8.8 ZC IF UNI 5739]
	14	5000827	2	
	15	5140744	2	
	16	5140681	2	
	17	3060914	2	Flat washer
	18	3060920	2	Tooth lock washer
	21	3060006	2	Flat washer [D.8x17 UNI 6592 ZC]

1st EXTENSION

Code

5490017-1.0

1/1



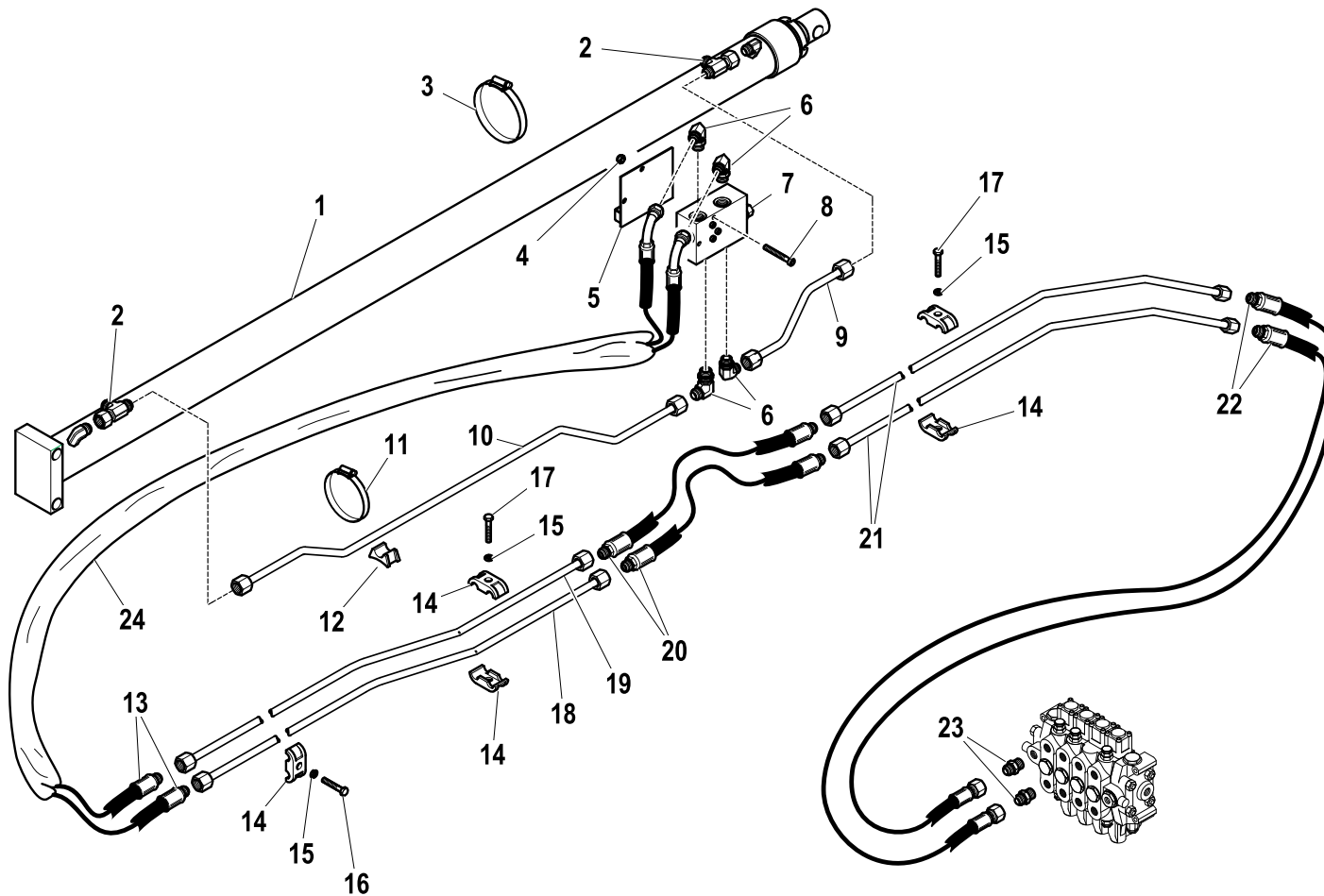
R	Pos.	Code Variant	Q.ty	Description
	1	5020334	1	Extension
	2	3040504	4	Self-locking ringnut
	3	5150482	2	
	4	5000737	2	
	5	5140680	2	
	6	5140681	2	
	7	3060914	2	Flat washer
	8	3060920	2	Tooth lock washer
	9	3010353	2	Hex screw

1st EXSTENSION HYDRAULIC (Hydraulic system)

Code

6210275-1.0

1/2



R	Pos.	Code Variant	Q.ty	Description
	1	6410174	1	
	2	3120008	2	Tee fitting
	3	3190022	2	Clamp
	4	3040303	2	Stopnut
	5	5001223	1	
	6	3101131	4	90° Connection
	7	5220654	1	
	8	3020901	2	Socketed head cap screw
	9	5391879	1	
	10	5391880	1	
	11	3190024	1	Clamp
	12	5140133	1	
	13	5280294	2	
	14	5000047	9	
	15	3060055	5	Split lock washer
	16	3010031	1	Hex screw
	17	3010032	5	Hex screw
	18	5391453	1	
	19	5391452	1	
	20	5280293	2	

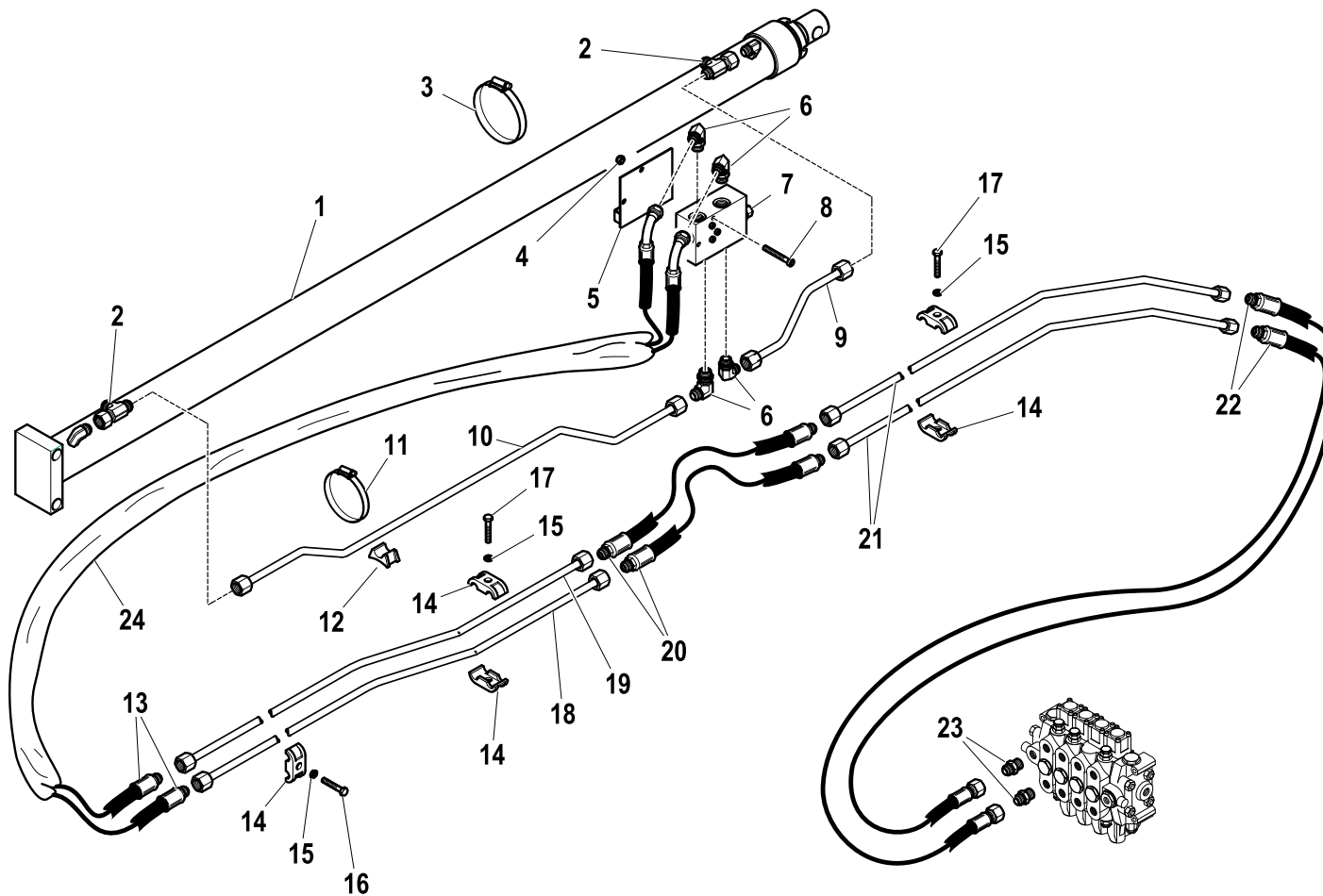
1st EXSTENSION HYDRAULIC (Hydraulic system)

Code

6210275-1.0

2/2

R	Pos.	Code Variant	Q.ty	Description
	21	5391449	2	
	22	5280290	2	
	23	3101051	2	Straight pipe fitting
	24	3190170	1	

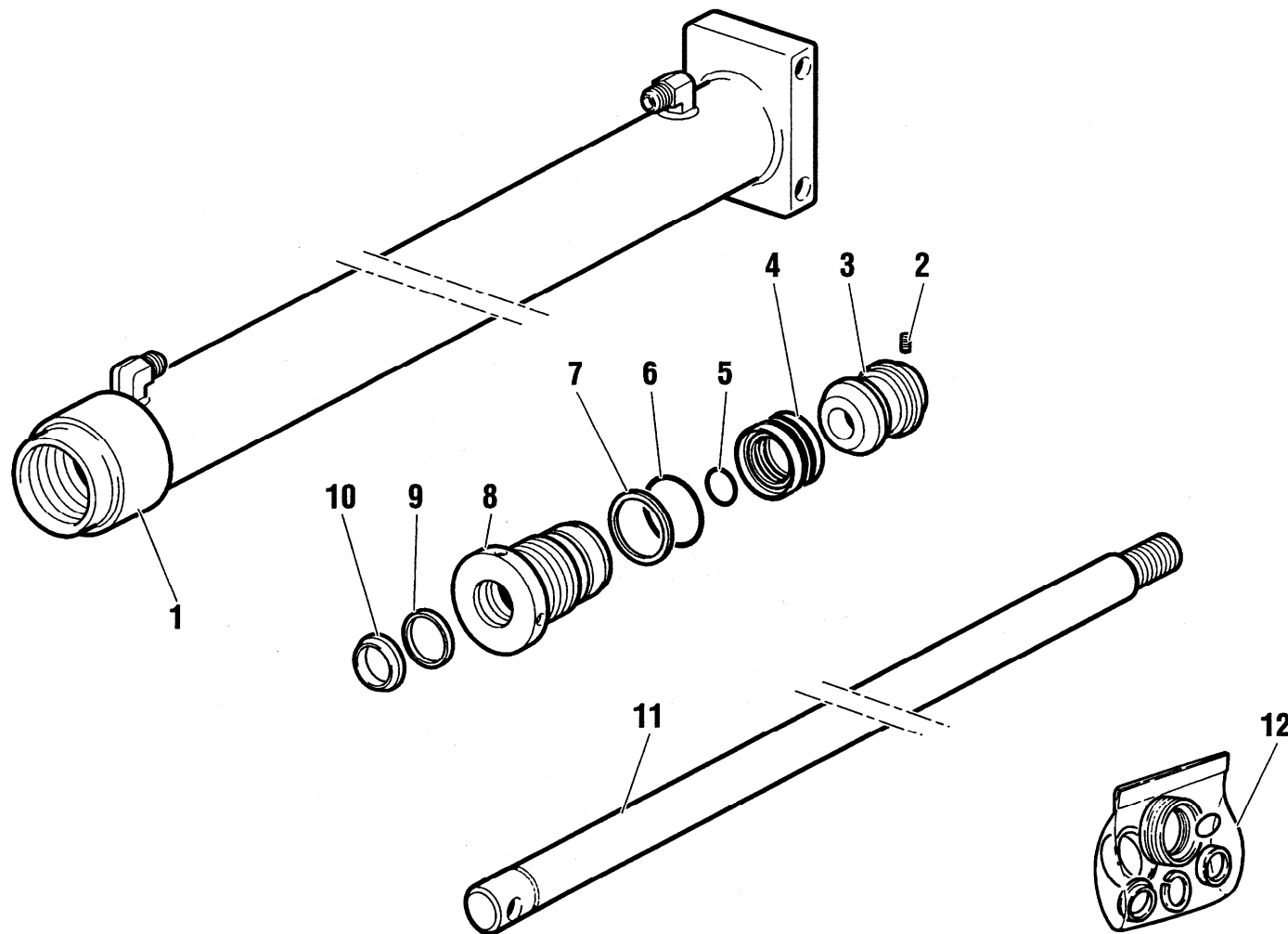


1st EXSTENSION HYDRAULIC

Code

6410174-1.0

1/1



R	Pos.	Code Variant	Q.ty	Description
	1	6070383	1	
	2	3060234	1	Grub screw
	3	6050143	1	
	4	3400510	1	
	5	3450069	1	
	6	3450136	1	
	7	3460136	1	
	8	6040257	1	
	9	3370134	1	
	10	3420026	1	
	11	6030393	1	
	12	5550779	1	

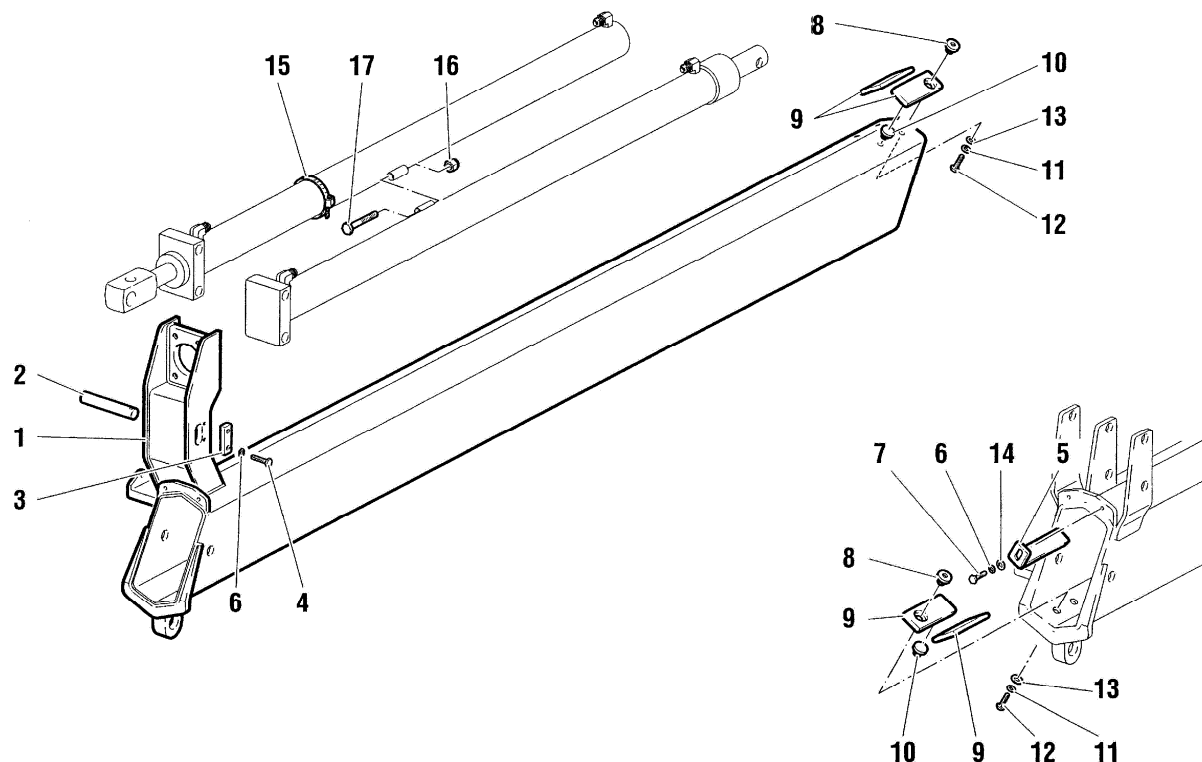
2nd extension

Code

5530009-1.0

1/1

R	Pos.	Code Variant	Q.ty	Description
	1	5020335	1	Extension
	2	5150483	1	
	3	5000674	1	
	4	3010337	2	Hex screw
	5	5000780	4	
	6	3060055	4	Split lock washer
	7	3010339	2	Hex screw [M8X25 8.8 ZC IF UNI 5739]
	8	5000737	4	
	9	5140680	4	
	10	5140681	4	
	11	3060920	4	Tooth lock washer
	12	3010353	4	Hex screw
	13	3060914	4	Flat washer
	14	3060006	2	Flat washer [D.8x17 UNI 6592 ZC]
	15	3190027	1	Clamp
	16	3040303	1	Stopnut
	17	3010038	1	Hex screw



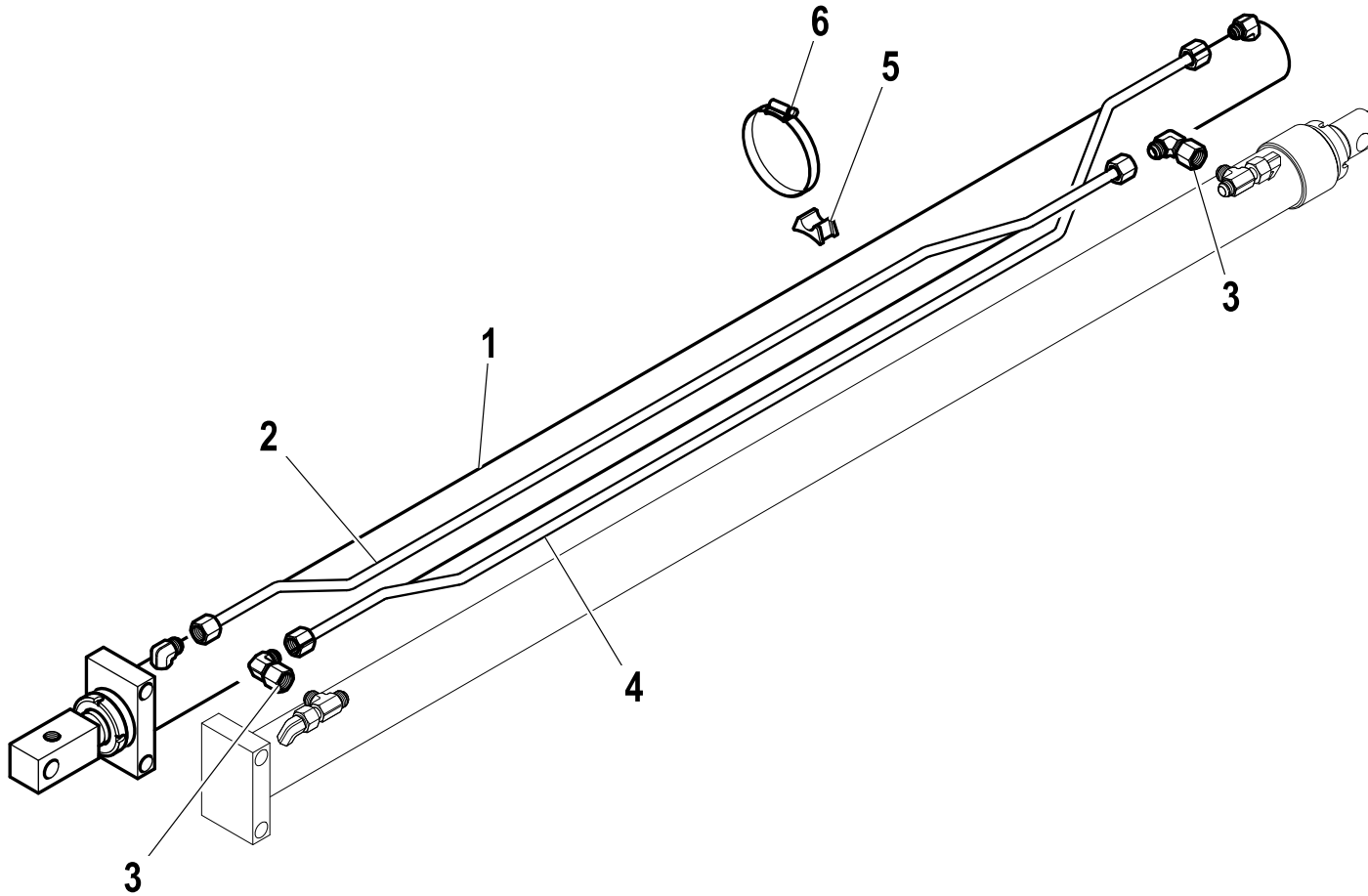
2nd EXTENSION HYDRAULIC JACK (Hydraulic system)

Code

6210276-1.0

1/1

R	Pos.	Code Variant	Q.ty	Description
	1	6410175	1	
	2	5391456	1	
	3	3120034	2	90° Connection
	4	5391881	1	
	5	5140133	1	
	6	3190022	1	Clamp

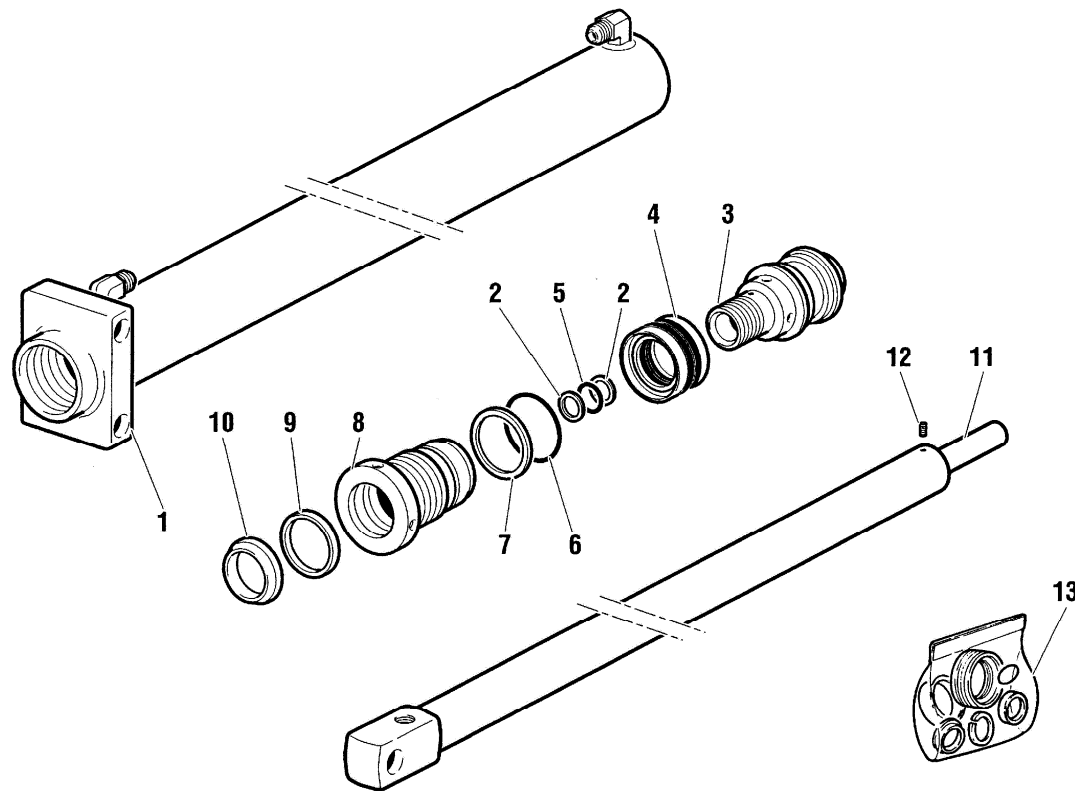


2nd EXTENSION HYDRAULIC JACK

Code

6410175-1.0

1/1



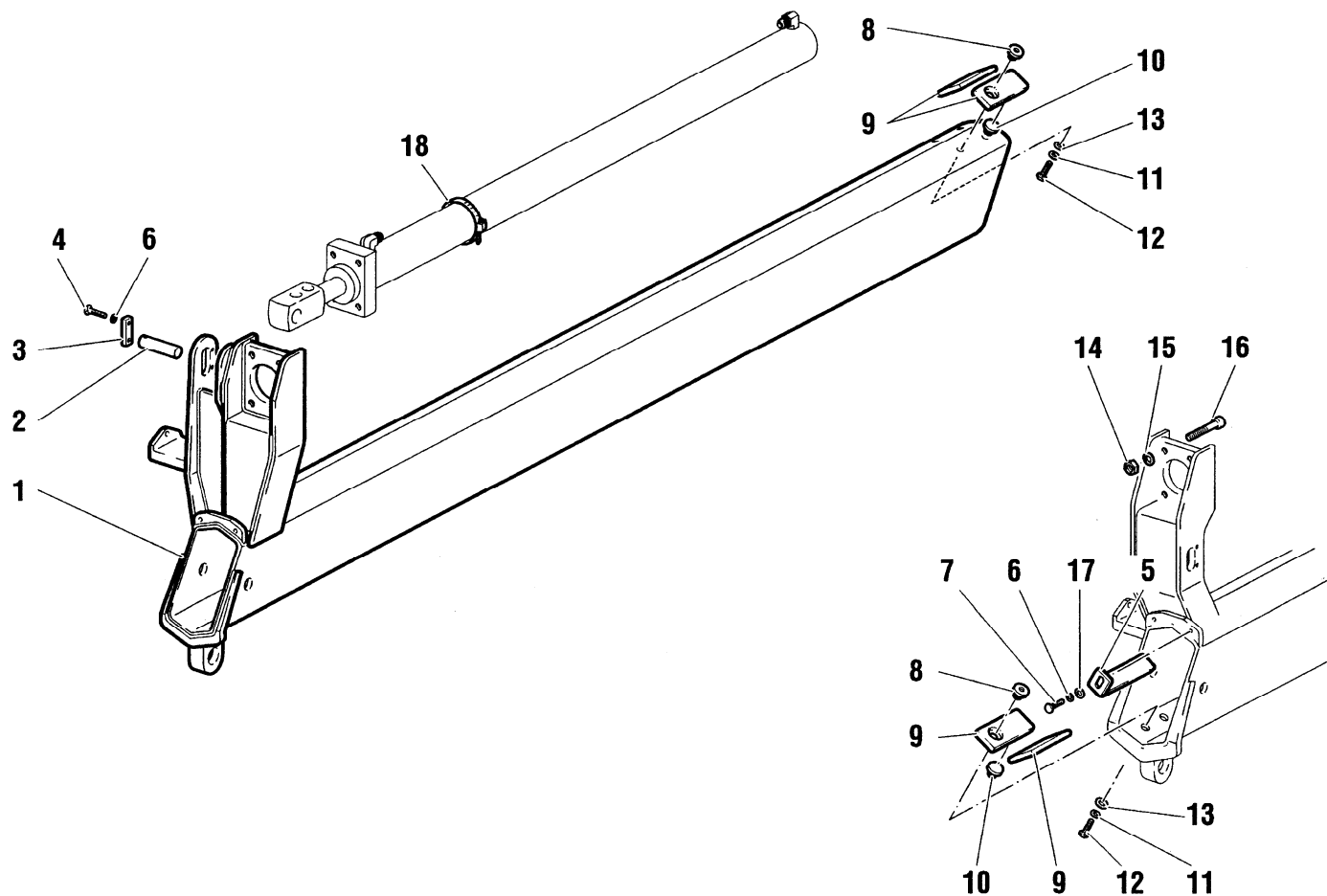
R	Pos.	Code Variant	Q.ty	Description
	1	6070384	1	
	2	3460047	2	
	3	6050255	1	
	4	3400510	1	
	5	3450047	1	
	6	3450136	1	
	7	3460136	1	
	8	6040258	1	
	9	3400083	1	
	10	3420023	1	
	11	6030394	1	
	12	3060232	1	Grub screw
	13	5550780	1	

3rd extension

Code

5540009-1.0

1/1



R	Pos.	Code Variant	Q.ty	Description
	1	5020336	1	Extension
	2	5150443	1	
	3	5000674	1	
	4	3010337	2	Hex screw
	5	5000780	4	
	6	3060055	4	Split lock washer
	7	3010339	2	Hex screw [M8X25 8.8 ZC IF UNI 5739]
	8	5000737	4	
	9	5140680	4	
	10	5140681	4	
	11	3060920	4	Tooth lock washer
	12	3010353	4	Hex screw
	13	3060914	4	Flat washer
	14	3040214	4	Lock nut
	15	3060059	4	Split lock washer
	16	3020129	4	Socked head cap screw
	17	3060006	2	Flat washer [D.8x17 UNI 6592 ZC]
	18	3190023	1	Clamp
	19	6210176	1	Extension Hydraulic jack

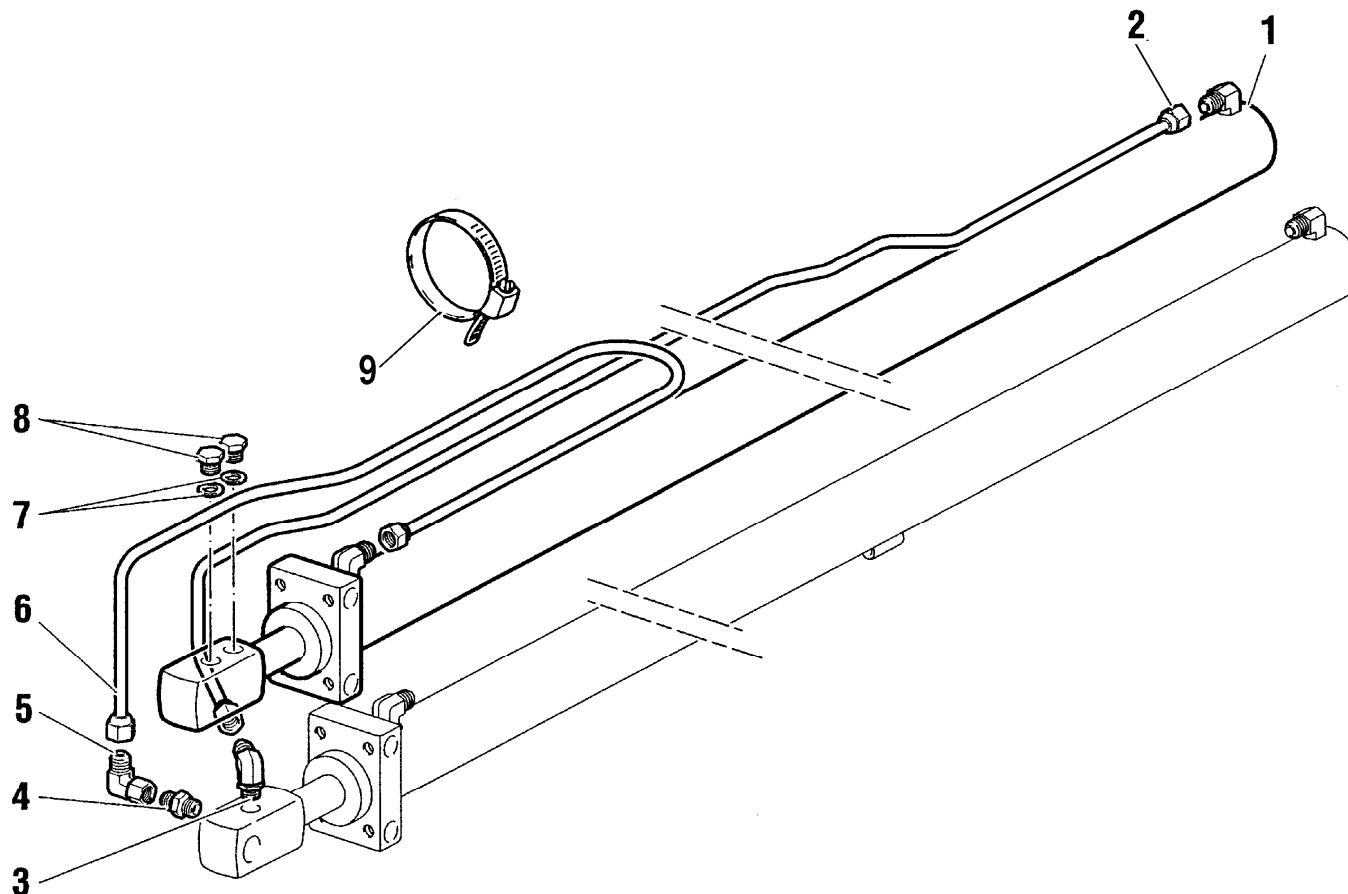
3rd extension Hydraulic jack (Hydraulic system)

Code

6210277-1.0

1/1

R	Pos.	Code Variant	Q.ty	Description
	1	6410176	1	
	2	5391882	1	
	3	3101131	1	90° Connection
	4	3101051	1	Straight pipe fitting
	5	3120034	1	90° Connection
	6	5391458	1	
	7	3060145	2	Sealing washer
	8	3110065	2	Plug

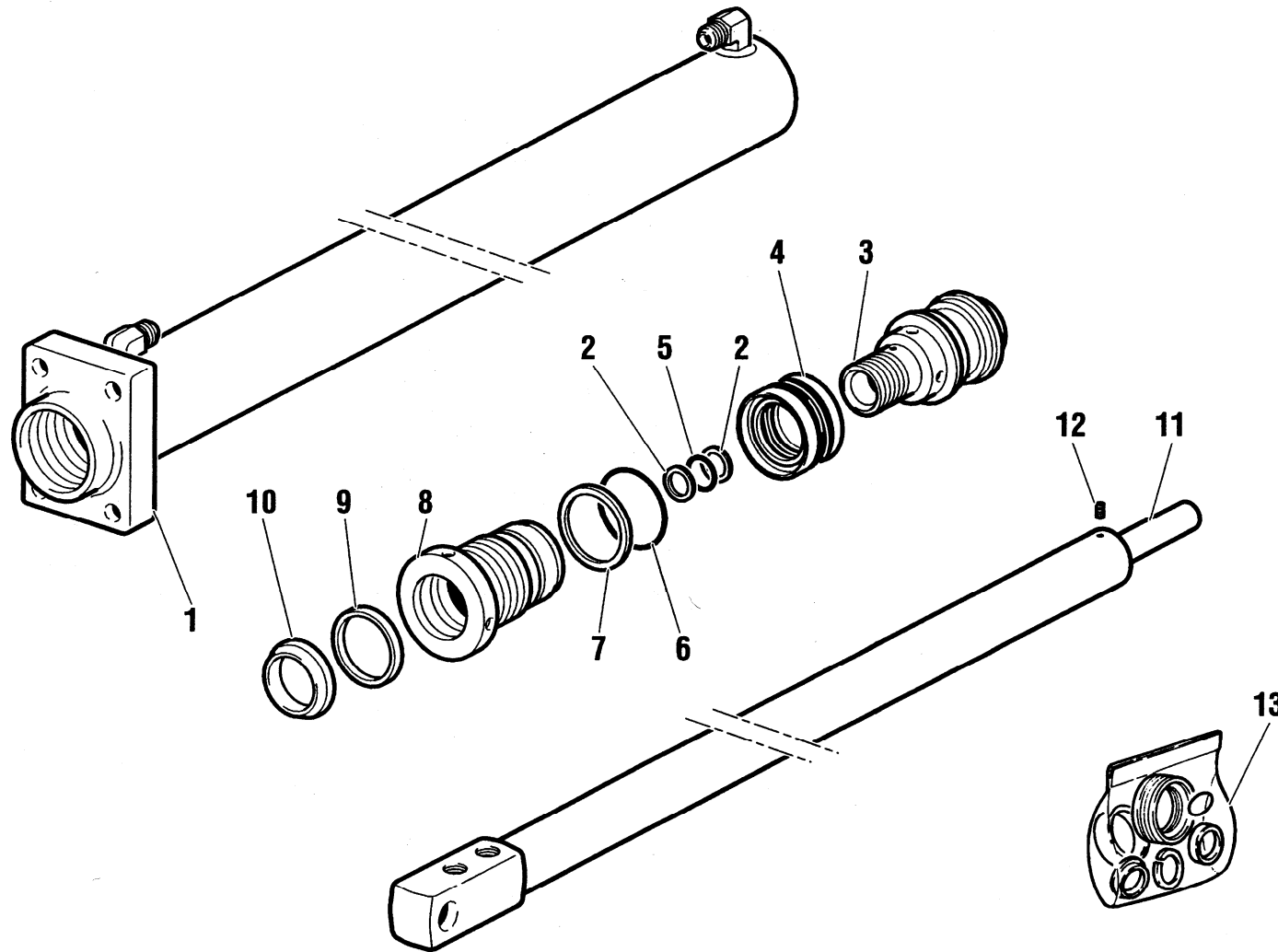


3rd extension Hydraulic jack

Code

6410176-1.0

1/1



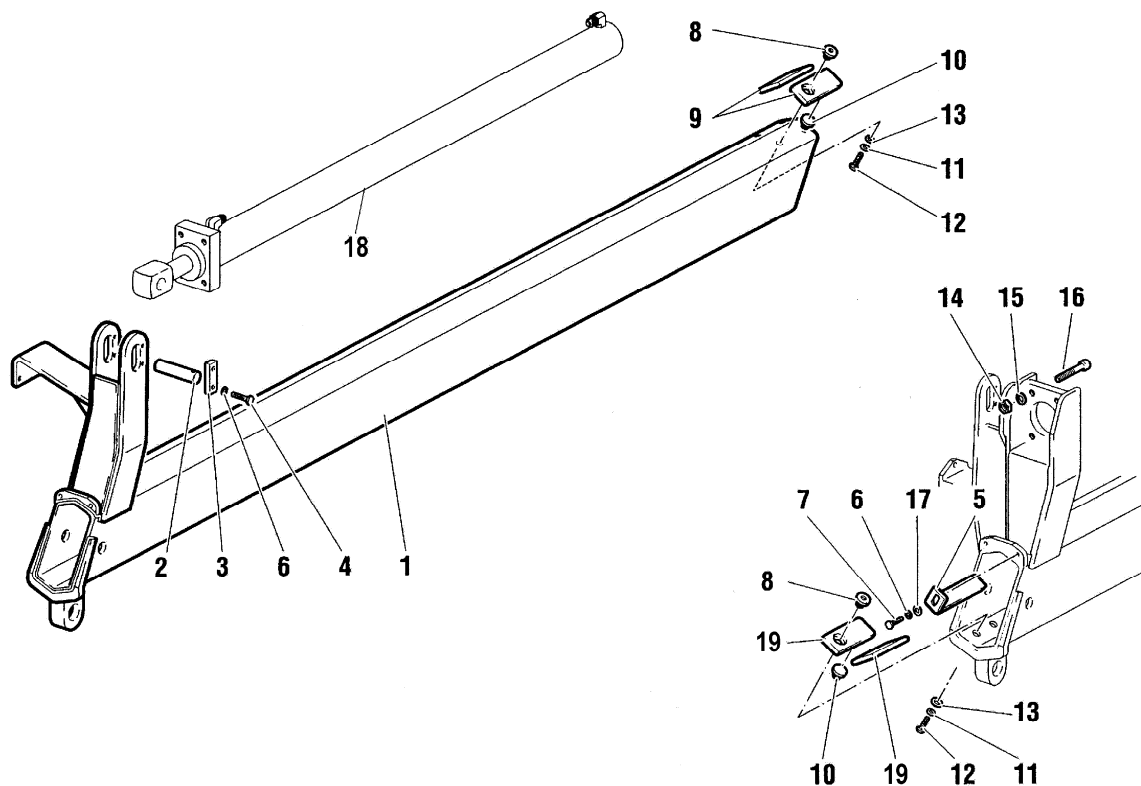
R	Pos.	Code Variant	Q.ty	Description
	1	6070385	1	
	2	3460047	2	
	3	6050256	1	
	4	3400509	1	
	5	3450047	1	
	6	3450132	1	
	7	3460132	1	
	8	6040259	1	
	9	3400067	1	
	10	3420021	1	
	11	6030396	1	
	12	3060232	1	Grub screw
	13	5550781	1	

4th extension

Code

5560023-1.0

1/1



R	Pos.	Code Variant	Q.ty	Description
	1	5020337	1	Extension
	2	5150443	1	
	3	5000674	1	
	4	3010337	2	Hex screw
	5	5000780	4	
	6	3060055	4	Split lock washer
	7	3010339	2	Hex screw [M8X25 8.8 ZC IF UNI 5739]
	8	5000737	4	
	9	5140680	2	
	10	5140681	4	
	11	3060920	4	Tooth lock washer
	12	3010353	4	Hex screw
	13	3060914	4	Flat washer
	14	3040214	4	Lock nut
	15	3060059	4	Split lock washer
	16	3020129	4	Socked head cap screw
	17	3060006	2	Flat washer [D.8x17 UNI 6592 ZC]
	18	6210177	1	Extension Hydraulic jack
	19	5140804	2	

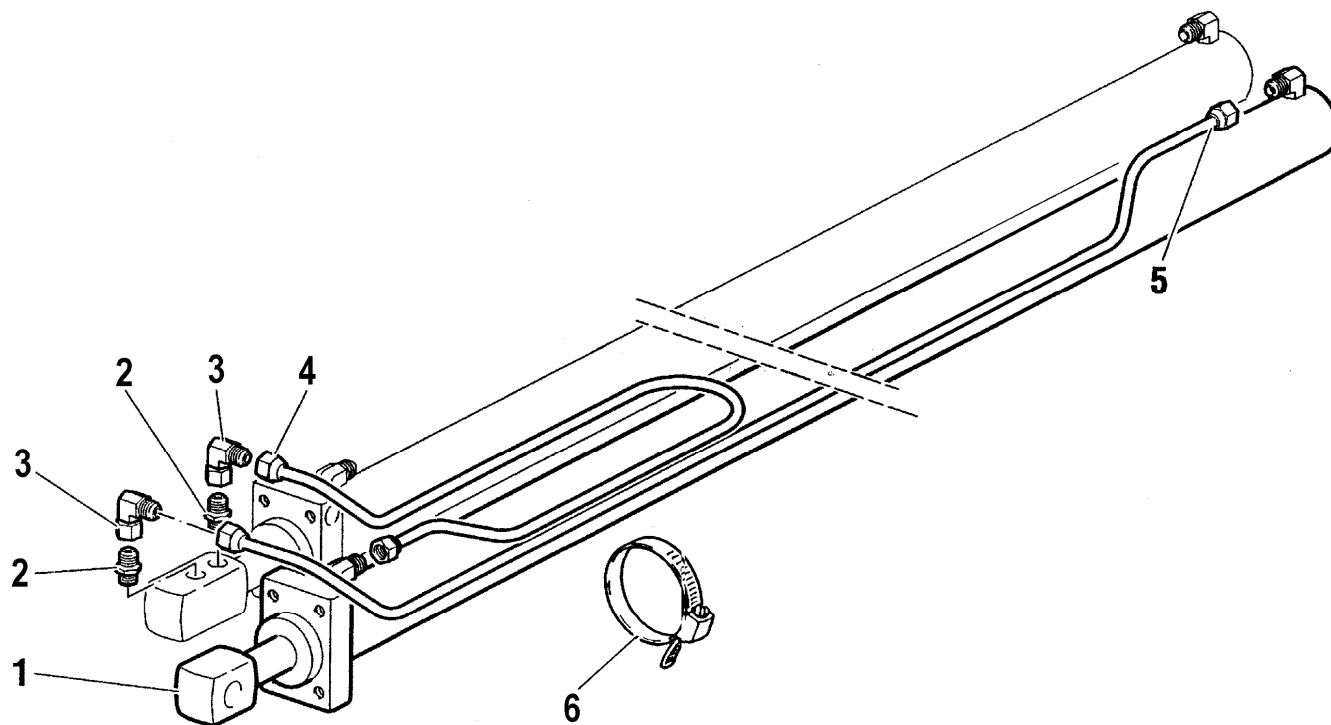
4th extension Hydraulic jack (Hydraulic system)

Code

6210278-1.0

1/1

R	Pos.	Code Variant	Q.ty	Description
	1	6410177	1	
	2	3101051	2	Straight pipe fitting
	3	3120034	2	90° Connection
	4	5391460	1	
	5	5391883	1	
	6	3190023	2	Clamp



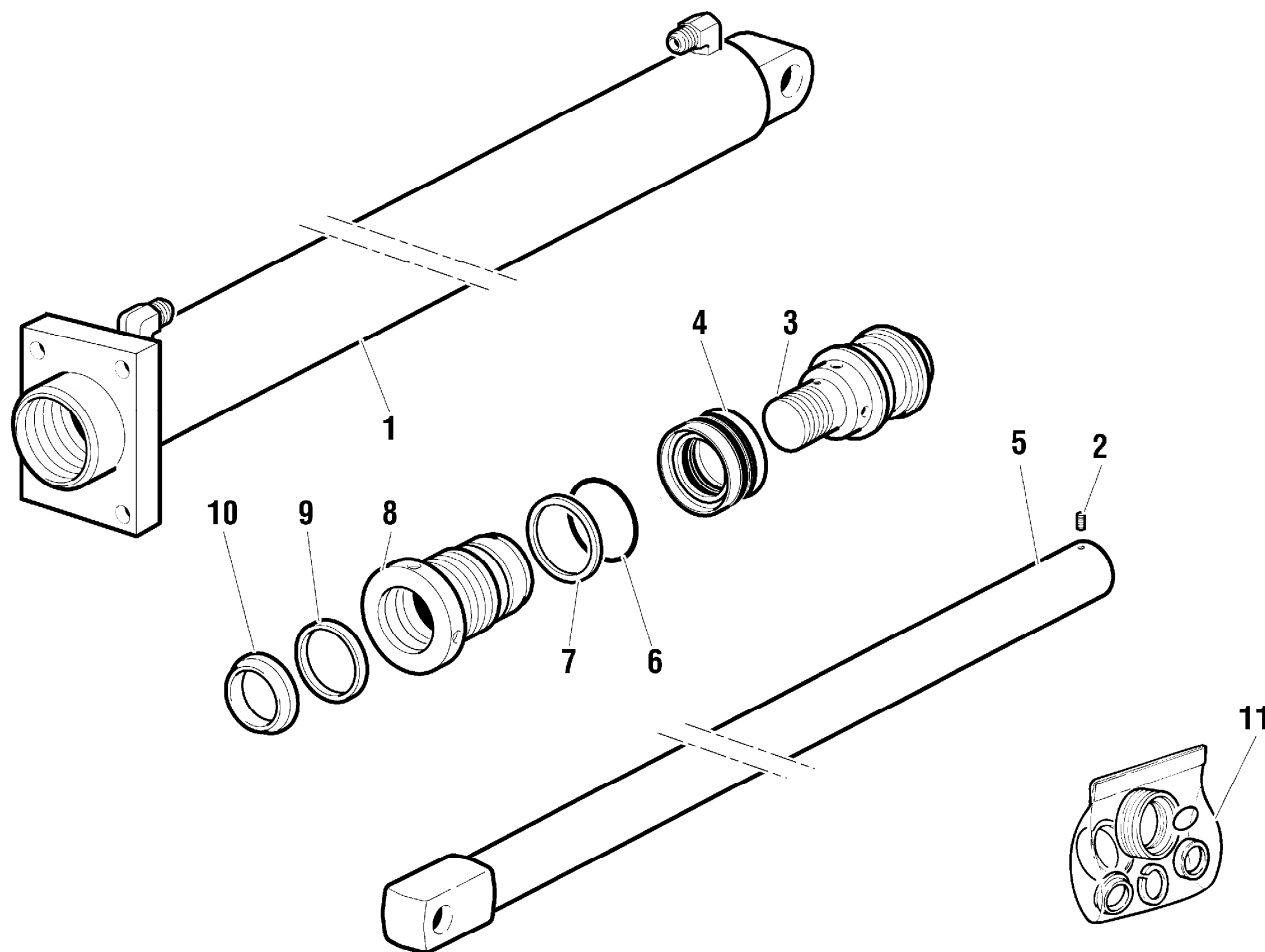
4th extension Hydraulic jack (5th extension Hydraulic jack)

Code

6410177-1.0

1/1

R	Pos.	Code Variant	Q.ty	Description
	1	6070385	1	
	2	3060232	1	Grub screw
	3	6050257	1	
	4	3400509	1	
	5	6030398	1	
	6	3450132	1	
	7	3460132	1	
	8	6040259	1	
	9	3400067	1	
	10	3420021	1	
	11	5550717	1	

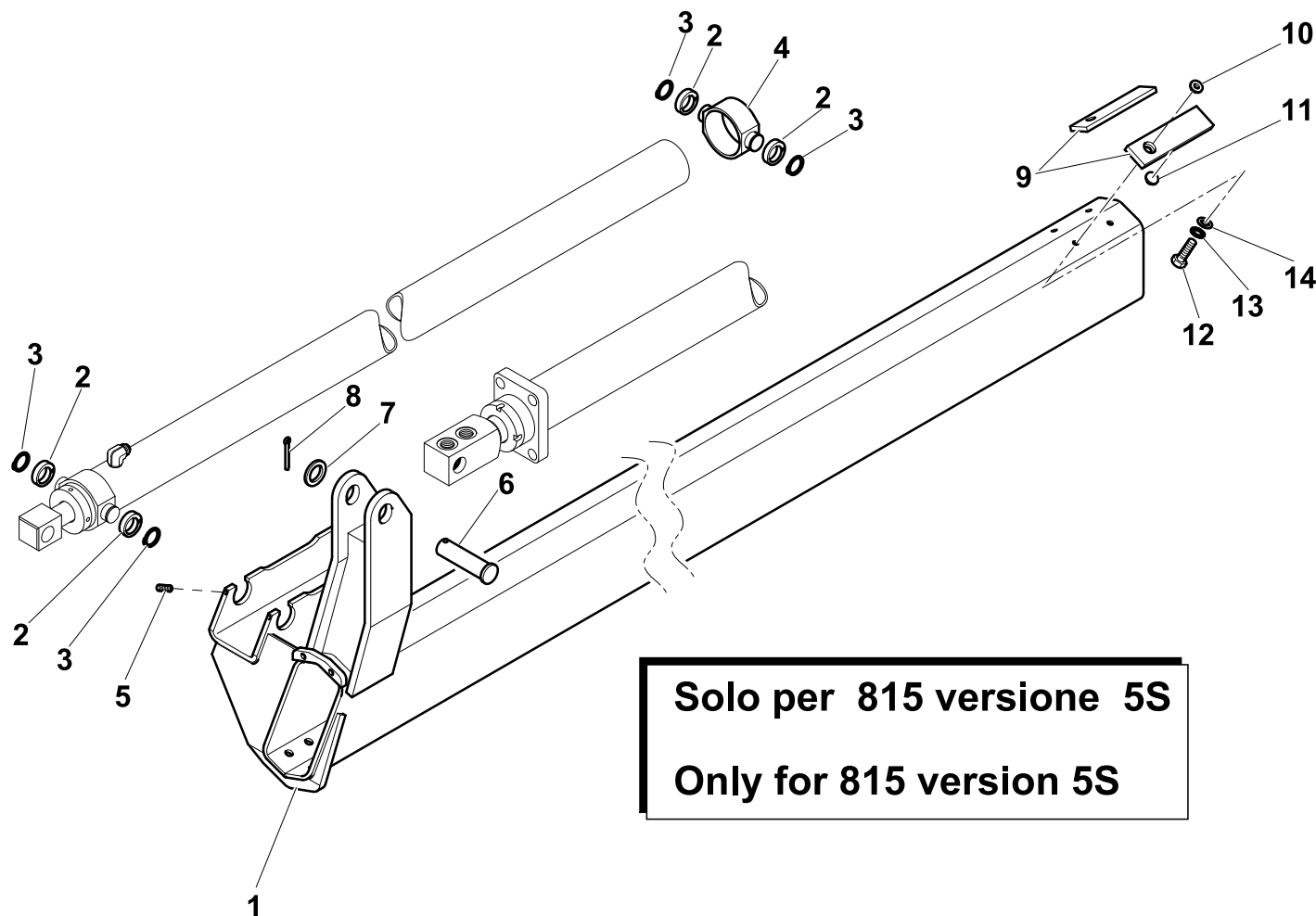


4th extension

Code

5560024-1.0

1/1



Solo per 815 versione 5S
Only for 815 version 5S

R	Pos.	Code Variant	Q.ty	Description
	1	5020414	1	Extension
	2	5001105	4	
	3	3070150	4	Seeger
	4	5001106	1	
	5	3060941	4	Grub screw
	6	5150644	1	
	7	3060938	1	Flat washer
	8	3060911	1	
	9	5140680	2	
	10	5000737	2	
	11	5140681	2	
	12	3010353	2	Hex screw
	13	3060920	2	Tooth lock washer
	14	3060914	2	Flat washer

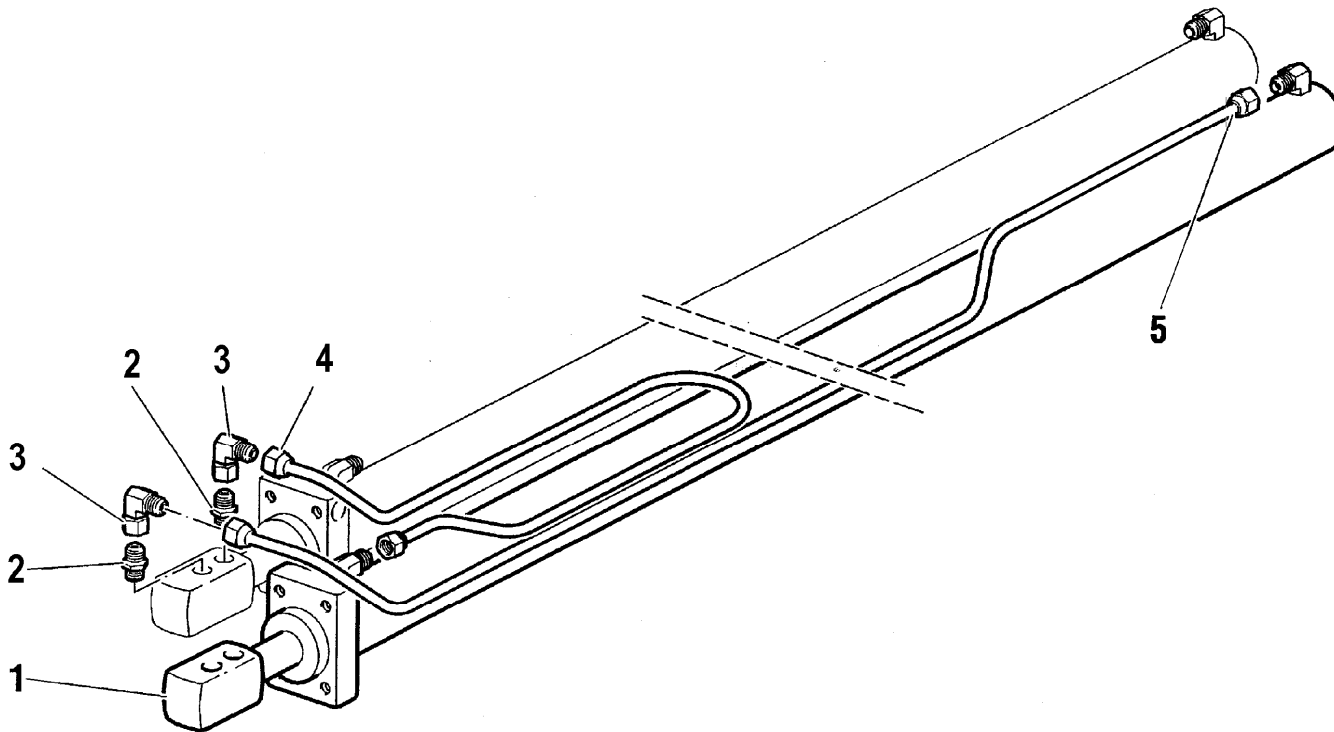
4th extension Hydraulic jack (Hydraulic system)

Code

6210279-1.0

1/1

R	Pos.	Code Variant	Q.ty	Description
	1	6410176	1	
	2	3101051	2	Straight pipe fitting
	3	3120034	2	90° Connection
	4	5391460	1	
	5	5391883	1	

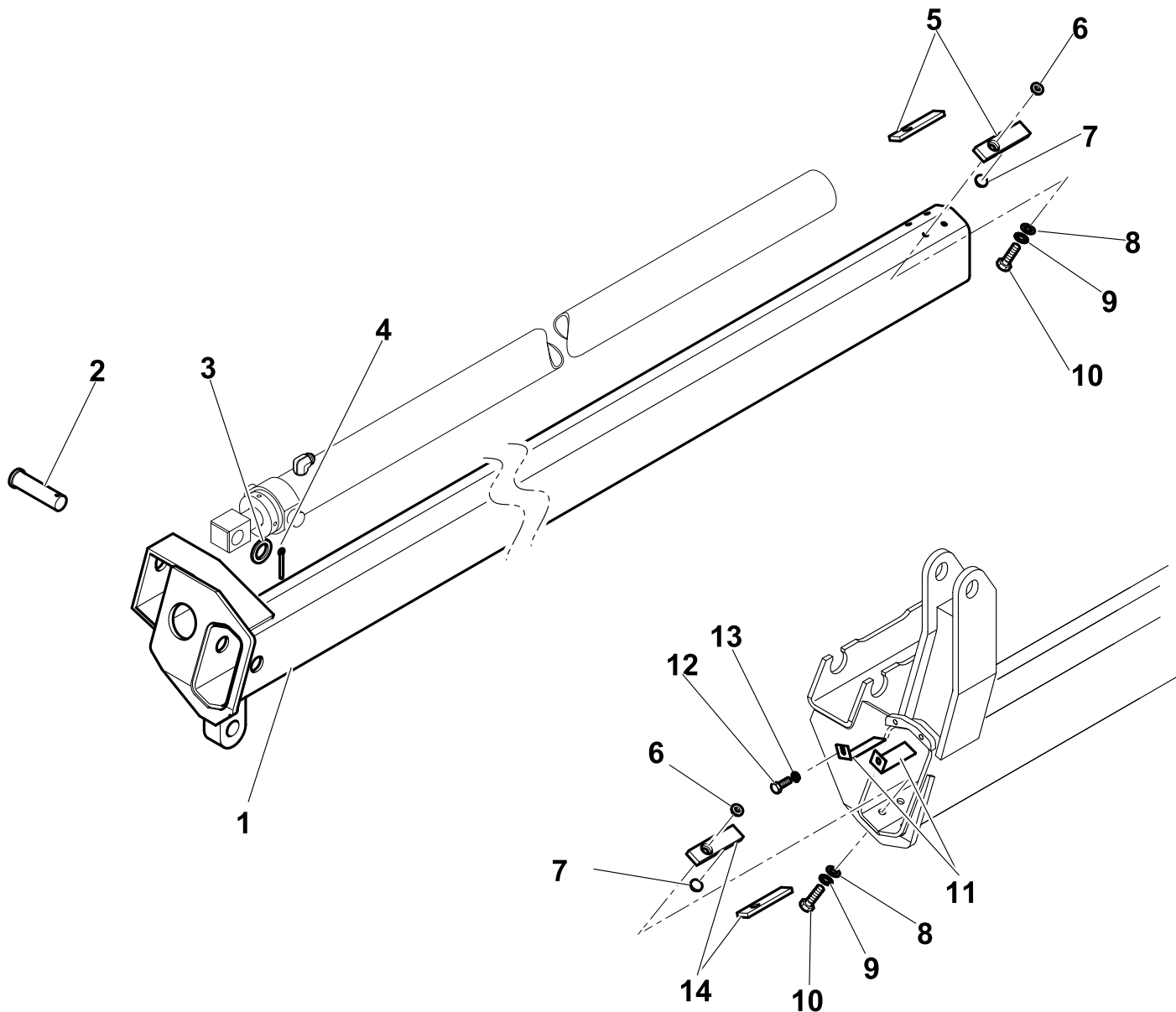


5th extension

Code

5570006-1.0

1/1



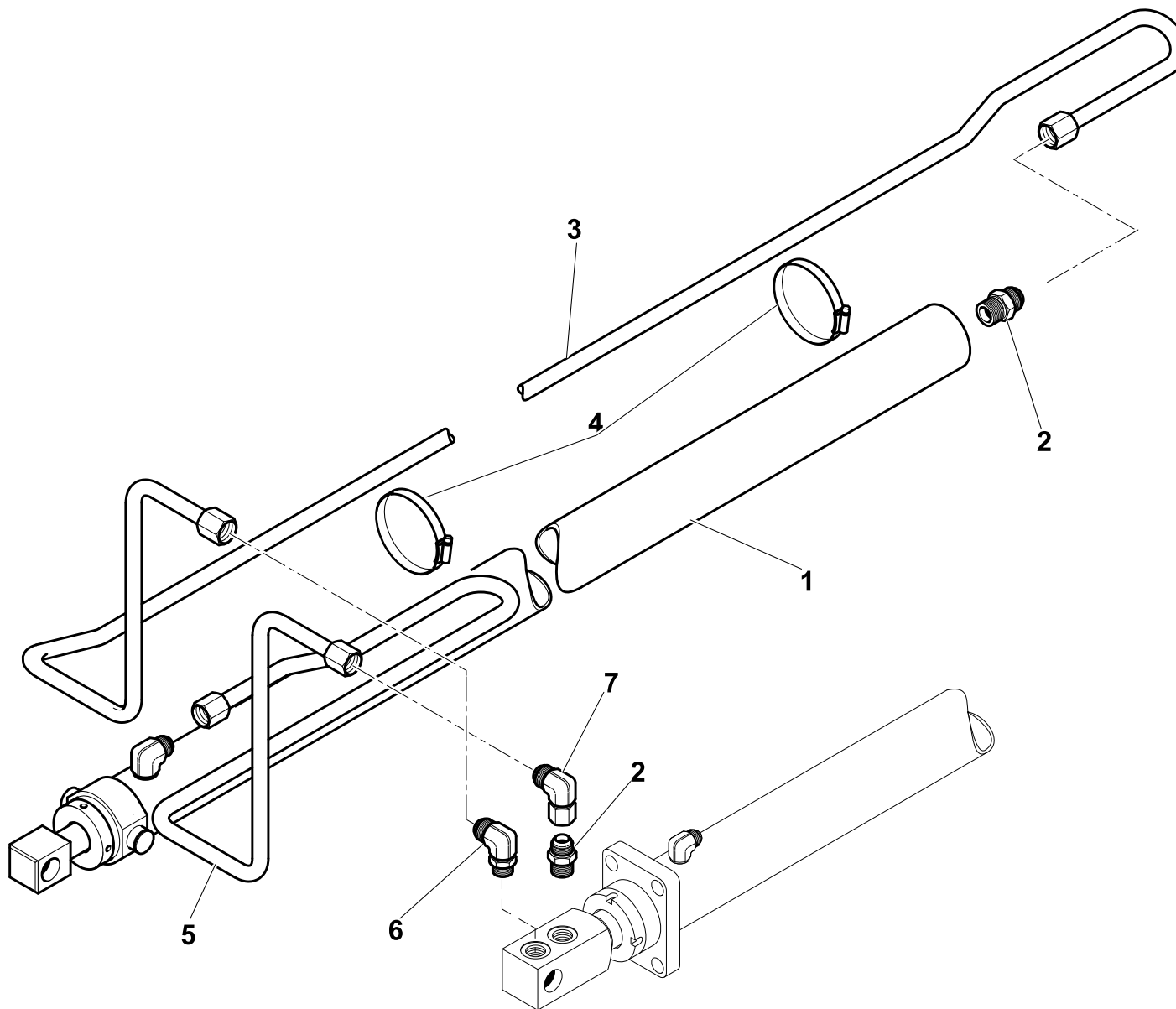
R	Pos.	Code Variant	Q.ty	Description
	1	5020415	1	Extension
	2	5150644	1	
	3	3060938	1	Flat washer
	4	3060911	1	
	5	5140683	2	
	6	5000623	4	
	7	5140656	4	
	8	3060006	4	Flat washer [D.8x17 UNI 6592 ZC]
	9	3060918	4	Tooth lock washer [D.8 TIPO A UNI8842 ZC]
	10	3010337	4	Hex screw
	11	5000780	2	
	12	3010336	2	Hex screw
	13	3060055	2	Split lock washer
	14	5140655	2	

5th extension Hydraulic jack (Hydraulic system)

Code

6210261-1.0

1/1



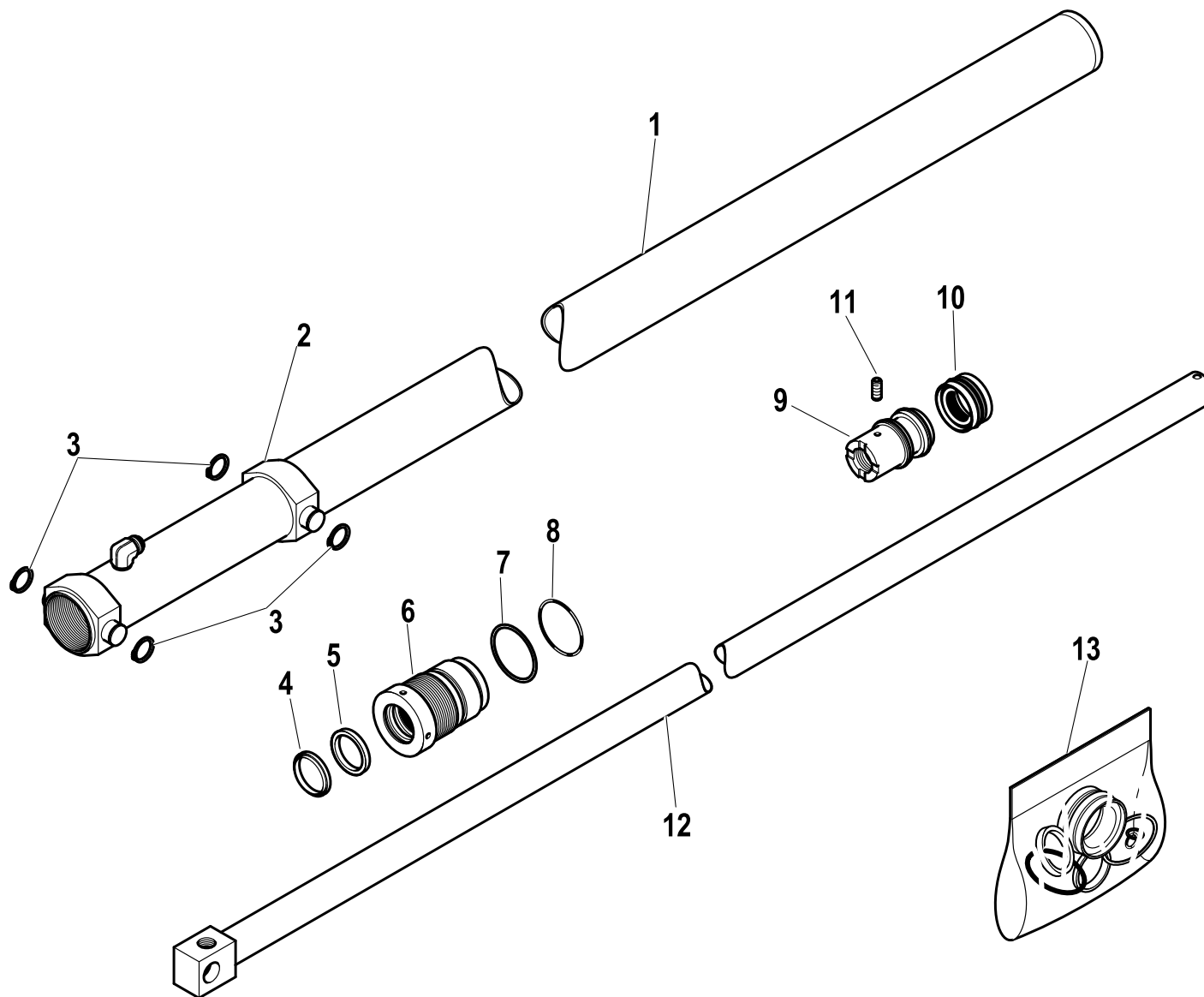
R	Pos.	Code Variant	Q.ty	Description
	1	6410259	1	Extension Hydraulic jack
	2	3101051	2	Straight pipe fitting
	3	5391765	1	
	4	3190023	2	Clamp
	5	5391766	1	
	6	3101131	1	90° Connection
	7	3120034	1	90° Connection

6th extension Hydraulic jack

Code

6410259-1.0

1/1



R	Pos.	Code Variant	Q.ty	Description
	1	6070467	1	
	2	5001106	1	
	3	3070150	4	Seeger
	4	3420015	1	
	5	3370138	1	
	6	6040270	1	
	7	3460126	1	
	8	3450126	1	
	9	6050289	1	
	10	3400507	1	
	11	3060232	1	Grub screw
	12	6030619	1	
	13	5550784	1	

1st ADDITIONAL ACTUATION

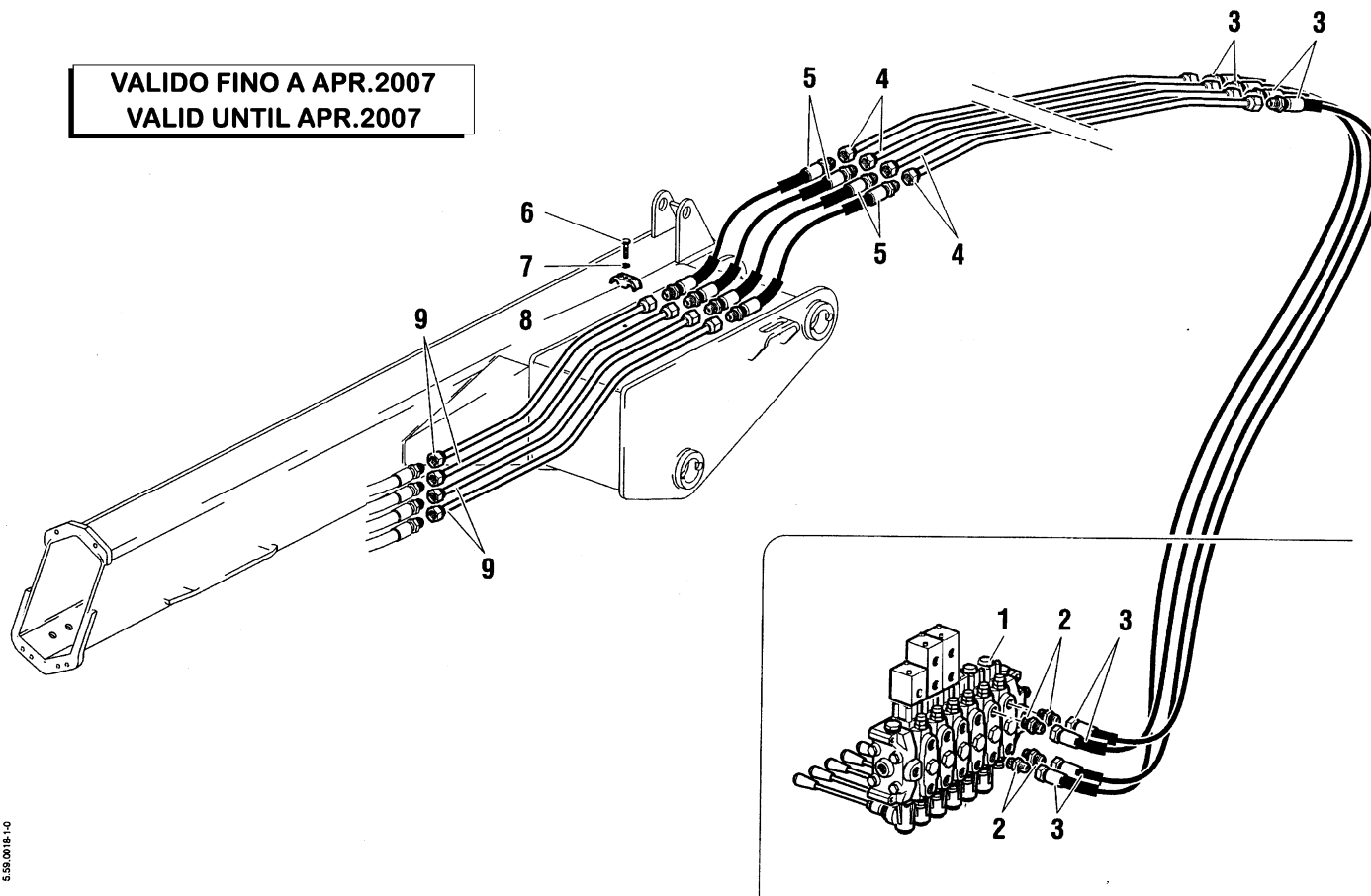
Code

5590018-1.0

1/1

R	Pos.	Code Variant	Q.ty	Description
	1	5225190	2	
	2	3101051	4	Straight pipe fitting
	3	5280335	4	
	4	5391449	4	
	5	5280293	4	
	6	3010031	8	Hex screw
	7	3060055	8	Split lock washer
	8	5000047	8	
	9	5391454	4	

VALIDO FINO A APR.2007
VALID UNTIL APR.2007



5590018-1-0

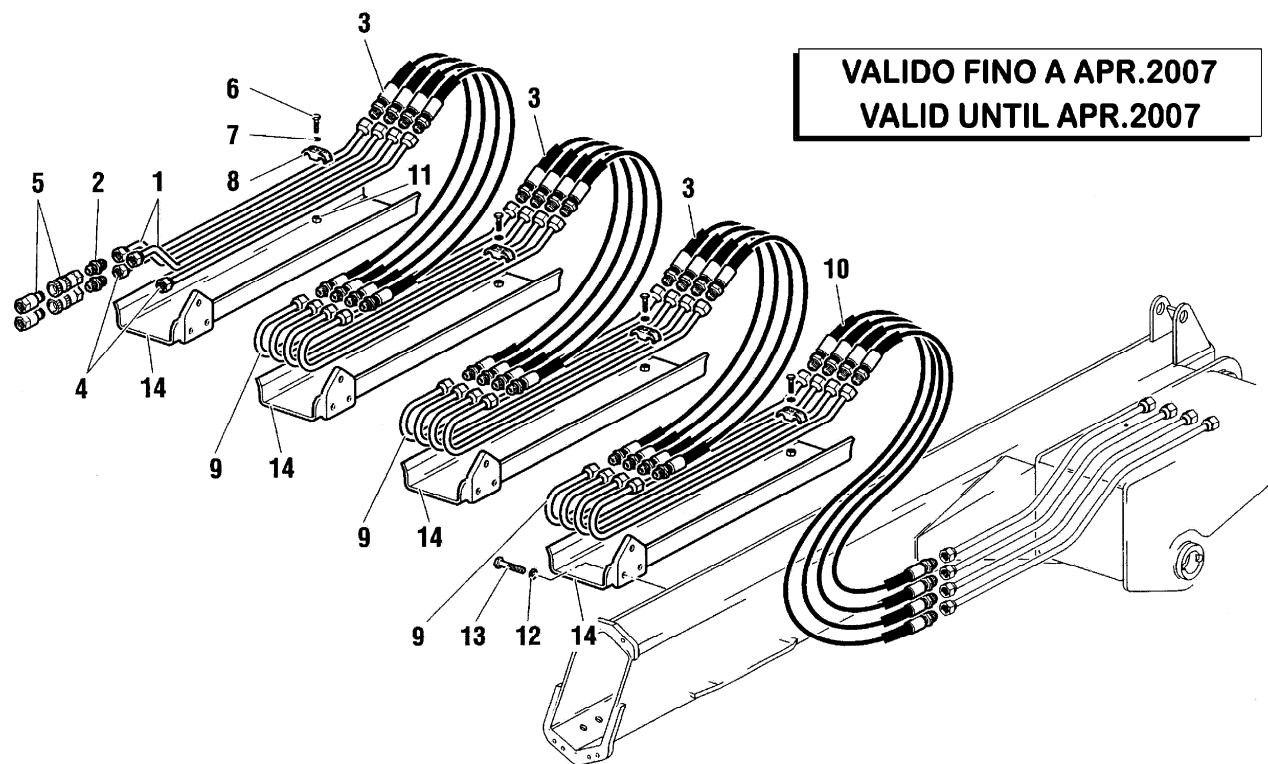
1st ADDITIONAL ACTUATION

Code

5590018-2.0

1/1

R	Pos.	Code Variant	Q.ty	Description
	1	5391239	2	
	2	3101051	4	Straight pipe fitting
	3	5280232	12	Flexible hose
	4	5391238	2	
	5	3110421	4	Quick coupling
	6	3010031	16	Hex screw
	7	3060055	16	Split lock washer
	8	5000047	16	
	9	5391237	12	
	10	5280233	4	Flexible hose
	11	3040303	16	Stopnut
	12	3060046	12	Flat washer
	13	3010354	12	Hex screw
	14	5900717	4	



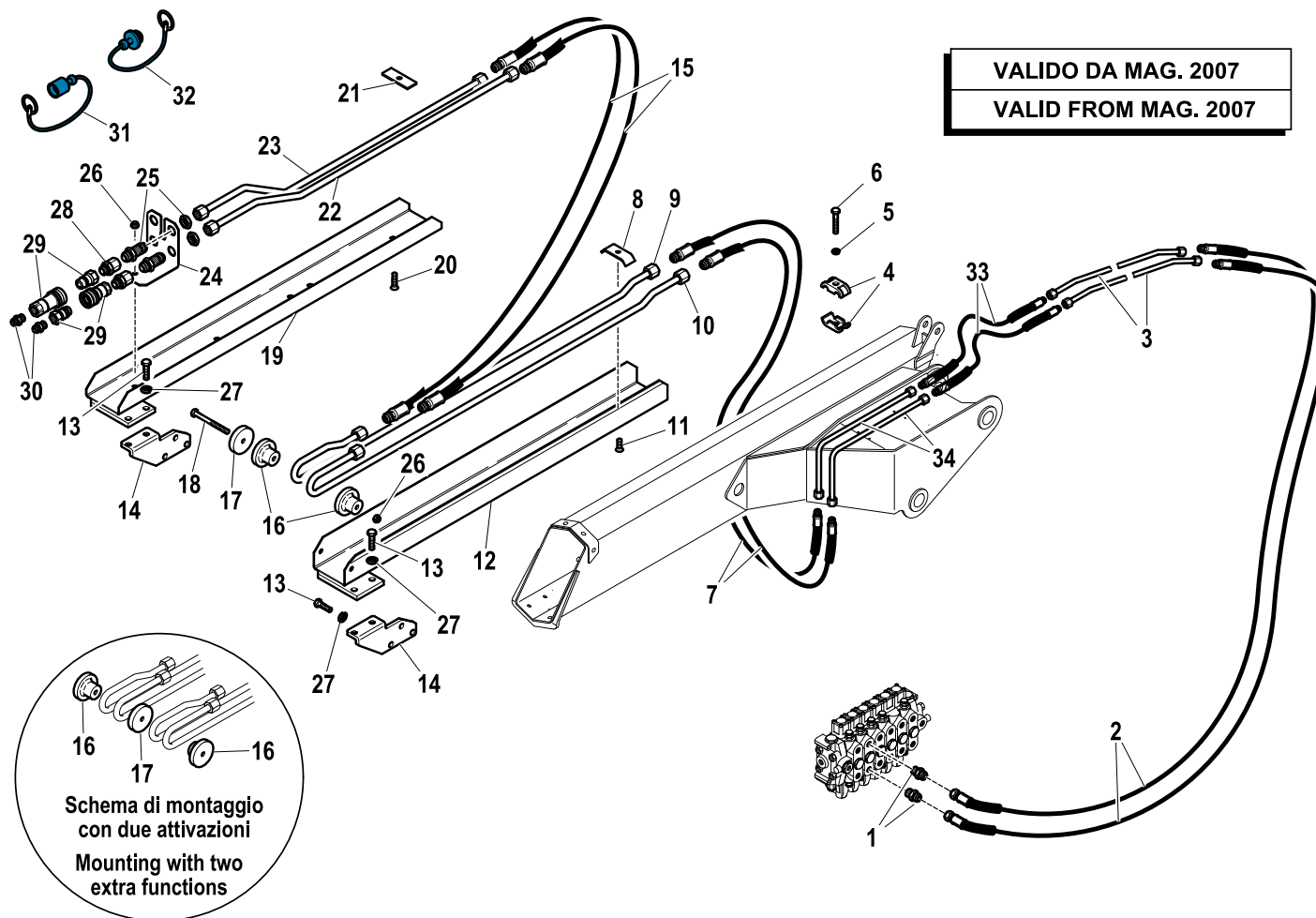
**VALIDO FINO A APR.2007
VALID UNTIL APR.2007**

1st ACTIVATION FOR 1S

Code

5590224-1.0

1/2



R	Pos.	Code Variant	Q.ty	Description
	1	3101051	2	Straight pipe fitting
	2	5271450	2	Flexible hose
	3	5391449	2	
	4	5000047	4	
	5	3060055	2	Split lock washer
	6	3010031	2	Hex screw
	7	5271452	2	Flexible hose
	8	5001187	1	Clamp (Set of hoses)
	9	5391822	1	
	10	5391823	1	
	11	3020914	1	TSEI screw
	12	5001334	1	
	13	3010355	10	Hex screw [M10X25 8.8 ZC IF UNI 5739]
	14	5001246	2	
	15	5271401	2	Flexible hose
	16	5140742	2	Hydraulic hose guide
	17	5141000	1	Spacer ()
	18	3010041	1	Hex screw
	19	5001333	1	Slide (ACTUATION)
	20	3020903	1	TSEI screw

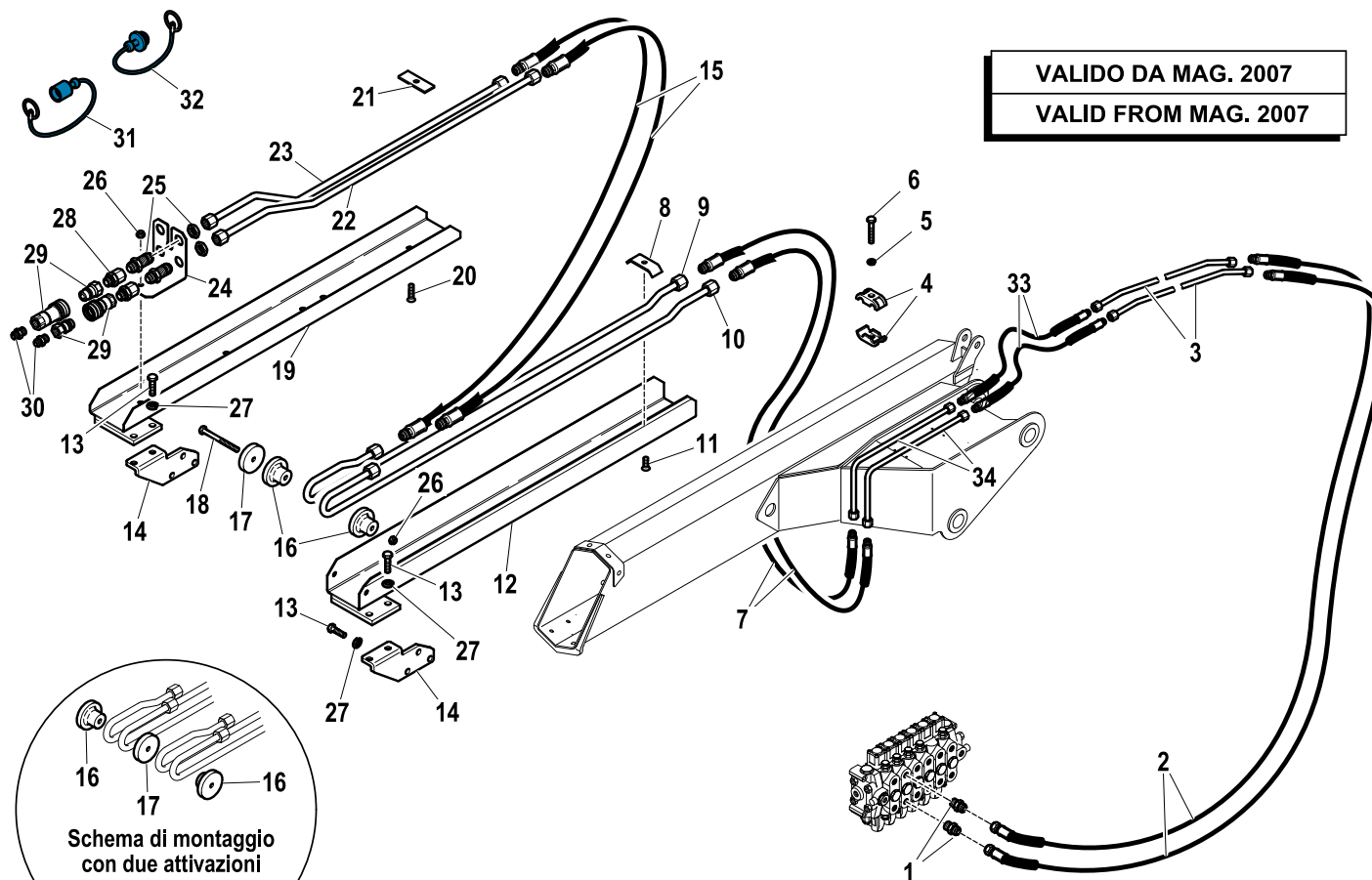
1st ACTIVATION FOR 1S

Code

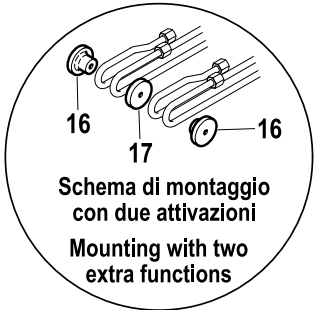
5590224-1.0

2/2

R	Pos.	Code Variant	Q.ty	Description
	21	5001193	1	
	22	W440500900	1	
	23	W440500800	1	
	24	5001596	1	
	25	3120310	2	Wall-through pipe fitting
	26	3040303	2	Stopnut
	27	3060056	10	Split lock washer
	28	3120066	2	Straight pipe fitting
	29	3110420	2	Quick coupling
	30	3101043	2	Straight pipe fitting
	31	3110429	1	Plug
	32	3110428	1	Plug
	33	5271451	2	Flexible hose
	34	5391454	2	



VALIDO DA MAG. 2007
VALID FROM MAG. 2007



1st ADDITIONAL ACTUATION

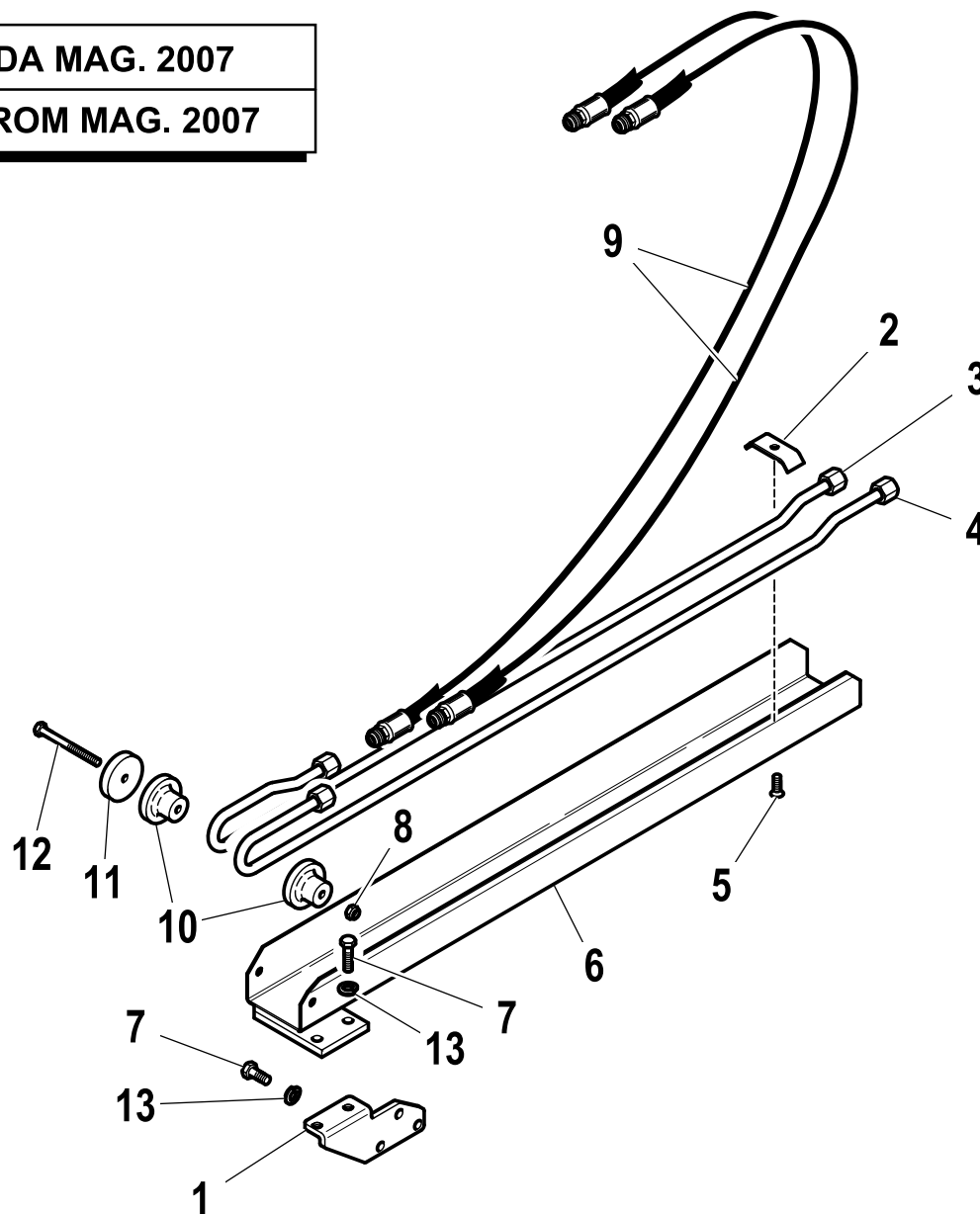
Code

5590225-1.0

1/1

VALIDO DA MAG. 2007

VALID FROM MAG. 2007



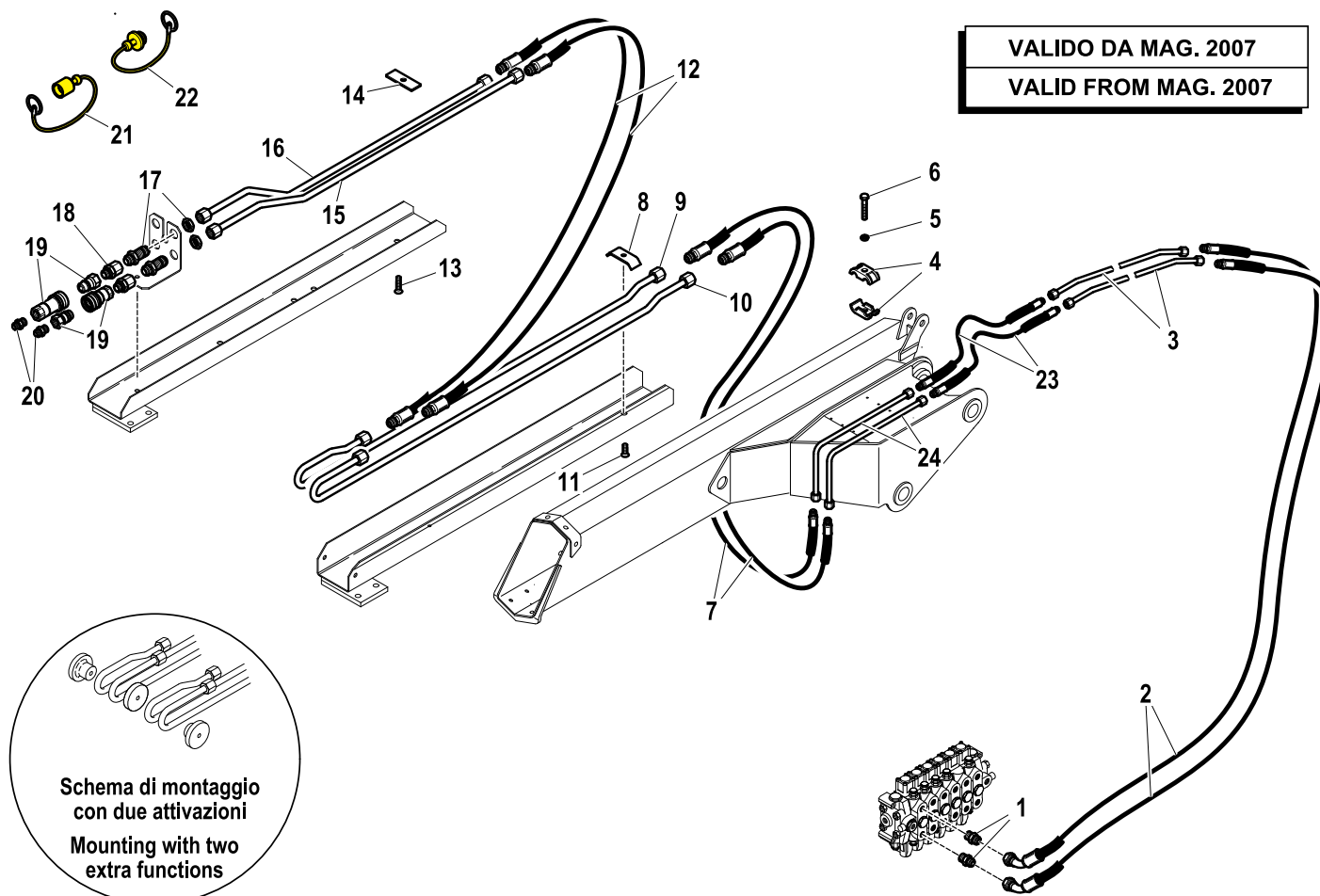
R	Pos.	Code Variant	Q.ty	Description
	1	5001246	1	
	2	5001187	1	Clamp (Set of hoses)
	3	5391822	1	
	4	5391823	1	
	5	3020914	1	TSEI screw
	6	5001334	1	
	7	3010355	5	Hex screw [M10X25 8.8 ZC IF UNI 5739]
	8	3040303	1	Stopnut
	9	5271401	2	Flexible hose
	10	5140742	2	Hydraulic hose guide
	11	5141000	1	Spacer ()
	12	3010041	1	Hex screw
	13	3060056	5	Split lock washer

2st ACTIVATION FOR 1S

Code

5600190-1.0

1/2



R	Pos.	Code Variant	Q.ty	Description
	1	3101051	2	Straight pipe fitting
	2	5271615	2	
	3	5391449	2	
	4	5000047	4	
	5	3060055	2	Split lock washer
	6	3010031	2	Hex screw
	7	5271452	2	Flexible hose
	8	5001187	1	Clamp (Set of hoses)
	9	5391820	1	
	10	5391821	1	
	11	3020914	1	TSEI screw
	12	5271401	2	Flexible hose
	13	3020903	1	TSEI screw
	14	5001193	1	
	15	W440500900	1	
	16	W440500800	1	
	17	3120310	2	Wall-through pipe fitting
	18	3120066	2	Straight pipe fitting
	19	3110420	2	Quick coupling
	20	3101043	2	Straight pipe fitting

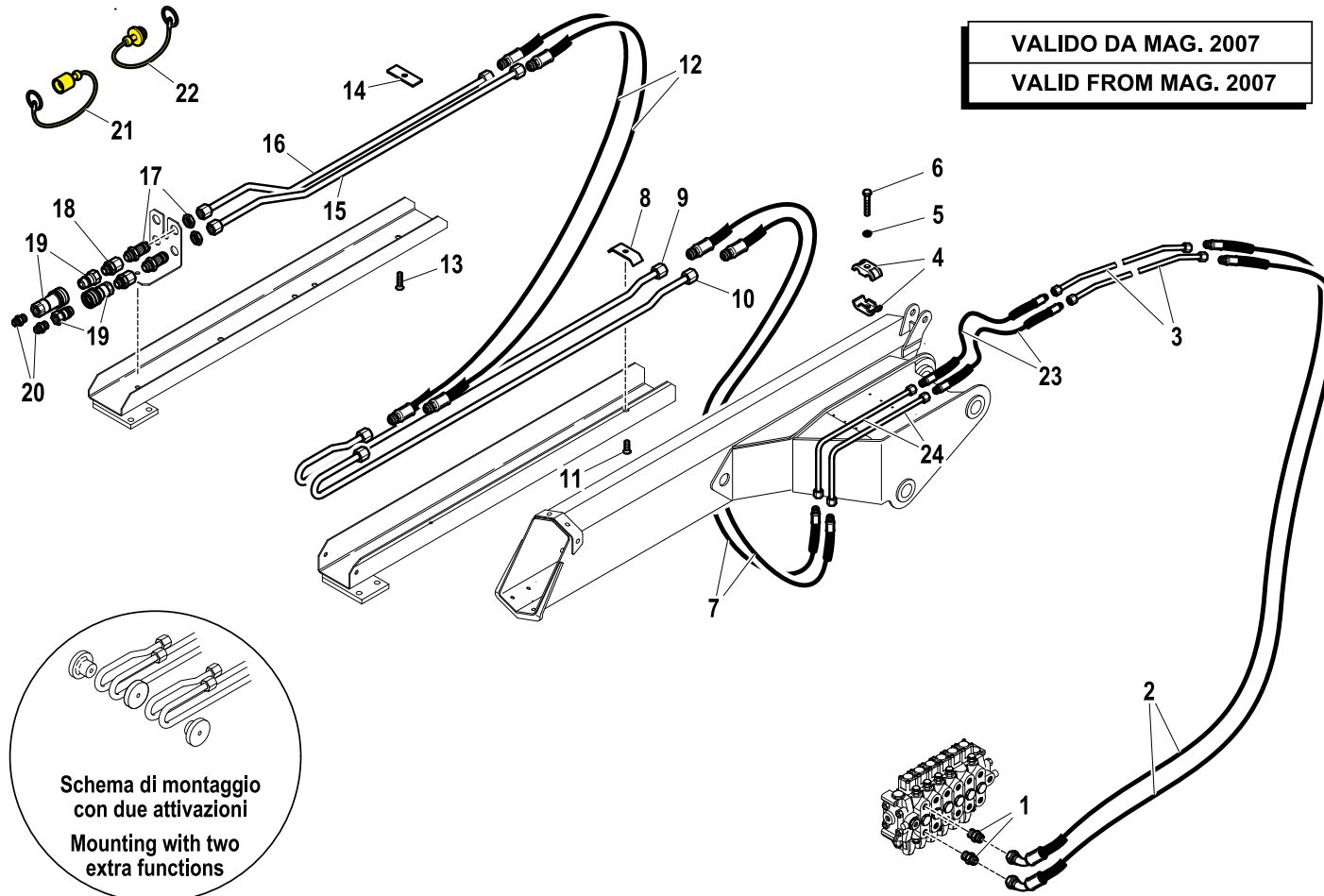
2st ACTIVATION FOR 1S

Code

5600190-1.0

2/2

R	Pos.	Code Variant	Q.ty	Description
	21	W734035	1	
	22	W734034	1	
	23	5271451	2	Flexible hose
	24	5391454	2	



Schema di montaggio
con due attivazioni
Mounting with two
extra functions

2nd ADDITIONAL ACTUATION

Code

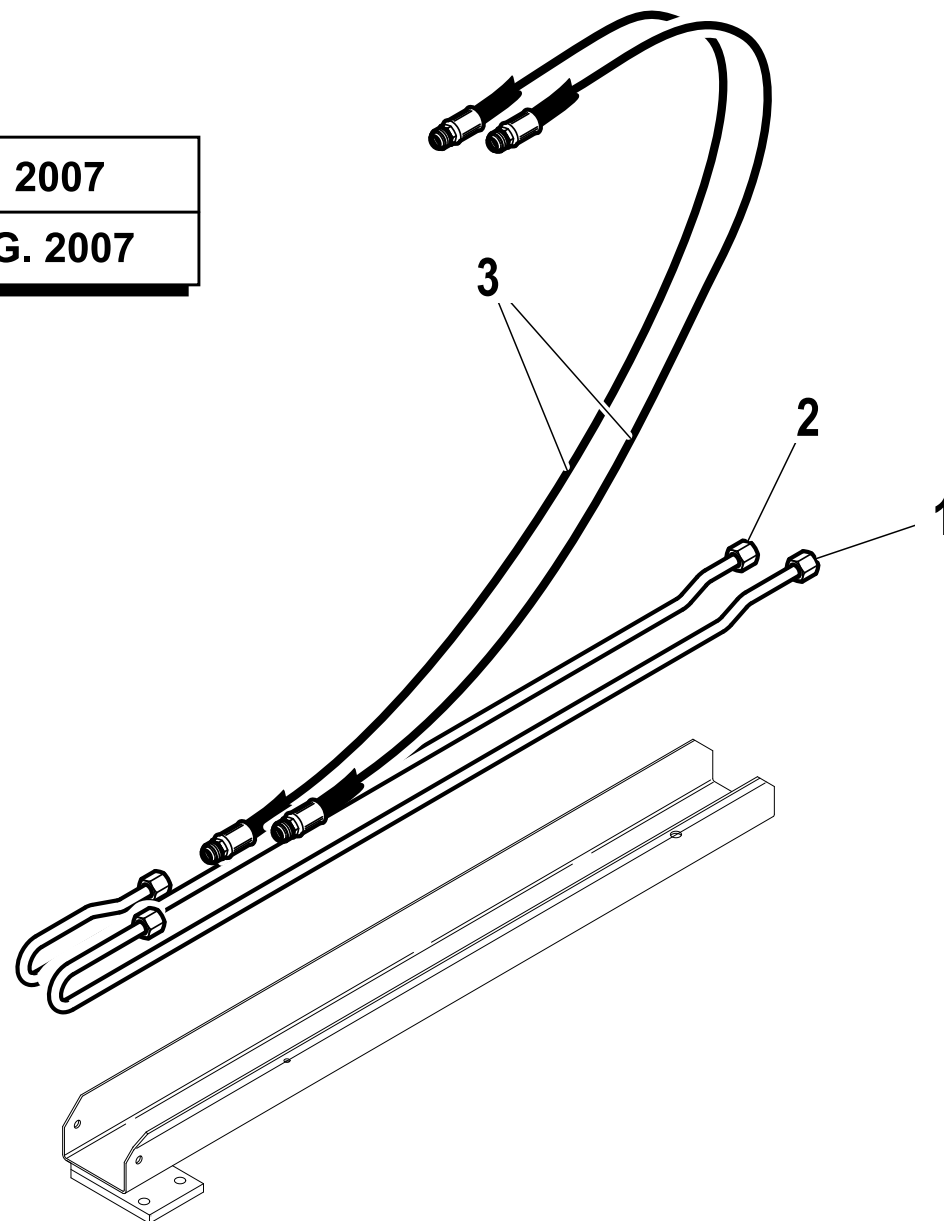
5600191-1.0

1/1

VALIDO DA MAG. 2007

VALID FROM MAG. 2007

R	Pos.	Code Variant	Q.ty	Description
	1	5391821	1	
	2	5391820	1	
	3	5271401	2	Flexible hose



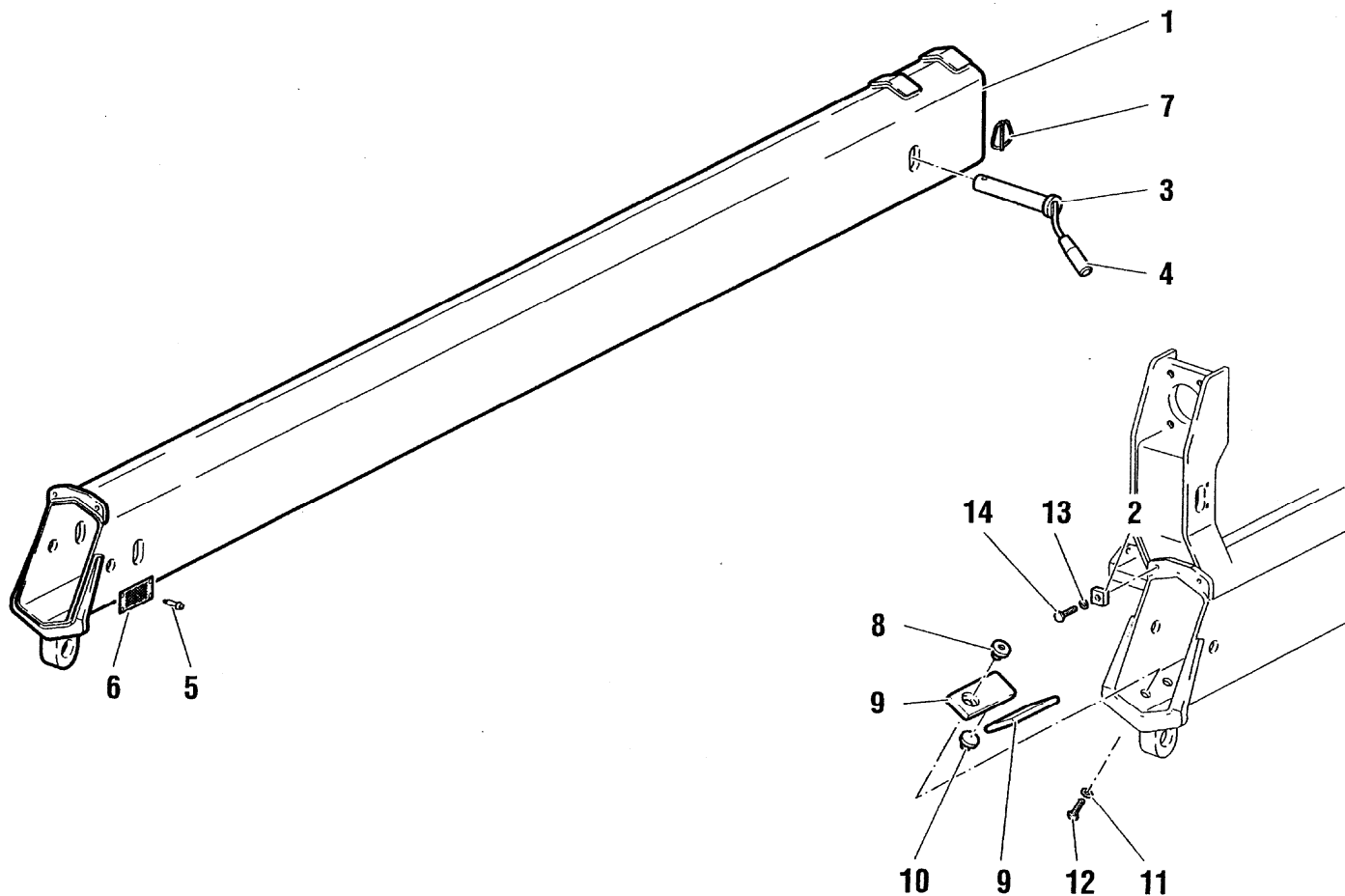
Manual extension (1st)

Code

7800215-1.0

1/1

R	Pos.	Code Variant	Q.ty	Description
	1	5010264	1	Manual extension
	2	5000753	2	
	3	5150365	1	Pin (Handle)
	4	3190010	1	Knob
	5	3060679	4	
	6	5811329	2	
	7	3060753	1	Cotter pin (Locking ring)
	8	5000737	2	
	9	5140680	2	
	10	5140681	2	
	11	3060056	2	Split lock washer
	12	3010353	2	Hex screw
	13	3060055	2	Split lock washer
	14	3010027	2	Hex screw [M8X20 8.8 ZC IF UNI 5739]



Manual extension (2nd)

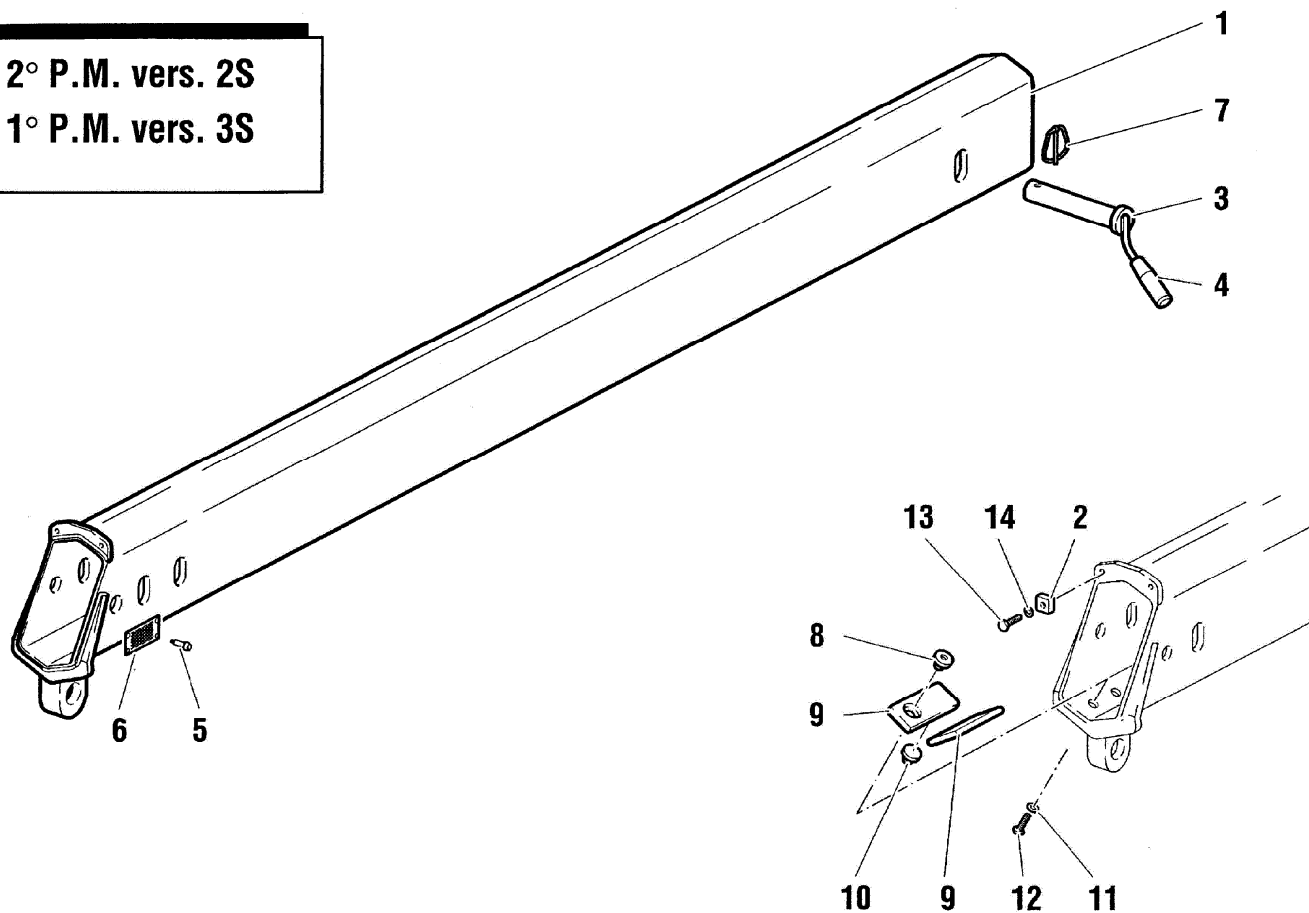
Code

7800216-1.0

1/1

R	Pos.	Code Variant	Q.ty	Description
	1	5010265	1	Manual extension
	2	5000753	2	
	3	5150375	1	
	4	3190010	1	Knob
	5	3060679	4	
	6	5811175	2	
	7	3060907	1	
	8	5000737	2	
	9	5140680	2	
	10	5140681	2	
	11	3060056	2	Split lock washer
	12	3010353	2	Hex screw
	13	3010027	2	Hex screw [M8X20 8.8 ZC IF UNI 5739]
	14	3060055	2	Split lock washer

2° P.M. vers. 2S
1° P.M. vers. 3S



Manual extension

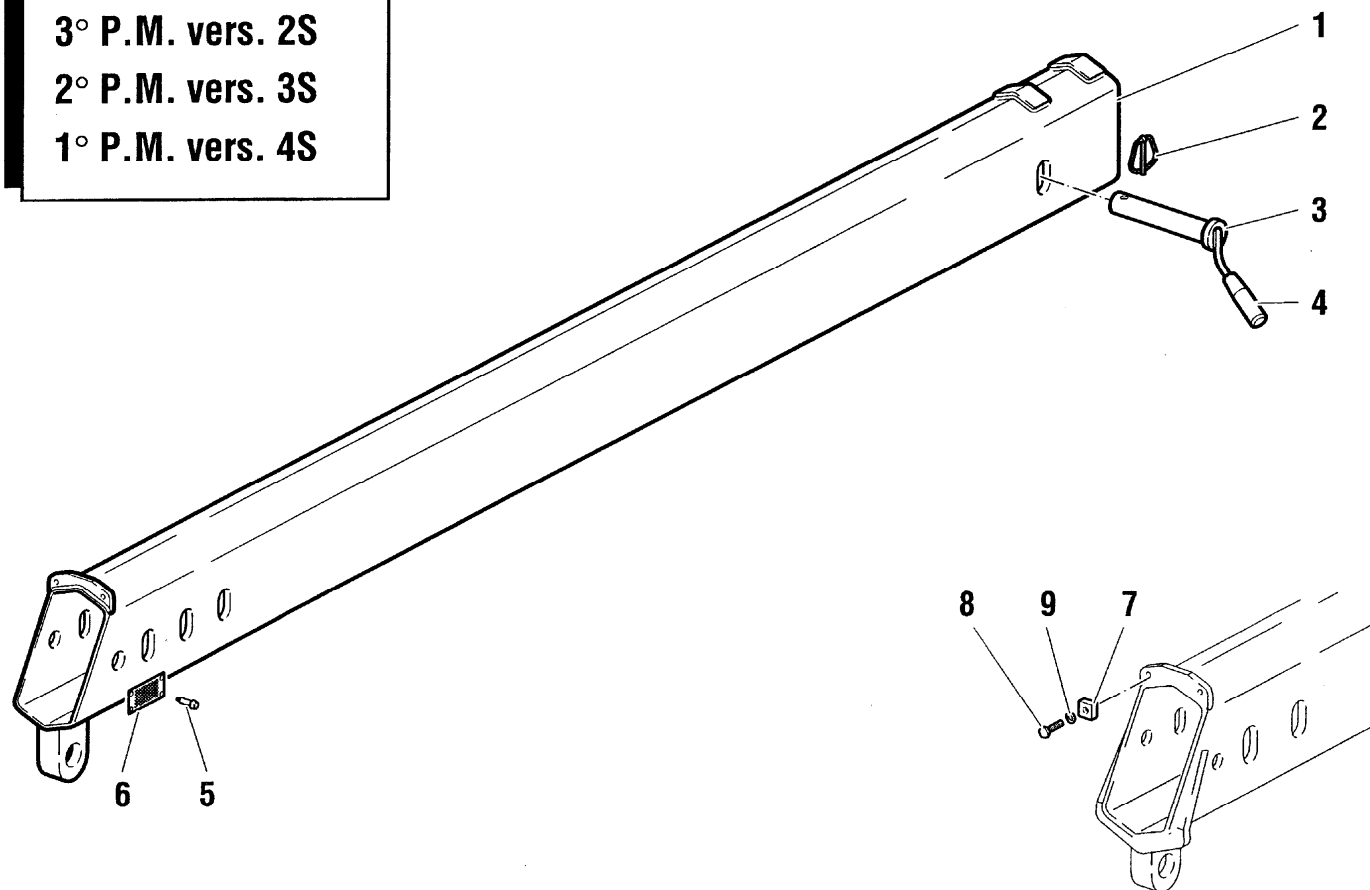
Code

7800221-1.0

1/1

R	Pos.	Code Variant	Q.ty	Description
	1	5010266	1	Manual extension
	2	3060753	1	Cotter pin (Locking ring)
	3	5150186	1	
	4	3190010	1	Knob
	5	3060679	4	
	6	5811163	1	
	7	5000753	1	
	8	3010027	2	Hex screw [M8X20 8.8 ZC IF UNI 5739]
	9	3060055	2	Split lock washer

3° P.M. vers. 2S
 2° P.M. vers. 3S
 1° P.M. vers. 4S



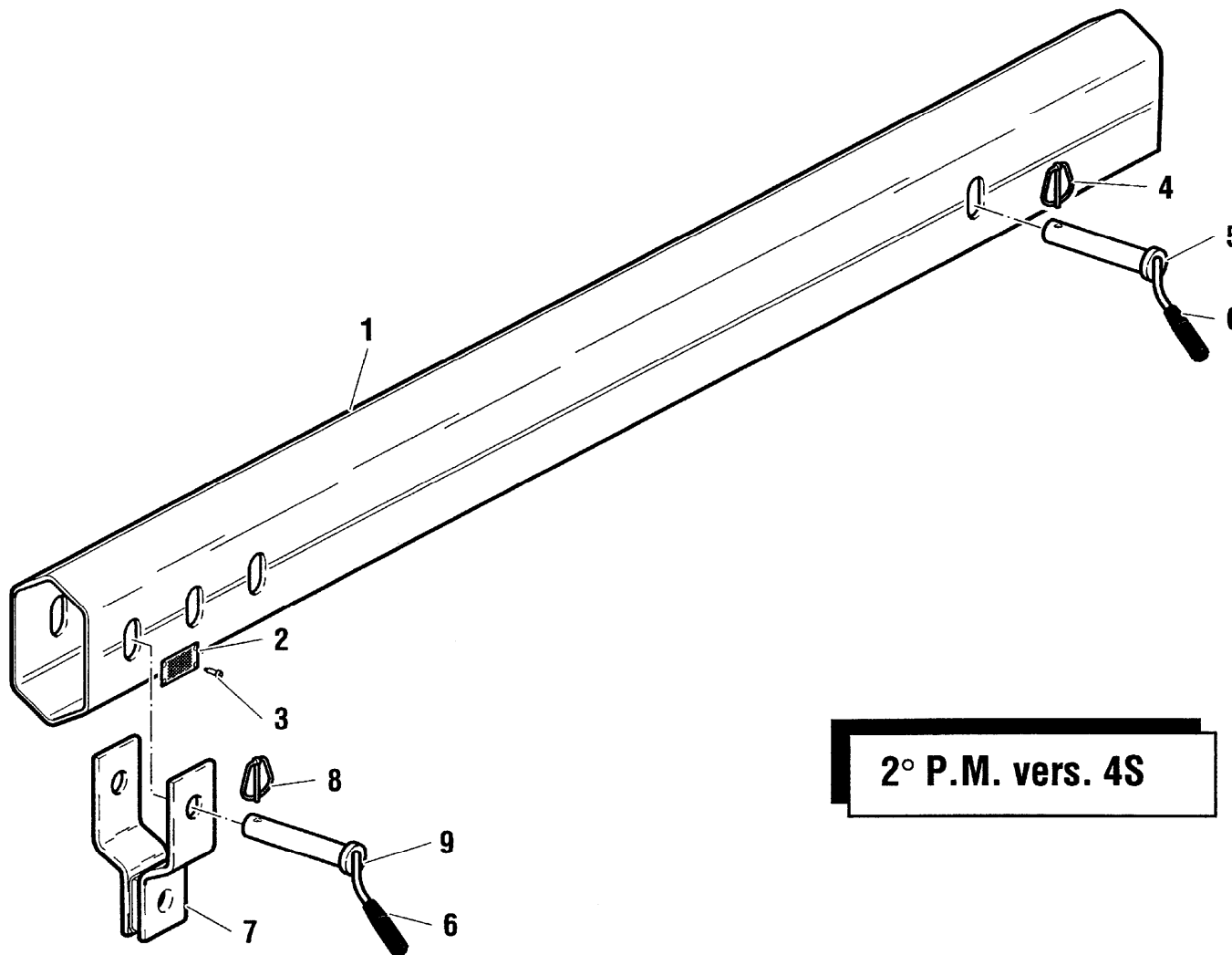
Manual extension

Code

7800222-1.0

1/1

R	Pos.	Code Variant	Q.ty	Description
	1	5010267	1	Manual extension
	2	5811330	2	
	3	3060679	4	
	4	3060753	1	Cotter pin (Locking ring)
	5	5150375	1	
	6	3190010	2	Knob
	7	5000705	1	
	8	3060907	1	
	9	5150189	1	



2° P.M. vers. 4S

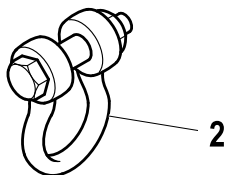
LOAD INDICATION SYSTEM

Code

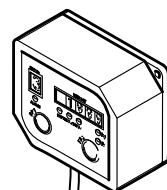
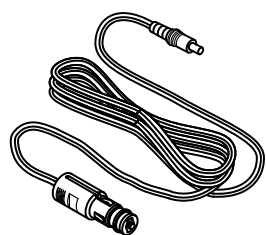
7881825-1.0

1/1

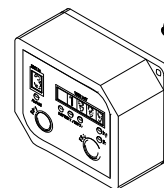
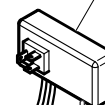
R	Pos.	Code Variant	Q.ty	Description
	1	5730507	1	
	2	3200050	1	Shackles
	3	W236510	1	
	4	3311542	1	



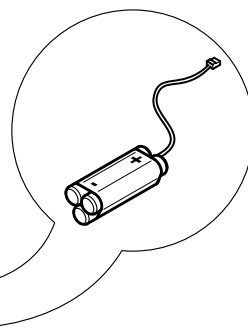
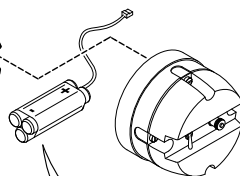
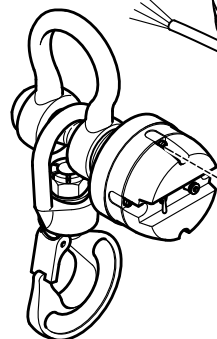
1



3



3.2 ton



4

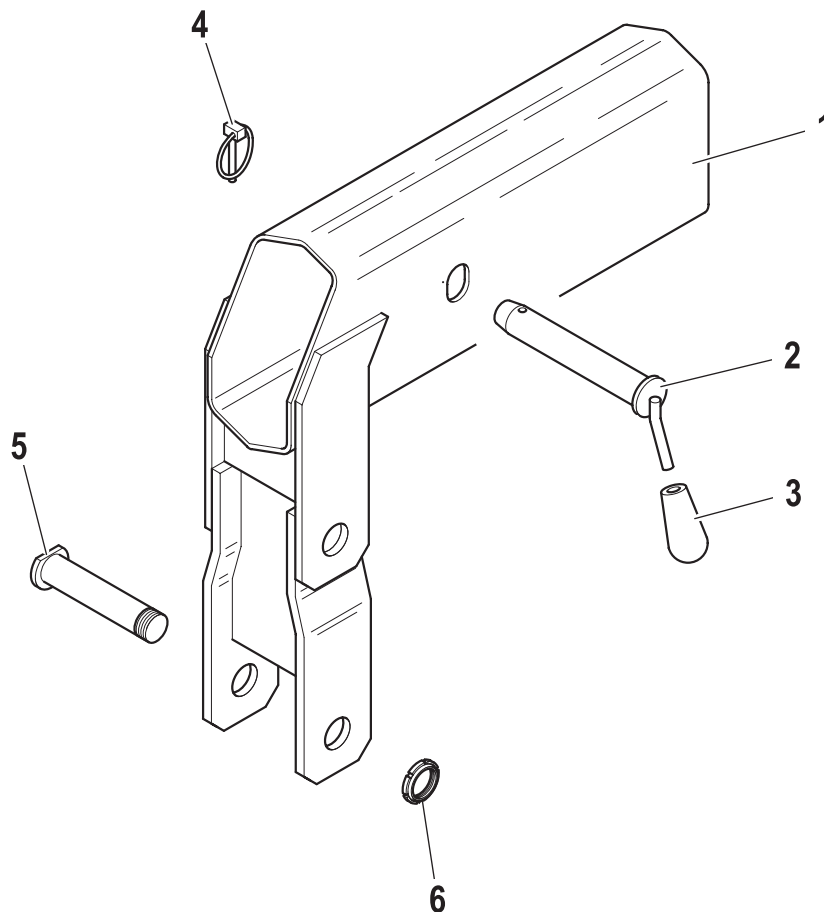
Plates (TOOL)

Code

7900356-1.0

1/1

R	Pos.	Code Variant	Q.ty	Description
	1	5091615	1	Plates (TOOL)
	2	5150365	1	Pin (Handle)
	3	3190010	1	Knob
	4	3060753	1	Cotter pin (Locking ring)
	5	W101005	1	Pin [PERNOA D.35 d.30 L.135 C40]
	6	3040502	1	Self-locking ringnut [M25X1.5 NORMALE ZC]



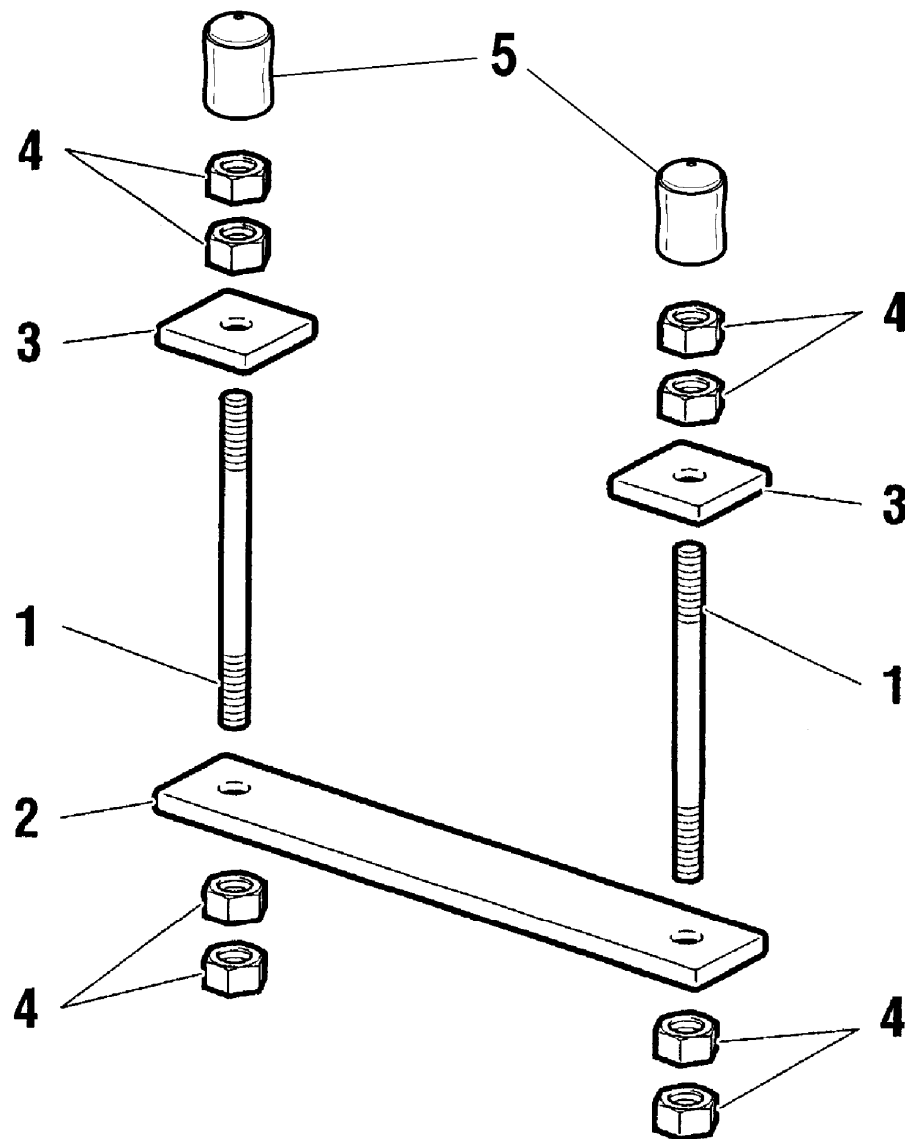
Assembly kit

Code

7880375-1.0

1/1

R	Pos.	Code Variant	Q.ty	Description
	1	5150660	8	
	2	5000202	4	
	3	5000085	8	
	4	3040188	32	Nut
	5	3190291	8	







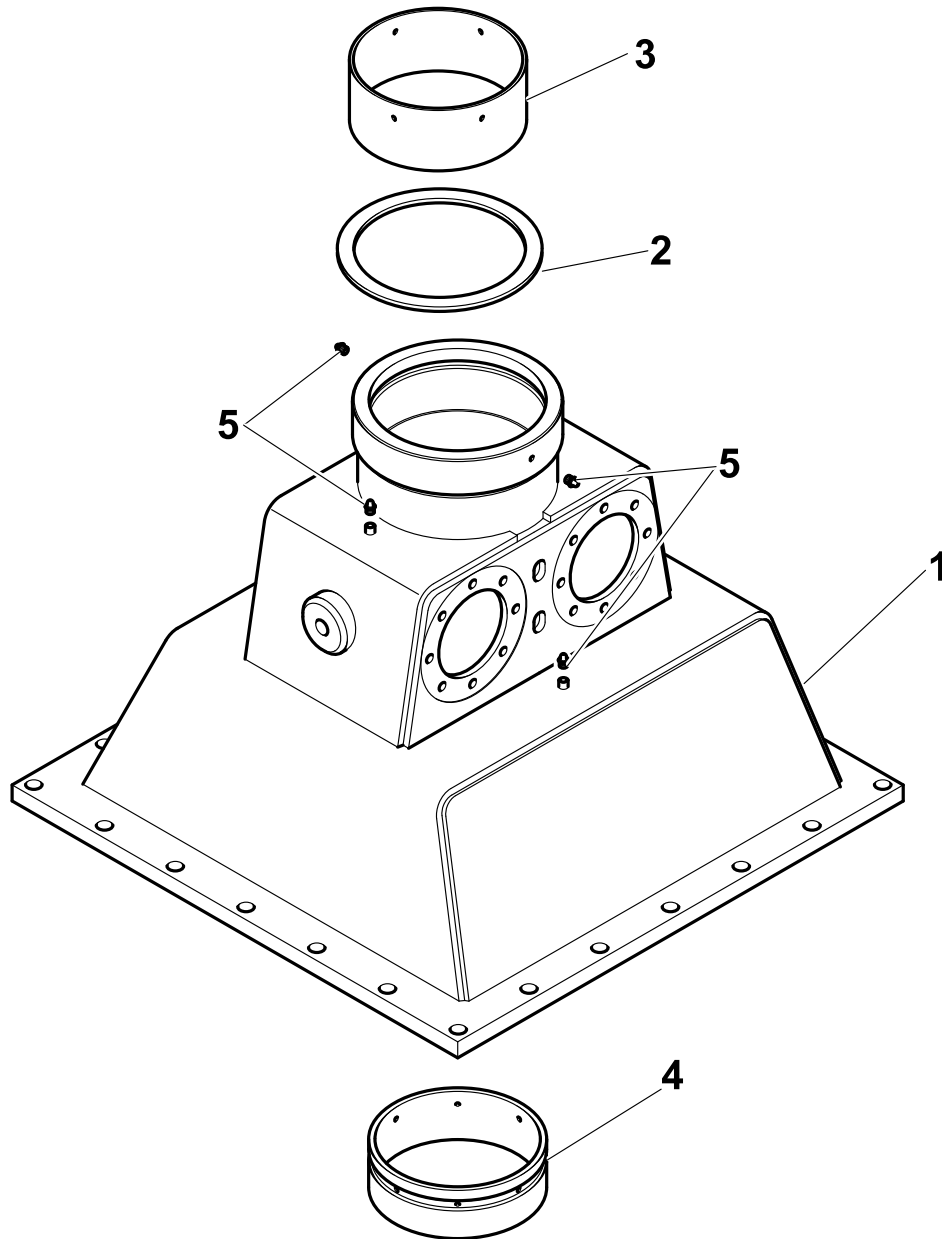
HB150 F

Base

Code

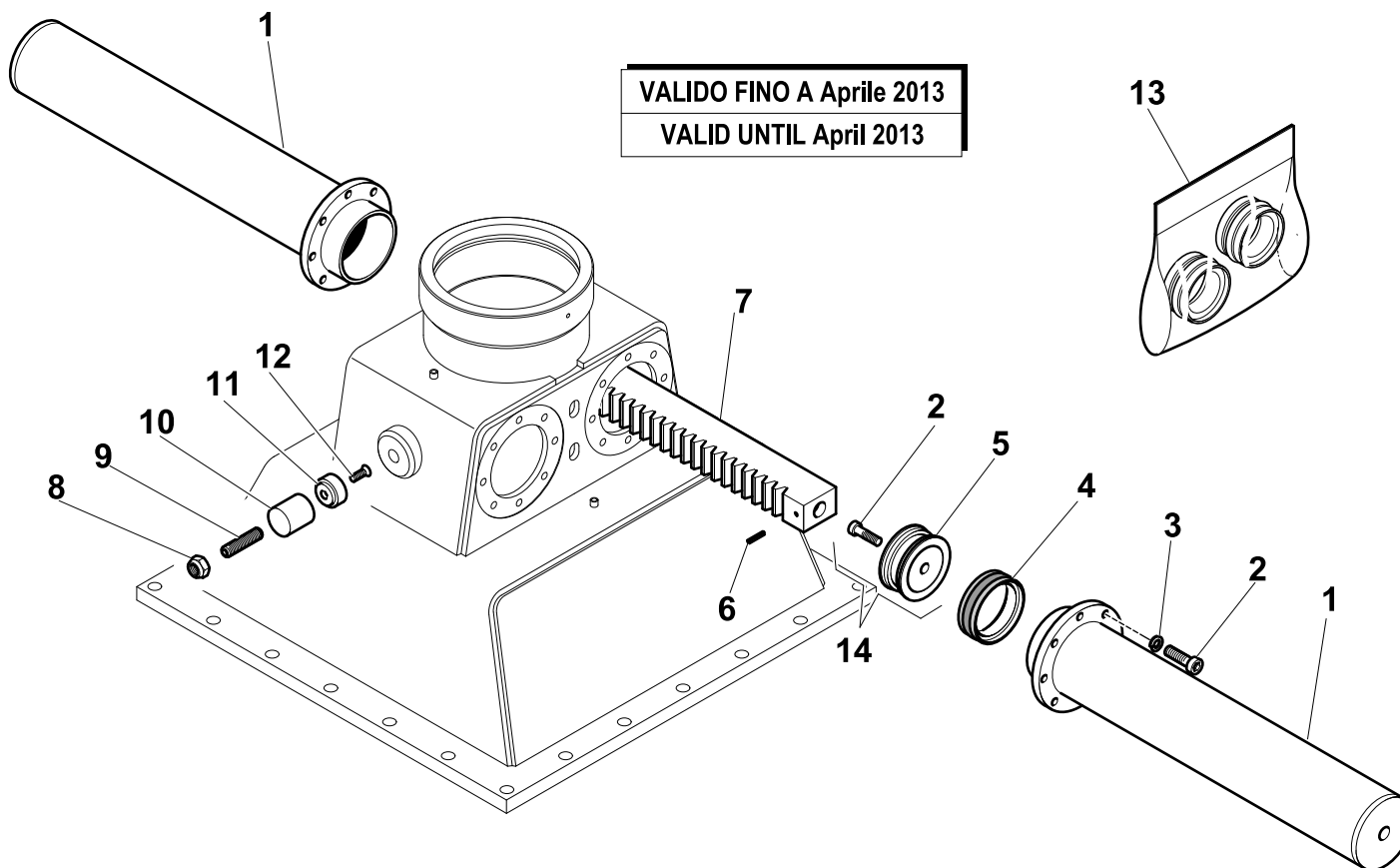
5420052-1.0

1/1



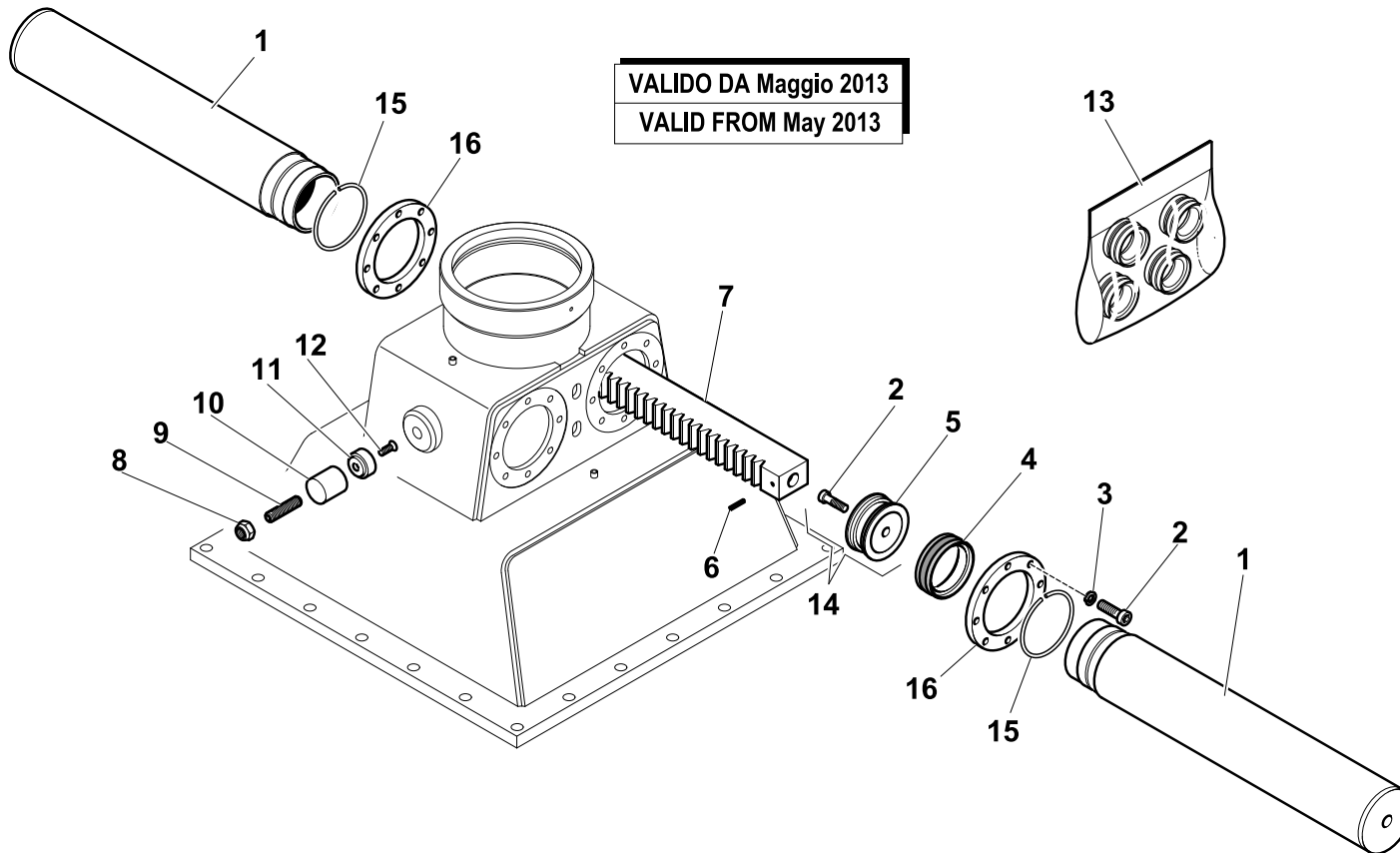
R	Pos.	Code Variant	Q.ty	Description
	1	5060150	1	Base
	2	5140678	1	
	3	5140677	1	
	4	5140676	1	
	5	3080501	4	Grease nipple

VALIDO FINO A Aprile 2013
VALID UNTIL April 2013



R	Pos.	Code Variant	Q.ty	Description
	1	6070379	4	
	2	3020109	36	Socket head cap screw
	3	3060058	32	Split lock washer
	4	3400519	4	
	5	6050225	4	
	6	3060607	4	Spring pin
	7	5050082	2	
	8	3040309	2	Stopnut
	9	3060919	2	Grub screw
	10	4160328	2	
	11	5140600	2	
	12	3020468	2	TSEI screw
	13	5550696	2	
	14	6050247	4	

VALIDO DA Maggio 2013
VALID FROM May 2013



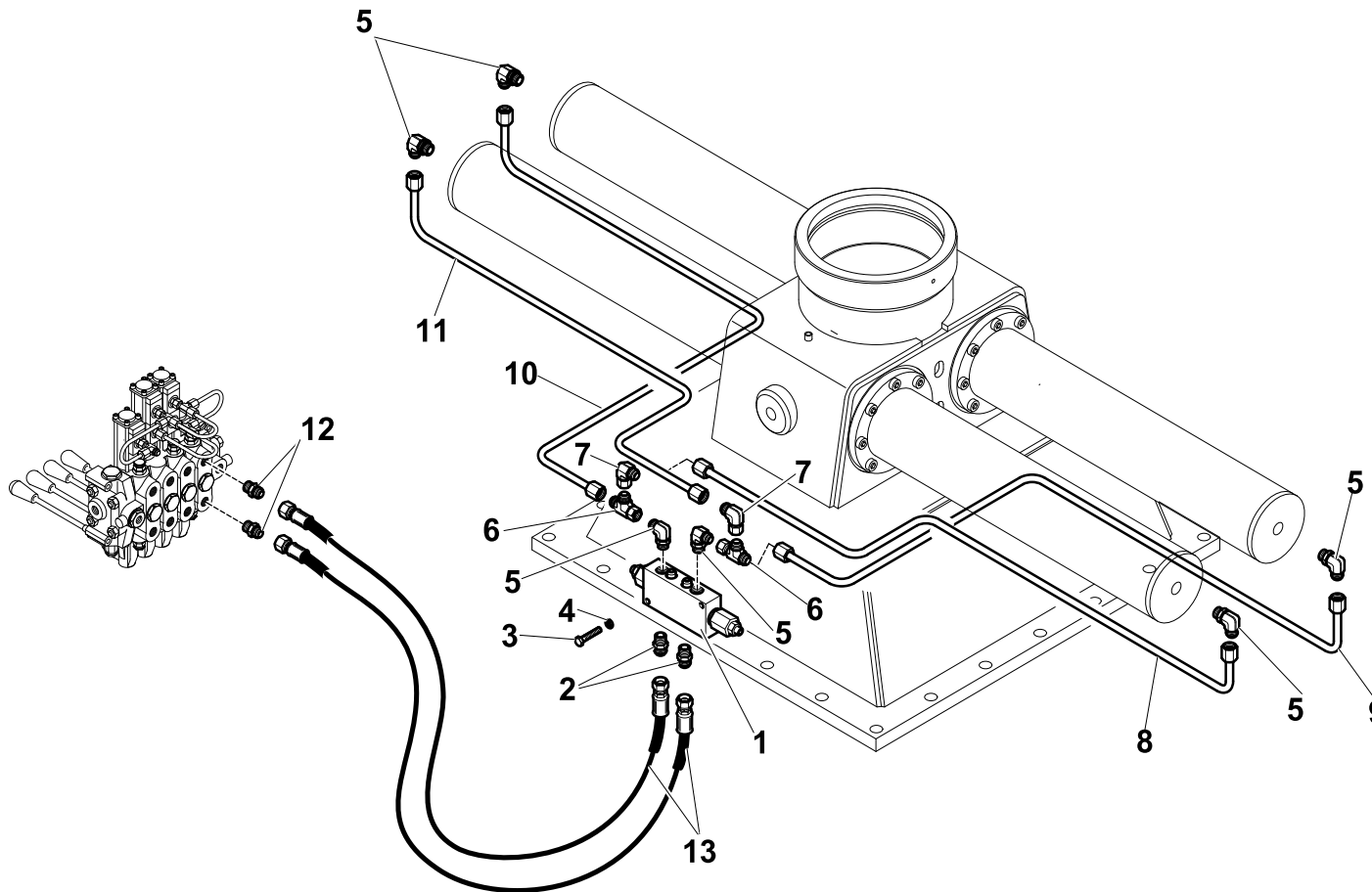
R	Pos.	Code Variant	Q.ty	Description
	1	6070678	4	
	2	3020109	36	Socked head cap screw
	3	3060058	32	Split lock washer
	4	3400519	4	
	5	6050225	4	
	6	3060608	4	Spring pin
	7	5050082	2	
	8	3040309	2	Stopnut
	9	3060919	2	Grub screw
	10	4160328	2	
	11	5140600	2	
	12	3020499	2	TSEI screw
	13	5550778	1	
	14	6050247	4	
	15	W570100800	4	
	16	5002277	4	

Slewing Hydraulic jack (Hydraulic system)

Code

6240144-2.0

1/1



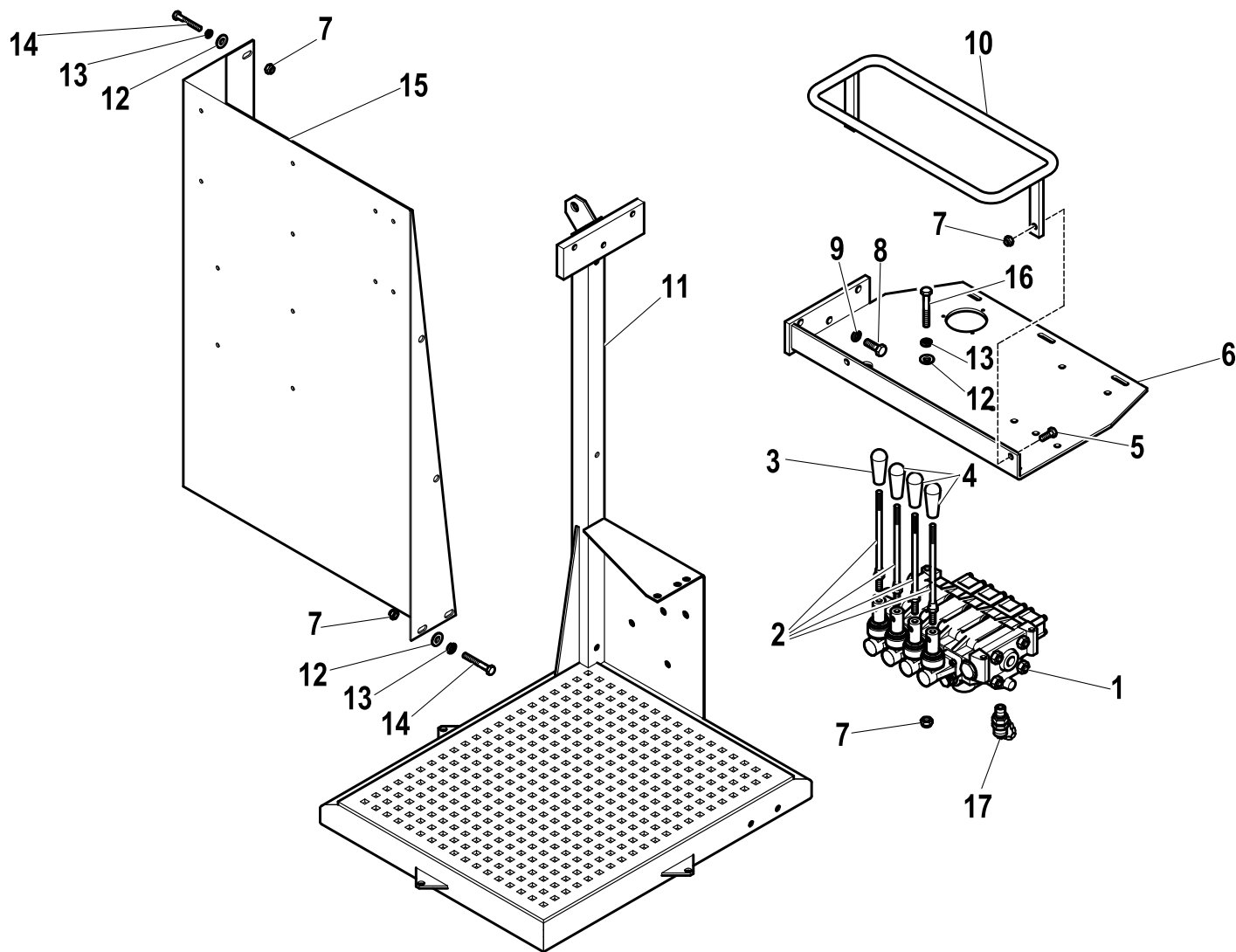
R	Pos.	Code Variant	Q.ty	Description
	1	5220567	1	
	2	3101043	2	Straight pipe fitting
	3	3010399	2	Hex screw
	4	3060053	2	Split lock washer [D=6.4 C72 ZC.UNI1751]
	5	3101127	6	90° Connection
	6	3120004	2	Tee fitting
	7	3120031	2	90° Connection
	8	5391910	1	
	9	5391911	1	
	10	5391909	1	
	11	5391912	1	
	12	3101044	2	Straight pipe fitting
	13	5271686	2	Flexible hose

Control station

Code

5400620-1.0

1/1



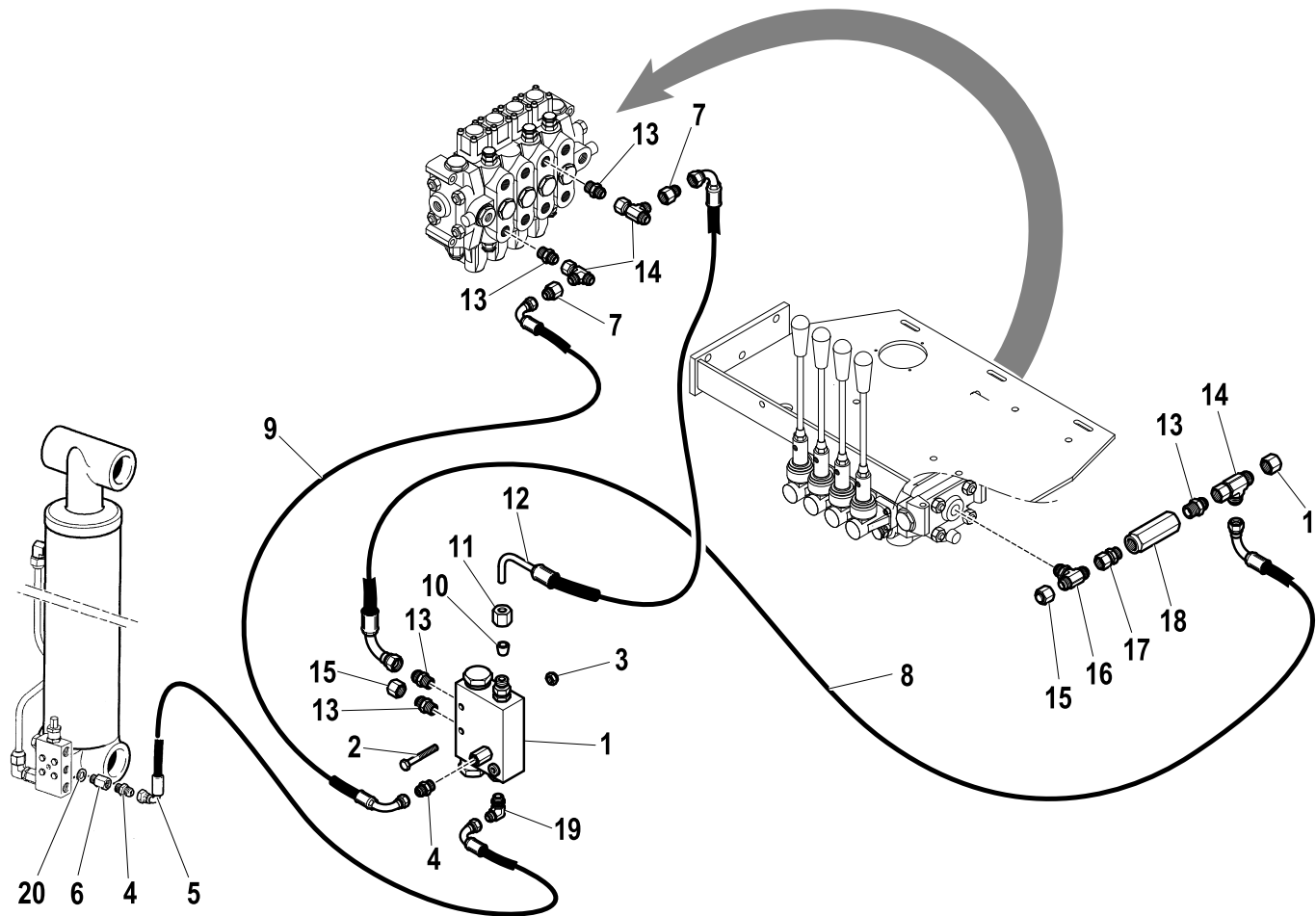
R	Pos.	Code Variant	Q.ty	Description
	1	5220291	1	
	2	5220224	4	
	3	3190189	1	
	4	3190010	3	Knob
	5	3010339	2	Hex screw [M8X25 8.8 ZC IF UNI 5739]
	6	5090533	1	
	7	3040303	10	Stopnut
	8	3010355	3	Hex screw [M10X25 8.8 ZC IF UNI 5739]
	9	3060056	3	Split lock washer
	10	5090459	1	
	11	5090835	1	
	12	3060029	8	Flat washer
	13	3060055	8	Split lock washer
	14	3010034	5	Hex screw [M8X55 8.8 UNI 5737 ZC]
	15	5001319	1	
	16	3010036	3	Hex screw
	17	3111523	1	Pipe fitting (Tapping point) [RACC. MILITES 16X2-1/4"G]

Moment limiting device

Code

5430113-1.0

1/1



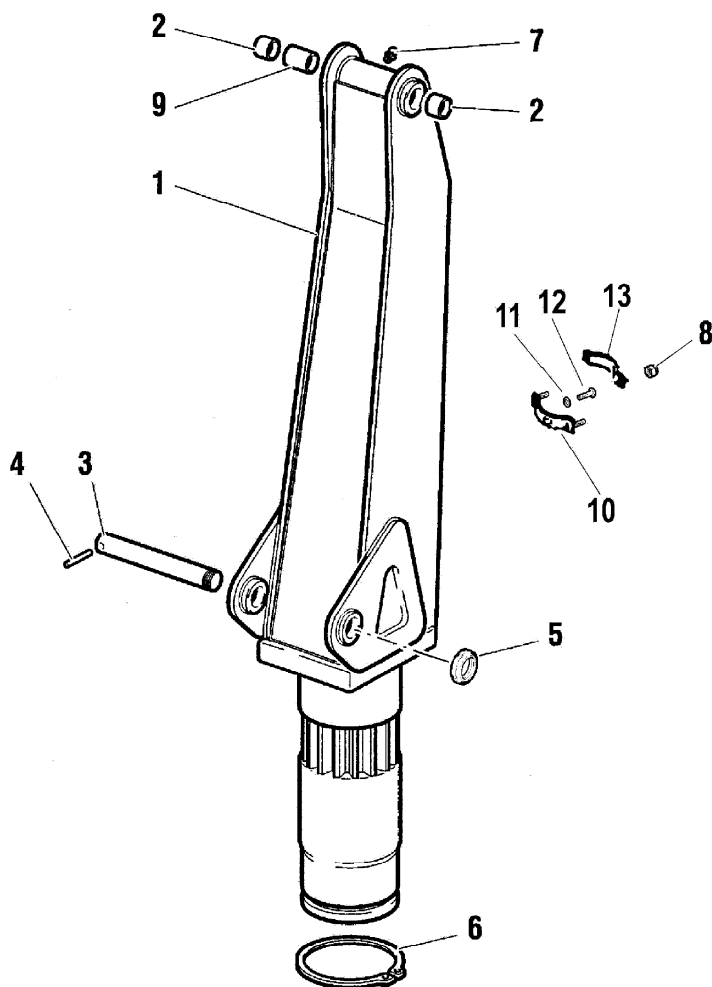
R	Pos.	Code Variant	Q.ty	Description
	1	5220135	1	
	2	3010034	2	Hex screw [M8X55 8.8 UNI 5737 ZC]
	3	3040303	2	Stopnut
	4	3101039	2	Straight pipe fitting
	5	5261028	1	Flexible hose
	6	5220300	1	Hose burst valve (Sleeve)
	7	3120209	2	Reducing fitting
	8	5280748	1	
	9	5261029	1	Flexible hose
	10	3100956	1	
	11	3100952	1	Nut
	12	5260799	1	Flexible hose
	13	3101051	5	Straight pipe fitting
	14	3120008	3	Tee fitting
	15	3110050	3	Female plug
	16	3120306	1	Tee fitting
	17	3120067	1	Straight pipe fitting
	18	5220635	1	Non-return valve
	19	3101124	1	90° Connection
	20	3060143	1	Sealing washer

Column

Code

5460049-1.0

1/1

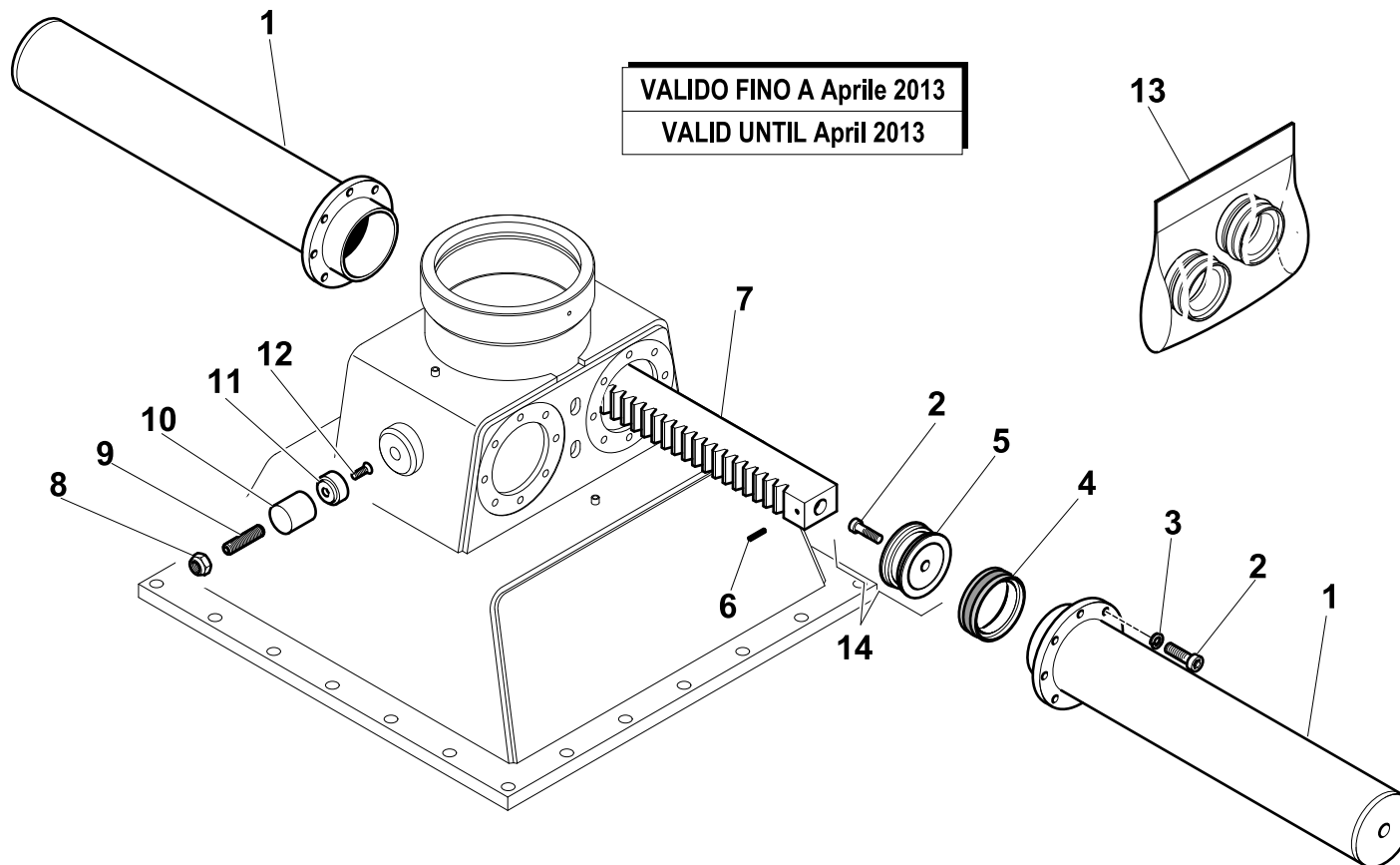


R	Pos.	Code Variant	Q.ty	Description
	1	5040105	1	Column
	2	5140679	2	
	3	5150742	1	
	4	3060628	1	Spring pin
	5	3040507	1	Self-locking ringnut
	6	3070128	1	Seeger
	7	3080501	1	Grease nipple
	8	3040303	4	Stopnut
	9	5000756	1	
	10	5000614	2	Base (Clamp)
	11	3060055	2	Split lock washer
	12	3010027	2	Hex screw [M8X20 8.8 ZC IF UNI 5739]
	13	5000037	2	



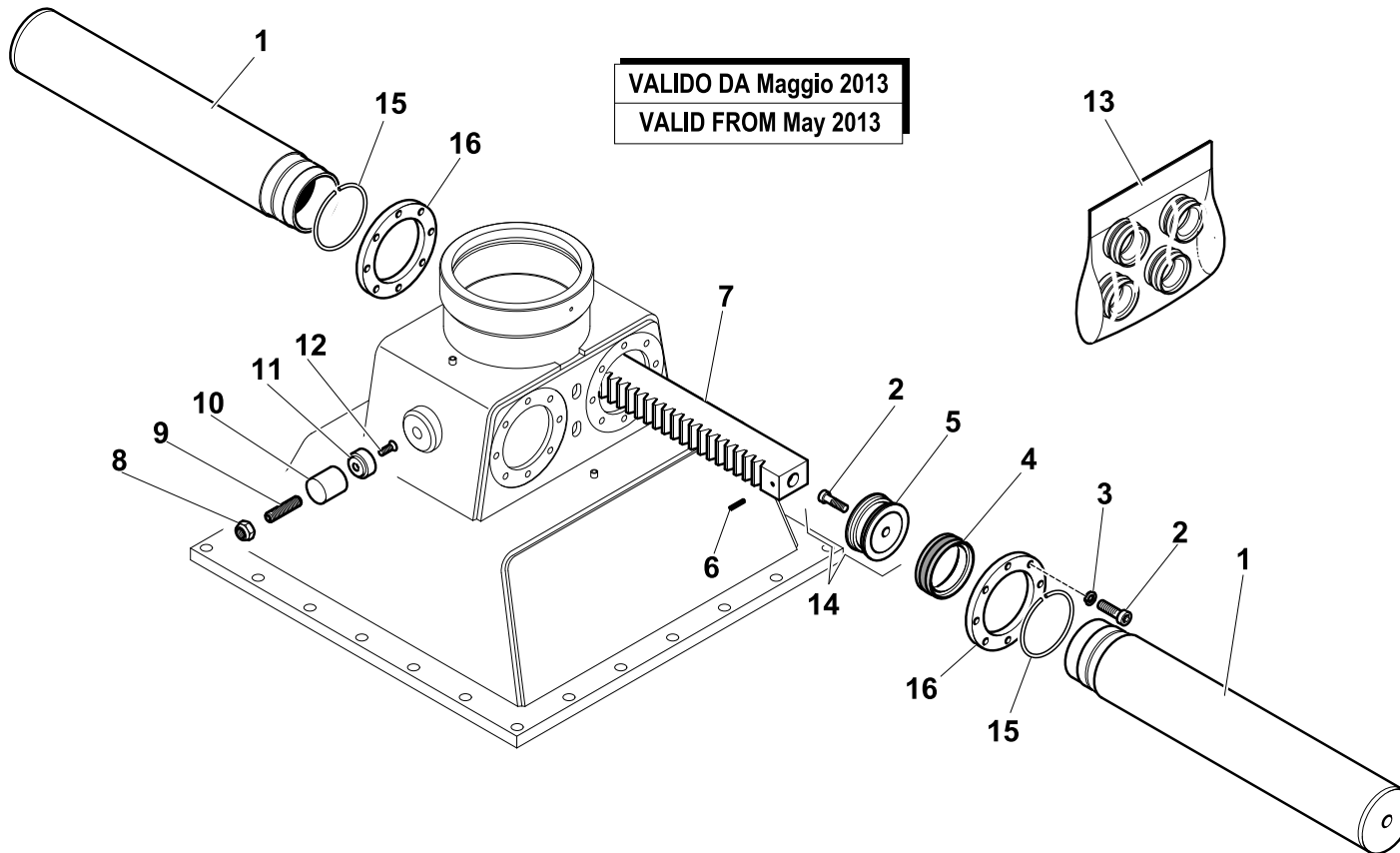
HB150 M

VALIDO FINO A Aprile 2013
VALID UNTIL April 2013



R	Pos.	Code Variant	Q.ty	Description
	1	6070511	4	
	2	3020109	36	Socketed head cap screw
	3	3060058	32	Split lock washer
	4	3400519	4	
	5	6050225	4	
	6	3060607	4	Spring pin
	7	5050082	2	
	8	3040309	2	Stopnut
	9	3060919	2	Grub screw
	10	4160328	2	
	11	5140600	2	
	12	3020468	2	TSEI screw
	13	5550778	1	
	14	6050247	4	

VALIDO DA Maggio 2013
VALID FROM May 2013



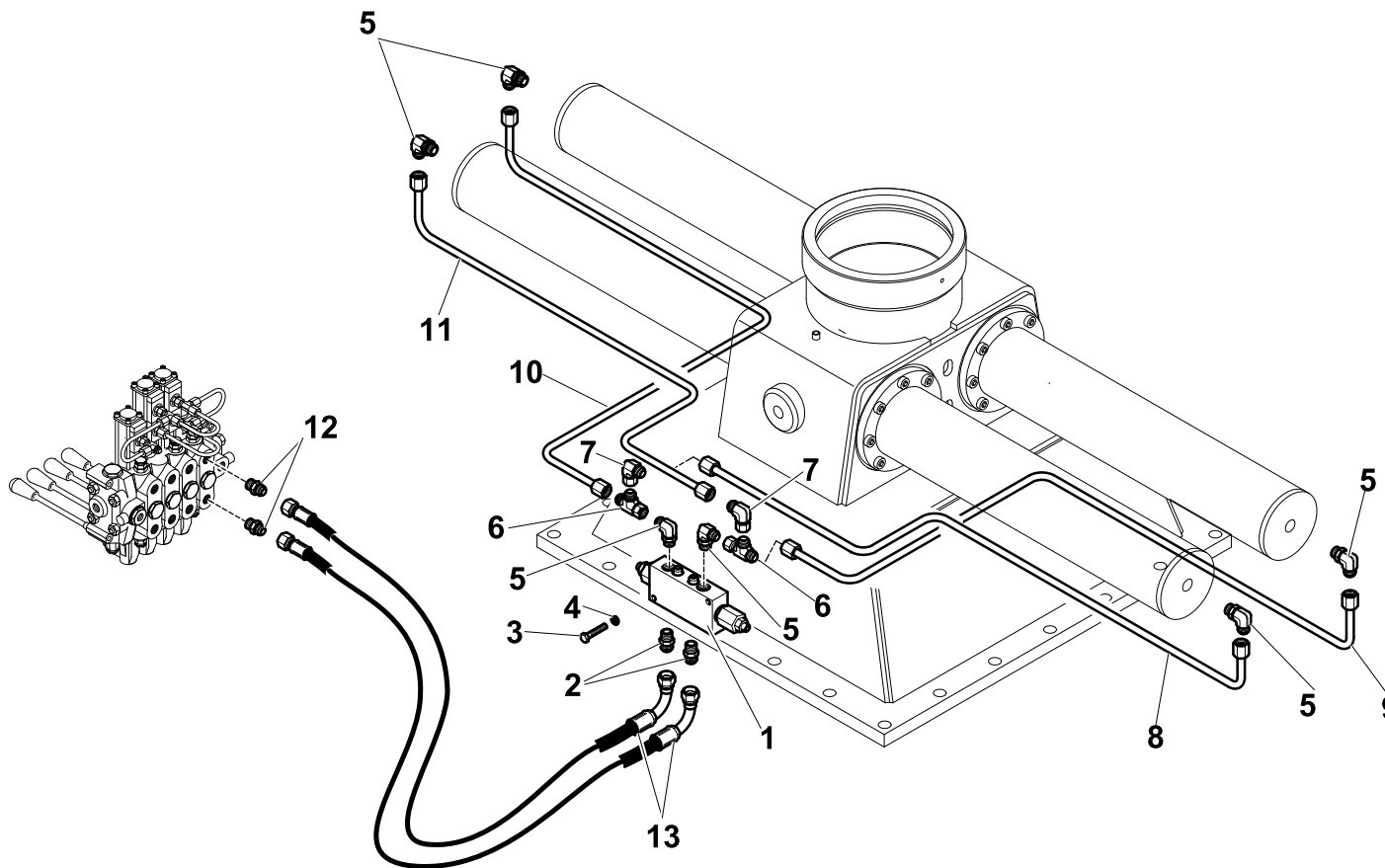
R	Pos.	Code Variant	Q.ty	Description
	1	6070699	4	
	2	3020109	36	Socked head cap screw
	3	3060058	32	Split lock washer
	4	3400519	4	
	5	6050225	4	
	6	3060608	4	Spring pin
	7	5050082	2	
	8	3040309	2	Stopnut
	9	3060919	2	Grub screw
	10	4160328	2	
	11	5140600	2	
	12	3020499	2	TSEI screw
	13	5550778	1	
	14	6050247	4	
	15	W570100800	4	
	16	5002277	4	

Slewing Hydraulic jack (Hydraulic system)

Code

6240098-2.0

1/1



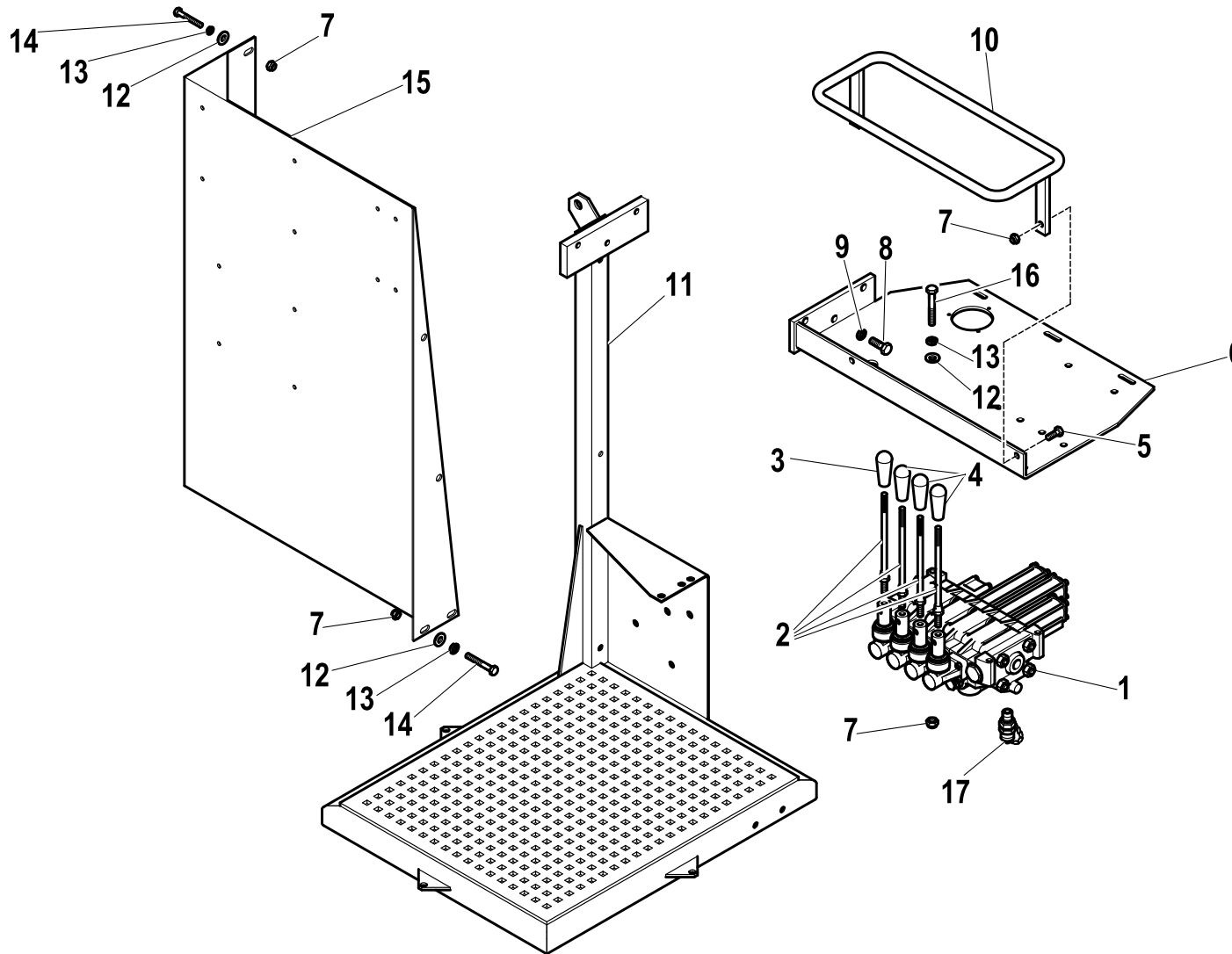
R	Pos.	Code Variant	Q.ty	Description
	1	5220567	1	
	2	3101043	2	Straight pipe fitting
	3	3010399	2	Hex screw
	4	3060053	2	Split lock washer [D=6.4 C72 ZC.UNI1751]
	5	3101127	6	90° Connection
	6	3120004	2	Tee fitting
	7	3120031	2	90° Connection
	8	5391910	1	
	9	5391911	1	
	10	5391909	1	
	11	5391912	1	
	12	3101044	2	Straight pipe fitting
	13	5271488	2	Flexible hose

Control station

Code

5400370-1.0

1/1



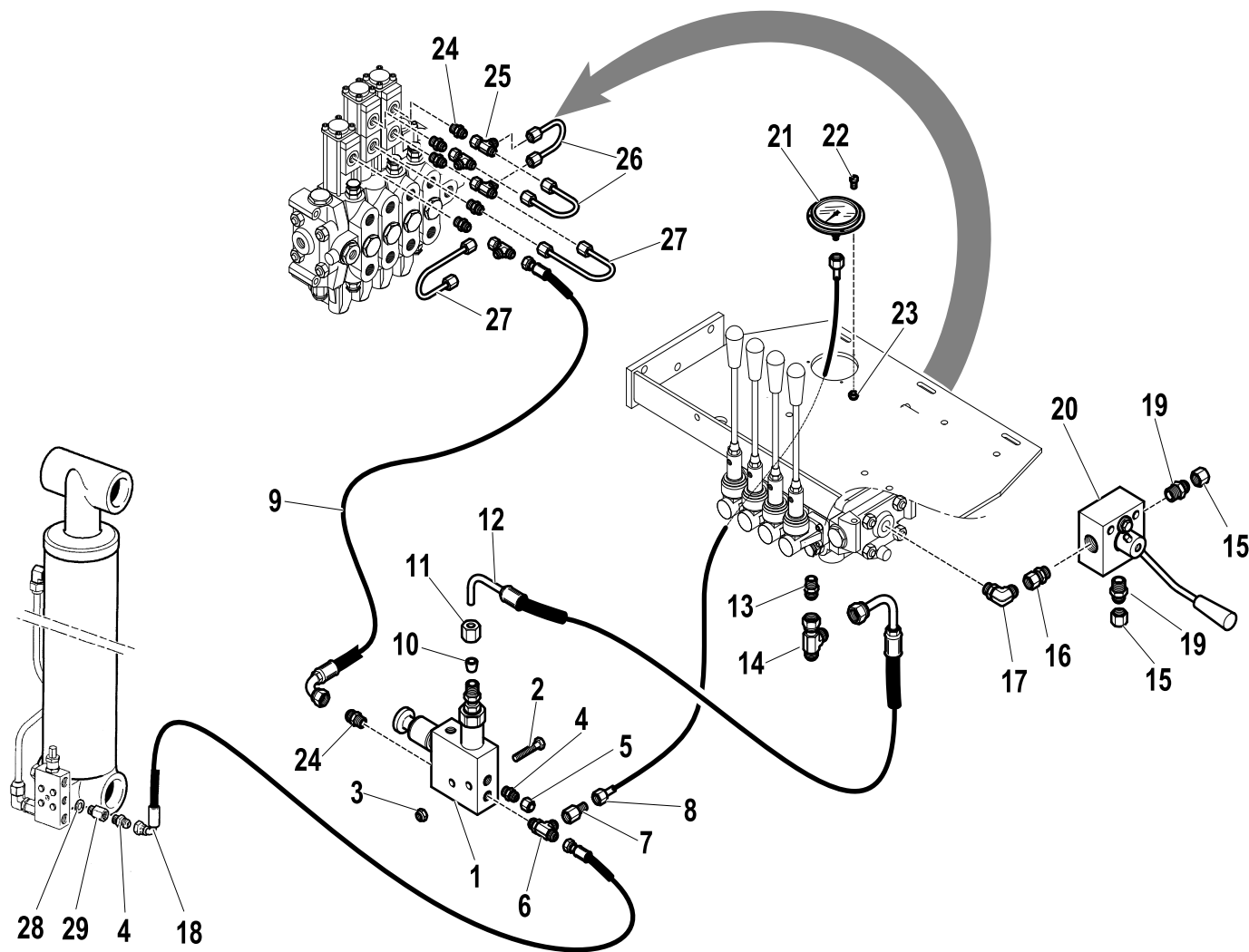
R	Pos.	Code Variant	Q.ty	Description
	1	5220292	1	
	2	5220224	4	
	3	3190189	1	
	4	3190010	3	Knob
	5	3010339	2	Hex screw [M8X25 8.8 ZC IF UNI 5739]
	6	5090533	1	
	7	3040303	10	Stopnut
	8	3010355	3	Hex screw [M10X25 8.8 ZC IF UNI 5739]
	9	3060056	3	Split lock washer
	10	5090459	1	
	11	5090835	1	
	12	3060029	8	Flat washer
	13	3060055	8	Split lock washer
	14	3010034	5	Hex screw [M8X55 8.8 UNI 5737 ZC]
	15	5001319	1	
	16	3010036	3	Hex screw
	17	3111523	1	Pipe fitting (Tapping point) [RACC. MILITES 16X2-1/4"G]

Moment limiting device

Code

5430086-1.0

1/2



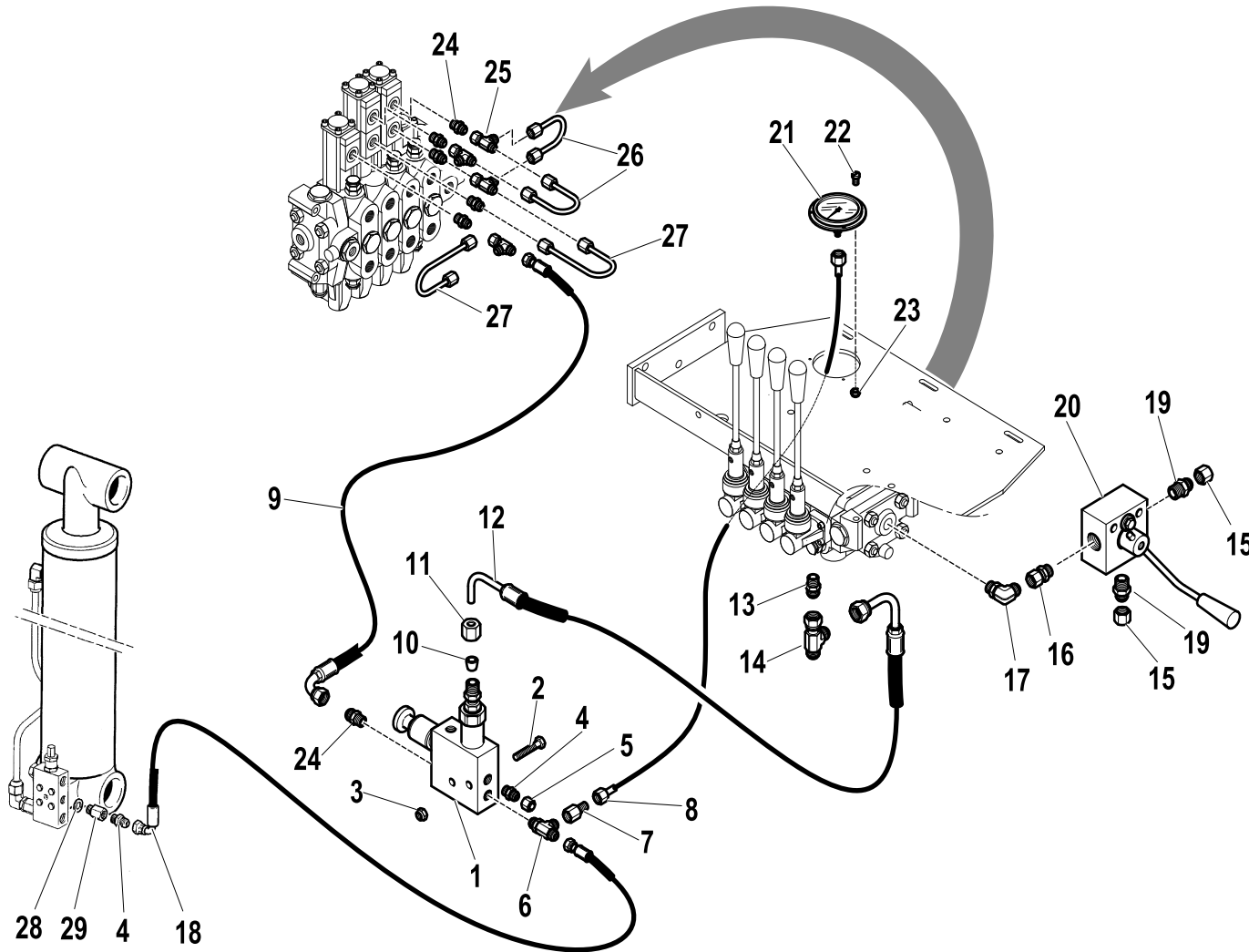
R	Pos.	Code Variant	Q.ty	Description
	1	5220679	1	
	2	3010388	2	Hex screw
	3	3040372	2	Stopnut
	4	3101039	2	Straight pipe fitting
	5	3110040	1	Female plug
	6	3101175	1	Tee fitting
	7	3120200	1	Reducing fitting
	8	5300069	1	
	9	5260688	1	Flexible hose
	10	3100956	1	
	11	3100952	1	Nut
	12	5260693	1	Flexible hose
	13	3101041	1	Straight pipe fitting
	14	3120003	1	Tee fitting
	15	3110050	2	Female plug
	16	3120080	1	Straight pipe fitting
	17	3120034	1	90° Connection
	18	5260784	1	Flexible hose
	19	3120073	2	Straight pipe fitting
	20	5220599	1	

Moment limiting device

Code

5430086-1.0

2/2



R	Pos.	Code Variant	Q.ty	Description
	21	3180150	1	
	22	3020880	3	
	23	3040516	3	Stopnut
	24	3101034	6	Straight pipe fitting
	25	3120001	4	Tee fitting
	26	5391778	2	
	27	5391777	2	
	28	3060143	1	Sealing washer
	29	5220300	1	Hose burst valve (Sleeve)

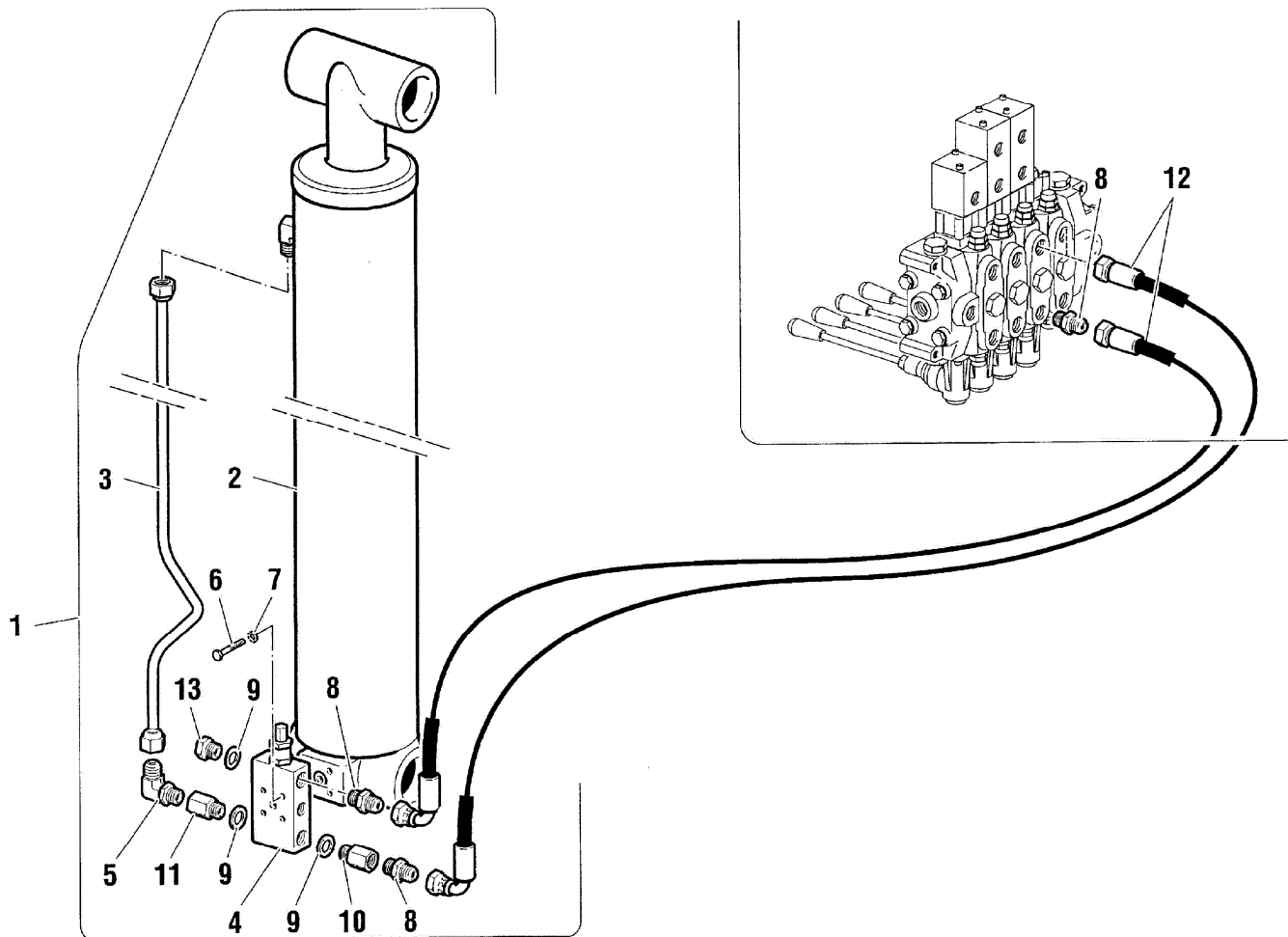
LIFTING HYDRAULIC CYLINDER (Hydraulic system)

Code

6230519-1.0

1/1

R	Pos.	Code Variant	Q.ty	Description
	1	6230519	1	Lifting jack
	2	6430519	1	Lifting jack
	3	5391353	1	
	4	5220570	1	
	5	3101131	1	90° Connection
	6	3010032	4	Hex screw
	7	3060055	4	Split lock washer
	8	3101051	3	Straight pipe fitting
	9	3060145	3	Sealing washer
	10	3110117	1	Straight pipe fitting
	11	3110113	1	Straight pipe fitting
	12	5271511	1	
	13	3110065	1	Plug

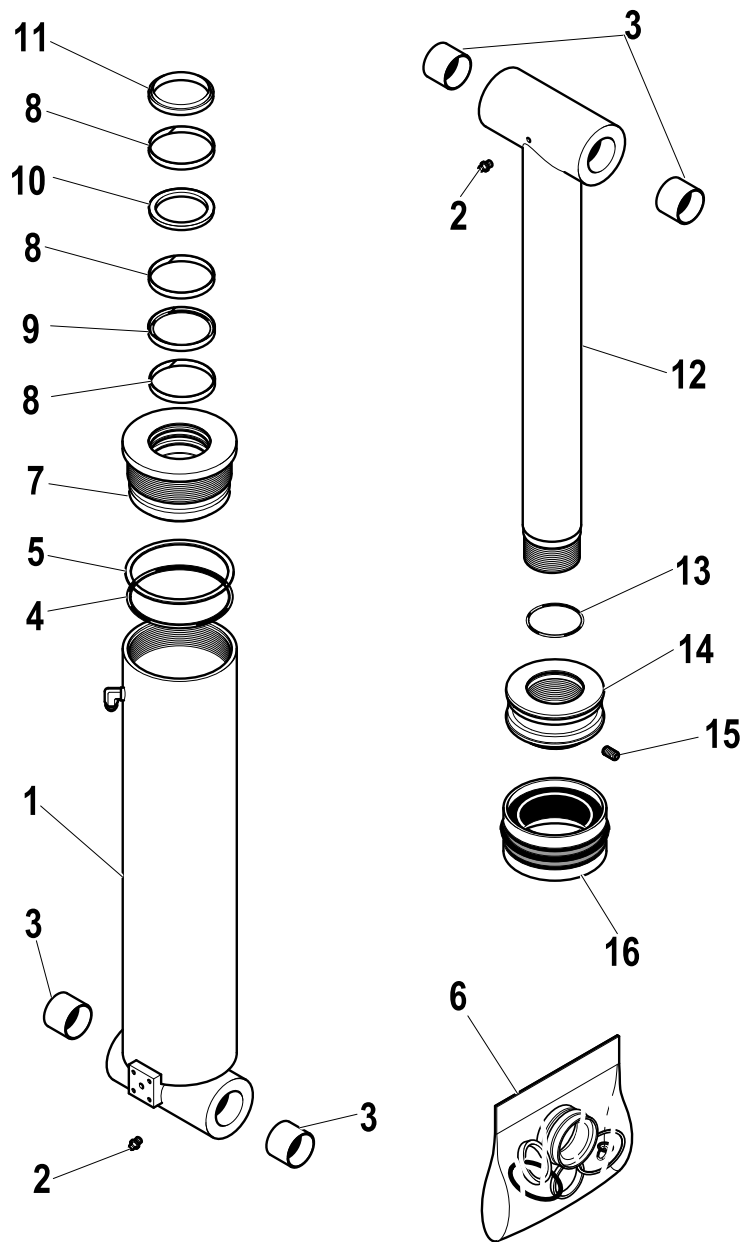


LIFTING HYDRAULIC CYLINDER

Code

6430519-1.0

1/1



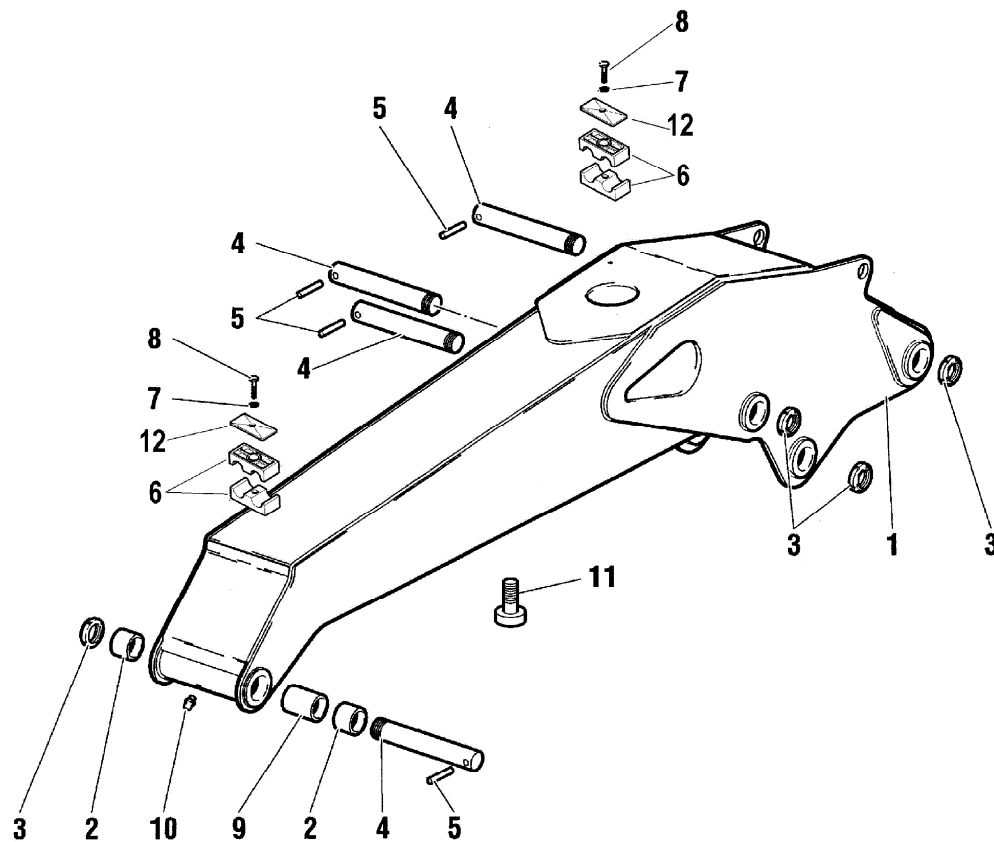
R	Pos.	Code Variant	Q.ty	Description
	1	6070381	1	
	2	3080501	2	Grease nipple
	3	5140679	4	
	4	3450501	1	
	5	3460501	1	
	6	5550777	1	
	7	6040301	1	
	8	3361011	3	
	9	3380800	1	
	10	3370170	1	
	11	3420041	1	
	12	6030735	1	
	13	3450125	1	
	14	6050254	1	
	15	3060244	1	Grub screw
	16	3400526	1	

1ST BOOM

Code

5470085-1.0

1/1



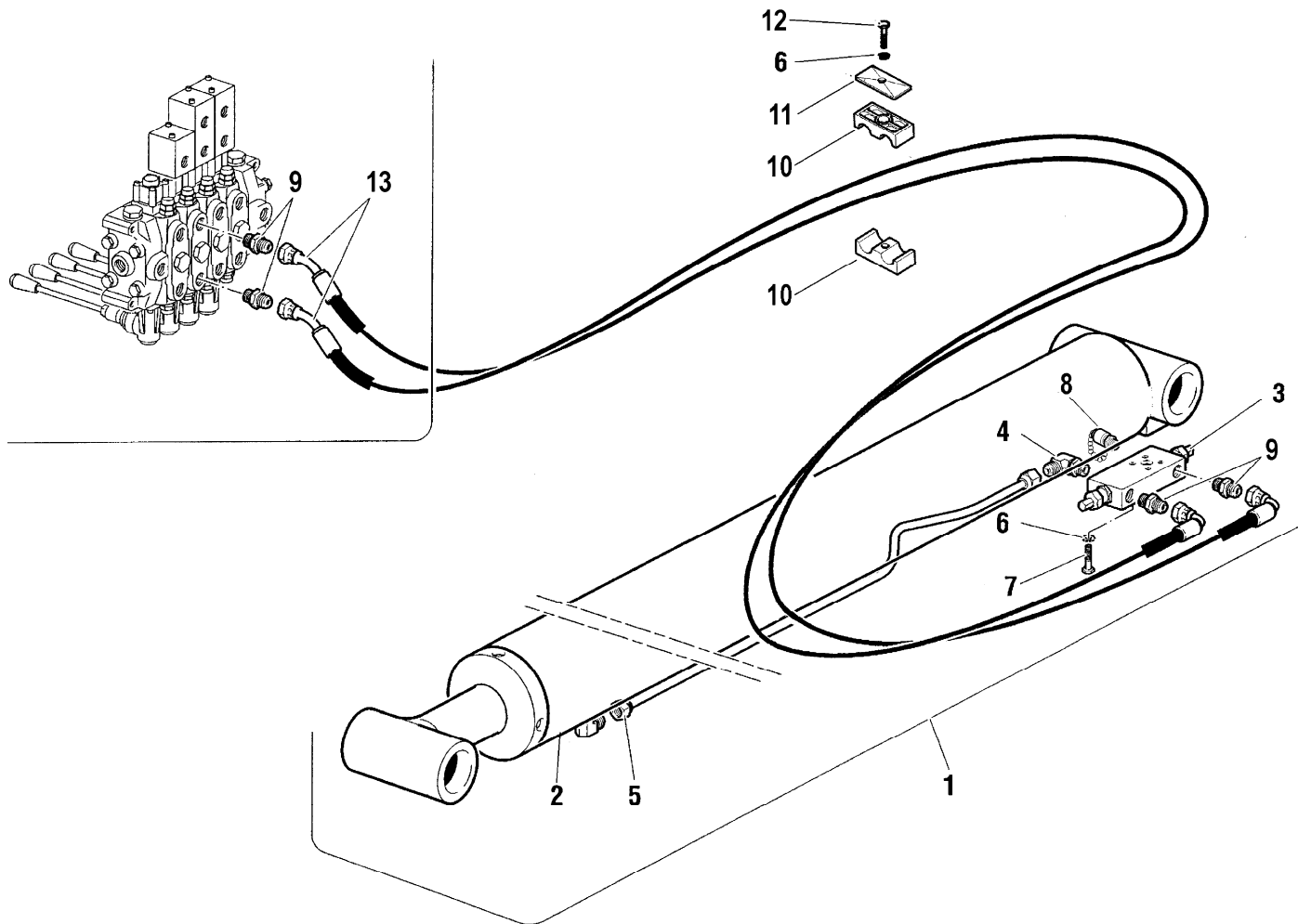
R	Pos.	Code Variant	Q.ty	Description
	1	5030210	1	Main boom
	2	5140679	2	
	3	3040507	4	Self-locking ringnut
	4	5150742	4	
	5	3060628	4	Spring pin
	6	3190222	6	
	7	3060055	3	Split lock washer
	8	3010033	3	Hex screw
	9	5000756	1	
	10	3080501	1	Grease nipple
	11	3190100	1	
	12	3190221	3	

Articulation Hydraulic jack (Hydraulic system)

Code

6230518-1.0

1/1



R	Pos.	Code Variant	Q.ty	Description
	1	6230518	1	
	2	6430518	1	Articulation Hydraulic jack
	3	5220571	1	
	4	3101131	1	90° Connection
	5	5391360	1	
	6	3060055	4	Split lock washer
	7	3010032	3	Hex screw
	8	3111523	1	Pipe fitting (Tapping point) [RACC. MILITES 16X2-1/4"G]
	9	3101051	4	Straight pipe fitting
	10	3190222	2	
	11	3190221	1	
	12	3010034	1	Hex screw [M8X55 8.8 UNI 5737 ZC]
	13	5271514	2	

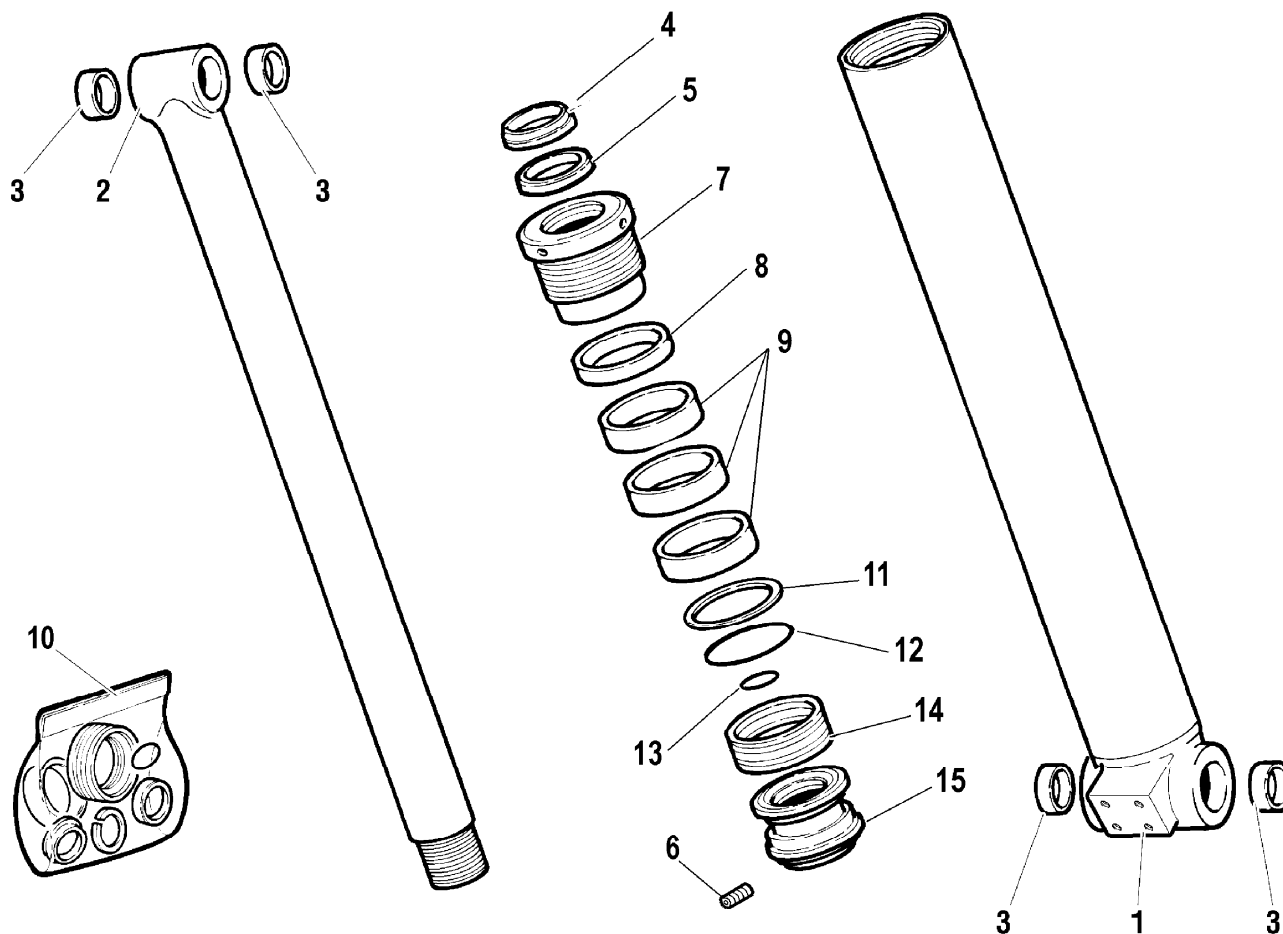
Articulation Hydraulic jack

Code

6430518-1.0

1/1

R	Pos.	Code Variant	Q.ty	Description
	1	6070382	1	
	2	6030742	1	
	3	5140679	4	
	4	3420041	1	
	5	3370170	1	
	6	3060244	1	Grub screw
	7	6040301	1	
	8	3380800	1	
	9	3361011	3	
	10	5550777	1	
	11	3460501	1	
	12	3450501	1	
	13	3450125	1	
	14	3400526	1	
	15	6050254	1	

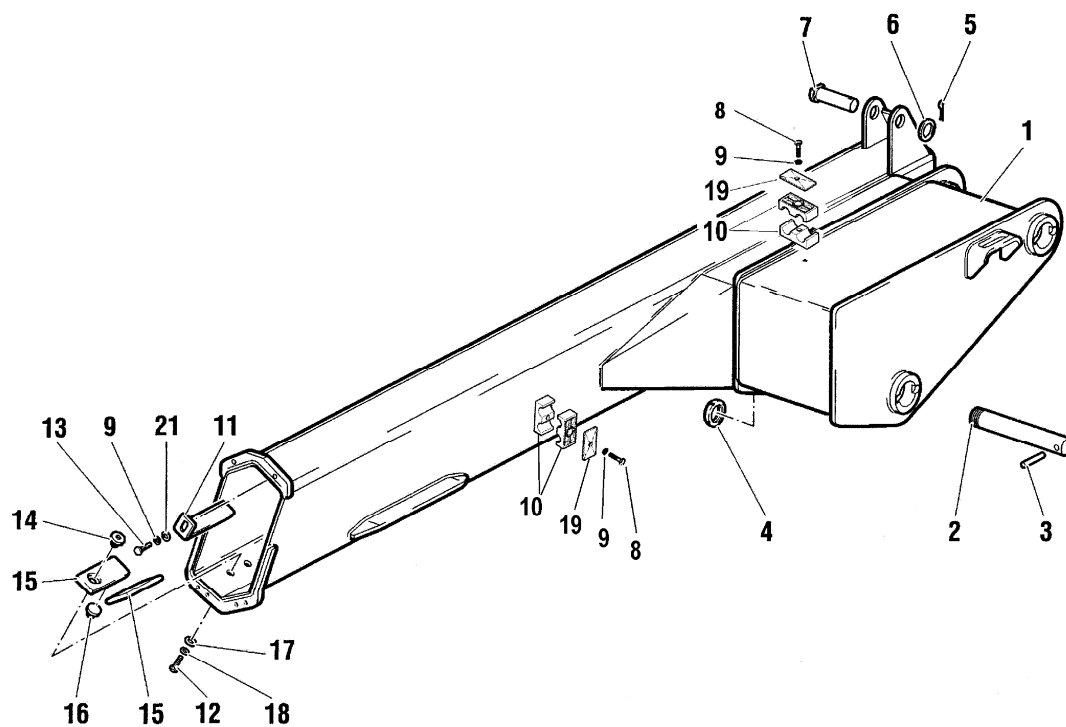


2nd BOOM

Code

5480066-1.0

1/1



R	Pos.	Code Variant	Q.ty	Description
	1	5030211	1	Secondary boom
	2	5150742	1	
	3	3060628	1	Spring pin
	4	3040507	1	Self-locking ringnut
	5	3060911	1	
	6	3060938	1	Flat washer
	7	5150743	1	
	8	3010033	2	Hex screw
	9	3060055	4	Split lock washer
	10	3190222	4	
	11	5000780	6	
	12	3010353	2	Hex screw
	13	3010027	2	Hex screw [M8X20 8.8 ZC IF UNI 5739]
	14	5000737	2	
	15	5140680	2	
	16	5140681	2	
	17	3060914	2	Flat washer
	18	3060920	2	Tooth lock washer
	19	3190221	2	

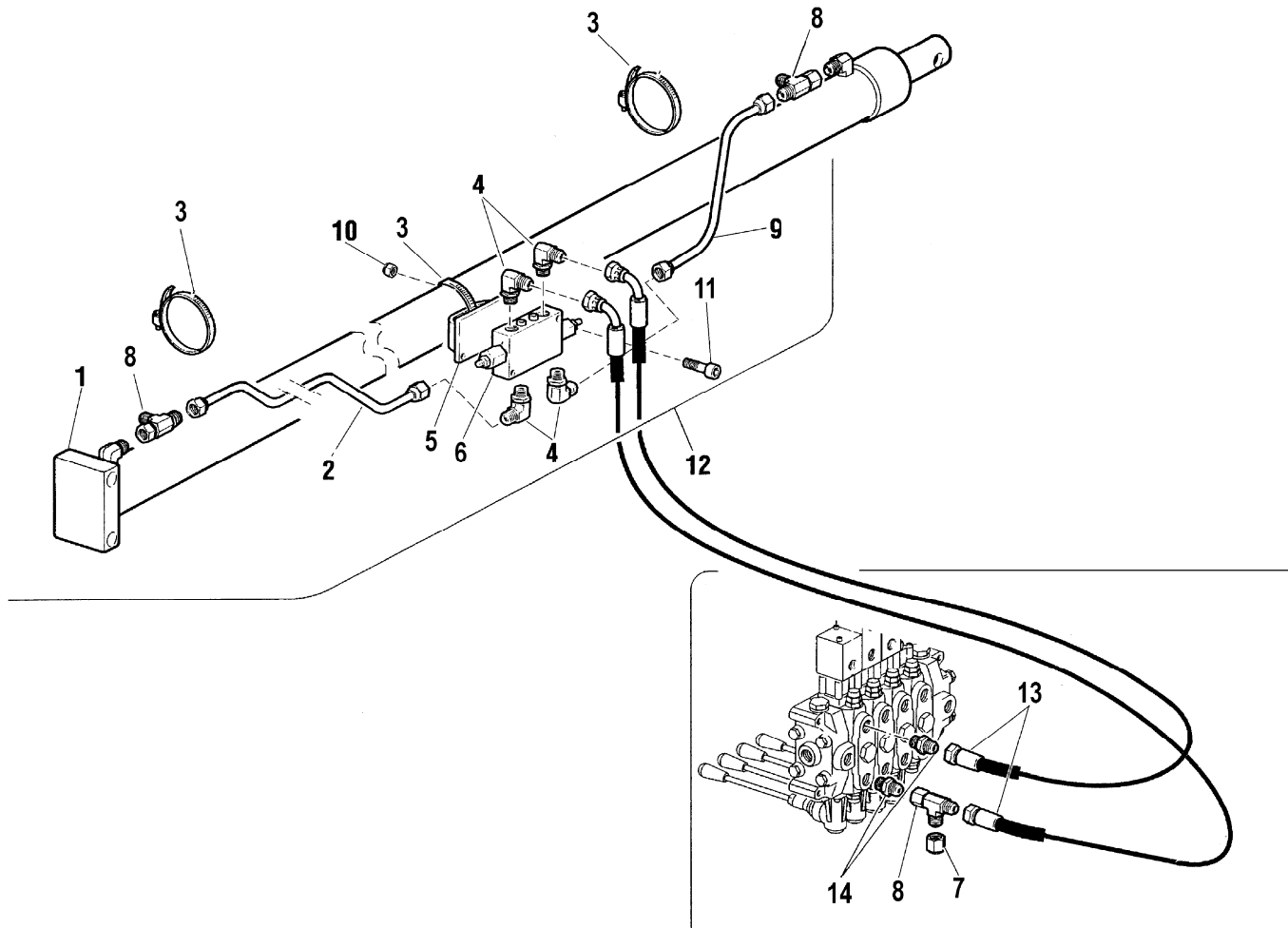
1st EXSTENSION HYDRAULIC (Hydraulic system)

Code

6210296-1.0

1/1

R	Pos.	Code Variant	Q.ty	Description
	1	6410296	1	
	2	5391880	1	
	3	3190022	3	Clamp
	4	3101131	4	90° Connection
	5	5001223	1	
	6	5220654	1	
	7	3110050	1	Female plug
	8	3120008	3	Tee fitting
	9	5391879	1	
	10	3040303	2	Stopnut
	11	3020901	2	Socked head cap screw
	12	6210296	1	Extension Hydraulic jack
	13	5281060	2	
	14	3101051	2	Straight pipe fitting

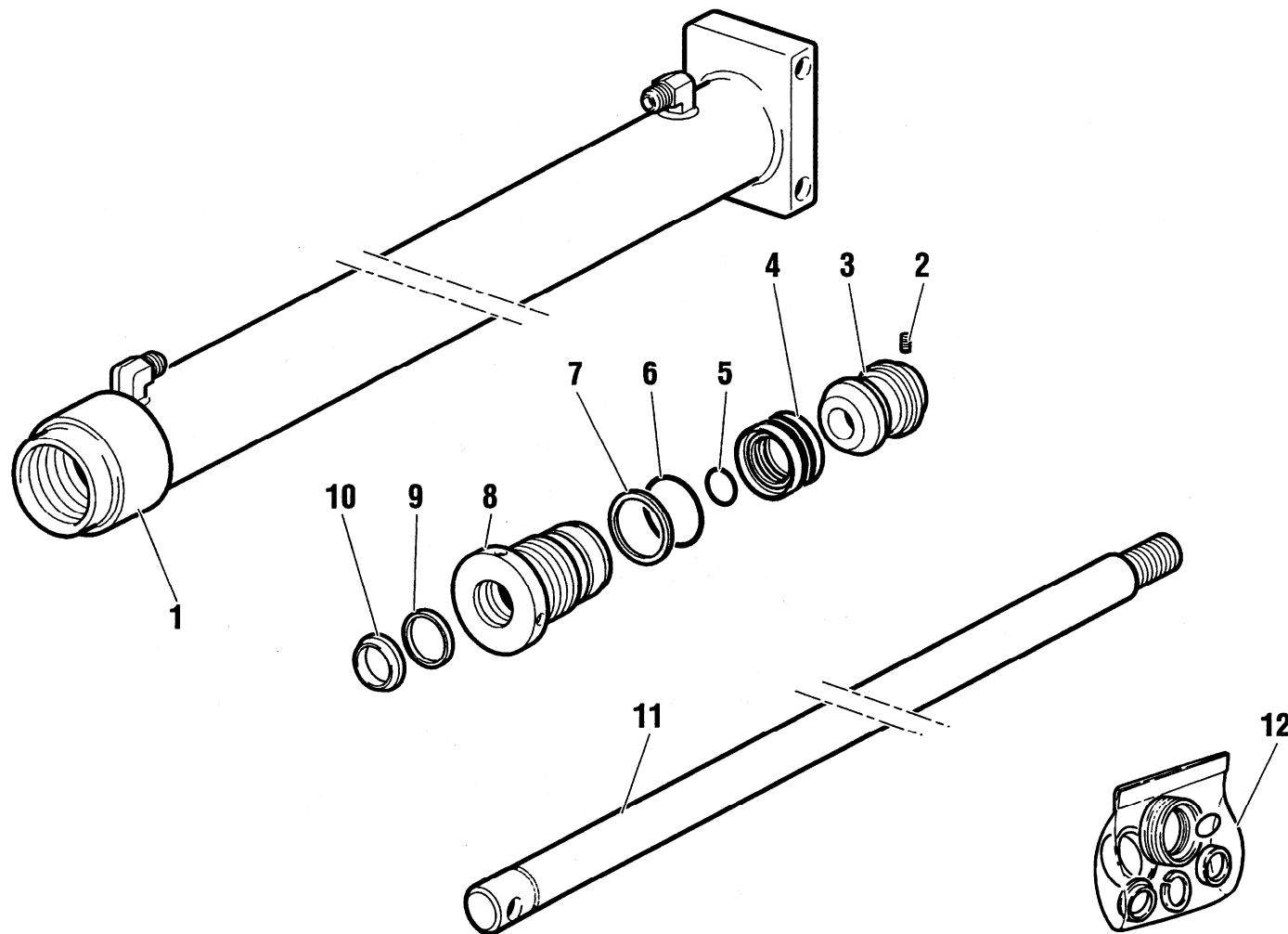


1st EXSTENSION HYDRAULIC

Code

6410296-1.0

1/1



R	Pos.	Code Variant	Q.ty	Description
	1	6070383	1	
	2	3060234	1	Grub screw
	3	6050143	1	
	4	3400510	1	
	5	3450069	1	
	6	3450136	2	
	7	3460136	2	
	8	6040257	1	
	9	3370134	1	
	10	3420026	1	
	11	6030663	1	
	12	5550779	1	

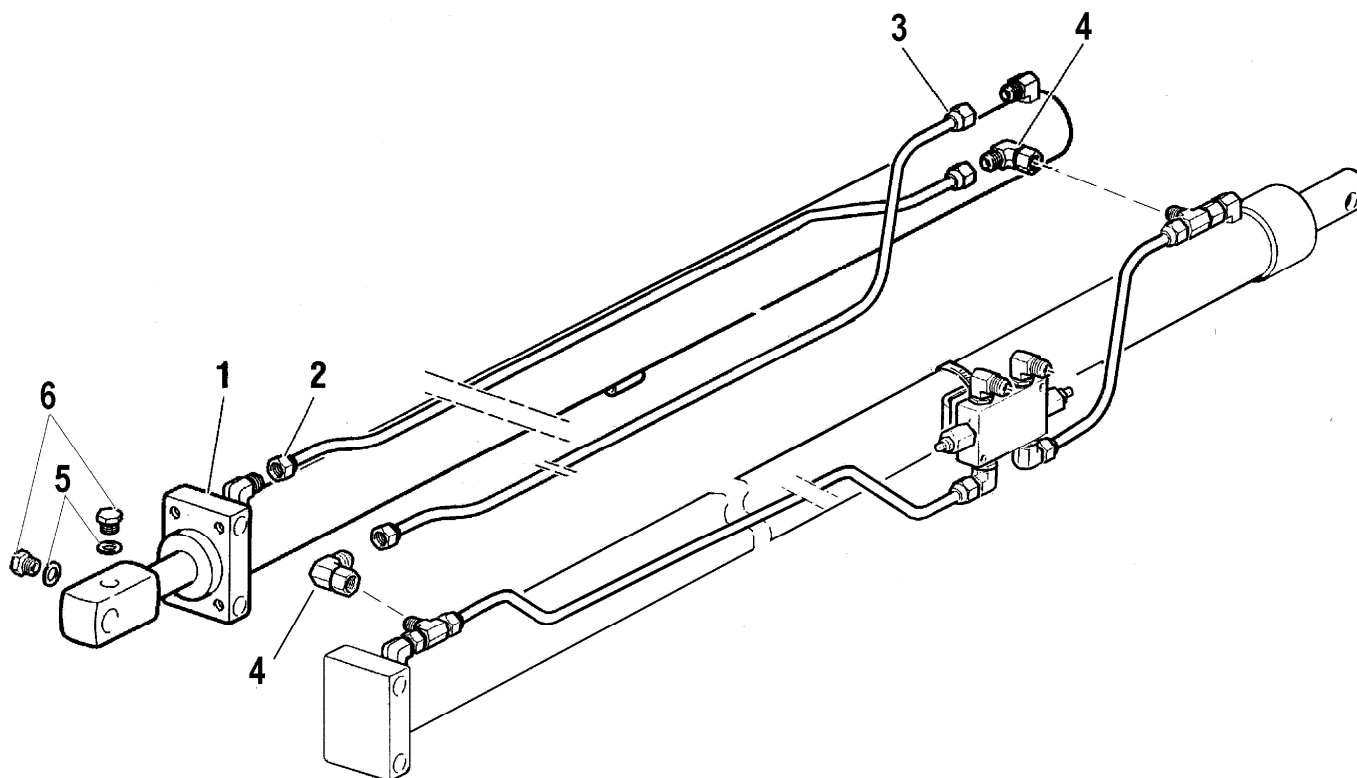
2nd EXTENSION HYDRAULIC JACK (Hydraulic system)

Code

6210293-1.0

1/1

R	Pos.	Code Variant	Q.ty	Description
	1	6410293	1	
	2	5391456	1	
	3	5391881	1	
	4	3120034	1	90° Connection
	5	3060145	2	Sealing washer
	6	3110065	2	Plug

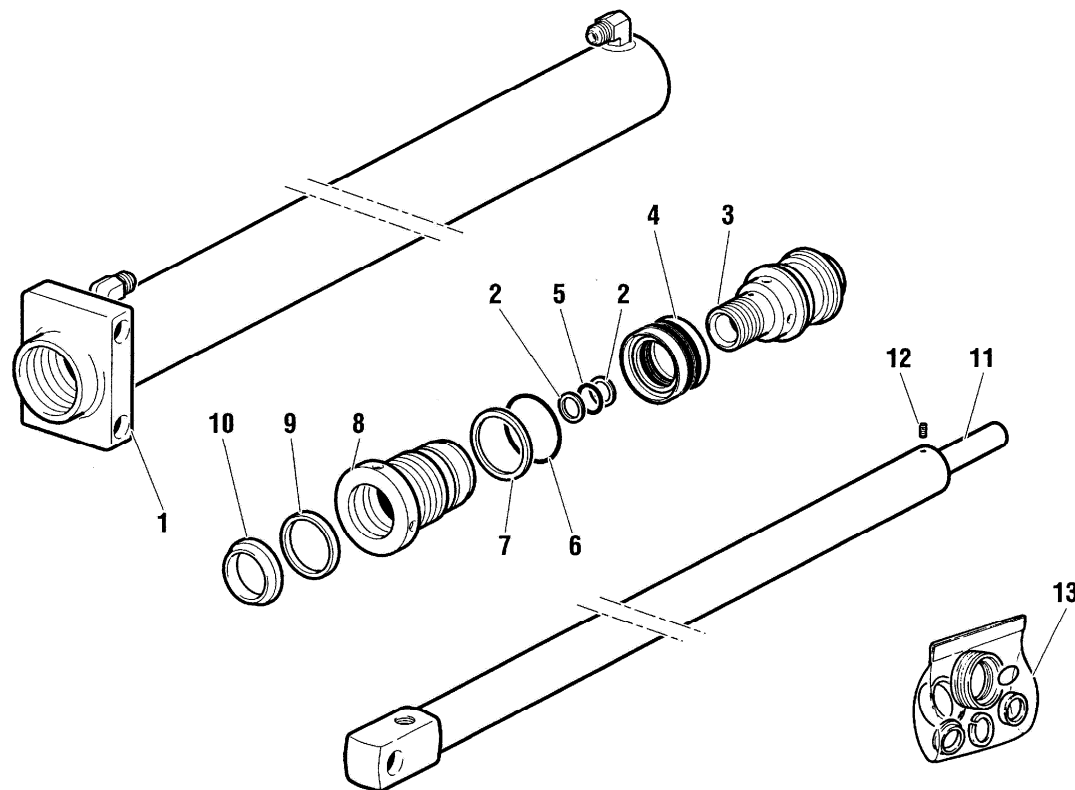


2nd EXTENSION HYDRAULIC JACK

Code

6410293-1.0

1/1



R	Pos.	Code Variant	Q.ty	Description
	1	6070384	1	
	2	3460047	2	
	3	6050255	1	
	4	3400510	1	
	5	3450047	1	
	6	3450136	1	
	7	3460136	1	
	8	6040258	1	
	9	3370135	1	
	10	3420023	1	
	11	6030660	1	
	12	3060232	1	Grub screw
	13	5550780	1	





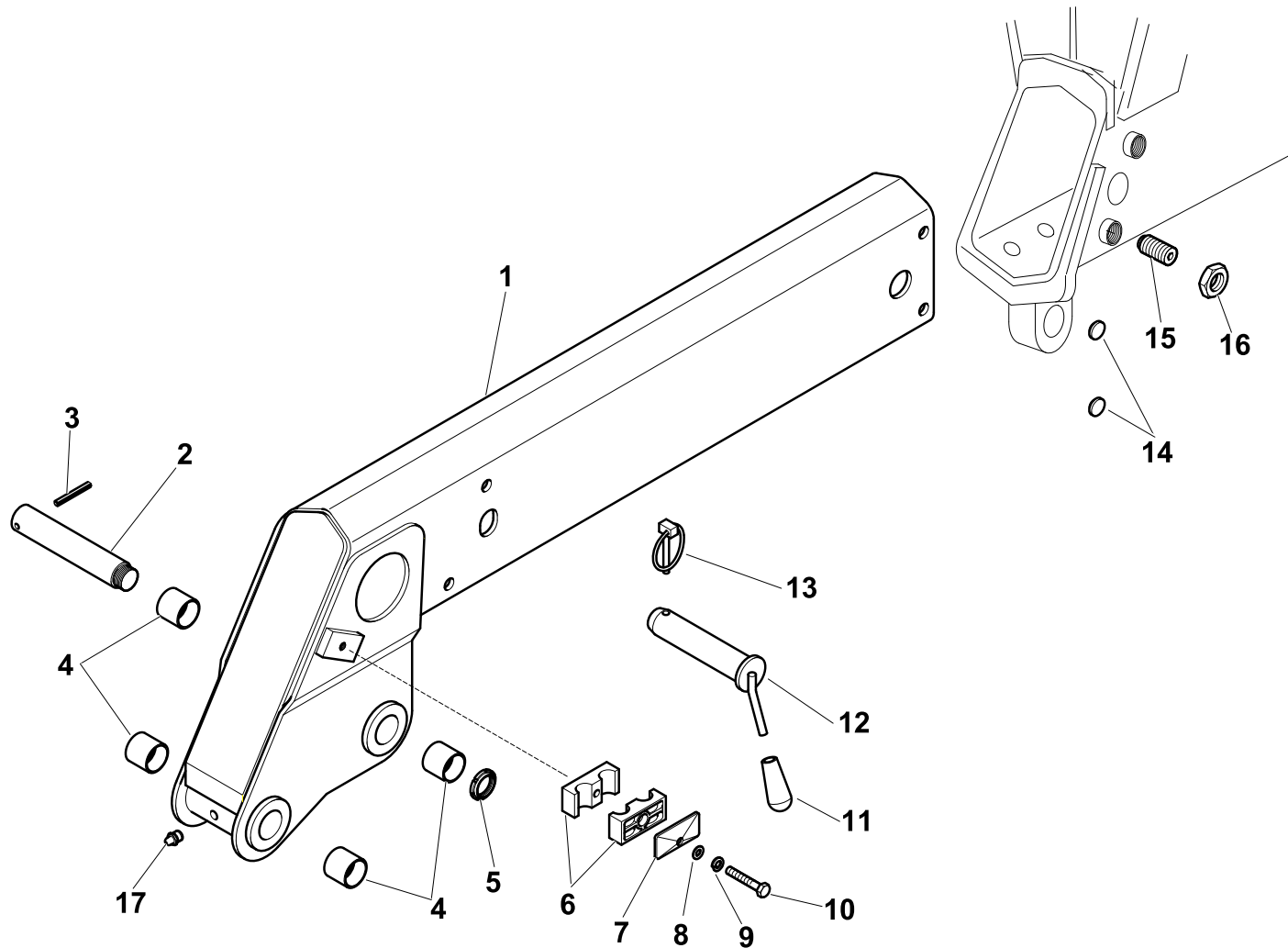
HB150 E3J2

ATTACHEMENT FOR

Code

5780015-1.0

1/1



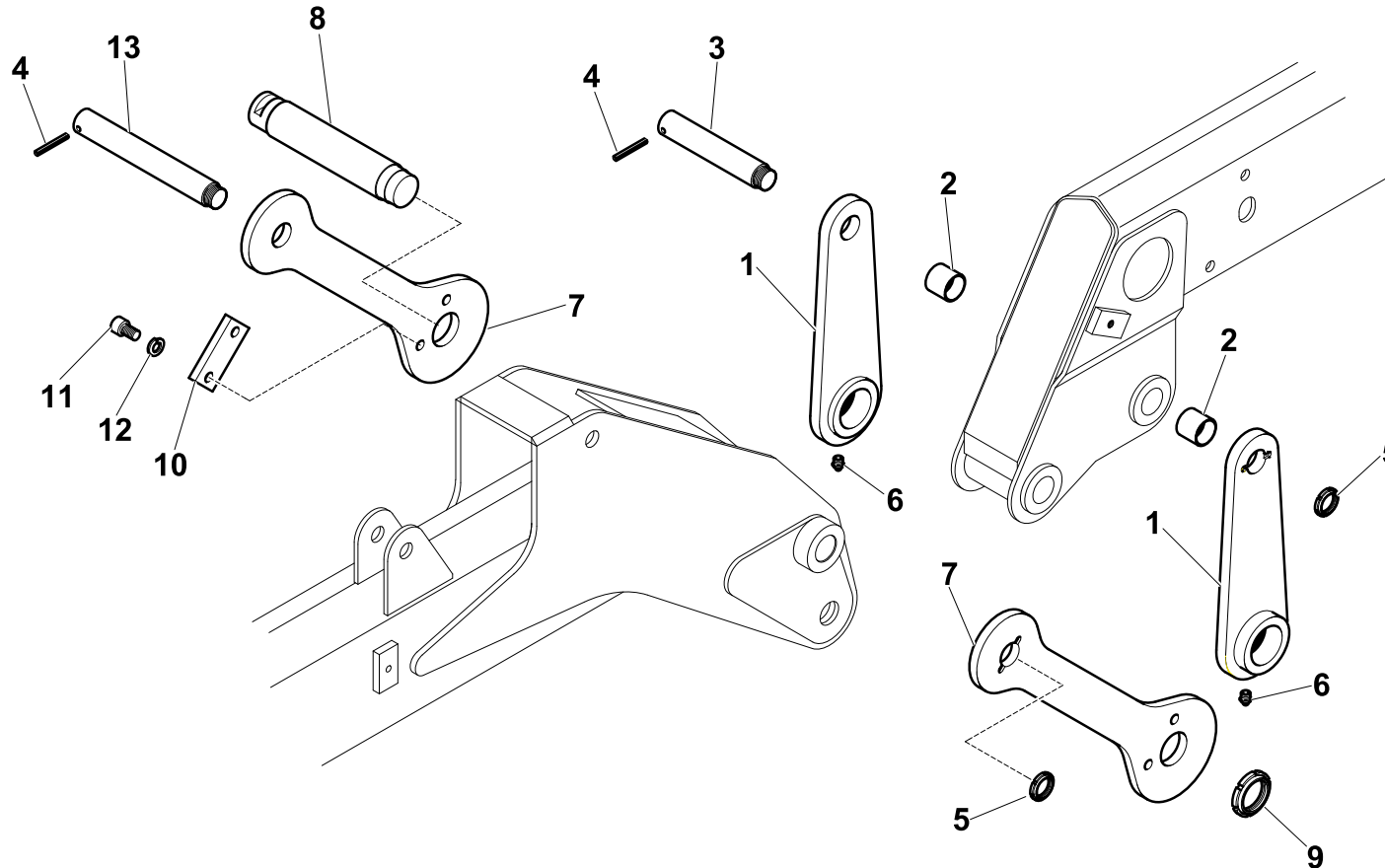
R	Pos.	Code Variant	Q.ty	Description
	1	5090765	1	
	2	5150682	1	
	3	3060608	1	Spring pin
	4	5140122	4	
	5	3040502	1	Self-locking ringnut [M25X1.5 NORMALE ZC]
	6	3190172	2	
	7	3190204	2	Plate (Collar)
	8	3080501	2	Grease nipple
	9	3060055	2	Split lock washer
	10	3010031	2	Hex screw
	11	3190010	1	Knob
	12	5150375	1	
	13	3060750	1	
	14	5140656	4	
	15	5000771	4	
	16	3040089	4	Lock nut

KIT CONNECTING ROD

Code

5360013-1.0

1/1



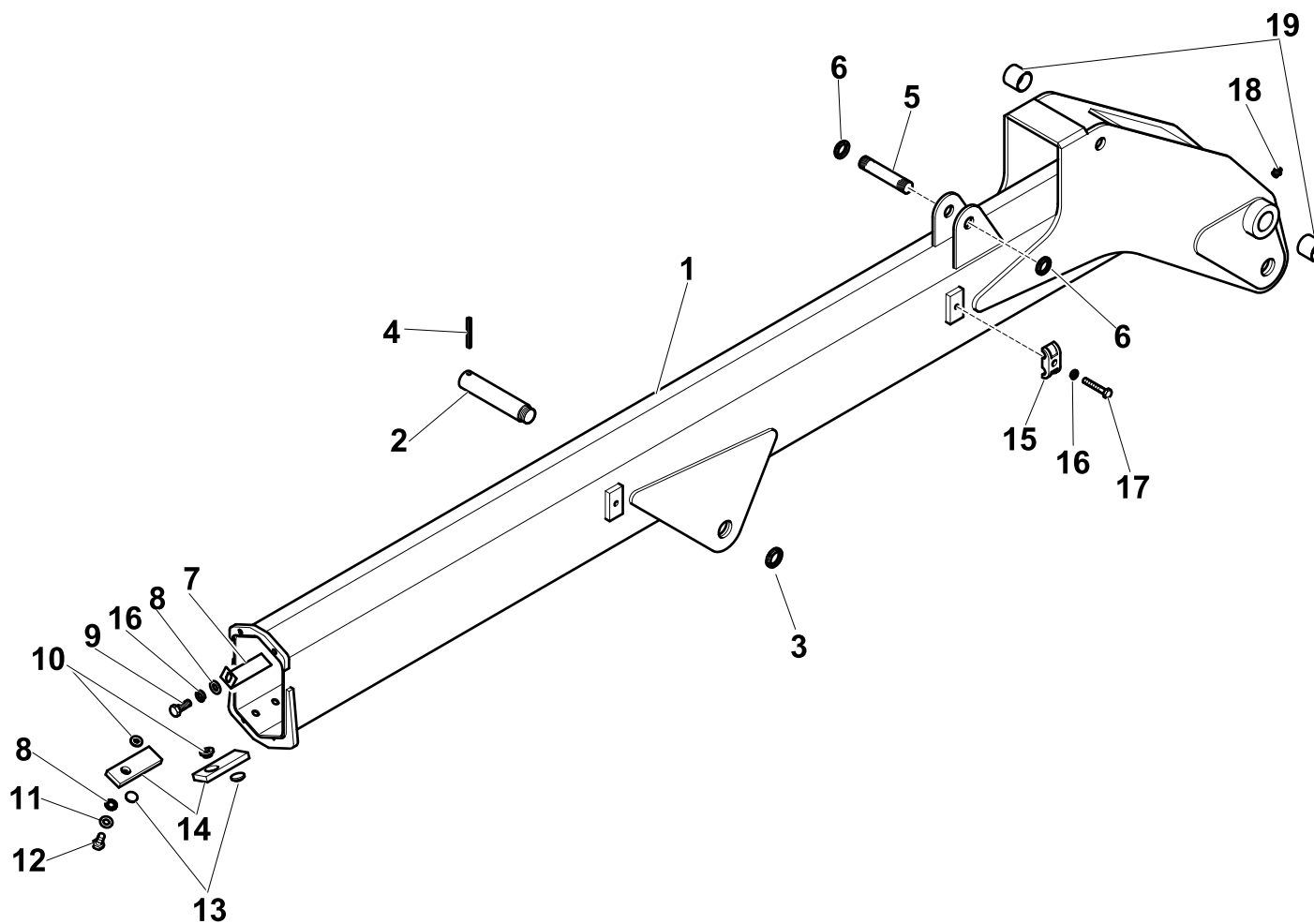
R	Pos.	Code Variant	Q.ty	Description
	1	5090753	2	
	2	5140124	2	
	3	5150682	1	
	4	3060608	2	Spring pin
	5	3040502	2	Self-locking ringnut [M25X1.5 NORMALE ZC]
	6	3080501	2	Grease nipple
	7	5090752	2	
	8	5150683	1	
	9	3040500	1	Self-locking ringnut
	10	5001138	1	
	11	3020874	2	Socked head cap screw
	12	3060057	2	Split lock washer
	13	5150685	1	

JIB ARM

Code

5630006-1.0

1/1



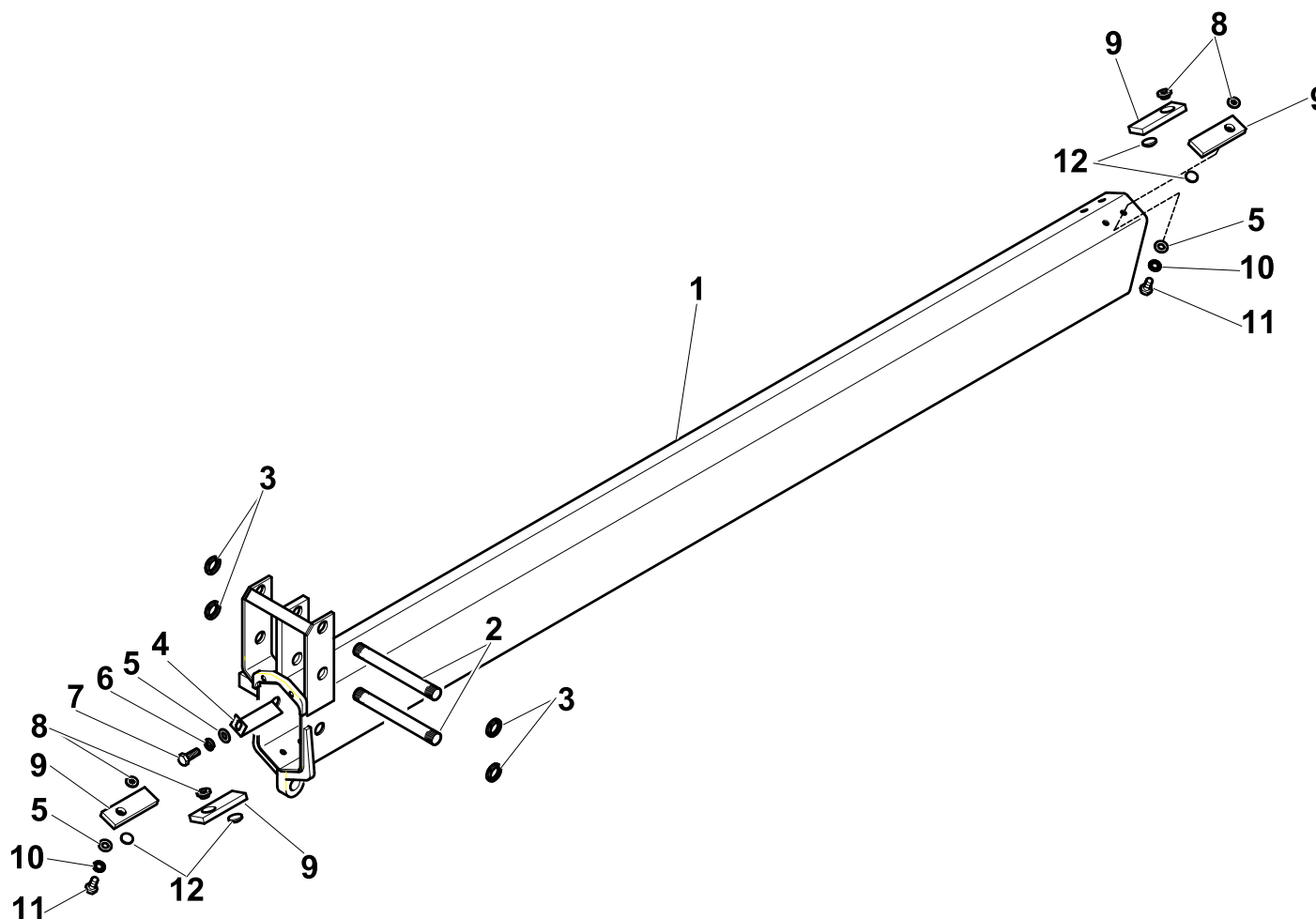
R	Pos.	Code Variant	Q.ty	Description
	1	5030263	1	JIB ARM
	2	5150684	1	
	3	3040502	1	Self-locking ringnut [M25X1.5 NORMALE ZC]
	4	3060608	1	Spring pin
	5	5150435	1	
	6	3040504	2	Self-locking ringnut
	7	5000685	6	
	8	3060006	4	Flat washer [D.8x17 UNI 6592 ZC]
	9	3010027	2	Hex screw [M8X20 8.8 ZC IF UNI 5739]
	10	5000623	2	
	11	3060918	2	Tooth lock washer [D.8 TIPO A UNI8842 ZC]
	12	3010336	2	Hex screw
	13	5140656	2	
	14	5140655	2	
	15	5000077	2	
	16	3060055	4	Split lock washer
	17	3010029	2	Hex screw [Vte M8x30 8.8 Zc. UNI 5737]
	18	3080501	1	Grease nipple
	19	5140122	2	

1st EXTENSION

Code

5490007-1.0

1/1



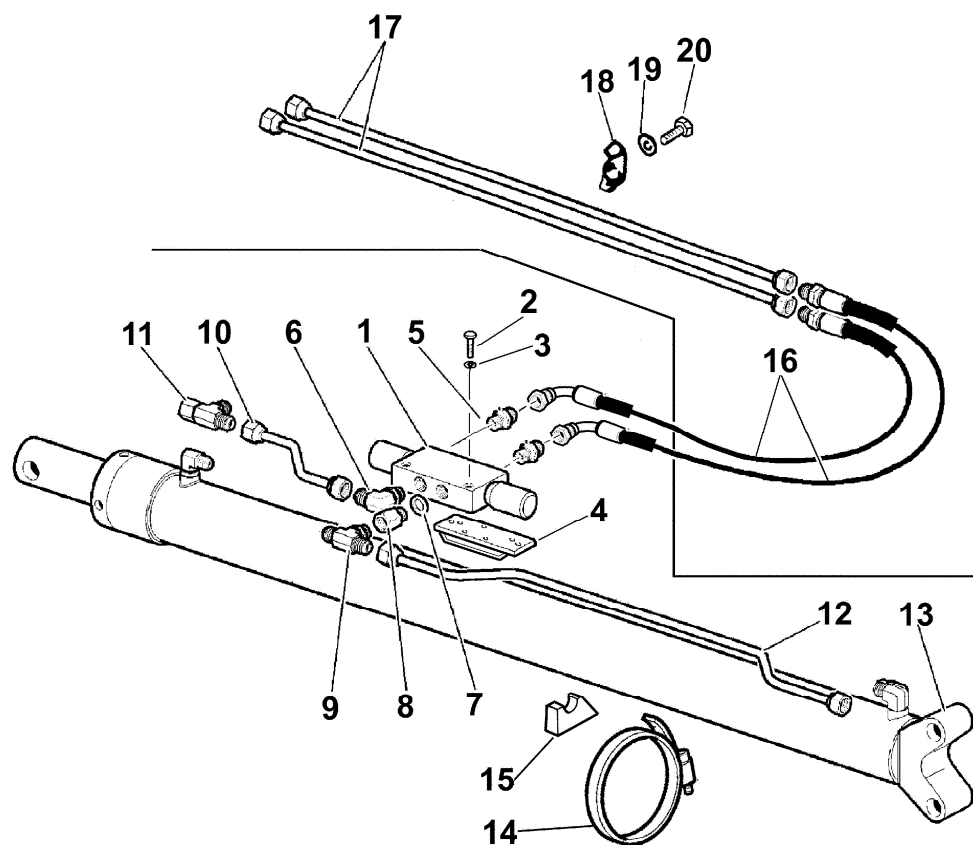
R	Pos.	Code Variant	Q.ty	Description
	1	5020316	1	Extension
	2	5150432	2	
	3	3040504	4	Self-locking ringnut
	4	5000685	2	
	5	3060006	6	Flat washer [D.8x17 UNI 6592 ZC]
	6	3060053	2	Split lock washer [D=6.4 C72 ZC.UNI1751]
	7	3010027	2	Hex screw [M8X20 8.8 ZC IF UNI 5739]
	8	5000623	4	
	9	5140655	4	
	10	3060918	4	Tooth lock washer [D.8 TIPO A UNI8842 ZC]
	11	3010336	4	Hex screw
	12	5140656	4	

HYDRAULIC SYSTEM (1th extension hydraulic cylinder)

Code

6210343-1.0

1/1



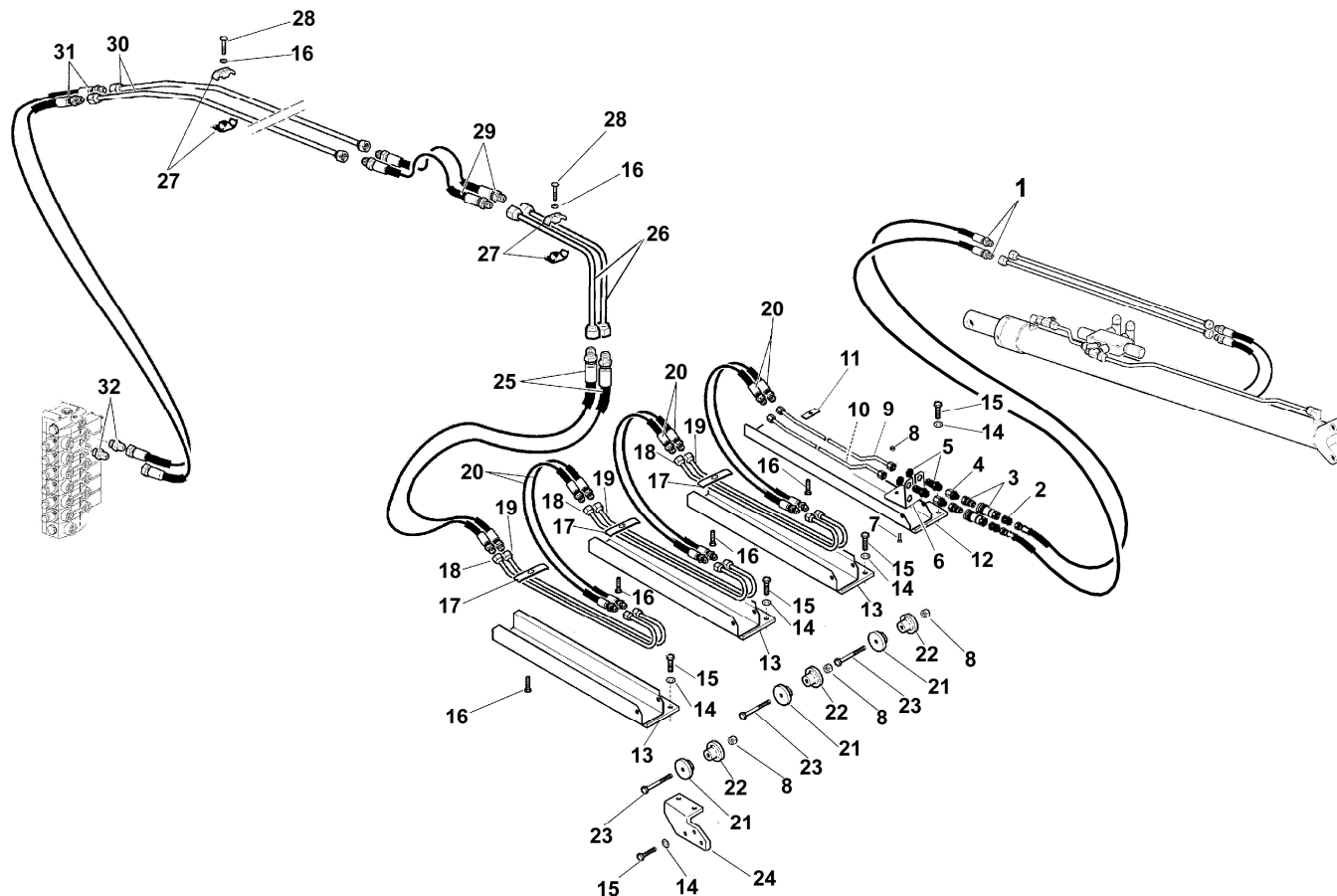
R	Pos.	Code Variant	Q.ty	Description
	1	5220122	1	
	2	3010017	2	Hex screw
	3	3060053	2	Split lock washer [D=6.4 C72 ZC.UNI1751]
	4	5000693	1	
	5	3101043	2	Straight pipe fitting
	6	3101127	1	90° Connection
	7	3060144	1	Sealing washer
	8	3110112	1	Straight pipe fitting
	9	3120303	1	Tee fitting
	10	5390274	1	
	11	3120004	1	Tee fitting
	12	5392072	1	
	13	6410160	1	
	14	3190029	4	Clamp
	15	5140133	2	
	16	5271000	2	Flexible hose
	17	5391894	2	
	18	3190172	2	
	19	3060055	2	Split lock washer
	20	3010030	2	Hex screw

ACTUATIONS FOR 1S

Code

5590077-1.0

1/2



R	Pos.	Code Variant	Q.ty	Description
	1	5271463	2	Flexible hose
	2	3101043	2	Straight pipe fitting
	3	3110420	2	Quick coupling
	4	3120310	2	Wall-through pipe fitting
	5	3120310	8	
	6	5001596	8	
	7	3020903	3	TSEI screw
	8	3040303	3	Stopnut
	9	W440500900	2	
	10	W440500800	3	
	11	5001193	1	
	13	5001172	3	
	14	3060056	8	Split lock washer
	15	3010355	6	Hex screw [M10X25 8.8 ZC IF UNI 5739]
	16	3020899	4	TSEI screw
	17	5001187	3	Clamp (Set of hoses)
	18	5391822	3	
	19	5391823	3	
	20	5271401	4	Flexible hose
	23	3010414	3	Hex screw

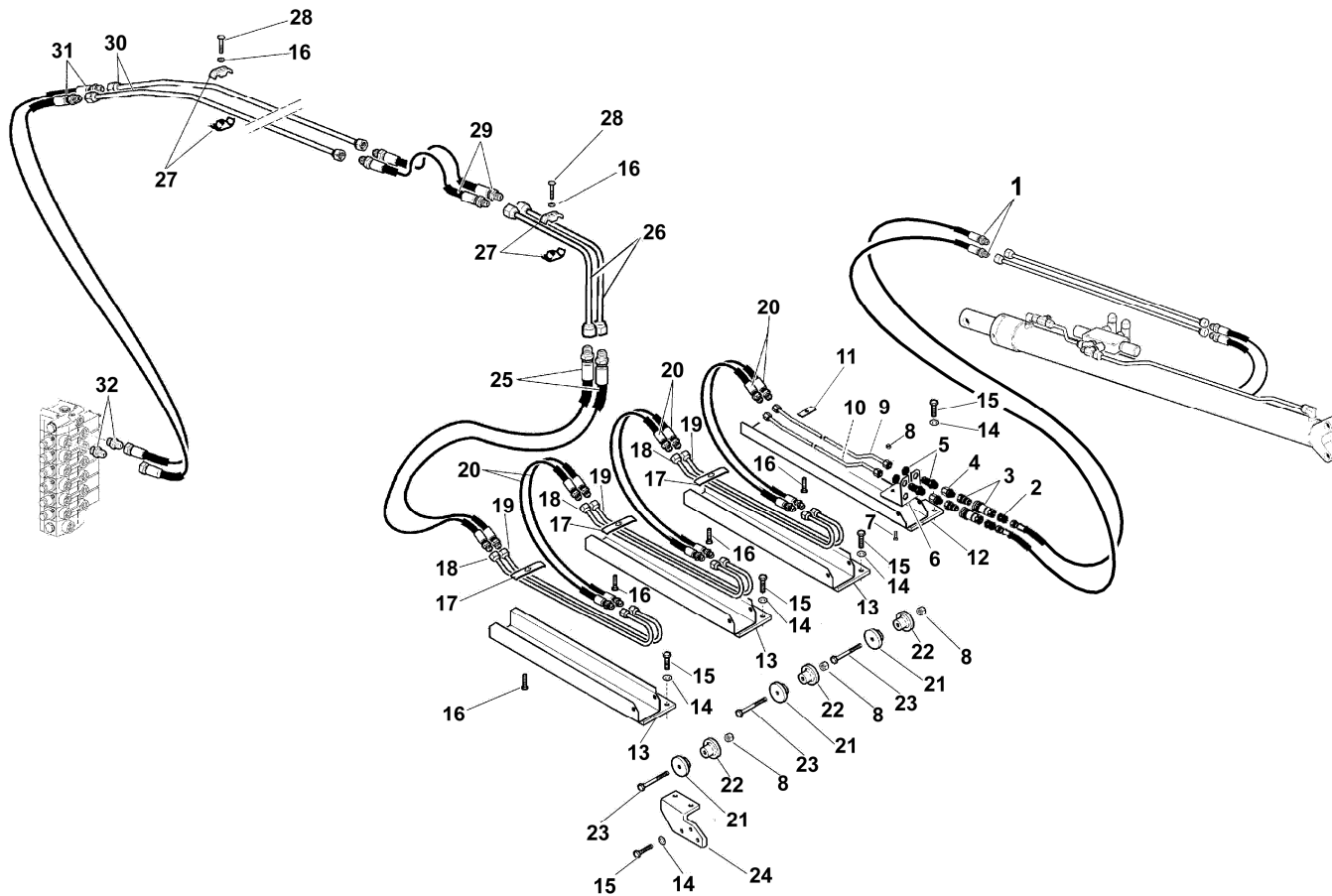
ACTUATIONS FOR 1S

Code

5590077-1.0

2/2

R	Pos.	Code Variant	Q.ty	Description
	24	5001246	1	
	25	5271452	2	Flexible hose
	26	5391454	2	
	27	3190172	14	
	28	3010031	6	Hex screw
	29	5271451	2	Flexible hose
	30	5391449	2	
	31	5271450	2	Flexible hose
	32	3100051	2	Straight pipe fitting

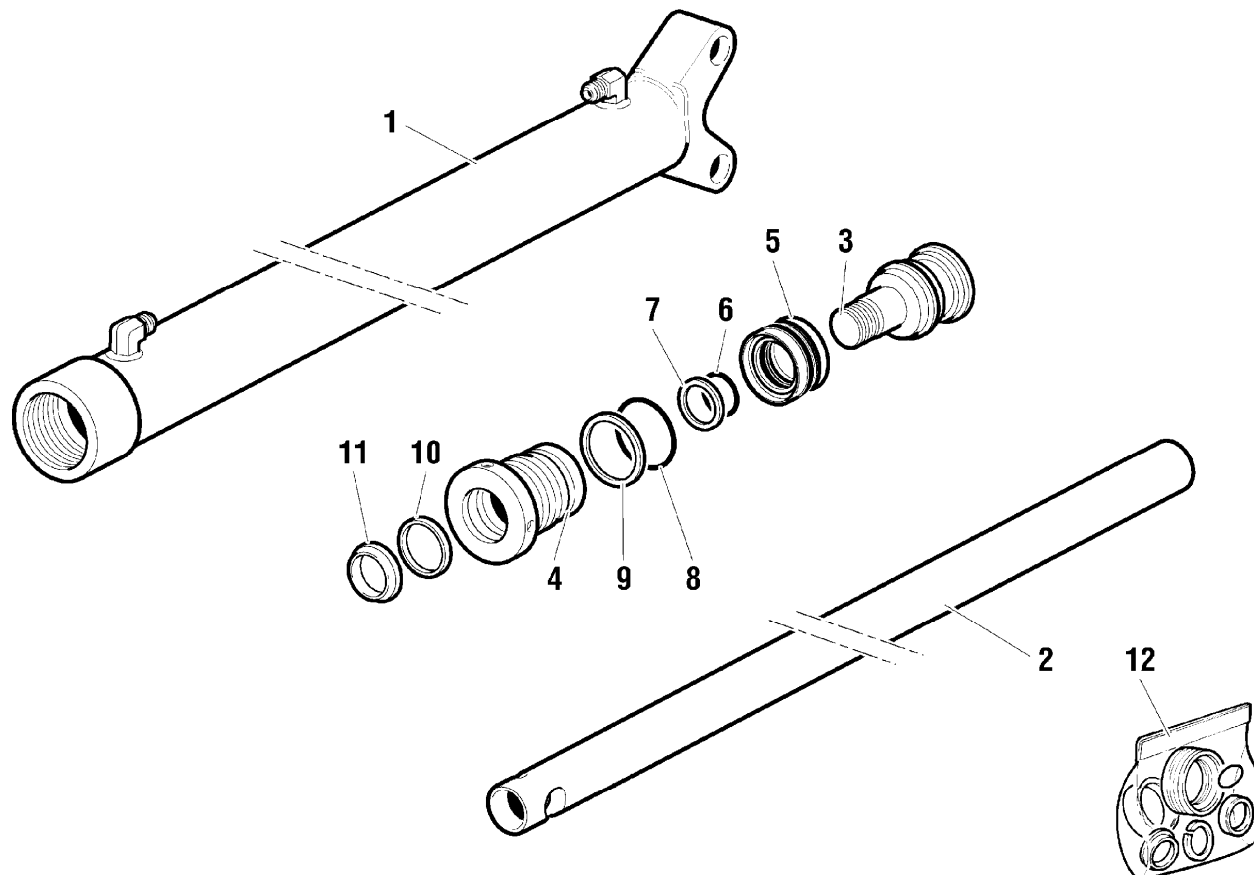


1st EXSTENSION HYDRAULIC

Code

6410160-1.0

1/1



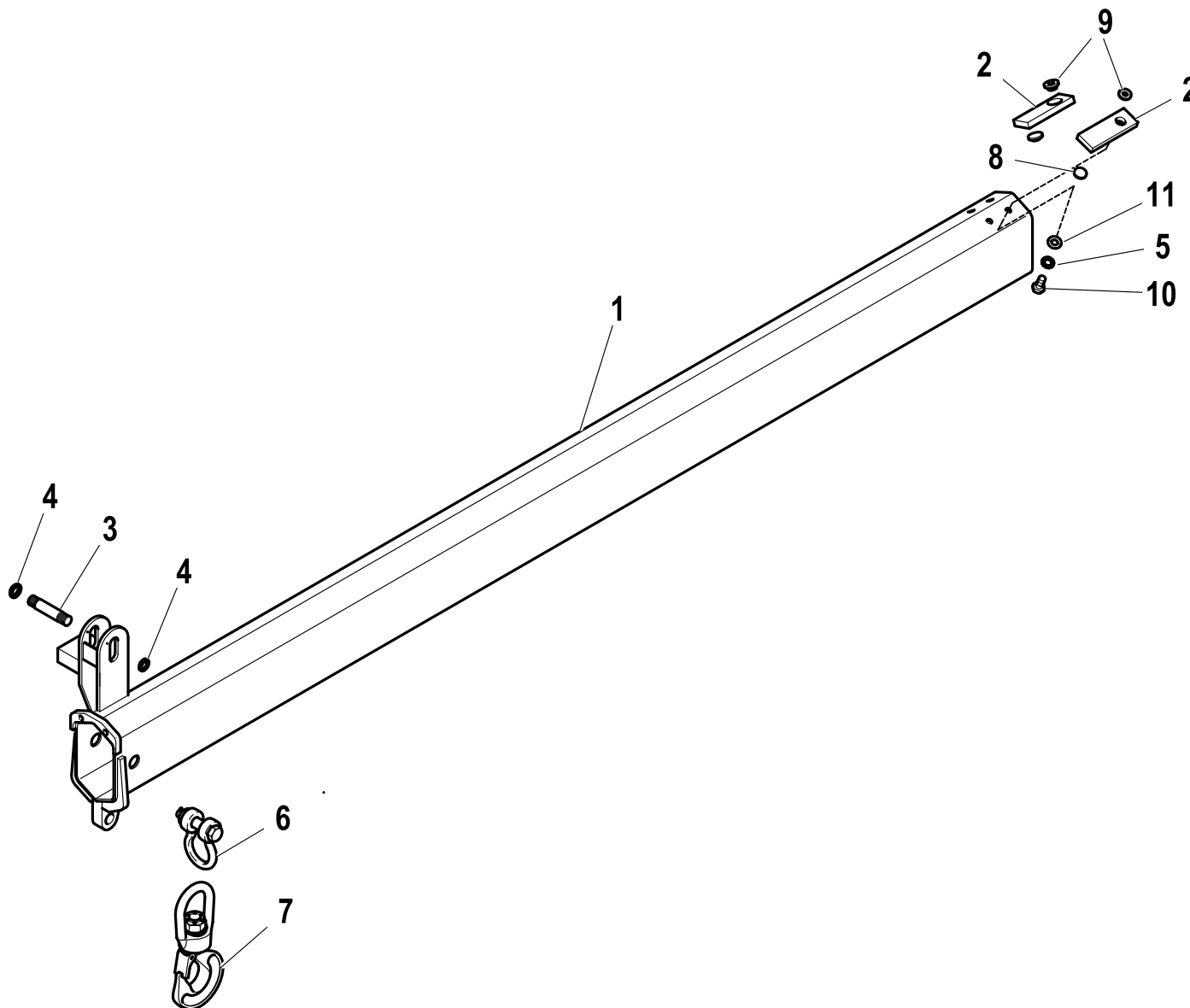
R	Pos.	Code Variant	Q.ty	Description
	1	6070347	1	
	2	6030339	1	
	3	6050234	1	
	4	6040248	1	
	5	3400506	1	
	6	3450062	1	
	7	3460057	1	
	8	3450077	1	
	9	3460077	1	
	10	3400067	1	
	11	3420021	1	
	12	5550682	1	

2nd EXTENSION

Code

5530006-1.0

1/1



R	Pos.	Code Variant	Q.ty	Description
	1	5020317	1	Extension
	2	5140655	2	
	3	5150434	1	
	4	3040498	2	Self-locking ringnut
	5	3060918	4	Tooth lock washer [D.8 TIPO A UNI8842 ZC]
	6	3200050	1	Shackles
	7	3200006	1	Swivel hook
	8	5140656	2	
	9	5000623	2	
	10	3010336	4	Hex screw

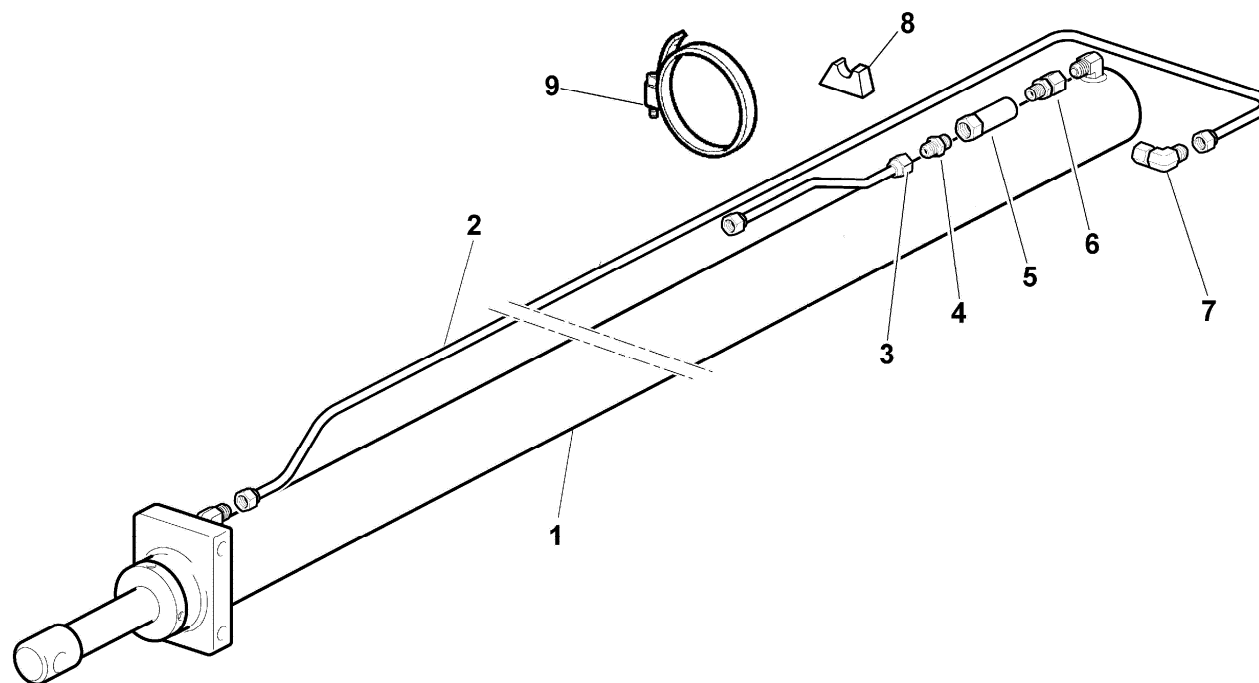
2nd extension hydraulic cylinder (HYDRAULIC SYSTEM)

Code

6210344-1.0

1/1

R	Pos.	Code Variant	Q.ty	Description
	1	6410161	1	
	2	5391261	1	
	3	5392073	1	
	4	3120066	1	Straight pipe fitting
	5	5220556	1	
	6	3101042	1	Straight pipe fitting
	7	3120031	1	90° Connection
	8	5140133	2	
	9	3190029	2	Clamp

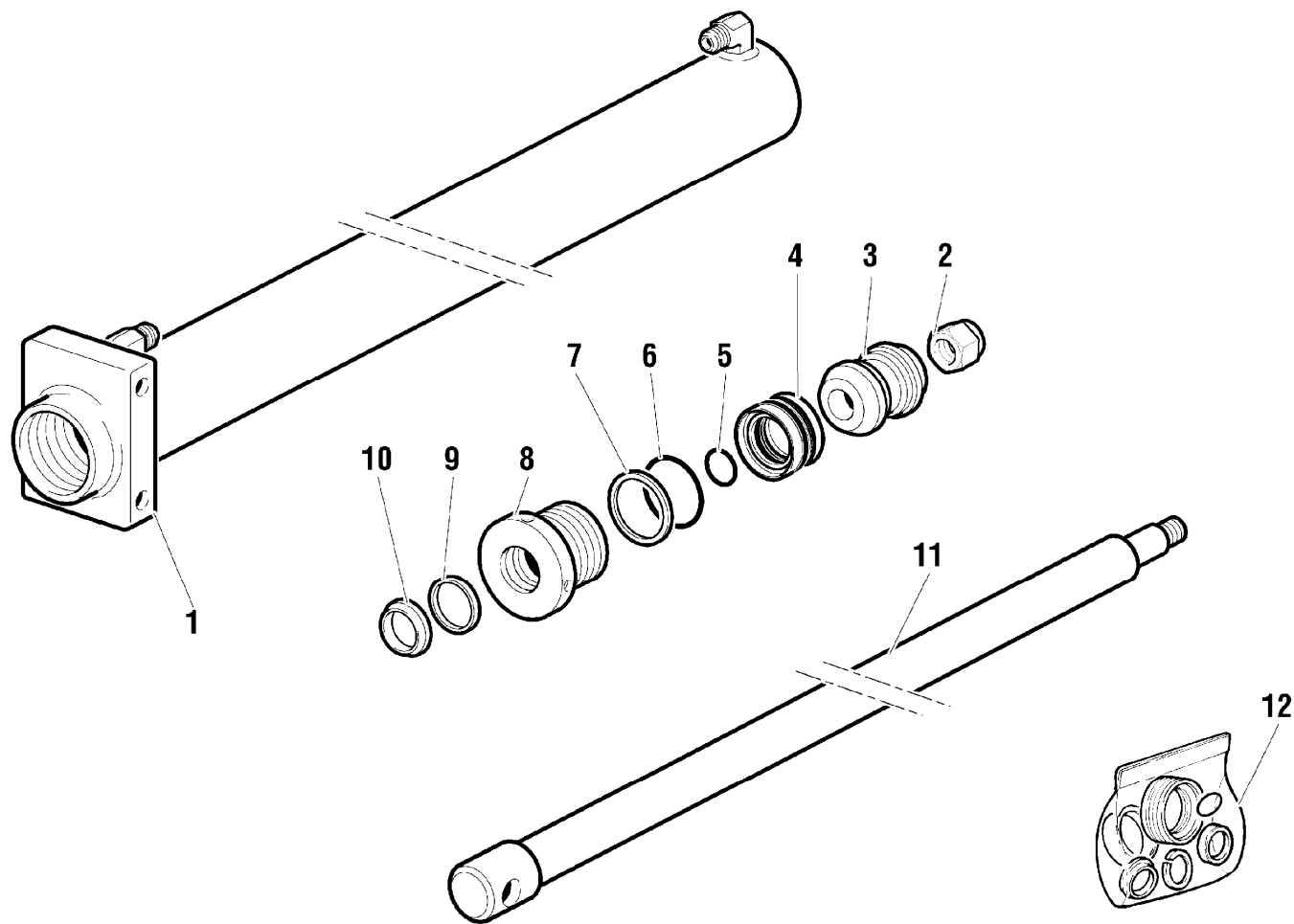


2nd EXTENSION HYDRAULIC JACK

Code

6410161-1.0

1/1



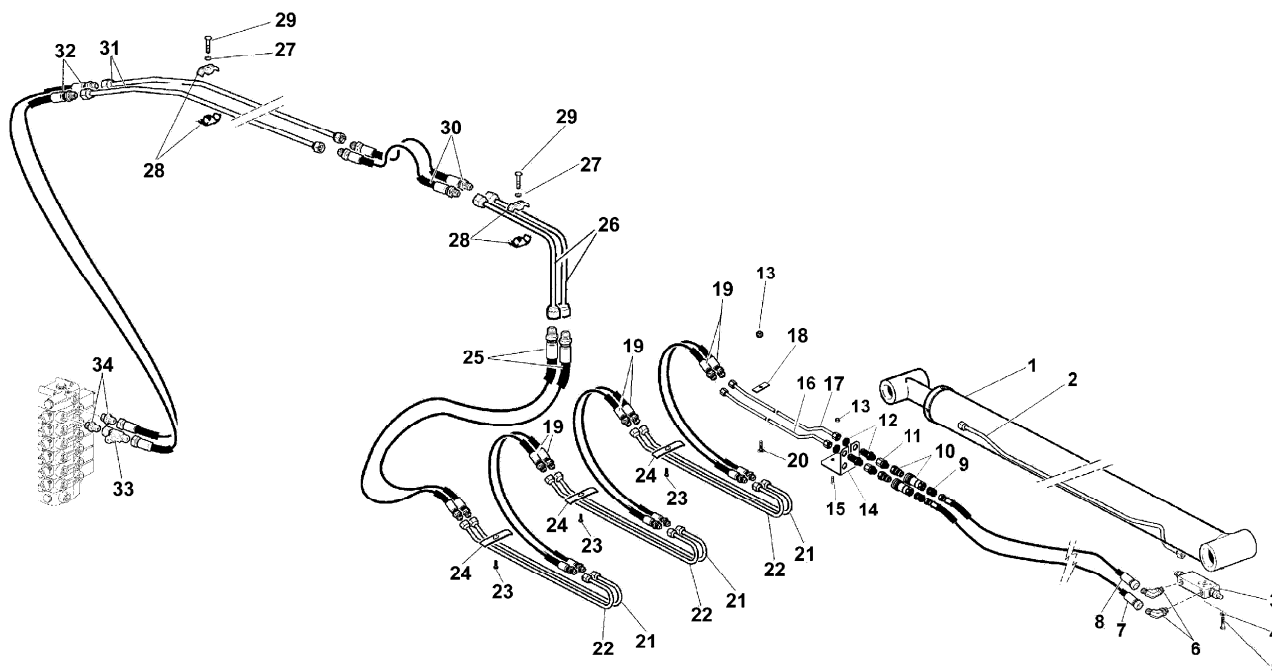
R	Pos.	Code Variant	Q.ty	Description
	1	6070348	1	
	2	3040377	1	Stopnut
	3	6050025	1	
	4	3400505	1	
	5	3450050	1	
	6	3450117	1	
	7	3460255	1	
	8	6040255	1	
	9	3400043	1	
	10	3420015	1	
	11	6030340	1	
	12	5550683	1	

Articulation Hydraulic jack (Hydraulic system)

Code

6230131-1.0

1/2



R	Pos.	Code Variant	Q.ty	Description
	1	6430131	1	Articulation Hydraulic jack
	2	5391047	1	
	3	5220674	1	
	4	3010055	4	Hex screw
	5	3010033	4	Hex screw
	6	3101125	2	90° Connection
	7	5271433	1	Flexible hose
	8	5271432	1	Flexible hose
	9	3101043	2	Straight pipe fitting
	10	3110420	2	Quick coupling
	11	3120066	2	Straight pipe fitting
	12	3120310	2	Wall-through pipe fitting
	13	3040303	2	Stopnut
	14	5001596	1	
	15	3020903	1	TSEI screw
	16	W440508000	1	
	17	W440500900	1	
	18	5001193	9	
	19	5271401	3	Flexible hose
	20	3020899	9	TSEI screw

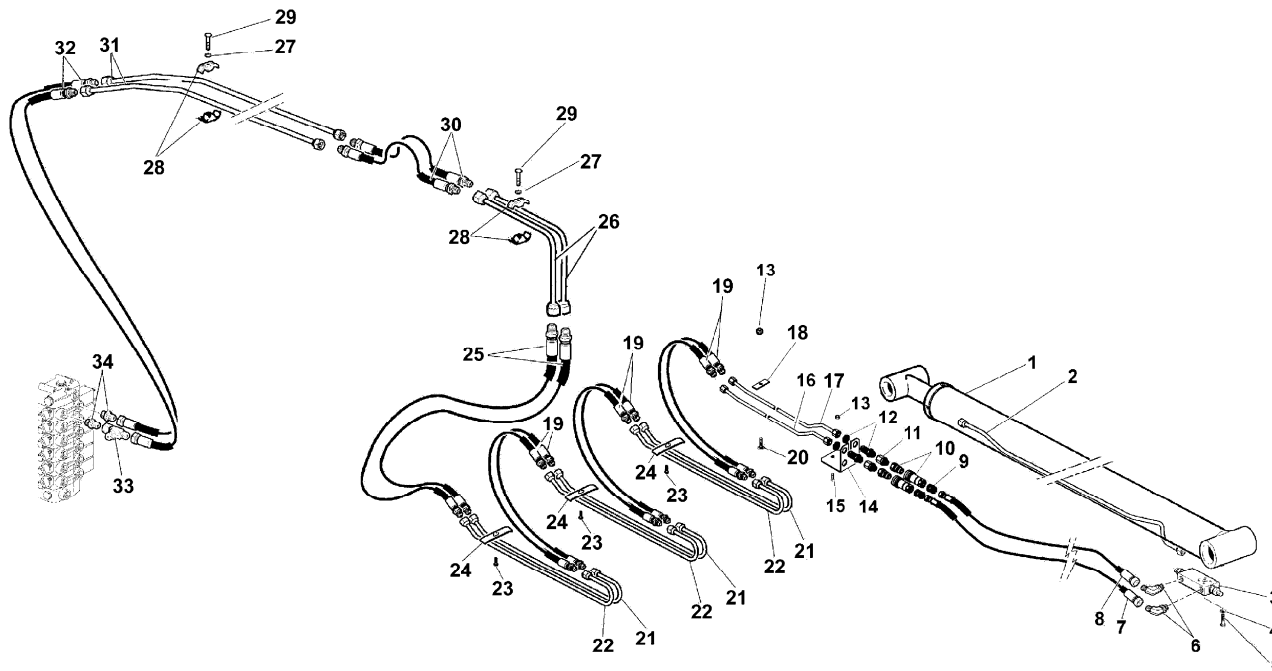
Articulation Hydraulic jack (Hydraulic system)

Code

6230131-1.0

2/2

R	Pos.	Code Variant	Q.ty	Description
	21	5391823	3	
	22	5391822	3	
	23	3010029	3	Hex screw [Vte M8x30 8.8 Zc. UNI 5737]
	24	5001187	3	Clamp (Set of hoses)
	25	5271452	2	Flexible hose
	26	5391454	2	
	29	3010031	2	Hex screw
	30	5271451	2	Flexible hose
	31	5391449	2	
	32	5271450	2	Flexible hose
	33	3120008	1	Tee fitting
	34	3101051	2	Straight pipe fitting

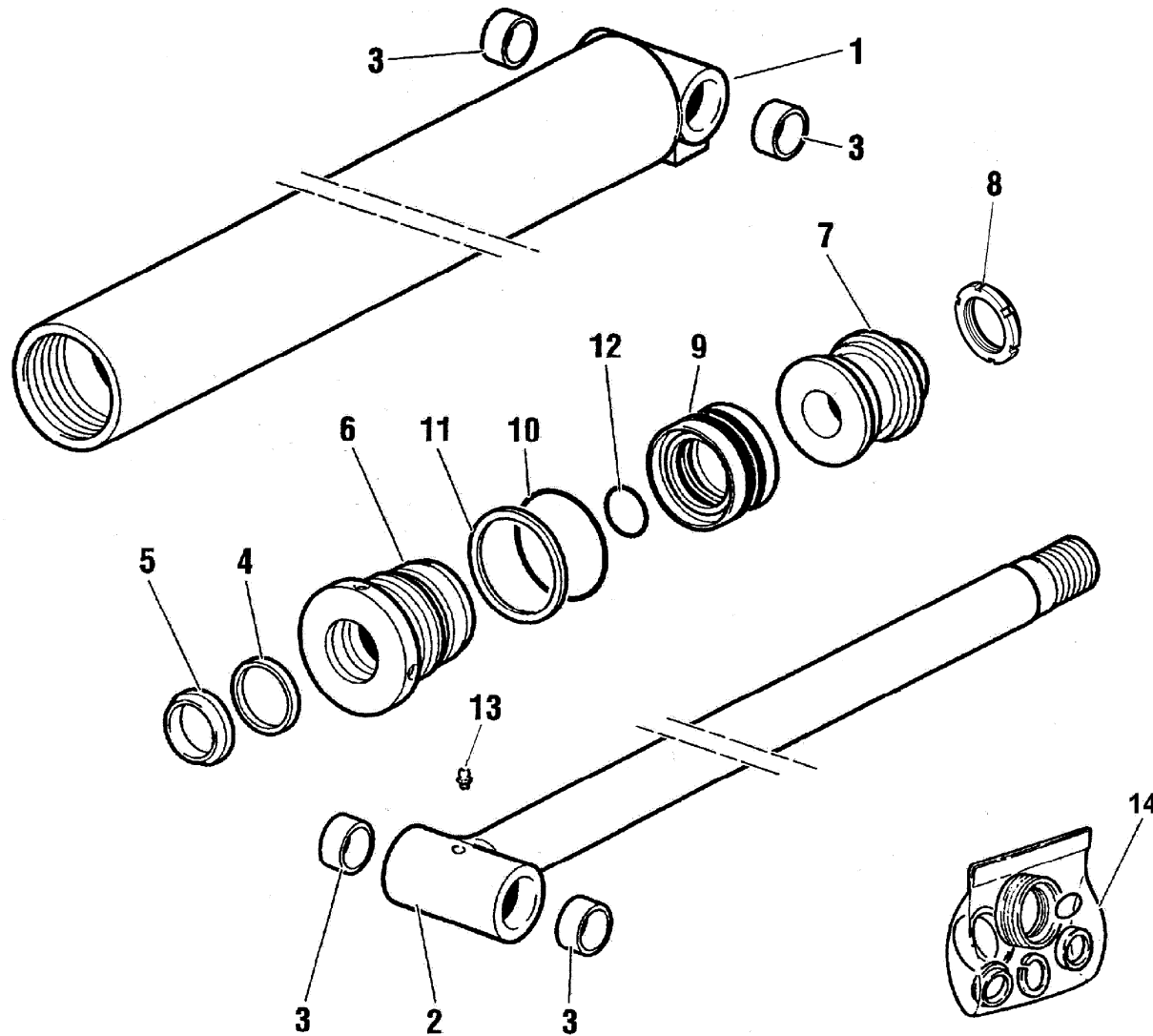


Articulation Hydraulic jack

Code

6430131-1.0

1/1



R	Pos.	Code Variant	Q.ty	Description
	1	6070344	1	
	2	6030605	1	
	3	5140122	4	
	4	3400090	1	
	5	3420026	1	
	6	6040103	1	
	7	6050231	1	
	8	3040501	1	Self-locking ringnut
	9	3400512	1	
	10	3450210	1	
	11	3460329	1	
	12	3450114	1	
	13	3080501	2	Grease nipple
	14	5550699	1	

Kit activation hydraulic input (Articulated extension)

Code

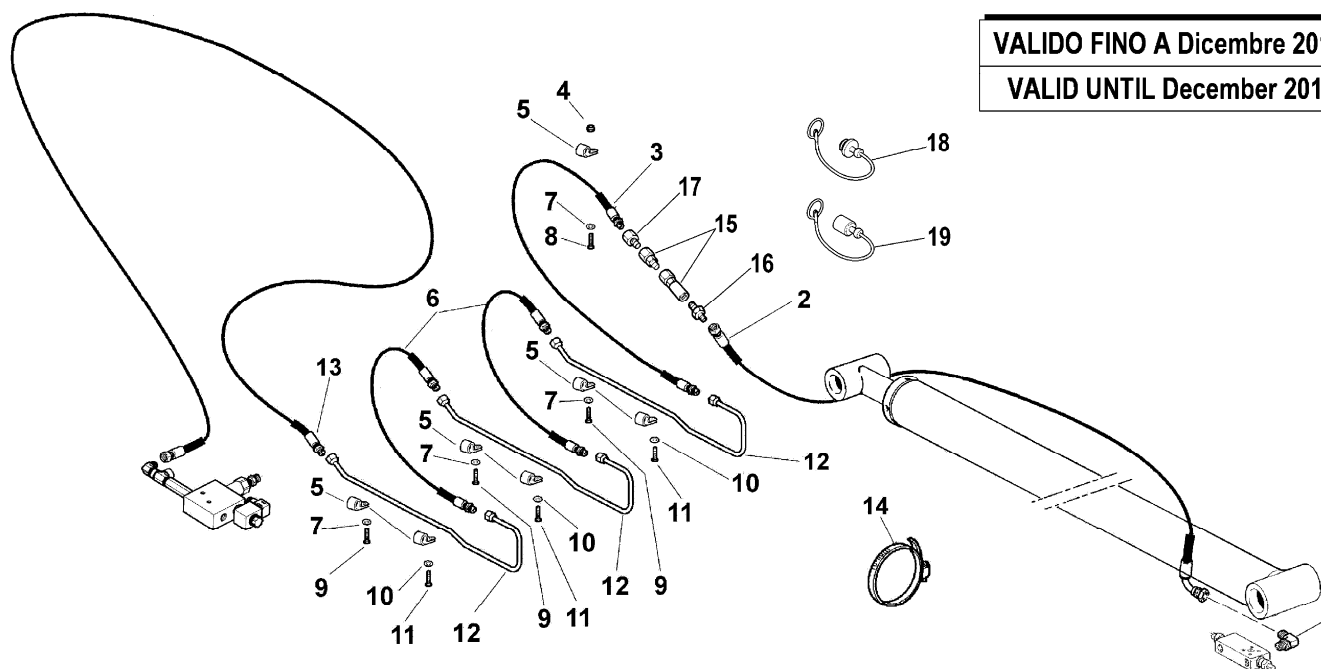
5590078-1.0

1/1

R	Pos.	Code Variant	Q.ty	Description
	1	3101125	1	90° Connection
	2	5260623	1	Flexible hose
	3	5260617	1	Flexible hose
	4	3040303	1	Stopnut
	5	3190208	1	
	6	5260618	2	Flexible hose
	7	3060055	4	Split lock washer
	8	3010031	1	Hex screw
	9	3010029	3	Hex screw [Vte M8x30 8.8 Zc. UNI 5737]
	10	3060053	3	Split lock washer [D=6.4 C72 ZC.UNI1751]
	11	3010325	3	Hex screw
	12	5391895	3	
	13	5260619	1	Flexible hose
	14	3190022	4	Clamp
	15	3110425	1	Quick coupling
	16	3101039	1	Straight pipe fitting
	17	3120064	1	Straight pipe fitting
	18	3110426	1	Male plug (Blue)
	19	3110427	1	Female plug (Blue)

VALIDO FINO A Dicembre 2010

VALID UNTIL December 2010



DOUBLE CONTROLS (CE)

Code

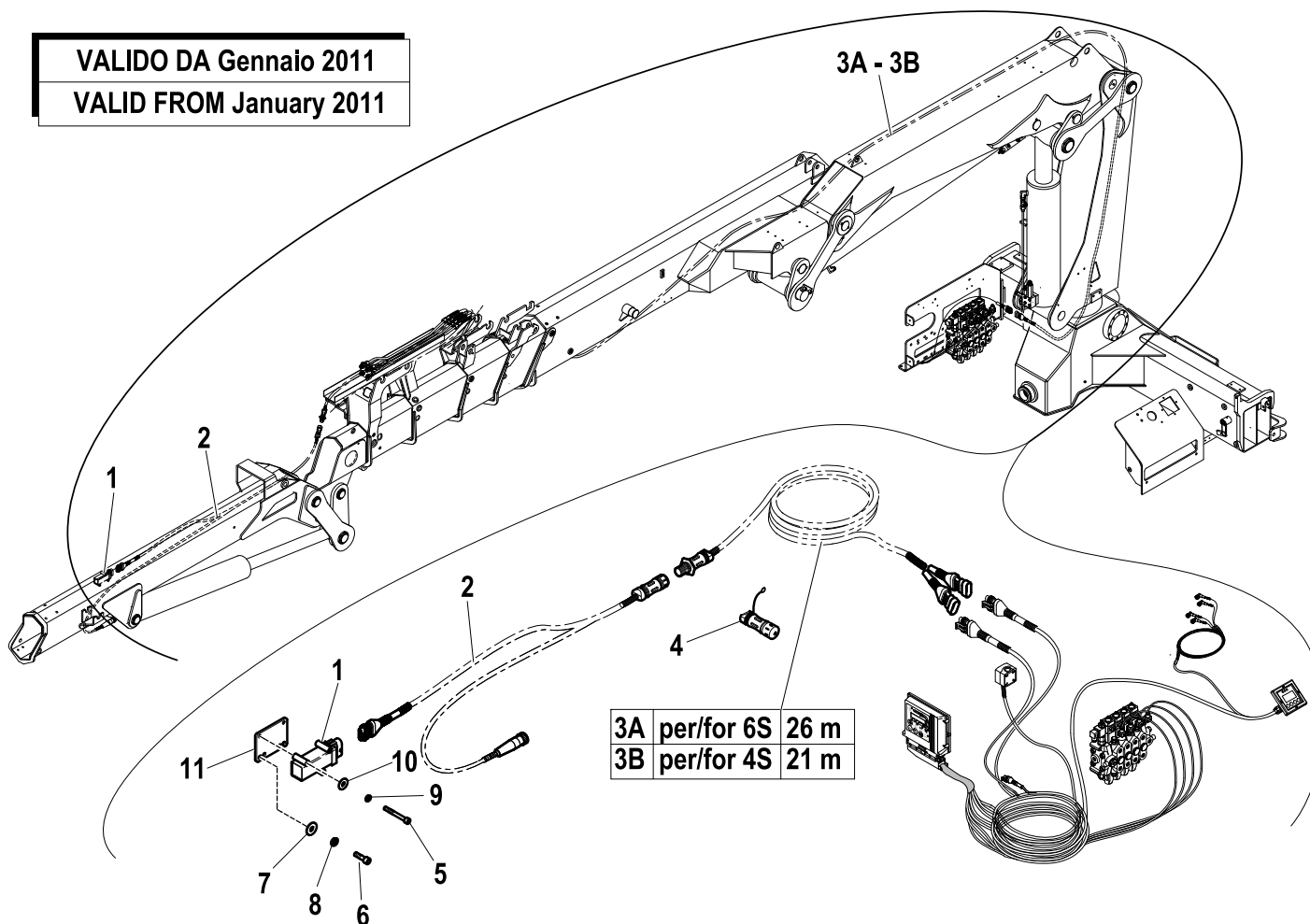
5401408-4.0

1/1

R	Pos.	Code Variant	Q.ty	Description
	1	3311150	1	
	2	5160079	1	
	3 A	5160077	1	
	3 B	5160078	1	
	4	5160080	1	
	5	3020018	2	Socketed head cap screw
	6	3020033	2	Socketed head cap screw
	7	3060005	2	Flat washer [6.4-12.5 H=1.6 UNI 6592]
	8	3060053	2	Split lock washer [D=6.4 C72 ZC.UNI1751]
	9	3060065	2	Split lock washer
	10	3060003	2	Flat washer
	11	5002108	1	

VALIDO DA Gennaio 2011

VALID FROM January 2011



DOUBLE CONTROLS (CE)

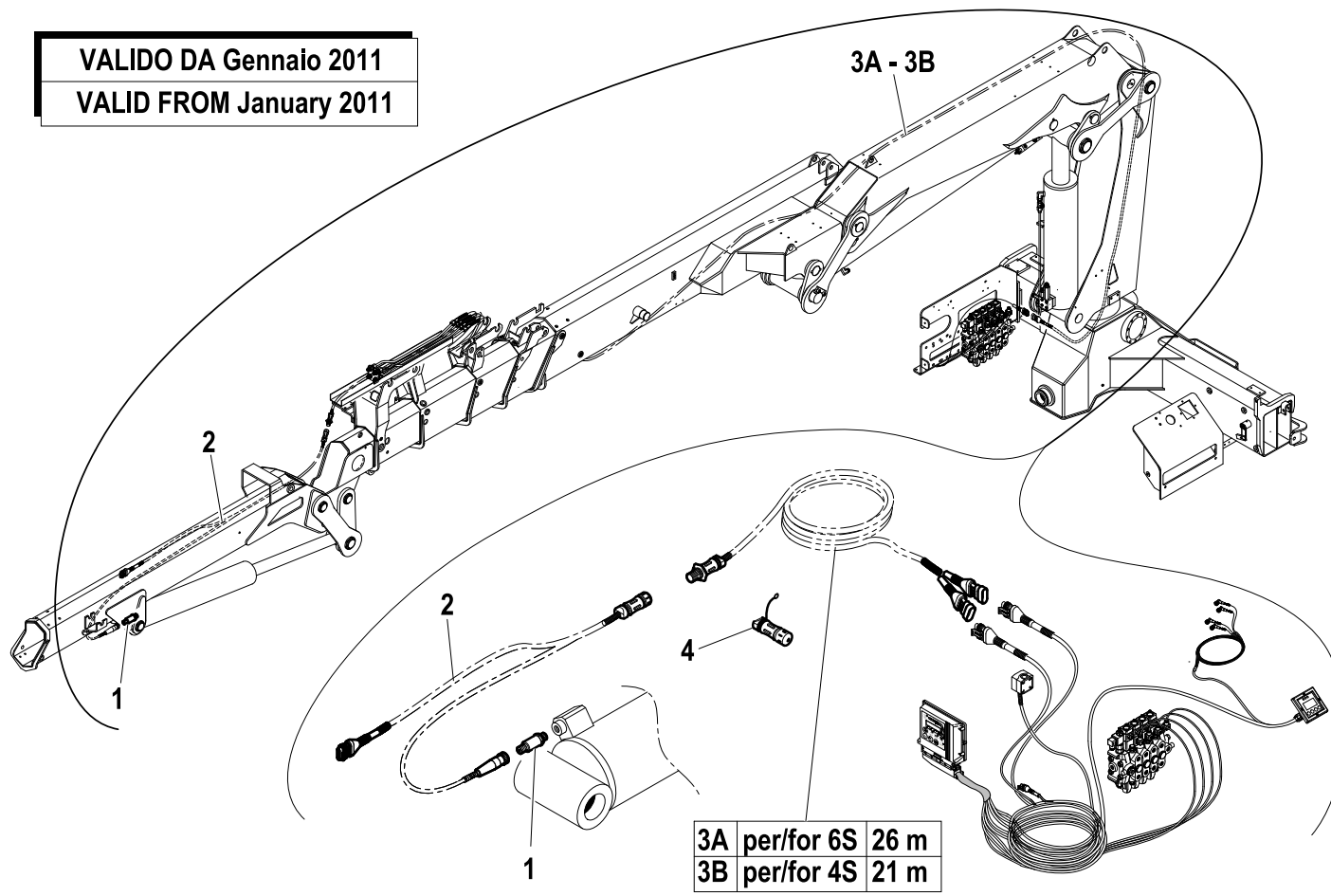
Code

5401408-5.0

1/1

R	Pos.	Code Variant	Q.ty	Description
	1	3310612	1	Pressure sensor
	2	5160079	1	
	3 A	5160077	1	
	3 B	5160078	1	
	4	5160080	1	

VALIDO DA Gennaio 2011
VALID FROM January 2011



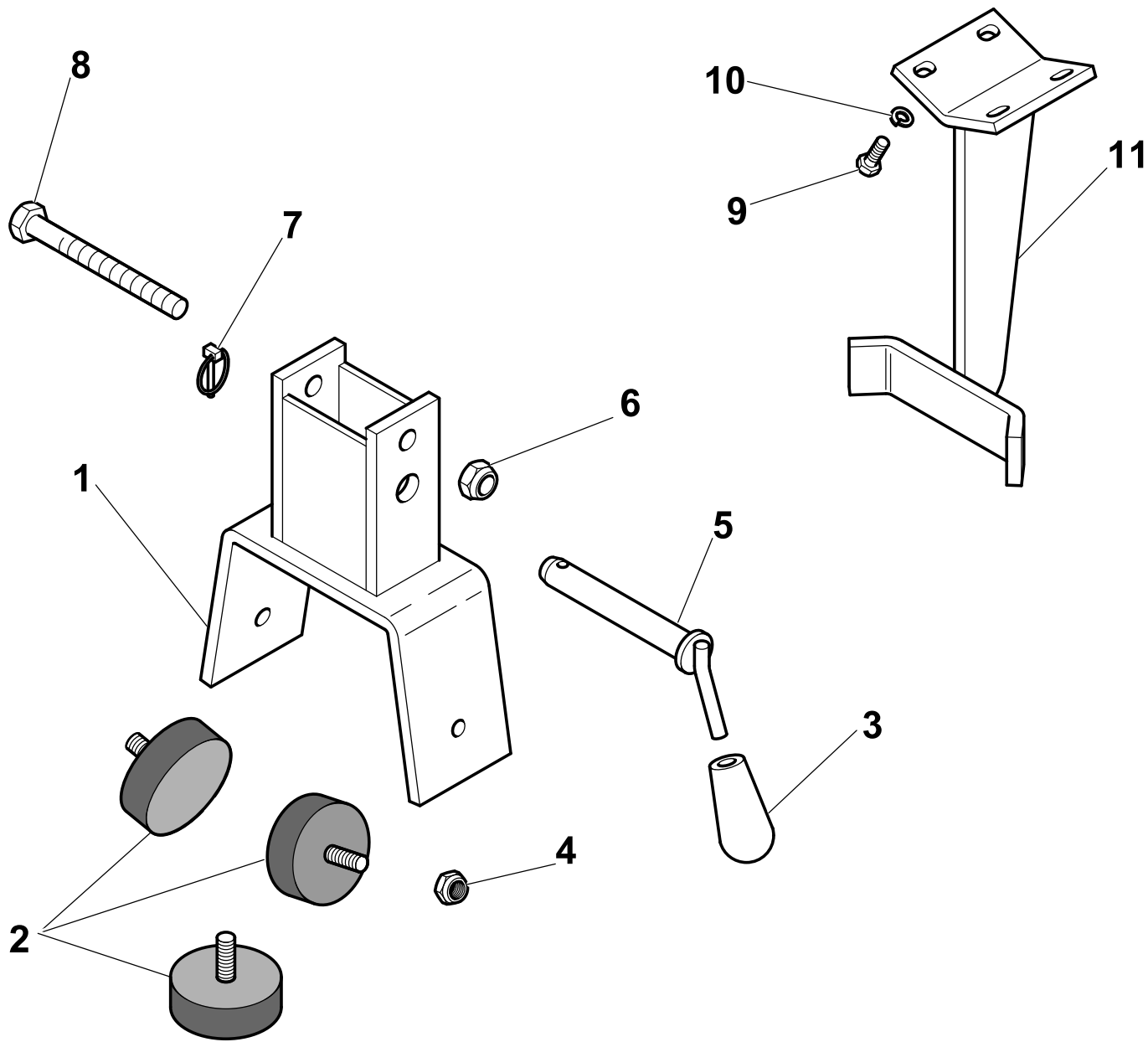
3A	per/for 6S	26 m
3B	per/for 4S	21 m

Support (Articulated extension)

Code

5400327-1.0

1/1



R	Pos.	Code Variant	Q.ty	Description
	1	5001279	1	
	2	3190100	3	
	3	3190010	1	Knob
	4	3040047	2	Nut
	5	5150475	1	
	6	3040306	3	Stopnut
	7	3060753	1	Cotter pin (Locking ring)
	8	3010092	1	Hex screw
	9	3010354	4	Hex screw
	10	3060056	4	Split lock washer
	11	5001278	1	

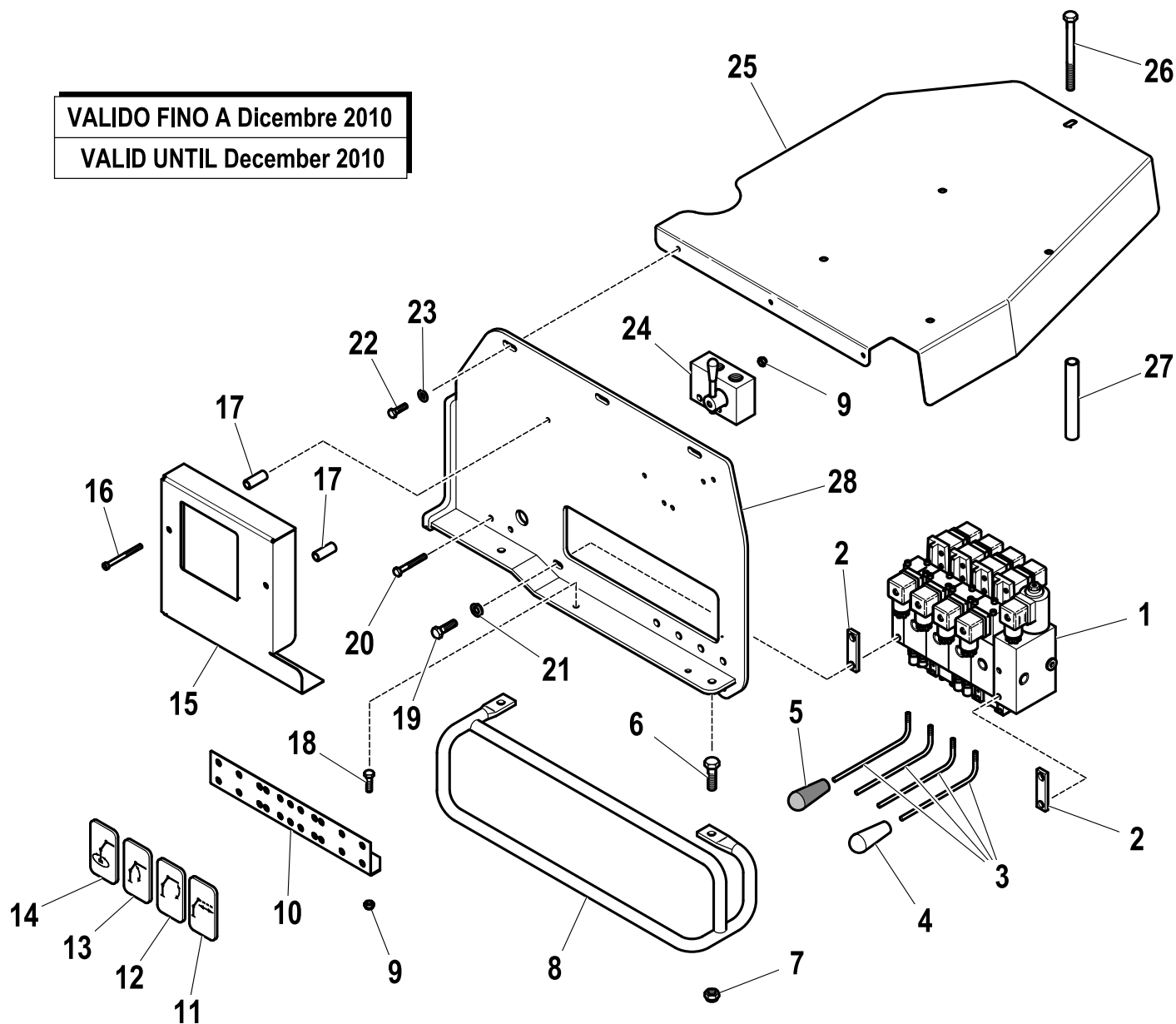




HB150 X TCU

VALIDO FINO A Dicembre 2010

VALID UNTIL December 2010



R	Pos.	Code Variant	Q.ty	Description
	1	5220766	1	
	2	5001791	2	
	3	5091000	4	Control lever
	4	3190251	3	
	5	3190258	1	
	6	3010339	2	Hex screw [M8X25 8.8 ZC IF UNI 5739]
	7	3040303	2	Stopnut
	8	5091058	1	
	9	3040372	4	Stopnut
	10	W570501400	1	
	11	W573270	1	Small plate (CONTROL SYMBOLS)
	12	W573269	1	Small plate (CONTROL SYMBOLS)
	13	W573267	1	Small plate (CONTROL SYMBOLS)
	14	W573266	1	Small plate (CONTROL SYMBOLS)
	15	5001782	1	
	16	3020897	2	Socketed head cap screw
	17	5001783	2	
	18	3010323	2	Hex screw [M6X10 8.8 UNI 5739 ZC]
	19	3010027	4	Hex screw [M8X20 8.8 ZC IF UNI 5739]
	20	3010397	2	Hex screw

CONTROLS (RDC EBB-X TCU-ECM4)

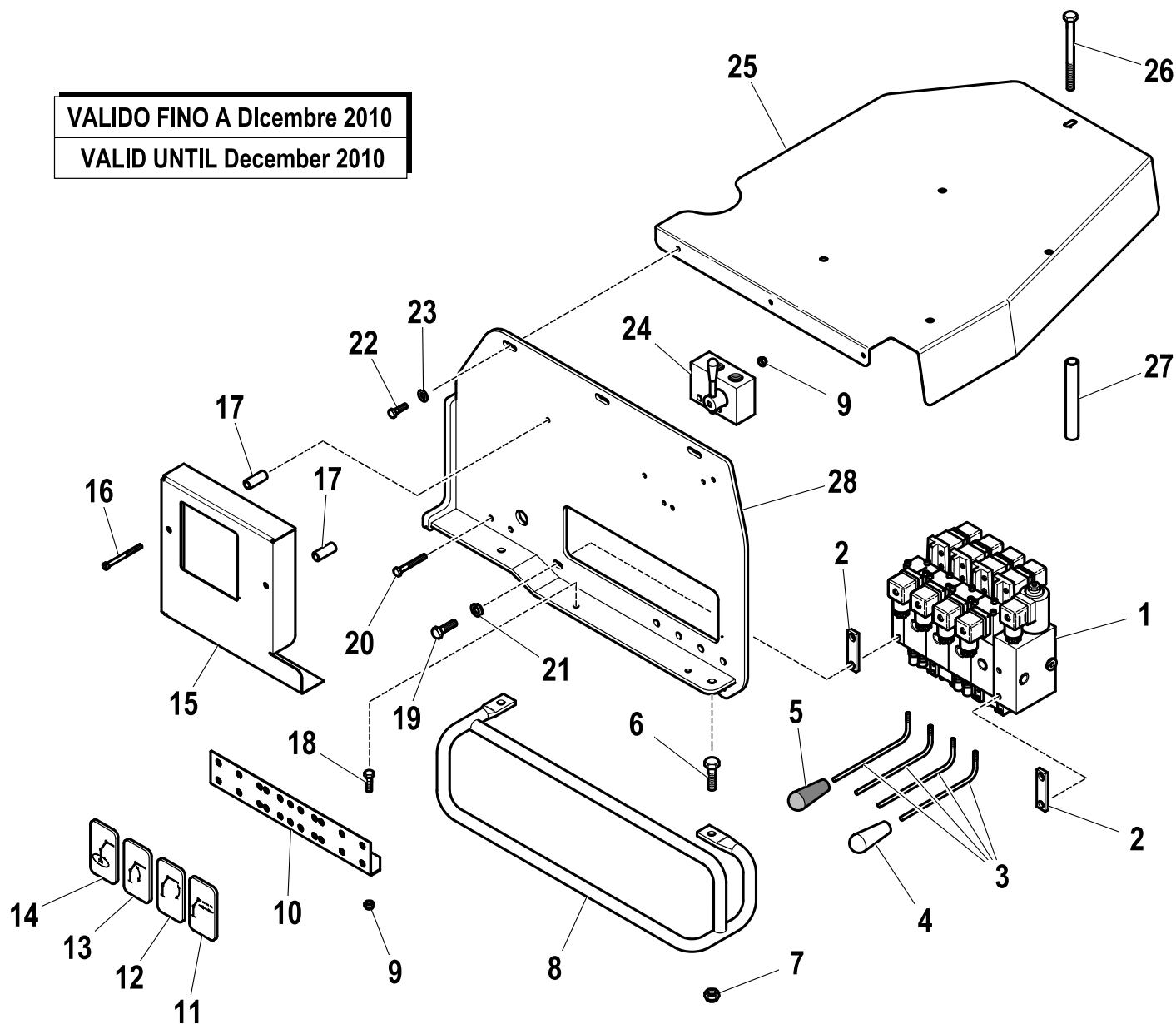
Code

5400630-1.0

2/2

VALIDO FINO A Dicembre 2010

VALID UNTIL December 2010



R	Pos.	Code Variant	Q.ty	Description
	21	3060055	4	Split lock washer
	22	3010022	3	Hex screw
	23	3060030	3	Flat washer
	24	5220596	1	
	25	5001149	1	
	26	3010396	1	Hex screw
	27	5000786	1	
	28	5091048	1	

CONTROLS WITH THERMOFORMABLE (RDC EBB-X TCU-ECM4)

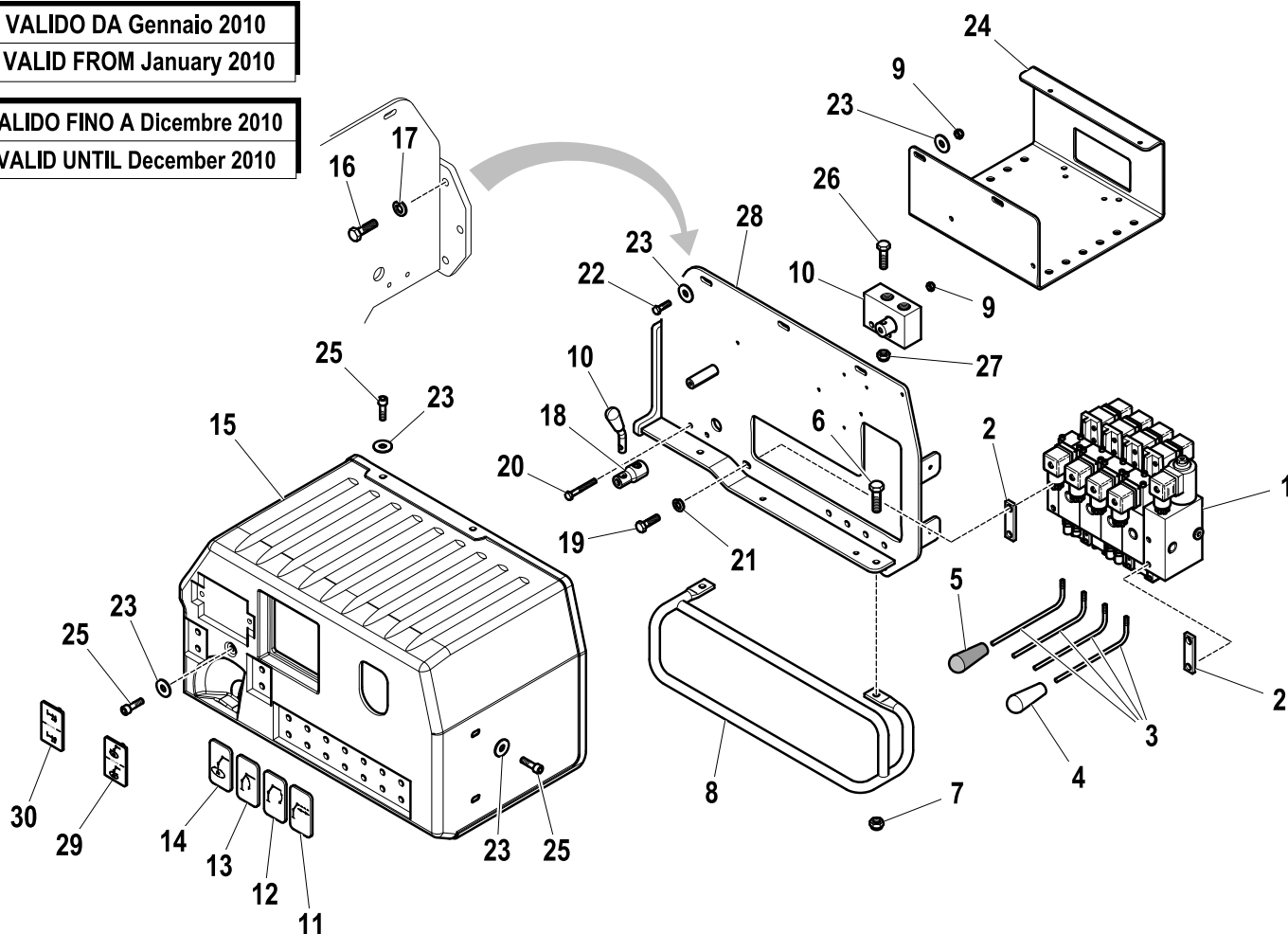
Code

5401097-1.0

1/2

VALIDO DA Gennaio 2010
VALID FROM January 2010

VALIDO FINO A Dicembre 2010
VALID UNTIL December 2010



R	Pos.	Code Variant	Q.ty	Description
	1	5220766	1	
	2	5001791	2	
	3	5091000	4	Control lever
	4	3190251	3	
	5	3190258	1	
	6	3010339	2	Hex screw [M8X25 8.8 ZC IF UNI 5739]
	7	3040303	2	Stopnut
	8	5091058	1	
	9	3040372	4	Stopnut
	10	5220596	1	
	11	W573270	1	Small plate (CONTROL SYMBOLS)
	12	W573269	1	Small plate (CONTROL SYMBOLS)
	13	W573267	1	Small plate (CONTROL SYMBOLS)
	14	W573266	1	Small plate (CONTROL SYMBOLS)
	15	5091217	1	
	16	3010355	3	Hex screw [M10X25 8.8 ZC IF UNI 5739]
	17	3060056	3	Split lock washer
	18	5150906	1	
	19	3010027	4	Hex screw [M8X20 8.8 ZC IF UNI 5739]
	20	3010397	2	Hex screw

CONTROLS WITH THERMOFORMABLE (RDC EBB-X TCU-ECM4)

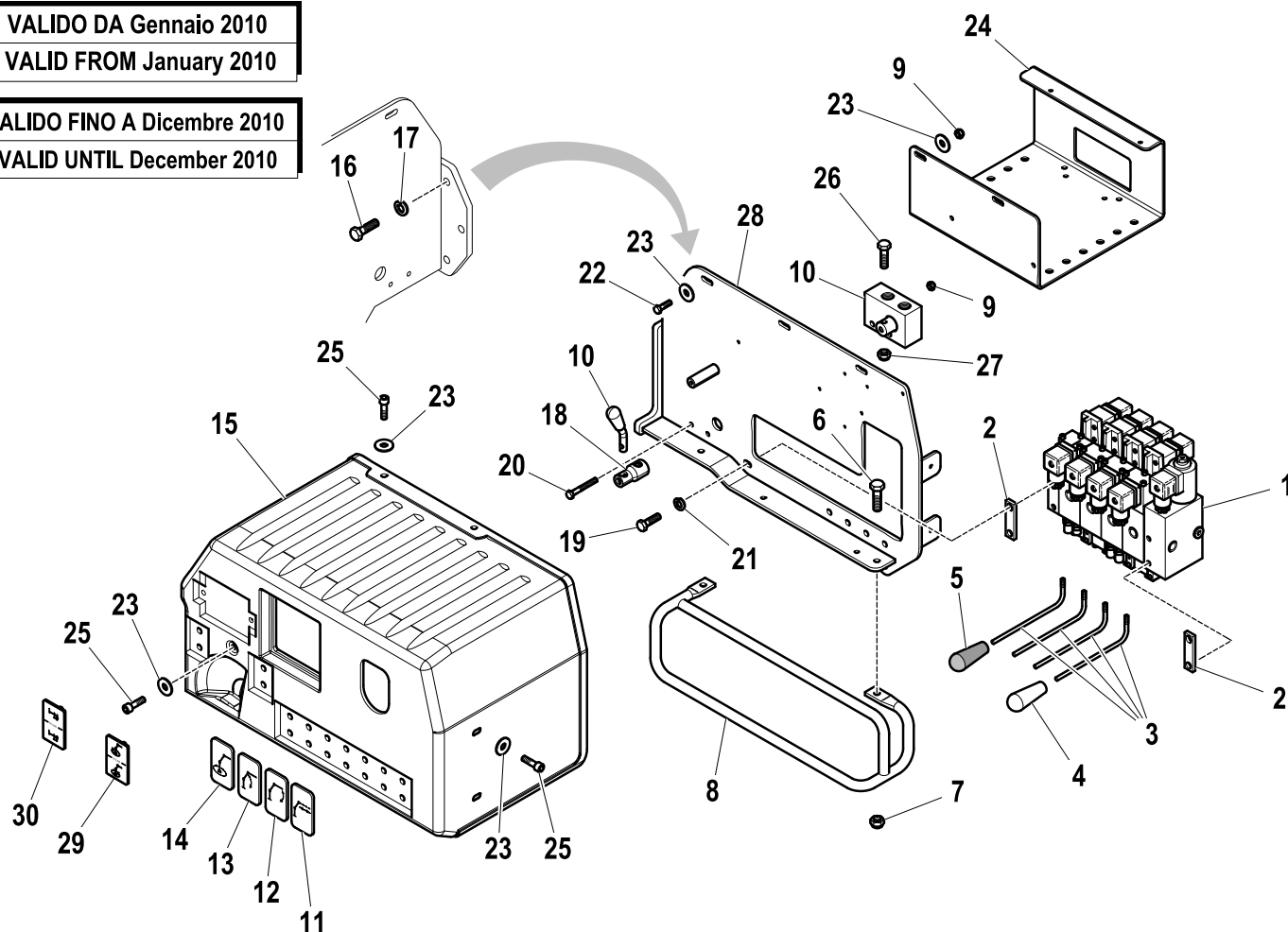
Code

5401097-1.0

2/2

VALIDO DA Gennaio 2010
VALID FROM January 2010

VALIDO FINO A Dicembre 2010
VALID UNTIL December 2010



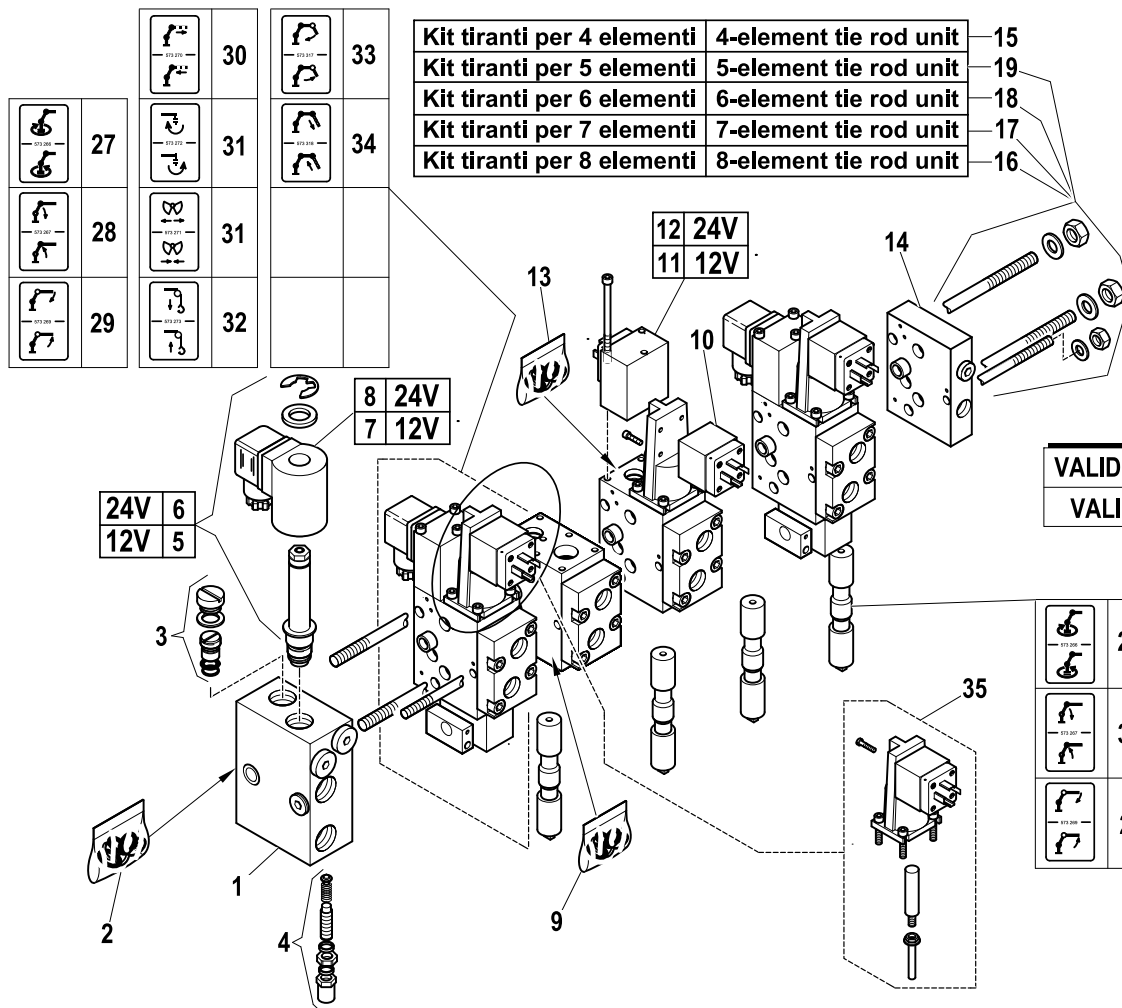
R	Pos.	Code Variant	Q.ty	Description
	21	3060055	4	Split lock washer
	22	3010015	2	Hex screw (Zincate) [M6X20 8.8 ZINCATA UNI 5739]
	23	3060030	9	Flat washer
	24	5091216	1	
	25	3020034	5	Socket head cap screw
	26	3010356	1	Hex screw
	27	3040304	1	Stopnut
	28	5091215	1	
	29	5813268	1	
	30	5813269	1	

Control valve (4 section)

Code

5220766-1.0

1/2



VALIDO FINO A Gennaio 2012
VALID UNTIL January 2012

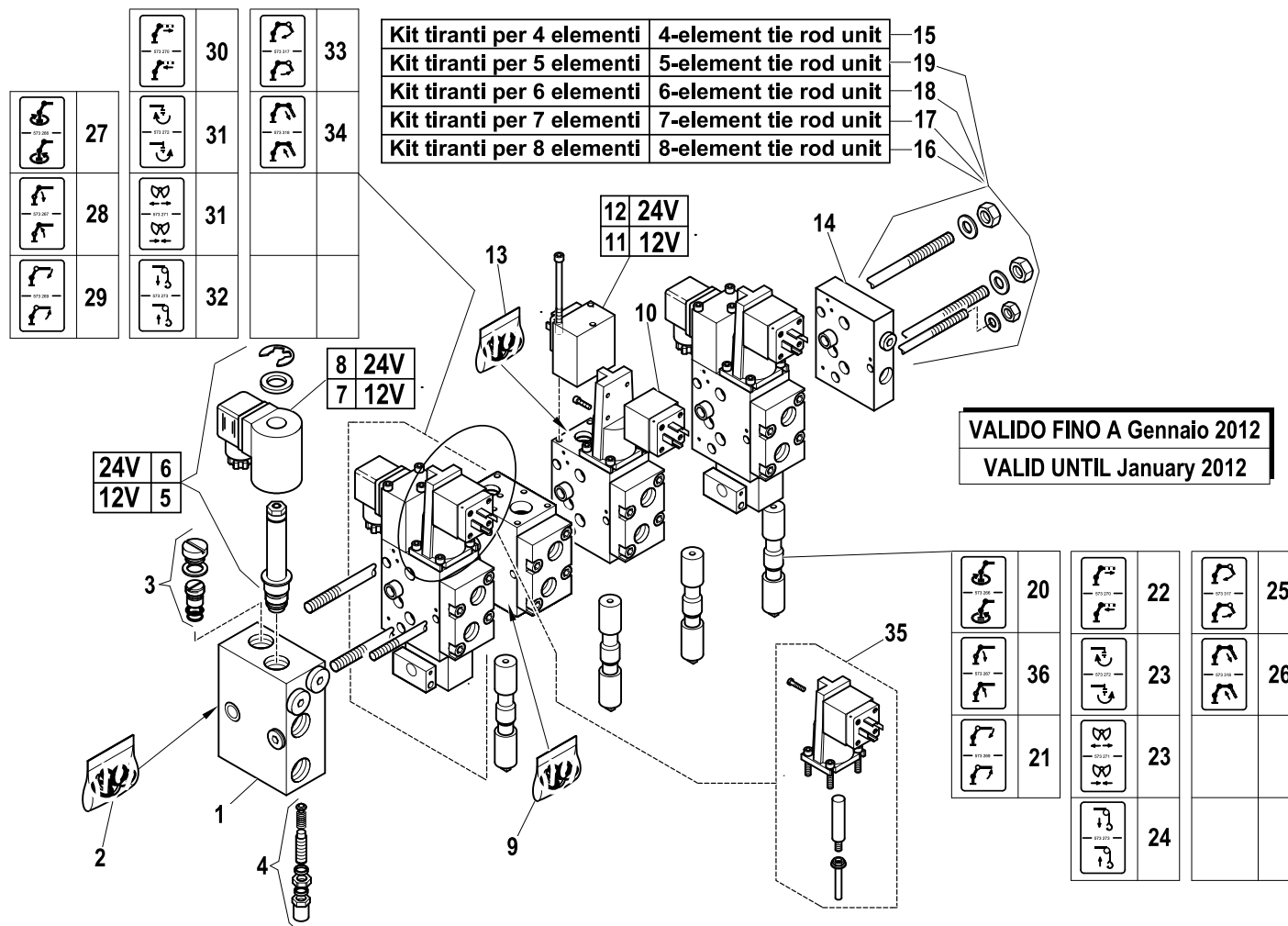
R	Pos.	Code Variant	Q.ty	Description
	1	5225607	1	
	2	5225608	1	
	3	5225609	1	
	4	5225610	1	
	5	5225611	1	
	6	5225612	1	
	7	5225613	1	
	8	5225614	1	
	9	5225668	1	
	10	5225617	1	
	11	5225615	1	
	12	5225616	1	
	13	5225618	1	
	14	5225619	1	
	15	5225679	1	
	16	5225605	1	
	17	5225621	1	
	18	5225620	1	
	19	5225673	1	
	20	5225625	1	

Control valve (4 section)

Code

5220766-1.0

2/2



R	Pos.	Code Variant	Q.ty	Description
	21	5225774	1	
	22	5225606	1	
	23	5225660	2	
	24	5225628	1	
	25	5225661	1	
	26	5225627	1	
	27	5225782	1	
	28	5225680	1	
	29	5225783	1	
	30	5225665	1	
	31	5225670	2	
	32	5225669	1	
	33	5225666	1	
	34	5225667	1	
	35	5225073	1	
	36	5225803	1	

CONTROLS (X TCU)

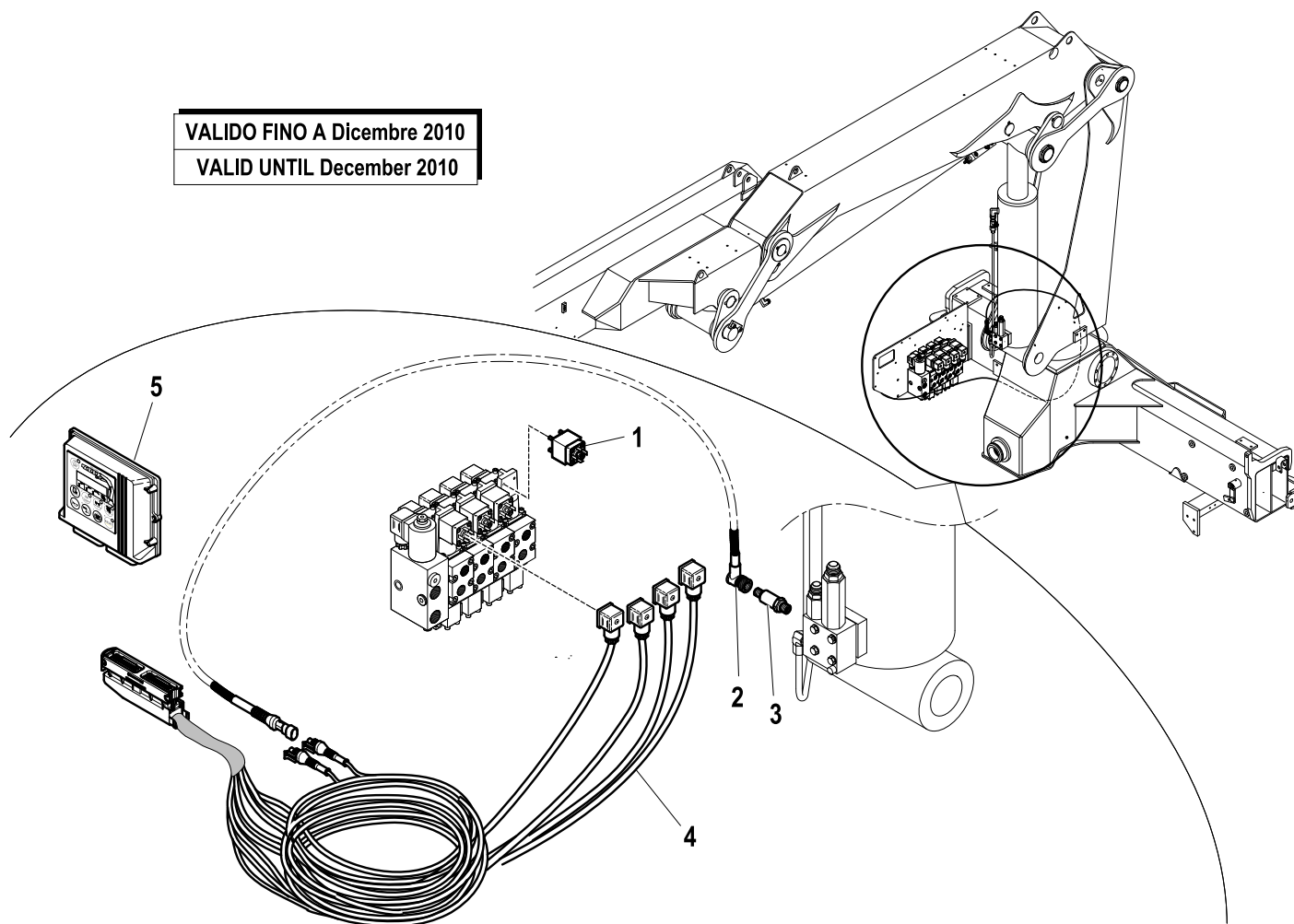
Code

540630-2.1

1/1

VALIDO FINO A Dicembre 2010
VALID UNTIL December 2010

R	Pos.	Code Variant	Q.ty	Description
	1	5225617	4	
	2	5160001	1	Electric wiring
	3	3310612	1	Pressure sensor
	4	5160039	1	
	5	3311088	1	



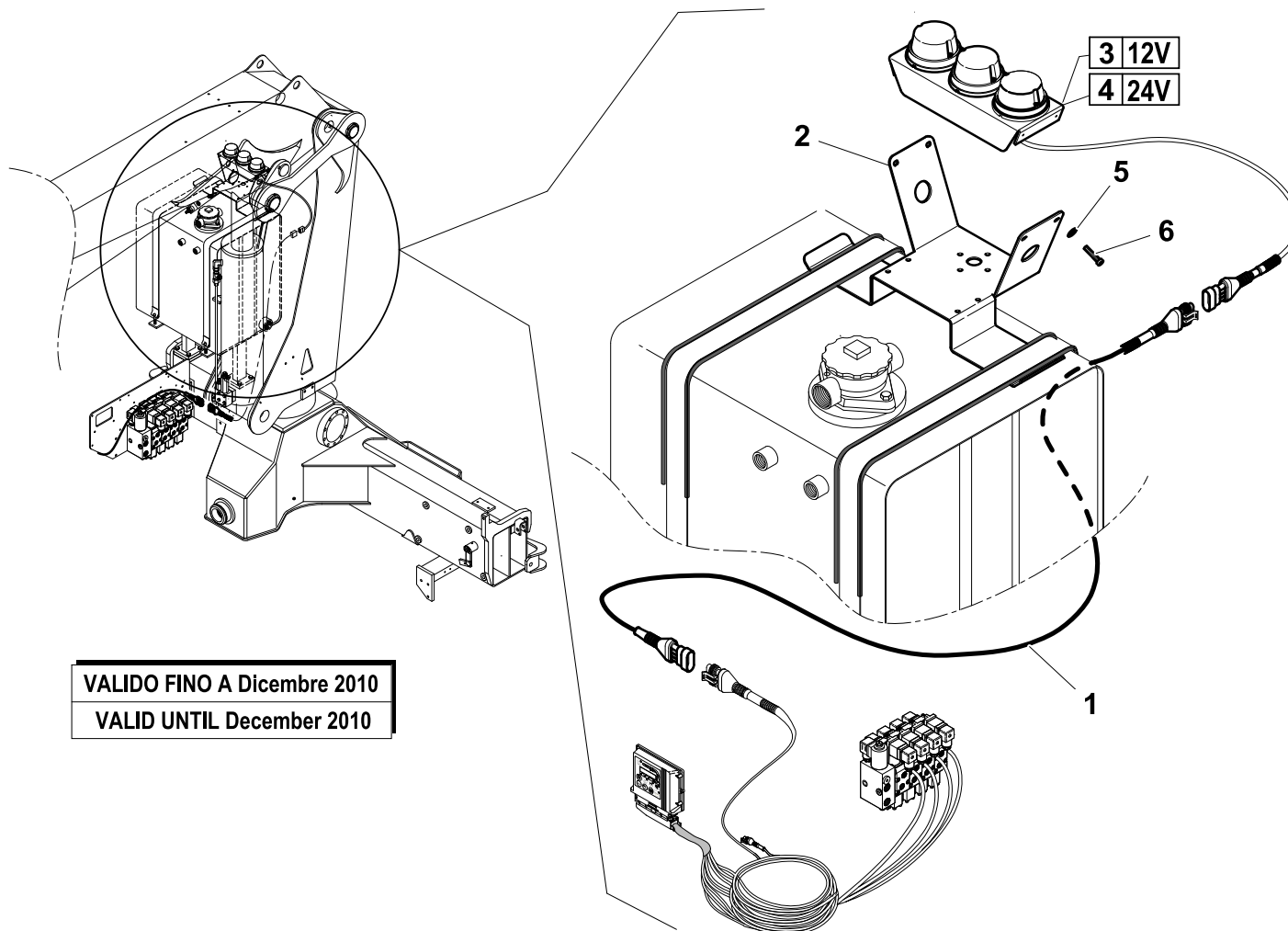
CONTROLS (RDC EBB-X TCU-ECM4)

Code

5400630-3.0

1/1

R	Pos.	Code Variant	Q.ty	Description
	1	5160003	1	Electric wiring
	2	5001657	1	
	3	3310819	1	
	4	3310809	1	
	5	3060003	4	Flat washer
	6	3020885	4	Socket head cap screw



VALIDO FINO A Dicembre 2010

VALID UNTIL December 2010

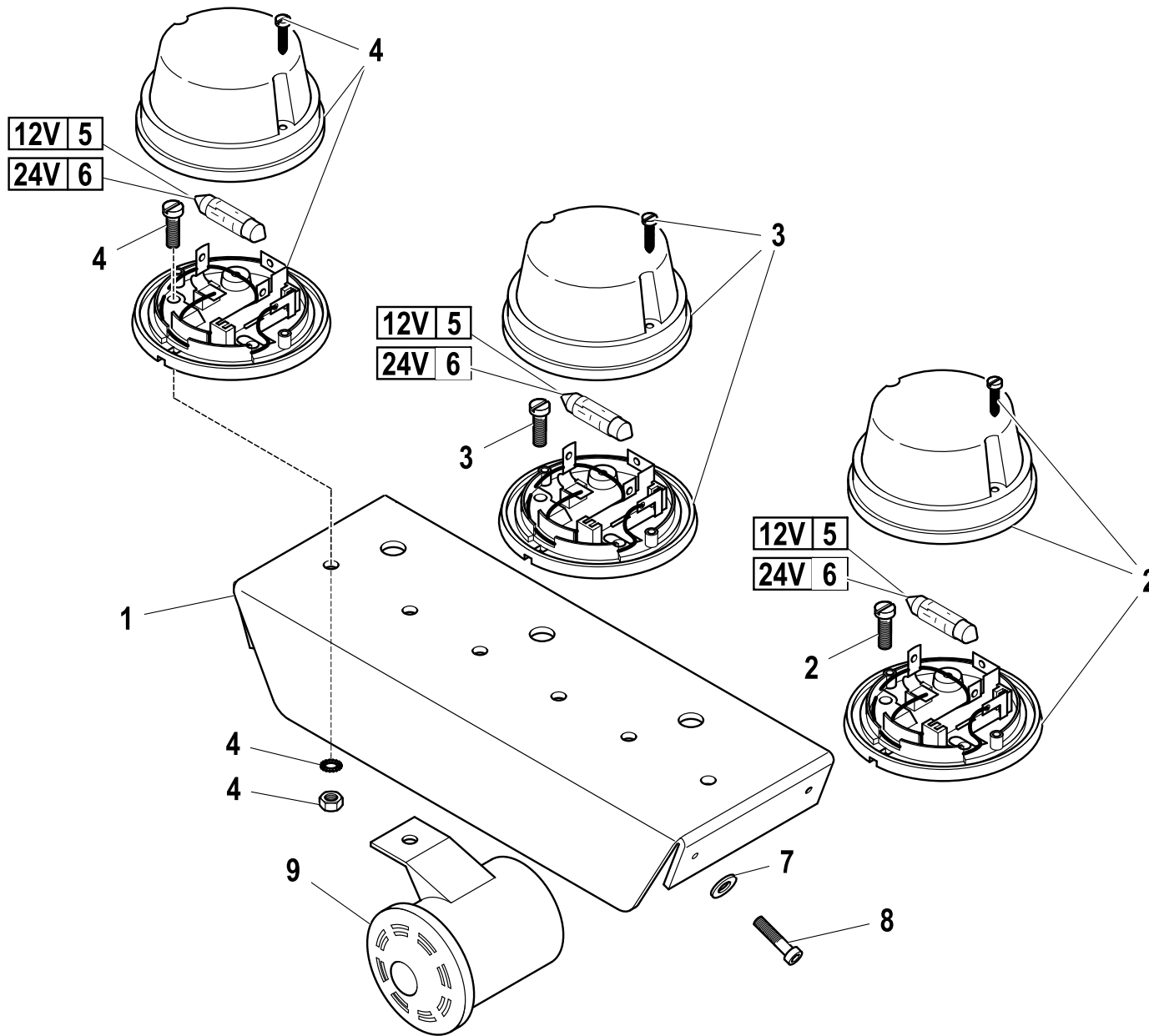
Pilot lamp

Code

7885015-1.0

1/1

R	Pos.	Code Variant	Q.ty	Description
	1	5001662	1	
	2	3310811	1	
	3	3310812	1	
	4	3310810	1	
	5	3310818	3	
	6	3310813	3	
	7	3060003	4	Flat washer
	8	3020885	4	Socketed head cap screw
	9	3310911	1	



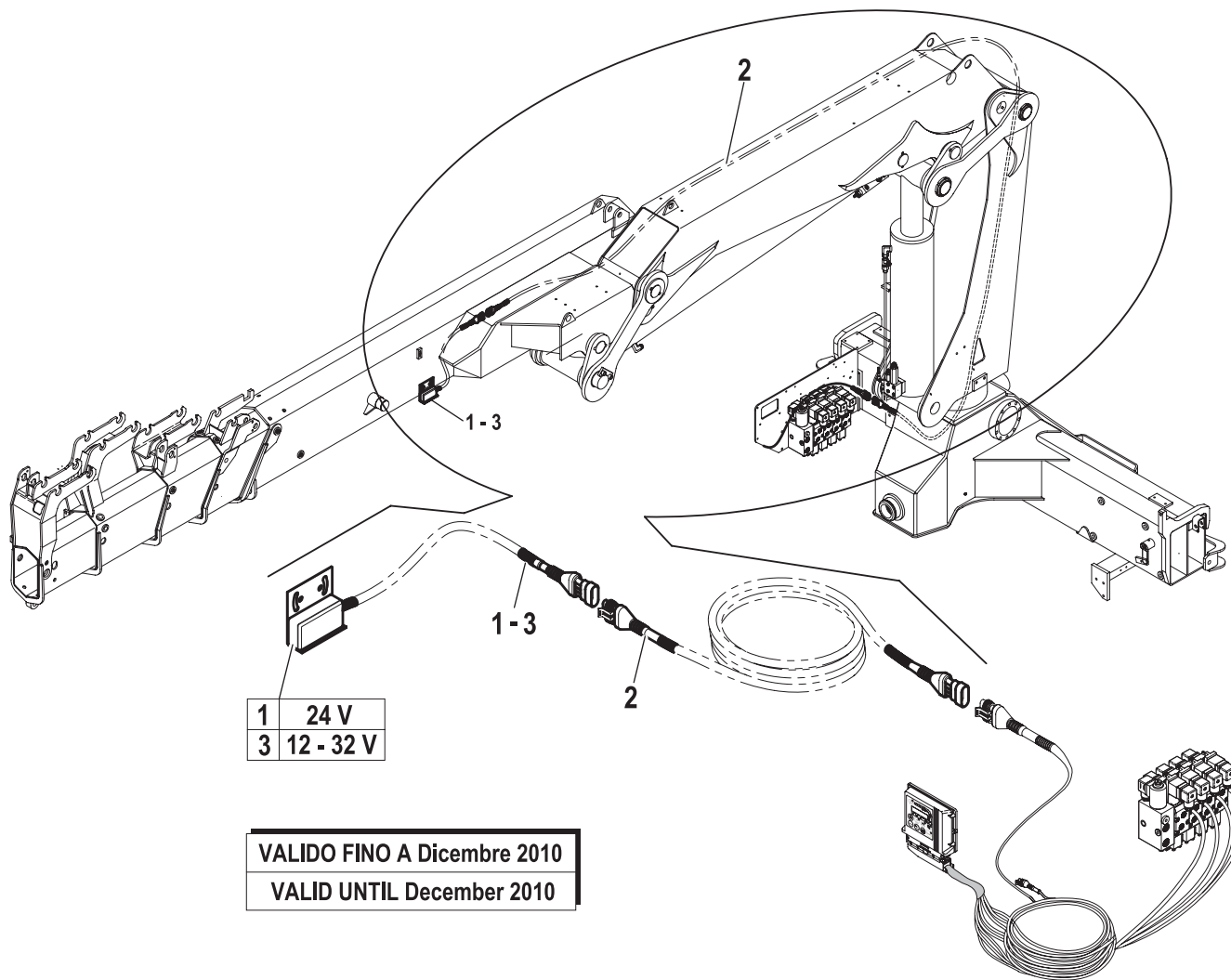
CONTROLS (RDC EBB-X TCU-ECM4)

Code

5400630-4.0

1/1

R	Pos.	Code Variant	Q.ty	Description
	1	3310541	1	Tiltmeter
	2	5160002	1	Electric wiring
	3	3310723	1	Tiltmeter



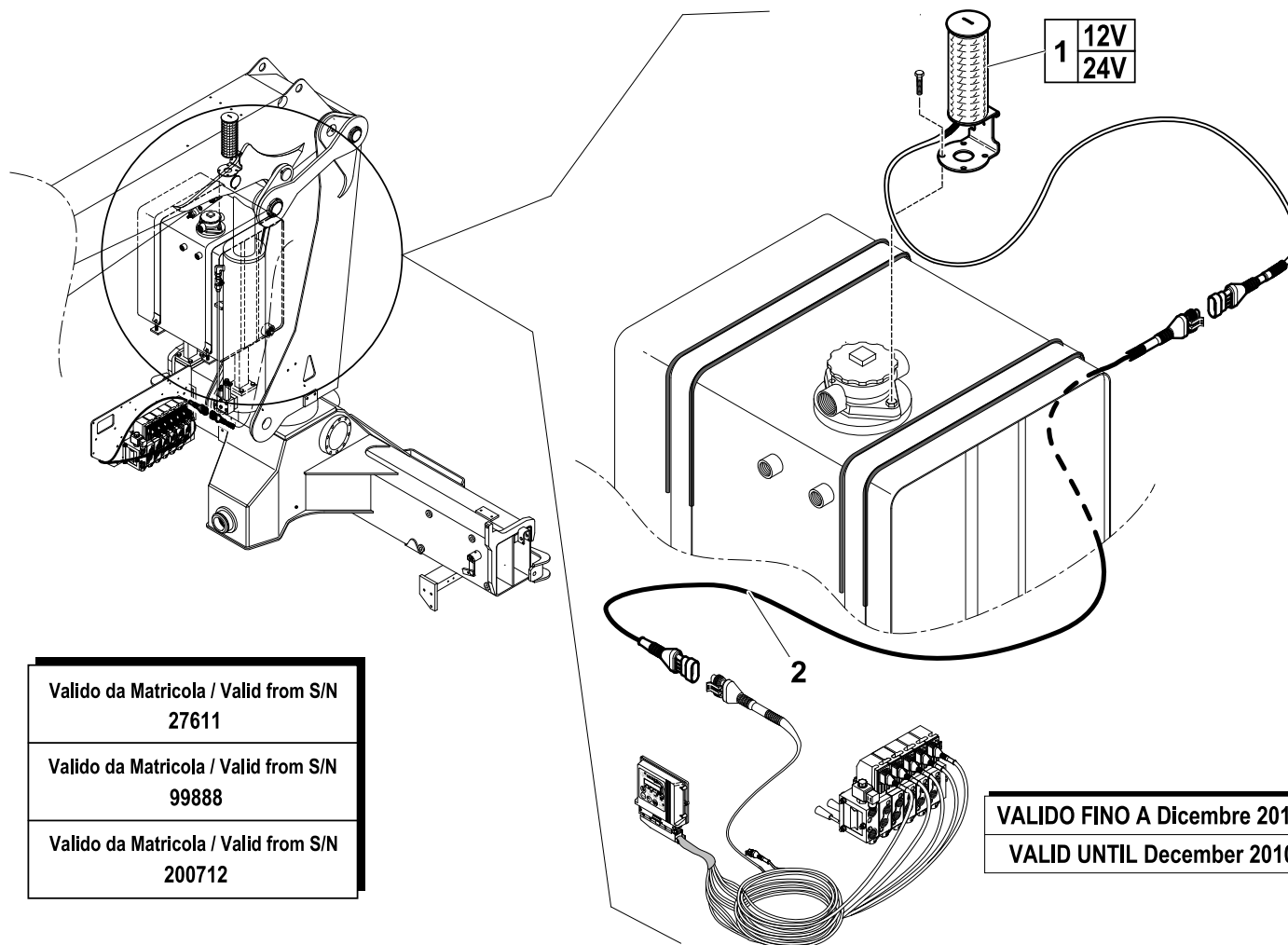
CONTROLS (RDC EBB-X TCU-ECM4)

Code

5400630-5.0

1/1

R	Pos.	Code Variant	Q.ty	Description
1		3311159	1	Signal Columns
2		5160003	1	Electric wiring



Valido da Matricola / Valid from S/N
27611

Valido da Matricola / Valid from S/N
99888

Valido da Matricola / Valid from S/N
200712

VALIDO FINO A Dicembre 2010
VALID UNTIL December 2010

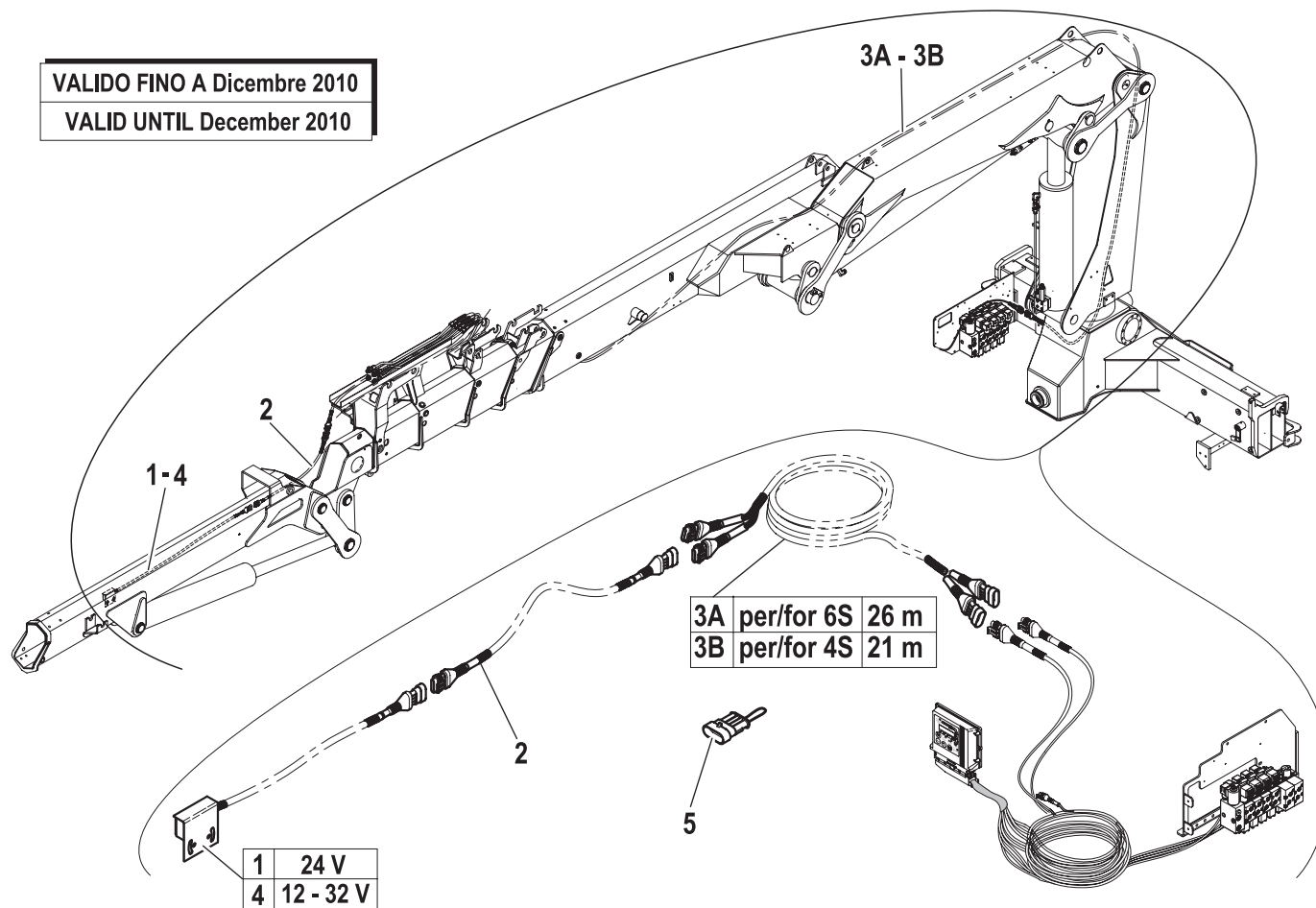
CONTROLS (RDC EBB-X TCU-ECM4)

Code

5400630-6.0

1/1

VALIDO FINO A Dicembre 2010
VALID UNTIL December 2010



R	Pos.	Code Variant	Q.ty	Description
1		3310541	1	Tiltmeter
2		5160016	1	Electric wiring
3A		5160015	1	Electric wiring
3B		5160019	1	Electric wiring
4		3310723	1	Tiltmeter
5		5160020	1	Plug (Electrical connection)

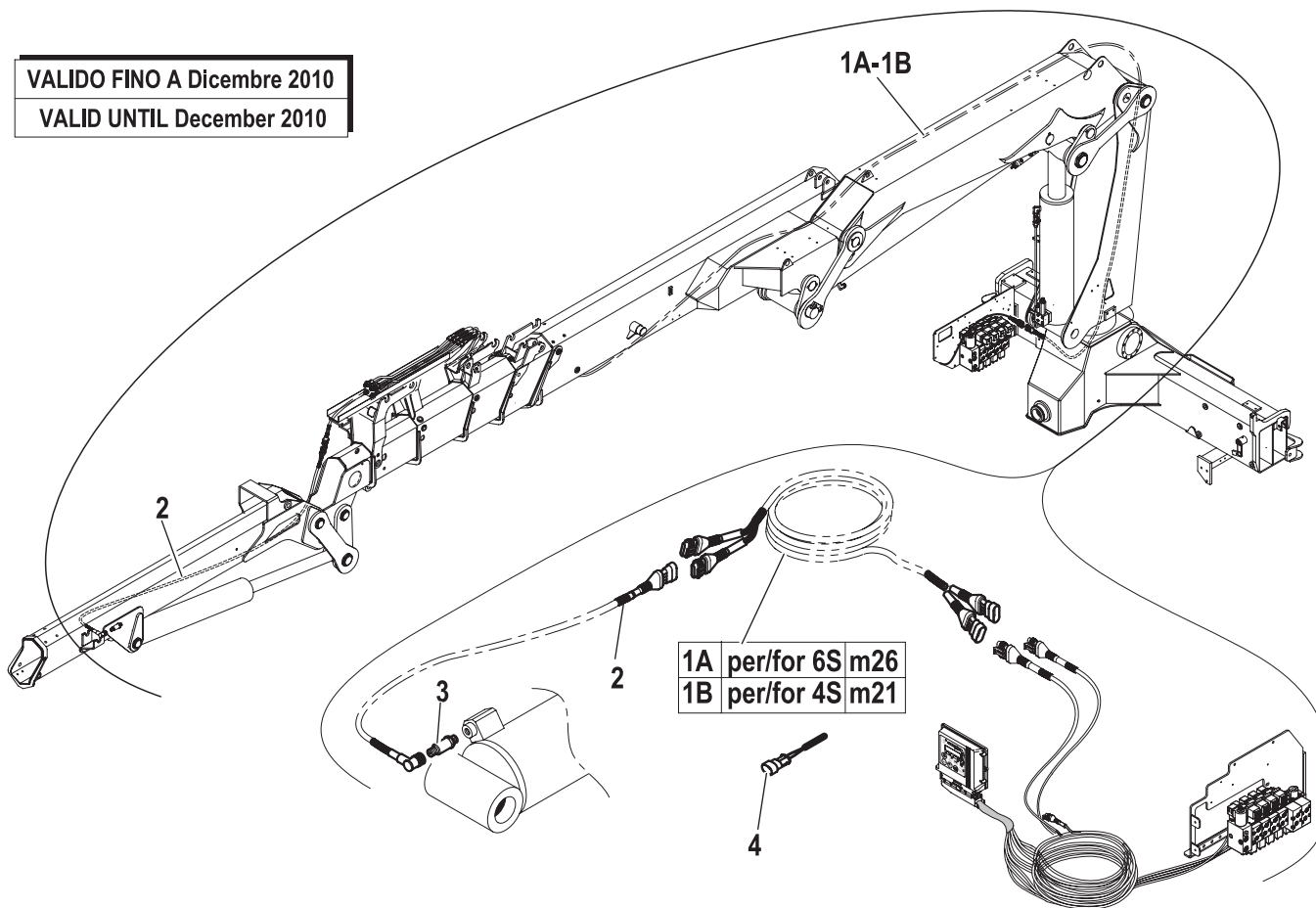
CONTROLS (RDC EBB-X TCU-ECM4)

Code

5400630-7.0

1/1

VALIDO FINO A Dicembre 2010
VALID UNTIL December 2010



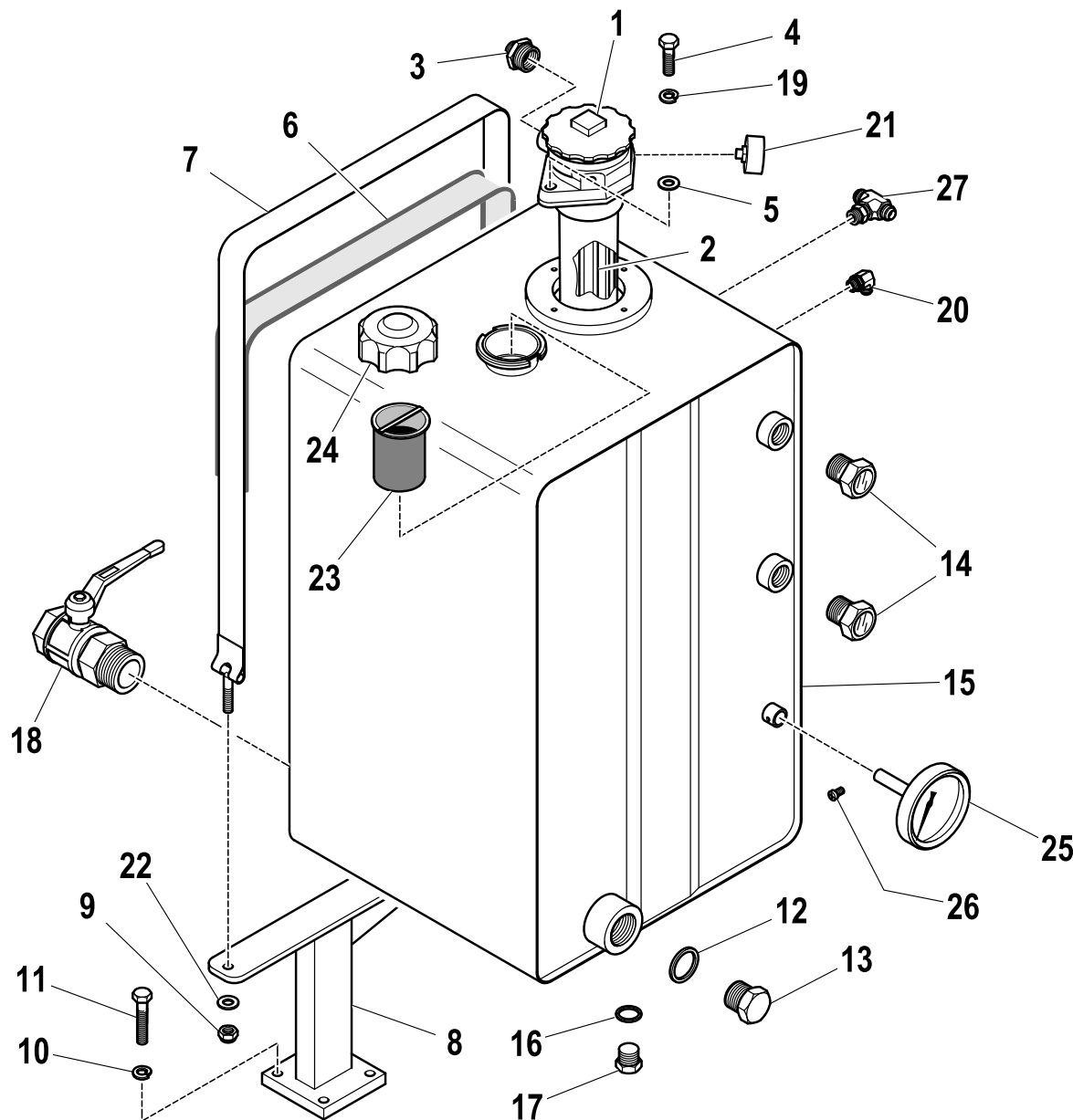
R	Pos.	Code Variant	Q.ty	Description
	1 A	5160015	1	Electric wiring
	1 B	5160019	1	Electric wiring
	2	5160001	1	Electric wiring
	3	3310612	1	Pressure sensor
	4	5160026	1	Electrical connection

Hydraulic oil tank

Code

5400628-1.0

1/2



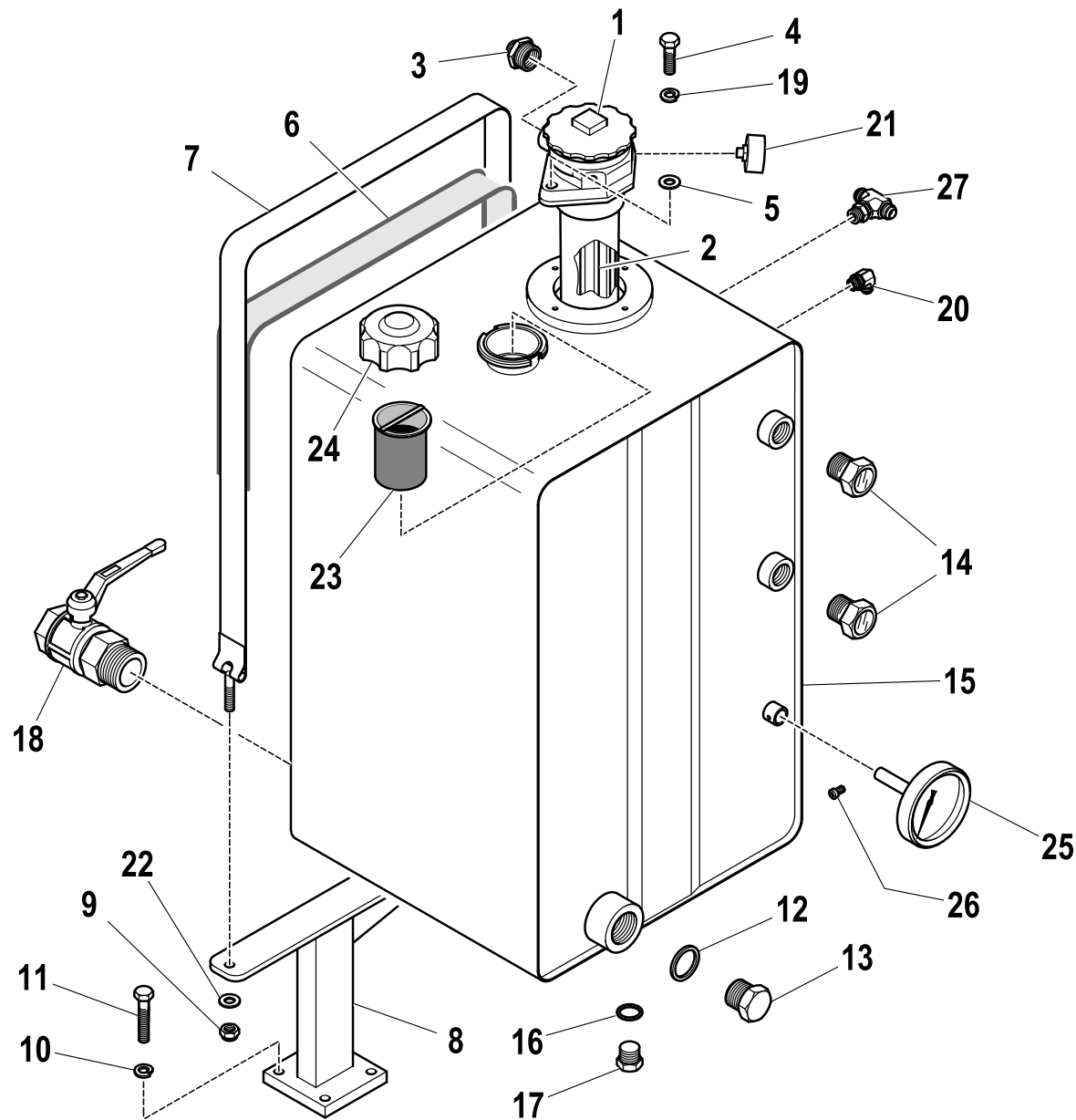
R	Pos.	Code Variant	Q.ty	Description
	1	3180196	1	Oil filter
	2	3180110	1	Filtering cartridge
	3	3101057	1	Straight pipe fitting
	4	3010029	2	Hex screw [Vte M8x30 8.8 Zc. UNI 5737]
	5	3060006	2	Flat washer [D.8x17 UNI 6592 ZC]
	6	3190020	1.4m	
	7	5000521	2	
	8	5090427	2	
	9	3040304	4	Stopnut
	10	3060056	8	Split lock washer
	11	3010355	8	Hex screw [M10X25 8.8 ZC IF UNI 5739]
	12	3060150	1	Sealing washer
	13	3110064	1	Plug
	14	3180099	2	
	15	5090360	1	
	16	3060145	1	Sealing washer
	17	3110065	1	Plug
	18	3140304	1	
	19	3060055	2	Split lock washer
	20	3101124	1	90° Connection

Hydraulic oil tank

Code

5400628-1.0

2/2



R	Pos.	Code Variant	Q.ty	Description
	21	3180147	1	Pressure gauge (Clogging indicator)
	22	3060914	4	Flat washer
	23	W449015	1	
	24	W449014	1	
	25	3180097	1	
	26	3020881	1	
	27	3120306	1	Tee fitting

High pressure filter

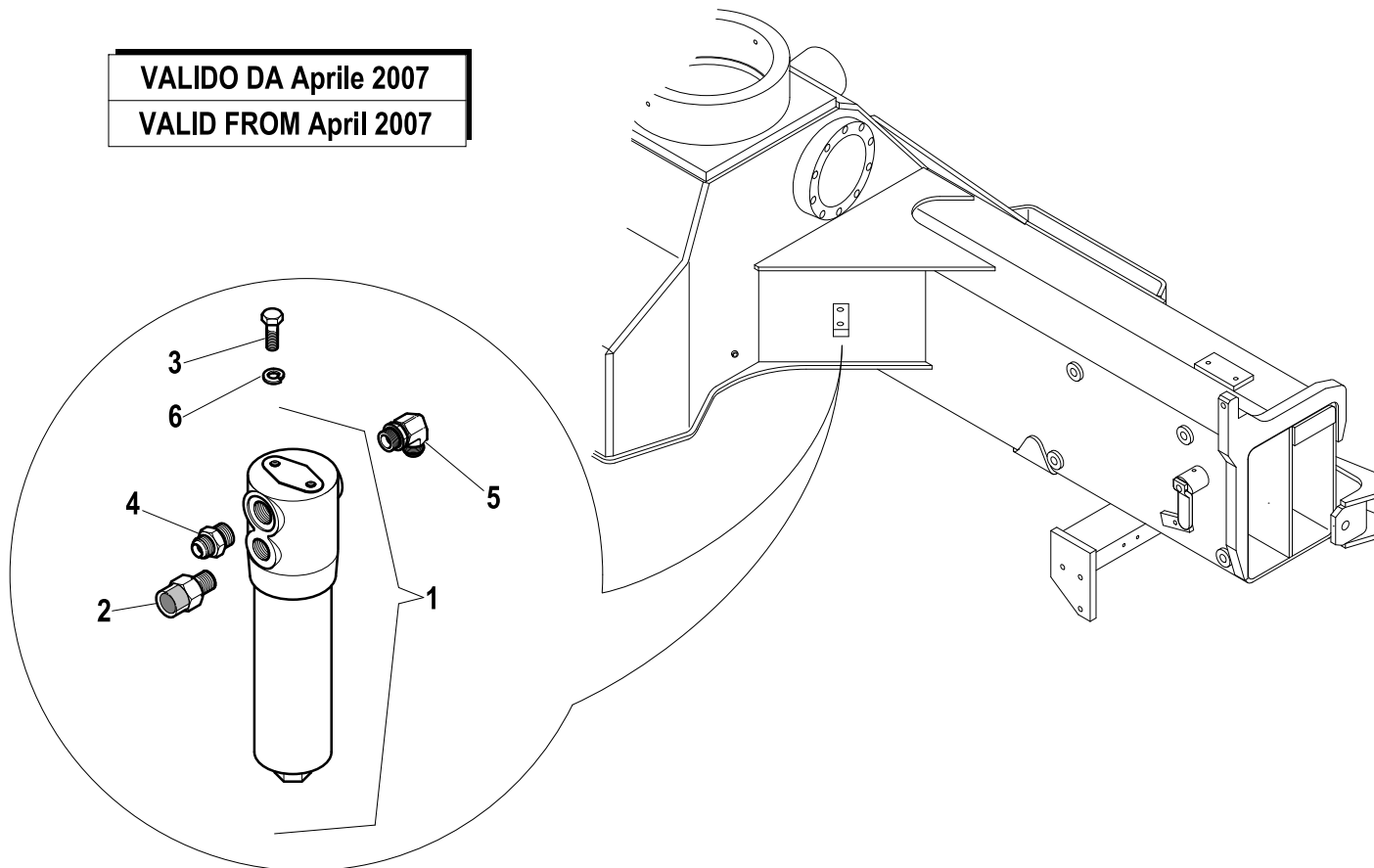
Code

5400244-1.0

1/1

R	Pos.	Code Variant	Q.ty	Description
	1	3180159	1	Oil filter
	2	3180192	1	
	3	3010027	2	Hex screw [M8X20 8.8 ZC IF UNI 5739]
	4	3120073	1	Straight pipe fitting
	5	3101134	1	90° Connection
	6	3060055	2	Split lock washer

VALIDO DA Aprile 2007
VALID FROM April 2007

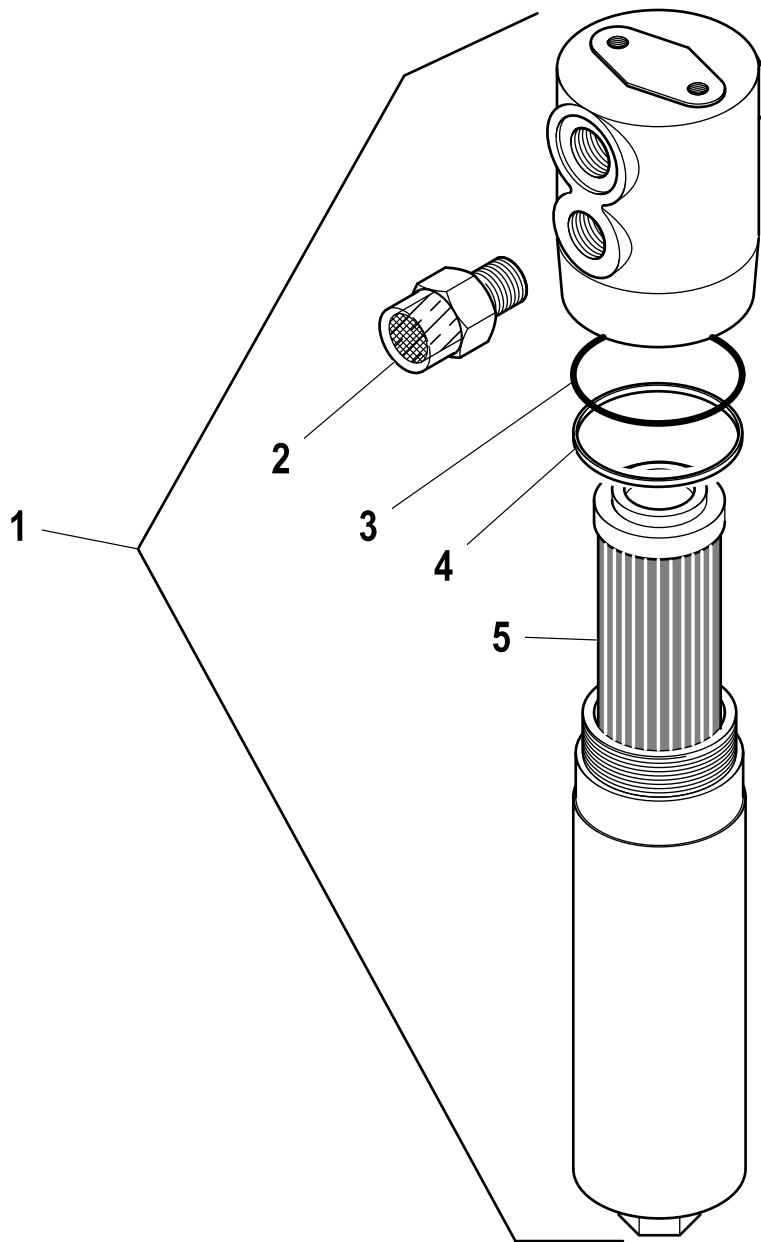


High pressure filter

Code

3180159-1.0

1/1



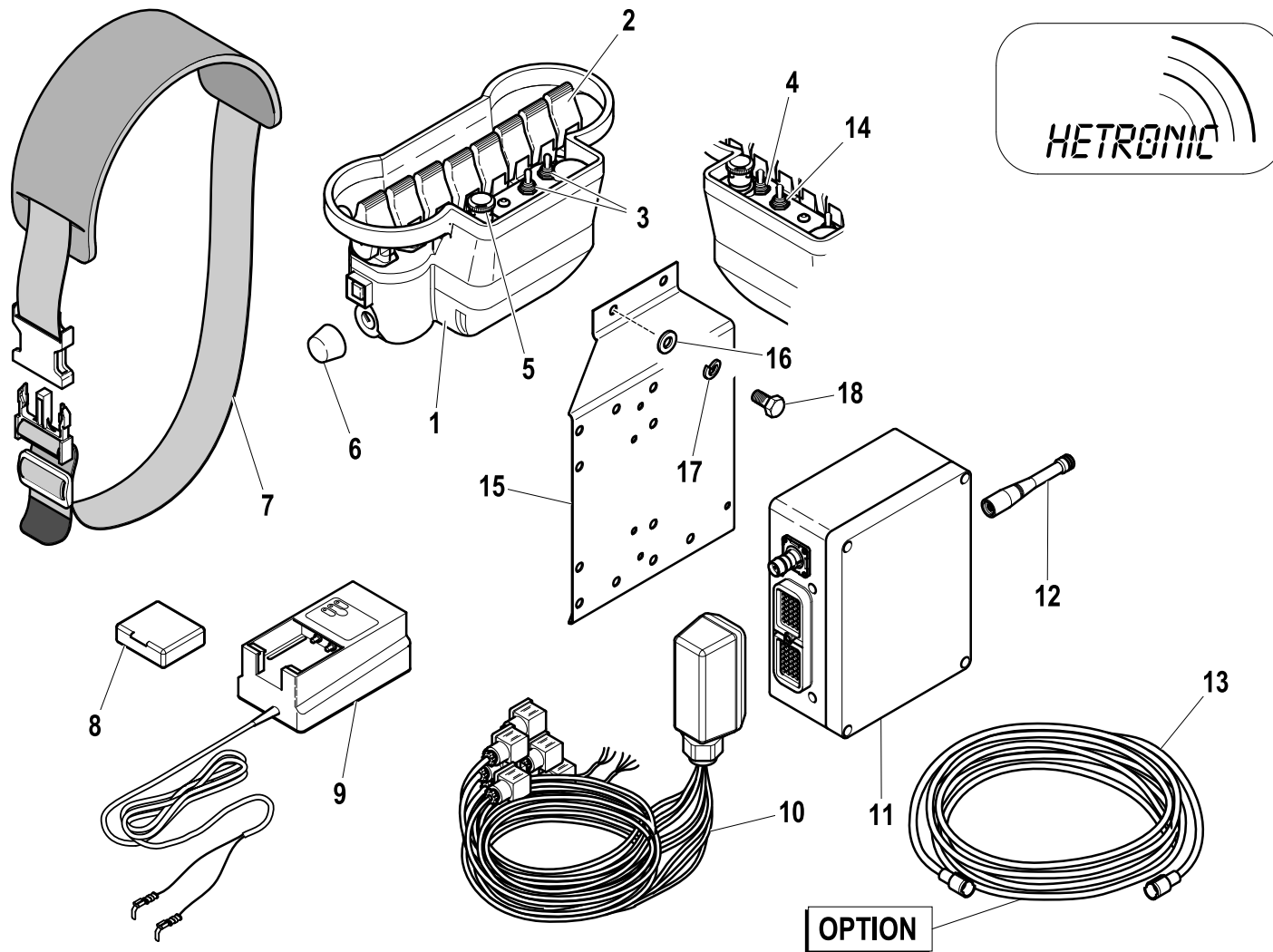
R	Pos.	Code Variant	Q.ty	Description
	1	3180159	1	Oil filter
	2	3180192	1	
	3	3450080	1	
	4	3460080	1	
	5	3180160	1	Filtering cartridge

Wireless control kit

Code

7892107-1.0

1/1



R	Pos.	Code Variant	Q.ty	Description
	1	3310901	1	
	2	3310796	8	
	3	3310786	2	
	4	3310785	1	
	5	3310788	1	
	6	3310795	1	
	7	3310799	1	
	8	3310641	2	
	9	3310797	1	
	10	3310899	1	
	11	3310900	1	
	12	3310775	1	
	13	3310933	1	
	14	3311029	1	
	15	W590506000	1	
	16	3060914	4	Flat washer
	17	3060056	4	Split lock washer
	18	3010349	4	Hex screw

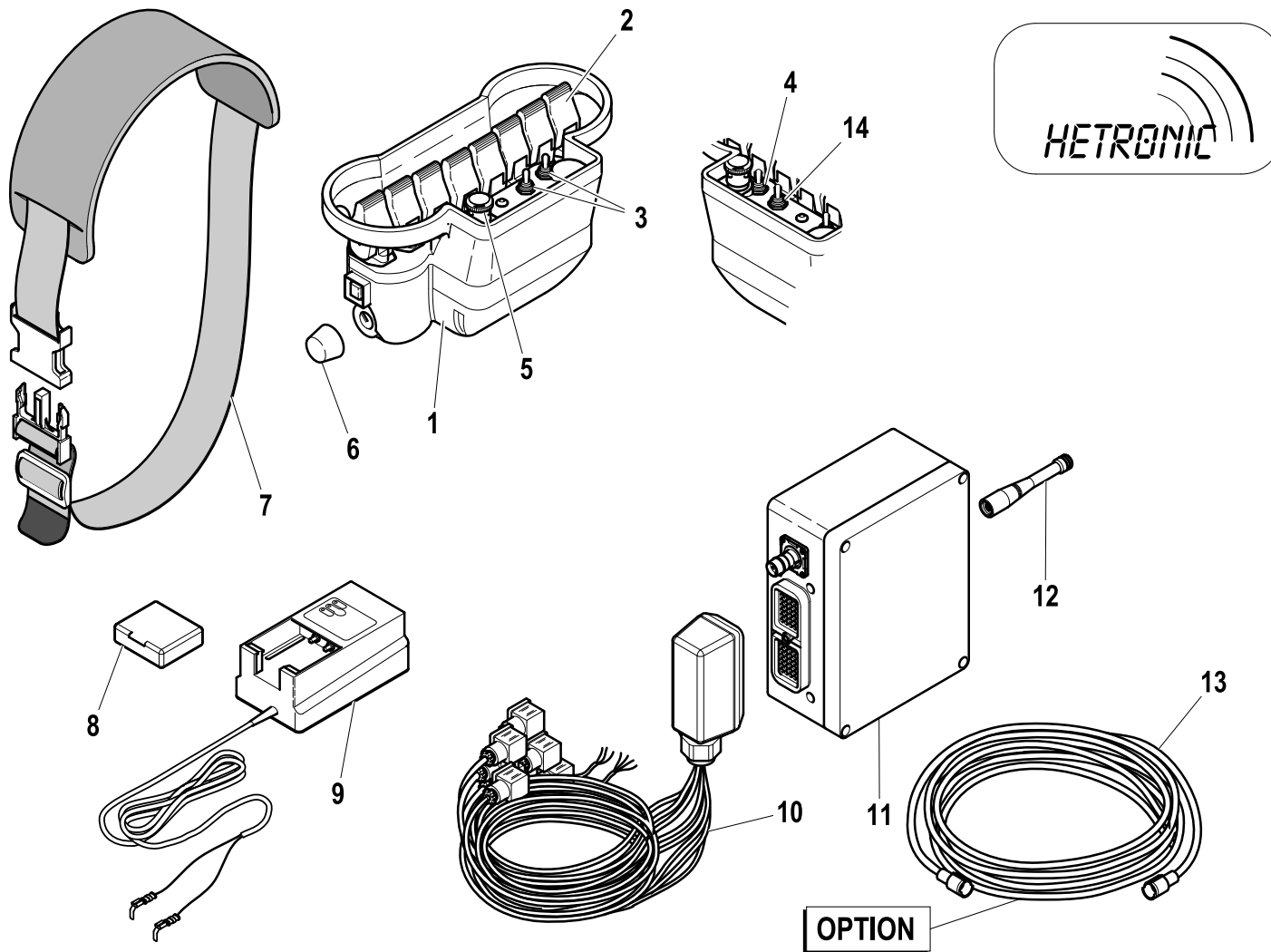
OPTION

Wireless control kit

Code

7892041-1.0

1/1



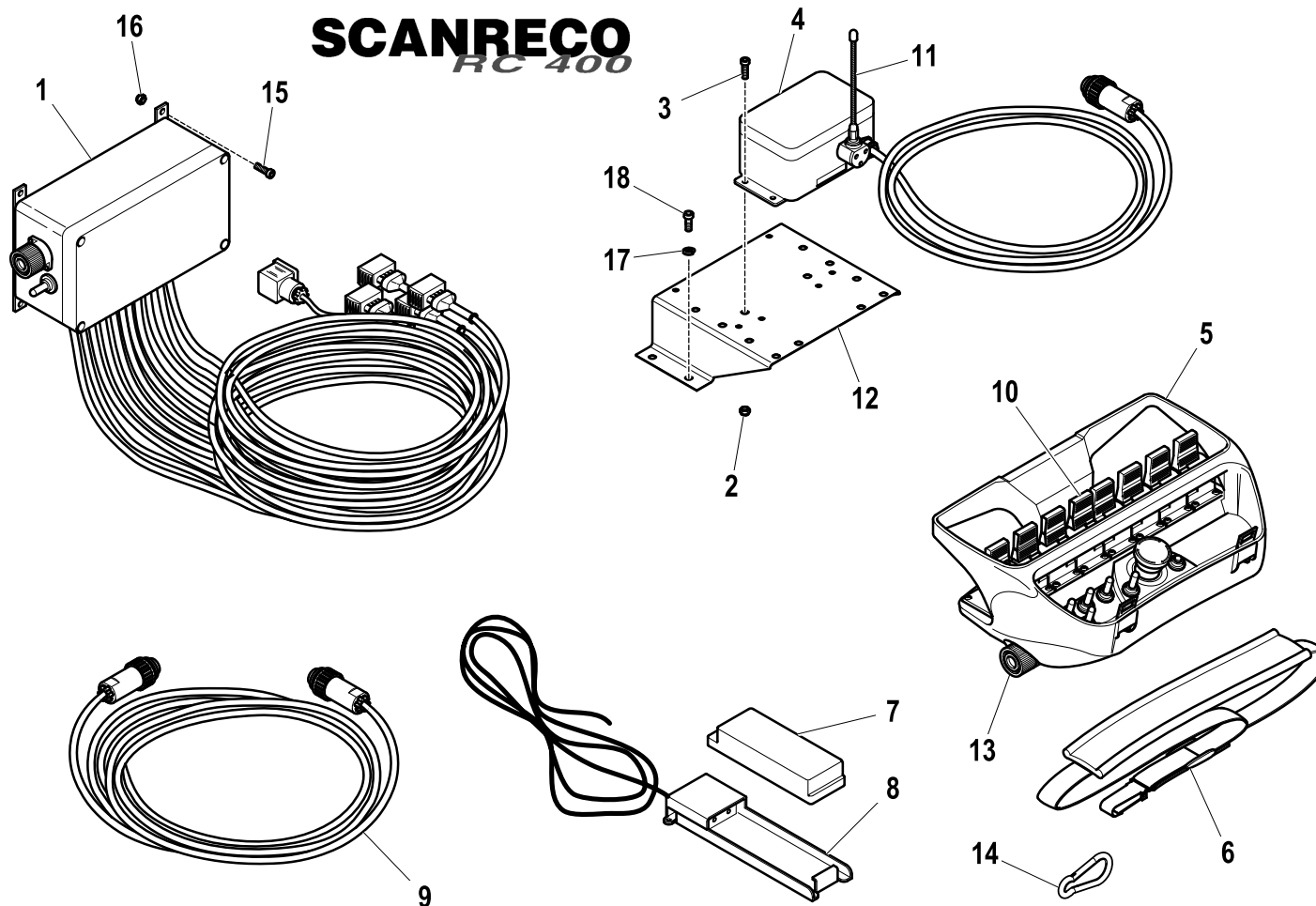
R	Pos.	Code Variant	Q.ty	Description
	1	3310943	1	
	2	3310796	8	
	3	3310786	2	
	4	3310785	1	
	5	3310788	1	
	6	3310795	1	
	7	3310799	1	
	8	3310641	2	
	9	3310797	1	
	10	3310899	1	
	11	3310942	1	
	12	3310775	1	
	13	3310933	1	
	14	3311029	1	

Wireless control kit

Code

7892124-1.0

1/1



R	Pos.	Code Variant	Q.ty	Description
	1	3310910	1	
	2	3040372	4	Stopnut
	3	3010325	4	Hex screw
	4	3310535	1	
	5	3320026	1	
	6	3190226	1	
	7	3310483	2	
	8	3310471	1	
	9	3310536	1	
	10	3310445	8	Control lever
	11	3310683	1	
	12	W590506000	1	
	13	3310850	1	
	14	3190259	1	
	15	3010316	2	Hex screw
	16	3040392	2	Stopnut
	17	3060055	4	Split lock washer
	18	3020051	4	Socketed head cap screw

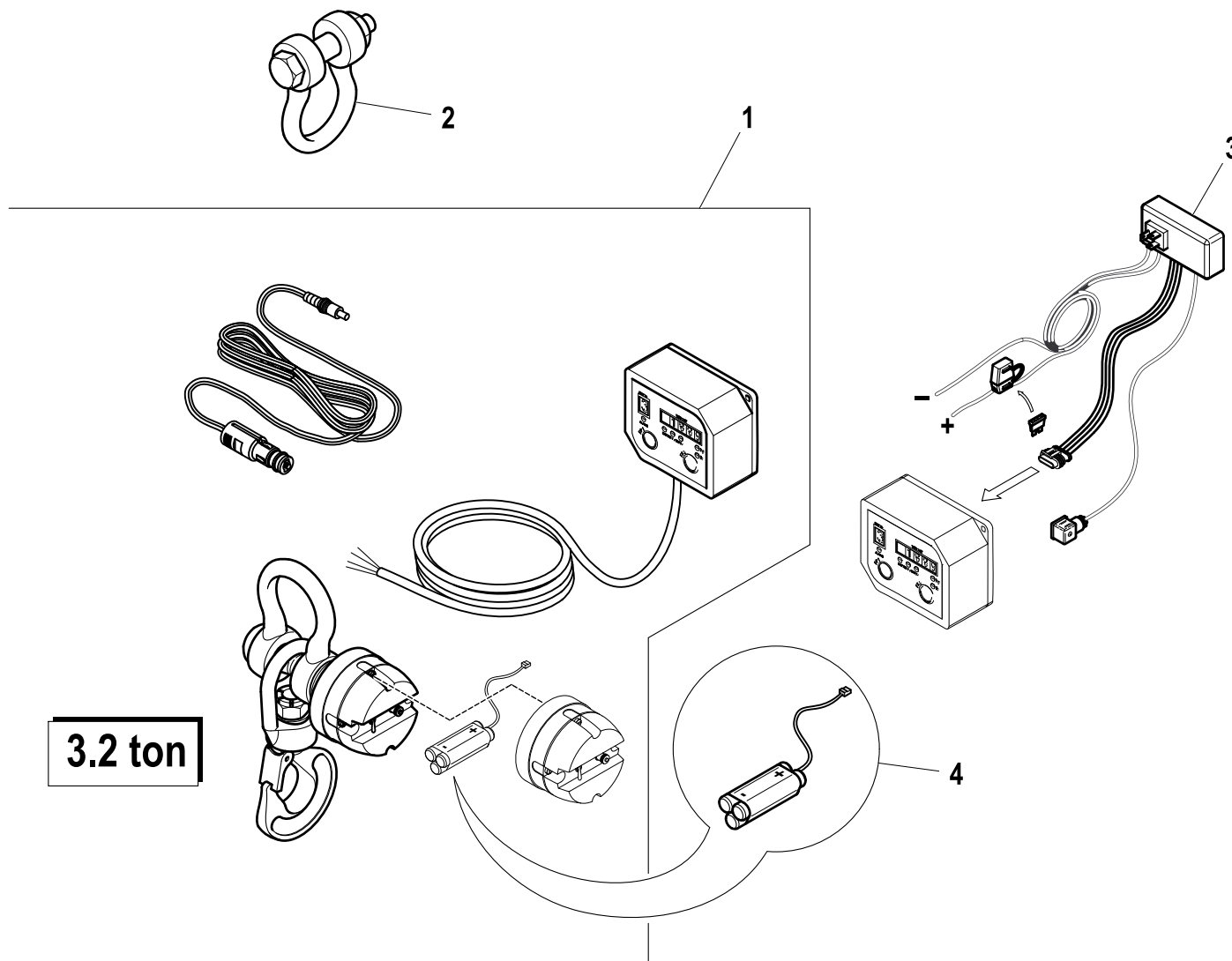
LOAD INDICATION SYSTEM

Code

7881785-1.0

1/1

R	Pos.	Code Variant	Q.ty	Description
1		5730507	1	
2		3200050	1	Shackles
3		W236508	1	
4		3311542	1	





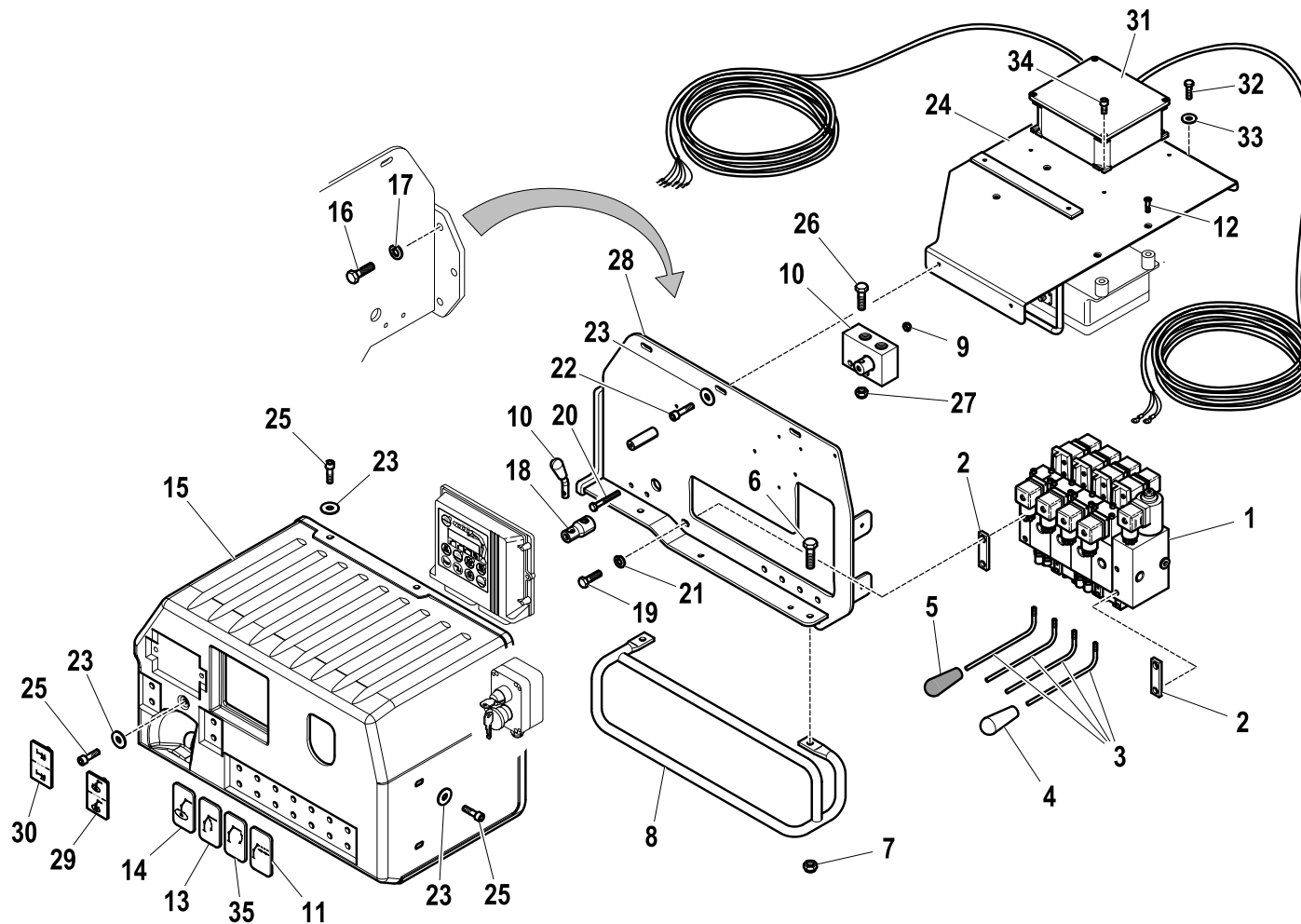
HB150 TCU EN12999-A3

CONTROLS WITH THERMOFORMABLE (RDC EBB-X TCU-ECM4)

Code

5401431-1.0

1/2



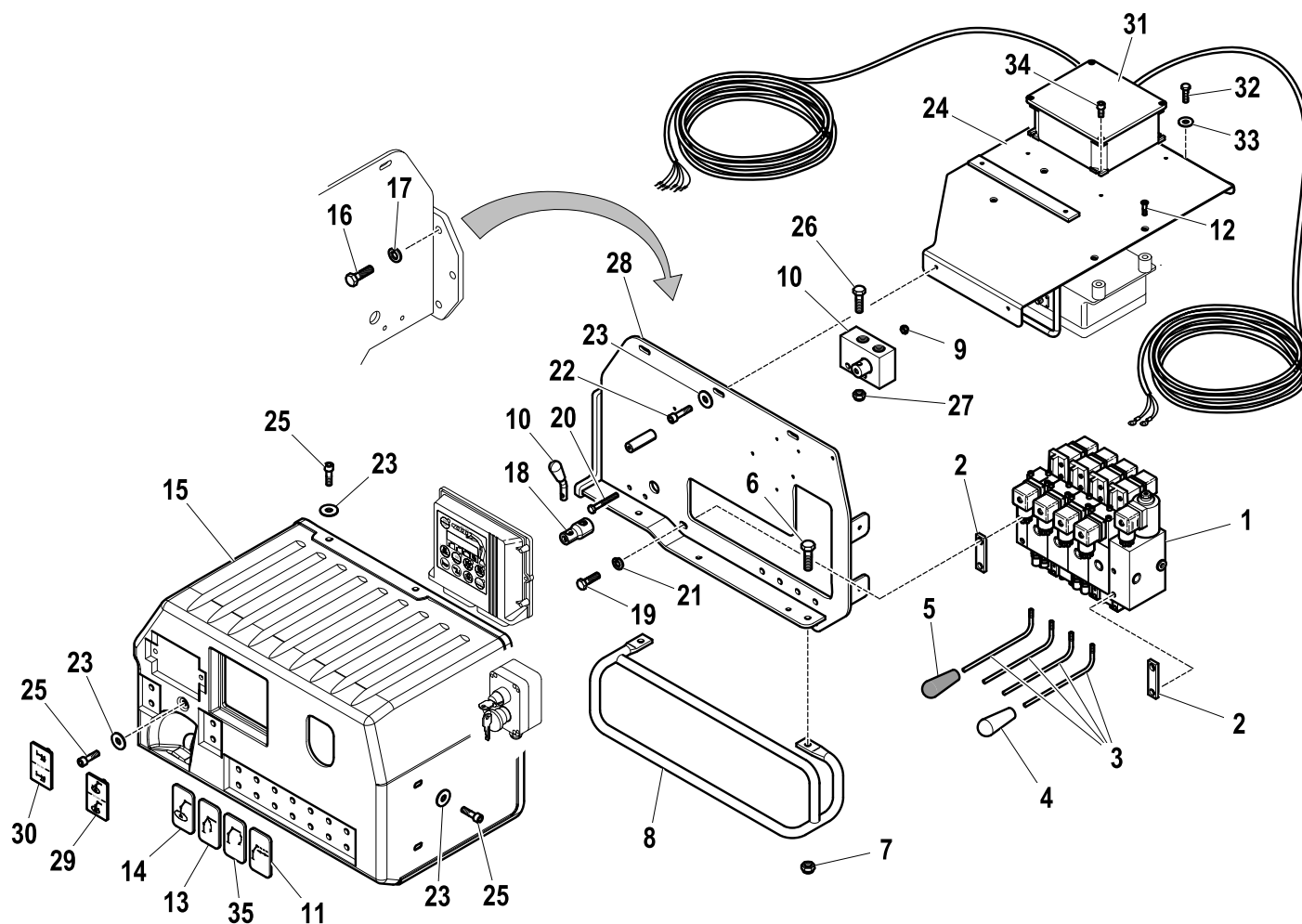
R	Pos.	Code Variant	Q.ty	Description
	1	5220766	1	
	2	5001791	2	
	3	5091000	4	Control lever
	4	3190251	3	
	5	3190258	1	
	6	3010339	2	Hex screw [M8X25 8.8 ZC IF UNI 5739]
	7	3040303	2	Stopnut
	8	5091058	1	
	9	3040372	2	Stopnut
	10	5220596	1	
	11	W573270	1	Small plate (CONTROL SYMBOLS)
	12	3020439	4	TSEI screw
	13	W573267	1	Small plate (CONTROL SYMBOLS)
	14	W573266	1	Small plate (CONTROL SYMBOLS)
	15	5091217	1	
	16	3010355	3	Hex screw [M10X25 8.8 ZC IF UNI 5739]
	17	3060056	3	Split lock washer
	18	5150906	1	
	19	3010027	4	Hex screw [M8X20 8.8 ZC IF UNI 5739]
	20	3010397	2	Hex screw

CONTROLS WITH THERMOFORMABLE (RDC EBB-X TCU-ECM4)

Code

5401431-1.0

2/2



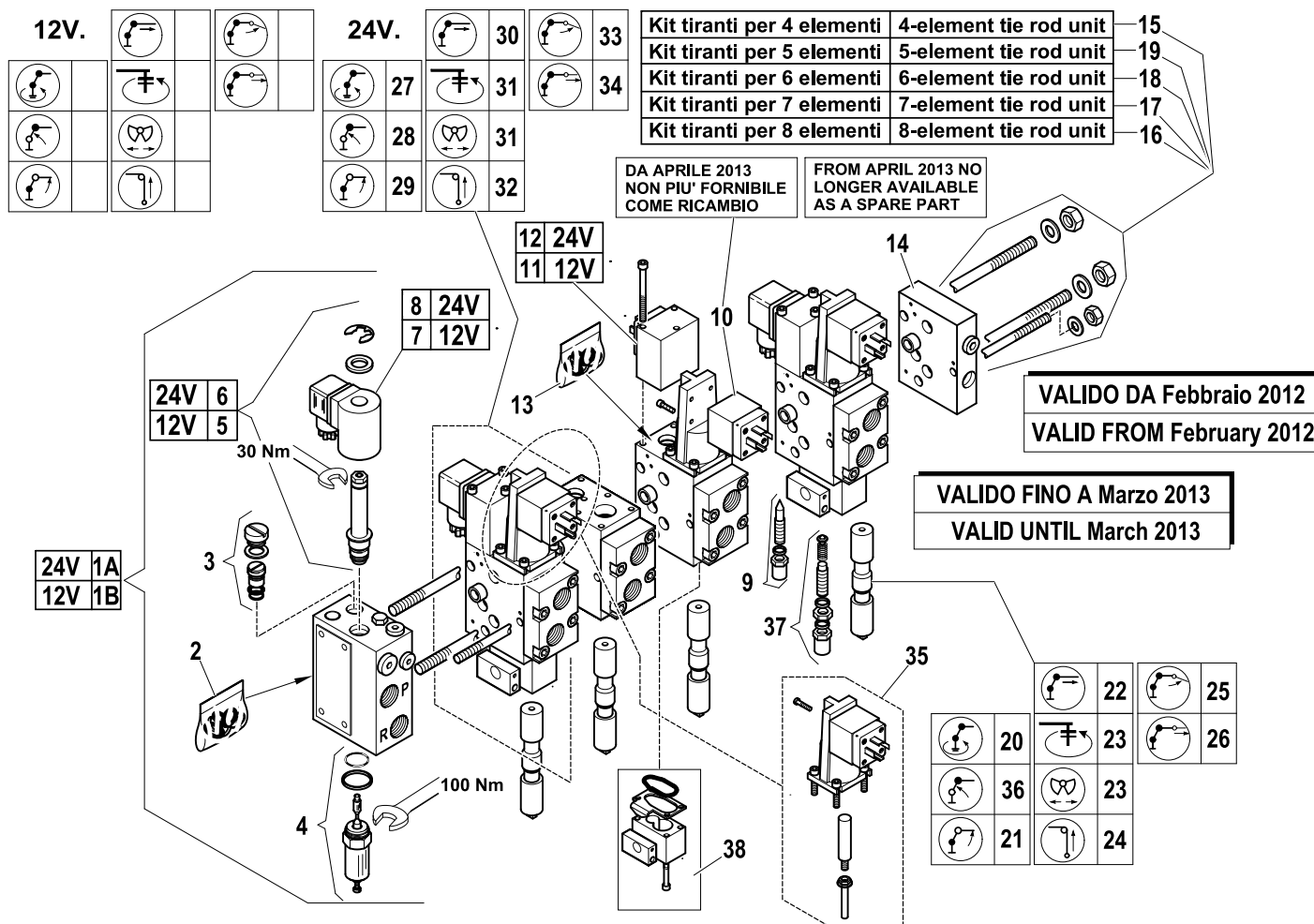
R	Pos.	Code Variant	Q.ty	Description
	21	3060055	4	Split lock washer
	22	3020035	2	Socketed head cap screw
	23	3060030	7	Flat washer
	24	5090130	1	
	25	3020034	5	Socketed head cap screw
	26	3010356	1	Hex screw
	27	3040304	1	Stopnut
	28	5091215	1	
	29	5813268	1	
	30	5813269	1	
	31	3311405	1	
	32	3010337	1	Hex screw
	33	3060006	1	Flat washer [D.8x17 UNI 6592 ZC]
	34	3020028	4	Socketed head cap screw
	35	W573269	1	Small plate (CONTROL SYMBOLS)

Control valve (4 section)

Code

5220852-1.0

1/2



R	Pos.	Code Variant	Q.ty	Description
	1 A	5225695	1	
	1 B	5225696	1	
	2	5225923	1	
	3	5225609	1	
	4	5225697	1	
	5	5225611	1	
	6	5225612	1	
	7	5225613	1	
	8	5225614	1	
	9	5225623	1	
	10	5225617	1	
	11	5225615	1	
	12	5225616	1	
	13	5225618	1	
	14	5225619	1	
	15	5225679	1	
	16	5225605	1	
	17	5225621	1	
	18	5225620	1	
	19	5225673	1	

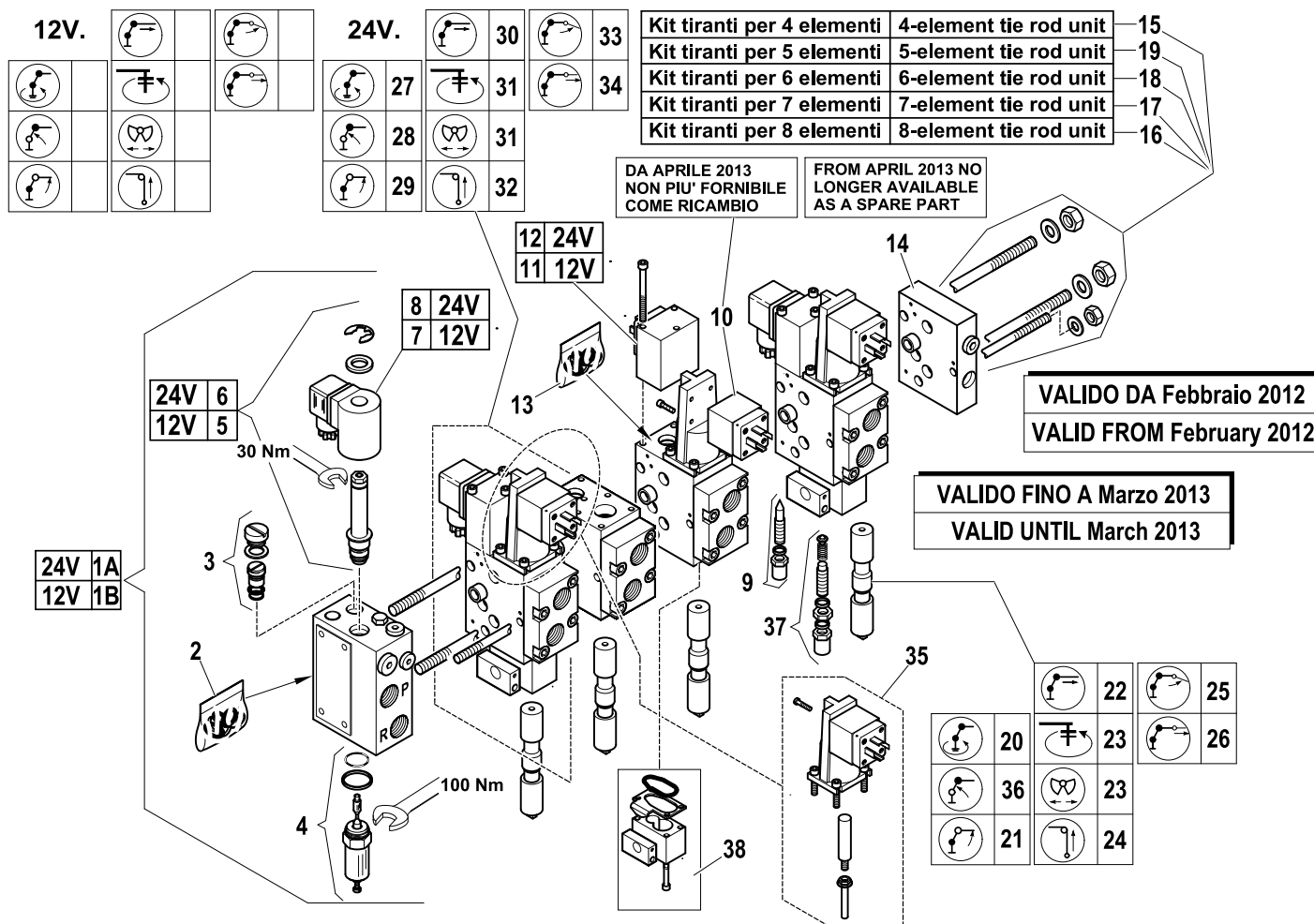
Control valve (4 section)

Code

5220852-1.0

2/2

R	Pos.	Code Variant	Q.ty	Description
	20	5225773	1	
	21	5225774	1	
	22	5225606	1	
	23	5225660	2	
	24	5225628	1	
	25	5225661	1	
	26	5225627	1	
	27	5225924	1	
	28	5225680	1	
	29	5225783	1	
	30	5225665	1	
	31	5225670	2	
	32	5225669	1	
	33	5225666	1	
	34	5225667	1	
	35	5225073	1	
	36	5225626	1	
	37	5225610	1	
	38	5225672	1	

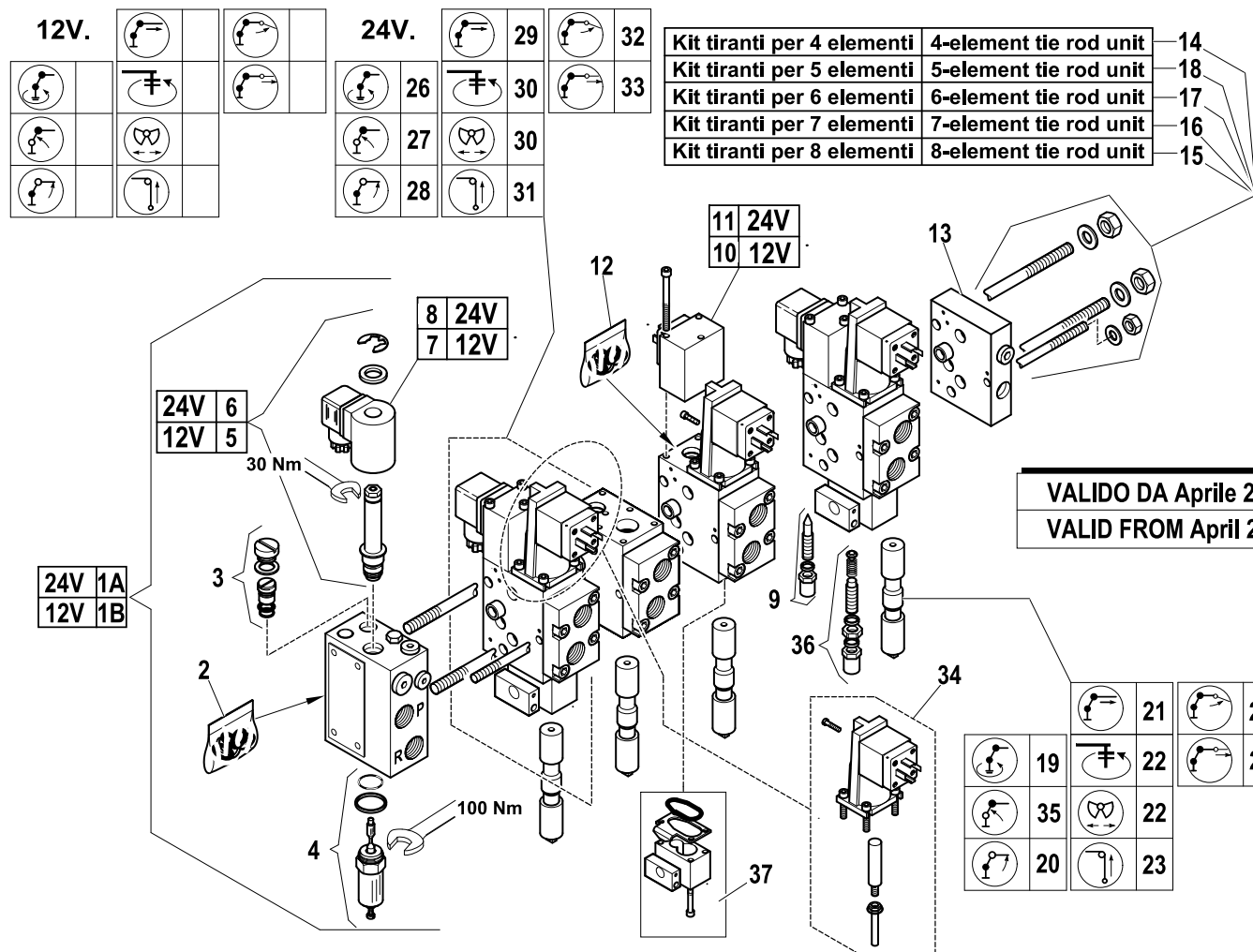


Control valve (4 section)

Code

5220852-2.0

1/2



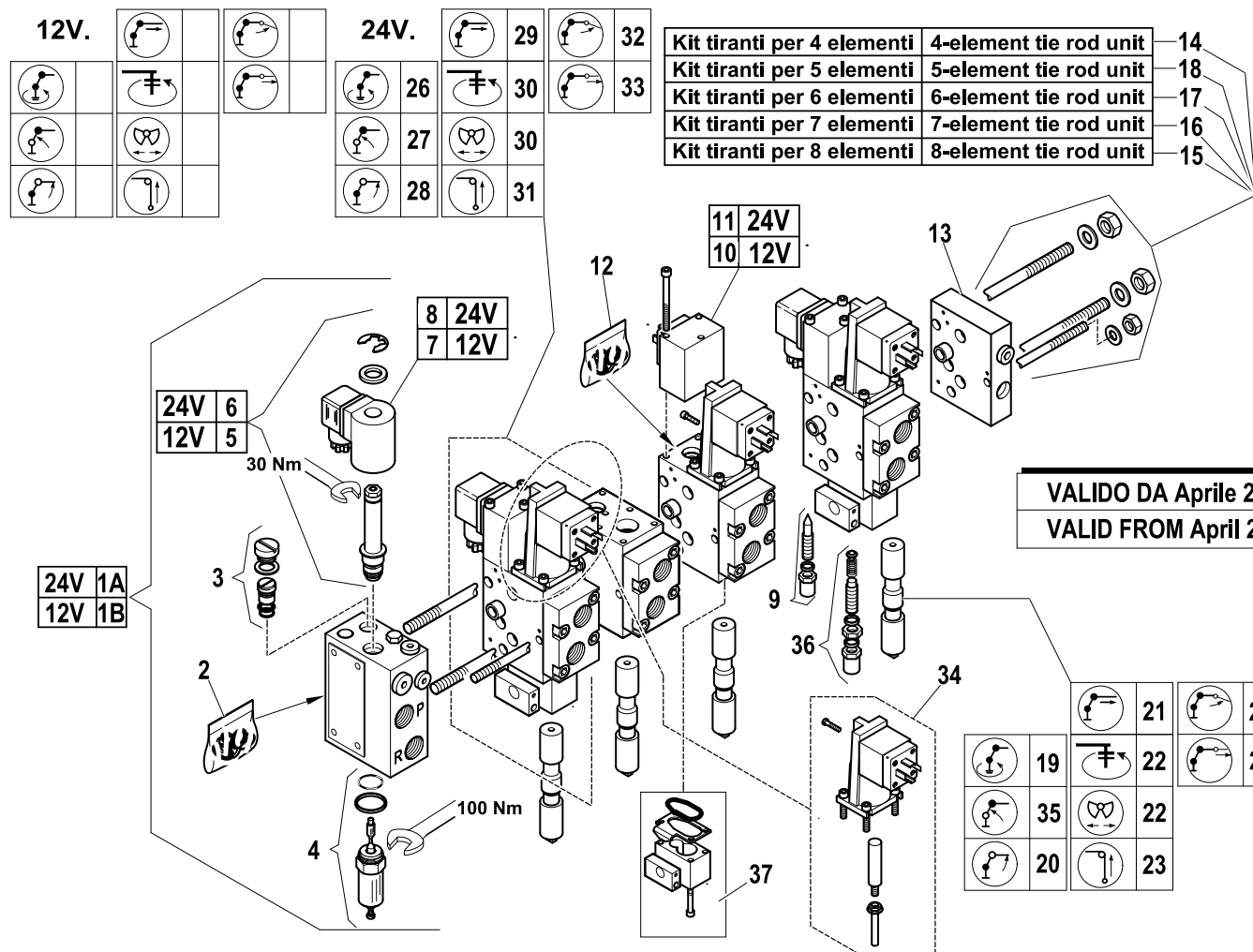
R	Pos.	Code Variant	Q.ty	Description
	1 A	5225695	1	
	1 B	5225696	1	
	2	5225923	1	
	3	5225609	1	
	4	5225697	1	
	5	5225611	1	
	6	5225612	1	
	7	5225613	1	
	8	5225614	1	
	9	5225623	1	
	10	5225615	1	
	11	5225616	1	
	12	5225618	1	
	13	5225619	1	
	14	5225679	1	
	15	5225605	1	
	16	5225621	1	
	17	5225620	1	
	18	5225673	1	
	19	5225773	1	

Control valve (4 section)

Code

5220852-2.0

2/2



R	Pos.	Code Variant	Q.ty	Description
	20	5225774	1	
	21	5225606	1	
	22	5225660	2	
	23	5225628	1	
	24	5225661	1	
	25	5225627	1	
	26	5225924	1	
	27	5225680	1	
	28	5225783	1	
	29	5225665	1	
	30	5225670	2	
	31	5225669	1	
	32	5225666	1	
	33	5225667	1	
	34	5225073	1	
	35	5225626	1	
	36	5225610	1	
	37	5225672	1	

ROTATION CONTROL (EN12999-A3)

Code

5411205-2.0

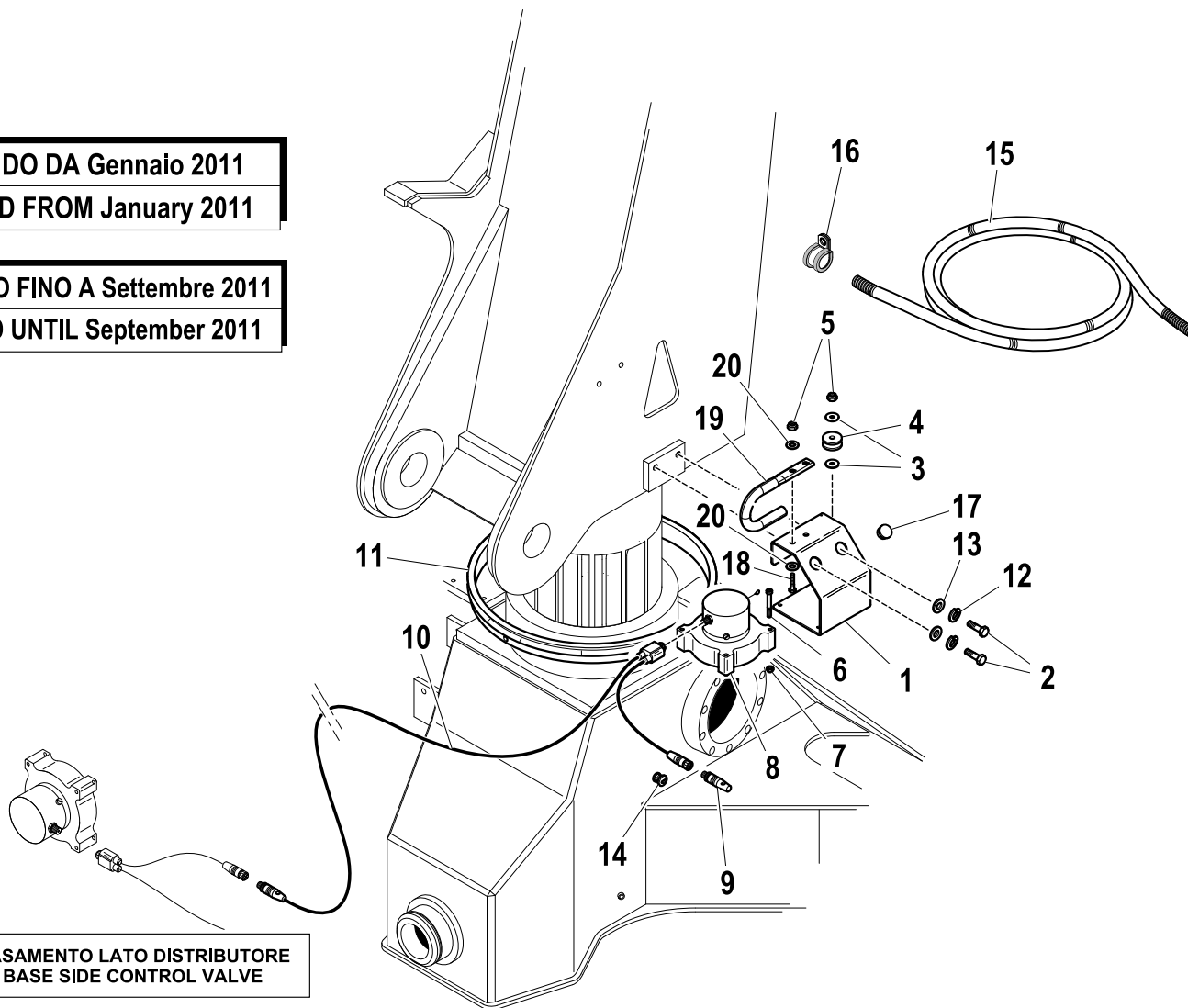
1/1

VALIDO DA Gennaio 2011

VALID FROM January 2011

VALIDO FINO A Settembre 2011

VALID UNTIL September 2011



**BASAMENTO LATO DISTRIBUTORE
BASE SIDE CONTROL VALVE**

R	Pos.	Code Variant	Q.ty	Description
1		5091301	1	
2		3020080	2	Socketed head cap screw
3		3060030	2	Flat washer
4		5141080	1	
5		3040372	3	Stopnut
6		3020019	3	Socketed head cap screw
7		3040518	3	Stopnut
8		3311313	1	
9		3311327	1	
10		3311325	1	
11		5141096	1	
12		3060056	2	Split lock washer
13		3060914	2	Flat washer
14		3311326	1	
15		3190295	mt2.5	
16		3190036	1	
17		3190301	2	
18		3010022	2	Hex screw
19		5002124	1	
20		3060005	4	Flat washer [6.4-12.5 H=1.6 UNI 6592]

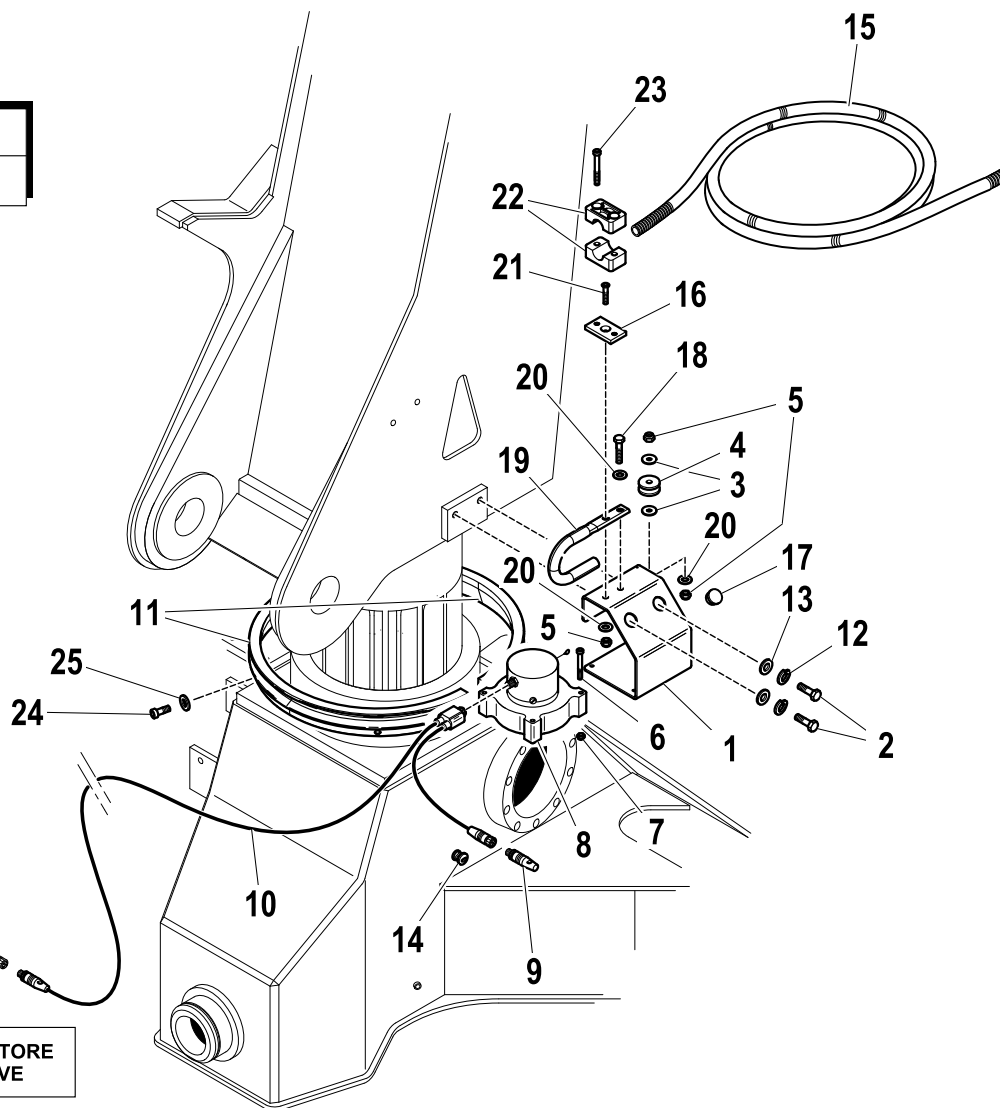
ROTATION CONTROL (EN12999-A3)

Code

5411205-10.0

1/2

VALIDO DA Ottobre 2011
VALID FROM October 2011



BASAMENTO LATO DISTRIBUTORE
BASE SIDE CONTROL VALVE

R	Pos.	Code Variant	Q.ty	Description
	1	5091301	1	
	2	3020080	2	Socketed head cap screw
	3	3060030	2	Flat washer
	4	5141080	1	
	5	3040372	3	Stopnut
	6	3020019	3	Socketed head cap screw
	7	3040518	3	Stopnut
	8	3311313	1	
	9	3311327	1	
	10	3311325	1	
	11	5141119	2	
	12	3060056	2	Split lock washer
	13	3060914	2	Flat washer
	14	3311326	1	
	15	3190295	mt2.5	
	16	5000454	1	
	17	3190301	2	
	18	3010022	1	Hex screw
	19	5002124	1	
	20	3060005	3	Flat washer [6.4-12.5 H=1.6 UNI 6592]

ROTATION CONTROL (EN12999-A3)

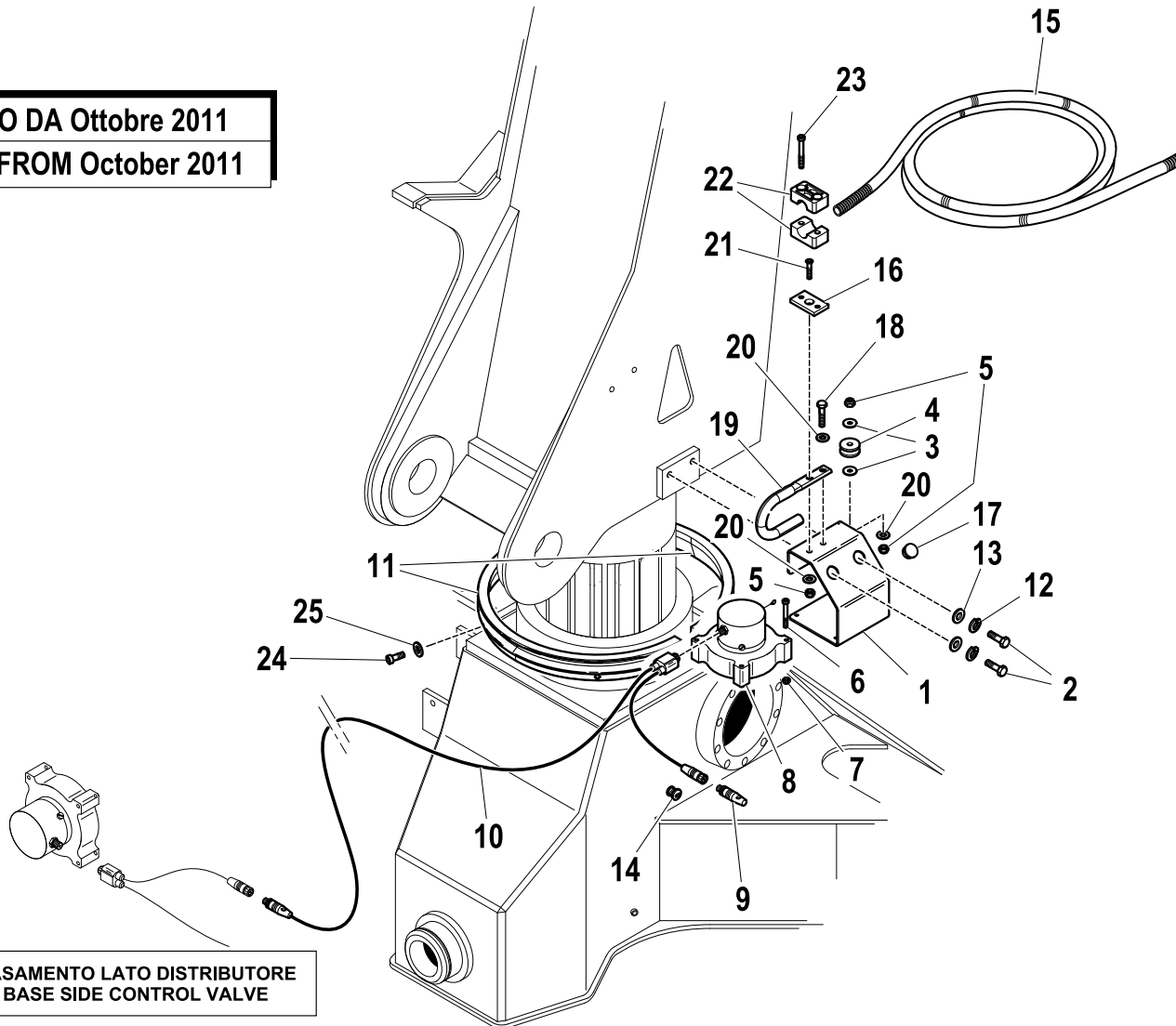
Code

5411205-10.0

2/2

VALIDO DA Ottobre 2011
VALID FROM October 2011

R	Pos.	Code Variant	Q.ty	Description
	21	3020907	1	TSEI screw
	22	3190185	2	
	23	3020039	2	Socket head cap screw
	24	3020022	8	Socket head cap screw
	25	3060004	8	Flat washer



BASAMENTO LATO DISTRIBUTORE
BASE SIDE CONTROL VALVE

ROTATION CONTROL (EN12999-A3)

Code

5411367-5.0

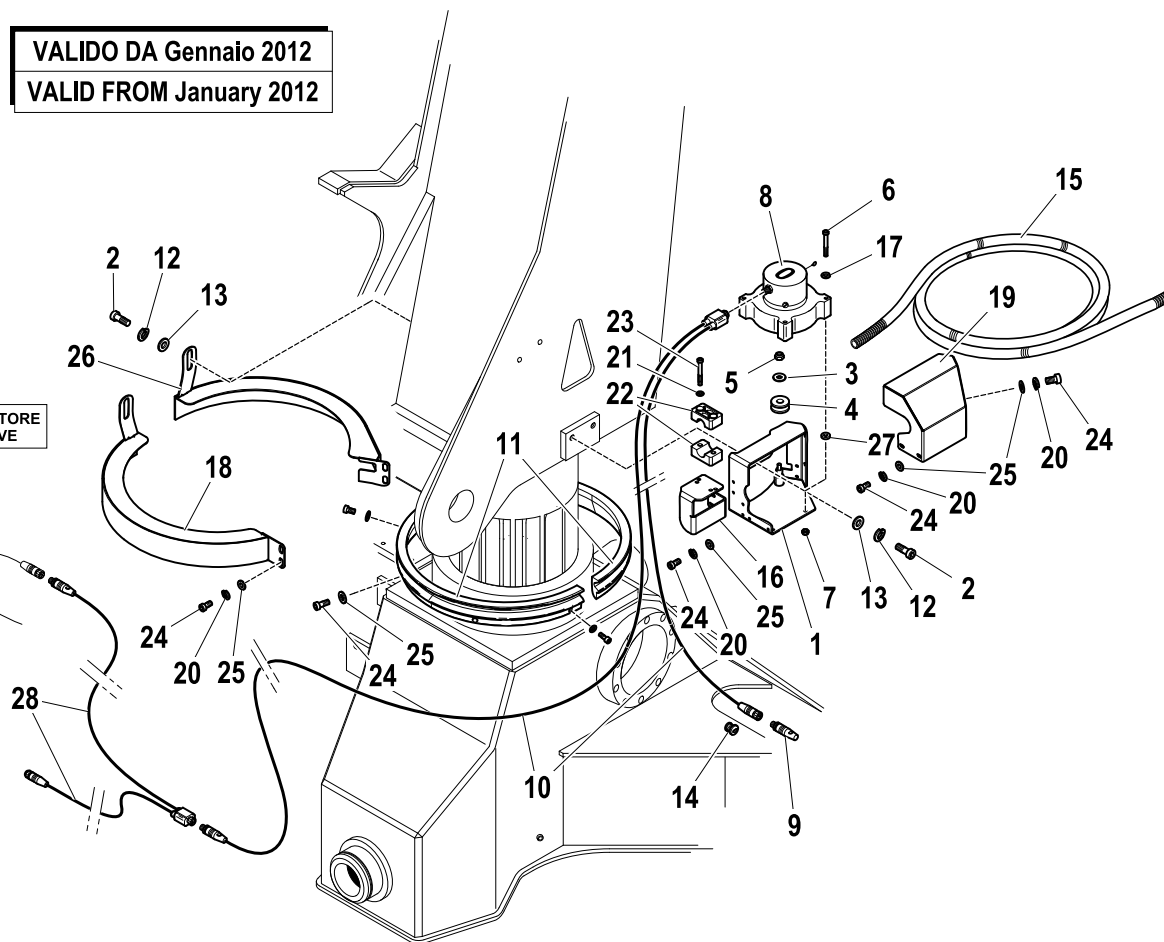
1/2

VERSION 2012

VALIDO DA Gennaio 2012

VALID FROM January 2012

BASAMENTO LATO DISTRIBUTORE
BASE SIDE CONTROL VALVE



R	Pos.	Code Variant	Q.ty	Description
	1	5091398	1	
	2	3020080	4	Socket head cap screw
	3	3060030	1	Flat washer
	4	5141135	1	
	5	3040372	1	Stopnut
	6	3020019	2	Socket head cap screw
	7	3040518	2	Stopnut
	8	3311313	1	
	9	3311327	1	
	10	3311325	1	
	11	5141119	2	
	12	3060056	4	Split lock washer
	13	3060914	4	Flat washer
	14	3311326	1	
	15	3190295	mt2.5	
	16	5002193	1	
	17	3060003	2	Flat washer
	18	5091418	1	
	19	5002177	1	
	20	3060052	10	Split lock washer

ROTATION CONTROL (EN12999-A3)

Code

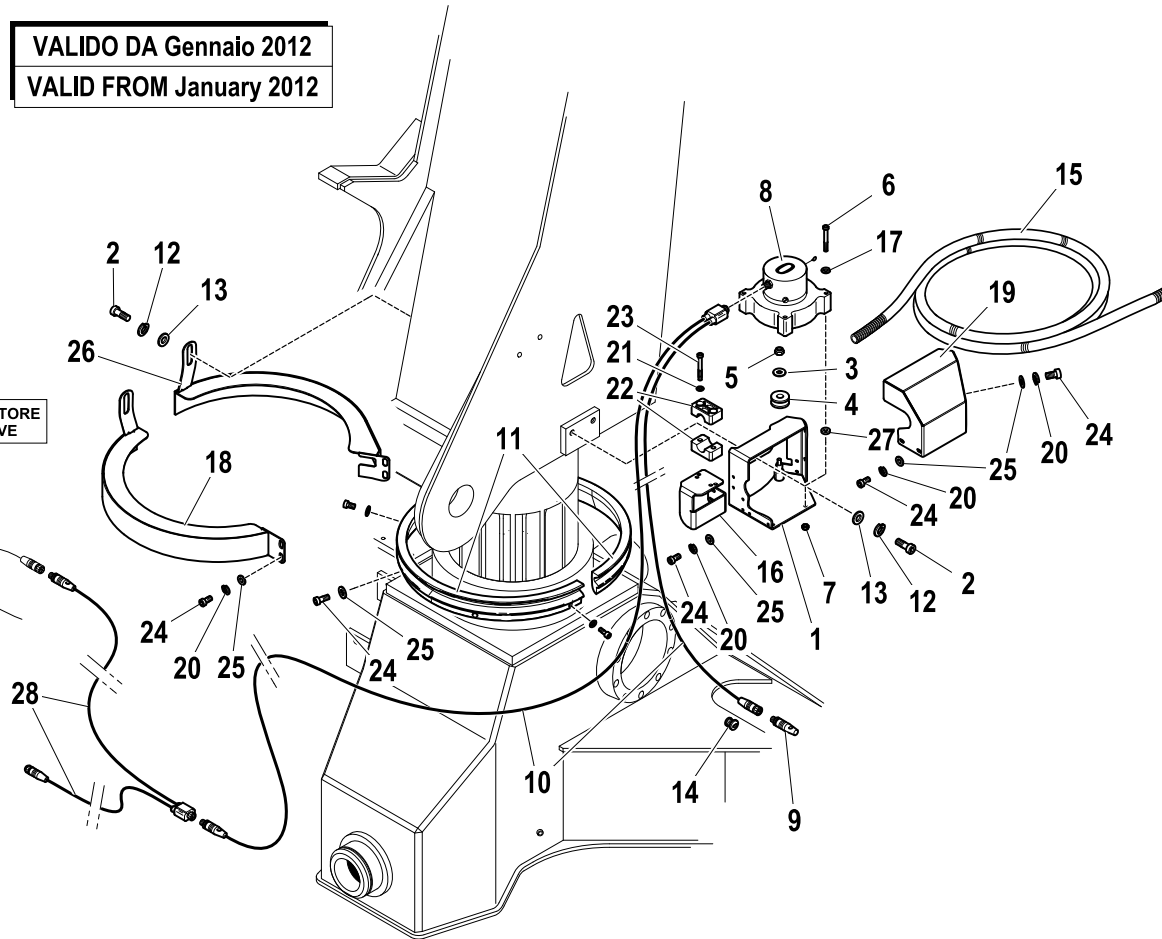
5411367-5.0

2/2

VERSION 2012

**VALIDO DA Gennaio 2012
VALID FROM January 2012**

**BASAMENTO LATO DISTRIBUTORE
BASE SIDE CONTROL VALVE**



R	Pos.	Code Variant	Q.ty	Description
	21	3190178	2	
	22	3190185	2	
	23	3020039	2	Socket head cap screw
	24	3020022	16	Socket head cap screw
	25	3060004	16	Flat washer
	26	5091419	1	
	27	3190039	2	Insulator
	28	3311398	1	

ROTATION CONTROL (EN12999-A3)

Code

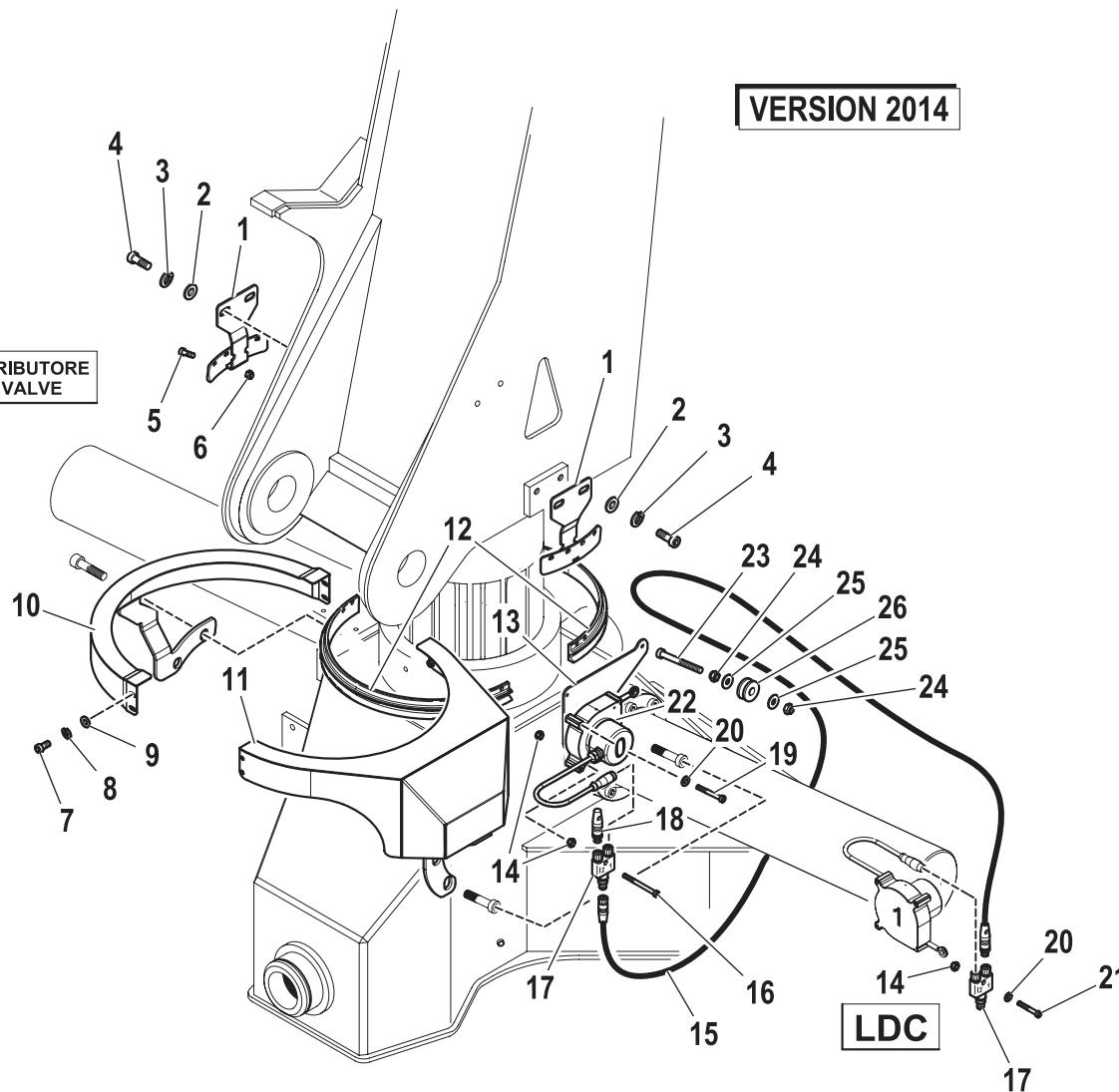
5411526-1.0

1/2

VERSION 2014

BASAMENTO LATO DISTRIBUTORE
BASE SIDE CONTROL VALVE

LD



R	Pos.	Code Variant	Q.ty	Description
	1	5091544	2	
	2	3060914	4	Flat washer
	3	3060056	4	Split lock washer
	4	3020080	4	Socketed head cap screw
	5	3010316	8	Hex screw
	6	3040392	8	Stopnut
	7	3020022	4	Socketed head cap screw
	8	3060052	4	Split lock washer
	9	3060004	4	Flat washer
	10	5091543	1	
	11	5091542	1	
	12	5141121	2	
	13	5002431	1	
	14	3040518	3	Stopnut
	15	3311791	1	Electric cable (CAN BUS)
	16	3020020	1	Socketed head cap screw
	17	3311792	2	Electrical connection
	18	3311327	1	
	19	3020019	3	Socketed head cap screw
	20	3060003	4	Flat washer

ROTATION CONTROL (EN12999-A3)

Code

5411526-1.0

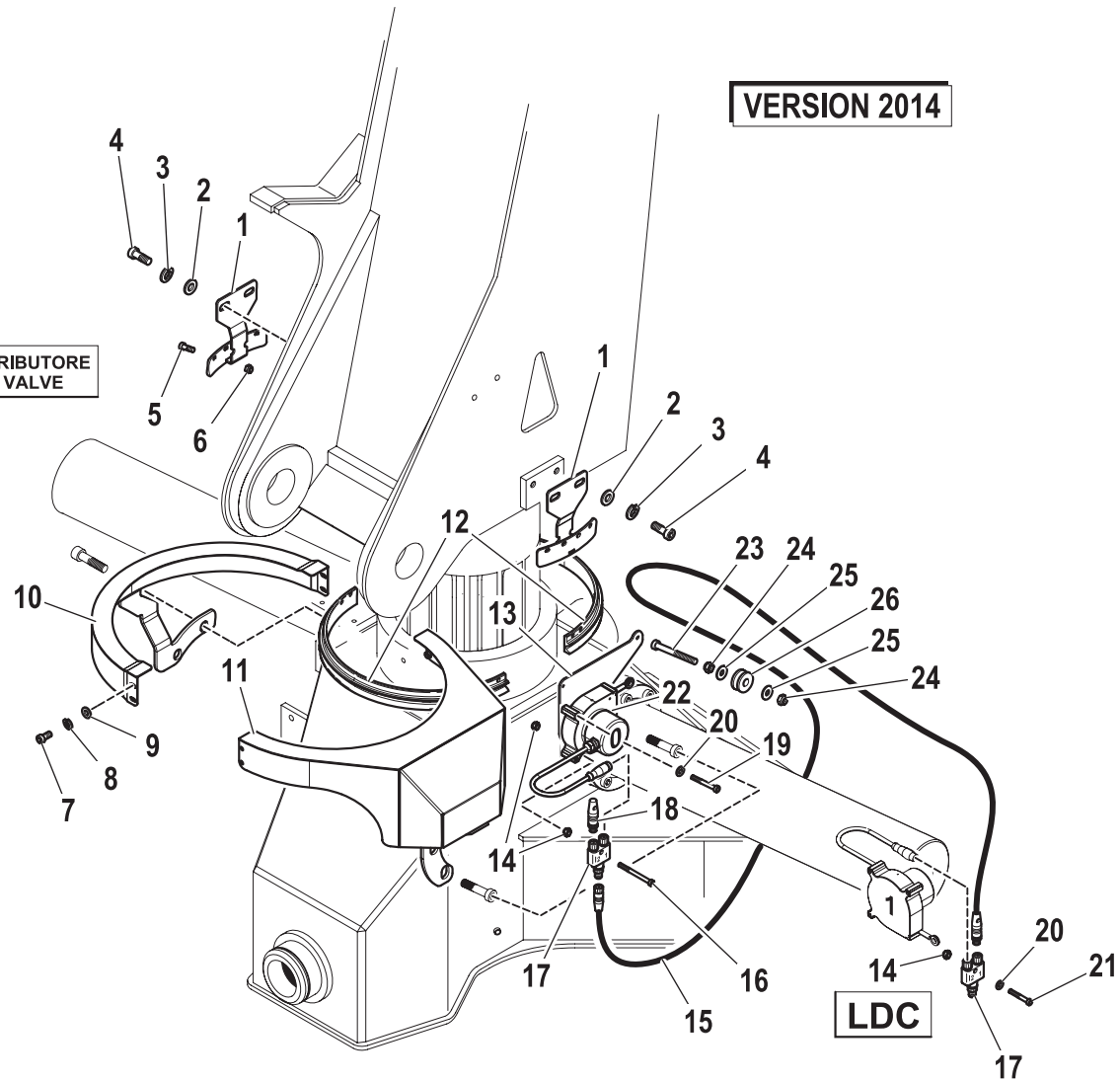
2/2

R	Pos.	Code Variant	Q.ty	Description
	21	3020014	1	Socked head cap screw
	22	3311538	1	
	23	3010023	1	Hex screw
	24	3040372	2	Stopnut
	25	3060030	2	Flat washer
	26	5141138	1	

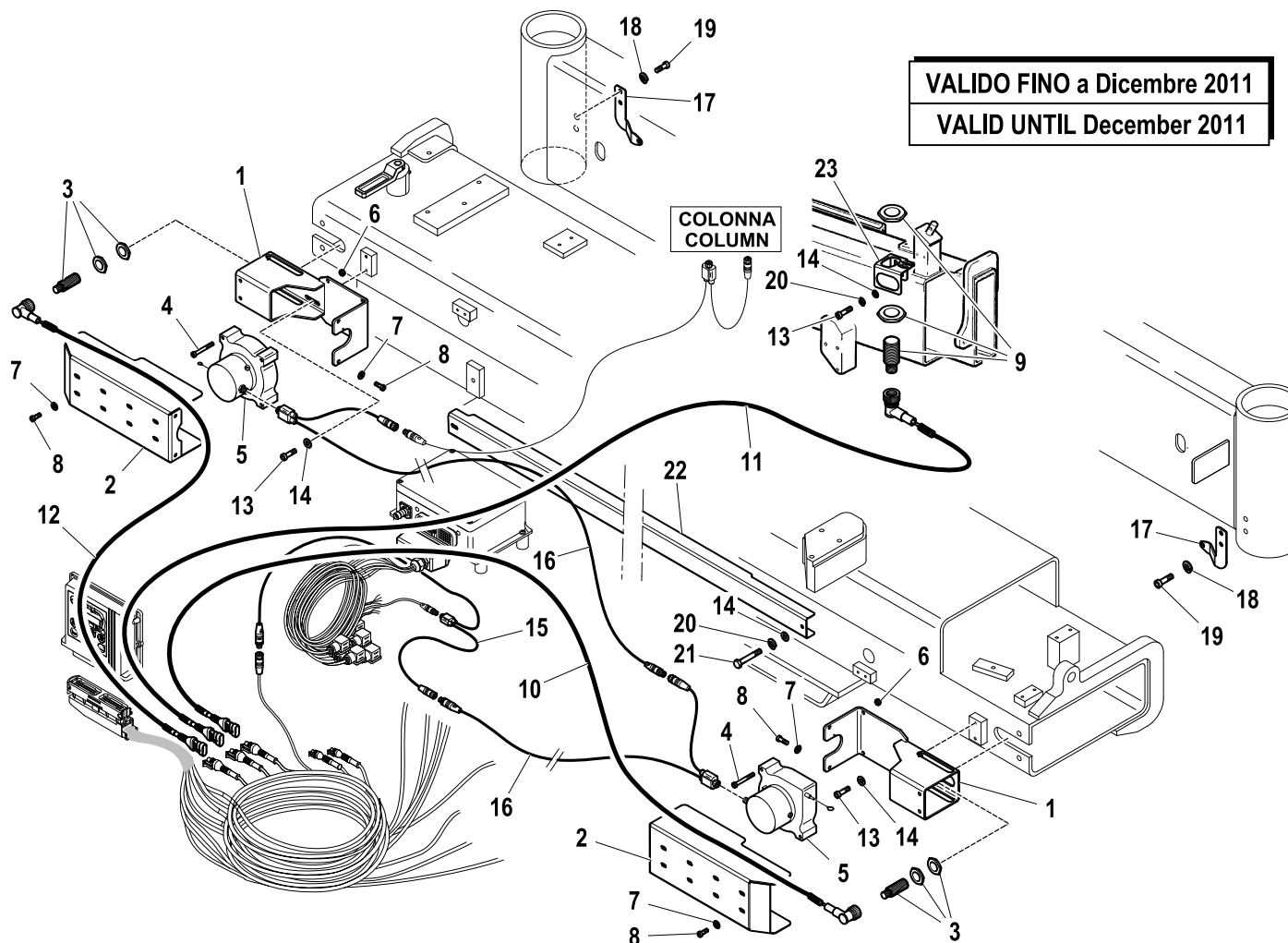
VERSION 2014

BASAMENTO LATO DISTRIBUTORE
BASE SIDE CONTROL VALVE

LD



VALIDO FINO a Dicembre 2011
VALID UNTIL December 2011



R	Pos.	Code Variant	Q.ty	Description
	1	5091277	2	
	2	5002060	2	
	3	3311311	2	
	4	3020019	6	Socket head cap screw
	5	3311313	2	
	6	3040518	6	Stopnut
	7	3060004	8	Flat washer
	8	3020022	8	Socket head cap screw
	9	3311312	1	
	10	3311377	1	
	11	3311372	1	
	12	3311332	1	
	13	3020034	6	Socket head cap screw
	14	3060030	8	Flat washer
	15	3311398	1	
	16	3311325	2	
	17	5000437	2	
	18	3060055	4	Split lock washer
	19	3020051	4	Socket head cap screw
	20	3060053	4	Split lock washer [D=6.4 C72 ZC.UNI1751]

STABILITY CONTROL (EN12999-A3)

Code

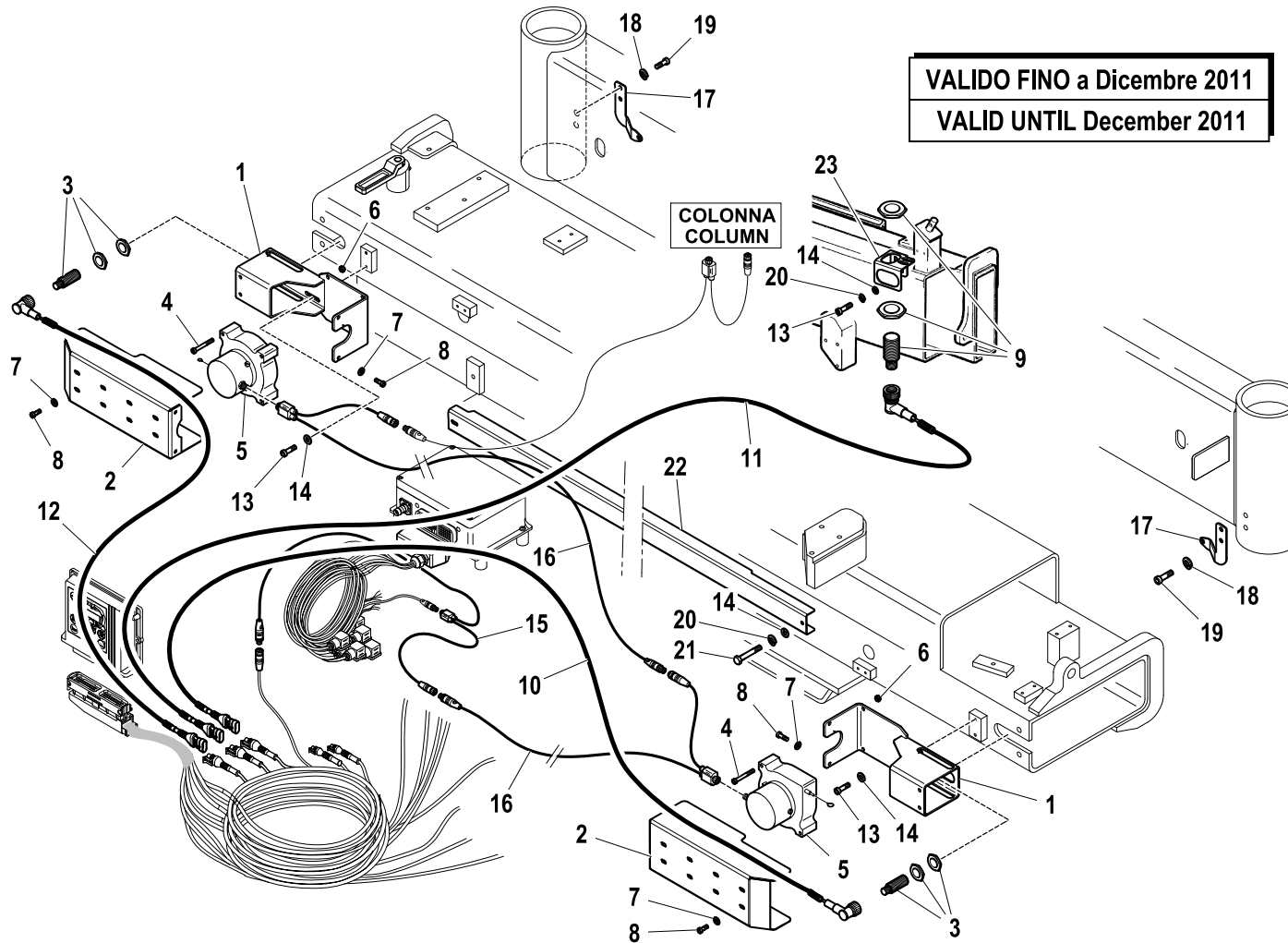
5411271-2.0

2/2

R	Pos.	Code Variant	Q.ty	Description
	21	3010017	2	Hex screw
	22	5002091	1	
	23	5002051	1	

VALIDO FINO a Dicembre 2011

VALID UNTIL December 2011

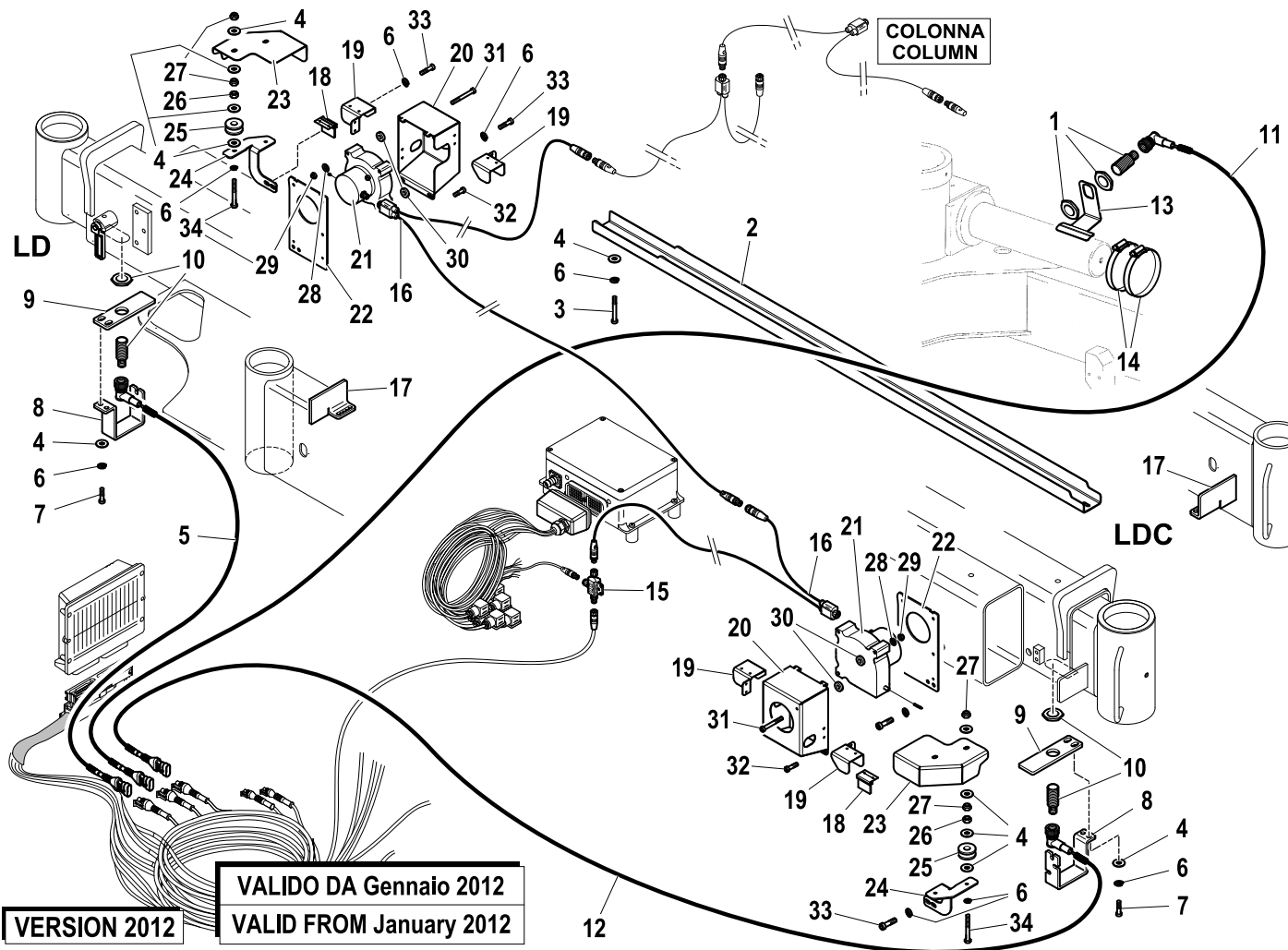


STABILITY CONTROL (EN12999-A3)

Code

5411271-3.0

1/2



R	Pos.	Code Variant	Q.ty	Description
1		3311312	1	
2		5002091	1	
3		3010017	2	Hex screw
4		3060030	22	Flat washer
5		3311332	1	
6		3060053	18	Split lock washer [D=6.4 C72 ZC.UNI1751]
7		3020035	4	Socketed head cap screw
8		5002026	2	
9		5002057	2	
10		3311311	2	
11		3311372	1	
12		3311377	1	
13		5002217	1	
14		3190021	2	Clamp [104-138 12.2 ABA]
15		3311323	1	
16		3311325	2	
17		2111186	2	
18		5002175	2	
19		5002181	4	
20		5091392	2	

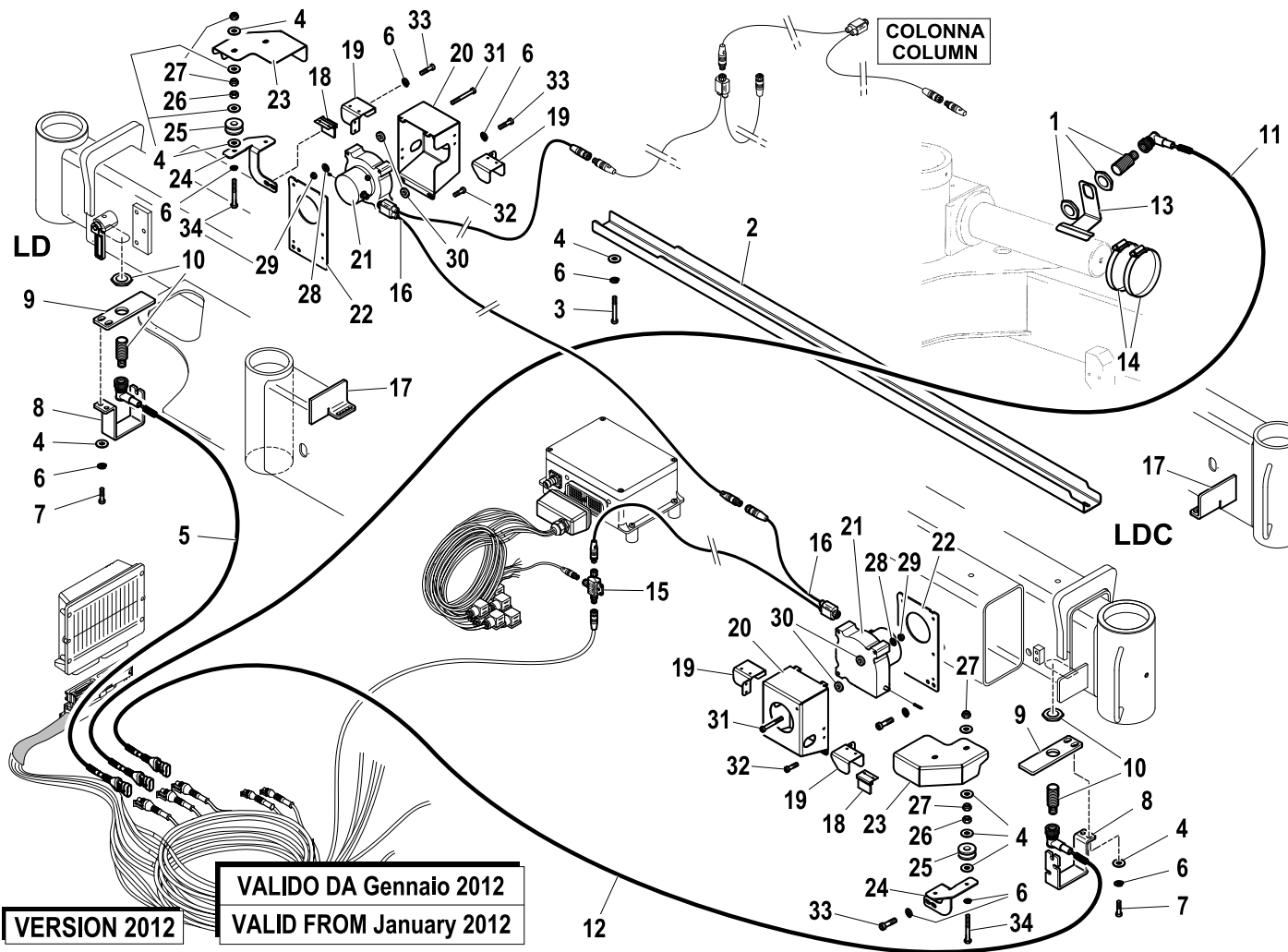
STABILITY CONTROL (EN12999-A3)

Code

5411271-3.0

2/2

R	Pos.	Code Variant	Q.ty	Description
	21	3311313	2	
	22	5002182	2	
	23	5091416	2	
	24	5091417	2	
	25	5141138	4	
	26	3040081	4	Lock nut
	27	3040372	8	Stopnut
	28	3060003	4	Flat washer
	29	3040518	4	Stopnut
	30	3190039	4	Insulator
	31	3020019	4	Socked head cap screw
	32	3020895	4	Socked head cap screw
	33	3020034	6	Socked head cap screw
	34	3010011	4	Hex screw



VERSION 2012

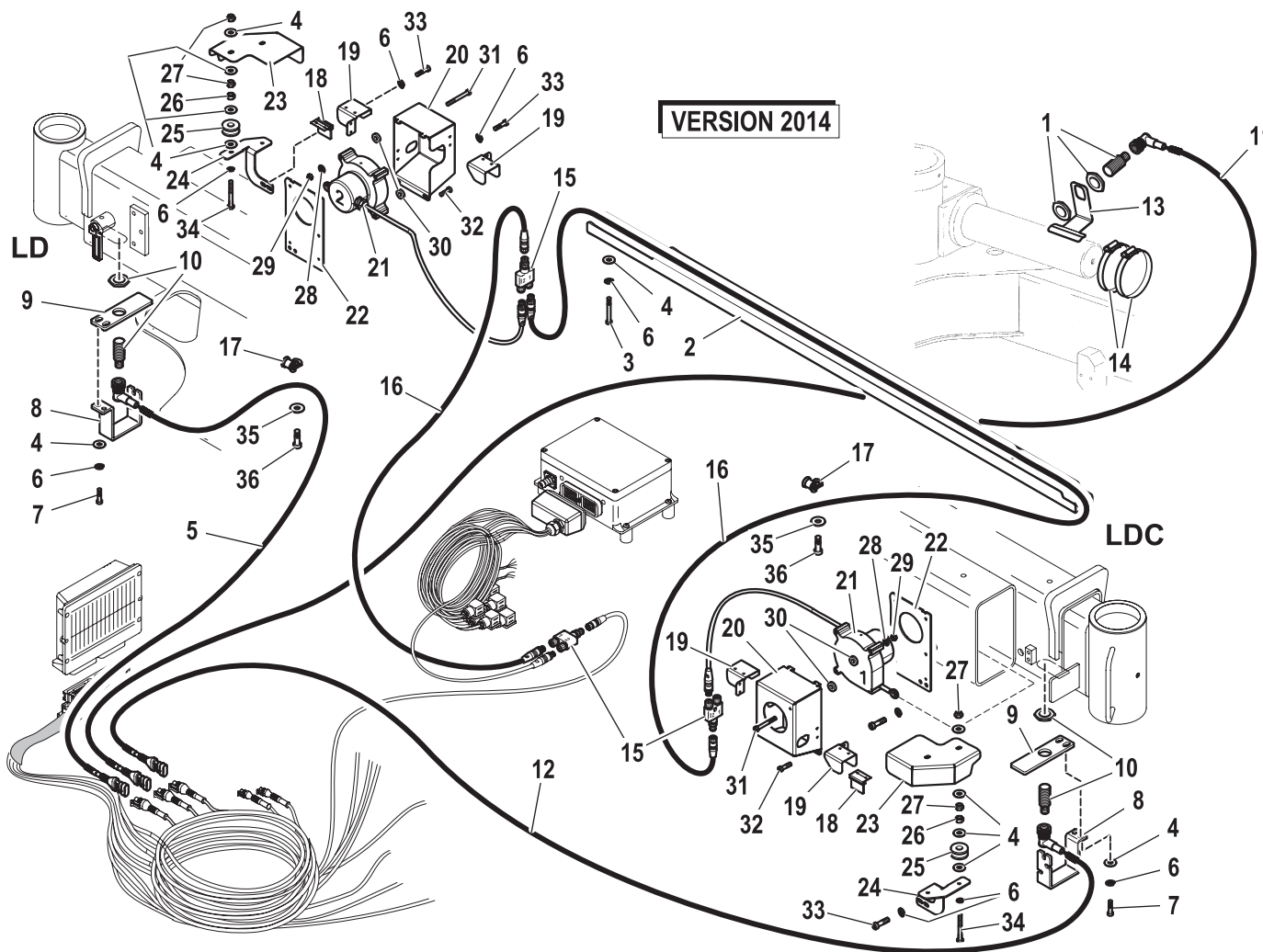
VALIDO DA Gennaio 2012
VALID FROM January 2012

STABILITY CONTROL (EN12999-A3)

Code

5402723-1.0

1/2



R	Pos.	Code Variant	Q.ty	Description
	1	3311312	1	
	2	5002091	1	
	3	3010017	2	Hex screw
	4	3060030	22	Flat washer
	5	3311332	1	
	6	3060053	18	Split lock washer [D=6.4 C72 ZC.UNI1751]
	7	3020035	4	Socketed head cap screw
	8	5002026	2	
	9	5002057	2	
	10	3311311	2	
	11	3311372	1	
	12	3311377	1	
	13	5002217	1	
	14	3190021	2	Clamp [104-138 12.2 ABA]
	15	3311792	3	Electrical connection
	16	3311791	2	Electric cable (CAN BUS)
	17	3190208	2	
	18	5002175	2	
	19	5002181	4	
	20	5091392	2	

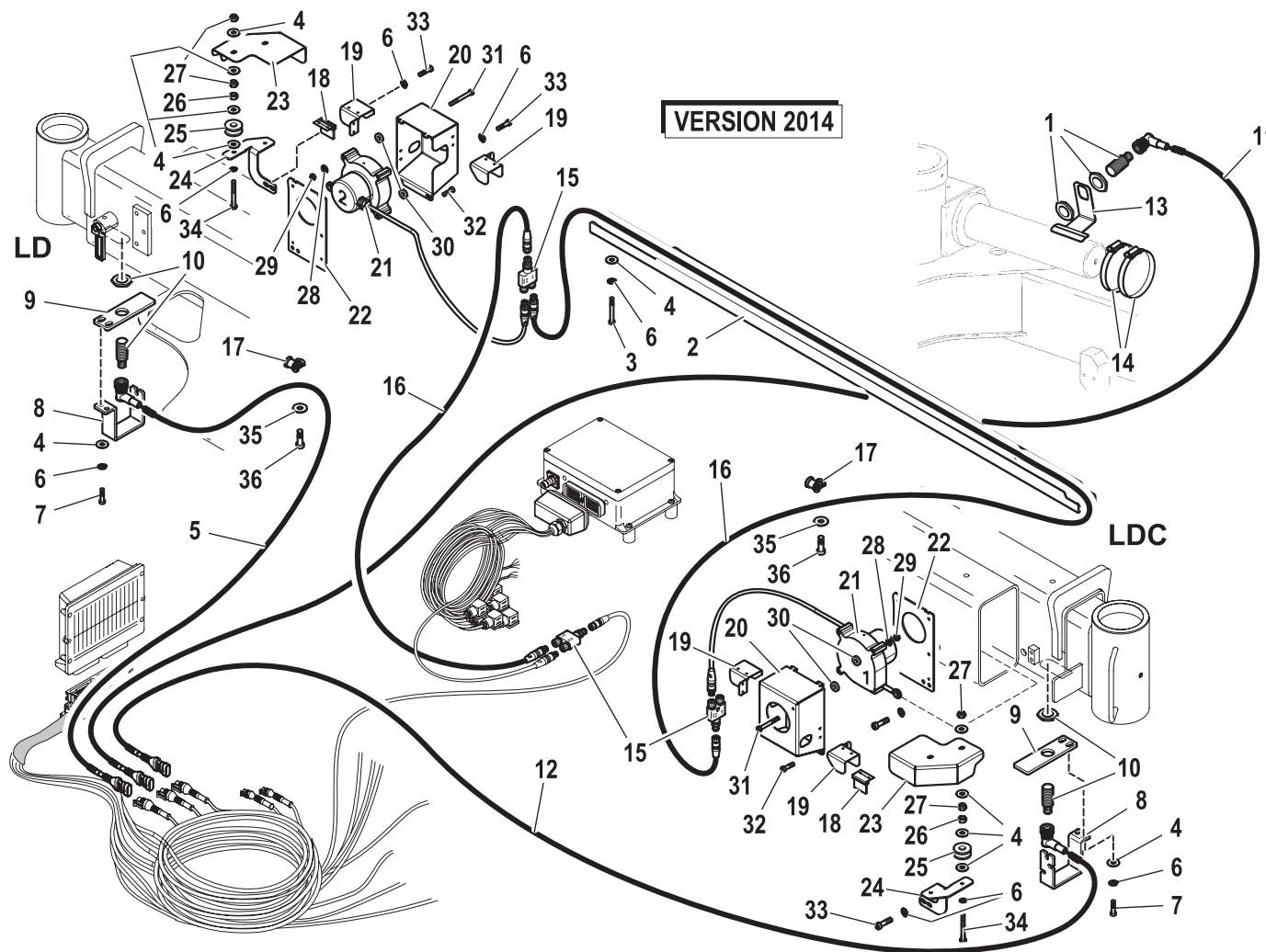
STABILITY CONTROL (EN12999-A3)

Code

5402723-1.0

2/2

R	Pos.	Code Variant	Q.ty	Description
	21	3311313	2	
	22	5002182	2	
	23	5091416	2	
	24	5091417	2	
	25	5141138	4	
	26	3040081	4	Lock nut
	27	3040372	8	Stopnut
	28	3060003	4	Flat washer
	29	3040518	4	Stopnut
	30	3190039	4	Insulator
	31	3020019	4	Socketed head cap screw
	32	3020895	4	Socketed head cap screw
	33	3020034	6	Socketed head cap screw
	34	3010011	4	Hex screw
	35	3060006	2	Flat washer [D.8x17 UNI 6592 ZC]
	36	3020902	2	Socketed head cap screw



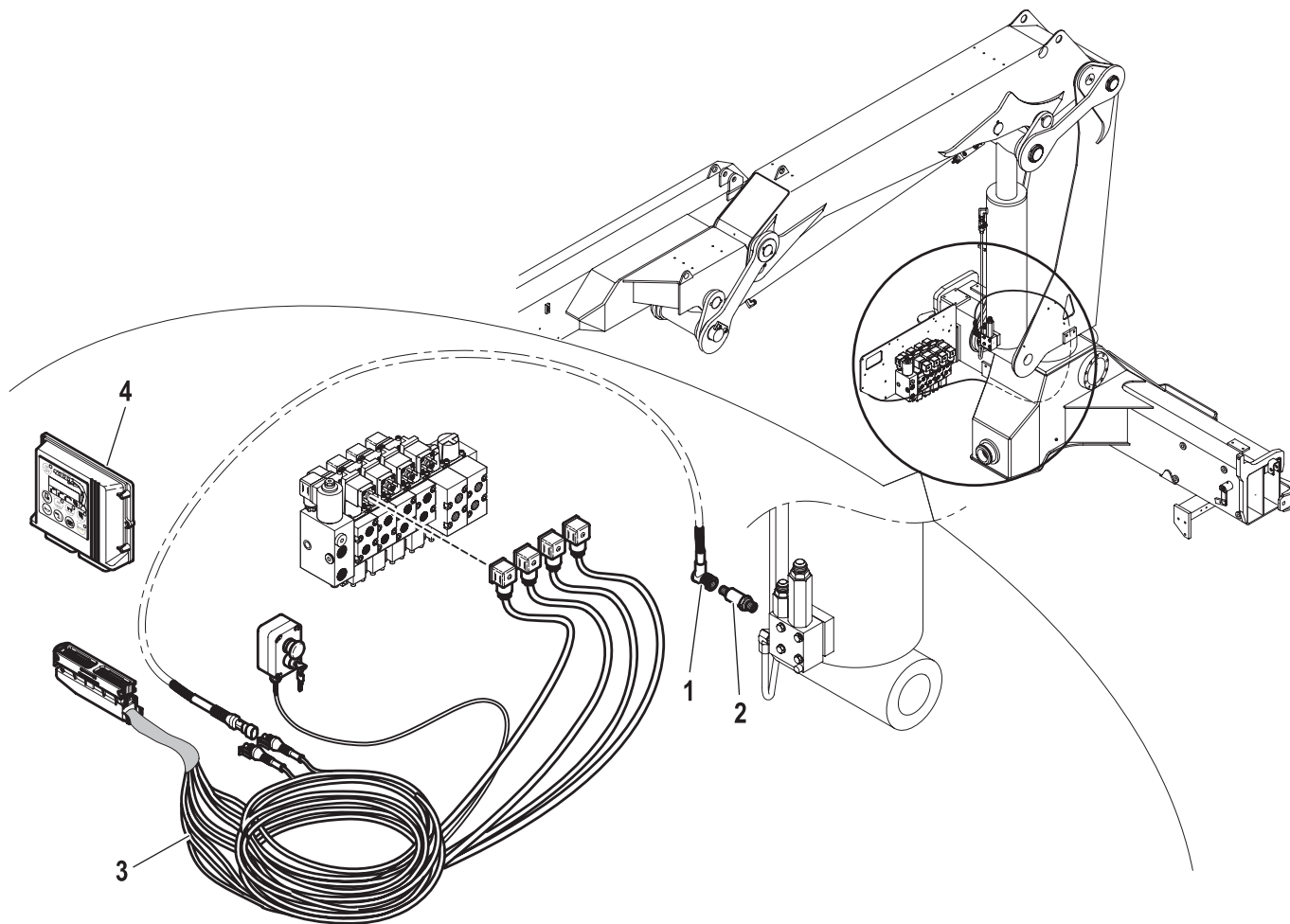
CONTROLS (RDC EBB-X TCU-ECM4)

Code

5401442-1.0

1/1

R	Pos.	Code Variant	Q.ty	Description
	1	5160084	1	Electric wiring
	2	3310612	1	Pressure sensor
	3	5160073	1	
	4	3311423	1	Moment limiting device [SUPERATO]



CONTROLS (RDC EBB-X TCU-ECM4)

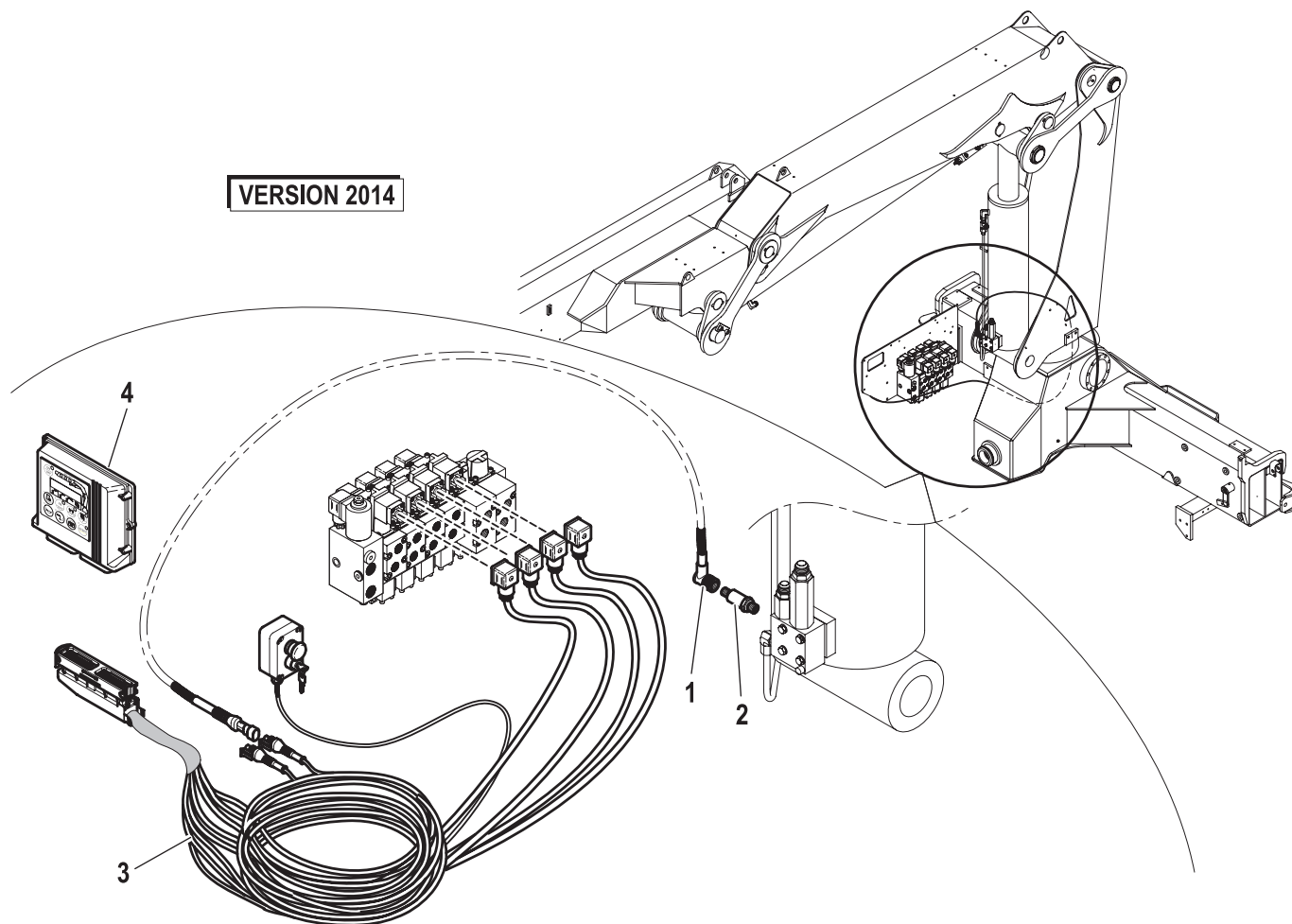
Code

5402723-2.0

1/1

R	Pos.	Code Variant	Q.ty	Description
	1	5160084	1	Electric wiring
	2	3310612	1	Pressure sensor
	3	5160073	1	
	4	3311630	1	Moment limiting device (WITH RESINING)

VERSION 2014

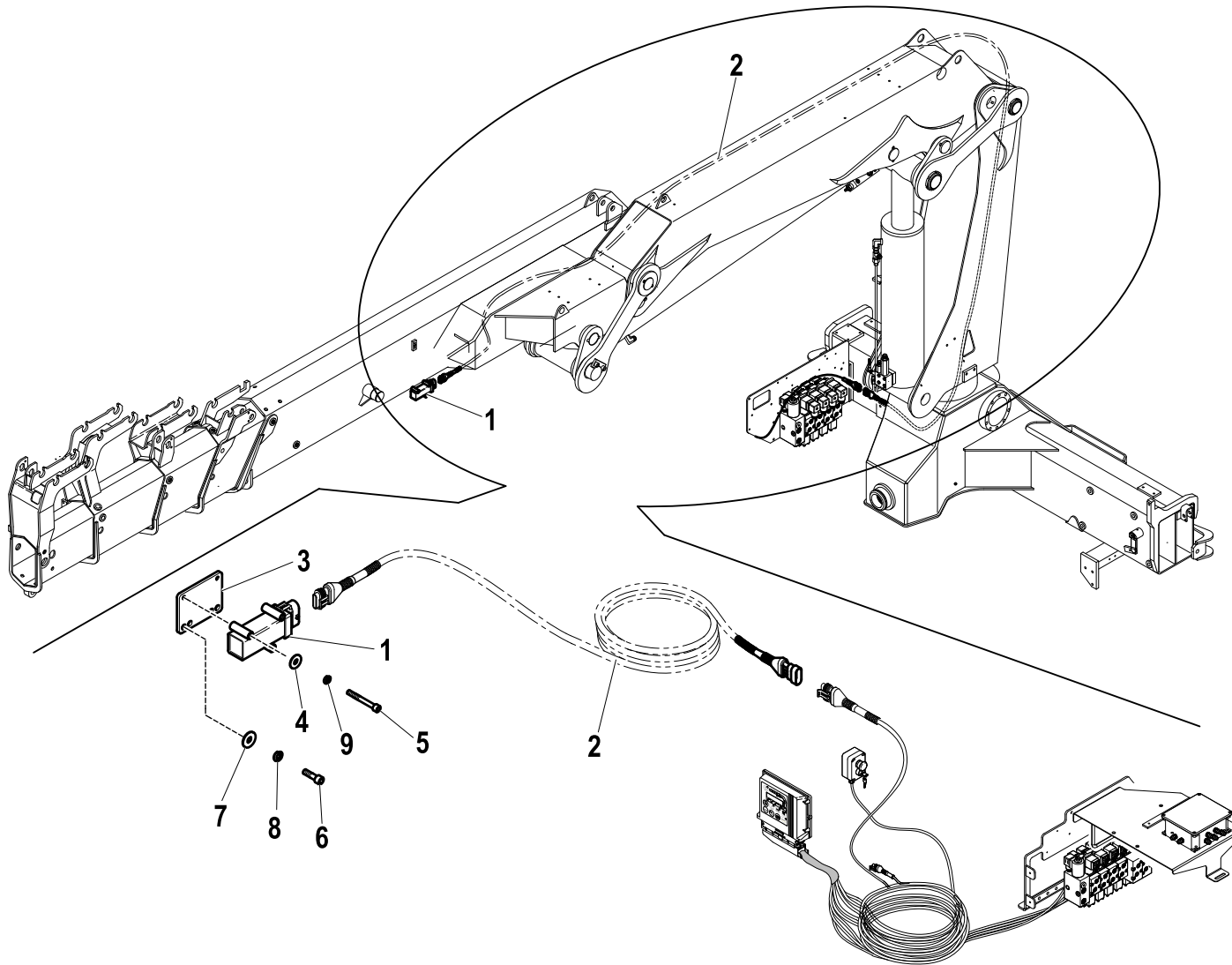


CONTROLS (RDC EBB-X TCU-ECM4)

Code

5401431-2.0

1/1



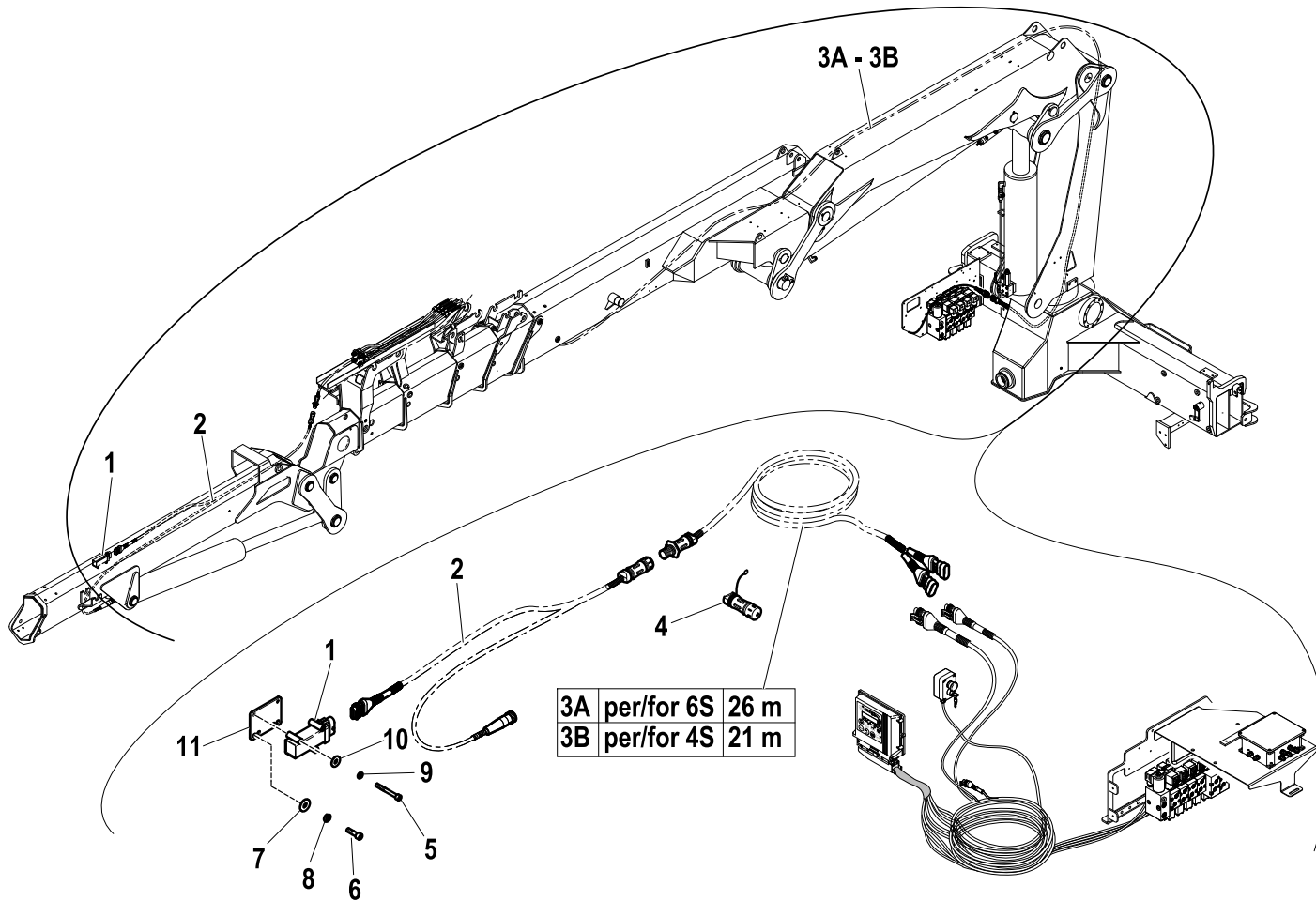
R	Pos.	Code Variant	Q.ty	Description
	1	3311150	1	
	2	5160076	1	
	3	5002108	1	
	4	3060003	2	Flat washer
	5	3020018	2	Socketed head cap screw
	6	3020033	2	Socketed head cap screw
	7	3060005	2	Flat washer [6.4-12.5 H=1.6 UNI 6592]
	8	3060053	2	Split lock washer [D=6.4 C72 ZC.UNI1751]
	9	3060065	2	Split lock washer

CONTROLS (RDC EBB-X TCU-ECM4)

Code

5401431-4.0

1/1



R	Pos.	Code Variant	Q.ty	Description
	1	3311150	1	
	2	5160079	1	
	3 A	5160077	1	
	3 B	5160078	1	
	4	5160080	1	
	5	3020018	2	Socketed head cap screw
	6	3020033	2	Socketed head cap screw
	7	3060005	2	Flat washer [6.4-12.5 H=1.6 UNI 6592]
	8	3060053	2	Split lock washer [D=6.4 C72 ZC.UNI1751]
	9	3060065	2	Split lock washer
	10	3060003	2	Flat washer
	11	5002108	1	

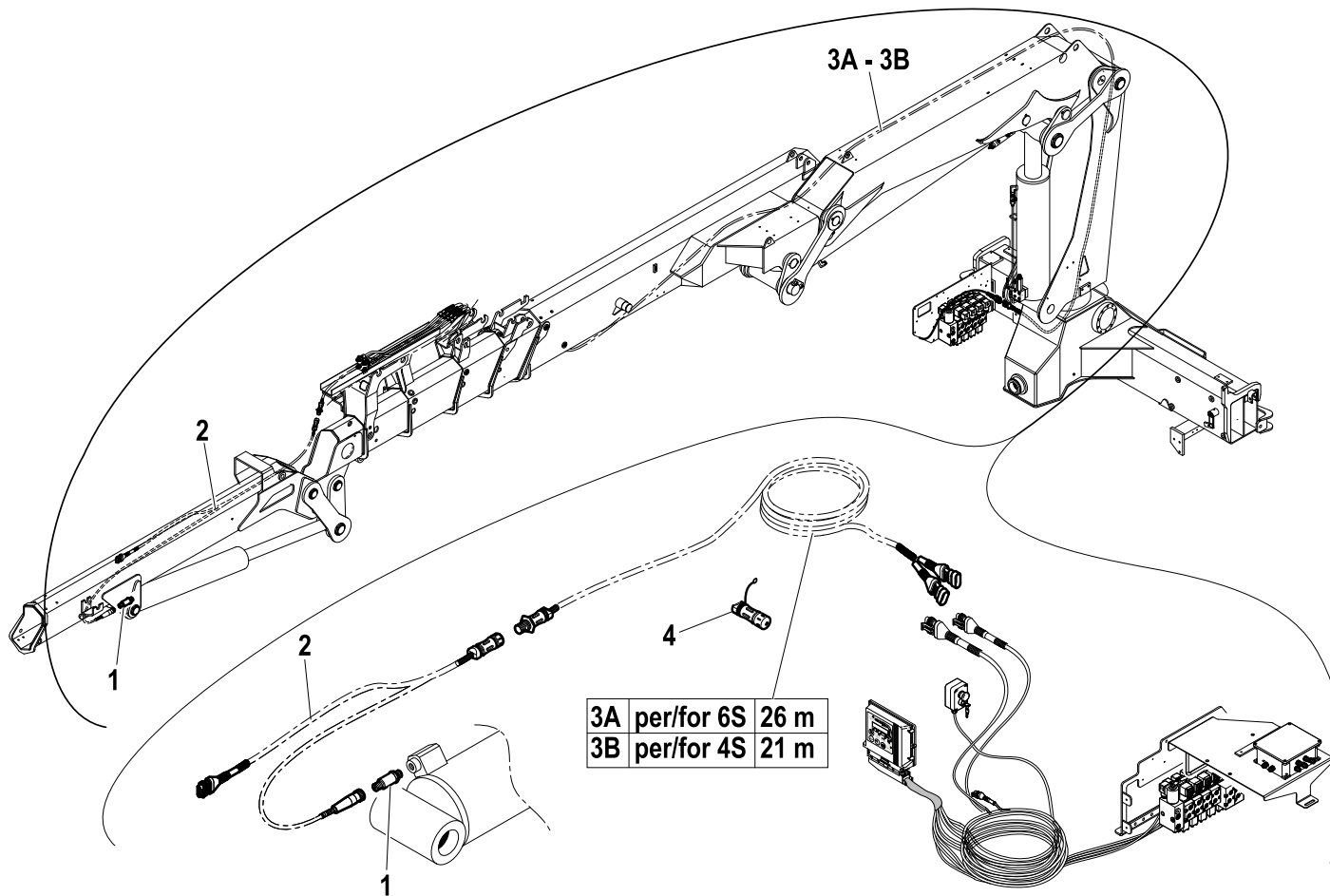
CONTROLS (RDC EBB-X TCU-ECM4)

Code

5401431-5.0

1/1

R	Pos.	Code Variant	Q.ty	Description
	1	3310612	1	Pressure sensor
	2	5160079	1	
	3 A	5160077	1	
	3 B	5160078	1	
	4	5160080	1	



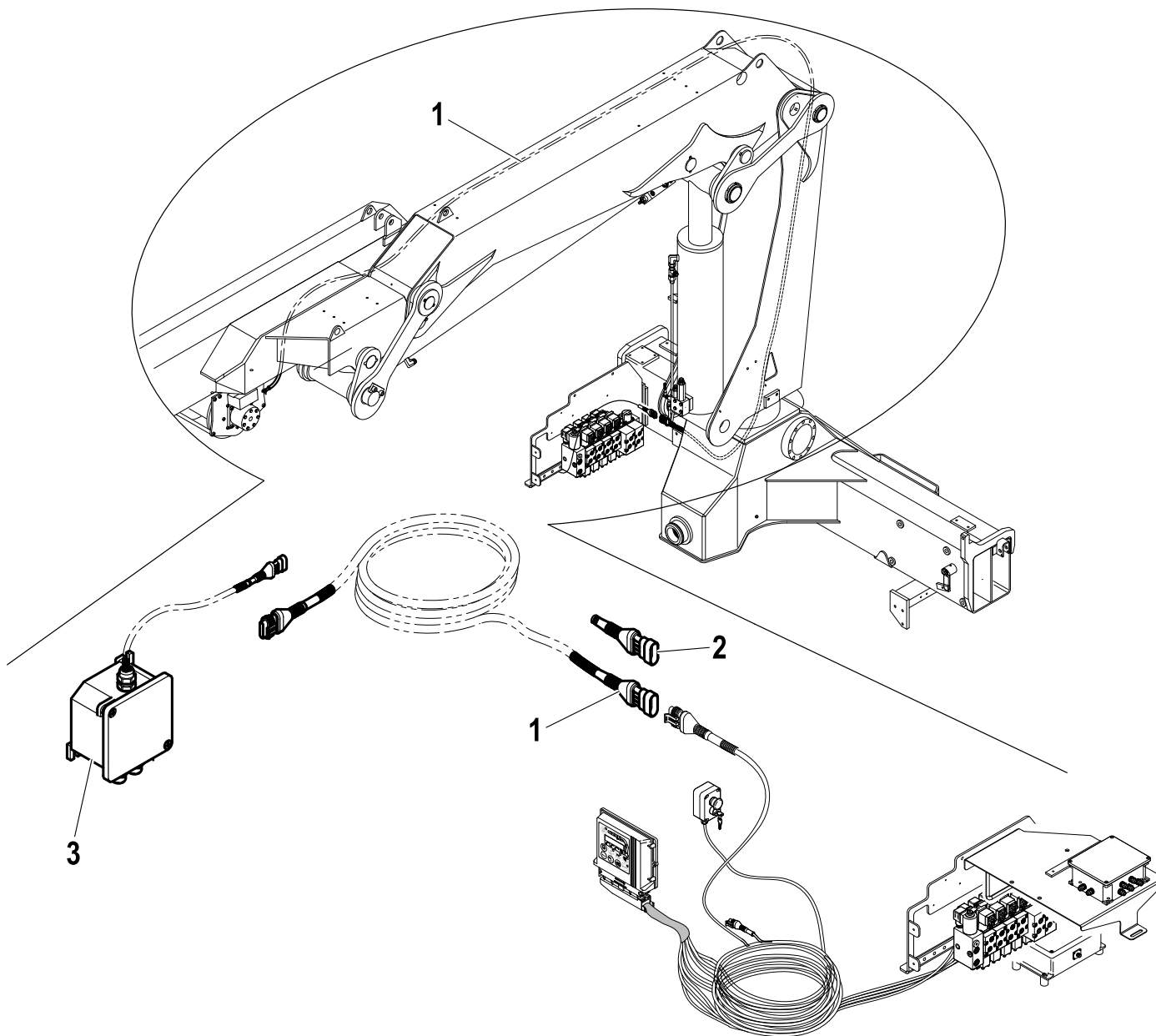
CONTROLS (RDC EBB-X TCU-ECM4)

Code

5401431-6.0

1/1

R	Pos.	Code Variant	Q.ty	Description
	1	5160004	1	
	2	5160013	1	
	3	3310663	1	



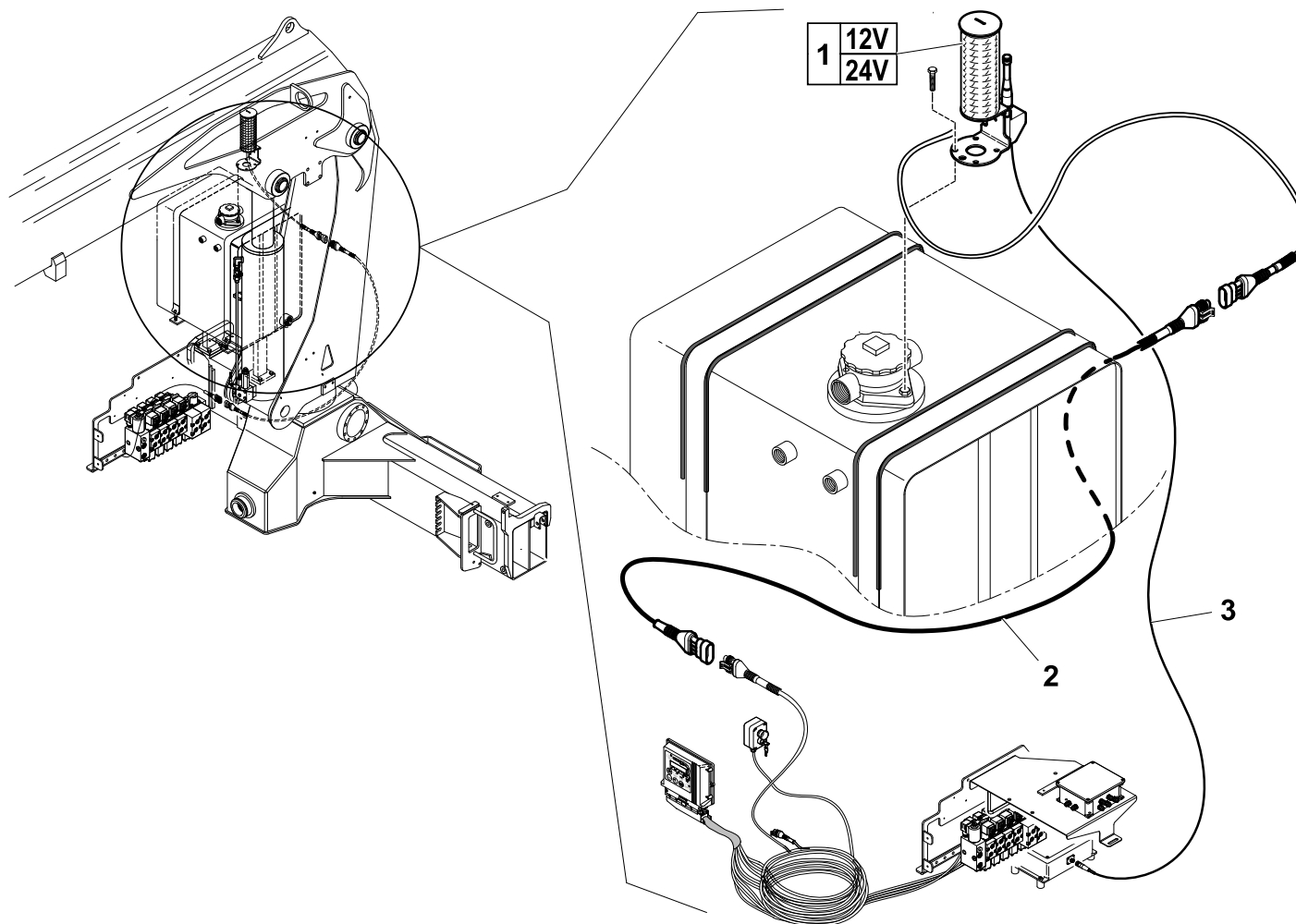
CONTROLS (RDC EBB-X TCU-ECM4)

Code

5401338-4.0

1/1

R	Pos.	Code Variant	Q.ty	Description
	1	3311159	1	Signal Columns
	2	5160003	1	Electric wiring
	3	3311131	1	Electric cable



Wireless control kit (CAN BUS)

Code

7892199-1.0

1/1

R	Pos.	Code Variant	Q.ty	Description
	1	3311442	1	
	2	3310795	1	
	3	3310796	8	
	4	3310788	1	
	5	3310786	2	
	6	3310785	1	
	7	3310787	2	
	8	3311031	1	
	9	3310641	2	
	10	3310797	1	
	11	3310924	1	
	12	3311131	1	Electric cable
	13	3310861	1	
	14	3311443	1	
	15	3311444	1	
	16	3020024	2	Socket head cap screw
	17	3040392	2	Stopnut

CAN-BUS
EN - 12999 - A3
HETRONIC

