

Model
2 ARTICULATED BOOM
HB100

Logbook code
7880541_H.1
Edition
02/2015



Page	Table code	Q.ty	Table heading		Validity
7	5420050-1.0	1	Base		
9	6240094-2.0	1	Slewing		
10	6240173-1.0	1	Slewing (Retaining ring)		
11	6240094-1.0	1	Slewing Hydraulic jack (Hydraulic system)		
12	5400554-1.0	1	Greasing kit		
13	5760097-1.0	1	Stabilizers rods (Manual expansion element)		
14	5760102-1.0	1	Stabilizer connecting rods extra-extensible (Manual expansion)		
15	5760097-2.0	1	Stabilizer Hydraulic jack (Hydraulic system)		
16	5760077-1.0	1	Stabilizer Hydraulic jack (Hydraulic system)		
17	5760101-1.0	1	Stabilizer connecting rods extra-extensible (Hydraulic control)		
18	5410981-1.0	1	CONTROL DEVICES LOCKING FOR OUTRIGGERS LEGS		
19	5410981-2.0	1	CONTROL DEVICES LOCKING FOR OUTRIGGERS LEGS		
20	5411225-3.0	1	STABILITY CONTROL (EN12999-A3)		
21	5411225-5.0	1	STABILITY CONTROL (EN12999-A3)		
22	5380018-1.0	1	ROD EXSTENSION HYDRAULIC CYLINDER		
23	6200209-1.0	1	HYDRAULIC SYSTEM (ROD EXSTENSION HYDRAULIC		
24	6400209-1.0	1	ROD EXSTENSION HYDRAULIC CYLINDER		
25	5380018-2.0	1	HYDRAULIC SYSTEM (ROD EXTENSION HYDRAULIC		
27	5380027-1.0	1	HYDRAULIC SYSTEM (ROD EXTENSION HYDRAULIC		
29	5760102-2.0	1	Stabilizer Hydraulic jack "extra" (Hydraulic system)		

Page	Table code	Q.ty	Table heading		Validity
30	5760076-1.0	1	Stabilizer Hydraulic jack "extra" (Hydraulic system)		
31	6200208-1.0	1	Stabilizer Hydraulic jack (Hydraulic system)		
32	6400208-1.0	1	Stabilizer Hydraulic jack		
33	6200256-1.0	1	Stabilizer Hydraulic jack (Hydraulic system)		
34	6400256-1.0	1	Stabilizer Hydraulic jack (Long)		
35	5760100-1.0	1	Stabilizers rods (Manual expansion element)		
36	5760099-1.0	1	Stabilizer connecting rods extra-extensible (Manual expansion)		
37	5760099-2.0	1	HYDRAULIC SYSTEM (STABILISER RAM)		
38	5760098-1.0	1	Stabilizer connecting rods extra-extensible (Hydraulic control)		
39	5380018-3.0	1	HYDRAULIC SYSTEM (ROD EXTENSION HYDRAULIC		
41	5380027-2.0	1	HYDRAULIC SYSTEM (ROD EXTENSION HYDRAULIC		
43	6200237-1.0	1	HYDRAULIC SYSTEM (STABILISER RAM)		
44	6400136-1.0	1	Stabilizer Hydraulic jack		
45	6200260-1.0	1	HYDRAULIC SYSTEM (STABILISER RAM)		
46	6400260-1.0	1	Stabilizer Hydraulic jack (Long)		
47	5400410-1.0	1	DOUBLE CONTROLS (not CE)		
49	5220392-1.0	1	Control valve (5 section)		
51	5430101-1.0	1	Moment limiting device (LIG NO CE)		
53	7880659-1.0	1	PUMP HAND KIT		
54	7880662-1.0	1	PUMP HAND KIT (LI - LIG)		

Page	Table code	Q.ty	Table heading		Validity
55	5400428-1.0	1	Hydraulic oil tank (not CE)		
56	5400428-2.0	1	Hydraulic oil tank (not CE)		
57	5400319-1.0	1	DOUBLE CONTROLS (CE)		
59	5220353-1.0	1	Control valve (6 section)		
61	5430094-1.0	1	Moment limiting device (CE)		
63	5400318-1.0	1	Hydraulic oil tank (CE)		
64	5400318-2.0	1	Hydraulic oil tank (CE)		
65	3310543-1.0	1	ELECTRICS CONTROLS		
66	5401339-1.0	1	DOUBLE CONTROLS (EN12999-A3)		
68	5220457-1.0	1	Control valve (6 section)		
70	5401699-1.0	1	DOUBLE CONTROLS (CE)		
71	5401339-3.0	1	DOUBLE CONTROLS (EN12999-A3)		
72	5401339-4.0	1	DOUBLE CONTROLS (EN12999-A3)		
73	5212030-1.0	1	7th extra function kit open center spool (EN12999-A3)		
74	5212029-1.0	1	7th extra function kit closed center spool (EN12999-A3)		
75	5212031-1.0	1	8th extra function kit closed center spool (EN12999-A3)		
76	5460039-1.0	1	Column		
78	6230136-1.0	1	HYDRAULIC SYSTEM (LIFTING HYDRAULIC CYLINDER)		
79	6430136-1.0	1	LIFTING HYDRAULIC CYLINDER		
80	5470057-1.0	1	1ST BOOM		

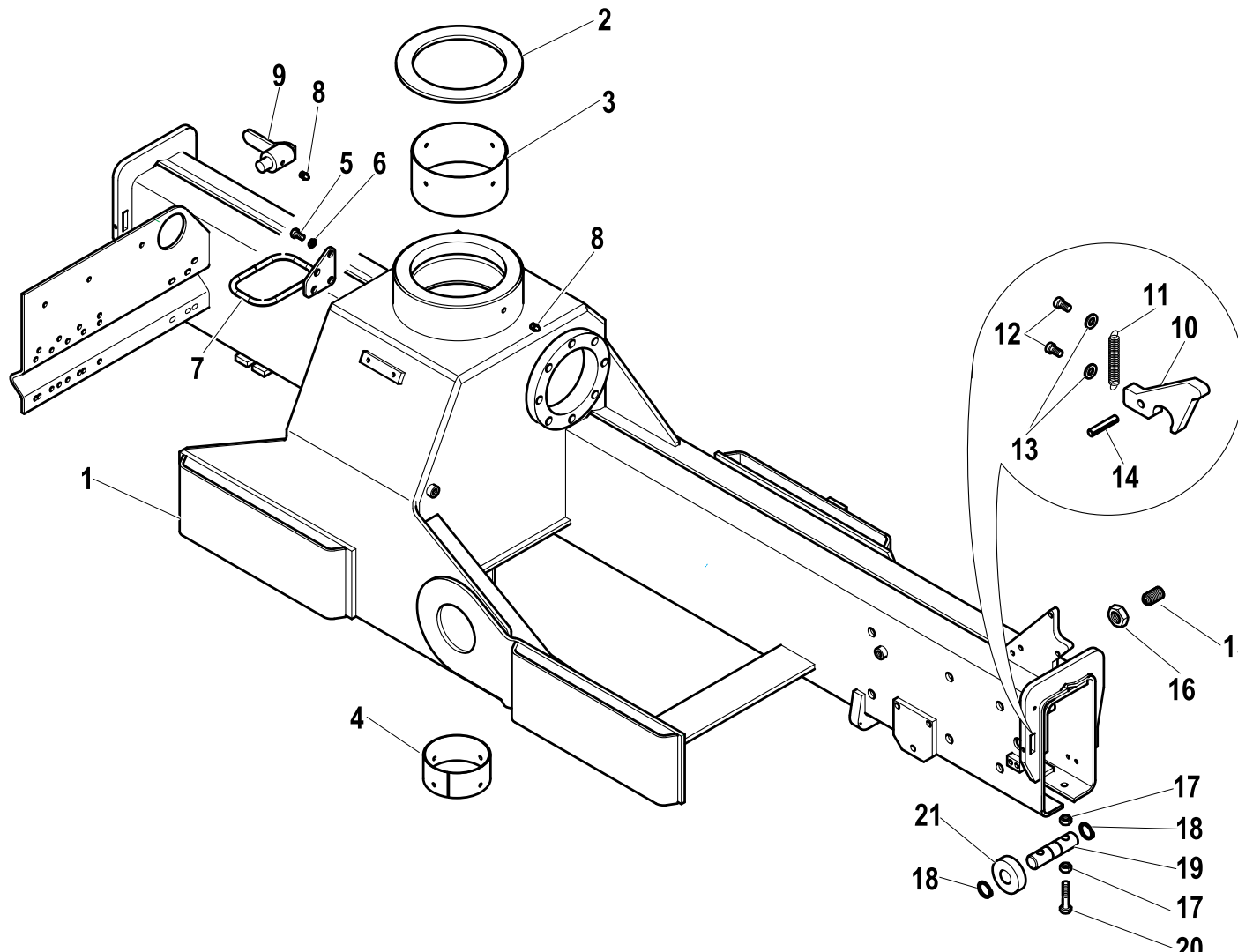
Page	Table code	Q.ty	Table heading		Validity
81	6230137-1.0	1	HYDRAULIC SYSTEM (ARTICULATION HYDRAULIC JACK)		
82	6430137-1.0	1	Articulation Hydraulic jack		
83	5480061-1.0	1	2nd BOOM		
85	5490061-1.0	1	1st EXTENSION		
86	6210282-1.0	1	HYDRAULIC SYSTEM (1st EXSTENSION HYDRAULIC)		
88	6410282-1.0	1	1st EXSTENSION HYDRAULIC		
89	5370034-1.0	1	2nd extension		
90	6210284-1.0	1	HYDRAULIC SYSTEM (2nd EXTENSION HYDRAULIC JACK)		
91	6410284-1.0	1	2nd EXTENSION HYDRAULIC JACK		
92	5350014-1.0	1	3rd extension		
93	6210285-1.0	1	HYDRAULIC SYSTEM (3rd extension Hydraulic jack)		
94	5340010-1.0	1	4th extension		
95	6210301-1.0	1	4th extension Hydraulic jack (Hydraulic system)		
96	6210299-1.0	1	4th extension Hydraulic jack (Hydraulic system)		
97	6410285-1.0	1	3rd and 4th extension hydraulic cylinder		
98	5410945-1.0	1	5th extension		
99	6210300-1.0	1	HYDRAULIC SYSTEM (5th extension Hydraulic jack)		
100	6410259-1.0	1	6th extension Hydraulic jack		
101	7800328-1.0	1	MANUAL EXTENSION (1st)		
102	7800327-1.0	1	MANUAL EXTENSION		

Page	Table code	Q.ty	Table heading		Validity
103	7800329-1.0	1	MANUAL EXTENSION		
104	5410942-1.0	1	Coupling (Hook)		
105	5410941-1.0	1	Hook		
106	7881825-1.0	1	LOAD INDICATION SYSTEM		
107	7880368-1.0	1	Assembly kit		
108	5590075-1.0	1	1st ACTIVATION FOR 1S		
110	5590109-1.0	1	1st ADDITIONAL ACTUATION		
111	5590110-1.0	1	1st ADDITIONAL ACTUATION		
113	5590111-1.0	1	1st ADDITIONAL ACTUATION		
115	5600075-1.0	1	2st ACTIVATION FOR 1S		
116	5600076-1.0	1	2nd ADDITIONAL ACTUATION		
117	HB 100 C				
118	5460039-2.0	1	Column		
120	5480062-1.0	1	2nd BOOM		
122	6210283-1.0	1	1st EXSTENSION HYDRAULIC (Hydraulic system)		
124	6410283-1.0	1	1st EXSTENSION HYDRAULIC ("C" Version)		
125	HB 100 F				
126	5402008-1.0	1	Greasing kit		
127	5420063-1.0	1	Base (F / M)		
128	6240114-1.0	1	Slewing		

Page	Table code	Q.ty	Table heading		Validity
129	6240174-1.0	1	Slewing (Retaining ring)		
130	6240114-2.0	1	Slewing Hydraulic jack (Hydraulic system)		
131	6240178-2.0	1	Slewing Hydraulic jack (Hydraulic system)		
132	5400522-1.0	1	Platform		
133	5420063-2.0	1	Wall-through pipe fitting		
135	HB 100 M				
136	6240115-1.0	1	Slewing		
137	6240178-1.0	1	Slewing (Retaining ring)		
138	6240115-2.0	1	Slewing Hydraulic jack (Hydraulic system)		
139	6240178-3.0	1	Slewing Hydraulic jack (Hydraulic system)		
140	5420063-3.0	1	Wall-through pipe fitting (marine)		
141	6230163-1.0	1	LIFTING HYDRAULIC CYLINDER (Hydraulic system)		
142	6430136-1.0	1	LIFTING HYDRAULIC CYLINDER		
143	6230162-1.0	1	HYDRAULIC SYSTEM (ARTICULATION HYDRAULIC JACK)		
144	6430162-1.0	1	Articulation Hydraulic jack (marine)		
145	5490080-1.0	1	1st EXTENSION		
146	6210348-1.0	1	1st EXSTENSION HYDRAULIC (Hydraulic system)		
148	6410348-1.0	1	1st EXSTENSION HYDRAULIC		
149	5370035-1.0	1	2nd extension		
150	6210346-1.0	1	2nd EXTENSION HYDRAULIC JACK (Hydraulic system)		

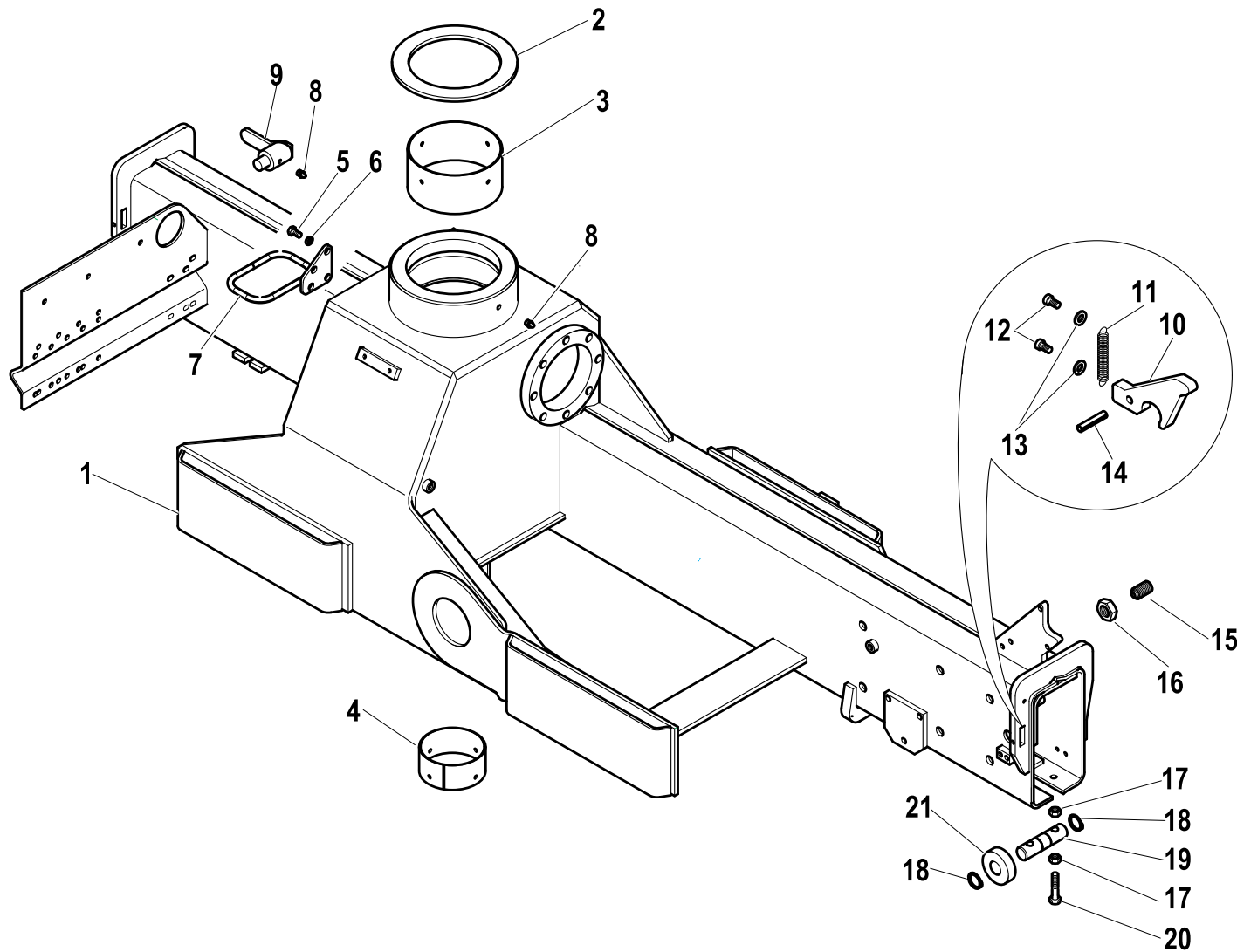
Page	Table code	Q.ty	Table heading		Validity
151	6410346-1.0	1	2nd EXTENSION HYDRAULIC JACK		
152	5350015-1.0	1	3rd extension		
153	6210347-1.0	1	3rd extension Hydraulic jack (Hydraulic system)		
154	6410347-1.0	1	3rd extension Hydraulic jack		
155	5590127-1.0	1	1st ACTIVATION FOR 3S		
156	5590128-1.0	1	1st ADDITIONAL ACTUATION		
157	██████████		HB 100 X - TCU		
158	5400543-1.0	1	DOUBLE CONTROLS		
160	5220394-1.0	1	Control valve (6 section)		
162	5400543-1.1	1	DOUBLE CONTROLS (RDC-EBB)		
165	5400543-2.0	1	CONTROLS (RDC-EBB)		
166	5400543-3.0	1	CONTROLS (RDC-EBB)		
167	5400543-4.0	1	CONTROLS (RDC-EBB)		
168	7885015-1.0	1	Pilot lamp		
169	5400543-5.0	1	CONTROLS (RDC-EBB)		
170	7892111-1.0	1	Wireless control kit (EU.24V)		
171	7892149-1.0	1	Wireless control kit (12V)		
172	7892075-1.0	1	Wireless control kit (EU.24V)		
173	5400464-1.0	1	High pressure filter		
174	7881785-1.0	1	LOAD INDICATION SYSTEM (RDC-EBB)		

Page	Table code	Q.ty	Table heading		Validity
175	██████████		HB 100 X-TCU - EN 12999-A3		
176	5401291-1.0	1	DOUBLE CONTROLS (EN12999-A3)		
179	5220838-1.0	1	Control valve (6 section)		
182	5220838-2.0	1	Control valve (6 section)		
184	5411205-4.0	1	ROTATION CONTROL (EN12999-A3)		
185	5411205-4.1	1	ROTATION CONTROL (EN12999-A3)		
187	5411250-1.0	1	STABILITY CONTROL (EN12999-A3)		
188	5411367-3.0	1	ROTATION CONTROL (EN12999-A3)		
190	5411364-1.0	1	STABILITY CONTROL (EN12999-A3)		
192	5411364-2.0	1	STABILITY CONTROL (EN12999-A3)		
193	5401422-1.0	1	CONTROLS (RDC EBB-X TCU-ECM4)		
194	5401291-3.0	1	CONTROLS (EN12999-A3)		
195	5401291-4.0	1	CONTROLS (EN12999-A3)		
196	5401604-1.0	1	High pressure filter (EN12999-A3)		
197	7892195-1.0	1	Wireless control kit (Hz.EU)		
198	7892196-1.0	1	Wireless control kit (Hz.USA)		
199	7892208-1.0	1	Wireless control kit (Hz.AUS)		

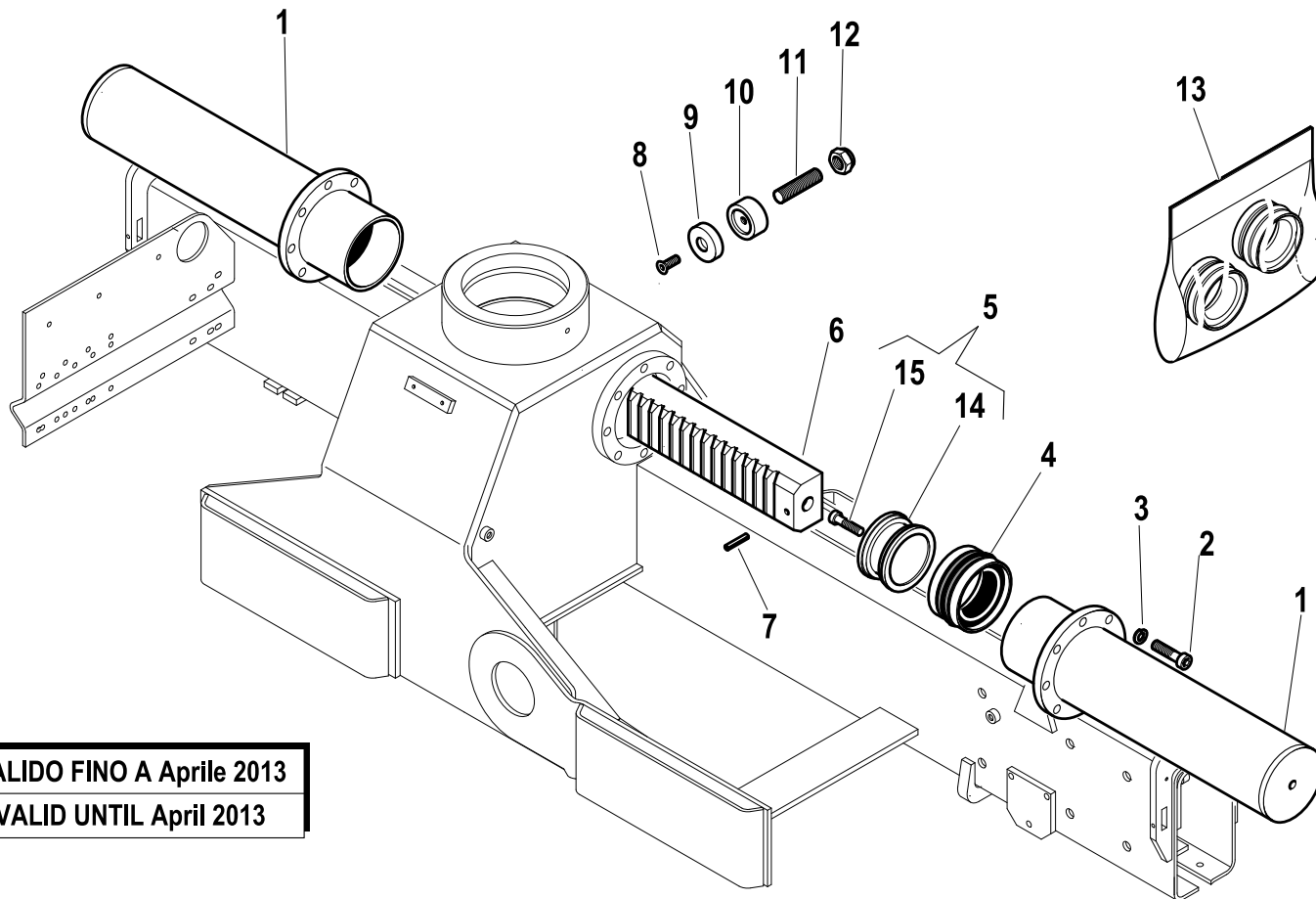


R	Pos.	Code Variant	Q.ty	Description
	1	5060151	1	Base
	2	5140773	1	Thrust bearing ring
	3	5140784	1	Bushing
	4	5141053	1	Bushing
	5	3010337	2	Hex screw [M8X16 8.8 ZC UNI 5739]
	6	3060055	2	Split lock washer [D=8.4 C72 ZC]
	7	5091399	1	
	8	3080501	1	Grease nipple
	9	5000625	2	
	10	5001415	2	
	11	3060955	2	
	12	3020022	4	Socket head cap screw [M5X10 8.8 ZC UNI 5931]
	13	3060052	4	Split lock washer [D=5.5 C72 ZC]
	14	3060606	2	Spring pin
	15	5000771	4	Adjusting screw
	16	3040089	4	Lock nut
	17	3040084	8	Lock nut [M10 basso UNI 5589]
	18	3070150	4	Seeger
	19	5150159	2	
	20	3010360	4	Hex screw [M10X50 8.8 ZC UNI 5739]

R	Pos.	Code Variant	Q.ty	Description
	21	5140687	2	



R	Pos.	Code Variant	Q.ty	Description
	1	6070499	2	
	2	3020911	16	Socket head cap screw [M14X50 8.8 BR UNI 5931]
	3	3060050	16	Split lock washer [D=14 C72 ZC]
	4	3400519	2	
	5	6050247	2	
	6	5050098	1	
	7	3060608	2	Spring pin
	8	3020499	1	TSEI screw [M10X25 10.9 ZC UNI 5933]
	9	5140772	1	
	10	4160328	1	
	11	3060951	1	Grub screw
	12	3040309	1	Stopnut
	13	5550696	1	
	14	6050225	2	
	15	3020109	2	Socket head cap screw [M14X35 8.8 ZC UNI 5931]



VALIDO FINO A Aprile 2013

VALID UNTIL April 2013

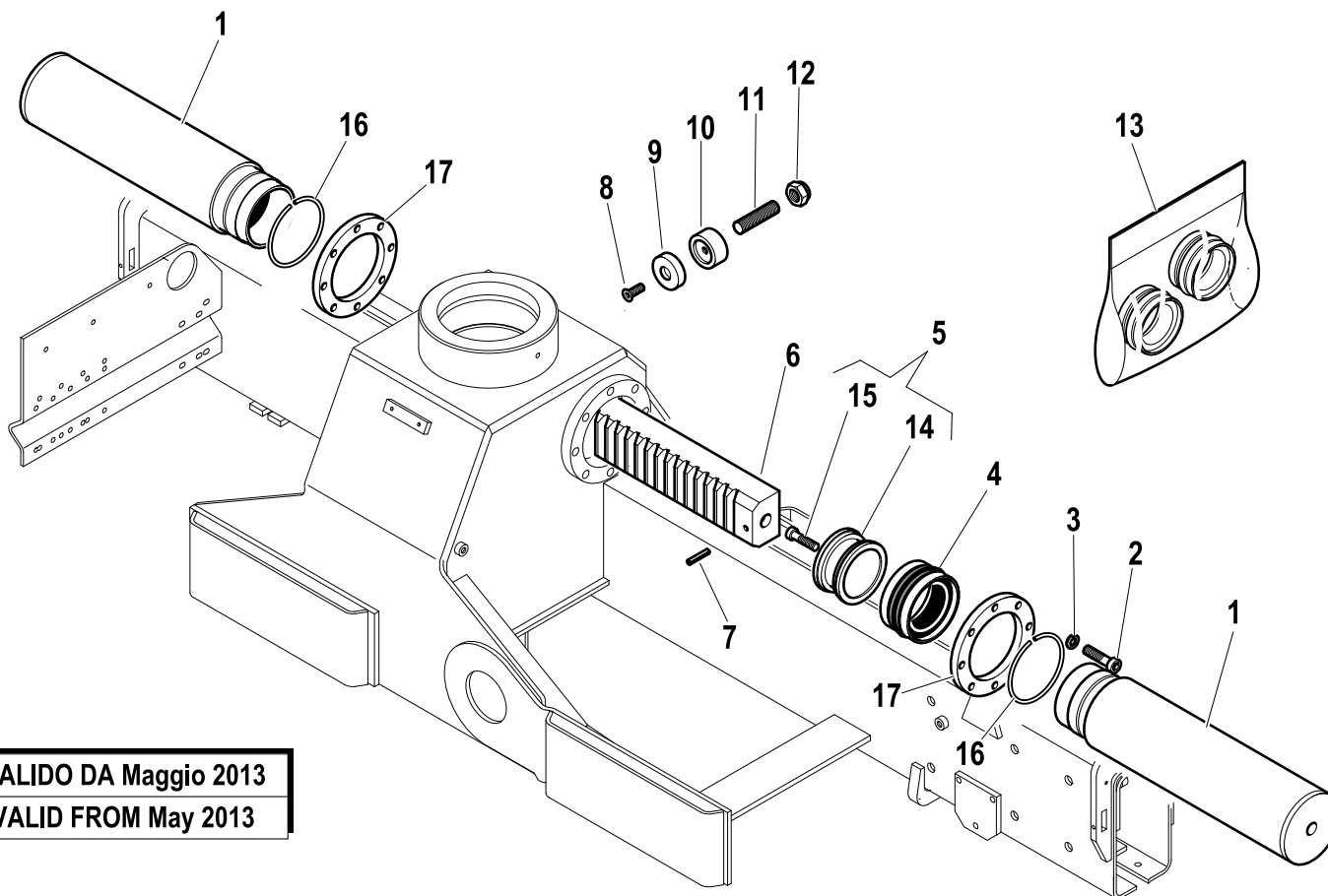
Slewing (Retaining ring)

Code

6240173-1.0

1/1

R	Pos.	Code Variant	Q.ty	Description
	1	6070688	2	
	2	3020911	16	Socket head cap screw [M14X50 8.8 BR UNI 5931]
	3	3060050	16	Split lock washer [D=14 C72 ZC]
	4	3400519	2	
	5	6050247	2	
	6	5050098	1	
	7	3060608	2	Spring pin
	8	3020499	1	TSEI screw [M10X25 10.9 ZC UNI 5933]
	9	5140772	1	
	10	4160328	1	
	11	3060951	1	Grub screw
	12	3040309	1	Stopnut
	13	5550696	1	
	14	6050225	2	
	15	3020109	2	Socket head cap screw [M14X35 8.8 ZC UNI 5931]
	16	W570100800	2	
	17	5002277	2	



VALIDO DA Maggio 2013

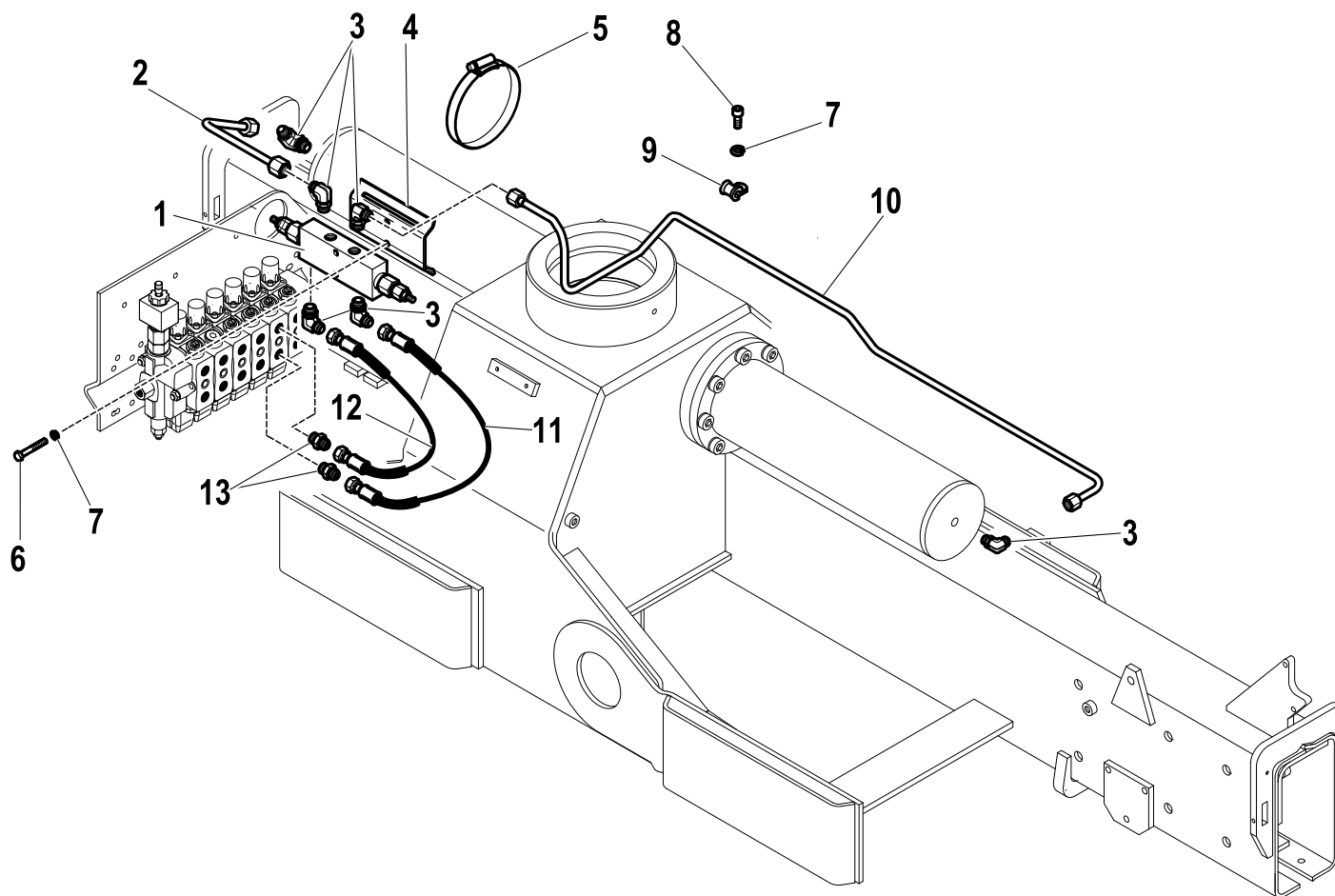
VALID FROM May 2013

Slewing Hydraulic jack (Hydraulic system)

Code

6240094-1.0

1/1



R	Pos.	Code Variant	Q.ty	Description
	1	5220696	1	Valve (Overcenter)
	2	5392045	1	
	3	3101127	6	90° Connection
	4	5001560	1	Valve support
	5	3190021	2	Clamp [104-138 12.2 ABA]
	6	3010031	2	Hex screw [M8X40 8.8 ZC UNI 5737]
	7	3060055	4	Split lock washer [D=8.4 C72 ZC]
	8	3020051	2	Socket head cap screw [M8X12 ZC UNI 5931]
	9	3190208	2	Collar (Pipe)
	10	5392046	1	
	11	5271634	1	Flexible hose
	12	5271604	1	Flexible hose
	13	3101043	1	Straight pipe fitting

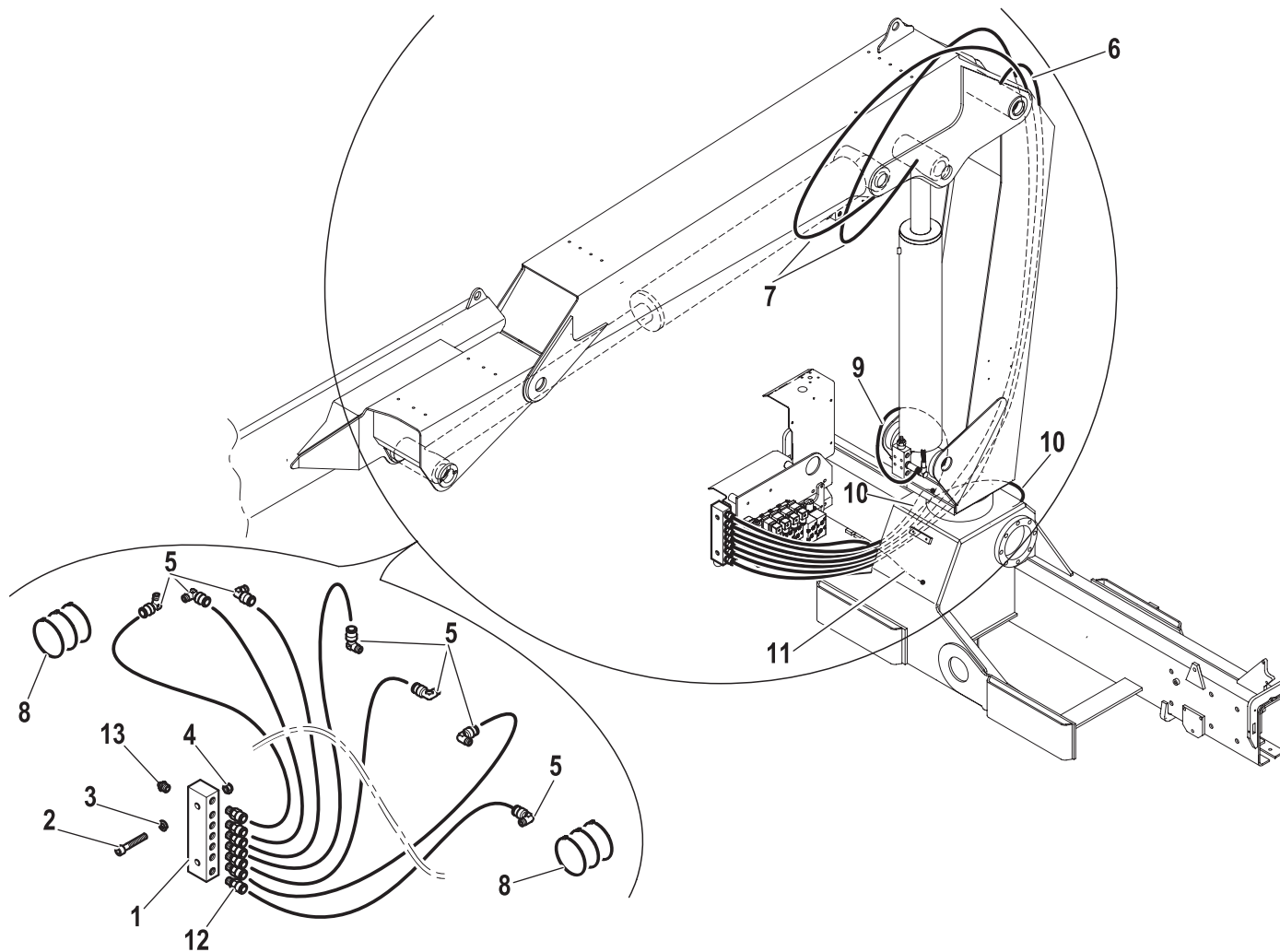
Greasing kit

Code

5400554-1.0

1/1

R	Pos.	Code Variant	Q.ty	Description
	1	5001441	1	Manifold (Greasing)
	2	3020024	2	Socketed head cap screw [M5X35 8.8 ZC UNI 5931]
	3	3060052	2	Split lock washer [D=5.5 C72 ZC]
	4	3040392	2	Stopnut
	5	3080012	7	Coupling (Flexible hose)
	6	3080020	1	Pipe (Greasing)
	7	3080021	2	Pipe (Greasing)
	8	3190012	35	Clamp
	9	3080019	1	Pipe (Greasing)
	10	3080017	2	Pipe (Greasing)
	11	3080018	1	Pipe (Greasing)
	12	3080004	7	Coupling (Flexible hose)
	13	3080015	7	Grease nipple



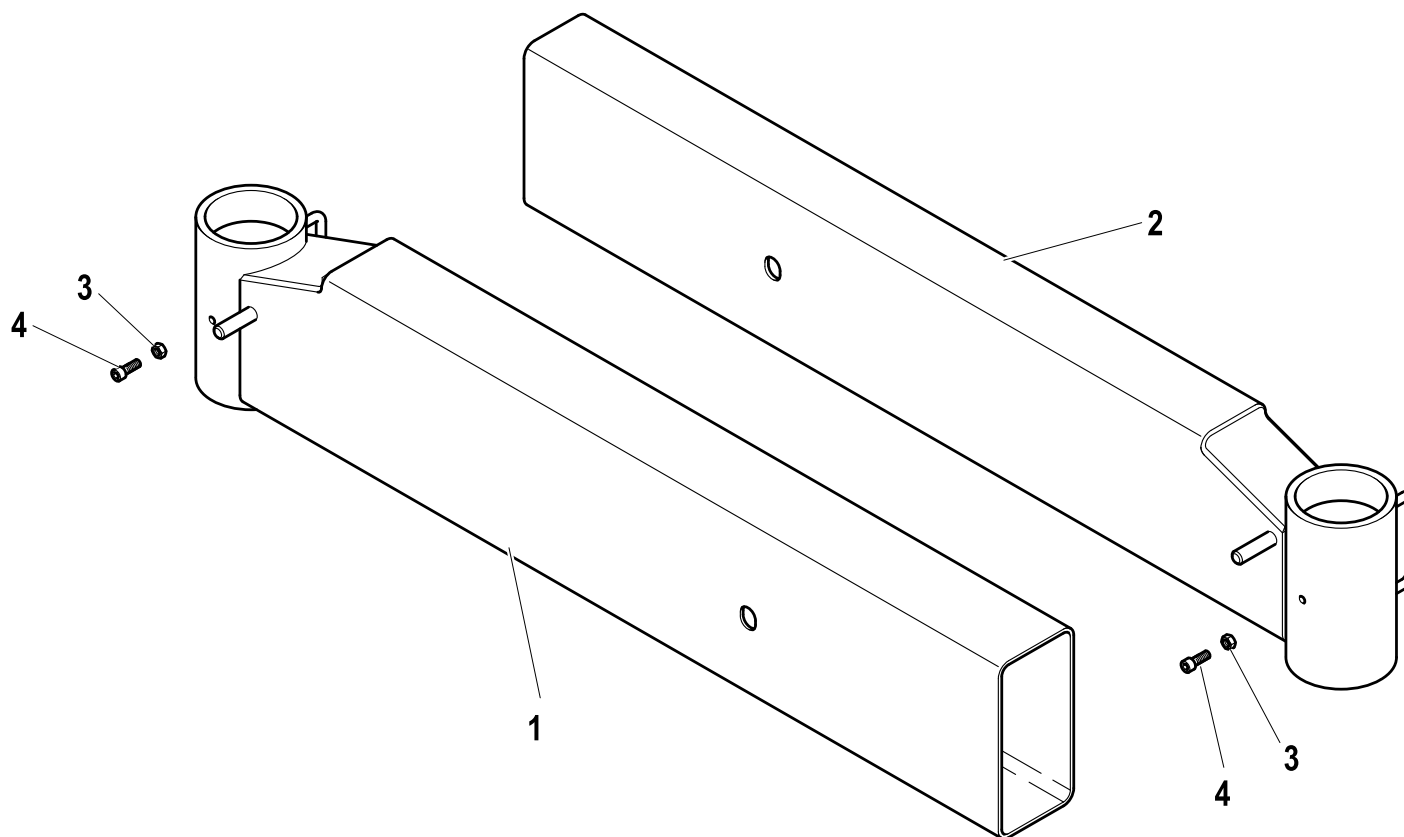
Stabilizers rods (Manual expansion element)

Code

5760097-1.0

1/1

R	Pos.	Code Variant	Q.ty	Description
	1	5070324	1	
	2	5070323	1	
	3	3040045	2	Nut
	4	3020875	2	Socket head cap screw [M8X20 ZC UNI 5931]



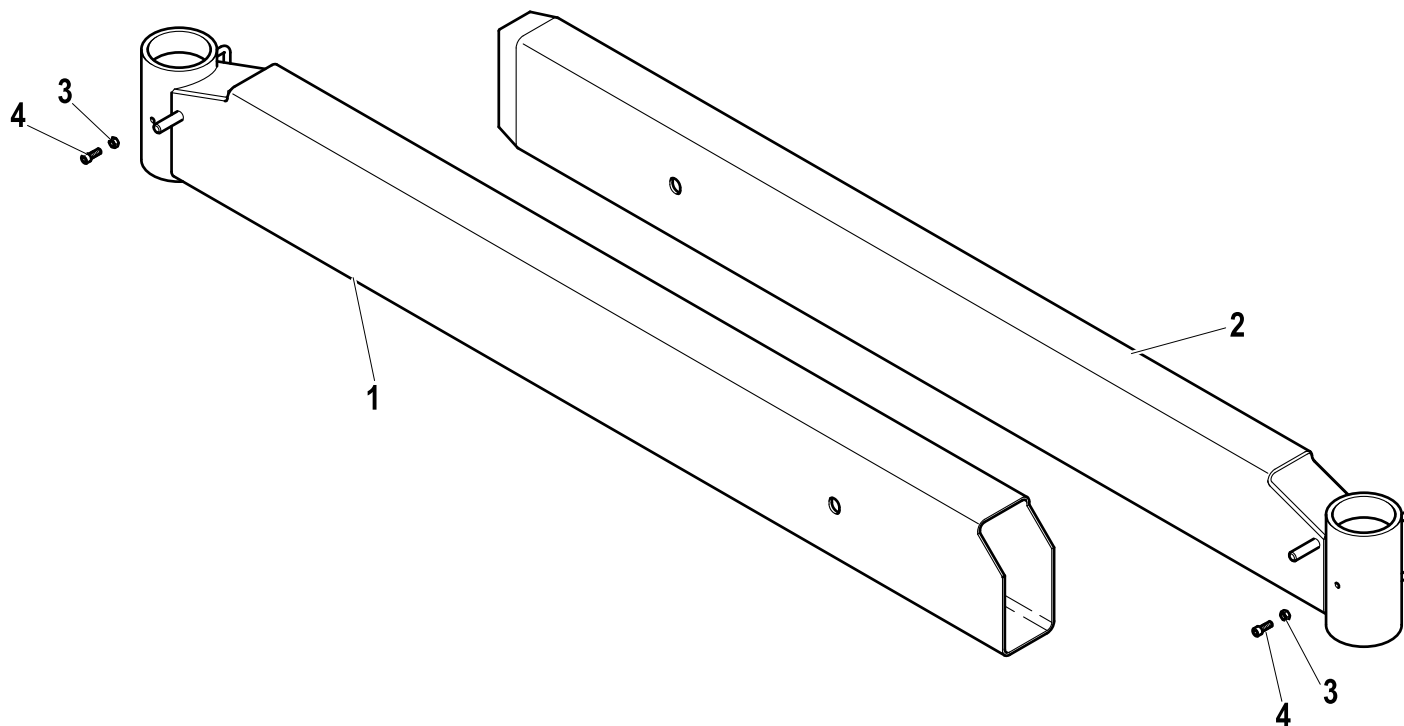
Stabilizer connecting rods extra-extensible (Manual expansion element)

Code

5760102-1.0

1/1

R	Pos.	Code Variant	Q.ty	Description
	1	5070327	1	
	2	5070329	1	
	3	3040045	2	Nut
	4	3020875	2	Socket head cap screw [M8X20 ZC UNI 5931]

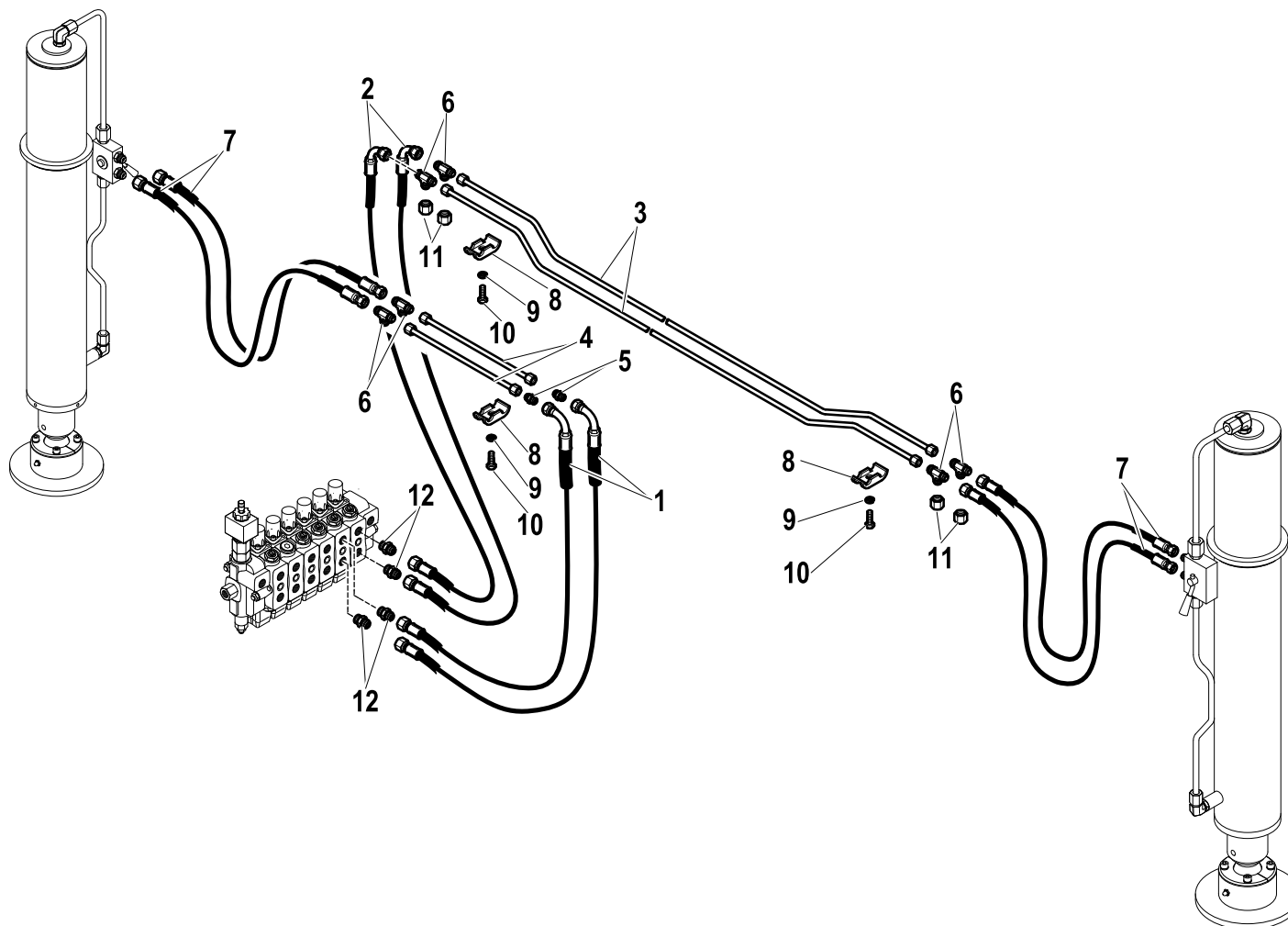


Stabilizer Hydraulic jack (Hydraulic system)

Code

5760097-2.0

1/1



R	Pos.	Code Variant	Q.ty	Description
	1	5260715	2	Flexible hose
	2	5260716	2	Flexible hose
	3	5392034	2	
	4	5392033	2	
	5	3120099	2	
	6	3101080	4	Tee fitting
	7	5260733	4	Flexible hose
	8	5000077	4	Clamp (Rigid Pipe)
	9	3060055	4	Split lock washer [D=8.4 C72 ZC]
	10	3010339	4	Hex screw [M8X25 8.8 ZC IF UNI 5739]
	11	3110040	4	Female plug
	12	3101040	4	Straight pipe fitting

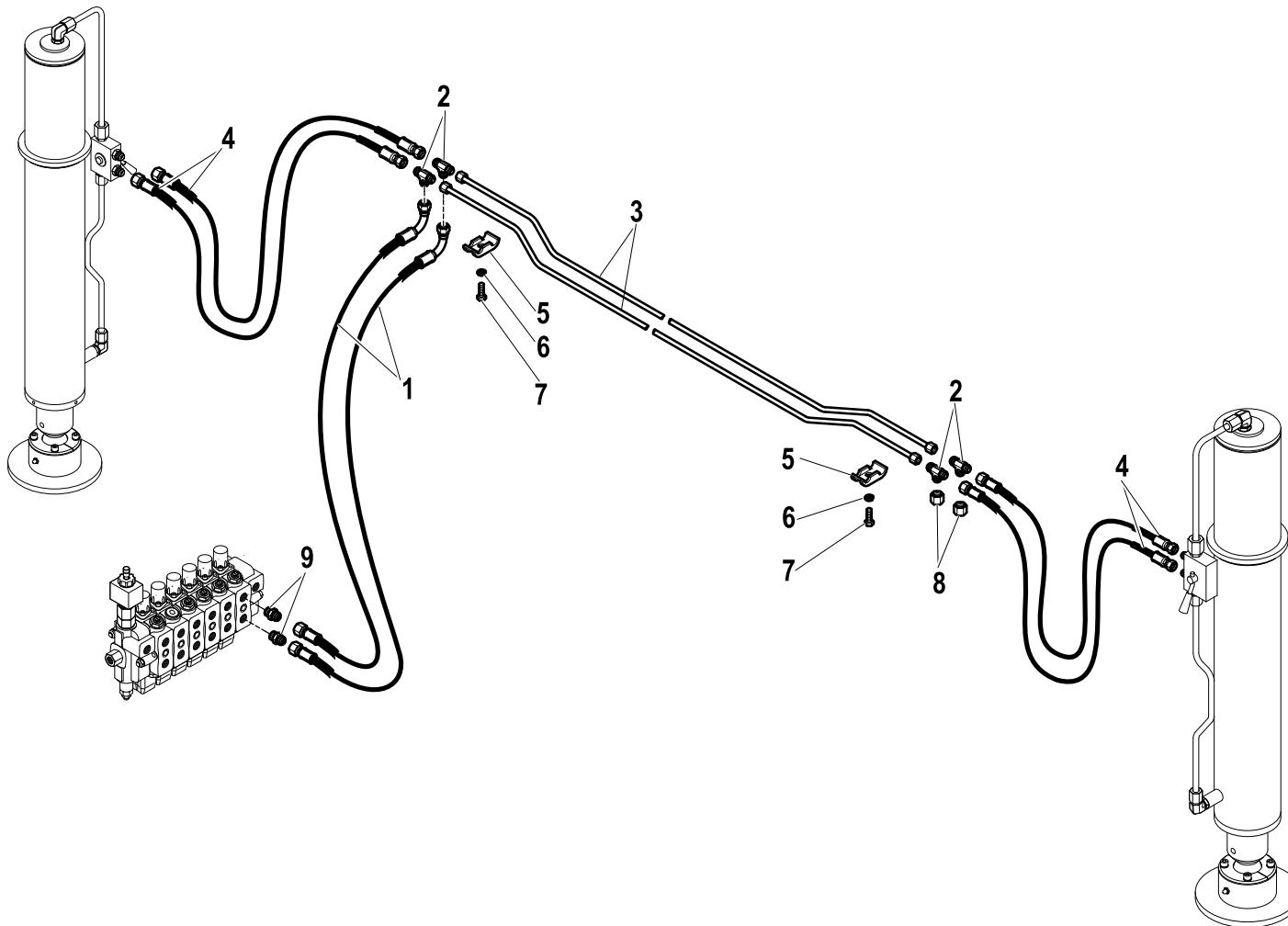
Stabilizer Hydraulic jack (Hydraulic system)

Code

5760077-1.0

1/1

R	Pos.	Code Variant	Q.ty	Description
	1	5260716	2	Flexible hose
	2	3101080	4	Tee fitting
	3	5392034	2	
	4	5260733	4	Flexible hose
	5	5000077	2	Clamp (Rigid Pipe)
	6	3060055	2	Split lock washer [D=8.4 C72 ZC]
	7	3010339	2	Hex screw [M8X25 8.8 ZC IF UNI 5739]
	8	3110040	2	Female plug
	9	3101040	2	Straight pipe fitting



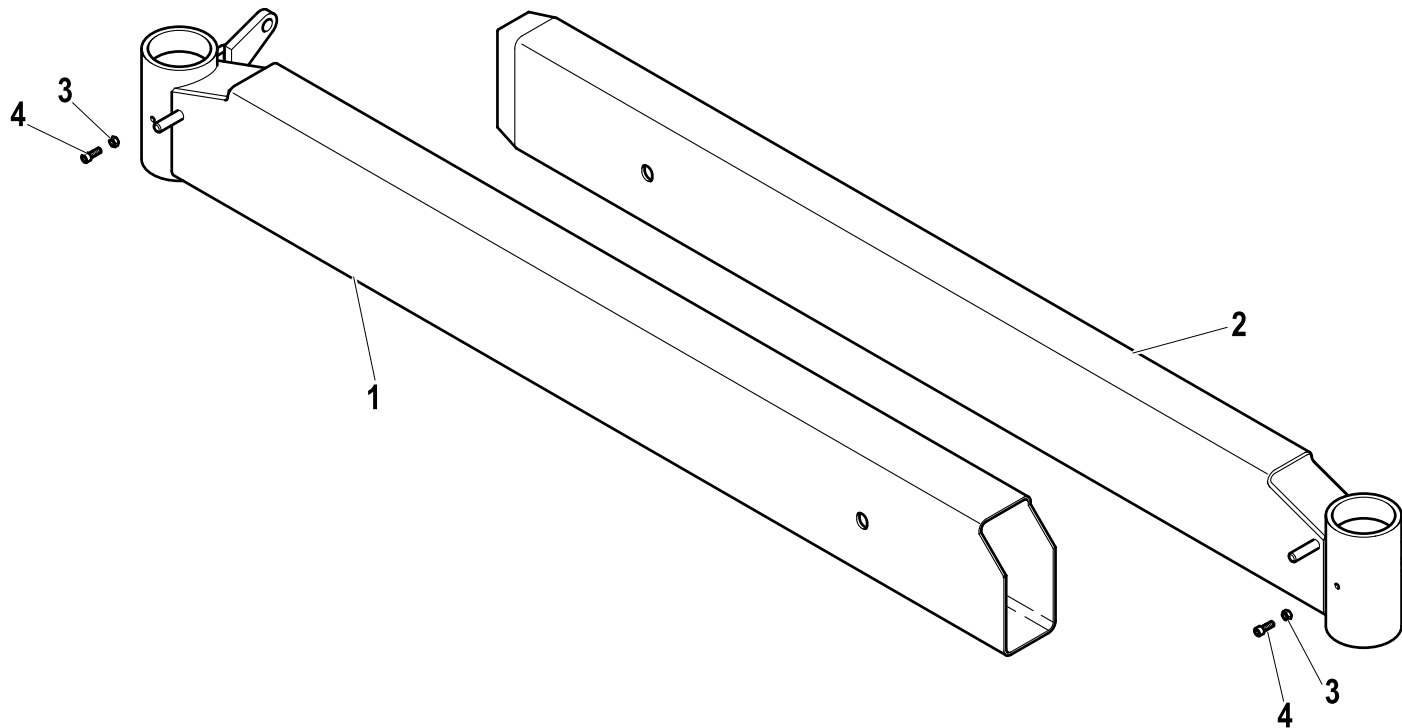
Stabilizer connecting rods extra-extensible (Hydraulic control)

Code

5760101-1.0

1/1

R	Pos.	Code Variant	Q.ty	Description
	1	5070328	1	
	2	5070330	1	
	3	3040045	2	Nut
	4	3020875	2	Socket head cap screw [M8X20 ZC UNI 5931]



CONTROL DEVICES LOCKING FOR OUTRIGGERS LEGS

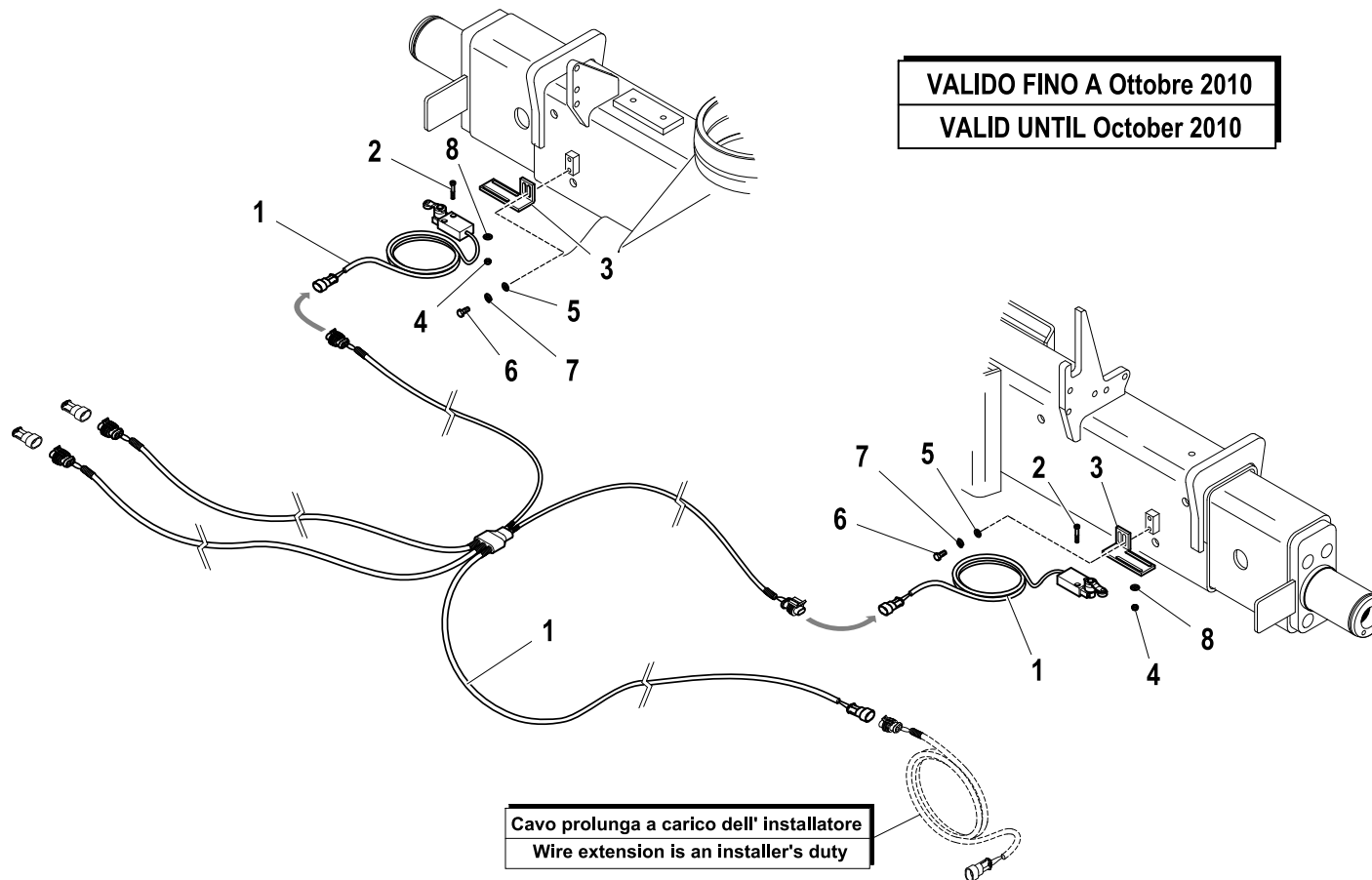
Code

5410981-1.0

1/1

R	Pos.	Code Variant	Q.ty	Description
	1	3311132	1	
	2	3020014	4	Socket head cap screw [M4X25X0.7 8.8 ZC UNI 5931]
	3	5001531	2	
	4	3040041	4	Nut
	5	3060030	4	Flat washer [D.6.6X18 UNI 6593 ZC]
	6	3010325	4	Hex screw [M6X16 8.8 ZC UNI 5739]
	7	3060053	4	Split lock washer [D=6.4 C72 ZC]
	8	3060003	4	Flat washer [D.4 UNI 6592 ZC]

VALIDO FINO A Ottobre 2010
VALID UNTIL October 2010



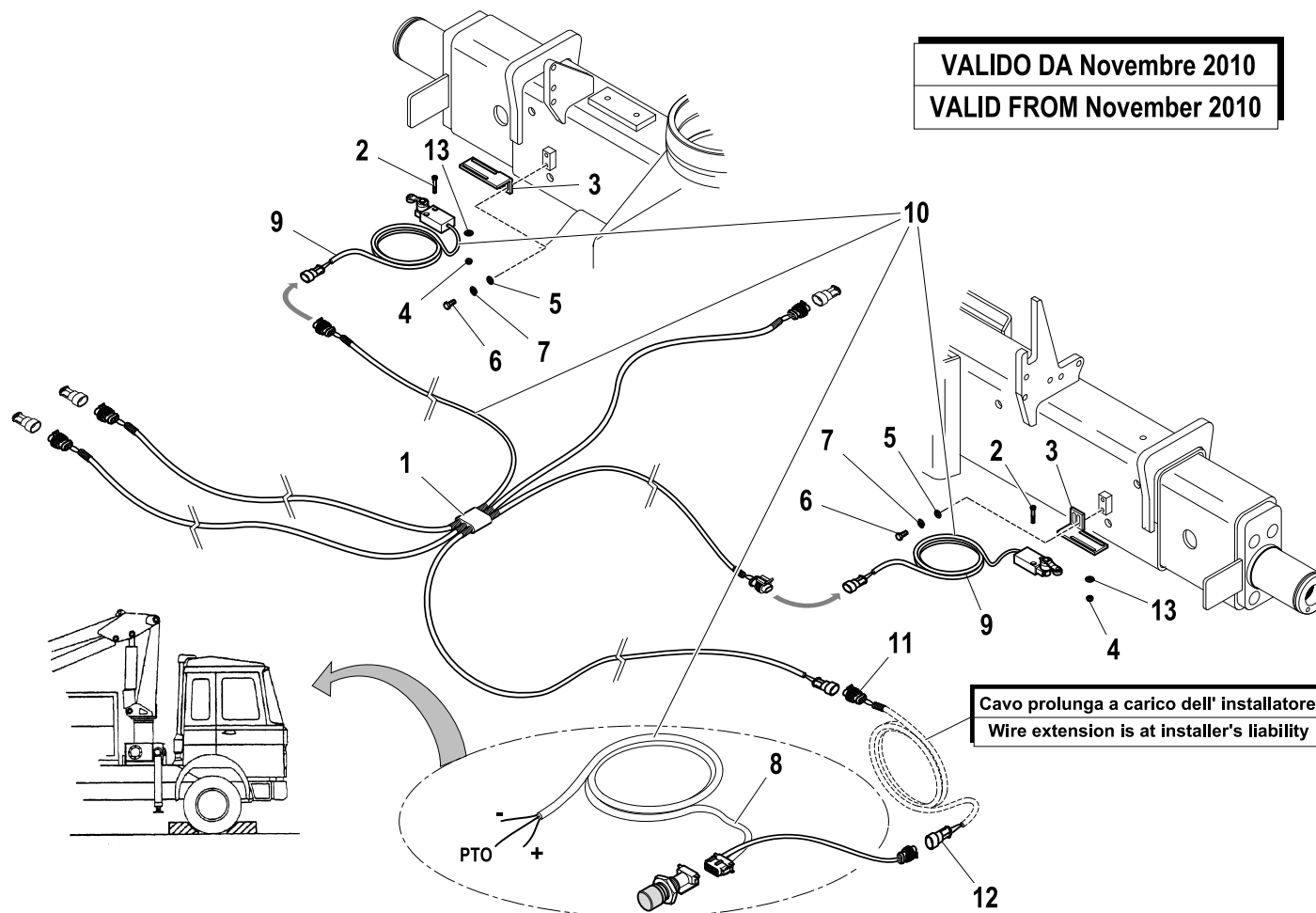
CONTROL DEVICES LOCKING FOR OUTRIGGERS LEGS

Code

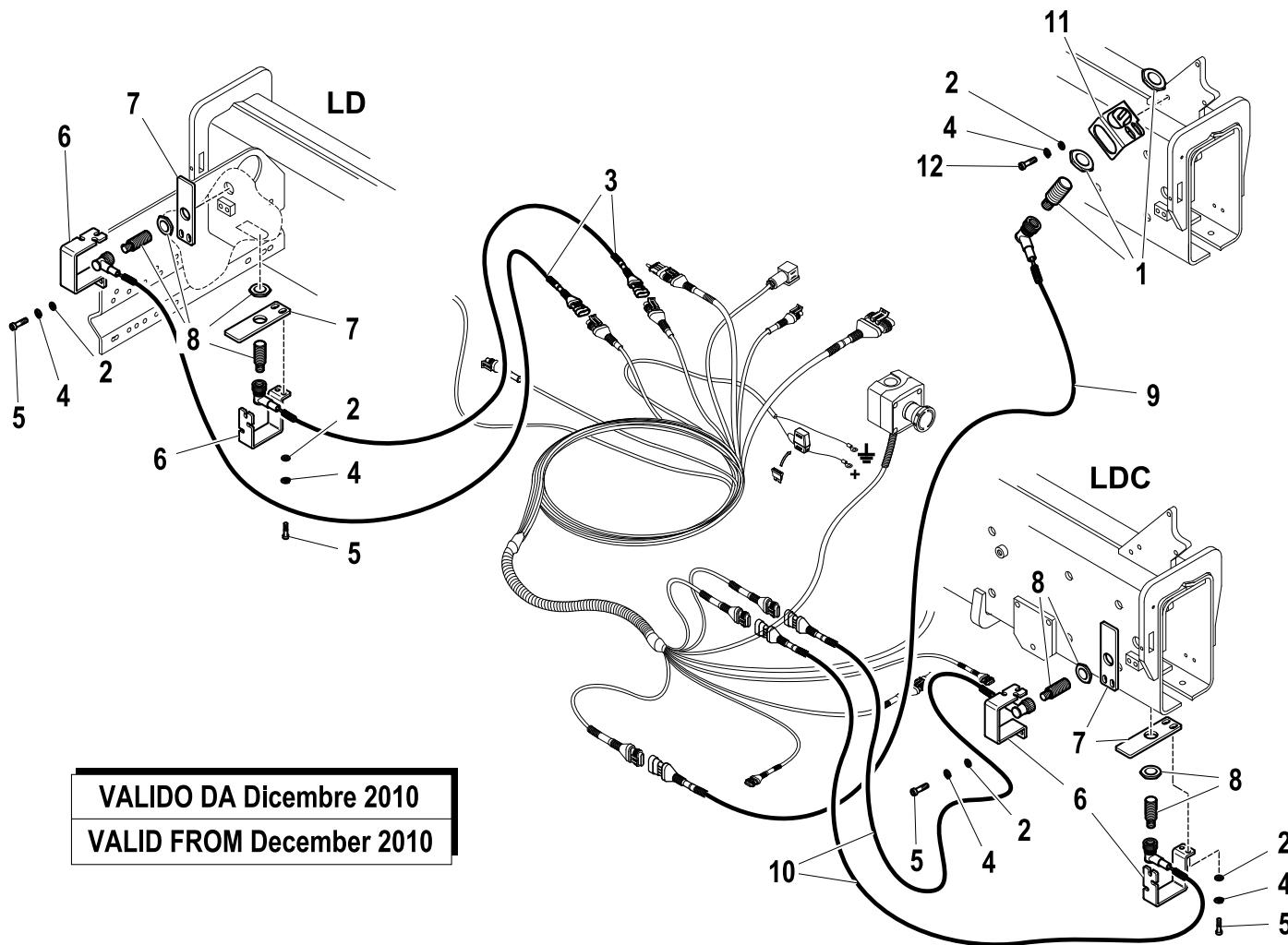
5410981-2.0

1/1

R	Pos.	Code Variant	Q.ty	Description
	1	3311353	1	
	2	3020014	4	Socket head cap screw [M4X25X0.7 8.8 ZC UNI 5931]
	3	5001531	2	
	4	3040041	4	Nut
	5	3060030	4	Flat washer [D.6.6X18 UNI 6593 ZC]
	6	3010325	4	Hex screw [M6X16 8.8 ZC UNI 5739]
	7	3060053	4	Split lock washer [D=6.4 C72 ZC]
	8	3311354	1	
	9	3311356	2	
	10	3311352	1	
	11	3310431	1	
	12	3310432	1	
	13	3060003	4	Flat washer [D.4 UNI 6592 ZC]

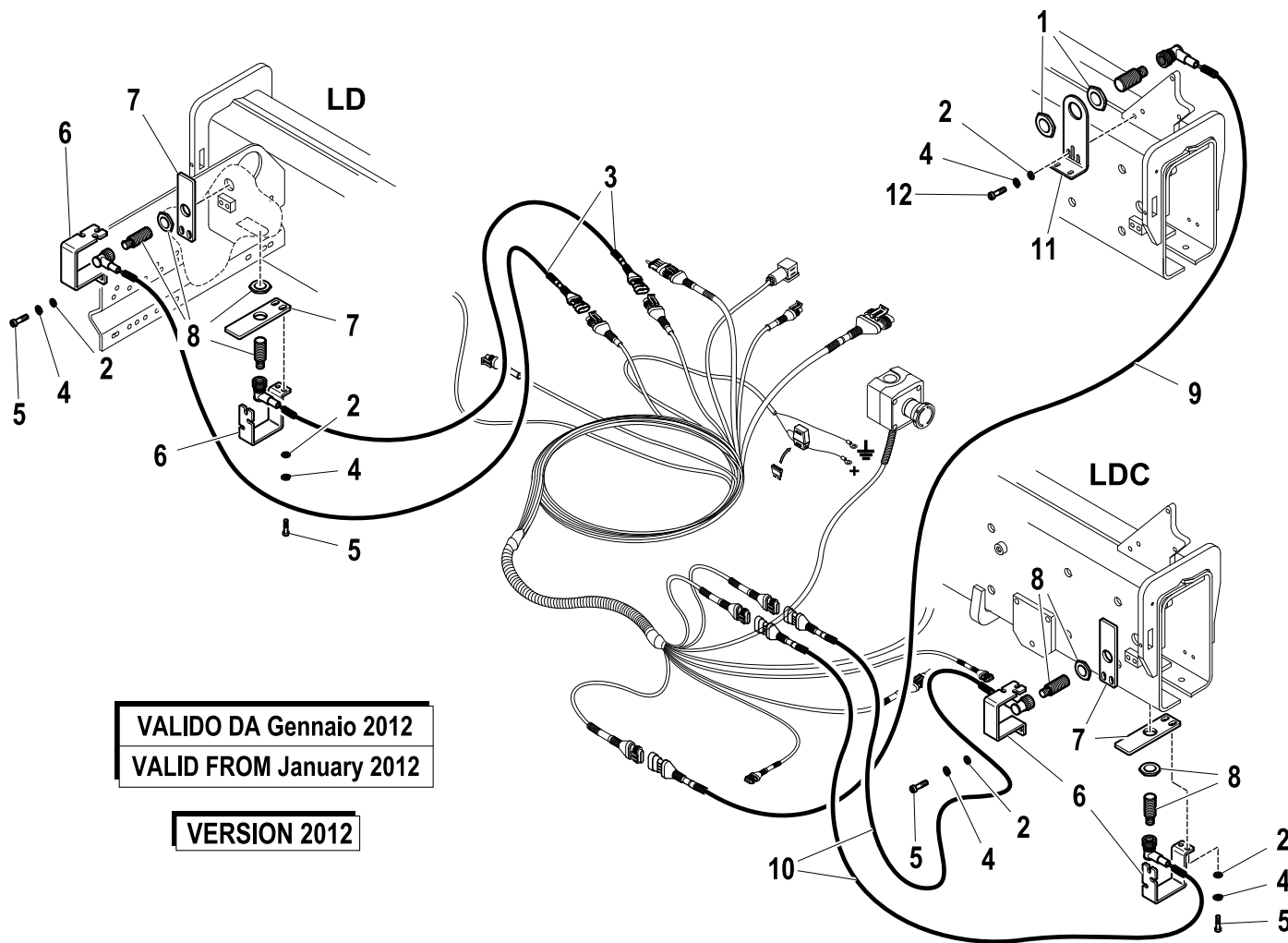


R	Pos.	Code Variant	Q.ty	Description
	1	3311312	1	Proximity switch
	2	3060030	10	Flat washer [D.6.6X18 UNI 6593 ZC]
	3	3311332	2	
	4	3060053	10	Split lock washer [D=6.4 C72 ZC]
	5	3020035	8	Socketed head cap screw [M6X20 8.8 ZC UNI 5931]
	6	5002026	4	Guard (Proximity switch)
	7	5002057	4	
	8	3311311	4	Proximity switch
	9	3311372	1	Electric wiring
	10	3311377	2	
	11	5002051	1	Support (Proximity switch)
	12	3020034	2	Socketed head cap screw [M6X16 8.8 ZC UNI 5931]



VALIDO DA Dicembre 2010
VALID FROM December 2010

R	Pos.	Code Variant	Q.ty	Description
	1	3311312	1	Proximity switch
	2	3060030	10	Flat washer [D.6.6X18 UNI 6593 ZC]
	3	3311332	2	
	4	3060053	10	Split lock washer [D=6.4 C72 ZC]
	5	3020035	8	Socketed head cap screw [M6X20 8.8 ZC UNI 5931]
	6	5002026	4	Guard (Proximity switch)
	7	5002057	4	
	8	3311311	4	Proximity switch
	9	3311372	1	Electric wiring
	10	3311377	2	
	11	5000453	1	
	12	3020034	2	Socketed head cap screw [M6X16 8.8 ZC UNI 5931]



VALIDO DA Gennaio 2012
VALID FROM January 2012

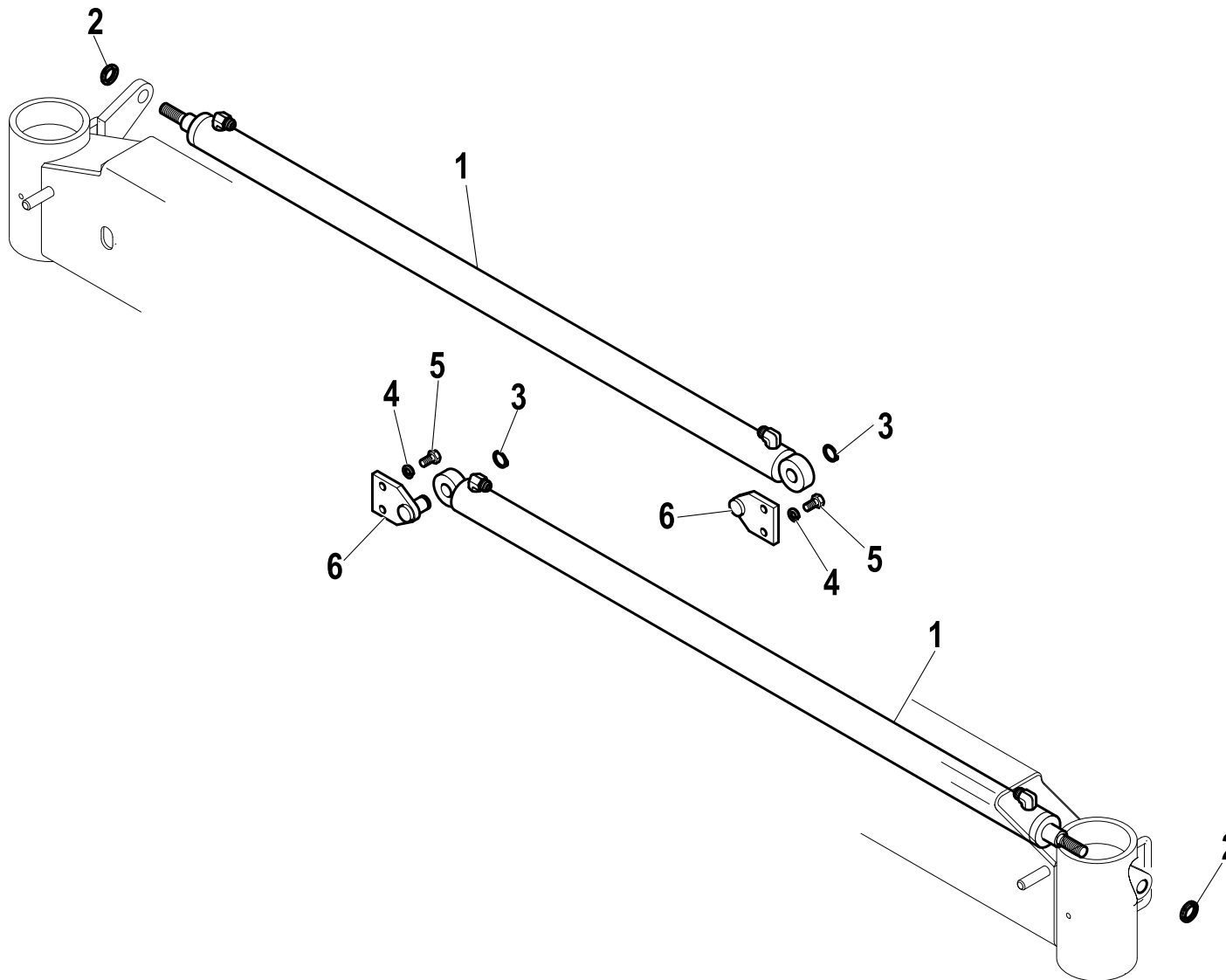
VERSION 2012

ROD EXTENSION HYDRAULIC CYLINDER

Code

5380018-1.0

1/1

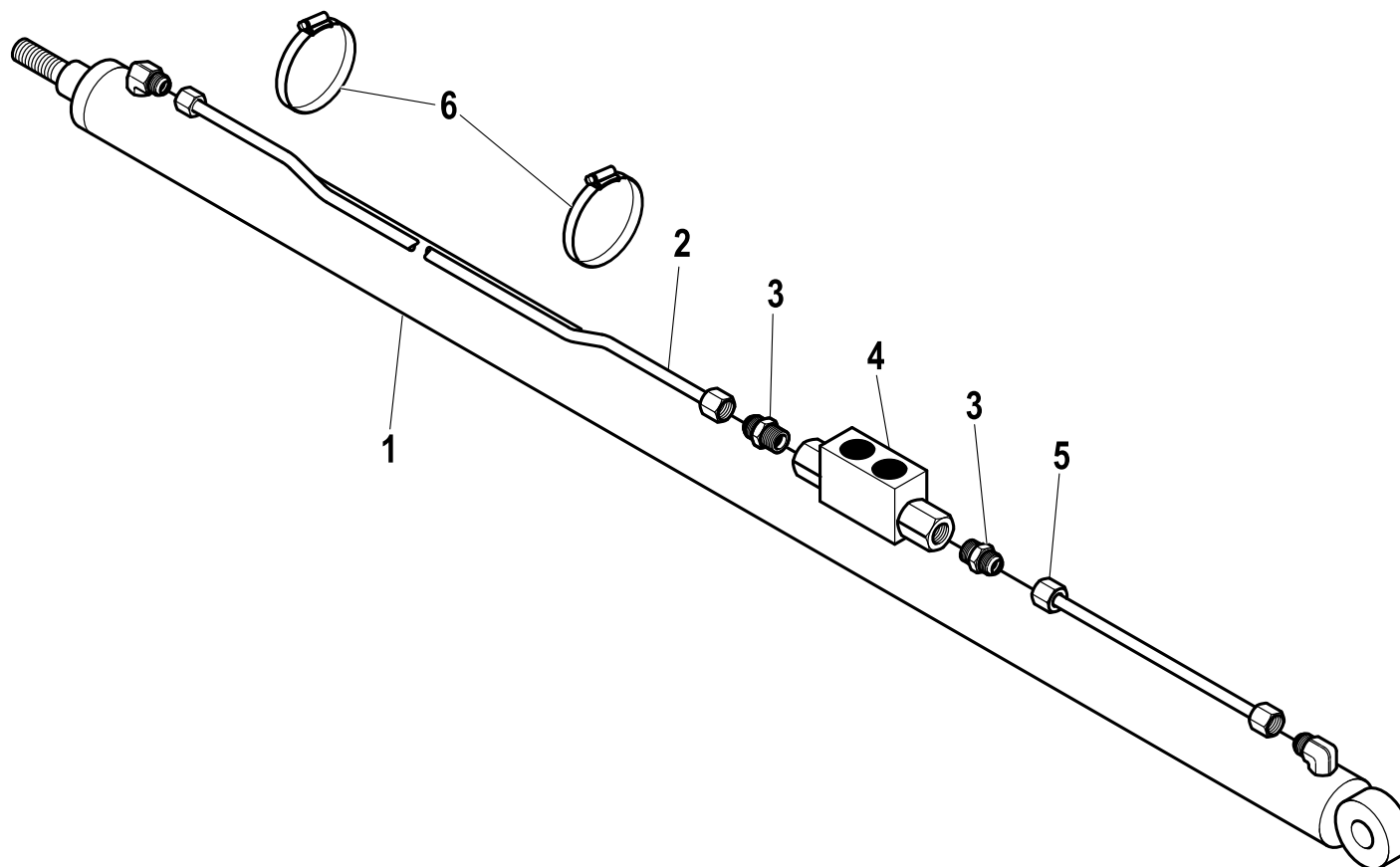


R	Pos.	Code Variant	Q.ty	Description
	1	6200209	2	Extension Hydraulic jack
	2	3040504	2	Self-locking ringnut
	3	3070017	3	Seeger
	4	3060056	4	Split lock washer [D=10 C72 ZC]
	5	3010354	4	Hex screw [M10X20 8.8 ZC UNI 5739]
	6	5090820	2	

HYDRAULIC SYSTEM (ROD EXTENSION HYDRAULIC CYLINDER)

Code		
6200209-1.0		1/1

R	Pos.	Code Variant	Q.ty	Description
	1	6400209	1	Extension Hydraulic jack
	2	5392036	1	
	3	3101039	2	Straight pipe fitting
	4	5220559	1	Holding valve
	5	5392035	1	
	6	3190025	2	Clamp

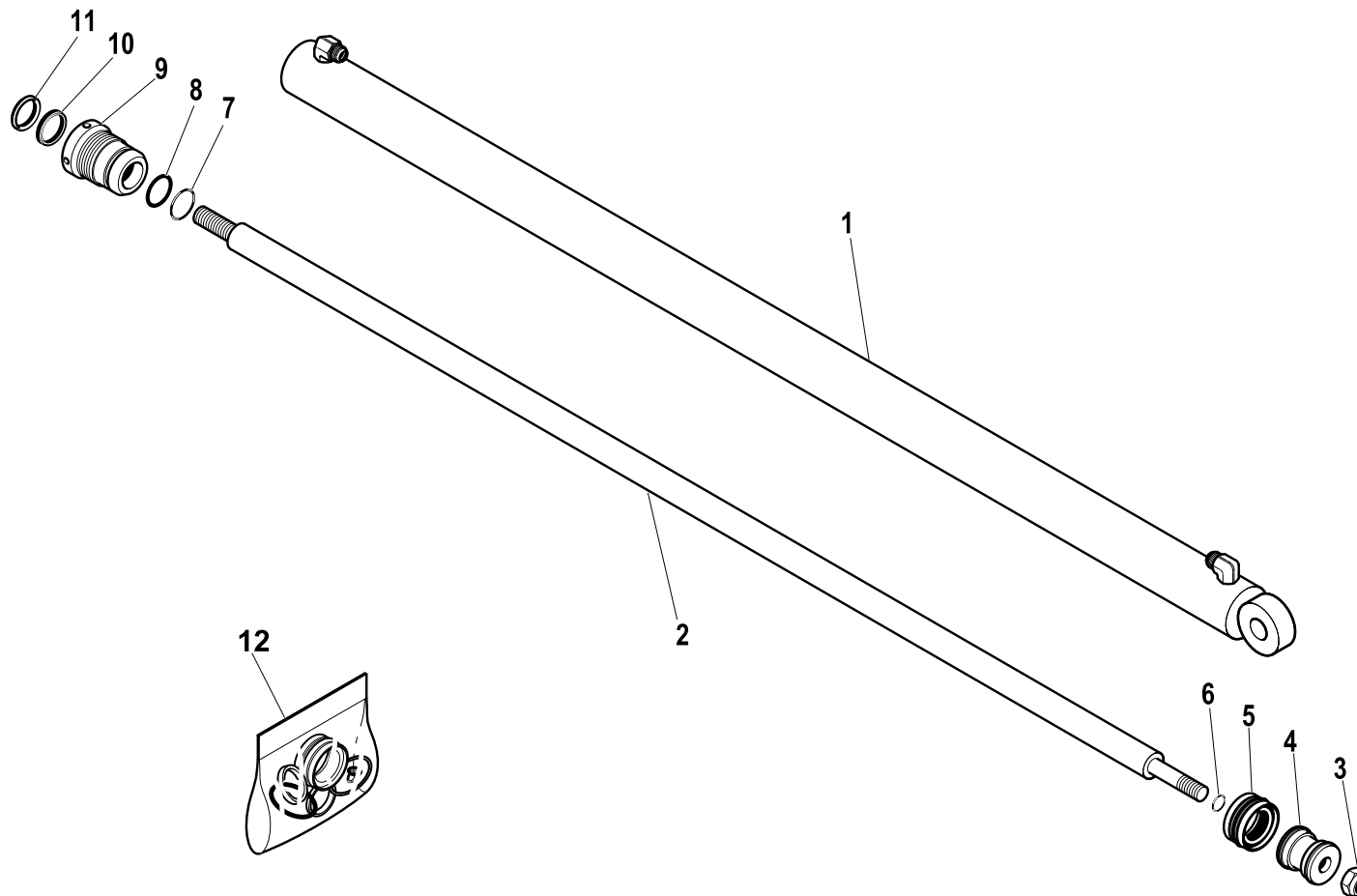


ROD EXTENSION HYDRAULIC CYLINDER

Code

6400209-1.0

1/1



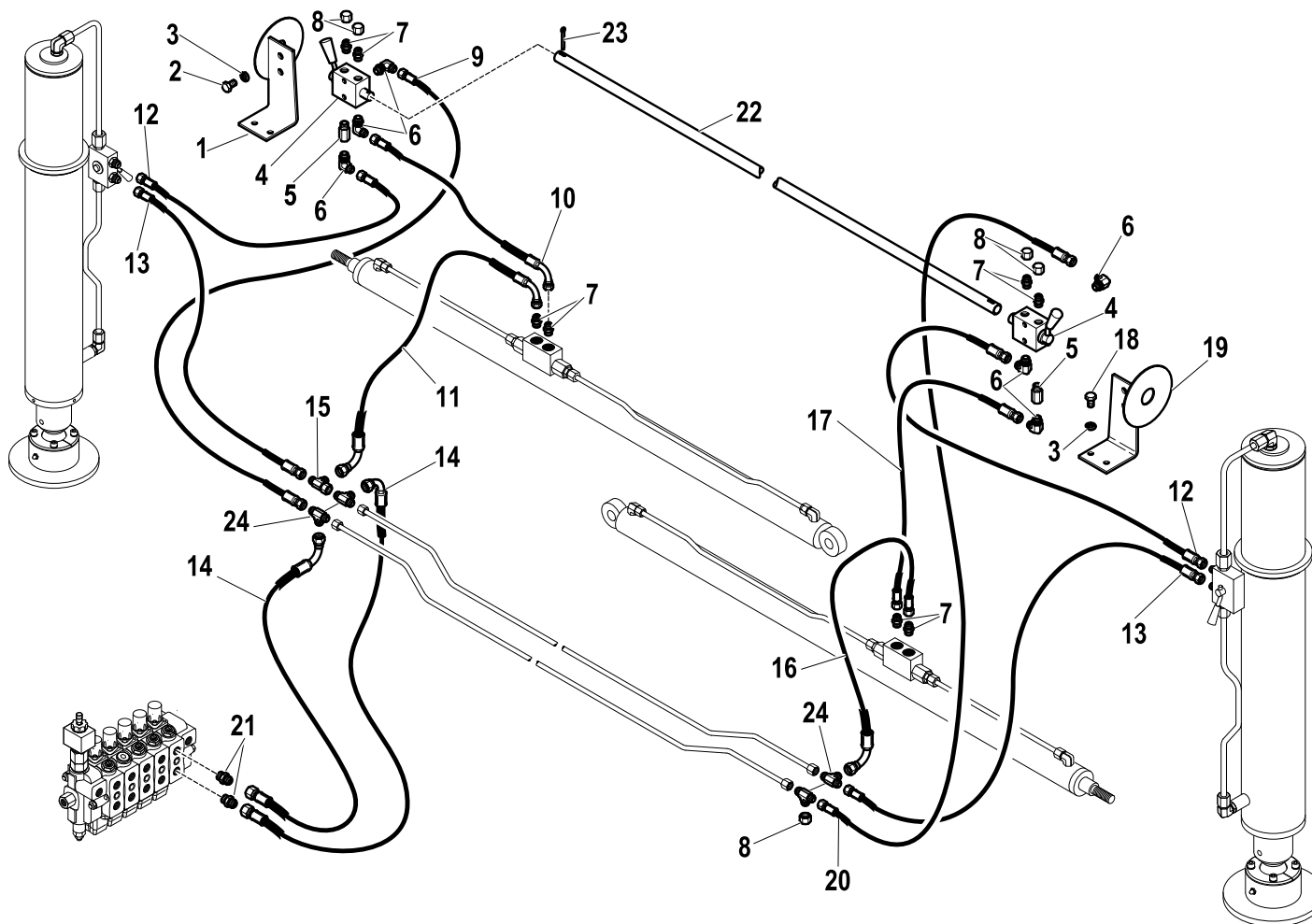
R	Pos.	Code Variant	Q.ty	Description
	1	6070508	1	
	2	6030640	1	
	3	3040306	1	Stopnut
	4	6050142	1	
	5	3400503	1	
	6	3450006	1	
	7	3450067	1	
	8	3460067	1	
	9	6040154	1	
	10	3400029	1	
	11	3420011	1	
	12	5550709	1	

HYDRAULIC SYSTEM (ROD EXTENSION HYDRAULIC CYLINDER EXTRA-EXTENSIBLE)

Code

5380018-2.0

1/2

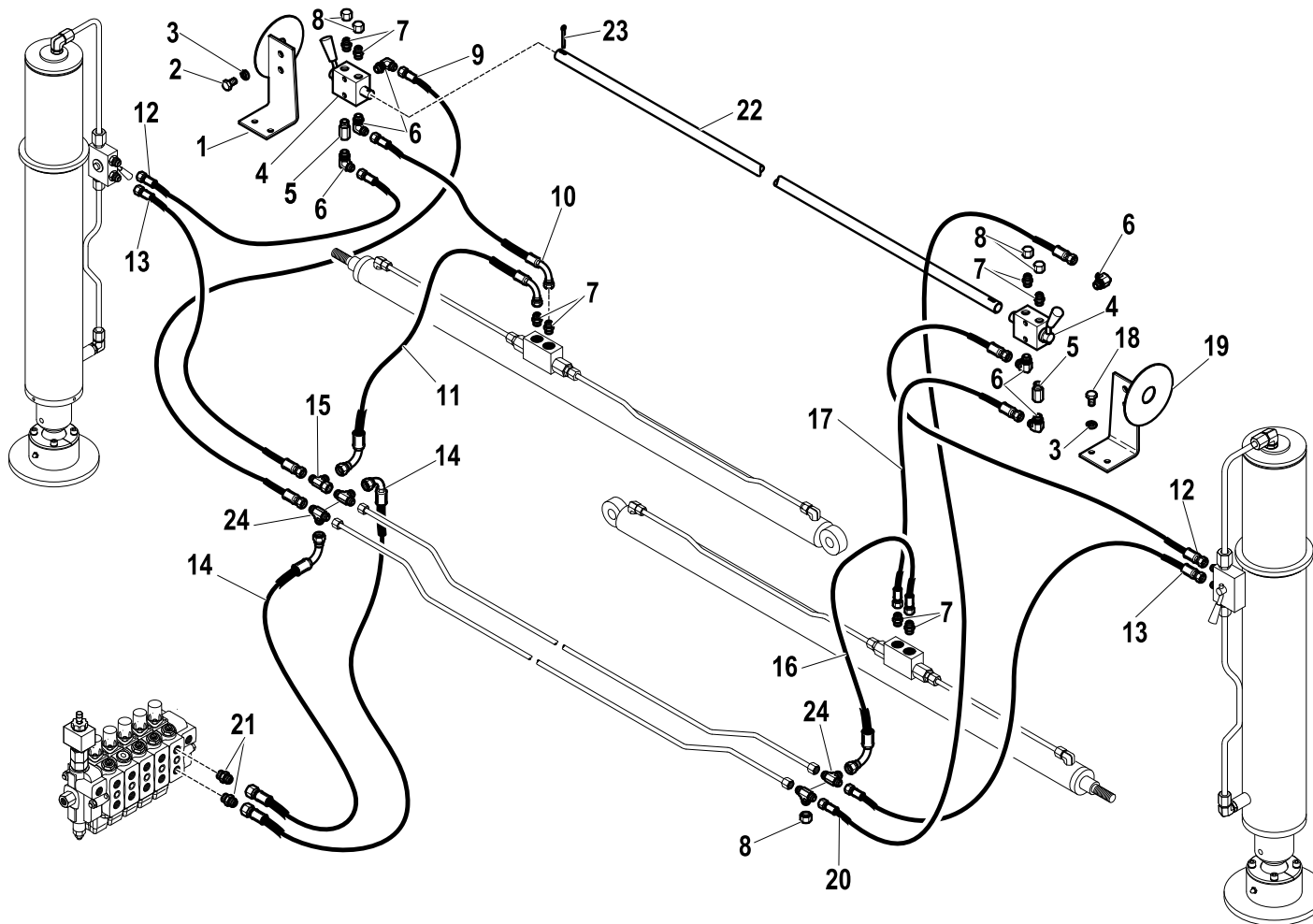


R	Pos.	Code Variant	Q.ty	Description
	1	5090930	1	
	2	3010336	4	Hex screw [M8X12 8.8 ZC UNI 5739]
	3	3060055	4	Split lock washer [D=8.4 C72 ZC]
	4	5220256	2	
	5	3110270	2	Straight pipe fitting
	6	3101124	6	90° Connection
	7	3101039	8	Straight pipe fitting
	8	3110040	5	Female plug
	9	5260717	1	Flexible hose
	10	5260718	1	Flexible hose
	11	5260719	1	Flexible hose
	12	5260724	2	Flexible hose
	13	5260723	2	Flexible hose
	14	5260715	2	Flexible hose
	15	3120003	1	Tee fitting
	16	5260721	1	Flexible hose
	17	5260720	1	Flexible hose
	18	3010337	2	Hex screw [M8X16 8.8 ZC UNI 5739]
	19	5090929	1	
	20	5260722	1	Flexible hose

HYDRAULIC SYSTEM (ROD EXTENSION HYDRAULIC CYLINDER EXTRA-EXTENSIBLE)

Code		
5380018-2.0		2/2

R	Pos.	Code Variant	Q.ty	Description
	21	3101040	2	Straight pipe fitting
	22	5001501	1	
	23	3060903	2	
	24	3101080	4	Tee fitting

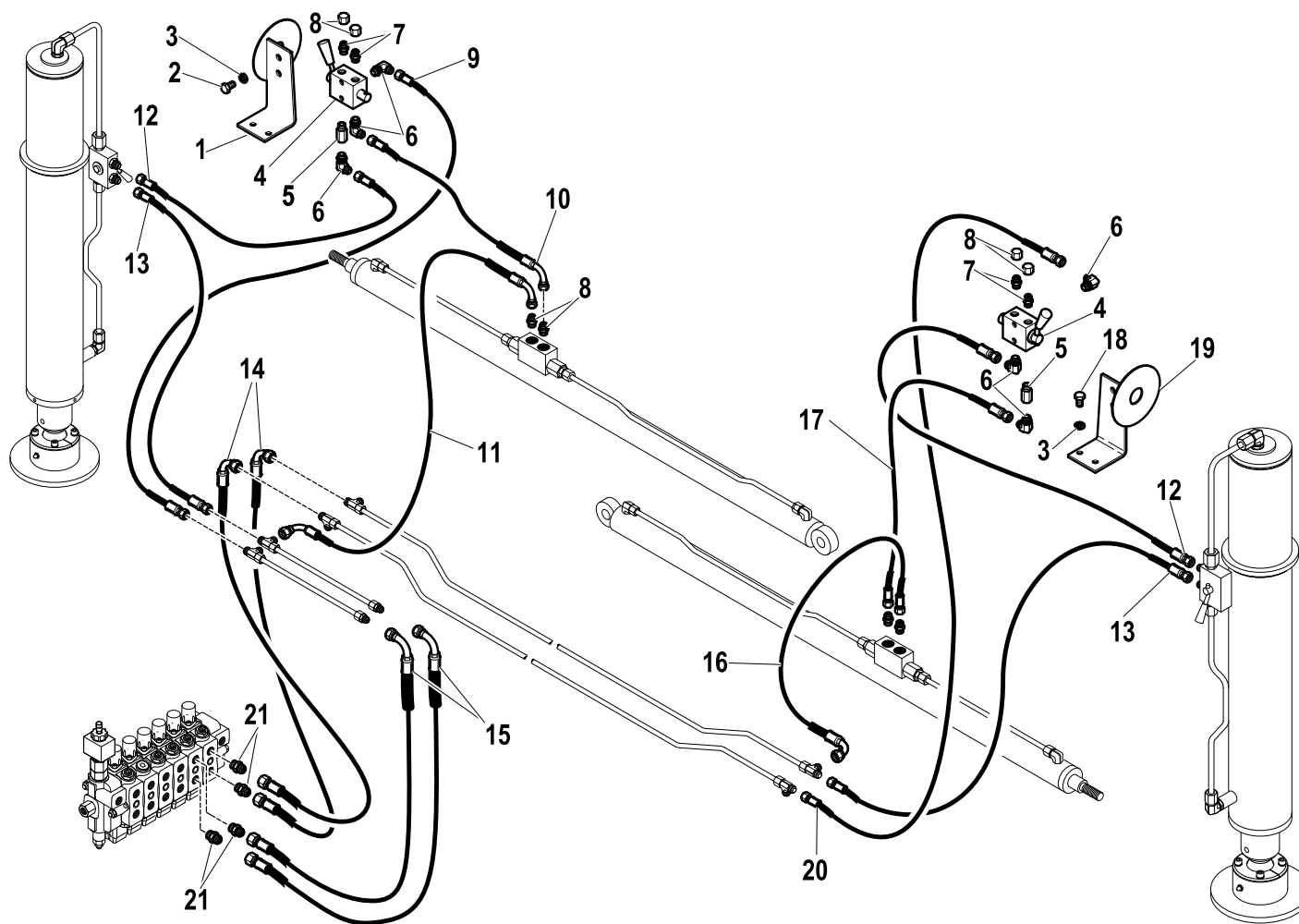


HYDRAULIC SYSTEM (ROD EXTENSION HYDRAULIC CYLINDER EXTRA-EXTENSIBLE)

Code

5380027-1.0

1/2

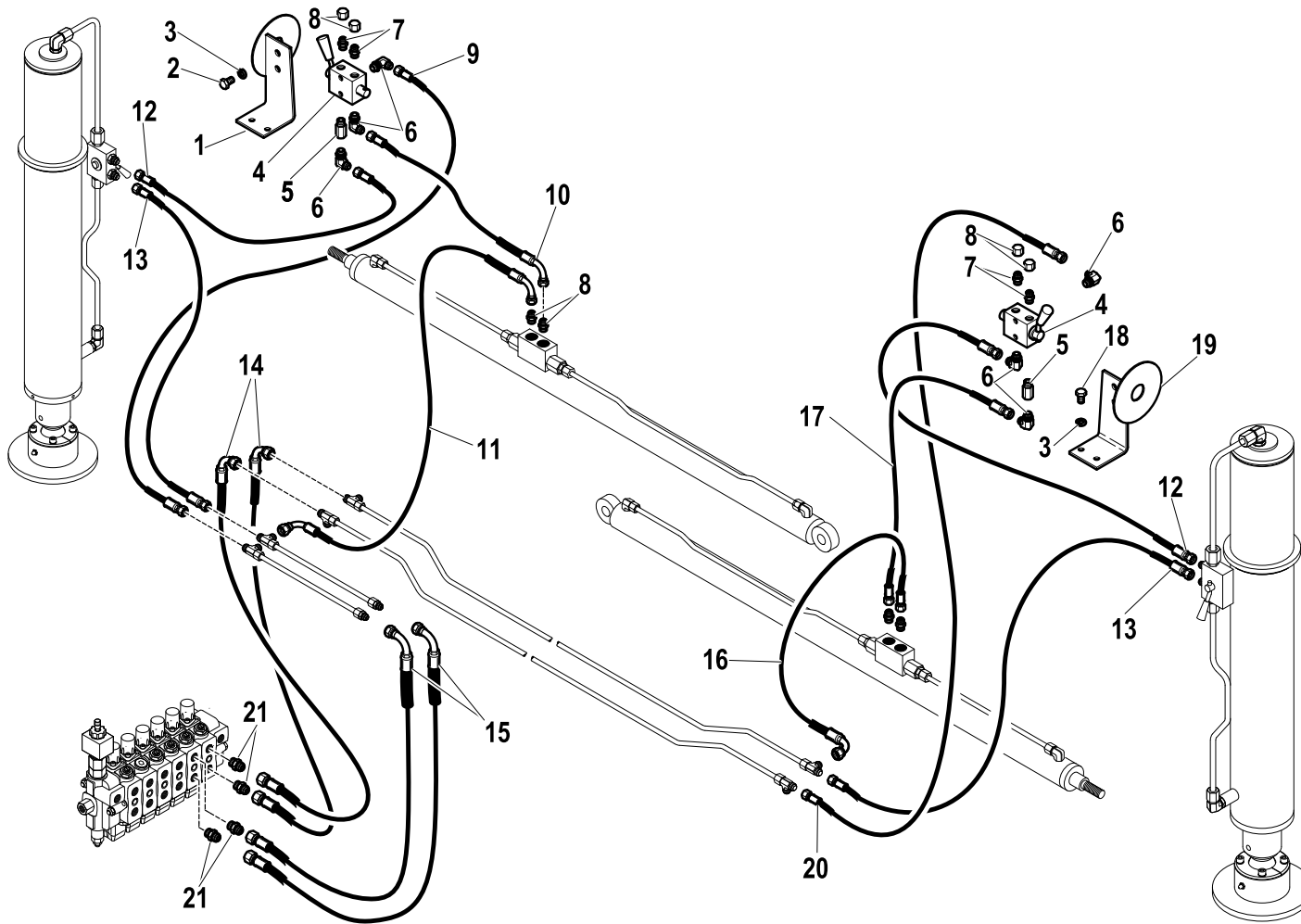


R	Pos.	Code Variant	Q.ty	Description
	1	5090930	1	
	2	3010336	4	Hex screw [M8X12 8.8 ZC UNI 5739]
	3	3060055	4	Split lock washer [D=8.4 C72 ZC]
	4	5220256	2	
	5	3110270	2	Straight pipe fitting
	6	3101124	6	90° Connection
	7	3101039	4	Straight pipe fitting
	8	3110040	4	Female plug
	9	5260717	1	Flexible hose
	10	5260718	1	Flexible hose
	11	5260719	1	Flexible hose
	12	5260724	2	Flexible hose
	13	5260723	2	Flexible hose
	14	5260715	2	Flexible hose
	15	5260716	2	Flexible hose
	16	5260721	1	Flexible hose
	17	5260720	1	Flexible hose
	18	3010337	4	Hex screw [M8X16 8.8 ZC UNI 5739]
	19	5090929	1	
	20	5260722	1	Flexible hose

HYDRAULIC SYSTEM (ROD EXTENSION HYDRAULIC CYLINDER EXTRA-EXTENSIBLE)

Code		
5380027-1.0		2/2

R	Pos.	Code Variant	Q.ty	Description
	21	3101040	4	Straight pipe fitting

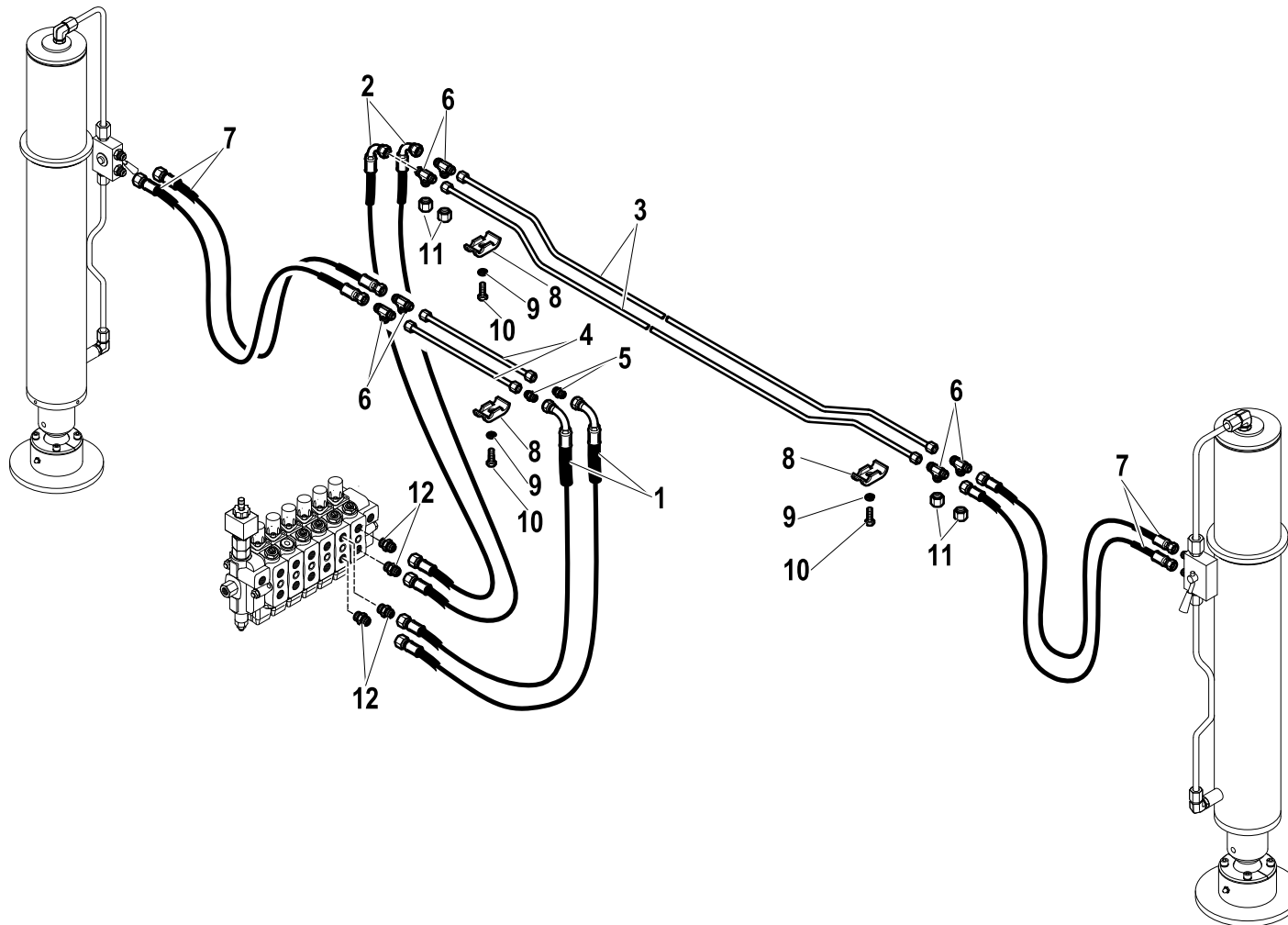


Stabilizer Hydraulic jack "extra" (Hydraulic system)

Code

5760102-2.0

1/1



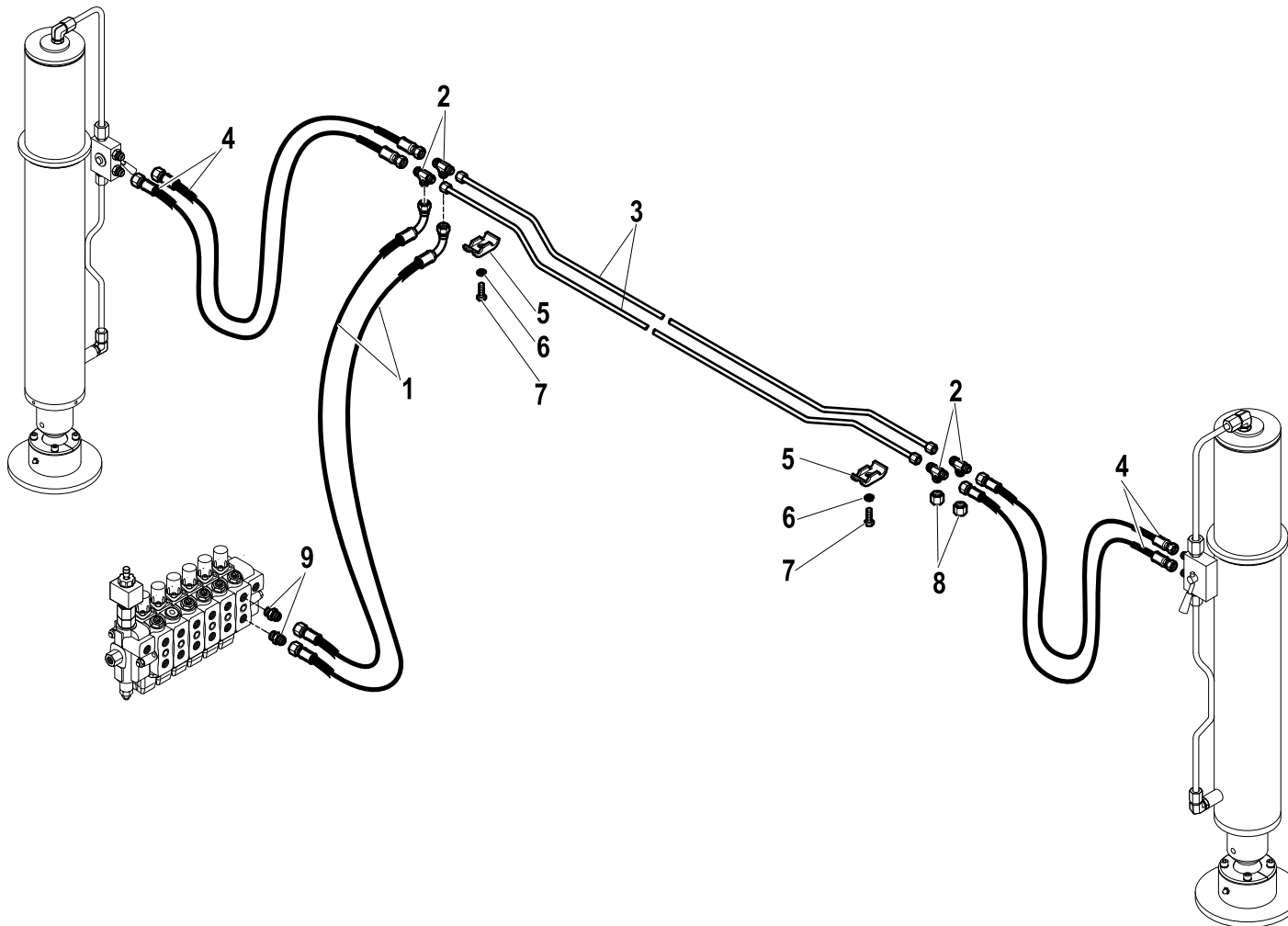
R	Pos.	Code Variant	Q.ty	Description
	1	5260715	2	Flexible hose
	2	5260716	2	Flexible hose
	3	5392034	2	
	4	5392033	2	
	5	3120099	2	
	6	3101080	4	Tee fitting
	7	5260723	4	Flexible hose
	8	5000077	4	Clamp (Rigid Pipe)
	9	3060055	4	Split lock washer [D=8.4 C72 ZC]
	10	3010339	4	Hex screw [M8X25 8.8 ZC IF UNI 5739]
	11	3110040	4	Female plug
	12	3101040	4	Straight pipe fitting

Stabilizer Hydraulic jack "extra" (Hydraulic system)

Code

5760076-1.0

1/1



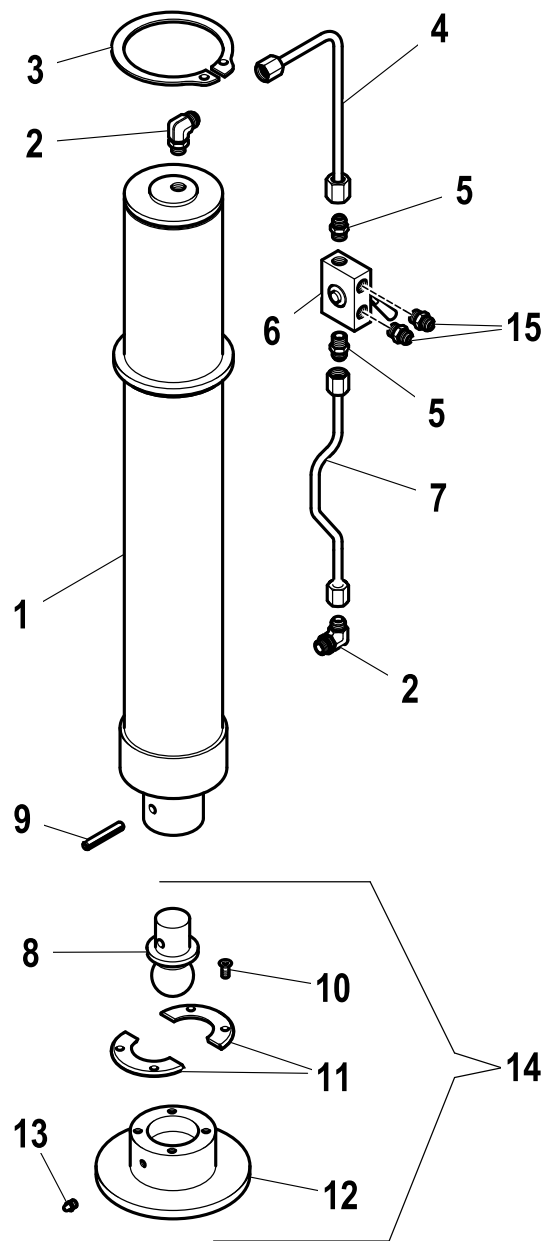
R	Pos.	Code Variant	Q.ty	Description
	1	5260716	2	Flexible hose
	2	3101080	4	Tee fitting
	3	5391034	2	
	4	5260723	4	Flexible hose
	5	5000077	2	Clamp (Rigid Pipe)
	6	3060055	2	Split lock washer [D=8.4 C72 ZC]
	7	3010339	2	Hex screw [M8X25 8.8 ZC IF UNI 5739]
	8	3110040	2	Female plug
	9	3101040	2	Straight pipe fitting

Stabilizer Hydraulic jack (Hydraulic system)

Code

6200208-1.0

1/1



R	Pos.	Code Variant	Q.ty	Description
	1	6400208	1	Stabilizer Hydraulic jack
	2	3101127	2	90° Connection
	3	3070070	1	Seeger
	4	5390668	1	Bonderized tube
	5	3101043	2	Straight pipe fitting
	6	5220048	1	
	7	5391054	1	
	8	4160397	1	
	9	3060632	1	Spring pin
	10	3020452	4	TSEI screw [M8X16 10.9 ZC UNI 5933]
	11	4160398	2	
	12	5090815	1	
	13	3080512	1	Grease nipple
	14	5920002	1	ARTICULATED JOINT TANG
	15	3101040	2	Straight pipe fitting

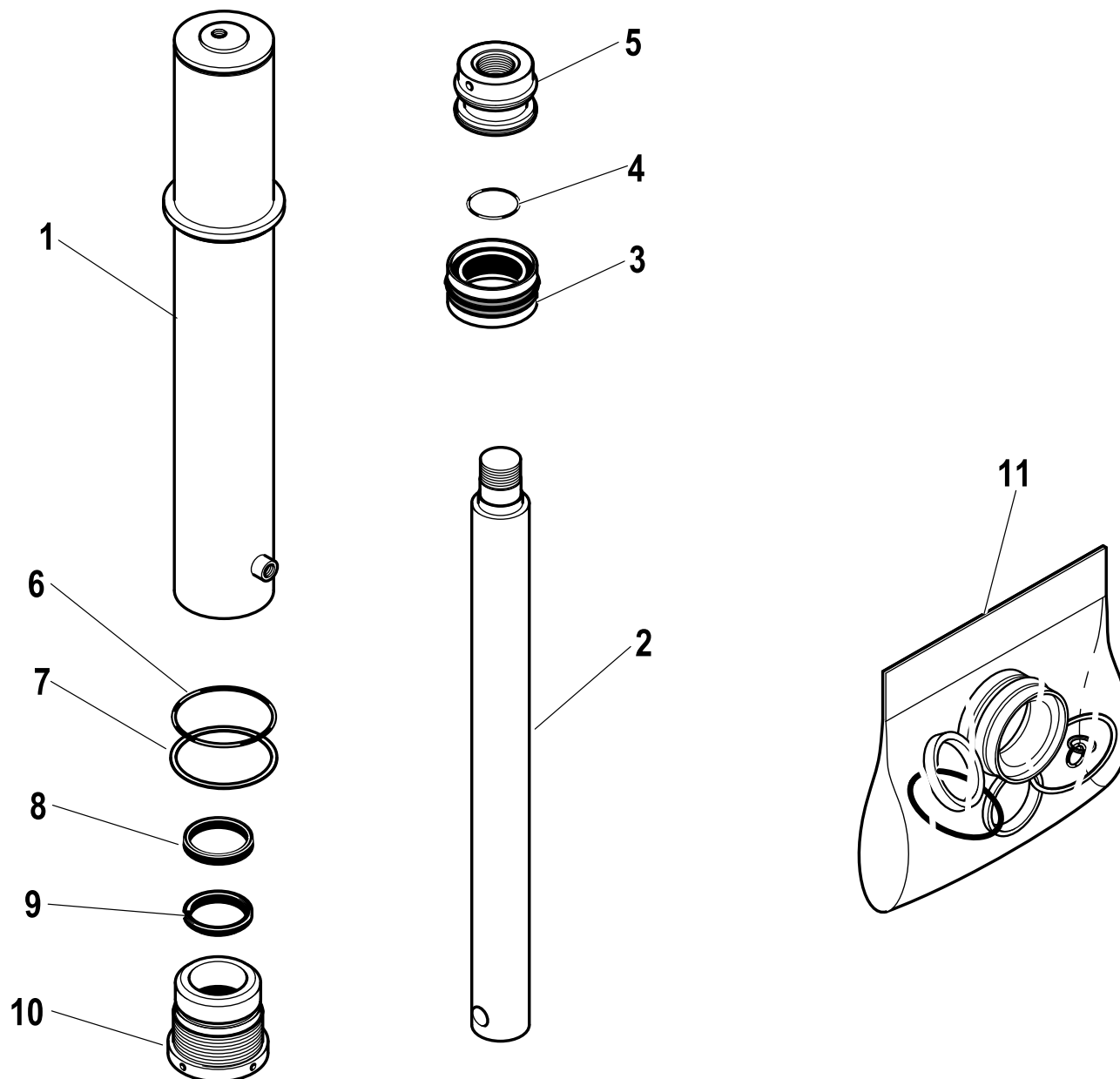
Stabilizer Hydraulic jack

Code

6400208-1.0

1/1

R	Pos.	Code Variant	Q.ty	Description
	1	6070507	1	
	2	6030639	1	
	3	3400512	1	Seal
	4	3450114	1	O-ring joint
	5	6050013	1	Piston
	6	3450145	1	O-ring joint
	7	3460145	1	Anti-extrusion ring
	8	3400102	1	Seal
	9	3420028	1	W-ring
	10	6040289	1	Close nipple
	11	5550759	1	Seal kit



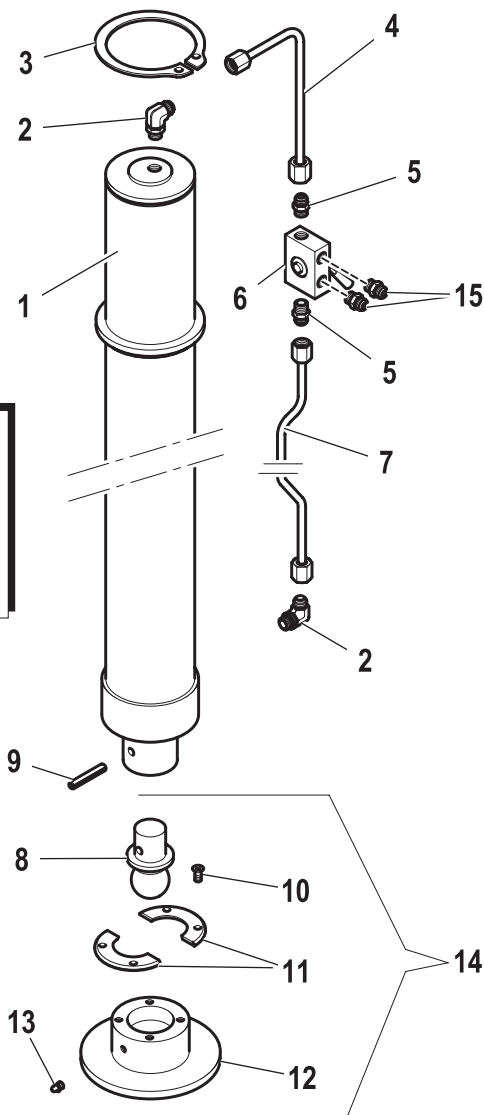
Stabilizer Hydraulic jack (Hydraulic system)

Code

6200256-1.0

1/1

VERSIONE LUNGA
LONG VERSION
VERSION LONGUE
LANGVERSION
VERSIÓN LARGA



R	Pos.	Code Variant	Q.ty	Description
	1	6400256	1	Stabilizer Hydraulic jack
	2	3101127	2	90° Connection
	3	3070070	1	Seeger
	4	5390668	1	Bonderized tube
	5	3101043	2	Straight pipe fitting
	6	5220048	1	
	7	5392189	1	Bonderized tube
	8	4160397	1	
	9	3060632	1	Spring pin
	10	3020899	4	TSEI screw [M8X20 10.9 ZC UNI 5933]
	11	4160398	2	
	12	5090815	1	
	13	3080512	1	Grease nipple
	14	5920002	1	ARTICULATED JOINT TANG
	15	3101040	2	Straight pipe fitting

Stabilizer Hydraulic jack (Long)

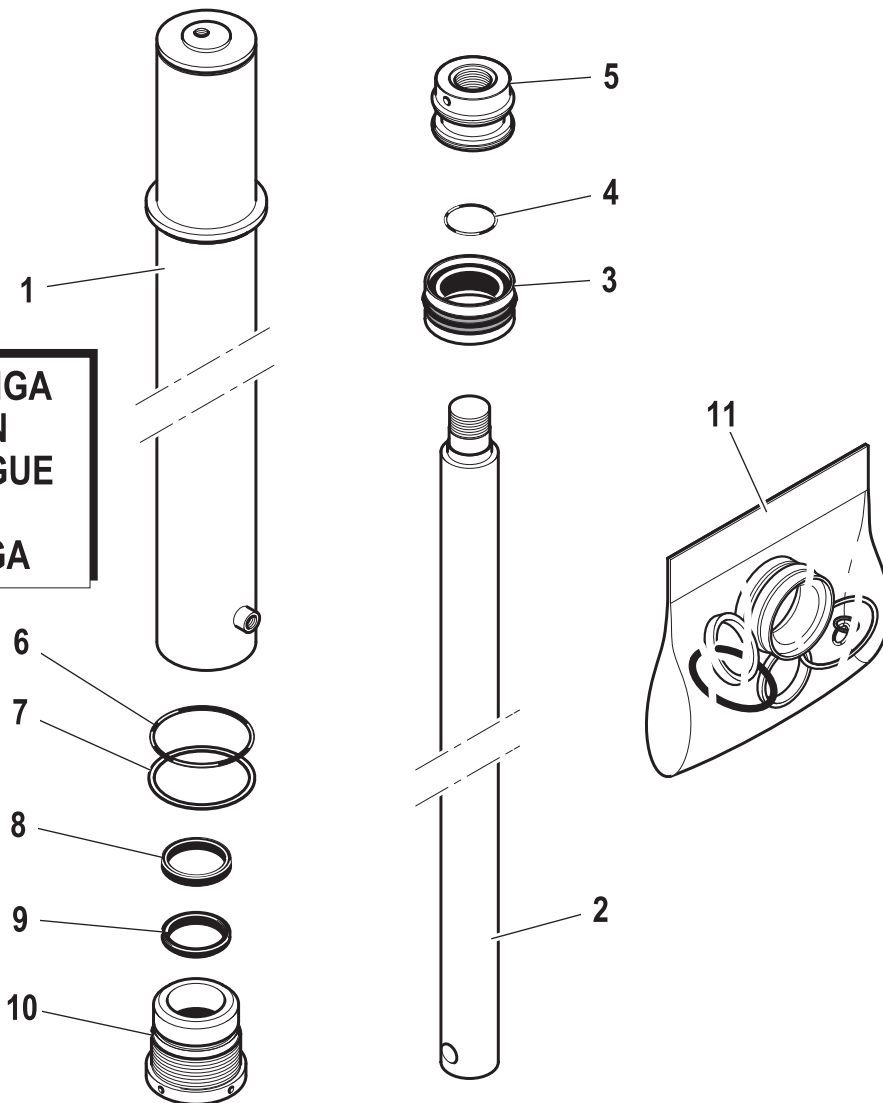
Code

6400256-1.0

1/1

R	Pos.	Code Variant	Q.ty	Description
	1	6070568	1	Liner (Assembly)
	2	6030819	1	Rod unit
	3	3400512	1	Seal
	4	3450114	1	O-ring joint
	5	6050013	1	Piston
	6	3450145	1	O-ring joint
	7	3460145	1	Anti-extrusion ring
	8	3400102	1	Seal
	9	3420028	1	W-ring
	10	6040289	1	Close nipple
	11	5550759	1	Seal kit

VERSIONE LUNGA
LONG VERSION
VERSION LONGUE
LANGVERSION
VERSIÓN LARGA



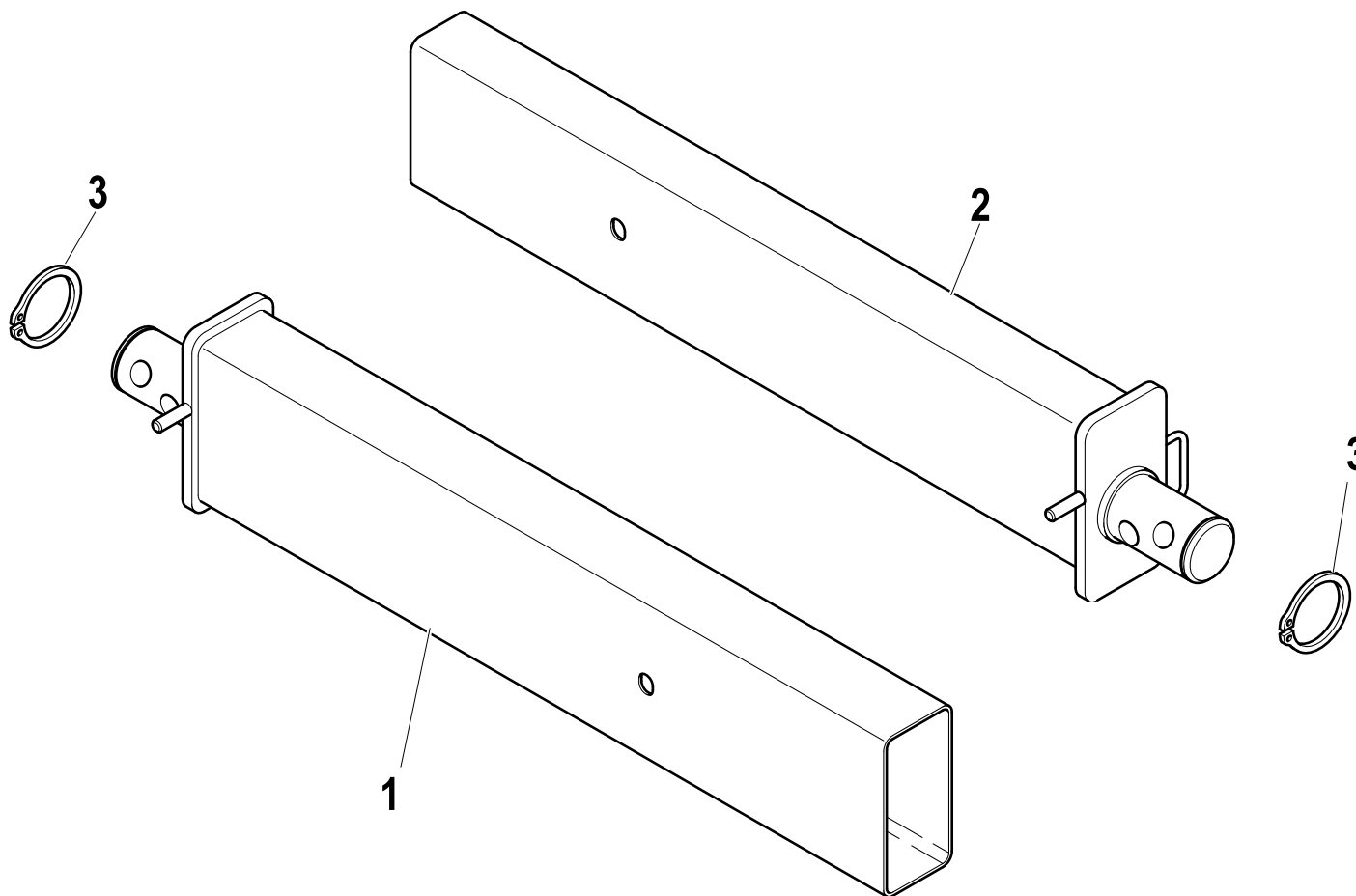
Stabilizers rods (Manual expansion element)

Code

5760100-1.0

1/1

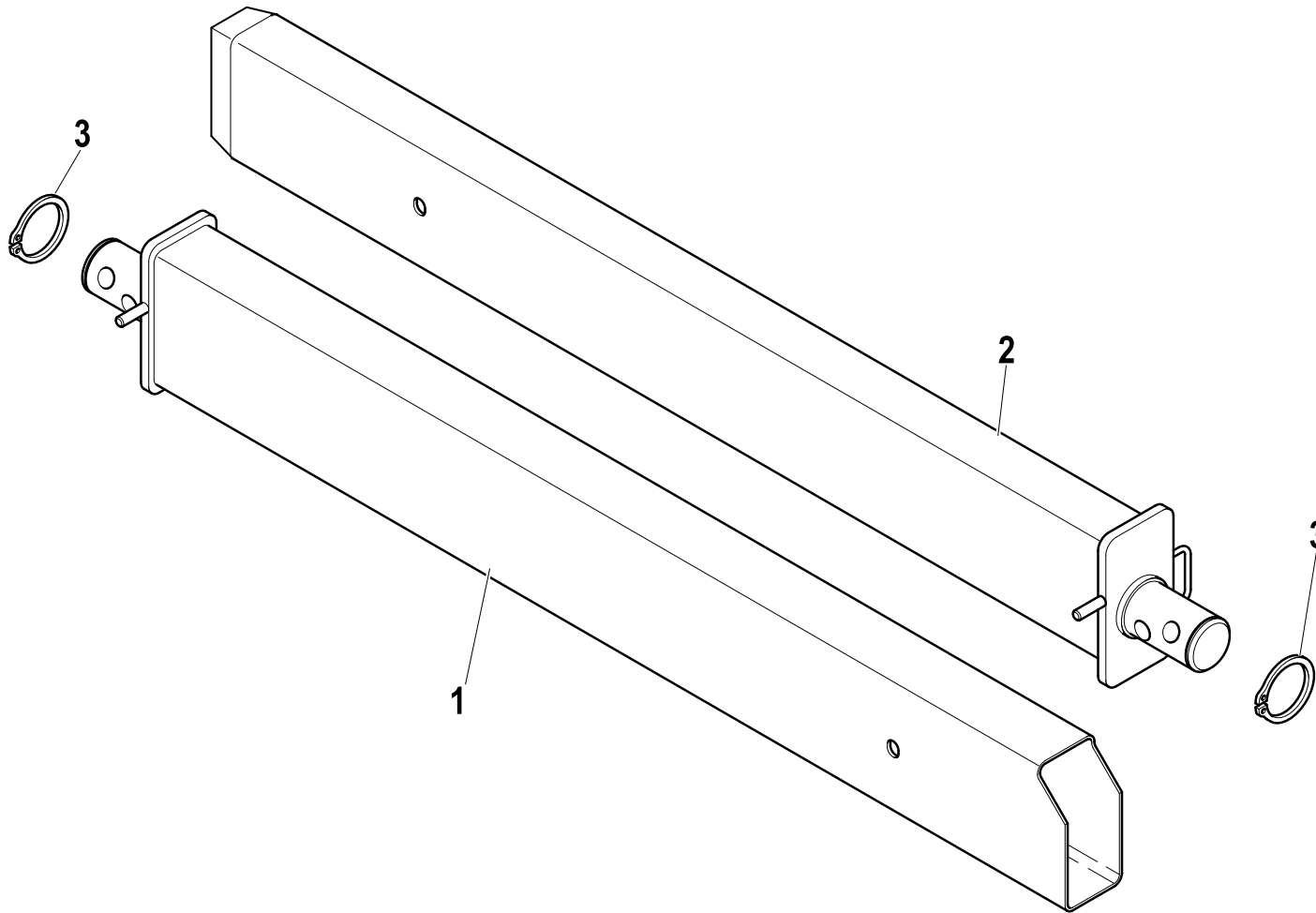
R	Pos.	Code Variant	Q.ty	Description
	1	5070325	1	
	2	5070326	1	
	3	3070063	2	Seeger



Stabilizer connecting rods extra-extensible (Manual expansion element)

Code		
5760099-1.0		1/1

R	Pos.	Code Variant	Q.ty	Description
	1	5070331	1	
	2	5070333	1	
	3	3070063	2	Seeger



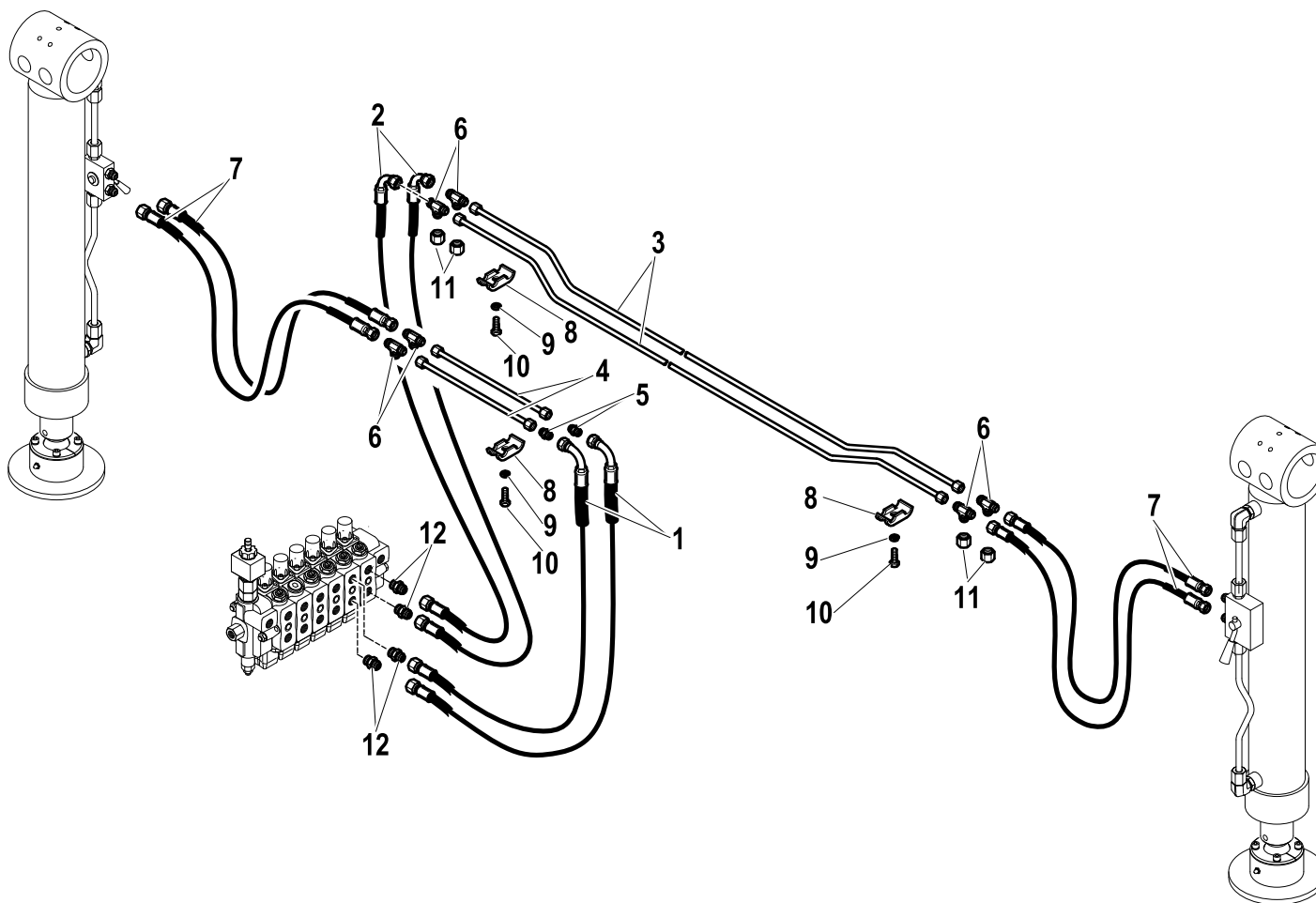
HYDRAULIC SYSTEM (STABILISER RAM)

Code

5760099-2.0

1/1

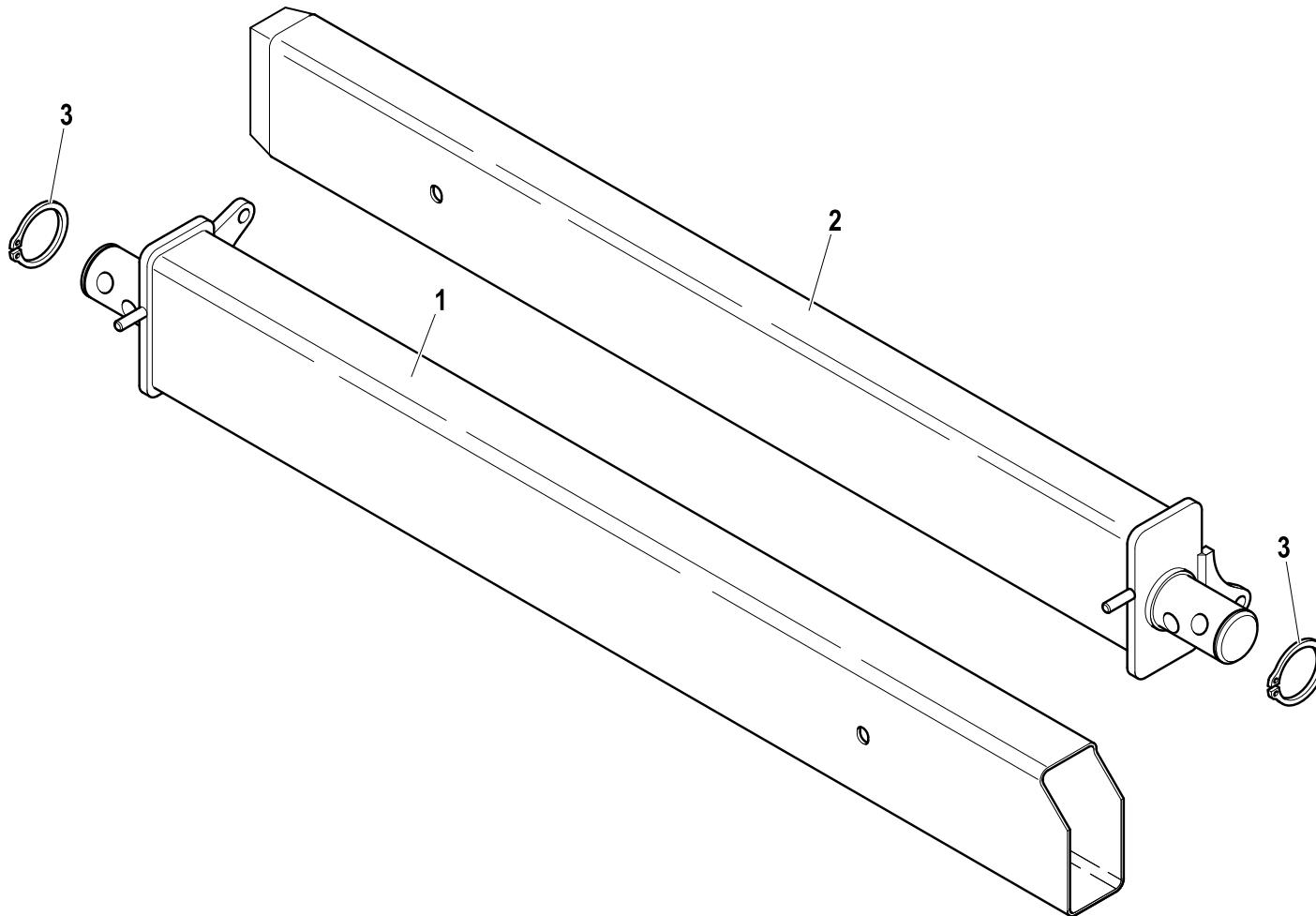
R	Pos.	Code Variant	Q.ty	Description
	1	5260715	2	Flexible hose
	2	5260716	2	Flexible hose
	3	5392034	2	
	4	5392033	2	
	5	3120099	2	
	6	3101080	4	Tee fitting
	7	5260723	4	Flexible hose
	8	5000077	4	Clamp (Rigid Pipe)
	9	3060055	4	Split lock washer [D=8.4 C72 ZC]
	10	3010339	4	Hex screw [M8X25 8.8 ZC IF UNI 5739]
	11	3110040	4	Female plug
	12	3101040	4	Straight pipe fitting



Stabilizer connecting rods extra-extensible (Hydraulic control)

Code		
5760098-1.0		1/1

R	Pos.	Code Variant	Q.ty	Description
	1	5070332	1	
	2	5070334	1	
	3	3070063	2	Seeger

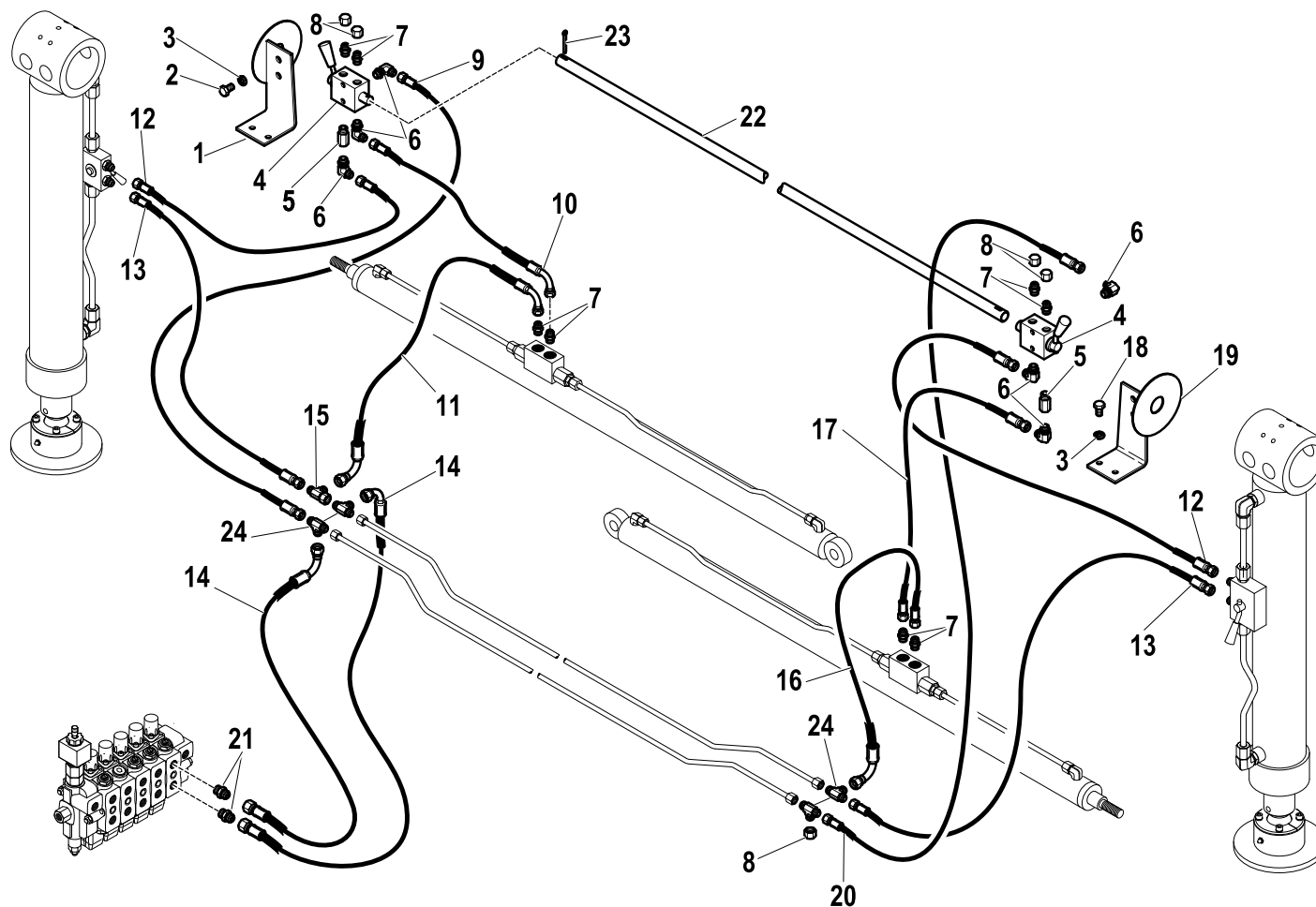


HYDRAULIC SYSTEM (ROD EXTENSION HYDRAULIC CYLINDER EXTRA-EXTENSIBLE)

Code

5380018-3.0

1/2

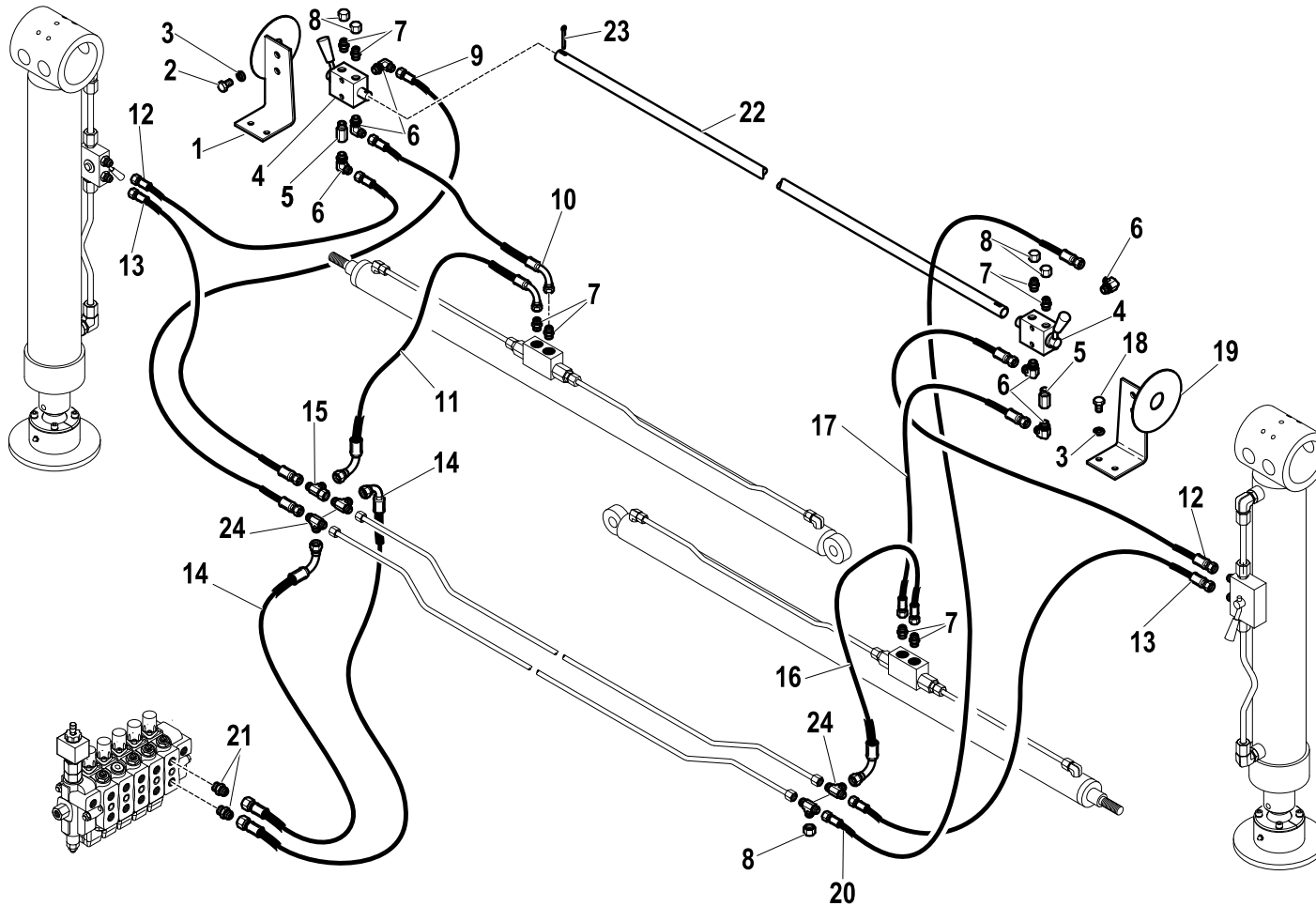


R	Pos.	Code Variant	Q.ty	Description
	1	5090930	1	
	2	3010336	4	Hex screw [M8X12 8.8 ZC UNI 5739]
	3	3060055	4	Split lock washer [D=8.4 C72 ZC]
	4	5220256	2	
	5	3110270	2	Straight pipe fitting
	6	3101124	6	90° Connection
	7	3101039	8	Straight pipe fitting
	8	3110040	5	Female plug
	9	5260717	1	Flexible hose
	10	5260718	1	Flexible hose
	11	5260719	1	Flexible hose
	12	5260724	2	Flexible hose
	13	5260723	2	Flexible hose
	14	5260715	2	Flexible hose
	15	3120003	1	Tee fitting
	16	5260721	1	Flexible hose
	17	5260720	1	Flexible hose
	18	3010337	2	Hex screw [M8X16 8.8 ZC UNI 5739]
	19	5090929	1	
	20	5260722	1	Flexible hose

HYDRAULIC SYSTEM (ROD EXTENSION HYDRAULIC CYLINDER EXTRA-EXTENSIBLE)

Code		
5380018-3.0		2/2

R	Pos.	Code Variant	Q.ty	Description
	21	3101040	2	Straight pipe fitting
	22	5001501	1	
	23	3060903	2	
	24	3101080	4	Tee fitting

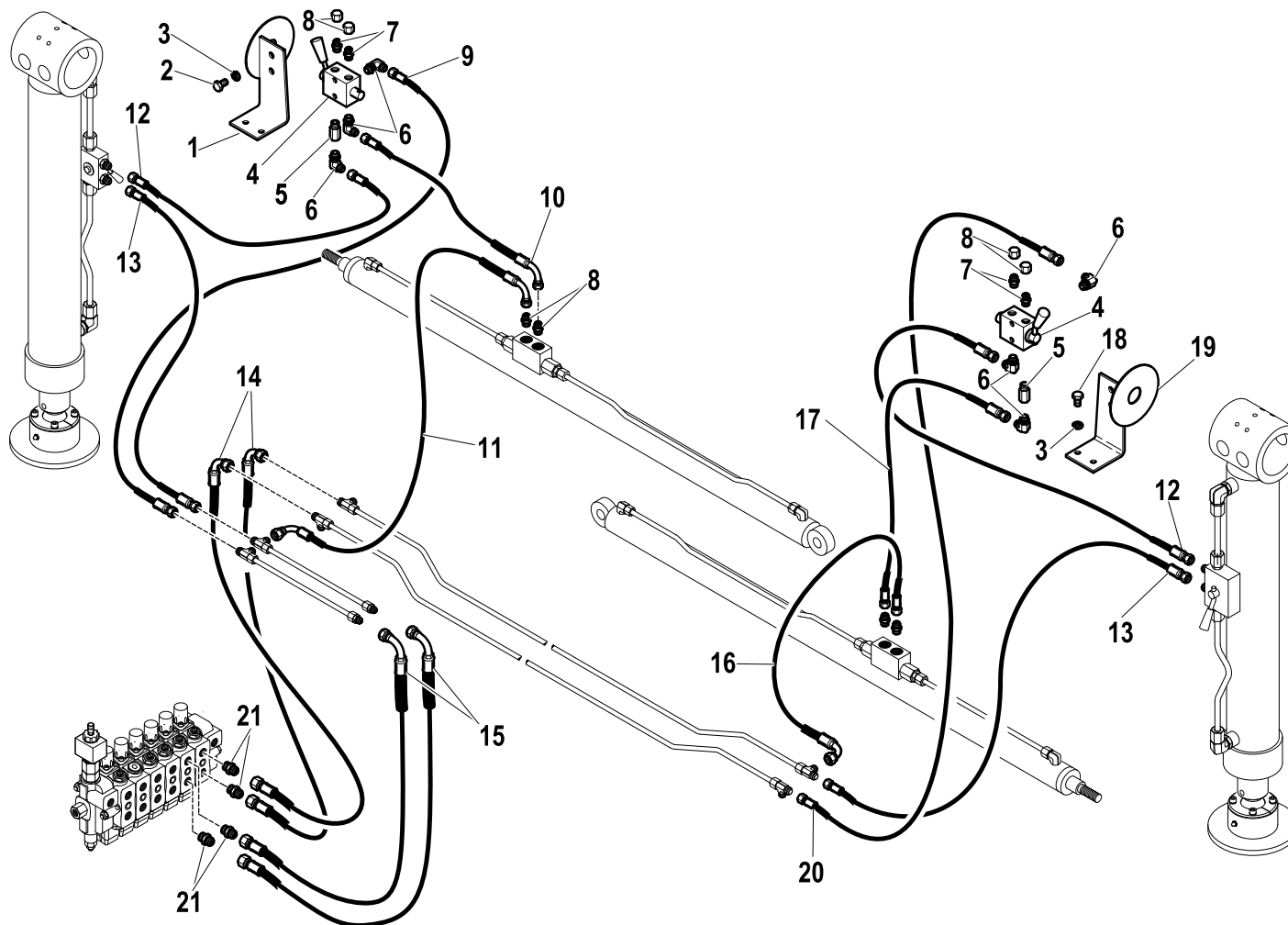


HYDRAULIC SYSTEM (ROD EXTENSION HYDRAULIC CYLINDER EXTRA-EXTENSIBLE)

Code

5380027-2.0

1/2

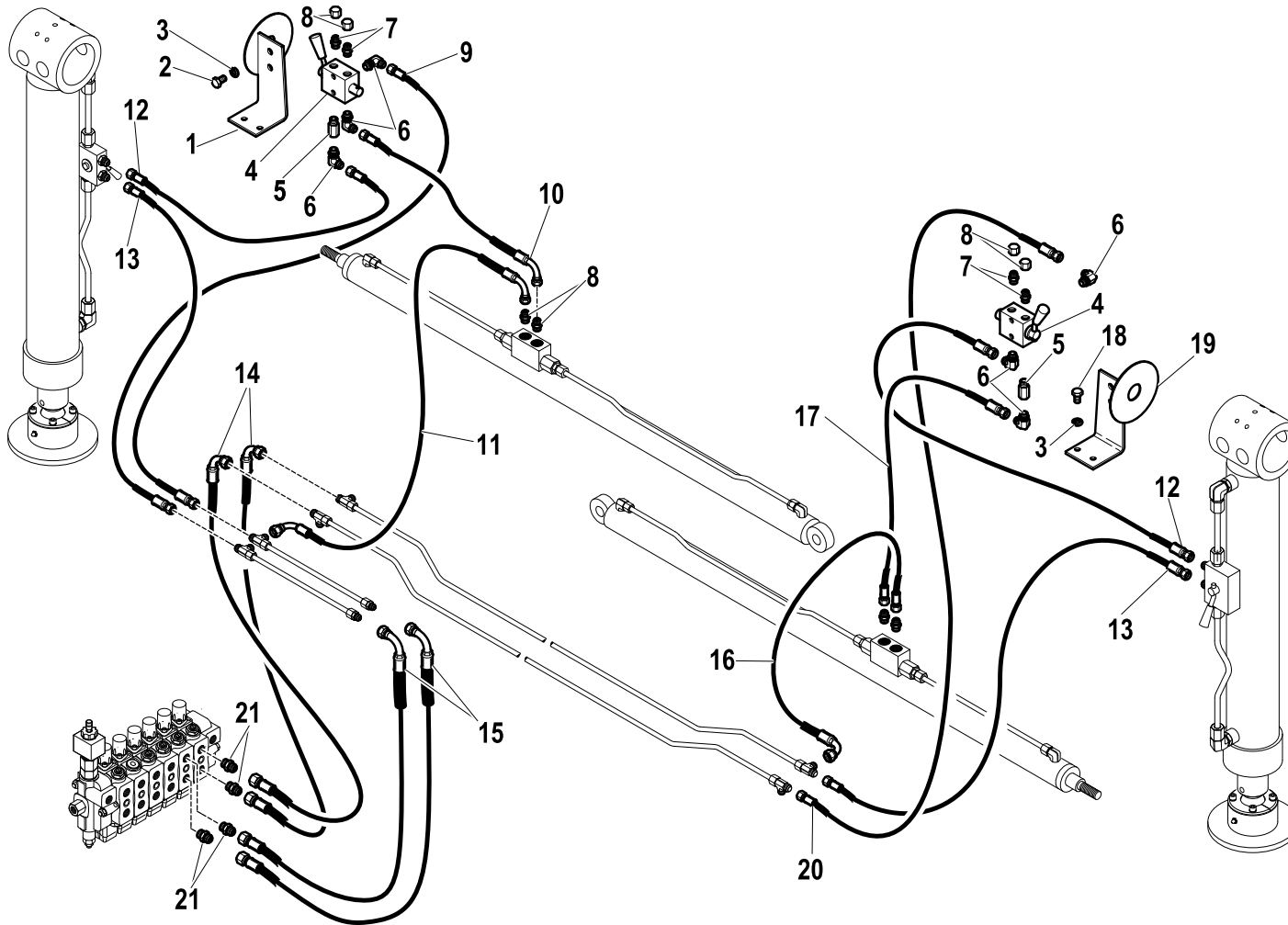


R	Pos.	Code Variant	Q.ty	Description
	1	5090930	1	
	2	3010336	4	Hex screw [M8X12 8.8 ZC UNI 5739]
	3	3060055	4	Split lock washer [D=8.4 C72 ZC]
	4	5220256	2	
	5	3110270	2	Straight pipe fitting
	6	3101124	6	90° Connection
	7	3101039	4	Straight pipe fitting
	8	3110040	4	Female plug
	9	5260717	1	Flexible hose
	10	5260718	1	Flexible hose
	11	5260719	1	Flexible hose
	12	5260724	2	Flexible hose
	13	5260723	2	Flexible hose
	14	5260715	2	Flexible hose
	15	5260716	2	Flexible hose
	16	5260721	1	Flexible hose
	17	5260720	1	Flexible hose
	18	3010337	2	Hex screw [M8X16 8.8 ZC UNI 5739]
	19	5090929	1	
	20	5260722	1	Flexible hose

HYDRAULIC SYSTEM (ROD EXTENSION HYDRAULIC CYLINDER EXTRA-EXTENSIBLE)

Code		
5380027-2.0		2/2

R	Pos.	Code Variant	Q.ty	Description
	21	3101040	4	Straight pipe fitting

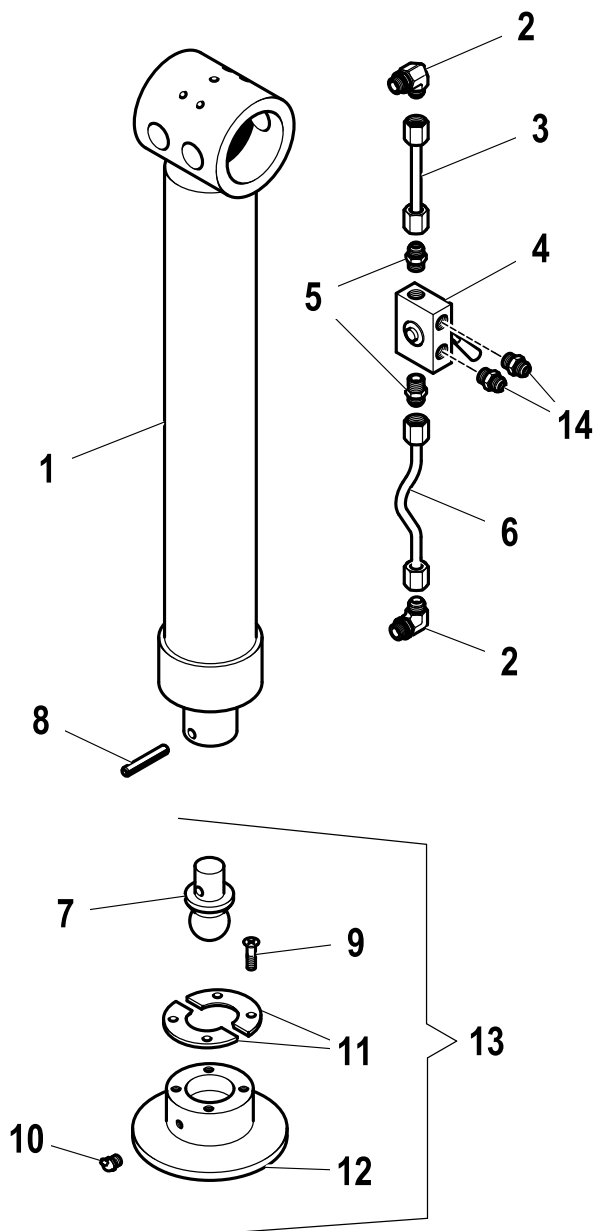


HYDRAULIC SYSTEM (STABILISER RAM)

Code

6200237-1.0

1/1



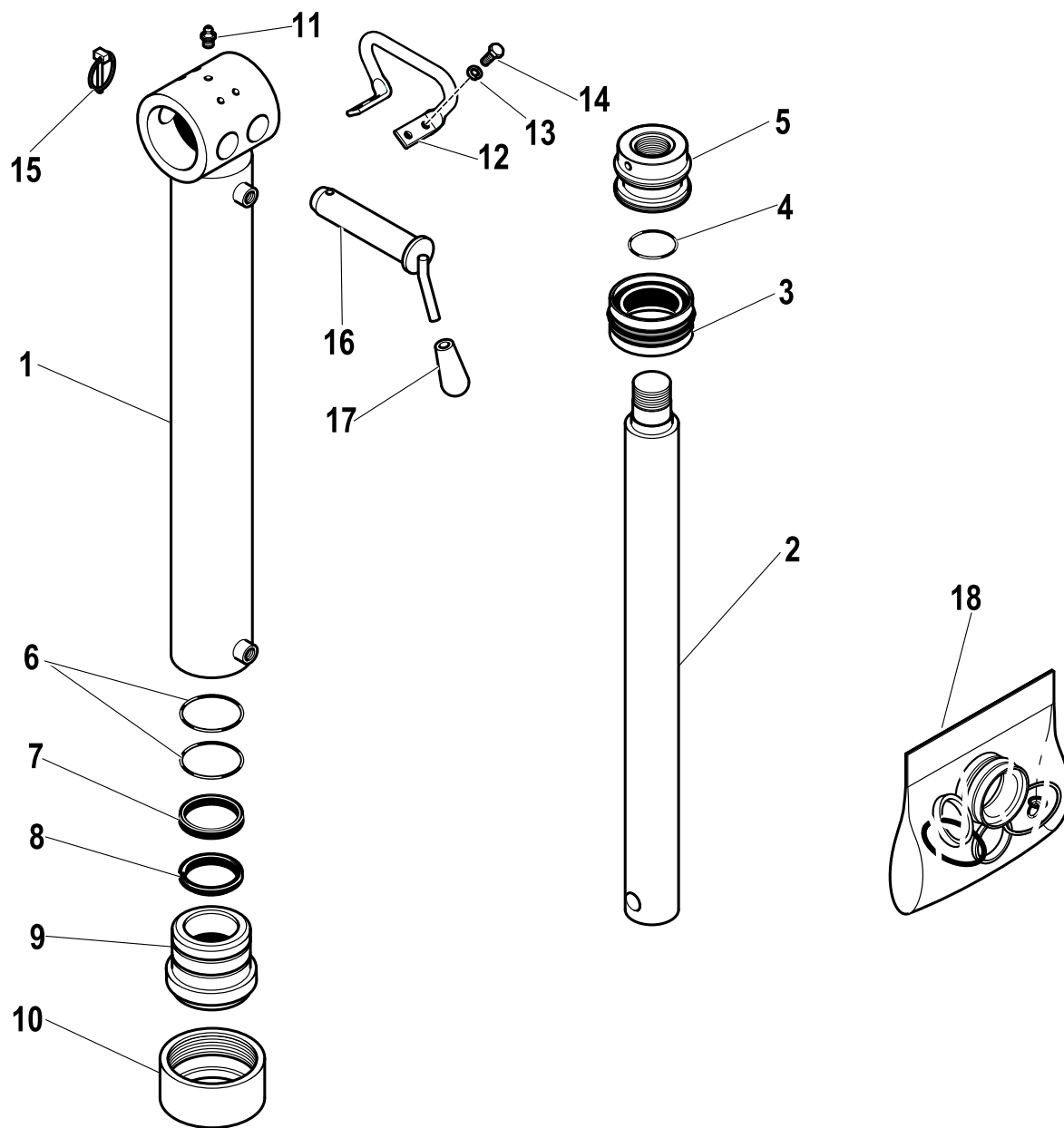
R	Pos.	Code Variant	Q.ty	Description
	1	6400136	1	Stabilizer Hydraulic jack
	2	3101127	2	90° Connection
	3	5392047	1	
	4	5220048	1	
	5	3101043	2	Straight pipe fitting
	6	5392048	1	
	7	4160397	1	
	8	3060632	1	Spring pin
	9	3020452	4	TSEI screw [M8X16 10.9 ZC UNI 5933]
	10	3080512	1	Grease nipple
	11	4160398	1	
	12	5090815	1	
	13	5920002	1	ARTICULATED JOINT TANG
	14	3101040	2	Straight pipe fitting

Stabilizer Hydraulic jack

Code

6400136-1.0

1/1



R	Pos.	Code Variant	Q.ty	Description
	1	6070240	1	
	2	6030221	1	
	3	3400512	1	Seal
	4	3450114	1	O-ring joint
	5	6050013	1	Piston
	6	3450145	2	O-ring joint
	7	3400102	1	Seal
	8	3420028	1	W-ring
	9	6040021	1	Close nipple
	10	6040022	1	Ring nut
	11	3080501	1	Grease nipple
	12	5001500	1	Handle
	13	3060055	4	Split lock washer [D=8.4 C72 ZC]
	14	3010337	4	Hex screw [M8X16 8.8 ZC UNI 5739]
	15	3060757	1	Cotter pin (Locking ring)
	16	5150299	1	Pin (Handle)
	17	3190010	1	Knob
	18	5550605	1	Seal kit

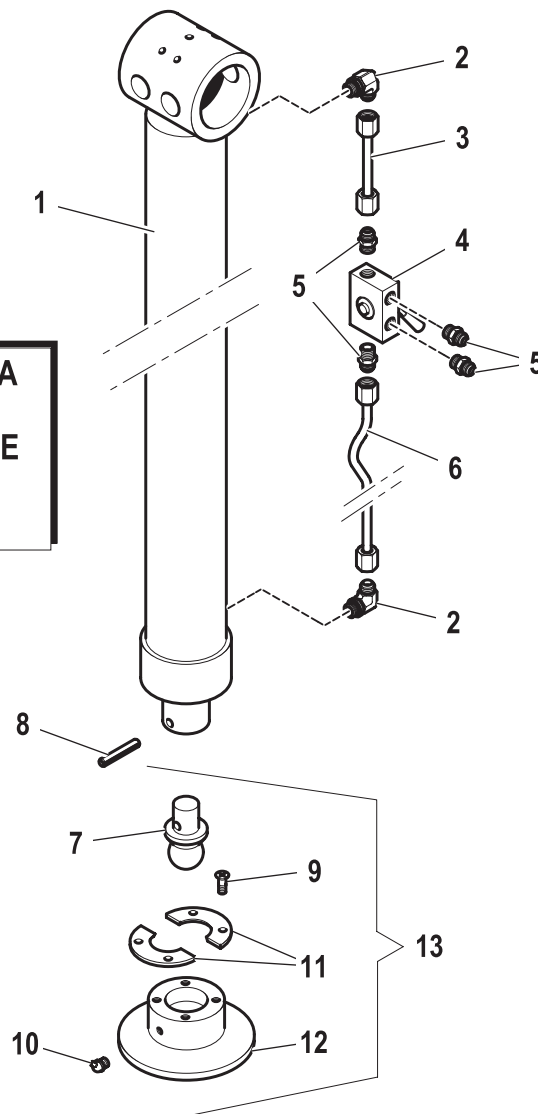
HYDRAULIC SYSTEM (STABILISER RAM)

Code

6200260-1.0

1/1

VERSIONE LUNGA
LONG VERSION
VERSION LONGUE
LANGVERSION
VERSIÓN LARGA



R	Pos.	Code Variant	Q.ty	Description
	1	6400260	1	Stabilizer Hydraulic jack
	2	3101127	2	90° Connection
	3	5392047	1	
	4	5220048	1	
	5	3101043	4	Straight pipe fitting
	6	5392413	1	Bonderized tube
	7	4160397	1	
	8	3060632	1	Spring pin
	9	3020899	4	TSEI screw [M8X20 10.9 ZC UNI 5933]
	10	3080512	1	Grease nipple
	11	4160398	1	
	12	5090815	1	
	13	5920002	1	ARTICULATED JOINT TANG

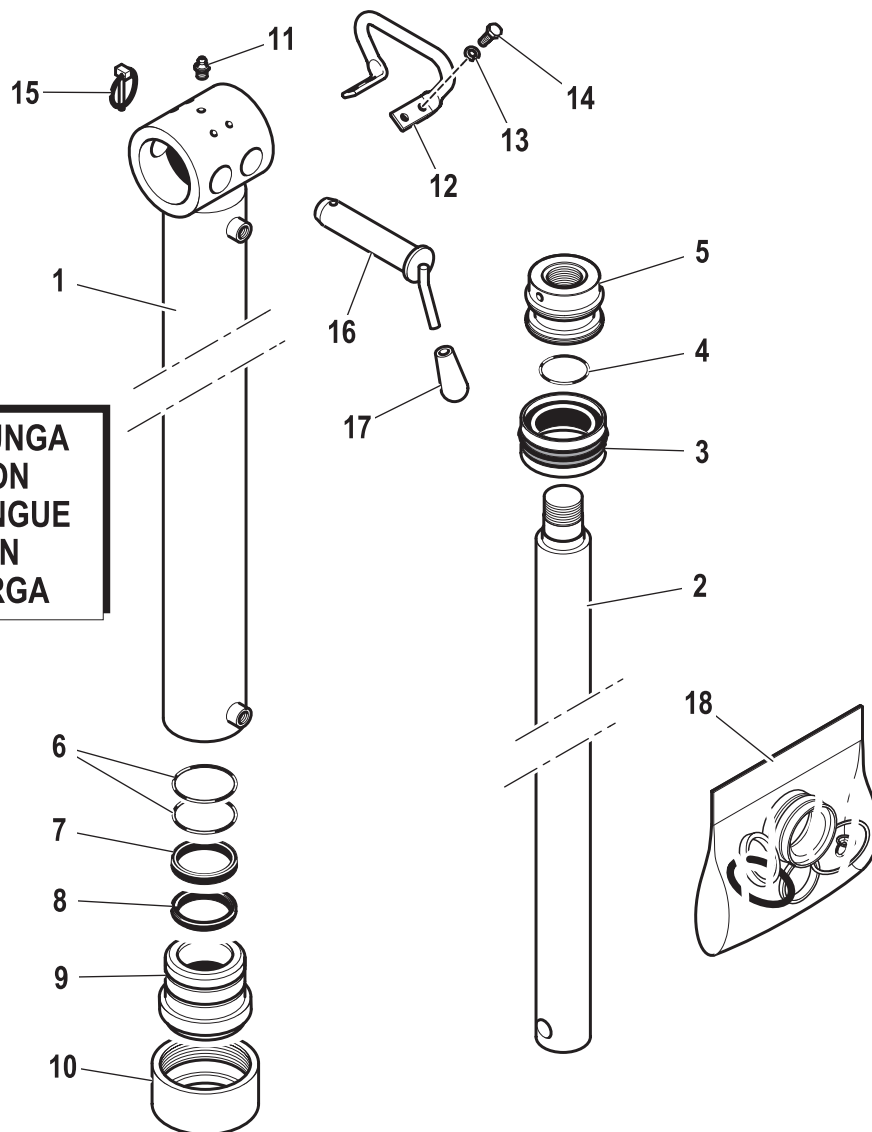
Stabilizer Hydraulic jack (Long)

Code

6400260-1.0

1/1

**VERSIONE LUNGA
LONG VERSION
VERSION LONGUE
LANGVERSION
VERSIÓN LARGA**



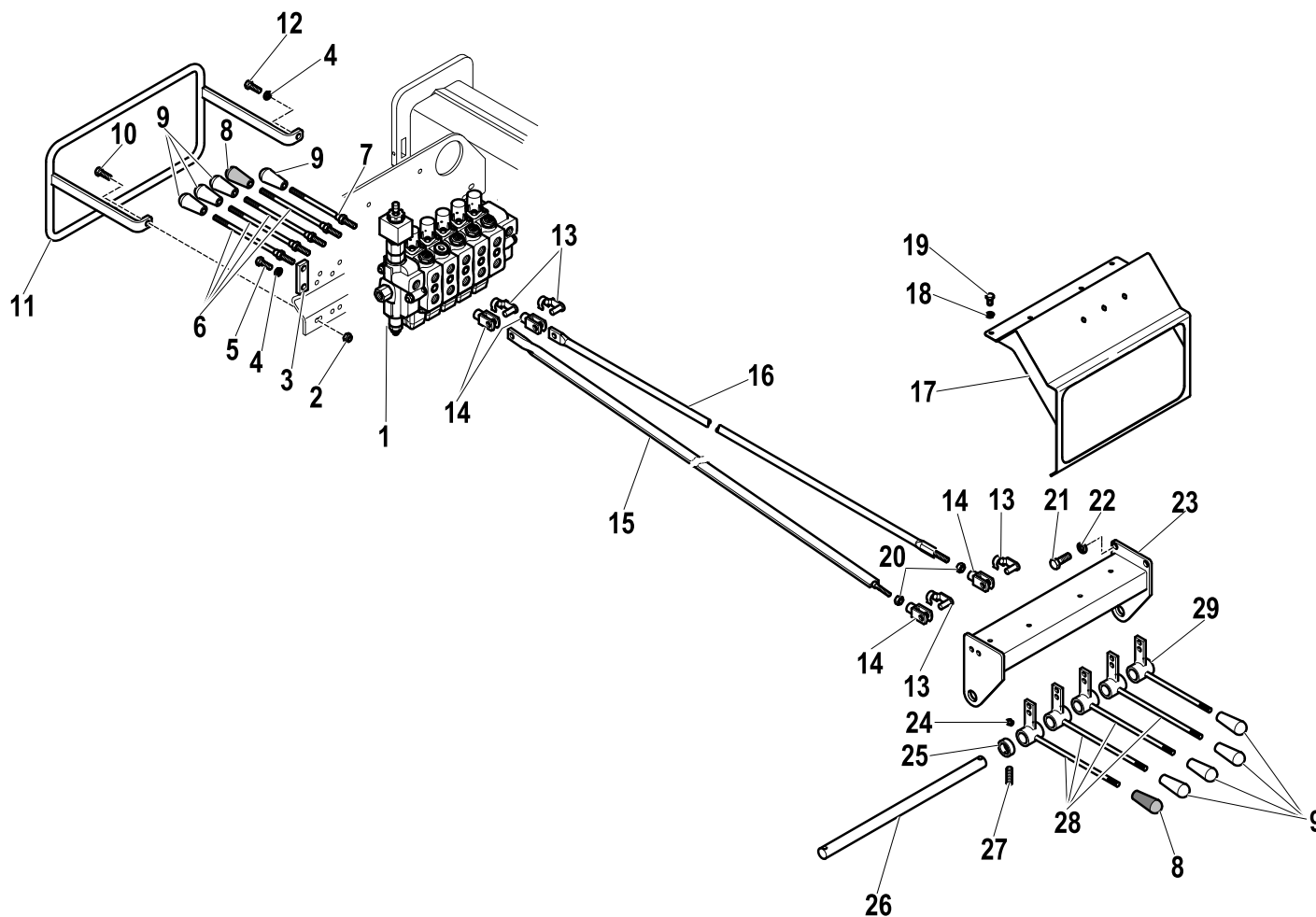
R	Pos.	Code Variant	Q.ty	Description
	1	6070598	1	Liner (Assembly)
	2	6030894	1	Rod unit
	3	3400512	1	Seal
	4	3450114	1	O-ring joint
	5	6050013	1	Piston
	6	3450145	2	O-ring joint
	7	3400102	1	Seal
	8	3420028	1	W-ring
	9	6040021	1	Close nipple
	10	6040022	1	Ring nut
	11	3080501	1	Grease nipple
	12	5001500	1	Handle
	13	3060055	4	Split lock washer [D=8.4 C72 ZC]
	14	3010337	4	Hex screw [M8X16 8.8 ZC UNI 5739]
	15	3060757	1	Cotter pin (Locking ring)
	16	5150299	1	Pin (Handle)
	17	3190010	1	Knob
	18	5550605	1	Seal kit

DOUBLE CONTROLS (not CE)

Code

5400410-1.0

1/2



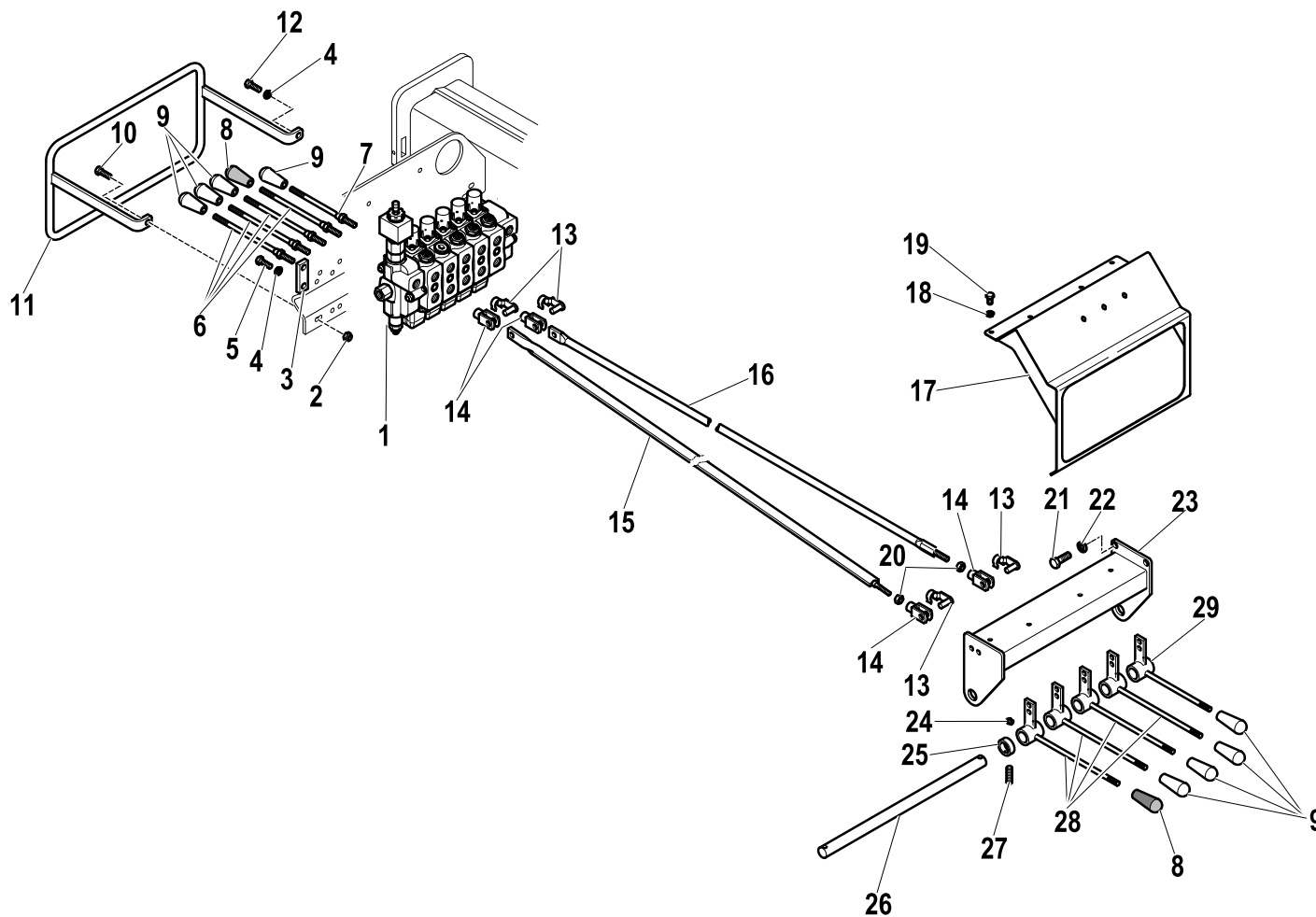
R	Pos.	Code Variant	Q.ty	Description
	1	5220392	1	
	2	3040303	1	Stopnut
	3	5000708	5	Small plate (remittal)
	4	3060055	10	Split lock washer [D=8.4 C72 ZC]
	5	3010339	7	Hex screw [M8X25 8.8 ZC IF UNI 5739]
	6	5001513	4	Control lever
	7	5001514	1	Control lever
	8	3190217	2	
	9	3190197	8	Knob
	10	3010029	1	Hex screw [M8X30 8.8 ZC UNI 5737]
	11	5090910	1	
	12	3010027	3	Hex screw [M8X20 8.8 ZC IF UNI 5739]
	13	3300451	10	Fork clip
	14	3300431	10	Fork
	15	5090909	4	
	16	5090456	1	
	17	5090817	1	
	18	3060053	4	Split lock washer [D=6.4 C72 ZC]
	19	3010323	4	Hex screw [M6X10 8.8 ZC UNI 5739]
	20	3040045	5	Nut

DOUBLE CONTROLS (not CE)

Code

5400410-1.0

2/2



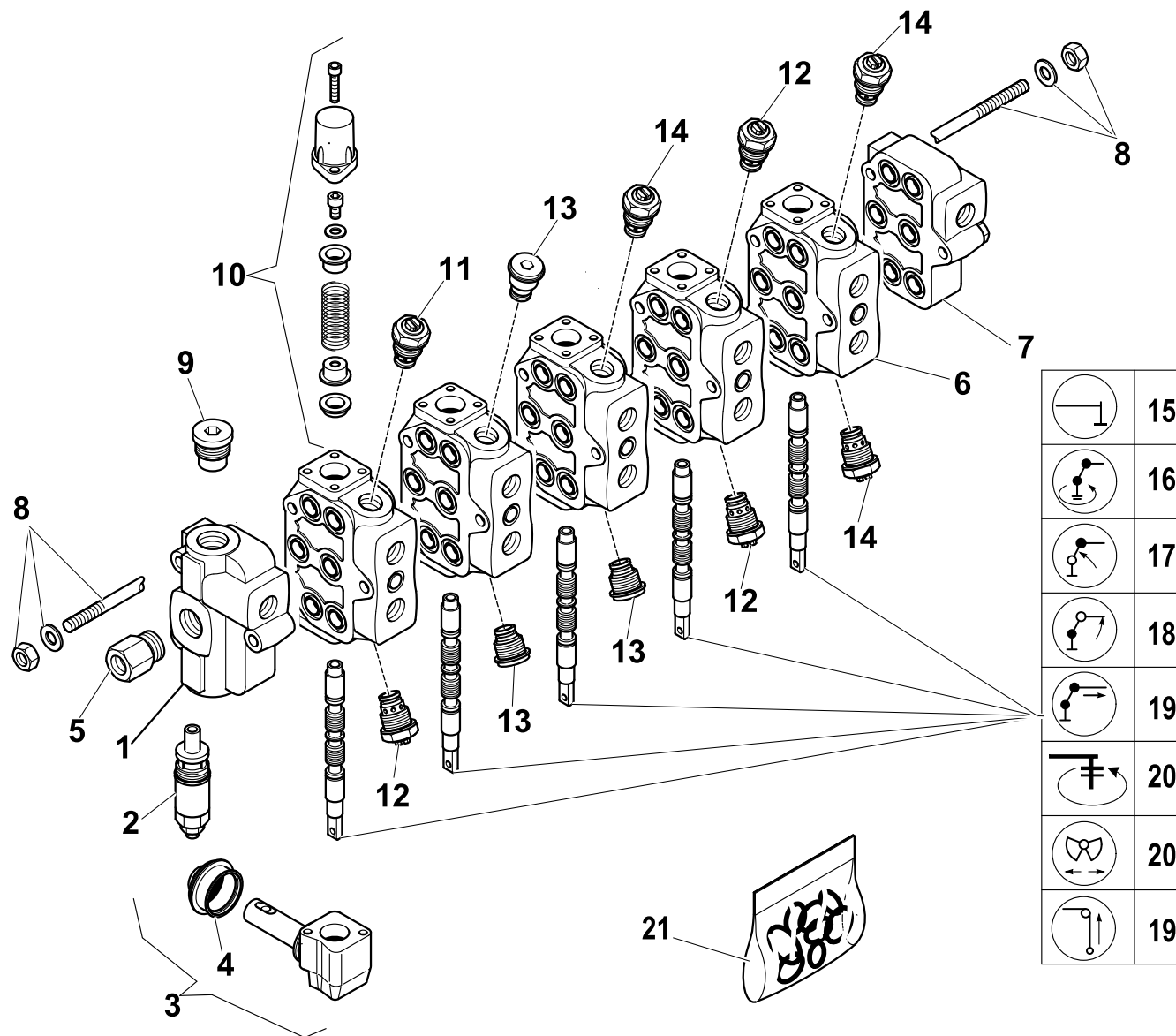
R	Pos.	Code Variant	Q.ty	Description
	21	3010353	3	Hex screw [M10X16 8.8 ZC UNI 5739]
	22	3060056	3	Split lock washer [D=10 C72 ZC]
	23	5090816	1	
	24	3080500	5	Grease nipple
	25	5000670	4	Ring
	26	5150715	1	
	27	3020872	4	TSEI screw [M6X8 ZC UNI 5933]
	28	5090433	4	Control lever
	29	5090434	1	Control lever

Control valve (5 section)

Code

5220392-1.0

1/2



R	Pos.	Code Variant	Q.ty	Description
	1	5225702	1	
	2	5225705	1	
	3	5225261	5	
	4	5225022	5	
	5	3101237	1	
	6	5225704	5	
	7	5225703	1	
	8	5225548	1	
	9	5225205	1	
	10	5225709	5	
	11	5225708	1	
	12	5225707	3	
	13	5225710	3	
	14	5220075	3	
	15	5225575	1	
	16	5225701	1	
	17	5225577	1	
	18	5225700	1	
	19	5225576	1	
	20	5225711	2	

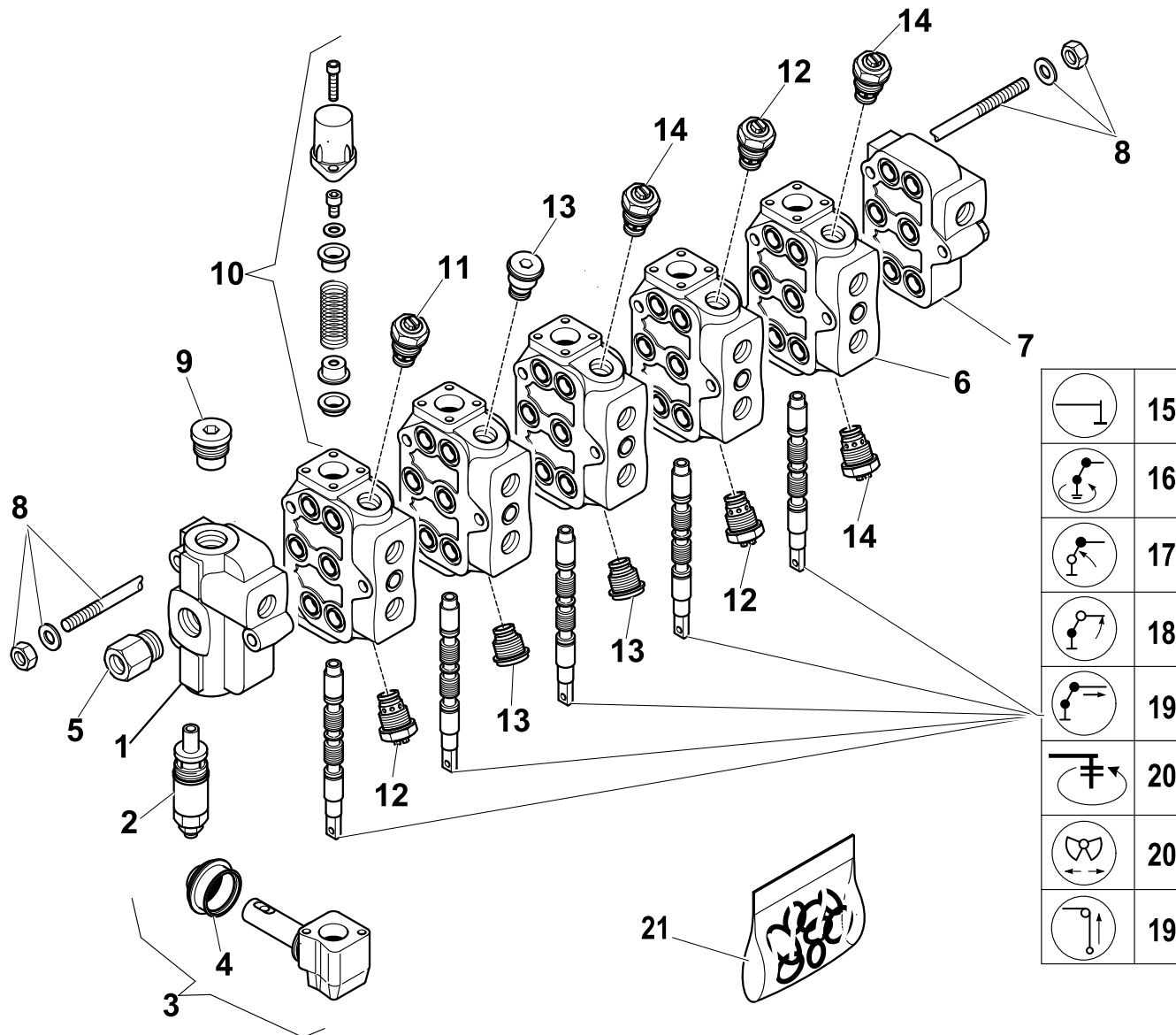
Control valve (5 section)

Code

5220392-1.0

2/2

R	Pos.	Code Variant	Q.ty	Description
	21	5225694	1	

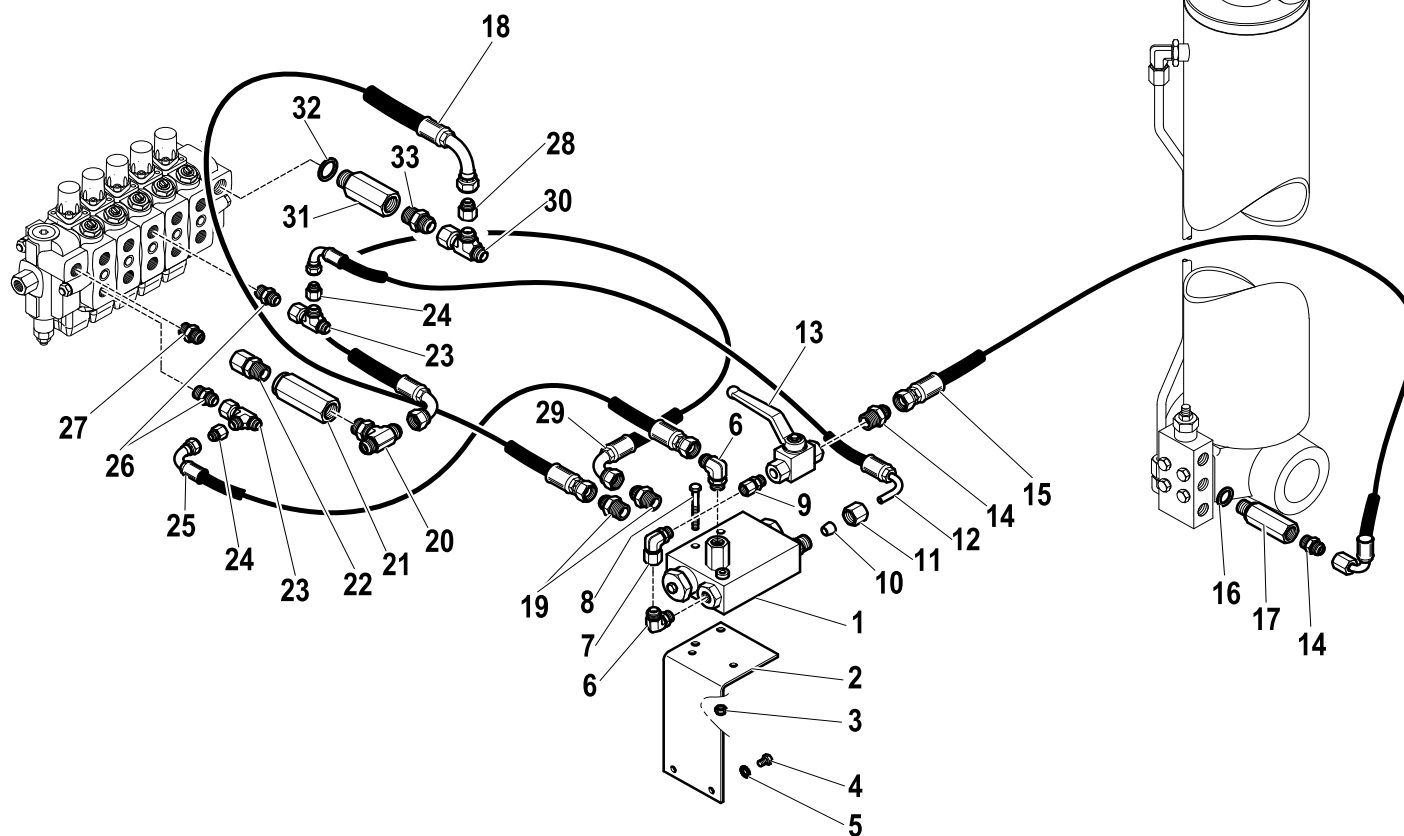


Moment limiting device (LIG NO CE)

Code

5430101-1.0

1/2



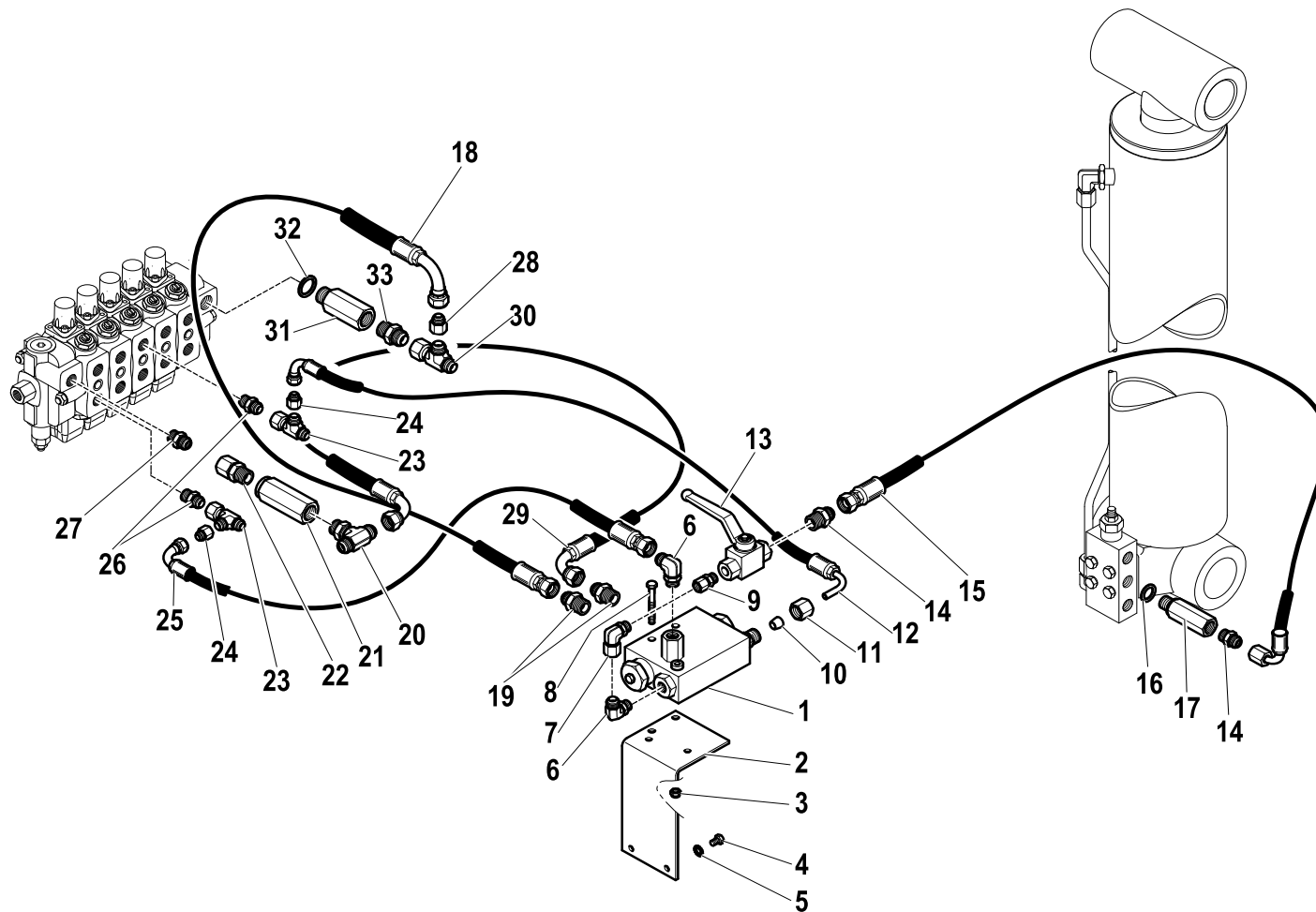
R	Pos.	Code Variant	Q.ty	Description
	1	5220135	1	Limiting device (Hydraulic)
	2	2091339	1	
	3	3040303	2	Stopnut
	4	3010323	2	Hex screw [M6X10 8.8 ZC UNI 5739]
	5	3060053	2	Split lock washer [D=6.4 C72 ZC]
	6	3101124	2	90° Connection
	7	3101131	1	90° Connection
	8	3010034	2	Hex screw [M8X55 8.8 UNI 5737 ZC]
	9	3120064	1	Straight pipe fitting
	10	3100956	1	Ring (Tightening)
	11	3100952	1	Nut
	12	5260725	1	Flexible hose
	13	5220063	1	
	14	3101039	2	Straight pipe fitting
	15	5260714	1	Flexible hose
	16	3060143	1	Sealing washer [BSP 1/4"]
	17	5220300	1	Hose burst valve (Sleeve)
	18	5280227	1	Flexible hose
	19	3101051	2	Straight pipe fitting
	20	3120306	1	Tee fitting

Moment limiting device (LIG NO CE)

Code

5430101-1.0

2/2



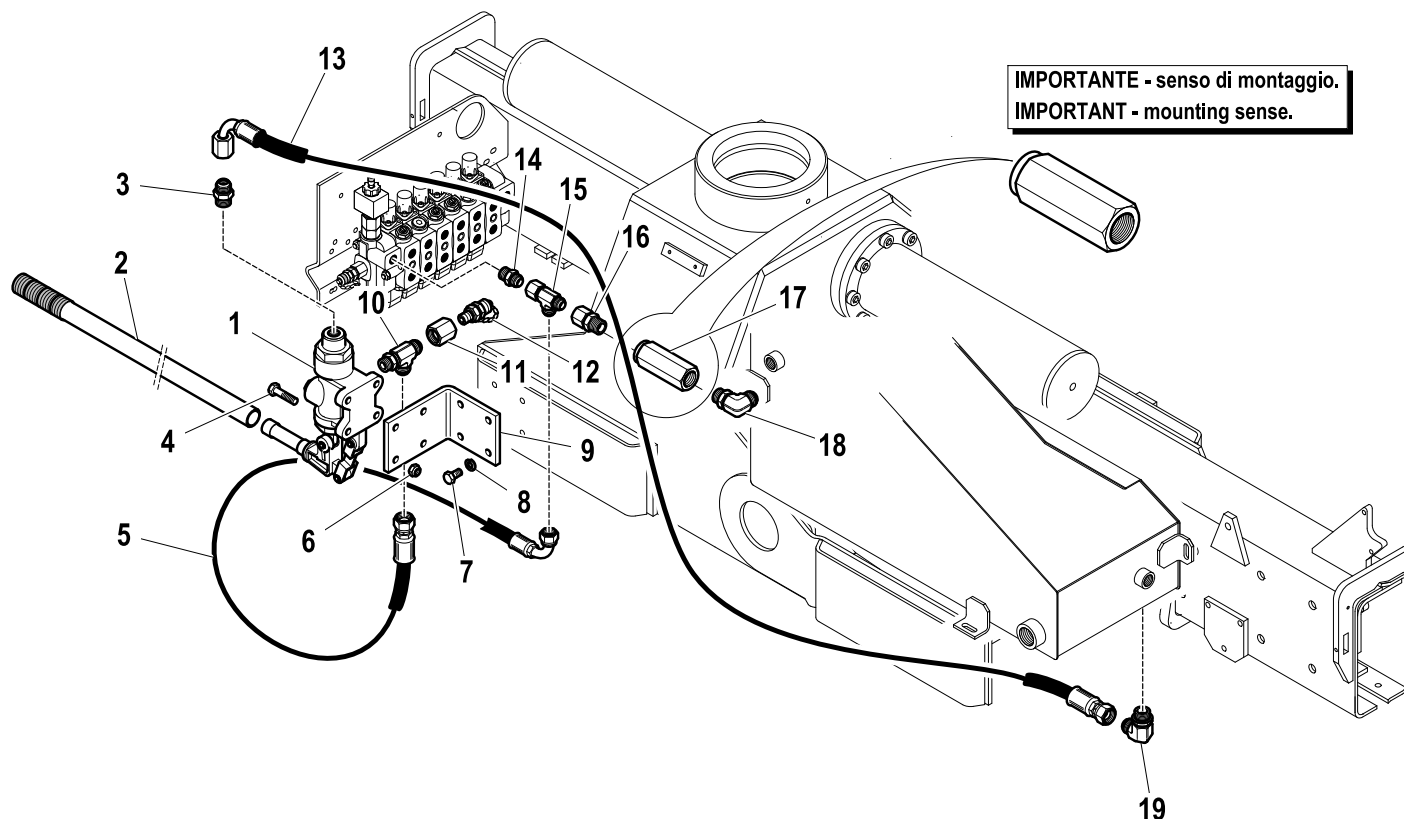
R	Pos.	Code Variant	Q.ty	Description
	21	5220635	1	Non-return valve
	22	3120066	1	Straight pipe fitting
	23	3120004	2	Tee fitting
	24	3120204	2	Reducing fitting
	25	5260757	1	Flexible hose
	26	3101043	2	Straight pipe fitting
	27	3120206	1	Reducing fitting
	28	3120329	1	Reducing fitting
	29	5280656	1	
	30	3120331	1	Tee fitting
	31	3110117	1	Straight pipe fitting
	32	3060145	1	Sealing washer [BSP 1/2"]
	33	3101058	1	Straight pipe fitting

PUMP HAND KIT

Code

7880659-1.0

1/1



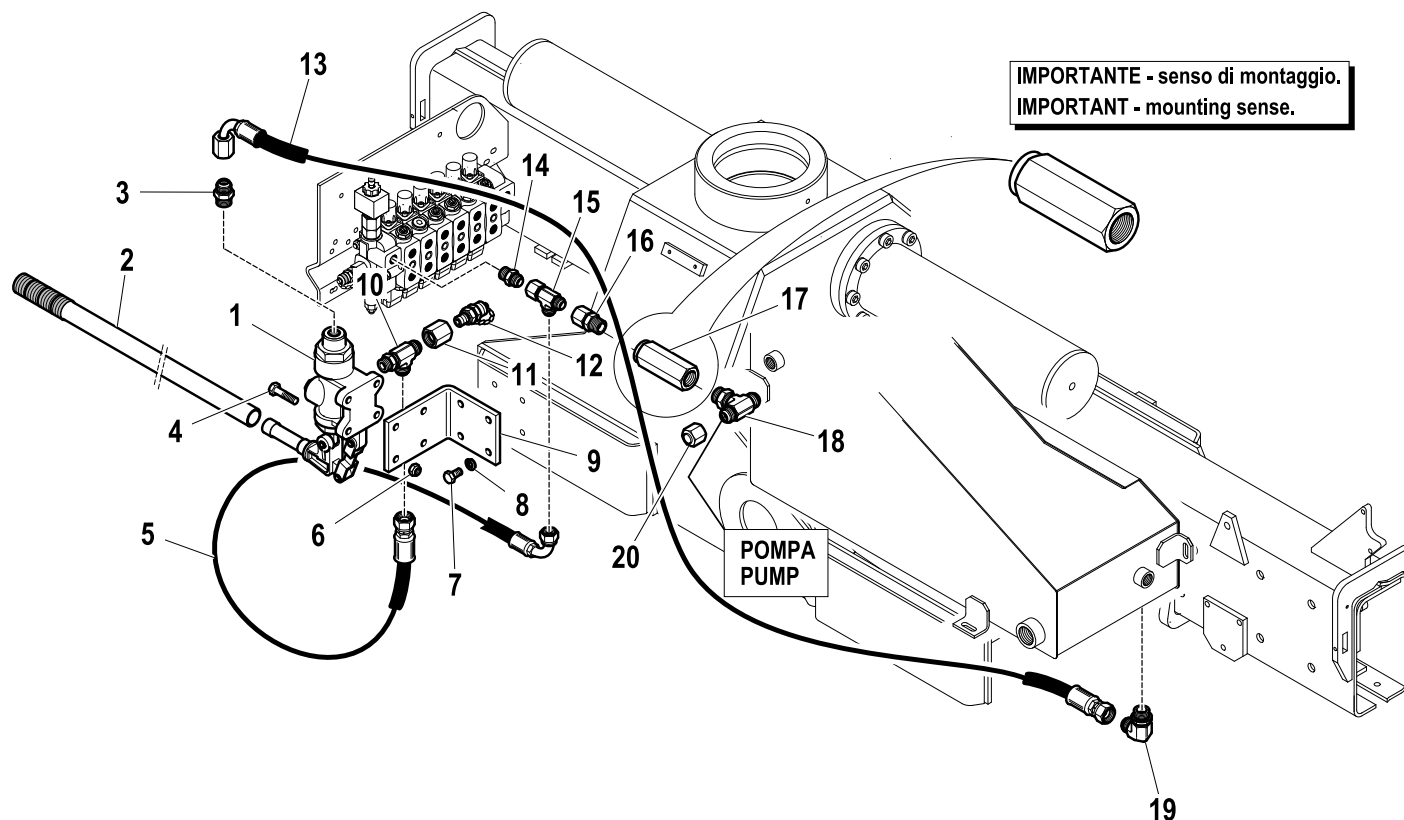
R	Pos.	Code Variant	Q.ty	Description
	1	W390502	1	Manual pump
	2	5700169	1	Control lever
	3	3101044	1	Straight pipe fitting
	4	3010358	4	Hex screw [M10X40 8.8 ZC UNI 5739]
	5	5271799	1	
	6	3040304	4	Stopnut
	7	3010354	4	Hex screw [M10X20 8.8 ZC UNI 5739]
	8	3060056	4	Split lock washer [D=10 C72 ZC]
	9	W560503200	1	
	10	3101176	1	Tee fitting
	11	3120356	1	Reducing fitting
	12	3111523	1	Pipe fitting (Tapping point) [RACC. MILITES 16X2-1/4"G]
	13	5280791	1	
	14	3101213	1	Straight pipe fitting
	15	3120008	1	Tee fitting
	16	3120067	1	Straight pipe fitting
	17	5220635	1	Non-return valve
	18	3101131	1	90° Connection
	19	3101128	1	90° Connection

PUMP HAND KIT (LI - LIG)

Code

7880662-1.0

1/1



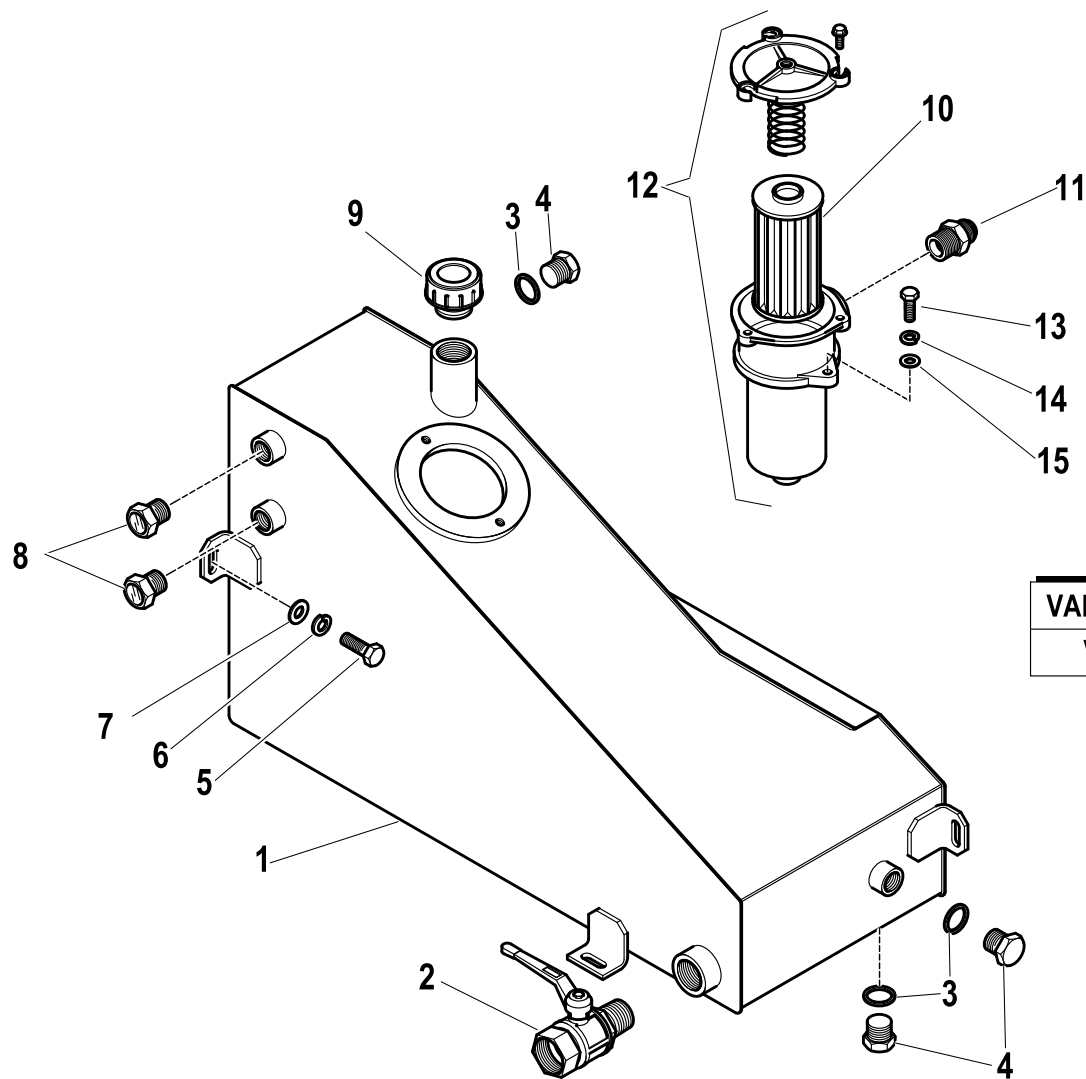
R	Pos.	Code Variant	Q.ty	Description
	1	W390502	1	Manual pump
	2	5700169	1	Control lever
	3	3101044	1	Straight pipe fitting
	4	3010358	4	Hex screw [M10X40 8.8 ZC UNI 5739]
	5	5271799	1	
	6	3040304	4	Stopnut
	7	3010354	4	Hex screw [M10X20 8.8 ZC UNI 5739]
	8	3060056	4	Split lock washer [D=10 C72 ZC]
	9	W560503200	1	
	10	3101176	1	Tee fitting
	11	3120356	1	Reducing fitting
	12	3111523	1	Pipe fitting (Tapping point) [RACC. MILITES 16X2-1/4"G]
	13	5280791	1	
	14	3101213	1	Straight pipe fitting
	15	3120008	1	Tee fitting
	16	3120067	1	Straight pipe fitting
	17	5220635	1	Non-return valve
	18	3120306	1	Tee fitting
	19	3101128	1	90° Connection
	20	3110042	1	Female plug

Hydraulic oil tank (not CE)

Code

5400428-1.0

1/1



VALIDO FINO A Maggio 2006
VALID UNTIL May 2006

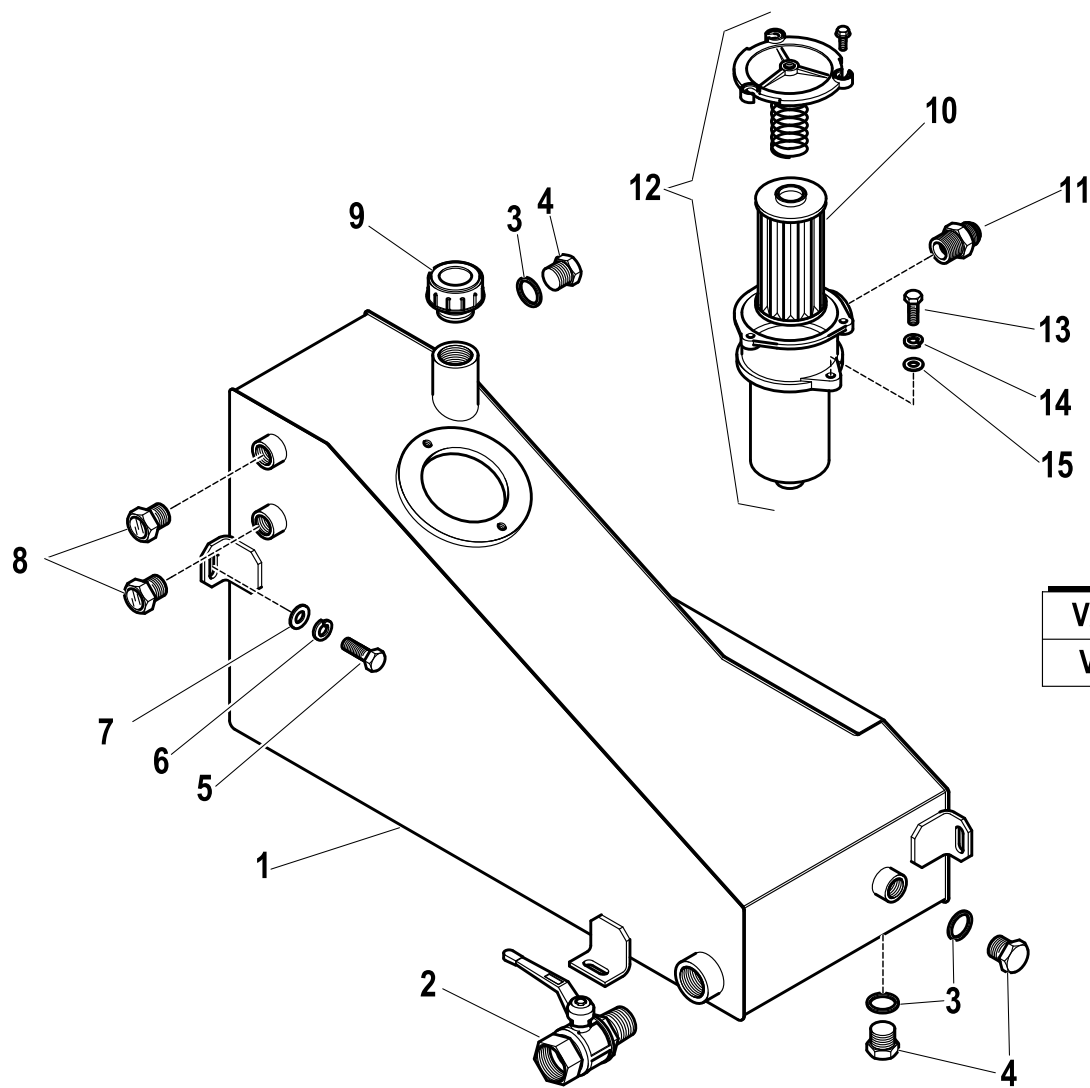
R	Pos.	Code Variant	Q.ty	Description
	1	5090818	1	
	2	3140305	1	
	3	3060145	3	Sealing washer [BSP 1/2"]
	4	3110065	3	Plug
	5	3010353	3	Hex screw [M10X16 8.8 ZC UNI 5739]
	6	3060056	3	Split lock washer [D=10 C72 ZC]
	7	3060914	3	Flat washer [D.10.5X21X2 UNI 6592 ZC]
	8	3180188	2	
	9	3180102	1	Tank cap
	10	3180177	1	Filtering cartridge
	11	3101056	1	Straight pipe fitting
	12	3180171	1	Oil filter
	13	3010339	2	Hex screw [M8X25 8.8 ZC IF UNI 5739]
	14	3060055	2	Split lock washer [D=8.4 C72 ZC]
	15	3060006	2	Flat washer [D.8 UNI 6592 ZC]

Hydraulic oil tank (not CE)

Code

5400428-2.0

1/1



VALIDO DA Giugno 2006
VALID FROM June 2006

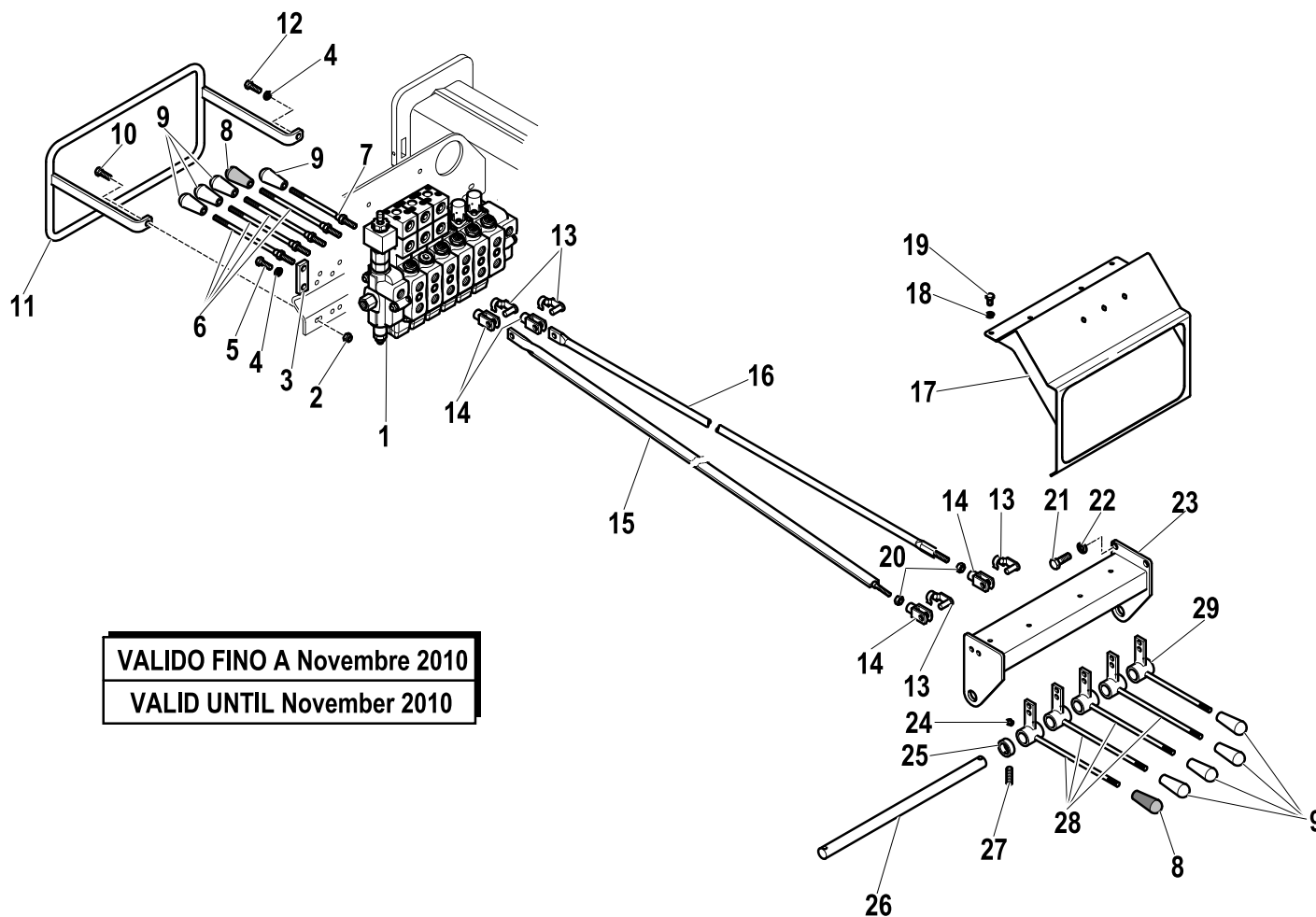
R	Pos.	Code Variant	Q.ty	Description
	1	5090818	1	
	2	3140305	1	
	3	3060145	3	Sealing washer [BSP 1/2"]
	4	3110065	3	Plug
	5	3010353	3	Hex screw [M10X16 8.8 ZC UNI 5739]
	6	3060056	3	Split lock washer [D=10 C72 ZC]
	7	3060914	3	Flat washer [D.10.5X21X2 UNI 6592 ZC]
	8	3180188	2	
	9	3180102	1	Tank cap
	10	3180201	1	Filtering cartridge
	11	3101056	1	Straight pipe fitting
	12	3180198	1	Oil filter
	13	3010339	2	Hex screw [M8X25 8.8 ZC IF UNI 5739]
	14	3060055	2	Split lock washer [D=8.4 C72 ZC]
	15	3060006	2	Flat washer [D.8 UNI 6592 ZC]

DOUBLE CONTROLS (CE)

Code

5400319-1.0

1/2



R	Pos.	Code Variant	Q.ty	Description
	1	5220353	1	
	2	3040303	1	Stopnut
	3	5000708	5	Small plate (remittal)
	4	3060055	10	Split lock washer [D=8.4 C72 ZC]
	5	3010339	7	Hex screw [M8X25 8.8 ZC IF UNI 5739]
	6	5001513	4	Control lever
	7	5001514	1	Control lever
	8	3190217	2	
	9	3190197	8	Knob
	10	3010029	1	Hex screw [M8X30 8.8 ZC UNI 5737]
	11	5090910	1	
	12	3010027	3	Hex screw [M8X20 8.8 ZC IF UNI 5739]
	13	3300451	10	Fork clip
	14	3300431	10	Fork
	15	5090909	4	
	16	5090456	1	
	17	5090817	1	
	18	3060053	4	Split lock washer [D=6.4 C72 ZC]
	19	3010323	4	Hex screw [M6X10 8.8 ZC UNI 5739]
	20	3040045	5	Nut

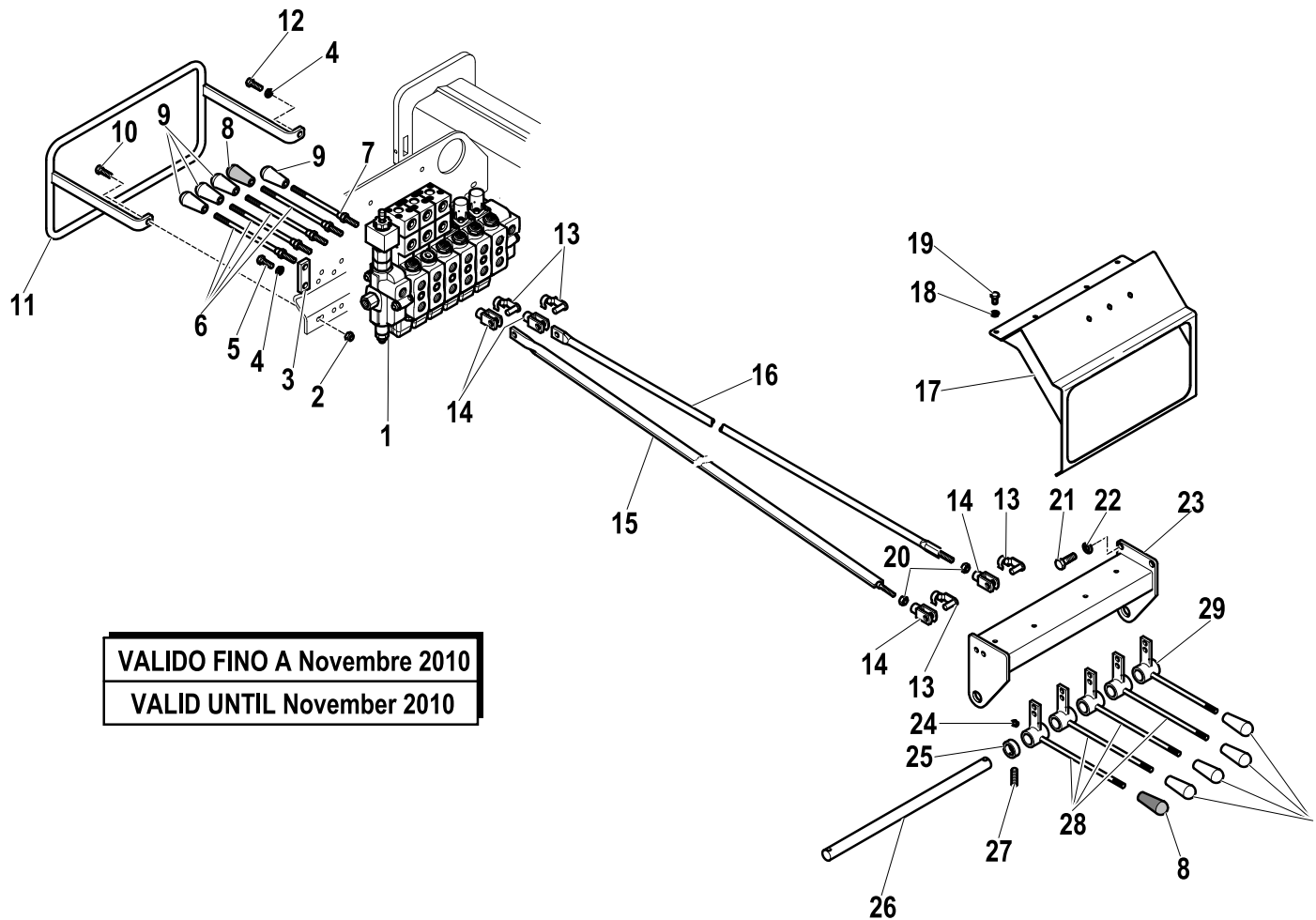
DOUBLE CONTROLS (CE)

Code

5400319-1.0

2/2

R	Pos.	Code Variant	Q.ty	Description
	21	3010353	3	Hex screw [M10X16 8.8 ZC UNI 5739]
	22	3060056	3	Split lock washer [D=10 C72 ZC]
	23	5090816	1	
	24	3080500	5	Grease nipple
	25	5000670	4	Ring
	26	5150715	1	
	27	3020872	4	TSEI screw [M6X8 ZC UNI 5933]
	28	5090433	4	Control lever
	29	5090434	1	Control lever



VALIDO FINO A Novembre 2010
 VALID UNTIL November 2010

Control valve (6 section)

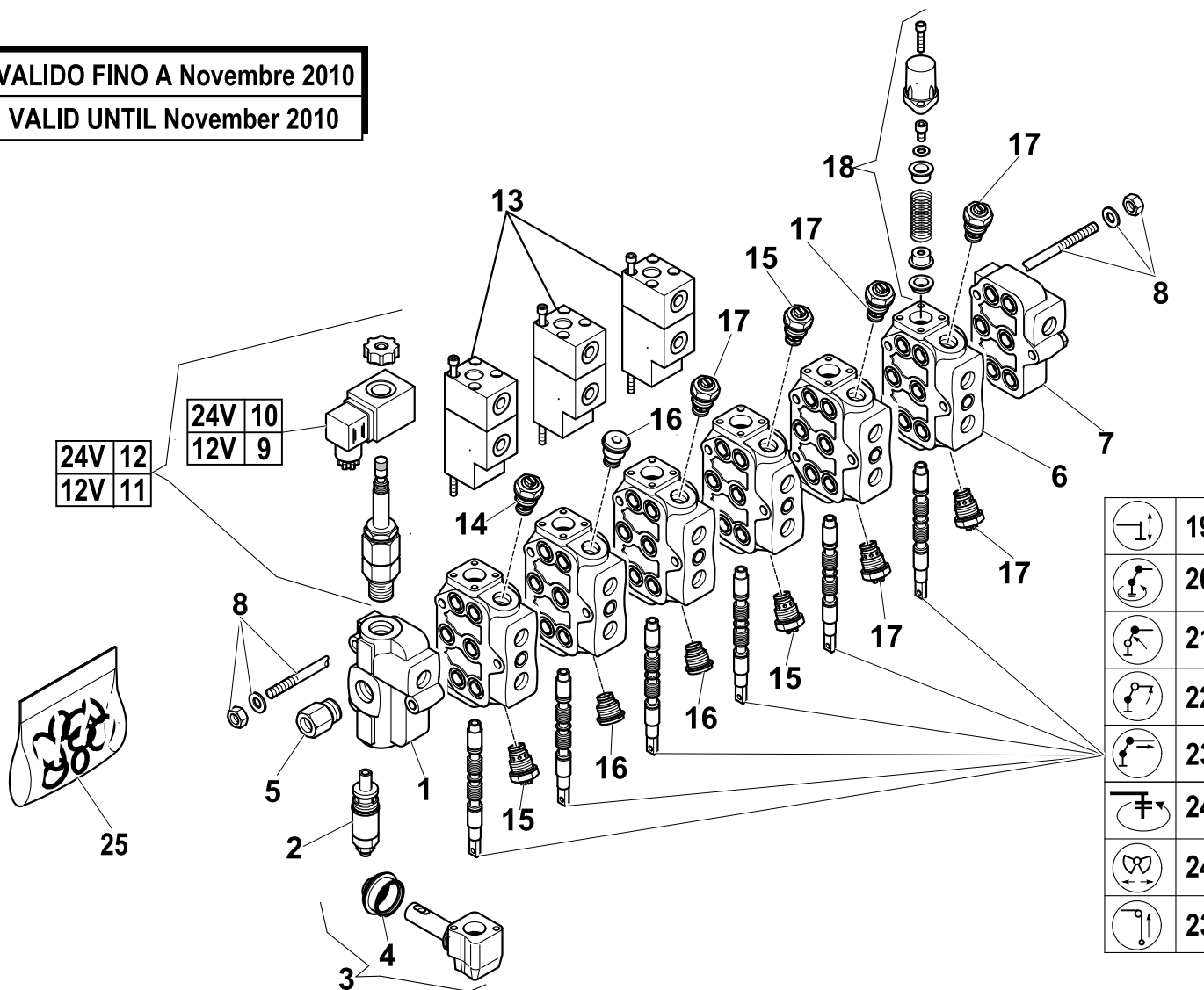
Code

5220353-1.0

1/2

VALIDO FINO A Novembre 2010

VALID UNTIL November 2010



R	Pos.	Code Variant	Q.ty	Description
	1	5225702	1	
	2	5225705	1	
	3	5225261	6	
	4	5225022	6	
	5	3101237	1	
	6	5225704	1	
	7	5225703	1	
	8	5225549	3	
	9	3310238	1	Solenoid (12V)
	10	3310242	1	Solenoid (24V)
	11	5225579	1	
	12	5225562	1	
	13	5225541	3	
	14	5225708	1	
	15	5225707	3	
	16	5225710	3	
	17	5220075	5	
	18	5225709	6	
	19	5225575	2	
	20	5225701	1	

Control valve (6 section)

Code

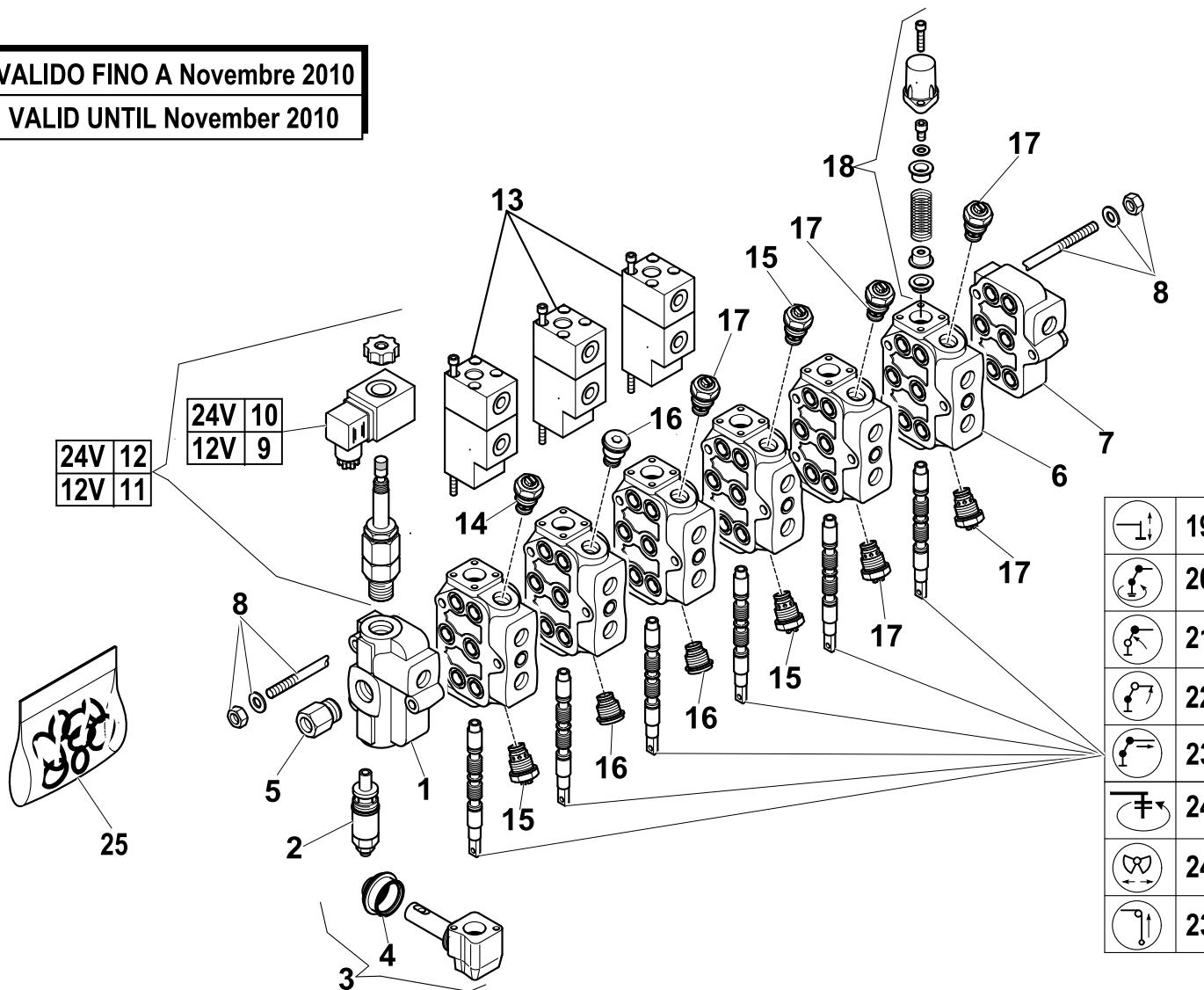
5220353-1.0

2/2

VALIDO FINO A Novembre 2010

VALID UNTIL November 2010

R	Pos.	Code Variant	Q.ty	Description
	21	5225577	1	
	22	5225700	1	
	23	5225576	2	
	24	5225711	2	
	25	5225693	1	

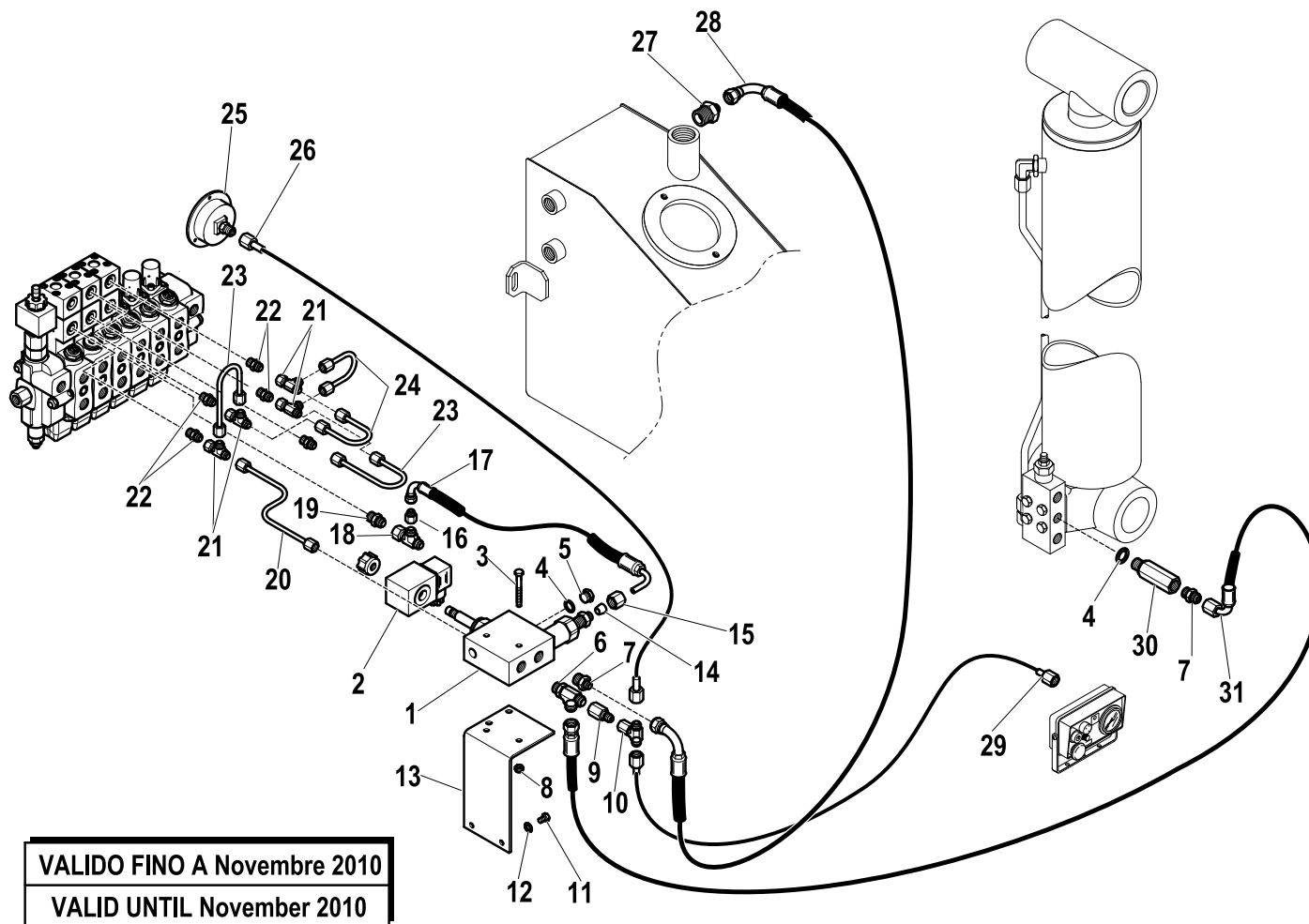


Moment limiting device (CE)

Code

5430094-1.0

1/2



VALIDO FINO A Novembre 2010
VALID UNTIL November 2010

R	Pos.	Code Variant	Q.ty	Description
	1	5220578	1	
	2	3310242	1	Solenoid (24V)
	3	3010399	2	Hex screw [M6X55 8.8 ZC UNI 5739]
	4	3060143	2	Sealing washer [BSP 1/4"]
	5	3110062	1	Plug
	6	3101175	1	Tee fitting
	7	3101039	2	Straight pipe fitting
	8	3040372	2	Stopnut
	9	3120200	1	Reducing fitting
	10	3120111	1	Tee fitting
	11	3010323	2	Hex screw [M6X10 8.8 ZC UNI 5739]
	12	3060101	2	Tooth lock washer [D.6 TIPO A]
	13	2091339	1	
	14	3100956	1	Ring (Tightening)
	15	3100952	1	Nut
	16	3120204	1	Reducing fitting
	17	5260725	1	Flexible hose
	18	3120004	1	Tee fitting
	19	3101040	1	Straight pipe fitting
	20	5392039	1	

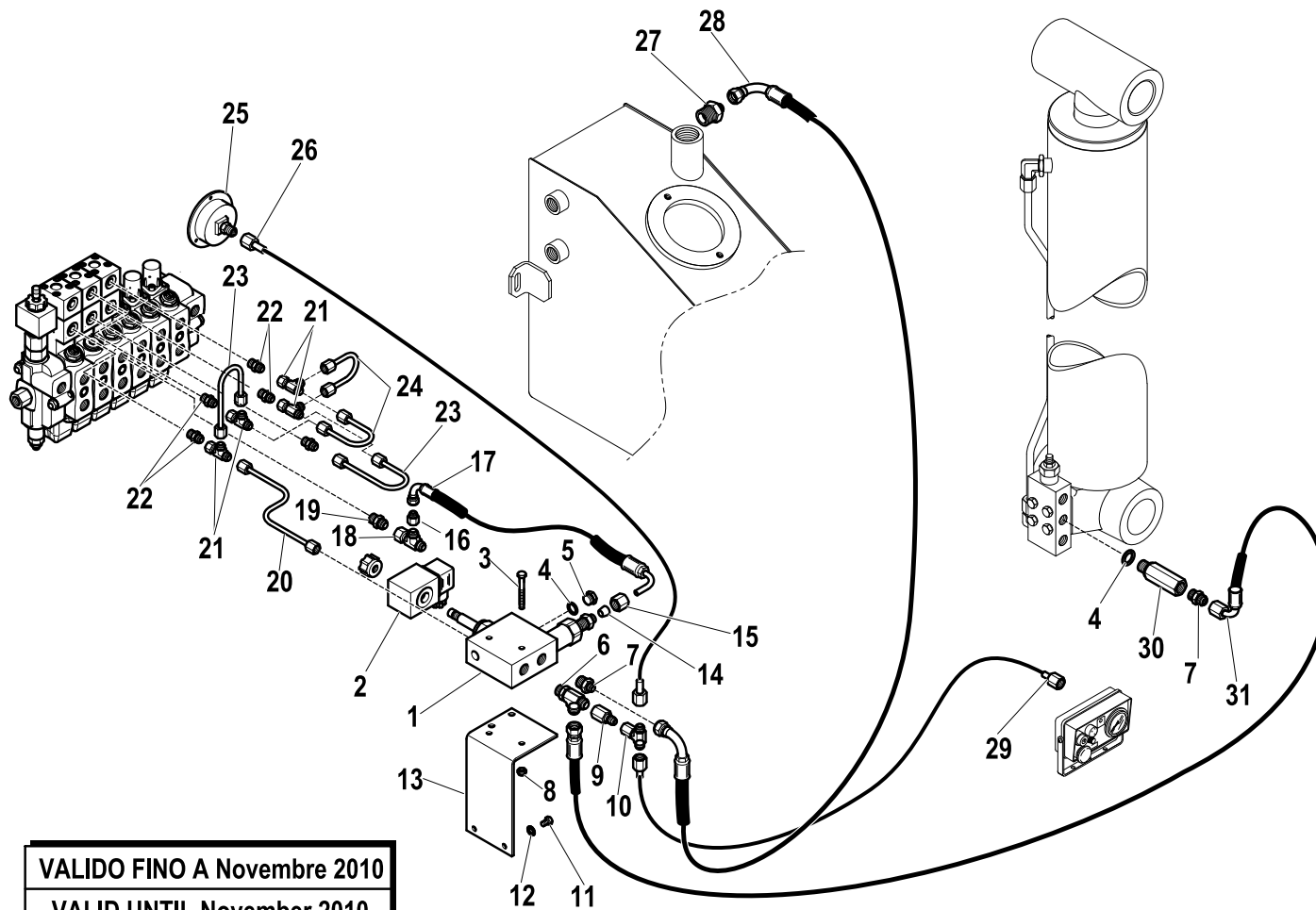
Moment limiting device (CE)

Code

5430094-1.0

2/2

R	Pos.	Code Variant	Q.ty	Description
	21	3120001	4	Tee fitting
	22	3101033	5	Straight pipe fitting
	23	5392038	2	
	24	5392037	2	
	25	3180109	1	
	26	5300077	1	
	27	3101041	1	Straight pipe fitting
	28	5261019	1	Flexible hose
	29	5300076	1	
	30	5220300	1	Hose burst valve (Sleeve)
	31	5260714	1	Flexible hose



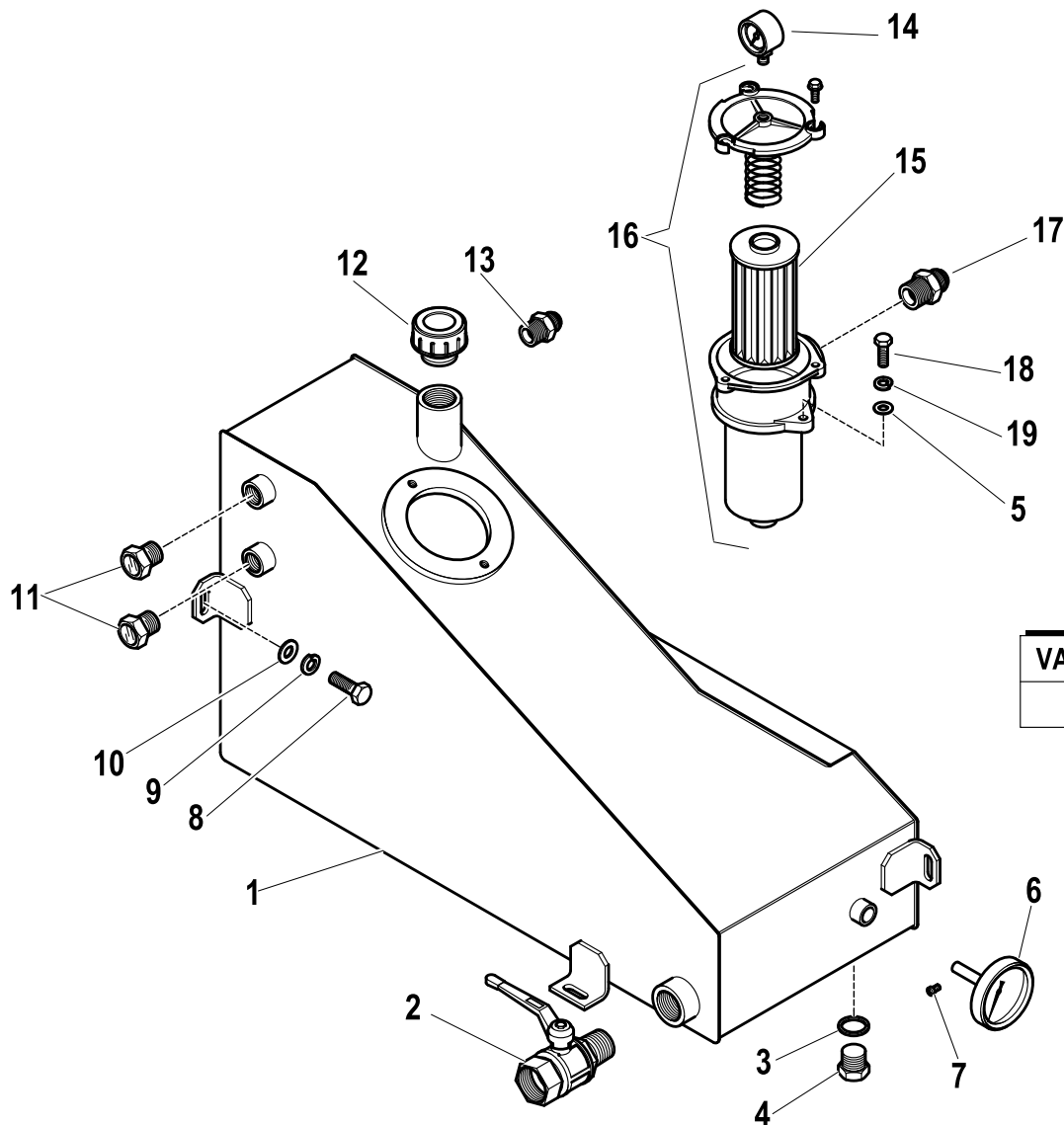
VALIDO FINO A Novembre 2010
VALID UNTIL November 2010

Hydraulic oil tank (CE)

Code

5400318-1.0

1/1



VALIDO FINO A Maggio 2006
VALID UNTIL May 2006

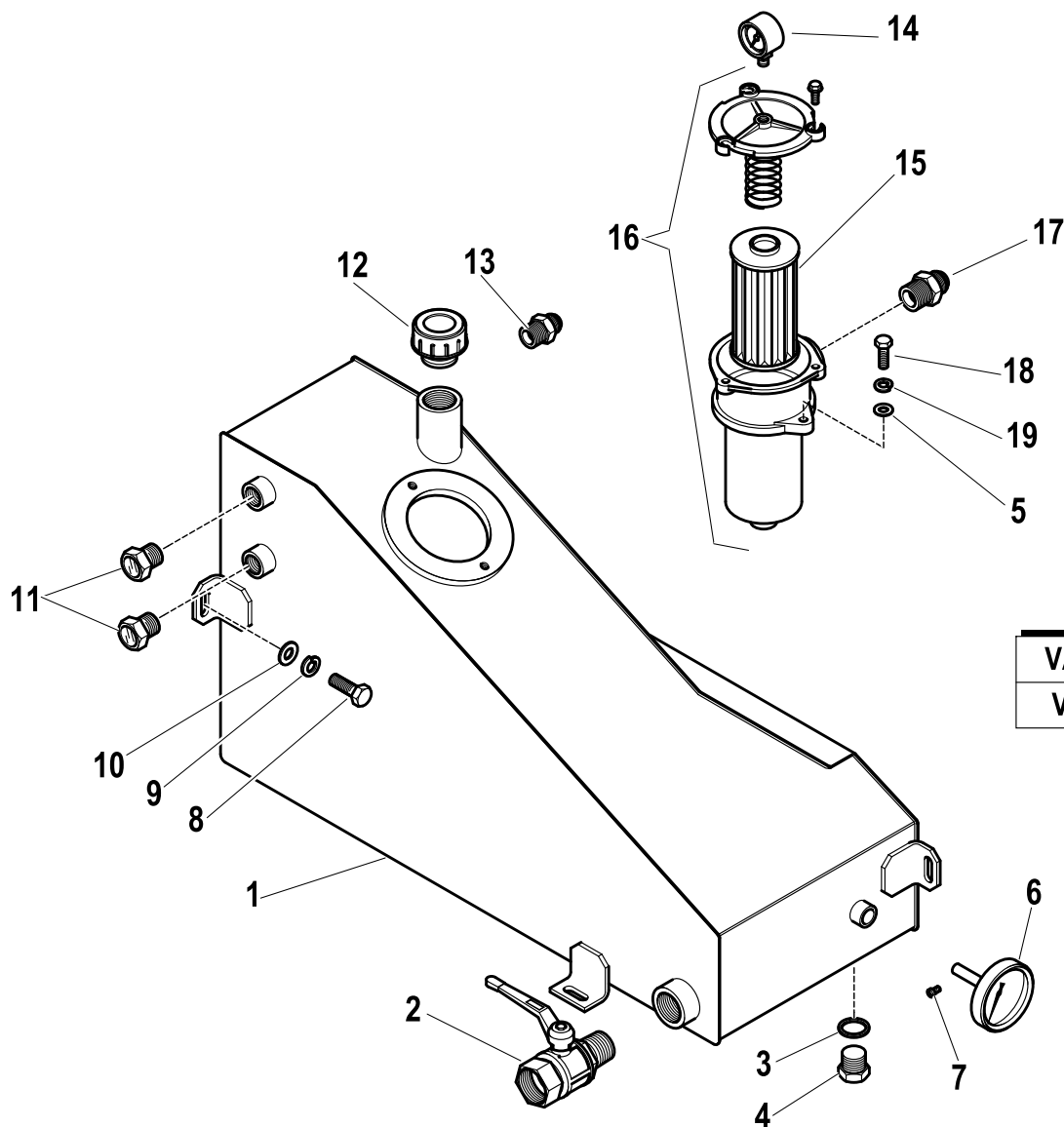
R	Pos.	Code Variant	Q.ty	Description
	1	5090818	1	
	2	3140305	1	
	3	3060145	1	Sealing washer [BSP 1/2"]
	4	3110065	1	Plug
	5	3060006	2	Flat washer [D.8 UNI 6592 ZC]
	6	3180097	1	
	7	3020881	1	[M3X8 UNI7687 ZC TAGLIO CR.]
	8	3010353	3	Hex screw [M10X16 8.8 ZC UNI 5739]
	9	3060056	3	Split lock washer [D=10 C72 ZC]
	10	3060914	3	Flat washer [D.10.5X21X2 UNI 6592 ZC]
	11	3180188	2	
	12	3180102	1	Tank cap
	13	3101041	1	Straight pipe fitting
	14	3180189	1	
	15	3180177	1	Filtering cartridge
	16	3180171	1	Oil filter
	17	3101056	1	Straight pipe fitting
	18	3010339	2	Hex screw [M8X25 8.8 ZC IF UNI 5739]
	19	3060055	2	Split lock washer [D=8.4 C72 ZC]

Hydraulic oil tank (CE)

Code

5400318-2.0

1/1

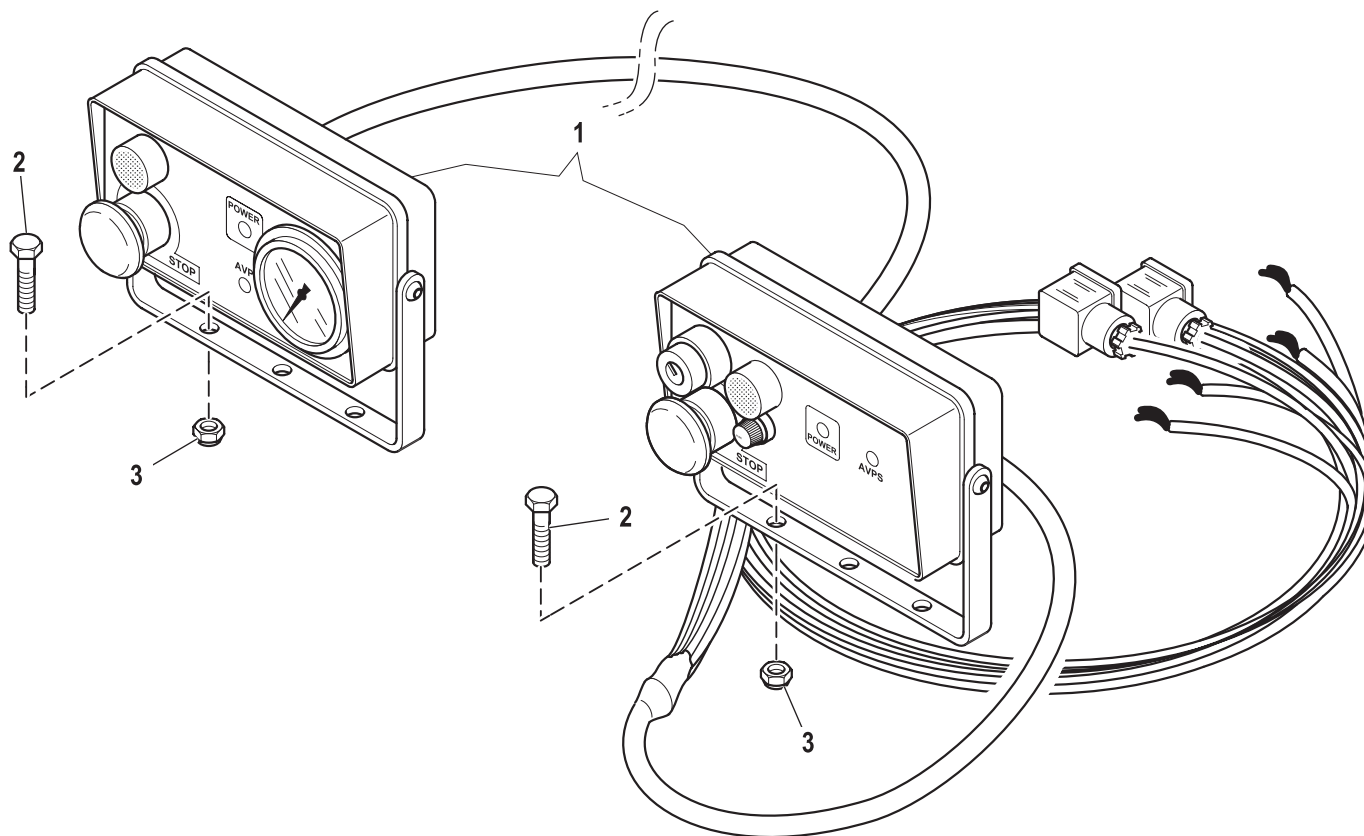


VALIDO DA Giugno 2006

VALID FROM June 2006

R	Pos.	Code Variant	Q.ty	Description
	1	5090818	1	
	2	3140305	1	
	3	3060145	1	Sealing washer [BSP 1/2"]
	4	3110065	1	Plug
	5	3060006	2	Flat washer [D.8 UNI 6592 ZC]
	6	3180221	1	Thermometer
	7	3020880	1	[M3X15 UNI 7688 ZC TAGLIO CR.]
	8	3010353	3	Hex screw [M10X16 8.8 ZC UNI 5739]
	9	3060056	3	Split lock washer [D=10 C72 ZC]
	10	3060914	3	Flat washer [D.10.5X21X2 UNI 6592 ZC]
	11	3180188	2	
	12	3180102	1	Tank cap
	13	3101041	1	Straight pipe fitting
	14	3180147	1	Pressure gauge (Clogging indicator)
	15	3180201	1	Filtering cartridge
	16	3180198	1	Oil filter
	17	3101056	1	Straight pipe fitting
	18	3010339	2	Hex screw [M8X25 8.8 ZC IF UNI 5739]
	19	3060055	2	Split lock washer [D=8.4 C72 ZC]

R	Pos.	Code Variant	Q.ty	Description
	1	3310543	1	Dashboard (Electric)
	2	3010027	4	Hex screw [M8X20 8.8 ZC IF UNI 5739]
	3	3040303	4	Stopnut

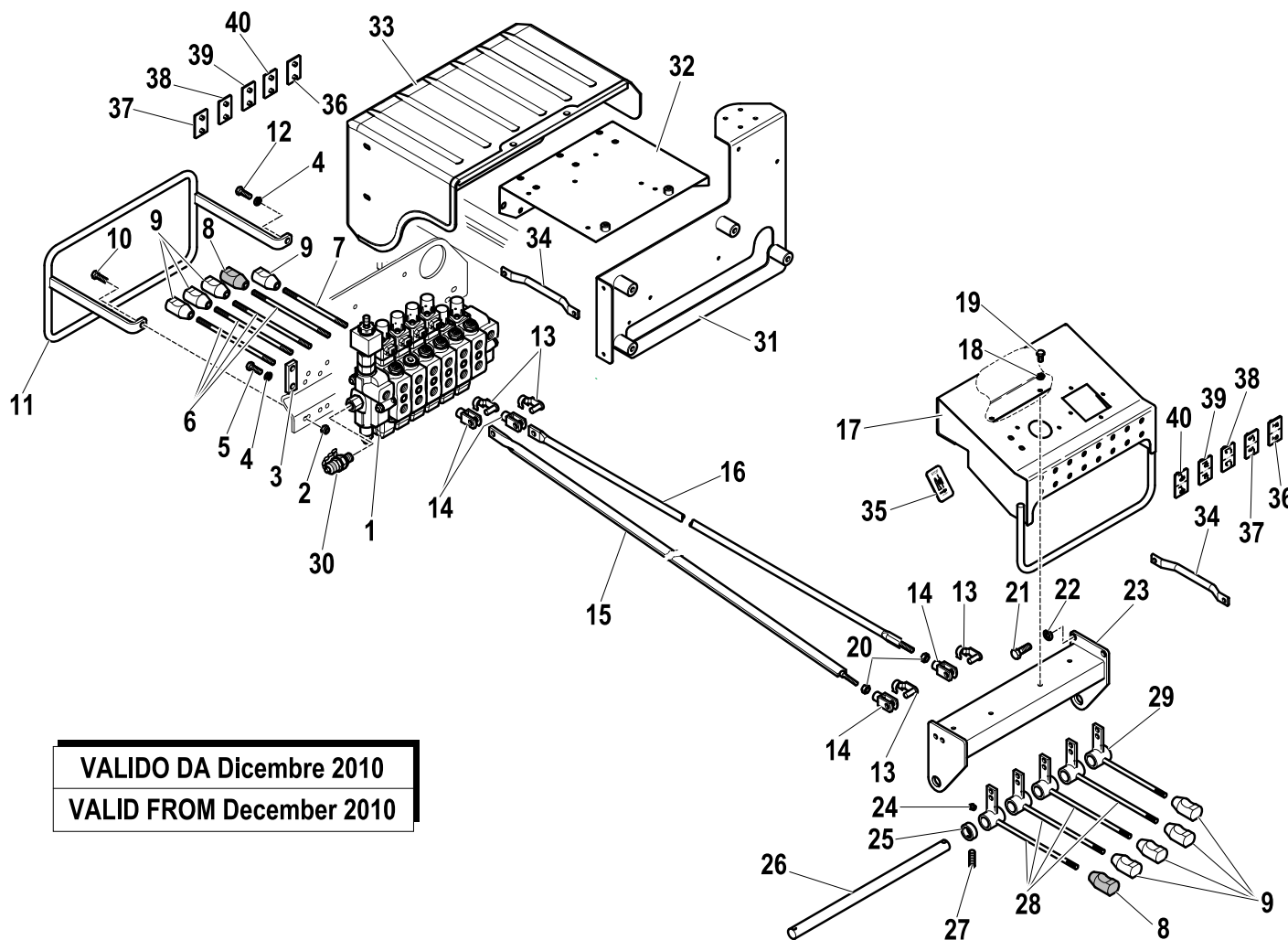


DOUBLE CONTROLS (EN12999-A3)

Code

5401339-1.0

1/2



R	Pos.	Code Variant	Q.ty	Description
	1	5220457	1	
	2	3040303	1	Stopnut
	3	5000708	5	Small plate (remittal)
	4	3060055	10	Split lock washer [D=8.4 C72 ZC]
	5	3010339	7	Hex screw [M8X25 8.8 ZC IF UNI 5739]
	6	5001513	4	Control lever
	7	5001514	1	Control lever
	8	3190217	2	
	9	3190197	8	Knob
	10	3010029	1	Hex screw [M8X30 8.8 ZC UNI 5737]
	11	5090910	1	
	12	3010027	3	Hex screw [M8X20 8.8 ZC IF UNI 5739]
	13	3300451	10	Fork clip
	14	3300431	10	Fork
	15	5090909	4	
	16	5090456	1	
	17	5091333	1	
	18	3060053	2	Split lock washer [D=6.4 C72 ZC]
	19	3010323	2	Hex screw [M6X10 8.8 ZC UNI 5739]
	20	3040045	5	Nut

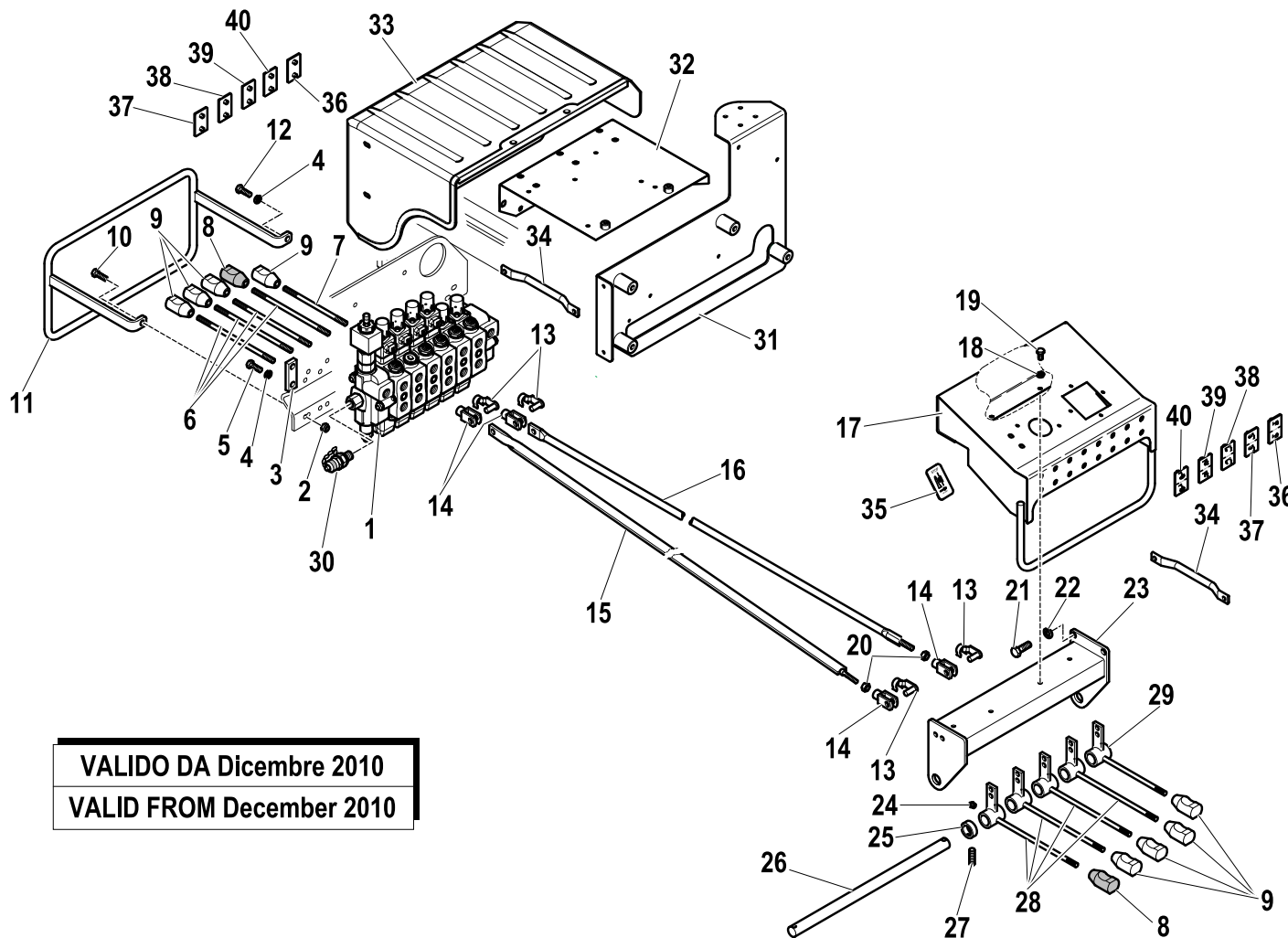
VALIDO DA Dicembre 2010
VALID FROM December 2010

DOUBLE CONTROLS (EN12999-A3)

Code

5401339-1.0

2/2



R	Pos.	Code Variant	Q.ty	Description
	21	3010353	3	Hex screw [M10X16 8.8 ZC UNI 5739]
	22	3060056	3	Split lock washer [D=10 C72 ZC]
	23	5090816	1	
	24	3080500	5	Grease nipple
	25	5000670	4	Ring
	26	5150715	1	
	27	3020439	4	TSEI screw [M6X16 ZC UNI 5933]
	28	5090433	4	Control lever
	29	5090434	1	Control lever
	30	3111523	1	Pipe fitting (Tapping point) [RACC. MILITES 16X2-1/4"G]
	31	5091319	1	
	32	5002064	1	
	33	5091137	1	
	34	5001829	2	
	35	5813567	1	
	36	5812818	2	
	37	W573270	2	Small plate (CONTROL SYMBOLS)
	38	W573269	2	Small plate (CONTROL SYMBOLS)
	39	W573267	2	Small plate (CONTROL SYMBOLS)
	40	W573266	2	Small plate (CONTROL SYMBOLS)

VALIDO DA Dicembre 2010
VALID FROM December 2010

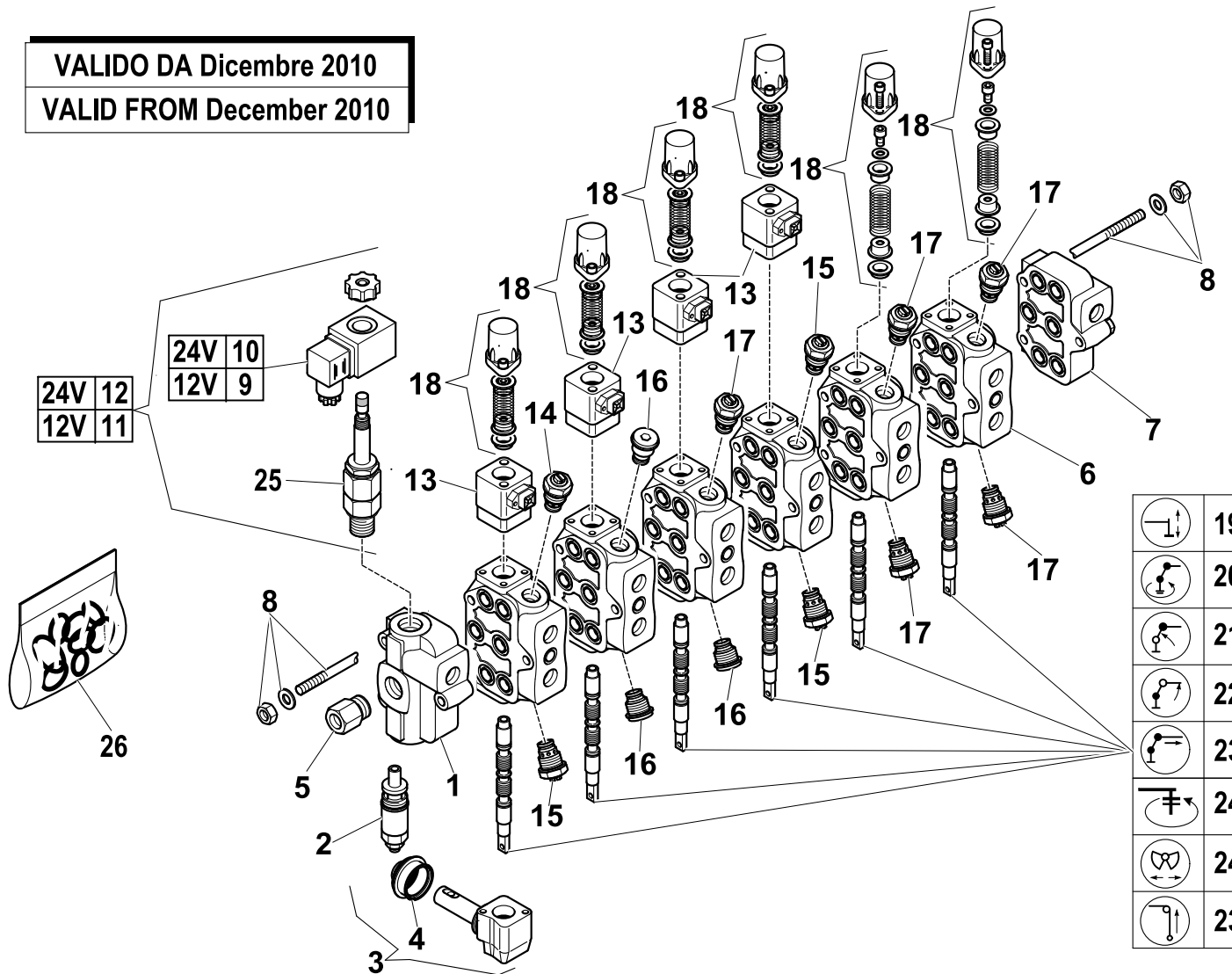
Control valve (6 section)

Code

5220457-1.0

1/2

VALIDO DA Dicembre 2010
VALID FROM December 2010



R	Pos.	Code Variant	Q.ty	Description
	1	5225702	1	
	2	5225705	1	
	3	5225261	6	
	4	5225022	6	
	5	3101237	1	
	6	5225704	6	
	7	5225703	1	
	8	5225549	3	
	9	3311438	1	
	10	3311437	1	
	11	5225895	1	
	12	5225894	1	
	13	5225597	4	
	14	5225708	1	
	15	5225707	3	
	16	5225710	3	
	17	5220075	5	
	18	5225709	6	
	19	5225575	2	
	20	5225701	1	

Control valve (6 section)

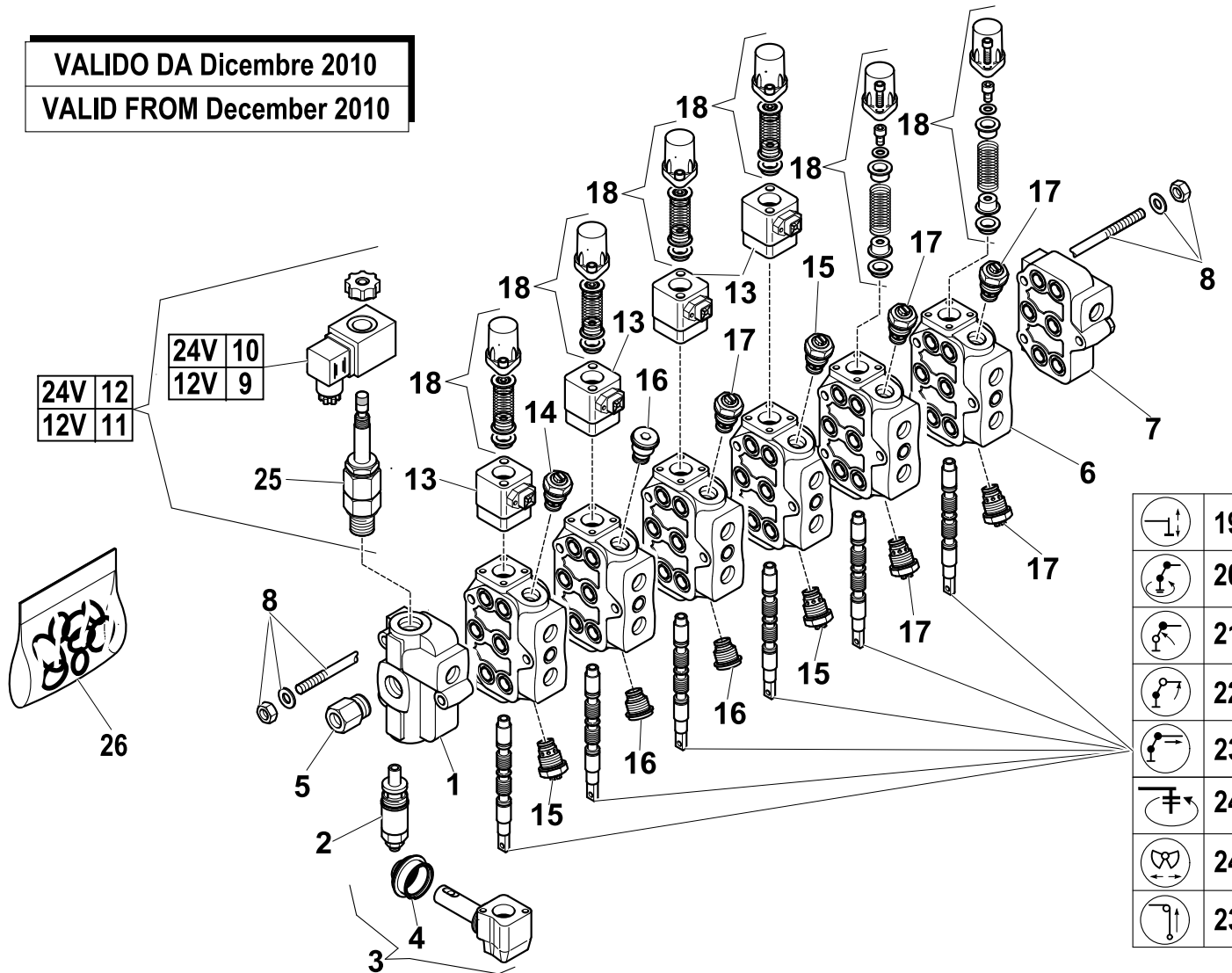
Code

5220457-1.0

2/2

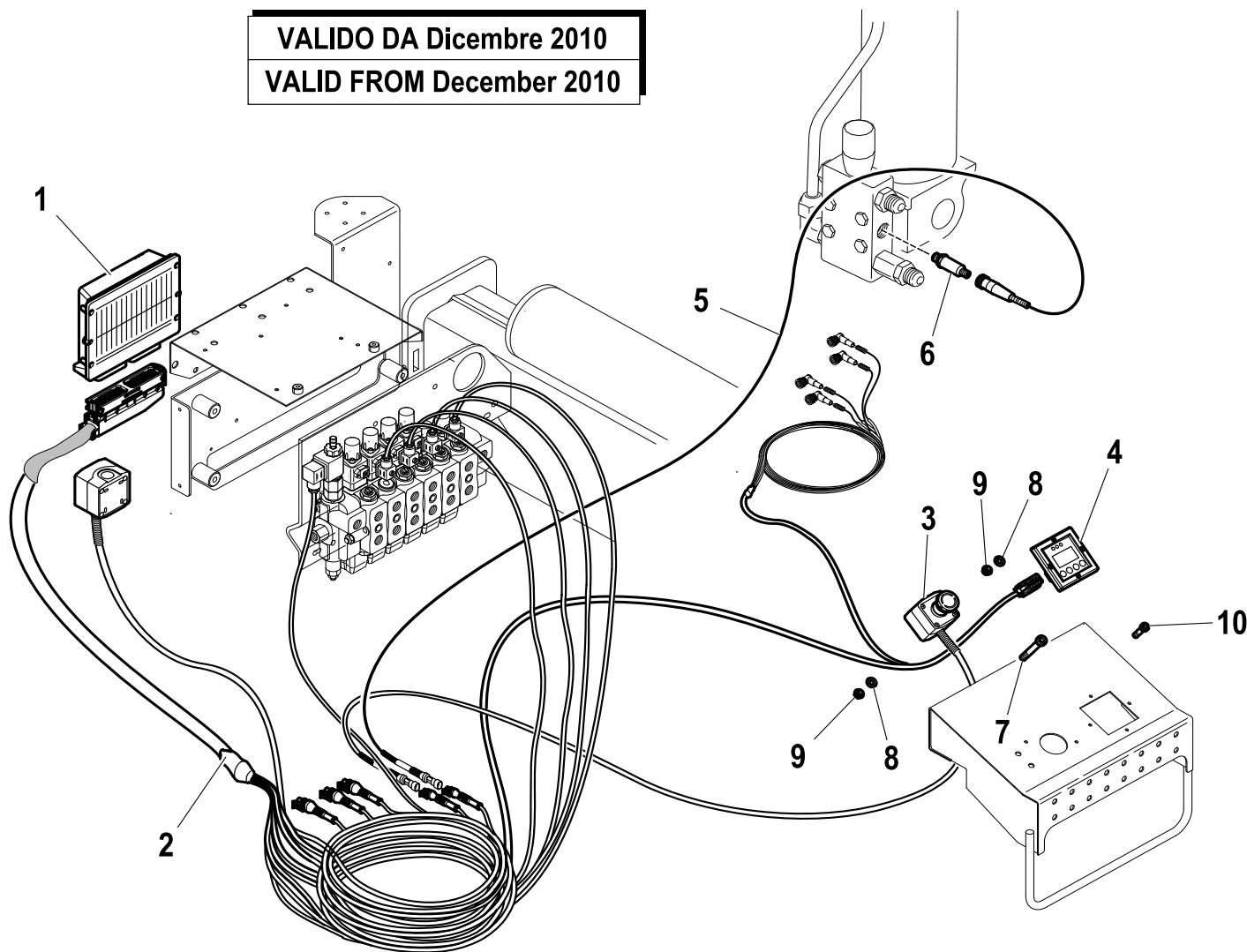
VALIDO DA Dicembre 2010
VALID FROM December 2010

R	Pos.	Code Variant	Q.ty	Description
	21	5225767	1	
	22	5225700	1	
	23	5225576	2	
	24	5225711	2	
	25	5225892	1	
	26	5225693	1	



	19
	20
	21
	22
	23
	24
	24
	23

VALIDO DA Dicembre 2010
VALID FROM December 2010



R	Pos.	Code Variant	Q.ty	Description
	1	3311423	1	Moment limiting device [SUPERATO]
	2	5160085	1	Electric wiring
	3	3311400	1	Electric wiring
	4	3311328	1	DIGITAL INSTRUMENT PANEL (Moment limiting device)
	5	5160084	1	Electric wiring
	6	3310612	1	Pressure sensor
	7	3020013	2	Socketed head cap screw [M4X60 8.8 ZC UNI 5931]
	8	3060030	6	Flat washer [D.6.6X18 UNI 6593 ZC]
	9	3040518	6	Stopnut
	10	3020885	4	Socketed head cap screw [M4X20 8.8 ZC UNI 5931]

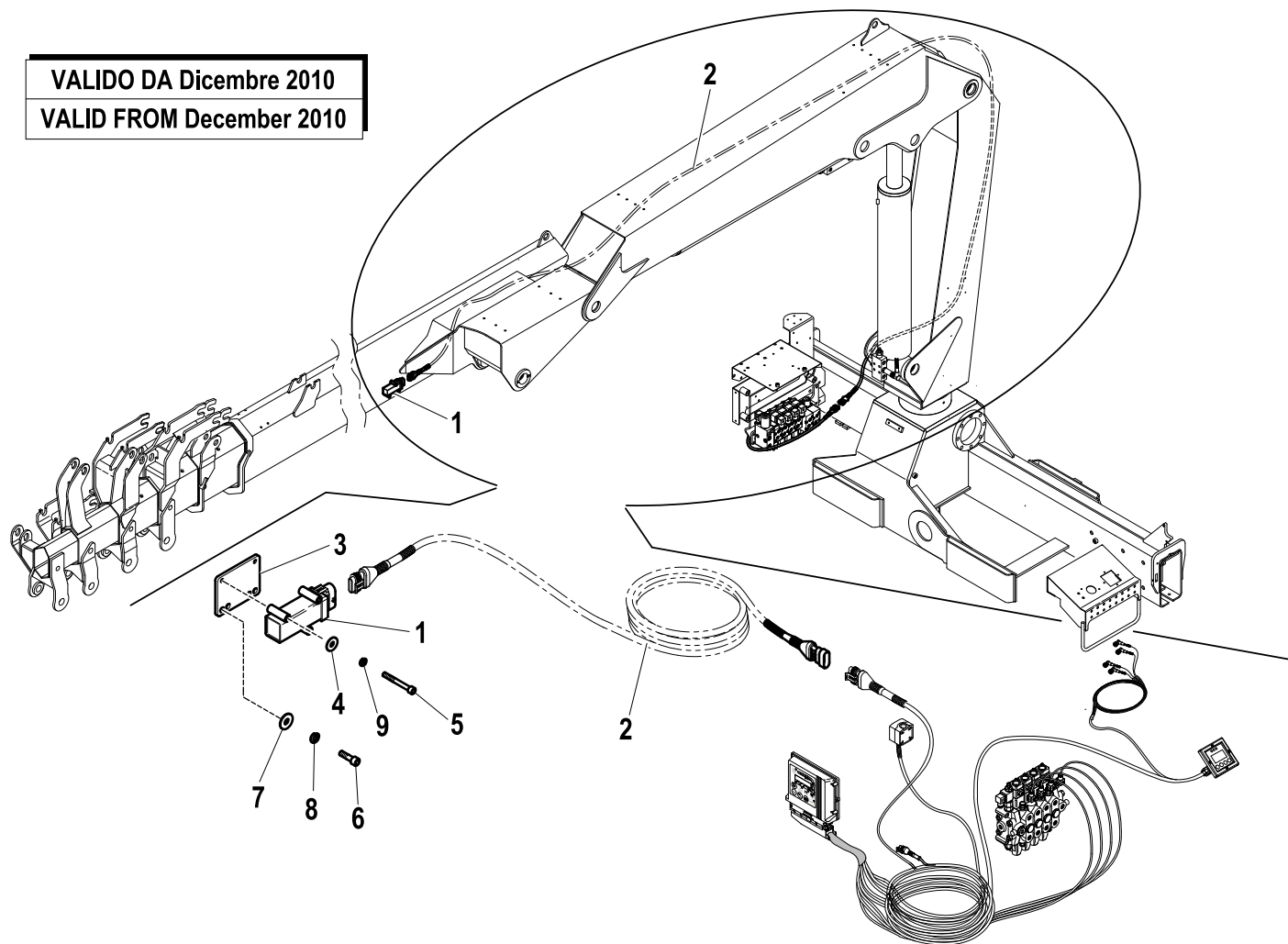
DOUBLE CONTROLS (EN12999-A3)

Code

5401339-3.0

1/1

VALIDO DA Dicembre 2010
VALID FROM December 2010



R	Pos.	Code Variant	Q.ty	Description
1		3311150	1	Tiltmeter
2		5160076	1	
3		5002108	1	Support plate (Tiltmeter)
4		3060003	2	Flat washer [D.4 UNI 6592 ZC]
5		3020018	2	Socketed head cap screw [M4X30 8.8 ZC UNI 5931]
6		3020033	2	Socketed head cap screw [M6X10 8.8 ZC UNI 5931]
7		3060005	2	Flat washer [D.6.4 UNI 6592 ZC]
8		3060053	2	Split lock washer [D=6.4 C72 ZC]
9		3060065	2	Split lock washer [D=4.1 C72 ZC]

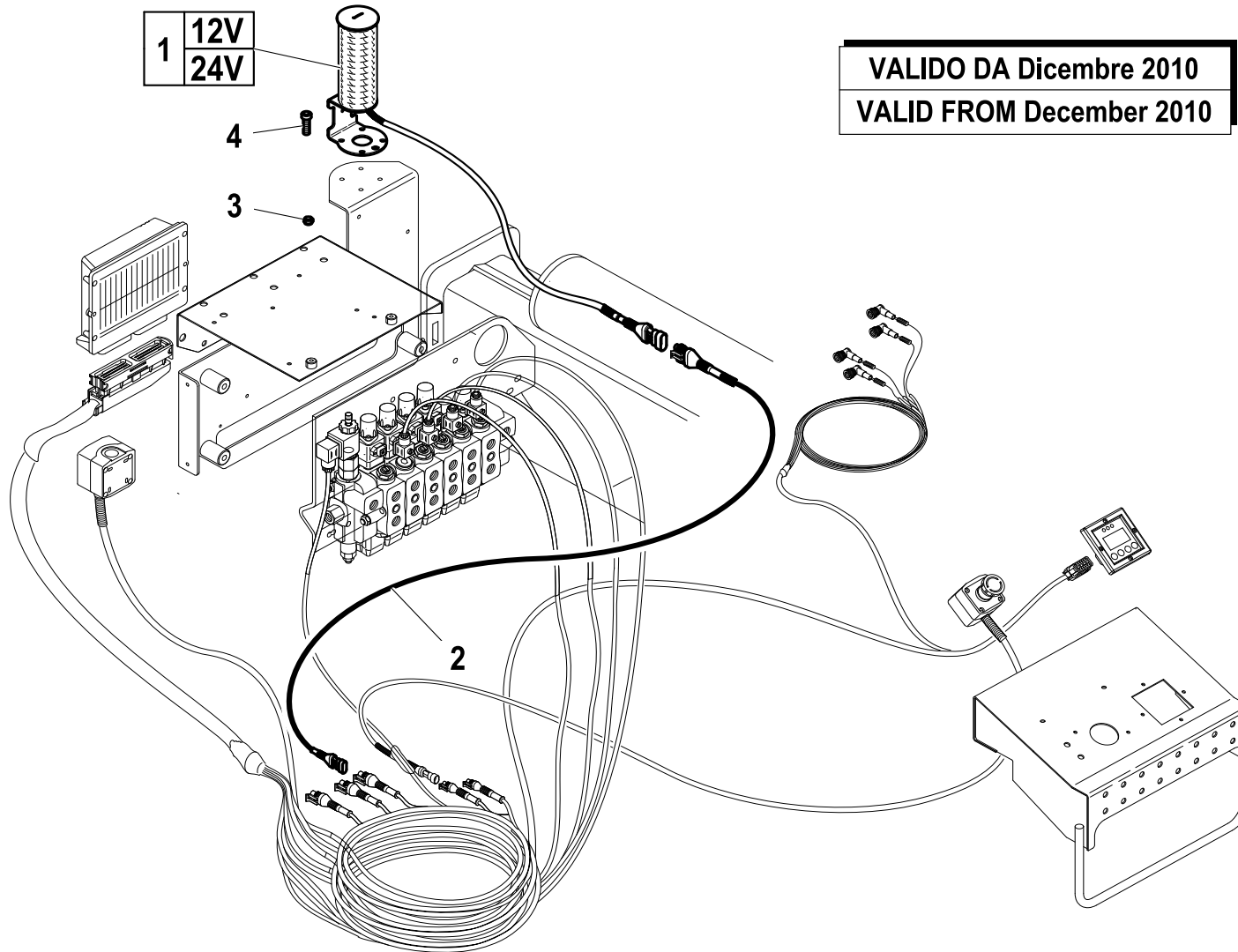
DOUBLE CONTROLS (EN12999-A3)

Code

5401339-4.0

1/1

R	Pos.	Code Variant	Q.ty	Description
	1	3311159	1	Signal Columns
	2	5160003	1	Electric wiring
	3	3040392	4	Stopnut
	4	3020023	4	Socket head cap screw [M5X16 8.8 ZC UNI 5931]



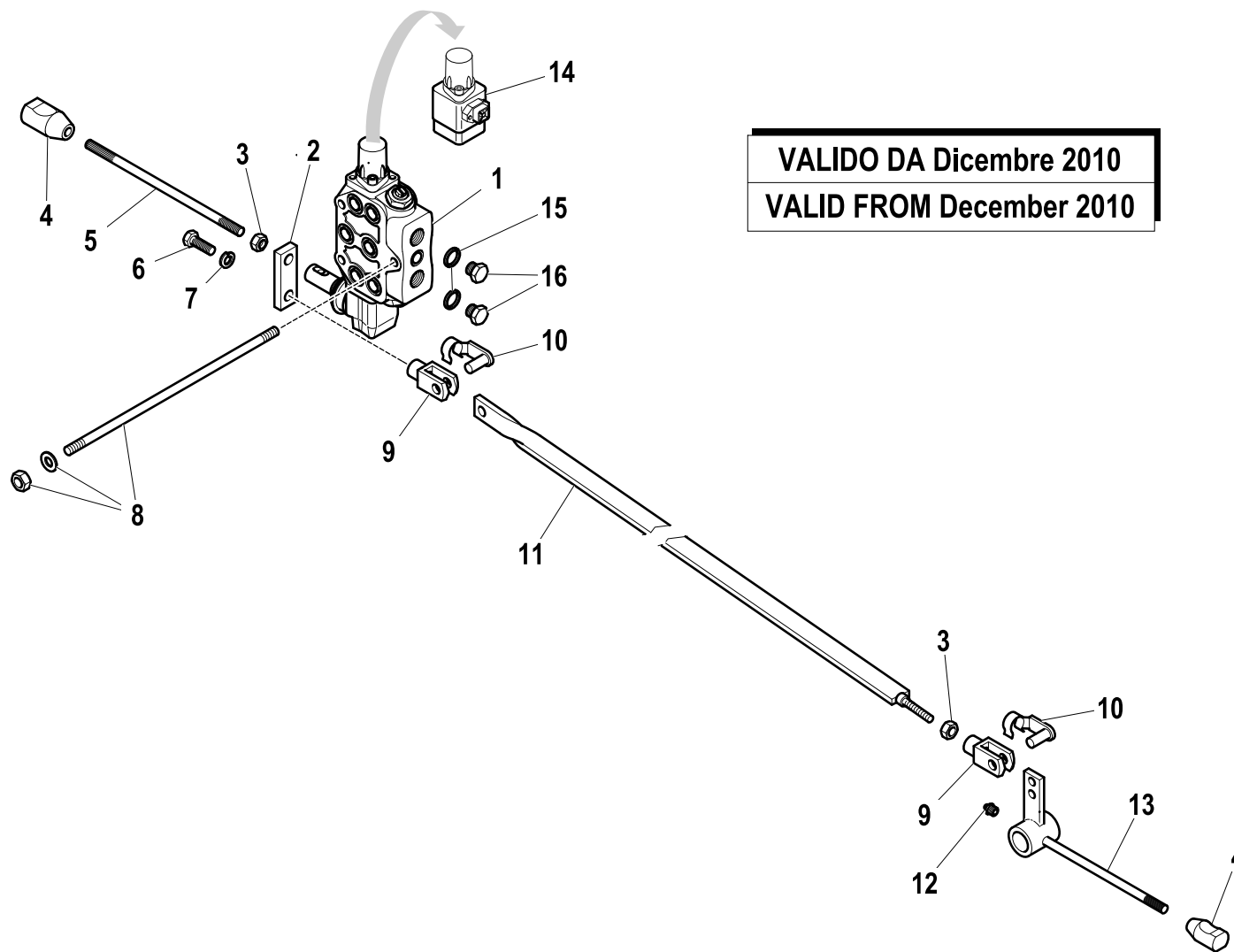
VALIDO DA Dicembre 2010
VALID FROM December 2010

7th extra function kit open center spool (EN12999-A3)

Code

5212030-1.0

1/1



VALIDO DA Dicembre 2010
VALID FROM December 2010

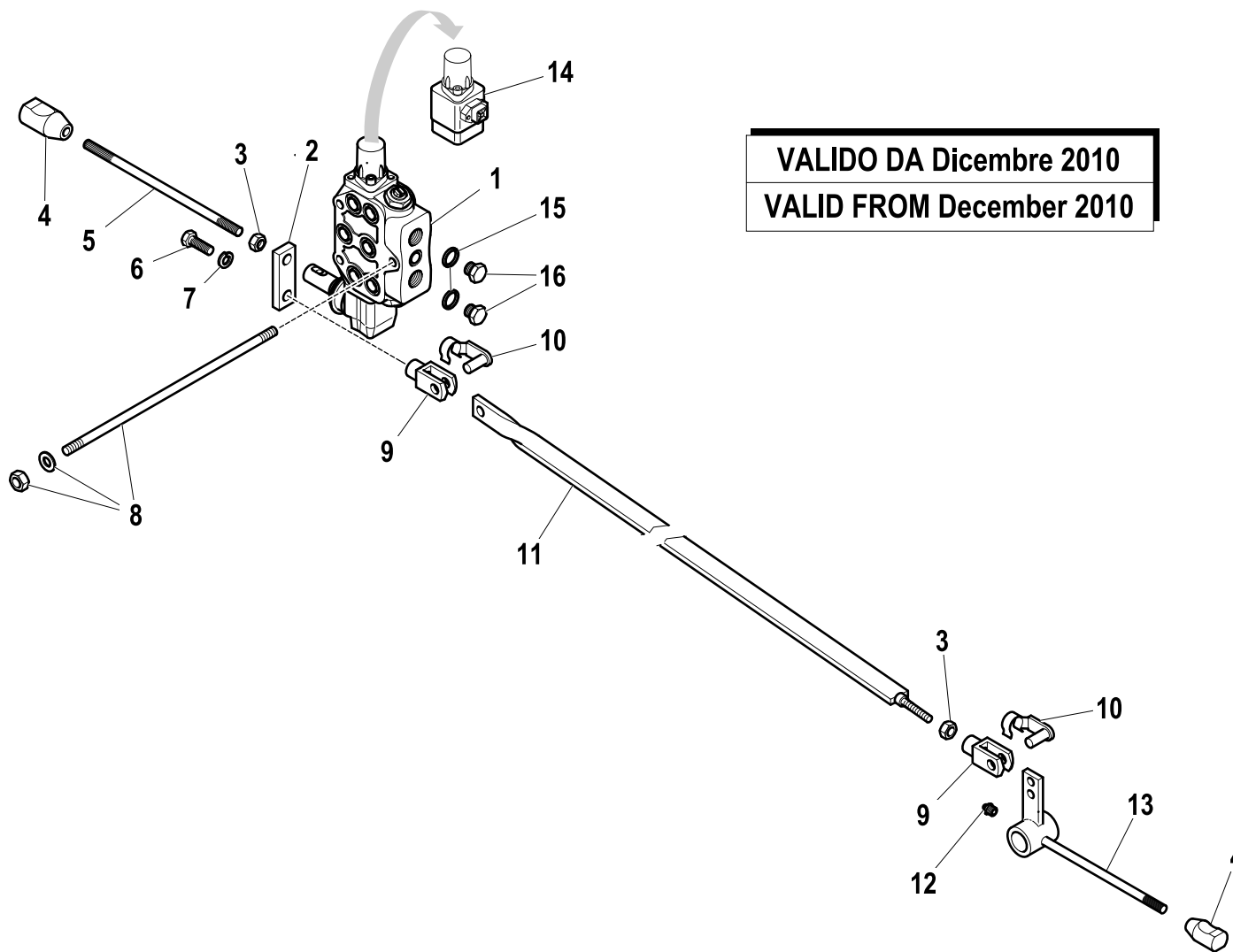
R	Pos.	Code Variant	Q.ty	Description
	1	5225553	1	
	2	5000708	1	Small plate (remittal)
	3	3040045	2	Nut
	4	3190197	2	Knob
	5	5001513	1	Control lever
	6	3010339	1	Hex screw [M8X25 8.8 ZC IF UNI 5739]
	7	3060055	1	Split lock washer [D=8.4 C72 ZC]
	8	5225550	1	
	9	3300431	2	Fork
	10	3300451	2	Fork clip
	11	5090909	1	
	12	3080500	1	Grease nipple
	13	5090433	1	Control lever
	14	5225597	1	
	15	3060144	2	Sealing washer [BSP 3/8"]
	16	3110061	2	Plug

7th extra function kit closed center spool (EN12999-A3)

Code

5212029-1.0

1/1



VALIDO DA Dicembre 2010
VALID FROM December 2010

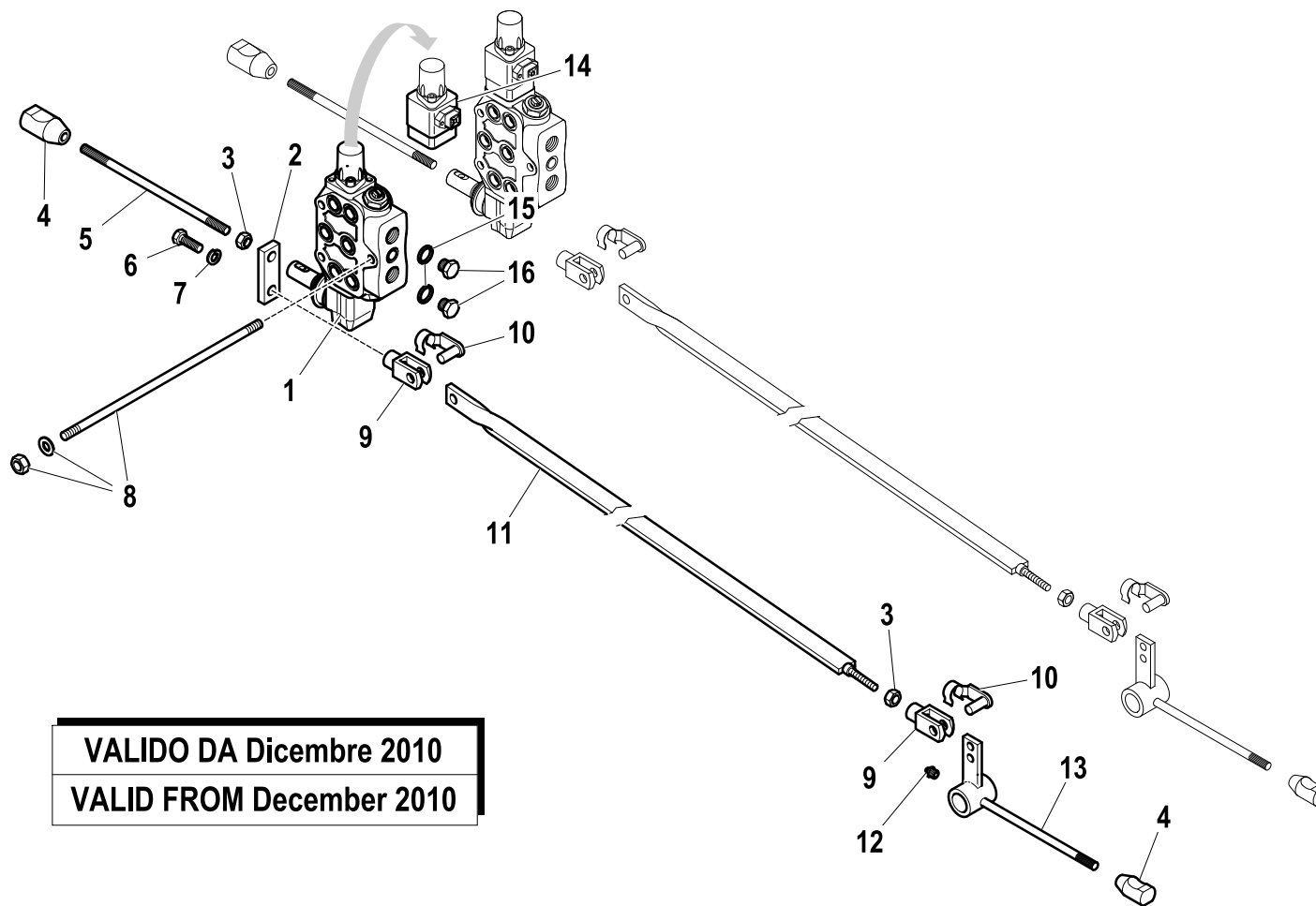
R	Pos.	Code Variant	Q.ty	Description
	1	5225552	1	
	2	5000708	1	Small plate (remittal)
	3	3040045	2	Nut
	4	3190197	2	Knob
	5	5001513	1	Control lever
	6	3010339	1	Hex screw [M8X25 8.8 ZC IF UNI 5739]
	7	3060055	1	Split lock washer [D=8.4 C72 ZC]
	8	5225550	1	
	9	3300431	2	Fork
	10	3300451	2	Fork clip
	11	5090909	1	
	12	3080500	1	Grease nipple
	13	5090433	1	Control lever
	14	5225597	1	
	15	3060144	2	Sealing washer [BSP 3/8"]
	16	3110061	2	Plug

8th extra function kit closed center spool (EN12999-A3)

Code

5212031-1.0

1/1



R	Pos.	Code Variant	Q.ty	Description
	1	5225552	1	
	2	5000708	1	Small plate (remittal)
	3	3040045	2	Nut
	4	3190197	2	Knob
	5	5001513	1	Control lever
	6	3010339	1	Hex screw [M8X25 8.8 ZC IF UNI 5739]
	7	3060055	1	Split lock washer [D=8.4 C72 ZC]
	8	5225551	1	
	9	3300431	2	Fork
	10	3300451	2	Fork clip
	11	5090909	1	
	12	3080500	1	Grease nipple
	13	5090433	1	Control lever
	14	5225597	1	
	15	3060144	2	Sealing washer [BSP 3/8"]
	16	3110061	2	Plug

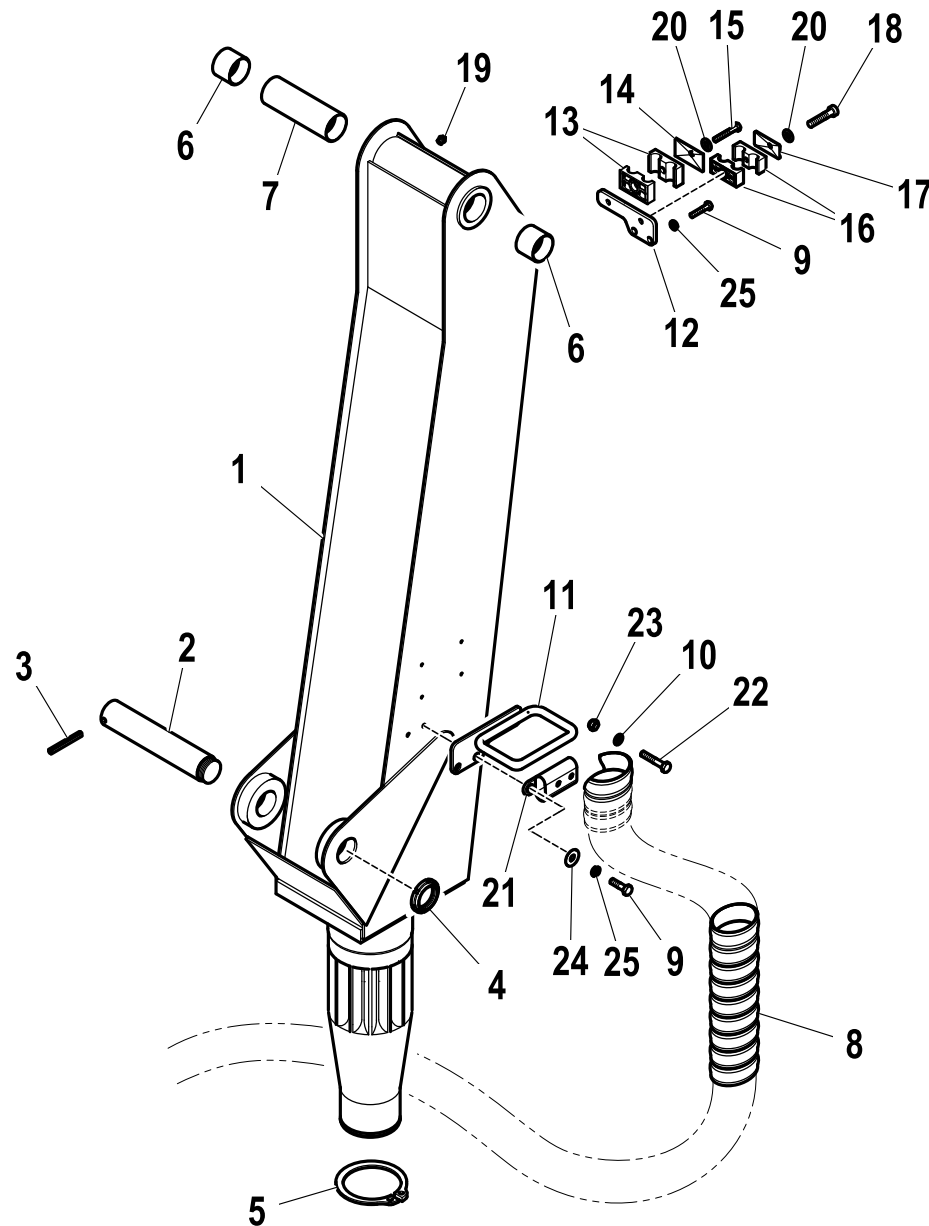
VALIDO DA Dicembre 2010
VALID FROM December 2010

Column

Code

5460039-1.0

1/2



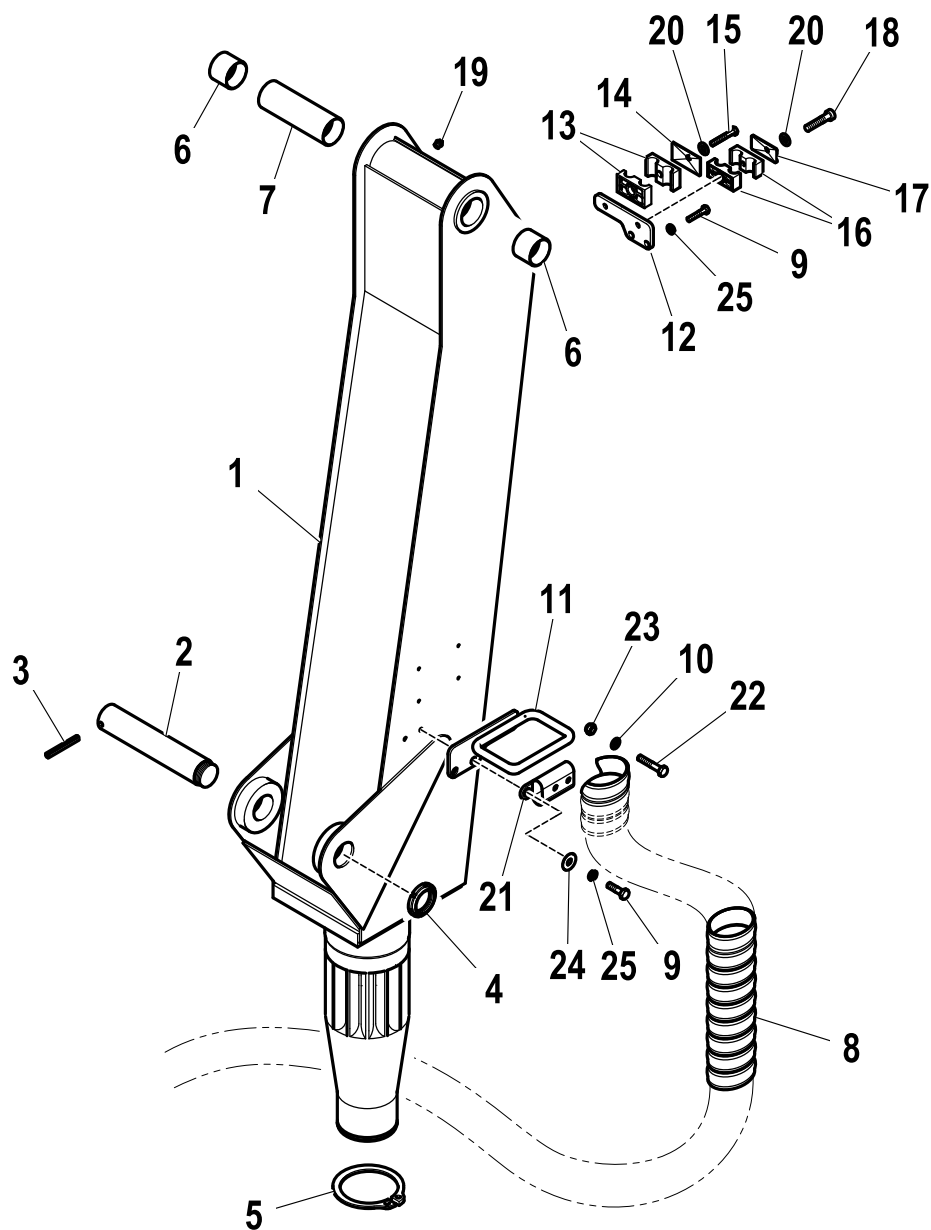
R	Pos.	Code Variant	Q.ty	Description
	1	5040093	1	Column
	2	5150712	1	
	3	3060950	1	Spring pin
	4	3040506	1	Self-locking ringnut
	5	3070078	1	Seeger
	6	5140695	2	Bushing
	7	5001349	1	
	8	3190245	mt1.3	
	9	3010325	4	Hex screw [M6X16 8.8 ZC UNI 5739]
	10	3060005	2	Flat washer [D.6.4 UNI 6592 ZC]
	11	5090911	1	
	12	5001551	1	
	13	3190222	2	Collar (Flexible hose)
	14	3190221	1	Small plate (Collar)
	15	3010034	1	Hex screw [M8X55 8.8 UNI 5737 ZC]
	16	3190172	2	Clamp (Set of hoses)
	17	3190204	1	Plate (Collar)
	18	3020873	1	Socketed head cap screw [M8X30 ZC UNI 5931]
	19	3080501	1	Grease nipple
	20	3060006	2	Flat washer [D.8 UNI 6592 ZC]

Column

Code

5460039-1.0

2/2



R	Pos.	Code Variant	Q.ty	Description
	21	5091400	1	
	22	3010022	2	Hex screw [M6X25 8.8 ZC UNI 5739]
	23	3040372	2	Stopnut
	24	3060030	1	Flat washer [D.6.6X18 UNI 6593 ZC]
	25	3060053	4	Split lock washer [D=6.4 C72 ZC]

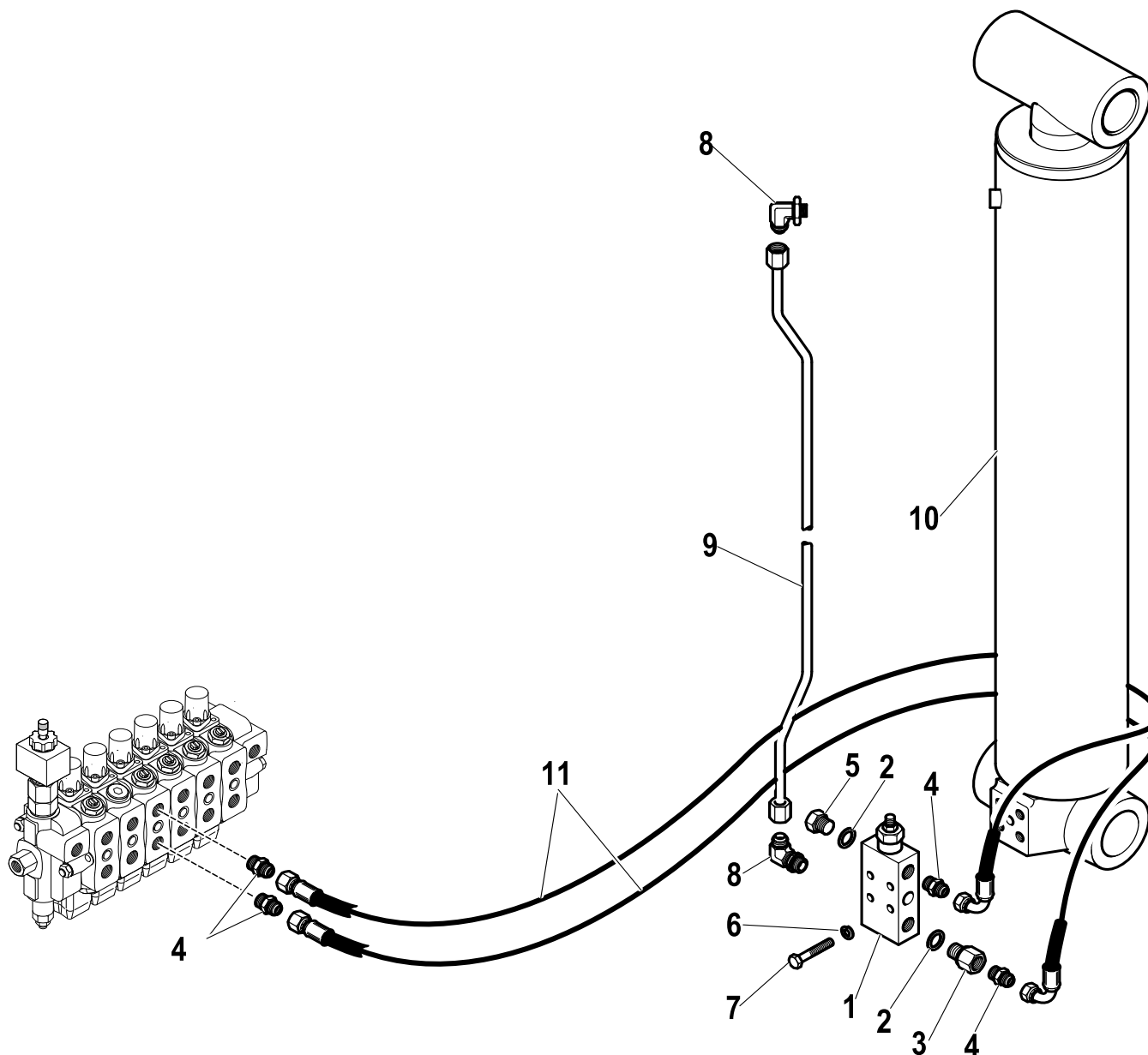
HYDRAULIC SYSTEM (LIFTING HYDRAULIC CYLINDER)

Code

6230136-1.0

1/1

R	Pos.	Code Variant	Q.ty	Description
	1	5220547	1	
	2	3060144	2	Sealing washer [BSP 3/8"]
	3	3110119	1	Straight pipe fitting
	4	3101043	1	Straight pipe fitting
	5	3110061	1	Plug
	6	3060055	1	Split lock washer [D=8.4 C72 ZC]
	7	3010033	4	Hex screw [M8X50 8.8 ZC UNI 5737]
	8	3101127	2	90° Connection
	9	5391891	1	
	10	6430136	1	Lifting jack
	11	5271601	2	

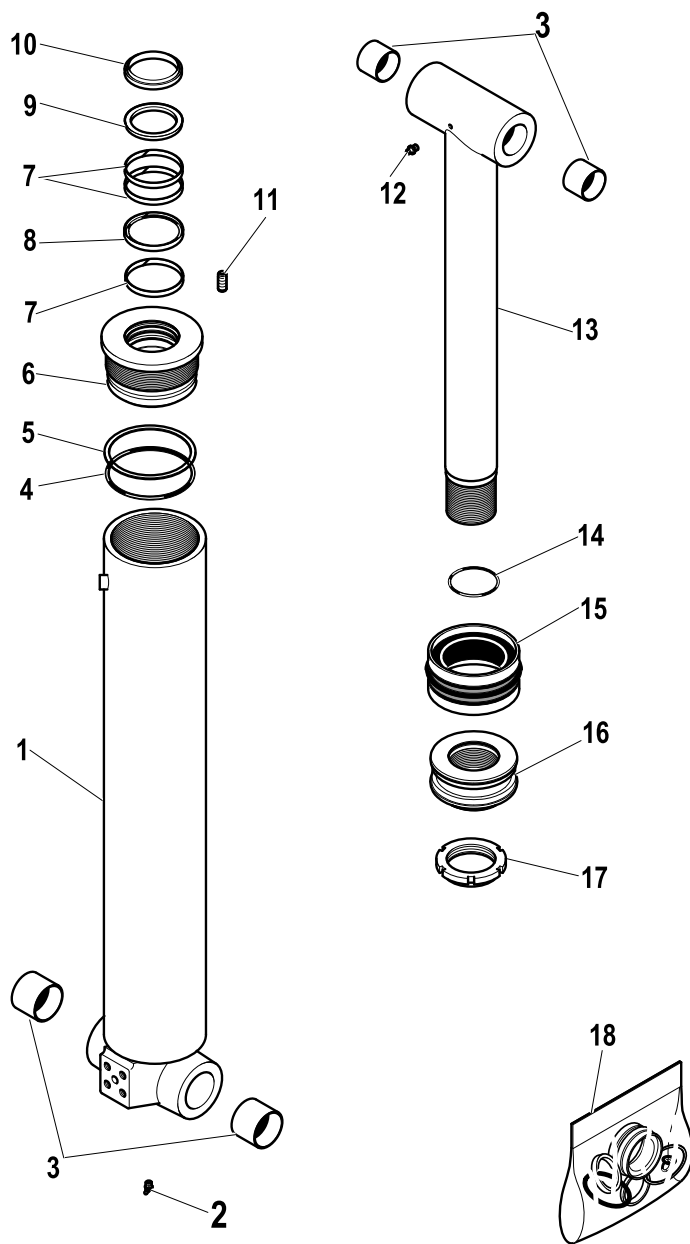


LIFTING HYDRAULIC CYLINDER

Code

6430136-1.0

1/1



R	Pos.	Code Variant	Q.ty	Description
	1	6070500	1	
	2	3080512	1	Grease nipple
	3	5140695	2	Bushing
	4	3450228	1	
	5	3460228	1	
	6	6040288	1	
	7	3361008	3	
	8	3380650	1	
	9	3370144	1	
	10	3420032	1	
	11	3060226	1	Grub screw
	12	3080501	1	Grease nipple
	13	6030625	1	
	14	3450121	1	
	15	3400521	1	
	16	6050291	1	
	17	3040506	1	Self-locking ringnut
	18	5550758	1	Seal kit

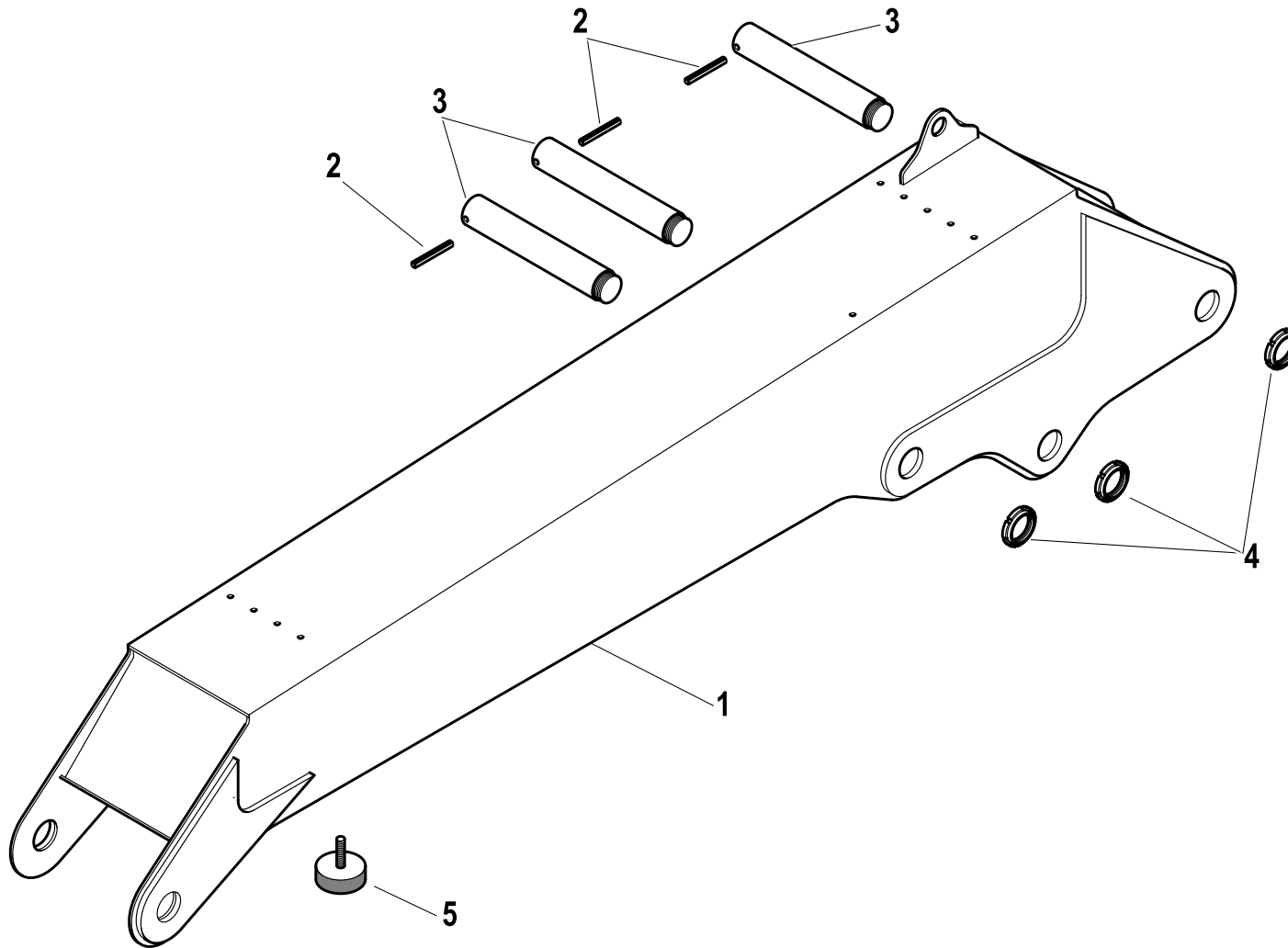
1ST BOOM

Code

5470057-1.0

1/1

R	Pos.	Code Variant	Q.ty	Description
	1	5030267	1	Main boom
	2	3060950	3	Spring pin
	3	5150711	3	
	4	3040506	3	Self-locking ringnut
	5	3190100	1	

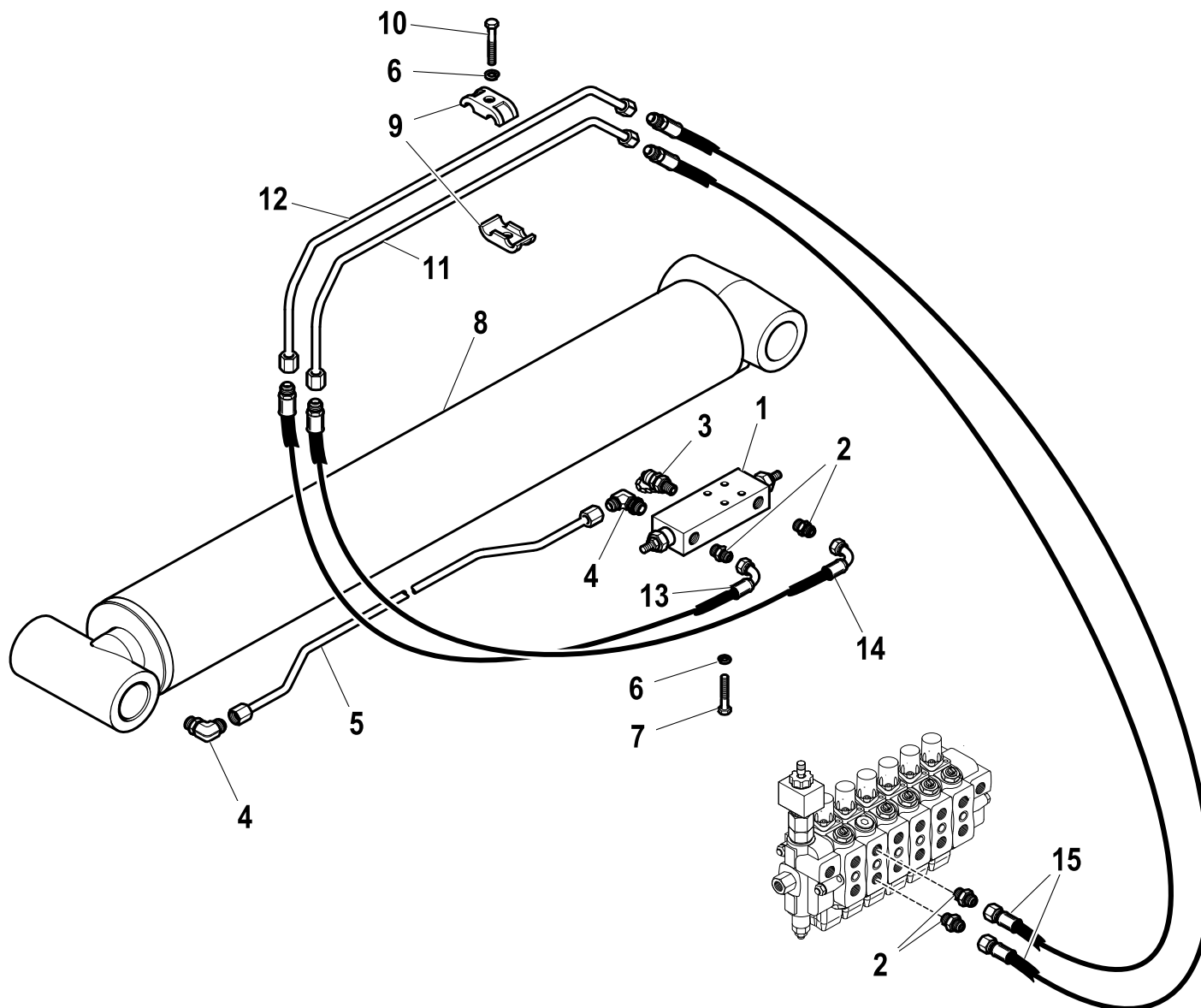


HYDRAULIC SYSTEM (ARTICULATION HYDRAULIC JACK)

Code

6230137-1.0

1/1



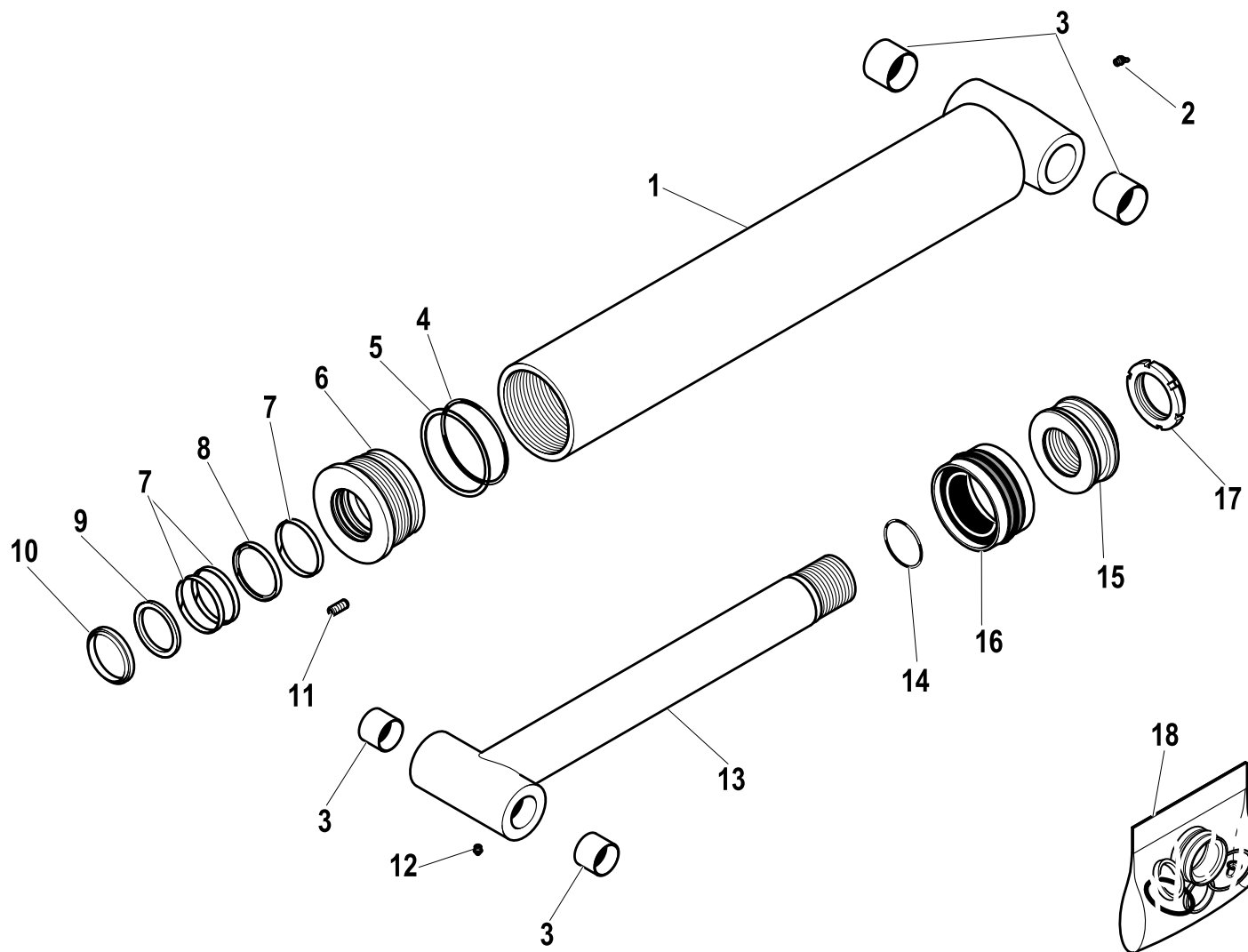
R	Pos.	Code Variant	Q.ty	Description
	1	5220676	1	
	2	3101043	4	Straight pipe fitting
	3	3111523	1	Pipe fitting (Tapping point) [RACC. MILITES 16X2-1/4"G]
	4	3101127	2	90° Connection
	5	5391904	1	
	6	3060055	6	Split lock washer [D=8.4 C72 ZC]
	7	3010033	4	Hex screw [M8X50 8.8 ZC UNI 5737]
	8	6430137	1	Articulation Hydraulic jack
	9	5000077	4	Clamp (Rigid Pipe)
	10	3010031	2	Hex screw [M8X40 8.8 ZC UNI 5737]
	11	5392049	1	
	12	5392050	1	
	13	5271599	1	
	14	5271600	1	
	15	5271602	2	

Articulation Hydraulic jack

Code

6430137-1.0

1/1



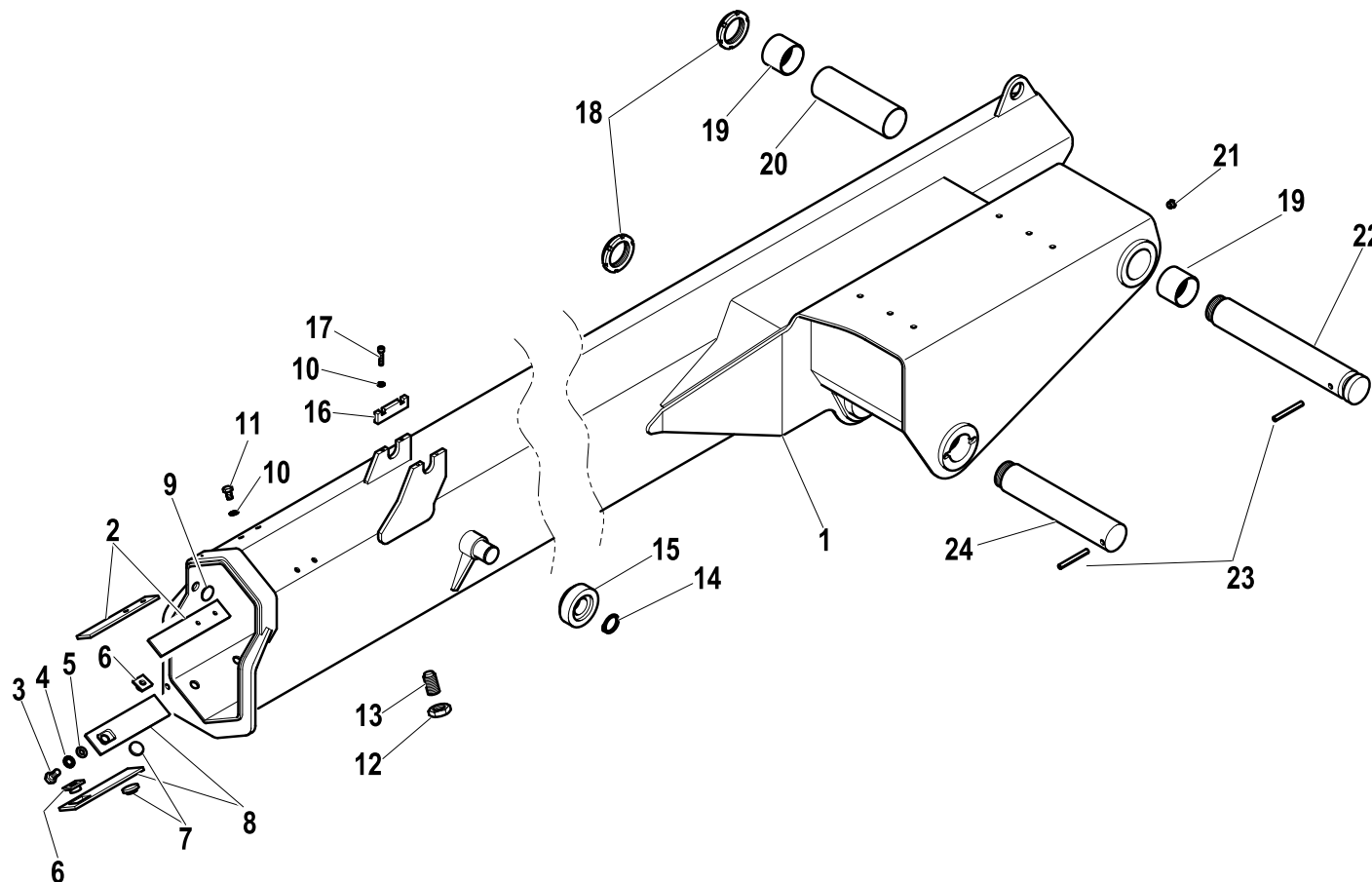
R	Pos.	Code Variant	Q.ty	Description
	1	6070502	1	
	2	3080532	1	Grease nipple
	3	5140695	4	Bushing
	4	3450228	1	
	5	3460228	1	
	6	6040288	1	
	7	3361008	3	
	8	3380650	1	
	9	3370144	1	
	10	3420032	1	
	11	3060226	1	Grub screw
	12	3080501	1	Grease nipple
	13	6030628	1	
	14	3450121	1	
	15	6050291	1	
	16	3400521	1	
	17	3040506	1	Self-locking ringnut
	18	5550758	1	Seal kit

2nd BOOM

Code

5480061-1.0

1/2



R	Pos.	Code Variant	Q.ty	Description
	1	5030268	1	Secondary boom
	2	5140779	2	
	3	3010353	2	Hex screw [M10X16 8.8 ZC UNI 5739]
	4	3060920	2	Tooth lock washer [D.10 TIPO A]
	5	3060914	2	Flat washer [D.10.5X21X2 UNI 6592 ZC]
	6	5000827	2	Button (Control board)
	7	5140681	2	
	8	5140733	2	
	9	5140777	2	Button (Backlash)
	10	3060101	8	Tooth lock washer [D.6 TIPO A]
	11	3010323	4	Hex screw [M6X10 8.8 ZC UNI 5739]
	12	3040089	2	Lock nut
	13	5000771	2	Adjusting screw
	14	3070153	1	Seeger
	15	5140776	1	
	16	5001109	2	
	17	3020037	4	Socket head cap screw [M6X25 8.8 ZC UNI 5931]
	18	3040506	2	Self-locking ringnut
	19	5140695	2	Bushing
	20	5001349	1	

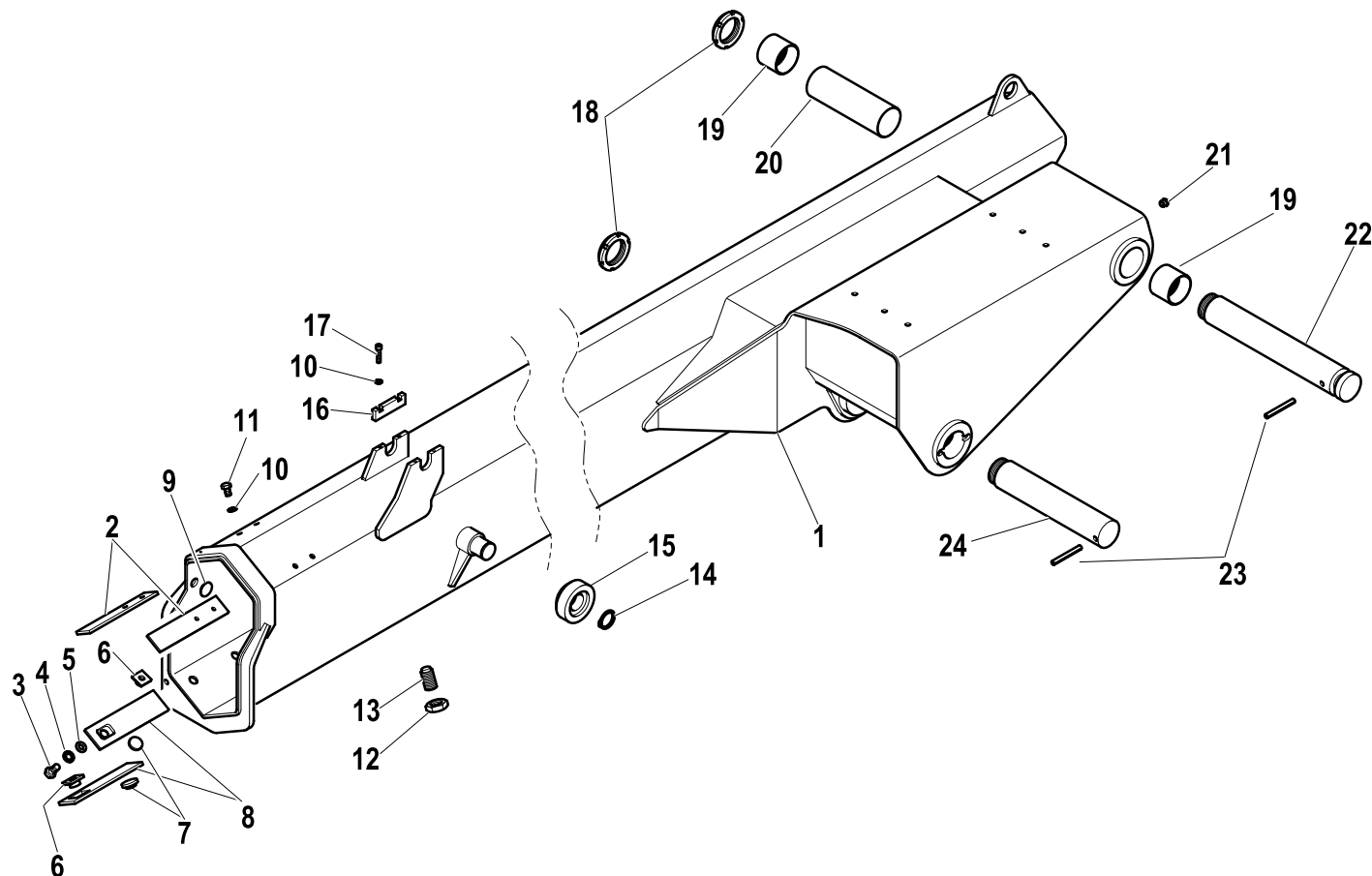
2nd BOOM

Code

5480061-1.0

2/2

R	Pos.	Code Variant	Q.ty	Description
	21	3080501	1	Grease nipple
	22	5150714	1	
	23	3060950	2	Spring pin
	24	5150713	1	

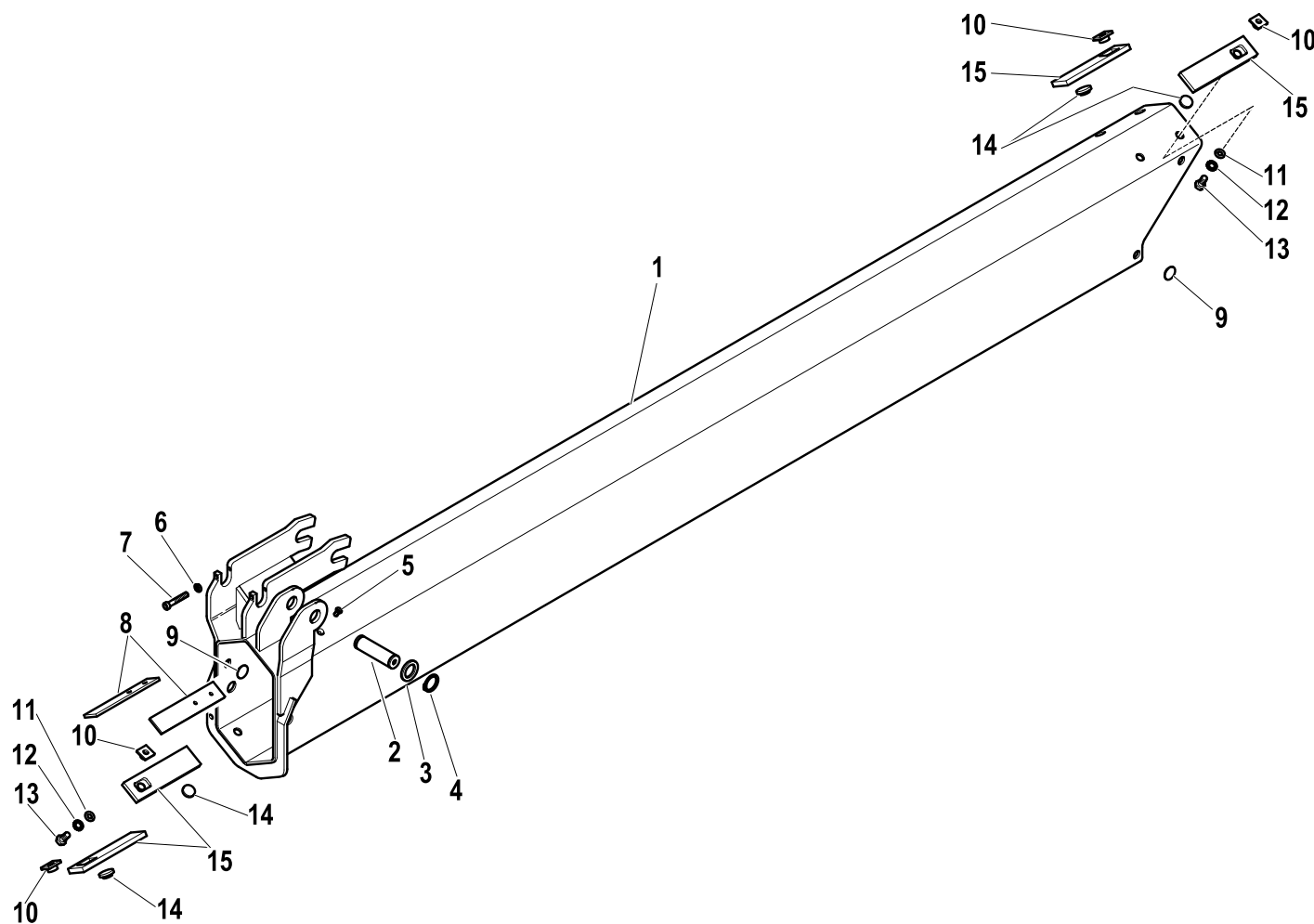


1st EXTENSION

Code

5490061-1.0

1/1



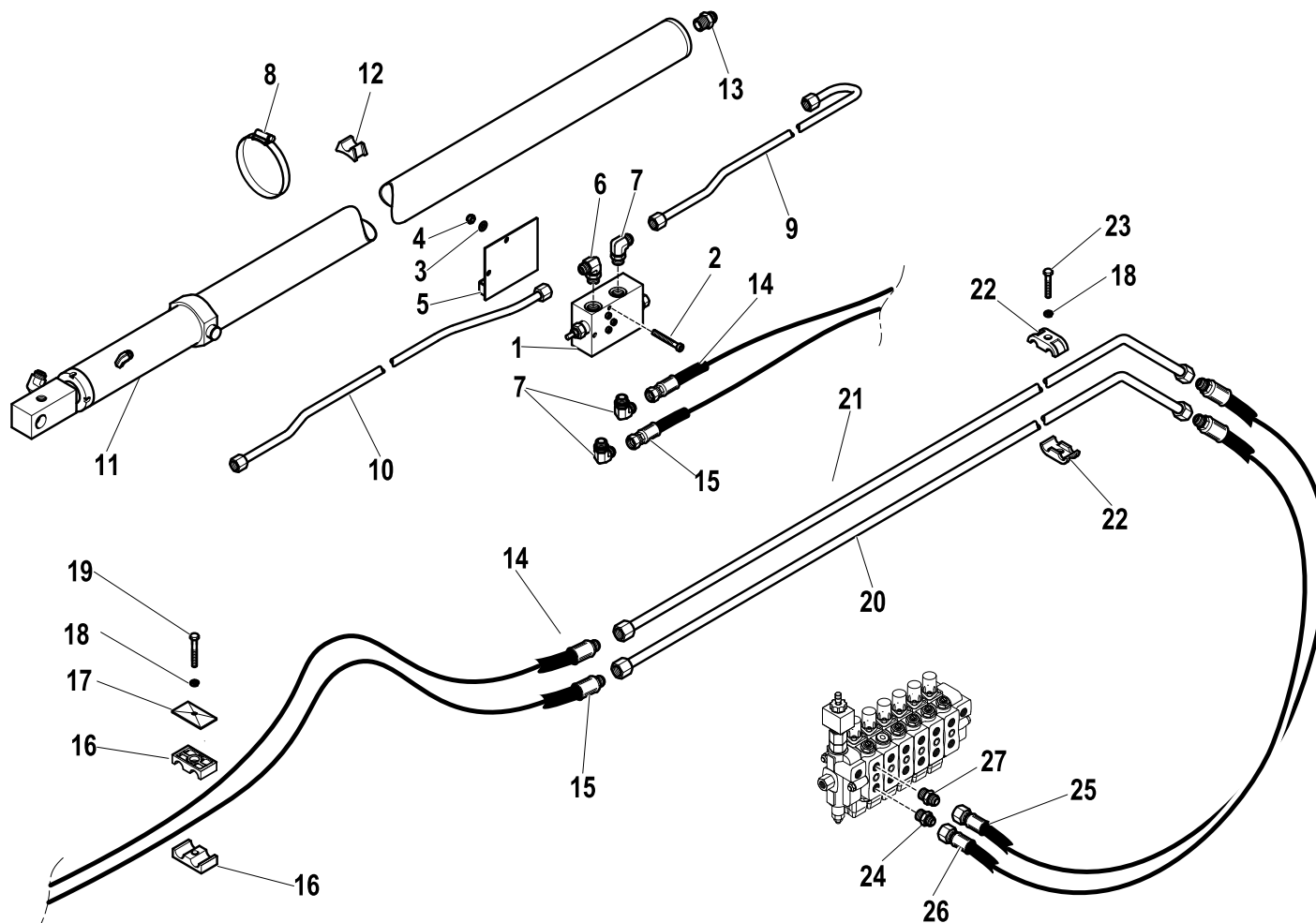
R	Pos.	Code Variant	Q.ty	Description
	1	5020444	1	Extension
	2	5150799	1	
	3	3060938	2	Flat washer [D.25X39X4 UNI 1749 ZC]
	4	3070150	2	Seeger
	5	3020436	4	TSEI screw [M6X10 ZC UNI 5933]
	6	3060101	2	Tooth lock washer [D.6 TIPO A]
	7	3020044	2	Socked head cap screw
	8	5140779	2	
	9	5140777	4	Button (Backlash)
	10	5000827	4	Button (Control board)
	11	3060914	4	Flat washer [D.10.5X21X2 UNI 6592 ZC]
	12	3060920	4	Tooth lock washer [D.10 TIPO A]
	13	3010353	4	Hex screw [M10X16 8.8 ZC UNI 5739]
	14	5140681	4	
	15	5140733	4	

HYDRAULIC SYSTEM (1st EXSTENSION HYDRAULIC)

Code

6210282-1.0

1/2



R	Pos.	Code Variant	Q.ty	Description
	1	5220654	1	
	2	3020901	2	Socketed head cap screw [M8X60 ZC UNI 5931]
	3	3060006	2	Flat washer [D.8 UNI 6592 ZC]
	4	3040303	2	Stopnut
	5	5001223	1	
	6	3101128	1	90° Connection
	7	3101131	3	90° Connection
	8	3190022	3	Clamp
	9	5392044	1	
	10	5392052	1	
	11	6410282	1	Extension Hydraulic jack
	12	5140133	3	Piping mounting
	13	3101051	1	Straight pipe fitting
	14	5280616	1	
	15	5280617	1	
	16	3190222	2	Collar (Flexible hose)
	17	3190221	1	Small plate (Collar)
	18	3060055	3	Split lock washer [D=8.4 C72 ZC]
	19	3010032	1	Hex screw [M8X45 8.8 ZC UNI 5737]
	20	5392051	1	

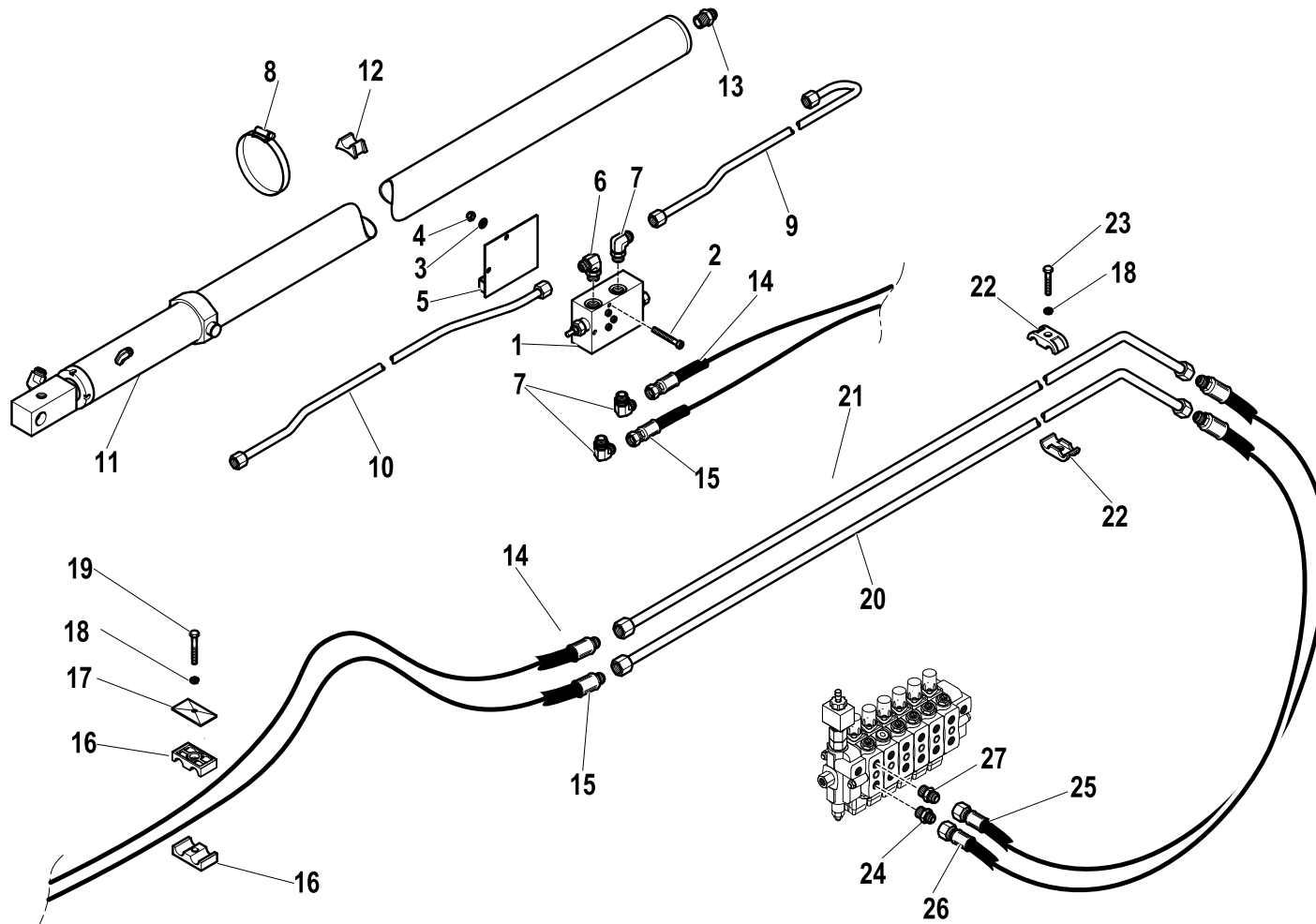
HYDRAULIC SYSTEM (1st EXSTENSION HYDRAULIC)

Code

6210282-1.0

2/2

R	Pos.	Code Variant	Q.ty	Description
	21	5392041	1	
	22	5000045	4	Clamp (Rigid Pipe)
	23	3010031	2	Hex screw [M8X40 8.8 ZC UNI 5737]
	24	3101043	1	Straight pipe fitting
	25	5280618	1	
	26	5271602	1	
	27	3101213	1	Straight pipe fitting

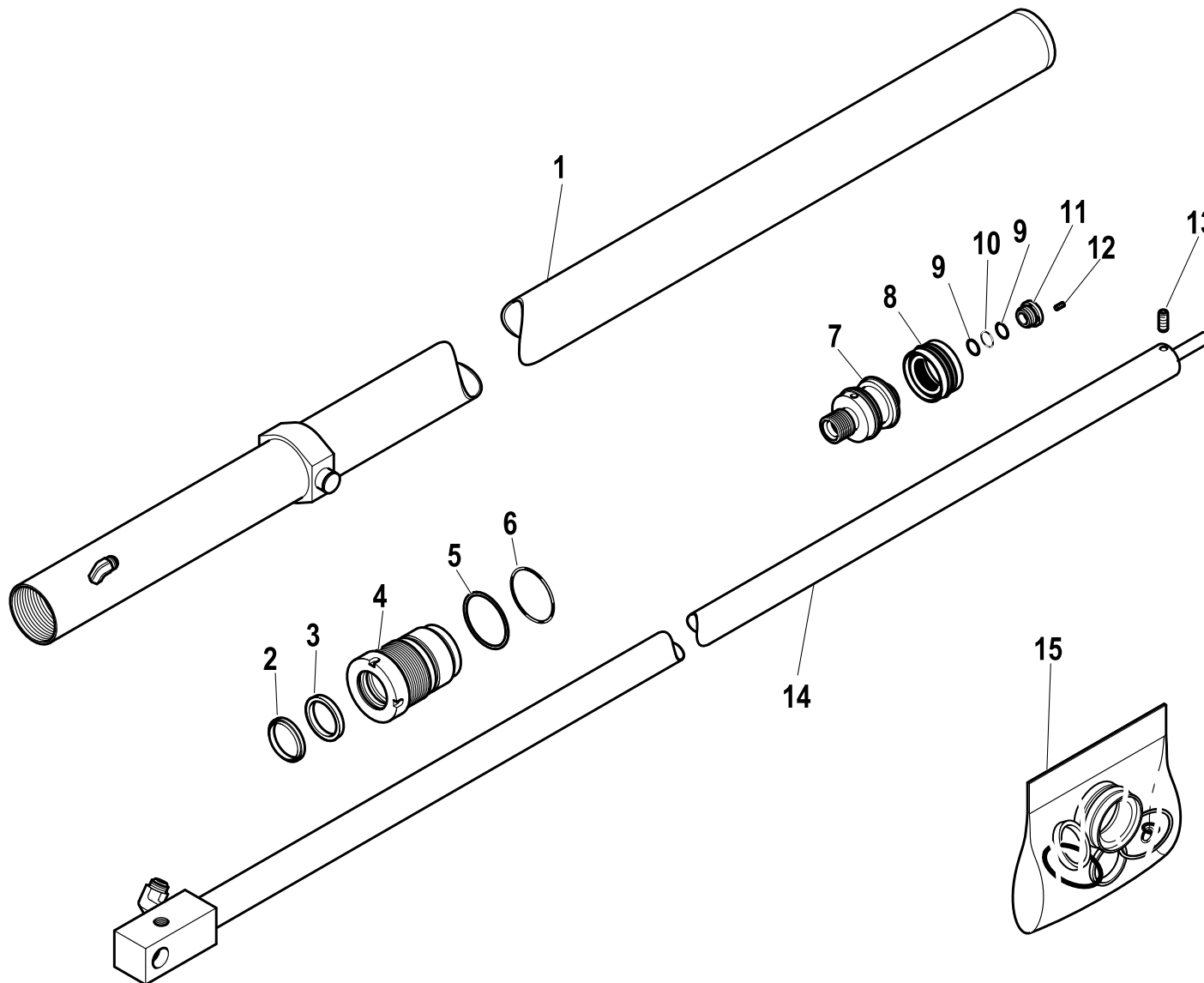


1st EXTENSION HYDRAULIC

Code

6410282-1.0

1/1



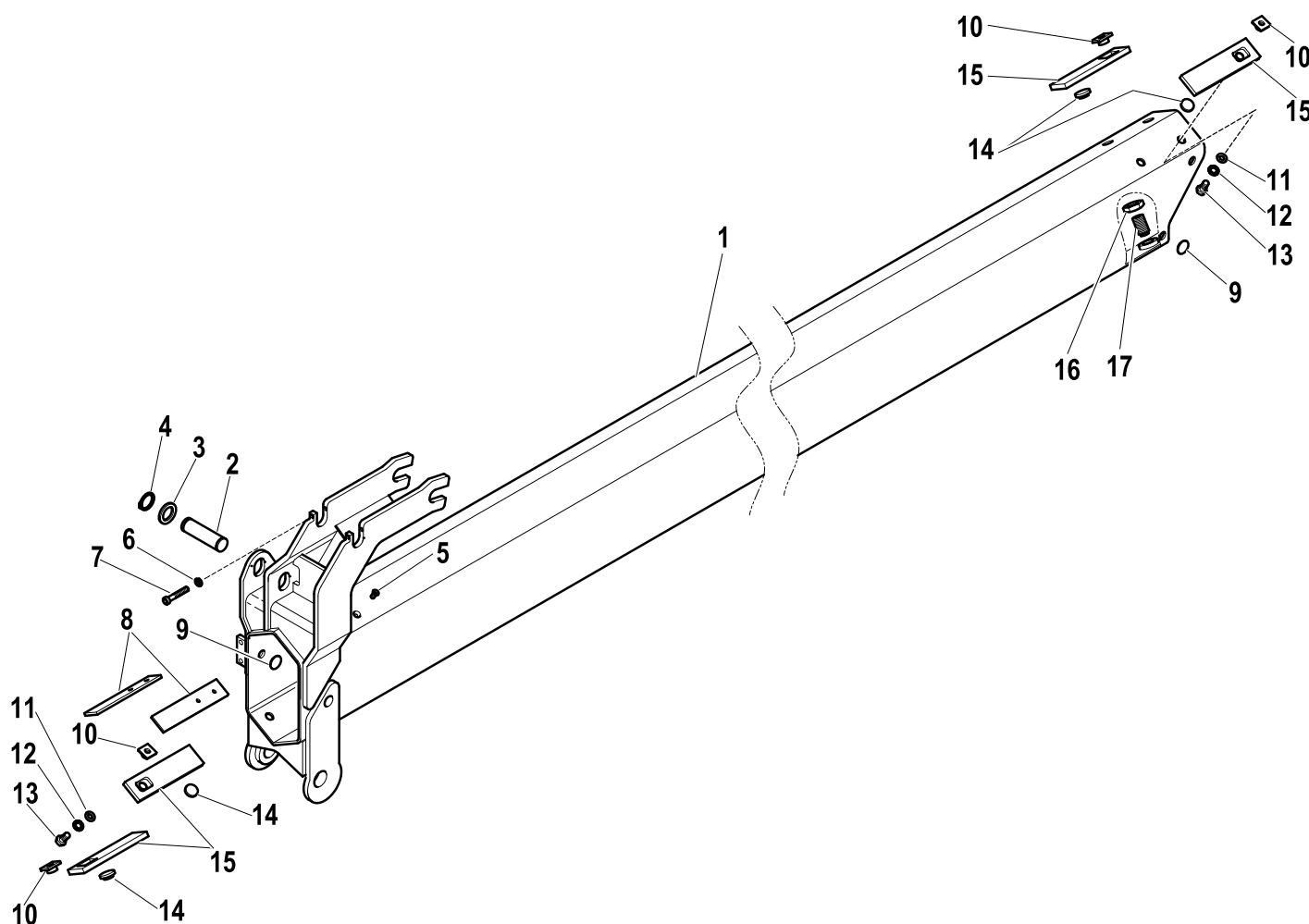
R	Pos.	Code Variant	Q.ty	Description
	1	6070503	1	
	2	3420021	1	
	3	3370136	1	
	4	6040259	1	
	5	3460132	1	
	6	3450132	1	
	7	6050275	1	
	8	3400509	1	
	9	3460047	2	
	10	3450047	1	
	11	6040269	1	Ring nut
	12	3060248	1	Grub screw
	13	3060232	1	Grub screw [Grano M6X6 UNI 5927 ZC.]
	14	6030631	1	
	15	5550781	1	Seal kit

2nd extension

Code

5370034-1.0

1/1

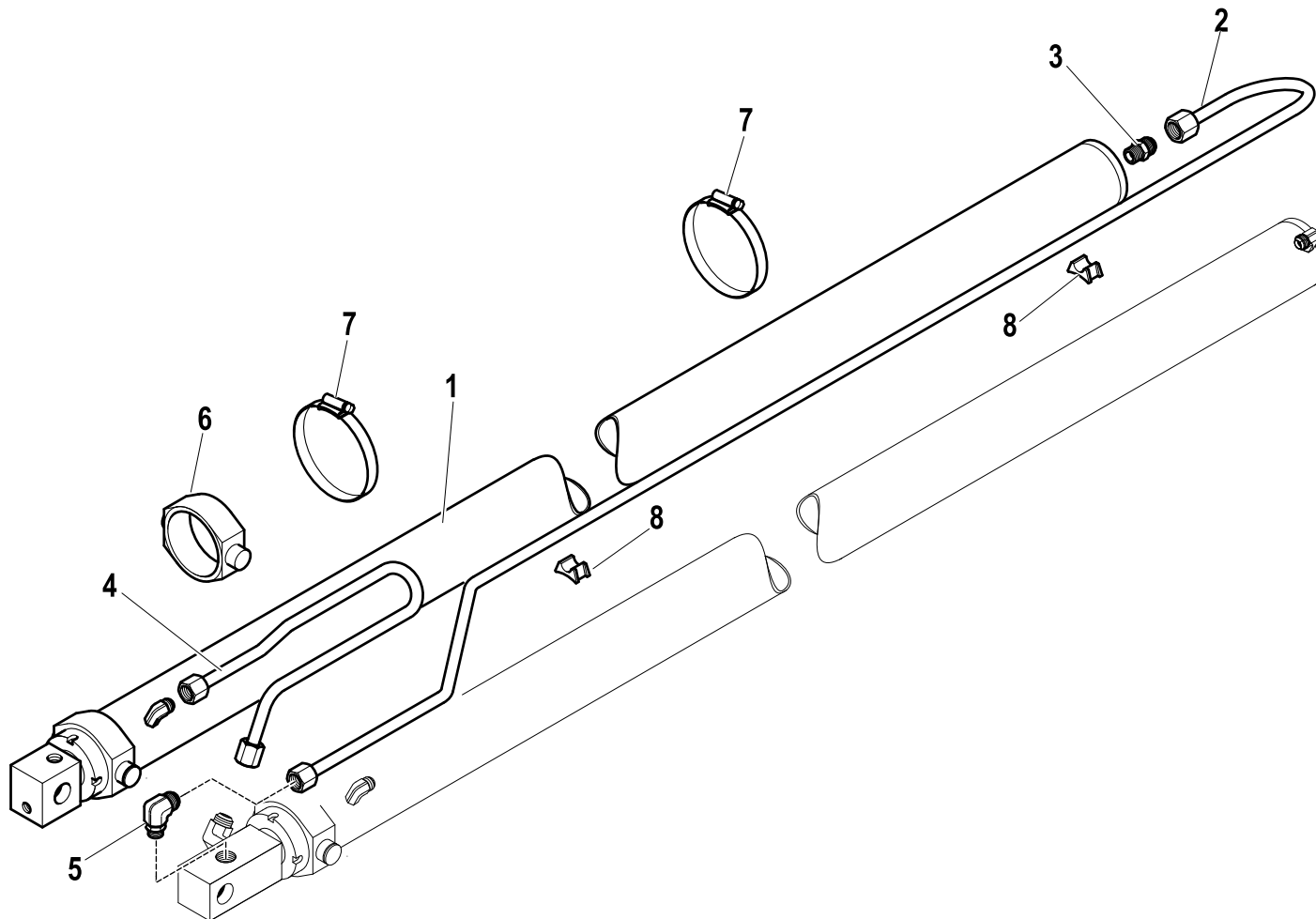


R	Pos.	Code Variant	Q.ty	Description
	1	5020445	1	Extension
	2	5150799	1	
	3	3060938	2	Flat washer [D.25X39X4 UNI 1749 ZC]
	4	3070150	2	Seeger
	5	3020436	4	TSEI screw [M6X10 ZC UNI 5933]
	6	3060101	2	Tooth lock washer [D.6 TIPO A]
	7	3020044	2	Socked head cap screw
	8	5140779	2	
	9	5140777	4	Button (Backlash)
	10	5000827	4	Button (Control board)
	11	3060914	4	Flat washer [D.10.5X21X2 UNI 6592 ZC]
	12	3060920	4	Tooth lock washer [D.10 TIPO A]
	13	3060952	4	Grub screw
	14	5140681	4	
	15	5140733	4	
	16	3040089	2	Lock nut
	17	5000771	2	Adjusting screw

HYDRAULIC SYSTEM (2nd EXTENSION HYDRAULIC JACK)

Code		
6210284-1.0		1/1

R	Pos.	Code Variant	Q.ty	Description
	1	6410284	1	
	2	5392053	1	
	3	3101044	1	Straight pipe fitting
	4	5392054	1	
	5	3101127	1	90° Connection
	6	5001293	1	
	7	3190022	2	Clamp
	8	5140133	2	Piping mounting



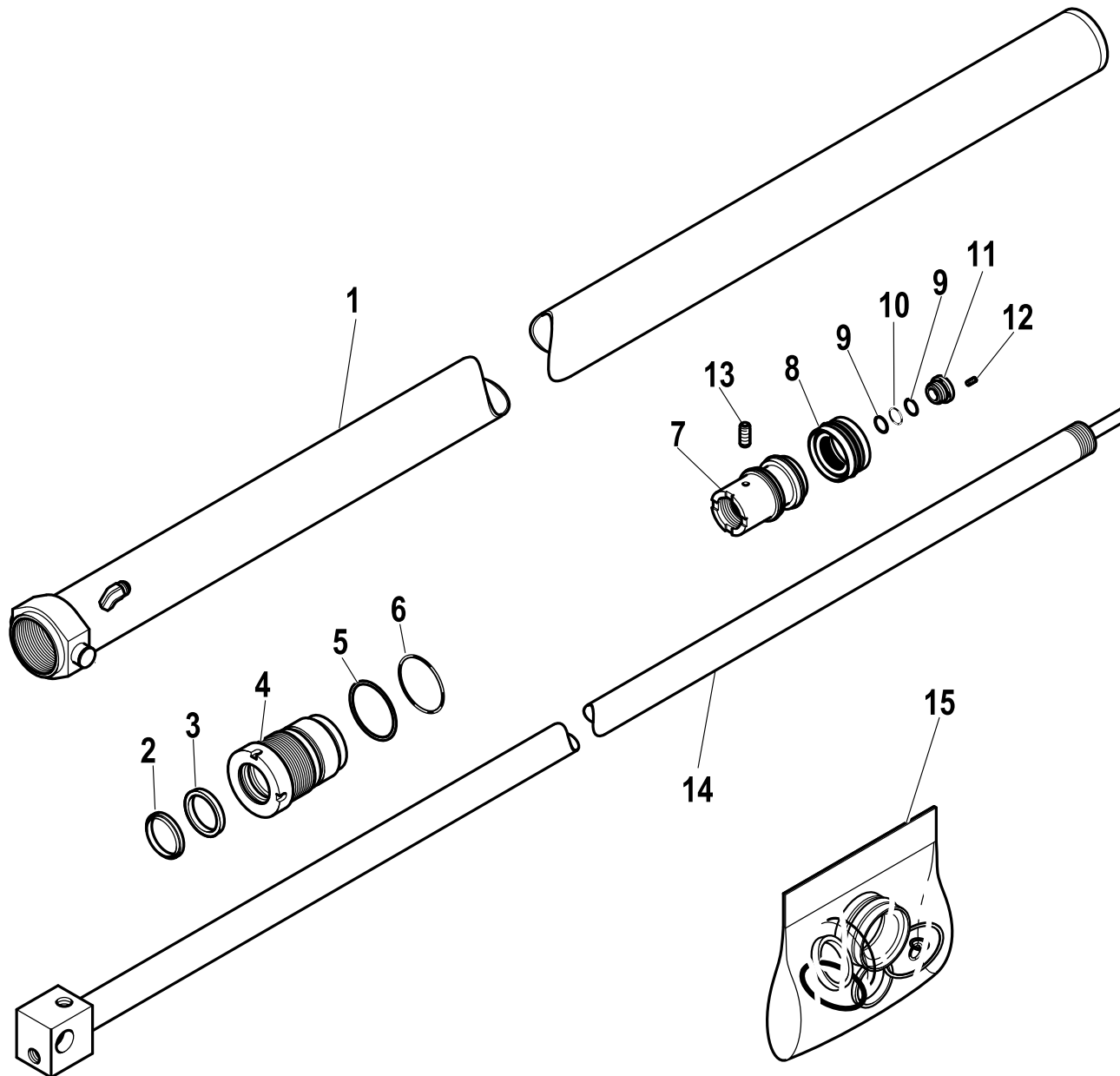
2nd EXTENSION HYDRAULIC JACK

Code

6410284-1.0

1/1

R	Pos.	Code Variant	Q.ty	Description
	1	6070505	1	
	2	3420018	1	
	3	3370137	1	
	4	6040254	1	
	5	3460126	1	
	6	3450126	1	
	7	6050290	1	
	8	3400507	1	
	9	3460047	2	
	10	3450047	1	
	11	6040269	1	Ring nut
	12	3060248	1	Grub screw
	13	3060232	1	Grub screw [Grano M6X6 UNI 5927 ZC.]
	14	6030635	1	
	15	5550783	1	

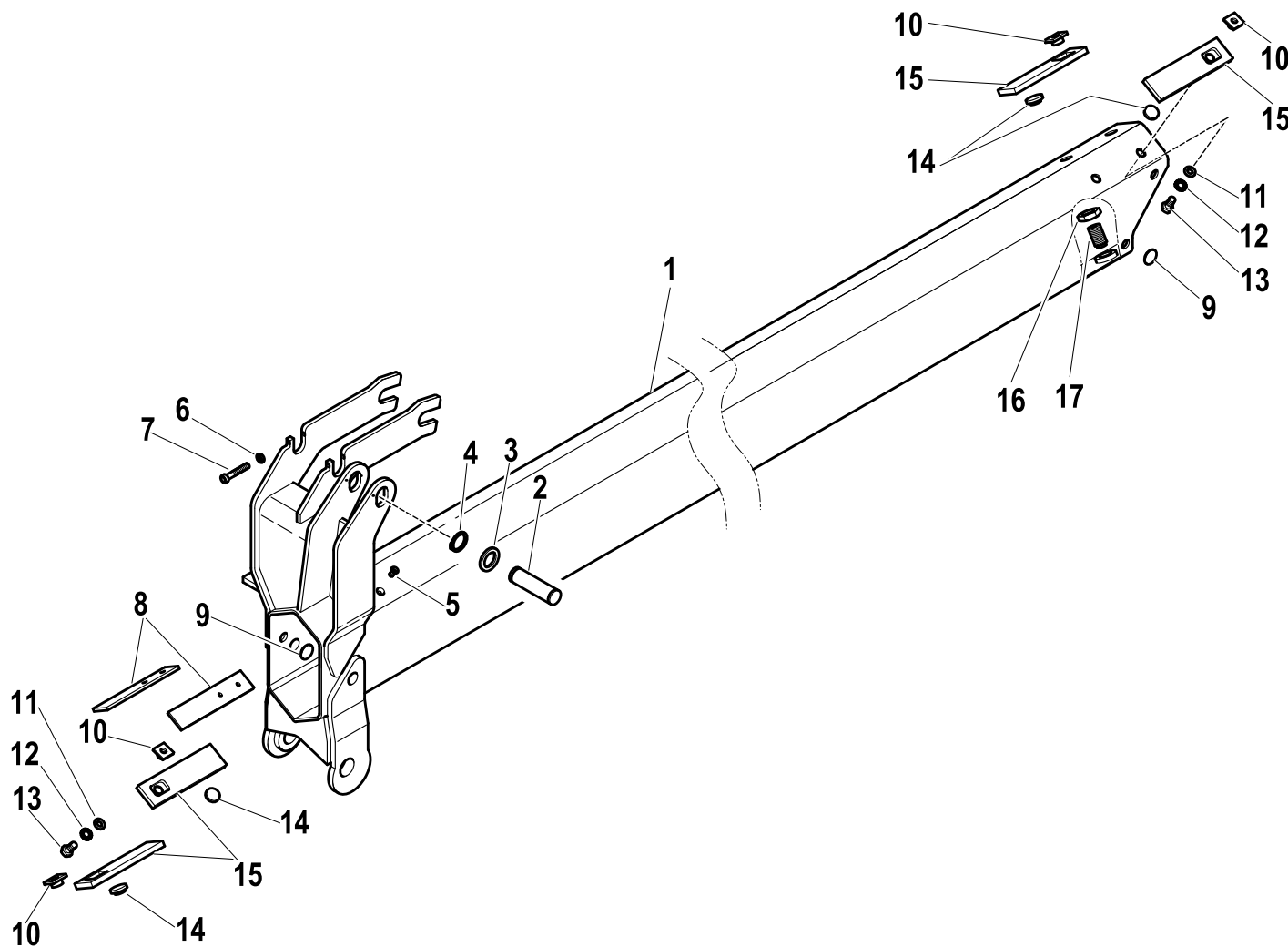


3rd extension

Code

5350014-1.0

1/1



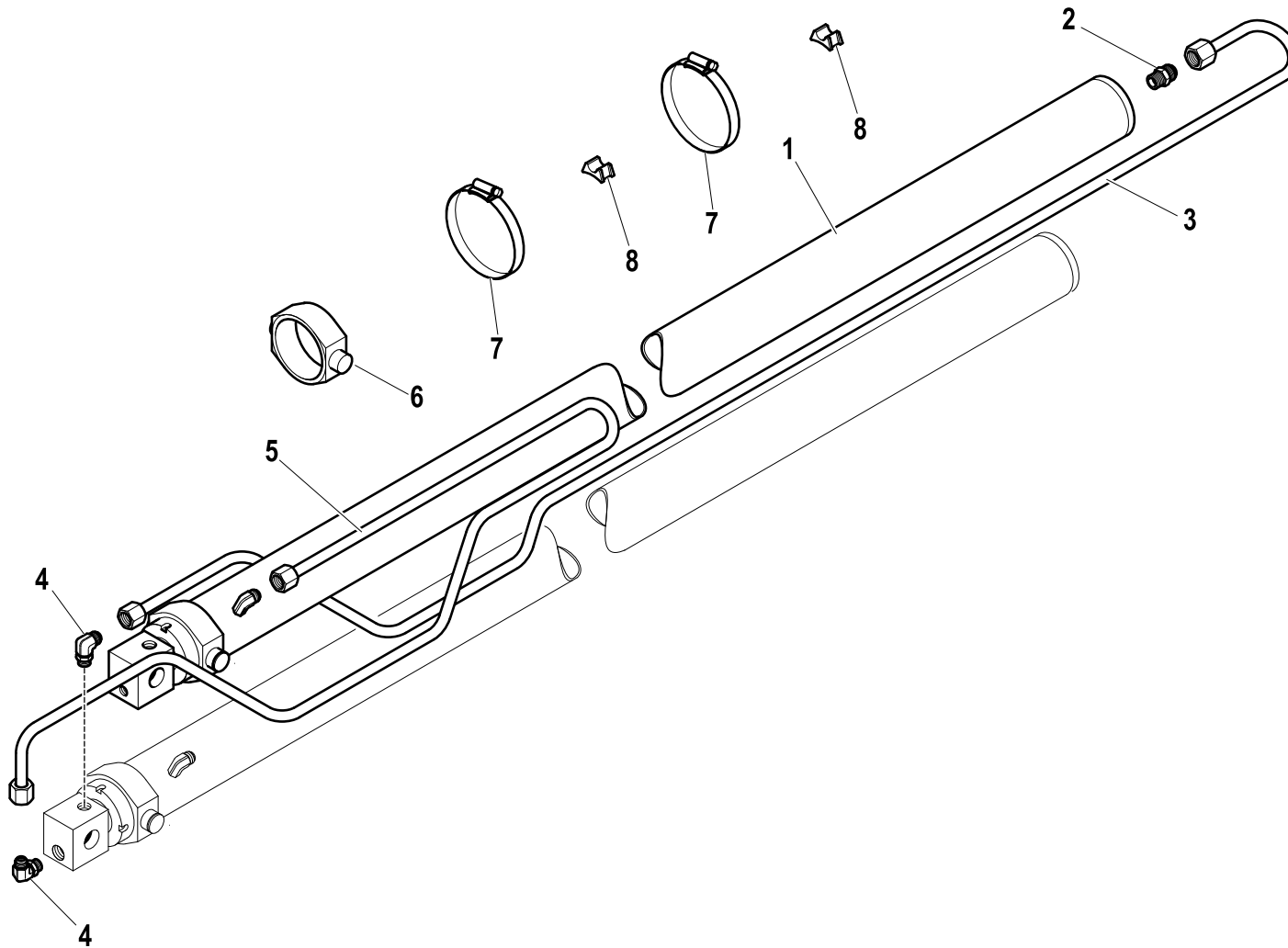
R	Pos.	Code Variant	Q.ty	Description
	1	5020446	1	Extension
	2	5150717	2	
	3	3060938	2	Flat washer [D.25X39X4 UNI 1749 ZC]
	4	3070150	2	Seeger
	5	3020436	4	TSEI screw [M6X10 ZC UNI 5933]
	6	3060101	2	Tooth lock washer [D.6 TIPO A]
	7	3020045	2	Socked head cap screw [M6X45 8.8 ZC UNI 5931]
	8	5140779	2	
	9	5140777	4	Button (Backlash)
	10	5000827	4	Button (Control board)
	11	3060914	4	Flat washer [D.10.5X21X2 UNI 6592 ZC]
	12	3060920	4	Tooth lock washer [D.10 TIPO A]
	13	3060952	4	Grub screw
	14	5140681	4	
	15	5140733	4	
	16	3040089	2	Lock nut
	17	5000771	2	Adjusting screw

HYDRAULIC SYSTEM (3rd extension Hydraulic jack)

Code

6210285-1.0

1/1



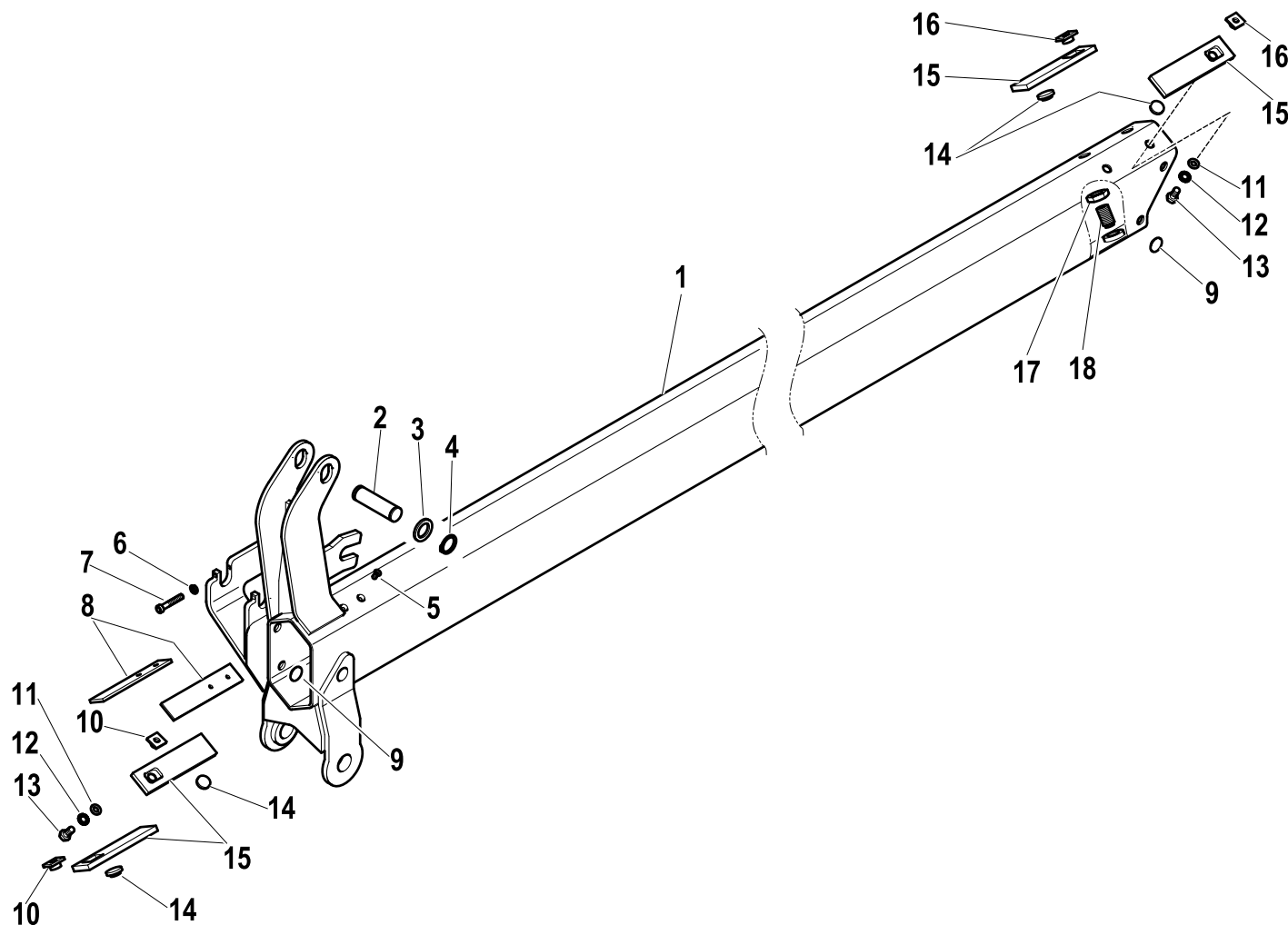
R	Pos.	Code Variant	Q.ty	Description
	1	6410285	1	
	2	3101044	1	Straight pipe fitting
	3	5392055	1	
	4	3101127	2	90° Connection
	5	5392056	1	
	6	5001293	1	
	7	3190022	2	Clamp
	8	5140133	2	Piping mounting

4th extension

Code

5340010-1.0

1/1



R	Pos.	Code Variant	Q.ty	Description
	1	5020448	1	Extension
	2	5150717	1	
	3	3060938	2	Flat washer [D.25X39X4 UNI 1749 ZC]
	4	3070150	2	Seeger
	5	3020436	4	TSEI screw [M6X10 ZC UNI 5933]
	6	3060101	2	Tooth lock washer [D.6 TIPO A]
	7	3020045	2	Socked head cap screw [M6X45 8.8 ZC UNI 5931]
	8	5140779	2	
	9	5140777	4	Button (Backlash)
	10	5000827	4	Button (Control board)
	11	3060914	4	Flat washer [D.10.5X21X2 UNI 6592 ZC]
	12	3060920	4	Tooth lock washer [D.10 TIPO A]
	13	3060952	4	Grub screw
	14	5140681	4	
	15	5140733	4	
	16	3040089	2	Lock nut
	17	5000771	2	Adjusting screw

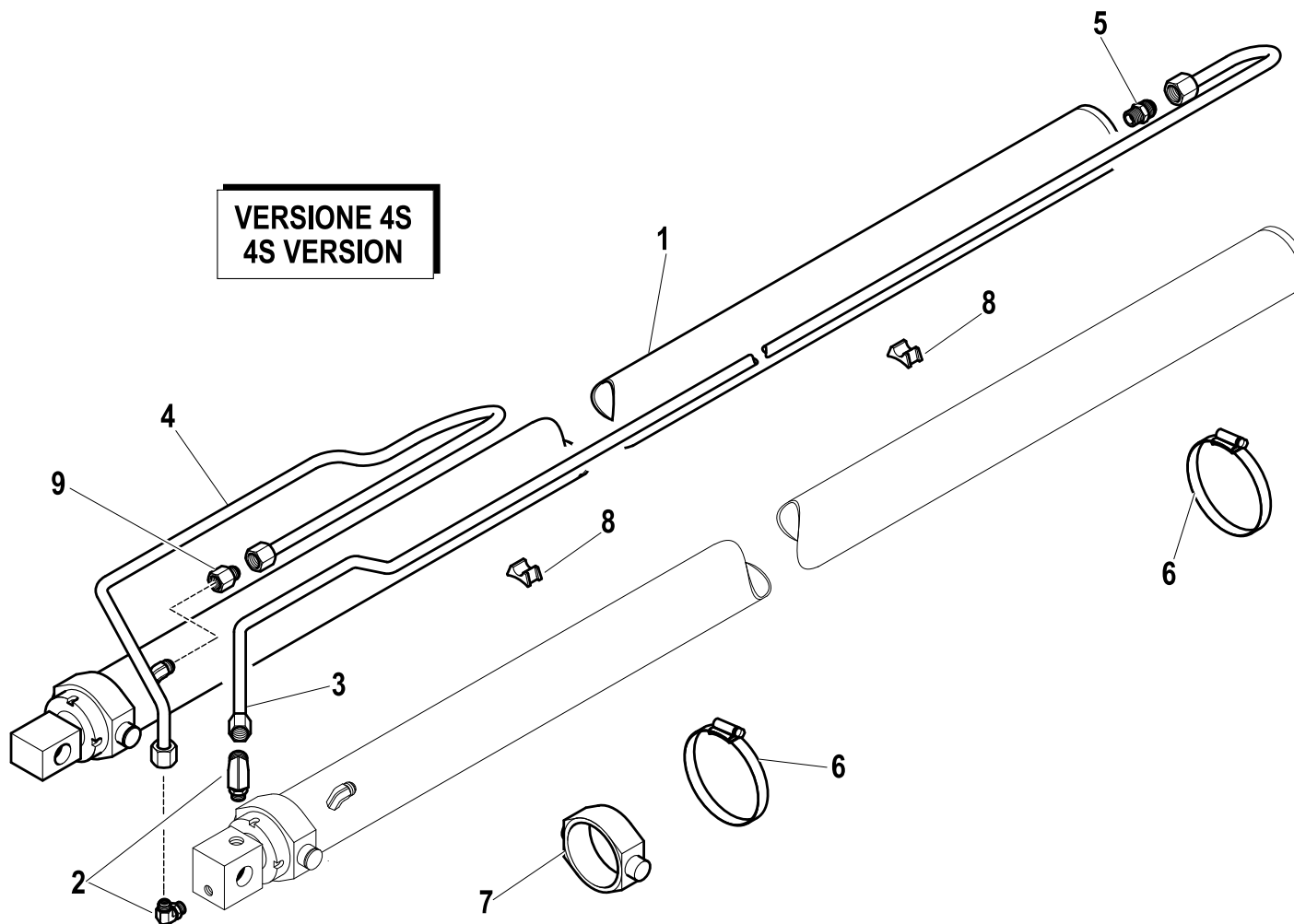
4th extension Hydraulic jack (Hydraulic system)

Code

6210301-1.0

1/1

R	Pos.	Code Variant	Q.ty	Description
	1	6410259	1	Extension Hydraulic jack
	2	3101127	2	90° Connection
	3	5392069	1	
	4	5392070	1	
	5	3101044	1	Straight pipe fitting
	6	3190022	2	Clamp
	7	5001293	1	
	8	5140133	2	Piping mounting
	9	3120207	1	Reducing fitting



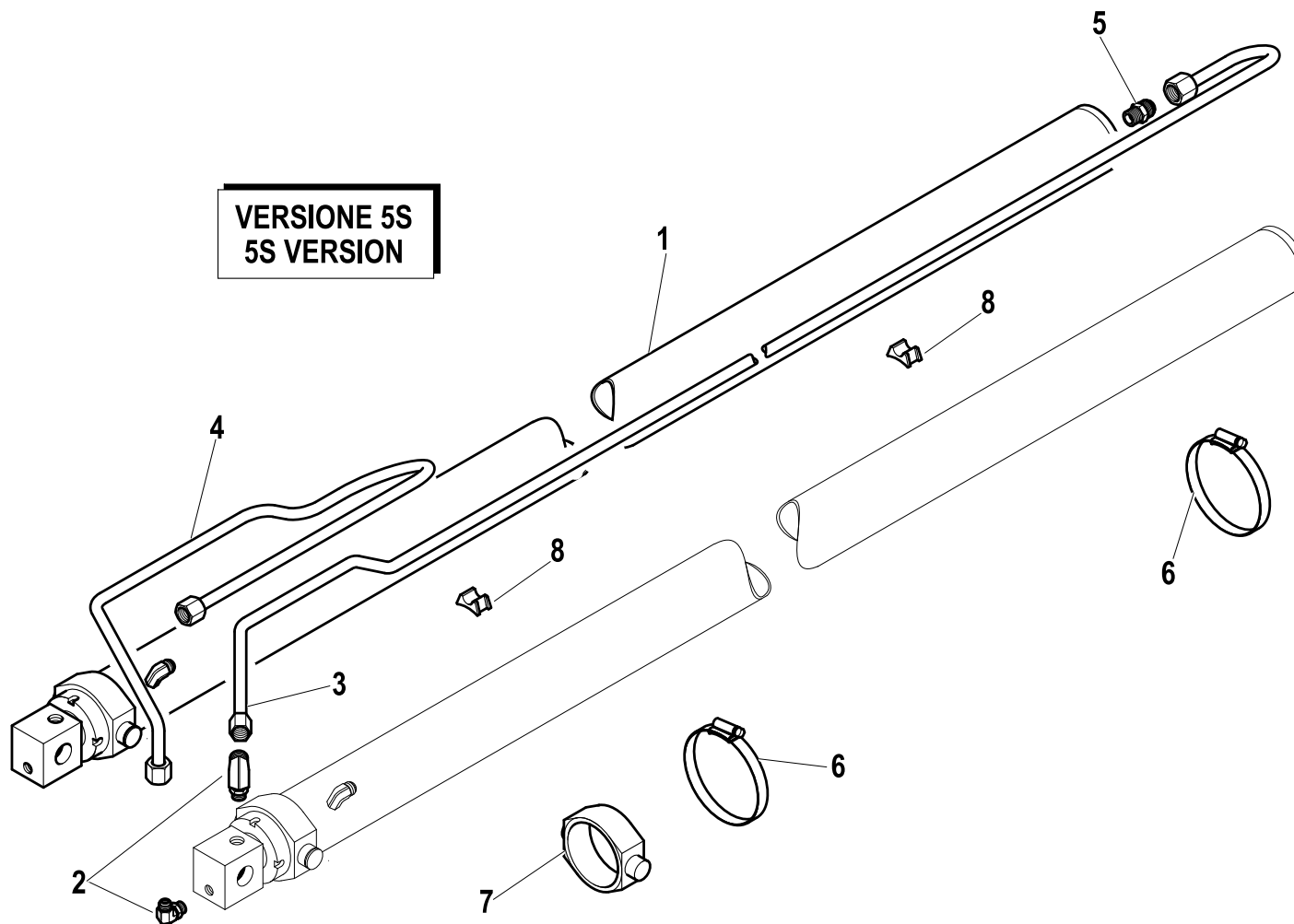
4th extension Hydraulic jack (Hydraulic system)

Code

6210299-1.0

1/1

R	Pos.	Code Variant	Q.ty	Description
	1	6410285	1	
	2	3101127	2	90° Connection
	3	5392057	1	
	4	5392058	1	
	5	3101044	1	Straight pipe fitting
	6	3190022	2	Clamp
	7	5001293	1	
	8	5140133	2	Piping mounting



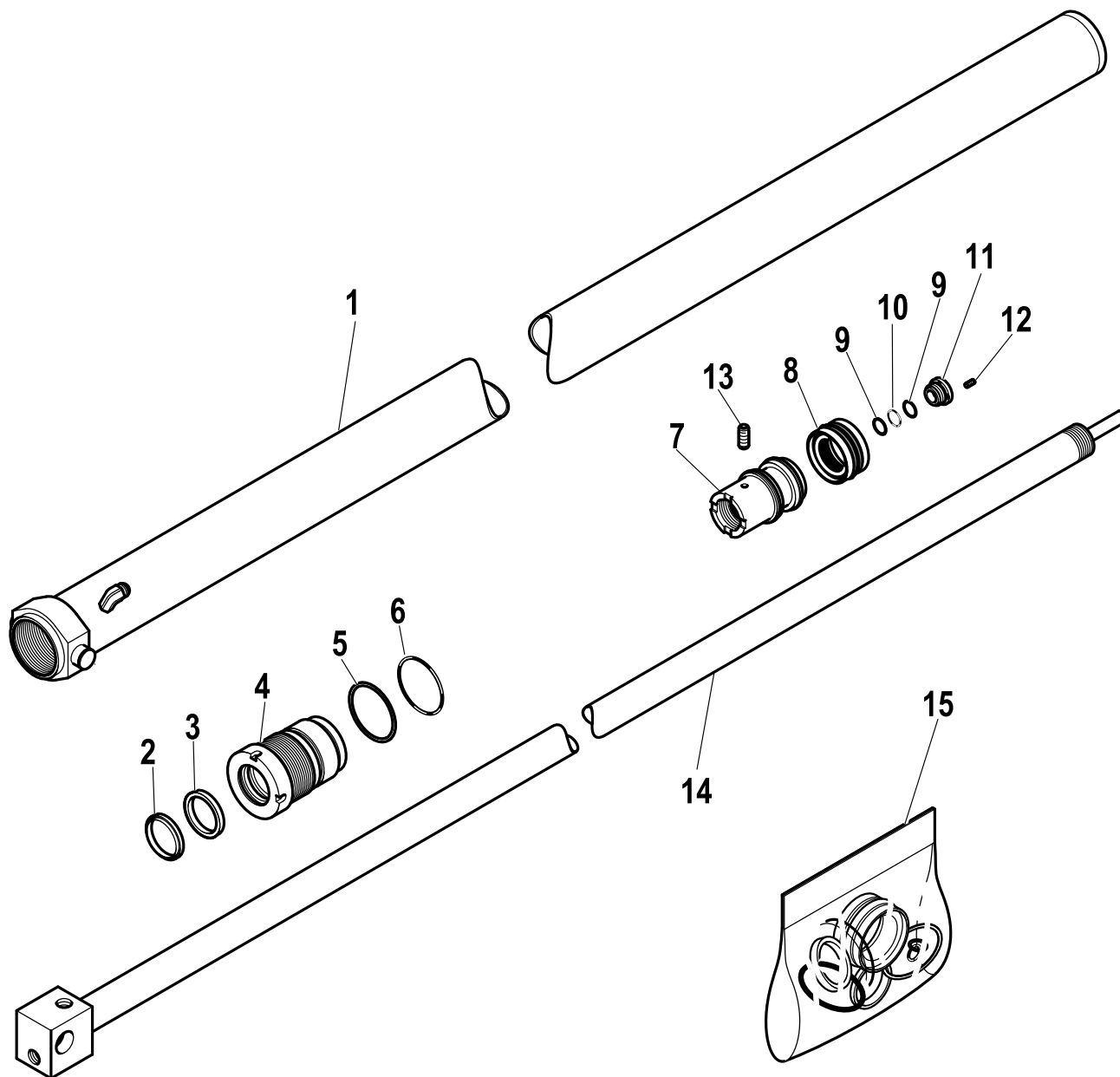
3rd and 4th extension hydraulic cylinder

Code

6410285-1.0

1/1

R	Pos.	Code Variant	Q.ty	Description
	1	6070506	1	
	2	3420018	1	
	3	3370137	1	
	4	6040254	1	
	5	3460126	1	
	6	3450126	1	
	7	6050290	1	
	8	3400507	1	
	9	3460047	2	
	10	3450047	1	
	11	6040269	1	Ring nut
	12	3060248	1	Grub screw
	13	3060232	1	Grub screw [Grano M6X6 UNI 5927 ZC.]
	14	6030637	1	
	15	5550783	1	

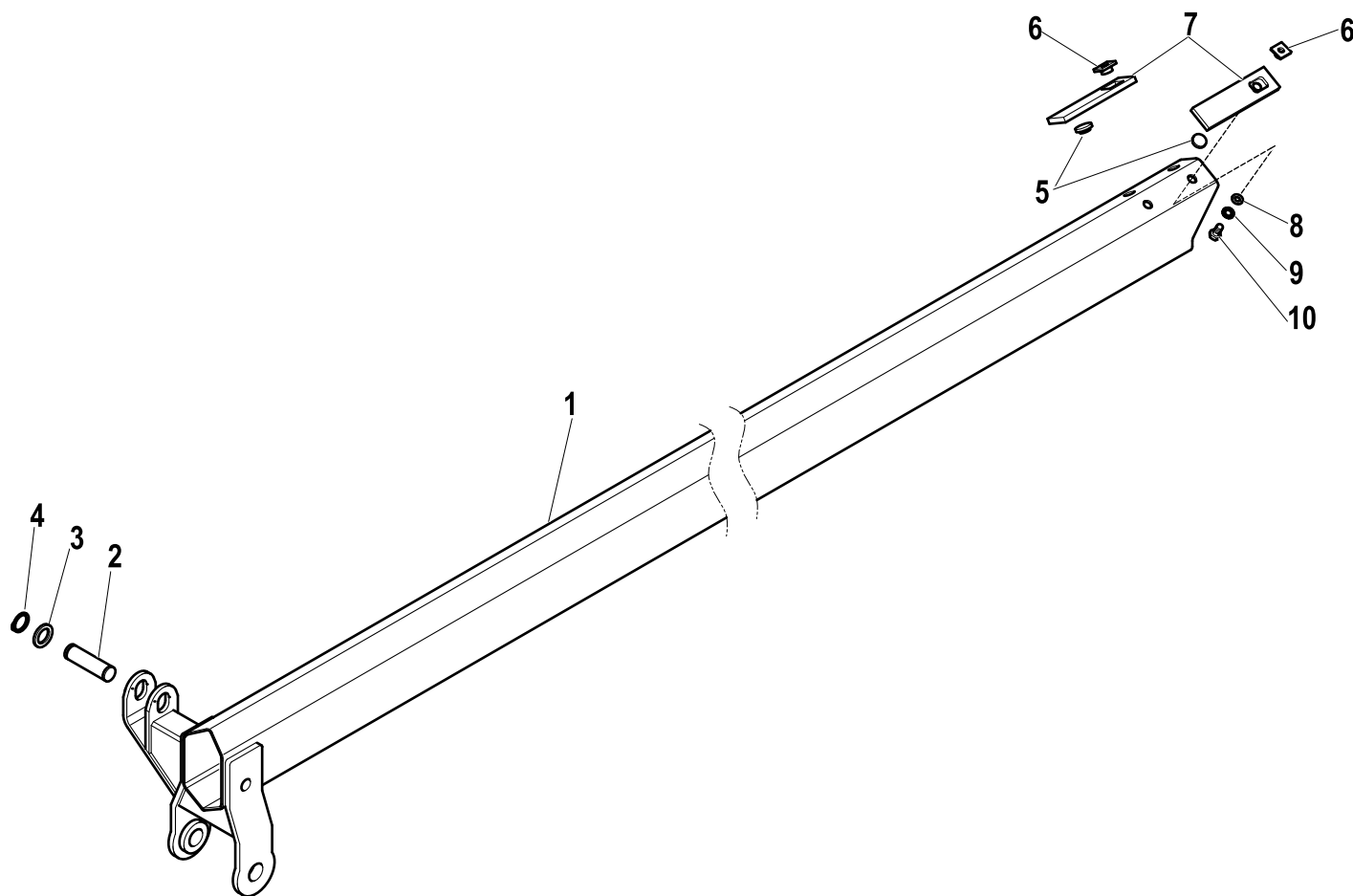


5th extension

Code

5410945-1.0

1/1



R	Pos.	Code Variant	Q.ty	Description
	1	5020449	1	Extension
	2	5150717	1	
	3	3060938	2	Flat washer [D.25X39X4 UNI 1749 ZC]
	4	3070150	2	Seeger
	5	5140681	2	
	6	5000827	2	Button (Control board)
	7	5140733	2	
	8	3060914	2	Flat washer [D.10.5X21X2 UNI 6592 ZC]
	9	3060920	2	Tooth lock washer [D.10 TIPO A]
	10	3060952	2	Grub screw

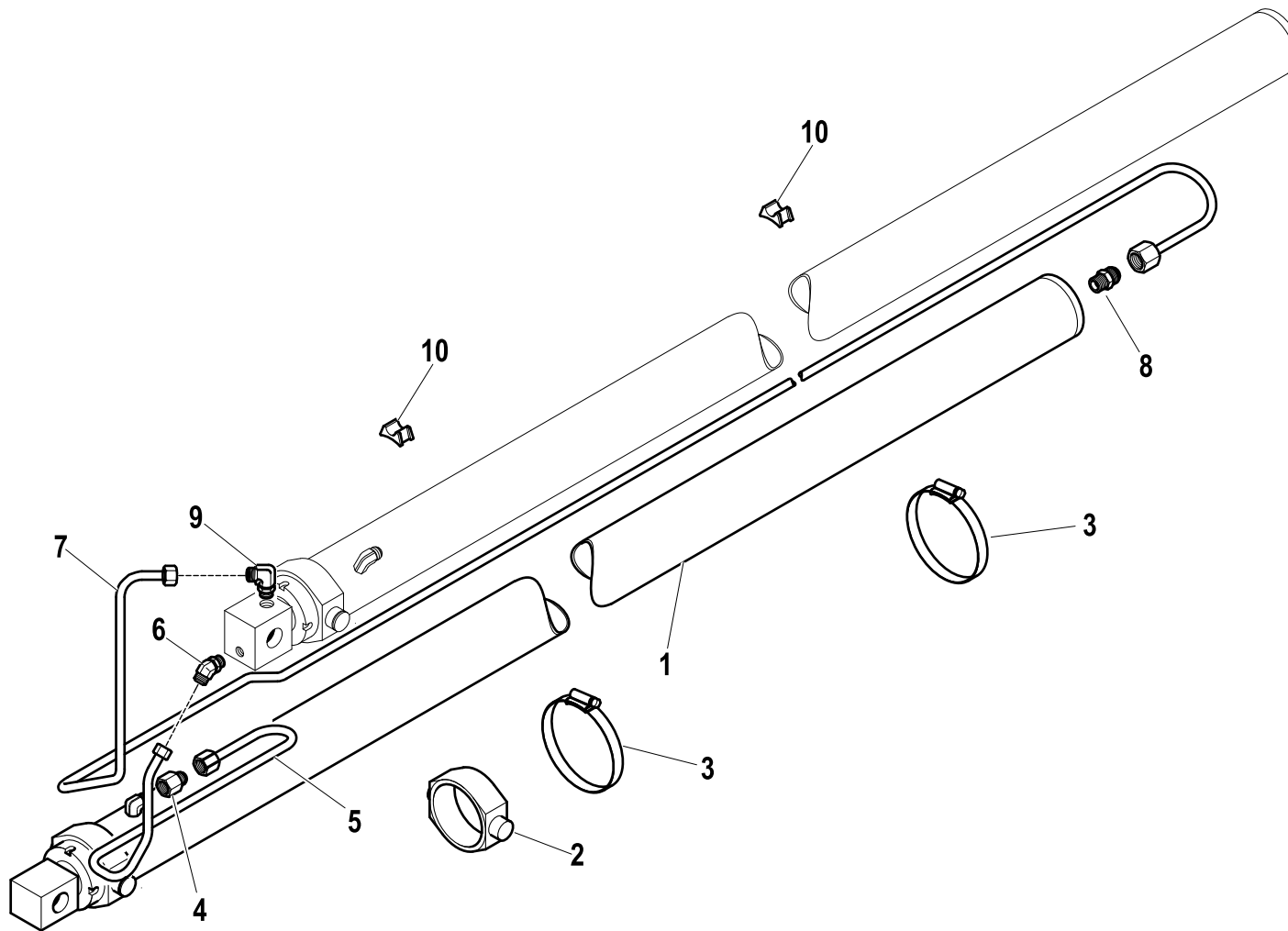
HYDRAULIC SYSTEM (5th extension Hydraulic jack)

Code

6210300-1.0

1/1

R	Pos.	Code Variant	Q.ty	Description
	1	6410259	1	Extension Hydraulic jack
	2	5001293	1	
	3	3190022	2	Clamp
	4	3120207	1	Reducing fitting
	5	5392062	1	
	6	3120371	1	45° Connection
	7	5392061	1	
	8	3101044	1	Straight pipe fitting
	9	3101127	1	90° Connection
	10	5140133	2	Piping mounting

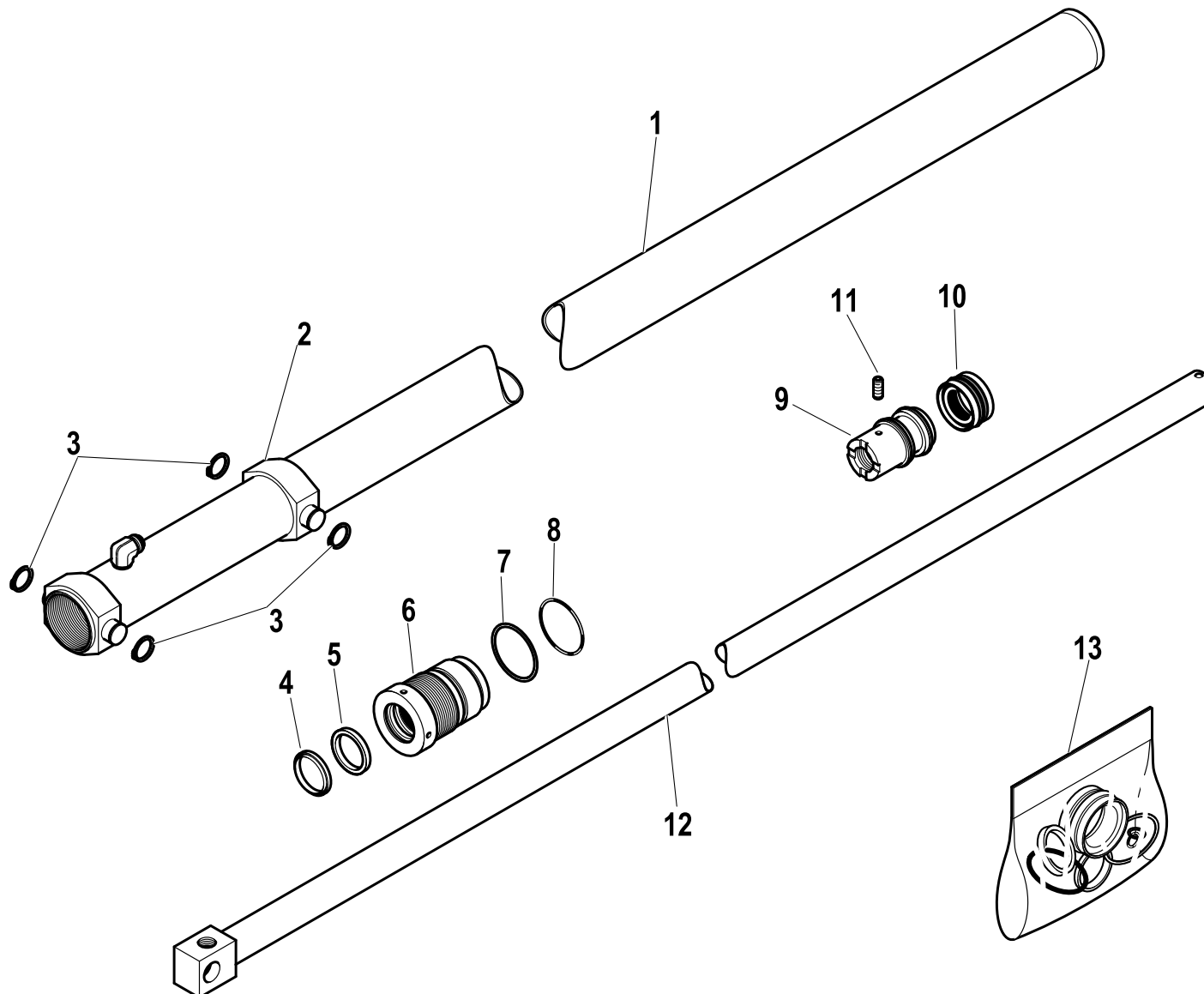


6th extension Hydraulic jack

Code

6410259-1.0

1/1



R	Pos.	Code Variant	Q.ty	Description
	1	6070467	1	
	2	5001106	1	
	3	3070150	4	Seeger
	4	3420015	1	
	5	3370138	1	
	6	6040270	1	
	7	3460126	1	
	8	3450126	1	
	9	6050289	1	
	10	3400507	1	
	11	3060232	1	Grub screw [Grano M6X6 UNI 5927 ZC.]
	12	6030619	1	
	13	5550784	1	

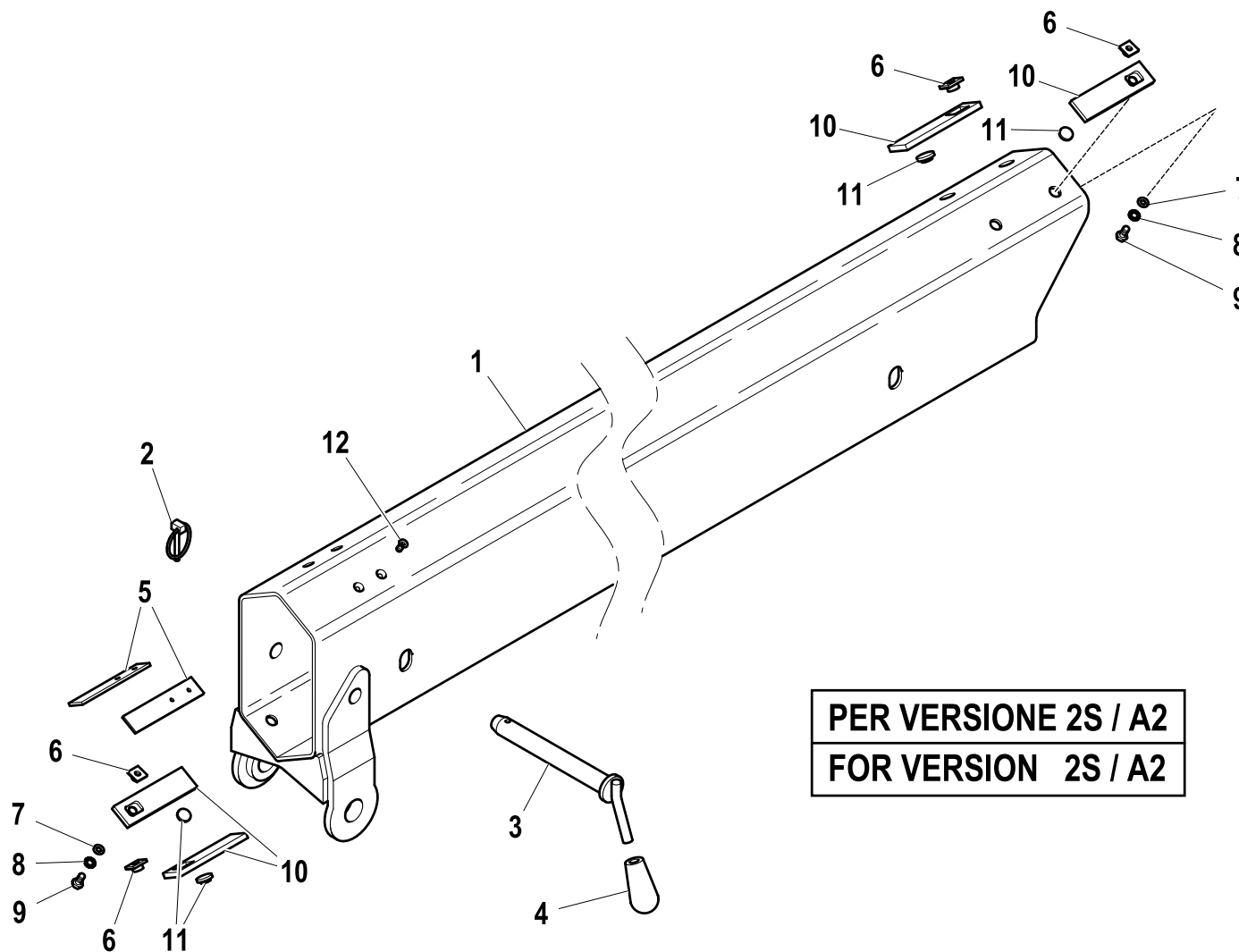
MANUAL EXTENSION (1st)

Code

7800328-1.0

1/1

R	Pos.	Code Variant	Q.ty	Description
	1	5010317	1	Manual extension
	2	3060753	1	Cotter pin (Locking ring)
	3	5150819	1	
	4	3190010	1	Knob
	5	5140779	2	
	6	5000827	4	Button (Control board)
	7	3060914	4	Flat washer [D.10.5X21X2 UNI 6592 ZC]
	8	3060920	4	Tooth lock washer [D.10 TIPO A]
	9	3010353	4	Hex screw [M10X16 8.8 ZC UNI 5739]
	10	5140733	4	
	11	5140681	4	
	12	3020436	4	TSEI screw [M6X10 ZC UNI 5933]



**PER VERSIONE 2S / A2
FOR VERSION 2S / A2**

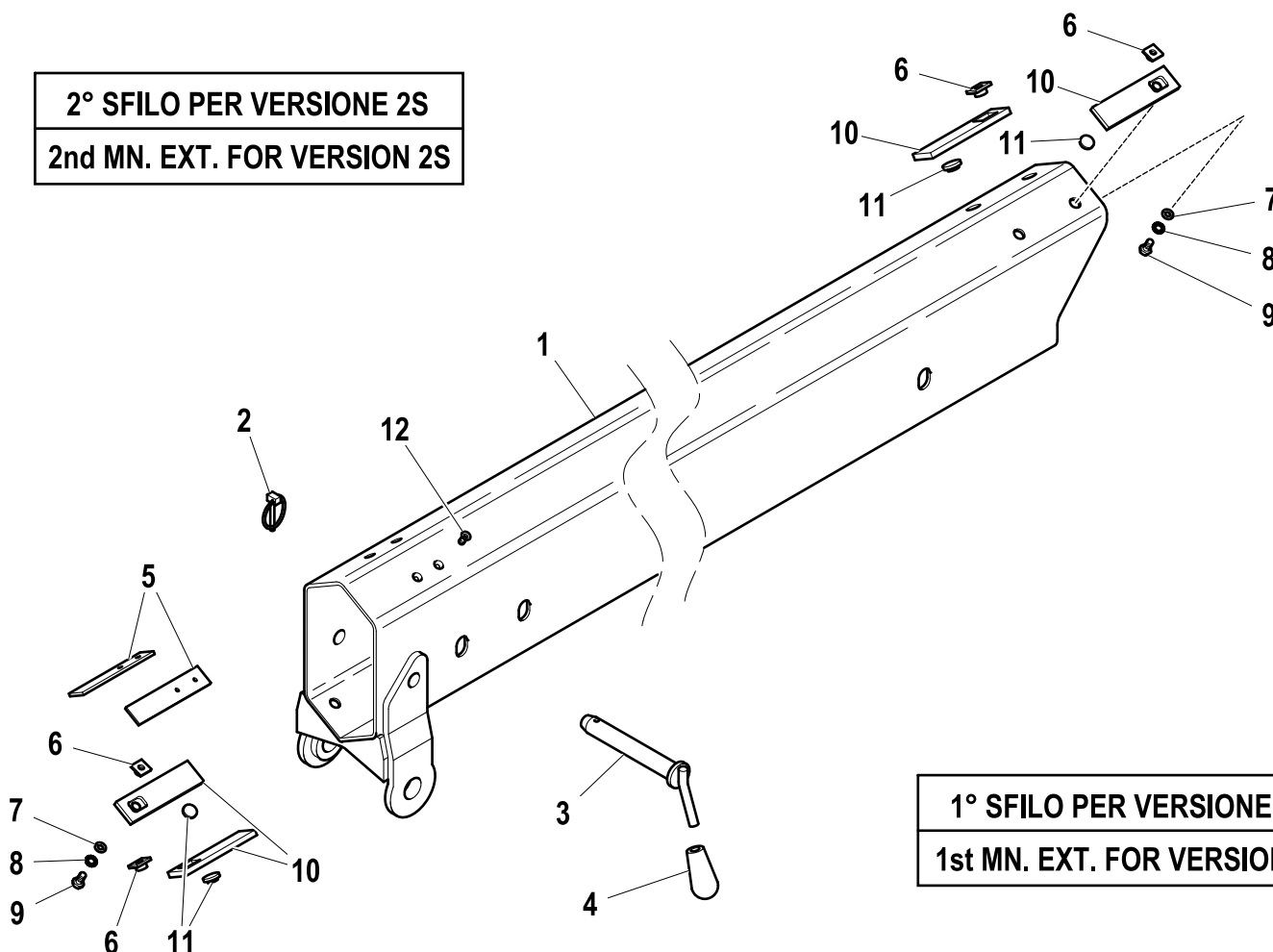
MANUAL EXTENSION

Code

7800327-1.0

1/1

2° SFILO PER VERSIONE 2S
2nd MN. EXT. FOR VERSION 2S



1° SFILO PER VERSIONE 3S
1st MN. EXT. FOR VERSION 3S

R	Pos.	Code Variant	Q.ty	Description
	1	5010318	1	Manual extension
	2	3060753	1	Cotter pin (Locking ring)
	3	5150820	1	
	4	3190010	1	Knob
	5	5140779	2	
	6	5000827	4	Button (Control board)
	7	3060914	4	Flat washer [D.10.5X21X2 UNI 6592 ZC]
	8	3060920	4	Tooth lock washer [D.10 TIPO A]
	9	3010353	4	Hex screw [M10X16 8.8 ZC UNI 5739]
	10	5140733	4	
	11	5140681	4	
	12	3020436	4	TSEI screw [M6X10 ZC UNI 5933]

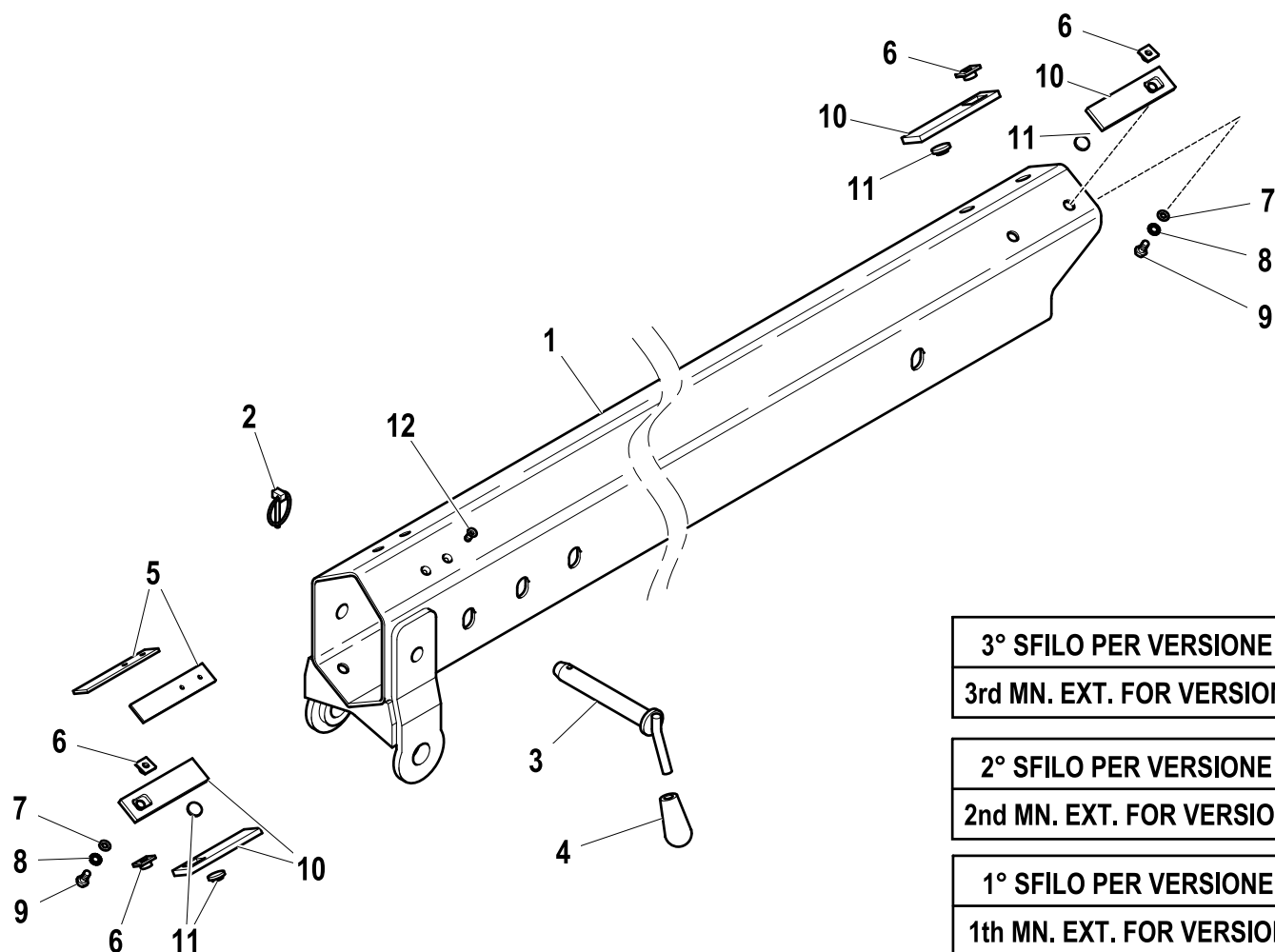
MANUAL EXTENSION

Code

7800329-1.0

1/1

R	Pos.	Code Variant	Q.ty	Description
	1	5010319	1	Manual extension
	2	3060753	1	Cotter pin (Locking ring)
	3	5150821	1	
	4	3190010	1	Knob
	5	5140779	2	
	6	5000827	4	Button (Control board)
	7	3060914	4	Flat washer [D.10.5X21X2 UNI 6592 ZC]
	8	3060920	4	Tooth lock washer [D.10 TIPO A]
	9	3010353	4	Hex screw [M10X16 8.8 ZC UNI 5739]
	10	5140733	4	
	11	5140681	4	
	12	3020436	4	TSEI screw [M6X10 ZC UNI 5933]



3° SFILO PER VERSIONE 2S
3rd MN. EXT. FOR VERSION 2S

2° SFILO PER VERSIONE 3S
2nd MN. EXT. FOR VERSION 3S

1° SFILO PER VERSIONE 4S
1th MN. EXT. FOR VERSION 4S

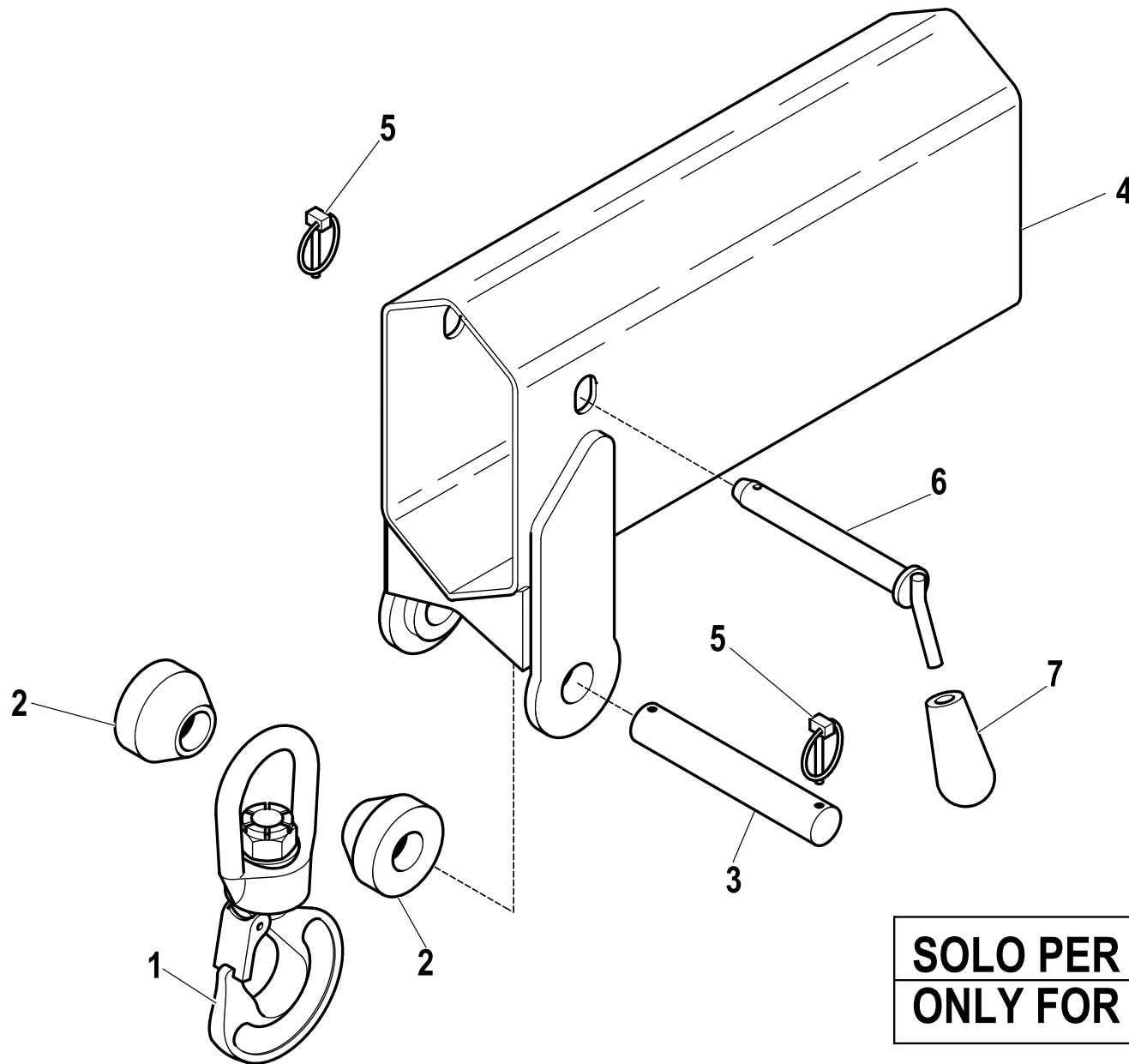
Coupling (Hook)

Code

5410942-1.0

1/1

R	Pos.	Code Variant	Q.ty	Description
	1	3200006	1	Swivel hook
	2	5140778	2	
	3	5150814	1	
	4	5020450	1	
	5	3060753	3	Cotter pin (Locking ring)
	6	5150786	1	
	7	3190010	1	Knob



**SOLO PER 1S
ONLY FOR 1S**

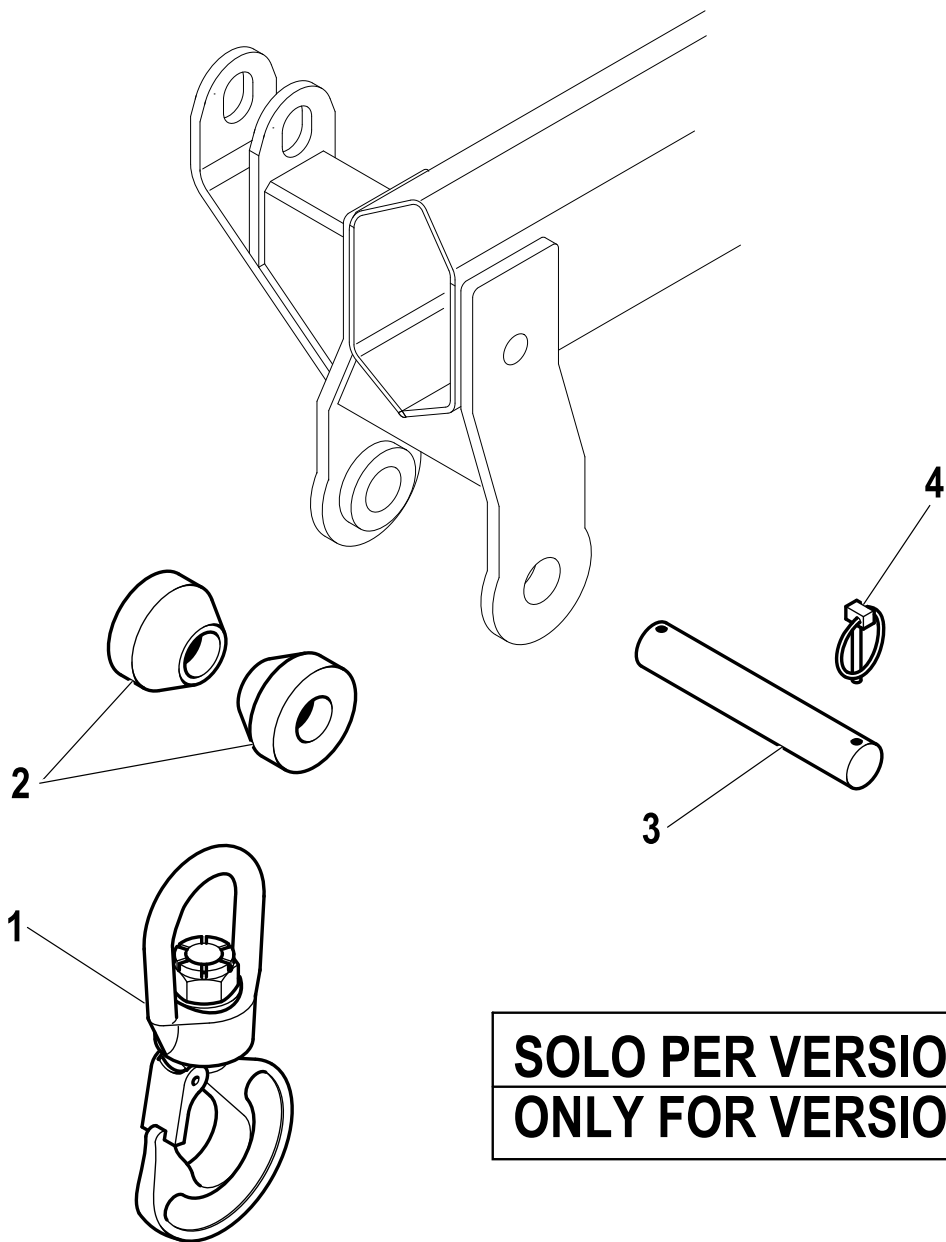
Hook

Code

5410941-1.0

1/1

R	Pos.	Code Variant	Q.ty	Description
	1	3200006	1	Swivel hook
	2	5140778	2	
	3	5150814	1	
	4	3060753	2	Cotter pin (Locking ring)



SOLO PER VERSIONE DA 2S a 5S
ONLY FOR VERSION FROM 2S to 5S

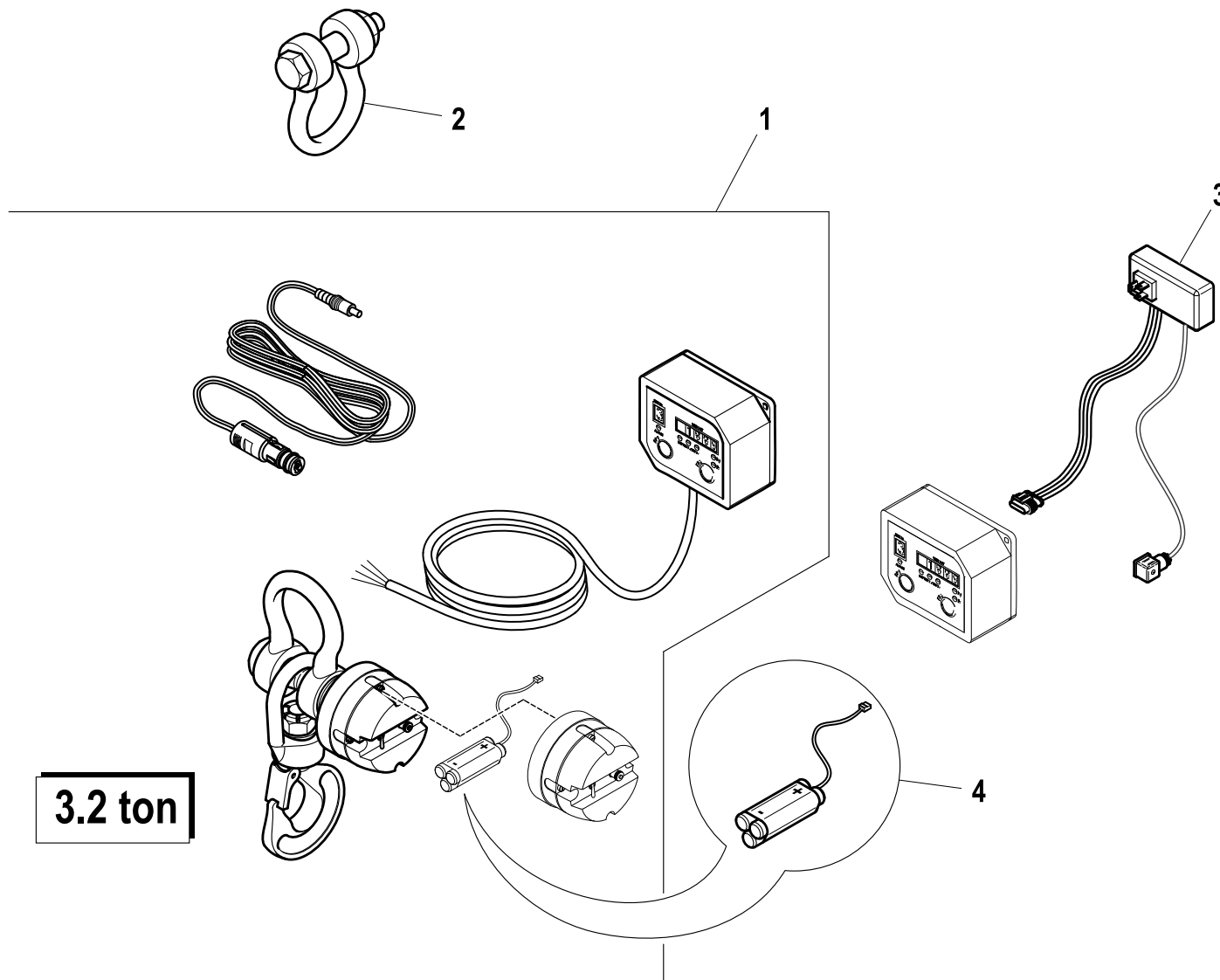
LOAD INDICATION SYSTEM

Code

7881825-1.0

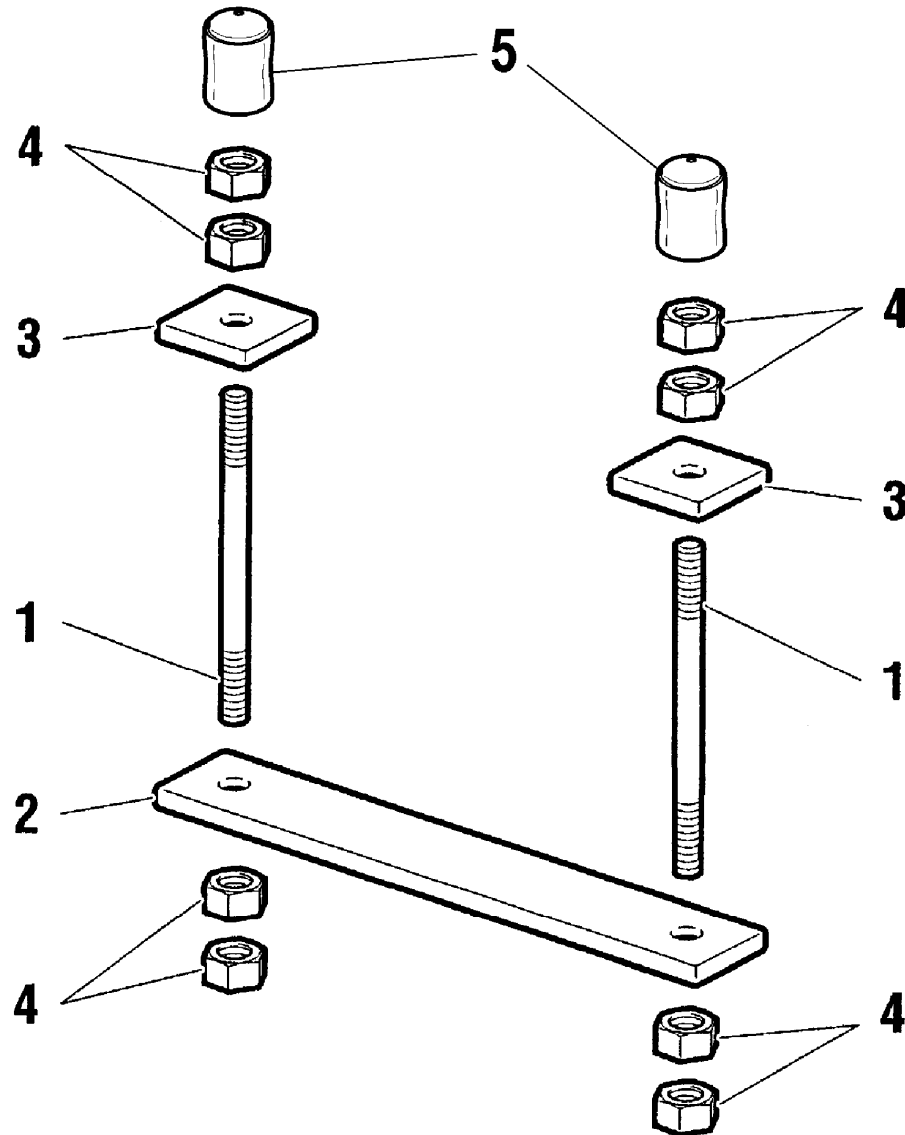
1/1

R	Pos.	Code Variant	Q.ty	Description
	1	5730507	1	
	2	3200050	1	Shackles
	3	W236510	1	
	4	3311542	1	



3.2 ton

R	Pos.	Code Variant	Q.ty	Description
	1	5150658	8	
	2	5000202	4	
	3	5000086	8	
	4	3040186	32	Nut
	5	3190290	8	

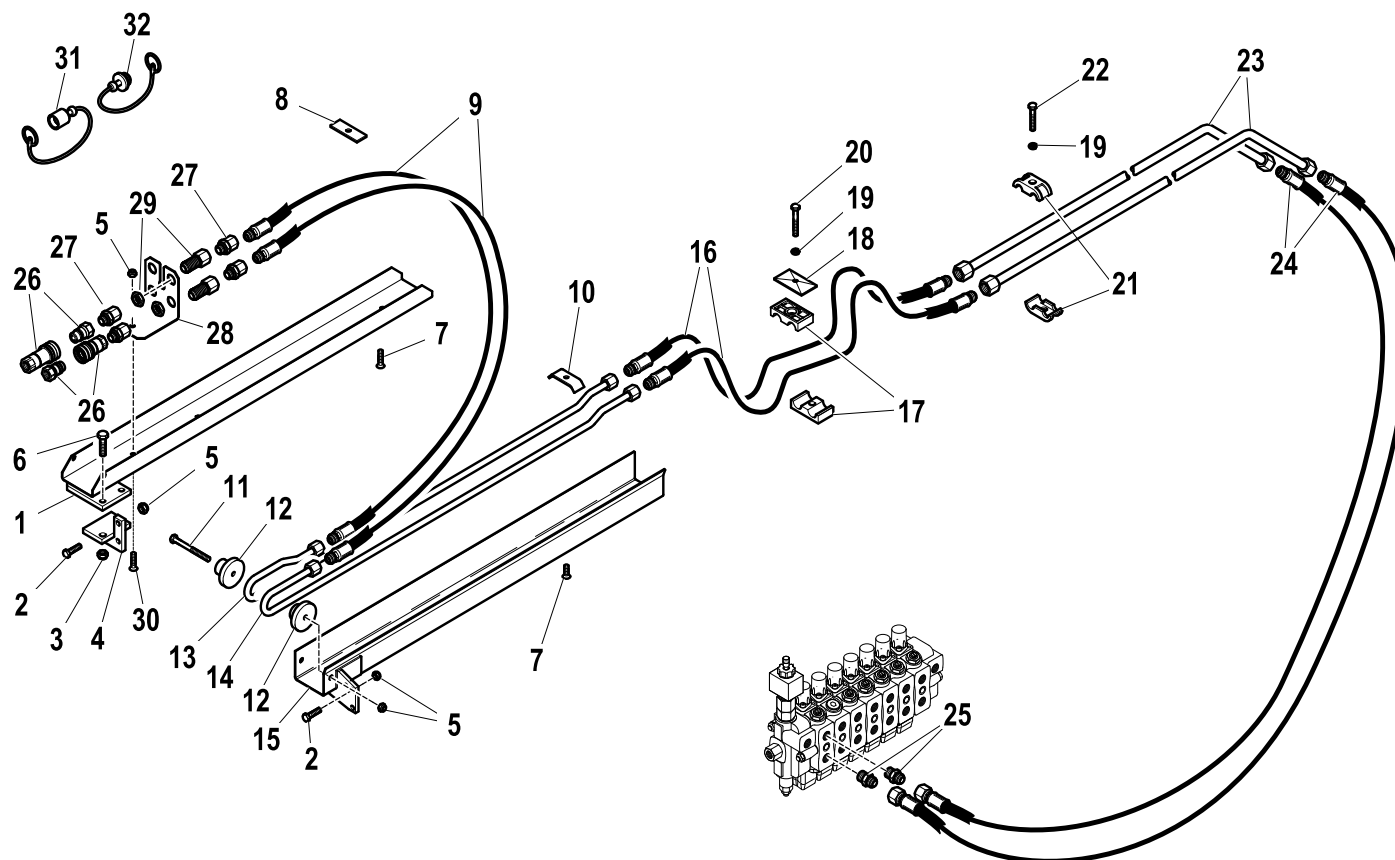


1st ACTIVATION FOR 1S

Code

5590075-1.0

1/2



R	Pos.	Code Variant	Q.ty	Description
	1	5001188	1	
	2	3010029	2	Hex screw [M8X30 8.8 ZC UNI 5737]
	3	3040304	2	Stopnut
	4	5090951	1	
	5	3040303	8	Stopnut
	6	3010389	2	Hex screw [M10X35 ZC UNI 5739]
	7	3020903	4	TSEI screw [M8X30 ZC UNI 5933]
	8	5001187	2	Clamp (Set of hoses)
	9	5271649	2	Flexible hose
	10	5001193	1	Plate (Hose clamp)
	11	3010414	1	Hex screw [M8X90 8.8 ZC UNI 5737]
	12	5140742	2	Hydraulic hose guide
	13	5391820	1	Bonderized tube ()
	14	5391821	1	Bonderized tube ()
	15	5001294	1	
	16	5271647	2	Flexible hose
	17	3190172	6	Clamp (Set of hoses)
	18	3190204	3	Plate (Collar)
	19	3060055	5	Split lock washer [D=8.4 C72 ZC]
	20	3010032	3	Hex screw [M8X45 8.8 ZC UNI 5737]

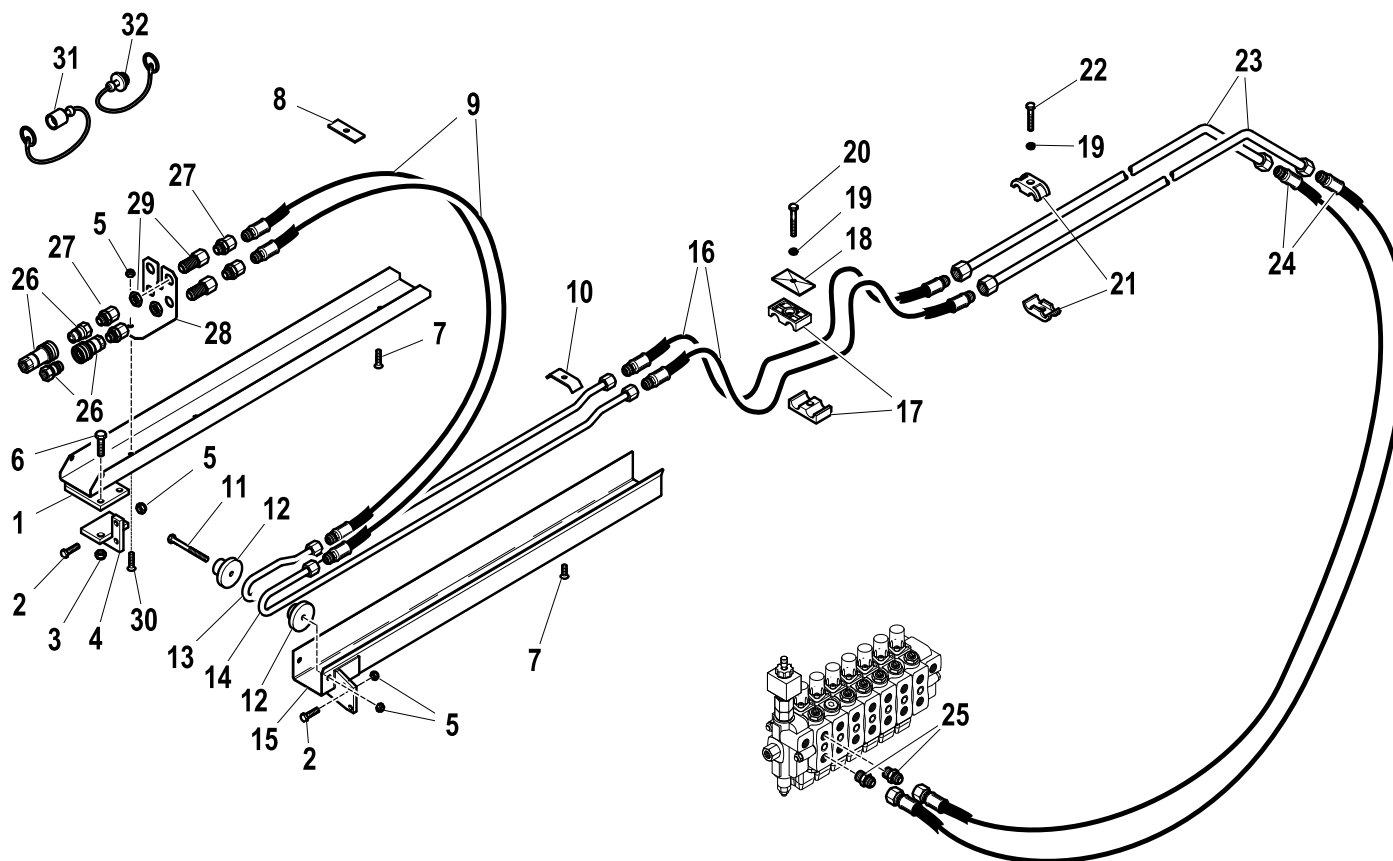
1st ACTIVATION FOR 1S

Code

5590075-1.0

2/2

R	Pos.	Code Variant	Q.ty	Description
	21	5000077	4	Clamp (Rigid Pipe)
	22	3010031	2	Hex screw [M8X40 8.8 ZC UNI 5737]
	23	5392051	2	
	24	5271603	2	Flexible hose
	25	3101043	2	Straight pipe fitting
	26	3110420	2	Quick coupling
	27	3120066	4	Straight pipe fitting
	28	5001882	1	
	29	3120402	2	Wall-through pipe fitting
	30	3020914	1	TSEI screw [M8X35 10.9 ZC UNI 5933]
	31	3110429	1	Plug
	32	3110428	1	Plug

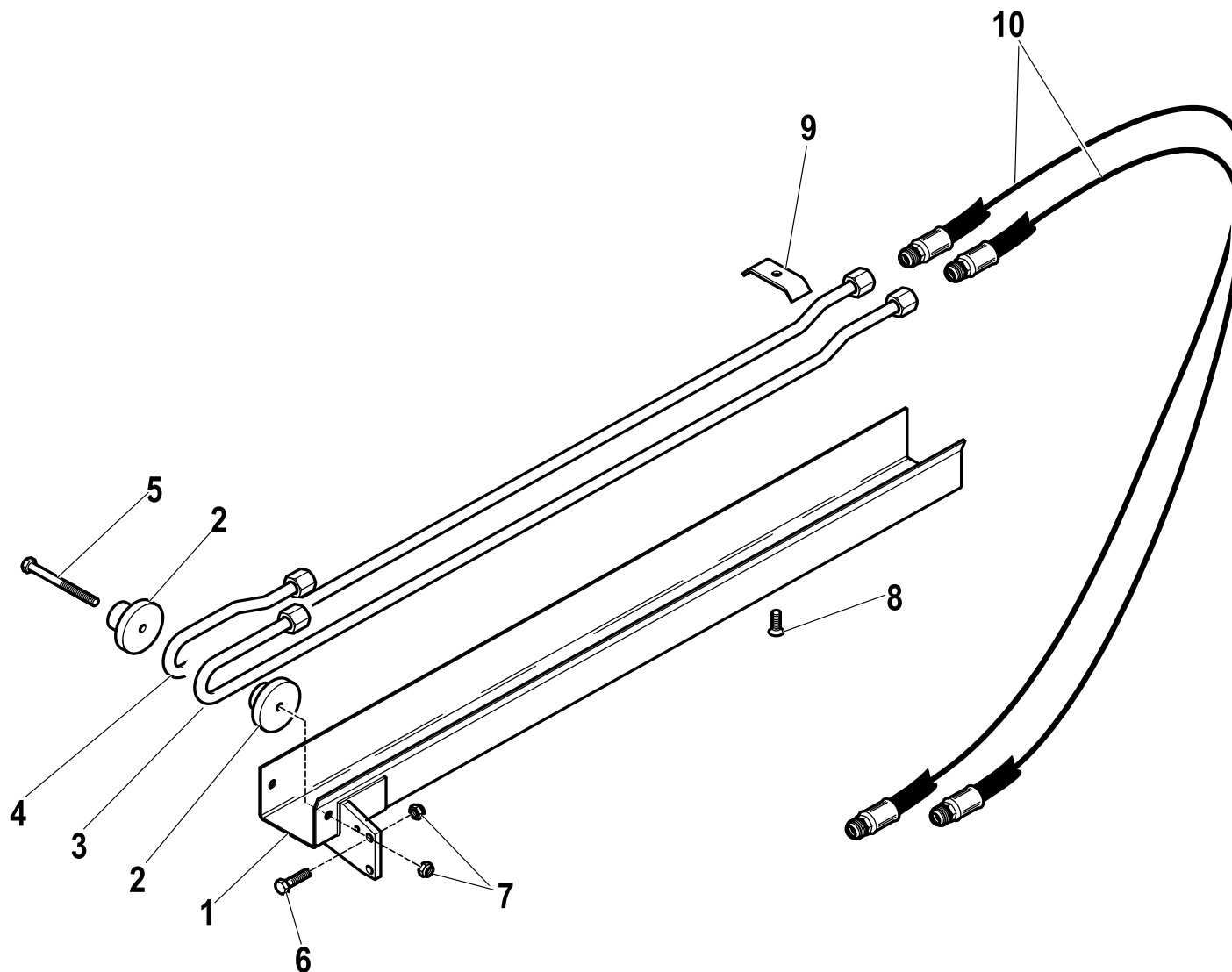


1st ADDITIONAL ACTUATION

Code

5590109-1.0

1/1



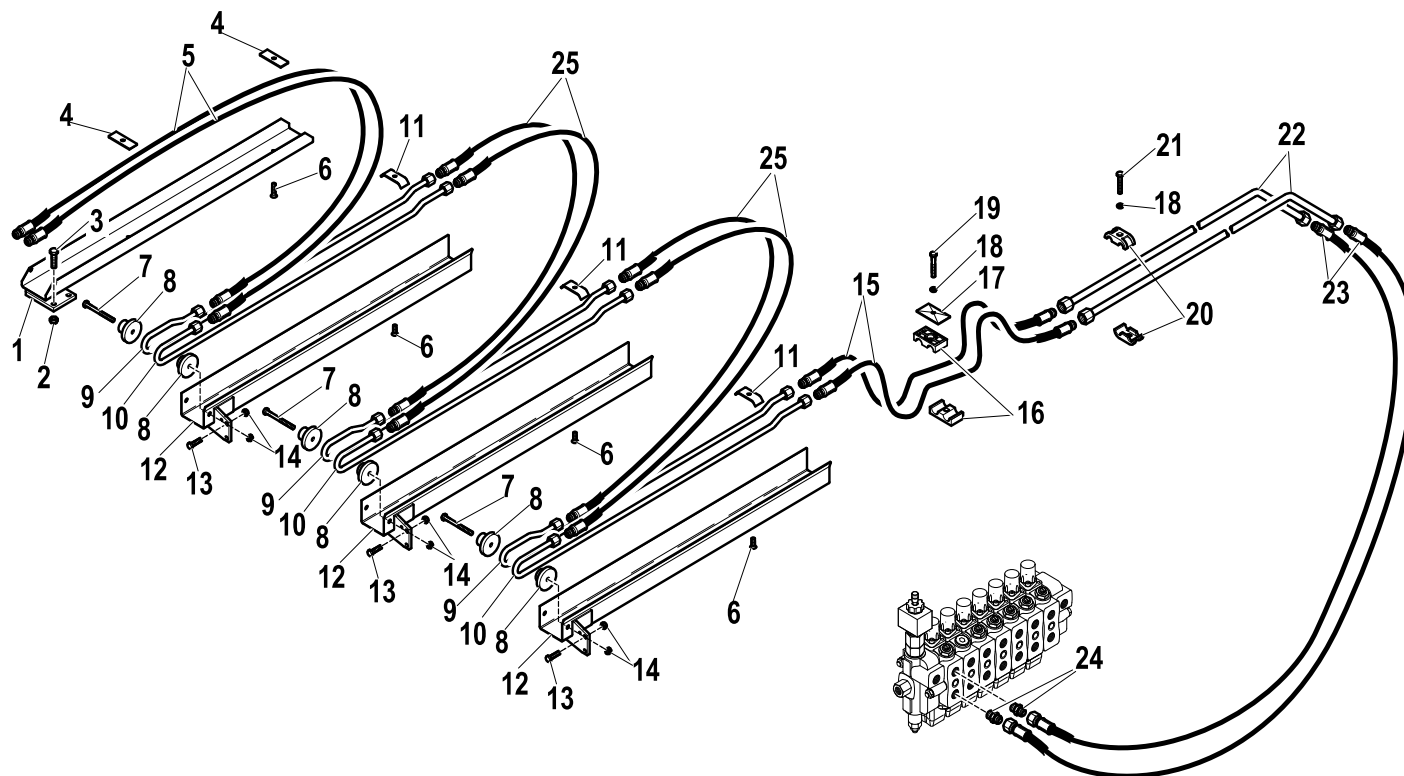
R	Pos.	Code Variant	Q.ty	Description
	1	5001294	1	
	2	5140742	2	Hydraulic hose guide
	3	5391821	1	Bonderized tube ()
	4	5391820	1	Bonderized tube ()
	5	3010414	1	Hex screw [M8X90 8.8 ZC UNI 5737]
	6	3010029	2	Hex screw [M8X30 8.8 ZC UNI 5737]
	7	3040303	2	Stopnut
	8	3020903	1	TSEI screw [M8X30 ZC UNI 5933]
	9	5001187	1	Clamp (Set of hoses)
	10	5271648	2	Flexible hose

1st ADDITIONAL ACTUATION

Code

5590110-1.0

1/2



R	Pos.	Code Variant	Q.ty	Description
	1	5001188	1	
	2	3040304	2	Stopnut
	3	3010389	2	Hex screw [M10X35 ZC UNI 5739]
	4	5001187	4	Clamp (Set of hoses)
	5	5271649	2	Flexible hose
	6	3020903	5	TSEI screw [M8X30 ZC UNI 5933]
	7	3010414	3	Hex screw [M8X90 8.8 ZC UNI 5737]
	8	5140742	6	Hydraulic hose guide
	9	5391820	3	Bonderized tube ()
	10	5391821	3	Bonderized tube ()
	11	5001193	3	Plate (Hose clamp)
	12	5001294	3	
	13	3010029	6	Hex screw [M8X30 8.8 ZC UNI 5737]
	14	3040303	6	Stopnut
	15	5271647	2	Flexible hose
	16	3190172	6	Clamp (Set of hoses)
	17	3190204	3	Plate (Collar)
	18	3060055	5	Split lock washer [D=8.4 C72 ZC]
	19	3010032	3	Hex screw [M8X45 8.8 ZC UNI 5737]
	20	5001511	4	

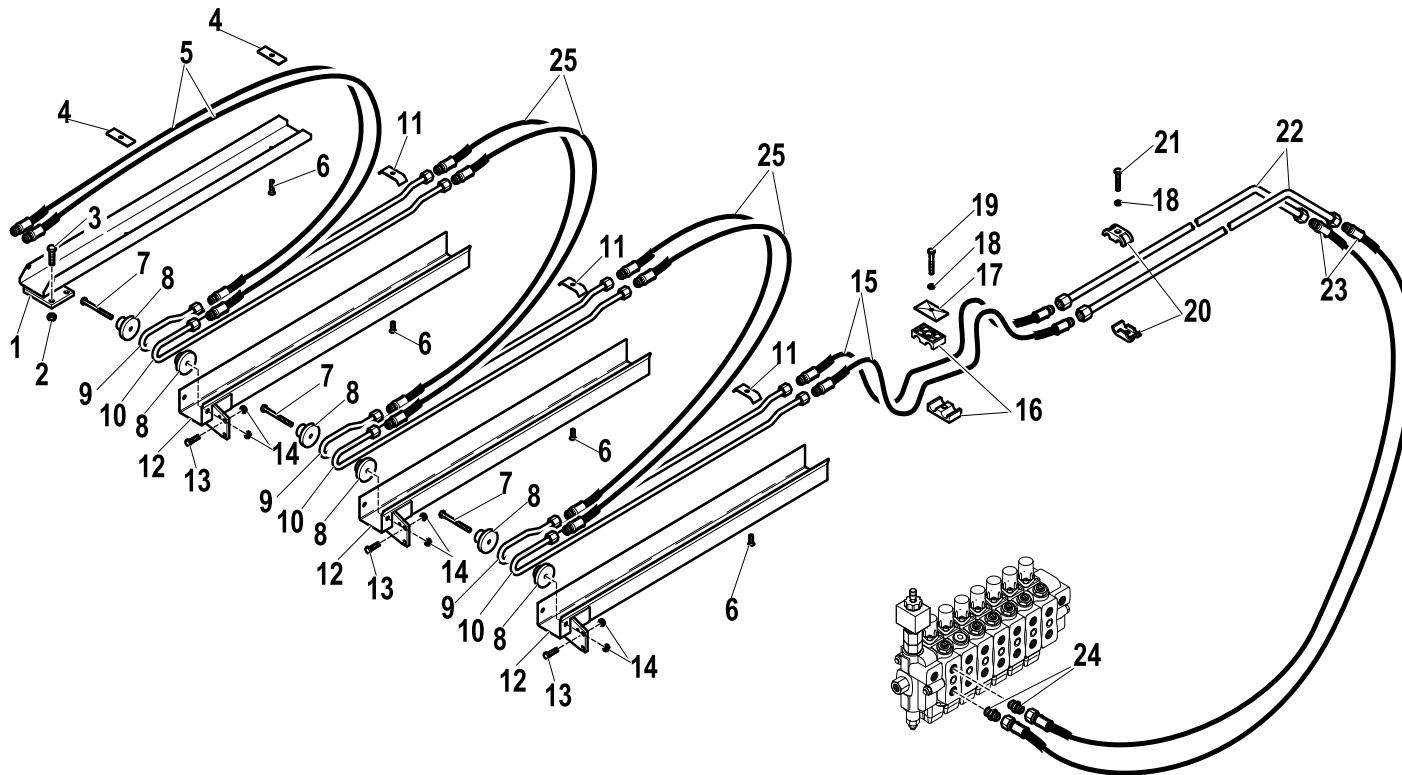
1st ADDITIONAL ACTUATION

Code

5590110-1.0

2/2

R	Pos.	Code Variant	Q.ty	Description
	21	3010031	2	Hex screw [M8X40 8.8 ZC UNI 5737]
	22	5392051	2	
	23	5271603	2	Flexible hose
	24	3101043	2	Straight pipe fitting
	25	5271648	4	Flexible hose

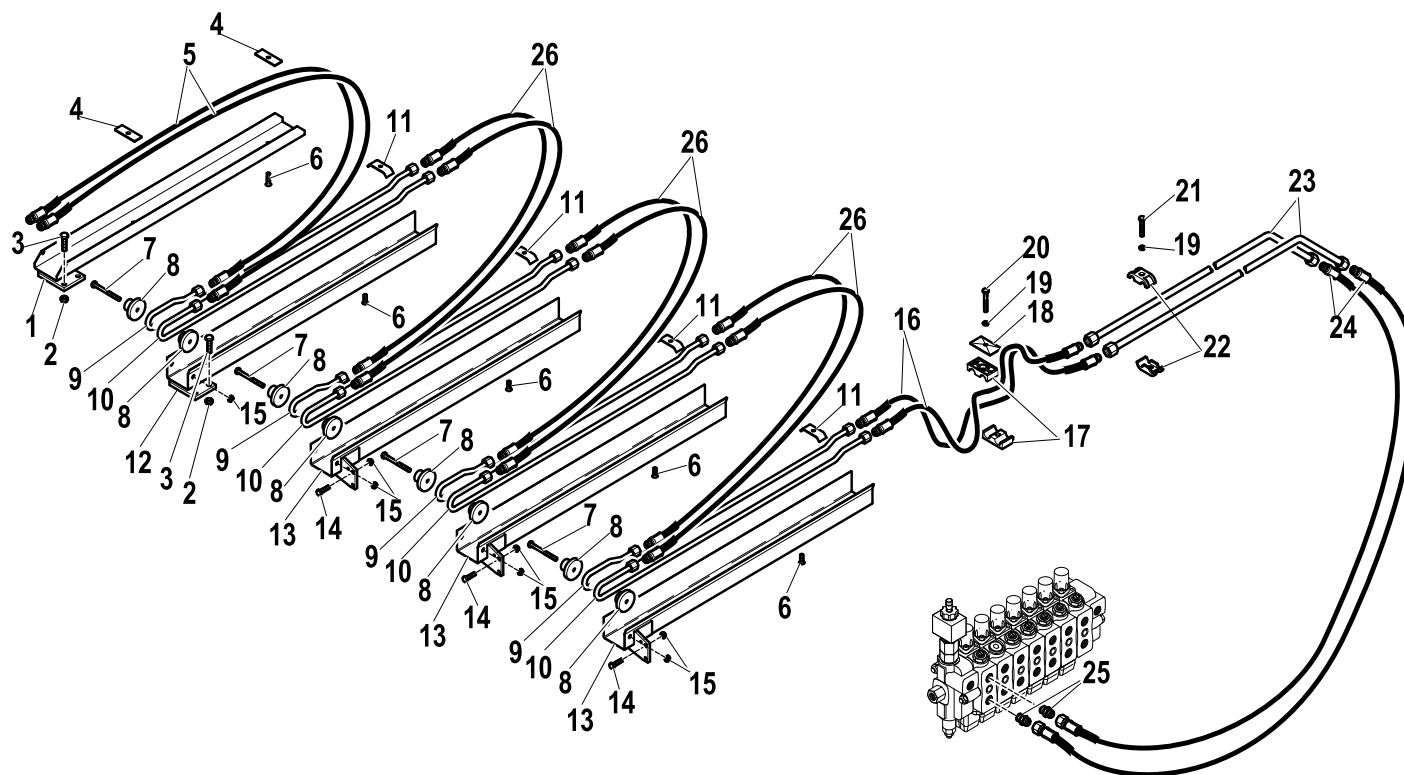


1st ADDITIONAL ACTUATION

Code

5590111-1.0

1/2



R	Pos.	Code Variant	Q.ty	Description
	1	5001188	1	
	2	3040304	2	Stopnut
	3	3010389	2	Hex screw [M10X35 ZC UNI 5739]
	4	5001187	4	Clamp (Set of hoses)
	5	5271649	2	Flexible hose
	6	3020903	5	TSEI screw [M8X30 ZC UNI 5933]
	7	3010414	3	Hex screw [M8X90 8.8 ZC UNI 5737]
	8	5140742	6	Hydraulic hose guide
	9	5391820	3	Bonderized tube ()
	10	5391821	3	Bonderized tube ()
	11	5001193	3	Plate (Hose clamp)
	12	5001172	1	
	13	5001294	3	
	14	3010029	6	Hex screw [M8X30 8.8 ZC UNI 5737]
	15	3040303	6	Stopnut
	16	5271647	2	Flexible hose
	17	3190172	6	Clamp (Set of hoses)
	18	3190204	3	Plate (Collar)
	19	3060055	5	Split lock washer [D=8.4 C72 ZC]
	20	3010032	3	Hex screw [M8X45 8.8 ZC UNI 5737]

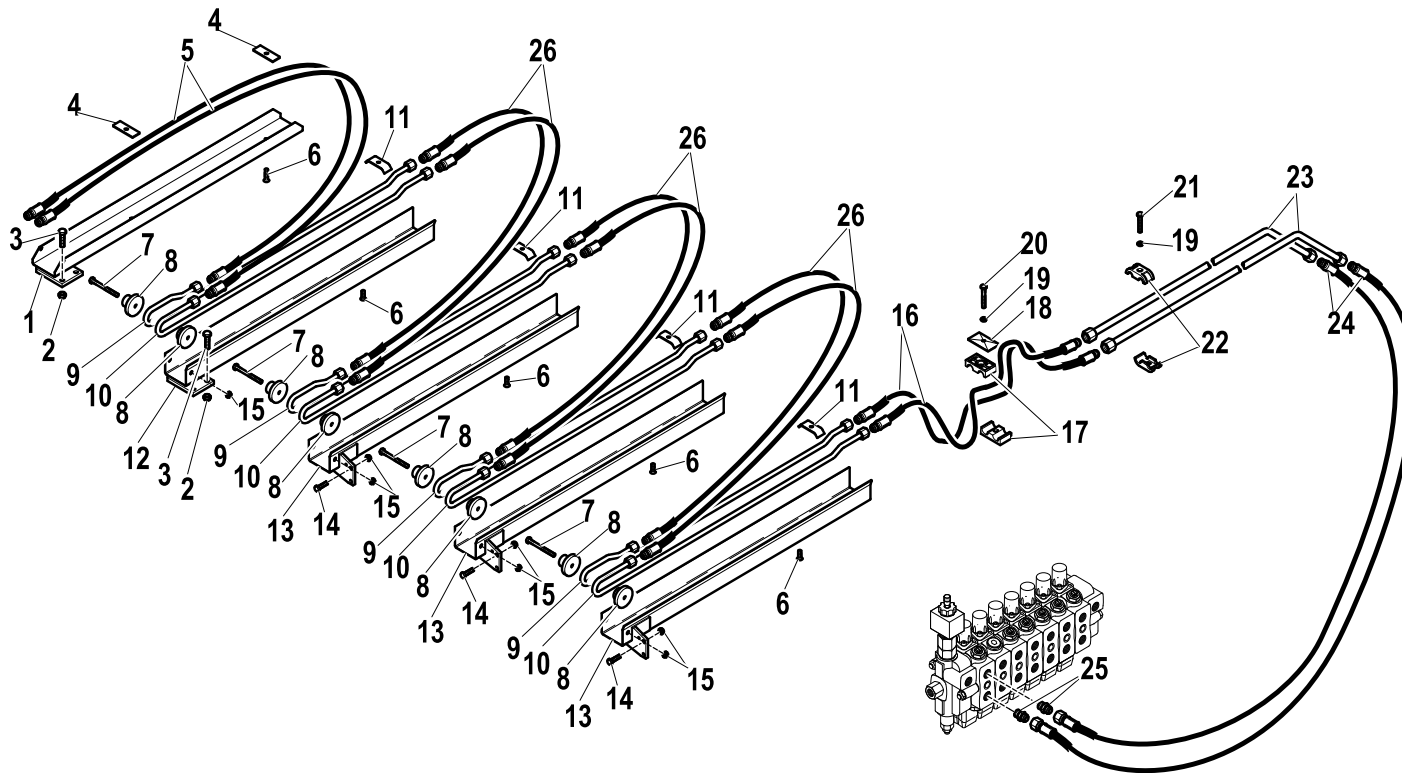
1st ADDITIONAL ACTUATION

Code

5590111-1.0

2/2

R	Pos.	Code Variant	Q.ty	Description
	21	3010031	2	Hex screw [M8X40 8.8 ZC UNI 5737]
	22	5001511	4	
	23	5392051	2	
	24	5271603	2	Flexible hose
	25	3101043	2	Straight pipe fitting
	26	5271648	6	Flexible hose

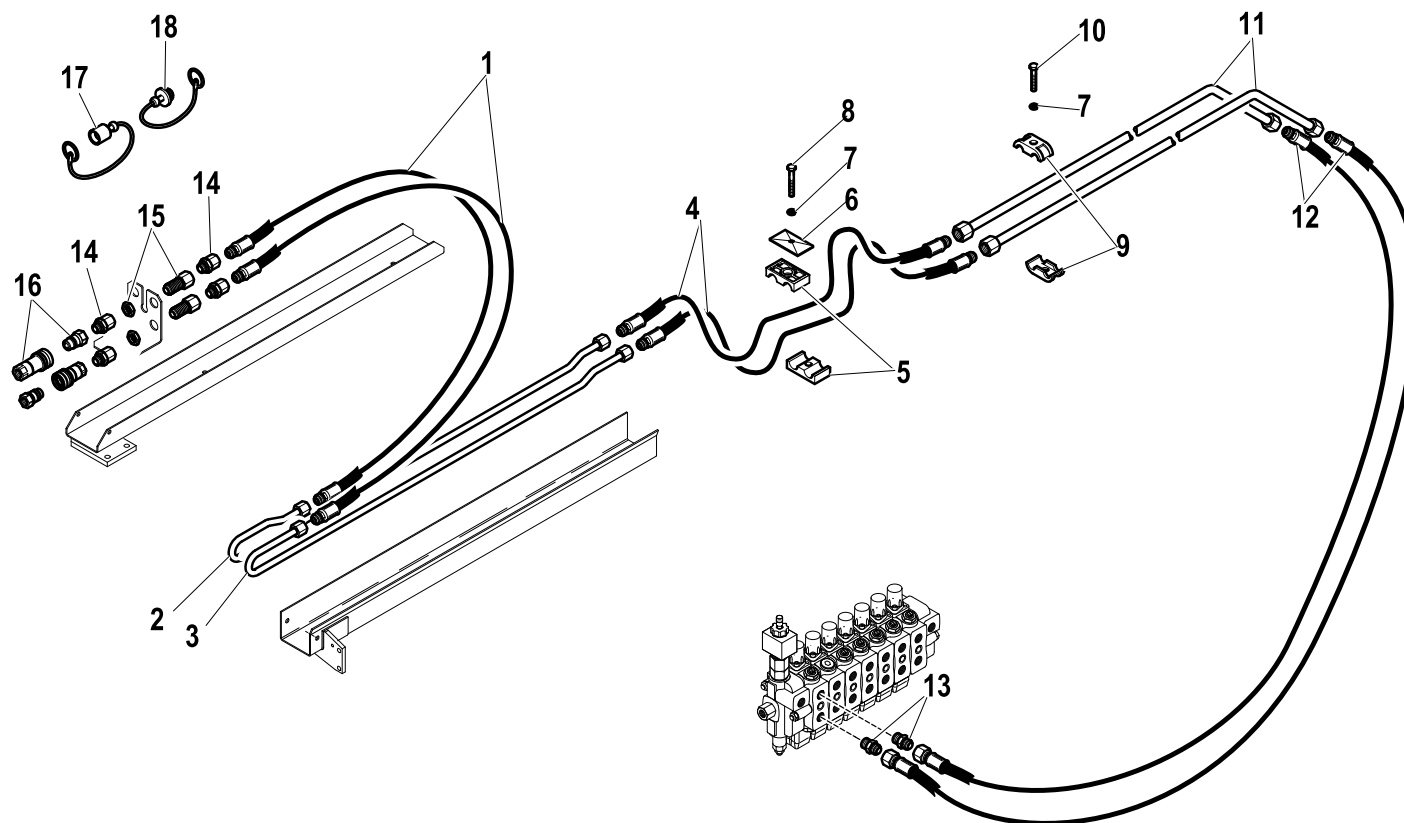


2st ACTIVATION FOR 1S

Code

5600075-1.0

1/1



R	Pos.	Code Variant	Q.ty	Description
	1	5271649	2	Flexible hose
	2	5391823	1	Bonderized tube ()
	3	5391822	1	Bonderized tube ()
	4	5271647	2	Flexible hose
	5	3190172	6	Clamp (Set of hoses)
	6	3190204	3	Plate (Collar)
	7	3060055	5	Split lock washer [D=8.4 C72 ZC]
	8	3010032	3	Hex screw [M8X45 8.8 ZC UNI 5737]
	9	5000077	4	Clamp (Rigid Pipe)
	10	3010031	2	Hex screw [M8X40 8.8 ZC UNI 5737]
	11	5392051	2	
	12	5271603	2	Flexible hose
	13	3101043	2	Straight pipe fitting
	14	3120066	4	Straight pipe fitting
	15	3120402	2	Wall-through pipe fitting
	16	3110420	2	Quick coupling
	17	W734035	2	
	18	W734034	2	

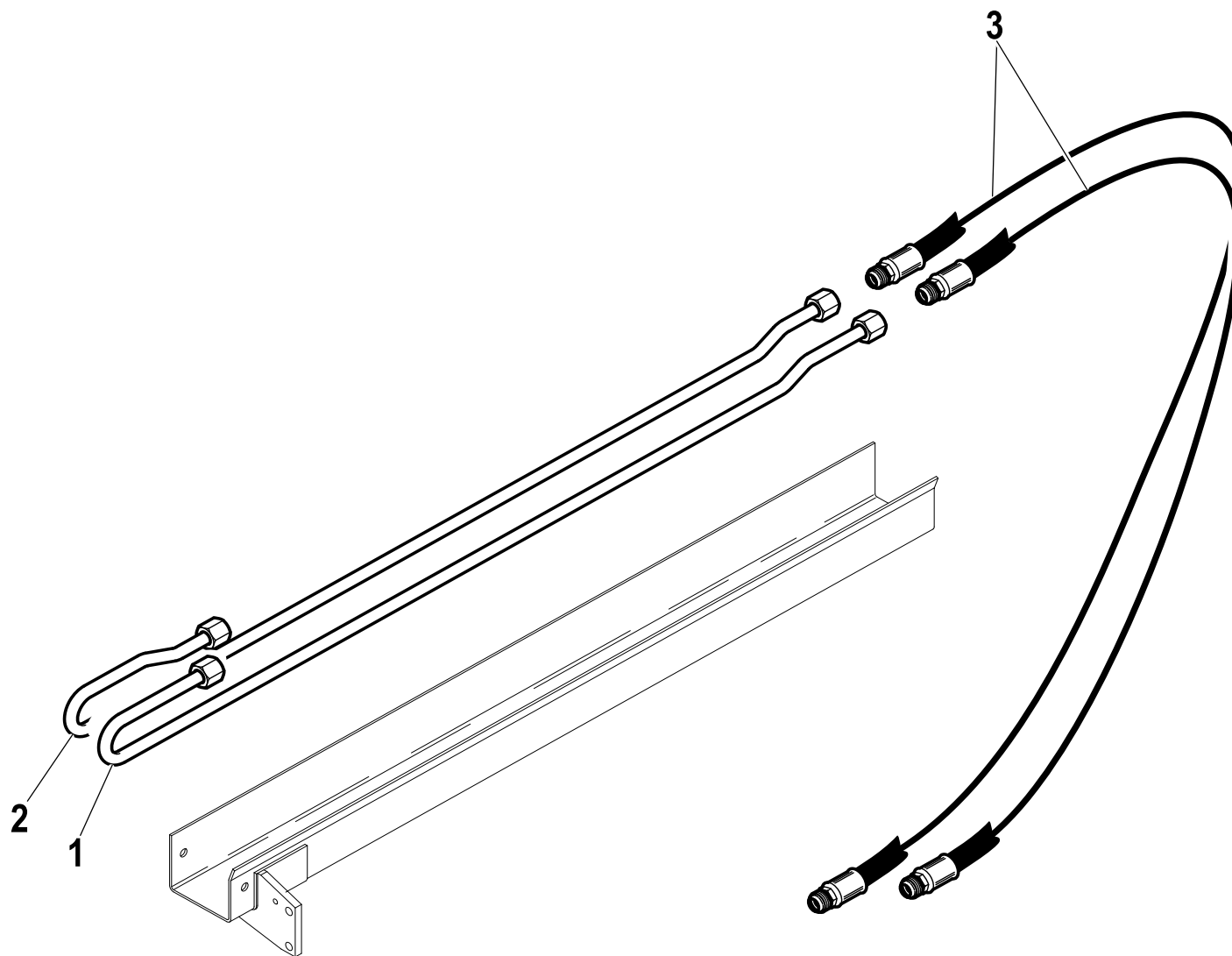
2nd ADDITIONAL ACTUATION

Code

5600076-1.0

1/1

R	Pos.	Code Variant	Q.ty	Description
	1	5391822	1	Bonderized tube ()
	2	5391823	1	Bonderized tube ()
	3	5271648	2	Flexible hose





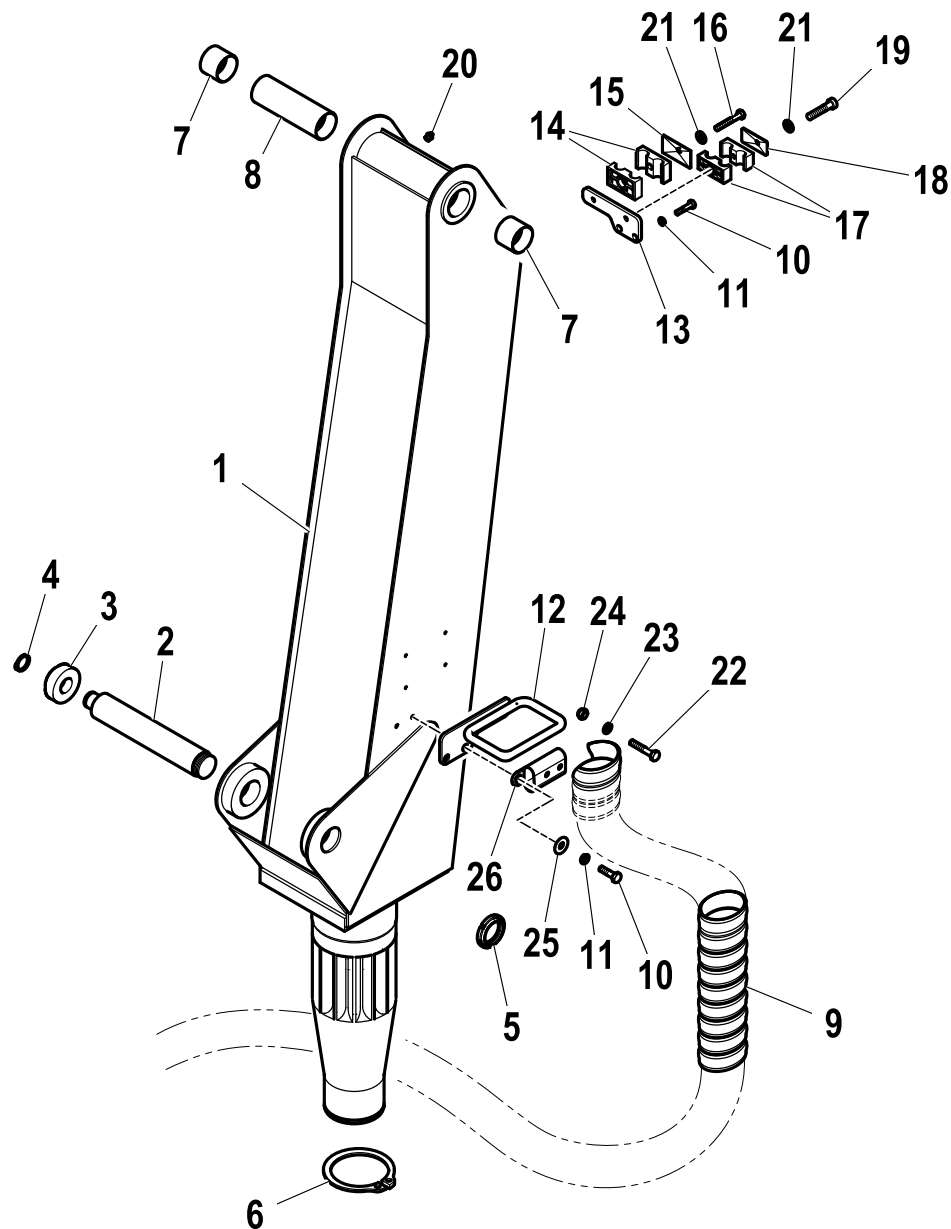
HB 100 C

Column

Code

5460039-2.0

1/2



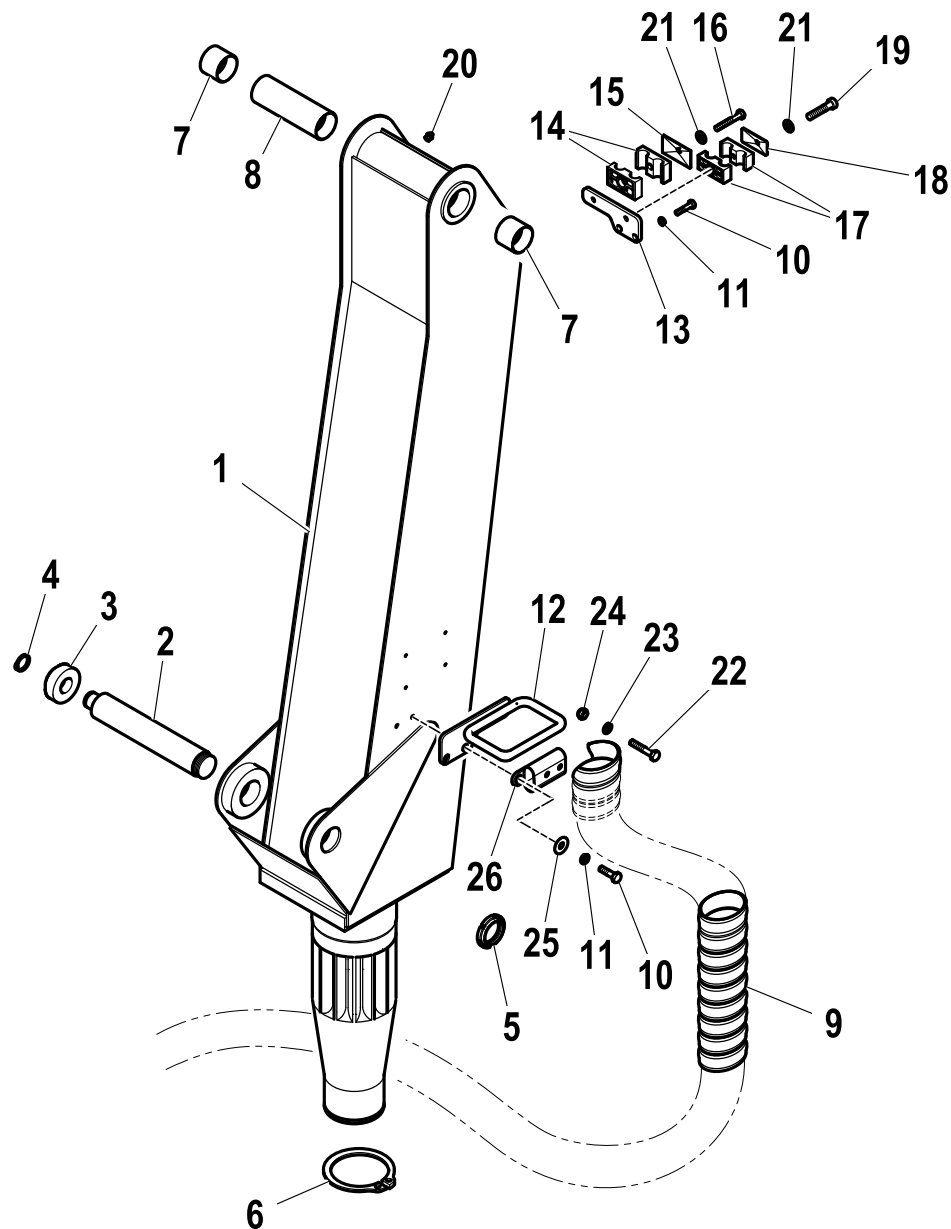
R	Pos.	Code Variant	Q.ty	Description
	1	5040093	1	Column
	2	5150718	1	
	3	5141072	1	
	4	3070153	1	Seeger
	5	3040506	1	Self-locking ringnut
	6	3070078	1	Seeger
	7	5140695	1	Bushing
	8	5001349	1	
	9	3190245	mt1.3	
	10	3010325	4	Hex screw [M6X16 8.8 ZC UNI 5739]
	11	3060053	4	Split lock washer [D=6.4 C72 ZC]
	12	5090911	1	
	13	5001551	1	
	14	3190222	2	Collar (Flexible hose)
	15	3190221	1	Small plate (Collar)
	16	3010034	1	Hex screw [M8X55 8.8 UNI 5737 ZC]
	17	3190172	2	Clamp (Set of hoses)
	18	3190204	1	Plate (Collar)
	19	3020873	1	Socket head cap screw [M8X30 ZC UNI 5931]
	20	3080501	1	Grease nipple

Column

Code

5460039-2.0

2/2



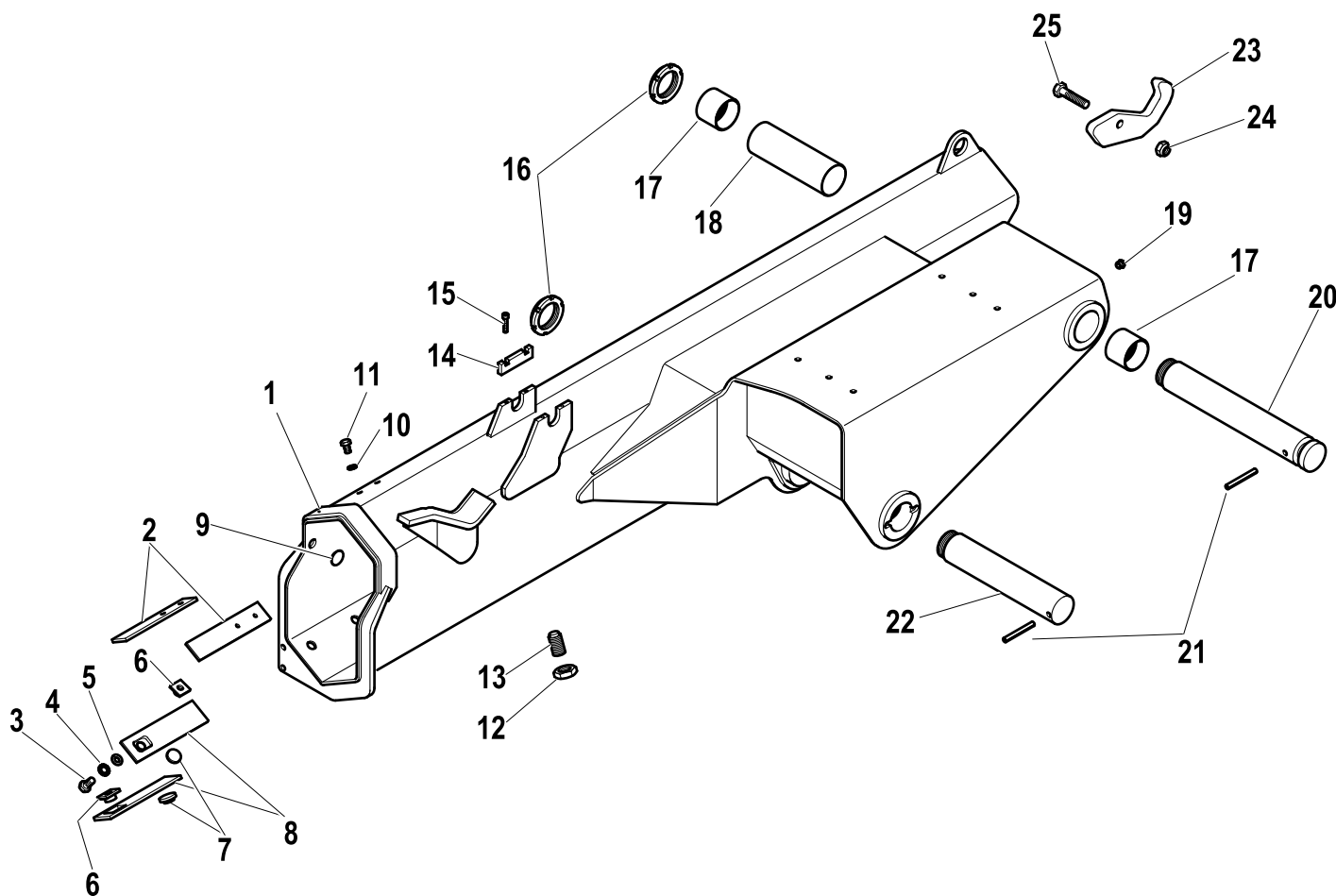
R	Pos.	Code Variant	Q.ty	Description
	21	3060006	2	Flat washer [D.8 UNI 6592 ZC]
	22	3010022	2	Hex screw [M6X25 8.8 ZC UNI 5739]
	23	3060005	2	Flat washer [D.6.4 UNI 6592 ZC]
	24	3040372	2	Stopnut
	25	3060030	1	Flat washer [D.6.6X18 UNI 6593 ZC]
	26	5091400	1	

2nd BOOM

Code

5480062-1.0

1/2



R	Pos.	Code Variant	Q.ty	Description
	1	5030269	1	Secondary boom
	2	5140779	2	
	3	3010353	2	Hex screw [M10X16 8.8 ZC UNI 5739]
	4	3060920	2	Tooth lock washer [D.10 TIPO A]
	5	3060914	2	Flat washer [D.10.5X21X2 UNI 6592 ZC]
	6	5000827	2	Button (Control board)
	7	5140681	2	
	8	5140733	2	
	9	5140777	2	Button (Backlash)
	10	3060101	4	Tooth lock washer [D.6 TIPO A]
	11	3010323	4	Hex screw [M6X10 8.8 ZC UNI 5739]
	12	3040089	2	Lock nut
	13	5000771	2	Adjusting screw
	14	5001109	2	
	15	3020037	4	Socket head cap screw [M6X25 8.8 ZC UNI 5931]
	16	3040506	2	Self-locking ringnut
	17	5140695	2	Bushing
	18	5001349	1	
	19	3080501	1	Grease nipple
	20	5150714	1	

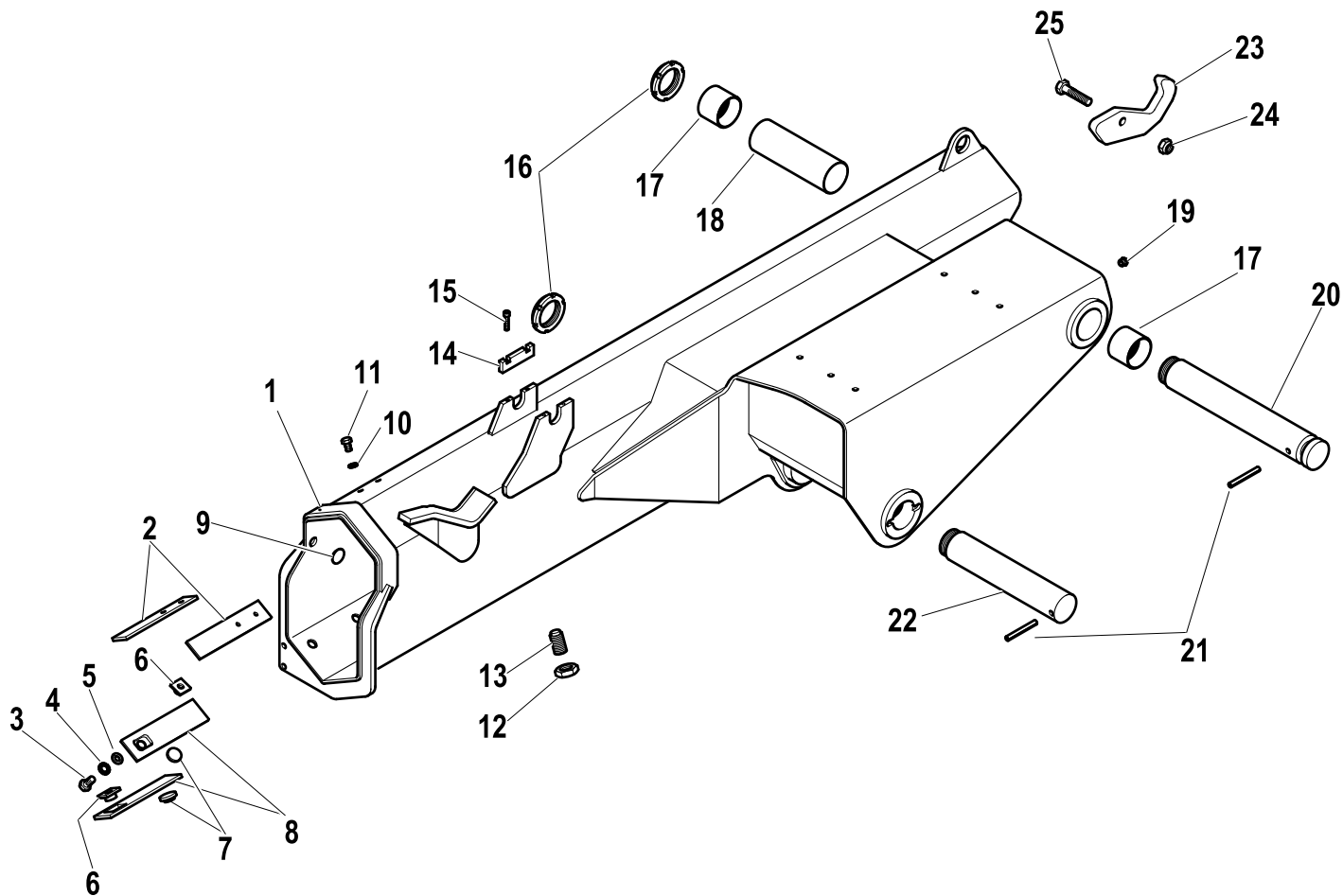
2nd BOOM

Code

5480062-1.0

2/2

R	Pos.	Code Variant	Q.ty	Description
	21	3060950	2	Spring pin
	22	5150713	1	
	23	5001200	1	
	24	3040305	1	Stopnut
	25	3010065	1	Hex screw [M12X55 8.8 ZC UNI 5737]

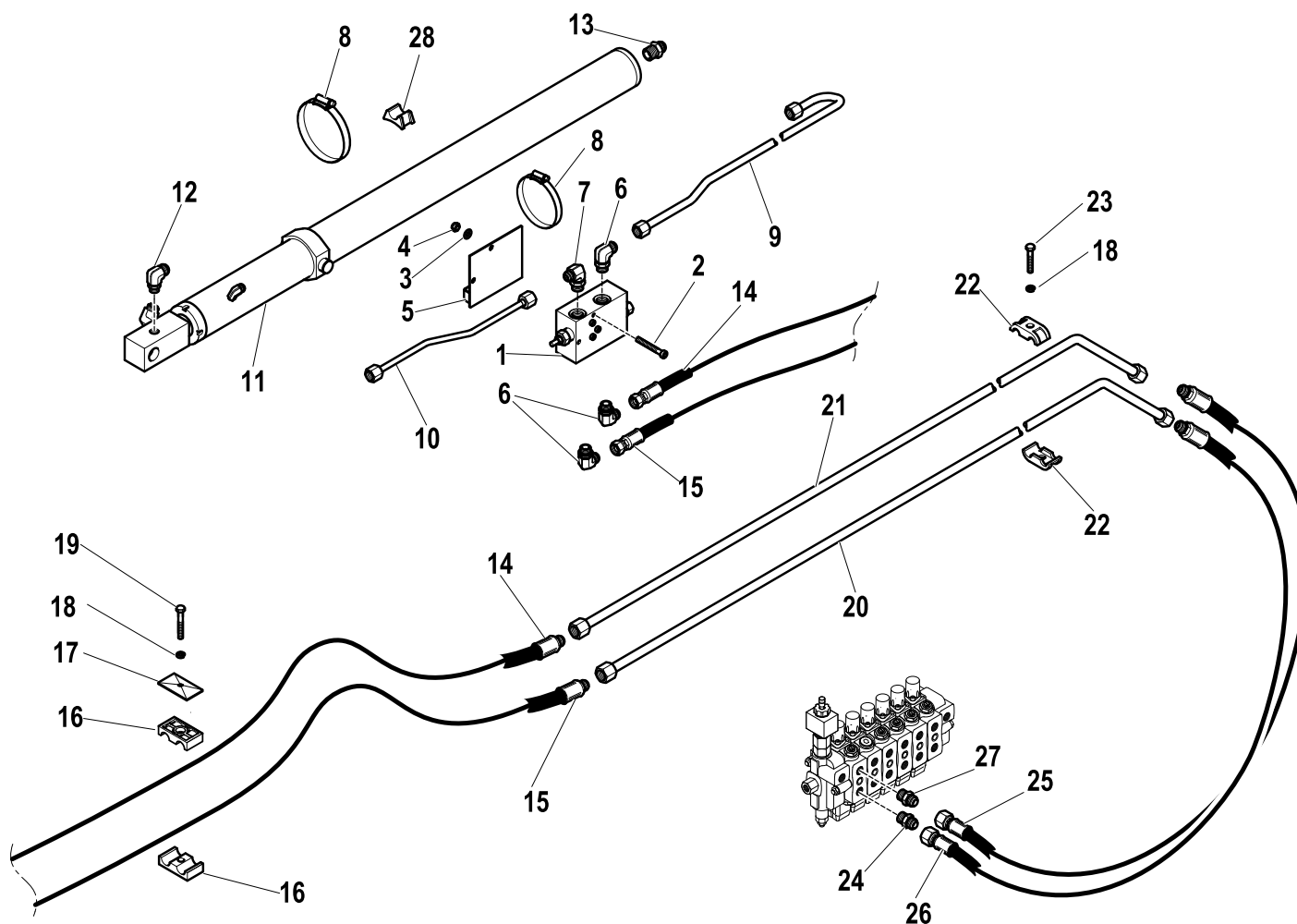


1st EXSTENSION HYDRAULIC (Hydraulic system)

Code

6210283-1.0

1/2



R	Pos.	Code Variant	Q.ty	Description
	1	5220654	1	
	2	3020901	2	Socket head cap screw [M8X60 ZC UNI 5931]
	3	3060006	2	Flat washer [D.8 UNI 6592 ZC]
	4	3040303	2	Stopnut
	5	5001223	1	
	6	3101128	1	90° Connection
	7	3101131	3	90° Connection
	8	3190022	3	Clamp
	9	5392043	1	
	10	5392059	1	
	11	6410283	1	Extension Hydraulic jack
	12	3101127	1	90° Connection
	13	3101051	1	Straight pipe fitting
	14	5280616	1	
	15	5280617	1	
	16	3190222	2	Collar (Flexible hose)
	17	3190221	1	Small plate (Collar)
	18	3060055	3	Split lock washer [D=8.4 C72 ZC]
	19	3010032	1	Hex screw [M8X45 8.8 ZC UNI 5737]
	20	5392051	1	

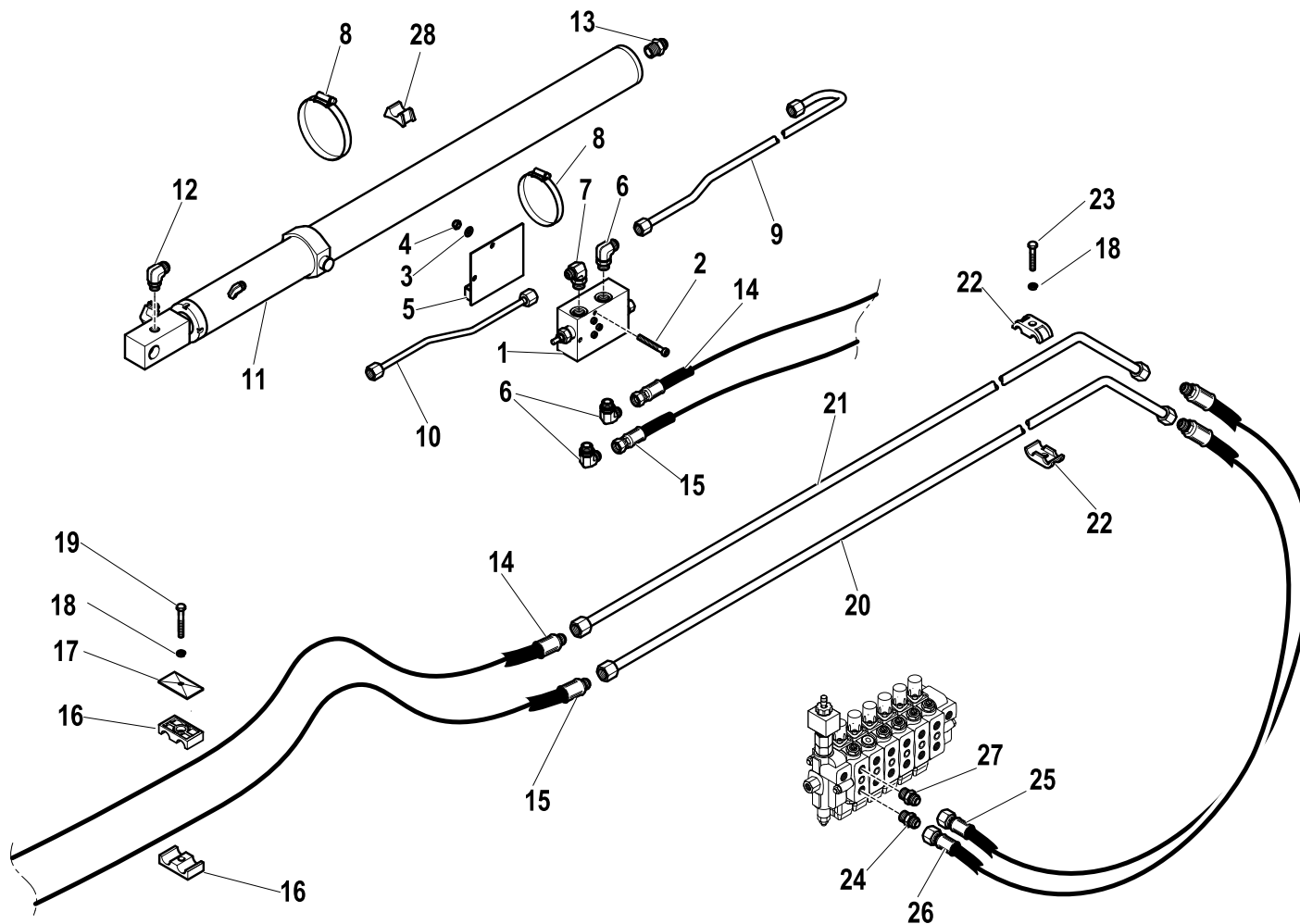
1st EXSTENSION HYDRAULIC (Hydraulic system)

Code

6210283-1.0

2/2

R	Pos.	Code Variant	Q.ty	Description
	21	5392041	1	
	22	5000045	4	Clamp (Rigid Pipe)
	23	3010031	2	Hex screw [M8X40 8.8 ZC UNI 5737]
	24	3101043	1	Straight pipe fitting
	25	5280618	1	
	26	5271602	1	
	27	3101213	1	Straight pipe fitting
	28	5140133	1	Piping mounting

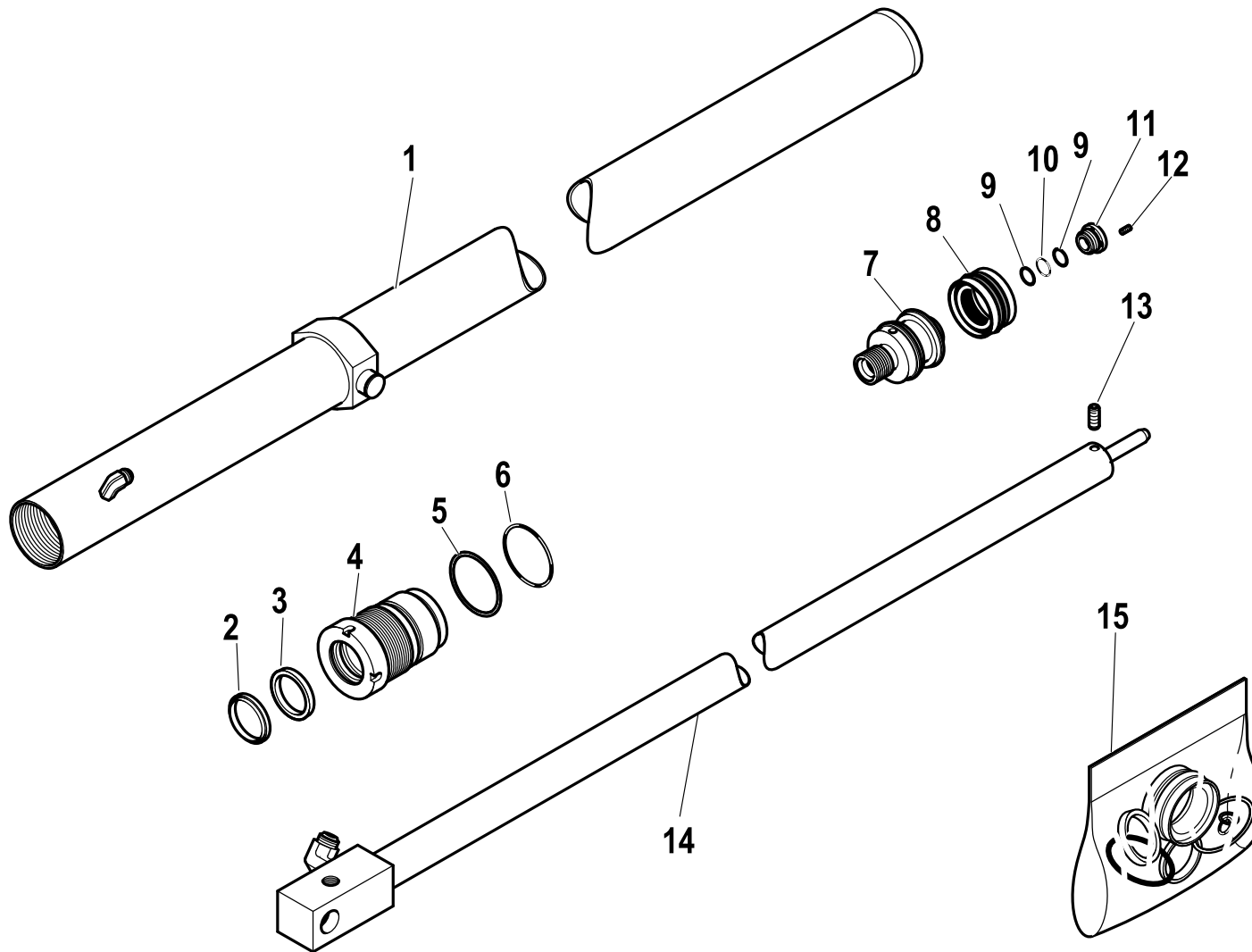


1st EXSTENSION HYDRAULIC ("C" Version)

Code

6410283-1.0

1/1



R	Pos.	Code Variant	Q.ty	Description
	1	6070504	1	
	2	3420021	1	
	3	3370136	1	
	4	6040259	1	
	5	3460132	1	
	6	3450132	1	
	7	6050275	1	
	8	3400509	1	
	9	3460047	2	
	10	3450047	1	
	11	6040269	1	Ring nut
	12	3060248	1	Grub screw
	13	3060232	1	Grub screw [Grano M6X6 UNI 5927 ZC.]
	14	6030633	1	
	15	5550781	1	Seal kit



HB 100 F

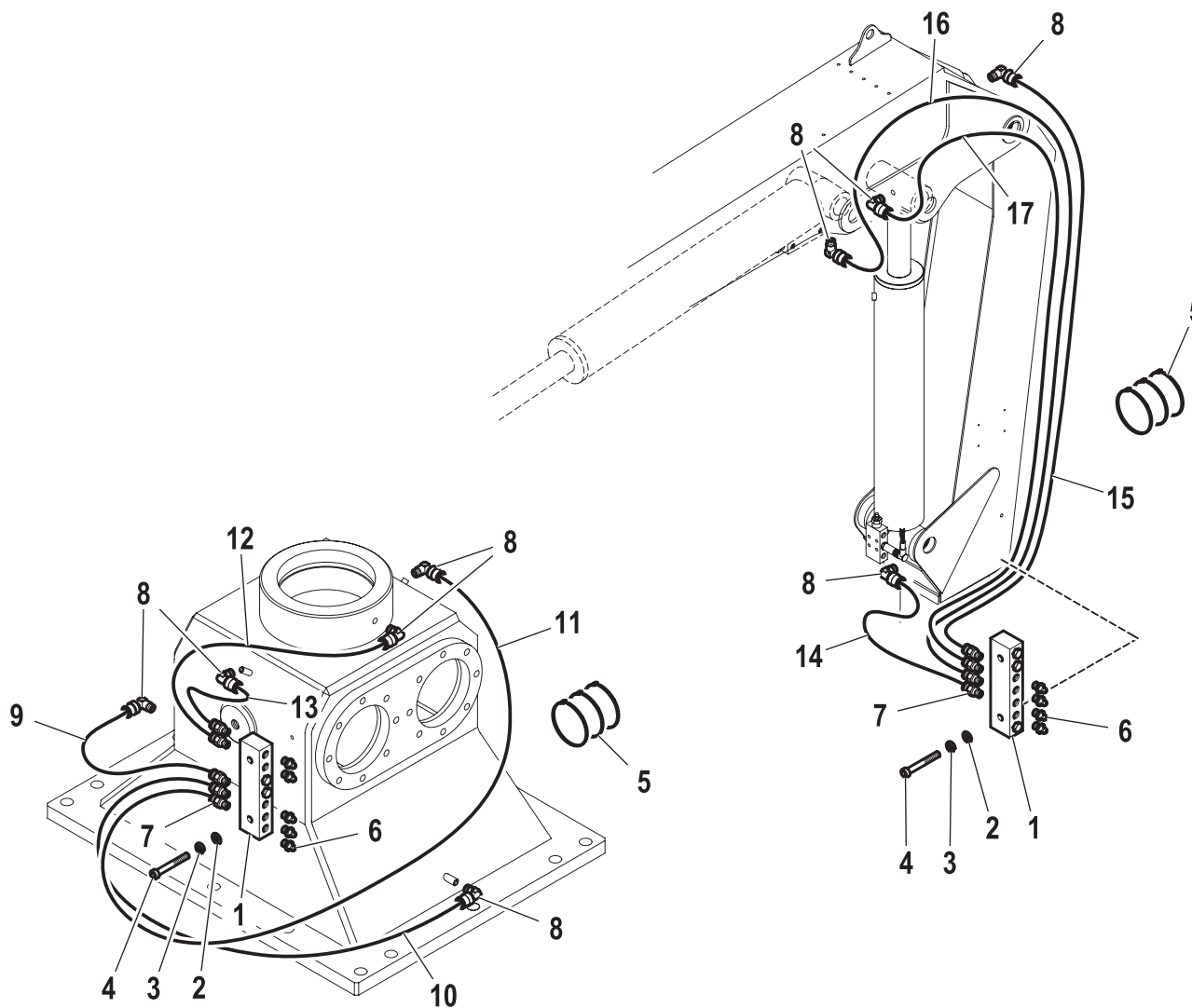
Greasing kit

Code

5402008-1.0

1/1

R	Pos.	Code Variant	Q.ty	Description
	1	5001441	2	Manifold (Greasing)
	2	3060005	4	Flat washer [D.6.4 UNI 6592 ZC]
	3	3060053	4	Split lock washer [D=6.4 C72 ZC]
	4	3020039	4	Socketed head cap screw [M6X35 8.8 ZC UNI 5931]
	5	3190012	35	Clamp
	6	3080015	9	Grease nipple
	7	3080004	9	Coupling (Flexible hose)
	8	3080012	9	Coupling (Flexible hose)
	9	3080043	1	Pipe (Greasing)
	10	3080045	1	Pipe (Greasing)
	11	3080046	1	Pipe (Greasing)
	12	3080042	1	Pipe (Greasing)
	13	3080044	1	Pipe (Greasing)
	14	3080047	1	Pipe (Greasing)
	15	3080048	1	Pipe (Greasing)
	16	3080050	1	Pipe (Greasing)
	17	3080049	1	Pipe (Greasing)



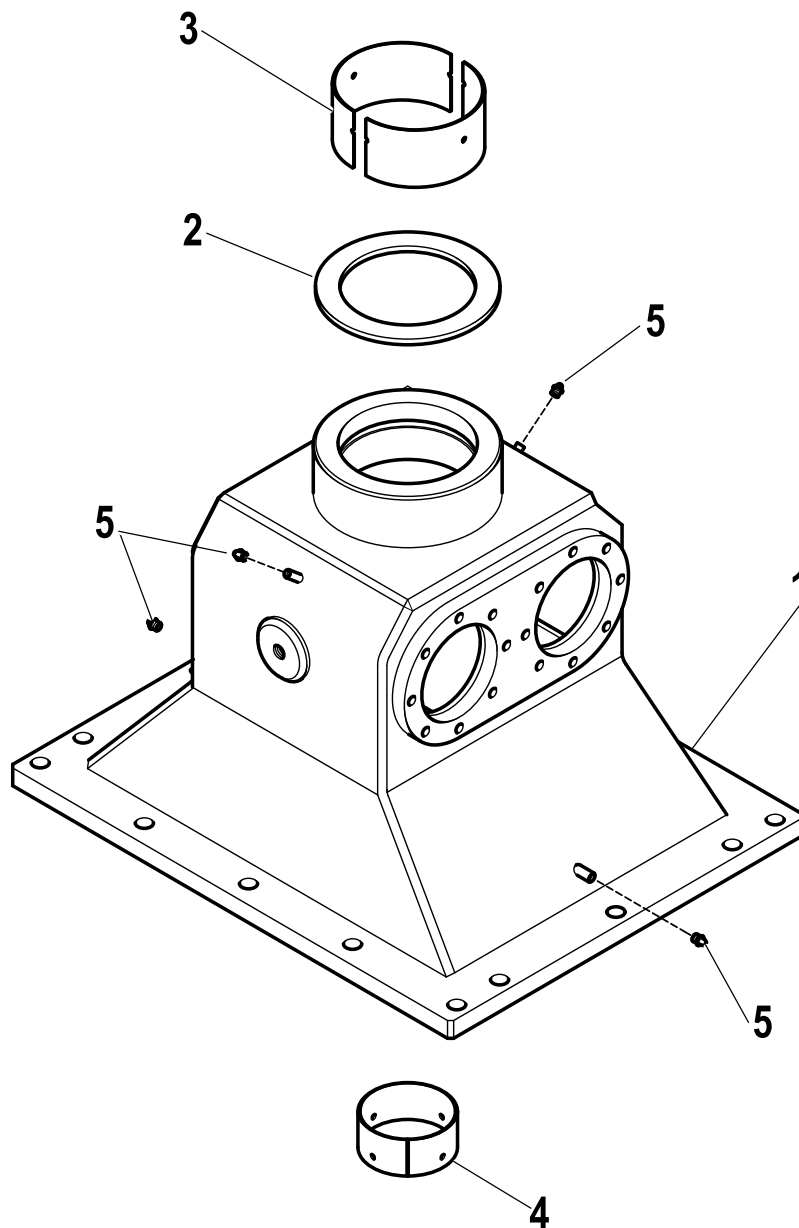
Base (F / M)

Code

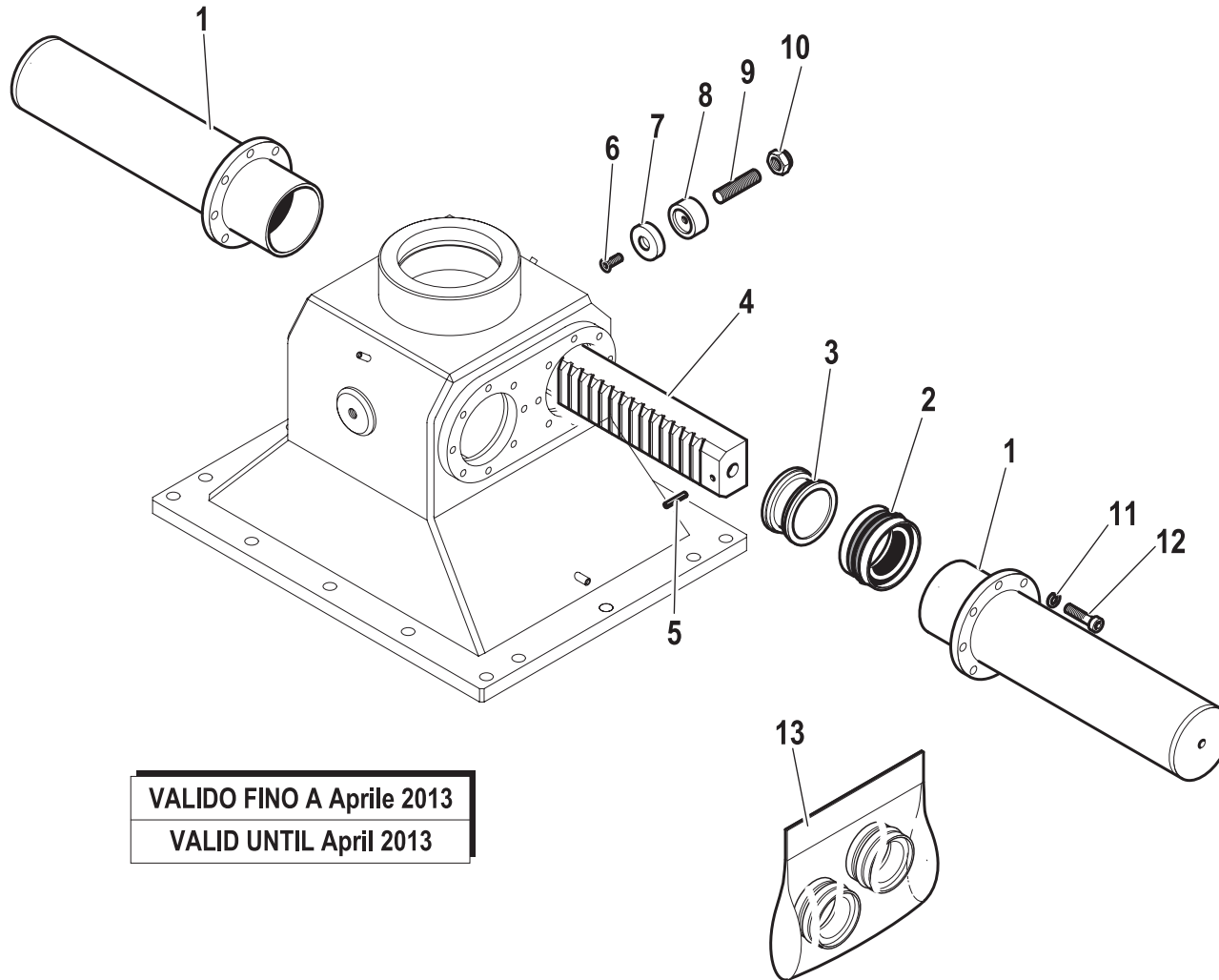
5420063-1.0

1/1

R	Pos.	Code Variant	Q.ty	Description
	1	5060153	1	Base
	2	5140773	1	Thrust bearing ring
	3	5140784	1	Bushing
	4	5141053	1	Bushing
	5	3080501	5	Grease nipple



R	Pos.	Code Variant	Q.ty	Description
	1	6070499	4	
	2	3400519	4	
	3	6050247	4	
	4	5050098	2	
	5	3060608	4	Spring pin
	6	3020499	2	TSEI screw [M10X25 10.9 ZC UNI 5933]
	7	5140772	2	
	8	4160328	2	
	9	3060951	2	Grub screw
	10	3040309	2	Stopnut
	11	3060058	32	Split lock washer [D=14 INOX]
	12	3020911	32	Socket head cap screw [M14X50 8.8 BR UNI 5931]
	13	5550778	1	



VALIDO FINO A Aprile 2013

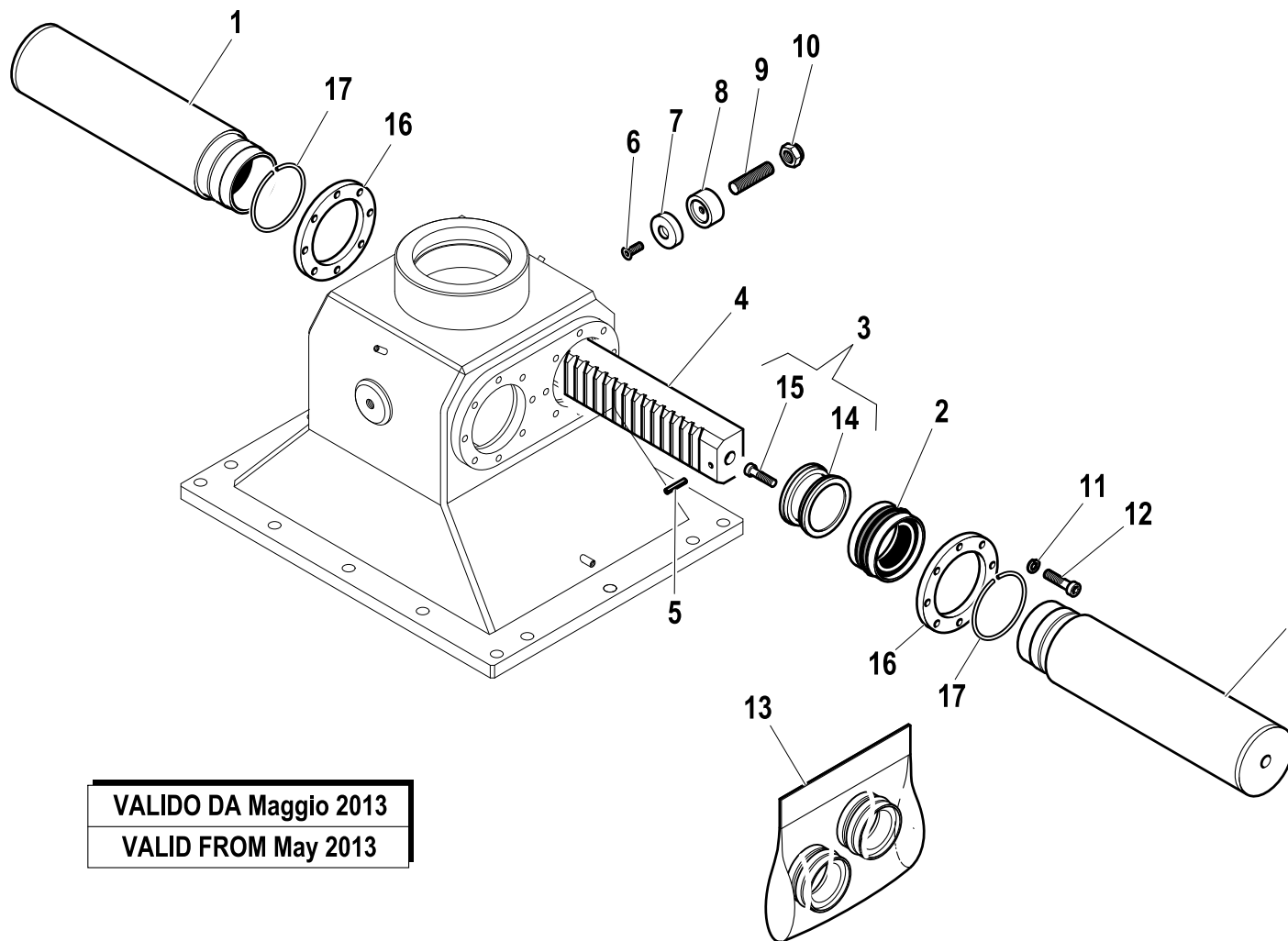
VALID UNTIL April 2013

Slewing (Retaining ring)

Code

6240174-1.0

1/1



VALIDO DA Maggio 2013
VALID FROM May 2013

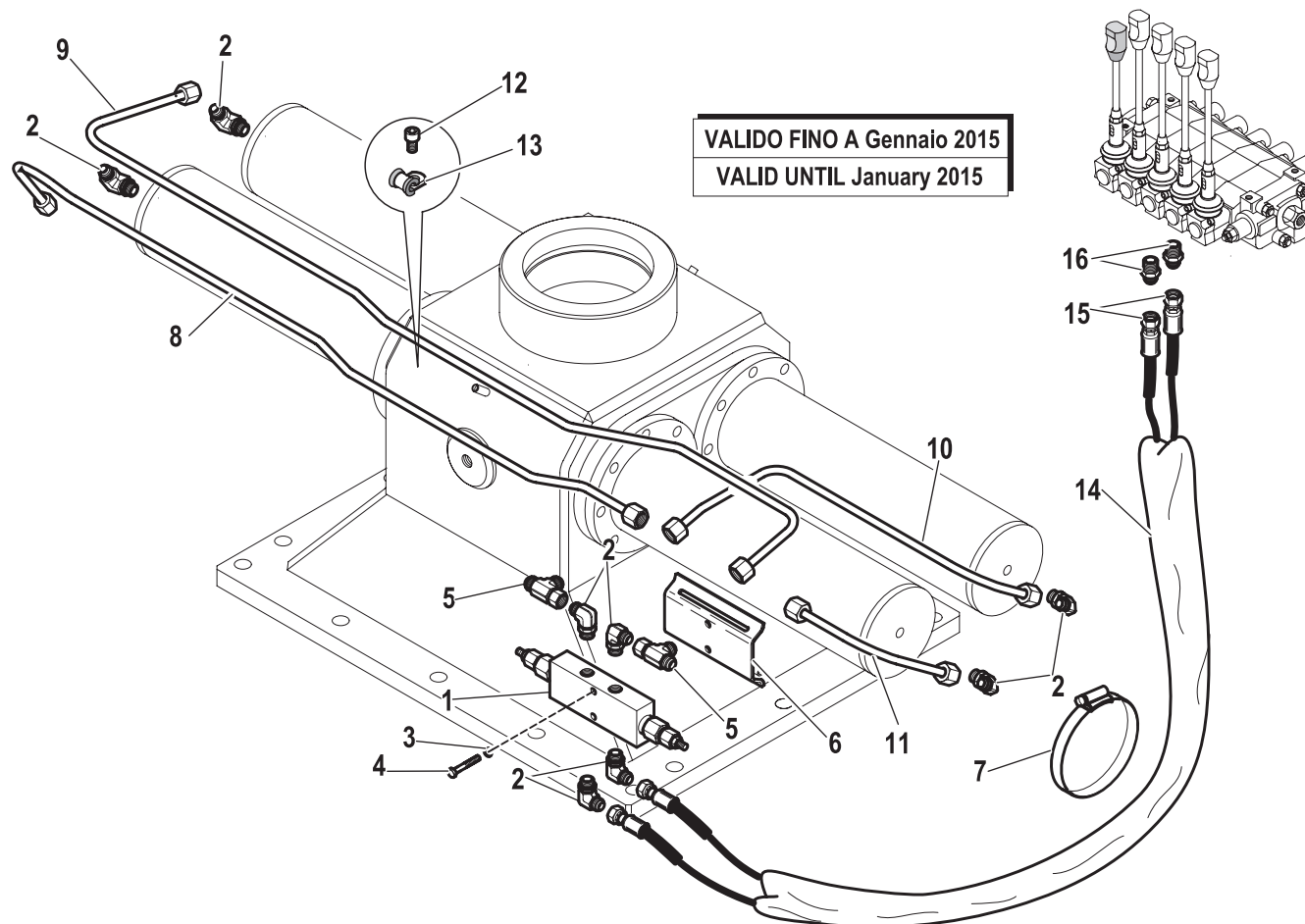
R	Pos.	Code Variant	Q.ty	Description
	1	6070688	4	
	2	3400519	4	
	3	6050247	4	
	4	5050098	2	
	5	3060608	4	Spring pin
	6	3020499	2	TSEI screw [M10X25 10.9 ZC UNI 5933]
	7	5140772	2	
	8	4160328	2	
	9	3060951	2	Grub screw
	10	3040309	2	Stopnut
	11	3060050	32	Split lock washer [D=14 C72 ZC]
	12	3020911	32	Socket head cap screw [M14X50 8.8 BR UNI 5931]
	13	5550778	1	
	14	6050225	4	
	15	3020109	4	Socket head cap screw [M14X35 8.8 ZC UNI 5931]
	16	5002277	4	
	17	W570100800	4	

Slewing Hydraulic jack (Hydraulic system)

Code

6240114-2.0

1/1



VALIDO FINO A Gennaio 2015
VALID UNTIL January 2015

R	Pos.	Code Variant	Q.ty	Description
	1	5220696	1	Valve (Overcenter)
	2	3101127	8	90° Connection
	3	3060055	2	Split lock washer [D=8.4 C72 ZC]
	4	3010035	2	Hex screw [M8X60 8.8 ZC UNI 5737]
	5	3120004	2	Tee fitting
	6	5001560	1	Valve support
	7	3190021	2	Clamp [104-138 12.2 ABA]
	8	5392079	1	Bonderized tube
	9	5392082	1	Bonderized tube
	10	5392081	1	Bonderized tube
	11	5392080	1	Bonderized tube
	12	3020051	2	Socket head cap screw [M8X12 ZC UNI 5931]
	13	3190208	2	Collar (Pipe)
	14	3190198	1	Sheath (Flexible hose)
	15	5271839	2	Flexible hose
	16	3101043	2	Straight pipe fitting

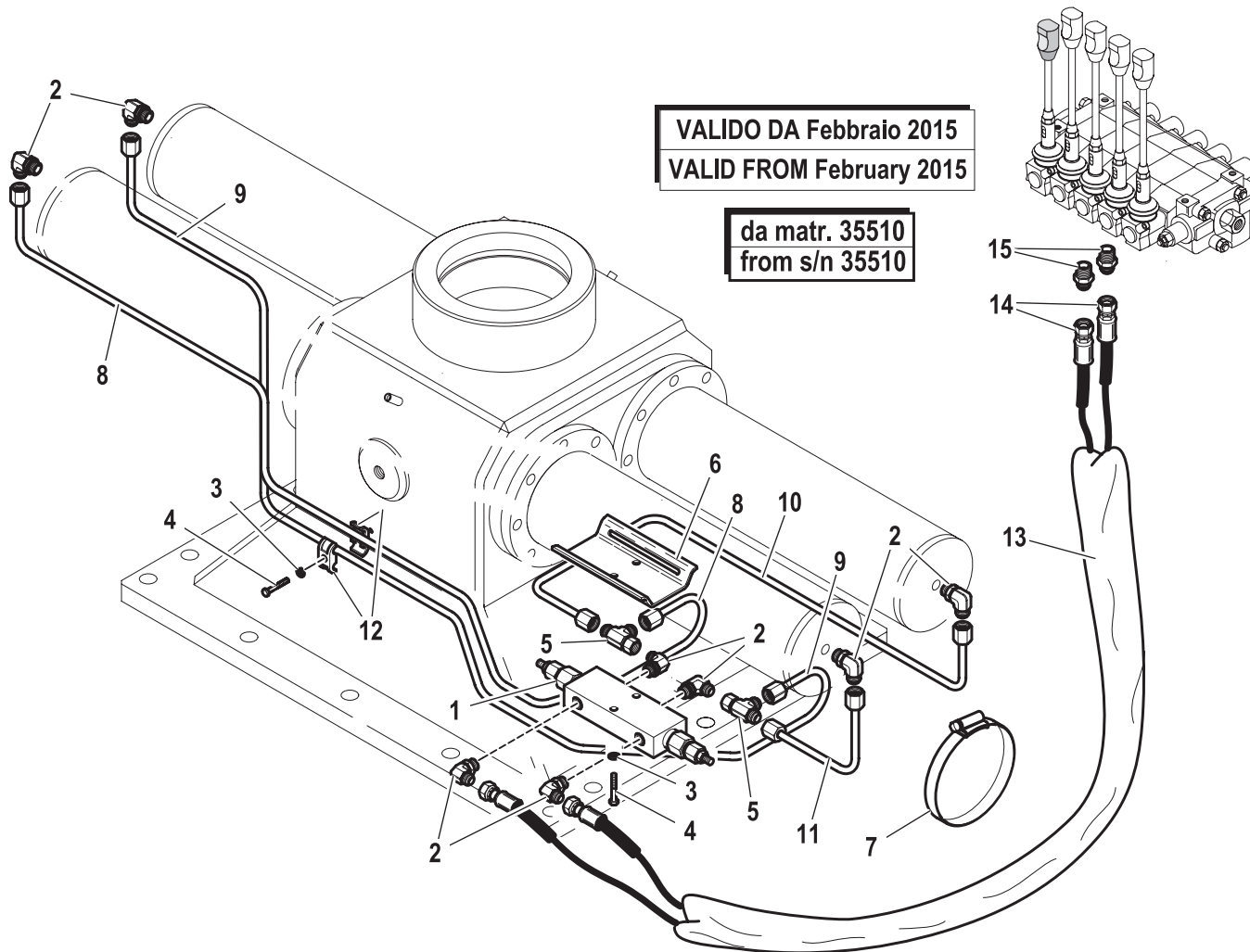
Slewing Hydraulic jack (Hydraulic system)

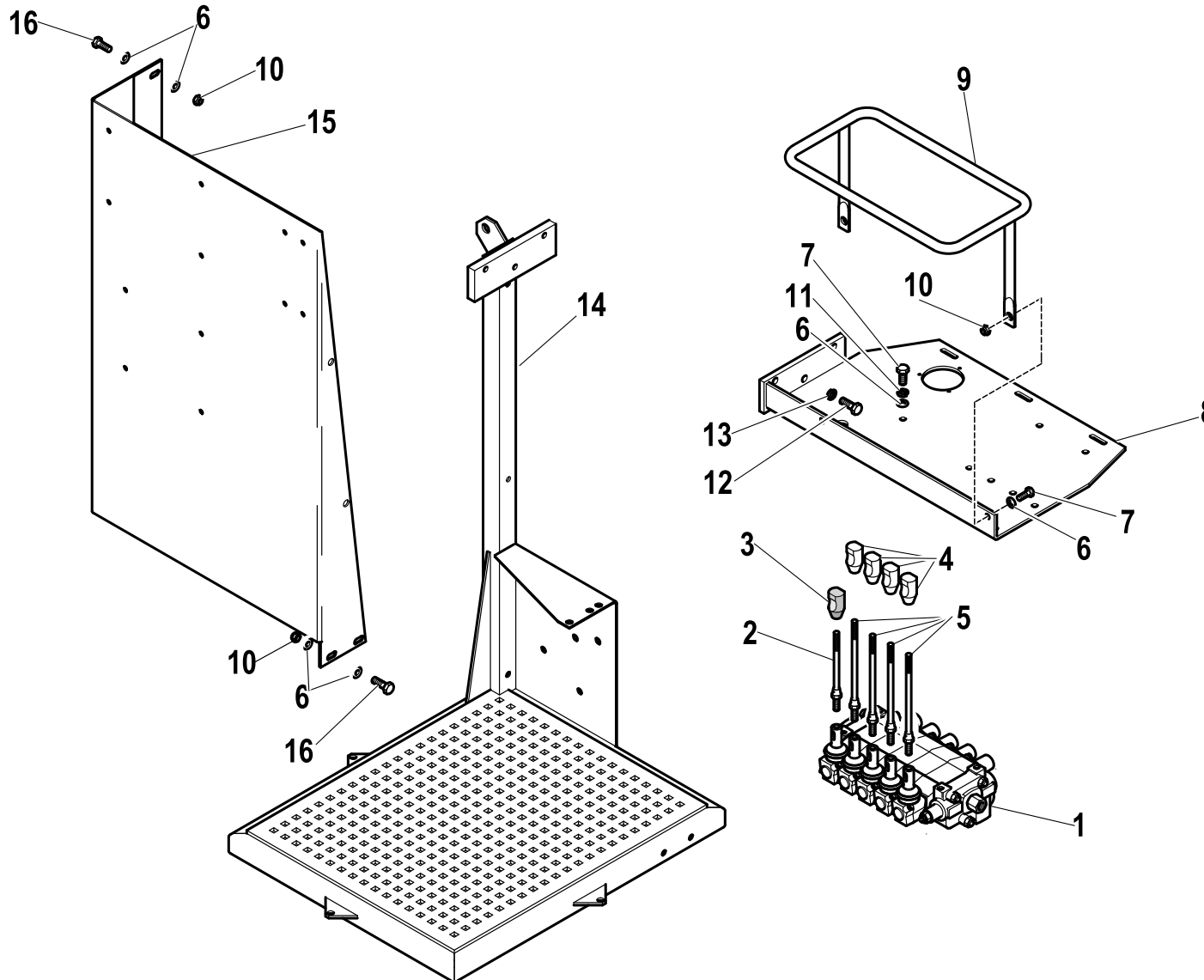
Code

6240178-2.0

1/1

R	Pos.	Code Variant	Q.ty	Description
	1	5220696	1	Valve (Overcenter)
	2	3101127	8	90° Connection
	3	3060055	2	Split lock washer [D=8.4 C72 ZC]
	4	3010031	3	Hex screw [M8X40 8.8 ZC UNI 5737]
	5	3120004	2	Tee fitting
	6	5001560	1	Valve support
	7	3190021	2	Clamp [104-138 12.2 ABA]
	8	5393177	1	Bonderized tube
	9	5393178	1	Bonderized tube
	10	5393179	1	Bonderized tube
	11	5392080	1	Bonderized tube
	12	5000077	2	Clamp (Rigid Pipe)
	13	3190198	1	Sheath (Flexible hose)
	14	5271839	2	Flexible hose
	15	3101043	2	Straight pipe fitting





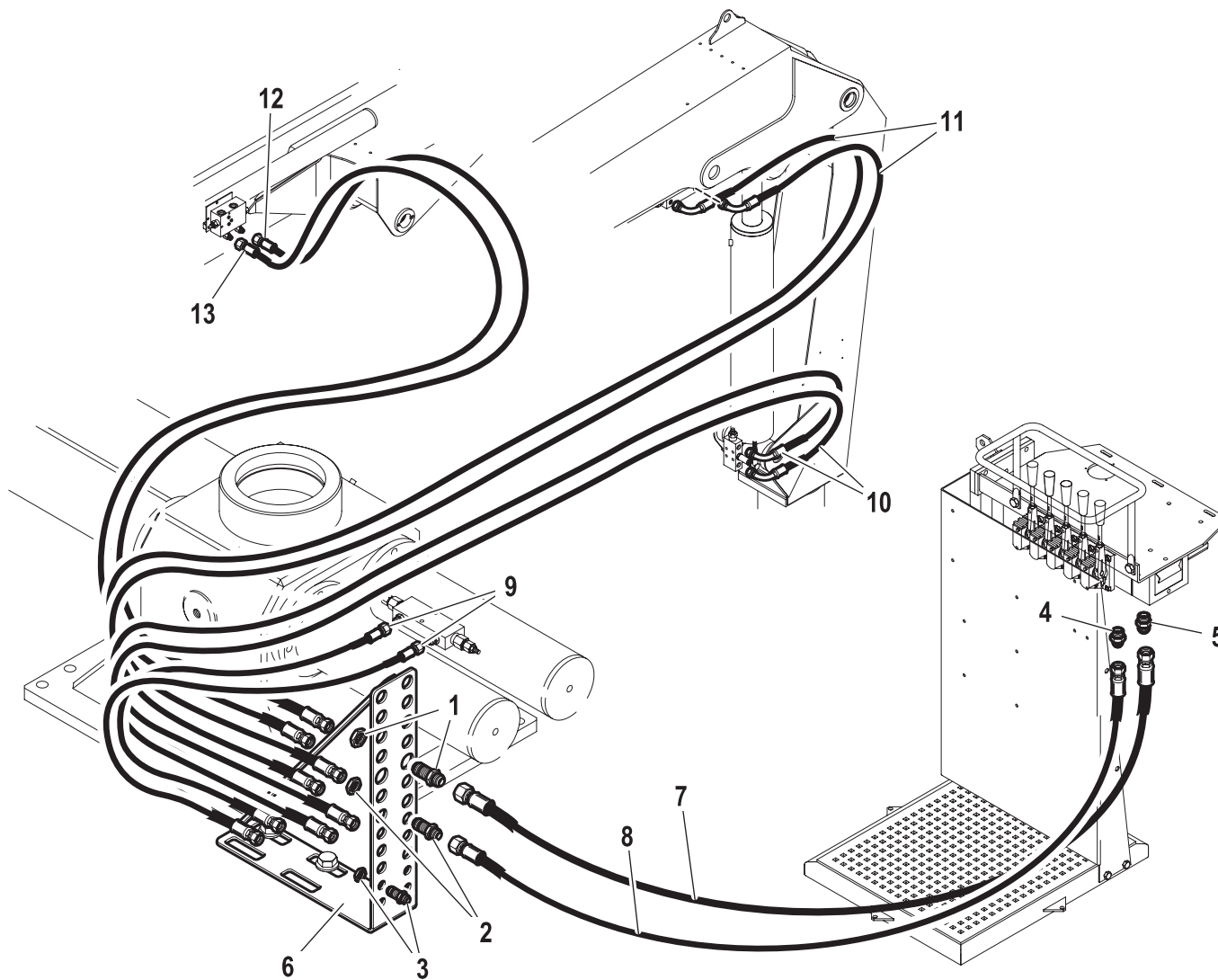
R	Pos.	Code Variant	Q.ty	Description
	1	5220716	1	
	2	5001514	1	Control lever
	3	3190217	1	
	4	3190197	4	Knob
	5	5001513	4	Control lever
	6	3060006	9	Flat washer [D.8 UNI 6592 ZC]
	7	3010339	6	Hex screw [M8X25 8.8 ZC IF UNI 5739]
	8	5090533	1	Distributor support
	9	5090459	1	Guard (Control levers)
	10	3040303	7	Stopnut
	11	3060055	4	Split lock washer [D=8.4 C72 ZC]
	12	3010356	3	Hex screw [M10X30 8.8 ZC UNI 5739]
	13	3060056	3	Split lock washer [D=10 C72 ZC]
	14	5090835	1	
	15	5001319	1	
	16	3010335	5	Hex screw [M12X30 8.8 ZC UNI 5739]

Wall-through pipe fitting

Code

5420063-2.0

1/1



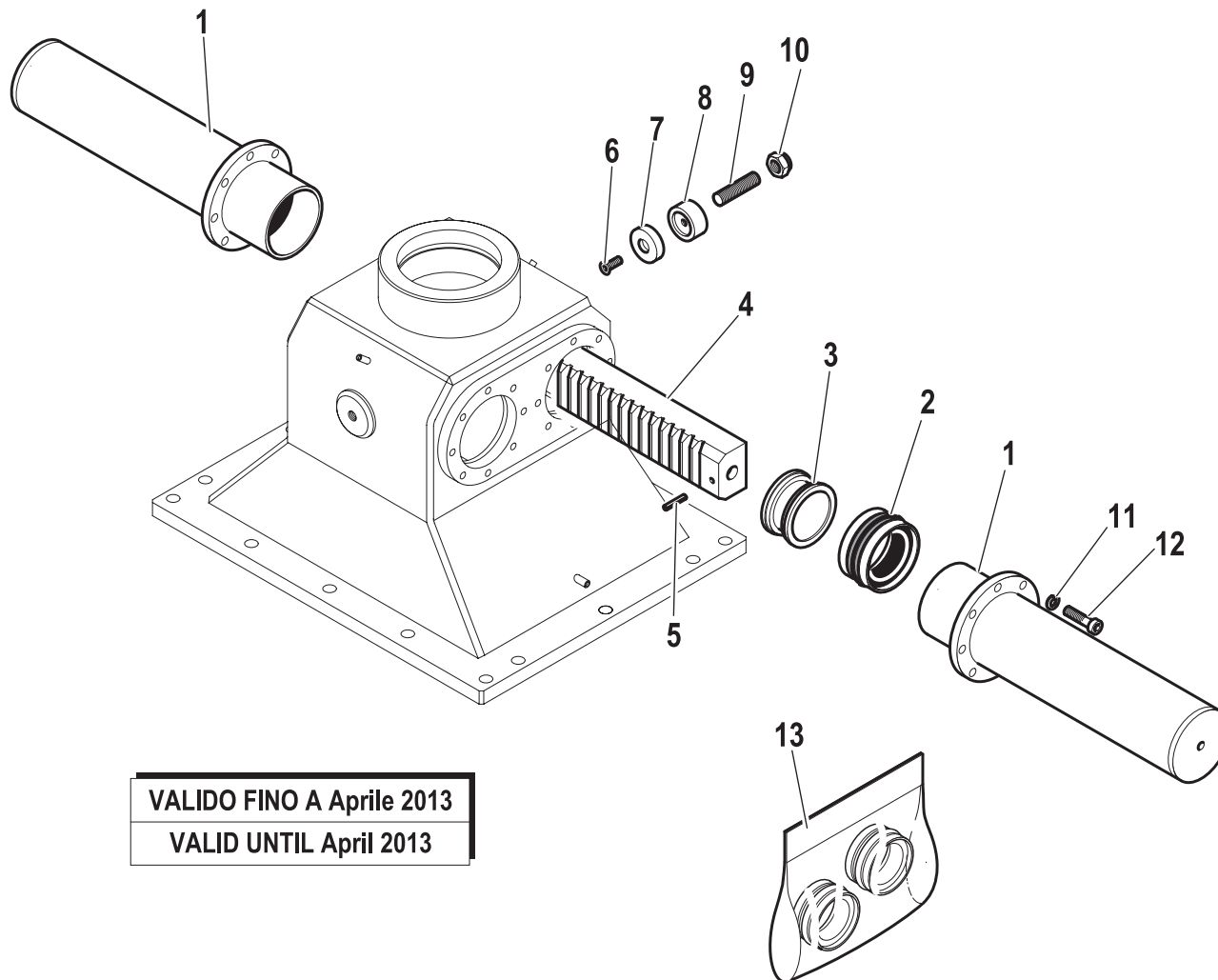
R	Pos.	Code Variant	Q.ty	Description
	1	3120313	1	Wall-through pipe fitting
	2	3120310	7	Wall-through pipe fitting
	3	3120309	1	Wall-through pipe fitting
	4	3101044	7	Straight pipe fitting
	5	3101051	1	Straight pipe fitting
	6	5092001	1	Support (Wall-through pipe fitting)
	7	5281327	1	Flexible hose
	8	5272313	7	Flexible hose
	9	5272207	2	Flexible hose
	10	5272204	2	Flexible hose
	11	5272205	2	Flexible hose
	12	5281229	1	Flexible hose
	13	5272217	1	Flexible hose





HB 100 M

R	Pos.	Code Variant	Q.ty	Description
	1	6070550	4	
	2	3400519	4	
	3	6050247	4	
	4	5050098	2	
	5	3060608	4	Spring pin
	6	3020499	2	TSEI screw [M10X25 10.9 ZC UNI 5933]
	7	5140772	2	
	8	4160328	2	
	9	3060951	2	Grub screw
	10	3040309	2	Stopnut
	11	3060058	32	Split lock washer [D=14 INOX]
	12	3020911	32	Socket head cap screw [M14X50 8.8 BR UNI 5931]
	13	5550778	1	



VALIDO FINO A Aprile 2013

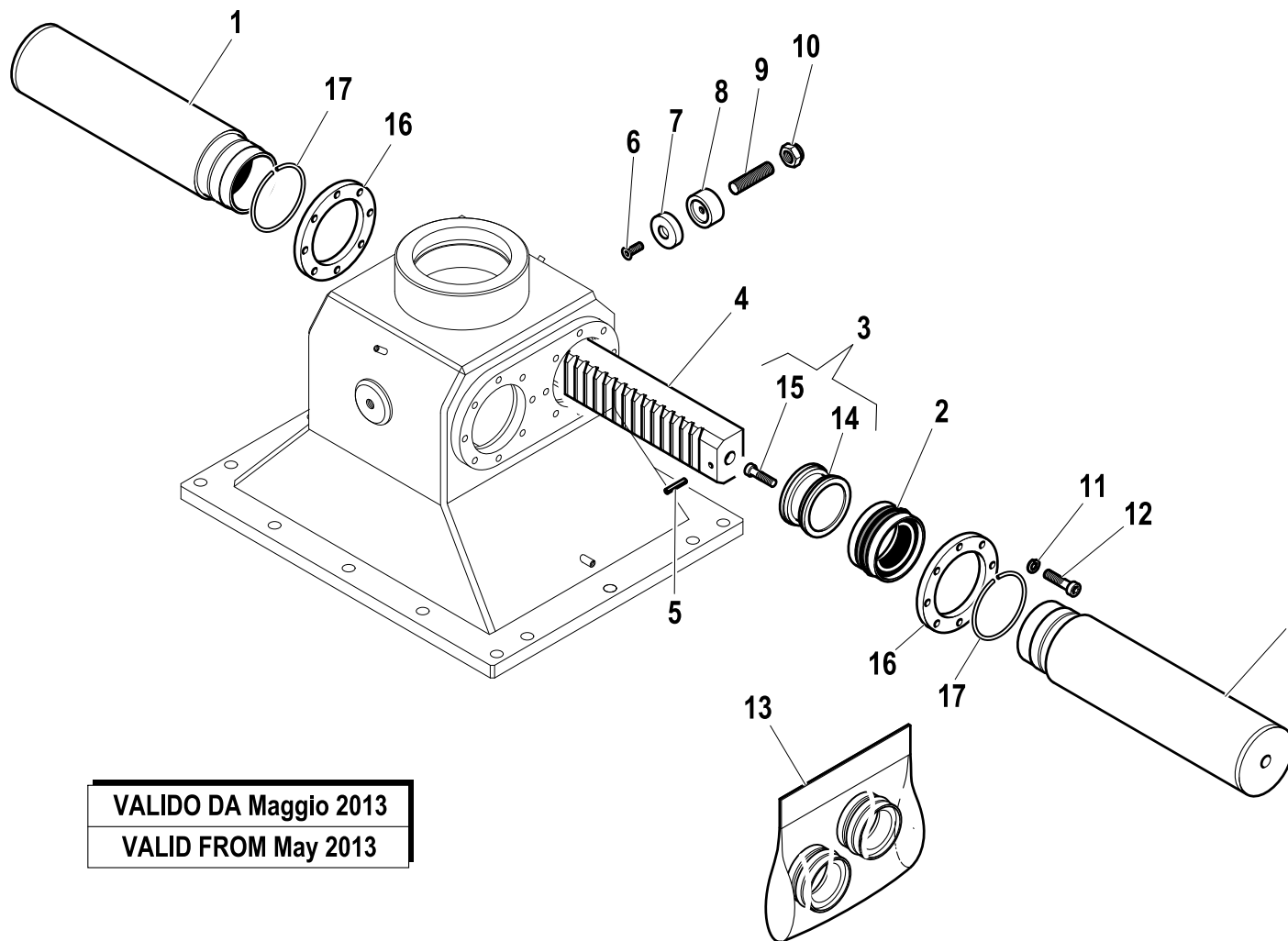
VALID UNTIL April 2013

Slewing (Retaining ring)

Code

6240178-1.0

1/1



VALIDO DA Maggio 2013
VALID FROM May 2013

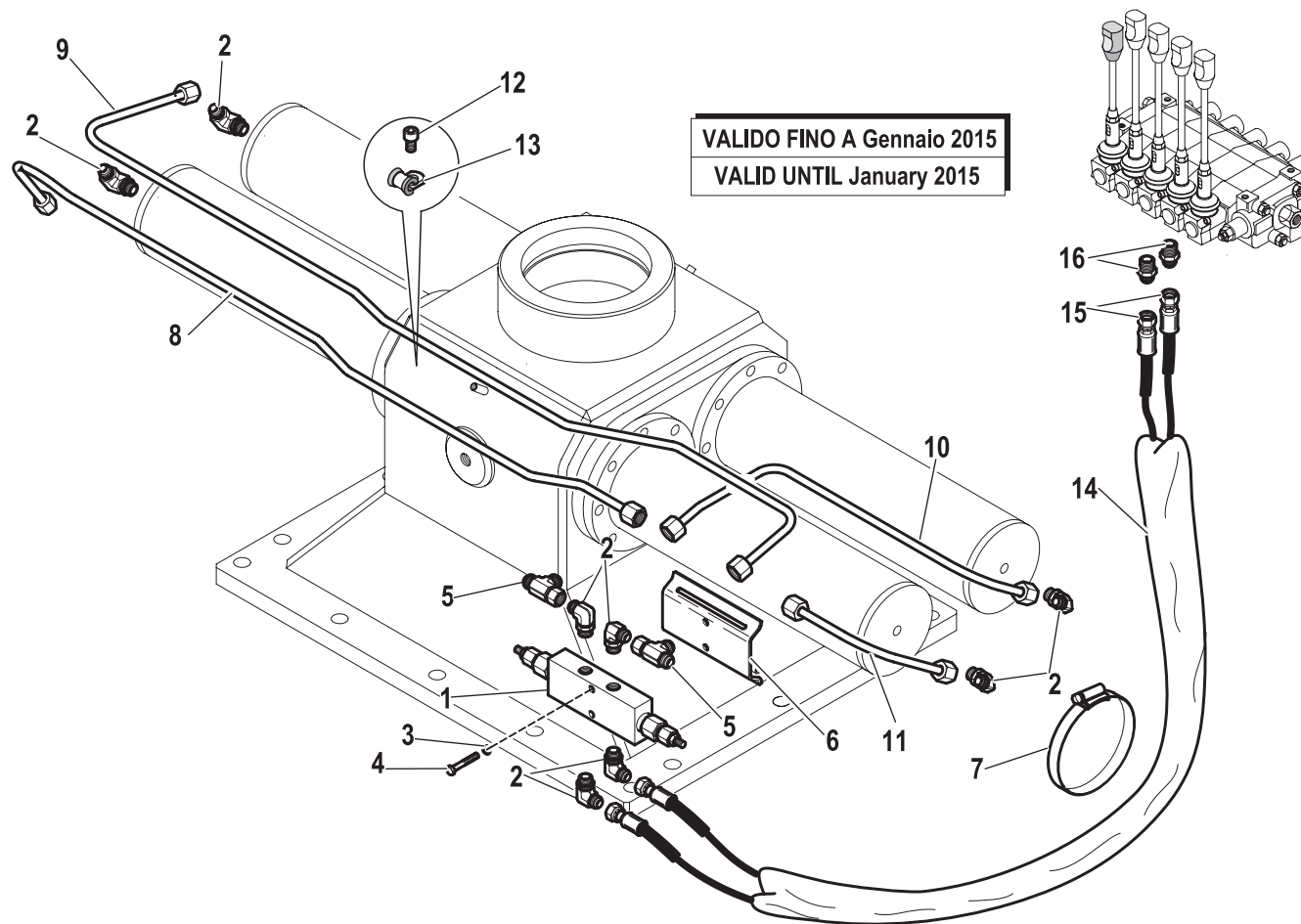
R	Pos.	Code Variant	Q.ty	Description
	1	6070698	4	
	2	3400519	4	
	3	6050247	4	
	4	5050098	2	
	5	3060608	4	Spring pin
	6	3020499	2	TSEI screw [M10X25 10.9 ZC UNI 5933]
	7	5140772	2	
	8	4160328	2	
	9	3060951	2	Grub screw
	10	3040309	2	Stopnut
	11	3060058	32	Split lock washer [D=14 INOX]
	12	3020911	32	Socketed head cap screw [M14X50 8.8 BR UNI 5931]
	13	5550778	1	
	14	6050225	4	
	15	3020109	4	Socketed head cap screw [M14X35 8.8 ZC UNI 5931]
	16	5002277	4	
	17	W570100800	4	

Slewing Hydraulic jack (Hydraulic system)

Code

6240115-2.0

1/1



VALIDO FINO A Gennaio 2015
VALID UNTIL January 2015

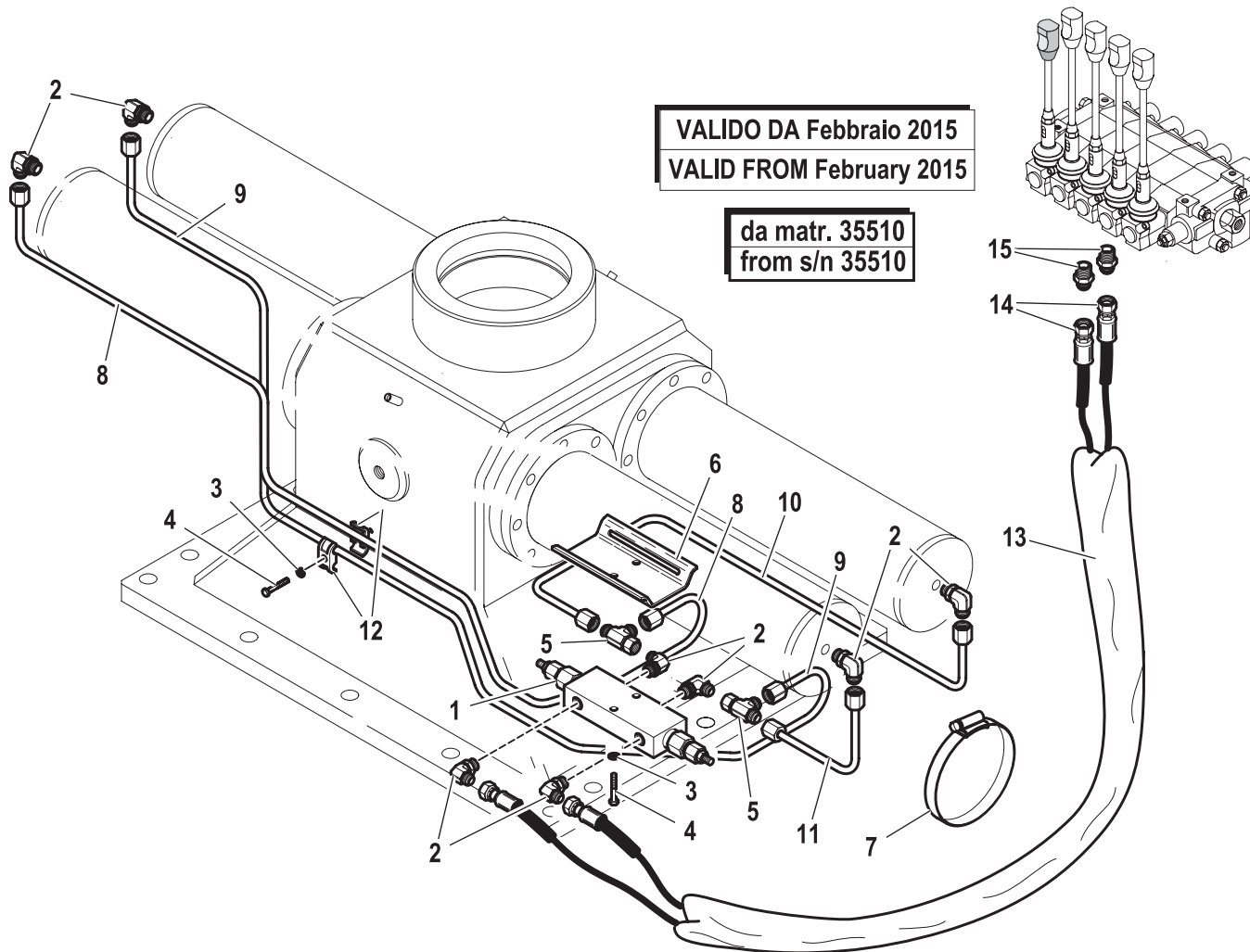
R	Pos.	Code Variant	Q.ty	Description
	1	5220696	1	Valve (Overcenter)
	2	3101127	8	90° Connection
	3	3060055	2	Split lock washer [D=8.4 C72 ZC]
	4	3010035	2	Hex screw [M8X60 8.8 ZC UNI 5737]
	5	3120004	2	Tee fitting
	6	5001560	1	Valve support
	7	3190021	2	Clamp [104-138 12.2 ABA]
	8	5392079	1	Bonderized tube
	9	5392082	1	Bonderized tube
	10	5392081	1	Bonderized tube
	11	5392080	1	Bonderized tube
	12	3020051	2	Socket head cap screw [M8X12 ZC UNI 5931]
	13	3190208	2	Collar (Pipe)
	14	3190198	1	Sheath (Flexible hose)
	15	5271698	2	Flexible hose (Stainless)
	16	3101043	2	Straight pipe fitting

Slewing Hydraulic jack (Hydraulic system)

Code

6240178-3.0

1/1



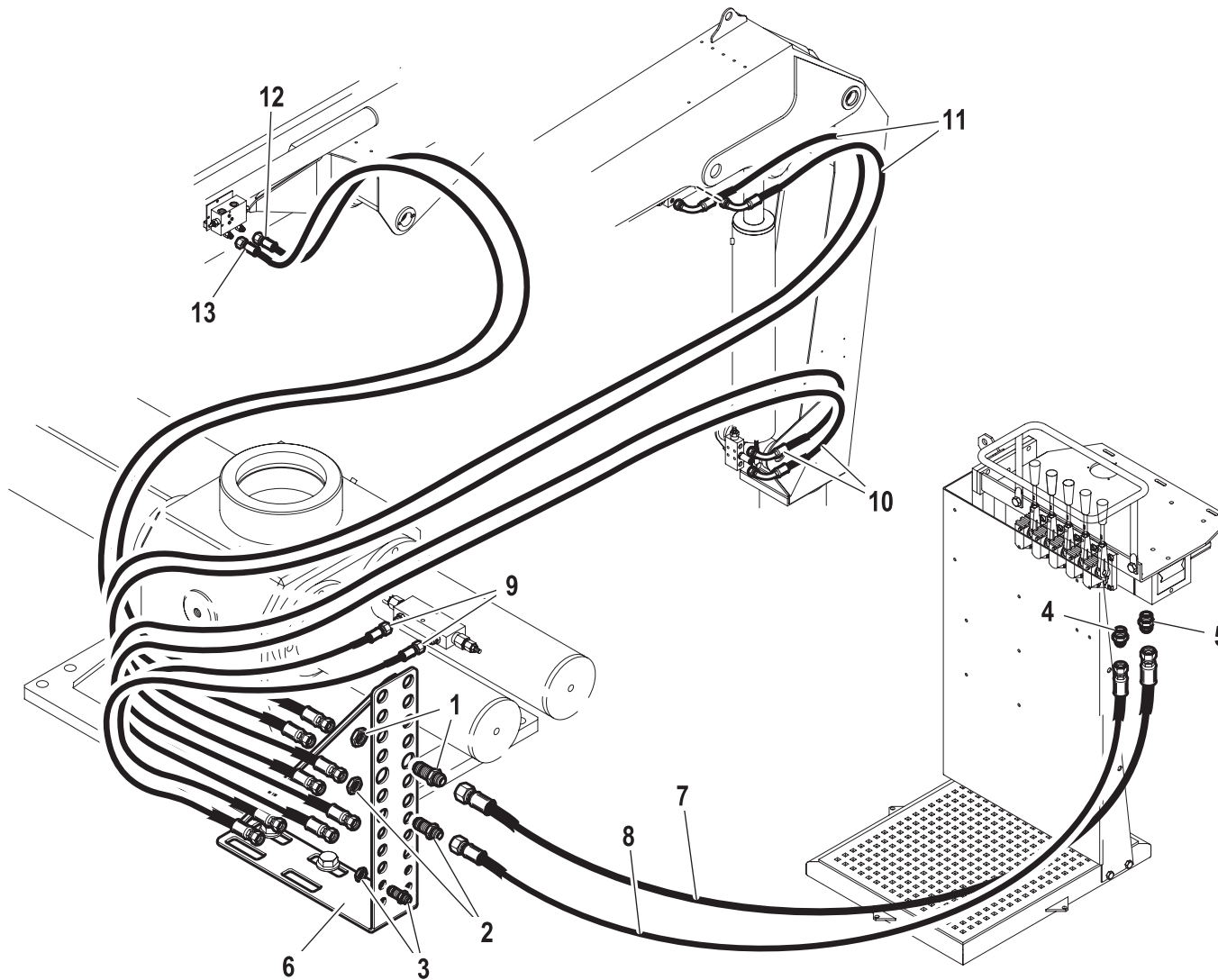
R	Pos.	Code Variant	Q.ty	Description
	1	5220696	1	Valve (Overcenter)
	2	3101127	8	90° Connection
	3	3060055	2	Split lock washer [D=8.4 C72 ZC]
	4	3010031	3	Hex screw [M8X40 8.8 ZC UNI 5737]
	5	3120004	2	Tee fitting
	6	5001560	1	Valve support
	7	3190021	2	Clamp [104-138 12.2 ABA]
	8	5393177	1	Bonderized tube
	9	5393178	1	Bonderized tube
	10	5393179	1	Bonderized tube
	11	5392080	1	Bonderized tube
	12	5000077	2	Clamp (Rigid Pipe)
	13	3190198	1	Sheath (Flexible hose)
	14	5271698	2	Flexible hose (Stainless)
	15	3101043	2	Straight pipe fitting

Wall-through pipe fitting (marine)

Code

5420063-3.0

1/1



R	Pos.	Code Variant	Q.ty	Description
	1	3120313	1	Wall-through pipe fitting
	2	3120310	7	Wall-through pipe fitting
	3	3120309	1	Wall-through pipe fitting
	4	3101044	7	Straight pipe fitting
	5	3101051	1	Straight pipe fitting
	6	5092001	1	Support (Wall-through pipe fitting)
	7	5281337	1	Flexible hose (Stainless)
	8	5272319	7	Flexible hose (Stainless)
	9	5272211	2	Flexible hose (Stainless)
	10	5272208	2	Flexible hose (Stainless)
	11	5272209	2	Flexible hose (Stainless)
	12	5281228	1	Flexible hose (Stainless)
	13	5272218	1	Flexible hose (Stainless)

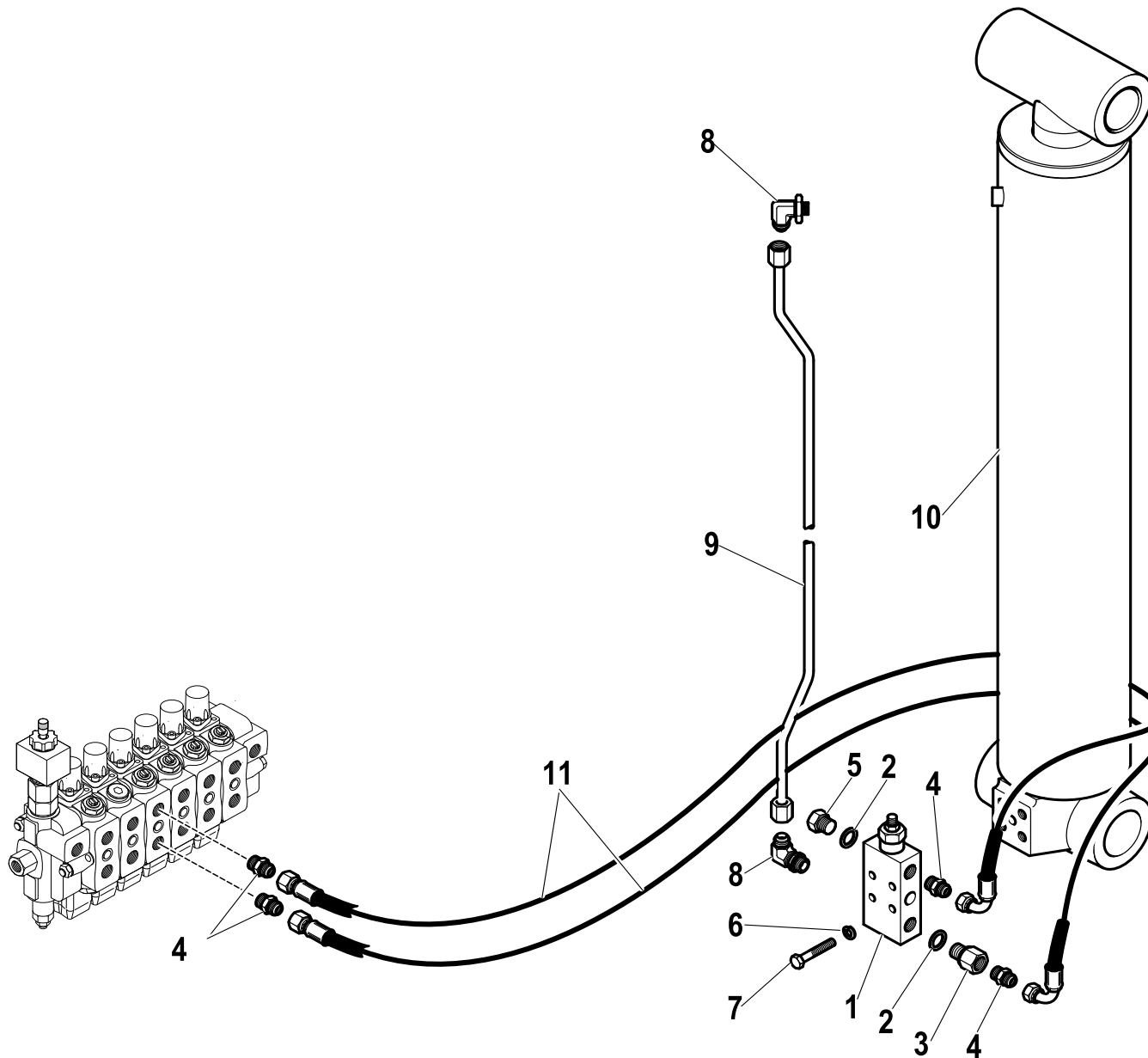
LIFTING HYDRAULIC CYLINDER (Hydraulic system)

Code

6230163-1.0

1/1

R	Pos.	Code Variant	Q.ty	Description
	1	5220547	1	
	2	3060144	2	Sealing washer [BSP 3/8"]
	3	3110119	1	Straight pipe fitting
	4	3101043	1	Straight pipe fitting
	5	3110061	1	Plug
	6	3060055	1	Split lock washer [D=8.4 C72 ZC]
	7	3010033	4	Hex screw [M8X50 8.8 ZC UNI 5737]
	8	3101127	2	90° Connection
	9	5391891	1	
	10	6430163	1	Lifting jack
	11	5271695	2	

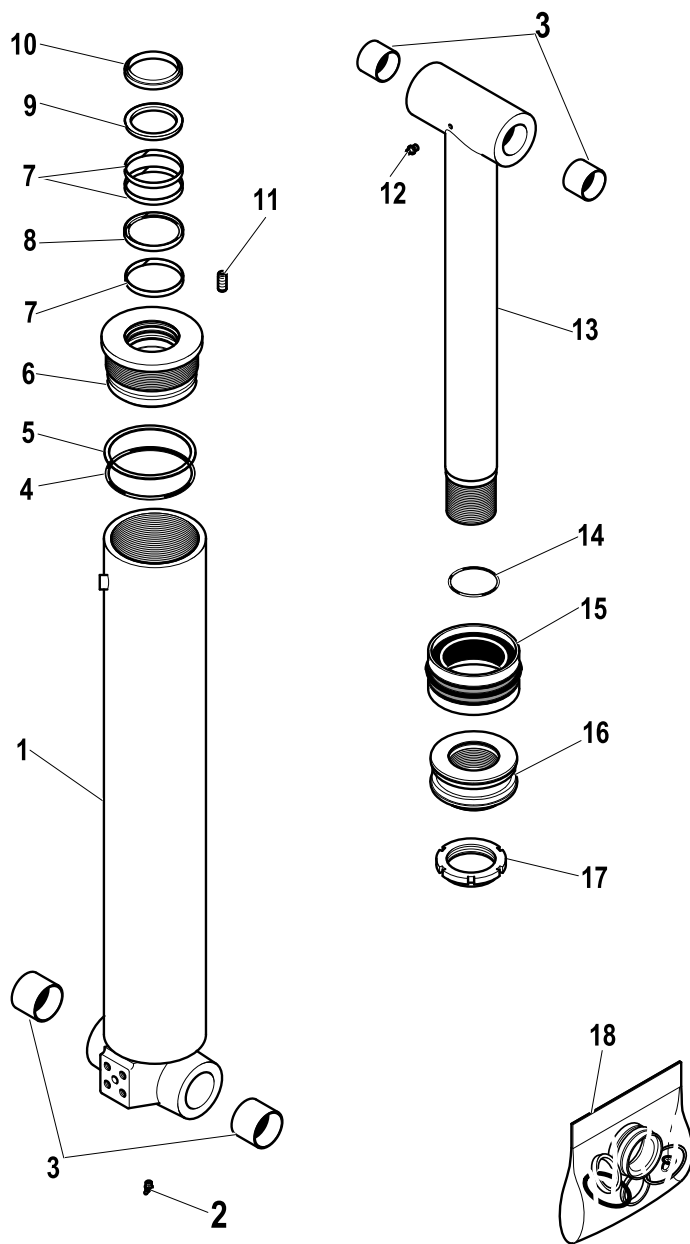


LIFTING HYDRAULIC CYLINDER

Code

6430136-1.0

1/1



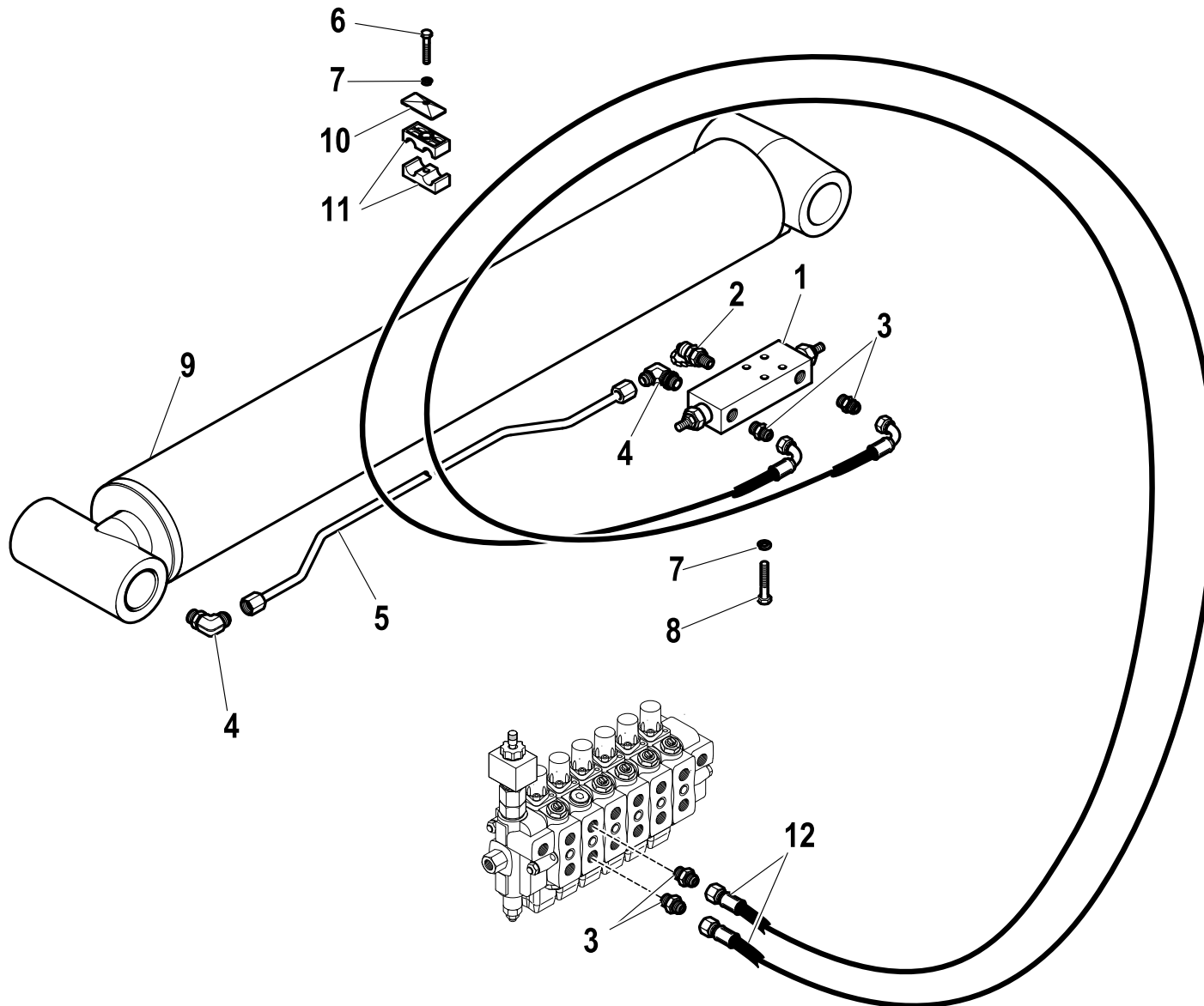
R	Pos.	Code Variant	Q.ty	Description
	1	6070500	1	
	2	3080512	1	Grease nipple
	3	5140695	2	Bushing
	4	3450228	1	
	5	3460228	1	
	6	6040288	1	
	7	3361008	3	
	8	3380650	1	
	9	3370144	1	
	10	3420032	1	
	11	3060226	1	Grub screw
	12	3080501	1	Grease nipple
	13	6030625	1	
	14	3450121	1	
	15	3400521	1	
	16	6050291	1	
	17	3040506	1	Self-locking ringnut
	18	5550758	1	Seal kit

HYDRAULIC SYSTEM (ARTICULATION HYDRAULIC JACK)

Code

6230162-1.0

1/1



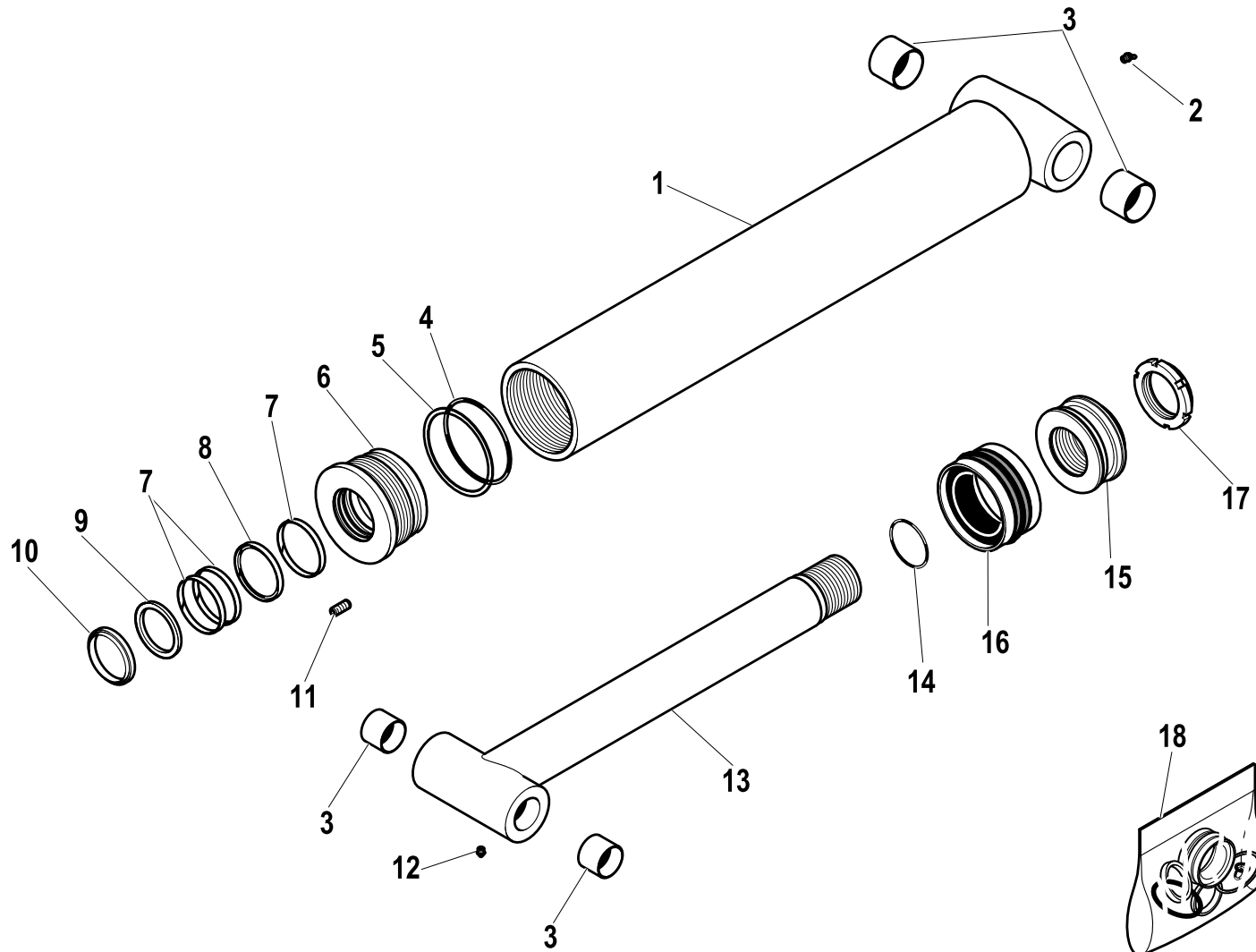
R	Pos.	Code Variant	Q.ty	Description
	1	5220676	1	
	2	3111523	1	Pipe fitting (Tapping point) [RACC. MILITES 16X2-1/4"G]
	3	3101043	4	Straight pipe fitting
	4	3101127	2	90° Connection
	5	5391904	1	
	6	3010031	2	Hex screw [M8X40 8.8 ZC UNI 5737]
	7	3060055	6	Split lock washer [D=8.4 C72 ZC]
	8	3010033	4	Hex screw [M8X50 8.8 ZC UNI 5737]
	9	6430162	1	Articulation Hydraulic jack
	10	3190204	2	Plate (Collar)
	11	3190152	2	
	12	5271696	2	

Articulation Hydraulic jack (marine)

Code

6430162-1.0

1/1



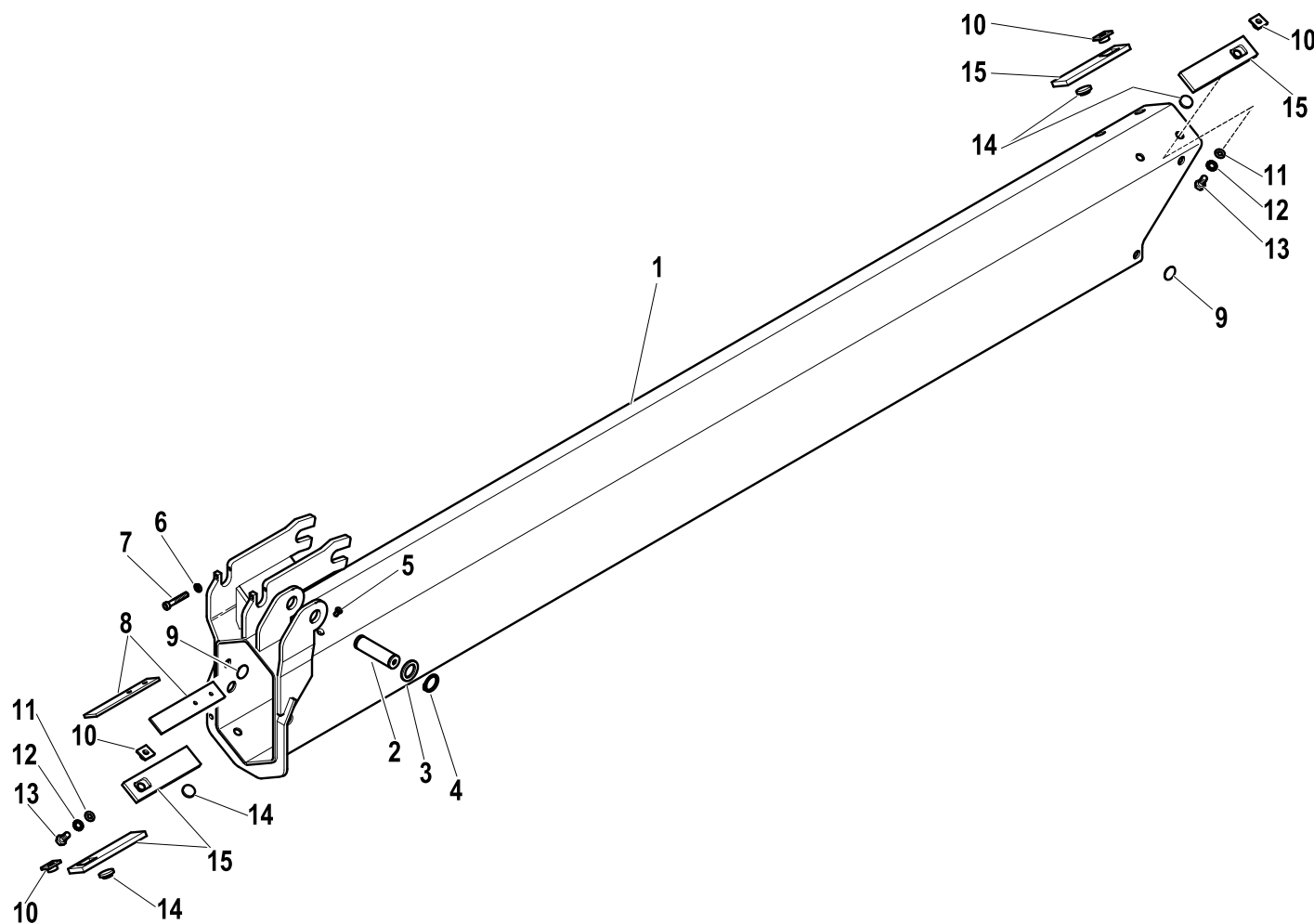
R	Pos.	Code Variant	Q.ty	Description
	1	6070500	1	
	2	3080512	1	Grease nipple
	3	5140695	2	Bushing
	4	3450229	1	
	5	3460229	1	
	6	6040288	1	
	7	3361008	3	
	8	3380650	1	
	9	3370144	1	
	10	3420032	1	
	11	3060226	1	Grub screw
	12	3080501	1	Grease nipple
	13	6030776	1	
	14	3450121	1	
	15	6050291	1	
	16	3040521	1	
	17	3040506	1	Self-locking ringnut
	18	5550758	1	Seal kit

1st EXTENSION

Code

5490080-1.0

1/1



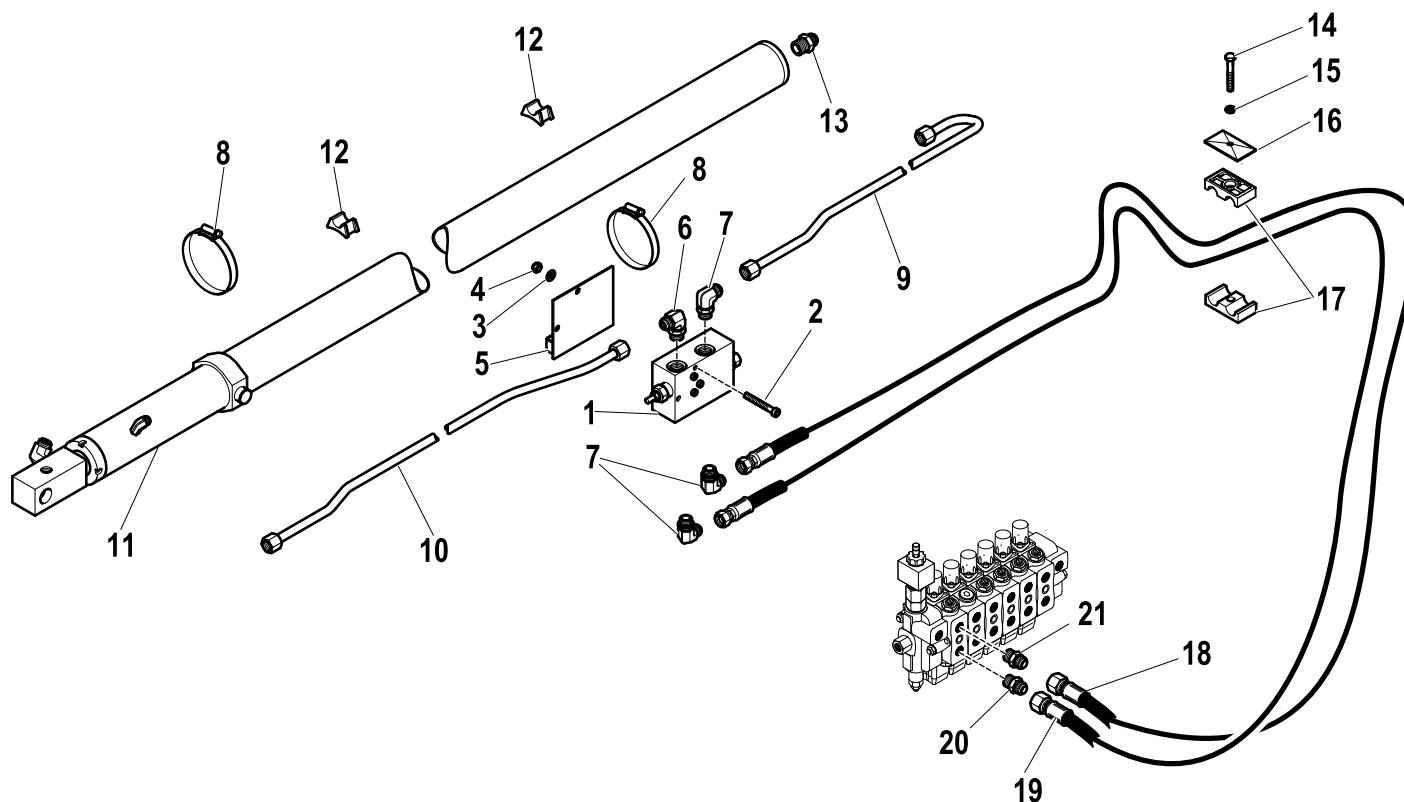
R	Pos.	Code Variant	Q.ty	Description
	1	5020444	1	Extension
	2	5150799	1	
	3	3060938	2	Flat washer [D.25X39X4 UNI 1749 ZC]
	4	3070150	2	Seeger
	5	3020436	4	TSEI screw [M6X10 ZC UNI 5933]
	6	3060101	2	Tooth lock washer [D.6 TIPO A]
	7	3020045	2	Socked head cap screw [M6X45 8.8 ZC UNI 5931]
	8	5140779	2	
	9	5140777	2	Button (Backlash)
	10	5000827	2	Button (Control board)
	11	3060974	2	
	12	3060920	2	Tooth lock washer [D.10 TIPO A]
	13	3010353	2	Hex screw [M10X16 8.8 ZC UNI 5739]
	14	5140681	2	
	15	5140733	2	

1st EXSTENSION HYDRAULIC (Hydraulic system)

Code

6210348-1.0

1/2



R	Pos.	Code Variant	Q.ty	Description
	1	5220654	1	
	2	3020901	2	Socket head cap screw [M8X60 ZC UNI 5931]
	3	3060006	2	Flat washer [D.8 UNI 6592 ZC]
	4	3040303	2	Stopnut
	5	5001223	1	
	6	3101128	1	90° Connection
	7	3101131	3	90° Connection
	8	3190022	2	Clamp
	9	5392044	1	
	10	5392052	1	
	11	6410348	1	Extension Hydraulic jack
	12	5140133	2	Piping mounting
	13	3101051	1	Straight pipe fitting
	14	3010031	1	Hex screw [M8X40 8.8 ZC UNI 5737]
	15	3060055	1	Split lock washer [D=8.4 C72 ZC]
	16	3190204	6	Plate (Collar)
	17	3190172	12	Clamp (Set of hoses)
	18	5280690	1	
	19	5271697	1	
	20	3101043	1	Straight pipe fitting

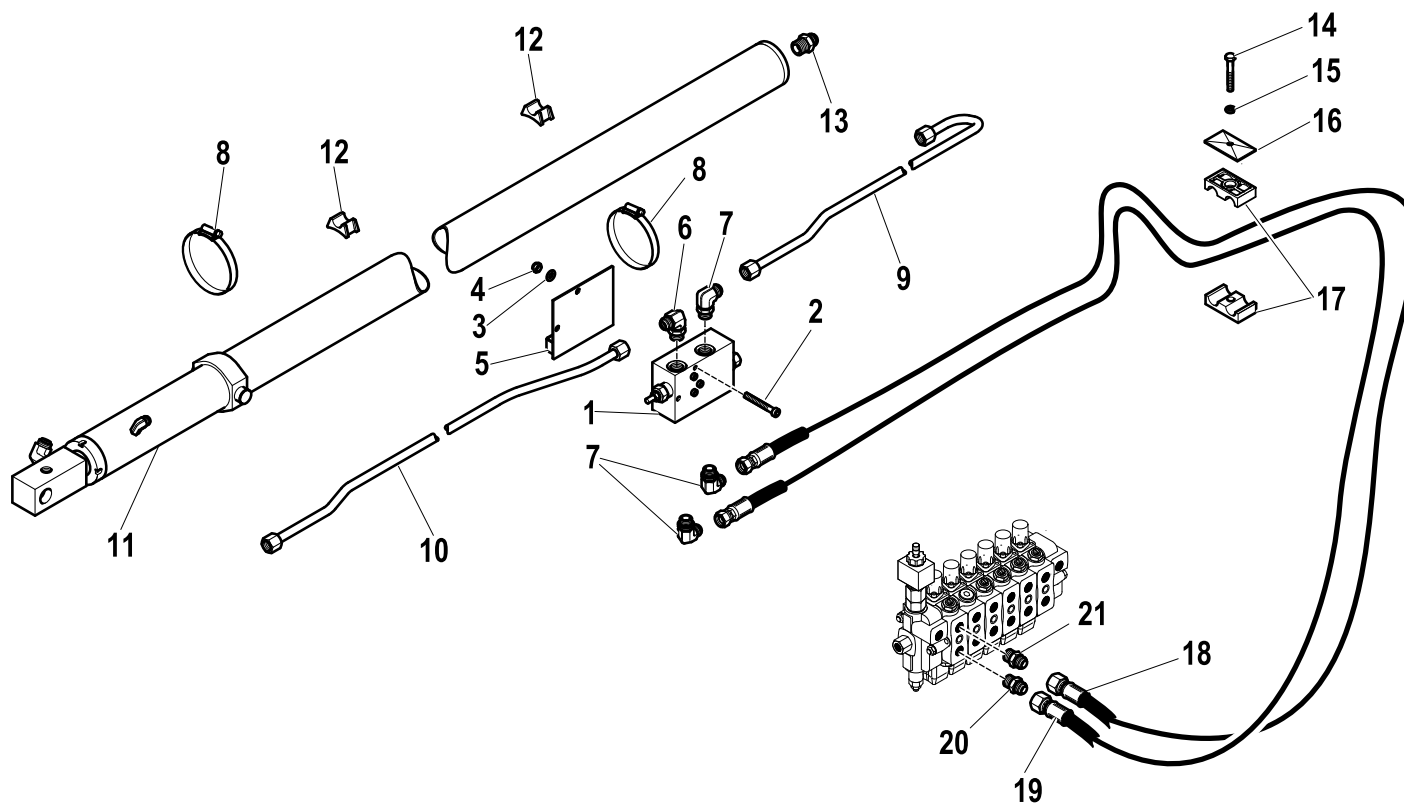
1st EXSTENSION HYDRAULIC (Hydraulic system)

Code

6210348-1.0

2/2

R	Pos.	Code Variant	Q.ty	Description
	21	3101213	1	Straight pipe fitting

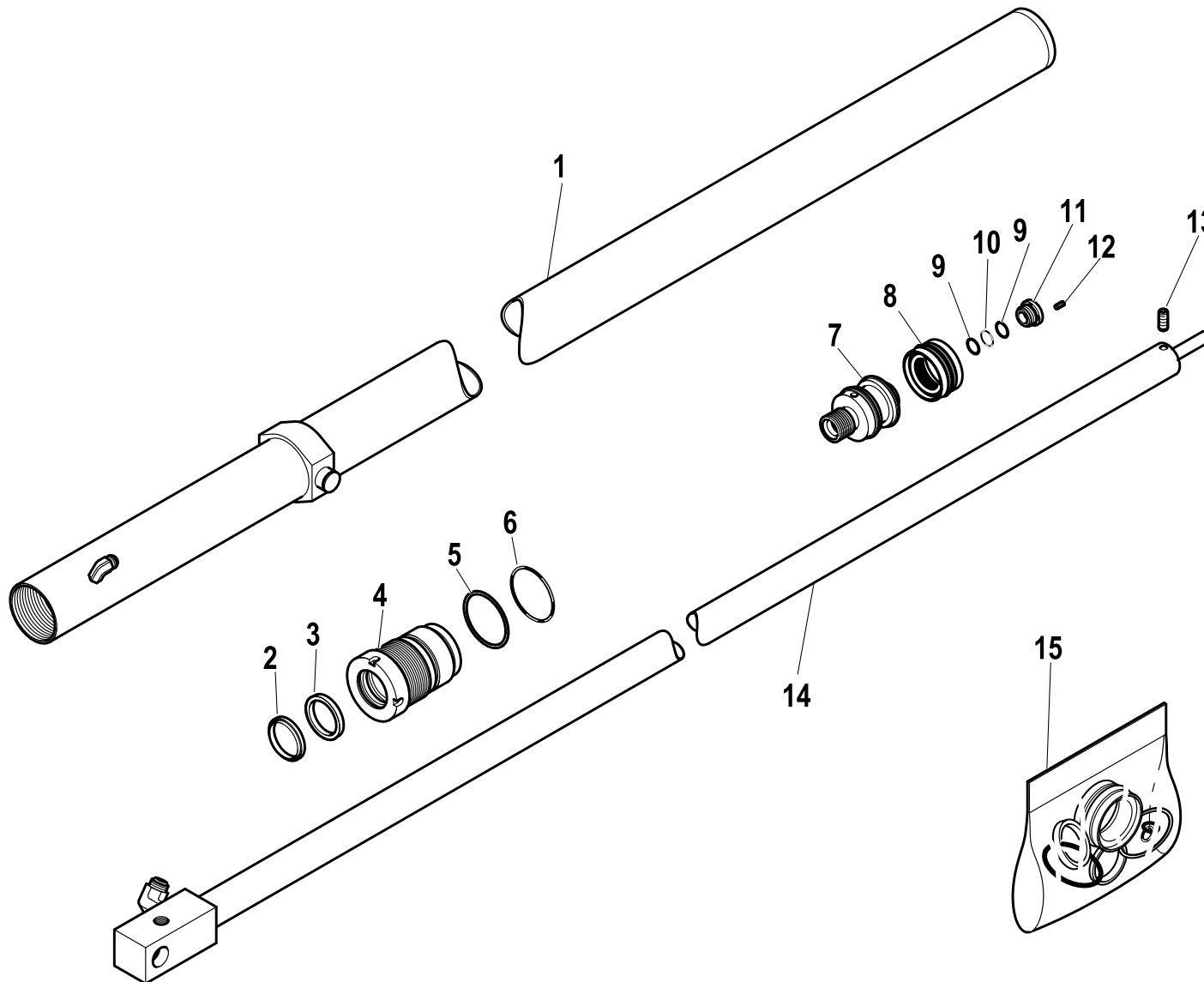


1st EXTENSION HYDRAULIC

Code

6410348-1.0

1/1



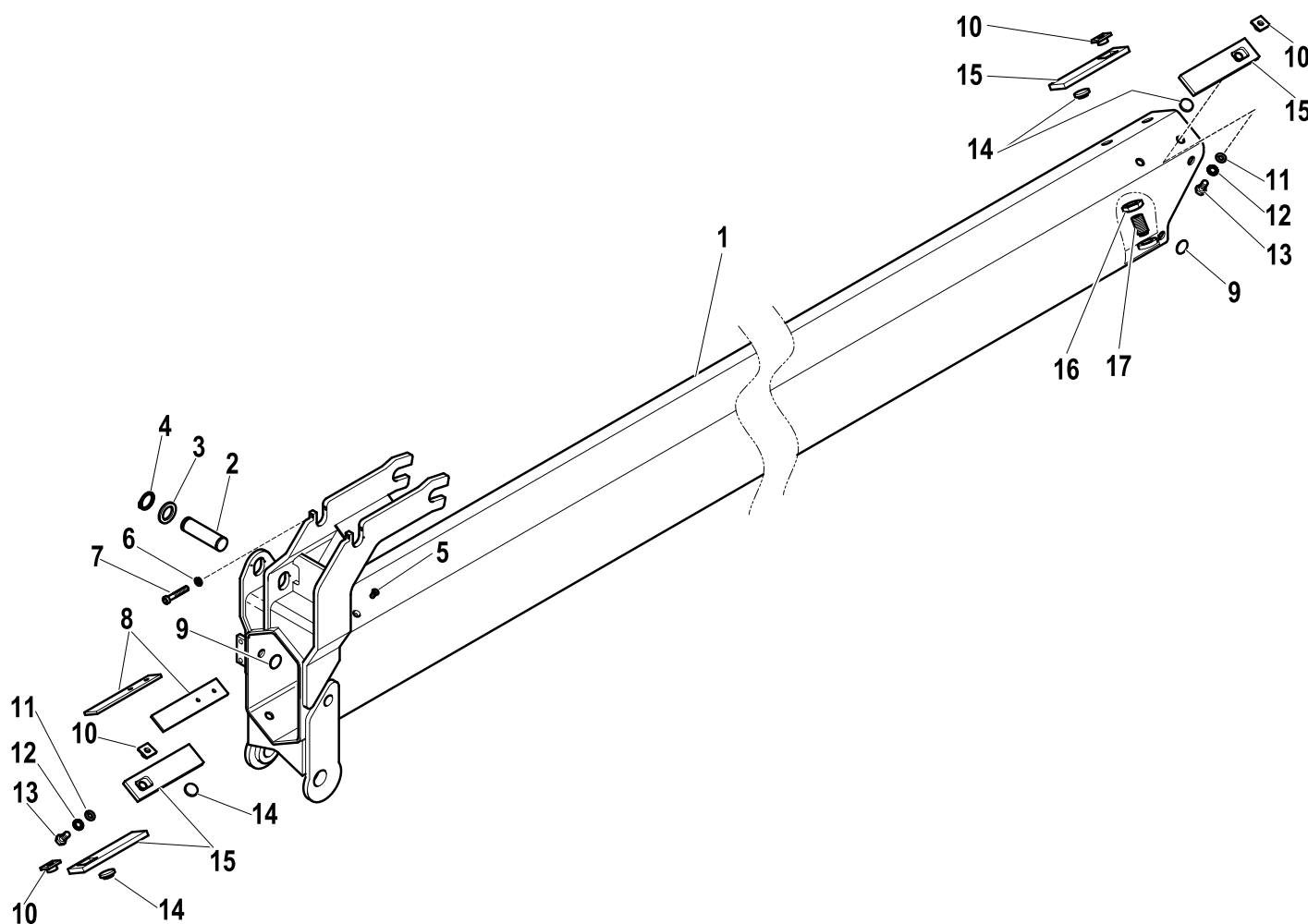
R	Pos.	Code Variant	Q.ty	Description
	1	6070503	1	
	2	3420021	1	
	3	3370136	1	
	4	6040259	1	
	5	3460132	1	
	6	3450132	1	
	7	6050275	1	
	8	3400509	1	
	9	3460047	2	
	10	3450047	1	
	11	6040269	1	Ring nut
	12	3060248	1	Grub screw
	13	3060232	1	Grub screw [Grano M6X6 UNI 5927 ZC.]
	14	6030784	1	
	15	5550781	1	Seal kit

2nd extension

Code

5370035-1.0

1/1



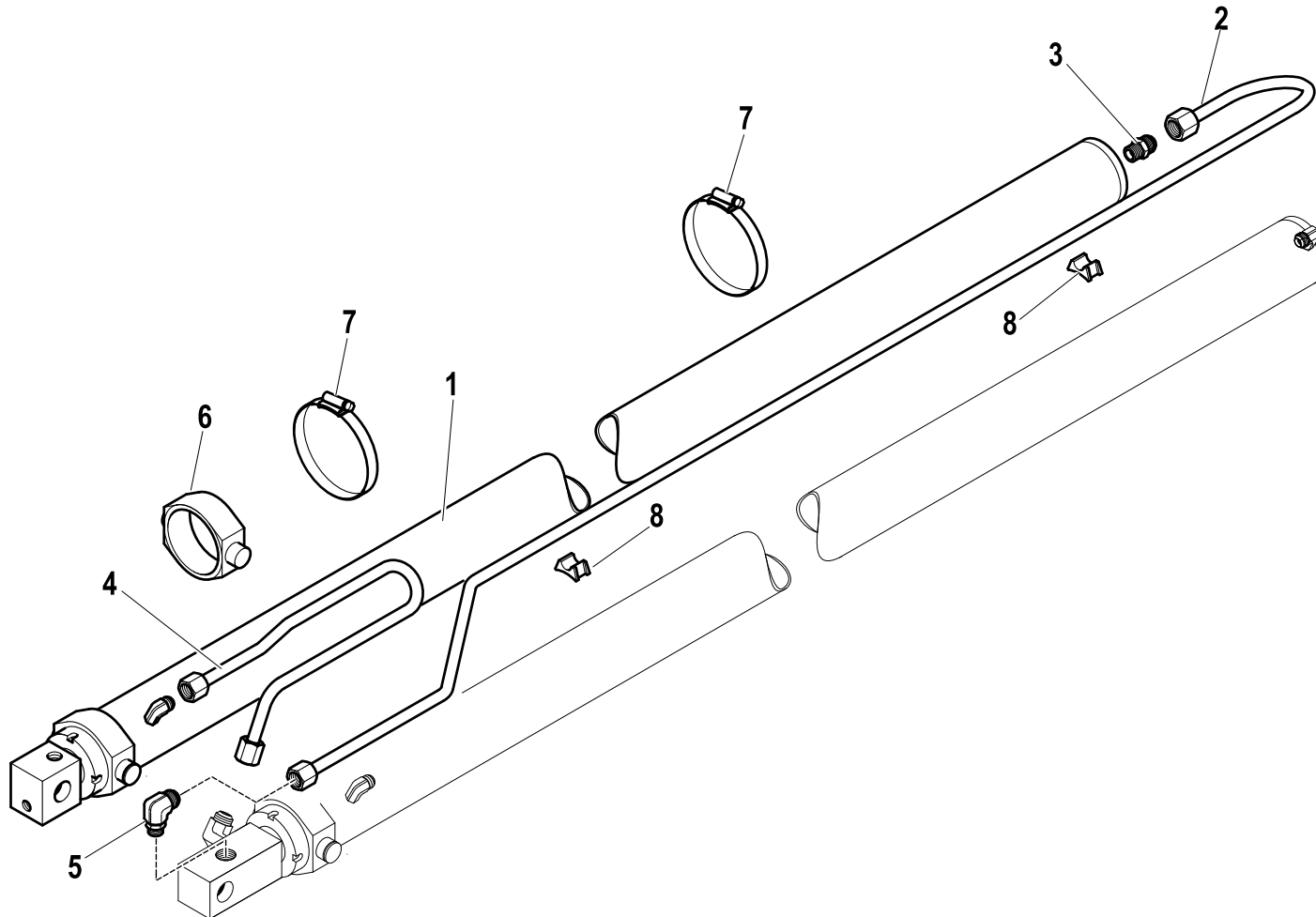
R	Pos.	Code Variant	Q.ty	Description
	1	5020445	1	Extension
	2	5150799	1	
	3	3060938	2	Flat washer [D.25X39X4 UNI 1749 ZC]
	4	3070150	2	Seeger
	5	3020436	4	TSEI screw [M6X10 ZC UNI 5933]
	6	3060101	2	Tooth lock washer [D.6 TIPO A]
	7	3020045	2	Socked head cap screw [M6X45 8.8 ZC UNI 5931]
	8	5140779	2	
	9	5000771	4	Adjusting screw
	10	5000827	4	Button (Control board)
	11	3060914	4	Flat washer [D.10.5X21X2 UNI 6592 ZC]
	12	3060920	4	Tooth lock washer [D.10 TIPO A]
	13	3060952	4	Grub screw
	14	5140681	4	
	15	5140733	4	
	16	3040089	2	Lock nut
	17	5000771	2	Adjusting screw

2nd EXTENSION HYDRAULIC JACK (Hydraulic system)

Code

6210346-1.0

1/1



R	Pos.	Code Variant	Q.ty	Description
	1	6410346	1	Extension Hydraulic jack
	2	5392053	1	
	3	3101044	1	Straight pipe fitting
	4	5392054	1	
	5	3101127	1	90° Connection
	6	5001293	1	
	7	3190022	2	Clamp
	8	5140133	2	Piping mounting

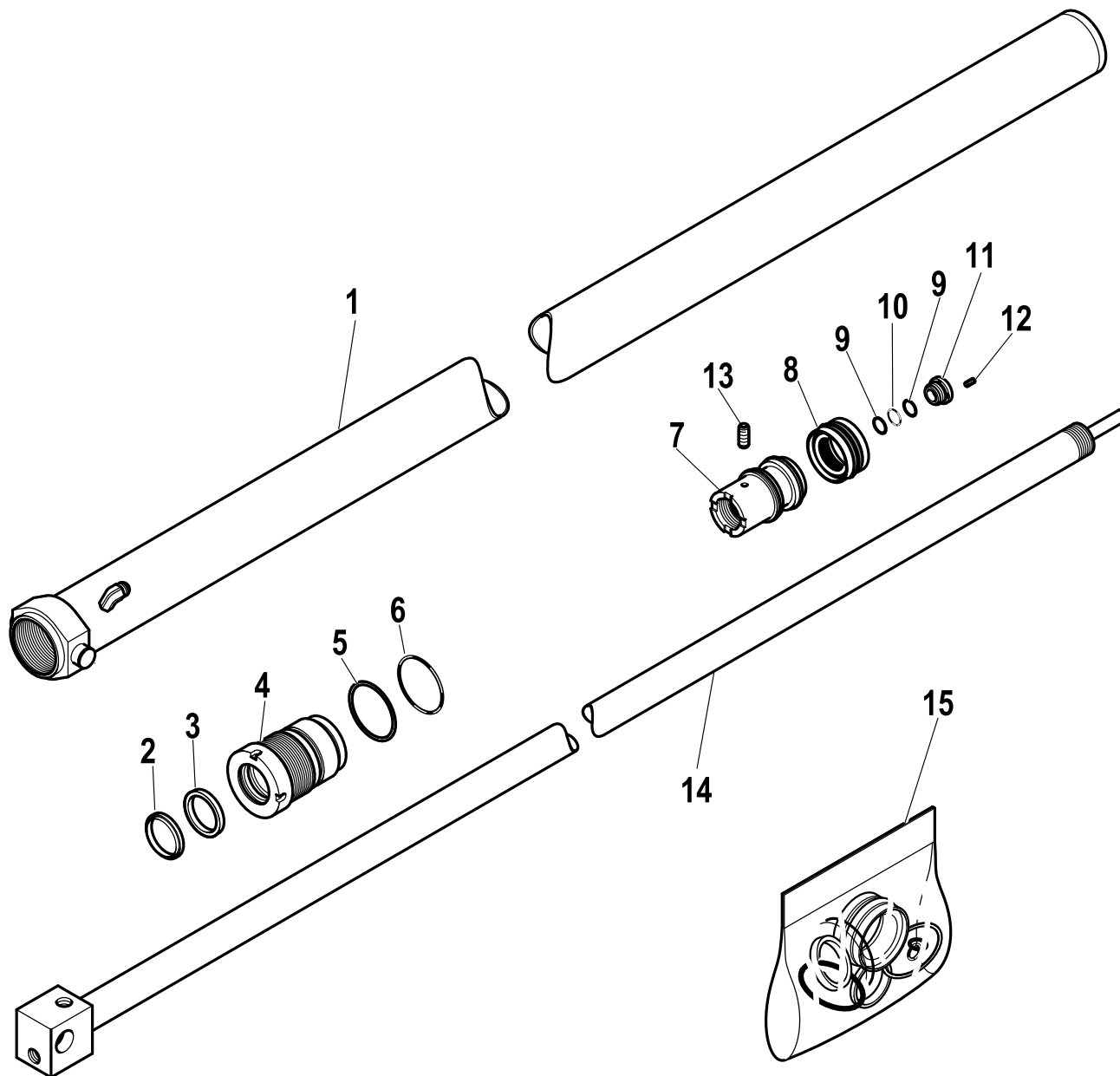
2nd EXTENSION HYDRAULIC JACK

Code

6410346-1.0

1/1

R	Pos.	Code Variant	Q.ty	Description
	1	6070505	1	
	2	3420018	1	
	3	3370137	1	
	4	6040254	1	
	5	3460126	1	
	6	3450126	1	
	7	6050290	1	
	8	3400507	1	
	9	3460047	2	
	10	3450047	1	
	11	6040269	1	Ring nut
	12	3060248	1	Grub screw
	13	3060232	1	Grub screw [Grano M6X6 UNI 5927 ZC.]
	14	6030780	1	
	15	5550783	1	

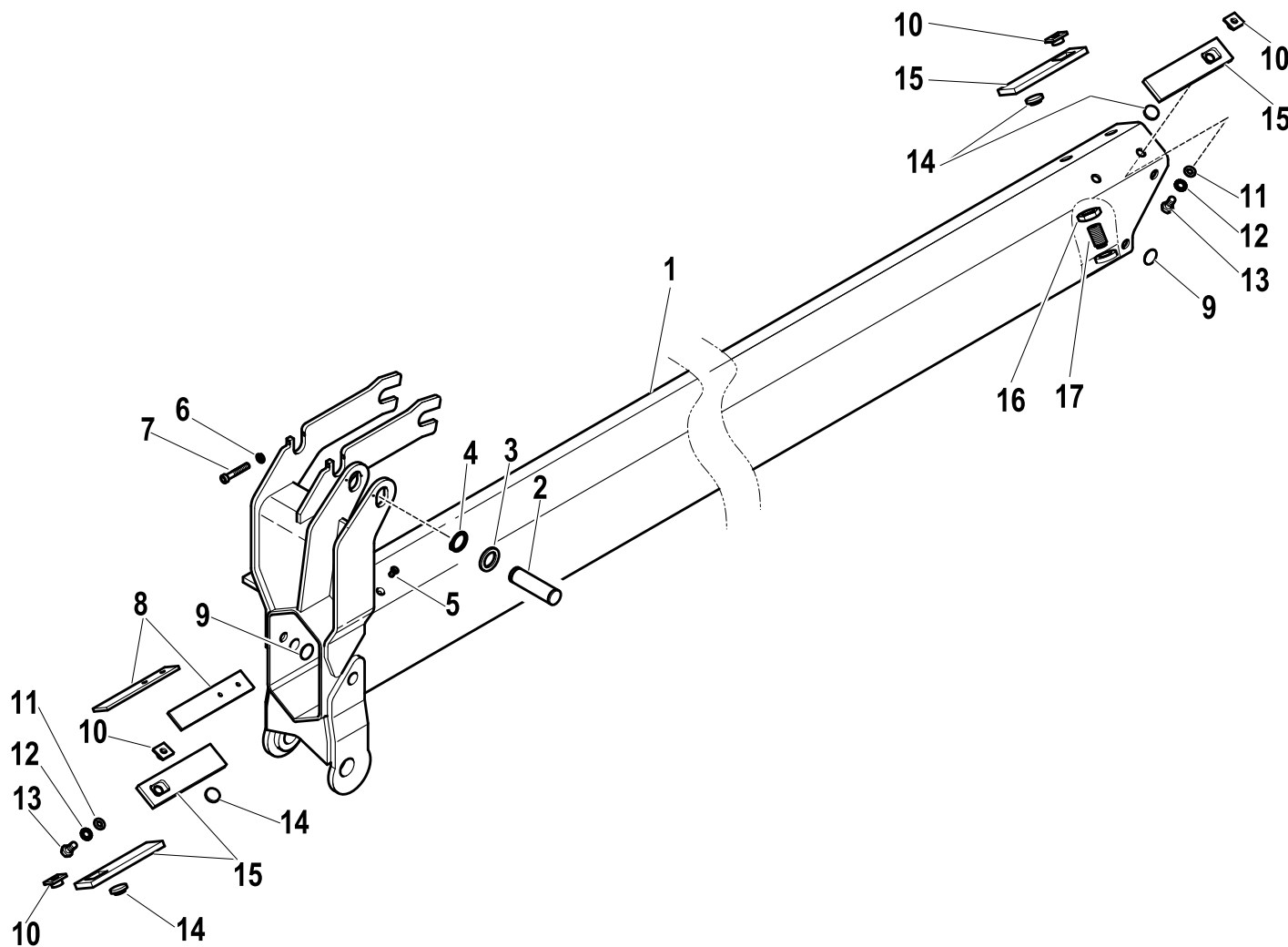


3rd extension

Code

5350015-1.0

1/1



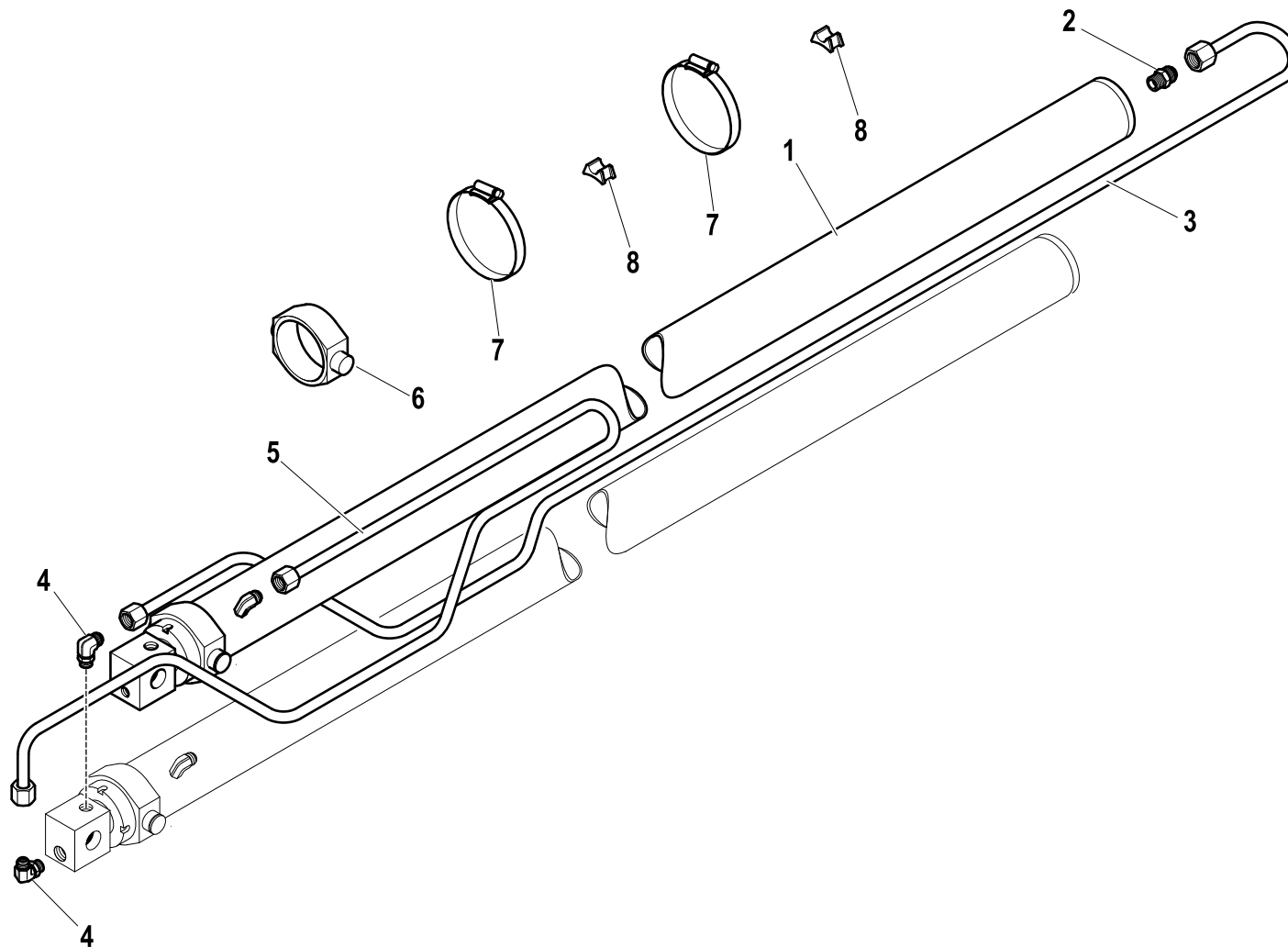
R	Pos.	Code Variant	Q.ty	Description
	1	5020446	1	Extension
	2	5150799	2	
	3	3060938	2	Flat washer [D.25X39X4 UNI 1749 ZC]
	4	3070150	2	Seeger
	5	3020436	4	TSEI screw [M6X10 ZC UNI 5933]
	6	3060101	2	Tooth lock washer [D.6 TIPO A]
	7	3020045	2	Socked head cap screw [M6X45 8.8 ZC UNI 5931]
	8	5140779	2	
	9	5140777	4	Button (Backlash)
	10	5000827	4	Button (Control board)
	11	3060914	4	Flat washer [D.10.5X21X2 UNI 6592 ZC]
	12	3060920	4	Tooth lock washer [D.10 TIPO A]
	13	3060952	4	Grub screw
	14	5140681	4	
	15	5140733	4	
	16	3040089	2	Lock nut
	17	5000771	2	Adjusting screw

3rd extension Hydraulic jack (Hydraulic system)

Code

6210347-1.0

1/1



R	Pos.	Code Variant	Q.ty	Description
	1	6410347	1	Extension Hydraulic jack
	2	3101044	1	Straight pipe fitting
	3	5392055	1	
	4	3101127	2	90° Connection
	5	5392056	1	
	6	5001293	1	
	7	3190022	2	Clamp
	8	5140133	2	Piping mounting

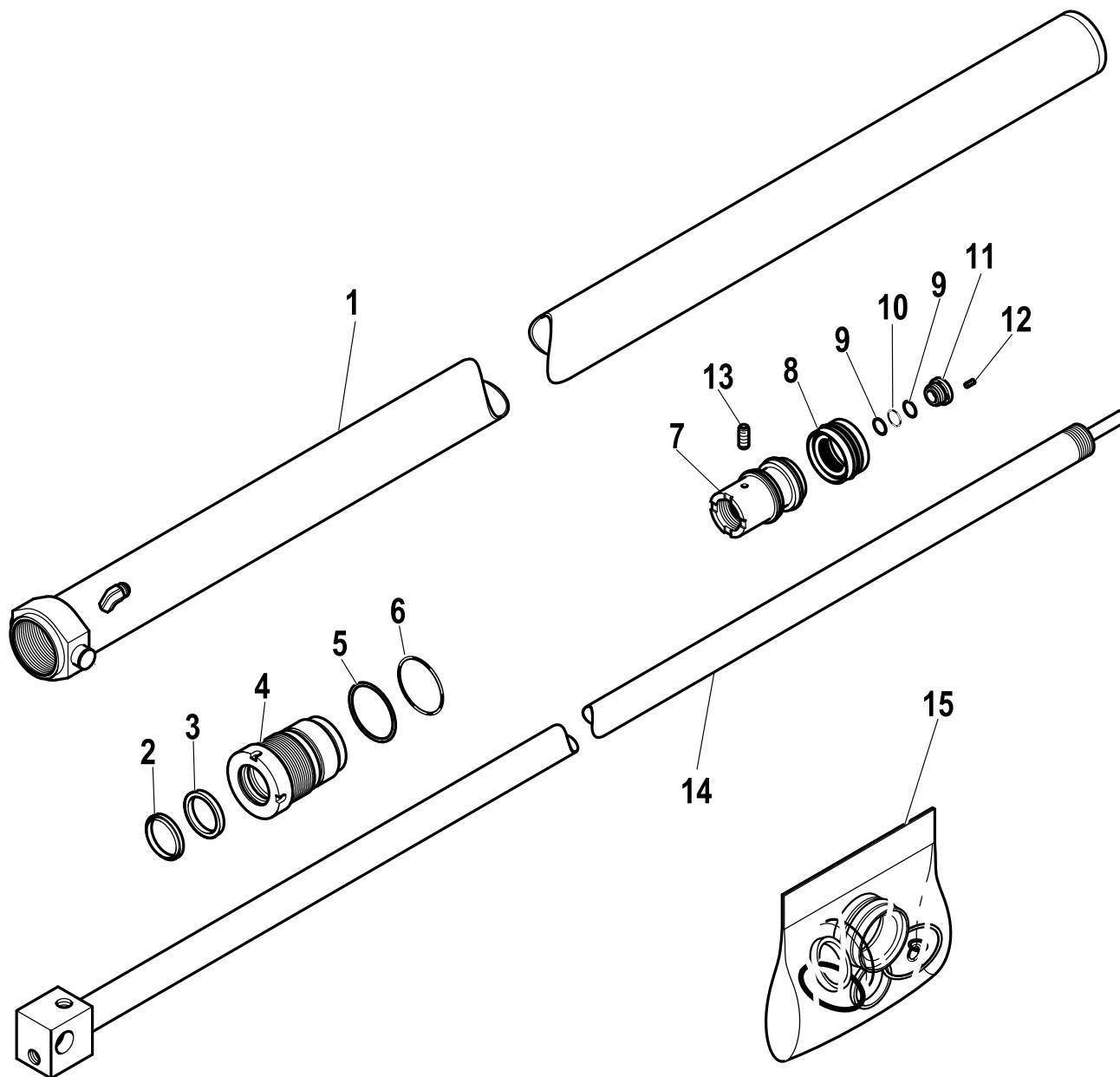
3rd extension Hydraulic jack

Code

6410347-1.0

1/1

R	Pos.	Code Variant	Q.ty	Description
	1	6070506	1	
	2	3420018	1	
	3	3370137	1	
	4	6040254	1	
	5	3460126	1	
	6	3450126	1	
	7	6050290	1	
	8	3400507	1	
	9	3460047	2	
	10	3450047	1	
	11	6040269	1	Ring nut
	12	3060248	1	Grub screw
	13	3060232	1	Grub screw [Grano M6X6 UNI 5927 ZC.]
	14	6030782	1	
	15	5550783	1	

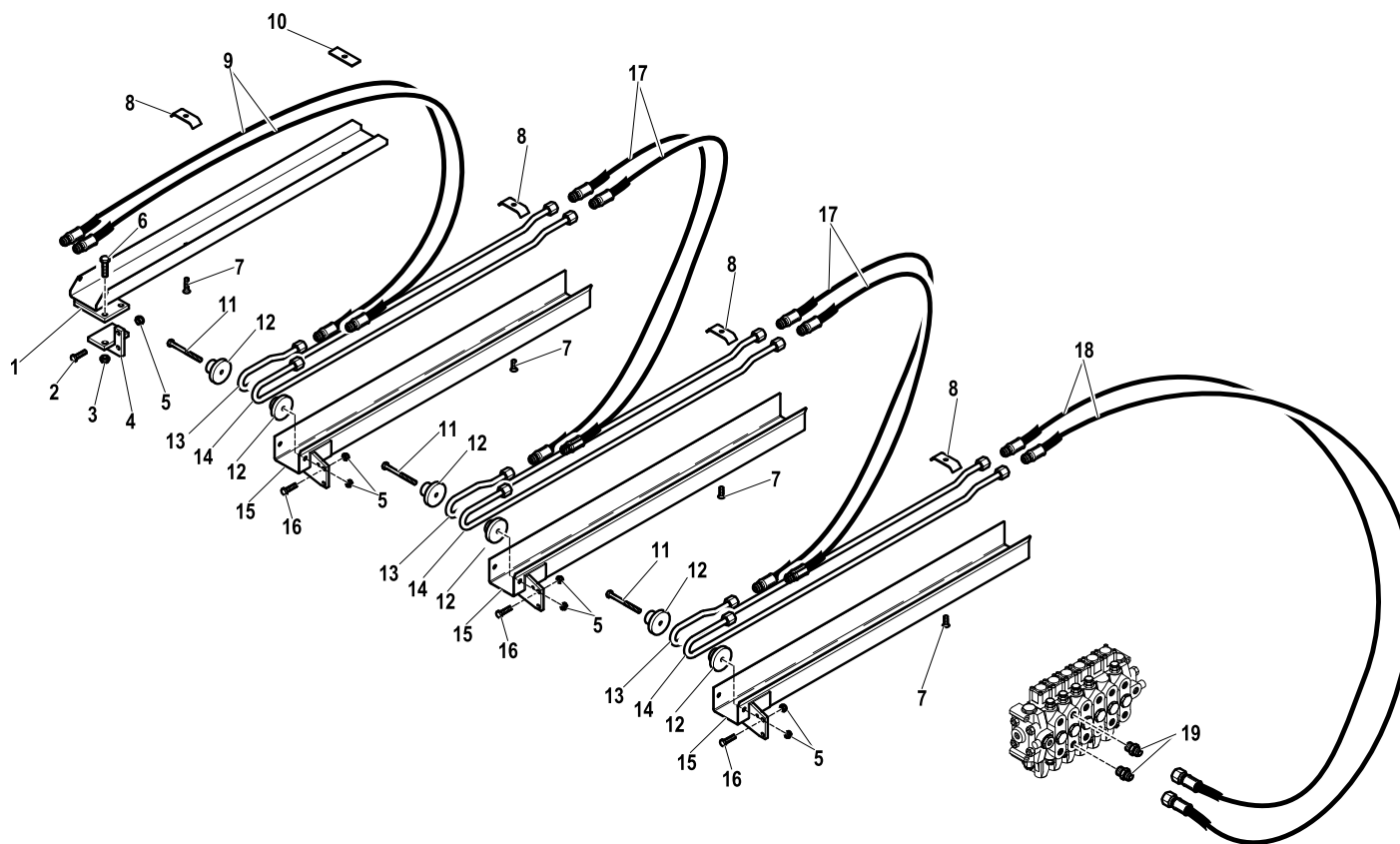


1st ACTIVATION FOR 3S

Code

5590127-1.0

1/1



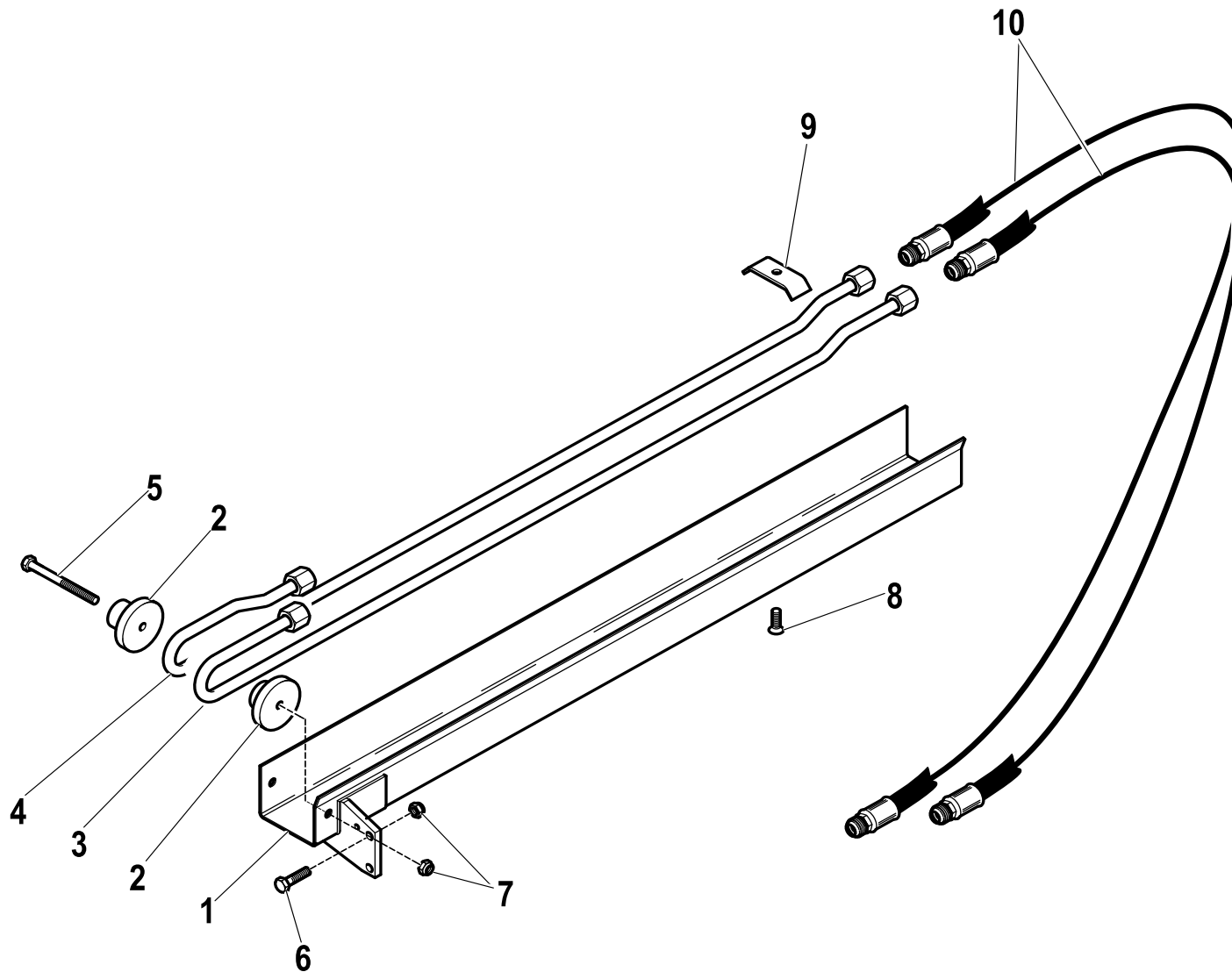
R	Pos.	Code Variant	Q.ty	Description
	1	5001188	1	
	2	3010031	2	Hex screw [M8X40 8.8 ZC UNI 5737]
	3	3040304	2	Stopnut
	4	5090951	1	
	5	3040303	8	Stopnut
	6	3010389	2	Hex screw [M10X35 ZC UNI 5739]
	7	3020903	5	TSEI screw [M8X30 ZC UNI 5933]
	8	5001187	4	Clamp (Set of hoses)
	9	5271701	2	Flexible hose
	10	5001193	1	Plate (Hose clamp)
	11	3010414	3	Hex screw [M8X90 8.8 ZC UNI 5737]
	12	5140742	6	Hydraulic hose guide
	13	5391820	3	Bonderized tube ()
	14	5391821	3	Bonderized tube ()
	15	5001294	3	
	16	3010029	6	Hex screw [M8X30 8.8 ZC UNI 5737]
	17	5271702	4	Flexible hose
	18	5271699	2	Flexible hose
	19	3101043	2	Straight pipe fitting

1st ADDITIONAL ACTUATION

Code

5590128-1.0

1/1



R	Pos.	Code Variant	Q.ty	Description
	1	5001294	1	
	2	5140742	2	Hydraulic hose guide
	3	5391821	1	Bonderized tube ()
	4	5391820	1	Bonderized tube ()
	5	3010414	1	Hex screw [M8X90 8.8 ZC UNI 5737]
	6	3010029	1	Hex screw [M8X30 8.8 ZC UNI 5737]
	7	3040303	2	Stopnut
	8	3020903	1	TSEI screw [M8X30 ZC UNI 5933]
	9	5001187	1	Clamp (Set of hoses)
	10	5271702	2	Flexible hose



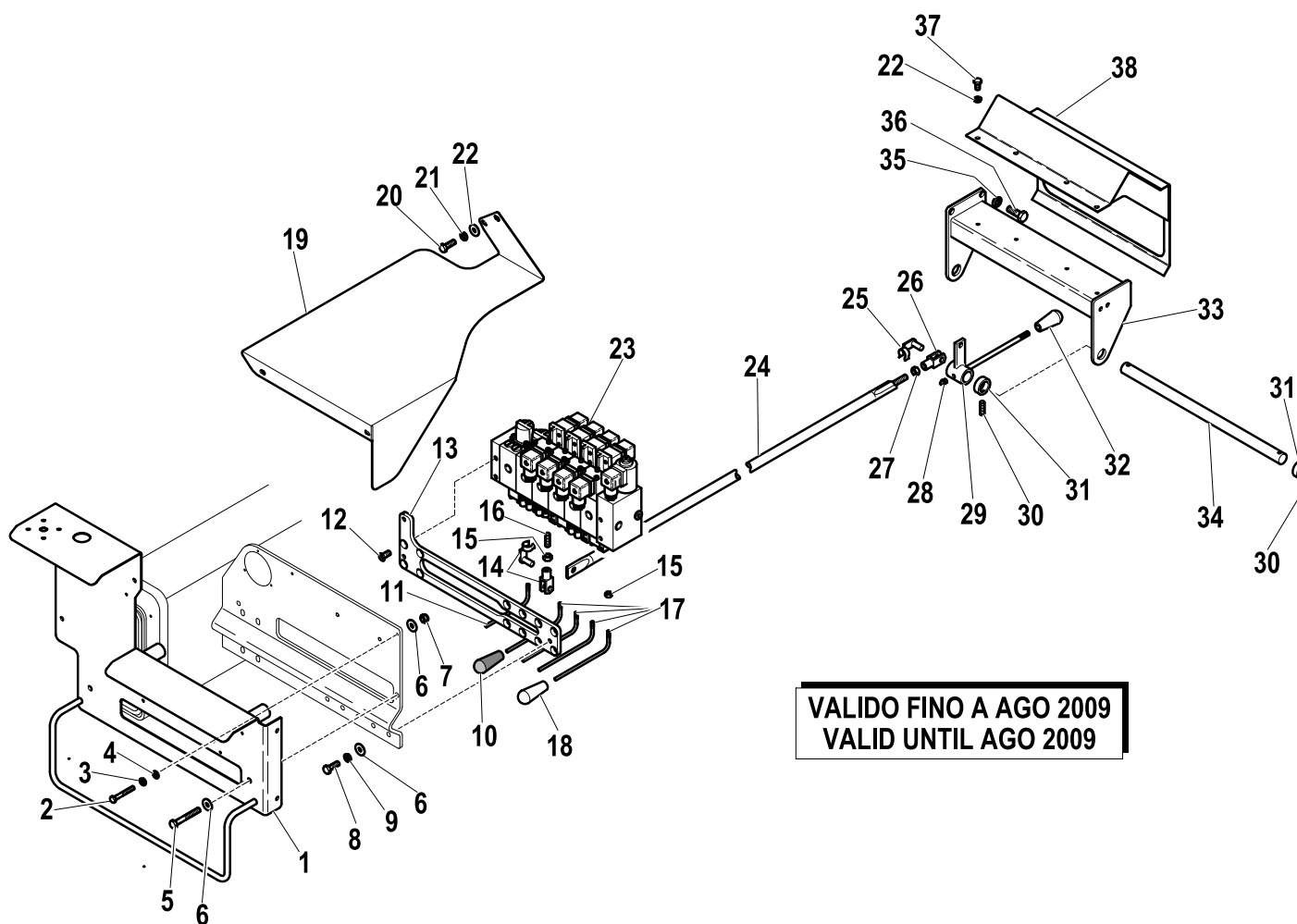
HB 100 X - TCU

DOUBLE CONTROLS

Code

5400543-1.0

1/2



VALIDO FINO A AGO 2009
VALID UNTIL AGO 2009

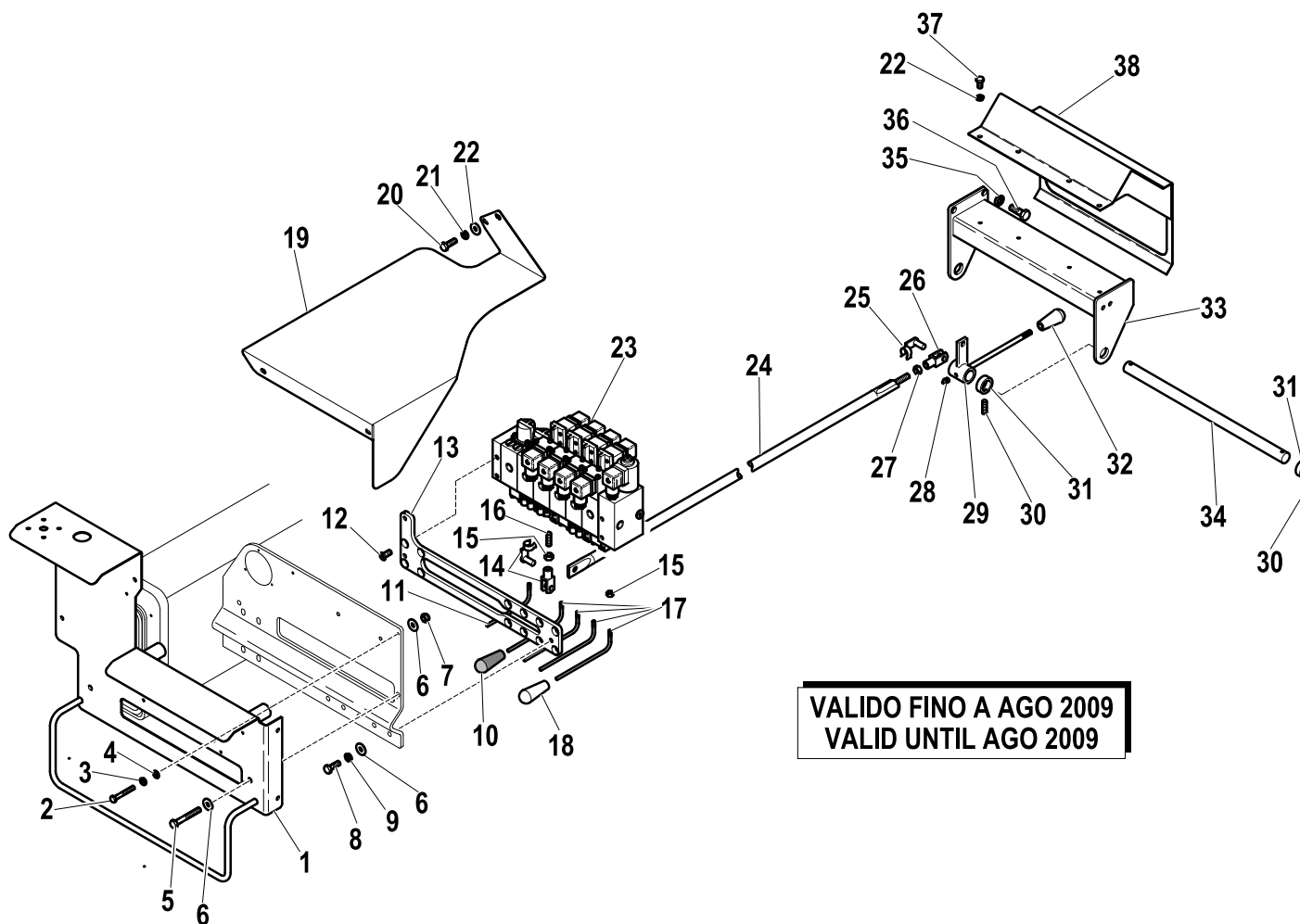
R	Pos.	Code Variant	Q.ty	Description
1		5090999	1	
2		3010317	2	Hex screw [M5X50 8.8 ZC UNI 5739]
3		3060052	2	Split lock washer [D=5.5 C72 ZC]
4		3060004	2	Flat washer [D.5 UNI 6592 ZC]
5		3010035	2	Hex screw [M8X60 8.8 ZC UNI 5737]
6		3060006	2	Flat washer [D.8 UNI 6592 ZC]
7		3040303	2	Stopnut
8		3010027	2	Hex screw [M8X20 8.8 ZC IF UNI 5739]
9		3060055	2	Split lock washer [D=8.4 C72 ZC]
10		3190258	1	
11		5001669	1	Control lever
12		3020452	2	TSEI screw [M8X16 10.9 ZC UNI 5933]
13		5001559	1	
14		3230009	1	Fork (Fork clip)
15		3040081	6	Lock nut
16		3060941	1	Grub screw
17		5091000	5	Control lever
18		3190251	5	
19		5091002	1	
20		3010325	2	Hex screw [M6X16 8.8 ZC UNI 5739]

DOUBLE CONTROLS

Code

5400543-1.0

2/2



VALIDO FINO A AGO 2009
VALID UNTIL AGO 2009

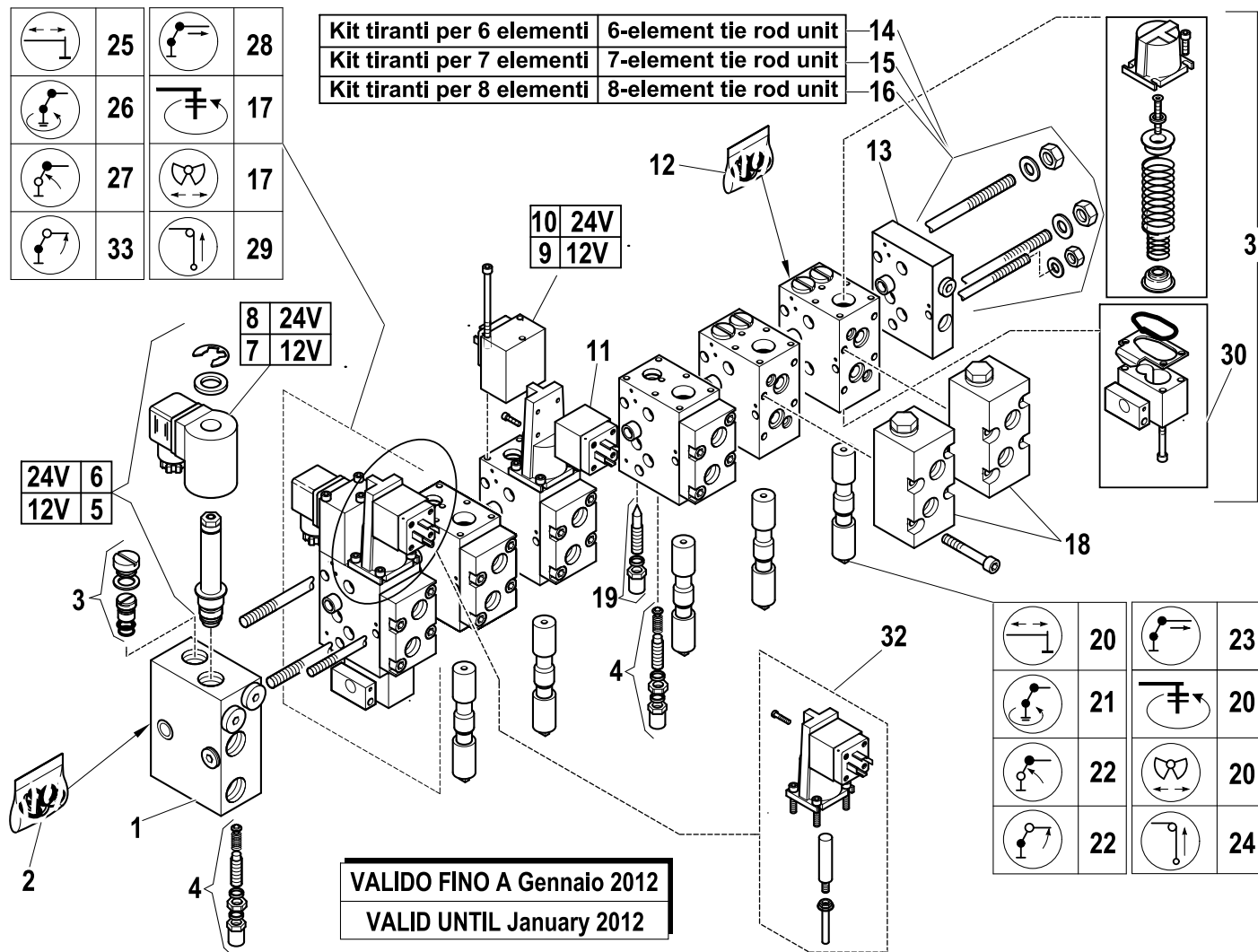
R	Pos.	Code Variant	Q.ty	Description
	21	3060053	2	Split lock washer [D=6.4 C72 ZC]
	22	3060005	2	Flat washer [D.6.4 UNI 6592 ZC]
	23	5220394	1	
	24	5090435	1	
	25	3300451	1	Fork clip
	26	3300431	1	Fork
	27	3040045	1	Nut
	28	3080500	1	Grease nipple
	29	5090433	1	Control lever
	30	3020872	4	TSEI screw [M6X8 ZC UNI 5933]
	31	5000670	4	Ring
	32	3190197	1	Knob
	33	5090816	1	
	34	5150715	1	
	35	3060056	3	Split lock washer [D=10 C72 ZC]
	36	3010353	3	Hex screw [M10X16 8.8 ZC UNI 5739]
	37	3010323	4	Hex screw [M6X10 8.8 ZC UNI 5739]
	38	5090817	1	

Control valve (6 section)

Code

5220394-1.0

1/2



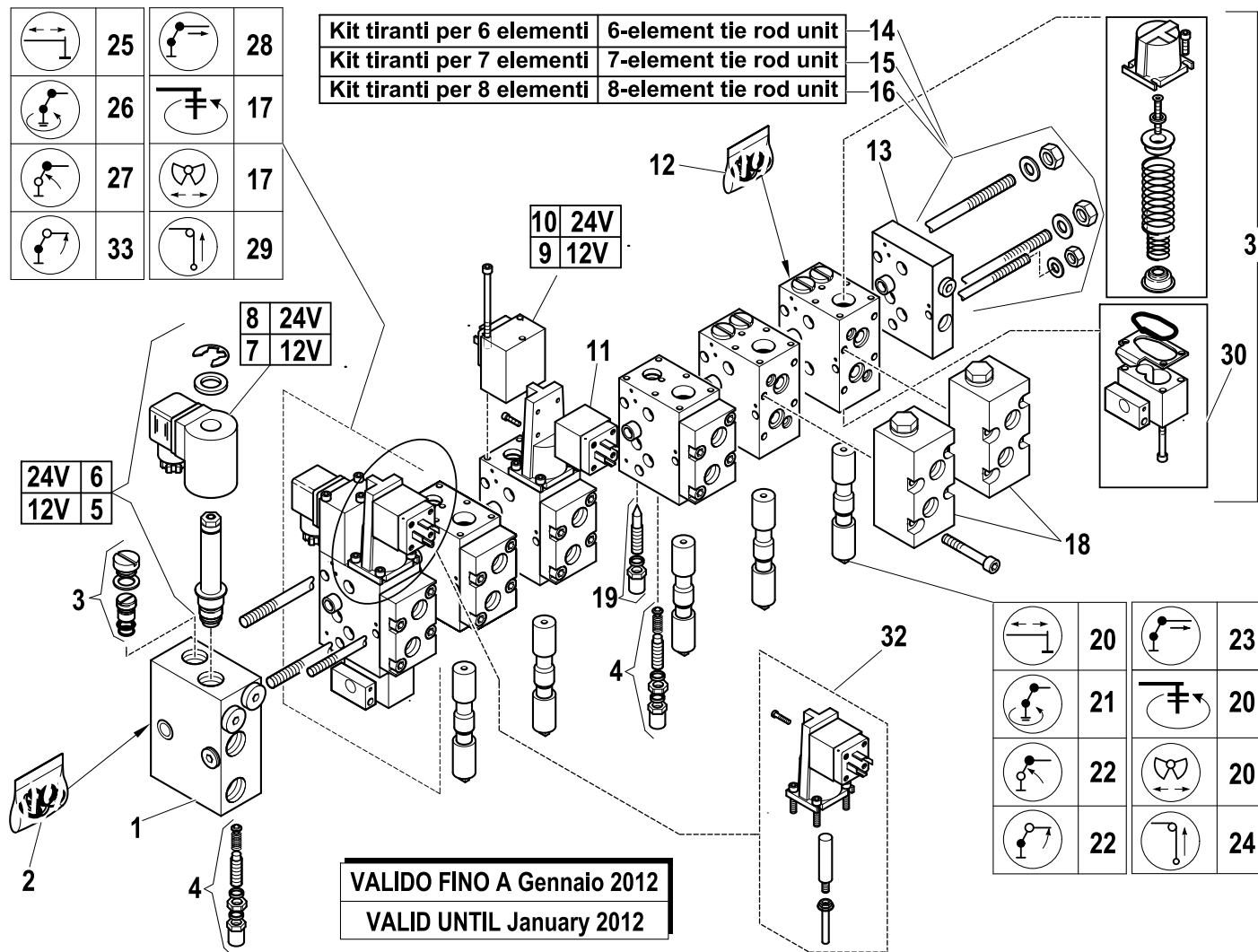
R	Pos.	Code Variant	Q.ty	Description
	1	5225607	1	
	2	5225608	1	
	3	5225609	1	
	4	5225610	2	
	5	5225611	1	
	6	5225612	1	
	7	5225613	1	
	8	5225614	1	
	9	5225615	1	
	10	5225616	1	
	11	5225617	1	
	12	5225618	1	
	13	5225619	1	
	14	5225620	1	
	15	5225621	1	
	16	5225605	1	
	17	5225602	2	
	18	5225622	2	
	19	5225623	1	
	20	5225624	3	

Control valve (6 section)

Code

5220394-1.0

2/2



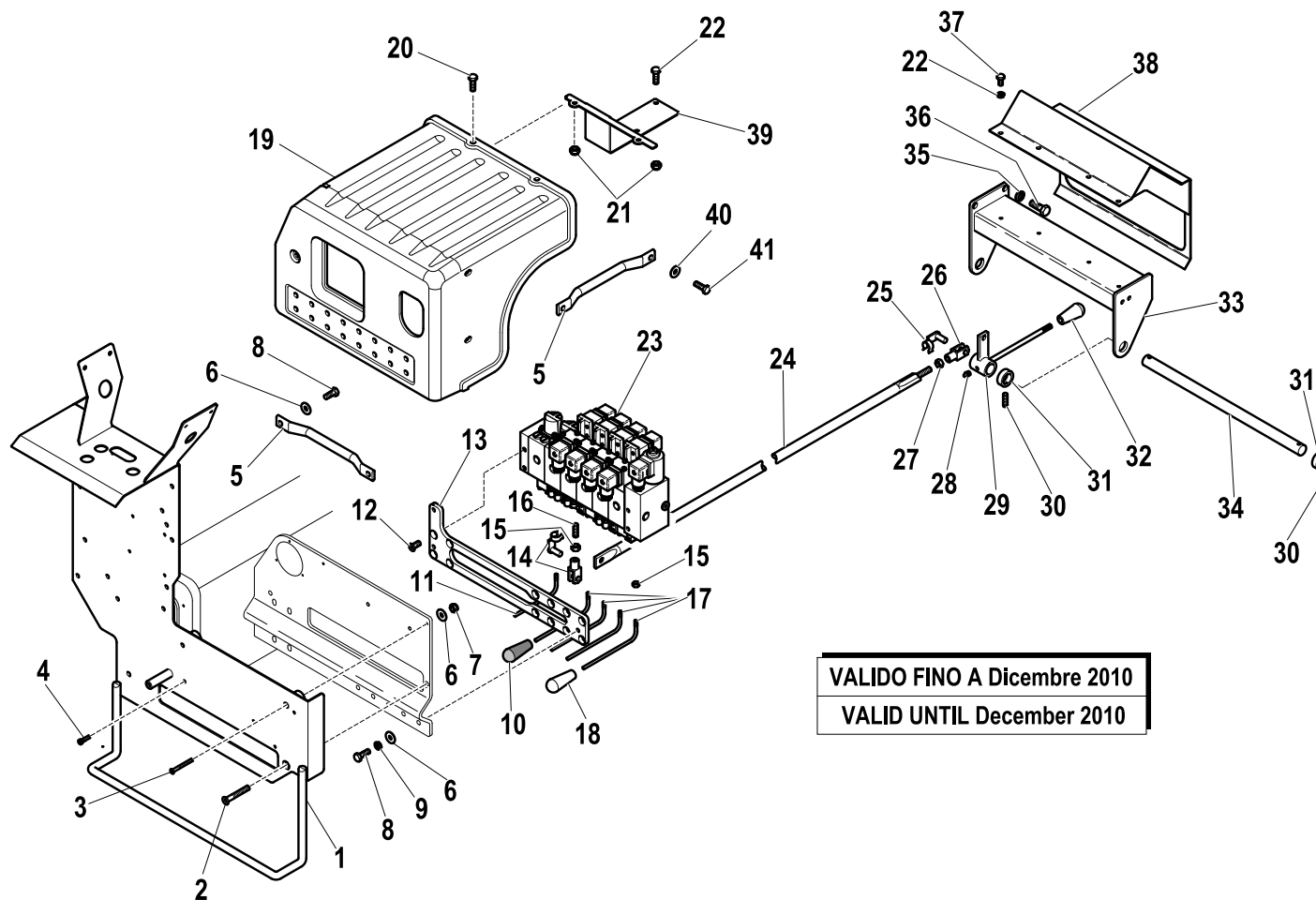
R	Pos.	Code Variant	Q.ty	Description
	21	5225625	1	
	22	5225626	2	
	23	5225627	1	
	24	5225628	1	
	25	5225629	2	
	26	5225630	1	
	27	5225631	1	
	28	5225632	1	
	29	5225633	1	
	30	5225672	2	
	31	5225671	2	
	32	5225073	1	
	33	5225603	1	

DOUBLE CONTROLS (RDC-EBB)

Code

5400543-1.1

1/3



VALIDO FINO A Dicembre 2010
VALID UNTIL December 2010

R	Pos.	Code Variant	Q.ty	Description
1		5091136	1	
2		3020457	2	TSEI screw [M8X55 10.9 ZC UNI 5933]
3		3020403	2	TSEI screw [M5X50 10.9 ZC UNI 5933]
4		3020023	2	Socketed head cap screw [M5X16 8.8 ZC UNI 5931]
5		5001829	2	
6		3060006	4	Flat washer [D.8 UNI 6592 ZC]
7		3040303	2	Stopnut
8		3010027	4	Hex screw [M8X20 8.8 ZC IF UNI 5739]
9		3060055	2	Split lock washer [D=8.4 C72 ZC]
10		3190258	1	
11		5001671	1	Control lever
12		3020452	2	TSEI screw [M8X16 10.9 ZC UNI 5933]
13		5001559	1	
14		3230009	1	Fork (Fork clip)
15		3040081	6	Lock nut
16		3060941	1	Grub screw
17		5091000	4	Control lever
18		3190251	4	
19		5091137	1	
20		3020960	2	

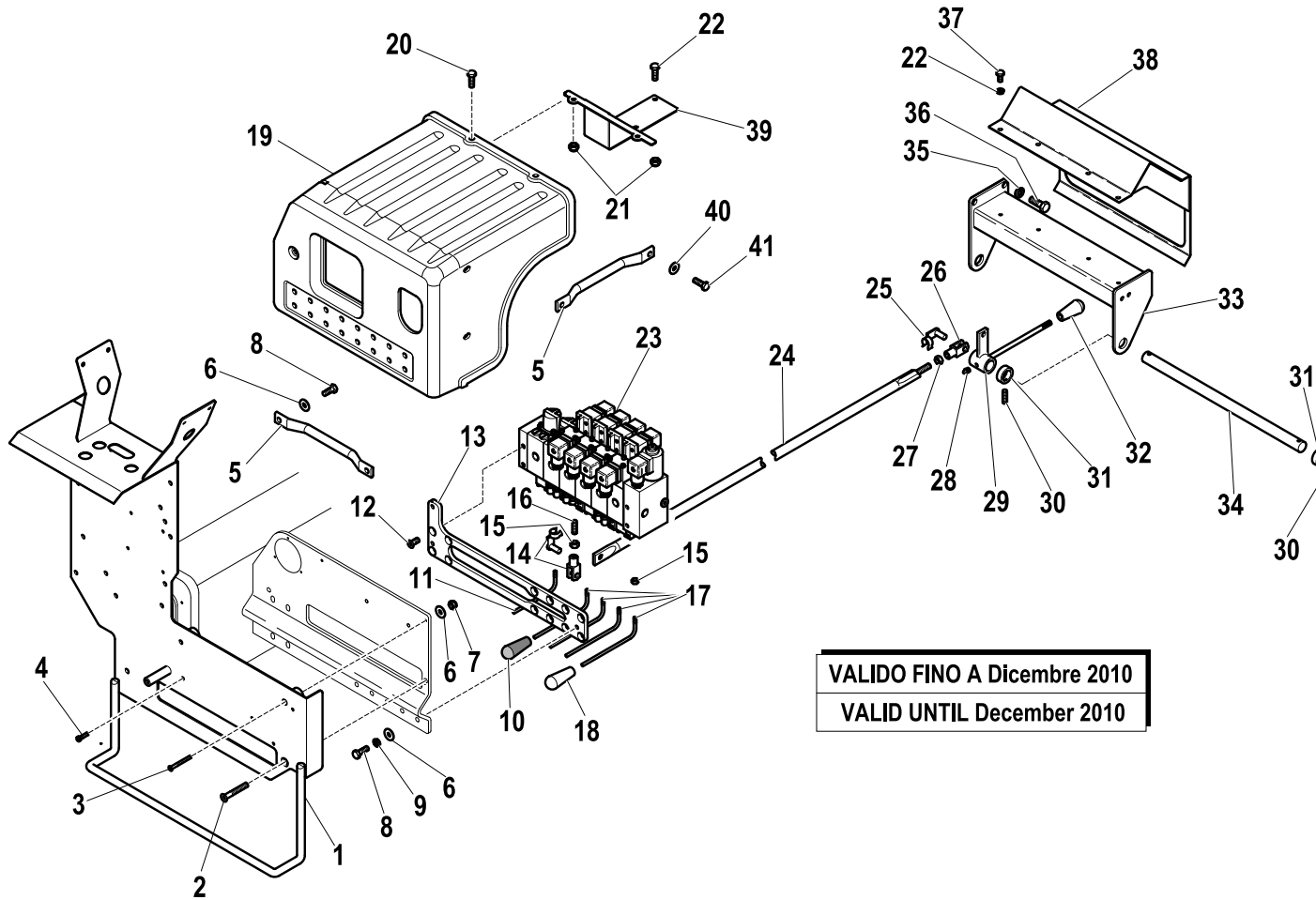
DOUBLE CONTROLS (RDC-EBB)

Code

5400543-1.1

3/3

R	Pos.	Code Variant	Q.ty	Description
	41	3010015	2	Hex screw [M6X20 8.8 ZC UNI 5739]



VALIDO FINO A Dicembre 2010

VALID UNTIL December 2010

CONTROLS (RDC-EBB)

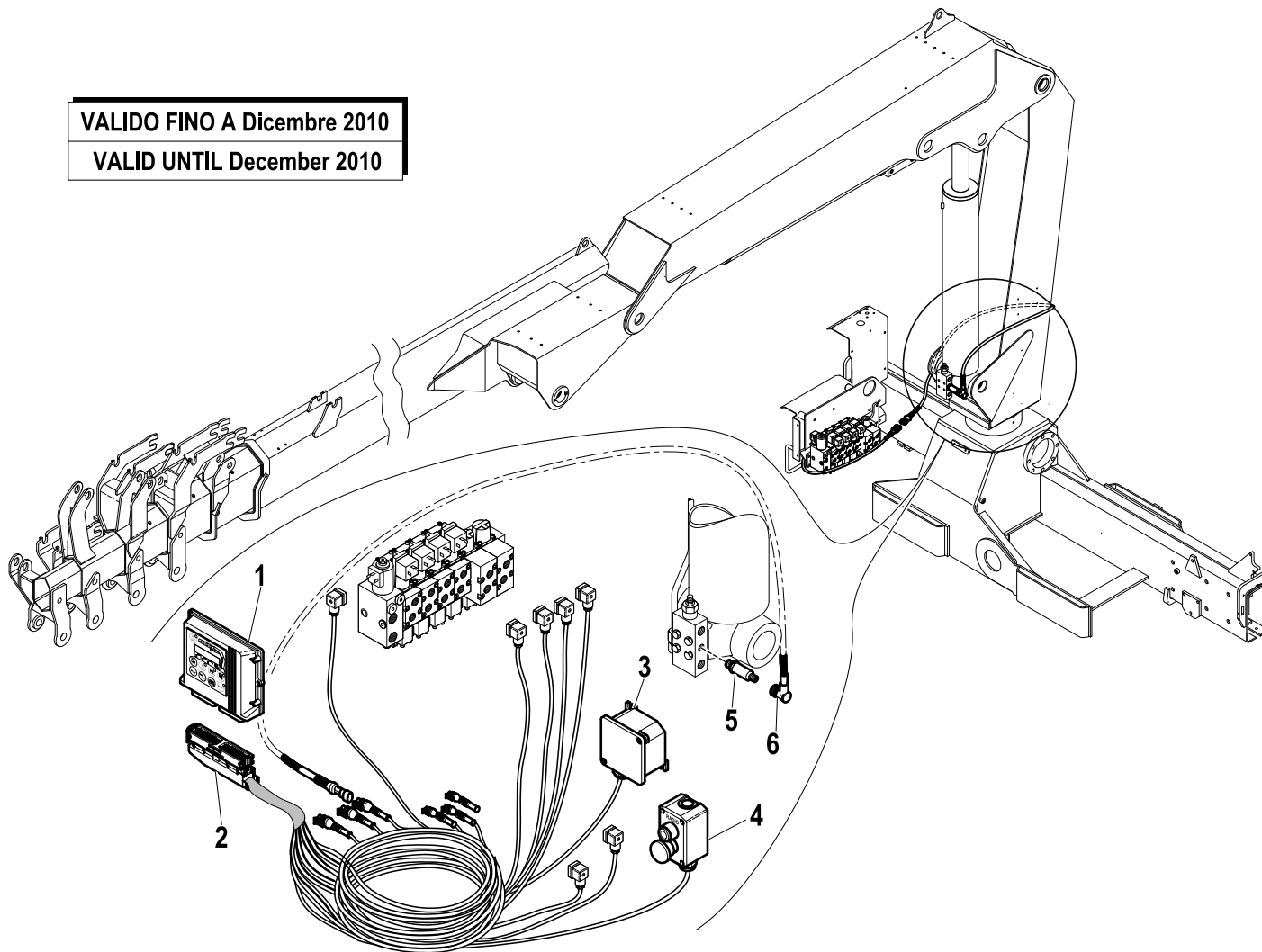
Code

5400543-2.0

1/1

VALIDO FINO A Dicembre 2010

VALID UNTIL December 2010



R	Pos.	Code Variant	Q.ty	Description
	1	3310606	1	
	2	5160014	1	
	3	3310820	1	
	4	3310692	1	
	5	3310612	1	Pressure sensor
	6	5160001	1	Electric wiring

CONTROLS (RDC-EBB)

Code

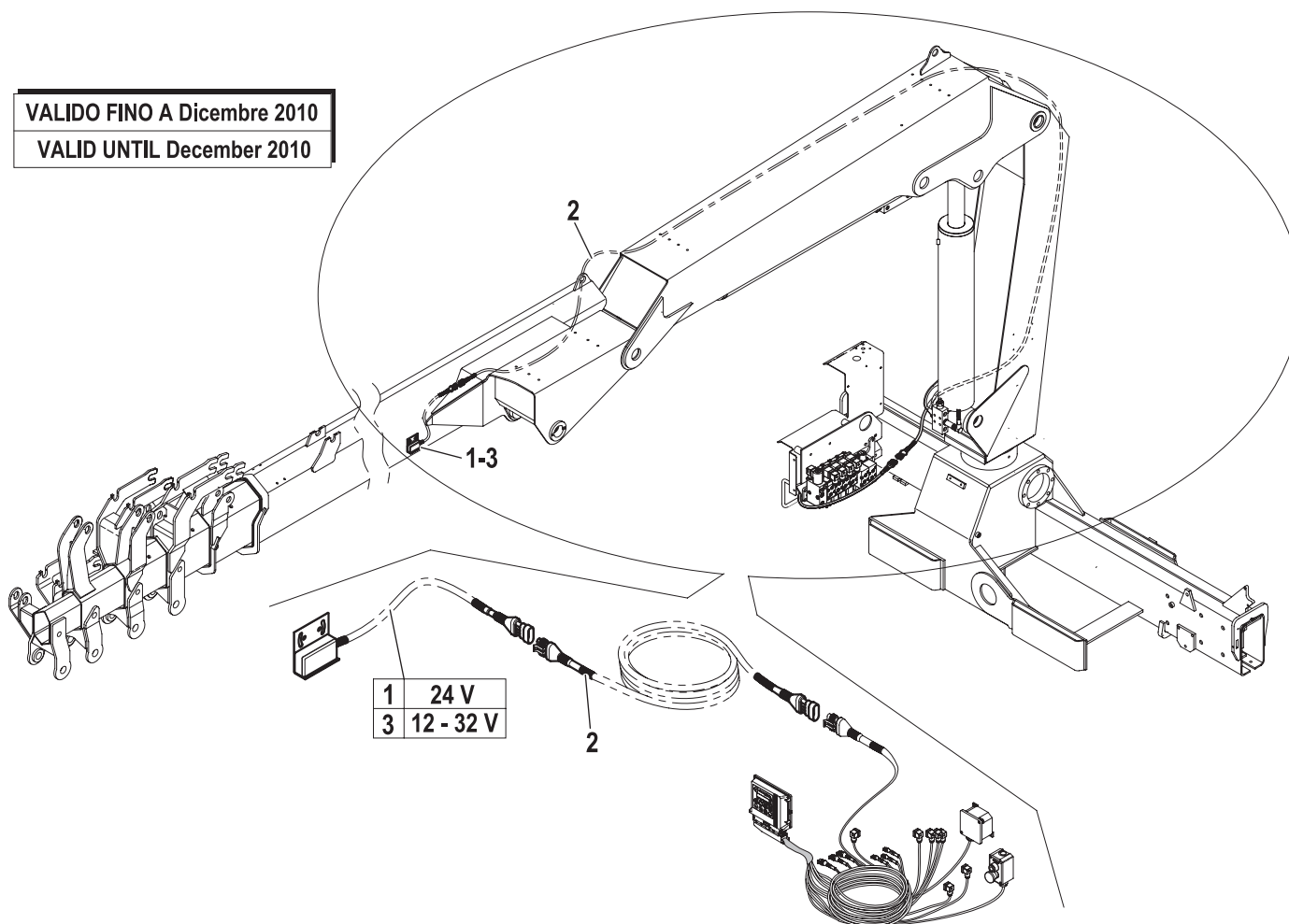
5400543-3.0

1/1

R	Pos.	Code Variant	Q.ty	Description
	1	3310541	1	Tiltmeter
	2	5160002	1	Electric wiring
	3	3310723	1	Tiltmeter

VALIDO FINO A Dicembre 2010

VALID UNTIL December 2010



CONTROLS (RDC-EBB)

Code

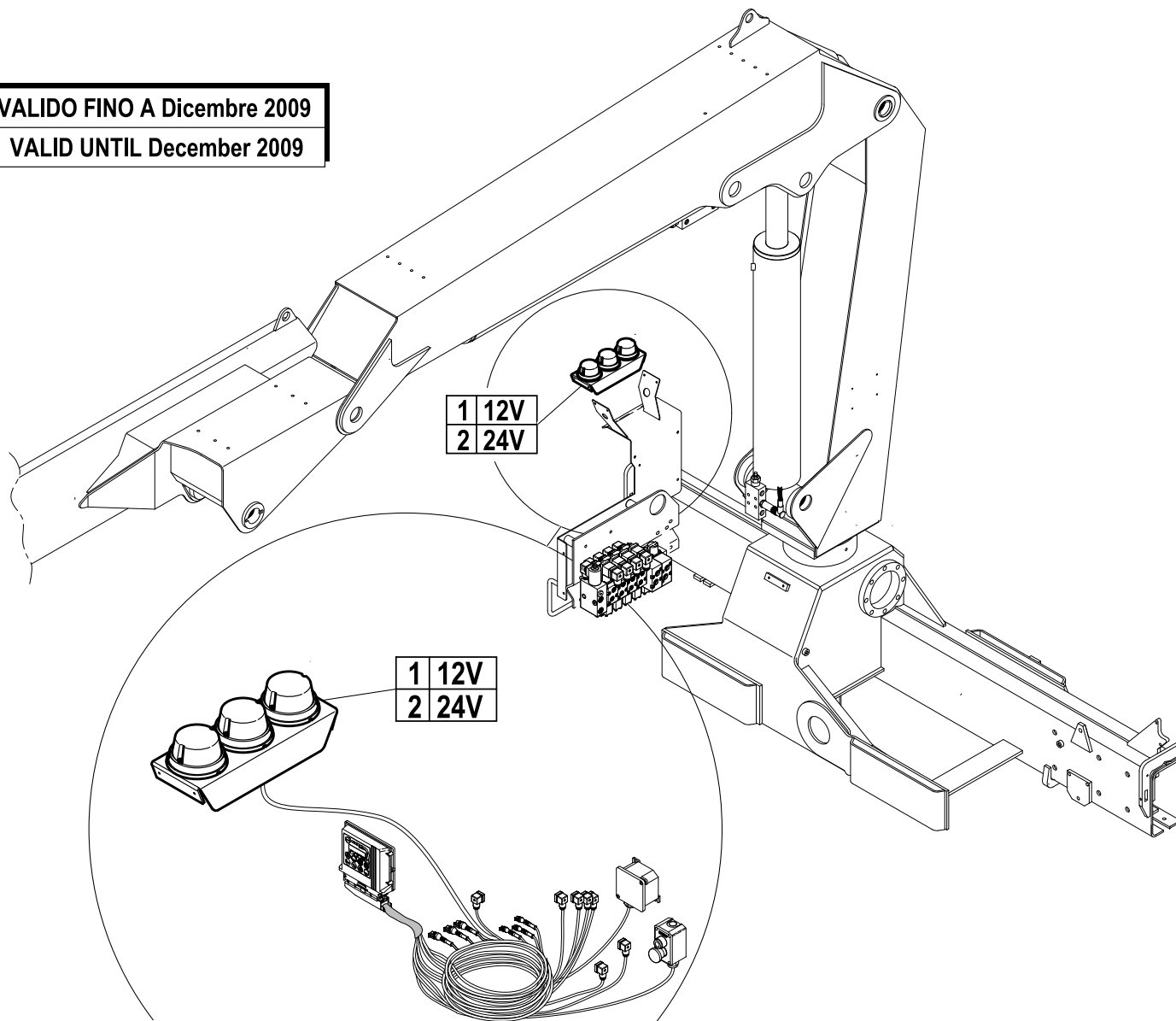
5400543-4.0

1/1

VALIDO FINO A Dicembre 2009

VALID UNTIL December 2009

R	Pos.	Code Variant	Q.ty	Description
1		3310819	1	
2		3310809	1	



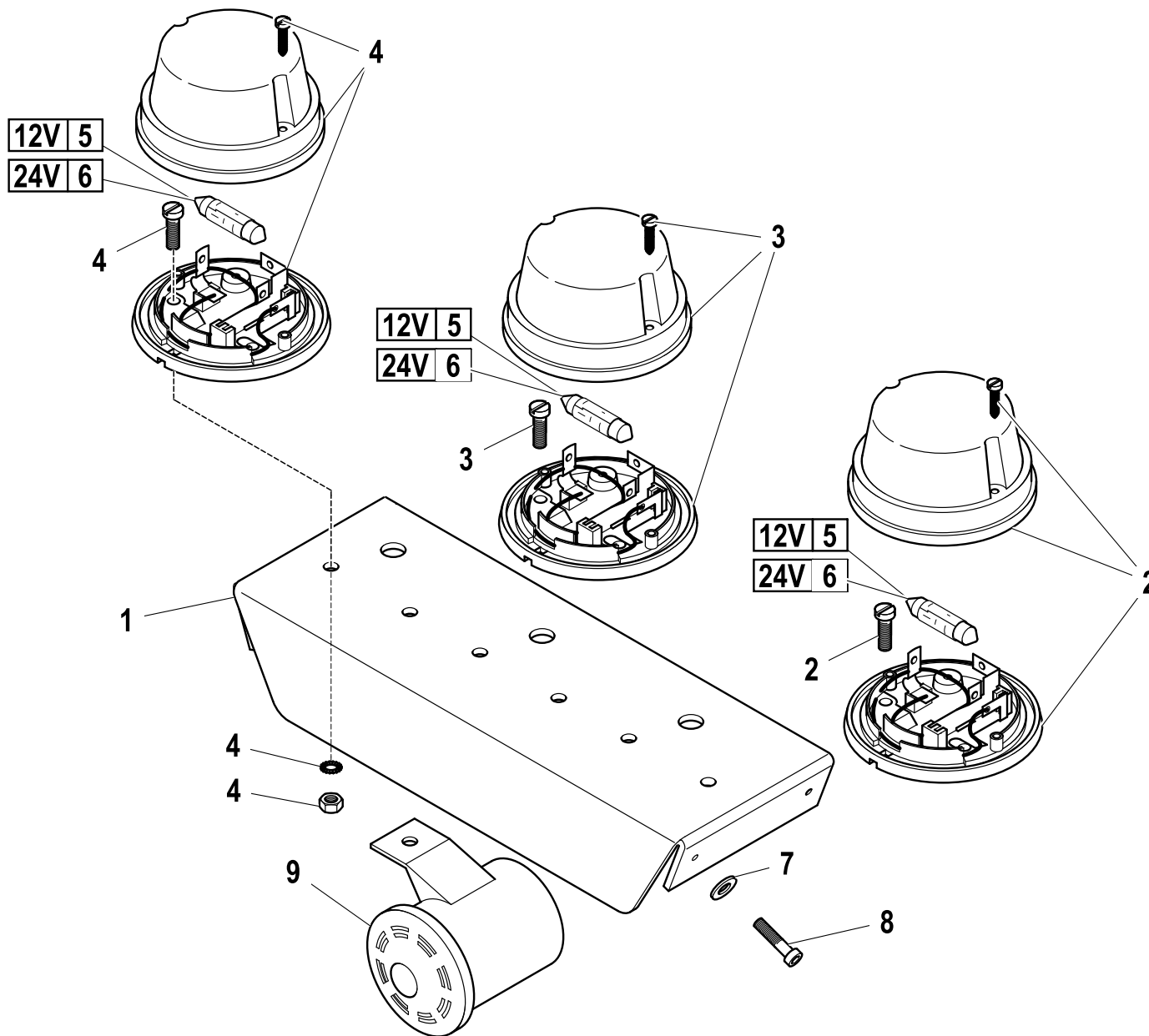
Pilot lamp

Code

7885015-1.0

1/1

R	Pos.	Code Variant	Q.ty	Description
	1	5001662	1	
	2	3310811	1	
	3	3310812	1	
	4	3310810	1	
	5	3310818	3	
	6	3310813	3	
	7	3060003	4	Flat washer [D.4 UNI 6592 ZC]
	8	3020885	4	Socketed head cap screw [M4X20 8.8 ZC UNI 5931]
	9	3310911	1	



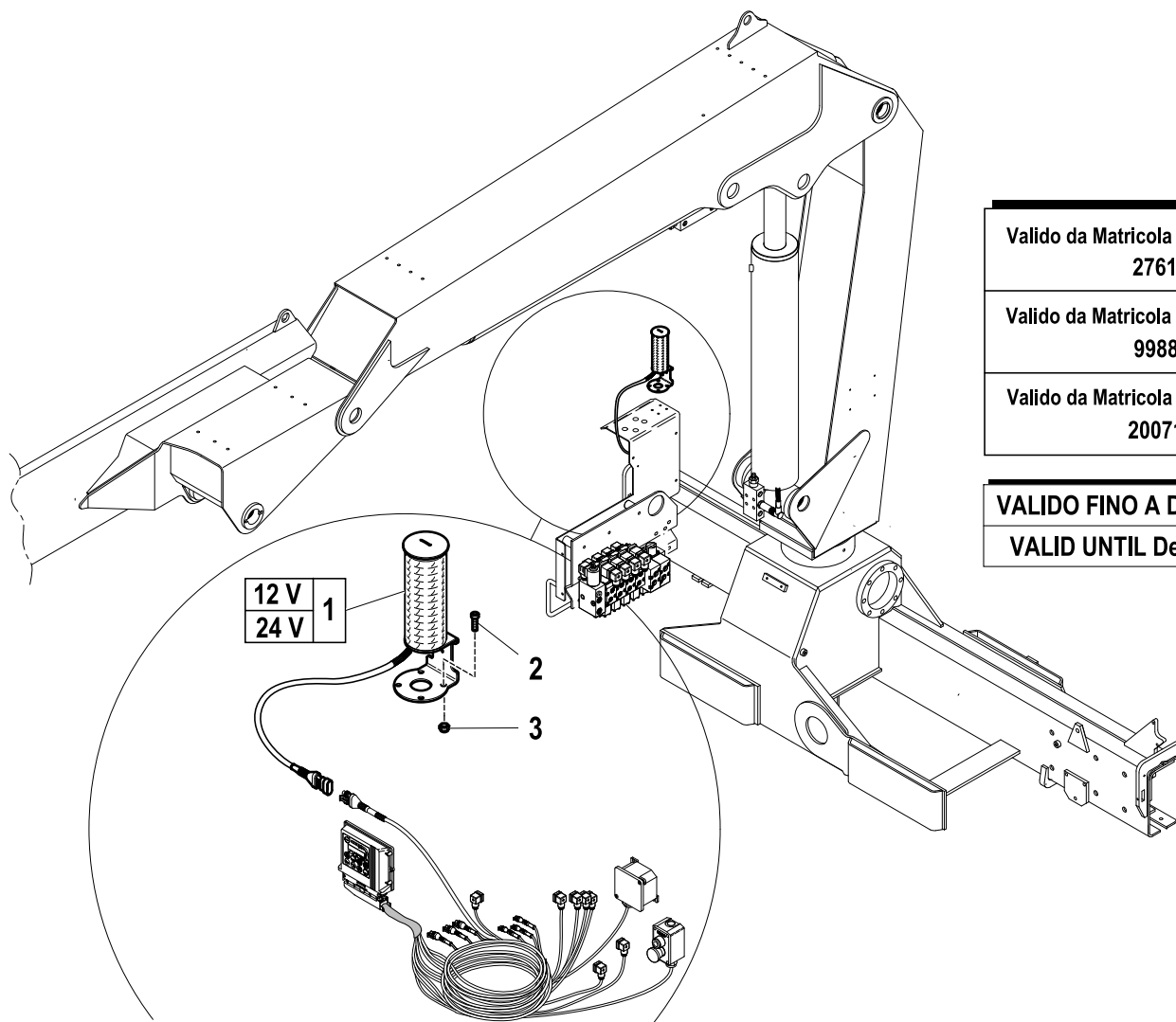
CONTROLS (RDC-EBB)

Code

5400543-5.0

1/1

R	Pos.	Code Variant	Q.ty	Description
	1	3311159	1	Signal Columns
	2	3020023	4	Socket head cap screw [M5X16 8.8 ZC UNI 5931]
	3	3040392	4	Stopnut



Valido da Matricola / Valid from S/N
27611

Valido da Matricola / Valid from S/N
99888

Valido da Matricola / Valid from S/N
200712

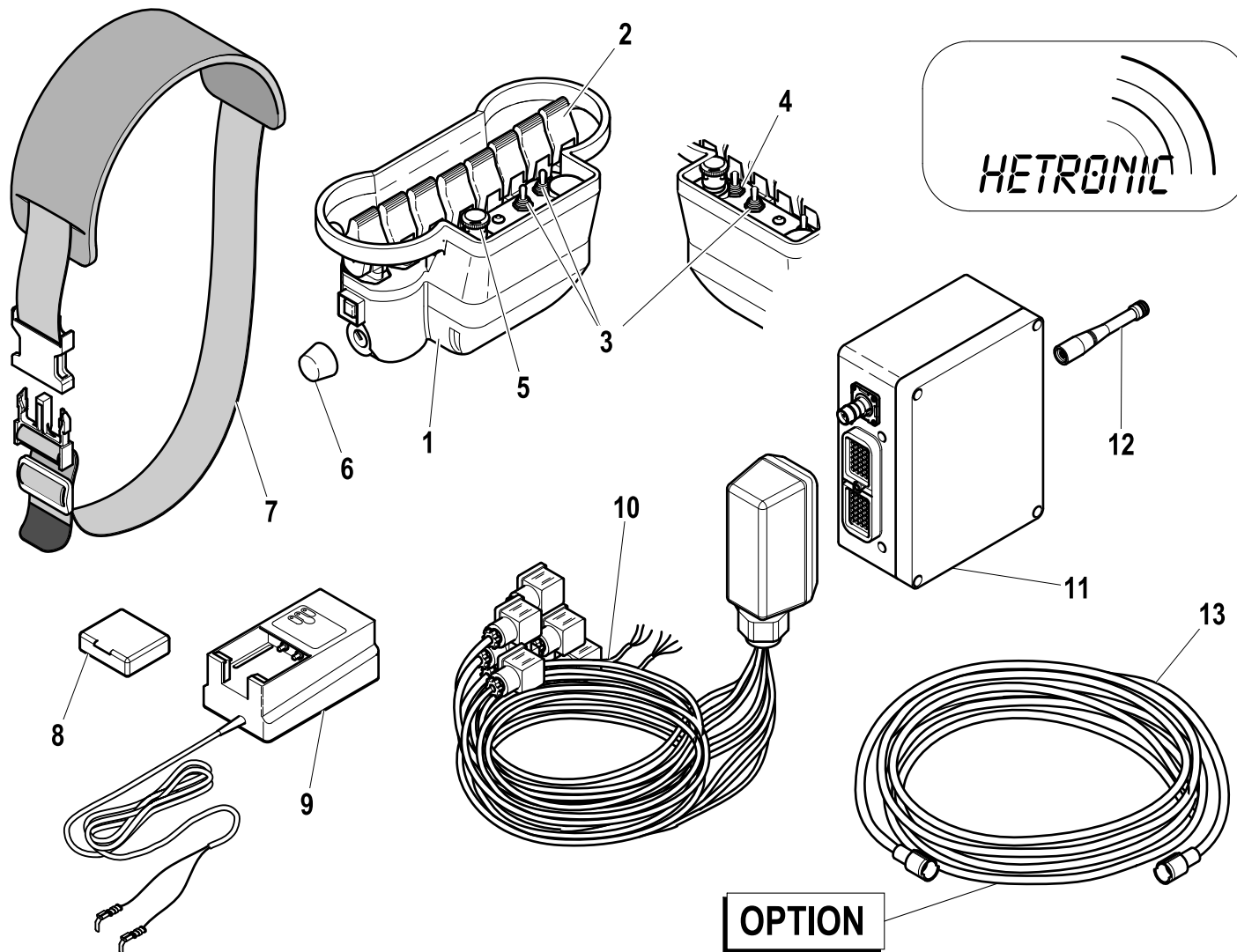
VALIDO FINO A Dicembre 2010
VALID UNTIL December 2010

Wireless control kit (EU.24V)

Code

7892111-1.0

1/1



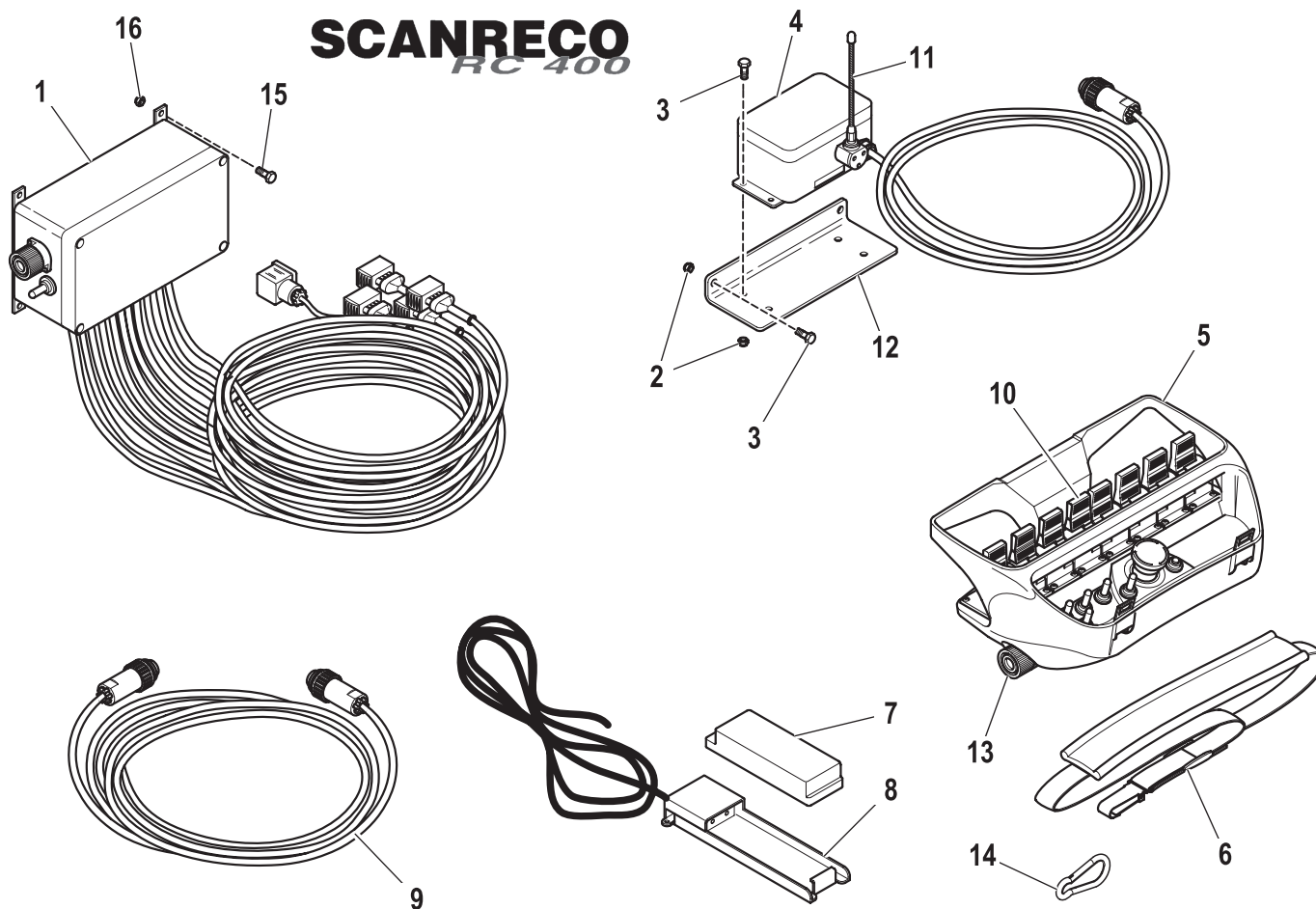
R	Pos.	Code Variant	Q.ty	Description
1		3310901	1	
2		3310796	8	
3		3310786	3	
4		3310785	1	
5		3310788	1	
6		3310795	1	
7		3310799	1	
8		3310641	2	
9		3310797	1	
10		3310917	1	
11		3310900	1	
12		3310775	1	
13		3310933	1	

Wireless control kit (12V)

Code

7892149-1.0

1/1



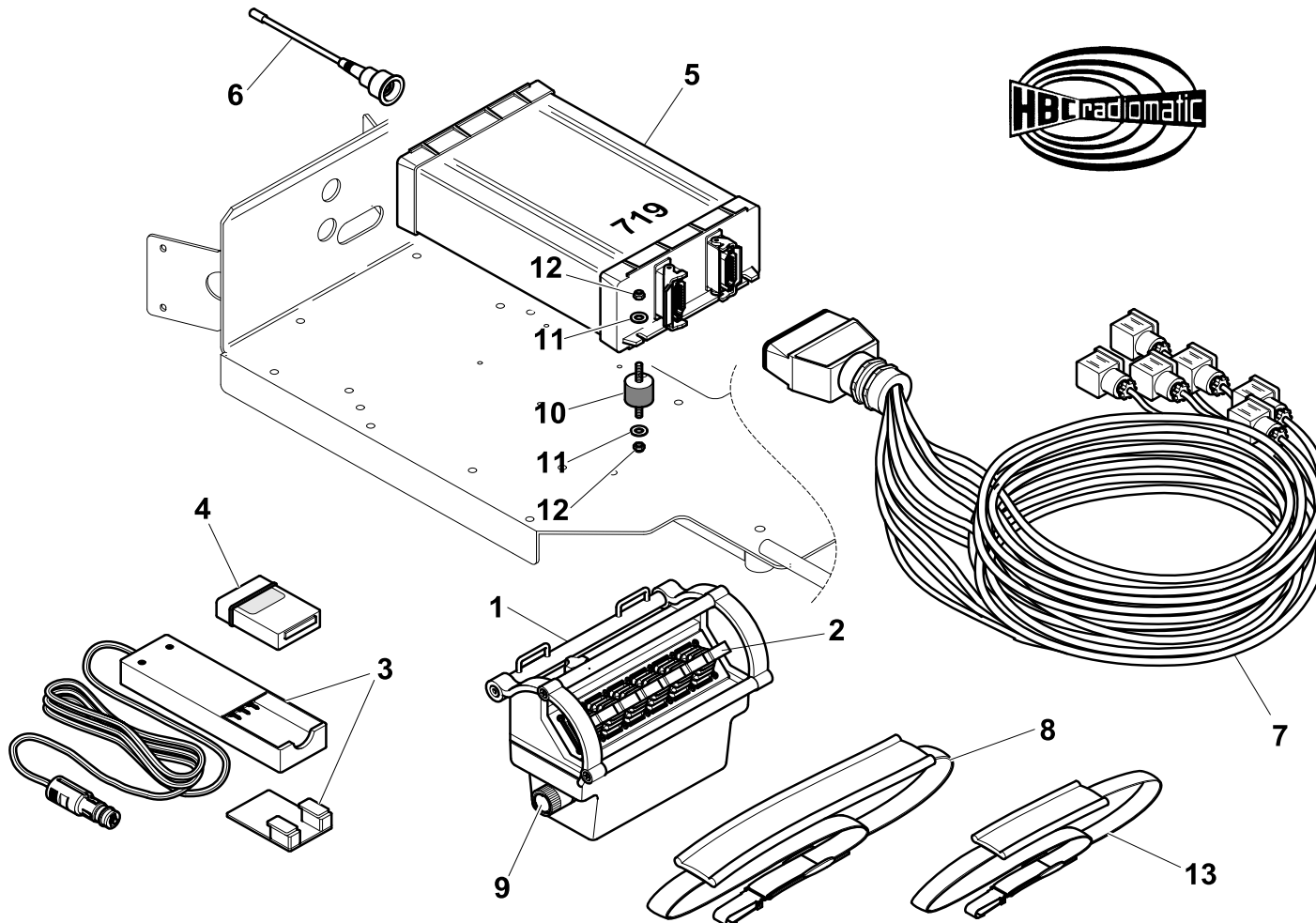
R	Pos.	Code Variant	Q.ty	Description
	1	3310910	1	
	2	3040372	6	Stopnut
	3	3010325	6	Hex screw [M6X16 8.8 ZC UNI 5739]
	4	3310535	1	
	5	3320026	1	
	6	3190226	1	
	7	3310483	2	
	8	3310471	1	
	9	3310536	1	
	10	3310445	8	Control lever
	11	3310683	1	
	12	5001680	1	
	13	3310850	1	
	14	3190259	1	
	15	3010316	2	Hex screw [M5X16 8.8 ZC UNI 5739]
	16	3040392	2	Stopnut

Wireless control kit (EU.24V)

Code

7892075-1.0

1/1



R	Pos.	Code Variant	Q.ty	Description
	1	3310578	1	
	2	3310581	6	Control lever
	3	3310455	1	
	4	3310454	2	
	5	3310836	1	
	6	3310583	1	
	7	3310839	1	
	8	3190105	1	
	9	3310582	1	
	10	3190102	4	
	11	3060005	8	Flat washer [D.6.4 UNI 6592 ZC]
	12	3040372	8	Stopnut
	13	3190106	1	

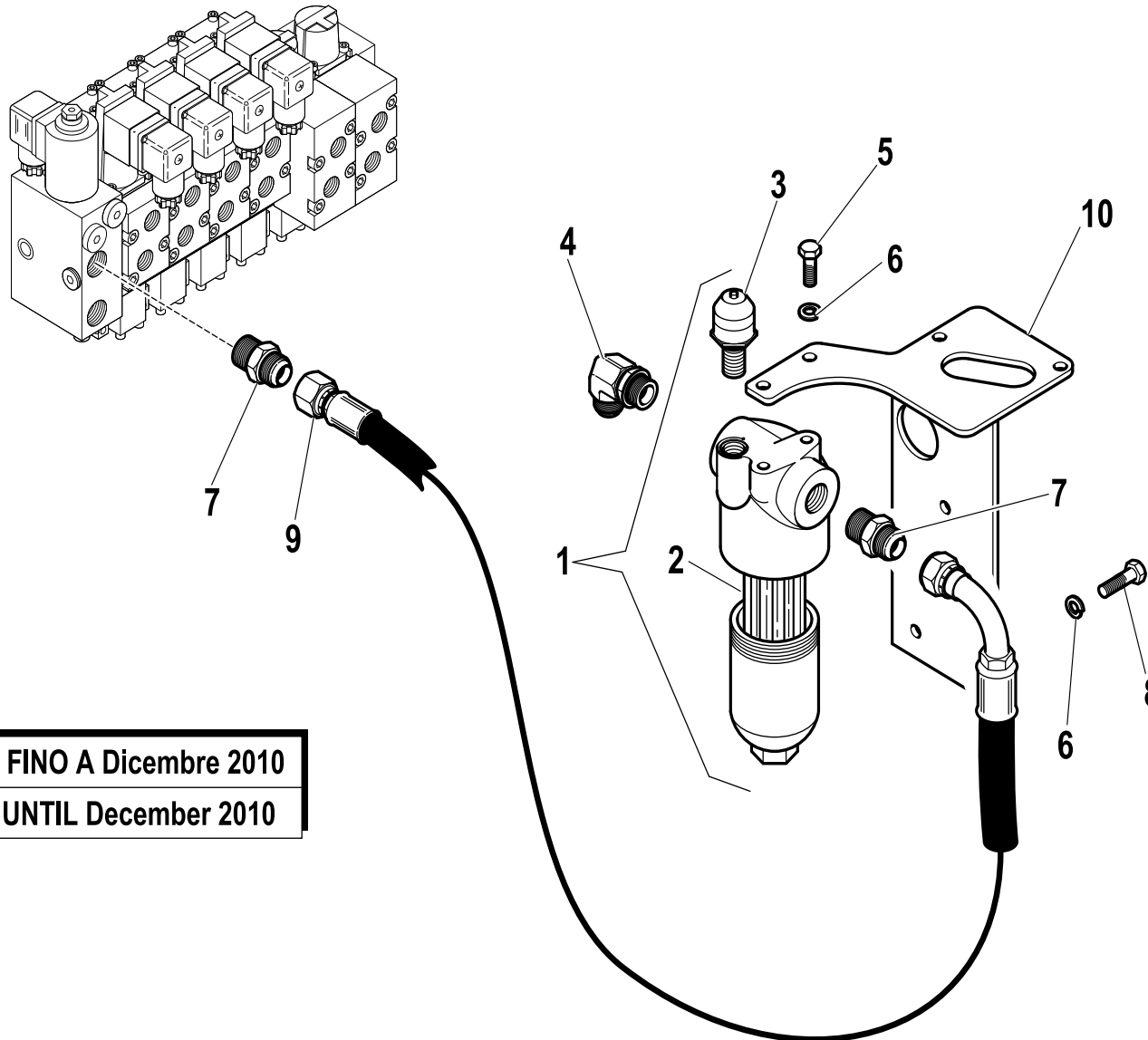
High pressure filter

Code

5400464-1.0

1/1

R	Pos.	Code Variant	Q.ty	Description
	1	3180138	1	Oil filter
	2	3180139	1	Filtering cartridge
	3	3180140	1	
	4	3101131	1	90° Connection
	5	3010027	2	Hex screw [M8X20 8.8 ZC IF UNI 5739]
	6	3060055	4	Split lock washer [D=8.4 C72 ZC]
	7	3101051	1	Straight pipe fitting
	8	3010337	2	Hex screw [M8X16 8.8 ZC UNI 5739]
	9	5280709	1	
	10	5090995	1	



VALIDO FINO A Dicembre 2010

VALID UNTIL December 2010

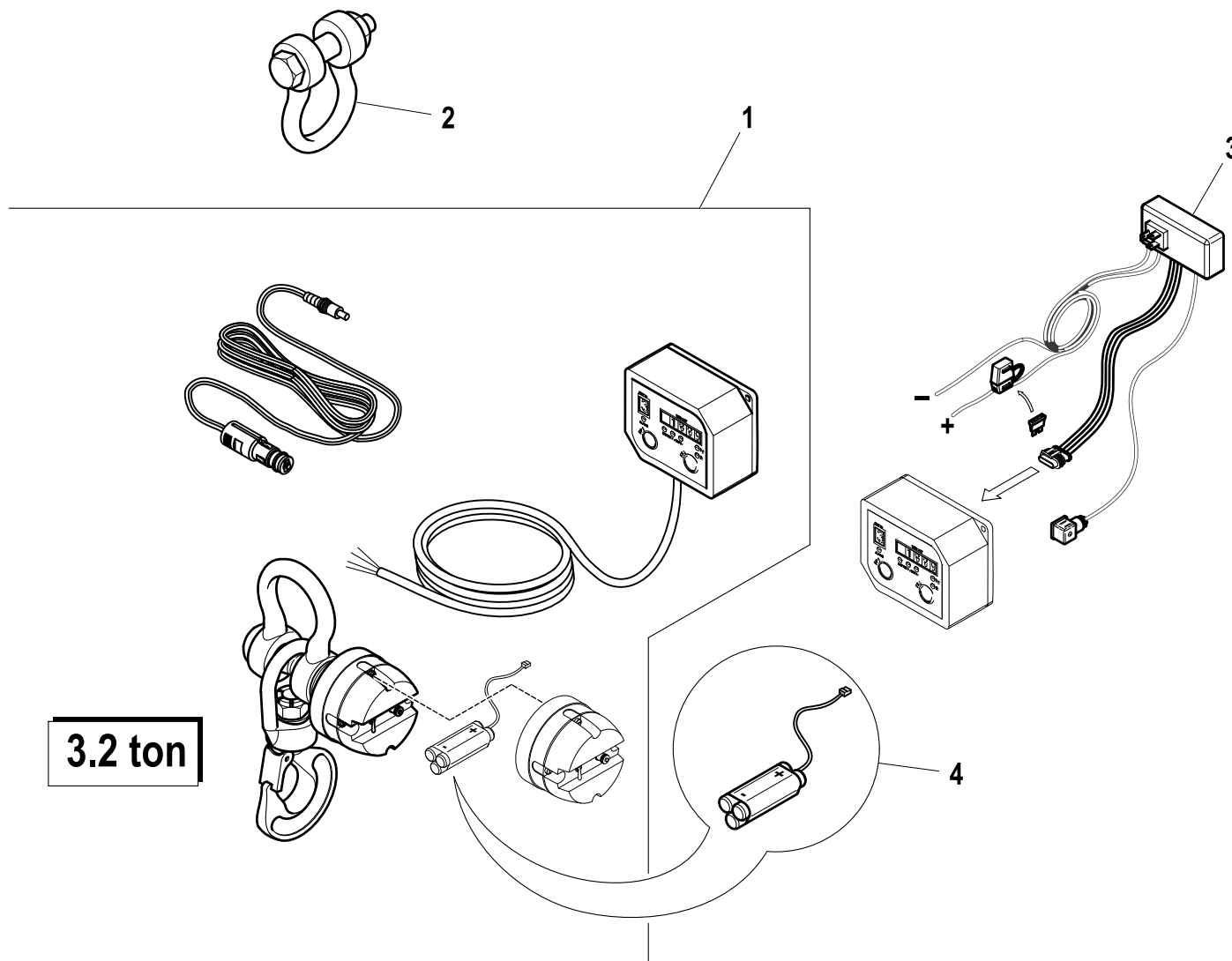
LOAD INDICATION SYSTEM (RDC-EBB)

Code

7881785-1.0

1/1

R	Pos.	Code Variant	Q.ty	Description
1		5730507	1	
2		3200050	1	Shackles
3		W236508	1	
4		3311542	1	



3.2 ton



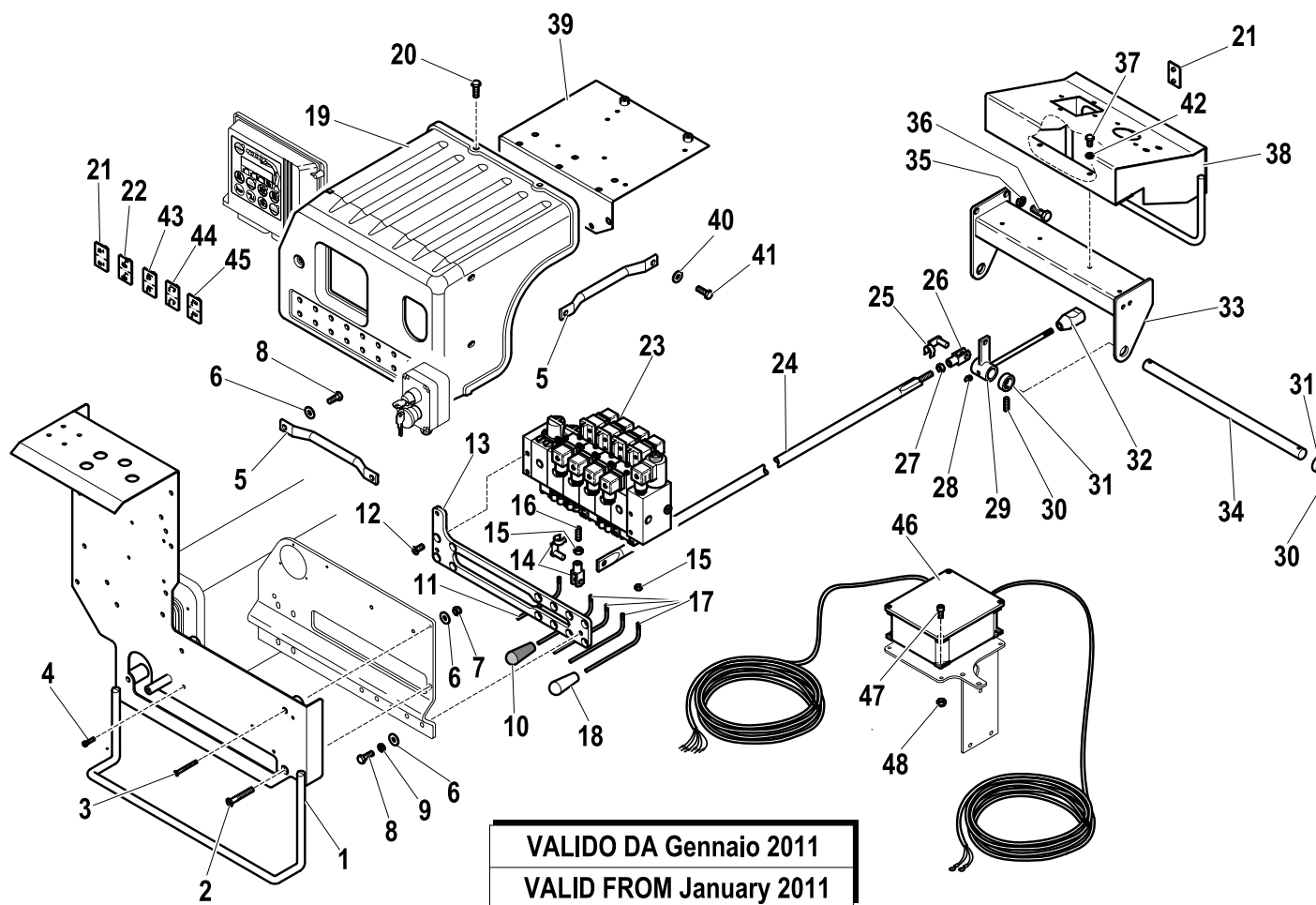
HB 100 X-TCU - EN 12999-A3

DOUBLE CONTROLS (EN12999-A3)

Code

5401291-1.0

1/3



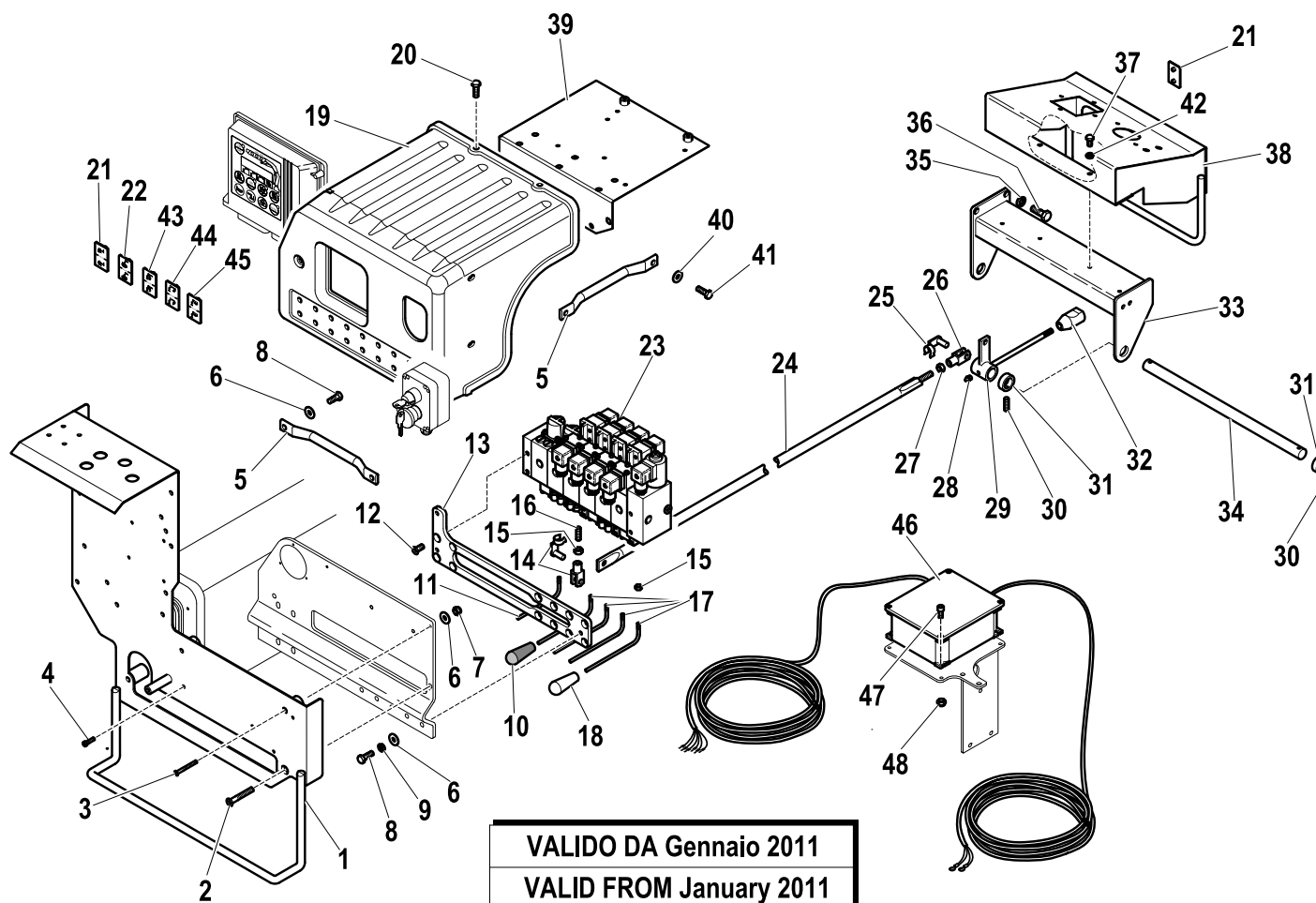
R	Pos.	Code Variant	Q.ty	Description
	1	5091136	1	
	2	3020457	2	TSEI screw [M8X55 10.9 ZC UNI 5933]
	3	3020403	2	TSEI screw [M5X50 10.9 ZC UNI 5933]
	4	3020023	2	Socket head cap screw [M5X16 8.8 ZC UNI 5931]
	5	5001829	2	
	6	3060006	4	Flat washer [D.8 UNI 6592 ZC]
	7	3040303	2	Stopnut
	8	3010027	4	Hex screw [M8X20 8.8 ZC IF UNI 5739]
	9	3060055	2	Split lock washer [D=8.4 C72 ZC]
	10	3190258	1	
	11	5001671	1	Control lever
	12	3020452	2	TSEI screw [M8X16 10.9 ZC UNI 5933]
	13	5001559	1	
	14	3230009	1	Fork (Fork clip)
	15	3040081	6	Lock nut
	16	3060941	1	Grub screw
	17	5091000	4	Control lever
	18	3190251	4	
	19	5091137	1	
	20	3020960	2	

DOUBLE CONTROLS (EN12999-A3)

Code

5401291-1.0

2/3



VALIDO DA Gennaio 2011
VALID FROM January 2011

R	Pos.	Code Variant	Q.ty	Description
	21	5812818	2	
	22	W573266	1	Small plate (CONTROL SYMBOLS)
	23	5220394	1	
	24	5090435	1	
	25	3300453	1	Fork clip
	26	3300433	1	Fork
	27	3040045	1	Nut
	28	3080500	1	Grease nipple
	29	5090434	1	Control lever
	30	3020872	4	TSEI screw [M6X8 ZC UNI 5933]
	31	5000670	4	Ring
	32	3190197	1	Knob
	33	5090816	1	
	34	5150715	1	
	35	3060056	3	Split lock washer [D=10 C72 ZC]
	36	3010353	3	Hex screw [M10X16 8.8 ZC UNI 5739]
	37	3010323	2	Hex screw [M6X10 8.8 ZC UNI 5739]
	38	5091333	1	
	39	5002064	1	
	40	3060030	2	Flat washer [D.6.6X18 UNI 6593 ZC]

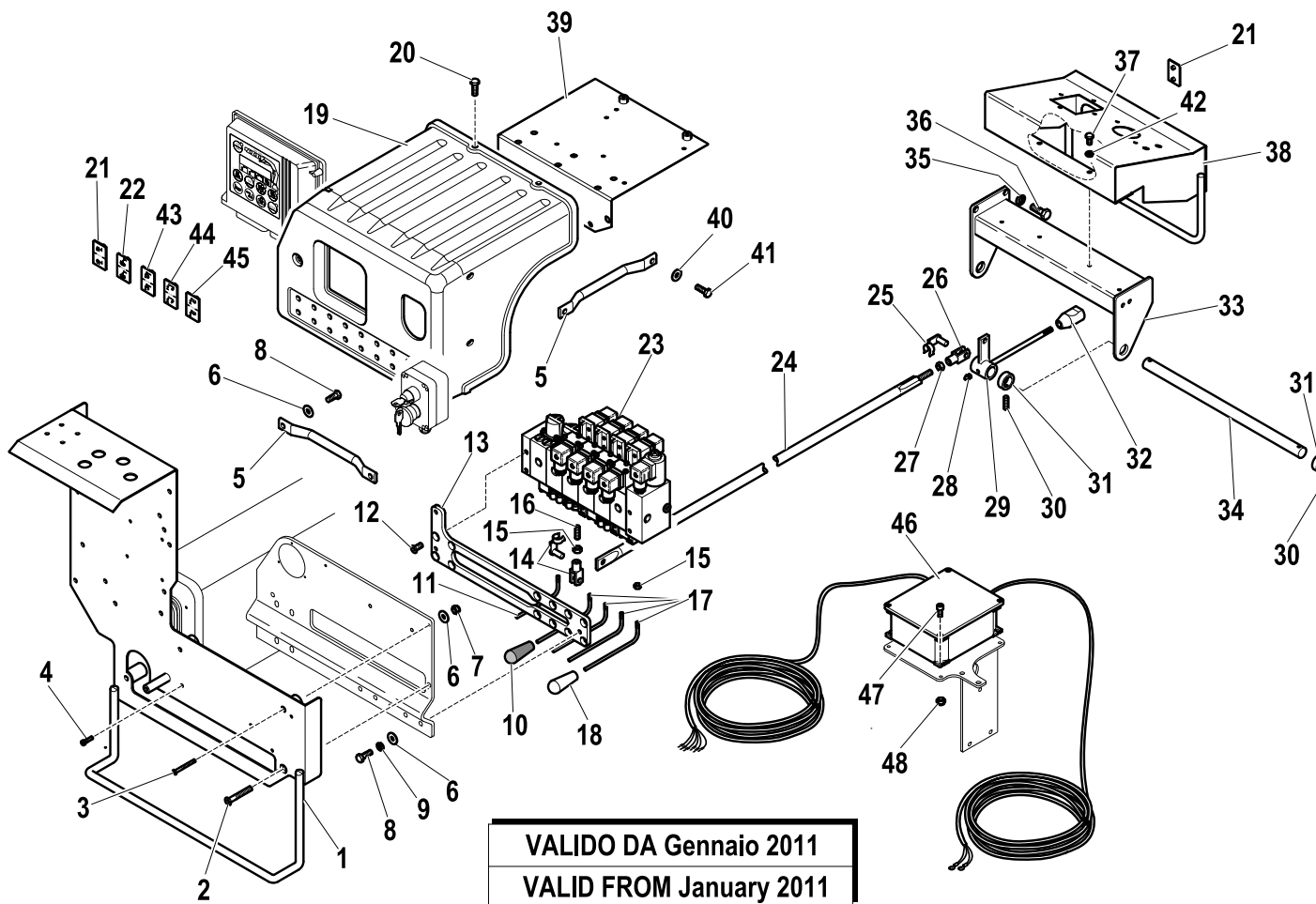
DOUBLE CONTROLS (EN12999-A3)

Code

5401291-1.0

3/3

R	Pos.	Code Variant	Q.ty	Description
	41	3010015	2	Hex screw [M6X20 8.8 ZC UNI 5739]
	42	3060053	2	Split lock washer [D=6.4 C72 ZC]
	43	W573267	1	Small plate (CONTROL SYMBOLS)
	44	W573269	1	Small plate (CONTROL SYMBOLS)
	45	W573270	1	Small plate (CONTROL SYMBOLS)
	46	3311405	1	
	47	3020028	4	Socket head cap screw [M5X20 8.8 ZC UNI 5931]
	48	3040392	4	Stopnut

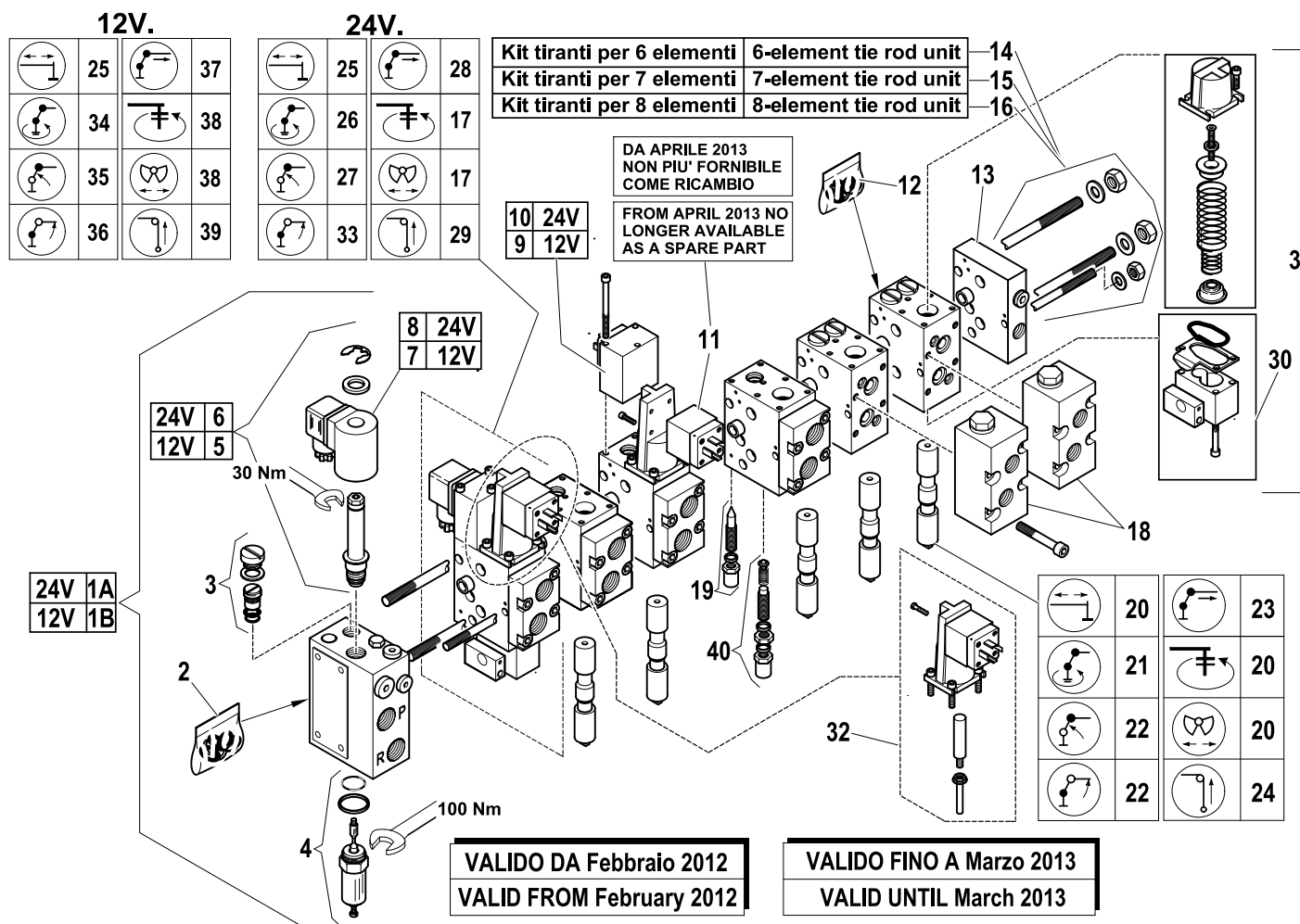


Control valve (6 section)

Code

5220838-1.0

1/3



R	Pos.	Code Variant	Q.ty	Description
	1 A	5225695	1	
	1 B	5225696	1	
	2	5225923	1	
	3	5225609	1	
	4	5225697	1	
	5	5225611	1	
	6	5225612	1	
	7	5225613	1	
	8	5225614	1	
	9	5225615	1	
	10	5225616	1	
	11	5225617	1	
	12	5225618	1	
	13	5225619	1	
	14	5225620	1	
	15	5225621	1	
	16	5225605	1	
	17	5225911	2	
	18	5225622	2	
	19	5225623	1	

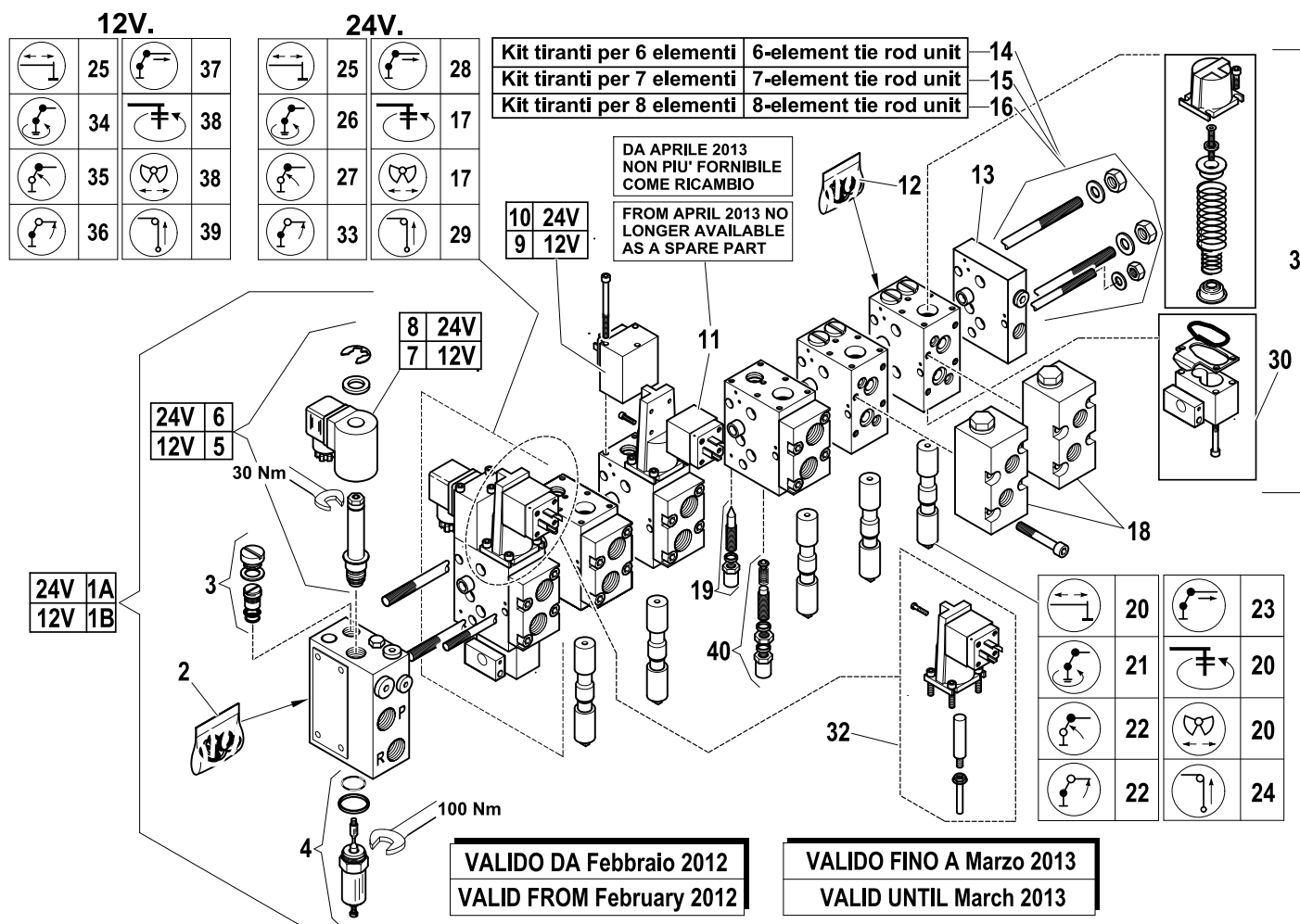
Control valve (6 section)

Code

5220838-1.0

2/3

R	Pos.	Code Variant	Q.ty	Description
	20	5225624	3	
	21	5225625	1	
	22	5225626	2	
	23	5225627	1	
	24	5225628	1	
	25	5225629	2	
	26	5225907	1	
	27	5225908	1	
	28	5225910	1	
	29	5225912	1	
	30	5225672	2	
	31	5225671	2	
	32	5225073	1	
	33	5225909	1	
	34	5225913	1	
	35	5225914	1	
	36	5225915	1	
	37	5225916	1	
	38	5225917	2	
	39	5225918	1	



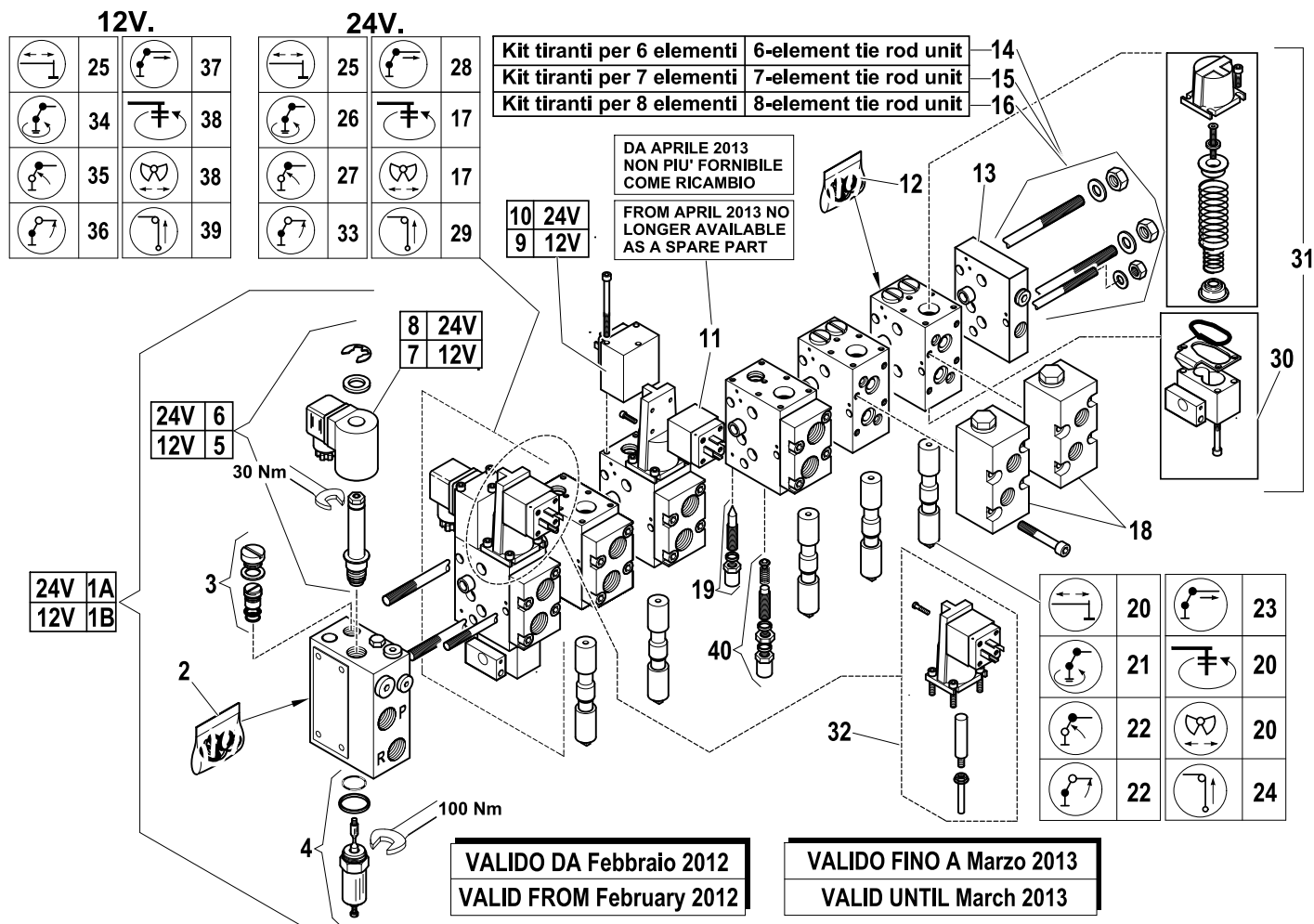
Control valve (6 section)

Code

5220838-1.0

3/3

R	Pos.	Code Variant	Q.ty	Description
	40	5225610	1	

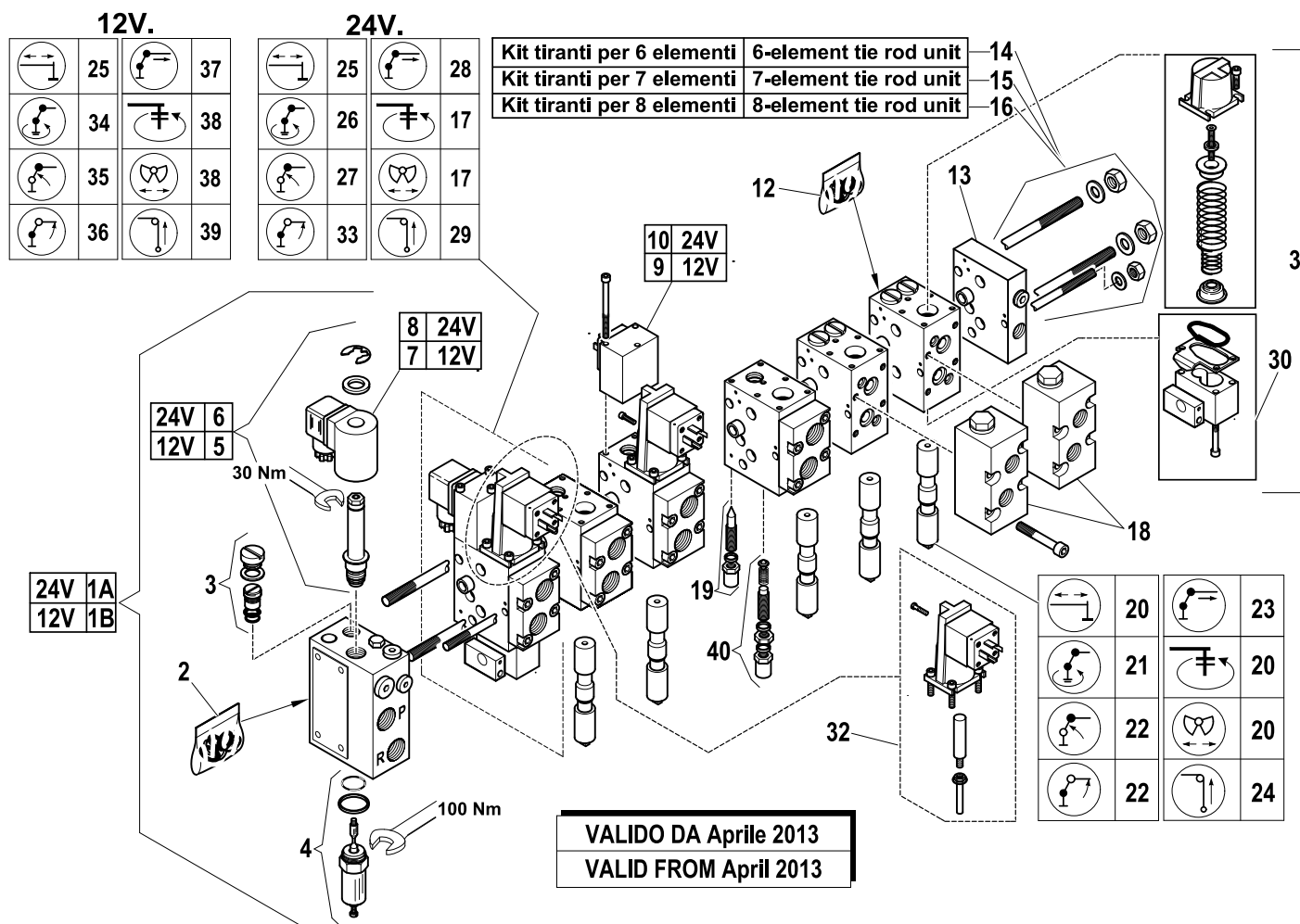


Control valve (6 section)

Code

5220838-2.0

1/2



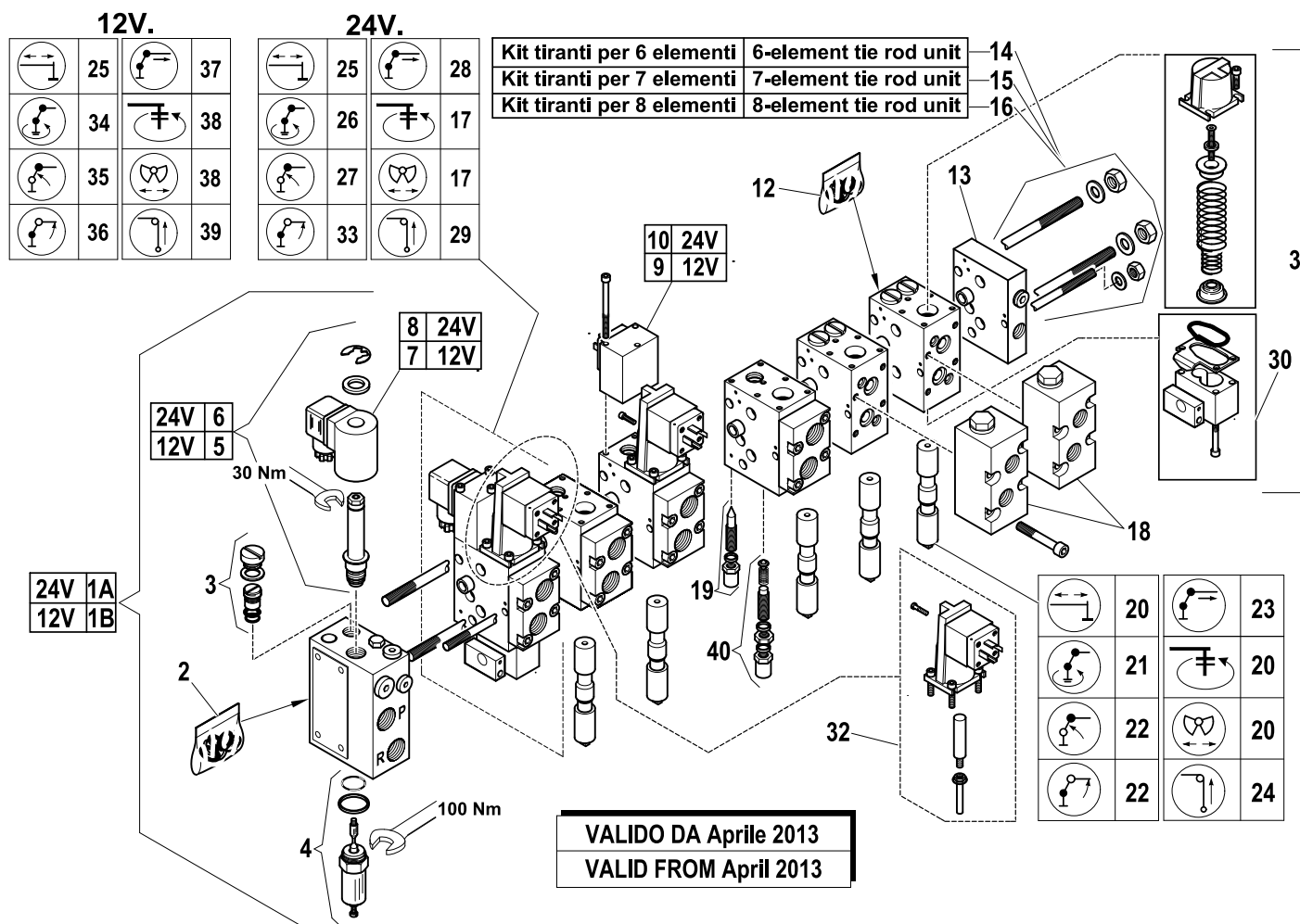
R	Pos.	Code Variant	Q.ty	Description
	1 A	5225695	1	
	1 B	5225696	1	
	2	5225923	1	
	3	5225609	1	
	4	5225697	1	
	5	5225611	1	
	6	5225612	1	
	7	5225613	1	
	8	5225614	1	
	9	5225615	1	
	10	5225616	1	
	12	5225618	1	
	13	5225619	1	
	14	5225620	1	
	15	5225621	1	
	16	5225605	1	
	17	5225911	2	
	18	5225622	2	
	19	5225623	1	
	20	5225624	3	

Control valve (6 section)

Code

5220838-2.0

2/2



R	Pos.	Code Variant	Q.ty	Description
	21	5225625	1	
	22	5225626	2	
	23	5225627	1	
	24	5225628	1	
	25	5225629	2	
	26	5225907	1	
	27	5225908	1	
	28	5225910	1	
	29	5225912	1	
	30	5225672	2	
	31	5225671	2	
	32	5225073	1	
	33	5225909	1	
	34	5225913	1	
	35	5225914	1	
	36	5225915	1	
	37	5225916	1	
	38	5225917	2	
	39	5225918	1	
	40	5225610	1	

ROTATION CONTROL (EN12999-A3)

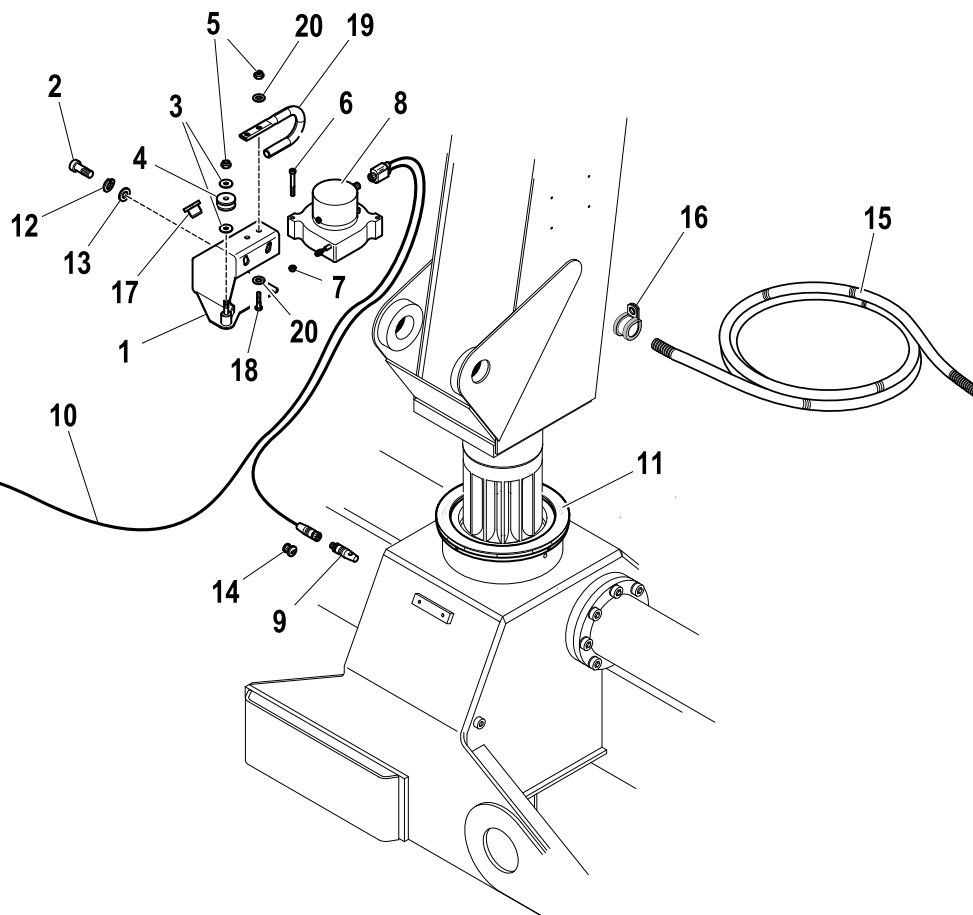
Code

5411205-4.0

1/1

VALIDO DA Gennaio 2011
VALID FROM January 2011

VALIDO FINO A Settembre 2011
VALID UNTIL September 2011



BASAMENTO LATO DISTRIBUTORE
BASE SIDE CONTROL VALVE

R	Pos.	Code Variant	Q.ty	Description
	1	5091301	1	
	2	3020080	2	Socket head cap screw [M10X16 12.9 ZC UNI 5931]
	3	3060030	2	Flat washer [D.6.6X18 UNI 6593 ZC]
	4	5141080	1	
	5	3040372	3	Stopnut
	6	3020019	3	Socket head cap screw [M4X40 8.8 ZC UNI 5931]
	7	3040518	3	Stopnut
	8	3311313	1	
	9	3311327	1	Connector (Electric)
	10	3311325	1	
	11	5141083	1	
	12	3060056	2	Split lock washer [D=10 C72 ZC]
	13	3060914	2	Flat washer [D.10.5X21X2 UNI 6592 ZC]
	14	3311326	1	
	15	3190295	mt2.5	
	16	3190036	1	
	17	3190301	2	
	18	3010022	2	Hex screw [M6X25 8.8 ZC UNI 5739]
	19	5002124	1	
	20	3060005	4	Flat washer [D.6.4 UNI 6592 ZC]

ROTATION CONTROL (EN12999-A3)

Code

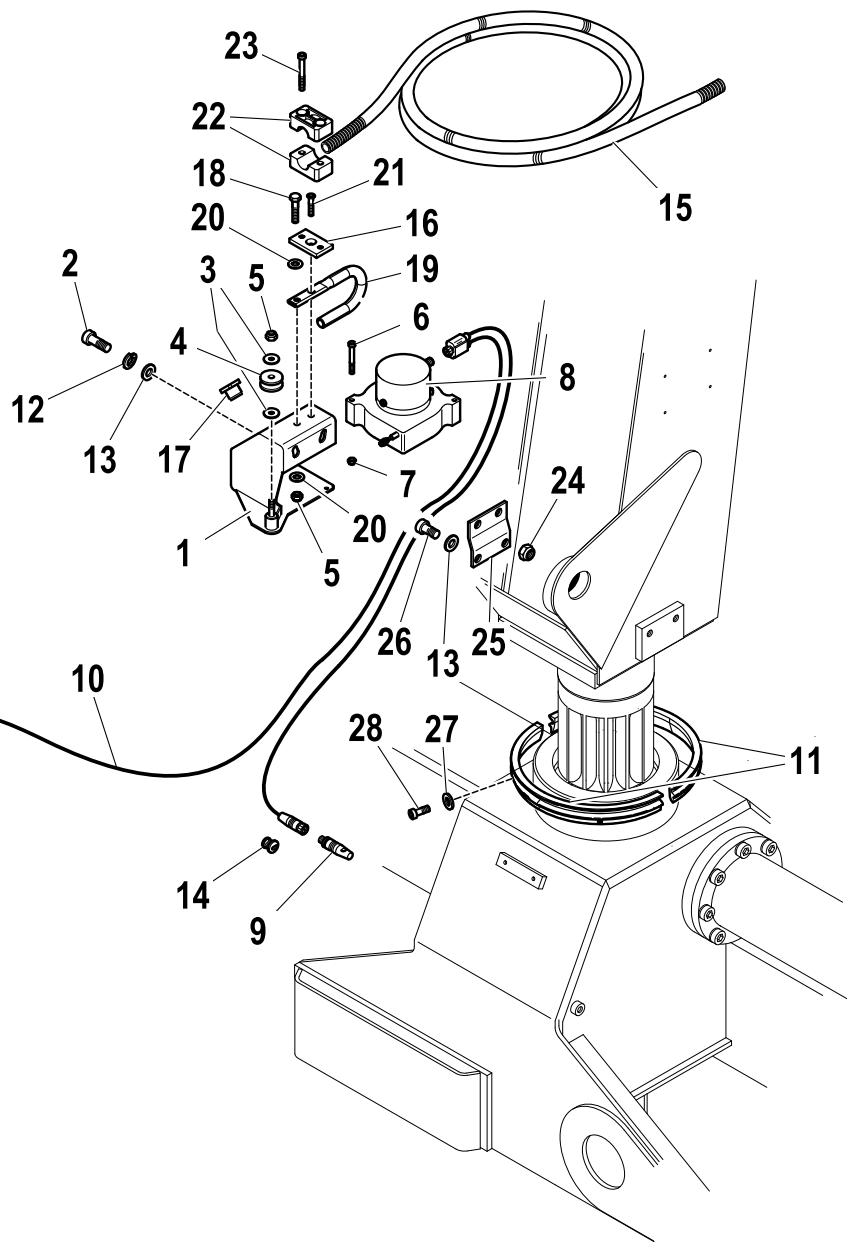
5411205-4.1

1/2

R	Pos.	Code Variant	Q.ty	Description
	1	5091301	1	
	2	3020080	2	Socket head cap screw [M10X16 12.9 ZC UNI 5931]
	3	3060030	2	Flat washer [D.6.6X18 UNI 6593 ZC]
	4	5141080	1	
	5	3040372	3	Stopnut
	6	3020019	3	Socket head cap screw [M4X40 8.8 ZC UNI 5931]
	7	3040518	3	Stopnut
	8	3311313	1	
	9	3311327	1	Connector (Electric)
	10	3311325	1	
	11	5141117	2	
	12	3060056	2	Split lock washer [D=10 C72 ZC]
	13	3060914	4	Flat washer [D.10.5X21X2 UNI 6592 ZC]
	14	3311326	1	
	15	3190295	mt2.5	
	16	5000454	1	
	17	3190301	2	
	18	3010022	1	Hex screw [M6X25 8.8 ZC UNI 5739]
	19	5002124	1	
	20	3060005	3	Flat washer [D.6.4 UNI 6592 ZC]

VALIDO DA Ottobre 2011

VALID FROM October 2011



**BASAMENTO LATO DISTRIBUTORE
BASE SIDE CONTROL VALVE**

ROTATION CONTROL (EN12999-A3)

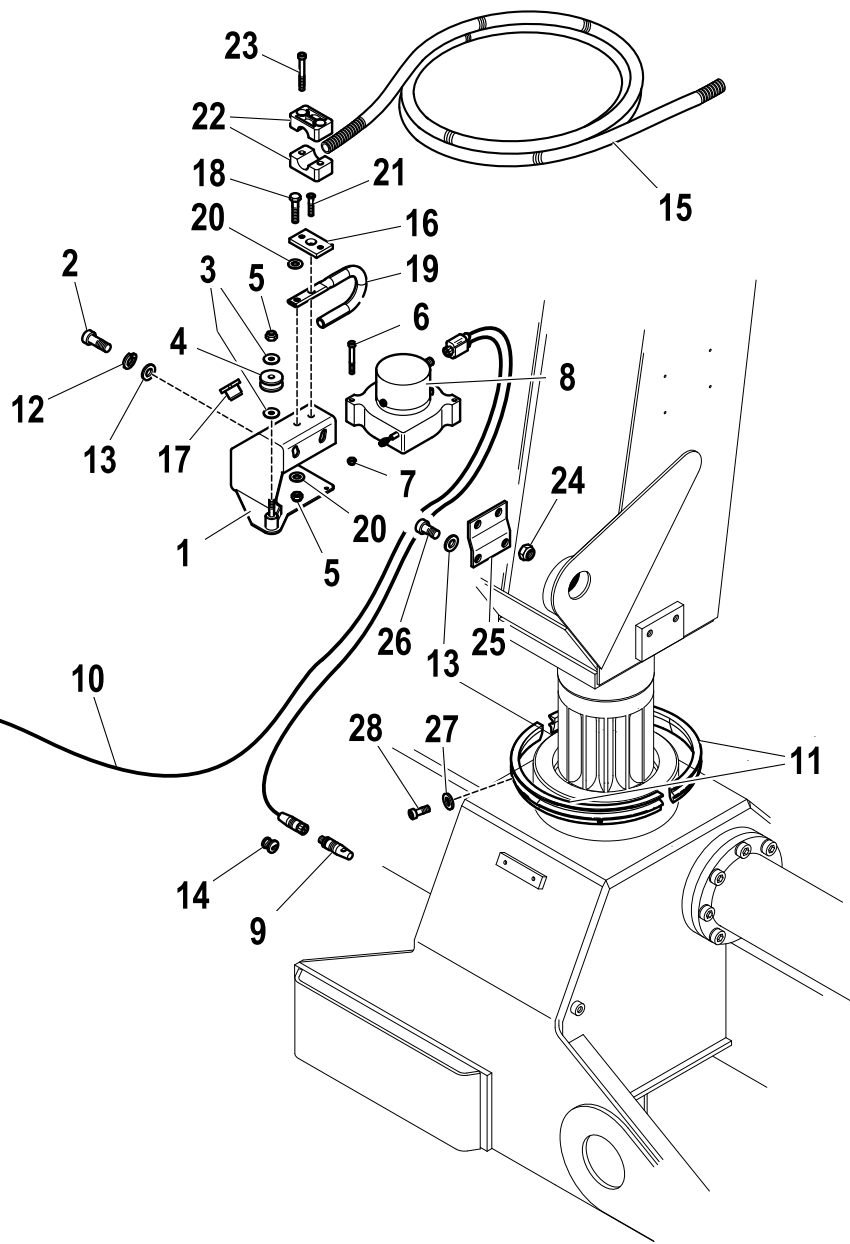
Code

5411205-4.1

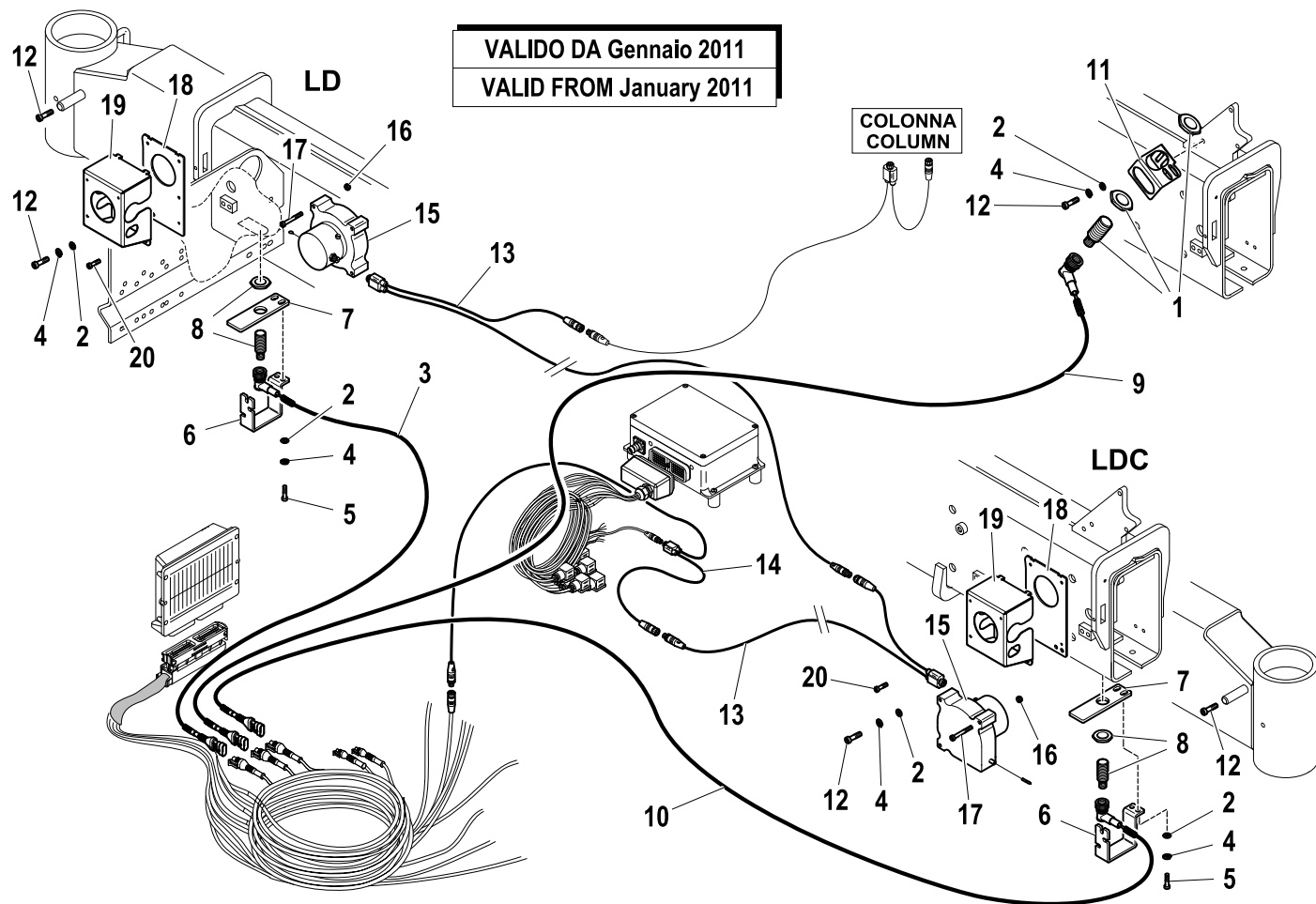
2/2

R	Pos.	Code Variant	Q.ty	Description
	21	3020907	1	TSEI screw [M6X25 10.9 ZC UNI 5933]
	22	3190185	2	
	23	3020039	2	Socket head cap screw [M6X35 8.8 ZC UNI 5931]
	24	3040304	2	Stopnut
	25	5000424	1	
	26	3020072	2	Socket head cap screw [M10X22 8.8 ZC UNI 5931]
	27	3060004	4	Flat washer [D.5 UNI 6592 ZC]
	28	3020021	4	Socket head cap screw [M5X12X0.8 8.8 ZC UNI 5931]

VALIDO DA Ottobre 2011
VALID FROM October 2011



BASAMENTO LATO DISTRIBUTORE
BASE SIDE CONTROL VALVE



VALIDO DA Gennaio 2011
VALID FROM January 2011

R	Pos.	Code Variant	Q.ty	Description
1		3311312	1	Proximity switch
2		3060030	10	Flat washer [D.6.6X18 UNI 6593 ZC]
3		3311332	1	
4		3060053	10	Split lock washer [D=6.4 C72 ZC]
5		3020035	4	Socketed head cap screw [M6X20 8.8 ZC UNI 5931]
6		5002026	2	Guard (Proximity switch)
7		5002057	2	
8		3311311	2	Proximity switch
9		3311372	1	Electric wiring
10		3311377	1	
11		5002051	1	Support (Proximity switch)
12		3020034	8	Socketed head cap screw [M6X16 8.8 ZC UNI 5931]
13		3311325	2	
14		3311398	1	
15		3311313	2	
16		3040518	6	Stopnut
17		3020019	6	Socketed head cap screw [M4X40 8.8 ZC UNI 5931]
18		5002061	2	
19		5002062	2	
20		3020319	4	Socketed head cap screw [M4X16 8.8 ZC UNI 5931]

ROTATION CONTROL (EN12999-A3)

Code

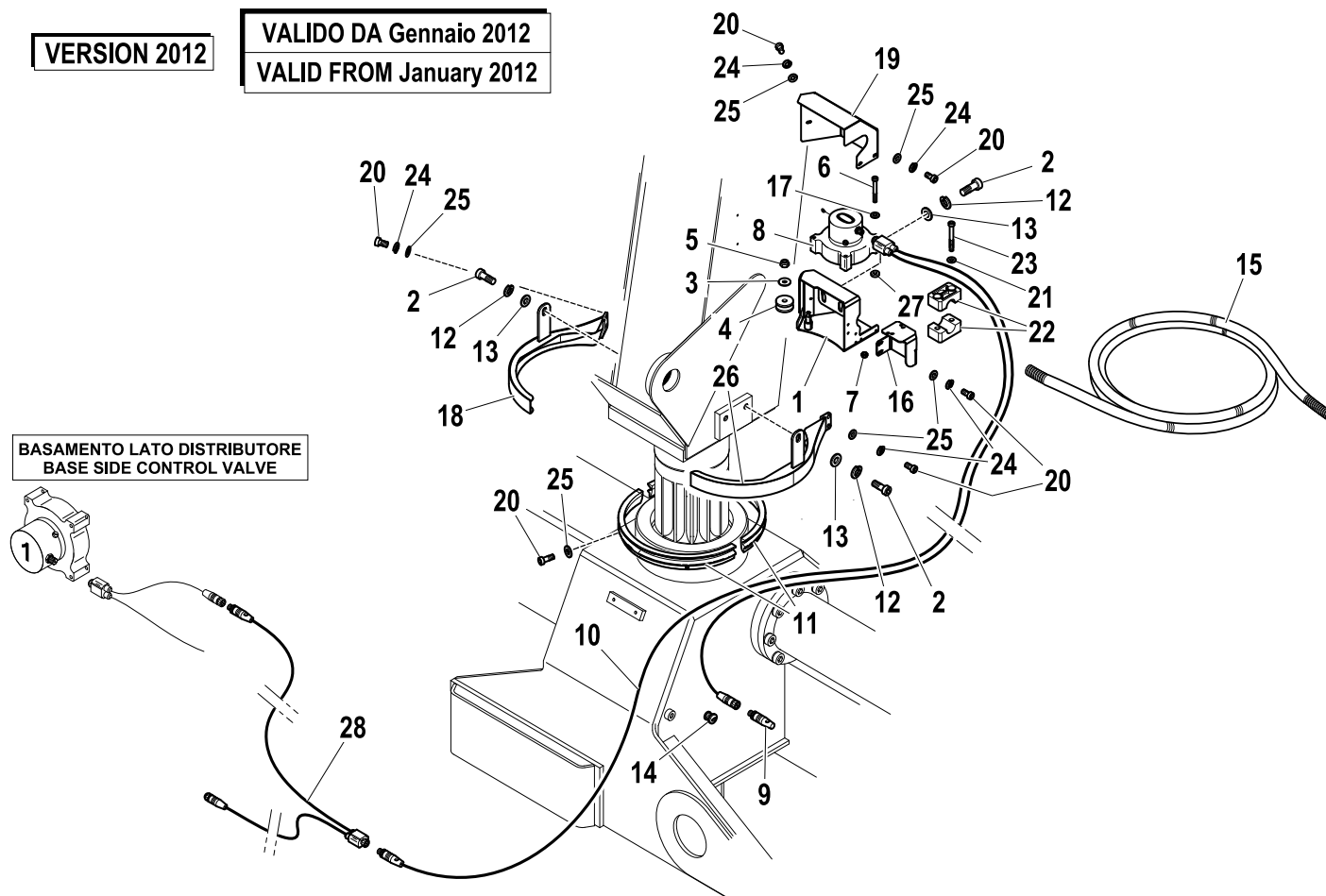
5411367-3.0

1/2

VERSION 2012

VALIDO DA Gennaio 2012

VALID FROM January 2012



BASAMENTO LATO DISTRIBUTORE
BASE SIDE CONTROL VALVE

R	Pos.	Code Variant	Q.ty	Description
	1	5091398	1	
	2	3020080	4	Socket head cap screw [M10X16 12.9 ZC UNI 5931]
	3	3060030	1	Flat washer [D.6.6X18 UNI 6593 ZC]
	4	5141135	1	
	5	3040372	1	Stopnut
	6	3020019	2	Socket head cap screw [M4X40 8.8 ZC UNI 5931]
	7	3040518	2	Stopnut
	8	3311313	1	
	9	3311327	1	Connector (Electric)
	10	3311325	1	
	11	5141117	2	
	12	3060056	4	Split lock washer [D=10 C72 ZC]
	13	3060914	4	Flat washer [D.10.5X21X2 UNI 6592 ZC]
	14	3311326	1	
	15	3190295	mt2.5	
	16	5002193	1	
	17	3060003	2	Flat washer [D.4 UNI 6592 ZC]
	18	5091396	1	
	19	5002177	1	
	20	3020022	16	Socket head cap screw [M5X10 8.8 ZC UNI 5931]

ROTATION CONTROL (EN12999-A3)

Code

5411367-3.0

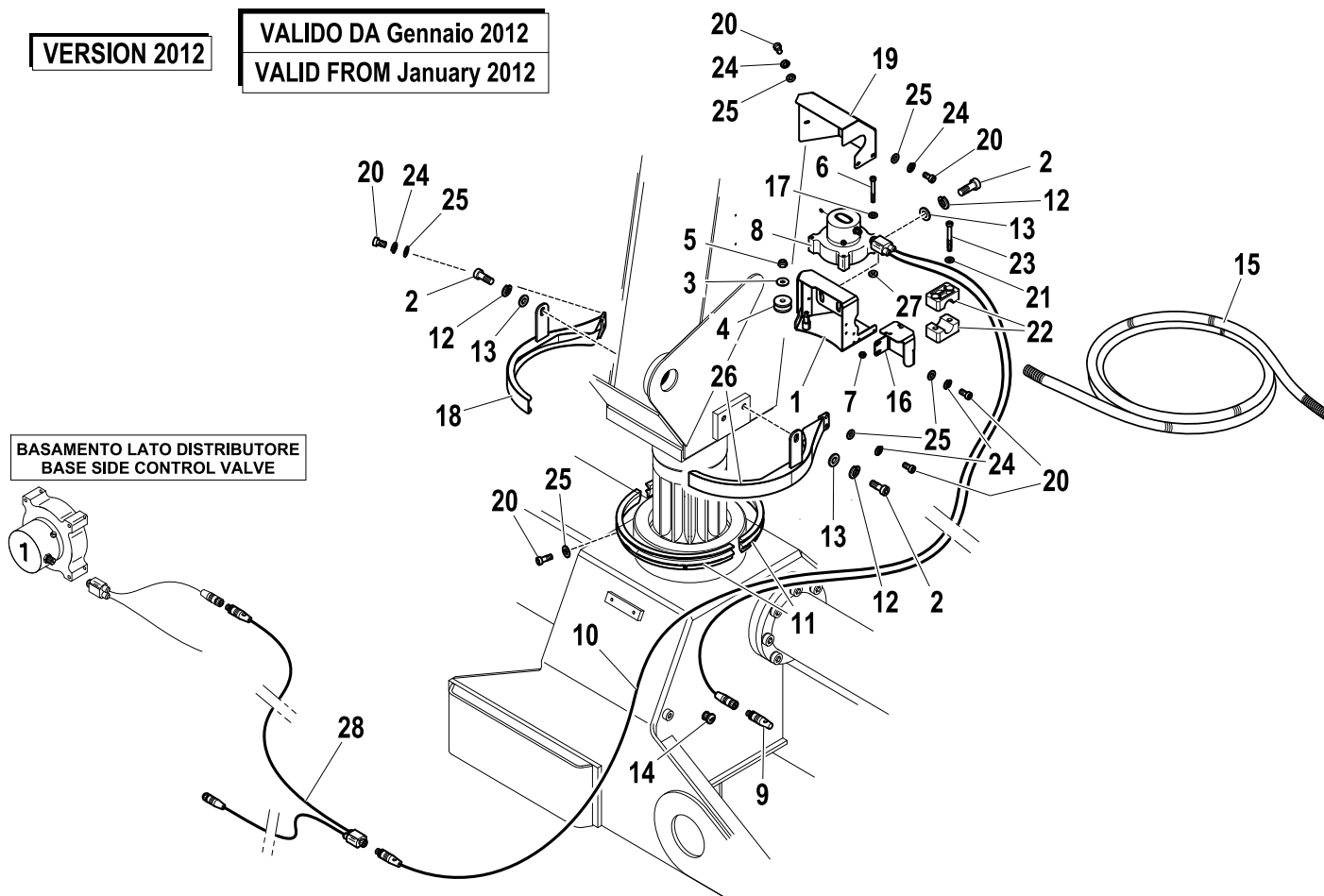
2/2

R	Pos.	Code Variant	Q.ty	Description
	21	3190178	2	
	22	3190185	2	
	23	3020039	2	Socket head cap screw [M6X35 8.8 ZC UNI 5931]
	24	3060052	10	Split lock washer [D=5.5 C72 ZC]
	25	3060004	16	Flat washer [D.5 UNI 6592 ZC]
	26	5091397	1	
	27	3190039	2	Insulator
	28	3311398	1	

VERSION 2012

VALIDO DA Gennaio 2012
VALID FROM January 2012

BASAMENTO LATO DISTRIBUTORE
BASE SIDE CONTROL VALVE

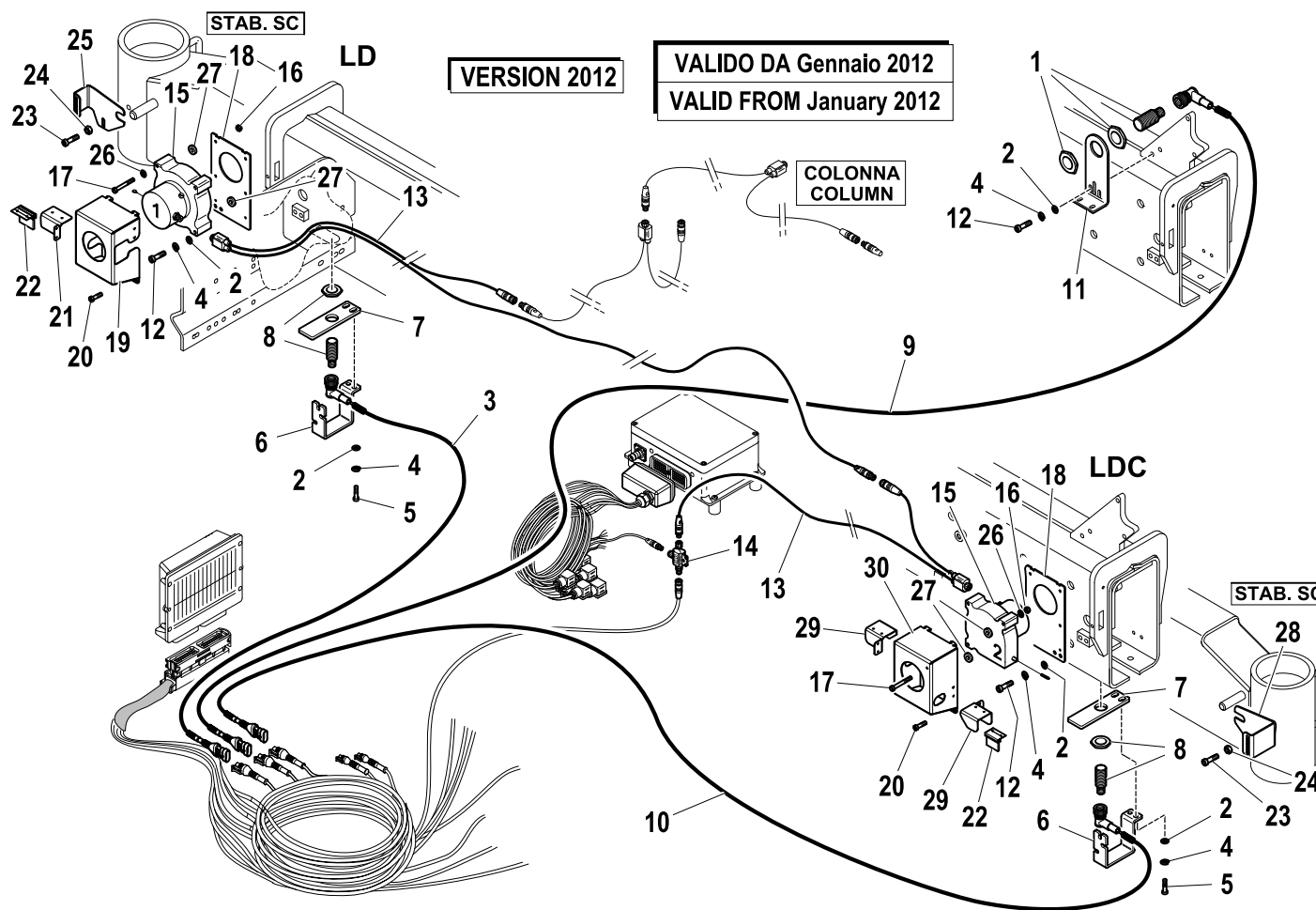


STABILITY CONTROL (EN12999-A3)

Code

5411364-1.0

1/2



R	Pos.	Code Variant	Q.ty	Description
1		3311312	1	Proximity switch
2		3060030	10	Flat washer [D.6.6X18 UNI 6593 ZC]
3		3311332	1	
4		3060053	10	Split lock washer [D=6.4 C72 ZC]
5		3020035	4	Socketed head cap screw [M6X20 8.8 ZC UNI 5931]
6		5002026	2	Guard (Proximity switch)
7		5002057	2	
8		3311311	2	Proximity switch
9		3311372	1	Electric wiring
10		3311377	1	
11		5000453	1	
12		3020034	6	Socketed head cap screw [M6X16 8.8 ZC UNI 5931]
13		3311325	2	
14		3311323	1	
15		3311313	2	
16		3040518	4	Stopnut
17		3020019	4	Socketed head cap screw [M4X40 8.8 ZC UNI 5931]
18		5002182	2	
19		5091393	1	
20		3020895	4	Socketed head cap screw [M4X10 8.8 ZC UNI 5931]

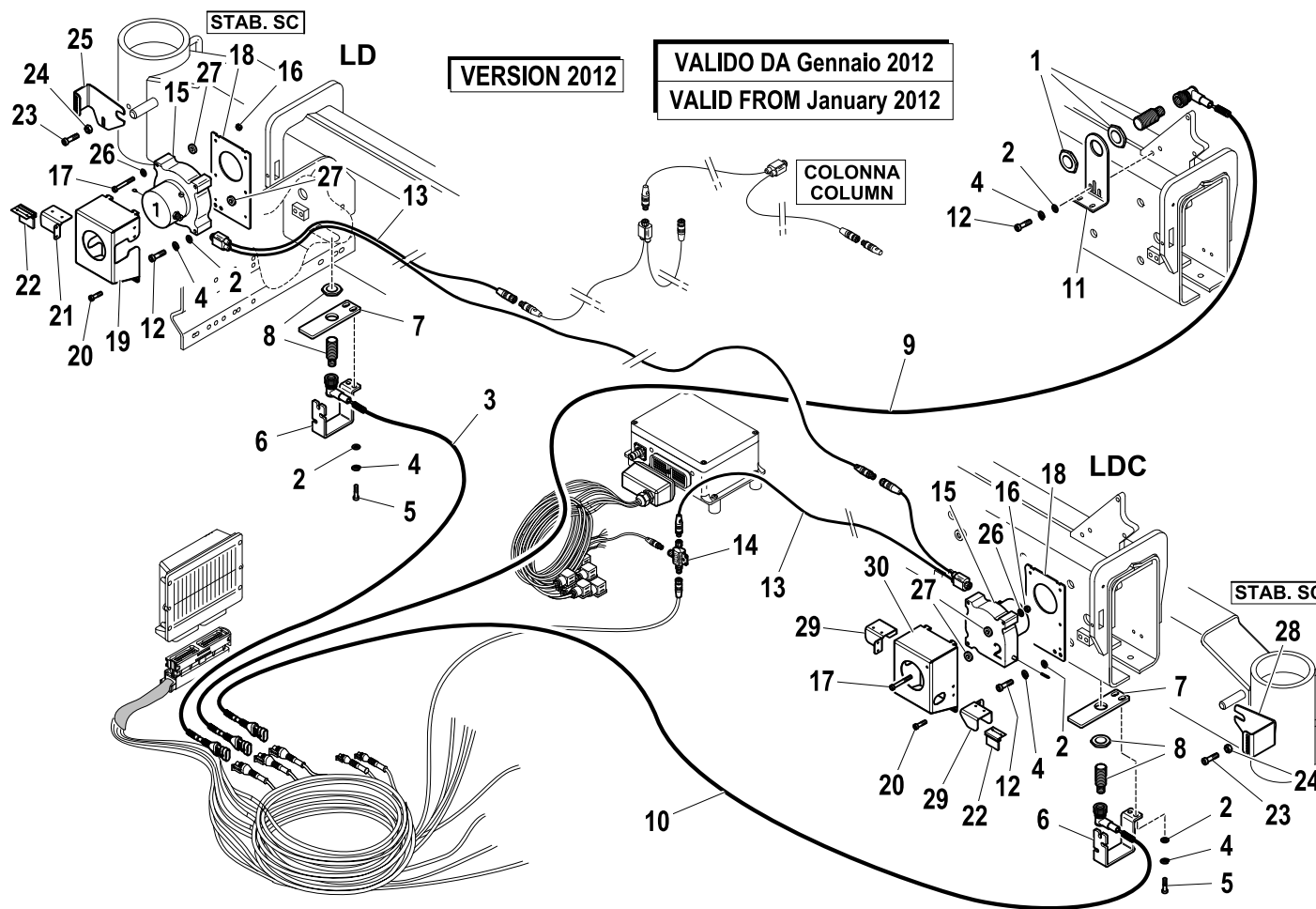
STABILITY CONTROL (EN12999-A3)

Code

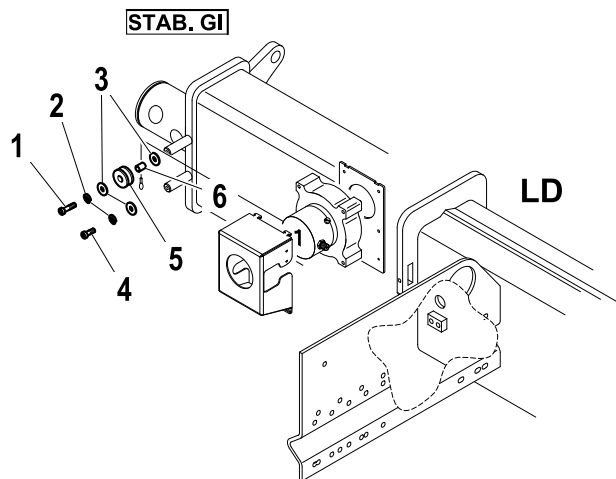
5411364-1.0

2/2

R	Pos.	Code Variant	Q.ty	Description
	21	5002196	1	
	22	5002175	2	
	23	3020875	2	Socked head cap screw [M8X20 ZC UNI 5931]
	24	3040045	2	Nut
	25	5002195	1	
	26	3060003	4	Flat washer [D.4 UNI 6592 ZC]
	27	3190039	4	Insulator
	28	5002194	1	
	29	5002181	2	
	30	5091392	1	

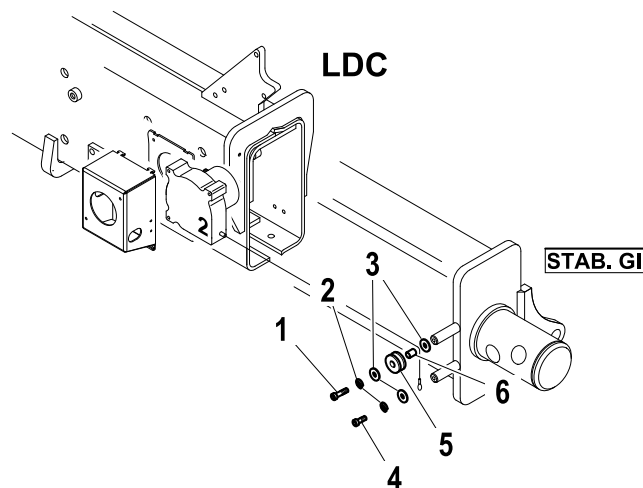


R	Pos.	Code Variant	Q.ty	Description
	1	3020035	2	Socket head cap screw [M6X20 8.8 ZC UNI 5931]
	2	3060053	4	Split lock washer [D=6.4 C72 ZC]
	3	3060030	6	Flat washer [D.6.6X18 UNI 6593 ZC]
	4	3020033	2	Socket head cap screw [M6X10 8.8 ZC UNI 5931]
	5	5141135	2	
	6	2013092	2	



VERSION 2012

**VALIDO DA Gennaio 2012
VALID FROM January 2012**



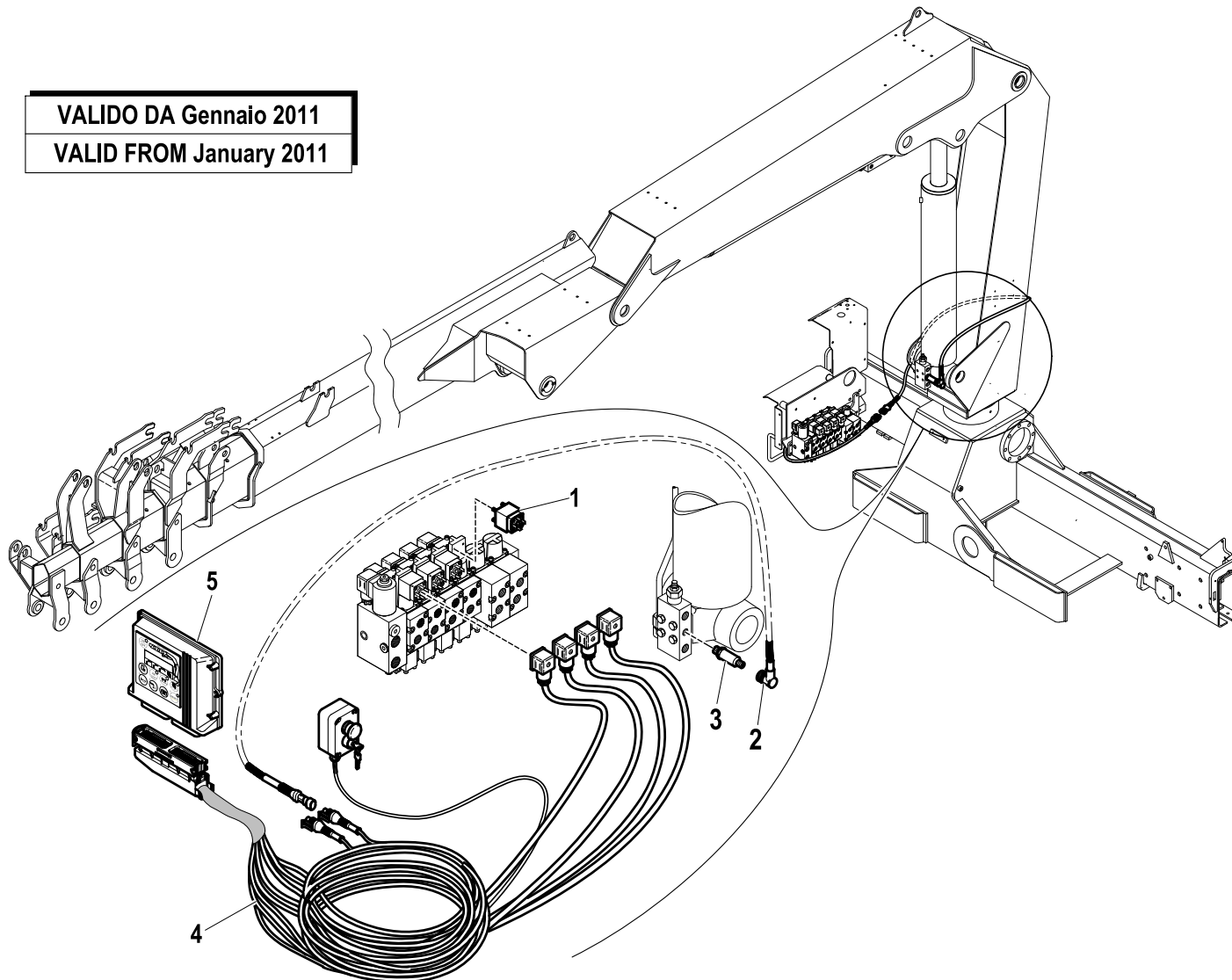
CONTROLS (RDC EBB-X TCU-ECM4)

Code

5401422-1.0

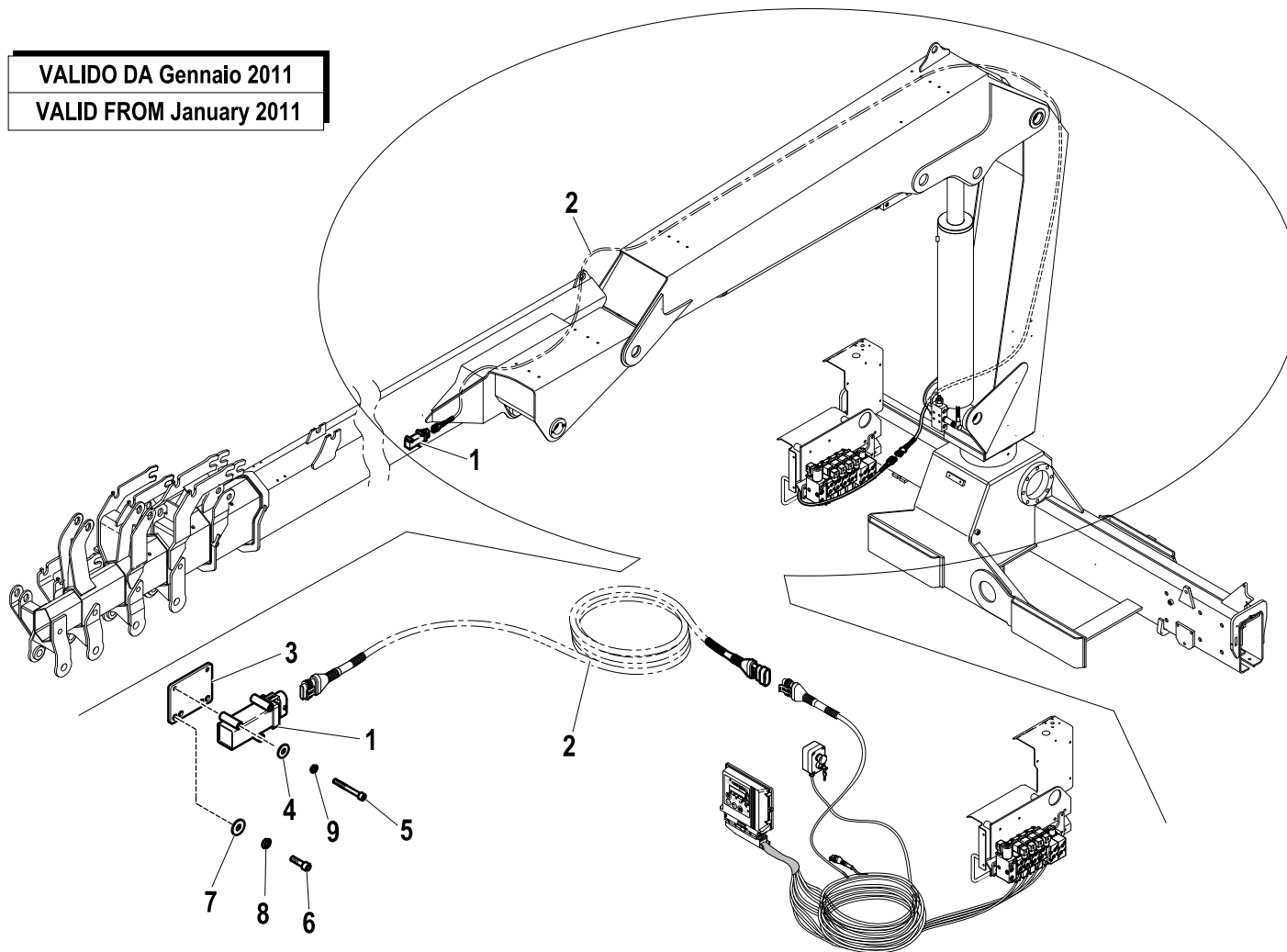
1/1

VALIDO DA Gennaio 2011
VALID FROM January 2011



R	Pos.	Code Variant	Q.ty	Description
	1	5225617	4	
	2	5160084	1	Electric wiring
	3	3310612	1	Pressure sensor
	4	5160073	1	Electric wiring
	5	3311423	1	Moment limiting device [SUPERATO]

VALIDO DA Gennaio 2011
VALID FROM January 2011



R	Pos.	Code Variant	Q.ty	Description
	1	3311150	1	Tiltmeter
	2	5160076	1	
	3	5002108	1	Support plate (Tiltmeter)
	4	3060003	2	Flat washer [D.4 UNI 6592 ZC]
	5	3020018	2	Socketed head cap screw [M4X30 8.8 ZC UNI 5931]
	6	3020033	2	Socketed head cap screw [M6X10 8.8 ZC UNI 5931]
	7	3060005	2	Flat washer [D.6.4 UNI 6592 ZC]
	8	3060053	2	Split lock washer [D=6.4 C72 ZC]
	9	3060065	2	Split lock washer [D=4.1 C72 ZC]

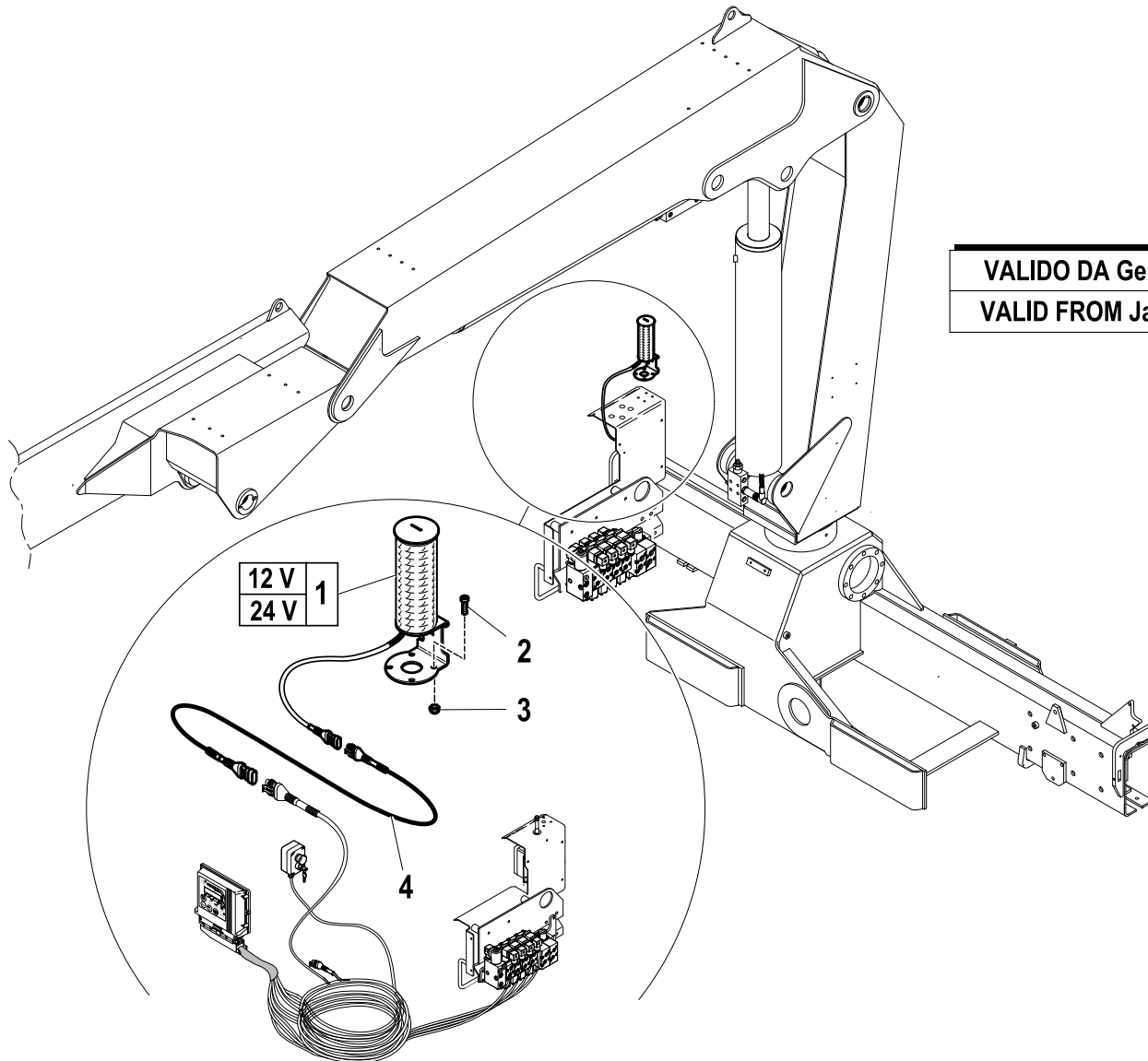
CONTROLS (EN12999-A3)

Code

5401291-4.0

1/1

R	Pos.	Code Variant	Q.ty	Description
	1	3311159	1	Signal Columns
	2	3020023	4	Socketed head cap screw [M5X16 8.8 ZC UNI 5931]
	3	3040392	4	Stopnut
	4	5160003	1	Electric wiring



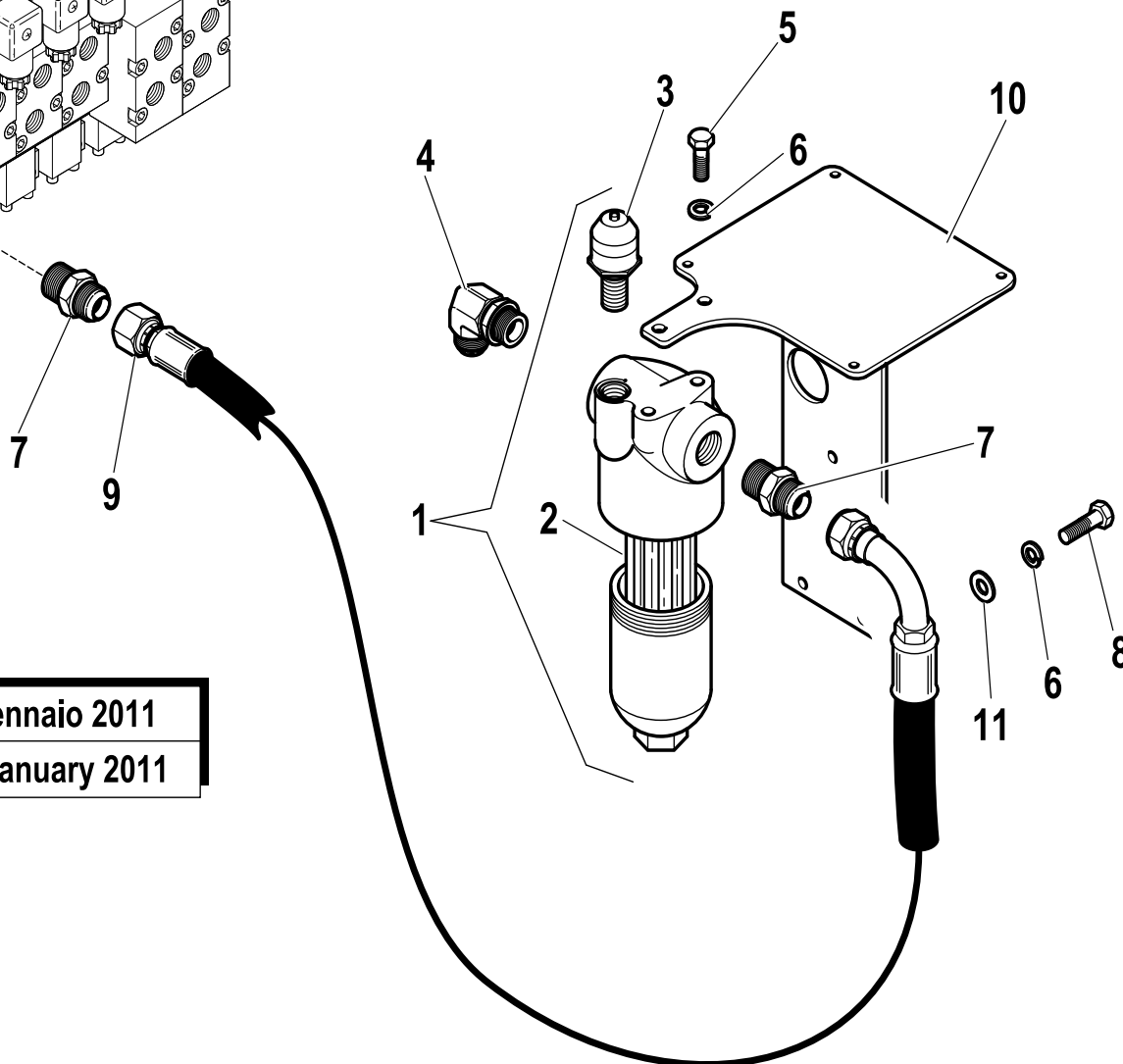
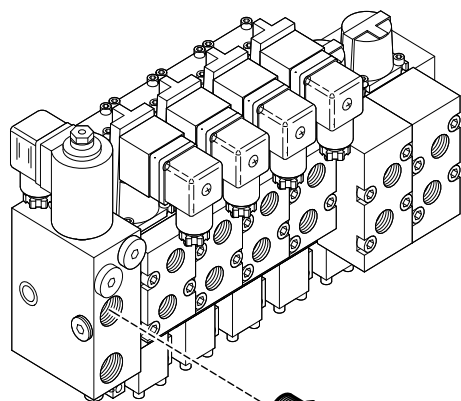
VALIDO DA Gennaio 2011
VALID FROM January 2011

High pressure filter (EN12999-A3)

Code

5401604-1.0

1/1



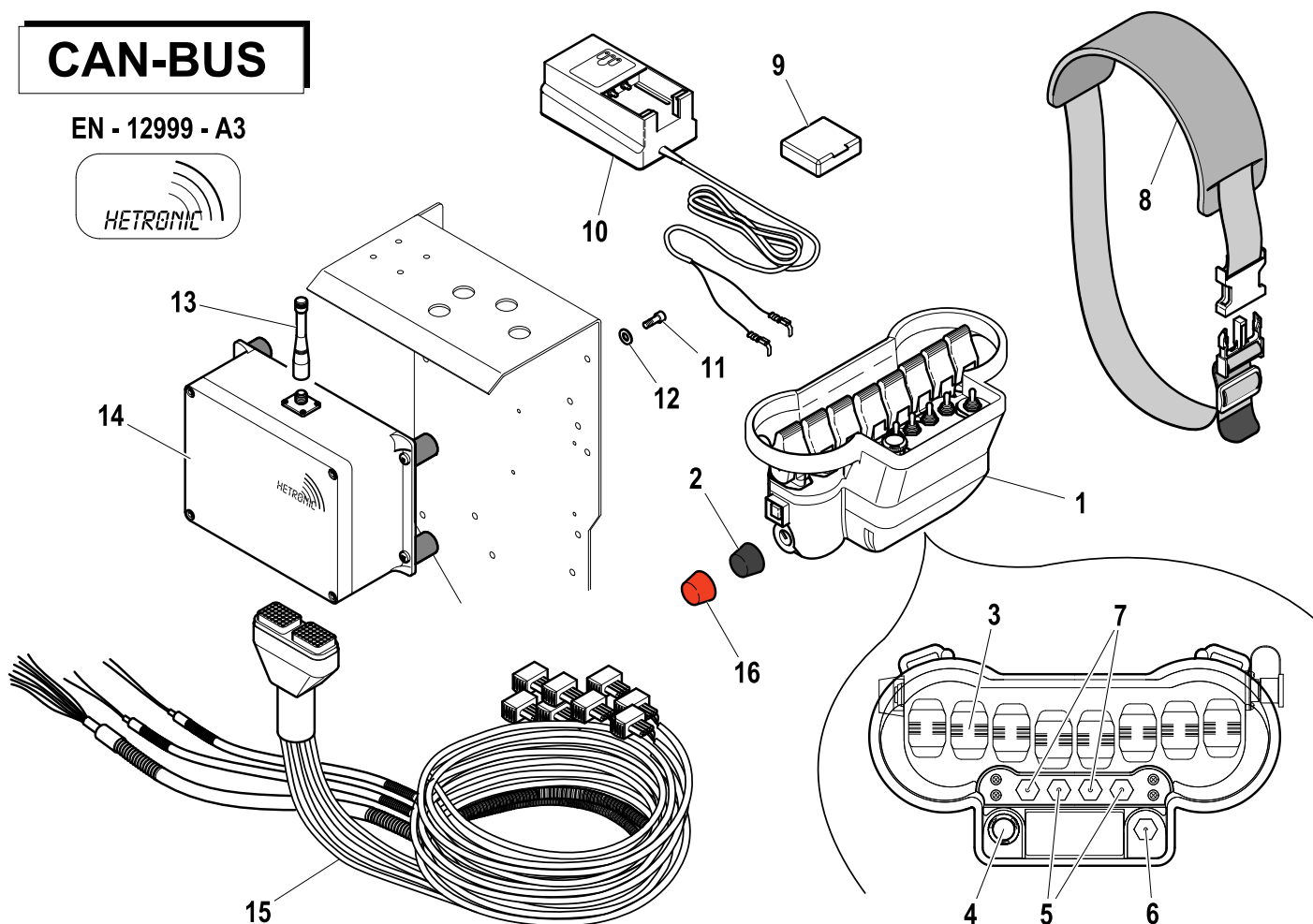
R	Pos.	Code Variant	Q.ty	Description
	1	3180138	1	Oil filter
	2	3180139	1	Filtering cartridge
	3	3180140	1	
	4	3101131	1	90° Connection
	5	3010027	2	Hex screw [M8X20 8.8 ZC IF UNI 5739]
	6	3060055	4	Split lock washer [D=8.4 C72 ZC]
	7	3101051	2	Straight pipe fitting
	8	3010337	2	Hex screw [M8X16 8.8 ZC UNI 5739]
	9	5280709	1	
	10	5090137	1	
	11	3060006	2	Flat washer [D.8 UNI 6592 ZC]

VALIDO DA Gennaio 2011

VALID FROM January 2011

CAN-BUS

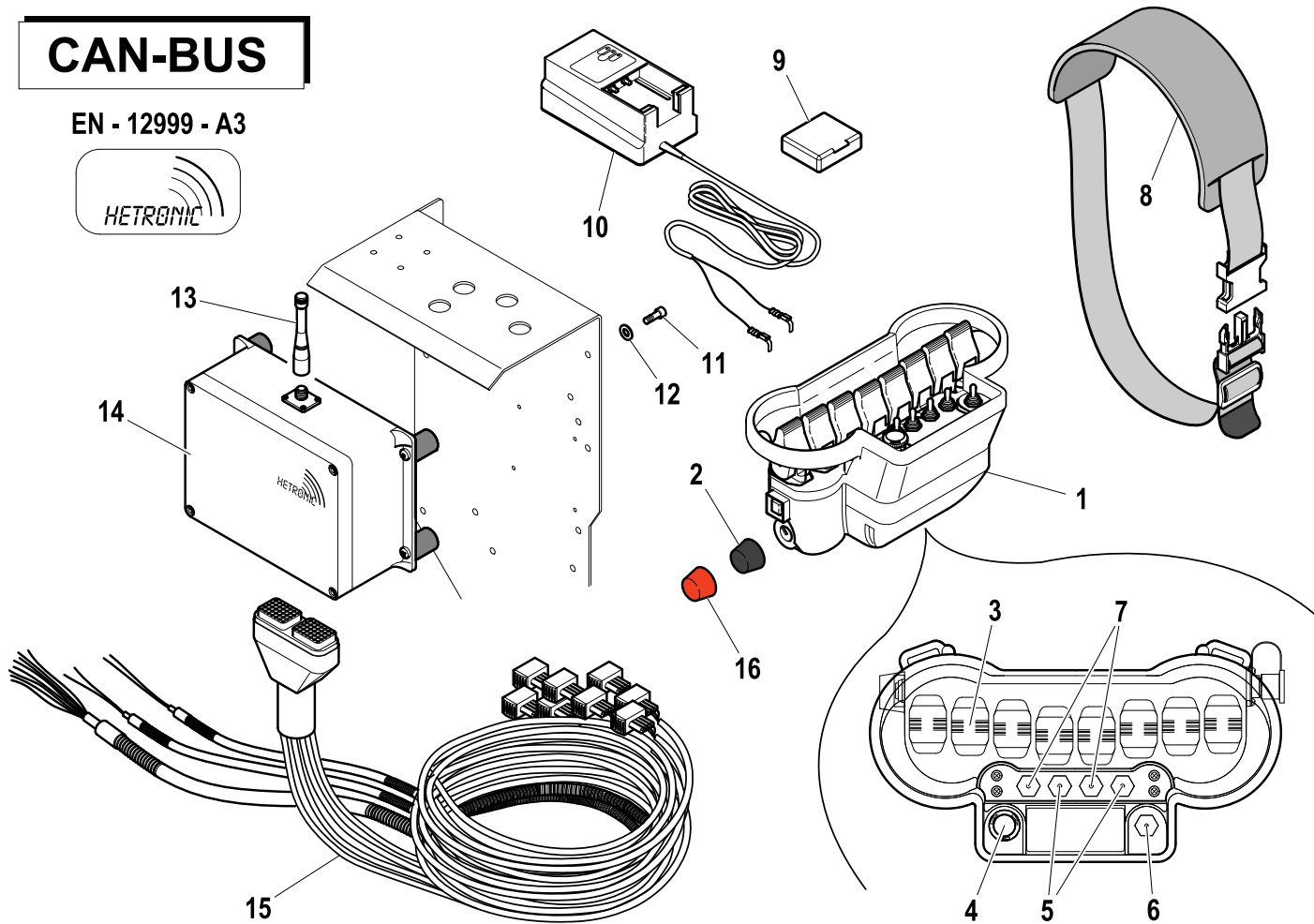
EN - 12999 - A3



R	Pos.	Code Variant	Q.ty	Description
	1	3311442	1	Transmitter
	2	3310795	1	
	3	3310796	8	
	4	3310788	1	
	5	3310786	2	
	6	3310785	1	
	7	3310787	2	
	8	3311031	1	
	9	3310641	2	
	10	3310797	1	
	11	3020034	4	Socket head cap screw [M6X16 8.8 ZC UNI 5931]
	12	3060005	4	Flat washer [D.6.4 UNI 6592 ZC]
	13	3310861	1	
	14	3311443	1	Receiving
	15	3311444	1	
	16	3310924	1	

CAN-BUS

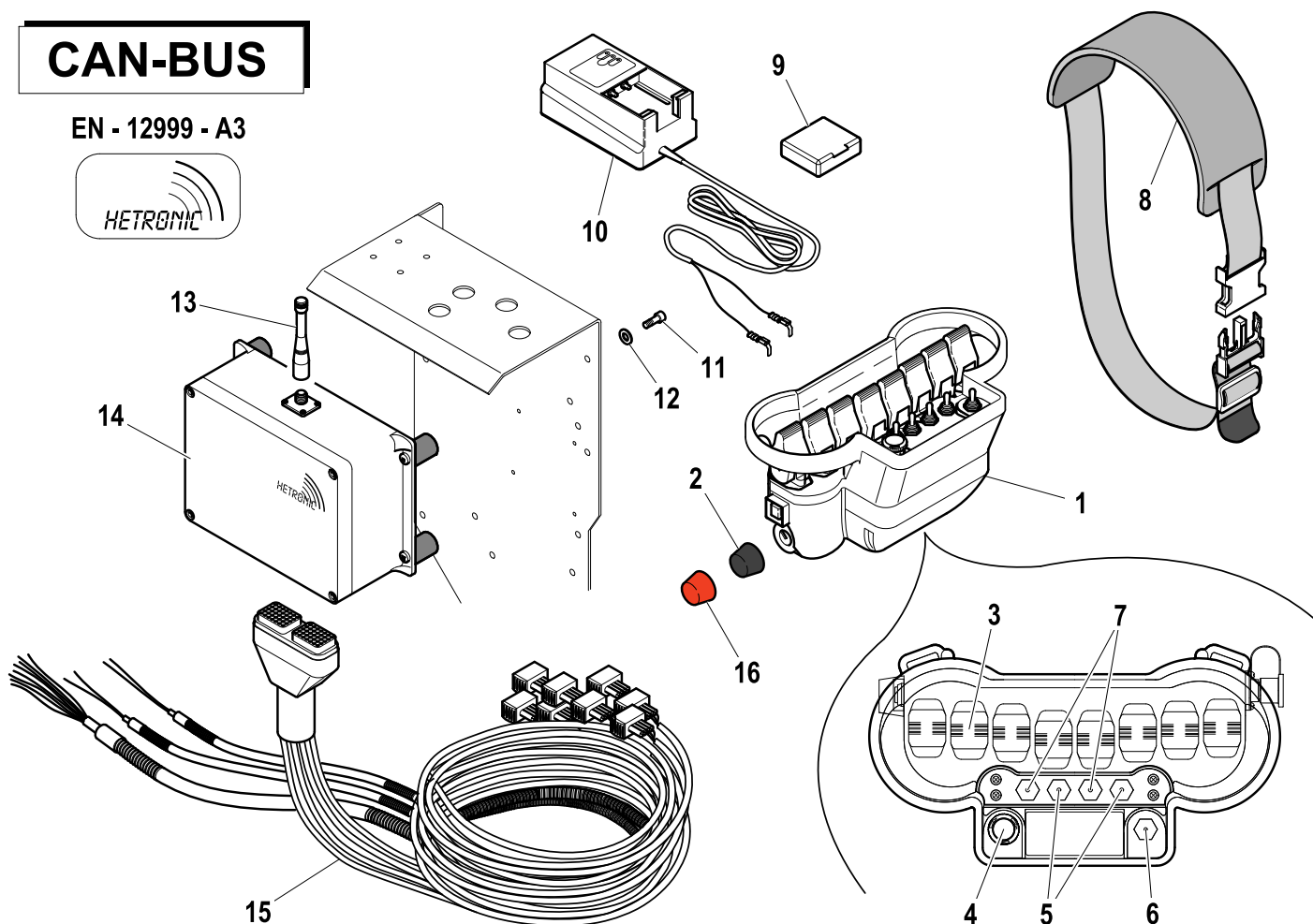
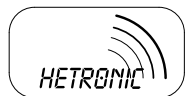
EN - 12999 - A3



R	Pos.	Code Variant	Q.ty	Description
	1	3311431	1	Transmitter
	2	3310795	1	
	3	3310796	8	
	4	3310788	1	
	5	3310786	2	
	6	3310785	1	
	7	3310787	2	
	8	3311031	1	
	9	3310641	2	
	10	3310797	1	
	11	3020034	4	Socket head cap screw [M6X16 8.8 ZC UNI 5931]
	12	3060005	4	Flat washer [D.6.4 UNI 6592 ZC]
	13	3310861	1	
	14	3311521	1	Receiving
	15	3311444	1	
	16	3310924	1	

CAN-BUS

EN - 12999 - A3



R	Pos.	Code Variant	Q.ty	Description
	1	3311430	1	Transmitter
	2	3310795	1	
	3	3310796	8	
	4	3310788	1	
	5	3310786	2	
	6	3310785	1	
	7	3310787	2	
	8	3311031	1	
	9	3310641	2	
	10	3310797	1	
	11	3020034	4	Socket head cap screw [M6X16 8.8 ZC UNI 5931]
	12	3060005	4	Flat washer [D.6.4 UNI 6592 ZC]
	13	3310861	1	
	14	3311519	1	Receiving
	15	3311444	1	
	16	3310924	1	

