

Model  
**HA28**

Logbook code  
**7881798\_H.1**  
Edition  
02/2007



Page	Table code	Q.ty	Table heading		Validity
7	W540151000-1.0	1	Base		
8	W540151000-2.0	1	Base (" BST ")		
9	W054101-1.0	1	Slewing		
11	W540451200-1.0	1	Stabilizers rods (Fixed - Mechanic)		
13	W540451100-1.0	1	Stabilizers rods (Fixed)		
15	W5401019-1.0	1	BASE WITH 1 CROSSBAR (" BPS ")		
16	5405041-2.0	1	Kit CE (STABILITY CONTROL)		
17	5411029-3.0	1	CONTROL DEVICES LOCKING FOR OUTRIGGERS LEGS		
18	5405040-1.0	1	Kit CE (STABILITY CONTROL)		
20	W370450300-1.6	1	STABILISER RAM		
21	W370450300-1.7	1	STABILISER RAM		
22	W540451000-1.0	1	Stabilizers rods (Revolving)		
23	W370450200-1.0	1	HYDRAULIC SYSTEM (STABILISER RAM)		
24	W370450100-1.5	1	Stabilizer Hydraulic jack		
25	W540451000-2.0	1	Stabilizers rods (Revolving)		
26	W370450200-1.1	1	HYDRAULIC SYSTEM (STABILISER RAM)		
27	W370450100-1.6	1	Stabilizer Hydraulic jack		
28	W520554600-1.0	1	Moment limiting device		
29	5405038-1.0	1	Moment limiting device (CE)		
30	W338000-1.0	1	Control valve		

Page	Table code	Q.ty	Table heading		Validity
31	W338035-1.0	1	Control valve (CE)		
32	W520552300-1.0	1	Motor pump (Electrical equipment)		
33	W520555300-1.0	1	Motor pump (Electrical equipment)		
34	W530551000-1.1	1	Hydraulic oil tank		
35	W530551000-2.1	1	Hydraulic oil tank		
36	W530551000-1.0	1	Hydraulic oil tank (CE)		
37	W530551000-2.0	1	Hydraulic oil tank (CE)		
38	W350017-1.0	1	Oil filter		
39	W444204-1.0	1	Set of hoses		
40	W054201-1.2	1	Column		
41	W540250200-1.0	1	LIFTING HYDRAULIC CYLINDER (Hydraulic system)		
42	W540250100-1.0	1	LIFTING HYDRAULIC CYLINDER		
43	W054202-1.1	1	1ST BOOM		
44	W054203-1.0	1	1st EXTENSION		
45	W540250600-1.0	1	Extension jacks (Assembly)		
46	W540250300-1.1	1	1st EXSTENSION HYDRAULIC		
47	W540251500-1.2	1	2nd extension		
48	W540250400-1.2	1	2nd EXTENSION HYDRAULIC JACK		
49	W540251100-1.0	1	3rd extension		
51	W540250500-1.0	1	3rd extension Hydraulic jack		

Page	Table code	Q.ty	Table heading		Validity
52	W540551400-1.1	1	1st ACTIVATION FOR A3		
54	W530551100-1.1	1	1st ACTIVATION FOR A2		
56	W540251200-1.0	1	Manual extension		
57	W540251300-1.0	1	Manual extension		
58	W540251400-1.1	1	Manual extension		
59	7881824-1.0	1	LOAD INDICATION SYSTEM (LIS/RLC)		
60	W054003-1.0	1	Completion parts		
61	W054003-2.0	1	Completion parts		
63	<b>HA28 X</b>				
64	5400483-1.0	1	CONTROLS		
66	5402246-1.0	1	Control unit (RDC / NOCE)		
68	5220416-1.0	1	Control valve (4 section)		
70	5400814-1.0	1	High pressure filter		
71	7892099-2.0	1	Complete wireless control (not CE)		
73	7892500-1.0	1	Complete wireless control (PTO)		
75	5400482-1.0	1	ELECTRICS CONTROLS		
76	5402259-1.0	1	ELECTRICS CONTROLS (ETR)		
77	7920056-1.0	1	HYDRAULIC SYSTEM GAUGE		
78	5405017-2.0	1	Moment limiting device		
79	3310183-1.0	1	Kit (Wireless control)		

Page	Table code	Q.ty	Table heading		Validity
81	7892500-4.0	1	Complete wireless control (ETR)		
83	5405017-1.0	1	Auxiliary wiring		
84	3310822-1.0	1	Light column		
85	5405017-3.0	1	Auxiliary wiring (Limiting device)		
86	7881784-1.0	1	LOAD INDICATION SYSTEM		
87	7834068-1.0	1	WINCH KIT		
88	7834068-2.0	1	ACTUATION FOR WINCH		
89	7834068-3.0	1	WINCH KIT (Electrical equipment)		
91	<b>HA28 X EN12999-A3</b>				
92	5401470-1.0	1	Control unit (RDC)		
94	5402252-1.0	1	Control unit (RDC / CE)		
96	5220416-2.0	1	Control valve (4 section)		
98	5405050-1.0	1	Kit CE (STABILITY CONTROL)		
100	5405050-7.0	1	STABILITY CONTROL (EN12999-A3)		
101	5405046-1.0	1	Moment limiting device (CE)		
103	5405046-3.0	1	Moment limiting device (CE)		
104	7892099-3.0	1	Kit (Wireless control)		
106	7892500-2.0	1	Complete wireless control (PTO)		
108	5401528-1.0	1	ELECTRICS CONTROLS (EN12999-A3)		
110	5402262-1.0	1	ELECTRICS CONTROLS (EN12999-A3)		



## Table index

Logbook code

**7881798\_H.1**

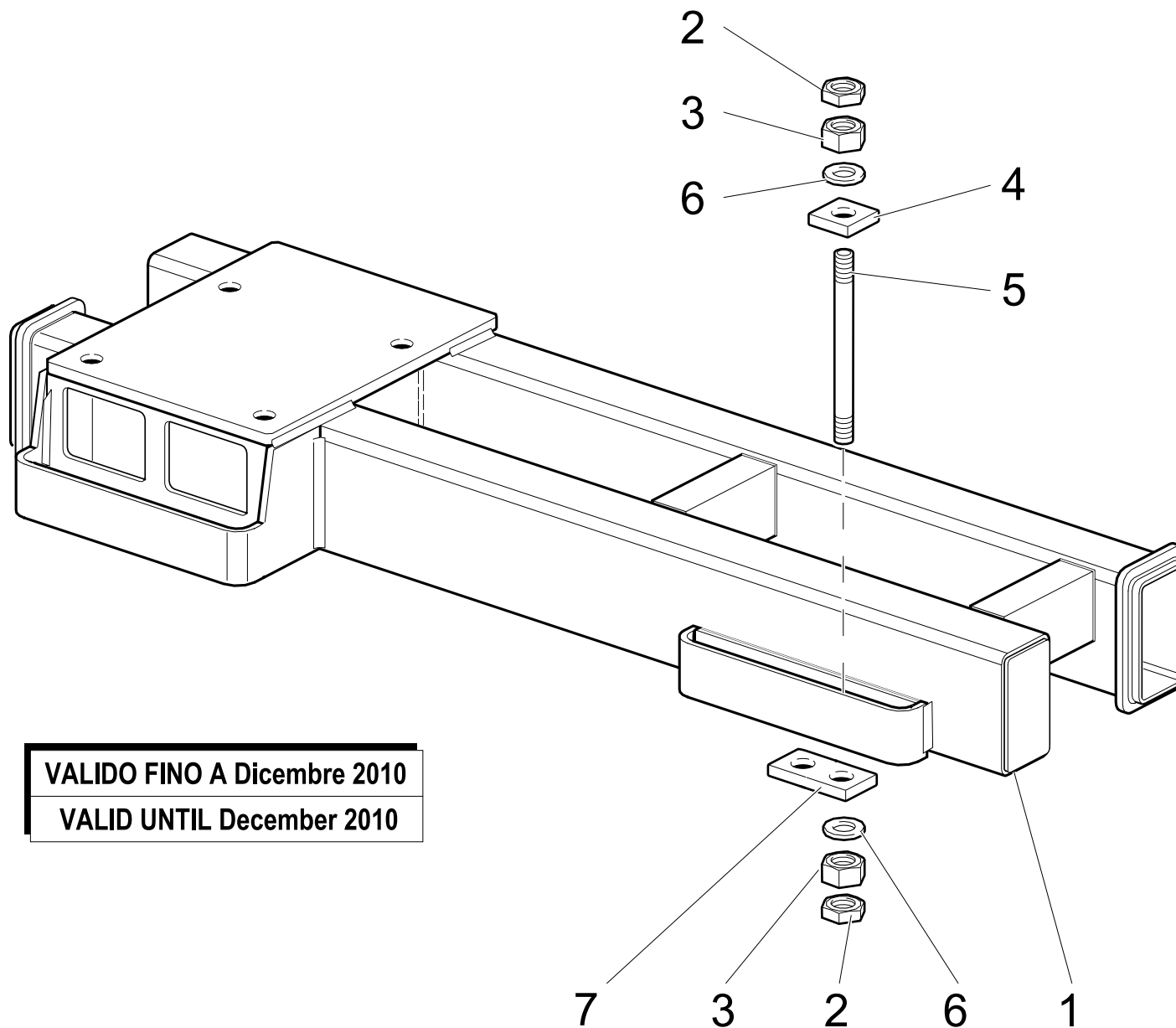
**3/3**

Page	Table code	Q.ty	Table heading	Validity
112	5405050-2.0	1	Kit CE (STABILITY CONTROL)	
114	5405050-8.0	1	STABILITY CONTROL (EN12999-A3)	
115	5405046-2.0	1	Moment limiting device (CE)	
116	5405046-4.0	1	Moment limiting device (EN12999-A3)	
117	7892099-5.0	1	Kit (Wireless control)	
119	7892500-3.0	1	Complete wireless control (EN12999-A3)	

Page	Table code	Q.ty	Table heading	Validity
------	------------	------	---------------	----------



R	Pos.	Code Variant	Q.ty	Description
	1	W540101400	1	
	2	3040088	16	Lock nut
	3	3040052	16	Tall headed nut
	4	W010000100	8	
	5	W738018	8	
	6	3060022	16	Flat washer
	7	W050000200	4	



VALIDO FINO A Dicembre 2010

VALID UNTIL December 2010

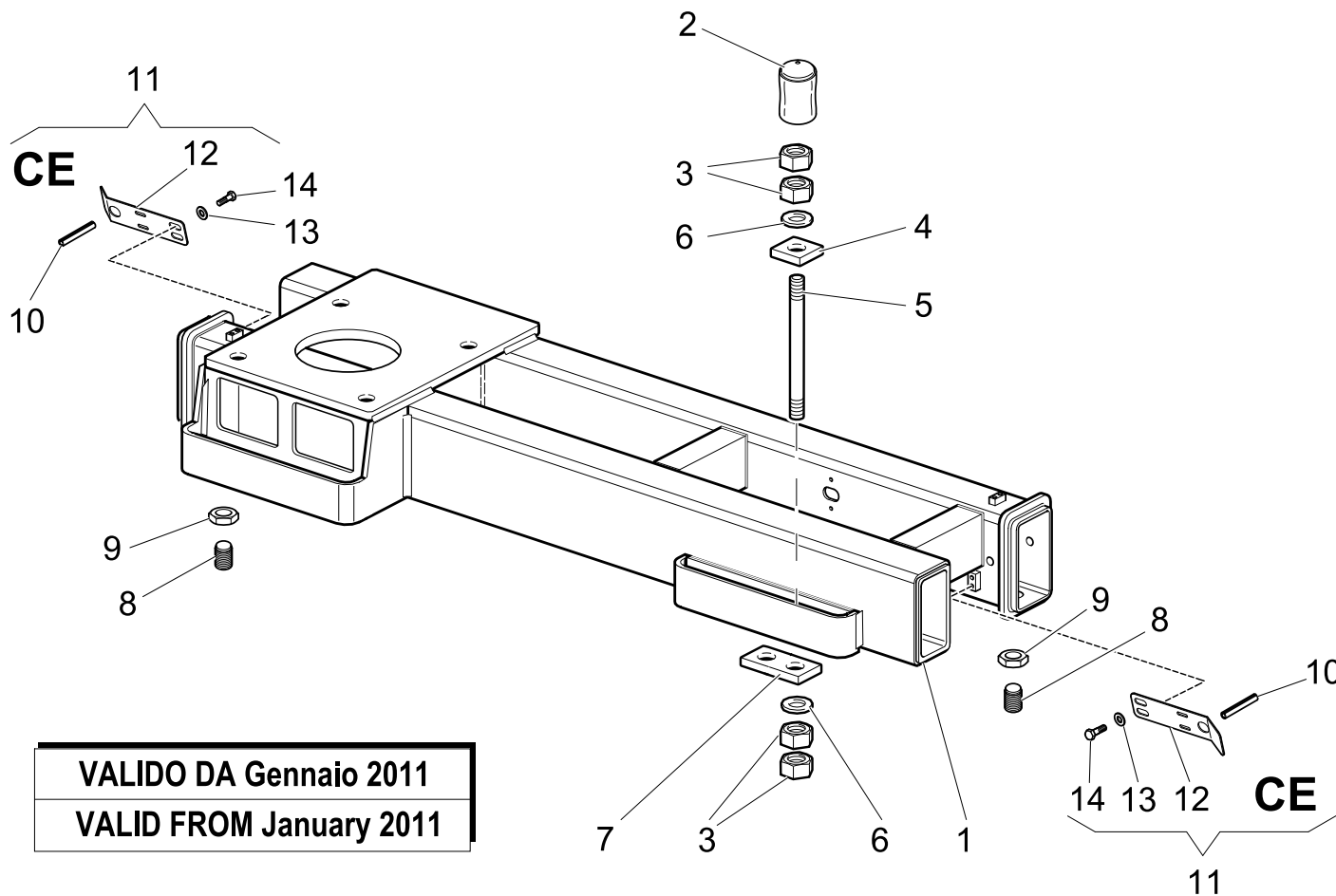
# Base (" BST ")

Code

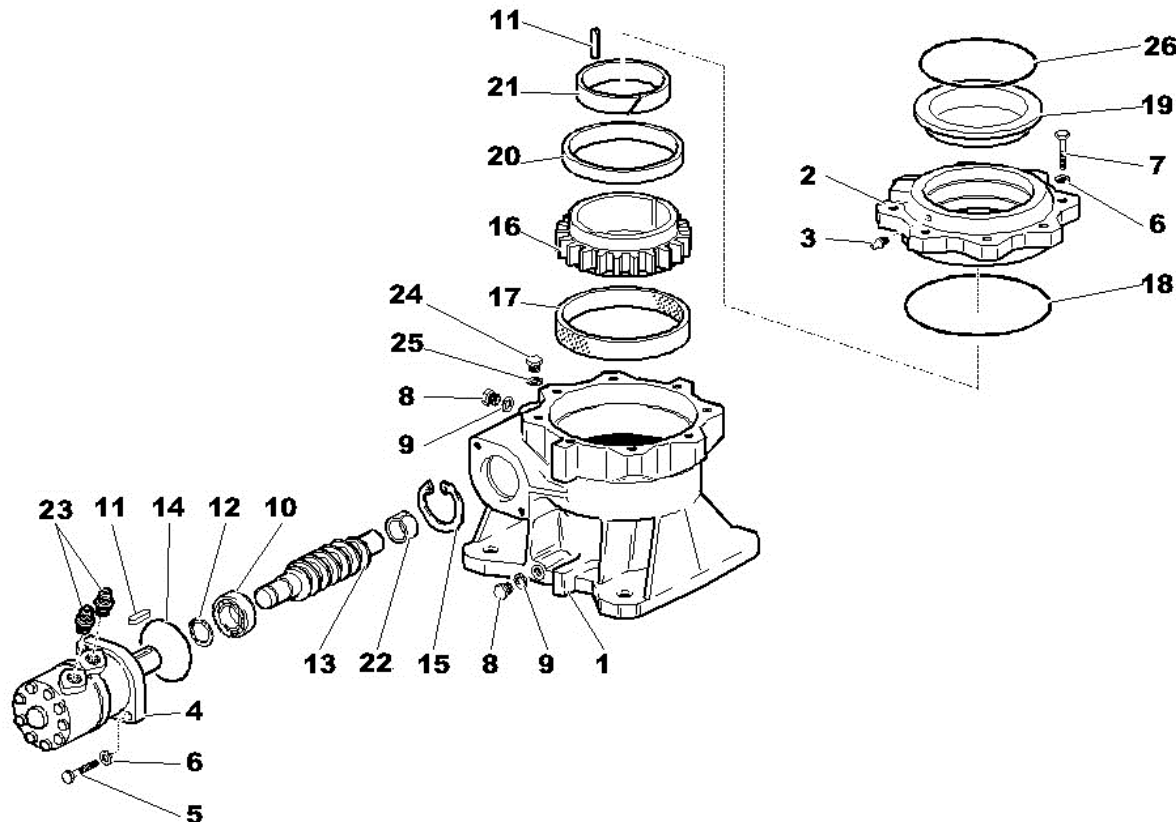
**W540151000-2.0**

1/1

R	Pos.	Code Variant	Q.ty	Description
	1	W540101400	1	
	2	3190289	8	
	3	3040185	32	Nut
	4	5000084	16	
	5	W738018	8	
	6	3060022	16	Flat washer
	7	W050000200	4	
	8	W560402000	2	
	9	3040251	2	Lock nut [M24 8.G basso UNI 5589]
	10	3060026	2	
	11	W360451200	2	
	12	3060685	2	
	13	3060005	4	Flat washer [D.6.4 UNI 6592 ZC]
	14	3010323	4	Hex screw [M6X10 8.8 ZC UNI 5739]



**VALIDO DA Gennaio 2011**  
**VALID FROM January 2011**



R	Pos.	Code Variant	Q.ty	Description
	1	W540100100	1	
	2	W540100400	1	
	3	3080500	1	Grease nipple
	4	W379008	1	
	5	3020099	2	Socketed head cap screw [M12X35 10.9 ZC UNI 5931]
	6	3060018	10	Flat washer [D.12 UNI 6592 ZC]
	7	3010372	8	Hex screw [M12X50 8.8 ZC UNI 5740]
	8	3110062	2	Plug
	9	3060143	2	Sealing washer [BSP 1/4"]
	10	W568302	1	
	11	W545002	2	
	12	3070038	1	Seeger
	13	W540101500	1	
	14	W360101	1	
	15	3070208	1	Seeger
	16	W540101600	1	
	17	W102171	1	
	18	W360107	1	
	19	W540101000	1	
	20	W540101700	1	

66410-1.4

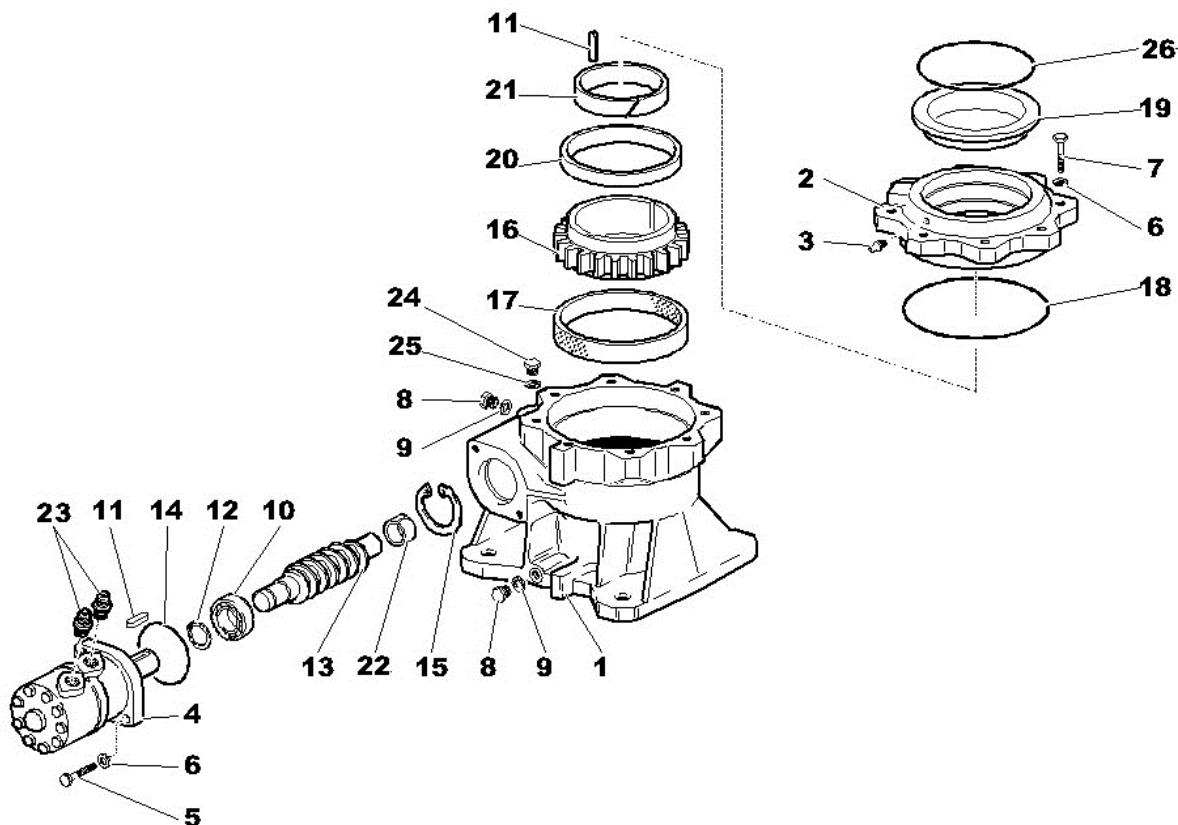
# Slewing

Code

**W054101-1.0**

2/2

R	Pos.	Code Variant	Q.ty	Description
	21	5141048	1	
	22	W102134	1	
	23	3101041	2	Straight pipe fitting
	24	3110061	1	Plug
	25	3060144	1	Sealing washer [BSP 3/8"]
	26	W360108	1	



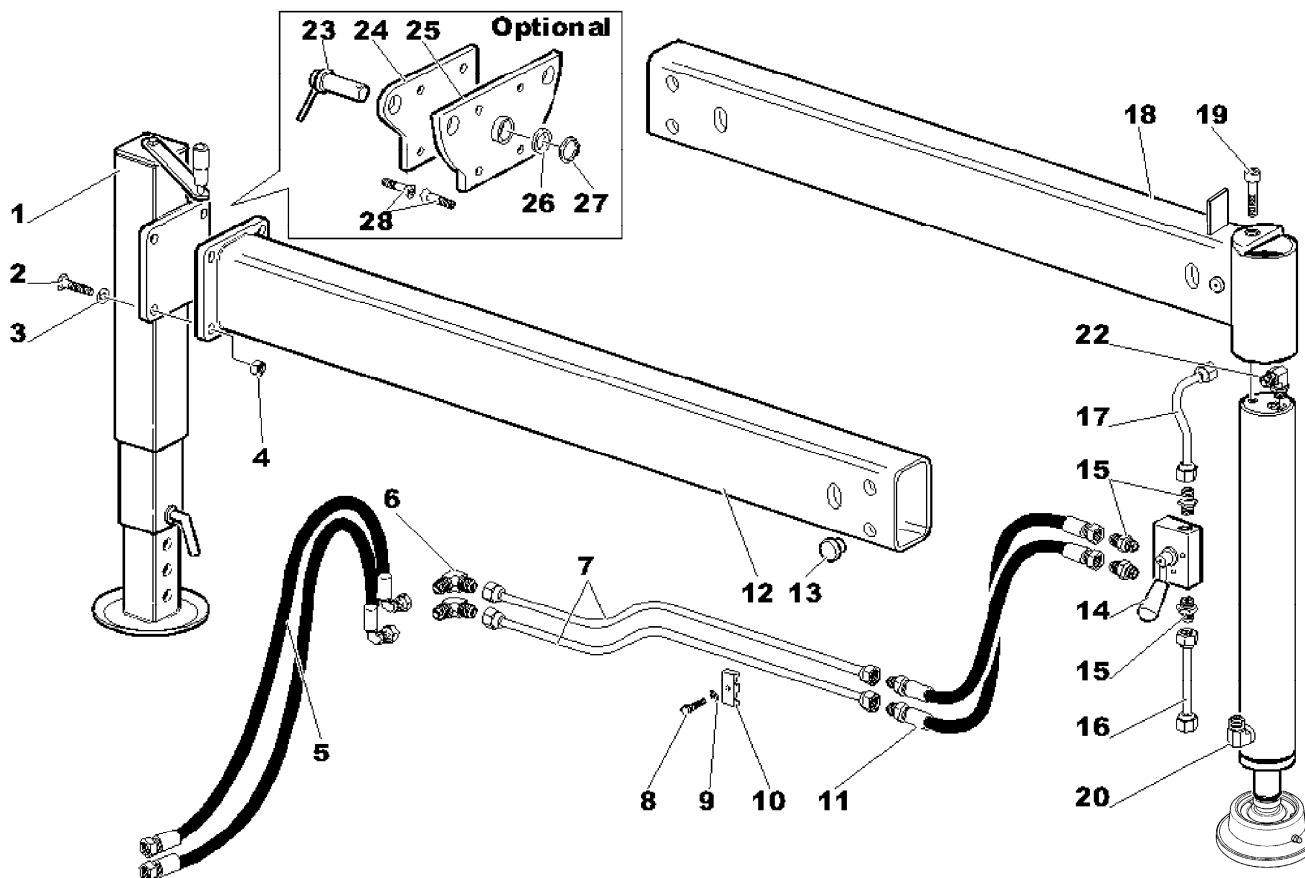
054101-1.0

# Stabilizers rods (Fixed - Mechanic)

Code

**W540451200-1.0**

1/2



R	Pos.	Code Variant	Q.ty	Description
	1	W662003	1	
	2	3010358	4	Hex screw [M10X40 8.8 ZC UNI 5739]
	3	3060914	4	Flat washer [D.10.5X21X2 UNI 6592 ZC]
	4	3040335	4	Stopnut
	5	W456098	2	
	6	3101067	2	90° Connection
	7	W540400800	2	
	8	3010339	3	Hex screw [M8X25 8.8 ZC IF UNI 5739]
	9	3060918	3	Tooth lock washer [D.8 TIPO A UNI8842 ZC]
	10	5000077	3	
	11	W456868	2	
	12	W540400700	1	
	13	W370400700	10	Button (Coupling backlash)
	14	5220048	2	
	15	3101040	4	Straight pipe fitting
	16	W540401000	1	
	17	W540400900	1	
	18	W540400400	1	
	19	3020080	1	Socketed head cap screw [M10X16 12.9 ZC UNI 5931]
	20	W370450300	1	

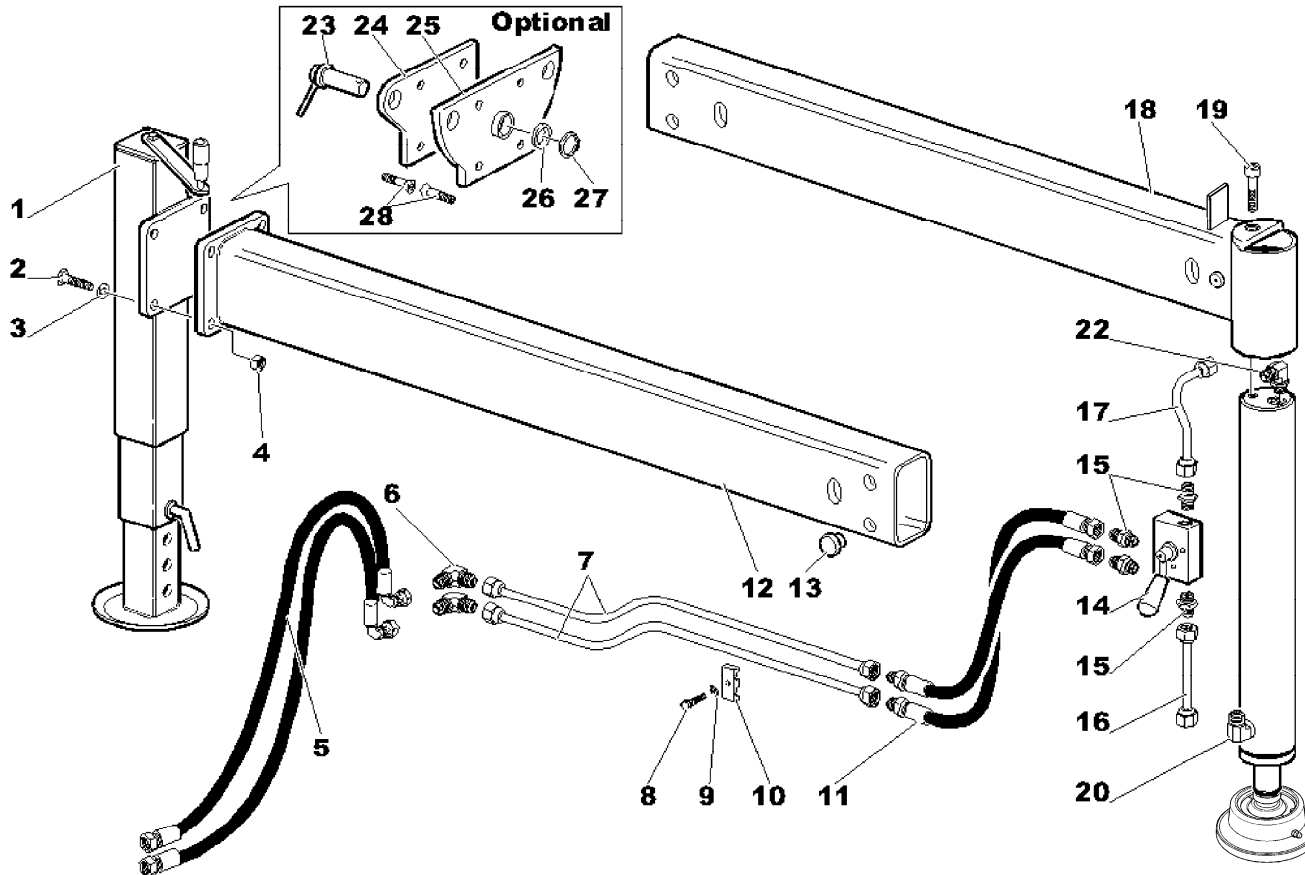
# Stabilizers rods (Fixed - Mechanic)

Code

**W540451200-1.0**

2/2

R	Pos.	Code Variant	Q.ty	Description
	22	3101124	1	90° Connection
	23	W101326	1	
	24	W520401400	1	
	25	W520401300	1	
	26	W520401500	1	
	27	3070032	1	Seeger
	28	3020500	8	TSEI screw [M10X35 8.8 ZC UNI 5933]



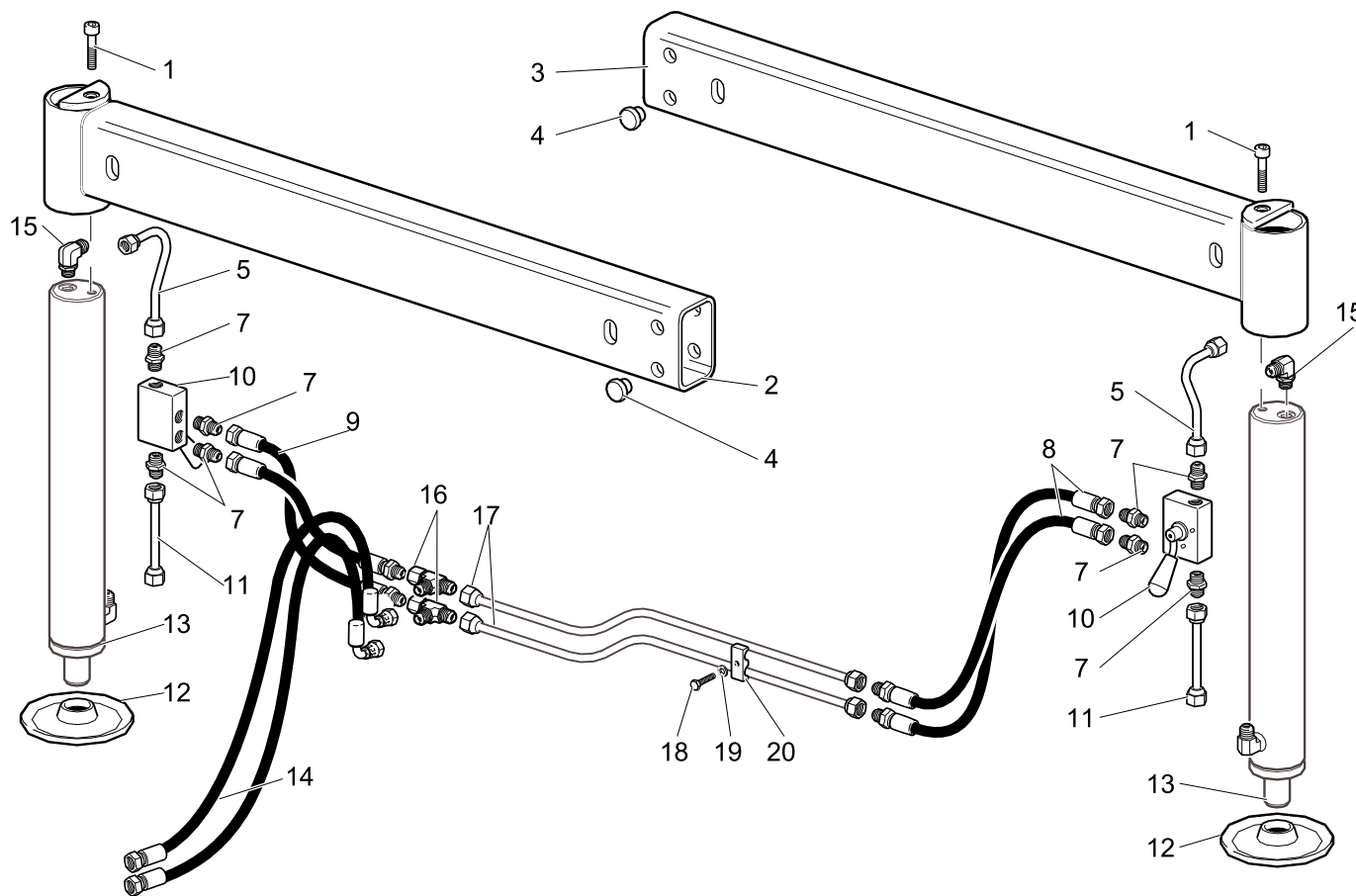


# Stabilizers rods (Fixed)

Code

**W540451100-1.0**

1/2



W540451100-1.0

R	Pos.	Code Variant	Q.ty	Description
	1	3020080	2	Socket head cap screw [M10X16 12.9 ZC UNI 5931]
	2	W540400300	1	
	3	W540400400	1	
	4	W370400700	10	Button (Coupling backlash)
	5	W540400900	2	
	7	3101040	8	Straight pipe fitting
	8	W456868	2	
	9	W456859	2	
	10	5220048	2	
	11	W540401000	2	
	12	W664018	2	
	13	W370450300	2	
	14	W456098	2	
	15	3101124	2	90° Connection
	16	3120003	2	Tee fitting
	17	W540400800	2	
	18	3010339	3	Hex screw [M8X25 8.8 ZC IF UNI 5739]
	19	3060918	3	Tooth lock washer [D.8 TIPO A UNI8842 ZC]
	20	5000077	3	
	21	W370401800	2	

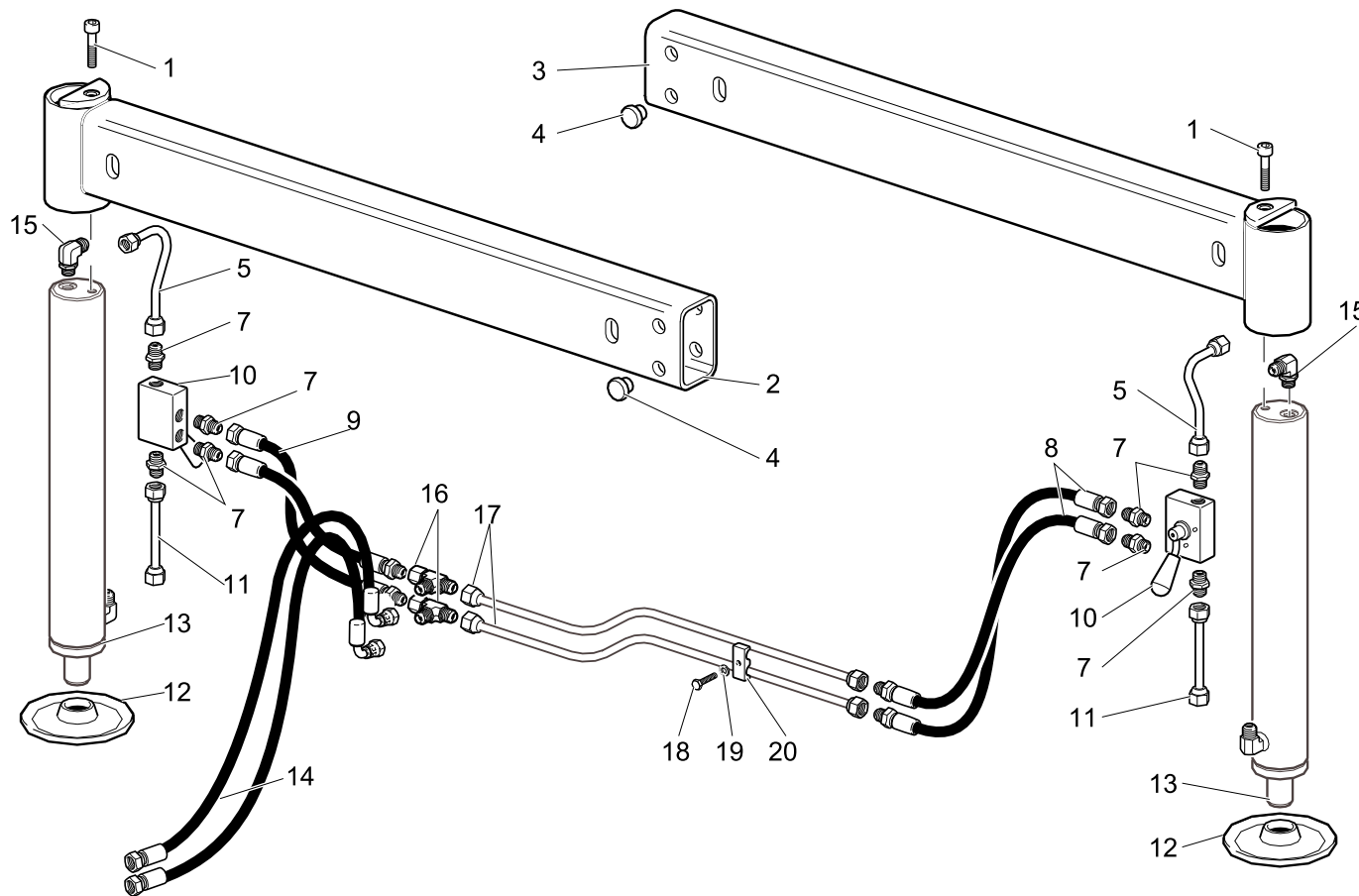
# Stabilizers rods (Fixed)

Code

**W540451100-1.0**

2/2

R	Pos.	Code Variant	Q.ty	Description
	22	3060005	4	Flat washer [D.6.4 UNI 6592 ZC]
	23	3010325	4	Hex screw [M6X16 8.8 ZC UNI 5739]



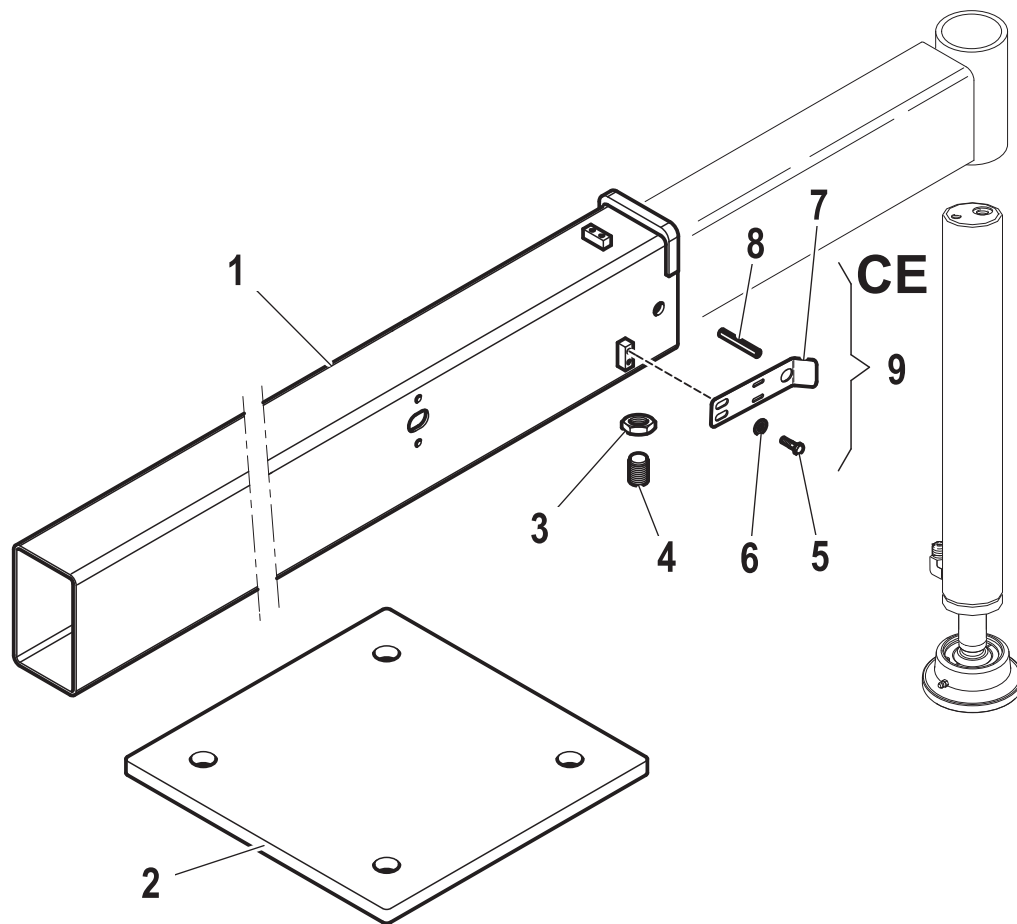
540451100-1.0

# BASE WITH 1 CROSSBAR (" BPS ")

Code

**W5401019-1.0**

1/1



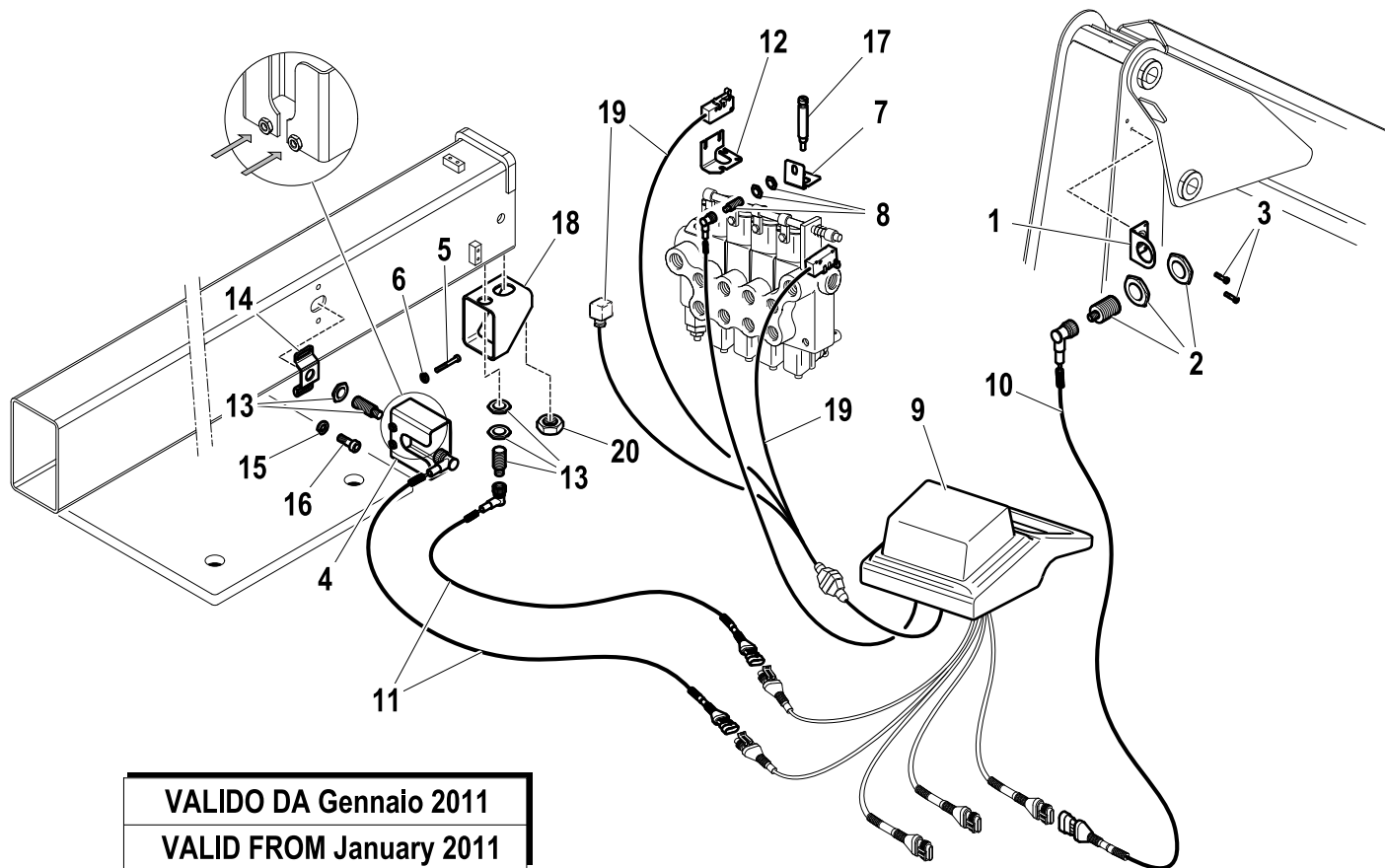
R	Pos.	Code Variant	Q.ty	Description
	1	W540101900	1	
	2	W540102000	1	
	3	3040251	1	Lock nut [M24 8.G basso UNI 5589]
	4	W560402000	1	
	5	3010323	2	Hex screw [M6X10 8.8 ZC UNI 5739]
	6	3060005	2	Flat washer [D.6.4 UNI 6592 ZC]
	7	3060685	1	
	8	3060026	1	
	9	W520452000	1	

# Kit CE (STABILITY CONTROL)

Code

**5405041-2.0**

1/1



**VALIDO DA Gennaio 2011**  
**VALID FROM January 2011**

R	Pos.	Code Variant	Q.ty	Description
	1	5000426	1	Support (Proximity switch)
	2	3311312	1	Proximity switch
	3	3020895	2	Socketed head cap screw [M4X10 8.8 ZC UNI 5931]
	4	5091310	1	Guard (Proximity switch)
	5	3020045	2	Socketed head cap screw [M6X45 8.8 ZC UNI 5931]
	6	3060053	2	Split lock washer [D=6.4 C72 ZC]
	7	5000193	1	
	8	3311341	1	
	9	3311339	1	
	10	3311350	1	Electric wiring
	11	3311342	2	
	12	W520501900	1	
	13	3311311	2	Proximity switch
	14	5000420	1	Support (Proximity switch)
	15	3060055	2	Split lock washer [D=8.4 C72 ZC]
	16	3020902	2	Socketed head cap screw [M8X10 ZC UNI 5931]
	17	5150033	1	
	18	5000422	1	Support (Proximity switch)
	19	3311344	1	
	20	3040251	1	Lock nut [M24 8.G basso UNI 5589]

# CONTROL DEVICES LOCKING FOR OUTRIGGERS LEGS

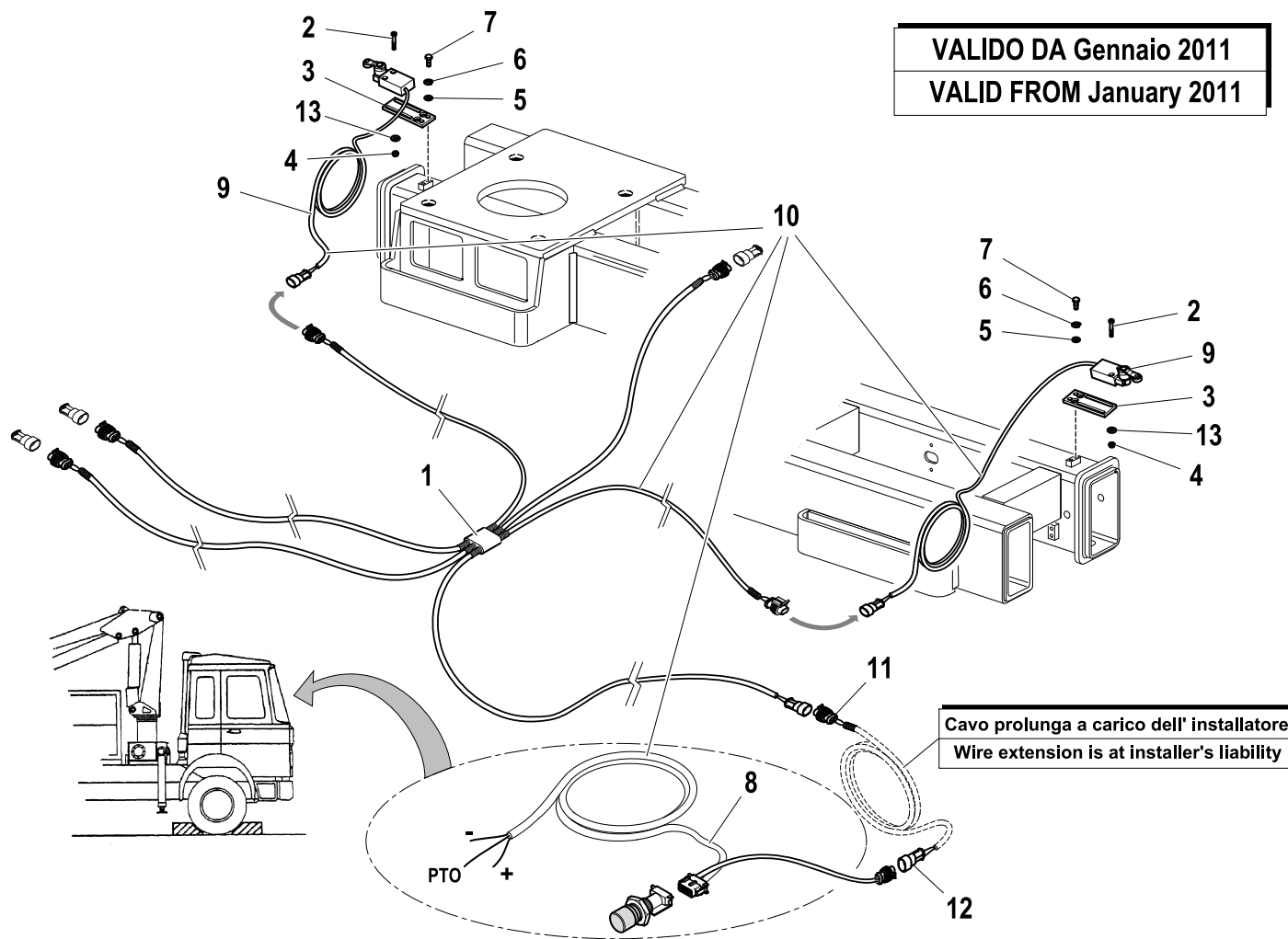
Code

**5411029-3.0**

1/1

R	Pos.	Code Variant	Q.ty	Description
	1	3311353	1	
	2	3020014	4	Socket head cap screw [M4X25X0.7 8.8 ZC UNI 5931]
	3	5000218	2	
	4	3040041	4	Nut
	5	3060030	4	Flat washer [D.6.6X18 UNI 6593 ZC]
	6	3060053	4	Split lock washer [D=6.4 C72 ZC]
	7	3010325	4	Hex screw [M6X16 8.8 ZC UNI 5739]
	8	3311354	1	
	9	3311356	2	
	10	3311352	1	
	11	3310431	1	
	12	3310432	1	
	13	3060003	4	Flat washer [D.4 UNI 6592 ZC]

**VALIDO DA Gennaio 2011  
VALID FROM January 2011**



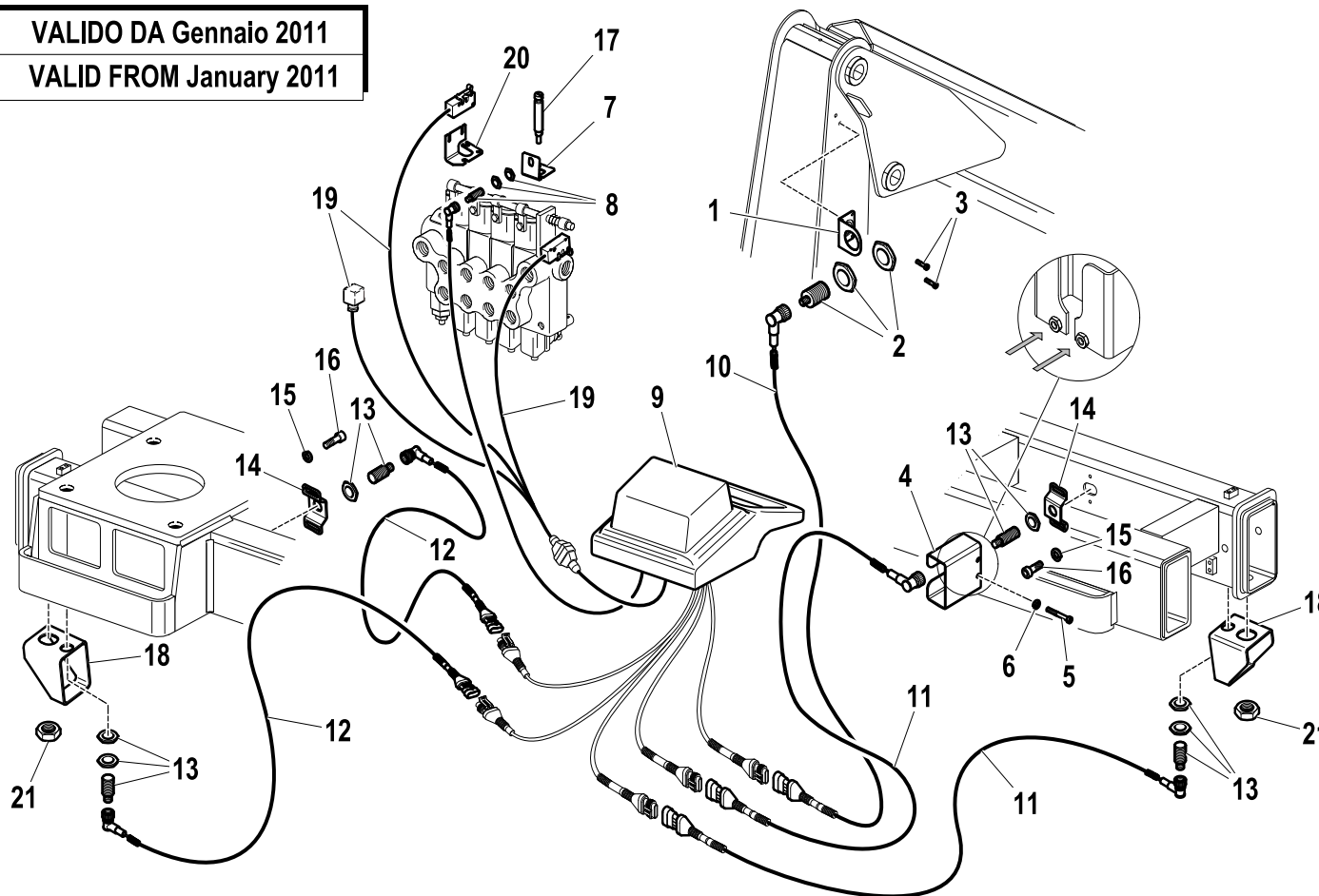
# Kit CE (STABILITY CONTROL)

Code

**5405040-1.0**

1/2

VALIDO DA Gennaio 2011  
VALID FROM January 2011



R	Pos.	Code Variant	Q.ty	Description
	1	5000426	1	Support (Proximity switch)
	2	3311312	1	Proximity switch
	3	3020895	2	Socketed head cap screw [M4X10 8.8 ZC UNI 5931]
	4	5091310	1	Guard (Proximity switch)
	5	3020045	2	Socketed head cap screw [M6X45 8.8 ZC UNI 5931]
	6	3060053	2	Split lock washer [D=6.4 C72 ZC]
	7	5000193	1	
	8	3311341	1	
	9	3311339	1	
	10	3311350	1	Electric wiring
	11	3311343	2	
	12	3311342	2	
	13	3311311	4	Proximity switch
	14	5000420	2	Support (Proximity switch)
	15	3060055	4	Split lock washer [D=8.4 C72 ZC]
	16	3020902	4	Socketed head cap screw [M8X10 ZC UNI 5931]
	17	5150033	1	
	18	5000422	2	Support (Proximity switch)
	19	3311344	1	
	20	W520501900	1	

# Kit CE (STABILITY CONTROL)

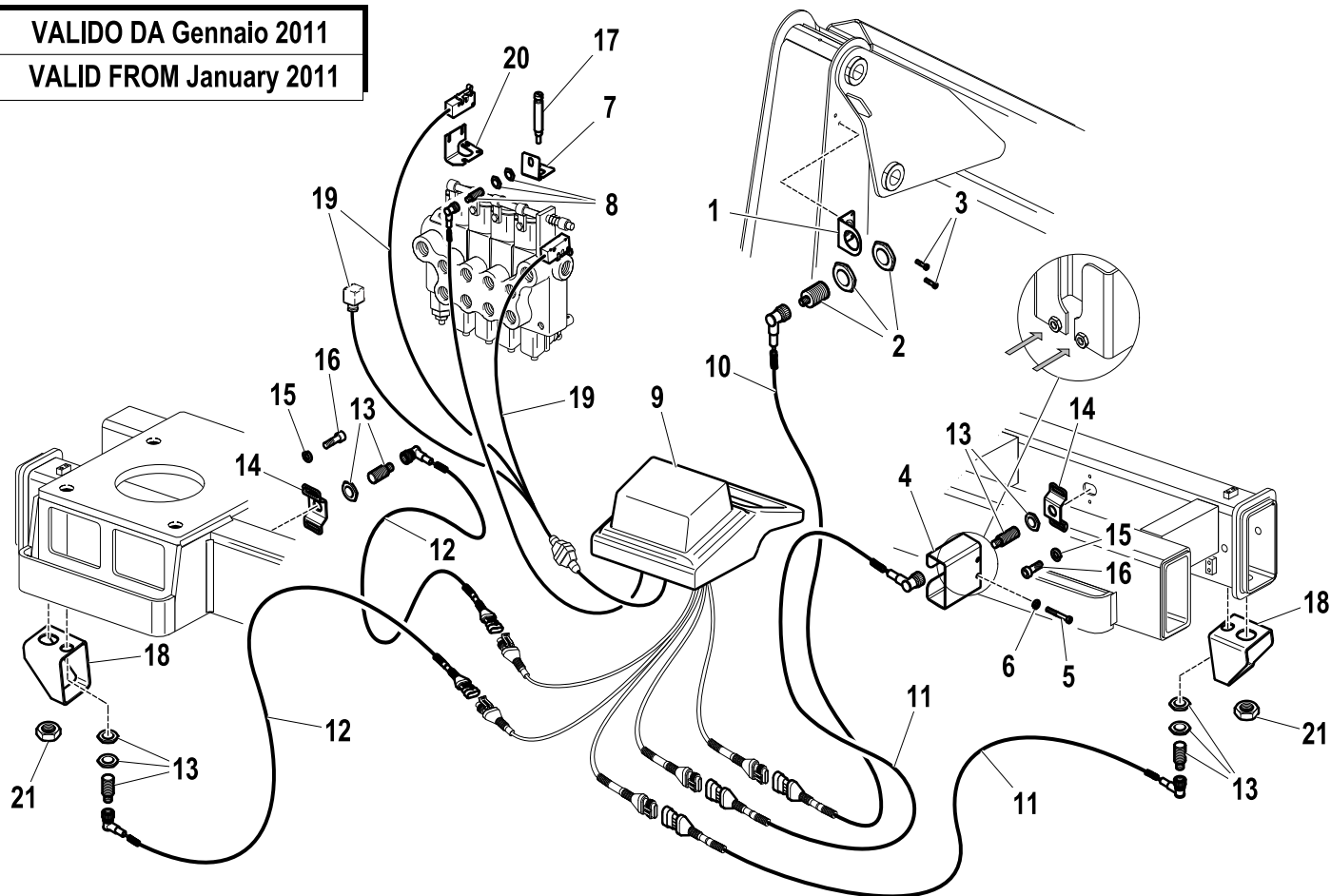
Code

**5405040-1.0**

2/2

R	Pos.	Code Variant	Q.ty	Description
	21	3040251	2	Lock nut [M24 8.G basso UNI 5589]

VALIDO DA Gennaio 2011  
VALID FROM January 2011

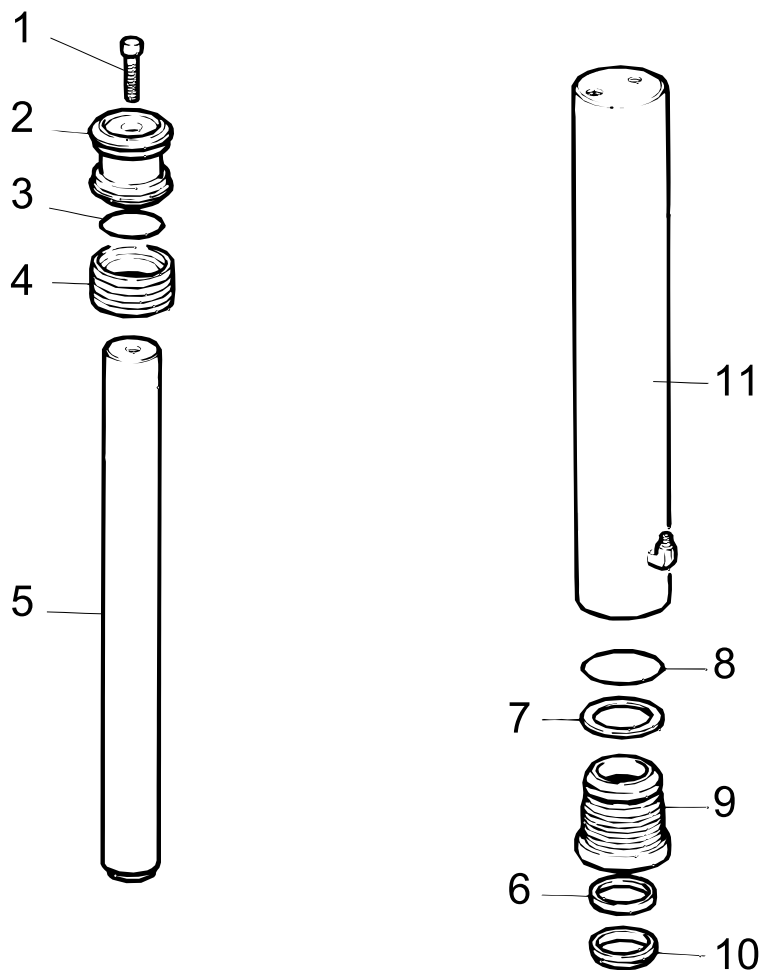


# STABILISER RAM

Code

**W370450300-1.6**

1/1



**VALIDO FINO a MAGGIO 2010**  
**VALID UNTIL MAY 2010**

R	Pos.	Code Variant	Q.ty	Description
	1	3020094	1	Socket head cap screw [M12X40 8.8 ZC UNI 5931]
	2	W105056	1	
	3	W360076	1	
	4	W359015	1	
	5	W370400400	1	
	6	W358015	1	
	7	W304003	1	
	8	W360023	1	
	9	6040303	1	
	10	W361014	1	
	11	W370400800	1	
	12	W365065	1	

370450300 -1-5



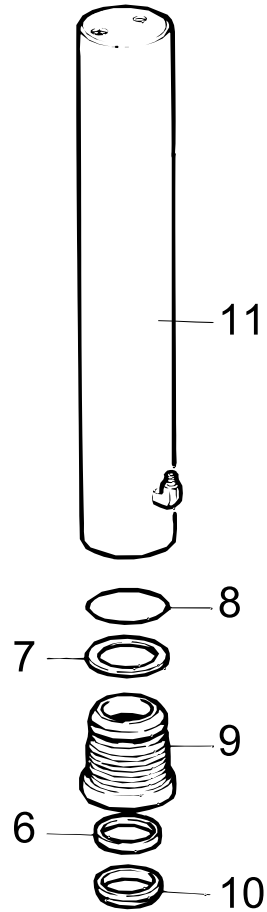
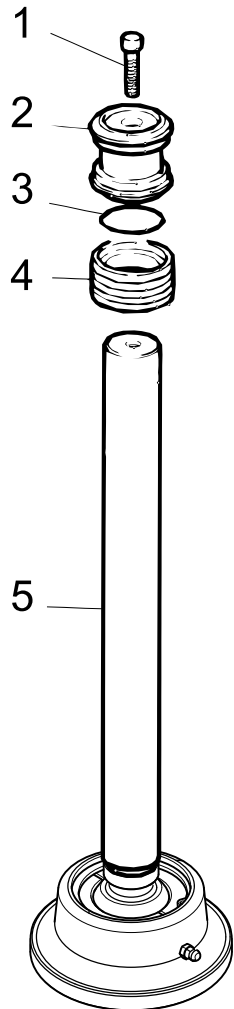
# STABILISER RAM

Code

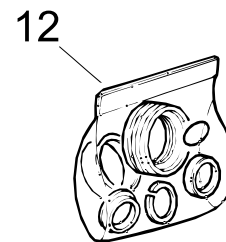
**W370450300-1.7**

1/1

R	Pos.	Code Variant	Q.ty	Description
	1	3020094	1	Socket head cap screw [M12X40 8.8 ZC UNI 5931]
	2	W105056	1	
	3	W360076	1	
	4	W359015	1	
	5	W370402400	1	
	6	W358015	1	
	7	W304003	1	
	8	W360023	1	
	9	6040303	1	
	10	W361014	1	
	11	W370400800	1	
	12	W365065	1	



**VALIDO da GIUGNO 2010**  
**VALID FROM JUNE 2010**



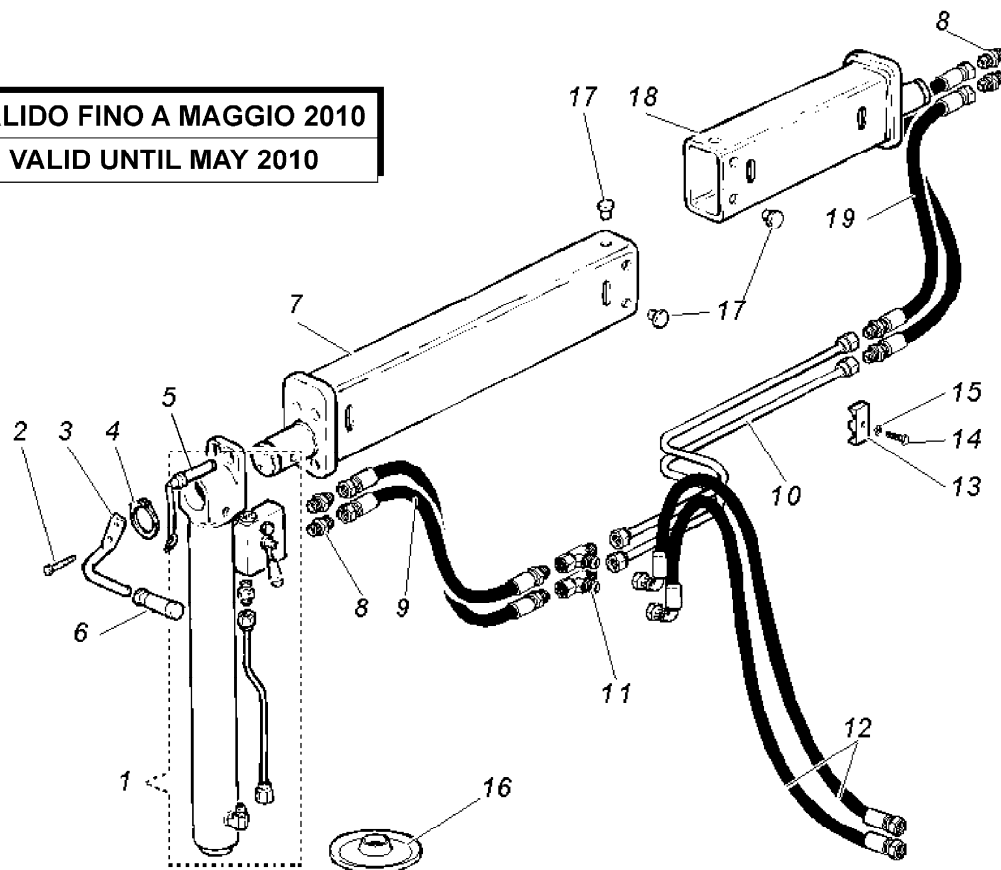
# Stabilizers rods (Revolving)

Code

**W540451000-1.0**

1/1

**VALIDO FINO A MAGGIO 2010**  
**VALID UNTIL MAY 2010**



R	Pos.	Code Variant	Q.ty	Description
	1	W370450200	2	
	2	3010325	4	Hex screw [M6X16 8.8 ZC UNI 5739]
	3	W370401800	2	
	4	3070052	2	Seeger
	5	W101219	2	
	6	W664018	2	
	7	W540400100	1	
	8	3101039	4	Straight pipe fitting
	9	W456860	2	
	10	W540400800	2	
	11	3120003	2	Tee fitting
	12	W456098	2	
	13	5000077	1	
	14	3010339	1	Hex screw [M8X25 8.8 ZC IF UNI 5739]
	15	3060918	1	Tooth lock washer [D.8 TIPO A UNI8842 ZC]
	16	5000078	2	
	17	W370400700	8	Button (Coupling backlash)
	18	W540400200	1	
	19	W456869	2	

S. 00045 10000-1.0

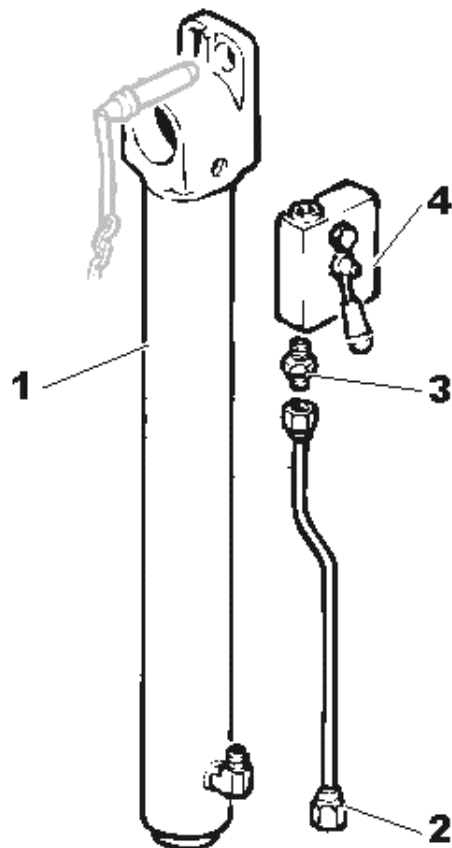
## HYDRAULIC SYSTEM (STABILISER RAM)

Code

**W370450200-1.0**

1/1

R	Pos.	Code Variant	Q.ty	Description
	1	W370450100	1	
	2	W370501800	1	
	3	3101039	1	Straight pipe fitting
	4	W470053	1	Manually operated valve



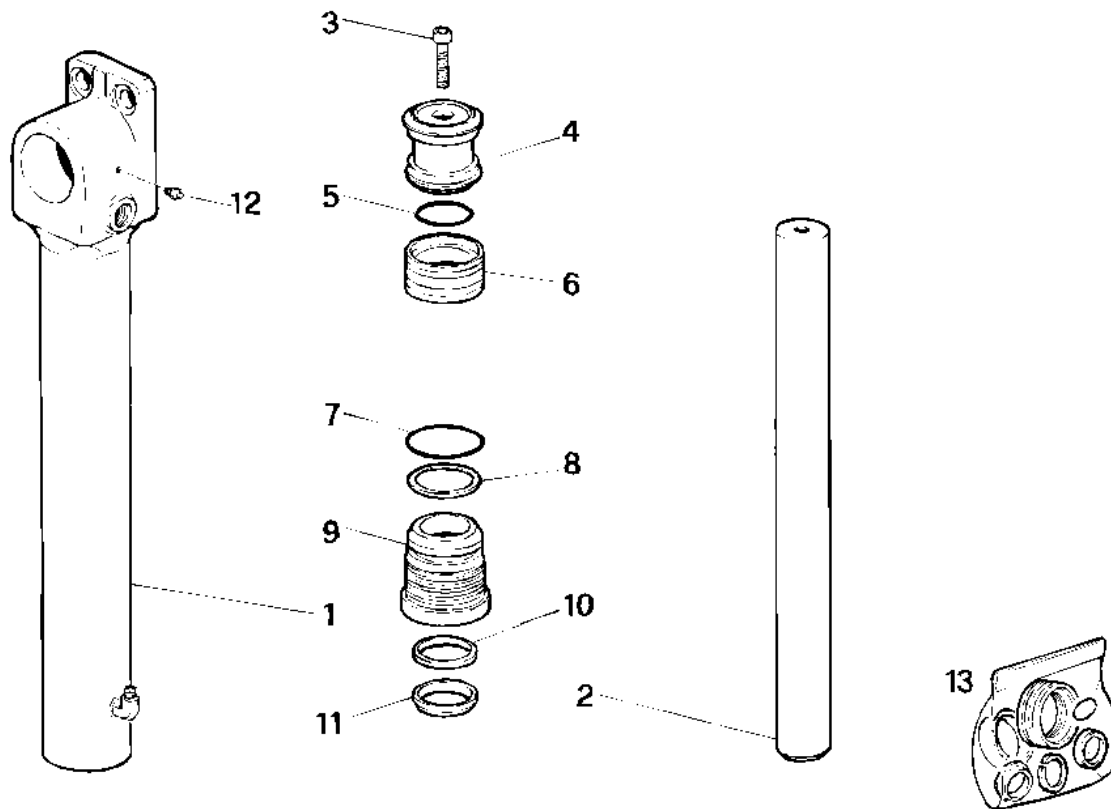
# Stabilizer Hydraulic jack

Code

**W370450100-1.5**

1/1

R	Pos.	Code Variant	Q.ty	Description
	1	W370400300	1	
	2	W370400400	1	
	3	3020094	1	Socketed head cap screw [M12X40 8.8 ZC UNI 5931]
	4	W105056	1	
	5	W360076	1	
	6	W359015	1	
	7	W360023	1	
	8	W304003	1	
	9	6040303	1	
	10	W358015	1	
	11	W361014	1	
	12	3080500	1	Grease nipple
	13	W365065	1	



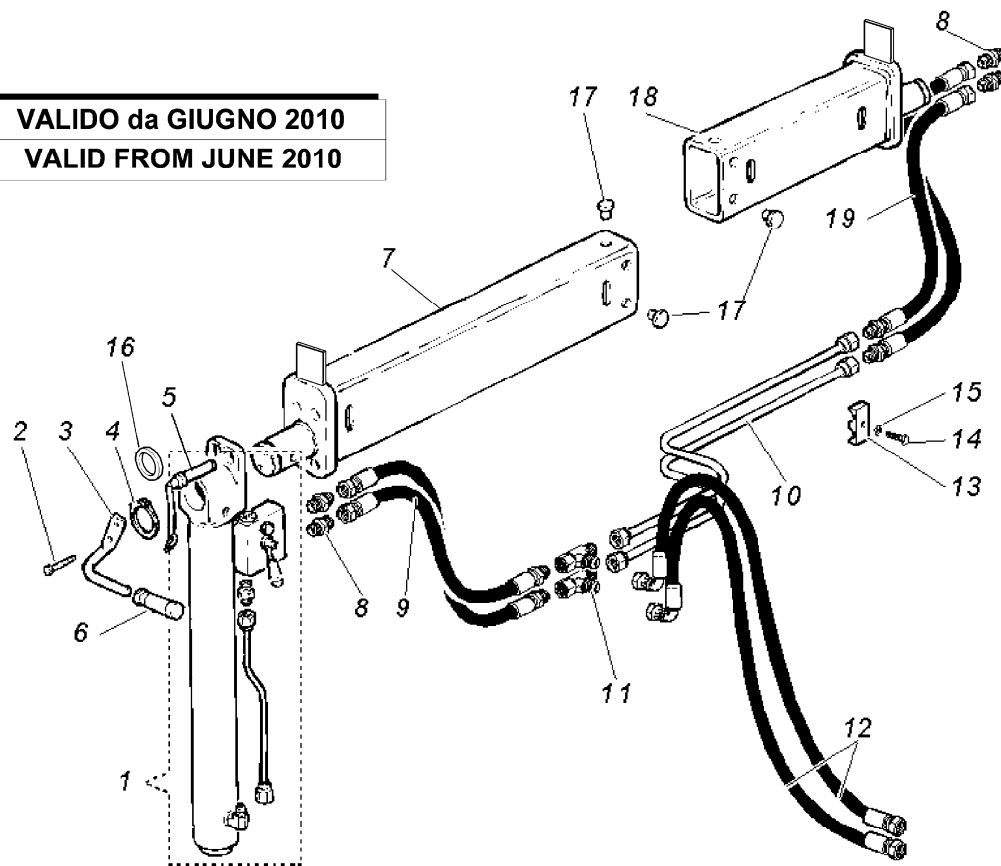
# Stabilizers rods (Revolving)

Code

**W540451000-2.0**

1/1

**VALIDO da GIUGNO 2010**  
**VALID FROM JUNE 2010**



R	Pos.	Code Variant	Q.ty	Description
	1	W370450200	2	
	2	3010325	4	Hex screw [M6X16 8.8 ZC UNI 5739]
	3	W370401800	2	
	4	3070052	2	Seeger
	5	W101219	2	
	6	W664018	2	
	7	W540400100	1	
	8	3101039	4	Straight pipe fitting
	9	W456860	2	
	10	W540400800	2	
	11	3120003	2	Tee fitting
	12	W456098	2	
	13	5000077	3	
	14	3010339	3	Hex screw [M8X25 8.8 ZC IF UNI 5739]
	15	3060918	3	Tooth lock washer [D.8 TIPO A UNI8842 ZC]
	16	5000183	2	
	17	W370400700	10	Button (Coupling backlash)
	18	W540400200	1	
	19	W456869	2	

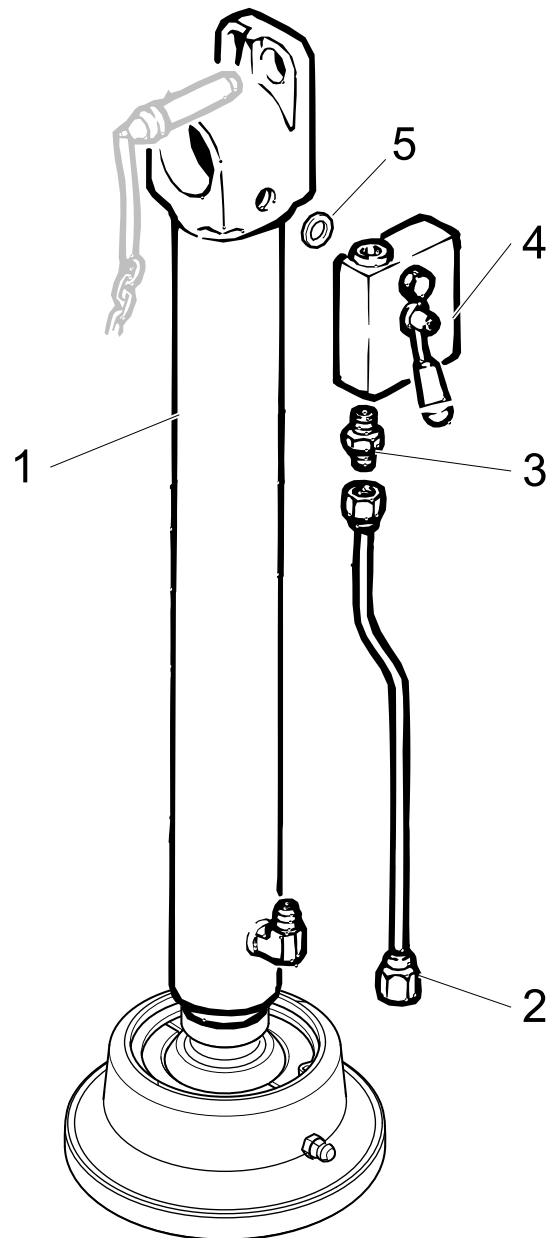
S. 00045 10000-1.1

# HYDRAULIC SYSTEM (STABILISER RAM)

Code

**W370450200-1.1**

1/1



R	Pos.	Code Variant	Q.ty	Description
	1	W370450100	1	
	2	W370501800	1	
	3	3101039	1	Straight pipe fitting
	4	W470053	1	Manually operated valve
	5	3060143	1	Sealing washer [BSP 1/4"]

**VALIDO da GIUGNO 2010**  
**VALID FROM JUNE 2010**

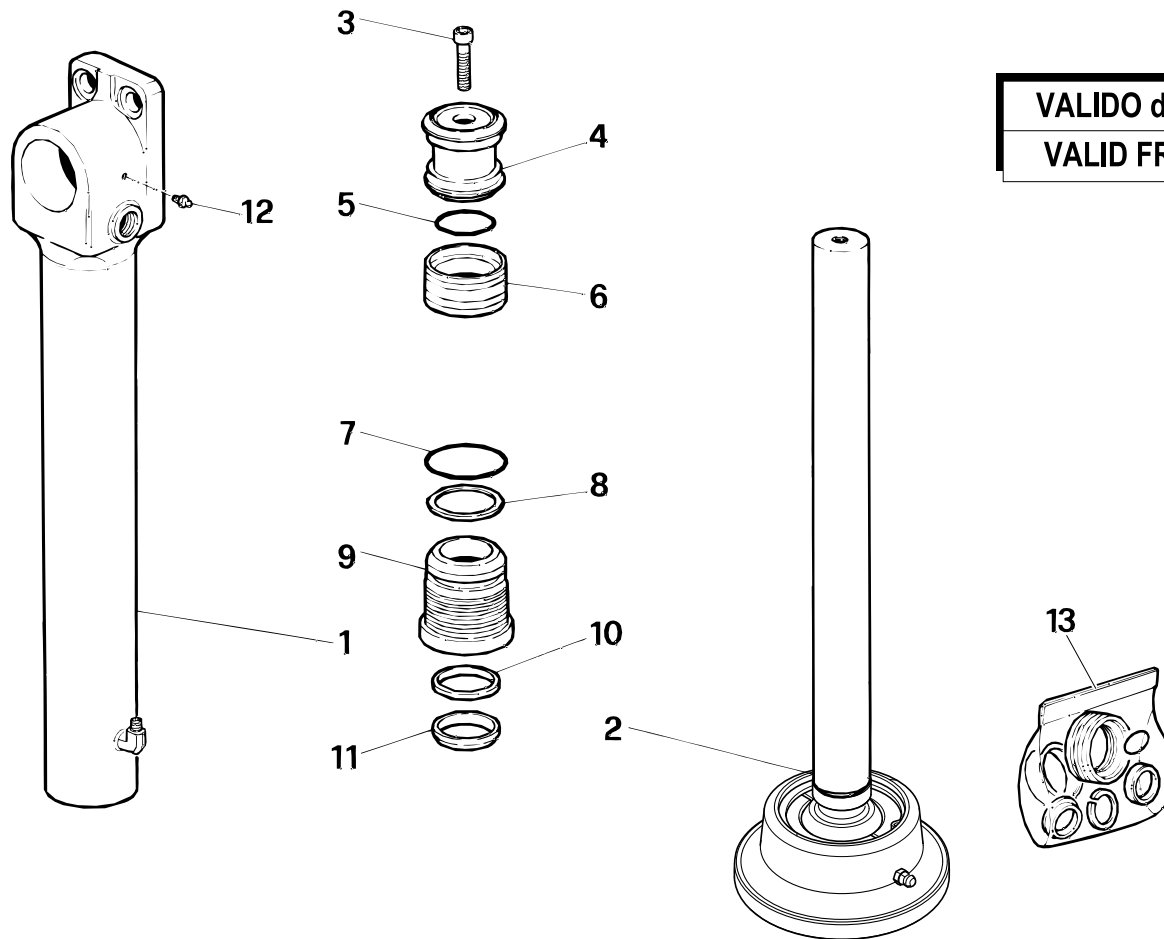
# Stabilizer Hydraulic jack

Code

**W370450100-1.6**

1/1

R	Pos.	Code Variant	Q.ty	Description
	1	W370400300	1	
	2	W370402400	1	
	3	3020094	1	Socket head cap screw [M12X40 8.8 ZC UNI 5931]
	4	W105056	1	
	5	W360076	1	
	6	W359015	1	
	7	W360023	1	
	8	W304003	1	
	9	6040303	1	
	10	W358015	1	
	11	W361014	1	
	12	3080500	1	Grease nipple
	13	W365065	1	



**VALIDO da GIUGNO 2010**  
**VALID FROM JUNE 2010**

# Moment limiting device

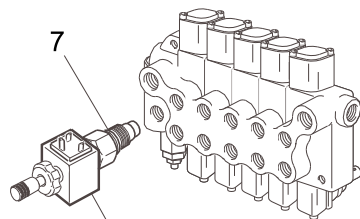
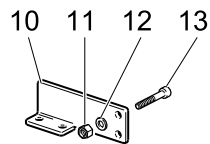
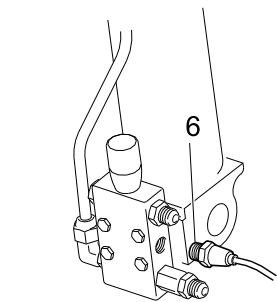
Code

**W520554600-1.0**

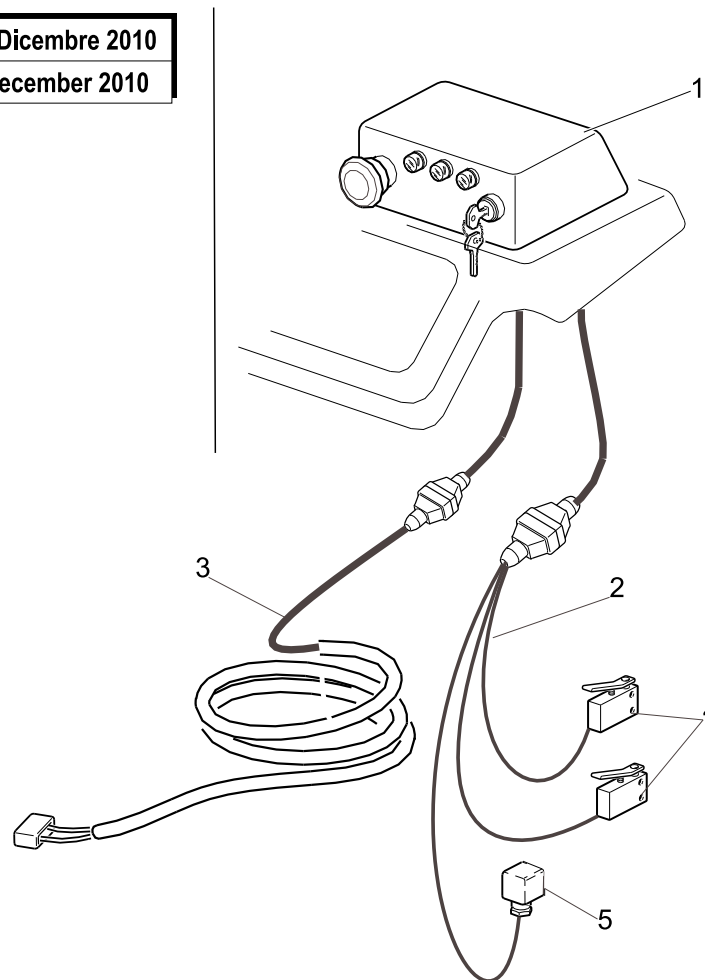
1/1

R	Pos.	Code Variant	Q.ty	Description
	1	W520550700	1	
	2	W520503100	1	
	3	W520503000	1	
	4	3310080	2	
	5	W242002	1	
	6	W287002	1	
	7	W470619	1	
	8	3310238	1	
	9	3310242	1	
	10	W520501900	1	
	11	3040010	2	Tall headed nut
	12	3060003	2	Flat washer [D.4 UNI 6592 ZC]
	13	3020954	2	

**VALIDO FINO A Dicembre 2010**  
**VALID UNTIL December 2010**



8 (12V)  
 9 (24V)





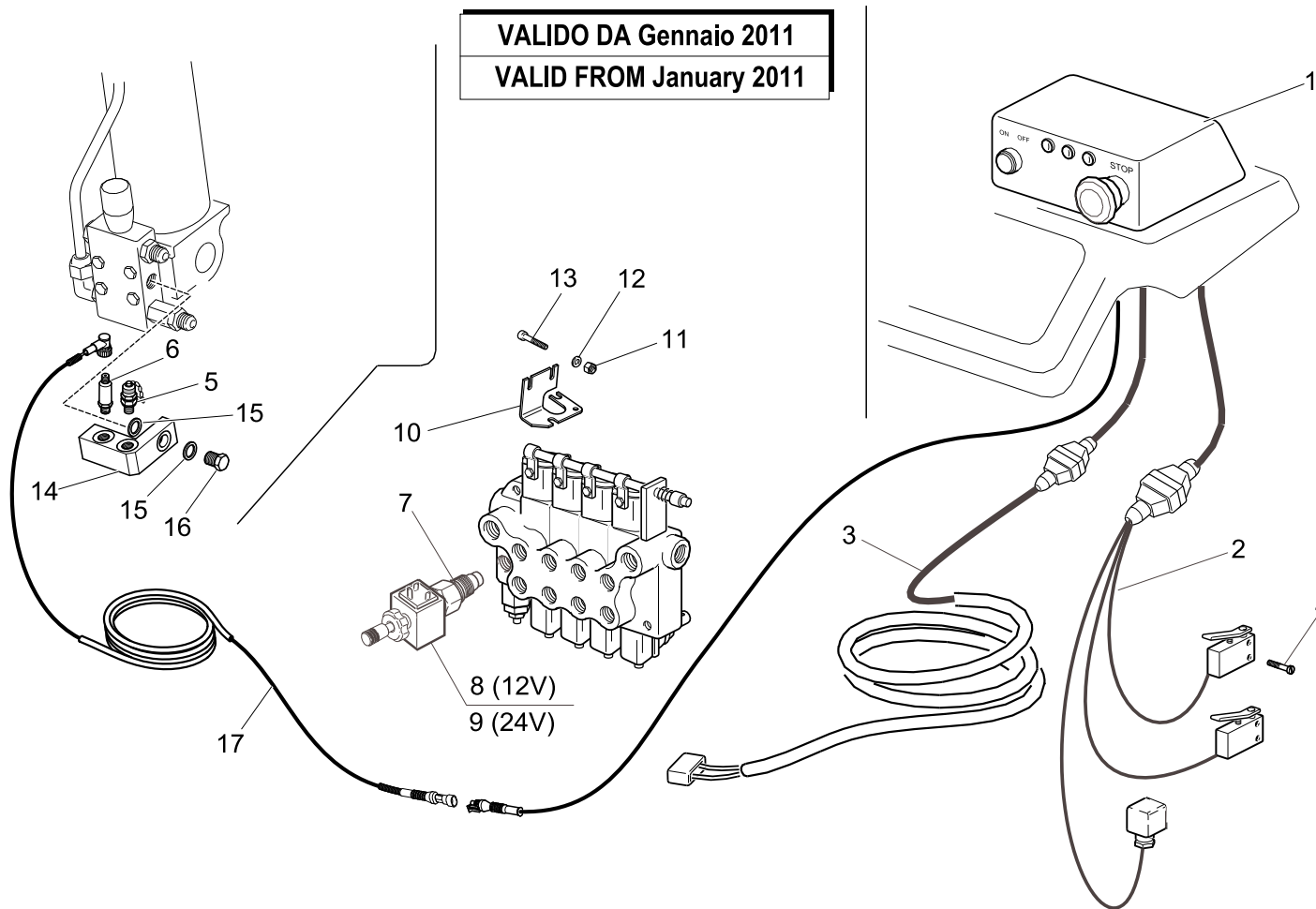
# Moment limiting device (CE)

Code

**5405038-1.0**

1/1

R	Pos.	Code Variant	Q.ty	Description
	1	3311339	1	
	2	3311344	1	
	3	3311340	1	
	4	3020954	2	
	5	3111523	1	Pipe fitting (Tapping point) [RACC. MILITES 16X2-1/4"G]
	6	3310612	1	Pressure sensor
	7	5225770	1	
	8	3310238	1	
	9	3310242	1	
	10	W520501900	1	
	11	3040041	2	Nut
	12	3060003	2	Flat washer [D.4 UNI 6592 ZC]
	13	3020019	2	Socketed head cap screw [M4X40 8.8 ZC UNI 5931]
	14	5002055	1	Manifold (Pick-up)
	15	3060143	2	Sealing washer [BSP 1/4"]
	16	3110078	1	Bolt (banjo bolt)
	17	5160001	1	Electric wiring



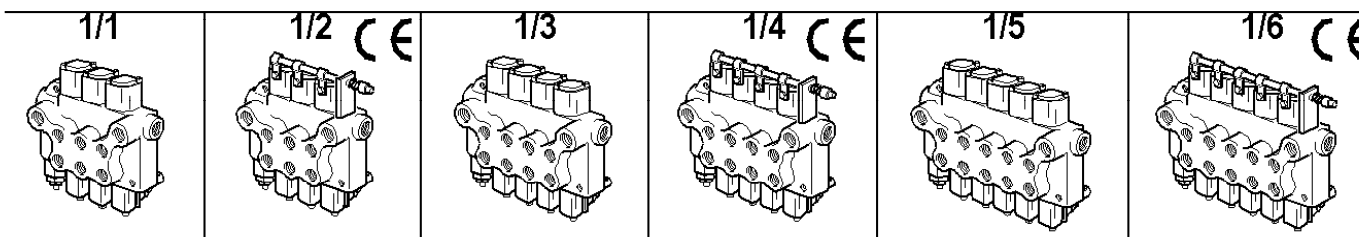
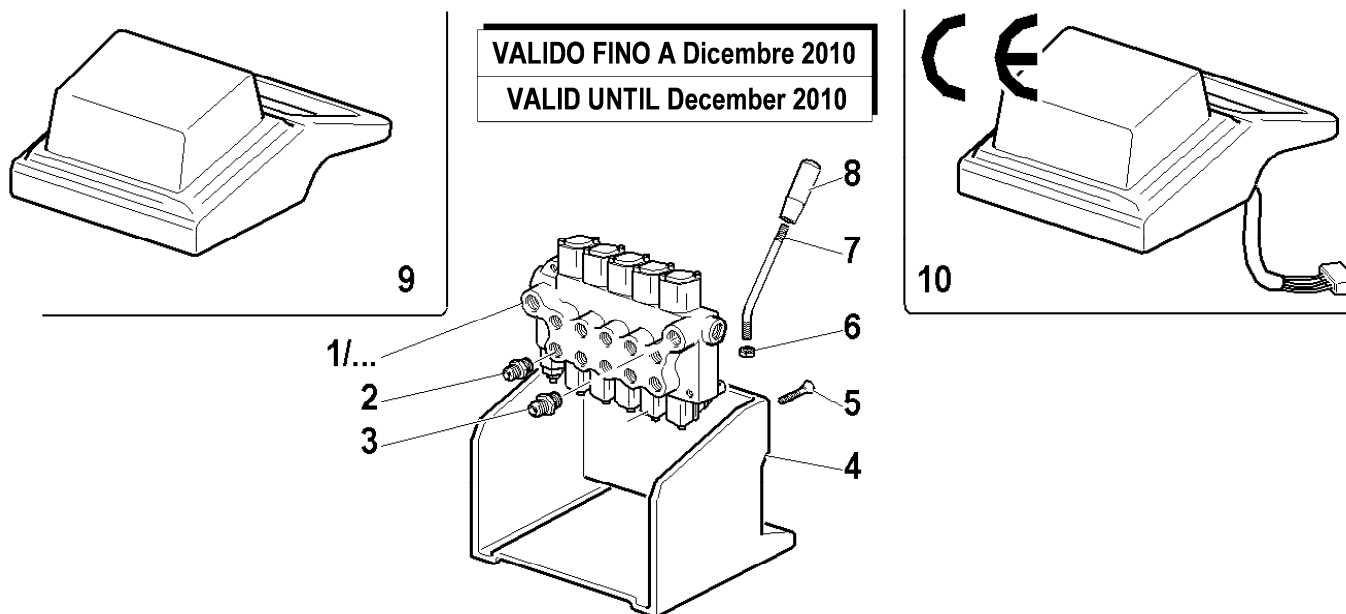
# Control valve

Code

**W338000-1.0**

1/1

R	Pos.	Code Variant	Q.ty	Description
	1.1	W338036	1	
	1.2	W338037	1	
	1.3	W338034	1	
	1.4	W338035	1	
	1.5	W338032	1	
	1.6	W338033	1	
2	3101039	10		Straight pipe fitting
3	3101043	1		Straight pipe fitting
4	W520501800	1		
5	3010336	2		Hex screw [M8X12 8.8 ZC UNI 5739]
6	3040040	5		Lock nut
7	W520500600	5		
8	W664003	5		
9	W520502500	1		
10	W520550700	1		



33800A-1-1

# Control valve (CE)

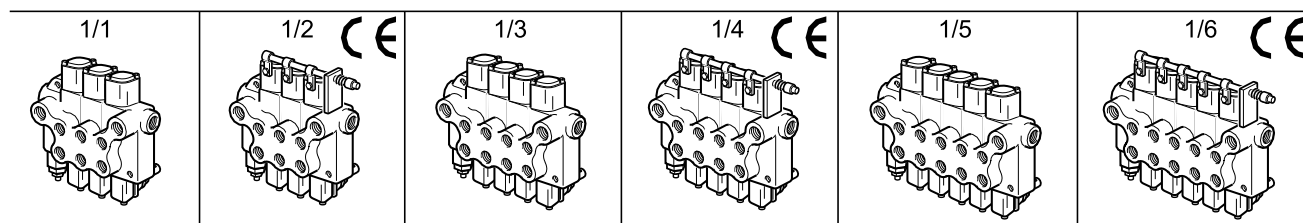
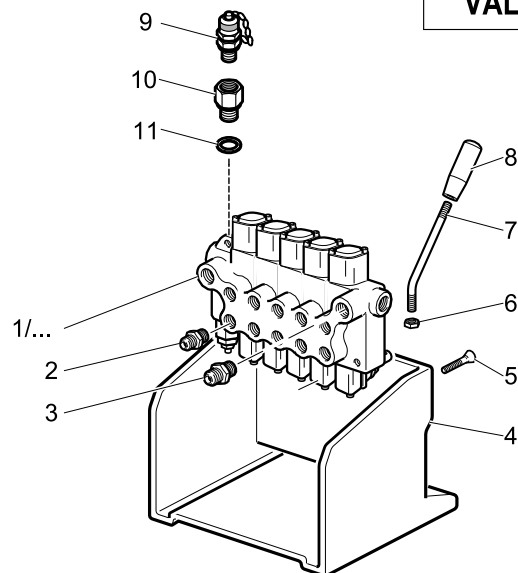
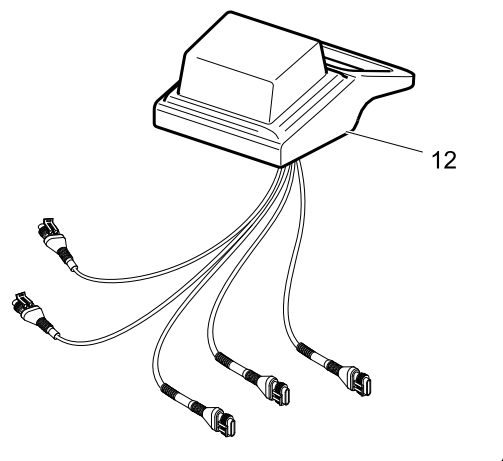
Code

**W338035-1.0**

1/1

R	Pos.	Code Variant	Q.ty	Description
	1.1	W338036	1	
	1.2	W338037	1	
	1.3	W338034	1	
	1.4	W338035	1	
	1.5	W338032	1	
	1.6	W338033	1	
	2	3101039	10	Straight pipe fitting
	3	3101043	1	Straight pipe fitting
	4	W520501800	1	
	5	3010336	2	Hex screw [M8X12 8.8 ZC UNI 5739]
	6	3040040	5	Lock nut
	7	W520500600	5	
	8	W664003	5	
	9	3111523	1	Pipe fitting (Tapping point) [RACC. MILITES 16X2-1/4"G]
	10	3110150	1	Reducing fitting
	11	3060144	1	Sealing washer [BSP 3/8"]
	12	3311339	1	

**VALIDO DA Gennaio 2011**  
**VALID FROM January 2011**



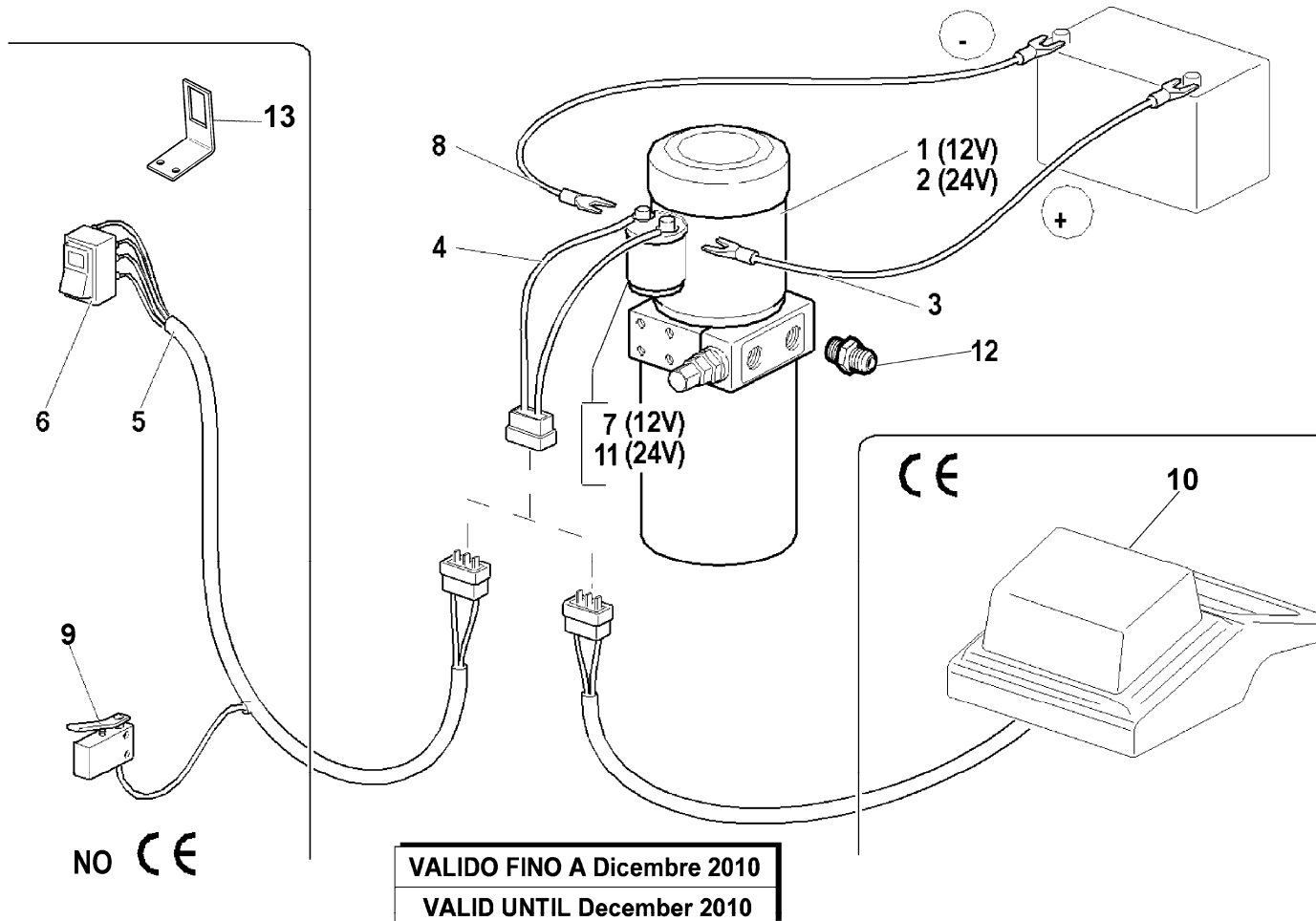
# Motor pump (Electrical equipment)

Code

**W520552300-1.0**

1/1

R	Pos.	Code Variant	Q.ty	Description
	1	W318009	1	
	2	W318010	1	
	3	W370503200	1	
	4	W520501600	1	
	5	W520502300	1	
	6	W264401	1	
	7	5710088	1	
	8	W370503300	1	
	9	3310080	1	
	10	W520550700	1	
	11	5710096	1	
	12	3101039	2	Straight pipe fitting
	13	W370504500	1	



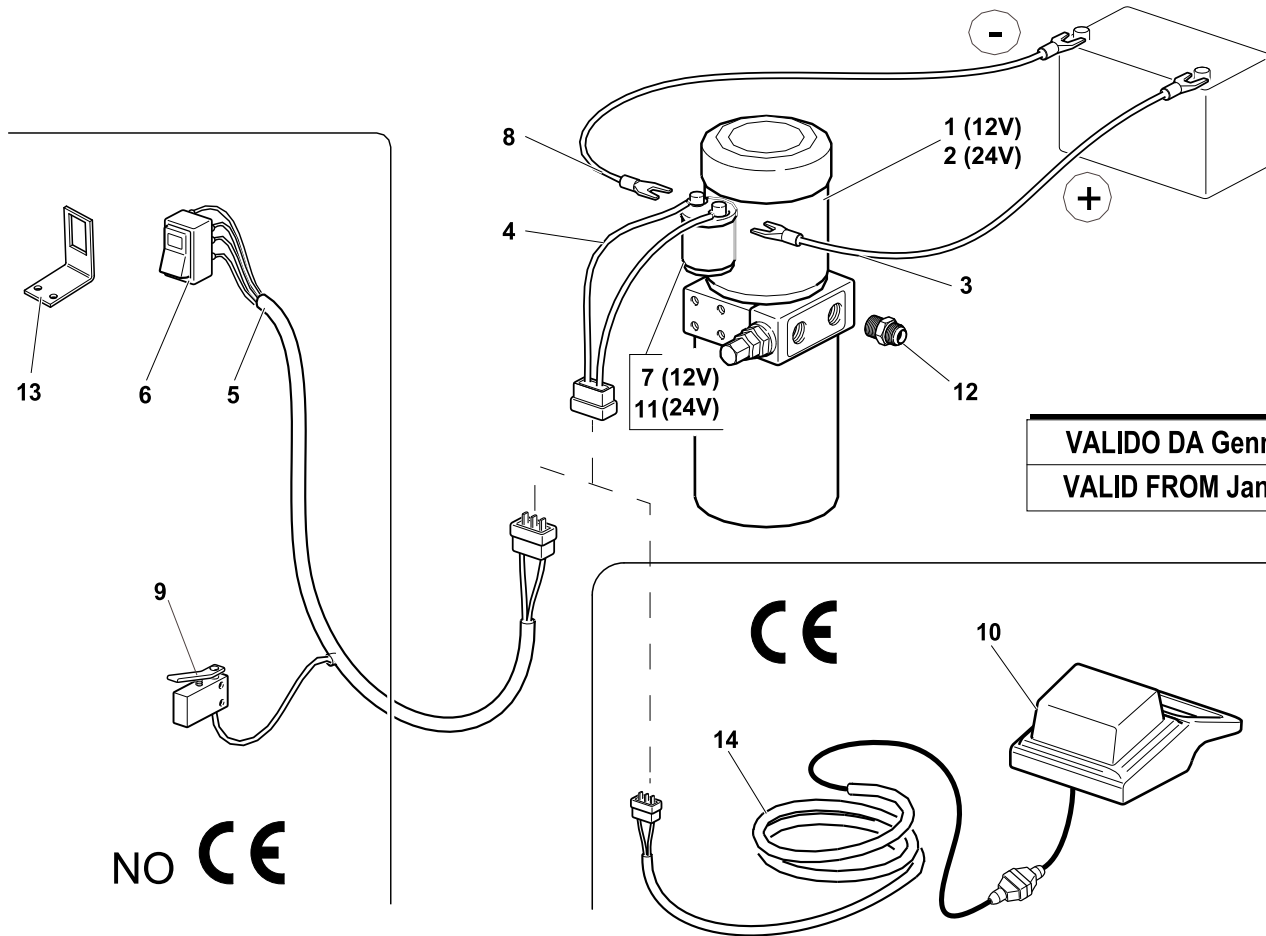
# Motor pump (Electrical equipment)

Code

**W52055300-1.0**

1/1

R	Pos.	Code Variant	Q.ty	Description
	1	W318009	1	
	2	W318010	1	
	3	W370503200	1	
	4	W520501600	1	
	5	W520502300	1	
	6	W264401	1	
	7	5710088	1	
	8	W370503300	1	
	9	3310080	1	
	10	3311339	1	
	11	5710096	1	
	12	3101039	2	Straight pipe fitting
	13	W370504500	1	
	14	3311340	1	



**VALIDO DA Gennaio 2011**  
**VALID FROM January 2011**

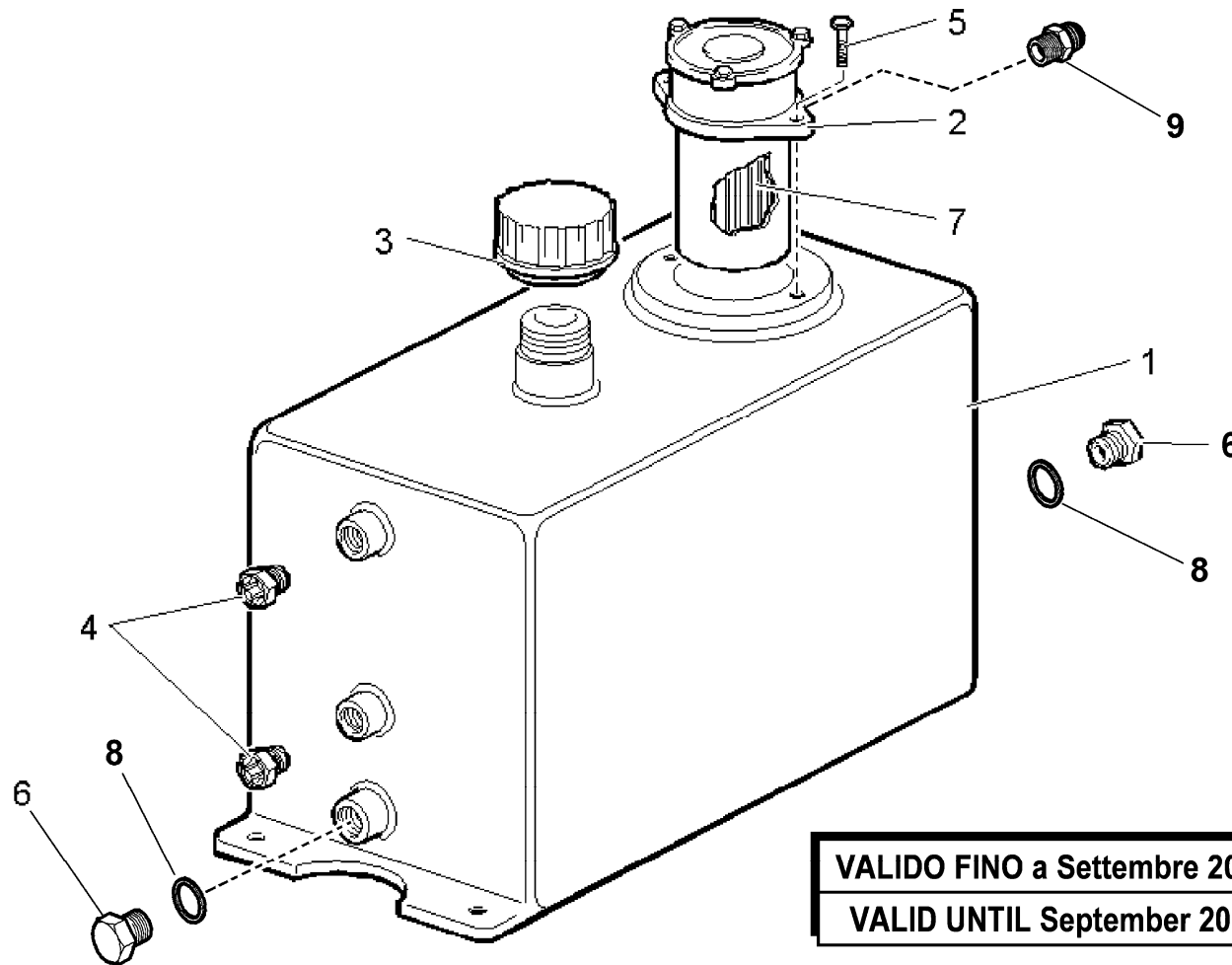
# Hydraulic oil tank

Code

**W530551000-1.1**

1/1

R	Pos.	Code Variant	Q.ty	Description
	1	W438014	1	
	2	W350017	1	
	3	W449009	1	Tank cap (Spill door)
	4	W370005	2	
	5	3010325	2	Hex screw [M6X16 8.8 ZC UNI 5739]
	6	3110065	2	Plug
	7	W350717	1	
	8	3060145	2	Sealing washer [BSP 1/2"]
	9	3101043	1	Straight pipe fitting



**VALIDO FINO a Settembre 2010**  
**VALID UNTIL September 2010**

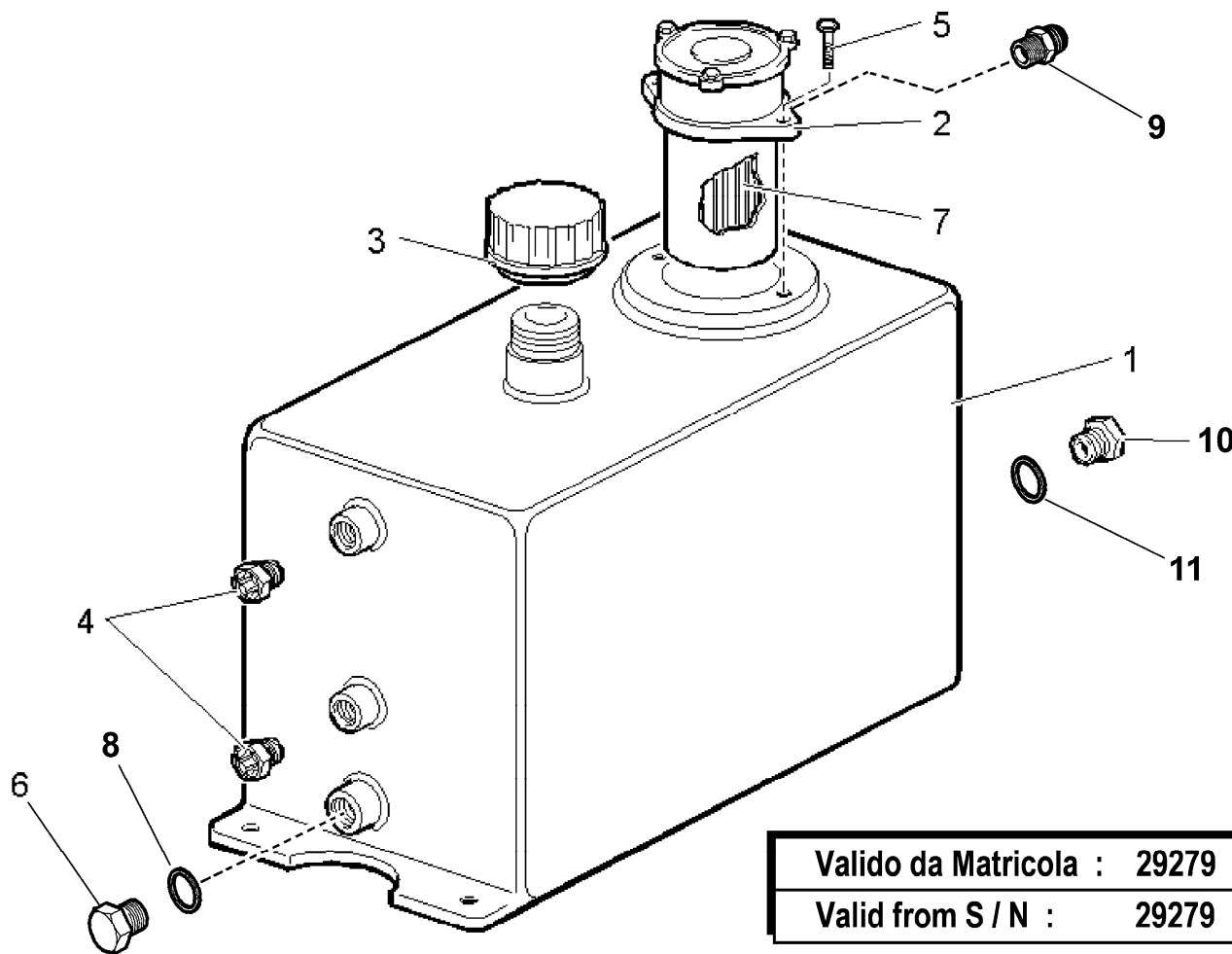
# Hydraulic oil tank

Code

**W530551000-2.1**

1/1

R	Pos.	Code Variant	Q.ty	Description					
	1	W438014	1						
	2	W350017	1						
	3	W449009	1	Tank cap (Spill door)					
	4	W370005	2						
	5	3010325	2	Hex screw [M6X16 8.8 ZC UNI 5739]					
	6	3110065	1	Plug					
	7	W350717	1						
	8	3060145	1	Sealing washer [BSP 1/2"]					
	9	3101043	1	Straight pipe fitting					
	10	3110072	1	Plug		11	3060146	1	Sealing washer [BSP 3/4"]
	11	3060146	1	Sealing washer [BSP 3/4"]					



**Valido da Matricola : 29279**  
**Valid from S / N : 29279**

# Hydraulic oil tank (CE)

Code

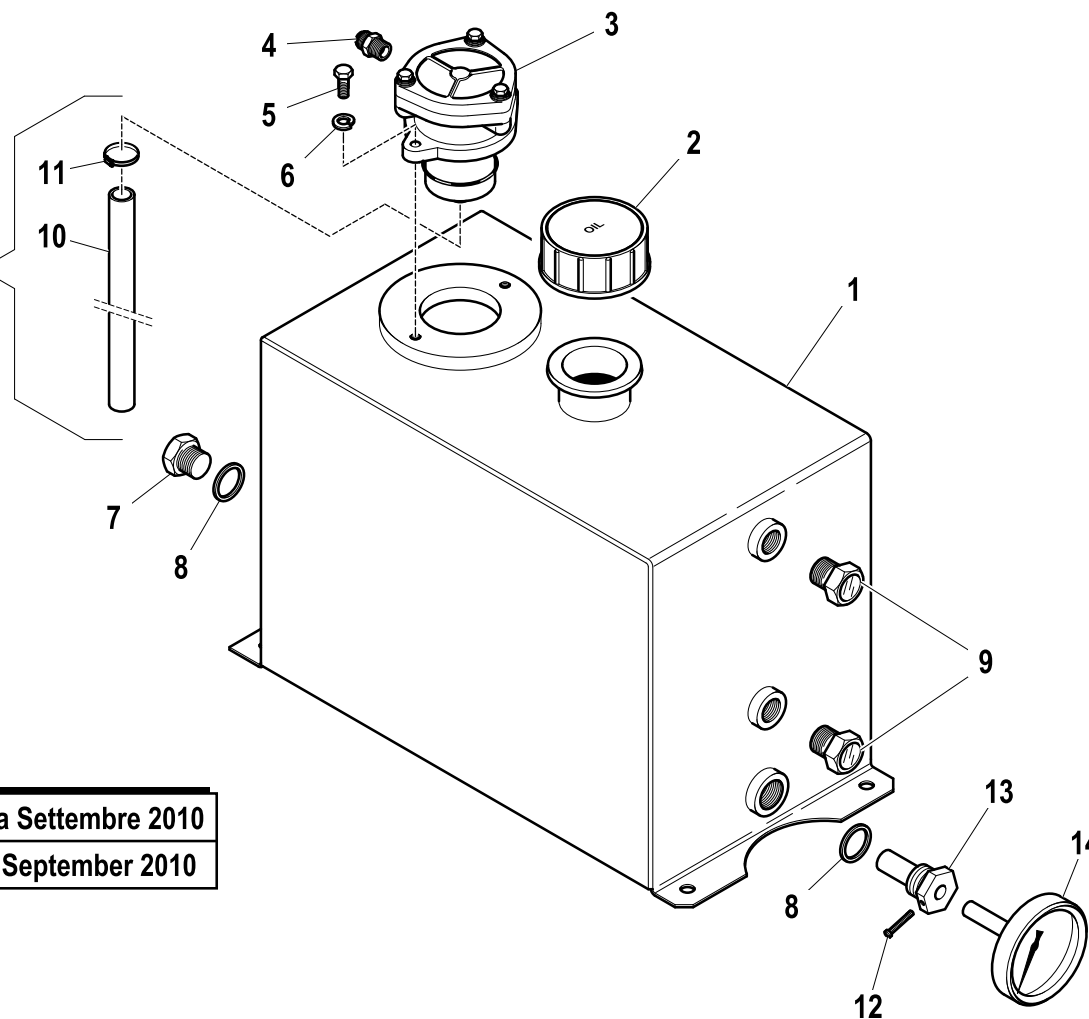
**W530551000-1.0**

1/1

R	Pos.	Code Variant	Q.ty	Description
	1	W438014	1	
	2	W449009	1	Tank cap (Spill door)
	3	W350017	1	
	4	3101043	1	Straight pipe fitting
	5	3010325	2	Hex screw [M6X16 8.8 ZC UNI 5739]
	6	3060053	2	Split lock washer [D=6.4 C72 ZC]
	7	3110065	1	Plug
	8	3060145	2	Sealing washer [BSP 1/2"]
	9	W370005	2	
	10	5310042	1	
	11	3190009	1	Clamp
	12	3020952	1	
	13	W29500301	1	
	14	3180097	1	

VALIDO DA LUGLIO 2010  
VALID FROM JULY 2010

VALIDO FINO a Settembre 2010  
VALID UNTIL September 2010





# Hydraulic oil tank (CE)

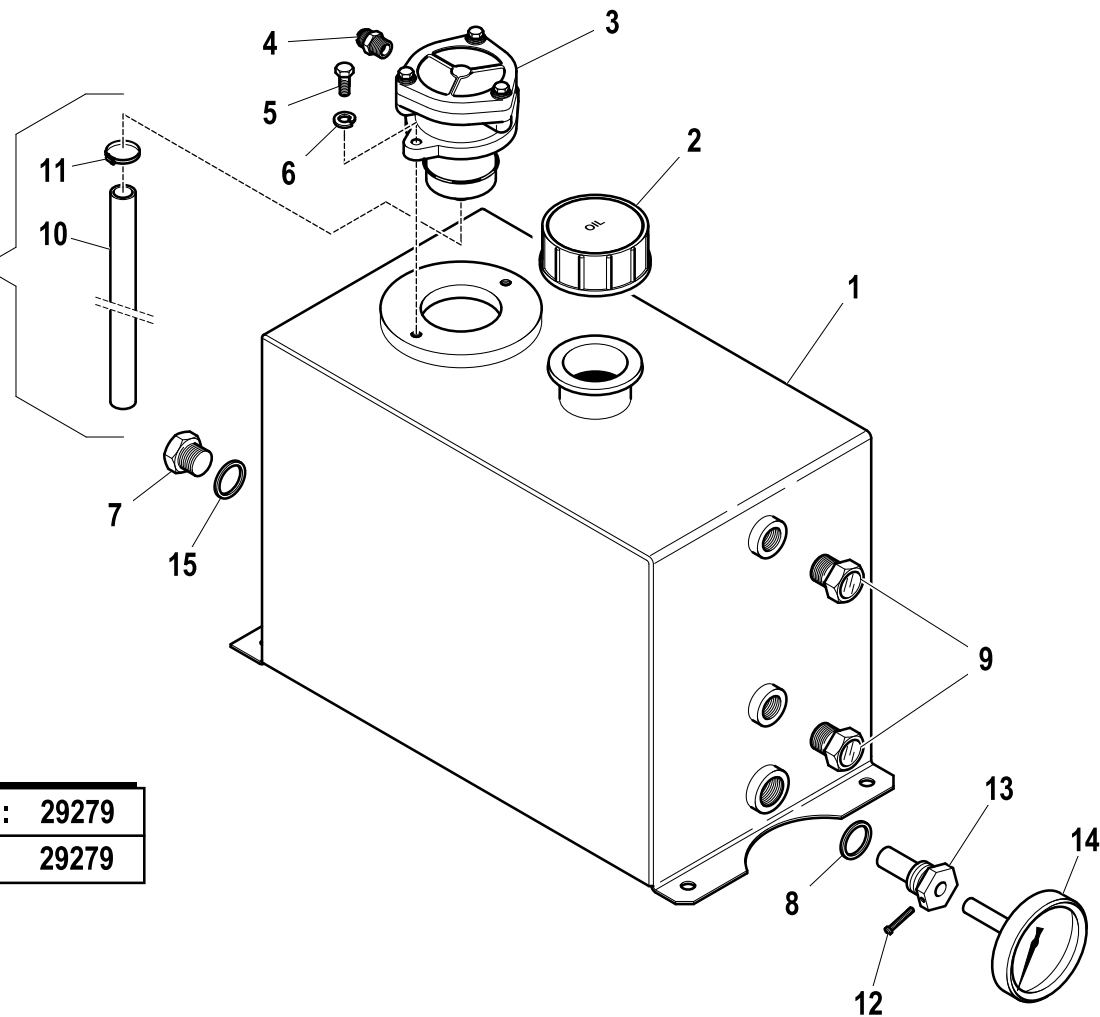
Code

**W530551000-2.0**

1/1

R	Pos.	Code Variant	Q.ty	Description
	1	W438014	1	
	2	W449009	1	Tank cap (Spill door)
	3	W350017	1	
	4	3101043	1	Straight pipe fitting
	5	3010325	2	Hex screw [M6X16 8.8 ZC UNI 5739]
	6	3060053	2	Split lock washer [D=6.4 C72 ZC]
	7	3110072	1	Plug
	8	3060145	1	Sealing washer [BSP 1/2"]
	9	W370005	2	
	10	5310042	1	
	11	3190009	1	Clamp
	12	3020952	1	
	13	W29500301	1	
	14	3180097	1	
	15	3060146	1	Sealing washer [BSP 3/4"]

VALIDO DA LUGLIO 2010  
VALID FROM JULY 2010



Valido da Matricola : 29279

Valid from S / N : 29279

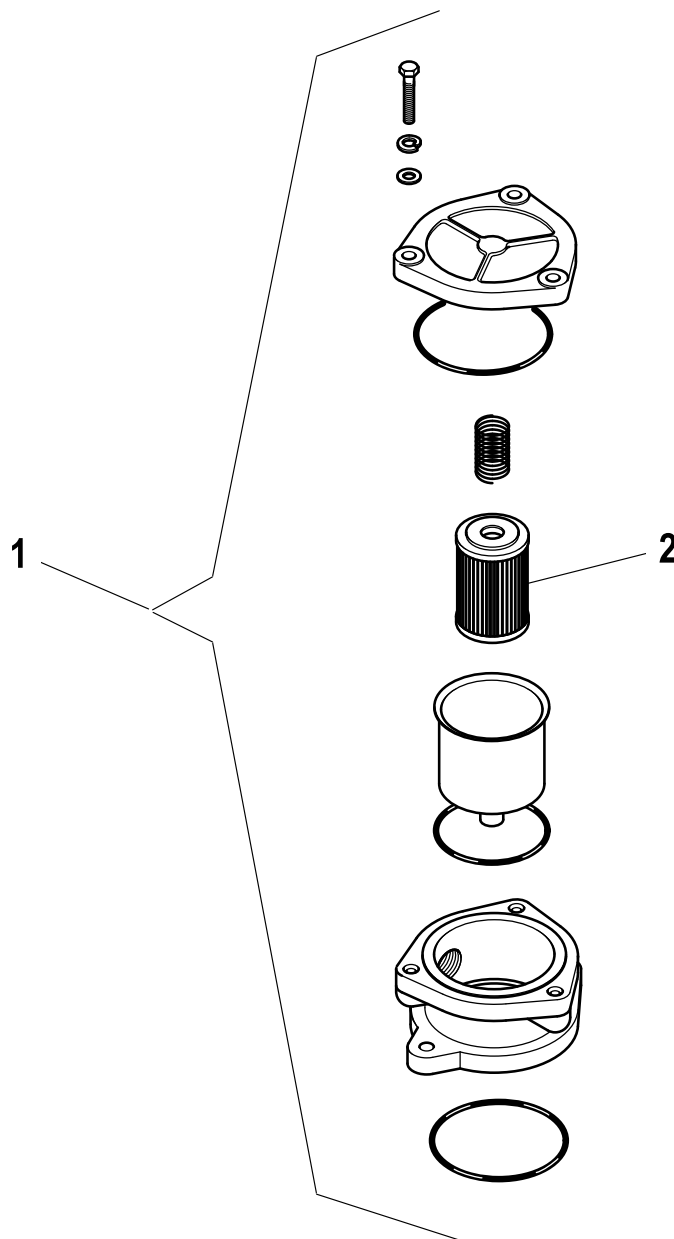
# Oil filter

Code

**W350017-1.0**

1/1

R	Pos.	Code Variant	Q.ty	Description
	1	W350017	1	
	2	W350717	1	



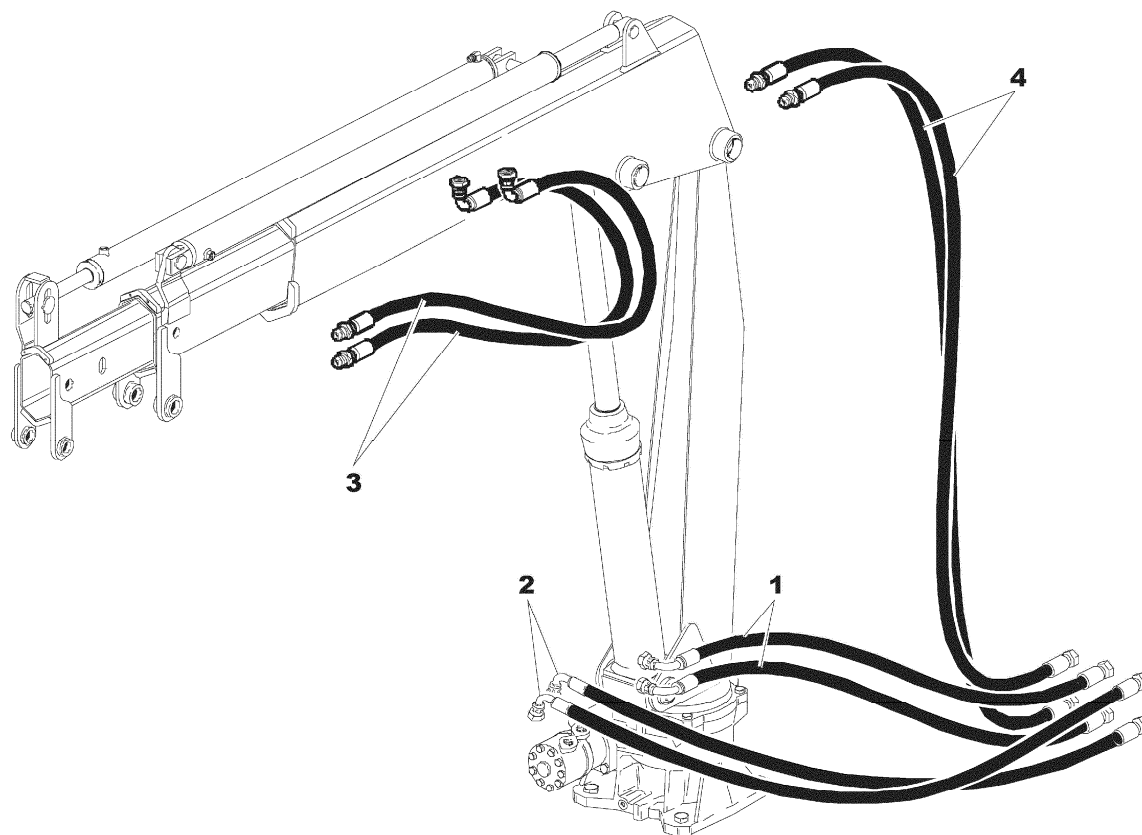
**Set of hoses**

Code

**W444204-1.0**

1/1

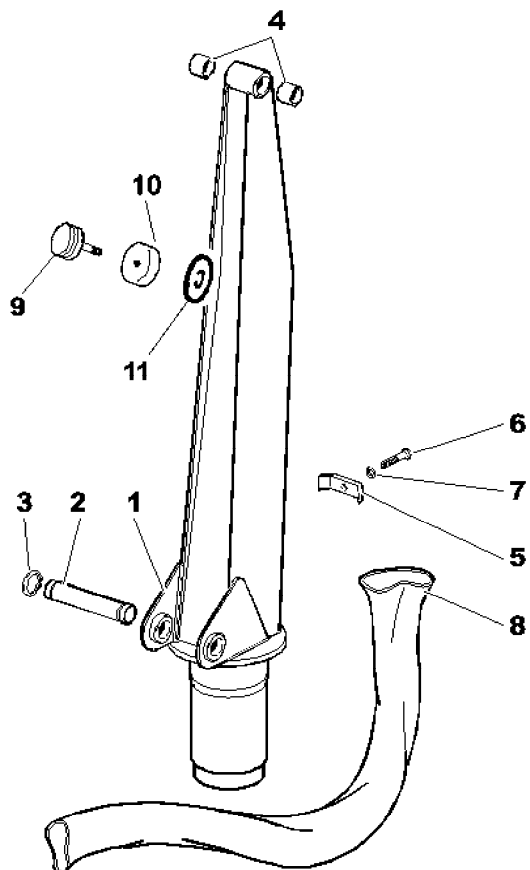
R	Pos.	Code Variant	Q.ty	Description
	1	5260774	2	Flexible hose
	2	5260773	2	Flexible hose
	3	5260777	2	Flexible hose
	4	5260776	2	Flexible hose



444204-1-0

<b>Column</b>	Code	
	<b>W054201-1.2</b>	1/1

R	Pos.	Code Variant	Q.ty	Description
	1	W540200200	1	
	2	W101321	1	
	3	3070210	2	Snap ring
	4	W102135	2	
	5	5000047	4	
	6	3020037	4	Socked head cap screw [M6X25 8.8 ZC UNI 5931]
	7	3060101	4	Tooth lock washer [D.6 TIPO A]
	8	3190198	2.7m	
	9	W732001	1	Anti-vibrating support
	10	5140788	1	
	11	5001111	1	

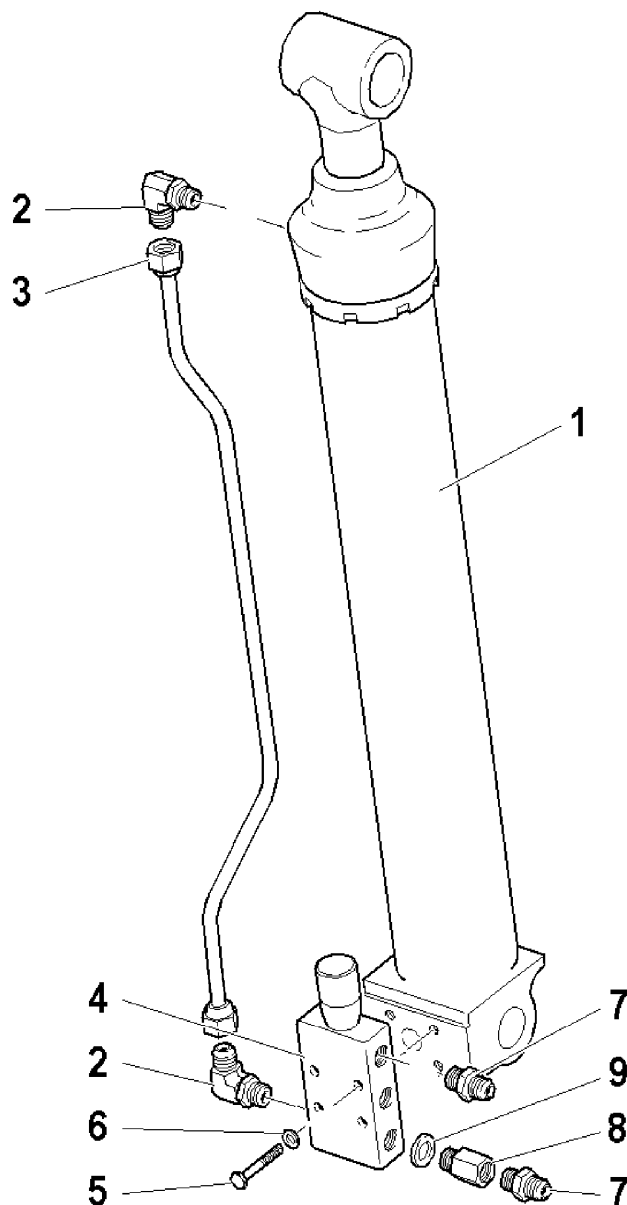


# LIFTING HYDRAULIC CYLINDER (Hydraulic system)

Code

**W540250200-1.0**

1/1



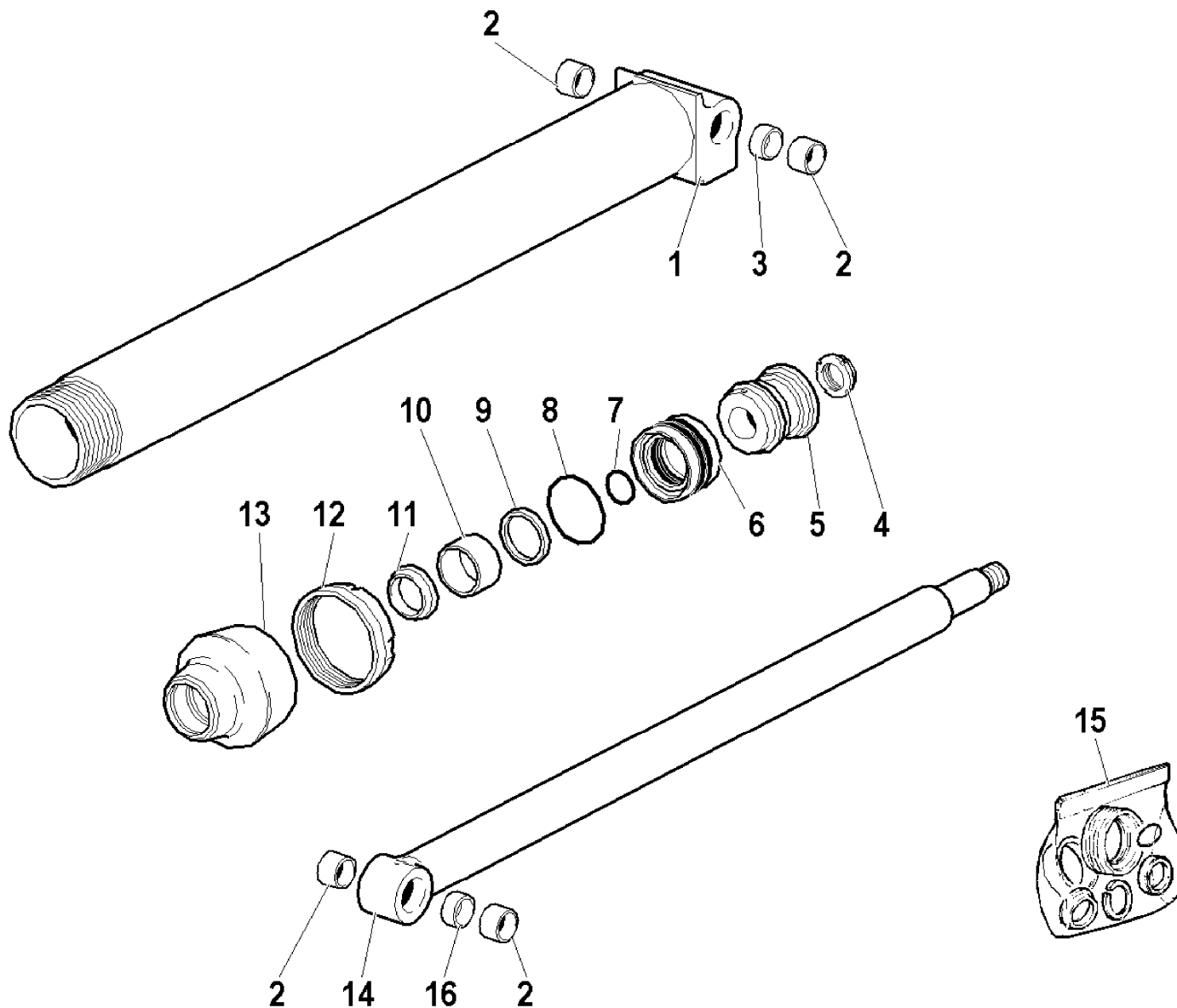
R	Pos.	Code Variant	Q.ty	Description
	1	W540250100	1	
	2	3101125	2	90° Connection
	3	W540201000	1	
	4	W470052	1	
	5	3010031	4	Hex screw [M8X40 8.8 ZC UNI 5737]
	6	3060055	4	Split lock washer [D=8.4 C72 ZC]
	7	3101040	2	Straight pipe fitting
	8	3110112	1	Straight pipe fitting
	9	3060144	1	Sealing washer [BSP 3/8"]

# LIFTING HYDRAULIC CYLINDER

Code

**W540250100-1.0**

1/1



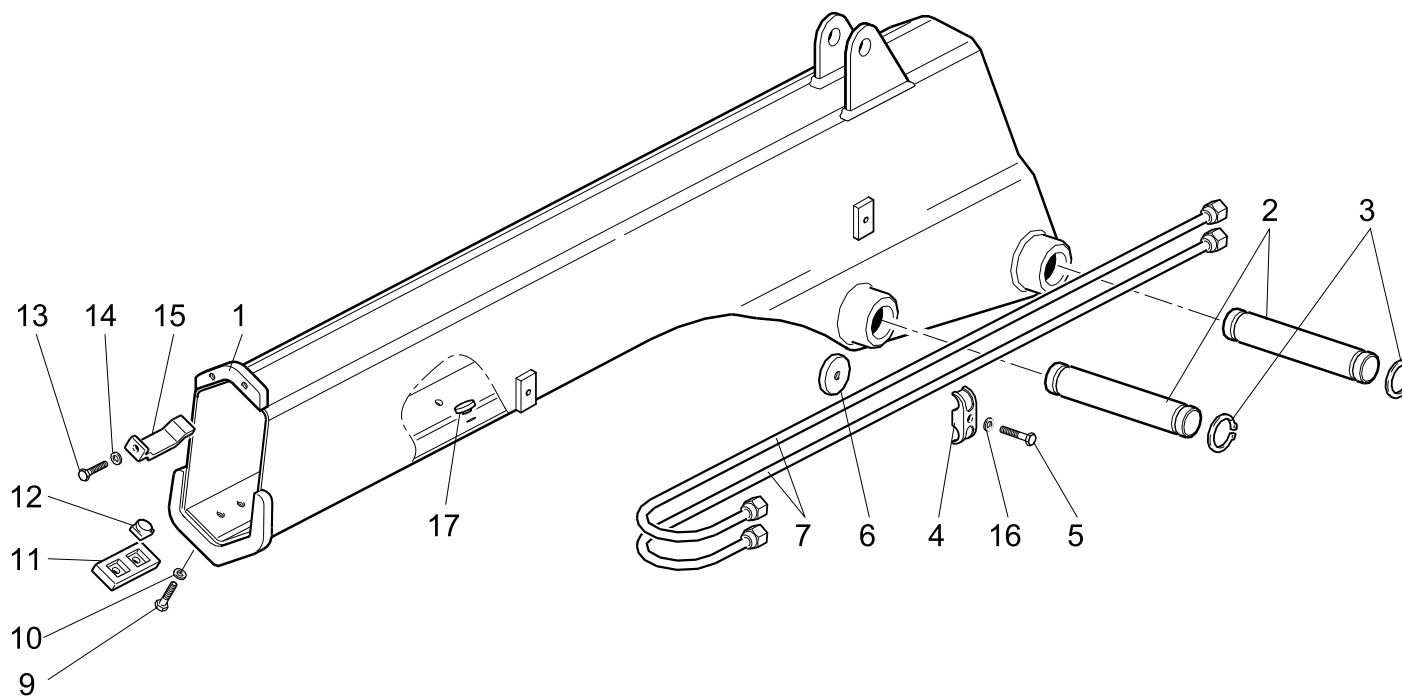
R	Pos.	Code Variant	Q.ty	Description
	1	W540200800	1	
	2	W102135	4	
	3	W400200600	1	
	4	3040505	1	Self-locking ringnut
	5	W105074	1	
	6	W359021	1	
	7	W360076	1	
	8	W360078	1	
	9	W358010	1	
	10	W102136	1	
	11	W361016	1	
	12	W380200400	1	
	13	W380200200	1	
	14	W540200900	1	
	15	W365104	1	
	16	W400200700	1	

# 1ST BOOM

Code

**W054202-1.1**

1/1



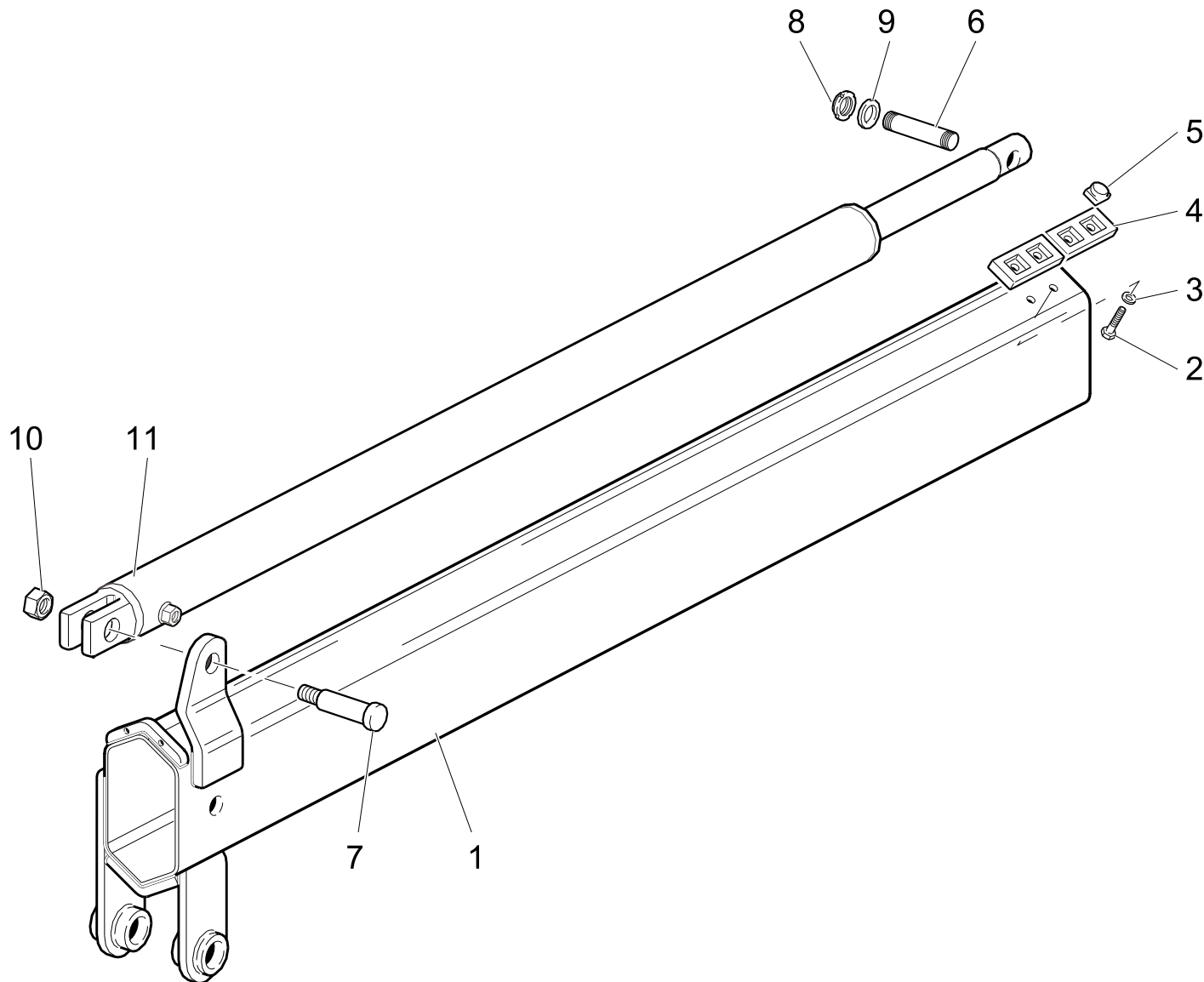
R	Pos.	Code Variant	Q.ty	Description
	1	W540200300	1	
	2	W101225	2	
	3	3070210	4	Snap ring
	4	5000077	2	
	5	3010029	2	Hex screw [M8X30 8.8 ZC UNI 5737]
	6	W340501400	2	
	7	W530202100	2	
	9	3010055	4	Hex screw [M8X10 8.8 ZC UNI 5739]
	10	3060006	4	Flat washer [D.8 UNI 6592 ZC]
	11	5140248	2	
	12	W370300800	4	
	13	3010323	2	Hex screw [M6X10 8.8 ZC UNI 5739]
	14	3060005	2	Flat washer [D.6.4 UNI 6592 ZC]
	15	3060684	2	
	16	3060055	2	Split lock washer [D=8.4 C72 ZC]
	17	W370400700	2	Button (Coupling backlash)

# 1st EXTENSION

Code

**W054203-1.0**

1/1



R	Pos.	Code Variant	Q.ty	Description
	1	W540200400	1	
	2	3010055	4	Hex screw [M8X10 8.8 ZC UNI 5739]
	3	3060006	4	Flat washer [D.8 UNI 6592 ZC]
	4	W380300700	2	
	5	W370300800	4	
	6	W101244	1	
	7	W101249	1	
	8	3040498	4	Self-locking ringnut
	9	3060010	4	Flat washer [D.17X30X3 UNI 6592 ZC]
	10	3040214	1	Lock nut
	11	W540250600	1	



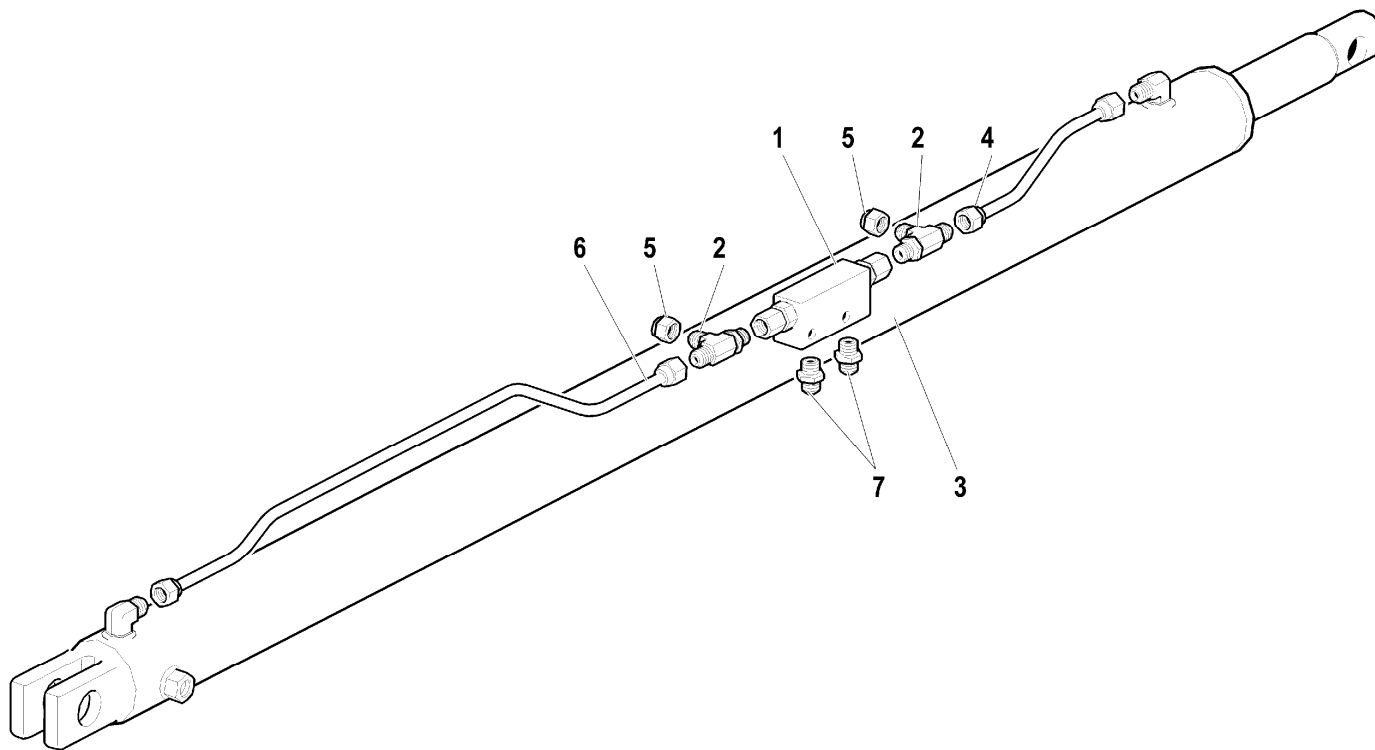
## Extension jacks (Assembly)

Code

**W540250600-1.0**

1/1

R	Pos.	Code Variant	Q.ty	Description
	1	W470017	1	
	2	3101175	2	Tee fitting
	3	W540250300	1	
	4	W530201900	1	
	5	3110040	2	Female plug
	6	W530202400	1	
	7	3101039	2	Straight pipe fitting



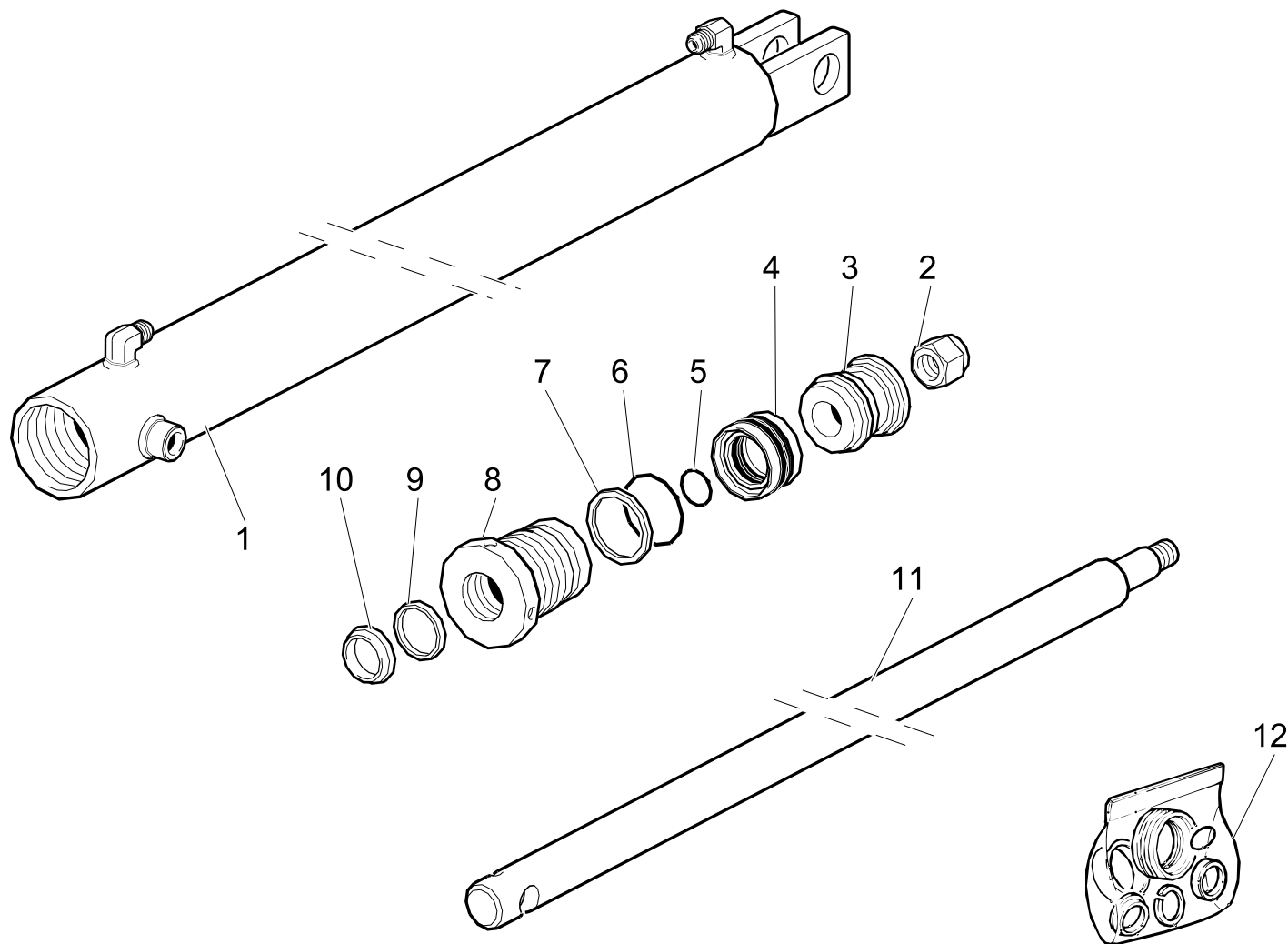
540250600-1.0

# 1st EXSTENSION HYDRAULIC

Code

**W540250300-1.1**

1/1



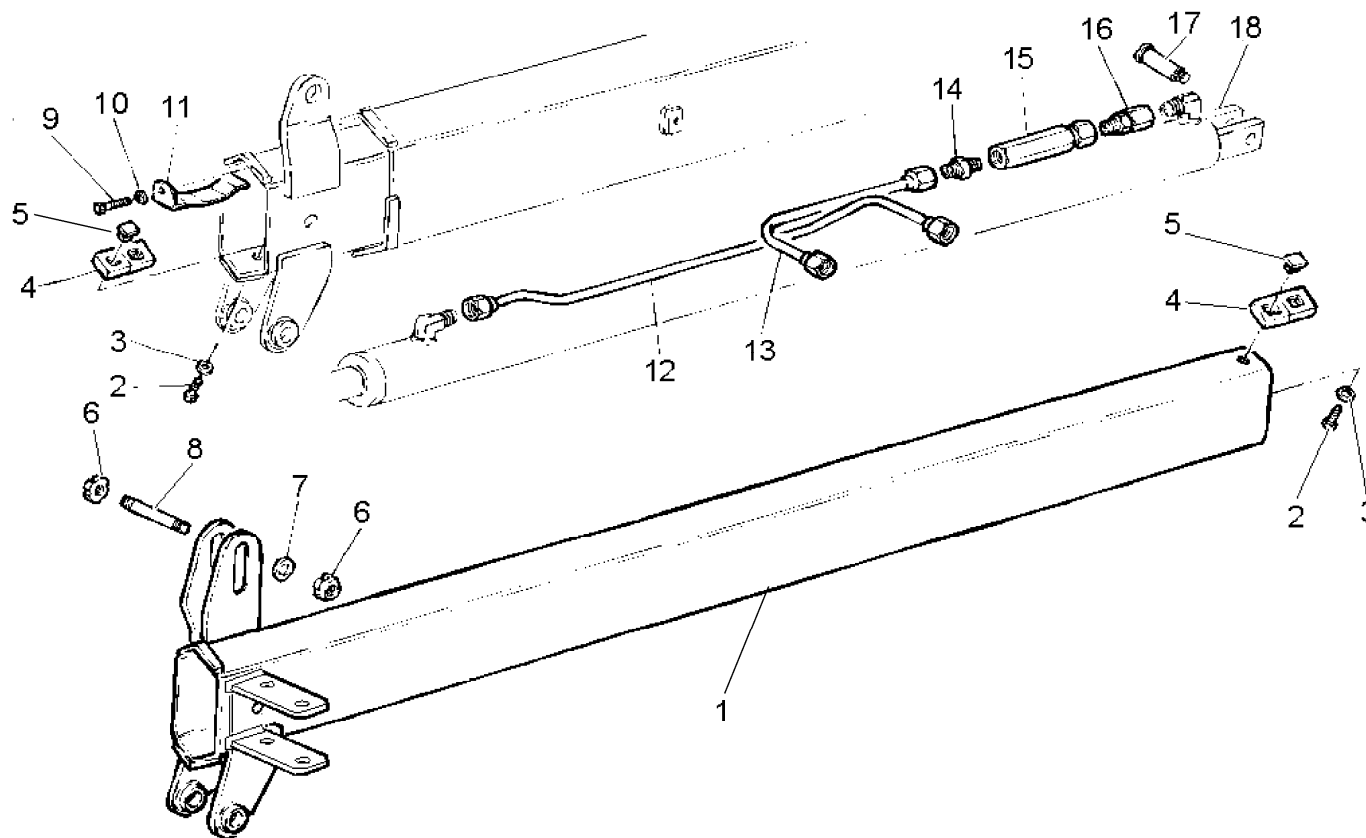
R	Pos.	Code Variant	Q.ty	Description
	1	W540201200	1	
	2	3040378	1	Stopnut
	3	W105099	1	
	4	W359013	1	
	5	W360002	1	
	6	W360022	1	
	7	W304016	1	
	8	W120054	1	
	9	W358003	1	
	10	W361013	1	Seal (Oil seal)
	11	W540201300	1	
	12	W365119	1	

## 2nd extension

Code

**W540251500-1.2**

1/1



R	Pos.	Code Variant	Q.ty	Description
	1	W540201700	1	
	2	3010055	8	Hex screw [M8X10 8.8 ZC UNI 5739]
	3	3060006	8	Flat washer [D.8 UNI 6592 ZC]
	4	W370300900	4	
	5	W370300800	8	
	6	3040498	2	Self-locking ringnut
	7	3060010	2	Flat washer [D.17X30X3 UNI 6592 ZC]
	8	W101218	1	
	9	3010323	2	Hex screw [M6X10 8.8 ZC UNI 5739]
	10	3060005	2	Flat washer [D.6.4 UNI 6592 ZC]
	11	3060684	2	
	12	W530201800	1	
	13	W530201700	1	
	14	3101040	1	Straight pipe fitting
	15	W470853	1	
	16	3120065	1	Straight pipe fitting
	17	W101214	1	
	18	W540250400	1	

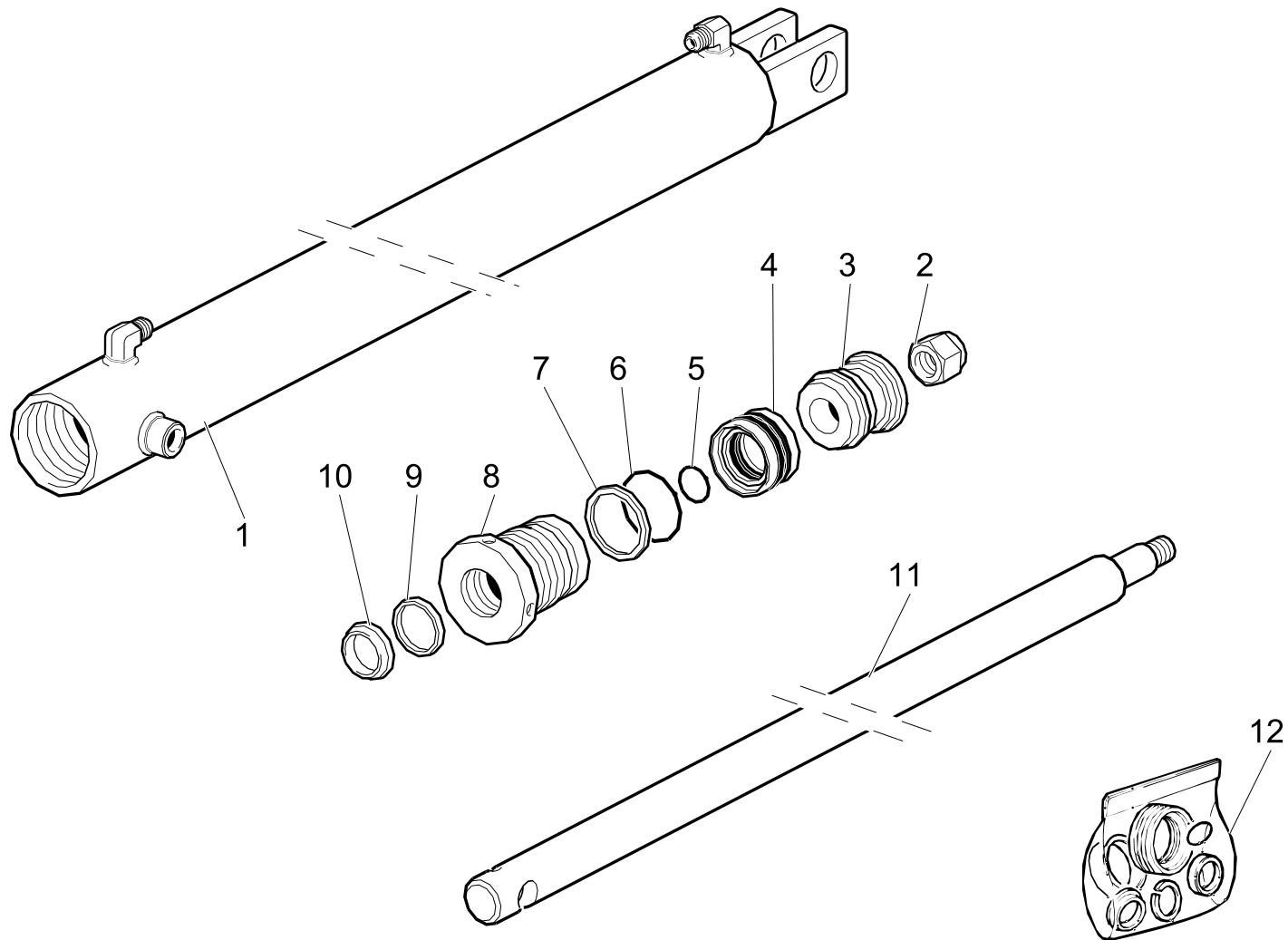
S.410251500-1-1

## 2nd EXTENSION HYDRAULIC JACK

Code

**W540250400-1.2**

1/1



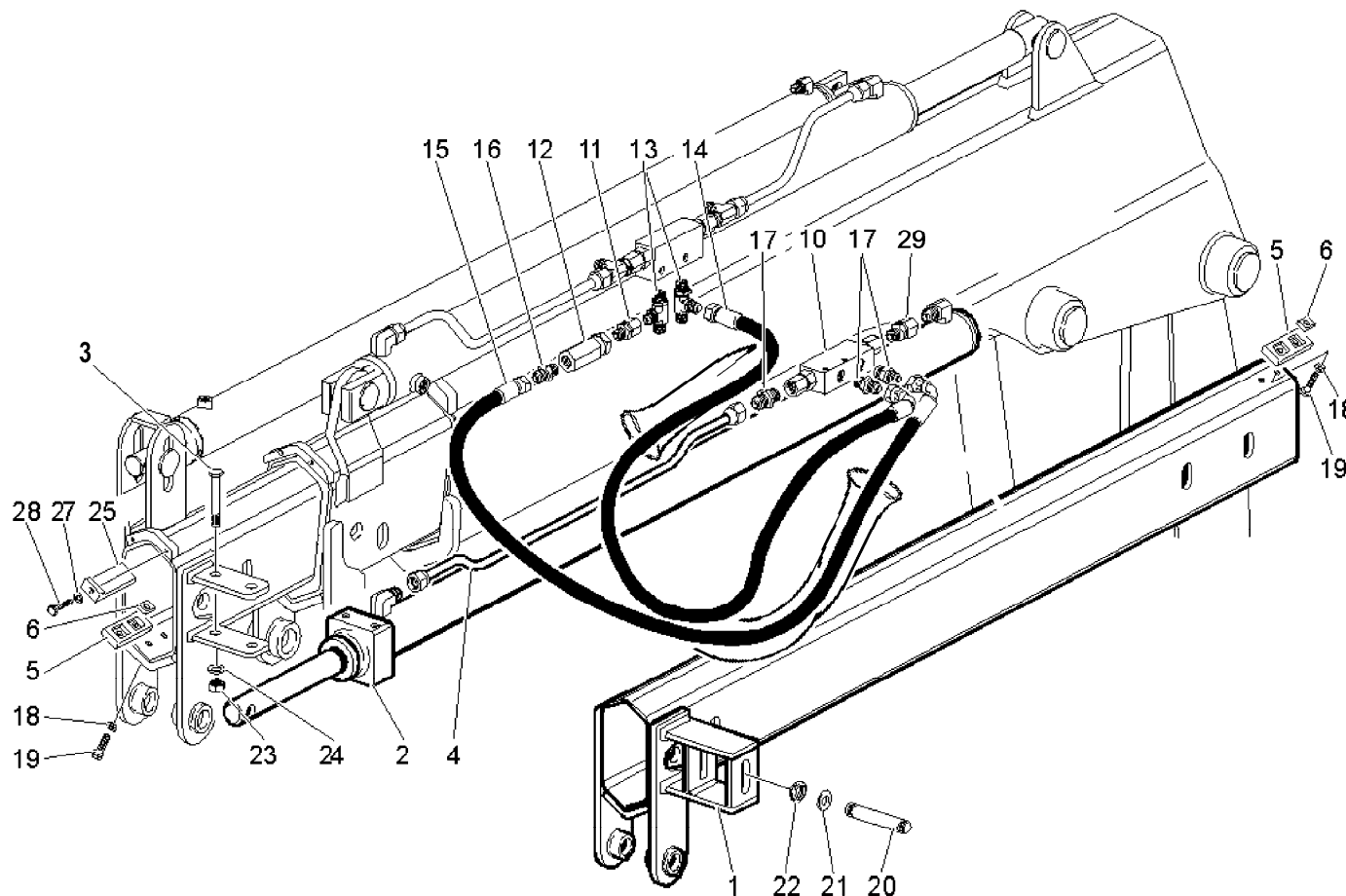
R	Pos.	Code Variant	Q.ty	Description
	1	W540201400	1	
	2	3040377	1	Stopnut
	3	W105061	1	
	4	W359010	1	
	5	W360002	1	
	6	W360049	1	
	7	W304018	1	
	8	W120058	1	
	9	W358001	1	
	10	W361011	1	
	11	W540201500	1	
	12	W365061	1	

### 3rd extension

Code

**W540251100-1.0**

1/2



R	Pos.	Code Variant	Q.ty	Description
	1	W540201800	1	
	2	W540250500	1	
	3	3010362	2	Hex screw [M10X100 8.8 ZC UNI 5737]
	4	W540202000	1	
	5	W360300400	4	
	6	W370300800	8	
	10	W470017	1	
	11	3120065	1	Straight pipe fitting
	12	5220573	1	
	13	3101175	2	Tee fitting
	14	5261133	1	
	15	5260999	1	
	16	3101040	1	Straight pipe fitting
	17	3101039	3	Straight pipe fitting
	18	3060006	8	Flat washer [D.8 UNI 6592 ZC]
	19	3010055	8	Hex screw [M8X10 8.8 ZC UNI 5739]
	20	W101218	1	
	21	3060010	2	Flat washer [D.17X30X3 UNI 6592 ZC]
	22	3040498	2	Self-locking ringnut
	23	3040335	2	Stopnut

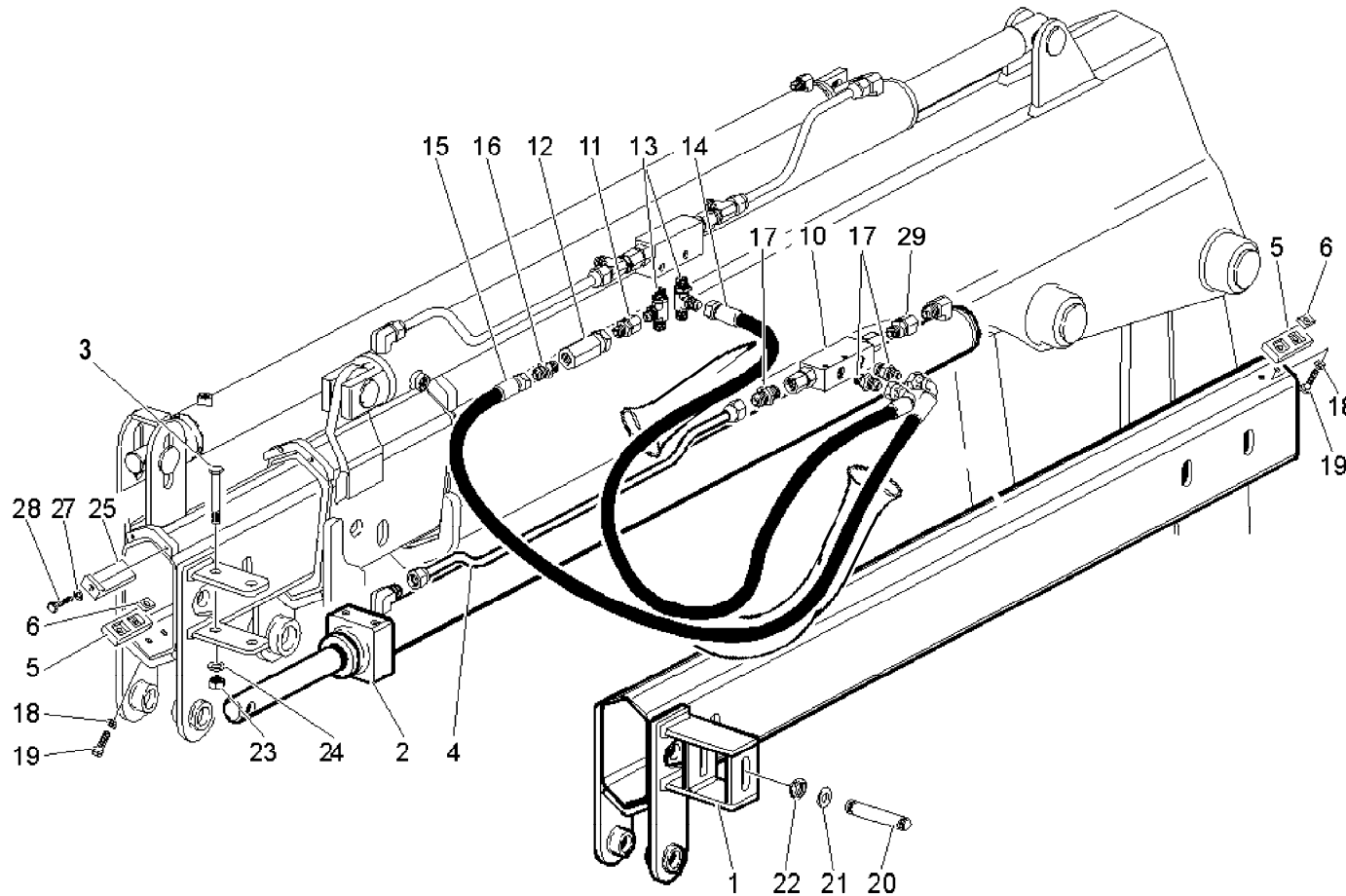
### 3rd extension

Code

**W540251100-1.0**

2/2

R	Pos.	Code Variant	Q.ty	Description
	24	3060914	2	Flat washer [D.10.5X21X2 UNI 6592 ZC]
	25	3060684	2	
	27	3060005	4	Flat washer [D.6.4 UNI 6592 ZC]
	28	3010323	4	Hex screw [M6X10 8.8 ZC UNI 5739]
	29	3120064	1	Straight pipe fitting

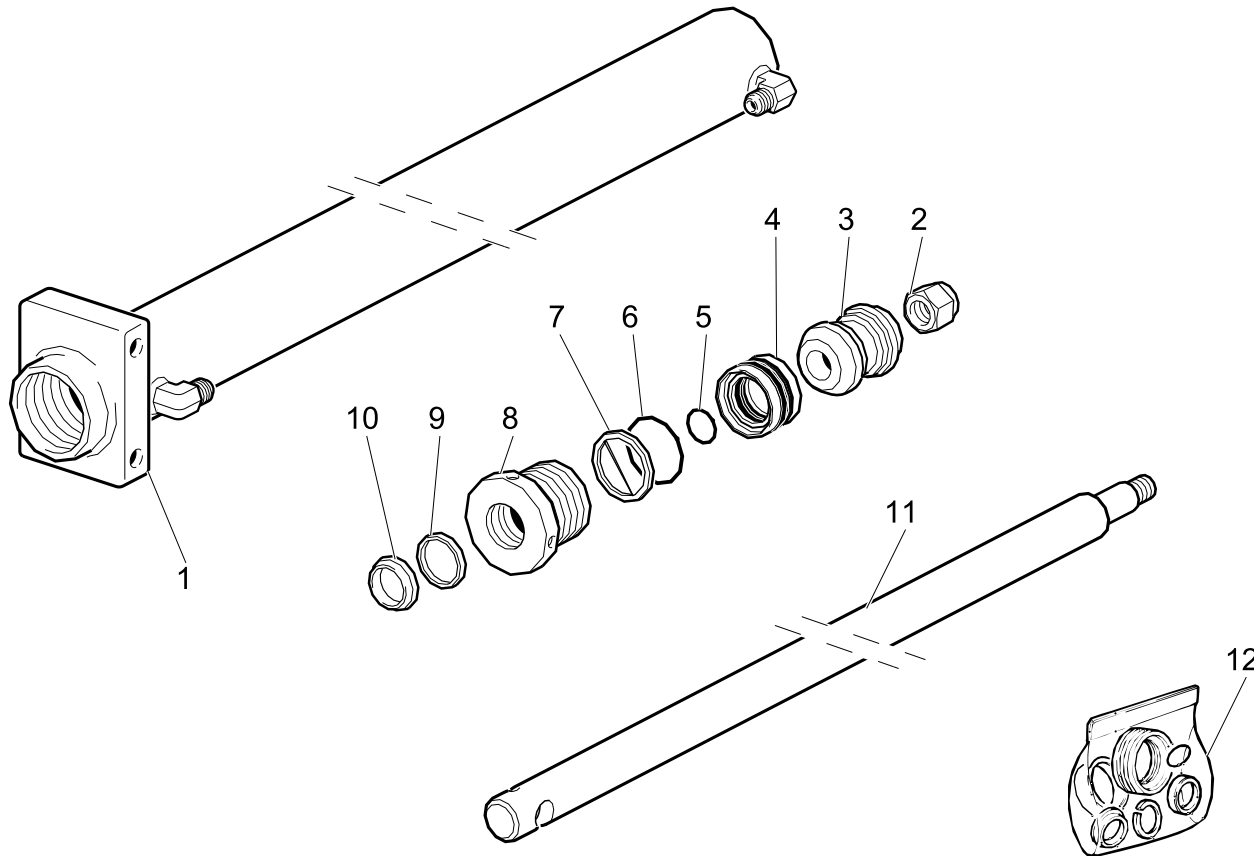


### 3rd extension Hydraulic jack

Code

**W540250500-1.0**

1/1



R	Pos.	Code Variant	Q.ty	Description
	1	W540201900	1	
	2	3040377	1	Stopnut
	3	W105061	1	
	4	W359010	1	
	5	W360002	1	
	6	W360049	1	
	7	W304018	1	
	8	W120058	1	
	9	W358001	1	
	10	W361011	1	
	11	W540201500	1	
	12	W365061	1	

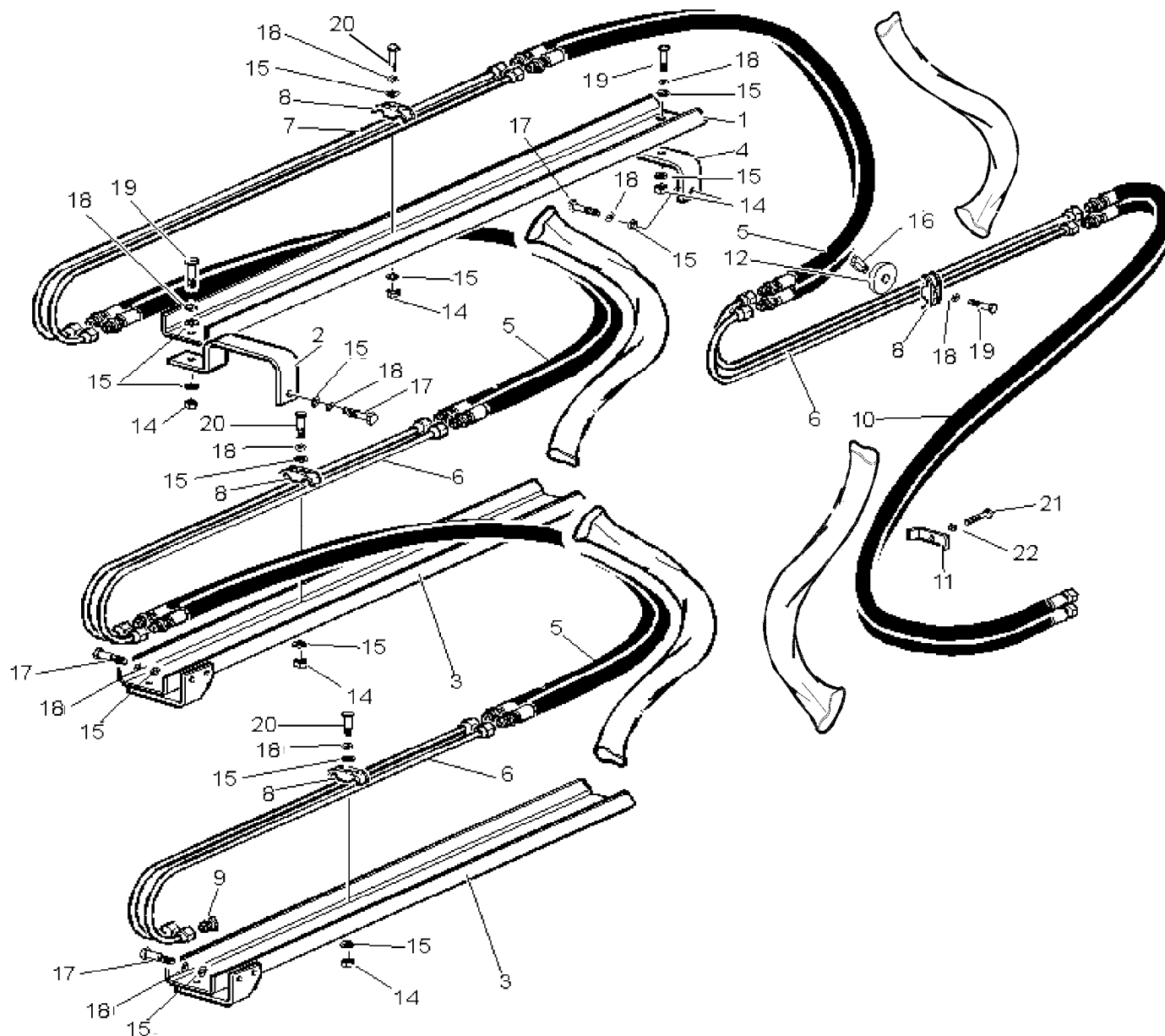
520250100-1-0

# 1st ACTIVATION FOR A3

Code

**W540551400-1.1**

1/2



R	Pos.	Code Variant	Q.ty	Description
	1	W530500400	1	
	2	W530500100	1	
	3	W530500300	2	
	4	W530500200	1	
	5	W456882	6	
	6	W520501300	6	
	7	W520501200	2	
	8	5000077	8	
	9	3110053	2	Plug
	10	W456899	2	
	11	W128039	3	
	12	W340501400	2	
	14	3040524	8	Stopnut
	15	3060006	22	Flat washer [D.8 UNI 6592 ZC]
	16	W340501300	2	
	17	3010027	6	Hex screw [M8X20 8.8 ZC IF UNI 5739]
	18	3060918	16	Tooth lock washer [D.8 TIPO A UNI8842 ZC]
	19	3010339	4	Hex screw [M8X25 8.8 ZC IF UNI 5739]
	20	3010066	6	Hex screw [M8X30 8.8 ZC UNI 5739]
	21	3020037	3	Socketed head cap screw [M6X25 8.8 ZC UNI 5931]



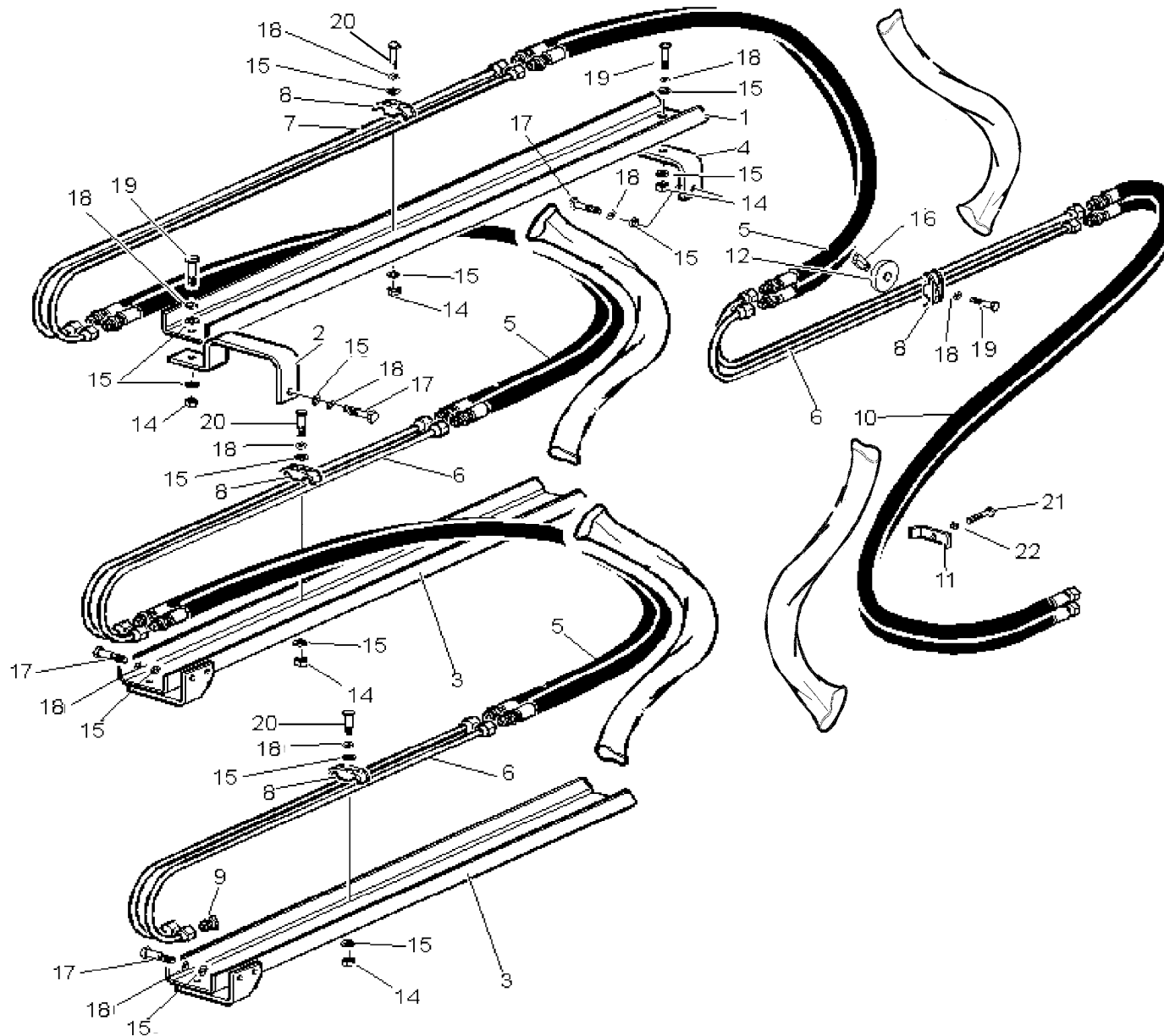
# 1st ACTIVATION FOR A3

Code

**W540551400-1.1**

2/2

R	Pos.	Code Variant	Q.ty	Description
	22	3060101	3	Tooth lock washer [D.6 TIPO A]

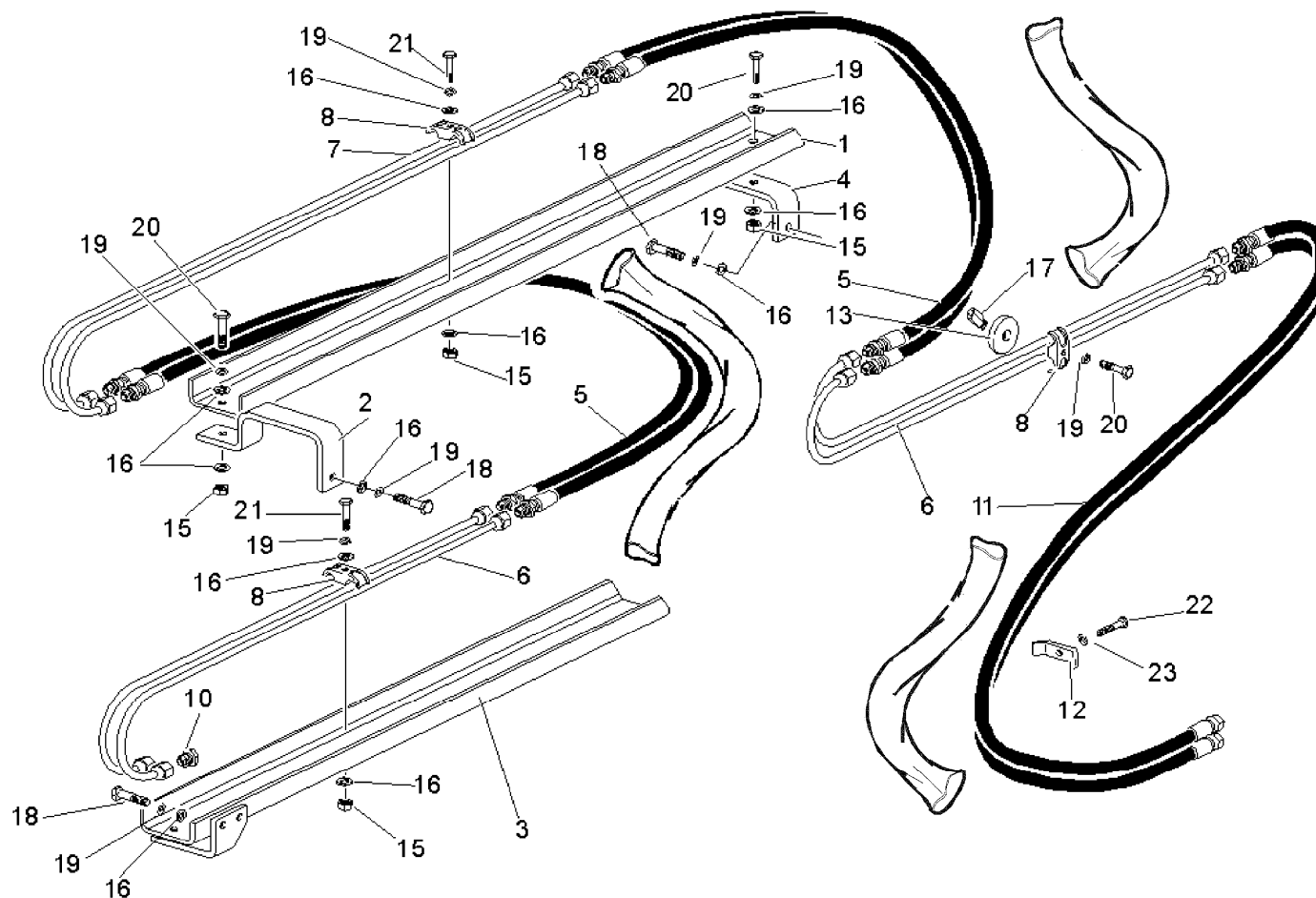


# 1st ACTIVATION FOR A2

Code

**W530551100-1.1**

1/2



R	Pos.	Code Variant	Q.ty	Description
	1	W530500400	1	
	2	W530500100	1	
	3	W530500300	1	
	4	W530500200	1	
	5	W456882	4	
	6	W520501300	4	
	7	W520501200	2	
	8	5000077	6	
	10	3110053	2	Plug
	11	W456899	2	
	12	W128039	3	
	13	W340501400	2	
	15	3040524	6	Stopnut
	16	3060006	16	Flat washer [D.8 UNI 6592 ZC]
	17	W340501300	2	
	18	3010027	4	Hex screw [M8X20 8.8 ZC IF UNI 5739]
	19	3060918	12	Tooth lock washer [D.8 TIPO A UNI8842 ZC]
	20	3010339	4	Hex screw [M8X25 8.8 ZC IF UNI 5739]
	21	3010066	4	Hex screw [M8X30 8.8 ZC UNI 5739]
	22	3020037	3	Socket head cap screw [M6X25 8.8 ZC UNI 5931]

SCALE 1:10-1:1

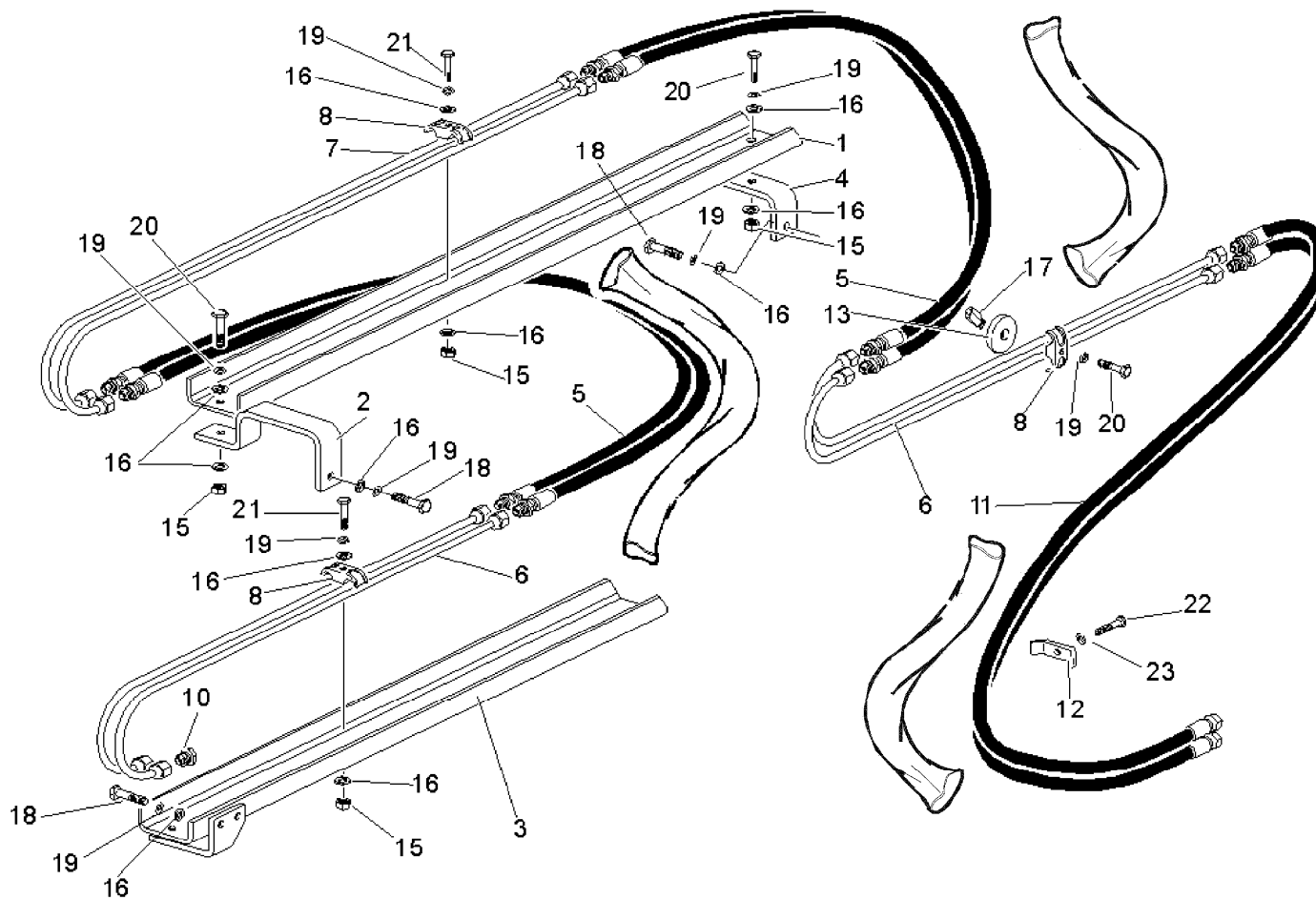
# 1st ACTIVATION FOR A2

Code

**W530551100-1.1**

2/2

R	Pos.	Code Variant	Q.ty	Description
	23	3060101	3	Tooth lock washer [D.6 TIPO A]



SCALE 1:10-1:1

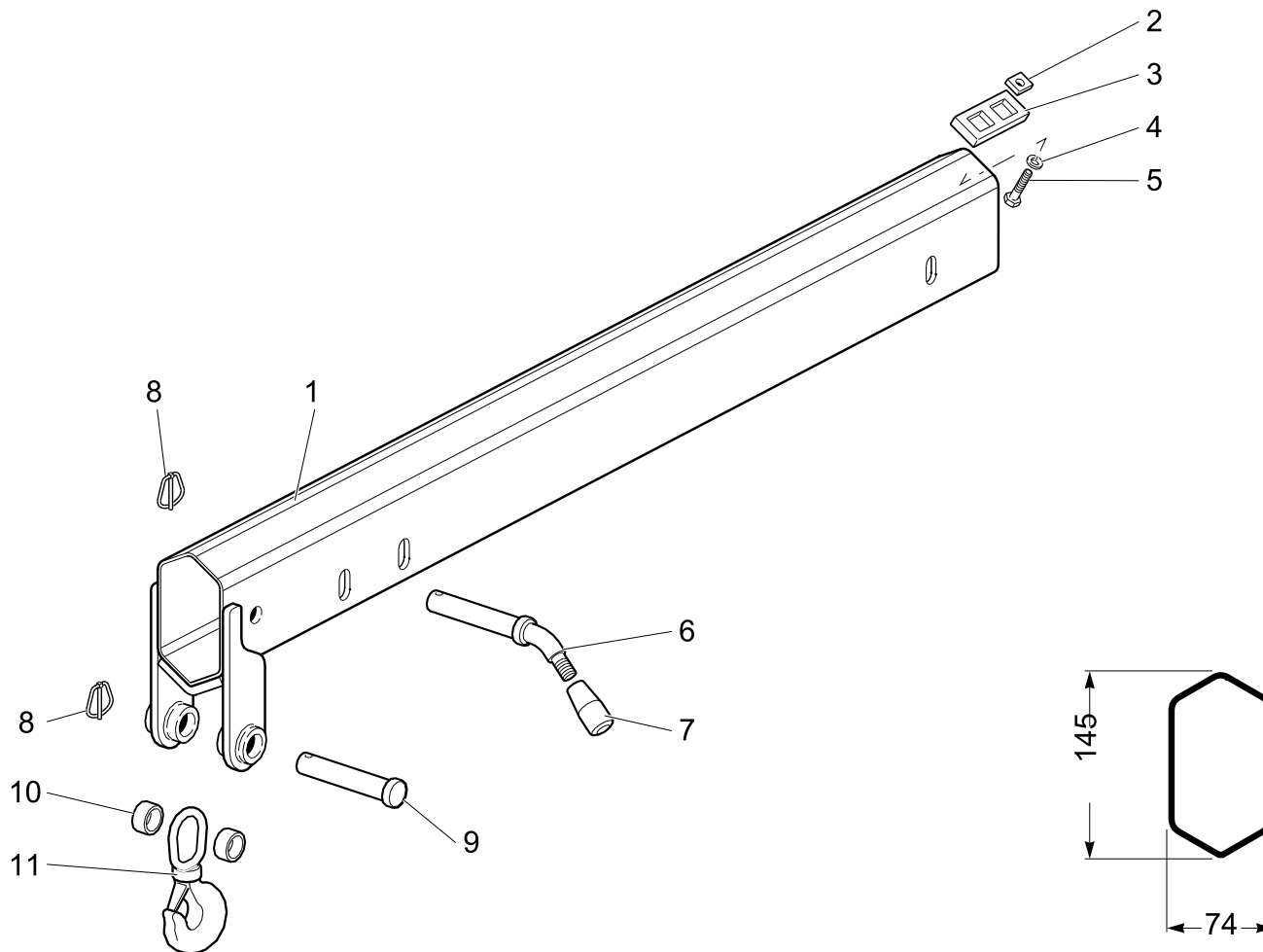
# Manual extension

Code

**W540251200-1.0**

1/1

R	Pos.	Code Variant	Q.ty	Description
	1	W540201100	1	
	2	W370300800	4	
	3	W370300900	2	
	4	3060006	4	Flat washer [D.8 UNI 6592 ZC]
	5	3010055	4	Hex screw [M8X10 8.8 ZC UNI 5739]
	6	W101046	1	
	7	W664003	1	
	8	3060753	2	Cotter pin (Locking ring)
	9	W101084	1	
	10	W130302900	2	
	11	W599001	1	



540251200-1.0

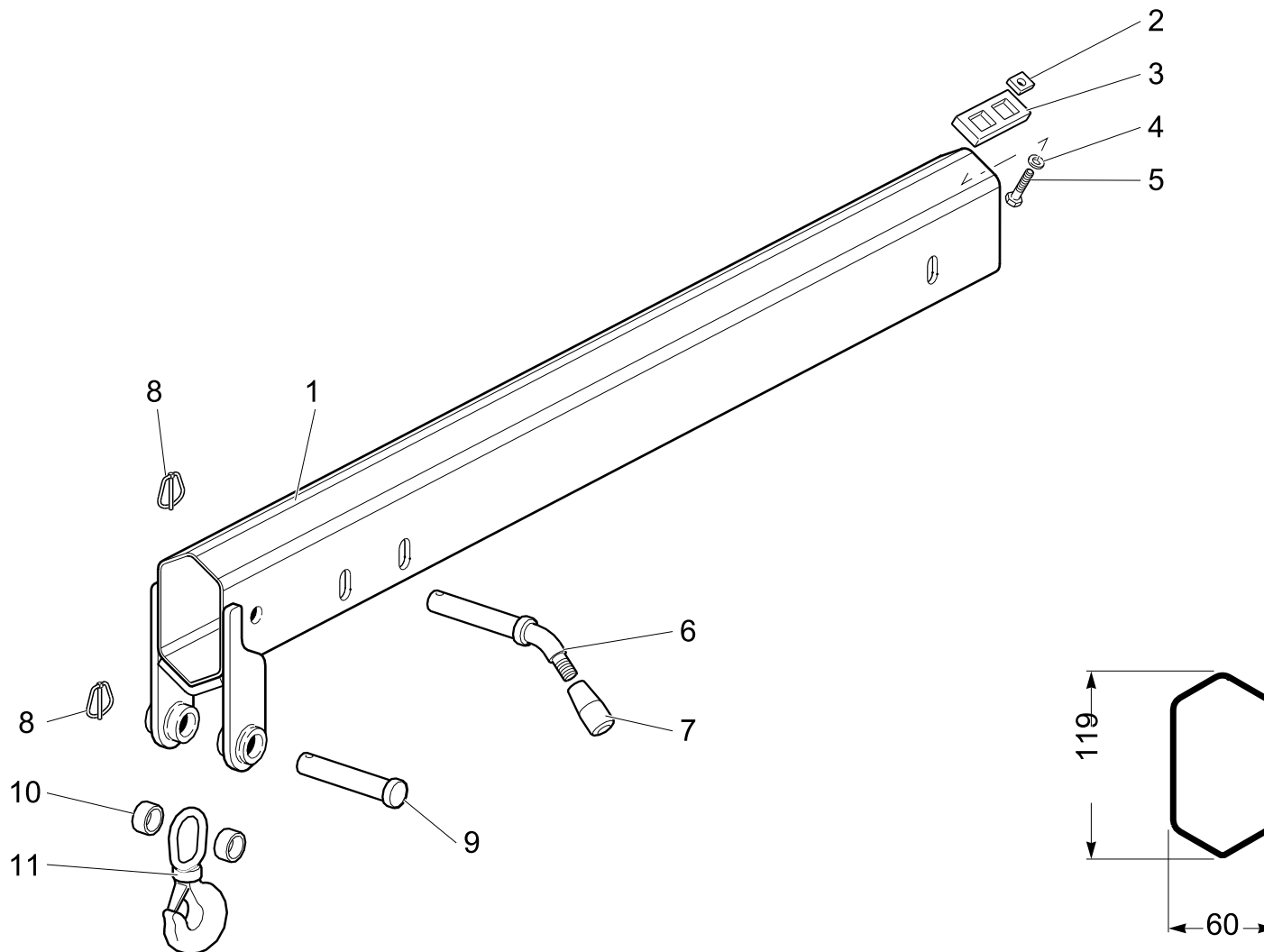
# Manual extension

Code

**W540251300-1.0**

1/1

R	Pos.	Code Variant	Q.ty	Description
	1	W540200600	1	
	2	W370300800	4	
	3	W370300900	2	
	4	3060006	4	Flat washer [D.8 UNI 6592 ZC]
	5	3010055	4	Hex screw [M8X10 8.8 ZC UNI 5739]
	6	W101046	1	
	7	W664003	1	
	8	3060753	2	Cotter pin (Locking ring)
	9	W101079	1	
	10	W540202100	2	
	11	W599001	1	



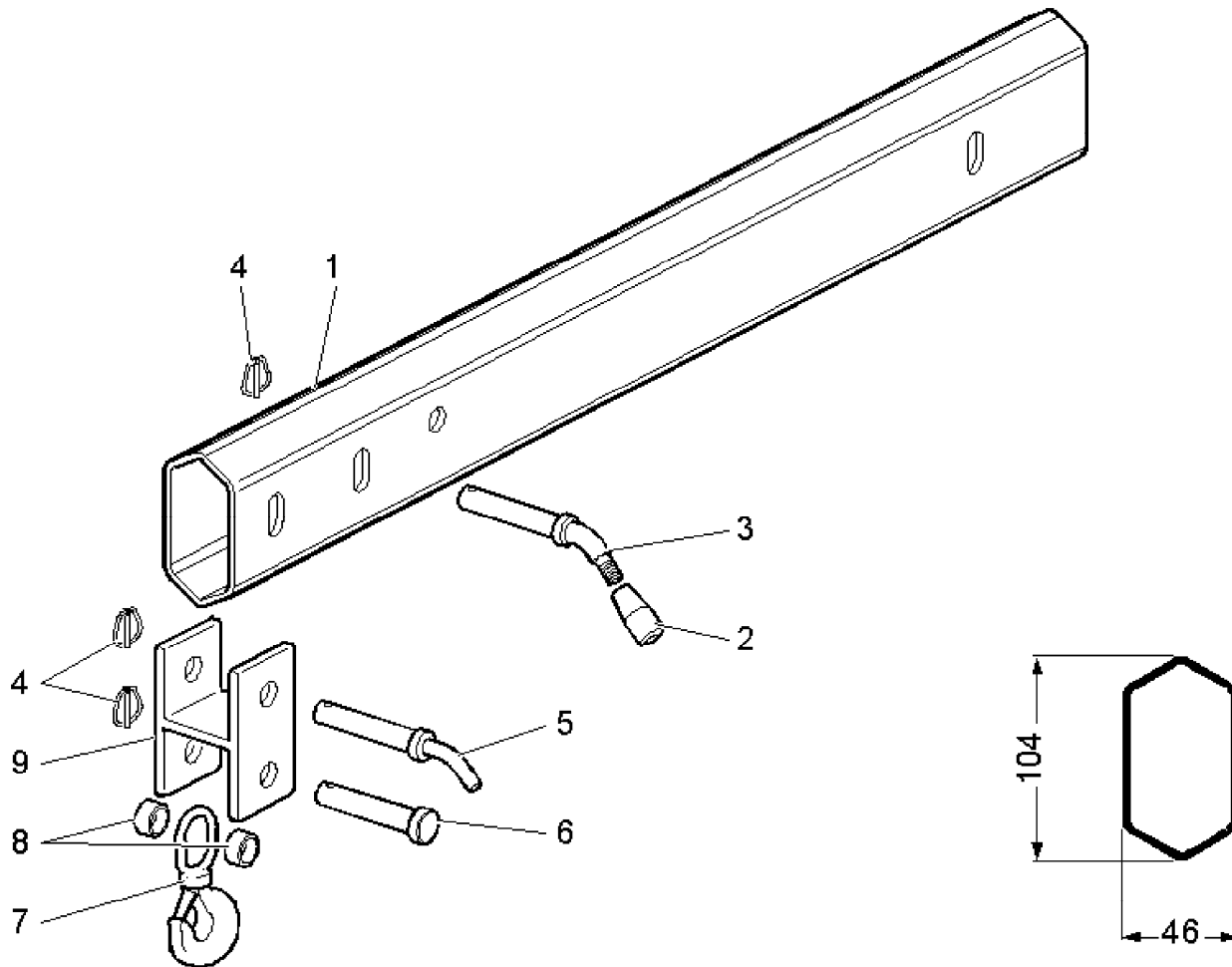
# Manual extension

Code

**W540251400-1.1**

1/1

R	Pos.	Code Variant	Q.ty	Description
	1	W540201600	1	
	2	W664003	1	
	3	W101046	1	
	4	3060753	3	Cotter pin (Locking ring)
	5	W101324	1	
	6	W101080	1	
	7	W599001	1	
	8	W130302900	2	
	9	W520201600	1	



540251400-1-1

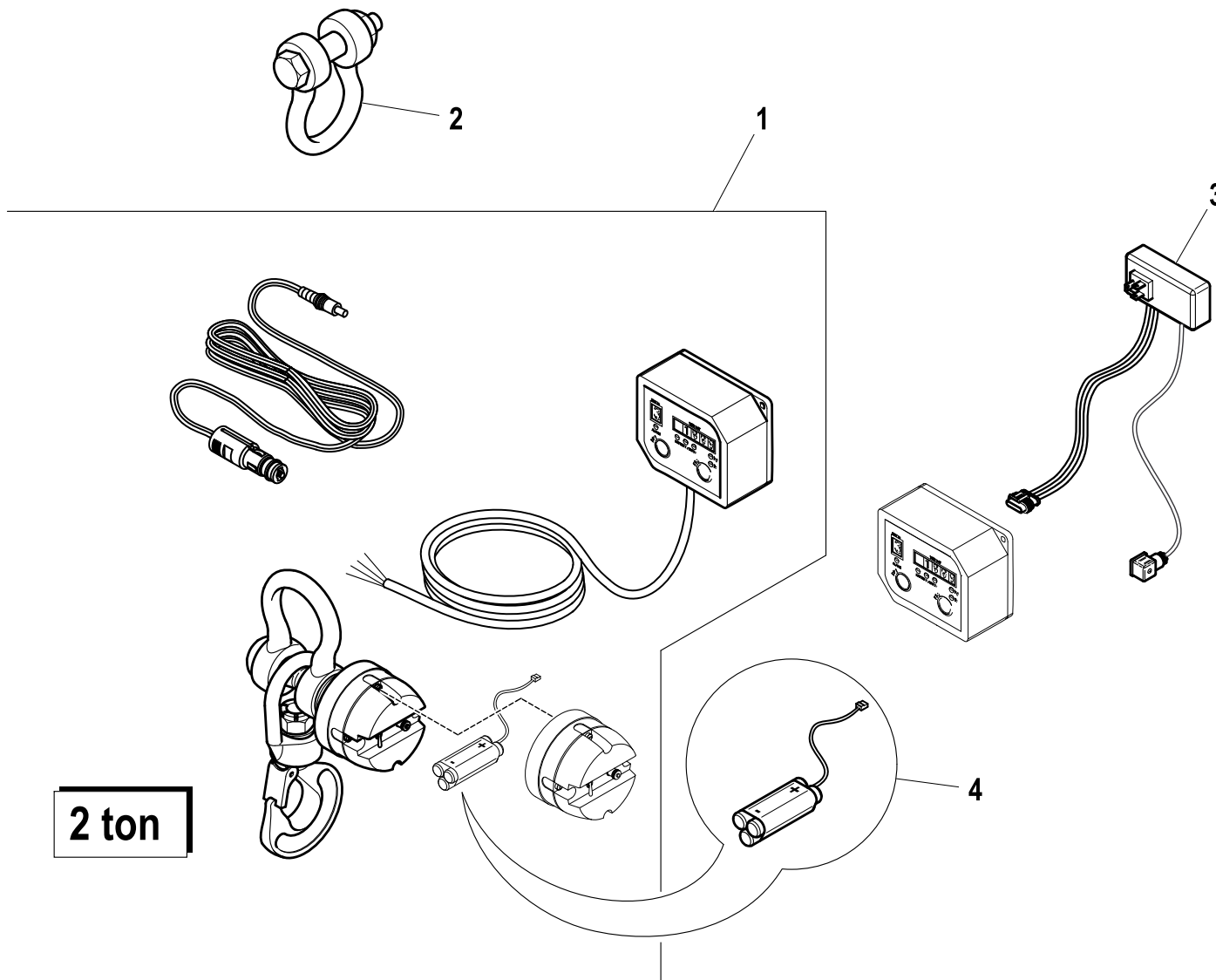
# LOAD INDICATION SYSTEM (LIS/RLC)

Code

**7881824-1.0**

1/1

R	Pos.	Code Variant	Q.ty	Description
	1	5730506	1	
	2	3200050	1	Shackles
	3	W236510	1	
	4	3311542	1	



**2 ton**

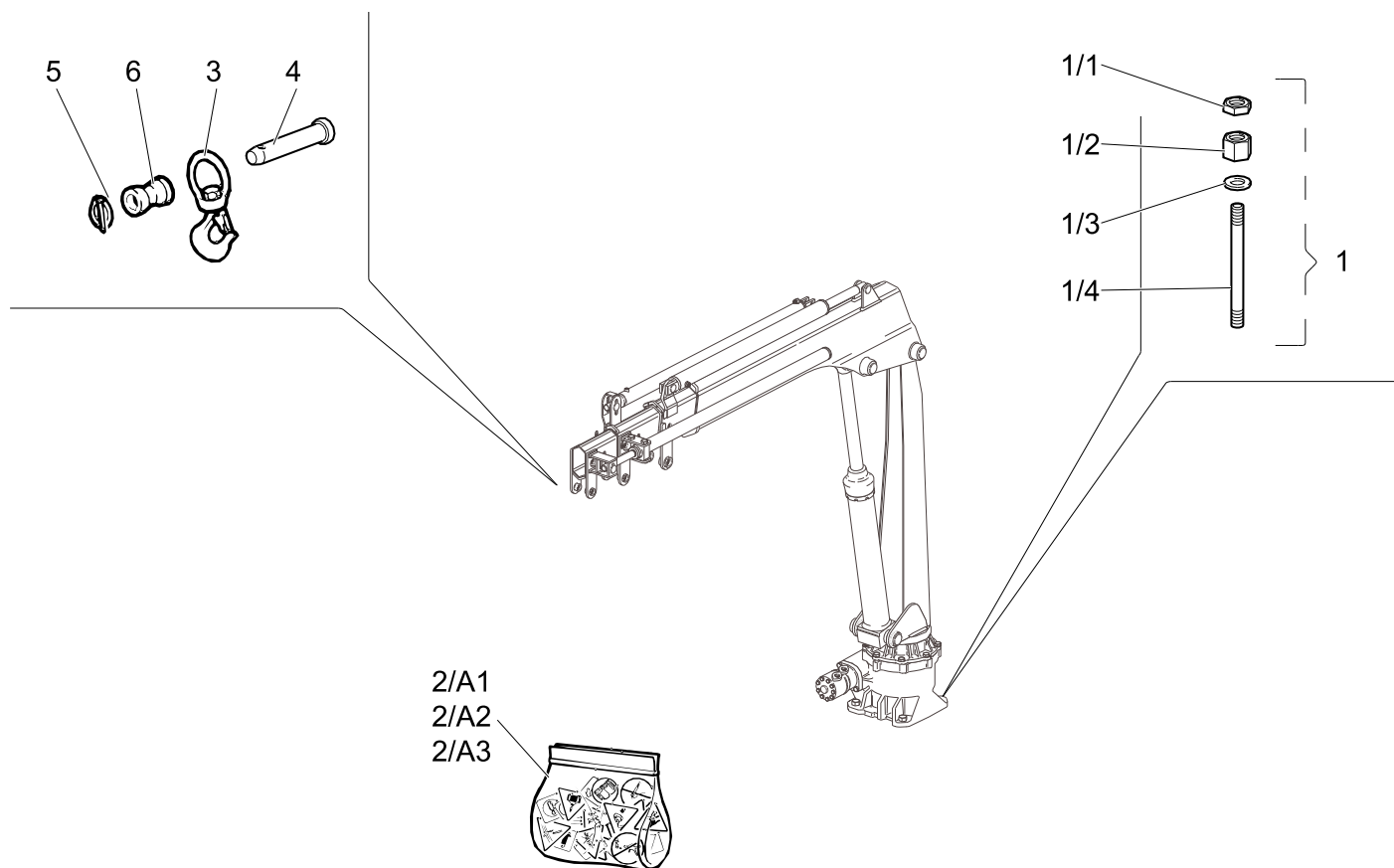
## Completion parts

Code

**W054003-1.0**

1/1

R	Pos.	Code Variant	Q.ty	Description
	1	W540050100	1	
	1.1	3040228	8	Lock nut
	1.2	3040227	8	Tall headed nut
	1.3	3060020	8	Flat washer [D.22 UNI 6592 ZC]
	1.4	W738026	4	
	3	W599003	1	
	4	W101084	1	
	5	3060753	1	Cotter pin (Locking ring)
	6	W540202100	1	
	2A1	W572169	1	
	2A2	W572162	1	
	2A3	W572160	1	





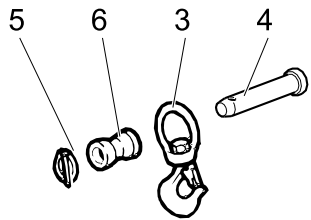
### Completion parts

Code

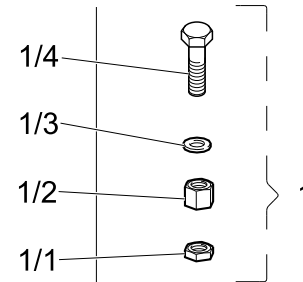
**W054003-2.0**

1/1

R	Pos.	Code Variant	Q.ty	Description
	1	W540050100	1	
	1.1	3040228	4	Lock nut
	1.2	3040227	4	Tall headed nut
	1.3	3060020	8	Flat washer [D.22 UNI 6592 ZC]
	1.4	3010441	4	Hex screw [M22X80 10.9 ZC UNI 5712]
	3	W599003	1	
	4	W101084	1	
	5	3060753	1	Cotter pin (Locking ring)
	6	W540202100	1	
	2A1	W572161	1	
	2A2	W572162	1	
	2A3	W572160	1	



**VALIDO DA Marzo 2011**  
**VALID FROM March 2011**



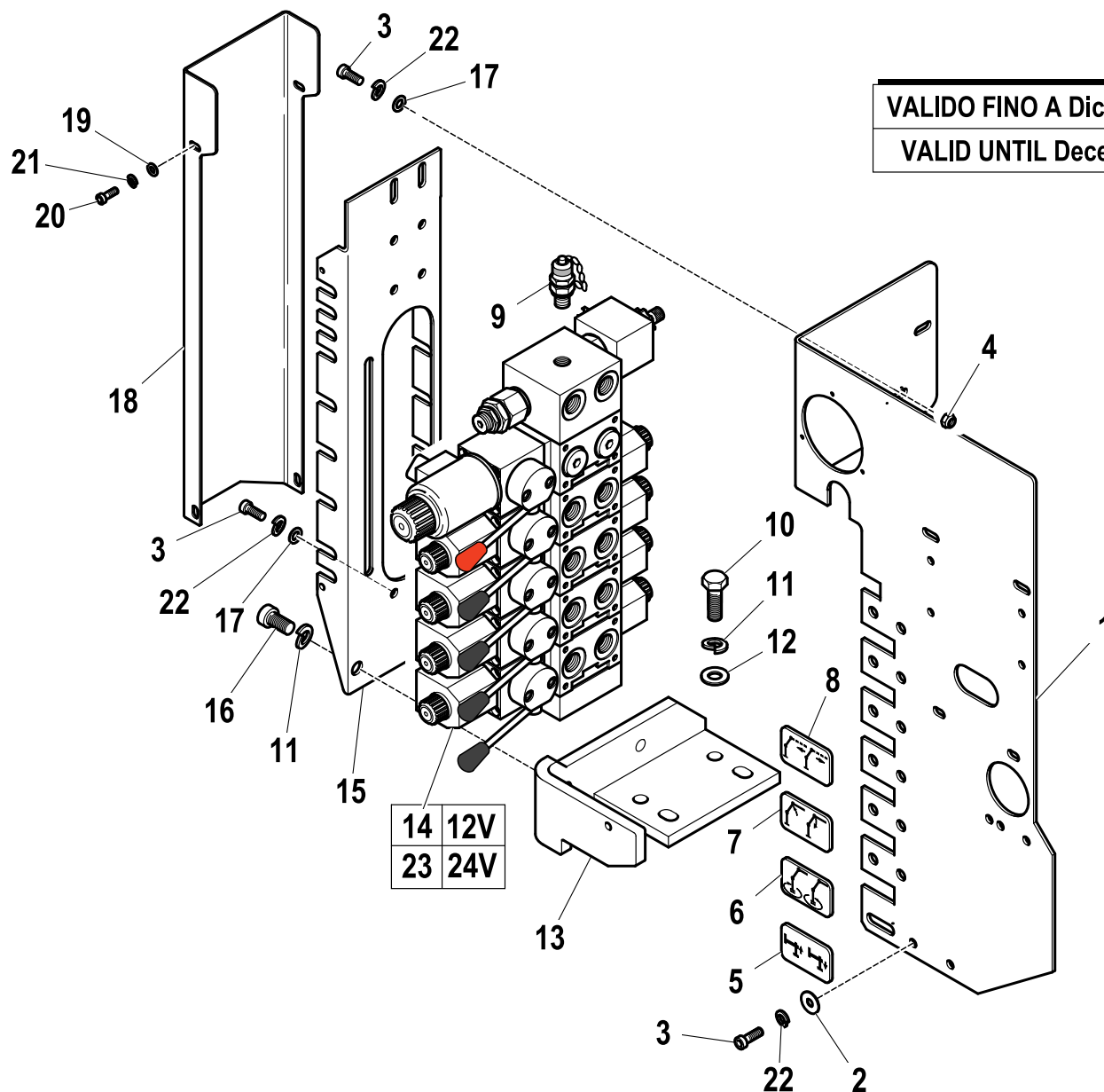
2/A1  
2/A2  
2/A3







HA28 X



**VALIDO FINO A Dicembre 2010**  
**VALID UNTIL December 2010**

R	Pos.	Code Variant	Q.ty	Description
	1	5091139	1	
	2	3060030	1	Flat washer [D.6.6X18 UNI 6593 ZC]
	3	3020034	7	Socketed head cap screw [M6X16 8.8 ZC UNI 5931]
	4	3040372	2	Stopnut
	5	W573278	1	
	6	W573412	1	
	7	W573415	1	
	8	W573303	1	
	9	3111523	1	Pipe fitting (Tapping point) [RACC. MILITES 16X2-1/4"G]
	10	3010355	2	Hex screw [M10X25 8.8 ZC IF UNI 5739]
	11	3060056	4	Split lock washer [D=10 C72 ZC]
	12	3060914	4	Flat washer [D.10.5X21X2 UNI 6592 ZC]
	13	5091056	1	Support (Casing)
	14	5220416	1	
	15	5091138	1	
	16	3020080	2	Socketed head cap screw [M10X16 12.9 ZC UNI 5931]
	17	3060005	6	Flat washer [D.6.4 UNI 6592 ZC]
	18	5091140	1	
	19	3060004	4	Flat washer [D.5 UNI 6592 ZC]
	20	3020021	4	Socketed head cap screw [M5X12X0.8 8.8 ZC UNI 5931]

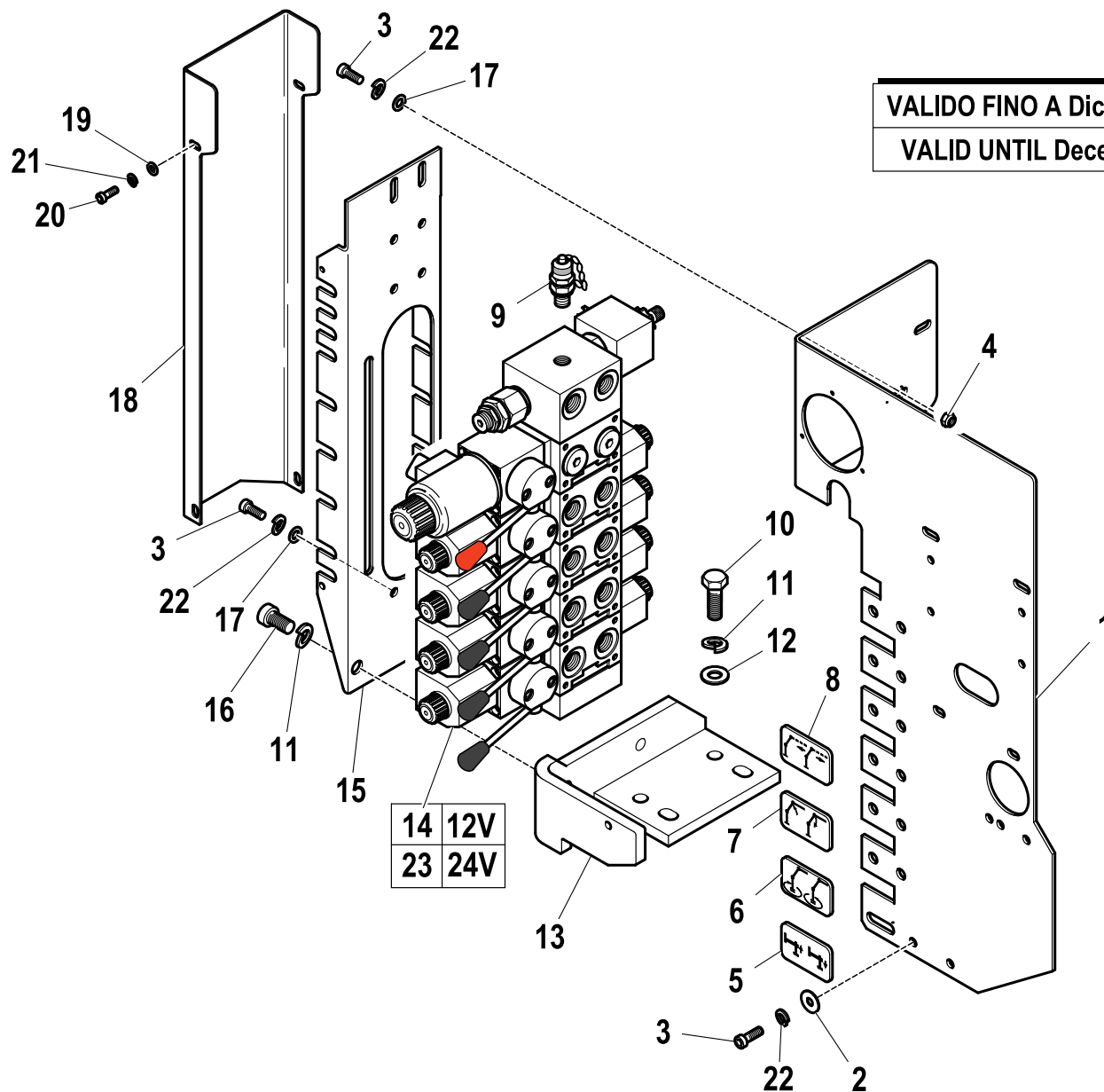
# CONTROLS

Code

**5400483-1.0**

2/2

R	Pos.	Code Variant	Q.ty	Description
	21	3060052	4	Split lock washer [D=5.5 C72 ZC]
	22	3060053	4	Split lock washer [D=6.4 C72 ZC]
	23	5220431	1	



**VALIDO FINO A Dicembre 2010**  
**VALID UNTIL December 2010**

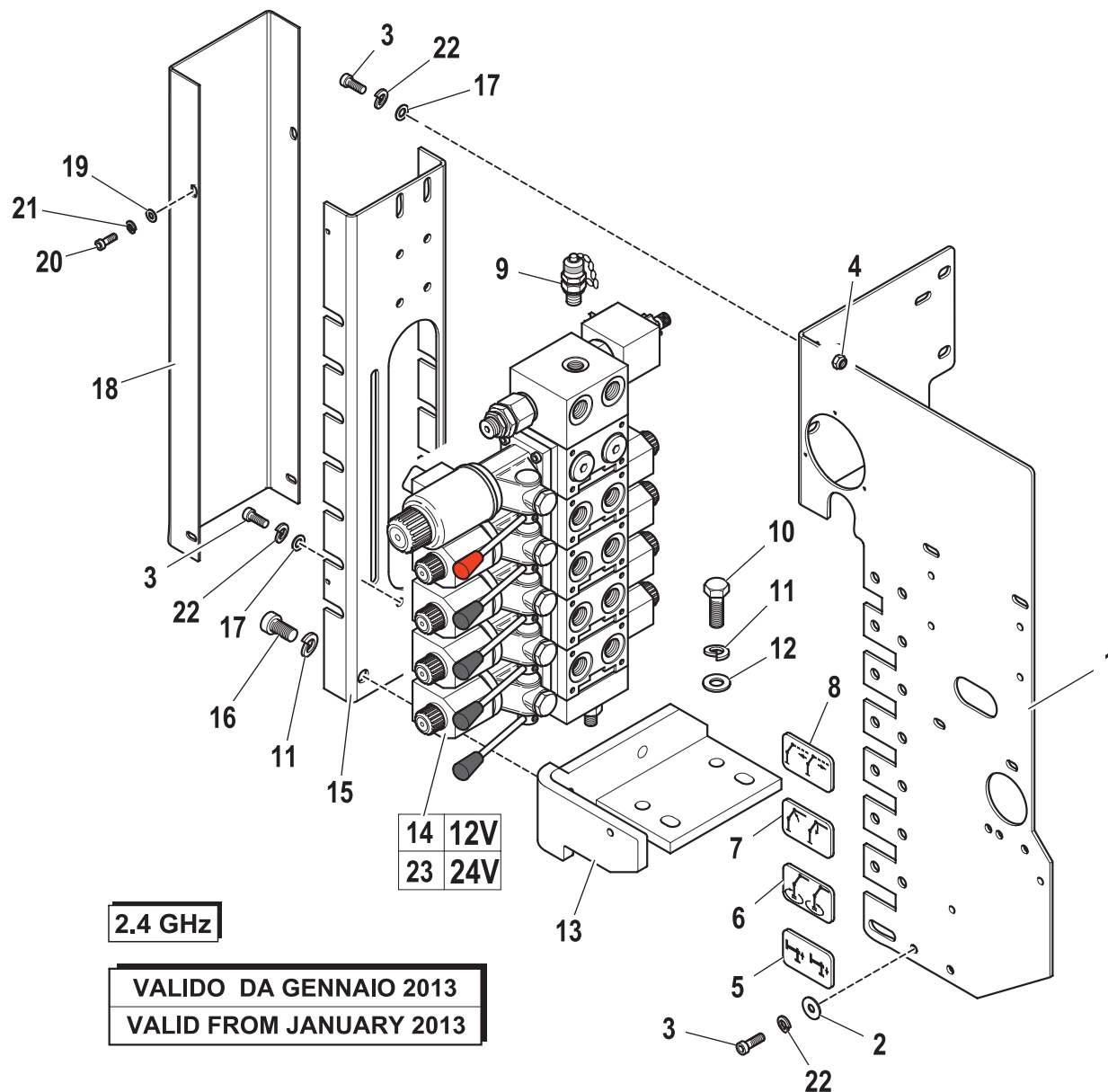
# Control unit (RDC / NOCE)

Code

**5402246-1.0**

1/2

R	Pos.	Code Variant	Q.ty	Description
	1	5091453	1	Guard (Control valve)
	2	3060030	1	Flat washer [D.6.6X18 UNI 6593 ZC]
	3	3020034	7	Socketed head cap screw [M6X16 8.8 ZC UNI 5931]
	4	3040372	2	Stopnut
	5	W573278	1	
	6	W573412	1	
	7	W573415	1	
	8	W573303	1	
	9	3111523	1	Pipe fitting (Tapping point) [RACC. MILITES 16X2-1/4"G]
	10	3010355	2	Hex screw [M10X25 8.8 ZC IF UNI 5739]
	11	3060056	4	Split lock washer [D=10 C72 ZC]
	12	3060914	2	Flat washer [D.10.5X21X2 UNI 6592 ZC]
	13	5091056	1	Support (Casing)
	14	5220416	1	
	15	5091458	1	Lateral guards and supports
	16	3020080	2	Socketed head cap screw [M10X16 12.9 ZC UNI 5931]
	17	3060005	6	Flat washer [D.6.4 UNI 6592 ZC]
	18	5091422	1	Casing ()
	19	3060004	4	Flat washer [D.5 UNI 6592 ZC]
	20	3020021	4	Socketed head cap screw [M5X12X0.8 8.8 ZC UNI 5931]



**2.4 GHz**

**VALIDO DA GENNAIO 2013  
VALID FROM JANUARY 2013**

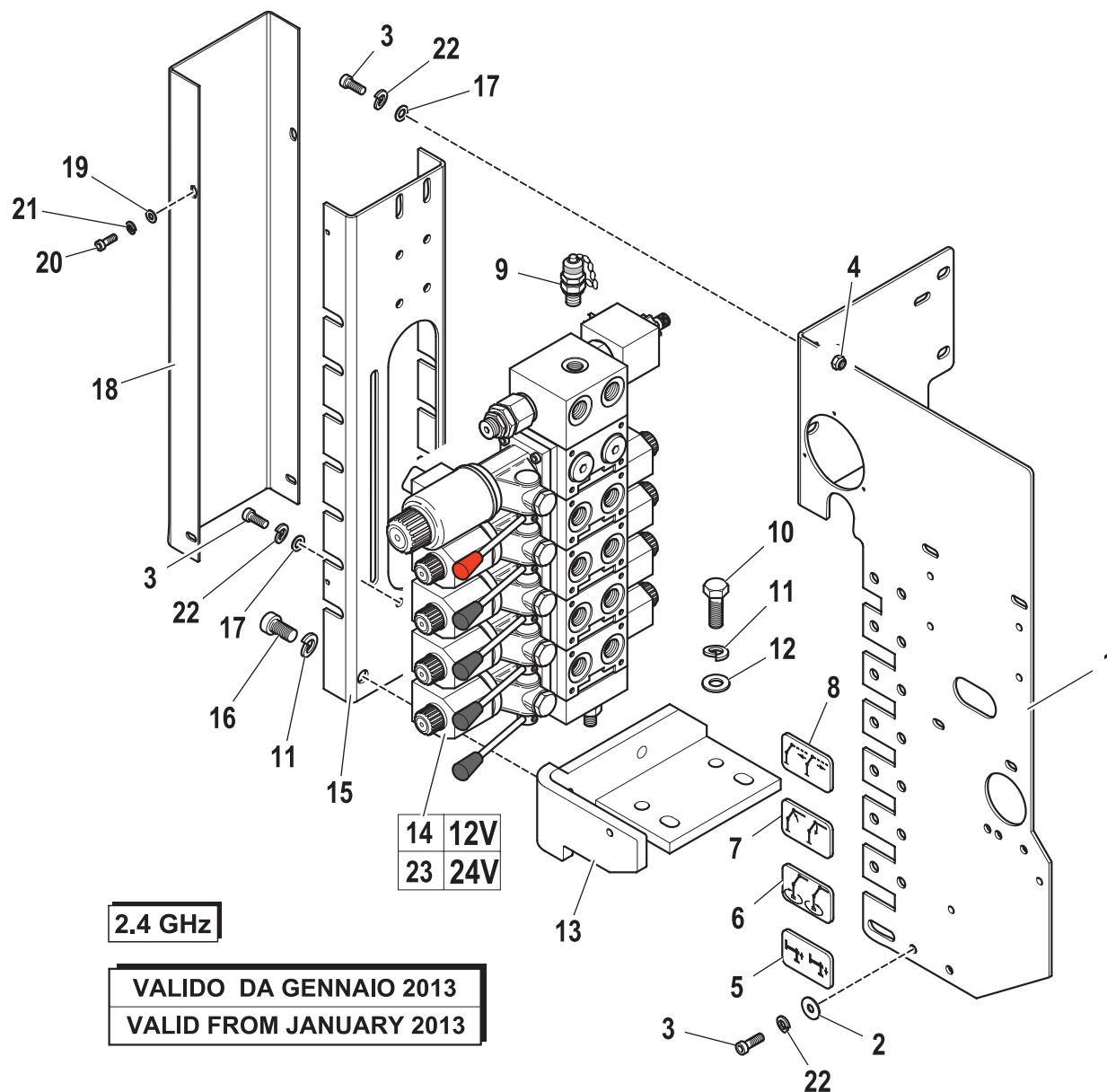
# Control unit (RDC / NOCE)

Code

**5402246-1.0**

2/2

R	Pos.	Code Variant	Q.ty	Description
	21	3060052	4	Split lock washer [D=5.5 C72 ZC]
	22	3060053	4	Split lock washer [D=6.4 C72 ZC]
	23	5220431	1	

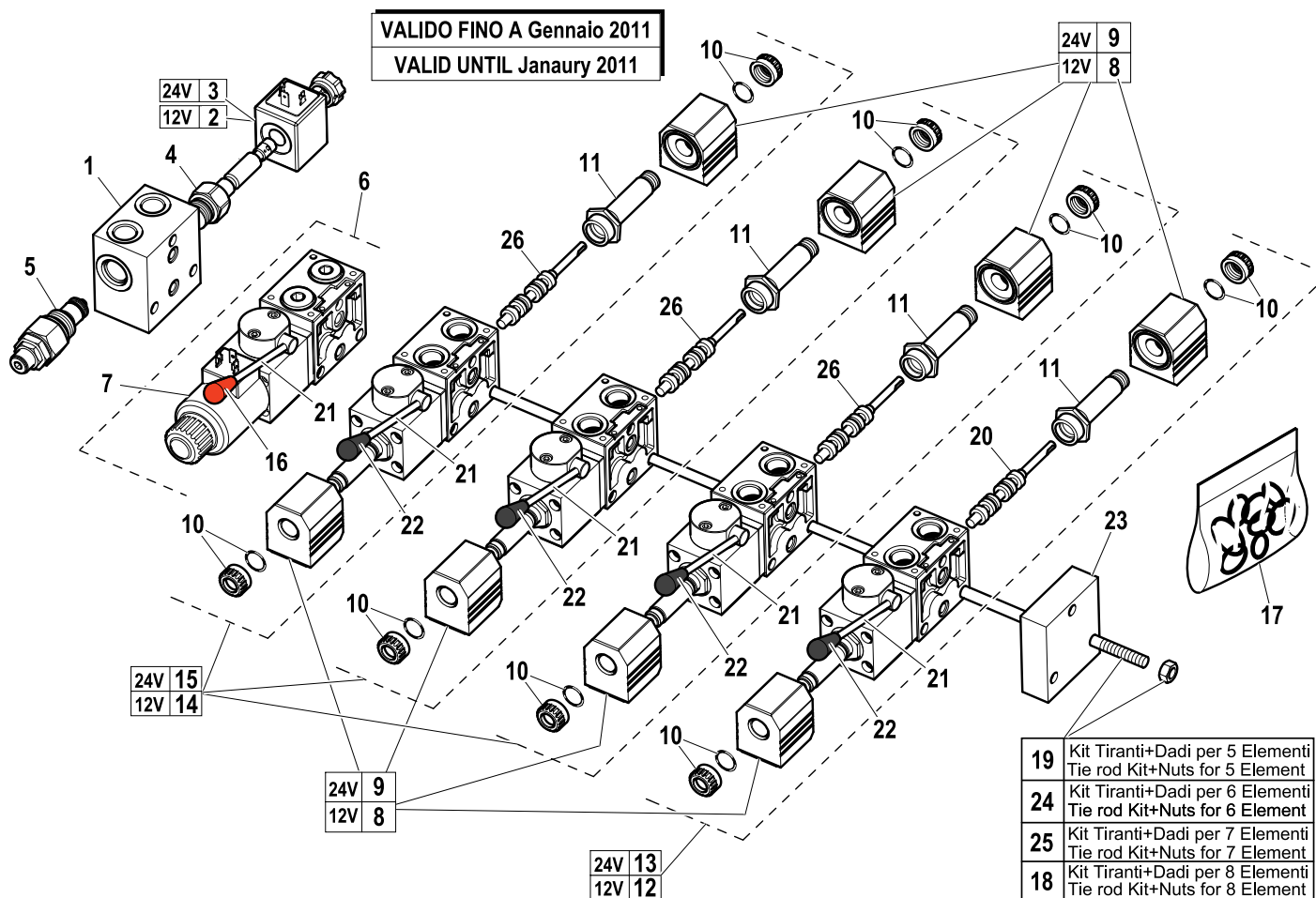


# Control valve (4 section)

Code

**5220416-1.0**

1/2



R	Pos.	Code Variant	Q.ty	Description
	1	5225719	1	
	2	3310906	1	
	3	3310904	1	
	4	5220569	1	
	5	5225842	1	
	6	5225846	1	
	7	3310903	1	
	8	3310907	8	
	9	3310905	8	
	10	5225721	8	
	11	5225768	8	
	12	5225755	1	
	13	5225760	1	
	14	5225724	3	
	15	5225757	3	
	16	5225818	1	
	17	5225733	1	
	18	5225732	1	
	19	5225843	1	
	20	5225715	1	



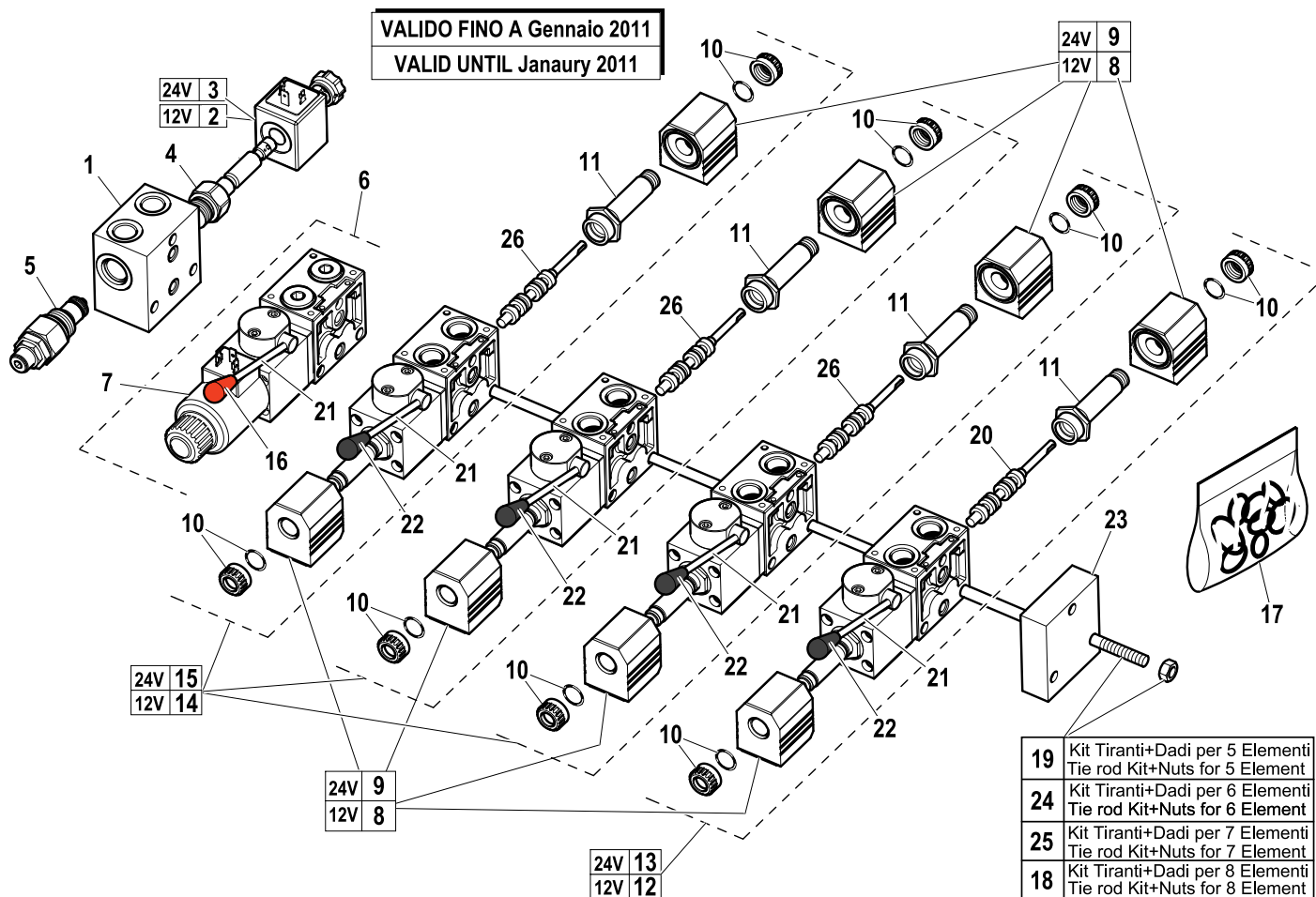
# Control valve (4 section)

Code

**5220416-1.0**

2/2

R	Pos.	Code Variant	Q.ty	Description
	21	5225722	5	Control lever
	22	5225723	4	
	23	5225727	1	
	24	5225730	1	
	25	5225731	1	
	26	5225716	3	

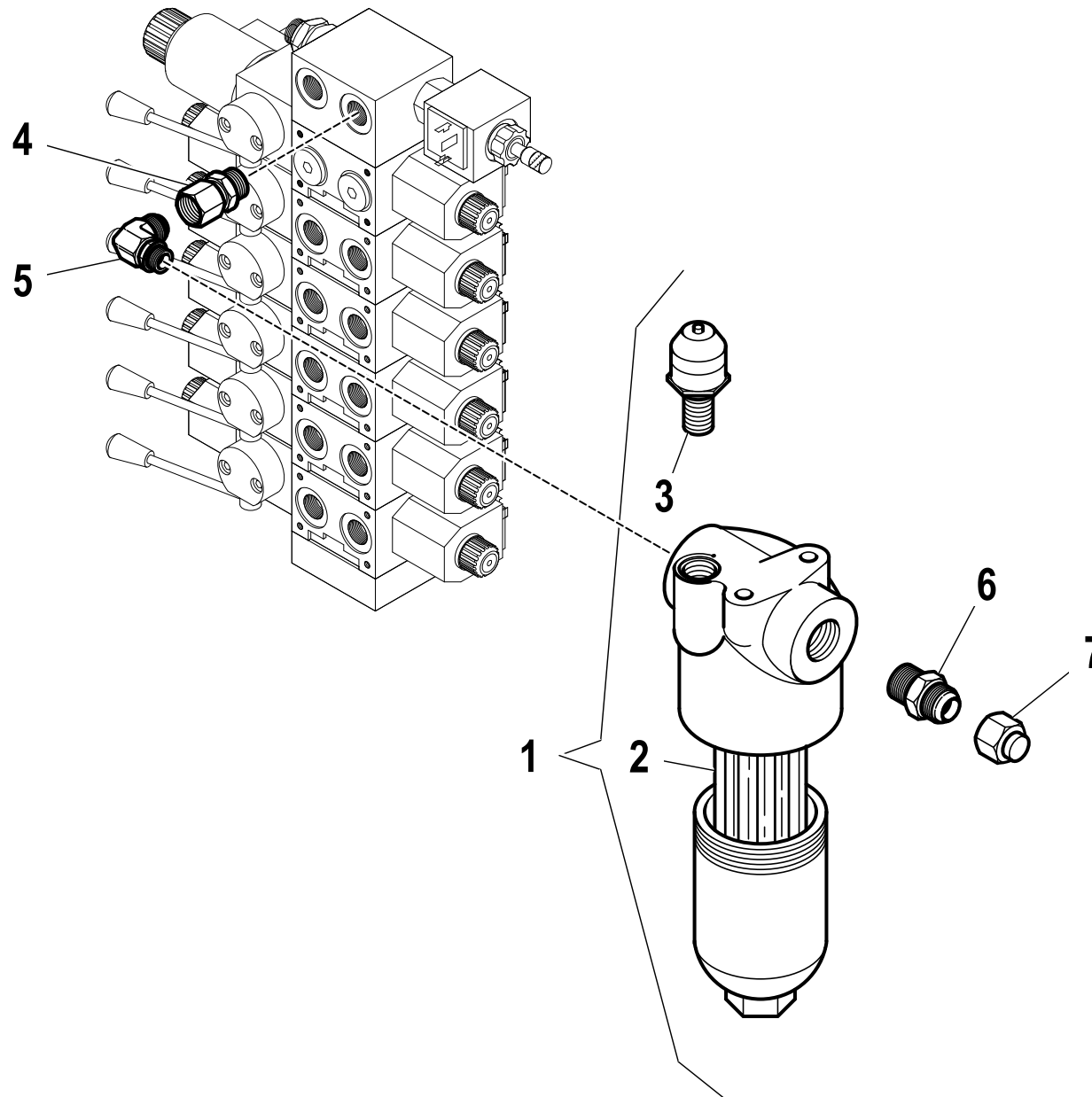


# High pressure filter

Code

**5400814-1.0**

1/1



R	Pos.	Code Variant	Q.ty	Description
	1	3180138	1	Oil filter
	2	3180139	1	Filtering cartridge
	3	3180140	1	
	4	3120072	1	Straight pipe fitting
	5	3101131	1	90° Connection
	6	3101044	1	Straight pipe fitting
	7	3110041	1	Female plug

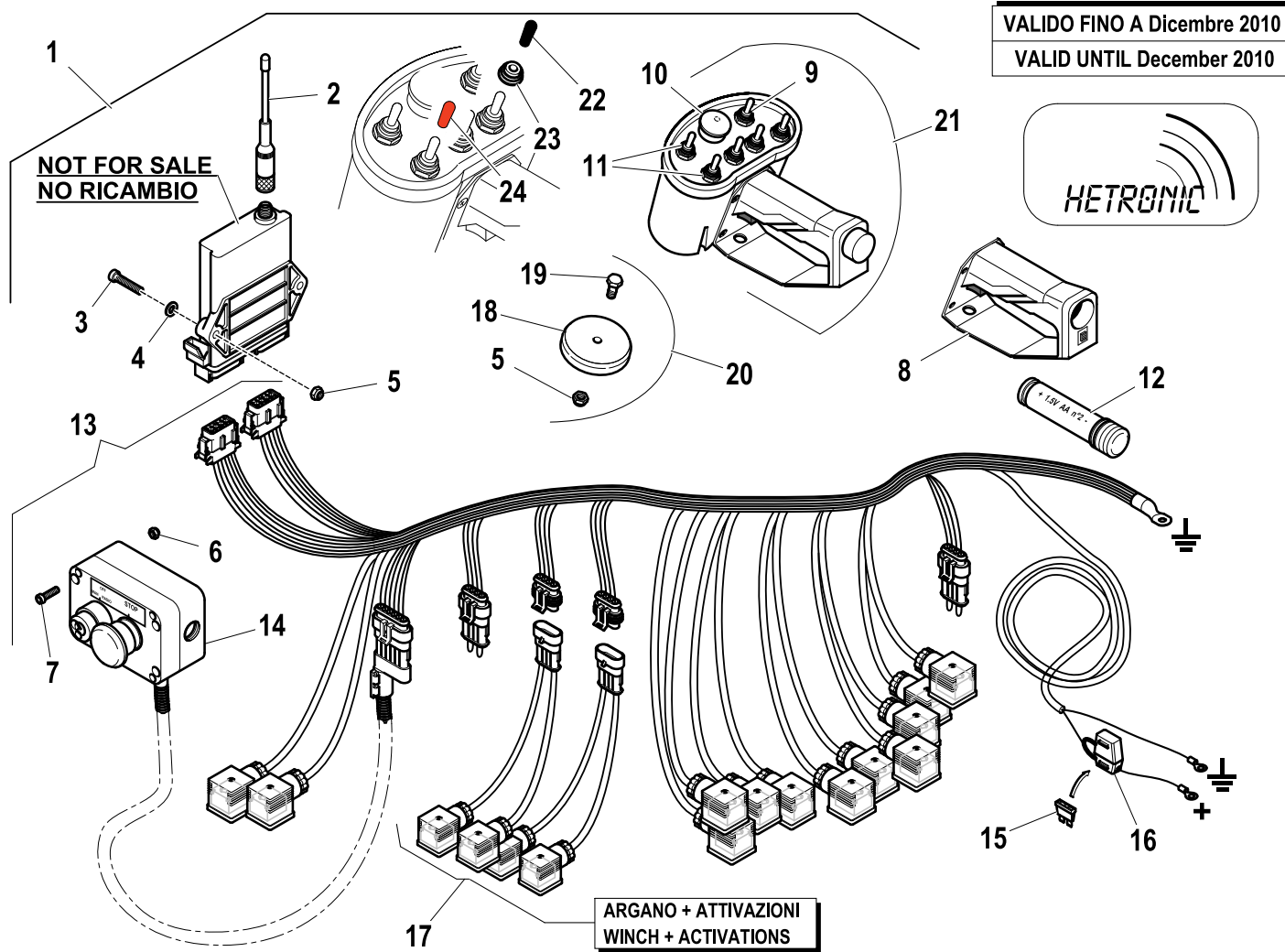
# Complete wireless control (not CE)

Code

**7892099-2.0**

1/2

R	Pos.	Code Variant	Q.ty	Description
	1	5120095	1	
	2	3310861	1	
	3	3020038	2	Socket head cap screw [M6X30 8.8 ZC UNI 5931]
	4	3060005	2	Flat washer [D.6.4 UNI 6592 ZC]
	5	3040372	3	Stopnut
	6	3040392	8	Stopnut
	7	3020023	8	Socket head cap screw [M5X16 8.8 ZC UNI 5931]
	8	3311071	1	Handle
	9	3310891	1	
	10	3310892	1	
	11	3310890	5	
	12	3310893	1	Battery compartment
	13	3310860	1	
	14	3310908	1	
	15	3310688	1	
	16	3310852	1	
	17	3310862	2	
	18	3310064	1	
	19	3010324	1	Hex screw [M6X12 8.8 ZC UNI 5739]
	20	5410965	1	Kit (Magnet)



# Complete wireless control (not CE)

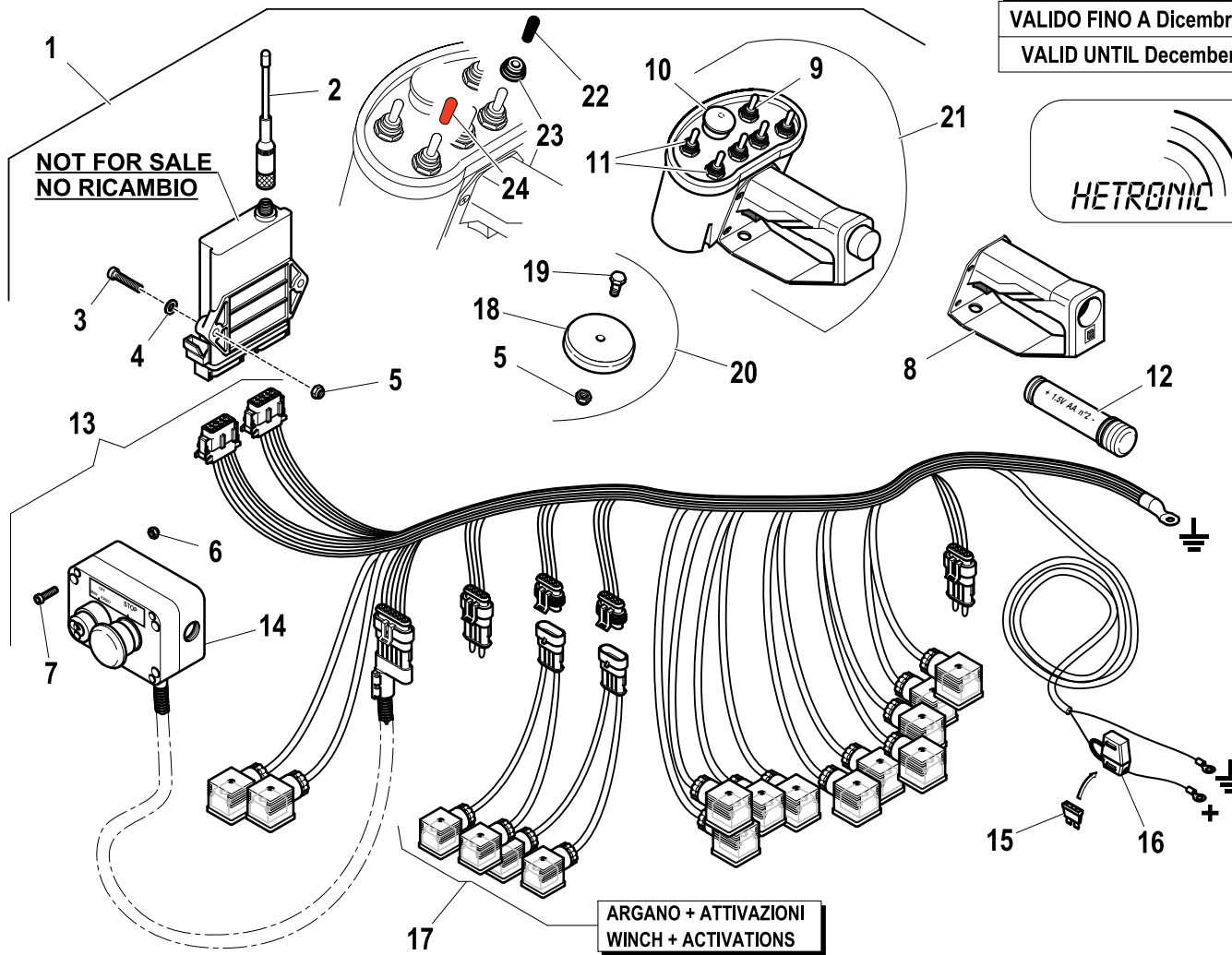
Code

**7892099-2.0**

2/2

R	Pos.	Code Variant	Q.ty	Description
	21	3310754	1	
	22	3311195	5	
	23	3311197	6	
	24	3311196	1	

**VALIDO FINO A Dicembre 2010**  
**VALID UNTIL December 2010**

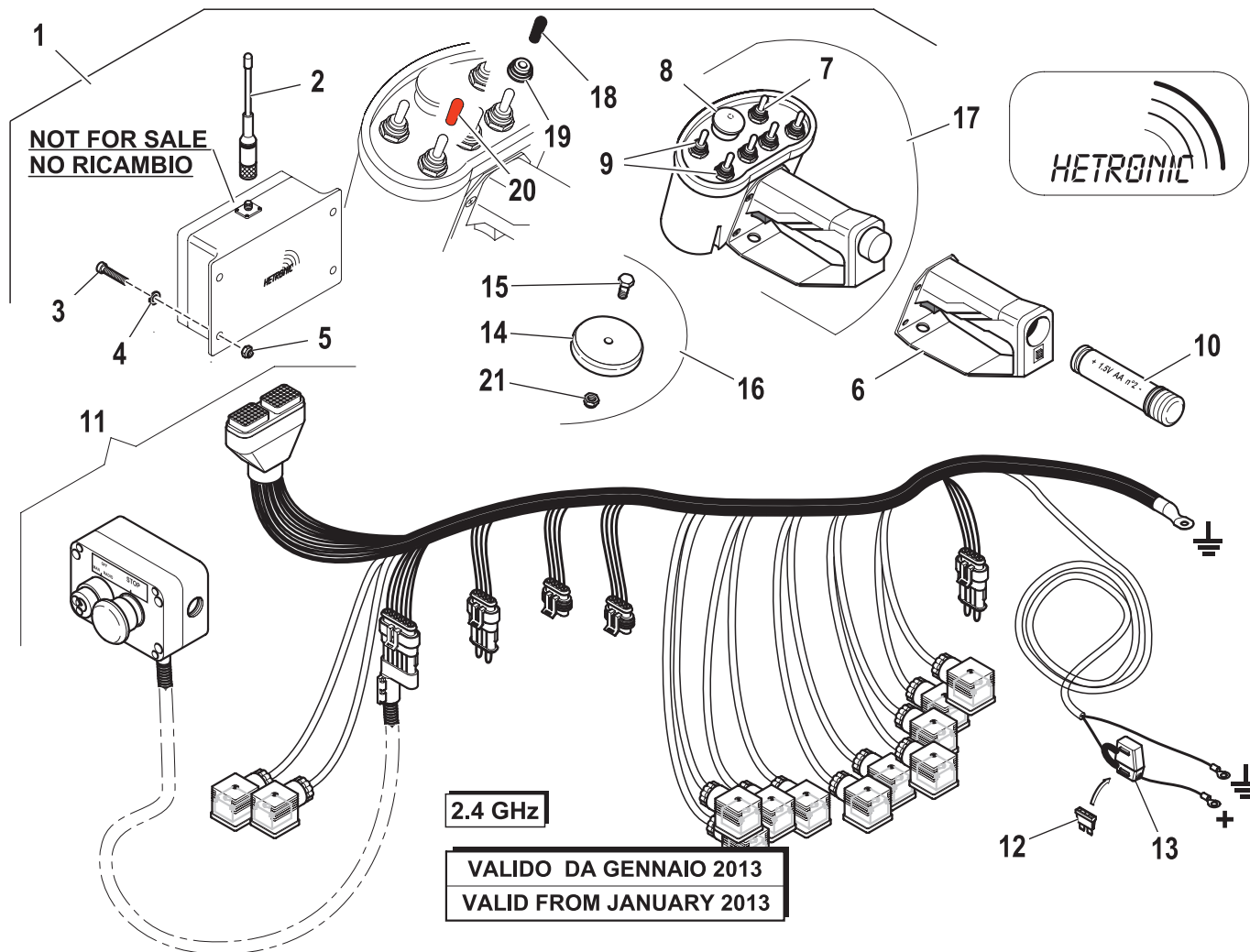


# Complete wireless control (PTO)

Code

**7892500-1.0**

1/2



R	Pos.	Code Variant	Q.ty	Description
	1	5120154	1	Complete wireless control
	2	3311501	1	Aerial (Wireless control)
	3	3020028	4	Socketed head cap screw [M5X20 8.8 ZC UNI 5931]
	4	3060004	4	Flat washer [D.5 UNI 6592 ZC]
	5	3040392	4	Stopnut
	6	3311071	1	Handle
	7	3310891	1	
	8	3310892	1	
	9	3310890	5	
	10	3310893	1	Battery compartment
	11	3311509	1	Electric wiring (Wireless control)
	12	3310688	1	
	13	3310852	1	
	14	3310064	1	
	15	3010324	1	Hex screw [M6X12 8.8 ZC UNI 5739]
	16	5410965	1	Kit (Magnet)
	17	3311502	1	Transmitter (Wireless control)
	18	3311195	5	
	19	3311197	6	
	20	3311196	1	

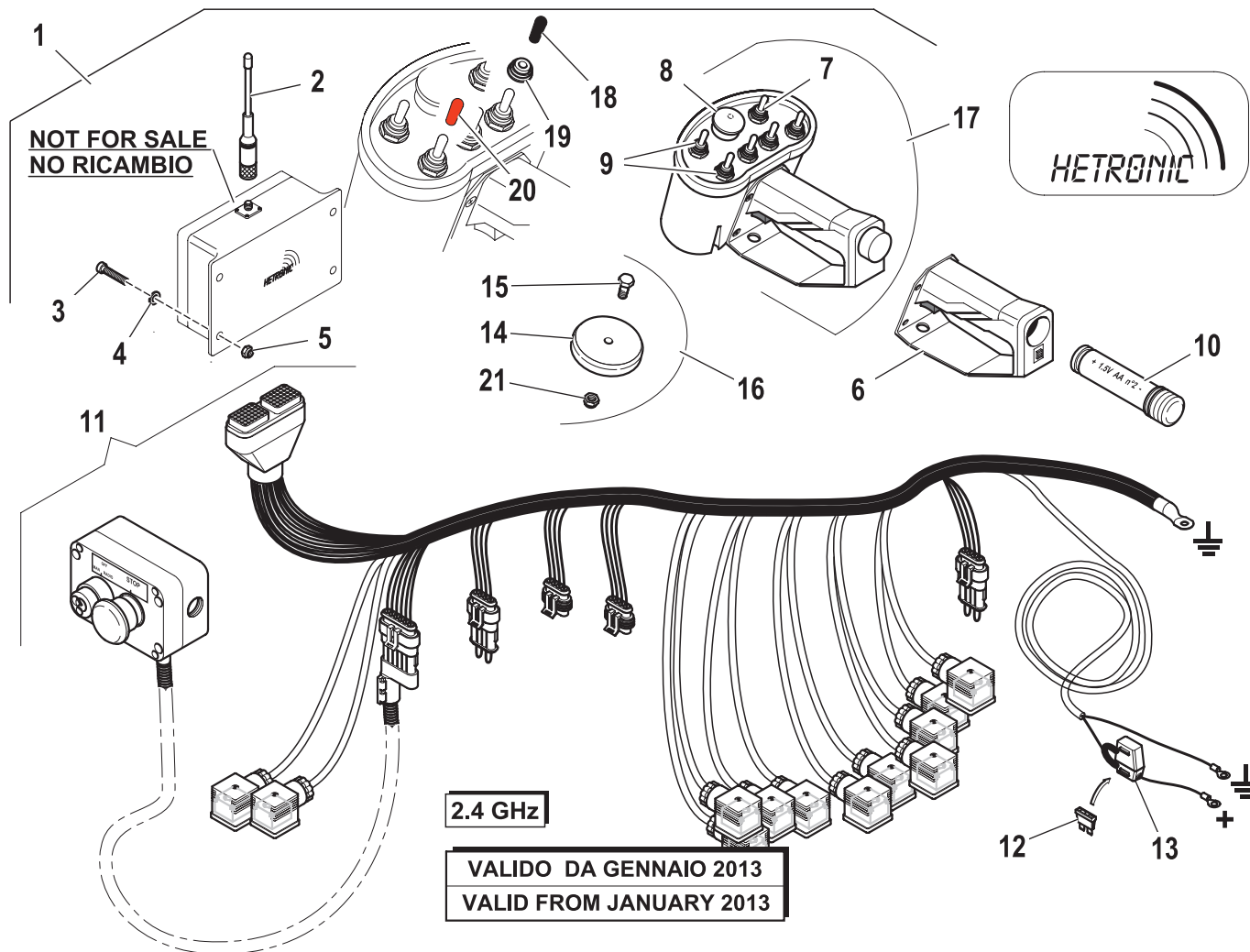
# Complete wireless control (PTO)

Code

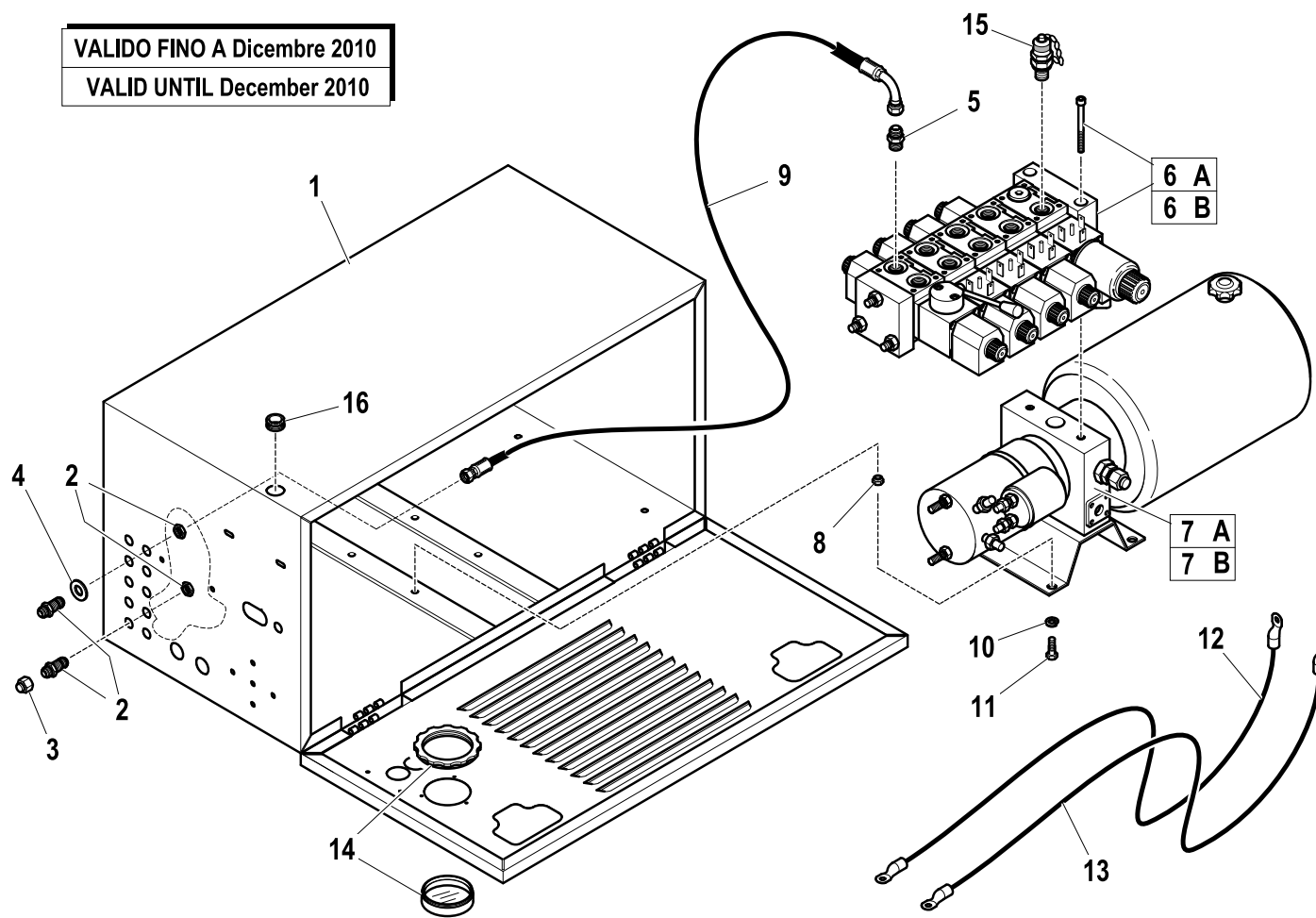
**7892500-1.0**

2/2

R	Pos.	Code Variant	Q.ty	Description
	21	3040372	1	Stopnut



VALIDO FINO A Dicembre 2010  
VALID UNTIL December 2010

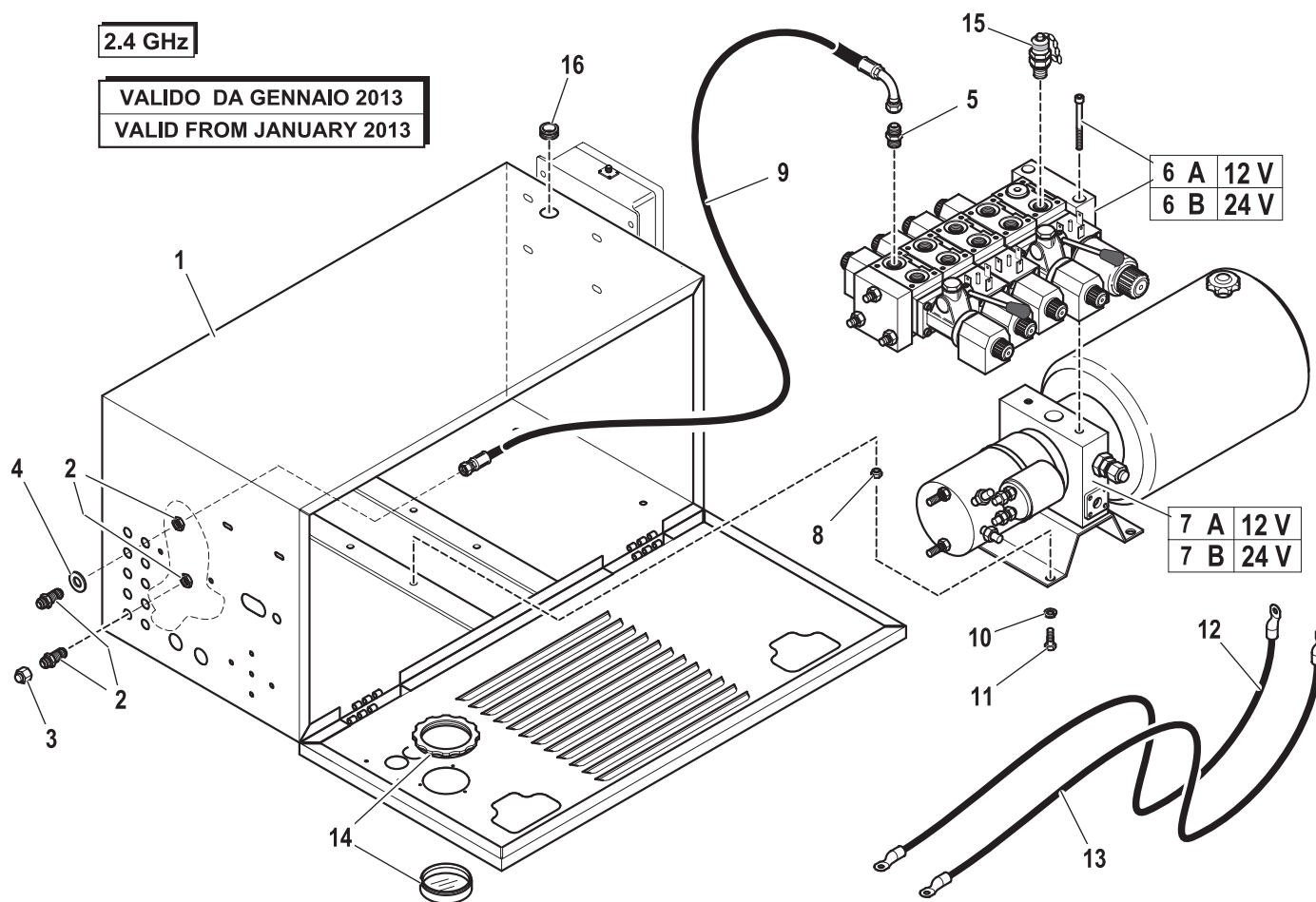


R	Pos.	Code Variant	Q.ty	Description
	1	5090016	1	
	2	3120309	8	Wall-through pipe fitting
	3	3110040	2	Female plug
	4	3060009	8	Flat washer [D.15X28X2.5 UNI 6592 ZC]
	5	3101040	8	Straight pipe fitting
	6 A	5220415 (12V)	1	
	6 B	5220429 (24V)	1	
	7 A	W318009 (12V)	1	
	7 B	W318010 (24V)	1	
	8	3040303	4	Stopnut
	9	5260475	8	Flexible hose
	10	3060055	4	Split lock washer [D=8.4 C72 ZC]
	11	3010339	4	Hex screw [M8X25 8.8 ZC IF UNI 5739]
	12	3310067	1	Electric cable (negative pole)
	13	3310068	1	Electric cable (positive pole)
	14	3180208	1	Oil level indicator
	15	3111523	1	Pipe fitting (Tapping point) [RACC. MILITES 16X2-1/4"G]
	16	3190179	3	Cable lead (Rubber)



2.4 GHz

VALIDO DA GENNAIO 2013  
VALID FROM JANUARY 2013



R	Pos.	Code Variant	Q.ty	Description
	1	5091456	1	Junction box
	2	3120309	8	Wall-through pipe fitting
	3	3110040	2	Female plug
	4	3060009	8	Flat washer [D.15X28X2.5 UNI 6592 ZC]
	5	3101040	8	Straight pipe fitting
	6 A	5220469	1	
	6 B	5220470	1	
	7 A	W318009	1	
	7 B	W318010	1	
	8	3040303	4	Stopnut
	9	5260475	8	Flexible hose
	10	3060055	4	Split lock washer [D=8.4 C72 ZC]
	11	3010339	4	Hex screw [M8X25 8.8 ZC IF UNI 5739]
	12	3310067	1	Electric cable (negative pole)
	13	3310068	1	Electric cable (positive pole)
	14	3180208	1	Oil level indicator
	15	3111523	1	Pipe fitting (Tapping point) [RACC. MILITES 16X2-1/4"G]
	16	3190179	3	Cable lead (Rubber)



# HYDRAULIC SYSTEM GAUGE

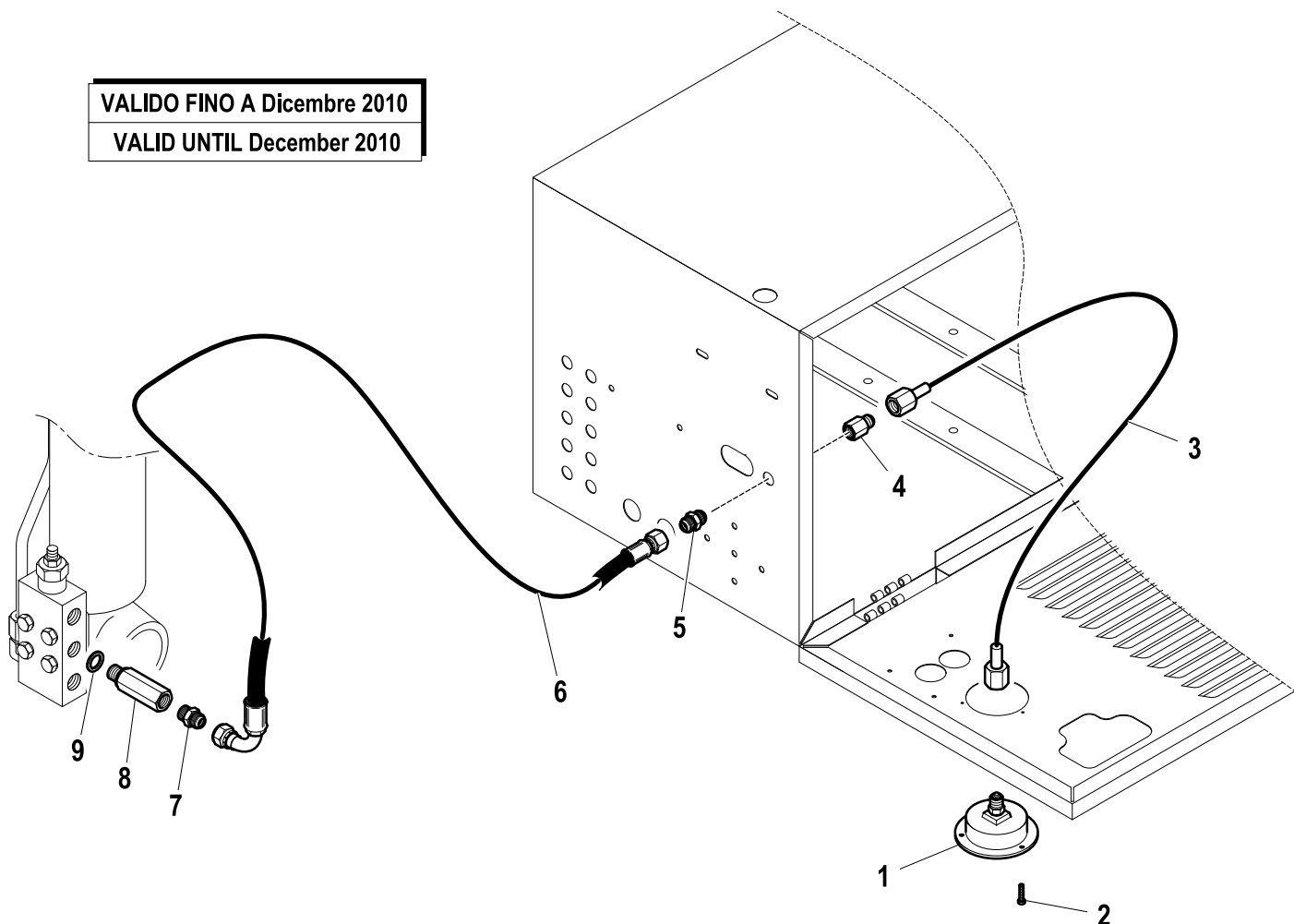
Code

**7920056-1.0**

1/1

VALIDO FINO A Dicembre 2010

VALID UNTIL December 2010



R	Pos.	Code Variant	Q.ty	Description
	1	3180150	1	
	2	3020950	3	
	3	W458458	1	
	4	3120200	1	Reducing fitting
	5	3120099	1	
	6	5260337	1	Flexible hose
	7	3101039	1	Straight pipe fitting
	8	5220300	1	Hose burst valve (Sleeve)
	9	3060143	1	Sealing washer [BSP 1/4"]

# Moment limiting device

Code

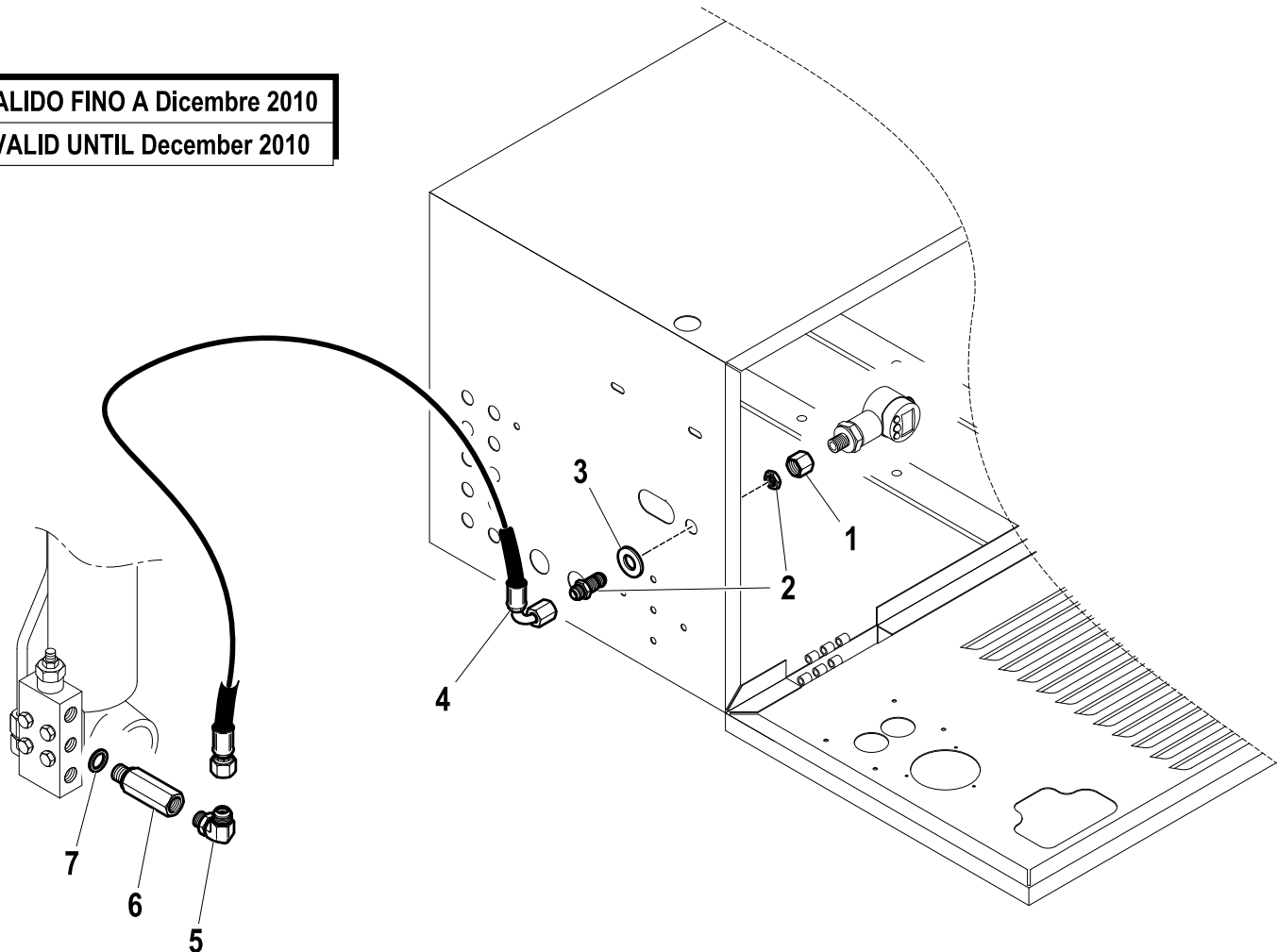
**5405017-2.0**

1/1

VALIDO FINO A Dicembre 2010

VALID UNTIL December 2010

R	Pos.	Code Variant	Q.ty	Description
	1	3120385	1	Reducing fitting [RACC. FJ/FGAS 9/16J 1/4"]
	2	3120309	1	Wall-through pipe fitting
	3	3060009	1	Flat washer [D.15X28X2.5 UNI 6592 ZC]
	4	5260337	1	Flexible hose
	5	3101124	1	90° Connection
	6	5220300	1	Hose burst valve (Sleeve)
	7	3060143	1	Sealing washer [BSP 1/4"]



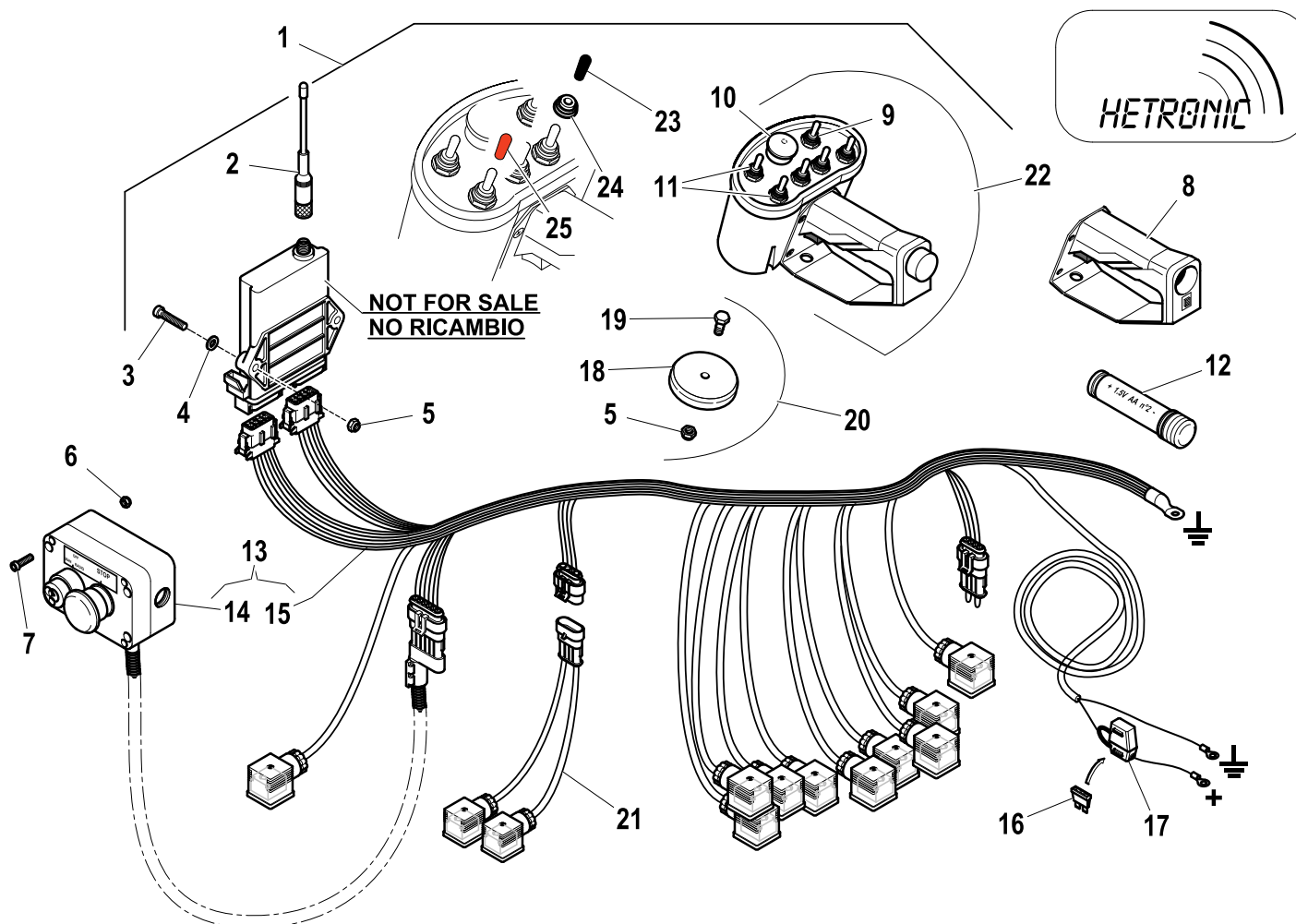
# Kit (Wireless control)

Code

**3310183-1.0**

1/2

R	Pos.	Code Variant	Q.ty	Description
	1	5120095	1	
	2	3310861	1	
	3	3020038	2	Socket head cap screw [M6X30 8.8 ZC UNI 5931]
	4	3060005	2	Flat washer [D.6.4 UNI 6592 ZC]
	5	3040372	3	Stopnut
	6	3040392	4	Stopnut
	7	3020023	4	Socket head cap screw [M5X16 8.8 ZC UNI 5931]
	8	3311071	1	Handle
	9	3310891	1	
	10	3310892	1	
	11	3310890	5	
	12	3310893	1	Battery compartment
	13	3310183	1	
	14	3310908	1	
	15	3311152	1	
	16	3310688	1	
	17	3310852	1	
	18	3310064	1	
	19	3010324	1	Hex screw [M6X12 8.8 ZC UNI 5739]
	20	5410965	1	Kit (Magnet)



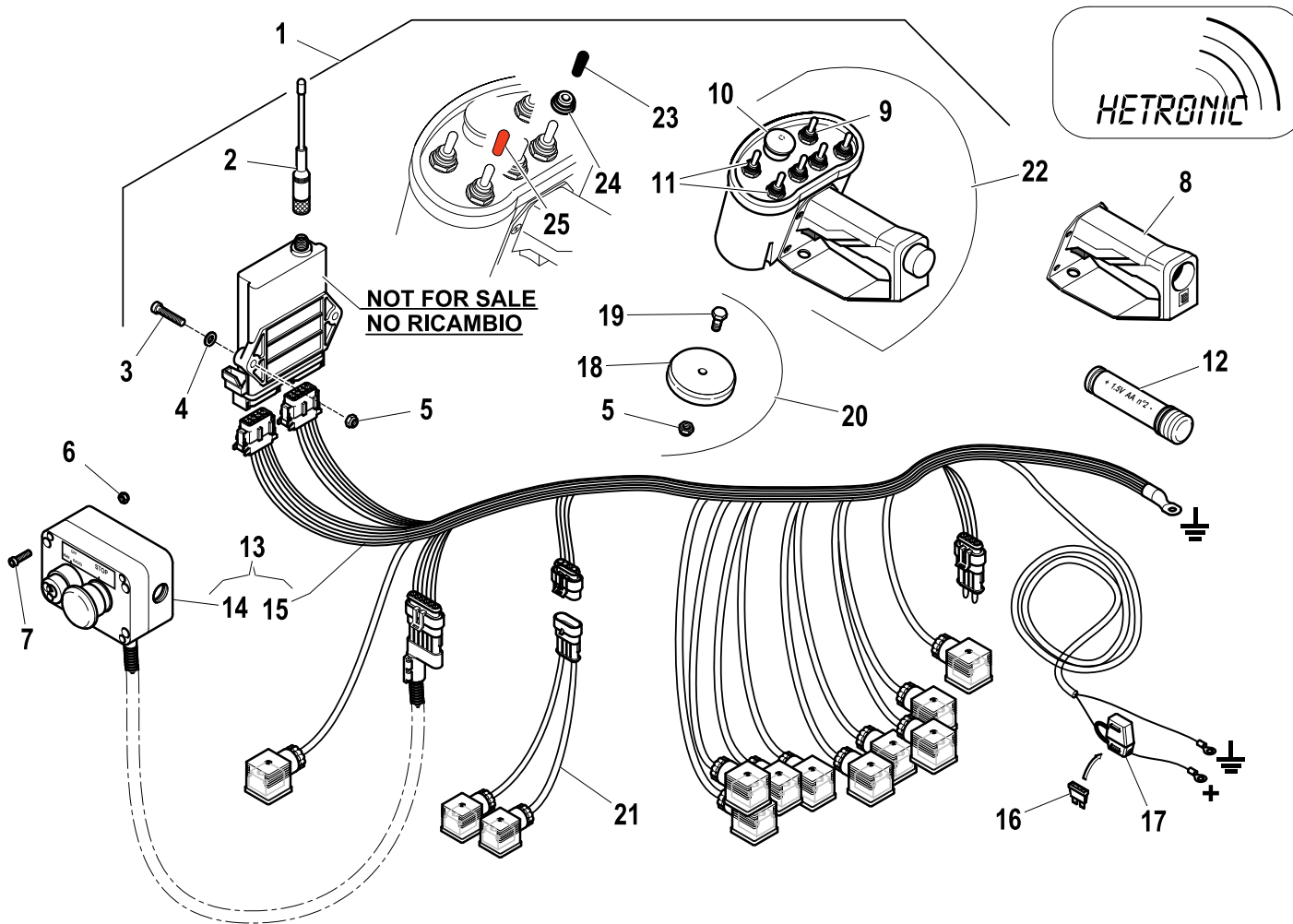
# Kit (Wireless control)

Code

**3310183-1.0**

2/2

R	Pos.	Code Variant	Q.ty	Description
	21	3310862	1	
	22	3310754	1	
	23	3311195	5	
	24	3311197	6	
	25	3311196	1	

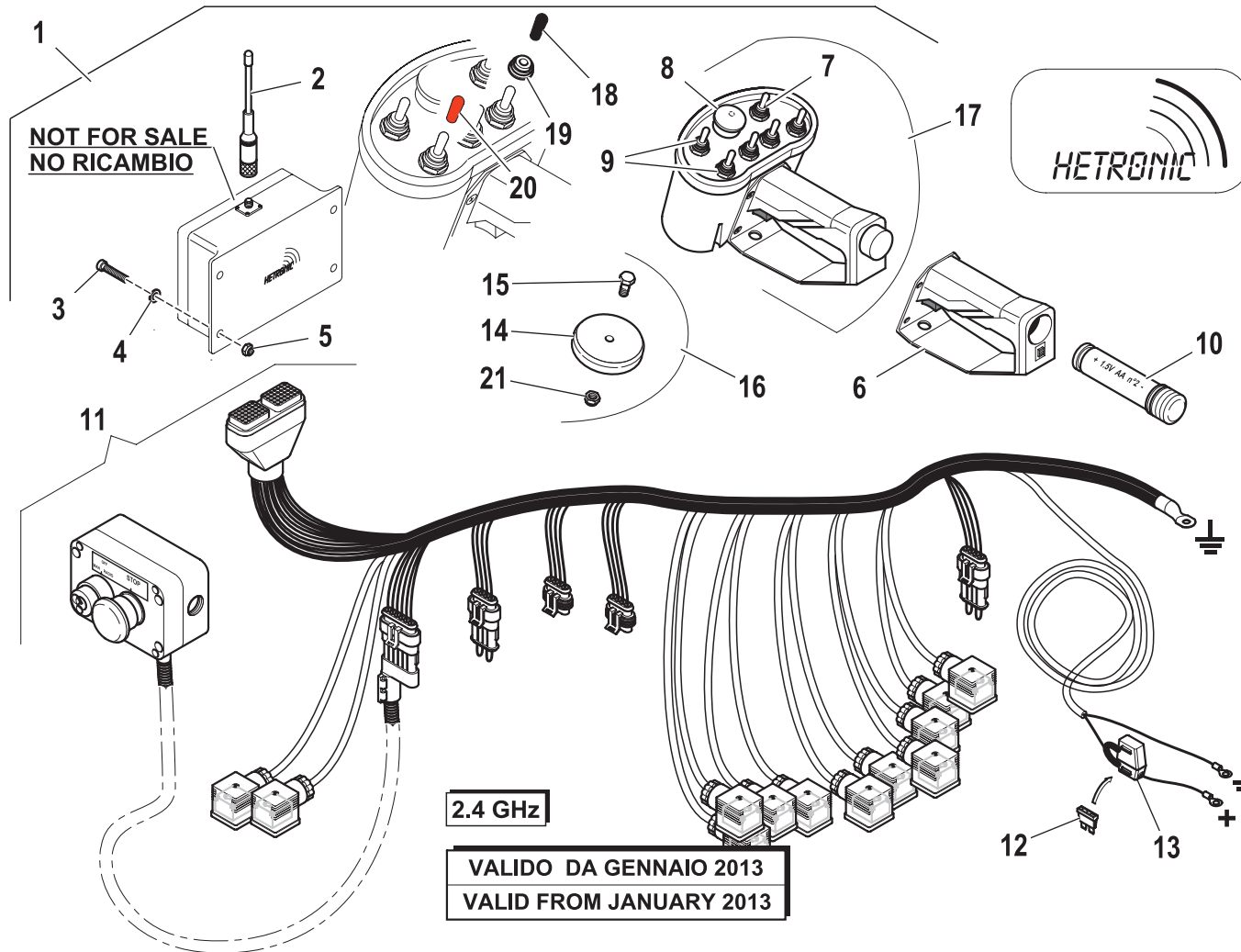


# Complete wireless control (ETR)

Code

**7892500-4.0**

1/2



R	Pos.	Code Variant	Q.ty	Description
	1	5120154	1	Complete wireless control
	2	3311501	1	Aerial (Wireless control)
	3	3020028	4	Socketed head cap screw [M5X20 8.8 ZC UNI 5931]
	4	3060004	4	Flat washer [D.5 UNI 6592 ZC]
	5	3040392	4	Stopnut
	6	3311071	1	Handle
	7	3310891	1	
	8	3310892	1	
	9	3310890	5	
	10	3310893	1	Battery compartment
	11	3311510	1	Electric wiring (ETR)
	12	3310688	1	
	13	3310852	1	
	14	3310064	1	
	15	3010324	1	Hex screw [M6X12 8.8 ZC UNI 5739]
	16	5410965	1	Kit (Magnet)
	17	3311502	1	Transmitter (Wireless control)
	18	3311195	5	
	19	3311197	6	
	20	3311196	1	

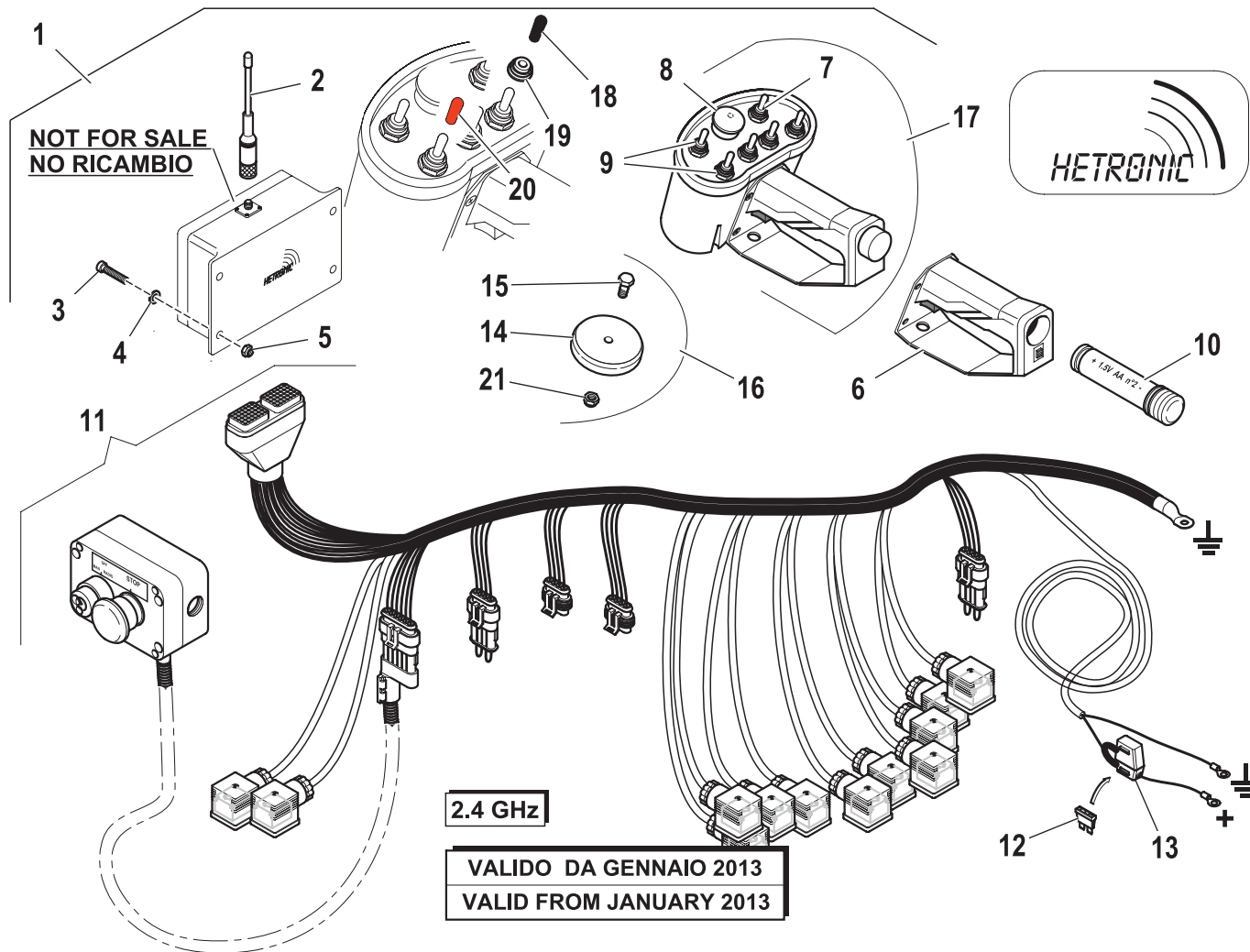
# Complete wireless control (ETR)

Code

**7892500-4.0**

2/2

R	Pos.	Code Variant	Q.ty	Description
	21	3040372	1	Stopnut



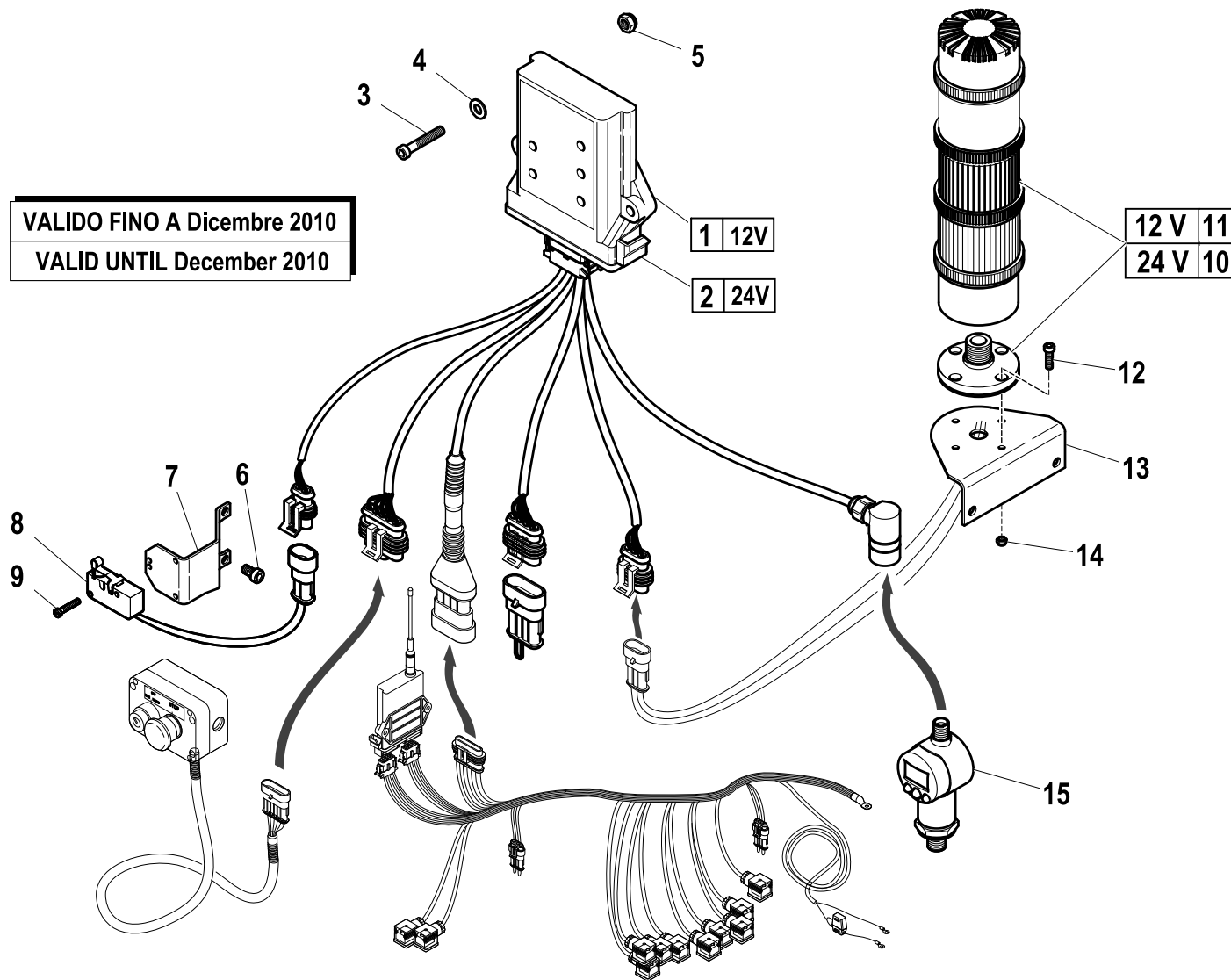
# Auxiliary wiring

Code

**5405017-1.0**

1/1

VALIDO FINO A Dicembre 2010  
VALID UNTIL December 2010



R	Pos.	Code Variant	Q.ty	Description
	1	3310876	1	
	2	3310879	1	
	3	3020038	2	Socket head cap screw [M6X30 8.8 ZC UNI 5931]
	4	3060005	2	Flat washer [D.6.4 UNI 6592 ZC]
	5	3040372	2	Stopnut
	6	3020022	2	Socket head cap screw [M5X10 8.8 ZC UNI 5931]
	7	5001694	1	
	8	3310885	1	Microswitch (Electric)
	9	3020880	2	
	10	3310822	1	
	11	3310823	1	
	12	3020023	4	Socket head cap screw [M5X16 8.8 ZC UNI 5931]
	13	W370508000	1	Support (Flashing light)
	14	3040392	4	Stopnut
	15	3310873	1	

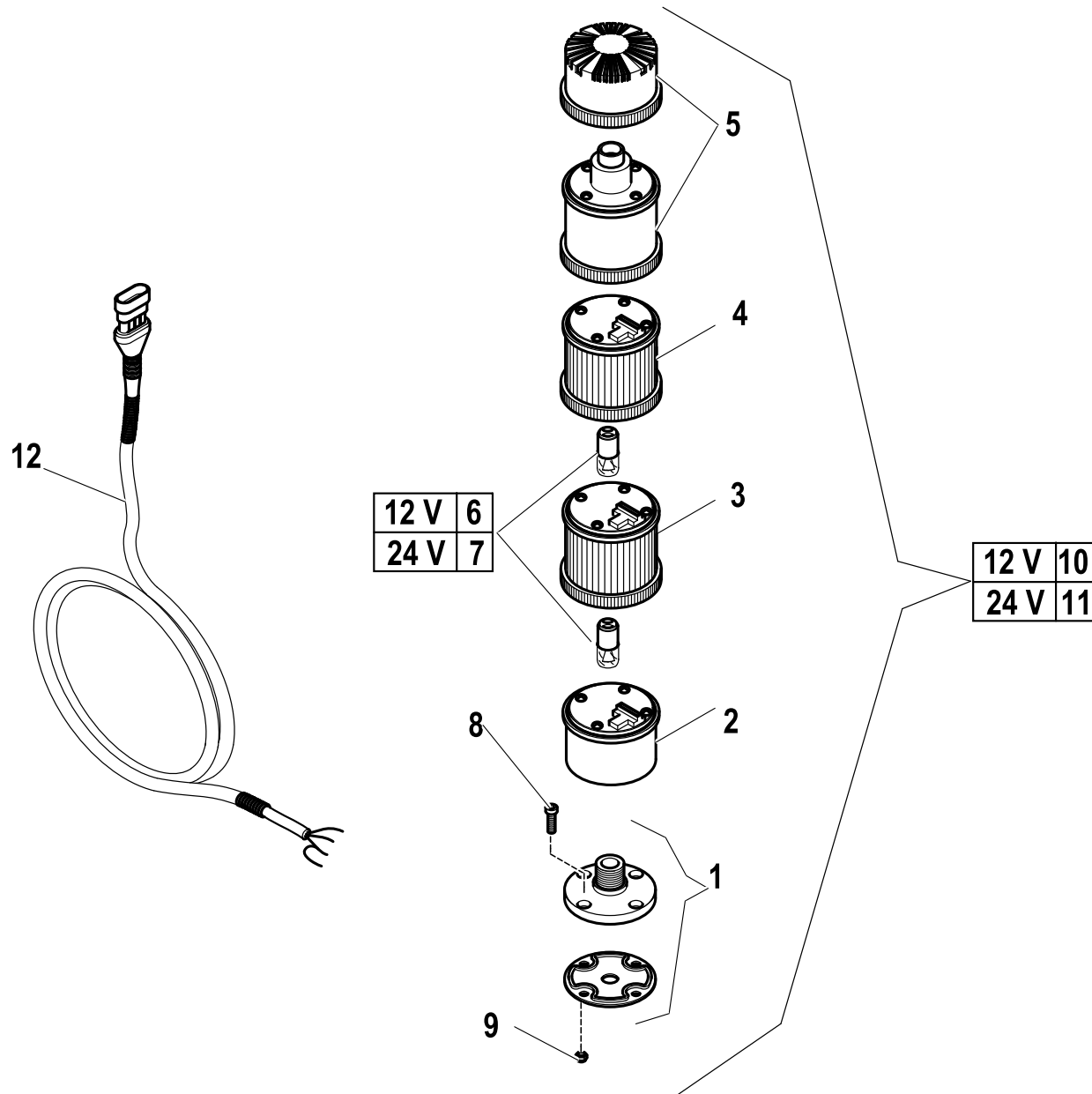
# Light column

Code

**3310822-1.0**

1/1

R	Pos.	Code Variant	Q.ty	Description
	1	3310821	1	
	2	3310595	1	
	3	3310594	1	
	4	3310593	1	
	5	3310597	1	
	6	3310610	2	
	7	3310596	2	
	8	3020023	4	Socket head cap screw [M5X16 8.8 ZC UNI 5931]
	9	3040392	4	Stopnut
	10	3310823	1	
	11	3310822	1	
	12	3311110	1	





## Auxiliary wiring (Limiting device)

Code

**5405017-3.0**

1/1

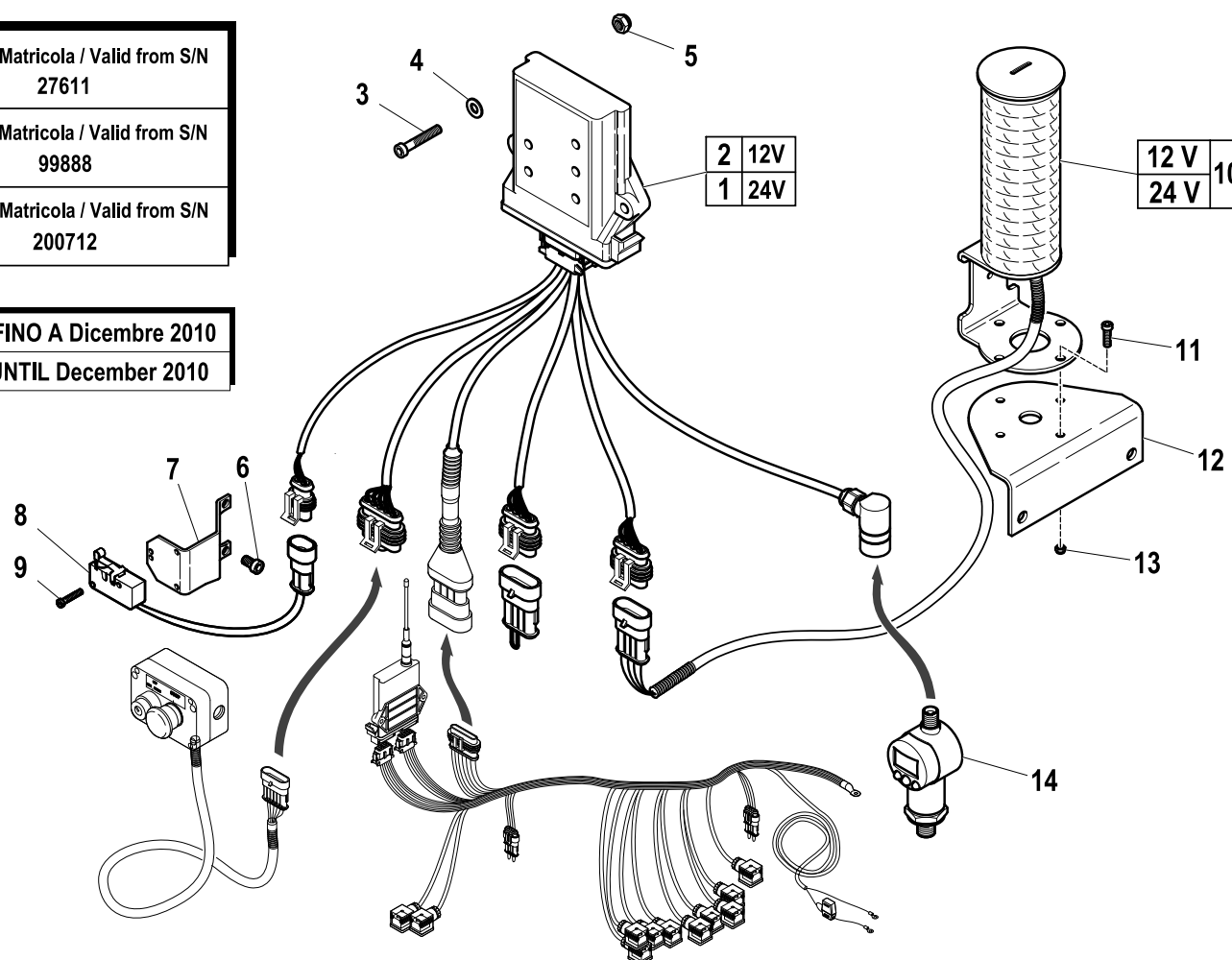
Valido da Matricola / Valid from S/N  
27611

Valido da Matricola / Valid from S/N  
99888

Valido da Matricola / Valid from S/N  
200712

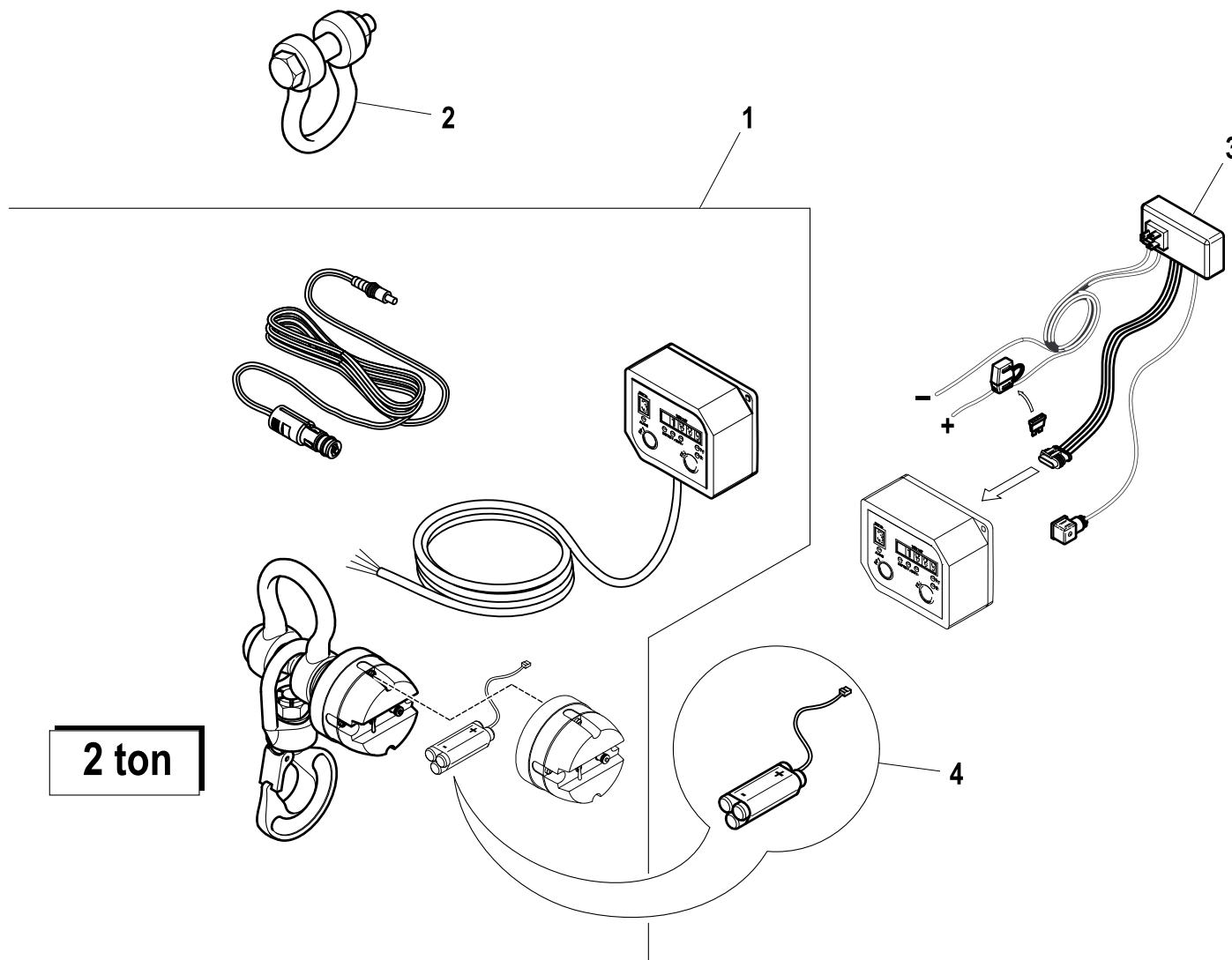
VALIDO FINO A Dicembre 2010

VALID UNTIL December 2010



R	Pos.	Code Variant	Q.ty	Description
	1	3311169	1	
	2	3311168	1	
	3	3020038	2	Socket head cap screw [M6X30 8.8 ZC UNI 5931]
	4	3060005	2	Flat washer [D.6.4 UNI 6592 ZC]
	5	3040372	2	Stopnut
	6	3020022	2	Socket head cap screw [M5X10 8.8 ZC UNI 5931]
	7	5001694	1	
	8	3310885	1	Microswitch (Electric)
	9	3020881	2	
	10	3311159	1	Signal Columns
	11	3020023	4	Socket head cap screw [M5X16 8.8 ZC UNI 5931]
	12	W370508000	1	Support (Flashing light)
	13	3040392	4	Stopnut
	14	3310873	1	

R	Pos.	Code Variant	Q.ty	Description
	1	5730506	1	
	2	3200050	1	Shackles
	3	W236508	1	
	4	3311542	1	



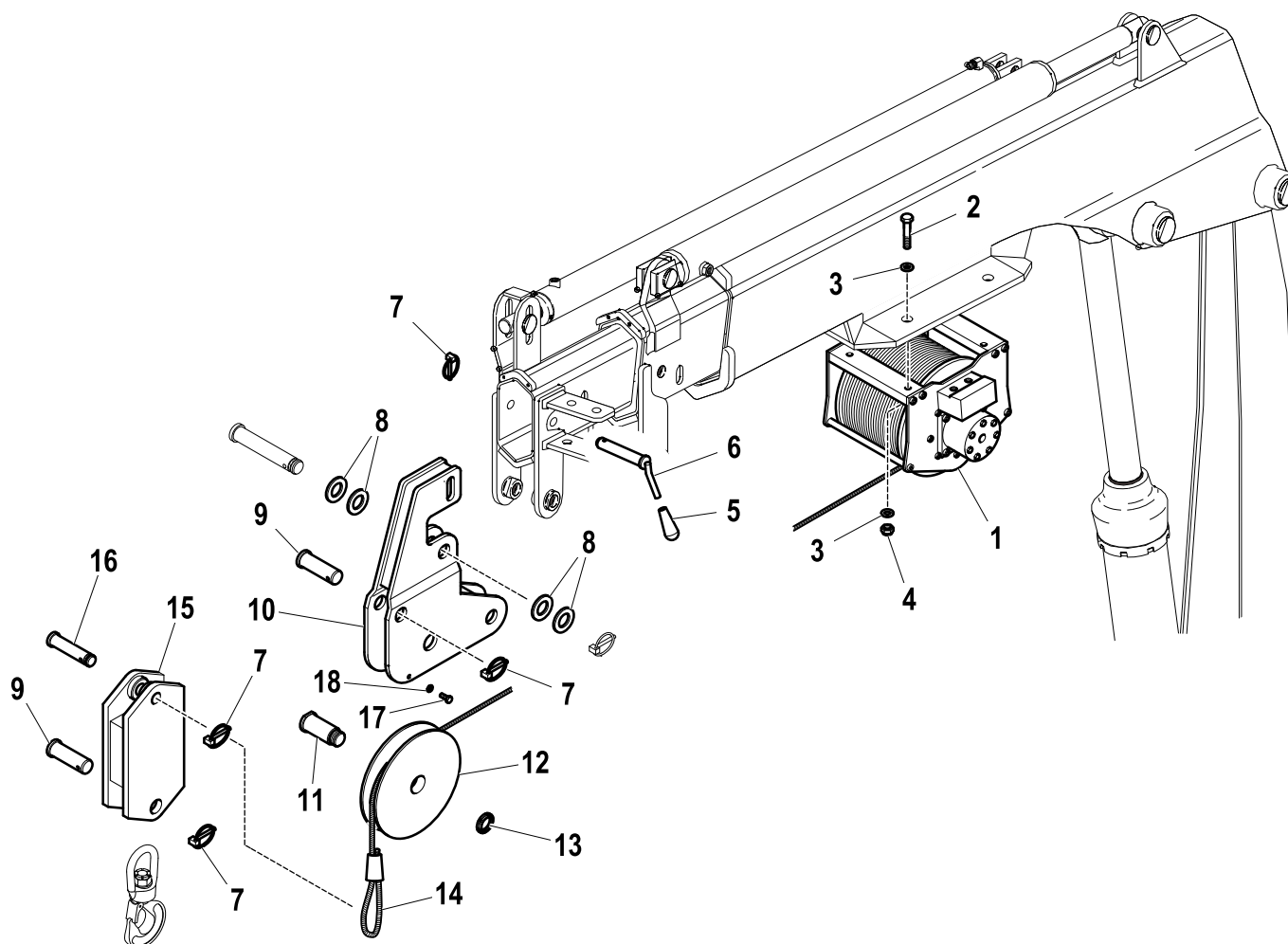
# WINCH KIT

Code

**7834068-1.0**

1/1

R	Pos.	Code Variant	Q.ty	Description
	1	W484041	1	
	2	3010415	4	Hex screw [M10X55 8.8 ZC UNI 5737]
	3	3060914	8	Flat washer [D.10.5X21X2 UNI 6592 ZC]
	4	3040326	4	Stopnut
	5	W664003	1	
	6	W101324	1	
	7	3060753	4	Cotter pin (Locking ring)
	8	3060014	4	Flat washer [D.25X44X4 UNI 6592 ZC]
	9	W101163	2	
	10	W530500500	1	
	11	W101169	1	
	12	W317004	1	
	13	3040502	1	Self-locking ringnut [M25X1.5 NORMALE ZC]
	14	W597018	1	
	15	W380502700	1	
	16	W101083	1	
	17	3010325	2	Hex screw [M6X16 8.8 ZC UNI 5739]
	18	3040081	2	Lock nut

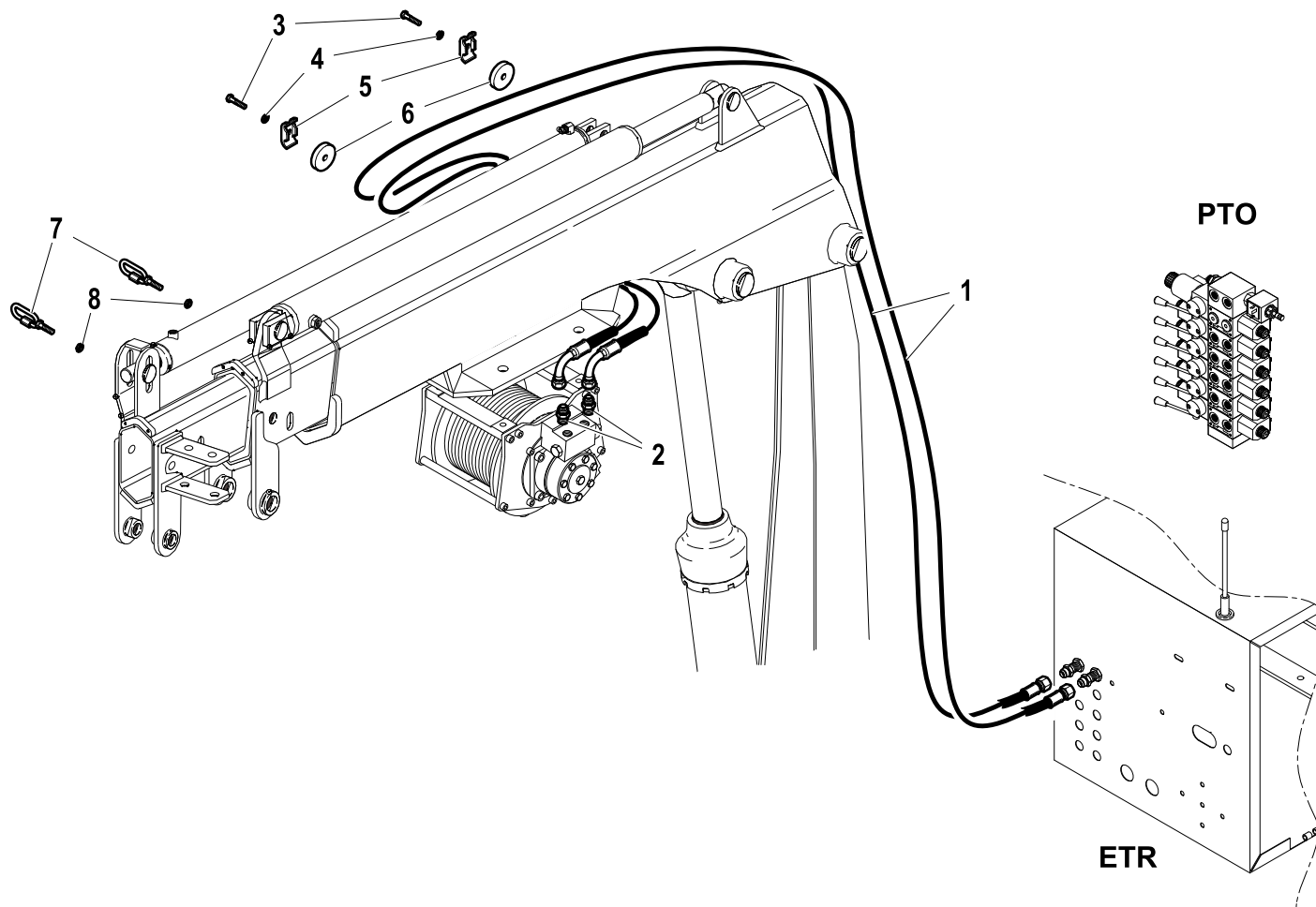


# ACTUATION FOR WINCH

Code

**7834068-2.0**

1/1



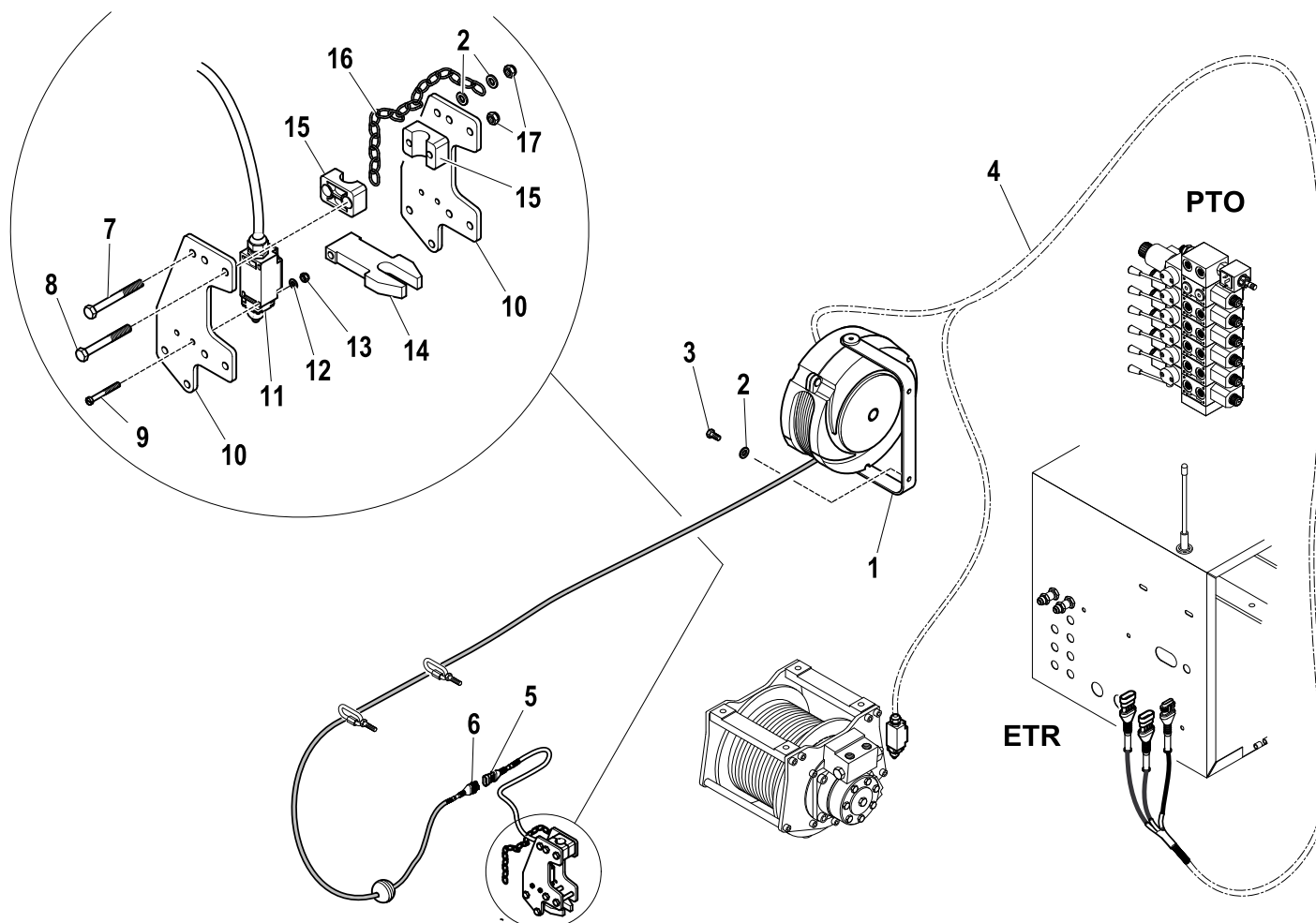
R	Pos.	Code Variant	Q.ty	Description
	1	5260775	2	Flexible hose
	2	3101042	2	Straight pipe fitting
	3	3010030	2	Hex screw [M8X35 8.8 ZC UNI 5737]
	4	3060006	2	Flat washer [D.8 UNI 6592 ZC]
	5	5000077	2	
	6	W340501400	2	
	7	W648005	2	
	8	3040039	2	Tall headed nut

# WINCH KIT (Electrical equipment)

Code

**7834068-3.0**

1/1



R	Pos.	Code Variant	Q.ty	Description
	1	3311206	1	
	2	3060005	4	Flat washer [D.6.4 UNI 6592 ZC]
	3	3010323	2	Hex screw [M6X10 8.8 ZC UNI 5739]
	4	3310884	1	
	5	3310665	1	
	6	3310664	1	
	7	3010388	1	Hex screw [M6X60 ZC UNI 5737]
	8	3010025	6	Hex screw [M6X55 8.8 ZC UNI 5737]
	9	3020021	2	Socket head cap screw [M5X12X0.8 8.8 ZC UNI 5931]
	10	W440509500	2	
	11	W251013	1	
	12	3060004	2	Flat washer [D.5 UNI 6592 ZC]
	13	3040392	2	Stopnut
	14	W440509600	1	
	15	W128034	4	
	16	W537102	2	
	17	3040372	7	Stopnut





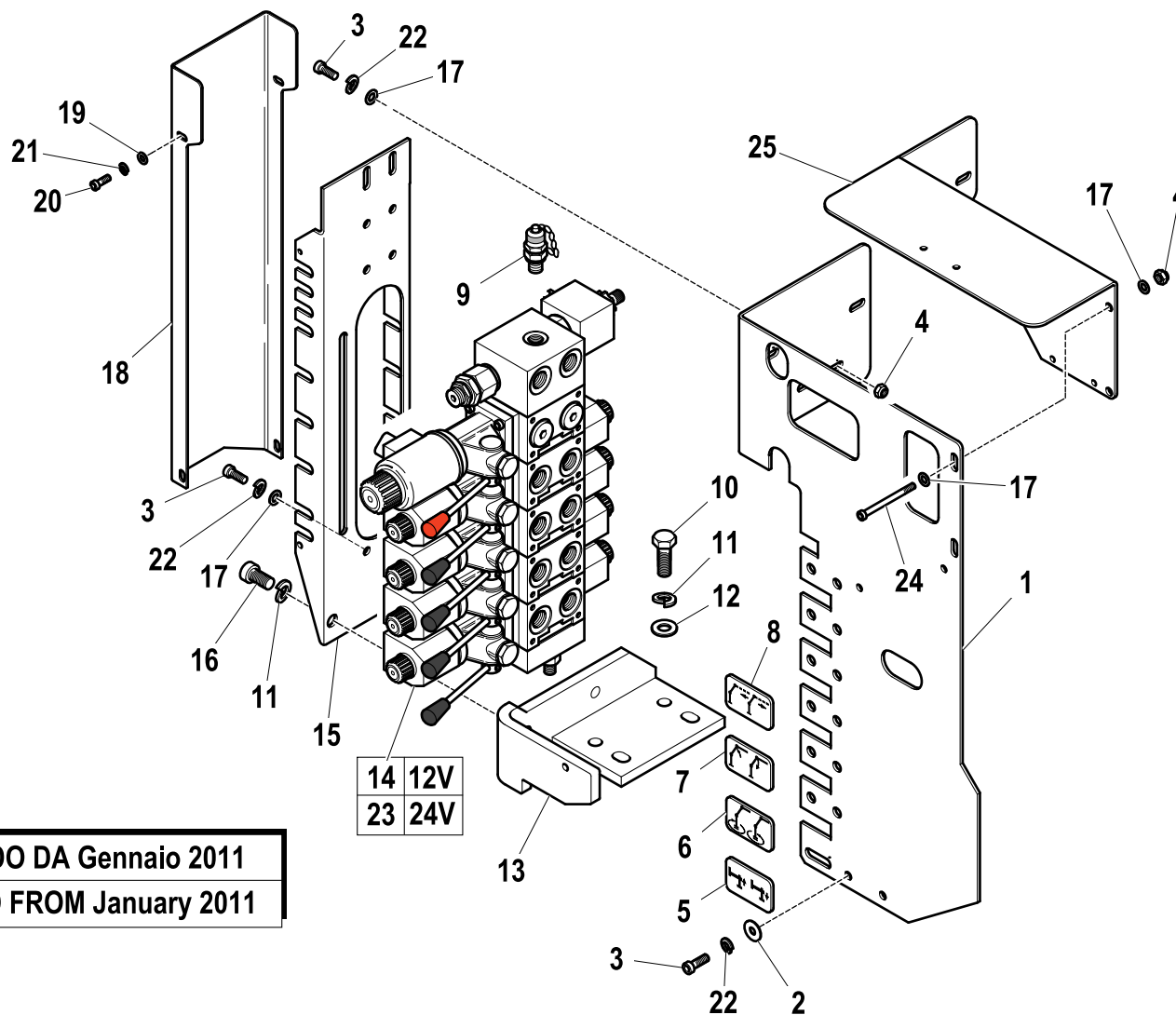
**HA28 X EN12999-A3**

# Control unit (RDC)

Code

**5401470-1.0**

1/2



**VALIDO DA Gennaio 2011**  
**VALID FROM January 2011**

R	Pos.	Code Variant	Q.ty	Description
	1	5091324	1	
	2	3060030	1	Flat washer [D.6.6X18 UNI 6593 ZC]
	3	3020034	7	Socketed head cap screw [M6X16 8.8 ZC UNI 5931]
	4	3040372	4	Stopnut
	5	W573278	1	
	6	W573412	1	
	7	W573415	1	
	8	W573303	1	
	9	3111523	1	Pipe fitting (Tapping point) [RACC. MILITES 16X2-1/4"G]
	10	3010355	2	Hex screw [M10X25 8.8 ZC IF UNI 5739]
	11	3060056	4	Split lock washer [D=10 C72 ZC]
	12	3060914	4	Flat washer [D.10.5X21X2 UNI 6592 ZC]
	13	5091056	1	Support (Casing)
	14	5220416	1	
	15	5091138	1	
	16	3020080	2	Socketed head cap screw [M10X16 12.9 ZC UNI 5931]
	17	3060005	10	Flat washer [D.6.4 UNI 6592 ZC]
	18	5091140	1	
	19	3060004	4	Flat washer [D.5 UNI 6592 ZC]
	20	3020021	4	Socketed head cap screw [M5X12X0.8 8.8 ZC UNI 5931]



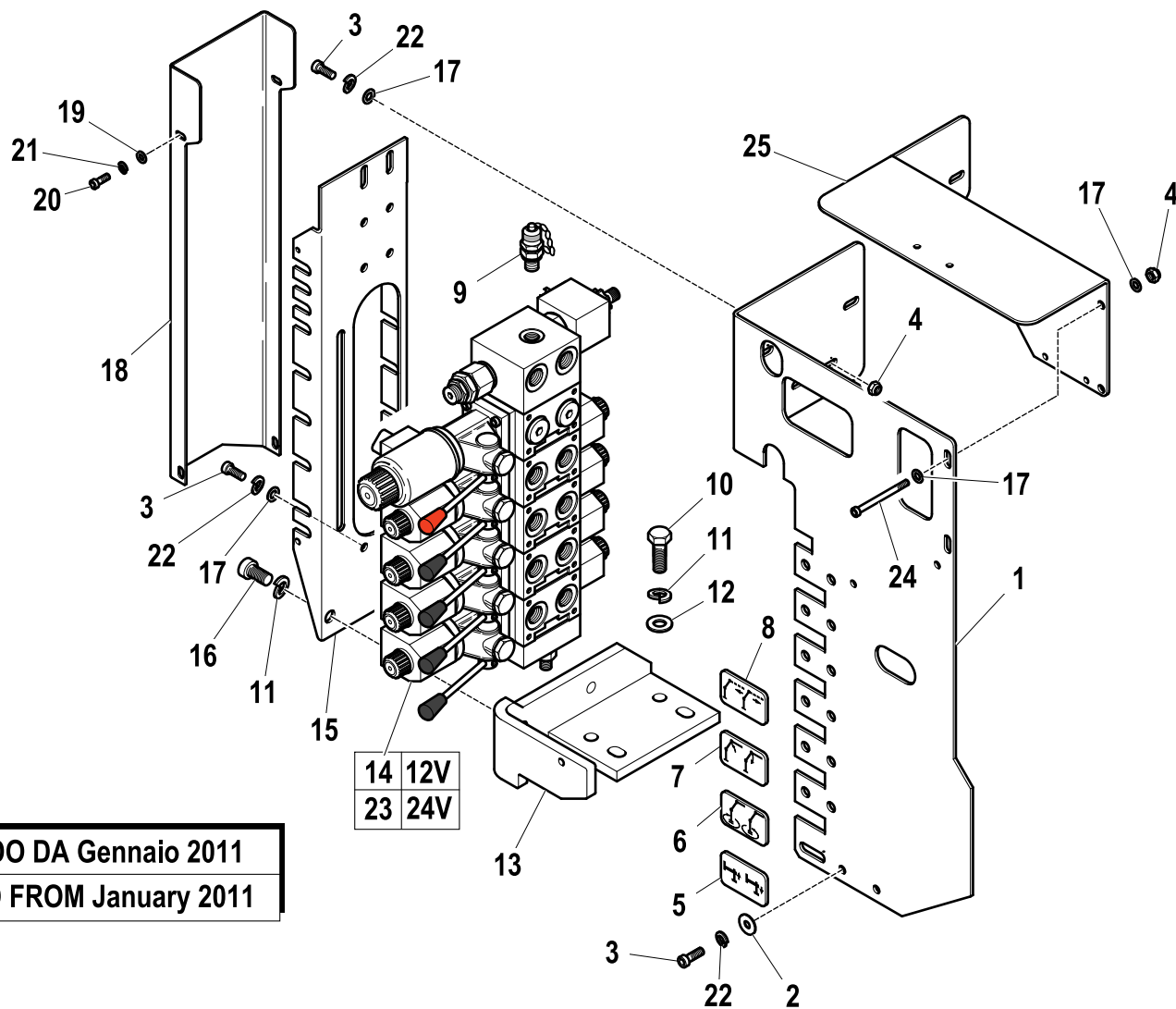
# Control unit (RDC)

Code

**5401470-1.0**

2/2

R	Pos.	Code Variant	Q.ty	Description
	21	3060052	4	Split lock washer [D=5.5 C72 ZC]
	22	3060053	4	Split lock washer [D=6.4 C72 ZC]
	23	5220431	1	
	24	3020964	2	Socket head cap screw [M6X70 8.8 ZC UNI 5931]
	25	W370508300	1	



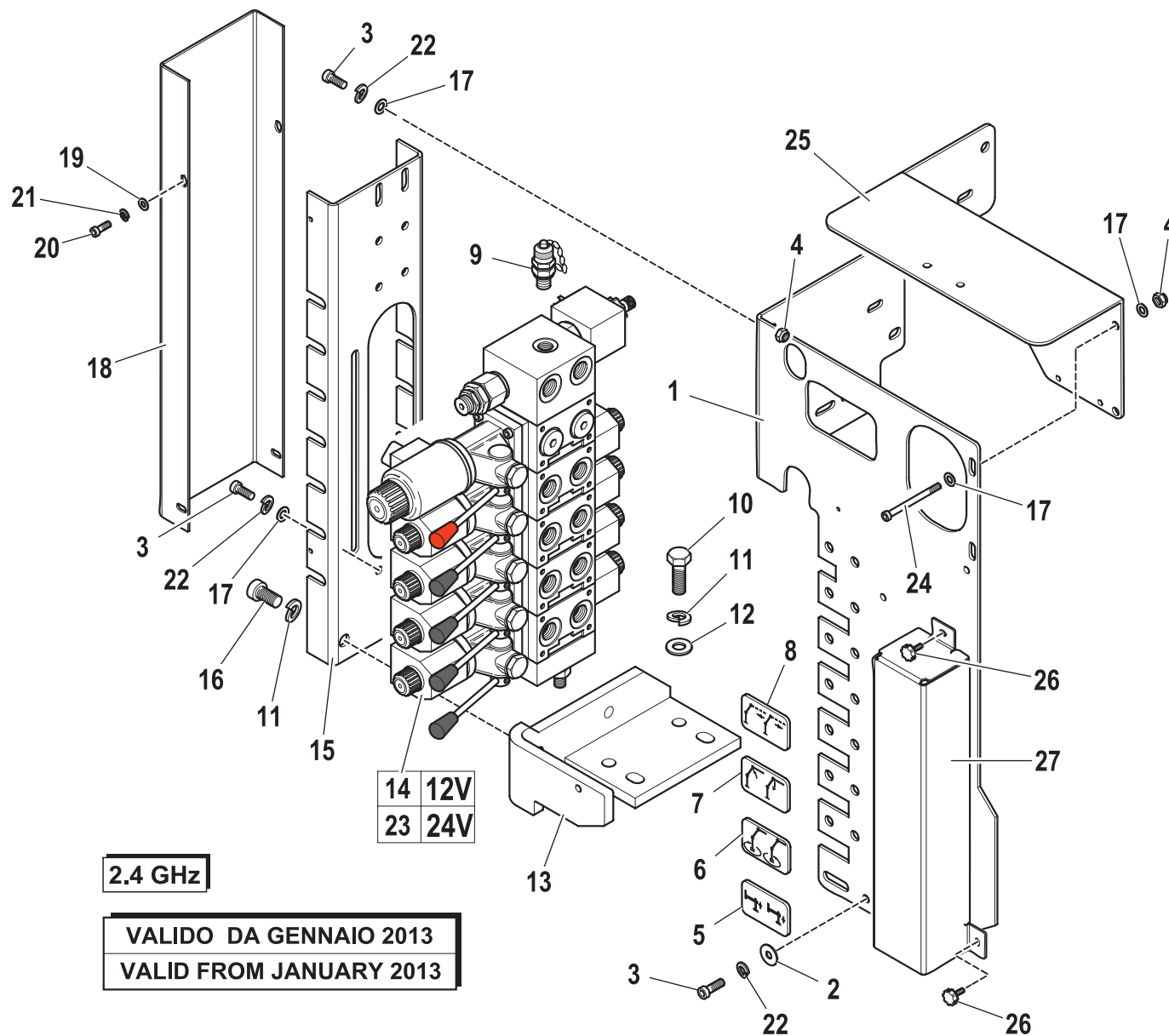
**VALIDO DA Gennaio 2011**  
**VALID FROM January 2011**

# Control unit (RDC / CE)

Code

**5402252-1.0**

1/2



R	Pos.	Code Variant	Q.ty	Description
	1	5091452	1	Protective guard (Control valve)
	2	3060030	1	Flat washer [D.6.6X18 UNI 6593 ZC]
	3	3020034	7	Socketed head cap screw [M6X16 8.8 ZC UNI 5931]
	4	3040372	4	Stopnut
	5	W573278	1	
	6	W573412	1	
	7	W573415	1	
	8	W573303	1	
	9	3111523	1	Pipe fitting (Tapping point) [RACC. MILITES 16X2-1/4"G]
	10	3010355	2	Hex screw [M10X25 8.8 ZC IF UNI 5739]
	11	3060056	4	Split lock washer [D=10 C72 ZC]
	12	3060914	2	Flat washer [D.10.5X21X2 UNI 6592 ZC]
	13	5091056	1	Support (Casing)
	14	5220416	1	
	15	5091458	1	Lateral guards and supports
	16	3020080	2	Socketed head cap screw [M10X16 12.9 ZC UNI 5931]
	17	3060005	10	Flat washer [D.6.4 UNI 6592 ZC]
	18	5091422	1	Casing ()
	19	3060004	4	Flat washer [D.5 UNI 6592 ZC]
	20	3020021	4	Socketed head cap screw [M5X12X0.8 8.8 ZC UNI 5931]

**2.4 GHz**

**VALIDO DA GENNAIO 2013  
VALID FROM JANUARY 2013**

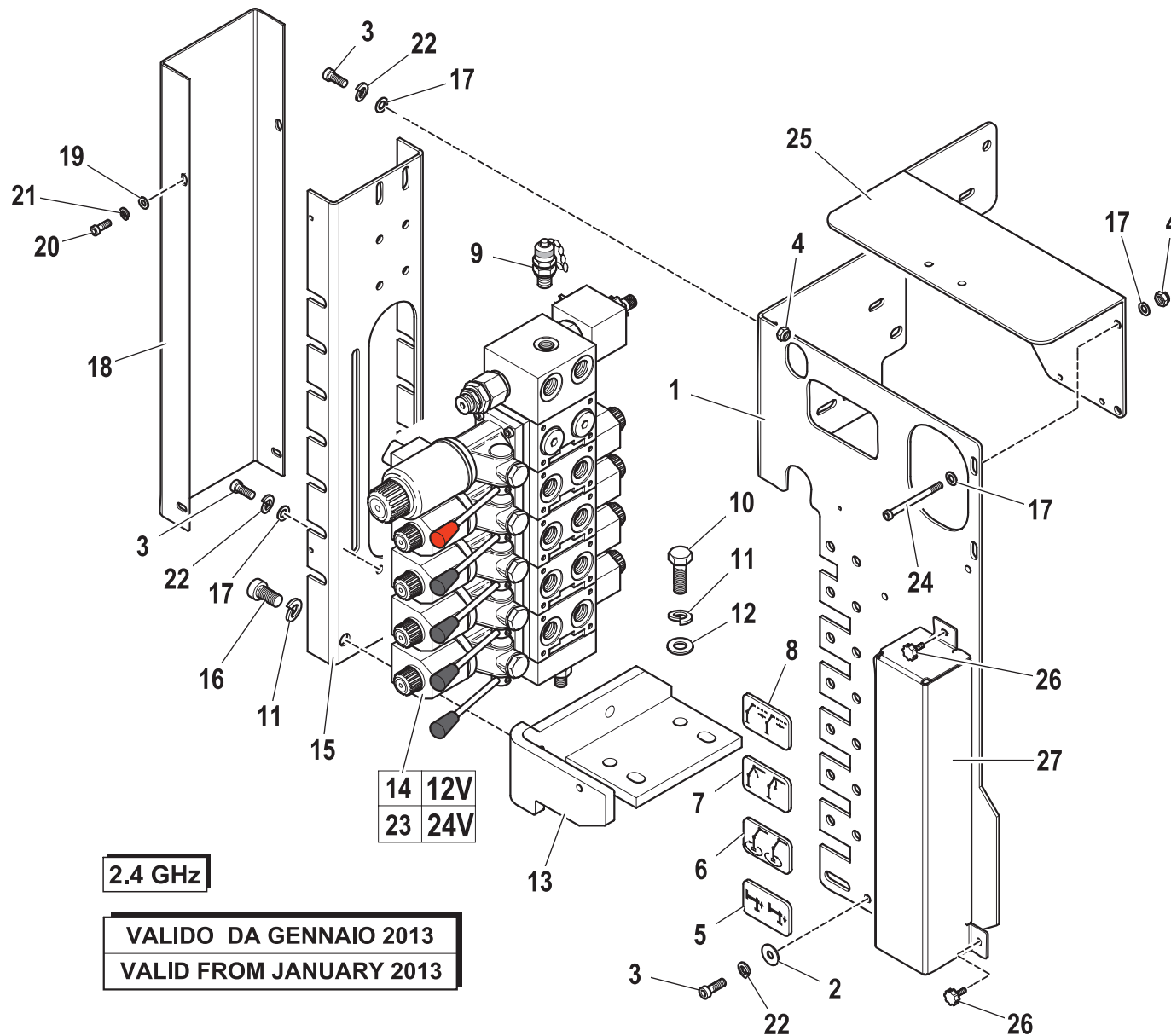
# Control unit (RDC / CE)

Code

**5402252-1.0**

2/2

R	Pos.	Code Variant	Q.ty	Description
	21	3060052	4	Split lock washer [D=5.5 C72 ZC]
	22	3060053	4	Split lock washer [D=6.4 C72 ZC]
	23	5220431	1	
	24	3020964	2	Socketed head cap screw [M6X70 8.8 ZC UNI 5931]
	25	5091488	1	Cover (Moment limiting device)
	26	3011000	2	Handwheel
	27	5091548	1	Protective guard (Control levers)



**2.4 GHz**

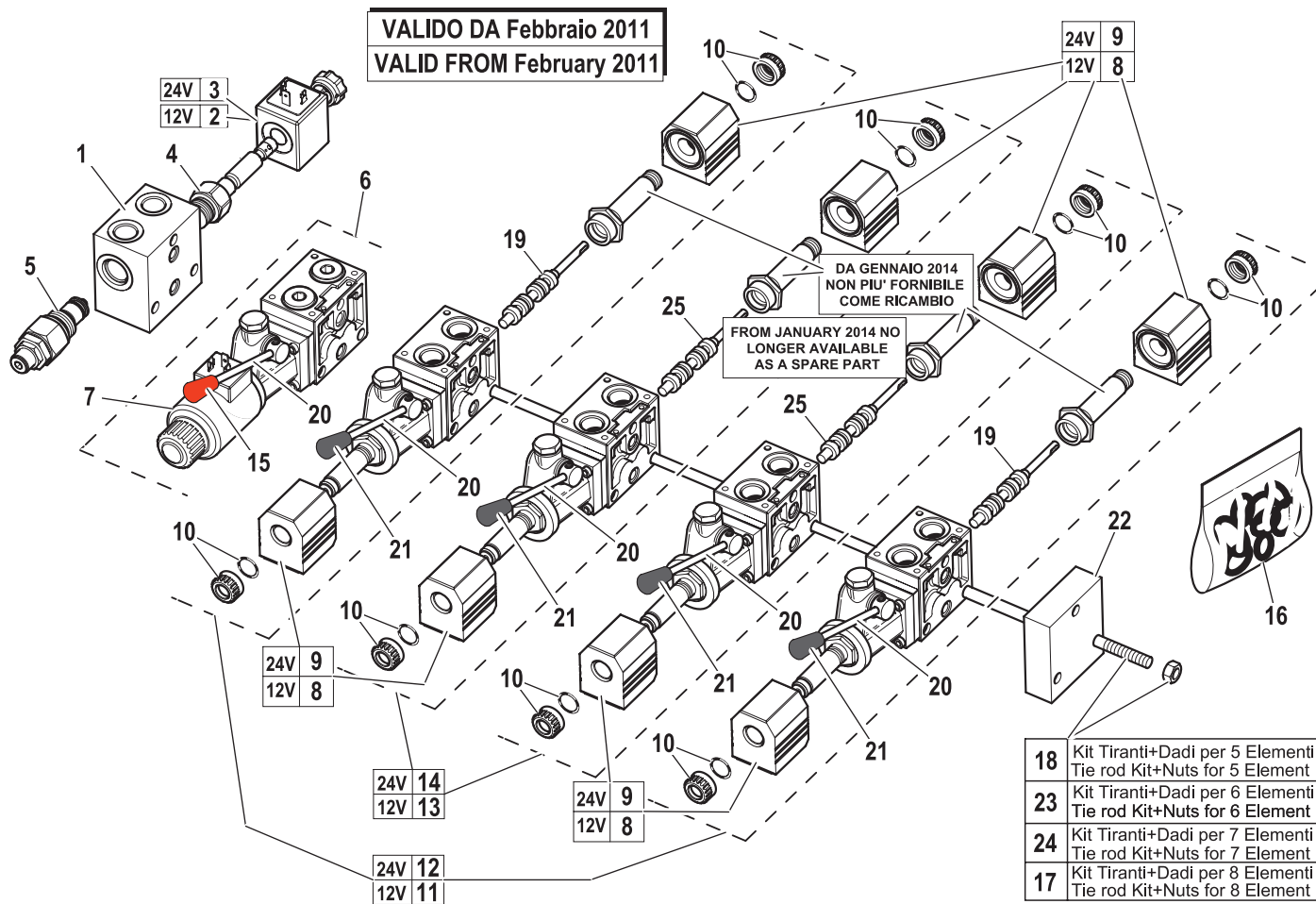
**VALIDO DA GENNAIO 2013  
VALID FROM JANUARY 2013**

# Control valve (4 section)

Code

**5220416-2.0**

1/2



R	Pos.	Code Variant	Q.ty	Description
	1	5225719	1	
	2	3310906	1	
	3	3310904	1	
	4	5220569	1	
	5	5225842	1	
	6	5225887	1	
	7	3310903	1	
	8	3310907	8	
	9	3310905	8	
	10	5225721	8	
	11	5225881	2	
	12	5225886	2	
	13	5225878	2	
	14	5225883	2	
	15	5225802	1	
	16	5225733	1	
	17	5225732	1	
	18	5225843	1	
	19	5225715	2	
	20	5225800	5	Control lever

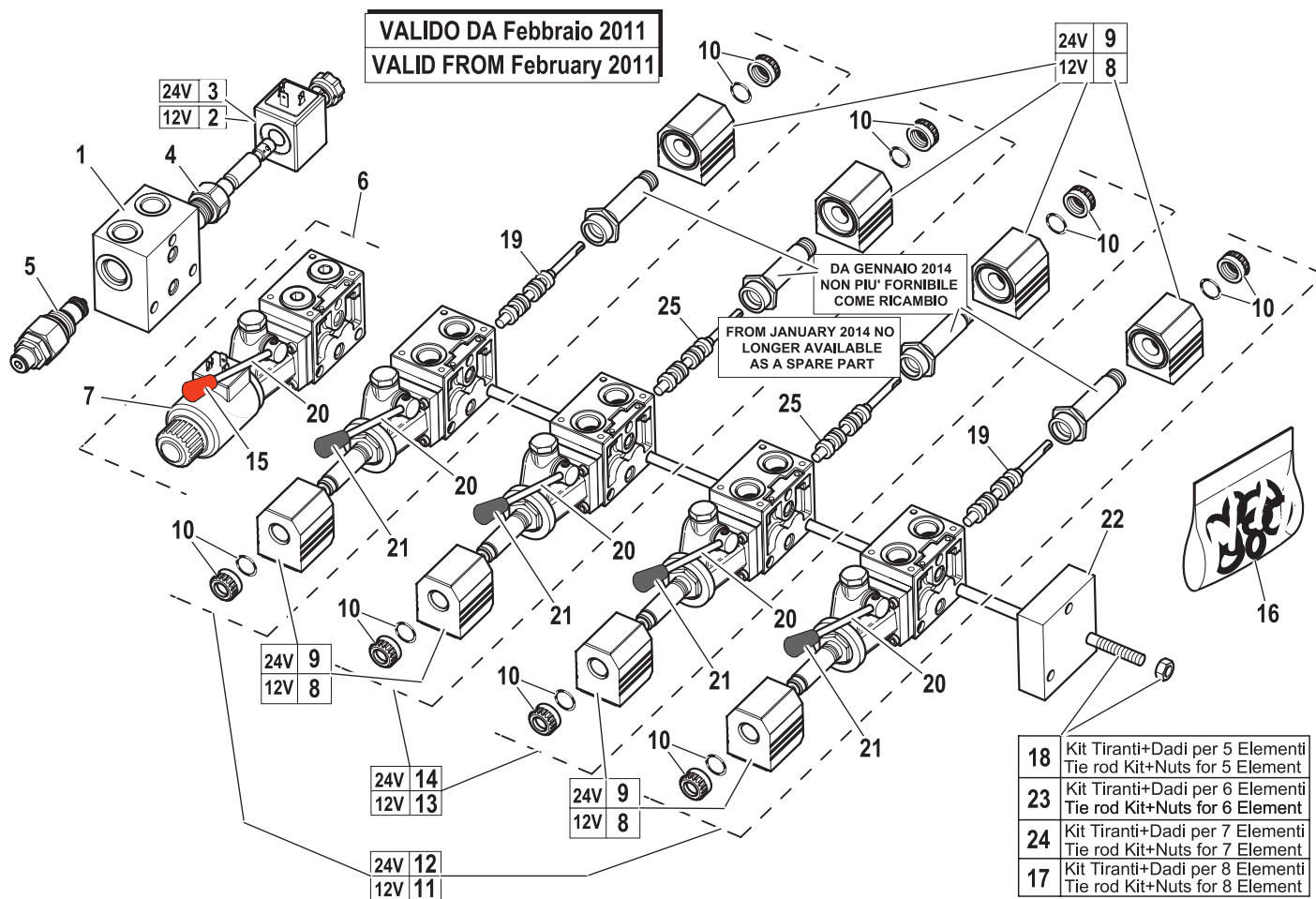
# Control valve (4 section)

Code

**5220416-2.0**

2/2

R	Pos.	Code Variant	Q.ty	Description
	21	5225801	4	
	22	5225727	1	
	23	5225730	1	
	24	5225731	1	
	25	5225716	2	



# Kit CE (STABILITY CONTROL)

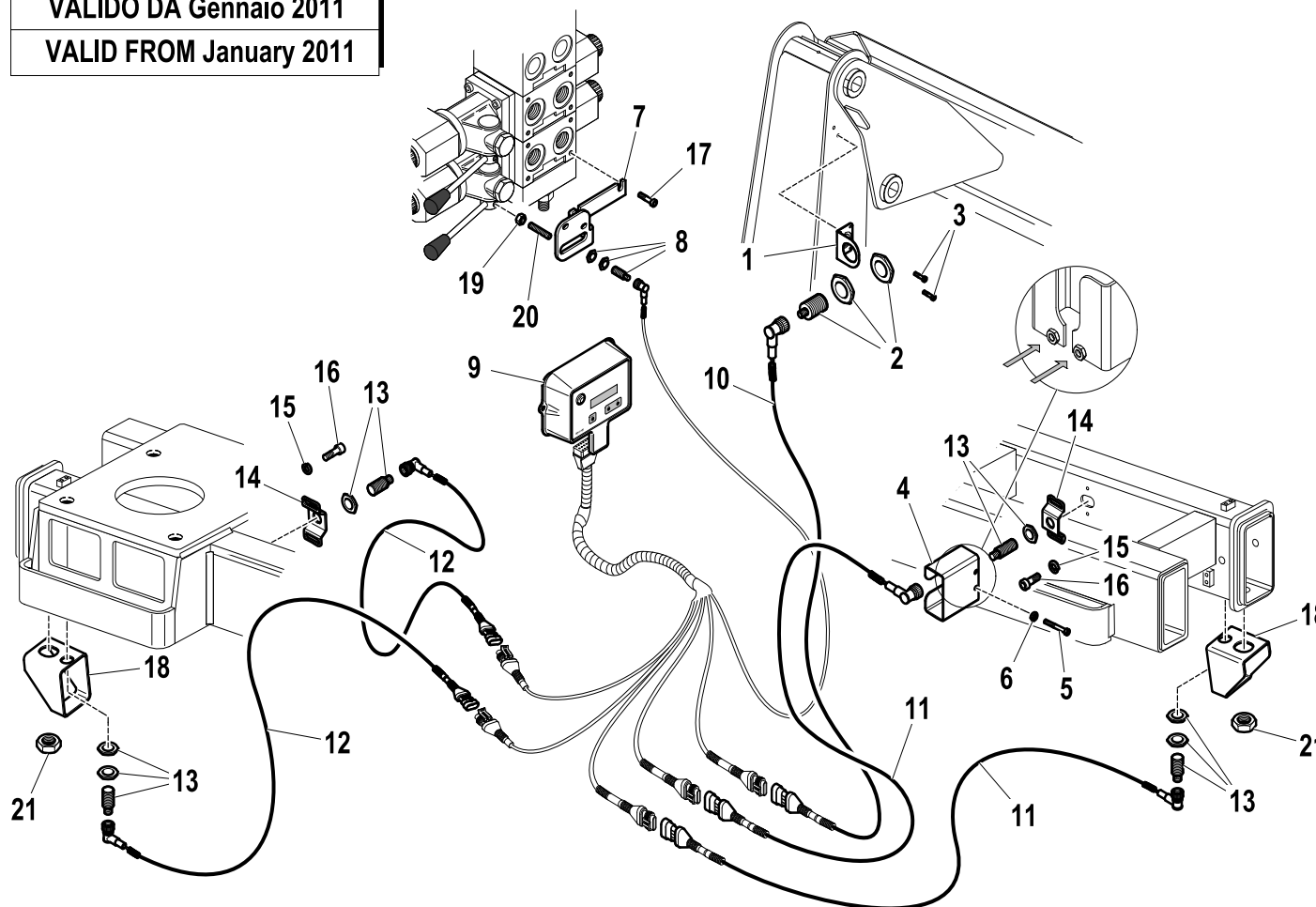
Code

**5405050-1.0**

1/2

VALIDO DA Gennaio 2011

VALID FROM January 2011



R	Pos.	Code Variant	Q.ty	Description
	1	5000426	1	Support (Proximity switch)
	2	3311312	1	Proximity switch
	3	3020895	2	Socketed head cap screw [M4X10 8.8 ZC UNI 5931]
	4	5091310	1	Guard (Proximity switch)
	5	3020045	2	Socketed head cap screw [M6X45 8.8 ZC UNI 5931]
	6	3060053	2	Split lock washer [D=6.4 C72 ZC]
	7	5001842	1	Microswitch support
	8	3311341	1	
	9	3311386	1	
	10	3311350	1	Electric wiring
	11	3311343	2	
	12	3311342	2	
	13	3311311	4	Proximity switch
	14	5000420	2	Support (Proximity switch)
	15	3060055	4	Split lock washer [D=8.4 C72 ZC]
	16	3020902	4	Socketed head cap screw [M8X10 ZC UNI 5931]
	17	3020022	2	Socketed head cap screw [M5X10 8.8 ZC UNI 5931]
	18	5000422	2	Support (Proximity switch)
	19	3040391	1	Hexagonal nut (Normal)
	20	3060223	1	Grub screw

# Kit CE (STABILITY CONTROL)

Code

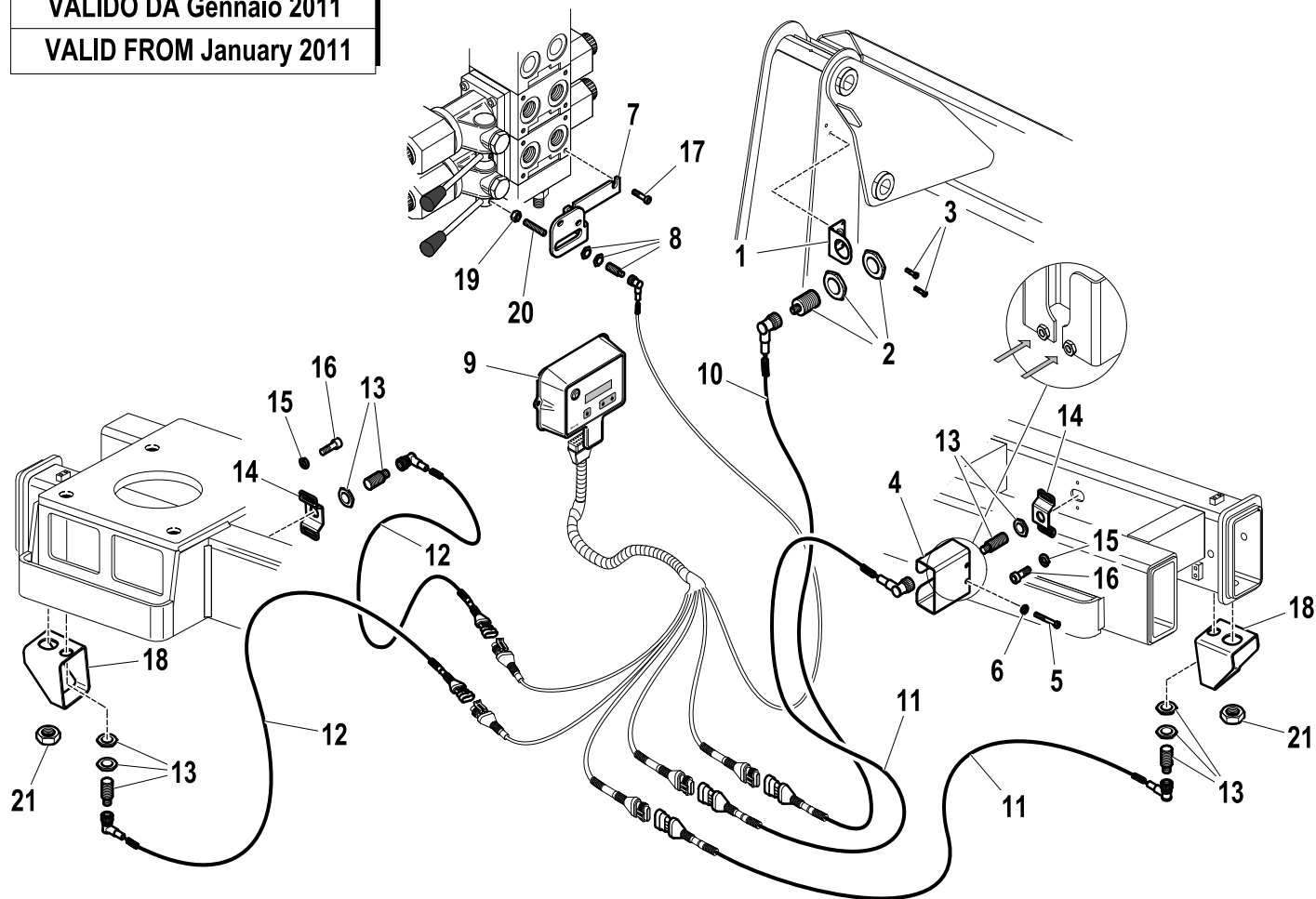
**5405050-1.0**

2/2

R	Pos.	Code Variant	Q.ty	Description
	21	3040251	2	Lock nut [M24 8.G basso UNI 5589]

VALIDO DA Gennaio 2011

VALID FROM January 2011

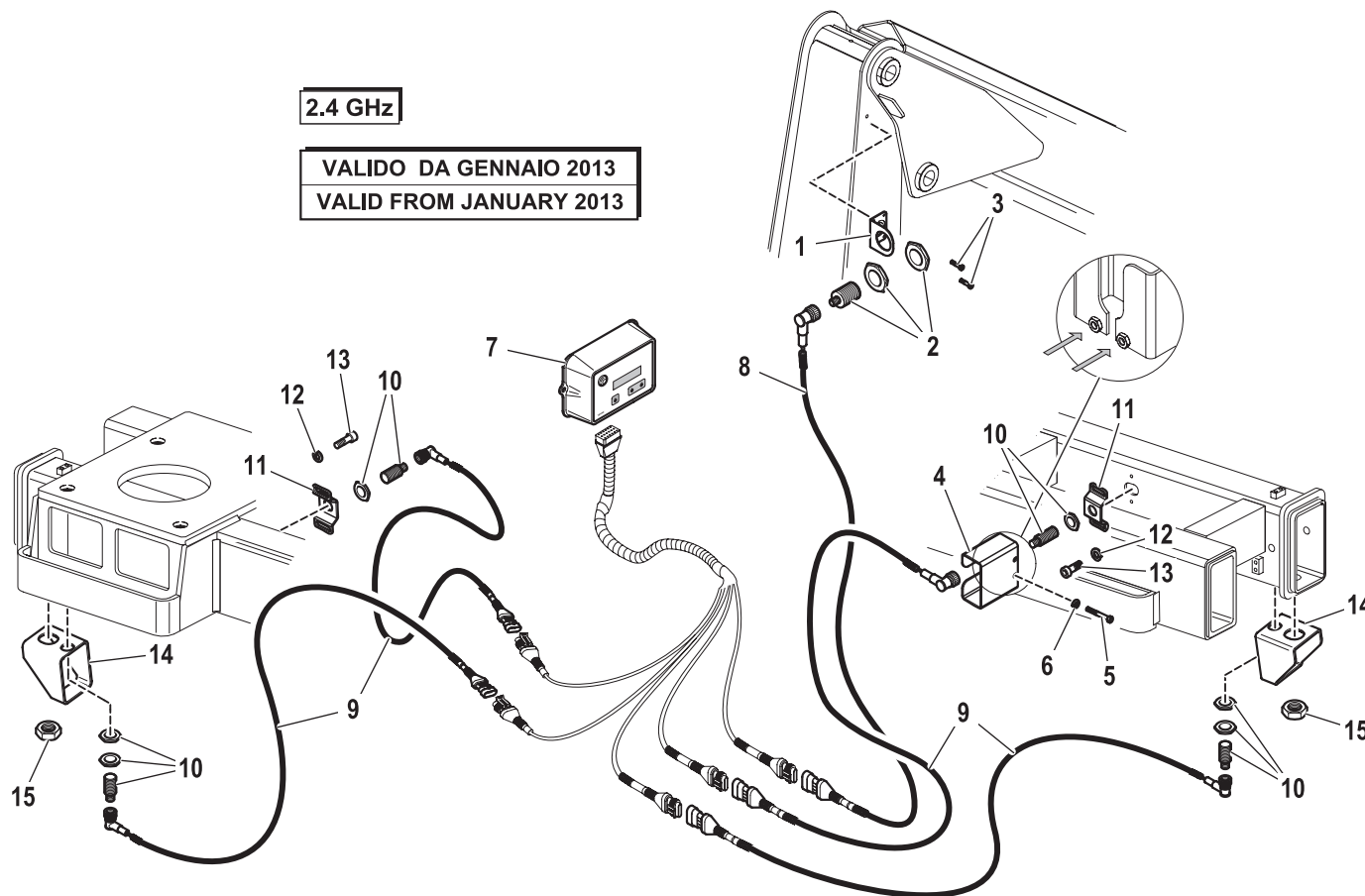




R	Pos.	Code Variant	Q.ty	Description
	1	5000426	1	Support (Proximity switch)
	2	3311312	1	Proximity switch
	3	3020895	2	Socketed head cap screw [M4X10 8.8 ZC UNI 5931]
	4	5091310	1	Guard (Proximity switch)
	5	3020045	2	Socketed head cap screw [M6X45 8.8 ZC UNI 5931]
	6	3060053	2	Split lock washer [D=6.4 C72 ZC]
	7	3311541	1	Moment limiting device
	8	3311350	1	Electric wiring
	9	3311636	4	Electric wiring
	10	3311311	4	Proximity switch
	11	5000420	2	Support (Proximity switch)
	12	3060055	4	Split lock washer [D=8.4 C72 ZC]
	13	3020902	4	Socketed head cap screw [M8X10 ZC UNI 5931]
	14	5000422	2	Support (Proximity switch)
	15	3040251	2	Lock nut [M24 8.G basso UNI 5589]

**2.4 GHz**

**VALIDO DA GENNAIO 2013  
VALID FROM JANUARY 2013**





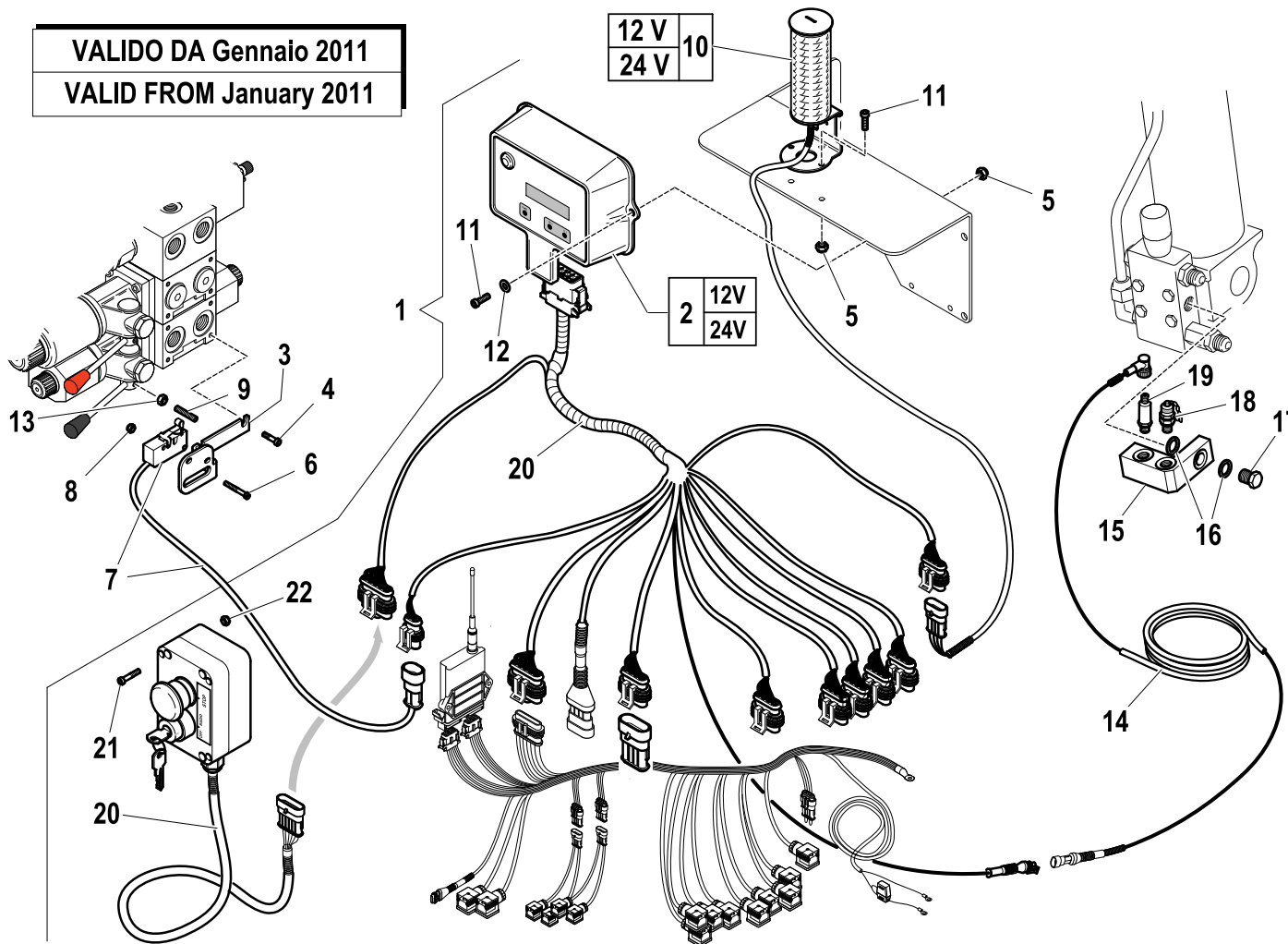
# Moment limiting device (CE)

Code

**5405046-1.0**

1/2

**VALIDO DA Gennaio 2011**  
**VALID FROM January 2011**



R	Pos.	Code Variant	Q.ty	Description
	1	3311345	1	
	2	3311386	1	
	3	5001842	1	Microswitch support
	4	3020022	2	Socket head cap screw [M5X10 8.8 ZC UNI 5931]
	5	3040392	4	Stopnut
	6	3020879	2	
	7	3310885	1	Microswitch (Electric)
	8	3040516	2	Stopnut
	9	3060223	1	Grub screw
	10	3311159	1	Signal Column
	11	3020023	4	Socket head cap screw [M5X16 8.8 ZC UNI 5931]
	12	3060004	2	Flat washer [D.5 UNI 6592 ZC]
	13	3040391	1	Hexagonal nut (Normal)
	14	5160001	1	Electric wiring
	15	5002055	1	Manifold (Pick-up)
	16	3060143	2	Sealing washer [BSP 1/4"]
	17	3110078	1	Bolt (banjo bolt)
	18	3111523	1	Pipe fitting (Tapping point) [RACC. MILITES 16X2-1/4"G]
	19	3310612	1	Pressure sensor
	20	3311384	1	

# Moment limiting device (CE)

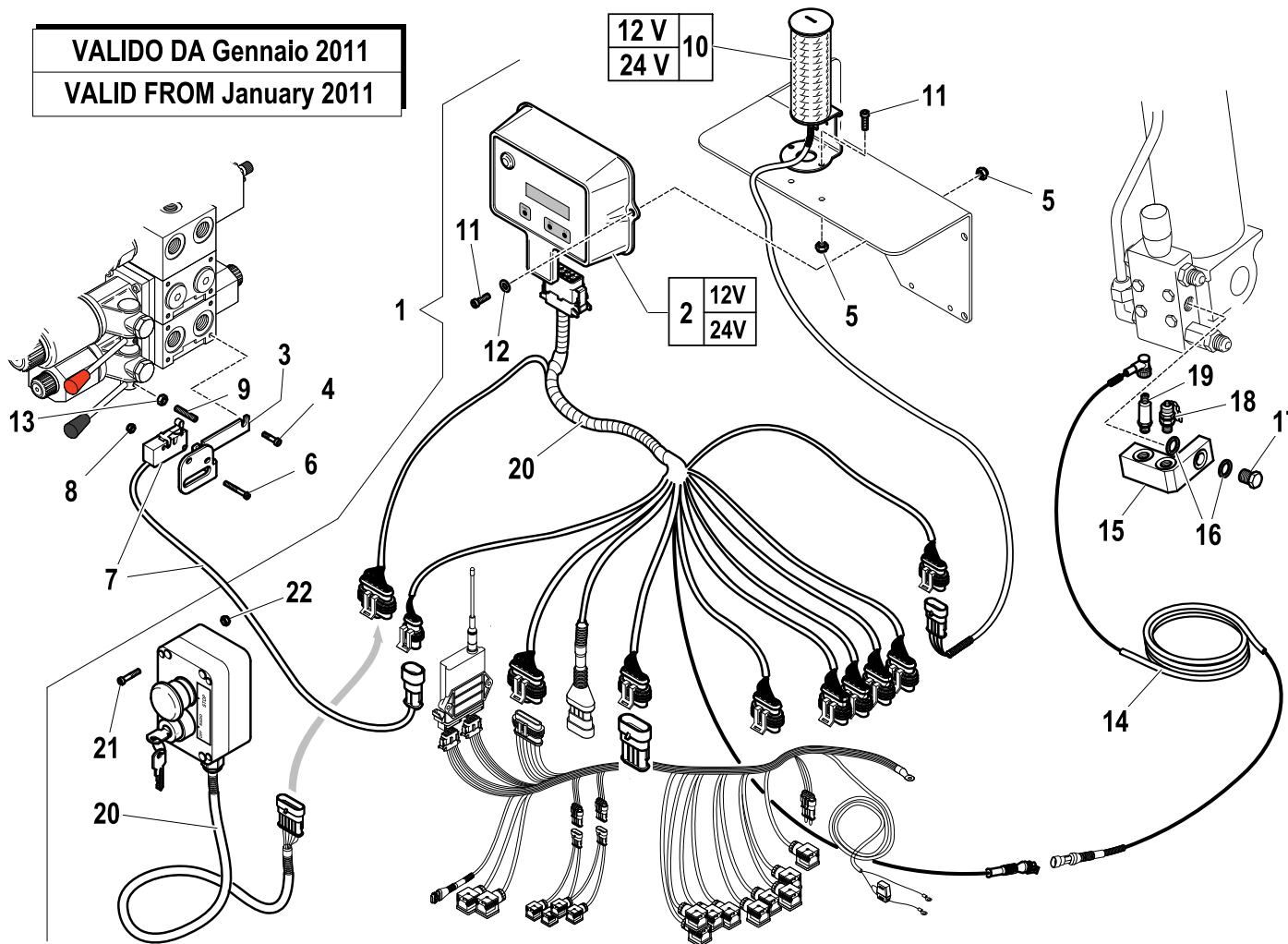
Code

**5405046-1.0**

2/2

R	Pos.	Code Variant	Q.ty	Description
	21	3020885	2	Socket head cap screw [M4X20 8.8 ZC UNI 5931]
	22	3040518	2	Stopnut

**VALIDO DA Gennaio 2011**  
**VALID FROM January 2011**



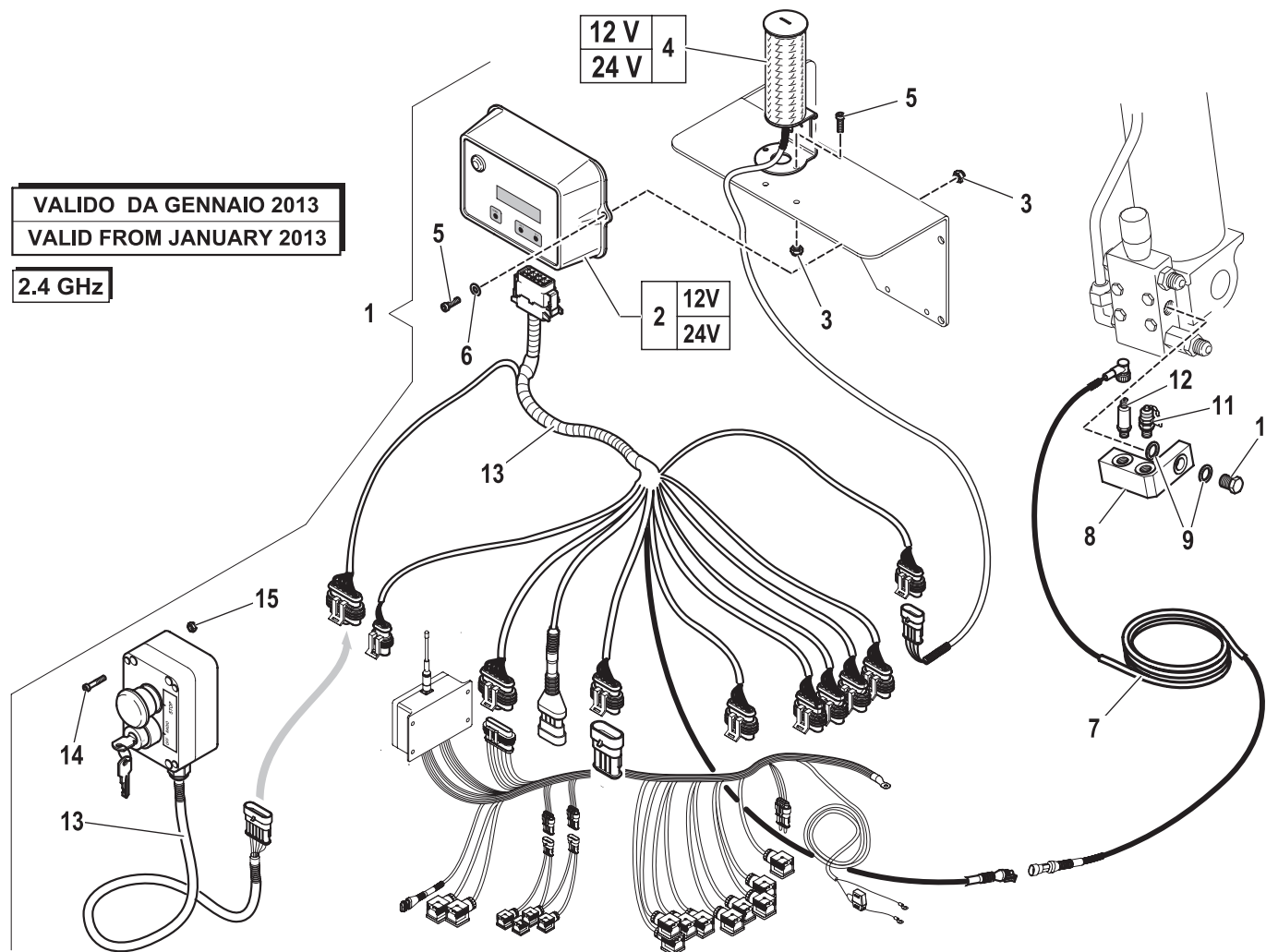
# Moment limiting device (CE)

Code

**5405046-3.0**

1/1

VALIDO DA GENNAIO 2013  
VALID FROM JANUARY 2013  
2.4 GHz



R	Pos.	Code Variant	Q.ty	Description
	1	3311634	1	Electric wiring
	2	3311541	1	Moment limiting device
	3	3040392	4	Stopnut
	4	3311159	1	Signal Columns
	5	3020023	4	Socket head cap screw [M5X16 8.8 ZC UNI 5931]
	6	3060004	2	Flat washer [D.5 UNI 6592 ZC]
	7	5160001	1	Electric wiring
	8	5002055	1	Manifold (Pick-up)
	9	3060143	2	Sealing washer [BSP 1/4"]
	10	3110078	1	Bolt (banjo bolt)
	11	3111523	1	Pipe fitting (Tapping point) [RACC. MILITES 16X2-1/4"G]
	12	3310612	1	Pressure sensor
	13	3311632	1	Electric wiring
	14	3020885	2	Socket head cap screw [M4X20 8.8 ZC UNI 5931]
	15	3040518	2	Stopnut

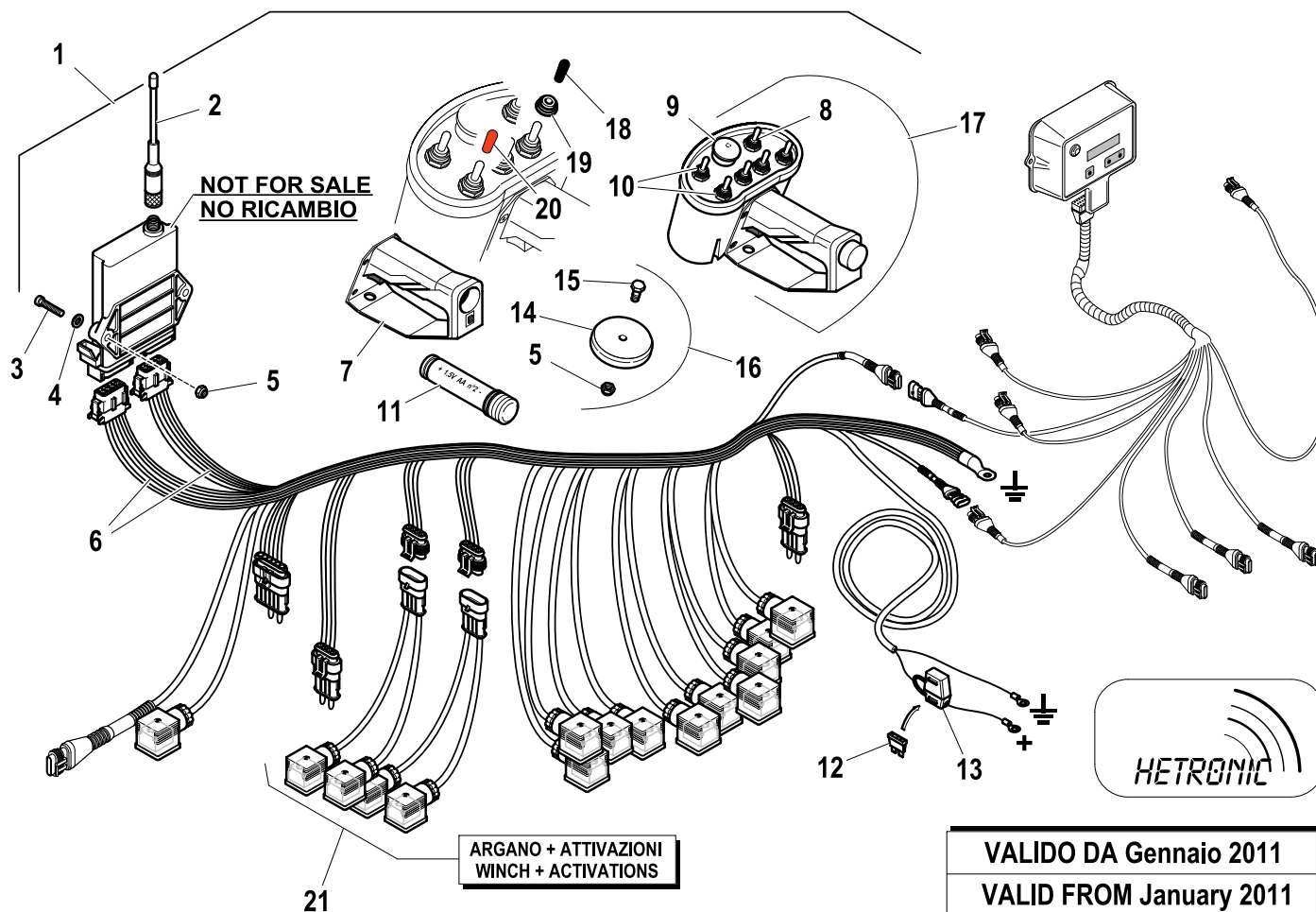
# Kit (Wireless control)

Code

**7892099-3.0**

1/2

R	Pos.	Code Variant	Q.ty	Description
	1	5120095	1	
	2	3310861	1	
	3	3020038	2	Socket head cap screw [M6X30 8.8 ZC UNI 5931]
	4	3060005	2	Flat washer [D.6.4 UNI 6592 ZC]
	5	3040372	3	Stopnut
	6	3311385	1	
	7	3311071	1	Handle
	8	3310891	1	
	9	3310892	1	
	10	3310890	5	
	11	3310893	1	Battery compartment
	12	3310688	1	
	13	3310852	1	
	14	3310064	1	
	15	3010324	1	Hex screw [M6X12 8.8 ZC UNI 5739]
	16	5410965	1	Kit (Magnet)
	17	3310754	1	
	18	3311195	5	
	19	3311197	6	
	20	3311196	1	



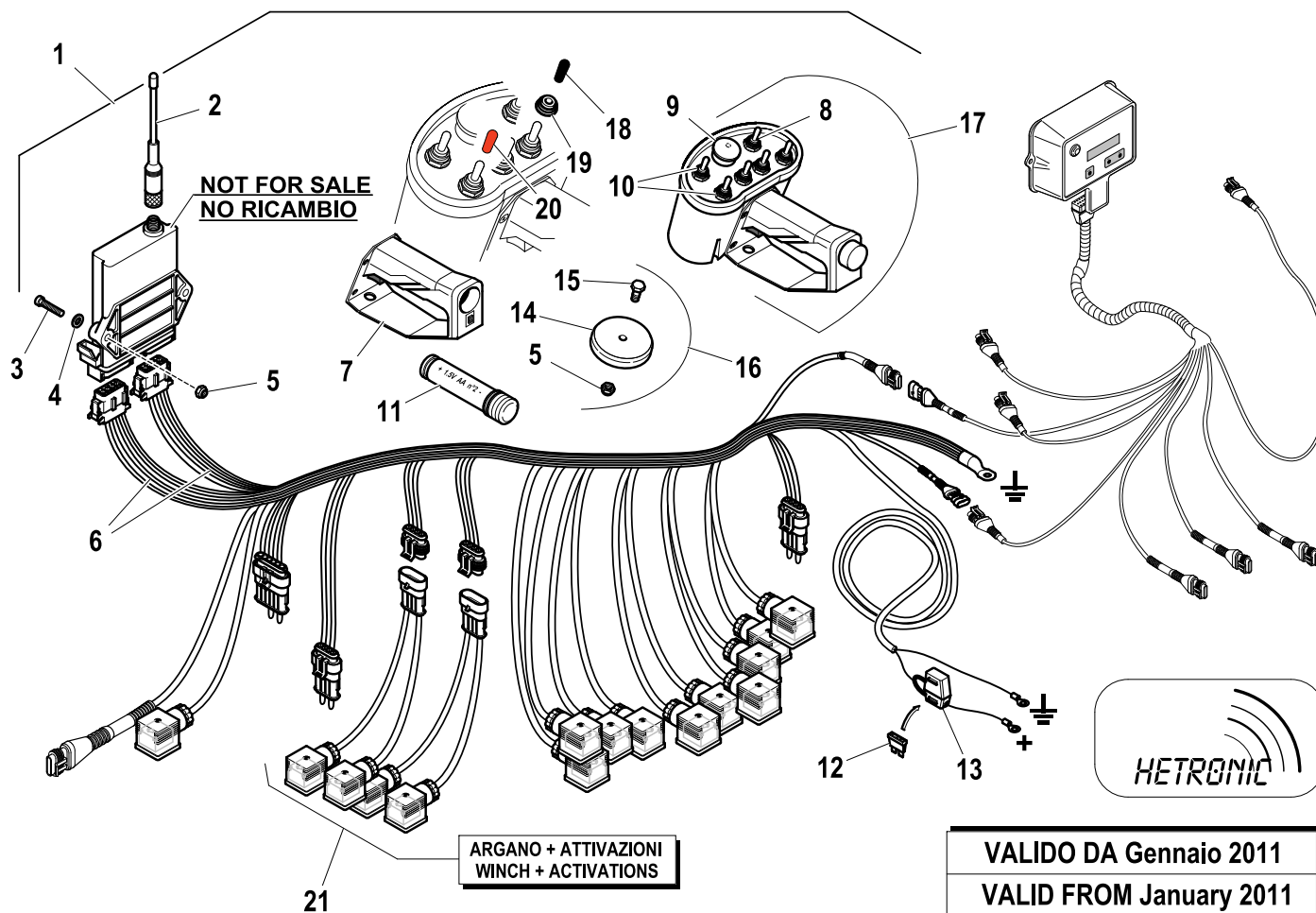
# Kit (Wireless control)

Code

**7892099-3.0**

2/2

R	Pos.	Code Variant	Q.ty	Description
	21	3310862	2	



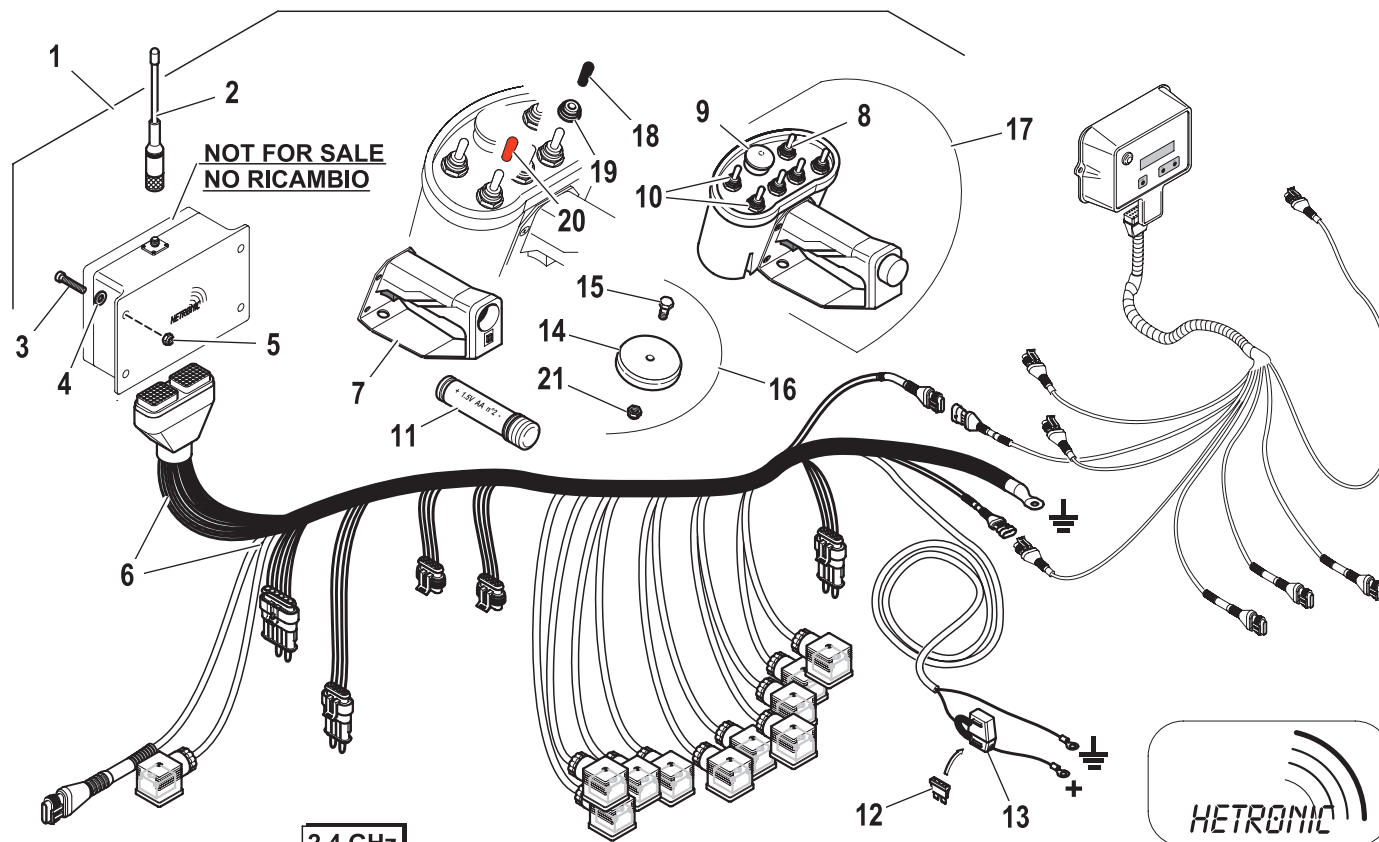
# Complete wireless control (PTO)

Code

**7892500-2.0**

1/2

R	Pos.	Code Variant	Q.ty	Description
	1	5120154	1	Complete wireless control
	2	3311501	1	Aerial (Wireless control)
	3	3020028	4	Socketed head cap screw [M5X20 8.8 ZC UNI 5931]
	4	3060004	4	Flat washer [D.5 UNI 6592 ZC]
	5	3040392	4	Stopnut
	6	3311633	1	Electric wiring
	7	3311071	1	Handle
	8	3310891	1	
	9	3310892	1	
	10	3310890	5	
	11	3310893	1	Battery compartment
	12	3310688	1	
	13	3310852	1	
	14	3310064	1	
	15	3010324	1	Hex screw [M6X12 8.8 ZC UNI 5739]
	16	5410965	1	Kit (Magnet)
	17	3311502	1	Transmitter (Wireless control)
	18	3311195	5	
	19	3311197	6	
	20	3311196	1	



**NOT FOR SALE  
NO RICAMBIO**

**2.4 GHz**

**VALIDO DA GENNAIO 2013  
VALID FROM JANUARY 2013**





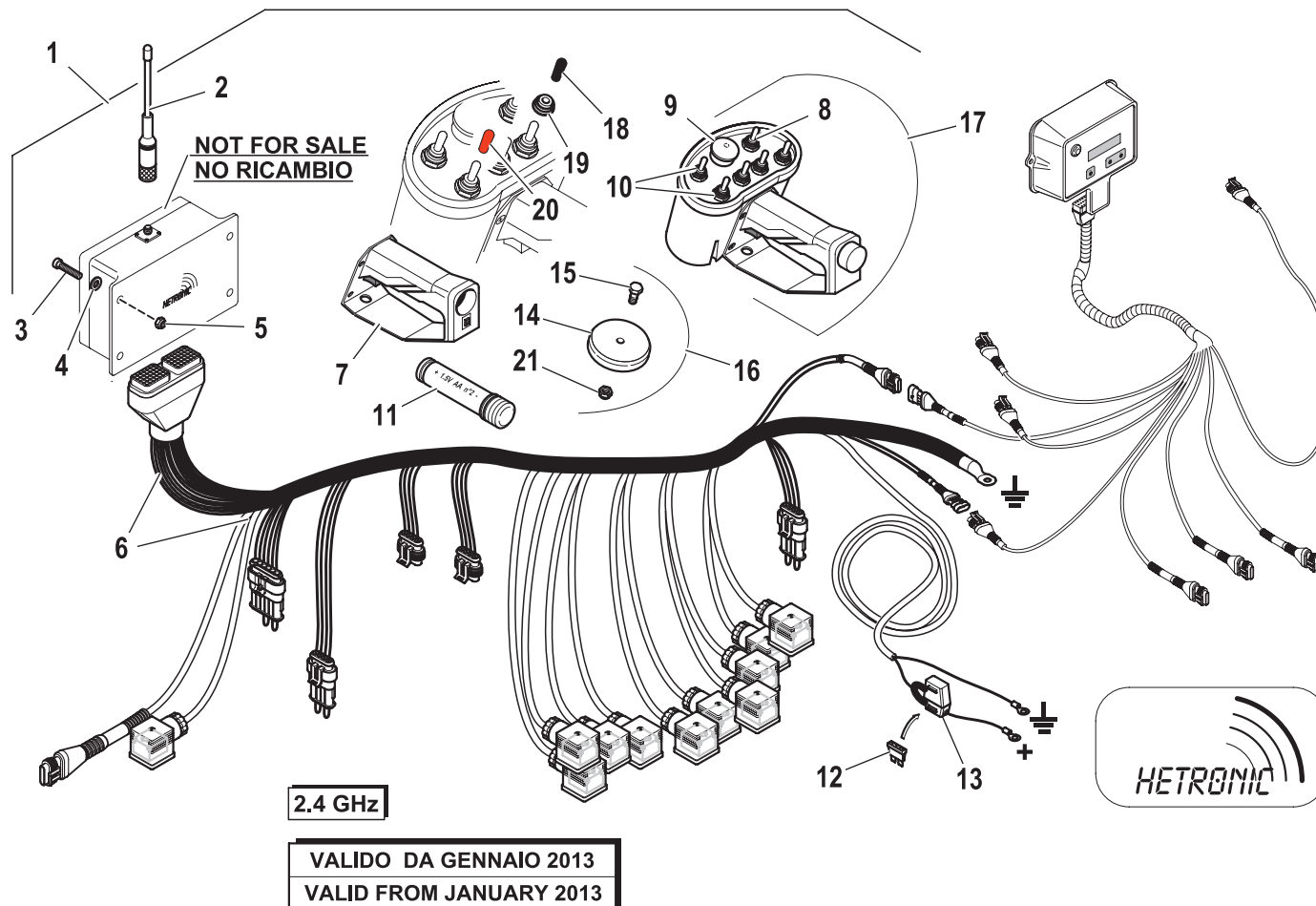
# Complete wireless control (PTO)

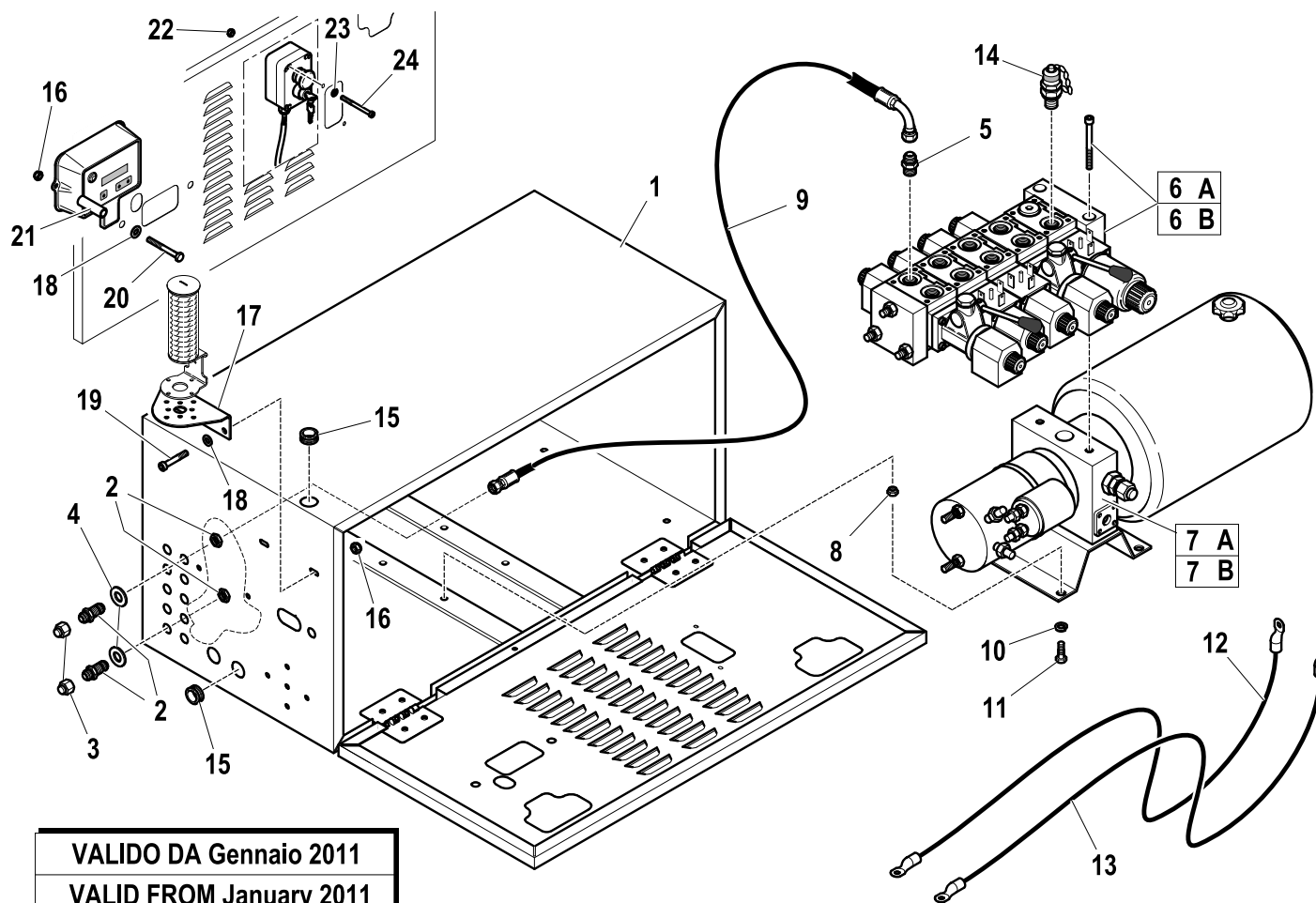
Code

**7892500-2.0**

2/2

R	Pos.	Code Variant	Q.ty	Description
	21	3040372	1	Stopnut





**VALIDO DA Gennaio 2011**  
**VALID FROM January 2011**

R	Pos.	Code Variant	Q.ty	Description
	1	5090134	1	
	2	3120309	8	Wall-through pipe fitting
	3	3110040	2	Female plug
	4	3060009	8	Flat washer [D.15X28X2.5 UNI 6592 ZC]
	5	3101040	8	Straight pipe fitting
	6 A	5220469 (12V)	1	
	6 B	5220470 (24V)	1	
	7 A	W318009 (12V)	1	
	7 B	W318010 (24V)	1	
	8	3040303	4	Stopnut
	9	5260475	8	Flexible hose
	10	3060055	4	Split lock washer [D=8.4 C72 ZC]
	11	3010339	4	Hex screw [M8X25 8.8 ZC IF UNI 5739]
	12	3310067	1	Electric cable (negative pole)
	13	3310068	1	Electric cable (positive pole)
	14	3111523	1	Pipe fitting (Tapping point) [RACC. MILITES 16X2-1/4"G]
	15	3190179	3	Cable lead (Rubber)
	16	3040372	4	Stopnut
	17	W370508000	1	Support (Flashing light)
	18	3060005	4	Flat washer [D.6.4 UNI 6592 ZC]



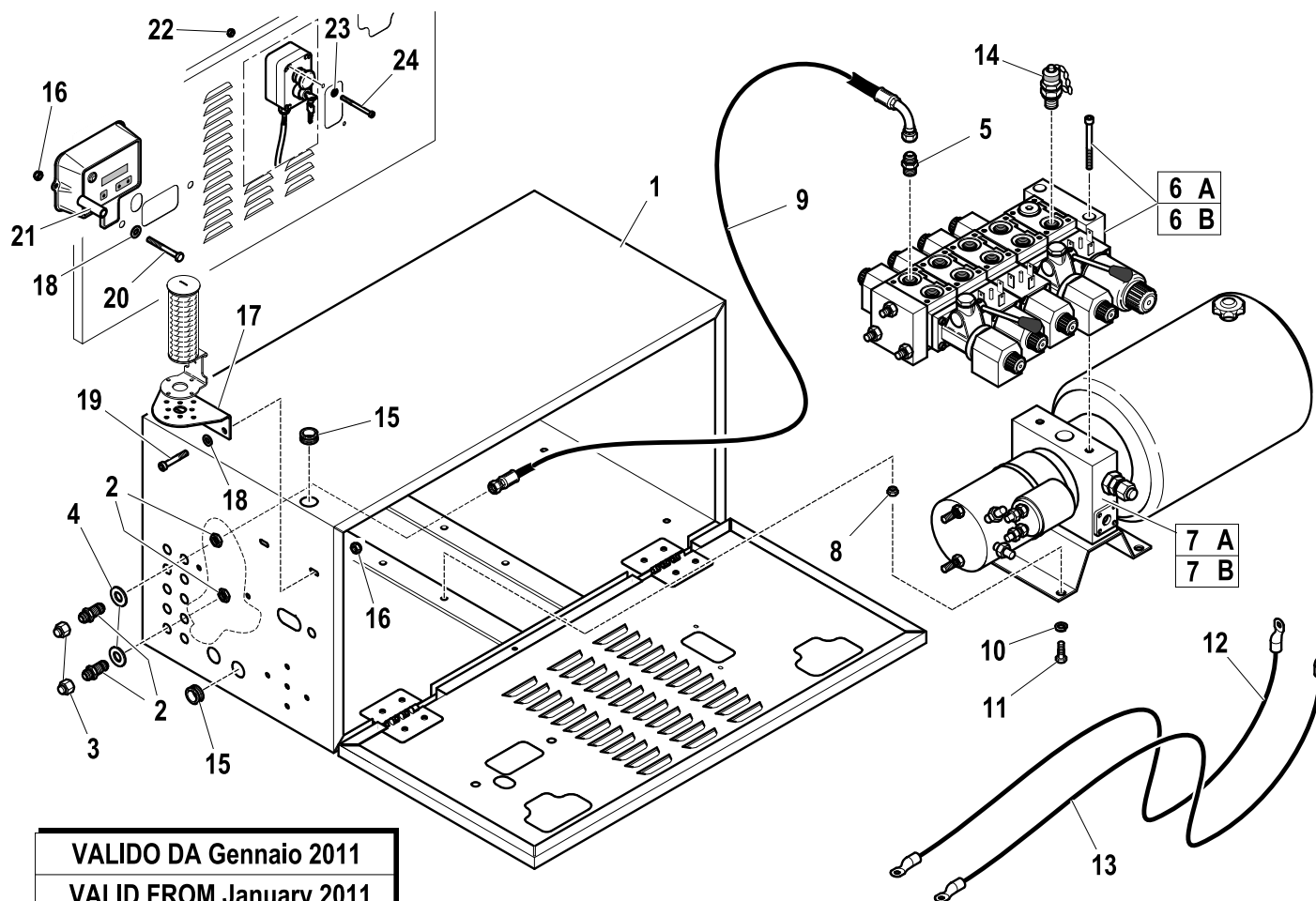
# ELECTRICS CONTROLS (EN12999-A3)

Code

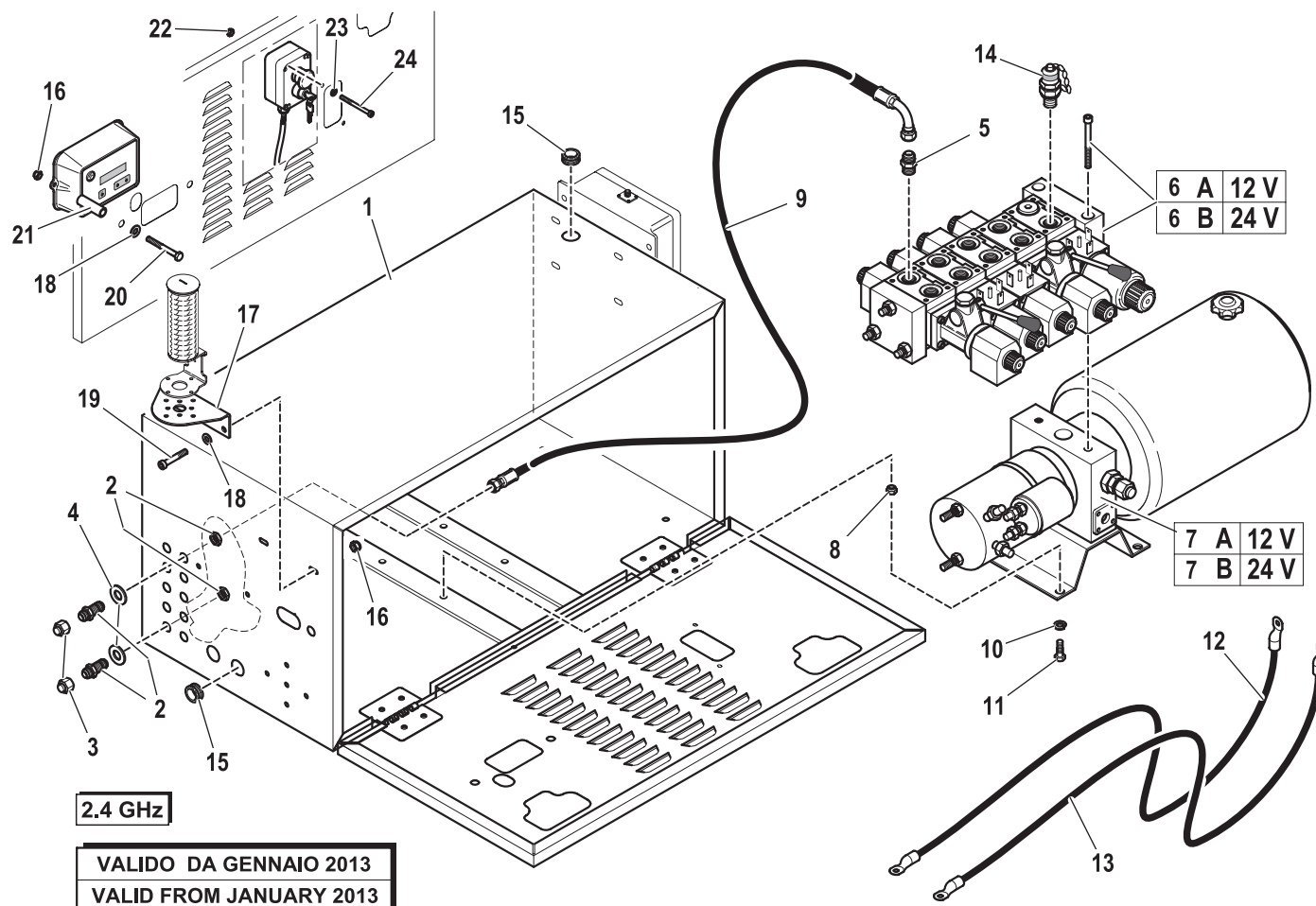
**5401528-1.0**

2/2

R	Pos.	Code Variant	Q.ty	Description
	19	3020038	2	Socket head cap screw [M6X30 8.8 ZC UNI 5931]
	20	3010388	2	Hex screw [M6X60 ZC UNI 5737]
	21	5002010	2	Spacer
	22	3040518	2	Stopnut
	23	3060003	2	Flat washer [D.4 UNI 6592 ZC]
	24	3020012	2	Socket head cap screw [M4X70 8.8 ZC UNI 5931]



**VALIDO DA Gennaio 2011**  
**VALID FROM January 2011**



R	Pos.	Code Variant	Q.ty	Description
	1	5091457	1	Junction box
	2	3120309	8	Wall-through pipe fitting
	3	3110040	2	Female plug
	4	3060009	8	Flat washer [D.15X28X2.5 UNI 6592 ZC]
	5	3101040	8	Straight pipe fitting
	6 A	5220469	1	
	6 B	5220470	1	
	7 A	W318009	1	
	7 B	W318010	1	
	8	3040303	4	Stopnut
	9	5260475	8	Flexible hose
	10	3060055	4	Split lock washer [D=8.4 C72 ZC]
	11	3010339	4	Hex screw [M8X25 8.8 ZC IF UNI 5739]
	12	3310067	1	Electric cable (negative pole)
	13	3310068	1	Electric cable (positive pole)
	14	3111523	1	Pipe fitting (Tapping point) [RACC. MILITES 16X2-1/4"G]
	15	3190179	3	Cable lead (Rubber)
	16	3040372	4	Stopnut
	17	W370508000	1	Support (Flashing light)
	18	3060005	4	Flat washer [D.6.4 UNI 6592 ZC]

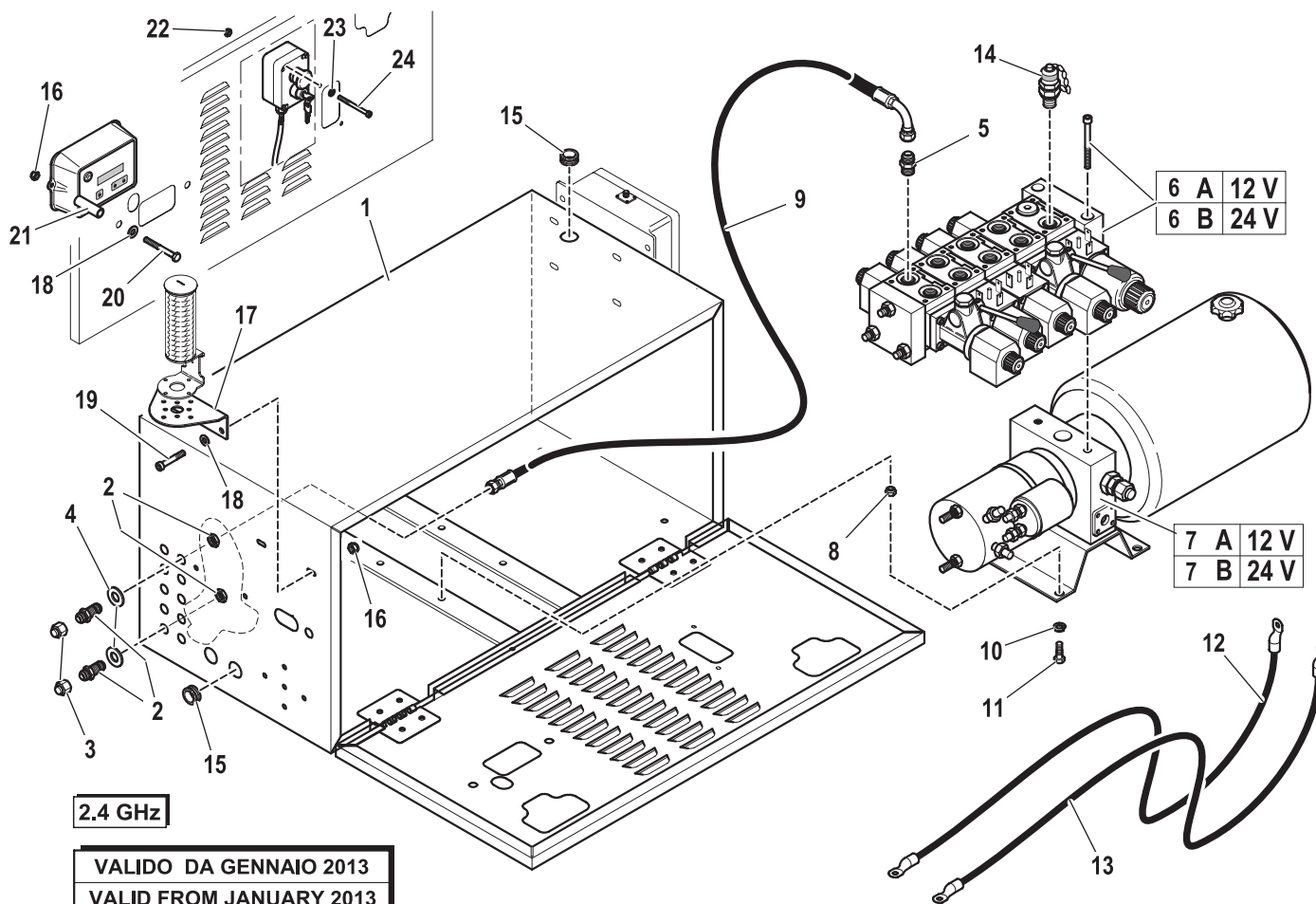
# ELECTRICS CONTROLS (EN12999-A3)

Code

**5402262-1.0**

2/2

R	Pos.	Code Variant	Q.ty	Description
	19	3020038	2	Socket head cap screw [M6X30 8.8 ZC UNI 5931]
	20	3010388	2	Hex screw [M6X60 ZC UNI 5737]
	21	5002010	2	Spacer
	22	3040518	2	Stopnut
	23	3060003	2	Flat washer [D.4 UNI 6592 ZC]
	24	3020012	2	Socket head cap screw [M4X70 8.8 ZC UNI 5931]



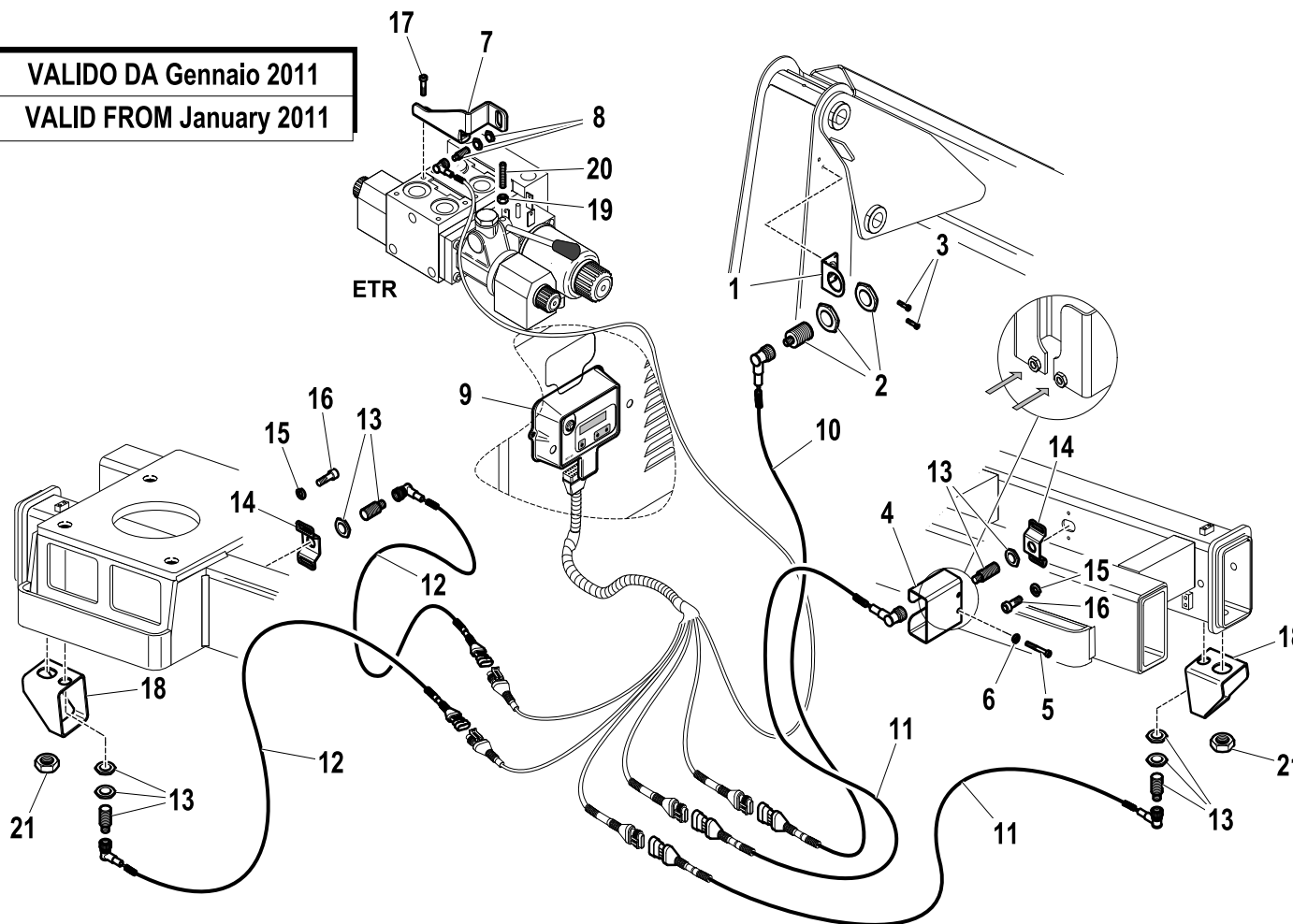
# Kit CE (STABILITY CONTROL)

Code

**5405050-2.0**

1/2

**VALIDO DA Gennaio 2011**  
**VALID FROM January 2011**



R	Pos.	Code Variant	Q.ty	Description
	1	5000426	1	Support (Proximity switch)
	2	3311312	1	Proximity switch
	3	3020895	2	Socketed head cap screw [M4X10 8.8 ZC UNI 5931]
	4	5091310	1	Guard (Proximity switch)
	5	3020045	2	Socketed head cap screw [M6X45 8.8 ZC UNI 5931]
	6	3060053	2	Split lock washer [D=6.4 C72 ZC]
	7	5002103	1	
	8	3311341	1	
	9	3311386	1	
	10	3311350	1	Electric wiring
	11	3311343	2	
	12	3311342	2	
	13	3311311	4	Proximity switch
	14	5000420	2	Support (Proximity switch)
	15	3060055	4	Split lock washer [D=8.4 C72 ZC]
	16	3020902	4	Socketed head cap screw [M8X10 ZC UNI 5931]
	17	3020022	2	Socketed head cap screw [M5X10 8.8 ZC UNI 5931]
	18	5000422	2	Support (Proximity switch)
	19	3040391	1	Hexagonal nut (Normal)
	20	3060225	1	Grub screw

# Kit CE (STABILITY CONTROL)

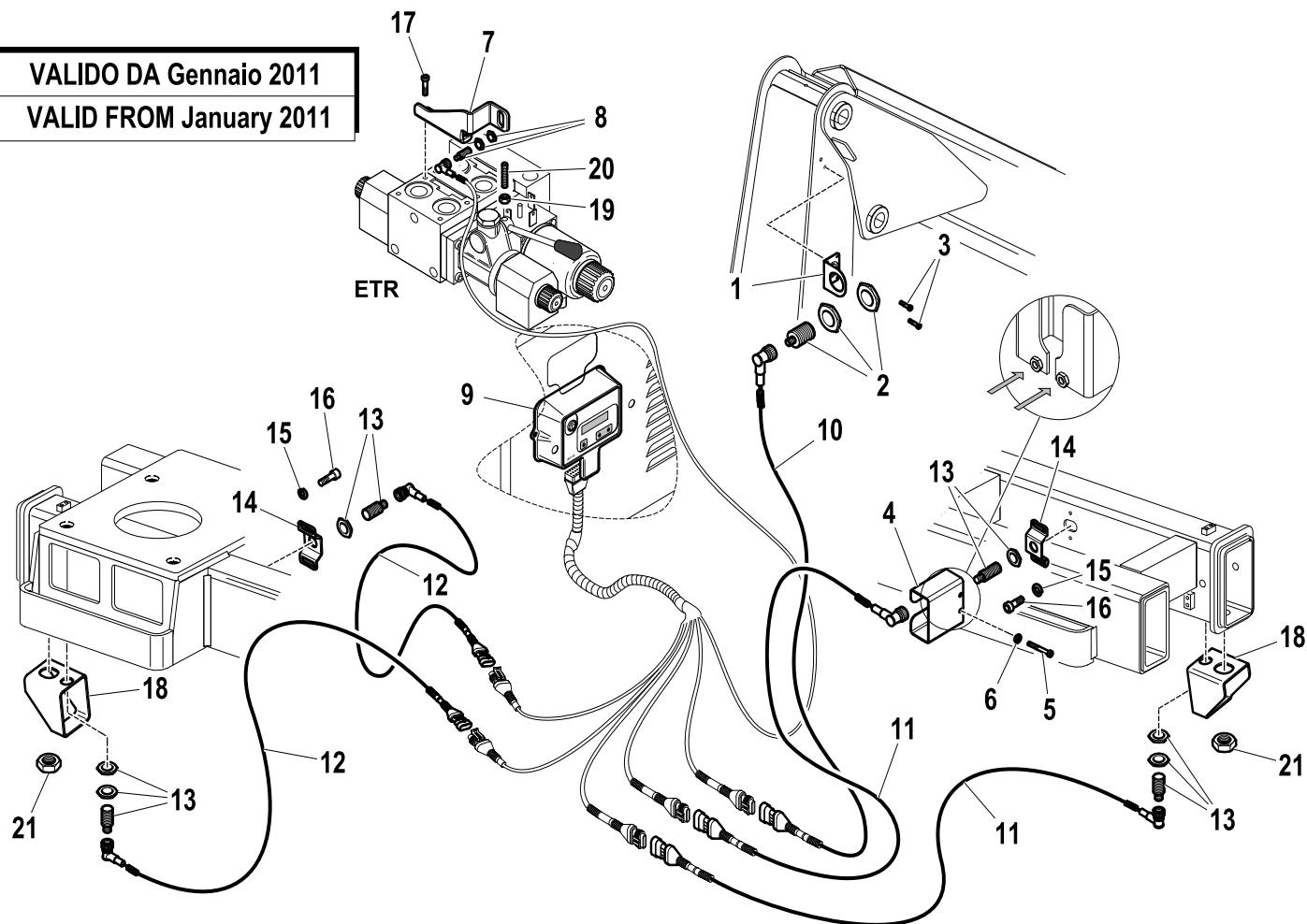
Code

**5405050-2.0**

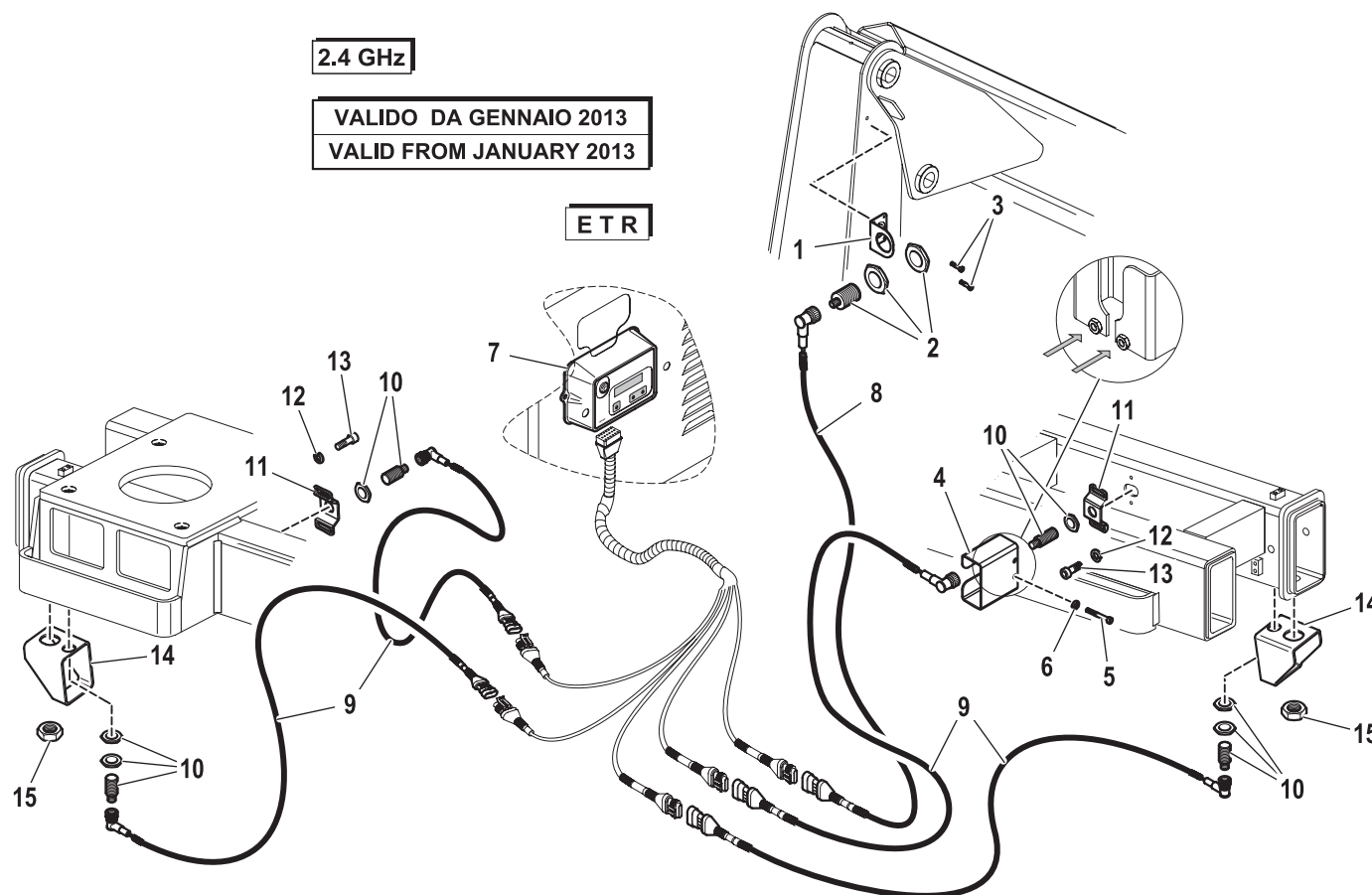
2/2

R	Pos.	Code Variant	Q.ty	Description
	21	3040251	2	Lock nut [M24 8.G basso UNI 5589]

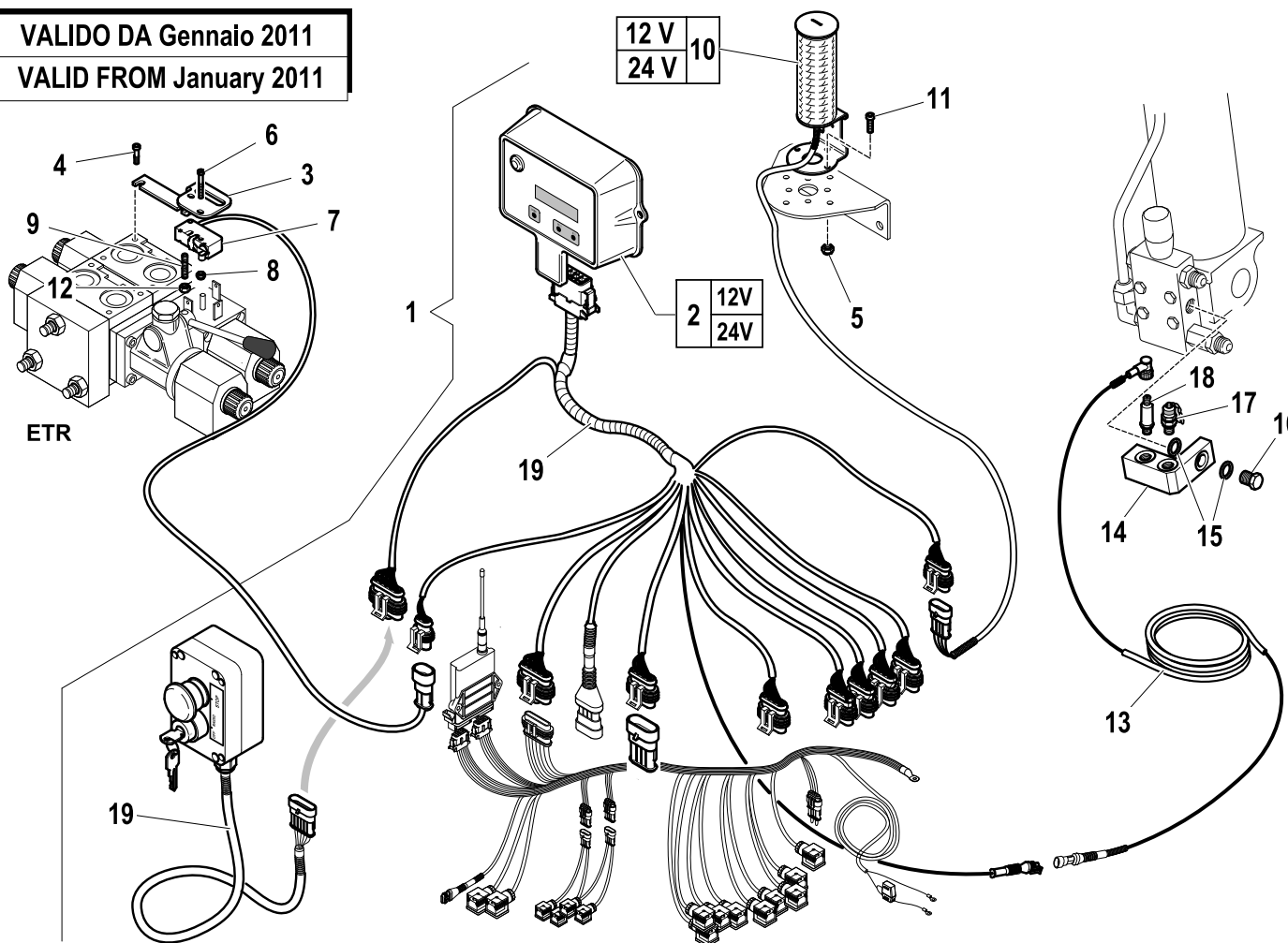
VALIDO DA Gennaio 2011  
VALID FROM January 2011



R	Pos.	Code Variant	Q.ty	Description
	1	5000426	1	Support (Proximity switch)
	2	3311312	1	Proximity switch
	3	3020895	2	Socketed head cap screw [M4X10 8.8 ZC UNI 5931]
	4	5091310	1	Guard (Proximity switch)
	5	3020045	2	Socketed head cap screw [M6X45 8.8 ZC UNI 5931]
	6	3060053	2	Split lock washer [D=6.4 C72 ZC]
	7	3311541	1	Moment limiting device
	8	3311350	1	Electric wiring
	9	3311636	4	Electric wiring
	10	3311311	4	Proximity switch
	11	5000420	2	Support (Proximity switch)
	12	3060055	4	Split lock washer [D=8.4 C72 ZC]
	13	3020902	4	Socketed head cap screw [M8X10 ZC UNI 5931]
	14	5000422	2	Support (Proximity switch)
	15	3040251	2	Lock nut [M24 8.G basso UNI 5589]



**VALIDO DA Gennaio 2011**  
**VALID FROM January 2011**



R	Pos.	Code Variant	Q.ty	Description
1		3311448	1	
2		3311386	1	
3		5001842	1	Microswitch support
4		3020022	2	Socket head cap screw [M5X10 8.8 ZC UNI 5931]
5		3040392	2	Stopnut
6		3020879	2	
7		3310885	1	Microswitch (Electric)
8		3040516	2	Stopnut
9		3060223	1	Grub screw
10		3311159	1	Signal Columns
11		3020023	2	Socket head cap screw [M5X16 8.8 ZC UNI 5931]
12		3040391	1	Hexagonal nut (Normal)
13		5160001	1	Electric wiring
14		5002055	1	Manifold (Pick-up)
15		3060143	2	Sealing washer [BSP 1/4"]
16		3110078	1	Bolt (banjo bolt)
17		3111523	1	Pipe fitting (Tapping point) [RACC. MILITES 16X2-1/4"G]
18		3310612	1	Pressure sensor
19		3311384	1	



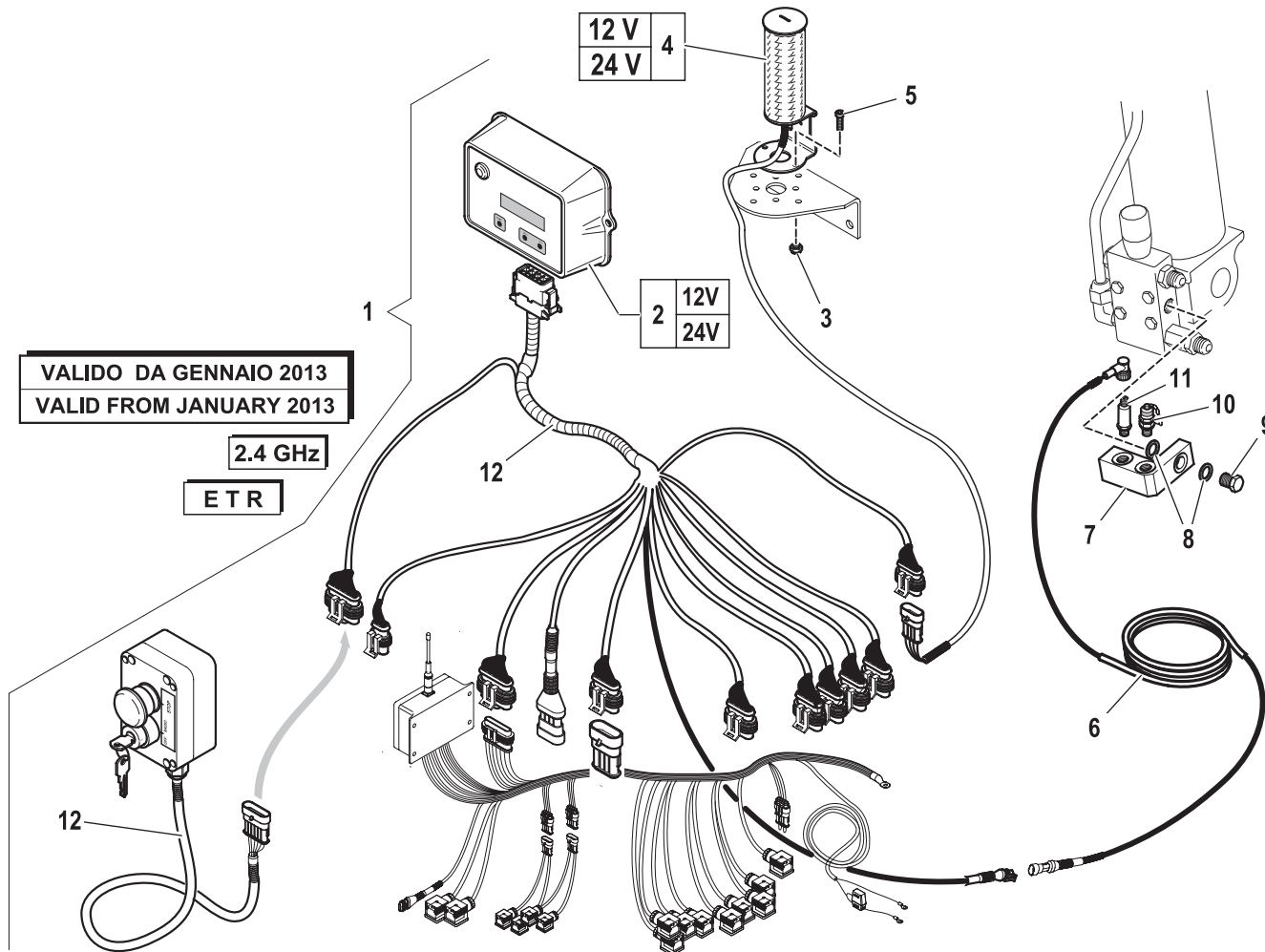
# Moment limiting device (EN12999-A3)

Code

**5405046-4.0**

1/1

R	Pos.	Code Variant	Q.ty	Description
	1	3311640	1	Electric wiring
	2	3311541	1	Moment limiting device
	3	3040392	2	Stopnut
	4	3311159	1	Signal Columns
	5	3020023	2	Socket head cap screw [M5X16 8.8 ZC UNI 5931]
	6	5160001	1	Electric wiring
	7	5002055	1	Manifold (Pick-up)
	8	3060143	2	Sealing washer [BSP 1/4"]
	9	3110078	1	Bolt (banjo bolt)
	10	3111523	1	Pipe fitting (Tapping point) [RACC. MILITES 16X2-1/4"G]
	11	3310612	1	Pressure sensor
	12	3311632	1	Electric wiring





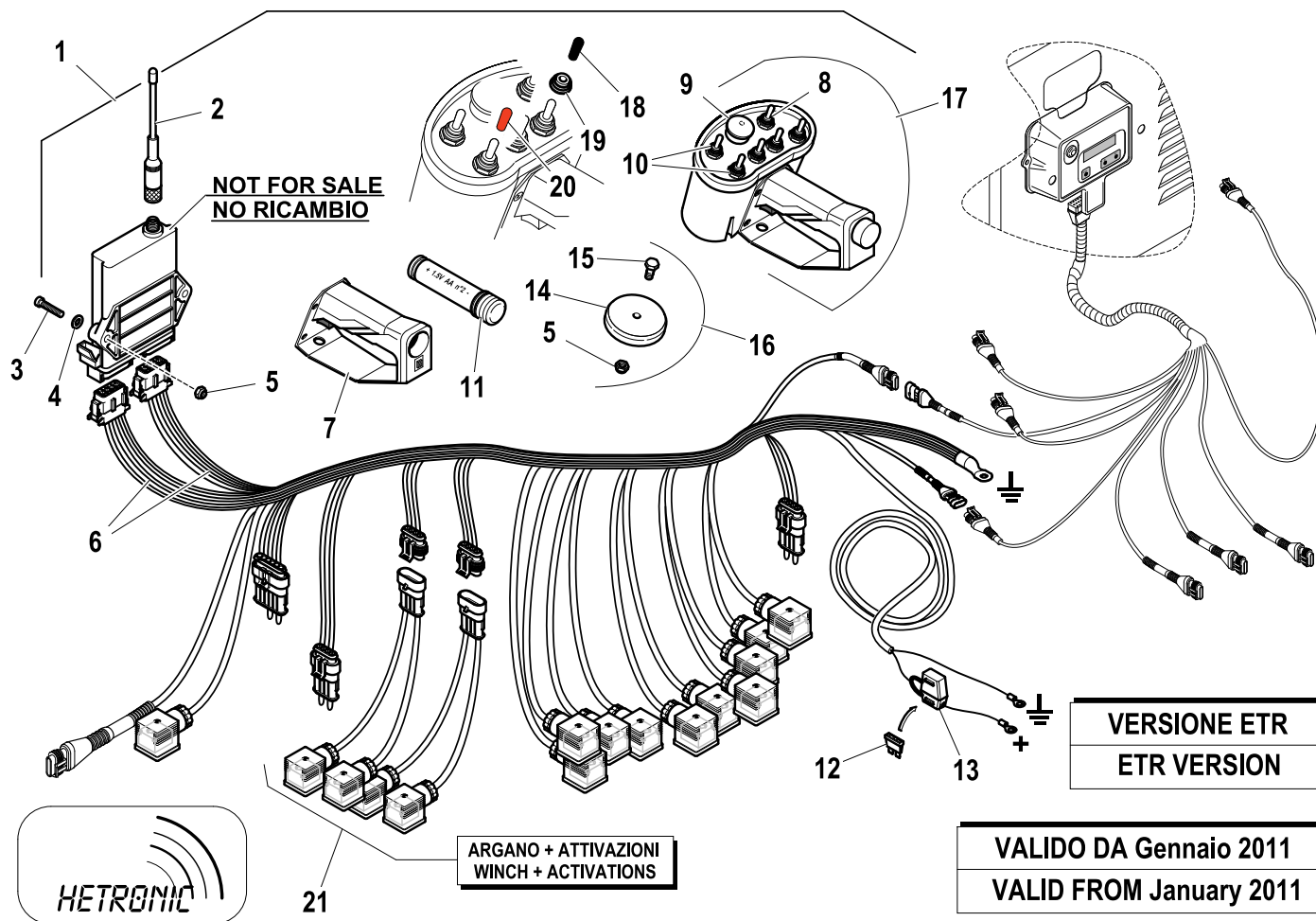
# Kit (Wireless control)

Code

**7892099-5.0**

1/2

R	Pos.	Code Variant	Q.ty	Description
	1	5120095	1	
	2	3310861	1	
	3	3020038	2	Socket head cap screw [M6X30 8.8 ZC UNI 5931]
	4	3060005	2	Flat washer [D.6.4 UNI 6592 ZC]
	5	3040372	3	Stopnut
	6	3311447	1	
	7	3311071	1	Handle
	8	3310891	1	
	9	3310892	1	
	10	3310890	5	
	11	3310893	1	Battery compartment
	12	3310688	1	
	13	3310852	1	
	14	3310064	1	
	15	3010324	1	Hex screw [M6X12 8.8 ZC UNI 5739]
	16	5410965	1	Kit (Magnet)
	17	3310754	1	
	18	3311195	5	
	19	3311197	6	
	20	3311196	1	



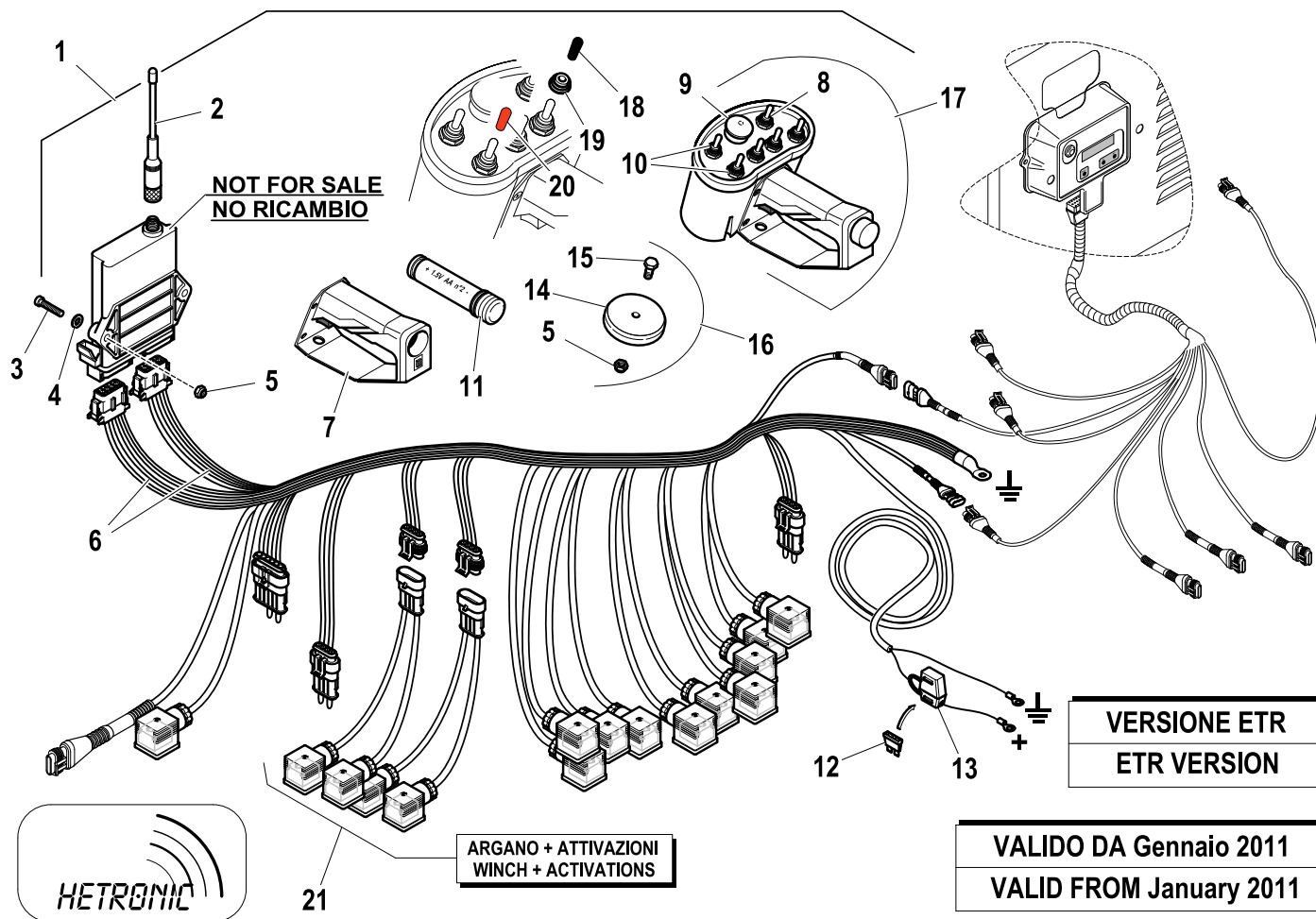
# Kit (Wireless control)

Code

**7892099-5.0**

2/2

R	Pos.	Code Variant	Q.ty	Description
	21	3310862	2	



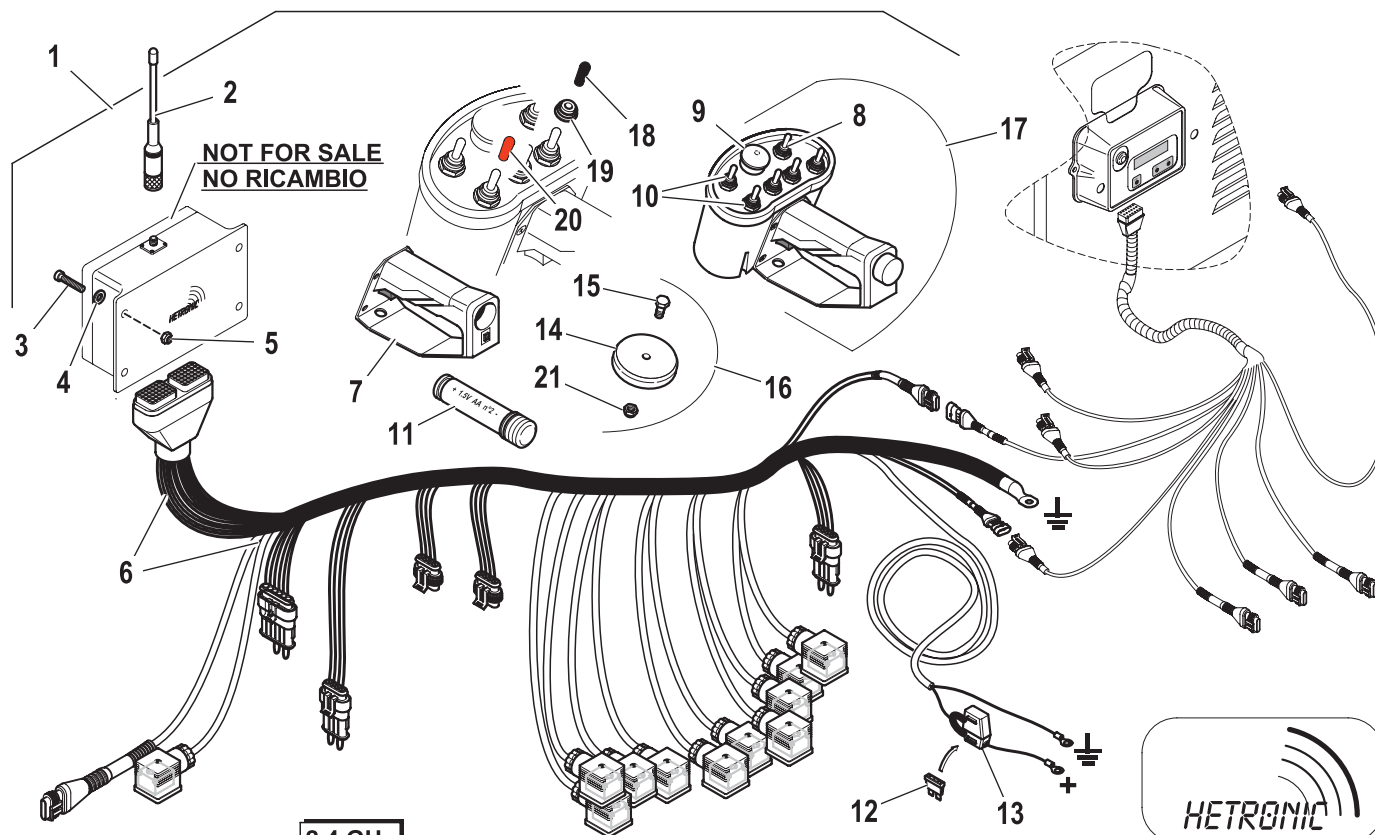
# Complete wireless control (EN12999-A3)

Code

**7892500-3.0**

1/2

R	Pos.	Code Variant	Q.ty	Description
	1	5120154	1	Complete wireless control
	2	3311501	1	Aerial (Wireless control)
	3	3020028	4	Socketed head cap screw [M5X20 8.8 ZC UNI 5931]
	4	3060004	4	Flat washer [D.5 UNI 6592 ZC]
	5	3040392	4	Stopnut
	6	3311639	1	Electric wiring
	7	3311071	1	Handle
	8	3310891	1	
	9	3310892	1	
	10	3310890	5	
	11	3310893	1	Battery compartment
	12	3310688	1	
	13	3310852	1	
	14	3310064	1	
	15	3010324	1	Hex screw [M6X12 8.8 ZC UNI 5739]
	16	5410965	1	Kit (Magnet)
	17	3311502	1	Transmitter (Wireless control)
	18	3311195	5	
	19	3311197	6	
	20	3311196	1	



**2.4 GHz**

**VALIDO DA GENNAIO 2013  
VALID FROM JANUARY 2013**

**VERSIONE ETR  
ETR VERSION**

# Complete wireless control (EN12999-A3)

Code

**7892500-3.0**

2/2

R	Pos.	Code Variant	Q.ty	Description
	21	3040372	1	Stopnut

