

* incl. 20 [-5; +30] mm pull out

3D model is available on request or www.hyva.com

Specifications	Max. pump flow		Tipping time		
Max. working pressure	250 bar	With KO ¹	102 L/min	With KO ¹	26 sec
Weight	136 kg	With KO ¹ below -20°C	71 L/min	With KO ¹ below -20°C	37 sec
Working volume	45 L			Allowable lowering time	26 sec
Total volume	48 L				
Max. cyl. load (start tipping)	310 kN				

Technical notes

- This cylinder is a lifting device only. • It should not be used as a structural member and should not be subjected to side loads. • Tipping valve must have a pressure relief at the cylinder port set not higher than max. working pressure. • Verify max. cyl. load.
- Working temperature range is between -40°C and +80°C. • Cylinder is painted black (RAL9005) with a min. thickness conforming to the 480 hours neutral salt spray test as per ISO 9227. • ¹ (Hyva) knock-off is required.

Related documentation

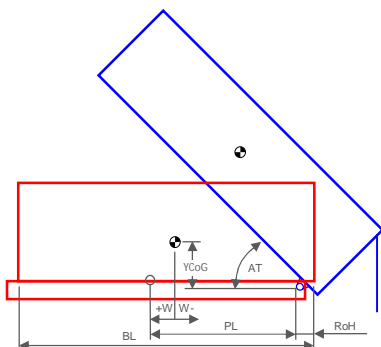
Cradle and bracket options:	015BRA19
Inlet adapters:	HPADAP02
Mounting instructions:	CYL-0043
Oil specifications:	OIL-0011
Spec sheet explanation:	CYL-0041

Configuration

Extension	1	2	3	4	5	6	7	8	9	10	11	Total
Effective diameter [mm]	214	191	169	149	129	110	93					2329
Stroke* [mm]	318	340	351	359	319	320	322					

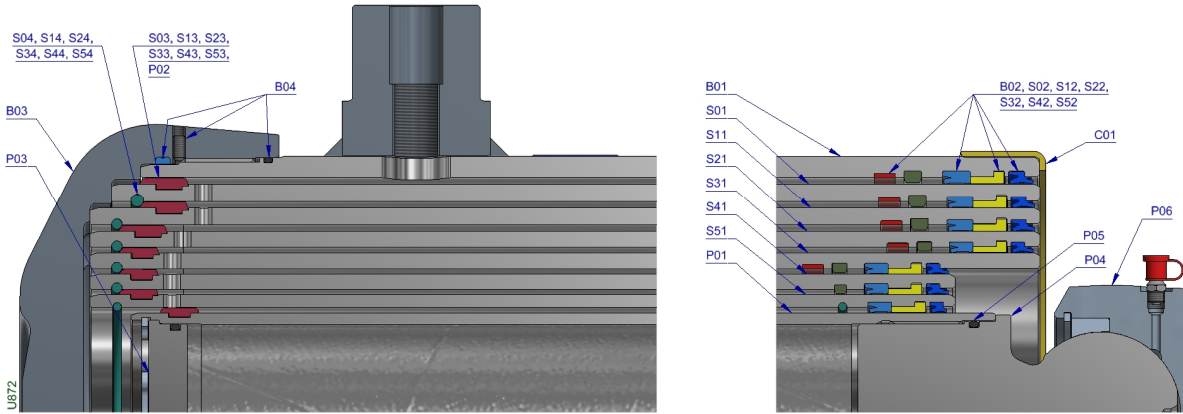
Tipping weight

For detailed tipping calculations please refer to: <https://tipper.hyva.com>



BL	body length [mm]		7300		6950		6600					
W	cyl. w.r.t. CoG [mm]	0	100	200	0	100	200	0	100	200		
PL	pivot length [mm]	2950	3050	3150	2775	2875	2975	2600	2700	2800		
ROH	rear overhang [mm]		200			200			200			
YCOG	vert. pos. CoG [mm]		700			700			700			
At	tip. angle full stroke	47	46	44	50	49	47	54	52	50		
At	tip. angle at stage 110	40	39	38	43	42	40	46	45	43		
	tipping weight	32	32	32	32	32	32	32	32	32		

Tipping weight [ton] at maximum pressure of 250 bar for a vertically mounted cylinder.



Pos.	Part no.	Description	Qty.
P01	73427481	PISTON UH 093-0408-HC	1
P02	73203093K	SLIDER UL 093 (2 X 1/2) A35 L=18	1
P03	73202240	BOTTOM PLATE SET PISTON UL / UH 093	1
P04	73202046	SPHERE UH 75 FOR PISTON 093	1
P05	70260215K	O-RING 78.97 X 3.53 MM NBR 70 SHORE	1
P06	73202317K	RETAINER KIT UH SPH75	1

Pos.	Part no.	Description	Qty.
S41	73625481	STAGE UH 129-0408-HC	1
S42	73207129	PACKSET UH 129	1
S43	73203129	SLIDER FL 129 (2 X 1/2) A22-A35 L=18	1
S44	73110129	INNER STOPRING/LIFTRING UL 129	1

S31	73626603	STAGE UH 149-0448-HC-LT	1
S32	73207149	PACKSET UH 149	1
S33	73203149	SLIDER FL 149 A22-A35 L=18.3	1
S34	73110149	INNER STOPRING/LIFTRING UL 149	1

S21	73627601	STAGE UH 169-0448-HC	1
S22	73207169	PACKSET UH 169	1
S23	73203169	SLIDER FL 169 A22-A35 L=22.5	1
S24	71813169	LIFTRING FL 169x5	1

S11	73628605	STAGE UH 191-0448-HC-RS	1
S12	73207191	PACKSET UH 191	1
S13	73203191	SLIDER FL 191 A22-A35 L=22.5	1
S14	71813191	LIFTRING FL 191x5	1

S01	73629561	STAGE UH 214-0438-HC	1
S02	73207214	PACKSET UH 214	1
S03	73203214	SLIDER FL 214 A22-A35 L=22.5	1
S04	71813214	LIFTRING FL 214x6	1

B01	73528550	BASE UH 238-0424-N0294	1
B02	73207238	PACKSET UH 238	1
B03	73201238	THREADED BOTTOM UH 238	1
B04	73201738K	REPAIR KIT THREADED BOTTOM UH 238	1

S51	73624481	STAGE UH 110-0408-HC	1
S52	73207110	PACKSET UH 110	1
S53	73203110	SLIDER UL 110 (2 X 1/2) A22-A35 L=18	1
S54	73110110	INNER STOPRING/LIFTRING UL 110	1

C01	71838998	DUST COVER UM 214	1
-----	----------	-------------------	---

Seal kit complete

73208077K	Consists of all packsets with packset grease and O-rings
-----------	--

Notes

The inner stopring and piston bottom are pre-mounted on spare bases, stage and pistons. Therefore, when ordering new tubes, it is not required to order these parts separately.

For repair instructions see: CYL-0044. Serial no. is located on type plate and above or below trunnion at inlet side.