

* incl. 20 [-5; +30] mm pull out

3D model is available on request or www.hyva.com

Specifications		Max. pump flow		Tipping time	
Max. working pressure	220 bar	With KO ¹	70 L/min	With KO ¹	44 sec
Weight	148 kg	With KO ¹ below -20°C	49 L/min	With KO ¹ below -20°C	63 sec
Working volume	51 L			Allowable lowering time	44 sec
Total volume	55 L				
Max. cyl. load (start tipping)	315 kN				

Technical notes

- This cylinder is a lifting device only. • It should not be used as a structural member and should not be subjected to side loads. • Tipping valve must have a pressure relief at the cylinder port set not higher than max. working pressure. • Verify max. cyl. load.
- Working temperature range is between -40°C and +80°C. • Cylinder is painted black (RAL9005) with a min. thickness conforming to the 480 hours neutral salt spray test as per ISO 9227. • ¹ (Hyva) knock-off is required.

Related documentation

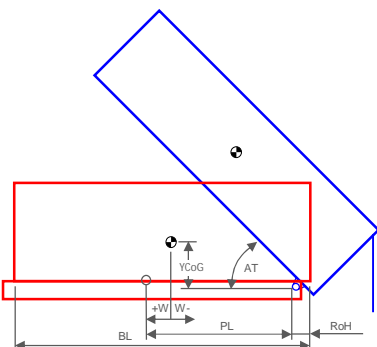
Cradle and bracket options:	015BRA19
Inlet adapters:	HPADAP02
Mounting instructions:	CYL-0043
Oil specifications:	OIL-0011
Spec sheet explanation:	CYL-0041

Configuration

Extension	1	2	3	4	5	6	7	8	9	10	11	Total
Effective diameter [mm]	238	214	191	169	149	129	110	93	77	61		2721
Stroke* [mm]	259	278	290	291	299	259	260	262	263	260		

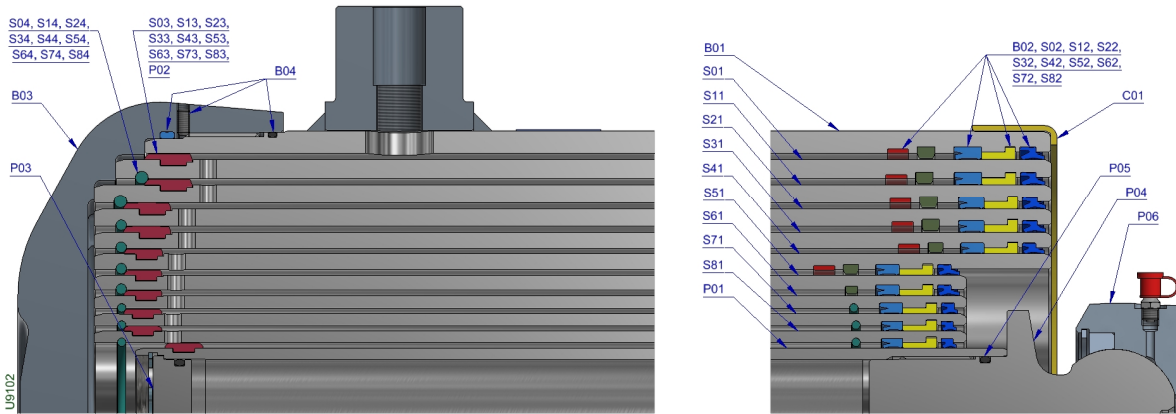
Tipping weight

For detailed tipping calculations please refer to: <https://tipper.hyva.com>



BL	body length [mm]		7300		6950		6600					
W	cyl. w.r.t. CoG [mm]	0	100	200	0	100	200	0	100	200		
PL	pivot length [mm]	2950	3050	3150	2775	2875	2975	2600	2700	2800		
ROH	rear overhang [mm]		200			200			200			
YCOG	vert. pos. CoG [mm]		700			700			700			
At	tip. angle full stroke	55	54	52	59	57	55	63	60	58		
At	tip. angle at stage 93	44	43	42	47	46	44	50	48	46		
	tipping weight	25	26	26	28	28	28	32	31	30		

Tipping weight [ton] at maximum pressure of 220 bar for a vertically mounted cylinder.



Pos.	Part no.	Description	Qty.
P01	73425241	PISTON UH 061-0345-HC	1
P02	73203061K	SLIDER UL/MN 061 (2 X 1/2) A35 L=18	1
P03	73202220	BOTTOM PLATE SET PISTON UL / UH 061	1
P04	73202020	SPHERE UH 60 FOR PISTON 061 FLANGED	1
P05	01225650K	O-RING 44.04 X 3.53 MM NBR 70 SHORE	1
P06	73202311K	RETAINER KIT UH SPH60	1

Pos.	Part no.	Description	Qty.
S41	73626403	STAGE UH 149-0388-HC-LT	1
S42	73207149	PACKSET UH 149	1
S43	73203149	SLIDER FL 149 A22-A35 L=18.3	1
S44	73110149	INNER STOPRING/LIFTRING UL 149	1

S31	73627401	STAGE UH 169-0388-HC	1
S32	73207169	PACKSET UH 169	1
S33	73203169	SLIDER FL 169 A22-A35 L=22.5	1
S34	71813169	LIFTRING FL 169x5	1

S21	73628401	STAGE UH 191-0388-HC	1
S22	73207191	PACKSET UH 191	1
S23	73203191	SLIDER FL 191 A22-A35 L=22.5	1
S24	71813191	LIFTRING FL 191x5	1

S81	73622241	STAGE UH 077-0348-HC	1
S82	73207077	PACKSET UH 077	1
S83	73203077	SLIDER UL 077 (2 X 1/2) A35 L=18	1
S84	73110077	INNER STOPRING/LIFTRING UL077 / MN080	1

S11	73629405	STAGE UH 214-0388-HC-RS	1
S12	73207214	PACKSET UH 214	1
S13	73203214	SLIDER FL 214 A22-A35 L=22.5	1
S14	71813214	LIFTRING FL 214x6	1

S71	73623241	STAGE UH 093-0348-HC	1
S72	73207093	PACKSET UH 093	1
S73	73203093	SLIDER UL 093 (2 X 1/2) A35 L=18	1
S74	73110093	INNER STOPRING/LIFTRING UL 093	1

S01	73620361	STAGE UH 238-0378-HC	1
S02	73207238	PACKSET UH 238	1
S03	73203238	SLIDER FL 238 A22-A35 L=22.5	1
S04	71813238	LIFTRING FL 238x6	1

S61	73624241	STAGE UH 110-0348-HC	1
S62	73207110	PACKSET UH 110	1
S63	73203110	SLIDER UL 110 (2 X 1/2) A22-A35 L=18	1
S64	73110110	INNER STOPRING/LIFTRING UL 110	1

B01	73529436	BASE UH 263-0364-N0187	1
B02	73207263	PACKSET UH 263	1
B03	73201263	THREADED BOTTOM UH 263	1
B04	73201763K	REPAIR KIT THREADED BOTTOM UH 263	1

S51	73625241	STAGE UH 129-0348-HC	1
S52	73207129	PACKSET UH 129	1
S53	73203129	SLIDER FL 129 (2 X 1/2) A22-A35 L=18	1
S54	73110129	INNER STOPRING/LIFTRING UL 129	1

C01	71838999	DUST COVER UM 238	1
-----	----------	-------------------	---

Seal kit complete

73208080K	Consists of all packsets with packset grease and O-rings
-----------	----------------------------------------------------------

Notes

The inner stopring and piston bottom are pre-mounted on spare bases, stage and pistons. Therefore, when ordering new tubes, it is not required to order these parts separately.

For repair instructions see: CYL-0044. Serial no. is located on type plate and above or below trunnion at inlet side.