



COMPONENT CATALOG
PUMPS

INTRODUCTION	5
GEAR PUMPS UNI 3H	6
• GEAR PUMP UNI 3H: BI-ROTATIONAL	6
GEAR PUMPS ISO 4H	7
• ALPHA GEAR PUMP BI - 4H BRITE: BI-ROTATIONAL.....	7
• ALPHA GEAR PUMP BI - 4H3 CVP - 2 PORTS.....	8
• ALPHA GEAR PUMP BI - 4H3 CVP - 4 PORTS	9
• GEAR PUMP (GPHY) - 4H0 - 2 PORTS.....	10
• GEAR PUMPS ISO 4H: BI-ROTATIONAL	11
PISTON PUMPS ISO 4H.....	12
• PISTON PUMPS - 4H SINGLE FLOW - BI-AXIAL: LEFT OR RIGHT ROTATIONAL	12
• PISTON PUMPS - 4H DOUBLE FLOW - BI-AXIAL: LEFT OR RIGHT ROTATIONAL.....	14
BY-PASS VALVES FOR PISTON PUMPS	15
• VALVES BY-PASS 12V & 24V	15
• VALVES BY-PASS 24V.....	17
PISTON PUMPS STRAIGHT AXLE	18
• PISTON PUMPS STRAIGHT AXLE ISO 3H: BI-ROTATIONAL	18
• PISTON PUMPS STRAIGHT AXLE ISO 4H: BI-ROTATIONAL.....	19
HYVA BY PARKER PISTON PUMPS.....	20
• PISTON PUMPS F1/T1 - 4H SINGLE FLOW: LEFT OR RIGHT ROTATIONAL.....	20
• PISTON PUMPS F2 - 4H - DOUBLE FLOW: LEFT OR RIGHT ROTATIONAL.....	22
SUCTION FITTING FOR HYVA BY PARKER PISTON PUMPS	23
• SUCTION FITTING FOR HYVA BY PARKER PISTON PUMPS 4H5.....	23
ADDITIONAL COMPONENTS FOR PUMPS.....	24
• PUMP CONNECTION KIT PTO UNI 3H	24
• GASKET FOR ISO 4H PUMP.....	24
• PUMP - CARDAN FLANGE	24
• PUMP - PTO ADAPTERS.....	25

Hydraulic pumps

Hyva offers a complete range of gear and piston pumps with a displacement of 20 until 133 cm³/rev and a working pressure up to 350 bar.

Gear pumps

Hyva offers top quality gear pumps for tipping and other applications. FLASH series is suitable to work with pressure up to 225 bar, features reinforced bearing system and 4 connection ports. BRITE series is heavy duty range suitable to work with Hyva ALPHA wetkits with working pressure of 250bar, these pumps feature reinforced bearing system and are available in several connection ports configurations. The new series of CVP is a range of compact pumps to meet the demanding requests from the modern truck manufacturers, with the compact bearing system design, compact in dimensions and weight, these pumps can work with ALPHA systems at 250bar.

All our standard gear pumps are BI-ROTATIONAL to optimize to stock levels and installation time, as standard they also feature leakage indicator system in line with leading gearbox manufacturers, all our pumps are delivered after pressure testing and running in procedure in both directions to assure outstanding performance from the first moments after the easy installation.

Piston pumps

For high pressure and long continuous use Hyva strongly suggests using our piston pumps, these pumps are suitable to work with pressure up to 350bar in such applications like cranes, hook and skip loaders, unloading systems and others where heat generation is significant. As in other Hyva pumps, they are equipped with leakage indicator systems, the rotation direction can be easily changed by reversing the rear cover plate. Hyva piston pumps are suitable to work with the by-pass valves and engine PTO's allowing for operation while driving the vehicle.

Special pumps

Besides the standard Hyva pump range listed in this catalogue, Hyva also offers on request a number of special pumps for truck applications – twin flow gear and piston pumps, pumps for engine PTO's with by-pass valve, pumps produced by recognized third parties like Parker, Hydro Leduc, Sunfab and others, various pump adaptors and accessories.

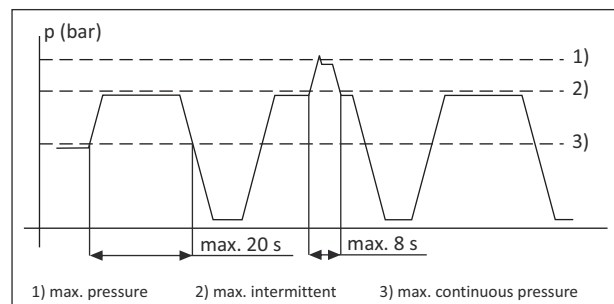
Code system hydraulic pumps

Pump	073L	BI	4H	BR	
	073L				Displacement in litres/min.
		BI			Rotation
			4H		Mounting holes
				BR	Extra code
					3H = UNI 3H; 3 holes
					4H = ISO 4H; 4 holes

L = Anti-clockwise (seen from the front side)
 R = Clockwise (seen from the front side)
 BI = BI-rotational
 BR = BRITE series

The pressures that matter in application of pumps are:

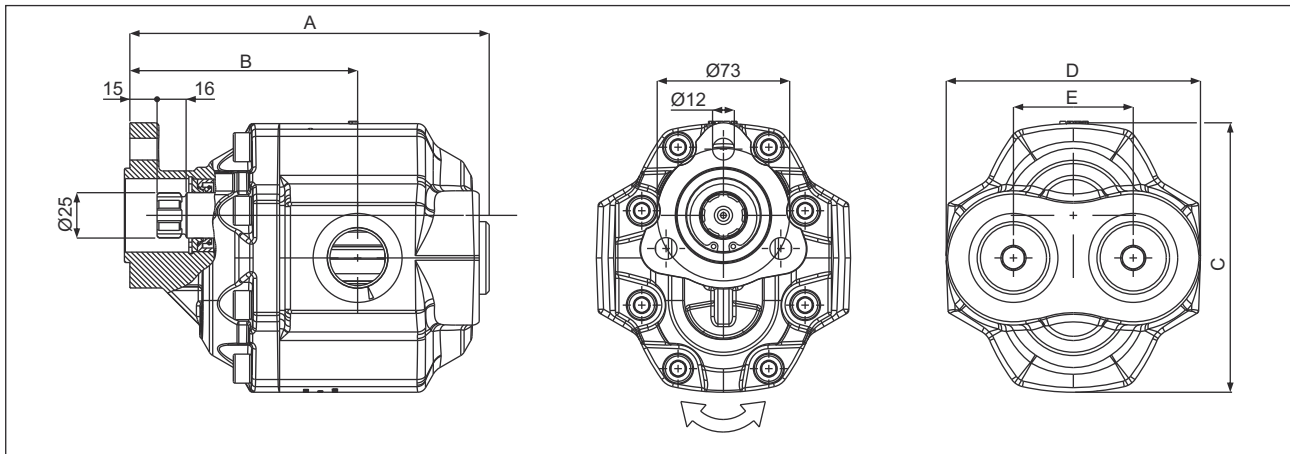
- Max. peak pressure; pressure allowed for a short interval of max 8 seconds. (1)
- Max. intermittent pressure; pressure allowed for maximum 20 seconds. (2)
- Max. continuous pressure; pressure allowed constantly, without peaks. (3)



For tippers we generally use max. intermittent pressure as the tipping cycle does not require maximum pressure for long intervals. For moving floor trailers both piston pump and HD gear pumps can be used. For hook and skiploaders, cranes we advise to use piston pumps. Piston pumps require extra attention when it comes to suction characteristics and oil filtration. Rotation Frequency (RF) should not be too high as this negatively influences the suction performance of the pump, especially when the pump is mounted above the suction connection to the oil tank. Max. Self Priming Speed (MSPS) is the speed allowed for which the pump suction still performs well, with pump fitted above tank level. Max. rotation frequency, is the speed allowed with pump below tank. In the following tables the max. intermitted pressure is given as working pressure.

GEAR PUMPS UNI 3H: BI-ROTATIONAL

Part no.	Description	Displacement (cm ³)	Weight (kg)	Suction port	Suction adapter	Pressure port	Rotation frequency (rpm)	Working pressure (bar)
14563028	GEAR PUMP 020L-BI-3H	20	6.3	G $\frac{1}{2}$ "	1 $\frac{1}{4}$ "	G $\frac{1}{2}$ "	2000	280
14563033	GEAR PUMP 025L-BI-3H	25	6.8	G $\frac{3}{4}$ "	1 $\frac{1}{4}$ "	G $\frac{3}{4}$ "	2000	250
14563043	GEAR PUMP 032L-BI-3H	32	7.2	G $\frac{3}{4}$ "	1 $\frac{1}{4}$ "	G $\frac{3}{4}$ "	1800	210
14563034	GEAR PUMP 035L-BI-3H	35	12	G $\frac{3}{4}$ "	1 $\frac{1}{4}$ "	G $\frac{3}{4}$ "	2500	300
14563052	GEAR PUMP 052L-BI-3H	52	13	G1"	1 $\frac{3}{4}$ "	G1"	2500	270
14563061	GEAR PUMP 061L-BI-3H	61	13.5	G1"	1 $\frac{3}{4}$ "	G1"	2500	250
14563082	GEAR PUMP 082L-BI-3H	82	15.5	G1"	1 $\frac{3}{4}$ "	G1"	2250	280



Part no.	Description	A	B	C	D	E
14563028	GEAR PUMP 020L-BI-3H	157	119	102	100	48
14563033	GEAR PUMP 025L-BI-3H	160	112	102	100	48
14563043	GEAR PUMP 032L-BI-3H	175	122	102	100	48
14563034	GEAR PUMP 035L-BI-3H	168	109.5	148.5	128.1	60
14563052	GEAR PUMP 052L-BI-3H	179	111.5	148.5	128.1	60
14563061	GEAR PUMP 061L-BI-3H	185	117.5	148.5	128.1	60
14563082	GEAR PUMP 082L-BI-3H	198	125.5	148.5	128.1	60

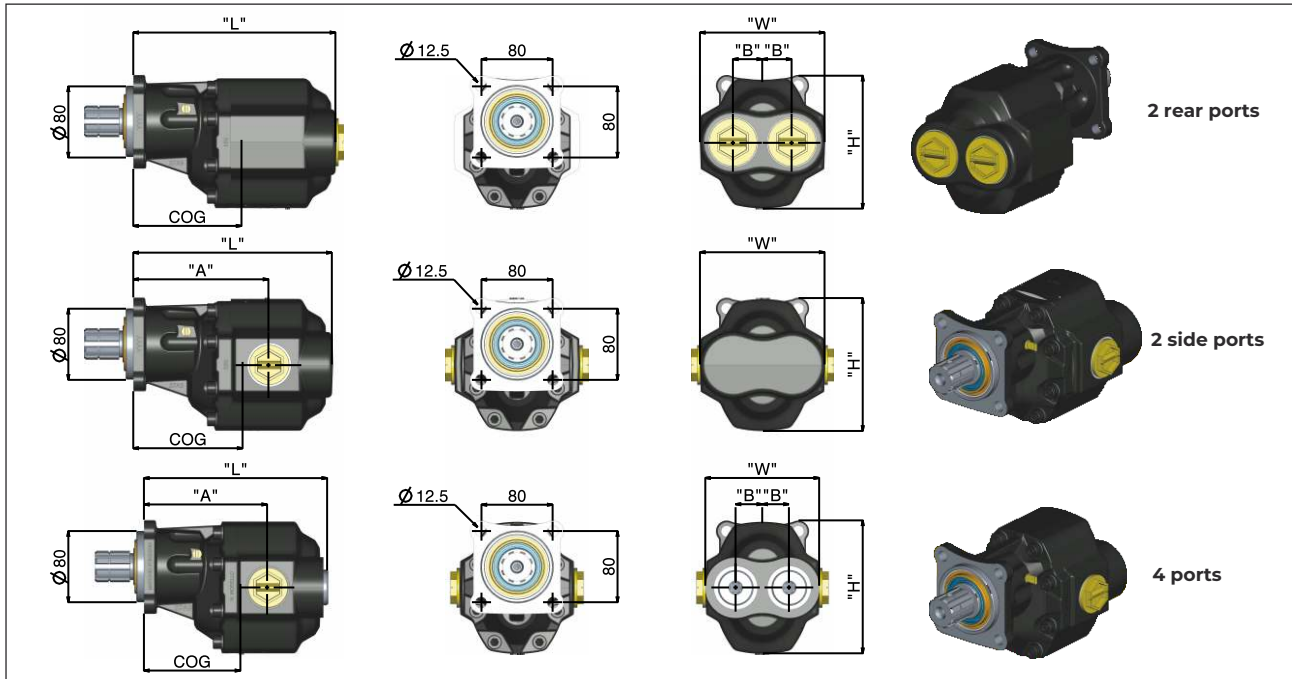


SEAL KITS

Part no.	Description
02460055	SEAL KIT FOR 020L - 032L
02460067	SEAL KIT FOR 035L - 061L
02410028	SEAL KIT FOR 082L

ALPHA GEAR PUMP BI - 4H BRITE: BI-ROTATIONAL

Part no.	Description	Displacement (cm ³)	Weight (kg)	Port configuration	Suction port	Pressure port	Rotation freq. (rpm)	Working pressure (bar)
14562005	GEAR PUMP 035L-BI-4H-BRITE	35	12.5	4	G $\frac{3}{4}$ "	G $\frac{3}{4}$ "	2500	275
14562010	GEAR PUMP 052L-BI-4H5-BRITE	52	13.5	4	G1"	G1"	2500	275
14562015	GEAR PUMP 061L-BI-4H5-BRITE	61	14	4	G1"	G1"	2500	250
14562030	GEAR PUMP 092L-BI-4H5-BR	92	19.5	4	G1 $\frac{1}{4}$ "	G1 $\frac{1}{4}$ "	2500	250
14562036	GEAR PUMP 113L-BI-4H5-4P	113	20.8	4	G1 $\frac{1}{4}$ "	G1 $\frac{1}{4}$ "	2000	250
14562795	GEAR PUMP 133L-BI-4H-2S	133	25.3	2 side	G1 $\frac{1}{2}$ "	G1 $\frac{1}{2}$ "	2500	250



Part no.	Description	A	B	H	L	W
14562005	GEAR PUMP 035L-BI-4H-BR	130.5	30	149.5	189	128
14562010	GEAR PUMP 052L-BI-4H5-BR	132.5	30	149.5	200	128
14562015	GEAR PUMP 061L-BI-4H5-BR	138.5	30	149.5	206	128
14562030	GEAR PUMP 092L-BI-4H5-BR	155	33	166.5	236	140.5
14562036	GEAR PUMP 113L-BI-4H5-4P	165	33	166.5	246	140.4
14562795	GEAR PUMP 133L-BI-4H-2S	150	-	184.5	225	150

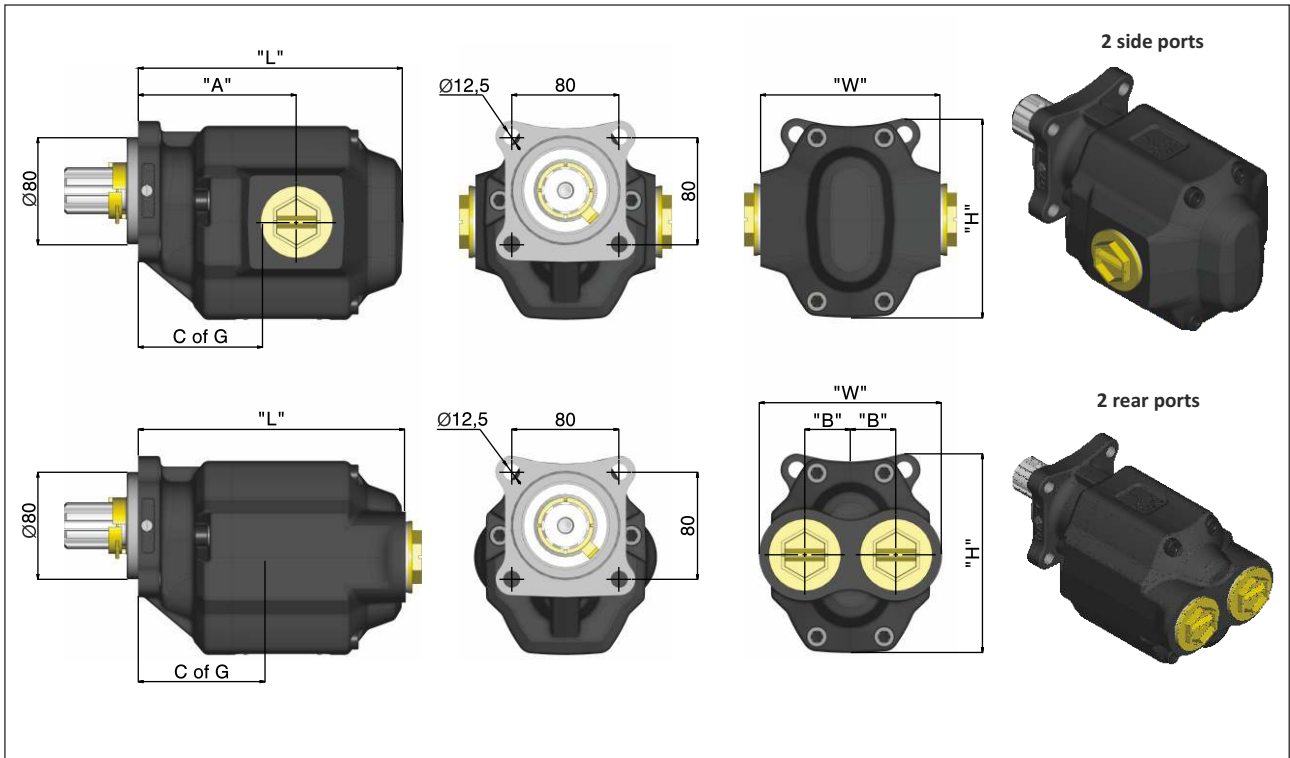
SEAL KITS & AIR BREATHER KIT

Part no.	Description
02460001	SEAL KIT BRITE BI GEAR PUMP 035L TO 061L
02460005	SEAL KIT BI GEAR PUMP 092L-113L 1773063
02460007	SEAL KIT BRITE BI GEAR PUMP 082L TO 100L
02470180	AIR BREATHER KIT FOR SFP 30/35 PUMP



ALPHA GEAR PUMP BI - 4H3 CVP - 2 PORTS

Part no.	Description	Displacement (cm ³)	Weight (kg)	Port configuration	Suction port	Pressure port	Rotation freq. (rpm)	Working pressure (bar)
14571340	GEAR PUMP 085L-BI-4H3-2S	85	14	2 side	G1¼"	G1¼"	2500	250
14571341	GEAR PUMP 085L-BI-4H3-2R	85	14.1	2 rear	G1¼"	G1¼"	2500	250
14571350	GEAR PUMP 105L-BI-4H3-2S	105	15.1	2 side	G1¼"	G1¼"	2250	250
14571351	GEAR PUMP 105L-BI-4H3-2R	105	15	2 rear	G1¼"	G1¼"	2250	250



Part no.	Description	A	B	H	L	W
14571340	GEAR PUMP 085L-BI-4H3-2S	114	-	148.5	184	134
14571341	GEAR PUMP 085L-BI-4H3-2R	-	34	148.5	187	136
14571350	GEAR PUMP 105L-BI-4H3-2S	118	-	148.5	196	134
14571351	GEAR PUMP 105L-BI-4H3-2R	-	34	148.5	199	136

SEAL KITS & AIR BREATHER KIT

Part no.	Description
02460015	SEAL KIT CVP BI GEAR PUMP 085L TO 105L
02470180	AIR BREATHER KIT FOR SFP 30/35 PUMP

Pump - 2 rear ports

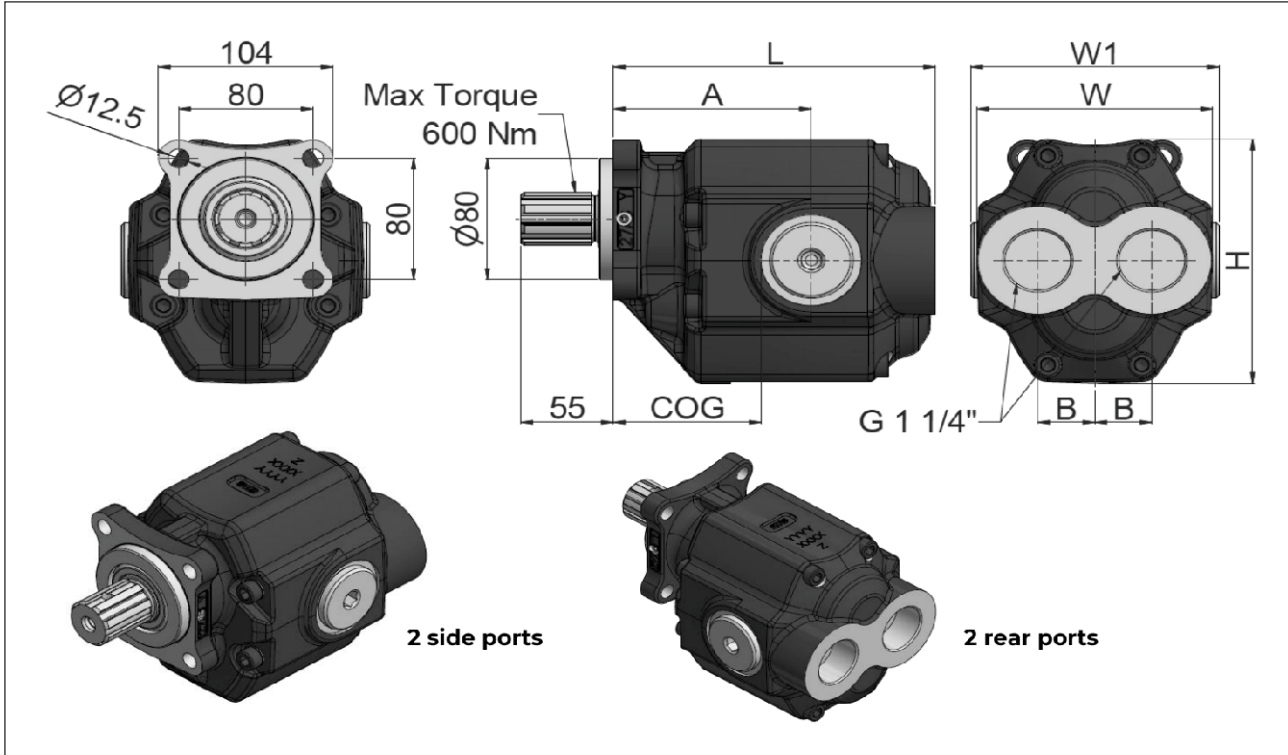


Pump - 2 side ports



ALPHA GEAR PUMP BI - 4H3 CVP - 4 PORTS

Part no.	Description	Displacement (cm ³)	Weight (kg)	Port configuration	Suction port	Pressure port	Rotation freq. (rpm)	Working pressure (bar)
14571360	GEAR PUMP 115L-BI-4H3-4P-20BSP20-250	115	14	2 side / 2 rear	G1¼"	G1¼"	2000	250
14571365	GEAR PUMP 125L-BI-4H3-4P-20BSP20-250	125	17.98	2 side / 2 rear	G1¼"	G1¼"	2000	250



Part no.	Description	A	B	H	L	W	W1	COG
14571360	GEAR PUMP 115L-BI-4H3-4P	114	34	160.9	188	140.5	148	94.6
14571365	GEAR PUMP 125L-BI-4H3-4P	118	34	160.9	192	140.5	148	96.7

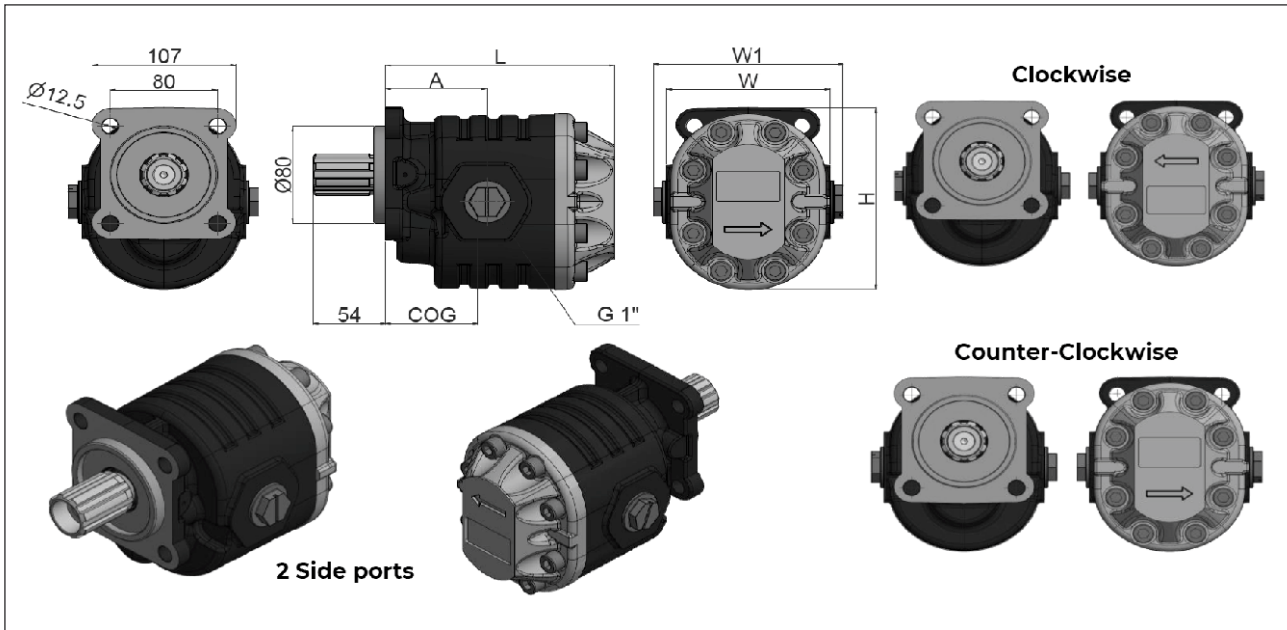
SEAL KITS & AIR BREATHER KIT

Part no.	Description
02460016	SEAL KIT CVP BI GEAR PUMP 115L TO 125L
02470180	AIR BREATHER KIT FOR SFP 30/35 PUMP



GEAR PUMP (GPHY) - 4H0 - 2 PORTS

Part no.	Description	Displacement (cm ³)	Weight (kg)	Port configuration	Suction port	Pressure port	Rotation freq. (rpm)	Working pressure (bar)
14562334	GEAR PUMP 084L-R-4H0-2S-16BSP16	84	12.4	2 side	G1"	G1"	2500	230
14562335	GEAR PUMP 084L-L-4H0-2S-16BSP16	84	12.4	2 side	G1"	G1"	2500	230



Part no.	Description	A	H	L	W	W1	COG
14562334	GEAR PUMP 084L-R-4H0-2S	75.5	154	170.5	122	142	67.3
14562335	GEAR PUMP 084L-L-4H0-2S	75.5	154	170.5	122	142	67.3

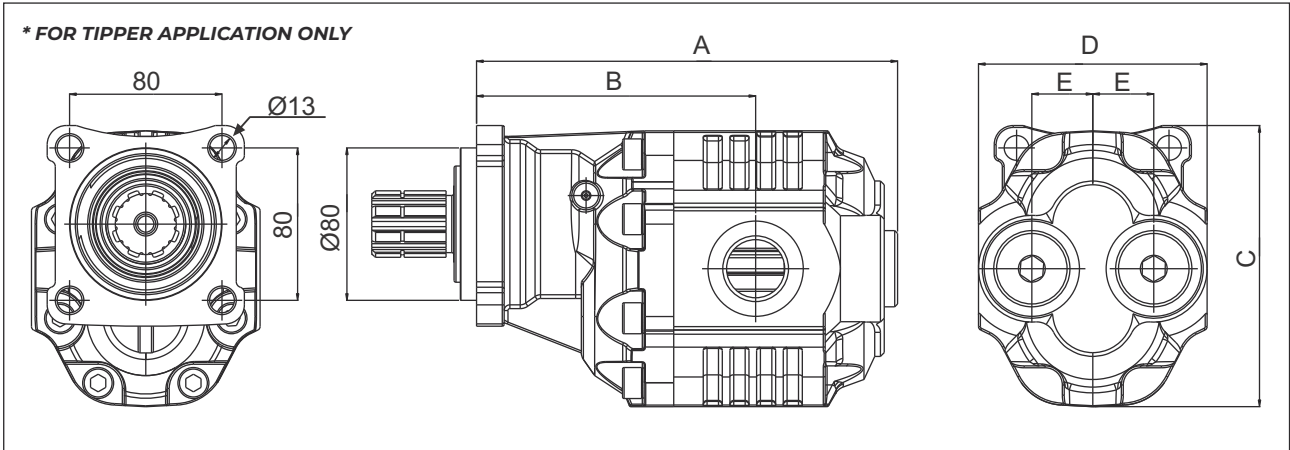
SEAL KITS

Part no.	Description
14600110	SEAL KIT FOR PUMPS 14562334 & 14562335



GEAR PUMPS ISO 4H: BI-ROTATIONAL

Part no.	Description	Displacement (cm ³)	Weight (kg)	Port configuration	Suction port	Pressure port	Rotation freq. (rpm)	Working pressure (bar)
14562325	GEAR PUMP 082L-BI-4H5-4P-16BSP16	82	15	4	G1"	G1"	2500	225



Part no.	Description	A	B	C	D	E
14562325	GEAR PUMP 082L-BI-4H5-4P	221	146.5	148	120	32

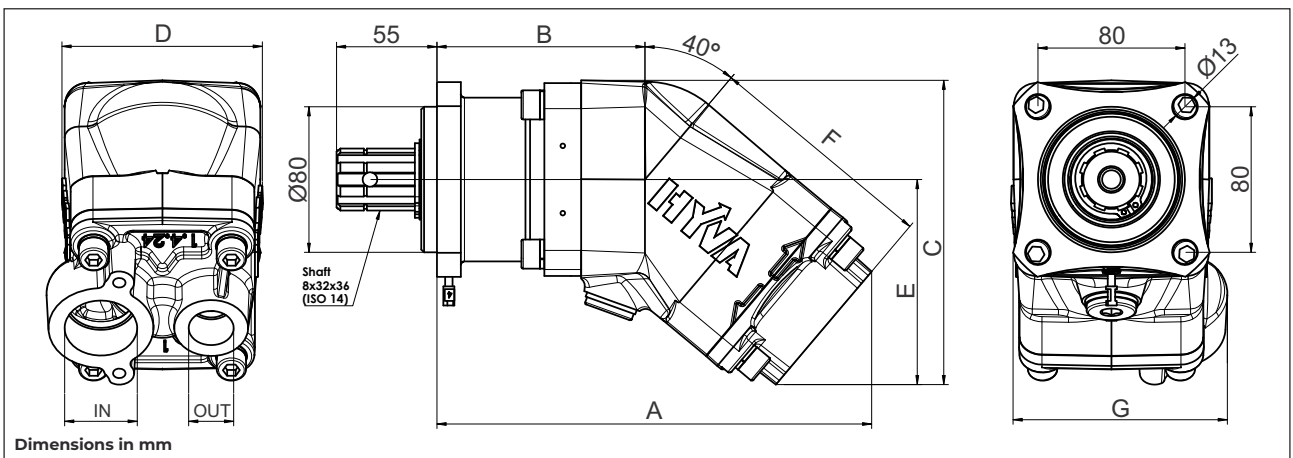


SEAL KITS

Part no.	Description
14600100	SEAL KIT FOR PUMP 14562 325

PISTON PUMPS - 4H SINGLE FLOW - BI-AXIAL: LEFT OR RIGHT ROTATIONAL

Part no.	Description	Displacement (cm ³ /rev)	Working pressure (bar)	Rotation frequency (rpm)	Suction port	Pressure port	Weight (kg)	Rotation
14569020	PISTON PUMP 034L-RH-4H-BA-¾-1	33.80	350	3000	G1	G¾	8.7	Right
14569025	PISTON PUMP 034L-LH-4H-BA-¾-1	33.80	350	3000	G1	G¾	8.7	Left
14569016	PISTON PUMP 040L-RH-4H-BA-¾-1¼	41.25	350	2500	G1¼	G¾	12.3	Right
14569017	PISTON PUMP 040L-LH-4H-BA-¾-1¼	41.25	350	2500	G1¼	G¾	12.3	Left
14569000	PISTON PUMP 047L-RH-4H-BA-¾-1¼	47.13	350	2500	G1¼	G¾	12.3	Right
14569001	PISTON PUMP 047L-LH-4H-BA-¾-1¼	47.13	350	2500	G1¼	G¾	12.3	Left
14569004	PISTON PUMP 064L-RH-4H-BA-¾-1¼	63.56	350	2500	G1¼	G¾	12.3	Right
14569005	PISTON PUMP 064L-LH-4H-BA-¾-1¼	63.56	350	2500	G1¼	G¾	12.3	Left
14569006	PISTON PUMP 080L-RH-4H-BA-¾-1¼	77.25	250	2100	G1¼	G¾	13.2	Right
14569007	PISTON PUMP 080L-LH-4H-BA-¾-1¼	77.25	250	2100	G1¼	G¾	13.2	Left



Part no.	Description	A	B	C	D	E	F	G
14569020	PISTON PUMP 034L-RH	209	96.5	153	106	100	127.5	97
14569025	PISTON PUMP 034L-LH	209	96.5	153	106	100	127.5	97
14569016	PISTON PUMP 040L-RH	237	113	167	109	113	127	117
14569017	PISTON PUMP 040L-LH	237	113	167	109	113	127	117
14569000	PISTON PUMP 047L-RH	237	113	167	109	113	127	117
14569001	PISTON PUMP 047L-LH	237	113	167	109	113	127	117
14569004	PISTON PUMP 064L-RH	237	113	167	109	113	127	117
14569005	PISTON PUMP 064L-LH	237	113	167	109	113	127	117
14569006	PISTON PUMP 080L-RH	237	113	167	109	113	127	117
14569007	PISTON PUMP 080L-LH	237	113	167	109	113	127	117

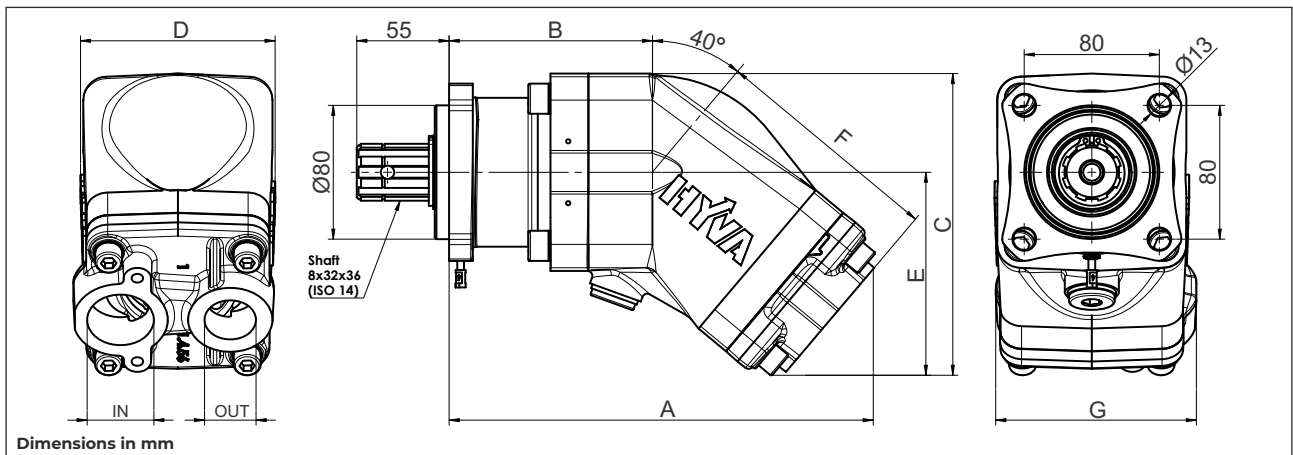


SEAL KITS

Part no.	Description
024 10 020	SEAL KIT FOR PISTON PUMP 034L
024 10 021	SEAL KIT FOR PISTON PUMPS 040L-047L-064L-080L

PISTON PUMPS - 4H SINGLE FLOW - BI-AXIAL: LEFT OR RIGHT ROTATIONAL

Part no.	Description	Displacement (cm ³ /rev)	Working pressure (bar)	Rotation frequency (rpm)	Suction port	Pressure port	Weight (kg)	Rotation
14569300	PISTON PUMP 084L-RH-4H-BAHP	84.20	350	2000	G1¼	G1	15	Right
14569305	PISTON PUMP 084L-LH-4H-BAHP	84.20	350	2000	G1¼	G1	15	Left
14569310	PISTON PUMP 096L-RH-4H-BAHP	95.50	350	2000	G1¼	G1	15	Right
14569315	PISTON PUMP 096L-LH-4H-BAHP	95.50	350	2000	G1¼	G1	15	Left
14569320	PISTON PUMP 108L-RH-4H-BAHP	107	350	2000	G1¼	G1	15	Right
14569325	PISTON PUMP 108L-LH-4H-BAHP	107	350	2000	G1¼	G1	15	Left
14569223	PISTON PUMP 130L-RH-4H-BA	131.62	250	2000	G1½	G1	18.2	Right
14569225	PISTON PUMP 130L-LH-4H-BA	131.62	250	2000	G1½	G1	18.2	Left



Part no.	Description	A	B	C	D	E	F	G
14569300	PISTON PUMP 084L-RH	252	121	180	115	121	137	120
14569305	PISTON PUMP 084L-LH	252	121	180	115	121	137	120
14569310	PISTON PUMP 096L-LH	252	121	180	115	121	137	120
14569315	PISTON PUMP 096L-LH	252	121	180	115	121	137	120
14569320	PISTON PUMP 108L-LH	252	121	180	115	121	137	120
14569325	PISTON PUMP 108L-LH	252	121	180	115	121	137	120
14569223	PISTON PUMP 130L-LH	271	123	198	125	135	157	130
14569225	PISTON PUMP 130L-LH	271	123	198	125	135	157	130

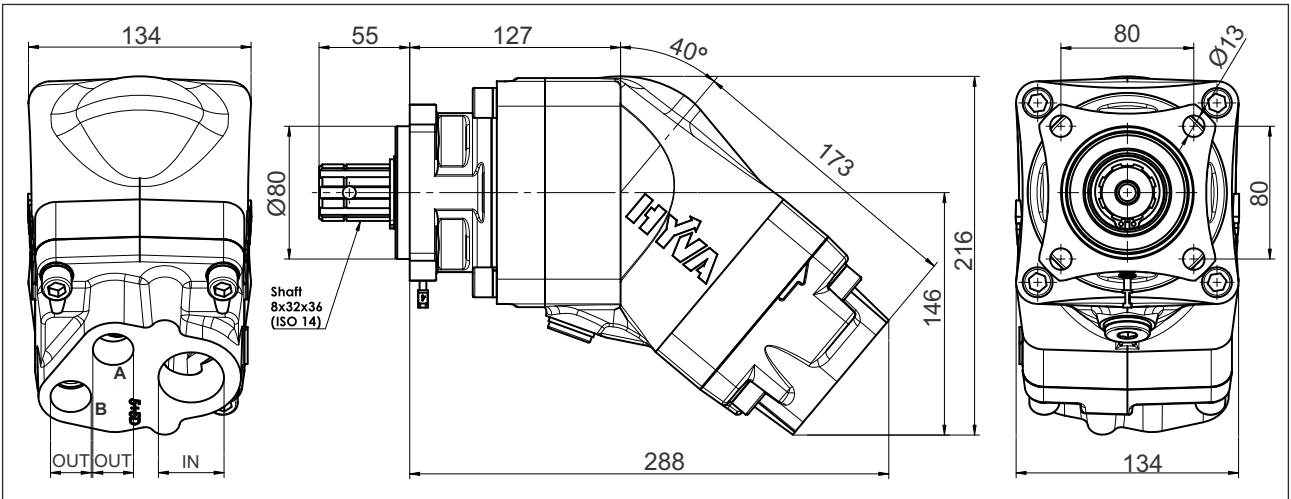


SEAL KITS

Part no.	Description
02410025	SEAL KIT FOR PISTON PUMPS 084L-096L-108L
02410022	SEAL KIT FOR PISTON PUMP 084L-108L-130L

PISTON PUMPS - 4H DOUBLE FLOW - BI-AXIAL: LEFT OR RIGHT ROTATIONAL

Part no.	Description	Displacement (cm ³ /rev)		Working pressure (bar)	Rotation Frequency (rpm)	Max. continuous power (kW)	Suction port	Pressure port	Weight (kg)	Rotation
		Port A	Port B							
14569230	PISTON PUMP 053L/053L-RH-4H-BH-¾-1¼	53.0	55.0	350	2100	111	G1¼	G¾	21.5	Right
14569235	PISTON PUMP 053L/053L-LH-4H-BH-¾-1¼	53.0	55.0	350	2100	111	G1¼	G¾	21.5	Left
14569240	PISTON PUMP 070L/035L-RH-4H-BH-¾-1¼	36.5	68.3	350	2100	108	G1¼	G¾	22.0	Right
14569245	PISTON PUMP 070L/035L-LH-4H-BH-¾-1¼	36.5	68.3	350	2100	108	G1¼	G¾	22.0	Left



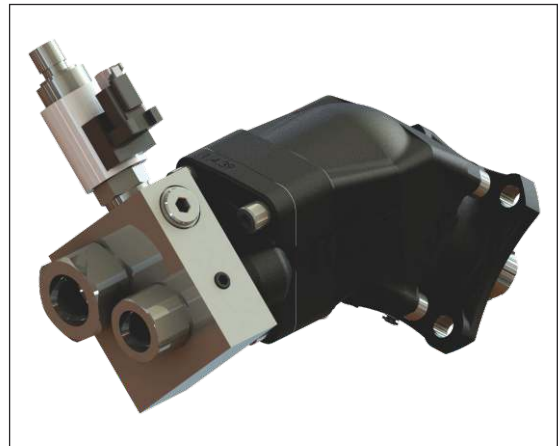
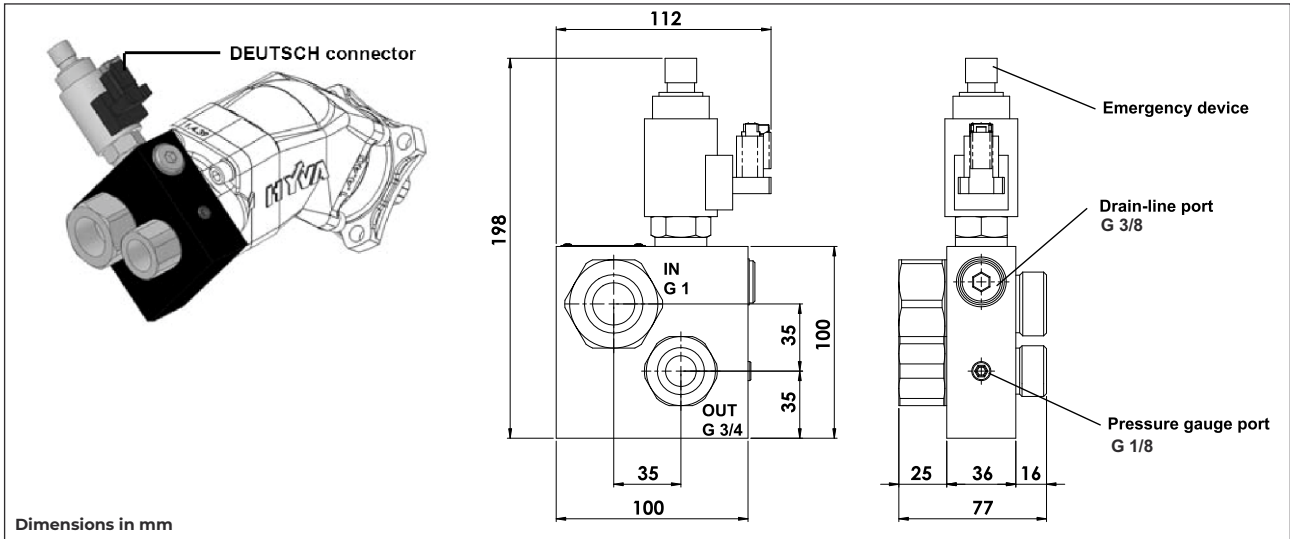
SEAL KITS

Part no.	Description
02410030	SEAL KIT FOR PISTON PUMP 53L/53L - 70L/35L



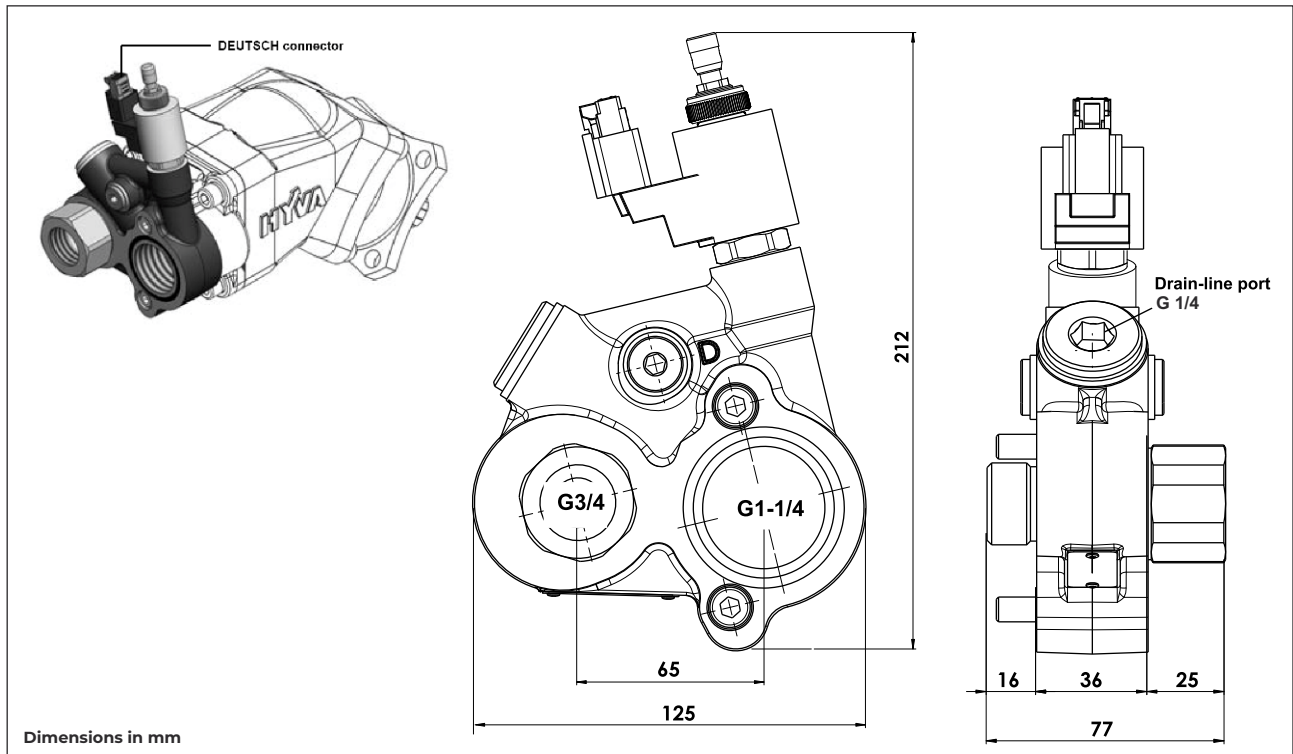
VALVES BY-PASS 12V & 24V

Part no.	Description	Coil volt (V)	Working pressure (bar)	Enclosure	Coil power (W)	Suction port	Pressure port	For pumps	
14740055	VALVE BY-PASS 12-25-34 BA 12V	12	400	IP 66	22	G1	G¾	14569020	14569025
02412005	VALVE BY-PASS 12-25-34 BA 24V	24	400	IP 66	22	G1	G¾	14569020	14569025



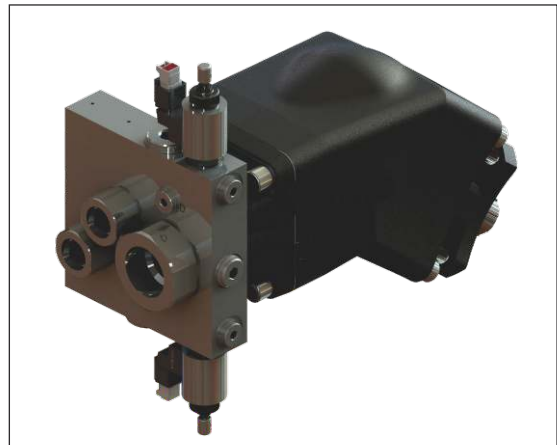
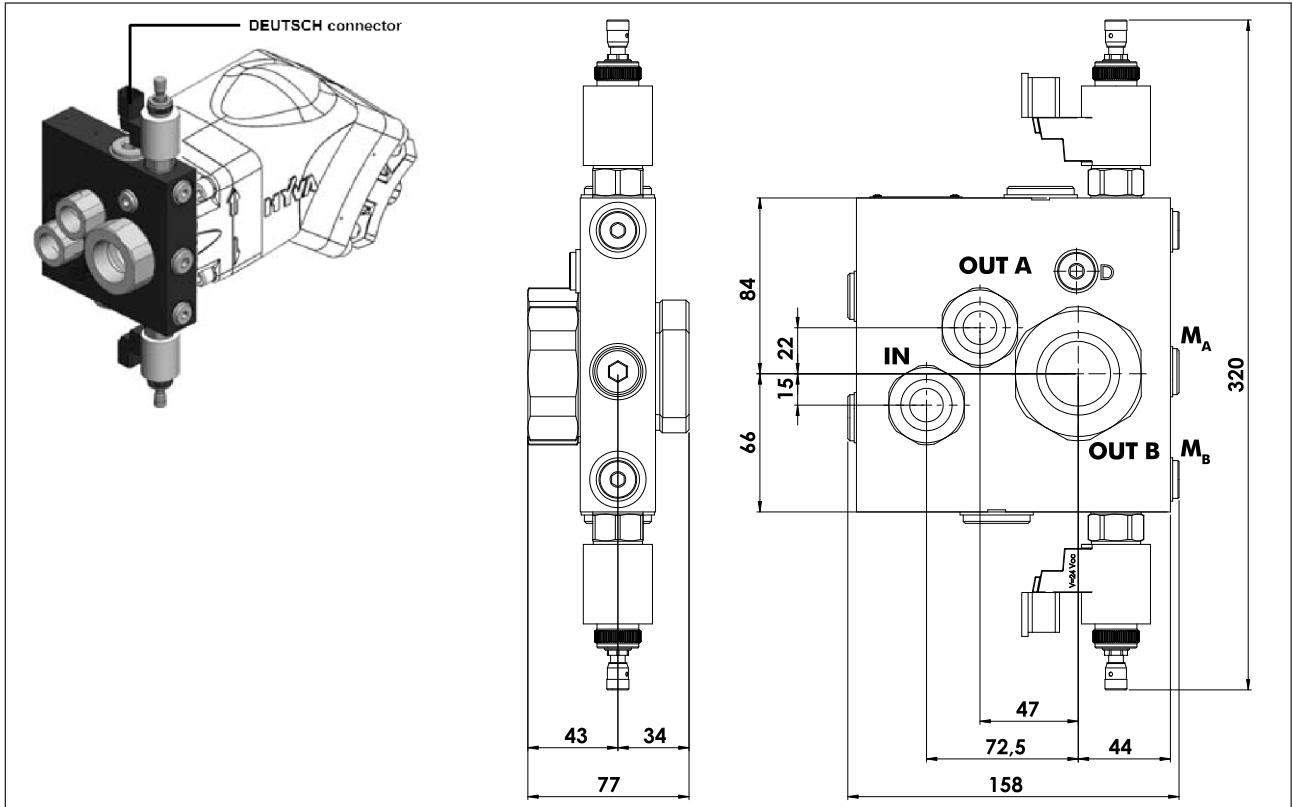
VALVES BY-PASS 12V & 24V

Part no.	Description	Coil volt (V)	Working pressure (bar)	Enclosure	Coil power (W)	Suction port	Pressure port	For pumps	
14740056	VALVE BY-PASS 40-47-55-65-80 BA 12V	12	400	IP 66	22	G1¼	G¾	14569016	14569017
14740070	VALVE BY-PASS 40-47-55-65-80 BA 24V	24	400	IP 66	22	G1¼	G¾	14569000	14569001
								14569002	14569003
								14569004	14569005
								14569006	14569007
14740057	VALVE BY-PASS 75-84-96-108 BA 12V	12	400	IP 66	22	G1¼	G1	14569300	14569305
14740075	VALVE BY-PASS 75-84-96-108 BA 24V	24	400	IP 66	22	G1¼	G1	14569310	14569315
								14569320	14569325



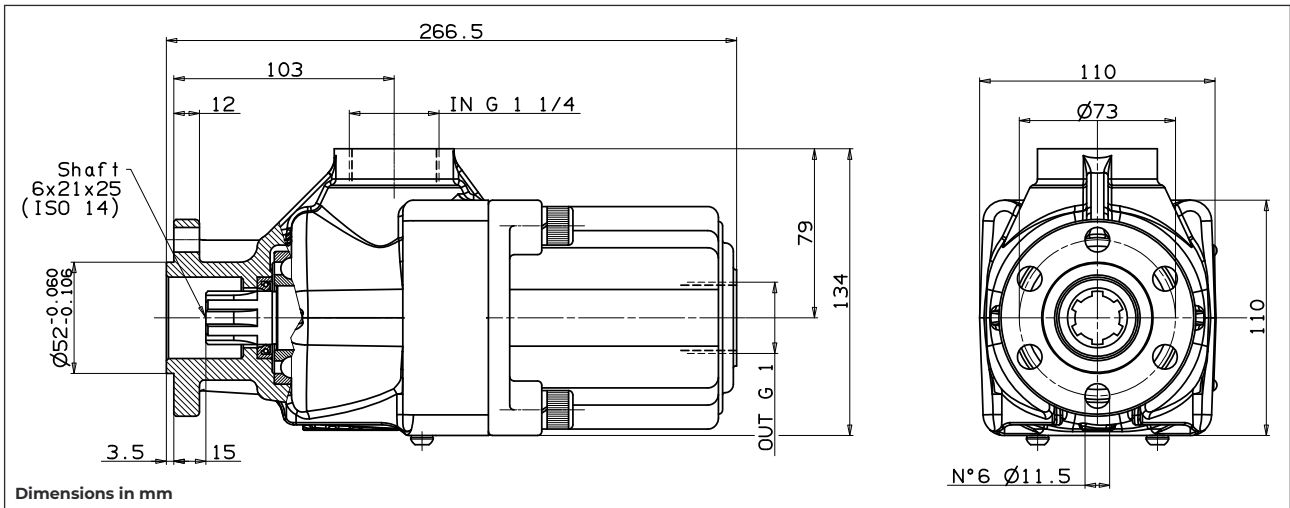
VALVES BY-PASS 24V

Part no.	Description	Coil volt (V)	Working pressure (bar)	Enclosure	Coil power (W)	Suction port	Pressure port A / port B	M _A / M _B	D	For pumps	
14740076	VALVE BY-PASS 12-25-34 BA 12V	24	400	IP 66	22	G1	G $\frac{3}{4}$	G $\frac{3}{4}$	G $\frac{3}{4}$	14569230	14569235
										14569240	14569245



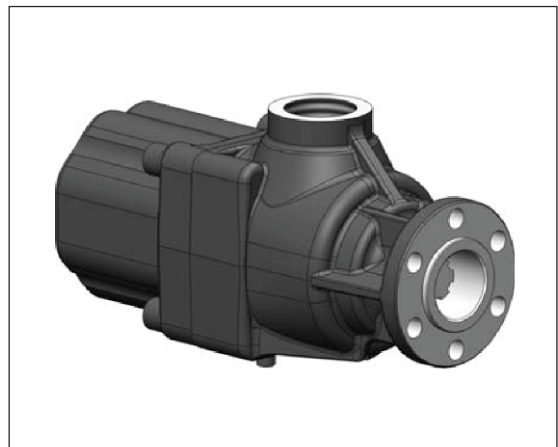
PISTON PUMPS STRAIGHT AXLE ISO 3H: BI-ROTATIONAL

Part no.	Description	Working pressure (bar)	Displacement (cm ³ /rev)	Rotation frequency (rpm)	Suction port	Pressure port	Weight (kg)
14569100	PISTON PUMP 021L-BI-3H-AXIAL	350	20.25	1800	G1½	G1	13.8
14569145	PISTON PUMP 028L-BI-3H-AXIAL	350	27.00	1800	G1½	G1	13.8
14565535	PISTON PUMP 041L-BI-3H-AXIAL	350	40.50	1800	G1½	G1	13.8



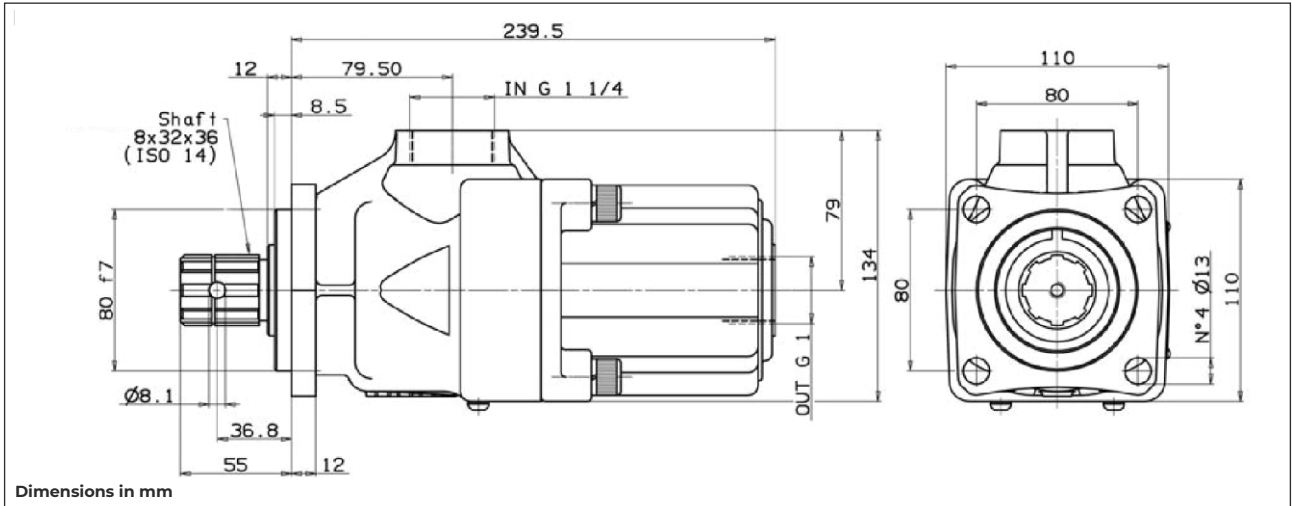
SEAL KITS

Part no.	Description
02410003	SEAL KIT FOR PISTON PUMP 21-60L STRAIGHT



PISTON PUMPS STRAIGHT AXLE ISO 4H: BI-ROTATIONAL

Part no.	Description	Working pressure (bar)	Displacement (cm ³ /rev)	Rotation frequency (rpm)	Suction port	Pressure port	Weight (kg)
14569140	PISTON PUMP 021L-BI-4H-SA-1-1/4	350	20.25	1800	G1 1/4	G1	14.5
14569150	PISTON PUMP 028L-BI-4H-SA-1-1/4	350	27.00	1800	G1 1/4	G1	14.5



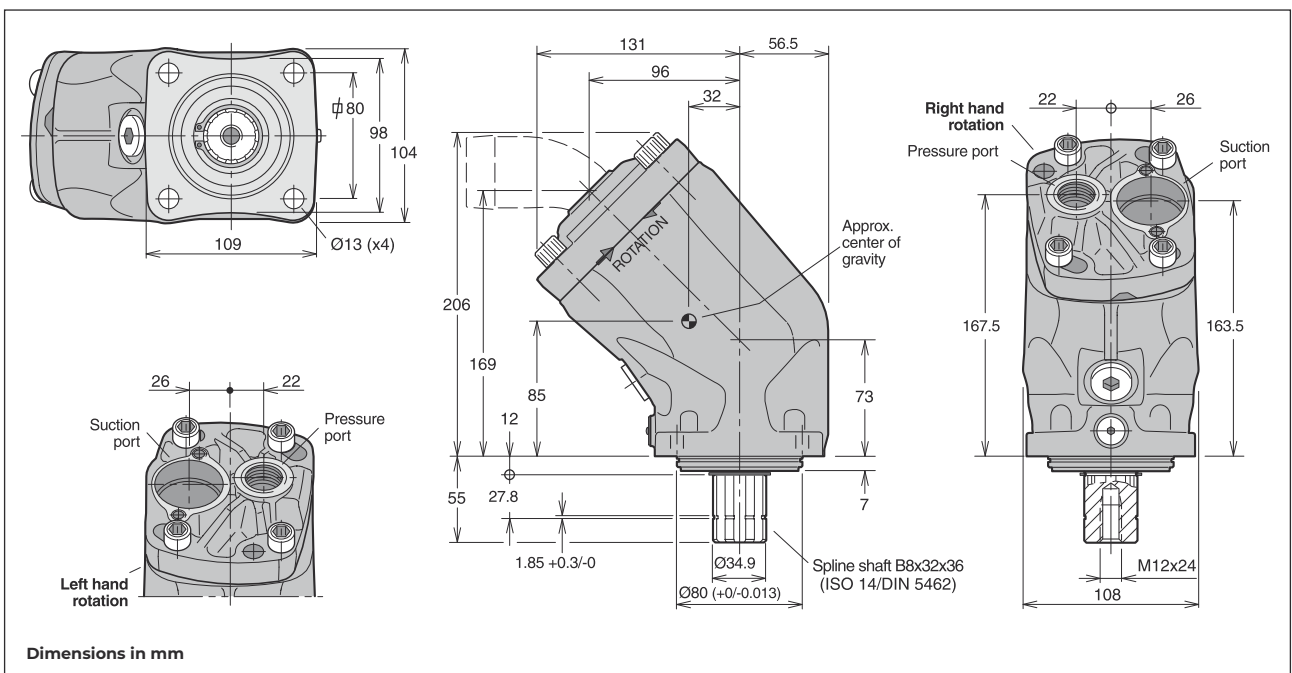
SEAL KITS

Part no.	Description
02410002	SEAL KIT FOR PISTON PUMP 21-60L STRAIGHT 4H



PISTON PUMPS F1/T1 - 4H - SINGLE FLOW: LEFT OR RIGHT ROTATIONAL

Part no.	Description	Displacement (cm ³ /rev)	Working pressure (bar)	Rotation frequency (rpm)	Pressure port	Weight (kg)	Rotation
14535155	PISTON PUMP F1-025L-L-4H	25.60	350	2200	G $\frac{3}{4}$	8.5	Left
14535160	PISTON PUMP F1-025L-R-4H	25.60	350	2200	G $\frac{3}{4}$	8.5	Right
14535165	PISTON PUMP F1-041L-L-4H	40.90	350	2100	G $\frac{3}{4}$	8.5	Left
14535170	PISTON PUMP F1-041L-R-4H	40.90	350	2100	G $\frac{3}{4}$	8.5	Right
14535175	PISTON PUMP F1-051L-L-4H	51.10	350	1900	G $\frac{3}{4}$	8.5	Left
14535180	PISTON PUMP F1-051L-R-4H	51.10	350	1900	G $\frac{3}{4}$	8.5	Right
14535185	PISTON PUMP F1-061L-L-4H	59.50	350	1900	G $\frac{3}{4}$	8.5	Left
14535190	PISTON PUMP F1-061L-R-4H	59.50	350	1900	G $\frac{3}{4}$	8.5	Right
14535120	PISTON PUMP T1-081L-L-4H	81.50	250	NA	G $\frac{3}{4}$	12.5	Left
14535119	PISTON PUMP T1-081L-R-4H	81.50	250	NA	G $\frac{3}{4}$	12.5	Right



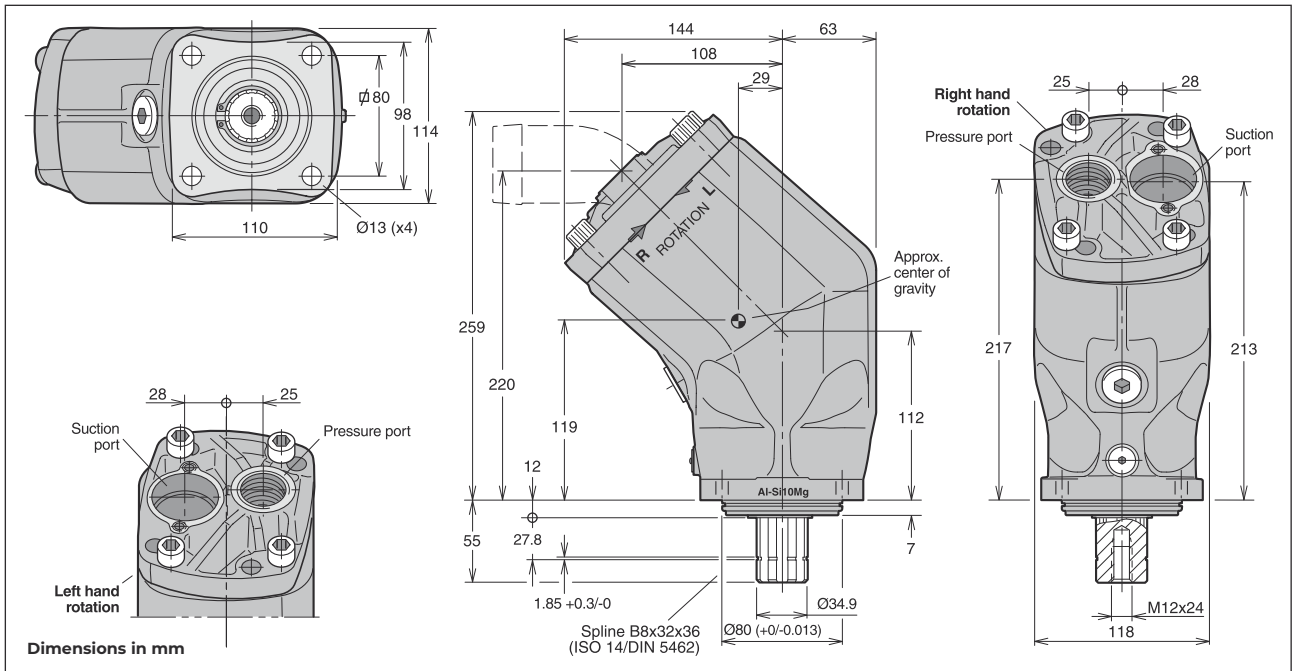
SEAL KIT

Part no.	Description
14534343	SEAL KIT FOR PISTON PUMPS F1/T1 - 25L-121L



PISTON PUMPS F1/T1 - 4H - SINGLE FLOW: LEFT OR RIGHT ROTATIONAL

Part no.	Description	Displacement (cm ³ /rev)	Working pressure (bar)	Rotation frequency (rpm)	Pressure port	Weight (kg)	Rotation
14535195	PISTON PUMP F1-081L-L-4H	81.60	350	1750	G1	12.5	Left
14535200	PISTON PUMP F1-081L-R-4H	81.60	350	1750	G1	12.5	Right
14535205	PISTON PUMP F1-101L-L-4H	102.90	350	1550	G1	12.5	Left
14535210	PISTON PUMP F1-101L-R-4H	102.90	350	1550	G1	12.5	Right
14535131	PISTON PUMP T1-121L-L-4H	118.50	250	NA	G1	12.5	Left
14535130	PISTON PUMP T1-121L-R-4H	118.50	250	NA	G1	12.5	Right



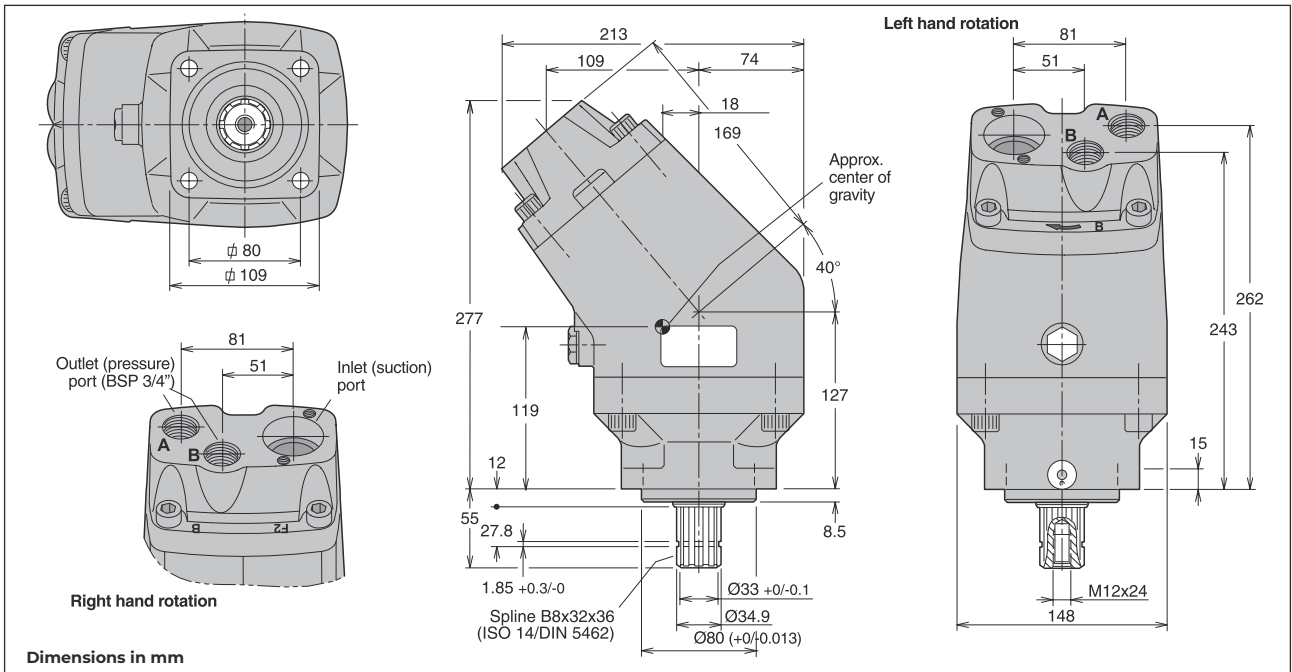
SEAL KIT

Part no.	Description
14534343	SEAL KIT FOR PISTON PUMPS F1/T1 - 25L-121L



PISTON PUMPS F2 - 4H - DOUBLE FLOW: LEFT OR RIGHT ROTATIONAL

Part no.	Description	Displacement (cm ³ /rev)		Working pressure (bar)	Rotation frequency (rpm)	Max. continuous power (kW)	Pressure port	Weight (kg)	Rotation
		Port A	Port B						
14535240	PISTON PUMP F2-042L/042L-RH-4H	43.0	41.0	350	2100	100	G ³ / ₄	19.0	Right
14535241	PISTON PUMP F2-042L/042L-LH-4H	43.0	41.0	350	2100	100	G ³ / ₄	19.0	Left
14535250	PISTON PUMP F2-053L/053L-RH-4H	54.0	52.0	350	2100	127	G ³ / ₄	19.0	Right
14535251	PISTON PUMP F2-053L/053L-LH-4H	54.0	52.0	350	2100	127	G ³ / ₄	19.0	Left
14535244	PISTON PUMP F2-055L/028L-RH-4H	55.0	28.0	350	2100	100	G ³ / ₄	19.0	Right
14535245	PISTON PUMP F2-055L/028L-LH-4H	55.0	28.0	350	2100	100	G ³ / ₄	19.0	Left
14535243	PISTON PUMP F2-070L/070L-RH-4H	68.0	68.0	300	2100	131	G ³ / ₄	19.0	Right
14535242	PISTON PUMP F2-070L/070L-LH-4H	68.0	68.0	300	2100	131	G ³ / ₄	19.0	Left
14535270	PISTON PUMP F2-070L/035L-RH-4H	69.0	36.0	350	2100	110	G ³ / ₄	19.0	Right
14535271	PISTON PUMP F2-070L/035L-LH-4H	69.0	36.0	350	2100	110	G ³ / ₄	19.0	Left



SEAL KIT

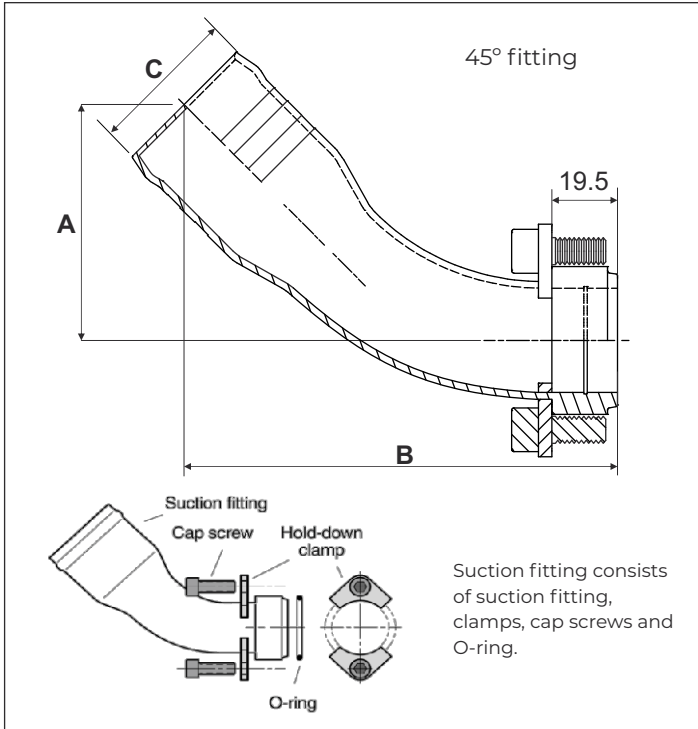
Part no.	Description
02410027	SEAL KIT FOR PISTON PUMPS F2



SUCTION FITTING FOR HYVA BY PARKER PISTON PUMPS 4H5

Part no.	Description	A (mm)	B (mm)	C (mm) / (in.)
14535303	HOSE PILLAR F1-25L-45° - LP20	60	104	32 / 1¼"
14535304	HOSE PILLAR F1-25L-45° - LP24	60	104	38 / 1½"
14535300	HOSE PILLAR F1-45° - LP28	67	110	45 / 1¾"
14535305	HOSE PILLAR F1-45° - LP32	67	110	50 / 2"
14535306	HOSE PILLAR F1-45° - LP40	75	117	63 / 2½"

Suction fitting must be ordered separately as it is not included with the pump



PUMP CONNECTION KIT PTO UNI 3H

Part no.	Description
021419601	CONNECTION KIT PTO UNI 3H-PUMP UNI 3H
021419605	DRIVE KIT DIN-13 PUMP TO UNI-3H PTO
021410005	PUMP CONNECTION KIT UNI-3H



021419601

GASKET FOR ISO 4H PUMP

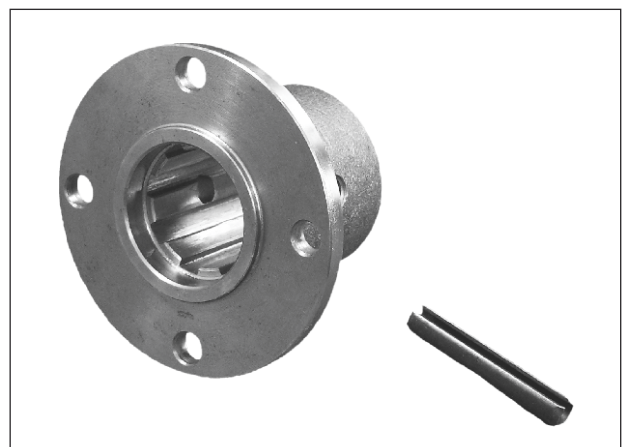
Part no.	Description
14624850	GASKET FOR ISO 4-H PUMP



PUMP - CARDAN FLANGE

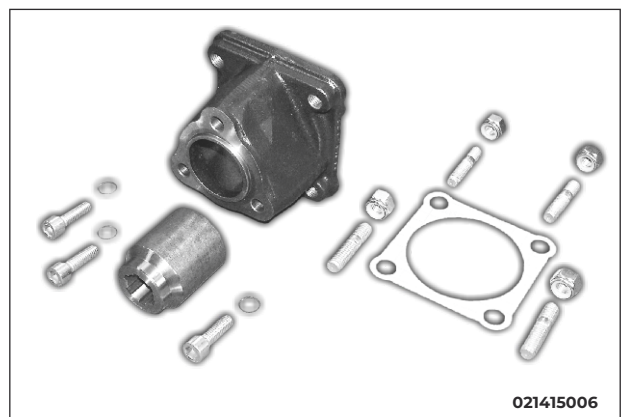
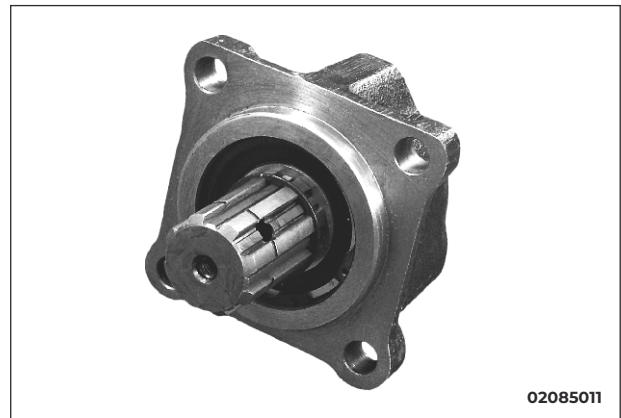
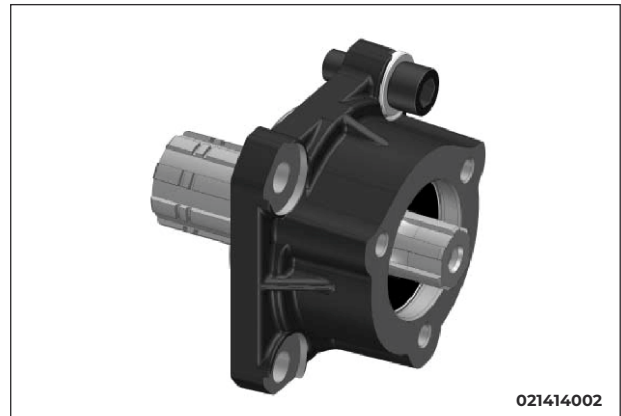
Part no.	Description
021430010	FLANGE KIT DIN 00 FOR ISO PUMP SHAFT

A wide range of other flanges are available, please specify your application in detail and forward to your Hyva partner. Our engineers will put together the best solution for your application.



PUMP - PTO ADAPTERS

Part no.	Description
021414002	ADAPTOR PTO ZF NA243/4 - PUMP UNI 3H
02085011	ADAPTOR SL9 3H PUMP 4H PTO 1C
02085012	ADAPTOR SR9 3H PUMP 4H PTO 2CX
<i>Mount the above adapters to the pump with connection kit 02050010H</i>	
021415006	ADAPTOR PTO UNI 3H - PUMP ISO 4H <i>(This adapter is delivered including the connection kit)</i>



110 countries
+3,500 employees
20,000 customers
+30 subsidiaries
12 production facilities



Hyva is a leading provider of innovative and highly efficient transport solutions for commercial vehicles used in transport, construction, mining, materials handling and environmental service industries.

Founded in 1979 in the Netherlands, the company has a global presence with more than 30 wholly owned subsidiaries, extraordinary service coverage and 12 manufacturing facilities in Brazil, China, Europe and India.

For more information on Hyva, please visit www.hyva.com

or follow us on:



Hyva Holding B.V.
Antonie van Leeuwenhoekweg 37
2408 AK Alphen aan den Rijn
The Netherlands
Telephone: +31 (0)172 - 42 35 55
Telefax: +31 (0)172 - 42 08 80
info@hyva.com
www.hyva.com



DEALER STAMP