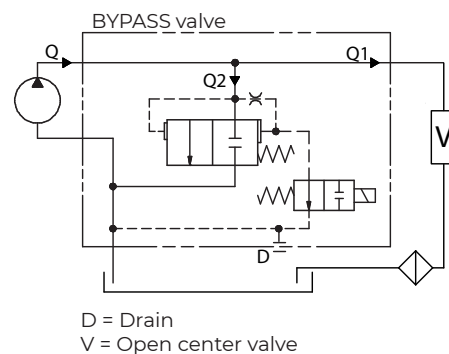


### Specifications

For pumps	14569016 / 14569017 14569000 / 14569001 14569002 / 14569003 14569004 / 14569005 14569006 / 14569007
Type	<b>14740070</b>
Coil Volt	24V
Max pressure	400 bar* / 5801.5 psi
Enclosure	IP 66
Coil power	22 W
Max flow	137 lt/min
Drain port size	3/4" BSP / 0.75 inch
Working temperature range	-20 / 40°C
Weight	2,4 kg

\*See pumps catalogue for related pressure values.

### Hydraulic scheme

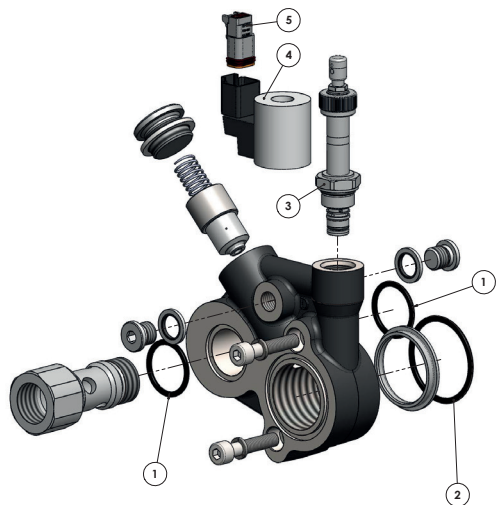


### Technical notes

- The bypass valve is used together with piston pumps if the pump turns constantly when the vehicle is on (in installations with the power takeoff without a coupling or coupled directly to the motor) • In such cases, all the oil flow delivered is circulated, at the maximum pump capacity permitted by the turning speed of the motor, through piping that is usually not sized for capacities greater than those required for the normal use of the pump, consequently giving rise to pointless energy losses and overheating in the system • The bypass valve serves the purpose of partially recirculating the pump's oil flow Q (see diagram 1) inside the pump so that a flow Q1 (corresponding to the difference between the total flow Q and the recycled flow Q2) circulates through the system's piping • The proportion of total capacity distributed to the flows Q1 and Q2 depends on the system load losses and the bypass valve. In any case, it is essential to guarantee an oil flow Q1 of at least 5-10 l/min to ensure adequate pump cooling.

### Related documentation

Mounting instructions: OH-E PUM-0018

**Spare parts**


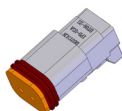
N°	Part.no	Description	Qty.
1	14552702	Seal kit	1
2			
3	14552691	Cartridge It21 3/4 UNF + emergency	1
4	14552690	Coil by pass valve 24V	1
5	14552687	Deutsch female connector	1

**Optional**

Part no.	Description
021417105	Electric kit
14552687	2-Pole female connector DEUTSCH

**021417105**

L=6000mm


**14552687**

**Mounting positions**
