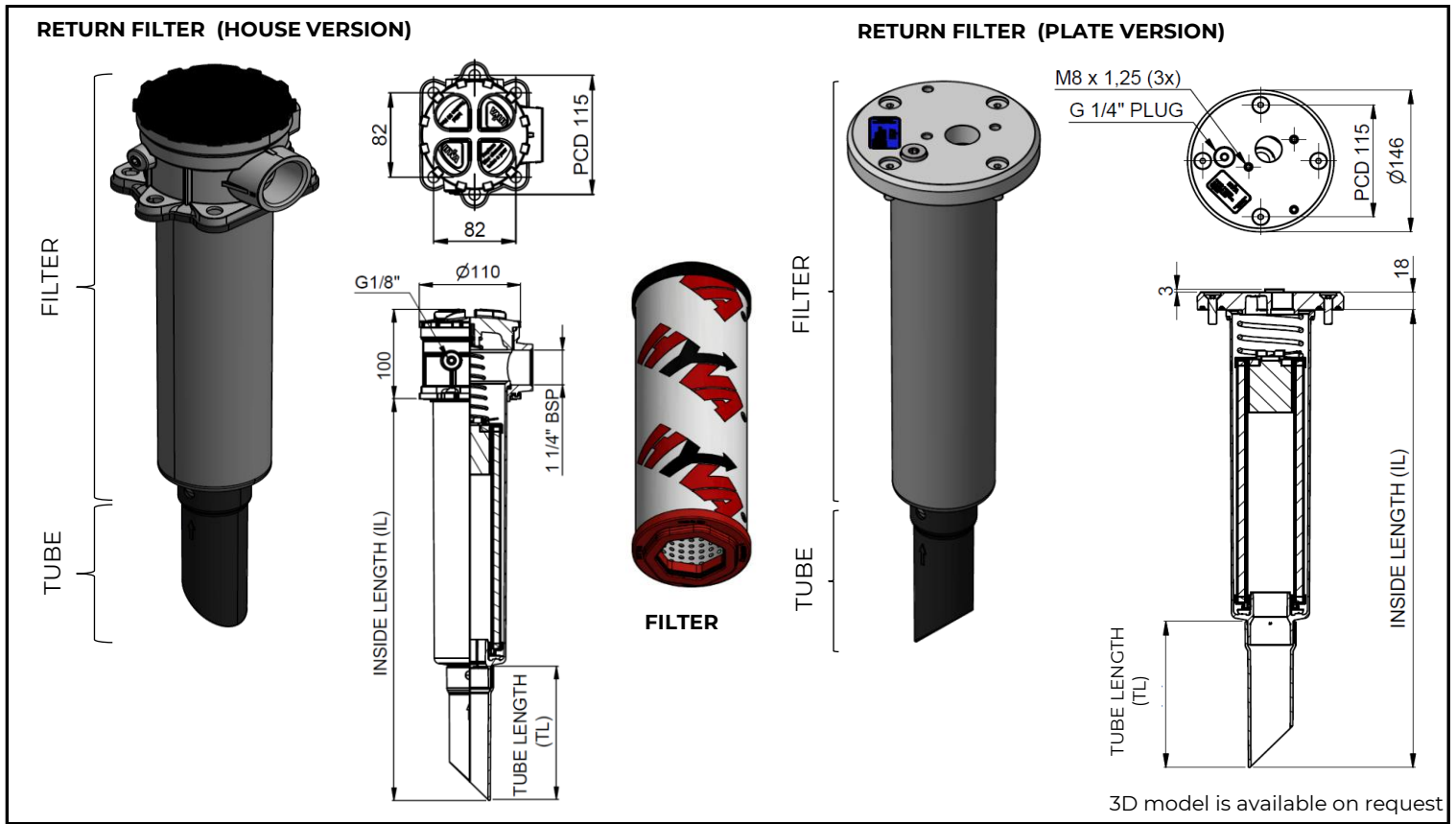


RETURN FILTER KIT (HOUSE & PLATE VERSION)


3D model is available on request

Specifications

Nominal flow (clean element)	240	L/min
Peak flow	375	L/min
By-pass pressure (-/+10%)	3	bar
Collapse pressure element	10	bar
Temperature range min/max	-40/+100	°C
Dirt holding capacity	29.4	g
Filter area	1955	cm ²

Filtration efficiency

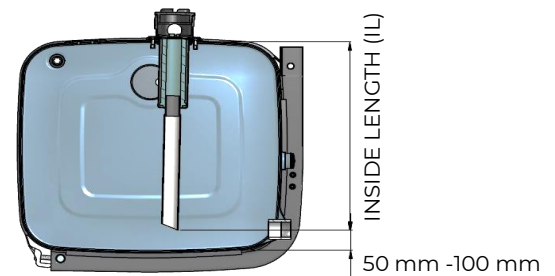
	Beta rating *	Particle size	Efficiency **
Filtration	β 200	16 μ m	> 99,5%
efficiency	β 10	9 μ m	> 90%

* Beta (β) ratio is that 1 particle with given particle size per 10 / 200 particles will pass the filter.

** Percentage of the particles that will be filtered with given particle size.

Types & components

	IL	Full kit	Weight (kg)	Tube length (TL)
House version	323	14780358	1.40	no tube
	449	14780351	1.71	150
	549	14780352	1.75	250
	649	14780353	1.80	350

Filter Selection


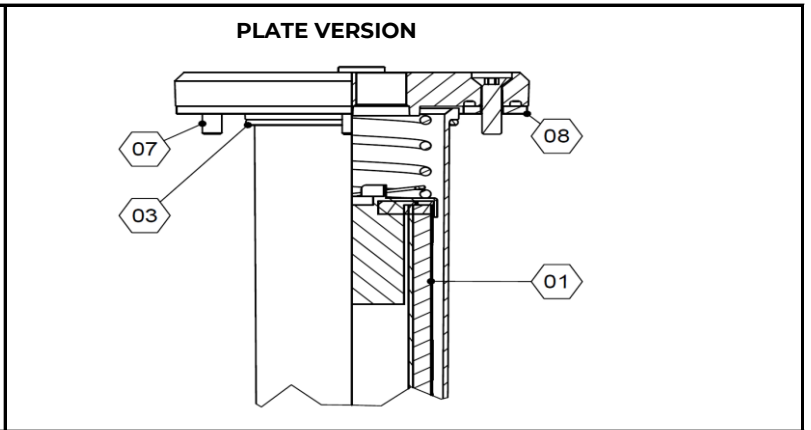
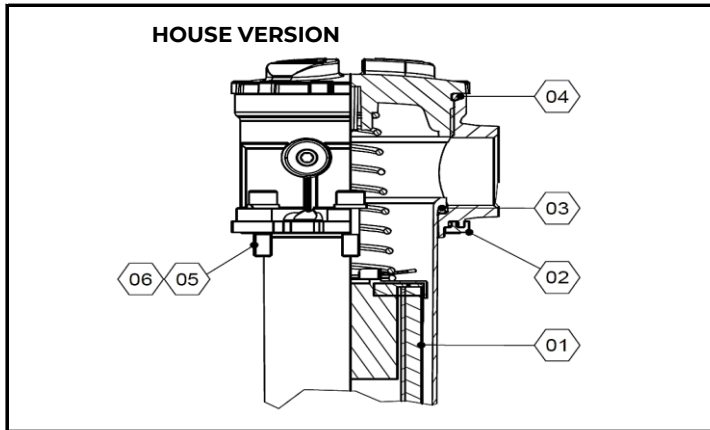
Choose filter inside length (IL) in such a way that there is a distance of 50mm to 100mm between tank bottom surface and tube end.

	IL	Full kit	Weight (kg)	Tube length (TL)
Plate version	344	14895926	1.63	no tube
	469	14895923	1.70	150
	569	14895924	1.75	250
	669	14895925	1.78	350

Related documentation

Change the filter element twice a year

Related documentation : FIL-0003



Spare parts

Housing version

No.	Description	Part No.	Qty.
01	Filter element	14896992	1
-	Seal kit (Parts 02, 03 & 04)	14596971	-
02	Flat Gasket	See seal kit	1
03	Bowl O-Ring	See seal kit	1
04	Cover O-Ring	See seal kit	1
05	Bolt HSHC M8x1.25	15013643	4
06	Washer M8	15022020	4

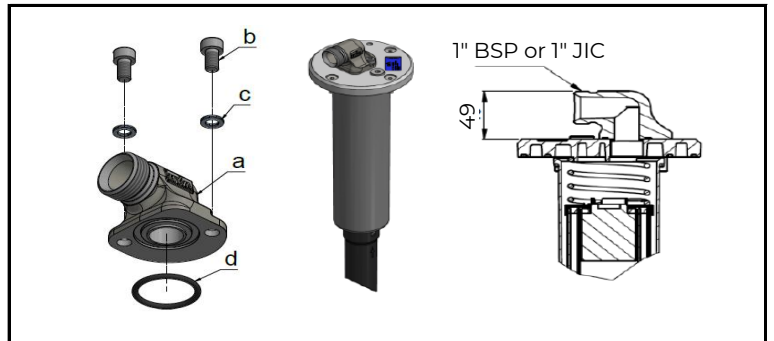
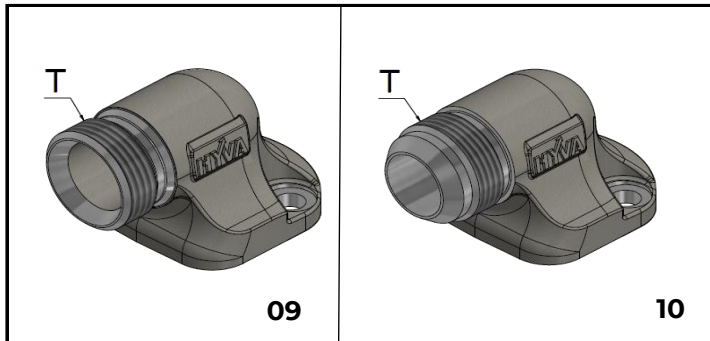
Note : All seals & fasteners (No. 01 to 06) are included with filter.

Plate version

No.	Description	Part No.	Qty.
01	Filter element	14896992	1
07	Countersunk bolt M8	15012790	4
-	Seal Kit (Parts 03, 08)	14896960	-
03	Bowl O-Ring	See seal kit	1
08	Flat gasket plate version	01965515	1

Note : All seals & fasteners (No. 01, 03, 07 & 08) are included with filter.

Option adapter kit for plate filter



No.	Part no.	Description	Thread size (T)	Qty
09	01317987	Adaptor kit 90 for return filter	1" BSPOTC	1
10	01317988	Adaptor kit 90 for return filter	1" JICOTC	1

No.	Description	Qty
a	Adaptor-90-elbow-1" BSPOTC Adaptor-90-elbow-1" JICOTC	1
b	Bolt HSHC M8x16x1.25 DIN 912 ZP	2
c	Nord-lock washer M8	2
d	O-Ring 34.60x2.62	1

Note : O-rings, bolts & washers are included with adapter

Hydraulic Symbol

