

3D model is available on request

Specifications

Support Configuration.	Tank	
Part number	14015075	
*Air breather, strap, strap rubber, supports & support rubber included with the tank	YES	
Material	Aluminium	
W: Width	421	mm
H: Height	521	mm
L: Length	1600	mm
MW: Mounting width	770	mm
B : Distance to suction port	565	mm
Gross volume	317	litres
Working volume l	284	litres
Weight of tank	38	kg
A: Suction port**	1.5"	BSP

*Air breather is in the tank packaging and Return line filters must be ordered separately.

**The suction port (A) is closed with a temporary plastic plug.

Technical notes

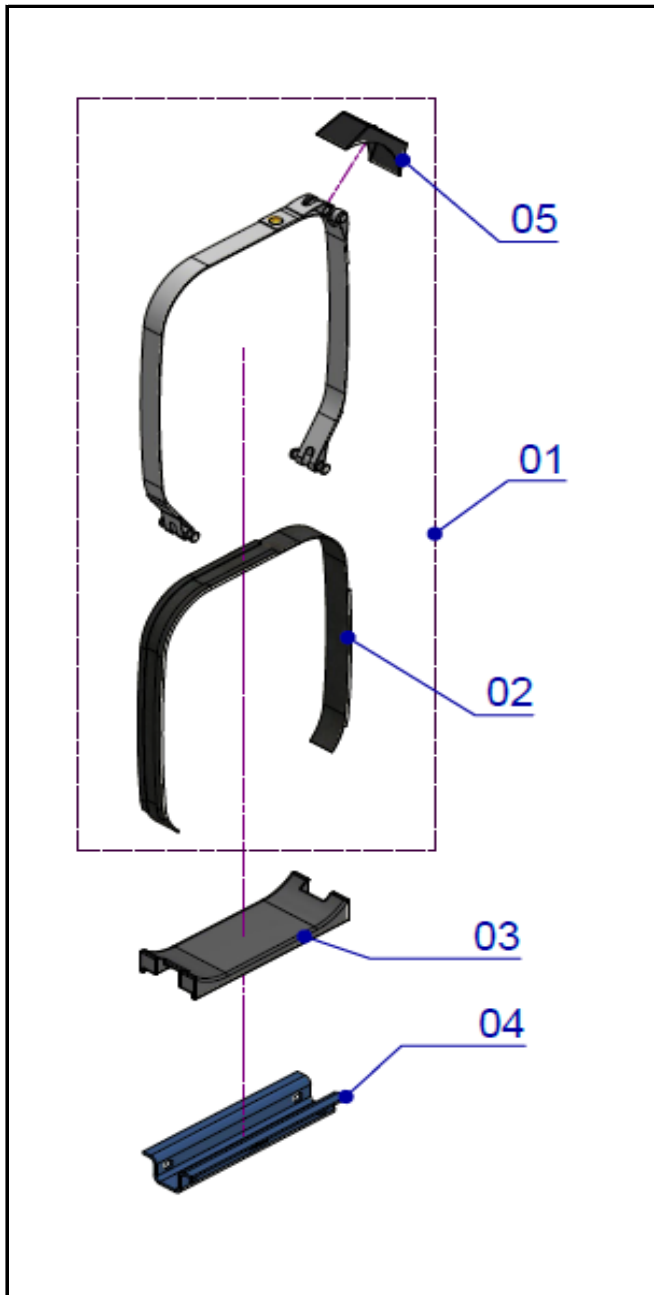
- Mount the tank according the mounting instructions · Fill the tank with the recommended hydraulic oil to the centre of the level indicator
- Change the oil once a year · Replace the air breather and return filter element twice a year · Do not use the tank to stand on or as a support
- Do not weld on the oil tank

Related documentation

Mounting instructions: OIL-0029

Oil specifications: OIL-0011

Support & strap rubbers



Full kit

No.	Part no.	Description
-	14020530	Standard support kit for HVRM oil tank*

* Full kit = 2 x the separate mounting parts (strap with T-bolt and nut (1), rubber for strap (2), rubber for support (3), supports (4) and strap cap (5).

Spare parts

No.	Part no.	Description
01+02+05	14020531	Straps + Rubber of HVRM Tank
02	14020532	Strap Rubber Kit for HVRM Tank
03	14020533	Support Rubber for HVRM Tank
04	14020534	Support HVRM Oil Tank
05	14023335	Strap Cap

Attention! : All mounting parts are included with tank

Air breather

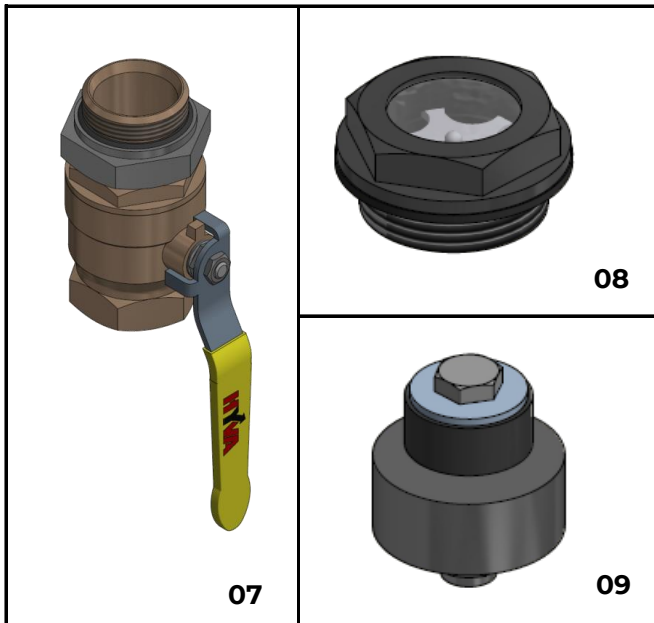


No.	Part no.	Description	Weight [kg]
06	08102116	Air breather	0.4

Attention! : Air breather included with tank.

For Air breather spec. sheet see DO-E 08102116

Accessories / Spare parts

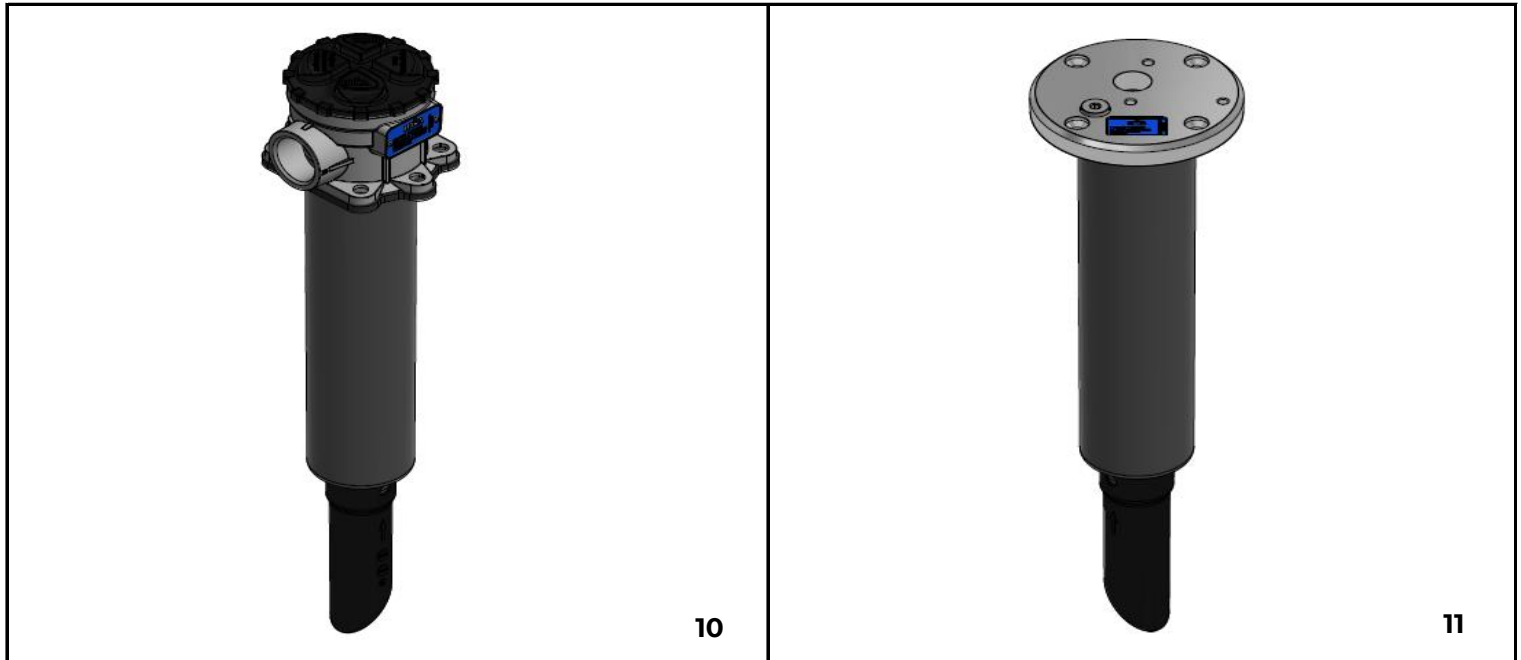


No.	Part no.	Description	Weight [kg]
07	14780981	Ball valve 1 1/2" BSP*	1.2
08	08102121	Plastic spy eye 1" BSP (with gasket)**	0.017
09	08101078	Vibration Damper	0.2

***For more suction component see LPADAP01**

****Attention! : Spy eye included with Tank**

Return filters

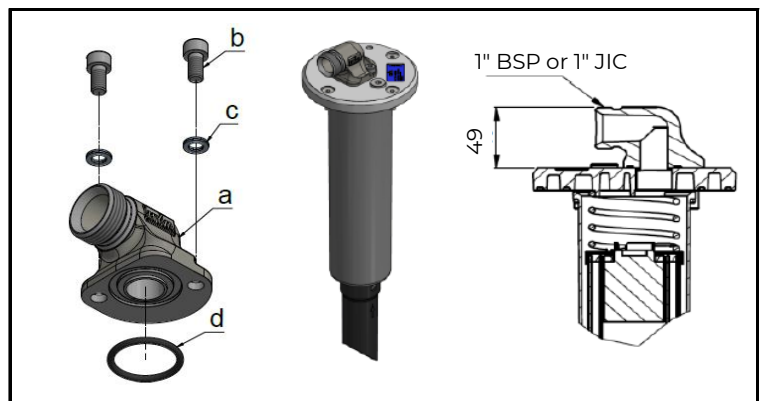
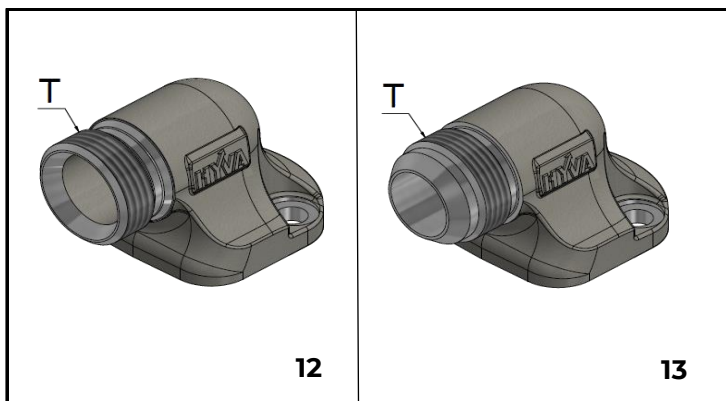


No.	Part no.	Description	Weight [kg]
10	14780351	Return filter housing type	2.4
11	14895923	Return filter plate type	2.1

Attention! : Return line filters are not included with tank. To be ordered separately.

For Return line filter spec. sheet see RFILE02

Option adaptor for plate filter

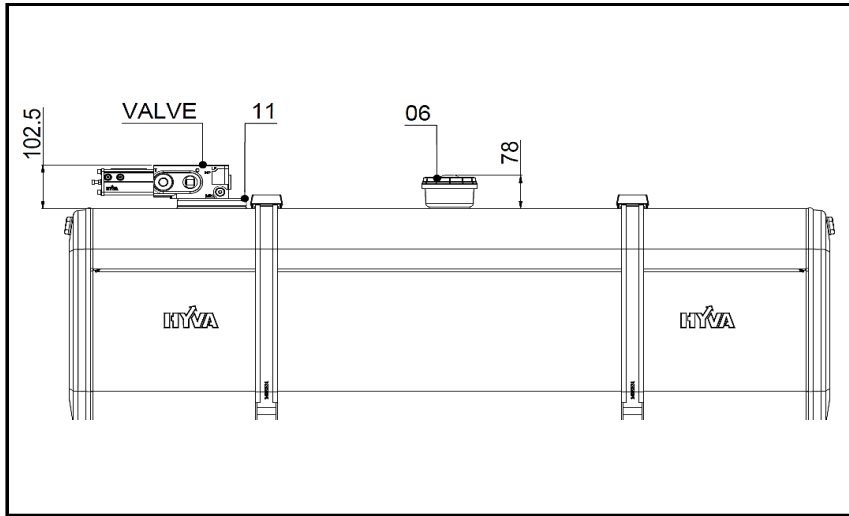


No.	Part no.	Description	Thread size (T)	Qty
12	01317987	Adaptor kit 90 for return filter	1" BSPOTC	1
13	01317988	Adaptor kit 90 for return filter	1" JICOTC	1

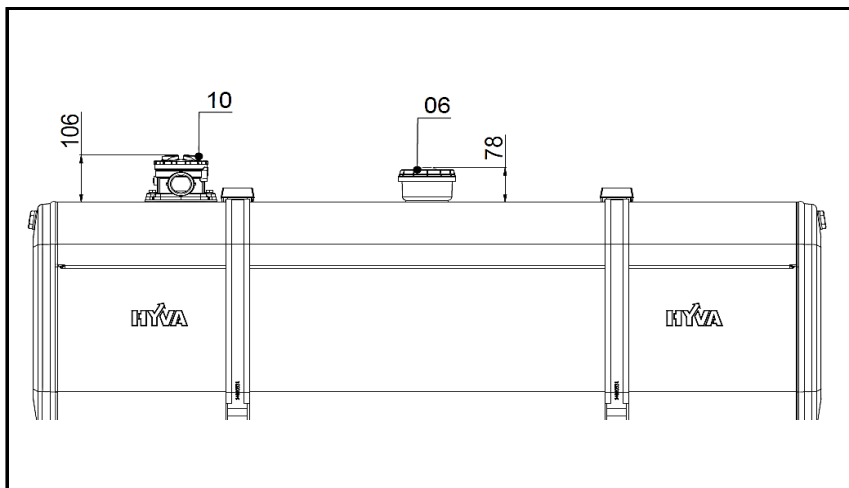
No.	Description	Qty
a	Adaptor-90-elbow-1" BSPOTC	1
	Adaptor-90-elbow-1" JICOTC	
b	Bolt HSHC M8x16x1.25 DIN 912 ZP	2
c	Nord-lock washer M8	2
d	O-Ring 34.60x2.62	1

Note : O-rings, bolts & washers are included with adaptor

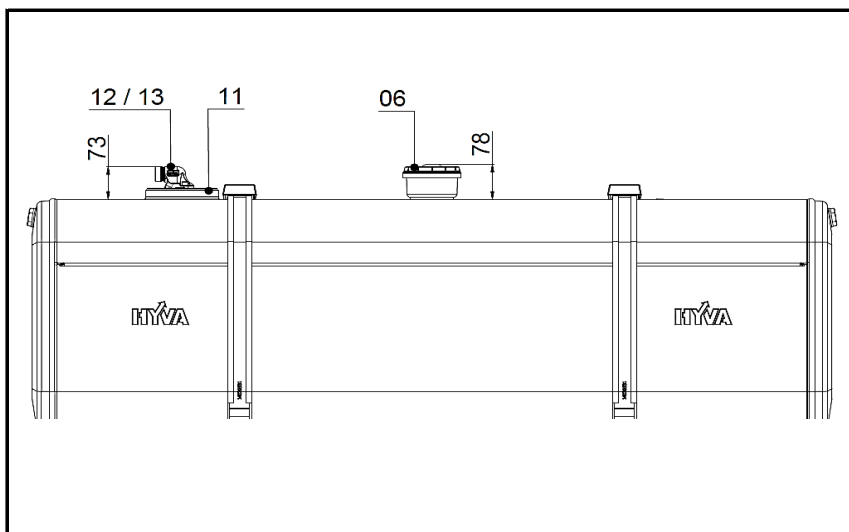
Valve mounting options



Valve mounted on top of tank



Valve mounted on chassis or cylinder (SAE)



Valve mounted on chassis or cylinder with Return line Plate version