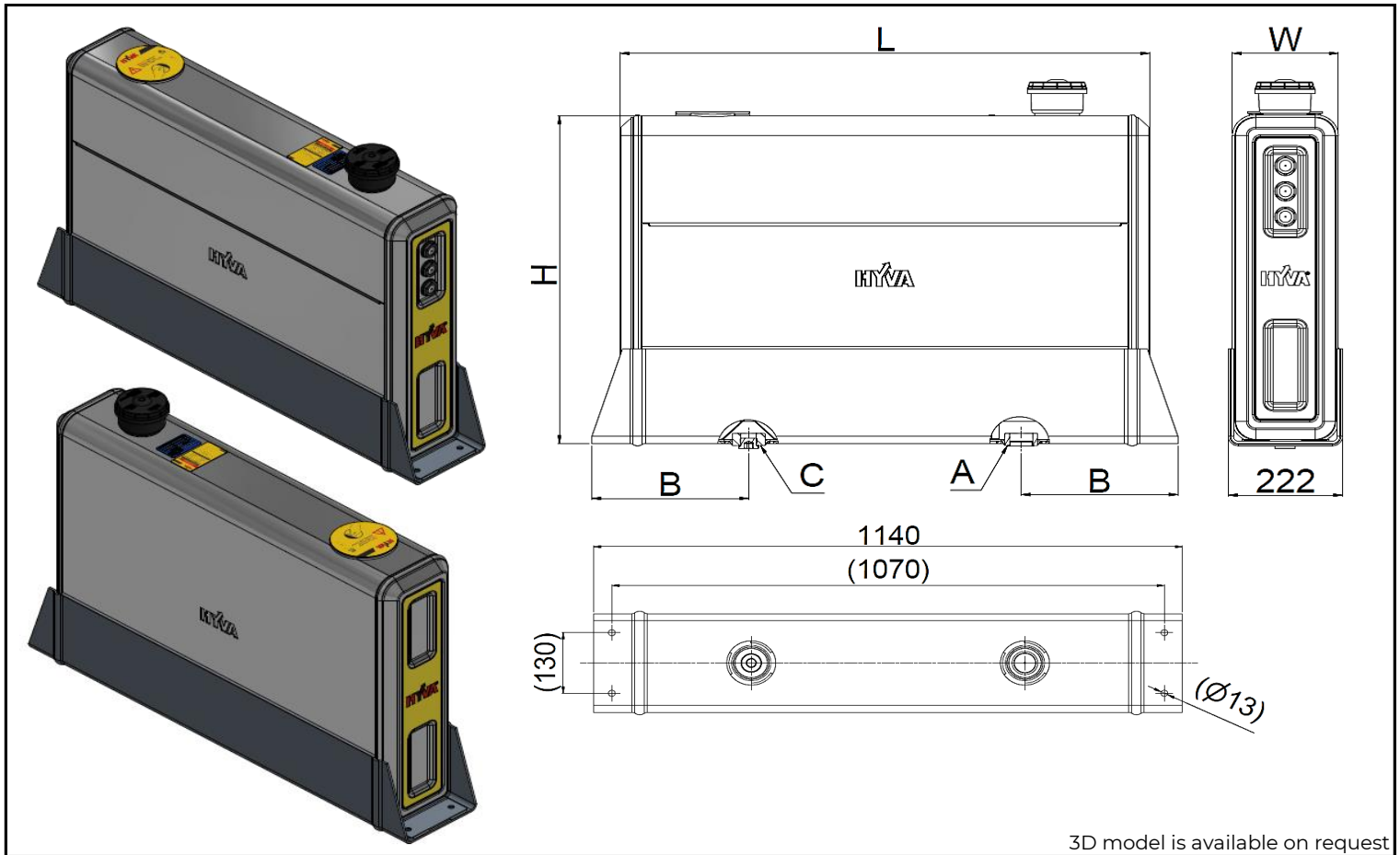


Slim rear Mounted tank

Specifications

Support Configuration.	Tank	
Part number	14015223	
*Air breather included with the tank	YES	
Material	Aluminium	
W: Width	202	mm
H: Height	702	mm
L: Length	1030	mm
SW: Support width	222	mm
B: Distance to suction port	305	mm
Gross volume	136	litres
Working volume 1	109	litres
Working volume 2	98	litres
Working volume 3	87	litres
Weight of tank	28.4	kg
A: Suction port**	1.5"	BSP
C: Return port***	1"	BSP

*Air breather is in the tank packaging and Return line filters must be ordered separately.

**The suction port (A) is closed with a temporary plastic plug.

***The return port (C) is closed with a permanent steel plug.

Technical notes

- Mount the tank according the mounting instructions · Fill the tank with the recommended hydraulic oil to the centre of the level indicator
- Change the oil once a year · Replace the air breather and return filter element twice a year · Do not use the tank to stand on or as a support
- Do not weld on the oil tank

Related documentation

Mounting instructions: OIL-0030

Oil specifications: OIL-0011

Air breather

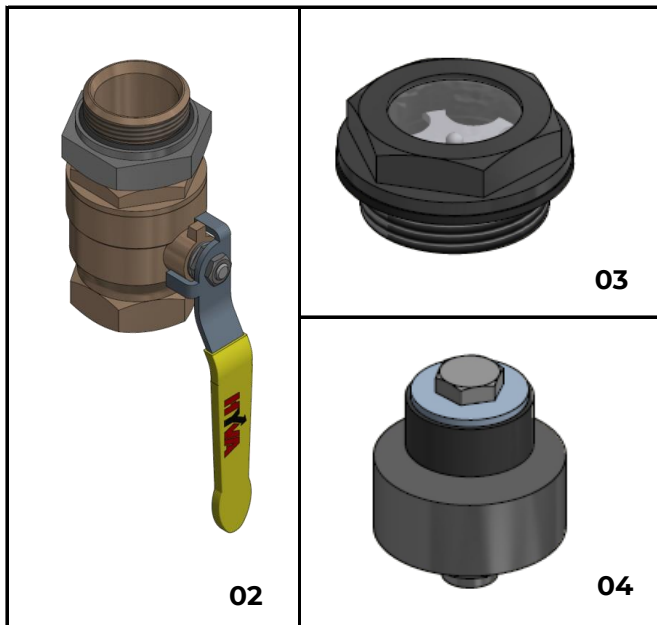


No.	Part no.	Description	Weight [kg]
01	08102116	Air breather	0.4

Attention! : Air breather included with tank.

For Air breather spec. sheet see DO-E 08102116.

Accessories / Spare parts

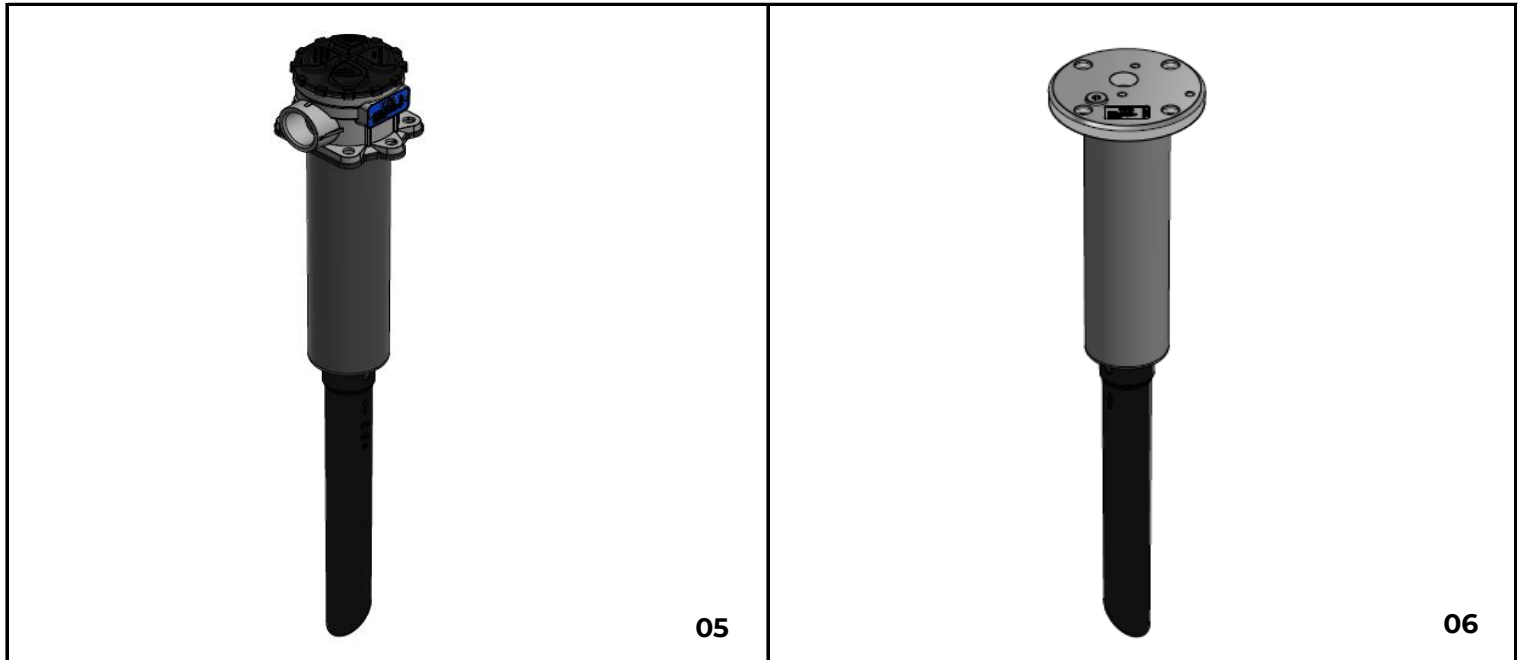


No.	Part no.	Description	Weight [kg]
02	14780981	Ball valve 1 1/2" BSP*	1.2
03	08102121	Plastic spy eye 1" BSP (with gasket)**	0.017
04	08101078	Vibration Damper	0.2

***For more suction component see LPADAP01.**

****Attention! : Spy eye included with Tank.**

Return filters



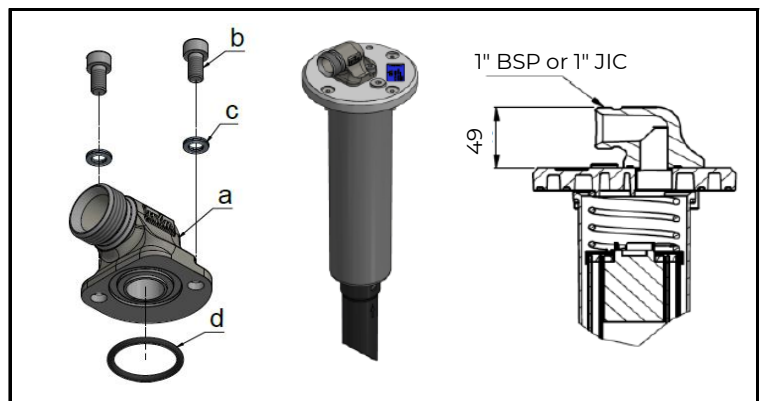
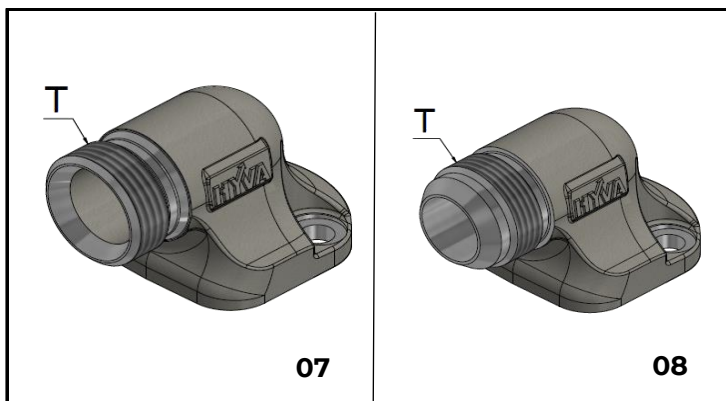
No.	Part no.	Description	Weight [kg]
05	14780353	Return filter housing type 250 L/m	1.4
06	14895925	Return filter plate type 250 L/m*	1.68

* Filter with mounting plate for tipping valve

Attention! : Return line filters are not included with tank. To be ordered separately.

For Return line filter spec. sheet see RFLTE02.

Option adaptor for plate filter

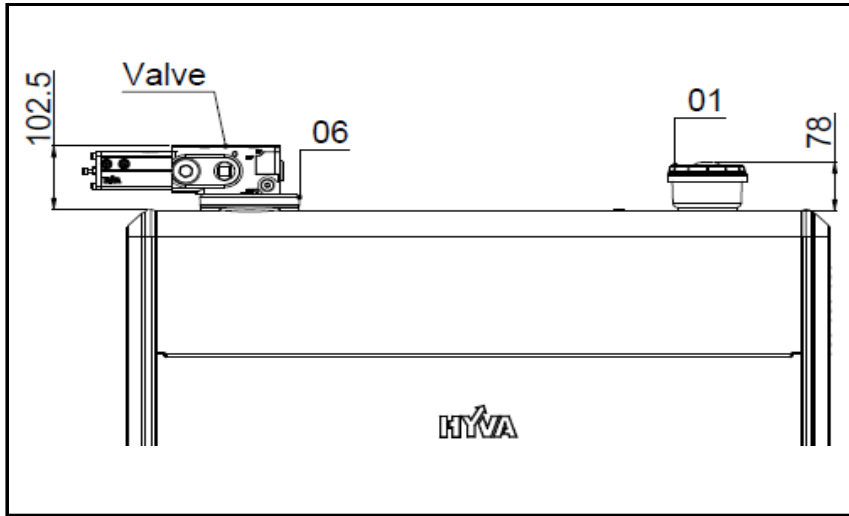


No.	Part no.	Description	Thread size (T)	Qty
07	01317987	Adaptor kit 90 for return filter	1" BSPOTC	1
08	01317988	Adaptor kit 90 for return filter	1" JICOTC	1

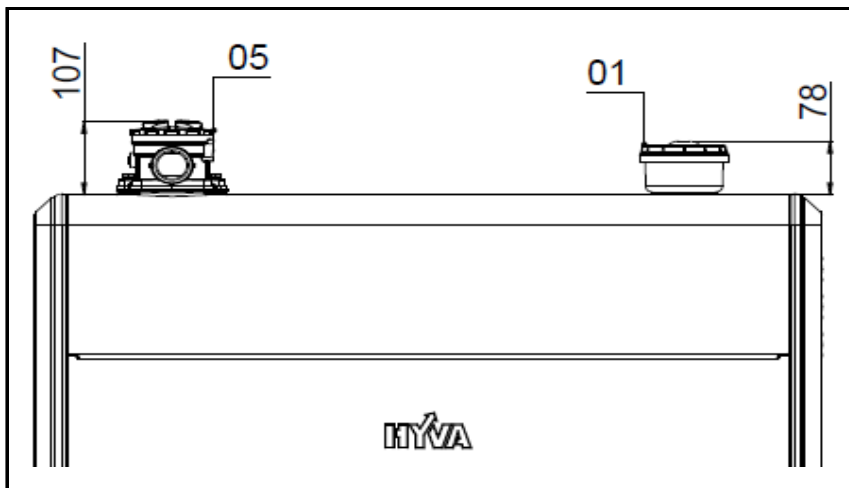
No.	Description	Qty
a	Adaptor-90-elbow-1" BSPOTC	1
	Adaptor-90-elbow-1" JICOTC	
b	Bolt HSHC M8x16x1.25 DIN 912 ZP	2
c	Nord-lock washer M8	2
d	O-Ring 34.60x2.62	1

Note : O-rings, bolts & washers are included with adapter

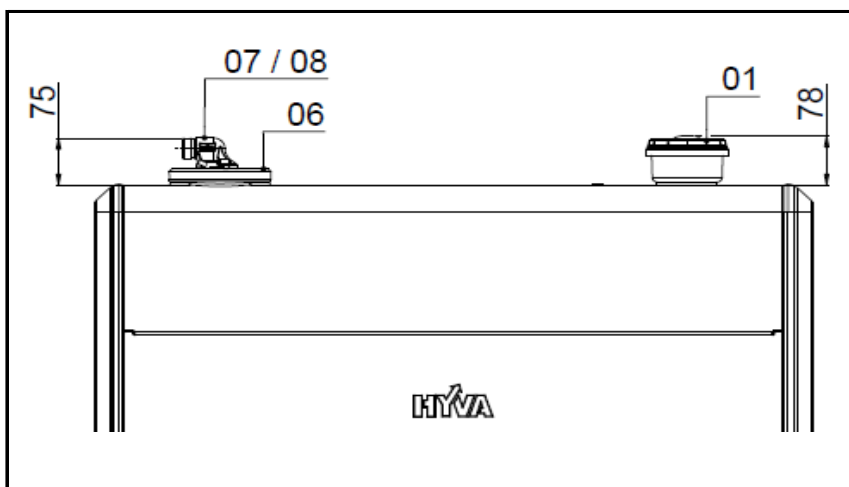
Valve mounting options



Valve mounted on top of tank.



Valve mounted on chassis or cylinder (SAE).



Valve mounted on chassis or cylinder with Return line Plate version.