

Specifications

| Configuration. | Tank | | |
|--|-----------|-----------|--------|
| | 14016585* | 14016586* | |
| Part number | 14016585* | 14016586* | |
| Material | Steel | Aluminium | |
| W : Width | 259 | 259 | mm |
| H : Height | 701 | 702 | mm |
| L : Length | 620 | 620 | mm |
| WS : Width of support | 396 | 396 | mm |
| B : Outer- suction port distance | 407.5 | 408 | mm |
| Gross Volume | 109 | 109 | litres |
| Working volume 1 | 86 | 86 | litres |
| Working volume 2 | 77 | 77 | litres |
| Working volume 3 | 68 | 68 | litres |
| Weight tank (without support) | 44 | 18 | kg |
| A : Suction port (blinded with temporary plastic plug) | 1.5" | 1.5" | BSP |
| B : Additional suction port (blinded with steel plug) | 1" | 1" | BSP |

*In packaging : Tank body + Air breather + 1" BSP steel plug

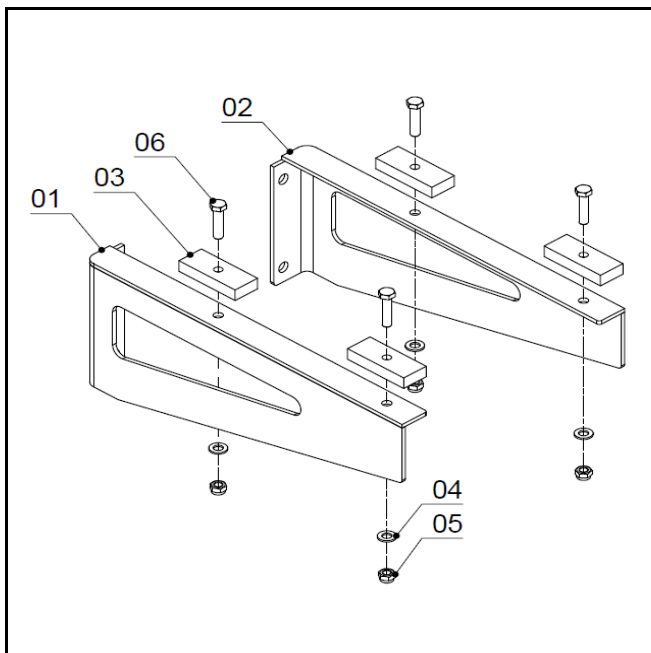
Technical notes

Mount the tank according the mounting instructions ·Fill the tank with the recommended hydraulic oil to the centre of the level indicator ·Change the oil once a year ·Replace the air breather and return filter element twice a year · Do not use the tank to stand on or as a support ·Do not weld on the oil tank · Steel tank black painted (RAL9005).

Related documentation

Mounting instructions: OIL-0026

Oil specifications: OIL-0011

Supports & rubbers

Full kit

| Part no. | Description | Weight [kg] |
|----------|-------------|-------------|
| 14021030 | Full kit* | 11.6 |

* Full kit = Support LH and RH (01 & 02), 4x (Tank rubber (03), bolt (06), nut (05) and washer (04))

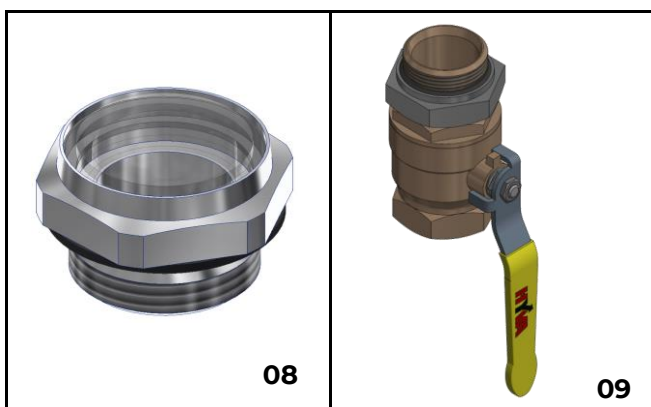
Separate parts

| No. | Part no. | Description | Weight [kg] |
|-----|----------|---------------|-------------|
| 01 | 14020500 | Support left | 5.0 |
| 02 | 14020502 | Support right | 5.0 |
| 03 | 08101050 | Tank rubber | 0.1 |
| 04 | 15020070 | Washer | 0.1 |
| 05 | 15026535 | Locking nut | 0.1 |
| 06 | 15006022 | Bolt | 0.1 |

Air breather


| No. | Part no. | Description | Weight [kg] |
|-----|----------|--------------|-------------|
| 07 | 08102116 | Air breather | 0.4 |

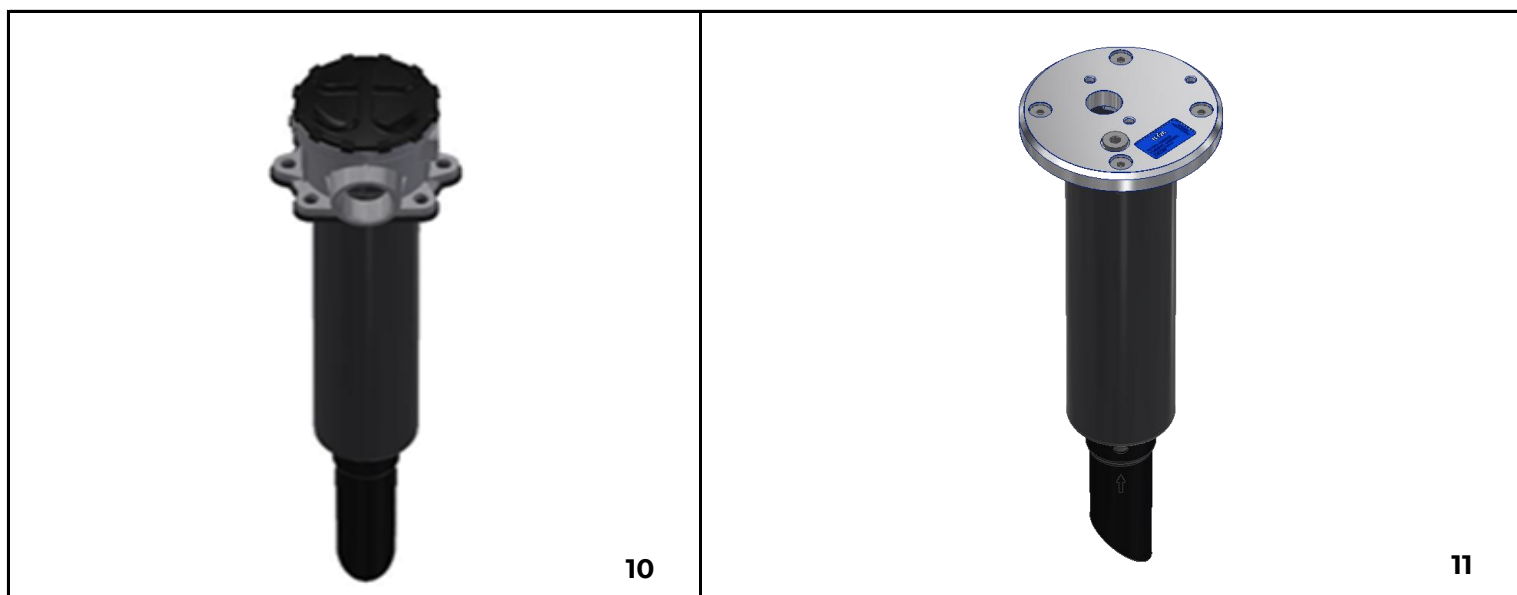
Attention! : Air breather included in the Tank

Accessories / Spare parts


| No. | Part no. | Description | Weight [kg] |
|-----|------------|--|-------------|
| 08 | 08102152* | Aluminum spy eye 1" BSP (with gasket)* | 0.041 |
| 09 | 14780981** | Ball valve 1 1/2" BSP** | 1.2 |

*Attention! : Spy eye included in the Tank

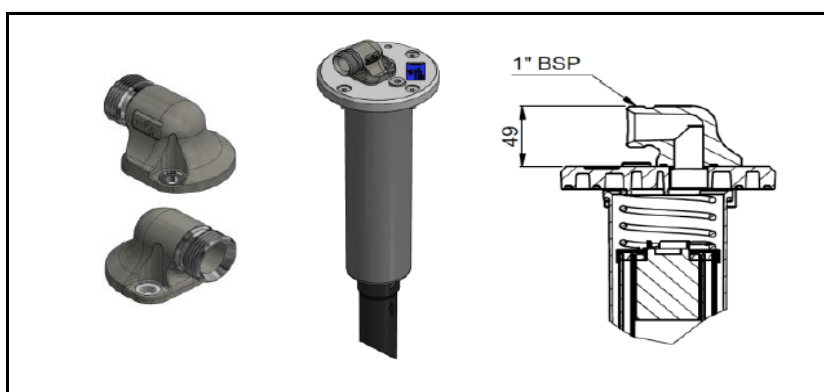
**For more suction component see LPADAP01

Return filters


| No. | Part no. | Description | Weight [kg] |
|-----|----------|------------------------------------|-------------|
| 10 | 14780353 | Return filter housing type 250 L/m | 1.4 |
| 11 | 14895925 | Return filter plate type 250 L/m* | 1.68 |

*Filter with mounting plate for tipping valve

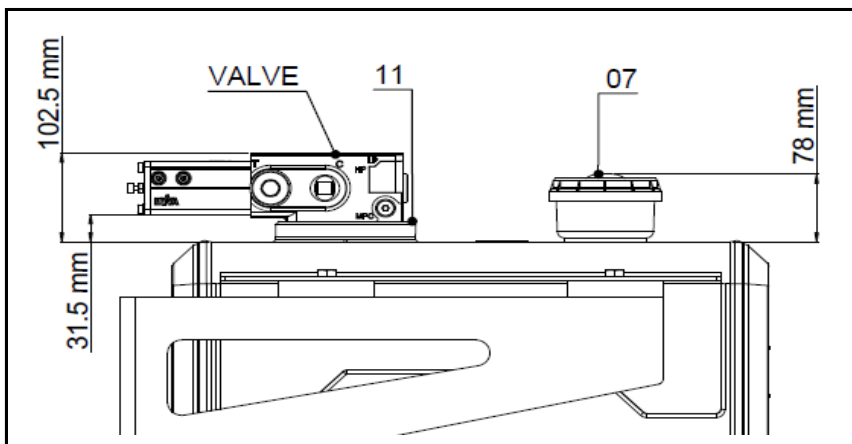
Attention! : Return line filters are not in the mounting kit. To be ordered separately.

Option adaptor for plate filter


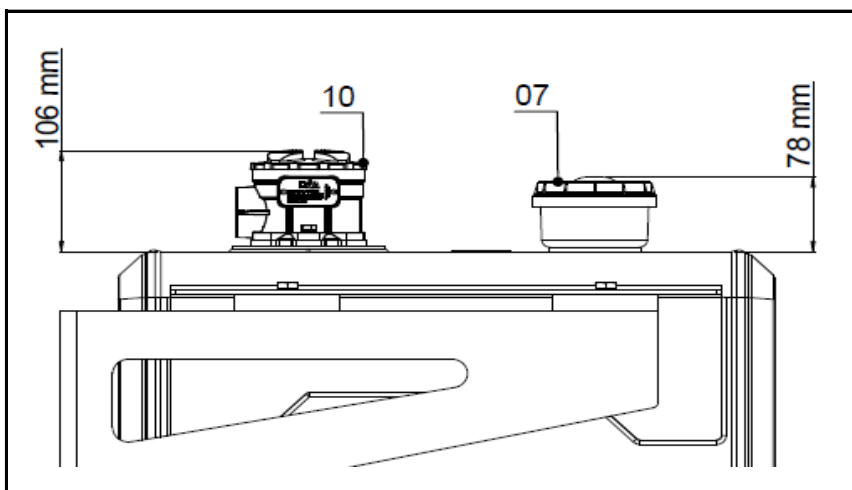
| No. | Part no. | Description | Qty |
|-----|----------|--|-----|
| 12 | 01317987 | Adaptor kit 90 for return filter-1" BSPOTC | 1 |

| Part no. | Description | Qty |
|----------------------|---------------------------------|-----|
| incl. in adaptor kit | Adaptor-90-elbow-1" BSPOTC | 1 |
| incl. in adaptor kit | Bolt HSHC M8x16x1.25 DIN 912 ZP | 2 |
| incl. in adaptor kit | O-Ring 34.60x2.62 | 1 |

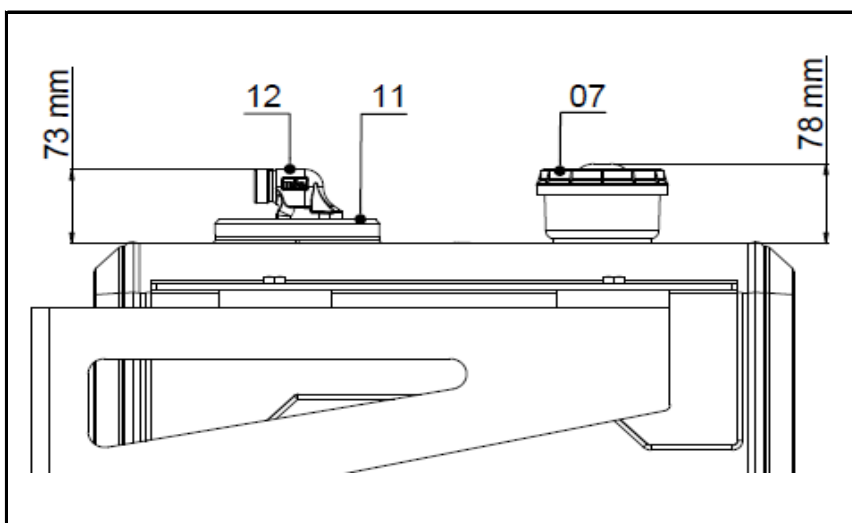
Valve mounting options



Valve mounted on top of tank



Valve mounted on chassis or cylinder (SAE)



Valve mounted on chassis or cylinder with Return line Plate version