

Specifications

Support configuration	Tank in cradle		Tank + support on cradle	Tank + support on cradle	
	Tank + support on cradle				
Part number	14016500	14016505	14016520	14016524	
W: Width	280	280	280	280	mm
H: Height	525	525	700	700	mm
L: Length	500	620	620	620	mm
WS: Width of support	368	368	368	368	mm
B: Outer-section port distance	270	270	270	270	mm
Gross volume	66	83	108	108	litres
Working volume 1	47	59	86	86	litres
Working volume 2	39	48	78	78	litres
Working volume 3	-	-	69	-	litres
Weight tank	18	22	27	27	kg
A: Suction port	1.5"	1.5"	1.5"	1.5"	BSP

Technical notes

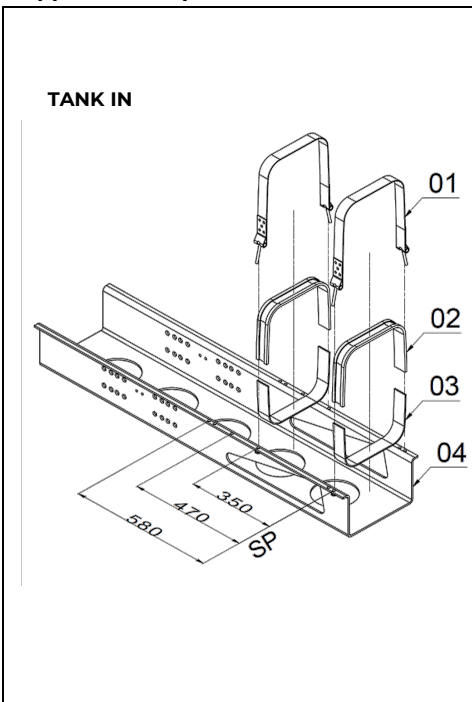
- Mount the tank according the mounting instructions · Fill the tank with the recommended hydraulic oil to the centre of the level indicator · Change the oil once a year · Replace the air breather and return filter element twice a year · Do not use the tank to stand on or as a support · Do not weld on the oil tank · Steel tank painted black (RAL9005) and yellow (RAL1023)

Related documentation

Mounting instructions: OIL-0012

Oil specifications: OIL-0011

Supports & straps rubbers



Full mounting kit for oil tank

Part no.	Description
14021010	Full mounting kit for oiltank 14016500 and 14016505*

* Full kit = 2 x the separate mounting parts (strap with T-bolt and nut (1), rubber for strap (2) and rubber for support (3))

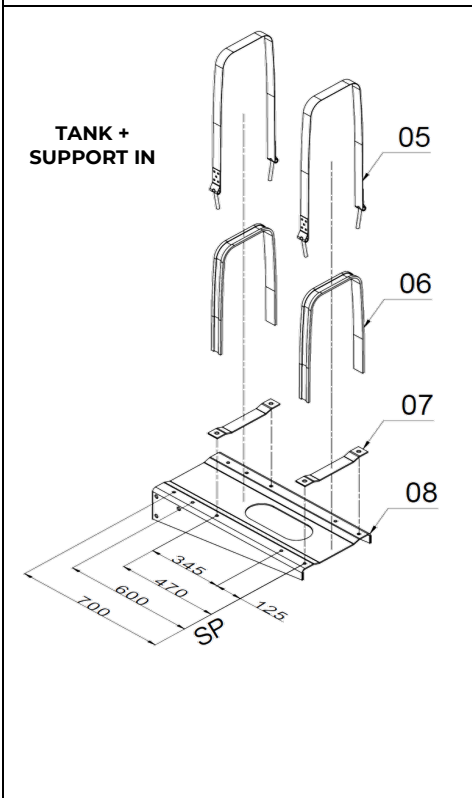
Separate mounting parts for cradle 286 mm

No.	Part no.	Description	Part no. Oil Tank		Weight (kg)
			14016500	14016505	
01	14020471	Strap	•	•	0,7
02	14020475	Rubber of strap	•	•	0,1
	-	Strap position (SP)	350	470	
03	14020450	Rubber for support	•	•	0,1

Cradle Part

04	01507538	Cradle 286 mm***	•	•	36,7
----	----------	------------------	---	---	------

***Cradle to be ordered separate from the kit above



Full mounting kit for oil tank

Part no.	Description
14021013	Full mounting kit for oiltank 14016500 and 14016505**
14021014	Full mounting kit for oiltank 14016520**

** Full kit = 2 x seperated mounting parts (strap with T-bolt and nut (5), rubber for strap (6) and rubber for support (7))

Separate mounting parts for cradle 368 mm

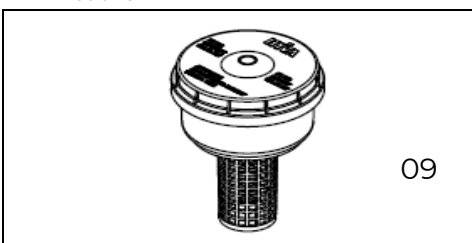
No.	Part no.	Description	Part no. Oil Tank			Weight (kg)
			14016500	14016505	14016520	
05	14020461	Strap 1170 mm x 40 mm	•	•		1,2
	14020351	Strap 1510 mm x 40 mm			•	1,4
06	14020465	Rubbers strap 900 mm x 40 mm	•	•		0,2
	14020335	Rubbers strap 1200 x 40 mm			•	0,2
	-	Strap position (SP) (in mm)	345	470	470	
07	14020485	Rubber for support	•	•	•	0,1

Tank support for Cradle

08	14020480	Tank Support for in cradle 368 mm****	•	•	•	16,1
----	----------	---------------------------------------	---	---	---	------

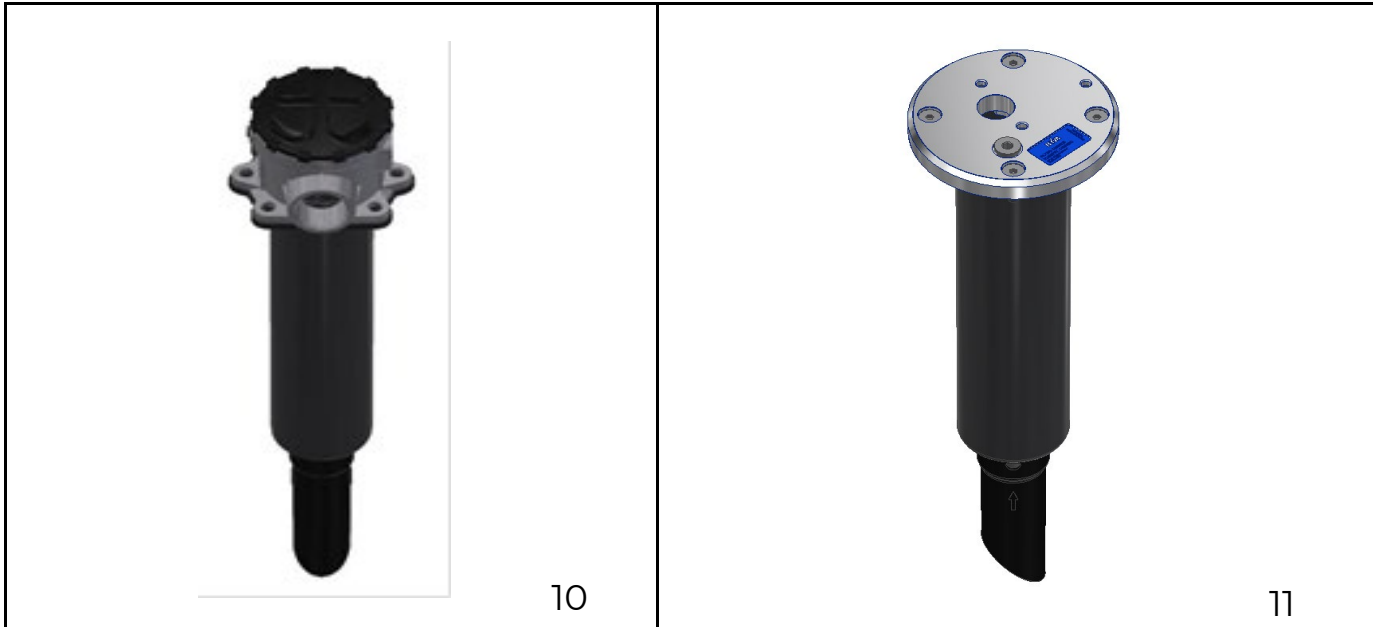
****Tank support ordered separate from the kit above

Air Breather



09	Air Breather	Part no. Oil Tank		Weight (kg)
		14016500	14016505	
			08102116	0,4

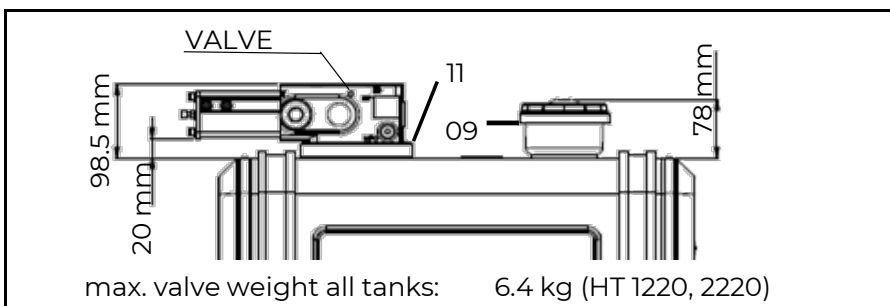
Return filters



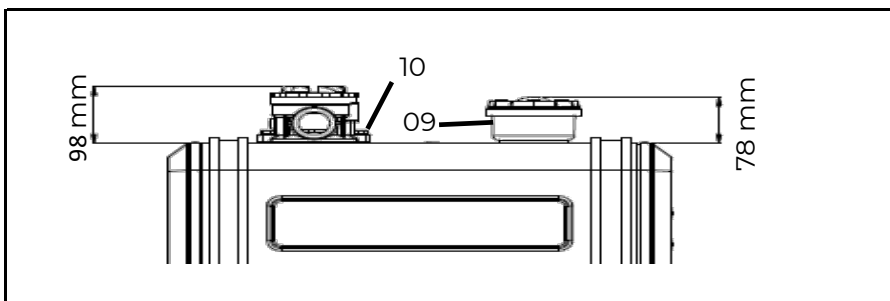
No.	Part no.	Tank H=525		Weight (kg)	TANK H=700	
		14016500	14016505		14016520	Weight (kg)
10	Return filter housing type 250 l/m	14780351		1,4	14780353	1,4
11	Return filter plate type 250 L/m*	14895923		1,63	14895924	1,68

*Filter with mounting plate for tipping valve

Valve mounting options



Valve mounted on tank



Chassis or cylinder (SAE) mounted valve