

# HYVA ALUMINIUM OIL TANKS



## SIDE MOUNTED TANK INCLUDING SUPPORT

Hyva

type : SM - 132L/110L - AL - MP2 - MR SINGLE SUPPORT

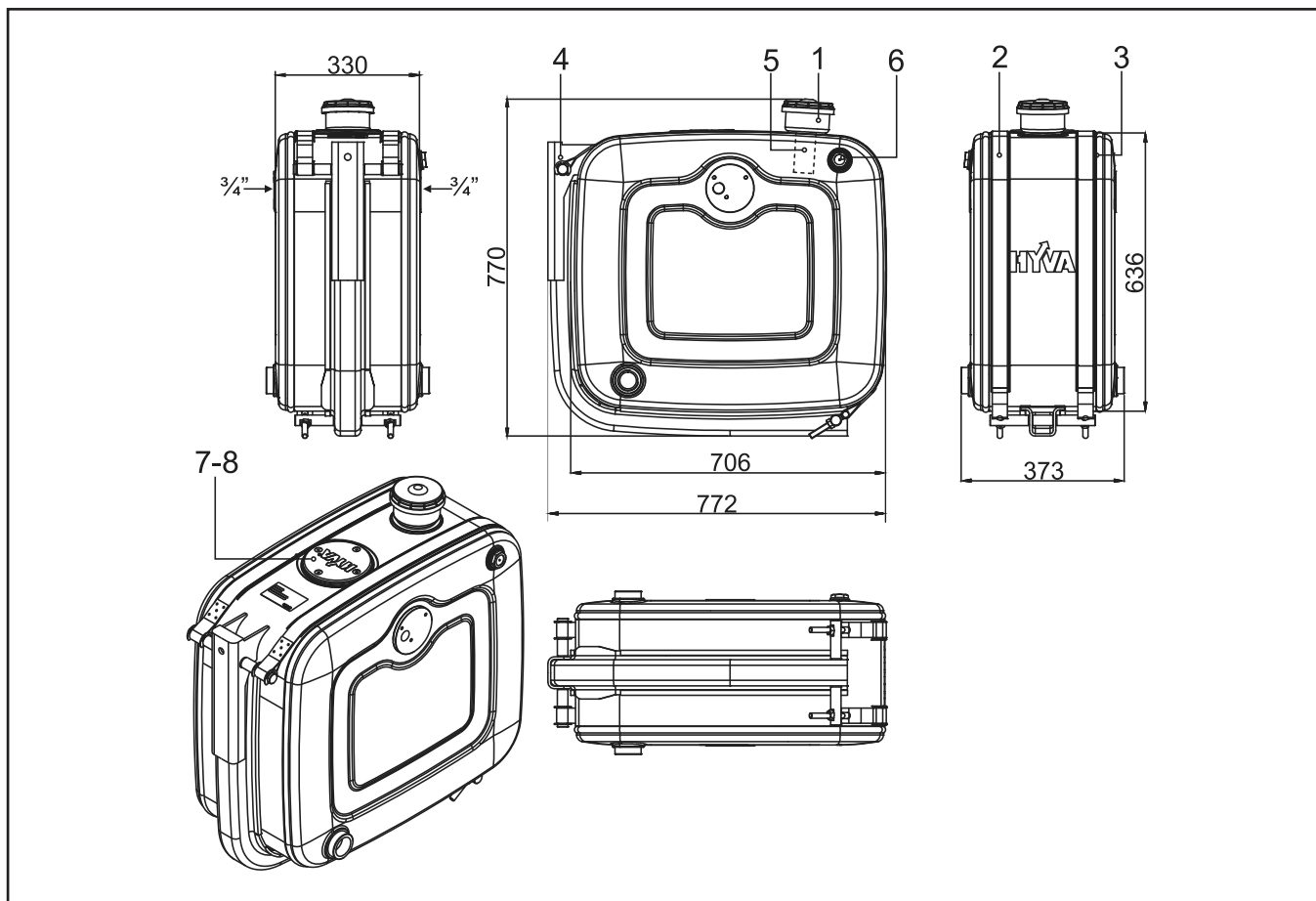
Page 1 / 1

part number tank :

140 18 201

working volume :

110 liters



### Part list

Pos.	Part no.	Description	Qty.
	140 18 201	Consisting of:	
1	081 02 116	air breather filter	1
2	140 20 065	strap 1372 x 35 mm	2
3	140 20 159	kit for single support	1
4	140 20 345	tank support	1

### Spare Parts

Pos.	Part no.	Description	Qty.
5	081 02 117	air filter element	1
6	081 02 121	spy glass	1
7	020 52 431	cover plate	1
8	020 52 432	gasket	1

### Optional part

Part no.	Description	Qty.
147 80 303	return filter kit	1

### General information

#### Pay attention to the following points:

- Mount the tank according to the mounting instructions.
- Fill the tank with the recommended hydraulic oil to the centre of the spy glass (level indicator).
- Change the oil once a year.
- Replace the air breather filter twice a year.
- Do not use the tank as a support or to stand on.
- Do not weld to the oil tank.

### Specifications

Gross volume	: 132	Liters
Fill volume	: 122	Liters
Working volume	: 110	Liters
Total weight	: 32	kg
Connections	: 1½"	BSPIT (Suction 2x)
	: ¾"	BSPIT (Valve plate 2x)