

HYVA ALUMINIUM OIL TANKS



SIDE MOUNTED TANK

Hyva

type :

SM - 236L/200L - AL - MP - MR

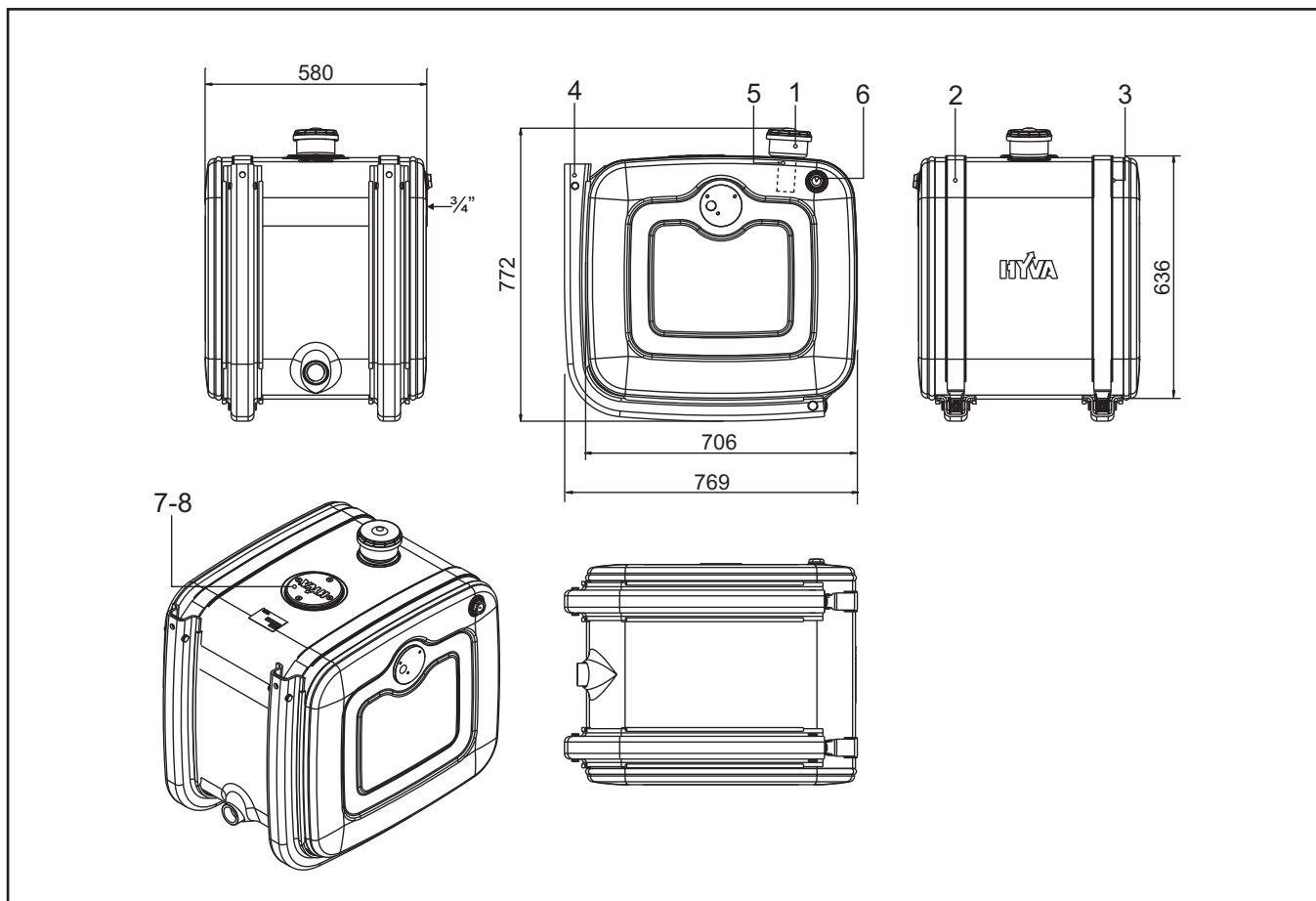
Page 1 / 1

part number tank :

140 18 232

working volume :

200 liters



Part list

| Pos. | Part no. | Description | Qty. |
|------|------------|-----------------------------------|------|
| | 140 20 161 | Mounting kit parts consisting of: | |
| 1 | 081 02 116 | air breather filter | 1 |
| 2 | 140 20 300 | straps | 2 |
| 3 | 140 20 328 | kit for two supports | 1 |
| 4 | 140 20 321 | tank support | 2 |

Spare Parts

| Pos. | Part no. | Description | Qty. |
|------|------------|--------------------|------|
| 5 | 081 02 117 | air filter element | 1 |
| 6 | 081 02 121 | spy glass | 1 |
| 7 | 020 52 431 | cover plate | 1 |
| 8 | 020 52 432 | gasket | 1 |

Optional part

| Part no. | Description | Qty. |
|------------|-------------------|------|
| 147 80 303 | return filter kit | 1 |

General information

Pay attention to the following points:

- Mount the tank according to the mounting instructions.
- Fill the tank with the recommended hydraulic oil to the centre of the spy glass (level indicator).
- Change the oil once a year.
- Replace the air breather filter twice a year.
- Do not use the tank as a support or to stand on.
- Do not weld to the oil tank.

Specifications

| | | |
|---------------------|----------|---------------------|
| Gross volume | : 236 | Liters |
| Fill volume | : 218 | Liters |
| Working volume | : 200 | Liters |
| Weight tank | : 18 | kg |
| Weight each support | : 10 | kg |
| Connections | : 1 1/2" | BSPIT (Suction) |
| | : 3/4" | BSPIT (Valve plate) |