

# HYVA CYLINDER

714 06 851



type: UMB 169-4-2980-K265-50-3/4"-HC

tipping weight: 25-31 ton

page # 1 / 2

Stage diameters <b>169</b> <b>149</b> <b>129</b> <b>110</b>	front view cylinder		<table border="1"> <tr><td>A</td><td>230</td></tr> <tr><td>ØC</td><td>192</td></tr> <tr><td>G¹</td><td>996</td></tr> <tr><td>I</td><td>731</td></tr> <tr><td>K¹</td><td>265</td></tr> <tr><td>M¹</td><td>106</td></tr> <tr><td>ØP</td><td>110</td></tr> <tr><td>ØQ</td><td>75</td></tr> <tr><td>S</td><td>737</td></tr> <tr><td>ØW</td><td>50</td></tr> <tr><td>X</td><td>45</td></tr> </table>	A	230	ØC	192	G¹	996	I	731	K¹	265	M¹	106	ØP	110	ØQ	75	S	737	ØW	50	X	45
A	230																								
ØC	192																								
G¹	996																								
I	731																								
K¹	265																								
M¹	106																								
ØP	110																								
ØQ	75																								
S	737																								
ØW	50																								
X	45																								

<sup>1</sup>including 20 mm pull-out [tol. -5; +30 mm]

<sup>2</sup>cylinder is delivered including oil inlet swivel adapter and cup

## specifications

total stroke <sup>1</sup>	2980 mm
dry weight cylinder only	140 kg
total volume	50.2 L
working volume	46.5 L
maximum pressure	220 bar
maximum pump flow	143 l/min
maximum allowable thrust first stage <sup>3</sup>	25.0 ton
oil inlet	3/4" BSP

## technical notes

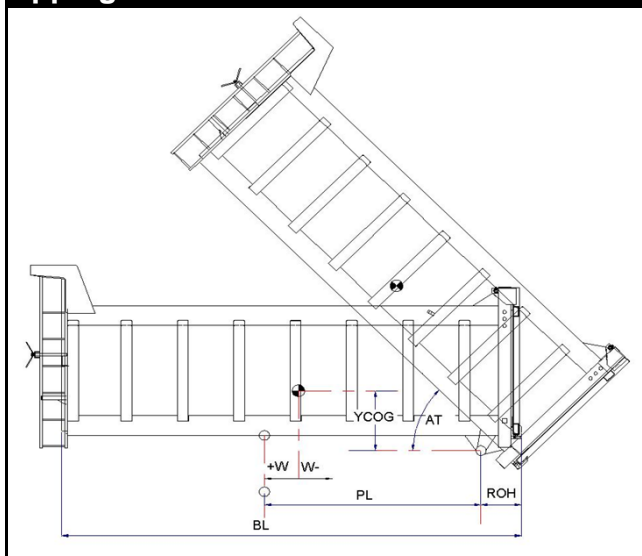
This cylinder is a lifting device only and may not be used as a structural member or be subjected to side load. Sideload and/or poor alignment might result in cylinder leakage. Hyva therefore strongly recommends the use of a cradle, even in instances where the cylinder only tips to the rear or to the side. The cylinder is painted black RAL9005.

For suitable hydraulic oils, please refer to data sheet OIL-0011. For details of available brackets and cradles, please refer data sheet 015BRA06.

Detailed calculations can be made using the HYVA Tipper Program, freely available from [tipper.hyva.com](http://tipper.hyva.com).

<sup>3</sup>The cylinder thrust on the first stage (from the HYVA Tipper Program) must not exceed the maximum allowable (see specifications above).

## tipping view



## tipping weight

PL	3890			mm	3440		
YCOG	700			mm	700		
ROH	700			mm	700		
BL	9180	8350	7650	mm	8280	7530	6900
CYL w.r.t. COG (W)	0	420	770	mm	0	380	690
	Tipping weight for full stroke of 46°				Tipping weight for full stroke of 52°		
Tipping weight	25	28	31	ton	25	28	31
	Tipping weight for second last stage, up to 35°				Tipping weight for 2nd last stage, up to 39°		
Tipping weight	25	28	31	ton	25	28	31

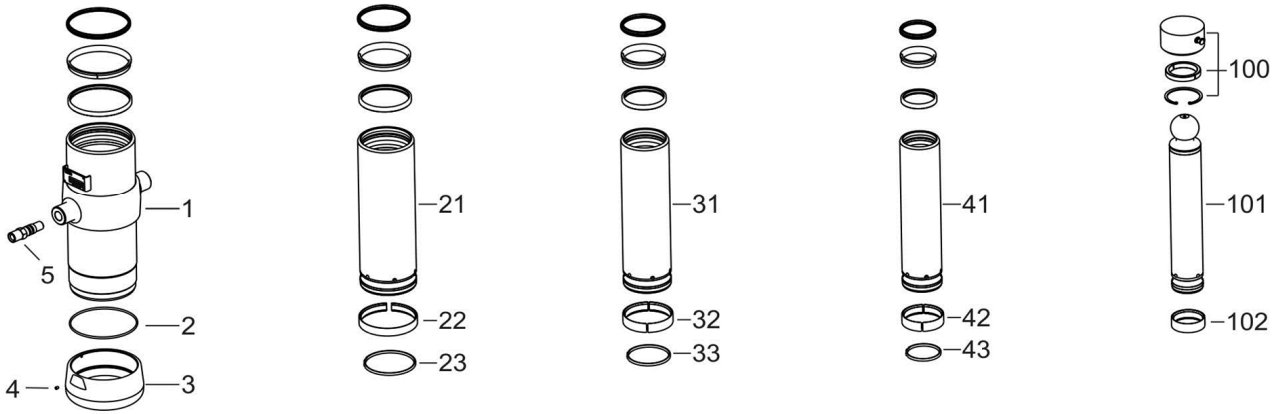
# HYVA CYLINDER

714 06 851

type

UMB 169-4-2980-K265-50-3/4"-HC

page # 2 / 2



## Spare part list

Pos	Part no.	Description	Qty.
1	73507950	BASE 191-0862-N0159	1
2	01226780	O-RING 184 X 4 70 SHORE	1
3	73101050	THREADED BOTTOM UM 191	1
4	01792571	LOCKING SCREW M6X12 INT. HEX. DIN 916	1
5	73103002	OIL INLET ADAPTOR UM 3/4"OT+O-RING	1
21	73606951	STAGE 169-0862-HC	1
22	71807169 K	SLIDER FL 169	1
23	71813169 K	LIFTRING FL 169x5	1
31	73605951	STAGE 149-0862-HC	1
32	71807149 K	SLIDER FL 149	1
33	71812149 K	LIFTRING FL 149/HP 150	1
41	73604951	STAGE 129-0862-HC	1
42	71807129 K	SLIDER FL 129/GF 129 (2 X 1/2)	1
43	71812129 K	LIFTRING FL 129/HP 129	1

## Spare part list

Pos	Part no.	Description	Qty.
100	01745103	RETAINER KIT UMB D.75	1
101	73403951	PISTON B 110-0904-HC	1
102	71807110 K	SLIDER FL 110/GF 110 (2 X 1/2)	1

## Seal kit complete

Part no.	Description
719 04 641K	Complete packset: Consists of all packsets with packset grease and o-ring.