

## Specifications

Max. working pressure	250 bar
Weight	281 kg
Working volume	59 L
Total volume	65 L
Max. cyl. load (start tipping)	245 kN

## Max. pump flow

With KO <sup>1</sup>	195 L/min
Without KO <sup>1</sup>	137 L/min
With KO <sup>1</sup> below -20°C	137 L/min
Without KO <sup>1</sup> below -20°C	96 L/min

## Tipping time

With KO <sup>1</sup>	18 sec
Without KO <sup>1</sup>	26 sec
With KO <sup>1</sup> below -20°C	26 sec
Without KO <sup>1</sup> below -20°C	37 sec
Allowable lowering time	15 sec

Extension	1	2	3	4	5	6	7	Total
Effective diameter [mm]	149	129	110	91				5125
Stroke* [mm]	1260	1285	1290	1290				

## Technical notes

- This cylinder is a lifting device only.
- It should not be used as a structural member and should not be subjected to side loads.
- Tipping valve must have a pressure relief at the cylinder port set not higher than max. working pressure.
- Verify max. cyl. load.
- Working temperature range is between -40°C and +80°C.
- Max. duration of extension is 0.5 hours (excluded hard chromed stages).
- Cylinder is painted black (RAL9005) with a min. thickness conforming to the 480 hours neutral salt spray test as per ISO 9227.
- <sup>1</sup> Hyva knock-off.

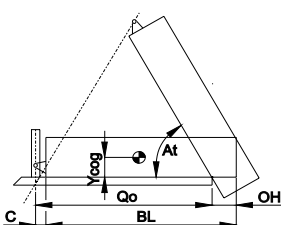
## Related documentation

Bracket options: 015BRA10 & 015BRA12

Mounting instructions: CYL-0030

Oil specifications: OIL-0011  
Spec sheet explanation: CYL-0041

## Tipping weight



BL	body length
OH	rear overhang
Ycog	vert. pos. centre of gravity
Qo	pivot length
C	bracket length
At	tipping angle
	stroke x 60 / Qo

BL [mm]	6800			6450			6100		
OH [mm]	200	500	800	200	500	800	200	500	800
At [°]	44	46	49	47	49	52	50	53	56
Ycog [mm]									
600	46	50	56	47	52	60	50	56	
900	49	54		51					
1200	53								

Tipping weight [ton] at maximum pressure of 250 bar for a vertically mounted cylinder and C is 229 mm

For detailed tipping calculations please refer to: <https://tipper.hyva.com>

# Alpha series - Front end cylinder with outer cover

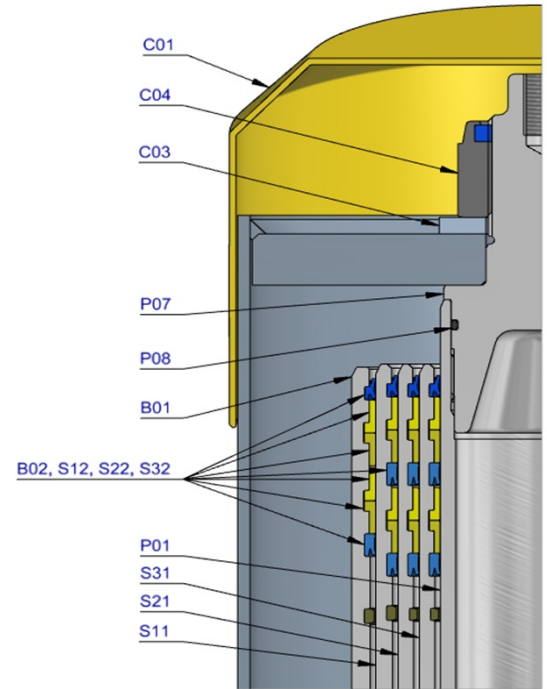


FC A149-4-05125-000-K0343-HD-HC

Item no.

70515401

Pos.	Part no.	Description	Qty.
C01	71839050	DUST COVER FC LOW 15-273	1
C02	71737524	COVER 273-1315 PIN60 A360 SPH LOCK	1
C03	01702956 K	WASHER M48 DIN 125B ZP	1
C04	01702907 K	TOPNUT NYLOC M48x3 DIN 985 ZP	1
C05	01791953	O-RING COVER D.273	1
C06	15014550 K	BOLT HSHC M12X30X1.75 Q8.8 DIN 912 ZP	1
P01	74412511	PISTON FL2 S 091-1515-HD-HC	1
P02	71807093 K	SLIDER FL 091 (2 X 1/2) A35	1
P03	71851091 K	OUTER STOPRING FL 091 A22	2
P04	71822705	BOTTOM PLATE PISTON FL 091 MK2 HD	1
P05	01745020 K	CIRCLIP 78 DIN 472 (82.5x2.5)	1
P06	71870215 K	O-RING PISTON BOTTOM 091	1
P07	71848200	PISTON HEAD FL 091 MK2	1
P08	01226430 K	O-RING 72.62 X 3.53 MM	1

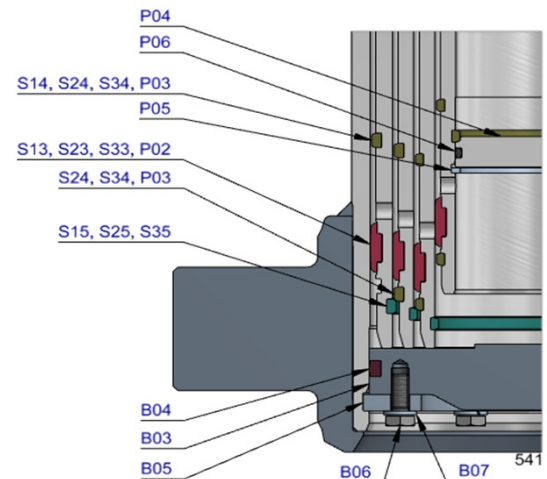
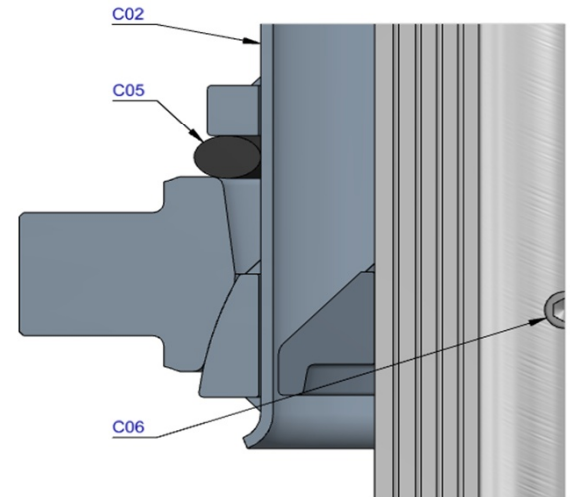


S31	74613511	STAGE FL2 110-1510-HD-HC	1
S32	71808110 K	PACKSET FL 110/HP 110 TANDEM SEAL	1
S33	71807112 K	SLIDER FL 110 (2 X 1/2) A35	1
S34	71851110 K	OUTER STOPRING FL 110 A22	2
S35	71852110 K	LIFTRING FL 110 A22	1

S21	74614511	STAGE FL2 129-1510-HD-HC	1
S22	71808129 K	PACKSET FL 129/HP 129 TANDEM SEAL	1
S23	71807131 K	SLIDER FL 129 (2 X 1/2) A35	1
S24	71851129 K	OUTER STOPRING FL 129 A22	2
S25	71852129 K	LIFTRING FL 129 A22	1

S11	74615511	STAGE FL2 149-1510-HD-HC	1
S12	71808149 K	PACKSET FL 149/HP 150 TANDEM SEAL	1
S13	71807151 K	SLIDER FL 149 A35	1
S14	71851149 K	OUTER STOPRING FL 149 A22	1
S15	71852149 K	LIFTRING FL 149 A22	1

B01	74516510R1215	BASE FL2 169-1549-4/4BSAE-190-C273-HD	1
B02	71802169 K	PACKSET FL 169	1
B03	71825425	BOTTOM PLATE FL2 169	1
B04	71870035 K	SEAL BOTTOM PLATE FL 169	1
B05	71820169	LOCKING PLATE FL 169	3
B06	01732055 K	BOLT HEX M8X20X1.25 SET 6 PCS	1
B07	01732559 K	WASHER SPRING M8 SET 6 PCS	1



## Seal kit complete

	71908541 K	Consists of all packsets with packset grease and O-rings	
--	------------	--	--

## Notes

The inner stopring is pre-mounted in the grooves on spare bases and stages. Therefore, when ordering new tubes, it is not required to order inner stoprings separately.

For repair instructions see: CYL-0040. Serial no. is located on type plate and near type plate support.