

Specifications

Max. working pressure	190 bar
Weight	379 kg
Working volume	130 L
Total volume	139 L
Max. cyl. load (start tipping)	345 kN
Max. cyl. load (end of stroke) ²	145 kN
Max. cyl. load (end of stroke) ³	169 kN

Max. pump flow

With KO ¹	190 L/min
Without KO ¹	170 L/min
With KO ¹ below -20°C	133 L/min
Without KO ¹ below -20°C	119 L/min

Tipping time

With KO ¹	41 sec
Without KO ¹	46 sec
With KO ¹ below -20°C	59 sec
Without KO ¹ below -20°C	66 sec
Allowable lowering time	41 sec

Extension	1	2	3	4	5	6	7	Total
Effective diameter [mm]	191	169	149	129	110			7130
Stroke* [mm]	1410	1430	1430	1430	1430			

Technical notes

- This cylinder is a lifting device only. • It should not be used as a structural member and should not be subjected to side loads. • Tipping valve must have a pressure relief at the cylinder port set not higher than max. working pressure. • Verify max. cyl. load. • Working temperature range is between -40°C and +80°C. • Max. duration of extension is 0.5 hours (excluded hard chromed stages). • Cylinder is painted black (RAL9005) with a min. thickness conforming to the 480 hours neutral salt spray test as per ISO 9227. • ¹ Hyva knock-off. • ² Unsubstantial unloading (sticky load).
- ³ Substantial unloading.

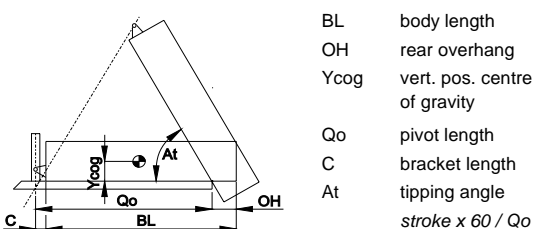
Related documentation

Bracket options: 015BRA10 & 015BRA12

Mounting instructions: CYL-0030

Oil specifications: OIL-0011
Spec sheet explanation: CYL-0041

Tipping weight



BL [mm]	9400			9150			8900		
OH [mm]	200	500	800	200	500	800	200	500	800
At [°]	45	47	48	46	48	50	48	50	52
Ycog [mm]									
600	49	52	56	50	53	57	51	54	59
900	52	55	60	53	57	62	54	58	64
1200	55	59	64	56	61	67	58	63	70

Tipping weight [ton] at maximum pressure of 190 bar for a vertically mounted cylinder and C is 229 mm

For detailed tipping calculations please refer to: <https://tipper.hyva.com>

Pos.	Part no.	Description	Qty.
C01	71839050	DUST COVER FC LOW 15-273	1
C02	71737008	COVER 273-0485 PIN60 A360 SPH LOCK	1
C03	01702956 K	WASHER M48 DIN 125B ZP	1
C04	01702907 K	TOPNUT NYLOC M48x3 DIN 985 ZP	1
C05	01791953	O-RING COVER D.273	1
C06	15014550 K	BOLT HSHC M12X30X1.75 Q8.8 DIN 912 ZP	1
P01	74403651	PISTON FL2 S 110-1645-HC	1
P02	71853110 K	SLIDER FL 110 (2 X 1/2) A22	1
P03	71851110 K	OUTER STOPRING FL 110 A22	1
P04	71822110	BOTTOM PLATE PISTON FL 110	1
P05	01745050 K	CIRCLIP 100 DIN 472 (105.5x3.0)	1
P06	71870220 K	O-RING PISTON BOTTOM 110	1
P07	71848300	PISTON HEAD FL 110 MK2	1
P08	01226538 K	O-RING 91.67 X 3.53 MM NBR	1

S41	74604650	STAGE FL2 129-1640	1
S42	71802129 K	PACKSET FL 129/HP 129	1
S43	71853129 K	SLIDER FL 129 (2 X 1/2) A22	1
S44	71851129 K	OUTER STOPRING FL 129 A22	1
S45	71852129 K	LIFTRING FL 129 A22	1

S31	74605650	STAGE FL2 149-1640	1
S32	71802149 K	PACKSET FL 149/HP 150	1
S33	71807151 K	SLIDER FL 149 A35	1
S34	71851149 K	OUTER STOPRING FL 149 A22	1
S35	71852149 K	LIFTRING FL 149 A22	1

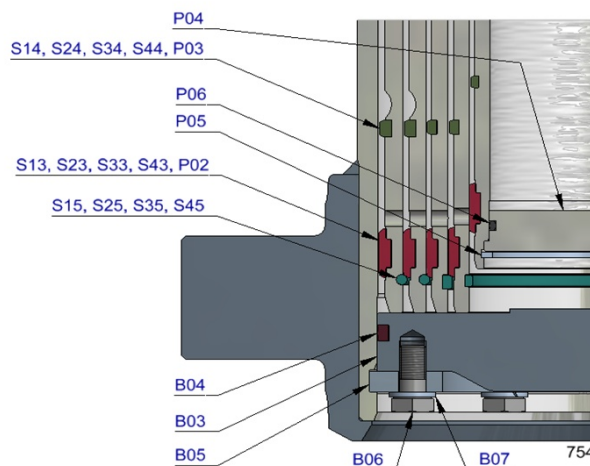
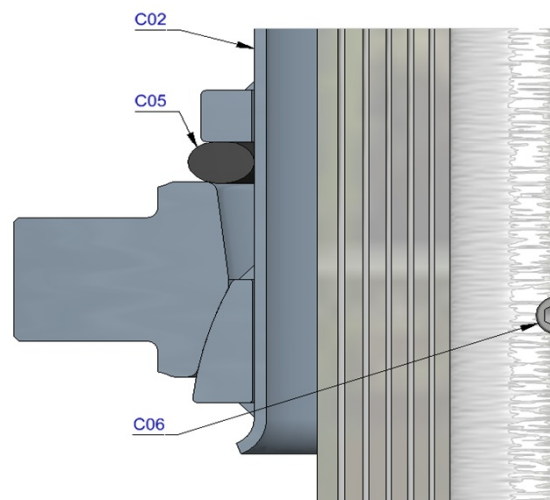
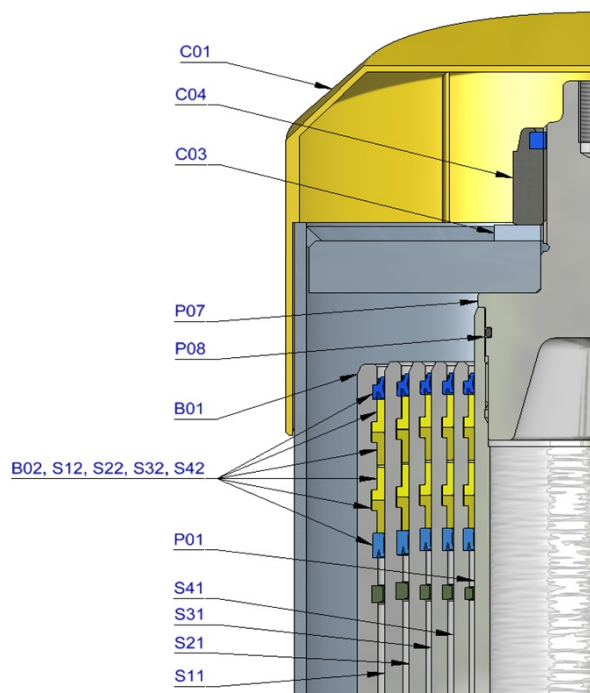
S21	74606650	STAGE FL2 169-1640	1
S22	71802169 K	PACKSET FL 169	1
S23	71807171 K	SLIDER FL 169 A35	1
S24	71851169 K	OUTER STOPRING FL 169 A22	1
S25	71813169 K	LIFTRING FL 169x5	1

S11	74607650	STAGE FL2 191-1640	1
S12	71802191 K	PACKSET FL 191	1
S13	71807193 K	SLIDER FL 191 A35	1
S14	71851191 K	OUTER STOPRING FL 191 A22	1
S15	71813191 K	LIFTRING FL 191x5	1

B01	74508654	BASE FL2 214-1691-4/4BSAE-290	1
B02	71802214 K	PACKSET FL 214	1
B03	71825435	BOTTOM PLATE FL2 214	1
B04	71870045 K	SEAL BOTTOM PLATE FL 214	1
B05	71820214	LOCKING PLATE FL 214	3
B06	01732020 K	BOLT HEX M12X25X1.25 SET 6 PCS	1
B07	01732523 K	WASHER SPRING M12 SET 6 PCS	1

Seal kit complete

	71908750 K	Consists of all packsets with packset grease and O-rings	
--	------------	----------------------------------------------------------	--



Notes

The inner stopring is pre-mounted in the grooves on spare bases and stages. Therefore, when ordering new tubes, it is not required to order inner stoprings separately.