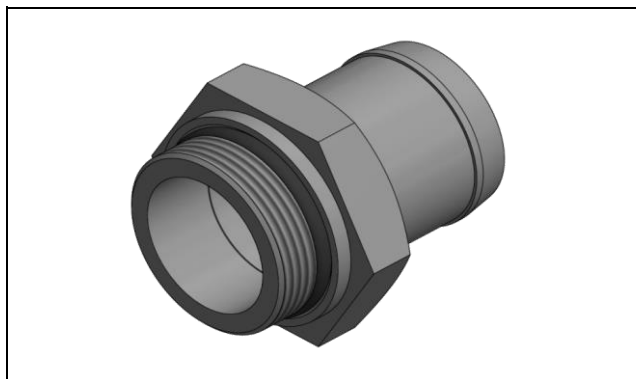
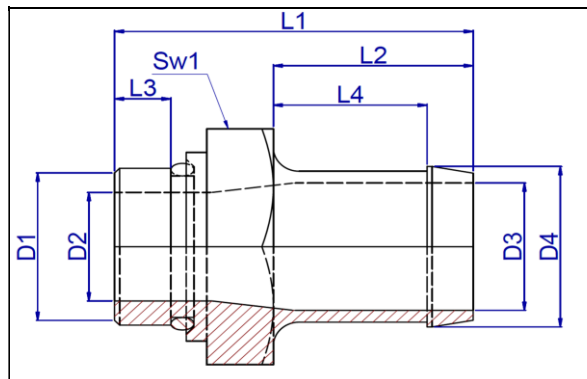


Straight hose pillar BSPOT



Steel version

Part no.	Description	L1 (mm)	L2 (mm)	L3 (mm)	L4 (mm)	D1 ("BSP)	D2 (mm)	D3 (mm)	D4 (mm)	Sw1 (mm)	Weight (kg)
14500589	Hose pillar LP20-00-1"	82	50	17	37	1	22	26	32	41	0,27

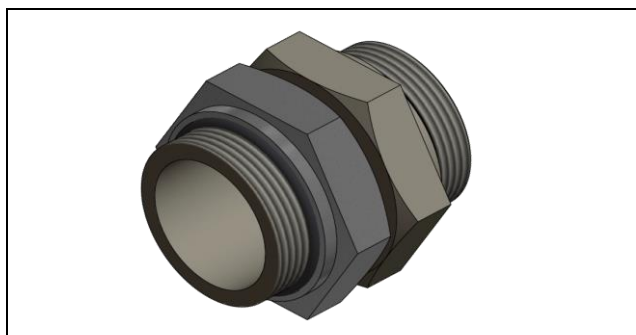
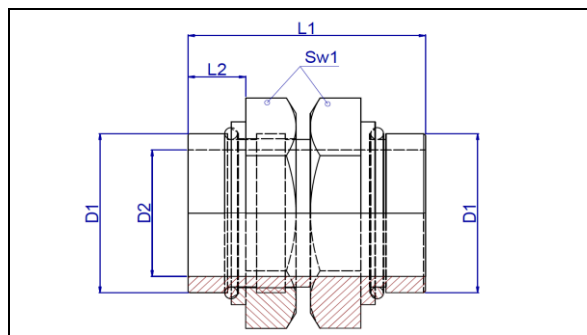
Brass version

Part no.	Description	L1 (mm)	L2 (mm)	L3 (mm)	L4 (mm)	D1 ("BSP)	D2 (mm)	D3 (mm)	D4 (mm)	Sw1 (mm)	Weight (kg)
14799000	Hose pillar LP28-00-1"	72	40	11	30	1	23	38	45,5	50	0,40
14799005	Hose pillar LP28-00-1 1/4"	72	40	11	30	1 1/4	32	38	45,5	55	0,44
14799015	Hose pillar LP28-00-1 1/2"	72	40	11	30	1 1/2	36	38	45,5	60	0,52
14535328	Hose pillar LP32-00-1 1/4"	84	52	11	35	1 1/4	32	43	51,8	55	0,49
14500492	Hose pillar LP32-00-1 1/2"	84	52	11	35	1 1/2	38	43	51,8	60	0,59

Aluminium version

Part no.	Description	L1 (mm)	L2 (mm)	L3 (mm)	L4 (mm)	D1 ("BSP)	D2 (mm)	D3 (mm)	D4 (mm)	Sw1 (mm)	Weight (kg)
14500585A	Hose pillar LP20-00-1 1 1/4" ALU	70	39	11	30	1 1/4	27	27	34	55	0,15
14500587A	Hose pillar LP20-00-1" ALU	70	39	11	30	1	23	27	34	50	0,13
14799000A	Hose pillar LP28-00-1" ALU	72	40	11	30	1	23	38	45,5	50	0,13
14799005A	Hose pillar LP28-00-1 1/4" ALU	72	40	11	30	1 1/4	32	38	45,5	55	0,14
14799015A	Hose pillar LP28-00-1 1/2" ALU	72	40	11	30	1 1/2	36	38	45,5	60	0,17

Straight adapter BSPOT-BSPOT



Part no.	Description	L1 (mm)	L2 (mm)	D1 ("BSP)	D2 (mm)	Sw1 (mm)	Weight (kg)
14799038	Adapter LP-00-1 1/2"-1 1/2"	66	16	1 1/2	38	60	0,72

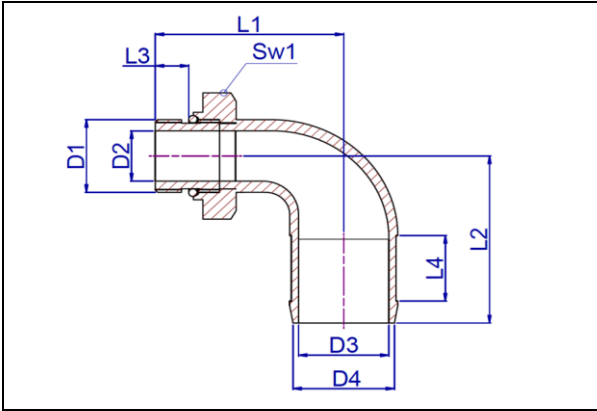
O-ring adapter

Part no.	Description
01226165	O-ring 1"-3,53mm
01226185	O-ring 1 1/4"-3,53mm
01225650	O-ring 1 1/2"-3,53mm

Related documentation

Oil specifications: OIL-0011

90° Hose Pillar BSPOT



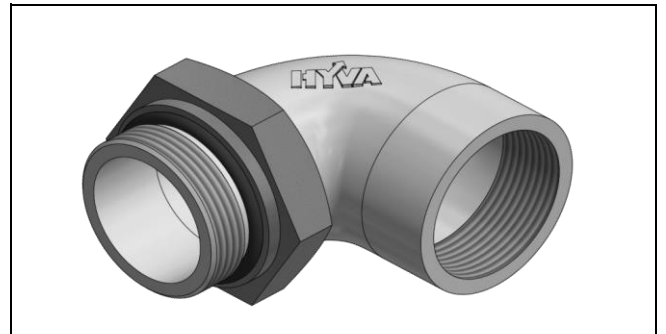
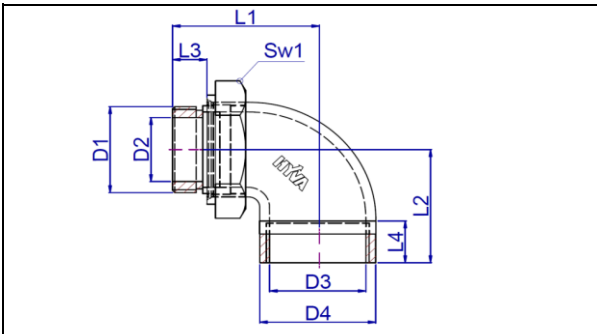
Brass version

Part no.	Description	L1 (mm)	L2 (mm)	L3 (mm)	L4 (mm)	D1 ("BSP)	D2 (mm)	D3 (mm)	D4 (mm)	Sw1 (mm)	Weight (kg)
14799284	Hose pillar LP20-90-1/2"	65	65	11	30	1/2	13	27	30	40	0,35
14799028	Hose pillar LP20-90-1 1/4"	70	71	11	25	1 1/4	32	27	32	55	0,61
14799020	Hose pillar LP28-90-1"	80	77	11	30	1	23	38	44	50	0,70
14799025	Hose pillar LP28-90-1 1/4"	79	72	11	30	1 1/4	32	38	44	55	0,75
14799050	Hose pillar LP28-90-1 1/2"	69	70	11	30	1 1/2	38	38	44	60	0,75

Aluminium version

Part no.	Description	L1 (mm)	L2 (mm)	L3 (mm)	L4 (mm)	D1 ("BSP)	D2 (mm)	D3 (mm)	D4 (mm)	Sw1 (mm)	Weight (kg)
14799020A	Hose pillar LP28-90-1" ALU	80	77	11	30	1	23	38	44	50	0,24
14799025A	Hose pillar LP28-90-1 1/4" ALU	79	72	11	30	1 1/4	32	38	44	55	0,24
14799050A	Hose pillar LP28-90-1 1/2" ALU	69	70	11	30	1 1/2	38	38	44	60	0,24

90° Adapter BSPIT-BSPOT



Brass version

Part no.	Description	L1 (mm)	L2 (mm)	L3 (mm)	L4 (mm)	D1 ("BSP)	D2 (mm)	D3 ("BSP)	D4 (mm)	Sw1 (mm)	Weight (kg)
14799035	Adapter LP-90-1 1/2"-1 1/2"	67	57	11	21	1 1/2	38	1 1/2	54	60	0,73

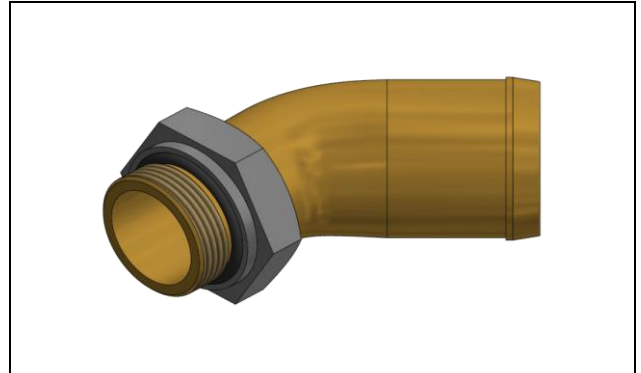
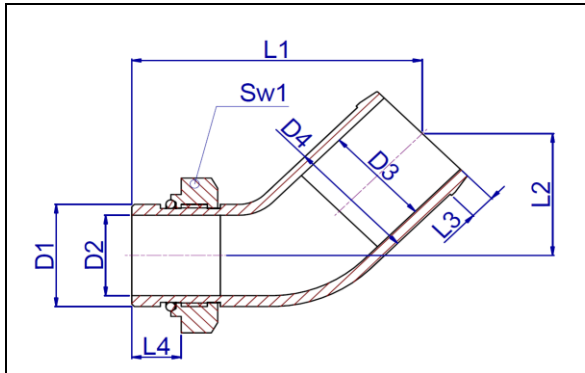
Aluminium version

Part no.	Description	L1 (mm)	L2 (mm)	L3 (mm)	L4 (mm)	D1 ("BSP)	D2 (mm)	D3 ("BSP)	D4 (mm)	Sw1 (mm)	Weight (kg)
14799035A	Adapter LP-90-1 1/2"-1 1/2"	67	57	11	21	1 1/2	38	1 1/2	54	60	0,38

Related documentation

Oil specifications: OIL-0011

45° Hose pillar BSPOT - Brass version

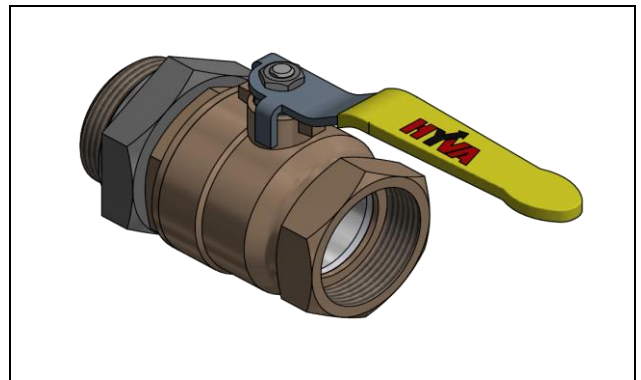
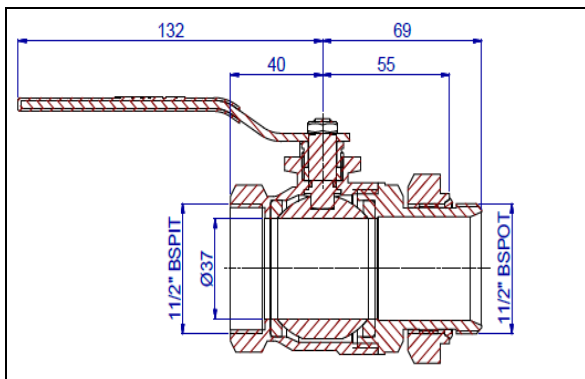


Part no.	Description	L1 (mm)	L2 (mm)	L3 (mm)	L4 (mm)	D1 ("BSP)	D2 (mm)	D3 (mm)	D4 (mm)	Sw1 (mm)	Weight (kg)
14799043	Hose pillar LP32-45-1"	112	50	10	18	1	23	41	50	50	0,78
14799044	Hose pillar LP32-45-1 1/4"	112	50	10	18	1 1/4	33	41	50	55	0,81

O-ring 45° & 90° adapter

Part no.	Description
01226165	O-ring 1" -3,53mm
01226185	O-ring 1 1/4"-3,53mm
01225650	O-ring 1 1/2"-3,53mm

Ball valve BSPIT-BSPOT



Part no.	Description	SW	Weight
14780981	Ball valve 1 1/2"-1 1/2"	60	1,20