

HYVA POWER PACKS



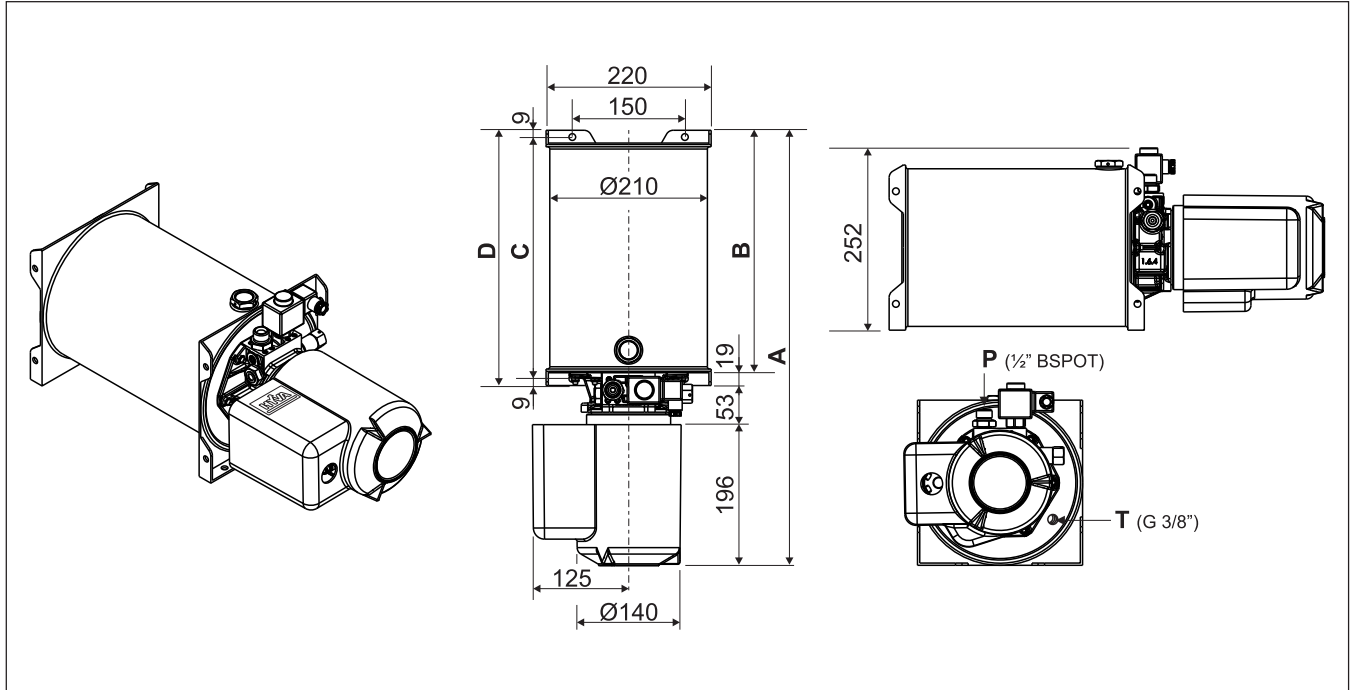
2000W / 3.1cc / 12V

Hyva

type :

Power Packs 2000W / 3.1cc / 12V

page # 1 / 2



Hyva power packs 12V

Partno.	Description
145 53 000	Power pack 2000W - 12V - 10L
145 53 001	Power pack 2000W - 12V - 15L

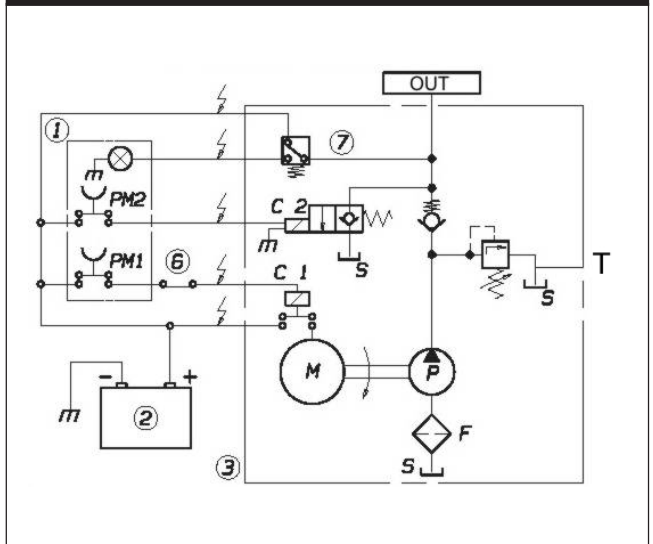
Measurements (mm)

Partno.	A	B	C	D
145 53 000	570	302	322	340
145 53 001	720	452	472	490

Specifications

Specifications	145 53 000	145 53 001
Voltage	: 12 Volt	12 Volt
Nominal power	: 2000 Watt	2000 Watt
Pump size	: 3.1 cc/rev.	3.1 cc/rev.
Tank steel	: 10 Litre	15 Litre
Max pressure	: 140 Bar	140 Bar
Current at max press.	: 290 Amps	290 Amps
Flow at 100 bar	: 6,5 L/min.	6,5 L/min.
Connection P	: 1/2" BSPOT	1/2" BSPOT
Connection T	: 3/8" G	3/8" G

Working diagram



HYVA POWER PACKS



2000W / 3.1cc / 12V

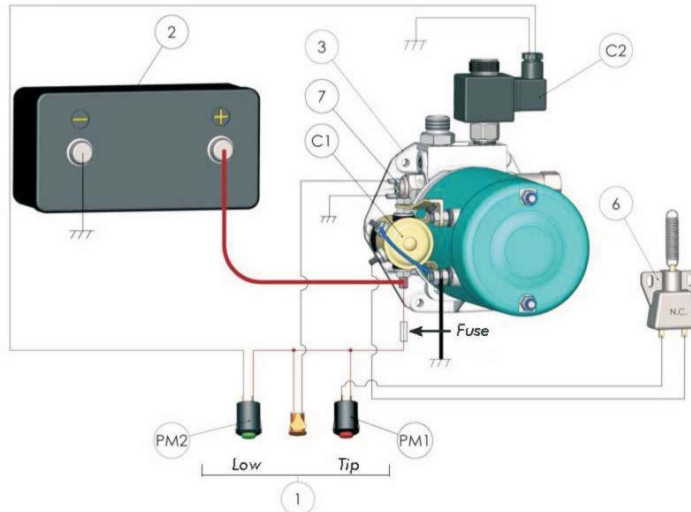
Hyva

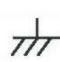
type :

Power Pack 2000W / 3.1cc / 12V

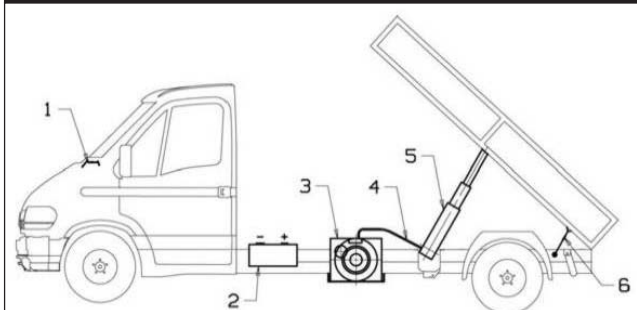
page # 2 / 2

Connections



 The section must be $\geq di 35 \text{ mm}^2 (L = < 10 \text{ mt})$
 NB: all grounds are intended connected to \ominus of the battery.

Power pack type for tippers



Description symbols

Pos.	Partno.	Description
1	02070121	Push button panel
2		Battery
3		Complete power pack
4		Pressure hose
5		Cylinder
6	02070111	Stroke limit micro switch
7		Pressure switch (pressure indicator)

Accessoires

Part no.	Description
02070121	Switch panel
14552657	2 buttons remote control 2m. cable
02070111	Electric pull-type limit switch, normally closed

02070121



02070111

