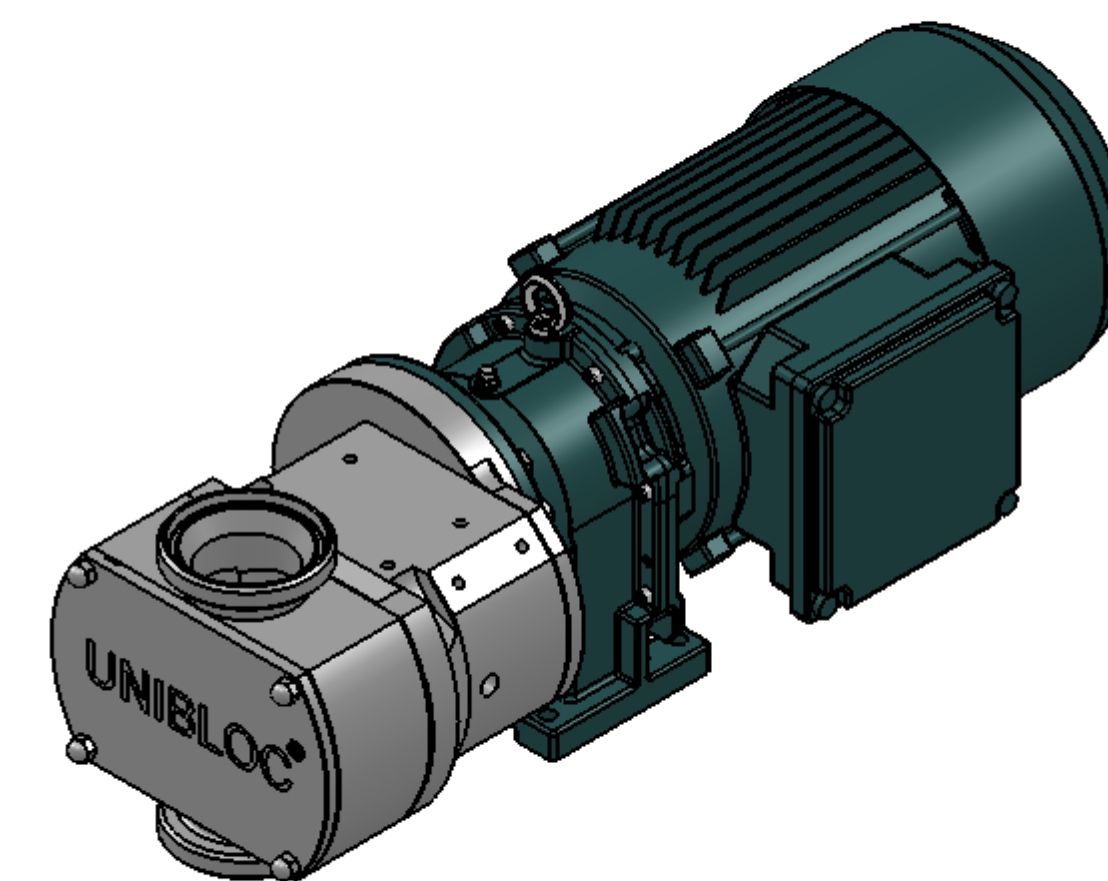
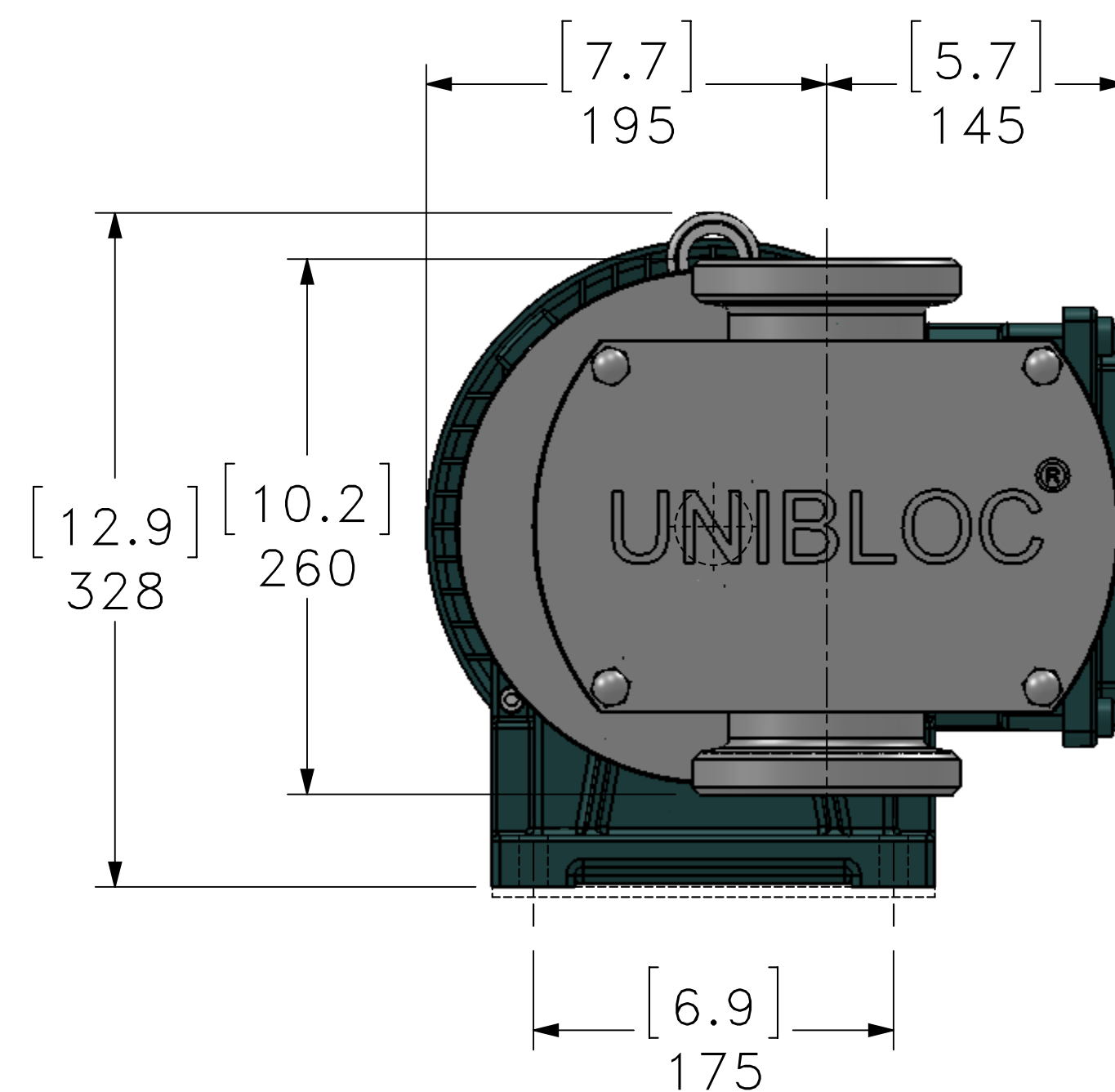
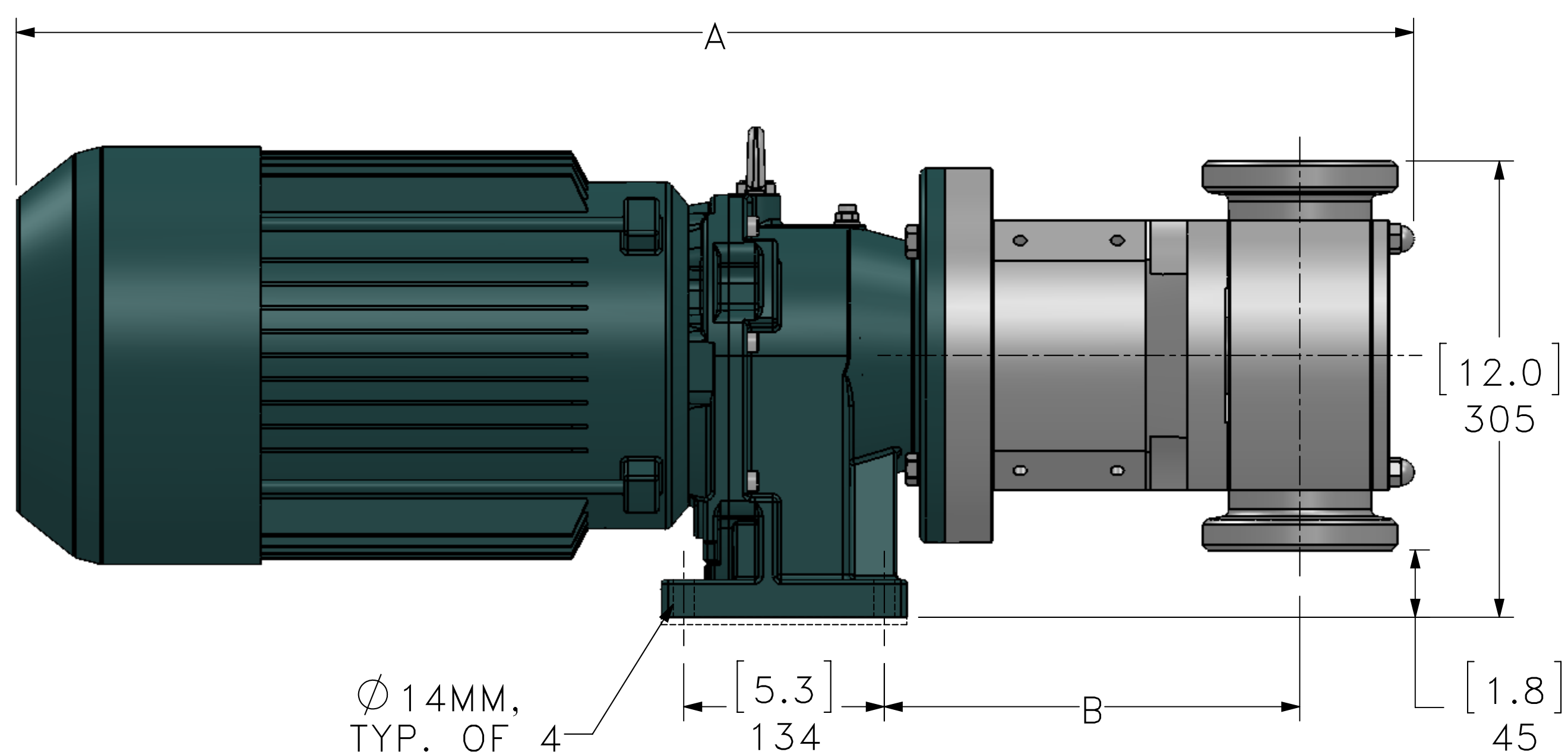


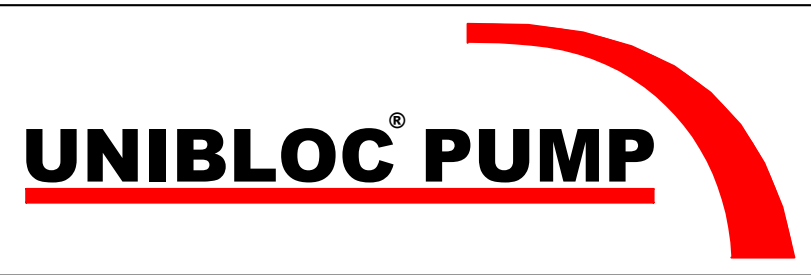
HORIZONTAL THROUGH-PUT



VERTICAL THROUGH-PUT

	UNIBLOC 501 (DN65)	UNIBLOC 551 (DN100/80)	UNIBLOC 576 (DN100)
A	918mm (36.1")	934mm (36.8")	953mm (37.5)
B	270mm (10.6")	278mm (10.9")	288mm (11.3)

*CONNECTIONS AVAILABLE: SANITARY TRI-CLAMP, NPTM, ACME, CAM LOCK, DIN

UNLESS OTHERWISE NOTED: TOLERANCES		THIS DRAWING AND ALL IDEAS INCORPORATED IN ITS DESIGN IS THE EXCLUSIVE PROPERTY OF UNIBLOC-PUMP, INC. ITS ACCEPTANCE CONSTITUTES AN AGREEMENT THAT IT SHALL BE TREATED AS A CONFIDENTIAL DOCUMENT USED FOR NO OTHER PURPOSE THAN TO AID IN ITS CONSTRUCTION, THAT IT IS TO BE RETURNED UPON REQUEST, AND THAT IT IS NOT TO BE DISCLOSED OR COPIED EXCEPT AS AUTHORIZED IN WRITING BY UNIBLOC-PUMP, INC.		PATENTED DESIGN  UNIBLOC PUMP	
DECIMALS 0.0 ± 0.1 0.00 ± 0.05 0.000 ± 0.005	ANGULAR 0.0° ± 0.1° 0.00° ± 0.05°	DRAWN	BY		
MATERIAL		CHECKED	KL	5/27/14	DWG. TITLE
FINISH (UNLESS NOTED ON DWG.)		APP'D			FLANGE MOUNT GEN. DIMS.
WEIGHT		SCALE	1:3		SIZE
		ALL DIMENSIONS IN MM		501,551,576	DWG. NO.
				D158	REV. NO.
				0	
		RELEASE DATE	MAY 27, 2014		SHEET 1 OF 2