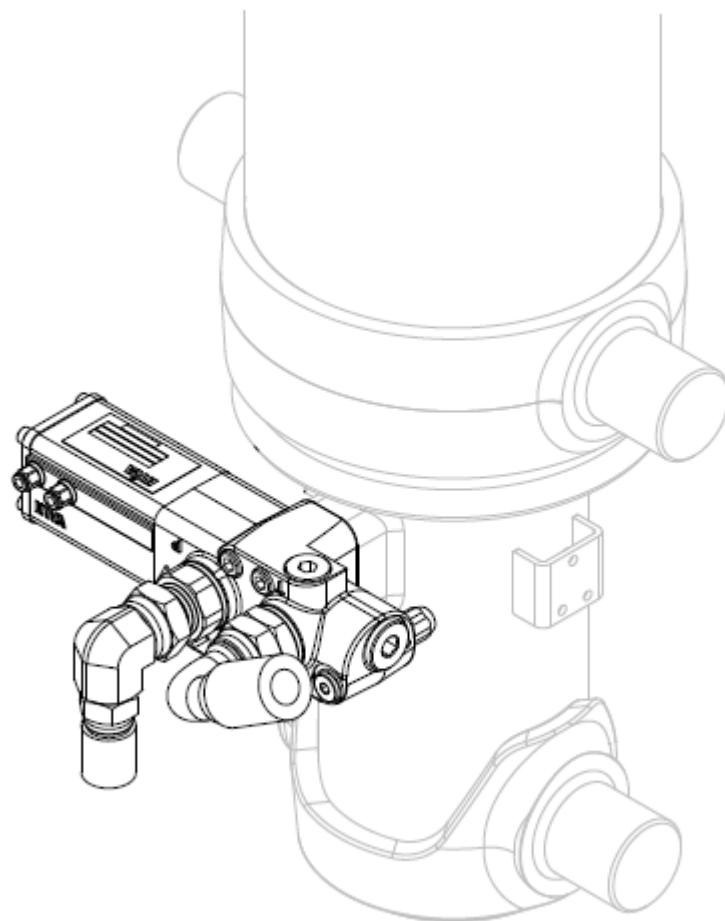


Mounting Instructions

HT-VALVE-1220-SAE

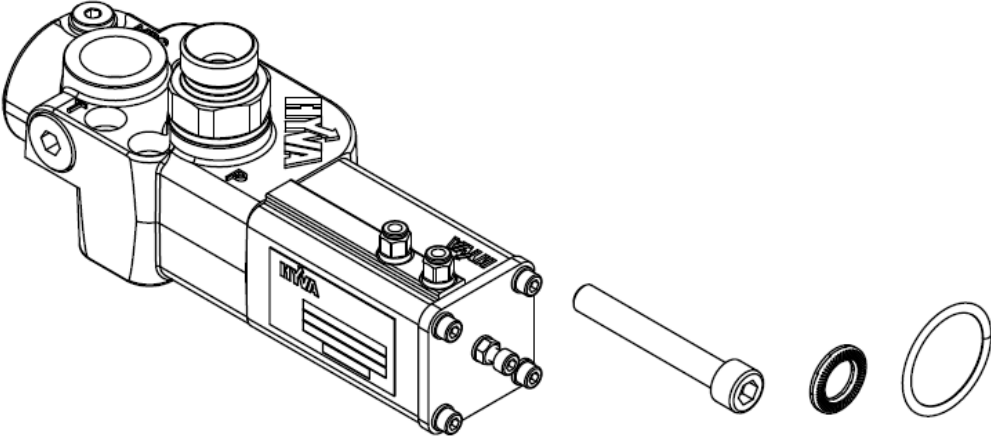


Mounting Instructions

HT-VALVE-1220-SAE

Mounting Instructions

HT-VALVE-1220-SAE

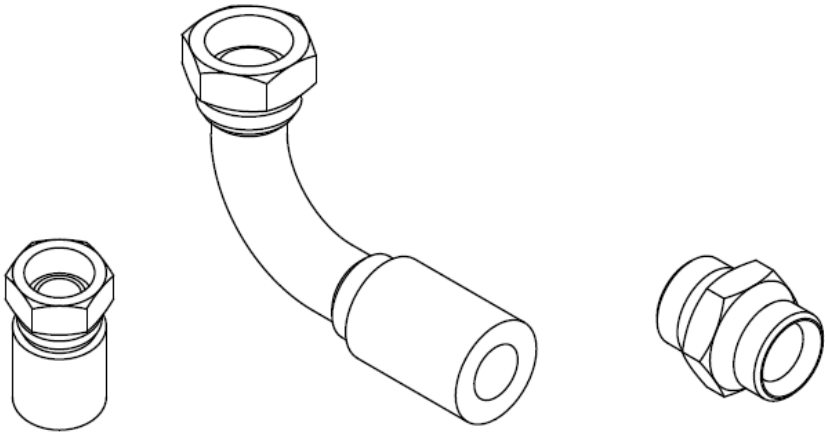


1

2

3

4



5

6

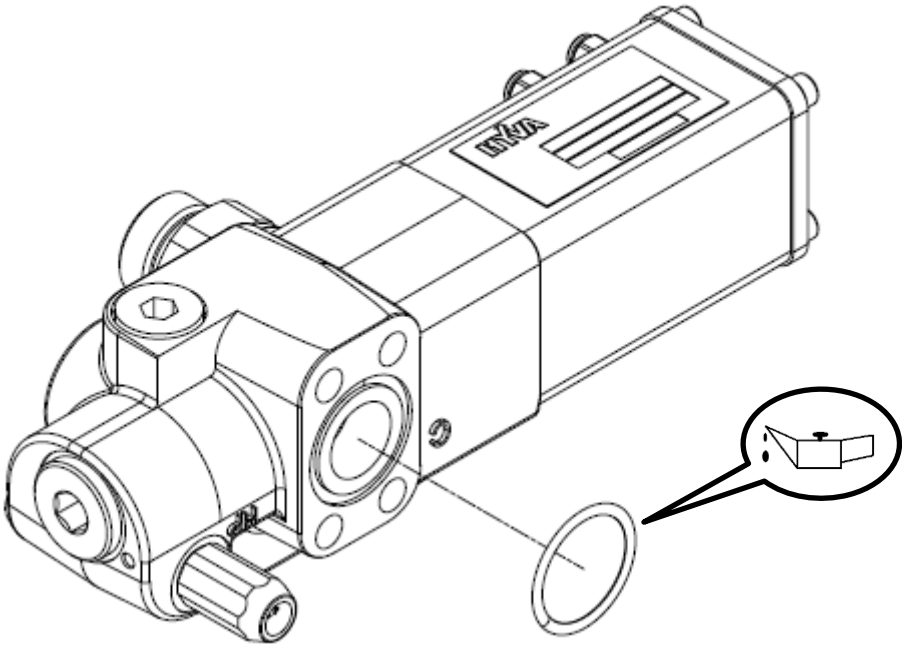
7

No.	Description	Q.ty
1	TIP HT-VALVE-1220-SAE	1
2	BOLT M10	4
3	WASHER NORD LOCK M10	4
4	O-RING	1
5	HOSE PRESSURE LINE	1
6	HOSE RETURN LINE	1
7	ADAPTER	1

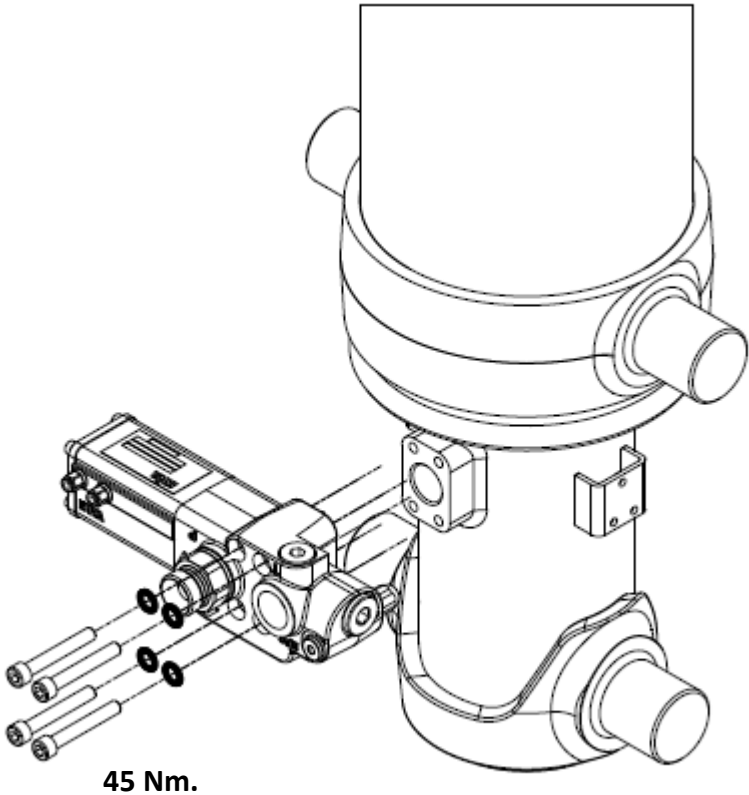
Mounting Instructions

HT-VALVE-1220-SAE

1



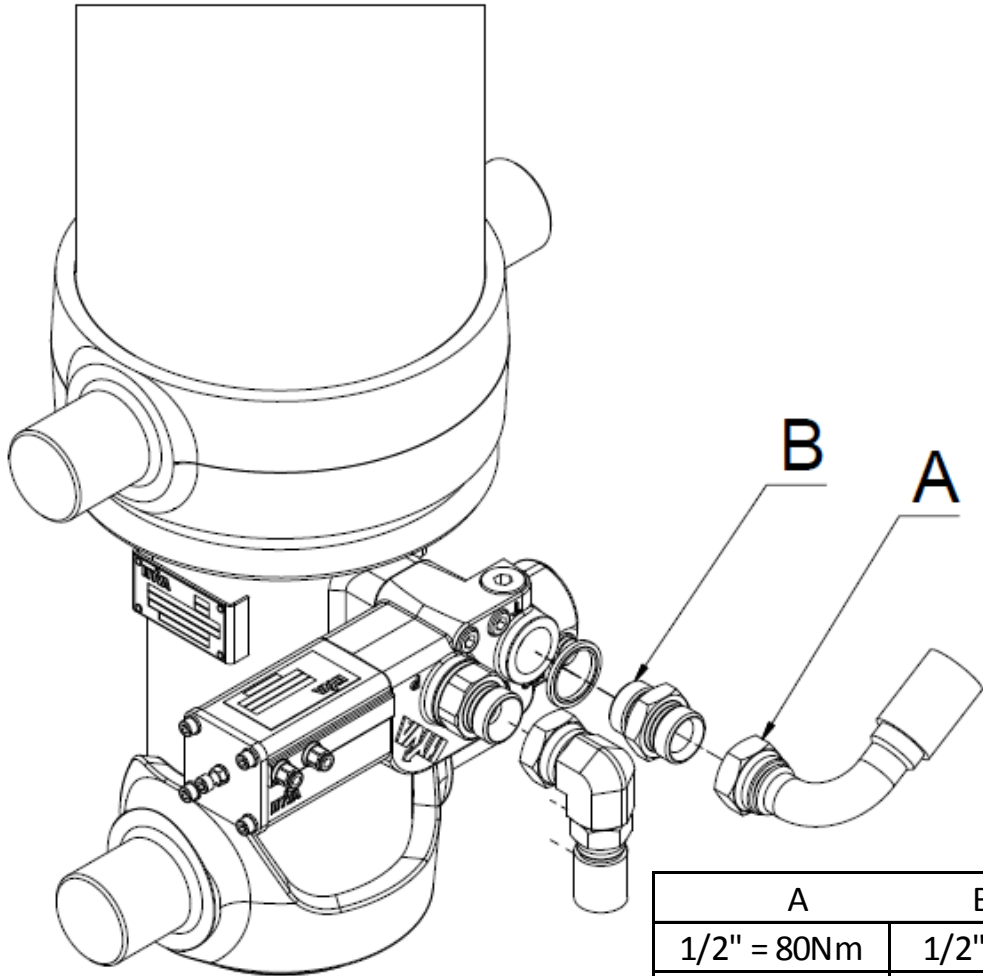
2



Mounting Instructions

HT-VALVE-1220-SAE

3



A	B
1/2" = 80Nm	1/2"=50Nm
3/4"= 120Nm	3/4"=90Nm
1" = 160Nm	1" =130Nm
	1-1/4"= 170Nm

4

