

HYVA CYLINDER

714 17 349



type: **ULB 093-4-1240-K164-40-1/2"-HC**
 tipping weight: **4-9 ton**
 page # 1 / 2

| | | | |
|---|---------------------|--|---|
| Stage diameters 93 77 61 45 | front view cylinder | | A 135 ØC 111 G ¹ 502 I 338 K ¹ 164 M ¹ 79 ØP 80 ØQ 45 S 343 ØW 40 X 40 |
|---|---------------------|--|---|

¹including 20 mm pull-out [tol. -5; +30 mm]

²cylinder is delivered including oil inlet swivel adapter and cup

specifications

| | |
|---|----------|
| total stroke ¹ | 1240 mm |
| dry weight cylinder only | 27 kg |
| total volume | 5.7 L |
| working volume | 4.9 L |
| maximum pressure | 190 bar |
| maximum pump flow | 24 l/min |
| maximum allowable thrust first stage ³ | 8.0 ton |
| oil inlet | 1/2" BSP |

technical notes

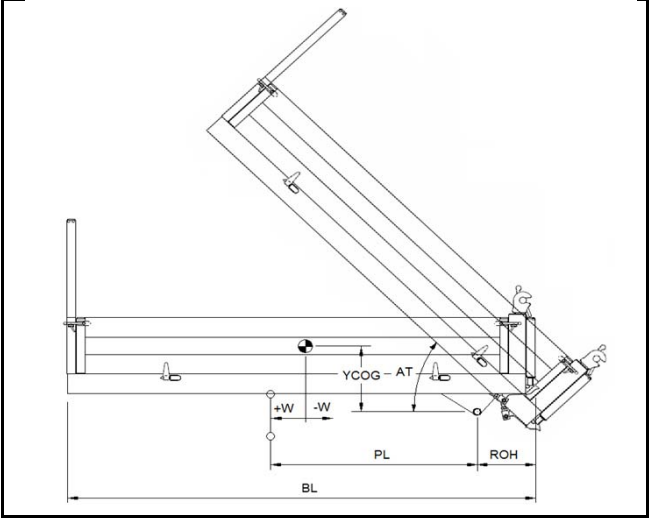
This cylinder is a lifting device only and may not be used as a structural member or be subjected to side load. Side load and/or poor alignment might result in cylinder leakage. Hyva therefore strongly recommends the use of a cradle, even in instances where the cylinder only tips to the rear or to the side.

The cylinder is painted black RAL9005. For suitable hydraulic oils, please refer to data sheet OIL-0011. For details of available brackets and cradles, please refer to data sheet 015BRA07.

Detailed calculations can be made using the HYVA Tipper Program, freely available from tipper.hyva.com.

³The cylinder thrust on the first stage (from the HYVA Tipper Program) must not exceed the maximum allowable (see specifications above).

tipping view



| | | | | | | | |
|---|-----------|------|------|--|-----------|------|------|
| AT | 46 | | | deg | 52 | | |
| PL | 1620 | | | mm | 1430 | | |
| YCOG | 400 | | | mm | 400 | | |
| ROH | 400 | | | mm | 400 | | |
| BL | 4490 | 4040 | 3670 | mm | 4070 | 3660 | 3330 |
| CYL w.r.t. COG (W) | -220 | 0 | 180 | mm | -200 | 0 | 170 |
| Tipping weight for full stroke of 46° | | | | Tipping weight for full stroke of 52° | | | |
| Tipping weight | 4 | 4 | 5 | ton | 4 | 5 | 5 |
| Tipping weight for second last stage, up to 35° | | | | Tipping weight for 2nd last stage, up to 39° | | | |
| Tipping weight | 6 | 8 | 9 | ton | 7 | 8 | 9 |

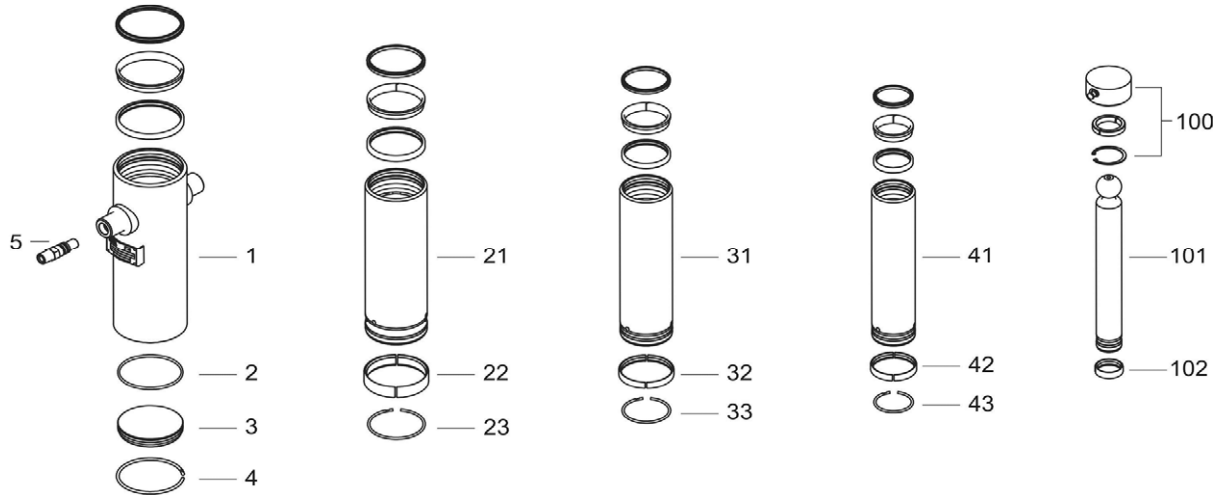
HYVA CYLINDER

714 17 349



type **ULB 093-4-1240-K164-40-1/2"-HC**

page # 2 / 2



Spare part list

| Pos | Part no. | Description | Qty. |
|-----|------------|------------------------------------|------|
| 1 | 73517500 | BASE 110-0423-N0085 | 1 |
| 2 | 01226672 | O-RING 90 X 4 70 SHORE | 1 |
| 3 | 73101270 K | BOTTOM PLATE UL 110 | 1 |
| 4 | 73110110 | INNER STOPRING/LIFTRING UL 110 | 1 |
| 5 | 73103000 | OIL INLET ADAPTOR UM 1/2"OT+O-RING | 1 |
| 21 | 73617501 | STAGE 093-0398-HC | 1 |
| 22 | 73111093 K | SLIDER UL 093 (2x1/2) | 1 |
| 23 | 73110093 K | INNER STOPRING/LIFTRING UL 093 | 1 |
| 31 | 73616501 | STAGE 077-0398-HC | 1 |
| 32 | 73111077 K | SLIDER UL 077 (2x1/2) | 1 |
| 33 | 73110077 K | INNER STOPRING/LIFTRING UL 077 | 1 |
| 41 | 73615501 | STAGE 061-0398-HC | 1 |
| 42 | 73111061 K | SLIDER UL 061 (2x1/2) | 1 |
| 43 | 73110061 K | INNER STOPRING/LIFTRING UL 061 | 1 |
| | | | |

Spare part list

| Pos | Part no. | Description | Qty. |
|-----|------------|-----------------------|------|
| | | | |
| | | | |
| | | | |
| 100 | 01745100 | RETAINER KIT ULB D.45 | 1 |
| 101 | 73414501 | PISTON B 045-0431-HC | 1 |
| 102 | 73111045 K | SLIDER UL 045 (2x1/2) | 1 |
| | | | |

Seal kit complete

| Part no. | Description |
|-------------|--|
| 719 06 740K | Complete packset: Consists of all packsets with packset grease and o-ring. |