

Alpha series - Front end cylinder with outer cover



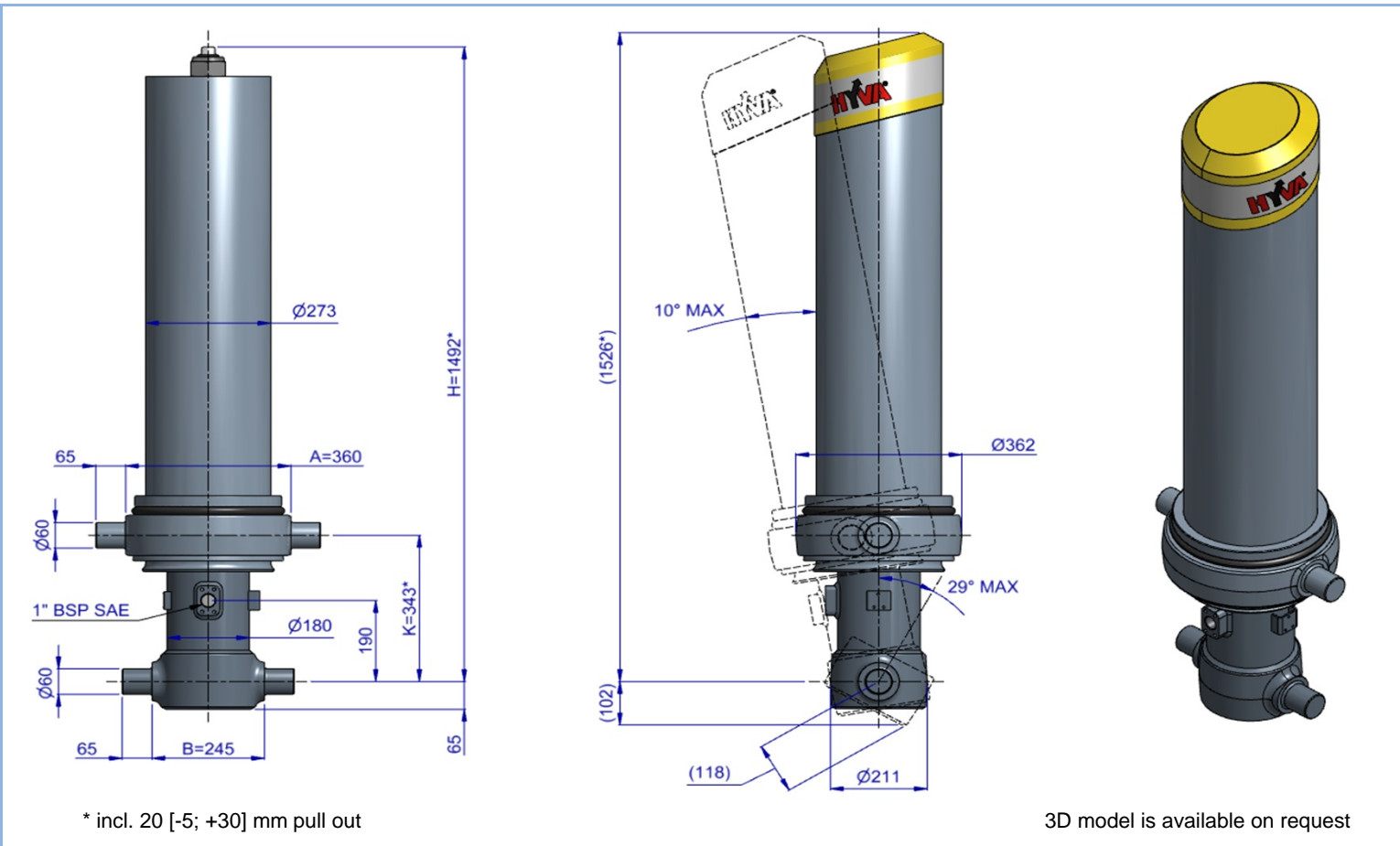
FC A157-5-05650-000-K0343-HD-HC

Item no.

70116471

Tipping weight

36 - 50 ton



* incl. 20 [-5; +30] mm pull out

3D model is available on request

Specifications

Max. working pressure	250 bar	Max. pump flow (with KO)	151 L/min	Resulting tipping time (with KO)	26 sec
Weight	298 kg	Max. pump flow (without KO)	106 L/min	Resulting tipping time (without KO)	37 sec
Working volume	65 L			Allowable lowering time	21 sec
Total volume	71 L				
Max. cyl. load (start tipping)	205 kN				

KO: Hyva pneumatic knock off

Extension	1	2	3	4	5	6	7	Total
Effective diameter [mm]	157	137	118	99	80			
Stroke* [mm]	1105	1130	1135	1140	1140			5650

Technical notes

- This cylinder is a lifting device only. It should not be used as a structural member and should not be subjected to side loads.
- When the cylinder is mounted at an angle, the maximum tipping weight could be reduced.
- Maximum backwards angle of rotation during operation is 29 deg.
- Working pressure depends on the application, but must never exceed the maximum working pressure stated.
- Working temperature range is between -40°C and +80°C.
- Maximum duration of extension is 0.5 hours (excluding hard chromed stages).
- Cylinder is painted black (RAL9005) with a thickness conforming to the 480 hours neutral salt spray test as per ISO 9227 (ISO 10289, rating 9).

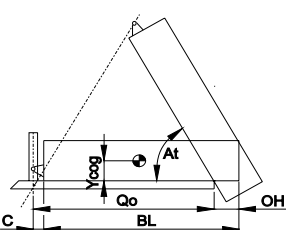
Related documentation

Bracket options: 015BRA10 & 015BRA12

Mounting instructions: CYL-0030

Oil specifications: OIL-0011

Tipping weight



BL	body length
OH	rear overhang
Ycog	vert. pos. centre of gravity
Qo	pivot length
C	bracket length
At	tipping angle
	stroke* x 60 / Qo

	BL	7500	8000	7100	8000	6700	8000	8000
OH	200	500	800	200	500	800	200	500
At	44	46	48	47	49	52	50	55
Ycog								
600	36	39	43	37	41	46	39	50
900	38	42	47	40	45		43	
1200	41	46		44				

Tipping weight at maximum pressure of 250 bar for a vertically mounted cylinder and C is 229 mm

For detailed tipping calculations please refer to: <https://tipper.hyva.com>

Alpha series - Front end cylinder with outer cover

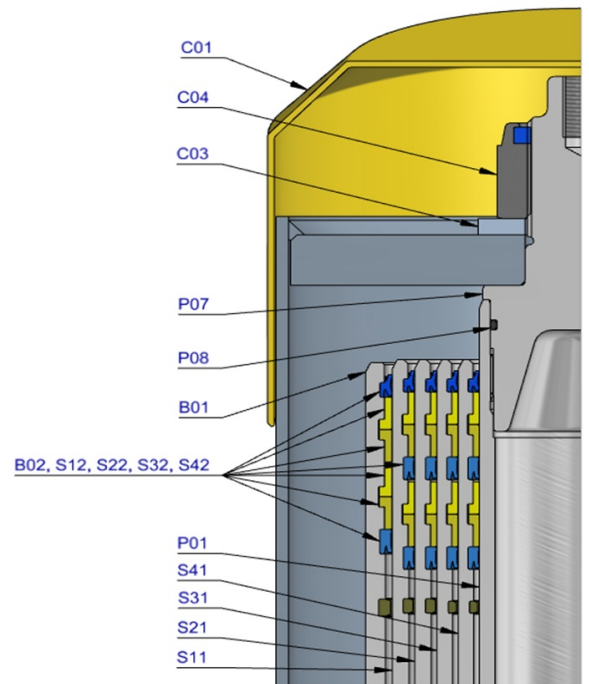


FC A157-5-05650-000-K0343-HD-HC

Item no.

70116471

Pos.	Part no.	Description	Qty.
C01	71839050	DUST COVER FC LOW 15-273	1
C02	71737424	COVER 273-1165 PIN60 A360 SPH LOCK	1
C03	01702956 K	WASHER M48 DIN 125B ZP	1
C04	01702907 K	TOPNUT NYLOC M48x3 DIN 985 ZP	1
C05	01791953	O-RING COVER D.273	1
C06	15014550 K	BOLT HSHC M12X30X1.75 Q8.8 DIN 912 ZP	1
P01	70472371	PISTON MN2 S 080-1365-HD-HC	1
P02	70207080 K	SLIDER MN 080 (2 x 1/2) A35	1
P03	70216080 K	OUTER STOPRING MN 080 A22	2
P04	70230080	BOTTOM PLATE PISTON MN 080 MK2 HD	1
P05	01745030 K	CIRCLIP 67 DIN 472 (71.5x2.5)	1
P06	70260210 K	O-RING PISTON BOTTOM 080	1
P07	70232300	PISTON HEAD MN 080 MK2	1
P08	70260110 K	O-RING 63.09 X 3.53 MM	1



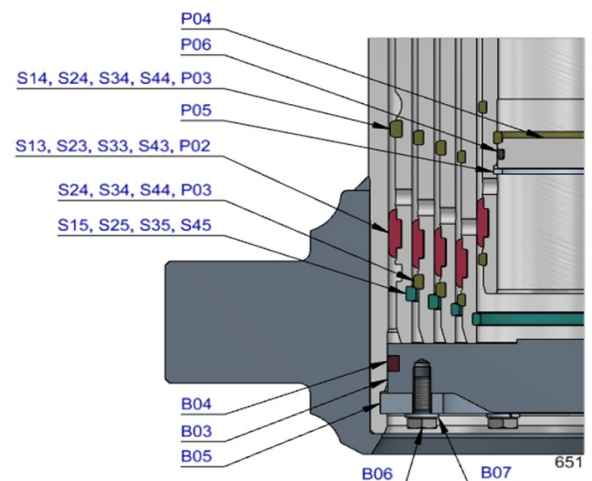
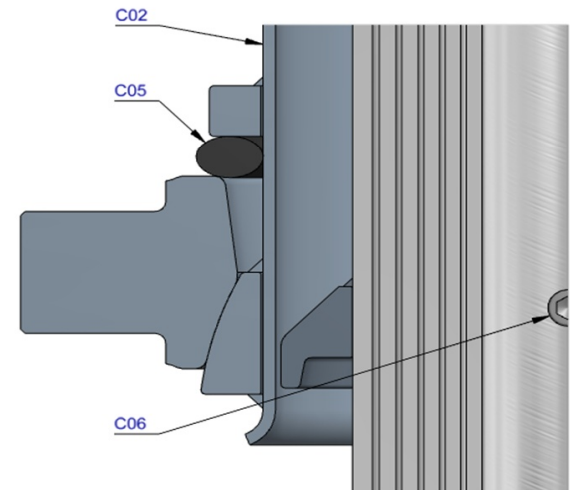
S41	70673371	STAGE MN2 099-1360-HD-HC	1
S42	70202099 K	PACKSET MN 099 TANDEM SEAL	1
S43	70207099 K	SLIDER MN 099 (2 x 1/2) A35	1
S44	70216099 K	OUTER STOPRING MN 099 A22	2
S45	70217099 K	LIFTRING MN 099 A22	1

S31	70674371	STAGE MN2 118-1360-HD-HC	1
S32	70202118 K	PACKSET MN 118 TANDEM SEAL	1
S33	70207118 K	SLIDER MN 118 (2 x 1/2) A35	1
S34	70216118 K	OUTER STOPRING MN 118 A22	2
S35	70217118 K	LIFTRING MN 118 A22	1

S21	70675371	STAGE MN2 137-1360-HD-HC	1
S22	70202137 K	PACKSET MN 137 TANDEM SEAL	1
S23	70207137 K	SLIDER MN 137 A35	1
S24	70216137 K	OUTER STOPRING MN 137 A22	2
S25	70217137 K	LIFTRING MN 137 A22	1

S11	70676371	STAGE MN2 157-1360-HD-HC	1
S12	70202157 K	PACKSET MN 157 TANDEM SEAL	1
S13	70207157 K	SLIDER MN 157 A35	1
S14	70216157 K	OUTER STOPRING MN 157 A22	1
S15	70217157 K	LIFTRING MN 157 A22	1

B01	70377371R1065	BASE MN2 179-1403-4/4BSAE-190-C273-HD	1
B02	70203179 K	PACKSET MN 179	1
B03	70225360	BOTTOM PLATE MN2 179	1
B04	70270179 K	SEAL BOTTOM PLATE MN 179	1
B05	70220185	LOCKING PLATE MN2 179	3
B06	01732055 K	BOLT HEX M8X20X1.25 SET 6PCS	1
B07	01732559 K	WASHER SPRING M8 SET 6PCS	1



Seal kit complete

	71907651 K	Consists of all packsets with packset grease and O-rings	
--	------------	--	--

Notes

The inner, outer stoprings and liftrings are pre-mounted in the grooves on spare stages and pistons. Therefore, when ordering new tubes, it is not required to order stoprings separately.

For repair instructions see: CYL-0040. Serial no. is located on type plate and below type plate support.