

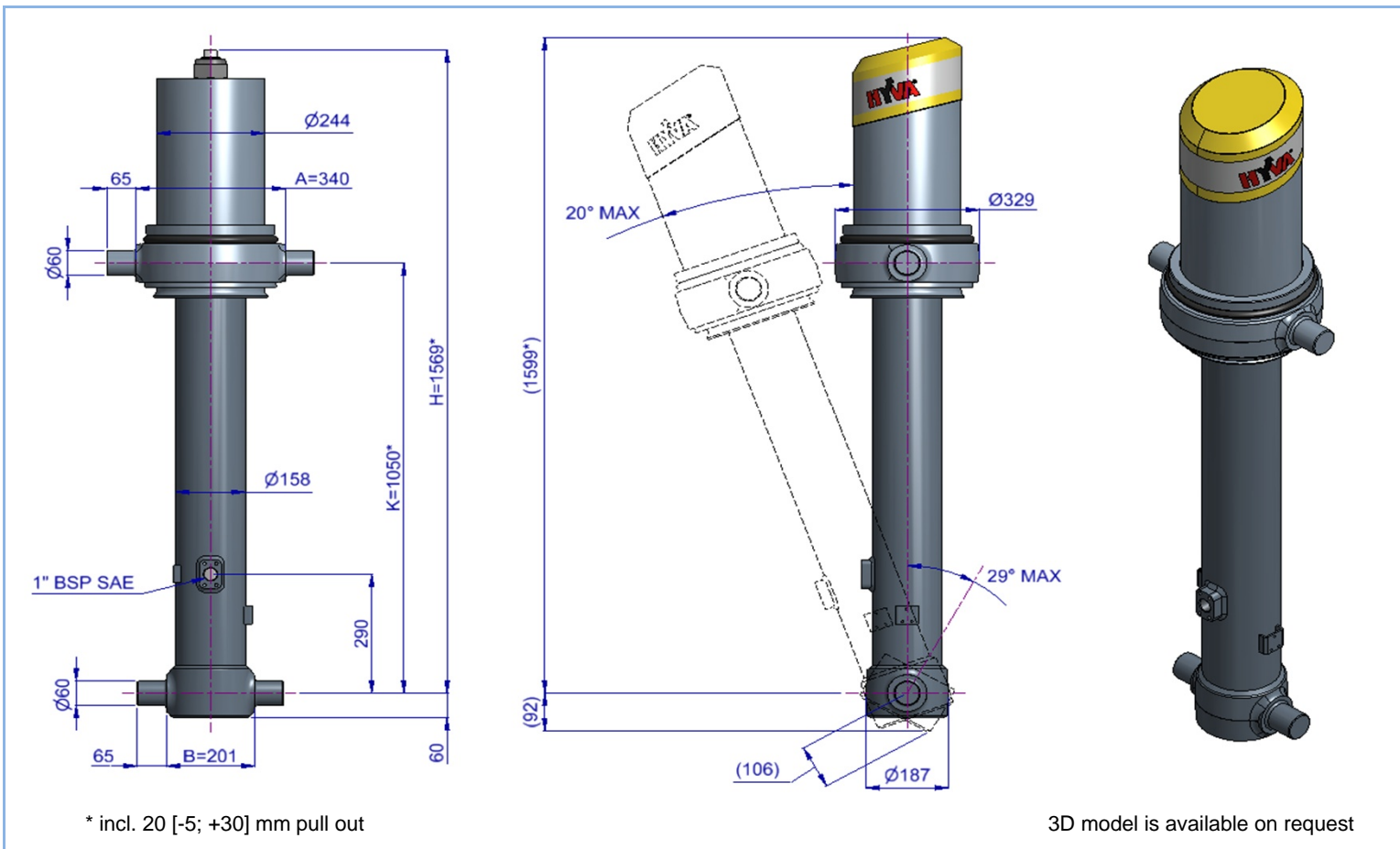
# Alpha series - Front end cylinder with outer cover



FC A137-4-04845-014-K1050-HD

Item no.  
Tipping weight

70115362  
35 - 54 ton



## Specifications

Max. working pressure	250 bar	Max. pump flow (with KO)	151 L/min	Resulting tipping time (with KO)	18 sec
Weight	221 kg	Max. pump flow (without KO)	106 L/min	Resulting tipping time (without KO)	26 sec
Working volume	46 L			Allowable lowering time	15 sec
Total volume	51 L				
Max. cyl. load (start tipping)	220 kN				
Max. cyl. load (end of stroke)	201 kN				

KO: Hyva pneumatic knock off

Extension	1	2	3	4	5	6	7	Total
Effective diameter [mm]	137	118	99	80				
Stroke* [mm]	1190	1215	1220	1220				4845

## Technical notes

- This cylinder is a lifting device only. It should not be used as a structural member and should not be subjected to side loads.
- When the cylinder is mounted at an angle, the maximum tipping weight could be reduced.
- Maximum backwards angle of rotation during operation is 29 deg.
- Working pressure depends on the application, but must never exceed the maximum working pressure stated.
- Working temperature range is between -40°C and +80°C.
- Maximum duration of extension is 0.5 hours (excluding hard chromed stages).
- Cylinder is painted black (RAL9005) with a thickness conforming to the 480 hours neutral salt spray test as per ISO 9227 (ISO 10289, rating 9).

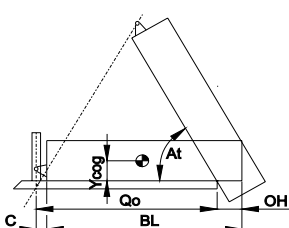
## Related documentation

Bracket options: 015BRA10 & 015BRA12

Mounting instructions: CYL-0030

Oil specifications: OIL-0011

## Tipping weight



BL	body length
OH	rear overhang
Ycog	vert. pos. centre of gravity
Qo	pivot length
C	bracket length
At	tipping angle
	stroke* x 60 / Qo

	BL	6400	800	6150	800	5900	800
OH	200	500	800	200	500	800	200
At	45	47	50	47	50	52	49
Ycog							
Qo	35	39	44	36	41	47	38
C	600	39	44	36	41	47	38
At	900	38	43	40	45	54	42
stroke*	1200	42	48	44	45	54	46

Tipping weight at maximum pressure of 250 bar for a vertically mounted cylinder and C is 229 mm

For detailed tipping calculations please refer to: <https://tipper.hyva.com>

# Alpha series - Front end cylinder with outer cover

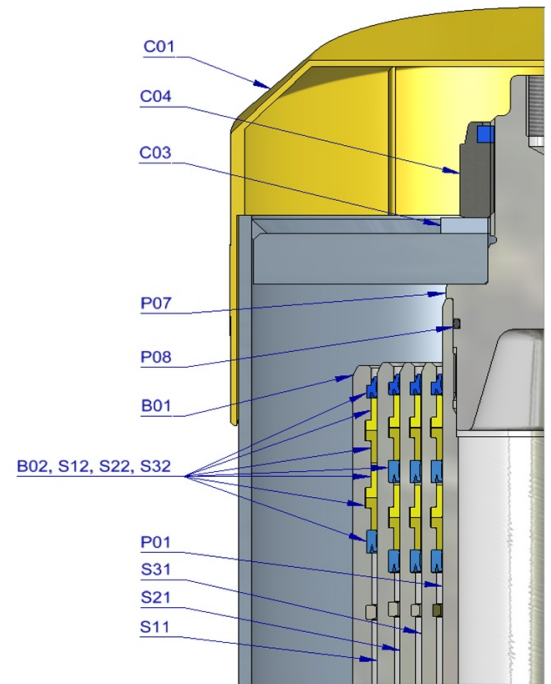


FC A137-4-04845-014-K1050-HD

Item no.

70115362

Pos.	Part no.	Description	Qty.
C01	71839040	DUST COVER FC LOW 15-244	1
C02	71736126	COVER 242-0535 PIN60 A340 SPH LOCK	1
C03	01702956 K	WASHER M48 DIN 125B ZP	1
C04	01702907 K	TOPNUT NYLOC M48x3 DIN 985 ZP	1
C05	01791941	O-RING COVER D.242	1
C06	15014550 K	BOLT HSHC M12X30X1.75 Q8.8 DIN 912 ZP	1
P01	70472441	PISTON MN2 S 080-1445-HD-HC	1
P02	70207080 K	SLIDER MN 080 (2 x 1/2) A35	1
P03	70216080 K	OUTER STOPRING MN 080 A22	2
P04	70230080	BOTTOM PLATE PISTON MN 080 MK2 HD	1
P05	01745030 K	CIRCLIP 67 DIN 472 (71.5x2.5)	1
P06	70260210 K	O-RING PISTON BOTTOM 080	1
P07	70232300	PISTON HEAD MN 080 MK2	1
P08	70260110 K	O-RING 63.09 X 3.53 MM	1

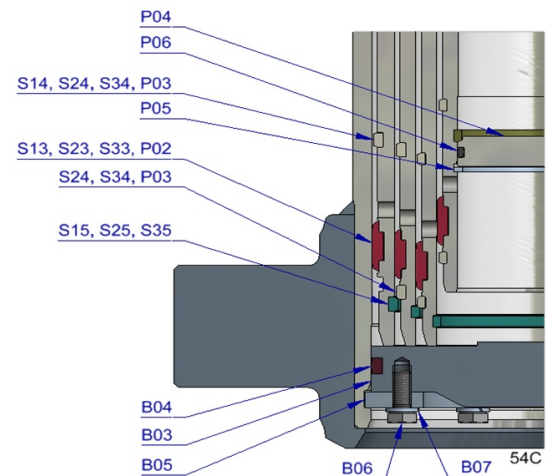
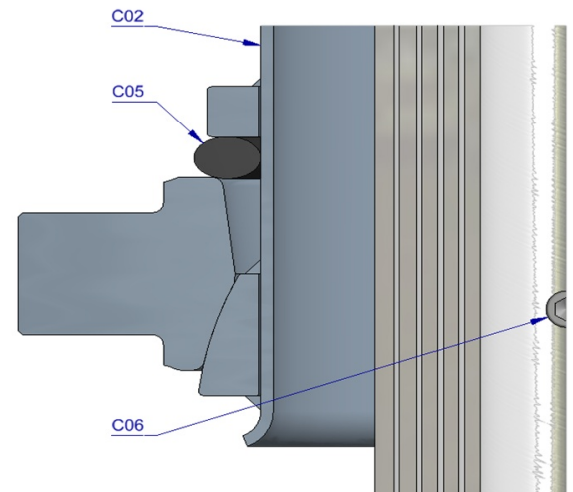


S31	70673440	STAGE MN2 099-1440-HD	1
S32	70202099 K	PACKSET MN 099 TANDEM SEAL	1
S33	70207099 K	SLIDER MN 099 (2 x 1/2) A35	1
S34	70216099 K	OUTER STOPRING MN 099 A22	2
S35	70217099 K	LIFTRING MN 099 A22	1

S21	70674440	STAGE MN2 118-1440-HD	1
S22	70202118 K	PACKSET MN 118 TANDEM SEAL	1
S23	70207118 K	SLIDER MN 118 (2 x 1/2) A35	1
S24	70216118 K	OUTER STOPRING MN 118 A22	2
S25	70217118 K	LIFTRING MN 118 A22	1

S11	70675440	STAGE MN2 137-1440-HD	1
S12	70202137 K	PACKSET MN 137 TANDEM SEAL	1
S13	70207137 K	SLIDER MN 137 A35	1
S14	70216137 K	OUTER STOPRING MN 137 A22	1
S15	70217137 K	LIFTRING MN 137 A22	1

B01	70376444	BASE MN2 157-1479-4/4BSAE-290-HD	1
B02	70203157 K	PACKSET MN 157	1
B03	70225355	BOTTOM PLATE MN2 157	1
B04	70270157 K	SEAL BOTTOM PLATE MN 157	1
B05	70220157	LOCKING PLATE MN 157	3
B06	01732055 K	BOLT HEX M8X20X1.25 SET 6PCS	1
B07	01732559 K	WASHER SPRING M8 SET 6PCS	1



## Seal kit complete

	71907541 K	Consists of all packsets with packset grease and O-rings	
--	------------	--	--

## Notes

The inner, outer stoprings and liftrings are pre-mounted in the grooves on spare stages and pistons. Therefore, when ordering new tubes, it is not required to order stoprings separately.

For repair instructions see: CYL-0040. Serial no. is located on type plate and below type plate support.