

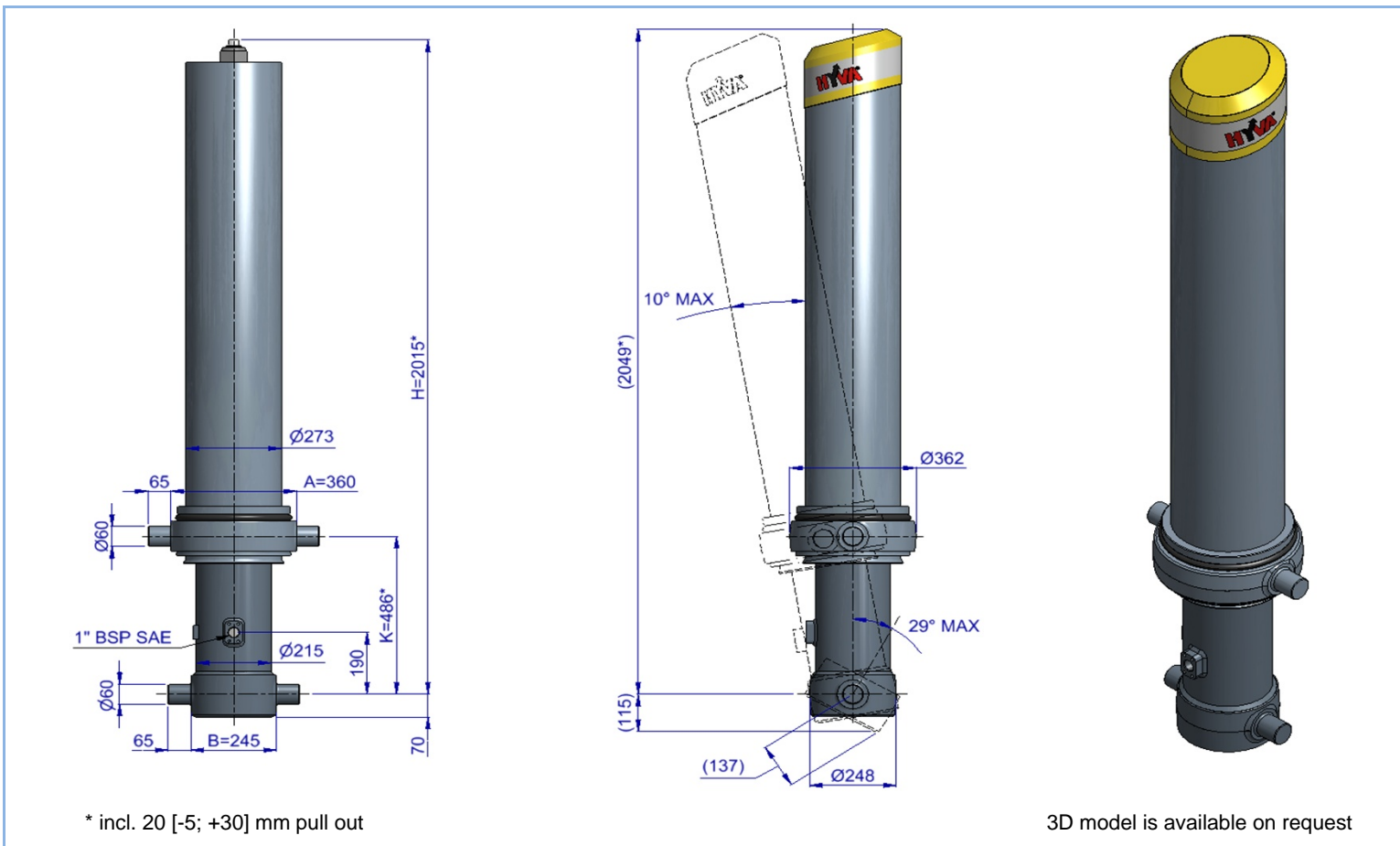
# Alpha series - Front end cylinder with outer cover



FC A191-5-08130-000-K0486

Item no.  
Tipping weight

70527720  
48 - 67 ton



\* incl. 20 [-5; +30] mm pull out

3D model is available on request

## Specifications

Max. working pressure	190 bar	Max. pump flow (with KO)	190 L/min	Resulting tipping time (with KO)	47 sec
Weight	463 kg	Max. pump flow (without KO)	170 L/min	Resulting tipping time (without KO)	52 sec
Working volume	148 L			Allowable lowering time	47 sec
Total volume	159 L				
Max. cyl. load (start tipping)	345 kN				
Max. cyl. load (end of stroke)	256 kN				

KO: Hyva pneumatic knock off

Extension	1	2	3	4	5	6	7	Total
Effective diameter [mm]	191	169	149	129	110			
Stroke* [mm]	1610	1630	1630	1630	1630			8130

## Technical notes

- This cylinder is a lifting device only. It should not be used as a structural member and should not be subjected to side loads.
- When the cylinder is mounted at an angle, the maximum tipping weight could be reduced.
- Maximum backwards angle of rotation during operation is 29 deg.
- Working pressure depends on the application, but must never exceed the maximum working pressure stated.
- Working temperature range is between -40°C and +80°C.
- Maximum duration of extension is 0.5 hours (excluding hard chromed stages).
- Cylinder is painted black (RAL9005) with a thickness conforming to the 480 hours neutral salt spray test as per ISO 9227 (ISO 10289, rating 9).

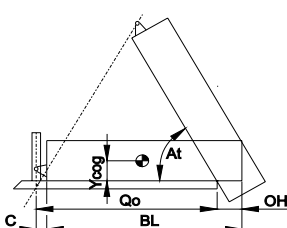
## Related documentation

Bracket options: 015BRA10 & 015BRA12

Mounting instructions: CYL-0030

Oil specifications: OIL-0011

## Tipping weight



BL	body length
OH	rear overhang
Ycog	vert. pos. centre of gravity
Qo	pivot length
C	bracket length
At	tipping angle
	stroke* x 60 / Qo

	BL	10800			10400			10000				
		OH	At	Ycog	OH	At	Ycog	OH	At	Ycog		
Ycog	200	44	46	47	200	46	48	49	200	48	50	51
C	600	48	51	54	49	52	55	51	54	58	54	58
At	900	50	53	57	52	55	59	54	57	62	54	58
At	1200	53	56	60	55	59	63	57	61	67	54	58

Tipping weight at maximum pressure of 190 bar for a vertically mounted cylinder and C is 229 mm

For detailed tipping calculations please refer to: <https://tipper.hyva.com>

# Alpha series - Front end cylinder with outer cover

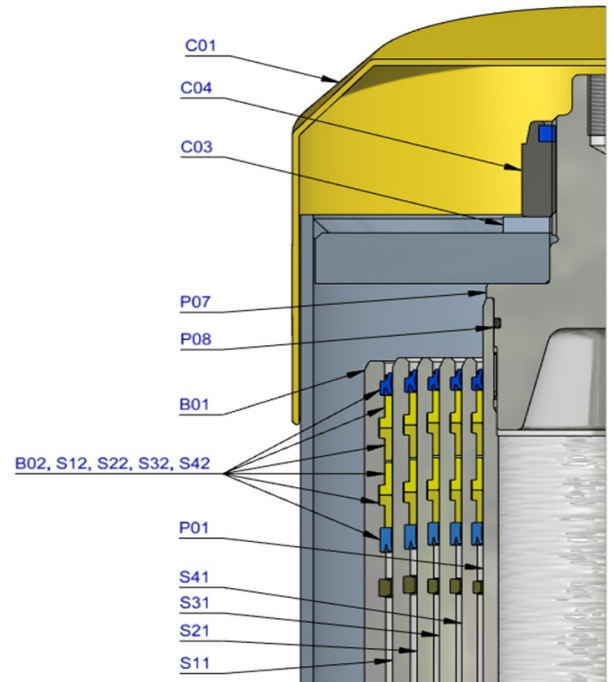


FC A191-5-08130-000-K0486

Item no.

70527720

Pos.	Part no.	Description	Qty.
C01	71839050	DUST COVER FC LOW 15-273	1
C02	71737707	COVER 273-1545 PIN60 SPHERICAL LOCKED	1
C03	01702956 K	WASHER M48 DIN 125B ZP	1
C04	01702907 K	TOPNUT NYLOC M48x3 DIN 985 ZP	1
C05	01791953	O-RING COVER D.273	1
C06	15014550 K	BOLT HSHC M12X30X1.75 Q8.8 DIN 912 ZP	1
P01	74403771	PISTON FL2 S 110-1885-HC	1
P02	71853110 K	SLIDER FL 110 (2 X 1/2) A22	1
P03	71851110 K	OUTER STOPRING FL 110 A22	1
P04	71822110	BOTTOM PLATE PISTON 110	1
P05	01745050 K	CIRCLIP 100 DIN 472 (105.5X3.0)	1
P06	71870220 K	O-RING PISTON BOTTOM 110	1
P07	71848300	PISTON HEAD FL 110 MK2	1
P08	01226538 K	O-RING 91.67 X 3.53 MM NBR	1



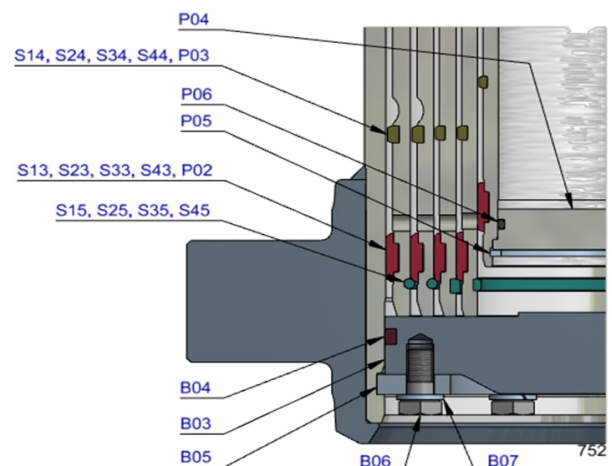
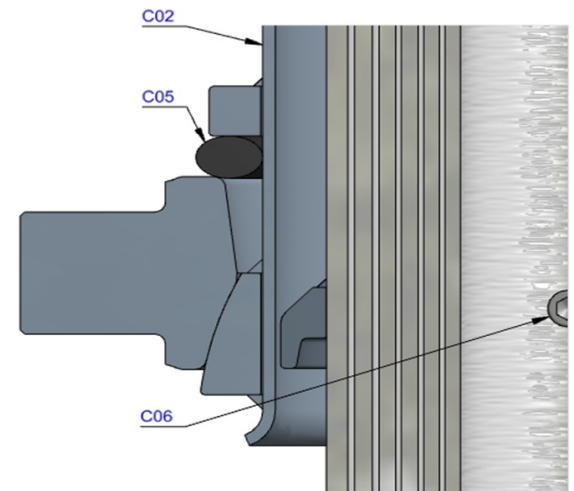
S41	74604770	STAGE FL2 129-1880	1
S42	71802129 K	PACKSET FL 129/HP 129	1
S43	71853129 K	SLIDER FL 129 (2 X 1/2) A22	1
S44	71851129 K	OUTER STOPRING FL 129 A22	1
S45	71852129 K	LIFTRING FL 129 A22	1

S31	74605770	STAGE FL2 149-1880	1
S32	71802149 K	PACKSET FL 149/HP 150	1
S33	71807151 K	SLIDER FL 149 A35	1
S34	71851149 K	OUTER STOPRING FL 149 A22	1
S35	71852149 K	LIFTRING FL 149 A22	1

S21	74606770	STAGE FL2 169-1880	1
S22	71802169 K	PACKSET FL 169	1
S23	71807171 K	SLIDER FL 169 A35	1
S24	71851169 K	OUTER STOPRING FL 169 A22	1
S25	71813169 K	LIFTRING FL 169x5	1

S11	74607770	STAGE FL2 191-1880	1
S12	71802191 K	PACKSET FL 191	1
S13	71807193 K	SLIDER FL 191 A35	1
S14	71851191 K	OUTER STOPRING FL 191 A22	1
S15	71813191 K	LIFTRING FL 191x5	1

B01	74508770R1445	BASE FL2 214-1931-4/4BSAE-190-C273	1
B02	71802214 K	PACKSET FL 214	1
B03	71825435	BOTTOM PLATE FL2 214	1
B04	71870045 K	SEAL BOTTOM PLATE FL 214	1
B05	71820214	LOCKING PLATE FL 214	3
B06	01732020 K	BOLT HEX M12X25X1.25 SET 6PCS	1
B07	01732523 K	WASHER SPRING M12 SET 6PCS	1



## Seal kit complete

	71908750 K	Consists of all packsets with packset grease and O-rings	
--	------------	--	--

## Notes

The inner, outer stoprings and liftrings are pre-mounted in the grooves on spare stages and pistons. Therefore, when ordering new tubes, it is not required to order stoprings separately.

For repair instructions see: CYL-0040. Serial no. is located on type plate and below type plate support.